

WIND-TUNNEL STUDY OF
THE ARCO PLAZA BUILDING, LONG BEACH

by

J. A. Peterka* and J. E. Cermak**

for

Daon Corporation
2301 Spear Street Tower
No. 1 Market Plaza
San Francisco, California 94105

Fluid Mechanics and Wind Engineering Program
Fluid Dynamics and Diffusion Laboratory
Department of Civil Engineering
Colorado State University
Fort Collins Colorado 80523

CSU Project 2-27630

August 1981

*Associate Professor
**Professor-in-Charge, Fluid Mechanics and
Wind Engineering Program

CER81-82JAP-JEC11



TABLE OF CONTENTS

<u>Chapter</u>		<u>Page</u>
	LIST OF FIGURES	ii
	LIST OF TABLES	iii
	LIST OF SYMBOLS	iv
1	INTRODUCTION	1
	1.1 General	1
	1.2 The Wind-Tunnel Test	2
2	EXPERIMENTAL CONFIGURATION	5
	2.1 Wind Tunnel	5
	2.2 Model	5
3	INSTRUMENTATION AND DATA ACQUISITION	8
	3.1 Flow Visualization	8
	3.2 Pressures	8
	3.3 Velocity	10
4	RESULTS	12
	4.1 Flow Visualization	12
	4.2 Velocity	12
	4.3 Pressures	15
	4.4 Forces and Moments	19
5	DISCUSSION	21
	5.1 Flow Visualization	21
	5.2 Pedestrian Winds	21
	5.3 Pressures	22
	REFERENCES	24
	FIGURES	25
	TABLES	61
	APPENDIX A	156

LIST OF FIGURES

<u>Figure</u>		<u>Page</u>
1	Fluid Dynamics and Diffusion Laboratory	26
2	Wind-Tunnel Configuration	27
3	Pressure Tap Locations	28
4	Building Location and Pedestrian Wind Velocity Measuring Positions	35
5	Completed Model in Wind Tunnel	36
6	Data Sampling Time Verification	37
7	Mean Velocity and Turbulence Profiles approaching the Model	38
8	Mean Velocities and Turbulence Intensities at Pedestrian Locations	39
9	Wind Velocity Probabilities for Pedestrian Locations	49
10	Peak Pressure Contours on the Building for Cladding Loads	53
11	Load, Shear, and Moment Diagrams for Selected Wind Directions	57

LIST OF TABLES

<u>Table</u>		<u>Page</u>
1	Motion Picture Scene Guide	62
2	Pedestrian Wind Velocities and Turbulence Intensities	63
3	Annual Percentage Frequencies of Wind Direction and Speed	69
4	Summary of Wind Effects on People	70
5	Calculation of Reference Pressure	71
6	Maximum Pressure Coefficients and Loads in PSF . . .	72
7	Loads, Shears, and Moments for each Wind Direction	80

LIST OF SYMBOLS

<u>Symbol</u>	<u>Definition</u>
U	Local mean velocity
D	Characteristic dimension (building height, width, etc.)
ν, ρ	Kinematic viscosity and density of approach flow
$\frac{UD}{\nu}$	Reynolds number
E	Mean voltage
A, B, n	Constants
U_{rms}	Root-mean-square of fluctuating velocity
E_{rms}	Root-mean-square of fluctuating voltage
U_{∞}	Reference mean velocity outside the boundary layer
X, Y	Horizontal coordinates
Z	Height above surface
δ	Height of boundary layer
T_u	Turbulence intensity $\frac{U_{rms}}{U_{\infty}}$ or $\frac{U_{rms}}{U}$
$C_{p_{mean}}$	Mean pressure coefficient, $\frac{(p-p_{\infty})_{mean}}{0.5 \rho U_{\infty}^2}$
$C_{p_{rms}}$	Root-mean-square pressure coefficient, $\frac{((p-p_{\infty}) - (p-p_{\infty})_{mean})_{rms}}{0.5 \rho U_{\infty}^2}$
$C_{p_{max}}$	Peak maximum pressure coefficient, $\frac{(p-p_{\infty})_{max}}{0.5 \rho U_{\infty}^2}$
$C_{p_{min}}$	Peak minimum pressure coefficient, $\frac{(p-p_{\infty})_{min}}{0.5 \rho U_{\infty}^2}$
$()_{min}$	Minimum value during data record
$()_{max}$	Maximum value during data record

<u>Symbol</u>	<u>Definition</u>
p	Fluctuating pressure at a pressure tap on the structure
p_{∞}	Static pressure in the wind tunnel above the model
F_x, F_y	Forces in X, Y direction
A_R	Reference Area
CF_X	Force coefficient, X direction, $\frac{F_x}{A_R 0.5\rho U_{\infty}^2}$
CF_Y	Force coefficient, Y direction, $\frac{F_y}{A_R 0.5\rho U_{\infty}^2}$

1. INTRODUCTION

1.1 General

A significant characteristic of modern building design is lighter cladding and more flexible frames. These features produce an increased vulnerability of glass and cladding to wind damage and result in larger deflections of the building frame. In addition, increased use of pedestrian plazas at the base of the buildings has brought about a need to consider the effects of wind and gustiness in the design of these areas.

The building geometry itself may increase or decrease wind loading on the structure. Wind forces may be modified by nearby structures which can produce beneficial shielding or adverse increases in loading. Overestimating loads results in uneconomical design; underestimating may result in cladding or window failures. Tall structures have historically produced unpleasant wind and turbulence conditions at their bases. The intensity and frequency of objectionable winds in pedestrian areas is influenced both by the structure shape and by the shape and position of adjacent structures.

Techniques have been developed for wind tunnel modeling of proposed structures which allow the prediction of wind pressures on cladding and windows, overall structural loading, and also wind velocities and gusts in pedestrian areas adjacent to the building. Information on sidewalk-level gustiness allows plaza areas to be protected by design changes before the structure is constructed. Accurate knowledge of the intensity and distribution of the pressures on the structure permits adequate but economical selection of cladding strength to meet selected maximum design winds and overall wind loads for the design of the frame for flexural control.

Modeling of the aerodynamic loading on a structure requires special consideration of flow conditions in order to guarantee similitude between model and prototype. A detailed discussion of the similarity requirements and their wind-tunnel implementation can be found in references (1), (2), and (3). In general, the requirements are that the model and prototype be geometrically similar, that the approach mean velocity at the building site have a vertical profile shape similar to the full-scale flow, that the turbulence characteristics of the flows be similar, and that the Reynolds number for the model and prototype be equal.

These criteria are satisfied by constructing a scale model of the structure and its surroundings and performing the wind tests in a wind tunnel specifically designed to model atmospheric boundary-layer flows. Reynolds number similarity requires that the quantity UD/ν be similar for model and prototype. Since ν , the kinematic viscosity of air, is identical for both, Reynolds numbers cannot be made precisely equal with reasonable wind velocities. To accomplish this the air velocity in the wind tunnel would have to be as large as the model scale factor times the prototype wind velocity, a velocity which would introduce unacceptable compressibility effects. However, for sufficiently high Reynolds numbers ($>2 \times 10^4$) the pressure coefficient at any location on the structure will be essentially constant for a large range of Reynolds numbers. Typical values encountered are 10^7 - 10^8 for the full-scale and 10^5 - 10^6 for the wind-tunnel model. In this range acceptable flow similarity is achieved without precise Reynolds number equality.

1.2 The Wind-Tunnel Test

The wind-engineering study is performed on a building or building group modeled at scales ranging from 1:150 to 1:400. The building model

is constructed of clear plastic fastened together with screws. The structure is modeled in detail to provide accurate flow patterns in the wind passing over the building surfaces. The building under test is often located in a surrounding where nearby buildings or terrain may provide beneficial shielding or adverse wind loading. To achieve similarity in wind effects the area surrounding the test building is also modeled. A flow visualization study is first made (smoke is used to make the air currents visible) to define overall flow patterns and identify regions where local flow features might cause difficulties in building curtain-wall design or produce pedestrian discomfort.

The test model, equipped with pressure taps (200 to 600 or more), is exposed to an appropriately modeled atmospheric wind in the wind tunnel and the fluctuating pressure at each tap measured electronically. The model, and the modeled area, are rotated 10 or 15 degrees and another set of data recorded for each pressure tap. Normally, 24 or 36 sets of data (360 degrees of turning) are taken; however, when flow visualization or recorded data indicate high pressure regions of small azimuthal extent, data is obtained in smaller azimuthal steps.

Data are recorded, analyzed and processed by an on-line computerized data-acquisition system. Pressure coefficients of several types are calculated by the computer for each reading on each piezometer tap and are printed in tabular form as computer readout. Using wind data applicable to the building site, representative wind velocities are selected for combination with measured pressures on the building model. Integration of test data with wind data results in prediction of peak local wind pressures for design of glass or cladding and may include overall forces and moments on the structure (by floor if desired) for design of

the structural frame. Pressure contours are drawn on the developed building surfaces showing the intensity and distribution of peak wind loads on the building. These results may be used to divide the building into zones where lighter or heavier cladding or glass may be desirable.

Based on the visualization (smoke) tests and on a knowledge of heavy pedestrian use areas, a dozen or more locations may be chosen at the base of the building where wind velocities can be measured to determine the relative comfort or discomfort of pedestrians in plaza areas, near building entrances, near building corners, or on sidewalks. Usually a reference pedestrian position is also tested to determine whether the wind environment in the building area is better or worse than the environment a block or so away in an undisturbed area.

The following pages discuss in greater detail the procedures followed and the equipment and data collecting and processing methods used. In addition, the data presentation format is explained and the implications of the data are discussed.

2. EXPERIMENTAL CONFIGURATION

2.1 Wind Tunnel

Wind-engineering studies are performed in the Fluid Dynamics and Diffusion Laboratory at Colorado State University (Figure 1). Three large wind tunnels are available for wind loading studies depending on the detailed requirements of the study. The wind tunnel used for this investigation is shown in Figure 2. All tunnels have a flexible roof adjustable in height to maintain a zero pressure gradient along the test section. The mean velocity can be adjusted continuously in each tunnel to the maximum velocity available.

2.2 Model

In order to obtain an accurate assessment of local pressures using piezometer taps, models are constructed to the largest scale that does not produce significant blockage in the wind-tunnel test section. The models are constructed of 1/2 in. thick Lucite plastic and fastened together with metal screws. Significant variations in the building surface, such as mullions, are machined into the plastic surface. Piezometer taps (1/16 in. diameter) are drilled normal to the exterior vertical surfaces in rows at several or more elevations between the bottom and top of the building. Similarly, taps are placed in the roof and on any sloping, protruding, or otherwise distinctive features of the building that might need investigation.

Pressure tap locations are chosen so that the entire surface of the building can be investigated for pressure loading and at the same time permit critical examination of areas where experience has shown that maximum wind effects may be expected to occur. Locations of the pressure taps for this study are shown in Figure 3. Dimensions are

given both for full-scale building (in ft) and for model (in in.). The pressure tap numbers are shown adjacent to the taps.

The pressure tests are sometimes made in two stages. In the first stage measurements are made on the initial distribution of pressure taps. If it becomes apparent from the data that the loading on the building is being influenced by some unsuspected geometry of the building or adjacent structures, additional pressure taps are installed in the critical areas. The locations of the taps are selected so that the maximum loading can be detected and the area over which this loading is acting can be defined. Any added taps are also shown in Figure 3.

A circular area 750 to 2000 ft in radius depending on model scale and characteristics of the surrounding buildings and terrain is modeled in detail. Structures within the modeled region are made from styrofoam and cut to the individual building geometries. They are mounted on the turntable in their proper locations. Significant terrain features are included as needed. The model is mounted on a turntable (Figure 2) near the downwind end of the test section. Any buildings or terrain features which do not fit on the turntable are placed on removable pieces which are placed upwind of the turntable for appropriate wind directions. A plan view of the building and its surroundings is shown in Figure 4. The turntable is calibrated to indicate azimuthal orientation to 0.1 degree.

The region upstream from the modeled area is covered with a randomized roughness constructed using various sized cubes placed on the floor of the wind tunnel. Different roughness sizes may be used for different wind directions. Spires are installed at the test-section entrance to provide a thicker boundary layer than would otherwise be

available. The thicker boundary layer permits a somewhat larger scale model than would otherwise be possible. The spires are approximately triangularly shaped pieces of 1/2 in. thick plywood 6 in. wide at the base and 1 in. wide at the top, extending from the floor to the top of the test section. They are placed so that the broad side intercepts the flow. A barrier approximately 8 in. high is placed on the test-section floor downstream of the spires to aid in development of the boundary-layer flow.

The distribution of the roughness cubes and the spires in the roughened area was designed to provide a boundary-layer thickness of approximately 4 ft, a velocity profile power-law exponent similar to that expected to occur in the region approaching the modeled area for each wind direction (a number of wind directions may have the same approach roughness). A photograph of the completed model in the wind tunnel is shown in Figure 5. The wind-tunnel ceiling is adjusted after placement of the model to obtain a zero pressure gradient along the test section.

3. INSTRUMENTATION AND DATA ACQUISITION

3.1 Flow Visualization

Making the air flow visible in the vicinity of the model is helpful

- (a) in understanding and interpreting mean and fluctuating pressures,
- (b) in defining zones of separated flow and reattachment and zones of vortex formation where pressure coefficients may be expected to be high and
- (c) in indicating areas where pedestrian discomfort may be a problem.

Titanium tetrachloride smoke is released from sources on and near the model to make the flow lines visible to the eye and to make it possible to obtain motion picture records of the tests. Conclusions obtained from these smoke studies are discussed in Sections 4.1 and 5.1.

3.2 Pressures

Mean and fluctuating pressures are measured at each of the pressure taps on the model structure. Data are obtained for 24 or 36 wind directions, rotating the entire model assembly in a complete circle. Seventy-six pieces of 1/16 in. I.D. plastic tubing are used to connect 76 pressure ports at a time to an 80 tap pressure switch mounted inside the model. The switch was designed and fabricated in the Fluid Dynamics and Diffusion Laboratory to minimize the attenuation of pressure fluctuations across the switch. Each of the 76 measurement ports is directed in turn by the switch to one of four pressure transducers mounted close to the switch. The four pressure input taps not used for transmitting building surface pressures are connected to a common tube leading outside the wind tunnel. This arrangement provides both a means of performing in-place calibration of the transducers and, by connecting this tube to a pitot tube mounted inside the wind tunnel, a means of automatically monitoring the tunnel speed. The switch is operated by means of a shaft projecting through

the floor of the wind tunnel. A computer-controlled stepping motor steps the switch into each of the 20 required positions. The computer keeps track of switch position but a digital readout of position is provided at the wind tunnel.

The pressure transducers used are setra differential transducers (Model 237) with a 0.10 psid range. Reference pressures are obtained by connecting the reference sides of the four transducers, using plastic tubing, to the static side of a pitot-static tube mounted in the wind tunnel free stream above the model building. In this way the transducer measures the instantaneous difference between the local pressures on the surface of the building and the static pressure in the free stream above the model.

Output from the pressure transducers is fed to an on-line data acquisition system consisting of a Hewlett-Packard 21 MX computer, disk unit, card reader, printer, Digi-Data digital tape drive and a Preston Scientific analog-to-digital converter. The data are processed immediately into pressure coefficient form as described in Section 4.3 and stored for printout or further analysis.

All four transducers are recorded simultaneously for 16 seconds at a 250 sample per second rate. The results of an experiment to determine the length of record required to obtain stable mean and rms (root-mean-square) pressures and to determine the overall accuracy of the pressure data acquisition system is shown in Figure 6. A typical pressure port record was integrated for a number of different time periods to obtain the data shown. Examination of a large number of pressure taps showed that the overall accuracy for a 16 second period is, in pressure coefficient form, 0.03 for mean pressures, 0.1 for peak pressures, and 0.01 for rms pressures. Pressure coefficients are defined in Section 4.3.

3.3 Velocity

Mean velocity and turbulence intensity profiles are measured upstream of the model to determine that an approach boundary-layer flow appropriate to the site has been established. Tests are made at one wind velocity in the tunnel. This velocity is well above that required to produce Reynolds number similarity between the model and the prototype as discussed in Section 1.1.

In addition, mean velocity and turbulence intensity measurements are made 5 to 7 ft (prototype) above the surface at a dozen or more locations on and near the building for 16 wind directions. The measurement locations are shown on Figure 4. The surface measurements are indicative of the wind environment to which a pedestrian at the measurement location would be subjected. The locations are chosen to determine the degree of pedestrian comfort or discomfort at the building corners where relatively severe conditions frequently are found, near building entrances and on adjacent sidewalks where pedestrian traffic is heavy, and in open plaza areas. In most studies a reference pedestrian position, located about a block away, is also tested. These data are helpful in evaluating the degree of pedestrian comfort or discomfort in the proposed plaza area in terms of the undisturbed environment in the immediate vicinity.

Measurements are made with a single hot-wire anemometer mounted with its axis vertical. The instrumentation used is a Thermo Systems constant temperature anemometer (Model 1050) with a 0.001 in. diameter platinum film sensing element 0.020 in. long. Output is directed to the on-line data acquisition system for analysis.

Calibration of the hot-wire anemometer is performed by comparing output with the pitot-static tube in the wind tunnel. The calibration

data are fit to a variable exponent King's Law relationship of the form

$$E^2 = A + BU^n$$

where E is the hot-wire output voltage, U the velocity and A , B , and n are coefficients selected to fit the data. The above relationship was used to determine the mean velocity at measurement points using the measured mean voltage. The fluctuating velocity in the form U_{rms} (root-mean-square velocity) was obtained from

$$U_{\text{rms}} = \frac{2 E E_{\text{rms}}}{B n U^{n-1}}$$

where E_{rms} is the root-mean-square voltage output from the anemometer. For interpretation all turbulence measurements for pedestrian winds were divided by the mean velocity outside the boundary-layer U_{∞} . Turbulence intensity in velocity profile measurements used the local mean velocity.

4. RESULTS

4.1 Flow Visualization

A film is included as part of this report showing the characteristics of flow about the structure using smoke to make the flow visible. A listing of the contents of the film is shown in Table 1. Several features can be noted from the visualization. As with all large structures, wind approaching the building is deflected down to the plaza level, up over the structure and around the sides. A description of the smoke test results emphasizing flow patterns of concern relative to possible high-wind load areas and pedestrian comfort is given in Section 5.1.

4.2 Velocity

Velocity and turbulence profiles are shown in Figure 7. Profiles were taken upstream from the model which are characteristic of the boundary layer approaching the model and sometimes at the building site with building removed. The boundary-layer thickness, δ , is shown in Figure 7. The corresponding prototype value of δ for this study is also shown in the figure. This value was established as a reasonable height for this study. The mean velocity profile approaching the modeled area has the form

$$\frac{U}{U_{\infty}} = \left(\frac{z}{\delta}\right)^n .$$

The exponent n for the approach flow established for this study is shown in Figure 7.

Profiles of longitudinal turbulence intensity in the flow approaching the modeled area are shown in Figure 7. The turbulence intensities are appropriate for the approach mean velocity profile selected. For the velocity profiles, turbulence intensity is defined

as the root-mean-square about the mean of the longitudinal velocity fluctuations divided by the local mean velocity U ,

$$Tu = \frac{U_{rms}}{U} .$$

Velocity data obtained at each of the pedestrian measurement locations shown in Figure 4 are listed in Table 2 as mean velocity U/U_{∞} , turbulence intensity U_{rms}/U_{∞} , and largest effective gust

$$U_{pk} = \frac{U + 3U_{rms}}{U_{\infty}}$$

These data are plotted in polar form in Figure 8. Measurements were taken 5 to 7 ft above the ground surface. A site map is superimposed on the polar plots to aid in visualization of the effects of the nearby structures on the velocity and turbulence magnitudes. An analysis of these wind data is given in Section 5.2.

To enable a quantitative assessment of the wind environment, the wind-tunnel data were combined with wind frequency and direction information obtained at the local airport. Table 3 shows wind frequency by direction and magnitude obtained from summaries published by the National Weather Service. These data, usually obtained at an elevation of about 30-40 ft, were converted to velocities at the reference velocity height for the wind-tunnel measurements and combined with the wind-tunnel data to obtain cumulative probability distributions (percent time a given velocity is exceeded) for wind velocity at each measuring location. The percentage times were summed by wind direction to obtain a percent time exceeded at each measuring position independent of wind direction (but accounting for the fact that the wind blows from different directions with varying frequency). These results are plotted in Figure 9.

Interpretation of Figure 9 is aided by a description of the effects of wind of various magnitudes on people. The earliest quantitative description of wind effects was established by Sir Francis Beaufort in 1806 for use at sea and is still in use today. Several recent investigators have added to the knowledge of wind effects on pedestrians. These investigations along with suggested criteria for acceptance have been summarized by Penwarden and Wise (4) and Melbourne (5). The Beaufort scale (from ref. 4), based on mean velocity only, is reproduced as Table 4 including qualitative descriptions of wind effects. Table 4 suggests that mean wind speeds below 12 mph are of minor concern and that mean speeds above 24 mph are definitely inconvenient. Quantitative criteria for acceptance from reference 5 are superimposed as dashed lines on Figure 9. The peak gust curves shown in Figure 9 are the percent of time during which a short gust of the stated magnitude could occur (say about one of these gusts per hour). Implications of the data plotted in Figure 9 are presented in Section 5.2

Because some pedestrian wind measuring positions are purposely chosen at sites where the smoke tests showed large velocities of small spacial extent, the general wind environment about the structure may be less severe than one might infer from a strict analysis of Table 2 and Figure 9.

4.3 Pressures

For each of the pressure taps examined at each wind direction, the data record is analyzed to obtain four separate pressure coefficients.

The first is the mean pressure coefficient

$$C_{p_{\text{mean}}} = \frac{(p-p_{\infty})_{\text{mean}}}{0.5 \rho U_{\infty}^2}$$

where the symbols are as defined in the List of Symbols. It represents the mean of the instantaneous pressure difference between the building pressure tap and the static pressure in the wind tunnel above the building model, nondimensionalized by the dynamic pressure

$$0.5 \rho U_{\infty}^2$$

at the reference velocity position. This relationship produces a dimensionless coefficient which indicates that the mean pressure difference between building and ambient wind at a given point on the structure is some fraction less or some fraction greater than the undisturbed wind dynamic pressure near the upper edge of the boundary layer. Using the measured coefficient, prototype mean pressure values for any wind velocity may be calculated.

The magnitude of the fluctuating pressure is obtained by the rms pressure coefficient

$$C_{p_{\text{rms}}} = \frac{\left((p-p_{\infty}) - (p-p_{\infty})_{\text{mean}} \right)_{\text{rms}}}{0.5 \rho U_{\infty}^2}$$

in which the numerator is the root-mean-square of the instantaneous pressure difference about the mean .

If the pressure fluctuations followed a Gaussian probability distribution, no additional data would be required to predict the

frequency with which any given pressure level would be observed. However, the pressure fluctuations do not, in general, follow a Gaussian probability distribution so that additional information is required to show the extreme values of pressure expected. The peak maximum and peak minimum pressure coefficients are used to determine these values:

$$C_{P_{\max}} = \frac{(p-p_{\infty})_{\max}}{0.5 \rho U_{\infty}^2}$$

$$C_{P_{\min}} = \frac{(p-p_{\infty})_{\min}}{0.5 \rho U_{\infty}^2}$$

The values of $p-p_{\infty}$ which were digitized at 250 samples per second for 16 seconds, representing about one hour of time in the full-scale, are examined individually by the computer to obtain the most positive and most negative values during the 16-second period. These are converted to $C_{P_{\max}}$ and $C_{P_{\min}}$ by nondimensionalizing with the free stream dynamic pressure.

The four pressure coefficients are calculated by the on-line data acquisition system computer and tabulated along with the approach wind azimuth in degrees from true north. The list of coefficients is included as Appendix A. The pressure tap code numbers used in the appendix are explained in Figure 3.

To determine the largest peak loads acting at any point on the structure for cladding design purposes, the pressure coefficients for all wind directions were searched to obtain, at each pressure tap, the largest absolute value of peak pressure coefficient. Table 6 provides these pressure coefficients and associated wind directions. Included in Section 5.3 is an analysis of the coefficients of Table 6 including the maximum values obtained and where they occurred on the building.

The pressure coefficients of Table 6 can be converted to full-scale loads by multiplication by a suitable reference pressure selected for the field site. This reference pressure is represented in the equations for pressure coefficients by the $0.5 \rho U_{\infty}^2$ denominator. This value is the dynamic pressure associated with an hourly mean wind at the reference velocity measurement position at the edge of the boundary layer. In general, the method of arriving at a design reference pressure for a particular site involves selection of a design wind velocity, translation of the velocity to an hourly mean wind at the reference velocity location and conversion to a reference pressure. Selection of the design velocity can be made from statistical analysis of extreme wind data or selected from wind maps contained in the proposed wind loading code ANSI A58.1 of the American National Standards Institute (6). The calculation of reference pressure for this study is shown in Table 5. The factor used in Table 5 to reduce gust winds to hourly mean winds is given in reference (7).

The reference pressure associated with the design hourly mean velocity at the reference velocity location can be used directly with the peak-pressure coefficients to obtain peak local design wind loads for cladding design. Local, instantaneous peak loads on the full-scale building suitable for cladding design were computed by multiplying the reference pressure of Table 5 by the peak coefficients of Table 6 and are listed as peak pressures in that table. The maximum psf load given at each tap location is the absolute value of the maximum value found in the tests, irrespective of its algebraic sign. For ease in visualizing the loads on the structure, contours of equal peak pressures for cladding load shown in Table 6 have been plotted on developed elevation

views of the structure, Figure 10. For control of water infiltration from outside to inside, the largest positive (inward-acting) pressure at each tap location is tabulated in Table 6.

For glass design pressures, a glass load factor is used to account for the different duration between measured peak pressures and the one minute loading commonly used in glass design charts. The design pressure used for glass is normally less than the peak pressures used for cladding design because of the static fatigue property of glass which can withstand higher pressures for short duration loads than for long duration loads. Recent research (8) indicates that the period of application of the peak pressures reported herein is about 5-10 seconds or less. If a glass design is based on these peak-pressure values, then a glass strength associated with this duration load should be used. Because glass design charts are normally based on some alternate load duration--usually one minute--then some reduction in peak loads should be made. An estimate of a load reduction factor can be obtained from an empirical relation of glass strength as a function of load duration. Current glass selection charts showing glass strength as a function of load duration (9) and older references (10) indicate the following load reduction factors:

	ref 9	ref 10
annealed float	0.80	0.81
heat strengthened	0.94	
tempered	0.97	0.98

Loadings appropriate for glass design can be computed by multiplying the peak-pressure loads of Table 6 by these load factors.

4.4 Forces and Moments

Force coefficients in the horizontal X and Y directions and moment coefficients about the X, Y, and Z axes with the origin at ground level at the base of the building with Z axis vertical may be computed for all wind directions tested by integration of mean pressures on the building. Overall forces and moments acting on the full-scale building due to wind loading which are useful in designing the structural framing of the proposed building may be obtained from use of these coefficients.

Force coefficients were computed for each floor for each wind direction using the equations shown below.

$$CF_X = \frac{F_X}{A_R 0.5 \rho U_\infty^2} \quad CF_Y = \frac{F_Y}{A_R 0.5 \rho U_\infty^2}$$

Terms and symbols used in the equations are defined in the List of Symbols and the axes are defined for the building in Figure 3. Force coefficients CF_X and CF_Y were computed for the horizontal forces acting along the X and Y axes using the mean pressure coefficient at each pressure tap. A_R represents a constant reference area for nondimensionalization of the forces and moments.

The total forces acting on the full-scale building for each floor and wind direction were computed by multiplying the above coefficients by the appropriate full-scale reference area, by the reference pressure of Table 5, and by a gust load factor selected for an appropriate wind gust duration. The gust load factor, shown in Table 5, was selected to increase the loads from an hourly mean load to that of a gust whose duration would be sufficient for its effect to be fully felt by the structure. A table of gust load factors for various gust durations is

incorporated in Table 5 so that force and moment data of Table 7 may be adjusted to a different load duration if desired.

The forces obtained at each floor were used to obtain load, shear, and moment diagrams for the building for each wind direction. The shear diagram, in kips, was obtained by algebraic sum of all forces in each coordinate direction acting above the floor of interest. The load diagram, in psf, was obtained by dividing the shear values by their contributing areas (listed in Table 7). The moment diagram, in 1000 ft-kips, was obtained by integration of the shear values so that the moment due to forces acting above the floor level of interest was calculated. The sign of the moment was established by the right-hand rule about an X' , Y' axis through the floor of interest. Moments about the Z axis were calculated by considering the displacement of forces in the X and Y directions from the Z axis shown in Figure 3. Load, shear, and moment diagrams are shown in Figure 11 for several wind directions.

5. DISCUSSION

5.1 Flow Visualization

Flow patterns identified with smoke did not show characteristics typical of those which commonly produce high pressure areas. The wavy nature of the surface appeared to fix separation of flow in a way similar to a sharp corner preventing the formation of attached flows which could generate high pressures. The velocities in the pedestrian areas appeared to be fairly low except near the pointed ends of each half of the building where somewhat higher winds were observed for a narrow range of wind directions.

5.2 Pedestrian Winds

Figure 4 shows the 19 locations selected for investigation of pedestrian wind comfort. Location 1 was selected as a reference location which should be reasonably undisturbed by presence of the ARCO Plaza building. Table 2 and Figure 8 show that the largest values of mean velocity were measured at locations 3 and 8 at the ends of the buildings with values ranging from 60 to 65 percent of the mean velocity, U_{∞} , at the boundary-layer height. These values compare to the largest value of 54 percent measured at reference location 1 and to about 45 percent which might be expected in an open-country environment.

The largest value of fluctuating velocity, U_{rms} , was measured at location 10 with a value of 18 percent of U_{∞} . This value is quite modest for a city environment. It compares to a value of 15 percent measured at reference location 1 and to 10 to 12 percent which might be measured in an open-country environment. The largest values of peak gust, represented by the mean plus three rms as discussed in Section 4.2, were measured at locations 3 and 8 with values ranging

from 97 to 99 percent of U_{∞} . In comparison, the largest value measured at reference location 1 was 92 percent of U_{∞} and the largest value in an open-country environment might be about 80 percent of U_{∞} .

Velocity data of Table 2 integrated with local wind data shown in Table 3 are shown in Figure 9. Based on the data of this figure, the windiest locations will be 8, 14 and 16 which will be uncomfortable for short-exposure activities only a few percent of the time and comfortable for walking essentially all the time. Most other locations will be comfortable for long-exposure activities most of the time.

The results of the pedestrian wind analysis show that there are no significant wind problems about the base of the ARCO Plaza building.

5.3 Pressures

Table 6 shows the largest peak pressure coefficients and corresponding loads measured on the building for each pressure tap location. Data identified as Configuration A in Table 6 and Appendix A represent data obtained at all tap locations for 36 wind directions. Configuration B represents data obtained at 8 selected taps at 2-degree azimuthal increments near azimuths where large pressure peaks were observed in Configuration A to ensure that the largest peaks were obtained. The largest peak pressure coefficients measured on the building were -2.6 and -2.4 measured on the building at taps 2126 and 1206 for Configurations B and A respectively. These largest peak coefficients represent, using the 50-yr recurrence wind reference pressure of Table 5, peak cladding pressures of -54 and -50 psf respectively. Figure 10 shows that most of the area of the building has 50-yr recurrence peak cladding pressures of 20 psf or less.

Figure 11 shows load shear and moment diagrams for the wind directions which produce the largest X and Y base shear for each building. The

wind directions for these largest base shears are separated only by 20 and 30 degrees for the two buildings. For the case where the Y shear is at its maximum, the X shear is still substantially larger than the Y shear.

REFERENCES

1. Cermak, J. E., "Laboratory Simulation of the Atmospheric Boundary Layer," AIAA J1., Vol. 9, September 1971.
2. Cermak, J. E., "Applications of Fluid Mechanics to Wind Engineering," A Freeman Scholar Lecture, ASME J1. of Fluids Engineering, Vol. 97, No. 1, March 1975.
3. Cermak, J. E., "Aerodynamics of Buildings," Annual Review of Fluid Mechanics, Vol. 8, 1976, pp. 75-106.
4. Penwarden, A. D., and Wise, A. F. E., "Wind Environment Around Buildings," Building Research Establishment Report, HMSO, 1975.
5. Melbourne, W. H., "Criteria for Environmental Wind Conditions," J1. Industrial Aerodynamics, vol. 3, pp. 241-247, 1978.
6. American National Standards Institute, "American National Standard Building Code Requirements for Minimum Design Loads in Buildings and Other Structures," ANSI Standard A58.1, 1972.
7. Hollister, S. C., "The Engineering Interpretation of Weather Bureau Records for Wind Loading on Structures," Building Science Series 30--Wind Loads on Buildings and Structures, National Bureau of Standards, pp. 151-164, 1970.
8. Peterka, J. A., and Cermak, J. E., "Peak-Pressure Duration in Separated Regions on a Structure," U.S.-Japan Research Seminar on Wind Effects on Structures, Kyoto, Japan, 9-13 September 1974; Report CEP74-75JAP-JEC8, Fluid Mechanics Program, Colorado State University, September 1974.
9. PPG Glass Thickness Recommendations to Meet Architects' Specified 1-Minute Wind Load, Pittsburgh Plate Glass Industries, April 1979.
10. Shand, E. B., "Glass Engineering Handbook," Second Edition, McGraw-Hill, New York, p. 51, 1958.

FIGURES

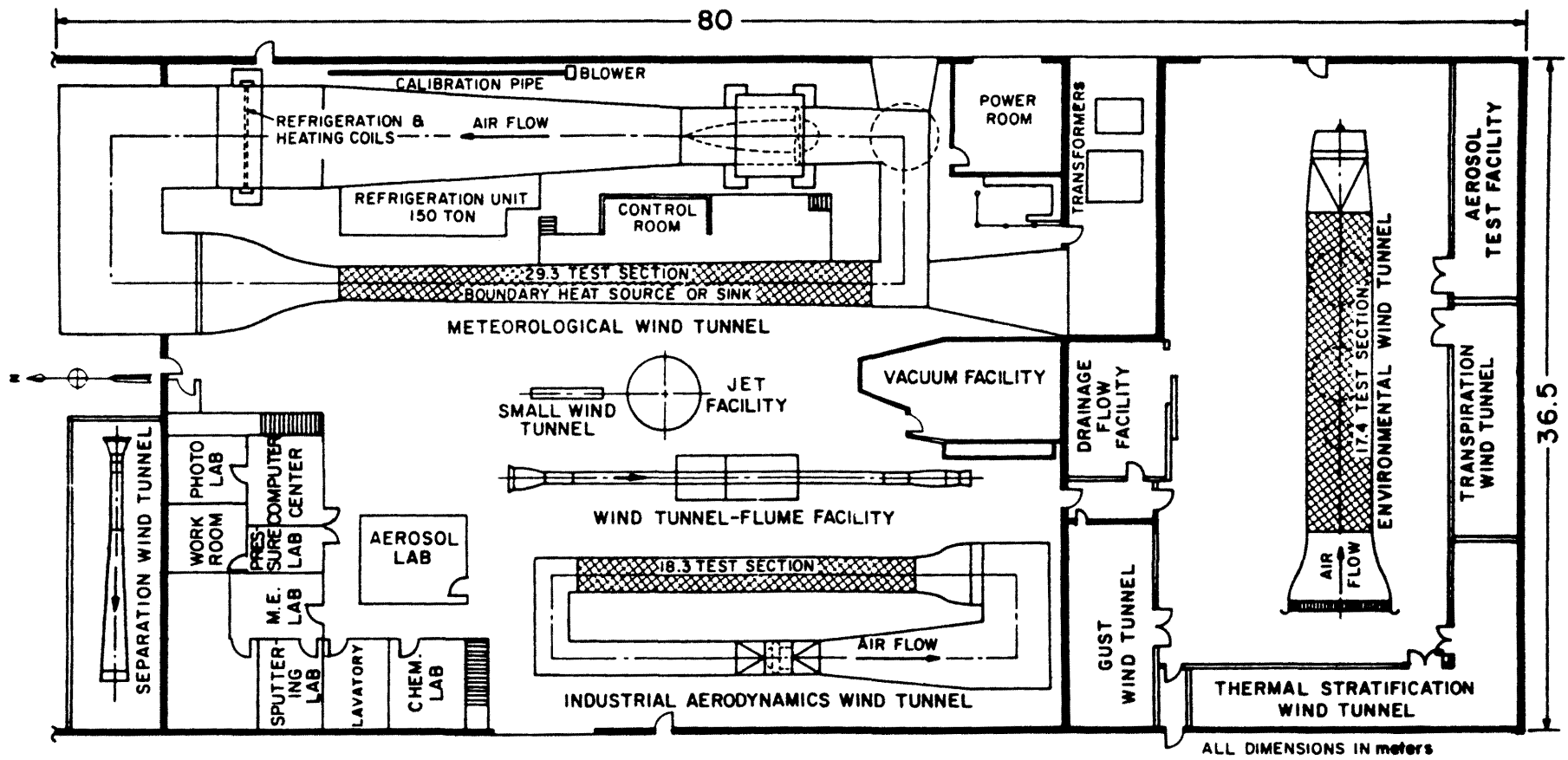
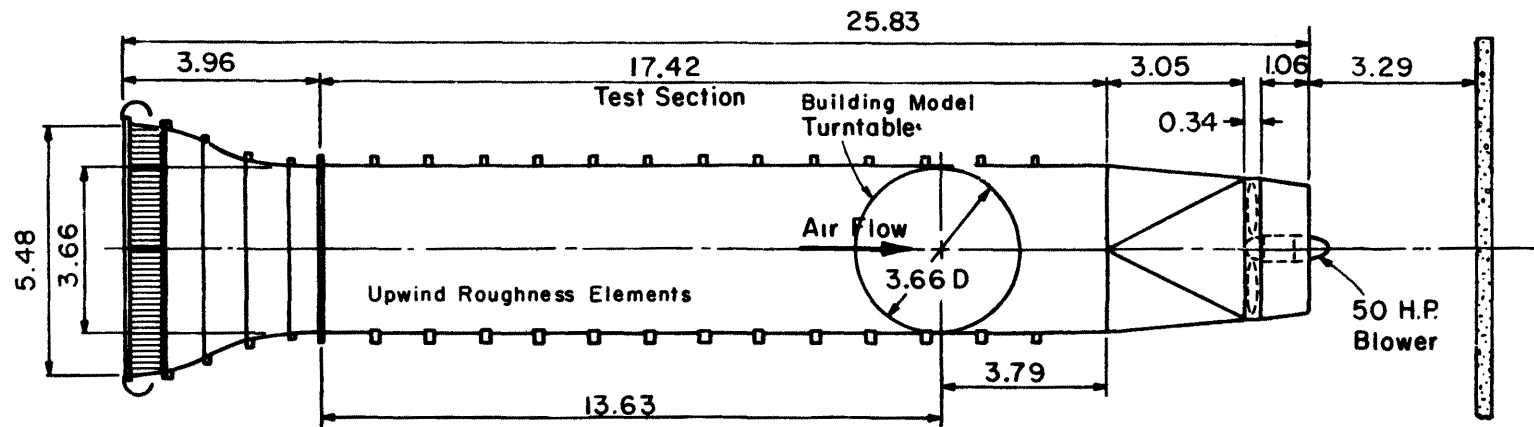
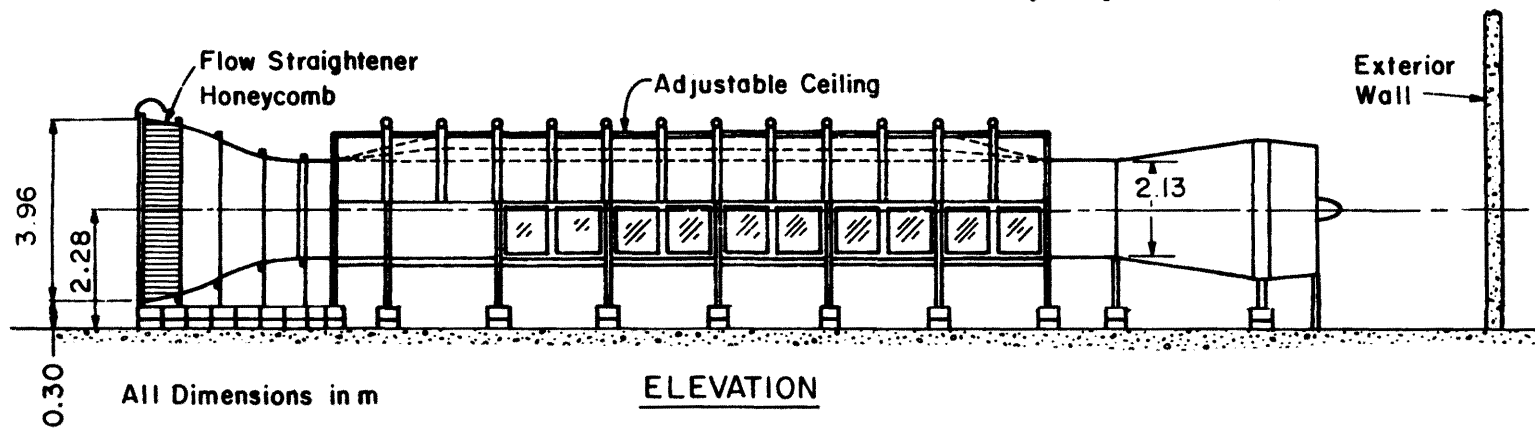


Figure 1. FLUID DYNAMICS AND DIFFUSION LABORATORY
COLORADO STATE UNIVERSITY



PLAN

Velocity Range: 0.3 - 11 m/s



ELEVATION

All Dimensions in m

ENVIRONMENTAL WIND TUNNEL

Figure 2 - Wind Tunnel Configuration

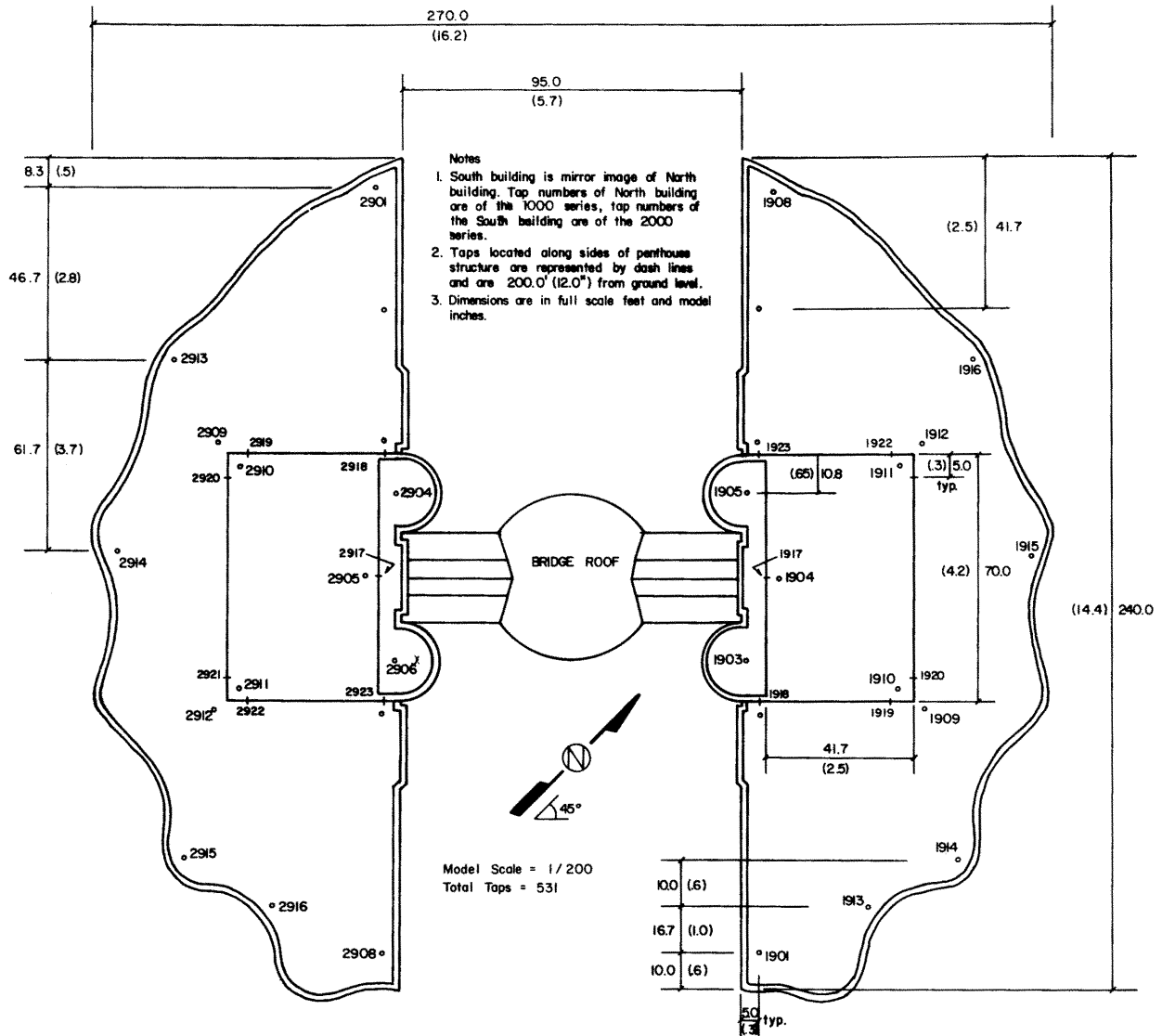
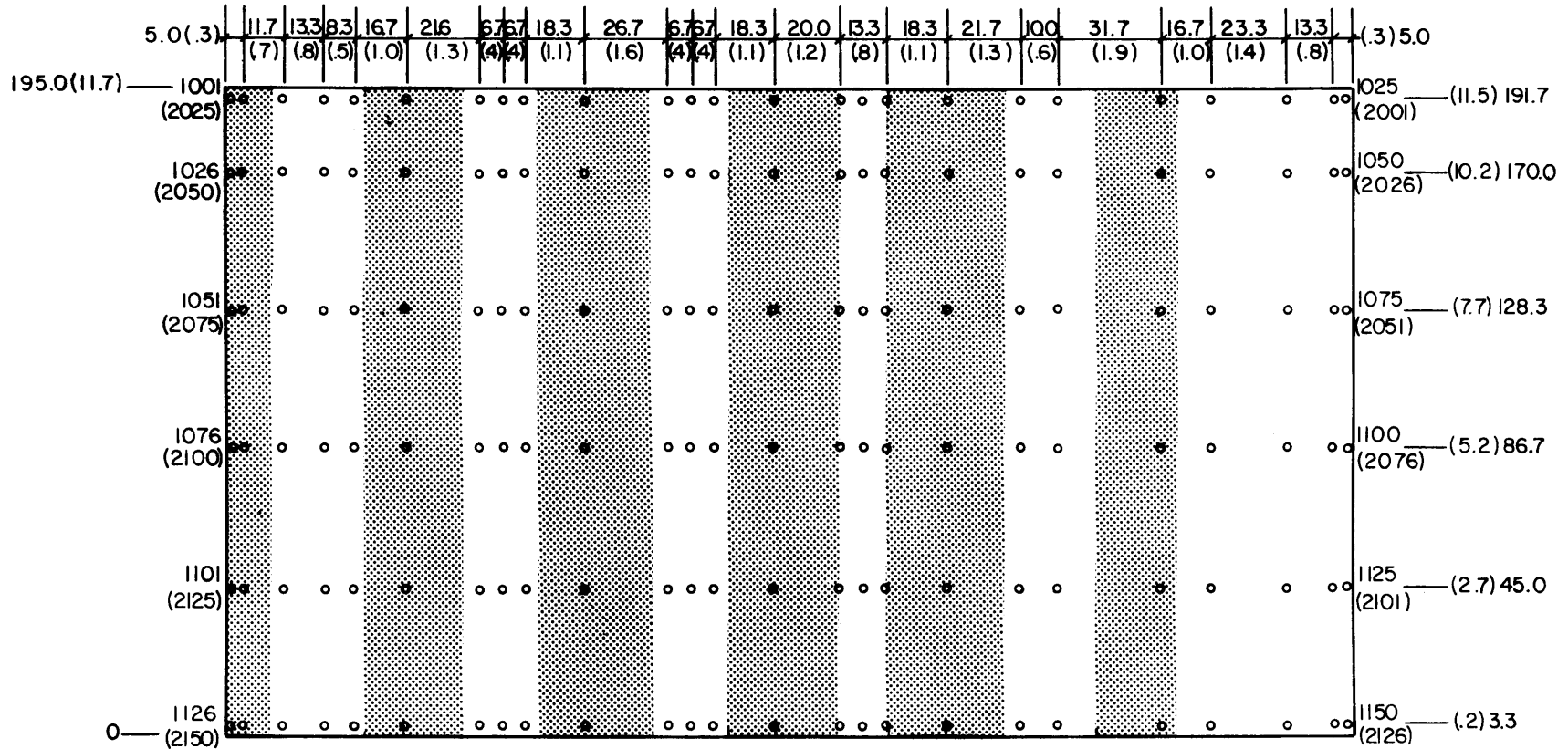


Figure 3a. Pressure Tap Locations

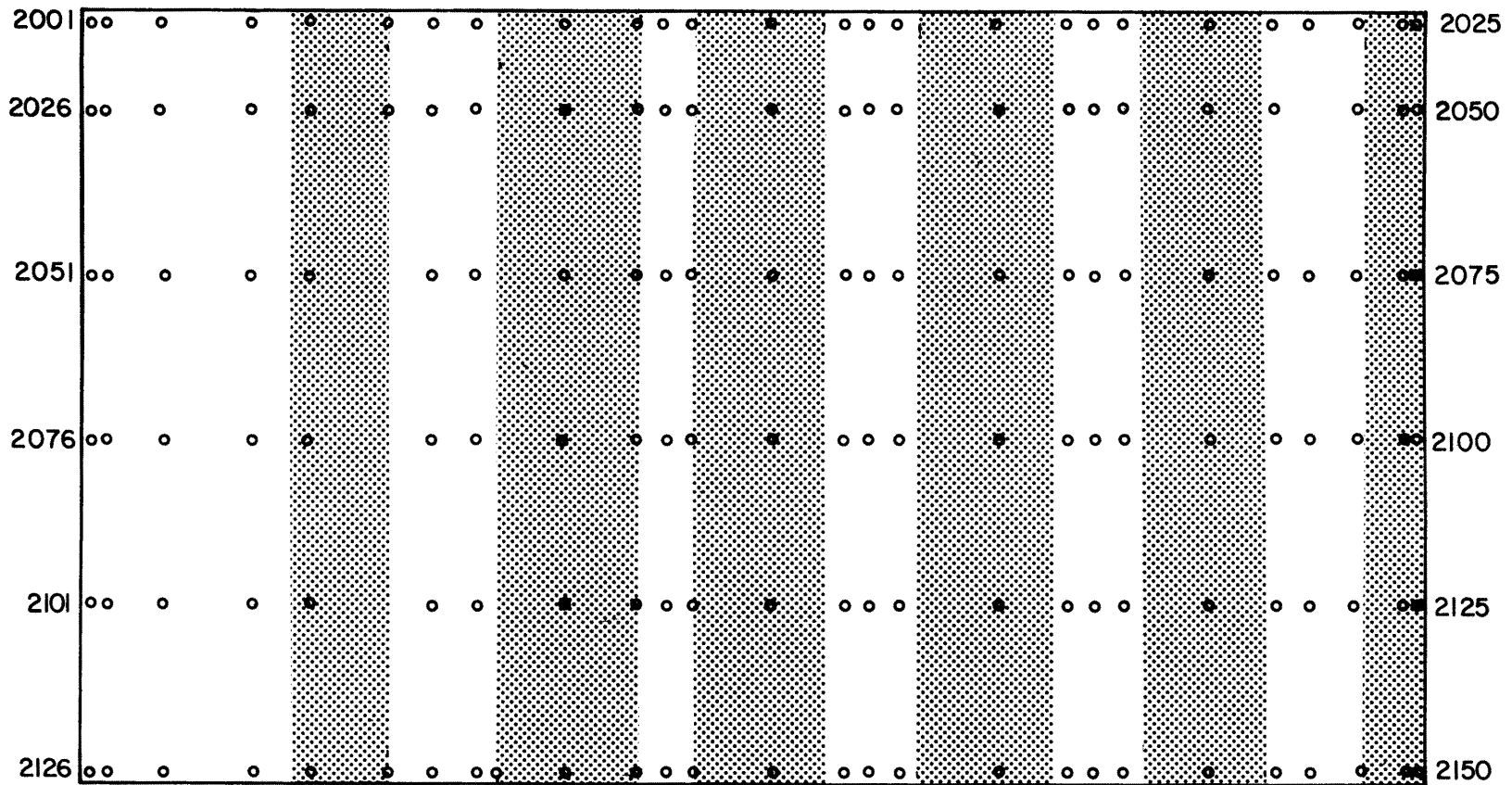


NORTH ELEVATION
of North Building
(Developed View)

Note:
South elevation of South building is mirror image (exchange right for left) of North elevation of North building. Tap numbers of South elevation are of the 2000 series and are shown here within parentheses.

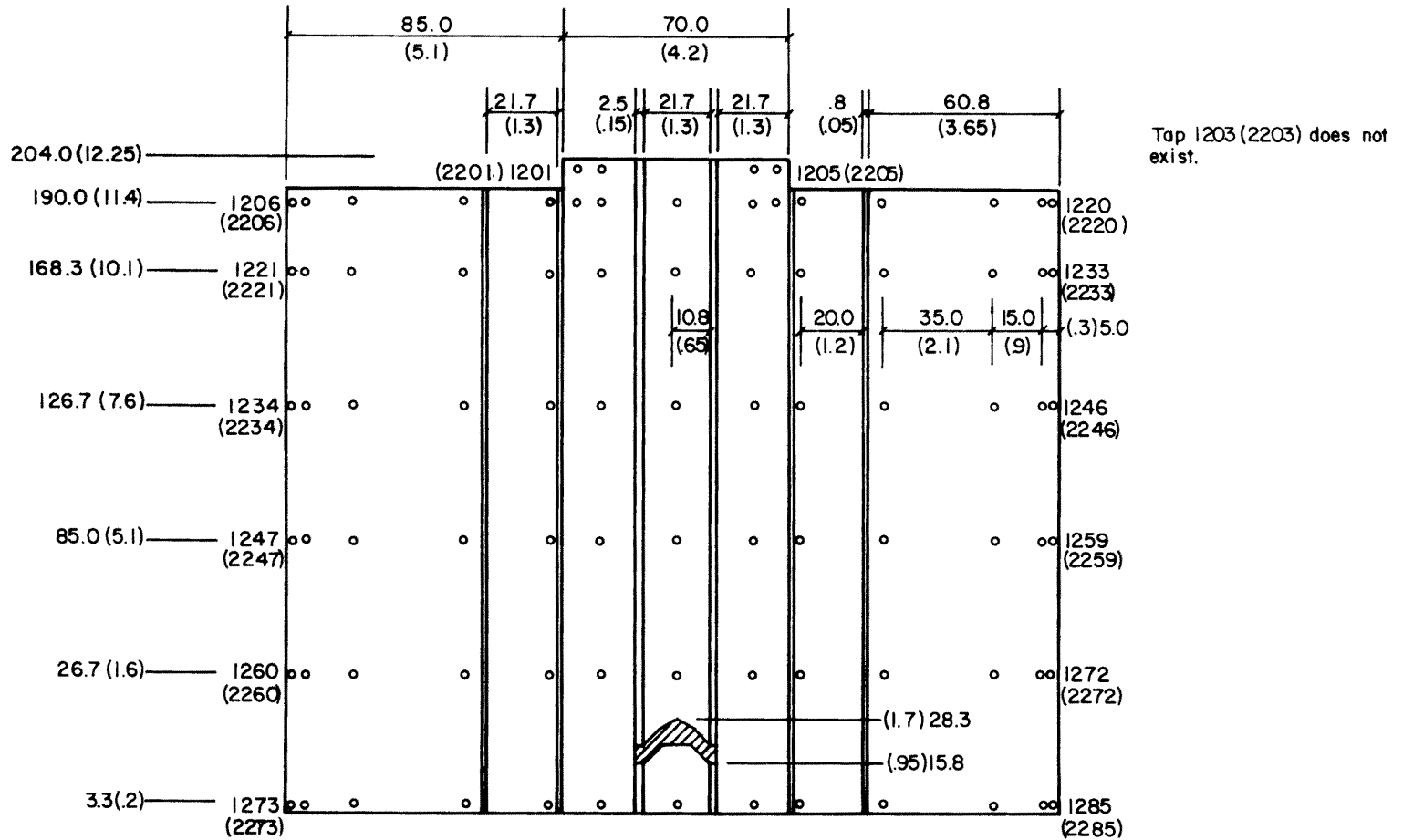
Note:
Boundaries between shaded and clear areas represent inflection points; the clear areas represent the crests, shaded areas the valleys.

Figure 3b. Pressure Tap Locations



SOUTH ELEVATION
of South Building
(Developed View)

Figure 3c. Pressure Tap Locations



Note:
 North Elevation of South building is identical to this view. Tap numbers of the south building are of the 2000 series and are shown here within parentheses

South Elevation of North Building

Figure 3d. Pressure Tap Locations

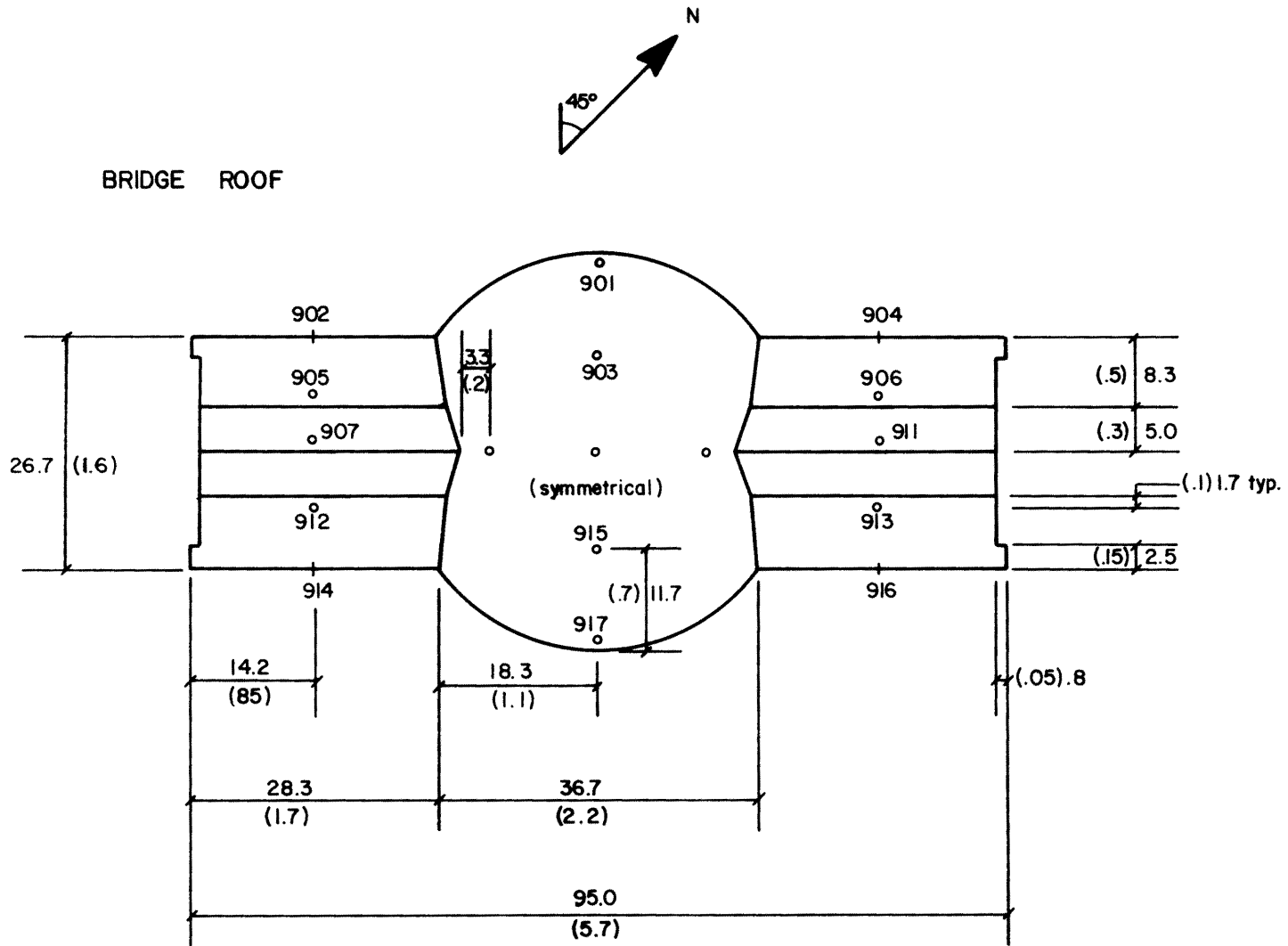


Figure 3e. Pressure Tap Locations

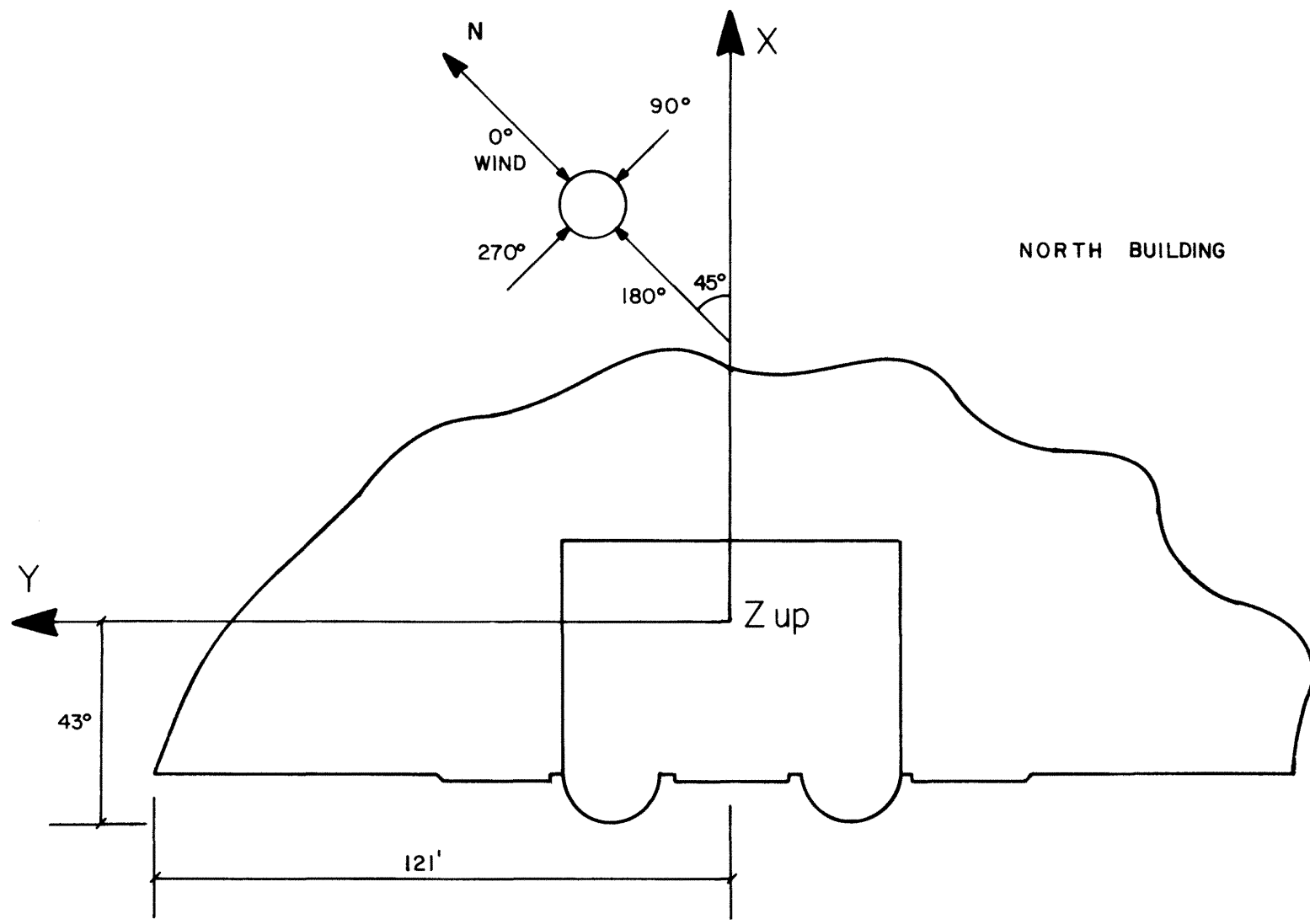


Figure 3f. Pressure Tap Locations

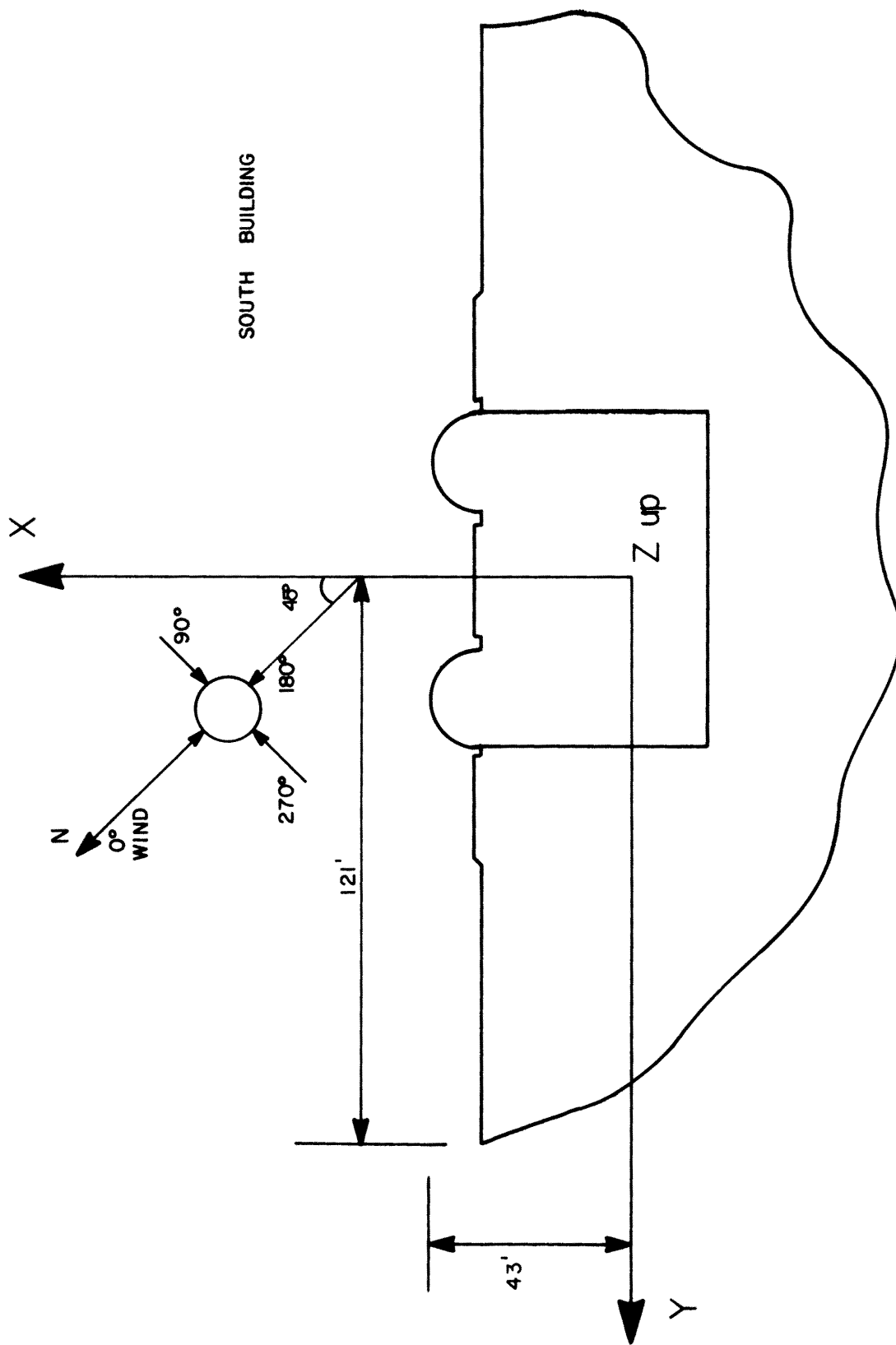


Figure 3g. Pressure Tap Locations

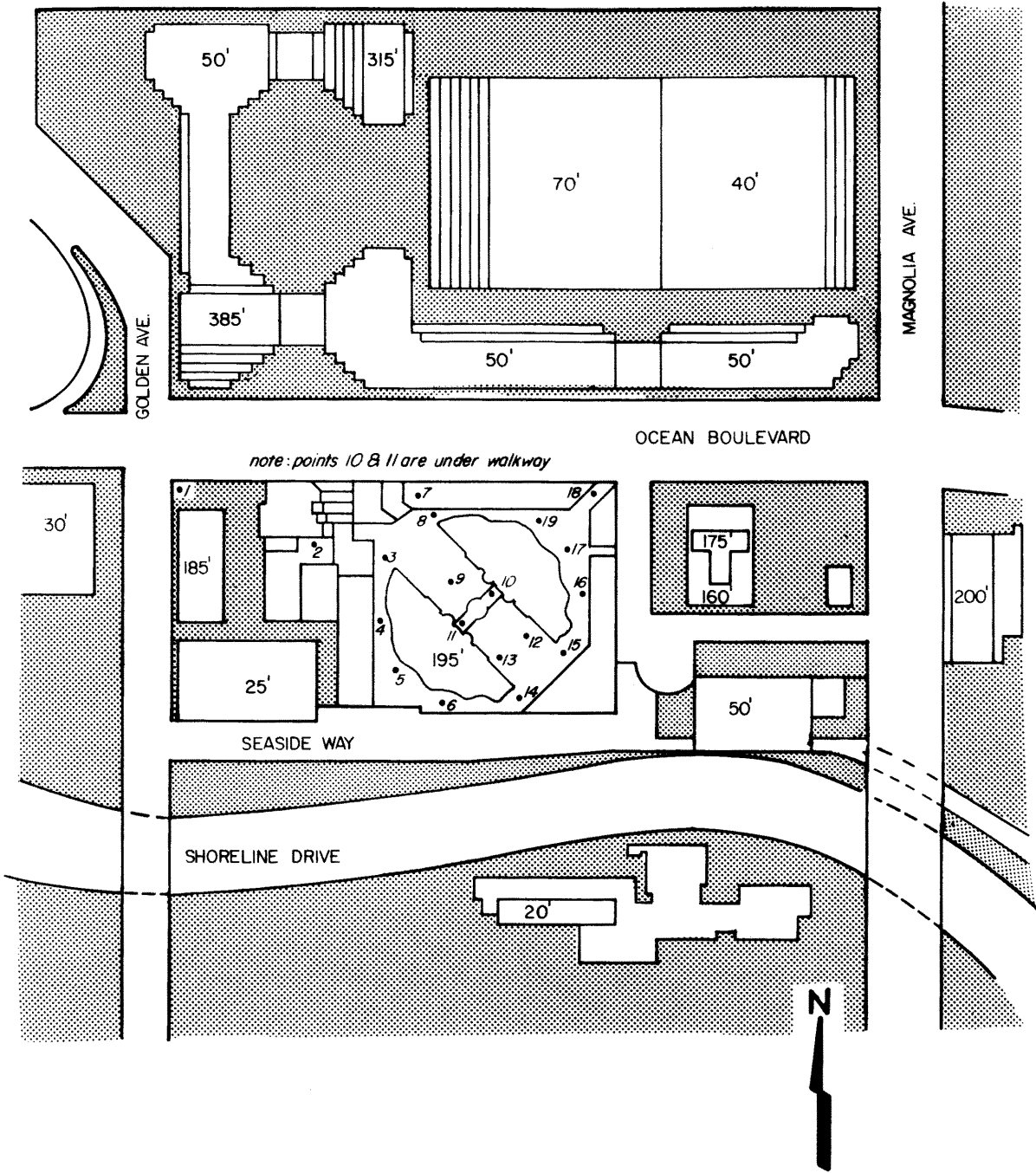


Figure 4. Building Location and Pedestrian Wind Velocity Measuring Positions

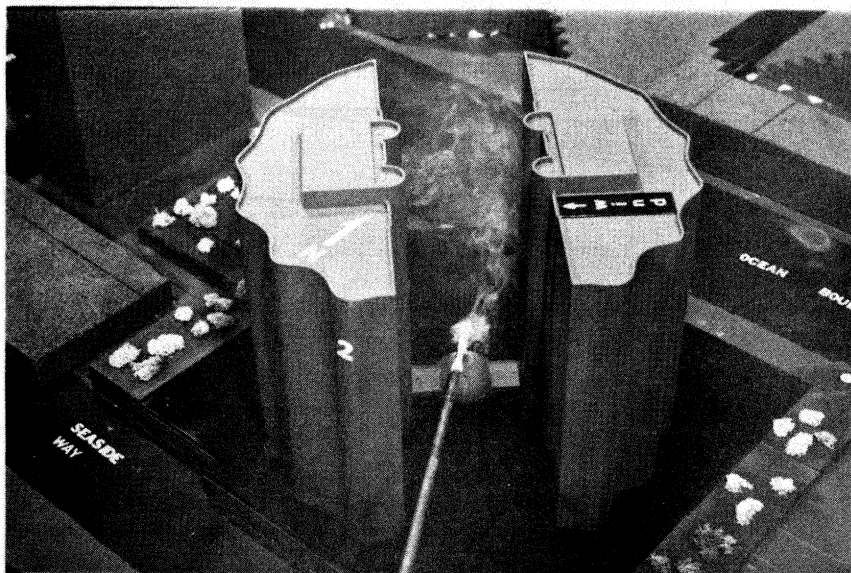


Figure 5. Completed Model in Wind Tunnel

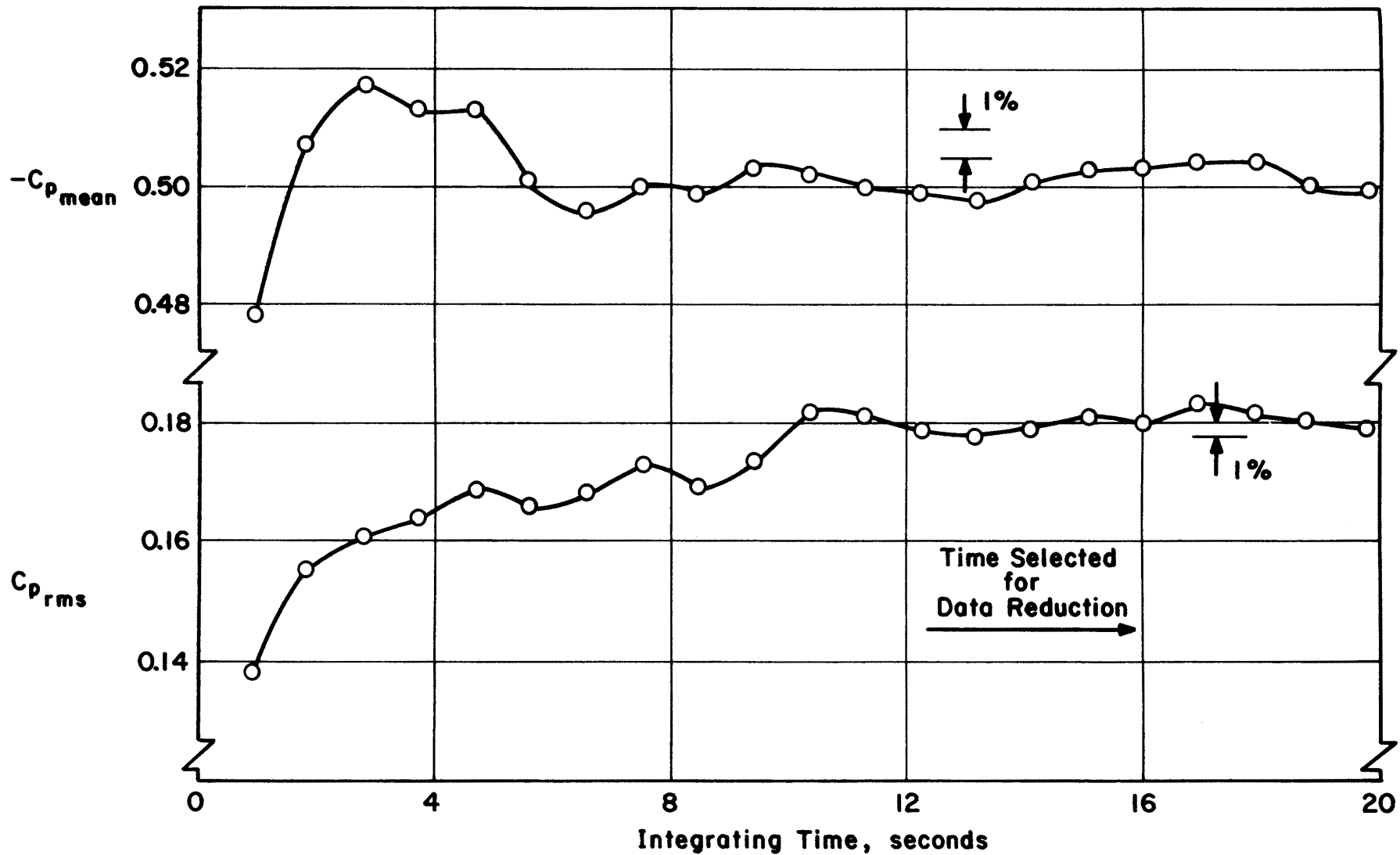


Figure 6- Data Sampling Time Verification

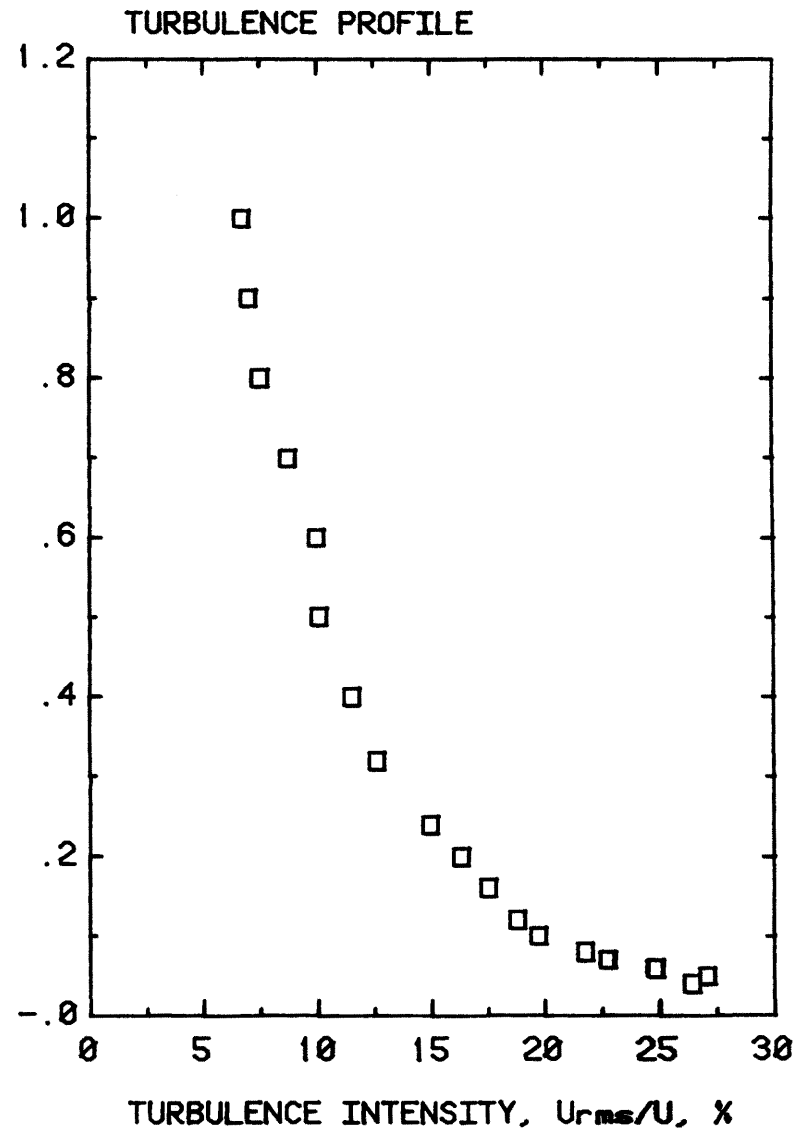
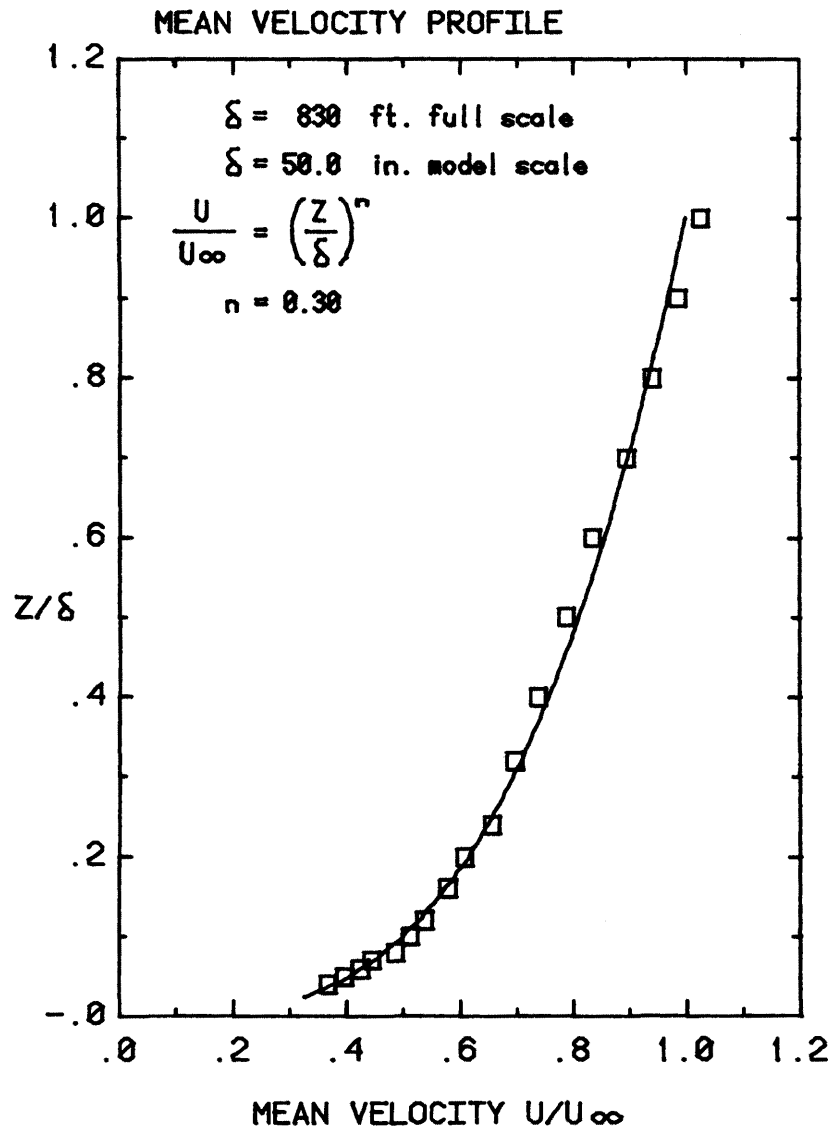


Figure 7. Mean Velocity and Turbulence Profiles Approaching the Model.

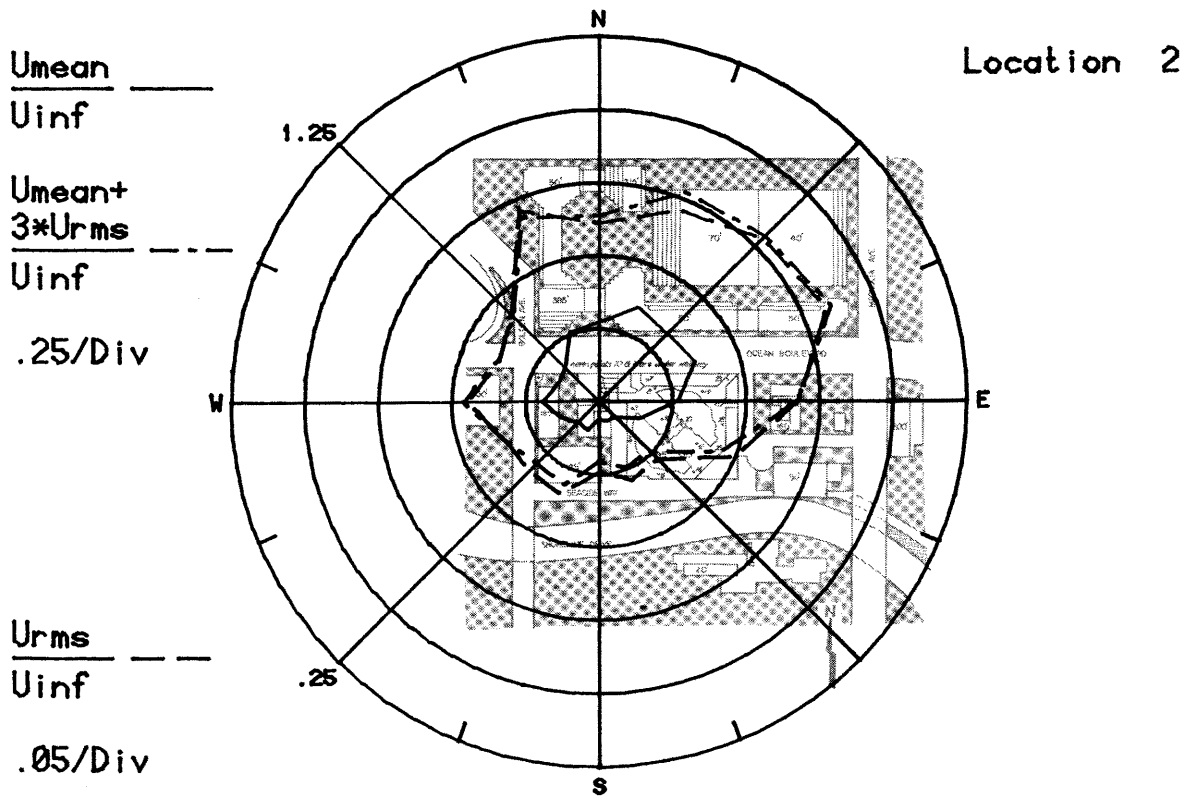
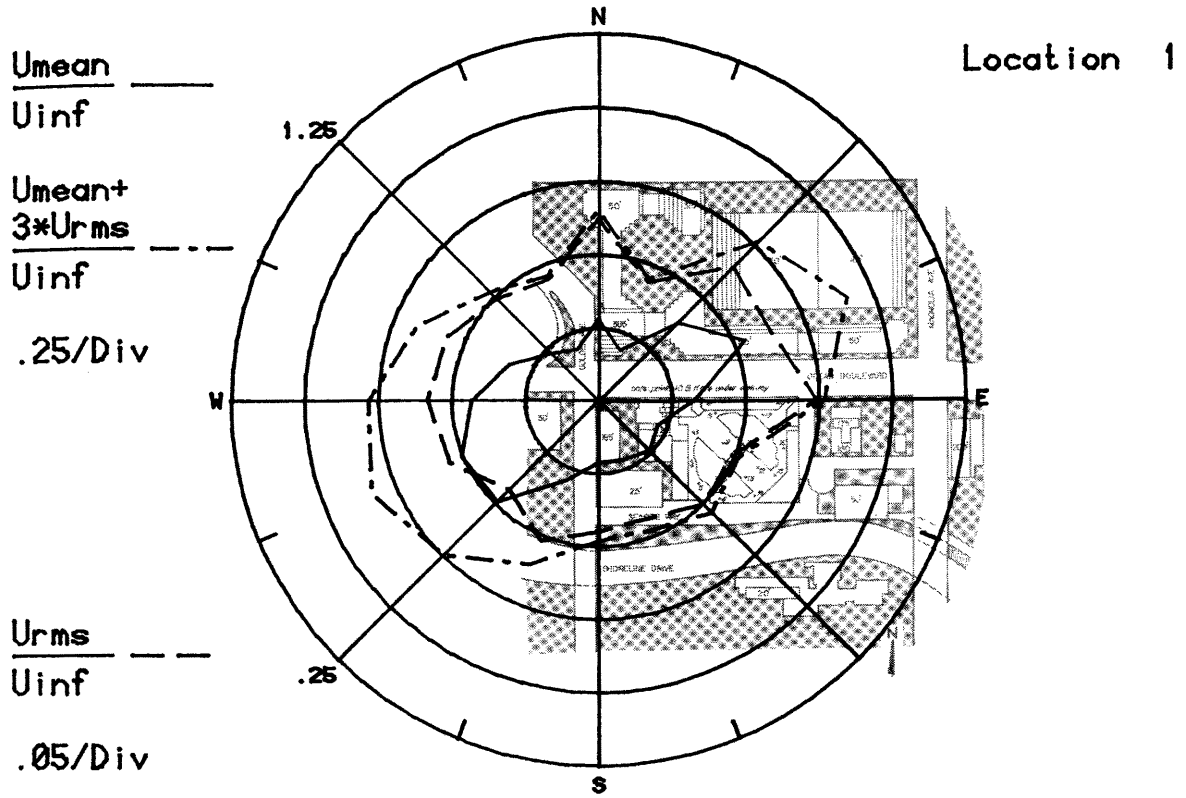


Figure 8a. Mean Velocities and Turbulence Intensities at Pedestrian Locations 1 and 2

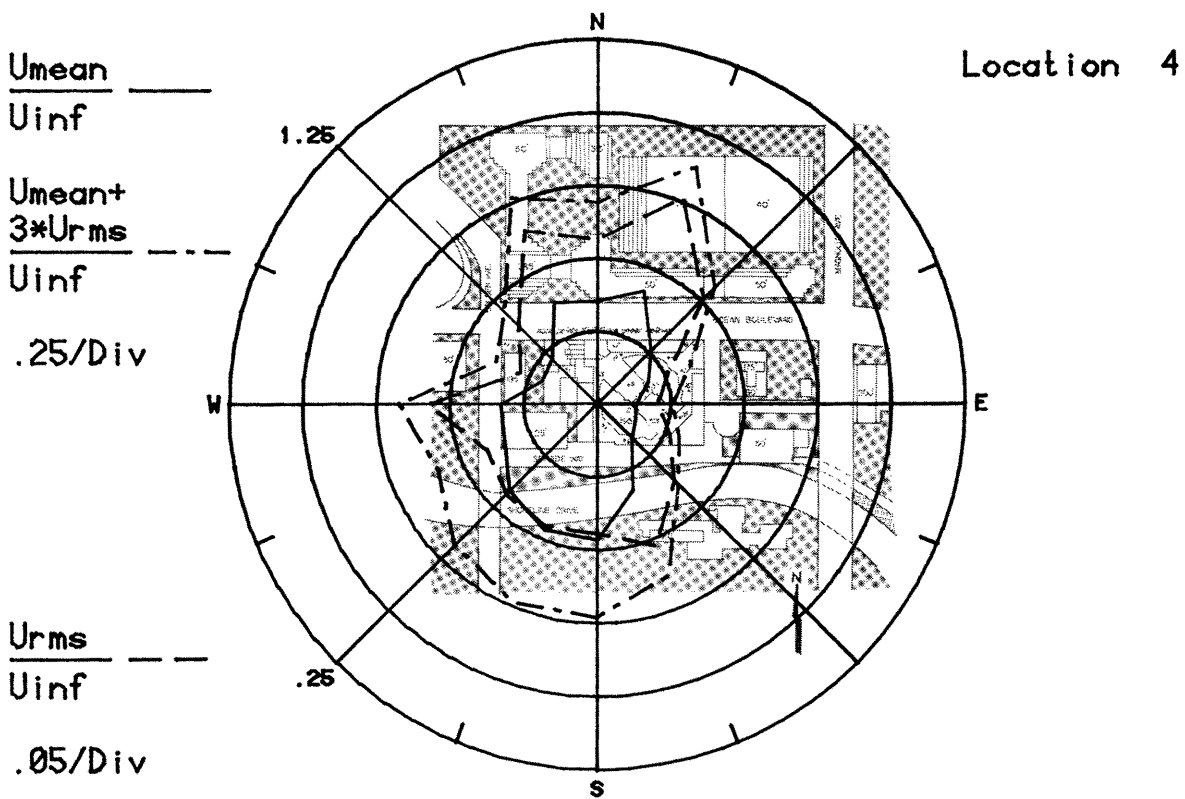
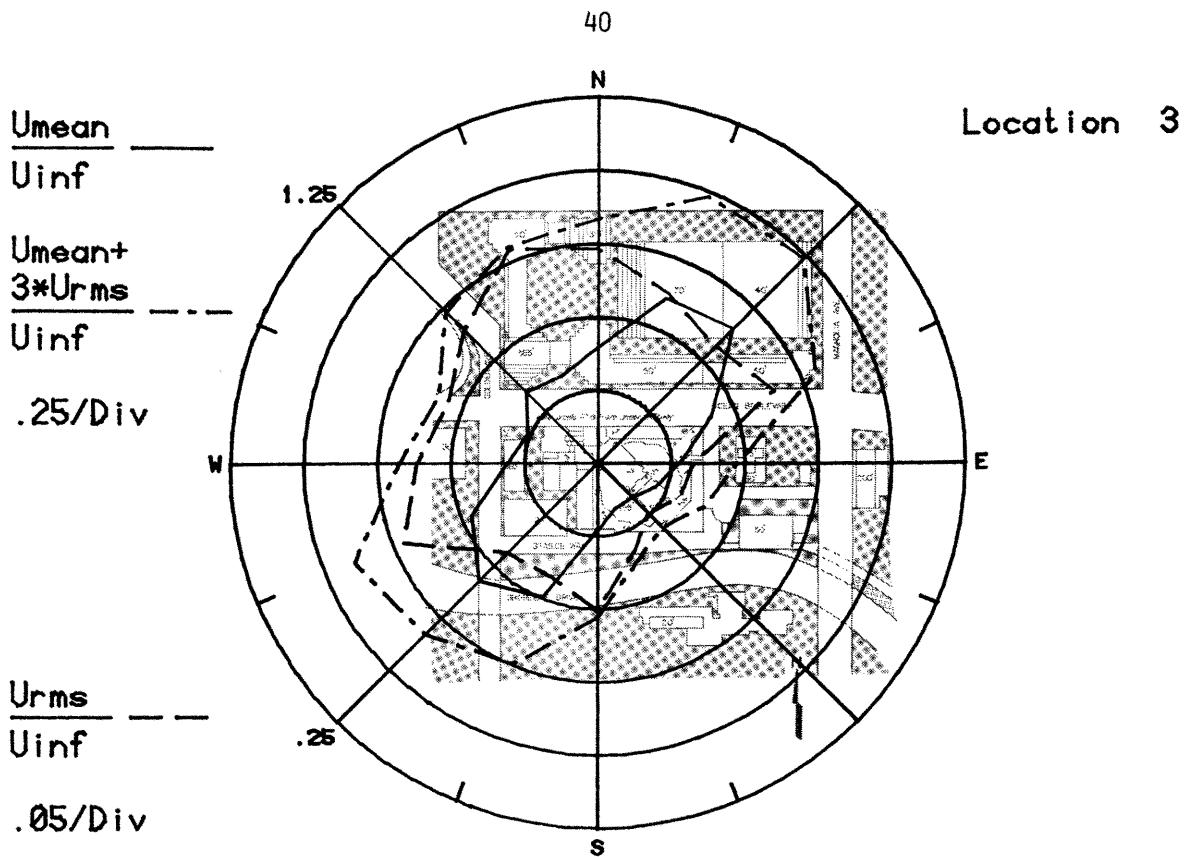


Figure 8b. Mean Velocities and Turbulence Intensities at Pedestrian Locations 3 and 4

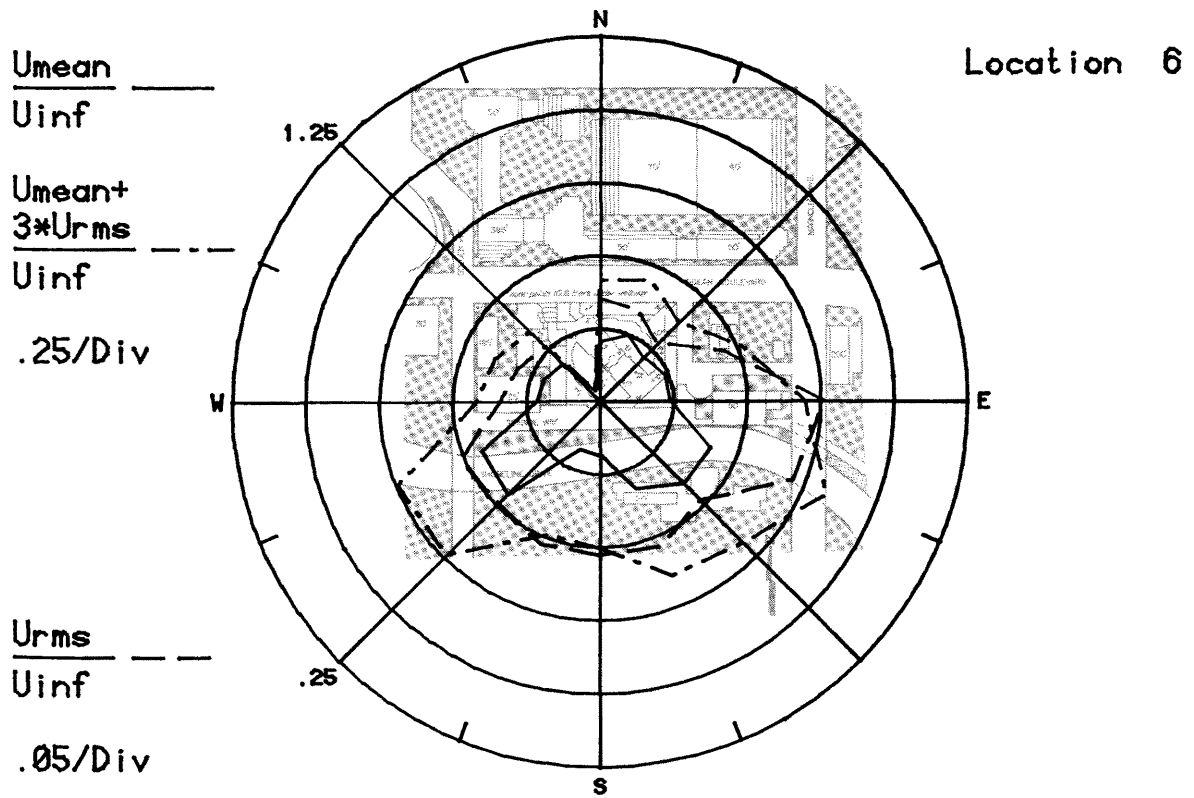
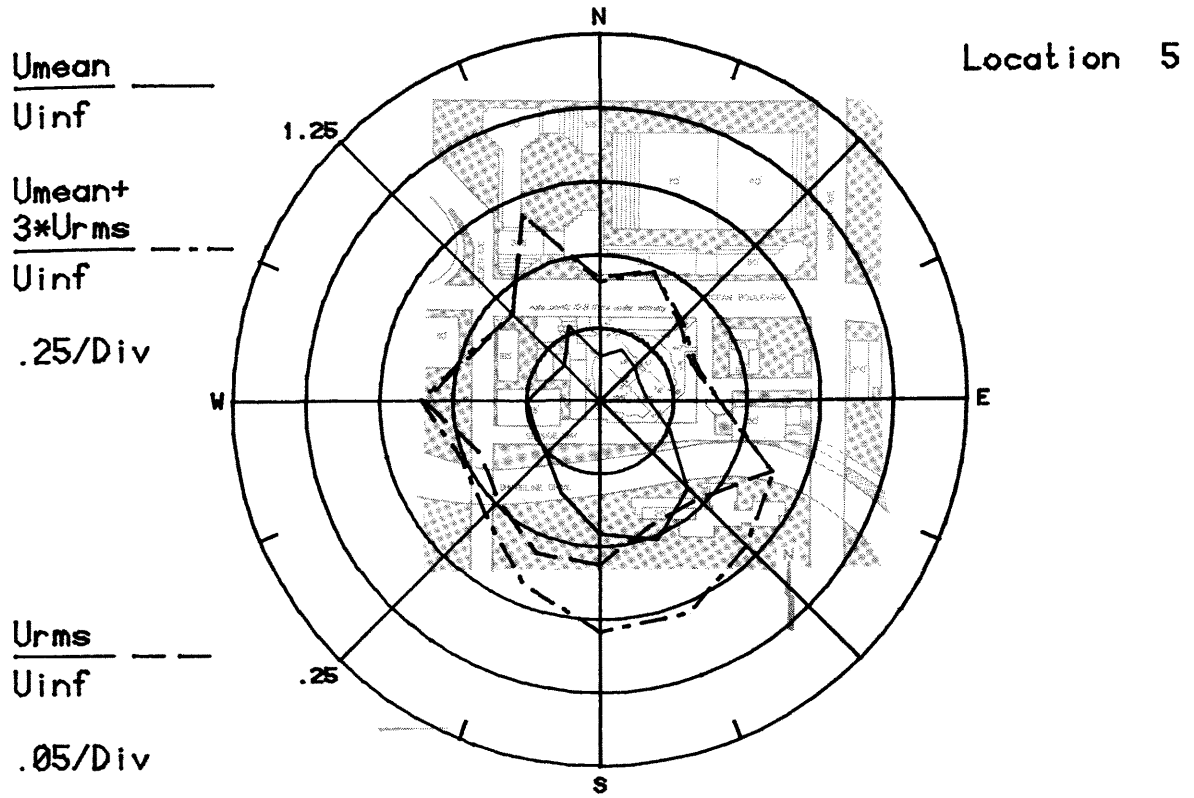


Figure 8c. Mean Velocities and Turbulence Intensities at Pedestrian Locations 5 and 6

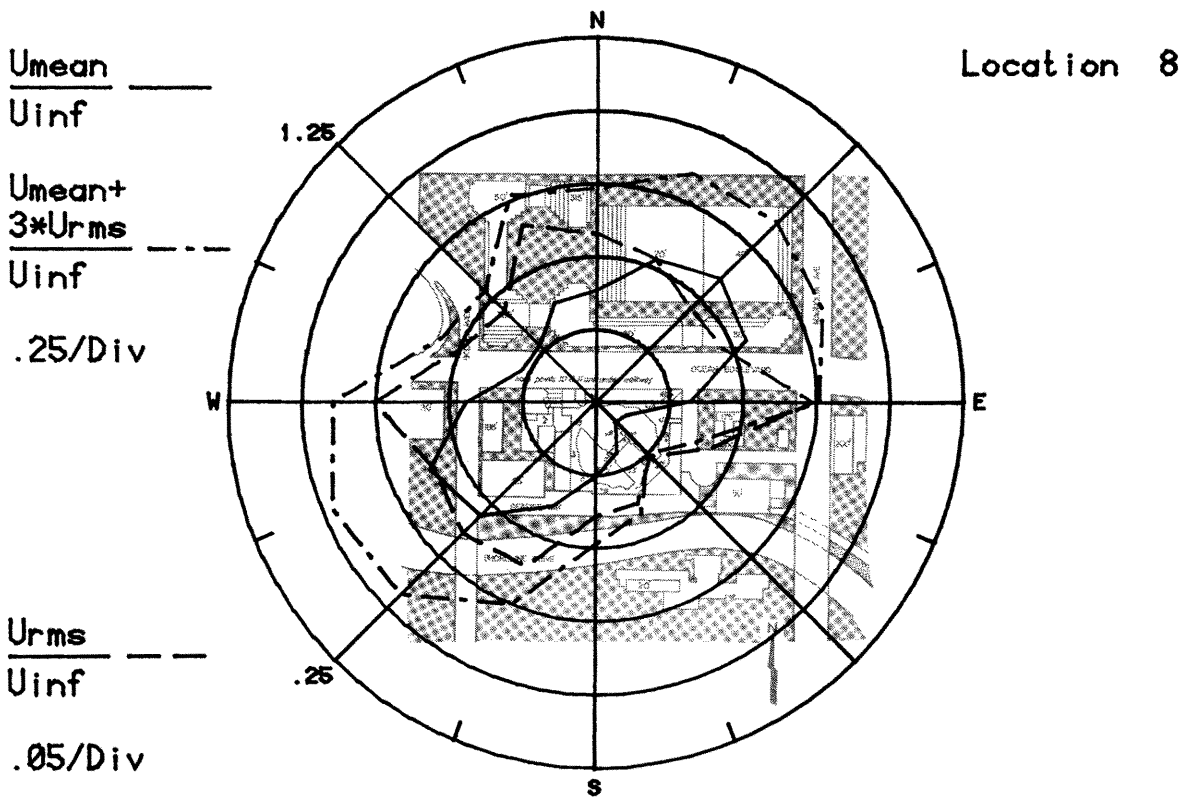
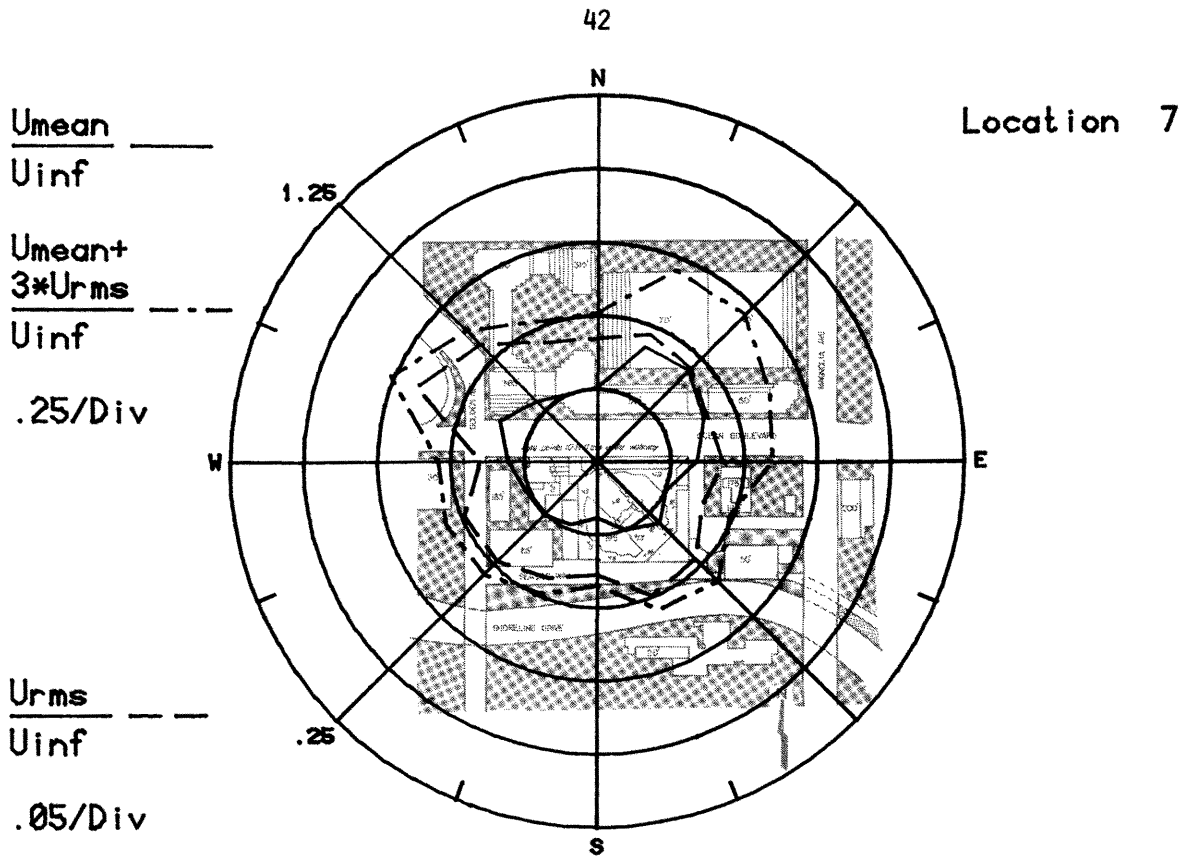
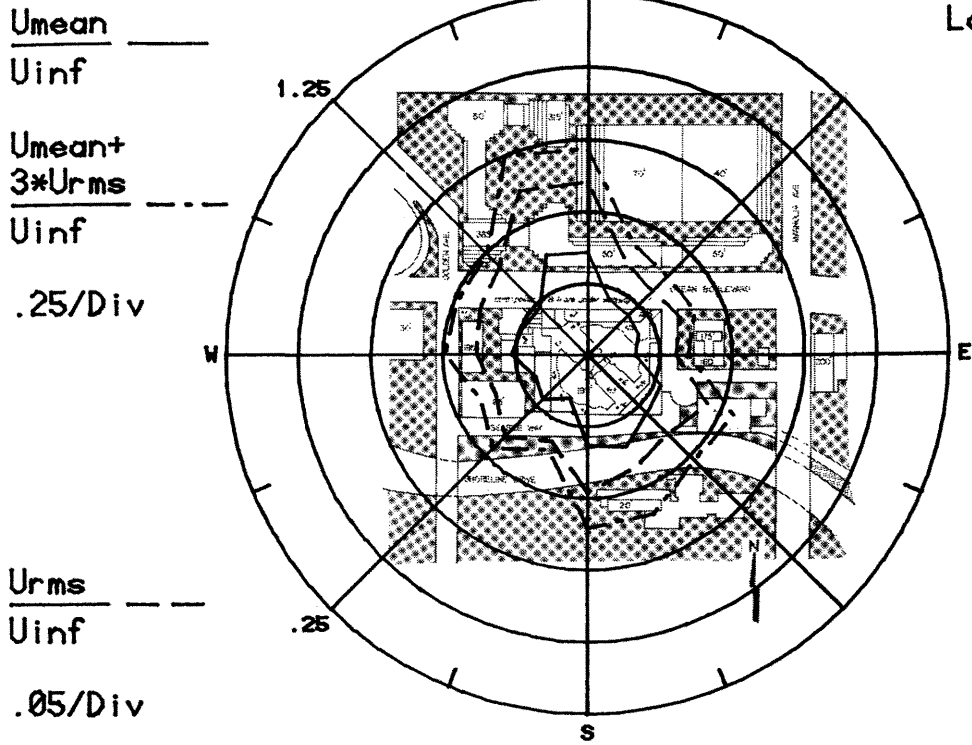


Figure 8d. Mean Velocities and Turbulence Intensities at Pedestrian Locations 7 and 8

Location 9



Location 10

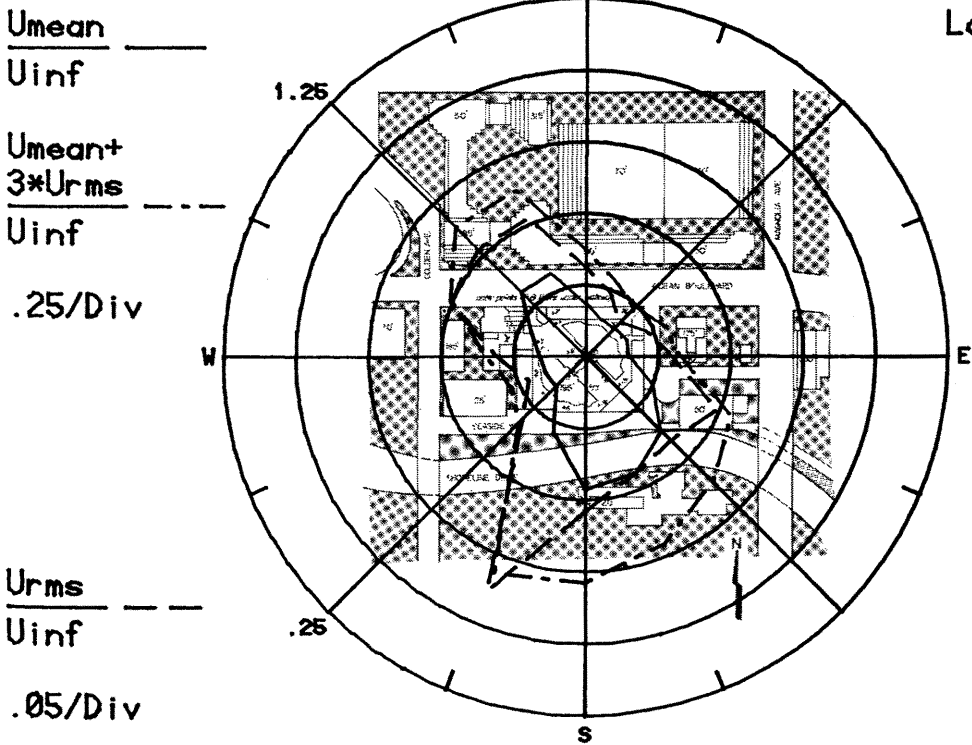


Figure 8e. Mean Velocities and Turbulence Intensities at Pedestrian Locations 9 and 10

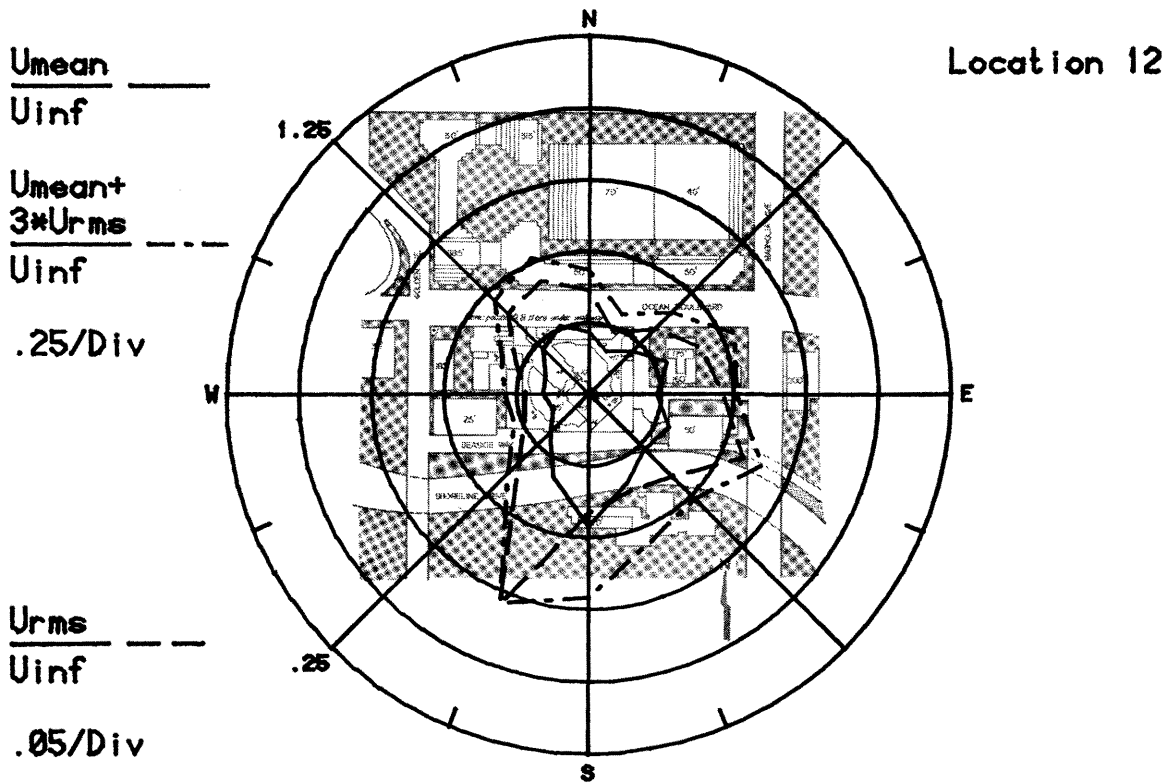
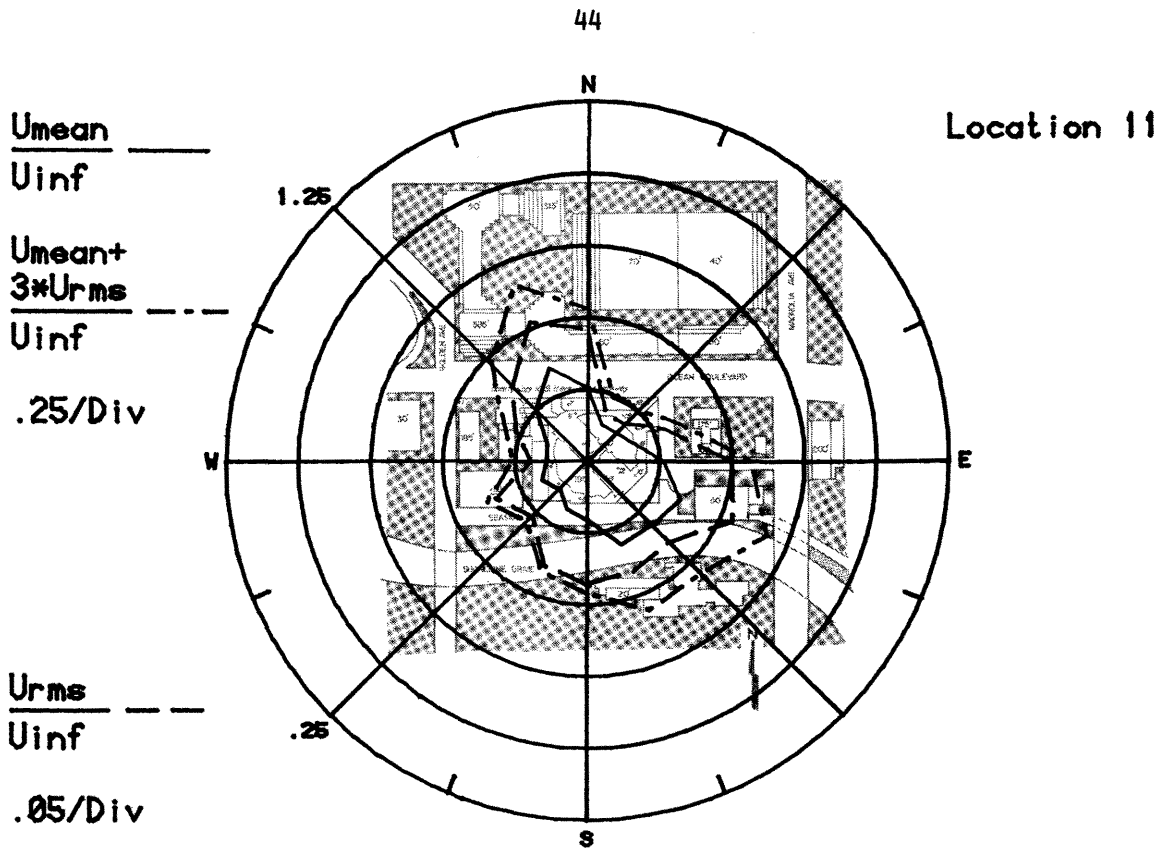


Figure 8f. Mean Velocities and Turbulence Intensities at Pedestrian Locations 11 and 12

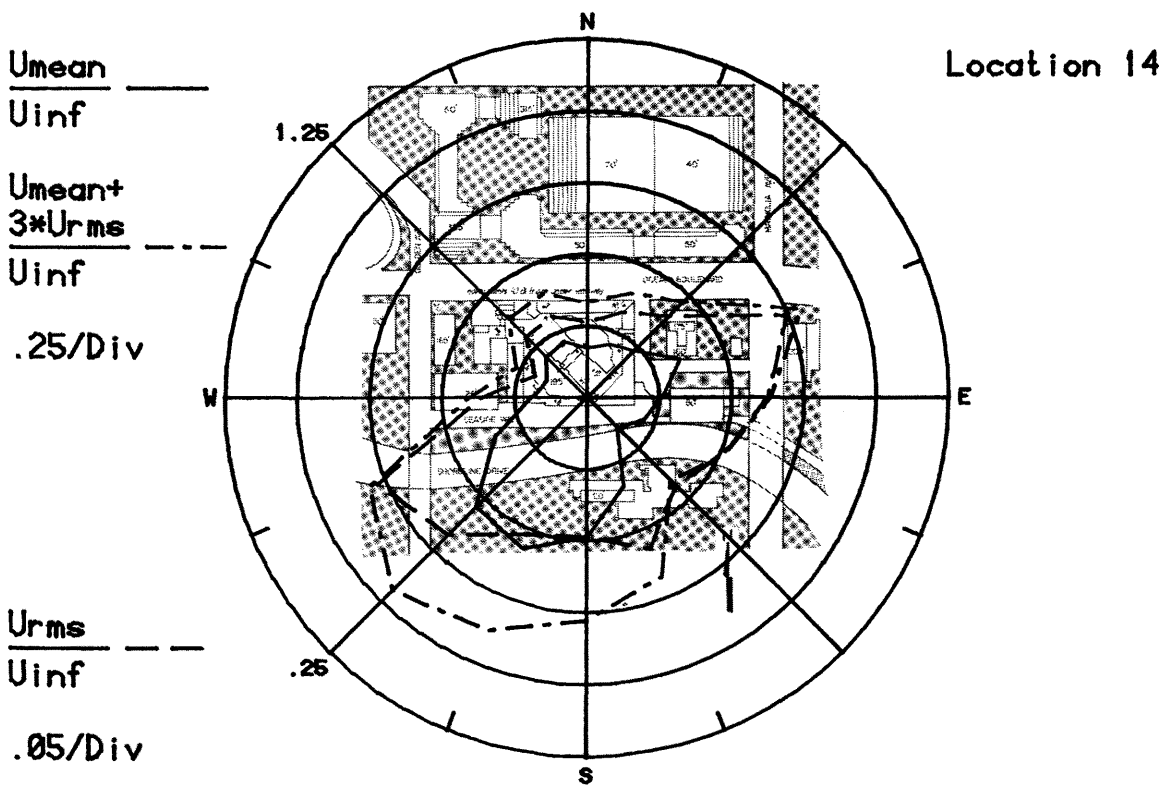
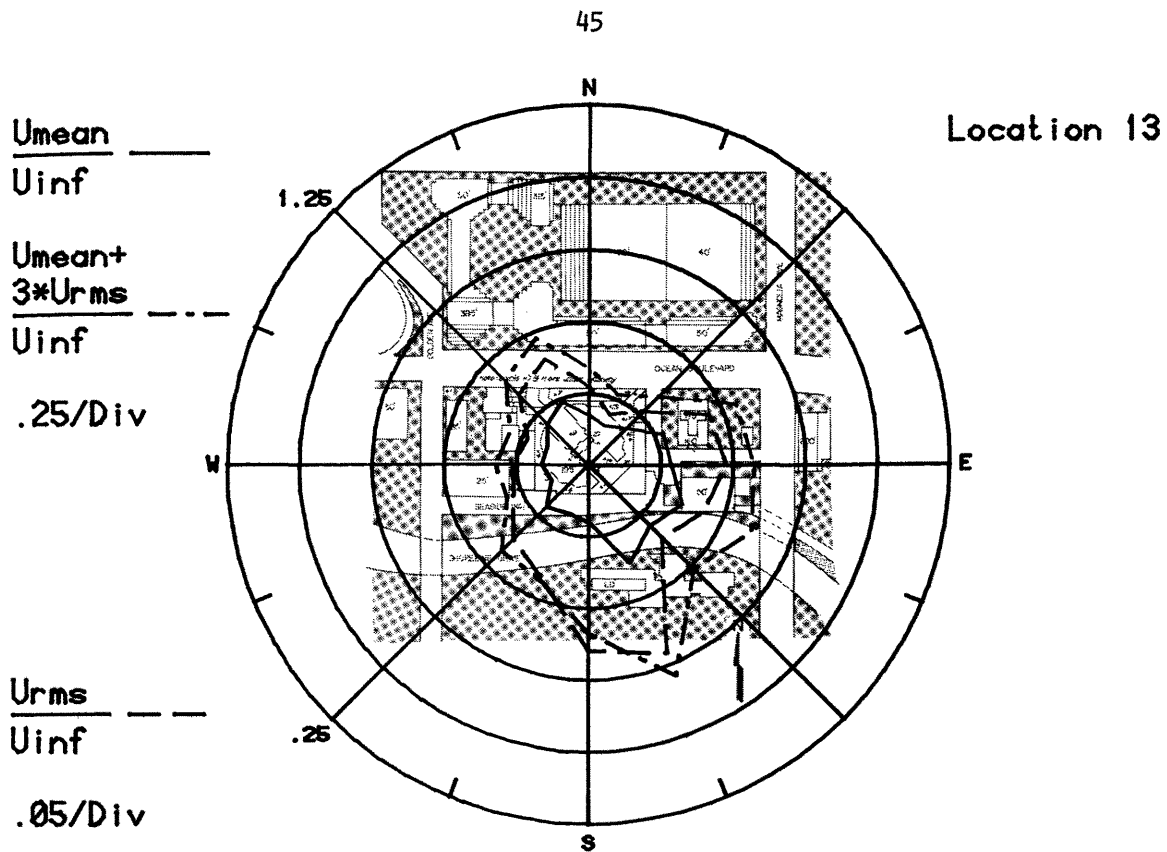


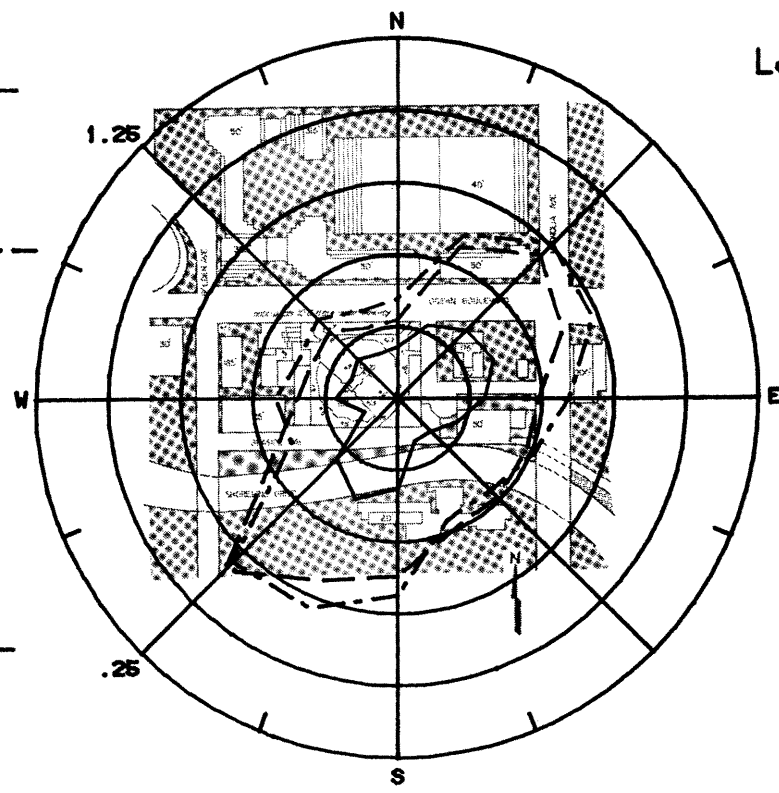
Figure 8g. Mean Velocities and Turbulence Intensities at Pedestrian Locations 13 and 14

$\frac{U_{mean}}{U_{inf}}$ ———
 U_{inf}

Location 15

$\frac{U_{mean} + 3 \cdot U_{rms}}{U_{inf}}$ - - - -
 U_{inf}

.25/Div



$\frac{U_{rms}}{U_{inf}}$ - - - -
 U_{inf}

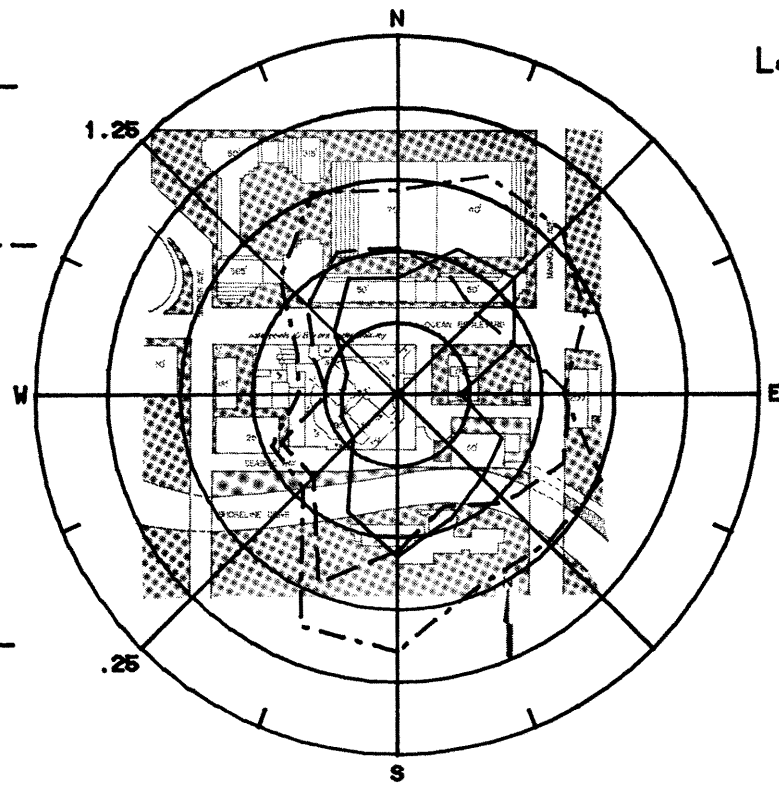
.05/Div

$\frac{U_{mean}}{U_{inf}}$ ———
 U_{inf}

Location 16

$\frac{U_{mean} + 3 \cdot U_{rms}}{U_{inf}}$ - - - -
 U_{inf}

.25/Div



$\frac{U_{rms}}{U_{inf}}$ - - - -
 U_{inf}

.05/Div

Figure 8h. Mean Velocities and Turbulence Intensities at Pedestrian Locations 15 and 16

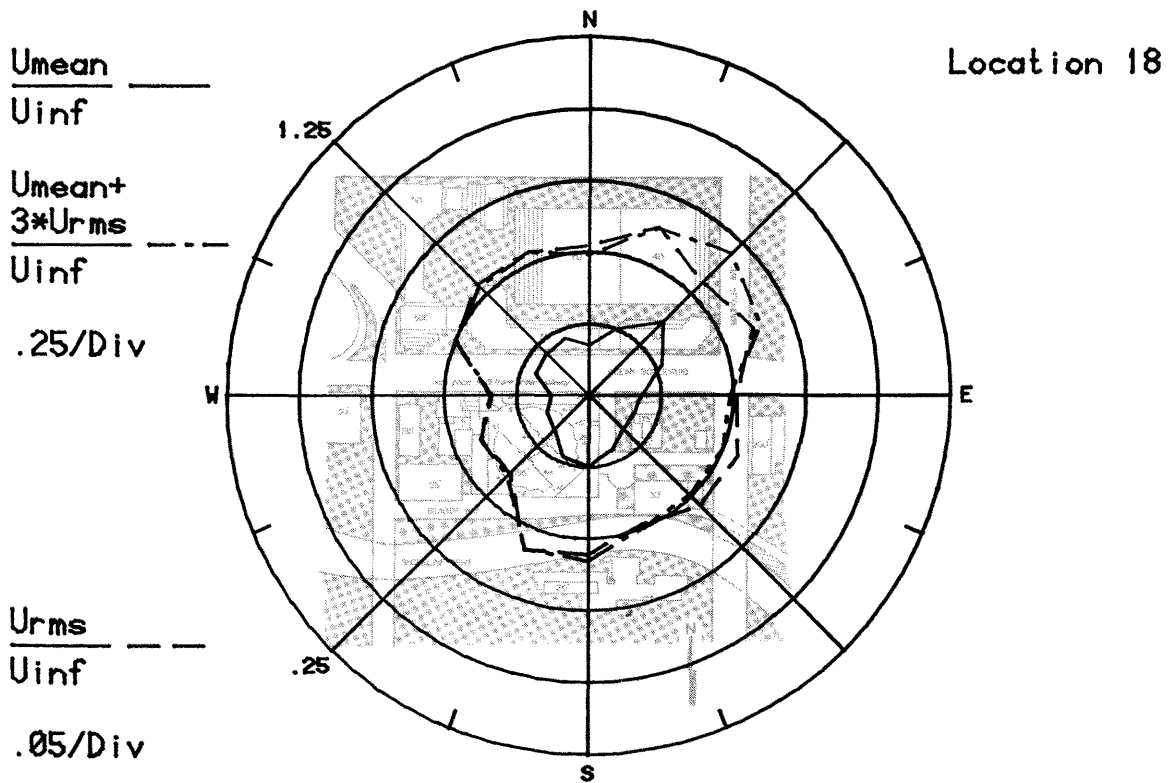
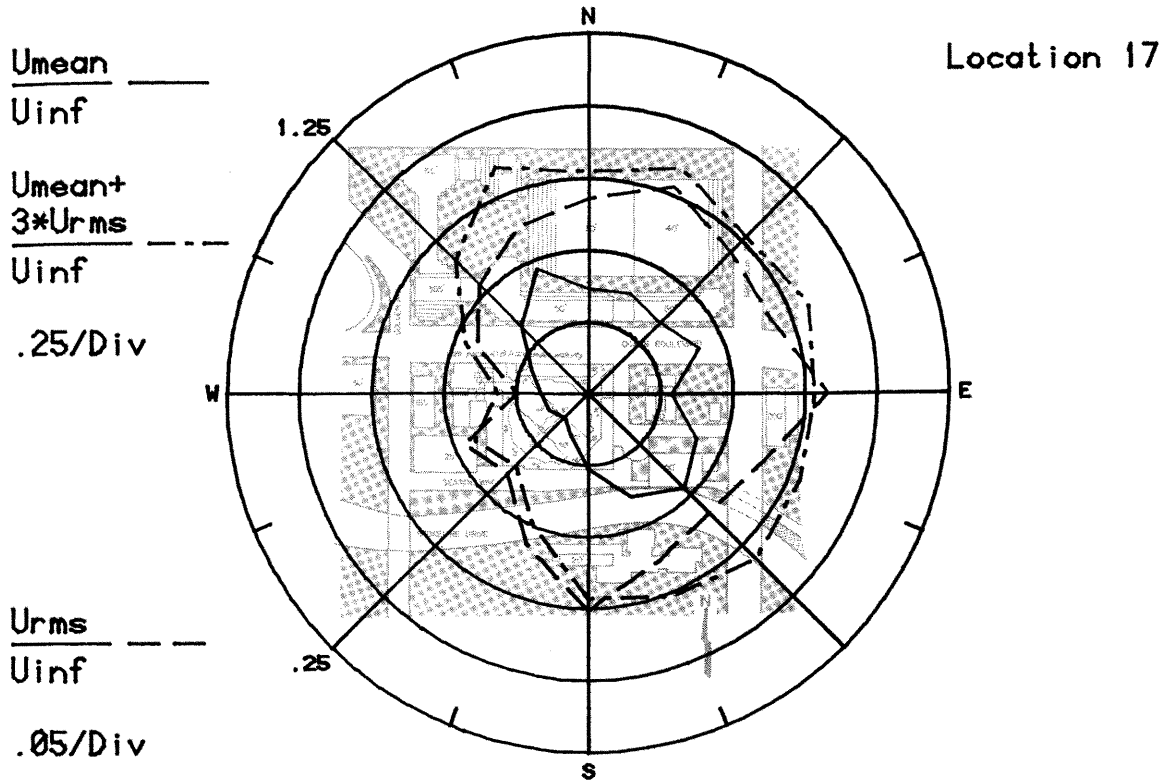


Figure 8i. Mean Velocities and Turbulence Intensities at Pedestrian Locations 17 and 18

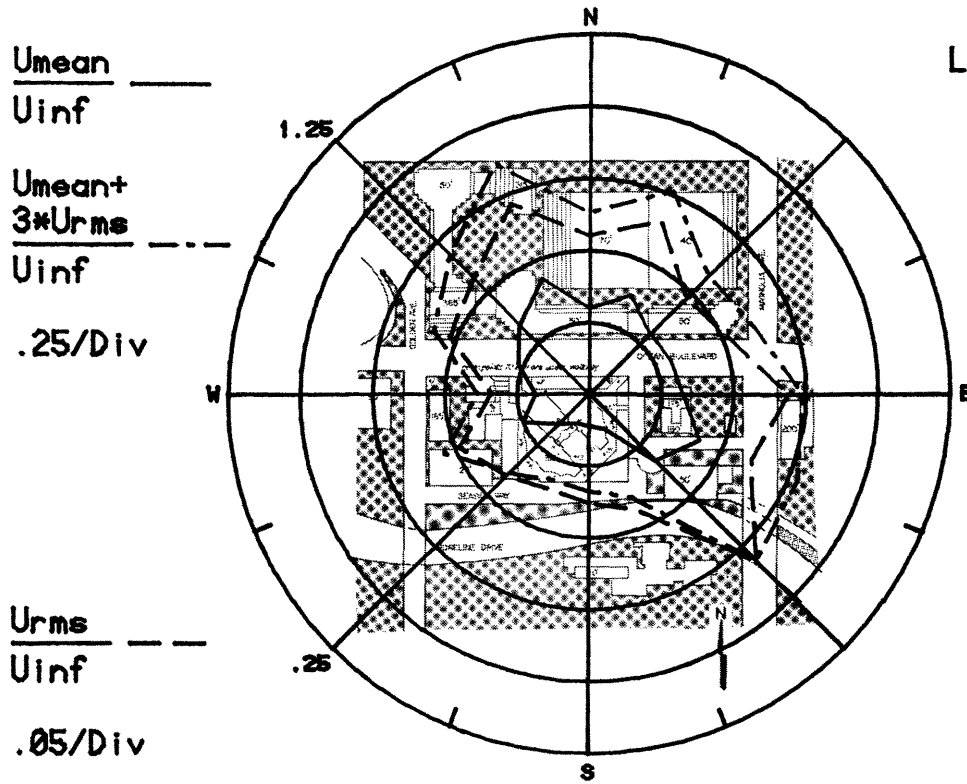


Figure 8j. Mean Velocities and Turbulence Intensities at Pedestrian Location 19

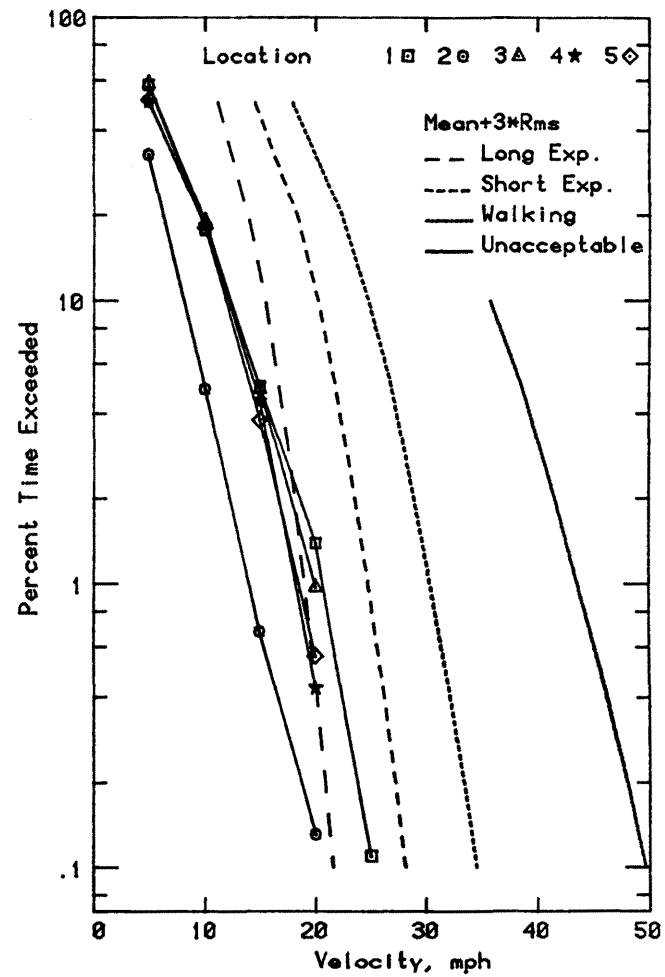
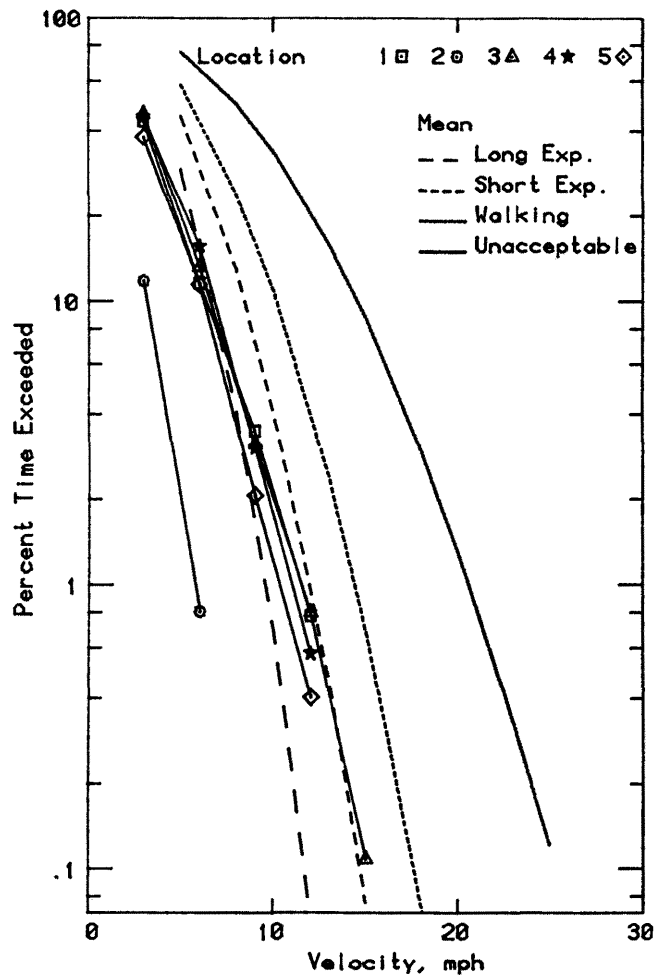


Figure 9a. Wind Velocity Probabilities for Pedestrian Locations

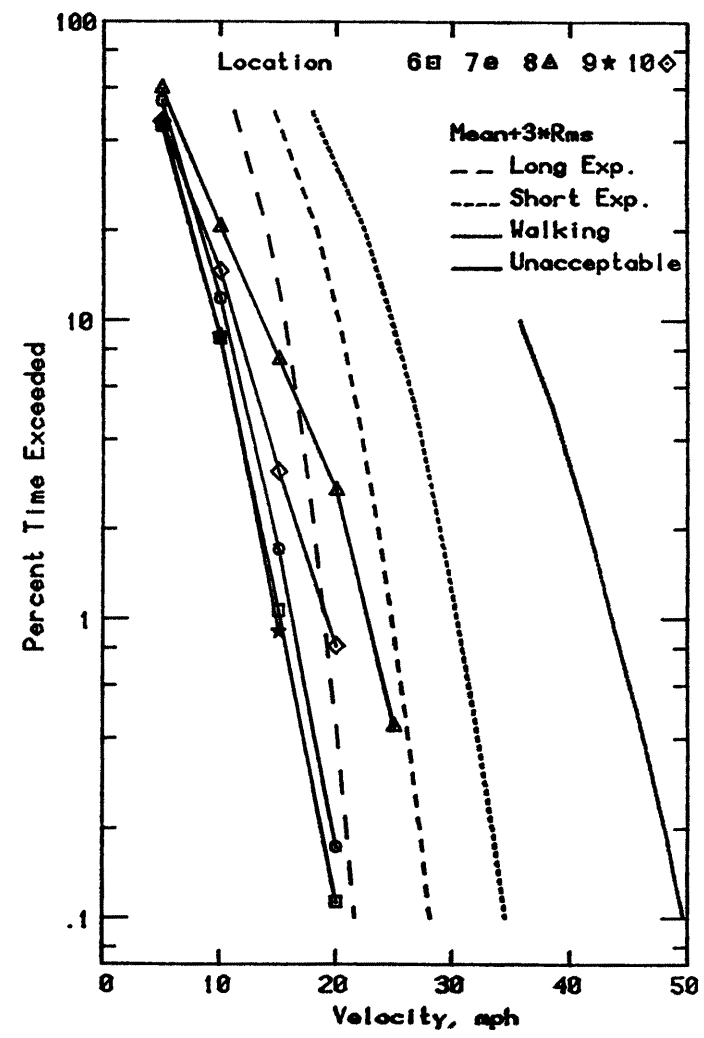
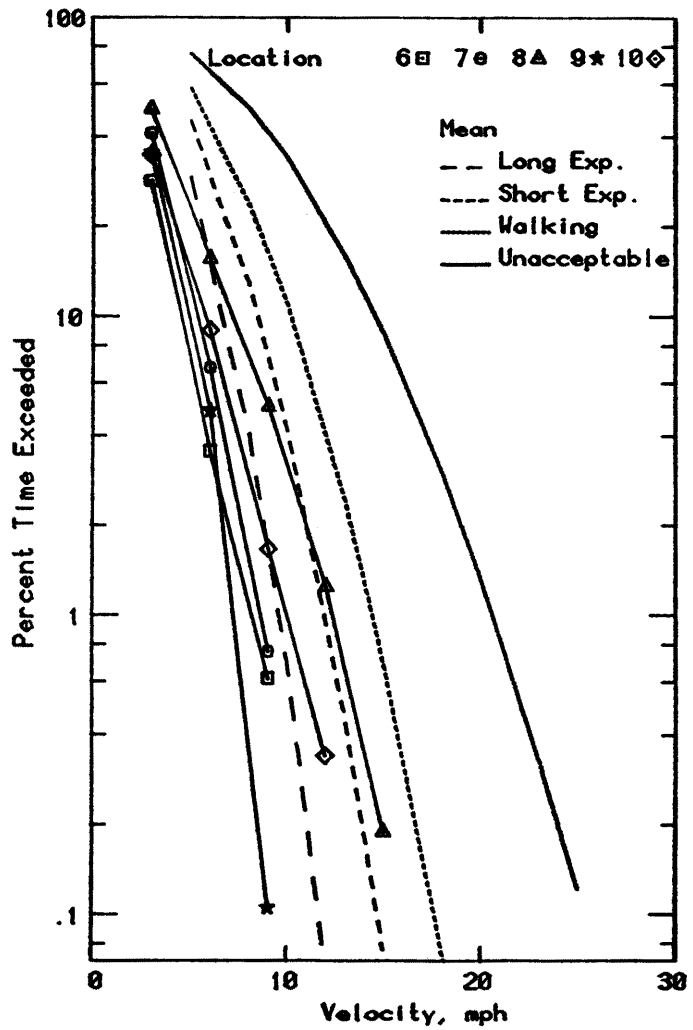


Figure 9b. Wind Velocity Probabilities for Pedestrian Locations

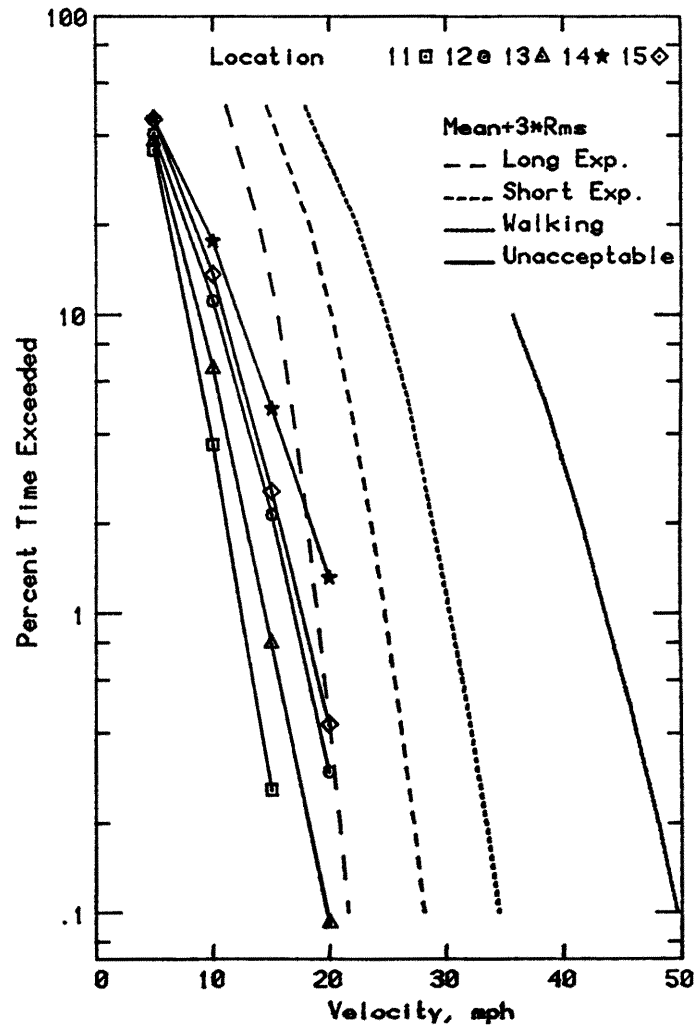
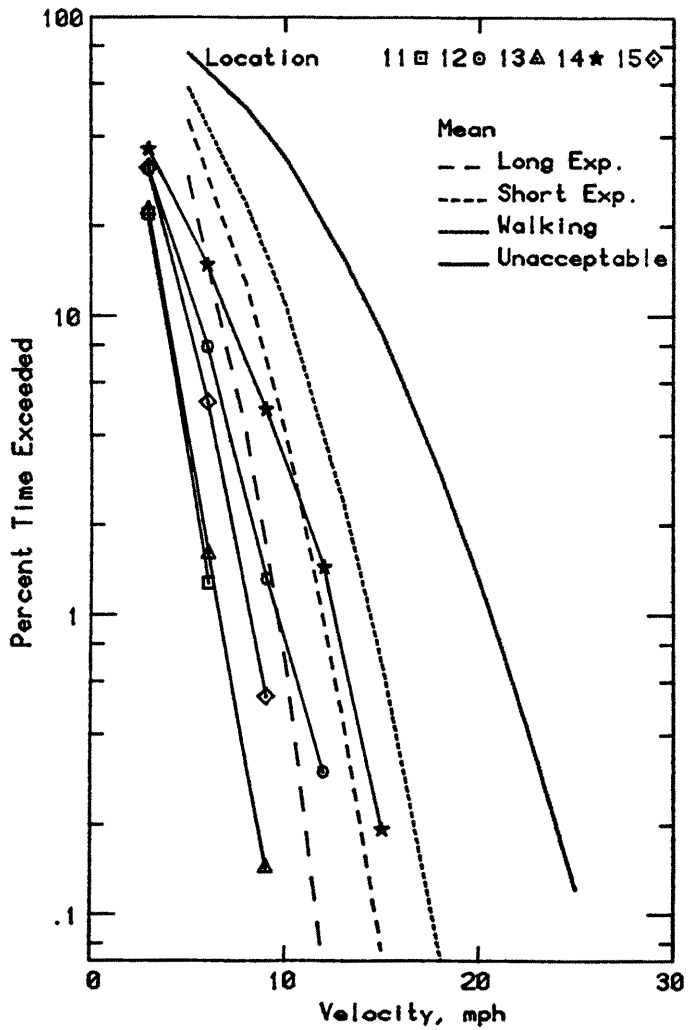


Figure 9c. Wind Velocity Probabilities for Pedestrian Locations

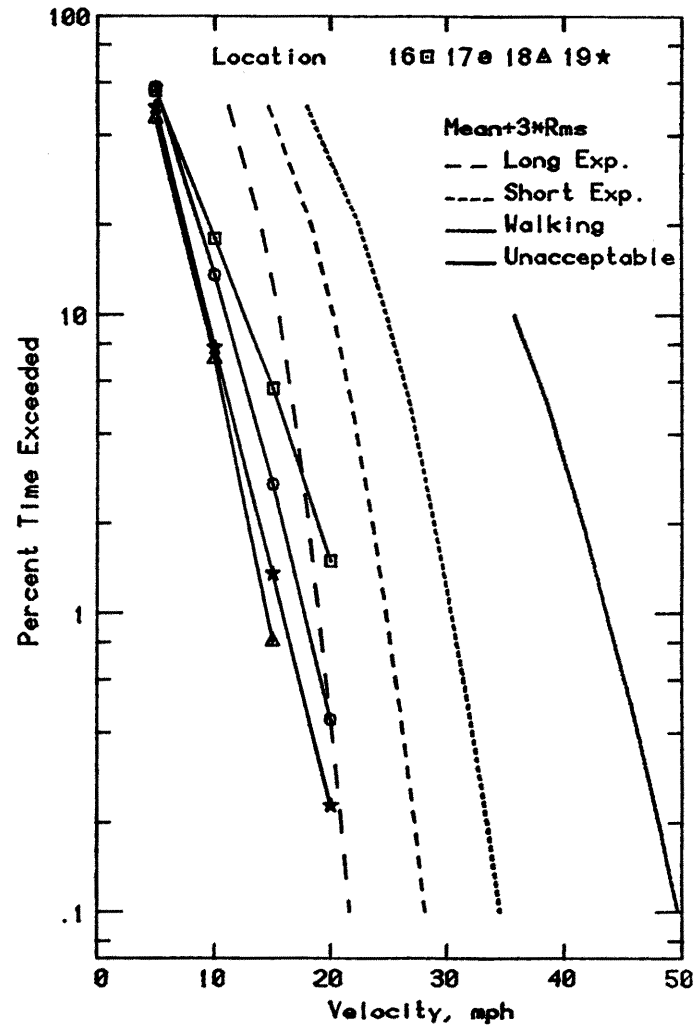
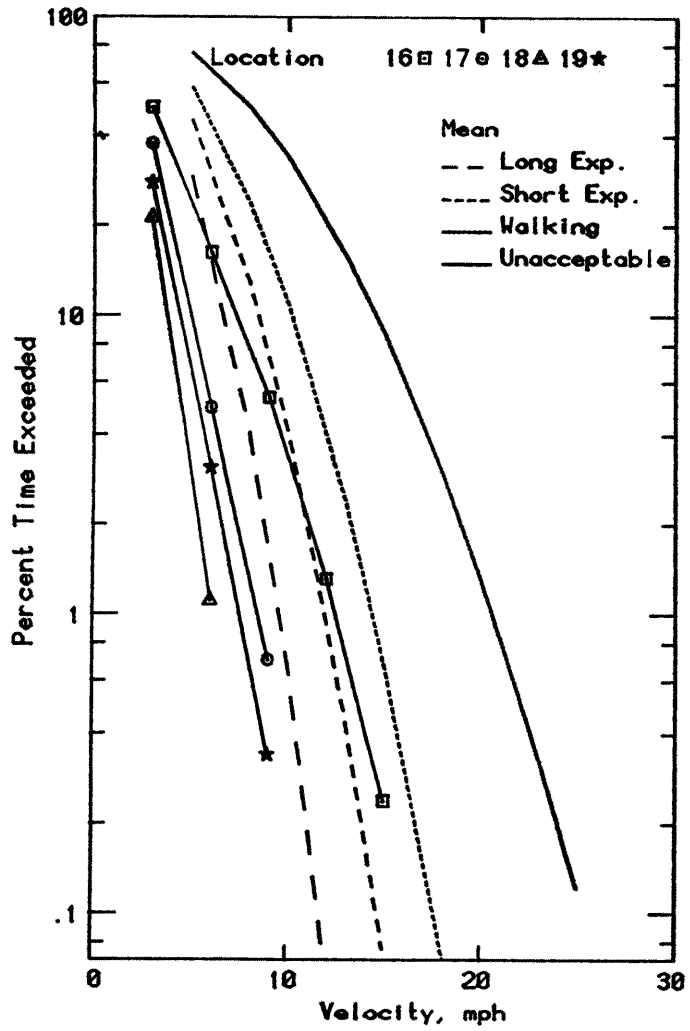


Figure 9d. Wind Velocity Probabilities for Pedestrian Locations

NORTHERN BUILDING
 PEAK NEGATIVE CLADDING LOADS (PSF)
 FOR 50-YEAR RECURRENCE WIND
 REFERENCE PRESSURE = 21 PSF

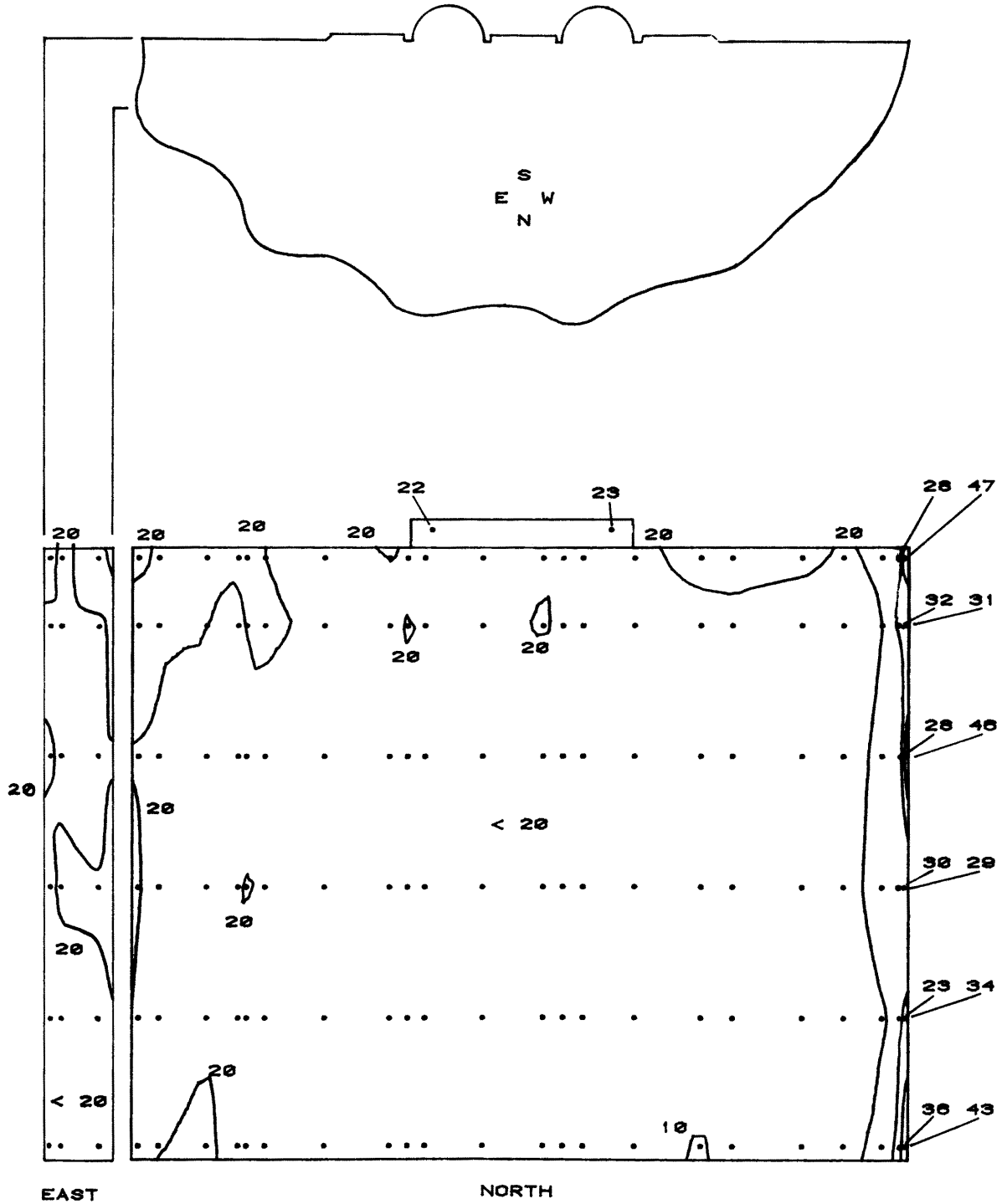


Figure 10a. Peak Pressure Contours on the Building for Cladding Loads

NORTHERN BUILDING
PEAK NEGATIVE CLADDING LOADS (PSF)
FOR 50-YEAR RECURRENCE WIND
REFERENCE PRESSURE = 21 PSF

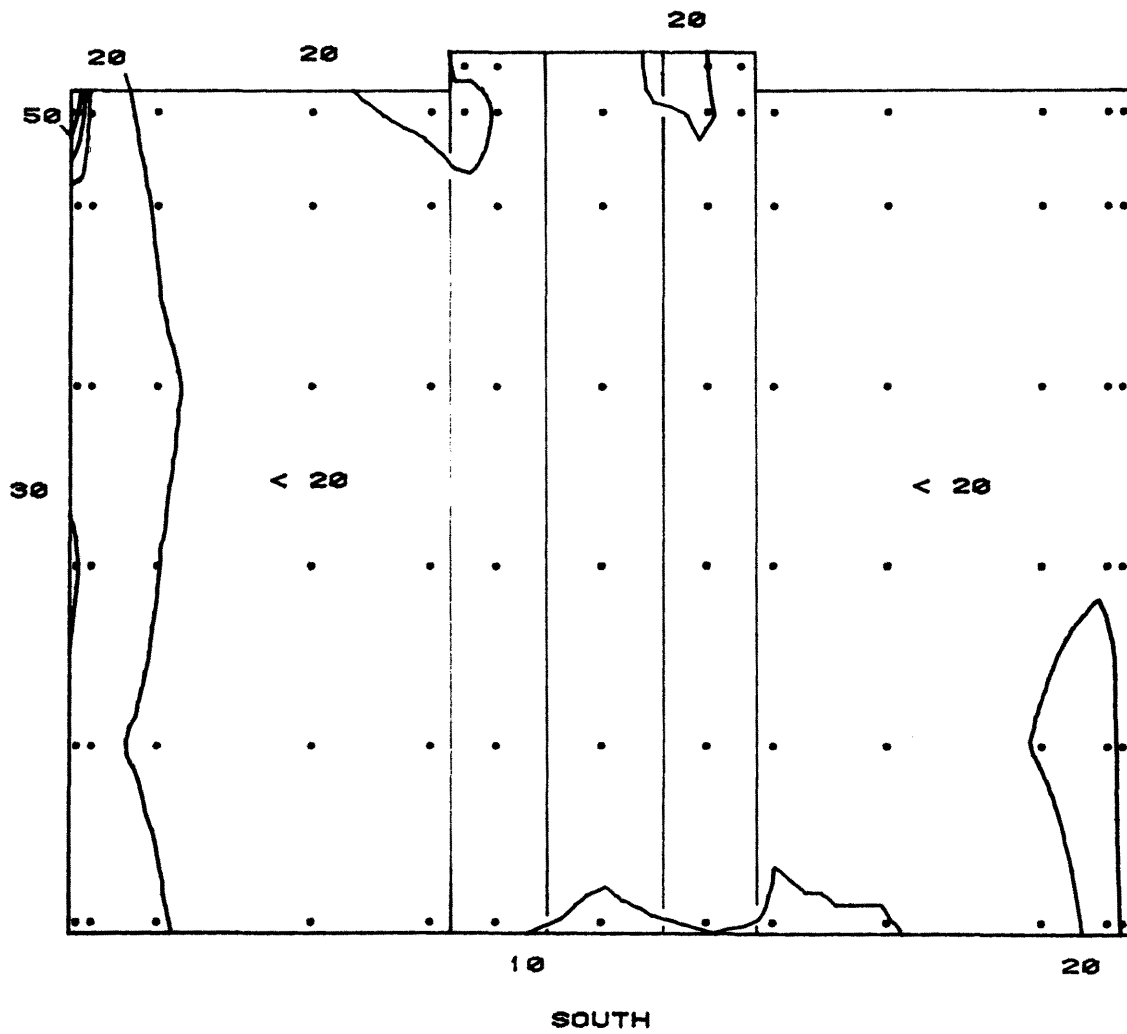


Figure 10b. Peak Pressure Contours on the Building
for Cladding Loads

SOUTHERN BUILDING
PEAK NEGATIVE CLADDING LOADS (PSF)
FOR 50-YEAR RECURRENCE WIND
REFERENCE PRESSURE = 21 PSF

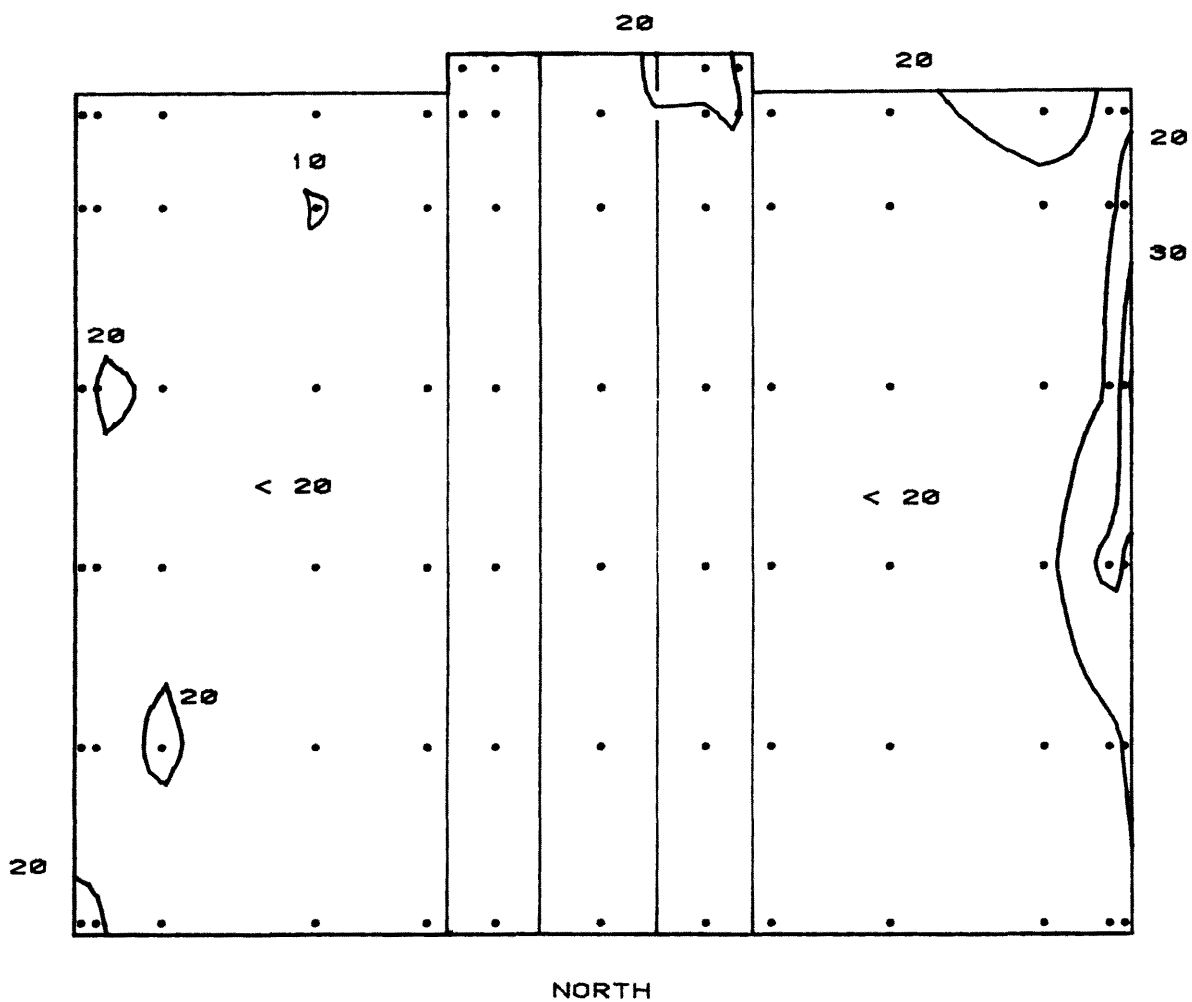


Figure 10d. Peak Pressure Contours on the Building for Cladding Loads

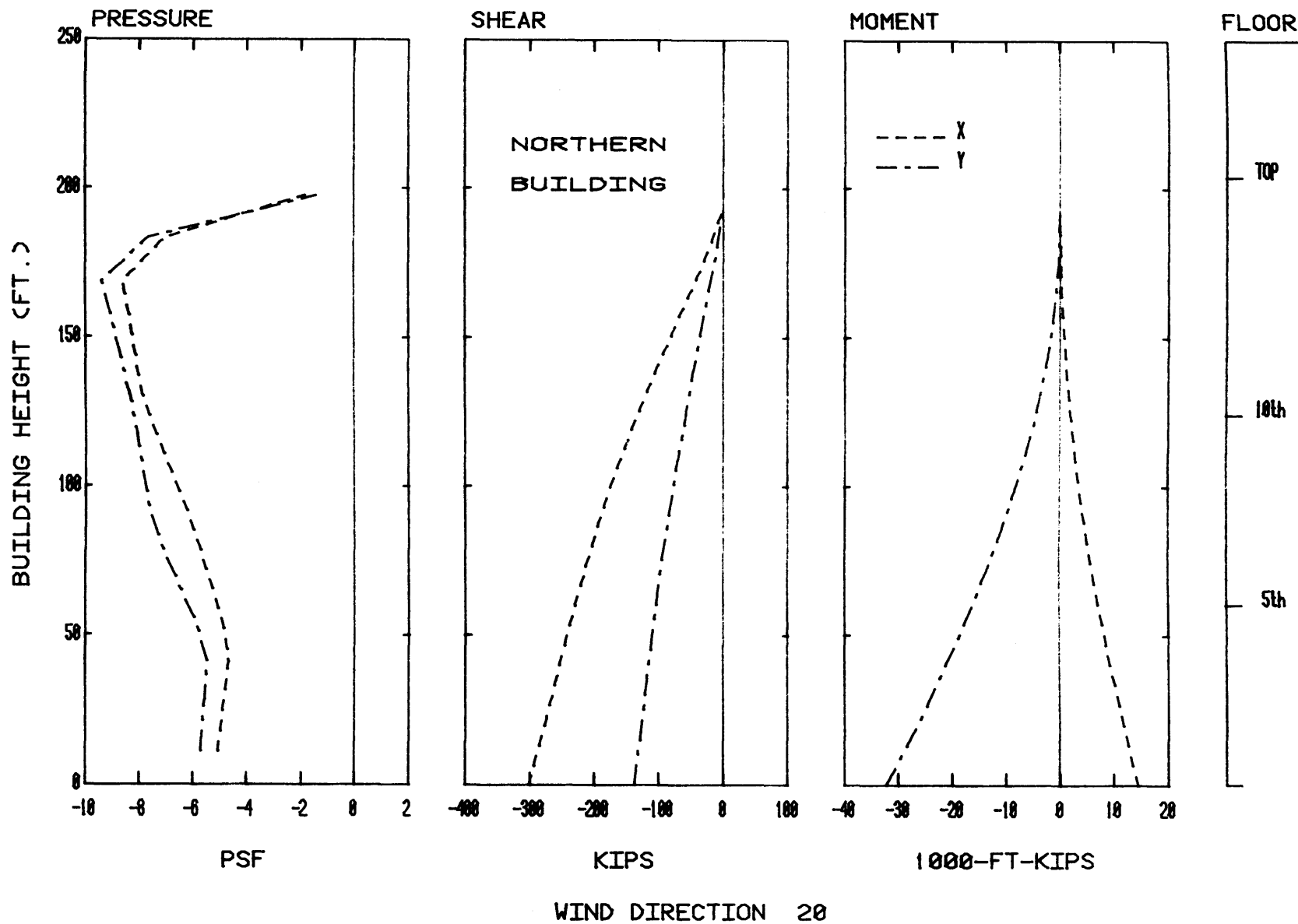


Figure 11. Load, Shear, and Moment Diagrams for Selected Wind Directions

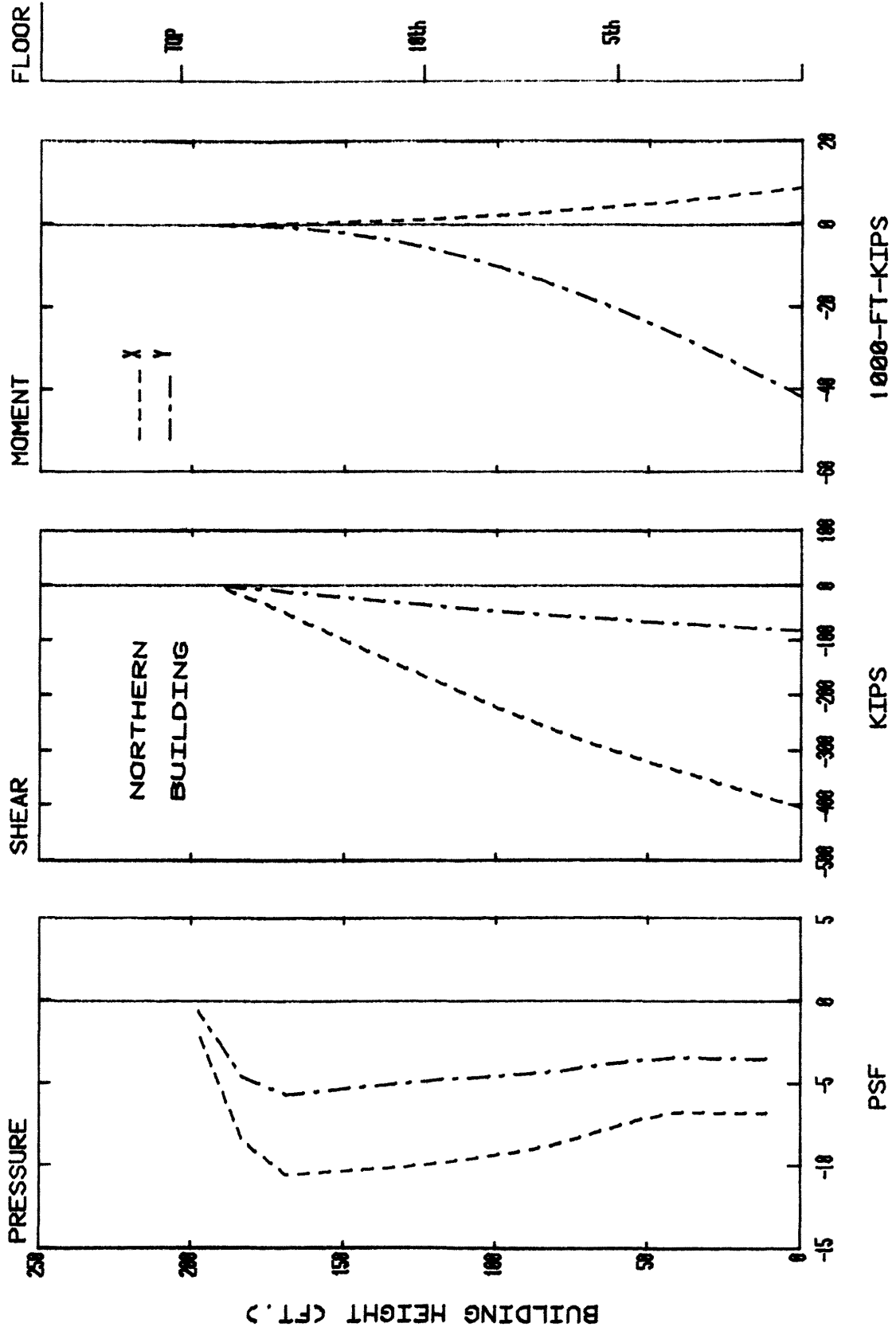


Figure 11. Load, Shear, and Moment Diagrams for Selected Wind Directions

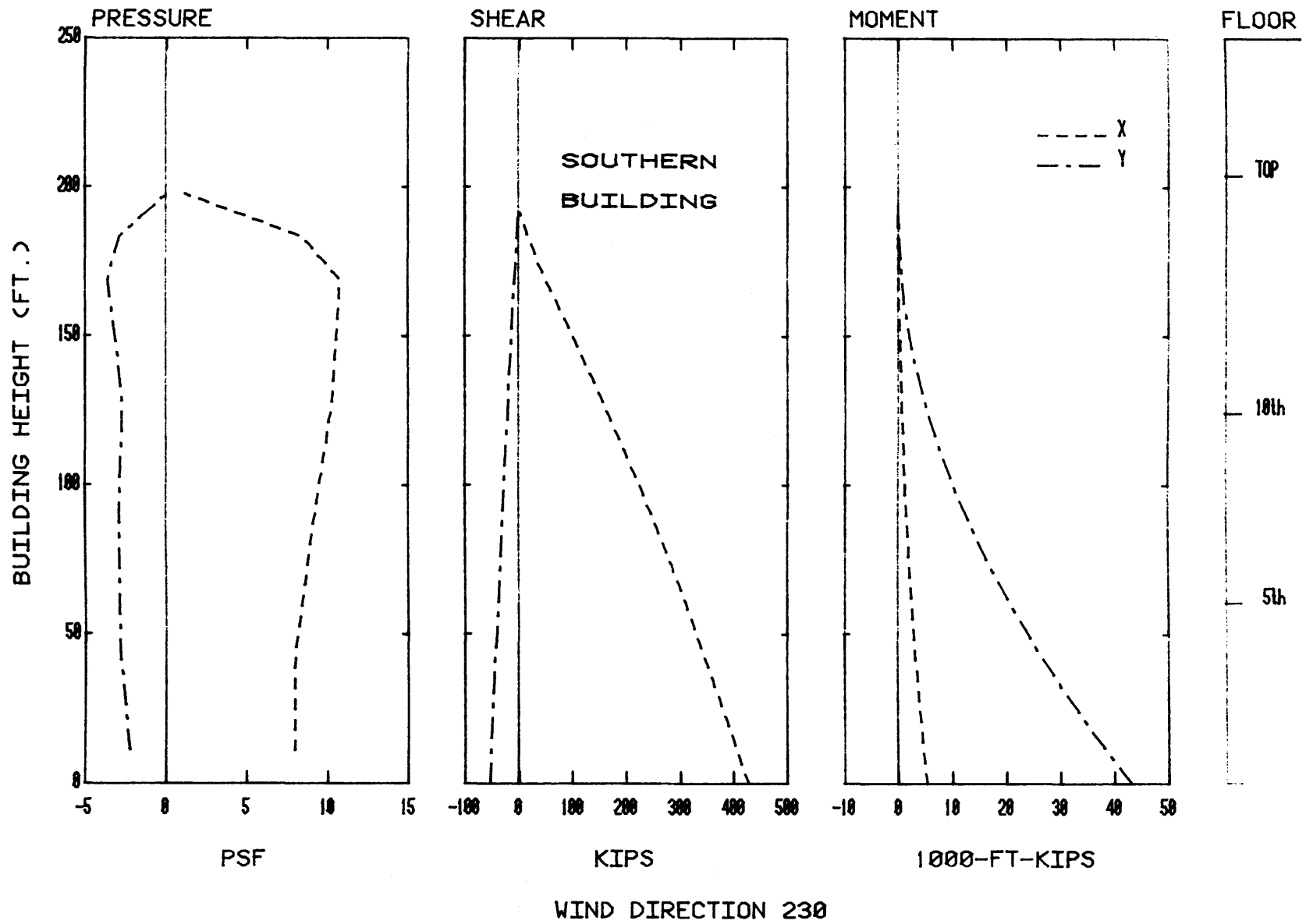


Figure 11. Load, Shear, and Moment Diagrams for Selected Wind Directions

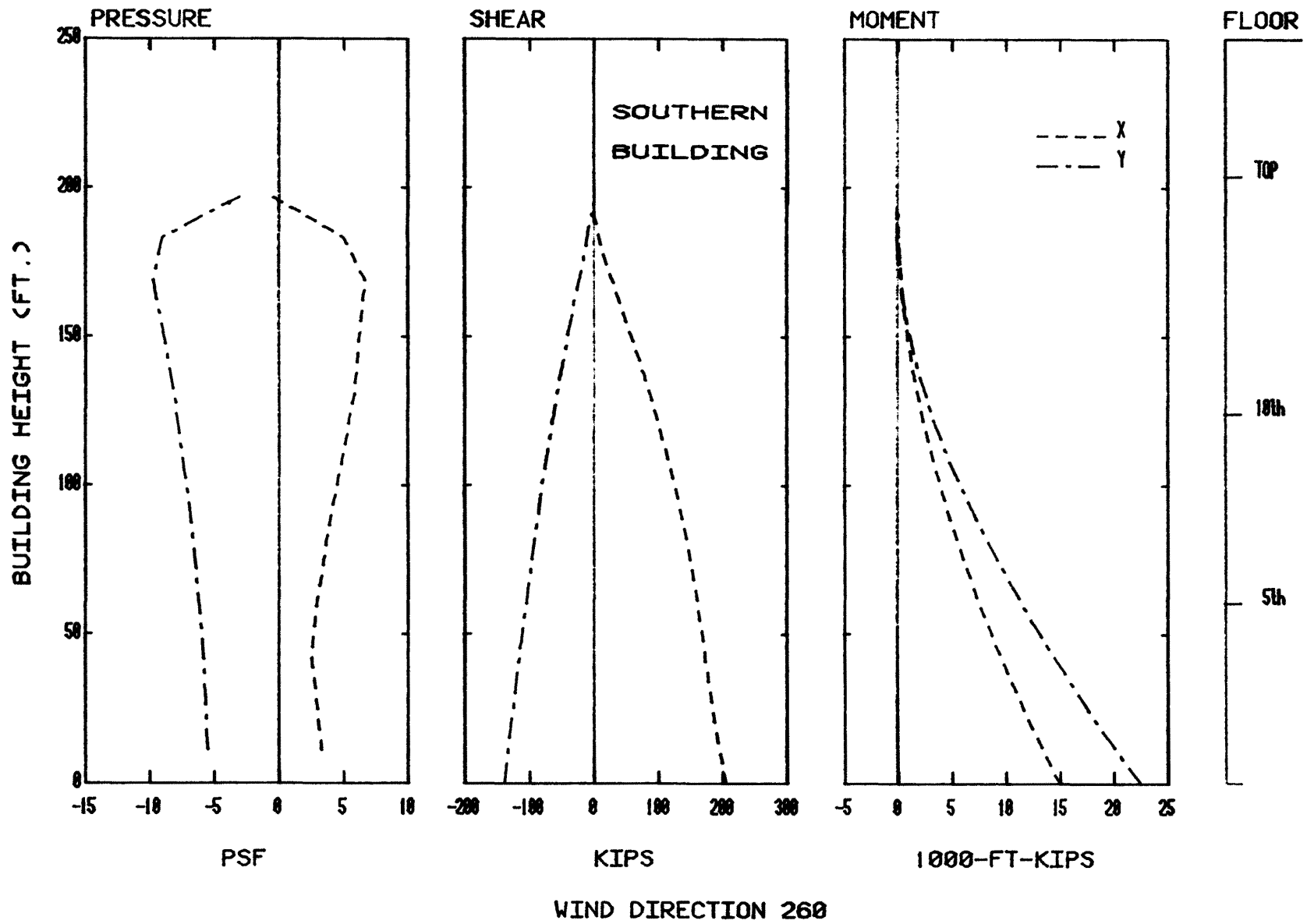


Figure 11. Load, Shear, and Moment Diagrams for Selected Wind Directions

TABLES

TABLE 1

MOTION PICTURE SCENE GUIDE

<u>Run No.</u>	<u>Approach Wind Azimuth (degrees)</u>
1	0
2	45
3	90
4	135
5	180
6	225
7	270
8	315

TABLE 2--PEDESTRIAN WIND VELOCITIES AND TURBULENCE INTENSITIES
ARCO PLAZA, LONG BEACH

LOCATION 1				LOCATION 2			
WIND AZIMUTH	U _{MEAN} /U _{INF} (PERCENT)	U _{RMS} /U _{INF} (PERCENT)	U _{MEAN} +3*U _{RMS} /U _{INF} (PERCENT)	WIND AZIMUTH	U _{MEAN} /U _{INF} (PERCENT)	U _{RMS} /U _{INF} (PERCENT)	U _{MEAN} +3*U _{RMS} /U _{INF} (PERCENT)
0.00	27.7	12.4	65.0	0.00	27.0	12.2	63.6
2.50	18.8	8.8	45.1	22.50	34.8	14.2	77.3
4.50	37.9	12.9	76.6	45.00	32.6	15.7	79.7
6.50	53.7	12.6	91.6	67.50	35.4	16.7	85.4
9.00	32.2	14.8	76.7	90.00	26.7	13.6	67.4
11.250	21.6	9.8	51.1	112.50	15.1	10.0	45.1
13.500	24.2	10.1	54.4	135.00	7.4	5.9	24.4
15.750	21.7	8.7	47.9	157.50	7.0	5.8	24.4
18.000	21.2	9.0	48.1	180.00	6.1	4.9	20.7
20.250	29.3	10.4	60.6	202.50	10.3	6.9	30.7
22.500	48.9	8.6	74.5	225.00	9.7	6.7	29.9
24.750	50.7	11.0	83.6	247.50	13.9	6.9	34.4
27.000	43.3	11.7	78.3	270.00	19.5	8.8	46.3
29.250	32.9	11.2	66.6	292.50	15.2	7.4	37.2
31.500	23.0	9.8	52.4	315.00	16.1	8.4	41.2
33.750	19.2	8.9	46.0	337.50	25.7	14.1	68.1

LOCATION 3				LOCATION 4			
WIND AZIMUTH	U _{MEAN} /U _{INF} (PERCENT)	U _{RMS} /U _{INF} (PERCENT)	U _{MEAN} +3*U _{RMS} /U _{INF} (PERCENT)	WIND AZIMUTH	U _{MEAN} /U _{INF} (PERCENT)	U _{RMS} /U _{INF} (PERCENT)	U _{MEAN} +3*U _{RMS} /U _{INF} (PERCENT)
0.00	39.4	14.6	83.3	0.00	35.3	11.3	69.1
2.50	60.8	12.5	98.4	22.50	42.0	15.3	87.8
4.50	65.0	11.3	98.9	45.00	26.0	10.2	56.6
6.50	41.5	13.0	80.4	67.50	18.7	5.1	34.1
9.00	27.7	6.5	47.3	90.00	13.3	4.1	25.7
11.250	20.9	6.1	39.0	112.50	14.2	3.4	25.3
13.500	16.6	4.9	31.1	135.00	16.5	3.3	30.9
15.750	16.3	6.5	35.9	157.50	32.1	10.3	63.6
18.000	22.7	10.1	52.9	180.00	46.5	8.9	73.1
20.250	49.2	8.4	74.4	202.50	46.4	9.1	73.6
22.500	56.9	8.7	82.9	225.00	42.2	8.7	68.4
24.750	46.7	14.2	89.4	247.50	34.2	8.1	58.5
27.000	30.7	12.3	67.8	270.00	32.9	11.5	67.3
29.250	26.0	11.0	58.8	292.50	20.3	5.6	37.2
31.500	34.6	12.9	73.3	315.00	21.7	5.6	44.4
33.750	32.5	15.8	80.0	337.50	37.8	12.9	76.5

TABLE 2--PEDESTRIAN WIND VELOCITIES AND TURBULENCE INTENSITIES
ARCO PLAZA, LONG BEACH

LOCATION 5				LOCATION 6			
WIND AZIMUTH	UMEAN/UINF (PERCENT)	URMS/UINF (PERCENT)	UMEAN+3*URMS/UINF (PERCENT)	WIND AZIMUTH	UMEAN/UINF (PERCENT)	URMS/UINF (PERCENT)	UMEAN+3*URMS/UINF (PERCENT)
0.00	15.3	8.4	40.4	0.00	20.5	7.0	41.6
22.50	18.8	9.7	47.8	22.50	24.7	6.8	45.0
45.00	16.9	7.6	39.8	45.00	21.2	5.6	37.9
67.50	14.9	6.7	35.0	67.50	24.0	9.1	51.1
90.00	16.4	8.1	40.7	90.00	23.7	15.3	69.5
112.50	25.7	12.7	63.7	112.50	40.9	14.1	83.2
135.00	42.3	19.5	70.7	135.00	39.7	9.6	68.5
157.50	51.3	9.2	79.0	157.50	32.2	10.8	64.5
180.00	45.5	11.2	79.2	180.00	18.5	10.5	50.0
202.50	34.2	11.3	68.0	202.50	17.7	10.5	49.3
225.00	25.9	9.7	55.0	225.00	44.4	9.8	73.8
247.50	24.3	9.0	51.2	247.50	43.8	10.3	74.6
270.00	25.1	12.0	61.0	270.00	21.6	6.8	42.1
292.50	19.1	9.1	46.3	292.50	20.5	6.1	38.7
315.00	17.1	8.3	42.1	315.00	18.0	5.3	33.9
337.50	27.6	13.7	68.6	337.50			

LOCATION 7				LOCATION 8			
WIND AZIMUTH	UMEAN/UINF (PERCENT)	URMS/UINF (PERCENT)	UMEAN+3*URMS/UINF (PERCENT)	WIND AZIMUTH	UMEAN/UINF (PERCENT)	URMS/UINF (PERCENT)	UMEAN+3*URMS/UINF (PERCENT)
0.00	25.6	8.5	50.9	0.00	38.5	11.6	73.3
22.50	42.5	9.4	70.6	22.50	52.8	10.6	84.7
45.00	43.9	9.0	71.0	45.00	59.7	9.1	86.9
67.50	39.1	8.1	63.5	67.50	55.2	9.4	83.4
90.00	43.9	8.6	59.8	90.00	31.7	14.8	76.0
112.50	25.4	7.8	48.7	112.50	11.1	8.4	36.3
135.00	29.7	9.5	58.1	135.00	9.4	5.3	25.2
157.50	25.2	9.9	54.9	157.50	18.7	7.5	41.1
180.00	19.4	7.7	42.6	180.00	25.4	7.8	49.0
202.50	23.0	8.6	48.9	202.50	38.5	12.2	75.1
225.00	25.6	9.7	54.6	225.00	55.1	12.8	93.4
247.50	26.6	9.8	56.0	247.50	61.0	11.9	96.6
270.00	36.3	8.0	54.4	270.00	44.2	15.1	89.4
292.50	29.3	13.3	76.2	292.50	27.8	9.8	57.2
315.00	29.2	11.3	63.2	315.00	27.3	8.8	53.8
337.50	25.4	8.9	52.0	337.50	37.2	13.1	76.6

TABLE 2--PEDESTRIAN WIND VELOCITIES AND TURBULENCE INTENSITIES
ARCO PLAZA, LONG BEACH

LOCATION 9				LOCATION 10			
WIND AZIMUTH	U _{MEAN} /U _{INF} (PERCENT)	U _{RMS} /U _{INF} (PERCENT)	U _{MEAN} +3*U _{RMS} /U _{INF} (PERCENT)	WIND AZIMUTH	U _{MEAN} /U _{INF} (PERCENT)	U _{RMS} /U _{INF} (PERCENT)	U _{MEAN} +3*U _{RMS} /U _{INF} (PERCENT)
0.00	35.8	12.0	72.0	0.00	18.5	6.3	37.2
22.50	20.7	7.0	41.6	22.50	13.8	4.7	27.8
45.00	19.9	6.3	38.9	45.00	13.6	3.3	23.5
67.50	19.2	6.9	40.1	67.50	15.3	4.6	29.0
90.00	16.5	6.1	35.0	90.00	14.8	5.9	32.6
112.50	27.5	9.0	54.6	112.50	24.9	9.8	54.4
135.00	28.7	7.8	52.2	135.00	37.0	8.3	62.0
157.50	34.4	8.5	60.0	157.50	44.2	8.9	70.8
180.00	31.5	9.6	60.4	180.00	46.2	10.8	78.6
202.50	16.2	6.3	35.7	202.50	28.8	17.6	81.6
225.00	22.0	8.1	46.3	225.00	14.2	6.1	32.5
247.50	19.5	6.9	40.3	247.50	15.0	4.3	27.8
270.00	26.3	7.7	49.3	270.00	15.9	6.1	34.3
292.50	24.5	8.1	48.7	292.50	20.3	10.1	50.7
315.00	23.4	8.6	49.3	315.00	31.9	10.6	63.6
337.50	27.6	12.3	74.6	337.50	31.3	10.4	62.7

LOCATION 11				LOCATION 12			
WIND AZIMUTH	U _{MEAN} /U _{INF} (PERCENT)	U _{RMS} /U _{INF} (PERCENT)	U _{MEAN} +3*U _{RMS} /U _{INF} (PERCENT)	WIND AZIMUTH	U _{MEAN} /U _{INF} (PERCENT)	U _{RMS} /U _{INF} (PERCENT)	U _{MEAN} +3*U _{RMS} /U _{INF} (PERCENT)
0.00	25.6	9.2	53.2	0.00	21.7	7.3	43.5
22.50	13.5	3.5	23.9	22.50	16.2	4.6	30.1
45.00	13.9	3.7	24.9	45.00	21.1	6.4	40.3
67.50	16.9	5.8	34.2	67.50	29.3	8.4	54.5
90.00	26.4	10.0	56.5	90.00	23.4	9.3	51.1
112.50	34.8	10.8	67.4	112.50	30.2	11.6	65.0
135.00	31.4	8.0	55.4	135.00	27.3	8.1	51.7
157.50	31.2	8.3	56.2	157.50	33.8	7.4	56.0
180.00	20.3	8.6	46.0	180.00	46.1	8.3	71.0
202.50	17.9	7.8	41.4	202.50	31.3	15.9	79.1
225.00	13.6	5.4	29.7	225.00	19.0	6.8	39.3
247.50	16.9	6.9	37.5	247.50	13.2	4.8	27.6
270.00	14.1	3.9	25.8	270.00	15.9	4.4	29.1
292.50	15.0	5.3	31.0	292.50	16.3	5.5	32.7
315.00	25.3	7.4	47.5	315.00	22.5	7.9	46.2
337.50	34.9	10.4	66.2	337.50	25.7	8.6	51.4

TABLE 2--PEDESTRIAN WIND VELOCITIES AND TURBULENCE INTENSITIES
ARCO PLAZA, LONG BEACH

LOCATION 13

WIND AZIMUTH	UMEAN/UINF (PERCENT)	URMS/UINF (PERCENT)	UMEAN+3*URMS/UINF (PERCENT)
0.00	17.6	5.5	34.0
22.50	15.0	3.8	26.5
45.00	18.0	5.3	33.7
67.50	27.9	9.1	55.2
90.00	28.7	9.5	57.3
112.50	35.3	8.6	61.0
135.00	39.9	7.1	51.3
157.50	36.8	14.2	79.4
180.00	19.9	13.0	58.8
202.50	18.0	8.6	43.6
225.00	20.4	7.4	42.5
247.50	13.7	5.6	30.4
270.00	16.3	5.5	32.3
292.50	15.5	4.6	29.2
315.00	20.4	6.9	41.1
337.50	24.0	7.9	47.8

LOCATION 14

WIND AZIMUTH	UMEAN/UINF (PERCENT)	URMS/UINF (PERCENT)	UMEAN+3*URMS/UINF (PERCENT)
0.00	17.2	5.2	32.9
22.50	20.0	6.4	39.1
45.00	23.0	7.9	46.7
67.50	34.9	14.9	79.7
90.00	26.0	12.5	63.5
112.50	20.8	10.3	51.6
135.00	14.9	8.7	41.1
157.50	33.3	11.5	67.9
180.00	48.6	9.7	77.8
202.50	56.9	10.3	88.0
225.00	54.0	13.5	94.5
247.50	34.2	15.6	81.0
270.00	19.0	7.3	40.8
292.50	15.0	3.9	26.6
315.00	20.3	6.0	38.4
337.50	20.9	6.1	39.2

LOCATION 15

WIND AZIMUTH	UMEAN/UINF (PERCENT)	URMS/UINF (PERCENT)	UMEAN+3*URMS/UINF (PERCENT)
0.00	18.0	5.5	34.5
22.50	27.7	11.3	61.7
45.00	33.5	14.0	75.6
67.50	36.0	12.4	73.2
90.00	30.1	9.8	59.4
112.50	21.8	9.7	50.9
135.00	16.3	9.8	45.6
157.50	15.8	10.0	45.7
180.00	31.6	12.4	68.8
202.50	37.8	13.7	79.0
225.00	29.8	16.9	80.4
247.50	12.2	9.1	39.5
270.00	21.4	6.9	42.2
292.50	17.4	6.4	36.5
315.00	19.3	6.6	39.0
337.50	16.8	5.4	32.9

LOCATION 16

WIND AZIMUTH	UMEAN/UINF (PERCENT)	URMS/UINF (PERCENT)	UMEAN+3*URMS/UINF (PERCENT)
0.00	40.4	10.2	71.1
22.50	54.7	9.1	82.1
45.00	57.2	7.8	80.6
67.50	43.6	8.9	70.2
90.00	21.7	11.9	57.4
112.50	39.4	12.5	76.8
135.00	41.3	10.7	73.3
157.50	47.2	8.5	72.8
180.00	56.4	11.0	89.3
202.50	44.5	14.2	87.3
225.00	21.4	8.2	45.9
247.50	21.0	8.7	46.9
270.00	19.4	4.9	34.0
292.50	18.8	6.2	37.5
315.00	30.9	8.8	57.3
337.50	43.9	10.8	76.3

TABLE 2--PEDESTRIAN WIND VELOCITIES AND TURBULENCE INTENSITIES
ARCO PLAZA, LONG BEACH

LOCATION 17

WIND AZIMUTH	UMEAN/UINF (PERCENT)	URMS/UINF (PERCENT)	UMEAN+3*URMS/UINF (PERCENT)
0.00	36.5	13.6	77.3
22.50	37.8	15.5	84.5
45.00	35.1	13.9	76.9
67.50	41.5	13.6	82.3
90.00	28.8	16.6	78.5
112.50	40.4	12.9	78.9
135.00	46.4	11.8	81.7
157.50	38.7	12.6	76.6
180.00	26.3	15.1	71.7
202.50	16.0	11.3	50.0
225.00	11.7	7.9	35.5
247.50	14.8	9.3	42.6
270.00	16.6	4.9	31.3
292.50	21.3	8.3	46.3
315.00	33.1	10.7	65.1
337.50	47.1	12.6	84.8

LOCATION 18

WIND AZIMUTH	UMEAN/UINF (PERCENT)	URMS/UINF (PERCENT)	UMEAN+3*URMS/UINF (PERCENT)
0.00	17.7	10.4	48.9
22.50	25.0	12.6	63.0
45.00	36.2	11.1	69.6
67.50	27.2	12.3	64.0
90.00	18.1	10.2	48.8
112.50	16.5	11.1	50.0
135.00	16.7	10.9	49.5
157.50	20.8	9.8	50.1
180.00	24.5	11.1	57.7
202.50	22.9	11.6	57.8
225.00	16.8	7.6	39.8
247.50	15.7	8.1	40.1
270.00	13.0	6.8	33.5
292.50	19.9	10.0	50.0
315.00	20.8	10.9	53.5
337.50	21.5	10.8	53.9

LOCATION 19

WIND AZIMUTH	UMEAN/UINF (PERCENT)	URMS/UINF (PERCENT)	UMEAN+3*URMS/UINF (PERCENT)
0.00	30.1	11.0	63.2
22.50	37.4	13.0	76.3
45.00	30.0	9.5	58.4
67.50	30.6	10.4	61.8
90.00	32.6	13.8	73.9
112.50	41.6	12.2	78.1
135.00	32.5	16.4	81.8
157.50	12.9	8.7	39.0
180.00	11.0	7.6	33.7
202.50	10.7	7.2	32.3
225.00	14.5	8.0	38.7
247.50	25.1	9.7	54.2
270.00	18.4	6.8	38.8
292.50	26.8	10.5	58.8
315.00	34.2	11.3	68.8
337.50	43.3	14.3	86.2

TABLE 2--PEDESTRIAN WIND VELOCITIES AND TURBULENCE INTENSITIES
ARCO PLAZA, LONG BEACH

* * GREATEST VALUES * *

UMEAN/UINF (PERCENT)					URMS/UINF (PERCENT)					UMEAN+3*RMS/UINF (PERCENT)				
LOC	AZ	MEAN	RMS	M+3RMS	LOC	AZ	MEAN	RMS	M+3RMS	LOC	AZ	MEAN	RMS	M+3RMS
3	45.0	65.0	11.3	98.9	10	202.5	28.8	17.6	81.6	3	45.0	65.0	11.3	98.9
8	247.5	61.0	11.9	96.6	15	225.0	29.8	16.9	80.4	3	22.5	60.8	12.5	98.4
3	22.5	60.8	12.5	98.4	2	67.5	35.4	16.7	85.4	8	247.5	61.0	11.9	96.6
8	45.0	59.7	9.1	86.9	17	90.0	28.8	16.6	78.5	14	225.0	54.0	13.5	94.5
16	45.0	57.2	7.8	80.6	19	135.0	32.5	16.4	81.8	8	225.0	55.1	12.8	93.4
14	202.5	56.9	10.3	88.0	12	202.5	31.3	15.9	79.1	1	67.5	53.7	12.6	91.6
3	225.0	56.9	8.7	82.9	3	337.5	32.5	15.8	80.0	8	270.0	44.2	15.1	89.4
16	180.0	56.4	11.0	89.3	2	45.0	32.6	15.7	79.7	3	247.5	46.7	14.2	89.4
8	67.5	55.2	9.4	83.4	14	247.5	34.2	15.6	81.0	16	180.0	56.4	11.0	89.3
8	225.0	55.1	12.8	93.4	17	22.5	37.8	15.5	84.5	14	202.5	56.9	10.3	88.0

TABLE 3

PERCENTAGE FREQUENCY OF WIND DIRECTION AND SPEED
 LONG BEACH, CALIFORNIA LONG BEACH AIRPORT (1965-1974)
 SEASON : ANNUAL NO. OF OBS. = 29216 HT. OF MEAS. = 20. FT.
 VELOCITY LEVELS IN MPH

DIRECTION	0- 3	4- 7	8-12	13-18	19-24	25 +	TOTAL
N	.90	2.30	.40	0.00	0.00	0.00	3.60
NNE	.50	.90	.10	0.00	0.00	0.00	1.60
NE	.60	1.00	.20	.10	0.00	0.00	1.90
ENE	.80	1.50	.40	.20	0.00	0.00	2.70
E	1.80	4.00	.90	.30	0.00	0.00	6.90
ESE	.80	1.90	.40	.10	0.00	0.00	3.10
SE	.70	1.50	.50	.10	0.00	0.00	2.70
SSE	.70	2.30	1.70	.30	0.00	0.00	5.10
S	.70	3.60	5.80	1.40	0.00	0.00	11.50
SSW	.40	2.10	3.90	1.00	0.00	0.00	7.40
SW	.30	1.00	1.30	.30	0.00	0.00	2.90
WSW	.30	1.00	.80	.30	0.00	0.00	2.50
W	.80	3.10	4.80	2.60	.30	0.00	11.60
WNNW	1.10	4.50	3.50	.70	0.00	0.00	9.80
NW	.80	3.70	1.80	.40	.10	0.00	6.70
NNW	.90	3.00	.80	.10	0.00	0.00	4.90
CALM	15.00	0.00	0.00	0.00	0.00	0.00	15.00
TOT	27.00	37.20	27.30	7.90	.50	.10	100.00

TABLE 4
SUMMARY OF WIND EFFECTS ON PEOPLE

	<u>Beaufort number</u>	<u>Speed (mph)</u>	<u>Effects</u>
Calm, light air	0, 1	0- 3	Calm, no noticeable wind
Light breeze	2	4- 7	Wind felt on face
Gentle breeze	3	8-12	Wind extends light flag Hair is disturbed Clothing flaps
Moderate breeze	4	13-18	Raises dust, dry soil and loose paper Hair disarranged
Fresh breeze	5	19-24	Force of wind felt on body Drifting snow becomes airborne Limit of agreeable wind on land
Strong breeze	6	25-31	Umbrellas used with difficulty Hair blown straight Difficult to walk steadily Wind noise on ears unpleasant Windborne snow above head height (blizzard)
Near gale	7	32-38	Inconvenience felt when walking
Gale	8	39-46	Generally impedes progress Great difficulty with balance in gusts
Strong gale	9	47-54	People blown over by gusts

Note: Table from Reference 4, p. 40.

TABLE 5

CALCULATION OF REFERENCE PRESSURE

1. Basic wind speed from ANSI A58.8 (Ref. 6) *:

50-yr fastest mile at 30 ft = 70 mph

$$\text{Mean hourly wind speed} = \frac{70}{1.27} = 55.1 \text{ mph}$$

$$\text{Mean hourly gradient wind speed} = 55.1 \left(\frac{1000}{30}\right)^{0.16} = 96.6 \text{ mph}$$

Mean hourly wind at wind tunnel velocity reference location

$$\text{at 830 ft (50 in model at 1:200)} = U_{\infty} = 96.6 \left(\frac{830}{1100}\right)^{.25} = 90.0 \text{ mph}$$

$$\text{Reference pressure} = 0.5 \rho U_{\infty}^2 = (0.00256) (90.0)^2 = 20.8 \text{ psf}$$

Use 21 psf

2. Loads for 100-yr recurrence wind:

100-yr fastest mile at 30 ft = 70 mph (ref. 6).

No change in load.

3. Gust load factors to convert hourly mean integrated loads to various gust durations (see Sect. 4.4):

<u>Gust Duration, sec</u>	<u>Gust Load Factor</u>
10 - 15	$(1.4)^2 = 1.96$
30	$(1.32)^2 = 1.74$
45	$(1.26)^2 = 1.59$

The 30 second gust load factor was used in Table 7.

*The revised ANSI now in final approval stage will require a minimum fastest mile at 30 ft of 70 mph. Use of 70 mph is supported by data from Lew, M. and G. C. Hart, The Microzonation for Wind Effects on Structures, Report UCLA-END-76101, School of Engineering and Applied Science, University of California, Los Angeles, CA 90024, 1976.

TABLE 6A. PEAK LOADS FOR CONFIGURATION A :
LARGEST VALUES OF CLADDING LOAD

ARCO PLAZA, LONG BEACH
REFERENCE PRESSURE = 21.0 PSF

TAP	AZI- MUTH	PRESS COEFF	NEGATIVE		POSITIVE		TAP	AZI- MUTH	PRESS COEFF	NEGATIVE		POSITIVE		TAP	AZI- MUTH	PRESS COEFF	NEGATIVE		POSITIVE	
			PEAK	PSF	PEAK	PSF				PEAK	PSF	PEAK	PSF				PEAK	PSF		
901	220	.59	-11.4	12.3	1032	190	.78	-14.9	16.3	1080	180	-.70	-14.8	13.4						
902	140	.62	-11.0	13.0	1033	180	-1.04	-21.9	16.4	1081	180	-.92	-19.4	16.3						
903	190	-.64	-13.4	13.5	1034	180	-1.03	-21.6	13.6	1082	180	-.75	-15.8	12.2						
904	200	.67	-11.2	14.2	1035	180	-1.09	-18.5	18.6	1083	150	-1.00	-21.0	9.4						
905	180	-.73	-15.4	10.4	1036	330	-.90	-14.7	19.0	1084	140	-.68	-14.3	8.2						
906	150	-.65	-13.6	8.7	1037	330	-1.03	-21.6	16.2	1085	150	-.66	-13.9	13.9						
907	90	-.81	-17.0	7.5	1038	140	-.85	-17.8	15.0	1086	330	-.72	-15.2	9.8						
908	340	.53	-11.2	8.4	1039	330	-.90	-21.0	17.3	1087	140	-.91	-19.1	11.1						
909	160	-.54	-11.1	8.8	1040	330	-1.00	-21.0	18.1	1088	140	-.72	-15.1	13.7						
910	190	-.58	-12.1	8.1	1041	330	-.88	-18.5	16.9	1089	330	-.83	-16.3	17.5						
911	150	-.63	-13.1	8.1	1042	110	-.78	-16.4	16.3	1090	330	-.84	-17.7	15.2						
912	340	-.68	-14.1	12.1	1043	220	-.80	-14.5	16.8	1091	330	-.85	-17.7	14.3						
913	330	-.63	-13.3	9.4	1044	260	-.79	-14.1	16.6	1092	330	-.75	-13.1	15.7						
914	240	.56	-11.1	11.1	1045	330	-.82	-17.0	17.3	1093	280	-.78	-15.1	16.3						
915	200	-.70	-14.1	12.2	1046	230	-.68	-11.1	14.2	1094	290	-.76	-14.7	15.9						
916	240	.88	-11.1	18.5	1047	250	-.92	-14.2	19.4	1095	270	-.74	-15.5	15.2						
917	210	.65	-11.0	13.7	1048	240	-.84	-18.7	21.8	1096	260	-.72	-12.9	15.1						
1001	240	-1.33	-27.7	13.3	1049	250	-1.11	-32.0	15.4	1097	320	-.76	-15.4	15.9						
1002	40	-.83	-17.7	14.2	1050	260	-1.11	-30.9	14.2	1098	320	-.18	-24.8	14.4						
1003	40	-1.22	-25.5	14.6	1051	40	-.80	-21.1	15.9	1099	260	-1.44	-30.2	17.1						
1004	180	-.88	-18.5	17.1	1052	40	-.87	-18.2	15.4	1100	260	-1.37	-28.8	14.1						
1005	170	-1.03	-22.1	17.7	1053	70	-.87	-15.5	18.2	1101	210	-.68	-14.2	13.5						
1006	180	-1.08	-22.2	14.3	1054	50	-.93	-19.5	13.0	1102	60	-.74	-15.6	13.3						
1007	10	-1.07	-22.2	16.1	1055	180	-.92	-19.4	17.1	1103	50	-.91	-19.2	14.7						
1008	10	-1.07	-22.2	16.5	1056	70	-.87	-17.6	18.2	1104	70	-.86	-18.0	15.8						
1009	180	-.96	-20.0	17.1	1057	160	-.81	-16.9	13.9	1105	170	-.61	-12.7	10.6						
1010	180	-.76	-16.0	15.3	1058	160	-.80	-16.8	10.1	1106	180	-.87	-18.3	11.9						
1011	330	-.97	-20.0	16.1	1059	180	-.80	-16.4	11.0	1107	180	-.90	-18.8	10.6						
1012	330	-.92	-19.9	16.8	1060	180	-.71	-14.4	15.0	1108	140	-.80	-16.7	9.7						
1013	120	-.78	-16.6	13.0	1061	330	-.73	-15.3	13.4	1109	180	-.74	-15.6	8.7						
1014	130	-.72	-15.5	12.0	1062	120	-.91	-19.0	13.0	1110	140	-.64	-13.5	10.9						
1015	310	-.95	-20.9	12.5	1063	120	-.80	-16.7	15.1	1111	140	-.68	-14.4	10.5						
1016	330	-.93	-20.3	13.2	1064	330	-.89	-18.7	17.9	1112	130	-.70	-14.6	11.2						
1017	260	-.86	-18.9	13.6	1065	320	-.75	-14.8	15.7	1113	120	-.69	-14.5	11.7						
1018	290	-.75	-15.5	10.8	1066	110	-.90	-18.8	14.4	1114	330	-.81	-17.0	10.2						
1019	260	-1.22	-25.5	12.6	1067	110	-.88	-18.4	15.1	1115	330	-.76	-15.9	11.9						
1020	260	-1.14	-23.4	13.3	1068	250	-.73	-15.2	15.3	1116	320	-.68	-14.2	11.9						
1021	260	-1.12	-23.3	13.7	1069	250	-.66	-14.4	16.1	1117	240	-.63	-13.2	13.2						
1022	260	-.86	-18.9	11.4	1070	90	-.79	-14.4	14.2	1118	250	-.54	-11.3	11.0						
1023	230	-1.08	-22.2	17.5	1071	250	-.83	-14.5	17.3	1119	240	-.61	-12.9	11.9						
1024	250	-1.31	-27.7	16.7	1072	250	-.81	-14.1	17.1	1120	300	-.65	-12.5	13.7						
1025	260	-2.22	-42.6	16.1	1073	250	-1.11	-23.4	18.0	1121	230	-.70	-14.7	14.3						
1026	50	-.77	-16.6	16.1	1074	250	-1.33	-28.5	12.7	1122	230	-.69	-14.5	13.5						
1027	60	-.98	-21.0	17.2	1075	250	-1.19	-25.9	14.9	1123	240	-.89	-18.8	18.5						
1028	70	-.89	-18.8	18.5	1076	50	-.82	-17.3	14.1	1124	250	-.11	-23.4	16.5						
1029	50	-1.16	-24.4	17.7	1077	50	-1.05	-22.0	15.8	1125	250	-1.63	-34.3	15.2						
1030	170	-.98	-20.6	18.1	1078	60	-.98	-20.6	16.9	1126	210	-.78	-16.4	9.9						
1031	180	-.98	-20.5	18.9	1079	50	-1.00	-20.9	14.9	1127	210	-.91	-19.1	11.6						

TABLE 6A. PEAK LOADS FOR CONFIGURATION A :
LARGEST VALUES OF CLADDING LOAD

ARCO PLAZA, LONG BEACH
REFERENCE PRESSURE = 21.0 PSF

TAP	AZI-MUTH	PRESS COEFF	NEGATIVE PEAK	POSITIVE PEAK	TAP	AZI-MUTH	PRESS COEFF	NEGATIVE PEAK	POSITIVE PEAK	TAP	AZI-MUTH	PRESS COEFF	NEGATIVE PEAK	POSITIVE PEAK
			PSF	PSF				PSF	PSF				PSF	PSF
1128	50	-.70	-14.8	11.6	1227	190	-.82	-17.2	10.0	1275	340	-.99	-20.8	9.7
1129	40	-.89	-18.7	13.0	1228	200	-.83	-17.4	5.3	1276	240	-.67	-14.0	8.0
1130	180	-.93	-19.5	12.3	1229	40	-.70	-12.9	14.7	1277	20	-.64	-13.5	11.0
1131	180	-1.12	-23.4	15.1	1230	130	-.57	-11.9	9.5	1278	20	-.51	-10.8	8.7
1132	40	-.64	-13.5	13.1	1231	130	-.76	-15.9	13.7	1279	210	-.45	-9.5	9.2
1133	150	-.83	-17.4	13.3	1232	60	-.85	-13.8	17.7	1280	210	-.51	-10.4	10.8
1134	140	-.64	-13.5	11.4	1233	230	-.96	-18.9	20.2	1281	210	-.52	-9.9	10.8
1135	190	-.71	-14.5	14.9	1234	320	-1.11	-23.2	15.1	1282	250	-.56	-9.8	11.8
1136	190	-.59	-12.2	12.5	1235	330	-1.34	-28.1	13.1	1283	120	-.69	-14.4	12.5
1137	330	-.76	-15.9	12.2	1236	330	-1.02	-21.4	8.1	1284	140	-1.13	-23.8	14.4
1138	130	-.58	-12.1	11.2	1237	230	-.66	-13.9	8.3	1285	140	-.93	-19.6	14.0
1139	130	-.78	-12.4	16.4	1238	250	-.73	-15.4	10.7	1901	50	-.97	-20.3	10.0
1140	330	-.74	-15.5	15.5	1239	210	-.59	-12.4	7.9	1902	170	-1.13	-23.7	13.2
1141	330	-.72	-15.0	13.3	1240	200	-.58	-12.1	8.7	1903	250	-.88	-18.5	10.6
1142	240	-.63	-13.3	11.8	1241	30	-.61	-12.8	8.0	1904	180	-.72	-15.1	7.7
1143	240	-.66	-13.9	13.7	1242	240	-.64	-12.2	13.4	1905	160	-.85	-17.9	9.2
1144	230	-.71	-9.5	14.8	1243	220	-.55	-10.9	11.5	1906	310	-.91	-19.0	13.3
1145	230	-.71	-12.5	14.8	1244	130	-.72	-15.2	13.4	1907	250	-.97	-20.3	10.2
1146	260	-.65	-13.7	11.9	1245	230	-.94	-18.1	19.7	1908	50	-1.73	-36.3	11.4
1147	260	-.85	-17.8	14.8	1246	230	-.93	-19.6	19.3	1909	40	-.84	-17.7	10.0
1148	260	-1.04	-21.9	14.8	1247	330	-1.47	-31.0	16.8	1910	160	-1.16	-24.3	8.6
1149	250	-1.71	-35.8	13.4	1248	330	-1.21	-25.5	14.0	1911	280	-1.03	-21.7	8.8
1150	260	-2.06	-43.3	12.4	1249	330	-.97	-20.3	9.4	1912	30	-.99	-20.7	7.2
1201	10	-.61	-16.7	21.3	1250	340	-.62	-12.9	8.1	1913	40	-.95	-20.0	9.9
1202	310	-.78	-16.5	15.8	1251	230	-.61	-12.5	12.8	1914	40	-1.01	-21.1	11.5
1204	200	-.96	-20.1	12.2	1252	340	-.56	-11.7	6.7	1915	330	-1.25	-26.3	8.4
1205	40	-.74	-13.4	15.6	1253	40	-.62	-13.0	11.4	1916	50	-.90	-18.9	10.7
1206	330	-2.37	-49.8	19.4	1254	230	-.62	-13.1	6.7	1917	180	-.75	-15.7	10.2
1207	320	-1.25	-26.3	20.3	1255	210	-.64	-10.6	13.4	1918	180	-.80	-14.9	16.7
1208	320	-.79	-16.3	15.5	1256	120	-.55	-11.5	9.7	1919	60	-1.12	-23.6	13.0
1209	330	-.78	-16.4	15.8	1257	120	-.85	-17.9	16.1	1920	120	-1.05	-21.9	20.6
1210	330	-1.10	-23.1	16.4	1258	140	-.91	-19.2	17.1	1921	50	-1.07	-22.5	13.1
1211	330	-1.42	-29.9	14.3	1259	130	-.87	-18.4	16.1	1922	330	-1.10	-23.2	17.6
1212	290	-.85	-17.8	8.8	1260	330	-1.18	-24.8	9.8	1923	330	-.87	-18.3	15.1
1213	30	-.69	-13.4	14.5	1261	330	-1.02	-21.4	10.0	2001	10	-2.13	-44.8	15.6
1214	200	-1.05	-21.9	8.9	1262	340	-.90	-19.9	8.1	2002	10	-1.22	-25.7	15.1
1215	260	-.67	-14.2	13.7	1263	340	-.64	-13.5	8.6	2003	30	-1.24	-26.0	20.2
1216	120	-.73	-14.0	15.4	1264	20	-.61	-12.7	10.1	2004	20	-1.12	-23.6	19.0
1217	130	-.68	-13.9	14.3	1265	20	-.71	-14.8	7.8	2005	0	-.98	-20.5	16.3
1218	150	-.90	-19.0	14.0	1266	300	-.60	-12.6	10.9	2006	330	-1.18	-24.9	15.2
1219	130	-.88	-13.5	18.5	1267	180	-.81	-17.0	10.4	2007	350	-1.59	-33.5	12.6
1220	40	-.75	-11.1	15.8	1268	30	-.56	-10.6	11.8	2008	320	-.78	-16.4	15.3
1221	330	-1.12	-23.5	19.6	1269	330	-.59	-12.3	10.1	2009	170	-.84	-17.7	13.7
1222	330	-1.37	-28.8	19.0	1270	120	-.99	-20.9	12.6	2010	170	-.88	-18.4	13.5
1223	310	-.91	-19.0	11.3	1271	120	-1.23	-25.8	15.2	2011	310	-1.22	-25.6	14.4
1224	40	-.57	-12.0	10.0	1272	130	-.77	-16.2	14.3	2012	310	-.70	-14.7	11.7
1225	40	-.76	-13.7	14.7	1273	330	-1.23	-25.9	14.9	2013	310	-.85	-17.9	14.3
1226	250	-.83	-17.5	6.0	1274	340	-1.21	-25.3	13.7	2014	310	-.84	-17.6	10.3

TABLE 6A. PEAK LOADS FOR CONFIGURATION A :
LARGEST VALUES OF CLADDING LOAD

ARCO PLAZA, LONG BEACH
REFERENCE PRESSURE = 21.0 PSF

TAP	AZI- MUTH	PRESS COEFF	NEGATIVE		POSITIVE PEAK	TAP	AZI- MUTH	PRESS COEFF	NEGATIVE		POSITIVE PEAK	TAP	AZI- MUTH	PRESS COEFF	NEGATIVE		POSITIVE PEAK
			PEAK	PSF					PEAK	PSF					PEAK	PSF	
2015	310	-1.10	-23.2		12.2	2063	150	-.89	-18.7		16.1	2111	310	-.61	-12.8		12.5
2016	310	-.83	-17.3		12.8	2064	150	-.91	-19.1		14.9	2112	90	-.63	-10.1		13.7
2017	90	-.82	-17.2		13.3	2065	280	-.72	-14.0		15.1	2113	150	-.63	-12.5		13.2
2018	90	-.88	-18.6		12.5	2066	130	-.75	-12.8		15.7	2114	160	-.65	-13.7		13.6
2019	260	-1.04	-21.9		12.6	2067	90	-.68	-14.4		14.2	2115	260	-.66	-12.1		13.9
2020	220	-.93	-19.5		13.3	2068	120	-.73	-15.4		13.6	2116	110	-.69	-12.4		14.6
2021	100	-.97	-20.3		15.7	2069	100	-.79	-16.5		15.5	2117	70	-.66	-12.9		13.8
2022	90	-1.02	-21.4		11.5	2070	110	-.78	-14.0		16.3	2118	110	-.73	-15.3		14.1
2023	230	-1.01	-21.3		14.6	2071	80	-.78	-15.5		16.3	2119	260	-.84	-17.7		14.7
2024	220	-.89	-18.8		15.4	2072	200	-.99	-20.7		17.6	2120	70	-.80	-16.9		14.8
2025	40	-1.57	-33.0		16.8	2073	200	-1.05	-22.0		17.5	2121	110	-.75	-13.6		15.7
2026	340	-1.53	-32.0		13.2	2074	80	-.85	-17.7		15.5	2122	230	-.69	-14.4		13.1
2027	350	-1.17	-23.5		16.0	2075	70	-1.23	-23.9		13.7	2123	230	-.75	-15.8		13.6
2028	20	-1.74	-36.5		13.8	2076	340	-1.57	-32.9		17.6	2124	210	-.65	-13.6		13.0
2029	350	-.69	-13.8		14.5	2077	340	-1.41	-29.5		16.5	2125	230	-.83	-17.4		12.8
2030	30	-.62	-11.8		13.1	2078	350	-1.18	-24.3		13.1	2126	20	-1.79	-37.5		8.7
2031	350	-.93	-19.6		15.6	2079	350	-.78	-16.3		13.6	2127	20	-1.97	-41.3		9.7
2032	340	-.77	-15.5		16.2	2080	10	-.62	-13.3		12.3	2128	60	-1.10	-23.2		8.2
2033	150	-.80	-19.8		16.8	2081	180	-.81	-17.1		14.1	2129	30	-.58	-12.2		8.4
2034	170	-.92	-19.2		14.6	2082	350	-.63	-12.3		13.1	2130	20	-.56	-11.7		10.7
2035	300	-1.27	-26.6		15.6	2083	330	-.68	-13.4		14.2	2131	350	-.67	-14.1		13.2
2036	300	-1.04	-21.8		16.0	2084	170	-.81	-17.0		14.0	2132	30	-.65	-11.1		13.6
2037	160	-.81	-14.5		17.0	2085	160	-.85	-17.9		13.8	2133	40	-.76	-8.9		16.0
2038	150	-.79	-16.1		16.5	2086	300	-.64	-11.1		13.4	2134	150	-.72	-12.1		15.1
2039	150	-.90	-19.0		18.2	2087	300	-.74	-13.5		15.6	2135	150	-.73	-12.5		15.3
2040	300	-.79	-15.8		17.6	2088	150	-.73	-13.6		14.4	2136	330	-.75	-10.1		15.8
2041	100	-.84	-13.4		17.6	2089	160	-.95	-19.9		14.4	2137	40	-.71	-9.9		14.9
2042	100	-.78	-16.4		14.5	2090	60	-.67	-12.7		14.0	2138	150	-.60	-12.6		12.5
2043	100	-.97	-20.3		14.6	2091	260	-.68	-11.7		14.3	2139	260	-.77	-16.1		12.1
2044	260	-.82	-14.5		17.1	2092	140	-.68	-12.0		14.3	2140	260	-.61	-12.5		12.8
2045	90	-.87	-17.7		18.2	2093	120	-.73	-13.3		15.3	2141	150	-.66	-10.5		13.8
2046	90	-.96	-20.5		14.1	2094	260	-.70	-12.3		14.7	2142	90	-.63	-11.2		13.1
2047	90	-1.05	-22.1		17.0	2095	100	-.75	-14.7		15.6	2143	80	-.65	-13.7		13.5
2048	210	-.87	-18.3		17.2	2096	100	-.79	-13.7		16.7	2144	250	-.68	-11.7		14.2
2049	80	-.90	-18.9		17.3	2097	200	-1.02	-21.3		15.1	2145	110	-.88	-18.4		14.5
2050	80	-1.02	-21.3		14.7	2098	200	-.98	-20.1		13.4	2146	80	-.64	-13.4		11.9
2051	40	-1.76	-37.0		16.6	2099	200	-.85	-17.8		14.7	2147	230	-.77	-16.1		12.5
2052	10	-1.64	-34.4		17.4	2100	80	-1.04	-21.1		14.8	2148	200	-.63	-13.3		11.1
2053	10	-1.33	-28.0		12.7	2101	340	-1.77	-37.7		13.0	2149	60	-.63	-13.3		10.9
2054	340	-.75	-15.7		11.0	2102	20	-1.39	-29.3		10.1	2150	60	-.87	-18.2		10.6
2055	340	-.74	-15.5		14.6	2103	340	-.99	-20.7		7.0	2201	340	-.90	-18.8		18.1
2056	190	-.82	-17.3		15.7	2104	50	-.85	-17.9		7.6	2202	340	-.92	-19.3		17.3
2057	20	-1.06	-22.2		17.2	2105	40	-.66	-13.6		10.0	2204	340	-1.09	-22.9		13.3
2058	160	-.86	-18.6		18.6	2106	200	-.65	-13.5		12.2	2205	290	-.94	-19.7		16.9
2059	170	-.86	-18.0		16.8	2107	30	-.90	-19.0		12.8	2206	130	-.91	-17.9		19.1
2060	170	-.84	-17.7		17.1	2108	40	-.66	-13.9		13.9	2207	130	-.95	-19.9		19.0
2061	290	-.86	-18.1		15.2	2109	160	-.62	-13.0		13.1	2208	280	-.73	-13.9		15.2
2062	300	-.76	-11.2		15.9	2110	40	-.68	-14.2		12.7	2209	170	-.84	-17.6		15.8

TABLE 6A. PEAK LOADS FOR CONFIGURATION A :
LARGEST VALUES OF CLADDING LOAD

ARCO PLAZA, LONG BEACH
REFERENCE PRESSURE = 21.0 PSF

TAP	AZI-MUTH	PRESS COEFF	NEGATIVE PEAK	POSITIVE PEAK	TAP	AZI-MUTH	PRESS COEFF	NEGATIVE PEAK	POSITIVE PEAK	TAP	AZI-MUTH	PRESS COEFF	NEGATIVE PEAK	POSITIVE PEAK
			----- PSF	-----				----- PSF	-----				----- PSF	-----
22110	170	.91	-14.9	19.0	2243	20	-.73	-15.4	11.0	2276	160	-.60	-12.7	9.6
22111	150	-.77	-16.1	15.4	2244	20	-.63	-13.0	13.3	2277	220	-.57	-11.9	10.3
22112	100	-.76	-16.0	10.5	2245	290	-.95	-20.0	19.3	2278	200	-.52	-10.9	9.9
22113	90	-.84	-17.7	13.3	2246	290	-1.63	-34.3	21.5	2279	240	-.51	-10.7	8.9
22114	0	-.92	-19.4	11.8	2247	140	-.82	-17.1	14.4	2280	110	-.50	-10.5	7.1
22115	290	-1.02	-21.4	11.2	2248	140	-.85	-17.8	13.7	2281	240	-.58	-12.1	12.2
22116	270	-.68	-14.4	13.1	2249	140	-.88	-18.6	12.1	2282	240	-.56	-11.8	10.1
22117	260	.87	-15.3	18.3	2250	150	-.70	-14.6	10.3	2283	50	-.65	-13.6	11.3
22118	30	-1.26	-26.5	13.6	2251	240	-.54	-11.2	11.4	2284	60	-.75	-12.2	15.9
22119	300	-.86	-18.1	16.9	2252	20	-.56	-11.7	6.3	2285	50	-1.00	-16.1	21.0
2220	330	.91	-18.6	19.1	2253	90	-.69	-14.4	8.4	2901	220	-1.58	-33.2	10.7
2221	140	-.87	-18.4	17.5	2254	160	-.62	-13.0	8.3	2902	240	-.82	-17.3	7.9
2222	140	.90	-16.9	19.0	2255	100	-.60	-12.1	12.6	2903	330	-1.13	-23.8	15.2
2223	140	.85	-17.2	17.9	2256	20	-.56	-11.7	8.2	2904	340	-.88	-18.4	10.2
2224	20	.53	-9.9	11.1	2257	310	-.80	-16.8	12.9	2905	20	-.68	-14.2	7.4
2225	220	-.63	-13.3	13.1	2258	270	-1.61	-33.8	18.0	2906	100	-.81	-17.1	8.3
2226	60	-.76	-15.9	6.6	2259	280	-1.42	-29.8	17.5	2907	90	-.90	-18.9	12.9
2227	340	-.88	-18.6	11.1	2260	50	-.73	-15.2	14.1	2908	200	-1.11	-23.3	9.9
2228	10	-.79	-16.7	7.3	2261	160	-.82	-17.2	14.8	2909	270	-.92	-19.3	11.3
2229	220	.63	-13.5	13.7	2262	150	-1.02	-21.3	13.1	2910	290	-1.09	-22.9	7.2
2230	300	-.56	-11.8	10.8	2263	180	-.62	-12.9	10.8	2911	100	-1.15	-24.2	8.1
2231	310	-.74	-15.6	13.6	2264	340	-.53	-11.2	10.5	2912	220	-1.05	-22.1	6.9
2232	310	-.86	-18.0	16.6	2265	90	-.95	-19.9	7.4	2913	290	-.96	-20.2	10.3
2233	310	-1.07	-22.3	19.5	2266	340	-.50	-10.5	10.6	2914	270	-.87	-18.3	8.0
2234	60	-.89	-18.6	17.6	2267	340	-.79	-16.5	8.6	2915	250	-.93	-19.5	12.9
2235	140	-1.00	-20.9	16.9	2268	230	-.52	-10.9	10.2	2916	230	-1.05	-22.0	9.0
2236	130	-.94	-19.7	13.8	2269	60	-.60	-12.6	11.7	2917	350	-.85	-17.8	9.4
2237	160	-.78	-16.4	10.5	2270	230	-.72	-12.2	15.0	2918	240	-.95	-20.0	15.7
2238	180	.64	-11.2	13.5	2271	340	-.80	-16.8	15.7	2919	260	-1.17	-24.6	16.5
2239	70	-.67	-14.1	5.9	2272	340	-.99	-20.8	12.3	2920	230	-1.08	-22.8	11.1
2240	20	-.66	-13.8	6.8	2273	150	-1.04	-21.7	17.9	2921	240	-.85	-17.9	7.5
2241	20	-.70	-14.6	7.5	2274	150	-.99	-20.7	16.6	2922	220	-1.01	-21.2	13.9
2242	40	.63	-12.0	13.2	2275	160	-.79	-16.5	11.8	2923	220	-.87	-18.2	13.7

TABLE 6A. PEAK LOADS FOR CONFIGURATION A :
LARGEST VALUES OF CLADDING LOAD

ARCO PLAZA, LONG BEACH
REFERENCE PRESSURE = 21.0 PSF

* * 15 GREATEST PRESSURE COEFFICIENT MAGNITUDES * *

TAP	AZI- MUTH	PRESS COEFF	NEGATIVE PEAK ----- PSF	POSITIVE PEAK -----
1206	330	-2.37	-49.8	19.4
1025	260	-2.22	-46.6	16.1
1075	250	-2.19	-45.9	14.9
2001	10	-2.13	-44.8	15.6
1150	260	-2.06	-43.3	12.4
2127	20	-1.97	-41.3	9.7
2126	20	-1.79	-37.5	8.7
2101	340	-1.77	-37.1	13.0
2051	40	-1.76	-37.0	16.6
2027	350	-1.74	-36.5	16.0
1908	50	-1.73	-36.3	11.4
1149	250	-1.71	-35.8	13.4
2052	10	-1.64	-34.4	17.4
1125	250	-1.63	-34.3	15.2
2246	290	-1.63	-34.3	21.5

TABLE 6A. PEAK LOADS FOR CONFIGURATION B :
LARGEST VALUES OF CLADDING LOAD

ARCO PLAZA, LONG BEACH
REFERENCE PRESSURE = 21 0 PSF

TAP	AZI- MUTH	PRESS COEFF	NEGATIVE PEAK ----- PSF	POSITIVE PEAK -----	TAP	AZI- MUTH	PRESS COEFF	NEGATIVE PEAK ----- PSF	POSITIVE PEAK -----	TAP	AZI- MUTH	PRESS COEFF	NEGATIVE PEAK ----- PSF	POSITIVE PEAK -----
1025	254	-2.18	-45.8	15.6	1150	256	-2.15	-45.1	11.3	2126	12	-2.59	-54.4	12.3
1075	254	-1.51	-31.7	13.2	1206	326	-2.27	-47.7	20.2	2127	28	-1.65	-34.7	11.2
1149	260	-1.87	-39.3	17.1	2001	344	-2.28	-48.0	12.1					

TABLE 6A. PEAK LOADS FOR CONFIGURATION B :
LARGEST VALUES OF CLADDING LOAD

ARCO PLAZA, LONG BEACH
REFERENCE PRESSURE = 21.0 PSF

* * 8 GREATEST PRESSURE COEFFICIENT MAGNITUDES * *

TAP	AZI- MUTH	PRESS COEFF	NEGATIVE PEAK ----- PSF	POSITIVE PEAK -----
2126	12	-2.59	-54.4	12.3
2001	344	-2.28	-48.0	12.1
1206	326	-2.27	-47.7	20.2
1025	254	-2.18	-45.8	15.6
1150	256	-2.15	-45.1	11.3
1149	260	-1.87	-39.3	17.1
2127	28	-1.65	-34.7	11.2
1075	254	-1.51	-31.7	13.2

TABLE 6B. COMPARISON OF CONFIGURATIONS A AND B : ARCO PLAZA, LONG BEACH
TAPS WHERE NEGATIVE PEAK LOAD FOR CONFIG. B EXCEEDED THAT FOR CONFIG. A BY 5 PSF
REF. PRESSURE = 21.0 PSF

TAP	AZIMUTH	A CONFIG. PSF LOAD	AZIMUTH	B CONFIG. PSF LOAD
2126	20	-37.5	12	-54.4

TABLE 7. BASE SHEAR AND MOMENT SUMMARY : ARCO PLAZA, LONG BEACH, NORTHERN BUILDING
 CONFIGURATION A REFERENCE PRESSURE 21.0 GUST FACTOR 1.32

AZIMUTH DEGREES	X-SHEAR KIPS	Y-SHEAR KIPS	X-MOMENT	Y-MOMENT 1000-FT-KIPS	Z-MOMENT
0	-114.6	-77.3	8.6	-16.3	9.5
10	-125.3	-132.9	14.5	-32.6	12.6
20	-133.8	-137.6	14.5	-32.6	11.7
30	-138.7	-111.1	12.1	-39.9	8.0
40	-140.3	-82.8	8.7	-41.9	4.8
50	-133.1	-53.2	4.9	-33.3	2.1
60	-127.3	-21.1	1.1	-20.0	-.1
70	-116.7	11.9	-.7	-12.2	-.4
80	-106.3	43.1	-.8	-6.9	-.1
90	-99.1	82.2	-.1	-2.9	-.7
100	-50.0	109.9	-.9	6.9	-1.0
110	50.0	109.9	-.9	6.9	-1.0
120	77.0	82.2	-.7	11.6	-1.4
130	77.0	53.2	-.7	11.6	-1.4
140	111.1	33.3	-.4	10.1	-.9
150	125.3	16.6	-.3	9.9	-.6
160	140.3	11.1	-.1	8.5	-.3
170	140.3	8.7	-.1	7.0	-.1
180	133.8	4.9	-.1	5.5	-.1
190	125.3	2.1	-.1	4.0	-.1
200	116.7	-.1	-.1	2.5	-.1
210	106.3	-.7	-.1	1.0	-.1
220	99.1	-.9	-.1	1.1	-.1
230	90.0	-.1	-.1	1.1	-.1
240	82.2	1.1	-.1	1.1	-.1
250	77.0	2.1	-.1	1.1	-.1
260	77.0	3.3	-.1	1.1	-.1
270	77.0	4.4	-.1	1.1	-.1
280	77.0	5.5	-.1	1.1	-.1
290	77.0	6.6	-.1	1.1	-.1
300	77.0	7.7	-.1	1.1	-.1
310	77.0	8.8	-.1	1.1	-.1
320	77.0	9.9	-.1	1.1	-.1
330	77.0	11.0	-.1	1.1	-.1
340	77.0	12.1	-.1	1.1	-.1
350	77.0	13.2	-.1	1.1	-.1

TABLE 7. BASE SHEAR AND MOMENT SUMMARY : ARCO PLAZA, LONG BEACH, SOUTHERN BUILDING
 CONFIGURATION A REFERENCE PRESSURE 21.0 GUST FACTOR 1.32

AZIMUTH DEGREES	X-SHEAR KIPS	Y-SHEAR KIPS	X-MOMENT	Y-MOMENT 1000-FT-KIPS	Z-MOMENT
0	-	64.6	-1.6	-1.9	9.3
10	-	94.4	-10.6	-2.9	10.6
20	-	81.8	-11.0	-4.4	9.9
30	-	47.7	-14.8	-7.1	7.4
40	-	21.4	-16.6	-9.5	5.0
50	-	9.9	-17.2	-11.1	2.7
60	-	1.1	-17.4	-12.6	0.0
70	-	1.1	-17.2	-13.9	0.0
80	-	1.1	-16.6	-14.9	0.0
90	-	1.1	-15.5	-15.4	0.0
100	-	1.1	-14.0	-15.4	0.0
110	-	1.1	-12.2	-14.9	0.0
120	-	1.1	-10.6	-14.0	0.0
130	-	1.1	-9.4	-12.6	0.0
140	-	1.1	-8.6	-10.6	0.0
150	-	1.1	-8.1	-8.6	0.0
160	-	1.1	-7.7	-6.6	0.0
170	-	1.1	-7.4	-4.4	0.0
180	-	1.1	-7.1	-2.2	0.0
190	-	1.1	-6.6	0.0	0.0
200	-	1.1	-6.0	2.2	0.0
210	-	1.1	-5.5	4.4	0.0
220	-	1.1	-5.0	6.6	0.0
230	-	1.1	-4.4	8.6	0.0
240	-	1.1	-4.0	10.6	0.0
250	-	1.1	-3.5	12.6	0.0
260	-	1.1	-3.0	14.0	0.0
270	-	1.1	-2.7	15.4	0.0
280	-	1.1	-2.2	16.6	0.0
290	-	1.1	-1.6	17.2	0.0
300	-	1.1	-1.1	17.4	0.0
310	-	1.1	-1.1	17.2	0.0
320	-	1.1	-1.0	16.6	0.0
330	-	1.1	-0.9	15.5	0.0
340	-	1.1	-0.8	14.0	0.0
350	-	1.1	-0.8	12.2	0.0
360	-	1.1	-0.7	10.6	0.0

TABLE 7. SHEAR AND MOMENT DIAGRAMS : ARCO PLAZA, LONG BEACH NORTHERN BUILDING												
WIND DIRECTION	0	CONFIGURATION A REFERENCE PRESSURE 21.0 PSF GUST FACTOR 1.32										
FLOOR	HEIGHT FT	X-FORCE KIPS	Y-FORCE KIPS	X-AREA SQ FT	Y-AREA SQ FT	X-PRESS PSF	Y-PRESS PSF	X-SHEAR KIPS	Y-SHEAR KIPS	X-MOMENT	Y-MOMENT 1000-FI-KIPS	Z-MOMENT
GRND	0.00	-11.1	-6.5	5385	2179	-2.1	-3.0	-146.4	-77.3	8.6	-16.3	9.5
2ND	22.25	-6.2	-3.7	3086	1248	-2.0	-2.9	-135.3	-70.8	6.9	-13.2	8.4
3RD	35.00	-6.2	-3.6	3086	1248	-2.0	-2.9	-129.1	-67.1	6.1	-11.5	7.9
4TH	47.75	-6.8	-3.8	3086	1248	-2.2	-3.0	-122.9	-63.5	5.2	-9.9	7.4
5TH	60.50	-7.8	-4.0	3086	1248	-2.5	-3.2	-116.1	-59.7	4.4	-8.4	6.8
6TH	73.25	-8.8	-4.3	3086	1248	-2.9	-3.4	-108.3	-55.7	3.7	-7.0	6.3
7TH	86.00	-9.7	-4.5	3086	1248	-3.1	-3.6	-99.4	-51.5	3.0	-5.6	5.8
8TH	98.75	-10.2	-4.9	3086	1248	-3.3	-3.9	-89.7	-46.9	2.4	-4.4	5.2
9TH	111.50	-10.8	-5.3	3086	1248	-3.5	-4.2	-79.5	-42.0	1.8	-3.4	4.7
10TH	124.25	-11.5	-5.7	3086	1248	-3.7	-4.6	-68.7	-36.7	1.3	-2.4	4.0
11TH	137.00	-12.4	-6.4	3086	1248	-4.0	-5.1	-57.2	-31.0	.9	-1.6	3.4
12TH	149.75	-13.3	-7.0	3086	1248	-4.3	-5.6	-44.8	-24.6	.5	-1.0	2.7
13TH	162.50	-14.2	-7.6	3086	1248	-4.6	-6.1	-31.5	-17.6	.3	-.5	1.9
14TH	175.25	-15.3	-8.7	3933	1591	-3.9	-5.5	-17.3	-10.0	.1	-.2	1.1
ROOF	191.50	-2.0	-1.3	1473	871	-1.3	-1.5	-2.0	-1.3	.0	-.0	.2
TOP	204.00							0.0	0.0	0.0	0.0	0.0

TABLE 7. SHEAR AND MOMENT DIAGRAMS : ARCO PLAZA, LONG BEACH NORTHERN BUILDING												
WIND DIRECTION 10		CONFIGURATION A				REFERENCE PRESSURE 21.0 PSF				GUST FACTOR 1.32		
FLOOR	HEIGHT FT	X-FORCE KIPS	Y-FORCE KIPS	X-AREA SQ FT	Y-AREA SQ FT	X-PRESS PSF	Y-PRESS PSF	X-SHEAR KIPS	Y-SHEAR KIPS	X-MOMENT	Y-MOMENT 1000-FT-KIPS	Z-MOMENT
GRND	0.00							-253.1	-132.9	14.2	-26.7	12.6
2ND	22.25	-22.5	-12.3	5385	2179	-4.2	-5.6	-230.6	-120.6	11.4	-21.3	11.2
3RD	35.00	-13.0	-6.8	3086	1248	-4.2	-5.5	-217.6	-113.8	9.9	-18.5	10.5
4TH	47.75	-13.0	-6.7	3086	1248	-4.2	-5.3	-204.6	-107.1	8.5	-15.8	9.9
5TH	60.50	-13.7	-6.9	3086	1248	-4.4	-5.5	-190.9	-100.2	7.1	-13.2	9.2
6TH	73.25	-14.8	-7.4	3086	1248	-4.8	-5.9	-176.1	-92.8	5.9	-10.9	8.6
7TH	86.00	-15.8	-7.8	3086	1248	-5.1	-6.3	-160.3	-85.0	4.8	-8.8	7.9
8TH	98.75	-16.8	-8.3	3086	1248	-5.5	-6.7	-143.4	-76.7	3.7	-6.8	7.1
9TH	111.50	-17.8	-8.9	3086	1248	-5.8	-7.1	-125.7	-67.8	2.8	-5.1	6.3
10TH	124.25	-18.7	-9.5	3086	1248	-6.1	-7.6	-107.0	-58.3	2.0	-3.6	5.4
11TH	137.00	-19.6	-10.1	3086	1248	-6.3	-8.1	-87.4	-48.2	1.3	-2.4	4.5
12TH	149.75	-20.3	-10.7	3086	1248	-6.6	-8.6	-67.2	-37.4	.8	-1.4	3.5
13TH	162.50	-20.9	-11.4	3086	1248	-6.8	-9.1	-46.2	-26.0	.4	-.7	2.4
14TH	175.25	-21.6	-12.0	3086	1248	-7.0	-9.6	-24.6	-14.0	.1	-.2	1.4
ROOF	191.50	-22.7	-12.7	3933	1591	-5.8	-8.0	-1.9	-1.3	0	-.0	.2
TOP	204.00	-1.9	-1.3	1473	871	-1.3	-1.5	0.0	0.0	0.0	0.0	0.0

TABLE 7. SHEAR AND MOMENT DIAGRAMS 1												
WIND DIRECTION 20		ARCO PLAZA, LONG BEACH				NORTHERN BUILDING				GUST FACTOR 1.32		
		CONFIGURATION A				REFERENCE PRESSURE 21.0 PSF						
FLOOR	HEIGHT FT	X-FORCE KIPS	Y-FORCE KIPS	X-AREA SQ FT	Y-AREA SQ FT	X-PRESS PSF	Y-PRESS PSF	X-SHEAR KIPS	Y-SHEAR KIPS	X-MOMENT	Y-MOMENT 1000-FT-KIPS	Z-MOMENT
GRND	0.00							-300.7	-137.6	14.5	-32.2	11.7
2ND	22.25	-27.2	-12.4	5385	2179	-5.1	-5.7	-273.5	-125.1	11.6	-25.8	10.3
3RD	35.00	-14.9	-6.9	3086	1248	-4.8	-5.6	-258.6	-118.2	10.0	-22.4	9.7
4TH	47.75	-14.4	-6.8	3086	1248	-4.7	-5.4	-244.3	-111.4	8.6	-19.2	9.1
5TH	60.50	-15.1	-7.3	3086	1248	-4.9	-5.9	-229.2	-104.1	7.2	-16.2	8.6
6TH	73.25	-16.4	-8.1	3086	1248	-5.3	-6.5	-212.8	-95.9	5.9	-13.4	7.9
7TH	86.00	-17.7	-8.9	3086	1248	-5.8	-7.2	-195.0	-87.0	4.7	-10.8	7.3
8TH	98.75	-19.3	-9.5	3086	1248	-6.2	-7.6	-175.8	-77.5	3.7	-8.4	6.6
9TH	111.50	-21.0	-9.8	3086	1248	-6.8	-7.8	-154.7	-67.7	2.8	-6.3	5.8
10TH	124.25	-22.8	-10.1	3086	1248	-7.4	-8.1	-132.0	-57.6	2.0	-4.5	5.0
11TH	137.00	-24.3	-10.4	3086	1248	-7.9	-8.3	-107.7	-47.2	1.3	-2.9	4.1
12TH	149.75	-25.0	-10.8	3086	1248	-8.1	-8.7	-82.6	-36.4	.8	-1.7	3.1
13TH	162.50	-25.7	-11.3	3086	1248	-8.3	-9.0	-56.9	-25.1	.4	-.8	2.2
14TH	175.25	-26.5	-11.7	3086	1248	-8.6	-9.4	-30.4	-13.4	.1	-.3	1.2
ROOF	191.50	-27.7	-12.2	3933	1591	-7.1	-7.7	-2.7	-1.2	.0	-.0	.2
TOP	204.00	-2.7	-1.2	1473	871	-1.8	-1.4	0.0	0.0	0.0	0.0	0.0

TABLE 7. SHEAR AND MOMENT DIAGRAMS : ARCO PLAZA, LONG BEACH NORTHERN BUILDING												
WIND DIRECTION 30		CONFIGURATION A				REFERENCE PRESSURE 21.0 PSF				GUST FACTOR 1.32		
FLOOR	HEIGHT FT	X-FORCE KIPS	Y-FORCE KIPS	X-AREA SQ FT	Y-AREA SQ FT	X-PRESS PSF	Y-PRESS PSF	X-SHEAR KIPS	Y-SHEAR KIPS	X-MOMENT	Y-MOMENT 1000-FT-KIPS	Z-MOMENT
GRND	0.00	-38.8	-9.8	5385	2179	-7.2	-4.5	-387.5	-111.1	12.1	-39.5	8.2
2ND	22.25	-21.7	-5.3	3086	1248	-7.0	-4.2	-348.7	-101.2	9.7	-31.3	7.2
3RD	35.00	-21.3	-5.0	3086	1248	-6.9	-4.0	-327.0	-96.0	8.4	-27.0	6.8
4TH	47.75	-22.1	-5.3	3086	1248	-7.2	-4.3	-305.7	-90.9	7.2	-23.0	6.5
5TH	60.50	-23.4	-5.8	3086	1248	-7.6	-4.6	-283.6	-85.6	6.1	-19.2	6.1
6TH	73.25	-24.8	-6.3	3086	1248	-8.0	-5.0	-260.2	-79.8	5.1	-15.7	5.7
7TH	86.00	-26.1	-6.9	3086	1248	-8.4	-5.6	-235.4	-73.5	4.1	-12.6	5.3
8TH	98.75	-27.2	-7.8	3086	1248	-8.8	-6.2	-209.3	-66.6	3.2	-9.7	4.8
9TH	111.50	-28.3	-8.7	3086	1248	-9.2	-6.9	-182.1	-58.8	2.4	-7.2	4.2
10TH	124.25	-29.3	-9.4	3086	1248	-9.5	-7.5	-153.8	-50.1	1.7	-5.1	3.6
11TH	137.00	-29.8	-9.5	3086	1248	-9.7	-7.6	-124.6	-40.7	1.1	-3.3	2.9
12TH	149.75	-30.4	-9.7	3086	1248	-9.8	-7.8	-94.7	-31.2	.7	-1.9	2.2
13TH	162.50	-31.0	-9.9	3086	1248	-10.0	-7.9	-64.4	-21.5	.3	-.9	1.5
14TH	175.25	-31.5	-10.2	3933	1591	-8.0	-6.4	-33.4	-11.6	.1	-.3	.8
ROOF	191.50	-1.9	-1.5	1473	871	-1.3	-1.7	-1.9	-1.5	0	0	.1
TOP	204.00							0.0	0.0	0.0	0.0	0.0

TABLE 7. SHEAR AND MOMENT DIAGRAMS ARCO PLAZA, LONG BEACH NORTHERN BUILDING												
WIND DIRECTION 40		CONFIGURATION A				REFERENCE PRESSURE 21.0 PSF				GUST FACTOR 1.32		
FLOOR	HEIGHT FT	X-FORCE KIPS	Y-FORCE KIPS	X-AREA SQ FT	Y-AREA SQ FT	X-PRESS PSF	Y-PRESS PSF	X-SHEAR KIPS	Y-SHEAR KIPS	X-MOMENT	Y-MOMENT 1000-FT-KIPS	Z-MOMENT
GRND	0.00	-36.5	-7.7	5385	2179	-6.8	-3.5	-403.5	-82.8	8.7	-41.9	4.8
2ND	22.25	-20.9	-4.3	3086	1248	-6.8	-3.4	-367.0	-75.2	6.9	-33.4	4.1
3RD	35.00	-20.8	-4.2	3086	1248	-6.8	-3.4	-346.1	-70.9	6.0	-28.8	3.8
4TH	47.75	-22.3	-4.5	3086	1248	-7.2	-3.6	-325.3	-66.6	5.1	-24.5	3.6
5TH	60.50	-24.5	-4.9	3086	1248	-7.9	-3.9	-302.9	-62.1	4.3	-20.5	3.4
6TH	73.25	-26.6	-5.3	3086	1248	-8.6	-4.2	-278.5	-57.2	3.5	-16.8	3.1
7TH	86.00	-28.2	-5.6	3086	1248	-9.2	-4.5	-251.8	-52.0	2.8	-13.5	2.8
8TH	98.75	-29.3	-5.8	3086	1248	-9.5	-4.6	-223.6	-46.4	2.2	-10.4	2.5
9TH	111.50	-30.3	-6.0	3086	1248	-9.8	-4.8	-194.3	-40.6	1.7	-7.8	2.2
10TH	124.25	-31.2	-6.2	3086	1248	-10.1	-5.0	-164.0	-34.6	1.2	-5.5	1.8
11TH	137.00	-31.7	-6.5	3086	1248	-10.3	-5.2	-132.8	-28.4	.8	-3.6	1.5
12TH	149.75	-32.2	-6.8	3086	1248	-10.4	-5.5	-101.1	-21.8	.5	-2.1	1.1
13TH	162.50	-32.7	-7.1	3086	1248	-10.6	-5.7	-68.9	-15.0	.2	-1.0	.7
14TH	175.25	-33.3	-7.3	3933	1591	-8.5	-4.6	-36.2	-7.9	.1	-.3	.4
ROOF	191.50	-2.9	-.6	1473	871	-2.0	-.7	-2.9	-.6	.0	-.0	.0
TOP	204.00							0.0	0.0	0.0	0.0	0.0

TABLE 7. SHEAR AND MOMENT DIAGRAMS :												
WIND DIRECTION 50		ARCO PLAZA, LONG BEACH				NORTHERN BUILDING				GUST FACTOR 1.32		
		CONFIGURATION A				REFERENCE PRESSURE 21.0 PSF						
FLOOR	HEIGHT FT	X-FORCE KIPS	Y-FORCE KIPS	X-AREA SQ FT	Y-AREA SQ FT	X-PRESS PSF	Y-PRESS PSF	X-SHEAR KIPS	Y-SHEAR KIPS	X-MOMENT	Y-MOMENT 1000-FT-KIPS	Z-MOMENT
GRND	0.00											
2ND	22.25	-27.0	-5.5	5385	2179	-5.0	-2.5	-331.7	-53.2	4.9	-35.4	1.0
3RD	35.00	-15.5	-3.3	3086	1248	-5.0	-2.6	-304.8	-47.7	3.8	-28.3	.7
4TH	47.75	-15.5	-3.4	3086	1248	-5.0	-2.7	-289.3	-44.4	3.2	-24.5	.6
5TH	60.50	-17.0	-3.7	3086	1248	-5.5	-3.0	-273.8	-41.0	2.7	-20.9	.5
6TH	73.25	-19.2	-4.1	3086	1248	-6.2	-3.3	-256.8	-37.4	2.2	-17.5	.4
7TH	86.00	-21.3	-4.5	3086	1248	-6.9	-3.6	-237.6	-33.3	1.7	-14.4	.3
8TH	98.75	-23.2	-4.6	3086	1248	-7.5	-3.7	-216.3	-28.8	1.3	-11.5	.2
9TH	111.50	-24.8	-4.3	3086	1248	-8.0	-3.4	-193.2	-24.3	1.0	-8.9	.1
10TH	124.25	-26.4	-4.0	3086	1248	-8.5	-3.2	-168.4	-20.0	.7	-6.6	-.0
11TH	137.00	-27.7	-3.7	3086	1248	-9.0	-3.0	-142.0	-16.0	.5	-4.6	-.1
12TH	149.75	-28.3	-3.5	3086	1248	-9.2	-2.8	-114.3	-12.3	.3	-3.0	-.2
13TH	162.50	-28.9	-3.3	3086	1248	-9.4	-2.6	-86.0	-8.8	.2	-1.7	-.3
14TH	175.25	-29.5	-3.1	3086	1248	-9.6	-2.5	-57.1	-5.5	.1	-.8	-.3
ROOF	191.50	-27.6	-2.7	3933	1591	-7.0	-1.7	-27.7	-2.4	.0	-.2	-.2
TOP	204.00	-.1	.2	1473	871	-.1	.3	0.0	0.0	0.0	0.0	0.0

TABLE 7. SHEAR AND MOMENT DIAGRAMS ;													
WIND DIRECTION 60		CONFIGURATION A				ARCO PLAZA, LONG BEACH		NORTHERN BUILDING		GUST FACTOR 1.32			
		REFERENCE PRESSURE 21.0 PSF											
FLOOR	HEIGHT FT	X-FORCE KIPS	Y-FORCE KIPS	X-AREA SQ FT	Y-AREA SQ FT	X-PRESS PSF	Y-PRESS PSF	X-SHEAR KIPS	Y-SHEAR KIPS	X-MOMENT	Y-MOMENT 1000-FT-KIPS	Z-MOMENT	
GRND	0.00							-273.2	-21.5	1.3	-30.3	-2.3	
2ND	22.25	-18.4	-2.6	5385	2179	-3.4	-1.2	-254.8	-18.8	.9	-24.4	-2.3	
3RD	35.00	-11.0	-2.1	3086	1248	-3.6	-1.7	-243.8	-16.8	.7	-21.2	-2.3	
4TH	47.75	-11.3	-2.5	3086	1248	-3.7	-2.0	-232.5	-14.3	.5	-18.2	-2.2	
5TH	60.50	-13.0	-2.6	3086	1248	-4.2	-2.1	-219.5	-11.6	.3	-15.3	-2.1	
6TH	73.25	-15.1	-2.6	3086	1248	-4.9	-2.1	-204.4	-9.1	.2	-12.6	-2.0	
7TH	86.00	-17.3	-2.6	3086	1248	-5.6	-2.1	-187.0	-6.5	.1	-10.1	-1.9	
8TH	98.75	-19.2	-2.4	3086	1248	-6.2	-1.9	-167.9	-4.1	.0	-7.9	-1.8	
9TH	111.50	-20.7	-1.9	3086	1248	-6.7	-1.6	-147.2	-2.2	-.0	-5.8	-1.7	
10TH	124.25	-22.3	-1.5	3086	1248	-7.2	-1.2	-124.8	-.7	-.0	-4.1	-1.6	
11TH	137.00	-23.7	-1.1	3086	1248	-7.7	-.9	-101.1	.4	-.0	-2.7	-1.4	
12TH	149.75	-24.4	-.6	3086	1248	-7.9	-.5	-76.7	1.0	-.0	-1.5	-1.2	
13TH	162.50	-25.1	-.2	3086	1248	-8.2	-.1	-51.5	1.2	-.0	-.7	-1.0	
14TH	175.25	-25.8	.3	3086	1248	-8.4	.2	-25.7	.9	-.0	-.2	-.6	
ROOF	191.50	-24.6	.5	3933	1591	-6.2	.3	-1.1	.3	-.0	-.0	-.1	
TOP	204.00	-1.1	.3	1473	871	-.8	.4	0.0	0.0	0.0	0.0	0.0	

TABLE 7. SHEAR AND MOMENT DIAGRAMS : ARCO PLAZA, LONG BEACH NORTHERN BUILDING												
WIND DIRECTION 70		CONFIGURATION A				REFERENCE PRESSURE 21.0 PSF				GUST FACTOR 1.32		
FLOOR	HEIGHT FT	X-FORCE KIPS	Y-FORCE KIPS	X-AREA SQ FT	Y-AREA SQ FT	X-PRESS PSF	Y-PRESS PSF	X-SHEAR KIPS	Y-SHEAR KIPS	X-MOMENT	Y-MOMENT	Z-MOMENT
										1000-FT-KIPS		
GRND	0.00	-7.6	.2	5385	2179	-1.4	.1	-167.1	11.9	-2.7	-22.6	-4.9
2ND	22.25	-2.5	-.8	3086	1248	-.8	-.6	-159.5	11.7	-2.4	-19.0	-4.6
3RD	35.00	-1.2	-1.4	3086	1248	-.4	-1.1	-156.9	12.5	-2.2	-17.0	-4.5
4TH	47.75	-1.6	-1.5	3086	1248	-.5	-1.2	-155.8	14.0	-2.1	-15.0	-4.4
5TH	60.50	-2.6	-1.4	3086	1248	-.9	-1.1	-154.2	15.5	-1.9	-13.0	-4.3
6TH	73.25	-3.7	-1.3	3086	1248	-1.2	-1.1	-151.6	16.9	-1.7	-11.1	-4.1
7TH	86.00	-6.7	-.9	3086	1248	-2.2	-.7	-147.9	18.3	-1.4	-9.1	-4.0
8TH	98.75	-11.1	.1	3086	1248	-3.6	.0	-141.2	19.1	-1.2	-7.3	-3.8
9TH	111.50	-15.5	1.0	3086	1248	-5.0	.8	-130.1	19.1	-1.0	-5.6	-3.5
10TH	124.25	-19.1	1.9	3086	1248	-6.2	1.5	-114.6	18.1	-.7	-4.0	-3.2
11TH	137.00	-20.9	2.6	3086	1248	-6.8	2.1	-95.5	16.2	-.5	-2.7	-2.7
12TH	149.75	-22.6	3.4	3086	1248	-7.3	2.7	-74.6	13.5	-.3	-1.6	-2.2
13TH	162.50	-24.3	4.2	3086	1248	-7.9	3.3	-52.0	10.1	-.2	-.8	-1.7
14TH	175.25	-24.1	4.7	3933	1591	-6.1	2.9	-27.6	6.0	-.1	-.3	-1.0
ROOF	191.50	-3.5	1.3	1473	871	-2.4	1.5	-3.5	1.3	-.0	-.0	-.2
TOP	204.00							0.0	0.0	0.0	0.0	0.0

TABLE 7. SHEAR AND MOMENT DIAGRAMS :													
WIND DIRECTION 80		CONFIGURATION A				ARCO PLAZA, LONG BEACH		NORTHERN BUILDING		GUST FACTOR 1.32			
FLOOR	HEIGHT FT	X-FORCE KIPS	Y-FORCE KIPS	X-AREA SQ FT	Y-AREA SQ FT	X-PRESS PSF	Y-PRESS PSF	X-SHEAR KIPS	Y-SHEAR KIPS	X-MOMENT	Y-MOMENT 1000-FT-KIPS	Z-MOMENT	
GRND	0.00	-16.0	4.1	5385	2179	-3.0	1.9	-196.3	43.1	-5.8	-22.4	-8.1	
2ND	22.25	-8.0	1.4	3086	1248	-2.6	1.1	-180.3	39.0	-4.9	-18.2	-7.3	
3RD	35.00	-7.2	.7	3086	1248	-2.3	.5	-172.3	37.6	-4.4	-16.0	-6.9	
4TH	47.75	-8.0	.4	3086	1248	-2.6	.3	-165.1	36.9	-3.9	-13.8	-6.5	
5TH	60.50	-9.4	.4	3086	1248	-3.0	.3	-157.1	36.5	-3.4	-11.8	-6.1	
6TH	73.25	-10.8	.3	3086	1248	-3.5	.3	-147.7	36.1	-3.0	-9.8	-5.7	
7TH	86.00	-12.1	.7	3086	1248	-3.9	.6	-136.9	35.8	-2.5	-8.0	-5.3	
8TH	98.75	-13.3	1.7	3086	1248	-4.3	1.4	-124.8	35.1	-2.1	-6.4	-4.9	
9TH	111.50	-14.5	2.7	3086	1248	-4.7	2.2	-111.6	33.4	-1.6	-4.9	-4.4	
10TH	124.25	-15.6	3.7	3086	1248	-5.0	2.9	-97.1	30.7	-1.2	-3.5	-3.9	
11TH	137.00	-16.9	4.6	3086	1248	-5.5	3.7	-81.6	27.0	-.9	-2.4	-3.4	
12TH	149.75	-18.3	5.6	3086	1248	-5.9	4.4	-64.6	22.4	-.5	-1.5	-2.8	
13TH	162.50	-19.6	6.5	3086	1248	-6.4	5.2	-46.4	16.9	-.3	-.8	-2.1	
14TH	175.25	-22.1	7.9	3933	1591	-5.6	5.0	-26.7	10.4	-.1	-.3	-1.3	
ROOF	191.50	-4.7	2.5	1473	871	-3.2	2.8	-4.7	2.5	-.0	-.0	-.3	
TOP	204.00							0.0	0.0	0.0	0.0	0.0	

TABLE 7. SHEAR AND MOMENT DIAGRAMS ; ARCO PLAZA, LONG BEACH NORTHERN BUILDING												
WIND DIRECTION 90		CONFIGURATION A				REFERENCE PRESSURE 21.0 PSF				GUST FACTOR 1.32		
FLOOR	HEIGHT FT	X-FORCE KIPS	Y-FORCE KIPS	X-AREA SQ FT	Y-AREA SQ FT	X-PRESS PSF	Y-PRESS PSF	X-SHEAR KIPS	Y-SHEAR KIPS	X-MOMENT	Y-MOMENT 1000-FT-KIPS	Z-MOMENT
GRND	0.00	-8.8	2.4	5385	2179	-1.6	1.1	-91.8	52.1	-7.1	-9.9	-7.1
2ND	22.25	-4.8	1.1	3086	1248	-1.6	.9	-83.0	49.7	-5.9	-7.9	-6.7
3RD	35.00	-4.6	1.0	3086	1248	-1.5	.8	-78.2	48.6	-5.3	-6.9	-6.4
4TH	47.75	-4.9	1.0	3086	1248	-1.6	.8	-73.5	47.7	-4.7	-5.9	-6.0
5TH	60.50	-5.6	1.1	3086	1248	-1.8	.9	-68.6	46.7	-4.1	-5.0	-5.7
6TH	73.25	-6.2	1.2	3086	1248	-2.0	.9	-63.0	45.6	-3.5	-4.2	-5.3
7TH	86.00	-6.2	1.7	3086	1248	-2.0	1.4	-56.8	44.4	-2.9	-3.4	-4.9
8TH	98.75	-5.7	2.8	3086	1248	-1.8	2.2	-50.6	42.7	-2.4	-2.7	-4.5
9TH	111.50	-5.1	3.9	3086	1248	-1.7	3.1	-44.9	39.9	-1.9	-2.1	-4.1
10TH	124.25	-4.9	4.9	3086	1248	-1.6	3.9	-39.8	36.0	-1.4	-1.6	-3.6
11TH	137.00	-6.0	5.8	3086	1248	-2.0	4.7	-35.0	31.1	-1.0	-1.1	-3.0
12TH	149.75	-7.2	6.7	3086	1248	-2.3	5.4	-28.9	25.3	-.6	-.7	-2.4
13TH	162.50	-8.4	7.6	3086	1248	-2.7	6.1	-21.7	18.5	-.3	-.4	-1.8
14TH	175.25	-10.5	8.4	3933	1591	-2.7	5.3	-13.3	10.9	-.1	-.1	-1.1
ROOF	191.50	-2.8	2.5	1473	871	-1.9	2.9	-2.8	2.5	-.0	-.0	-.2
TOP	204.00							0.0	0.0	0.0	0.0	0.0

TABLE 7. SHEAR AND MOMENT DIAGRAMS 1												
WIND DIRECTION 100		ARCO PLAZA, LONG BEACH				NORTHERN BUILDING				GUST FACTOR 1.32		
		CONFIGURATION A				REFERENCE PRESSURE 21.0 PSF						
FLOOR	HEIGHT FT	X-FORCE KIPS	Y-FORCE KIPS	X-AREA SQ FT	Y-AREA SQ FT	X-PRESS PSF	Y-PRESS PSF	X-SHEAR KIPS	Y-SHEAR KIPS	X-MOMENT	Y-MOMENT 1000-FT-KIPS	Z-MOMENT
GRND	0.00							-50.7	80.2	-9.6	-6.2	-10.7
2ND	22.25	-2.2	5.7	5385	2179	-.4	2.6	-48.5	74.5	-7.9	-5.1	-10.0
3RD	35.00	-1.7	2.9	3086	1248	-.5	2.3	-46.9	71.6	-6.9	-4.5	-9.4
4TH	47.75	-1.9	2.7	3086	1248	-.6	2.2	-44.9	68.9	-6.1	-3.9	-8.8
5TH	60.50	-2.1	2.9	3086	1248	-.7	2.3	-42.8	66.0	-5.2	-3.4	-8.2
6TH	73.25	-2.5	3.3	3086	1248	-.8	2.6	-40.3	62.7	-4.4	-2.8	-7.6
7TH	86.00	-2.8	3.7	3086	1248	-.9	3.0	-37.5	59.0	-3.6	-2.3	-6.9
8TH	98.75	-3.0	4.3	3086	1248	-1.0	3.4	-34.5	54.7	-2.9	-1.9	-6.2
9TH	111.50	-3.1	5.2	3086	1248	-1.0	4.1	-31.4	49.6	-2.2	-1.5	-5.4
10TH	124.25	-3.2	6.0	3086	1248	-1.0	4.8	-28.2	43.5	-1.6	-1.1	-4.6
11TH	137.00	-3.4	6.8	3086	1248	-1.1	5.5	-24.8	36.7	-1.1	-.7	-3.8
12TH	149.75	-4.4	7.4	3086	1248	-1.4	6.0	-20.3	29.2	-.7	-.5	-3.0
13TH	162.50	-5.5	8.1	3086	1248	-1.8	6.5	-14.9	21.2	-.4	-.2	-2.1
14TH	175.25	-6.4	8.7	3086	1248	-2.1	6.9	-8.4	12.5	-.1	-.1	-1.2
ROOF	191.50	-7.2	9.5	3933	1591	-1.8	6.0	-1.3	3.1	-.0	-.0	-.2
TOP	204.00	-1.3	3.1	1473	871	-.9	3.5	0.0	0.0	0.0	0.0	0.0

TABLE 7. SHEAR AND MOMENT DIAGRAMS :
WIND DIRECTION 110

ARCO PLAZA, LONG BEACH NORTHERN BUILDING
CONFIGURATION A REFERENCE PRESSURE 21.0 PSF

GUST FACTOR 1.32

FLOOR	HEIGHT FT	X-FORCE KIPS	Y-FORCE KIPS	X-AREA SQ FT	Y-AREA SQ FT	X-PRESS PSF	Y-PRESS PSF	X-SHEAR KIPS	Y-SHEAR KIPS	X-MOMENT	Y-MOMENT 1000-FT-KIPS	Z-MOMENT
GRND	0.00							6.8	105.1	-12.2	.9	-12.1
2ND	22.25	.8	7.9	5385	2179	.2	3.6	6.0	97.2	-9.9	.8	-11.2
3RD	35.00	.5	4.1	3086	1248	.2	3.3	5.5	93.1	-8.7	.7	-10.7
4TH	47.75	.5	3.8	3086	1248	.1	3.0	5.0	89.3	-7.5	.6	-10.1
5TH	60.50	.3	4.2	3086	1248	.1	3.3	4.7	85.1	-6.4	.6	-9.4
6TH	73.25	.0	4.8	3086	1248	.0	3.9	4.7	80.3	-5.4	.5	-8.7
7TH	86.00	-.3	5.5	3086	1248	-.1	4.4	4.7	74.8	-4.4	.5	-7.9
8TH	98.75	-.3	6.3	3086	1248	-.1	5.0	5.0	68.5	-3.5	.4	-7.1
9TH	111.50	-.0	7.2	3086	1248	-.0	5.8	5.3	61.3	-2.6	.3	-6.2
10TH	124.25	.3	8.1	3086	1248	.1	6.5	5.0	53.2	-1.9	.3	-5.3
11TH	137.00	.6	8.9	3086	1248	.2	7.2	4.4	44.3	-1.3	.2	-4.4
12TH	149.75	.5	9.6	3086	1248	.2	7.7	3.9	34.7	-.8	.1	-3.4
13TH	162.50	.4	10.2	3086	1248	.1	8.2	3.4	24.5	-.4	.1	-2.4
14TH	175.25	.4	10.8	3086	1248	.1	8.7	3.1	13.7	-.2	.1	-1.4
ROOF	191.50	1.3	10.9	3933	1591	.3	6.9	1.8	2.7	-.0	.0	-.2
TOP	204.00	1.8	2.7	1473	871	1.2	3.2	0.0	0.0	0.0	0.0	0.0

TABLE 7. SHEAR AND MOMENT DIAGRAMS 1												
WIND DIRECTION 120		ARCO PLAZA, LONG BEACH				NORTHERN BUILDING				GUST FACTOR 1.32		
FLOOR	HEIGHT FT	X-FORCE KIPS	Y-FORCE KIPS	X-AREA SQ FT	Y-AREA SQ FT	X-PRESS PSF	Y-PRESS PSF	X-SHEAR KIPS	Y-SHEAR KIPS	X-MOMENT	Y-MOMENT 1000-FT-KIPS	Z-MOMENT
GRND	0.00							25.1	85.9	-9.5	1.2	-8.9
2ND	22.25	6.9	7.5	5385	2179	1.3	3.4	18.2	78.4	-7.7	.7	-8.3
3RD	35.00	3.9	4.0	3086	1248	1.3	3.2	14.3	74.4	-6.7	.5	-8.0
4TH	47.75	4.0	3.8	3086	1248	1.3	3.0	10.3	70.7	-5.8	.4	-7.6
5TH	60.50	3.4	4.0	3086	1248	1.1	3.2	6.9	66.7	-4.9	.2	-7.1
6TH	73.25	2.6	4.4	3086	1248	.8	3.5	4.4	62.2	-4.1	.2	-6.6
7TH	86.00	1.8	4.8	3086	1248	.6	3.9	2.6	57.4	-3.3	.1	-6.0
8TH	98.75	1.2	5.3	3086	1248	.4	4.2	1.4	52.1	-2.6	.1	-5.4
9TH	111.50	.7	5.8	3086	1248	.2	4.7	.7	46.3	-2.0	.1	-4.7
10TH	124.25	.2	6.3	3086	1248	.1	5.1	.5	39.9	-1.4	.1	-4.0
11TH	137.00	-.2	6.8	3086	1248	-.1	5.5	.7	33.1	-1.0	.1	-3.3
12TH	149.75	-.3	7.2	3086	1248	-.1	5.8	1.0	25.9	-.6	.1	-2.6
13TH	162.50	-.3	7.6	3086	1248	-.1	6.1	1.2	18.3	-.3	.1	-1.8
14TH	175.25	-.3	8.0	3086	1248	-.1	6.4	1.6	10.3	-.1	0	-1.0
ROOF	191.50	-.0	8.0	3933	1591	-.0	5.0	1.6	2.3	0	0	-.2
TOP	204.00	1.6	2.3	1473	871	1.1	2.6	0.0	0.0	0.0	0.0	0.0

TABLE 7. SHEAR AND MOMENT DIAGRAMS :		ARCO PLAZA, LONG BEACH		NORTHERN BUILDING		GUST FACTOR 1.32						
WIND DIRECTION 130		CONFIGURATION A		REFERENCE PRESSURE 21.0 PSF								
FLOOR	HEIGHT FT	X-FORCE KIPS	Y-FORCE KIPS	X-AREA SQ FT	Y-AREA SQ FT	X-PRESS PSF	Y-PRESS PSF	X-SHEAR KIPS	Y-SHEAR KIPS	X-MOMENT 1000-FT-KIPS	Y-MOMENT 1000-FT-KIPS	Z-MOMENT
GRND	0.00							77.0	71.5	-7.9	6.5	-4.9
2ND	22.25	13.1	7.1	5385	2179	2.4	3.2	63.9	64.4	-6.4	4.9	-4.8
3RD	35.00	7.1	3.3	3086	1248	2.3	2.7	56.8	61.1	-5.6	4.1	-4.7
4TH	47.75	6.8	2.8	3086	1248	2.2	2.2	50.0	58.3	-4.9	3.5	-4.5
5TH	60.50	6.3	2.9	3086	1248	2.0	2.4	43.7	55.4	-4.1	2.9	-4.3
6TH	73.25	5.6	3.4	3086	1248	1.8	2.7	38.0	52.0	-3.5	2.3	-4.1
7TH	86.00	5.0	3.8	3086	1248	1.6	3.1	33.0	48.1	-2.8	1.9	-3.8
8TH	98.75	4.4	4.3	3086	1248	1.4	3.4	28.6	43.9	-2.2	1.5	-3.5
9TH	111.50	3.9	4.7	3086	1248	1.3	3.8	24.7	39.1	-1.7	1.2	-3.1
10TH	124.25	3.4	5.2	3086	1248	1.1	4.2	21.3	33.9	-1.2	.9	-2.7
11TH	137.00	3.1	5.6	3086	1248	1.0	4.5	18.2	28.3	-.8	.6	-2.2
12TH	149.75	3.3	6.0	3086	1248	1.1	4.8	15.0	22.3	-.5	.4	-1.7
13TH	162.50	3.5	6.3	3086	1248	1.1	5.1	11.5	16.0	-.3	.2	-1.2
14TH	175.25	3.7	6.7	3086	1248	1.2	5.3	7.8	9.4	-.1	.1	-.7
ROOF	191.50	5.1	6.7	3933	1591	1.3	4.2	2.7	2.7	-0	.0	-.1
TOP	204.00	2.7	2.7	1473	871	1.8	3.1	0.0	0.0	0.0	0.0	0.0

TABLE 7. SHEAR AND MOMENT DIAGRAMS)													
WIND DIRECTION 140		CONFIGURATION A				ARCO PLAZA, LONG BEACH		NORTHERN BUILDING		GUST FACTOR 1.37			
						REFERENCE PRESSURE 21.0 PSF							
FLOOR	HEIGHT FT	X-FORCE KIPS	Y-FORCE KIPS	X-AREA SQ FT	Y-AREA SQ FT	X-PRESS PSF	Y-PRESS PSF	X-SHEAR KIPS	Y-SHEAR KIPS	X-MOMENT	Y-MOMENT	Z-MOMENT	
										1000-FT-KIPS			
GRND	0.00	15.0	5.5	5385	2179	2.8	2.5	120.5	56.7	-6.4	11.6	-1.2	
2ND	22.25	8.7	2.6	3086	1248	2.8	2.0	105.4	51.2	-5.2	9.1	-1.4	
3RD	35.00	8.8	2.1	3086	1248	2.9	1.7	96.7	48.7	-4.5	7.8	-1.5	
4TH	47.75	8.4	2.3	3086	1248	2.7	1.8	87.9	46.6	-3.9	6.6	-1.6	
5TH	60.50	7.9	2.7	3086	1248	2.5	2.2	79.5	44.3	-3.3	5.5	-1.7	
6TH	73.25	7.3	3.1	3086	1248	2.4	2.5	71.6	41.6	-2.8	4.6	-1.7	
7TH	86.00	7.0	3.5	3086	1248	2.3	2.8	64.3	38.4	-2.3	3.7	-1.7	
8TH	98.75	6.9	3.8	3086	1248	2.2	3.0	57.3	35.0	-1.8	2.9	-1.7	
9TH	111.50	6.8	4.1	3086	1248	2.2	3.3	50.4	31.2	-1.4	2.3	-1.7	
10TH	124.25	6.8	4.4	3086	1248	2.2	3.5	43.5	27.1	-1.0	1.7	-1.6	
11TH	137.00	7.2	4.6	3086	1248	2.3	3.7	36.7	22.7	-.7	1.1	-1.6	
12TH	149.75	7.5	4.9	3086	1248	2.4	3.9	29.5	18.1	-.4	.7	-1.5	
13TH	162.50	7.9	5.1	3086	1248	2.6	4.1	22.0	13.2	-.2	.4	-1.3	
14TH	175.25	10.4	4.6	3933	1591	2.7	2.9	14.1	8.1	-.1	.2	-1.2	
ROOF	191.50	3.6	3.4	1473	871	2.5	3.9	3.6	3.4	-.0	0	-0	
TOP	204.00							0.0	0.0	0.0	0.0	0.0	

TABLE 7. SHEAR AND MOMENT DIAGRAMS :
WIND DIRECTION 150

ARCO PLAZA, LONG BEACH NORTHERN BUILDING
CONFIGURATION A REFERENCE PRESSURE 21.0 PSF

GUST FACTOR 1.32

FLOOR	HEIGHT FT	X-FORCE KIPS	Y-FORCE KIPS	X-AREA SQ FT	Y-AREA SQ FT	X-PRESS PSF	Y-PRESS PSF	X-SHEAR KIPS	Y-SHEAR KIPS	X-MOMENT	Y-MOMENT 1000-FT-KIPS	Z-MOMENT
GRND	0.00							120.9	38.5	-4.3	10.9	4.0
2ND	22.25	17.8	4.0	5385	2179	3.3	1.8	103.2	34.5	-3.5	8.5	3.5
3RD	35.00	9.7	1.7	3086	1248	3.1	1.4	93.5	32.8	-3.0	7.2	3.2
4TH	47.75	9.3	1.4	3086	1248	3.0	1.1	84.2	31.4	-2.6	6.1	2.9
5TH	60.50	8.8	1.5	3086	1248	2.8	1.2	75.4	29.9	-2.2	5.0	2.6
6TH	73.25	8.2	1.9	3086	1248	2.6	1.5	67.3	28.0	-1.9	4.1	2.3
7TH	86.00	7.6	2.2	3086	1248	2.4	1.8	59.7	25.8	-1.5	3.3	2.1
8TH	98.75	7.1	2.5	3086	1248	2.3	2.0	52.6	23.3	-1.2	2.6	1.8
9TH	111.50	6.7	2.6	3086	1248	2.2	2.1	45.9	20.7	-.9	2.0	1.5
10TH	124.25	6.4	2.8	3086	1248	2.1	2.3	39.5	17.9	-.7	1.4	1.3
11TH	137.00	6.1	3.0	3086	1248	2.0	2.4	33.4	14.9	-.5	1.0	1.0
12TH	149.75	6.8	3.0	3086	1248	2.2	2.4	26.5	11.9	-.3	.6	.7
13TH	162.50	7.5	3.1	3086	1248	2.4	2.5	19.0	8.8	-.2	.3	.5
14TH	175.25	8.1	3.2	3086	1248	2.6	2.6	10.9	5.6	-.1	.1	.3
ROOF	191.50	9.2	2.2	3933	1591	2.3	1.4	1.7	3.3	-.0	.0	.0
TOP	204.00	1.7	3.3	1473	871	1.2	3.8	0.0	0.0	0.0	0.0	0.0

TABLE 7. SHEAR AND MOMENT DIAGRAMS 1												
WIND DIRECTION 160												
ARCO PLAZA, LONG BEACH NORTHERN BUILDING												
CONFIGURATION A REFERENCE PRESSURE 21.0 PSF GUST FACTOR 1.32												
FLOOR	HEIGHT FT	X-FORCE KIPS	Y-FORCE KIPS	X-AREA SQ FT	Y-AREA SQ FT	X-PRESS PSF	Y-PRESS PSF	X-SHEAR KIPS	Y-SHEAR KIPS	X-MOMENT	Y-MOMENT	Z-MOMENT
										1000-FT-KIPS		
GRND	0.00							179.9	14.2	-1.8	15.6	7.5
2ND	22.25	25.7	1.6	5385	2179	4.8	.7	154.2	12.6	-1.5	11.9	6.7
3RD	35.00	14.6	.4	3086	1248	4.7	.3	139.6	12.2	-1.3	10.0	6.3
4TH	47.75	14.5	.1	3086	1248	4.7	.1	125.1	12.1	-1.2	8.3	5.8
5TH	60.50	14.2	.2	3086	1248	4.6	.1	110.9	12.0	-1.0	6.8	5.3
6TH	73.25	13.7	.4	3086	1248	4.4	.3	97.2	11.5	-.9	5.5	4.8
7TH	86.00	13.2	.7	3086	1248	4.3	.6	84.0	10.8	-.7	4.3	4.3
8TH	98.75	12.4	.9	3086	1248	4.0	.7	71.6	10.0	-.6	3.3	3.8
9TH	111.50	11.2	.9	3086	1248	3.6	.7	60.4	9.0	-.5	2.5	3.3
10TH	124.25	10.0	1.0	3086	1248	3.2	.8	50.4	8.0	-.4	1.8	2.8
11TH	137.00	9.0	1.1	3086	1248	2.9	.9	41.4	7.0	-.3	1.2	2.2
12TH	149.75	9.2	1.1	3086	1248	3.0	.9	32.2	5.9	-.2	.7	1.7
13TH	162.50	9.4	1.1	3086	1248	3.0	.9	22.8	4.8	-.1	.4	1.2
14TH	175.25	9.5	1.2	3086	1248	3.1	.9	13.3	3.6	-.1	.1	.7
ROOF	191.50	11.0	.8	3933	1591	2.8	.5	2.3	2.8	-.0	.0	.1
TOP	204.00	2.3	2.8	1473	871	1.6	3.2	0.0	0.0	0.0	0.0	0.0

TABLE 7. SHEAR AND MOMENT DIAGRAMS : ARCO PLAZA, LONG BEACH NORTHERN BUILDING												
WIND DIRECTION 170 CONFIGURATION A REFERENCE PRESSURE 21.0 PSF GUST FACTOR 1.32												
FLOOR	HEIGHT FT	X-FORCE KIPS	Y-FORCE KIPS	X-AREA SQ FT	Y-AREA SQ FT	X-PRESS PSF	Y-PRESS PSF	X-SHEAR KIPS	Y-SHEAR KIPS	X-MOMENT	Y-MOMENT	Z-MOMENT
											1000-FT-KIPS	
GRND	0.00							260.7	-16.1	.6	25.1	12.3
2ND	22.25	31.1	-3.3	5385	2179	5.8	-1.5	229.7	-12.8	.3	19.7	10.9
3RD	35.00	17.5	-2.3	3086	1248	5.7	-1.9	212.2	-10.5	.1	16.9	10.1
4TH	47.75	17.3	-2.6	3086	1248	5.6	-2.1	194.9	-7.8	.0	14.3	9.3
5TH	60.50	16.9	-2.5	3086	1248	5.5	-2.0	177.9	-5.3	-.1	11.9	8.5
6TH	73.25	16.5	-2.2	3086	1248	5.3	-1.7	161.4	-3.2	-.1	9.7	7.7
7TH	86.00	16.0	-1.8	3086	1248	5.2	-1.5	145.4	-1.3	-.1	7.8	6.9
8TH	98.75	16.2	-1.5	3086	1248	5.3	-1.2	129.2	.2	-.2	6.0	6.0
9TH	111.50	17.1	-1.2	3086	1248	5.5	-.9	112.1	1.3	-.1	4.5	5.2
10TH	124.25	18.0	-.8	3086	1248	5.8	-.7	94.2	2.1	-.1	3.2	4.3
11TH	137.00	18.5	-.4	3086	1248	6.0	-.3	75.6	2.6	-.1	2.1	3.3
12TH	149.75	18.2	.1	3086	1248	5.9	.1	57.5	2.5	-.1	1.2	2.5
13TH	162.50	17.8	.7	3086	1248	5.8	.5	39.7	1.8	-.0	.6	1.7
14TH	175.25	17.3	1.2	3086	1248	5.6	1.0	22.4	.6	-.0	.2	1.0
ROOF	191.50	19.1	-.3	3933	1591	4.9	-.2	3.2	.9	-.0	.0	.2
TOP	204.00	3.2	.9	1473	871	2.2	1.0	0.0	0.0	0.0	0.0	0.0

TABLE 7. SHEAR AND MOMENT DIAGRAMS : ARCO PLAZA, LONG BEACH NORTHERN BUILDING												
WIND DIRECTION 180		CONFIGURATION A				REFERENCE PRESSURE 21.0 PSF				GUST FACTOR 1.32		
FLOOR	HEIGHT FT	X-FORCE KIPS	Y-FORCE KIPS	X-AREA SQ FT	Y-AREA SQ FT	X-PRESS PSF	Y-PRESS PSF	X-SHEAR KIPS	Y-SHEAR KIPS	X-MOMENT	Y-MOMENT 1000-FT-KIPS	Z-MOMENT
GRND	0.00							328.5	-44.1	3.5	34.1	14.4
2ND	22.25	34.4	-6.6	5385	2179	6.4	-3.1	294.1	-37.5	2.6	27.1	12.8
3RD	35.00	19.2	-4.2	3086	1248	6.2	-3.4	275.0	-33.3	2.1	23.5	11.9
4TH	47.75	18.8	-4.5	3086	1248	6.1	-3.6	256.2	-28.8	1.8	20.1	11.0
5TH	60.50	18.8	-4.3	3086	1248	6.1	-3.4	237.4	-24.5	1.4	17.0	10.1
6TH	73.25	18.9	-3.9	3086	1248	6.1	-3.2	218.6	-20.6	1.1	14.1	9.1
7TH	86.00	18.9	-3.6	3086	1248	6.1	-2.9	199.7	-17.0	.9	11.4	8.1
8TH	98.75	19.5	-3.1	3086	1248	6.3	-2.5	180.2	-13.9	.7	9.0	7.2
9TH	111.50	20.9	-2.4	3086	1248	6.8	-1.9	159.3	-11.5	.5	6.8	6.2
10TH	124.25	22.3	-1.8	3086	1248	7.2	-1.4	137.0	-9.7	.4	4.9	5.2
11TH	137.00	23.5	-1.3	3086	1248	7.6	-1.0	113.4	-8.5	.3	3.3	4.2
12TH	149.75	24.2	-1.4	3086	1248	7.8	-1.1	89.2	-7.1	.2	2.0	3.2
13TH	162.50	24.9	-1.6	3086	1248	8.1	-1.3	64.3	-5.5	.1	1.1	2.2
14TH	175.25	25.6	-1.7	3086	1248	8.3	-1.4	38.8	-3.7	0	.4	1.2
ROOF	191.50	31.9	-3.5	3933	1591	8.1	-2.2	6.9	-.2	0	.0	.2
TOP	204.00	6.9	-.2	1473	871	4.7	-.3	0.0	0.0	0.0	0.0	0.0

TABLE 7. SHEAR AND MOMENT DIAGRAMS : ARCO PLAZA, LONG BEACH NORTHERN BUILDING												
WIND DIRECTION 190 CONFIGURATION A REFERENCE PRESSURE 21.0 PSF GUST FACTOR 1.32												
FLOOR	HEIGHT FT	X-FORCE KIPS	Y-FORCE KIPS	X-AREA SQ FT	Y-AREA SQ FT	X-PRESS PSF	Y-PRESS PSF	X-SHEAR KIPS	Y-SHEAR KIPS	X-MOMENT	Y-MOMENT 1000-FT-KIPS	Z-MOMENT
GRND	0.00	32.5	-3.9	5385	2179	6.0	-1.8	266.7	-29.1	2.1	25.1	12.3
2ND	22.25	18.4	-2.9	3086	1248	6.0	-2.3	234.2	-25.2	1.5	19.6	11.0
3RD	35.00	18.3	-3.3	3086	1248	5.9	-2.7	215.8	-22.3	1.2	16.7	10.3
4TH	47.75	18.7	-3.3	3086	1248	6.1	-2.6	197.5	-19.0	1.0	14.1	9.5
5TH	60.50	19.1	-3.0	3086	1248	6.2	-2.4	178.8	-15.7	.8	11.7	8.7
6TH	73.25	19.6	-2.7	3086	1248	6.3	-2.1	159.7	-12.8	.6	9.5	7.9
7TH	86.00	19.0	-2.3	3086	1248	6.2	-1.8	140.1	-10.1	.4	7.6	7.0
8TH	98.75	17.5	-1.7	3086	1248	5.7	-1.4	121.1	-7.8	.3	5.9	6.1
9TH	111.50	16.0	-1.2	3086	1248	5.2	-.9	103.6	-6.1	.2	4.5	5.3
10TH	124.25	14.7	-.8	3086	1248	4.8	-.6	87.6	-4.9	.2	3.3	4.5
11TH	137.00	14.8	-.9	3086	1248	4.8	-.7	72.9	-4.2	.1	2.3	3.7
12TH	149.75	14.8	-1.1	3086	1248	4.8	-.9	58.1	-3.3	.0	1.4	2.8
13TH	162.50	14.9	-1.3	3086	1248	4.8	-1.0	43.4	-2.2	.0	.8	1.9
14TH	175.25	22.1	-2.0	3933	1591	5.6	-1.2	28.5	-.9	-.0	.3	1.0
ROOF	191.50	6.4	1.1	1473	871	4.3	1.3	6.4	1.1	-.0	.0	.1
TOP	204.00							0.0	0.0	0.0	0.0	0.0

TABLE 7. SHEAR AND MOMENT DIAGRAMS
WIND DIRECTION 200

MOMENT DIAGRAMS
CONFIGURATION A

ARCO PLAZA, LONG BEACH
REFERENCE PRESSURE 21.0 PSF

NORTHERN BUILDING
REFERENCE PRESSURE 21.0 PSF

GUST FACTOR 1.32

FLOOR	HEIGHT FT	X-FORCE KIPS	Y-FORCE KIPS	X-AREA SQ FT	Y-AREA SQ FT	X-PRESS PSF	Y-PRESS PSF	X-SHEAR KIPS	Y-SHEAR KIPS	X-MOMENT 1000-FT-KIPS	Y-MOMENT 1000-FT-KIPS	Z-MOMENT
GRND	0.00	26.2	-1.2	5385	2179	4.9	-.5	202.3	-5.3	-.1	19.4	8.7
2ND	22.25	14.3	-1.2	3086	1248	4.6	-.9	176.1	-4.1	-.2	15.1	8.0
3RD	35.00	13.9	-1.6	3086	1248	4.5	-1.3	161.8	-2.9	-.2	13.0	7.5
4TH	47.75	13.7	-1.5	3086	1248	4.4	-1.2	147.9	-1.4	-.2	11.0	7.1
5TH	60.50	13.6	-1.2	3086	1248	4.4	-1.0	134.2	.1	-.2	9.2	6.6
6TH	73.25	13.5	-.9	3086	1248	4.4	-.7	120.6	1.3	-.2	7.6	6.1
7TH	86.00	13.0	-.5	3086	1248	4.2	-.4	107.0	2.2	-.2	6.1	5.5
8TH	98.75	12.1	-.1	3086	1248	3.9	-.1	94.0	2.7	-.2	4.9	5.0
9TH	111.50	11.3	.4	3086	1248	3.7	.3	81.9	2.8	-.1	3.7	4.4
10TH	124.25	10.7	.7	3086	1248	3.5	.6	70.6	2.5	-.1	2.8	3.8
11TH	137.00	11.1	.5	3086	1248	3.6	.4	59.9	1.8	-.1	1.9	3.2
12TH	149.75	11.5	.3	3086	1248	3.7	.2	48.8	1.3	-.1	1.2	2.5
13TH	162.50	12.1	.0	3086	1248	3.9	.0	37.3	1.0	-.0	.7	1.7
14TH	175.25	18.8	-.5	3933	1591	4.8	-.3	25.2	1.0	-.0	.3	.9
ROOF	191.50	6.5	1.5	1473	871	4.4	1.7	6.5	1.5	-.0	.0	.1
TOP	204.00							0.0	0.0	0.0	0.0	0.0

TABLE 7. SHEAR AND MOMENT DIAGRAMS : ARCO PLAZA, LONG BEACH NORTHERN BUILDING												
WIND DIRECTION 210 CONFIGURATION A REFERENCE PRESSURE 21.0 PSF GUST FACTOR 1.32												
FLOOR	HEIGHT FT	X-FORCE KIPS	Y-FORCE KIPS	X-AREA SQ FT	Y-AREA SQ FT	X-PRESS PSF	Y-PRESS PSF	X-SHEAR KIPS	Y-SHEAR KIPS	X-MOMENT	Y-MOMENT 1000-FT-KIPS	Z-MOMENT
GRND	0.00							105.1	2.2	-1.0	10.4	3.7
2ND	22.25	14.4	-1.3	5385	2179	2.7	-.6	90.7	3.5	-.9	8.3	3.4
3RD	35.00	7.8	-1.1	3086	1248	2.5	-.9	82.9	4.6	-.9	7.1	3.2
4TH	47.75	7.5	-1.4	3086	1248	2.4	-1.1	75.4	6.0	-.8	6.1	3.0
5TH	60.50	7.1	-1.2	3086	1248	2.3	-.9	68.3	7.1	-.7	5.2	2.8
6TH	73.25	6.5	-.8	3086	1248	2.1	-.7	61.8	8.0	-.6	4.4	2.6
7TH	86.00	6.0	-.5	3086	1248	1.9	-.4	55.8	8.5	-.5	3.6	2.4
8TH	98.75	5.5	-.0	3086	1248	1.8	-.0	50.3	8.5	-.4	3.0	2.1
9TH	111.50	5.1	.6	3086	1248	1.6	.5	45.2	7.8	-.3	2.4	1.9
10TH	124.25	4.6	1.3	3086	1248	1.5	1.0	40.5	6.6	-.2	1.8	1.7
11TH	137.00	4.4	1.8	3086	1248	1.4	1.4	36.1	4.8	-.1	1.3	1.4
12TH	149.75	5.0	1.4	3086	1248	1.6	1.1	31.1	3.4	-.1	.9	1.2
13TH	162.50	5.5	1.1	3086	1248	1.8	.9	25.6	2.3	-.1	.5	.8
14TH	175.25	6.2	.8	3086	1248	2.0	.6	19.4	1.5	-.0	.2	.5
ROOF	191.50	13.3	.4	3933	1591	3.4	.2	6.1	1.1	-.0	.0	.1
TOP	204.00	6.1	1.1	1473	871	4.2	1.3	0.0	0.0	0.0	0.0	0.0

TABLE 7. SHEAR AND MOMENT DIAGRAMS 1												
WIND DIRECTION 220		CONFIGURATION A				ARCO PLAZA, LONG BEACH		NORTHERN BUILDING		GUST FACTOR 1.32		
						REFERENCE PRESSURE 21.0 PSF						
FLOOR	HEIGHT FT	X-FORCE KIPS	Y-FORCE KIPS	X-AREA SQ FT	Y-AREA SQ FT	X-PRESS PSF	Y-PRESS PSF	X-SHEAR KIPS	Y-SHEAR KIPS	X-MOMENT	Y-MOMENT 1000-FT-KIPS	Z-MOMENT
GRND	0.00	4.5	.1	5385	2179	.8	.0	11.2	6.7	-1.2	1.5	.2
2ND	22.25	2.0	-.3	3086	1248	.6	-.2	6.8	6.6	-1.0	1.3	.3
3RD	35.00	1.6	-.5	3086	1248	.5	-.4	4.8	6.9	-1.0	1.3	.3
4TH	47.75	.8	-.6	3086	1248	.3	-.5	3.2	7.4	-.9	1.2	.3
5TH	60.50	-.1	-.6	3086	1248	-.0	-.4	2.4	8.0	-.8	1.2	.3
6TH	73.25	-1.1	-.5	3086	1248	-.3	-.4	2.6	8.6	-.7	1.2	.2
7TH	86.00	-1.7	-.2	3086	1248	-.6	-.1	3.6	9.1	-.6	1.1	.2
8TH	98.75	-2.1	.6	3086	1248	-.7	.5	5.4	9.3	-.4	1.1	.2
9TH	111.50	-2.6	1.4	3086	1248	-.8	1.1	7.5	8.7	-.3	1.0	.1
10TH	124.25	-2.6	2.0	3086	1248	-.8	1.6	10.0	7.3	-.2	.9	.1
11TH	137.00	-1.5	1.7	3086	1248	-.5	1.3	12.6	5.4	-.1	.7	.2
12TH	149.75	-.4	1.4	3086	1248	-.1	1.1	14.1	3.7	-.1	.5	.1
13TH	162.50	.9	1.1	3086	1248	.3	.9	14.4	2.3	-.0	.4	.1
14TH	175.25	8.1	.6	3933	1591	2.1	.4	13.5	1.2	-.0	.2	.0
ROOF	191.50	5.4	.7	1473	871	3.6	.8	5.4	.7	-.0	.0	.0
TOP	204.00							0.0	0.0	0.0	0.0	0.0

TABLE 7. SHEAR AND MOMENT DIAGRAMS :
WIND DIRECTION 230

MOMENT DIAGRAMS :
CONFIGURATION A

ARCO PLAZA, LONG BEACH NORTHERN BUILDING
REFERENCE PRESSURE 21.0 PSF

GUST FACTOR 1.32

FLOOR	HEIGHT FT	X-FORCE KIPS	Y-FORCE KIPS	X-AREA SQ FT	Y-AREA SQ FT	X-PRESS PSF	Y-PRESS PSF	X-SHEAR KIPS	Y-SHEAR KIPS	X-MOMENT	Y-MOMENT 1000-FT-KIPS	Z-MOMENT
GRND	0.00							-40.7	13.6	-1.8	-3.2	-1.0
2ND	22.25	-1.3	1.0	5385	2179	-1.1	.4	-40.4	12.6	-1.5	-2.3	-1.1
3RD	35.00	-1.7	.2	3086	1248	-1.5	.2	-38.7	12.4	-1.3	-1.8	-1.0
4TH	47.75	-2.8	-0	3086	1248	-1.9	-0	-35.9	12.5	-1.2	-1.3	-1.0
5TH	60.50	-3.7	-1	3086	1248	-1.2	-1	-32.1	12.5	-1.0	-1.9	-1.0
6TH	73.25	-4.7	-0	3086	1248	-1.5	-0	-27.4	12.6	-1.9	-1.5	-1.9
7TH	86.00	-5.7	.0	3086	1248	-1.8	.0	-21.7	12.5	-1.7	-1.2	-1.9
8TH	98.75	-6.0	.4	3086	1248	-2.0	.3	-15.7	12.1	-1.5	.1	-1.8
9TH	111.50	-5.8	1.1	3086	1248	-1.9	.9	-9.9	11.0	-1.4	.2	-1.7
10TH	124.25	-5.5	1.8	3086	1248	-1.8	1.5	-4.4	9.2	-1.3	.3	-1.7
11TH	137.00	-5.0	2.4	3086	1248	-1.6	1.9	.6	6.9	-1.2	.3	-1.6
12TH	149.75	-3.9	2.1	3086	1248	-1.3	1.7	4.5	4.8	-1.1	.3	-1.5
13TH	162.50	-2.9	1.8	3086	1248	-1.9	1.4	7.4	3.0	-1.0	.2	-1.3
14TH	175.25	-1.7	1.5	3086	1248	-1.6	1.2	9.1	1.4	-1.0	.1	-1.2
ROOF	191.50	5.0	1.2	3933	1591	1.3	.8	4.1	.2	-1.0	.0	-1.0
TOP	204.00	4.1	.2	1473	871	2.8	.3	0.0	0.0	0.0	0.0	0.0

TABLE 7. SHEAR AND MOMENT DIAGRAMS ; ARCO PLAZA, LONG BEACH, NORTHERN BUILDING												
WIND DIRECTION 240 CONFIGURATION A REFERENCE PRESSURE 21.0 PSF GUST FACTOR 1.32												
FLOOR	HEIGHT FT	X-FORCE KIPS	Y-FORCE KIPS	X-AREA SQ FT	Y-AREA SQ FT	X-PRESS PSF	Y-PRESS PSF	X-SHEAR KIPS	Y-SHEAR KIPS	X-MOMENT 1000-FT-KIPS	Y-MOMENT 1000-FT-KIPS	Z-MOMENT
GRND	0.00							-10.5	30.6	-3.7	-1.7	-2.9
2ND	22.25	4.6	2.9	5385	2179	.9	1.3	-15.2	27.7	-3.0	-1.4	-2.7
3RD	35.00	1.7	1.3	3086	1248	.5	1.0	-16.8	26.4	-2.7	-1.2	-2.6
4TH	47.75	1.0	1.0	3086	1248	.3	.8	-17.8	25.5	-2.3	-1.0	-2.6
5TH	60.50	.4	.9	3086	1248	.1	.7	-18.2	24.6	-2.0	-.8	-2.5
6TH	73.25	-.2	.8	3086	1248	-.1	.7	-18.0	23.8	-1.7	-.5	-2.4
7TH	86.00	-.8	.8	3086	1248	-.3	.7	-17.2	22.9	-1.4	-.3	-2.4
8TH	98.75	-1.8	1.1	3086	1248	-.6	.9	-15.4	21.8	-1.1	-.1	-2.2
9TH	111.50	-3.2	1.8	3086	1248	-1.0	1.4	-12.2	20.1	-.9	.1	-2.1
10TH	124.25	-4.6	2.4	3086	1248	-1.5	1.9	-7.6	17.7	-.6	.2	-1.8
11TH	137.00	-5.4	3.0	3086	1248	-1.8	2.4	-2.1	14.7	-.4	.3	-1.6
12TH	149.75	-4.4	3.1	3086	1248	-1.4	2.5	2.3	11.5	-.3	.3	-1.2
13TH	162.50	-3.4	3.3	3086	1248	-1.1	2.7	5.7	8.2	-.1	.2	-.9
14TH	175.25	-2.3	3.5	3086	1248	-.7	2.8	8.0	4.8	-.0	.1	-.5
ROOF	191.50	3.8	4.1	3933	1591	1.0	2.6	4.2	.7	-.0	.0	-.1
TOP	204.00	4.2	.7	1473	871	2.9	.8	0.0	0.0	0.0	0.0	0.0

TABLE 7. SHEAR AND MOMENT DIAGRAMS 1												
WIND DIRECTION 250												
ARCO PLAZA, LONG BEACH NORTHERN BUILDING												
CONFIGURATION A REFERENCE PRESSURE 21.0 PSF												
GUST FACTOR 1.32												
FLOOR	HEIGHT FT	X-FORCE KIPS	Y-FORCE KIPS	X-AREA SQ FT	Y-AREA SQ FT	X-PRESS PSF	Y-PRESS PSF	X-SHEAR KIPS	Y-SHEAR KIPS	X-MOMENT 1000-FT-KIPS	Y-MOMENT 1000-FT-KIPS	Z-MOMENT
GRND	0.00							57.3	56.5	-6.6	5.5	-5.7
2ND	22.25	10.5	4.5	5385	2179	2.0	2.1	46.8	52.0	-5.4	4.3	-5.3
3RD	35.00	5.3	2.2	3086	1248	1.7	1.8	41.5	49.8	-4.7	3.7	-5.2
4TH	47.75	4.8	2.0	3086	1248	1.6	1.6	36.7	47.8	-4.1	3.2	-5.0
5TH	60.50	4.3	2.0	3086	1248	1.4	1.6	32.4	45.8	-3.5	2.8	-4.9
6TH	73.25	3.7	2.2	3086	1248	1.2	1.8	28.7	43.6	-2.9	2.4	-4.8
7TH	86.00	3.2	2.4	3086	1248	1.0	1.9	25.5	41.2	-2.4	2.1	-4.6
8TH	98.75	2.5	2.9	3086	1248	.8	2.3	23.0	38.3	-1.9	1.8	-4.4
9TH	111.50	1.5	3.8	3086	1248	.5	3.1	21.5	34.5	-1.4	1.5	-4.0
10TH	124.25	.5	4.8	3086	1248	.2	3.8	21.0	29.7	-1.0	1.2	-3.6
11TH	137.00	.0	5.5	3086	1248	.0	4.4	21.0	24.2	-.7	.9	-3.1
12TH	149.75	.8	5.5	3086	1248	.3	4.4	20.1	18.7	-.4	.7	-2.5
13TH	162.50	1.6	5.6	3086	1248	.5	4.4	18.5	13.1	-.2	.4	-1.8
14TH	175.25	2.6	5.6	3086	1248	.8	4.5	15.9	7.6	-.1	.2	-1.1
ROOF	191.50	10.1	6.9	3933	1591	2.6	4.3	5.8	.7	-.0	.0	-.2
TOP	204.00	5.8	.7	1473	871	4.0	.8	0.0	0.0	0.0	0.0	0.0

TABLE 7. SHEAR AND MOMENT DIAGRAMS : ARCO PLAZA, LONG BEACH, NORTHERN BUILDING												
WIND DIRECTION 260		CONFIGURATION A				REFERENCE PRESSURE 21.0 PSF				GUST FACTOR 1.32		
FLOOR	HEIGHT FT	X-FORCE KIPS	Y-FORCE KIPS	X-AREA SQ FT	Y-AREA SQ FT	X-PRESS PSF	Y-PRESS PSF	X-SHEAR KIPS	Y-SHEAR KIPS	X-MOMENT	Y-MOMENT 1000-FT-KIPS	Z-MOMENT
GRND	0.00							114.1	70.6	-7.2	12.2	-6.0
2ND	22.25	16.6	7.8	5385	2179	3.1	3.6	97.6	62.8	-5.7	9.8	-5.7
3RD	35.00	7.9	4.2	3086	1248	2.5	3.4	89.7	58.6	-4.9	8.6	-5.6
4TH	47.75	6.7	4.0	3086	1248	2.2	3.2	83.0	54.6	-4.2	7.5	-5.4
5TH	60.50	6.1	3.9	3086	1248	2.0	3.1	76.9	50.6	-3.5	6.5	-5.2
6TH	73.25	5.7	3.8	3086	1248	1.9	3.1	71.2	46.8	-2.9	5.6	-5.0
7TH	86.00	5.3	3.8	3086	1248	1.7	3.0	65.8	43.1	-2.4	4.7	-4.8
8TH	98.75	5.0	4.0	3086	1248	1.6	3.2	60.8	39.1	-1.8	3.9	-4.5
9TH	111.50	4.7	4.6	3086	1248	1.5	3.7	56.1	34.5	-1.4	3.1	-4.1
10TH	124.25	4.3	5.2	3086	1248	1.4	4.2	51.9	29.3	-1.0	2.5	-3.7
11TH	137.00	4.3	5.7	3086	1248	1.4	4.6	47.5	23.5	- .6	1.8	-3.1
12TH	149.75	5.5	5.7	3086	1248	1.8	4.6	42.0	17.8	- .4	1.2	-2.5
13TH	162.50	6.7	5.7	3086	1248	2.2	4.5	35.3	12.2	- .2	.8	-1.9
14TH	175.25	8.0	5.7	3086	1248	2.6	4.5	27.3	6.5	- .0	.4	-1.2
ROOF	191.50	18.2	7.1	3933	1591	4.6	4.5	9.1	- .6	.0	.1	- .2
TOP	204.00	9.1	- .6	1473	871	6.2	- .7	0.0	0.0	0.0	0.0	0.0

TABLE 7. SHEAR AND MOMENT DIAGRAMS :												
WIND DIRECTION 270		ARCO PLAZA, LONG BEACH				NORTHERN BUILDING				GUST FACTOR 1.32		
		CONFIGURATION A				REFERENCE PRESSURE 21.0 PSF						
FLOOR	HEIGHT FT	X-FORCE KIPS	Y-FORCE KIPS	X-AREA SQ FT	Y-AREA SQ FT	X-PRESS PSF	Y-PRESS PSF	X-SHEAR KIPS	Y-SHEAR KIPS	X-MOMENT	Y-MOMENT 1000-FT-KIPS	Z-MOMENT
GRND	0.00	16.7	5.1	5385	2179	3.1	2.3	127.0	44.4	-4.2	12.5	-3.7
2ND	22.25	9.1	3.0	3086	1248	2.9	2.4	110.3	39.3	-3.3	9.8	-3.5
3RD	35.00	8.7	3.0	3086	1248	2.8	2.4	101.2	36.3	-2.8	8.5	-3.4
4TH	47.75	8.6	2.9	3086	1248	2.8	2.3	92.5	33.4	-2.4	7.3	-3.3
5TH	60.50	8.5	2.8	3086	1248	2.8	2.3	83.9	30.4	-2.0	6.1	-3.2
6TH	73.25	8.4	2.8	3086	1248	2.7	2.2	75.4	27.6	-1.6	5.1	-3.1
7TH	86.00	7.9	2.8	3086	1248	2.6	2.3	67.0	24.8	-1.3	4.2	-2.9
8TH	98.75	6.8	3.0	3086	1248	2.2	2.4	59.1	22.0	-1.0	3.4	-2.7
9TH	111.50	5.8	3.3	3086	1248	1.9	2.6	52.3	19.0	-.7	2.7	-2.4
10TH	124.25	5.1	3.4	3086	1248	1.7	2.7	46.5	15.7	-.5	2.1	-2.1
11TH	137.00	5.0	3.3	3086	1248	1.9	2.6	41.4	12.3	-.3	1.5	-1.7
12TH	149.75	6.5	3.2	3086	1248	2.1	2.5	35.6	9.0	-.2	1.0	-1.3
13TH	162.50	7.3	3.0	3086	1248	2.4	2.4	29.1	5.8	-.1	.6	-.9
14TH	175.25	14.8	3.8	3933	1591	3.8	2.4	21.8	2.8	-.0	.3	-.5
ROOF	191.50	7.1	-.9	1473	871	4.8	-1.1	7.1	-.9	.0	.0	-.0
TOP	204.00							0.0	0.0	0.0	0.0	0.0

TABLE 7. SHEAR AND MOMENT DIAGRAMS 1												
WIND DIRECTION 280		ARCO PLAZA, LONG BEACH				NORTHERN BUILDING			GUST FACTOR 1.32			
		CONFIGURATION A				REFERENCE PRESSURE 21.0 PSF						
FLOOR	HEIGHT FT	X-FORCE KIPS	Y-FORCE KIPS	X-AREA SQ FT	Y-AREA SQ FT	X-PRESS PSF	Y-PRESS PSF	X-SHEAR KIPS	Y-SHEAR KIPS	X-MOMENT	Y-MOMENT 1000-FT-KIPS	Z-MOMENT
GRND	0.00							90.5	27.3	-2.3	8.7	-1.8
2ND	22.25	12.4	3.7	5385	2179	2.3	1.7	78.1	23.6	-1.8	6.8	-1.8
3RD	35.00	6.6	2.2	3086	1248	2.1	1.6	71.5	21.4	-1.5	5.8	-1.8
4TH	47.75	6.2	2.2	3086	1248	2.0	1.8	65.4	19.1	-1.2	5.0	-1.7
5TH	60.50	6.1	2.1	3086	1248	2.0	1.7	59.2	17.0	-1.0	4.2	-1.7
6TH	73.25	6.0	2.0	3086	1248	2.0	1.6	53.2	15.0	-.8	3.4	-1.6
7TH	86.00	6.0	1.8	3086	1248	1.9	1.5	47.2	13.1	-.6	2.8	-1.5
8TH	98.75	5.7	1.7	3086	1248	1.8	1.4	41.5	11.4	-.5	2.2	-1.4
9TH	111.50	5.1	1.7	3086	1248	1.7	1.4	36.4	9.7	-.3	1.7	-1.3
10TH	124.25	4.6	1.7	3086	1248	1.5	1.4	31.8	7.9	-.2	1.3	-1.2
11TH	137.00	4.3	1.8	3086	1248	1.4	1.4	27.5	6.2	-.1	.9	-1.0
12TH	149.75	4.6	1.8	3086	1248	1.5	1.4	22.9	4.4	-.1	.6	-.8
13TH	162.50	5.0	1.8	3086	1248	1.6	1.4	17.9	2.6	-.0	.3	-.6
14TH	175.25	5.4	1.8	3086	1248	1.8	1.4	12.5	.8	.0	.2	-.3
ROOF	191.50	9.0	2.2	3933	1591	2.3	1.4	3.5	-1.4	.0	.0	-.0
TOP	204.00	3.5	-1.4	1473	871	2.4	-1.6	0.0	0.0	0.0	0.0	0.0

TABLE 7. SHEAR AND MOMENT DIAGRAMS ;
WIND DIRECTION 290

CONFIGURATION A

ARCO PLAZA, LONG BEACH NORTHERN BUILDING
REFERENCE PRESSURE 21.0 PSF

GUST FACTOR 1.32

FLOOR	HEIGHT FT	X-FORCE KIPS	Y-FORCE KIPS	X-AREA SQ FT	Y-AREA SQ FT	X-PRESS PSF	Y-PRESS PSF	X-SHEAR KIPS	Y-SHEAR KIPS	X-MOMENT 1000-FT-KIPS	Y-MOMENT 1000-FT-KIPS	Z-MOMENT
GRND	0.00							114.7	18.5	-1.3	11.1	-1.0
2ND	22.25	13.3	3.4	5385	2179	2.5	1.6	101.4	15.1	-1.0	8.7	-1.1
3RD	35.00	7.6	1.8	3086	1248	2.5	1.5	93.8	13.2	-.8	7.5	-1.1
4TH	47.75	7.5	1.7	3086	1248	2.4	1.4	86.3	11.5	-.6	6.3	-1.1
5TH	60.50	7.8	1.5	3086	1248	2.5	1.2	78.5	10.0	-.5	5.3	-1.1
6TH	73.25	8.0	1.3	3086	1248	2.6	1.1	70.5	8.6	-.4	4.3	-1.1
7TH	86.00	8.2	1.1	3086	1248	2.7	.9	62.3	7.5	-.3	3.5	-1.1
8TH	98.75	8.0	1.1	3086	1248	2.6	.9	54.3	6.4	-.2	2.7	-1.0
9TH	111.50	7.4	1.2	3086	1248	2.4	.9	46.9	5.2	-.1	2.1	-.9
10TH	124.25	6.7	1.3	3086	1248	2.2	1.0	40.2	3.9	-.0	1.5	-.8
11TH	137.00	6.3	1.4	3086	1248	2.0	1.1	34.0	2.6	-.0	1.1	-.7
12TH	149.75	6.5	1.2	3086	1248	2.1	1.0	27.4	1.4	.0	.7	-.5
13TH	162.50	6.8	1.0	3086	1248	2.2	.8	20.6	.4	.0	.4	-.4
14TH	175.25	7.1	.9	3086	1248	2.3	.7	13.5	-.5	.0	.2	-.2
ROOF	191.50	10.1	1.3	3933	1591	2.6	.8	3.4	-1.8	.0	.0	-.0
TOP	204.00	3.4	-1.8	1473	871	2.3	-2.1	0.0	0.0	0.0	0.0	0.0

TABLE 7. SHEAR AND MOMENT DIAGRAMS : ARCO PLAZA, LONG BEACH, NORTHERN BUILDING												
WIND DIRECTION 300		CONFIGURATION A				REFERENCE PRESSURE 21.0 PSF				GUST FACTOR 1.32		
FLOOR	HEIGHT FT	X-FORCE KIPS	Y-FORCE KIPS	X-AREA SQ FT	Y-AREA SQ FT	X-PRESS PSF	Y-PRESS PSF	X-SHEAR KIPS	Y-SHEAR KIPS	X-MOMENT 1000-FT-KIPS	Y-MOMENT 1000-FT-KIPS	Z-MOMENT
GRND	0.00							107.5	7.1	-.4	9.8	-1.2
2ND	22.25	14.1	1.5	5385	2179	2.6	.7	93.4	5.6	-.2	7.5	-1.3
3RD	35.00	7.9	.9	3086	1248	2.6	.7	85.5	4.6	-.2	6.4	-1.3
4TH	47.75	7.8	1.0	3086	1248	2.5	.8	77.7	3.7	-.1	5.4	-1.3
5TH	60.50	7.9	.8	3086	1248	2.6	.6	69.8	2.9	-.1	4.4	-1.3
6TH	73.25	8.0	.5	3086	1248	2.6	.4	61.8	2.4	-.0	3.6	-1.3
7TH	86.00	8.0	.3	3086	1248	2.6	.2	53.8	2.1	-.0	2.8	-1.2
8TH	98.75	7.7	.2	3086	1248	2.5	.2	46.1	1.9	.0	2.2	-1.2
9TH	111.50	7.0	.4	3086	1248	2.3	.3	39.1	1.5	.0	1.7	-1.0
10TH	124.25	6.3	.6	3086	1248	2.0	.4	32.8	.9	.0	1.2	-.9
11TH	137.00	5.7	.7	3086	1248	1.9	.5	27.1	.2	.1	.8	-.7
12TH	149.75	5.7	.6	3086	1248	1.8	.5	21.4	-.3	.1	.5	-.5
13TH	162.50	5.6	.5	3086	1248	1.8	.4	15.8	-.8	.0	.3	-.3
14TH	175.25	5.6	.4	3086	1248	1.8	.3	10.2	-1.1	.0	.1	-.2
ROOF	191.50	7.8	.5	3933	1591	2.0	.3	2.3	-1.6	.0	.0	-.0
TOP	204.00	2.3	-1.6	1473	871	1.6	-1.9	0.0	0.0	0.0	0.0	0.0

TABLE 7. SHEAR AND MOMENT DIAGRAMS :
WIND DIRECTION 310

ARCO PLAZA, LONG BEACH NORTHERN BUILDING
CONFIGURATION A REFERENCE PRESSURE 21.0 PSF

GUST FACTOR 1.32

FLOOR	HEIGHT FT	X-FORCE KIPS	Y-FORCE KIPS	X-AREA SQ FT	Y-AREA SQ FT	X-PRESS PSF	Y-PRESS PSF	X-SHEAR KIPS	Y-SHEAR KIPS	X-MOMENT	Y-MOMENT 1000-FT-KIPS	Z-MOMENT
GRND	0.00	14.4	-.1	5385	2179	2.7	-.4	114.0	-6.9	1.0	10.3	-.7
2ND	22.25	8.1	.0	3086	1248	2.6	.0	99.6	-6.8	.8	7.9	-.7
3RD	35.00	8.0	.1	3086	1248	2.6	.1	91.5	-6.9	.7	6.7	-.7
4TH	47.75	8.2	-.1	3086	1248	2.7	-.1	83.5	-7.0	.7	5.6	-.7
5TH	60.50	8.4	-.4	3086	1248	2.7	-.3	75.3	-6.9	.6	4.6	-.7
6TH	73.25	8.6	-.6	3086	1248	2.8	-.5	66.9	-6.5	.5	3.7	-.6
7TH	86.00	8.5	-.7	3086	1248	2.8	-.6	58.2	-5.9	.4	2.9	-.6
8TH	98.75	8.1	-.5	3086	1248	2.6	-.4	49.7	-5.2	.3	2.2	-.5
9TH	111.50	7.6	-.3	3086	1248	2.5	-.3	41.7	-4.6	.3	1.6	-.4
10TH	124.25	7.2	-.2	3086	1248	2.3	-.2	34.0	-4.3	.2	1.1	-.3
11TH	137.00	6.8	-.4	3086	1248	2.2	-.3	26.8	-4.1	.2	.7	-.2
12TH	149.75	6.3	-.6	3086	1248	2.1	-.5	20.1	-3.6	.1	.4	-.1
13TH	162.50	5.9	-.8	3086	1248	1.9	-.6	13.7	-3.0	.1	.2	-.1
14TH	175.25	6.4	-.9	3933	1591	1.6	-.6	7.8	-2.2	.0	.1	-.0
ROOF	191.50	1.5	-1.3	1473	871	1.0	-1.5	1.5	-1.3	.0	.0	.0
TOP	204.00							0.0	0.0	0.0	0.0	0.0

TABLE 7. SHEAR AND MOMENT DIAGRAMS : ARCO PLAZA, LONG BEACH, NORTHERN BUILDING												
WIND DIRECTION 320 CONFIGURATION A REFERENCE PRESSURE 21.0 PSF GUST FACTOR 1.32												
FLOOR	HEIGHT FT	X-FORCE KIPS	Y-FORCE KIPS	X-AREA SQ FT	Y-AREA SQ FT	X-PRESS PSF	Y-PRESS PSF	X-SHEAR KIPS	Y-SHEAR KIPS	X-MOMENT	Y-MOMENT 1000-FT-KIPS	Z-MOMENT
GRND	0.00	12.6	-4.7	5385	2179	2.3	-2.2	88.4	-52.1	5.4	7.0	3.9
2ND	22.25	7.8	-2.6	3086	1248	2.5	-2.1	75.8	-47.3	4.3	5.2	3.7
3RD	35.00	8.2	-2.5	3086	1248	2.7	-2.0	68.0	-44.7	3.7	4.3	3.5
4TH	47.75	8.3	-2.8	3086	1248	2.7	-2.2	59.8	-42.2	3.2	3.5	3.3
5TH	60.50	8.1	-3.2	3086	1248	2.6	-2.5	51.5	-39.4	2.7	2.8	3.1
6TH	73.25	7.9	-3.5	3086	1248	2.6	-2.8	43.4	-36.2	2.2	2.2	2.9
7TH	86.00	7.2	-3.8	3086	1248	2.3	-3.0	35.4	-32.7	1.7	1.7	2.7
8TH	98.75	5.9	-3.9	3086	1248	1.9	-3.1	28.2	-28.9	1.3	1.3	2.5
9TH	111.50	4.5	-3.9	3086	1248	1.5	-3.1	22.4	-25.0	1.0	.9	2.2
10TH	124.25	3.3	-4.0	3086	1248	1.1	-3.2	17.9	-21.1	.7	.7	1.9
11TH	137.00	3.0	-4.1	3086	1248	1.0	-3.3	14.5	-17.1	.5	.5	1.6
12TH	149.75	2.7	-4.2	3086	1248	.9	-3.4	11.5	-13.0	.3	.3	1.2
13TH	162.50	2.4	-4.3	3086	1248	.8	-3.4	8.8	-8.8	.1	.2	.9
14TH	175.25	3.7	-4.0	3933	1591	.9	-2.5	6.3	-4.5	.0	.1	.5
ROOF	191.50	2.6	-4.5	1473	871	1.8	-6	2.6	-5	.0	.0	.1
TOP	204.00							0.0	0.0	0.0	0.0	0.0

TABLE 7. SHEAR AND MOMENT DIAGRAMS : ARCO PLAZA, LONG BEACH NORTHERN BUILDING												
WIND DIRECTION 330 CONFIGURATION A REFERENCE PRESSURE 21.0 PSF GUST FACTOR 1.32												
FLOOR	HEIGHT FT	X-FORCE KIPS	Y-FORCE KIPS	X-AREA SQ FT	Y-AREA SQ FT	X-PRESS PSF	Y-PRESS PSF	X-SHEAR KIPS	Y-SHEAR KIPS	X-MOMENT	Y-MOMENT 1000-FT-KIPS	Z-MOMENT
GRND	0.00	4.1	-11.7	5385	2179	.8	-5.4	11.1	-119.8	12.4	-.6	13.0
2ND	22.25	3.0	-6.4	3086	1248	1.0	-5.1	7.0	-108.1	9.9	-.8	11.9
3RD	35.00	3.5	-6.1	3086	1248	1.1	-4.9	4.0	-101.7	8.5	-.9	11.3
4TH	47.75	3.6	-6.5	3086	1248	1.2	-5.2	.5	-95.6	7.3	-.9	10.7
5TH	60.50	3.3	-7.0	3086	1248	1.1	-5.6	-3.1	-89.1	6.1	-.9	10.0
6TH	73.25	3.0	-7.5	3086	1248	1.0	-6.0	-6.4	-82.2	5.0	-.8	9.3
7TH	86.00	2.1	-8.0	3086	1248	.7	-6.4	-9.4	-74.7	4.0	-.7	8.5
8TH	98.75	.5	-8.5	3086	1248	.2	-6.8	-11.6	-66.7	3.1	-.6	7.6
9TH	111.50	-1.1	-9.0	3086	1248	-.3	-7.2	-12.1	-58.2	2.3	-.4	6.7
10TH	124.25	-2.4	-9.4	3086	1248	-.8	-7.5	-11.1	-49.2	1.6	-.3	5.7
11TH	137.00	-2.6	-9.5	3086	1248	-.8	-7.6	-8.7	-39.7	1.1	-.2	4.7
12TH	149.75	-2.7	-9.6	3086	1248	-.9	-7.7	-6.1	-30.2	.6	-.1	3.6
13TH	162.50	-2.9	-9.8	3086	1248	-1.0	-7.8	-3.3	-20.6	.3	.0	2.5
14TH	175.25	-2.5	-9.9	3933	1591	-.6	-6.2	-.4	-10.8	.1	.0	1.4
ROOF	191.50	2.1	-.9	1473	871	1.4	-1.0	2.1	-.9	.0	.0	.2
TOP	204.00							0.0	0.0	0.0	0.0	0.0

TABLE 7. SHEAR AND MOMENT DIAGRAMS 1													
WIND DIRECTION 340		CONFIGURATION A				ARCO PLAZA, LONG BEACH		NORTHERN BUILDING		GUST FACTOR 1.32			
FLOOR	HEIGHT FT	X-FORCE KIPS	Y-FORCE KIPS	X-AREA SQ FT	Y-AREA SQ FT	X-PRESS PSF	Y-PRESS PSF	X-SHEAR KIPS	Y-SHEAR KIPS	X-MOMENT 1000-FT-KIPS	Y-MOMENT 1000-FT-KIPS	Z-MOMENT	
GRND	0.00	-1.2	-11.1	5385	2179	-.2	-5.1	-53.5	-103.6	10.5	-7.2	13.1	
2ND	22.25	-.6	-6.1	3086	1248	-.2	-4.9	-52.3	-92.6	8.3	-6.0	11.8	
3RD	35.00	-.6	-5.9	3086	1248	-.2	-4.7	-51.6	-86.5	7.2	-5.3	11.1	
4TH	47.75	-.9	-6.0	3086	1248	-.3	-4.8	-51.0	-80.6	6.1	-4.7	10.3	
5TH	60.50	-1.5	-6.3	3086	1248	-.5	-5.0	-50.1	-74.5	5.1	-4.0	9.5	
6TH	73.25	-2.1	-6.5	3086	1248	-.7	-5.2	-48.6	-68.3	4.2	-3.4	8.7	
7TH	86.00	-2.8	-6.7	3086	1248	-.9	-5.4	-46.4	-61.8	3.4	-2.8	7.8	
8TH	98.75	-3.8	-6.9	3086	1248	-1.2	-5.5	-43.6	-55.1	2.6	-2.2	6.9	
9TH	111.50	-4.8	-7.0	3086	1248	-1.6	-5.6	-39.8	-48.2	2.0	-1.7	6.0	
10TH	124.25	-5.7	-7.3	3086	1248	-1.9	-5.8	-35.0	-41.2	1.4	-1.2	5.1	
11TH	137.00	-6.4	-7.7	3086	1248	-2.1	-6.2	-29.3	-33.9	.9	-.8	4.2	
12TH	149.75	-7.0	-8.1	3086	1248	-2.3	-6.5	-22.9	-26.2	.6	-.5	3.3	
13TH	162.50	-7.7	-8.5	3086	1248	-2.5	-6.8	-15.8	-18.1	.3	-.2	2.3	
14TH	175.25	-8.0	-8.6	3933	1591	-2.0	-5.4	-8.2	-9.6	.1	-.1	1.3	
ROOF	191.50	-.2	-.9	1473	871	-.1	-1.1	-.2	-.9	.0	-.0	.2	
TOP	204.00							0.0	0.0	0.0	0.0	0.0	

TABLE 7. SHEAR AND MOMENT DIAGRAMS ;
WIND DIRECTION 350

ARCO PLAZA, LONG BEACH NORTHERN BUILDING
CONFIGURATION A REFERENCE PRESSURE 21.0 PSF

GUST FACTOR 1.32

FLOOR	HEIGHT FT	X-FORCE KIPS	Y-FORCE KIPS	X-AREA SQ FT	Y-AREA SQ FT	X-PRESS PSF	Y-PRESS PSF	X-SHEAR KIPS	Y-SHEAR KIPS	X-MOMENT	Y-MOMENT 1000-FT-KIPS	Z-MOMENT
GRND	0.00	-2.5	-8.5	5385	2179	-.5	-3.9	-59.4	-85.7	8.9	-8.3	10.6
2ND	22.25	-.8	-4.9	3086	1248	-.3	-3.9	-56.9	-77.2	7.0	-7.0	9.5
3RD	35.00	-.4	-4.9	3086	1248	-.1	-3.9	-56.1	-72.3	6.1	-6.3	8.9
4TH	47.75	-.5	-5.1	3086	1248	-.2	-4.1	-55.7	-67.4	5.2	-5.6	8.3
5TH	60.50	-.9	-5.3	3086	1248	-.3	-4.2	-55.2	-62.3	4.4	-4.9	7.6
6TH	73.25	-1.2	-5.5	3086	1248	-.4	-4.4	-54.4	-57.0	3.6	-4.2	6.9
7TH	86.00	-2.0	-5.6	3086	1248	-.6	-4.5	-51.2	-46.0	2.3	-2.8	5.6
8TH	98.75	-3.3	-5.6	3086	1248	-1.1	-4.5	-47.9	-40.4	1.7	-2.2	4.9
9TH	111.50	-4.6	-5.6	3086	1248	-1.5	-4.5	-43.3	-34.8	1.3	-1.6	4.2
10TH	124.25	-5.9	-5.6	3086	1248	-1.9	-4.5	-37.4	-29.2	.9	-1.1	3.5
11TH	137.00	-7.2	-6.0	3086	1248	-2.3	-4.8	-30.2	-23.1	.5	-.7	2.7
12TH	149.75	-8.4	-6.5	3086	1248	-2.7	-5.2	-21.8	-16.7	.3	-.3	2.0
13TH	162.50	-9.6	-6.9	3086	1248	-3.1	-5.5	-12.2	-9.8	.1	-.1	1.2
14TH	175.25	-10.8	-8.1	3933	1591	-2.7	-5.1	-1.4	-1.7	.0	-.0	.2
ROOF	191.50	-1.4	-1.7	1473	871	-1.0	-2.0	0.0	0.0	0.0	0.0	0.0
TOP	204.00											

TABLE 7. SHEAR AND MOMENT DIAGRAMS 1												
WIND DIRECTION 0		CONFIGURATION A				ARCO PLAZA, LONG BEACH		SOUTHERN BUILDING		GUST FACTOR 1.32		
FLOOR	HEIGHT FT	X-FORCE KIPS	Y-FORCE KIPS	X-AREA SQ FT	Y-AREA SQ FT	X-PRESS PSF	Y-PRESS PSF	X-SHEAR KIPS	Y-SHEAR KIPS	X-MOMENT	Y-MOMENT	Z-MOMENT
										1000-FT-KIPS		
GRND	0.00							-80.0	64.6	-6.9	-9.4	9.3
2ND	22.25	-7.7	4.2	5385	2179	-1.4	1.9	-72.3	60.4	-5.5	-7.7	8.5
3RD	35.00	-4.0	3.0	3086	1248	-1.3	2.4	-68.3	57.4	-4.8	-6.8	8.0
4TH	47.75	-3.7	3.4	3086	1248	-1.2	2.7	-64.6	53.9	-4.1	-5.9	7.5
5TH	60.50	-3.6	3.7	3086	1248	-1.2	3.0	-61.0	50.2	-3.4	-5.1	7.0
6TH	73.25	-3.6	4.0	3086	1248	-1.2	3.2	-57.4	46.2	-2.8	-4.4	6.5
7TH	86.00	-3.6	4.3	3086	1248	-1.2	3.4	-53.8	41.9	-2.2	-3.7	6.0
8TH	98.75	-3.6	4.6	3086	1248	-1.2	3.7	-50.2	37.3	-1.7	-3.0	5.4
9TH	111.50	-3.8	4.9	3086	1248	-1.2	3.9	-46.4	32.4	-1.3	-2.4	4.8
10TH	124.25	-4.0	5.3	3086	1248	-1.3	4.2	-42.3	27.2	-.9	-1.8	4.1
11TH	137.00	-4.5	5.5	3086	1248	-1.5	4.4	-37.8	21.7	-.6	-1.3	3.4
12TH	149.75	-5.5	5.3	3086	1248	-1.8	4.3	-32.3	16.4	-.3	-.9	2.6
13TH	162.50	-6.6	5.1	3086	1248	-2.1	4.1	-25.7	11.2	-.2	-.5	1.9
14TH	175.25	-7.7	4.9	3086	1248	-2.5	4.0	-18.0	6.3	-.1	-.2	1.1
ROOF	191.50	-14.1	6.1	3933	1591	-3.6	3.8	-4.0	.2	-.0	-.0	.2
TOP	204.00	-4.0	.2	1473	871	-2.7	.3	0.0	0.0	0.0	0.0	0.0

TABLE 7. SHEAR AND MOMENT DIAGRAMS :
WIND DIRECTION 10

ARCO PLAZA, LONG BEACH SOUTHERN BUILDING
CONFIGURATION A REFERENCE PRESSURE 21.0 PSF

GUST FACTOR 1.32

FLOOR	HEIGHT FT	X-FORCE KIPS	Y-FORCE KIPS	X-AREA SQ FT	Y-AREA SQ FT	X-PRESS PSF	Y-PRESS PSF	X-SHEAR KIPS	Y-SHEAR KIPS	X-MOMENT 1000-FT-KIPS	Y-MOMENT 1000-FT-KIPS	Z-MOMENT
GRND	0.00	-6.4	7.7	5385	2179	-1.2	3.5	-24.2	94.8	-10.0	-2.9	10.6
2ND	22.25	-1.6	4.8	3086	1248	-.5	3.9	-17.8	87.1	-8.0	-2.5	9.4
3RD	35.00	-.0	5.1	3086	1248	-.0	4.1	-16.3	82.3	-6.9	-2.2	8.7
4TH	47.75	.1	5.4	3086	1248	.0	4.4	-16.2	77.1	-5.9	-2.0	8.2
5TH	60.50	-.0	5.7	3086	1248	-.0	4.6	-16.3	71.7	-5.0	-1.8	7.6
6TH	73.25	-.1	6.0	3086	1248	-.0	4.8	-16.3	66.0	-4.1	-1.6	7.1
7TH	86.00	-.2	6.4	3086	1248	-.1	5.1	-16.2	60.0	-3.3	-1.4	6.5
8TH	98.75	-.3	6.9	3086	1248	-.1	5.5	-16.0	53.6	-2.5	-1.2	5.9
9TH	111.50	-.3	7.3	3086	1248	-.1	5.9	-15.7	46.7	-1.9	-1.0	5.2
10TH	124.25	-.5	7.7	3086	1248	-.2	6.1	-15.4	39.4	-1.4	-.8	4.5
11TH	137.00	-1.1	7.4	3086	1248	-.4	5.9	-14.9	31.7	-.9	-.6	3.7
12TH	149.75	-1.6	7.1	3086	1248	-.5	5.7	-13.8	24.3	-.5	-.4	2.9
13TH	162.50	-2.3	6.9	3086	1248	-.7	5.5	-12.1	17.2	-.3	-.3	2.1
14TH	175.25	-2.1	8.6	3933	1591	-1.8	5.4	-9.9	10.3	-.1	-.1	1.3
ROOF	191.50	-2.8	1.7	1473	871	-1.9	1.9	-2.8	1.7	-.0	-.0	.2
TOP	204.00							0.0	0.0	0.0	0.0	0.0

TABLE 7. SHEAR AND MOMENT DIAGRAMS : ARCO PLAZA, LONG BEACH SOUTHERN BUILDING												
WIND DIRECTION 20		CONFIGURATION A				REFERENCE PRESSURE 21.0 PSF				GUST FACTOR 1.32		
FLOOR	HEIGHT FT	X-FORCE KIPS	Y-FORCE KIPS	X-AREA SQ FT	Y-AREA SQ FT	X-PRESS PSF	Y-PRESS PSF	X-SHEAR KIPS	Y-SHEAR KIPS	X-MOMENT	Y-MOMENT 1000-FT-KIPS	Z-MOMENT
GRND	0.00							47.1	81.8	-8.6	4.7	9.1
2ND	22.25	-6	7.3	5385	2179	-1	3.3	47.8	74.5	-6.8	3.6	7.8
3RD	35.00	1.6	4.5	3086	1248	.5	3.6	46.2	70.0	-5.9	3.0	7.2
4TH	47.75	3.0	4.8	3086	1248	1.0	3.8	43.1	65.3	-5.1	2.5	6.7
5TH	60.50	3.8	4.8	3086	1248	1.2	3.8	39.3	60.5	-4.3	1.9	6.2
6TH	73.25	4.5	4.7	3086	1248	1.5	3.8	34.8	55.7	-3.5	1.5	5.8
7TH	86.00	5.2	4.7	3086	1248	1.7	3.8	29.6	51.1	-2.8	1.1	5.3
8TH	98.75	5.5	4.9	3086	1248	1.8	4.0	24.0	46.1	-2.2	.7	4.9
9TH	111.50	5.4	5.5	3086	1248	1.7	4.4	18.7	40.6	-1.7	.4	4.3
10TH	124.25	5.2	6.1	3086	1248	1.7	4.9	13.4	34.4	-1.2	.2	3.8
11TH	137.00	4.8	6.6	3086	1248	1.6	5.3	8.6	27.8	-.8	.1	3.1
12TH	149.75	4.1	6.4	3086	1248	1.3	5.2	4.5	21.4	-.5	.0	2.5
13TH	162.50	3.3	6.3	3086	1248	1.1	5.0	1.2	15.1	-.2	-.0	1.8
14TH	175.25	2.5	6.1	3086	1248	.8	4.9	-1.3	9.0	-.1	-.0	1.0
ROOF	191.50	-5	7.5	3933	1591	-1	4.7	-.7	1.5	-.0	-.0	.2
TOP	204.00	-7	1.5	1473	871	-5	1.7	0.0	0.0	0.0	0.0	0.0

TABLE 7. SHEAR AND MOMENT DIAGRAMS : ARCO PLAZA, LONG BEACH SOUTHERN BUILDING												
WIND DIRECTION 30		CONFIGURATION A				REFERENCE PRESSURE 21.0 PSF				GUST FACTOR 1.32		
FLOOR	HEIGHT FT	X-FORCE KIPS	Y-FORCE KIPS	X-AREA SQ FT	Y-AREA SQ FT	X-PRESS PSF	Y-PRESS PSF	X-SHEAR KIPS	Y-SHEAR KIPS	X-MOMENT	Y-MOMENT 1000-FT-KIPS	Z-MOMENT
GRND	0.00							25.2	47.4	-4.6	2.1	4.7
2ND	22.25	- .9	5.7	5385	2179	- .2	2.6	26.1	41.6	-3.6	1.6	3.8
3RD	35.00	1.0	3.2	3086	1248	.3	2.6	25.1	38.4	-3.1	1.2	3.5
4TH	47.75	2.1	3.2	3086	1248	.7	2.6	23.1	35.2	-2.6	.9	3.2
5TH	60.50	2.5	3.1	3086	1248	.8	2.4	20.6	32.2	-2.2	.7	2.9
6TH	73.25	2.8	2.9	3086	1248	.9	2.3	17.8	29.3	-1.8	.4	2.7
7TH	86.00	3.1	2.7	3086	1248	1.0	2.2	14.7	26.5	-1.5	.2	2.4
8TH	98.75	3.3	2.7	3086	1248	1.1	2.2	11.4	23.8	-1.1	.0	2.1
9TH	111.50	3.4	2.9	3086	1248	1.1	2.3	8.1	20.9	-.9	-.1	1.8
10TH	124.25	3.5	3.1	3086	1248	1.1	2.5	4.6	17.8	-.6	-.2	1.6
11TH	137.00	3.3	3.2	3086	1248	1.1	2.6	1.3	14.6	-.4	-.2	1.3
12TH	149.75	2.9	3.3	3086	1248	1.0	2.6	-1.7	11.3	-.2	-.2	1.0
13TH	162.50	2.6	3.4	3086	1248	.8	2.7	-4.2	8.0	-.1	-.2	.7
14TH	175.25	2.0	3.4	3086	1248	.7	2.7	-6.2	4.5	-.0	-.1	.4
ROOF	191.50	-2.9	4.2	3933	1591	-.7	2.6	-3.3	.4	-.0	-.0	.1
TOP	204.00	-3.3	.4	1473	871	-2.2	.4	0.0	0.0	0.0	0.0	0.0

TABLE 7. SHEAR AND MOMENT DIAGRAMS : ARCO PLAZA, LONG BEACH SOUTHERN BUILDING												
WIND DIRECTION 40 CONFIGURATION A REFERENCE PRESSURE 21.0 PSF GUST FACTOR 1.32												
FLOOR	HEIGHT FT	X-FORCE KIPS	Y-FORCE KIPS	X-AREA SQ FT	Y-AREA SQ FT	X-PRESS PSF	Y-PRESS PSF	X-SHEAR KIPS	Y-SHEAR KIPS	X-MOMENT 1000-FT-KIPS	Y-MOMENT 1000-FT-KIPS	Z-MOMENT
GRND	0.00	5.7	4.6	5385	2179	1.1	2.1	85.6	34.9	-3.2	7.5	3.0
2ND	22.25	4.9	2.7	3086	1248	1.6	2.2	79.9	30.3	-2.5	5.7	2.5
3RD	35.00	6.1	2.8	3086	1248	2.0	2.3	75.0	27.5	-2.1	4.7	2.3
4TH	47.75	6.9	2.6	3086	1248	2.2	2.1	68.8	24.7	-1.8	3.8	2.0
5TH	60.50	7.6	2.2	3086	1248	2.5	1.8	61.9	22.1	-1.5	2.9	1.8
6TH	73.25	8.3	1.9	3086	1248	2.7	1.5	54.3	19.9	-1.2	2.2	1.6
7TH	86.00	8.6	1.8	3086	1248	2.8	1.4	46.0	18.0	-1.0	1.5	1.4
8TH	98.75	8.4	2.0	3086	1248	2.7	1.6	37.4	16.2	-.8	1.0	1.2
9TH	111.50	8.1	2.2	3086	1248	2.6	1.7	29.0	14.3	-.6	.6	1.0
10TH	124.25	7.7	2.3	3086	1248	2.5	1.9	20.9	12.1	-.4	.3	.8
11TH	137.00	6.9	2.3	3086	1248	2.2	1.9	13.2	9.8	-.3	.1	.6
12TH	149.75	6.1	2.4	3086	1248	2.0	1.9	6.4	7.4	-.1	-.1	.4
13TH	162.50	5.1	2.4	3086	1248	1.7	1.9	.2	5.1	-.1	-.1	.3
14TH	175.25	-1.6	2.7	3933	1591	-.4	1.7	-4.9	2.7	-.0	-.1	.1
ROOF	191.50	-3.3	-.1	1473	871	-2.2	-.1	-3.3	-.1	.0	-.0	-.0
TOP	204.00							0.0	0.0	0.0	0.0	0.0

TABLE 7. SHEAR AND MOMENT DIAGRAMS : ARCO PLAZA, LONG BEACH SOUTHERN BUILDING												
WIND DIRECTION 50		CONFIGURATION A				REFERENCE PRESSURE 21.0 PSF				GUST FACTOR 1.32		
FLOOR	HEIGHT FT	X-FORCE KIPS	Y-FORCE KIPS	X-AREA SQ FT	Y-AREA SQ FT	X-PRESS PSF	Y-PRESS PSF	X-SHEAR KIPS	Y-SHEAR KIPS	X-MOMENT	Y-MOMENT 1000-FT-KIPS	Z-MOMENT
GRND	0.00							91.9	21.4	-2.0	7.6	1.2
2ND	22.25	7.1	2.7	5385	2179	1.3	1.2	84.8	18.7	-1.5	5.6	1.0
3RD	35.00	5.7	1.6	3086	1248	1.8	1.3	79.2	17.1	-1.3	4.6	.9
4TH	47.75	6.9	1.7	3086	1248	2.2	1.3	72.3	15.4	-1.1	3.6	.8
5TH	60.50	7.8	1.5	3086	1248	2.5	1.2	64.5	13.9	-.9	2.7	.6
6TH	73.25	8.6	1.3	3086	1248	2.8	1.1	55.9	12.6	-.7	2.0	.5
7TH	86.00	9.5	1.1	3086	1248	3.1	.9	46.4	11.5	-.6	1.3	.3
8TH	98.75	9.7	1.1	3086	1248	3.2	.9	36.7	10.4	-.5	.8	.2
9TH	111.50	9.4	1.4	3086	1248	3.1	1.1	27.3	9.0	-.3	.4	.0
10TH	124.25	9.1	1.6	3086	1248	3.0	1.3	18.2	7.4	-.2	.1	-.0
11TH	137.00	8.4	1.8	3086	1248	2.7	1.4	9.8	5.7	-.1	-.1	-.1
12TH	149.75	7.1	1.6	3086	1248	2.3	1.3	2.7	4.0	-.1	-.2	-.2
13TH	162.50	5.8	1.5	3086	1248	1.9	1.2	-3.1	2.5	-.0	-.2	-.2
14TH	175.25	4.3	1.4	3086	1248	1.4	1.1	-7.4	1.1	-.0	-.1	-.2
ROOF	191.50	-3.5	1.0	3933	1591	-.9	.6	-3.9	.1	-.0	-.0	-.1
TOP	204.00	-3.9	.1	1473	871	-2.6	.1	0.0	0.0	0.0	0.0	0.0

TABLE 7. SHEAR AND MOMENT DIAGRAMS ;												
WIND DIRECTION 60		ARCO PLAZA, LONG BEACH				SOUTHERN BUILDING				GUST FACTOR 1.32		
		CONFIGURATION A				REFERENCE PRESSURE 21.0 PSF						
FLOOR	HEIGHT FT	X-FORCE KIPS	Y-FORCE KIPS	X-AREA SQ FT	Y-AREA SQ FT	X-PRESS PSF	Y-PRESS PSF	X-SHEAR KIPS	Y-SHEAR KIPS	X-MOMENT 1000-FT-KIPS	Y-MOMENT 1000-FT-KIPS	Z-MOMENT
GRND	0.00	2.1	.2	5385	2179	.4	.1	21.3	1.5	-.3	-.9	-1.6
2ND	22.25	3.3	.0	3086	1248	1.1	.0	19.2	1.3	-.3	-1.3	-1.8
3RD	35.00	4.8	-.0	3086	1248	1.6	-.0	15.9	1.3	-.3	-1.5	-1.9
4TH	47.75	5.4	-.2	3086	1248	1.8	-.1	11.0	1.3	-.2	-1.7	-1.9
5TH	60.50	5.8	-.4	3086	1248	1.9	-.3	5.6	1.5	-.2	-1.8	-2.0
6TH	73.25	6.2	-.5	3086	1248	2.0	-.4	-.2	1.8	-.2	-1.8	-2.0
7TH	86.00	5.7	-.4	3086	1248	1.8	-.3	-6.4	2.4	-.2	-1.8	-2.0
8TH	98.75	4.4	-.0	3086	1248	1.4	-.0	-12.1	2.8	-.1	-1.7	-2.0
9TH	111.50	3.1	.4	3086	1248	1.0	.3	-16.4	2.8	-.1	-1.5	-1.9
10TH	124.25	1.6	.7	3086	1248	.5	.6	-19.5	2.4	-.1	-1.3	-1.8
11TH	137.00	.3	.6	3086	1248	.1	.5	-21.1	1.7	-.0	-1.0	-1.7
12TH	149.75	-1.0	.5	3086	1248	-.3	.4	-21.4	1.1	-.0	-.7	-1.5
13TH	162.50	-2.4	.5	3086	1248	-.8	.4	-20.4	.5	-.0	-.5	-1.2
14TH	175.25	-11.8	-.6	3933	1591	-3.0	-.4	-18.0	.1	-.0	-.2	-.8
ROOF	191.50	-6.2	.6	1473	871	-4.2	.7	-6.2	.6	-.0	-.0	-.2
TOP	204.00							0.0	0.0	0.0	0.0	0.0

TABLE 7. SHEAR AND MOMENT DIAGRAMS 1												
WIND DIRECTION 70		ARCO PLAZA, LONG BEACH				SOUTHERN BUILDING				GUST FACTOR 1.32		
		CONFIGURATION A				REFERENCE PRESSURE 21.0 PSF						
FLOOR	HEIGHT FT	X-FORCE KIPS	Y-FORCE KIPS	X-AREA SQ FT	Y-AREA SQ FT	X-PRESS PSF	Y-PRESS PSF	X-SHEAR KIPS	Y-SHEAR KIPS	X-MOMENT	Y-MOMENT	Z-MOMENT
										1000-FT-KIPS		
GRND	0.00											
2ND	22.25	-11.4	-1.7	5385	2179	-2.1	-.8	-111.2	-19.0	1.8	-14.2	-6.5
3RD	35.00	-4.9	-1.3	3086	1248	-1.6	-1.0	-99.8	-17.3	1.4	-11.9	-6.3
4TH	47.75	-3.7	-1.5	3086	1248	-1.2	-1.2	-94.9	-16.0	1.2	-10.6	-6.2
5TH	60.50	-3.0	-1.6	3086	1248	-1.0	-1.3	-91.2	-14.5	1.0	-9.5	-6.0
6TH	73.25	-2.4	-1.6	3086	1248	-.8	-1.3	-88.2	-12.9	.8	-8.3	-5.8
7TH	86.00	-1.8	-1.7	3086	1248	-.6	-1.3	-85.8	-11.3	.6	-7.2	-5.5
8TH	98.75	-2.4	-1.5	3086	1248	-.8	-1.2	-84.0	-9.6	.5	-6.1	-5.3
9TH	111.50	-4.2	-1.2	3086	1248	-1.4	-.9	-81.6	-8.1	.4	-5.1	-5.0
10TH	124.25	-6.1	-.8	3086	1248	-2.0	-.7	-77.4	-6.9	.3	-4.1	-4.6
11TH	137.00	-8.0	-.6	3086	1248	-2.6	-.5	-71.3	-6.1	.2	-3.1	-4.1
12TH	149.75	-9.2	-.9	3086	1248	-3.0	-.7	-63.3	-5.5	.2	-2.3	-3.6
13TH	162.50	-10.4	-1.2	3086	1248	-3.4	-.9	-54.2	-4.6	.1	-1.5	-3.0
14TH	175.25	-11.7	-1.5	3086	1248	-3.8	-1.2	-43.8	-3.4	.0	-.9	-2.2
ROOF	191.50	-22.8	-3.0	3933	1591	-5.8	-1.9	-32.1	-1.9	.0	-.4	-1.4
TDP	204.00	-9.3	1.0	1473	871	-6.3	1.2	-9.3	1.0	-0.0	-.1	-.2
								0.0	0.0	0.0	0.0	0.0

TABLE 7. SHEAR AND MOMENT DIAGRAMS : ARCO PLAZA, LONG BEACH SOUTHERN BUILDING												
WIND DIRECTION 80		CONFIGURATION A				REFERENCE PRESSURE 21.0 PSF				GUST FACTOR 1.32		
FLOOR	HEIGHT FT	X-FORCE KIPS	Y-FORCE KIPS	X-AREA SQ FT	Y-AREA SQ FT	X-PRESS PSF	Y-PRESS PSF	X-SHEAR KIPS	Y-SHEAR KIPS	X-MOMENT	Y-MOMENT 1000-FT-KIPS	Z-MOMENT
GRND	0.00							-169.5	-40.1	4.0	-19.8	-8.8
2ND	22.25	-18.3	-3.6	5385	2179	-3.4	-1.6	-151.2	-36.6	3.2	-16.2	-8.2
3RD	35.00	-9.0	-2.5	3086	1248	-2.9	-2.0	-142.2	-34.0	2.7	-14.3	-7.8
4TH	47.75	-7.9	-2.9	3086	1248	-2.6	-2.3	-134.3	-31.1	2.3	-12.6	-7.4
5TH	60.50	-6.9	-2.9	3086	1248	-2.2	-2.4	-127.4	-28.2	1.9	-10.9	-7.0
6TH	73.25	-6.0	-2.9	3086	1248	-1.9	-2.3	-121.4	-25.3	1.6	-9.3	-6.6
7TH	86.00	-5.1	-2.8	3086	1248	-1.6	-2.2	-116.3	-22.5	1.3	-7.8	-6.2
8TH	98.75	-5.7	-2.7	3086	1248	-1.9	-2.1	-110.6	-19.9	1.0	-6.4	-5.8
9TH	111.50	-8.0	-2.5	3086	1248	-2.6	-2.0	-102.5	-17.4	.8	-5.0	-5.3
10TH	124.25	-10.3	-2.3	3086	1248	-3.4	-1.8	-92.2	-15.1	.6	-3.8	-4.7
11TH	137.00	-12.5	-2.2	3086	1248	-4.1	-1.7	-79.6	-12.9	.4	-2.7	-3.9
12TH	149.75	-13.5	-2.4	3086	1248	-4.4	-1.9	-66.1	-10.5	.2	-1.7	-3.2
13TH	162.50	-14.5	-2.7	3086	1248	-4.7	-2.1	-51.6	-7.8	.1	-1.0	-2.3
14TH	175.25	-15.6	-2.9	3086	1248	-5.1	-2.3	-36.0	-4.9	.0	-.4	-1.4
ROOF	191.50	-26.0	-5.5	3933	1591	-6.6	-3.4	-10.0	.6	-.0	-.1	-.2
TOP	204.00	-10.0	.6	1473	871	-6.8	.7	0.0	0.0	0.0	0.0	0.0

TABLE 7. SHEAR AND MOMENT DIAGRAMS ;												
WIND DIRECTION 90		ARCO PLAZA, LONG BEACH				SOUTHERN BUILDING				GUST FACTOR 1.32		
		CONFIGURATION A				REFERENCE PRESSURE 21.0 PSF						
FLOOR	HEIGHT FT	X-FORCE KIPS	Y-FORCE KIPS	X-AREA SQ FT	Y-AREA SQ FT	X-PRESS PSF	Y-PRESS PSF	X-SHEAR KIPS	Y-SHEAR KIPS	X-MOMENT	Y-MOMENT 1000-FT-KIPS	Z-MOMENT
GRND	0.00	-11.3	-3.0	5385	2179	-2.1	-1.4	-124.6	-30.3	2.9	-16.0	-7.7
2ND	22.25	-4.4	-2.2	3086	1248	-1.4	-1.8	-113.3	-27.3	2.3	-13.4	-7.3
3RD	35.00	-3.0	-2.5	3086	1248	-1.0	-2.0	-108.9	-25.1	2.0	-11.9	-6.9
4TH	47.75	-2.5	-2.5	3086	1248	-.8	-2.0	-105.9	-22.5	1.6	-10.6	-6.5
5TH	60.50	-2.3	-2.4	3086	1248	-.8	-1.9	-103.4	-20.0	1.4	-9.2	-6.0
6TH	73.25	-2.1	-2.3	3086	1248	-.7	-1.8	-101.0	-17.6	1.1	-7.9	-5.6
7TH	86.00	-3.3	-2.0	3086	1248	-1.1	-1.6	-98.9	-15.3	.9	-6.7	-5.1
8TH	98.75	-6.1	-1.6	3086	1248	-2.0	-1.3	-89.5	-11.7	.6	-4.2	-4.2
9TH	111.50	-8.8	-1.2	3086	1248	-2.9	-.9	-80.7	-10.6	.4	-3.2	-3.7
10TH	124.25	-11.4	-.9	3086	1248	-3.7	-.7	-69.3	-9.7	.3	-2.2	-3.1
11TH	137.00	-12.6	-1.3	3086	1248	-4.1	-1.1	-56.6	-8.4	.2	-1.4	-2.5
12TH	149.75	-13.9	-1.8	3086	1248	-4.5	-1.4	-42.8	-6.6	.1	-.8	-1.8
13TH	162.50	-15.1	-2.3	3086	1248	-4.9	-1.8	-27.6	-4.3	.0	-.3	-1.0
14TH	175.25	-21.6	-4.3	3933	1591	-5.5	-2.7	-6.0	.0	-.0	-.0	-.1
ROOF	191.50	-6.0	.0	1473	871	-4.1	.0	0.0	0.0	0.0	0.0	0.0
TOP	204.00											

TABLE 7. SHEAR AND MOMENT DIAGRAMS 1		ARCO PLAZA, LONG BEACH		SOUTHERN BUILDING		GUST FACTOR 1.32						
WIND DIRECTION 100		CONFIGURATION A		REFERENCE PRESSURE 21.0 PSF								
FLOOR	HEIGHT FT	X-FORCE KIPS	Y-FORCE KIPS	X-AREA SQ FT	Y-AREA SQ FT	X-PRESS PSF	Y-PRESS PSF	X-SHEAR KIPS	Y-SHEAR KIPS	X-MOMENT	Y-MOMENT 1000-FT-KIPS	Z-MOMENT
GRND	0.00	-20.5	-2.6	5385	2179	-3.8	-1.2	-196.1	-28.2	2.7	-20.6	-11.5
2ND	22.25	-11.4	-1.8	3086	1248	-3.7	-1.5	-175.7	-25.6	2.1	-16.5	-10.4
3RD	35.00	-11.2	-2.1	3086	1248	-3.6	-1.7	-164.2	-23.8	1.8	-14.3	-9.8
4TH	47.75	-11.0	-2.1	3086	1248	-3.6	-1.7	-153.0	-21.7	1.5	-12.3	-9.1
5TH	60.50	-10.7	-2.1	3086	1248	-3.5	-1.7	-142.1	-19.5	1.2	-10.4	-8.4
6TH	73.25	-10.4	-2.1	3086	1248	-3.4	-1.7	-131.3	-17.4	1.0	-8.7	-7.7
7TH	86.00	-10.9	-2.0	3086	1248	-3.5	-1.6	-120.9	-15.3	.8	-7.0	-7.1
8TH	98.75	-12.1	-1.9	3086	1248	-3.9	-1.5	-110.0	-13.3	.6	-5.6	-6.4
9TH	111.50	-13.2	-1.8	3086	1248	-4.3	-1.5	-97.9	-11.4	.5	-4.3	-5.6
10TH	124.25	-14.2	-1.7	3086	1248	-4.6	-1.4	-84.6	-9.6	.3	-3.1	-4.8
11TH	137.00	-14.7	-1.7	3086	1248	-4.8	-1.4	-70.4	-7.9	.2	-2.1	-3.9
12TH	149.75	-15.2	-1.8	3086	1248	-4.9	-1.4	-55.7	-6.1	.1	-1.3	-3.0
13TH	162.50	-15.7	-1.8	3086	1248	-5.1	-1.4	-40.5	-4.4	.1	-.7	-2.1
14TH	175.25	-20.4	-3.1	3933	1591	-5.2	-1.9	-24.8	-2.6	.0	-.3	-1.2
ROOF	191.50	-4.4	.5	1473	871	-3.0	.5	-4.4	.5	-.0	-.0	-.2
TOP	204.00							0.0	0.0	0.0	0.0	0.0

TABLE 7. SHEAR AND MOMENT DIAGRAMS : ARCO PLAZA, LONG BEACH SOUTHERN BUILDING												
WIND DIRECTION 110		CONFIGURATION A				REFERENCE PRESSURE 21.0 PSF				GUST FACTOR 1.32		
FLOOR	HEIGHT FT	X-FORCE KIPS	Y-FORCE KIPS	X-AREA SQ FT	Y-AREA SQ FT	X-PRESS PSF	Y-PRESS PSF	X-SHEAR KIPS	Y-SHEAR KIPS	X-MOMENT	Y-MOMENT 1000-FT-KIPS	Z-MOMENT
GRND	0.00							-144.2	-9.4	.5	-14.7	-9.3
2ND	22.25	-16.1	-1.5	5385	2179	-3.0	-.7	-128.2	-7.9	.4	-11.7	-8.3
3RD	35.00	-9.0	-1.0	3086	1248	-2.9	-.8	-119.2	-6.9	.3	-10.1	-7.8
4TH	47.75	-8.8	-1.1	3086	1248	-2.8	-.9	-110.4	-5.8	.2	-8.6	-7.2
5TH	60.50	-8.4	-1.0	3086	1248	-2.7	-.8	-102.0	-4.8	.1	-7.3	-6.6
6TH	73.25	-8.0	-.9	3086	1248	-2.6	-.7	-94.0	-3.9	.1	-6.0	-6.1
7TH	86.00	-7.6	-.8	3086	1248	-2.4	-.7	-86.4	-3.0	.0	-4.9	-5.5
8TH	98.75	-7.9	-.8	3086	1248	-2.6	-.6	-78.5	-2.3	-.0	-3.8	-4.9
9TH	111.50	-9.0	-.8	3086	1248	-2.9	-.6	-69.5	-1.5	-.0	-2.9	-4.3
10TH	124.25	-10.1	-.8	3086	1248	-3.3	-.6	-59.4	-.7	-.1	-2.0	-3.6
11TH	137.00	-11.0	-.8	3086	1248	-3.6	-.6	-48.4	.1	-.1	-1.4	-2.9
12TH	149.75	-11.1	-.5	3086	1248	-3.6	-.4	-37.3	.6	-.1	-.8	-2.2
13TH	162.50	-11.2	-.3	3086	1248	-3.6	-.3	-26.0	.9	-.1	-.4	-1.5
14TH	175.25	-11.3	-.1	3086	1248	-3.7	-.1	-14.8	1.0	-.0	-.1	-.8
ROOF	191.50	-12.8	-1.0	3933	1591	-3.3	-.6	-2.0	2.0	-.0	-.0	-.1
TOP	204.00	-2.0	2.0	1473	871	-1.3	2.3	0.0	0.0	0.0	0.0	0.0

TABLE 7. SHEAR AND MOMENT DIAGRAMS :
WIND DIRECTION 120

ARCO PLAZA, LONG BEACH SOUTHERN BUILDING
CONFIGURATION A REFERENCE PRESSURE 21.0 PSF

GUST FACTOR 1.32

FLOOR	HEIGHT FT	X-FORCE KIPS	Y-FORCE KIPS	X-AREA SQ FT	Y-AREA SQ FT	X-PRESS PSF	Y-PRESS PSF	X-SHEAR KIPS	Y-SHEAR KIPS	X-MOMENT	Y-MOMENT	Z-MOMENT
										1000-FT-KIPS		
GRND	0.00	-10.1	1.9	5385	2179	-1.9	.9	-75.1	25.3	-3.0	-7.3	-4.3
2ND	22.25	-5.4	1.0	3086	1248	-1.7	.8	-65.1	23.3	-2.5	-5.7	-3.7
3RD	35.00	-5.1	.9	3086	1248	-1.7	.7	-59.7	22.4	-2.2	-4.9	-3.4
4TH	47.75	-4.7	1.0	3086	1248	-1.5	.8	-54.6	21.5	-1.9	-4.2	-3.1
5TH	60.50	-4.2	1.1	3086	1248	-1.4	.9	-49.9	20.5	-1.6	-3.5	-2.8
6TH	73.25	-3.7	1.3	3086	1248	-1.2	1.0	-45.6	19.4	-1.4	-2.9	-2.5
7TH	86.00	-3.8	1.5	3086	1248	-1.2	1.2	-41.9	18.1	-1.1	-2.3	-2.2
8TH	98.75	-4.3	1.7	3086	1248	-1.4	1.4	-38.1	16.6	-.9	-1.8	-1.9
9TH	111.50	-4.8	1.9	3086	1248	-1.6	1.5	-33.8	14.9	-.7	-1.4	-1.7
10TH	124.25	-5.4	2.1	3086	1248	-1.7	1.7	-29.0	13.0	-.5	-1.0	-1.4
11TH	137.00	-5.6	2.1	3086	1248	-1.8	1.7	-23.6	10.9	-.4	-.6	-1.2
12TH	149.75	-5.8	2.2	3086	1248	-1.9	1.8	-18.0	8.8	-.2	-.4	-.9
13TH	162.50	-6.0	2.2	3086	1248	-2.0	1.8	-12.2	6.6	-.1	-.2	-.6
14TH	175.25	-5.8	1.5	3933	1591	-1.5	.9	-6.1	4.4	-.1	-.1	-.3
ROOF	191.50	-.3	2.9	1473	871	-.2	3.3	-.3	2.9	-.0	-.0	-.0
TOP	204.00							0.0	0.0	0.0	0.0	0.0

TABLE 7. SHEAR AND MOMENT DIAGRAMS : ARCO PLAZA, LONG BEACH SOUTHERN BUILDING												
WIND DIRECTION 130		CONFIGURATION A				REFERENCE PRESSURE 21.0 PSF				GUST FACTOR 1.32		
FLOOR	HEIGHT FT	X-FORCE KIPS	Y-FORCE KIPS	X-AREA SQ FT	Y-AREA SQ FT	X-PRESS PSF	Y-PRESS PSF	X-SHEAR KIPS	Y-SHEAR KIPS	X-MOMENT	Y-MOMENT 1000-FT-KIPS	Z-MOMENT
GRND	0.00											
2ND	22.25	-8.6	5.3	5385	2179	-1.6	2.5	-49.3	58.0	-6.2	-4.4	.2
3RD	35.00	-4.3	3.0	3086	1248	-1.4	2.4	-40.6	52.6	-5.0	-3.4	.3
4TH	47.75	-3.9	2.9	3086	1248	-1.3	2.3	-36.3	49.7	-4.3	-2.9	.4
5TH	60.50	-3.3	3.0	3086	1248	-1.1	2.4	-32.4	46.8	-3.7	-2.4	.5
6TH	73.25	-2.5	3.2	3086	1248	-.8	2.6	-29.1	43.8	-3.2	-2.1	.6
7TH	86.00	-1.8	3.5	3086	1248	-.6	2.8	-26.6	40.5	-2.6	-1.7	.6
8TH	98.75	-1.8	3.7	3086	1248	-.6	3.0	-24.8	37.1	-2.1	-1.4	.6
9TH	111.50	-2.4	4.0	3086	1248	-.8	3.2	-23.0	33.4	-1.7	-1.1	.6
10TH	124.25	-3.1	4.2	3086	1248	-1.0	3.4	-20.6	29.4	-1.3	-.8	.6
11TH	137.00	-3.7	4.4	3086	1248	-1.2	3.6	-17.5	25.2	-.9	-.5	.5
12TH	149.75	-3.6	4.5	3086	1248	-1.2	3.6	-13.8	20.7	-.6	-.3	.4
13TH	162.50	-3.6	4.6	3086	1248	-1.2	3.7	-10.1	16.2	-.4	-.2	.4
14TH	175.25	-3.5	4.6	3086	1248	-1.1	3.7	-6.5	11.6	-.2	-.1	.3
ROOF	191.50	-3.0	4.0	3933	1591	-.8	2.5	-3.0	7.0	-.1	-.0	.2
TOP	204.00	-.0	3.0	1473	871	-.0	3.5	0.0	0.0	0.0	0.0	0.0

TABLE 7. SHEAR AND MOMENT DIAGRAMS : ARCO PLAZA, LONG BEACH SOUTHERN BUILDING												
WIND DIRECTION 140		CONFIGURATION A				REFERENCE PRESSURE 21.0 PSF				GUST FACTOR 1.32		
FLOOR	HEIGHT FT	X-FORCE KIPS	Y-FORCE KIPS	X-AREA SQ FT	Y-AREA SQ FT	X-PRESS PSF	Y-PRESS PSF	X-SHEAR KIPS	Y-SHEAR KIPS	X-MOMENT	Y-MOMENT 1000-FT-KIPS	Z-MOMENT
GRND	0.00							-23.6	93.5	-9.6	-2.7	5.6
2ND	22.25	-3.6	9.3	5385	2179	-.7	4.2	-20.0	84.3	-7.6	-2.2	5.3
3RD	35.00	-1.7	5.3	3086	1248	-.5	4.2	-18.3	79.0	-6.5	-1.9	5.1
4TH	47.75	-1.4	5.3	3086	1248	-.4	4.2	-17.0	73.7	-5.6	-1.7	4.8
5TH	60.50	-.8	5.5	3086	1248	-.3	4.4	-16.1	68.2	-4.7	-1.5	4.5
6TH	73.25	-.2	5.8	3086	1248	-.0	4.6	-16.0	62.5	-3.8	-1.3	4.2
7TH	86.00	.5	6.0	3086	1248	.2	4.8	-16.5	56.4	-3.1	-1.1	3.8
8TH	98.75	.3	6.3	3086	1248	.1	5.0	-16.8	50.1	-2.4	-.9	3.4
9TH	111.50	-.9	6.5	3086	1248	-.3	5.2	-15.9	43.6	-1.8	-.7	2.9
10TH	124.25	-2.0	6.8	3086	1248	-.7	5.4	-13.9	36.8	-1.3	-.5	2.5
11TH	137.00	-2.9	7.0	3086	1248	-.9	5.6	-11.0	29.9	-.9	-.3	2.1
12TH	149.75	-2.6	7.0	3086	1248	-.9	5.6	-8.3	22.9	-.5	-.2	1.6
13TH	162.50	-2.4	7.0	3086	1248	-.8	5.6	-5.9	16.0	-.3	-.1	1.2
14TH	175.25	-2.1	7.0	3086	1248	-.7	5.6	-3.8	9.0	-.1	-.0	.7
ROOF	191.50	-2.6	6.5	3933	1591	-.7	4.1	-1.2	2.5	-.0	-.0	.1
TOP	204.00	-1.2	2.5	1473	871	-.8	2.9	0.0	0.0	0.0	0.0	0.0

TABLE 7. SHEAR AND MOMENT DIAGRAMS : ARCO PLAZA, LONG BEACH SOUTHERN BUILDING												
WIND DIRECTION 150 CONFIGURATION A REFERENCE PRESSURE 21.0 PSF GUST FACTOR 1.32												
FLOOR	HEIGHT FT	X-FORCE KIPS	Y-FORCE KIPS	X-AREA SQ FT	Y-AREA SQ FT	X-PRESS PSF	Y-PRESS PSF	X-SHEAR KIPS	Y-SHEAR KIPS	X-MOMENT	Y-MOMENT 1000-FT-KIPS	Z-MOMENT
GRND	0.00							11.3	119.4	-12.5	.2	10.4
2ND	22.25	1.3	11.1	5385	2179	.2	5.1	10.0	108.3	-9.9	-.0	9.7
3RD	35.00	1.0	6.5	3086	1248	.3	5.2	9.0	101.8	-8.6	-.1	9.2
4TH	47.75	1.2	6.6	3086	1248	.4	5.3	7.7	95.2	-7.3	-.3	8.7
5TH	60.50	1.8	6.8	3086	1248	.6	5.4	5.9	88.4	-6.2	-.3	8.1
6TH	73.25	2.6	7.1	3086	1248	.8	5.7	3.3	81.4	-5.1	-.4	7.5
7TH	86.00	3.4	7.3	3086	1248	1.1	5.9	-.1	74.0	-4.1	-.4	6.8
8TH	98.75	3.2	7.7	3086	1248	1.0	6.2	-3.3	66.4	-3.2	-.4	6.1
9TH	111.50	1.8	8.1	3086	1248	.6	6.5	-5.1	58.2	-2.4	-.3	5.3
10TH	124.25	.5	8.6	3086	1248	.2	6.9	-5.6	49.6	-1.7	-.3	4.5
11TH	137.00	-.7	9.0	3086	1248	-.2	7.2	-5.0	40.6	-1.1	-.2	3.7
12TH	149.75	-.6	9.3	3086	1248	-.2	7.5	-4.4	31.3	-.7	-.1	2.9
13TH	162.50	-.6	9.6	3086	1248	-.2	7.7	-3.8	21.7	-.3	-.1	2.0
14TH	175.25	-.5	9.9	3086	1248	-.2	7.9	-3.2	11.8	-.1	-.1	1.2
ROOF	191.50	-1.4	9.4	3933	1591	-.3	5.9	-1.9	2.4	-.0	-.0	.2
TOP	204.00	-1.9	2.4	1473	871	-1.3	2.7	0.0	0.0	0.0	0.0	0.0

TABLE 7. SHEAR AND MOMENT DIAGRAMS 1												
WIND DIRECTION 160		ARCO PLAZA, LONG BEACH				SOUTHERN BUILDING				GUST FACTOR 1.32		
		CONFIGURATION A				REFERENCE PRESSURE 21.0 PSF				1000-FT-KIPS		
FLOOR	HEIGHT FT	X-FORCE KIPS	Y-FORCE KIPS	X-AREA SQ FT	Y-AREA SQ FT	X-PRESS PSF	Y-PRESS PSF	X-SHEAR KIPS	Y-SHEAR KIPS	X-MOMENT	Y-MOMENT	Z-MOMENT
GRND	0.00	9.0	12.5	5385	2179	1.7	5.7	58.7	139.2	-14.6	4.4	15.3
2ND	22.25	4.9	7.2	3086	1248	1.6	5.7	49.7	126.7	-11.6	3.2	14.0
3RD	35.00	4.7	7.2	3086	1248	1.5	5.8	44.7	119.5	-10.1	2.6	13.2
4TH	47.75	5.1	7.6	3086	1248	1.7	6.1	40.0	112.3	-8.6	2.1	12.3
5TH	60.50	5.7	8.2	3086	1248	1.9	6.5	34.9	104.7	-7.2	1.6	11.4
6TH	73.25	6.4	8.7	3086	1248	2.1	7.0	29.1	96.6	-5.9	1.2	10.4
7TH	86.00	6.0	9.3	3086	1248	1.9	7.5	22.8	87.8	-4.8	.8	9.4
8TH	98.75	4.4	9.9	3086	1248	1.4	7.9	16.8	78.5	-3.7	.6	8.3
9TH	111.50	2.9	10.5	3086	1248	.9	8.4	12.4	68.6	-2.8	.4	7.2
10TH	124.25	1.6	11.0	3086	1248	.5	8.8	9.5	58.1	-1.9	.3	6.1
11TH	137.00	2.0	11.2	3086	1248	.6	9.0	7.9	47.1	-1.3	.2	4.9
12TH	149.75	2.3	11.5	3086	1248	.8	9.2	5.9	35.9	-.7	.1	3.8
13TH	162.50	2.7	11.7	3086	1248	.9	9.4	3.6	24.4	-.4	.0	2.7
14TH	175.25	2.5	11.1	3933	1591	.6	7.0	.9	12.7	-.1	-.0	1.5
ROOF	191.50	-1.6	1.6	1473	871	-1.1	1.9	-1.6	1.6	-.0	-.0	.2
TOP	204.00							0.0	0.0	0.0	0.0	0.0

TABLE 7. SHEAR AND MOMENT DIAGRAMS :
WIND DIRECTION 170

CONFIGURATION A

ARCO PLAZA, LONG BEACH SOUTHERN BUILDING
REFERENCE PRESSURE 21.0 PSF

GUST FACTOR 1.32

FLOOR	HEIGHT FT	X-FORCE KIPS	Y-FORCE KIPS	X-AREA SQ FT	Y-AREA SQ FT	X-PRESS PSF	Y-PRESS PSF	X-SHEAR KIPS	Y-SHEAR KIPS	X-MOMENT	Y-MOMENT 1000-FT-KIPS	Z-MOMENT
GRND	0.00	13.3	11.9	5385	2179	2.5	5.5	88.6	133.9	-14.2	7.1	17.3
2ND	22.25	7.4	6.8	3086	1248	2.4	5.5	75.3	122.0	-11.3	5.3	15.7
3RD	35.00	7.2	6.8	3086	1248	2.3	5.4	68.0	115.2	-9.8	4.4	14.8
4TH	47.75	7.4	7.1	3086	1248	2.4	5.7	60.8	108.4	-8.4	3.5	13.8
5TH	60.50	7.8	7.5	3086	1248	2.5	6.0	53.4	101.3	-7.0	2.8	12.8
6TH	73.25	8.2	8.0	3086	1248	2.7	6.4	45.6	93.8	-5.8	2.2	11.7
7TH	86.00	7.7	8.6	3086	1248	2.5	6.9	37.4	85.8	-4.6	1.6	10.5
8TH	98.75	6.1	9.5	3086	1248	2.0	7.6	29.7	77.2	-3.6	1.2	9.3
9TH	111.50	4.5	10.4	3086	1248	1.4	8.3	23.6	67.7	-2.7	.9	8.1
10TH	124.25	3.3	11.1	3086	1248	1.1	8.9	19.1	57.4	-1.9	.6	6.8
11TH	137.00	3.7	11.3	3086	1248	1.2	9.0	15.9	46.2	-1.2	.4	5.6
12TH	149.75	4.2	11.5	3086	1248	1.4	9.2	12.1	34.9	-.7	.2	4.3
13TH	162.50	4.7	11.6	3086	1248	1.5	9.3	7.9	23.5	-.3	.1	3.0
14TH	175.25	4.9	11.0	3933	1591	1.2	6.9	3.2	11.8	-.1	.0	1.7
ROOF	191.50	-1.7	.8	1473	871	-1.2	.9	-1.7	.8	-.0	-.0	.3
TOP	204.00							0.0	0.0	0.0	0.0	0.0

TABLE 7. SHEAR AND MOMENT DIAGRAMS :
WIND DIRECTION 180

ARCO PLAZA, LONG BEACH SOUTHERN BUILDING
REFERENCE PRESSURE 21.0 PSF

GUST FACTOR 1.32

FLOOR	HEIGHT FT	X-FORCE KIPS	Y-FORCE KIPS	X-AREA SQ FT	Y-AREA SQ FT	X-PRESS PSF	Y-PRESS PSF	X-SHEAR KIPS	Y-SHEAR KIPS	X-MOMENT 1000-FT-KIPS	Y-MOMENT 1000-FT-KIPS	Z-MOMENT
GRND	0.00							133.9	123.2	-13.0	11.5	18.3
2ND	22.25	17.4	9.9	5385	2179	3.2	4.6	116.5	113.3	-10.4	8.8	16.7
3RD	35.00	10.3	6.2	3086	1248	3.3	4.9	106.2	107.1	-9.0	7.3	15.6
4TH	47.75	10.5	6.5	3086	1248	3.4	5.2	95.7	100.6	-7.7	6.0	14.5
5TH	60.50	10.8	6.9	3086	1248	3.5	5.5	84.9	93.7	-6.4	4.9	13.3
6TH	73.25	11.2	7.2	3086	1248	3.6	5.8	73.7	86.5	-5.3	3.9	12.1
7TH	86.00	11.6	7.6	3086	1248	3.8	6.1	62.1	78.9	-4.2	3.0	10.8
8TH	98.75	10.9	8.1	3086	1248	3.5	6.5	51.3	70.9	-3.3	2.3	9.5
9TH	111.50	8.9	8.8	3086	1248	2.9	7.1	42.4	62.0	-2.4	1.7	8.2
10TH	124.25	6.9	9.6	3086	1248	2.2	7.7	35.5	52.4	-1.7	1.2	6.9
11TH	137.00	5.5	10.2	3086	1248	1.8	8.2	30.0	42.2	-1.1	.8	5.6
12TH	149.75	6.5	10.5	3086	1248	2.1	8.4	23.5	31.8	-.6	.4	4.3
13TH	162.50	7.5	10.7	3086	1248	2.4	8.5	16.0	21.1	-.3	.2	3.0
14TH	175.25	8.6	10.9	3086	1248	2.8	8.7	7.4	10.2	-.1	.0	1.7
ROOF	191.50	8.8	9.9	3933	1591	2.2	6.2	-1.4	.3	-0.0	-0.0	.3
TOP	204.00	-1.4	.3	1473	871	-.9	.4	0.0	0.0	0.0	0.0	0.0

TABLE 7. SHEAR AND MOMENT DIAGRAMS : ARCO PLAZA, LONG BEACH SOUTHERN BUILDING												
WIND DIRECTION 190		CONFIGURATION A				REFERENCE PRESSURE 21.0 PSF		GUST FACTOR 1.32				
FLOOR	HEIGHT FT	X-FORCE KIPS	Y-FORCE KIPS	X-AREA SQ FT	Y-AREA SQ FT	X-PRESS PSF	Y-PRESS PSF	X-SHEAR KIPS	Y-SHEAR KIPS	X-MOMENT	Y-MOMENT 1000-FT-KIPS	Z-MOMENT
GRND	0.00	22.9	6.0	5385	2179	4.2	2.8	223.6	75.9	-8.3	22.7	16.5
2ND	22.25	13.2	3.6	3086	1248	4.3	2.9	200.7	69.9	-6.6	17.9	15.0
3RD	35.00	13.3	3.7	3086	1248	4.3	2.9	187.5	66.3	-5.8	15.5	14.0
4TH	47.75	13.5	3.9	3086	1248	4.4	3.1	174.2	62.7	-4.9	13.2	13.0
5TH	60.50	13.8	4.1	3086	1248	4.5	3.3	160.7	58.8	-4.2	11.0	12.0
6TH	73.25	14.1	4.3	3086	1248	4.6	3.5	146.9	54.7	-3.4	9.1	10.9
7TH	86.00	14.4	4.8	3086	1248	4.7	3.8	132.7	50.4	-2.8	7.3	9.8
8TH	98.75	14.6	5.4	3086	1248	4.7	4.3	118.3	45.6	-2.2	5.7	8.7
9TH	111.50	14.8	6.0	3086	1248	4.8	4.8	103.7	40.2	-1.6	4.3	7.5
10TH	124.25	15.3	6.5	3086	1248	5.0	5.2	89.0	34.2	-1.1	3.0	6.3
11TH	137.00	16.6	6.6	3086	1248	5.4	5.3	73.7	27.7	-.7	2.0	5.1
12TH	149.75	17.9	6.7	3086	1248	5.8	5.4	57.1	21.1	-.4	1.2	3.9
13TH	162.50	19.2	6.9	3086	1248	6.2	5.5	39.2	14.4	-.2	.5	2.7
14TH	175.25	19.3	7.2	3086	1248	6.2	5.5	19.9	7.5	-.1	.2	1.6
ROOF	191.50	19.3	7.2	3933	1591	4.9	4.5	.6	.3	-.0	.0	.2
TOP	204.00	.6	.3	1473	871	.4	.3	0.0	0.0	0.0	0.0	0.0

TABLE 7. SHEAR AND MOMENT DIAGRAMS 1												
WIND DIRECTION 200		CONFIGURATION A				ARCO PLAZA, LONG BEACH		SOUTHERN BUILDING		GUST FACTOR 1.32		
FLOOR	HEIGHT FT	X-FORCE KIPS	Y-FORCE KIPS	X-AREA SQ FT	Y-AREA SQ FT	X-PRESS PSF	Y-PRESS PSF	X-SHEAR KIPS	Y-SHEAR KIPS	X-MOMENT 1000-FT-KIPS	Y-MOMENT 1000-FT-KIPS	Z-MOMENT
GRND	0.00	29.5	4.1	5385	2179	5.5	1.9	272.4	44.5	-4.7	27.6	13.3
2ND	22.25	16.2	2.3	3086	1248	5.3	1.8	242.9	40.4	-3.8	21.9	12.1
3RD	35.00	15.7	2.3	3086	1248	5.1	1.8	226.7	38.1	-3.3	18.9	11.3
4TH	47.75	15.8	2.3	3086	1248	5.1	1.8	211.0	35.9	-2.8	16.1	10.5
5TH	60.50	16.1	2.4	3086	1248	5.2	1.9	195.2	33.5	-2.3	13.5	9.7
6TH	73.25	16.4	2.5	3086	1248	5.3	2.0	179.1	31.2	-1.9	11.1	8.8
7TH	86.00	16.9	2.7	3086	1248	5.5	2.1	162.8	28.7	-1.5	8.9	7.9
8TH	98.75	17.8	3.1	3086	1248	5.8	2.5	145.8	26.0	-1.2	7.0	7.0
9TH	111.50	18.7	3.5	3086	1248	6.0	2.8	128.1	22.9	-.9	5.2	6.1
10TH	124.25	19.6	3.8	3086	1248	6.4	3.1	109.4	19.4	-.6	3.7	5.1
11TH	137.00	20.7	3.9	3086	1248	6.7	3.2	89.8	15.6	-.4	2.4	4.1
12TH	149.75	21.7	4.0	3086	1248	7.0	3.2	69.1	11.7	-.2	1.4	3.1
13TH	162.50	22.8	4.1	3086	1248	7.4	3.3	47.4	7.6	-.1	.7	2.2
14TH	175.25	23.1	3.9	3933	1591	5.9	2.4	24.6	3.5	-.0	.2	1.2
ROOF	191.50	1.6	-.4	1473	871	1.1	-.4	1.6	-.4	.0	.0	.2
TOP	204.00							0.0	0.0	0.0	0.0	0.0

TABLE 7. SHEAR AND MOMENT DIAGRAMS ;												
WIND DIRECTION 210		ARCO PLAZA, LONG BEACH						SOUTHERN BUILDING			GUST FACTOR 1.32	
FLOOR	HEIGHT FT	X-FORCE KIPS	Y-FORCE KIPS	X-AREA SQ FT	Y-AREA SQ FT	X-PRESS PSF	Y-PRESS PSF	X-SHEAR KIPS	Y-SHEAR KIPS	X-MOMENT	Y-MOMENT 1000-FT-KIPS	Z-MOMENT
GRND	0.00	35.5	3.7	5385	2179	6.6	1.7	343.3	32.4	-3.0	34.4	9.8
2ND	22.25	20.1	2.2	3086	1248	6.5	1.8	307.8	28.7	-2.4	27.2	8.9
3RD	35.00	20.0	2.3	3086	1248	6.5	1.8	287.6	26.5	-2.0	23.4	8.3
4TH	47.75	20.6	2.2	3086	1248	6.7	1.8	267.6	24.2	-1.7	19.9	7.7
5TH	60.50	21.4	2.1	3086	1248	7.0	1.7	247.0	22.0	-1.4	16.6	7.1
6TH	73.25	22.3	2.0	3086	1248	7.2	1.6	225.6	19.9	-1.1	13.6	6.4
7TH	86.00	23.1	2.1	3086	1248	7.5	1.7	203.3	17.8	-.9	10.8	5.7
8TH	98.75	23.7	2.3	3086	1248	7.7	1.8	180.2	15.8	-.7	8.4	5.0
9TH	111.50	24.4	2.5	3086	1248	7.9	2.0	156.4	13.5	-.5	6.3	4.3
10TH	124.25	25.0	2.6	3086	1248	8.1	2.1	132.0	11.0	-.3	4.4	3.6
11TH	137.00	25.5	2.4	3086	1248	8.2	2.0	107.0	8.3	-.2	2.9	2.9
12TH	149.75	25.9	2.3	3086	1248	8.4	1.8	81.5	5.9	-.1	1.7	2.2
13TH	162.50	26.3	2.1	3086	1248	8.5	1.7	55.7	3.6	-.0	.8	1.5
14TH	175.25	27.0	1.8	3933	1591	6.9	1.1	29.4	1.6	-.0	.3	.9
ROOF	191.50	2.3	-.2	1473	871	1.6	-.3	2.3	-.2	.0	.0	.1
TOP	204.00							0.0	0.0	0.0	0.0	0.0

TABLE 7. SHEAR AND MOMENT DIAGRAMS)
WIND DIRECTION 220

ARCO PLAZA, LONG BEACH SOUTHERN BUILDING
CONFIGURATION A REFERENCE PRESSURE 21.0 PSF

GUST FACTOR 1.32

FLOOR	HEIGHT FT	X-FORCE KIPS	Y-FORCE KIPS	X-AREA SQ FT	Y-AREA SQ FT	X-PRESS PSF	Y-PRESS PSF	X-SHEAR KIPS	Y-SHEAR KIPS	X-MOMENT	Y-MOMENT 1000-FT-KIPS	Z-MOMENT
GRND	0.00							424.6	-4.3	.4	42.9	5.2
2ND	22.25	42.7	-.1	5385	2179	7.9	-.1	382.0	-4.2	.3	33.9	4.7
3RD	35.00	24.5	-.6	3086	1248	8.0	-.5	357.4	-3.6	.2	29.2	4.4
4TH	47.75	24.6	-1.1	3086	1248	8.0	-.8	332.8	-2.5	.2	24.8	4.1
5TH	60.50	25.3	-.9	3086	1248	8.2	-.7	307.5	-1.6	.2	20.7	3.9
6TH	73.25	26.3	-.5	3086	1248	8.5	-.4	281.1	-1.0	.2	16.9	3.6
7TH	86.00	27.3	-.2	3086	1248	8.9	-.1	253.8	-.9	.2	13.5	3.2
8TH	98.75	28.4	.1	3086	1248	9.2	.1	225.5	-1.0	.1	10.5	2.9
9TH	111.50	29.5	.3	3086	1248	9.6	.2	195.9	-1.2	.1	7.8	2.5
10TH	124.25	30.7	.5	3086	1248	10.0	.4	165.2	-1.7	.1	5.5	2.1
11TH	137.00	31.8	.5	3086	1248	10.3	.4	133.4	-2.2	.1	3.6	1.6
12TH	149.75	32.2	.1	3086	1248	10.4	.1	101.2	-2.3	.1	2.1	1.2
13TH	162.50	32.6	-.4	3086	1248	10.6	-.3	68.6	-1.9	.0	1.0	.8
14TH	175.25	33.0	-.8	3086	1248	10.7	-.6	35.6	-1.1	.0	.3	.5
ROOF	191.50	32.8	-1.0	3933	1591	8.3	-.7	2.9	-.1	.0	.0	.1
TOP	204.00	2.9	-.1	1473	871	1.9	-.1	0.0	0.0	0.0	0.0	0.0

TABLE 7. SHEAR AND MOMENT DIAGRAMS : ARCO PLAZA, LONG BEACH SOUTHERN BUILDING												
WIND DIRECTION 230 CONFIGURATION A REFERENCE PRESSURE 21.0 PSF GUST FACTOR 1.32												
FLOOR	HEIGHT FT	X-FORCE KIPS	Y-FORCE KIPS	X-AREA SQ FT	Y-AREA SQ FT	X-PRESS PSF	Y-PRESS PSF	X-SHEAR KIPS	Y-SHEAR KIPS	X-MOMENT	Y-MOMENT 1000-FT-KIPS	Z-MOMENT
GRND	0.00							427.9	-52.8	5.3	43.1	-.2
2ND	22.25	42.9	-4.8	5385	2179	8.0	-2.2	385.0	-48.0	4.2	34.1	-.2
3RD	35.00	24.7	-3.2	3086	1248	8.0	-2.5	360.3	-44.8	3.6	29.3	-.2
4TH	47.75	24.8	-3.4	3086	1248	8.0	-2.8	335.5	-41.4	3.0	24.9	-.1
5TH	60.50	25.6	-3.5	3086	1248	8.3	-2.8	309.9	-37.9	2.5	20.8	-.1
6TH	73.25	26.6	-3.6	3086	1248	8.6	-2.9	283.3	-34.3	2.1	17.0	-.1
7TH	86.00	27.7	-3.6	3086	1248	9.0	-2.9	255.6	-30.7	1.7	13.6	-.0
8TH	98.75	28.8	-3.6	3086	1248	9.3	-2.9	226.9	-27.1	1.3	10.5	.0
9TH	111.50	29.9	-3.5	3086	1248	9.7	-2.8	197.0	-23.6	1.0	7.8	.1
10TH	124.25	31.0	-3.4	3086	1248	10.1	-2.7	166.0	-20.2	.7	5.5	.1
11TH	137.00	32.0	-3.4	3086	1248	10.4	-2.7	134.0	-16.8	.5	3.6	.1
12TH	149.75	32.5	-3.7	3086	1248	10.5	-3.0	101.5	-13.1	.3	2.1	.1
13TH	162.50	32.9	-4.1	3086	1248	10.7	-3.3	68.6	-9.0	.1	1.0	.1
14TH	175.25	33.4	-4.5	3086	1248	10.8	-3.6	35.2	-4.5	.0	.3	.1
ROOF	191.50	33.4	-4.6	3933	1591	8.5	-2.9	1.8	.1	-.0	.0	.0
TDP	204.00	1.8	.1	1473	871	1.2	.1	0.0	0.0	0.0	0.0	0.0

TABLE 7. SHEAR AND MOMENT DIAGRAMS :		ARCO PLAZA, LONG BEACH		SOUTHERN BUILDING		REFERENCE PRESSURE 21.0 PSF		GUST FACTOR 1.32				
WIND DIRECTION 240		CONFIGURATION A										
FLOOR	HEIGHT FT	X-FORCE KIPS	Y-FORCE KIPS	X-AREA SQ FT	Y-AREA SQ FT	X-PRESS PSF	Y-PRESS PSF	X-SHEAR KIPS	Y-SHEAR KIPS	X-MOMENT	Y-MOMENT 1000-FT-KIPS	Z-MOMENT
GRND	0.00							385.1	-104.8	10.8	38.8	-5.5
2ND	22.25	39.4	-9.6	5385	2179	7.3	-4.4	345.7	-95.2	8.6	30.7	-4.9
3RD	35.00	22.1	-5.9	3086	1248	7.2	-4.7	323.6	-89.3	7.4	26.4	-4.6
4TH	47.75	21.8	-6.1	3086	1248	7.1	-4.9	301.7	-83.2	6.3	22.4	-4.2
5TH	60.50	22.5	-6.3	3086	1248	7.3	-5.0	279.2	-76.9	5.3	18.7	-3.9
6TH	73.25	23.5	-6.4	3086	1248	7.6	-5.1	255.7	-70.5	4.3	15.3	-3.5
7TH	86.00	24.6	-6.5	3086	1248	8.0	-5.2	231.1	-64.1	3.5	12.2	-3.1
8TH	98.75	25.7	-6.7	3086	1248	8.3	-5.4	205.3	-57.4	2.7	9.4	-2.8
9TH	111.50	26.9	-7.2	3086	1248	8.7	-5.7	178.5	-50.2	2.0	7.0	-2.4
10TH	124.25	28.0	-7.6	3086	1248	9.1	-6.1	150.4	-42.6	1.4	4.9	-2.0
11TH	137.00	29.1	-8.0	3086	1248	9.4	-6.4	121.4	-34.6	.9	3.2	-1.6
12TH	149.75	29.7	-8.2	3086	1248	9.6	-6.6	91.6	-26.4	.5	1.8	-1.3
13TH	162.50	30.3	-8.3	3086	1248	9.8	-6.7	61.3	-18.0	.3	.8	-.9
14TH	175.25	30.9	-8.5	3086	1248	10.0	-6.8	30.4	-9.5	.1	.3	-.5
ROOF	191.50	30.0	-8.9	3933	1591	7.6	-5.6	.4	-.6	.0	.0	-.1
TOP	204.00	.4	-.6	1473	871	.2	-.7	0.0	0.0	0.0	0.0	0.0

TABLE 7. SHEAR AND MOMENT DIAGRAMS : ARCO PLAZA, LONG BEACH SOUTHERN BUILDING												
WIND DIRECTION 25° CONFIGURATION A REFERENCE PRESSURE 21.0 PSF GUST FACTOR 1.32												
FLOOR	HEIGHT FT	X-FORCE KIPS	Y-FORCE KIPS	X-AREA SQ FT	Y-AREA SQ FT	X-PRESS PSF	Y-PRESS PSF	X-SHEAR KIPS	Y-SHEAR KIPS	X-MOMENT	Y-MOMENT 1000-FT-KIPS	Z-MOMENT
GRND	0.00							294.9	-131.2	13.8	30.3	-9.2
2ND	22.25	30.6	-11.8	5385	2179	5.7	-5.4	264.3	-119.4	11.0	24.0	-8.4
3RD	35.00	16.4	-6.9	3086	1248	5.3	-5.5	247.9	-112.5	9.5	20.8	-7.9
4TH	47.75	15.5	-7.0	3086	1248	5.0	-5.6	232.4	-105.5	8.1	17.7	-7.4
5TH	60.50	15.9	-7.3	3086	1248	5.2	-5.8	216.4	-98.2	6.9	14.8	-7.0
6TH	73.25	16.8	-7.7	3086	1248	5.4	-6.2	199.7	-90.5	5.6	12.2	-6.4
7TH	86.00	17.6	-8.1	3086	1248	5.7	-6.5	182.0	-82.5	4.5	9.8	-5.9
8TH	98.75	18.8	-8.5	3086	1248	6.1	-6.8	163.2	-73.9	3.5	7.6	-5.3
9TH	111.50	20.3	-9.0	3086	1248	6.6	-7.2	143.0	-64.9	2.7	5.6	-4.6
10TH	124.25	21.7	-9.6	3086	1248	7.0	-7.7	121.2	-55.3	1.9	3.9	-3.9
11TH	137.00	23.1	-10.1	3086	1248	7.5	-8.1	98.1	-45.3	1.3	2.5	-3.2
12TH	149.75	24.0	-10.4	3086	1248	7.8	-8.3	74.1	-34.9	.7	1.4	-2.4
13TH	162.50	24.9	-10.7	3086	1248	8.1	-8.5	49.2	-24.3	.4	.6	-1.7
14TH	175.25	25.7	-11.0	3086	1248	8.3	-8.8	23.5	-13.3	.1	.2	-1.0
ROOF	191.50	24.6	-12.0	3933	1591	6.2	-7.6	-1.1	-1.3	.0	.0	-.2
TOP	204.00	-1.1	-1.3	1473	871	-.7	-1.4	0.0	0.0	0.0	0.0	0.0

TABLE 7. SHEAR AND MOMENT DIAGRAMS :												
WIND DIRECTION 260		CONFIGURATION A				ARCO PLAZA, LONG BEACH		SOUTHERN BUILDING		GUST FACTOR 1.32		
FLOOR	HEIGHT FT	X-FORCE KIPS	Y-FORCE KIPS	X-AREA SQ FT	Y-AREA SQ FT	X-PRESS PSF	Y-PRESS PSF	X-SHEAR KIPS	Y-SHEAR KIPS	X-MOMENT	Y-MOMENT 1000-FT-KIPS	Z-MOMENT
GRND	0.00							204.3	-138.8	15.0	22.5	-10.9
2ND	22.25	18.0	-12.0	5385	2179	3.3	-5.5	186.3	-126.8	12.0	18.1	-10.0
3RD	35.00	8.9	-7.1	3086	1248	2.9	-5.7	177.3	-119.8	10.4	15.8	-9.4
4TH	47.75	7.9	-7.3	3086	1248	2.6	-5.8	169.4	-112.5	9.0	13.6	-8.9
5TH	60.50	8.6	-7.5	3086	1248	2.8	-6.0	160.8	-105.0	7.6	11.5	-8.3
6TH	73.25	10.0	-7.9	3086	1248	3.2	-6.3	150.9	-97.1	6.3	9.5	-7.6
7TH	86.00	11.3	-8.2	3086	1248	3.7	-6.6	139.6	-88.8	5.1	7.6	-7.0
8TH	98.75	12.8	-8.7	3086	1248	4.2	-6.9	126.7	-80.2	4.0	5.9	-6.3
9TH	111.50	14.6	-9.1	3086	1248	4.7	-7.3	112.1	-71.0	3.1	4.4	-5.5
10TH	124.25	16.4	-9.6	3086	1248	5.3	-7.7	95.7	-61.4	2.2	3.1	-4.7
11TH	137.00	18.0	-10.2	3086	1248	5.8	-8.1	77.7	-51.2	1.5	2.0	-3.9
12TH	149.75	18.9	-10.8	3086	1248	6.1	-8.7	58.8	-40.4	.9	1.1	-3.1
13TH	162.50	19.8	-11.5	3086	1248	6.4	-9.2	39.1	-28.9	.5	.5	-2.2
14TH	175.25	20.6	-12.1	3086	1248	6.7	-9.7	18.4	-16.8	.2	.1	-1.3
ROOF	191.50	19.6	-14.4	3933	1591	5.0	-9.0	-1.1	-2.4	.0	-.0	-.2
TOP	204.00	-1.1	-2.4	1473	871	-.8	-2.8	0.0	0.0	0.0	0.0	0.0

TABLE 7. SHEAR AND MOMENT DIAGRAMS : ARCO PLAZA, LONG BEACH SOUTHERN BUILDING												
WIND DIRECTION 270		CONFIGURATION A				REFERENCE PRESSURE 21.0 PSF				GUST FACTOR 1.32		
FLOOR	HEIGHT FT	X-FORCE KIPS	Y-FORCE KIPS	X-AREA SQ FT	Y-AREA SQ FT	X-PRESS PSF	Y-PRESS PSF	X-SHEAR KIPS	Y-SHEAR KIPS	X-MOMENT	Y-MOMENT 1000-FT-KIPS	Z-MOMENT
GRND	0.00	10.2	-6.4	5385	2179	1.9	-2.9	127.4	-85.5	10.2	15.4	-7.3
2ND	22.25	4.6	-3.6	3086	1248	1.5	-2.9	117.2	-79.1	8.4	12.6	-6.7
3RD	35.00	3.7	-3.5	3086	1248	1.2	-2.8	112.6	-75.5	7.4	11.2	-6.4
4TH	47.75	3.9	-3.7	3086	1248	1.3	-2.9	108.9	-72.0	6.4	9.8	-6.1
5TH	60.50	4.6	-3.9	3086	1248	1.5	-3.1	105.0	-68.3	5.5	8.4	-5.8
6TH	73.25	5.3	-4.2	3086	1248	1.7	-3.3	100.3	-64.4	4.7	7.1	-5.4
7TH	86.00	6.4	-4.5	3086	1248	2.1	-3.6	95.0	-60.2	3.9	5.8	-5.0
8TH	98.75	7.8	-4.8	3086	1248	2.5	-3.8	88.6	-55.8	3.2	4.7	-4.5
9TH	111.50	9.3	-5.1	3086	1248	3.0	-4.1	80.8	-51.0	2.5	3.6	-4.1
10TH	124.25	10.8	-5.6	3086	1248	3.5	-4.5	71.5	-45.8	1.9	2.6	-3.6
11TH	137.00	12.2	-6.8	3086	1248	4.0	-5.5	60.7	-40.2	1.3	1.8	-3.1
12TH	149.75	13.7	-8.0	3086	1248	4.5	-6.4	48.5	-33.4	.8	1.1	-2.5
13TH	162.50	15.2	-9.2	3086	1248	4.9	-7.4	34.8	-25.4	.5	.5	-1.9
14TH	175.25	16.9	-11.5	3933	1591	4.3	-7.3	19.5	-16.2	.2	.2	-1.1
ROOF	191.50	2.6	-4.6	1473	871	1.8	-5.3	2.6	-4.6	.0	.0	-.2
TOP	204.00							0.0	0.0	0.0	0.0	0.0

TABLE 7. SHEAR AND MOMENT DIAGRAMS :												
WIND DIRECTION 280		ARCO PLAZA, LONG BEACH				SOUTHERN BUILDING				GUST FACTOR 1.32		
		CONFIGURATION A						REFERENCE PRESSURE 21.0 PSF				
FLOOR	HEIGHT FT	X-FORCE KIPS	Y-FORCE KIPS	X-AREA SQ FT	Y-AREA SQ FT	X-PRESS PSF	Y-PRESS PSF	X-SHEAR KIPS	Y-SHEAR KIPS	X-MOMENT	Y-MOMENT 1000-FT-KIPS	Z-MOMENT
GRND	0.00							28.9	-30.8	4.7	4.9	-3.8
2ND	22.25	2.3	-1.4	5385	2179	.4	-.6	26.6	-29.5	4.0	4.3	-3.5
3RD	35.00	.0	-.4	3086	1248	.0	-.3	26.6	-29.1	3.6	3.9	-3.4
4TH	47.75	-.9	-.1	3086	1248	-.3	-.1	27.4	-28.9	3.3	3.6	-3.3
5TH	60.50	-1.1	-.2	3086	1248	-.4	-.1	28.6	-28.8	2.9	3.2	-3.2
6TH	73.25	-1.1	-.3	3086	1248	-.4	-.3	29.7	-28.4	2.5	2.9	-3.1
7TH	86.00	-.7	-.7	3086	1248	-.2	-.6	30.8	-27.9	2.2	2.5	-3.0
8TH	98.75	.3	-1.0	3086	1248	.1	-.8	31.4	-27.2	1.8	2.1	-2.8
9TH	111.50	1.2	-1.2	3086	1248	.4	-1.0	31.2	-26.2	1.5	1.7	-2.6
10TH	124.25	2.2	-1.6	3086	1248	.7	-1.3	30.0	-25.0	1.2	1.3	-2.4
11TH	137.00	3.8	-2.7	3086	1248	1.2	-2.2	27.8	-23.4	.9	.9	-2.1
12TH	149.75	5.3	-3.8	3086	1248	1.7	-3.1	24.0	-20.7	.6	.6	-1.8
13TH	162.50	6.9	-4.9	3086	1248	2.2	-3.9	18.6	-16.9	.3	.3	-1.4
14TH	175.25	9.0	-7.9	3933	1591	2.3	-5.0	11.8	-12.0	.2	.1	-.9
ROOF	191.50	2.8	-4.0	1473	871	1.9	-4.6	2.8	-4.0	.0	.0	-.2
TOP	204.00							0.0	0.0	0.0	0.0	0.0

14/6

TABLE 7. SHEAR AND MOMENT DIAGRAMS :
WIND DIRECTION 290

ARCO PLAZA, LONG BEACH SOUTHERN BUILDING
CONFIGURATION A REFERENCE PRESSURE 21.0 PSF

GUST FACTOR 1.32

FLOOR	HEIGHT FT	X-FORCE KIPS	Y-FORCE KIPS	X-AREA SQ FT	Y-AREA SQ FT	X-PRESS PSF	Y-PRESS PSF	X-SHEAR KIPS	Y-SHEAR KIPS	X-MOMENT	Y-MOMENT 1000-FT-KIPS	Z-MOMENT
GRND	0.00	-4.5	2.8	5385	2179	-.8	1.3	-43.2	4.9	1.3	-2.7	-1.9
2ND	22.25	-3.9	2.0	3086	1248	-1.3	1.6	-38.7	2.1	1.4	-1.8	-1.9
3RD	35.00	-4.8	2.3	3086	1248	-1.6	1.8	-34.8	.1	1.4	-1.3	-1.9
4TH	47.75	-5.1	2.3	3086	1248	-1.7	1.8	-30.0	-2.2	1.4	-.9	-2.0
5TH	60.50	-5.1	2.2	3086	1248	-1.7	1.8	-24.9	-4.5	1.4	-.6	-2.0
6TH	73.25	-5.2	2.1	3086	1248	-1.7	1.7	-19.7	-6.7	1.3	-.3	-2.1
7TH	86.00	-5.0	1.9	3086	1248	-1.6	1.5	-14.6	-8.8	1.2	-.1	-2.1
8TH	98.75	-4.6	1.5	3086	1248	-1.5	1.2	-9.6	-10.6	1.1	.1	-2.0
9TH	111.50	-4.2	1.1	3086	1248	-1.4	.9	-5.0	-12.1	.9	.2	-1.9
10TH	124.25	-3.5	.6	3086	1248	-1.1	.5	-.8	-13.2	.8	.2	-1.8
11TH	137.00	-1.9	-.5	3086	1248	-.6	-.4	2.7	-13.8	.6	.2	-1.7
12TH	149.75	-.4	-1.6	3086	1248	-.1	-1.3	4.6	-13.4	.4	.2	-1.4
13TH	162.50	1.2	-2.7	3086	1248	.4	-2.1	5.0	-11.8	.3	.1	-1.1
14TH	175.25	2.7	-5.7	3933	1591	.7	-3.6	3.8	-9.1	.1	.0	-.8
ROOF	191.50	1.1	-3.5	1473	871	.8	-4.0	1.1	-3.5	.0	.0	-.2
TOP	204.00							0.0	0.0	0.0	0.0	0.0

TABLE 7. SHEAR AND MOMENT DIAGRAMS : ARCO PLAZA, LONG BEACH SOUTHERN BUILDING												
WIND DIRECTION 300		CONFIGURATION A				REFERENCE PRESSURE 21.0 PSF				GUST FACTOR 1.32		
FLOOR	HEIGHT FT	X-FORCE KIPS	Y-FORCE KIPS	X-AREA SQ FT	Y-AREA SQ FT	X-PRESS PSF	Y-PRESS PSF	X-SHEAR KIPS	Y-SHEAR KIPS	X-MOMENT	Y-MOMENT 1000-FT-KIPS	Z-MOMENT
GRND	0.00							-86.5	12.7	.6	-7.7	-.7
2ND	22.25	-8.4	3.6	5385	2179	-1.6	1.7	-78.2	9.1	.9	-5.9	-.8
3RD	35.00	-5.6	2.5	3086	1248	-1.8	2.0	-72.5	6.6	1.0	-4.9	-.9
4TH	47.75	-6.2	2.8	3086	1248	-2.0	2.3	-66.3	3.8	1.1	-4.1	-1.1
5TH	60.50	-6.7	2.9	3086	1248	-2.2	2.3	-59.6	.9	1.1	-3.3	-1.3
6TH	73.25	-7.0	2.8	3086	1248	-2.3	2.2	-52.5	-1.9	1.1	-2.5	-1.4
7TH	86.00	-7.4	2.7	3086	1248	-2.4	2.1	-45.2	-4.5	1.0	-1.9	-1.5
8TH	98.75	-7.5	2.5	3086	1248	-2.4	2.0	-37.7	-7.0	1.0	-1.4	-1.5
9TH	111.50	-7.4	2.2	3086	1248	-2.4	1.8	-30.3	-9.3	.9	-1.0	-1.5
10TH	124.25	-7.2	2.0	3086	1248	-2.3	1.6	-23.0	-11.2	.7	-.6	-1.5
11TH	137.00	-6.9	1.5	3086	1248	-2.2	1.2	-16.2	-12.7	.6	-.4	-1.4
12TH	149.75	-5.6	.1	3086	1248	-1.8	.1	-10.5	-12.9	.4	-.2	-1.3
13TH	162.50	-4.4	-1.2	3086	1248	-1.4	-1.0	-6.2	-11.7	.3	-.1	-1.0
14TH	175.25	-3.1	-2.6	3086	1248	-1.0	-2.1	-3.1	-9.1	.1	-.0	-.7
ROOF	191.50	-2.5	-5.4	3933	1591	-.6	-3.4	-.6	-3.7	.0	-.0	-.2
TOP	204.00	-.6	-3.7	1473	871	-.4	-4.2	0.0	0.0	0.0	0.0	0.0

TABLE 7. SHEAR AND MOMENT DIAGRAMS : ARCO PLAZA, LONG BEACH SOUTHERN BUILDING												
WIND DIRECTION 310		CONFIGURATION A				REFERENCE PRESSURE 21.0 PSF				GUST FACTOR 1.32		
FLOOR	HEIGHT FT	X-FORCE KIPS	Y-FORCE KIPS	X-AREA SQ FT	Y-AREA SQ FT	X-PRESS PSF	Y-PRESS PSF	X-SHEAR KIPS	Y-SHEAR KIPS	X-MOMENT	Y-MOMENT 1000-FT-KIPS	Z-MOMENT
GRND	0.00	-12.1	4.4	5385	2179	-2.2	2.0	-110.7	15.0	.2	-10.5	.5
2ND	22.25	-7.1	2.8	3086	1248	-2.3	2.2	-98.6	10.6	.5	-8.2	.1
3RD	35.00	-7.3	2.9	3086	1248	-2.4	2.4	-91.5	7.9	.6	-6.9	-.1
4TH	47.75	-7.5	2.8	3086	1248	-2.4	2.2	-84.2	4.9	.7	-5.8	-.3
5TH	60.50	-7.8	2.5	3086	1248	-2.5	2.0	-76.7	2.1	.7	-4.8	-.5
6TH	73.25	-8.0	2.2	3086	1248	-2.6	1.8	-68.9	-.3	.8	-3.9	-.6
7TH	86.00	-8.2	1.9	3086	1248	-2.6	1.6	-60.9	-2.5	.7	-3.0	-.7
8TH	98.75	-8.2	1.7	3086	1248	-2.7	1.4	-52.7	-4.5	.7	-2.3	-.8
9TH	111.50	-8.3	1.5	3086	1248	-2.7	1.2	-44.5	-6.2	.6	-1.7	-.8
10TH	124.25	-8.1	1.2	3086	1248	-2.6	1.0	-36.2	-7.8	.5	-1.2	-.8
11TH	137.00	-7.3	.3	3086	1248	-2.4	.2	-28.1	-9.0	.4	-.8	-.8
12TH	149.75	-6.6	-.7	3086	1248	-2.1	-.6	-20.8	-9.2	.3	-.5	-.7
13TH	162.50	-5.8	-1.6	3086	1248	-1.9	-1.3	-14.2	-8.5	.2	-.2	-.6
14TH	175.25	-6.4	-3.8	3933	1591	-1.6	-2.4	-8.4	-6.9	.1	-.1	-.4
ROOF	191.50	-2.0	-3.1	1473	871	-1.3	-3.6	-2.0	-3.1	.0	-.0	-.1
TOP	204.00							0.0	0.0	0.0	0.0	0.0

TABLE 7. SHEAR AND MOMENT DIAGRAMS :		ARCO PLAZA, LONG BEACH		SOUTHERN BUILDING		GUST FACTOR 1.32						
WIND DIRECTION 320		CONFIGURATION A		REFERENCE PRESSURE 21.0 PSF								
FLOOR	HEIGHT FT	X-FORCE KIPS	Y-FORCE KIPS	X-AREA SQ FT	Y-AREA SQ FT	X-PRESS PSF	Y-PRESS PSF	X-SHEAR KIPS	Y-SHEAR KIPS	X-MOMENT 1000-FT-KIPS	Y-MOMENT 1000-FT-KIPS	Z-MOMENT
GRND	0.00	-12.3	3.8	5385	2179	-2.3	1.7	-113.6	19.0	-.9	-11.5	1.8
2ND	22.25	-6.8	2.2	3086	1248	-2.2	1.8	-101.3	15.2	-.5	-9.1	1.3
3RD	35.00	-6.7	2.3	3086	1248	-2.2	1.9	-94.5	13.0	-.3	-7.9	1.0
4TH	47.75	-6.7	2.2	3086	1248	-2.2	1.7	-87.8	10.6	-.2	-6.7	.8
5TH	60.50	-6.8	2.0	3086	1248	-2.2	1.6	-81.1	8.5	-.1	-5.6	.5
6TH	73.25	-6.9	1.8	3086	1248	-2.2	1.4	-74.3	6.5	.0	-4.6	.3
7TH	86.00	-7.2	1.7	3086	1248	-2.3	1.3	-67.4	4.7	.1	-3.7	.2
8TH	98.75	-7.7	1.7	3086	1248	-2.5	1.4	-60.2	3.0	.2	-2.9	.1
9TH	111.50	-8.2	1.7	3086	1248	-2.7	1.4	-52.5	1.3	.2	-2.2	-.0
10TH	124.25	-8.5	1.7	3086	1248	-2.7	1.3	-44.3	-.4	.2	-1.6	-.1
11TH	137.00	-8.0	1.0	3086	1248	-2.6	.8	-35.8	-2.1	.2	-1.1	-.1
12TH	149.75	-7.5	.4	3086	1248	-2.4	.3	-27.8	-3.1	.1	-.7	-.1
13TH	162.50	-7.1	-.3	3086	1248	-2.3	-.2	-20.3	-3.5	.1	-.4	-.1
14TH	175.25	-10.0	-1.0	3933	1591	-2.6	-.6	-13.2	-3.2	.1	-.2	-.1
ROOF	191.50	-3.2	-2.2	1473	871	-2.2	-2.5	-3.2	-2.2	.0	-.0	-.0
TDP	204.00							0.0	0.0	0.0	0.0	0.0

TABLE 7. SHEAR AND MOMENT DIAGRAMS : ARCO PLAZA, LONG BEACH SOUTHERN BUILDING												
WIND DIRECTION 330		CONFIGURATION A				REFERENCE PRESSURE 21.0 PSF				GUST FACTOR 1.32		
FLOOR	HEIGHT FT	X-FORCE KIPS	Y-FORCE KIPS	X-AREA SQ FT	Y-AREA SQ FT	X-PRESS PSF	Y-PRESS PSF	X-SHEAR KIPS	Y-SHEAR KIPS	X-MOMENT	Y-MOMENT 1000-FT-KIPS	Z-MOMENT
GRND	0.00											
2ND	22.25	-9.3	2.4	5385	2179	-1.7	1.1	-81.7	22.8	-2.2	-8.3	4.4
3RD	35.00	-4.8	1.4	3086	1248	-1.6	1.2	-72.5	20.4	-1.7	-6.6	3.7
4TH	47.75	-4.5	1.5	3086	1248	-1.5	1.2	-67.6	18.9	-1.5	-5.7	3.4
5TH	60.50	-4.7	1.4	3086	1248	-1.5	1.1	-63.1	17.4	-1.2	-4.9	3.0
6TH	73.25	-4.9	1.3	3086	1248	-1.6	1.0	-58.4	16.0	-1.0	-4.1	2.7
7TH	86.00	-5.2	1.2	3086	1248	-1.6	1.0	-53.5	14.7	-.8	-3.4	2.4
8TH	98.75	-5.3	1.3	3086	1248	-1.7	1.0	-48.3	13.5	-.6	-2.7	2.2
9TH	111.50	-5.4	1.7	3086	1248	-1.7	1.3	-43.0	12.2	-.5	-2.1	2.0
10TH	124.25	-5.4	2.0	3086	1248	-1.7	1.6	-37.6	10.6	-.3	-1.6	1.8
11TH	137.00	-5.4	2.3	3086	1248	-1.8	1.8	-32.2	8.5	-.2	-1.2	1.5
12TH	149.75	-5.5	2.1	3086	1248	-1.8	1.7	-26.8	6.2	-.1	-.8	1.2
13TH	162.50	-5.6	1.9	3086	1248	-1.8	1.5	-21.2	4.1	-.0	-.5	1.0
14TH	175.25	-5.7	1.7	3086	1248	-1.9	1.4	-15.6	2.2	-.0	-.3	.7
ROOF	191.50	-5.7	1.7	3086	1248	-1.9	1.4	-9.8	.4	.0	-.1	.4
TOP	204.00	-8.1	1.5	3933	1591	-2.1	1.0	-1.7	-1.1	.0	-.0	.0
		-1.7	-1.1	1473	871	-1.2	-1.2	0.0	0.0	0.0	0.0	0.0

TABLE 7. SHEAR AND MOMENT DIAGRAMS : ARCO PLAZA, LONG BEACH SOUTHERN BUILDING												
WIND DIRECTION 340 CONFIGURATION A REFERENCE PRESSURE 21.0 PSF GUST FACTOR 1.32												
FLOOR	HEIGHT FT	X-FORCE KIPS	Y-FORCE KIPS	X-AREA SQ FT	Y-AREA SQ FT	X-PRESS PSF	Y-PRESS PSF	X-SHEAR KIPS	Y-SHEAR KIPS	X-MOMENT 1000-FT-KIPS	Y-MOMENT 1000-FT-KIPS	Z-MOMENT
GRND	0.00	-12.1	3.5	5385	2179	-2.3	1.6	-126.2	47.1	-5.1	-13.3	9.3
2ND	22.25	-6.6	2.1	3086	1248	-2.1	1.7	-114.0	43.6	-4.1	-10.6	8.4
3RD	35.00	-6.3	2.1	3086	1248	-2.0	1.7	-107.5	41.5	-3.6	-9.2	7.9
4TH	47.75	-6.7	2.3	3086	1248	-2.2	1.8	-101.2	39.4	-3.1	-7.9	7.4
5TH	60.50	-7.1	2.4	3086	1248	-2.3	2.0	-94.6	37.2	-2.6	-6.6	6.9
6TH	73.25	-7.6	2.6	3086	1248	-2.4	2.1	-87.5	34.7	-2.1	-5.5	6.4
7TH	86.00	-8.2	3.0	3086	1248	-2.6	2.4	-79.9	32.1	-1.7	-4.4	5.9
8TH	98.75	-8.9	3.5	3086	1248	-2.9	2.8	-71.8	29.1	-1.3	-3.5	5.4
9TH	111.50	-9.6	4.1	3086	1248	-3.1	3.3	-62.9	25.5	-1.0	-2.6	4.8
10TH	124.25	-10.1	4.6	3086	1248	-3.3	3.7	-53.3	21.4	-.7	-1.9	4.1
11TH	137.00	-9.8	4.5	3086	1248	-3.2	3.6	-43.1	16.9	-.4	-1.2	3.4
12TH	149.75	-9.5	4.4	3086	1248	-3.1	3.5	-33.3	12.4	-.2	-.8	2.6
13TH	162.50	-9.2	4.3	3086	1248	-3.0	3.4	-23.9	8.0	-.1	-.4	1.8
14TH	175.25	-12.9	4.5	3933	1591	-3.3	2.8	-14.6	3.8	-.0	-.1	1.0
ROOF	191.50	-1.8	-.8	1473	871	-1.2	-.9	-1.8	-.8	.0	-.0	.1
TOP	204.00							0.0	0.0	0.0	0.0	0.0

TABLE 7. SHEAR AND MOMENT DIAGRAMS : ARCO PLAZA, LONG BEACH SOUTHERN BUILDING												
WIND DIRECTION 350 CONFIGURATION A REFERENCE PRESSURE 21.0 PSF GUST FACTOR 1.32												
FLOOR	HEIGHT FT	X-FORCE KIPS	Y-FORCE KIPS	X-AREA SQ FT	Y-AREA SQ FT	X-PRESS PSF	Y-PRESS PSF	X-SHEAR KIPS	Y-SHEAR KIPS	X-MOMENT	Y-MOMENT	Z-MOMENT
										1000-FT-KIPS		
GRND	0.00	-16.5	5.3	5385	2179	-3.1	2.4	-169.9	64.4	-6.6	-17.7	10.7
2ND	22.25	-9.7	3.3	3086	1248	-3.1	2.7	-153.4	59.1	-5.2	-14.1	9.7
3RD	35.00	-9.8	3.6	3086	1248	-3.2	2.9	-143.7	55.8	-4.4	-12.2	9.1
4TH	47.75	-10.2	3.8	3086	1248	-3.3	3.0	-133.9	52.2	-3.8	-10.4	8.4
5TH	60.50	-10.5	4.0	3086	1248	-3.4	3.2	-123.7	48.4	-3.1	-8.8	7.7
6TH	73.25	-10.8	4.2	3086	1248	-3.5	3.4	-113.2	44.4	-2.5	-7.3	7.1
7TH	86.00	-11.0	4.6	3086	1248	-3.6	3.7	-102.4	40.1	-2.0	-5.9	6.4
8TH	98.75	-11.1	5.0	3086	1248	-3.6	4.0	-91.3	35.6	-1.5	-4.6	5.7
9TH	111.50	-11.2	5.5	3086	1248	-3.6	4.4	-80.2	30.5	-1.1	-3.6	5.0
10TH	124.25	-11.3	5.8	3086	1248	-3.7	4.7	-69.0	25.0	-.7	-2.6	4.2
11TH	137.00	-11.5	5.5	3086	1248	-3.7	4.4	-57.7	19.2	-.4	-1.8	3.4
12TH	149.75	-11.7	5.1	3086	1248	-3.8	4.1	-46.2	13.7	-.2	-1.1	2.6
13TH	162.50	-11.9	4.7	3086	1248	-3.9	3.8	-34.5	8.6	-.1	-.6	1.8
14TH	175.25	-17.8	5.0	3933	1591	-4.5	3.1	-22.6	3.9	-.0	-.3	1.0
ROOF	191.50	-4.8	-1.1	1473	871	-3.3	-1.2	-4.8	-1.1	.0	-.0	.1
TOP	204.00							0.0	0.0	0.0	0.0	0.0

TABLE 7 ARCO PLAZA, LONG BEACH NORTHERN BUILDING
 PROJECT 7630 CONFIGURATION A
 SCALE = 200 REF. PRESSURE = 21.0
 GUST FACTOR = 1.32 STANDARD FLOOR HEIGHT = 12.75
 NUMBER OF SIDES = 4 NO. OF FLOORS = 15

SIDE	ANGLE	Z-AXIS
1	0.0	7.320
2	90.0	3.345
3	180.0	7.260
4	270.0	2.580

FLOOR #	LABEL	HEIGHT-FT
1	GRND	22.25
2	2ND	12.75
3	3RD	12.75
4	4TH	12.75
5	5TH	12.75
6	6TH	12.75
7	7TH	12.75
8	8TH	12.75
9	9TH	12.75
10	10TH	12.75
11	11TH	12.75
12	12TH	12.75
13	13TH	12.75
14	14TH	16.25
15	ROOF	12.50

TABLE 7. ARCO PLAZA, LONG BEACH SOUTHERN BUILDING
 PROJECT 7631 CONFIGURATION A
 SCALE = 200 REF. PRESSURE = 21.0
 GUST FACTOR = 1.32 STANDARD FLOOR HEIGHT = 12.75
 NUMBER OF SIDES = 4 NO. OF FLOORS = 15

SIDE	ANGLE	Z-AXIS
1	0.0	7.320
2	90.0	2.580
3	180.0	7.260
4	270.0	3.245

FLOOR #	LABEL	HEIGHT-FT
1	GRND	22.25
2	2ND	12.75
3	3RD	12.75
4	4TH	12.75
5	5TH	12.75
6	6TH	12.75
7	7TH	12.75
8	8TH	12.75
9	9TH	12.75
10	10TH	12.75
11	11TH	12.75
12	12TH	12.75
13	13TH	12.75
14	14TH	16.25
15	ROOF	12.50

APPENDIX A
PRESSURE DATA

Note: Pressure coefficients are defined in Section 4.3.
Pressure tap designation is explained in Figure 3.

APPENDIX A -- PRESSURE DATA:

CONFIGURATION A: ARCO PLAZA, LONG BEACH

MD	TAP	CPHEAN	CPRMS	CPMAX	CPMIN	MD	TAP	CPHEAN	CPRMS	CPMAX	CPMIN	MD	TAP	CPHEAN	CPRMS	CPMAX	CPMIN
0	901	.004	.108	.567	.386	0	1034	.112	.078	.129	.427	0	1084	.087	.090	.232	.464
0	902	.114	.103	.619	.219	0	1035	.025	.114	.436	.431	0	1085	.006	.112	.398	.453
0	903	.094	.092	.282	.402	0	1036	.081	.097	.240	.430	0	1086	.115	.088	.141	.614
0	904	.016	.089	.392	.306	0	1037	.143	.110	.206	.524	0	1087	.121	.114	.223	.637
0	905	.043	.093	.364	.414	0	1038	.068	.087	.286	.358	0	1088	.023	.098	.312	.416
0	906	.020	.081	.282	.323	0	1039	.094	.122	.520	.345	0	1089	.075	.109	.486	.309
0	907	.078	.089	.267	.483	0	1040	.034	.108	.507	.396	0	1090	.004	.090	.329	.340
0	908	.082	.089	.263	.471	0	1041	.013	.127	.510	.374	0	1091	.005	.111	.446	.384
0	909	.088	.094	.235	.402	0	1042	.063	.121	.518	.260	0	1092	.069	.108	.515	.315
0	910	.057	.081	.214	.322	0	1043	.120	.144	.570	.266	0	1093	.083	.111	.571	.279
0	911	.041	.096	.277	.375	0	1044	.130	.142	.560	.249	0	1094	.030	.093	.397	.386
0	912	.098	.098	.256	.428	0	1045	.147	.141	.566	.249	0	1095	.044	.115	.486	.432
0	913	.053	.094	.278	.360	0	1046	.125	.132	.592	.274	0	1096	.070	.102	.551	.247
0	914	.052	.081	.181	.314	0	1047	.111	.145	.641	.367	0	1097	.060	.110	.528	.325
0	915	.053	.092	.285	.464	0	1048	.098	.129	.603	.317	0	1098	.006	.090	.333	.307
0	916	.041	.086	.261	.300	0	1049	.012	.114	.440	.314	0	1099	.029	.107	.415	.409
0	917	.048	.094	.269	.390	0	1050	.078	.092	.383	.351	0	1100	.045	.100	.428	.396
0	1001	.048	.086	.261	.364	0	1051	.066	.086	.237	.357	0	1101	.031	.080	.251	.307
0	1002	.080	.077	.196	.363	0	1052	.039	.083	.259	.327	0	1102	.076	.069	.170	.314
0	1003	.080	.092	.232	.421	0	1053	.042	.085	.291	.328	0	1103	.052	.084	.216	.382
0	1004	.084	.098	.273	.463	0	1054	.095	.081	.187	.368	0	1104	.039	.086	.238	.337
0	1005	.046	.103	.354	.438	0	1055	.088	.096	.324	.427	0	1105	.045	.082	.242	.337
0	1006	.153	.093	.174	.551	0	1056	.119	.091	.173	.455	0	1106	.148	.080	.122	.429
0	1007	.178	.108	.156	.660	0	1057	.113	.089	.149	.432	0	1107	.124	.097	.193	.587
0	1008	.160	.097	.160	.547	0	1058	.161	.084	.072	.515	0	1108	.097	.097	.206	.668
0	1009	.098	.092	.252	.417	0	1059	.123	.091	.198	.445	0	1109	.087	.087	.173	.376
0	1010	.036	.110	.400	.469	0	1060	.008	.112	.384	.444	0	1110	.043	.077	.287	.326
0	1011	.175	.113	.241	.797	0	1061	.080	.095	.252	.451	0	1111	.070	.090	.252	.576
0	1012	.174	.122	.239	.716	0	1062	.140	.091	.190	.492	0	1112	.048	.083	.254	.384
0	1013	.031	.096	.286	.374	0	1063	.042	.098	.344	.403	0	1113	.028	.091	.254	.394
0	1014	.009	.098	.340	.316	0	1064	.093	.116	.493	.295	0	1114	.021	.077	.241	.328
0	1015	.053	.104	.302	.450	0	1065	.040	.111	.417	.349	0	1115	.009	.091	.306	.333
0	1016	.038	.117	.356	.501	0	1066	.068	.105	.350	.342	0	1116	.016	.087	.300	.294
0	1017	.033	.129	.580	.400	0	1067	.058	.113	.508	.301	0	1117	.047	.101	.408	.367
0	1018	.024	.116	.459	.304	0	1068	.116	.113	.448	.231	0	1118	.004	.085	.363	.314
0	1019	.030	.129	.520	.348	0	1069	.104	.123	.534	.261	0	1119	.031	.104	.432	.489
0	1020	.064	.134	.656	.326	0	1070	.062	.116	.474	.249	0	1120	.054	.097	.421	.396
0	1021	.085	.134	.573	.295	0	1071	.076	.116	.477	.252	0	1121	.053	.094	.492	.242
0	1022	.055	.127	.454	.292	0	1072	.077	.110	.449	.316	0	1122	.027	.078	.289	.300
0	1023	.027	.129	.595	.389	0	1073	.042	.103	.394	.272	0	1123	.001	.098	.513	.306
0	1024	.013	.115	.484	.327	0	1074	.045	.089	.446	.318	0	1124	.008	.094	.403	.330
0	1025	.030	.107	.537	.380	0	1075	.061	.096	.461	.383	0	1125	.052	.108	.352	.446
0	1026	.078	.072	.158	.320	0	1076	.037	.088	.264	.370	0	1126	.097	.076	.151	.349
0	1027	.067	.081	.216	.345	0	1077	.037	.089	.236	.353	0	1127	.055	.093	.251	.368
0	1028	.045	.081	.225	.345	0	1078	.040	.074	.200	.304	0	1128	.022	.085	.242	.305
0	1029	.073	.091	.250	.434	0	1079	.071	.095	.221	.416	0	1129	.041	.089	.241	.386
0	1030	.100	.087	.233	.393	0	1080	.047	.099	.294	.449	0	1130	.080	.076	.236	.337
0	1031	.154	.097	.140	.618	0	1081	.108	.102	.222	.499	0	1131	.089	.103	.342	.524
0	1032	.123	.090	.146	.454	0	1082	.133	.080	.136	.442	0	1132	.070	.089	.223	.402
0	1033	.111	.091	.153	.446	0	1083	.133	.098	.200	.510	0	1133	.081	.096	.182	.502

APPENDIX A -- PRESSURE DATA

CONFIGURATION A: ARCO PLAZA, LONG BEACH

WD	TAP	CP	MEAN	CPRMS	CPMAX	CPMIN	WD	TAP	CP	MEAN	CPRMS	CPMAX	CPMIN	WD	TAP	CP	MEAN	CPRMS	CPMAX	CPMIN
0	1134	-	137	.070	.080	.420	0	1233	-	112	.091	.240	.472	0	2026	-	014	.090	.293	.354
0	1135	-	001	.095	.365	.345	0	1234	-	151	.082	.159	.469	0	1285	-	033	.086	.293	.288
0	1136	-	005	.089	.278	.371	0	1235	-	167	.094	.139	.567	0	1901	-	073	.093	.222	.485
0	1137	-	034	.101	.309	.308	0	1236	-	087	.092	.188	.438	0	1902	-	063	.093	.269	.371
0	1138	-	067	.074	.201	.303	0	1237	-	094	.094	.237	.448	0	1903	-	073	.089	.214	.353
0	1139	-	036	.103	.410	.271	0	1238	-	085	.081	.264	.403	0	1904	-	076	.082	.235	.418
0	1140	-	061	.098	.453	.297	0	1239	-	104	.096	.327	.427	0	1905	-	046	.122	.464	.507
0	1141	-	065	.117	.631	.311	0	1240	-	047	.091	.315	.380	0	1906	-	165	.126	.280	.692
0	1142	-	012	.100	.396	.232	0	1241	-	036	.089	.273	.361	0	1907	-	246	.146	.148	1.377
0	1143	-	082	.122	.504	.242	0	1242	-	072	.076	.174	.331	0	1908	-	118	.101	.191	.486
0	1144	-	111	.115	.554	.199	0	1243	-	085	.090	.205	.371	0	1909	-	120	.106	.220	.547
0	1145	-	081	.109	.517	.229	0	1244	-	037	.087	.231	.319	0	1910	-	199	.133	.189	.715
0	1146	-	011	.087	.395	.333	0	1245	-	103	.096	.217	.582	0	1911	-	220	.143	.290	.663
0	1147	-	046	.102	.467	.333	0	1246	-	140	.086	.126	.702	0	1912	-	108	.118	.318	.639
0	1148	-	071	.098	.428	.333	0	1247	-	165	.097	.130	.502	0	1913	-	221	.133	.214	.945
0	1149	-	001	.100	.337	.355	0	1248	-	116	.091	.190	.493	0	1914	-	213	.106	.112	.617
0	1150	-	128	.083	.170	.446	0	1249	-	088	.095	.254	.446	0	1915	-	070	.090	.213	.458
0	1201	-	170	.103	.165	.715	0	1250	-	123	.089	.153	.454	0	1916	-	076	.088	.203	.446
0	1202	-	107	.101	.241	.603	0	1251	-	078	.095	.247	.362	0	1917	-	133	.082	.143	.417
0	1204	-	108	.076	.148	.427	0	1252	-	039	.089	.270	.396	0	1918	-	121	.138	.401	.606
0	1205	-	124	.088	.161	.467	0	1253	-	039	.088	.246	.394	0	1919	-	216	.148	.365	.642
0	1206	-	132	.089	.178	.470	0	1254	-	055	.077	.213	.322	0	1920	-	161	.149	.341	.679
0	1207	-	141	.091	.209	.477	0	1255	-	074	.088	.215	.412	0	1921	-	101	.103	.258	.505
0	1208	-	170	.083	.121	.603	0	1256	-	023	.085	.238	.344	0	1922	-	309	.282	.390	1.770
0	1209	-	189	.105	.169	.603	0	1257	-	033	.088	.242	.348	0	1923	-	176	.164	.205	.008
0	1210	-	125	.099	.181	.603	0	1258	-	149	.087	.128	.581	0	2001	-	100	.111	.252	.557
0	1211	-	129	.102	.229	.603	0	1259	-	163	.097	.150	.690	0	2002	-	172	.105	.182	.615
0	1212	-	139	.085	.155	.440	0	1260	-	115	.096	.171	.513	0	2003	-	137	.119	.204	.978
0	1213	-	132	.092	.217	.479	0	1261	-	121	.090	.155	.490	0	2004	-	202	.119	.191	.739
0	1214	-	085	.089	.265	.426	0	1262	-	101	.075	.146	.371	0	2005	-	214	.146	.264	.954
0	1215	-	086	.086	.157	.417	0	1263	-	099	.091	.205	.450	0	2006	-	106	.096	.278	.468
0	1216	-	104	.074	.197	.390	0	1264	-	065	.085	.265	.396	0	2007	-	077	.090	.195	.406
0	1217	-	097	.085	.205	.404	0	1265	-	049	.086	.216	.359	0	2008	-	057	.074	.175	.320
0	1218	-	039	.083	.220	.371	0	1266	-	080	.074	.149	.347	0	2009	-	068	.089	.232	.400
0	1219	-	045	.087	.239	.359	0	1267	-	065	.084	.238	.349	0	2010	-	053	.089	.255	.450
0	1220	-	070	.064	.134	.360	0	1268	-	018	.078	.236	.300	0	2011	-	042	.072	.278	.370
0	1221	-	172	.097	.153	.360	0	1269	-	014	.081	.233	.284	0	2012	-	053	.083	.297	.331
0	1222	-	123	.093	.186	.301	0	1270	-	067	.072	.191	.301	0	2013	-	044	.082	.262	.318
0	1223	-	133	.089	.213	.434	0	1271	-	165	.110	.206	.593	0	2014	-	044	.082	.213	.341
0	1224	-	159	.079	.131	.413	0	1272	-	110	.107	.261	.446	0	2015	-	035	.067	.176	.259
0	1225	-	158	.094	.181	.451	0	1273	-	112	.101	.207	.607	0	2016	-	044	.081	.209	.342
0	1226	-	115	.094	.216	.469	0	1274	-	148	.084	.136	.569	0	2017	-	038	.079	.200	.329
0	1227	-	086	.085	.189	.475	0	1275	-	092	.096	.224	.458	0	2018	-	047	.089	.278	.360
0	1228	-	114	.077	.125	.456	0	1276	-	007	.091	.399	.319	0	2019	-	040	.074	.223	.306
0	1229	-	118	.087	.176	.456	0	1277	-	016	.076	.305	.245	0	2020	-	060	.095	.250	.448
0	1230	-	050	.083	.234	.326	0	1278	-	016	.081	.276	.293	0	2021	-	064	.097	.246	.421
0	1231	-	050	.080	.204	.326	0	1279	-	023	.081	.265	.293	0	2022	-	064	.097	.270	.499
0	1232	-	074	.067	.126	.302	0	1280	-	011	.091	.255	.358	0	2023	-	064	.097	.270	.499
0	1233	-	090	.083	.178	.363	0	1281	-	001	.080	.254	.315	0	2024	-	276	.206	.536	1.152
0	1234	-	103	.089	.237	.611	0	1282	-	005	.090	.304	.339	0	2025	-	064	.097	.270	.499

APPENDIX A -- PRESSURE DATA:

CONFIGURATION A: ARCO PLAZA, LONG BEACH

WD	TAP	CPMEAN	CPRMS	CPMAX	CPMIN	WD	TAP	CPMEAN	CPRMS	CPMAX	CPMIN	WD	TAP	CPMEAN	CPRMS	CPMAX	CPMIN
0	2027	243	242	473	-1.461	0	2077	200	192	290	-1.053	0	2127	146	156	395	-1.826
0	2028	121	137	328	-1.863	0	2078	105	102	248	-1.653	0	2128	102	118	324	-1.601
0	2029	191	097	162	-1.570	0	2079	159	100	192	-1.525	0	2129	098	093	246	-1.395
0	2030	111	072	141	-1.385	0	2080	115	093	206	-1.464	0	2130	060	081	246	-1.314
0	2031	185	106	170	-1.628	0	2081	120	097	229	-1.474	0	2131	068	090	244	-1.352
0	2032	147	100	176	-1.519	0	2082	089	087	199	-1.380	0	2132	073	089	243	-1.417
0	2033	085	097	253	-1.443	0	2083	072	092	248	-1.371	0	2133	068	094	250	-1.372
0	2034	059	076	214	-1.319	0	2084	064	092	263	-1.370	0	2134	036	083	233	-1.352
0	2035	080	094	219	-1.372	0	2085	055	091	222	-1.369	0	2135	046	092	268	-1.406
0	2036	069	092	235	-1.394	0	2086	043	080	212	-1.333	0	2136	056	094	275	-1.428
0	2037	063	088	227	-1.400	0	2087	039	089	258	-1.318	0	2137	050	087	314	-1.362
0	2038	043	071	179	-1.310	0	2088	050	084	245	-1.311	0	2138	028	075	292	-1.291
0	2039	059	086	215	-1.362	0	2089	052	088	285	-1.328	0	2139	040	084	323	-1.339
0	2040	050	084	215	-1.342	0	2090	039	078	283	-1.286	0	2140	052	084	311	-1.356
0	2041	049	085	272	-1.386	0	2091	036	086	281	-1.334	0	2141	040	082	225	-1.313
0	2042	038	070	195	-1.316	0	2092	049	085	266	-1.330	0	2142	020	073	197	-1.262
0	2043	057	086	221	-1.399	0	2093	044	092	244	-1.413	0	2143	034	082	217	-1.294
0	2044	047	086	243	-1.392	0	2094	027	081	229	-1.330	0	2144	041	082	250	-1.304
0	2045	043	088	241	-1.312	0	2095	025	088	255	-1.352	0	2145	040	083	259	-1.298
0	2046	035	072	216	-1.248	0	2096	038	091	239	-1.354	0	2146	017	075	231	-1.271
0	2047	058	089	255	-1.315	0	2097	038	080	220	-1.369	0	2147	034	084	261	-1.322
0	2048	055	092	259	-1.322	0	2098	032	072	187	-1.328	0	2148	052	085	240	-1.341
0	2049	058	092	242	-1.384	0	2099	032	081	226	-1.372	0	2149	048	099	261	-1.500
0	2050	043	075	200	-1.337	0	2100	041	081	214	-1.378	0	2150	020	089	262	-1.427
0	2051	316	244	790	-1.355	0	2101	203	203	403	-1.164	0	2201	113	118	377	-1.613
0	2052	257	230	553	-1.269	0	2102	142	155	334	-1.997	0	2202	080	144	749	-1.177
0	2053	150	138	267	-1.881	0	2103	080	108	334	-1.314	0	2204	121	143	367	-1.745
0	2054	180	085	096	-1.494	0	2104	148	100	189	-1.451	0	2205	039	149	883	-1.514
0	2055	137	091	178	-1.449	0	2105	109	096	218	-1.451	0	2206	018	100	354	-1.288
0	2056	138	097	206	-1.460	0	2106	109	092	175	-1.433	0	2207	002	107	518	-1.401
0	2057	114	097	203	-1.417	0	2107	089	096	205	-1.424	0	2208	011	088	424	-1.316
0	2058	070	078	183	-1.331	0	2108	061	091	251	-1.330	0	2209	003	108	435	-1.386
0	2059	072	093	229	-1.434	0	2109	058	091	249	-1.416	0	2210	010	136	446	-1.490
0	2060	062	092	231	-1.386	0	2110	041	080	223	-1.359	0	2211	104	106	283	-1.731
0	2061	054	091	209	-1.425	0	2111	041	089	257	-1.378	0	2212	116	102	264	-1.632
0	2062	034	075	209	-1.338	0	2112	050	088	251	-1.376	0	2213	030	127	530	-1.407
0	2063	057	090	252	-1.425	0	2113	049	089	254	-1.446	0	2214	162	151	347	-1.922
0	2064	049	088	254	-1.412	0	2114	035	081	243	-1.389	0	2215	015	119	532	-1.299
0	2065	046	085	263	-1.325	0	2115	037	088	263	-1.320	0	2216	100	104	482	-1.295
0	2066	025	068	207	-1.247	0	2116	047	089	269	-1.327	0	2217	017	116	482	-1.295
0	2067	053	083	238	-1.324	0	2117	052	087	285	-1.341	0	2218	091	131	593	-1.407
0	2068	047	082	240	-1.316	0	2118	036	077	254	-1.293	0	2219	166	122	718	-1.197
0	2069	039	079	245	-1.325	0	2119	032	085	281	-1.325	0	2220	204	135	910	-1.336
0	2070	018	064	206	-1.252	0	2120	041	085	268	-1.314	0	2221	057	088	230	-1.415
0	2071	046	079	233	-1.336	0	2121	042	083	288	-1.330	0	2222	042	087	264	-1.409
0	2072	042	079	240	-1.328	0	2122	030	075	268	-1.378	0	2223	048	090	257	-1.333
0	2073	050	084	239	-1.341	0	2123	041	084	298	-1.352	0	2224	042	079	235	-1.556
0	2074	029	068	202	-1.269	0	2124	051	084	335	-1.352	0	2225	100	103	503	-1.333
0	2075	057	084	230	-1.382	0	2125	045	091	378	-1.391	0	2226	128	105	437	-1.377
0	2076	271	206	439	-1.098	0	2126	158	146	388	-1.75	0	2227	64	122	346	-1.202

APPENDIX A -- PRESSURE DATA:

CONFIGURATION A: ARCO PLAZA, LONG BEACH

WD	TAP	CPMEAN	CPRMS	CPMAX	CPMIN	WD	TAP	CPMEAN	CPRMS	CPMAX	CPMIN	WD	TAP	CPMEAN	CPRMS	CPMAX	CPMIN
0	2278	055	085	264	315	0	1003	133	101	232	620	0	1003	133	101	232	620
0	2279	027	084	279	315	0	1004	155	104	148	584	0	1004	155	104	148	584
0	2280	064	076	333	364	0	1005	040	129	401	561	0	1005	040	129	401	561
0	2281	045	090	442	398	0	1006	202	122	276	780	0	1006	202	122	276	780
0	2282	002	086	305	336	0	1007	269	128	151	074	0	1007	269	128	151	074
0	2283	045	096	424	366	0	1008	251	113	102	066	0	1008	251	113	102	066
0	2284	122	103	553	185	0	1009	119	089	204	437	0	1009	119	089	204	437
0	2285	123	120	710	227	0	1010	014	116	390	446	0	1010	014	116	390	446
0	2286	257	154	405	815	0	1011	190	095	077	526	0	1011	190	095	077	526
0	2287	163	101	185	642	0	1012	185	103	183	535	0	1012	185	103	183	535
0	2288	034	155	628	599	0	1013	031	105	377	364	0	1013	031	105	377	364
0	2289	135	125	372	576	0	1014	032	098	372	265	0	1014	032	098	372	265
0	2290	054	097	291	440	0	1015	045	112	335	465	0	1015	045	112	335	465
0	2291	066	096	313	508	0	1016	026	129	447	525	0	1016	026	129	447	525
0	2292	064	096	298	453	0	1017	079	120	498	298	0	1017	079	120	498	298
0	2293	026	084	417	449	0	1018	053	104	389	252	0	1018	053	104	389	252
0	2294	049	089	278	413	0	1019	084	119	487	265	0	1019	084	119	487	265
0	2295	090	085	165	422	0	1020	127	123	561	289	0	1020	127	123	561	289
0	2296	019	086	273	364	0	1021	113	115	518	265	0	1021	113	115	518	265
0	2297	043	086	243	366	0	1022	065	110	475	394	0	1022	065	110	475	394
0	2298	019	096	370	339	0	1023	014	117	470	367	0	1023	014	117	470	367
0	2299	007	081	279	287	0	1024	018	107	457	349	0	1024	018	107	457	349
0	2300	068	104	440	255	0	1025	083	095	243	411	0	1025	083	095	243	411
0	2301	039	107	428	333	0	1026	123	086	186	461	0	1026	123	086	186	461
0	2302	054	115	337	443	0	1027	111	096	266	489	0	1027	111	096	266	489
0	2303	022	138	648	487	0	1028	084	094	307	420	0	1028	084	094	307	420
0	2304	037	109	475	377	0	1029	125	100	186	513	0	1029	125	100	186	513
0	2305	102	093	271	489	0	1030	115	104	291	504	0	1030	115	104	291	504
0	2306	043	074	214	354	0	1031	232	109	131	617	0	1031	232	109	131	617
0	2307	041	072	183	300	0	1032	190	097	111	539	0	1032	190	097	111	539
0	2308	088	097	226	460	0	1033	198	090	095	533	0	1033	198	090	095	533
10	901	106	092	219	463	0	1034	170	078	115	443	0	1034	170	078	115	443
10	902	012	114	485	283	0	1035	009	137	521	455	0	1035	009	137	521	455
10	903	090	093	240	479	0	1036	117	102	223	449	0	1036	117	102	223	449
10	904	074	086	239	342	0	1037	150	114	268	536	0	1037	150	114	268	536
10	905	069	092	254	386	0	1038	040	109	357	356	0	1038	040	109	357	356
10	906	056	084	276	308	0	1039	159	121	543	223	0	1039	159	121	543	223
10	907	049	092	301	343	0	1040	092	139	516	513	0	1040	092	139	516	513
10	908	087	096	342	425	0	1041	055	136	489	598	0	1041	055	136	489	598
10	909	097	088	193	397	0	1042	143	110	517	275	0	1042	143	110	517	275
10	910	080	076	179	355	0	1043	220	126	657	184	0	1043	220	126	657	184
10	911	023	085	282	364	0	1044	241	128	693	187	0	1044	241	128	693	187
10	912	085	087	279	423	0	1045	273	136	824	185	0	1045	273	136	824	185
10	913	056	084	237	409	0	1046	225	125	608	199	0	1046	225	125	608	199
10	914	070	071	174	353	0	1047	166	138	636	318	0	1047	166	138	636	318
10	915	038	083	281	387	0	1048	105	118	525	250	0	1048	105	118	525	250
10	916	065	080	187	339	0	1049	010	104	383	337	0	1049	010	104	383	337
10	917	069	086	213	418	0	1050	117	086	190	438	0	1050	117	086	190	438
10	1001	093	093	204	436	0	1051	105	092	178	441	0	1051	105	092	178	441
10	1002	126	083	136	452	0	1052	073	088	205	350	0	1052	073	088	205	350

APPENDIX A -- PRESSURE DATA:

CONFIGURATION A) ARCO PLAZA, LONG BEACH

WD	TAP	CPMEAN	CPRMS	CPMAX	CPMIN	WD	TAP	CPMEAN	CPRMS	CPMAX	CPMIN	WD	TAP	CPMEAN	CPRMS	CPMAX	CPMIN
10	1053	-.074	.084	.188	-.351	10	1103	-.087	.093	.189	-.380	10	1204	-.146	.081	.093	-.471
10	1054	-.141	.083	.133	-.448	10	1104	-.097	.100	.221	-.410	10	1205	-.138	.090	.126	-.513
10	1055	-.122	.102	.263	-.535	10	1105	-.075	.080	.188	-.368	10	1206	-.133	.088	.178	-.480
10	1056	-.185	.097	.118	-.568	10	1106	-.181	.083	.120	-.517	10	1207	-.152	.086	.128	-.438
10	1057	-.181	.097	.097	-.698	10	1107	-.168	.099	.144	-.556	10	1208	-.220	.083	.040	-.506
10	1058	-.238	.091	.011	-.533	10	1108	-.158	.100	.161	-.558	10	1209	-.233	.104	.077	-.621
10	1059	-.172	.097	.128	-.497	10	1109	-.140	.102	.165	-.487	10	1210	-.153	.095	.160	-.503
10	1060	-.012	.136	.379	-.483	10	1110	-.033	.091	.248	-.330	10	1211	-.162	.102	.159	-.586
10	1061	-.099	.107	.233	-.540	10	1111	-.090	.107	.233	-.503	10	1212	-.210	.094	.077	-.547
10	1062	-.173	.101	.133	-.575	10	1112	-.093	.102	.224	-.442	10	1213	-.156	.093	.177	-.574
10	1063	-.036	.108	.359	-.391	10	1113	-.020	.094	.300	-.360	10	1214	-.097	.090	.202	-.488
10	1064	-.173	.114	.736	-.178	10	1114	-.062	.080	.341	-.222	10	1215	-.101	.083	.153	-.501
10	1065	.100	.123	.525	-.304	10	1115	-.049	.097	.377	-.373	10	1216	-.147	.075	.081	-.483
10	1066	.039	.124	.459	-.317	10	1116	-.055	.093	.368	-.273	10	1217	-.139	.084	.146	-.513
10	1067	.154	.125	.599	-.289	10	1117	-.098	.102	.533	-.205	10	1218	-.073	.082	.179	-.361
10	1068	.242	.128	.648	-.176	10	1118	-.103	.088	.471	-.171	10	1219	-.075	.089	.258	-.346
10	1069	.214	.120	.671	-.149	10	1119	-.120	.106	.552	-.200	10	1220	-.131	.069	.089	-.334
10	1070	.177	.117	.613	-.163	10	1120	-.131	.101	.492	-.162	10	1221	-.192	.090	.135	-.464
10	1071	.164	.130	.799	-.191	10	1121	-.117	.107	.501	-.244	10	1222	-.129	.086	.178	-.392
10	1072	.129	.126	.803	-.235	10	1122	-.029	.091	.380	-.250	10	1223	-.151	.091	.188	-.482
10	1073	-.081	.109	.528	-.252	10	1123	-.000	.102	.372	-.320	10	1224	-.213	.084	.111	-.524
10	1074	-.064	.083	.326	-.367	10	1124	-.051	.091	.340	-.349	10	1225	-.213	.099	.153	-.606
10	1075	-.120	.090	.246	-.452	10	1125	-.088	.091	.224	-.404	10	1226	-.163	.099	.210	-.583
10	1076	-.073	.086	.195	-.440	10	1126	-.106	.075	.124	-.407	10	1227	-.103	.086	.176	-.463
10	1077	-.070	.092	.212	-.371	10	1127	-.079	.090	.194	-.406	10	1228	-.156	.081	.176	-.501
10	1078	-.075	.078	.160	-.354	10	1128	-.065	.082	.174	-.351	10	1229	-.142	.089	.279	-.567
10	1079	-.105	.100	.205	-.448	10	1129	-.091	.099	.193	-.439	10	1230	-.073	.083	.196	-.479
10	1080	-.084	.103	.267	-.511	10	1130	-.073	.085	.183	-.369	10	1231	-.070	.081	.223	-.363
10	1081	-.190	.110	.166	-.617	10	1131	-.131	.107	.225	-.527	10	1232	-.125	.072	.121	-.379
10	1082	-.197	.089	.089	-.643	10	1132	-.127	.096	.144	-.495	10	1233	-.130	.087	.176	-.419
10	1083	-.205	.107	.154	-.641	10	1133	-.141	.096	.203	-.433	10	1234	-.113	.086	.193	-.444
10	1084	-.151	.096	.185	-.517	10	1134	-.162	.074	.097	-.394	10	1235	-.130	.092	.183	-.443
10	1085	-.001	.120	.463	-.463	10	1135	-.027	.116	.546	-.308	10	1236	-.199	.086	.102	-.479
10	1086	-.113	.089	.164	-.466	10	1136	-.043	.101	.287	-.456	10	1237	-.204	.098	.129	-.514
10	1087	-.137	.112	.220	-.587	10	1137	-.080	.104	.237	-.705	10	1238	-.128	.093	.223	-.457
10	1088	-.020	.101	.379	-.364	10	1138	-.036	.076	.213	-.313	10	1239	-.143	.102	.182	-.536
10	1089	.130	.101	.537	-.163	10	1139	.131	.099	.498	-.200	10	1240	-.121	.076	.124	-.378
10	1090	.051	.092	.352	-.233	10	1140	.116	.101	.445	-.294	10	1241	-.123	.090	.242	-.463
10	1091	.042	.113	.420	-.348	10	1141	.096	.105	.476	-.245	10	1242	-.057	.083	.244	-.321
10	1092	.118	.104	.539	-.197	10	1142	.100	.084	.418	-.171	10	1243	-.073	.083	.193	-.394
10	1093	.187	.117	.665	-.188	10	1143	.172	.104	.574	-.185	10	1244	-.131	.073	.097	-.397
10	1094	.156	.102	.592	-.203	10	1144	.192	.101	.671	-.142	10	1245	-.132	.086	.176	-.428
10	1095	.154	.119	.718	-.301	10	1145	.187	.117	.706	-.196	10	1246	-.071	.083	.208	-.349
10	1096	.147	.111	.560	-.273	10	1146	.118	.104	.506	-.211	10	1247	-.113	.089	.188	-.426
10	1097	.083	.106	.490	-.326	10	1147	.102	.120	.551	-.323	10	1248	-.175	.082	.106	-.467
10	1098	-.009	.084	.327	-.291	10	1148	-.074	.109	.472	-.374	10	1249	-.189	.092	.136	-.515
10	1099	-.045	.093	.293	-.397	10	1149	-.006	.100	.374	-.315	10	1250	-.130	.089	.175	-.462
10	1100	-.073	.086	.224	-.393	10	1150	-.111	.083	.164	-.392	10	1251	-.112	.089	.169	-.467
10	1101	-.072	.089	.204	-.376	10	1201	-.184	.117	.297	-.794	10	1252	-.178	.083	.076	-.539
10	1102	-.097	.077	.142	-.368	10	1202	-.141	.117	.304	-.649	10	1253	-.109	.093	.204	-.460

APPENDIX A -- PRESSURE DATA

CONFIGURATION A; ARCO PLAZA, LONG BEACH

WD	TAP	CPMEAN	CPRMS	CPMAX	CPMIN	WD	TAP	CPMEAN	CPRMS	CPMAX	CPMIN	WD	TAP	CPMEAN	CPRMS	CPMAX	CPMIN
10	1254	-.062	.088	.234	-.382	10	1919	-.197	.093	.141	-.514	10	2046	-.032	.070	.190	-.270
10	1255	-.064	.082	.233	-.351	10	1920	-.233	.148	.357	-.691	10	2047	-.081	.090	.201	-.368
10	1256	-.119	.075	.150	-.390	10	1921	-.306	.128	.126	-.746	10	2048	-.066	.092	.222	-.389
10	1257	-.126	.084	.140	-.408	10	1922	-.260	.136	.183	-.770	10	2049	-.070	.093	.340	-.494
10	1258	-.062	.080	.189	-.336	10	1923	-.172	.110	.265	-.670	10	2050	-.041	.076	.307	-.375
10	1259	-.065	.080	.226	-.325	10	2001	-.605	.280	.212	-.132	10	2051	-.572	.245	.202	-1.638
10	1260	-.168	.081	.063	-.434	10	2002	-.378	.176	.082	-1.222	10	2052	-.508	.251	.204	-1.636
10	1261	-.171	.092	.092	-.491	10	2003	-.224	.132	.156	-.949	10	2053	-.266	.180	.176	-1.332
10	1262	-.114	.088	.143	-.408	10	2004	-.225	.114	.141	-.914	10	2054	-.183	.093	.099	-.570
10	1263	-.128	.086	.137	-.421	10	2005	-.172	.126	.215	-.841	10	2055	-.186	.101	.141	-.594
10	1264	-.165	.080	.132	-.429	10	2006	-.153	.103	.159	-.605	10	2056	-.123	.102	.182	-.548
10	1265	-.164	.098	.164	-.521	10	2007	-.162	.115	.178	-.718	10	2057	-.114	.091	.204	-.438
10	1266	-.043	.087	.278	-.313	10	2008	-.099	.097	.188	-.439	10	2058	-.064	.073	.243	-.310
10	1267	-.064	.085	.303	-.325	10	2009	-.083	.092	.211	-.476	10	2059	-.101	.088	.197	-.422
10	1268	-.118	.076	.173	-.366	10	2010	-.051	.075	.205	-.319	10	2060	-.084	.087	.202	-.444
10	1269	-.115	.085	.180	-.412	10	2011	-.079	.091	.223	-.421	10	2061	-.073	.091	.231	-.437
10	1270	-.056	.081	.217	-.342	10	2012	-.066	.090	.231	-.345	10	2062	-.038	.073	.199	-.343
10	1271	-.058	.080	.216	-.334	10	2013	-.072	.087	.254	-.432	10	2063	-.090	.092	.210	-.525
10	1272	-.124	.077	.103	-.400	10	2014	-.045	.070	.226	-.360	10	2064	-.076	.091	.215	-.512
10	1273	-.160	.091	.120	-.472	10	2015	-.075	.085	.262	-.334	10	2065	-.068	.088	.234	-.442
10	1274	-.095	.087	.175	-.399	10	2016	-.056	.082	.246	-.334	10	2066	-.030	.070	.194	-.327
10	1275	-.108	.089	.187	-.417	10	2017	-.063	.084	.286	-.410	10	2067	-.086	.087	.183	-.457
10	1276	-.179	.082	.089	-.453	10	2018	-.037	.069	.244	-.275	10	2068	-.071	.087	.191	-.428
10	1277	-.162	.095	.169	-.502	10	2019	-.067	.085	.263	-.392	10	2069	-.061	.087	.277	-.355
10	1278	-.074	.092	.318	-.365	10	2020	-.053	.084	.278	-.412	10	2070	-.020	.070	.244	-.277
10	1279	-.031	.084	.359	-.317	10	2021	-.068	.096	.237	-.462	10	2071	-.075	.087	.281	-.341
10	1280	-.115	.089	.429	-.201	10	2022	-.046	.082	.214	-.434	10	2072	-.064	.087	.287	-.333
10	1281	-.045	.091	.308	-.357	10	2023	-.090	.106	.238	-.546	10	2073	-.069	.089	.230	-.393
10	1282	-.053	.082	.283	-.312	10	2024	-.086	.107	.199	-.511	10	2074	-.032	.071	.185	-.297
10	1283	-.048	.072	.243	-.253	10	2025	-.082	.103	.229	-.524	10	2075	-.090	.088	.198	-.412
10	1284	-.108	.079	.422	-.121	10	2026	-.466	.163	.048	-1.267	10	2076	-.469	.221	.256	-1.547
10	1285	-.059	.081	.257	-.289	10	2027	-.492	.217	.126	-1.374	10	2077	-.413	.228	.167	-1.376
10	1901	-.052	.093	.275	-.411	10	2028	-.259	.156	.246	-.876	10	2078	-.221	.143	.205	-.953
10	1902	-.048	.093	.268	-.413	10	2029	-.210	.105	.118	-.598	10	2079	-.201	.108	.168	-.725
10	1903	-.091	.093	.234	-.432	10	2030	-.111	.079	.153	-.376	10	2080	-.139	.099	.157	-.624
10	1904	-.110	.098	.198	-.467	10	2031	-.157	.105	.193	-.559	10	2081	-.113	.091	.186	-.491
10	1905	-.112	.091	.179	-.438	10	2032	-.118	.099	.200	-.520	10	2082	-.098	.083	.191	-.456
10	1906	-.032	.126	.465	-.485	10	2033	-.090	.092	.237	-.432	10	2083	-.086	.086	.186	-.472
10	1907	-.240	.131	.159	-.743	10	2034	-.046	.074	.208	-.338	10	2084	-.073	.085	.200	-.433
10	1908	-.293	.155	.116	-1.116	10	2035	-.088	.091	.231	-.381	10	2085	-.073	.089	.237	-.397
10	1909	-.203	.109	.158	-.568	10	2036	-.070	.088	.228	-.366	10	2086	-.072	.082	.206	-.369
10	1910	-.039	.115	.303	-.443	10	2037	-.069	.087	.216	-.401	10	2087	-.069	.087	.245	-.392
10	1911	-.278	.123	.136	-.873	10	2038	-.039	.070	.195	-.294	10	2088	-.071	.083	.200	-.363
10	1912	-.299	.116	.047	-.800	10	2039	-.083	.086	.218	-.406	10	2089	-.069	.086	.211	-.351
10	1913	-.133	.105	.217	-.604	10	2040	-.066	.085	.235	-.384	10	2090	-.066	.079	.186	-.334
10	1914	-.016	.112	.329	-.603	10	2041	-.065	.084	.202	-.407	10	2091	-.058	.085	.220	-.348
10	1915	-.293	.116	.039	-.750	10	2042	-.040	.068	.185	-.316	10	2092	-.062	.084	.216	-.340
10	1916	-.263	.110	.098	-.673	10	2043	-.084	.085	.196	-.408	10	2093	-.071	.090	.180	-.421
10	1917	-.090	.095	.204	-.478	10	2044	-.064	.085	.252	-.389	10	2094	-.060	.081	.170	-.350
10	1918	-.098	.097	.226	-.471	10	2045	-.057	.083	.212	-.344	10	2095	-.047	.085	.197	-.345

APPENDIX A -- PRESSURE DATA:

CONFIGURATION A; ARCO PLAZA, LONG BEACH

WD	TAP	CPMEAN	CPRMS	CPMAX	CPMIN	WD	TAP	CPMEAN	CPRMS	CPMAX	CPMIN	WD	TAP	CPMEAN	CPRMS	CPMAX	CPMIN
10	21096	050	089	215	350	10	2146	065	078	160	438	10	2247	079	088	279	370
10	21097	053	086	218	353	10	2147	053	084	211	469	10	2248	139	080	182	414
10	21098	065	079	190	378	10	2148	049	084	208	460	10	2249	105	092	270	460
10	21099	058	085	211	388	10	2149	052	083	254	302	10	2250	066	087	303	349
10	21100	059	085	212	390	10	2150	071	078	214	306	10	2251	091	086	166	453
10	21101	374	192	193	318	10	2201	097	110	270	545	10	2252	170	080	080	519
10	21102	326	173	121	131	10	2202	049	125	506	499	10	2253	138	094	160	494
10	21103	186	126	191	727	10	2204	101	149	498	757	10	2254	101	091	187	457
10	21104	164	096	154	499	10	2205	070	159	622	608	10	2255	040	104	444	457
10	21105	121	091	245	420	10	2206	041	114	322	499	10	2256	176	086	160	490
10	21106	113	087	189	402	10	2207	043	112	427	438	10	2257	068	131	538	482
10	21107	091	089	199	381	10	2208	082	100	368	410	10	2258	110	175	857	435
10	21108	076	084	191	466	10	2209	079	108	362	436	10	2259	066	177	832	440
10	21109	072	090	237	363	10	2210	032	119	512	442	10	2260	153	080	140	417
10	21110	075	083	203	351	10	2211	101	103	375	551	10	2261	114	092	206	401
10	21111	064	088	229	360	10	2212	153	096	269	552	10	2262	068	087	249	356
10	21112	061	088	221	360	10	2213	049	118	440	419	10	2263	081	080	181	361
10	21113	069	086	215	359	10	2214	088	134	379	683	10	2264	153	075	086	421
10	21114	076	081	196	347	10	2215	070	123	424	471	10	2265	126	088	163	473
10	21115	063	085	214	341	10	2216	043	107	385	431	10	2266	084	086	200	429
10	21116	054	087	226	325	10	2217	093	116	371	595	10	2267	130	106	303	617
10	21117	068	086	224	371	10	2218	022	133	563	402	10	2268	100	098	280	399
10	21118	073	081	189	373	10	2219	209	154	805	272	10	2269	134	100	262	482
10	21119	046	085	218	358	10	2220	174	175	801	479	10	2270	014	121	438	406
10	21120	034	084	228	344	10	2221	111	100	182	627	10	2271	082	157	747	427
10	21121	037	090	312	350	10	2222	079	095	236	450	10	2272	013	096	146	586
10	21122	054	086	293	375	10	2223	063	093	226	436	10	2273	115	096	197	623
10	21123	054	093	315	403	10	2224	135	081	115	439	10	2274	067	093	235	597
10	21124	051	091	304	357	10	2225	112	095	216	505	10	2275	073	083	187	348
10	21125	060	082	238	358	10	2226	101	099	183	526	10	2276	148	076	089	389
10	21126	334	185	203	523	10	2227	113	106	285	657	10	2277	117	089	173	419
10	21127	301	195	251	661	10	2228	210	104	097	795	10	2278	079	091	191	430
10	21128	172	126	237	799	10	2229	045	115	473	449	10	2279	069	085	246	389
10	21129	130	094	144	513	10	2230	080	095	252	453	10	2280	078	078	217	358
10	21130	113	082	142	443	10	2231	005	133	464	469	10	2281	118	095	582	159
10	21131	094	089	202	383	10	2232	138	168	789	429	10	2282	064	089	270	386
10	21132	082	086	231	373	10	2233	173	194	928	539	10	2283	031	116	477	350
10	21133	074	082	201	391	10	2234	079	094	236	442	10	2284	171	127	717	237
10	21134	079	075	176	357	10	2235	092	094	209	484	10	2285	302	143	001	180
10	21135	066	080	203	379	10	2236	143	080	127	412	10	2901	259	129	165	755
10	21136	062	082	225	382	10	2237	114	089	190	419	10	2902	192	123	189	820
10	21137	060	087	224	392	10	2238	083	087	222	427	10	2903	065	137	616	785
10	21138	075	078	174	371	10	2239	117	087	236	444	10	2904	087	121	388	515
10	21139	061	085	206	373	10	2240	183	084	133	507	10	2905	079	105	282	530
10	21140	057	084	214	371	10	2241	165	095	189	640	10	2906	052	104	306	429
10	21141	062	082	233	371	10	2242	022	108	443	391	10	2907	062	099	385	285
10	21142	084	075	189	322	10	2243	108	101	244	504	10	2908	070	113	330	616
10	21143	069	082	239	338	10	2244	098	119	336	519	10	2909	070	092	254	381
10	21144	055	082	248	316	10	2245	105	187	805	448	10	2910	080	083	203	381
10	21145	041	085	218	448	10	2246	147	190	863	457	10	2911	083	091	387	200

APPENDIX A -- PRESSURE DATA:

CONFIGURATION A: ARCO PLAZA, LONG BEACH

WD	TAP	CPMEAN	CPRMS	CPMAX	CPMIN	WD	TAP	CPMEAN	CPRMS	CPMAX	CPMIN	WD	TAP	CPMEAN	CPRMS	CPMAX	CPMIN
10	2912	.067	.093	.256	.360	20	1022	.010	.102	.490	.337	20	1072	.119	.115	.630	.261
10	2913	.046	.096	.331	.451	20	1023	.043	.106	.354	.449	20	1073	.040	.100	.494	.279
10	2914	.024	.080	.302	.322	20	1024	.070	.095	.286	.417	20	1074	.096	.082	.226	.340
10	2915	.143	.101	.532	.177	20	1025	.114	.088	.206	.463	20	1075	.145	.088	.209	.423
10	2916	.019	.107	.357	.359	20	1026	.165	.088	.117	.517	20	1076	.097	.089	.196	.566
10	2917	.083	.126	.449	.698	20	1027	.149	.096	.169	.506	20	1077	.113	.093	.221	.430
10	2918	.047	.128	.608	.698	20	1028	.116	.097	.195	.593	20	1078	.180	.084	.125	.439
10	2919	.085	.099	.291	.474	20	1029	.177	.109	.159	.577	20	1079	.179	.105	.187	.537
10	2920	.104	.088	.215	.405	20	1030	.102	.114	.322	.574	20	1080	.090	.115	.341	.476
10	2921	.080	.073	.169	.338	20	1031	.265	.117	.318	.768	20	1081	.224	.114	.124	.729
10	2922	.073	.076	.169	.391	20	1032	.208	.099	.131	.607	20	1082	.297	.099	.099	.709
10	2923	.112	.099	.184	.443	20	1033	.203	.101	.093	.590	20	1083	.256	.115	.217	.696
20	901	.136	.094	.195	.307	20	1034	.177	.084	.084	.474	20	1084	.173	.100	.192	.565
20	902	.028	.096	.391	.337	20	1035	.066	.145	.630	.491	20	1085	.030	.122	.469	.476
20	903	.137	.095	.178	.521	20	1036	.069	.112	.296	.520	20	1086	.162	.100	.178	.545
20	904	.104	.087	.218	.432	20	1037	.129	.127	.330	.551	20	1087	.144	.123	.321	.600
20	905	.095	.087	.237	.398	20	1038	.005	.112	.427	.333	20	1088	.006	.103	.413	.335
20	906	.062	.076	.299	.345	20	1039	.196	.124	.763	.303	20	1089	.146	.101	.512	.183
20	907	.101	.087	.237	.404	20	1040	.159	.126	.742	.313	20	1090	.034	.095	.387	.366
20	908	.108	.088	.221	.424	20	1041	.151	.134	.592	.304	20	1091	.061	.113	.463	.315
20	909	.117	.089	.142	.531	20	1042	.205	.110	.587	.189	20	1092	.146	.103	.483	.201
20	910	.077	.074	.139	.361	20	1043	.249	.124	.678	.173	20	1093	.193	.118	.699	.220
20	911	.092	.084	.174	.398	20	1044	.267	.123	.688	.190	20	1094	.119	.114	.581	.259
20	912	.097	.084	.166	.454	20	1045	.264	.133	.766	.184	20	1095	.142	.134	.725	.282
20	913	.083	.087	.195	.440	20	1046	.189	.117	.617	.136	20	1096	.147	.120	.654	.203
20	914	.064	.074	.169	.353	20	1047	.117	.127	.568	.264	20	1097	.090	.125	.563	.332
20	915	.105	.090	.177	.562	20	1048	.063	.108	.473	.279	20	1098	.057	.103	.368	.379
20	916	.091	.085	.174	.441	20	1049	.048	.092	.275	.332	20	1099	.097	.106	.341	.463
20	917	.099	.086	.231	.401	20	1050	.159	.080	.101	.435	20	1100	.115	.097	.236	.443
20	1001	.126	.106	.210	.697	20	1051	.145	.099	.138	.625	20	1101	.115	.092	.142	.448
20	1002	.166	.095	.152	.615	20	1052	.105	.092	.164	.502	20	1102	.200	.086	.046	.493
20	1003	.173	.116	.211	.828	20	1053	.100	.089	.189	.447	20	1103	.147	.100	.165	.483
20	1004	.198	.110	.124	.783	20	1054	.186	.090	.112	.549	20	1104	.141	.104	.192	.335
20	1005	.012	.124	.493	.542	20	1055	.122	.112	.260	.549	20	1105	.087	.093	.317	.430
20	1006	.217	.136	.297	.678	20	1056	.206	.099	.125	.595	20	1106	.273	.099	.127	.681
20	1007	.280	.126	.103	.873	20	1057	.202	.093	.146	.561	20	1107	.229	.112	.096	.835
20	1008	.255	.115	.095	.764	20	1058	.263	.088	.062	.625	20	1108	.189	.108	.155	.633
20	1009	.124	.095	.204	.451	20	1059	.189	.095	.244	.572	20	1109	.156	.098	.176	.538
20	1010	.003	.114	.395	.412	20	1060	.040	.126	.466	.428	20	1110	.038	.093	.315	.375
20	1011	.186	.106	.136	.568	20	1061	.050	.105	.262	.465	20	1111	.077	.105	.297	.457
20	1012	.165	.125	.232	.589	20	1062	.127	.102	.174	.548	20	1112	.052	.104	.296	.443
20	1013	.001	.114	.437	.353	20	1063	.011	.110	.448	.367	20	1113	.017	.108	.428	.327
20	1014	.020	.094	.398	.276	20	1064	.192	.105	.696	.168	20	1114	.042	.090	.398	.247
20	1015	.013	.115	.405	.416	20	1065	.157	.116	.659	.269	20	1115	.064	.103	.464	.193
20	1016	.025	.130	.488	.479	20	1066	.105	.115	.601	.285	20	1116	.092	.096	.493	.193
20	1017	.125	.122	.553	.282	20	1067	.184	.113	.703	.155	20	1117	.113	.098	.466	.193
20	1018	.072	.110	.515	.293	20	1068	.249	.107	.729	.088	20	1118	.043	.090	.423	.264
20	1019	.115	.128	.599	.307	20	1069	.240	.126	.691	.129	20	1119	.070	.106	.568	.256
20	1020	.133	.124	.652	.310	20	1070	.188	.124	.667	.221	20	1120	.086	.103	.652	.202
20	1021	.081	.109	.531	.296	20	1071	.164	.123	.692	.239	20	1121	.093	.101	.404	.279

APPENDIX A -- PRESSURE DATA:

CONFIGURATION A: ARCO PLAZA, LONG BEACH

WD	TAP	CPMEAN	CPRMS	CPMAX	CPMIN	WD	TAP	CPMEAN	CPRMS	CPMAX	CPMIN	WD	TAP	CPMEAN	CPRMS	CPMAX	CPMIN
20	1122	.045	.093	.269	.410	20	1223	.169	.091	.167	.441	20	1273	.200	.103	.117	.598
20	1123	.043	.099	.322	.458	20	1224	.238	.083	.075	.479	20	1274	.112	.097	.189	.495
20	1124	.074	.088	.204	.422	20	1225	.240	.097	.115	.584	20	1275	.129	.096	.167	.511
20	1125	.113	.089	.209	.491	20	1226	.163	.094	.156	.498	20	1276	.206	.089	.076	.562
20	1126	.197	.081	.082	.533	20	1227	.126	.084	.151	.387	20	1277	.214	.106	.099	.645
20	1127	.138	.093	.193	.533	20	1228	.191	.080	.080	.442	20	1278	.114	.097	.180	.512
20	1128	.098	.083	.185	.491	20	1229	.186	.088	.090	.491	20	1279	.045	.072	.211	.295
20	1129	.154	.107	.144	.528	20	1230	.102	.082	.152	.381	20	1280	.088	.082	.196	.373
20	1130	.137	.098	.243	.538	20	1231	.106	.084	.174	.390	20	1281	.085	.082	.202	.371
20	1131	.159	.127	.354	.640	20	1232	.171	.077	.108	.494	20	1282	.077	.083	.214	.398
20	1132	.159	.097	.111	.521	20	1233	.186	.094	.166	.560	20	1283	.040	.072	.205	.319
20	1133	.152	.098	.163	.591	20	1234	.138	.086	.190	.435	20	1284	.079	.083	.223	.392
20	1134	.223	.079	.018	.562	20	1235	.146	.084	.140	.444	20	1285	.079	.083	.218	.390
20	1135	.048	.100	.367	.378	20	1236	.222	.079	.045	.500	20	1901	.064	.099	.299	.418
20	1136	.019	.096	.386	.350	20	1237	.229	.088	.062	.527	20	1902	.138	.097	.217	.440
20	1137	.024	.123	.401	.564	20	1238	.134	.085	.140	.399	20	1903	.118	.093	.213	.426
20	1138	.044	.091	.272	.362	20	1239	.144	.090	.136	.485	20	1904	.134	.095	.191	.450
20	1139	.114	.098	.518	.266	20	1240	.169	.080	.189	.418	20	1905	.100	.087	.230	.412
20	1140	.138	.092	.502	.190	20	1241	.191	.092	.207	.484	20	1906	.153	.128	.389	.653
20	1141	.137	.106	.503	.174	20	1242	.102	.083	.205	.381	20	1907	.256	.132	.193	.826
20	1142	.084	.097	.455	.213	20	1243	.097	.091	.199	.447	20	1908	.326	.174	.111	.432
20	1143	.157	.114	.654	.197	20	1244	.155	.083	.116	.496	20	1909	.247	.110	.093	.747
20	1144	.181	.112	.705	.194	20	1245	.165	.097	.170	.607	20	1910	.250	.119	.129	.803
20	1145	.151	.127	.661	.217	20	1246	.086	.092	.232	.504	20	1911	.328	.132	.092	.917
20	1146	.050	.112	.461	.277	20	1247	.129	.092	.189	.438	20	1912	.334	.114	.058	.738
20	1147	.057	.120	.530	.329	20	1248	.197	.086	.105	.496	20	1913	.154	.106	.160	.919
20	1148	.057	.105	.451	.315	20	1249	.220	.095	.107	.553	20	1914	.235	.115	.144	.773
20	1149	.023	.095	.307	.307	20	1250	.138	.090	.195	.453	20	1915	.326	.110	.094	.722
20	1150	.180	.084	.099	.467	20	1251	.130	.089	.235	.428	20	1916	.290	.107	.049	.731
20	1201	.224	.110	.189	.727	20	1252	.197	.085	.144	.467	20	1917	.122	.089	.206	.458
20	1202	.155	.108	.199	.710	20	1253	.161	.092	.217	.446	20	1918	.126	.095	.212	.492
20	1204	.187	.082	.074	.444	20	1254	.093	.084	.191	.358	20	1919	.243	.093	.051	.566
20	1205	.185	.091	.150	.482	20	1255	.097	.086	.170	.456	20	1920	.291	.133	.202	.794
20	1206	.161	.089	.145	.435	20	1256	.157	.080	.094	.499	20	1921	.337	.128	.139	.799
20	1207	.170	.095	.118	.511	20	1257	.172	.091	.134	.559	20	1922	.300	.127	.195	.918
20	1208	.251	.095	.019	.576	20	1258	.087	.086	.205	.435	20	1923	.208	.109	.265	.663
20	1209	.266	.112	.149	.667	20	1259	.097	.086	.174	.389	20	2001	.598	.274	.235	.911
20	1210	.162	.098	.148	.531	20	1260	.194	.080	.058	.487	20	2002	.342	.161	.075	.026
20	1211	.171	.103	.153	.579	20	1261	.211	.091	.081	.535	20	2003	.272	.141	.132	.882
20	1212	.232	.095	.050	.663	20	1262	.130	.085	.138	.424	20	2004	.220	.126	.206	.125
20	1213	.199	.095	.086	.559	20	1263	.150	.091	.111	.515	20	2005	.173	.131	.210	.673
20	1214	.123	.089	.142	.464	20	1264	.204	.087	.132	.607	20	2006	.084	.097	.210	.519
20	1215	.114	.090	.169	.413	20	1265	.220	.105	.291	.706	20	2007	.135	.111	.222	.546
20	1216	.177	.084	.100	.455	20	1266	.076	.094	.293	.344	20	2008	.095	.100	.230	.478
20	1217	.175	.096	.145	.504	20	1267	.093	.083	.199	.382	20	2009	.096	.104	.225	.531
20	1218	.096	.094	.224	.428	20	1268	.155	.075	.158	.418	20	2010	.049	.083	.194	.338
20	1219	.112	.094	.235	.489	20	1269	.168	.086	.143	.465	20	2011	.107	.102	.197	.443
20	1220	.182	.075	.083	.491	20	1270	.087	.079	.184	.359	20	2012	.082	.102	.223	.402
20	1221	.241	.092	.056	.590	20	1271	.083	.087	.168	.417	20	2013	.092	.096	.223	.473
20	1222	.160	.086	.111	.498	20	1272	.161	.080	.096	.523	20	2014	.051	.077	.174	.406

APPENDIX A -- PRESSURE DATA:

CONFIGURATION A) ARGO PLAZA, LONG BEACH

WD	TAP	CPMEAN	CPRMS	CPMAX	CPMIN	WD	TAP	CPMEAN	CPRMS	CPMAX	CPMIN	WD	TAP	CPMEAN	CPRMS	CPMAX	CPMIN
20	20000	104	093	170	44	20	20045	089	089	219	424	20	2115	074	086	236	389
20	20001	066	088	203	37	20	20046	026	089	194	300	20	2116	054	083	226	355
20	20002	072	092	229	41	20	20047	114	089	172	478	20	2117	067	084	215	340
20	20003	074	074	207	41	20	20048	080	087	202	434	20	2118	093	078	190	355
20	20004	094	094	296	55	20	20049	077	090	228	458	20	2119	047	081	240	330
20	20005	060	090	314	33	20	20050	026	073	233	348	20	2120	053	082	238	304
20	20006	077	100	263	52	20	20051	114	094	214	556	20	2121	056	084	206	377
20	20007	122	086	219	52	20	20052	097	094	223	524	20	2122	103	083	190	421
20	20008	127	122	210	88	20	20053	059	090	169	415	20	2123	084	087	211	443
20	20009	113	126	272	33	20	20054	051	071	204	276	20	2124	081	084	217	452
20	20010	114	113	295	38	20	20055	142	093	184	448	20	2125	088	081	267	360
20	20011	45	158	07	43	20	20056	46	235	225	422	20	2126	406	225	171	1786
20	20012	59	242	07	43	20	20057	38	233	104	312	20	2127	334	227	194	1967
20	20013	27	158	07	43	20	20058	78	237	089	86	20	2128	169	132	222	855
20	20014	20	117	07	11	20	20059	16	113	089	61	20	2129	137	102	288	880
20	20015	108	086	184	41	20	20060	12	104	231	629	20	2130	125	092	449	559
20	20016	151	112	239	54	20	20061	096	096	232	497	20	2131	084	093	210	425
20	20017	107	104	343	98	20	20062	107	089	191	448	20	2132	077	091	219	392
20	20018	093	092	261	66	20	20063	079	090	236	404	20	2133	074	087	177	403
20	20019	054	074	204	33	20	20064	084	090	240	408	20	2134	100	081	167	429
20	20020	121	095	197	44	20	20065	084	090	210	420	20	2135	071	085	206	434
20	20021	06	089	220	0	20	20066	097	080	174	355	20	2136	069	086	208	450
20	20022	07	079	220	4	20	20067	069	084	204	355	20	2137	072	089	201	442
20	20023	04	070	220	4	20	20068	080	081	188	334	20	2138	107	083	146	466
20	20024	11	095	220	4	20	20069	090	094	270	392	20	2139	077	088	202	460
20	20025	09	089	220	4	20	20070	097	088	231	376	20	2140	070	086	200	401
20	20026	04	089	220	4	20	20071	052	092	268	353	20	2141	062	076	202	345
20	20027	04	089	220	4	20	20072	060	092	254	342	20	2142	104	072	144	455
20	20028	04	088	220	4	20	20073	060	081	211	375	20	2143	073	077	199	382
20	20029	04	085	220	4	20	20074	077	076	180	376	20	2144	063	078	197	397
20	20030	070	092	215	44	20	20075	044	080	238	351	20	2145	052	084	229	411
20	20031	036	077	194	41	20	20076	058	084	247	377	20	2146	091	079	181	407
20	20032	119	102	184	16	20	20077	088	088	208	400	20	2147	064	085	224	400
20	20033	09	100	221	1	20	20078	120	083	163	397	20	2148	064	085	219	394
20	20034	09	100	221	2	20	20079	087	085	187	390	20	2149	076	086	217	443
20	20035	054	083	221	2	20	20080	093	084	177	393	20	2150	114	080	166	434
20	20036	09	089	221	2	20	21000	42	087	149	588	20	2201	099	107	305	529
20	20037	09	089	221	2	20	21001	42	087	112	394	20	2202	066	122	441	482
20	20038	09	089	221	2	20	21002	42	087	112	394	20	2203	124	152	459	744
20	20039	09	089	221	2	20	21003	42	087	112	394	20	2204	124	152	459	744
20	20040	09	089	221	2	20	21004	42	087	112	394	20	2205	112	164	521	840
20	20041	09	089	221	2	20	21005	42	087	112	394	20	2206	112	164	521	840
20	20042	09	089	221	2	20	21006	42	087	112	394	20	2207	112	164	521	840
20	20043	09	089	221	2	20	21007	42	087	112	394	20	2208	112	164	521	840
20	20044	09	089	221	2	20	21008	42	087	112	394	20	2209	112	164	521	840
20	20045	09	089	221	2	20	21009	42	087	112	394	20	2210	112	164	521	840
20	20046	09	089	221	2	20	21010	42	087	112	394	20	2211	112	164	521	840
20	20047	09	089	221	2	20	21011	42	087	112	394	20	2212	112	164	521	840
20	20048	09	089	221	2	20	21012	42	087	112	394	20	2213	112	164	521	840
20	20049	09	089	221	2	20	21013	42	087	112	394	20	2214	112	164	521	840
20	20050	09	089	221	2	20	21014	42	087	112	394	20	2215	112	164	521	840

APPENDIX A -- PRESSURE DATA:

CONFIGURATION A: ARCO PLAZA, LONG BEACH

WD	TAP	CPMEAN	CPRMS	CPMAX	CPMIN	WD	TAP	CPMEAN	CPRMS	CPMAX	CPMIN	WD	TAP	CPMEAN	CPRMS	CPMAX	CPMIN
20	22216	114	123	345	513	20	22666	102	091	216	488	30	908	121	088	220	420
20	22217	146	125	402	597	20	22667	136	093	155	506	30	909	129	085	160	487
20	22218	057	132	439	691	20	22668	148	094	220	451	30	910	091	071	155	366
20	22219	119	157	663	446	20	22669	182	097	220	495	30	911	125	084	185	403
20	22220	084	189	743	555	20	2270	062	110	417	426	30	912	117	083	159	421
20	22221	155	101	204	565	20	2271	023	152	605	445	30	913	117	083	141	381
20	22222	095	094	242	505	20	2272	044	161	479	528	30	914	082	071	138	327
20	22223	117	095	225	429	20	2273	179	095	109	504	30	915	128	085	150	411
20	22224	203	086	062	471	20	2274	103	091	177	419	30	916	115	082	135	375
20	22225	163	096	174	505	20	2275	109	085	182	439	30	917	121	085	177	386
20	22226	125	096	204	486	20	2276	196	079	065	440	30	1001	177	114	209	795
20	22227	127	103	244	533	20	2277	166	088	128	451	30	1002	226	101	119	703
20	22228	245	103	107	657	20	22778	097	084	172	373	30	1003	234	122	157	773
20	22229	127	113	232	479	20	2278	097	084	168	437	30	1004	254	114	117	661
20	22230	101	098	276	444	20	2280	077	073	157	374	30	1005	002	123	432	535
20	22231	089	127	447	520	20	2281	051	085	337	432	30	1006	181	168	644	816
20	22232	019	195	693	579	20	2282	089	088	178	404	30	1007	303	126	063	852
20	22233	083	231	915	657	20	2283	039	107	405	410	30	1008	274	117	057	758
20	22234	117	094	205	491	20	2284	211	112	689	135	30	1009	106	114	274	479
20	22235	131	094	187	548	20	2285	188	134	726	223	30	1010	015	121	415	430
20	22236	212	084	083	560	20	2901	231	125	202	779	30	1011	159	112	281	644
20	22237	176	091	146	603	20	2902	136	115	231	766	30	1012	107	146	404	661
20	22238	112	087	201	510	20	2903	098	129	425	736	30	1013	024	134	544	435
20	22239	145	088	165	621	20	2904	081	117	404	468	30	1014	011	115	383	399
20	22240	237	088	045	657	20	2905	091	107	354	476	30	1015	012	133	405	445
20	22241	217	101	075	696	20	2906	035	102	333	394	30	1016	072	139	515	473
20	22242	072	106	375	465	20	2907	106	098	220	506	30	1017	093	116	526	255
20	22243	145	098	182	731	20	2908	075	105	333	476	30	1018	034	100	445	283
20	22244	206	111	177	619	20	2909	082	088	263	397	30	1019	075	113	499	296
20	22245	013	191	652	634	20	2910	060	077	212	372	30	1020	079	116	529	324
20	22246	073	204	933	623	20	2911	079	087	245	387	30	1021	043	113	447	333
20	22247	119	094	206	447	20	2912	077	086	245	384	30	1022	056	108	345	439
20	22248	204	090	107	518	20	2913	049	096	412	444	30	1023	107	109	286	513
20	22249	168	099	172	523	20	2914	013	078	334	360	30	1024	121	096	228	441
20	22250	098	093	244	413	20	2915	010	093	325	356	30	1025	152	085	140	432
20	22251	116	086	182	461	20	2916	020	095	403	374	30	1026	229	091	040	639
20	22252	217	085	068	558	20	2917	086	125	428	512	30	1027	211	099	092	584
20	22253	183	098	134	591	20	2918	085	122	392	466	30	1028	175	100	100	556
20	22254	119	094	212	478	20	2919	087	103	333	459	30	1029	239	115	115	719
20	22255	095	099	249	402	20	2920	102	093	216	497	30	1030	065	117	337	467
20	22256	238	088	103	558	20	2921	104	084	180	501	30	1031	265	132	311	724
20	22257	170	121	375	587	20	2922	095	074	152	324	30	1032	192	101	095	570
20	22258	033	181	702	534	20	2923	123	092	266	451	30	1033	196	104	126	563
20	22259	017	186	816	556	30	901	148	088	137	456	30	1034	165	094	183	463
20	22260	207	084	070	488	30	902	079	075	264	337	30	1035	130	132	632	367
20	22261	174	094	139	482	30	903	149	089	151	471	30	1036	006	120	374	470
20	22262	099	088	197	396	30	904	129	084	155	447	30	1037	024	145	435	503
20	22263	109	088	217	433	30	905	120	088	238	431	30	1038	087	124	489	294
20	22264	199	084	121	485	30	906	082	075	220	322	30	1039	219	130	762	163
20	2265	174	095	174	553	30	907	120	088	232	408	30	1040	225	130	716	171

APPENDIX A -- PRESSURE DATA:

CONFIGURATION A) ARCO PLAZA, LONG BEACH

WD	TAP	CPMEAN	CPRMS	CPMAX	CPMIN	WD	TAP	CPMEAN	CPRMS	CPMAX	CPMIN	WD	TAP	CPMEAN	CPRMS	CPMAX	CPMIN
1041	226	135	804	273	30	1091	163	106	603	224	30	1141	173	102	554	130	
1042	237	132	777	117	30	1092	185	099	660	154	30	1142	153	091	474	110	
1043	263	138	800	126	30	1093	189	109	676	146	30	1143	179	110	620	102	
1044	283	129	791	097	30	1094	144	100	545	142	30	1144	158	110	587	154	
1045	194	145	732	309	30	1095	105	123	576	297	30	1145	105	116	492	312	
1046	124	119	498	236	30	1096	088	104	500	211	30	1146	072	086	386	212	
1047	034	123	465	382	30	1097	014	112	558	326	30	1147	015	101	329	339	
1048	002	101	398	222	30	1098	054	085	293	327	30	1148	003	095	300	331	
1049	008	091	193	455	30	1099	103	089	239	402	30	1149	054	091	310	427	
1050	000	000	000	000	30	1100	130	083	174	395	30	1150	131	076	134	437	
1051	000	000	000	000	30	1101	120	083	180	432	30	1201	198	101	130	579	
1052	000	000	000	000	30	1102	141	073	131	396	30	1202	163	098	249	587	
1053	000	000	000	000	30	1103	132	089	169	468	30	1204	210	080	064	498	
1054	000	000	000	000	30	1104	160	095	179	533	30	1205	230	094	102	571	
1055	000	000	000	000	30	1105	090	088	171	429	30	1206	169	087	119	490	
1056	000	000	000	000	30	1106	211	097	241	560	30	1207	186	088	110	446	
1057	000	000	000	000	30	1107	209	098	083	630	30	1208	265	089	025	526	
1058	000	000	000	000	30	1108	199	096	099	551	30	1209	291	107	049	633	
1059	000	000	000	000	30	1109	153	098	203	538	30	1210	167	093	129	470	
1060	000	000	000	000	30	1110	069	088	348	293	30	1211	172	096	176	590	
1061	000	000	000	000	30	1111	066	104	329	411	30	1212	236	086	092	603	
1062	000	000	000	000	30	1112	008	107	388	352	30	1213	242	095	099	637	
1063	000	000	000	000	30	1113	073	101	387	262	30	1214	143	088	128	503	
1064	000	000	000	000	30	1114	132	079	395	146	30	1215	143	089	173	453	
1065	000	000	000	000	30	1115	135	095	446	215	30	1216	210	083	086	507	
1066	000	000	000	000	30	1116	139	091	457	214	30	1217	232	095	132	555	
1067	000	000	000	000	30	1117	143	099	528	168	30	1218	140	096	188	493	
1068	000	000	000	000	30	1118	122	088	451	136	30	1219	159	098	184	544	
1069	000	000	000	000	30	1119	091	105	489	225	30	1220	234	077	004	490	
1070	000	000	000	000	30	1120	053	108	468	300	30	1221	275	096	002	645	
1071	000	000	000	000	30	1121	047	100	448	302	30	1222	173	089	083	513	
1072	000	000	000	000	30	1122	043	089	288	383	30	1223	182	086	082	470	
1073	000	000	000	000	30	1123	067	096	279	428	30	1224	250	078	018	513	
1074	000	000	000	000	30	1124	103	084	167	392	30	1225	268	091	004	566	
1075	000	000	000	000	30	1125	103	083	159	421	30	1226	167	085	087	426	
1076	000	000	000	000	30	1126	132	073	073	435	30	1227	158	084	171	412	
1077	000	000	000	000	30	1127	132	087	134	474	30	1228	227	080	071	475	
1078	000	000	000	000	30	1128	124	080	127	470	30	1229	240	091	072	525	
1079	000	000	000	000	30	1129	172	097	162	602	30	1230	142	085	137	400	
1080	000	000	000	000	30	1130	054	087	282	384	30	1231	157	091	110	460	
1081	000	000	000	000	30	1131	129	119	408	532	30	1232	231	082	009	499	
1082	000	000	000	000	30	1132	167	087	154	521	30	1233	261	100	040	585	
1083	000	000	000	000	30	1133	174	097	125	559	30	1234	162	087	111	446	
1084	000	000	000	000	30	1134	170	076	077	438	30	1235	165	086	138	451	
1085	000	000	000	000	30	1135	120	098	481	168	30	1236	241	081	041	522	
1086	000	000	000	000	30	1136	070	095	444	209	30	1237	262	092	048	556	
1087	000	000	000	000	30	1137	056	120	507	378	30	1238	151	086	132	465	
1088	000	000	000	000	30	1138	100	095	535	262	30	1239	172	092	123	488	
1089	000	000	000	000	30	1139	196	110	707	206	30	1240	230	086	045	510	
1090	000	000	000	000	30	1140	205	107	740	174	30	1241	261	101	055	608	

APPENDIX A -- PRESSURE DATA:

CONFIGURATION A: ARCO PLAZA, LONG BEACH

WD	TAP	CPMEAN	CPRMS	CPMAX	CPMIN	WD	TAP	CPMEAN	CPRMS	CPMAX	CPMIN	WD	TAP	CPMEAN	CPRMS	CPMAX	CPMIN
30	1242	140	091	144	435	30	1907	267	143	268	942	30	2034	120	082	120	420
30	1243	138	086	158	458	30	1908	331	181	166	419	30	2035	127	100	168	493
30	1244	197	081	055	472	30	1909	297	106	121	630	30	2036	099	093	196	408
30	1245	217	096	086	540	30	1910	280	121	112	823	30	2037	086	087	186	418
30	1246	118	089	159	408	30	1911	355	130	164	826	30	2038	102	075	130	387
30	1247	154	089	158	439	30	1912	360	120	018	985	30	2039	107	090	223	442
30	1248	227	084	067	494	30	1913	214	114	127	759	30	2040	082	086	194	431
30	1249	258	094	078	564	30	1914	276	118	134	865	30	2041	074	088	194	356
30	1250	147	087	173	447	30	1915	359	116	013	715	30	2042	087	075	140	362
30	1251	143	089	132	438	30	1916	330	107	011	726	30	2043	095	091	200	407
30	1252	216	084	036	481	30	1917	160	091	148	507	30	2044	081	091	200	364
30	1253	221	094	101	508	30	1918	168	099	167	637	30	2045	081	091	215	447
30	1254	125	085	151	393	30	1919	318	110	092	719	30	2046	087	087	168	381
30	1255	137	082	141	419	30	1920	384	143	167	030	30	2047	104	094	194	439
30	1256	205	076	036	467	30	1921	416	154	267	008	30	2048	100	096	227	444
30	1257	219	089	064	523	30	1922	341	132	327	924	30	2049	112	110	224	433
30	1258	110	083	171	464	30	1923	221	107	172	606	30	2050	123	093	231	337
30	1259	123	092	162	451	30	2001	384	219	124	853	30	2051	324	216	200	441
30	1260	219	087	056	510	30	2002	276	132	046	100	30	2052	262	184	282	333
30	1261	245	100	070	583	30	2003	201	133	228	237	30	2053	188	143	291	922
30	1262	144	092	142	437	30	2004	152	117	221	635	30	2054	148	098	228	512
30	1263	152	089	115	455	30	2005	124	104	223	584	30	2055	137	108	225	520
30	1264	220	083	036	509	30	2006	104	081	262	443	30	2056	116	104	199	591
30	1265	244	099	044	614	30	2007	106	090	262	442	30	2057	102	094	202	401
30	1266	108	091	276	399	30	2008	104	092	262	498	30	2058	105	075	153	401
30	1267	134	089	187	467	30	2009	120	110	192	664	30	2059	122	090	193	444
30	1268	200	082	086	505	30	2010	108	090	151	589	30	2060	114	091	193	444
30	1269	225	094	106	586	30	2011	103	099	188	517	30	2061	103	088	206	399
30	1270	117	088	199	447	30	2012	084	092	188	498	30	2062	094	071	156	443
30	1271	112	084	158	378	30	2013	094	093	222	457	30	2063	112	087	194	427
30	1272	194	082	088	451	30	2014	093	077	163	367	30	2064	099	088	196	420
30	1273	236	099	102	594	30	2015	085	088	201	389	30	2065	087	090	222	376
30	1274	130	092	184	466	30	2016	082	083	219	411	30	2066	079	073	165	320
30	1275	140	086	138	448	30	2017	079	085	216	484	30	2067	092	089	210	396
30	1276	219	077	014	514	30	2018	085	072	155	430	30	2068	085	090	226	396
30	1277	243	094	033	577	30	2019	088	088	199	465	30	2069	076	085	250	368
30	1278	134	083	103	442	30	2020	071	083	254	404	30	2070	072	071	190	319
30	1279	074	073	149	322	30	2021	081	097	200	548	30	2071	096	089	215	390
30	1280	114	085	152	399	30	2022	097	087	141	571	30	2072	112	094	212	426
30	1281	107	084	159	383	30	2023	112	120	309	711	30	2073	117	095	182	443
30	1282	111	081	154	373	30	2024	128	132	276	837	30	2074	118	077	120	432
30	1283	075	069	150	297	30	2025	158	143	285	937	30	2075	143	092	133	515
30	1284	113	081	158	386	30	2026	349	190	194	388	30	2076	318	198	138	134
30	1285	112	081	158	380	30	2027	300	197	275	341	30	2077	253	170	198	186
30	1901	128	109	252	597	30	2028	190	136	257	801	30	2078	204	116	120	755
30	1902	156	106	315	544	30	2029	143	107	174	563	30	2079	128	107	176	503
30	1903	148	094	200	468	30	2030	125	087	143	561	30	2080	117	103	219	483
30	1904	160	093	172	536	30	2031	113	099	231	527	30	2081	112	099	228	456
30	1905	126	085	153	426	30	2032	097	094	197	473	30	2082	133	091	177	435
30	1906	176	127	365	691	30	2033	101	094	227	419	30	2083	096	090	244	389

APPENDIX A -- PRESSURE DATA:

CONFIGURATION A) ARCO PLAZA, LONG BEACH

MD	TAP	CPMEAN	CPRMS	CPMAX	CPMIN	MD	TAP	CPMEAN	CPRMS	CPMAX	CPMIN	MD	TAP	CPMEAN	CPRMS	CPMAX	CPMIN
300	084	110	094	216	441	300	084	137	097	188	502						
300	085	115	101	216	441	300	085	137	081	154	437						
300	086	127	090	162	463	300	086	133	081	170	450						
300	087	069	092	215	411	300	087	138	090	168	424						
300	088	083	090	187	411	300	088	146	089	159	518						
300	089	097	087	190	411	300	089	133	080	141	417						
300	090	111	081	157	368	300	090	168	092	152	499						
300	091	053	085	207	329	300	091	142	099	300	439						
300	092	062	085	193	360	300	092	150	099	182	514						
300	093	073	081	199	436	300	093	144	099	168	592						
300	094	103	076	139	448	300	094	111	099	168	590						
300	095	054	078	193	417	300	095	150	099	168	590						
300	096	076	083	198	452	300	096	133	092	168	590						
300	097	118	090	192	436	300	097	148	091	138	527						
300	098	158	084	145	451	300	098	124	092	175	578						
300	099	106	086	199	452	300	099	124	090	195	564						
300	100	117	087	182	448	300	100	147	092	178	466						
300	101	288	201	254	448	300	101	122	098	150	421						
300	102	272	165	172	448	300	102	147	085	175	525						
300	103	152	127	235	603	300	103	137	085	178	531						
300	104	130	113	287	603	300	104	122	085	136	481						
300	105	125	111	234	603	300	105	144	085	138	447						
300	106	145	096	135	511	300	106	168	099	171	535						
300	107	094	097	190	904	300	107	133	099	541	701						
300	108	108	088	172	456	300	108	144	074	540	538						
300	109	106	092	274	481	300	109	128	074	147	417						
300	110	141	089	219	451	300	110	141	086	170	477						
300	111	087	088	272	414	300	111	119	084	189	456						
300	112	079	088	269	475	300	112	116	081	147	451						
300	113	104	088	165	480	300	113	117	073	128	412						
300	114	130	086	130	55	300	114	117	084	143	480						
300	115	064	085	254	225	300	115	140	083	161	456						
300	116	051	083	207	225	300	116	131	089	193	469						
300	117	061	088	217	395	300	117	107	079	204	415						
300	118	103	083	162	416	300	118	166	099	235	495						
300	119	060	086	215	399	300	119	144	096	235	478						
300	120	054	086	206	446	300	120	133	099	604	495						
300	121	070	081	159	416	300	121	144	131	588	481						
300	122	130	080	120	447	300	122	133	087	103	623						
300	123	099	081	141	432	300	123	116	086	122	677						
300	124	100	079	130	31	300	124	111	085	188	443						
300	125	111	082	133	99	300	125	111	073	160	379						
300	126	098	082	133	99	300	126	133	084	186	421						
300	127	098	082	133	99	300	127	133	084	193	398						
300	128	129	117	146	111	300	128	133	089	188	460						
300	129	124	110	146	111	300	129	133	077	184	430						
300	130	133	095	155	111	300	130	133	100	217	532						
300	131	095	092	144	111	300	131	133	095	261	514						
300	132	092	084	144	111	300	132	133	111	387	400						
300	090	084	084	238	22	300	090	133	095	755	219						

APPENDIX A -- PRESSURE DATA:

CONFIGURATION A) ARCO PLAZA, LONG BEACH

WD	TAP	CP	MEAN	CPRMS	CPMAX	CPMIN	WD	TAP	CP	MEAN	CPRMS	CPMAX	CPMIN	WD	TAP	CP	MEAN	CPRMS	CPMAX	CPMIN
40	1010	015	116	452	434	40	1060	180	120	641	217									
40	1011	133	130	340	669	40	1061	082	115	466	342									
40	1012	052	154	435	649	40	1062	025	123	447	394									
40	1013	059	132	507	385	40	1063	136	121	587	278									
40	1014	110	110	449	352	40	1064	242	102	664	082									
40	1015	130	130	517	430	40	1065	238	117	649	192									
40	1016	089	130	563	403	40	1066	192	112	548	144									
40	1017	068	119	447	373	40	1067	209	118	625	148									
40	1018	002	106	395	420	40	1068	247	112	644	115									
40	1019	028	119	501	425	40	1069	195	120	644	129									
40	1020	099	119	422	472	40	1070	044	123	423	395									
40	1021	010	109	378	406	40	1071	035	107	476	280									
40	1022	121	100	278	508	40	1072	057	106	369	415									
40	1023	022	102	199	528	40	1073	088	095	224	452									
40	1024	153	090	170	488	40	1074	195	077	093	445									
40	1025	185	092	130	530	40	1075	220	087	068	500									
40	1026	288	099	000	682	40	1076	167	096	123	682									
40	1027	272	108	059	670	40	1077	164	098	185	553									
40	1028	235	108	097	676	40	1078	202	089	119	545									
40	1029	309	115	022	943	40	1079	233	110	123	705									
40	1030	017	122	500	470	40	1080	081	110	346	432									
40	1031	113	122	462	792	40	1081	210	114	227	621									
40	1032	158	113	275	622	40	1082	245	093	125	564									
40	1033	160	112	331	655	40	1083	225	106	172	592									
40	1034	144	104	359	435	40	1084	153	104	256	497									
40	1035	179	130	641	336	40	1085	144	118	601	284									
40	1036	070	130	593	433	40	1086	097	107	452	352									
40	1037	053	133	607	434	40	1087	016	135	501	417									
40	1038	139	128	587	268	40	1088	141	121	612	225									
40	1039	231	135	693	216	40	1089	228	112	682	128									
40	1040	255	131	730	182	40	1090	187	101	592	111									
40	1041	237	131	715	261	40	1091	190	114	633	160									
40	1042	209	117	631	146	40	1092	207	107	616	127									
40	1043	225	129	797	184	40	1093	225	110	778	102									
40	1044	207	125	655	116	40	1094	122	108	756	168									
40	1045	136	136	564	281	40	1095	053	136	594	315									
40	1046	055	106	471	238	40	1096	058	104	437	278									
40	1047	059	113	376	390	40	1097	062	105	328	461									
40	1048	077	099	268	378	40	1098	149	085	203	467									
40	1049	147	099	171	487	40	1099	160	090	197	462									
40	1050	233	083	041	532	40	1100	159	085	172	439									
40	1051	248	084	005	005	40	1101	167	094	134	552									
40	1052	194	102	111	667	40	1102	216	087	044	596									
40	1053	199	107	126	660	40	1103	187	104	126	709									
40	1054	331	112	039	765	40	1104	204	107	111	648									
40	1055	086	129	389	623	40	1105	112	087	226	407									
40	1056	199	124	418	615	40	1106	252	089	215	568									
40	1057	188	103	204	505	40	1107	220	098	102	646									
40	1058	249	095	074	553	40	1108	193	095	126	616									
40	1059	166	110	303	493	40	1109	166	097	218	577									

APPENDIX A -- PRESSURE DATA

CONFIGURATION A: ARCO PLAZA, LONG BEACH

WD	TAP	CPMEAN	CPRMS	CPMAX	CPMIN	WD	TAP	CPMEAN	CPRMS	CPMAX	CPMIN	WD	TAP	CPMEAN	CPRMS	CPMAX	CPMIN
40	11110	.079	.096	.519	-.219	40	12111	-.182	.087	.164	-.704	40	1261	-.257	.086	.040	-.630
40	11111	.012	.109	.473	-.325	40	12112	-.246	.078	.052	-.501	40	1262	-.146	.088	.112	-.493
40	11112	.027	.114	.462	-.300	40	12113	-.270	.083	.075	-.586	40	1263	-.153	.091	.142	-.431
40	11113	.126	.110	.518	-.237	40	12114	-.162	.083	.155	-.449	40	1264	-.204	.085	.068	-.475
40	11114	.150	.088	.486	-.158	40	12115	-.167	.079	.171	-.491	40	1265	-.260	.101	.061	-.586
40	11115	.167	.100	.567	-.183	40	12116	-.235	.074	.063	-.524	40	1266	-.130	.089	.151	-.428
40	11116	.173	.097	.566	-.197	40	12117	-.276	.086	.023	-.569	40	1267	-.142	.080	.121	-.449
40	11117	.165	.102	.494	-.204	40	12118	-.178	.087	.105	-.493	40	1268	-.188	.074	.091	-.465
40	11118	.121	.092	.409	-.199	40	12119	-.199	.095	.096	-.549	40	1269	-.244	.086	.097	-.550
40	11119	.072	.105	.448	-.320	40	12200	-.274	.073	-.034	-.541	40	1270	-.126	.080	.176	-.414
40	11200	.011	.108	.438	-.364	40	12201	-.301	.089	.027	-.614	40	1271	-.129	.082	.140	-.413
40	11201	.012	.094	.392	-.281	40	12202	-.189	.082	.106	-.478	40	1272	-.192	.080	.110	-.502
40	11202	-.132	.086	.214	-.438	40	12203	-.189	.084	.127	-.552	40	1273	-.249	.092	.053	-.607
40	11203	-.133	.093	.193	-.546	40	12204	-.253	.077	.028	-.571	40	1274	-.134	.085	.141	-.462
40	11204	-.133	.083	.165	-.429	40	12205	-.283	.089	.052	-.651	40	1275	-.145	.086	.138	-.433
40	11205	-.161	.082	.098	-.460	40	12206	-.170	.081	.146	-.488	40	1276	-.197	.079	.054	-.465
40	11206	-.211	.080	.070	-.602	40	12207	-.174	.081	.083	-.465	40	1277	-.254	.095	.044	-.574
40	11207	-.179	.091	.153	-.535	40	12208	-.242	.077	.009	-.530	40	1278	-.141	.084	.121	-.428
40	11208	-.155	.081	.159	-.430	40	12209	-.275	.087	.014	-.616	40	1279	-.093	.076	.160	-.374
40	11209	-.211	.108	.098	-.889	40	12300	-.170	.080	.089	-.475	40	1280	-.123	.088	.186	-.439
40	11210	-.093	.097	.266	-.489	40	12301	-.186	.084	.098	-.489	40	1281	-.115	.088	.199	-.427
40	11300	.160	.127	.425	-.632	40	12302	-.256	.077	.001	-.528	40	1282	-.122	.090	.186	-.431
40	11301	.184	.097	.138	-.644	40	12303	-.302	.094	.020	-.629	40	1283	-.103	.079	.148	-.372
40	11302	.192	.101	.128	-.583	40	12304	-.171	.085	.088	-.456	40	1284	-.130	.091	.162	-.441
40	11303	.213	.079	.072	-.520	40	12305	-.179	.082	.076	-.435	40	1285	-.129	.090	.163	-.433
40	11304	.126	.107	.565	-.268	40	12306	-.245	.079	.015	-.500	40	1901	-.205	.115	.242	-.745
40	11305	.095	.103	.580	-.309	40	12307	-.171	.082	.078	-.436	40	1902	-.169	.116	.262	-.715
40	11306	.089	.110	.468	-.295	40	12308	-.166	.084	.113	-.476	40	1903	-.171	.092	.116	-.496
40	11307	.116	.094	.488	-.166	40	12309	-.243	.077	.032	-.508	40	1904	-.180	.092	.150	-.499
40	11308	.215	.110	.782	-.092	40	12400	-.290	.090	.033	-.599	40	1905	-.158	.082	.153	-.414
40	11309	.229	.102	.654	-.064	40	12401	-.164	.081	.138	-.463	40	1906	-.197	.123	.248	-.838
40	11400	.180	.095	.630	-.167	40	12402	-.171	.090	.151	-.516	40	1907	-.266	.143	.278	-.879
40	11401	.134	.086	.499	-.210	40	12403	-.225	.086	.059	-.530	40	1908	-.345	.192	.292	-1.422
40	11402	.159	.103	.620	-.248	40	12404	-.270	.102	.045	-.625	40	1909	-.359	.114	.055	-.844
40	11403	.133	.105	.514	-.272	40	12405	-.163	.095	.112	-.479	40	1910	-.327	.130	.088	-.911
40	11404	.040	.125	.464	-.340	40	12406	-.168	.081	.140	-.538	40	1911	-.398	.137	.065	-.910
40	11405	.057	.106	.327	-.275	40	12407	-.228	.077	.060	-.579	40	1912	-.397	.119	.013	-.836
40	11406	.055	.096	.327	-.383	40	12408	-.278	.087	.048	-.670	40	1913	-.296	.120	.039	-.951
40	11407	.100	.090	.182	-.417	40	12500	-.161	.080	.132	-.516	40	1914	-.332	.119	.056	-1.005
40	11408	.185	.079	.055	-.488	40	12501	-.161	.081	.101	-.478	40	1915	-.402	.114	.016	-.831
40	11500	.211	.099	.126	-.743	40	12502	-.225	.075	.011	-.518	40	1916	-.362	.111	.040	-.754
40	12001	-.165	.094	.141	-.548	40	12503	-.265	.087	.004	-.621	40	1917	-.185	.092	.167	-.509
40	12002	-.246	.079	.028	-.500	40	12504	-.156	.079	.088	-.488	40	1918	-.190	.109	.197	-.632
40	12003	-.279	.096	.027	-.639	40	12505	-.154	.061	.113	-.429	40	1919	-.347	.108	.019	-.790
40	12004	-.194	.088	.117	-.500	40	12506	-.207	.076	.038	-.451	40	1920	-.375	.129	.175	-.814
40	12005	-.202	.086	.150	-.551	40	12507	-.248	.089	.041	-.537	40	1921	-.409	.131	.128	-.859
40	12006	-.278	.088	.087	-.606	40	12508	-.133	.082	.140	-.389	40	1922	-.413	.140	.210	-1.005
40	12007	-.303	.102	.106	-.672	40	12509	-.144	.088	.131	-.465	40	1923	-.258	.114	.099	-.708
40	12008	-.176	.088	.158	-.514	40	12600	-.204	.083	.054	-.517	40	2001	-.260	.189	.332	-1.220
40	12100	-.176	.088	.158	-.514	40	12600	-.204	.083	.054	-.517	40	2002	-.212	.129	.231	-.822

APPENDIX A -- PRESSURE DATA:

CONFIGURATION A; ARCO PLAZA, LONG BEACH

WD	TAP	CPMEAN	CPRMS	CPMAX	CPMIN	WD	TAP	CPMEAN	CPRMS	CPMAX	CPMIN	WD	TAP	CPMEAN	CPRMS	CPMAX	CPMIN
40	2003	.180	.138	263	-.761	40	2053	-.142	.118	.342	-.674	40	2103	-.144	.115	.231	-.686
40	2004	-.131	.119	257	-.590	40	2054	-.137	.087	.196	-.509	40	2104	-.135	.105	.202	-.557
40	2005	-.117	.107	246	-.554	40	2055	-.140	.099	.218	-.514	40	2105	-.128	.109	.213	-.661
40	2006	-.122	.088	243	-.561	40	2056	-.120	.096	.188	-.450	40	2106	-.156	.099	.146	-.603
40	2007	-.124	.099	205	-.470	40	2057	-.120	.098	.196	-.463	40	2107	-.102	.097	.198	-.501
40	2008	-.113	.099	2189	-.633	40	2058	-.123	.080	.147	-.367	40	2108	-.117	.093	.173	-.475
40	2009	-.136	.107	2185	-.608	40	2059	-.155	.097	.177	-.483	40	2109	-.117	.099	.201	-.391
40	2010	-.130	.086	213	-.515	40	2060	-.131	.097	.200	-.492	40	2110	-.156	.097	.164	-.677
40	2011	-.119	.096	272	-.518	40	2061	-.109	.091	.211	-.463	40	2111	-.092	.095	.216	-.479
40	2012	-.080	.090	287	-.444	40	2062	-.100	.073	.177	-.380	40	2112	-.080	.091	.205	-.433
40	2013	-.083	.093	206	-.450	40	2063	-.119	.089	.224	-.483	40	2113	-.083	.092	.204	-.398
40	2014	-.093	.079	159	-.404	40	2064	-.089	.087	.252	-.429	40	2114	-.110	.090	.162	-.404
40	2015	-.094	.091	210	-.438	40	2065	-.085	.085	.201	-.396	40	2115	-.055	.091	.231	-.344
40	2016	-.065	.087	222	-.376	40	2066	-.091	.072	.149	-.377	40	2116	-.054	.089	.221	-.343
40	2017	-.076	.092	235	-.429	40	2067	-.114	.090	.175	-.468	40	2117	-.064	.091	.270	-.369
40	2018	-.093	.081	184	-.378	40	2068	-.091	.091	.204	-.439	40	2118	-.110	.086	.165	-.426
40	2019	-.104	.103	244	-.528	40	2069	-.082	.092	.237	-.441	40	2119	-.065	.090	.201	-.393
40	2020	-.077	.094	246	-.428	40	2070	-.088	.078	.177	-.372	40	2120	-.062	.090	.238	-.385
40	2021	-.087	.095	249	-.433	40	2071	-.109	.097	.214	-.464	40	2121	-.078	.091	.233	-.362
40	2022	-.111	.085	188	-.446	40	2072	-.097	.101	.218	-.462	40	2122	-.136	.089	.191	-.418
40	2023	-.126	.120	302	-.766	40	2073	-.122	.102	.312	-.549	40	2123	-.103	.092	.227	-.397
40	2024	-.136	.133	348	-.757	40	2074	-.151	.090	.264	-.620	40	2124	-.114	.091	.252	-.460
40	2025	-.199	.193	303	-.571	40	2075	-.186	.108	.290	-.708	40	2125	-.133	.082	.203	-.468
40	2026	-.238	.147	190	-.010	40	2076	-.203	.142	.208	-.1330	40	2126	-.326	.240	.212	-.679
40	2027	-.219	.147	243	-.914	40	2077	-.172	.120	.256	-.650	40	2127	-.197	.199	.267	-.357
40	2028	-.150	.115	281	-.564	40	2078	-.180	.104	.174	-.579	40	2128	-.124	.121	.205	-.840
40	2029	-.127	.106	241	-.610	40	2079	-.116	.101	.251	-.531	40	2129	-.121	.104	.204	-.487
40	2030	-.127	.083	164	-.506	40	2080	-.116	.098	.269	-.482	40	2130	-.138	.094	.199	-.458
40	2031	-.137	.097	247	-.427	40	2081	-.119	.098	.244	-.567	40	2131	-.098	.093	.209	-.417
40	2032	-.107	.092	242	-.421	40	2082	-.150	.093	.187	-.556	40	2132	-.103	.091	.200	-.427
40	2033	-.102	.088	228	-.436	40	2083	-.096	.091	.210	-.453	40	2133	-.095	.093	.252	-.425
40	2034	-.131	.078	170	-.410	40	2084	-.118	.095	.172	-.490	40	2134	-.131	.092	.204	-.513
40	2035	-.144	.096	231	-.481	40	2085	-.128	.095	.186	-.439	40	2135	-.086	.094	.241	-.466
40	2036	-.095	.088	240	-.398	40	2086	-.137	.086	.134	-.404	40	2136	-.089	.093	.240	-.421
40	2037	-.082	.085	221	-.374	40	2087	-.067	.086	.199	-.326	40	2137	-.085	.088	.195	-.471
40	2038	-.097	.073	160	-.348	40	2088	-.075	.083	.169	-.384	40	2138	-.125	.082	.135	-.471
40	2039	-.107	.088	195	-.423	40	2089	-.076	.086	.227	-.387	40	2139	-.079	.085	.198	-.416
40	2040	-.077	.085	202	-.374	40	2090	-.101	.081	.195	-.377	40	2140	-.081	.084	.193	-.419
40	2041	-.072	.088	278	-.443	40	2091	-.048	.083	.245	-.343	40	2141	-.064	.088	.232	-.422
40	2042	-.092	.076	213	-.400	40	2092	-.068	.084	.234	-.374	40	2142	-.112	.084	.171	-.452
40	2043	-.108	.093	274	-.422	40	2093	-.079	.082	.227	-.407	40	2143	-.069	.088	.214	-.420
40	2044	-.083	.092	239	-.466	40	2094	-.113	.078	.179	-.427	40	2144	-.077	.089	.214	-.434
40	2045	-.079	.089	194	-.388	40	2095	-.060	.079	.222	-.376	40	2145	-.071	.086	.187	-.351
40	2046	-.098	.079	147	-.358	40	2096	-.079	.084	.235	-.398	40	2146	-.113	.083	.134	-.378
40	2047	-.119	.097	184	-.460	40	2097	-.119	.088	.153	-.473	40	2147	-.082	.088	.206	-.371
40	2048	-.099	.103	266	-.439	40	2098	-.166	.083	.188	-.482	40	2148	-.098	.088	.169	-.393
40	2049	-.133	.119	441	-.707	40	2099	-.119	.085	.201	-.421	40	2149	-.105	.089	.224	-.434
40	2050	-.158	.102	360	-.588	40	2100	-.144	.087	.138	-.526	40	2150	-.150	.086	.123	-.455
40	2051	-.239	.177	230	-.761	40	2101	-.231	.176	.215	-.1351	40	2201	-.093	.112	.349	-.481
40	2052	-.188	.149	297	-.135	40	2102	-.241	.145	.157	-.1154	40	2202	-.053	.137	.700	-.650

APPENDIX A -- PRESSURE DATA:

CONFIGURATION A: ARCO PLAZA, LONG BEACH

WD	TAP	CPMEAN	CPRMS	CPMAX	CPMIN	WD	TAP	CPMEAN	CPRMS	CPMAX	CPMIN	WD	TAP	CPMEAN	CPRMS	CPMAX	CPMIN
40	22204	001	147	627	664	40	22254	175	087	138	363	40	2919	081	099	314	443
40	22205	043	172	615	564	40	22255	167	089	154	322	40	2920	105	089	207	413
40	22206	052	137	518	508	40	22256	179	084	127	468	40	2921	143	085	106	333
40	22207	021	149	615	458	40	22257	208	102	145	578	40	2922	105	076	172	378
40	22208	003	127	508	445	40	22258	154	113	256	510	40	2923	123	100	333	471
40	22209	045	147	706	528	40	22259	149	130	458	810	50	901	130	087	232	411
40	22210	056	130	492	508	40	22260	170	081	066	659	50	902	108	075	193	349
40	22211	122	110	337	542	40	22261	196	092	072	723	50	903	139	088	213	425
40	22212	137	096	221	500	40	22262	154	086	117	477	50	904	125	086	237	400
40	22213	102	115	377	505	40	22263	143	082	133	427	50	905	116	087	211	420
40	22214	103	125	433	499	40	22264	152	076	093	434	50	906	109	074	144	421
40	22215	076	136	520	458	40	22265	186	089	108	539	50	907	101	090	225	456
40	22216	020	147	566	476	40	22266	141	086	137	480	50	908	109	089	233	479
40	22217	081	154	570	603	40	22267	154	082	111	419	50	909	129	091	148	483
40	22218	123	128	587	682	40	22268	157	076	082	412	50	910	114	078	112	414
40	22219	072	127	441	523	40	22269	196	087	103	484	50	911	118	090	148	467
40	22220	082	149	553	619	40	22270	160	090	142	454	50	912	101	093	197	464
40	22221	157	115	331	772	40	22271	135	107	448	582	50	913	119	089	158	432
40	22222	121	105	288	587	40	22272	142	107	449	538	50	914	109	078	118	424
40	22223	130	098	175	540	40	22273	176	095	150	558	50	915	129	090	161	450
40	22224	157	082	096	452	40	22274	137	093	181	545	50	916	111	088	164	424
40	22225	186	095	117	582	40	22275	118	091	197	401	50	917	131	088	161	442
40	22226	179	097	113	638	40	22276	126	081	142	380	50	1001	235	122	150	862
40	22227	154	094	134	490	40	22277	159	094	193	465	50	1002	302	109	088	716
40	22228	186	088	081	557	40	22278	128	092	237	418	50	1003	331	123	050	846
40	22229	167	102	169	587	40	22279	132	087	237	421	50	1004	301	109	082	769
40	22230	141	095	170	535	40	22280	121	076	196	395	50	1005	045	111	307	667
40	22231	154	098	221	569	40	22281	141	090	241	467	50	1006	004	186	632	653
40	22232	143	111	472	708	40	22282	147	091	250	479	50	1007	243	114	111	533
40	22233	152	157	715	007	40	22283	121	096	344	404	50	1008	210	106	167	583
40	22234	181	114	228	713	40	22284	001	135	525	398	50	1009	022	127	439	512
40	22235	169	099	176	590	40	22285	018	175	665	617	50	1010	019	110	466	373
40	22236	178	082	108	469	40	2901	126	111	308	606	50	1011	063	129	389	524
40	22237	208	094	145	529	40	2902	089	096	256	570	50	1012	027	143	529	558
40	22238	179	092	120	516	40	2903	085	126	586	670	50	1013	081	124	525	392
40	22239	194	088	154	566	40	2904	042	119	412	408	50	1014	006	105	389	323
40	22240	191	080	131	561	40	2905	077	097	276	458	50	1015	050	124	455	477
40	22241	223	093	127	631	40	2906	034	097	349	329	50	1016	104	123	504	284
40	22242	177	092	167	572	40	2907	085	102	330	460	50	1017	050	128	566	500
40	22243	175	092	195	517	40	2908	074	102	349	448	50	1018	004	114	382	395
40	22244	186	088	133	520	40	2909	064	091	276	350	50	1019	011	127	486	448
40	22245	189	116	270	671	40	2910	058	081	241	312	50	1020	083	123	377	584
40	22246	148	143	411	858	40	2911	089	094	209	396	50	1021	058	104	295	457
40	22247	178	097	178	729	40	2912	083	092	213	420	50	1022	199	099	180	587
40	22248	188	088	146	510	40	2913	061	107	362	329	50	1023	224	107	180	623
40	22249	204	096	157	538	40	2914	024	085	256	277	50	1024	190	097	251	599
40	22250	161	090	172	449	40	2915	023	103	402	365	50	1025	195	097	144	511
40	22251	160	081	187	428	40	2916	010	104	357	373	50	1026	316	105	044	768
40	22252	181	076	168	415	40	2917	075	121	383	536	50	1027	299	113	092	861
40	22253	202	089	148	496	40	2918	078	118	556	530	50	1028	262	116	145	823

APPENDIX A -- PRESSURE DATA:

CONFIGURATION A: ARCO PLAZA, LONG BEACH

WD	TAP	CPMEAN	CPRMS	CPMAX	CPMIN	WD	TAP	CPMEAN	CPRMS	CPMAX	CPMIN	WD	TAP	CPMEAN	CPRMS	CPMAX	CPMIN
50	1029	.322	.124	.021	-1.160	50	1079	-.341	.116	.026	-.997	50	1129	-.240	.107	.108	-.759
50	1030	-.008	.117	.493	-.462	50	1080	-.078	.110	.276	-.505	50	1130	-.101	.097	.215	-.402
50	1031	-.102	.207	.750	-.666	50	1081	-.200	.123	.408	-.632	50	1131	-.160	.139	.462	-.576
50	1032	-.100	.117	.344	-.521	50	1082	-.259	.093	.051	-.654	50	1132	-.175	.094	.120	-.524
50	1033	-.108	.112	.260	-.594	50	1083	-.229	.107	.116	-.681	50	1133	-.174	.101	.200	-.596
50	1034	-.053	.109	.296	-.439	50	1084	-.133	.101	.197	-.543	50	1134	-.224	.086	.099	-.504
50	1035	-.203	.123	.782	-.177	50	1085	-.161	.105	.564	-.240	50	1135	-.116	.106	.572	-.261
50	1036	-.349	.123	.782	-.177	50	1086	-.013	.102	.436	-.373	50	1136	-.095	.100	.516	-.218
50	1037	-.164	.146	.748	-.321	50	1087	-.036	.127	.546	-.407	50	1137	-.093	.123	.549	-.296
50	1038	-.213	.126	.709	-.134	50	1088	-.168	.106	.565	-.214	50	1138	-.100	.103	.484	-.247
50	1039	-.237	.140	.822	-.080	50	1089	-.258	.102	.655	-.110	50	1139	-.206	.116	.632	-.159
50	1040	-.279	.135	.862	-.057	50	1090	-.204	.094	.558	-.115	50	1140	-.234	.104	.587	-.088
50	1041	-.237	.133	.767	-.144	50	1091	-.207	.110	.664	-.168	50	1141	-.191	.111	.577	-.161
50	1042	-.180	.123	.656	-.160	50	1092	-.221	.104	.749	-.129	50	1142	-.122	.101	.471	-.183
50	1043	-.200	.132	.708	-.161	50	1093	-.220	.109	.606	-.113	50	1143	-.149	.111	.526	-.204
50	1044	-.148	.132	.606	-.349	50	1094	-.072	.112	.477	-.291	50	1144	-.087	.103	.462	-.215
50	1045	-.037	.135	.541	-.400	50	1095	-.027	.139	.470	-.469	50	1145	-.067	.108	.454	-.320
50	1046	-.016	.101	.353	-.369	50	1096	-.012	.098	.373	-.299	50	1146	-.053	.086	.261	-.336
50	1047	-.139	.114	.281	-.533	50	1097	-.138	.111	.220	-.553	50	1147	-.122	.097	.236	-.418
50	1048	-.139	.098	.226	-.504	50	1098	-.233	.095	.119	-.618	50	1148	-.095	.091	.203	-.380
50	1049	-.171	.089	.167	-.460	50	1099	-.204	.096	.120	-.606	50	1149	-.124	.090	.189	-.470
50	1050	-.253	.084	.046	-.523	50	1100	-.176	.089	.118	-.528	50	1150	-.220	.083	.084	-.533
50	1051	-.283	.115	.087	-.709	50	1101	-.181	.094	.125	-.619	50	1201	-.193	.099	.063	-.653
50	1052	-.228	.106	.100	-.630	50	1102	-.255	.088	.026	-.639	50	1202	-.193	.095	.121	-.597
50	1053	-.245	.105	.112	-.712	50	1103	-.222	.105	.087	-.914	50	1204	-.179	.077	.072	-.444
50	1054	-.391	.106	-.078	-.928	50	1104	-.223	.106	.095	-.780	50	1205	-.199	.093	.111	-.557
50	1055	-.066	.130	.419	-.742	50	1105	-.133	.101	.203	-.465	50	1206	-.196	.094	.120	-.533
50	1056	-.162	.150	.431	-.791	50	1106	-.272	.105	.065	-.763	50	1207	-.190	.092	.117	-.538
50	1057	-.151	.107	.215	-.478	50	1107	-.225	.117	.150	-.779	50	1208	-.192	.087	.095	-.516
50	1058	-.213	.098	.121	-.532	50	1108	-.180	.113	.173	-.659	50	1209	-.198	.095	.130	-.551
50	1059	-.134	.113	.263	-.303	50	1109	-.147	.101	.193	-.499	50	1210	-.183	.089	.122	-.531
50	1060	-.196	.111	.608	-.227	50	1110	-.090	.098	.483	-.274	50	1211	-.181	.091	.108	-.502
50	1061	-.138	.132	.556	-.254	50	1111	-.034	.113	.498	-.357	50	1212	-.177	.078	.081	-.450
50	1062	-.087	.143	.529	-.316	50	1112	-.068	.119	.533	-.299	50	1213	-.186	.086	.104	-.476
50	1063	-.199	.140	.707	-.200	50	1113	-.127	.107	.527	-.266	50	1214	-.184	.087	.098	-.496
50	1064	-.297	.127	.852	-.053	50	1114	-.137	.093	.481	-.194	50	1215	-.179	.094	.130	-.483
50	1065	-.260	.117	.747	-.046	50	1115	-.164	.103	.553	-.210	50	1216	-.176	.083	.098	-.447
50	1066	-.203	.111	.687	-.117	50	1116	-.183	.097	.528	-.169	50	1217	-.193	.093	.082	-.493
50	1067	-.202	.120	.718	-.188	50	1117	-.195	.102	.629	-.118	50	1218	-.198	.098	.103	-.513
50	1068	-.240	.111	.711	-.077	50	1118	-.135	.089	.525	-.162	50	1219	-.191	.099	.222	-.518
50	1069	-.153	.114	.619	-.186	50	1119	-.050	.106	.440	-.319	50	1220	-.193	.073	.081	-.410
50	1070	-.021	.117	.411	-.441	50	1120	-.043	.116	.310	-.465	50	1221	-.193	.090	.145	-.481
50	1071	-.017	.101	.351	-.305	50	1121	-.022	.095	.349	-.333	50	1222	-.186	.090	.160	-.475
50	1072	-.112	.101	.223	-.477	50	1122	-.212	.090	.067	-.501	50	1223	-.187	.089	.111	-.520
50	1073	-.153	.095	.178	-.496	50	1123	-.192	.099	.150	-.528	50	1224	-.179	.077	.070	-.479
50	1074	-.237	.080	.026	-.512	50	1124	-.146	.088	.146	-.516	50	1225	-.190	.088	.075	-.532
50	1075	-.247	.091	.063	-.570	50	1125	-.163	.093	.174	-.511	50	1226	-.183	.087	.061	-.513
50	1076	-.212	.106	.157	-.825	50	1126	-.250	.091	.055	-.654	50	1227	-.184	.086	.100	-.481
50	1077	-.225	.102	.131	-.647	50	1127	-.206	.101	.135	-.653	50	1228	-.188	.077	.047	-.447
50	1078	-.304	.094	-.001	-.719	50	1128	-.171	.093	.138	-.704	50	1229	-.199	.087	.093	-.471

APPENDIX A -- PRESSURE DATA:

CONFIGURATION A; ARCO PLAZA, LONG BEACH

WD	TAP	CPMEAN	CPRMS	CPMAX	CPMIN	WD	TAP	CPMEAN	CPRMS	CPMAX	CPMIN	WD	TAP	CPMEAN	CPRMS	CPMAX	CPMIN
50	12230	193	086	096	464	50	1280	099	089	235	404	50	2022	139	085	144	474
50	12231	190	089	078	498	50	1281	100	087	182	419	50	2023	122	117	251	620
50	12232	194	077	032	448	50	1282	106	086	220	405	50	2024	111	132	275	858
50	12233	218	095	066	533	50	1283	111	075	170	357	50	2025	180	196	345	324
50	12234	178	087	101	491	50	1284	125	087	195	412	50	2026	174	113	215	747
50	12235	196	077	084	462	50	1285	128	087	193	426	50	2027	179	126	259	678
50	12236	182	069	053	432	50	1901	244	118	163	965	50	2028	121	111	227	518
50	12237	202	078	078	477	50	1902	178	123	303	635	50	2029	117	102	347	462
50	12238	193	077	082	458	50	1903	191	098	166	582	50	2030	128	084	229	419
50	12239	183	082	118	510	50	1904	196	101	125	588	50	2031	152	099	152	469
50	1240	174	072	059	471	50	1905	179	087	117	501	50	2032	107	093	194	413
50	1241	199	083	067	540	50	1906	214	126	252	750	50	2033	097	088	185	433
50	1242	179	083	078	514	50	1907	260	149	419	916	50	2034	124	078	112	429
50	1243	182	087	088	474	50	1908	321	198	255	728	50	2035	143	095	146	513
50	1244	181	077	051	443	50	1909	357	112	003	800	50	2036	088	087	194	435
50	1245	208	091	077	507	50	1910	331	131	100	860	50	2037	079	085	226	350
50	1246	203	094	116	569	50	1911	394	139	101	990	50	2038	101	074	161	350
50	1247	164	086	110	499	50	1912	398	120	033	861	50	2039	124	090	198	431
50	1248	160	077	079	457	50	1913	340	122	057	896	50	2040	083	086	214	369
50	1249	193	086	088	519	50	1914	360	123	038	868	50	2041	083	091	310	437
50	1250	171	086	092	504	50	1915	402	114	027	919	50	2042	113	083	228	478
50	1251	165	087	145	443	50	1916	340	116	040	899	50	2043	139	101	282	563
50	1252	168	078	100	422	50	1917	193	093	146	508	50	2044	101	097	476	456
50	1253	175	087	127	454	50	1918	209	118	251	630	50	2045	095	092	216	431
50	1254	170	088	136	445	50	1919	407	122	015	033	50	2046	122	082	151	495
50	1255	158	082	081	496	50	1920	368	165	228	955	50	2047	150	101	207	673
50	1256	157	073	051	426	50	1921	437	158	567	070	50	2048	090	105	295	461
50	1257	181	082	065	457	50	1922	419	138	001	983	50	2049	115	131	350	735
50	1258	174	085	111	457	50	1923	270	105	056	631	50	2050	154	118	247	624
50	1259	175	095	146	517	50	2001	175	145	293	970	50	2051	204	128	347	838
50	1260	126	080	134	466	50	2002	164	111	245	848	50	2052	148	115	245	694
50	1261	146	090	147	527	50	2003	162	122	265	677	50	2053	126	102	215	516
50	1262	138	089	146	532	50	2004	108	106	262	478	50	2054	133	081	130	452
50	1263	141	080	111	446	50	2005	105	098	206	572	50	2055	145	093	169	535
50	1264	136	071	097	400	50	2006	122	081	180	408	50	2056	111	089	190	481
50	1265	159	083	119	472	50	2007	132	090	173	424	50	2057	104	083	151	427
50	1266	123	080	136	439	50	2008	093	087	205	439	50	2058	113	070	106	375
50	1267	135	088	125	436	50	2009	108	102	233	431	50	2059	139	085	121	433
50	1268	128	078	087	386	50	2010	117	086	192	388	50	2060	096	083	166	374
50	1269	156	090	098	456	50	2011	124	098	216	436	50	2061	089	081	173	416
50	1270	151	092	120	448	50	2012	078	093	246	452	50	2062	101	068	120	366
50	1271	143	084	162	427	50	2013	082	088	189	389	50	2063	125	081	145	415
50	1272	151	079	126	433	50	2014	102	076	138	363	50	2064	086	079	175	370
50	1273	131	086	149	454	50	2015	121	093	191	463	50	2065	086	086	148	399
50	1274	117	087	171	443	50	2016	078	087	185	414	50	2066	100	075	111	361
50	1275	124	084	157	412	50	2017	086	093	235	404	50	2067	130	093	133	460
50	1276	119	073	115	361	50	2018	112	085	198	477	50	2068	092	092	173	430
50	1277	144	086	142	433	50	2019	138	107	288	650	50	2069	092	089	174	391
50	1278	132	084	160	401	50	2020	096	099	232	528	50	2070	112	077	124	384
50	1279	094	074	126	365	50	2021	105	095	207	429	50	2071	138	096	160	503

APPENDIX A -- PRESSURE DATA:

CONFIGURATION A) ARCO PLAZA, LONG BEACH

WD	TAP	CPMEAN	CPRMS	CPMAX	CPMIN	WD	TAP	CPMEAN	CPRMS	CPMAX	CPMIN	WD	TAP	CPMEAN	CPRMS	CPMAX	CPMIN
0000	073	101	093	207	107	0000	2223	111	104	227	104	0000	2223	111	104	227	104
0000	073	098	096	202	104	0000	2224	134	087	168	168	0000	2224	134	087	168	168
0000	074	130	089	233	130	0000	2225	181	100	251	251	0000	2225	181	100	251	251
0000	075	161	111	301	161	0000	2226	174	095	139	139	0000	2226	174	095	139	139
0000	076	153	106	237	153	0000	2227	157	093	244	244	0000	2227	157	093	244	244
0000	077	151	122	355	151	0000	2228	195	085	123	123	0000	2228	195	085	123	123
0000	078	168	107	219	168	0000	2229	191	102	274	274	0000	2229	191	102	274	274
0000	079	113	105	244	113	0000	2230	138	095	221	221	0000	2230	138	095	221	221
0000	080	116	103	218	116	0000	2231	147	097	205	205	0000	2231	147	097	205	205
0000	081	117	099	213	117	0000	2232	158	100	205	205	0000	2232	158	100	205	205
0000	082	143	092	150	143	0000	2233	196	134	398	398	0000	2233	196	134	398	398
0000	083	079	089	206	079	0000	2234	162	128	434	434	0000	2234	162	128	434	434
0000	084	093	092	197	093	0000	2235	149	112	493	493	0000	2235	149	112	493	493
0000	085	113	080	184	113	0000	2236	173	087	232	232	0000	2236	173	087	232	232
0000	086	057	082	201	057	0000	2237	219	095	114	114	0000	2237	219	095	114	114
0000	088	074	078	161	074	0000	2238	169	091	127	127	0000	2238	169	091	127	127
0000	089	088	087	204	088	0000	2239	197	083	065	065	0000	2239	197	083	065	065
0000	090	121	085	129	121	0000	2240	198	077	062	062	0000	2240	198	077	062	062
0000	091	067	089	236	067	0000	2241	252	088	073	073	0000	2241	252	088	073	073
0000	092	091	091	229	091	0000	2242	185	086	136	136	0000	2242	185	086	136	136
0000	093	091	094	229	091	0000	2243	184	088	094	094	0000	2243	184	088	094	094
0000	094	125	090	192	125	0000	2244	189	086	156	156	0000	2244	189	086	156	156
0000	095	077	093	235	077	0000	2245	228	105	179	179	0000	2245	228	105	179	179
0000	096	095	099	229	095	0000	2246	179	124	269	269	0000	2246	179	124	269	269
0000	097	109	102	329	109	0000	2247	202	112	137	137	0000	2247	202	112	137	137
0000	098	147	103	444	147	0000	2248	202	094	088	088	0000	2248	202	094	088	088
0000	099	114	111	427	114	0000	2249	234	098	065	065	0000	2249	234	098	065	065
0000	100	141	115	454	141	0000	2250	170	090	075	075	0000	2250	170	090	075	075
0000	101	166	123	230	166	0000	2251	154	082	142	142	0000	2251	154	082	142	142
0000	102	195	112	124	195	0000	2252	184	078	095	095	0000	2252	184	078	095	095
0000	103	130	105	202	130	0000	2253	220	090	101	101	0000	2253	220	090	101	101
0000	104	131	099	179	131	0000	2254	175	088	148	148	0000	2254	175	088	148	148
0000	105	122	095	191	122	0000	2255	168	085	157	157	0000	2255	168	085	157	157
0000	106	148	084	191	148	0000	2256	182	080	108	108	0000	2256	182	080	108	108
0000	107	093	081	244	093	0000	2257	224	098	120	120	0000	2257	224	098	120	120
0000	108	088	098	303	088	0000	2258	166	104	178	178	0000	2258	166	104	178	178
0000	109	090	090	230	090	0000	2259	164	118	360	360	0000	2259	164	118	360	360
0000	110	121	086	196	121	0000	2260	186	094	098	098	0000	2260	186	094	098	098
0000	111	061	089	224	061	0000	2261	224	102	105	105	0000	2261	224	102	105	105
0000	112	062	089	229	062	0000	2262	161	094	157	157	0000	2262	161	094	157	157
0000	113	073	085	217	073	0000	2263	141	092	145	145	0000	2263	141	092	145	145
0000	114	115	084	153	115	0000	2264	140	084	116	116	0000	2264	140	084	116	116
0000	115	067	086	215	067	0000	2265	186	096	124	124	0000	2265	186	096	124	124
0000	116	071	088	220	071	0000	2266	121	091	149	149	0000	2266	121	091	149	149
0000	117	084	090	242	084	0000	2267	143	082	195	195	0000	2267	143	082	195	195
0000	118	121	087	189	121	0000	2268	207	090	151	151	0000	2268	207	090	151	151
0000	119	076	092	243	076	0000	2269	159	090	142	142	0000	2269	159	090	142	142
0000	120	087	094	223	087	0000	2270	159	092	175	175	0000	2270	159	092	175	175
0000	121	091	092	201	091	0000	2271	164	093	142	142	0000	2271	164	093	142	142
0000	121	091	092	201	091	0000	2272	181	091	172	172	0000	2272	181	091	172	172

APPENDIX A -- PRESSURE DATA:

CONFIGURATION A: ARCO PLAZA, LONG BEACH

WD	TAP	CPMEAN	CPRMS	CPMAX	CPMIN	WD	TAP	CPMEAN	CPRMS	CPMAX	CPMIN	WD	TAP	CPMEAN	CPRMS	CPMAX	CPMIN
60	2273	.194	.095	.161	-.666	60	915	-.075	.097	.302	-.420	60	1048	-.147	.086	.183	-.462
60	2274	-.137	.091	.183	-.622	60	916	-.071	.092	.249	-.398	60	1049	-.147	.089	.123	-.467
60	2275	-.126	.092	.162	-.510	60	917	-.083	.089	.187	-.394	60	1050	-.211	.083	.040	-.496
60	2276	-.119	.085	.183	-.410	60	1001	-.185	.109	.202	-.673	60	1051	-.263	.125	.182	-.762
60	2277	-.156	.096	.143	-.507	60	1002	-.250	.108	.166	-.675	60	1052	-.208	.114	.292	-.772
60	2278	-.108	.090	.147	-.441	60	1003	-.376	.130	-.014	-1.007	60	1053	-.233	.116	.129	-.720
60	2279	-.117	.087	.194	-.391	60	1004	-.265	.122	.168	-.758	60	1054	-.361	.114	.014	-.857
60	2280	-.113	.077	.172	-.395	60	1005	-.079	.118	.506	-.291	60	1055	-.033	.124	.407	-.558
60	2281	-.117	.089	.236	-.418	60	1006	-.098	.153	.662	-.511	60	1056	-.058	.158	.569	-.568
60	2282	-.123	.089	.178	-.446	60	1007	-.162	.128	.251	-.669	60	1057	-.084	.109	.261	-.553
60	2283	-.136	.088	.158	-.647	60	1008	-.120	.132	.370	-.567	60	1058	-.144	.101	.150	-.608
60	2284	-.099	.098	.315	-.568	60	1009	-.049	.133	.516	-.390	60	1059	-.071	.117	.378	-.503
60	2285	-.098	.130	.544	-.766	60	1010	-.039	.111	.420	-.312	60	1060	.220	.111	.579	-.137
60	2286	-.089	.116	.446	-.549	60	1011	-.001	.128	.408	-.469	60	1061	.151	.108	.512	-.214
60	2287	-.073	.099	.340	-.517	60	1012	-.085	.132	.510	-.422	60	1062	.107	.114	.515	-.261
60	2288	-.065	.124	.740	-.602	60	1013	-.096	.119	.549	-.291	60	1063	.186	.119	.641	-.173
60	2289	-.018	.127	.471	-.502	60	1014	.015	.104	.419	-.283	60	1064	.265	.115	.674	-.044
60	2290	-.056	.104	.296	-.464	60	1015	.054	.122	.522	-.328	60	1065	.254	.113	.678	-.086
60	2291	-.009	.107	.354	-.372	60	1016	.084	.120	.569	-.296	60	1066	.175	.112	.642	-.224
60	2292	-.043	.119	.497	-.619	60	1017	-.034	.113	.421	-.395	60	1067	.167	.120	.688	-.294
60	2293	-.090	.117	.286	-.544	60	1018	-.098	.096	.314	-.317	60	1068	.218	.106	.710	-.107
60	2294	-.053	.086	.193	-.343	60	1019	-.032	.108	.393	-.423	60	1069	.114	.112	.497	-.204
60	2295	-.054	.077	.178	-.357	60	1020	-.111	.109	.337	-.549	60	1070	-.089	.118	.320	-.367
60	2296	-.077	.088	.190	-.541	60	1021	-.071	.089	.253	-.339	60	1071	-.054	.094	.308	-.367
60	2297	-.071	.086	.195	-.347	60	1022	-.207	.084	.077	-.473	60	1072	-.148	.096	.238	-.556
60	2298	-.024	.109	.492	-.327	60	1023	-.214	.099	.086	-.573	60	1073	-.154	.101	.199	-.606
60	2299	-.023	.080	.224	-.284	60	1024	-.154	.091	.151	-.489	60	1074	-.194	.084	.122	-.517
60	2300	.033	.098	.400	-.267	60	1025	-.148	.092	.175	-.446	60	1075	-.191	.094	.155	-.558
60	2301	.010	.096	.355	-.316	60	1026	-.266	.100	.005	-.699	60	1076	-.173	.105	.227	-.713
60	2302	.040	.121	.387	-.564	60	1027	-.265	.114	.142	-.977	60	1077	-.182	.108	.137	-.736
60	2303	.068	.118	.322	-.634	60	1028	-.268	.122	.081	-.868	60	1078	-.283	.104	.041	-.981
60	2304	.077	.093	.269	-.376	60	1029	-.304	.122	.111	-.793	60	1079	-.306	.119	.075	-.956
60	2305	.097	.089	.233	-.432	60	1030	.031	.105	.455	-.337	60	1080	-.042	.108	.341	-.414
60	2306	.142	.077	.132	-.437	60	1031	-.054	.196	.630	-.639	60	1081	-.130	.132	.352	-.642
60	2307	.087	.079	.180	-.346	60	1032	-.019	.121	.445	-.447	60	1082	-.211	.098	.168	-.705
60	2308	-.082	.107	.264	-.401	60	1033	-.030	.151	.657	-.635	60	1083	-.178	.108	.125	-.739
60	901	-.078	.091	.273	-.387	60	1034	.022	.148	.592	-.491	60	1084	-.083	.104	.265	-.612
60	902	-.062	.079	.226	-.340	60	1035	.206	.144	.796	-.252	60	1085	-.153	.108	.508	-.250
60	903	-.096	.092	.225	-.426	60	1036	.166	.148	.733	-.446	60	1086	.032	.102	.362	-.332
60	904	-.074	.089	.254	-.385	60	1037	.174	.139	.749	-.347	60	1087	.065	.124	.470	-.356
60	905	-.065	.091	.381	-.434	60	1038	.184	.124	.714	-.145	60	1088	.170	.109	.533	-.234
60	906	-.046	.075	.217	-.357	60	1039	.212	.132	.807	-.188	60	1089	.231	.111	.602	-.133
60	907	-.056	.096	.357	-.435	60	1040	.237	.127	.783	-.128	60	1090	.170	.107	.523	-.170
60	908	-.053	.096	.377	-.423	60	1041	.214	.142	.783	-.260	60	1091	.173	.121	.574	-.218
60	909	-.080	.094	.259	-.452	60	1042	.155	.130	.663	-.296	60	1092	.198	.112	.674	-.132
60	910	-.074	.078	.206	-.376	60	1043	.176	.139	.723	-.272	60	1093	.194	.107	.577	-.113
60	911	-.070	.091	.248	-.383	60	1044	-.119	.124	.598	-.317	60	1094	.027	.104	.445	-.327
60	912	-.073	.094	.268	-.384	60	1045	-.044	.116	.431	-.495	60	1095	-.075	.128	.430	-.591
60	913	-.059	.094	.252	-.399	60	1046	-.057	.080	.286	-.338	60	1096	-.005	.093	.368	-.326
60	914	-.053	.081	.190	-.370	60	1047	-.189	.093	.122	-.549	60	1097	-.155	.096	.168	-.479

APPENDIX A -- PRESSURE DATA:

CONFIGURATION A) ARCO PLAZA, LONG BEACH

WD	TAP	CPMEAN	CPRMS	CPMAX	CPMIN	WD	TAP	CPMEAN	CPRMS	CPMAX	CPMIN	WD	TAP	CPMEAN	CPRMS	CPMAX	CPMIN
60	1098	.243	.085	.023	.355	60	1148	.076	.092	.250	.365	60	1249	.142	.082	.149	.405
60	1099	.177	.087	.095	.480	60	1149	.068	.090	.267	.355	60	1250	.122	.082	.178	.380
60	1100	.125	.086	.121	.380	60	1150	.158	.086	.159	.440	60	1251	.128	.090	.179	.497
60	1101	.150	.100	.178	.641	60	1201	.210	.093	.104	.642	60	1252	.142	.080	.112	.465
60	1102	.235	.095	.116	.742	60	1202	.144	.090	.162	.469	60	1253	.140	.091	.163	.520
60	1103	.210	.108	.111	.712	60	1204	.149	.080	.120	.433	60	1254	.133	.089	.147	.513
60	1104	.190	.106	.128	.624	60	1205	.181	.097	.143	.537	60	1255	.118	.092	.223	.448
60	1105	.091	.086	.208	.383	60	1206	.137	.094	.147	.462	60	1256	.141	.081	.145	.409
60	1106	.204	.094	.141	.572	60	1207	.137	.092	.185	.498	60	1257	.174	.092	.133	.502
60	1107	.157	.100	.179	.626	60	1208	.140	.086	.137	.472	60	1258	.153	.095	.142	.509
60	1108	.100	.096	.228	.463	60	1209	.158	.095	.196	.524	60	1259	.149	.092	.160	.520
60	1109	.091	.096	.234	.449	60	1210	.143	.090	.195	.470	60	1260	.079	.077	.183	.365
60	1110	.052	.085	.377	.222	60	1211	.141	.083	.153	.431	60	1261	.099	.087	.210	.425
60	1111	.014	.098	.370	.298	60	1212	.143	.071	.103	.384	60	1262	.085	.086	.193	.409
60	1112	.057	.097	.407	.238	60	1213	.161	.082	.118	.442	60	1263	.085	.091	.230	.431
60	1113	.129	.106	.555	.215	60	1214	.154	.084	.119	.440	60	1264	.094	.081	.237	.396
60	1114	.122	.098	.482	.193	60	1215	.156	.088	.135	.513	60	1265	.117	.095	.267	.466
60	1115	.144	.109	.567	.208	60	1216	.159	.077	.105	.426	60	1266	.070	.092	.291	.453
60	1116	.168	.105	.494	.170	60	1217	.182	.088	.109	.512	60	1267	.095	.093	.224	.447
60	1117	.159	.100	.539	.173	60	1218	.173	.093	.161	.484	60	1268	.100	.081	.181	.416
60	1118	.095	.092	.467	.179	60	1219	.166	.090	.169	.500	60	1269	.138	.090	.157	.500
60	1119	.028	.101	.446	.282	60	1220	.171	.064	.085	.381	60	1270	.126	.089	.166	.494
60	1120	.040	.100	.336	.417	60	1221	.154	.085	.128	.441	60	1271	.119	.092	.191	.515
60	1121	.019	.082	.256	.370	60	1222	.135	.084	.143	.418	60	1272	.137	.087	.138	.480
60	1122	.201	.084	.065	.551	60	1223	.146	.093	.202	.460	60	1273	.081	.095	.266	.420
60	1123	.170	.090	.123	.574	60	1224	.150	.080	.129	.410	60	1274	.059	.094	.288	.395
60	1124	.090	.080	.175	.484	60	1225	.172	.091	.157	.463	60	1275	.066	.087	.238	.405
60	1125	.093	.090	.193	.444	60	1226	.160	.089	.149	.446	60	1276	.076	.077	.181	.375
60	1126	.200	.091	.163	.617	60	1227	.148	.084	.173	.435	60	1277	.089	.094	.287	.463
60	1127	.162	.103	.322	.576	60	1228	.164	.076	.123	.408	60	1278	.073	.089	.269	.438
60	1128	.121	.093	.263	.467	60	1229	.179	.085	.140	.453	60	1279	.036	.078	.317	.299
60	1129	.177	.111	.152	.704	60	1230	.163	.083	.166	.426	60	1280	.043	.101	.373	.360
60	1130	.099	.093	.210	.383	60	1231	.166	.092	.117	.636	60	1281	.045	.096	.380	.358
60	1131	.074	.136	.517	.786	60	1232	.176	.082	.067	.658	60	1282	.075	.094	.290	.426
60	1132	.084	.106	.228	.529	60	1233	.202	.102	.121	.863	60	1283	.077	.080	.192	.379
60	1133	.093	.111	.290	.488	60	1234	.135	.092	.160	.463	60	1284	.092	.093	.233	.464
60	1134	.152	.096	.274	.462	60	1235	.133	.094	.202	.486	60	1285	.092	.093	.231	.444
60	1135	.109	.103	.600	.215	60	1236	.144	.085	.160	.456	60	1901	.217	.110	.160	.771
60	1136	.101	.092	.477	.163	60	1237	.163	.094	.179	.515	60	1902	.125	.116	.365	.558
60	1137	.085	.107	.461	.223	60	1238	.146	.092	.200	.478	60	1903	.154	.096	.283	.498
60	1138	.069	.096	.430	.283	60	1239	.144	.090	.180	.455	60	1904	.159	.095	.164	.515
60	1139	.159	.113	.582	.240	60	1240	.141	.091	.144	.401	60	1905	.137	.083	.125	.473
60	1140	.194	.102	.591	.167	60	1241	.171	.094	.163	.467	60	1906	.184	.116	.207	.665
60	1141	.169	.101	.583	.141	60	1242	.143	.092	.187	.430	60	1907	.194	.136	.239	.755
60	1142	.097	.094	.469	.181	60	1243	.147	.087	.126	.504	60	1908	.239	.191	.234	.421
60	1143	.123	.103	.574	.196	60	1244	.162	.077	.079	.489	60	1909	.305	.114	.123	.788
60	1144	.085	.093	.463	.192	60	1245	.188	.093	.163	.616	60	1910	.314	.139	.127	.840
60	1145	.002	.105	.424	.315	60	1246	.172	.096	.168	.613	60	1911	.342	.141	.050	.959
60	1146	.064	.084	.242	.288	60	1247	.110	.083	.174	.371	60	1912	.329	.122	.047	.858
60	1147	.129	.097	.218	.442	60	1248	.117	.074	.145	.358	60	1913	.326	.111	.003	.800

APPENDIX A -- PRESSURE DATA:

CONFIGURATION A) ARCO PLAZA, LONG BEACH

MD	TAP	CPMEAN	CPRMS	CPMAX	CPMIN	MD	TAP	CPMEAN	CPRMS	CPMAX	CPMIN	MD	TAP	CPMEAN	CPRMS	CPMAX	CPMIN
60	1914	346	118	011	825	60	2041	099	090	179	518	60	2091	084	091	215	540
60	1915	348	114	017	803	60	2042	141	082	113	537	60	2092	107	094	189	538
60	1916	304	107	021	661	60	2043	182	104	138	653	60	2093	113	099	247	536
60	1917	189	101	165	485	60	2044	127	100	179	568	60	2094	146	094	206	514
60	1918	189	119	279	677	60	2045	123	099	211	619	60	2095	099	093	235	447
60	1919	339	133	039	123	60	2046	160	088	100	525	60	2096	116	100	173	518
60	1920	231	209	712	81	60	2047	182	106	177	632	60	2097	125	100	242	553
60	1921	367	170	489	972	60	2048	054	103	295	441	60	2098	119	097	221	461
60	1922	327	139	087	944	60	2049	140	140	399	692	60	2099	067	114	373	456
60	1923	277	101	077	786	60	2050	138	144	375	917	60	2100	087	123	434	581
60	2000	113	066	407	586	60	2051	178	106	264	685	60	2101	111	097	193	607
60	2001	129	091	272	498	60	2052	107	098	264	501	60	2102	138	093	157	521
60	2002	144	103	210	547	60	2053	166	103	279	652	60	2103	093	096	208	486
60	2003	084	092	212	439	60	2054	139	085	154	530	60	2104	103	095	175	421
60	2004	091	097	213	529	60	2055	157	100	164	534	60	2105	090	092	199	395
60	2005	116	082	128	452	60	2056	101	096	219	426	60	2106	111	085	154	389
60	2006	132	092	133	444	60	2057	101	089	198	405	60	2107	056	084	222	328
60	2007	078	087	204	362	60	2058	129	076	113	367	60	2108	067	091	269	367
60	2008	088	086	210	460	60	2059	152	090	140	432	60	2109	067	087	260	417
60	2009	114	076	126	329	60	2060	097	087	170	357	60	2110	107	083	196	440
60	2010	133	090	151	444	60	2061	091	085	166	389	60	2111	064	086	259	403
60	2011	081	087	191	409	60	2062	124	074	132	396	60	2112	071	087	248	415
60	2012	094	088	231	372	60	2063	159	091	143	505	60	2113	087	092	291	412
60	2013	128	079	159	376	60	2064	109	090	177	453	60	2114	120	089	242	442
60	2014	155	100	197	677	60	2065	111	094	179	471	60	2115	080	092	305	405
60	2015	089	087	225	373	60	2066	139	080	113	451	60	2116	090	094	283	426
60	2016	093	098	259	506	60	2067	172	101	164	547	60	2117	093	095	190	476
60	2017	134	089	168	533	60	2068	122	101	198	470	60	2118	124	092	148	542
60	2018	177	113	209	533	60	2069	129	097	198	469	60	2119	080	095	234	394
60	2019	127	103	229	557	60	2070	157	083	166	448	60	2120	101	098	192	435
60	2020	129	097	199	642	60	2071	181	103	247	557	60	2121	109	097	216	586
60	2021	173	086	109	600	60	2072	123	098	287	636	60	2122	146	095	136	610
60	2022	096	097	264	490	60	2073	080	100	263	462	60	2123	079	096	276	415
60	2023	074	128	338	724	60	2074	095	105	317	443	60	2124	090	101	309	495
60	2024	171	180	364	489	60	2075	127	140	425	720	60	2125	105	113	405	722
60	2025	151	092	213	732	60	2076	120	095	222	500	60	2126	137	104	213	906
60	2026	189	107	163	827	60	2077	094	098	208	449	60	2127	093	107	269	982
60	2027	099	094	188	463	60	2078	123	093	159	567	60	2128	102	105	251	104
60	2028	101	097	223	506	60	2079	080	094	208	422	60	2129	091	100	264	525
60	2029	130	082	124	454	60	2080	089	093	190	441	60	2130	114	091	208	453
60	2030	152	096	121	544	60	2081	097	093	184	429	60	2131	072	093	247	461
60	2031	093	089	178	459	60	2082	114	085	155	436	60	2132	077	091	245	417
60	2032	085	083	165	437	60	2083	059	084	210	382	60	2133	067	091	213	422
60	2033	122	072	101	430	60	2084	074	085	198	421	60	2134	095	087	171	443
60	2034	146	089	127	506	60	2085	080	089	244	437	60	2135	060	091	212	421
60	2035	087	083	175	403	60	2086	107	084	197	458	60	2136	068	093	220	419
60	2036	083	086	205	357	60	2087	063	088	273	436	60	2137	072	085	187	412
60	2037	128	078	130	364	60	2088	092	086	242	448	60	2138	106	080	139	414
60	2038	157	097	148	461	60	2089	104	091	203	505	60	2139	071	084	190	384
60	2039	099	091	133	416	60	2090	132	086	164	603	60	2140	082	085	189	399

APPENDIX A -- PRESSURE DATA:

CONFIGURATION A: ARCO PLAZA, LONG BEACH

WD	TAP	CPMEAN	CPRMS	CPMAX	CPMIN	WD	TAP	CPMEAN	CPRMS	CPMAX	CPMIN	WD	TAP	CPMEAN	CPRMS	CPMAX	CPMIN
60	141	.085	.096	.167	.437	60	2242	.138	.090	.208	.428	60	2907	.041	.130	.461	.396
60	142	.117	.087	.124	.438	60	2243	.145	.094	.190	.460	60	2908	.167	.126	.224	.693
60	143	.083	.093	.176	.412	60	2244	.148	.082	.131	.452	60	2909	.062	.089	.199	.369
60	144	.094	.094	.189	.417	60	2245	.204	.101	.141	.776	60	2910	.047	.076	.187	.304
60	145	.126	.086	.205	.405	60	2246	.139	.106	.289	.753	60	2911	.080	.092	.184	.400
60	146	.094	.086	.158	.482	60	2247	.104	.131	.447	.640	60	2912	.063	.088	.196	.366
60	147	.126	.091	.192	.482	60	2248	.118	.108	.412	.449	60	2913	.031	.115	.473	.350
60	148	.093	.093	.214	.428	60	2249	.205	.108	.205	.627	60	2914	.009	.082	.299	.326
60	149	.093	.114	.318	.632	60	2250	.129	.095	.181	.450	60	2915	.041	.104	.483	.385
60	150	.124	.112	.350	.869	60	2251	.106	.092	.227	.423	60	2916	.000	.103	.430	.402
60	151	.082	.156	.679	.493	60	2252	.174	.081	.065	.547	60	2917	.046	.120	.439	.485
60	152	.063	.157	.648	.553	60	2253	.216	.095	.146	.571	60	2918	.086	.114	.338	.497
60	153	.129	.129	.475	.411	60	2254	.148	.091	.170	.492	60	2919	.083	.093	.220	.381
60	154	.138	.432	.591	.591	60	2255	.123	.085	.172	.470	60	2920	.101	.088	.211	.384
60	155	.217	.866	.533	.533	60	2256	.136	.079	.132	.471	60	2921	.132	.077	.225	.467
60	156	.176	.696	.540	.499	60	2257	.190	.096	.124	.596	60	2922	.068	.085	.222	.374
60	157	.127	.696	.555	.555	60	2258	.122	.098	.228	.638	60	2923	.041	.115	.416	.494
60	158	.159	.753	.399	.606	60	2259	.152	.109	.211	.818	70	901	.014	.091	.249	.379
60	159	.092	.136	.384	.440	60	2260	.159	.104	.316	.592	70	902	.002	.080	.234	.283
60	160	.017	.136	.440	.440	60	2261	.214	.113	.435	.630	70	903	.034	.093	.261	.322
60	161	.070	.167	.504	.440	60	2262	.142	.097	.436	.487	70	904	.005	.091	.270	.442
60	162	.088	.110	.322	.438	60	2263	.132	.093	.169	.504	70	905	.025	.097	.295	.566
60	163	.094	.111	.331	.547	60	2264	.116	.086	.155	.454	70	906	.028	.079	.284	.555
60	164	.071	.114	.418	.460	60	2265	.176	.100	.153	.599	70	907	.031	.103	.312	.629
60	165	.021	.117	.452	.425	60	2266	.088	.094	.230	.429	70	908	.018	.096	.398	.687
60	166	.053	.153	.568	.446	60	2267	.109	.085	.160	.556	70	909	.031	.099	.304	.403
60	167	.053	.133	.547	.446	60	2268	.117	.079	.104	.485	70	910	.004	.080	.258	.339
60	168	.049	.111	.554	.405	60	2269	.186	.094	.090	.600	70	911	.010	.093	.313	.315
60	169	.113	.466	.593	.518	60	2270	.115	.090	.163	.551	70	912	.009	.101	.357	.313
60	170	.091	.113	.729	.518	60	2271	.119	.097	.186	.551	70	913	.021	.090	.369	.293
60	171	.086	.206	.827	.518	60	2272	.135	.090	.145	.707	70	914	.060	.096	.475	.322
60	172	.082	.182	.882	.518	60	2273	.197	.115	.326	.626	70	915	.032	.097	.580	.359
60	173	.064	.131	.499	.508	60	2274	.119	.103	.287	.509	70	916	.010	.088	.311	.293
60	174	.059	.096	.293	.464	60	2275	.119	.095	.245	.428	70	917	.018	.091	.373	.314
60	175	.117	.116	.446	.518	60	2276	.113	.089	.203	.412	70	1001	.119	.095	.227	.528
60	176	.154	.169	.179	.757	60	2277	.108	.089	.203	.439	70	1002	.135	.104	.198	.578
60	177	.119	.100	.197	.516	60	2278	.142	.106	.282	.514	70	1003	.361	.129	.037	.355
60	178	.163	.096	.139	.486	60	2279	.074	.103	.316	.439	70	1004	.174	.140	.352	.333
60	179	.175	.104	.194	.575	60	2280	.071	.086	.235	.387	70	1005	.163	.142	.739	.337
60	180	.106	.098	.292	.473	60	2281	.064	.075	.216	.329	70	1006	.162	.136	.681	.337
60	181	.124	.092	.210	.446	60	2282	.073	.086	.253	.378	70	1007	.026	.151	.473	.388
60	182	.143	.099	.233	.577	60	2283	.076	.087	.255	.404	70	1008	.041	.166	.592	.519
60	183	.204	.121	.322	.028	60	2284	.080	.089	.223	.536	70	1009	.156	.139	.679	.260
60	184	.066	.164	.786	.886	60	2285	.065	.081	.218	.583	70	1010	.089	.112	.513	.224
60	185	.088	.146	.440	.886	60	2900	.089	.094	.235	.658	70	1011	.082	.125	.582	.272
60	186	.119	.099	.333	.518	60	2901	.063	.109	.414	.452	70	1012	.139	.122	.668	.219
60	187	.190	.101	.124	.430	60	2902	.059	.100	.293	.367	70	1013	.061	.111	.503	.273
60	188	.108	.102	.278	.541	60	2903	.073	.117	.373	.584	70	1014	.141	.124	.615	.227
60	189	.172	.092	.137	.541	60	2904	.006	.124	.488	.466	70	1015	.089	.128	.606	.296
60	190	.155	.081	.155	.445	60	2905	.054	.098	.234	.434	70	1016	.083	.121	.609	.396
60	191	.130	.094	.130	.565	60	2906	.003	.101	.340	.371						

APPENDIX A -- PRESSURE DATA:

CONFIGURATION A) ARCO PLAZA, LONG BEACH

WD	TAP	CPMEAN	CPRMS	CPMAX	CPMIN	WD	TAP	CPMEAN	CPRMS	CPMAX	CPMIN	WD	TAP	CPMEAN	CPRMS	CPMAX	CPMIN
70	1017	.023	.105	.413	-.351	70	1067	.095	.118	.526	-.309	70	1117	.112	.100	.433	-.308
70	1018	.009	.096	.372	-.277	70	1068	.178	.104	.548	-.193	70	1118	.048	.089	.335	-.254
70	1019	.043	.102	.402	-.349	70	1069	.051	.103	.413	-.286	70	1119	.019	.104	.348	-.401
70	1020	.129	.107	.228	-.564	70	1070	.155	.109	.181	-.575	70	1120	.063	.112	.273	-.522
70	1021	.065	.086	.231	-.369	70	1071	.078	.091	.203	-.370	70	1121	.009	.089	.342	-.335
70	1022	.199	.087	.117	-.536	70	1072	.138	.096	.175	-.455	70	1122	.186	.091	.192	-.575
70	1023	.187	.106	.160	-.590	70	1073	.125	.099	.226	-.517	70	1123	.123	.100	.319	-.476
70	1024	.106	.095	.187	-.618	70	1074	.131	.085	.176	-.432	70	1124	0.000	.088	.354	-.287
70	1025	.088	.095	.229	-.445	70	1075	.124	.096	.230	-.478	70	1125	.001	.094	.342	-.331
70	1026	.181	.096	.100	-.590	70	1076	.127	.121	.276	-.678	70	1126	.149	.098	.203	-.554
70	1027	.161	.133	.294	-.761	70	1077	.143	.128	.273	-.689	70	1127	.097	.118	.383	-.597
70	1028	.297	.141	.104	-.887	70	1078	.275	.120	.139	-.767	70	1128	.057	.107	.368	-.451
70	1029	.261	.162	.242	-.970	70	1079	.278	.138	.176	-.835	70	1129	.106	.130	.338	-.623
70	1030	.089	.119	.534	-.314	70	1080	.068	.104	.362	-.332	70	1130	.071	.099	.276	-.374
70	1031	.206	.172	.832	-.413	70	1081	.022	.127	.505	-.436	70	1131	.013	.133	.529	-.545
70	1032	.118	.148	.614	-.554	70	1082	.142	.096	.165	-.489	70	1132	.022	.112	.446	-.447
70	1033	.115	.139	.669	-.486	70	1083	.110	.105	.257	-.463	70	1133	.021	.119	.398	-.398
70	1034	.181	.144	.591	-.364	70	1084	.013	.099	.313	-.354	70	1134	.052	.109	.301	-.414
70	1035	.271	.142	.755	-.174	70	1085	.155	.108	.536	-.186	70	1135	.103	.112	.512	-.229
70	1036	.271	.135	.752	-.119	70	1086	.048	.101	.390	-.266	70	1136	.124	.098	.497	-.191
70	1037	.244	.147	.773	-.438	70	1087	.090	.122	.525	-.338	70	1137	.131	.105	.526	-.212
70	1038	.225	.134	.706	-.170	70	1088	.183	.110	.643	-.165	70	1138	.082	.094	.465	-.193
70	1039	.236	.145	.795	-.232	70	1089	.191	.108	.699	-.181	70	1139	.154	.107	.639	-.185
70	1040	.244	.135	.804	-.203	70	1090	.107	.106	.627	-.255	70	1140	.193	.094	.648	-.100
70	1041	.158	.146	.661	-.408	70	1091	.100	.122	.597	-.310	70	1141	.150	.099	.494	-.210
70	1042	.094	.122	.521	-.379	70	1092	.139	.109	.496	-.303	70	1142	.062	.093	.345	-.267
70	1043	.141	.125	.594	-.331	70	1093	.147	.101	.480	-.270	70	1143	.097	.103	.436	-.270
70	1044	.059	.117	.477	-.296	70	1094	.048	.101	.317	-.405	70	1144	.078	.093	.417	-.241
70	1045	.096	.122	.368	-.602	70	1095	.141	.131	.315	-.698	70	1145	.007	.100	.301	-.327
70	1046	.077	.085	.249	-.321	70	1096	.018	.092	.282	-.339	70	1146	.070	.082	.193	-.334
70	1047	.198	.100	.118	-.563	70	1097	.101	.098	.284	-.434	70	1147	.094	.093	.191	-.406
70	1048	.130	.092	.139	-.466	70	1098	.181	.091	.119	-.470	70	1148	.014	.087	.271	-.300
70	1049	.089	.088	.213	-.404	70	1099	.085	.096	.310	-.412	70	1149	.005	.086	.292	-.278
70	1050	.140	.083	.141	-.453	70	1100	.016	.088	.338	-.319	70	1150	.089	.082	.181	-.342
70	1051	.187	.126	.302	-.788	70	1101	.109	.108	.211	-.496	70	1201	.175	.086	.131	-.524
70	1052	.140	.123	.343	-.608	70	1102	.209	.106	.101	-.593	70	1202	.102	.084	.197	-.411
70	1053	.246	.125	.140	-.736	70	1103	.189	.120	.176	-.752	70	1203	.114	.082	.173	-.404
70	1054	.342	.132	.070	-.777	70	1104	.143	.114	.205	-.858	70	1204	.154	.099	.205	-.499
70	1055	.055	.118	.407	-.591	70	1105	.036	.084	.260	-.350	70	1205	.072	.094	.277	-.393
70	1056	.105	.155	.654	-.840	70	1106	.119	.104	.248	-.459	70	1206	.077	.087	.204	-.363
70	1057	.027	.117	.384	-.397	70	1107	.082	.104	.342	-.400	70	1207	.095	.080	.177	-.335
70	1058	.033	.107	.298	-.412	70	1108	.018	.096	.352	-.316	70	1208	.121	.090	.219	-.414
70	1059	.026	.122	.524	-.383	70	1109	.031	.097	.326	-.357	70	1209	.105	.085	.198	-.387
70	1060	.206	.113	.713	-.156	70	1110	.035	.093	.356	-.328	70	1210	.105	.090	.182	-.409
70	1061	.200	.120	.639	-.177	70	1111	.018	.101	.376	-.363	70	1211	.105	.080	.140	-.412
70	1062	.167	.123	.620	-.219	70	1112	.075	.095	.410	-.253	70	1212	.121	.091	.150	-.455
70	1063	.203	.133	.720	-.192	70	1113	.124	.106	.500	-.220	70	1213	.132	.092	.170	-.459
70	1064	.259	.125	.719	-.097	70	1114	.081	.096	.434	-.234	70	1214	.121	.091	.150	-.455
70	1065	.218	.113	.636	-.173	70	1115	.104	.104	.514	-.308	70	1215	.119	.095	.181	-.542
70	1066	.108	.113	.491	-.278	70	1116	.133	.097	.466	-.258	70	1216	.132	.085	.136	-.502
													1217	.149	.093	.144	-.474

APPENDIX A -- PRESSURE DATA:

CONFIGURATION A: ARCO PLAZA, LONG BEACH

MD	TAP	CPMEAN	CPRMS	CPMAX	CPMIN	MD	TAP	CPMEAN	CPRMS	CPMAX	CPMIN	MD	TAP	CPMEAN	CPRMS	CPMAX	CPMIN
70	1218	.121	.097	.171	.326	70	1268	.022	.058	.189	.400	70	2010	.142	.081	.121	.407
70	1219	.114	.094	.192	.426	70	1269	.010	.057	.195	.358	70	2011	.166	.096	.140	.521
70	1220	.131	.070	.094	.360	70	1270	.009	.057	.245	.341	70	2012	.096	.091	.172	.413
70	1221	.106	.092	.211	.439	70	1271	.074	.093	.240	.411	70	2013	.101	.090	.231	.468
70	1222	.080	.090	.215	.394	70	1272	.010	.046	.244	.339	70	2014	.156	.083	.156	.483
70	1223	.085	.084	.171	.463	70	1273	.001	.047	.240	.367	70	2015	.191	.109	.221	.598
70	1224	.112	.074	.119	.456	70	1274	.002	.046	.242	.387	70	2016	.099	.090	.200	.487
70	1225	.137	.085	.146	.521	70	1275	.001	.041	.301	.347	70	2017	.110	.105	.238	.560
70	1226	.110	.084	.139	.482	70	1276	.007	.042	.270	.326	70	2018	.171	.099	.128	.619
70	1227	.108	.088	.167	.383	70	1277	.006	.041	.260	.266	70	2019	.211	.124	.198	.686
70	1228	.142	.082	.112	.399	70	1278	.006	.043	.292	.286	70	2020	.190	.116	.150	.656
70	1229	.153	.091	.140	.448	70	1279	.047	.073	.321	.197	70	2021	.200	.119	.142	.795
70	1230	.126	.090	.134	.411	70	1280	.026	.091	.414	.279	70	2022	.256	.107	.061	.810
70	1231	.117	.091	.209	.485	70	1281	.014	.087	.351	.285	70	2023	.099	.104	.339	.508
70	1232	.131	.080	.147	.436	70	1282	.038	.095	.278	.403	70	2024	.068	.154	.492	.785
70	1233	.150	.095	.178	.502	70	1283	.030	.086	.251	.316	70	2025	.148	.177	.588	.1.214
70	1234	.063	.091	.259	.338	70	1284	.039	.100	.285	.425	70	2026	.133	.078	.185	.420
70	1235	.056	.084	.214	.334	70	1285	.035	.100	.290	.433	70	2027	.152	.091	.220	.501
70	1236	.083	.077	.163	.343	70	1901	.130	.119	.358	.605	70	2028	.074	.081	.266	.338
70	1237	.108	.086	.187	.408	70	1902	.040	.115	.427	.420	70	2029	.079	.087	.252	.359
70	1238	.083	.085	.232	.394	70	1903	.100	.095	.197	.463	70	2030	.122	.076	.184	.369
70	1239	.087	.091	.236	.377	70	1904	.089	.085	.185	.381	70	2031	.147	.089	.216	.451
70	1240	.096	.081	.206	.348	70	1905	.066	.074	.165	.310	70	2032	.072	.083	.273	.358
70	1241	.133	.091	.183	.422	70	1906	.124	.100	.263	.500	70	2033	.080	.087	.247	.377
70	1242	.099	.087	.254	.381	70	1907	.091	.106	.300	.452	70	2034	.134	.077	.144	.409
70	1243	.110	.083	.167	.374	70	1908	.107	.141	.351	.833	70	2035	.169	.096	.175	.500
70	1244	.131	.074	.108	.374	70	1909	.187	.109	.232	.551	70	2036	.092	.089	.229	.406
70	1245	.147	.092	.109	.450	70	1910	.236	.142	.210	.817	70	2037	.092	.086	.194	.425
70	1246	.119	.094	.143	.465	70	1911	.226	.126	.188	.955	70	2038	.153	.080	.114	.454
70	1247	.007	.045	.214	.368	70	1912	.207	.114	.236	.634	70	2039	.191	.101	.121	.570
70	1248	.014	.047	.180	.395	70	1913	.252	.099	.074	.622	70	2040	.113	.093	.175	.445
70	1249	.003	.047	.200	.395	70	1914	.273	.112	.109	.835	70	2041	.104	.096	.246	.400
70	1250	.063	.048	.202	.406	70	1915	.234	.106	.143	.618	70	2042	.166	.092	.152	.525
70	1251	.011	.049	.172	.325	70	1916	.215	.114	.176	.710	70	2043	.210	.113	.198	.631
70	1252	.019	.051	.250	.408	70	1917	.106	.091	.201	.415	70	2044	.140	.103	.247	.543
70	1253	.007	.051	.204	.300	70	1918	.084	.121	.395	.614	70	2045	.181	.106	.157	.599
70	1254	.007	.051	.204	.300	70	1919	.305	.137	.093	.974	70	2046	.236	.102	.083	.713
70	1255	.020	.063	.124	.469	70	1920	.062	.247	.983	.710	70	2047	.257	.120	.138	.749
70	1256	.028	.064	.123	.451	70	1921	.251	.174	.622	.788	70	2048	.044	.102	.365	.420
70	1257	.017	.065	.183	.417	70	1922	.262	.133	.106	.899	70	2049	.068	.168	.475	.748
70	1258	.017	.068	.134	.415	70	1923	.170	.094	.135	.576	70	2050	.168	.130	.349	.828
70	1259	.002	.040	.304	.266	70	2001	.094	.100	.240	.531	70	2051	.157	.099	.191	.612
70	1260	.005	.042	.254	.349	70	2002	.128	.088	.172	.533	70	2052	.075	.091	.249	.450
70	1261	.007	.042	.257	.326	70	2003	.144	.104	.235	.543	70	2053	.083	.086	.170	.419
70	1262	.007	.043	.314	.303	70	2004	.070	.091	.303	.369	70	2054	.131	.073	.093	.420
70	1263	.001	.042	.286	.293	70	2005	.081	.088	.251	.403	70	2055	.152	.089	.119	.497
70	1264	.009	.045	.281	.363	70	2006	.122	.077	.149	.359	70	2056	.075	.084	.168	.397
70	1265	.003	.044	.327	.310	70	2007	.143	.088	.168	.419	70	2057	.084	.084	.191	.461
70	1266	.004	.044	.324	.303	70	2008	.072	.083	.214	.353	70	2058	.133	.073	.109	.472
70	1267	.013	.033	.178	.399	70	2009	.088	.086	.177	.374	70	2059	.164	.090	.132	.582

APPENDIX A -- PRESSURE DATA:

CONFIGURATION A) ARCO PLAZA, LONG BEACH

WD	TAP	CPMEAN	CPRMS	CPMAX	CPMIN	WD	TAP	CPMEAN	CPRMS	CPMAX	CPMIN	WD	TAP	CPMEAN	CPRMS	CPMAX	CPMIN
70	20660	.096	.087	.185	-.502	70	2110	-.111	.080	.150	-.425	70	2211	.100	.142	.692	-.424
70	20661	-.102	.088	.220	-.396	70	2111	-.079	.083	.200	-.406	70	2212	-.030	.114	.424	-.542
70	20662	-.144	.078	.141	-.415	70	2112	-.084	.082	.191	-.421	70	2213	-.028	.112	.377	-.497
70	20663	-.143	.094	.147	-.514	70	2113	-.097	.090	.214	-.444	70	2214	-.066	.114	.563	-.540
70	20664	-.113	.092	.201	-.434	70	2114	-.122	.087	.143	-.461	70	2215	-.061	.103	.337	-.378
70	20665	-.122	.090	.168	-.430	70	2115	-.092	.090	.192	-.441	70	2216	-.013	.106	.447	-.399
70	20666	-.162	.079	.093	-.426	70	2116	-.108	.096	.168	-.450	70	2217	-.050	.132	.431	-.459
70	20667	-.209	.103	.103	-.556	70	2117	-.116	.105	.208	-.612	70	2218	.004	.124	.524	-.328
70	20668	-.148	.106	.166	-.637	70	2118	-.142	.101	.156	-.622	70	2219	.010	.093	.425	-.258
70	20669	-.159	.102	.223	-.498	70	2119	-.108	.105	.313	-.539	70	2220	-.050	.097	.335	-.349
70	20700	-.189	.085	.073	-.566	70	2120	-.133	.111	.190	-.803	70	2221	.231	.181	.832	-.449
70	20701	-.213	.104	.125	-.646	70	2121	-.134	.096	.165	-.610	70	2222	.293	.174	.867	-.330
70	20702	-.132	.097	.181	-.490	70	2122	-.159	.091	.150	-.573	70	2223	.162	.147	.642	-.318
70	20703	-.059	.098	.322	-.418	70	2123	-.056	.089	.256	-.364	70	2224	.032	.097	.314	-.319
70	20704	-.091	.129	.327	-.739	70	2124	-.042	.102	.313	-.513	70	2225	-.009	.129	.411	-.449
70	20705	-.168	.183	.468	-1.235	70	2125	-.060	.117	.335	-.500	70	2226	-.166	.124	.217	-.681
70	20706	-.079	.088	.206	-.429	70	2126	-.084	.090	.242	-.523	70	2227	-.044	.102	.374	-.411
70	20707	-.071	.092	.218	-.464	70	2127	-.055	.093	.284	-.501	70	2228	-.129	.096	.223	-.566
70	20708	-.090	.085	.181	-.424	70	2128	-.069	.093	.267	-.458	70	2229	-.157	.102	.250	-.507
70	20709	-.061	.090	.217	-.412	70	2129	-.065	.087	.232	-.396	70	2230	-.072	.090	.218	-.383
70	20800	-.070	.090	.225	-.427	70	2130	-.082	.081	.187	-.394	70	2231	-.065	.090	.286	-.411
70	20801	-.070	.089	.201	-.402	70	2131	-.055	.085	.234	-.390	70	2232	-.079	.085	.240	-.437
70	20802	-.086	.083	.172	-.391	70	2132	-.069	.084	.228	-.400	70	2233	-.153	.104	.230	-.580
70	20803	-.052	.085	.209	-.372	70	2133	-.069	.082	.221	-.352	70	2234	.154	.167	.839	-.499
70	20804	-.077	.089	.186	-.391	70	2134	-.092	.078	.193	-.362	70	2235	.170	.167	.803	-.452
70	20805	-.094	.089	.179	-.391	70	2135	-.069	.087	.231	-.350	70	2236	.035	.121	.625	-.449
70	20806	-.112	.082	.146	-.385	70	2136	-.081	.086	.238	-.373	70	2237	-.112	.105	.376	-.471
70	20807	-.071	.086	.199	-.371	70	2137	-.081	.091	.272	-.437	70	2238	-.026	.108	.497	-.345
70	20808	-.105	.085	.166	-.388	70	2138	-.101	.086	.215	-.423	70	2239	-.170	.106	.145	-.673
70	20809	-.111	.091	.179	-.466	70	2139	-.075	.091	.260	-.420	70	2240	-.107	.101	.264	-.516
70	20900	-.130	.085	.203	-.466	70	2140	-.086	.091	.258	-.436	70	2241	-.185	.104	.184	-.642
70	20901	-.089	.089	.161	-.468	70	2141	-.091	.089	.193	-.431	70	2242	-.087	.097	.238	-.521
70	20902	-.118	.094	.168	-.475	70	2142	-.121	.087	.144	-.463	70	2243	-.077	.093	.267	-.373
70	20903	-.134	.109	.208	-.556	70	2143	-.095	.094	.188	-.465	70	2244	-.085	.082	.198	-.346
70	20904	-.161	.103	.166	-.535	70	2144	-.085	.097	.248	-.439	70	2245	-.161	.095	.142	-.493
70	20905	-.114	.101	.220	-.586	70	2145	-.114	.110	.234	-.580	70	2246	-.083	.094	.254	-.445
70	20906	-.127	.106	.215	-.596	70	2146	-.144	.106	.162	-.587	70	2247	-.062	.156	.578	-.618
70	20907	-.133	.107	.212	-.554	70	2147	-.121	.115	.195	-.572	70	2248	-.043	.139	.495	-.407
70	20908	-.087	.095	.200	-.486	70	2148	-.055	.101	.319	-.421	70	2249	-.114	.132	.392	-.576
70	20909	-.028	.122	.413	-.519	70	2149	-.010	.110	.482	-.445	70	2250	-.058	.097	.294	-.418
70	21000	-.074	.145	.473	-.793	70	2150	-.040	.123	.504	-.576	70	2251	-.010	.103	.370	-.284
70	21001	-.069	.088	.235	-.374	70	2201	.173	.155	.860	-.320	70	2252	-.099	.087	.169	-.384
70	21002	-.088	.083	.189	-.347	70	2202	.103	.155	.826	-.402	70	2253	-.172	.107	.152	-.543
70	21003	-.059	.087	.223	-.472	70	2204	.005	.129	.452	-.509	70	2254	-.076	.097	.236	-.456
70	21004	-.073	.087	.202	-.344	70	2205	-.151	.135	.385	-.604	70	2255	-.063	.090	.255	-.364
70	21005	-.069	.087	.212	-.372	70	2206	.324	.164	.911	-.226	70	2256	-.069	.085	.259	-.413
70	21006	-.083	.083	.159	-.385	70	2207	.334	.172	.907	-.345	70	2257	-.153	.099	.225	-.488
70	21007	-.053	.083	.220	-.362	70	2208	.233	.134	.725	-.171	70	2258	-.072	.092	.248	-.477
70	21008	-.061	.087	.218	-.356	70	2209	.093	.155	.694	-.396	70	2259	-.065	.094	.250	-.600
70	21009	-.075	.082	.195	-.419	70	2210	.193	.155	.907	-.239	70	2260	-.017	.120	.429	-.497

APPENDIX A -- PRESSURE DATA:

CONFIGURATION A; ARCO PLAZA, LONG BEACH

WD	TAP	CPMEAN	CPRMS	CPMAX	CPMIN	WD	TAP	CPMEAN	CPRMS	CPMAX	CPMIN	WD	TAP	CPMEAN	CPRMS	CPMAX	CPMIN
70	22261	.095	.135	.420	.574	80	903	.003	.089	.339	.335	80	10326	.278	.137	.893	.116
70	22262	.052	.109	.357	.387	80	904	.036	.088	.387	.304	80	1037	.256	.134	.701	.181
70	22263	.052	.090	.233	.361	80	905	.011	.099	.312	.384	80	1038	.211	.119	.623	.183
70	22264	.013	.089	.279	.341	80	906	.068	.079	.342	.225	80	1039	.230	.128	.730	.179
70	22265	.132	.104	.194	.689	80	907	.023	.105	.306	.520	80	1040	.212	.119	.714	.192
70	22266	.033	.094	.243	.476	80	908	.002	.094	.330	.329	80	1041	.109	.142	.610	.487
70	22267	.046	.086	.271	.417	80	909	.007	.093	.325	.343	80	1042	.047	.117	.428	.443
70	22268	.044	.079	.245	.368	80	910	.036	.075	.299	.333	80	1043	.133	.115	.559	.283
70	22269	.121	.096	.253	.480	80	911	.036	.092	.335	.334	80	1044	.009	.099	.398	.344
70	22270	.046	.089	.285	.391	80	912	.039	.096	.371	.448	80	1045	.162	.110	.171	.552
70	22271	.046	.088	.265	.373	80	913	.058	.094	.448	.256	80	1046	.089	.078	.178	.340
70	22272	.062	.078	.211	.374	80	914	.141	.099	.361	.159	80	1047	.208	.094	.110	.581
70	22273	.037	.173	.850	.587	80	915	.005	.098	.304	.375	80	1048	.111	.087	.171	.521
70	22274	.036	.152	.792	.438	80	916	.058	.093	.382	.260	80	1049	.047	.088	.243	.354
70	22275	.024	.105	.412	.353	80	917	.028	.095	.369	.312	80	1050	.090	.081	.167	.359
70	22276	.047	.083	.247	.344	80	1001	.044	.100	.280	.601	80	1051	.130	.119	.214	.908
70	22277	.093	.101	.240	.441	80	1002	.040	.105	.314	.664	80	1052	.073	.125	.299	.771
70	22278	.024	.091	.289	.329	80	1003	.210	.162	.265	.054	80	1053	.203	.151	.213	.715
70	22279	.004	.087	.223	.297	80	1004	.032	.182	.679	.771	80	1054	.274	.166	.245	.889
70	22280	.001	.073	.255	.331	80	1005	.180	.144	.823	.325	80	1055	.001	.125	.550	.486
70	22281	.013	.085	.272	.225	80	1006	.188	.121	.648	.192	80	1056	.161	.128	.613	.251
70	22282	.006	.084	.244	.290	80	1007	.069	.135	.531	.502	80	1057	.091	.127	.494	.407
70	22283	.005	.082	.251	.282	80	1008	.158	.148	.662	.442	80	1058	.035	.121	.414	.412
70	22284	.006	.071	.233	.220	80	1009	.227	.137	.814	.343	80	1059	.084	.139	.492	.442
70	22285	.035	.083	.234	.319	80	1010	.171	.134	.727	.243	80	1060	.212	.117	.591	.149
70	22901	.038	.099	.351	.550	80	1011	.174	.161	.769	.349	80	1061	.194	.114	.615	.196
70	22902	.037	.089	.262	.521	80	1012	.205	.148	.617	.332	80	1062	.155	.112	.528	.249
70	22903	.089	.103	.197	.562	80	1013	.175	.132	.617	.283	80	1063	.173	.125	.636	.231
70	22904	.026	.115	.393	.416	80	1014	.119	.120	.570	.316	80	1064	.246	.117	.689	.131
70	22905	.061	.093	.223	.463	80	1015	.116	.132	.654	.316	80	1065	.208	.122	.700	.144
70	22906	.033	.098	.289	.463	80	1016	.061	.119	.584	.456	80	1066	.087	.119	.488	.298
70	22907	.046	.142	.612	.639	80	1017	.013	.104	.382	.360	80	1067	.067	.119	.437	.357
70	22908	.266	.123	.074	.774	80	1018	.048	.093	.418	.256	80	1068	.168	.103	.514	.175
70	22909	.059	.088	.253	.349	80	1019	.053	.097	.296	.388	80	1069	.014	.098	.330	.333
70	22910	.038	.077	.243	.325	80	1020	.134	.105	.295	.563	80	1070	.199	.105	.107	.597
70	22911	.087	.095	.217	.443	80	1021	.046	.084	.272	.442	80	1071	.090	.093	.212	.392
70	22912	.043	.088	.242	.352	80	1022	.163	.084	.154	.324	80	1072	.123	.097	.173	.445
70	22913	.051	.108	.386	.360	80	1023	.145	.115	.294	.732	80	1073	.102	.092	.189	.469
70	22914	.005	.084	.289	.374	80	1024	.060	.100	.284	.562	80	1074	.086	.077	.164	.345
70	22915	.050	.106	.406	.332	80	1025	.051	.096	.289	.443	80	1075	.083	.088	.230	.377
70	22916	.023	.097	.324	.439	80	1026	.112	.083	.208	.503	80	1076	.069	.117	.275	.625
70	22917	.077	.116	.373	.497	80	1027	.090	.120	.304	.684	80	1077	.083	.131	.313	.793
70	22918	.104	.107	.208	.564	80	1028	.214	.160	.308	.851	80	1078	.160	.119	.216	.708
70	22919	.090	.095	.242	.377	80	1029	.185	.196	.510	.913	80	1079	.191	.150	.408	.769
70	22920	.120	.095	.245	.498	80	1030	.098	.124	.793	.297	80	1080	.001	.104	.381	.353
70	22921	.118	.080	.166	.364	80	1031	.240	.161	.843	.336	80	1081	.056	.116	.459	.540
70	22922	.037	.081	.340	.318	80	1032	.177	.138	.668	.287	80	1082	.007	.096	.323	.418
70	22923	.014	.114	.403	.431	80	1033	.152	.147	.621	.361	80	1083	.004	.111	.339	.448
80	901	.023	.088	.359	.310	80	1034	.210	.129	.650	.237	80	1084	.027	.106	.390	.397
80	902	.041	.077	.309	.250	80	1035	.265	.140	.886	.163	80	1085	.150	.108	.548	.172

APPENDIX A -- PRESSURE DATA

CONFIGURATION A) ARCO PLAZA, LONG BEACH

WD	TAP	CPMEAN	CPRMS	CPMAX	CPMIN	WD	TAP	CPMEAN	CPRMS	CPMAX	CPMIN	WD	TAP	CPMEAN	CPRMS	CPMAX	CPMIN
80	1086	.139	.094	.469	-.168	80	1136	.172	.107	.593	-.177	80	1237	-.084	.093	.231	-.386
80	1087	.145	.116	.531	-.300	80	1137	.152	.112	.580	-.212	80	1238	-.052	.092	.259	-.426
80	1088	.195	.118	.626	-.223	80	1138	.169	.093	.499	-.120	80	1239	-.057	.093	.262	-.326
80	1089	.218	.124	.631	-.236	80	1139	.197	.114	.713	-.174	80	1240	-.058	.083	.281	-.328
80	1090	.201	.110	.722	-.173	80	1140	.188	.106	.573	-.213	80	1241	-.116	.099	.271	-.493
80	1091	.136	.125	.681	-.295	80	1141	.154	.109	.627	-.174	80	1242	-.065	.093	.264	-.350
80	1092	.120	.110	.555	-.273	80	1142	.147	.093	.564	-.146	80	1243	-.083	.083	.233	-.380
80	1093	.156	.103	.524	-.254	80	1143	.150	.105	.651	-.175	80	1244	-.094	.074	.159	-.339
80	1094	.017	.089	.291	-.368	80	1144	.075	.093	.530	-.212	80	1245	-.127	.093	.236	-.471
80	1095	-.133	.122	.217	-.578	80	1145	-.010	.104	.301	-.346	80	1246	-.079	.093	.300	-.493
80	1096	-.019	.090	.280	-.391	80	1146	-.032	.081	.275	-.256	80	1247	-.038	.090	.348	-.298
80	1097	-.092	.100	.243	-.394	80	1147	-.016	.096	.258	-.384	80	1248	-.022	.083	.299	-.282
80	1098	-.045	.086	.220	-.331	80	1148	-.014	.096	.294	-.351	80	1249	-.032	.092	.244	-.349
80	1099	-.019	.093	.314	-.289	80	1149	.050	.089	.376	-.271	80	1250	-.010	.090	.281	-.297
80	1100	-.034	.089	.305	-.253	80	1150	-.048	.078	.330	-.237	80	1251	-.001	.087	.268	-.384
80	1101	-.055	.108	.300	-.544	80	1201	-.068	.087	.271	-.415	80	1252	-.023	.079	.217	-.360
80	1102	-.054	.097	.222	-.537	80	1202	-.060	.090	.285	-.389	80	1253	-.043	.094	.282	-.456
80	1103	-.092	.113	.260	-.633	80	1203	-.078	.076	.186	-.375	80	1254	-.029	.093	.306	-.418
80	1104	-.105	.116	.248	-.611	80	1204	-.142	.093	.211	-.582	80	1255	-.027	.090	.305	-.291
80	1105	.011	.086	.286	-.300	80	1205	.033	.085	.307	-.344	80	1256	-.074	.078	.175	-.339
80	1106	.060	.102	.411	-.325	80	1206	.026	.082	.239	-.331	80	1257	-.124	.092	.202	-.401
80	1107	.045	.109	.389	-.364	80	1207	-.026	.082	.239	-.331	80	1258	-.058	.097	.268	-.402
80	1108	.049	.107	.430	-.337	80	1208	-.038	.075	.210	-.354	80	1259	-.054	.096	.291	-.601
80	1109	.041	.102	.416	-.315	80	1209	-.085	.087	.210	-.402	80	1260	-.048	.078	.278	-.284
80	1110	.137	.091	.446	-.179	80	1210	-.063	.082	.182	-.357	80	1261	-.001	.090	.271	-.392
80	1111	.095	.102	.446	-.288	80	1211	-.059	.084	.237	-.359	80	1262	-.038	.086	.307	-.336
80	1112	.102	.100	.425	-.277	80	1212	-.074	.075	.194	-.339	80	1263	.051	.090	.336	-.259
80	1113	.131	.112	.483	-.316	80	1213	-.104	.087	.192	-.406	80	1264	.015	.081	.283	-.270
80	1114	.155	.099	.471	-.188	80	1214	-.085	.089	.220	-.436	80	1265	-.038	.095	.324	-.340
80	1115	.140	.114	.537	-.247	80	1215	-.089	.096	.239	-.536	80	1266	.060	.094	.367	-.268
80	1116	.104	.112	.454	-.299	80	1216	-.096	.084	.182	-.399	80	1267	.038	.095	.429	-.332
80	1117	.101	.110	.448	-.444	80	1217	-.134	.093	.180	-.462	80	1268	.017	.084	.300	-.291
80	1118	.125	.091	.428	-.228	80	1218	-.082	.093	.206	-.394	80	1269	-.011	.094	.269	-.415
80	1119	.022	.103	.433	-.371	80	1219	-.066	.088	.236	-.467	80	1270	-.038	.093	.241	-.488
80	1120	-.078	.105	.341	-.444	80	1220	-.078	.065	.118	-.333	80	1271	-.038	.096	.312	-.420
80	1121	.000	.091	.356	-.311	80	1221	-.080	.086	.193	-.350	80	1272	-.052	.088	.184	-.491
80	1122	-.055	.086	.266	-.392	80	1222	-.035	.082	.229	-.312	80	1273	-.008	.085	.291	-.261
80	1123	-.011	.099	.367	-.357	80	1223	-.035	.086	.281	-.401	80	1274	.058	.082	.324	-.266
80	1124	.051	.088	.377	-.268	80	1224	-.064	.075	.206	-.390	80	1275	.059	.085	.396	-.264
80	1125	.058	.093	.369	-.282	80	1225	.115	.089	.193	-.486	80	1276	.051	.077	.346	-.241
80	1126	.017	.091	.325	-.349	80	1226	-.080	.085	.208	-.436	80	1277	-.010	.094	.356	-.349
80	1127	.043	.117	.433	-.412	80	1227	-.070	.091	.208	-.409	80	1278	.036	.087	.383	-.273
80	1128	.018	.110	.360	-.405	80	1228	-.104	.086	.144	-.420	80	1279	.091	.081	.375	-.167
80	1129	-.002	.138	.416	-.605	80	1229	-.137	.096	.154	-.490	80	1280	.063	.098	.427	-.222
80	1130	.115	.111	.588	-.233	80	1230	-.091	.093	.202	-.440	80	1281	.046	.096	.378	-.294
80	1131	.170	.136	.681	-.264	80	1231	-.079	.088	.217	-.375	80	1282	-.016	.098	.337	-.348
80	1132	.130	.128	.591	-.372	80	1232	-.087	.076	.173	-.386	80	1283	-.008	.086	.301	-.325
80	1133	.121	.127	.631	-.287	80	1233	-.125	.094	.201	-.516	80	1284	-.013	.104	.326	-.375
80	1134	.141	.108	.545	-.215	80	1234	-.013	.090	.357	-.332	80	1285	-.008	.104	.334	-.349
80	1135	.196	.118	.709	-.300	80	1235	-.009	.088	.299	-.301	80	1901	-.009	.132	.474	-.568
80						80	1236	-.037	.080	.237	-.311						

APPENDIX A -- PRESSURE DATA:

CONFIGURATION A) ARCO PLAZA, LONG BEACH

WD	TAP	CPMEAN	CPRMS	CPMAX	CPMIN	WD	TAP	CPMEAN	CPRMS	CPMAX	CPMIN	WD	TAP	CPMEAN	CPRMS	CPMAX	CPMIN
80	1902	.058	.124	.486	.389	80	2029	.055	.086	.227	.359	80	2079	.025	.084	.248	.370
80	1903	.073	.105	.268	.510	80	2030	.110	.077	.149	.377	80	2080	.039	.085	.234	.381
80	1904	.036	.084	.283	.323	80	2031	.144	.091	.158	.465	80	2081	.041	.083	.237	.327
80	1905	.007	.072	.266	.248	80	2032	.056	.084	.220	.354	80	2082	.058	.077	.198	.321
80	1906	.083	.095	.225	.389	80	2033	.065	.089	.258	.339	80	2083	.032	.080	.231	.305
80	1907	.031	.095	.324	.328	80	2034	.135	.083	.161	.387	80	2084	.055	.083	.220	.328
80	1908	.027	.117	.391	.680	80	2035	.176	.103	.182	.497	80	2085	.062	.086	.221	.315
80	1909	.090	.111	.303	.444	80	2036	.081	.094	.236	.368	80	2086	.077	.080	.191	.309
80	1910	.144	.156	.408	.555	80	2037	.079	.088	.248	.467	80	2087	.045	.085	.270	.302
80	1911	.133	.112	.285	.555	80	2038	.148	.084	.148	.519	80	2088	.072	.084	.246	.359
80	1912	.138	.109	.200	.601	80	2039	.191	.105	.169	.600	80	2089	.083	.090	.195	.426
80	1913	.171	.102	.162	.615	80	2040	.097	.099	.227	.510	80	2090	.100	.085	.136	.402
80	1914	.230	.123	.093	.802	80	2041	.134	.104	.186	.560	80	2091	.080	.090	.227	.410
80	1915	.179	.111	.135	.608	80	2042	.226	.109	.105	.693	80	2092	.121	.100	.201	.480
80	1916	.136	.108	.261	.490	80	2043	.287	.141	.127	.903	80	2093	.113	.106	.170	.556
80	1917	.053	.082	.230	.297	80	2044	.052	.106	.303	.399	80	2094	.135	.101	.165	.514
80	1918	.019	.139	.598	.478	80	2045	.160	.116	.387	.657	80	2095	.118	.103	.178	.616
80	1919	.178	.147	.306	.934	80	2046	.370	.124	.052	.951	80	2096	.131	.107	.175	.633
80	1920	.008	.260	.843	.796	80	2047	.370	.147	.052	.951	80	2097	.136	.101	.163	.548
80	1921	.146	.156	.428	.648	80	2048	.055	.112	.351	.451	80	2098	.070	.089	.181	.413
80	1922	.175	.110	.216	.597	80	2049	.084	.207	.499	.899	80	2099	.040	.130	.348	.746
80	1923	.109	.083	.221	.456	80	2050	.179	.192	.408	.016	80	2100	.101	.154	.377	.044
80	2001	.067	.095	.295	.508	80	2051	.149	.095	.174	.566	80	2101	.032	.084	.304	.308
80	2002	.113	.086	.203	.540	80	2052	.050	.085	.240	.422	80	2102	.048	.079	.264	.304
80	2003	.136	.099	.210	.549	80	2053	.057	.086	.286	.417	80	2103	.022	.083	.306	.292
80	2004	.045	.086	.240	.373	80	2054	.113	.077	.183	.440	80	2104	.035	.083	.301	.313
80	20005	.054	.087	.271	.357	80	2055	.144	.092	.201	.542	80	2105	.031	.084	.277	.355
80	20006	.110	.078	.186	.398	80	2056	.056	.086	.254	.418	80	2106	.049	.080	.221	.347
80	20007	.139	.091	.224	.464	80	2057	.064	.081	.234	.364	80	2107	.026	.083	.256	.323
80	20008	.053	.085	.274	.466	80	2058	.119	.074	.144	.382	80	2108	.041	.081	.251	.317
80	20009	.068	.086	.218	.369	80	2059	.162	.090	.171	.488	80	2109	.046	.087	.195	.353
80	20010	.131	.083	.146	.434	80	2060	.072	.086	.227	.393	80	2110	.067	.083	.157	.347
80	20011	.158	.097	.170	.601	80	2061	.083	.085	.224	.396	80	2111	.038	.087	.203	.345
80	20012	.069	.091	.235	.360	80	2062	.135	.078	.130	.421	80	2112	.050	.088	.210	.390
80	20013	.087	.098	.259	.474	80	2063	.160	.096	.168	.517	80	2113	.060	.088	.240	.330
80	20014	.152	.095	.157	.532	80	2064	.091	.091	.201	.422	80	2114	.082	.085	.215	.392
80	20015	.195	.120	.181	.751	80	2065	.098	.096	.242	.589	80	2115	.056	.088	.250	.355
80	20016	.131	.111	.257	.552	80	2066	.172	.089	.173	.531	80	2116	.075	.093	.236	.392
80	20017	.180	.130	.192	.719	80	2067	.232	.110	.129	.637	80	2117	.111	.104	.172	.512
80	20018	.257	.125	.095	.803	80	2068	.149	.109	.194	.525	80	2118	.139	.102	.130	.565
80	20019	.227	.138	.174	.897	80	2069	.159	.117	.394	.552	80	2119	.116	.109	.227	.526
80	20020	.206	.140	.251	.905	80	2070	.236	.100	.087	.537	80	2120	.143	.107	.191	.535
80	20021	.281	.154	.200	.905	80	2071	.269	.119	.158	.746	80	2121	.135	.096	.148	.593
80	20022	.381	.151	.025	.994	80	2072	.165	.110	.200	.502	80	2122	.155	.091	.113	.520
80	20023	.108	.126	.444	.623	80	2073	.070	.105	.331	.444	80	2123	.051	.087	.263	.385
80	20024	.031	.187	.626	.843	80	2074	.070	.105	.331	.444	80	2124	.055	.108	.284	.519
80	20025	.108	.233	.348	.198	80	2075	.227	.200	.432	.669	80	2125	.091	.120	.410	.724
80	20026	.129	.082	.154	.345	80	2076	.045	.093	.247	.354	80	2126	.044	.073	.165	.337
80	20027	.152	.095	.171	.604	80	2077	.036	.086	.235	.392	80	2127	.018	.077	.220	.334
80	20028	.054	.081	.218	.351	80	2078	.049	.080	.207	.376	80	2128	.033	.077	.215	.345

CONFLOURATION A1 RECO PLACA, LONG BEACH

.....

.....

.....

.....

.....

.....

.....

.....

.....

.....

.....

.....

.....

.....

.....

.....

.....

.....

.....

PRESDURE DTA -

APPENDIX A -

APPENDIX A -- PRESSURE DATA:

CONFIGURATION A: ARCO PLAZA, LONG BEACH

WD	TAP	CPMEAN	CPRMS	CPMAX	CPMIN	WD	TAP	CPMEAN	CPRMS	CPMAX	CPMIN	WD	TAP	CPMEAN	CPRMS	CPMAX	CPMIN
100	1074	.030	.076	.237	-.294	100	1124	.046	.082	.302	-.275	100	1225	-.015	.085	.279	-.293
100	1075	.011	.090	.324	-.287	100	1125	.046	.084	.377	-.398	100	1226	-.034	.087	.273	-.330
100	1076	-.012	.096	.310	-.368	100	1126	-.026	.084	.260	-.349	100	1227	-.030	.090	.271	-.364
100	1077	.074	.102	.399	-.269	100	1127	.041	.090	.401	-.293	100	1228	-.054	.093	.232	-.371
100	1078	.084	.104	.437	-.254	100	1128	.082	.085	.383	-.212	100	1229	-.043	.092	.262	-.396
100	1079	.154	.134	.711	-.361	100	1129	.102	.097	.441	-.176	100	1230	-.071	.095	.245	-.423
100	1080	.175	.117	.537	-.201	100	1130	.124	.085	.507	-.143	100	1231	-.076	.090	.215	-.400
100	1081	.176	.117	.775	-.197	100	1131	.163	.104	.655	-.184	100	1232	-.075	.082	.185	-.362
100	1082	.111	.095	.534	-.207	100	1132	.149	.091	.537	-.137	100	1233	-.060	.089	.213	-.362
100	1083	.003	.109	.365	-.409	100	1133	.086	.094	.398	-.240	100	1234	.063	.084	.369	-.259
100	1084	.028	.091	.343	-.299	100	1134	.065	.076	.326	-.194	100	1235	.058	.089	.351	-.243
100	1085	.091	.105	.511	-.261	100	1135	.108	.094	.420	-.177	100	1236	.041	.086	.327	-.258
100	1086	-.009	.085	.263	-.358	100	1136	.061	.085	.344	-.202	100	1237	.037	.089	.319	-.245
100	1087	-.099	.132	.300	-.648	100	1137	-.015	.113	.352	-.397	100	1238	.004	.091	.300	-.286
100	1088	-.053	.115	.277	-.489	100	1138	.017	.091	.273	-.332	100	1239	.014	.096	.317	-.363
100	1089	.017	.114	.395	-.446	100	1139	.045	.089	.395	-.231	100	1240	.014	.089	.290	-.288
100	1090	-.008	.090	.329	-.350	100	1140	.043	.081	.333	-.217	100	1241	-.038	.097	.268	-.393
100	1091	-.102	.126	.368	-.688	100	1141	-.025	.100	.254	-.528	100	1242	-.046	.091	.289	-.380
100	1092	-.068	.113	.344	-.614	100	1142	.033	.085	.215	-.450	100	1243	-.081	.095	.210	-.457
100	1093	.010	.100	.363	-.387	100	1143	.014	.086	.274	-.292	100	1244	-.083	.090	.223	-.402
100	1094	.043	.084	.279	-.438	100	1144	.019	.076	.265	-.294	100	1245	-.054	.093	.256	-.390
100	1095	.086	.097	.246	-.523	100	1145	.008	.090	.266	-.317	100	1246	-.063	.093	.245	-.398
100	1096	.010	.082	.276	-.293	100	1146	.010	.078	.285	-.247	100	1247	-.065	.087	.339	-.292
100	1097	.003	.083	.270	-.302	100	1147	.016	.089	.299	-.271	100	1248	.056	.083	.319	-.283
100	1098	.015	.072	.269	-.273	100	1148	.044	.087	.314	-.244	100	1249	.072	.084	.355	-.280
100	1099	.036	.082	.302	-.286	100	1149	.046	.081	.360	-.257	100	1250	.051	.086	.342	-.312
100	1100	.054	.078	.295	-.248	100	1150	.027	.072	.294	-.247	100	1251	.062	.090	.364	-.288
100	1101	.021	.091	.309	-.367	100	1201	-.047	.083	.246	-.378	100	1252	.023	.088	.318	-.305
100	1102	.026	.084	.361	-.269	100	1202	-.030	.088	.247	-.330	100	1253	.035	.092	.377	-.248
100	1103	.043	.101	.455	-.282	100	1204	-.060	.091	.249	-.376	100	1254	.018	.097	.319	-.340
100	1104	.119	.110	.589	-.208	100	1205	.081	.108	.252	-.358	100	1255	-.027	.099	.344	-.375
100	1105	.138	.100	.503	-.203	100	1206	.028	.083	.344	-.262	100	1256	-.099	.100	.261	-.514
100	1106	.136	.098	.474	-.222	100	1207	.029	.081	.299	-.225	100	1257	-.081	.105	.297	-.479
100	1107	.102	.104	.503	-.271	100	1208	.023	.080	.307	-.226	100	1258	-.080	.103	.297	-.473
100	1108	.036	.101	.382	-.330	100	1209	.064	.087	.282	-.278	100	1259	-.079	.094	.260	-.412
100	1109	.033	.094	.358	-.337	100	1210	-.026	.086	.264	-.442	100	1260	.044	.077	.326	-.188
100	1110	.066	.084	.347	-.244	100	1211	-.027	.085	.220	-.337	100	1261	.072	.082	.364	-.177
100	1111	-.007	.095	.281	-.321	100	1212	-.034	.080	.202	-.356	100	1262	.055	.082	.348	-.191
100	1112	-.048	.108	.263	-.443	100	1213	-.025	.084	.226	-.406	100	1263	-.045	.088	.396	-.270
100	1113	.023	.112	.452	-.526	100	1214	-.056	.092	.213	-.405	100	1264	-.017	.080	.255	-.301
100	1114	.001	.092	.347	-.415	100	1215	-.064	.103	.239	-.557	100	1265	-.003	.087	.323	-.321
100	1115	.004	.101	.413	-.468	100	1216	-.073	.097	.218	-.521	100	1266	-.073	.090	.420	-.224
100	1116	.055	.112	.339	-.648	100	1217	-.077	.101	.241	-.475	100	1267	-.001	.100	.494	-.349
100	1117	.052	.097	.276	-.486	100	1218	-.073	.096	.252	-.487	100	1268	.029	.091	.349	-.302
100	1118	.013	.078	.263	-.287	100	1219	.064	.087	.270	-.358	100	1269	-.024	.101	.300	-.365
100	1119	.035	.085	.282	-.328	100	1220	.066	.068	.160	-.313	100	1270	-.130	.118	.226	-.593
100	1120	.042	.082	.267	-.319	100	1221	.035	.080	.308	-.295	100	1271	-.118	.110	.216	-.519
100	1121	.016	.089	.309	-.337	100	1222	-.028	.079	.289	-.298	100	1272	-.121	.105	.185	-.533
100	1122	.004	.078	.244	-.322	100	1223	-.025	.083	.294	-.288	100	1273	-.075	.086	.355	-.314
100	1123	.020	.088	.294	-.342	100	1224	-.002	.079	.259	-.280	100	1274	.057	.087	.345	-.332

APPENDIX A -- PRESSURE DATA:

CONFIGURATION A: ARCO PLAZA, LONG BEACH

WD	TAP	CPMEAN	CPRMS	CPHAX	CPMIN	WD	TAP	CPMEAN	CPRMS	CPHAX	CPMIN	WD	TAP	CPMEAN	CPRMS	CPHAX	CPMIN
110	1143	049	101	317	402	110	1244	127	084	121	513	110	1909	134	105	252	323
110	1144	007	088	313	311	110	1245	061	084	226	385	110	1910	138	126	239	834
110	1145	034	098	271	404	110	1246	087	085	207	421	110	1911	047	093	245	353
110	1146	014	083	265	388	110	1247	043	082	463	253	110	1912	026	088	358	330
110	1147	006	094	303	299	110	1248	022	080	323	254	110	1913	231	067	062	562
110	1148	030	090	342	286	110	1249	071	079	368	190	110	1914	194	103	217	636
110	1149	024	091	339	261	110	1250	037	085	384	305	110	1915	138	113	371	493
110	1150	001	082	278	312	110	1251	027	093	264	369	110	1916	017	099	319	420
110	1201	065	091	220	378	110	1252	074	095	227	477	110	1917	029	096	379	418
110	1202	046	097	243	343	110	1253	044	099	541	334	110	1918	016	161	797	463
110	1204	097	095	234	464	110	1254	039	103	305	422	110	1919	043	152	917	649
110	1205	061	112	317	480	110	1255	032	106	357	445	110	1920	202	143	245	762
110	1206	028	081	281	227	110	1256	127	103	227	524	110	1921	026	109	396	383
110	1207	028	080	286	352	110	1257	082	101	226	535	110	1922	077	091	267	424
110	1208	063	080	247	299	110	1258	101	099	190	488	110	1923	040	074	248	324
110	1209	023	081	299	322	110	1259	095	095	219	428	110	2001	007	086	249	352
110	1210	028	084	293	378	110	1260	013	081	286	261	110	2002	027	077	202	332
110	1211	030	090	246	366	110	1261	067	081	349	214	110	2003	020	086	252	349
110	1212	063	088	194	292	110	1262	036	083	335	256	110	2004	007	085	266	330
110	1213	007	088	260	309	110	1263	019	083	283	264	110	2005	017	090	278	394
110	1214	066	101	254	480	110	1264	052	077	198	321	110	2006	043	080	234	355
110	1215	075	106	282	638	110	1265	012	084	275	365	110	2007	048	095	295	489
110	1216	118	106	219	592	110	1266	057	085	347	207	110	2008	024	087	253	360
110	1217	100	101	226	499	110	1267	018	102	337	414	110	2009	021	083	263	322
110	1218	125	094	224	491	110	1268	030	105	437	318	110	2010	050	076	260	434
110	1219	115	087	176	447	110	1269	009	118	431	449	110	2011	048	088	270	449
110	1220	136	068	107	432	110	1270	152	128	283	753	110	2012	061	085	255	420
110	1221	056	078	167	187	110	1271	135	119	260	796	110	2013	123	109	243	511
110	1222	031	079	298	355	110	1272	146	112	172	629	110	2014	168	099	145	522
110	1223	022	084	331	333	110	1273	074	083	340	248	110	2015	096	097	237	475
110	1224	021	081	333	355	110	1274	041	084	310	287	110	2016	119	095	230	477
110	1225	000	084	345	374	110	1275	037	081	360	228	110	2017	247	126	108	787
110	1226	043	090	284	483	110	1276	005	079	280	245	110	2018	314	127	022	830
110	1227	025	092	301	350	110	1277	023	084	334	238	110	2019	058	124	557	476
110	1228	074	092	251	399	110	1278	017	083	282	302	110	2020	119	154	500	799
110	1229	037	091	373	345	110	1279	071	082	388	189	110	2021	182	129	167	755
110	1230	107	092	229	424	110	1280	050	098	424	286	110	2022	235	115	117	710
110	1231	115	092	230	592	110	1281	096	099	502	202	110	2023	124	123	62	770
110	1232	128	083	193	400	110	1282	027	111	514	390	110	2024	198	127	701	182
110	1233	072	087	245	699	110	1283	080	120	297	639	110	2025	226	139	801	312
110	12334	037	085	341	296	110	1284	123	138	251	783	110	2026	029	082	228	359
110	12335	038	085	326	286	110	1285	133	133	240	726	110	2027	021	093	270	409
110	12336	011	083	299	390	110	1286	116	107	119	621	110	2028	004	089	279	327
110	12337	047	085	307	258	110	1900	013	127	562	489	110	2029	011	083	305	332
110	12338	018	086	264	288	110	1901	069	118	332	545	110	2030	038	072	297	307
110	12339	039	093	377	417	110	1902	022	094	281	301	110	2031	037	085	299	346
110	1240	040	090	287	362	110	1905	063	084	293	284	110	2032	022	083	249	357
110	1241	040	099	325	407	110	1906	033	091	251	330	110	2033	022	089	404	299
110	1242	067	095	352	434	110	1907	043	098	486	262	110	2034	051	080	211	321
110	1243	104	089	169	444	110	1908	069	092	412	259	110	2035	051	094	334	382

#####

#####

#####

#####

#####

#####

#####

#####

#####

#####

#####

#####

#####

#####

#####

#####

#####

#####

APPENDIX A -- PRESSURE DATA:

CONFIGURATION A: ARCO PLAZA, LONG BEACH

WD	TAP	CPMEAN	CPRMS	CPMAX	CPMIN	WD	TAP	CPMEAN	CPRMS	CPMAX	CPMIN	WD	TAP	CPMEAN	CPRMS	CPMAX	CPMIN
1200	1263	.003	.086	.351	-.294	1200	2005	-.066	.089	.318	-.464	1200	2055	-.033	.081	.232	-.317
1200	1264	.032	.080	.222	-.316	1200	2006	-.041	.079	.254	-.394	1200	2056	-.017	.079	.246	-.304
1200	1265	.062	.089	.214	-.369	1200	2007	-.037	.089	.306	-.429	1200	2057	-.021	.089	.312	-.329
1200	1266	.031	.091	.364	-.299	1200	2008	-.012	.082	.284	-.287	1200	2058	-.056	.081	.224	-.346
1200	1267	.065	.106	.362	-.538	1200	2009	-.021	.089	.263	-.364	1200	2059	-.044	.091	.315	-.362
1200	1268	.100	.097	.441	-.401	1200	2010	-.064	.082	.221	-.424	1200	2060	-.028	.091	.339	-.323
1200	1269	.029	.118	.390	-.486	1200	2011	-.054	.094	.268	-.421	1200	2061	-.036	.089	.326	-.361
1200	1270	.117	.161	.392	-.994	1200	2012	-.072	.092	.238	-.360	1200	2062	-.101	.083	.226	-.420
1200	1271	.132	.141	.277	-.230	1200	2013	-.125	.108	.183	-.668	1200	2063	-.102	.098	.237	-.453
1200	1272	.123	.127	.253	-.762	1200	2014	-.182	.099	.096	-.590	1200	2064	-.095	.100	.255	-.417
1200	1273	.024	.084	.309	-.283	1200	2015	-.073	.095	.212	-.466	1200	2065	-.065	.094	.231	-.469
1200	1274	.017	.084	.315	-.293	1200	2016	-.083	.097	.377	-.435	1200	2066	-.186	.088	.134	-.645
1200	1275	.022	.086	.315	-.305	1200	2017	-.226	.118	.097	-.659	1200	2067	-.191	.105	.152	-.643
1200	1276	.050	.081	.302	-.272	1200	2018	-.293	.110	.036	-.717	1200	2068	-.211	.115	.153	-.733
1200	1277	.031	.093	.252	-.392	1200	2019	-.071	.112	.491	-.349	1200	2069	-.054	.110	.453	-.553
1200	1278	.043	.091	.234	-.466	1200	2020	-.079	.115	.353	-.473	1200	2070	-.051	.117	.331	-.536
1200	1279	.045	.082	.305	-.230	1200	2021	-.079	.097	.227	-.439	1200	2071	-.034	.114	.297	-.557
1200	1280	.018	.095	.313	-.302	1200	2022	-.134	.099	.260	-.472	1200	2072	-.032	.115	.313	-.519
1200	1281	.090	.098	.408	-.240	1200	2023	-.169	.128	.641	-.238	1200	2073	.208	.115	.705	-.133
1200	1282	.064	.106	.427	-.428	1200	2024	-.219	.128	.659	-.197	1200	2074	.198	.103	.604	-.085
1200	1283	.041	.138	.316	-.686	1200	2025	-.262	.124	.693	-.260	1200	2075	.175	.119	.582	-.273
1200	1284	.112	.154	.281	-.757	1200	2026	-.034	.075	.263	-.276	1200	2076	.003	.078	.278	-.363
1200	1285	.106	.148	.287	-.768	1200	2027	-.020	.084	.684	-.283	1200	2077	0.000	.086	.313	-.403
1200	1901	.240	.103	.102	-.626	1200	2028	-.064	.081	.255	-.258	1200	2078	0.003	.078	.278	-.366
1200	1902	.051	.129	.582	-.459	1200	2029	-.062	.085	.329	-.312	1200	2079	-.009	.085	.303	-.390
1200	1903	.094	.115	.274	-.612	1200	2030	-.041	.075	.243	-.302	1200	2080	-.012	.085	.296	-.366
1200	1904	.023	.089	.322	-.351	1200	2031	-.033	.087	.317	-.325	1200	2081	-.027	.087	.272	-.332
1200	1905	.011	.082	.334	-.269	1200	2032	-.011	.085	.316	-.309	1200	2082	-.026	.081	.256	-.312
1200	1906	.032	.086	.281	-.315	1200	2033	-.009	.087	.275	-.313	1200	2083	-.027	.088	.286	-.315
1200	1907	.019	.089	.339	-.287	1200	2034	-.055	.081	.217	-.349	1200	2084	-.025	.089	.302	-.345
1200	1908	.055	.093	.545	-.260	1200	2035	-.052	.095	.357	-.398	1200	2085	-.026	.093	.285	-.385
1200	1909	.129	.103	.226	-.496	1200	2036	-.023	.091	.300	-.361	1200	2086	-.031	.086	.255	-.452
1200	1910	.126	.117	.327	-.613	1200	2037	-.074	.091	.235	-.409	1200	2087	-.062	.098	.259	-.438
1200	1911	.042	.092	.284	-.337	1200	2038	-.173	.095	.124	-.545	1200	2088	-.081	.097	.214	-.419
1200	1912	.039	.089	.310	-.330	1200	2039	-.190	.115	.131	-.640	1200	2089	-.101	.103	.219	-.333
1200	1913	.231	.091	.074	-.537	1200	2040	-.070	.091	.299	-.460	1200	2090	-.057	.092	.257	-.352
1200	1914	.177	.102	.153	-.548	1200	2041	-.137	.104	.203	-.563	1200	2091	-.130	.102	.197	-.310
1200	1915	.101	.104	.209	-.557	1200	2042	-.244	.115	.072	-.682	1200	2092	-.151	.103	.183	-.360
1200	1916	.003	.095	.304	-.383	1200	2043	-.274	.140	.096	-.770	1200	2093	-.229	.126	.164	-.370
1200	1917	.029	.090	.304	-.442	1200	2044	-.080	.114	.508	-.360	1200	2094	-.033	.106	.394	-.398
1200	1918	.089	.170	.729	-.469	1200	2045	-.025	.124	.648	-.440	1200	2095	-.018	.136	.418	-.373
1200	1919	.102	.117	.332	-.711	1200	2046	-.055	.096	.268	-.412	1200	2096	-.025	.124	.345	-.461
1200	1920	.204	.139	.373	-.045	1200	2047	-.067	.112	.369	-.452	1200	2097	-.048	.112	.275	-.466
1200	1921	.064	.102	.297	-.632	1200	2048	-.258	.127	.707	-.246	1200	2098	.187	.109	.624	-.140
1200	1922	.068	.095	.282	-.378	1200	2049	-.276	.123	.772	-.116	1200	2099	.220	.120	.639	-.145
1200	1923	.047	.076	.220	-.305	1200	2050	-.187	.112	.582	-.177	1200	2100	.199	.123	.635	-.225
1200	2001	0.000	.084	.323	-.299	1200	2051	-.028	.085	.320	-.416	1200	2101	-.001	.087	.290	-.277
1200	2002	.028	.075	.260	-.289	1200	2052	-.063	.082	.333	-.381	1200	2102	-.001	.082	.282	-.280
1200	2003	.021	.084	.297	-.319	1200	2053	-.064	.080	.265	-.283	1200	2103	0.001	.088	.299	-.280
1200	2004	.002	.084	.347	-.396	1200	2054	-.047	.071	.188	-.296	1200	2104	0.000	.083	.310	-.309

APPENDIX A -- PRESSURE DATA:

CONFIGURATION A) ARCO PLAZA, LONG BEACH

WD	TAP	CPMEAN	CPRMS	CPMAX	CPMIN	WD	TAP	CPMEAN	CPRMS	CPMAX	CPMIN	WD	TAP	CPMEAN	CPRMS	CPMAX	CPMIN
120	22105	.013	.089	.281	.305	120	22006	.124	.147	.454	.580	120	2256	.004	.084	.366	.234
120	22106	.022	.083	.246	.281	120	22007	.110	.173	.452	.739	110	2257	.008	.094	.324	.302
120	22107	.028	.088	.257	.314	120	22008	.016	.107	.287	.477	120	2258	.022	.087	.387	.247
120	22108	.022	.086	.330	.296	120	22009	.023	.104	.358	.376	120	2259	.013	.089	.300	.331
120	22109	.029	.088	.281	.418	120	22110	.144	.115	.530	.263	120	2260	.030	.132	.470	.497
120	22110	.035	.082	.240	.408	120	22111	.077	.101	.530	.229	120	2261	.018	.142	.496	.664
120	22111	.039	.090	.287	.484	120	22112	.139	.085	.162	.438	120	2262	.088	.102	.470	.320
120	22112	.058	.090	.238	.390	120	22113	.171	.100	.200	.510	120	2263	.098	.097	.515	.256
120	22113	.083	.091	.203	.464	120	22114	.086	.096	.253	.501	120	2264	.103	.097	.501	.258
120	22114	.162	.090	.184	.473	120	22115	.067	.091	.245	.408	120	2265	.273	.136	.107	.815
120	22115	.058	.091	.229	.350	120	22116	.084	.086	.199	.432	120	2266	.099	.112	.470	.341
120	22116	.091	.096	.227	.487	120	22117	.032	.106	.378	.425	120	2267	.082	.091	.255	.420
120	22117	.138	.102	.174	.491	120	22118	.031	.094	.390	.331	120	2268	.089	.084	.211	.434
120	22118	.182	.105	.116	.530	120	22119	.022	.080	.313	.243	120	2269	.047	.097	.337	.488
120	22119	.010	.098	.402	.341	120	22200	.004	.078	.276	.298	120	2270	.026	.086	.314	.482
120	22120	.000	.107	.383	.573	120	22201	.103	.179	.676	.775	120	2271	.021	.090	.320	.353
120	22121	.006	.108	.299	.416	120	22202	.043	.187	.630	.796	120	2272	.003	.082	.286	.355
120	22122	.022	.105	.301	.393	120	22203	.060	.123	.454	.590	120	2273	.062	.109	.306	.306
120	22123	.126	.110	.489	.206	120	22204	.078	.090	.385	.270	120	2274	.118	.104	.517	.270
120	22124	.154	.103	.529	.176	120	22205	.116	.114	.535	.331	120	2275	.110	.096	.447	.205
120	22125	.148	.112	.569	.222	120	22206	.117	.092	.202	.453	120	2276	.080	.089	.380	.232
120	22126	.000	.081	.277	.271	120	22207	.116	.093	.279	.468	120	2277	.061	.100	.366	.323
120	22127	.000	.088	.297	.305	120	22208	.104	.084	.240	.382	120	2278	.030	.096	.320	.332
120	22128	.000	.087	.301	.286	120	22209	.104	.093	.250	.429	120	2279	.046	.085	.346	.289
120	22129	.000	.091	.263	.305	120	22300	.005	.089	.346	.239	120	2280	.091	.092	.201	.498
120	22130	.006	.084	.229	.266	120	22301	.021	.085	.320	.336	120	2281	.046	.090	.235	.378
120	22131	.016	.090	.251	.298	120	22302	.005	.080	.229	.344	120	2282	.012	.084	.299	.297
120	22132	.009	.090	.260	.309	120	22303	.033	.090	.226	.411	120	2283	.014	.087	.292	.313
120	22133	.017	.087	.350	.314	120	22304	.041	.171	.493	.781	120	2284	.007	.077	.271	.284
120	22134	.024	.081	.312	.312	120	22305	.034	.173	.599	.810	120	2285	.066	.087	.295	.335
120	22135	.033	.088	.327	.352	120	22306	.035	.115	.435	.589	120	2901	.025	.088	.338	.269
120	22136	.021	.089	.344	.340	120	22307	.048	.093	.482	.287	120	2902	.007	.076	.253	.315
120	22137	.044	.088	.192	.333	120	22308	.131	.097	.645	.209	120	2903	.041	.084	.271	.310
120	22138	.066	.082	.173	.357	120	22309	.110	.092	.177	.412	120	2904	.076	.095	.243	.489
120	22139	.081	.091	.162	.429	120	22400	.139	.093	.136	.443	120	2905	.105	.095	.284	.537
120	22140	.036	.087	.219	.304	120	22401	.136	.100	.180	.622	120	2906	.183	.093	.159	.570
120	22141	.031	.099	.291	.404	120	22402	.053	.092	.229	.409	120	2907	.014	.111	.455	.590
120	22142	.102	.091	.186	.516	120	22403	.062	.101	.350	.355	120	2908	.233	.103	.095	.694
120	22143	.133	.106	.178	.651	120	22404	.002	.087	.297	.304	120	2909	.041	.086	.224	.362
120	22144	.096	.096	.439	.324	120	22405	.026	.093	.265	.337	120	2910	.046	.076	.206	.351
120	22145	.029	.114	.464	.403	120	22406	.016	.093	.317	.311	120	2911	.245	.135	.132	.353
120	22146	.008	.107	.404	.512	120	22407	.006	.145	.494	.673	120	2912	.053	.091	.233	.399
120	22147	.014	.116	.424	.533	120	22408	.010	.141	.431	.659	120	2913	.058	.088	.360	.251
120	22148	.085	.100	.449	.288	120	22409	.023	.105	.381	.635	120	2914	.014	.076	.258	.353
120	22149	.127	.097	.498	.198	120	22500	.089	.085	.430	.194	120	2915	.134	.096	.210	.510
120	22150	.108	.093	.447	.189	120	22501	.134	.102	.528	.178	120	2916	.197	.119	.210	.689
120	22151	.063	.108	.517	.261	120	22502	.127	.092	.177	.442	120	2917	.144	.104	.238	.555
120	22152	.169	.101	.153	.527	120	22503	.192	.110	.267	.592	120	2918	.059	.088	.229	.389
120	22153	.123	.092	.156	.463	120	22504	.099	.105	.236	.508	120	2919	.116	.102	.249	.473
120	22154	.108	.100	.221	.571	120	22505	.068	.091	.270	.461	120	2920	.057	.095	.300	.402

APPENDIX A -- PRESSURE DATA:

CONFIGURATION A: ARCO PLAZA, LONG BEACH

WD	TAP	CPMEAN	CPRMS	CPMAX	CPMIN	WD	TAP	CPMEAN	CPRMS	CPMAX	CPMIN	WD	TAP	CPMEAN	CPRMS	CPMAX	CPMIN
1300	2921	.213	.093	.057	-.604	130	1031	.217	.138	.899	-.256	130	1081	.176	.122	.612	-.328
1300	2922	.145	.108	.532	-.243	130	1032	.134	.116	.659	-.234	130	1082	.039	.095	.483	-.399
1300	2923	.020	.114	.510	-.498	130	1033	.191	.127	.197	-.672	130	1083	-.235	.121	.180	-.737
1300	901	.052	.088	.281	-.421	130	1034	-.202	.099	.088	-.603	130	1084	-.138	.099	.163	-.558
1300	902	.085	.083	.218	-.427	130	1035	-.110	.135	.467	-.575	130	1085	-.111	.132	.345	-.562
1300	903	.073	.092	.254	-.505	130	1036	-.100	.103	.274	-.444	130	1086	-.138	.090	.189	-.512
1300	904	.079	.093	.242	-.470	130	1037	-.329	.140	.084	-.919	130	1087	-.289	.126	.141	-.809
1300	905	.140	.108	.183	-.543	130	1038	-.333	.114	.002	-.838	130	1088	-.195	.107	.196	-.671
1300	906	.137	.097	.197	-.473	130	1039	-.142	.113	.278	-.497	130	1089	-.129	.103	.224	-.468
1300	907	.135	.106	.175	-.481	130	1040	-.064	.097	.281	-.394	130	1090	-.094	.091	.234	-.408
1300	908	.097	.095	.231	-.397	130	1041	-.152	.110	.158	-.579	130	1091	-.108	.104	.253	-.344
1300	909	.098	.099	.197	-.460	130	1042	-.187	.093	.143	-.511	130	1092	-.053	.095	.305	-.435
1300	910	.099	.090	.177	-.435	130	1043	-.093	.096	.285	-.445	130	1093	-.056	.095	.274	-.440
1300	911	.132	.109	.165	-.567	130	1044	-.034	.090	.306	-.440	130	1094	-.073	.084	.253	-.370
1300	912	.074	.099	.216	-.448	130	1045	-.032	.092	.325	-.423	130	1095	-.064	.094	.288	-.412
1300	913	.062	.092	.235	-.379	130	1046	-.085	.079	.212	-.394	130	1096	-.017	.085	.319	-.334
1300	914	.131	.089	.522	-.169	130	1047	-.043	.088	.278	-.597	130	1097	-.019	.085	.238	-.315
1300	915	.077	.091	.226	-.367	130	1048	-.011	.086	.295	-.353	130	1098	-.049	.078	.190	-.344
1300	916	.117	.099	.500	-.178	130	1049	-.022	.085	.263	-.377	130	1099	-.051	.089	.224	-.386
1300	917	.133	.099	.537	-.195	130	1050	-.087	.077	.180	-.380	130	1100	-.012	.083	.251	-.17
1300	1001	.100	.116	.531	-.252	130	1051	-.058	.112	.438	-.324	130	1101	-.052	.099	.389	-.230
1300	1002	.131	.110	.560	-.189	130	1052	.191	.112	.625	-.196	130	1102	.094	.090	.461	-.189
1300	1003	.180	.128	.675	-.182	130	1053	.259	.125	.866	-.175	130	1103	.126	.108	.549	-.222
1300	1004	.118	.124	.626	-.250	130	1054	.151	.132	.621	-.203	130	1104	.135	.117	.535	-.264
1300	1005	.029	.104	.377	-.314	130	1055	.163	.126	.601	-.196	130	1105	.111	.105	.496	-.197
1300	1006	.060	.109	.440	-.379	130	1056	.226	.132	.685	-.141	130	1106	.117	.111	.566	-.161
1300	1007	.085	.118	.465	-.269	130	1057	.165	.108	.533	-.239	130	1107	.024	.111	.474	-.332
1300	1008	.152	.115	.206	-.707	130	1058	.269	.114	.123	-.674	130	1108	-.154	.114	.227	-.653
1300	1009	.159	.106	.157	-.597	130	1059	.163	.113	.265	-.583	130	1109	-.128	.101	.231	-.541
1300	1010	.082	.111	.296	-.446	130	1060	-.108	.130	.388	-.516	130	1110	-.106	.109	.220	-.520
1300	1011	.073	.086	.240	-.391	130	1061	-.114	.098	.289	-.446	130	1111	-.148	.100	.190	-.540
1300	1012	.111	.111	.125	-.628	130	1062	-.365	.121	.031	-.870	130	1112	-.231	.114	.118	-.695
1300	1013	.260	.128	.134	-.733	130	1063	-.258	.118	.169	-.761	130	1113	-.172	.111	.197	-.626
1300	1014	.169	.103	.230	-.715	130	1064	-.144	.105	.240	-.521	130	1114	-.149	.094	.153	-.487
1300	1015	.093	.107	.384	-.575	130	1065	-.071	.097	.245	-.451	130	1115	-.093	.099	.287	-.451
1300	1016	.166	.128	.197	-.624	130	1066	-.170	.099	.110	-.464	130	1116	-.073	.093	.261	-.434
1300	1017	.148	.125	.264	-.636	130	1067	-.104	.098	.189	-.444	130	1117	-.045	.091	.308	-.366
1300	1018	.136	.095	.182	-.481	130	1068	-.053	.091	.245	-.433	130	1118	-.066	.081	.271	-.328
1300	1019	.065	.098	.243	-.462	130	1069	-.036	.091	.262	-.494	130	1119	-.057	.090	.260	-.398
1300	1020	.038	.096	.259	-.398	130	1070	-.097	.081	.151	-.520	130	1120	-.014	.083	.294	-.291
1300	1021	.021	.085	.257	-.311	130	1071	-.045	.088	.229	-.306	130	1121	-.016	.090	.302	-.309
1300	1022	.078	.078	.196	-.357	130	1072	-.015	.085	.253	-.275	130	1122	-.046	.081	.243	-.308
1300	1023	.039	.087	.270	-.349	130	1073	-.012	.080	.241	-.305	130	1123	-.054	.094	.279	-.384
1300	1024	.018	.085	.272	-.325	130	1074	-.083	.072	.170	-.355	130	1124	-.018	.089	.286	-.344
1300	1025	.021	.083	.233	-.298	130	1075	-.039	.081	.247	-.350	130	1125	-.029	.093	.294	-.407
1300	1026	.059	.098	.537	-.313	130	1076	-.052	.106	.496	-.268	130	1126	-.039	.098	.344	-.207
1300	1027	.210	.121	.812	-.230	130	1077	-.168	.112	.606	-.168	130	1127	.095	.101	.443	-.247
1300	1028	.291	.130	.982	-.151	130	1078	.200	.112	.587	-.153	130	1128	.159	.093	.492	-.125
1300	1029	.206	.139	.842	-.203	130	1079	.154	.137	.668	-.353	130	1129	.132	.113	.507	-.236
1300	1030	.121	.109	.645	-.218	130	1080	.159	.114	.558	-.265	130	1130	.100	.104	.447	-.243

APPENDIX A -- PRESSURE DATA

CONFIGURATION A: ARCO PLAZA, LONG BEACH

WD	TAP	CPMEAN	CPRMS	CPMAX	CPMIN	WD	TAP	CPMEAN	CPRMS	CPMAX	CPMIN	WD	TAP	CPMEAN	CPRMS	CPMAX	CPMIN
130	1131	.121	.120	.646	.284	130	1232	.130	.094	.148	.568	130	1282	.086	.086	.380	.188
130	1132	.057	.096	.407	.261	130	1233	.130	.104	.176	.640	130	1283	.033	.097	.331	.390
130	1133	.098	.110	.240	.451	130	1234	.004	.082	.255	.335	130	1284	.011	.130	.365	.648
130	1133A	.029	.092	.167	.491	130	1235	.005	.083	.285	.275	130	1285	.009	.123	.369	.511
130	1133B	.118	.120	.244	.308	130	1236	.024	.078	.289	.242	130	1901	.234	.096	.104	.567
130	1133C	.062	.093	.244	.308	130	1237	.007	.087	.308	.266	130	1902	.049	.121	.630	.323
130	1133D	.169	.120	.244	.308	130	1238	.073	.088	.283	.282	130	1903	.130	.104	.191	.503
130	1137	.176	.103	.244	.308	130	1239	.097	.100	.258	.251	130	1904	.037	.087	.250	.403
130	1139	.105	.103	.244	.308	130	1240	.026	.095	.414	.294	130	1905	.031	.082	.265	.334
130	1140	.025	.091	.244	.308	130	1241	.062	.099	.342	.443	130	1906	.040	.082	.272	.391
130	1141	.068	.094	.244	.308	130	1242	.047	.125	.558	.359	130	1907	.037	.088	.293	.435
130	1142	.091	.083	.244	.308	130	1243	.030	.127	.347	.486	130	1908	.031	.099	.542	.309
130	1143	.069	.090	.244	.308	130	1244	.129	.131	.294	.722	130	1909	.106	.097	.279	.617
130	1144	.014	.082	.244	.308	130	1245	.149	.127	.242	.836	130	1910	.131	.120	.262	.686
130	1145	.020	.094	.244	.308	130	1246	.163	.125	.218	.876	130	1911	.045	.091	.280	.413
130	1146	.051	.086	.244	.308	130	1247	.003	.081	.269	.277	130	1912	.030	.088	.227	.358
130	1147	.051	.096	.244	.308	130	1248	.028	.076	.271	.236	130	1913	.250	.098	.102	.586
130	1148	.014	.093	.244	.308	130	1249	.031	.079	.315	.250	130	1914	.178	.100	.136	.563
130	1149	.029	.089	.244	.308	130	1250	.002	.083	.282	.292	130	1915	.080	.100	.218	.657
130	1150	.066	.082	.244	.308	130	1251	.067	.087	.215	.436	130	1916	.028	.092	.382	.264
130	1201	.101	.085	.244	.308	130	1252	.075	.083	.199	.435	130	1917	.033	.094	.327	.350
130	1202	.089	.091	.244	.308	130	1253	.031	.096	.387	.397	130	1918	.080	.151	.660	.468
130	1204	.084	.088	.244	.308	130	1254	.066	.091	.257	.446	130	1919	.045	.129	.552	.709
130	1205	.008	.137	.436	.436	130	1255	.079	.107	.383	.334	130	1920	.211	.129	.209	.709
130	1206	.007	.085	.369	.369	130	1256	.043	.107	.337	.385	130	1921	.069	.097	.241	.537
130	1207	.003	.082	.299	.369	130	1257	.074	.140	.276	.709	130	1922	.088	.090	.209	.396
130	1208	.026	.078	.299	.369	130	1258	.143	.130	.256	.867	130	1923	.034	.072	.188	.325
130	1209	.005	.085	.300	.369	130	1259	.152	.130	.211	.875	130	2001	.006	.088	.289	.316
130	1210	.062	.089	.298	.369	130	1260	.021	.077	.265	.233	130	2002	.033	.081	.226	.340
130	1211	.065	.090	.225	.406	130	1261	.025	.083	.278	.247	130	2003	.034	.091	.267	.348
130	1212	.074	.087	.196	.406	130	1262	.014	.084	.284	.265	130	2004	.007	.090	.267	.287
130	1213	.034	.097	.307	.406	130	1263	.002	.086	.323	.325	130	2005	.007	.089	.262	.300
130	1214	.102	.103	.233	.406	130	1264	.039	.077	.268	.308	130	2006	.063	.080	.200	.325
130	1215	.000	.132	.435	.406	130	1265	.062	.088	.230	.352	130	2007	.030	.089	.253	.377
130	1216	.033	.123	.389	.406	130	1266	.049	.090	.357	.249	130	2008	.030	.088	.245	.343
130	1217	.037	.127	.427	.406	130	1267	.122	.112	.224	.595	130	2009	.061	.098	.271	.403
130	1218	.172	.118	.268	.406	130	1268	.129	.087	.564	.176	130	2010	.136	.094	.197	.493
130	1219	.168	.109	.131	.406	130	1269	.082	.101	.391	.370	130	2011	.083	.099	.285	.411
130	1220	.139	.085	.134	.406	130	1270	.067	.172	.366	.938	130	2012	.090	.099	.284	.547
130	1221	.013	.088	.381	.406	130	1271	.092	.146	.253	.879	130	2013	.207	.110	.147	.669
130	1222	.002	.089	.376	.406	130	1272	.079	.129	.403	.773	130	2014	.289	.105	.063	.707
130	1223	.008	.087	.266	.406	130	1273	.027	.081	.324	.250	130	2015	.088	.094	.244	.425
130	1224	.013	.082	.226	.406	130	1274	.011	.081	.298	.269	130	2016	.064	.117	.376	.564
130	1225	.051	.089	.243	.406	130	1275	.019	.079	.342	.309	130	2017	.187	.120	.186	.646
130	1226	.099	.095	.204	.406	130	1276	.035	.072	.316	.264	130	2018	.268	.113	.061	.680
130	1227	.038	.098	.323	.406	130	1277	.029	.085	.313	.440	130	2019	.030	.121	.585	.480
130	1228	.060	.093	.249	.406	130	1278	.055	.084	.278	.478	130	2020	.031	.096	.252	.420
130	1229	.038	.115	.604	.406	130	1279	.029	.076	.344	.216	130	2021	.031	.111	.278	.441
130	1230	.043	.118	.413	.406	130	1280	.065	.088	.320	.299	130	2022	.178	.133	.694	.217
130	1231	.150	.122	.219	.406	130	1281	.091	.087	.446	.204	130	2023	.178	.133	.694	.217

APPENDIX A -- PRESSURE DATA:

CONFIGURATION A: ARCO PLAZA, LONG BEACH

MD	TAP	CPMEAN	CPRMS	CPMAX	CPMIN	MD	TAP	CPMEAN	CPRMS	CPMAX	CPMIN	MD	TAP	CPMEAN	CPRMS	CPMAX	CPMIN
1300	2024	.206	.131	.732	-.206	1300	2074	.199	.111	.632	-.169	1300	2124	.171	.098	.344	-.118
1300	2025	.151	.140	.717	-.298	1300	2075	.126	.123	.591	-.316	1300	2125	.117	.113	.605	-.294
1300	2026	.054	.081	.224	-.340	1300	2076	-.016	.082	.247	-.302	1300	2126	-.020	.087	.290	-.323
1300	2027	.033	.090	.267	-.350	1300	2077	-.015	.087	.264	-.314	1300	2127	-.025	.093	.304	-.338
1300	2028	.001	.086	.283	-.297	1300	2078	-.009	.079	.262	-.259	1300	2128	-.007	.089	.294	-.340
1300	2029	.097	.079	.282	-.256	1300	2079	-.019	.086	.260	-.299	1300	2129	-.009	.089	.300	-.339
1300	2030	.061	.071	.200	-.301	1300	2080	-.014	.085	.262	-.278	1300	2130	-.013	.082	.251	-.315
1300	2031	.050	.084	.269	-.353	1300	2081	-.017	.094	.300	-.344	1300	2131	-.025	.090	.277	-.361
1300	2032	.022	.083	.320	-.310	1300	2082	-.022	.088	.282	-.350	1300	2132	-.014	.089	.282	-.336
1300	2033	.033	.095	.268	-.394	1300	2083	-.034	.094	.293	-.426	1300	2133	-.024	.086	.283	-.336
1300	2034	.110	.092	.193	-.524	1300	2084	-.037	.095	.314	-.423	1300	2134	-.041	.082	.236	-.449
1300	2035	.111	.108	.256	-.639	1300	2085	-.051	.098	.248	-.445	1300	2135	-.054	.090	.240	-.454
1300	2036	.038	.094	.271	-.417	1300	2086	-.044	.089	.242	-.417	1300	2136	-.028	.089	.267	-.454
1300	2037	.097	.097	.230	-.431	1300	2087	-.101	.100	.236	-.507	1300	2137	-.067	.092	.261	-.403
1300	2038	.266	.102	.653	-.683	1300	2088	-.147	.098	.190	-.536	1300	2138	-.104	.088	.204	-.506
1300	2039	.294	.127	.684	-.866	1300	2089	-.172	.107	.201	-.669	1300	2139	-.134	.099	.212	-.540
1300	2040	.078	.098	.344	-.473	1300	2090	-.077	.088	.210	-.427	1300	2140	-.051	.090	.251	-.404
1300	2041	.130	.122	.256	-.549	1300	2091	-.130	.107	.287	-.548	1300	2141	-.053	.099	.321	-.443
1300	2042	.239	.113	.081	-.743	1300	2092	-.150	.102	.210	-.493	1300	2142	-.103	.088	.223	-.403
1300	2043	.239	.137	.143	-.832	1300	2093	-.208	.120	.155	-.706	1300	2143	-.145	.103	.244	-.573
1300	2044	.112	.115	.559	-.290	1300	2094	.061	.087	.368	-.256	1300	2144	.034	.089	.393	-.291
1300	2045	.082	.135	.529	-.367	1300	2095	.107	.113	.553	-.311	1300	2145	.106	.102	.429	-.116
1300	2046	.012	.102	.397	-.356	1300	2096	.084	.104	.486	-.268	1300	2146	.067	.095	.378	-.271
1300	2047	.016	.130	.479	-.422	1300	2097	.066	.117	.502	-.379	1300	2147	.066	.105	.438	-.118
1300	2048	.294	.132	.689	-.104	1300	2098	.219	.111	.636	-.095	1300	2148	.147	.100	.464	-.208
1300	2049	.273	.120	.825	-.092	1300	2099	.201	.117	.612	-.156	1300	2149	.134	.096	.488	-.172
1300	2050	.129	.105	.350	-.262	1300	2100	.145	.118	.670	-.209	1300	2150	.091	.091	.443	-.212
1300	2051	.038	.094	.233	-.299	1300	2101	-.020	.093	.291	-.362	1300	2201	.026	.116	.407	-.391
1300	2052	.002	.081	.257	-.246	1300	2102	-.023	.086	.258	-.349	1300	2202	-.138	.100	.217	-.513
1300	2053	.067	.085	.286	-.299	1300	2103	-.012	.091	.315	-.409	1300	2204	-.112	.088	.192	-.459
1300	2054	.064	.078	.214	-.329	1300	2104	-.017	.087	.330	-.343	1300	2205	-.111	.096	.258	-.487
1300	2055	.047	.088	.265	-.354	1300	2105	.019	.085	.314	-.333	1300	2206	-.178	.112	.335	-.851
1300	2056	.017	.086	.264	-.305	1300	2106	-.025	.080	.273	-.308	1300	2207	-.191	.120	.196	-.946
1300	2057	.025	.091	.266	-.314	1300	2107	-.032	.085	.277	-.324	1300	2208	-.110	.122	.287	-.599
1300	2058	.086	.086	.205	-.356	1300	2108	-.027	.084	.227	-.287	1300	2209	-.007	.104	.426	-.436
1300	2059	.076	.098	.288	-.375	1300	2109	.050	.094	.269	-.431	1300	2210	.112	.110	.534	-.280
1300	2060	.051	.098	.314	-.348	1300	2110	-.065	.089	.227	-.430	1300	2211	-.053	.106	.489	-.296
1300	2061	.040	.100	.250	-.368	1300	2111	-.054	.094	.254	-.467	1300	2212	-.146	.092	.135	-.619
1300	2062	.133	.092	.160	-.503	1300	2112	-.085	.095	.265	-.479	1300	2213	-.165	.101	.137	-.570
1300	2063	.197	.112	.197	-.620	1300	2113	-.136	.102	.180	-.530	1300	2214	-.090	.098	.213	-.511
1300	2064	.183	.116	.624	-.353	1300	2114	-.170	.102	.140	-.568	1300	2215	-.061	.085	.216	-.391
1300	2065	.084	.098	.226	-.457	1300	2115	-.082	.099	.238	-.398	1300	2216	-.082	.080	.174	-.337
1300	2066	.199	.096	.089	-.609	1300	2116	-.106	.101	.227	-.486	1300	2217	-.054	.094	.303	-.379
1300	2067	.197	.104	.145	-.579	1300	2117	-.125	.102	.199	-.569	1300	2218	-.021	.087	.294	-.280
1300	2068	.208	.111	.130	-.646	1300	2118	-.175	.104	.125	-.623	1300	2219	-.011	.073	.229	-.204
1300	2069	.075	.101	.470	-.411	1300	2119	-.033	.095	.378	-.328	1300	2220	-.013	.077	.272	-.288
1300	2070	.063	.115	.523	-.342	1300	2120	.085	.109	.475	-.275	1300	2221	-.215	.126	.269	-.649
1300	2071	.047	.115	.505	-.481	1300	2121	.060	.107	.378	-.367	1300	2222	-.156	.130	.322	-.882
1300	2072	.075	.127	.552	-.518	1300	2122	.053	.112	.456	-.343	1300	2223	-.061	.158	.381	-.804
1300	2073	.261	.119	.665	-.118	1300	2123	.168	.099	.544	-.146	1300	2224	.042	.103	.403	-.383

APPENDIX A -- PRESSURE DATA:

CONFIGURATION A) ARCO PLAZA, LONG BEACH

WD	TAP	CPMEAN	CPRMS	CPMAX	CPMIN	WD	TAP	CPMEAN	CPRMS	CPMAX	CPMIN	WD	TAP	CPMEAN	CPRMS	CPMAX	CPMIN	
1330	2275	.077	.101	.410	.418	1330	917	.151	.100	.534	.182	1330	1001	.161	.127	.722	.244	
1330	2276	.077	.093	.334	.211	1330	1002	.156	.123	.675	.240	1330	1003	.203	.137	.698	.311	
1330	2277	.043	.096	.386	.286	1330	1004	.019	.125	.467	.396	1330	1005	.025	.098	.301	.522	
1330	2278	.012	.090	.314	.277	1330	1006	.021	.122	.417	.352	1330	1007	.060	.110	.451	.268	
1330	2279	.044	.084	.369	.277	1330	1008	.249	.127	.794	.266	1330	1009	.247	.138	.152	.288	
1330	2280	.074	.086	.257	.432	1330	1010	.168	.118	.210	.666	1330	1011	.107	.095	.196	.443	
1330	2281	.044	.087	.295	.317	1330	1012	.249	.132	.122	.695	1330	1013	.212	.121	.191	.722	
1330	2282	.010	.083	.329	.277	1330	1014	.208	.099	.153	.603	1330	1015	.098	.106	.324	.387	
1330	2283	.014	.083	.281	.273	1330	1016	.081	.106	.324	.324	1330	1017	.084	.112	.287	.228	
1330	2284	.005	.074	.247	.230	1330	1018	.128	.094	.241	.497	1330	1019	.059	.099	.276	.696	
1330	2285	.006	.084	.282	.270	1330	1020	.018	.093	.304	.470	1330	1021	.015	.089	.263	.403	
1330	29001	.033	.087	.300	.240	1330	1022	.095	.084	.173	.385	1330	1023	.042	.092	.231	.381	
1330	29002	.066	.076	.249	.245	1330	1024	.007	.088	.265	.372	1330	1025	.015	.092	.284	.443	
1330	29003	.043	.083	.221	.309	1330	1026	.099	.111	.474	.340	1330	1027	.250	.130	.779	.168	
1330	29004	.061	.091	.297	.382	1330	1028	.319	.136	.834	.168	1330	1029	.109	.140	.656	.344	
1330	29005	.065	.088	.233	.340	1330	1030	.031	.110	.379	.316	1330	1031	.135	.145	.592	.448	
1330	29006	.155	.087	.199	.482	1330	1032	.105	.107	.521	.205	1330	1033	.272	.141	.084	.810	
1330	29007	.038	.102	.461	.338	1330	1034	.301	.114	.607	.697	1330	1035	.197	.126	.331	.840	
1330	29008	.209	.099	.115	.676	1330	1036	.091	.103	.248	.403	1330	1037	.278	.148	.094	.898	
1330	29009	.044	.084	.259	.326	1330	1038	.321	.124	.001	.847	1330	1039	.161	.108	.196	.505	
1330	29100	.048	.074	.224	.263	1330	1040	.050	.098	.310	.569	1330	1041	.071	.103	.250	.508	
1330	29111	.160	.128	.225	.707	1330	1042	.142	.089	.130	.492	1330	1043	.066	.095	.216	.415	
1330	29112	.083	.096	.278	.449	1330	1044	.017	.088	.260	.345	1330	1044	.017	.088	.260	.345	
1330	29113	.056	.091	.407	.233	1330	1045	.019	.084	.289	.341	1330	1047	.102	.076	.143	.344	
1330	29114	.046	.082	.220	.409	1330	1048	.045	.083	.223	.307	1330	1048	.045	.083	.223	.307	
1330	29115	.153	.093	.148	.524	1330	1049	.012	.096	.297	.344	1330	1049	.012	.096	.297	.344	
1330	29116	.232	.110	.130	.645													
1330	29117	.100	.093	.193	.410													
1330	29118	.044	.088	.226	.380													
1330	29119	.120	.090	.177	.412													
1330	29200	.064	.088	.208	.458													
1330	29211	.201	.090	.096	.538													
1330	29222	.091	.112	.506	.291													
1330	29233	.003	.118	.478	.372													
1330	9001	.075	.090	.247	.483													
1330	9002	.116	.084	.168	.526													
1330	9003	.098	.092	.237	.519													
1330	9004	.107	.093	.224	.526													
1330	9005	.187	.109	.211	.628													
1330	9006	.185	.098	.160	.584													
1330	9007	.183	.107	.177	.581													
1330	9008	.132	.094	.161	.508													
1330	9009	.129	.096	.146	.463													
1330	9110	.136	.086	.109	.472													
1330	9111	.173	.105	.135	.555													
1330	9112	.102	.095	.220	.418													
1330	9113	.091	.095	.246	.470													
1330	9114	.132	.094	.494	.176													
1330	9115	.112	.096	.194	.492													
1330	9116	.148	.109	.527	.187													

APPENDIX A -- PRESSURE DATA:

CONFIGURATION A) ARCO PLAZA, LONG BEACH

WD	TAP	CPMEAN	CPRMS	CPMAX	CPMIN	WD	TAP	CPMEAN	CPRMS	CPMAX	CPMIN	WD	TAP	CPMEAN	CPRMS	CPMAX	CPMIN
140	1050	.099	.090	.191	.410	140	1100	.019	.088	.284	.302	140	1150	.081	.089	.183	.397
140	1051	.116	.130	.375	.311	140	1101	.116	.111	.546	.234	140	1201	.125	.100	.166	.513
140	1052	.244	.130	.686	.161	140	1102	.137	.102	.552	.164	140	1202	.112	.103	.193	.483
140	1053	.273	.126	.837	.263	140	1103	.149	.118	.589	.227	140	1204	.099	.092	.173	.501
140	1054	.028	.134	.554	.408	140	1104	.063	.122	.564	.297	140	1205	.061	.117	.542	.429
140	1055	.078	.123	.495	.351	140	1105	.044	.094	.360	.265	140	1206	.003	.083	.309	.265
140	1056	.154	.131	.688	.114	140	1106	.037	.102	.385	.305	140	1207	.001	.079	.242	.264
140	1057	.066	.101	.396	.292	140	1107	.021	.106	.367	.402	140	1208	.037	.074	.277	.245
140	1058	.343	.114	.922	.113	140	1108	.201	.120	.265	.796	140	1209	.009	.082	.277	.276
140	1059	.216	.109	.677	.676	140	1109	.163	.107	.196	.662	140	1210	.078	.086	.159	.432
140	1060	.153	.114	.255	.677	140	1110	.156	.100	.169	.645	140	1211	.070	.091	.245	.421
140	1061	.101	.104	.217	.777	140	1111	.121	.102	.249	.685	140	1212	.065	.089	.216	.401
140	1062	.306	.118	.916	.788	140	1112	.134	.103	.199	.540	140	1213	.067	.098	.250	.391
140	1063	.200	.115	.125	.336	140	1113	.103	.101	.213	.445	140	1214	.130	.101	.219	.558
140	1064	.112	.103	.224	.122	140	1114	.127	.088	.169	.412	140	1215	.045	.107	.462	.459
140	1065	.053	.098	.362	.459	140	1115	.087	.096	.198	.412	140	1216	.121	.101	.439	.247
140	1066	.141	.087	.190	.555	140	1116	.033	.086	.224	.341	140	1217	.050	.097	.364	.319
140	1067	.072	.096	.251	.525	140	1117	.036	.096	.258	.342	140	1218	.124	.135	.264	.671
140	1068	.020	.092	.705	.405	140	1118	.071	.085	.229	.347	140	1219	.187	.102	.138	.545
140	1069	.024	.091	.233	.444	140	1119	.070	.096	.280	.385	140	1220	.141	.074	.133	.390
140	1070	.112	.084	.153	.477	140	1120	.022	.088	.295	.293	140	1221	.025	.075	.263	.250
140	1071	.048	.091	.284	.444	140	1121	.017	.087	.303	.304	140	1222	.002	.077	.253	.289
140	1072	.003	.088	.320	.199	140	1122	.061	.078	.213	.323	140	1223	.009	.079	.250	.244
140	1073	.014	.085	.292	.863	140	1123	.072	.092	.251	.350	140	1224	.022	.071	.250	.212
140	1074	.105	.080	.184	.444	140	1124	.027	.086	.266	.365	140	1225	.039	.080	.210	.341
140	1075	.050	.089	.272	.337	140	1125	.029	.092	.287	.306	140	1226	.038	.088	.176	.415
140	1076	.130	.117	.550	.287	140	1126	.070	.093	.471	.269	140	1227	.096	.086	.227	.377
140	1077	.229	.126	.754	.151	140	1127	.107	.106	.554	.226	140	1228	.068	.079	.206	.319
140	1078	.229	.121	.805	.136	140	1128	.144	.096	.508	.146	140	1229	.126	.094	.428	.232
140	1079	.044	.145	.517	.550	140	1129	.067	.107	.478	.327	140	1230	.047	.095	.373	.313
140	1080	.088	.119	.494	.367	140	1130	.029	.097	.388	.305	140	1231	.097	.144	.326	.650
140	1081	.119	.132	.653	.333	140	1131	.057	.110	.696	.326	140	1232	.125	.103	.198	.527
140	1082	.008	.095	.364	.222	140	1132	.022	.093	.470	.310	140	1233	.130	.110	.232	.634
140	1083	.294	.137	.994	.113	140	1133	.140	.125	.245	.774	140	1234	.009	.082	.255	.295
140	1084	.181	.114	.145	.499	140	1134	.164	.106	.185	.641	140	1235	.003	.076	.243	.258
140	1085	.158	.125	.337	.649	140	1135	.102	.124	.334	.591	140	1236	.008	.071	.232	.212
140	1086	.135	.103	.209	.460	140	1136	.053	.095	.266	.357	140	1237	.008	.077	.232	.235
140	1087	.244	.145	.168	.908	140	1137	.117	.107	.230	.601	140	1238	.007	.081	.192	.351
140	1088	.153	.122	.227	.720	140	1138	.144	.091	.128	.544	140	1239	.093	.081	.177	.377
140	1089	.111	.112	.243	.543	140	1139	.106	.098	.193	.494	140	1240	.044	.074	.190	.333
140	1090	.099	.094	.251	.433	140	1140	.019	.086	.251	.332	140	1241	.070	.079	.184	.368
140	1091	.090	.103	.304	.339	140	1141	.038	.095	.305	.340	140	1242	.089	.093	.379	.261
140	1092	.033	.092	.312	.154	140	1142	.072	.086	.221	.347	140	1243	.054	.097	.369	.402
140	1093	.030	.089	.317	.339	140	1143	.068	.097	.301	.378	140	1244	.008	.131	.373	.560
140	1094	.070	.081	.232	.339	140	1144	.017	.089	.313	.310	140	1245	.109	.129	.366	.688
140	1095	.069	.092	.275	.284	140	1145	.023	.096	.306	.343	140	1246	.142	.125	.268	.676
140	1096	.017	.081	.284	.284	140	1146	.063	.087	.249	.384	140	1247	.004	.080	.266	.265
140	1097	.021	.080	.306	.333	140	1147	.063	.099	.299	.446	140	1248	.037	.078	.298	.201
140	1098	.066	.084	.237	.333	140	1148	.022	.098	.333	.394	140	1249	.032	.078	.289	.223
140	1099	.064	.095	.282	.371	140	1149	.039	.098	.255	.402	140	1250	.007	.084	.329	.247

APPENDIX A -- PRESSURE DATA

CONFIGURATION A: ARCO PLAZA, LONG BEACH

WD	TAP	CPMEAN	CPRMS	CPMAX	CPMIN	WD	TAP	CPMEAN	CPRMS	CPMAX	CPMIN	WD	TAP	CPMEAN	CPRMS	CPMAX	CPMIN
140	1251	.082	.083	.191	.386	140	1916	.044	.090	.376	.305	140	2043	.222	.135	.292	.743
140	1252	.070	.080	.189	.359	140	1917	.090	.100	.231	.445	140	2044	.132	.102	.529	.209
140	1253	.080	.088	.202	.371	140	1918	.030	.132	.677	.424	140	2045	.181	.124	.639	.289
140	1254	.101	.084	.172	.385	140	1919	.083	.127	.528	.305	140	2046	.075	.101	.457	.240
140	1255	.108	.096	.443	.228	140	1920	.241	.116	.217	.630	140	2047	.114	.130	.585	.279
140	1256	.107	.083	.393	.191	140	1921	.068	.091	.334	.416	140	2048	.267	.130	.817	.112
140	1257	.011	.130	.381	.598	140	1922	.098	.090	.178	.413	140	2049	.196	.114	.671	.165
140	1258	.123	.137	.368	.912	140	1923	.060	.072	.228	.313	140	2050	.026	.097	.381	.333
140	1259	.131	.139	.271	.809	140	2001	.016	.086	.258	.320	140	2051	.055	.085	.262	.344
140	1260	.035	.071	.278	.218	140	2002	.071	.080	.262	.362	140	2052	.009	.081	.292	.280
140	1261	.031	.076	.303	.221	140	2003	.054	.090	.247	.373	140	2053	.012	.088	.273	.276
140	1262	.004	.080	.271	.274	140	2004	.016	.087	.276	.328	140	2054	.086	.082	.174	.375
140	1263	.023	.088	.333	.280	140	2005	.022	.096	.309	.356	140	2055	.070	.092	.230	.555
140	1264	.035	.078	.204	.275	140	2006	.101	.093	.178	.446	140	2056	.033	.093	.281	.266
140	1265	.054	.087	.224	.337	140	2007	.088	.101	.279	.468	140	2057	.047	.093	.276	.374
140	1266	.062	.096	.391	.287	140	2008	.079	.102	.263	.450	140	2058	.152	.091	.162	.474
140	1267	.183	.110	.148	.545	140	2009	.152	.113	.191	.695	140	2059	.161	.107	.206	.558
140	1268	.138	.086	.435	.163	140	2010	.236	.108	.094	.726	140	2060	.139	.108	.242	.518
140	1269	.103	.090	.419	.189	140	2011	.113	.097	.230	.500	140	2061	.065	.099	.257	.420
140	1270	.025	.120	.365	.623	140	2012	.088	.099	.300	.462	140	2062	.169	.097	.126	.497
140	1271	.054	.137	.336	.627	140	2013	.233	.116	.117	.740	140	2063	.264	.114	.102	.825
140	1272	.012	.118	.341	.658	140	2014	.230	.113	.014	.797	140	2064	.260	.119	.093	.822
140	1273	.024	.077	.288	.273	140	2015	.087	.098	.223	.396	140	2065	.085	.095	.334	.437
140	1274	.007	.079	.260	.308	140	2016	.047	.124	.314	.527	140	2066	.135	.119	.309	.510
140	1275	.005	.085	.286	.328	140	2017	.147	.114	.198	.722	140	2067	.150	.114	.211	.654
140	1276	.040	.078	.306	.254	140	2018	.222	.116	.179	.652	140	2068	.144	.125	.300	.643
140	1277	.037	.089	.255	.413	140	2019	.062	.113	.552	.360	140	2069	.105	.101	.517	.190
140	1278	.080	.092	.212	.448	140	2020	.083	.119	.500	.468	140	2070	.135	.108	.523	.248
140	1279	.008	.077	.297	.314	140	2021	.011	.103	.358	.359	140	2071	.112	.113	.549	.364
140	1280	.032	.088	.259	.409	140	2022	.022	.119	.542	.385	140	2072	.166	.124	.636	.408
140	1281	.094	.089	.391	.245	140	2023	.140	.128	.575	.327	140	2073	.268	.114	.785	.087
140	1282	.085	.092	.427	.220	140	2024	.159	.123	.577	.308	140	2074	.162	.104	.601	.190
140	1283	.057	.093	.411	.573	140	2025	.095	.119	.657	.359	140	2075	.056	.114	.580	.358
140	1284	.017	.138	.497	.134	140	2026	.079	.080	.178	.469	140	2076	.015	.082	.297	.252
140	1285	.009	.133	.465	.935	140	2027	.059	.090	.229	.493	140	2077	.014	.085	.243	.313
140	1901	.259	.094	.079	.616	140	2028	.016	.085	.282	.388	140	2078	.014	.078	.236	.287
140	1902	.034	.120	.441	.603	140	2029	.023	.085	.303	.332	140	2079	.033	.086	.279	.288
140	1903	.194	.115	.211	.608	140	2030	.086	.080	.219	.384	140	2080	.024	.086	.198	.358
140	1904	.079	.094	.262	.491	140	2031	.082	.095	.262	.408	140	2081	.033	.087	.250	.212
140	1905	.075	.084	.212	.462	140	2032	.044	.091	.277	.353	140	2082	.045	.082	.198	.358
140	1906	.049	.084	.265	.404	140	2033	.089	.092	.235	.439	140	2083	.084	.089	.206	.366
140	1907	.004	.088	.313	.368	140	2034	.205	.094	.067	.535	140	2084	.101	.092	.205	.366
140	1908	.032	.089	.356	.283	140	2035	.220	.111	.091	.655	140	2085	.113	.101	.389	.425
140	1909	.093	.088	.223	.423	140	2036	.068	.090	.232	.394	140	2086	.065	.088	.317	.470
140	1910	.172	.128	.233	.748	140	2037	.092	.099	.256	.474	140	2087	.108	.101	.286	.501
140	1911	.058	.085	.229	.391	140	2038	.296	.108	.039	.736	140	2088	.196	.104	.138	.598
140	1912	.060	.087	.262	.322	140	2039	.067	.132	.062	.897	140	2089	.217	.112	.177	.636
140	1913	.269	.101	.061	.642	140	2040	.047	.095	.263	.457	140	2090	.073	.088	.237	.399
140	1914	.176	.098	.199	.535	140	2041	.091	.130	.395	.560	140	2091	.058	.116	.284	.334
140	1915	.043	.090	.254	.448	140	2042	.197	.108	.208	.640	140	2092	.078	.107	.282	.399

APPENDIX A -- PRESSURE DATA:

CONFIGURATION A) ARCO PLAZA, LONG BEACH

WD	TAP	CPMEAN	CPRMS	CPMAX	CPMIN	WD	TAP	CPMEAN	CPRMS	CPMAX	CPMIN	WD	TAP	CPMEAN	CPRMS	CPMAX	CPMIN
140	2143	.087	.113	.266	.472	140	2143	.087	.113	.266	.472	140	2244	.012	.083	.239	.342
140	2144	.075	.094	.430	.238	140	2144	.075	.094	.430	.238	140	2245	.019	.089	.268	.402
140	2145	.161	.102	.584	.159	140	2145	.161	.102	.584	.159	140	2246	.006	.092	.278	.409
140	2146	.133	.095	.493	.167	140	2146	.133	.095	.493	.167	140	2247	.156	.125	.251	.815
140	2147	.138	.103	.503	.232	140	2147	.138	.103	.503	.232	140	2248	.148	.122	.245	.847
140	2148	.176	.101	.527	.242	140	2148	.176	.101	.527	.242	140	2249	.140	.160	.371	.885
140	2149	.139	.099	.518	.208	140	2149	.139	.099	.518	.208	140	2250	.011	.128	.491	.556
140	2150	.067	.098	.433	.287	140	2150	.067	.098	.433	.287	140	2251	.093	.111	.494	.299
140	2201	.026	.146	.410	.680	140	2201	.026	.146	.410	.680	140	2252	.079	.090	.194	.423
140	2202	.125	.105	.214	.540	140	2202	.125	.105	.214	.540	140	2253	.106	.108	.240	.464
140	2204	.094	.088	.174	.429	140	2204	.094	.088	.174	.429	140	2254	.132	.101	.168	.527
140	2205	.074	.094	.219	.428	140	2205	.074	.094	.219	.428	140	2255	.091	.086	.167	.402
140	2206	.174	.105	.150	.593	140	2206	.174	.105	.150	.593	140	2256	.003	.079	.254	.249
140	2207	.182	.107	.225	.658	140	2207	.182	.107	.225	.658	140	2257	.013	.086	.278	.307
140	2208	.162	.106	.183	.611	140	2208	.162	.106	.183	.611	140	2258	.001	.084	.271	.314
140	2209	.048	.126	.356	.652	140	2209	.048	.126	.356	.652	140	2259	.005	.091	.291	.296
140	2210	.025	.127	.475	.598	140	2210	.025	.127	.475	.598	140	2260	.106	.115	.293	.613
140	2211	.007	.128	.549	.590	140	2211	.007	.128	.549	.590	140	2261	.142	.134	.318	.726
140	2212	.111	.093	.843	.484	140	2212	.111	.093	.843	.484	140	2262	.071	.151	.366	.583
140	2213	.081	.097	.308	.409	140	2213	.081	.097	.308	.409	140	2263	.061	.096	.399	.419
140	2214	.107	.098	.212	.490	140	2214	.107	.098	.212	.490	140	2264	.110	.091	.464	.184
140	2215	.081	.092	.238	.430	140	2215	.081	.092	.238	.430	140	2265	.187	.120	.170	.706
140	2216	.072	.085	.208	.397	140	2216	.072	.085	.208	.397	140	2266	.050	.099	.437	.308
140	2217	.027	.097	.289	.423	140	2217	.027	.097	.289	.423	140	2267	.097	.096	.232	.477
140	2218	.000	.092	.327	.368	140	2218	.000	.092	.327	.368	140	2268	.072	.088	.235	.446
140	2219	.014	.075	.308	.261	140	2219	.014	.075	.308	.261	140	2269	.046	.100	.307	.356
140	2220	.000	.079	.258	.282	140	2220	.000	.079	.258	.282	140	2270	.008	.093	.326	.317
140	2221	.174	.113	.180	.874	140	2221	.174	.113	.180	.874	140	2271	.002	.096	.387	.342
140	2222	.169	.116	.251	.804	140	2222	.169	.116	.251	.804	140	2272	.007	.086	.349	.295
140	2223	.158	.141	.316	.817	140	2223	.158	.141	.316	.817	140	2273	.081	.144	.417	.780
140	2224	.023	.118	.369	.427	140	2224	.023	.118	.369	.427	140	2274	.065	.150	.445	.782
140	2225	.021	.128	.406	.487	140	2225	.021	.128	.406	.487	140	2275	.017	.136	.428	.648
140	2226	.110	.107	.250	.547	140	2226	.110	.107	.250	.547	140	2276	.090	.090	.408	.337
140	2227	.069	.103	.299	.423	140	2227	.069	.103	.299	.423	140	2277	.071	.098	.418	.294
140	2228	.094	.088	.224	.364	140	2228	.094	.088	.224	.364	140	2278	.030	.093	.303	.365
140	2229	.090	.092	.228	.387	140	2229	.090	.092	.228	.387	140	2279	.030	.092	.341	.274
140	2230	.019	.087	.276	.303	140	2230	.019	.087	.276	.303	140	2280	.108	.087	.166	.388
140	2231	.002	.087	.377	.328	140	2231	.002	.087	.377	.328	140	2281	.071	.095	.241	.398
140	2232	.011	.082	.354	.293	140	2232	.011	.082	.354	.293	140	2282	.005	.091	.284	.318
140	2233	.019	.091	.376	.360	140	2233	.019	.091	.376	.360	140	2283	.002	.086	.313	.277
140	2234	.176	.129	.228	.808	140	2234	.176	.129	.228	.808	140	2284	.012	.077	.273	.267
140	2235	.164	.126	.876	.997	140	2235	.164	.126	.876	.997	140	2285	.003	.087	.319	.293
140	2236	.117	.132	.898	.580	140	2236	.117	.132	.898	.580	140	2901	.048	.095	.377	.277
140	2237	.014	.123	.333	.540	140	2237	.014	.123	.333	.540	140	2902	.002	.082	.319	.288
140	2238	.062	.116	.545	.359	140	2238	.062	.116	.545	.359	140	2903	.041	.089	.267	.355
140	2239	.094	.091	.220	.463	140	2239	.094	.091	.220	.463	140	2904	.025	.098	.316	.368
140	2240	.055	.091	.244	.358	140	2240	.055	.091	.244	.358	140	2905	.042	.091	.266	.346
140	2241	.134	.095	.201	.529	140	2241	.134	.095	.201	.529	140	2906	.157	.100	.172	.477
140	2242	.084	.093	.262	.415	140	2242	.084	.093	.262	.415	140	2907	.057	.120	.505	.479
140	2243	.022	.096	.273	.431	140	2243	.022	.096	.273	.431	140	2908	.247	.106	.070	.596

APPENDIX A -- PRESSURE DATA:

CONFIGURATION A: ARCO PLAZA, LONG BEACH

WD	TAP	CPMEAN	CPRMS	CPMAX	CPMIN	WD	TAP	CPMEAN	CPRMS	CPMAX	CPMIN	WD	TAP	CPMEAN	CPRMS	CPMAX	CPMIN
140	22909	.053	.091	.259	.359	150	1019	.065	.092	.225	.422	150	1069	.025	.082	.262	.285
140	22910	.064	.081	.210	.327	150	1020	.019	.089	.245	.324	150	1070	.113	.071	.134	.328
140	22911	.140	.123	.240	.768	150	1021	.016	.089	.309	.410	150	1071	.054	.080	.218	.293
140	22912	.124	.105	.304	.526	150	1022	.100	.077	.173	.385	150	1072	.007	.079	.303	.255
140	22913	.015	.096	.351	.445	150	1023	.049	.085	.232	.322	150	1073	.019	.084	.300	.396
140	22914	.101	.087	.181	.427	150	1024	.055	.086	.289	.287	150	1074	.109	.074	.162	.432
140	22915	.162	.103	.176	.740	150	1025	.013	.087	.327	.333	150	1075	.059	.085	.250	.436
140	22916	.229	.112	.115	.612	150	1026	.145	.111	.560	.193	150	1076	.191	.115	.626	.276
140	22917	.051	.099	.378	.416	150	1027	.256	.133	.706	.109	150	1077	.235	.124	.687	.174
140	22918	.053	.085	.239	.365	150	1028	.284	.140	.770	.118	150	1078	.191	.119	.662	.163
140	22919	.119	.094	.190	.483	150	1029	.040	.115	.318	.397	150	1079	.076	.119	.320	.588
140	22920	.079	.097	.245	.408	150	1030	.092	.095	.209	.406	150	1080	.003	.104	.326	.431
140	22921	.193	.100	.181	.584	150	1031	.044	.131	.440	.548	150	1081	.006	.128	.526	.407
140	22922	.039	.135	.623	.504	150	1032	.081	.108	.456	.420	150	1082	.027	.096	.399	.421
140	22923	.022	.148	.597	.421	150	1033	.289	.141	.093	.836	150	1083	.332	.132	.059	1.001
150	901	.080	.084	.179	.353	150	1034	.111	.109	.024	.724	150	1084	.210	.107	.138	.659
150	902	.117	.079	.129	.381	150	1035	.312	.111	.139	.680	150	1085	.189	.103	.123	.661
150	903	.102	.087	.169	.434	150	1036	.066	.099	.307	.449	150	1086	.126	.089	.159	.483
150	904	.114	.088	.157	.430	150	1037	.155	.114	.213	.632	150	1087	.154	.105	.186	.642
150	905	.208	.107	.104	.652	150	1038	.206	.093	.112	.635	150	1088	.082	.091	.218	.476
150	906	.201	.092	.094	.648	150	1039	.110	.094	.219	.529	150	1089	.079	.092	.221	.392
150	907	.206	.104	.124	.658	150	1040	.030	.086	.294	.364	150	1090	.103	.083	.242	.404
150	908	.151	.092	.136	.488	150	1041	.043	.088	.315	.368	150	1091	.101	.093	.286	.443
150	909	.134	.094	.164	.429	150	1042	.119	.073	.173	.433	150	1092	.041	.083	.273	.320
150	910	.143	.084	.153	.431	150	1043	.064	.082	.278	.370	150	1093	.037	.087	.271	.417
150	911	.170	.099	.190	.626	150	1044	.020	.079	.311	.324	150	1094	.084	.081	.196	.472
150	912	.085	.098	.248	.424	150	1045	.028	.078	.258	.296	150	1095	.086	.091	.233	.468
150	913	.109	.095	.213	.433	150	1046	.105	.068	.143	.312	150	1096	.027	.079	.233	.304
150	914	.127	.097	.551	.271	150	1047	.057	.077	.226	.293	150	1097	.040	.087	.238	.367
150	915	.126	.093	.183	.516	150	1048	.010	.079	.290	.233	150	1098	.085	.080	.174	.385
150	916	.163	.109	.631	.240	150	1049	.016	.082	.287	.285	150	1099	.085	.091	.201	.415
150	917	.147	.103	.518	.184	150	1050	.103	.072	.163	.338	150	1100	.035	.084	.218	.337
150	1001	.180	.140	.682	.264	150	1051	.172	.121	.582	.302	150	1101	.144	.107	.497	.210
150	1002	.124	.127	.513	.312	150	1052	.272	.120	.681	.130	150	1102	.142	.105	.487	.181
150	1003	.147	.141	.559	.337	150	1053	.240	.130	.744	.185	150	1103	.118	.118	.591	.278
150	1004	.094	.113	.285	.563	150	1054	.115	.103	.252	.517	150	1104	.031	.107	.383	.427
150	1005	.092	.095	.258	.416	150	1055	.037	.108	.360	.433	150	1105	.005	.089	.323	.341
150	1006	.149	.114	.333	.610	150	1056	.025	.123	.566	.435	150	1106	.019	.107	.384	.403
150	1007	.036	.112	.489	.317	150	1057	.044	.102	.380	.312	150	1107	.050	.103	.313	.387
150	1008	.279	.126	.076	.762	150	1058	.336	.107	.011	.766	150	1108	.247	.117	.100	.728
150	1009	.223	.121	.143	.790	150	1059	.225	.107	.118	.659	150	1109	.196	.107	.142	.729
150	1010	.189	.092	.160	.556	150	1060	.163	.105	.119	.668	150	1110	.212	.096	.100	.564
150	1011	.097	.091	.200	.414	150	1061	.071	.100	.294	.551	150	1111	.124	.107	.256	.651
150	1012	.139	.111	.188	.556	150	1062	.176	.089	.113	.543	150	1112	.095	.094	.219	.451
150	1013	.139	.115	.266	.590	150	1063	.108	.095	.220	.505	150	1113	.086	.102	.215	.473
150	1014	.167	.085	.113	.490	150	1064	.048	.092	.289	.512	150	1114	.112	.091	.152	.419
150	1015	.079	.093	.240	.393	150	1065	.041	.090	.298	.402	150	1115	.103	.099	.192	.434
150	1016	.035	.093	.281	.341	150	1066	.125	.077	.136	.464	150	1116	.048	.090	.223	.310
150	1017	.033	.091	.261	.339	150	1067	.067	.086	.242	.345	150	1117	.045	.087	.282	.387
150	1018	.107	.078	.119	.405	150	1068	.015	.084	.291	.304	150	1118	.080	.078	.188	.472

APPENDIX A -- PRESSURE DATA:

CONFIGURATION A) ARCO PLAZA, LONG BEACH

WD	TAP	CPMEAN	CPRMS	CPMAX	CPMIN	WD	TAP	CPMEAN	CPRMS	CPMAX	CPMIN	WD	TAP	CPMEAN	CPRMS	CPMAX	CPMIN
150	1119	-.093	.090	183	-.437	150	1220	-.175	.106	197	-.477	150	1270	.053	.108	475	-.3395
150	1120	-.040	.083	224	-.367	150	1221	-.012	.083	248	-.257	150	1271	-.001	.143	439	-.621
150	1121	-.035	.091	245	-.374	150	1222	-.007	.083	267	-.252	150	1272	-.023	.128	428	-.514
150	1122	-.078	.082	172	-.393	150	1223	-.002	.083	245	-.277	150	1273	-.016	.078	226	-.298
150	1123	-.089	.092	185	-.434	150	1224	-.004	.076	255	-.253	150	1274	-.020	.078	233	-.304
150	1124	-.036	.085	223	-.357	150	1225	-.083	.085	196	-.388	150	1275	-.003	.083	280	-.270
150	1125	-.043	.092	322	-.383	150	1226	-.111	.088	159	-.407	150	1276	-.014	.077	291	-.216
150	1126	-.081	.093	424	-.214	150	1227	-.134	.097	220	-.454	150	1277	-.075	.090	266	-.3369
150	1127	-.102	.110	538	-.250	150	1228	-.123	.093	232	-.461	150	1278	-.094	.090	240	-.323
150	1128	-.129	.103	560	-.175	150	1229	-.137	.113	561	-.333	150	1279	-.007	.079	258	-.3371
150	1129	-.023	.113	400	-.561	150	1230	-.077	.100	451	-.237	150	1280	-.053	.090	218	-.209
150	1130	-.054	.102	316	-.478	150	1231	-.003	.144	353	-.723	150	1281	-.099	.091	445	-.209
150	1131	-.004	.113	388	-.441	150	1232	-.121	.150	379	-.590	150	1282	-.089	.092	455	-.223
150	1132	-.016	.094	285	-.408	150	1233	-.140	.148	456	-.658	150	1283	-.073	.090	378	-.319
150	1133	-.187	.114	203	-.829	150	1234	-.015	.080	267	-.343	150	1284	-.059	.132	499	-.520
150	1134	-.198	.094	143	-.620	150	1235	-.010	.082	274	-.332	150	1285	-.049	.129	448	-.470
150	1135	-.177	.109	173	-.651	150	1236	-.011	.079	259	-.314	150	1901	-.277	.090	002	-.598
150	1136	-.054	.091	269	-.344	150	1237	-.026	.087	271	-.391	150	1902	-.002	.110	357	-.532
150	1137	-.090	.101	223	-.506	150	1238	-.093	.088	209	-.390	150	1903	-.205	.099	106	-.601
150	1138	-.119	.087	187	-.482	150	1239	-.093	.095	189	-.493	150	1904	-.145	.098	202	-.471
150	1139	-.107	.098	237	-.490	150	1240	-.126	.085	156	-.421	150	1905	-.128	.089	202	-.456
150	1140	-.036	.086	268	-.324	150	1241	-.145	.091	146	-.465	150	1906	-.069	.087	266	-.381
150	1141	-.040	.091	254	-.439	150	1242	-.129	.101	502	-.357	150	1907	-.026	.091	350	-.322
150	1142	-.075	.082	201	-.384	150	1243	-.091	.088	434	-.195	150	1908	-.009	.096	366	-.355
150	1143	-.082	.093	224	-.468	150	1244	-.058	.117	447	-.539	150	1909	-.096	.083	163	-.421
150	1144	-.032	.086	254	-.368	150	1245	-.086	.174	545	-.797	150	1910	-.271	.148	152	-.522
150	1145	-.043	.083	251	-.322	150	1246	-.098	.160	543	-.783	150	1911	-.067	.087	263	-.432
150	1146	-.078	.075	200	-.346	150	1247	-.020	.084	270	-.301	150	1912	-.063	.088	228	-.356
150	1147	-.090	.086	224	-.406	150	1248	-.066	.080	279	-.266	150	1913	-.247	.105	128	-.692
150	1148	-.041	.084	260	-.351	150	1249	-.001	.085	306	-.289	150	1914	-.160	.098	157	-.488
150	1149	-.049	.086	207	-.400	150	1250	-.064	.089	278	-.330	150	1915	-.018	.091	281	-.317
150	1150	-.088	.078	149	-.411	150	1251	-.105	.088	214	-.463	150	1916	-.038	.091	362	-.326
150	1201	-.157	.094	140	-.500	150	1252	-.123	.090	156	-.493	150	1917	-.153	.106	195	-.652
150	1202	-.144	.099	178	-.490	150	1253	-.168	.099	173	-.598	150	1918	-.004	.116	333	-.392
150	1204	-.179	.086	091	-.559	150	1254	-.139	.090	161	-.521	150	1919	-.135	.107	355	-.352
150	1205	-.061	.102	426	-.295	150	1255	-.120	.091	416	-.165	150	1920	-.264	.114	176	-.804
150	1206	-.012	.081	243	-.300	150	1256	-.101	.080	364	-.153	150	1921	-.070	.088	238	-.439
150	1207	-.000	.085	284	-.269	150	1257	-.051	.108	361	-.500	150	1922	-.105	.091	291	-.405
150	1208	-.015	.082	311	-.267	150	1258	-.053	.157	418	-.838	150	1923	-.084	.075	233	-.334
150	1209	-.014	.094	345	-.322	150	1259	-.050	.149	394	-.658	150	2001	-.013	.085	278	-.294
150	1210	-.069	.090	227	-.377	150	1260	-.000	.081	268	-.247	150	2002	-.078	.079	197	-.332
150	1211	-.090	.085	208	-.440	150	1261	-.010	.087	287	-.279	150	2003	-.068	.089	240	-.362
150	1212	-.110	.083	170	-.459	150	1262	-.009	.088	298	-.465	150	2004	-.034	.086	260	-.325
150	1213	-.153	.091	188	-.547	150	1263	-.040	.094	330	-.349	150	2005	-.044	.090	268	-.343
150	1214	-.152	.088	180	-.467	150	1264	-.079	.086	219	-.371	150	2006	-.184	.094	154	-.544
150	1215	-.051	.097	407	-.346	150	1265	-.102	.093	208	-.471	150	2007	-.139	.099	240	-.497
150	1216	-.126	.096	437	-.183	150	1266	-.078	.100	422	-.272	150	2008	-.106	.107	232	-.378
150	1217	-.036	.088	338	-.272	150	1267	-.263	.124	094	-.794	150	2009	-.220	.126	213	-.513
150	1218	-.049	.126	299	-.904	150	1268	-.127	.090	533	-.126	150	2010	-.315	.118	068	-.861
150	1219	-.183	.145	313	-.588	150	1269	-.084	.092	446	-.195	150	2011	-.118	.099	306	-.460

APPENDIX A -- PRESSURE DATA:

CONFIGURATION A: ARCO PLAZA, LONG BEACH

WD	TAP	CPMEAN	CPRMS	CPMAX	CPMIN	WD	TAP	CPMEAN	CPRMS	CPMAX	CPMIN	WD	TAP	CPMEAN	CPRMS	CPMAX	CPMIN
1500	20612	057	103	266	449	1500	20662	156	102	183	523	1500	2112	055	098	350	439
1500	20613	211	116	140	638	1500	20663	305	124	073	891	1500	2113	179	107	152	593
1500	20614	314	113	003	738	1500	20664	299	132	087	911	1500	2114	229	112	100	635
1500	20615	076	099	287	440	1500	20665	068	099	328	382	1500	2115	065	094	259	398
1500	20616	123	123	390	479	1500	20666	056	126	344	532	1500	2116	041	118	434	348
1500	20617	102	108	199	592	1500	20667	086	119	335	517	1500	2117	025	105	311	381
1500	20618	156	123	285	632	1500	20668	061	133	390	526	1500	2118	059	111	275	432
1500	20619	077	114	467	297	1500	20669	157	108	536	211	1500	2119	109	102	539	216
1500	20620	110	108	471	246	1500	20670	184	106	573	130	1500	2120	191	111	649	162
1500	20621	054	105	470	296	1500	20671	167	115	617	204	1500	2121	173	097	514	187
1500	20622	084	117	515	313	1500	20672	234	117	681	155	1500	2122	160	095	554	163
1500	20623	104	134	557	272	1500	20673	216	123	675	165	1500	2123	161	111	646	201
1500	20624	127	121	613	208	1500	20674	089	108	467	263	1500	2124	120	107	618	234
1500	20625	033	114	470	371	1500	20675	021	113	381	423	1500	2125	020	112	403	365
1500	20626	082	082	240	390	1500	20676	015	087	231	336	1500	2126	010	079	273	248
1500	20627	057	091	309	414	1500	20677	013	083	240	306	1500	2127	013	085	298	279
1500	20628	013	086	343	333	1500	20678	015	076	219	284	1500	2128	006	085	310	274
1500	20629	030	088	277	343	1500	20679	032	085	253	371	1500	2129	014	094	301	283
1500	20630	107	082	159	397	1500	20680	027	084	259	383	1500	2130	024	089	271	276
1500	20631	156	102	160	605	1500	20681	057	090	385	415	1500	2131	054	100	268	376
1500	20632	083	091	226	434	1500	20682	061	084	349	395	1500	2132	037	097	279	314
1500	20633	111	100	228	515	1500	20683	112	092	262	430	1500	2133	065	099	270	404
1500	20634	317	111	006	770	1500	20684	185	098	253	574	1500	2134	142	103	180	575
1500	20635	342	132	043	890	1500	20685	230	116	112	665	1500	2135	164	113	177	596
1500	20636	084	096	261	456	1500	20686	092	090	186	408	1500	2136	055	100	261	381
1500	20637	058	112	283	569	1500	20687	065	106	255	424	1500	2137	048	103	318	427
1500	20638	332	117	059	769	1500	20688	184	114	158	646	1500	2138	132	102	248	600
1500	20639	053	144	083	903	1500	20689	241	108	085	639	1500	2139	173	116	260	715
1500	20640	046	101	251	478	1500	20690	062	084	269	380	1500	2140	043	097	327	386
1500	20641	042	139	589	546	1500	20691	038	126	460	405	1500	2141	076	111	469	500
1500	20642	097	107	315	489	1500	20692	007	107	380	349	1500	2142	012	104	313	486
1500	20643	093	141	399	670	1500	20693	043	122	350	542	1500	2143	012	119	345	556
1500	20644	165	119	604	216	1500	20694	129	091	463	179	1500	2144	125	102	451	260
1500	20645	244	127	786	129	1500	20695	199	103	547	103	1500	2145	187	103	582	158
1500	20646	140	111	595	205	1500	20696	182	101	543	151	1500	2146	161	095	506	163
1500	20647	195	141	811	197	1500	20697	211	111	666	091	1500	2147	150	100	453	182
1500	20648	245	132	697	161	1500	20698	189	102	631	105	1500	2148	151	100	483	162
1500	20649	182	124	613	189	1500	20699	125	103	604	189	1500	2149	097	095	461	205
1500	20650	024	102	289	381	1500	21000	027	103	441	308	1500	2150	000	098	361	333
1500	20651	069	090	243	438	1500	21101	012	087	252	303	1500	2201	078	131	476	625
1500	20652	014	085	284	348	1500	21102	014	081	230	292	1500	2202	107	100	189	640
1500	20653	016	090	261	303	1500	21103	020	088	242	307	1500	2203	074	090	209	451
1500	20654	102	086	182	444	1500	21104	018	088	254	333	1500	2204	086	097	219	469
1500	20655	086	098	220	434	1500	21105	025	083	247	296	1500	2205	160	102	167	518
1500	20656	069	100	256	455	1500	21106	066	086	193	330	1500	2206	162	100	221	522
1500	20657	069	092	264	376	1500	21107	070	087	205	375	1500	2207	159	092	171	568
1500	20658	201	090	121	511	1500	21108	093	093	215	396	1500	2208	129	124	305	661
1500	20659	275	108	165	684	1500	21109	177	100	139	485	1500	2209	049	127	370	616
1500	20660	253	109	166	652	1500	21110	216	102	101	547	1500	2210	053	129	439	767
1500	20661	195	093	222	430	1500	21111	090	087	207	413	1500	2212	083	090	259	474

APPENDIX A -- PRESSURE DATA:

CONFIGURATION A; ARCO PLAZA, LONG BEACH

WD	TAP	CPMEAN	CPRMS	CPMAX	CPMIN	WD	TAP	CPMEAN	CPRMS	CPMAX	CPMIN	WD	TAP	CPMEAN	CPRMS	CPMAX	CPMIN
150	2213	.063	.091	.237	.413	150	2263	.036	.123	.511	.504	160	905	.177	.108	.184	.589
150	2214	.094	.093	.210	.536	150	2264	.110	.100	.437	.318	160	906	.179	.095	.106	.631
150	2215	.062	.083	.235	.345	150	2265	.160	.123	.211	.671	160	907	.177	.104	.157	.541
150	2216	.049	.075	.241	.315	150	2266	.024	.090	.355	.353	160	908	.131	.093	.190	.478
150	2217	.029	.087	.285	.309	150	2267	.100	.092	.244	.454	160	909	.135	.097	.190	.542
150	2218	.004	.085	.325	.287	150	2268	.073	.082	.213	.397	160	910	.148	.088	.140	.481
150	2219	.012	.080	.266	.322	150	2269	.063	.095	.335	.405	160	911	.162	.107	.159	.626
150	2220	.011	.077	.247	.358	150	2270	.002	.088	.312	.306	160	912	.088	.101	.249	.480
150	2221	.155	.098	.119	.312	150	2271	.002	.092	.301	.329	160	913	.092	.097	.272	.413
150	2222	.137	.097	.131	.486	150	2272	.009	.081	.255	.278	160	914	.097	.096	.476	.223
150	2223	.152	.104	.229	.563	150	2273	.187	.155	.207	.1035	160	915	.114	.099	.252	.492
150	2224	.095	.097	.250	.446	150	2274	.165	.157	.225	.985	160	916	.166	.107	.586	.178
150	2225	.068	.112	.334	.425	150	2275	.081	.153	.474	.744	160	917	.141	.107	.566	.259
150	2226	.084	.100	.300	.500	150	2276	.075	.089	.368	.288	160	1001	.230	.126	.697	.211
150	2227	.040	.104	.325	.380	150	2277	.067	.097	.393	.221	160	1002	.218	.109	.622	.193
150	2228	.086	.090	.202	.405	150	2278	.026	.094	.313	.298	160	1003	.146	.118	.587	.317
150	2229	.092	.096	.202	.431	150	2279	.041	.089	.396	.252	160	1004	.207	.108	.121	.668
150	2230	.010	.092	.264	.352	150	2280	.120	.082	.197	.407	160	1005	.187	.117	.155	.696
150	2231	.002	.083	.270	.253	150	2281	.077	.088	.291	.400	160	1006	.171	.111	.292	.569
150	2232	.012	.076	.298	.245	150	2282	.011	.086	.319	.291	160	1007	.053	.135	.473	.450
150	2233	.020	.087	.307	.301	150	2283	.061	.081	.263	.301	160	1008	.274	.136	.130	.853
150	2234	.148	.106	.177	.624	150	2284	.016	.073	.219	.285	160	1009	.243	.126	.148	.810
150	2235	.156	.105	.171	.608	150	2285	.001	.082	.277	.305	160	1010	.135	.089	.134	.519
150	2236	.156	.103	.134	.602	150	2901	.044	.099	.376	.297	160	1011	.078	.097	.264	.463
150	2237	.140	.123	.284	.604	150	2902	.003	.087	.283	.319	160	1012	.127	.116	.246	.585
150	2238	.039	.123	.282	.474	150	2903	.051	.093	.248	.367	160	1013	.095	.107	.223	.505
150	2239	.081	.100	.283	.443	150	2904	.021	.101	.297	.392	160	1014	.063	.082	.211	.369
150	2240	.033	.093	.294	.348	150	2905	.033	.093	.299	.400	160	1015	.045	.093	.266	.413
150	2241	.130	.100	.224	.523	150	2906	.108	.101	.248	.546	160	1016	.037	.091	.262	.419
150	2242	.076	.096	.332	.472	150	2907	.028	.127	.533	.438	160	1017	.028	.090	.277	.333
150	2243	.012	.095	.341	.287	150	2908	.257	.114	.096	.691	160	1018	.030	.078	.264	.308
150	2244	.010	.081	.324	.267	150	2909	.059	.093	.229	.402	160	1019	.042	.096	.269	.465
150	2245	.023	.089	.310	.321	150	2910	.073	.084	.188	.398	160	1020	.031	.092	.300	.357
150	2246	.003	.091	.342	.315	150	2911	.154	.118	.263	.640	160	1021	.031	.082	.243	.399
150	2247	.159	.112	.146	.638	150	2912	.157	.112	.260	.663	160	1022	.034	.071	.171	.318
150	2248	.157	.108	.150	.594	150	2913	.025	.097	.308	.431	160	1023	.032	.082	.284	.391
150	2249	.202	.139	.175	.778	150	2914	.149	.096	.142	.491	160	1024	.024	.083	.280	.353
150	2250	.059	.136	.410	.696	150	2915	.195	.103	.126	.644	160	1025	.025	.088	.241	.372
150	2251	.021	.122	.314	.431	150	2916	.253	.106	.041	.707	160	1026	.271	.119	.701	.177
150	2252	.058	.095	.302	.447	150	2917	.041	.096	.343	.367	160	1027	.288	.136	.787	.246
150	2253	.063	.115	.398	.485	150	2918	.032	.096	.275	.433	160	1028	.207	.135	.671	.256
150	2254	.117	.104	.210	.503	150	2919	.121	.096	.246	.428	160	1029	.157	.106	.180	.560
150	2255	.085	.085	.252	.392	150	2920	.094	.109	.278	.550	160	1030	.130	.098	.184	.494
150	2256	.009	.078	.283	.310	150	2921	.205	.104	.195	.604	160	1031	.159	.125	.348	.659
150	2257	.022	.086	.310	.346	150	2922	.128	.115	.376	.613	160	1032	.028	.142	.450	.489
150	2258	.000	.084	.300	.339	150	2923	.036	.164	.651	.527	160	1033	.267	.132	.182	.904
150	2259	.003	.085	.329	.345	160	901	.086	.087	.192	.383	160	1034	.219	.100	.183	.685
150	2260	.140	.110	.194	.636	160	902	.113	.083	.162	.403	160	1035	.165	.097	.212	.570
150	2261	.189	.130	.252	.808	160	903	.111	.094	.182	.502	160	1036	.070	.095	.314	.440
150	2262	.154	.161	.325	.815	160	904	.120	.093	.225	.481	160	1037	.089	.108	.247	.594

APPENDIX A -- PRESSURE DATA:

CONFIGURATION A) ARCO PLAZA, LONG BEACH

WD	TAP	CPMEAN	CPRMS	CPMAX	CPMIN	WD	TAP	CPMEAN	CPRMS	CPMAX	CPMIN	WD	TAP	CPMEAN	CPRMS	CPMAX	CPMIN
160	10338	073	090	200	496	160	10888	073	099	229	458	160	1138	123	080	124	368
160	10339	073	093	271	457	160	10889	073	096	262	471	160	1139	119	095	176	427
160	1040	034	088	324	340	160	1090	114	087	183	410	160	1140	056	085	211	322
160	1041	045	089	251	404	160	1091	117	098	226	466	160	1141	069	091	333	363
160	1042	042	075	199	336	160	1092	055	089	255	359	160	1142	109	082	236	366
160	1043	037	087	246	426	160	1093	061	092	226	379	160	1143	114	094	243	408
160	1044	034	085	246	333	160	1094	114	085	148	405	160	1144	061	086	243	328
160	1045	035	085	236	366	160	1095	120	097	176	439	160	1145	064	092	243	412
160	1046	034	072	204	352	160	1096	044	086	226	346	160	1146	100	083	134	453
160	1047	033	081	238	393	160	1097	051	091	296	332	160	1147	107	095	174	504
160	1048	023	082	233	391	160	1098	094	083	228	355	160	1148	048	091	229	423
160	1049	025	085	233	326	160	1099	097	094	243	393	160	1149	052	083	203	328
160	1050	031	074	193	303	160	1100	040	086	264	308	160	1150	097	075	131	346
160	1051	031	126	739	320	160	1101	170	116	641	209	160	1201	166	095	194	543
160	1052	236	125	722	215	160	1102	143	109	632	193	160	1202	147	100	243	637
160	1053	180	130	725	172	160	1103	054	128	701	333	160	1204	178	084	101	470
160	1054	155	088	128	431	160	1104	147	110	231	571	160	1205	104	108	617	240
160	1055	123	104	207	472	160	1105	113	106	210	574	160	1206	006	084	269	278
160	1056	131	119	289	630	160	1106	149	123	231	676	160	1207	011	088	222	511
160	1057	002	124	413	541	160	1107	098	129	343	702	160	1208	052	083	333	292
160	1058	233	099	080	555	160	1108	247	120	116	759	160	1209	030	101	342	333
160	1059	175	101	143	550	160	1109	211	105	119	590	160	1210	094	096	231	428
160	1060	142	096	179	475	160	1110	226	092	086	615	160	1211	098	088	191	447
160	1061	076	092	321	391	160	1111	138	103	205	531	160	1212	104	084	186	404
160	1062	081	087	320	350	160	1112	091	088	187	399	160	1213	164	100	208	567
160	1063	065	087	320	350	160	1113	088	098	272	451	160	1214	153	089	164	527
160	1064	044	082	240	333	160	1114	119	086	154	416	160	1215	079	106	632	254
160	1065	048	092	220	361	160	1115	121	097	228	451	160	1216	164	105	608	138
160	1066	034	079	220	350	160	1116	062	088	251	351	160	1217	057	094	502	225
160	1067	043	090	235	322	160	1117	065	093	316	399	160	1218	018	100	477	372
160	1068	027	088	266	333	160	1118	107	085	226	403	160	1219	010	156	377	525
160	1069	046	082	206	326	160	1119	124	097	247	470	160	1220	014	133	364	358
160	1070	053	071	159	276	160	1120	065	089	266	378	160	1221	004	082	311	267
160	1071	033	080	209	292	160	1121	053	094	304	438	160	1222	000	083	312	278
160	1072	023	080	215	355	160	1122	103	088	201	446	160	1223	010	078	266	278
160	1073	034	081	244	343	160	1123	115	099	232	507	160	1224	024	077	235	231
160	1074	041	070	203	310	160	1124	054	090	264	416	160	1225	064	084	205	410
160	1075	037	081	244	339	160	1125	055	087	214	374	160	1226	098	085	167	428
160	1076	214	113	673	222	160	1126	046	099	395	515	160	1227	132	091	166	510
160	1077	123	123	532	144	160	1127	059	111	546	451	160	1228	092	080	166	394
160	1078	123	116	532	189	160	1128	058	100	490	256	160	1229	150	102	563	187
160	1079	196	108	532	189	160	1129	107	113	270	514	160	1230	090	091	437	217
160	1080	107	102	233	454	160	1130	139	102	179	507	160	1231	092	093	395	368
160	1081	134	130	296	502	160	1131	087	127	396	590	160	1232	081	146	469	506
160	1082	075	112	285	540	160	1132	040	099	310	381	160	1233	052	163	567	541
160	1083	320	134	094	921	160	1133	199	109	173	611	160	1234	020	083	323	295
160	1084	203	108	132	650	160	1134	221	089	090	542	160	1235	008	080	333	310
160	1085	186	114	168	626	160	1135	206	105	149	689	160	1236	024	075	323	253
160	1086	141	100	173	531	160	1136	075	088	213	365	160	1237	002	088	348	368
160	1087	146	111	188	586	160	1137	089	094	208	390	160	1238	077	087	258	437

APPENDIX A -- PRESSURE DATA:

CONFIGURATION A: ARCO PLAZA, LONG BEACH

WD	TAP	CPMEAN	CPRMS	CPMAX	CPMIN	WD	TAP	CPMEAN	CPRMS	CPMAX	CPMIN	WD	TAP	CPMEAN	CPRMS	CPMAX	CPMIN
160	1239	-.092	.085	.170	-.450	160	1904	-.152	.102	.236	-.548	160	2031	-.244	.108	.114	-.722
160	1240	-.105	.076	.105	-.415	160	1905	-.161	.103	.179	-.853	160	2032	-.115	.088	.197	-.389
160	1241	-.111	.080	.134	-.451	160	1906	-.070	.087	.220	-.389	160	2033	-.091	.096	.276	-.423
160	1242	-.115	.087	.423	-.138	160	1907	-.042	.098	.332	-.371	160	2034	-.364	.113	.030	-.860
160	1243	-.095	.081	.348	-.219	160	1908	-.004	.104	.339	-.430	160	2035	-.396	.136	.005	-1.001
160	1244	-.124	.082	.361	-.277	160	1909	-.105	.079	.144	-.468	160	2036	-.071	.087	.220	-.394
160	1245	-.086	.159	.321	-.666	160	1910	-.283	.145	.146	-1.159	160	2037	-.008	.115	.459	-.691
160	1246	-.055	.165	.582	-.663	160	1911	-.071	.090	.206	-.440	160	2038	-.232	.110	.157	-.651
160	1247	-.016	.077	.236	-.251	160	1912	-.063	.089	.231	-.359	160	2039	-.256	.140	.251	-.748
160	1248	-.016	.072	.261	-.206	160	1913	-.194	.110	.213	-.563	160	2040	.013	.100	.411	-.367
160	1249	-.016	.077	.282	-.258	160	1914	-.141	.100	.194	-.470	160	2041	.137	.125	.602	-.275
160	1250	-.004	.082	.269	-.368	160	1915	-.017	.086	.269	-.323	160	2042	-.009	.109	.361	-.376
160	1251	-.073	.090	.229	-.482	160	1916	-.019	.088	.361	-.362	160	2043	.016	.145	.514	-.498
160	1252	-.073	.086	.201	-.437	160	1917	-.192	.107	.120	-.686	160	2044	.213	.114	.577	-.172
160	1253	-.137	.093	.122	-.483	160	1918	-.049	.121	.424	-.550	160	2045	.282	.133	.730	-.081
160	1254	-.125	.086	.132	-.434	160	1919	-.166	.124	.620	-.282	160	2046	.212	.129	.645	-.129
160	1255	-.104	.089	.442	-.176	160	1920	-.293	.118	.091	-.820	160	2047	.234	.149	.714	-.286
160	1256	-.102	.078	.379	-.135	160	1921	-.079	.087	.174	-.400	160	2048	.183	.130	.651	-.298
160	1257	-.112	.093	.471	-.180	160	1922	-.102	.096	.165	-.443	160	2049	.125	.109	.577	-.212
160	1258	-.102	.139	.545	-.455	160	1923	-.096	.080	.167	-.363	160	2050	-.093	.093	.242	-.415
160	1259	-.084	.148	.522	-.579	160	2001	-.001	.086	.285	-.321	160	2051	-.059	.085	.196	-.422
160	1260	-.005	.072	.311	-.237	160	2002	-.073	.081	.202	-.356	160	2052	-.003	.078	.248	-.325
160	1261	-.005	.078	.360	-.248	160	2003	-.072	.093	.228	-.400	160	2053	-.009	.092	.364	-.298
160	1262	-.005	.080	.364	-.282	160	2004	-.046	.092	.301	-.384	160	2054	-.100	.088	.251	-.384
160	1263	-.018	.084	.293	-.321	160	2005	-.061	.099	.280	-.515	160	2055	-.102	.099	.297	-.422
160	1264	-.056	.075	.212	-.292	160	2006	-.230	.100	.072	-.644	160	2056	-.168	.114	.255	-.631
160	1265	-.080	.085	.205	-.572	160	2007	-.146	.095	.218	-.582	160	2057	-.125	.094	.294	-.486
160	1266	-.079	.097	.395	-.280	160	2008	-.075	.106	.230	-.522	160	2058	-.185	.093	.153	-.551
160	1267	-.273	.118	.046	-.686	160	2009	-.252	.129	.171	-.752	160	2059	-.338	.124	.090	-.772
160	1268	-.122	.085	.404	-.193	160	2010	-.343	.123	.002	-.813	160	2060	-.314	.129	.113	-.769
160	1269	-.092	.086	.382	-.220	160	2011	-.112	.094	.250	-.466	160	2061	-.089	.095	.254	-.416
160	1270	-.083	.093	.428	-.302	160	2012	-.019	.102	.361	-.475	160	2062	-.083	.103	.259	-.412
160	1271	-.087	.132	.559	-.550	160	2013	-.186	.114	.167	-.687	160	2063	-.221	.130	.167	-.812
160	1272	-.126	.117	.464	-.303	160	2014	-.291	.119	.061	-.823	160	2064	-.200	.139	.369	-.813
160	1273	-.000	.079	.293	-.281	160	2015	-.049	.105	.392	-.447	160	2065	-.005	.103	.306	-.376
160	1274	-.017	.081	.284	-.314	160	2016	-.071	.115	.545	-.529	160	2066	.063	.120	.448	-.378
160	1275	-.006	.085	.264	-.250	160	2017	-.027	.112	.351	-.480	160	2067	.021	.126	.517	-.445
160	1276	-.018	.076	.271	-.380	160	2018	-.033	.129	.415	-.517	160	2068	.069	.140	.554	-.459
160	1277	-.046	.093	.260	-.444	160	2019	-.099	.119	.602	-.284	160	2069	.213	.116	.620	-.148
160	1278	-.081	.095	.233	-.341	160	2020	-.108	.106	.453	-.259	160	2070	.211	.114	.617	-.151
160	1279	-.009	.080	.281	-.425	160	2021	-.119	.118	.573	-.246	160	2071	.210	.125	.646	-.178
160	1280	-.064	.088	.267	-.288	160	2022	-.133	.128	.525	-.238	160	2072	.251	.125	.685	-.143
160	1281	-.124	.099	.463	-.189	160	2023	-.035	.131	.488	-.347	160	2073	.164	.125	.714	-.212
160	1282	-.090	.091	.434	-.199	160	2024	-.076	.114	.505	-.216	160	2074	.043	.103	.561	-.246
160	1283	-.095	.090	.364	-.199	160	2025	-.021	.106	.356	-.389	160	2075	-.063	.101	.452	-.371
160	1284	-.119	.110	.651	-.356	160	2026	-.070	.082	.219	-.341	160	2076	.003	.083	.287	-.325
160	1285	-.107	.110	.660	-.298	160	2027	-.056	.091	.280	-.387	160	2077	-.008	.088	.345	-.324
160	1901	-.330	.100	.034	-.745	160	2028	-.006	.086	.302	-.312	160	2078	-.001	.082	.342	-.343
160	1902	-.059	.115	.295	-.666	160	2029	-.032	.086	.277	-.329	160	2079	-.025	.089	.304	-.343
160	1903	-.234	.110	.117	-.746	160	2030	-.117	.081	.136	-.383	160	2080	-.033	.088	.268	-.356

APPENDIX A -- PRESSURE DATA:

CONFIGURATION A: ARCO PLAZA, LONG BEACH

WD	TAP	CPMEAN	CPRMS	CPMAX	CPMIN	WD	TAP	CPMEAN	CPRMS	CPMAX	CPMIN	WD	TAP	CPMEAN	CPRMS	CPMAX	CPMIN
160	22081	.140	.094	.241	.539	160	2131	.096	.092	.263	.458	160	2232	.021	.079	.312	.289
160	22082	.103	.080	.200	.421	160	2132	.055	.085	.257	.407	160	2233	.020	.090	.326	.367
160	22083	.082	.092	.258	.405	160	2133	.046	.092	.263	.367	160	2234	.141	.102	.168	.463
160	22084	.229	.102	.097	.661	160	2134	.134	.092	.141	.451	160	2235	.128	.101	.234	.589
160	22085	.321	.149	.057	.851	160	2135	.161	.102	.133	.521	160	2236	.129	.094	.194	.500
160	22086	.094	.096	.214	.397	160	2136	.033	.092	.245	.401	160	2237	.178	.108	.264	.780
160	22087	.001	.118	.397	.555	160	2137	.019	.109	.430	.422	160	2238	.097	.104	.332	.471
160	22088	.143	.135	.253	.644	160	2138	.055	.106	.348	.503	160	2239	.091	.114	.206	.612
160	22089	.171	.133	.194	.949	160	2139	.087	.121	.377	.615	160	2240	.027	.103	.279	.492
160	22090	.004	.096	.338	.346	160	2140	.021	.102	.409	.374	160	2241	.113	.104	.224	.591
160	22091	.142	.119	.581	.347	160	2141	.136	.104	.491	.190	160	2242	.057	.100	.263	.526
160	22092	.094	.111	.537	.295	160	2142	.093	.104	.457	.287	160	2243	.004	.096	.381	.339
160	22093	.072	.135	.520	.630	160	2143	.082	.119	.479	.417	160	2244	.023	.081	.278	.379
160	22094	.185	.099	.584	.096	160	2144	.100	.100	.579	.129	160	2245	.016	.087	.257	.392
160	22095	.227	.105	.624	.071	160	2145	.224	.101	.967	.081	160	2246	.011	.089	.295	.558
160	22096	.219	.106	.644	.115	160	2146	.194	.090	.565	.077	160	2247	.138	.099	.172	.585
160	22097	.224	.125	.717	.131	160	2147	.152	.103	.597	.156	160	2248	.133	.092	.160	.569
160	22098	.153	.109	.548	.188	160	2148	.111	.099	.484	.173	160	2249	.199	.110	.179	.782
160	22099	.096	.103	.443	.232	160	2149	.054	.090	.387	.246	160	2250	.165	.118	.290	.549
160	22100	.003	.095	.321	.341	160	2150	.049	.089	.241	.365	160	2251	.056	.117	.361	.514
160	22101	.008	.085	.288	.295	160	2201	.091	.116	.377	.648	160	2252	.060	.103	.260	.487
160	22102	.006	.079	.272	.270	160	2202	.089	.102	.231	.526	160	2253	.046	.116	.353	.444
160	22103	.006	.085	.283	.304	160	2204	.062	.090	.225	.461	160	2254	.100	.102	.241	.617
160	22104	.008	.085	.277	.300	160	2205	.088	.099	.213	.534	160	2255	.057	.089	.229	.423
160	22105	.026	.083	.234	.283	160	2206	.178	.111	.172	.637	160	2256	.021	.080	.255	.318
160	22106	.131	.093	.166	.448	160	2207	.154	.101	.248	.514	160	2257	.013	.087	.257	.307
160	22107	.099	.087	.186	.378	160	2208	.152	.091	.207	.455	160	2258	.017	.084	.293	.266
160	22108	.078	.097	.258	.420	160	2209	.185	.123	.220	.732	160	2259	.015	.089	.333	.247
160	22109	.216	.114	.107	.618	160	2210	.097	.123	.382	.597	160	2260	.141	.108	.163	.648
160	22110	.264	.118	.055	.665	160	2211	.078	.121	.383	.591	160	2261	.198	.123	.165	.819
160	22111	.077	.093	.227	.381	160	2212	.078	.096	.247	.479	160	2262	.198	.140	.176	.835
160	22112	.008	.107	.469	.403	160	2213	.074	.097	.234	.434	160	2263	.085	.135	.346	.551
160	22113	.112	.107	.190	.540	160	2214	.074	.097	.253	.429	160	2264	.046	.112	.498	.371
160	22114	.153	.113	.213	.652	160	2215	.053	.084	.222	.394	160	2265	.100	.112	.318	.501
160	22115	.014	.096	.308	.296	160	2216	.039	.077	.202	.356	160	2266	.033	.102	.368	.324
160	22116	.100	.108	.438	.326	160	2217	.043	.088	.260	.412	160	2267	.078	.098	.280	.392
160	22117	.070	.105	.448	.258	160	2218	.004	.085	.300	.349	160	2268	.052	.091	.269	.364
160	22118	.065	.111	.467	.262	160	2219	.010	.078	.248	.280	160	2269	.055	.107	.345	.409
160	22119	.140	.097	.488	.135	160	2220	.023	.081	.339	.264	160	2270	.005	.099	.370	.344
160	22120	.180	.094	.490	.083	160	2221	.167	.101	.147	.605	160	2271	.013	.092	.318	.310
160	22121	.193	.102	.574	.171	160	2222	.138	.099	.179	.565	160	2272	.024	.082	.284	.252
160	22122	.176	.107	.622	.213	160	2223	.150	.096	.147	.509	160	2273	.201	.141	.204	.889
160	22123	.112	.113	.580	.307	160	2224	.132	.090	.152	.465	160	2274	.172	.141	.236	.820
160	22124	.080	.100	.462	.293	160	2225	.119	.103	.279	.543	160	2275	.161	.145	.268	.786
160	22125	.033	.099	.297	.475	160	2226	.073	.102	.305	.606	160	2276	.016	.124	.380	.604
160	22126	.004	.079	.259	.249	160	2227	.041	.101	.341	.525	160	2277	.045	.105	.387	.336
160	22127	.001	.085	.277	.289	160	2228	.059	.084	.197	.430	160	2278	.022	.106	.370	.329
160	22128	.003	.084	.282	.275	160	2229	.084	.092	.209	.483	160	2279	.052	.094	.325	.320
160	22129	.007	.085	.277	.353	160	2230	.012	.088	.263	.411	160	2280	.104	.084	.177	.362
160	22130	.021	.078	.252	.326	160	2231	.006	.086	.303	.301	160	2281	.058	.090	.252	.340

APPENDIX A -- PRESSURE DATA:

CONFIGURATION A: ARCO PLAZA, LONG BEACH

WD	TAP	CPMEAN	CPRMS	CPMAX	CPMIN	WD	TAP	CPMEAN	CPRMS	CPMAX	CPMIN	WD	TAP	CPMEAN	CPRMS	CPMAX	CPMIN
160	2282	.007	.089	.289	-.281	170	1007	.000	.135	.525	-.439	170	1057	-.132	.144	.326	-.680
160	2283	.005	.082	.320	-.287	170	1008	-.282	.141	.077	-.976	170	1058	-.271	.106	.119	-.659
160	2284	.013	.074	.263	-.266	170	1009	-.250	.129	.142	-.828	170	1059	-.276	.106	.082	-.628
160	2285	.008	.082	.318	-.291	170	1010	-.177	.094	.135	-.548	170	1060	-.141	.098	.195	-.493
160	2290	.041	.090	.314	-.321	170	1011	-.105	.099	.215	-.539	170	1061	-.125	.097	.263	-.458
160	2292	.000	.080	.268	-.263	170	1012	-.114	.109	.195	-.529	170	1062	-.159	.085	.136	-.448
160	2293	.046	.085	.247	-.370	170	1013	-.116	.108	.298	-.628	170	1063	-.187	.093	.131	-.539
160	2294	.024	.089	.324	-.382	170	1014	-.116	.087	.238	-.501	170	1064	-.067	.089	.264	-.555
160	2295	.048	.097	.302	-.413	170	1015	-.071	.098	.319	-.494	170	1065	-.087	.091	.195	-.421
160	2296	.095	.097	.198	-.458	170	1016	-.057	.091	.281	-.392	170	1066	-.130	.080	.112	-.423
160	2297	.026	.117	.456	-.580	170	1017	-.062	.090	.250	-.412	170	1067	-.163	.088	.101	-.486
160	2298	.284	.118	.127	-.844	170	1018	-.094	.082	.167	-.413	170	1068	-.046	.084	.211	-.373
160	2299	.055	.096	.263	-.421	170	1019	-.067	.096	.246	-.606	170	1069	-.079	.088	.216	-.381
160	2300	.082	.085	.191	-.412	170	1020	-.046	.089	.233	-.547	170	1070	-.122	.079	.144	-.393
160	2301	.181	.127	.202	-.672	170	1021	-.058	.086	.276	-.409	170	1071	-.150	.086	.142	-.454
160	2302	.188	.115	.209	-.633	170	1022	-.090	.078	.217	-.384	170	1072	-.040	.085	.258	-.337
160	2303	.058	.099	.252	-.498	170	1023	-.049	.089	.303	-.371	170	1073	-.071	.085	.277	-.358
160	2304	.203	.099	.114	-.614	170	1024	-.041	.088	.283	-.350	170	1074	-.116	.076	.195	-.394
160	2305	.223	.102	.162	-.689	170	1025	-.059	.091	.261	-.367	170	1075	-.153	.085	.205	-.457
160	2306	.272	.104	.113	-.734	170	1026	-.253	.146	.765	-.396	170	1076	.181	.143	.650	-.323
160	2307	.052	.095	.254	-.363	170	1027	.274	.150	.846	-.467	170	1077	.170	.134	.711	-.467
160	2308	.052	.086	.290	-.369	170	1028	.111	.132	.526	-.251	170	1078	-.023	.110	.462	-.347
160	2309	.131	.099	.178	-.535	170	1029	-.260	.116	.061	-.915	170	1079	-.280	.111	.097	-.672
160	2310	.101	.113	.338	-.595	170	1030	-.294	.109	.029	-.979	170	1080	-.201	.105	.125	-.579
160	2311	.235	.104	.100	-.794	170	1031	-.258	.120	.088	-.808	170	1081	-.255	.114	.169	-.793
160	2312	.169	.133	.467	-.687	170	1032	-.068	.147	.447	-.555	170	1082	-.153	.136	.331	-.680
160	2313	.061	.160	.600	-.625	170	1033	-.243	.138	.179	-.947	170	1083	-.276	.114	.155	-.725
170	901	.068	.091	.263	-.389	170	1034	-.246	.109	.053	-.746	170	1084	-.176	.093	.182	-.467
170	902	.078	.082	.207	-.459	170	1035	-.136	.107	.258	-.494	170	1085	-.173	.107	.332	-.606
170	903	.094	.100	.342	-.622	170	1036	-.077	.098	.250	-.402	170	1086	-.162	.096	.331	-.532
170	904	.099	.095	.250	-.495	170	1037	-.130	.108	.224	-.581	170	1087	-.159	.108	.282	-.612
170	905	.148	.107	.184	-.515	170	1038	-.146	.090	.162	-.510	170	1088	-.086	.095	.258	-.489
170	906	.165	.090	.111	-.529	170	1039	-.162	.093	.179	-.511	170	1089	-.081	.091	.277	-.426
170	907	.148	.102	.179	-.479	170	1040	-.062	.086	.242	-.393	170	1090	-.131	.086	.182	-.493
170	908	.121	.094	.204	-.427	170	1041	-.081	.090	.246	-.434	170	1091	-.135	.097	.216	-.562
170	909	.125	.101	.183	-.524	170	1042	-.108	.078	.176	-.403	170	1092	-.069	.087	.248	-.423
170	910	.135	.089	.118	-.493	170	1043	-.152	.088	.167	-.483	170	1093	-.070	.087	.234	-.391
170	911	.133	.100	.227	-.555	170	1044	-.050	.086	.273	-.375	170	1094	-.127	.083	.140	-.422
170	912	.073	.099	.256	-.471	170	1045	-.073	.083	.184	-.410	170	1095	-.127	.096	.179	-.458
170	913	.089	.103	.272	-.445	170	1046	-.102	.073	.125	-.376	170	1096	-.038	.081	.246	-.332
170	914	.054	.107	.440	-.308	170	1047	-.149	.080	.084	-.437	170	1097	-.048	.092	.276	-.430
170	915	.132	.111	.293	-.552	170	1048	-.040	.081	.193	-.314	170	1098	-.092	.084	.188	-.428
170	916	.191	.116	.669	-.184	170	1049	-.066	.085	.203	-.369	170	1099	-.094	.095	.219	-.485
170	917	.144	.113	.653	-.205	170	1050	-.103	.077	.143	-.363	170	1100	-.035	.087	.243	-.381
170	1001	.184	.146	.663	-.389	170	1051	-.118	.152	.619	-.414	170	1101	-.131	.149	.569	-.560
170	1002	.133	.124	.544	-.265	170	1052	-.219	.138	.735	-.251	170	1102	-.098	.130	.505	-.522
170	1003	.050	.128	.503	-.341	170	1053	-.038	.125	.570	-.429	170	1103	-.019	.129	.440	-.447
170	1004	.320	.138	.137	-.848	170	1054	-.306	.094	.042	-.780	170	1104	-.209	.110	.134	-.651
170	1005	.319	.144	.049	-.028	170	1055	-.343	.108	.030	-.882	170	1105	-.219	.097	.067	-.606
170	1006	.267	.127	.271	-.818	170	1056	-.258	.118	.134	-.810	170	1106	-.287	.116	.161	-.756

APPENDIX A -- PRESSURE DATA:

CONFIGURATION A: ARCO PLAZA, LONG BEACH

WD	TAP	CPMEAN	CPRMS	CPMAX	CPMIN	WD	TAP	CPMEAN	CPRMS	CPMAX	CPMIN	WD	TAP	CPMEAN	CPRMS	CPMAX	CPMIN
170	1107	.179	.152	.366	-.725	170	1208	.039	.096	.403	-.323	170	1258	.214	.128	.661	-.338
170	1108	.208	.116	.153	-.594	170	1209	.061	.110	.568	-.345	170	1259	.203	.132	.656	-.358
170	1109	.201	.118	.150	-.643	170	1210	.091	.111	.403	-.468	170	1260	.012	.078	.239	-.279
170	1110	.218	.104	.109	-.612	170	1211	.111	.102	.259	-.461	170	1261	.001	.084	.282	-.295
170	1111	.137	.110	.264	-.486	170	1212	.143	.102	.190	-.549	170	1262	.000	.086	.294	-.287
170	1112	.096	.094	.216	-.393	170	1213	.134	.149	.655	-.590	170	1263	.008	.092	.321	-.319
170	1113	.100	.095	.232	-.494	170	1214	.156	.110	.190	-.635	170	1264	.078	.083	.193	-.334
170	1114	.136	.085	.163	-.459	170	1215	.090	.106	.527	-.256	170	1265	.098	.099	.218	-.450
170	1115	.140	.095	.180	-.496	170	1216	.132	.105	.479	-.219	170	1266	.055	.116	.517	-.493
170	1116	.077	.085	.215	-.381	170	1217	.037	.094	.434	-.297	170	1267	.291	.121	.078	-.731
170	1117	.082	.092	.283	-.402	170	1218	.043	.103	.484	-.298	170	1268	.128	.086	.485	-.166
170	1118	.123	.083	.186	-.421	170	1219	.130	.127	.643	-.495	170	1269	.108	.086	.482	-.184
170	1119	.136	.097	.210	-.477	170	1220	.161	.128	.550	-.408	170	1270	.141	.097	.562	-.168
170	1120	.066	.090	.233	-.365	170	1221	.019	.090	.283	-.391	170	1271	.161	.117	.513	-.366
170	1121	.044	.082	.226	-.350	170	1222	.011	.090	.300	-.492	170	1272	.191	.114	.618	-.252
170	1122	.089	.076	.153	-.387	170	1223	.010	.087	.280	-.304	170	1273	.003	.079	.297	-.265
170	1123	.100	.087	.197	-.420	170	1224	.028	.088	.300	-.277	170	1274	.010	.079	.283	-.271
170	1124	.036	.078	.230	-.329	170	1225	.081	.100	.284	-.352	170	1275	.004	.083	.276	-.312
170	1125	.048	.087	.206	-.370	170	1226	.106	.098	.205	-.555	170	1276	.004	.076	.237	-.291
170	1126	.047	.132	.340	-.526	170	1227	.155	.107	.201	-.642	170	1277	.041	.088	.261	-.380
170	1127	.028	.140	.387	-.613	170	1228	.106	.092	.226	-.433	170	1278	.072	.090	.261	-.420
170	1128	.025	.100	.369	-.400	170	1229	.158	.110	.559	-.193	170	1279	.012	.077	.252	-.313
170	1129	.234	.126	.185	-.875	170	1230	.104	.097	.398	-.206	170	1280	.059	.087	.250	-.428
170	1130	.278	.115	.098	-.845	170	1231	.145	.105	.556	-.218	170	1281	.112	.095	.432	-.213
170	1131	.235	.152	.357	-.997	170	1232	.222	.122	.678	-.259	170	1282	.108	.088	.399	-.152
170	1132	.059	.107	.279	-.451	170	1233	.219	.158	.733	-.385	170	1283	.147	.084	.427	-.098
170	1133	.184	.113	.184	-.677	170	1234	.020	.082	.263	-.318	170	1284	.185	.096	.498	-.103
170	1134	.217	.093	.098	-.589	170	1235	.007	.084	.253	-.379	170	1285	.164	.095	.449	-.142
170	1135	.201	.106	.157	-.639	170	1236	.014	.081	.311	-.322	170	1901	.397	.121	.023	-.911
170	1136	.082	.092	.225	-.398	170	1237	.018	.095	.339	-.381	170	1902	.143	.131	.229	-.130
170	1137	.090	.093	.199	-.502	170	1238	.075	.092	.218	-.438	170	1903	.278	.132	.141	-.551
170	1138	.133	.082	.105	-.450	170	1239	.098	.101	.285	-.456	170	1904	.122	.116	.239	-.679
170	1139	.126	.095	.187	-.531	170	1240	.124	.095	.200	-.535	170	1905	.198	.115	.149	-.474
170	1140	.062	.084	.232	-.430	170	1241	.119	.100	.188	-.498	170	1906	.076	.092	.248	-.474
170	1141	.068	.085	.200	-.423	170	1242	.147	.107	.626	-.228	170	1907	.052	.102	.278	-.416
170	1142	.114	.077	.120	-.420	170	1243	.117	.099	.549	-.264	170	1908	.006	.118	.480	-.502
170	1143	.117	.087	.165	-.460	170	1244	.183	.107	.603	-.176	170	1909	.119	.089	.193	-.458
170	1144	.060	.079	.181	-.365	170	1245	.247	.144	.799	-.502	170	1910	.230	.151	.217	-.995
170	1145	.071	.087	.214	-.374	170	1246	.245	.161	.846	-.449	170	1911	.054	.095	.259	-.461
170	1146	.105	.079	.171	-.349	170	1247	.016	.088	.324	-.333	170	1912	.047	.089	.222	-.404
170	1147	.111	.091	.220	-.408	170	1248	.005	.083	.311	-.307	170	1913	.146	.102	.193	-.582
170	1148	.047	.085	.276	-.309	170	1249	.013	.089	.342	-.318	170	1914	.103	.108	.265	-.511
170	1149	.055	.089	.235	-.360	170	1250	.015	.099	.303	-.394	170	1915	.023	.089	.319	-.344
170	1150	.100	.083	.169	-.370	170	1251	.071	.097	.252	-.435	170	1916	.067	.092	.364	-.333
170	1201	.197	.110	.148	-.779	170	1252	.090	.094	.222	-.433	170	1917	.173	.129	.297	-.715
170	1202	.169	.121	.356	-.711	170	1253	.156	.101	.135	-.494	170	1918	.101	.127	.419	-.595
170	1204	.211	.112	.192	-.690	170	1254	.139	.095	.147	-.443	170	1919	.010	.123	.543	-.385
170	1205	.107	.116	.541	-.312	170	1255	.131	.102	.543	-.190	170	1920	.262	.130	.125	-.942
170	1206	.067	.093	.368	-.302	170	1256	.109	.091	.462	-.166	170	1921	.066	.091	.300	-.399
170	1207	.012	.097	.329	-.387	170	1257	.167	.109	.603	-.183	170	1922	.080	.093	.230	-.579

APPENDIX A -- PRESSURE DATA:

CONFIGURATION A: ARCO PLAZA, LONG BEACH

WD	TAP	CPMEAN	CPRMS	CPMAX	CPMIN	WD	TAP	CPMEAN	CPRMS	CPMAX	CPMIN	WD	TAP	CPMEAN	CPRMS	CPMAX	CPMIN
170	1923	.094	.079	177	.404	170	20550	.147	.089	177	.475	170	2100	.038	.086	281	.339
170	2001	.003	.089	284	.318	170	20551	.046	.090	303	.390	170	2101	.031	.085	332	.275
170	2002	.083	.086	183	.402	170	20552	.021	.084	332	.297	170	2102	.026	.080	336	.262
170	2003	.089	.102	216	.560	170	20553	.004	.086	348	.367	170	2103	.008	.087	324	.277
170	2004	.068	.102	245	.679	170	20554	.121	.083	173	.484	170	2104	.014	.087	307	.319
170	2005	.083	.114	295	.572	170	20555	.125	.091	181	.519	170	2105	.025	.087	281	.340
170	2006	.296	.114	159	.718	170	20556	.278	.112	.076	.722	170	2106	.179	.099	129	.610
170	2007	.166	.098	248	.498	170	20557	.147	.095	160	.498	170	2107	.109	.092	198	.449
170	2008	.045	.100	308	.501	170	20558	.131	.093	176	.484	170	2108	.027	.097	358	.373
170	2009	.226	.119	141	.842	170	20559	.310	.132	.081	.857	170	2109	.158	.113	228	.591
170	2010	.318	.115	045	.877	170	20560	.270	.138	136	.844	170	2110	.200	.116	179	.642
170	2011	.091	.102	255	.501	170	20561	.047	.096	298	.368	170	2111	.027	.096	310	.388
170	2012	.017	.107	381	.466	170	20562	.001	.107	370	.461	170	2112	.080	.100	412	.333
170	2013	.139	.120	402	.623	170	20563	.124	.132	384	.586	170	2113	.018	.109	349	.333
170	2014	.228	.137	302	.732	170	20564	.085	.143	435	.566	170	2114	.044	.121	335	.333
170	2015	.019	.124	554	.477	170	20565	.076	.111	439	.362	170	2115	.056	.102	412	.283
170	2016	.089	.111	610	.308	170	20566	.151	.111	542	.262	170	2116	.168	.103	52	.218
170	2017	.034	.113	631	.399	170	20567	.115	.123	542	.385	170	2117	.143	.098	433	.180
170	2018	.029	.124	534	.413	170	20568	.190	.125	648	.253	170	2118	.140	.100	442	.205
170	2019	.084	.135	601	.392	170	20569	.245	.117	710	.130	170	2119	.177	.090	472	.108
170	2020	.098	.115	512	.347	170	20570	.210	.119	777	.139	170	2120	.208	.093	551	.103
170	2021	.156	.124	746	.241	170	20571	.201	.134	776	.210	170	2121	.191	.111	747	.226
170	2022	.091	.137	546	.486	170	20572	.188	.146	840	.410	170	2122	.107	.129	572	.398
170	2023	.063	.132	401	.527	170	20573	.050	.128	688	.557	170	2123	.019	.122	404	.425
170	2024	.031	.109	406	.354	170	20574	.023	.095	490	.410	170	2124	.039	.093	356	.254
170	2025	.069	.097	285	.439	170	20575	.115	.097	338	.438	170	2125	.064	.095	288	.415
170	2026	.069	.080	268	.444	170	20576	.029	.084	336	.268	170	2126	.028	.082	304	.234
170	2027	.052	.089	331	.453	170	20577	.033	.086	294	.294	170	2127	.020	.088	324	.277
170	2028	.001	.083	309	.376	170	20578	.019	.081	298	.311	170	2128	.026	.088	320	.263
170	2029	.055	.086	193	.361	170	20579	.029	.090	304	.381	170	2129	.010	.086	311	.275
170	2030	.145	.079	121	.439	170	20580	.033	.088	266	.409	170	2130	.010	.080	276	.313
170	2031	.333	.125	016	.844	170	20581	.209	.100	124	.630	170	2131	.114	.095	217	.477
170	2032	.136	.091	158	.497	170	20582	.125	.083	154	.454	170	2132	.056	.088	257	.391
170	2033	.034	.102	322	.441	170	20583	.038	.092	253	.371	170	2133	.023	.093	362	.365
170	2034	.338	.121	002	.916	170	20584	.204	.122	128	.808	170	2134	.133	.102	240	.487
170	2035	.361	.145	033	.986	170	20585	.242	.138	182	.762	170	2135	.164	.113	215	.569
170	2036	.016	.095	398	.330	170	20586	.032	.089	269	.346	170	2136	.006	.091	346	.293
170	2037	.077	.116	435	.415	170	20587	.077	.102	380	.341	170	2137	.085	.104	447	.306
170	2038	.153	.119	625	.415	170	20588	.018	.113	301	.408	170	2138	.019	.105	334	.372
170	2039	.160	.151	384	.748	170	20589	.067	.132	358	.515	170	2139	.006	.122	330	.461
170	2040	.083	.114	493	.321	170	20590	.067	.101	430	.257	170	2140	.091	.103	467	.248
170	2041	.209	.126	707	.233	170	20591	.193	.114	657	.204	170	2141	.193	.094	597	.126
170	2042	.064	.120	462	.288	170	20592	.159	.114	544	.224	170	2142	.162	.090	563	.110
170	2043	.111	.147	628	.347	170	20593	.141	.118	570	.274	170	2143	.151	.101	594	.164
170	2044	.254	.131	816	.100	170	20594	.212	.106	702	.110	170	2144	.208	.102	677	.111
170	2045	.256	.134	778	.135	170	20595	.235	.115	745	.137	170	2145	.253	.105	629	.066
170	2046	.183	.136	671	.216	170	20596	.237	.121	793	.147	170	2146	.197	.097	557	.145
170	2047	.148	.164	707	.496	170	20597	.139	.140	641	.560	170	2147	.089	.128	468	.402
170	2048	.094	.130	552	.446	170	20598	.046	.113	382	.505	170	2148	.051	.112	390	.365
170	2049	.059	.105	466	.343	170	20599	.043	.092	358	.293	170	2149	.038	.089	384	.287

APPENDIX A -- PRESSURE DATA:

CONFIGURATION A: ARCO PLAZA, LONG BEACH

WD	TAP	CPMEAN	CPRMS	CPHAX	CPMIN	WD	TAP	CPMEAN	CPRMS	CPHAX	CPMIN	WD	TAP	CPMEAN	CPRMS	CPHAX	CPMIN
170	2150	.063	.085	.281	.389	170	2251	.103	.095	.266	.500	170	2916	.306	.120	.076	.698
170	2201	.115	.111	.301	.714	170	2252	.090	.103	.239	.499	170	2917	.070	.101	.281	.470
170	2202	.094	.097	.259	.434	170	2253	.058	.104	.374	.475	170	2918	.053	.095	.237	.411
170	2204	.042	.082	.210	.363	170	2254	.042	.097	.328	.484	170	2919	.159	.106	.188	.601
170	2205	.086	.092	.232	.457	170	2255	.017	.081	.310	.327	170	2920	.128	.125	.353	.606
170	2206	.154	.094	.148	.509	170	2256	.042	.081	.332	.280	170	2921	.276	.107	.047	.845
170	2207	.157	.091	.121	.466	170	2257	.000	.088	.309	.288	170	2922	.208	.129	.406	.618
170	2208	.151	.081	.094	.452	170	2258	.039	.084	.343	.243	170	2923	.137	.120	.380	.531
170	2209	.220	.114	.096	.839	170	2259	.037	.085	.373	.259	180	901	.074	.095	.213	.418
170	2210	.131	.105	.277	.708	170	2260	.114	.089	.224	.699	180	902	.072	.088	.220	.353
170	2211	.108	.111	.274	.557	170	2261	.176	.103	.261	.759	180	903	.107	.109	.224	.598
170	2212	.080	.091	.227	.402	170	2262	.154	.107	.227	.809	180	904	.107	.099	.205	.473
170	2213	.105	.093	.220	.418	170	2263	.124	.095	.144	.484	180	905	.111	.117	.311	.734
170	2214	.071	.094	.210	.417	170	2264	.009	.094	.342	.348	180	906	.150	.099	.217	.576
170	2215	.047	.087	.265	.357	170	2265	.076	.100	.230	.436	180	907	.118	.113	.284	.624
170	2216	.029	.080	.331	.315	170	2266	.040	.093	.391	.300	180	908	.121	.106	.268	.501
170	2217	.047	.090	.357	.374	170	2267	.060	.090	.224	.399	180	909	.145	.099	.179	.542
170	2218	.008	.085	.314	.261	170	2268	.025	.080	.221	.296	180	910	.141	.086	.118	.518
170	2219	.002	.080	.335	.253	170	2269	.023	.096	.307	.337	180	911	.131	.097	.157	.561
170	2220	.030	.077	.312	.210	170	2270	.022	.089	.299	.250	180	912	.074	.098	.307	.474
170	2221	.175	.094	.149	.547	170	2271	.034	.088	.333	.277	180	913	.079	.101	.261	.453
170	2222	.140	.092	.178	.494	170	2272	.077	.088	.337	.222	180	914	.003	.097	.275	.356
170	2223	.143	.095	.235	.448	170	2273	.169	.107	.262	.546	180	915	.157	.112	.204	.603
170	2224	.135	.087	.152	.456	170	2274	.132	.105	.283	.496	180	916	.191	.113	.743	.179
170	2225	.143	.098	.196	.481	170	2275	.138	.107	.206	.667	180	917	.106	.116	.532	.222
170	2226	.095	.103	.244	.467	170	2276	.088	.099	.288	.395	180	1001	.103	.165	.655	.502
170	2227	.051	.101	.300	.449	170	2277	.114	.111	.392	.401	180	1002	.034	.127	.451	.423
170	2228	.038	.093	.346	.367	170	2278	.049	.109	.473	.393	180	1003	.153	.128	.331	.595
170	2229	.075	.103	.322	.462	170	2279	.072	.100	.424	.270	180	1004	.367	.140	.071	.876
170	2230	.014	.093	.403	.336	170	2280	.069	.084	.246	.338	180	1005	.370	.137	.029	1.013
170	2231	.013	.083	.297	.335	170	2281	.020	.092	.305	.331	180	1006	.396	.124	.114	1.082
170	2232	.037	.076	.297	.271	170	2282	.015	.093	.363	.321	180	1007	.219	.149	.367	.803
170	2233	.011	.089	.296	.365	170	2283	.020	.082	.276	.244	180	1008	.246	.163	.278	1.057
170	2234	.112	.093	.215	.490	170	2284	.057	.075	.242	.244	180	1009	.257	.153	.116	.960
170	2235	.112	.095	.176	.436	170	2285	.022	.083	.279	.241	180	1010	.235	.110	.053	.760
170	2236	.107	.087	.167	.419	170	2901	.032	.095	.385	.297	180	1011	.244	.116	.096	.842
170	2237	.178	.101	.164	.547	170	2902	.001	.087	.320	.308	180	1012	.101	.106	.217	.618
170	2238	.117	.098	.202	.455	170	2903	.051	.089	.338	.360	180	1013	.132	.109	.305	.608
170	2239	.115	.100	.269	.492	170	2904	.038	.092	.364	.346	180	1014	.182	.097	.179	.611
170	2240	.025	.083	.323	.401	170	2905	.036	.095	.286	.370	180	1015	.224	.123	.160	.834
170	2241	.072	.092	.275	.439	170	2906	.036	.094	.206	.524	180	1016	.073	.100	.262	.490
170	2242	.019	.088	.322	.345	170	2907	.068	.106	.306	.445	180	1017	.102	.095	.279	.503
170	2243	.011	.093	.344	.317	170	2908	.292	.122	.224	.792	180	1018	.164	.088	.172	.737
170	2244	.035	.077	.365	.230	170	2909	.099	.106	.297	.426	180	1019	.197	.099	.191	.682
170	2245	.008	.084	.341	.267	170	2910	.110	.106	.178	.457	180	1020	.055	.086	.288	.386
170	2246	.026	.084	.385	.239	170	2911	.246	.131	.223	.718	180	1021	.085	.082	.186	.369
170	2247	.114	.094	.221	.460	170	2912	.242	.114	.108	.642	180	1022	.153	.078	.094	.386
170	2248	.104	.088	.213	.404	170	2913	.117	.114	.245	.557	180	1023	.189	.094	.131	.465
170	2249	.172	.103	.173	.547	170	2914	.257	.108	.046	.638	180	1024	.050	.084	.220	.352
170	2250	.152	.103	.197	.577	170	2915	.255	.111	.080	.587	180	1025	.086	.091	.242	.456

APPENDIX A -- PRESSURE DATA:

CONFIGURATION A) ARCO PLAZA, LONG BEACH

WD	TAP	CPMEAN	CPRMS	CPMAX	CPMIN	WD	TAP	CPMEAN	CPRMS	CPMAX	CPMIN	WD	TAP	CPMEAN	CPRMS	CPMAX	CPMIN
180	1026	.085	.161	.527	-.522	180	1076	.119	.173	.673	-.644	180	1126	-.134	.131	.284	-.649
180	1027	.064	.160	.551	-.735	180	1077	-.118	.166	.725	-.505	180	1127	-.113	.147	.352	-.726
180	1028	.112	.114	.422	-.376	180	1078	-.059	.110	.394	-.432	180	1128	-.083	.090	.251	-.417
180	1029	.307	.119	.070	-.882	180	1079	-.340	.126	.101	-.793	180	1129	-.287	.127	.077	-.866
180	1030	.399	.115	-.038	-.918	180	1080	-.269	.118	.121	-.703	180	1130	-.339	.116	.007	-.929
180	1031	.449	.138	-.035	-.976	180	1081	-.274	.126	.087	-.924	180	1131	-.324	.155	.281	-.115
180	1032	.191	.137	.385	-.669	180	1082	-.254	.135	.235	-.752	180	1132	-.093	.122	.347	-.633
180	1033	.254	.147	.378	-1.042	180	1083	-.258	.133	.203	-.785	180	1133	-.167	.109	.218	-.631
180	1034	.312	.124	.174	-1.029	180	1084	-.162	.111	.181	-.615	180	1134	-.206	.088	.129	-.560
180	1035	.297	.126	.175	-.921	180	1085	-.160	.109	.234	-.592	180	1135	-.196	.106	.203	-.602
180	1036	.104	.103	.208	-.459	180	1086	-.190	.101	.155	-.539	180	1136	-.095	.088	.230	-.396
180	1037	.155	.116	.173	.722	180	1087	-.190	.112	.176	-.561	180	1137	-.102	.097	.209	-.457
180	1038	.217	.102	.087	-.653	180	1088	-.107	.096	.234	-.444	180	1138	-.143	.085	.137	-.438
180	1039	.236	.111	.101	-.705	180	1089	-.100	.097	.227	-.469	180	1139	-.145	.100	.242	-.546
180	1040	.093	.093	.229	-.515	180	1090	-.157	.091	.162	-.489	180	1140	-.080	.091	.255	-.408
180	1041	.121	.135	.193	-.487	180	1091	-.166	.105	.196	-.530	180	1141	-.086	.093	.246	-.446
180	1042	.190	.084	.083	-.536	180	1092	-.090	.093	.235	-.437	180	1142	-.129	.085	.177	-.427
180	1043	.199	.098	.120	-.607	180	1093	-.074	.094	.236	-.457	180	1143	-.134	.087	.229	-.486
180	1044	.061	.087	.217	-.412	180	1094	-.124	.086	.184	-.473	180	1144	-.068	.087	.254	-.422
180	1045	.105	.089	.161	-.477	180	1095	-.126	.100	.220	-.430	180	1145	-.079	.089	.299	-.382
180	1046	.177	.081	.079	-.509	180	1096	-.041	.088	.239	-.428	180	1146	-.138	.070	.234	-.476
180	1047	.196	.094	.101	-.575	180	1097	-.054	.086	.253	-.381	180	1147	-.116	.091	.277	-.428
180	1048	.054	.085	.216	-.384	180	1098	-.099	.078	.155	-.361	180	1148	-.048	.085	.310	-.359
180	1049	.092	.087	.209	-.435	180	1099	-.105	.089	.194	-.444	180	1149	-.056	.092	.318	-.346
180	1050	.174	.081	.106	-.487	180	1100	-.041	.081	.230	-.361	180	1150	-.101	.085	.243	-.369
180	1051	.023	.202	.661	-.764	180	1101	-.029	.163	.530	-.489	180	1201	-.229	.123	.268	-.774
180	1052	.152	.156	.648	-.500	180	1102	-.012	.142	.449	-.541	180	1202	-.153	.150	.457	-.704
180	1053	.039	.389	.469	-.469	180	1103	-.100	.116	.382	-.532	180	1203	-.231	.139	.170	-.768
180	1054	.382	.101	.060	-.786	180	1104	-.242	.118	.115	-.698	180	1204	-.149	.121	.592	-.256
180	1055	.411	.119	.039	-.923	180	1105	-.258	.099	.071	-.596	180	1205	-.001	.097	.329	-.367
180	1056	.264	.114	.097	-.740	180	1106	-.335	.114	.038	-.871	180	1206	.015	.098	.491	-.290
180	1057	.261	.144	.400	-.805	180	1107	-.262	.151	.277	-.897	180	1207	.040	.097	.464	-.255
180	1058	.334	.120	.209	-.802	180	1108	-.200	.118	.232	-.749	180	1208	.082	.103	.464	-.253
180	1059	.318	.131	.252	-.798	180	1109	-.196	.120	.189	-.742	180	1209	.054	.143	.500	-.529
180	1060	.125	.105	.256	-.684	180	1110	-.212	.100	.098	-.607	180	1210	-.132	.117	.306	-.662
180	1061	.166	.105	.200	-.523	180	1111	-.181	.109	.253	-.537	180	1211	-.167	.122	.290	-.698
180	1062	.252	.100	.106	-.613	180	1112	-.112	.095	.193	-.492	180	1212	-.021	.188	.690	-.612
180	1063	.245	.109	.139	-.583	180	1113	-.107	.101	.183	-.437	180	1213	-.207	.139	.196	-.776
180	1064	.072	.092	.252	-.358	180	1114	-.148	.089	.109	-.442	180	1214	.087	.105	.496	-.271
180	1065	.132	.106	.196	-.537	180	1115	-.151	.099	.165	-.484	180	1215	.142	.102	.524	-.222
180	1066	.093	.061	.061	-.635	180	1116	-.084	.090	.209	-.366	180	1216	.065	.092	.405	-.280
180	1067	.223	.105	.124	-.628	180	1117	-.090	.092	.229	-.372	180	1217	.080	.105	.488	-.282
180	1068	.059	.090	.254	-.412	180	1118	-.130	.084	.148	-.381	180	1218	.210	.139	.767	-.214
180	1069	.111	.090	.192	-.402	180	1119	-.135	.097	.212	-.431	180	1219	.260	.128	.750	-.136
180	1070	.197	.084	.069	-.461	180	1120	-.060	.080	.230	-.337	180	1220	.012	.090	.290	-.405
180	1071	.199	.098	.173	-.512	180	1121	-.051	.091	.263	-.333	180	1221	-.026	.091	.270	-.423
180	1072	.053	.087	.267	-.340	180	1122	-.103	.083	.162	-.406	180	1222	.003	.088	.309	-.344
180	1073	.097	.087	.219	-.440	180	1123	-.112	.094	.194	-.450	180	1223	.034	.084	.318	-.233
180	1074	.188	.081	.100	-.494	180	1124	-.043	.086	.244	-.357	180	1224	.064	.108	.291	-.451
180	1075	.198	.097	.156	-.563	180	1125	-.050	.084	.246	-.392	180	1225	.128	.115	.248	-.669

APPENDIX A -- PRESSURE DATA:

CONFIGURATION A: ARCO PLAZA, LONG BEACH

WD	TAP	CPMEAN	CPRMS	CPMAX	CPMIN	WD	TAP	CPMEAN	CPRMS	CPMAX	CPMIN	WD	TAP	CPMEAN	CPRMS	CPMAX	CPMIN
180	1227	.151	.122	.314	.577	180	1277	-.007	.089	.295	-.287	180	2019	.057	.139	.557	-.442
180	1228	-.127	.099	.180	-.552	180	1278	-.059	.092	.241	-.355	180	2020	.104	.118	.533	-.270
180	1229	.171	.113	.625	-.221	180	1279	-.024	.079	.290	-.296	180	2021	.144	.128	.612	-.276
180	1230	.100	.101	.433	-.270	180	1280	-.081	.089	.287	-.407	180	2022	-.002	.136	.514	-.436
180	1231	.183	.121	.583	-.278	180	1281	.121	.094	.464	-.183	180	2023	-.171	.117	.192	-.397
180	1232	.280	.127	.677	-.226	180	1282	.096	.094	.364	-.205	180	2024	-.010	.096	.286	-.327
180	1233	.311	.146	.771	-.350	180	1283	.162	.098	.594	-.142	180	2025	-.164	.090	.181	-.397
180	1234	.025	.090	.292	-.362	180	1284	.195	.112	.692	-.175	180	2026	-.068	.085	.305	-.338
180	1235	.011	.088	.337	-.366	180	1285	.164	.108	.667	-.206	180	2027	-.062	.094	.353	-.374
180	1236	.005	.083	.294	-.310	180	1901	-.394	.127	.037	-.930	180	2028	.011	.088	.330	-.310
180	1237	-.008	.094	.388	-.343	180	1902	-.212	.166	.275	-.050	180	2029	.091	.094	.211	-.396
180	1238	.079	.096	.329	-.544	180	1903	-.321	.145	.201	-.879	180	2030	-.153	.082	.117	-.473
180	1239	.094	.100	.294	-.497	180	1904	-.066	.113	.338	-.718	180	2031	-.359	.140	.000	-.903
180	1240	.106	.091	.219	-.445	180	1905	-.167	.111	.292	-.616	180	2032	-.114	.095	.215	-.485
180	1241	.074	.094	.382	-.426	180	1906	-.101	.094	.275	-.414	180	2033	.027	.104	.358	-.337
180	1242	.135	.103	.545	-.182	180	1907	-.042	.102	.342	-.438	180	2034	-.262	.124	.090	-.795
180	1243	.092	.093	.473	-.251	180	1908	-.011	.105	.358	-.579	180	2035	.286	.132	.171	-.947
180	1244	.189	.108	.600	-.128	180	1909	-.114	.083	.166	-.397	180	2036	.045	.103	.371	-.299
180	1245	.280	.130	.736	-.294	180	1910	-.167	.121	.172	-.927	180	2037	.146	.112	.540	-.268
180	1246	.263	.133	.773	-.298	180	1911	-.038	.085	.230	-.358	180	2038	-.046	.129	.375	-.497
180	1247	.020	.080	.286	-.340	180	1912	-.037	.088	.230	-.319	180	2039	.044	.164	.451	-.568
180	1248	.003	.076	.277	-.296	180	1913	-.151	.095	.170	-.454	180	2040	.157	.121	.582	-.272
180	1249	.026	.082	.326	-.297	180	1914	-.064	.108	.375	-.433	180	2041	.243	.125	.678	-.114
180	1250	.037	.090	.289	-.419	180	1915	-.031	.093	.386	-.350	180	2042	.143	.123	.609	-.256
180	1251	.068	.092	.258	-.388	180	1916	-.029	.096	.388	-.288	180	2043	.176	.144	.679	-.303
180	1252	.083	.088	.225	-.488	180	1917	-.113	.142	.371	-.748	180	2044	.267	.134	.747	-.092
180	1253	.095	.094	.180	-.438	180	1918	-.105	.148	.556	-.712	180	2045	.269	.130	.846	-.113
180	1254	.115	.090	.168	-.456	180	1919	-.086	.101	.328	-.593	180	2046	.177	.135	.632	-.311
180	1255	.134	.107	.636	-.240	180	1920	-.209	.126	.116	-.008	180	2047	.033	.192	.688	-.669
180	1256	.101	.091	.443	-.242	180	1921	-.053	.095	.249	-.363	180	2048	.018	.142	.432	-.573
180	1257	.208	.114	.763	-.135	180	1922	-.059	.090	.202	-.386	180	2049	.020	.098	.406	-.394
180	1258	.260	.131	.814	-.128	180	1923	-.122	.082	.173	-.476	180	2050	-.180	.084	.119	-.474
180	1259	.260	.118	.717	-.204	180	2001	-.011	.090	.338	-.329	180	2051	.041	.089	.260	-.366
180	1260	.010	.077	.263	-.277	180	2002	-.097	.088	.240	-.410	180	2052	.033	.083	.312	-.274
180	1261	.021	.082	.301	-.271	180	2003	-.118	.106	.242	-.499	180	2053	.007	.089	.346	-.314
180	1262	.002	.084	.249	-.292	180	2004	-.082	.100	.274	-.489	180	2054	.168	.091	.196	-.463
180	1263	.005	.089	.384	-.352	180	2005	-.082	.106	.243	-.682	180	2055	.148	.095	.248	-.459
180	1264	.073	.081	.258	-.410	180	2006	-.319	.107	.010	-.728	180	2056	-.288	.126	.096	-.764
180	1265	.101	.100	.184	-.681	180	2007	-.170	.093	.124	-.483	180	2057	.150	.104	.187	-.515
180	1266	.025	.119	.405	-.439	180	2008	-.013	.091	.275	-.474	180	2058	-.073	.100	.253	-.530
180	1267	.268	.128	.074	-.809	180	2009	-.202	.115	.117	-.695	180	2059	.275	.147	.175	-.786
180	1268	.129	.087	.458	-.180	180	2010	-.286	.119	.064	-.717	180	2060	-.224	.152	.224	-.755
180	1269	.121	.087	.452	-.209	180	2011	-.080	.100	.298	-.383	180	2061	.010	.102	.329	-.307
180	1270	.163	.101	.602	-.188	180	2012	-.035	.096	.374	-.459	180	2062	.072	.113	.536	-.308
180	1271	.188	.105	.621	-.136	180	2013	-.062	.107	.408	-.463	180	2063	.036	.137	.522	-.459
180	1272	.221	.105	.655	-.153	180	2014	-.119	.122	.428	-.569	180	2064	.026	.147	.627	-.424
180	1273	.011	.084	.288	-.289	180	2015	.012	.127	.582	-.403	180	2065	.152	.120	.526	-.313
180	1274	.015	.085	.266	-.318	180	2016	.085	.109	.508	-.282	180	2066	.211	.120	.547	-.143
180	1275	.002	.085	.287	-.276	180	2017	.100	.125	.554	-.278	180	2067	.184	.137	.571	-.190
180	1276	.007	.078	.265	-.255	180	2018	.066	.133	.595	-.449	180	2068	.262	.132	.637	-.103

APPENDIX A -- PRESSURE DATA:

CONFIGURATION A: ARCO PLAZA, LONG BEACH

WD	TAP	CPMEAN	CPRMS	CPMAX	CPMIN	WD	TAP	CPMEAN	CPRMS	CPMAX	CPMIN	WD	TAP	CPMEAN	CPRMS	CPMAX	CPMIN
180	2069	241	118	737	190	180	2119	211	111	699	149	180	2220	030	081	348	271
180	2070	194	116	649	145	180	2120	236	108	703	128	180	2221	169	096	348	469
180	2071	150	140	651	257	180	2121	172	108	548	162	180	2222	129	092	246	420
180	2072	057	184	636	549	180	2122	037	145	518	565	180	2223	130	088	174	476
180	2073	048	147	427	692	180	2123	058	134	345	716	180	2224	124	081	176	451
180	2074	067	106	288	593	180	2124	007	097	335	453	180	2225	159	096	173	484
180	2075	158	096	205	493	180	2125	078	086	196	403	180	2226	121	101	217	569
180	2076	043	085	411	231	180	2126	034	075	291	218	180	2227	068	095	251	439
180	2077	043	089	385	400	180	2127	017	081	293	257	180	2228	049	087	214	409
180	2078	021	085	411	231	180	2128	024	080	311	246	180	2229	088	098	222	456
180	2079	051	094	283	334	180	2129	003	089	306	303	180	2230	015	090	344	378
180	2080	038	089	315	336	180	2130	013	080	261	274	180	2231	010	063	288	294
180	2081	233	121	058	812	180	2131	145	097	160	533	180	2232	038	097	297	388
180	2082	115	093	176	339	180	2132	055	087	238	342	180	2233	014	090	400	422
180	2083	007	092	339	422	180	2133	027	094	360	287	180	2234	109	089	218	377
180	2084	143	121	241	603	180	2134	069	104	267	456	180	2235	106	092	193	467
180	2085	167	137	237	606	180	2135	103	115	277	528	180	2236	100	083	159	405
180	2086	027	092	379	344	180	2136	040	094	393	248	180	2237	175	097	334	628
180	2087	137	109	476	330	180	2137	134	094	491	134	180	2238	126	099	195	533
180	2088	077	123	442	396	180	2138	082	094	433	304	180	2239	131	101	183	446
180	2089	045	137	479	411	180	2139	059	107	448	386	180	2240	025	087	216	334
180	2090	144	111	575	175	180	2140	094	094	482	188	180	2241	065	102	167	401
180	2091	230	114	668	110	180	2141	215	107	612	165	180	2242	008	095	315	327
180	2092	221	117	651	226	180	2142	191	102	532	195	180	2243	020	094	381	412
180	2093	234	112	613	173	180	2143	172	110	536	254	180	2244	045	080	342	393
180	2094	251	106	641	622	180	2144	202	108	560	117	180	2245	001	088	355	355
180	2095	255	112	693	99	180	2145	227	107	691	128	180	2246	039	089	349	292
180	2096	207	126	698	191	180	2146	148	100	540	199	180	2247	113	085	199	382
180	2097	051	164	660	517	180	2147	007	132	397	445	180	2248	103	079	189	366
180	2098	035	125	415	513	180	2148	026	114	299	514	180	2249	176	092	159	478
180	2099	005	094	376	511	180	2149	001	094	298	357	180	2250	147	091	189	463
180	2100	062	083	205	45	180	2150	078	083	206	415	180	2251	129	086	208	531
180	2101	038	084	341	71	180	2151	141	108	257	527	180	2252	135	091	214	522
180	2102	032	079	321	68	180	2152	106	092	205	517	180	2253	080	105	234	488
180	2103	062	087	324	351	180	2153	061	087	236	368	180	2254	015	101	397	489
180	2104	030	089	308	74	180	2154	108	099	216	421	180	2255	012	093	339	289
180	2105	030	085	224	28	180	2155	095	189	189	482	180	2256	053	093	299	289
180	2106	207	112	114	633	180	2156	090	151	170	510	180	2257	002	091	339	289
180	2107	115	097	181	483	180	2157	080	127	481	481	180	2258	051	088	335	221
180	2108	024	095	374	365	180	2158	146	104	135	626	180	2259	057	094	420	383
180	2109	116	109	310	545	180	2159	220	099	162	502	180	2260	107	090	232	425
180	2110	156	113	281	606	180	2160	130	108	233	561	180	2261	176	104	211	541
180	2111	003	097	356	288	180	2161	105	096	193	474	180	2262	142	100	222	482
180	2112	115	102	392	272	180	2162	134	101	182	520	180	2263	152	096	166	615
180	2113	057	110	448	272	180	2163	089	103	254	514	180	2264	079	089	195	416
180	2114	044	119	443	98	180	2164	072	087	262	386	180	2265	125	109	240	575
180	2115	120	106	544	258	180	2165	049	079	247	333	180	2266	021	103	362	381
180	2116	216	103	605	154	180	2166	067	093	352	373	180	2267	047	093	406	381
180	2117	204	107	656	175	180	2167	067	089	310	306	180	2268	011	085	299	381
180	2118	206	107	670	186	180	2168	065	077	253	305	180	2269	010	097	315	399

APPENDIX A -- PRESSURE DATA:

CONFIGURATION A; ARCO PLAZA, LONG BEACH

WD	TAP	CPMEAN	CPRMS	CPMAX	CPMIN	WD	TAP	CPMEAN	CPRMS	CPMAX	CPMIN	WD	TAP	CPMEAN	CPRMS	CPMAX	CPMIN
180	22270	.028	.089	360	-283	190	912	-.064	.100	291	-429	190	1043	-.072	.089	241	-358
180	22271	.046	.088	332	-275	190	913	-.064	.105	370	-394	190	1046	-.088	.082	201	-352
180	22272	.063	.078	323	-233	190	914	-.045	.093	281	-333	190	1047	-.090	.089	221	-408
180	22273	-.177	.100	144	-532	190	915	-.163	.107	176	-568	190	1048	-.072	.090	237	-405
180	22274	-.134	.096	179	-472	190	916	-.196	.129	881	-199	190	1049	-.075	.082	185	-390
180	22275	-.120	.097	162	-547	190	917	-.006	.107	395	-381	190	1050	-.093	.075	132	-402
180	22276	-.097	.092	204	-425	190	1001	.028	.159	497	-599	190	1051	-.047	.171	683	-693
180	22277	-.060	.104	319	-486	190	1002	-.032	.112	394	-425	190	1052	-.089	.151	638	-376
180	22278	.032	.106	423	-308	190	1003	-.063	.099	261	-408	190	1053	-.029	.105	308	-397
180	22279	.051	.087	328	-248	190	1004	-.237	.115	153	-771	190	1054	-.183	.096	123	-560
180	22280	-.066	.080	202	-345	190	1005	-.221	.113	280	-659	190	1055	-.188	.106	134	-597
180	22281	-.011	.083	306	-267	190	1006	-.238	.112	187	-731	190	1056	-.178	.109	148	-615
180	22282	.013	.082	303	-256	190	1007	-.176	.115	248	-588	190	1057	-.200	.116	202	-715
180	22283	.026	.082	337	-246	190	1008	-.169	.118	249	-654	190	1058	-.206	.109	206	-590
180	22284	.015	.074	297	-238	190	1009	-.153	.117	247	-914	190	1059	-.174	.111	215	-622
180	22285	.031	.082	335	-250	190	1010	-.149	.101	182	-697	190	1060	-.118	.093	189	-598
180	22901	-.006	.108	424	-632	190	1011	-.128	.105	224	-645	190	1061	-.133	.096	166	-490
180	2902	-.019	.101	307	-546	190	1012	-.109	.103	235	-507	190	1062	-.152	.090	125	-523
180	2903	-.064	.097	238	-480	190	1013	-.108	.102	303	-570	190	1063	-.134	.091	138	-498
180	2904	-.063	.094	251	-396	190	1014	-.124	.093	135	-568	190	1064	-.092	.085	223	-395
180	2905	-.085	.098	284	-488	190	1015	-.124	.108	252	-623	190	1065	-.107	.089	239	-441
180	2906	-.117	.092	210	-459	190	1016	-.106	.100	225	-820	190	1066	-.130	.081	181	-419
180	2907	-.106	.113	414	-501	190	1017	-.090	.092	239	-425	190	1067	-.116	.087	219	-433
180	2908	-.271	.133	196	-800	190	1018	-.092	.080	200	-420	190	1068	-.077	.082	244	-361
180	2909	-.154	.121	272	-541	190	1019	-.088	.087	253	-401	190	1069	-.074	.096	237	-437
180	2910	-.143	.101	277	-477	190	1020	-.077	.086	253	-337	190	1070	-.093	.086	191	-419
180	2911	-.271	.127	157	-747	190	1021	-.074	.079	207	-334	190	1071	-.098	.094	229	-447
180	2912	-.272	.114	070	-671	190	1022	-.091	.074	167	-357	190	1072	-.080	.094	255	-430
180	2913	-.154	.121	250	-719	190	1023	-.089	.086	220	-388	190	1073	-.076	.082	219	-346
180	2914	-.267	.104	084	-609	190	1024	-.079	.087	232	-461	190	1074	-.095	.075	169	-347
180	2915	-.257	.106	141	-623	190	1025	-.072	.091	222	-362	190	1075	-.099	.085	201	-381
180	2916	-.294	.113	054	-650	190	1026	-.063	.158	569	-450	190	1076	-.020	.150	506	-468
180	2917	-.095	.100	211	-423	190	1027	-.088	.153	568	-488	190	1077	-.042	.142	484	-578
180	2918	-.071	.095	267	-380	190	1028	-.020	.103	435	-349	190	1078	-.091	.090	314	-392
180	2919	-.205	.129	139	-758	190	1029	-.178	.106	131	-597	190	1079	-.265	.117	132	-713
180	2920	-.186	.140	280	-698	190	1030	-.201	.098	089	-570	190	1080	-.195	.107	167	-581
180	2921	-.297	.110	036	-799	190	1031	-.206	.110	122	-637	190	1081	-.228	.114	155	-626
180	2922	-.247	.112	205	-699	190	1032	-.195	.112	158	-708	190	1082	-.286	.118	103	-733
180	2923	-.187	.121	273	-685	190	1033	-.188	.119	302	-828	190	1083	-.279	.133	208	-864
190	901	-.080	.091	199	-389	190	1034	-.177	.099	217	-701	190	1084	-.178	.111	209	-667
190	902	-.077	.081	190	-334	190	1035	-.146	.104	210	-546	190	1085	-.153	.106	176	-656
190	903	-.113	.109	205	-640	190	1036	-.128	.101	181	-612	190	1086	-.213	.100	078	-396
190	904	-.109	.096	193	-482	190	1037	-.123	.101	182	-595	190	1087	-.218	.116	107	-709
190	905	-.070	.102	254	-462	190	1038	-.123	.089	142	-523	190	1088	-.129	.098	160	-512
190	906	-.149	.092	123	-507	190	1039	-.109	.092	194	-460	190	1089	-.119	.096	153	-505
190	907	-.073	.102	239	-424	190	1040	-.104	.093	198	-444	190	1090	-.184	.092	053	-508
190	908	-.117	.097	155	-460	190	1041	-.102	.091	185	-509	190	1091	-.198	.105	105	-573
190	909	-.146	.103	149	-540	190	1042	-.106	.077	149	-376	190	1092	-.108	.091	169	-462
190	910	-.145	.091	130	-575	190	1043	-.094	.084	208	-392	190	1093	-.093	.091	264	-434
190	911	-.139	.108	195	-580	190	1044	-.079	.083	231	-362	190	1094	-.139	.085	173	-448

APPENDIX A -- PRESSURE DATA:

CONFIGURATION A) ARCO PLAZA, LONG BEACH

WD	TAP	CPMEAN	CPRMS	CPMAX	CPMIN	WD	TAP	CPMEAN	CPRMS	CPMAX	CPMIN	WD	TAP	CPMEAN	CPRMS	CPMAX	CPMIN
190	1095	-.144	.097	.209	-.488	190	1145	-.086	.088	.243	-.396	190	1246	-.286	.139	.757	-.205
190	1096	-.074	.086	.235	-.382	190	1146	-.132	.081	.157	-.401	190	1247	-.042	.084	.236	-.358
190	1097	-.089	.091	.267	-.404	190	1147	-.139	.093	.200	-.462	190	1248	-.017	.079	.243	-.319
190	1098	-.134	.084	.193	-.417	190	1148	-.068	.086	.230	-.370	190	1249	-.022	.082	.277	-.293
190	1099	-.139	.097	.263	-.468	190	1149	-.077	.085	.251	-.395	190	1250	-.047	.088	.243	-.380
190	1100	-.072	.088	.285	-.369	190	1150	-.127	.078	.170	-.416	190	1251	-.078	.093	.231	-.517
190	1101	-.035	.145	.471	-.514	190	1201	-.228	.122	.171	-.658	190	1252	-.086	.089	.208	-.436
190	1102	-.040	.131	.365	-.508	190	1202	-.123	.165	.407	-.696	190	1253	-.067	.096	.252	-.371
190	1103	-.122	.105	.247	-.525	190	1204	-.229	.184	.472	-.844	190	1254	-.114	.096	.213	-.485
190	1104	-.196	.113	.168	-.711	190	1205	-.153	.138	.744	-.458	190	1255	.117	.096	.465	-.229
190	1105	-.212	.100	.125	-.543	190	1206	-.038	.102	.407	-.407	190	1256	.077	.080	.349	-.221
190	1106	-.275	.111	.111	-.852	190	1207	-.017	.102	.424	-.365	190	1257	.219	.102	.580	-.150
190	1107	-.279	.131	.199	-.787	190	1208	-.016	.105	.467	-.325	190	1258	.271	.122	.684	-.138
190	1108	-.194	.118	.231	-.620	190	1209	-.066	.107	.460	-.270	190	1259	-.269	.121	.703	-.088
190	1109	-.184	.116	.230	-.616	190	1210	-.008	.156	.639	-.630	190	1260	-.028	.081	.333	-.380
190	1110	-.214	.101	.132	-.645	190	1211	-.130	.120	.249	-.725	190	1261	-.010	.085	.282	-.280
190	1111	-.207	.112	.174	-.646	190	1212	-.155	.126	.310	-.736	190	1262	-.026	.089	.292	-.334
190	1112	-.133	.096	.188	-.439	190	1213	-.122	.161	.616	-.618	190	1263	-.029	.090	.249	-.338
190	1113	-.137	.103	.218	-.543	190	1214	-.290	.180	.288	-.028	190	1264	-.055	.084	.207	-.408
190	1114	-.167	.089	.153	-.500	190	1215	-.066	.124	.522	-.566	190	1265	-.079	.110	.250	-.513
190	1115	-.186	.105	.178	-.574	190	1216	-.173	.117	.600	-.232	190	1266	-.106	.103	.218	-.490
190	1116	-.121	.096	.197	-.507	190	1217	-.089	.101	.494	-.265	190	1267	-.185	.113	.138	-.783
190	1117	-.115	.099	.250	-.522	190	1218	-.126	.122	.569	-.278	190	1268	-.105	.084	.446	-.183
190	1118	-.142	.088	.185	-.516	190	1219	-.228	.138	.697	-.195	190	1269	-.085	.085	.371	-.213
190	1119	-.142	.101	.247	-.600	190	1220	-.268	.120	.637	-.124	190	1270	.132	.104	.507	-.237
190	1120	-.068	.090	.272	-.462	190	1221	-.028	.087	.300	-.310	190	1271	.217	.126	.722	-.331
190	1121	-.078	.088	.250	-.408	190	1222	-.064	.091	.273	-.370	190	1272	.240	.101	.680	-.215
190	1122	-.135	.082	.157	-.443	190	1223	-.045	.090	.252	-.367	190	1273	.010	.084	.304	-.258
190	1123	-.139	.093	.197	-.468	190	1224	-.002	.082	.276	-.292	190	1274	-.031	.087	.267	-.327
190	1124	-.068	.084	.233	-.357	190	1225	-.054	.105	.415	-.515	190	1275	-.023	.086	.237	-.342
190	1125	-.076	.089	.200	-.625	190	1226	-.160	.119	.214	-.670	190	1276	-.014	.078	.247	-.288
190	1126	-.114	.119	.240	-.587	190	1227	-.105	.172	.477	-.819	190	1277	-.008	.086	.270	-.323
190	1127	-.090	.129	.289	-.633	190	1228	-.211	.134	.245	-.750	190	1278	-.079	.089	.193	-.376
190	1128	-.066	.088	.213	-.451	190	1229	-.173	.109	.560	-.141	190	1279	-.052	.079	.234	-.359
190	1129	-.219	.122	.105	-.775	190	1230	-.076	.096	.389	-.240	190	1280	-.097	.092	.235	-.440
190	1130	-.272	.112	.036	-.719	190	1231	-.198	.125	.652	-.204	190	1281	-.092	.092	.483	-.249
190	1131	-.273	.129	.159	-.034	190	1232	-.313	.130	.845	-.119	190	1282	-.053	.099	.400	-.333
190	1132	-.115	.105	.274	-.511	190	1233	-.346	.142	.963	-.145	190	1283	.133	.101	.505	-.286
190	1133	-.159	.114	.219	-.625	190	1234	-.054	.086	.234	-.325	190	1284	.194	.114	.667	-.316
190	1134	-.207	.095	.079	-.579	190	1235	-.042	.087	.232	-.386	190	1285	-.165	.110	.646	-.279
190	1135	-.201	.114	.159	-.690	190	1236	-.021	.082	.271	-.316	190	1901	-.318	.097	.810	-.660
190	1136	-.114	.101	.246	-.581	190	1237	-.002	.090	.394	-.314	190	1902	-.200	.173	.506	-.103
190	1137	-.123	.098	.169	-.509	190	1238	-.093	.097	.286	-.460	190	1903	-.235	.146	.348	-.758
190	1138	-.167	.084	.102	-.460	190	1239	-.121	.103	.220	-.509	190	1904	-.047	.099	.289	-.412
190	1139	-.166	.096	.159	-.487	190	1240	-.127	.093	.211	-.466	190	1905	-.108	.112	.340	-.515
190	1140	-.103	.087	.200	-.402	190	1241	-.077	.093	.237	-.415	190	1906	-.113	.103	.299	-.536
190	1141	-.119	.100	.277	-.504	190	1242	-.117	.107	.639	-.187	190	1907	-.060	.108	.376	-.511
190	1142	-.159	.089	.202	-.496	190	1243	-.054	.095	.388	-.329	190	1908	-.028	.107	.349	-.468
190	1143	-.154	.100	.225	-.505	190	1244	-.192	.105	.640	-.205	190	1909	-.106	.086	.157	-.497
190	1144	-.083	.090	.253	-.394	190	1245	-.316	.133	.801	-.157	190	1910	-.122	.106	.188	-.515

APPENDIX A -- PRESSURE DATA

CONFIGURATION A: ARCO PLAZA, LONG BEACH

WD	TAP	CPMEAN	CPRMS	CPMAX	CPMIN	WD	TAP	CPMEAN	CPRMS	CPMAX	CPMIN	WD	TAP	CPMEAN	CPRMS	CPMAX	CPMIN
190	1911	.066	.092	.228	.416	190	2038	.149	.114	.597	-.276	190	2088	.146	.104	.512	-.186
190	1912	.064	.089	.211	.401	190	2039	.147	.142	.706	-.401	190	2089	.132	.135	.599	-.293
190	1913	.170	.095	.168	-.532	190	2040	.237	.126	.774	-.283	190	2090	.198	.121	.636	-.149
190	1914	.077	.110	.357	-.520	190	2041	.257	.127	.772	-.154	190	2091	.233	.122	.662	-.087
190	1915	.046	.093	.274	-.437	190	2042	.251	.116	.692	-.117	190	2092	.219	.118	.681	-.103
190	1916	.037	.103	.461	-.388	190	2043	.211	.132	.678	-.205	190	2093	.185	.118	.730	-.239
190	1917	.063	.124	.388	-.640	190	2044	.216	.126	.738	-.160	190	2094	.189	.112	.673	-.200
190	1918	.007	.152	.647	-.517	190	2045	.267	.128	.772	-.130	190	2095	.206	.119	.687	-.259
190	1919	.090	.094	.398	-.445	190	2046	.201	.116	.632	-.136	190	2096	.127	.129	.618	-.258
190	1920	.192	.099	.257	-.706	190	2047	.070	.194	.533	-.833	190	2097	.107	.174	.482	-.659
190	1921	.097	.096	.144	-.462	190	2048	.165	.150	.320	-.711	190	2098	.164	.136	.243	-.621
190	1922	.073	.090	.312	-.370	190	2049	.033	.104	.287	-.502	190	2099	.073	.117	.256	-.597
190	1923	.126	.085	.162	-.455	190	2050	.099	.077	.176	-.419	190	2100	.095	.097	.199	-.553
190	2001	.036	.095	.307	-.429	190	2051	.027	.086	.312	-.309	190	2101	.034	.088	.338	-.243
190	2002	.038	.085	.238	-.419	190	2052	.022	.085	.293	-.286	190	2102	.021	.083	.315	-.240
190	2003	.089	.107	.274	-.509	190	2053	.033	.093	.292	-.351	190	2103	.034	.095	.271	-.353
190	2004	.116	.095	.169	-.511	190	2054	.102	.089	.191	-.441	190	2104	.070	.095	.229	-.386
190	2005	.076	.096	.203	-.560	190	2055	.061	.093	.241	-.435	190	2105	.031	.083	.231	-.348
190	2006	.199	.102	.131	-.580	190	2056	.238	.141	.111	-.823	190	2106	.181	.100	.123	-.543
190	2007	.080	.095	.315	-.429	190	2057	.077	.113	.285	-.419	190	2107	.081	.093	.239	-.429
190	2008	.001	.099	.351	-.379	190	2058	.088	.098	.402	-.266	190	2108	.081	.095	.430	-.249
190	2009	.144	.112	.175	-.597	190	2059	.070	.143	.414	-.604	190	2109	.036	.119	.389	-.527
190	2010	.112	.110	.234	-.530	190	2060	.094	.163	.497	-.672	190	2110	.066	.129	.364	-.587
190	2011	.023	.102	.362	-.303	190	2061	.107	.108	.497	-.202	190	2111	.064	.101	.447	-.286
190	2012	.053	.104	.374	-.247	190	2062	.213	.096	.573	-.103	190	2112	.165	.098	.562	-.173
190	2013	.025	.118	.422	-.393	190	2063	.152	.126	.604	-.245	190	2113	.134	.104	.553	-.256
190	2014	.070	.115	.446	-.356	190	2064	.156	.140	.629	-.296	190	2114	.134	.108	.534	-.288
190	2015	.106	.120	.526	-.282	190	2065	.227	.115	.719	-.124	190	2115	.168	.106	.575	-.178
190	2016	.082	.110	.518	-.333	190	2066	.278	.102	.676	-.003	190	2116	.219	.105	.667	-.104
190	2017	.136	.119	.564	-.217	190	2067	.243	.114	.677	-.075	190	2117	.188	.098	.539	-.198
190	2018	.133	.111	.507	-.281	190	2068	.224	.120	.619	-.154	190	2118	.174	.100	.556	-.210
190	2019	.077	.109	.452	-.344	190	2069	.238	.122	.646	-.285	190	2119	.168	.108	.593	-.240
190	2020	.098	.108	.468	-.245	190	2070	.267	.110	.632	-.175	190	2120	.201	.105	.581	-.204
190	2021	.132	.136	.609	-.275	190	2071	.154	.123	.685	-.312	190	2121	.110	.111	.525	-.213
190	2022	.029	.134	.371	-.528	190	2072	.132	.177	.504	-.885	190	2122	.126	.159	.426	-.663
190	2023	.198	.122	.191	-.711	190	2073	.177	.139	.309	-.846	190	2123	.198	.141	.223	-.699
190	2024	.049	.097	.260	-.447	190	2074	.040	.094	.277	-.477	190	2124	.065	.112	.256	-.546
190	2025	.116	.091	.198	-.447	190	2075	.101	.089	.214	-.529	190	2125	.107	.093	.175	-.490
190	2026	.023	.081	.309	-.265	190	2076	.041	.086	.344	-.237	190	2126	.024	.078	.321	-.214
190	2027	.000	.092	.309	-.359	190	2077	.035	.081	.320	-.259	190	2127	.008	.085	.338	-.250
190	2028	.046	.095	.321	-.300	190	2078	.017	.082	.263	-.314	190	2128	.004	.087	.330	-.269
190	2029	.113	.096	.246	-.500	190	2079	.098	.096	.222	-.502	190	2129	.033	.090	.243	-.377
190	2030	.042	.079	.271	-.359	190	2080	.040	.085	.243	-.320	190	2130	.018	.080	.254	-.321
190	2031	.242	.131	.216	-.877	190	2081	.178	.114	.163	-.571	190	2131	.129	.102	.163	-.495
190	2032	.073	.103	.314	-.489	190	2082	.056	.092	.238	-.353	190	2132	.024	.089	.277	-.378
190	2033	.101	.097	.431	-.266	190	2083	.064	.094	.368	-.266	190	2133	.076	.092	.380	-.222
190	2034	.034	.111	.312	-.477	190	2084	.020	.110	.357	-.489	190	2134	.003	.098	.303	-.383
190	2035	.068	.143	.371	-.607	190	2085	.041	.135	.380	-.555	190	2135	.023	.109	.313	-.455
190	2036	.122	.106	.552	-.219	190	2086	.091	.092	.480	-.207	190	2136	.092	.094	.424	-.194
190	2037	.215	.112	.687	-.265	190	2087	.164	.098	.532	-.149	190	2137	.170	.099	.515	-.150

APPENDIX A -- PRESSURE DATA:

CONFIGURATION A) ARCO PLAZA, LONG BEACH

WD	TAP	CPMEAN	CPRMS	CPMAX	CPMIN	WD	TAP	CPMEAN	CPRMS	CPMAX	CPMIN	WD	TAP	CPMEAN	CPRMS	CPMAX	CPMIN
190	2238	143	098	495	193	190	2239	141	098	283	492	190	2904	100	095	194	447
190	2239	130	109	514	246	190	2240	031	083	263	369	190	2905	108	096	242	492
190	2240	182	101	608	168	190	2241	084	099	261	467	190	2906	140	090	150	582
190	2241	223	104	602	148	190	2242	015	094	366	371	190	2907	128	116	350	834
190	2242	187	096	566	159	190	2243	013	089	346	252	190	2908	266	132	310	855
190	2243	160	103	544	204	190	2244	041	074	308	219	190	2909	214	125	236	690
190	2244	183	102	558	159	190	2245	008	083	281	325	190	2910	199	110	222	700
190	2245	210	103	641	105	190	2246	042	084	340	282	190	2911	295	139	153	939
190	2246	088	093	486	229	190	2247	119	089	136	553	190	2912	297	121	184	860
190	2247	135	140	275	680	190	2248	103	082	142	480	190	2913	195	121	191	715
190	2248	136	123	248	612	190	2249	189	096	110	603	190	2914	287	103	067	616
190	2249	046	096	255	453	190	2250	150	095	145	519	190	2915	267	108	066	663
190	2250	102	081	161	375	190	2251	128	094	184	499	190	2916	278	110	086	648
190	2251	171	104	153	586	190	2252	132	096	170	536	190	2917	120	094	171	465
190	2252	131	098	148	533	190	2253	089	107	289	454	190	2918	091	099	226	568
190	2253	044	081	174	375	190	2254	012	107	390	389	190	2919	260	136	152	835
190	2254	140	096	168	499	190	2255	017	088	434	310	190	2920	232	139	340	730
190	2255	158	096	156	484	190	2256	052	080	310	228	190	2921	297	105	128	715
190	2256	153	096	162	492	190	2257	019	091	274	348	190	2922	277	105	093	725
190	2257	146	085	153	416	190	2258	045	088	322	279	190	2923	206	123	303	645
190	2258	222	104	126	607	190	2259	055	090	365	236	200	901	076	090	225	391
190	2259	156	101	204	577	190	2260	104	082	187	454	200	902	084	083	187	350
190	2260	146	102	154	574	190	2261	184	095	145	579	200	903	094	104	215	599
190	2261	123	090	173	538	190	2262	141	090	180	512	200	904	093	098	214	531
190	2262	161	098	151	470	190	2263	158	093	156	498	200	905	061	090	229	540
190	2263	112	099	219	438	190	2264	095	089	248	454	200	906	128	091	152	461
190	2264	091	097	238	431	190	2265	168	112	265	577	200	907	061	091	238	482
190	2265	062	088	217	406	190	2266	007	103	358	319	200	908	095	091	197	422
190	2266	089	104	228	485	190	2267	030	090	289	397	200	909	118	101	280	480
190	2267	016	100	276	436	190	2268	001	082	301	342	200	910	124	088	226	411
190	2268	023	081	247	281	190	2269	031	093	399	435	200	911	110	100	307	440
190	2269	016	085	275	230	190	2270	016	085	328	343	200	912	072	092	294	414
190	2270	193	098	151	555	190	2271	037	092	330	274	200	913	070	096	295	395
190	2271	145	094	180	506	190	2272	056	082	314	231	200	914	084	081	205	363
190	2272	148	091	131	450	190	2273	179	104	160	497	200	915	151	106	162	699
190	2273	134	082	120	410	190	2274	128	100	214	441	200	916	097	154	610	347
190	2274	190	096	274	529	190	2275	138	088	205	402	200	917	092	099	362	407
190	2275	147	100	241	534	190	2276	120	085	226	424	200	1001	051	142	389	843
190	2276	096	092	254	407	190	2277	108	102	326	459	200	1002	031	108	310	611
190	2277	072	086	214	379	190	2278	006	107	385	442	200	1003	105	093	218	408
190	2278	122	097	203	458	190	2279	018	096	347	284	200	1004	175	096	130	521
190	2279	045	086	250	304	190	2280	062	085	260	354	200	1005	158	099	190	552
190	2280	001	091	299	309	190	2281	008	092	343	327	200	1006	182	096	140	663
190	2281	032	085	320	267	190	2282	008	092	343	312	200	1007	184	111	191	740
190	2282	032	100	299	370	190	2283	022	089	434	280	200	1008	146	101	175	710
190	2283	119	096	241	427	190	2284	012	080	372	271	200	1009	140	104	232	656
190	2284	114	093	331	478	190	2285	031	090	424	269	200	1010	155	094	173	586
190	2285	105	084	306	435	190	2901	049	131	361	818	200	1011	168	103	171	624
190	2286	189	098	280	543	190	2902	068	101	278	463	200	1012	127	099	191	526
190	2287	128	097	305	464	190	2903	095	101	192	417	200	1013	108	095	190	480

APPENDIX A -- PRESSURE DATA:

CONFIGURATION A: ARCO PLAZA, LONG BEACH

WD	TAP	CPMEAN	CPRMS	CPMAX	CPMIN	WD	TAP	CPMEAN	CPRMS	CPMAX	CPMIN	WD	TAP	CPMEAN	CPRMS	CPMAX	CPMIN
200	1014	-.134	.086	.166	-.508	200	1064	-.099	.086	.150	-.447	200	1114	-.175	.090	.117	-.534
200	1015	-.143	.097	.177	-.782	200	1065	-.108	.084	.204	-.435	200	1115	-.194	.104	.141	-.595
200	1016	-.107	.091	.184	-.435	200	1066	-.143	.078	.151	-.450	200	1116	-.128	.095	.165	-.477
200	1017	-.099	.086	.274	-.412	200	1067	-.150	.085	.181	-.444	200	1117	-.114	.088	.167	-.477
200	1018	-.120	.077	.217	-.348	200	1068	-.093	.081	.205	-.390	200	1118	-.152	.081	.113	-.472
200	1019	-.129	.084	.257	-.371	200	1069	-.093	.086	.226	-.367	200	1119	-.156	.093	.160	-.526
200	1020	-.097	.084	.294	-.345	200	1070	-.131	.080	.172	-.369	200	1120	-.089	.084	.206	-.427
200	1021	-.096	.081	.198	-.425	200	1071	-.149	.090	.183	-.423	200	1121	-.109	.087	.180	-.440
200	1022	-.129	.078	.166	-.416	200	1072	-.100	.088	.218	-.373	200	1122	-.167	.081	.088	-.483
200	1023	-.137	.090	.203	-.456	200	1073	-.096	.078	.177	-.349	200	1123	-.169	.091	.124	-.528
200	1024	-.105	.090	.204	-.405	200	1074	-.131	.073	.119	-.356	200	1124	-.095	.082	.191	-.416
200	1025	-.111	.094	.192	-.518	200	1075	-.152	.083	.133	-.404	200	1125	-.110	.086	.170	-.402
200	1026	-.015	.139	.547	-.552	200	1076	-.014	.129	.399	-.466	200	1126	-.117	.114	.355	-.603
200	1027	-.028	.138	.489	-.579	200	1077	-.029	.116	.406	-.478	200	1127	-.080	.119	.399	-.569
200	1028	-.047	.091	.264	-.403	200	1078	-.110	.083	.156	-.482	200	1128	-.069	.080	.201	-.571
200	1029	-.138	.096	.172	-.730	200	1079	-.219	.100	.135	-.662	200	1129	-.169	.104	.116	-.615
200	1030	-.174	.090	.114	-.781	200	1080	-.149	.091	.159	-.581	200	1130	-.222	.097	.640	-.664
200	1031	-.186	.100	.118	-.859	200	1081	-.171	.099	.151	-.585	200	1131	-.229	.109	.082	-.764
200	1032	-.158	.097	.152	-.561	200	1082	-.247	.100	.039	-.714	200	1132	-.131	.094	.163	-.595
200	1033	-.144	.098	.157	-.638	200	1083	-.250	.116	.074	-.849	200	1133	-.159	.102	.126	-.678
200	1034	-.137	.083	.099	-.469	200	1084	-.158	.097	.129	-.599	200	1134	-.210	.087	.071	-.609
200	1035	-.153	.091	.127	-.529	200	1085	-.149	.097	.197	-.463	200	1135	-.209	.104	.111	-.658
200	1036	-.124	.089	.167	-.486	200	1086	-.218	.092	.111	-.527	200	1136	-.131	.089	.150	-.447
200	1037	-.127	.091	.163	-.426	200	1087	-.228	.106	.148	-.586	200	1137	-.146	.097	.166	-.628
200	1038	-.148	.082	.120	-.416	200	1088	-.143	.091	.182	-.436	200	1138	-.194	.084	.061	-.388
200	1039	-.146	.088	.151	-.404	200	1089	-.126	.084	.143	-.400	200	1139	-.192	.096	.098	-.513
200	1040	-.112	.086	.189	-.363	200	1090	-.193	.081	.073	-.452	200	1140	-.128	.088	.130	-.477
200	1041	-.106	.088	.160	-.428	200	1091	-.204	.093	.104	-.521	200	1141	-.133	.094	.202	-.533
200	1042	-.131	.079	.107	-.400	200	1092	-.113	.082	.130	-.376	200	1142	-.176	.085	.135	-.520
200	1043	-.135	.087	.129	-.449	200	1093	-.110	.087	.220	-.449	200	1143	-.166	.094	.147	-.519
200	1044	-.096	.086	.162	-.400	200	1094	-.160	.084	.152	-.503	200	1144	-.094	.083	.163	-.411
200	1045	-.094	.087	.223	-.356	200	1095	-.168	.097	.185	-.574	200	1145	-.111	.087	.208	-.436
200	1046	-.125	.081	.171	-.451	200	1096	-.102	.084	.236	-.437	200	1146	-.166	.081	.106	-.460
200	1047	-.139	.090	.181	-.451	200	1097	-.112	.088	.222	-.440	200	1147	-.172	.093	.155	-.519
200	1048	-.096	.089	.223	-.375	200	1098	-.161	.081	.152	-.472	200	1148	-.097	.088	.219	-.413
200	1049	-.101	.088	.171	-.401	200	1099	-.164	.092	.181	-.491	200	1149	-.101	.085	.201	-.390
200	1050	-.136	.084	.114	-.501	200	1100	-.096	.084	.202	-.396	200	1150	-.154	.079	.124	-.421
200	1051	-.007	.148	.459	-.530	200	1101	-.028	.135	.482	-.562	200	1201	-.181	.117	.309	-.569
200	1052	-.069	.122	.439	-.355	200	1102	-.040	.119	.411	-.561	200	1202	-.059	.144	.553	-.622
200	1053	-.046	.092	.305	-.347	200	1103	-.136	.104	.272	-.546	200	1204	-.141	.200	.583	-.955
200	1054	-.164	.088	.188	-.516	200	1104	-.172	.099	.129	-.574	200	1205	-.051	.146	.638	-.461
200	1055	-.181	.097	.204	-.537	200	1105	-.177	.089	.056	-.541	200	1206	-.081	.097	.558	-.382
200	1056	-.139	.095	.245	-.495	200	1106	-.235	.094	.041	-.591	200	1207	-.069	.101	.373	-.396
200	1057	-.153	.103	.240	-.620	200	1107	-.253	.111	.067	-.643	200	1208	-.037	.111	.427	-.391
200	1058	-.185	.096	.148	-.550	200	1108	-.174	.106	.122	-.598	200	1209	-.010	.123	.509	-.338
200	1059	-.183	.100	.118	-.575	200	1109	-.162	.100	.179	-.548	200	1210	-.018	.135	.561	-.562
200	1060	-.119	.089	.147	-.439	200	1110	-.204	.089	.078	-.503	200	1211	-.109	.110	.265	-.579
200	1061	-.126	.091	.117	-.477	200	1111	-.218	.102	.141	-.563	200	1212	-.123	.113	.309	-.727
200	1062	-.162	.086	.068	-.490	200	1112	-.146	.089	.158	-.452	200	1213	-.036	.132	.496	-.581
200	1063	-.167	.091	.102	-.537	200	1113	-.148	.102	.207	-.530	200	1214	-.215	.191	.422	-.045

APPENDIX A -- PRESSURE DATA:

CONFIGURATION A: ARCO PLAZA, LONG BEACH

WD	TAP	CPMEAN	CPRMS	CPMAX	CPMIN	WD	TAP	CPMEAN	CPRMS	CPMAX	CPMIN	WD	TAP	CPMEAN	CPRMS	CPMAX	CPMIN
2000	1215	.021	.136	.654	-.498	2000	1265	-.108	.103	.216	-.492	2000	2007	-.055	.090	.265	-.429
2000	1216	.129	.117	.341	-.277	2000	1266	-.122	.098	.270	-.517	2000	2008	-.010	.088	.322	-.360
2000	1217	.032	.114	.558	-.402	2000	1267	-.156	.116	.141	-.571	2000	2009	-.060	.117	.301	-.525
2000	1218	.120	.129	.667	-.349	2000	1268	-.041	.107	.384	-.311	2000	2010	-.019	.119	.352	-.529
2000	1219	.237	.145	.880	-.181	2000	1269	-.029	.107	.308	-.431	2000	2011	-.056	.112	.457	-.308
2000	1220	.264	.117	.645	-.095	2000	1270	-.049	.138	.491	-.414	2000	2012	.055	.105	.447	-.246
2000	1221	-.094	.091	.186	-.602	2000	1271	-.127	.149	.620	-.377	2000	2013	.051	.115	.465	-.335
2000	1222	-.093	.091	.187	-.642	2000	1272	-.180	.134	.567	-.406	2000	2014	-.078	.108	.437	-.356
2000	1223	-.091	.091	.261	-.371	2000	1273	-.050	.089	.276	-.368	2000	2015	.085	.111	.511	-.292
2000	1224	-.070	.083	.276	-.328	2000	1274	-.052	.089	.267	-.379	2000	2016	.065	.104	.443	-.248
2000	1225	.100	.097	.269	-.470	2000	1275	-.041	.088	.306	-.369	2000	2017	.108	.129	.597	-.260
2000	1226	.150	.107	.260	-.593	2000	1276	-.032	.081	.283	-.346	2000	2018	.038	.121	.420	-.287
2000	1227	-.083	.147	.348	-.692	2000	1277	-.047	.092	.276	-.402	2000	2019	.008	.115	.362	-.403
2000	1228	.233	.132	.198	-.830	2000	1278	-.067	.091	.274	-.399	2000	2020	.082	.126	.514	-.495
2000	1229	.100	.112	.700	-.274	2000	1279	-.078	.080	.237	-.358	2000	2021	.099	.128	.622	-.316
2000	1230	.019	.095	.391	-.320	2000	1280	-.097	.093	.215	-.425	2000	2022	-.152	.121	.251	-.568
2000	1231	.151	.140	.645	-.337	2000	1281	-.008	.109	.395	-.376	2000	2023	-.287	.122	.080	-.878
2000	1232	.303	.147	.790	-.264	2000	1282	-.033	.094	.282	-.342	2000	2024	-.107	.105	.183	-.534
2000	1233	.308	.158	.829	-.532	2000	1283	-.038	.105	.350	-.319	2000	2025	-.157	.097	.236	-.776
2000	1234	.094	.092	.180	-.479	2000	1284	.131	.115	.540	-.284	2000	2026	-.041	.085	.261	-.315
2000	1235	.081	.084	.228	-.547	2000	1285	.124	.113	.547	-.345	2000	2027	-.058	.096	.272	-.379
2000	1236	.064	.082	.234	-.412	2000	1901	-.287	.104	.114	-.658	2000	2028	-.108	.098	.252	-.447
2000	1237	.071	.089	.227	-.426	2000	1902	-.094	.182	.595	-.950	2000	2029	-.142	.099	.196	-.527
2000	1238	.105	.089	.285	-.434	2000	1903	-.110	.151	.381	-.695	2000	2030	-.047	.080	.240	-.335
2000	1239	.129	.095	.187	-.510	2000	1904	-.057	.096	.293	-.440	2000	2031	-.182	.128	.206	-.726
2000	1240	.144	.094	.157	-.575	2000	1905	-.052	.106	.276	-.440	2000	2032	-.014	.105	.325	-.413
2000	1241	.151	.097	.148	-.536	2000	1906	-.099	.100	.298	-.544	2000	2033	.134	.102	.516	-.237
2000	1242	.049	.103	.447	-.298	2000	1907	-.087	.109	.339	-.598	2000	2034	.043	.109	.421	-.338
2000	1243	.019	.099	.271	-.400	2000	1908	-.070	.099	.294	-.483	2000	2035	.039	.139	.492	-.436
2000	1244	.120	.133	.631	-.348	2000	1909	-.102	.077	.294	-.396	2000	2036	.165	.115	.600	-.202
2000	1245	.265	.161	.940	-.393	2000	1910	-.115	.096	.155	-.632	2000	2037	.232	.109	.615	-.215
2000	1246	.272	.157	.919	-.358	2000	1911	-.084	.086	.202	-.388	2000	2038	.200	.107	.596	-.233
2000	1247	.078	.082	.188	-.361	2000	1912	-.083	.077	.229	-.357	2000	2039	.211	.128	.634	-.359
2000	1248	.059	.077	.198	-.321	2000	1913	-.146	.091	.195	-.443	2000	2040	.253	.121	.638	-.213
2000	1249	.053	.084	.228	-.539	2000	1914	-.063	.112	.360	-.499	2000	2041	.272	.126	.654	-.134
2000	1250	.074	.083	.206	-.348	2000	1915	-.053	.084	.335	-.313	2000	2042	.237	.124	.657	-.138
2000	1251	.092	.086	.224	-.476	2000	1916	-.017	.110	.426	-.321	2000	2043	.171	.142	.696	-.367
2000	1252	.100	.082	.202	-.447	2000	1917	-.059	.118	.368	-.504	2000	2044	.181	.132	.633	-.301
2000	1253	.113	.092	.252	-.463	2000	1918	-.023	.142	.527	-.543	2000	2045	.208	.137	.759	-.340
2000	1254	.122	.089	.234	-.431	2000	1919	-.059	.090	.272	-.390	2000	2046	-.104	.106	.630	-.189
2000	1255	.041	.107	.502	-.445	2000	1920	-.178	.094	.123	-.522	2000	2047	-.234	.155	.448	-.763
2000	1256	.019	.093	.264	-.352	2000	1921	-.120	.090	.160	-.482	2000	2048	-.276	.127	.119	-.772
2000	1257	.075	.137	.508	-.480	2000	1922	-.085	.089	.221	-.380	2000	2049	-.152	.125	.226	-.659
2000	1258	.187	.153	.678	-.404	2000	1923	-.112	.083	.186	-.420	2000	2050	-.168	.091	.124	-.602
2000	1259	.208	.169	.767	-.670	2000	2001	-.064	.097	.305	-.452	2000	2051	-.031	.091	.240	-.374
2000	1260	.055	.085	.189	-.395	2000	2002	-.077	.088	.272	-.423	2000	2052	-.040	.091	.243	-.386
2000	1261	.053	.092	.207	-.432	2000	2003	-.122	.166	.274	-.537	2000	2053	-.087	.102	.228	-.436
2000	1262	.055	.092	.214	-.419	2000	2004	-.133	.095	.153	-.537	2000	2054	-.143	.095	.150	-.471
2000	1263	.053	.088	.226	-.368	2000	2005	-.075	.085	.172	-.395	2000	2055	-.055	.090	.248	-.404
2000	1264	.087	.081	.211	-.361	2000	2006	-.166	.095	.124	-.530	2000	2056	-.174	.133	.230	-.733

APPENDIX A -- PRESSURE DATA:

CONFIGURATION A; ARCO PLAZA, LONG BEACH

WD	TAP	CPMEAN	CPRMS	CPMAX	CPMIN	WD	TAP	CPMEAN	CPRMS	CPMAX	CPMIN	WD	TAP	CPMEAN	CPRMS	CPMAX	CPMIN
200	2000	.045	.117	.354	.415	200	2107	.045	.099	.378	.461	200	2208	.157	.083	.127	.528
200	2001	.126	.094	.469	.199	200	2108	.119	.092	.418	.234	200	2209	.235	.100	.078	.687
200	2002	.042	.136	.544	.473	200	2109	.041	.112	.379	.400	200	2210	.163	.095	.136	.651
200	2003	.039	.152	.622	.582	200	2110	.023	.121	.361	.445	200	2211	.159	.095	.135	.528
200	2004	.166	.112	.553	.189	200	2111	.110	.099	.495	.212	200	2212	.137	.085	.151	.480
200	2005	.222	.099	.563	.194	200	2112	.189	.094	.545	.126	200	2213	.180	.091	.125	.514
200	2006	.201	.120	.621	.194	200	2113	.186	.102	.583	.108	200	2214	.132	.092	.259	.465
200	2007	.209	.121	.613	.188	200	2114	.186	.101	.570	.093	200	2215	.114	.088	.242	.522
200	2008	.250	.105	.622	.048	200	2115	.192	.103	.609	.122	200	2216	.085	.083	.245	.468
200	2009	.266	.097	.631	.005	200	2116	.228	.103	.606	.076	200	2217	.133	.100	.250	.560
200	2010	.213	.119	.645	.167	200	2117	.169	.106	.548	.245	200	2218	.064	.097	.283	.466
200	2011	.176	.124	.608	.224	200	2118	.121	.098	.479	.228	200	2219	.067	.083	.221	.356
200	2012	.212	.112	.655	.199	200	2119	.113	.103	.486	.273	200	2220	.029	.081	.288	.318
200	2013	.089	.114	.555	.299	200	2120	.167	.109	.541	.352	200	2221	.222	.096	.107	.566
200	2014	.248	.146	.749	.986	200	2121	.058	.105	.430	.297	200	2222	.167	.090	.142	.484
200	2015	.148	.134	.249	.700	200	2122	.216	.131	.274	.670	200	2223	.169	.091	.155	.523
200	2016	.143	.107	.236	.222	200	2123	.256	.136	.158	.746	200	2224	.143	.081	.172	.423
200	2017	.157	.102	.205	.205	200	2124	.127	.116	.285	.626	200	2225	.205	.098	.143	.568
200	2018	.009	.088	.279	.368	200	2125	.137	.096	.182	.543	200	2226	.161	.100	.197	.549
200	2019	.017	.091	.261	.366	200	2126	.017	.077	.251	.303	200	2227	.108	.095	.171	.492
200	2020	.095	.092	.175	.482	200	2127	.039	.084	.244	.353	200	2228	.089	.089	.173	.399
200	2021	.150	.102	.196	.537	200	2128	.053	.084	.229	.361	200	2229	.150	.101	.167	.509
200	2022	.039	.088	.264	.387	200	2129	.074	.090	.199	.409	200	2230	.074	.092	.216	.387
200	2023	.180	.131	.202	.399	200	2130	.021	.079	.256	.289	200	2231	.049	.087	.214	.380
200	2024	.033	.101	.328	.344	200	2131	.110	.107	.289	.473	200	2232	.015	.083	.217	.342
200	2025	.066	.098	.471	.188	200	2132	.009	.090	.320	.282	200	2233	.086	.098	.203	.468
200	2026	.038	.120	.421	.352	200	2133	.130	.095	.496	.220	200	2234	.139	.093	.141	.586
200	2027	.042	.141	.444	.448	200	2134	.086	.105	.467	.302	200	2235	.142	.092	.161	.482
200	2028	.146	.103	.493	.222	200	2135	.153	.101	.556	.174	200	2236	.129	.080	.136	.417
200	2029	.202	.104	.560	.193	200	2136	.101	.101	.469	.371	200	2237	.209	.092	.082	.573
200	2030	.199	.105	.532	.195	200	2137	.214	.102	.582	.097	200	2238	.135	.092	.229	.522
200	2031	.206	.114	.681	.181	200	2138	.197	.097	.531	.122	200	2239	.137	.099	.217	.434
200	2032	.216	.102	.669	.102	200	2139	.179	.106	.578	.190	200	2240	.048	.081	.222	.324
200	2033	.189	.109	.680	.106	200	2140	.217	.106	.607	.117	200	2241	.119	.094	.207	.469
200	2034	.141	.129	.601	.156	200	2141	.246	.100	.645	.054	200	2242	.053	.092	.314	.407
200	2035	.140	.119	.584	.251	200	2142	.177	.095	.626	.131	200	2243	.032	.092	.261	.341
200	2036	.169	.130	.657	.252	200	2143	.126	.108	.644	.211	200	2244	.007	.081	.292	.297
200	2037	.075	.113	.514	.324	200	2144	.157	.106	.660	.165	200	2245	.063	.092	.297	.385
200	2038	.257	.156	.383	.015	200	2145	.175	.104	.539	.141	200	2246	.008	.091	.372	.321
200	2039	.278	.137	.177	.977	200	2146	.041	.085	.343	.243	200	2247	.124	.092	.230	.480
200	2040	.174	.135	.231	.846	200	2147	.228	.123	.219	.754	200	2248	.103	.083	.209	.441
200	2041	.148	.117	.280	.725	200	2148	.189	.113	.205	.635	200	2249	.194	.095	.156	.561
200	2042	.002	.092	.312	.707	200	2149	.102	.096	.206	.502	200	2250	.146	.091	.179	.432
200	2043	.021	.087	.274	.306	200	2150	.121	.083	.132	.441	200	2251	.129	.090	.227	.440
200	2044	.090	.095	.231	.399	200	2201	.201	.099	.107	.686	200	2252	.128	.092	.173	.433
200	2045	.100	.096	.411	.411	200	2202	.158	.094	.133	.482	200	2253	.103	.102	.349	.444
200	2046	.042	.087	.253	.404	200	2203	.101	.087	.148	.415	200	2254	.037	.102	.353	.373
200	2047	.155	.111	.192	.649	200	2204	.170	.102	.149	.587	200	2255	.021	.092	.344	.362
						200	2205	.182	.103	.191	.668	200	2256	.006	.083	.281	.292
						200	2206	.167	.095	.138	.585	200	2257	.066	.095	.284	.453

APPENDIX A -- PRESSURE DATA:

CONFIGURATION A) ARCO PLAZA, LONG BEACH

WD	TAP	CPMEAN	CPRMS	CPMAX	CPMIN	WD	TAP	CPMEAN	CPRMS	CPMAX	CPMIN	WD	TAP	CPMEAN	CPRMS	CPMAX	CPMIN
2000	2258	.002	.093	.342	-.372	200	2923	-.250	.125	.263	-.817	210	1033	-.126	.099	.200	-.579
2000	2259	.023	.091	.367	-.372	210	901	-.113	.091	.198	-.486	210	1034	-.145	.087	.131	-.518
2000	2260	-.099	.084	.244	-.401	210	902	-.120	.082	.134	-.464	210	1035	-.171	.096	.171	-.478
2000	2261	-.181	.098	.202	-.472	210	903	-.118	.092	.201	-.465	210	1036	-.115	.094	.192	-.451
2000	2262	-.136	.093	.213	-.473	210	904	-.120	.090	.172	-.503	210	1037	-.108	.094	.183	-.489
2000	2263	-.140	.097	.174	-.494	210	905	-.104	.089	.174	-.503	210	1038	-.132	.086	.141	-.461
2000	2264	-.089	.093	.298	-.449	210	906	-.119	.081	.155	-.399	210	1039	-.163	.092	.114	-.527
2000	2265	-.170	.110	.223	-.573	210	907	-.106	.089	.160	-.387	210	1040	-.097	.086	.165	-.426
2000	2266	-.036	.099	.319	-.385	210	908	-.127	.088	.153	-.422	210	1041	-.097	.091	.158	-.455
2000	2267	-.040	.087	.297	-.349	210	909	-.124	.087	.169	-.450	210	1042	-.129	.084	.124	-.416
2000	2268	-.013	.080	.295	-.380	210	910	-.128	.080	.180	-.399	210	1043	-.169	.094	.114	-.504
2000	2269	-.075	.091	.337	-.399	210	911	-.109	.091	.269	-.465	210	1044	-.109	.090	.190	-.438
2000	2270	-.020	.084	.273	-.312	210	912	-.112	.087	.233	-.402	210	1045	-.100	.086	.228	-.436
2000	2271	.000	.097	.332	-.317	210	913	-.108	.089	.247	-.437	210	1046	-.133	.082	.165	-.407
2000	2272	.023	.083	.333	-.274	210	914	-.121	.078	.108	-.434	210	1047	-.183	.091	.149	-.474
2000	2273	.172	.097	.180	-.455	210	915	-.134	.089	.126	-.442	210	1048	-.114	.091	.184	-.439
2000	2274	.117	.090	.169	-.433	210	916	-.083	.089	.455	-.422	210	1049	-.122	.102	.218	-.598
2000	2275	.116	.090	.201	-.430	210	917	-.082	.091	.210	-.514	210	1050	-.162	.099	.169	-.771
2000	2276	.102	.085	.197	-.401	210	1001	-.054	.135	.339	-.626	210	1051	-.064	.148	.549	-.554
2000	2277	.135	.100	.201	-.348	210	1002	-.049	.101	.279	-.543	210	1052	-.015	.126	.485	-.472
2000	2278	.077	.105	.315	-.319	210	1003	-.139	.099	.177	-.584	210	1053	-.057	.099	.257	-.473
2000	2279	.035	.087	.246	-.354	210	1004	-.137	.109	.156	-.847	210	1054	-.149	.094	.145	-.500
2000	2280	-.075	.076	.199	-.342	210	1005	-.139	.110	.226	-.504	210	1055	-.194	.104	.141	-.589
2000	2281	-.040	.082	.245	-.356	210	1006	-.179	.106	.154	-.603	210	1056	-.120	.099	.179	-.489
2000	2282	-.033	.082	.244	-.345	210	1007	-.196	.123	.216	-.703	210	1057	-.139	.103	.204	-.564
2000	2283	.021	.083	.220	-.321	210	1008	-.124	.107	.215	-.561	210	1058	-.172	.099	.147	-.606
2000	2284	.026	.076	.209	-.279	210	1009	-.122	.107	.263	-.531	210	1059	-.207	.105	.131	-.648
2000	2285	.011	.084	.253	-.288	210	1010	-.143	.094	.156	-.635	210	1060	-.113	.093	.213	-.474
2000	2286	.115	.099	.223	-.207	210	1011	-.190	.111	.167	-.766	210	1061	-.114	.099	.160	-.453
2000	2287	.132	.101	.261	-.305	210	1012	-.120	.103	.207	-.507	210	1062	-.151	.097	.118	-.493
2000	2288	.125	.089	.179	-.450	210	1013	-.099	.096	.255	-.448	210	1063	-.188	.102	.093	-.515
2000	2289	.138	.094	.192	-.318	210	1014	-.127	.088	.200	-.510	210	1064	-.096	.091	.170	-.386
2000	2290	.162	.086	.137	-.503	210	1015	-.165	.099	.189	-.518	210	1065	-.091	.087	.212	-.384
2000	2291	.169	.115	.285	-.612	210	1016	-.106	.093	.222	-.460	210	1066	-.130	.080	.140	-.388
2000	2292	.275	.127	.110	-.110	210	1017	-.101	.091	.179	-.522	210	1067	-.177	.089	.125	-.489
2000	2293	.248	.117	.182	-.690	210	1018	-.130	.082	.154	-.449	210	1068	-.098	.083	.179	-.392
2000	2294	.247	.115	.107	-.846	210	1019	-.173	.094	.153	-.639	210	1069	-.105	.092	.183	-.523
2000	2295	.302	.132	.140	-.865	210	1020	-.117	.093	.213	-.536	210	1070	-.149	.090	.092	-.556
2000	2296	.302	.108	.003	-.702	210	1021	-.105	.088	.210	-.468	210	1071	-.199	.099	.129	-.634
2000	2297	.227	.114	.103	-.850	210	1022	-.147	.088	.165	-.462	210	1072	-.122	.095	.212	-.542
2000	2298	.099	.010	-.010	-.661	210	1023	-.196	.107	.138	-.800	210	1073	-.113	.097	.293	-.478
2000	2299	.276	.110	.091	-.715	210	1024	-.138	.106	.172	-.672	210	1074	-.155	.095	.253	-.482
2000	2300	.278	.116	.097	-.784	210	1025	-.131	.119	.249	-.800	210	1075	-.214	.109	.224	-.639
2000	2301	.140	.097	.141	-.471	210	1026	-.022	.143	.506	-.596	210	1076	-.015	.134	.441	-.530
2000	2302	.145	.106	.232	-.628	210	1027	-.071	.137	.537	-.756	210	1077	-.014	.119	.509	-.509
2000	2303	.320	.144	.183	-.851	210	1028	-.130	.101	.192	-.440	210	1078	-.138	.090	.187	-.538
2000	2304	.256	.159	.405	-.826	210	1029	-.154	.098	.144	-.586	210	1079	-.222	.101	.130	-.645
2000	2305	.301	.120	.226	-.783	210	1030	-.206	.107	.140	-.630	210	1080	-.145	.090	.203	-.580
2000	2306	.332	.101	.038	-.843	210	1031	-.145	.102	.168	-.561	210	1081	-.154	.094	.201	-.469
210						210	1032					210	1082	-.219	.092	.078	-.516

APPENDIX A -- PRESSURE DATA:

CONFIGURATION A: ARCO PLAZA, LONG BEACH

WD	TAP	CPMEAN	CPRMS	CPMAX	CPMIN	WD	TAP	CPMEAN	CPRMS	CPMAX	CPMIN	WD	TAP	CPMEAN	CPRMS	CPMAX	CPMIN
210	1083	.224	.106	.130	.664	210	1133	.146	.093	.139	.551	210	1234	.138	.102	.130	.727
210	1084	.139	.092	.148	.426	210	1134	.196	.078	.058	.560	210	1235	.127	.099	.170	.550
210	1085	.137	.093	.150	.488	210	1135	.196	.095	.101	.673	210	1236	.104	.088	.164	.546
210	1086	.205	.087	.077	.528	210	1136	.127	.083	.135	.429	210	1237	.114	.092	.194	.430
210	1087	.216	.100	.103	.589	210	1137	.140	.098	.139	.569	210	1238	.137	.094	.163	.451
210	1088	.130	.086	.153	.444	210	1138	.186	.085	.061	.541	210	1239	.148	.099	.167	.590
210	1089	.115	.085	.178	.430	210	1139	.176	.094	.100	.475	210	1240	.134	.091	.186	.471
210	1090	.177	.080	.096	.460	210	1140	.108	.085	.135	.399	210	1241	.156	.102	.142	.580
210	1091	.185	.092	.125	.496	210	1141	.117	.089	.173	.418	210	1242	.044	.119	.394	.510
210	1092	.101	.083	.187	.373	210	1142	.163	.080	.102	.444	210	1243	.112	.099	.264	.486
210	1093	.103	.085	.150	.381	210	1143	.160	.090	.151	.450	210	1244	.055	.123	.465	.467
210	1094	.163	.079	.086	.412	210	1144	.099	.082	.176	.360	210	1245	.068	.189	.771	.446
210	1095	.183	.092	.101	.503	210	1145	.115	.086	.169	.432	210	1246	.075	.211	.735	.687
210	1096	.111	.082	.156	.413	210	1146	.166	.080	.086	.471	210	1247	.124	.102	.169	.545
210	1097	.128	.090	.179	.421	210	1147	.171	.092	.140	.519	210	1248	.097	.092	.170	.472
210	1098	.178	.083	.093	.432	210	1148	.097	.086	.159	.416	210	1249	.096	.093	.177	.409
210	1099	.185	.095	.101	.479	210	1149	.116	.092	.175	.487	210	1250	.123	.094	.162	.413
210	1100	.117	.086	.145	.388	210	1150	.170	.086	.108	.538	210	1251	.131	.087	.187	.445
210	1101	.071	.130	.458	.678	210	1201	.178	.128	.394	.714	210	1252	.120	.079	.146	.382
210	1102	.107	.121	.296	.575	210	1202	.080	.138	.528	.586	210	1253	.123	.088	.176	.394
210	1103	.170	.109	.234	.601	210	1204	.020	.150	.457	.634	210	1254	.159	.092	.157	.483
210	1104	.153	.099	.210	.499	210	1205	.013	.146	.685	.559	210	1255	.062	.113	.386	.505
210	1105	.153	.085	.098	.496	210	1206	.103	.112	.436	.543	210	1256	.103	.090	.194	.428
210	1106	.208	.091	.076	.547	210	1207	.083	.117	.549	.425	210	1257	.038	.136	.460	.450
210	1107	.223	.108	.100	.592	210	1208	.041	.123	.678	.343	210	1258	.038	.188	.720	.469
210	1108	.147	.102	.151	.531	210	1209	.036	.140	.750	.436	210	1259	.000	.178	.610	.626
210	1109	.158	.113	.151	.589	210	1210	.062	.125	.775	.600	210	1260	.085	.087	.290	.495
210	1110	.202	.099	.060	.539	210	1211	.106	.115	.308	.509	210	1261	.086	.094	.333	.491
210	1111	.220	.114	.094	.651	210	1212	.108	.101	.262	.481	210	1262	.105	.093	.325	.420
210	1112	.146	.101	.121	.521	210	1213	.044	.117	.473	.462	210	1263	.105	.084	.148	.392
210	1113	.143	.099	.140	.567	210	1214	.133	.146	.419	.649	210	1264	.082	.076	.148	.391
210	1114	.172	.088	.088	.528	210	1215	.050	.133	.529	.557	210	1265	.095	.087	.177	.433
210	1115	.183	.101	.123	.609	210	1216	.042	.120	.631	.402	210	1266	.119	.089	.175	.433
210	1116	.113	.092	.200	.513	210	1217	.022	.119	.575	.463	210	1267	.147	.103	.202	.558
210	1117	.100	.086	.221	.418	210	1218	.007	.142	.640	.479	210	1268	.058	.153	.355	.391
210	1118	.145	.079	.141	.421	210	1219	.176	.183	.875	.446	210	1269	.109	.099	.223	.546
210	1119	.160	.092	.199	.491	210	1220	.229	.146	.742	.281	210	1270	.088	.128	.381	.519
210	1120	.104	.084	.256	.399	210	1221	.099	.097	.321	.491	210	1271	.018	.155	.569	.713
210	1121	.118	.091	.199	.519	210	1222	.113	.097	.242	.497	210	1272	.060	.167	.553	.552
210	1122	.175	.083	.124	.535	210	1223	.119	.098	.237	.440	210	1273	.064	.096	.272	.452
210	1123	.179	.095	.157	.654	210	1224	.097	.088	.209	.345	210	1274	.088	.095	.231	.470
210	1124	.107	.086	.177	.445	210	1225	.107	.098	.240	.436	210	1275	.094	.083	.191	.392
210	1125	.124	.092	.157	.422	210	1226	.161	.104	.207	.609	210	1276	.068	.073	.175	.340
210	1126	.132	.125	.346	.781	210	1227	.133	.108	.284	.635	210	1277	.073	.085	.329	.414
210	1127	.114	.128	.369	.911	210	1228	.184	.112	.096	.757	210	1278	.103	.084	.208	.457
210	1128	.095	.090	.221	.424	210	1229	.016	.117	.387	.386	210	1279	.111	.083	.180	.453
210	1129	.170	.101	.160	.550	210	1230	.078	.103	.286	.459	210	1280	.124	.094	.192	.497
210	1130	.224	.094	.060	.625	210	1231	.034	.136	.429	.499	210	1281	.080	.105	.340	.473
210	1131	.229	.106	.133	.653	210	1232	.124	.173	.777	.446	210	1282	.118	.092	.226	.391
210	1132	.139	.090	.149	.595	210	1233	.153	.209	.931	.653	210	1283	.065	.101	.294	.379

APPENDIX A -- PRESSURE DATA:

CONFIGURATION A; ARCO PLAZA, LONG BEACH

WD	TAP	CPMEAN	CPRMS	CPMAX	CPMIN	WD	TAP	CPMEAN	CPRMS	CPMAX	CPMIN	WD	TAP	CPMEAN	CPRMS	CPMAX	CPMIN
210	1284	.027	.140	.461	-.466	210	2026	-.114	.087	.169	-.427	210	2076	-.101	.093	.242	-.405
210	1285	.041	.148	.478	-.494	210	2027	-.122	.097	.204	-.499	210	2077	-.103	.099	.254	-.414
210	1901	-.218	.116	.177	-.734	210	2028	-.147	.098	.174	-.547	210	2078	-.146	.097	.203	-.468
210	1902	-.050	.143	.491	-.856	210	2029	-.168	.104	.187	-.537	210	2079	-.182	.112	.200	-.596
210	1903	-.043	.128	.484	-.615	210	2030	-.043	.084	.251	-.345	210	2080	-.033	.096	.267	-.326
210	1904	-.065	.100	.298	-.471	210	2031	-.124	.140	.291	-.710	210	2081	-.121	.146	.248	-.651
210	1905	-.055	.103	.371	-.530	210	2032	-.047	.113	.436	-.351	210	2082	-.026	.106	.323	-.347
210	1906	-.100	.106	.286	-.453	210	2033	-.160	.102	.512	-.248	210	2083	.145	.095	.490	-.150
210	1907	-.103	.111	.283	-.603	210	2034	-.103	.109	.469	-.353	210	2084	.120	.121	.487	-.375
210	1908	-.090	.106	.344	-.519	210	2035	-.110	.133	.541	-.506	210	2085	.135	.128	.750	-.387
210	1909	-.104	.078	.137	-.380	210	2036	-.192	.112	.587	-.201	210	2086	.203	.105	.638	-.293
210	1910	-.108	.092	.193	-.442	210	2037	.237	.130	.802	-.236	210	2087	.227	.114	.743	-.245
210	1911	-.092	.088	.167	-.409	210	2038	.219	.126	.788	-.238	210	2088	.238	.110	.734	-.218
210	1912	-.083	.088	.245	-.388	210	2039	.207	.144	.866	-.280	210	2089	.216	.121	.688	-.233
210	1913	-.079	.101	.291	-.471	210	2040	.217	.141	.791	-.279	210	2090	.217	.114	.645	-.224
210	1914	-.025	.112	.466	-.549	210	2041	-.260	.134	.802	-.154	210	2091	.216	.122	.626	-.299
210	1915	-.054	.094	.276	-.427	210	2042	.179	.136	.693	-.388	210	2092	.145	.123	.655	-.278
210	1916	-.007	.112	.508	-.373	210	2043	-.083	.141	.664	-.502	210	2093	.069	.119	.514	-.344
210	1917	-.062	.111	.397	-.488	210	2044	-.102	.138	.649	-.506	210	2094	.078	.112	.481	-.327
210	1918	-.039	.120	.437	-.544	210	2045	.151	.157	.868	-.407	210	2095	.098	.139	.579	-.433
210	1919	-.067	.082	.271	-.368	210	2046	-.061	.105	.514	-.297	210	2096	.042	.106	.477	-.280
210	1920	-.193	.093	.148	-.522	210	2047	-.324	.123	.688	-.993	210	2097	-.275	.117	.119	-.694
210	1921	-.120	.089	.199	-.450	210	2048	-.301	.118	.668	-.871	210	2098	-.252	.112	.132	-.682
210	1922	-.086	.089	.248	-.439	210	2049	-.223	.122	.195	-.846	210	2099	-.230	.114	.117	-.670
210	1923	-.103	.081	.226	-.371	210	2050	-.220	.107	.110	-.777	210	2100	-.191	.112	.146	-.818
210	2000	-.128	.107	.217	-.535	210	2051	-.103	.099	.204	-.493	210	2101	-.092	.094	.245	-.417
210	2001	-.142	.097	.155	-.512	210	2052	-.105	.098	.227	-.476	210	2102	-.108	.090	.207	-.407
210	2002	-.166	.113	.204	-.591	210	2053	-.165	.104	.141	-.550	210	2103	-.170	.105	.133	-.546
210	2003	-.159	.109	.184	-.503	210	2054	-.189	.104	.108	-.654	210	2104	-.154	.111	.163	-.583
210	2004	-.081	.086	.211	-.367	210	2055	-.050	.094	.234	-.361	210	2105	-.043	.097	.283	-.366
210	2005	-.146	.097	.181	-.463	210	2056	-.113	.141	.322	-.741	210	2106	-.115	.135	.291	-.575
210	2006	-.026	.101	.370	-.368	210	2057	.043	.111	.424	-.377	210	2107	-.005	.116	.381	-.425
210	2007	-.023	.099	.423	-.361	210	2058	.167	.100	.501	-.151	210	2108	-.155	.100	.519	-.168
210	2008	-.015	.123	.363	-.491	210	2059	-.119	.126	.574	-.273	210	2109	.090	.117	.483	-.343
210	2009	-.026	.119	.398	-.411	210	2060	.129	.138	.594	-.319	210	2110	.082	.124	.475	-.375
210	2010	-.074	.112	.452	-.380	210	2061	.220	.120	.617	-.175	210	2111	.139	.111	.586	-.183
210	2011	-.060	.107	.425	-.358	210	2062	.251	.105	.637	-.124	210	2112	.202	.108	.653	-.122
210	2012	-.084	.116	.488	-.283	210	2063	.231	.120	.688	-.172	210	2113	.197	.100	.630	-.206
210	2013	-.097	.113	.482	-.345	210	2064	.221	.120	.658	-.160	210	2114	.181	.097	.650	-.181
210	2014	-.076	.128	.504	-.316	210	2065	.248	.116	.637	-.082	210	2115	.166	.101	.660	-.161
210	2015	-.066	.112	.439	-.320	210	2066	.264	.106	.614	-.046	210	2116	.209	.101	.693	-.093
210	2016	-.084	.131	.532	-.284	210	2067	.152	.124	.541	-.265	210	2117	.137	.117	.555	-.286
210	2017	-.035	.127	.424	-.431	210	2068	.085	.119	.464	-.334	210	2118	.082	.107	.415	-.284
210	2018	-.047	.120	.395	-.481	210	2069	.078	.120	.447	-.315	210	2119	.070	.113	.407	-.334
210	2019	-.074	.142	.636	-.373	210	2070	.121	.129	.527	-.377	210	2120	.130	.122	.569	-.410
210	2020	-.046	.119	.617	-.345	210	2071	.039	.108	.396	-.292	210	2121	-.024	.100	.425	-.411
210	2021	-.258	.110	.164	-.637	210	2072	-.299	.119	.096	-.754	210	2122	-.242	.109	.179	-.665
210	2022	-.319	.119	.051	-.812	210	2073	-.263	.113	.093	-.736	210	2123	-.247	.122	.116	-.726
210	2023	-.205	.124	.241	-.762	210	2074	-.214	.100	.096	-.614	210	2124	-.173	.109	.171	-.646
210	2024	-.209	.113	.298	-.685	210	2075	-.213	.116	.114	-.772	210	2125	-.166	.106	.207	-.649

APPENDIX A -- PRESSURE DATA:

CONFIGURATION A) ARCO PLAZA, LONG BEACH

WD	TAP	CPMEAN	CPRMS	CPMAX	CPMIN	WD	TAP	CPMEAN	CPRMS	CPMAX	CPMIN	WD	TAP	CPMEAN	CPRMS	CPMAX	CPMIN
210	2126	.088	.080	.211	-.452	210	2227	-.145	.095	.171	-.567	210	2277	-.174	.095	.228	-.483
210	2127	-.115	.088	.213	-.495	210	2228	-.124	.083	.150	-.507	210	2278	-.126	.093	.318	-.503
210	2128	-.109	.089	.212	-.436	210	2229	-.201	.097	.130	-.631	210	2279	-.093	.090	.206	-.405
210	2129	-.113	.090	.166	-.427	210	2230	-.134	.090	.125	-.528	210	2280	-.100	.079	.165	-.362
210	2130	-.032	.082	.220	-.301	210	2231	-.111	.089	.164	-.388	210	2281	-.093	.088	.213	-.386
210	2131	-.094	.110	.220	-.489	210	2232	-.082	.083	.168	-.345	210	2282	-.093	.088	.211	-.379
210	2132	-.032	.095	.315	-.303	210	2233	-.168	.099	.134	-.469	210	2283	-.085	.086	.166	-.410
210	2133	.149	.103	.533	-.189	210	2234	-.172	.099	.141	-.510	210	2284	-.083	.078	.143	-.373
210	2134	.116	.108	.476	-.221	210	2235	-.176	.091	.122	-.476	210	2285	-.084	.087	.168	-.414
210	2135	.094	.120	.521	-.298	210	2236	-.150	.077	.105	-.427	210	2286	-.230	.197	.338	-.563
210	2136	.177	.113	.674	-.179	210	2237	-.223	.090	.068	-.567	210	2902	-.194	.123	.185	-.742
210	2137	.222	.102	.658	-.148	210	2238	-.145	.091	.181	-.496	210	2903	-.197	.118	.219	-.756
210	2138	.199	.092	.523	-.139	210	2239	-.148	.089	.181	-.486	210	2904	-.167	.101	.163	-.524
210	2139	.171	.101	.520	-.205	210	2240	-.096	.080	.189	-.344	210	2905	-.174	.097	.169	-.593
210	2140	.205	.101	.544	-.158	210	2241	-.199	.097	.142	-.508	210	2906	-.179	.090	.126	-.601
210	2141	.218	.107	.658	-.091	210	2242	-.133	.094	.182	-.402	210	2907	-.204	.116	.200	-.623
210	2142	.123	.104	.348	-.235	210	2243	-.106	.095	.187	-.438	210	2908	-.308	.137	.121	-.860
210	2143	.061	.113	.308	-.382	210	2244	-.080	.085	.185	-.339	210	2909	-.337	.127	.021	-.785
210	2144	.097	.110	.536	-.278	210	2245	-.160	.098	.147	-.468	210	2910	-.340	.131	.083	-.911
210	2145	.152	.112	.599	-.192	210	2246	-.101	.097	.204	-.406	210	2911	-.363	.146	.147	-.969
210	2146	.021	.088	.310	-.249	210	2247	-.159	.094	.188	-.489	210	2912	-.374	.125	.007	-.847
210	2147	.257	.112	.126	-.635	210	2248	-.130	.084	.171	-.439	210	2913	-.308	.123	.132	-.948
210	2148	.205	.111	.138	-.634	210	2249	-.226	.097	.079	-.600	210	2914	-.362	.102	.028	-.728
210	2149	.136	.097	.244	-.458	210	2250	-.162	.090	.122	-.520	210	2915	-.345	.115	.055	-.911
210	2150	.138	.086	.207	-.421	210	2251	-.139	.085	.177	-.411	210	2916	-.344	.120	.023	-.787
210	2201	.219	.099	.189	-.607	210	2252	-.121	.082	.171	-.400	210	2917	-.166	.091	.116	-.490
210	2202	.175	.092	.160	-.496	210	2253	-.156	.101	.186	-.513	210	2918	-.196	.114	.120	-.635
210	2204	.119	.083	.181	-.375	210	2254	-.109	.098	.318	-.446	210	2919	-.374	.137	.103	-.917
210	2205	.204	.101	.176	-.552	210	2255	-.090	.086	.177	-.417	210	2920	-.306	.153	.457	-.799
210	2206	.204	.104	.143	-.624	210	2256	-.065	.079	.196	-.327	210	2921	-.291	.132	.278	-.751
210	2207	.185	.099	.140	-.550	210	2257	-.152	.094	.154	-.497	210	2922	-.348	.110	.042	-.820
210	2208	.169	.084	.090	-.451	210	2258	-.087	.090	.196	-.412	210	2923	-.281	.119	.279	-.744
210	2209	.248	.102	.125	-.653	210	2259	-.089	.092	.235	-.406	220	901	-.148	.081	.135	-.544
210	2210	.170	.095	.128	-.564	210	2260	-.118	.082	.156	-.501	220	902	-.140	.071	.142	-.466
210	2211	.169	.093	.118	-.534	210	2261	-.205	.095	.126	-.609	220	903	-.158	.083	.126	-.585
210	2212	.144	.081	.154	-.400	210	2262	-.149	.087	.148	-.452	220	904	-.148	.081	.135	-.525
210	2213	.201	.090	.093	-.538	210	2263	-.142	.085	.144	-.455	220	905	-.143	.082	.127	-.448
210	2214	.144	.091	.162	-.465	210	2264	-.104	.082	.189	-.381	220	906	-.130	.076	.213	-.400
210	2215	.141	.088	.168	-.468	210	2265	-.198	.098	.188	-.549	220	907	-.148	.081	.118	-.432
210	2216	.117	.081	.154	-.423	210	2266	-.093	.087	.266	-.408	220	908	-.157	.081	.128	-.460
210	2217	.194	.100	.156	-.617	210	2267	-.091	.089	.202	-.395	220	909	-.147	.093	.179	-.452
210	2218	.132	.098	.170	-.477	210	2268	-.062	.081	.210	-.313	220	910	-.121	.085	.138	-.418
210	2219	.128	.088	.141	-.429	210	2269	-.148	.094	.151	-.455	220	911	-.113	.095	.233	-.406
210	2220	.096	.087	.179	-.435	210	2270	-.092	.090	.186	-.385	220	912	-.142	.091	.148	-.441
210	2221	.249	.101	.132	-.818	210	2271	-.089	.092	.243	-.413	220	913	-.128	.088	.219	-.452
210	2222	.186	.093	.161	-.661	210	2272	-.065	.082	.241	-.347	220	914	-.135	.074	.132	-.394
210	2223	.177	.094	.145	-.561	210	2273	-.187	.097	.134	-.541	220	915	-.157	.087	.152	-.467
210	2224	.146	.083	.113	-.446	210	2274	-.128	.092	.176	-.466	220	916	-.146	.085	.148	-.438
210	2225	.224	.098	.086	-.573	210	2275	-.120	.086	.232	-.449	220	917	-.146	.089	.168	-.453
210	2226	.172	.096	.136	-.498	210	2276	-.099	.079	.245	-.406	220	1001	-.074	.152	.441	-.082

APPENDIX A -- PRESSURE DATA:

CONFIGURATION A) ARCO PLAZA, LONG BEACH

WD	TAP	CPMEAN	CPRMS	CPMAX	CPMIN	WD	TAP	CPMEAN	CPRMS	CPMAX	CPMIN	WD	TAP	CPMEAN	CPRMS	CPMAX	CPMIN
2220	1002	.083	.119	.287	-.591	220	1052	-.074	.125	.449	-.483	220	1102	-.171	.114	.325	-.536
2220	1003	-.173	.116	.351	-.696	220	1053	-.088	.098	.312	-.457	220	1103	-.193	.112	.241	-.599
2220	1004	-.152	.113	.271	-.672	220	1054	-.148	.091	.256	-.552	220	1104	-.135	.098	.170	-.520
2220	1005	-.134	.108	.175	-.911	220	1055	-.216	.104	.228	-.665	220	1105	-.134	.086	.147	-.458
2220	1006	-.157	.097	.141	-.696	220	1056	-.111	.094	.312	-.491	220	1106	-.185	.090	.127	-.519
2220	1007	-.212	.116	.186	-.780	220	1057	-.107	.099	.229	-.455	220	1107	-.198	.106	.160	-.620
2220	1008	-.116	.098	.207	-.508	220	1058	-.139	.094	.192	-.431	220	1108	-.118	.098	.222	-.522
2220	1009	-.094	.095	.310	-.488	220	1059	-.206	.104	.149	-.528	220	1109	-.128	.094	.187	-.490
2220	1010	-.115	.087	.222	-.457	220	1060	-.093	.091	.199	-.370	220	1110	-.169	.085	.127	-.458
2220	1011	-.188	.098	.162	-.603	220	1061	-.085	.084	.200	-.387	220	1111	-.190	.099	.174	-.554
2220	1012	-.099	.091	.235	-.466	220	1062	-.120	.080	.156	-.412	220	1112	-.115	.087	.198	-.456
2220	1013	-.086	.085	.172	-.402	220	1063	-.189	.089	.121	-.534	220	1113	-.113	.093	.194	-.508
2220	1014	-.109	.080	.138	-.422	220	1064	-.082	.082	.208	-.403	220	1114	-.147	.082	.172	-.440
2220	1015	-.186	.094	.130	-.524	220	1065	-.083	.082	.162	-.336	220	1115	-.161	.092	.164	-.465
2220	1016	-.111	.093	.193	-.660	220	1066	-.127	.078	.100	-.372	220	1116	-.090	.081	.177	-.350
2220	1017	-.097	.096	.218	-.409	220	1067	-.204	.090	.075	-.499	220	1117	-.096	.088	.183	-.442
2220	1018	-.119	.088	.175	-.496	220	1068	-.097	.082	.161	-.378	220	1118	-.143	.081	.137	-.455
2220	1019	-.192	.100	.131	-.518	220	1069	-.097	.093	.246	-.438	220	1119	-.176	.099	.197	-.551
2220	1020	-.109	.098	.205	-.469	220	1070	-.139	.092	.201	-.475	220	1120	-.123	.096	.252	-.585
2220	1021	-.095	.103	.267	-.466	220	1071	-.218	.105	.202	-.629	220	1121	-.128	.104	.225	-.476
2220	1022	-.138	.107	.246	-.676	220	1072	-.123	.101	.287	-.503	220	1122	-.183	.098	.182	-.481
2220	1023	-.229	.139	.218	-.919	220	1073	-.121	.105	.216	-.515	220	1123	-.198	.113	.246	-.543
2220	1024	-.155	.133	.249	-.064	220	1074	-.180	.107	.183	-.689	220	1124	-.132	.105	.284	-.467
2220	1025	-.181	.150	.237	-.361	220	1075	-.277	.134	.224	-.971	220	1125	-.155	.109	.246	-.784
2220	1026	-.078	.135	.371	-.680	220	1076	-.113	.125	.342	-.530	220	1126	-.163	.123	.305	-.634
2220	1027	-.139	.141	.322	-.701	220	1077	-.114	.129	.417	-.528	220	1127	-.162	.130	.337	-.658
2220	1028	-.091	.103	.331	-.469	220	1078	-.177	.100	.245	-.509	220	1128	-.103	.099	.271	-.442
2220	1029	-.126	.097	.193	-.626	220	1079	-.211	.105	.178	-.618	220	1129	-.143	.107	.183	-.597
2220	1030	-.150	.090	.130	-.646	220	1080	-.127	.094	.221	-.473	220	1130	-.191	.099	.124	-.575
2220	1031	-.213	.099	.096	-.659	220	1081	-.135	.099	.252	-.461	220	1131	-.200	.113	.156	-.711
2220	1032	-.115	.091	.228	-.532	220	1082	-.194	.094	.124	-.542	220	1132	-.116	.099	.173	-.535
2220	1033	-.105	.093	.235	-.625	220	1083	-.202	.107	.166	-.628	220	1133	-.119	.096	.196	-.452
2220	1034	-.127	.083	.190	-.514	220	1084	-.118	.093	.197	-.462	220	1134	-.166	.081	.097	-.451
2220	1035	-.185	.093	.153	-.555	220	1085	-.117	.091	.191	-.398	220	1135	-.171	.098	.142	-.523
2220	1036	-.101	.086	.207	-.417	220	1086	-.179	.086	.101	-.446	220	1136	-.103	.088	.191	-.433
2220	1037	-.090	.087	.196	-.417	220	1087	-.192	.099	.136	-.530	220	1137	-.113	.094	.208	-.424
2220	1038	-.118	.082	.145	-.413	220	1088	-.107	.086	.173	-.374	220	1138	-.155	.081	.120	-.431
2220	1039	-.181	.092	.144	-.513	220	1089	-.102	.091	.201	-.372	220	1139	-.079	.092	.153	-.467
2220	1040	-.097	.086	.197	-.389	220	1090	-.158	.084	.118	-.410	220	1140	-.092	.083	.193	-.389
2220	1041	-.096	.090	.199	-.620	220	1091	-.173	.095	.126	-.473	220	1141	-.139	.089	.184	-.411
2220	1042	-.127	.083	.145	-.632	220	1092	-.095	.085	.219	-.361	220	1142	-.152	.082	.105	-.424
2220	1043	-.190	.095	.169	-.691	220	1093	-.098	.084	.178	-.392	220	1143	-.100	.094	.129	-.471
2220	1044	-.102	.089	.228	-.559	220	1094	-.166	.082	.101	-.456	220	1144	-.134	.091	.166	-.396
2220	1045	-.137	.091	.171	-.422	220	1095	-.191	.098	.128	-.537	220	1145	-.176	.105	.247	-.495
2220	1046	-.220	.090	.135	-.534	220	1096	-.109	.089	.204	-.406	220	1146	-.189	.095	.159	-.491
2220	1047	-.106	.106	.122	-.640	220	1097	-.120	.098	.246	-.538	220	1147	-.112	.110	.185	-.603
2220	1048	-.135	.110	.248	-.577	220	1098	-.181	.094	.147	-.533	220	1148	-.119	.106	.234	-.489
2220	1049	-.143	.116	.229	-.689	220	1099	-.204	.110	.195	-.642	220	1149	-.180	.118	.301	-.711
2220	1050	-.191	.118	.158	-.803	220	1100	-.140	.100	.245	-.563	220	1150	-.151	.116	.200	-.825
2220	1051	-.176	.144	.454	-.624	220	1101	-.127	.122	.437	-.477	220	1201	-.151	.147	.390	-.663

APPENDIX A -- PRESSURE DATA:

CONFIGURATION A) ARCO PLAZA, LONG BEACH

WD	TAP	CPMEAN	CPRMS	CPMAX	CPMIN	WD	TAP	CPMEAN	CPRMS	CPMAX	CPMIN	WD	TAP	CPMEAN	CPRMS	CPMAX	CPMIN
2220	1202	.054	.133	.732	.515	2220	1253	.142	.088	.161	.497	2220	1918	.054	.119	.368	.329
2220	1204	.003	.136	.500	.390	2220	1254	.186	.092	.124	.555	2220	1919	.055	.082	.283	.334
2220	1205	.017	.132	.488	.443	2220	1255	.159	.098	.174	.479	2220	1920	.182	.099	.140	.566
2220	1206	.115	.131	.634	.652	2220	1256	.140	.086	.175	.442	2220	1921	.105	.099	.229	.458
2220	1207	.109	.117	.439	.483	2220	1257	.142	.098	.186	.505	2220	1922	.070	.094	.218	.466
2220	1208	.069	.121	.497	.491	2220	1258	.152	.124	.332	.624	2220	1923	.078	.094	.269	.387
2220	1209	.051	.135	.621	.575	2220	1259	.157	.132	.322	.732	2220	2001	.202	.092	.152	.517
2220	1210	.051	.146	.711	.580	2220	1260	.133	.088	.166	.591	2220	2002	.200	.082	.107	.482
2220	1211	.109	.117	.394	.480	2220	1261	.157	.090	.197	.540	2220	2003	.194	.095	.157	.506
2220	1212	.106	.092	.250	.389	2220	1262	.149	.085	.167	.443	2220	2004	.160	.095	.365	.472
2220	1213	.057	.105	.302	.418	2220	1263	.149	.080	.105	.487	2220	2005	.082	.094	.311	.472
2220	1214	.128	.110	.339	.496	2220	1264	.111	.071	.131	.416	2220	2006	.110	.105	.248	.485
2220	1215	.095	.114	.413	.511	2220	1265	.114	.079	.137	.474	2220	2007	.006	.114	.442	.476
2220	1216	.011	.121	.514	.594	2220	1266	.137	.080	.136	.478	2220	2008	.031	.113	.503	.361
2220	1217	.032	.121	.682	.405	2220	1267	.152	.085	.103	.508	2220	2009	.002	.124	.552	.471
2220	1218	.075	.129	.578	.505	2220	1268	.114	.078	.123	.421	2220	2010	.035	.119	.599	.476
2220	1219	.012	.164	.666	.559	2220	1269	.131	.083	.159	.457	2220	2011	.050	.121	.687	.330
2220	1220	.033	.131	.478	.377	2220	1270	.162	.092	.198	.483	2220	2012	.033	.114	.566	.333
2220	1221	.130	.122	.397	.721	2220	1271	.148	.117	.292	.680	2220	2013	.088	.125	.560	.366
2220	1222	.156	.112	.322	.650	2220	1272	.105	.117	.346	.596	2220	2014	.050	.128	.481	.553
2220	1223	.096	.179	.179	.378	2220	1273	.102	.107	.326	.792	2220	2015	.004	.128	.419	.522
2220	1224	.117	.082	.164	.422	2220	1274	.135	.098	.208	.633	2220	2016	.047	.116	.535	.330
2220	1225	.120	.092	.231	.493	2220	1275	.131	.089	.187	.626	2220	2017	.019	.129	.481	.381
2220	1226	.187	.094	.111	.597	2220	1276	.087	.076	.158	.367	2220	2018	.144	.110	.235	.667
2220	1227	.170	.095	.154	.498	2220	1277	.076	.085	.221	.408	2220	2019	.138	.116	.263	.618
2220	1228	.165	.091	.134	.461	2220	1278	.118	.085	.204	.436	2220	2020	.012	.176	.643	.330
2220	1229	.117	.098	.218	.461	2220	1279	.131	.076	.128	.399	2220	2021	.016	.115	.441	.768
2220	1230	.143	.096	.170	.490	2220	1280	.141	.088	.138	.460	2220	2022	.315	.098	.015	.961
2220	1231	.134	.100	.202	.485	2220	1281	.137	.088	.144	.455	2220	2023	.317	.118	.014	.894
2220	1232	.058	.117	.454	.455	2220	1282	.138	.089	.160	.429	2220	2024	.274	.120	.171	.297
2220	1233	.047	.164	.623	.776	2220	1283	.137	.080	.160	.437	2220	2025	.294	.138	.119	.520
2220	1234	.183	.116	.207	.106	2220	1284	.117	.114	.464	.703	2220	2026	.220	.086	.035	.545
2220	1235	.170	.109	.231	.738	2220	1285	.111	.126	.489	.686	2220	2027	.218	.095	.071	.559
2220	1236	.140	.088	.176	.560	2220	1901	.121	.104	.249	.522	2220	2028	.182	.101	.115	.576
2220	1237	.148	.090	.133	.446	2220	1902	.042	.123	.394	.512	2220	2029	.138	.112	.241	.292
2220	1238	.182	.092	.130	.458	2220	1903	.017	.121	.458	.479	2220	2030	.000	.097	.371	.420
2220	1239	.201	.092	.084	.562	2220	1904	.044	.099	.273	.421	2220	2031	.026	.141	.420	.652
2220	1240	.158	.079	.117	.420	2220	1905	.020	.109	.383	.367	2220	2032	.121	.129	.619	.293
2220	1241	.172	.090	.134	.440	2220	1906	.072	.120	.523	.730	2220	2033	.220	.121	.604	.143
2220	1242	.169	.095	.193	.577	2220	1907	.083	.112	.337	.489	2220	2034	.196	.124	.656	.237
2220	1243	.170	.092	.134	.518	2220	1908	.087	.109	.389	.566	2220	2035	.198	.143	.703	.307
2220	1244	.143	.086	.144	.560	2220	1909	.076	.079	.198	.372	2220	2036	.243	.126	.721	.159
2220	1245	.119	.122	.385	.541	2220	1910	.079	.090	.228	.393	2220	2037	.294	.135	.810	.098
2220	1246	.154	.154	.418	.921	2220	1911	.071	.090	.250	.381	2220	2038	.263	.123	.724	.073
2220	1247	.180	.113	.142	.744	2220	1912	.066	.088	.268	.412	2220	2039	.201	.148	.729	.271
2220	1248	.140	.093	.150	.791	2220	1913	.023	.095	.328	.362	2220	2040	.202	.136	.687	.201
2220	1249	.136	.091	.169	.436	2220	1914	.002	.109	.430	.359	2220	2041	.228	.134	.764	.187
2220	1250	.168	.089	.118	.483	2220	1915	.042	.095	.302	.341	2220	2042	.074	.122	.535	.288
2220	1251	.169	.091	.149	.481	2220	1916	.011	.111	.443	.378	2220	2043	.033	.119	.439	.456
2220	1252	.149	.082	.127	.449	2220	1917	.038	.123	.442	.476	2220	2044	.014	.122	.456	.465

APPENDIX A -- PRESSURE DATA:

CONFIGURATION A; ARCO PLAZA, LONG BEACH

WD	TAP	CPMEAN	CPRMS	CPMAX	CPMIN	WD	TAP	CPMEAN	CPRMS	CPMAX	CPMIN	WD	TAP	CPMEAN	CPRMS	CPMAX	CPMIN
2220	2045	.051	.191	.717	-.631	220	2095	.002	.152	.537	-.510	220	2145	-.076	.119	.562	-.339
2220	2046	-.052	.107	.514	-.479	220	2096	-.011	.110	.442	-.487	220	2146	-.004	.088	.348	-.287
2220	2047	-.364	.117	.080	-.753	220	2097	-.277	.106	.044	-.742	220	2147	-.276	.108	.139	-.669
2220	2048	-.296	.109	.045	-.743	220	2098	-.235	.099	.054	-.720	220	2148	-.199	.102	.207	-.593
2220	2049	-.266	.108	.084	-.742	220	2099	-.253	.102	.095	-.670	220	2149	-.169	.096	.133	-.530
2220	2050	-.275	.102	.051	-.725	220	2100	-.217	.101	.121	-.717	220	2150	-.167	.089	.086	-.482
2220	2051	-.205	.092	.106	-.557	220	2101	-.144	.084	.114	-.529	220	2201	-.247	.103	.139	-.817
2220	2052	-.191	.091	.114	-.545	220	2102	-.148	.079	.096	-.497	220	2202	-.200	.092	.164	-.514
2220	2053	-.171	.094	.188	-.593	220	2103	-.165	.092	.136	-.477	220	2204	-.159	.086	.127	-.458
2220	2054	-.158	.096	.177	-.592	220	2104	-.109	.098	.278	-.438	220	2205	-.264	.108	.093	-.771
2220	2055	-.014	.096	.362	-.325	220	2105	-.007	.094	.350	-.540	220	2206	-.240	.109	.130	-.676
2220	2056	-.021	.137	.458	-.570	220	2106	-.022	.120	.324	-.557	220	2207	-.223	.105	.196	-.584
2220	2057	-.098	.117	.473	-.429	220	2107	-.054	.105	.417	-.333	220	2208	-.194	.088	.115	-.493
2220	2058	-.217	.099	.563	-.151	220	2108	-.179	.093	.561	-.175	220	2209	-.284	.106	.079	-.682
2220	2059	-.176	.125	.596	-.340	220	2109	-.159	.104	.624	-.216	220	2210	-.204	.098	.163	-.588
2220	2060	-.190	.133	.606	-.380	220	2110	-.160	.103	.605	-.187	220	2211	-.198	.095	.146	-.518
2220	2061	-.254	.113	.716	-.079	220	2111	-.169	.101	.595	-.173	220	2212	-.166	.083	.147	-.443
2220	2062	-.277	.105	.758	-.020	220	2112	-.211	.098	.647	-.110	220	2213	-.257	.094	.094	-.546
2220	2063	-.241	.123	.765	-.109	220	2113	-.182	.098	.510	-.146	220	2214	-.196	.093	.164	-.478
2220	2064	-.209	.138	.710	-.262	220	2114	-.154	.102	.511	-.235	220	2215	-.189	.090	.115	-.528
2220	2065	-.217	.135	.665	-.231	220	2115	-.133	.106	.518	-.265	220	2216	-.160	.083	.121	-.477
2220	2066	-.252	.118	.748	-.105	220	2116	-.189	.102	.453	-.391	220	2217	-.267	.103	.063	-.648
2220	2067	-.096	.142	.618	-.358	220	2117	-.026	.112	.453	-.391	220	2218	-.207	.102	.123	-.611
2220	2068	-.018	.124	.487	-.409	220	2118	-.024	.100	.350	-.422	220	2219	-.189	.085	.141	-.524
2220	2069	-.007	.140	.533	-.400	220	2119	-.045	.110	.358	-.605	220	2220	-.155	.091	.167	-.476
2220	2070	-.044	.162	.661	-.416	220	2120	-.007	.126	.460	-.418	220	2221	-.295	.106	.044	-.648
2220	2071	-.020	.121	.565	-.458	220	2121	-.009	.108	.420	-.397	220	2222	-.220	.098	.096	-.555
2220	2072	-.325	.116	.023	-.841	220	2122	-.263	.102	.049	-.669	220	2223	-.207	.093	.069	-.536
2220	2073	-.250	.098	.087	-.671	220	2123	-.258	.110	.072	-.699	220	2224	-.168	.081	.075	-.456
2220	2074	-.244	.087	.039	-.588	220	2124	-.206	.105	.190	-.634	220	2225	-.266	.096	.010	-.631
2220	2075	-.263	.106	.154	-.777	220	2125	-.196	.100	.109	-.660	220	2226	-.207	.091	.052	-.564
2220	2076	-.179	.081	.130	-.445	220	2126	-.137	.078	.110	-.382	220	2227	-.189	.093	.153	-.552
2220	2077	-.175	.089	.147	-.510	220	2127	-.162	.086	.113	-.431	220	2228	-.161	.083	.157	-.475
2220	2078	-.168	.091	.142	-.541	220	2128	-.113	.089	.195	-.421	220	2229	-.260	.099	.111	-.645
2220	2079	-.177	.111	.212	-.579	220	2129	-.110	.096	.225	-.425	220	2230	-.193	.093	.186	-.538
2220	2080	-.004	.101	.354	-.389	220	2130	-.007	.086	.294	-.307	220	2231	-.192	.088	.132	-.504
2220	2081	-.017	.120	.404	-.436	220	2131	-.040	.112	.330	-.422	220	2232	-.159	.081	.143	-.452
2220	2082	-.095	.099	.494	-.179	220	2132	-.080	.097	.433	-.256	220	2233	-.263	.097	.097	-.614
2220	2083	-.164	.101	.541	-.125	220	2133	-.180	.092	.549	-.150	220	2234	-.220	.098	.089	-.606
2220	2084	-.175	.110	.599	-.176	220	2134	-.171	.093	.464	-.131	220	2235	-.205	.095	.114	-.541
2220	2085	-.178	.128	.627	-.219	220	2135	-.146	.102	.483	-.198	220	2236	-.166	.082	.098	-.483
2220	2086	-.215	.110	.600	-.129	220	2136	-.205	.096	.571	-.143	220	2237	-.258	.098	.052	-.639
2220	2087	-.217	.117	.644	-.145	220	2137	-.252	.104	.710	-.074	220	2238	-.183	.094	.134	-.527
2220	2088	-.215	.114	.654	-.100	220	2138	-.223	.096	.594	-.073	220	2239	-.187	.086	.056	-.547
2220	2089	-.116	.116	.621	-.188	220	2139	-.174	.108	.561	-.199	220	2240	-.146	.080	.076	-.448
2220	2090	-.179	.106	.583	-.156	220	2140	-.206	.104	.563	-.138	220	2241	-.262	.092	.021	-.597
2220	2091	-.190	.112	.612	-.179	220	2141	-.190	.105	.546	-.234	220	2242	-.188	.090	.091	-.514
2220	2092	-.058	.118	.487	-.322	220	2142	-.049	.109	.420	-.313	220	2243	-.176	.097	.152	-.583
2220	2093	-.013	.121	.439	-.411	220	2143	-.023	.119	.321	-.414	220	2244	-.142	.085	.139	-.506
2220	2094	-.004	.117	.452	-.436	220	2144	-.018	.116	.365	-.357	220	2245	-.244	.098	.079	-.652

APPENDIX A -- PRESSURE DATA:

CONFIGURATION A; ARCO PLAZA, LONG BEACH

WD	TAP	CPNEAN	CPRMS	CPMAX	CPMIN	WD	TAP	CPNEAN	CPRMS	CPMAX	CPMIN	WD	TAP	CPNEAN	CPRMS	CPMAX	CPMIN
220	22246	.178	.097	.139	-.597	220	2911	-.362	.128	.022	-.879	230	1021	-.106	.103	.242	-.376
220	22247	-.185	.090	.075	-.466	220	2912	-.397	.119	.075	-1.052	230	1022	-.166	.109	.200	-.603
220	22248	-.147	.081	.102	-.401	220	2913	-.351	.118	.012	-.891	230	1023	-.287	.139	.144	-1.084
220	22249	-.250	.094	.055	-.543	220	2914	-.386	.108	-.026	-.807	230	1024	-.214	.134	.208	-.867
220	22250	-.173	.089	.113	-.474	220	2915	-.357	.120	.062	-.850	230	1025	-.276	.172	.197	-1.081
220	22251	-.159	.086	.169	-.428	220	2916	-.354	.129	.040	-.998	230	1026	-.165	.113	.281	-.709
220	22252	-.135	.082	.186	-.402	220	2917	-.207	.091	.073	-.536	230	1027	-.246	.131	.279	-.912
220	22253	-.135	.099	.135	-.535	220	2918	-.256	.122	.283	-.853	230	1028	-.114	.105	.253	-.506
220	22254	-.174	.095	.172	-.466	220	2919	-.484	.142	.059	-1.028	230	1029	-.098	.096	.198	-.641
220	22255	-.160	.082	.169	-.402	220	2920	-.393	.147	.422	-1.011	230	1030	-.127	.089	.141	-.535
220	22256	-.126	.075	.157	-.406	220	2921	-.318	.126	.229	-.718	230	1031	-.212	.101	.133	-.605
220	22257	-.228	.092	.115	-.581	220	2922	-.386	.120	-.047	-1.012	230	1032	-.098	.092	.215	-.391
220	22258	-.162	.087	.176	-.482	220	2923	-.322	.124	.065	-.868	230	1033	-.083	.095	.254	-.398
220	22259	-.163	.091	.104	-.520	230	901	-.154	.091	.179	-.502	230	1034	-.115	.086	.193	-.392
220	22260	-.145	.088	.211	-.477	230	902	-.136	.079	.137	-.427	230	1035	-.197	.100	.141	-.517
220	22261	-.244	.102	.170	-.631	230	903	-.169	.091	.146	-.531	230	1036	-.094	.089	.196	-.383
220	22262	-.177	.095	.167	-.548	230	904	-.152	.090	.185	-.510	230	1037	-.080	.082	.217	-.348
220	22263	-.157	.087	.247	-.494	230	905	-.150	.088	.148	-.445	230	1038	-.114	.077	.160	-.366
220	22264	-.117	.081	.237	-.384	230	906	-.126	.079	.161	-.442	230	1039	-.200	.091	.138	-.517
220	22265	-.219	.097	.266	-.584	230	907	-.159	.088	.151	-.451	230	1040	-.094	.083	.215	-.410
220	22266	-.140	.088	.279	-.439	230	908	-.163	.087	.123	-.468	230	1041	-.092	.092	.201	-.552
220	22267	-.144	.092	.444	-.530	230	909	-.157	.090	.134	-.474	230	1042	-.129	.086	.143	-.550
220	22268	-.109	.083	.217	-.390	230	910	-.122	.079	.151	-.423	230	1043	-.214	.099	.107	-.624
220	22269	-.212	.099	.157	-.543	230	911	-.131	.094	.157	-.462	230	1044	-.100	.092	.203	-.452
220	22270	-.150	.094	.204	-.469	230	912	-.148	.089	.137	-.457	230	1045	-.088	.090	.182	-.408
220	22271	-.137	.088	.181	-.449	230	913	-.129	.092	.279	-.488	230	1046	-.141	.093	.138	-.557
220	22272	-.104	.077	.165	-.378	230	914	-.129	.078	.150	-.413	230	1047	-.252	.111	.055	-.646
220	22273	-.209	.095	.074	-.504	230	915	-.167	.091	.164	-.496	230	1048	-.158	.115	.170	-.575
220	22274	-.145	.090	.116	-.406	230	916	-.151	.090	.176	-.512	230	1049	-.206	.149	.218	-.885
220	22275	-.145	.089	.138	-.455	230	917	-.152	.087	.194	-.432	230	1050	-.302	.172	.210	-1.055
220	22276	-.107	.083	.137	-.453	230	1001	-.137	.151	.343	-1.173	230	1051	-.272	.117	.152	-.747
220	22277	-.201	.101	.110	-.566	230	1002	-.147	.117	.218	-.741	230	1052	-.132	.106	.209	-.568
220	22278	-.145	.097	.213	-.491	230	1003	-.226	.125	.160	-.846	230	1053	-.107	.102	.354	-.403
220	22279	-.126	.081	.183	-.368	230	1004	-.130	.104	.182	-.647	230	1054	-.141	.093	.213	-.437
220	22280	-.128	.073	.115	-.386	230	1005	-.105	.101	.223	-.494	230	1055	-.223	.105	.166	-.560
220	22281	-.135	.082	.145	-.386	230	1006	-.128	.093	.172	-.470	230	1056	-.099	.092	.209	-.392
220	22282	-.134	.083	.150	-.388	230	1007	-.219	.114	.150	-.735	230	1057	-.091	.093	.299	-.427
220	22283	-.135	.081	.172	-.401	230	1008	-.105	.096	.195	-.477	230	1058	-.133	.088	.246	-.456
220	22284	-.124	.072	.151	-.359	230	1009	-.085	.092	.223	-.421	230	1059	-.223	.101	.205	-.586
220	22285	-.138	.082	.173	-.410	230	1010	-.109	.082	.179	-.368	230	1060	-.091	.088	.276	-.416
220	22286	-.261	.188	.174	-.582	230	1011	-.211	.095	.108	-.597	230	1061	-.078	.092	.207	-.455
220	22287	-.261	.124	.240	-.777	230	1012	-.101	.088	.201	-.407	230	1062	-.122	.089	.187	-.478
220	22288	-.242	.122	.163	-.812	230	1013	-.078	.089	.196	-.384	230	1063	-.212	.103	.133	-.646
220	22289	-.203	.097	.107	-.564	230	1014	-.104	.081	.146	-.419	230	1064	-.087	.093	.210	-.491
220	22290	-.214	.096	.095	-.607	230	1015	-.207	.098	.091	-.528	230	1065	-.083	.092	.230	-.415
220	22291	-.200	.084	.053	-.534	230	1016	-.108	.094	.162	-.470	230	1066	-.140	.092	.154	-.461
220	22292	-.230	.115	-.171	-.700	230	1017	-.091	.092	.167	-.479	230	1067	-.235	.107	.099	-.616
220	22293	-.317	.133	-.145	-.975	230	1018	-.119	.086	.140	-.494	230	1068	-.104	.094	.198	-.420
220	22294	-.376	.113	-.092	-.813	230	1019	-.210	.101	.103	-.681	230	1069	-.090	.094	.245	-.457
220	22295	-.378	.116	-.021	-.928	230	1020	-.104	.097	.205	-.518	230	1070	-.138	.093	.205	-.493

APPENDIX A -- PRESSURE DATA:

CONFIGURATION A; ARCO PLAZA, LONG BEACH

WD	TAP	CPMEAN	CPRMS	CPMAX	CPMIN	WD	TAP	CPMEAN	CPRMS	CPMAX	CPMIN	WD	TAP	CPMEAN	CPRMS	CPMAX	CPMIN
2300	1071	.240	.111	.096	-.661	230	1121	-.129	.106	.193	-.698	230	1222	-.125	.125	.379	-.580
2300	1072	-.131	.105	.216	-.547	230	1122	-.188	.103	.095	-.689	230	1223	-.169	.108	.223	-.816
2300	1073	-.141	.110	.295	-.570	230	1123	-.215	.122	.170	-.758	230	1224	-.146	.092	.166	-.459
2300	1074	-.230	.123	.209	-.908	230	1124	-.153	.116	.232	-.712	230	1225	-.150	.182	.240	-.481
2300	1075	-.370	.170	.168	-1.213	230	1125	-.175	.129	.408	-1.146	230	1226	-.194	.099	.153	-.580
2300	1076	-.168	.099	.342	-.497	230	1126	-.197	.098	.201	-.572	230	1227	-.180	.090	.140	-.534
2300	1077	-.157	.105	.332	-.591	230	1127	-.199	.111	.215	-.625	230	1228	-.203	.085	.099	-.523
2300	1078	-.192	.097	.178	-.530	230	1128	-.110	.095	.250	-.477	230	1229	-.180	.091	.145	-.523
2300	1079	-.201	.106	.179	-.544	230	1129	-.128	.095	.187	-.476	230	1230	-.170	.094	.174	-.523
2300	1080	-.107	.092	.240	-.403	230	1130	-.174	.087	.108	-.507	230	1231	-.157	.098	.185	-.531
2300	1081	-.115	.089	.218	-.397	230	1131	-.183	.098	.148	-.527	230	1232	-.152	.094	.234	-.625
2300	1082	-.174	.084	.141	-.461	230	1132	-.102	.085	.181	-.392	230	1233	-.169	.123	.336	-.902
2300	1083	-.188	.097	.159	-.511	230	1133	-.119	.093	.167	-.446	230	1234	-.165	.142	.486	-1.093
2300	1084	-.104	.084	.204	-.387	230	1134	-.170	.081	.062	-.441	230	1235	-.171	.110	.272	-.752
2300	1085	-.100	.094	.242	-.468	230	1135	-.162	.095	.171	-.482	230	1236	-.181	.091	.198	-.598
2300	1086	-.162	.088	.176	-.498	230	1136	-.094	.084	.189	-.359	230	1237	-.188	.092	.145	-.569
2300	1087	-.178	.101	.206	-.542	230	1137	-.099	.097	.258	-.446	230	1238	-.192	.090	.174	-.632
2300	1088	-.092	.089	.231	-.422	230	1138	-.143	.088	.182	-.452	230	1239	-.209	.090	.077	-.524
2300	1089	-.087	.088	.214	-.398	230	1139	-.141	.103	.238	-.516	230	1240	-.188	.078	.068	-.441
2300	1090	-.144	.083	.149	-.443	230	1140	-.067	.093	.252	-.402	230	1241	-.208	.088	.075	-.491
2300	1091	-.171	.098	.180	-.498	230	1141	-.092	.091	.240	-.425	230	1242	-.197	.089	.103	-.481
2300	1092	-.094	.089	.229	-.398	230	1142	-.148	.084	.159	-.452	230	1243	-.196	.092	.138	-.495
2300	1093	-.104	.088	.187	-.450	230	1143	-.158	.095	.201	-.527	230	1244	-.177	.087	.146	-.449
2300	1094	-.175	.091	.118	-.523	230	1144	-.102	.093	.196	-.454	230	1245	-.190	.109	.171	-.863
2300	1095	-.199	.111	.133	-.631	230	1145	-.117	.110	.244	-.596	230	1246	-.201	.119	.272	-.933
2300	1096	-.111	.095	.181	-.438	230	1146	-.167	.100	.133	-.500	230	1247	-.178	.121	.288	-.747
2300	1097	-.129	.104	.208	-.470	230	1147	-.185	.118	.160	-.595	230	1248	-.167	.095	.171	-.744
2300	1098	-.195	.103	.131	-.538	230	1148	-.116	.123	.295	-.764	230	1249	-.193	.095	.170	-.605
2300	1099	-.231	.128	.211	-.761	230	1149	-.167	.159	.348	-1.086	230	1250	-.193	.092	.147	-.509
2300	1100	-.164	.123	.235	-.841	230	1150	-.257	.182	.289	-1.298	230	1251	-.188	.088	.076	-.596
2300	1101	-.169	.094	.298	-.498	230	1201	-.142	.165	.613	-.678	230	1252	-.193	.081	.049	-.544
2300	1102	-.209	.092	.251	-.550	230	1202	-.057	.169	.653	-.541	230	1253	-.194	.087	.068	-.599
2300	1103	-.215	.108	.289	-.604	230	1204	-.058	.133	.521	-.496	230	1254	-.205	.088	.084	-.625
2300	1104	-.123	.100	.280	-.507	230	1205	-.104	.121	.369	-.604	230	1255	-.185	.089	.121	-.479
2300	1105	-.122	.081	.151	-.441	230	1206	-.042	.183	.888	-.568	230	1256	-.174	.082	.125	-.457
2300	1106	-.167	.085	.103	-.534	230	1207	-.075	.150	.522	-.571	230	1257	-.189	.095	.154	-.603
2300	1107	-.189	.101	.130	-.629	230	1208	-.127	.115	.349	-.654	230	1258	-.203	.108	.166	-.844
2300	1108	-.109	.093	.199	-.539	230	1209	-.069	.151	.703	-.656	230	1259	-.204	.109	.153	-.810
2300	1109	-.113	.098	.235	-.487	230	1210	-.034	.166	.780	-.571	230	1260	-.155	.113	.419	-.782
2300	1110	-.148	.088	.173	-.518	230	1211	-.095	.137	.462	-.532	230	1261	-.168	.107	.361	-.676
2300	1111	-.176	.103	.183	-.632	230	1212	-.123	.112	.351	-.531	230	1262	-.185	.096	.146	-.645
2300	1112	-.098	.090	.200	-.503	230	1213	-.088	.120	.417	-.539	230	1263	-.187	.093	.145	-.615
2300	1113	-.099	.094	.227	-.420	230	1214	-.150	.111	.270	-.577	230	1264	-.165	.082	.136	-.433
2300	1114	-.136	.084	.168	-.427	230	1215	-.133	.112	.333	-.610	230	1265	-.176	.092	.122	-.631
2300	1115	-.154	.097	.196	-.526	230	1216	-.055	.122	.425	-.481	230	1266	-.160	.092	.147	-.445
2300	1116	-.088	.090	.235	-.477	230	1217	-.048	.145	.523	-.513	230	1267	-.169	.086	.146	-.476
2300	1117	-.101	.090	.188	-.453	230	1218	-.070	.144	.596	-.486	230	1268	-.150	.076	.101	-.407
2300	1118	-.152	.083	.108	-.447	230	1219	-.089	.134	.454	-.594	230	1269	-.166	.086	.142	-.485
2300	1119	-.188	.107	.132	-.606	230	1220	-.099	.097	.235	-.420	230	1270	-.182	.092	.133	-.531
2300	1120	-.122	.104	.169	-.498	230	1221	-.105	.148	.452	-.721	230	1271	-.185	.101	.169	-.645

APPENDIX A -- PRESSURE DATA:

CONFIGURATION A: ARCO PLAZA, LONG BEACH

WD	TAP	CPMEAN	CPRMS	CPMAX	CPMIN	WD	TAP	CPMEAN	CPRMS	CPMAX	CPMIN	WD	TAP	CPMEAN	CPRMS	CPMAX	CPMIN
230	1272	-.181	.097	.288	-.662	230	2014	-.012	.128	.491	-.420	230	2064	.106	.145	.649	-.365
230	1273	-.092	.158	.658	-.929	230	2015	-.068	.121	.484	-.465	230	2065	.133	.123	.609	-.282
230	1274	-.118	.126	.531	-.807	230	2016	-.036	.117	.509	-.327	230	2066	.205	.111	.601	-.116
230	1275	-.160	.103	.211	-.528	230	2017	-.034	.119	.406	-.419	230	2067	-.034	.129	.529	-.463
230	1276	-.135	.087	.326	-.432	230	2018	-.192	.100	.122	-.672	230	2068	-.103	.120	.363	-.559
230	1277	-.134	.100	.266	-.492	230	2019	-.186	.112	.210	-.721	230	2069	-.091	.108	.336	-.490
230	1278	-.147	.096	.156	-.490	230	2020	-.062	.177	.645	-.712	230	2070	-.083	.121	.431	-.471
230	1279	-.127	.074	.156	-.373	230	2021	-.002	.117	.440	-.451	230	2071	-.019	.113	.397	-.379
230	1280	-.141	.087	.175	-.431	230	2022	-.321	.099	.026	-.659	230	2072	-.292	.107	.058	-.687
230	1281	-.132	.087	.168	-.430	230	2023	-.292	.119	.126	-1.013	230	2073	-.232	.107	.115	-.820
230	1282	-.133	.089	.164	-.425	230	2024	-.264	.115	.097	-.858	230	2074	-.233	.095	.081	-.683
230	1283	-.128	.081	.133	-.386	230	2025	-.265	.124	.146	-.939	230	2075	-.257	.111	.087	-.766
230	1284	-.156	.103	.218	-.614	230	2026	-.209	.078	.074	-.518	230	2076	-.190	.093	.129	-.478
230	1285	-.154	.108	.186	-.698	230	2027	-.201	.089	.118	-.534	230	2077	-.180	.088	.130	-.462
230	1901	-.056	.098	.338	-.587	230	2028	-.125	.098	.244	-.459	230	2078	-.133	.088	.161	-.411
230	1902	-.062	.114	.394	-.525	230	2029	-.069	.120	.384	-.460	230	2079	-.125	.108	.250	-.457
230	1903	-.023	.123	.425	-.466	230	2030	-.058	.105	.425	-.425	230	2080	.048	.106	.413	-.281
230	1904	-.047	.105	.284	-.371	230	2031	-.060	.143	.516	-.454	230	2081	-.053	.123	.491	-.406
230	1905	-.003	.131	.436	-.336	230	2032	.169	.130	.662	-.351	230	2082	.141	.105	.517	-.185
230	1906	-.059	.112	.467	-.723	230	2033	.237	.128	.666	-.226	230	2083	.179	.110	.608	-.208
230	1907	-.084	.125	.375	-.486	230	2034	.228	.126	.636	-.238	230	2084	.198	.111	.667	-.186
230	1908	-.122	.110	.273	-.513	230	2035	.220	.150	.743	-.299	230	2085	.215	.113	.600	-.165
230	1909	-.065	.076	.239	-.326	230	2036	.246	.147	.761	-.239	230	2086	.224	.103	.631	-.117
230	1910	-.077	.089	.264	-.568	230	2037	.246	.126	.715	-.118	230	2087	.212	.112	.643	-.182
230	1911	-.075	.085	.259	-.447	230	2038	.191	.118	.666	-.180	230	2088	.166	.110	.531	-.183
230	1912	-.064	.094	.263	-.404	230	2039	.082	.148	.657	-.340	230	2089	.107	.123	.512	-.267
230	1913	-.018	.098	.361	-.388	230	2040	.102	.130	.604	-.275	230	2090	.115	.106	.460	-.207
230	1914	-.020	.111	.430	-.437	230	2041	-.204	.138	.837	-.247	230	2091	-.157	.107	.546	-.190
230	1915	-.034	.101	.402	-.388	230	2042	-.004	.119	.409	-.375	230	2092	-.031	.122	.396	-.376
230	1916	-.002	.106	.425	-.343	230	2043	-.114	.121	.287	-.573	230	2093	-.115	.110	.262	-.550
230	1917	-.047	.120	.484	-.415	230	2044	-.095	.124	.320	-.553	230	2094	-.107	.105	.254	-.508
230	1918	-.091	.110	.299	-.665	230	2045	-.070	.175	.591	-.817	230	2095	-.135	.138	.568	-.635
230	1919	-.061	.081	.256	-.396	230	2046	-.025	.112	.479	-.535	230	2096	-.022	.115	.451	-.448
230	1920	-.184	.112	.229	-.616	230	2047	-.346	.119	.003	-.839	230	2097	-.279	.105	.021	-.758
230	1921	-.113	.099	.241	-.530	230	2048	-.262	.109	.056	-.748	230	2098	-.220	.095	.064	-.840
230	1922	-.073	.093	.249	-.381	230	2049	-.248	.101	.051	-.779	230	2099	-.256	.104	.064	-.743
230	1923	-.068	.097	.275	-.425	230	2050	-.259	.095	.022	-.646	230	2100	-.222	.105	.106	-.863
230	2001	-.213	.090	.101	-.487	230	2051	-.218	.089	.128	-.524	230	2101	-.165	.087	.103	-.456
230	2002	-.193	.081	.101	-.456	230	2052	-.184	.088	.155	-.501	230	2102	-.156	.082	.113	-.439
230	2003	-.174	.096	.191	-.524	230	2053	-.133	.093	.181	-.470	230	2103	-.146	.096	.192	-.507
230	2004	-.128	.102	.272	-.478	230	2054	-.100	.096	.190	-.418	230	2104	-.068	.104	.310	-.481
230	2005	-.048	.110	.335	-.403	230	2055	-.035	.100	.358	-.349	230	2105	-.032	.095	.403	-.268
230	2006	-.040	.124	.368	-.410	230	2056	.065	.133	.467	-.435	230	2106	.048	.109	.440	-.277
230	2007	.015	.125	.527	-.370	230	2057	.158	.115	.637	-.205	230	2107	.099	.106	.524	-.229
230	2008	.032	.116	.453	-.337	230	2058	.222	.101	.578	-.096	230	2108	.190	.099	.521	-.144
230	2009	.069	.122	.604	-.323	230	2059	.207	.118	.619	-.147	230	2109	.185	.106	.567	-.201
230	2010	.084	.117	.645	-.292	230	2060	.216	.118	.630	-.155	230	2110	.180	.098	.542	-.185
230	2011	.050	.124	.522	-.330	230	2061	.247	.117	.725	-.113	230	2111	.164	.101	.529	-.185
230	2012	.039	.117	.515	-.289	230	2062	.256	.106	.691	-.024	230	2112	.200	.098	.550	-.137
230	2013	.070	.128	.669	-.275	230	2063	.176	.127	.696	-.203	230	2113	.146	.095	.466	-.163

APPENDIX A -- PRESSURE DATA:

CONFIGURATION A: ARCO PLAZA, LONG BEACH

WD	TAP	CPMEAN	CPRMS	CPMAX	CPMIN	WD	TAP	CPMEAN	CPRMS	CPMAX	CPMIN	WD	TAP	CPMEAN	CPRMS	CPMAX	CPMIN
2330	114	.083	.100	.392	.277	2330	2265	.163	.094	.128	.609	2330	2265	.163	.094	.119	.464
2330	115	.064	.100	.487	.293	2330	2266	.152	.093	.129	.557	2330	2266	.152	.093	.126	.448
2330	116	.153	.096	.486	.187	2330	2267	.175	.089	.140	.632	2330	2267	.175	.089	.094	.581
2330	117	.033	.115	.405	.415	2330	2268	.163	.082	.131	.715	2330	2268	.163	.082	.083	.521
2330	118	.085	.098	.288	.399	2330	2269	.175	.091	.071	.458	2330	2269	.175	.091	.103	.573
2330	119	.112	.110	.315	.483	2330	2270	.177	.090	.092	.503	2330	2270	.177	.090	.104	.581
2330	120	.063	.128	.305	.477	2330	2271	.175	.086	.083	.605	2330	2271	.175	.086	.146	.422
2330	121	.045	.112	.311	.305	2330	2272	.165	.077	.094	.548	2330	2272	.165	.077	.128	.469
2330	122	.248	.100	.049	.688	2330	2273	.159	.089	.135	.538	2330	2273	.159	.089	.144	.331
2330	123	.235	.107	.085	.753	2330	2274	.156	.088	.129	.471	2330	2274	.156	.088	.139	.336
2330	124	.195	.101	.139	.589	2330	2275	.144	.088	.145	.521	2330	2275	.144	.088	.133	.439
2330	125	.205	.102	.134	.830	2330	2276	.126	.081	.115	.532	2330	2276	.126	.081	.159	.330
2330	126	.152	.084	.140	.419	2330	2277	.133	.090	.096	.467	2330	2277	.133	.090	.191	.438
2330	127	.172	.092	.149	.474	2330	2278	.144	.089	.055	.450	2330	2278	.144	.089	.167	.426
2330	128	.095	.095	.215	.422	2330	2279	.138	.087	.071	.503	2330	2279	.138	.087	.147	.412
2330	129	.069	.098	.259	.433	2330	2280	.145	.079	.070	.488	2330	2280	.145	.079	.118	.390
2330	130	.030	.087	.348	.290	2330	2281	.165	.091	.073	.543	2330	2281	.165	.091	.118	.463
2330	131	.019	.116	.386	.434	2330	2282	.158	.090	.081	.512	2330	2282	.158	.090	.116	.441
2330	132	.122	.100	.488	.263	2330	2283	.153	.089	.081	.567	2330	2283	.153	.089	.196	.539
2330	133	.197	.098	.579	.135	2330	2284	.135	.079	.082	.523	2330	2284	.135	.079	.174	.456
2330	134	.194	.094	.225	.141	2330	2285	.161	.090	.099	.570	2330	2285	.161	.090	.191	.530
2330	135	.166	.102	.560	.215	2330	2900	.354	.180	.103	.486	2330	2900	.354	.180	.105	.338
2330	136	.210	.101	.566	.171	2330	2901	.291	.125	.091	.519	2330	2901	.291	.125	.156	.805
2330	137	.236	.106	.549	.106	2330	2902	.253	.127	.090	.512	2330	2902	.253	.127	.230	.848
2330	138	.181	.096	.592	.152	2330	2903	.214	.103	.089	.504	2330	2903	.214	.103	.174	.614
2330	139	.103	.113	.522	.284	2330	2904	.214	.100	.099	.440	2330	2904	.214	.100	.109	.583
2330	140	.142	.105	.611	.164	2330	2905	.185	.086	.112	.499	2330	2905	.185	.086	.093	.511
2330	141	.181	.107	.611	.164	2330	2906	.218	.118	.132	.487	2330	2906	.218	.118	.158	.761
2330	142	.036	.100	.266	.441	2330	2907	.289	.139	.121	.515	2330	2907	.289	.139	.130	.669
2330	143	.125	.112	.209	.606	2330	2908	.399	.119	.084	.500	2330	2908	.399	.119	.049	.831
2330	144	.077	.107	.244	.507	2330	2909	.390	.121	.107	.533	2330	2909	.390	.121	.006	.917
2330	145	.005	.137	.650	.467	2330	2910	.352	.130	.131	.538	2330	2910	.352	.130	.049	.827
2330	146	.009	.091	.329	.370	2330	2911	.403	.133	.081	.558	2330	2911	.403	.133	.002	.933
2330	147	.282	.112	.093	.768	2330	2912	.355	.113	.082	.468	2330	2912	.355	.113	.012	.766
2330	148	.192	.101	.185	.564	2330	2913	.380	.101	.090	.072	2330	2913	.380	.101	.057	.758
2330	149	.174	.089	.140	.222	2330	2914	.341	.111	.089	.521	2330	2914	.341	.111	.021	.728
2330	150	.176	.085	.112	.305	2330	2915	.329	.125	.082	.663	2330	2915	.329	.125	.110	.046
2330	201	.251	.094	.041	.833	2330	2916	.222	.093	.044	.499	2330	2916	.222	.093	.112	.532
2330	202	.204	.086	.036	.693	2330	2917	.271	.116	.087	.531	2330	2917	.271	.116	.083	.833
2330	204	.219	.090	.083	.660	2330	2918	.254	.109	.079	.527	2330	2918	.254	.109	.019	.446
2330	205	.250	.106	.122	.681	2330	2919	.452	.146	.067	.504	2330	2919	.452	.146	.199	.085
2330	206	.257	.108	.105	.696	2330	2920	.369	.117	.077	.492	2330	2920	.369	.117	.263	.887
2330	207	.246	.102	.058	.674	2330	2921	.355	.108	.089	.547	2330	2921	.355	.108	.027	.824
2330	208	.230	.086	.031	.565	2330	2922	.304	.113	.089	.538	2330	2922	.304	.113	.096	.806
2330	209	.234	.097	.074	.552	240	901	.157	.086	.166	.500	240	901	.157	.086	.130	.510
2330	210	.217	.094	.094	.530	2330	2923	.304	.113	.083	.447	240	902	.131	.075	.103	.404
2330	211	.200	.096	.129	.568	2330	903	.172	.087	.192	.479	240	903	.172	.087	.111	.525
2330	212	.188	.085	.110	.511	2330	904	.150	.085	.173	.460	240	904	.150	.085	.125	.484
2330	213	.205	.091	.129	.542	2330	905	.147	.092	.140	.453	240	905	.147	.092	.151	.494
2330	214	.209	.097	.128	.540	2330	906	.120	.082	.148	.429	240	906	.120	.082	.146	.404

APPENDIX A -- PRESSURE DATA

CONFIGURATION A) ARCO PLAZA, LONG BEACH

WD	TAP	CPMEAN	CPRMS	CPMAX	CPMIN	WD	TAP	CPMEAN	CPRMS	CPMAX	CPMIN	WD	TAP	CPMEAN	CPRMS	CPMAX	CPMIN
240	907	158	092	143	503	240	1040	102	091	183	509	240	1090	169	092	169	554
240	908	156	090	135	475	240	1041	102	098	229	444	240	1091	210	117	113	776
240	909	156	092	133	463	240	1042	079	088	233	397	240	1092	129	108	155	598
240	910	122	083	108	400	240	1043	107	097	259	427	240	1093	122	104	211	507
240	911	146	099	215	462	240	1044	115	104	261	550	240	1094	190	109	143	607
240	912	150	091	114	451	240	1045	116	107	298	565	240	1095	210	129	168	675
240	913	117	096	175	520	240	1046	109	104	266	519	240	1096	124	111	224	513
240	914	111	081	152	480	240	1047	181	119	244	647	240	1097	134	109	168	589
240	915	157	096	156	588	240	1048	220	139	186	892	240	1098	218	113	127	701
240	916	147	093	163	566	240	1049	359	194	232	227	240	1099	275	156	265	020
240	917	137	094	205	226	240	1050	409	199	250	235	240	1100	218	161	317	958
240	918	179	160	333	315	240	1051	144	094	145	646	240	1101	154	083	111	517
240	919	122	122	334	640	240	1052	130	092	118	686	240	1102	208	081	042	566
240	920	134	120	330	544	240	1053	124	094	261	471	240	1103	224	095	062	655
240	921	121	104	220	513	240	1054	092	088	233	427	240	1104	131	088	140	475
240	922	102	100	228	199	240	1055	106	093	222	476	240	1105	125	082	127	483
240	923	078	087	200	397	240	1056	096	092	204	543	240	1106	172	087	125	565
240	924	109	101	201	483	240	1057	099	096	234	428	240	1107	197	101	160	612
240	925	107	094	173	413	240	1058	078	087	226	379	240	1108	116	095	210	454
240	926	092	099	234	443	240	1059	108	094	169	438	240	1109	116	093	207	479
240	927	060	088	222	377	240	1060	089	091	174	436	240	1110	142	085	147	479
240	928	097	094	212	436	240	1061	085	087	177	388	240	1111	161	098	196	522
240	929	104	096	225	430	240	1062	071	085	183	393	240	1112	083	085	224	405
240	930	096	096	247	472	240	1063	105	093	195	445	240	1113	086	084	207	345
240	931	064	083	222	373	240	1064	092	091	196	400	240	1114	134	079	135	392
240	932	095	096	262	438	240	1065	101	094	194	483	240	1115	163	094	168	508
240	933	103	101	243	540	240	1066	088	088	172	453	240	1116	111	096	168	548
240	934	099	099	210	559	240	1067	121	098	186	518	240	1117	118	103	204	628
240	935	074	084	188	392	240	1068	113	097	192	494	240	1118	166	093	123	518
240	936	107	094	175	453	240	1069	100	104	276	495	240	1119	191	114	175	614
240	937	117	098	185	485	240	1070	084	098	232	379	240	1120	120	108	215	524
240	938	147	117	195	555	240	1071	136	114	284	522	240	1121	146	115	246	522
240	939	163	113	196	720	240	1072	160	119	246	586	240	1122	215	109	112	623
240	940	216	130	201	786	240	1073	187	127	275	700	240	1123	251	140	201	895
240	941	328	166	167	1163	240	1074	280	170	182	963	240	1124	208	149	180	097
240	942	487	231	148	638	240	1075	391	220	216	425	240	1125	216	159	223	117
240	943	122	096	263	671	240	1076	146	085	137	469	240	1126	207	086	065	555
240	944	144	106	294	613	240	1077	152	089	292	466	240	1127	211	099	124	624
240	945	125	097	233	503	240	1078	211	085	143	501	240	1128	129	088	145	473
240	946	107	099	230	453	240	1079	221	097	115	547	240	1129	132	100	179	476
240	947	073	086	233	367	240	1080	109	085	200	424	240	1130	179	090	110	518
240	948	096	092	238	410	240	1081	116	089	198	407	240	1131	187	103	143	566
240	949	103	091	231	399	240	1082	181	085	096	443	240	1132	112	090	169	449
240	950	097	092	176	399	240	1083	198	098	122	499	240	1133	120	096	268	423
240	951	072	080	166	376	240	1084	108	086	165	389	240	1134	174	085	167	453
240	952	088	088	216	341	240	1085	097	090	192	383	240	1135	141	098	278	484
240	953	099	087	214	376	240	1086	159	083	084	432	240	1136	071	086	295	374
240	954	101	095	195	675	240	1087	176	095	112	496	240	1137	088	090	258	419
240	955	075	087	197	581	240	1088	091	085	180	342	240	1138	137	080	227	417
240	956	096	092	210	526	240	1089	096	090	153	423	240	1139	138	095	261	472

APPENDIX A -- PRESSURE DATA:

CONFIGURATION A: ARCO PLAZA, LONG BEACH

WD	TAP	CPMEAN	CPRMS	CPMAX	CPMIN	WD	TAP	CPMEAN	CPRMS	CPMAX	CPMIN	WD	TAP	CPMEAN	CPRMS	CPMAX	CPMIN
240	1140	.076	.087	.248	-.400	240	1241	.192	.088	.133	-.593	240	1906	.080	.134	.452	-.561
240	1141	.124	.109	.216	-.604	240	1242	.190	.085	.164	-.583	240	1907	.129	.126	.340	-.691
240	1142	.186	.102	.183	-.604	240	1243	.170	.090	.139	-.432	240	1908	.191	.127	.248	-.694
240	1143	.192	.108	.180	-.604	240	1244	.145	.080	.138	-.394	240	1909	.051	.079	.262	-.319
240	1144	.106	.102	.200	-.433	240	1245	.170	.097	.143	-.504	240	1910	.078	.091	.288	-.379
240	1145	.119	.110	.233	-.333	240	1246	.112	.102	.143	-.571	240	1911	.094	.096	.295	-.423
240	1146	.181	.101	.134	-.549	240	1247	.109	.098	.143	-.583	240	1912	.078	.094	.244	-.388
240	1147	.198	.118	.165	-.674	240	1248	.161	.089	.151	-.476	240	1913	.020	.092	.372	-.277
240	1148	.135	.128	.205	-.783	240	1249	.173	.086	.129	-.442	240	1914	.004	.109	.367	-.369
240	1149	.235	.198	.275	-.327	240	1250	.163	.090	.129	-.471	240	1915	.046	.110	.369	-.389
240	1150	.377	.225	.179	-.644	240	1251	.158	.080	.102	-.447	240	1916	.026	.103	.339	-.433
240	12001	.128	.160	.521	-.638	240	1252	.157	.086	.135	-.474	240	1917	.076	.125	.338	-.487
240	12002	.040	.164	.622	-.537	240	1253	.139	.090	.147	-.486	240	1918	.126	.102	.218	-.450
240	12004	.041	.127	.516	-.537	240	1254	.139	.091	.151	-.446	240	1919	.080	.078	.176	-.327
240	12005	.126	.117	.222	-.412	240	1255	.137	.083	.151	-.446	240	1920	.173	.106	.179	-.549
240	12006	.077	.196	.659	-.541	240	1256	.146	.093	.147	-.396	240	1921	.128	.094	.194	-.434
240	12007	.017	.165	.603	-.688	240	1257	.165	.097	.129	-.447	240	1922	.084	.111	.320	-.472
240	12008	.094	.107	.331	-.459	240	1258	.167	.092	.115	-.563	240	1923	.081	.112	.358	-.519
240	12009	.085	.134	.550	-.593	240	1259	.106	.114	.201	-.627	240	20001	.175	.091	.135	-.502
240	12010	.032	.154	.538	-.530	240	1260	.126	.107	.413	-.627	240	20002	.140	.085	.124	-.438
240	12011	.075	.140	.551	-.522	240	1261	.173	.092	.340	-.484	240	20003	.111	.103	.216	-.463
240	12012	.087	.116	.607	-.507	240	1262	.173	.092	.197	-.498	240	20004	.050	.111	.351	-.454
240	12013	.056	.120	.699	-.588	240	1263	.133	.093	.176	-.544	240	20005	.066	.114	.408	-.352
240	12014	.153	.116	.630	-.588	240	1264	.150	.082	.122	-.469	240	20006	.039	.116	.425	-.411
240	12015	.049	.103	.633	-.588	240	1265	.144	.091	.134	-.469	240	20007	.053	.124	.523	-.324
240	12016	.051	.106	.664	-.484	240	1266	.144	.088	.139	-.515	240	20008	.055	.119	.519	-.322
240	12017	.033	.118	.469	-.470	240	1267	.118	.088	.177	-.433	240	20009	.087	.115	.515	-.310
240	12018	.064	.139	.570	-.421	240	1268	.124	.076	.177	-.368	240	20010	.050	.108	.451	-.411
240	12019	.074	.138	.493	-.364	240	1269	.141	.086	.206	-.397	240	20011	.068	.111	.465	-.401
240	12020	.017	.094	.277	-.409	240	1270	.153	.089	.199	-.434	240	20012	.031	.109	.501	-.312
240	12021	.037	.204	.931	-.711	240	1271	.133	.090	.143	-.449	240	20013	.050	.127	.437	-.302
240	12022	.145	.182	.856	-.653	240	1272	.055	.080	.141	-.509	240	20014	.070	.122	.325	-.486
240	12023	.114	.113	.191	-.682	240	1273	.131	.099	.711	-.541	240	20015	.117	.113	.289	-.585
240	12024	.110	.087	.240	-.447	240	1274	.148	.081	.651	-.510	240	20016	.037	.124	.440	-.398
240	12025	.191	.101	.243	-.447	240	1275	.134	.091	.250	-.456	240	20017	.094	.103	.300	-.451
240	12026	.144	.090	.269	-.432	240	1276	.150	.088	.142	-.666	240	20018	.170	.095	.040	-.633
240	12027	.166	.088	.211	-.532	240	1277	.114	.075	.235	-.479	240	20019	.068	.109	.100	-.675
240	12028	.148	.089	.267	-.476	240	1278	.137	.090	.178	-.464	240	20020	.068	.161	.613	-.750
240	12029	.156	.090	.205	-.491	240	1279	.123	.087	.172	-.339	240	20021	.068	.116	.412	-.446
240	12030	.138	.097	.206	-.527	240	1280	.121	.089	.214	-.416	240	20022	.282	.101	.007	-.662
240	12031	.117	.089	.187	-.483	240	1281	.101	.080	.264	-.395	240	20023	.248	.116	.085	-.782
240	12032	.131	.106	.256	-.606	240	1282	.142	.098	.167	-.418	240	20024	.218	.111	.094	-.852
240	12033	.091	.132	.334	-.600	240	1283	.136	.099	.141	-.380	240	20025	.220	.112	.108	-.770
240	12034	.104	.132	.355	-.600	240	1284	.142	.098	.141	-.378	240	20026	.173	.074	.057	-.487
240	12035	.149	.093	.155	-.553	240	1285	.044	.093	.162	-.690	240	20027	.158	.088	.129	-.530
240	12036	.163	.096	.189	-.547	240	1286	.104	.107	.444	-.464	240	20028	.045	.098	.295	-.384
240	12037	.160	.096	.189	-.547	240	1287	.051	.127	.332	-.580	240	20029	.133	.119	.480	-.353
240	12038	.204	.090	.134	-.577	240	1288	.069	.107	.446	-.464	240	20030	.146	.107	.577	-.164
240	12039	.166	.075	.113	-.451	240	1289	.033	.108	.299	-.607	240	20031	.135	.128	.622	-.260
240	12040					240	1290			.494	-.494	240	20032			.716	-.143

APPENDIX A -- PRESSURE DATA:

CONFIGURATION #: ARCO PLAZA, LONG BEACH

WD	TAP	CPMEAN	CPRMS	CPMAX	CPMIN	WD	TAP	CPMEAN	CPRMS	CPMAX	CPMIN	WD	TAP	CPMEAN	CPRMS	CPMAX	CPMIN
240	20833	271	130	696	088	240	20833	219	114	606	090	240	21333	203	093	727	102
240	20834	268	126	694	091	240	20834	239	111	633	059	240	21334	194	088	721	081
240	20835	222	147	743	233	240	20835	196	106	525	138	240	21335	156	098	738	156
240	20836	234	137	700	214	240	20836	202	097	496	120	240	21336	199	096	753	105
240	20837	243	134	663	138	240	20837	190	107	512	166	240	21337	199	102	689	117
240	20838	155	115	583	191	240	20838	106	108	574	249	240	21338	120	100	541	169
240	20839	016	138	571	532	240	20839	005	117	382	407	240	21339	021	124	532	461
240	20840	029	121	528	483	240	20840	030	103	359	366	240	2140	073	112	532	328
240	20841	169	140	720	387	240	20841	088	118	536	334	240	2141	132	099	476	255
240	20842	066	109	361	391	240	20842	104	098	223	467	240	2142	096	091	287	380
240	20843	184	115	249	589	240	20843	144	104	226	536	240	2143	175	103	174	527
240	20844	161	115	250	595	240	20844	135	099	204	507	240	2144	126	100	288	484
240	20845	187	139	390	707	240	20845	182	122	253	551	240	2145	083	137	467	507
240	20846	001	115	442	494	240	20846	031	113	391	397	240	2146	024	104	367	385
240	20847	306	121	064	838	240	20847	202	093	101	575	240	2147	239	106	097	633
240	20848	217	108	192	574	240	20848	151	084	092	472	240	2148	153	096	121	470
240	20849	208	101	107	616	240	20849	198	092	121	515	240	2149	143	087	196	473
240	20850	207	092	077	621	240	20850	159	091	103	475	240	2150	145	082	155	445
240	2101	206	092	097	557	240	2101	155	086	125	407	240	2201	216	091	073	549
240	2102	150	090	126	482	240	2102	137	080	121	364	240	2202	172	088	132	481
240	2103	059	098	287	534	240	2103	114	092	185	426	240	2203	191	091	139	472
240	2104	014	105	395	389	240	2104	021	097	336	348	240	2204	212	108	179	589
240	2105	118	117	579	216	240	2105	084	098	438	249	240	2205	202	105	125	704
240	2106	186	133	701	168	240	2106	125	108	449	229	240	2206	199	102	167	544
240	2107	250	133	777	209	240	2107	142	106	486	224	240	2207	187	086	142	492
240	2108	282	125	738	122	240	2108	205	101	617	082	240	2208	179	094	148	478
240	2109	243	139	801	228	240	2109	170	098	522	102	240	2209	182	092	128	469
240	2110	223	135	812	213	240	2110	143	096	488	155	240	2210	172	093	163	559
240	2111	224	117	655	151	240	2111	124	104	489	194	240	2211	169	084	127	494
240	2112	243	105	660	092	240	2112	173	100	505	123	240	2212	175	089	155	522
240	2113	122	126	659	247	240	2113	095	108	496	297	240	2213	196	099	177	551
240	2114	035	138	521	374	240	2114	017	110	369	361	240	2214	205	095	103	560
240	2115	051	123	532	358	240	2115	001	111	362	388	240	2215	197	087	081	535
240	2116	155	112	556	331	240	2116	106	110	465	262	240	2216	222	100	097	620
240	2117	117	112	325	475	240	2117	123	105	243	455	240	2217	227	101	105	662
240	2118	173	112	204	606	240	2118	168	102	138	546	240	2218	178	075	063	466
240	2119	172	110	183	548	240	2119	203	110	131	650	240	2219	200	085	186	529
240	2120	185	116	209	586	240	2120	157	108	241	536	240	2220	191	094	159	539
240	2121	044	124	361	548	240	2121	063	116	372	481	240	2221	194	093	154	538
240	2122	256	112	068	804	240	2122	201	093	150	543	240	2222	186	092	116	547
240	2123	193	097	139	641	240	2123	199	098	156	557	240	2223	170	081	109	451
240	2124	193	085	083	554	240	2124	155	093	172	475	240	2224	172	088	124	484
240	2125	230	102	113	747	240	2125	158	091	160	469	240	2225	186	089	120	519
240	2126	179	085	127	470	240	2126	138	083	121	460	240	2226	179	084	091	478
240	2127	134	082	144	396	240	2127	151	091	123	504	240	2227	184	079	066	447
240	2128	059	085	207	352	240	2128	049	093	252	399	240	2228	189	086	079	466
240	2129	030	108	350	398	240	2129	002	096	297	328	240	2229	203	083	087	490
240	2130	114	107	585	256	240	2130	084	088	360	189	240	2230	203	088	125	543
240	2131	145	118	561	284	240	2131	092	111	495	277	240	2231	190	082	125	518
240	2132	211	108	600	097	240	2132	173	107	632	165	240	2232	186	092	152	551

APPENDIX A -- PRESSURE DATA:

CONFIGURATION A) ARCO PLAZA, LONG BEACH

WD	TAP	CPMEAN	CPRMS	CPMAX	CPMIN	WD	TAP	CPMEAN	CPRMS	CPMAX	CPMIN	WD	TAP	CPMEAN	CPRMS	CPMAX	CPMIN
240	22234	170	092	197	473	240	22284	125	080	136	379	250	1009	072	088	196	351
240	22235	166	094	185	450	240	22285	162	092	141	460	250	1010	033	078	216	282
240	22236	159	085	141	414	240	2901	348	162	083	199	250	1011	082	064	183	348
240	22237	172	093	172	449	240	2902	281	123	188	822	250	1012	090	089	198	375
240	22238	178	093	159	474	240	2903	232	128	271	800	250	1013	079	094	177	447
240	22239	168	080	103	418	240	2904	195	108	201	683	250	1014	046	084	293	509
240	22240	151	075	128	403	240	2905	188	095	116	621	250	1015	087	093	185	431
240	22241	169	081	127	462	240	2906	149	081	134	466	250	1016	093	093	167	416
240	22242	173	084	134	447	240	2907	193	106	198	590	250	1017	082	105	239	456
240	22243	182	092	151	518	240	2908	221	129	327	764	250	1018	070	099	230	442
240	22244	173	082	127	492	240	2909	387	122	008	807	250	1019	172	147	189	947
240	22245	175	088	147	519	240	2910	350	117	097	737	250	1020	204	161	233	965
240	22246	184	092	152	532	240	2911	314	123	059	830	250	1021	179	130	191	738
240	22247	142	087	184	410	240	2912	370	130	077	824	250	1022	180	115	143	652
240	22248	126	080	172	356	240	2913	350	115	011	768	250	1023	199	136	262	789
240	22249	133	089	190	393	240	2914	367	109	001	723	250	1024	353	287	355	307
240	22250	153	088	172	429	240	2915	322	120	092	773	250	1025	362	284	445	447
240	22251	154	095	157	535	240	2916	293	134	174	956	250	1026	073	094	222	506
240	22252	154	090	159	514	240	2917	203	104	106	570	250	1027	108	104	222	506
240	22253	155	099	196	567	240	2918	257	149	265	953	250	1028	103	88	222	514
240	22254	182	098	192	581	240	2919	485	151	046	113	250	1029	083	88	222	514
240	22255	172	084	128	443	240	2920	442	144	033	941	250	1030	043	84	222	491
240	22256	162	079	115	409	240	2921	381	115	027	855	250	1031	074	91	222	484
240	22257	168	089	114	450	240	2922	321	113	102	822	250	1032	082	90	222	434
240	22258	176	089	105	459	240	2923	284	116	097	734	250	1033	076	91	234	422
240	22259	163	092	230	454	250	901	136	091	214	432	250	1034	044	79	238	336
240	22260	119	083	234	425	250	902	096	077	217	343	250	1035	073	92	216	394
240	22261	121	092	282	439	250	903	151	092	224	458	250	1036	088	93	233	448
240	22262	132	091	270	431	250	904	122	090	278	415	250	1037	084	91	239	440
240	22263	142	083	109	394	250	905	125	093	188	457	250	1038	052	81	237	374
240	22264	129	078	103	370	250	906	095	079	193	351	250	1039	084	80	233	366
240	22265	146	089	125	445	250	907	139	094	244	476	250	1040	091	82	234	366
240	22266	147	089	188	446	250	908	132	091	196	446	250	1041	079	87	228	351
240	22267	176	092	165	477	250	909	125	094	196	412	250	1042	053	55	234	350
240	22268	161	085	160	446	250	910	087	082	186	345	250	1043	096	88	236	350
240	22269	163	094	197	522	250	911	126	098	267	405	250	1044	126	107	189	561
240	22270	174	095	176	489	250	912	112	092	196	400	250	1045	150	121	177	634
240	22271	159	092	131	497	250	913	086	092	245	397	250	1046	108	92	163	514
240	22272	147	082	105	451	250	914	066	078	209	350	250	1047	214	109	149	676
240	22273	122	090	191	495	250	915	117	093	209	502	250	1048	240	147	172	839
240	22274	133	090	183	494	250	916	105	092	218	441	250	1049	430	234	282	523
240	22275	123	087	173	437	250	917	100	093	215	419	250	1050	457	200	291	388
240	22276	111	080	158	409	250	1001	132	125	279	536	250	1051	121	93	187	493
240	22277	116	089	179	447	250	1002	094	107	253	582	250	1052	116	99	168	588
240	22278	142	089	156	448	250	1003	118	113	330	708	250	1053	105	91	192	644
240	22279	128	083	110	510	250	1004	104	101	303	450	250	1054	076	82	177	626
240	22280	133	074	100	478	250	1005	082	095	239	410	250	1055	090	80	212	644
240	22281	163	086	098	574	250	1006	042	081	225	280	250	1056	080	88	200	577
240	22282	153	085	109	561	250	1007	090	095	216	591	250	1057	076	82	206	544
240	22283	153	090	132	441	250	1008	094	090	187	398	250	1058	053	82	202	343

APPENDIX A -- PRESSURE DATA:

CONFIGURATION A) ARCO PLAZA, LONG BEACH

	TAP	CPMEAN	CPRMS	CPMAX	CPMIN	WD	TAP	CPMEAN	CPRMS	CPMAX	CPMIN	WD	TAP	CPMEAN	CPRMS	CPMAX	CPMIN
106659	106	.088	.099	.187	-.187	250	1109	-.096	.092	.187	-.491	250	1210	.010	.142	.590	-.439
106660	107	.088	.089	.185	-.185	250	1110	-.131	.086	.166	-.523	250	1211	-.062	.146	.486	-.495
106661	108	.088	.083	.197	-.197	250	1111	-.148	.103	.216	-.674	250	1212	-.083	.132	.365	-.711
106662	109	.088	.079	.199	-.199	250	1112	-.099	.096	.235	-.544	250	1213	-.012	.126	.452	-.414
106663	110	.088	.086	.189	-.189	250	1113	-.088	.097	.248	-.386	250	1214	-.136	.122	.293	-.694
106664	111	.089	.086	.180	-.180	250	1114	-.148	.088	.157	-.422	250	1215	-.128	.110	.267	-.590
106665	112	.082	.089	.217	-.217	250	1115	-.173	.104	.182	-.505	250	1216	-.013	.117	.545	-.418
106666	113	.064	.081	.202	-.202	250	1116	-.120	.103	.228	-.590	250	1217	-.041	.114	.417	-.425
106667	114	.101	.094	.210	-.210	250	1117	-.133	.096	.269	-.551	250	1218	-.019	.132	.449	-.388
106668	115	.106	.096	.193	-.193	250	1118	-.170	.096	.185	-.539	250	1219	-.043	.127	.470	-.418
106669	116	.118	.113	.222	-.222	250	1119	-.190	.114	.211	-.596	250	1220	-.045	.084	.215	-.349
106670	117	.103	.103	.205	-.205	250	1120	-.119	.107	.234	-.500	250	1221	.189	.199	.854	-.657
106671	118	.130	.130	.231	-.231	250	1121	-.143	.113	.205	-.519	250	1222	.144	.195	.852	-.592
106672	119	.135	.135	.175	-.175	250	1122	-.217	.108	.137	-.644	250	1223	-.054	.135	.400	-.503
106673	120	.200	.192	.175	-.175	250	1123	-.141	.141	.219	-.661	250	1224	-.079	.087	.226	-.407
106674	121	.244	.163	.229	-.163	250	1124	-.232	.158	.246	-.113	250	1225	-.034	.110	.378	-.377
106675	122	.218	.218	.172	-.172	250	1125	-.232	.158	.246	-.113	250	1226	-.182	.121	.249	-.834
106676	123	.116	.263	.259	-.263	250	1126	-.182	.081	.248	-.558	250	1227	-.104	.101	.217	-.479
106677	124	.135	.092	.145	-.145	250	1127	-.182	.097	.127	-.645	250	1228	-.127	.089	.164	-.498
106678	125	.200	.089	.088	-.088	250	1128	-.110	.082	.133	-.505	250	1229	-.104	.091	.232	-.435
106679	126	.233	.104	.171	-.171	250	1129	-.120	.092	.240	-.490	250	1230	-.118	.090	.187	-.435
106680	127	.090	.090	.214	-.214	250	1130	-.170	.083	.166	-.433	250	1231	-.116	.093	.243	-.440
106681	128	.096	.091	.208	-.208	250	1131	-.158	.094	.220	-.489	250	1232	-.065	.080	.222	-.370
106682	129	.167	.087	.120	-.120	250	1132	-.095	.082	.215	-.392	250	1233	-.096	.097	.260	-.534
106683	130	.182	.106	.142	-.142	250	1133	-.108	.090	.194	-.427	250	1234	-.031	.190	.683	-.513
106684	131	.088	.086	.185	-.185	250	1134	-.159	.079	.109	-.453	250	1235	-.002	.161	.565	-.528
106685	132	.075	.094	.199	-.199	250	1135	-.122	.095	.195	-.401	250	1236	-.101	.094	.267	-.453
106686	133	.146	.090	.118	-.118	250	1136	-.066	.083	.201	-.384	250	1237	-.129	.092	.135	-.580
106687	134	.171	.106	.154	-.154	250	1137	-.087	.093	.261	-.441	250	1238	-.102	.101	.238	-.733
106688	135	.091	.095	.188	-.188	250	1138	-.147	.090	.138	-.468	250	1239	-.182	.104	.116	-.450
106689	136	.102	.089	.209	-.209	250	1139	-.111	.101	.212	-.495	250	1240	-.128	.088	.115	-.450
106690	137	.175	.087	.116	-.116	250	1140	-.087	.096	.207	-.465	250	1241	-.132	.095	.121	-.512
106691	138	.203	.106	.150	-.150	250	1141	-.112	.112	.182	-.537	250	1242	-.136	.093	.151	-.508
106692	139	.118	.096	.203	-.203	250	1142	-.184	.104	.104	-.559	250	1243	-.129	.088	.201	-.490
106693	140	.124	.101	.162	-.162	250	1143	-.144	.109	.199	-.543	250	1244	-.100	.077	.183	-.432
106694	141	.139	.103	.094	-.094	250	1144	-.100	.100	.208	-.437	250	1245	-.108	.089	.249	-.473
106695	142	.151	.114	.156	-.156	250	1145	-.117	.110	.263	-.533	250	1246	-.131	.093	.208	-.490
106696	143	.139	.113	.203	-.203	250	1146	-.183	.107	.189	-.632	250	1247	-.069	.159	.678	-.575
106697	144	.151	.113	.312	-.312	250	1147	-.169	.126	.290	-.647	250	1248	-.058	.126	.668	-.472
106698	145	.251	.122	.089	-.089	250	1148	-.152	.143	.290	-.916	250	1249	-.124	.102	.358	-.444
106699	146	.345	.184	.177	-.177	250	1149	-.290	.231	.393	-.170	250	1250	-.156	.096	.145	-.476
106700	147	.288	.187	.223	-.223	250	1150	-.428	.241	.278	-.602	250	1251	-.124	.097	.250	-.453
106701	148	.139	.093	.146	-.146	250	1201	-.055	.178	.882	-.618	250	1252	-.122	.082	.214	-.386
106702	149	.197	.091	.121	-.121	250	1202	-.043	.174	.657	-.684	250	1253	-.120	.090	.261	-.421
106703	150	.217	.108	.128	-.128	250	1203	-.043	.127	.442	-.560	250	1254	-.134	.090	.240	-.445
106704	151	.130	.101	.189	-.189	250	1204	-.132	.121	.308	-.616	250	1255	-.128	.091	.190	-.447
106705	152	.110	.082	.188	-.188	250	1205	.249	.197	.925	-.433	250	1256	-.095	.081	.191	-.371
106706	153	.147	.094	.126	-.126	250	1206	-.219	.182	.909	-.383	250	1257	-.103	.081	.184	-.400
106707	154	.171	.100	.198	-.198	250	1207	-.092	.127	.454	-.457	250	1258	-.127	.095	.172	-.451
106708	155	.093	.094	.221	-.221	250	1208	-.050	.123	.547	-.420	250	1259	-.118	.089	.208	-.431

APPENDIX A -- PRESSURE DATA:

CONFIGURATION A: ARCO PLAZA, LONG BEACH

WD	TAP	CPMEAN	CPRMS	CPMAX	CPMIN	WD	TAP	CPMEAN	CPRMS	CPMAX	CPMIN	WD	TAP	CPMEAN	CPRMS	CPMAX	CPMIN
2550	1260	050	131	469	479	2550	2002	077	092	271	439	2550	2052	101	086	243	396
2550	1261	071	123	459	531	2550	2003	047	112	355	469	2550	2053	008	102	411	398
2550	1262	139	099	293	324	2550	2004	025	118	502	402	2550	2054	091	108	524	327
2550	1263	151	084	108	347	2550	2005	072	125	544	297	2550	2055	169	126	694	341
2550	1264	099	075	147	432	2550	2006	112	121	577	252	2550	2056	238	137	732	390
2550	1265	118	084	149	495	2550	2007	079	127	583	290	2550	2057	251	127	638	166
2550	1266	113	084	166	508	2550	2008	078	120	523	299	2550	2058	265	117	605	089
2550	1267	114	091	210	399	2550	2009	122	121	541	271	2550	2059	209	132	642	206
2550	1268	079	080	182	417	2550	2010	049	119	507	388	2550	2060	173	138	652	365
2550	1269	087	089	219	457	2550	2011	003	117	464	397	2550	2061	188	121	667	194
2550	1270	108	092	211	457	2550	2012	063	114	520	321	2550	2062	225	109	650	150
2550	1271	105	090	213	411	2550	2013	000	125	682	446	2550	2063	031	117	401	339
2550	1272	080	089	188	386	2550	2014	164	126	335	745	2550	2064	083	119	324	517
2550	1273	140	146	642	400	2550	2015	188	120	288	837	2550	2065	033	117	381	495
2550	1274	087	139	601	304	2550	2016	015	135	507	515	2550	2066	076	127	513	497
2550	1275	078	108	384	446	2550	2017	118	104	243	511	2550	2067	175	098	167	528
2550	1276	112	085	188	385	2550	2018	245	111	092	717	2550	2068	221	101	106	617
2550	1277	095	094	210	401	2550	2019	273	128	101	320	2550	2069	198	109	141	746
2550	1278	118	092	178	388	2550	2020	197	157	507	796	2550	2070	211	104	105	554
2550	1279	080	078	187	341	2550	2021	006	134	476	506	2550	2071	093	126	308	581
2550	1280	114	092	239	411	2550	2022	233	109	112	704	2550	2072	183	109	212	614
2550	1281	094	090	234	405	2550	2023	202	124	261	741	2550	2073	127	095	221	478
2550	1282	087	086	155	469	2550	2024	162	112	311	715	2550	2074	128	084	144	470
2550	1283	061	076	159	391	2550	2025	162	115	176	712	2550	2075	170	098	140	546
2550	1284	106	091	149	482	2550	2026	132	083	186	461	2550	2076	140	089	165	452
2550	1285	095	089	157	463	2550	2027	106	101	356	458	2550	2077	162	088	179	396
2550	1901	029	098	297	361	2550	2028	033	113	568	322	2550	2078	034	088	287	297
2550	1902	127	113	245	592	2550	2029	113	124	606	245	2550	2079	015	107	363	351
2550	1903	056	136	504	861	2550	2030	195	111	614	140	2550	2080	114	103	461	216
2550	1904	069	104	302	608	2550	2031	206	134	735	201	2550	2081	202	123	654	186
2550	1905	041	105	396	504	2550	2032	249	126	773	111	2550	2082	227	112	626	080
2550	1906	056	138	501	596	2550	2033	269	121	676	155	2550	2083	202	118	676	141
2550	1907	186	137	319	965	2550	2034	234	114	655	092	2550	2084	195	109	663	118
2550	1908	282	148	183	939	2550	2035	133	143	662	283	2550	2085	147	114	569	267
2550	1909	044	080	233	336	2550	2036	167	126	603	242	2550	2086	155	102	523	250
2550	1910	080	094	241	452	2550	2037	228	126	661	123	2550	2087	157	108	581	248
2550	1911	110	103	274	761	2550	2038	088	115	595	216	2550	2088	048	107	449	303
2550	1912	073	087	259	402	2550	2039	109	135	498	631	2550	2089	064	117	300	458
2550	1913	030	092	400	870	2550	2040	045	122	390	498	2550	2090	037	105	283	409
2550	1914	007	108	438	344	2550	2041	099	141	614	586	2550	2091	024	129	495	381
2550	1915	023	097	362	384	2550	2042	124	090	150	491	2550	2092	141	098	172	570
2550	1916	019	108	423	409	2550	2043	237	107	600	730	2550	2093	205	099	119	539
2550	1917	080	135	483	335	2550	2044	207	105	688	659	2550	2094	197	091	107	498
2550	1918	138	109	174	590	2550	2045	216	115	290	643	2550	2095	256	104	168	624
2550	1919	078	079	164	389	2550	2046	029	112	290	437	2550	2096	164	112	347	448
2550	1920	161	104	165	385	2550	2047	237	111	212	703	2550	2097	164	098	162	700
2550	1921	136	095	144	517	2550	2048	153	100	290	525	2550	2098	122	085	170	390
2550	1922	069	117	420	428	2550	2049	143	096	176	528	2550	2099	170	093	157	482
2550	1923	043	121	477	516	2550	2050	145	097	121	538	2550	2100	125	091	194	465
2550	2001	131	096	177	669	2550	2051	174	087	158	469	2550	2101	128	089	195	443

APPENDIX A -- PRESSURE DATA:

CONFIGURATION H) ARCO PLAZA, LONG BEACH

WD	TAP	CPMEAN	CPRMS	CPMAX	CPMIN	WD	TAP	CPMEAN	CPRMS	CPMAX	CPMIN	WD	TAP	CPMEAN	CPRMS	CPMAX	CPMIN
250	22102	.112	.084	.215	-.415	250	22002	-.155	.090	.127	-.503	250	22553	-.095	.091	.216	-.435
250	22103	.093	.094	.308	-.448	250	22004	-.160	.089	.157	-.483	250	22554	-.155	.092	.151	-.511
250	22104	.001	.098	.349	-.382	250	22005	-.179	.106	.171	-.662	250	22555	-.139	.085	.114	-.412
250	22105	.097	.100	.471	-.270	250	22006	-.135	.100	.191	-.583	250	22556	-.131	.080	.115	-.384
250	22106	.140	.107	.581	-.252	250	22007	-.128	.097	.183	-.468	250	22557	-.119	.088	.148	-.406
250	22107	.133	.109	.543	-.256	250	22008	-.113	.080	.137	-.452	250	22558	-.139	.090	.120	-.430
250	22108	.208	.106	.664	-.102	250	22009	-.114	.090	.154	-.383	250	22559	-.141	.089	.152	-.445
250	22109	.172	.105	.570	-.173	250	22010	-.142	.089	.124	-.501	250	22600	-.082	.075	.167	-.309
250	22110	.119	.107	.524	-.291	250	22011	-.137	.089	.206	-.458	250	2261	-.072	.084	.131	-.336
250	22111	.098	.111	.528	-.289	250	22012	-.131	.080	.161	-.433	250	2262	-.097	.085	.131	-.361
250	22112	.169	.101	.568	-.138	250	22013	-.130	.084	.172	-.469	250	2263	-.098	.080	.168	-.428
250	22113	.025	.100	.377	-.298	250	22014	-.172	.095	.144	-.519	250	2264	-.083	.075	.160	-.390
250	22114	.057	.096	.298	-.407	250	22015	-.179	.098	.150	-.580	250	2265	-.087	.085	.198	-.413
250	22115	.076	.103	.305	-.474	250	22016	-.166	.089	.122	-.551	250	2266	-.105	.088	.208	-.436
250	22116	.038	.106	.444	-.389	250	22017	-.178	.101	.142	-.526	250	2267	-.142	.088	.157	-.444
250	22117	.138	.102	.195	-.460	250	22018	-.197	.101	.104	-.650	250	2268	-.122	.080	.230	-.397
250	22118	.181	.097	.132	-.563	250	22019	-.160	.078	.105	-.416	250	2269	-.111	.086	.200	-.416
250	22119	.223	.107	.135	-.635	250	22200	-.172	.084	.128	-.490	250	2270	-.134	.087	.174	-.442
250	22120	.175	.107	.154	-.547	250	22201	-.118	.087	.145	-.409	250	2271	-.127	.092	.157	-.500
250	22121	.073	.111	.421	-.549	250	22202	-.134	.087	.134	-.414	250	2272	-.109	.081	.146	-.430
250	22122	.150	.097	.168	-.551	250	22203	-.129	.089	.155	-.416	250	2273	-.068	.087	.229	-.381
250	22123	.159	.100	.149	-.581	250	22204	-.120	.077	.133	-.390	250	2274	-.096	.088	.203	-.410
250	22124	.110	.095	.193	-.554	250	22205	-.122	.084	.153	-.419	250	2275	-.089	.085	.183	-.395
250	22125	.116	.089	.165	-.463	250	22206	-.157	.086	.144	-.482	250	2276	-.075	.079	.176	-.362
250	22126	.106	.083	.174	-.433	250	22207	-.152	.095	.186	-.503	250	2277	-.063	.088	.224	-.380
250	22127	.118	.092	.192	-.479	250	22208	-.163	.088	.152	-.510	250	2278	-.105	.088	.176	-.432
250	22128	.001	.091	.314	-.372	250	22209	-.155	.095	.201	-.486	250	2279	-.099	.083	.158	-.412
250	22129	.047	.098	.399	-.265	250	22210	-.182	.093	.178	-.482	250	2280	-.109	.073	.108	-.356
250	22130	.113	.095	.511	-.171	250	22231	-.172	.091	.121	-.519	250	2281	-.142	.086	.122	-.428
250	22131	.111	.107	.494	-.225	250	22232	-.154	.084	.108	-.481	250	2282	-.131	.084	.128	-.403
250	22132	.178	.099	.515	-.140	250	22233	-.148	.093	.156	-.504	250	2283	-.125	.091	.171	-.406
250	22133	.211	.108	.649	-.091	250	22234	-.114	.094	.191	-.427	250	2284	-.094	.079	.168	-.335
250	22134	.184	.102	.569	-.093	250	22235	-.112	.087	.233	-.413	250	2285	-.135	.093	.172	-.426
250	22135	.113	.119	.554	-.252	250	22236	-.100	.077	.192	-.368	250	2901	-.344	.154	.087	-.426
250	22136	.162	.111	.590	-.156	250	22237	-.100	.085	.230	-.403	250	2902	-.250	.117	.145	-.762
250	22137	.166	.103	.533	-.141	250	22238	-.125	.088	.196	-.447	250	2903	-.188	.138	.329	-.705
250	22138	.057	.096	.402	-.226	250	22239	-.133	.087	.190	-.408	250	2904	-.164	.112	.295	-.589
250	22139	.062	.118	.329	-.501	250	22240	-.116	.082	.193	-.372	250	2905	-.158	.099	.150	-.520
250	22140	.006	.106	.374	-.358	250	22241	-.135	.093	.177	-.448	250	2906	-.112	.082	.178	-.396
250	22141	.095	.108	.519	-.338	250	22242	-.154	.096	.188	-.462	250	2907	-.169	.101	.147	-.530
250	22142	.118	.089	.181	-.410	250	22243	-.166	.091	.176	-.519	250	2908	-.142	.125	.371	-.732
250	22143	.198	.103	.187	-.630	250	22244	-.153	.081	.133	-.462	250	2909	-.356	.120	.004	-.837
250	22144	.142	.098	.226	-.558	250	22245	-.142	.086	.148	-.471	250	2910	-.351	.110	.119	-.734
250	22145	.110	.118	.371	-.590	250	22246	-.164	.091	.155	-.503	250	2911	-.277	.120	.121	-.832
250	22146	.035	.099	.287	-.468	250	22247	-.102	.083	.227	-.391	250	2912	-.315	.126	.131	-.903
250	22147	.189	.105	.149	-.687	250	22248	-.087	.076	.210	-.336	250	2913	-.322	.106	.044	-.797
250	22148	.109	.093	.213	-.549	250	22249	-.083	.084	.221	-.356	250	2914	-.319	.097	.018	-.691
250	22149	.109	.087	.170	-.463	250	22500	-.113	.086	.191	-.376	250	2915	-.266	.112	.087	-.928
250	22150	.114	.082	.149	-.519	250	22501	-.111	.084	.153	-.489	250	2916	-.225	.117	.088	-.824
250	22601	.199	.093	.104	-.495	250	22502	-.105	.081	.173	-.443	250	2917	-.186	.102	.137	-.601

APPENDIX A -- PRESSURE DATA:

CONFIGURATION A: ARCO PLAZA, LONG BEACH

WD	TAP	CPMEAN	CPRMS	CPMAX	CPMIN	WD	TAP	CPMEAN	CPRMS	CPMAX	CPMIN	WD	TAP	CPMEAN	CPRMS	CPMAX	CPMIN
2250	918	.222	.143	.320	-.087	260	1022	-.072	.093	.251	-.496	260	1078	-.150	.087	.102	-.442
2250	919	.469	.155	.000	-1.055	260	1023	-.077	.095	.355	-.508	260	1079	-.117	.096	.164	-.448
2250	920	.431	.137	.010	-.962	260	1024	-.064	.084	.321	-.514	260	1080	-.066	.085	.186	-.347
2250	921	.363	.117	.098	-.850	260	1025	-.089	.089	.346	-.400	260	1081	-.066	.087	.219	-.364
2250	922	.296	.114	.207	-.719	260	1026	-.071	.088	.311	-.414	260	1082	-.126	.082	.152	-.399
2250	923	.256	.115	.131	-.754	260	1027	-.072	.085	.296	-.416	260	1083	-.099	.090	.206	-.387
260	901	.077	.094	.224	-.454	260	1028	-.064	.076	.269	-.371	260	1084	-.067	.082	.210	-.334
260	902	.034	.078	.154	-.454	260	1029	-.064	.086	.308	-.392	260	1085	-.081	.090	.204	-.417
260	903	.096	.097	.159	-.466	260	1030	-.073	.087	.303	-.400	260	1086	-.154	.087	.129	-.466
260	904	.067	.094	.271	-.471	260	1031	-.075	.089	.238	-.362	260	1087	-.136	.099	.192	-.534
260	905	.057	.093	.255	-.484	260	1032	-.067	.083	.237	-.340	260	1088	-.099	.091	.207	-.461
260	906	.030	.081	.257	-.332	260	1033	-.073	.094	.261	-.409	260	1089	-.092	.093	.205	-.412
260	907	.071	.095	.270	-.409	260	1034	-.092	.095	.229	-.384	260	1090	-.157	.091	.131	-.487
260	908	.067	.092	.258	-.389	260	1035	-.102	.094	.231	-.469	260	1091	-.139	.105	.180	-.510
260	909	.060	.100	.251	-.426	260	1036	-.093	.087	.182	-.404	260	1092	-.105	.099	.202	-.452
260	910	.016	.089	.281	-.322	260	1037	-.098	.102	.327	-.533	260	1093	-.116	.092	.291	-.466
260	911	.056	.107	.313	-.413	260	1038	-.185	.118	.143	-.670	260	1094	-.183	.092	.145	-.564
260	912	.043	.097	.333	-.411	260	1039	-.210	.118	.136	-.682	260	1095	-.159	.103	.180	-.528
260	913	.027	.099	.333	-.411	260	1040	-.158	.083	.112	-.508	260	1096	-.138	.102	.184	-.614
260	914	.015	.078	.242	-.444	260	1041	-.193	.097	.138	-.569	260	1097	-.169	.112	.167	-.674
260	915	.072	.094	.333	-.444	260	1042	-.174	.136	.282	-.817	260	1098	-.257	.122	.116	-.887
260	916	.066	.090	.333	-.444	260	1043	-.349	.255	.277	-.455	260	1099	-.291	.177	.144	-.438
260	917	.057	.090	.189	-.444	260	1044	-.397	.240	.367	-.470	260	1100	-.293	.181	.159	-.371
260	1001	.107	.112	.242	-.444	260	1050	-.070	.090	.214	-.609	260	1101	-.085	.084	.240	-.408
260	1002	.097	.100	.249	-.444	260	1051	-.071	.088	.204	-.397	260	1102	-.140	.083	.178	-.461
260	1003	.090	.106	.280	-.444	260	1052	-.073	.086	.235	-.393	260	1103	-.113	.093	.244	-.474
260	1004	.081	.096	.242	-.444	260	1053	-.062	.077	.211	-.349	260	1104	-.068	.092	.266	-.435
260	1005	.066	.096	.236	-.444	260	1054	-.058	.083	.232	-.385	260	1105	-.060	.078	.224	-.332
260	1006	.052	.078	.214	-.444	260	1055	-.061	.083	.229	-.390	260	1106	-.109	.084	.205	-.442
260	1007	.059	.085	.237	-.444	260	1056	-.066	.084	.225	-.440	260	1107	-.081	.094	.273	-.452
260	1008	.069	.082	.233	-.444	260	1057	-.065	.077	.203	-.416	260	1108	-.052	.091	.281	-.497
260	1009	.059	.087	.247	-.444	260	1058	-.067	.084	.238	-.428	260	1109	-.066	.091	.262	-.369
260	1010	.057	.081	.242	-.444	260	1059	-.070	.083	.261	-.433	260	1110	-.116	.085	.165	-.393
260	1011	.067	.087	.239	-.444	260	1060	-.081	.087	.226	-.373	260	1111	-.100	.096	.209	-.430
260	1012	.075	.091	.233	-.444	260	1061	-.080	.082	.206	-.354	260	1112	-.082	.088	.196	-.373
260	1013	.082	.097	.234	-.444	260	1062	-.081	.089	.227	-.394	260	1113	-.104	.096	.221	-.455
260	1014	.075	.088	.239	-.444	260	1063	-.085	.089	.234	-.403	260	1114	-.151	.089	.145	-.494
260	1015	.086	.094	.294	-.444	260	1064	-.089	.095	.187	-.516	260	1115	-.131	.098	.202	-.468
260	1016	.094	.094	.289	-.444	260	1065	-.089	.088	.170	-.463	260	1116	-.116	.099	.188	-.494
260	1017	.103	.103	.182	-.444	260	1066	-.093	.099	.218	-.467	260	1117	-.119	.097	.215	-.443
260	1018	.126	.101	.182	-.444	260	1067	-.110	.101	.223	-.471	260	1118	-.179	.089	.133	-.455
260	1019	.237	.172	.153	-.444	260	1068	-.133	.107	.207	-.534	260	1119	-.138	.100	.197	-.495
260	1020	.237	.186	.141	-.444	260	1069	-.146	.109	.180	-.480	260	1120	-.114	.098	.210	-.516
260	1021	.215	.150	.141	-.444	260	1070	-.122	.108	.196	-.515	260	1121	-.152	.111	.186	-.504
260	1022	.211	.138	.141	-.444	260	1071	-.135	.109	.158	-.591	260	1122	-.236	.113	.067	-.673
260	1023	.147	.133	.151	-.444	260	1072	-.194	.154	.207	-.938	260	1123	-.220	.142	.157	-.765
260	1024	.263	.211	.141	-.444	260	1073	-.337	.208	.214	-.266	260	1124	-.222	.153	.172	-.623
260	1025	.433	.344	.166	-.444	260	1074	-.495	.257	.339	-.786	260	1125	-.255	.173	.226	-.318
260	1026	.075	.091	.333	-.444	260	1075	-.077	.087	.183	-.458	260	1126	-.138	.094	.164	-.428
260	1027	.075	.093	.333	-.444	260	1076	-.093	.091	.169	-.408	260	1127	-.099	.092	.227	-.410

APPENDIX A -- PRESSURE DATA

CONFIGURATION A: ARCO PLAZA, LONG BEACH

WD	TAP	CPMEAN	CPRMS	CPMAX	CPMIN	WD	TAP	CPMEAN	CPRMS	CPMAX	CPMIN	WD	TAP	CPMEAN	CPRMS	CPMAX	CPMIN
260	1128	.066	.080	.216	.347	260	1279	.014	.076	.337	.283	260	1279	.014	.076	.337	.283
260	1129	.086	.087	.191	.372	260	1280	.039	.094	.311	.365	260	1280	.039	.094	.311	.365
260	1130	.139	.080	.139	.409	260	1281	.020	.091	.254	.299	260	1281	.020	.091	.254	.299
260	1131	.091	.087	.197	.382	260	1282	.028	.090	.294	.324	260	1282	.028	.090	.294	.324
260	1132	.067	.079	.177	.322	260	1283	.084	.078	.285	.324	260	1283	.084	.078	.285	.324
260	1133	.084	.084	.216	.354	260	1284	.056	.093	.276	.324	260	1284	.056	.093	.276	.324
260	1134	.142	.073	.127	.383	260	1285	.047	.091	.275	.324	260	1285	.047	.091	.275	.324
260	1135	.090	.086	.236	.375	260	1901	.012	.087	.385	.441	260	1901	.012	.087	.385	.441
260	1136	.064	.077	.229	.343	260	1902	.165	.107	.191	.692	260	1902	.165	.107	.191	.692
260	1137	.096	.090	.218	.466	260	1903	.116	.128	.403	.541	260	1903	.116	.128	.403	.541
260	1138	.156	.081	.131	.472	260	1904	.053	.113	.358	.486	260	1904	.053	.113	.358	.486
260	1139	.112	.091	.206	.401	260	1905	.076	.113	.324	.475	260	1905	.076	.113	.324	.475
260	1140	.087	.086	.218	.401	260	1906	.033	.172	.635	.848	260	1906	.033	.172	.635	.848
260	1141	.113	.097	.166	.416	260	1907	.149	.131	.322	.882	260	1907	.149	.131	.322	.882
260	1142	.170	.090	.095	.469	260	1908	.233	.155	.385	.627	260	1908	.233	.155	.385	.627
260	1143	.128	.096	.182	.448	260	1909	.037	.077	.265	.337	260	1909	.037	.077	.265	.337
260	1144	.096	.092	.195	.418	260	1910	.074	.091	.288	.405	260	1910	.074	.091	.288	.405
260	1145	.131	.101	.161	.510	260	1911	.120	.098	.202	.541	260	1911	.120	.098	.202	.541
260	1146	.200	.101	.070	.653	260	1912	.065	.091	.233	.575	260	1912	.065	.091	.233	.575
260	1147	.181	.121	.132	.849	260	1913	.077	.103	.428	.612	260	1913	.077	.103	.428	.612
260	1148	.164	.146	.198	.042	260	1914	.063	.122	.493	.428	260	1914	.063	.122	.493	.428
260	1149	.264	.224	.272	.613	260	1915	.018	.100	.386	.418	260	1915	.018	.100	.386	.418
260	1150	.395	.252	.145	.062	260	1916	.010	.100	.340	.337	260	1916	.010	.100	.340	.337
260	1201	.054	.182	.661	.622	260	1917	.101	.138	.453	.637	260	1917	.101	.138	.453	.637
260	1202	.008	.160	.579	.594	260	1918	.172	.114	.168	.615	260	1918	.172	.114	.168	.615
260	1204	.028	.121	.408	.441	260	1919	.064	.075	.190	.349	260	1919	.064	.075	.190	.349
260	1205	.137	.124	.286	.599	260	1920	.179	.106	.149	.640	260	1920	.179	.106	.149	.640
260	1206	.176	.180	.878	.437	260	1921	.129	.096	.170	.532	260	1921	.129	.096	.170	.532
260	1207	.169	.179	.968	.394	260	1922	.034	.106	.324	.433	260	1922	.034	.106	.324	.433
260	1208	.093	.135	.738	.277	260	1923	.039	.123	.511	.424	260	1923	.039	.123	.511	.424
260	1209	.040	.131	.626	.530	260	2001	.076	.117	.425	.432	260	2001	.076	.117	.425	.432
260	1210	.095	.152	.634	.405	260	2002	.015	.117	.325	.368	260	2002	.015	.117	.325	.368
260	1211	.041	.152	.682	.422	260	2003	.012	.143	.777	.449	260	2003	.012	.143	.777	.449
260	1212	.024	.118	.417	.522	260	2004	.101	.146	.637	.377	260	2004	.101	.146	.637	.377
260	1213	.094	.136	.601	.362	260	2005	.143	.137	.680	.374	260	2005	.143	.137	.680	.374
260	1214	.134	.140	.291	.701	260	2006	.175	.123	.621	.319	260	2006	.175	.123	.621	.319
260	1215	.129	.116	.265	.675	260	2007	.109	.125	.514	.414	260	2007	.109	.125	.514	.414
260	1216	.040	.131	.734	.449	260	2008	.110	.118	.530	.350	260	2008	.110	.118	.530	.350
260	1217	.017	.111	.449	.525	260	2009	.105	.111	.474	.344	260	2009	.105	.111	.474	.344
260	1218	.016	.130	.487	.335	260	2010	.033	.114	.404	.438	260	2010	.033	.114	.404	.438
260	1219	.004	.124	.613	.375	260	2011	.039	.111	.400	.507	260	2011	.039	.111	.400	.507
260	1220	.000	.080	.364	.265	260	2012	.038	.109	.413	.402	260	2012	.038	.109	.413	.402
260	1221	.164	.193	.872	.449	260	2013	.022	.116	.402	.424	260	2013	.022	.116	.402	.424
260	1222	.137	.191	.907	.451	260	2014	.220	.121	.151	.624	260	2014	.220	.121	.151	.624
260	1223	.002	.133	.467	.475	260	2015	.230	.121	.150	.507	260	2015	.230	.121	.150	.507
260	1224	.024	.086	.249	.327	260	2016	.003	.142	.469	.339	260	2016	.003	.142	.469	.339
260	1225	.014	.101	.362	.366	260	2017	.140	.103	.184	.441	260	2017	.140	.103	.184	.441
260	1226	.132	.116	.260	.749	260	2018	.271	.116	.099	.366	260	2018	.271	.116	.099	.366
260	1227	.042	.105	.367	.356	260	2019	.309	.142	.094	.444	260	2019	.309	.142	.094	.444
260	1228	.115	.098	.209	.569	260	2020	.205	.150	.497	.686	260	2020	.205	.150	.497	.686

APPENDIX A -- PRESSURE DATA:

CONFIGURATION A) ARCO PLAZA LONG BEACH

WD	TAP	CPMEAN	CPRMS	CPMAX	CPMIN	WD	TAP	CPMEAN	CPRMS	CPMAX	CPMIN	WD	TAP	CPMEAN	CPRMS	CPMAX	CPMIN
260	2021	.027	.134	.468	.561	260	2071	.134	.114	.281	.543	260	2121	-.073	.108	.287	-.504
260	2022	-.181	.102	.164	.539	260	2072	-.128	.097	.202	.522	260	2122	-.103	.094	.222	-.450
260	2023	-.158	.114	.210	.631	260	2073	-.094	.095	.201	.524	260	2123	-.122	.098	.221	-.478
260	2024	-.108	.100	.254	.494	260	2074	-.092	.084	.179	.470	260	2124	-.068	.092	.238	-.356
260	2025	-.106	.105	.237	.635	260	2075	-.140	.099	.189	.800	260	2125	-.075	.087	.201	-.455
260	2026	-.101	.086	.185	.409	260	2076	-.120	.088	.172	.423	260	2126	-.080	.080	.216	-.333
260	2027	-.085	.110	.343	.461	260	2077	-.093	.088	.189	.378	260	2127	-.097	.089	.221	-.369
260	2028	.060	.123	.593	.382	260	2078	-.035	.084	.229	.344	260	2128	.015	.089	.303	-.263
260	2029	.146	.128	.690	.297	260	2079	-.017	.104	.356	.390	260	2129	.047	.095	.361	-.293
260	2030	.234	.118	.623	.123	260	2080	.137	.109	.508	-.214	260	2130	.106	.092	.452	-.219
260	2031	.243	.139	.685	.195	260	2081	.197	.117	.670	-.169	260	2131	.114	.111	.516	-.253
260	2032	.271	.130	.686	.093	260	2082	.226	.108	.617	-.132	260	2132	.187	.107	.561	-.137
260	2033	.286	.128	.743	.085	260	2083	.197	.114	.603	-.165	260	2133	.224	.115	.631	-.151
260	2034	.227	.114	.628	.101	260	2084	.184	.107	.617	-.142	260	2134	.181	.101	.597	-.138
260	2035	.072	.150	.632	.367	260	2085	.087	.117	.505	.372	260	2135	.088	.110	.541	-.267
260	2036	.128	.130	.573	.266	260	2086	.103	.102	.473	.314	260	2136	.147	.104	.564	-.180
260	2037	.219	.121	.648	.196	260	2087	.124	.108	.560	.211	260	2137	.169	.101	.535	-.134
260	2038	.021	.098	.456	.297	260	2088	.020	.101	.339	.415	260	2138	.004	.097	.344	-.373
260	2039	.206	.123	.221	.755	260	2089	.143	.107	.201	.560	260	2139	.149	.126	.311	-.766
260	2040	.128	.118	.311	.626	260	2090	-.115	.101	.200	.548	260	2140	.063	.113	.378	-.594
260	2041	.045	.143	.525	.506	260	2091	-.073	.132	.329	.556	260	2141	-.062	.115	.520	-.419
260	2042	.128	.085	.163	.468	260	2092	.141	.091	.151	.542	260	2142	-.132	.087	.158	-.494
260	2043	.247	.106	.098	.718	260	2093	.209	.107	.141	.684	260	2143	-.204	.102	.119	-.564
260	2044	.206	.101	.130	.690	260	2094	.201	.098	.115	.584	260	2144	-.145	.095	.170	-.495
260	2045	.219	.114	.219	.683	260	2095	.262	.113	.141	.657	260	2145	-.127	.111	.438	-.604
260	2046	.071	.115	.394	.485	260	2096	.091	.118	.347	.506	260	2146	-.052	.099	.327	-.418
260	2047	.190	.110	.754	.304	260	2097	.163	.100	.271	.452	260	2147	-.129	.096	.171	-.480
260	2048	.109	.100	.330	.541	260	2098	.077	.089	.231	.378	260	2148	-.059	.087	.207	-.394
260	2049	.098	.094	.190	.541	260	2099	.125	.096	.211	.457	260	2149	-.057	.093	.266	-.361
260	2050	.094	.085	.173	.706	260	2100	.074	.093	.259	.484	260	2150	-.069	.088	.214	-.374
260	2051	.167	.099	.203	.526	260	2101	-.092	.090	.194	.385	260	2201	-.164	.102	.166	-.603
260	2052	.094	.097	.282	.442	260	2102	-.087	.085	.203	.354	260	2202	-.120	.101	.178	-.487
260	2053	.003	.102	.339	.337	260	2103	-.091	.096	.280	.432	260	2204	-.119	.101	.230	-.523
260	2054	.083	.105	.453	.233	260	2104	-.001	.097	.361	.370	260	2205	-.131	.119	.290	-.585
260	2055	.152	.124	.600	.271	260	2105	.090	.097	.476	.237	260	2206	-.090	.103	.289	-.460
260	2056	.245	.129	.746	.179	260	2106	.146	.107	.569	.250	260	2207	-.088	.099	.320	-.558
260	2057	.272	.124	.772	.110	260	2107	.137	.114	.608	.233	260	2208	-.071	.083	.307	-.401
260	2058	.276	.109	.740	.073	260	2108	.182	.105	.518	.153	260	2209	-.067	.095	.358	-.435
260	2059	.180	.115	.744	.180	260	2109	.146	.096	.499	.221	260	2210	-.109	.096	.350	-.451
260	2060	.110	.126	.583	.212	260	2110	.065	.097	.408	.359	260	2211	-.107	.094	.213	-.488
260	2061	.157	.123	.657	.235	260	2111	.047	.100	.390	.373	260	2212	-.105	.086	.177	-.427
260	2062	.231	.109	.665	.160	260	2112	.141	.093	.410	.165	260	2213	-.085	.088	.195	-.401
260	2063	.034	.112	.455	.401	260	2113	-.038	.092	.293	.329	260	2214	-.143	.106	.182	-.455
260	2064	.153	.109	.192	.588	260	2114	-.123	.094	.203	.503	260	2215	-.154	.108	.197	-.601
260	2065	.102	.115	.298	.630	260	2115	-.149	.102	.222	.575	260	2216	-.139	.097	.152	-.560
260	2066	.002	.133	.453	.458	260	2116	-.026	.109	.363	.411	260	2217	-.129	.113	.287	-.729
260	2067	.201	.105	.199	.683	260	2117	-.162	.100	.168	.610	260	2218	-.167	.111	.205	-.691
260	2068	.232	.109	.115	.709	260	2118	-.214	.105	.133	.688	260	2219	-.111	.083	.239	-.464
260	2069	.208	.096	.098	.378	260	2119	.251	.110	.120	.843	260	2220	-.143	.087	.199	-.497
260	2070	.215	.089	.075	.324	260	2120	.190	.105	.204	.660	260	2221	-.055	.088	.254	-.376

APPENDIX A -- PRESSURE DATA:

CONFIGURATION A: ARCO PLAZA, LONG BEACH

WD	TAP	CPMEAN	CPRMS	CPMAX	CPMIN	WD	TAP	CPMEAN	CPRMS	CPMAX	CPMIN	WD	TAP	CPMEAN	CPRMS	CPMAX	CPMIN
260	222222	.090	.090	.217	.424	260	222722	.080	.085	.226	.387	270	914	.042	.078	.264	.295
260	222222	.084	.093	.230	.470	260	222723	.085	.089	.226	.387	270	915	.042	.093	.264	.301
260	222222	.079	.081	.187	.423	260	222724	.044	.092	.264	.387	270	916	.033	.091	.264	.299
260	222222	.067	.090	.237	.480	260	222725	.038	.089	.300	.322	270	917	.035	.088	.251	.306
260	222222	.121	.095	.198	.539	260	222726	.025	.083	.293	.288	270	1001	.061	.090	.250	.404
260	222222	.119	.095	.174	.477	260	222727	.003	.090	.309	.286	270	1002	.052	.081	.228	.402
260	222222	.130	.090	.148	.436	260	222728	.054	.094	.265	.339	270	1003	.045	.087	.249	.416
260	222222	.107	.096	.212	.443	260	222729	.044	.089	.307	.307	270	1004	.048	.082	.247	.337
260	222222	.155	.097	.168	.479	260	222730	.051	.084	.338	.309	270	1005	.040	.083	.263	.315
260	222222	.132	.092	.143	.497	260	222731	.089	.096	.299	.387	270	1006	.027	.073	.240	.270
260	222222	.111	.093	.156	.459	260	222732	.084	.091	.252	.365	270	1007	.028	.081	.255	.315
260	222222	.083	.091	.204	.468	260	222733	.079	.096	.283	.402	270	1008	.044	.077	.270	.338
260	222222	.083	.090	.233	.440	260	222734	.086	.084	.290	.332	270	1009	.042	.077	.258	.377
260	222222	.073	.079	.209	.411	260	222735	.087	.099	.304	.413	270	1010	.032	.070	.249	.356
260	222222	.062	.088	.215	.397	260	222736	.160	.186	.182	.141	270	1011	.034	.074	.224	.279
260	222222	.107	.092	.233	.424	260	222737	.091	.131	.321	.678	270	1012	.050	.080	.229	.41
260	222222	.116	.090	.171	.436	260	222738	.124	.106	.427	.622	270	1013	.057	.083	.256	.399
260	222400	.098	.084	.152	.393	260	222739	.111	.102	.248	.790	270	1014	.059	.074	.170	.300
260	222401	.097	.096	.203	.412	260	222740	.065	.087	.229	.393	270	1015	.066	.084	.191	.333
260	222402	.131	.098	.190	.459	260	222741	.143	.104	.226	.536	270	1016	.084	.085	.183	.375
260	222403	.143	.096	.175	.478	260	222742	.076	.114	.402	.549	270	1017	.087	.096	.205	.413
260	222404	.132	.082	.130	.407	260	222743	.328	.123	.061	.782	270	1018	.103	.094	.187	.501
260	222405	.143	.087	.189	.402	260	222744	.246	.114	.115	.652	270	1019	.192	.137	.162	.952
260	222406	.104	.088	.174	.461	260	222745	.225	.119	.157	.782	270	1020	.196	.124	.135	.991
260	222407	.056	.088	.220	.386	260	222746	.239	.125	.286	.782	270	1021	.117	.098	.173	.637
260	222408	.059	.080	.216	.330	260	222747	.310	.119	.152	.747	270	1022	.134	.087	.135	.540
260	222409	.032	.089	.288	.337	260	222748	.286	.111	.085	.747	270	1023	.060	.112	.302	.995
260	222500	.092	.092	.267	.403	260	222749	.227	.120	.204	.860	270	1024	.089	.144	.370	.861
260	222501	.080	.090	.248	.420	260	222750	.164	.117	.203	.738	270	1025	.130	.248	.572	.695
260	222502	.082	.085	.189	.418	260	222751	.122	.094	.181	.424	270	1026	.050	.080	.215	.352
260	222503	.053	.091	.180	.422	260	222752	.119	.151	.494	.778	270	1027	.042	.086	.241	.384
260	222504	.134	.097	.180	.495	260	222753	.401	.183	.404	.170	270	1028	.052	.085	.220	.438
260	222505	.113	.093	.183	.405	260	222754	.375	.134	.068	.978	270	1029	.049	.090	.237	.388
260	222506	.113	.083	.143	.377	260	222755	.261	.118	.150	.772	270	1030	.038	.080	.219	.378
260	222507	.095	.091	.206	.361	260	222756	.216	.094	.125	.568	270	1031	.045	.086	.255	.351
260	222508	.111	.094	.197	.417	260	222757	.214	.103	.150	.601	270	1032	.040	.085	.238	.373
260	222509	.112	.093	.229	.450	270	9001	.054	.097	.271	.371	270	1033	.047	.083	.232	.396
260	222600	.040	.077	.229	.413	270	9002	.038	.086	.248	.326	270	1034	.041	.073	.181	.346
260	222601	.033	.084	.273	.396	270	9003	.055	.097	.291	.449	270	1035	.030	.083	.214	.366
260	222602	.053	.086	.246	.422	270	9004	.036	.104	.352	.363	270	1036	.048	.085	.210	.392
260	222603	.047	.089	.251	.387	270	9005	.035	.097	.296	.369	270	1037	.052	.090	.240	.343
260	222604	.037	.084	.231	.355	270	9006	.031	.086	.311	.305	270	1038	.033	.082	.232	.346
260	222605	.019	.094	.288	.370	270	9007	.033	.096	.280	.368	270	1039	.053	.094	.263	.350
260	222606	.055	.097	.258	.405	270	9008	.044	.094	.276	.356	270	1040	.091	.098	.247	.94
260	222607	.101	.097	.198	.485	270	9009	.048	.099	.310	.394	270	1041	.076	.091	.214	.441
260	222608	.083	.086	.190	.383	270	9100	.032	.090	.386	.360	270	1042	.073	.095	.294	.356
260	222609	.065	.092	.255	.398	270	9101	.035	.101	.311	.388	270	1043	.176	.105	.186	.506
260	222700	.104	.096	.230	.467	270	9102	.031	.096	.290	.386	270	1044	.199	.107	.126	.648
260	222701	.093	.095	.228	.446	270	9103	.035	.097	.301	.374	270	1045	.111	.078	.153	.448

APPENDIX A -- PRESSURE DATA:

CONFIGURATION A: ARCO PLAZA, LONG BEACH

WD	TAP	CPMEAN	CPRMS	CPMAX	CPMIN	WD	TAP	CPMEAN	CPRMS	CPMAX	CPMIN	WD	TAP	CPMEAN	CPRMS	CPMAX	CPMIN
270	1047	.140	.088	.150	-.536	270	1097	-.150	.104	.272	-.587	270	1147	-.147	.110	.299	-.592
270	1048	.056	.120	.483	-.505	270	1098	-.193	.112	.204	-.722	270	1148	-.121	.120	.379	-.719
270	1049	.066	.212	.581	-.944	270	1099	-.193	.157	.471	-.192	270	1149	-.170	.158	.248	-.296
270	1050	.073	.237	.678	-.847	270	1100	-.178	.172	.525	-.262	270	1150	-.263	.178	.165	-.444
270	1051	.037	.089	.247	-.455	270	1101	-.063	.087	.290	-.352	270	1201	-.069	.176	1.013	-.426
270	1052	.047	.087	.224	-.465	270	1102	-.120	.085	.220	-.404	270	1202	-.059	.154	.451	-.573
270	1053	.049	.085	.286	-.306	270	1103	-.091	.092	.299	-.415	270	1204	-.044	.117	.430	-.463
270	1054	.042	.078	.252	-.304	270	1104	-.044	.090	.305	-.324	270	1205	-.127	.110	.212	-.514
270	1055	.026	.084	.291	-.314	270	1105	-.048	.080	.213	-.322	270	1206	-.058	.172	.487	-.772
270	1056	.038	.084	.274	-.327	270	1106	-.099	.086	.196	-.423	270	1207	-.041	.133	.487	-.414
270	1057	.051	.083	.221	-.357	270	1107	-.072	.095	.275	-.416	270	1208	-.043	.103	.478	-.275
270	1058	.053	.075	.194	-.327	270	1108	-.044	.092	.286	-.351	270	1209	-.062	.113	.509	-.327
270	1059	.038	.082	.247	-.343	270	1109	-.067	.087	.230	-.437	270	1210	-.114	.138	.590	-.344
270	1060	.050	.085	.240	-.336	270	1110	-.117	.081	.147	-.456	270	1211	-.073	.136	.637	-.350
270	1061	.052	.083	.214	-.332	270	1111	-.097	.090	.209	-.466	270	1212	-.046	.117	.381	-.547
270	1062	.054	.079	.197	-.331	270	1112	-.067	.081	.203	-.399	270	1213	-.106	.135	.588	-.440
270	1063	.041	.086	.227	-.339	270	1113	-.078	.092	.273	-.400	270	1214	-.131	.132	.304	-.619
270	1064	.060	.090	.226	-.403	270	1114	-.128	.085	.200	-.431	270	1215	-.113	.109	.239	-.566
270	1065	.070	.091	.211	-.339	270	1115	-.101	.093	.268	-.418	270	1216	-.074	.137	.591	-.412
270	1066	.073	.081	.181	-.359	270	1116	-.068	.085	.248	-.379	270	1217	-.065	.104	.489	-.250
270	1067	.061	.092	.219	-.395	270	1117	-.089	.093	.188	-.471	270	1218	-.021	.112	.460	-.313
270	1068	.103	.095	.177	-.461	270	1118	-.150	.088	.121	-.486	270	1219	-.006	.106	.469	-.353
270	1069	.157	.110	.212	-.591	270	1119	-.130	.098	.177	-.519	270	1220	-.019	.070	.280	-.201
270	1070	.182	.106	.158	-.596	270	1120	-.098	.093	.181	-.465	270	1221	-.066	.157	.663	-.711
270	1071	.110	.091	.269	-.438	270	1121	-.120	.102	.218	-.517	270	1222	-.049	.141	.610	-.720
270	1072	.158	.096	.197	-.496	270	1122	-.199	.100	.131	-.676	270	1223	-.014	.113	.517	-.375
270	1073	.079	.125	.348	-.717	270	1123	-.176	.119	.157	-.688	270	1224	-.034	.086	.350	-.295
270	1074	.095	.177	.463	-.969	270	1124	-.161	.129	.259	-.873	270	1225	-.060	.108	.429	-.369
270	1075	.104	.241	.623	-.1	270	1125	-.200	.145	.194	-.549	270	1226	-.112	.104	.246	-.578
270	1076	.048	.086	.227	-.298	270	1126	-.124	.084	.193	-.401	270	1227	-.021	.116	.354	-.380
270	1077	.067	.096	.244	-.414	270	1127	-.090	.092	.245	-.399	270	1228	-.092	.096	.251	-.446
270	1078	.125	.090	.180	-.457	270	1128	-.050	.078	.240	-.332	270	1229	-.052	.105	.334	-.494
270	1079	.088	.097	.286	-.428	270	1129	-.068	.089	.199	-.389	270	1230	-.026	.093	.305	-.544
270	1080	.046	.089	.278	-.353	270	1130	-.124	.083	.124	-.433	270	1231	-.034	.088	.254	-.386
270	1081	.059	.091	.231	-.346	270	1131	-.082	.091	.205	-.414	270	1232	-.065	.073	.224	-.256
270	1082	.122	.086	.138	-.394	270	1132	-.052	.082	.198	-.345	270	1233	-.015	.086	.270	-.324
270	1083	.096	.095	.198	-.418	270	1133	-.074	.092	.213	-.352	270	1234	-.065	.149	.573	-.979
270	1084	.059	.086	.202	-.437	270	1134	-.130	.080	.134	-.376	270	1235	-.005	.131	.576	-.508
270	1085	.070	.093	.257	-.382	270	1135	-.092	.094	.186	-.386	270	1236	-.007	.099	.388	-.325
270	1086	.138	.088	.178	-.459	270	1136	-.057	.084	.198	-.324	270	1237	-.011	.098	.325	-.359
270	1087	.112	.099	.245	-.470	270	1137	-.076	.103	.282	-.419	270	1238	-.007	.109	.445	-.401
270	1088	.072	.090	.247	-.403	270	1138	-.135	.095	.191	-.450	270	1239	-.109	.097	.191	-.482
270	1089	.068	.102	.308	-.414	270	1139	-.100	.104	.282	-.453	270	1240	-.060	.090	.263	-.494
270	1090	.143	.098	.234	-.500	270	1140	-.064	.097	.297	-.388	270	1241	-.076	.097	.198	-.497
270	1091	.116	.108	.248	-.541	270	1141	-.065	.098	.258	-.502	270	1242	-.087	.097	.236	-.404
270	1092	.079	.102	.257	-.443	270	1142	-.142	.092	.179	-.518	270	1243	-.049	.089	.229	-.383
270	1093	.098	.097	.234	-.453	270	1143	-.109	.099	.256	-.496	270	1244	-.017	.075	.208	-.300
270	1094	.193	.098	.147	-.675	270	1144	-.073	.093	.253	-.427	270	1245	-.024	.086	.236	-.342
270	1095	.165	.111	.163	-.737	270	1145	-.095	.097	.286	-.442	270	1246	-.055	.090	.216	-.439
270	1096	.113	.092	.237	-.452	270	1146	-.166	.095	.230	-.497	270	1247	-.038	.137	.493	-.977

APPENDIX A -- PRESSURE DATA:

CONFIGURATION A: ARCO PLAZA, LONG BEACH

WD	TAP	CPMEAN	CPRMS	CPMAX	CPMIN	WD	TAP	CPMEAN	CPRMS	CPMAX	CPMIN	WD	TAP	CPMEAN	CPRMS	CPMAX	CPMIN
270	1248	-.001	.109	.384	-.662	270	1913	.065	.103	.428	-.264	270	2040	-.143	.163	.211	-.680
270	1249	-.033	.101	.339	-.461	270	1914	-.059	.116	.529	-.307	270	2041	-.006	.137	.436	-.592
270	1250	-.067	.094	.289	-.512	270	1915	-.022	.098	.320	-.366	270	2042	-.128	.094	.180	-.537
270	1251	-.036	.096	.314	-.367	270	1916	-.030	.103	.293	-.391	270	2043	-.240	.118	.139	-.663
270	1252	-.043	.077	.221	-.333	270	1917	-.096	.120	.248	-.570	270	2044	-.190	.112	.174	-.636
270	1253	-.046	.087	.264	-.401	270	1918	-.132	.101	.236	-.521	270	2045	-.169	.105	.174	-.597
270	1254	-.067	.087	.246	-.411	270	1919	-.052	.073	.170	-.314	270	2046	-.071	.098	.282	-.427
270	1255	-.053	.086	.232	-.382	270	1920	-.149	.097	.154	-.541	270	2047	-.141	.103	.228	-.624
270	1256	-.001	.073	.250	-.230	270	1921	-.120	.093	.163	-.467	270	2048	-.068	.093	.247	-.464
270	1257	-.010	.081	.265	-.288	270	1922	-.015	.110	.578	-.412	270	2049	-.063	.088	.247	-.372
270	1258	-.041	.084	.237	-.373	270	1923	-.068	.109	.460	-.367	270	2050	-.059	.077	.204	-.428
270	1259	-.041	.081	.254	-.330	270	2001	-.041	.147	.741	-.559	270	2051	-.148	.108	.330	-.490
270	1260	-.033	.096	.398	-.468	270	2002	.003	.142	.718	-.483	270	2052	-.081	.104	.412	-.395
270	1261	-.037	.099	.452	-.378	270	2003	0.000	.167	.964	-.525	270	2053	-.045	.104	.331	-.407
270	1262	-.083	.093	.268	-.495	270	2004	.065	.160	.780	-.472	270	2054	-.022	.096	.330	-.354
270	1263	-.075	.089	.223	-.432	270	2005	.116	.161	.775	-.444	270	2055	-.018	.112	.535	-.339
270	1264	-.014	.078	.251	-.321	270	2006	.167	.143	.723	-.355	270	2056	.121	.140	.692	-.369
270	1265	-.031	.088	.274	-.385	270	2007	.117	.139	.601	-.357	270	2057	.173	.143	.819	-.208
270	1266	-.040	.088	.274	-.414	270	2008	.142	.129	.669	-.331	270	2058	.205	.126	.748	-.146
270	1267	-.039	.088	.318	-.361	270	2009	.138	.122	.617	-.301	270	2059	.135	.137	.637	-.349
270	1268	-.003	.075	.326	-.257	270	2010	-.016	.104	.415	-.416	270	2060	.097	.123	.617	-.363
270	1269	-.001	.084	.341	-.296	270	2011	-.021	.104	.410	-.537	270	2061	.121	.115	.613	-.283
270	1270	-.027	.085	.318	-.342	270	2012	-.091	.113	.520	-.335	270	2062	-.173	.105	.588	-.154
270	1271	-.030	.090	.285	-.340	270	2013	-.011	.102	.350	-.389	270	2063	-.060	.109	.387	-.456
270	1272	-.005	.074	.231	-.274	270	2014	-.189	.106	.168	-.585	270	2064	-.153	.112	.248	-.613
270	1273	-.032	.135	.604	-.357	270	2015	-.205	.115	.174	-.650	270	2065	-.111	.105	.247	-.538
270	1274	-.005	.129	.459	-.404	270	2016	-.001	.126	.474	-.561	270	2066	-.002	.105	.505	-.344
270	1275	-.051	.106	.347	-.554	270	2017	-.122	.097	.203	-.530	270	2067	-.176	.104	.174	-.520
270	1276	-.015	.084	.360	-.272	270	2018	-.217	.103	.116	-.652	270	2068	-.170	.104	.175	-.560
270	1277	-.005	.094	.407	-.332	270	2019	-.257	.124	.096	-.852	270	2069	-.161	.093	.146	-.469
270	1278	-.039	.091	.251	-.337	270	2020	-.152	.123	.352	-.603	270	2070	-.165	.086	.112	-.427
270	1279	-.018	.084	.263	-.294	270	2021	-.053	.122	.450	-.508	270	2071	-.143	.104	.288	-.488
270	1280	-.027	.093	.278	-.323	270	2022	-.114	.096	.262	-.510	270	2072	-.087	.091	.256	-.426
270	1281	-.023	.092	.279	-.322	270	2023	-.119	.100	.187	-.555	270	2073	-.082	.093	.256	-.355
270	1282	-.015	.089	.285	-.346	270	2024	-.068	.090	.245	-.449	270	2074	-.059	.081	.189	-.317
270	1283	-.008	.080	.261	-.310	270	2025	-.072	.095	.278	-.396	270	2075	-.111	.094	.173	-.419
270	1284	-.019	.091	.275	-.377	270	2026	-.066	.115	.413	-.448	270	2076	-.101	.095	.194	-.409
270	1285	-.026	.090	.264	-.380	270	2027	-.078	.141	.539	-.549	270	2077	-.075	.092	.286	-.446
270	1901	-.001	.097	.307	-.370	270	2028	.016	.134	.538	-.481	270	2078	-.072	.088	.191	-.394
270	1902	-.118	.109	.247	-.567	270	2029	.069	.144	.581	-.421	270	2079	-.103	.100	.199	-.458
270	1903	-.117	.120	.327	-.703	270	2030	.153	.126	.601	-.256	270	2080	.023	.100	.443	-.317
270	1904	-.056	.110	.285	-.491	270	2031	.174	.157	.741	-.398	270	2081	.066	.121	.616	-.314
270	1905	-.151	.118	.250	-.582	270	2032	.239	.142	.713	-.275	270	2082	.109	.120	.576	-.267
270	1906	-.040	.161	.597	-.827	270	2033	.250	.149	.799	-.134	270	2083	.110	.126	.558	-.279
270	1907	-.115	.115	.236	-.683	270	2034	.205	.122	.640	-.134	270	2084	.140	.115	.522	-.260
270	1908	-.164	.170	.487	-.796	270	2035	.055	.125	.496	-.456	270	2085	.099	.101	.332	-.363
270	1909	-.047	.082	.241	-.356	270	2036	.112	.112	.522	-.340	270	2086	.092	.092	.439	-.363
270	1910	-.050	.092	.282	-.387	270	2037	.190	.120	.683	-.203	270	2087	.092	.107	.494	-.261
270	1911	-.133	.118	.304	-.729	270	2038	-.004	.083	.327	-.286	270	2088	-.015	.089	.290	-.412
270	1912	-.057	.095	.228	-.435	270	2039	-.223	.111	.197	-.831	270	2089	-.140	.112	.277	-.616

APPENDIX A -- PRESSURE DATA:

CONFIGURATION A: ARCO PLAZA, LONG BEACH

WD	TAP	CPMEAN	CPRMS	CPMAX	CPMIN	WD	TAP	CPMEAN	CPRMS	CPMAX	CPMIN	WD	TAP	CPMEAN	CPRMS	CPMAX	CPMIN
270	2090	.121	.102	.191	-.339	270	2140	-.024	.104	.311	-.435	270	2241	-.094	.102	.233	-.502
270	2091	-.046	.129	.568	-.553	270	2141	-.068	.100	.430	-.272	270	2242	-.094	.104	.275	-.527
270	2092	-.127	.097	.202	-.549	270	2142	-.114	.088	.174	-.424	270	2243	-.104	.099	.228	-.457
270	2093	-.158	.094	.150	-.590	270	2143	-.170	.100	.162	-.587	270	2244	-.107	.093	.195	-.451
270	2094	-.164	.088	.110	-.528	270	2144	-.111	.095	.189	-.489	270	2245	-.116	.107	.213	-.634
270	2095	-.217	.099	.089	-.650	270	2145	-.094	.102	.286	-.473	270	2246	-.121	.112	.245	-.695
270	2096	-.083	.102	.292	-.472	270	2146	-.040	.097	.369	-.475	270	2247	-.036	.090	.271	-.402
270	2097	-.066	.089	.216	-.417	270	2147	-.091	.096	.264	-.461	270	2248	-.026	.084	.243	-.368
270	2098	-.059	.081	.188	-.417	270	2148	-.026	.088	.311	-.360	270	2249	-.030	.093	.293	-.385
270	2099	.099	.090	.205	-.536	270	2149	-.027	.089	.280	-.338	270	2250	-.038	.092	.288	-.381
270	2100	.046	.087	.253	-.506	270	2150	-.044	.085	.240	-.365	270	2251	-.042	.090	.213	-.400
270	2101	.072	.090	.312	-.404	270	2201	-.131	.097	.247	-.499	270	2252	-.043	.086	.218	-.384
270	2102	.083	.086	.275	-.365	270	2202	-.083	.095	.270	-.498	270	2253	-.049	.086	.257	-.442
270	2103	.110	.099	.294	-.431	270	2204	-.106	.092	.196	-.506	270	2254	-.081	.100	.220	-.483
270	2104	.052	.097	.315	-.354	270	2205	-.135	.111	.229	-.690	270	2255	-.085	.088	.228	-.405
270	2105	.008	.095	.334	-.346	270	2206	-.057	.095	.320	-.392	270	2256	-.092	.082	.157	-.344
270	2106	.029	.113	.513	-.364	270	2207	-.057	.098	.270	-.613	270	2257	-.099	.096	.178	-.539
270	2107	.046	.127	.498	-.405	270	2208	-.054	.084	.232	-.415	270	2258	-.104	.110	.208	-.609
270	2108	.126	.114	.605	-.204	270	2209	-.072	.100	.263	-.506	270	2259	-.099	.113	.203	-.111
270	2109	.115	.112	.516	-.214	270	2210	-.086	.094	.235	-.459	270	2260	-.018	.082	.234	-.341
270	2110	.062	.093	.390	-.263	270	2211	-.085	.095	.203	-.432	270	2261	-.019	.092	.266	-.397
270	2111	.036	.100	.399	-.294	270	2212	-.087	.086	.186	-.403	270	2262	-.023	.091	.277	-.400
270	2112	.112	.101	.499	-.215	270	2213	-.094	.092	.195	-.394	270	2263	-.024	.091	.286	-.318
270	2113	.018	.099	.374	-.382	270	2214	-.113	.100	.204	-.471	270	2264	-.018	.085	.271	-.295
270	2114	.116	.099	.205	-.490	270	2215	-.117	.109	.217	-.628	270	2265	-.028	.096	.293	-.334
270	2115	.133	.105	.210	-.505	270	2216	-.107	.098	.182	-.685	270	2266	-.028	.096	.276	-.332
270	2116	.013	.108	.357	-.429	270	2217	-.125	.112	.220	-.568	270	2267	-.063	.091	.227	-.390
270	2117	.124	.094	.189	-.451	270	2218	-.140	.116	.289	-.776	270	2268	-.053	.083	.223	-.372
270	2118	.156	.093	.143	-.523	270	2219	-.135	.096	.186	-.566	270	2269	-.070	.091	.260	-.433
270	2119	.193	.101	.156	-.560	270	2220	-.132	.090	.161	-.475	270	2270	-.083	.092	.232	-.430
270	2120	.138	.101	.177	-.576	270	2221	-.054	.088	.286	-.383	270	2271	-.072	.093	.256	-.485
270	2121	.057	.102	.338	-.512	270	2222	-.054	.087	.293	-.384	270	2272	-.062	.083	.225	-.482
270	2122	.067	.086	.287	-.379	270	2223	-.058	.092	.249	-.371	270	2273	-.009	.090	.277	-.318
270	2123	.086	.091	.275	-.443	270	2224	-.063	.082	.200	-.350	270	2274	-.013	.090	.271	-.323
270	2124	.033	.085	.303	-.366	270	2225	-.078	.092	.214	-.393	270	2275	-.014	.087	.319	-.308
270	2125	.038	.088	.240	-.365	270	2226	-.093	.093	.202	-.389	270	2276	-.006	.082	.259	-.288
270	2126	.059	.084	.224	-.362	270	2227	-.090	.095	.219	-.431	270	2277	-.013	.092	.301	-.283
270	2127	.084	.093	.231	-.411	270	2228	-.101	.089	.172	-.490	270	2278	-.027	.093	.286	-.348
270	2128	.005	.090	.297	-.315	270	2229	-.098	.100	.229	-.559	270	2279	-.023	.088	.297	-.279
270	2129	.012	.091	.335	-.303	270	2230	-.114	.098	.202	-.524	270	2280	-.033	.082	.249	-.280
270	2130	.043	.085	.491	-.272	270	2231	-.132	.099	.188	-.438	270	2281	-.033	.092	.287	-.315
270	2131	.032	.105	.630	-.342	270	2232	-.128	.096	.185	-.541	270	2282	-.033	.090	.273	-.313
270	2132	.119	.104	.650	-.264	270	2233	-.135	.108	.252	-.597	270	2283	-.057	.100	.257	-.500
270	2133	.158	.125	.762	-.200	270	2234	-.055	.093	.275	-.358	270	2284	-.042	.088	.241	-.383
270	2134	.135	.116	.651	-.236	270	2235	-.054	.097	.323	-.354	270	2285	-.046	.099	.275	-.434
270	2135	.076	.118	.511	-.331	270	2236	-.049	.087	.281	-.335	270	2901	-.191	.177	.331	-.568
270	2136	.127	.113	.561	-.237	270	2237	-.061	.098	.286	-.346	270	2902	-.032	.121	.377	-.604
270	2137	.123	.103	.539	-.194	270	2238	-.075	.100	.271	-.374	270	2903	-.049	.135	.725	-.473
270	2138	.019	.094	.324	-.270	270	2239	-.083	.100	.281	-.472	270	2904	-.120	.166	.237	-.827
270	2139	.100	.118	.256	-.609	270	2240	-.072	.093	.249	-.438	270	2905	-.069	.098	.236	-.425

APPENDIX A -- PRESSURE DATA:

CONFIGURATION A; ARCO PLAZA, LONG BEACH

WD	TAP	CPMEAN	CPRMS	CPMAX	CPMIN	WD	TAP	CPMEAN	CPRMS	CPMAX	CPMIN	WD	TAP	CPMEAN	CPRMS	CPMAX	CPMIN
280	1016	.082	.093	.192	.461	280	1066	.065	.073	.184	.344	280	1066	.065	.073	.184	.344
280	1017	.085	.095	.238	.487	280	1067	.075	.088	.254	.416	280	1067	.075	.088	.254	.416
280	1018	.091	.086	.148	.503	280	1068	.089	.094	.315	.485	280	1068	.089	.094	.315	.485
280	1019	.131	.138	.156	.954	280	1069	.161	.106	.161	.561	280	1069	.161	.106	.161	.561
280	1020	.174	.122	.149	.795	280	1070	.188	.098	.094	.565	280	1070	.188	.098	.094	.565
280	1021	.087	.092	.178	.580	280	1071	.163	.095	.193	.472	280	1071	.163	.095	.193	.472
280	1022	.106	.082	.134	.507	280	1072	.121	.099	.166	.476	280	1072	.121	.099	.166	.476
280	1023	.024	.116	.375	.488	280	1073	.067	.114	.446	.333	280	1073	.067	.114	.446	.333
280	1024	.009	.139	.469	.643	280	1074	.029	.128	.476	.472	280	1074	.029	.128	.476	.472
280	1025	.041	.196	.682	.652	280	1075	.026	.180	.606	.625	280	1075	.026	.180	.606	.625
280	1026	.029	.069	.178	.259	280	1076	.039	.086	.248	.339	280	1076	.039	.086	.248	.339
280	1027	.038	.083	.231	.315	280	1077	.046	.089	.227	.364	280	1077	.046	.089	.227	.364
280	1028	.034	.081	.237	.294	280	1078	.102	.083	.154	.388	280	1078	.102	.083	.154	.388
280	1029	.035	.082	.191	.412	280	1079	.071	.090	.231	.370	280	1079	.071	.090	.231	.370
280	1030	.024	.068	.168	.326	280	1080	.029	.083	.237	.307	280	1080	.029	.083	.237	.307
280	1031	.030	.081	.200	.397	280	1081	.042	.091	.264	.361	280	1081	.042	.091	.264	.361
280	1032	.028	.080	.197	.386	280	1082	.102	.085	.193	.419	280	1082	.102	.085	.193	.419
280	1033	.036	.080	.238	.355	280	1083	.088	.084	.243	.432	280	1083	.088	.084	.243	.432
280	1034	.029	.087	.194	.289	280	1084	.043	.086	.262	.353	280	1084	.043	.086	.262	.353
280	1035	.038	.082	.231	.373	280	1085	.049	.089	.274	.337	280	1085	.049	.089	.274	.337
280	1036	.037	.082	.249	.369	280	1086	.109	.083	.195	.385	280	1086	.109	.083	.195	.385
280	1037	.044	.082	.230	.315	280	1087	.084	.092	.244	.395	280	1087	.084	.092	.244	.395
280	1038	.039	.070	.193	.276	280	1088	.047	.083	.232	.325	280	1088	.047	.083	.232	.325
280	1039	.064	.088	.224	.472	280	1089	.068	.093	.254	.360	280	1089	.068	.093	.254	.360
280	1040	.074	.092	.218	.626	280	1090	.128	.087	.174	.411	280	1090	.128	.087	.174	.411
280	1041	.095	.094	.189	.458	280	1091	.105	.095	.239	.414	280	1091	.105	.095	.239	.414
280	1042	.076	.075	.160	.287	280	1092	.063	.089	.285	.394	280	1092	.063	.089	.285	.394
280	1043	.092	.099	.226	.454	280	1093	.065	.099	.351	.719	280	1093	.065	.099	.351	.719
280	1044	.187	.109	.151	.607	280	1094	.194	.102	.078	.653	280	1094	.194	.102	.078	.653
280	1045	.205	.119	.121	.731	280	1095	.187	.118	.127	.642	280	1095	.187	.118	.127	.642
280	1046	.085	.078	.266	.344	280	1096	.084	.090	.220	.433	280	1096	.084	.090	.220	.433
280	1047	.129	.099	.305	.489	280	1097	.120	.110	.262	.489	280	1097	.120	.110	.262	.489
280	1048	.012	.114	.483	.340	280	1098	.108	.117	.299	.449	280	1098	.108	.117	.299	.449
280	1049	.044	.165	.706	.847	280	1099	.074	.153	.480	.640	280	1099	.074	.153	.480	.640
280	1050	.063	.170	.652	.613	280	1100	.038	.160	.557	.704	280	1100	.038	.160	.557	.704
280	1051	.046	.088	.245	.502	280	1101	.045	.085	.245	.369	280	1101	.045	.085	.245	.369
280	1052	.038	.086	.245	.362	280	1102	.097	.083	.188	.407	280	1102	.097	.083	.188	.407
280	1053	.047	.080	.219	.352	280	1103	.073	.092	.230	.435	280	1103	.073	.092	.230	.435
280	1054	.036	.067	.176	.285	280	1104	.024	.089	.291	.377	280	1104	.024	.089	.291	.377
280	1055	.043	.079	.206	.346	280	1105	.039	.080	.210	.304	280	1105	.039	.080	.210	.304
280	1056	.036	.078	.221	.331	280	1106	.088	.087	.199	.380	280	1106	.088	.087	.199	.380
280	1057	.038	.086	.220	.336	280	1107	.071	.097	.252	.397	280	1107	.071	.097	.252	.397
280	1058	.035	.072	.183	.280	280	1108	.037	.094	.279	.364	280	1108	.037	.094	.279	.364
280	1059	.048	.086	.223	.341	280	1109	.053	.092	.395	.421	280	1109	.053	.092	.395	.421
280	1060	.038	.085	.251	.320	280	1110	.102	.085	.307	.428	280	1110	.102	.085	.307	.428
280	1061	.045	.086	.262	.342	280	1111	.085	.093	.365	.453	280	1111	.085	.093	.365	.453
280	1062	.044	.074	.218	.298	280	1112	.047	.083	.328	.368	280	1112	.047	.083	.328	.368
280	1063	.056	.089	.261	.370	280	1113	.059	.091	.216	.433	280	1113	.059	.091	.216	.433
280	1064	.056	.090	.270	.379	280	1114	.113	.086	.147	.424	280	1114	.113	.086	.147	.424
280	1065	.067	.087	.236	.412	280	1115	.095	.094	.198	.437	280	1115	.095	.094	.198	.437

APPENDIX A -- PRESSURE DATA:

CONFIGURATION A: ARCO PLAZA, LONG BEACH

WD	TAP	CPMEAN	CPRMS	CPMAX	CPMIN	WD	TAP	CPMEAN	CPRMS	CPMAX	CPMIN	WD	TAP	CPMEAN	CPRMS	CPMAX	CPMIN
280	1116	.056	.086	.191	-.351	280	1217	.035	.102	.402	-.310	280	1267	-.040	.091	.236	-.348
280	1117	-.068	.099	.241	-.442	280	1218	-.017	.098	.396	-.400	280	1268	-.024	.078	.242	-.286
280	1118	-.126	.095	.173	-.488	280	1219	-.007	.099	.386	-.327	280	1269	-.018	.086	.282	-.310
280	1119	-.130	.106	.240	-.507	280	1220	-.004	.068	.213	-.233	280	1270	-.014	.085	.291	-.284
280	1120	-.098	.101	.232	-.482	280	1221	.010	.195	.624	-.939	280	1271	-.021	.089	.264	-.309
280	1121	-.097	.098	.310	-.434	280	1222	.032	.159	.573	-.846	280	1272	-.017	.077	.219	-.303
280	1122	-.165	.096	.234	-.508	280	1223	.010	.118	.444	-.373	280	1273	-.055	.097	.499	-.489
280	1123	-.128	.113	.354	-.615	280	1224	.024	.101	.427	-.314	280	1274	-.051	.094	.436	-.437
280	1124	-.096	.111	.385	-.509	280	1225	.066	.127	.654	-.332	280	1275	-.050	.094	.281	-.339
280	1125	-.129	.125	.423	-.696	280	1226	-.102	.100	.245	-.592	280	1276	-.023	.085	.291	-.281
280	1126	-.097	.090	.199	-.513	280	1227	-.075	.120	.418	-.628	280	1277	-.011	.096	.354	-.295
280	1127	-.070	.099	.254	-.564	280	1228	-.119	.091	.241	-.505	280	1278	-.014	.090	.332	-.268
280	1128	-.026	.085	.231	-.302	280	1229	-.094	.095	.271	-.459	280	1279	-.012	.073	.283	-.276
280	1129	-.046	.087	.233	-.355	280	1230	-.022	.089	.390	-.306	280	1280	-.020	.082	.320	-.304
280	1130	.100	.081	.141	-.386	280	1231	-.018	.088	.303	-.337	280	1281	-.016	.082	.323	-.293
280	1131	-.068	.089	.205	-.400	280	1232	-.020	.074	.238	-.283	280	1282	-.014	.085	.246	-.294
280	1132	-.034	.080	.226	-.308	280	1233	-.025	.086	.305	-.326	280	1283	-.008	.076	.216	-.266
280	1133	-.054	.090	.295	-.411	280	1234	-.035	.167	.588	-.738	280	1284	-.010	.086	.247	-.266
280	1134	-.106	.078	.204	-.420	280	1235	-.019	.152	.491	-.731	280	1285	-.015	.086	.242	-.268
280	1135	-.077	.093	.283	-.446	280	1236	-.020	.102	.357	-.404	280	1901	-.012	.091	.370	-.298
280	1136	-.038	.083	.293	-.374	280	1237	-.011	.106	.348	-.416	280	1902	-.080	.097	.167	-.490
280	1137	-.056	.088	.213	-.344	280	1238	-.031	.114	.510	-.376	280	1903	-.102	.114	.311	-.355
280	1138	-.112	.080	.130	-.372	280	1239	.086	.096	.217	-.439	280	1904	-.053	.102	.238	-.697
280	1139	-.088	.092	.189	-.405	280	1240	.089	.093	.206	-.496	280	1905	-.162	.110	.261	-.660
280	1140	-.051	.084	.210	-.344	280	1241	-.081	.098	.231	-.475	280	1906	-.018	.149	.486	-.724
280	1141	-.069	.090	.286	-.463	280	1242	-.061	.093	.354	-.423	280	1907	-.106	.110	.276	-.531
280	1142	-.121	.083	.222	-.508	280	1243	-.025	.090	.335	-.337	280	1908	-.162	.175	.472	-.115
280	1143	-.096	.092	.267	-.513	280	1244	-.020	.077	.259	-.281	280	1909	-.038	.077	.200	-.365
280	1144	-.062	.086	.297	-.438	280	1245	-.026	.087	.291	-.360	280	1910	-.040	.087	.223	-.368
280	1145	-.079	.100	.274	-.450	280	1246	-.029	.089	.275	-.501	280	1911	-.164	.129	.172	-.634
280	1146	-.132	.095	.184	-.416	280	1247	-.083	.158	.649	-.878	280	1912	-.054	.093	.277	-.371
280	1147	-.113	.105	.239	-.433	280	1248	-.063	.132	.510	-.768	280	1913	-.041	.089	.387	-.224
280	1148	-.075	.103	.293	-.404	280	1249	-.054	.105	.449	-.481	280	1914	-.034	.101	.471	-.293
280	1149	-.108	.098	.250	-.607	280	1250	-.038	.099	.357	-.390	280	1915	-.015	.095	.355	-.324
280	1150	-.169	.095	.138	-.077	280	1251	-.013	.101	.412	-.419	280	1916	-.032	.088	.286	-.352
280	1201	-.020	.154	.618	-.476	280	1252	-.060	.080	.170	-.378	280	1917	-.076	.125	.354	-.661
280	1202	-.145	.146	.458	-.737	280	1253	-.061	.089	.231	-.434	280	1918	-.089	.095	.233	-.479
280	1204	-.127	.104	.309	-.547	280	1254	-.051	.086	.220	-.396	280	1919	-.052	.078	.242	-.304
280	1205	-.121	.105	.193	-.521	280	1255	-.038	.085	.354	-.329	280	1920	-.139	.099	.224	-.456
280	1206	-.027	.198	.729	-.049	280	1256	-.018	.076	.300	-.261	280	1921	-.143	.106	.195	-.591
280	1207	-.022	.139	.470	-.926	280	1257	-.017	.082	.308	-.305	280	1922	-.026	.143	.605	-.358
280	1208	-.003	.101	.416	-.332	280	1258	-.018	.083	.277	-.300	280	1923	-.029	.128	.585	-.438
280	1209	-.028	.111	.453	-.327	280	1259	-.023	.084	.263	-.340	280	2001	-.034	.167	.612	-.473
280	1210	-.108	.138	.604	-.315	280	1260	-.081	.099	.285	-.757	280	2002	-.070	.163	.640	-.398
280	1211	-.035	.134	.682	-.424	280	1261	-.075	.105	.298	-.705	280	2003	-.039	.192	.850	-.470
280	1212	-.133	.121	.289	-.725	280	1262	-.066	.096	.258	-.405	280	2004	-.070	.177	.907	-.549
280	1213	-.028	.145	.585	-.431	280	1263	-.033	.095	.237	-.396	280	2005	-.066	.156	.688	-.459
280	1214	-.136	.119	.264	-.622	280	1264	-.031	.093	.213	-.324	280	2006	-.061	.137	.606	-.362
280	1215	-.116	.106	.203	-.605	280	1265	-.045	.096	.243	-.441	280	2007	-.015	.141	.542	-.508
280	1216	-.056	.112	.410	-.594	280	1266	-.042	.093	.243	-.375	280	2008	-.091	.137	.727	-.298

APPENDIX A -- PRESSURE DATA:

CONFIGURATION A; ARCO PLAZA, LONG BEACH

WD	TAP	CPMEAN	CPRMS	CPMAX	CPMIN	WD	TAP	CPMEAN	CPRMS	CPMAX	CPMIN	WD	TAP	CPMEAN	CPRMS	CPMAX	CPMIN
280	2009	.091	.138	.651	-.374	280	2059	.010	.140	.681	-.451	280	2109	.025	.110	.470	-.286
280	2010	.001	.109	.395	-.583	280	2060	.030	.131	.487	-.409	280	2110	.002	.103	.404	-.122
280	2011	.036	.112	.373	-.478	280	2061	.040	.118	.457	-.368	280	2111	.031	.110	.358	-.112
280	2012	.072	.125	.508	-.303	280	2062	.072	.103	.482	-.258	280	2112	.042	.107	.414	-.114
280	2013	.001	.111	.514	-.376	280	2063	.071	.104	.359	-.499	280	2113	.014	.091	.363	-.332
280	2014	.154	.108	.186	-.541	280	2064	.111	.107	.290	-.703	280	2114	.079	.088	.456	-.536
280	2015	.184	.117	.181	-.714	280	2065	.088	.102	.314	-.668	280	2115	.108	.092	.204	-.510
280	2016	.006	.120	.537	-.362	280	2066	.018	.097	.416	-.348	280	2116	.015	.092	.346	-.371
280	2017	.095	.094	.207	-.413	280	2067	.155	.099	.262	-.506	280	2117	.072	.095	.255	-.418
280	2018	.156	.096	.141	-.493	280	2068	.120	.097	.326	-.507	280	2118	.094	.090	.196	-.420
280	2019	.200	.109	.132	-.629	280	2069	.108	.096	.164	-.562	280	2119	.135	.100	.192	-.506
280	2020	.101	.102	.228	-.513	280	2070	.109	.088	.149	-.396	280	2120	.074	.099	.255	-.489
280	2021	.063	.108	.409	-.539	280	2071	.120	.105	.283	-.487	280	2121	.038	.092	.000	-.387
280	2022	.081	.086	.263	-.388	280	2072	.057	.094	.268	-.387	280	2122	.056	.083	.201	-.377
280	2023	.105	.093	.245	-.421	280	2073	.040	.091	.273	-.339	280	2123	.084	.088	.406	-.406
280	2024	.053	.086	.266	-.344	280	2074	.038	.079	.241	-.312	280	2124	.027	.084	.222	-.332
280	2025	.054	.092	.237	-.387	280	2075	.095	.093	.333	-.442	280	2125	.027	.087	.326	-.479
280	2026	.029	.118	.575	-.387	280	2076	.093	.108	.318	-.727	280	2126	.064	.080	.217	-.334
280	2027	.047	.151	.632	-.544	280	2077	.082	.094	.289	-.489	280	2127	.101	.089	.245	-.334
280	2028	.023	.151	.620	-.656	280	2078	.093	.087	.213	-.423	280	2128	.032	.090	.336	-.313
280	2029	.023	.124	.487	-.420	280	2079	.133	.097	.205	-.446	280	2129	.011	.097	.337	-.355
280	2030	.038	.105	.537	-.299	280	2080	.047	.092	.332	-.351	280	2130	.061	.092	.333	-.355
280	2031	.012	.137	.666	-.455	280	2081	.039	.098	.300	-.401	280	2131	.038	.107	.377	-.380
280	2032	.051	.133	.691	-.387	280	2082	.019	.099	.438	-.354	280	2132	.038	.099	.467	-.274
280	2033	.122	.142	.668	-.262	280	2083	.018	.115	.542	-.427	280	2133	.049	.093	.493	-.241
280	2034	.099	.134	.600	-.287	280	2084	.035	.118	.591	-.402	280	2134	.031	.092	.418	-.234
280	2035	.009	.147	.598	-.517	280	2085	.021	.122	.530	-.367	280	2135	.014	.100	.441	-.315
280	2036	.049	.133	.618	-.484	280	2086	.009	.113	.403	-.368	280	2136	.047	.096	.403	-.233
280	2037	.107	.133	.605	-.410	280	2087	.000	.122	.455	-.458	280	2137	.070	.102	.582	-.263
280	2038	.014	.093	.382	-.346	280	2088	.021	.097	.332	-.367	280	2138	.013	.087	.294	-.278
280	2039	.199	.113	.225	-.757	280	2089	.093	.110	.286	-.586	280	2139	.073	.096	.281	-.393
280	2040	.116	.102	.217	-.661	280	2090	.090	.100	.441	-.512	280	2140	.008	.087	.331	-.307
280	2041	.024	.123	.552	-.384	280	2091	.036	.112	.262	-.442	280	2141	.029	.100	.396	-.324
280	2042	.119	.092	.191	-.501	280	2092	.090	.096	.266	-.505	280	2142	.062	.089	.265	-.410
280	2043	.203	.114	.150	-.700	280	2093	.107	.092	.215	-.514	280	2143	.140	.103	.288	-.553
280	2044	.149	.108	.211	-.606	280	2094	.121	.088	.185	-.449	280	2144	.077	.098	.328	-.484
280	2045	.115	.097	.253	-.459	280	2095	.161	.099	.165	-.506	280	2145	.036	.106	.330	-.529
280	2046	.051	.089	.283	-.382	280	2096	.051	.101	.359	-.410	280	2146	.014	.090	.288	-.353
280	2047	.122	.100	.225	-.529	280	2097	.046	.088	.252	-.390	280	2147	.080	.096	.265	-.414
280	2048	.051	.090	.276	-.436	280	2098	.047	.079	.223	-.349	280	2148	.015	.089	.298	-.321
280	2049	.049	.090	.260	-.332	280	2099	.087	.088	.210	-.393	280	2149	.019	.083	.272	-.373
280	2050	.049	.082	.214	-.364	280	2100	.032	.084	.255	-.400	280	2150	.034	.079	.229	-.346
280	2051	.112	.117	.314	-.522	280	2101	.097	.099	.261	-.588	280	2201	.114	.087	.217	-.467
280	2052	.048	.110	.397	-.408	280	2102	.107	.091	.232	-.505	280	2202	.064	.087	.266	-.509
280	2053	.045	.100	.415	-.400	280	2103	.137	.093	.201	-.498	280	2204	.069	.086	.171	-.372
280	2054	.048	.087	.323	-.363	280	2104	.072	.085	.233	-.368	280	2205	.093	.104	.188	-.688
280	2055	.079	.096	.247	-.428	280	2105	.047	.085	.242	-.363	280	2206	.042	.093	.330	-.722
280	2056	.026	.103	.423	-.404	280	2106	.058	.090	.235	-.478	280	2207	.038	.094	.296	-.671
280	2057	.027	.122	.784	-.505	280	2107	.066	.096	.332	-.451	280	2208	.028	.082	.356	-.769
280	2058	.066	.115	.885	-.315	280	2108	.017	.090	.408	-.288	280	2209	.038	.095	.264	-.426

APPENDIX A -- PRESSURE DATA:

CONFIGURATION A: ARCO PLAZA, LONG BEACH

WD	TAP	CPMEAN	CPRMS	CPMAX	CPMIN	WD	TAP	CPMEAN	CPRMS	CPMAX	CPMIN	WD	TAP	CPMEAN	CPRMS	CPMAX	CPMIN
2800	2210	.060	.092	.254	.374	2800	2260	.003	.085	.278	.335	2900	902	.017	.079	.243	.308
2800	2211	.051	.089	.282	.456	2800	2261	.003	.094	.287	.375	2900	903	.029	.091	.296	.358
2800	2212	.066	.099	.290	.455	2800	2262	.016	.094	.271	.383	2900	904	.004	.102	.472	.360
2800	2213	.066	.087	.330	.416	2800	2263	.014	.090	.349	.377	2900	905	.022	.089	.289	.342
2800	2214	.067	.093	.344	.411	2800	2264	.005	.084	.331	.349	2900	906	.014	.087	.372	.261
2800	2215	.082	.105	.344	.411	2800	2265	.004	.094	.354	.398	2900	907	.021	.088	.278	.320
2800	2216	.064	.094	.362	.440	2800	2266	.022	.094	.326	.429	2900	908	.029	.088	.277	.332
2800	2217	.082	.112	.331	.440	2800	2267	.039	.090	.220	.378	2900	909	.031	.087	.273	.335
2800	2218	.130	.122	.331	.440	2800	2268	.039	.083	.215	.347	2900	910	.028	.079	.279	.352
2800	2219	.134	.122	.331	.440	2800	2269	.048	.093	.227	.390	2900	911	.023	.093	.353	.381
2800	2220	.133	.106	.192	.331	2800	2270	.073	.094	.234	.422	2900	912	.024	.066	.285	.355
2800	2221	.032	.090	.330	.330	2800	2271	.075	.093	.256	.470	2900	913	.038	.097	.281	.355
2800	2222	.040	.091	.330	.330	2800	2272	.067	.084	.224	.509	2900	914	.012	.078	.276	.355
2800	2223	.035	.091	.284	.330	2800	2273	.001	.089	.291	.401	2900	915	.026	.091	.370	.364
2800	2224	.043	.082	.239	.330	2800	2274	.012	.090	.277	.411	2900	916	.026	.091	.333	.364
2800	2225	.048	.091	.247	.330	2800	2275	.006	.089	.252	.296	2900	917	.015	.085	.269	.365
2800	2226	.069	.095	.227	.330	2800	2276	.005	.082	.246	.275	2900	1001	.028	.083	.266	.346
2800	2227	.074	.093	.444	.330	2800	2277	.009	.093	.280	.314	2900	1002	.017	.070	.220	.394
2800	2228	.082	.082	.192	.330	2800	2278	.009	.090	.268	.357	2900	1003	.034	.083	.269	.337
2800	2229	.061	.096	.333	.444	2800	2279	.018	.090	.338	.354	2900	1004	.026	.081	.244	.373
2800	2230	.092	.094	.216	.330	2800	2280	.030	.082	.274	.323	2900	1005	.031	.081	.227	.325
2800	2231	.120	.105	.209	.330	2800	2281	.030	.092	.329	.362	2900	1006	.021	.066	.196	.285
2800	2232	.129	.107	.213	.330	2800	2282	.039	.090	.318	.381	2900	1007	.040	.080	.222	.305
2800	2233	.135	.122	.249	.330	2800	2283	.051	.089	.224	.363	2900	1008	.037	.078	.202	.333
2800	2234	.039	.090	.245	.330	2800	2284	.047	.079	.205	.330	2900	1009	.045	.087	.295	.323
2800	2235	.028	.095	.301	.330	2800	2285	.046	.090	.249	.343	2900	1010	.045	.075	.218	.449
2800	2236	.028	.085	.376	.330	2800	2286	.121	.120	.231	.853	2900	1011	.066	.085	.222	.357
2800	2237	.051	.096	.330	.330	2800	2287	.003	.098	.377	.362	2900	1012	.062	.088	.236	.392
2800	2238	.053	.080	.330	.330	2800	2288	.057	.121	.494	.349	2900	1013	.070	.093	.269	.714
2800	2239	.053	.078	.330	.330	2800	2289	.044	.096	.203	.516	2900	1014	.074	.080	.176	.467
2800	2240	.053	.084	.330	.330	2800	2290	.076	.083	.219	.353	2900	1015	.152	.111	.202	.673
2800	2241	.053	.089	.330	.330	2800	2291	.070	.084	.231	.437	2900	1016	.160	.117	.229	.708
2800	2242	.069	.086	.187	.330	2800	2292	.014	.089	.231	.359	2900	1017	.115	.102	.262	.544
2800	2243	.080	.085	.189	.330	2800	2293	.014	.147	.483	.674	2900	1018	.094	.089	.297	.747
2800	2244	.114	.116	.285	.330	2800	2294	.092	.109	.344	.676	2900	1019	.207	.136	.165	.160
2800	2245	.138	.127	.285	.330	2800	2295	.097	.096	.268	.594	2900	1020	.174	.123	.244	.828
2800	2246	.021	.089	.330	.330	2800	2296	.078	.099	.279	.537	2900	1021	.071	.095	.325	.460
2800	2247	.017	.081	.330	.330	2800	2297	.126	.127	.273	.604	2900	1022	.091	.087	.277	.404
2800	2248	.011	.091	.330	.330	2800	2298	.083	.108	.227	.518	2900	1023	.011	.115	.466	.428
2800	2249	.029	.091	.330	.330	2800	2299	.050	.108	.288	.443	2900	1024	.039	.136	.626	.625
2800	2250	.030	.093	.330	.330	2800	2300	.040	.095	.263	.381	2900	1025	.097	.187	.766	.135
2800	2251	.029	.089	.330	.330	2800	2301	.066	.092	.246	.369	2900	1026	.024	.069	.209	.245
2800	2252	.029	.089	.330	.330	2800	2302	.066	.126	.478	.357	2900	1027	.042	.082	.224	.319
2800	2253	.031	.098	.330	.330	2800	2303	.011	.100	.628	.663	2900	1028	.031	.081	.231	.264
2800	2254	.063	.100	.330	.330	2800	2304	.025	.169	.464	.673	2900	1029	.032	.080	.263	.14
2800	2255	.055	.092	.330	.330	2800	2305	.035	.149	.347	.531	2900	1030	.023	.067	.215	.38
2800	2256	.050	.086	.330	.330	2800	2306	.030	.100	.168	.389	2900	1031	.039	.081	.255	.19
2800	2257	.061	.099	.330	.330	2800	2307	.030	.083	.157	.514	2900	1032	.031	.084	.262	.22
2800	2258	.089	.108	.330	.330	2800	2308	.159	.099	.157	.514	2900	1033	.041	.084	.242	.22
2800	2259	.096	.117	.330	.330	2800	2309	.029	.090	.264	.362	2900	1034	.033	.069	.191	.77

APPENDIX A -- PRESSURE DATA:

CONFIGURATION A; ARCO PLAZA; LONG BEACH

WD	TAP	CPMEAN	CPRMS	CPMAX	CPMIN	WD	TAP	CPMEAN	CPRMS	CPMAX	CPMIN	WD	TAP	CPMEAN	CPRMS	CPMAX	CPMIN
290	10335	059	086	213	365	290	10885	059	090	232	369	290	11335	065	095	315	442
290	10336	057	088	231	384	290	10886	118	084	155	407	290	11336	031	085	303	329
290	10337	070	087	273	347	290	10887	099	093	260	438	290	11337	058	087	220	347
290	10338	056	071	194	338	290	10888	055	086	219	364	290	11338	103	078	142	377
290	10339	094	092	250	454	290	10889	091	103	251	474	290	11339	094	091	207	399
290	1040	137	102	213	647	290	1090	158	096	163	571	290	1140	061	084	211	323
290	1041	138	104	214	593	290	1091	141	105	235	508	290	1141	083	100	251	410
290	1042	096	078	171	366	290	1092	085	096	270	428	290	1142	125	090	184	430
290	1043	075	099	252	510	290	1093	092	102	212	481	290	1143	096	099	228	437
290	1044	176	106	183	621	290	1094	234	105	098	701	290	1144	073	094	222	374
290	10445	208	122	154	740	290	1095	240	123	115	712	290	1145	093	092	207	522
290	10446	068	080	208	371	290	1096	078	091	209	458	290	1146	110	090	225	389
290	10447	118	105	269	513	290	1097	115	114	233	540	290	1147	089	102	265	410
290	10448	032	121	431	376	290	1098	052	114	379	420	290	1148	044	099	379	368
290	10449	098	158	736	767	290	1099	010	148	594	433	290	1149	090	099	378	427
290	1050	129	165	659	847	290	1100	062	159	734	740	290	1150	147	090	214	460
290	1051	052	086	203	342	290	1101	036	084	252	345	290	1201	007	156	580	546
290	1052	037	085	216	318	290	1102	086	082	189	380	290	1202	180	132	245	757
290	1053	036	086	237	319	290	1103	065	091	251	402	290	1204	123	096	262	476
290	1054	025	072	196	261	290	1104	019	087	283	347	290	1205	101	098	235	484
290	1055	049	086	209	337	290	1105	033	077	194	275	290	1206	001	194	708	869
290	1056	033	085	209	319	290	1106	088	084	188	354	290	1207	022	132	539	527
290	1057	042	083	297	293	290	1107	074	093	216	373	290	1208	066	095	345	329
290	1058	037	069	243	251	290	1108	032	089	254	310	290	1209	028	104	405	310
290	1059	060	083	269	314	290	1109	052	091	326	385	290	1210	098	132	635	351
290	1060	047	083	259	311	290	1110	108	085	256	408	290	1211	036	113	592	458
290	1061	049	085	247	344	290	1111	096	094	292	437	290	1212	129	107	247	848
290	1062	044	073	206	279	290	1112	054	084	296	356	290	1213	018	139	571	596
290	1063	069	088	245	356	290	1113	067	096	281	437	290	1214	128	106	199	632
290	1064	073	090	308	388	290	1114	135	090	147	470	290	1215	100	100	242	508
290	1065	106	098	242	464	290	1115	122	099	217	507	290	1216	079	092	250	456
290	1066	105	083	177	462	290	1116	079	090	228	426	290	1217	033	104	441	304
290	1067	114	096	219	568	290	1117	086	088	223	423	290	1218	018	101	411	256
290	1068	088	104	301	524	290	1118	125	084	201	478	290	1219	003	090	354	290
290	1069	179	110	172	632	290	1119	167	101	179	574	290	1220	004	064	243	219
290	1070	205	100	123	616	290	1120	138	098	171	581	290	1221	004	197	574	895
290	1071	107	093	213	552	290	1121	080	095	269	387	290	1222	023	160	487	716
290	1072	115	103	205	569	290	1122	142	094	172	437	290	1223	014	100	362	360
290	1073	026	116	462	412	290	1123	083	115	309	438	290	1224	035	084	338	242
290	1074	087	125	532	418	290	1124	044	115	393	406	290	1225	085	113	525	248
290	1075	083	179	712	842	290	1125	062	128	589	744	290	1226	098	096	195	576
290	1076	033	085	231	348	290	1126	077	080	184	338	290	1227	088	113	353	494
290	1077	043	095	242	432	290	1127	055	089	242	336	290	1228	094	090	220	439
290	1078	094	087	169	428	290	1128	010	077	254	257	290	1229	070	094	273	379
290	1079	075	095	217	406	290	1129	035	081	222	374	290	1230	011	092	340	341
290	1080	032	088	229	320	290	1130	084	077	155	466	290	1231	009	088	248	296
290	1081	046	083	267	349	290	1131	067	086	204	500	290	1232	014	074	217	296
290	1082	104	078	187	381	290	1132	024	077	213	375	290	1233	020	086	256	367
290	1083	088	087	236	406	290	1133	036	091	311	379	290	1234	046	172	503	958
290	1084	044	078	224	328	290	1134	082	080	244	352	290	1235	028	159	491	688

APPENDIX A -- PRESSURE DATA

CONFIGURATION A: ARCO PLAZA, LONG BEACH

WD	TAP	CPMEAN	CPRMS	CPMAX	CPMIN	WD	TAP	CPMEAN	CPRMS	CPMAX	CPMIN	WD	TAP	CPMEAN	CPRMS	CPMAX	CPMIN
290	1236	.014	.094	.321	.321	290	1901	.009	.086	.361	.329	290	2028	.038	.152	.653	.520
290	1237	.008	.096	.352	.317	290	1902	.060	.090	.273	.377	290	2029	.019	.151	.617	.386
290	1238	.055	.109	.471	.273	290	1903	.087	.112	.271	.595	290	2030	.024	.130	.575	.340
290	1239	.080	.091	.233	.420	290	1904	.052	.095	.350	.462	290	2031	.105	.133	.471	.614
290	1240	.081	.084	.182	.380	290	1905	.171	.106	.232	.628	290	2032	.048	.121	.539	.454
290	1241	.070	.093	.246	.486	290	1906	.044	.140	.541	.837	290	2033	.023	.116	.495	.372
290	1242	.052	.088	.296	.374	290	1907	.087	.113	.334	.599	290	2034	.037	.115	.438	.435
290	1243	.019	.086	.317	.307	290	1908	.165	.168	.443	.853	290	2035	.158	.160	.337	.781
290	1244	.012	.072	.262	.315	290	1909	.042	.075	.212	.323	290	2036	.082	.146	.418	.718
290	1245	.018	.080	.282	.331	290	1910	.046	.086	.244	.459	290	2037	.028	.125	.571	.429
290	1246	.024	.080	.271	.375	290	1911	.184	.131	.260	.987	290	2038	.055	.102	.442	.376
290	1247	.089	.160	.578	.126	290	1912	.054	.091	.238	.393	290	2039	.197	.126	.172	.743
290	1248	.055	.127	.364	.819	290	1913	.024	.083	.341	.277	290	2040	.119	.113	.196	.593
290	1249	.038	.097	.287	.381	290	1914	.026	.093	.412	.269	290	2041	.002	.118	.468	.349
290	1250	.009	.091	.307	.361	290	1915	.014	.091	.315	.356	290	2042	.076	.089	.228	.432
290	1251	.025	.110	.407	.284	290	1916	.034	.098	.373	.415	290	2043	.145	.104	.181	.520
290	1252	.062	.078	.165	.349	290	1917	.084	.112	.288	.506	290	2044	.086	.099	.255	.531
290	1253	.057	.091	.218	.455	290	1918	.083	.096	.227	.411	290	2045	.071	.101	.274	.463
290	1254	.051	.086	.210	.420	290	1919	.078	.079	.190	.334	290	2046	.038	.088	.236	.322
290	1255	.039	.092	.287	.360	290	1920	.148	.100	.195	.490	290	2047	.105	.101	.189	.414
290	1256	.011	.081	.262	.305	290	1921	.114	.114	.233	.758	290	2048	.038	.092	.255	.329
290	1257	.004	.088	.323	.330	290	1922	.059	.147	.723	.348	290	2049	.033	.089	.283	.559
290	1258	.010	.088	.334	.323	290	1923	.025	.122	.717	.441	290	2050	.034	.080	.236	.328
290	1259	.017	.081	.256	.269	290	2001	.059	.176	.683	.433	290	2051	.115	.138	.503	.627
290	1260	.104	.104	.299	.612	290	2002	.097	.173	.635	.440	290	2052	.046	.124	.533	.442
290	1261	.089	.108	.282	.710	290	2003	.063	.202	.786	.521	290	2053	.038	.109	.402	.405
290	1262	.071	.092	.228	.473	290	2004	.083	.181	.755	.433	290	2054	.067	.094	.281	.418
290	1263	.035	.096	.340	.418	290	2005	.059	.160	.702	.548	290	2055	.120	.106	.244	.530
290	1264	.002	.090	.317	.318	290	2006	.002	.128	.613	.395	290	2056	.086	.119	.322	.583
290	1265	.074	.103	.297	.255	290	2007	.082	.132	.523	.565	290	2057	.065	.113	.327	.442
290	1266	.026	.096	.465	.355	290	2008	.021	.137	.667	.379	290	2058	.021	.097	.330	.324
290	1267	.041	.090	.288	.463	290	2009	.003	.130	.524	.406	290	2059	.104	.121	.401	.566
290	1268	.026	.077	.244	.347	290	2010	.098	.134	.334	.792	290	2060	.065	.123	.417	.731
290	1269	.001	.085	.331	.356	290	2011	.126	.131	.371	.808	290	2061	.054	.123	.517	.861
290	1270	.003	.083	.306	.271	290	2012	.013	.132	.508	.534	290	2062	.015	.104	.528	.426
290	1271	.011	.081	.257	.266	290	2013	.044	.117	.464	.533	290	2063	.106	.115	.408	.608
290	1272	.010	.070	.289	.240	290	2014	.145	.124	.186	.728	290	2064	.095	.107	.228	.649
290	1273	.054	.085	.269	.350	290	2015	.193	.137	.164	.796	290	2065	.081	.111	.283	.565
290	1274	.053	.089	.254	.380	290	2016	.030	.115	.378	.583	290	2066	.016	.105	.449	.476
290	1275	.041	.095	.343	.380	290	2017	.076	.102	.271	.616	290	2067	.129	.106	.241	.609
290	1276	.016	.085	.299	.336	290	2018	.099	.094	.207	.463	290	2068	.082	.102	.257	.459
290	1277	.007	.096	.361	.367	290	2019	.149	.106	.186	.551	290	2069	.075	.092	.255	.395
290	1278	.007	.087	.344	.364	290	2020	.074	.103	.276	.565	290	2070	.068	.082	.198	.413
290	1279	.001	.077	.280	.297	290	2021	.045	.104	.287	.386	290	2071	.099	.099	.204	.458
290	1280	.011	.084	.300	.297	290	2022	.048	.089	.240	.350	290	2072	.047	.089	.232	.353
290	1281	.010	.082	.295	.262	290	2023	.089	.093	.239	.444	290	2073	.027	.087	.252	.308
290	1282	.003	.083	.273	.290	290	2024	.037	.093	.313	.363	290	2074	.028	.078	.207	.303
290	1283	.001	.072	.220	.254	290	2025	.038	.100	.259	.373	290	2075	.090	.092	.189	.415
290	1284	.001	.082	.251	.293	290	2026	.012	.117	.506	.376	290	2076	.096	.117	.430	.507
290	1285	.009	.081	.248	.294	290	2027	.034	.147	.612	.426	290	2077	.086	.108	.344	.523

APPENDIX A -- PRESSURE DATA:

CONFIGURATION A: ARCO PLAZA, LONG BEACH

WD	TAP	CPMEAN	CPRMS	CPMAX	CPMIN	WD	TAP	CPMEAN	CPRMS	CPMAX	CPMIN	WD	TAP	CPMEAN	CPRMS	CPMAX	CPMIN
290	21128	.0666	.096	.389	.349	290	2229	.037	.102	.319	.349	290	2229	.037	.102	.319	.349
290	21129	.055	.102	.298	.386	290	2230	.075	.102	.309	.386	290	2230	.075	.102	.309	.386
290	21130	.047	.097	.319	.376	290	2231	.118	.112	.319	.376	290	2231	.118	.112	.319	.376
290	21131	.091	.111	.309	.477	290	2232	.130	.116	.327	.477	290	2232	.130	.116	.327	.477
290	21132	.016	.100	.371	.392	290	2233	.136	.131	.371	.392	290	2233	.136	.131	.371	.392
290	21133	.002	.099	.371	.292	290	2234	.023	.086	.371	.319	290	2234	.023	.086	.371	.319
290	21134	.002	.099	.371	.292	290	2235	.018	.088	.371	.319	290	2235	.018	.088	.371	.319
290	21135	.002	.099	.371	.292	290	2236	.004	.079	.371	.319	290	2236	.004	.079	.371	.319
290	21136	.002	.099	.371	.292	290	2237	.007	.090	.371	.319	290	2237	.007	.090	.371	.319
290	21137	.002	.099	.371	.292	290	2238	.037	.093	.371	.319	290	2238	.037	.093	.371	.319
290	21138	.015	.096	.329	.328	290	2239	.045	.083	.329	.314	290	2239	.045	.083	.329	.314
290	21139	.012	.087	.329	.314	290	2240	.022	.077	.329	.314	290	2240	.022	.077	.329	.314
290	21140	.078	.098	.210	.410	290	2241	.034	.085	.210	.410	290	2241	.034	.085	.210	.410
290	21141	.011	.091	.279	.335	290	2242	.041	.093	.279	.335	290	2242	.041	.093	.279	.335
290	21142	.001	.095	.442	.306	290	2243	.051	.098	.442	.306	290	2243	.051	.098	.442	.306
290	21143	.038	.086	.285	.312	290	2244	.071	.096	.285	.312	290	2244	.071	.096	.285	.312
290	21144	.099	.098	.264	.469	290	2245	.105	.132	.264	.469	290	2245	.105	.132	.264	.469
290	21145	.029	.099	.282	.386	290	2246	.142	.148	.282	.386	290	2246	.142	.148	.282	.386
290	21146	.009	.099	.282	.386	290	2247	.012	.084	.282	.386	290	2247	.012	.084	.282	.386
290	21147	.009	.099	.282	.386	290	2248	.006	.077	.282	.386	290	2248	.006	.077	.282	.386
290	21148	.018	.088	.263	.353	290	2249	.008	.086	.263	.353	290	2249	.008	.086	.263	.353
290	21149	.009	.088	.341	.310	290	2250	.018	.089	.341	.310	290	2250	.018	.089	.341	.310
290	21150	.024	.083	.308	.306	290	2251	.021	.082	.308	.306	290	2251	.021	.082	.308	.306
290	22201	.127	.098	.216	.506	290	2252	.014	.079	.216	.506	290	2252	.014	.079	.216	.506
290	22202	.071	.096	.279	.665	290	2253	.011	.089	.279	.665	290	2253	.011	.089	.279	.665
290	22203	.072	.090	.201	.671	290	2254	.050	.093	.201	.671	290	2254	.050	.093	.201	.671
290	22204	.090	.090	.287	.939	290	2255	.050	.088	.287	.939	290	2255	.050	.088	.287	.939
290	22205	.094	.094	.294	.448	290	2256	.042	.083	.294	.448	290	2256	.042	.083	.294	.448
290	22206	.033	.094	.287	.569	290	2257	.057	.100	.287	.569	290	2257	.057	.100	.287	.569
290	22207	.016	.081	.249	.376	290	2258	.099	.112	.249	.376	290	2258	.099	.112	.249	.376
290	22208	.024	.094	.295	.407	290	2259	.101	.126	.295	.407	290	2259	.101	.126	.295	.407
290	22209	.059	.090	.273	.367	290	2260	.011	.077	.273	.367	290	2260	.011	.077	.273	.367
290	22210	.052	.096	.256	.383	290	2261	.015	.087	.256	.383	290	2261	.015	.087	.256	.383
290	22211	.045	.085	.209	.335	290	2262	.005	.088	.209	.335	290	2262	.005	.088	.209	.335
290	22212	.045	.094	.298	.442	290	2263	.010	.081	.298	.442	290	2263	.010	.081	.298	.442
290	22213	.085	.102	.298	.494	290	2264	.002	.075	.298	.494	290	2264	.002	.075	.298	.494
290	22214	.077	.107	.300	.119	290	2265	.004	.086	.300	.119	290	2265	.004	.086	.300	.119
290	22215	.048	.094	.291	.603	290	2266	.021	.088	.291	.603	290	2266	.021	.088	.291	.603
290	22216	.065	.110	.283	.660	290	2267	.043	.087	.283	.660	290	2267	.043	.087	.283	.660
290	22217	.127	.094	.291	.119	290	2268	.020	.080	.291	.119	290	2268	.020	.080	.291	.119
290	22218	.130	.095	.182	.520	290	2269	.026	.089	.182	.520	290	2269	.026	.089	.182	.520
290	22219	.133	.108	.271	.655	290	2270	.064	.089	.271	.655	290	2270	.064	.089	.271	.655
290	22220	.010	.087	.292	.313	290	2271	.081	.099	.292	.313	290	2271	.081	.099	.292	.313
290	22221	.025	.089	.278	.350	290	2272	.073	.088	.278	.350	290	2272	.073	.088	.278	.350
290	22222	.023	.095	.344	.405	290	2273	.013	.091	.344	.405	290	2273	.013	.091	.344	.405
290	22223	.019	.085	.301	.335	290	2274	.008	.092	.301	.335	290	2274	.008	.092	.301	.335
290	22224	.042	.095	.322	.398	290	2275	.002	.085	.322	.398	290	2275	.002	.085	.322	.398
290	22225	.074	.100	.253	.467	290	2276	.015	.078	.253	.467	290	2276	.015	.078	.253	.467
290	22226	.058	.098	.277	.458	290	2277	.012	.088	.277	.458	290	2277	.012	.088	.277	.458
290	22227	.063	.089	.225	.491	290	2278	.019	.089	.225	.491	290	2278	.019	.089	.225	.491

APPENDIX A -- PRESSURE DATA:

CONFIGURATION A: ARCO PLAZA, LONG BEACH

WD	TAP	CPMEAN	CPRMS	CPMAX	CPMIN	WD	TAP	CPMEAN	CPRMS	CPMAX	CPMIN	WD	TAP	CPMEAN	CPRMS	CPMAX	CPMIN
290	2279	.006	.085	.276	.283	300	1004	-.041	.089	.268	-.369	300	1054	-.036	.075	.221	-.199
290	2280	-.016	.079	.272	.256	300	1005	-.040	.086	.233	-.422	300	1055	-.025	.085	.258	-.336
290	2281	-.010	.087	.315	.250	300	1006	-.041	.075	.194	-.393	300	1056	-.036	.085	.246	-.448
290	2282	-.029	.087	.303	.19	300	1007	-.038	.088	.234	-.331	300	1057	-.042	.086	.226	-.352
290	2283	-.049	.084	.272	.303	300	1008	-.051	.088	.201	-.330	300	1058	-.048	.076	.190	-.322
290	2284	-.055	.072	.219	.278	300	1009	-.052	.089	.239	-.474	300	1059	-.034	.087	.251	-.355
290	2285	-.059	.081	.229	.317	300	1010	-.063	.081	.203	-.386	300	1060	-.056	.088	.247	-.353
290	2901	-.166	.126	.225	.860	300	1011	-.078	.087	.207	-.417	300	1061	-.064	.089	.242	-.344
290	2902	-.028	.096	.314	.359	300	1012	-.092	.092	.235	-.403	300	1062	-.072	.080	.189	-.344
290	2903	-.049	.126	.608	.72	300	1013	-.087	.095	.221	-.518	300	1063	-.053	.090	.255	-.362
290	2904	-.115	.102	.289	.545	300	1014	-.076	.086	.230	-.445	300	1064	-.078	.095	.249	-.437
290	2905	-.043	.091	.267	.352	300	1015	-.138	.106	.182	-.801	300	1065	-.111	.096	.242	-.482
290	2906	-.030	.084	.221	.25	300	1016	-.166	.111	.166	-.663	300	1066	-.124	.085	.188	-.485
290	2907	-.057	.091	.289	.402	300	1017	-.102	.110	.299	-.586	300	1067	-.082	.094	.259	-.532
290	2908	-.020	.101	.375	.660	300	1018	-.077	.099	.351	-.498	300	1068	-.062	.101	.311	-.526
290	2909	-.005	.124	.437	.33	300	1019	-.135	.134	.292	-.789	300	1069	-.149	.110	.217	-.577
290	2910	-.115	.122	.231	.689	300	1020	-.128	.133	.397	-.793	300	1070	-.189	.108	.313	-.597
290	2911	-.079	.095	.202	.474	300	1021	-.059	.111	.339	-.729	300	1071	-.057	.099	.316	-.550
290	2912	-.058	.090	.224	.372	300	1022	-.068	.106	.335	-.583	300	1072	-.102	.114	.379	-.455
290	2913	-.109	.129	.324	.964	300	1023	-.009	.121	.534	-.749	300	1073	-.023	.109	.372	-.676
290	2914	-.032	.092	.284	.501	300	1024	-.005	.136	.501	-.696	300	1074	-.064	.122	.451	-.609
290	2915	-.014	.102	.405	.39	300	1025	-.035	.185	.551	-1.050	300	1075	-.094	.180	.619	-.134
290	2916	-.009	.090	.338	.338	300	1026	-.041	.080	.251	-.329	300	1076	-.023	.084	.243	-.344
290	2917	-.060	.098	.258	.12	300	1027	-.028	.090	.308	-.347	300	1077	-.041	.090	.274	-.382
290	2918	-.012	.134	.750	.379	300	1028	-.038	.096	.294	-.350	300	1078	-.090	.083	.211	-.420
290	2919	-.018	.181	.786	.686	300	1029	-.033	.081	.333	-.346	300	1079	-.074	.092	.263	-.454
290	2920	-.055	.144	.483	.598	300	1030	-.037	.093	.296	-.323	300	1080	-.032	.084	.284	-.339
290	2921	-.040	.090	.358	.413	300	1031	-.025	.089	.291	-.343	300	1081	-.048	.092	.264	-.381
290	2922	-.088	.079	.162	.377	300	1032	-.039	.083	.231	-.375	300	1082	-.104	.087	.201	-.448
290	2923	-.145	.094	.146	.494	300	1033	-.044	.086	.306	-.405	300	1083	-.086	.096	.250	-.439
300	901	-.016	.088	.275	.301	300	1034	-.047	.073	.242	-.334	300	1084	-.040	.087	.250	-.394
300	902	-.006	.074	.241	.222	300	1035	-.043	.087	.322	-.395	300	1085	-.066	.091	.276	-.469
300	903	-.021	.088	.265	.335	300	1036	-.072	.088	.270	-.428	300	1086	-.128	.086	.172	-.494
300	904	-.038	.107	.511	.266	300	1037	-.096	.092	.244	-.495	300	1087	-.113	.095	.225	-.614
300	905	-.030	.086	.239	.48	300	1038	-.082	.078	.189	-.357	300	1088	-.064	.088	.285	-.418
300	906	-.021	.088	.377	.348	300	1039	-.052	.094	.260	-.398	300	1089	-.089	.095	.240	-.488
300	907	-.027	.085	.204	.348	300	1040	-.140	.096	.175	-.494	300	1090	-.163	.089	.166	-.485
300	908	-.039	.087	.218	.387	300	1041	-.147	.098	.130	-.512	300	1091	-.148	.097	.174	-.510
300	909	-.048	.093	.280	.420	300	1042	-.106	.080	.162	-.404	300	1092	-.084	.089	.243	-.409
300	910	-.051	.085	.216	.405	300	1043	-.038	.096	.326	-.394	300	1093	-.076	.098	.259	-.440
300	911	-.035	.099	.299	.421	300	1044	-.136	.108	.209	-.541	300	1094	-.203	.099	.100	-.391
300	912	-.040	.089	.281	.444	300	1045	-.150	.125	.281	-.809	300	1095	-.212	.117	.219	-.700
300	913	-.078	.110	.288	.530	300	1046	-.056	.089	.255	-.396	300	1096	-.060	.092	.243	-.327
300	914	-.027	.079	.251	.322	300	1047	-.070	.110	.303	-.606	300	1097	-.122	.111	.226	-.610
300	915	-.037	.092	.289	.473	300	1048	-.018	.112	.439	-.429	300	1098	-.028	.103	.311	-.436
300	916	-.052	.097	.287	.318	300	1049	-.048	.159	.583	-1.022	300	1099	-.049	.143	.551	-.618
300	917	-.025	.087	.262	.332	300	1050	-.050	.176	.565	-.829	300	1100	-.115	.166	.680	-.695
300	1001	-.035	.089	.354	.45	300	1051	-.017	.092	.272	-.408	300	1101	-.031	.078	.232	-.352
300	1002	-.033	.078	.296	.314	300	1052	-.028	.092	.281	-.401	300	1102	-.082	.077	.182	-.335
300	1003	-.030	.087	.301	.367	300	1053	-.032	.089	.258	-.405	300	1103	-.063	.085	.229	-.357

APPENDIX A -- PRESSURE DATA:

CONFIGURATION A: ARCO PLAZA, LONG BEACH

WD	TAP	CPMEAN	CPRMS	CPMAX	CPMIN	WD	TAP	CPMEAN	CPRMS	CPMAX	CPMIN	WD	TAP	CPMEAN	CPRMS	CPMAX	CPMIN
300	1104	.021	.081	.262	.299	300	1205	.076	.096	.249	.399	300	1255	.051	.087	.226	.410
300	1105	.039	.070	.163	.301	300	1206	.010	.190	.747	.093	300	1256	.015	.078	.227	.366
300	1106	.099	.076	.163	.408	300	1207	.016	.144	.659	.530	300	1257	.061	.083	.277	.393
300	1107	.082	.086	.216	.434	300	1208	.002	.100	.404	.350	300	1258	.007	.082	.278	.393
300	1108	.037	.082	.247	.369	300	1209	.027	.103	.434	.351	300	1259	.015	.082	.254	.311
300	1109	.055	.090	.280	.357	300	1210	.081	.128	.509	.275	300	1260	.109	.127	.410	.610
300	1110	.115	.085	.194	.427	300	1211	.002	.110	.456	.391	300	1261	.084	.129	.477	.684
300	1111	.102	.095	.227	.443	300	1212	.143	.105	.214	.559	300	1262	.058	.102	.370	.406
300	1112	.038	.084	.223	.400	300	1213	.036	.116	.457	.506	300	1263	.005	.101	.289	.320
300	1113	.170	.091	.312	.403	300	1214	.116	.105	.265	.596	300	1264	.035	.095	.366	.277
300	1114	.140	.089	.186	.467	300	1215	.093	.094	.201	.471	300	1265	.117	.114	.201	.592
300	1115	.136	.097	.236	.550	300	1216	.087	.086	.225	.426	300	1266	.018	.103	.355	.599
300	1116	.090	.088	.256	.403	300	1217	.005	.094	.326	.320	300	1267	.076	.093	.272	.416
300	1117	.092	.090	.229	.406	300	1218	.000	.091	.299	.367	300	1268	.050	.078	.202	.302
300	1118	.120	.089	.202	.458	300	1219	.013	.087	.289	.314	300	1269	.002	.087	.226	.346
300	1119	.174	.103	.186	.614	300	1220	.020	.063	.199	.256	300	1270	.007	.084	.233	.334
300	1120	.148	.102	.183	.594	300	1221	.024	.191	.758	.905	300	1271	.008	.086	.299	.446
300	1121	.071	.099	.328	.392	300	1222	.030	.158	.642	.650	300	1272	.006	.076	.246	.254
300	1122	.139	.100	.211	.484	300	1223	.016	.109	.537	.424	300	1273	.031	.100	.351	.707
300	1123	.048	.112	.412	.409	300	1224	.033	.087	.475	.216	300	1274	.032	.104	.384	.653
300	1124	.003	.117	.541	.478	300	1225	.093	.116	.702	.248	300	1275	.027	.096	.358	.324
300	1125	.016	.138	.523	.544	300	1226	.105	.091	.203	.489	300	1276	.003	.085	.285	.300
300	1126	.085	.087	.219	.408	300	1227	.097	.105	.251	.495	300	1277	.032	.095	.363	.291
300	1127	.062	.096	.279	.411	300	1228	.105	.091	.187	.557	300	1278	.002	.083	.279	.298
300	1128	.016	.083	.289	.337	300	1229	.070	.092	.240	.458	300	1279	.001	.072	.265	.279
300	1129	.036	.091	.269	.316	300	1230	.001	.091	.352	.363	300	1280	.024	.079	.265	.279
300	1130	.087	.086	.199	.347	300	1231	.009	.085	.262	.337	300	1281	.023	.079	.275	.311
300	1131	.074	.095	.256	.378	300	1232	.019	.072	.214	.283	300	1282	.006	.087	.334	.300
300	1132	.031	.086	.251	.294	300	1233	.017	.083	.255	.331	300	1283	.003	.076	.301	.303
300	1133	.052	.091	.253	.380	300	1234	.002	.207	.716	.044	300	1284	.003	.085	.339	.411
300	1134	.095	.079	.163	.379	300	1235	.012	.163	.483	.730	300	1285	.013	.085	.335	.446
300	1135	.076	.093	.232	.416	300	1236	.004	.098	.311	.336	300	1901	.022	.083	.318	.247
300	1136	.044	.084	.223	.345	300	1237	.033	.096	.349	.271	300	1902	.042	.085	.261	.340
300	1137	.070	.090	.251	.378	300	1238	.083	.109	.481	.273	300	1903	.040	.108	.357	.455
300	1138	.106	.079	.174	.399	300	1239	.088	.094	.217	.458	300	1904	.034	.095	.328	.367
300	1139	.095	.093	.227	.443	300	1240	.085	.087	.172	.425	300	1905	.132	.104	.214	.719
300	1140	.076	.087	.213	.406	300	1241	.078	.094	.277	.499	300	1906	.032	.127	.462	.679
300	1141	.093	.091	.222	.401	300	1242	.064	.090	.279	.385	300	1907	.045	.110	.293	.398
300	1142	.124	.082	.161	.406	300	1243	.025	.088	.307	.320	300	1908	.122	.173	.431	.902
300	1143	.084	.093	.245	.440	300	1244	.017	.076	.284	.252	300	1909	.044	.097	.241	.444
300	1144	.074	.089	.192	.380	300	1245	.014	.084	.300	.315	300	1910	.043	.090	.287	.453
300	1145	.099	.096	.277	.458	300	1246	.022	.084	.288	.310	300	1911	.138	.142	.273	.619
300	1146	.092	.089	.245	.422	300	1247	.068	.206	.598	.206	300	1912	.028	.103	.366	.714
300	1147	.067	.102	.362	.449	300	1248	.034	.155	.436	.214	300	1913	.018	.086	.364	.279
300	1148	.009	.105	.381	.393	300	1249	.017	.101	.333	.472	300	1914	.030	.102	.482	.500
300	1149	.053	.100	.436	.415	300	1250	.011	.091	.339	.304	300	1915	.003	.105	.390	.380
300	1150	.120	.091	.312	.431	300	1251	.060	.109	.511	.278	300	1916	.018	.098	.455	.619
300	1201	.055	.132	.516	.549	300	1252	.082	.086	.265	.383	300	1917	.054	.115	.359	.711
300	1202	.174	.121	.195	.736	300	1253	.072	.100	.294	.437	300	1918	.069	.086	.200	.588
300	1204	.112	.091	.223	.502	300	1254	.070	.095	.304	.404	300	1919	.097	.077	.125	.471

APPENDIX A -- PRESSURE DATA:

CONFIGURATION A) ARCO PLAZA, LONG BEACH

WD	TAP	CPMEAN	CPRMS	CPMAX	CPMIN	WD	TAP	CPMEAN	CPRMS	CPMAX	CPMIN	WD	TAP	CPMEAN	CPRMS	CPMAX	CPMIN
300	19200	139	095	130	477	300	2047	107	092	187	462	300	2097	026	086	266	313
300	19201	129	109	264	580	300	2048	038	086	227	372	300	2098	036	081	246	302
300	19202	036	131	683	376	300	2049	040	090	320	440	300	2099	082	092	229	411
300	19203	021	117	568	406	300	2050	041	080	274	393	300	2100	021	086	268	326
300	20001	041	162	695	434	300	2051	107	152	522	015	300	2101	142	108	260	798
300	20002	059	153	673	380	300	2052	034	137	637	803	300	2102	150	092	183	795
300	20003	010	179	805	444	300	2053	040	108	409	378	300	2103	192	091	134	507
300	20004	052	166	652	434	300	2054	079	093	251	386	300	2104	121	084	143	418
300	20005	083	167	629	374	300	2055	139	107	244	470	300	2105	103	084	199	487
300	20006	005	125	491	514	300	2056	123	107	223	589	300	2106	104	079	169	389
300	20007	109	131	472	063	300	2057	118	106	247	557	300	2107	143	086	168	433
300	20008	023	128	561	733	300	2058	060	088	232	367	300	2108	057	085	237	365
300	20009	042	121	437	825	300	2059	174	110	224	626	300	2109	062	085	230	364
300	20010	199	143	223	920	300	2060	138	115	244	666	300	2110	078	081	200	367
300	20011	212	139	271	920	300	2061	115	125	429	601	300	2111	124	091	180	451
300	20012	031	128	511	448	300	2062	063	109	411	533	300	2112	047	088	252	351
300	20013	093	123	312	552	300	2063	148	115	286	610	300	2113	048	087	248	410
300	20014	178	139	171	722	300	2064	114	116	286	649	300	2114	064	085	214	513
300	20015	227	150	172	918	300	2065	083	104	248	322	300	2115	110	091	207	455
300	20016	075	120	341	502	300	2066	043	094	339	390	300	2116	032	085	254	377
300	20017	079	106	270	561	300	2067	122	100	253	495	300	2117	048	081	226	316
300	20018	084	092	218	439	300	2068	066	094	236	397	300	2118	048	091	229	431
300	20019	137	104	195	497	300	2069	055	098	280	434	300	2119	045	085	293	342
300	20020	070	103	259	607	300	2070	045	088	236	385	300	2120	027	085	221	284
300	20021	051	102	320	523	300	2071	100	102	226	523	300	2121	023	082	221	284
300	20022	052	084	245	387	300	2072	041	094	255	393	300	2122	035	078	205	295
300	20023	102	093	207	483	300	2073	032	088	246	303	300	2123	086	087	190	400
300	20024	041	088	250	367	300	2074	032	079	241	401	300	2124	023	083	245	307
300	20025	042	090	245	352	300	2075	098	094	222	490	300	2125	025	084	255	359
300	20026	013	131	601	609	300	2076	069	138	616	671	300	2126	110	083	219	447
300	20027	044	157	630	635	300	2077	067	130	673	492	300	2127	168	094	179	552
300	20028	033	143	638	448	300	2078	094	105	417	418	300	2128	089	093	197	401
300	20029	031	146	550	452	300	2079	184	104	210	553	300	2129	075	093	326	389
300	20030	036	131	577	356	300	2080	108	094	210	478	300	2130	066	090	299	356
300	20031	125	148	446	602	300	2081	122	101	236	526	300	2131	110	097	256	445
300	20032	001	127	411	533	300	2082	124	093	207	468	300	2132	037	088	319	362
300	20033	168	115	493	412	300	2083	139	094	211	441	300	2133	030	089	362	351
300	20034	256	174	277	600	300	2084	089	095	285	624	300	2134	040	087	389	339
300	20035	172	160	311	640	300	2085	094	105	257	604	300	2135	099	095	296	399
300	20036	018	119	480	520	300	2086	101	099	233	569	300	2136	026	089	314	327
300	20037	099	092	221	490	300	2087	119	105	229	645	300	2137	024	084	298	298
300	20038	226	123	113	817	300	2088	057	091	236	382	300	2138	041	077	227	281
300	20039	144	114	163	751	300	2089	063	096	342	413	300	2139	100	085	197	371
300	20040	051	115	440	491	300	2090	073	091	301	391	300	2140	031	080	245	294
300	20041	083	086	248	422	300	2091	095	099	269	413	300	2141	016	088	288	307
300	20042	155	103	200	617	300	2092	041	090	324	342	300	2142	033	084	236	322
300	20043	088	098	259	517	300	2093	045	086	326	344	300	2143	088	093	297	411
300	20044	034	092	273	376	300	2094	054	079	292	337	300	2144	021	088	256	337
300	20045	039	082	246	360	300	2095	092	086	266	347	300	2145	018	080	260	298
300	20046	039	082	246	360	300	2096	030	085	318	365	300	2146	022	076	247	305

APPENDIX A -- PRESSURE DATA:

CONFIGURATION A: ARCO PLAZA, LONG BEACH

WD	TAP	CPMEAN	CPRMS	CPMAX	CPMIN	WD	TAP	CPMEAN	CPRMS	CPMAX	CPMIN	WD	TAP	CPMEAN	CPRMS	CPMAX	CPMIN
3300	22147	.090	.084	.198	-.400	3300	22248	-.002	.082	.255	-.309	3300	2913	-.104	.120	.348	-.642
3300	22148	-.023	.078	.235	-.316	3300	22249	-.007	.091	.300	-.332	3300	2914	-.044	.085	.302	-.412
3300	22149	-.021	.080	.227	-.400	3300	22250	-.026	.093	.255	-.360	3300	2915	-.024	.094	.333	-.280
3300	22150	-.032	.075	.208	-.390	3300	22251	-.038	.085	.290	-.342	3300	2916	-.000	.084	.340	-.266
3300	22201	-.138	.093	.157	-.800	3300	22252	-.029	.079	.287	-.285	3300	2917	-.068	.093	.289	-.483
3300	22202	-.091	.091	.216	-.816	3300	22253	-.010	.090	.331	-.310	3300	2918	-.017	.145	.660	-.435
3300	22203	-.077	.085	.192	-.479	3300	22254	-.053	.091	.285	-.338	3300	2919	-.035	.182	.706	-.566
3300	22204	-.075	.085	.420	-.564	3300	22255	-.030	.090	.288	-.326	3300	2920	-.094	.133	.464	-.873
3300	22205	-.069	.089	.311	-.386	3300	22256	-.025	.084	.264	-.342	3300	2921	-.057	.078	.212	-.326
3300	22206	-.063	.089	.311	-.314	3300	22257	-.055	.101	.317	-.514	3300	2922	-.110	.080	.186	-.401
3300	22207	-.024	.089	.259	-.314	3300	22258	-.092	.121	.311	-.878	3300	2923	-.163	.093	.175	-.516
3300	22208	-.003	.077	.241	-.264	3300	22259	-.101	.123	.332	-.906	3310	901	-.006	.101	.456	-.307
3300	22209	-.006	.088	.281	-.287	3300	22260	-.061	.077	.267	-.338	3310	902	-.013	.078	.327	-.231
3300	22210	-.063	.088	.213	-.382	3300	22261	-.013	.086	.293	-.375	3310	903	-.034	.098	.355	-.344
3300	22211	-.063	.095	.254	-.405	3300	22262	-.014	.087	.271	-.375	3310	904	-.067	.117	.599	-.233
3300	22212	-.056	.085	.225	-.415	3300	22263	-.018	.081	.299	-.333	3310	905	-.040	.085	.270	-.333
3300	22213	-.041	.093	.254	-.516	3300	22264	-.018	.075	.242	-.306	3310	906	-.012	.083	.413	-.222
3300	22214	-.091	.101	.234	-.539	3300	22265	-.013	.084	.270	-.340	3310	907	-.055	.086	.257	-.418
3300	22215	-.057	.101	.344	-.532	3300	22266	-.024	.085	.309	-.334	3310	908	-.056	.085	.229	-.300
3300	22216	-.014	.093	.342	-.321	3300	22267	-.040	.090	.240	-.396	3310	909	-.068	.090	.235	-.355
3300	22217	-.032	.108	.291	-.637	3300	22268	-.013	.086	.251	-.298	3310	910	-.079	.076	.149	-.535
3300	22218	-.108	.129	.263	-.838	3300	22269	-.009	.089	.271	-.315	3310	911	-.067	.086	.247	-.333
3300	22219	-.110	.110	.201	-.861	3300	22270	-.009	.089	.254	-.404	3310	912	-.062	.088	.211	-.222
3300	22220	-.141	.120	.192	-.609	3300	22271	-.077	.096	.285	-.388	3310	913	-.117	.114	.223	-.399
3300	22221	-.002	.092	.304	-.327	3300	22272	-.078	.086	.280	-.509	3310	914	-.042	.078	.238	-.311
3300	22222	-.025	.094	.285	-.338	3300	22273	-.018	.079	.291	-.227	3310	915	-.061	.097	.233	-.410
3300	22223	-.022	.084	.389	-.363	3300	22274	-.009	.081	.271	-.356	3310	916	-.071	.100	.277	-.449
3300	22224	-.013	.075	.314	-.315	3300	22275	-.008	.086	.263	-.353	3310	917	-.040	.091	.245	-.367
3300	22225	-.035	.085	.344	-.366	3300	22276	-.003	.079	.299	-.342	3310	1001	-.045	.087	.264	-.411
3300	22226	-.072	.089	.312	-.452	3300	22277	-.007	.088	.303	-.347	3310	1002	-.018	.073	.237	-.296
3300	22227	-.055	.096	.275	-.439	3300	22278	-.032	.092	.279	-.374	3310	1003	-.081	.089	.218	-.411
3300	22228	-.066	.087	.185	-.529	3300	22279	-.001	.087	.323	-.253	3310	1004	-.048	.088	.219	-.588
3300	22229	-.000	.098	.353	-.534	3300	22280	-.005	.080	.257	-.251	3310	1005	-.057	.096	.269	-.457
3300	22230	-.045	.096	.291	-.531	3300	22281	-.004	.088	.303	-.373	3310	1006	-.035	.077	.216	-.293
3300	22231	-.093	.100	.216	-.803	3300	22282	-.016	.089	.286	-.383	3310	1007	-.099	.094	.200	-.417
3300	22232	-.120	.114	.178	-.809	3300	22283	-.042	.091	.274	-.369	3310	1008	-.064	.088	.230	-.377
3300	22233	-.121	.135	.248	-.908	3300	22284	-.059	.078	.244	-.440	3310	1009	-.074	.085	.218	-.353
3300	22234	-.023	.084	.258	-.303	3300	22285	-.064	.087	.278	-.390	3310	1010	-.048	.071	.185	-.391
3300	22235	-.018	.082	.273	-.312	3300	29001	-.160	.131	.292	-.833	3310	1011	-.157	.094	.108	-.641
3300	22236	-.002	.072	.264	-.246	3300	29002	-.032	.094	.289	-.424	3310	1012	-.121	.096	.160	-.739
3300	22237	-.003	.081	.310	-.281	3300	29003	-.046	.120	.597	-.283	3310	1013	-.087	.096	.222	-.579
3300	22238	-.045	.083	.254	-.343	3300	29004	-.119	.105	.232	-.622	3310	1014	-.038	.080	.268	-.430
3300	22239	-.055	.085	.241	-.349	3300	29005	-.052	.089	.242	-.348	3310	1015	-.162	.104	.161	-.934
3300	22240	-.022	.086	.255	-.376	3300	29006	-.034	.082	.241	-.281	3310	1016	-.134	.100	.200	-.897
3300	22241	-.032	.086	.282	-.399	3300	29007	-.057	.084	.219	-.316	3310	1017	-.079	.102	.337	-.568
3300	22242	-.017	.095	.337	-.411	3300	29008	-.021	.095	.330	-.274	3310	1018	-.032	.089	.364	-.356
3300	22243	-.041	.100	.319	-.427	3300	29009	-.032	.117	.425	-.389	3310	1019	-.130	.118	.290	-.644
3300	22244	-.063	.098	.205	-.583	3300	29100	-.148	.118	.154	-.005	3310	1020	-.077	.119	.417	-.618
3300	22245	-.092	.134	.266	-.918	3300	29110	-.068	.089	.200	-.425	3310	1021	-.042	.112	.330	-.657
3300	22246	-.140	.150	.294	-.200	3300	29112	-.061	.090	.201	-.375	3310	1022	-.032	.100	.379	-.708

APPENDIX A -- PRESSURE DATA:

CONFIGURATION A; ARCO PLAZA, LONG BEACH

WD	TAP	CPMEAN	CPRMS	CPMAX	CPMIN	WD	TAP	CPMEAN	CPRMS	CPMAX	CPMIN	WD	TAP	CPMEAN	CPRMS	CPMAX	CPMIN
310	1023	.078	.118	.421	.611	310	1073	.017	.115	.485	.368	310	1123	.034	.120	.450	.496
310	1024	.030	.121	.485	.609	310	1074	.069	.124	.525	.396	310	1124	.020	.126	.486	.641
310	1025	.044	.146	.410	.822	310	1075	.018	.191	.610	.947	310	1125	.002	.134	.485	.925
310	1026	.019	.067	.187	.293	310	1076	.029	.084	.282	.322	310	1126	.085	.078	.167	.444
310	1027	.082	.084	.178	.413	310	1077	.044	.089	.230	.376	310	1127	.062	.087	.220	.468
310	1028	.038	.079	.213	.432	310	1078	.096	.082	.162	.368	310	1128	.014	.074	.234	.388
310	1029	.051	.081	.196	.438	310	1079	.082	.091	.195	.399	310	1129	.039	.087	.245	.361
310	1030	.028	.068	.182	.479	310	1080	.038	.084	.212	.321	310	1130	.092	.082	.167	.370
310	1031	.096	.086	.201	.483	310	1081	.052	.086	.244	.358	310	1131	.083	.091	.217	.400
310	1032	.055	.083	.196	.479	310	1082	.109	.082	.192	.414	310	1132	.037	.080	.223	.333
310	1033	.062	.086	.222	.433	310	1083	.091	.091	.234	.419	310	1133	.063	.091	.269	.376
310	1034	.037	.070	.185	.259	310	1084	.042	.082	.231	.343	310	1134	.106	.079	.207	.368
310	1035	.102	.092	.214	.433	310	1085	.071	.090	.234	.395	310	1135	.081	.095	.258	.333
310	1036	.099	.092	.183	.453	310	1086	.139	.084	.183	.447	310	1136	.056	.086	.253	.455
310	1037	.114	.092	.199	.531	310	1087	.123	.094	.224	.458	310	1137	.079	.092	.203	.338
310	1038	.065	.076	.214	.399	310	1088	.066	.086	.256	.370	310	1138	.114	.082	.148	.379
310	1039	.098	.102	.269	.552	310	1089	.093	.092	.219	.406	310	1139	.095	.097	.275	.459
310	1040	.128	.095	.187	.507	310	1090	.195	.095	.107	.489	310	1140	.079	.088	.197	.350
310	1041	.151	.102	.227	.555	310	1091	.169	.090	.109	.534	310	1141	.099	.090	.207	.410
310	1042	.070	.081	.262	.322	310	1092	.090	.083	.200	.361	310	1142	.124	.081	.231	.386
310	1043	.078	.112	.454	.563	310	1093	.064	.104	.167	.440	310	1143	.075	.091	.341	.373
310	1044	.082	.111	.404	.563	310	1094	.189	.100	.107	.628	310	1144	.065	.086	.342	.338
310	1045	.091	.120	.348	.492	310	1095	.187	.121	.212	.591	310	1145	.088	.100	.244	.443
310	1046	.011	.093	.535	.374	310	1096	.038	.096	.351	.296	310	1146	.076	.093	.399	.399
310	1047	.094	.119	.554	.633	310	1097	.081	.116	.486	.516	310	1147	.048	.105	.353	.412
310	1048	.005	.111	.431	.483	310	1098	.023	.106	.353	.416	310	1148	.019	.106	.440	.336
310	1049	.007	.133	.494	.741	310	1099	.044	.145	.536	.680	310	1149	.034	.109	.332	.377
310	1050	.007	.138	.470	.723	310	1100	.108	.164	.676	.765	310	1150	.108	.099	.213	.419
310	1051	.082	.090	.247	.328	310	1101	.037	.081	.219	.344	310	1201	.071	.118	.460	.448
310	1052	.031	.086	.283	.328	310	1102	.090	.080	.169	.403	310	1202	.124	.119	.287	.785
310	1053	.039	.087	.333	.329	310	1103	.071	.087	.215	.410	310	1204	.084	.087	.230	.511
310	1054	.022	.074	.287	.368	310	1104	.027	.084	.242	.359	310	1205	.060	.093	.285	.511
310	1055	.092	.093	.289	.396	310	1105	.041	.079	.261	.317	310	1206	.022	.142	.488	.752
310	1056	.042	.088	.329	.325	310	1106	.104	.087	.211	.453	310	1207	.021	.119	.444	.605
310	1057	.056	.088	.235	.359	310	1107	.084	.096	.272	.435	310	1208	.021	.091	.257	.605
310	1058	.038	.074	.199	.311	310	1108	.037	.092	.313	.367	310	1209	.003	.089	.290	.516
310	1059	.110	.092	.187	.433	310	1109	.054	.093	.228	.339	310	1210	.029	.100	.525	.405
310	1060	.067	.091	.211	.439	310	1110	.117	.088	.155	.416	310	1211	.008	.099	.398	.349
310	1061	.092	.093	.255	.434	310	1111	.107	.099	.210	.434	310	1212	.097	.089	.278	.617
310	1062	.077	.079	.208	.367	310	1112	.062	.088	.202	.346	310	1213	.085	.091	.318	.382
310	1063	.136	.097	.210	.504	310	1113	.069	.094	.225	.459	310	1214	.116	.105	.265	.596
310	1064	.079	.100	.238	.466	310	1114	.134	.093	.159	.509	310	1215	.068	.097	.240	.454
310	1065	.138	.094	.180	.460	310	1115	.138	.100	.189	.597	310	1216	.063	.087	.212	.373
310	1066	.126	.077	.139	.394	310	1116	.092	.090	.219	.520	310	1217	.007	.093	.381	.437
310	1067	.156	.094	.158	.556	310	1117	.092	.092	.201	.442	310	1218	.020	.094	.260	.354
310	1068	.042	.100	.394	.391	310	1118	.116	.091	.179	.391	310	1219	.025	.085	.254	.424
310	1069	.116	.110	.271	.491	310	1119	.161	.103	.189	.590	310	1220	.027	.064	.148	.270
310	1070	.114	.104	.296	.530	310	1120	.127	.100	.251	.540	310	1221	.003	.153	.708	.643
310	1071	.088	.107	.335	.484	310	1121	.054	.103	.304	.462	310	1222	.002	.133	.589	.540
310	1072	.054	.113	.470	.592	310	1122	.121	.105	.220	.534	310	1223	.001	.102	.417	.906

APPENDIX A -- PRESSURE DATA:

CONFIGURATION A) ARCO PLAZA, LONG BEACH

WD	TAP	CPMEAN	CPRMS	CPMAX	CPMIN	WD	TAP	CPMEAN	CPRMS	CPMAX	CPMIN	WD	TAP	CPMEAN	CPRMS	CPMAX	CPMIN
310	12224	.017	.081	305	-.289	310	12774	-.023	.105	447	-.387	310	20116	-.108	.116	384	-.826
310	12225	-.061	.102	580	-.267	310	12775	-.006	.093	335	-.307	310	20117	-.079	.100	236	-.483
310	12226	-.084	.090	230	-.543	310	12776	.018	.083	301	-.259	310	20118	-.079	.087	186	-.404
310	12227	-.072	.101	247	-.468	310	12777	.053	.094	356	-.229	310	20119	-.139	.100	168	-.477
310	12228	-.091	.086	216	-.389	310	12778	-.004	.086	303	-.325	310	20120	-.043	.096	293	-.576
310	12229	-.057	.088	208	-.397	310	12779	-.002	.077	322	-.230	310	20121	-.057	.094	270	-.422
310	12230	-.012	.086	257	-.294	310	12800	-.049	.084	270	-.315	310	20122	-.061	.079	243	-.341
310	12231	-.019	.090	284	-.355	310	12801	-.036	.083	274	-.294	310	20123	-.122	.092	208	-.426
310	12232	-.024	.075	248	-.313	310	12802	-.003	.085	283	-.298	310	20124	-.051	.087	255	-.390
310	12233	-.016	.085	303	-.342	310	12803	-.008	.068	215	-.245	310	20125	-.050	.092	335	-.447
310	12234	-.034	.186	665	-.780	310	12804	.012	.083	260	-.293	310	20126	-.015	.137	627	-.614
310	12235	-.020	.150	615	-.629	310	12805	-.012	.082	260	-.284	310	20127	-.033	.161	760	-.627
310	12236	-.008	.097	387	-.389	310	19001	-.014	.080	311	-.263	310	20128	-.015	.131	659	-.528
310	12237	-.039	.091	349	-.344	310	19002	-.050	.089	239	-.239	310	20129	-.039	.121	425	-.443
310	12238	-.074	.106	456	-.297	310	19003	-.029	.104	471	-.399	310	20130	-.034	.111	458	-.431
310	12239	-.083	.088	259	-.375	310	19004	-.031	.097	369	-.399	310	20131	-.167	.148	381	-.539
310	12240	-.075	.082	211	-.354	310	19005	-.082	.097	326	-.481	310	20132	-.096	.124	419	-.491
310	12241	-.074	.087	238	-.419	310	19006	-.001	.134	581	-.906	310	20133	-.029	.114	351	-.399
310	12242	-.065	.085	251	-.406	310	19007	-.046	.118	371	-.666	310	20134	-.124	.100	270	-.525
310	12243	-.021	.083	255	-.344	310	19008	-.089	.150	351	-.830	310	20135	-.278	.137	206	-.916
310	12244	-.019	.071	205	-.275	310	19009	-.044	.075	209	-.313	310	20136	-.177	.126	264	-.739
310	12245	-.008	.078	264	-.292	310	19110	-.045	.094	317	-.442	310	20137	-.051	.115	363	-.474
310	12246	-.018	.078	246	-.311	310	19111	-.080	.116	306	-.576	310	20138	-.120	.095	250	-.511
310	12247	-.018	.195	800	-.085	310	19112	-.038	.100	337	-.368	310	20139	-.230	.118	178	-.744
310	12248	-.002	.141	524	-.718	310	19113	-.014	.087	376	-.316	310	20140	-.144	.111	256	-.604
310	12249	-.013	.102	391	-.332	310	19114	-.015	.103	546	-.401	310	20141	-.082	.110	266	-.505
310	12250	-.029	.093	340	-.311	310	19115	-.016	.101	341	-.510	310	20142	-.093	.091	222	-.527
310	12251	-.073	.113	610	-.321	310	19116	-.029	.100	312	-.509	310	20143	-.152	.104	220	-.691
310	12252	-.081	.080	145	-.402	310	19117	-.044	.105	331	-.559	310	20144	-.073	.097	252	-.456
310	12253	-.056	.094	241	-.450	310	19118	-.065	.087	255	-.395	310	20145	-.061	.099	258	-.410
310	12254	-.077	.090	207	-.400	310	19119	-.100	.076	130	-.384	310	20146	-.061	.088	238	-.376
310	12255	-.057	.083	238	-.372	310	19200	-.138	.099	168	-.532	310	20147	-.131	.101	219	-.489
310	12256	-.019	.074	244	-.314	310	19201	-.093	.101	228	-.479	310	20148	-.057	.094	260	-.435
310	12257	-.001	.078	285	-.317	310	19202	-.004	.131	772	-.396	310	20149	-.057	.089	266	-.422
310	12258	-.009	.079	269	-.342	310	19203	-.012	.118	676	-.456	310	20150	-.057	.080	234	-.383
310	12259	-.015	.125	246	-.285	310	20001	-.042	.158	665	-.488	310	20151	-.079	.158	719	-.871
310	12260	-.089	.125	291	-.781	310	20002	-.047	.141	695	-.396	310	20152	-.006	.140	615	-.582
310	12261	-.053	.125	303	-.829	310	20003	-.030	.155	723	-.568	310	20153	-.025	.124	603	-.480
310	12262	-.030	.098	272	-.467	310	20004	-.009	.141	655	-.568	310	20154	-.100	.094	212	-.479
310	12263	-.015	.098	408	-.320	310	20005	-.013	.144	674	-.497	310	20155	-.162	.107	156	-.566
310	12264	-.052	.094	480	-.251	310	20006	-.050	.126	452	-.823	310	20156	-.144	.123	268	-.641
310	12265	-.115	.114	236	-.611	310	20007	-.149	.134	341	-.113	310	20157	-.118	.110	256	-.694
310	12266	-.021	.104	373	-.486	310	20008	-.015	.136	462	-.533	310	20158	-.072	.092	221	-.420
310	12267	-.086	.098	221	-.584	310	20009	-.083	.121	406	-.569	310	20159	-.183	.116	213	-.687
310	12268	-.061	.082	199	-.333	310	20010	-.243	.145	389	-.840	310	20160	-.140	.117	241	-.787
310	12269	-.001	.089	301	-.294	310	20111	-.271	.149	330	-.1218	310	20161	-.121	.112	177	-.662
310	12270	-.008	.087	294	-.307	310	20112	-.080	.128	439	-.700	310	20162	-.081	.099	246	-.441
310	12271	-.012	.087	325	-.307	310	20113	-.122	.118	266	-.854	310	20163	-.164	.108	232	-.627
310	12272	-.019	.082	281	-.321	310	20114	-.178	.124	162	-.838	310	20164	-.110	.104	226	-.597
310	12273	-.016	.103	492	-.491	310	20115	-.231	.138	161	-.1104	310	20165	-.109	.105	201	-.586

APPENDIX A -- PRESSURE DATA:

CONFIGURATION A) ARCO PLAZA, LONG BEACH

WD	TAP	CPMEAN	CPRMS	CPMAX	CPMIN	WD	TAP	CPMEAN	CPRMS	CPMAX	CPMIN	WD	TAP	CPMEAN	CPRMS	CPMAX	CPMIN	WD	TAP	CPMEAN	CPRMS	CPMAX	CPMIN
10	066	074	092	2336	-	10	2116	042	087	3391	-	10	066	074	092	2336	-	10	066	074	092	2336	-
10	067	144	101	2220	5386	10	2117	040	087	3304	41	10	067	144	101	2220	5386	10	067	144	101	2220	5386
10	068	077	092	2240	4709	10	2118	043	081	3275	64	10	068	077	092	2240	4709	10	068	077	092	2240	4709
10	069	062	097	2248	4079	10	2119	101	089	3265	97	10	069	062	097	2248	4079	10	069	062	097	2248	4079
10	070	054	086	2208	489	10	2120	026	083	3224	94	10	070	054	086	2208	489	10	070	054	086	2208	489
10	071	118	100	2205	489	10	2121	036	089	3272	72	10	071	118	100	2205	489	10	071	118	100	2205	489
10	072	050	091	2343	374	10	2122	042	084	3251	83	10	072	050	091	2343	374	10	072	050	091	2343	374
10	073	047	087	2339	374	10	2123	111	096	3339	47	10	073	047	087	2339	374	10	073	047	087	2339	374
10	074	049	080	2217	339	10	2124	038	090	3298	85	10	074	049	080	2217	339	10	074	049	080	2217	339
10	075	119	094	2207	489	10	2125	041	087	3250	54	10	075	119	094	2207	489	10	075	119	094	2207	489
10	076	066	094	2236	489	10	2126	124	092	3280	66	10	076	066	094	2236	489	10	076	066	094	2236	489
10	077	024	149	2214	11	10	2127	193	104	3333	01	10	077	024	149	2214	11	10	077	024	149	2214	11
10	078	064	117	2265	489	10	2128	112	097	3335	44	10	078	064	117	2265	489	10	078	064	117	2265	489
10	079	207	109	2209	489	10	2129	102	094	3344	44	10	079	207	109	2209	489	10	079	207	109	2209	489
10	080	117	095	2286	489	10	2130	093	089	3342	20	10	080	117	095	2286	489	10	080	117	095	2286	489
10	081	143	100	2216	489	10	2131	152	102	3315	15	10	081	143	100	2216	489	10	081	143	100	2216	489
10	082	134	091	22148	489	10	2132	067	093	3332	22	10	082	134	091	22148	489	10	082	134	091	22148	489
10	083	164	096	22191	489	10	2133	052	090	3379	64	10	083	164	096	22191	489	10	083	164	096	22191	489
10	084	098	093	22355	489	10	2134	056	087	3388	47	10	084	098	093	22355	489	10	084	098	093	22355	489
10	085	107	108	22355	489	10	2135	126	097	3314	14	10	085	107	108	22355	489	10	085	107	108	22355	489
10	086	147	094	22388	489	10	2136	046	090	3264	73	10	086	147	094	22388	489	10	086	147	094	22388	489
10	087	072	093	22388	489	10	2137	038	089	3276	35	10	087	072	093	22388	489	10	087	072	093	22388	489
10	088	075	096	22388	489	10	2138	049	083	3250	20	10	088	075	096	22388	489	10	088	075	096	22388	489
10	089	079	091	22388	489	10	2139	120	094	3283	44	10	089	079	091	22388	489	10	089	079	091	22388	489
10	090	126	100	22388	489	10	2140	042	086	3278	20	10	090	126	100	22388	489	10	090	126	100	22388	489
10	091	052	096	22388	489	10	2141	036	085	3292	21	10	091	052	096	22388	489	10	091	052	096	22388	489
10	092	052	089	22388	489	10	2142	049	082	3219	88	10	092	052	089	22388	489	10	092	052	089	22388	489
10	093	192	083	22388	489	10	2143	117	093	3244	27	10	093	192	083	22388	489	10	093	192	083	22388	489
10	094	055	082	22388	489	10	2144	036	086	3264	47	10	094	055	082	22388	489	10	094	055	082	22388	489
10	095	111	092	22388	489	10	2145	030	091	3278	71	10	095	111	092	22388	489	10	095	111	092	22388	489
10	096	043	089	22388	489	10	2146	039	087	3254	60	10	096	043	089	22388	489	10	096	043	089	22388	489
10	097	040	085	22388	489	10	2147	107	099	3229	71	10	097	040	085	22388	489	10	097	040	085	22388	489
10	098	194	082	22388	489	10	2148	032	094	3277	77	10	098	194	082	22388	489	10	098	194	082	22388	489
10	099	032	086	22388	489	10	2149	032	086	3286	86	10	099	032	086	22388	489	10	099	032	086	22388	489
10	100	138	148	22388	489	10	2150	038	081	3246	46	10	100	138	148	22388	489	10	100	138	148	22388	489
10	101	138	121	22388	489	10	2200	151	093	3465	33	10	101	138	121	22388	489	10	101	138	121	22388	489
10	102	293	112	22388	489	10	2201	089	089	3499	99	10	102	293	112	22388	489	10	102	293	112	22388	489
10	103	146	096	22388	489	10	2202	093	086	3492	65	10	103	146	096	22388	489	10	103	146	096	22388	489
10	104	111	095	22388	489	10	2203	042	088	3254	47	10	104	111	095	22388	489	10	104	111	095	22388	489
10	105	168	088	22388	489	10	2204	036	090	3252	73	10	105	168	088	22388	489	10	105	168	088	22388	489
10	106	080	089	22388	489	10	2205	025	077	3256	18	10	106	080	089	22388	489	10	106	080	089	22388	489
10	107	076	092	22388	489	10	2206	024	089	3259	51	10	107	076	092	22388	489	10	107	076	092	22388	489
10	108	084	088	22388	489	10	2207	070	096	3278	78	10	108	084	088	22388	489	10	108	084	088	22388	489
10	109	148	106	22388	489	10	2208	080	087	3244	44	10	109	148	106	22388	489	10	109	148	106	22388	489
10	110	060	093	22388	489	10	2209	050	097	3206	66	10	110	060	093	22388	489	10	110	060	093	22388	489
10	111	056	088	22388	489	10	2210	082	099	3267	57	10	111	056	088	22388	489	10	111	056	088	22388	489
10	112	061	084	22388	489	10	2211	039	109	3296	69	10	112	061	084	22388	489	10	112	061	084	22388	489
10	113	126	094	22388	489	10	2212	-	099	442	04	10	113	126	094	22388	489	10	113	126	094	22388	489

APPENDIX A -- PRESSURE DATA:

CONFIGURATION A: ARCO PLAZA, LONG BEACH

WD	TAP	CPMEAN	CPRMS	CPMAX	CPMIN	WD	TAP	CPMEAN	CPRMS	CPMAX	CPMIN	WD	TAP	CPMEAN	CPRMS	CPMAX	CPMIN
320	1042	054	088	321	425	320	1042	091	096	279	435	320	1042	102	084	194	383
320	1043	006	083	320	301	320	1043	101	082	197	383	320	1043	032	120	516	362
320	1044	020	093	339	397	320	1044	095	102	270	479	320	1044	014	113	496	472
320	1045	043	096	342	366	320	1045	088	097	291	464	320	1045	001	125	549	365
320	1046	062	104	315	617	320	1046	130	105	169	567	320	1046	065	122	578	427
320	1047	069	095	297	504	320	1047	074	069	161	289	320	1047	048	135	630	386
320	1048	017	088	265	377	320	1048	079	086	199	366	320	1048	044	117	617	348
320	1049	018	087	252	380	320	1049	080	088	196	416	320	1049	017	117	470	371
320	1050	016	087	306	301	320	1050	057	085	243	391	320	1050	019	111	375	446
320	1051	007	082	304	279	320	1051	046	088	195	344	320	1051	048	084	247	309
320	1052	024	092	334	338	320	1052	044	076	170	298	320	1052	039	083	254	296
320	1053	041	094	323	49	320	1053	052	086	203	369	320	1053	039	084	267	320
320	1054	008	083	220	291	320	1054	058	090	195	375	320	1054	056	076	200	345
320	1055	011	071	220	304	320	1055	058	089	312	427	320	1055	066	088	280	369
320	1056	015	086	440	283	320	1056	068	077	155	459	320	1056	059	087	254	353
320	1057	011	086	352	311	320	1057	084	095	190	542	320	1057	063	093	228	443
320	1058	024	094	320	400	320	1058	090	093	166	480	320	1058	077	083	181	438
320	1059	058	077	353	354	320	1059	093	107	219	478	320	1059	086	099	209	440
320	1060	073	093	368	415	320	1060	093	099	197	682	320	1060	107	099	172	466
320	1061	124	130	321	734	320	1061	107	122	189	812	320	1061	128	103	198	594
320	1062	028	088	264	404	320	1062	187	130	199	844	320	1062	155	096	134	579
320	1063	030	125	671	499	320	1063	118	099	205	534	320	1063	119	102	205	531
320	1064	103	106	330	622	320	1064	049	095	314	466	320	1064	099	117	365	682
320	1065	048	093	284	359	320	1065	173	116	197	658	320	1065	202	107	100	706
320	1066	033	082	282	302	320	1066	208	120	216	750	320	1066	228	093	052	641
320	1067	073	087	48	383	320	1067	066	107	383	496	320	1067	128	095	188	543
320	1068	002	098	343	330	320	1068	007	101	346	440	320	1068	022	111	407	397
320	1069	049	115	378	502	320	1069	046	111	328	474	320	1069	042	110	391	478
320	1070	163	108	135	660	320	1070	018	123	538	462	320	1070	045	109	341	427
320	1071	068	093	268	507	320	1071	004	124	548	406	320	1071	068	138	826	454
320	1072	062	091	271	475	320	1072	014	108	455	388	320	1072	068	141	705	370
320	1073	069	113	286	772	320	1073	036	113	530	438	320	1073	075	116	512	366
320	1074	049	079	194	445	320	1074	036	116	414	503	320	1074	043	103	415	330
320	1075	013	096	384	293	320	1075	059	120	437	828	320	1075	020	139	520	551
320	1076	003	088	333	272	320	1076	051	074	190	362	320	1076	035	082	236	383
320	1077	060	101	556	67	320	1077	055	085	222	390	320	1077	052	092	263	464
320	1078	024	133	544	381	320	1078	049	083	226	375	320	1078	110	085	195	440
320	1079	052	179	737	706	320	1079	053	087	216	410	320	1079	098	096	245	467
320	1080	138	128	424	689	320	1080	057	078	287	351	320	1080	050	088	255	381
320	1081	079	085	223	524	320	1081	075	089	231	392	320	1081	084	091	273	366
320	1082	105	079	143	406	320	1082	081	090	243	569	320	1082	146	088	184	427
320	1083	159	094	149	532	320	1083	088	097	211	458	320	1083	126	098	236	421
320	1084	038	105	494	330	320	1084	086	082	169	409	320	1084	073	090	266	363
320	1085	026	079	373	258	320	1085	092	107	319	637	320	1085	114	106	209	532
320	1086	060	099	303	430	320	1086	169	112	164	631	320	1086	204	100	125	577
320	1087	076	115	674	265	320	1087	199	114	169	682	320	1087	198	113	167	605
320	1088	062	098	305	464	320	1088	141	084	180	445	320	1088	103	099	228	499
320	1089	023	084	316	377	320	1089	049	108	447	457	320	1089	109	108	279	527
320	1090	082	097	254	474	320	1090	200	109	157	617	320	1090	247	103	098	669
320	1091	082	094	252	461	320	1091	224	112	216	686	320	1091	235	112	153	723

APPENDIX A -- PRESSURE DATA

CONFIGURATION #: APCO PLAZA, LONG BEACH

WD	TAP	CPMEAN	CPRMS	CPMAX	CPMIN	WD	TAP	CPMEAN	CPRMS	CPMAX	CPMIN	WD	TAP	CPMEAN	CPRMS	CPMAX	CPMIN
320	1092	.111	.096	1.93	.33	320	1142	.131	.091	1.71	.444	320	1243	.018	.085	.278	.296
320	1093	.028	.116	3.47	.42	320	1143	.043	.105	3.13	.415	320	1244	.022	.073	.242	.266
320	1094	.162	.110	2.14	.56	320	1144	.028	.100	3.34	.377	320	1245	.009	.082	.293	.301
320	1095	.141	.137	3.40	.66	320	1145	.044	.109	2.94	.393	320	1246	.083	.083	.277	.346
320	1096	.034	.124	7.07	.32	320	1146	.025	.097	3.39	.338	320	1247	.100	.213	.617	1.130
320	1097	.014	.135	5.13	.73	320	1147	.005	.107	3.72	.319	320	1248	.073	.177	.507	.908
320	1098	.010	.115	4.24	1.17	320	1148	.075	.106	4.37	.285	320	1249	.017	.124	.392	.617
320	1099	.041	.140	6.60	.81	320	1149	.023	.107	3.89	.419	320	1250	.018	.100	.363	.350
320	1100	.080	.158	8.16	.81	320	1150	.058	.100	2.78	.562	320	1251	.051	.111	.445	.271
320	1101	.046	.093	2.49	.47	320	1201	.086	.098	3.86	.446	320	1252	.039	.080	.209	.333
320	1102	.103	.092	1.98	.33	320	1202	.084	.097	2.06	.454	320	1253	.047	.091	.252	.367
320	1103	.081	.099	2.62	.49	320	1204	.087	.079	2.14	.282	320	1254	.083	.089	.234	.432
320	1104	.038	.095	2.78	.42	320	1205	.055	.084	2.74	.335	320	1255	.067	.093	.247	.420
320	1105	.051	.085	2.45	.46	320	1206	.108	.151	3.97	.1	320	1256	.026	.085	.245	.321
320	1106	.140	.093	2.00	.25	320	1207	.112	.149	4.03	.251	320	1257	.005	.091	.299	.355
320	1107	.113	.102	2.52	.57	320	1208	.094	.116	3.30	.787	320	1258	.023	.092	.274	.345
320	1108	.064	.097	2.68	.49	320	1209	.032	.106	3.57	.504	320	1259	.026	.086	.193	.289
320	1109	.079	.095	2.22	.40	320	1210	.010	.109	4.61	.397	320	1260	.107	.145	.326	.755
320	1110	.149	.094	1.35	.44	320	1211	.025	.103	3.41	.480	320	1261	.060	.146	.331	.792
320	1111	.165	.104	1.59	.32	320	1212	.077	.092	3.01	.502	320	1262	.031	.109	.292	.539
320	1112	.125	.095	1.54	.43	320	1213	.024	.097	3.40	.496	320	1263	.010	.101	.382	.389
320	1113	.111	.097	2.43	.31	320	1214	.073	.095	2.40	.442	320	1264	.040	.096	.459	.302
320	1114	.158	.098	1.70	.48	320	1215	.064	.093	2.45	.424	320	1265	.105	.120	.251	.580
320	1115	.192	.105	2.48	.70	320	1216	.063	.084	2.21	.376	320	1266	.020	.103	.357	.456
320	1116	.143	.094	1.66	.67	320	1217	.002	.091	2.79	.327	320	1267	.089	.102	.264	.475
320	1117	.115	.099	1.97	.52	320	1218	.020	.093	2.48	.389	320	1268	.067	.087	.232	.417
320	1118	.090	.102	2.50	.49	320	1219	.031	.090	2.46	.389	320	1269	.064	.092	.284	.345
320	1119	.128	.112	2.34	.58	320	1220	.038	.067	1.58	.298	320	1270	.011	.090	.273	.361
320	1120	.082	.112	2.64	.39	320	1221	.078	.145	4.08	.965	320	1271	.018	.087	.296	.288
320	1121	.013	.107	4.66	.38	320	1222	.086	.145	3.87	.120	320	1272	.028	.079	.229	.308
320	1122	.072	.104	3.51	.45	320	1223	.059	.124	3.98	.638	320	1273	.013	.118	.347	.741
320	1123	.002	.118	4.17	.36	320	1224	.019	.088	2.83	.448	320	1274	.023	.121	.339	.834
320	1124	.056	.120	3.53	.37	320	1225	.030	.100	3.34	.266	320	1275	.006	.112	.461	.400
320	1125	.025	.149	5.60	.75	320	1226	.072	.095	2.62	.475	320	1276	.029	.092	.381	.221
320	1126	.099	.080	2.02	.46	320	1227	.051	.098	3.03	.446	320	1277	.069	.106	.470	.256
320	1127	.074	.097	2.43	.41	320	1228	.079	.084	1.96	.436	320	1278	.015	.094	.274	.301
320	1128	.020	.083	2.50	.29	320	1229	.044	.087	2.39	.345	320	1279	.002	.068	.237	.230
320	1129	.044	.091	2.55	.34	320	1230	.012	.087	2.62	.328	320	1280	.071	.083	.180	.377
320	1130	.094	.089	2.14	.37	320	1231	.024	.091	2.99	.363	320	1281	.053	.081	.178	.329
320	1131	.103	.098	2.33	.39	320	1232	.033	.079	2.34	.344	320	1282	.017	.086	.318	.281
320	1132	.056	.088	2.41	.44	320	1233	.018	.099	2.88	.364	320	1283	.019	.070	.248	.241
320	1133	.082	.091	3.45	.35	320	1234	.080	.177	5.54	.893	320	1284	.020	.084	.325	.288
320	1134	.124	.077	1.32	.37	320	1235	.070	.179	4.63	.668	320	1285	.016	.083	.331	.275
320	1135	.096	.096	2.49	.40	320	1236	.050	.124	2.97	.668	320	1286	.008	.077	.334	.269
320	1136	.089	.088	2.07	.44	320	1237	.013	.105	3.30	.347	320	1287	.060	.085	.213	.323
320	1137	.128	.101	2.85	.51	320	1238	.040	.115	4.94	.331	320	1903	.038	.097	.447	.351
320	1138	.143	.085	1.92	.42	320	1239	.073	.096	2.26	.427	320	1904	.045	.092	.279	.374
320	1139	.082	.110	2.91	.44	320	1240	.061	.088	1.96	.404	320	1905	.077	.082	.228	.341
320	1140	.092	.097	2.78	.40	320	1241	.063	.091	2.14	.426	320	1906	.049	.125	.477	.626
320	1141	.132	.106	2.13	.52	320	1242	.060	.089	2.17	.382	320	1907	.095	.122	.270	.956

APPENDIX A -- PRESSURE DATA

CONFIGURATION A) BRCC PLAZA LONG BEACH

WD	TAP	CPMEAN	CPRMS	CPMAX	CPMIN	WD	TAP	CPMEAN	CPRMS	CPMAX	CPMIN	WD	TAP	CPMEAN	CPRMS	CPMAX	CPMIN
320	1908	.152	.150	.357	.924	320	20335	.251	.122	.169	.815	320	20855	.082	.094	.234	.421
320	1909	-.067	.079	.216	.394	320	20336	.150	.110	.241	.660	320	20856	-.039	.069	.196	.393
320	1910	-.065	.095	.266	.451	320	20337	-.068	.101	.311	.435	320	20857	.133	.099	.176	.594
320	1911	-.101	.115	.373	.560	320	20338	-.095	.088	.202	.426	320	20858	-.057	.086	.222	.395
320	1912	-.093	.119	.392	.664	320	20339	-.107	.108	.176	.557	320	20859	-.053	.096	.255	.398
320	1913	-.012	.083	.304	.319	320	2040	-.101	.099	.231	.441	320	2090	-.060	.092	.219	.403
320	1914	-.021	.106	.359	.530	320	2041	-.068	.093	.233	.400	320	2091	-.115	.103	.233	.499
320	1915	-.075	.122	.360	.659	320	2042	-.066	.084	.200	.343	320	2092	-.047	.095	.242	.396
320	1916	-.088	.102	.308	.563	320	2043	-.139	.100	.201	.476	320	2093	-.039	.094	.287	.409
320	1917	-.058	.107	.332	.442	320	2044	-.055	.091	.255	.351	320	2094	-.045	.087	.257	.342
320	1918	-.070	.092	.272	.453	320	2045	-.049	.090	.270	.444	320	2095	-.101	.095	.238	.422
320	1919	-.108	.080	.145	.434	320	2046	-.056	.081	.235	.391	320	2096	-.075	.092	.277	.337
320	1920	-.165	.114	.203	.744	320	2047	-.131	.096	.227	.491	320	2097	-.044	.087	.317	.352
320	1921	-.126	.121	.262	.891	320	2048	-.055	.091	.265	.367	320	2098	-.050	.084	.286	.390
320	1922	-.091	.133	.342	.935	320	2049	-.052	.095	.274	.420	320	2099	-.117	.095	.274	.516
320	2001	-.099	.108	.285	.613	320	2050	-.055	.085	.239	.384	320	2100	-.043	.088	.319	.422
320	2002	-.006	.142	.551	.606	320	2051	-.062	.165	.626	.685	320	2101	-.077	.176	.497	.955
320	2003	-.011	.122	.512	.426	320	2052	-.016	.144	.629	.477	320	2102	-.008	.136	.401	.642
320	2004	-.071	.141	.529	.860	320	2053	-.026	.118	.543	.366	320	2103	-.169	.098	.240	.610
320	2005	-.045	.122	.429	.686	320	2054	-.109	.091	.251	.423	320	2104	-.146	.098	.156	.483
320	2006	-.042	.127	.467	.538	320	2055	-.175	.100	.249	.537	320	2105	-.113	.086	.209	.464
320	2007	-.121	.119	.325	.682	320	2056	-.164	.100	.139	.558	320	2106	-.116	.085	.193	.473
320	2008	-.228	.141	.209	.657	320	2057	-.145	.101	.197	.666	320	2107	-.186	.091	.155	.567
320	2009	-.090	.128	.352	.781	320	2058	-.079	.083	.213	.405	320	2108	-.068	.086	.209	.450
320	2010	-.128	.126	.297	.755	320	2059	-.187	.100	.200	.625	320	2109	-.063	.093	.275	.478
320	2011	-.212	.125	.100	.860	320	2060	-.123	.098	.207	.544	320	2110	-.076	.087	.250	.363
320	2012	-.268	.140	.101	.894	320	2061	-.111	.097	.209	.521	320	2111	-.132	.098	.240	.470
320	2013	-.108	.117	.244	.589	320	2062	-.085	.087	.213	.382	320	2112	-.050	.091	.267	.377
320	2014	-.106	.110	.235	.635	320	2063	-.151	.100	.227	.514	320	2113	-.050	.085	.226	.325
320	2015	-.119	.099	.218	.561	320	2064	-.082	.093	.197	.416	320	2114	-.063	.080	.199	.321
320	2016	-.183	.112	.213	.679	320	2065	-.084	.098	.258	.482	320	2115	-.117	.090	.165	.421
320	2017	-.089	.104	.287	.638	320	2066	-.067	.087	.224	.361	320	2116	-.037	.084	.232	.284
320	2018	-.072	.099	.259	.473	320	2067	-.143	.103	.245	.528	320	2117	-.042	.089	.332	.494
320	2019	-.071	.085	.219	.423	320	2068	-.068	.095	.274	.397	320	2118	-.055	.084	.283	.456
320	2020	-.130	.097	.226	.544	320	2069	-.055	.085	.239	.345	320	2119	-.103	.095	.292	.563
320	2021	-.049	.089	.269	.413	320	2070	-.051	.074	.189	.280	320	2120	-.020	.089	.318	.448
320	2022	-.047	.091	.297	.513	320	2071	-.129	.089	.154	.409	320	2121	-.030	.085	.280	.372
320	2023	-.057	.079	.193	.379	320	2072	-.055	.083	.207	.454	320	2122	-.047	.079	.252	.356
320	2024	-.123	.094	.192	.469	320	2073	-.047	.087	.261	.350	320	2123	-.115	.091	.218	.443
320	2025	-.047	.088	.249	.377	320	2074	-.047	.079	.224	.318	320	2124	-.040	.084	.280	.333
320	2026	-.048	.087	.198	.409	320	2075	-.123	.094	.205	.434	320	2125	-.039	.086	.248	.360
320	2027	-.004	.126	.472	.514	320	2076	-.004	.174	.738	.752	320	2126	-.134	.103	.228	.808
320	2028	-.050	.149	.498	.782	320	2077	-.016	.158	.785	.603	320	2127	-.100	.119	.325	.846
320	2029	-.009	.121	.515	.418	320	2078	-.031	.121	.625	.383	320	2128	-.034	.105	.286	.452
320	2030	-.054	.112	.416	.484	320	2079	-.204	.110	.144	.588	320	2129	-.086	.093	.388	.375
320	2031	-.055	.095	.319	.376	320	2080	-.109	.093	.237	.579	320	2130	-.088	.085	.306	.344
320	2032	-.220	.117	.213	.653	320	2081	-.160	.108	.164	.600	320	2131	-.146	.093	.260	.456
320	2033	-.128	.103	.291	.534	320	2082	-.143	.096	.175	.517	320	2132	-.064	.085	.295	.329
320	2034	-.060	.103	.440	.490	320	2083	-.152	.098	.306	.599	320	2133	-.052	.087	.240	.322
320	2034	-.124	.094	.240	.492	320	2084	-.086	.092	.295	.422	320	2134	-.068	.083	.228	.335

APPENDIX A -- PRESSURE DATA:

CONFIGURATION A: ARCO PLAZA, LONG BEACH

WD	TAP	CPMEAN	CPRMS	CPMAX	CPMIN	WD	TAP	CPMEAN	CPRMS	CPMAX	CPMIN	WD	TAP	CPMEAN	CPRMS	CPMAX	CPMIN
3330	10111	275	124	090	974	3330	1061	185	103	147	731	3330	1111	210	106	150	653
3330	10112	309	132	096	917	3330	1062	246	101	103	717	3330	1112	177	099	125	560
3330	10113	145	108	259	680	3330	1063	165	105	177	708	3330	1113	140	105	192	591
3330	10114	051	115	353	631	3330	1064	166	117	289	691	3330	1114	174	124	243	811
3330	10115	272	140	282	843	3330	1065	259	117	168	693	3330	1115	236	125	131	759
3330	10116	323	143	311	966	3330	1066	290	101	092	653	3330	1116	182	111	169	618
3330	10117	097	117	398	530	3330	1067	159	105	208	539	3330	1117	123	101	224	574
3330	10118	005	100	365	360	3330	1068	076	105	423	338	3330	1118	033	102	344	410
3330	10119	081	120	334	616	3330	1069	028	108	307	443	3330	1119	089	112	321	549
3330	10200	012	130	457	532	3330	1070	036	105	278	440	3330	1120	038	111	353	457
3330	10201	106	136	614	306	3330	1071	226	133	681	233	3330	1121	072	121	590	298
3330	10202	106	136	542	525	3330	1072	270	145	812	197	3330	1122	028	121	574	311
3330	10203	064	159	610	548	3330	1073	237	149	796	293	3330	1123	074	133	643	392
3330	10204	030	144	585	554	3330	1074	125	117	565	283	3330	1124	090	123	784	341
3330	10205	031	138	489	452	3330	1075	031	131	546	491	3330	1125	026	149	726	506
3330	10206	069	083	192	368	3330	1076	043	087	246	338	3330	1126	115	083	174	401
3330	10207	066	094	221	408	3330	1077	063	093	237	404	3330	1127	087	092	234	415
3330	10208	056	092	229	380	3330	1078	121	086	171	448	3330	1128	034	078	193	253
3330	10209	072	095	244	451	3330	1079	116	097	268	479	3330	1129	064	097	275	339
3330	10300	079	087	231	432	3330	1080	068	091	291	439	3330	1130	110	093	227	409
3330	10301	112	102	216	466	3330	1081	098	098	241	474	3330	1131	127	108	191	553
3330	10302	120	100	199	368	3330	1082	162	095	191	473	3330	1132	080	094	207	505
3330	10303	124	101	255	333	3330	1083	147	105	197	494	3330	1133	108	103	241	503
3330	10304	126	085	194	397	3330	1084	092	096	239	452	3330	1134	142	088	130	410
3330	10305	105	127	414	522	3330	1085	153	108	284	615	3330	1135	124	115	249	589
3330	10306	236	112	183	701	3330	1086	237	100	045	724	3330	1136	123	099	183	470
3330	10307	310	131	117	028	3330	1087	270	117	664	835	3330	1137	174	107	221	759
3330	10308	208	100	143	686	3330	1088	141	100	154	513	3330	1138	160	089	158	529
3330	10309	081	167	517	811	3330	1089	156	145	365	776	3330	1139	059	123	369	568
3330	10400	297	147	267	001	3330	1090	321	121	129	843	3330	1140	124	116	271	656
3330	10401	301	134	114	881	3330	1091	304	128	178	845	3330	1141	167	131	237	715
3330	10402	152	100	242	531	3330	1092	141	104	228	625	3330	1142	118	101	218	442
3330	10403	079	107	485	309	3330	1093	035	100	429	282	3330	1143	023	113	438	355
3330	10404	011	115	424	617	3330	1094	124	098	246	473	3330	1144	031	110	439	361
3330	10405	019	123	435	502	3330	1095	094	120	383	499	3330	1145	023	119	404	515
3330	10406	218	128	651	206	3330	1096	151	128	720	229	3330	1146	074	114	503	400
3330	10407	241	159	922	280	3330	1097	149	146	758	284	3330	1147	102	125	561	400
3330	10408	216	148	730	251	3330	1098	114	137	732	405	3330	1148	157	115	669	234
3330	10409	097	134	553	442	3330	1099	080	140	709	499	3330	1149	090	113	539	287
3330	10500	007	112	429	423	3330	1100	053	133	570	486	3330	1150	028	112	377	409
3330	10501	060	094	255	414	3330	1101	064	090	262	375	3330	1201	171	131	347	750
3330	10502	047	092	271	393	3330	1102	125	089	186	441	3330	1202	116	111	208	596
3330	10503	052	091	262	341	3330	1103	100	095	248	423	3330	1204	100	093	197	436
3330	10504	085	085	217	409	3330	1104	055	092	286	374	3330	1205	064	096	269	429
3330	10505	090	099	219	477	3330	1105	080	087	291	351	3330	1206	194	149	205	371
3330	10506	083	098	214	500	3330	1106	157	091	208	475	3330	1207	199	140	208	062
3330	10507	085	099	188	425	3330	1107	132	100	271	520	3330	1208	219	126	153	724
3330	10508	115	088	139	426	3330	1108	082	095	321	439	3330	1209	138	132	259	780
3330	10509	109	104	250	445	3330	1109	096	094	219	472	3330	1210	088	131	361	100
3330	10600	136	106	208	478	3330	1110	180	094	190	562	3330	1211	091	127	316	422

APPENDIX A -- PRESSURE DATA

CONFIGURATION A) ARCO PLAZA, LONG BEACH

MD	TAP	CPMEAN	CPRMS	CPMAX	CPMIN	MD	TAP	CPMEAN	CPRMS	CPMAX	CPMIN	MD	TAP	CPMEAN	CPRMS	CPMAX	CPMIN
3330	2004	-.083	.104	.318	-.485	3330	2004	-.083	.104	.318	-.485	3330	2004	-.083	.104	.318	-.485
3330	2005	-.074	.105	.305	-.759	3330	2005	-.074	.105	.305	-.759	3330	2005	-.074	.105	.305	-.759
3330	2006	-.116	.100	.253	-.184	3330	2006	-.116	.100	.253	-.184	3330	2006	-.116	.100	.253	-.184
3330	2007	-.202	.116	.211	-.159	3330	2007	-.202	.116	.211	-.159	3330	2007	-.202	.116	.211	-.159
3330	2008	-.078	.099	.287	-.554	3330	2008	-.078	.099	.287	-.554	3330	2008	-.078	.099	.287	-.554
3330	2009	-.084	.098	.305	-.768	3330	2009	-.084	.098	.305	-.768	3330	2009	-.084	.098	.305	-.768
3330	2010	-.105	.094	.219	-.747	3330	2010	-.105	.094	.219	-.747	3330	2010	-.105	.094	.219	-.747
3330	2011	-.176	.106	.166	-.779	3330	2011	-.176	.106	.166	-.779	3330	2011	-.176	.106	.166	-.779
3330	2012	-.071	.097	.266	-.682	3330	2012	-.071	.097	.266	-.682	3330	2012	-.071	.097	.266	-.682
3330	2013	-.057	.093	.251	-.457	3330	2013	-.057	.093	.251	-.457	3330	2013	-.057	.093	.251	-.457
3330	2014	-.059	.082	.188	-.376	3330	2014	-.059	.082	.188	-.376	3330	2014	-.059	.082	.188	-.376
3330	2015	-.130	.095	.169	-.496	3330	2015	-.130	.095	.169	-.496	3330	2015	-.130	.095	.169	-.496
3330	2016	-.051	.090	.236	-.447	3330	2016	-.051	.090	.236	-.447	3330	2016	-.051	.090	.236	-.447
3330	2017	-.049	.090	.212	-.718	3330	2017	-.049	.090	.212	-.718	3330	2017	-.049	.090	.212	-.718
3330	2019	-.050	.078	.168	-.487	3330	2019	-.050	.078	.168	-.487	3330	2019	-.050	.078	.168	-.487
3330	2019	-.119	.090	.165	-.419	3330	2019	-.119	.090	.165	-.419	3330	2019	-.119	.090	.165	-.419
3330	2020	-.038	.084	.233	-.342	3330	2020	-.038	.084	.233	-.342	3330	2020	-.038	.084	.233	-.342
3330	2021	-.040	.088	.272	-.301	3330	2021	-.040	.088	.272	-.301	3330	2021	-.040	.088	.272	-.301
3330	2022	-.047	.078	.226	-.321	3330	2022	-.047	.078	.226	-.321	3330	2022	-.047	.078	.226	-.321
3330	2023	-.123	.094	.250	-.409	3330	2023	-.123	.094	.250	-.409	3330	2023	-.123	.094	.250	-.409
3330	2024	-.044	.088	.201	-.335	3330	2024	-.044	.088	.201	-.335	3330	2024	-.044	.088	.201	-.335
3330	2025	-.044	.084	.268	-.345	3330	2025	-.044	.084	.268	-.345	3330	2025	-.044	.084	.268	-.345
3330	2026	-.079	.178	.450	-.839	3330	2026	-.079	.178	.450	-.839	3330	2026	-.079	.178	.450	-.839
3330	2027	-.135	.190	.426	-.946	3330	2027	-.135	.190	.426	-.946	3330	2027	-.135	.190	.426	-.946
3330	2028	-.036	.120	.464	-.545	3330	2028	-.036	.120	.464	-.545	3330	2028	-.036	.120	.464	-.545
3330	2029	-.086	.102	.243	-.541	3330	2029	-.086	.102	.243	-.541	3330	2029	-.086	.102	.243	-.541
3330	2030	-.074	.083	.236	-.345	3330	2030	-.074	.083	.236	-.345	3330	2030	-.074	.083	.236	-.345
3330	2031	-.220	.102	.217	-.639	3330	2031	-.220	.102	.217	-.639	3330	2031	-.220	.102	.217	-.639
3330	2032	-.118	.091	.196	-.506	3330	2032	-.118	.091	.196	-.506	3330	2032	-.118	.091	.196	-.506
3330	2033	-.060	.094	.270	-.441	3330	2033	-.060	.094	.270	-.441	3330	2033	-.060	.094	.270	-.441
3330	2034	-.079	.085	.305	-.427	3330	2034	-.079	.085	.305	-.427	3330	2034	-.079	.085	.305	-.427
3330	2035	-.166	.104	.178	-.614	3330	2035	-.166	.104	.178	-.614	3330	2035	-.166	.104	.178	-.614
3330	2036	-.080	.095	.230	-.487	3330	2036	-.080	.095	.230	-.487	3330	2036	-.080	.095	.230	-.487
3330	2037	-.062	.090	.233	-.383	3330	2037	-.062	.090	.233	-.383	3330	2037	-.062	.090	.233	-.383
3330	2038	-.059	.081	.227	-.350	3330	2038	-.059	.081	.227	-.350	3330	2038	-.059	.081	.227	-.350
3330	2039	-.141	.097	.202	-.498	3330	2039	-.141	.097	.202	-.498	3330	2039	-.141	.097	.202	-.498
3330	2040	-.058	.090	.231	-.400	3330	2040	-.058	.090	.231	-.400	3330	2040	-.058	.090	.231	-.400
3330	2041	-.044	.092	.288	-.381	3330	2041	-.044	.092	.288	-.381	3330	2041	-.044	.092	.288	-.381
3330	2042	-.049	.084	.253	-.380	3330	2042	-.049	.084	.253	-.380	3330	2042	-.049	.084	.253	-.380
3330	2043	-.126	.100	.229	-.536	3330	2043	-.126	.100	.229	-.536	3330	2043	-.126	.100	.229	-.536
3330	2044	-.041	.092	.287	-.405	3330	2044	-.041	.092	.287	-.405	3330	2044	-.041	.092	.287	-.405
3330	2045	-.036	.084	.266	-.399	3330	2045	-.036	.084	.266	-.399	3330	2045	-.036	.084	.266	-.399
3330	2046	-.043	.076	.234	-.381	3330	2046	-.043	.076	.234	-.381	3330	2046	-.043	.076	.234	-.381
3330	2047	-.125	.090	.215	-.519	3330	2047	-.125	.090	.215	-.519	3330	2047	-.125	.090	.215	-.519
3330	2048	-.046	.085	.274	-.408	3330	2048	-.046	.085	.274	-.408	3330	2048	-.046	.085	.274	-.408
3330	2049	-.043	.083	.214	-.308	3330	2049	-.043	.083	.214	-.308	3330	2049	-.043	.083	.214	-.308
3330	2050	-.044	.074	.188	-.278	3330	2050	-.044	.074	.188	-.278	3330	2050	-.044	.074	.188	-.278
3330	2051	-.121	.228	.508	-.151	3330	2051	-.121	.228	.508	-.151	3330	2051	-.121	.228	.508	-.151
3330	2052	-.026	.185	.645	-.159	3330	2052	-.026	.185	.645	-.159	3330	2052	-.026	.185	.645	-.159
3330	2053	-.026	.118	.480	-.526	3330	2053	-.026	.118	.480	-.526	3330	2053	-.026	.118	.480	-.526

APPENDIX A -- PRESSURE DATA:

CONFIGURATION A: ARCO PLAZA, LONG BEACH

MD	TAP	CPMEAN	CPRMS	CPMAX	CPMIN	MD	TAP	CPMEAN	CPRMS	CPMAX	CPMIN	MD	TAP	CPMEAN	CPRMS	CPMAX	CPMIN
3330	2104	102	092	164	437	330	2104	122	093	206	486	330	2205	013	130	636	433
3330	2105	165	099	132	552	330	2105	090	094	212	393	330	2206	035	095	304	407
3330	2106	129	099	192	524	330	2106	115	092	210	424	330	2207	032	095	281	334
3330	2107	118	100	207	489	330	2107	167	098	177	485	330	2208	027	085	340	354
3330	2108	066	085	209	408	330	2108	064	091	265	382	330	2209	003	102	391	375
3330	2109	153	097	183	531	330	2109	055	087	262	337	330	2210	081	105	288	533
3330	2110	076	091	211	432	330	2110	067	082	228	330	330	2211	093	098	252	551
3330	2111	064	083	213	368	330	2111	130	093	199	439	330	2212	123	094	205	548
3330	2112	057	074	179	343	330	2112	049	088	255	336	330	2213	037	116	562	498
3330	2113	127	089	141	489	330	2113	046	083	257	308	330	2214	129	118	255	715
3330	2114	048	083	215	383	330	2114	057	080	231	306	330	2215	008	116	474	591
3330	2115	045	086	225	347	330	2115	121	090	201	403	330	2216	027	110	459	337
3330	2116	043	077	201	301	330	2116	042	085	253	327	330	2217	008	106	350	479
3330	2117	124	091	155	426	330	2117	039	087	245	318	330	2218	007	126	332	457
3330	2118	045	085	212	327	330	2118	051	083	210	309	330	2219	021	123	459	586
3330	2119	039	084	244	385	330	2119	105	093	211	412	330	2220	035	154	445	886
3330	2120	039	076	208	348	330	2120	026	087	284	313	330	2221	023	088	357	363
3330	2121	120	090	184	489	330	2121	032	086	264	307	330	2222	031	089	354	370
3330	2122	044	084	236	388	330	2122	044	083	228	305	330	2223	033	087	253	413
3330	2123	042	085	238	295	330	2123	121	095	198	408	330	2224	038	082	202	331
3330	2124	044	085	225	272	330	2124	042	088	249	312	330	2225	067	093	242	558
3330	2125	123	091	206	398	330	2125	035	084	244	310	330	2226	103	098	196	522
3330	2126	017	094	653	833	330	2126	114	132	414	008	330	2227	107	122	271	578
3330	2127	003	165	705	812	330	2127	170	143	269	786	330	2228	138	098	183	523
3330	2128	116	116	532	471	330	2128	056	112	310	558	330	2229	067	125	638	327
3330	2129	186	113	189	628	330	2129	068	096	222	402	330	2230	016	108	463	473
3330	2130	088	092	233	432	330	2130	066	086	181	371	330	2231	011	130	512	433
3330	2131	137	102	150	521	330	2131	151	101	164	501	330	2232	010	151	522	581
3330	2132	125	092	161	487	330	2132	064	090	224	374	330	2233	012	180	627	039
3330	2133	141	091	216	639	330	2133	044	084	224	358	330	2234	034	089	325	410
3330	2134	066	083	196	366	330	2134	051	080	195	345	330	2235	046	090	292	384
3330	2135	063	085	267	343	330	2135	127	091	160	571	330	2236	059	081	239	345
3330	2136	070	080	244	327	330	2136	048	087	223	479	330	2237	027	093	337	351
3330	2137	130	092	227	417	330	2137	038	087	266	342	330	2238	075	093	251	403
3330	2138	050	080	257	318	330	2138	047	080	238	335	330	2239	107	094	232	441
3330	2139	048	087	234	371	330	2139	116	091	186	444	330	2240	118	096	261	611
3330	2140	056	083	211	379	330	2140	039	084	239	347	330	2241	086	098	246	453
3330	2141	117	092	183	504	330	2141	036	085	246	337	330	2242	053	118	365	330
3330	2142	046	084	229	395	330	2142	048	081	224	322	330	2243	001	111	362	544
3330	2143	042	088	211	345	330	2143	117	092	186	428	330	2244	020	117	433	544
3330	2144	047	083	199	327	330	2144	036	085	249	320	330	2245	020	167	667	775
3330	2145	108	092	179	416	330	2145	028	084	248	322	330	2246	008	187	912	919
3330	2146	038	089	247	336	330	2146	044	078	198	321	330	2247	045	086	246	384
3330	2147	041	084	259	380	330	2147	112	089	171	429	330	2248	065	079	300	396
3330	2148	052	080	224	372	330	2148	043	086	233	375	330	2249	016	089	266	411
3330	2149	118	092	193	596	330	2149	042	090	262	334	330	2250	039	090	261	355
3330	2150	043	086	251	419	330	2150	052	085	234	328	330	2251	086	090	210	419
3330	2201	029	180	577	997	330	2201	168	109	207	549	330	2252	127	088	144	444
3330	2202	039	136	454	915	330	2202	106	106	243	507	330	2253	074	101	246	490
3330	2203	128	112	309	650	330	2203	157	121	242	821	330	2254	100	097	222	484

APPENDIX A -- PRESSURE DATA:

CONFIGURATION A: ARCO PLAZA, LONG BEACH

WD	TAP	CPMEAN	CPRMS	CPMAX	CPHIN	WD	TAP	CPMEAN	CPRMS	CPMAX	CPHIN	WD	TAP	CPMEAN	CPRMS	CPMAX	CPHIN
3330	2222	.028	.108	.599	-.376	3330	2920	-.091	.099	.299	-.553	340	1030	-.080	.080	.191	-.354
3330	2222	.028	.091	.391	-.397	3330	2921	-.085	.078	.152	-.364	340	1031	-.111	.092	.191	-.414
3330	2222	.016	.112	.385	-.476	3330	2922	-.110	.082	.170	-.402	340	1032	-.102	.090	.218	-.478
3330	2222	.010	.156	.477	-.906	3330	2923	-.164	.100	.173	-.620	340	1033	-.102	.092	.215	-.483
3330	2222	.051	.178	.529	-.849	340	901	-.086	.127	.586	-.329	340	1034	-.119	.081	.139	-.430
3330	2222	.072	.087	.245	-.347	340	902	-.122	.101	.530	-.189	340	1035	-.056	.119	.447	-.616
3330	2222	.017	.094	.302	-.332	340	903	-.143	.109	.224	-.570	340	1036	-.180	.106	.148	-.609
3330	2222	.028	.095	.288	-.345	340	904	-.061	.112	.568	-.244	340	1037	-.209	.109	.109	-.678
3330	2222	.046	.093	.264	-.376	340	905	-.076	.112	.495	-.446	340	1038	-.144	.087	.211	-.507
3330	2222	.123	.091	.191	-.411	340	906	-.083	.078	.179	-.360	340	1039	-.011	.131	.478	-.629
3330	2222	.102	.103	.274	-.450	340	907	-.168	.101	.291	-.608	340	1040	-.144	.138	.365	-.685
3330	2222	.002	.105	.404	-.409	340	908	-.138	.095	.138	-.534	340	1041	-.167	.130	.240	-.822
3330	2222	.182	.112	.227	-.630	340	909	-.142	.104	.170	-.510	340	1042	-.072	.106	.360	-.458
3330	2222	.003	.088	.350	-.271	340	910	-.126	.085	.128	-.411	340	1043	-.070	.107	.544	-.253
3330	2222	.029	.091	.354	-.319	340	911	-.153	.110	.178	-.537	340	1044	-.016	.122	.551	-.495
3330	2222	.011	.097	.378	-.472	340	912	-.175	.121	.152	-.683	340	1045	-.044	.131	.493	-.401
3330	2222	.002	.133	.548	-.618	340	913	-.163	.112	.184	-.611	340	1046	-.154	.110	.677	-.266
3330	2222	.000	.133	.483	-.586	340	914	-.128	.080	.156	-.433	340	1047	-.183	.139	.913	-.243
3330	2222	.021	.089	.300	-.305	340	915	-.130	.097	.197	-.483	340	1048	-.208	.159	1.037	-.218
3330	2222	.031	.089	.300	-.305	340	916	-.099	.094	.205	-.426	340	1049	-.153	.154	.709	-.318
3330	2222	.043	.080	.214	-.379	340	917	-.084	.094	.241	-.405	340	1050	-.029	.119	.476	-.343
3330	2222	.078	.076	.161	-.399	340	1001	-.039	.083	.283	-.355	340	1051	-.049	.084	.208	-.368
3330	2222	.051	.084	.217	-.413	340	1002	-.060	.073	.170	-.333	340	1052	-.030	.082	.218	-.336
3330	2222	.090	.090	.199	-.464	340	1003	-.058	.084	.196	-.381	340	1053	-.031	.080	.229	-.313
3330	2222	.000	.086	.282	-.340	340	1004	-.059	.087	.218	-.411	340	1054	-.071	.079	.157	-.357
3330	2222	.060	.074	.182	-.324	340	1005	-.061	.094	.273	-.400	340	1055	-.069	.091	.260	-.407
3330	2222	.032	.094	.382	-.313	340	1006	-.123	.080	.152	-.439	340	1056	-.071	.088	.199	-.392
3330	2222	.044	.090	.413	-.266	340	1007	-.140	.093	.149	-.463	340	1057	-.075	.093	.311	-.395
3330	2222	.051	.097	.441	-.362	340	1008	-.134	.089	.155	-.498	340	1058	-.112	.083	.211	-.409
3330	2222	.051	.087	.409	-.277	340	1009	-.085	.091	.224	-.354	340	1059	-.092	.093	.287	-.457
3330	2222	.022	.108	.468	-.755	340	1010	-.045	.099	.337	-.477	340	1060	-.091	.099	.239	-.433
3330	2222	.156	.146	.355	-.523	340	1011	-.199	.107	.177	-.667	340	1061	-.139	.088	.182	-.508
3330	2222	.093	.096	.245	-.523	340	1012	-.209	.113	.191	-.672	340	1062	-.192	.082	.115	-.490
3330	2222	.061	.145	.544	-.133	340	1013	-.082	.100	.272	-.546	340	1063	-.122	.092	.215	-.468
3330	2222	.126	.119	.367	-.743	340	1014	-.015	.103	.395	-.486	340	1064	-.047	.124	.335	-.592
3330	2222	.057	.098	.283	-.421	340	1015	-.153	.129	.254	-.687	340	1065	-.159	.119	.160	-.700
3330	2222	.066	.088	.285	-.495	340	1016	-.175	.136	.322	-.734	340	1066	-.206	.101	.072	-.679
3330	2222	.080	.090	.224	-.405	340	1017	-.025	.126	.648	-.419	340	1067	-.097	.106	.292	-.513
3330	2222	.002	.101	.367	-.476	340	1018	-.013	.102	.484	-.401	340	1068	-.066	.091	.413	-.222
3330	2222	.046	.098	.519	-.367	340	1019	-.040	.132	.560	-.499	340	1069	-.003	.101	.473	-.343
3330	2222	.096	.090	.244	-.685	340	1020	-.001	.136	.599	-.488	340	1070	-.025	.099	.440	-.404
3330	2222	.061	.094	.338	-.359	340	1021	-.061	.117	.496	-.292	340	1071	-.148	.109	.549	-.185
3330	2222	.043	.100	.318	-.448	340	1022	-.072	.122	.498	-.305	340	1072	-.192	.120	.648	-.162
3330	2222	.039	.100	.423	-.308	340	1023	-.088	.154	.832	-.420	340	1073	-.206	.147	.859	-.240
3330	2222	.021	.077	.383	-.287	340	1024	-.081	.153	.795	-.461	340	1074	-.107	.128	.603	-.276
3330	2222	.003	.097	.522	-.276	340	1025	-.020	.143	.559	-.397	340	1075	-.026	.130	.614	-.374
3330	2222	.009	.095	.396	-.514	340	1026	-.067	.081	.233	-.347	340	1076	-.044	.082	.240	-.488
3330	2222	.071	.113	.326	-.313	340	1027	-.057	.091	.280	-.356	340	1077	-.024	.085	.239	-.488
3330	2222	.038	.130	.410	-.878	340	1028	-.043	.089	.299	-.332	340	1078	-.102	.086	.142	-.522
3330	2222	.109	.120	.411	-.492	340	1029	-.057	.088	.257	-.320	340	1079	-.090	.089	.176	-.551

APPENDIX A -- PRESSURE DATA:

CONFIGURATION A) ARCO PLAZA, LONG BEACH

WD	TAP	CPMEAN	CPRMS	CPMAX	CPMIN	WD	TAP	CPMEAN	CPRMS	CPMAX	CPMIN	WD	TAP	CPMEAN	CPRMS	CPMAX	CPMIN
340	1080	047	083	204	464	340	1130	098	083	195	366	340	1231	031	087	276	322
340	1081	079	091	202	369	340	1131	102	093	243	432	340	1232	029	074	255	287
340	1082	139	087	132	418	340	1132	058	083	237	358	340	1233	009	084	294	302
340	1083	119	096	179	464	340	1133	086	094	297	466	340	1234	150	104	198	601
340	1084	064	086	221	356	340	1134	127	082	214	498	340	1235	150	116	214	737
340	1085	106	097	222	505	340	1135	101	103	280	589	340	1236	161	103	143	648
340	1086	198	092	062	526	340	1136	092	091	241	502	340	1237	121	102	217	312
340	1087	194	106	113	567	340	1137	131	098	145	610	340	1238	109	102	262	442
340	1088	091	090	169	402	340	1138	135	083	133	458	340	1239	106	108	314	497
340	1089	080	125	346	570	340	1139	056	111	442	570	340	1240	058	088	268	367
340	1090	218	110	183	611	340	1140	092	108	331	632	340	1241	052	093	282	396
340	1091	201	115	233	576	340	1141	130	113	188	629	340	1242	070	092	249	408
340	1092	075	100	335	387	340	1142	097	087	178	458	340	1243	029	090	263	336
340	1093	034	092	473	279	340	1143	036	098	377	331	340	1244	026	078	223	303
340	1094	088	097	231	467	340	1144	059	094	389	359	340	1245	004	086	259	315
340	1095	061	116	317	517	340	1145	044	106	409	331	340	1246	036	088	232	360
340	1096	137	106	597	252	340	1146	093	105	567	210	340	1247	174	127	269	913
340	1097	136	121	579	243	340	1147	124	121	651	228	340	1248	178	118	252	786
340	1098	104	134	570	292	340	1148	154	120	594	183	340	1249	162	126	257	869
340	1099	062	147	685	379	340	1149	059	114	619	317	340	1250	163	113	146	666
340	1100	025	128	601	386	340	1150	065	108	395	410	340	1251	077	105	434	524
340	1101	046	081	250	334	340	1201	175	115	294	704	340	1252	089	094	226	357
340	1102	104	080	198	390	340	1202	108	103	263	579	340	1253	022	098	328	341
340	1103	080	088	254	376	340	1204	083	083	172	382	340	1254	097	097	197	419
340	1104	038	085	296	314	340	1205	055	088	218	383	340	1255	061	088	256	408
340	1105	061	073	166	318	340	1206	166	107	199	783	340	1256	016	078	252	292
340	1106	135	082	118	426	340	1207	160	105	155	507	340	1257	007	079	271	297
340	1107	107	091	191	429	340	1208	176	102	131	689	340	1258	025	081	236	353
340	1108	059	087	231	360	340	1209	146	116	192	652	340	1259	025	084	260	317
340	1109	076	091	234	424	340	1210	146	121	245	732	340	1260	193	135	255	125
340	1110	147	089	233	463	340	1211	131	120	278	770	340	1261	165	146	233	111
340	1111	160	099	164	668	340	1212	120	096	176	597	340	1262	199	145	299	903
340	1112	122	093	159	597	340	1213	060	092	225	464	340	1263	091	119	328	641
340	1113	103	090	202	463	340	1214	098	093	190	413	340	1264	020	095	292	305
340	1114	125	104	174	522	340	1215	073	092	260	378	340	1265	057	100	258	399
340	1115	170	111	186	700	340	1216	071	082	195	340	340	1266	009	095	330	354
340	1116	122	100	205	555	340	1217	024	088	283	312	340	1267	103	099	232	466
340	1117	076	093	208	494	340	1218	040	091	246	376	340	1268	080	083	213	364
340	1118	017	088	271	345	340	1219	030	084	299	282	340	1269	001	089	316	348
340	1119	050	098	254	466	340	1220	036	062	186	216	340	1270	022	086	271	339
340	1120	004	096	301	462	340	1221	136	099	195	618	340	1271	017	081	279	306
340	1121	103	118	683	251	340	1222	173	103	166	685	340	1272	021	076	233	256
340	1122	060	121	645	328	340	1223	168	104	141	580	340	1273	134	162	323	972
340	1123	082	140	879	396	340	1224	157	093	142	536	340	1274	174	173	300	207
340	1124	066	128	703	347	340	1225	088	101	295	447	340	1275	134	148	363	300
340	1125	021	133	510	765	340	1226	123	107	236	528	340	1276	037	110	363	333
340	1126	100	086	233	435	340	1227	075	098	262	450	340	1277	052	105	323	391
340	1127	070	094	296	421	340	1228	089	088	204	422	340	1278	007	100	390	376
340	1128	023	081	297	336	340	1229	049	091	295	383	340	1279	017	075	254	216
340	1129	049	087	276	348	340	1230	054	092	281	385	340	1280	089	086	190	368

APPENDIX A -- PRESSURE DATA:

CONFIGURATION A) ARCO PLAZA, LONG BEACH

WD	TAP	CPMEAN	CPRMS	CPMAX	CPMIN	WD	TAP	CPMEAN	CPRMS	CPMAX	CPMIN	WD	TAP	CPMEAN	CPRMS	CPMAX	CPMIN
340	1281	054	082	240	358	340	20223	134	096	148	550	340	2073	043	084	283	334
340	1282	024	085	296	294	340	20224	046	089	203	381	340	2074	043	075	255	302
340	1283	018	070	211	237	340	20225	044	091	276	377	340	2075	129	090	231	451
340	1284	034	085	274	294	340	20226	197	261	480	534	340	2076	088	273	336	369
340	1285	013	083	296	272	340	20227	235	278	453	726	340	2077	033	221	403	406
340	1901	003	078	262	229	340	20228	066	139	434	949	340	2078	030	125	403	610
340	1902	090	089	255	352	340	20229	159	116	198	575	340	2079	241	130	236	713
340	1903	055	095	284	409	340	2030	112	089	231	430	340	2080	115	101	310	472
340	1904	066	085	260	454	340	2031	311	130	107	924	340	2081	185	101	173	570
340	1905	090	085	285	593	340	2032	176	111	148	738	340	2082	161	091	145	481
340	1906	079	123	473	590	340	2033	074	099	308	509	340	2083	160	098	188	585
340	1907	185	120	240	695	340	2034	097	088	221	391	340	2084	075	085	236	351
340	1908	217	120	162	822	340	2035	199	110	183	558	340	2085	075	089	251	389
340	1909	076	075	185	343	340	2036	101	099	243	430	340	2086	080	084	225	71
340	1910	110	094	283	477	340	2037	077	094	296	445	340	2087	144	096	221	45
340	1911	140	112	231	709	340	2038	062	081	217	318	340	2088	054	082	255	55
340	1912	168	126	294	694	340	2039	148	098	211	455	340	2089	053	089	225	35
340	1913	038	074	211	285	340	2040	054	090	274	345	340	2090	060	084	197	28
340	1914	075	103	303	484	340	2041	046	084	225	330	340	2091	126	094	172	23
340	1915	162	126	254	728	340	2042	051	075	170	310	340	2092	050	086	223	39
340	1916	214	119	126	800	340	2043	134	092	137	444	340	2093	043	089	211	65
340	1917	067	088	209	411	340	2044	043	084	210	331	340	2094	046	082	182	22
340	1918	071	086	195	348	340	2045	043	083	241	316	340	2095	112	091	143	34
340	1919	148	078	119	426	340	2046	050	077	205	290	340	2096	038	088	222	47
340	1920	162	113	274	613	340	2047	138	092	181	448	340	2097	037	083	236	48
340	1921	132	145	506	622	340	2048	051	087	260	331	340	2098	050	079	205	58
340	1922	142	148	404	748	340	2049	044	086	228	334	340	2099	118	091	181	44
340	1923	138	122	513	768	340	2050	046	077	195	310	340	2100	040	085	239	48
340	2001	216	267	502	589	340	2051	220	297	772	525	340	2101	054	251	600	53
340	2002	148	177	305	942	340	2052	077	226	828	404	340	2102	041	190	480	20
340	2003	182	127	318	834	340	2053	048	138	592	850	340	2103	114	142	320	94
340	2004	148	117	271	786	340	2054	174	116	178	748	340	2104	143	115	222	65
340	2005	104	110	311	697	340	2055	215	112	144	738	340	2105	106	097	212	59
340	2006	185	118	245	846	340	2056	134	113	134	575	340	2106	181	101	100	69
340	2007	291	152	182	153	340	2057	177	106	194	584	340	2107	231	106	089	98
340	2008	088	102	317	513	340	2058	093	092	229	442	340	2108	076	093	238	05
340	2009	092	097	237	486	340	2059	181	103	194	531	340	2109	070	090	228	08
340	2010	111	096	189	479	340	2060	095	094	255	403	340	2110	085	085	237	82
340	2011	190	111	161	605	340	2061	093	097	207	472	340	2111	154	096	233	54
340	2012	074	098	279	413	340	2062	083	087	178	401	340	2112	065	088	283	64
340	2013	063	097	262	415	340	2063	102	102	138	554	340	2113	053	086	259	36
340	2014	064	086	233	372	340	2064	061	092	213	439	340	2114	060	081	243	44
340	2015	143	101	203	510	340	2065	051	091	252	339	340	2115	129	090	193	44
340	2016	052	094	270	474	340	2066	047	081	209	314	340	2116	046	085	246	21
340	2017	047	092	280	406	340	2067	137	096	180	455	340	2117	046	083	215	46
340	2018	047	082	224	355	340	2068	049	088	236	347	340	2118	054	078	190	23
340	2019	125	097	193	475	340	2069	046	088	258	330	340	2119	119	089	158	23
340	2020	036	089	247	341	340	2070	045	080	239	303	340	2120	034	082	229	23
340	2021	042	087	251	374	340	2071	134	098	207	436	340	2121	033	083	213	22
340	2022	048	078	203	334	340	2072	046	089	274	336	340	2122	053	078	230	61

APPENDIX A -- PRESSURE DATA:

CONFIGURATION A: ARCO PLAZA, LONG BEACH

WD	TAP	CPMEAN	CPRMS	CPMAX	CPMIN	WD	TAP	CPMEAN	CPRMS	CPMAX	CPMIN	WD	TAP	CPMEAN	CPRMS	CPMAX	CPMIN
40	2123	.136	.091	.223	-.474	340	2224	-.067	.093	.263	-.439	340	2274	-.022	.082	.269	-.381
40	2124	-.050	.084	.310	-.336	340	2225	-.180	.108	.291	-.515	340	2275	-.042	.083	.248	-.331
40	2125	-.042	.089	.308	-.420	340	2226	-.127	.114	.219	-.624	340	2276	-.113	.081	.170	-.400
40	2126	-.102	.158	.387	-.999	340	2227	-.168	.128	.476	-.885	340	2277	-.053	.087	.243	-.346
40	2127	-.165	.176	.463	-1.136	340	2228	-.213	.098	.108	-.621	340	2278	-.102	.096	.235	-.490
40	2128	-.047	.127	.367	-.616	340	2229	-.128	.115	.654	-.254	340	2279	-.007	.090	.296	-.319
40	2129	-.094	.102	.277	-.467	340	2230	-.061	.097	.514	-.257	340	2280	-.085	.077	.169	-.343
40	2130	-.091	.091	.237	-.418	340	2231	-.105	.125	.622	-.356	340	2281	-.038	.106	.458	-.344
40	2131	-.219	.108	.152	-.582	340	2232	-.130	.152	.682	-.662	340	2282	-.053	.100	.445	-.256
40	2132	-.113	.096	.241	-.451	340	2233	-.202	.174	.809	-.611	340	2283	-.068	.109	.539	-.318
40	2133	-.063	.089	.269	-.405	340	2234	-.030	.084	.256	-.326	340	2284	-.071	.099	.497	-.283
40	2134	-.062	.081	.204	-.324	340	2235	-.047	.088	.231	-.412	340	2285	-.034	.122	.550	-.424
40	2135	-.146	.092	.144	-.459	340	2236	-.092	.084	.199	-.444	340	2901	-.275	.206	.416	-1.007
40	2136	-.059	.088	.228	-.352	340	2237	-.029	.097	.328	-.405	340	2902	-.183	.106	.233	-.634
40	2137	-.048	.098	.311	-.401	340	2238	-.085	.097	.195	-.467	340	2903	-.120	.172	.450	-1.057
40	2138	-.050	.090	.291	-.358	340	2239	-.131	.102	.209	-.596	340	2904	-.236	.145	.219	-.876
40	2139	-.124	.101	.258	-.495	340	2240	-.192	.102	.183	-.602	340	2905	-.074	.117	.300	-.524
40	2140	-.040	.094	.311	-.377	340	2241	-.105	.098	.223	-.483	340	2906	-.099	.102	.220	-.564
40	2141	-.038	.085	.248	-.355	340	2242	-.109	.122	.628	-.360	340	2907	-.096	.094	.217	-.430
40	2142	-.052	.079	.220	-.357	340	2243	-.040	.107	.524	-.360	340	2908	-.009	.166	.374	-.426
40	2143	-.126	.091	.185	-.482	340	2244	-.040	.125	.635	-.410	340	2909	-.061	.098	.315	-.432
40	2144	-.037	.085	.246	-.375	340	2245	-.173	.168	.921	-.618	340	2910	-.172	.113	.141	-.821
40	2145	-.032	.090	.249	-.353	340	2246	-.164	.192	1.023	-.798	340	2911	-.077	.092	.233	-.452
40	2146	-.048	.086	.224	-.371	340	2247	-.046	.084	.231	-.378	340	2912	-.050	.088	.277	-.413
40	2147	-.126	.098	.193	-.495	340	2248	-.096	.082	.179	-.427	340	2913	-.046	.103	.291	-.592
40	2148	-.056	.094	.235	-.386	340	2249	-.008	.088	.295	-.346	340	2914	-.022	.079	.266	-.283
40	2149	-.051	.084	.295	-.347	340	2250	-.035	.095	.249	-.385	340	2915	-.014	.096	.399	-.320
40	2150	-.062	.079	.261	-.339	340	2251	-.102	.094	.169	-.449	340	2916	-.007	.096	.348	-.315
40	2201	-.218	.116	.135	-.896	340	2252	-.186	.098	.139	-.541	340	2917	-.085	.126	.356	-.663
40	2202	-.161	.123	.363	-.920	340	2253	-.119	.106	.270	-.494	340	2918	-.045	.141	.526	-.706
40	2204	-.292	.149	.201	-.090	340	2254	-.127	.102	.207	-.528	340	2919	-.100	.137	.554	-.698
40	2205	-.058	.133	.617	-.378	340	2255	-.073	.111	.500	-.304	340	2920	-.142	.107	.173	-.656
40	2206	-.029	.089	.289	-.332	340	2256	-.035	.095	.304	-.348	340	2921	-.090	.072	.157	-.343
40	2207	-.027	.093	.368	-.318	340	2257	-.078	.120	.566	-.423	340	2922	-.116	.076	.196	-.414
40	2208	-.047	.085	.318	-.312	340	2258	-.104	.171	.756	-.809	340	2923	-.174	.097	.134	-.557
40	2209	-.034	.105	.545	-.296	340	2259	-.059	.199	.823	-.813	350	901	-.066	.117	.550	-.296
40	2210	-.091	.111	.330	-.590	340	2260	-.112	.085	.260	-.450	350	902	-.135	.103	.615	-.209
40	2211	-.128	.107	.234	-.586	340	2261	-.014	.089	.376	-.388	350	903	-.149	.109	.202	-.530
40	2212	-.208	.110	.132	-.688	340	2262	-.020	.090	.347	-.397	350	904	-.031	.107	.590	-.323
40	2213	-.061	.154	.519	-.757	340	2263	-.047	.089	.283	-.337	350	905	-.069	.103	.388	-.389
40	2214	-.188	.131	.222	-.722	340	2264	-.173	.090	.155	-.535	350	906	-.078	.083	.203	-.360
40	2215	-.008	.115	.476	-.482	340	2265	-.111	.102	.258	-.505	350	907	-.170	.106	.157	-.567
40	2216	-.057	.122	.519	-.374	340	2266	-.002	.119	.486	-.499	350	908	-.130	.099	.205	-.459
40	2217	-.042	.107	.397	-.361	340	2267	-.242	.134	.118	-.788	350	909	-.124	.096	.180	-.476
40	2218	-.051	.124	.497	-.402	340	2268	-.014	.106	.485	-.369	350	910	-.109	.078	.131	-.394
40	2219	-.093	.135	.544	-.585	340	2269	-.046	.104	.555	-.305	350	911	-.126	.102	.202	-.520
40	2220	-.087	.157	.655	-.644	340	2270	-.047	.121	.715	-.360	350	912	-.138	.103	.184	-.525
40	2221	-.020	.083	.265	-.290	340	2271	-.056	.156	.664	-.799	350	913	-.118	.106	.205	-.587
40	2222	-.028	.085	.274	-.292	340	2272	-.026	.161	.540	-.989	350	914	-.108	.076	.115	-.362
40	2223	-.036	.093	.294	-.406	340	2273	-.016	.081	.279	-.372	350	915	-.127	.097	.164	-.483

APPENDIX A -- PRESSURE DATA:

CONFIGURATION A: ARCO PLAZA, LONG BEACH

WD	TAP	CPMEAN	CPRMS	CPMAX	CPMIN	WD	TAP	CPMEAN	CPRMS	CPMAX	CPMIN	WD	TAP	CPMEAN	CPRMS	CPMAX	CPMIN
3350	916	.067	.090	.219	.331	3350	1049	.060	.116	.654	.302	3350	1099	.022	.130	.578	.415
3350	917	.073	.090	.232	.453	3350	1050	.042	.097	.440	.346	3350	1100	.009	.112	.441	.398
3350	1001	.037	.084	.239	.318	3350	1051	.049	.079	.269	.302	3350	1101	.038	.089	.296	.371
3350	1002	.056	.075	.178	.328	3350	1052	.026	.076	.284	.274	3350	1102	.101	.089	.237	.447
3350	1003	.039	.086	.205	.331	3350	1053	.028	.081	.244	.281	3350	1103	.073	.097	.297	.472
3350	1004	.056	.089	.209	.433	3350	1054	.071	.076	.201	.342	3350	1104	.029	.093	.336	.417
3350	1005	.041	.093	.381	.377	3350	1055	.060	.089	.258	.362	3350	1105	.053	.070	.168	.294
3350	1006	.111	.086	.441	.422	3350	1056	.073	.090	.238	.535	3350	1106	.136	.078	.127	.385
3350	1007	.123	.098	.444	.431	3350	1057	.123	.088	.206	.472	3350	1107	.104	.089	.183	.375
3350	1008	.110	.093	.229	.449	3350	1058	.094	.096	.288	.463	3350	1108	.054	.084	.225	.322
3350	1009	.079	.090	.242	.624	3350	1059	.054	.096	.265	.509	3350	1109	.071	.095	.235	.416
3350	1010	.047	.099	.282	.489	3350	1060	.054	.110	.357	.516	3350	1110	.117	.093	.187	.472
3350	1011	.166	.106	.149	.654	3350	1061	.098	.091	.213	.532	3350	1111	.122	.101	.182	.516
3350	1012	.166	.113	.179	.618	3350	1062	.151	.086	.116	.543	3350	1112	.077	.090	.183	.400
3350	1013	.051	.095	.266	.455	3350	1063	.082	.090	.271	.361	3350	1113	.071	.090	.273	.411
3350	1014	.011	.095	.317	.717	3350	1064	.012	.105	.458	.376	3350	1114	.095	.093	.266	.448
3350	1015	.096	.107	.220	.733	3350	1065	.062	.104	.337	.464	3350	1115	.109	.103	.323	.480
3350	1016	.103	.115	.374	.525	3350	1066	.112	.093	.272	.463	3350	1116	.060	.094	.320	.390
3350	1017	.018	.122	.533	.430	3350	1067	.040	.100	.370	.375	3350	1117	.044	.099	.283	.384
3350	1018	.023	.108	.444	.658	3350	1068	.054	.094	.402	.205	3350	1118	.034	.088	.222	.356
3350	1019	.013	.131	.620	.444	3350	1069	.035	.112	.509	.347	3350	1119	.042	.103	.276	.437
3350	1020	.061	.142	.334	.630	3350	1070	.010	.110	.488	.373	3350	1120	.012	.098	.291	.346
3350	1021	.097	.121	.699	.779	3350	1071	.112	.113	.548	.244	3350	1121	.077	.100	.485	.271
3350	1022	.080	.110	.555	.999	3350	1072	.142	.111	.510	.219	3350	1122	.035	.102	.491	.316
3350	1023	.073	.124	.489	.999	3350	1073	.116	.110	.556	.310	3350	1123	.064	.119	.609	.344
3350	1024	.060	.124	.643	.666	3350	1074	.019	.100	.407	.337	3350	1124	.061	.115	.589	.301
3350	1025	.011	.118	.513	.660	3350	1075	.034	.107	.432	.383	3350	1125	.028	.109	.384	.415
3350	1026	.067	.073	.196	.111	3350	1076	.020	.081	.264	.323	3350	1126	.094	.082	.159	.364
3350	1027	.053	.082	.245	.750	3350	1077	.041	.088	.284	.320	3350	1127	.063	.090	.212	.369
3350	1028	.036	.081	.225	.466	3350	1078	.104	.083	.218	.346	3350	1128	.011	.078	.241	.275
3350	1029	.048	.081	.355	.199	3350	1079	.091	.093	.245	.406	3350	1129	.041	.089	.257	.354
3350	1030	.076	.078	.280	.444	3350	1080	.039	.087	.270	.362	3350	1130	.090	.087	.203	.388
3350	1031	.101	.087	.280	.533	3350	1081	.089	.097	.302	.458	3350	1131	.096	.095	.213	.413
3350	1032	.081	.082	.213	.644	3350	1082	.153	.091	.225	.475	3350	1132	.051	.083	.221	.327
3350	1033	.098	.096	.194	.730	3350	1083	.133	.100	.286	.498	3350	1133	.072	.094	.223	.447
3350	1034	.115	.079	.149	.330	3350	1084	.065	.089	.312	.365	3350	1134	.120	.082	.144	.443
3350	1035	.045	.109	.311	.410	3350	1085	.062	.102	.293	.444	3350	1135	.068	.101	.317	.431
3350	1036	.126	.099	.158	.410	3350	1086	.178	.094	.170	.527	3350	1136	.048	.090	.241	.392
3350	1037	.143	.097	.355	.410	3350	1087	.165	.105	.233	.572	3350	1137	.080	.091	.295	.437
3350	1038	.097	.083	.225	.922	3350	1088	.058	.090	.282	.364	3350	1138	.105	.079	.223	.379
3350	1039	.035	.124	.498	.111	3350	1089	.080	.125	.346	.570	3350	1139	.049	.102	.356	.407
3350	1040	.049	.117	.345	.493	3350	1090	.140	.103	.313	.519	3350	1140	.033	.093	.334	.371
3350	1041	.087	.125	.285	.550	3350	1091	.123	.111	.387	.525	3350	1141	.066	.106	.263	.483
3350	1042	.018	.103	.646	.222	3350	1092	.022	.098	.361	.383	3350	1142	.077	.093	.350	.441
3350	1043	.079	.117	.309	.282	3350	1093	.030	.093	.457	.312	3350	1143	.015	.097	.515	.311
3350	1044	.069	.128	.603	.333	3350	1094	.062	.095	.333	.550	3350	1144	.040	.096	.545	.346
3350	1045	.076	.132	.603	.333	3350	1095	.034	.109	.314	.579	3350	1145	.026	.111	.435	.392
3350	1046	.125	.120	.613	.448	3350	1096	.099	.094	.490	.207	3350	1146	.051	.104	.560	.391
3350	1047	.141	.133	.613	.747	3350	1097	.101	.105	.628	.262	3350	1147	.089	.116	.706	.384
3350	1048	.144	.130	.681	.434	3350	1098	.049	.118	.622	.318	3350	1148	.131	.117	.707	.359

APPENDIX A -- PRESSURE DATA:

CONFIGURATION A; ARCO PLAZA, LONG BEACH

WD	TAP	CPMEAN	CPRMS	CPMAX	CPMIN	WD	TAP	CPMEAN	CPRMS	CPMAX	CPMIN	WD	TAP	CPMEAN	CPRMS	CPMAX	CPMIN
3550	149	.047	.112	.639	.265	3550	1250	.120	.093	.182	.483	3550	1915	.158	.124	.217	.699
3550	150	.079	.104	.589	.431	3550	1251	.084	.091	.335	.407	3550	1916	.222	.115	.137	.841
3550	201	.193	.107	.174	.685	3550	1252	.070	.085	.320	.373	3550	1917	.066	.090	.238	.444
3550	202	.115	.102	.195	.569	3550	1253	.027	.092	.325	.384	3550	1918	.067	.085	.213	.391
3550	204	.071	.081	.220	.374	3550	1254	.049	.090	.250	.384	3550	1919	.164	.080	.084	.457
3550	205	.077	.090	.265	.419	3550	1255	.044	.087	.237	.381	3550	1920	.162	.123	.313	.565
3550	206	.135	.096	.203	.490	3550	1256	.001	.077	.251	.323	3550	1921	.091	.147	.444	.578
3550	207	.145	.093	.119	.517	3550	1257	.014	.082	.267	.345	3550	1922	.085	.154	.580	.621
3550	208	.151	.088	.128	.531	3550	1258	.013	.082	.270	.338	3550	1923	.115	.101	.407	.541
3550	209	.154	.106	.147	.549	3550	1259	.013	.084	.265	.358	3550	2001	.209	.267	.676	.457
3550	210	.127	.098	.194	.546	3550	1260	.117	.094	.180	.381	3550	2002	.129	.163	.395	.128
3550	211	.126	.104	.197	.702	3550	1261	.131	.107	.212	.771	3550	2003	.157	.120	.382	.873
3550	212	.109	.088	.178	.402	3550	1262	.139	.109	.205	.707	3550	2004	.154	.106	.232	.658
3550	213	.085	.093	.211	.405	3550	1263	.114	.100	.248	.457	3550	2005	.114	.102	.248	.527
3550	214	.084	.093	.235	.442	3550	1264	.029	.086	.373	.404	3550	2006	.229	.126	.091	.552
3550	215	.077	.088	.190	.465	3550	1265	.044	.100	.371	.463	3550	2007	.352	.176	.030	.593
3550	216	.064	.077	.162	.343	3550	1266	.013	.095	.383	.415	3550	2008	.116	.103	.186	.490
3550	217	.045	.084	.227	.332	3550	1267	.074	.091	.290	.395	3550	2009	.095	.092	.200	.441
3550	218	.025	.086	.277	.339	3550	1268	.046	.077	.321	.337	3550	2010	.099	.087	.188	.394
3550	219	.024	.089	.295	.305	3550	1269	.007	.083	.353	.288	3550	2011	.179	.101	.163	.597
3550	220	.016	.066	.184	.205	3550	1270	.008	.080	.321	.290	3550	2012	.068	.092	.275	.418
3550	221	.130	.092	.162	.535	3550	1271	.011	.085	.318	.269	3550	2013	.053	.091	.259	.368
3550	222	.127	.092	.158	.487	3550	1272	.063	.075	.244	.229	3550	2014	.052	.080	.225	.324
3550	223	.141	.090	.167	.467	3550	1273	.131	.121	.216	.863	3550	2015	.132	.095	.206	.466
3550	224	.125	.079	.161	.368	3550	1274	.132	.124	.214	.103	3550	2016	.041	.085	.274	.353
3550	225	.116	.088	.236	.426	3550	1275	.130	.115	.269	.586	3550	2017	.044	.087	.231	.379
3550	226	.116	.094	.221	.471	3550	1276	.080	.097	.322	.439	3550	2018	.043	.078	.208	.562
3550	227	.087	.092	.238	.374	3550	1277	.005	.101	.406	.334	3550	2019	.123	.091	.174	.553
3550	228	.083	.084	.202	.349	3550	1278	.026	.091	.414	.259	3550	2020	.035	.083	.236	.589
3550	229	.085	.096	.193	.374	3550	1279	.016	.074	.281	.239	3550	2021	.042	.086	.235	.393
3550	230	.049	.087	.228	.371	3550	1280	.081	.086	.192	.368	3550	2022	.049	.079	.203	.393
3550	231	.035	.087	.248	.331	3550	1281	.037	.083	.236	.350	3550	2023	.137	.098	.184	.553
3550	232	.016	.074	.217	.329	3550	1282	.018	.085	.315	.359	3550	2024	.050	.089	.253	.411
3550	233	.033	.086	.243	.348	3550	1283	.018	.071	.234	.277	3550	2025	.049	.089	.272	.435
3550	234	.106	.092	.199	.428	3550	1284	.038	.087	.264	.358	3550	2026	.234	.233	.545	.1270
3550	235	.112	.094	.183	.451	3550	1285	.008	.084	.256	.316	3550	2027	.269	.253	.491	.1740
3550	236	.110	.085	.179	.404	3550	1901	.006	.078	.274	.306	3550	2028	.084	.120	.348	.605
3550	237	.126	.090	.234	.443	3550	1902	.104	.092	.222	.438	3550	2029	.177	.104	.153	.658
3550	238	.083	.089	.231	.391	3550	1903	.053	.091	.267	.400	3550	2030	.118	.082	.214	.399
3550	239	.087	.096	.253	.421	3550	1904	.065	.088	.252	.455	3550	2031	.307	.122	.137	.934
3550	240	.031	.078	.222	.325	3550	1905	.099	.083	.215	.421	3550	2032	.170	.105	.215	.625
3550	241	.064	.086	.227	.379	3550	1906	.042	.129	.520	.476	3550	2033	.082	.091	.236	.458
3550	242	.050	.084	.218	.374	3550	1907	.151	.123	.229	.811	3550	2034	.093	.084	.197	.390
3550	243	.023	.088	.261	.306	3550	1908	.231	.134	.240	.867	3550	2035	.197	.107	.150	.632
3550	244	.010	.075	.248	.282	3550	1909	.100	.089	.211	.423	3550	2036	.097	.098	.216	.531
3550	245	.024	.084	.260	.287	3550	1910	.145	.105	.143	.520	3550	2037	.070	.093	.208	.423
3550	246	.020	.084	.254	.284	3550	1911	.141	.120	.208	.613	3550	2038	.056	.080	.247	.352
3550	247	.106	.097	.203	.458	3550	1912	.142	.136	.357	.668	3550	2039	.140	.095	.211	.465
3550	248	.097	.088	.211	.422	3550	1913	.055	.074	.216	.293	3550	2040	.048	.086	.267	.352
3550	249	.121	.095	.248	.466	3550	1914	.105	.104	.238	.500	3550	2041	.043	.082	.199	.341

APPENDIX A -- PRESSURE DATA:

CONFIGURATION A; ARCO PLAZA, LONG BEACH

MD	TAP	CPMEAN	CPRMS	CPMAX	CPMIN	MD	TAP	CPMEAN	CPRMS	CPMAX	CPMIN	MD	TAP	CPMEAN	CPRMS	CPMAX	CPMIN
3550	2092	.049	.092	.290	-.354	3550	2142	-.060	.083	.245	-.346						
3550	2093	.046	.085	.243	-.452	3550	2143	-.137	.095	.216	-.452						
3550	2094	.051	.078	.227	-.419	3550	2144	-.040	.087	.291	-.333						
3550	2095	.122	.088	.194	-.516	3550	2145	-.032	.085	.283	-.378						
3550	2096	.040	.084	.258	-.412	3550	2146	-.055	.081	.233	-.378						
3550	2097	.046	.083	.227	-.339	3550	2147	-.135	.093	.206	-.512						
3550	2098	.061	.079	.167	-.341	3550	2148	-.054	.087	.264	-.415						
3550	2099	.135	.091	.142	-.442	3550	2149	-.047	.083	.240	-.369						
3550	2100	.048	.085	.219	-.407	3550	2150	-.064	.078	.206	-.345						
3550	2101	.203	.255	.621	-1.406	3550	2201	-.234	.111	.149	-.606						
3550	2102	.171	.220	.422	-1.232	3550	2202	-.118	.123	.359	-.549						
3550	2103	.180	.148	.295	-.927	3550	2204	-.195	.143	.265	-.793						
3550	2104	.166	.116	.194	-.630	3550	2205	-.064	.143	.621	-.480						
3550	2105	.121	.093	.203	-.426	3550	2206	-.015	.100	.282	-.373						
3550	2106	.195	.101	.120	-.620	3550	2207	.009	.106	.422	-.349						
3550	2107	.247	.106	.101	-.635	3550	2208	.018	.094	.393	-.286						
3550	2108	.083	.097	.265	-.396	3550	2209	.044	.110	.515	-.565						
3550	2109	.065	.085	.255	-.337	3550	2210	-.032	.145	.578	-.720						
3550	2110	.079	.079	.185	-.334	3550	2211	.137	.109	.299	-.677						
3550	2111	.152	.089	.154	-.466	3550	2212	-.180	.112	.236	-.645						
3550	2112	.057	.083	.216	-.308	3550	2213	.038	.171	.631	-.717						
3550	2113	.054	.088	.258	-.322	3550	2214	-.199	.142	.334	-.425						
3550	2114	.066	.085	.226	-.342	3550	2215	.043	.119	.530	-.321						
3550	2115	.095	.095	.178	-.449	3550	2216	.110	.115	.551	-.400						
3550	2116	.045	.087	.243	-.335	3550	2217	.031	.111	.407	-.368						
3550	2117	.084	.084	.256	-.335	3550	2218	.075	.124	.556	-.259						
3550	2118	.057	.079	.219	-.341	3550	2219	.135	.122	.787	-.910						
3550	2119	.119	.090	.206	-.432	3550	2220	.172	.143	.910	-.323						
3550	2120	.031	.083	.274	-.308	3550	2221	-.045	.091	.276	-.318						
3550	2121	.039	.085	.242	-.399	3550	2222	.030	.090	.318	-.376						
3550	2122	.064	.081	.194	-.401	3550	2223	-.024	.095	.291	-.323						
3550	2123	.145	.093	.160	-.518	3550	2224	.014	.091	.295	-.323						
3550	2124	.052	.086	.237	-.404	3550	2225	-.109	.106	.272	-.508						
3550	2125	.045	.085	.276	-.323	3550	2226	.132	.109	.268	-.620						
3550	2126	.174	.153	.305	-.974	3550	2227	-.099	.140	.373	-.637						
3550	2127	.239	.170	.272	-1.106	3550	2228	.161	.106	.165	-.563						
3550	2128	.088	.114	.313	-.595	3550	2229	.093	.114	.599	-.274						
3550	2129	.109	.102	.239	-.495	3550	2230	.044	.095	.418	-.249						
3550	2130	.186	.092	.213	-.480	3550	2231	.129	.118	.559	-.218						
3550	2131	.218	.111	.158	-.671	3550	2232	.200	.134	.675	-.312						
3550	2132	.106	.098	.225	-.508	3550	2233	.213	.159	.818	-.426						
3550	2133	.073	.092	.291	-.424	3550	2234	-.040	.091	.222	-.363						
3550	2134	.074	.084	.247	-.387	3550	2235	.033	.086	.298	-.401						
3550	2135	.155	.097	.203	-.543	3550	2236	-.049	.078	.236	-.357						
3550	2136	.060	.090	.263	-.388	3550	2237	.049	.092	.308	-.408						
3550	2137	.048	.083	.237	-.380	3550	2238	-.082	.092	.239	-.440						
3550	2138	.065	.075	.201	-.324	3550	2239	-.103	.094	.220	-.444						
3550	2139	.141	.087	.159	-.436	3550	2240	-.136	.095	.166	-.509						
3550	2140	.048	.080	.232	-.315	3550	2241	-.111	.096	.226	-.508						
3550	2141	.039	.087	.297	-.349	3550	2242	.091	.108	.533	-.205						

APPENDIX A -- PRESSURE DATA:

CONFIGURATION A: ARCO PLAZA, LONG BEACH

WD	TAP	CPMEAN	CPRMS	CPMAX	CPMIN	WD	TAP	CPMEAN	CPRMS	CPMAX	CPMIN	WD	TAP	CPMEAN	CPRMS	CPMAX	CPMIN
350	2243	.033	.101	.461	-.272	350	2265	-.122	.103	.202	-.560	350	2902	-.180	.093	.161	-.633
350	2244	.077	.108	.565	-.335	350	2266	-.036	.110	.387	-.468	350	2903	-.118	.167	.682	-1.104
350	2245	.169	.144	.762	-.724	350	2267	-.181	.124	.176	-.715	350	2904	-.206	.126	.340	-.735
350	2246	.181	.157	.737	-.833	350	2268	.049	.087	.366	-.244	350	2905	-.059	.107	.352	-.602
350	2247	-.034	.088	.253	-.331	350	2269	.026	.091	.383	-.295	350	2906	-.119	.102	.224	-.718
350	2248	-.051	.083	.211	-.343	350	2270	.080	.101	.501	-.297	350	2907	-.131	.106	.232	-.644
350	2249	-.034	.093	.267	-.379	350	2271	.107	.132	.569	-.511	350	2908	-.004	.104	.324	-.446
350	2250	-.042	.095	.277	-.517	350	2272	-.069	.129	.553	-.546	350	2909	-.064	.098	.249	-.589
350	2251	-.068	.091	.256	-.368	350	2273	-.041	.088	.271	-.355	350	2910	-.157	.107	.171	-.860
350	2252	-.108	.090	.248	-.462	350	2274	-.022	.087	.285	-.336	350	2911	-.079	.096	.244	-.446
350	2253	-.111	.102	.289	-.492	350	2275	-.022	.082	.225	-.294	350	2912	-.045	.093	.270	-.368
350	2254	-.098	.097	.258	-.392	350	2276	-.057	.078	.187	-.294	350	2913	-.032	.094	.312	-.396
350	2255	.078	.101	.445	-.304	350	2277	-.066	.087	.205	-.340	350	2914	-.028	.078	.252	-.346
350	2256	.000	.090	.365	-.358	350	2278	-.079	.092	.224	-.403	350	2915	.008	.106	.615	-.332
350	2257	.072	.114	.587	-.446	350	2279	-.014	.087	.261	-.328	350	2916	-.047	.105	.421	-.328
350	2258	.147	.133	.642	-.419	350	2280	-.090	.076	.141	-.344	350	2917	-.079	.133	.346	-.850
350	2259	.142	.148	.686	-.570	350	2281	.031	.102	.566	-.304	350	2918	-.005	.143	.511	-.525
350	2260	-.062	.080	.227	-.386	350	2282	.052	.096	.482	-.248	350	2919	-.111	.137	.622	-.601
350	2261	-.041	.088	.273	-.391	350	2283	.093	.111	.461	-.249	350	2920	-.139	.106	.258	-.679
350	2262	-.022	.088	.279	-.384	350	2284	.099	.098	.484	-.371	350	2921	-.100	.081	.248	-.392
350	2263	-.019	.090	.273	-.386	350	2285	.053	.119	.588	-.454	350	2922	-.108	.080	.191	-.433
350	2264	-.097	.089	.181	-.473	350	2901	-.240	.183	.511	-1.066	350	2923	-.200	.105	.157	-.575

APPENDIX A -- PRESSURE DATA:

CONFIGURATION B; ARCO PLAZA, LONG BEACH

WD	TAP	CPMEAN	CPRMS	CPMAX	CPMIN	WD	TAP	CPMEAN	CPRMS	CPMAX	CPMIN	WD	TAP	CPMEAN	CPRMS	CPMAX	CPMIN
10	1025	.057	.100	.297	-.391	14	1149	-.062	.099	.363	-.377	26	1206	-.173	.094	.133	-.483
10	1075	-.088	.080	.228	-.377	14	1150	-.059	.091	.260	-.365	26	2001	-.460	.196	.021	-1.472
10	1149	-.051	.094	.273	-.394	14	1206	-.156	.096	.173	-.560	26	2126	-.424	.240	.134	-1.913
10	1150	-.041	.089	.244	-.403	14	2001	-.579	.221	-.017	-2.006	26	2127	-.275	.198	.197	-1.428
10	1206	-.146	.099	.229	-.300	14	2126	-.396	.215	.160	-2.331	28	1025	-.155	.087	.193	-.483
10	2001	-.391	.239	.356	-1.437	14	2127	-.291	.184	.145	-1.381	28	1075	-.205	.076	.076	-.503
10	2126	-.251	.160	.213	-1.425	16	1025	-.167	.162	.252	-.482	28	1149	-.110	.092	.228	-.440
10	2127	-.178	.143	.260	-1.028	16	1075	-.141	.086	.175	-.489	28	1150	-.090	.084	.220	-.413
10	1025	-.060	.106	.324	-.373	16	1149	-.070	.103	.268	-.394	28	1206	-.177	.093	.178	-.500
10	1075	-.090	.082	.198	-.393	16	1150	-.064	.096	.241	-.395	28	2001	-.425	.192	.063	-1.281
10	1149	-.054	.099	.353	-.377	16	1206	-.154	.088	.122	-.490	28	2126	-.429	.256	.158	-2.084
10	1150	-.046	.093	.322	-.342	16	2001	-.548	.212	-.005	-1.829	28	2127	-.262	.197	.197	-1.650
10	1206	-.134	.091	.169	-.473	16	2126	-.406	.247	.154	-2.447	30	1025	-.177	.093	.165	-.473
10	2001	-.396	.206	.217	-1.320	16	2127	-.294	.201	.209	-1.523	30	1075	-.212	.080	.097	-.479
10	2126	-.268	.164	.153	-1.907	18	1025	-.116	.090	.217	-.470	30	1149	-.156	.099	.211	-.469
10	2127	-.191	.144	.182	-1.089	18	1075	-.151	.076	.187	-.453	30	1150	-.111	.089	.227	-.393
10	1025	-.070	.102	.309	-.413	18	1149	-.068	.088	.231	-.348	30	1206	-.191	.093	.157	-.503
10	1075	-.097	.083	.189	-.384	18	1150	-.062	.083	.204	-.355	30	2001	-.387	.185	.075	-1.376
10	1149	-.060	.095	.304	-.393	18	1206	-.155	.095	.184	-.444	30	2126	-.447	.268	.142	-1.916
10	1150	-.050	.088	.252	-.379	18	2001	-.563	.228	-.645	-1.554	30	2127	-.249	.190	.182	-1.387
10	1206	-.138	.092	.181	-.473	18	2126	-.403	.220	.164	-1.808	32	1025	-.170	.091	.165	-.552
10	2001	-.471	.234	.169	-1.422	18	2127	-.293	.192	.202	-1.398	32	1075	-.206	.078	.042	-.526
10	2126	-.316	.181	.195	-1.545	20	1025	-.123	.098	.229	-.421	32	1149	-.161	.094	.126	-.593
10	2127	-.232	.161	.207	-1.012	20	1075	-.158	.085	.104	-.406	32	1150	-.110	.087	.169	-.514
10	1025	-.082	.101	.264	-.476	20	1149	-.081	.101	.267	-.405	32	1206	-.190	.095	.201	-.496
10	1075	-.109	.084	.197	-.382	20	1150	-.071	.094	.243	-.353	32	2001	-.355	.179	.123	-1.249
10	1149	-.063	.099	.258	-.408	20	1206	-.159	.090	.118	-.493	32	2126	-.453	.287	.211	-2.008
10	1150	-.054	.092	.233	-.394	20	2001	-.537	.209	-.024	-1.543	32	2127	-.248	.202	.268	-1.534
10	1206	-.138	.092	.191	-.477	20	2126	-.405	.225	.155	-2.172	34	1025	-.171	.083	.120	-.487
10	2001	-.485	.197	.118	-1.322	20	2127	-.278	.182	.225	-1.502	34	1075	-.213	.070	.020	-.487
10	2126	-.349	.198	.106	-2.230	22	1025	-.133	.092	.182	-.422	34	1149	-.165	.092	.169	-.511
10	2127	-.256	.168	.195	-1.497	22	1075	-.168	.078	.159	-.451	34	1150	-.112	.081	.168	-.418
10	1025	-.086	.096	.247	-.428	22	1149	-.083	.100	.300	-.424	34	1206	-.192	.088	.085	-.563
10	1075	-.113	.081	.198	-.378	22	1150	-.074	.091	.259	-.380	34	2001	-.333	.176	.136	-1.542
10	1149	-.062	.096	.243	-.338	22	1206	-.168	.089	.130	-.462	34	2126	-.420	.261	.150	-2.051
10	1150	-.056	.088	.240	-.333	22	2001	-.515	.194	-.041	-1.491	34	2127	-.228	.178	.198	-1.243
10	1206	-.145	.095	.181	-.490	22	2126	-.428	.249	.182	-2.576	36	1025	-.179	.086	.196	-.512
10	2001	-.565	.218	.010	-1.911	22	2127	-.296	.195	.252	-1.643	36	1075	-.224	.074	.045	-.471
10	2126	-.387	.217	.224	-2.569	24	1025	-.147	.092	.195	-.485	36	1149	-.177	.094	.194	-.519
10	2127	-.285	.190	.202	-1.414	24	1075	-.188	.078	.062	-.476	36	1150	-.121	.084	.233	-.416
10	1025	-.100	.097	.287	-.467	24	1149	-.095	.094	.221	-.487	36	1206	-.193	.091	.141	-.523
10	1075	-.123	.083	.140	-.404	24	1150	-.082	.086	.241	-.430	36	2001	-.313	.151	.105	-1.104
10	1149	-.059	.094	.272	-.417	24	1206	-.175	.093	.120	-.474	36	2126	-.375	.255	.283	-2.087
10	1150	-.057	.090	.263	-.398	24	2001	-.481	.204	.055	-1.542	36	2127	-.198	.171	.283	-1.094
10	1206	-.149	.094	.187	-.459	24	2126	-.423	.252	.163	-2.488	38	1025	-.186	.097	.166	-.519
10	2001	-.576	.225	.006	-1.545	24	2127	-.279	.199	.193	-1.441	38	1075	-.245	.083	.078	-.502
10	2126	-.412	.224	.104	-2.589	24	1025	-.133	.089	.141	-.440	38	1149	-.187	.100	.151	-.501
10	2127	-.309	.194	.153	-1.626	26	1075	-.174	.078	.081	-.459	38	1150	-.128	.091	.171	-.419
10	1025	-.104	.099	.227	-.458	26	1149	-.097	.090	.184	-.420	38	1206	-.191	.092	.156	-.493
14	1075	-.129	.082	.179	-.427	26	1150	-.079	.084	.173	-.383	38	2001	-.280	.143	.112	-1.003

APPENDIX A -- PRESSURE DATA:

CONFIGURATION B; ARCO PLAZA, LONG BEACH

WD	TAP	CPMEAN	CPRMS	CPMAX	CPMIN	WD	TAP	CPMEAN	CPRMS	CPMAX	CPMIN	WD	TAP	CPMEAN	CPRMS	CPMAX	CPMIN
38	2126	-.352	.235	.190	-2.061	52	1025	-.204	.100	.130	-.578	248	1149	-.245	.192	.192	-1.389
38	2127	-.185	.162	.206	-1.252	52	1075	-.235	.086	.058	-.506	248	1150	-.299	.213	.187	-1.601
40	1025	-.200	.093	.094	-.567	52	1149	-.119	.091	.219	-.431	248	1206	-.206	.185	.928	-.402
40	1075	-.264	.082	-.023	-.554	52	1150	-.130	.091	.210	-.451	248	2001	-.151	.087	.141	-.436
40	1149	-.208	.098	.125	-.531	52	1206	-.180	.097	.163	-.508	248	2126	-.108	.094	.190	-.457
40	1150	-.141	.089	.157	-.431	52	2001	-.167	.113	.273	-.749	248	2127	-.076	.094	.242	-.418
40	1206	-.209	.090	.079	-.521	52	2126	-.152	.144	.361	-1.303	250	1025	-.497	.224	.260	-1.599
40	2001	-.300	.148	.082	-1.176	52	2127	-.139	.128	.254	-.698	250	1075	-.381	.188	.139	-1.306
40	2126	-.379	.239	.241	-2.164	54	1025	-.186	.094	.105	-.591	250	1149	-.253	.193	.192	-1.491
40	2127	-.201	.169	.237	-1.531	54	1075	-.221	.080	.053	-.598	250	1150	-.301	.207	.152	-1.616
42	1025	-.197	.090	.131	-.450	54	1149	-.108	.086	.215	-.450	250	1206	-.213	.188	.859	-.483
42	1075	-.208	.076	.078	-.485	54	1150	-.117	.088	.201	-.474	250	2001	-.154	.090	.202	-.494
42	1149	-.124	.086	.160	-.474	54	1206	-.173	.095	.139	-.547	250	2126	-.108	.095	.275	-.428
42	1150	-.146	.085	.148	-.511	54	2001	-.161	.109	.224	-.674	250	2127	-.076	.095	.303	-.428
42	1206	-.194	.092	.155	-.480	54	2126	-.136	.118	.243	-.699	252	1025	-.492	.235	.395	-1.481
42	2001	-.212	.131	.166	-.999	54	2127	-.129	.115	.216	-.669	252	1075	-.373	.182	.138	-1.128
42	2126	-.239	.216	.263	-1.696	56	1025	-.183	.093	.120	-.526	252	1149	-.246	.179	.245	-1.243
42	2127	-.181	.166	.275	-1.422	56	1075	-.221	.078	.058	-.479	252	1150	-.298	.206	.242	-2.003
44	1025	-.204	.099	.174	-.582	56	1149	-.101	.085	.216	-.383	252	1206	-.227	.200	.930	-.536
44	1075	-.213	.086	.096	-.517	56	1150	-.108	.087	.215	-.392	252	2001	-.143	.089	.163	-.464
44	1149	-.125	.096	.218	-.520	56	1206	-.165	.100	.212	-.507	252	2126	-.104	.090	.172	-.449
44	1150	-.146	.095	.197	-.523	56	2001	-.160	.113	.229	-.944	252	2127	-.067	.089	.204	-.396
44	1206	-.202	.098	.101	-.510	56	2126	-.143	.135	.313	-1.049	254	1025	-.552	.319	.606	-2.183
44	2001	-.212	.140	.207	-1.149	56	2127	-.133	.125	.285	-1.804	254	1075	-.405	.209	.171	-1.512
44	2126	-.232	.224	.283	-2.072	242	1025	-.409	.205	.175	-1.369	254	1149	-.269	.207	.225	-1.373
44	2127	-.184	.172	.277	-1.466	242	1075	-.312	.171	.144	-1.028	254	1150	-.319	.232	.216	-1.791
46	1025	-.206	.097	.176	-.552	242	1149	-.255	.194	.241	-1.230	254	1206	-.261	.195	.960	-.447
46	1075	-.222	.082	.108	-.504	242	1150	-.309	.214	.260	-1.322	254	2001	-.127	.090	.231	-.419
46	1149	-.124	.092	.234	-.449	242	1206	-.126	.198	.745	-.590	254	2126	-.101	.092	.295	-.457
46	1150	-.142	.091	.213	-.438	242	2001	-.193	.081	.085	-.470	254	2127	-.065	.091	.335	-.382
46	1206	-.199	.097	.141	-.504	242	2126	-.136	.089	.159	-.417	256	1025	-.494	.292	.525	-1.903
46	2001	-.198	.129	.158	-.790	242	2127	-.108	.088	.173	-.389	256	1075	-.383	.187	.241	-1.197
46	2126	-.210	.204	.248	-1.365	244	1025	-.414	.192	.142	-1.398	256	1149	-.241	.205	.218	-1.416
46	2127	-.171	.161	.189	-.981	244	1075	-.297	.166	.135	-1.071	256	1150	-.283	.227	.176	-2.150
48	1025	-.199	.091	.061	-.599	244	1149	-.227	.183	.241	-1.388	256	1206	-.215	.176	.843	-.524
48	1075	-.220	.079	.015	-.567	244	1150	-.282	.204	.206	-1.446	256	2001	-.109	.094	.274	-.412
48	1149	-.117	.086	.161	-.441	244	1206	-.154	.196	.783	-.604	256	2126	-.086	.089	.260	-.418
48	1150	-.133	.086	.135	-.477	244	2001	-.181	.077	.124	-.401	256	2127	-.053	.088	.276	-.381
48	1206	-.191	.099	.131	-.404	244	2126	-.128	.082	.129	-.393	258	1025	-.456	.320	.537	-1.950
48	2001	-.193	.125	.286	-.933	244	2127	-.098	.082	.167	-.364	258	1075	-.356	.178	.118	-1.240
48	2126	-.180	.167	.316	-1.614	246	1025	-.440	.207	.275	-1.408	258	1149	-.223	.194	.328	-1.642
48	2127	-.154	.140	.349	-1.242	246	1075	-.319	.171	.135	-1.412	258	1150	-.260	.225	.265	-1.550
50	1025	-.196	.090	.162	-.510	246	1149	-.232	.175	.208	-1.037	258	1206	-.176	.189	.896	-.425
50	1075	-.221	.076	.056	-.474	246	1150	-.283	.197	.221	-1.200	258	2001	-.105	.097	.239	-.382
50	1149	-.115	.083	.167	-.402	246	1206	-.188	.196	.890	-.740	258	2126	-.078	.088	.217	-.446
50	1150	-.129	.083	.161	-.411	246	2001	-.171	.080	.106	-.474	258	2127	-.046	.087	.244	-.416
50	1206	-.184	.094	.129	-.513	246	2126	-.123	.089	.157	-.423	260	1025	-.377	.311	.408	-2.079
50	2001	-.171	.116	.175	-.871	246	2127	-.089	.088	.190	-.383	260	1075	-.328	.195	.276	-1.095
50	2126	-.163	.145	.381	-1.175	248	1025	-.467	.220	.279	-1.639	260	1149	-.215	.212	.268	-1.873
50	2127	-.144	.126	.338	-.776	248	1075	-.350	.179	.090	-1.507	260	1150	-.250	.246	.241	-1.823

APPENDIX A -- PRESSURE DATA:

CONFIGURATION B) ARCO PLAZA, LONG BEACH

WD	TAP	CPMEAN	CPRMS	CPMAX	CPMIN	WD	TAP	CPMEAN	CPRMS	CPMAX	CPMIN	WD	TAP	CPMEAN	CPRMS	CPMAX	CPMIN
260	1206	.158	.184	.958	-.520	272	2126	-.135	.098	.205	-.469	326	1025	-.058	.124	.441	-.565
260	2001	-.101	.104	.273	-.434	272	2127	-.033	.090	.301	-.338	326	1075	.015	.111	.424	-.423
260	2126	-.078	.094	.278	-.397	274	1025	-.025	.189	.575	-1.096	326	1149	.046	.112	.505	-.330
260	2127	-.044	.092	.305	-.359	274	1075	-.114	.177	.570	-1.114	326	1150	.034	.110	.497	-.350
262	1025	-.307	.311	.598	-1.859	274	1149	-.206	.121	.184	-1.040	326	1206	-.178	.156	.318	-2.272
262	1075	-.297	.194	.311	-1.160	274	1150	-.123	.129	.245	-1.172	326	2001	-.080	.135	.331	-.844
262	1149	-.196	.183	.231	-1.555	274	1206	-.016	.186	.607	-.944	326	2126	-.134	.132	.276	-.819
262	1150	-.224	.211	.221	-1.674	274	2001	-.070	.139	.483	-.531	326	2127	-.092	.126	.304	-.839
262	1206	-.133	.181	.953	-.790	274	2126	-.141	.097	.145	-.579	328	1025	-.047	.139	.425	-.635
262	2001	-.091	.106	.398	-.427	274	2127	-.036	.090	.241	-.430	328	1075	.032	.111	.390	-.311
262	2126	-.072	.095	.284	-.391	276	1025	-.003	.204	.647	-1.151	328	1149	.061	.113	.589	-.342
262	2127	-.040	.094	.314	-.368	276	1075	-.081	.165	.441	-.771	328	1150	.039	.108	.446	-.474
264	1025	-.236	.266	.596	-1.846	276	1149	-.204	.110	.121	-.782	328	1206	-.182	.143	.231	-1.074
264	1075	-.265	.171	.264	-1.020	276	1150	-.110	.107	.208	-.686	328	2001	-.103	.140	.392	-1.002
264	1149	-.174	.169	.297	-1.077	276	1206	-.022	.181	.695	-.785	328	2126	-.128	.132	.328	-.667
264	1150	-.194	.204	.300	-1.647	276	2001	-.072	.156	.437	-.480	328	2127	-.084	.124	.323	-.557
264	1206	-.093	.172	.807	-.600	276	2126	-.147	.101	.225	-.495	330	1025	-.029	.121	.519	-.514
264	2001	-.080	.115	.403	-.321	276	2127	-.041	.094	.322	-.360	330	1075	.033	.102	.421	-.444
264	2126	-.061	.095	.234	-.371	276	1025	-.002	.183	.740	-.938	330	1149	.068	.111	.506	-.313
264	2127	-.033	.094	.271	-.331	278	1075	-.063	.165	.546	-.916	330	1150	.036	.111	.523	-.408
266	1025	-.165	.259	.503	-1.541	278	1149	-.182	.107	.239	-.849	330	1206	-.184	.136	.268	-1.002
266	1075	-.200	.188	.370	-1.110	278	1150	-.092	.103	.314	-.789	330	2001	-.130	.167	.284	-1.009
266	1149	-.163	.148	.235	-.999	278	1206	-.068	.177	.677	-1.008	330	2126	-.123	.150	.476	-.797
266	1150	-.170	.172	.268	-1.222	278	2001	-.059	.145	.424	-.470	330	2127	-.075	.139	.405	-.721
266	1206	-.062	.167	.767	-.661	278	2126	-.148	.096	.171	-.468	332	1025	.007	.131	.483	-.551
266	2001	-.070	.117	.330	-.455	278	2127	-.046	.090	.258	-.354	332	1075	.038	.104	.437	-.324
266	2126	-.060	.090	.281	-.422	280	1025	-.023	.173	.662	-.864	332	1149	.062	.112	.547	-.296
268	1025	-.029	.089	.312	-.389	280	1075	-.058	.151	.628	-.882	332	1150	.030	.112	.538	-.343
268	1075	-.125	.230	.491	-1.738	280	1149	-.176	.101	.308	-.641	332	1206	-.176	.126	.223	-.966
268	1149	-.165	.183	.407	-.951	280	1150	-.085	.092	.264	-.565	332	2001	-.158	.181	.326	-.955
268	1150	-.162	.141	.222	-1.442	280	1206	-.068	.190	.748	-.802	332	2126	-.137	.154	.455	-.833
268	1206	-.043	.186	.685	-.682	280	2001	-.040	.146	.585	-.471	332	2127	-.088	.147	.423	-.891
268	2001	-.063	.126	.470	-.476	280	2126	-.144	.093	.173	-.487	334	1025	.012	.130	.487	-.485
268	2126	-.065	.097	.242	-.370	280	2127	-.046	.087	.226	-.348	334	1075	.038	.109	.342	-.322
268	2127	-.035	.097	.272	-.340	322	1025	-.066	.121	.389	-.493	334	1149	.069	.108	.328	-.244
270	1025	-.080	.239	.590	-1.564	322	1075	-.016	.120	.536	-.461	334	1150	.034	.107	.310	-.362
270	1075	-.183	.199	.457	-.921	322	1149	-.034	.113	.405	-.358	334	1206	-.178	.118	.202	-.947
270	1149	-.232	.141	.242	-1.186	322	1150	-.034	.112	.383	-.443	334	2001	-.215	.209	.343	-1.410
270	1150	-.156	.152	.310	-1.174	322	1206	-.141	.156	.331	-1.003	334	2126	-.138	.171	.391	-1.159
270	1206	-.036	.184	.660	-.886	322	2001	-.042	.117	.415	-.605	334	2127	-.084	.159	.375	-1.230
270	2001	-.111	.138	.414	-.573	322	2126	-.133	.117	.238	-.640	336	1025	.023	.128	.543	-.370
270	2126	-.137	.105	.231	-.506	322	2127	-.093	.115	.243	-.683	336	1075	.039	.110	.479	-.376
270	2127	-.033	.098	.291	-.364	324	1025	-.060	.119	.336	-.488	336	1149	.062	.118	.527	-.283
272	1025	-.047	.207	.594	-1.061	324	1075	-.024	.111	.413	-.506	336	1150	.028	.115	.501	-.302
272	1075	-.135	.178	.450	-.942	324	1149	-.046	.109	.430	-.401	336	1206	-.171	.118	.183	-.861
272	1149	-.213	.133	.116	-1.012	324	1150	-.040	.107	.498	-.370	336	2001	-.214	.214	.299	-1.464
272	1150	-.133	.143	.195	-1.220	324	1206	-.158	.143	.426	-.102	336	2126	-.144	.186	.341	-1.188
272	1206	-.018	.175	.582	-.955	324	2001	-.055	.128	.467	-.855	336	2127	-.087	.171	.399	-1.214
272	2001	-.098	.133	.381	-.524	324	2126	-.118	.130	.397	-.586	338	1025	.030	.135	.483	-.872
272						324	2127	-.079	.124	.440	-.520	338	1075	.027	.109	.398	-.341

APPENDIX A -- PRESSURE DATA:

CONFIGURATION B; ARCO PLAZA, LONG BEACH

WD	TAP	CPMEAN	CPRMS	CPMAX	CPMIN	WD	TAP	CPMEAN	CPRMS	CPMAX	CPMIN	WD	TAP	CPMEAN	CPRMS	CPMAX	CPMIN
3338	1149	.043	.117	.496	-.338	342	1206	-.152	.104	.183	-.636	346	2126	-.247	.166	.255	-1.274
3338	1150	.013	.113	.412	-.378	342	2001	-.298	.238	.361	-1.514	346	2127	-.139	.150	.287	-.824
3338	1206	-.157	.102	.150	-.572	342	2126	-.205	.200	.345	-1.424	348	1025	-.007	.127	.630	-.408
3338	2001	-.222	.209	.576	-1.820	342	2127	-.094	.177	.392	-1.249	348	1075	-.069	.107	.397	-.414
3338	2126	-.135	.171	.460	-1.042	344	1025	-.001	.130	.534	-.424	348	1149	-.031	.110	.556	-.401
3340	2127	-.079	.159	.478	-.994	344	1075	-.044	.118	.513	-.377	348	1150	-.008	.101	.497	-.343
3340	1025	.014	.135	.597	-.406	344	1149	-.027	.119	.548	-.482	348	1206	-.144	.098	.157	-.565
3340	1075	-.017	.118	.429	-.363	344	1150	-.011	.106	.414	-.410	348	2001	-.302	.222	.523	-1.329
3340	1149	.004	.122	.466	-.407	344	1206	-.142	.095	.210	-.461	348	2126	-.253	.182	.294	-1.032
3340	1150	.012	.112	.464	-.419	344	2001	-.278	.229	.354	-2.284	348	2127	-.137	.162	.339	-.892
3340	1206	-.164	.109	.190	-.635	344	2126	-.225	.203	.355	-1.427	350	1025	-.014	.119	.392	-.448
3340	2001	-.313	.244	.354	-1.523	344	2127	-.112	.178	.410	-1.225	350	1075	-.086	.099	.306	-.470
3340	2126	-.210	.202	.584	-1.564	346	1025	-.010	.119	.545	-.401	350	1149	-.034	.104	.344	-.370
3340	2127	-.101	.178	.491	-1.406	346	1075	-.039	.099	.368	-.327	350	1150	-.009	.096	.372	-.325
342	1025	-.017	.139	.744	-.385	346	1149	-.027	.117	.813	-.377	350	1206	-.141	.094	.172	-.522
342	1075	-.040	.115	.453	-.383	346	1150	-.009	.104	.492	-.332	350	2001	-.300	.220	.381	-1.333
342	1149	-.017	.116	.413	-.448	346	1206	-.146	.097	.151	-.784	350	2126	-.258	.190	.453	-1.269
342	1150	-.002	.106	.445	-.430	346	2001	-.289	.223	.515	-1.106	350	2127	-.141	.165	.532	-.974