

WIND-TUNNEL STUDY OF
JAY SQUARE BUILDING, LOS ANGELES

by

J. A. Peterka* and J. E. Cermak**

Engineering Sciences

JAW

Branch Library

for

Albert C. Martin and Associates
445 South Figueroa Street
Los Angeles, California 90071

Fluid Mechanics and Wind Engineering Program
Fluid Dynamics and Diffusion Laboratory
Department of Civil Engineering
Colorado State University
Fort Collins, Colorado 80523

September 1979

*Associate Professor

**Professor-in-Charge, Fluid Mechanics and
Wind Engineering Program

CER79-80JAP-JEC15



U18401 0075358

TABLE OF CONTENTS

<u>Chapter</u>		<u>Page</u>
	LIST OF TABLES	iii
	LIST OF FIGURES	iv
	LIST OF SYMBOLS	v
1	INTRODUCTION	1
	1.1 General	1
	1.2 The Wind Tunnel Test	2
2	EXPERIMENTAL CONFIGURATION	5
	2.1 Wind Tunnel	5
	2.2 Model	5
3	INSTRUMENTATION AND DATA ACQUISITION	8
	3.1 Flow Visualization	8
	3.2 Pressures	8
	3.3 Velocity	10
4	RESULTS	12
	4.1 Flow Visualization	12
	4.2 Velocity	12
	4.3 Pressures	15
5	DISCUSSION	19
	REFERENCES	22
	FIGURES	23
	TABLES	66
	APPENDIX A	80

LIST OF TABLES

<u>Table</u>		<u>Page</u>
1	Motion Picture Scene Guide	66
2	Pedestrian Wind Velocities and Turbulence Intensities	67
3	Annual Percentage Frequencies of Wind Direction and Speed	73
4	Summary of Wind Effects on People	74
5	Calculation of Reference Pressure	75
6	Maximum Pressure Coefficients and Loads in PSF	76

LIST OF FIGURES

<u>Figure</u>		<u>Page</u>
1	Fluid Dynamics and Diffusion Laboratory	23
2	Wind Tunnel Configuration	24
3	Pressure Tap Locations	25
4	Building Location and Pedestrian Wind Velocity Measuring Positions	35
5	Completed Model in the Wind Tunnel	37
6	Data Sampling Time Verification	38
7	Mean Velocity and Turbulence Profiles Approaching the Model	39
8	Mean Velocities and Turbulence Intensities at Pedestrian Locations	40
9	Wind Velocity Probabilities for Pedestrian Locations . .	51
10	Peak-Pressure Contours on the Building	58

LIST OF SYMBOLS

<u>Symbol</u>	<u>Definition</u>
U	Local mean velocity
D	Characteristic dimension (building height, width, etc.)
ν, ρ	Kinematic viscosity and density of approach flow
$\frac{UD}{\nu}$	Reynolds number
E	Mean voltage
A, B, n	Constants
U_{rms}	Root-mean-square of fluctuating velocity
E_{rms}	Root-mean-square of fluctuating voltage
U_{∞}	Reference mean velocity outside the boundary layer
X, Y	Horizontal coordinates
Z	Height above surface
δ	Height of boundary layer
T_u	Turbulence intensity $\frac{U_{rms}}{U_{\infty}}$ or $\frac{U_{rms}}{U}$
$C_{p_{mean}}$	Mean pressure coefficient, $\frac{(p-p_{\infty})_{mean}}{0.5 \rho U_{\infty}^2}$
$C_{p_{rms}}$	Root-mean-square pressure coefficient, $\frac{((p-p_{\infty})-(p-p_{\infty})_{mean})_{rms}}{0.5 \rho U_{\infty}^2}$
$C_{p_{max}}$	Peak maximum pressure coefficient, $\frac{(p-p_{\infty})_{max}}{0.5 \rho U_{\infty}^2}$
$C_{p_{min}}$	Peak minimum pressure coefficient, $\frac{(p-p_{\infty})_{min}}{0.5 \rho U_{\infty}^2}$
() _{min}	Minimum value during data record
() _{max}	Maximum value during data record
p	Fluctuating pressure at a pressure tap on the structure
p_{∞}	Static pressure in the wind tunnel above the model

1. INTRODUCTION

1.1 General

A significant characteristic of modern building design is lighter cladding and more flexible frames. These features produce an increased vulnerability of glass and cladding to wind damage and result in larger deflections of the building frame. In addition, increased use of pedestrian plazas at the base of the buildings has brought about a need to consider the effects of wind and gustiness in the design of these areas.

The building geometry itself may increase or decrease wind loading on the structure. Wind forces may be modified by nearby structures which can produce beneficial shielding or adverse increases in loading. Overestimating loads results in uneconomical design; underestimating may result in cladding or window failures. Tall structures have historically produced unpleasant wind and turbulence conditions at their bases. The intensity and frequency of objectionable winds in pedestrian areas is influenced both by the structure shape and by the shape and position of adjacent structures.

Techniques have been developed during the past decade for wind tunnel modeling of proposed structures which allow the prediction of wind pressures on cladding and windows, overall structural loading, and also wind velocities and gusts in pedestrian areas adjacent to the building. Information on sidewalk-level gustiness allows plaza areas to be protected by design changes before the structure is constructed. Accurate knowledge of the intensity and distribution of the pressures on the structure permits adequate but economical selection of window strength to meet selected maximum design winds and overall wind loads for the design of the frame for flexural control.

Modeling of the aerodynamic loading on a structure requires special consideration of flow conditions in order to guarantee similitude between model and prototype. A detailed discussion of the similarity requirements and their wind tunnel implementation can be found in References (1), (2), and (3). In general, the requirements are that the model and prototype be geometrically similar, that the approach mean velocity at the building site have a vertical profile shape similar to the full-scale flow, that the turbulence characteristics of the flows be similar, and that the Reynolds number for the model and prototype be equal.

These criteria are satisfied by constructing a scale model of the structure and its surroundings and performing the wind tests in a wind tunnel specifically designed to model atmospheric boundary-layer flows. Reynolds number similarity requires that the quantity UD/ν be similar for model and prototype. Since ν , the kinematic viscosity of air, is identical for both, Reynolds numbers cannot be made precisely equal with reasonable wind velocities. To accomplish this the air velocity in the wind tunnel would have to be as large as the model scale factor times the prototype wind velocity, a velocity which would introduce unacceptable compressibility effects. However, for sufficiently high Reynolds numbers ($>2 \times 10^4$) the pressure coefficient at any location on the structure will be essentially constant for a large range of Reynolds numbers. Typical values encountered are 10^7 - 10^8 for the full-scale and 10^5 - 10^6 for the wind-tunnel model. In this range acceptable flow similarity is achieved without precise Reynolds number equality.

1.2 The Wind Tunnel Test

The wind-engineering study is performed on a building or building group modeled at scales ranging from 1:150 to 1:400. The building model

is constructed of clear plastic fastened together with screws. The structure is modeled in detail to provide accurate flow patterns in the wind passing over the building surfaces. The building under test is often located in a surrounding where nearby buildings or terrain may provide beneficial shielding or adverse wind loading. To achieve similarity in wind effects the area surrounding the test building is also modeled. A flow visualization study is first made (smoke is used to make the air currents visible) to define overall flow patterns and identify regions where local flow features might cause difficulties in building curtain-wall design or produce pedestrian discomfort.

The test model, equipped with pressure taps (200 to 600 or more), is exposed to an appropriately modeled atmospheric wind in the wind tunnel and the fluctuating pressure at each tap measured electronically. The model, and the modeled area, are rotated 15 degrees and another set of data recorded for each pressure tap. Normally, 24 sets of data (360 degrees of turning) are taken; however, when flow visualization or recorded data indicate high pressure regions of small azimuthal extent, data is obtained in smaller azimuthal steps.

Data are recorded, analyzed and processed by an on-line computerized data-acquisition system. Pressure coefficients of several types are calculated by the computer for each reading on each piezometer tap and are printed in tabular form as computer readout. Using wind data applicable to the building site, representative wind velocities are selected for combination with measured pressures on the building model. Integration of test data with wind data results in prediction of peak local wind pressures for design of glass or cladding and may include overall forces and moments on the structure (by floor if desired) for design of

the structural frame. Pressure contours are drawn on the developed building surfaces showing the intensity and distribution of peak wind loads on the building. These results may be used to divide the building into zones where lighter or heavier cladding or glass may be desirable.

Based on the visualization (smoke) tests and on a knowledge of heavy pedestrian use areas, a dozen or more locations may be chosen at the base of the building where wind velocities can be measured to determine the relative comfort or discomfort of pedestrians in plaza areas, near building entrances, near building corners, or on sidewalks. Usually a reference pedestrian position is also tested to determine whether the wind environment in the building area is better or worse than the environment a block or so away in an undisturbed area.

The following pages discuss in greater detail the procedures followed and the equipment and data collecting and processing methods used. In addition, the data presentation format is explained and the implications of the data are discussed.

2. EXPERIMENTAL CONFIGURATION

2.1 Wind Tunnel

Wind-engineering studies are performed in the Fluid Dynamics and Diffusion Laboratory at Colorado State University (Figure 1). Three large wind tunnels are available for wind loading studies depending on the detailed requirements of the study. The wind tunnel used for this investigation is shown in Figure 2. All tunnels have a flexible roof adjustable in height to maintain a zero pressure gradient along the test section. The mean velocity can be adjusted continuously in each tunnel to the maximum velocity available.

2.2 Model

In order to obtain an accurate assessment of local pressures using piezometer taps, models are constructed to the largest scale that does not produce significant blockage in the wind-tunnel test section. The models are constructed of 1/2 in. thick Lucite plastic and fastened together with metal screws. Significant variations in the building surface, such as mullions, are machined into the plastic surface. Piezometer taps (1/16 in. dia) are drilled normal to the exterior vertical surfaces in rows at several or more elevations between the bottom and top of the building. Similarly, taps are placed in the roof and on any sloping, protruding, or otherwise distinctive features of the building that might need investigation.

Pressure tap locations are chosen so that the entire surface of the building can be investigated for pressure loading and at the same time permit critical examination of areas where experience has shown that maximum wind effects may be expected to occur. Locations of the pressure taps for this study are shown in Figure 3. Dimensions are given both for

full-scale building (in ft) and for model (in in.). The pressure tap numbers are shown adjacent to the taps.

The pressure tests are sometimes made in two stages. In the first stage measurements are made on the initial distribution of pressure taps. If it becomes apparent from the data that the loading on the building is being influenced by some unsuspected geometry of the building or adjacent structures, additional pressure taps are installed in the critical areas. The locations of the taps are selected so that the maximum loading can be detected and the area over which this loading is acting can be defined. Any added taps are also shown in Figure 3.

A circular area 750 to 2000 ft in radius depending on model scale and characteristics of the surrounding buildings and terrain is modeled in detail. Structures within the modeled region are made from styrofoam and cut to the individual building geometries. They are mounted on the turntable in their proper locations. Significant terrain features are included as needed. The model is mounted on a turntable (Figure 2) near the downwind end of the test section. Any buildings or terrain features which do not fit on the turntable are placed on removable pieces which are placed upwind of the turntable for appropriate wind directions. A plan view of the building and its surroundings is shown in Figure 4. The turntable is calibrated to indicate azimuthal orientation to 0.1 degree.

The region upstream from the modeled area is covered with a randomized roughness constructed using various sized cubes placed on the floor of the wind tunnel. Different roughness sizes may be used for different wind directions. Spires are installed at the test-section entrance to provide a thicker boundary-layer than would otherwise be available. The

thicker boundary-layer permits a somewhat larger scale model than would otherwise be possible. The spires are approximately triangularly shaped pieces of 1/2 in. thick plywood 6 in. wide at the base and 1 in. wide at the top, extending from the floor to the top of the test section. They are placed so that the broad side intercepts the flow. A barrier approximately 8 in. high is placed on the test-section floor downstream of the spires to aid in development of the boundary-layer flow.

The distribution of the roughness cubes and the spires in the roughened area was designed to provide a boundary-layer thickness of approximately 4 ft, a velocity profile power-law exponent similar to that expected to occur in the region approaching the modeled area for each wind direction (a number of wind directions may have the same approach roughness). A photograph of the completed model in the wind tunnel is shown in Figure 5. The wind-tunnel ceiling is adjusted after placement of the model to obtain a zero pressure gradient along the test section.

3. INSTRUMENTATION AND DATA ACQUISITION

3.1 Flow Visualization

Making the air flow visible in the vicinity of the model is helpful

- (a) in understanding and interpreting mean and fluctuating pressures,
- (b) in defining zones of separated flow and reattachment and zones of vortex formation where pressure coefficients may be expected to be high and
- (c) in indicating areas where pedestrian discomfort may be a problem.

Titanium tetrachloride smoke is released from sources on and near the model to make the flow lines visible to the eye and to make it possible to obtain motion picture records of the tests. Conclusions obtained from these smoke studies are discussed in Sections 4.1 and 5.1.

3.2 Pressures

Mean and fluctuating pressures are measured at each of the pressure taps on the model structure. Data are obtained for 36 wind directions, rotating the entire model assembly in a complete circle. Seventy-six pieces of 1/16 in. I.D. plastic tubing each 18 in. long are used to connect 76 pressure ports at a time to an 80 tap pressure switch mounted inside the model. The switch was designed and fabricated in the Fluid Dynamics and Diffusion Laboratory to minimize the attenuation of pressure fluctuations across the switch. Each of the 76 measurement ports is directed in turn by the switch to one of four pressure transducers mounted close to the switch. The four pressure input taps not used for transmitting building surface pressures are connected to a common tube leading outside the wind tunnel. This arrangement provides both a means of performing in-place calibration of the transducers and, by connecting this tube to a pitot tube mounted inside the wind tunnel, a means of automatically monitoring the tunnel speed. The switch is operated by

means of a shaft projecting through the floor of the wind tunnel. A computer-controlled stopping motor steps the switch into each of the 20 required positions. The computer keeps track of switch position but a digital readout of position is provided at the wind tunnel.

The pressure transducers used are Statham differential strain gage transducers (Model PM 283TC) with a 0.15 psid range. They were selected because of their stability and linearity in the required working range. The resonant frequency of the transducers is approximately 2,000 Hz. This is sufficiently high that transducer resonance effects on the measured pressures can be ignored. Reference pressures are obtained by connecting the reference sides of the four transducers, using plastic tubing, to the static side of a pitot tube mounted in the wind tunnel free stream above the model building. In this way the transducer measures the instantaneous difference between the local pressures on the surface of the building and the static pressure in the free stream above the model.

Each pressure transducer contains a built-in bridge similar to a Wheatstone Bridge. The bridge is monitored by a Honeywell Accudata 118 Gage Control/Amplifier unit which provides excitation to the transducer bridge and amplifies the bridge output. These instruments are characterized by a very stable excitation voltage and amplifier gain. Output from the Honeywell signal conditioners is fed to an on-line data acquisition system consisting of a Hewlett-Packard 21 MX computer, disk unit, card reader, printer, Digi-Data digital tape drive and a Preston Scientific analog-to-digital convertor. The data are processed immediately into pressure coefficient form as described in Section 4.3 and stored for printout or further analysis.

All four transducers are recorded simultaneously for 16 seconds at a 250 sample per second rate. The results of an experiment to determine the length of record required to obtain stable mean and rms (root-mean-square) pressures and to determine the overall accuracy of the pressure data acquisition system is shown in Figure 6. A typical pressure port record was integrated for a number of different time periods to obtain the data shown. Examination of a large number of pressure taps showed that the overall accuracy for a 16 second period is, in pressure coefficient form, 0.03 for mean pressures, 0.1 for peak pressures, and 0.01 for rms pressures. Pressure coefficients are defined in Section 4.3.

3.3 Velocity

Mean velocity and turbulence intensity profiles are measured upstream of the model to determine that an approach boundary-layer flow appropriate to the site has been established. Tests are made at one wind velocity in the tunnel. This velocity is well above that required to produce Reynolds number similarity between the model and the prototype as discussed in Section 1.1.

In addition, mean velocity and turbulence intensity measurements are made 5 to 7 feet (prototype) above the surface at a dozen or more locations on and near the building for 16 wind directions. The measurement locations are shown on Figure 4. The surface measurements are indicative of the wind environment to which a pedestrian at the measurement location would be subjected. The locations are chosen to determine the degree of pedestrian comfort or discomfort at the building corners where relatively severe conditions frequently are found, near building entrances and on adjacent sidewalks where pedestrian traffic is heavy, and in open plaza areas. In most studies a reference pedestrian position,

located about a block away, is also tested. These data are helpful in evaluating the degree of pedestrian comfort or discomfort in the proposed plaza area in terms of the undisturbed environment in the immediate vicinity.

Measurements are made with a single hot-wire anemometer mounted with its axis vertical. The instrumentation used is a Thermo Systems constant temperature anemometer (Model 1050) with a 0.001 in. dia platinum film sensing element 0.020 in. long. Output is read from a digital voltmeter with a time-constant circuit for mean voltage and a DISA RMS meter (Model 55035) for rms voltage.

Calibration of the hot-wire anemometer is performed using a Thermo Systems calibrator (Model 1125). The calibration data are fit to a variable exponent King's Law relationship of the form

$$E^2 = A + BU^n$$

where E is the hot-wire output voltage, U the velocity and A , B , and n are coefficients selected to fit the data. The above relationship was used to determine the mean velocity at measurement points using the measured mean voltage. The fluctuating velocity in the form U_{rms} (root-mean-square velocity) was obtained from

$$U_{\text{rms}} = \frac{2 E E_{\text{rms}}}{B n U^{n-1}}$$

where E_{rms} is the root-mean-square voltage output from the anemometer. For interpretation all turbulence measurements were divided by the mean velocity outside the boundary-layer U_{∞} .

4. RESULTS

4.1 Flow Visualization

A film is included as part of this report showing the characteristics of flow about the structure using smoke to make the flow visible. A listing of the contents of the film is shown in Table 1. Several features can be noted from the visualization. As with all large structures, wind approaching the building is deflected down to the plaza level, up over the structure and around the sides. A description of the smoke test results emphasizing flow patterns of concern relative to possible high-wind load areas and pedestrian comfort is given in Section 5.1.

4.2 Velocity

Velocity and turbulence profiles are shown in Figures 7a and 7b. These profiles were taken upstream from the model and are characteristic of the boundary-layer approaching the model. As shown in Figure 7a, the boundary-layer thickness, δ , was 50 in. The corresponding prototype value of δ for this study is shown in Figure 7a. This value was established as a reasonable height for this study. The mean velocity profile has the form

$$\frac{U}{U_{\infty}} = \left(\frac{z}{\delta}\right)^n .$$

The exponent n for the approach flow established for this study is shown in Figure 7a.

The profile of longitudinal turbulence intensity is shown in Figure 7b. The turbulence intensities are appropriate for the approach mean velocity profile selected. For the purpose of this report, turbulence intensity is defined as the root-mean-square about the mean of the longitudinal velocity fluctuations divided by the reference mean velocity

U_{∞} at the outer edge of the boundary layer,

$$Tu = \frac{U_{rms}}{U_{\infty}} .$$

A 'peak' velocity representing roughly the largest effective gust velocity was calculated,

$$U_{pk} = \frac{U + 3U_{rms}}{U_{\infty}} .$$

Mean velocity U/U_{∞} , turbulence intensity U_{rms}/U_{∞} , and largest effective gust at the pedestrian measuring positions shown in Figure 4 are listed in Table 2 for 16 wind directions and are plotted in polar form in Figures 8a, 8b, etc. Measurements were taken 5 to 7 ft above the ground surface. A site map is superimposed on the polar plots to aid in visualization of the effects of the nearby structures on the velocity and turbulence magnitudes. An analysis of these wind data is given in Section 5.2.

To enable a quantitative assessment of the wind environment, the wind-tunnel data were combined with wind frequency and direction information obtained at the local airport. Table 3 shows wind frequency by direction and magnitude obtained from summaries published by the National Weather Service. These data, usually obtained at an elevation of about 30 to 40 ft, were converted to velocities at the reference velocity height for the wind tunnel measurements and combined with the wind tunnel data to obtain cumulative probability distributions (percent time a given velocity is exceeded) for wind velocity at each measuring location. The percentage times were summed by wind direction to obtain a percent time exceeded at each measuring position independent of wind direction (but accounting for the fact that the wind blows from different directions with varying frequency). These results are plotted in Figure 9a, 9b, etc.

Interpretation of Figure 9 is aided by a description of the effects of wind of various magnitudes on people. The earliest quantitative description of wind effects was established by Sir Francis Beaufort in 1806 for use at sea and is still in use today. Several recent investigators have added to the knowledge of wind effects on pedestrians. These investigations along with suggested criteria for acceptance have been summarized by Penwarden and Wise (4). The Beaufort scale, based on mean velocity only, is reproduced as Table 4 including qualitative descriptions of wind effects. Table 4 suggests that mean wind speeds below 12 mph are of minor concern and that mean speeds above 24 mph are definitely inconvenient. Included in Section 5.2 is an analysis of the percent of time that the 12 and 24 mph magnitude are exceeded by mean winds and implications for pedestrian comfort.

The peak gust values require a somewhat different interpretation. The peak gust curves shown in Figure 9 are the percent of time during which a short gust of the stated magnitude could occur (say less than one of these gusts per hour). Evidence suggests that gusts greater than about 35 mph in magnitude can be a major impediment to pedestrians, particularly the elderly. Most measuring locations experience winds in which gusts of 35 mph or higher occur much less frequently than the 24 mph mean winds. Implications of these data are presented in Section 5.2.

Because some pedestrian wind measuring positions are purposely chosen at sites where the smoke tests showed large velocities of small spacial extent, the general wind environment about the structure may be less severe than one might infer from a strict analysis of Table 2 and Figure 9.

4.3 Pressures

For each of the pressure taps examined at each wind direction, the data record is analyzed to obtain four separate pressure coefficients.

The first is the mean pressure coefficient

$$C_{P_{\text{mean}}} = \frac{(p-p_{\infty})_{\text{mean}}}{0.5 \rho U_{\infty}^2}$$

where the symbols are as defined in the List of Symbols. It represents the mean of the instantaneous pressure difference between the building pressure tap and the static pressure in the wind tunnel above the building model, nondimensionalized by the dynamic pressure

$$0.5 \rho U_{\infty}^2$$

at the reference velocity position. This relationship produces a dimensionless coefficient which indicates that the mean pressure difference between building and ambient wind at a given point on the structure is some fraction less or some fraction greater than the undisturbed wind dynamic pressure near the upper edge of the boundary layer. Using the measured coefficient, prototype mean pressure values for any wind velocity may then be calculated.

The magnitude of the fluctuating pressure is obtained by the rms pressure coefficient

$$C_{P_{\text{rms}}} = \frac{\left((p-p_{\infty}) - (p-p_{\infty})_{\text{mean}} \right)_{\text{rms}}}{0.5 \rho U_{\infty}^2}$$

in which the numerator is the root-mean-square of the instantaneous pressure difference about the mean.

If the pressure fluctuations followed a Gaussian probability distribution, no additional data would be required to predict the

frequency with which any given pressure level would be observed. However, the pressure fluctuations do not follow a Gaussian probability distribution so that additional information is required to show the extreme values of pressure expected. The peak maximum and peak minimum pressure coefficients are used to determine these values:

$$C_{p_{\max}} = \frac{(p-p_{\infty})_{\max}}{0.5 \rho U_{\infty}^2}$$

$$C_{p_{\min}} = \frac{(p-p_{\infty})_{\min}}{0.5 \rho U_{\infty}^2}$$

The values of $p-p_{\infty}$ which were digitized at 250 samples per second for 16 seconds, representing about one hour of time in the full scale, are examined individually by the computer to obtain the most positive and most negative values during the 16 second period. These are converted to $C_{p_{\max}}$ and $C_{p_{\min}}$ by nondimensionalizing with the free stream dynamic pressure.

The four pressure coefficients are calculated by the on-line data acquisition system computer and tabulated along with the approach wind azimuth in degrees from true north. The list of coefficients is included as Appendix A. The pressure tap code numbers used in the appendix are explained in Figure 3.

To determine the largest peak loads acting at any point on the structure for cladding design purposes, the pressure coefficients for all wind directions were searched to obtain, at each pressure tap, the largest absolute value of peak pressure coefficient. Table 6 provides these pressure coefficients and associated wind directions. Included in

Section 5.3 is an analysis of the coefficients of Table 6 including the maximum values obtained and where they occurred on the building.

The pressure coefficients of Table 6 can be converted to full-scale loads by multiplication by a suitable reference pressure selected for the field site. This reference pressure is represented in the equations for pressure coefficients by the $0.5 \rho U_{\infty}^2$ denominator. This value is the dynamic pressure associated with an hourly mean wind at the reference velocity measurement position at the edge of the boundary layer. In general, the method of arriving at a design reference pressure for a particular site involves selection of a design wind velocity, translation of the velocity to an hourly mean wind at the reference velocity location and conversion to a reference pressure. Selection of the design velocity can be made from statistical analysis of extreme wind data or selected from wind maps contained in the proposed wind loading code ANSI A58.1 of the American National Standards Institute (5). The calculation of reference pressure for this study is shown in Table 5. The factor used in Table 5 to reduce gust winds to hourly mean winds is given in reference (6).

The reference pressure associated with the design hourly mean velocity at the reference velocity location can be used directly with the peak-pressure coefficients to obtain peak local design wind loads for cladding design. For glass design pressures, a glass load factor is used to account for the different duration of measured peak pressures and the one minute loading used in glass design charts. Recent research (6) indicates that the period of application of the peak pressures reported herein is about 5-10 seconds or less. If a glass design is based on these peak values, then a glass strength associated with this

duration load is indicated. If the glass design is based on some alternate load duration--say one minute--then some reduction in peak loads should be made. An estimate of a load reduction factor can be obtained from an empirical relation of glass strength as a function of load duration (8). A glass load factor of 0.73 on the reference pressure was used to convert the short 5-10 second pressure peaks to one minute loads typically cited in glass selection charts.

Local, instantaneous peak loads on the full-scale building suitable for cladding design were computed by multiplying the reference pressure of Table 5 by the peak coefficients of Table 6. Loadings appropriate for glass design were computed by multiplying the reference pressure by the peak coefficients of Table 6 with application of the 0.73 load factor. Table 6 shows both of these results. The maximum psf load given at each tap location is the absolute value of the maximum value found in the tests, irrespective of its algebraic sign. For ease in visualizing the loads on the structure, contours of equal peak pressures for cladding and glass design shown in Table 6 have been plotted on developed elevation views of the structure, Figure 10.

5.0 DISCUSSION

5.1 Flow Visualization

Flow visualization showed evidence of vortex formation at the setback areas which could indicate large negative (outward acting) pressures in those regions. Pressure taps were placed more densely in those regions to determine quantitatively the effect of the vortices. Flow through the passage underneath the building appeared to be strongest for east to southeast and west winds. Velocity in the openings on the east face at plaza level (location 13 on Figure 4a) for winds approaching approximately normal to the east face were strong originating in flow down the east face of the building. Winds around the corners of the base of the tower were also strong for selected wind directions, particularly near locations 10 and 16 shown on Figure 4a.

5.2 Pedestrian Winds

Figure 4 shows the 22 locations selected for study. Location 1 was selected as a reference location nearby at what might be a rather windy corner and relatively undisturbed by the Jay Square building for worst wind directions. Table 2 and Figure 8 show that the largest values of mean velocity were measured at locations 1, 22, 10 and 16 with values of U_{mean} of 66, 59, 58 and 53 percent of the reference velocity U_{∞} respectively for specific wind directions. Mean velocities at other locations were considerably lower than these velocities. U_{mean} values of 60 to 70 percent are not uncommon at pedestrian level near tall structures. The measured values of data at location 13 were low and may reflect probe blockage problems in which local velocities were

reduced artificially due to the presence of the measuring probe. Data at location 19 were not recorded due to difficulties in getting the probe inside the passage underneath the building without modifying local velocities being measured.

The largest value of fluctuating velocity, U_{rms} , was obtained at location 10 for wind azimuth 22 degrees with a value of 22 percent of U_{∞} . All other measured values of U_{rms} were below 20 percent indicating reasonably low values. The largest values of peak gust represented by the mean plus three rms as discussed in section 4.2, were between 100 and 103 percent of U_{∞} for three wind directions at location 1. Locations 7, 9, 10, 11, 16, and 22 showed peak values of 90 to 100 percent of U_{∞} for 1 to 3 wind directions. A peak velocity of 80 to 90 percent of U_{∞} might be expected in an open-country environment so that the worst locations and wind directions produced effective gusts about 10-15 percent larger than would exist in an open-country environment.

Velocity data integrated with local wind data is shown in Figure 9. Based on the data in this figure, mean winds will be above 12 mph, the level where winds become significant, for a maximum of about 2 percent of the time at location 1 and less for other locations. Mean winds should be above 24 mph, the limit of agreeable winds, an insignificant percentage of the time at all locations. The largest percentage times when peak gusts could reach 35 mph were less than 0.3 percent at all locations.

The results of the pedestrian velocity study shows that the pedestrian winds should not be a problem that would require remedial action.

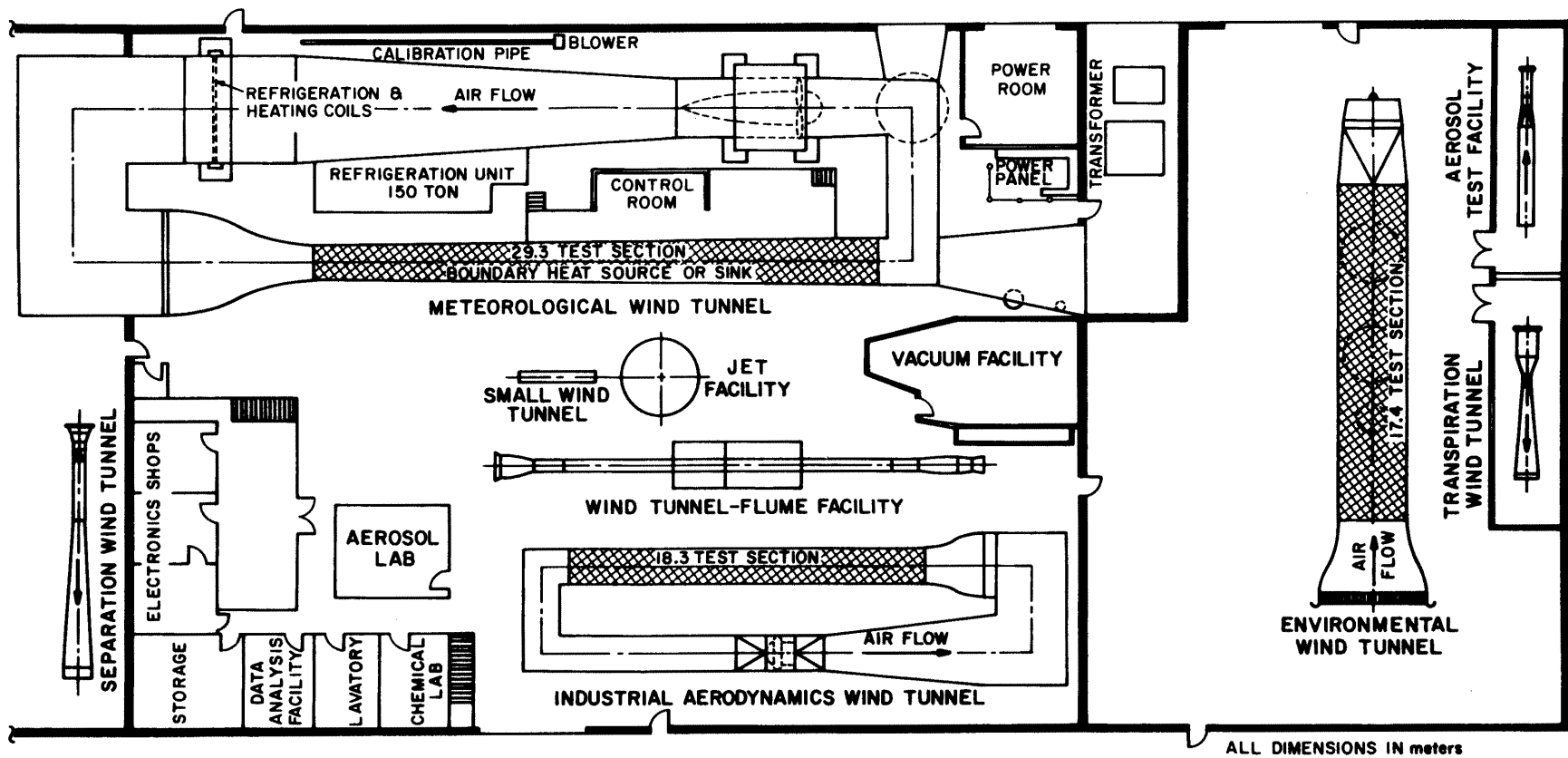
5.3 Pressures

Table 6 shows the largest pressure coefficients and wind loads on the building for each pressure tap location. The largest peak pressure coefficient measured on the Jay Square building was 4.04 measured at tap 242 for a wind azimuth of 200 degrees. This coefficient was the result of a vortex formation on a setback which was determined to be a possible high pressure area during flow visualization. For the 22 psf reference pressure of Table 5, this condition would correspond to 90 psf peak loading and 65 psf glass loading (1 minute equivalent load). Taps 7, 234, 235, 241, 249, and 636 had peak pressure coefficients between 3.0 and 3.3. Most locations had peak pressure coefficients below 2 to 2.5.

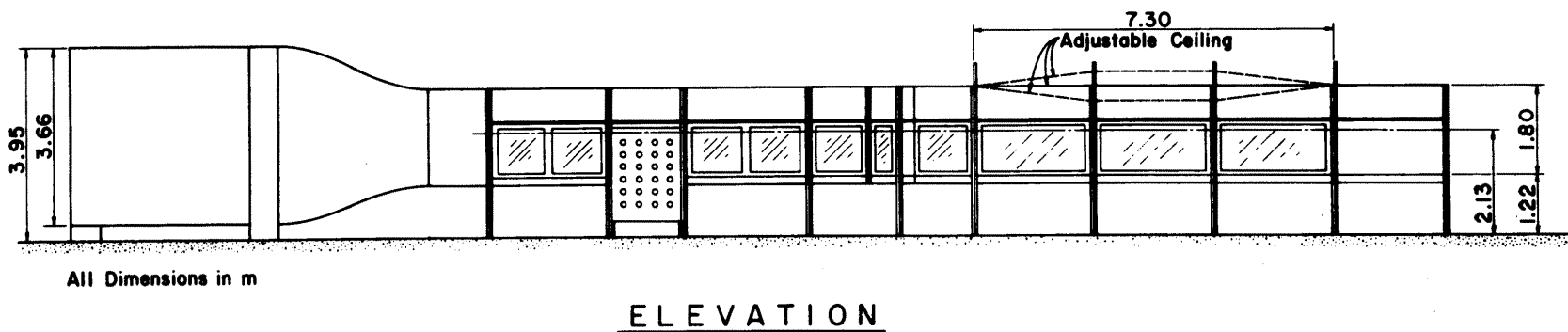
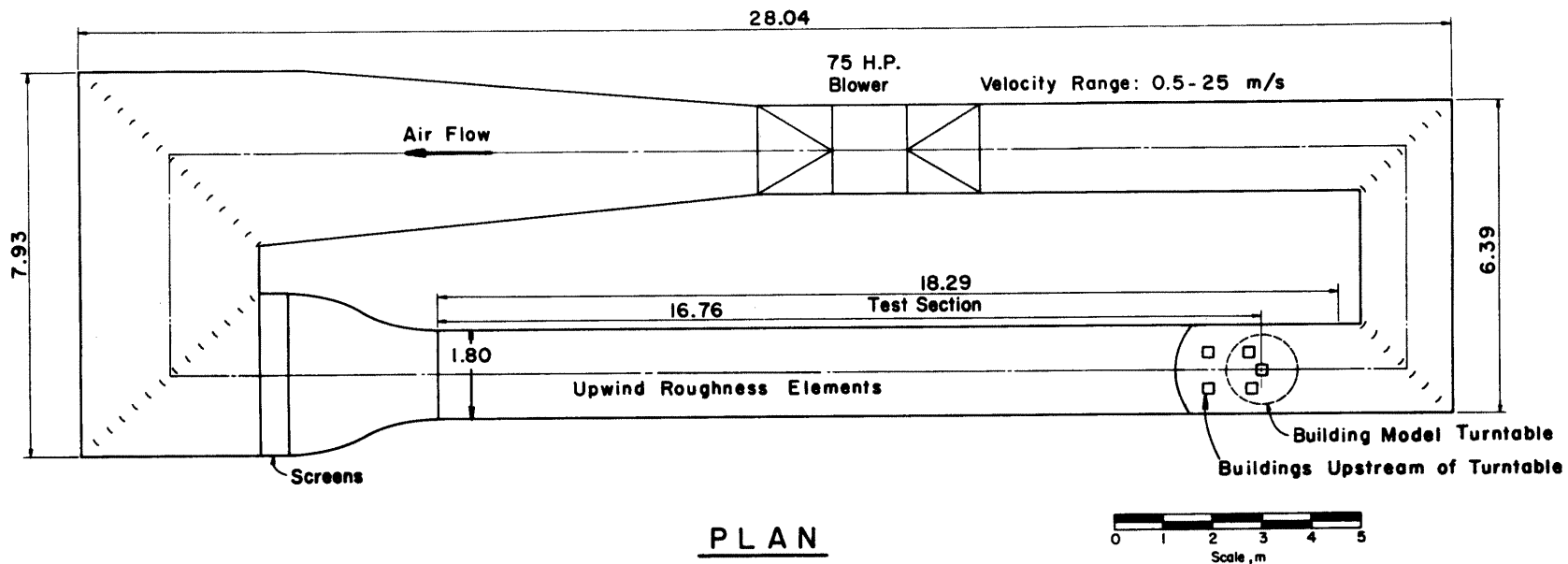
Pressure data in Appendix A are divided into three data sets. Configuration A contains a small amount of data obtained without two nearby buildings in place (see Figure 4b). Configuration B represents the main body of data on which the pressure loads were selected. Configuration C represents data taken at selected taps at 1 degree azimuthal increments in approach wind to verify that the data of configuration B did not miss a large pressure peak. The data of configuration C showed that the azimuthal increments used in configuration B were adequate and that no increases in load were warranted based on smaller azimuth increments.

REFERENCES

1. Cermak, J. E., "Laboratory Simulation of the Atmospheric Boundary Layer," AIAA Jl., Vol. 9, September 1971.
2. Cermak, J. E., "Applications of Fluid Mechanics to Wind Engineering," A Freeman Scholar Lecture, ASME Jl. of Fluids Engineering, Vol. 97, No. 1, March 1975.
3. Cermak, J. E., "Aerodynamics of Buildings," Annual Review of Fluid Mechanics, Vol. 8, 1976, pp. 75-106.
4. Penwarden, A. D., and Wise, A. F. E., "Wind Environment Around Buildings," Building Research Establishment Report, HMSO, 1975.
5. American National Standards Institute, "American National Standard Building Code Requirements for Minimum Design Loads in Buildings and Other Structures," ANSI Standard A58.1, 1972.
6. Vellozzi, J., and Cohen, C., "Gust Response Factors," Jl. Structural Div., ASCE, Proc. Paper No. 5980, Vol. 94, No. ST6, 1968.
7. Peterka, J. A., and Cermak, J. E., "Peak-Pressure Duration in Separated Regions on a Structure," U.S.-Japan Research Seminar on Wind Effects on Structures, Kyoto, Japan, 9-13 September 1974; Report CEP74-75JAP-JEC8, Fluid Mechanics Program, Colorado State University, September 1974.
8. Architectural Glass Products, Pittsburgh Plate Glass Industries, January 1975.
9. Lew, M. and G. C. Hart, "The Microzonation for Wind Effects on Structures," Vol. 1, Report UCLA-ENG-76101, Mechanics and Structures Department, School of Engineering and Applied Science, University of California, Los Angeles, 1976.



**FIGURE 1 - FLUID DYNAMICS AND DIFFUSION LABORATORY
COLORADO STATE UNIVERSITY**



All Dimensions in m

INDUSTRIAL AERODYNAMICS WIND TUNNEL

Figure 2 - Wind Tunnel Configuration

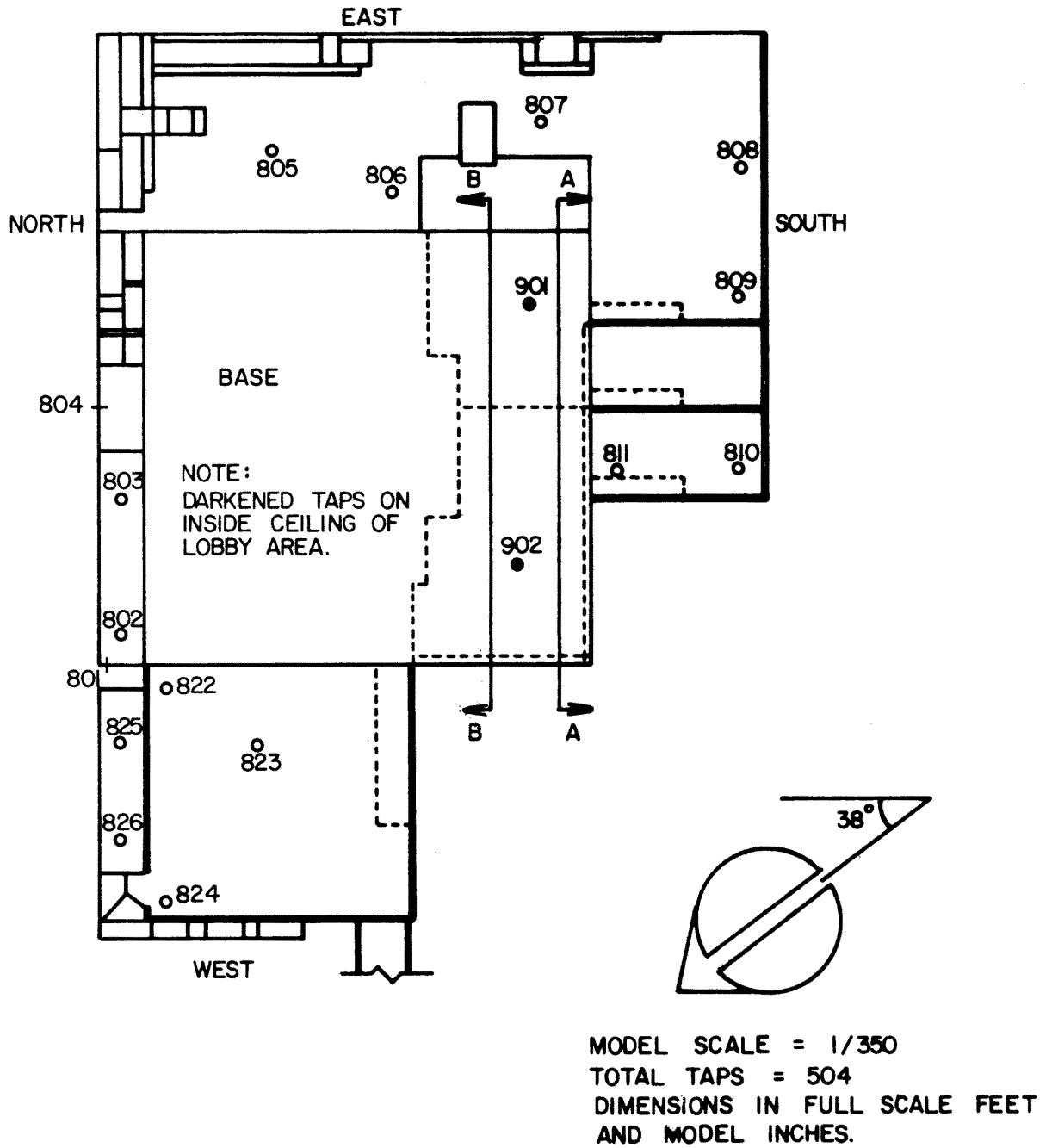


FIGURE 3a. PRESSURE TAP LOCATIONS

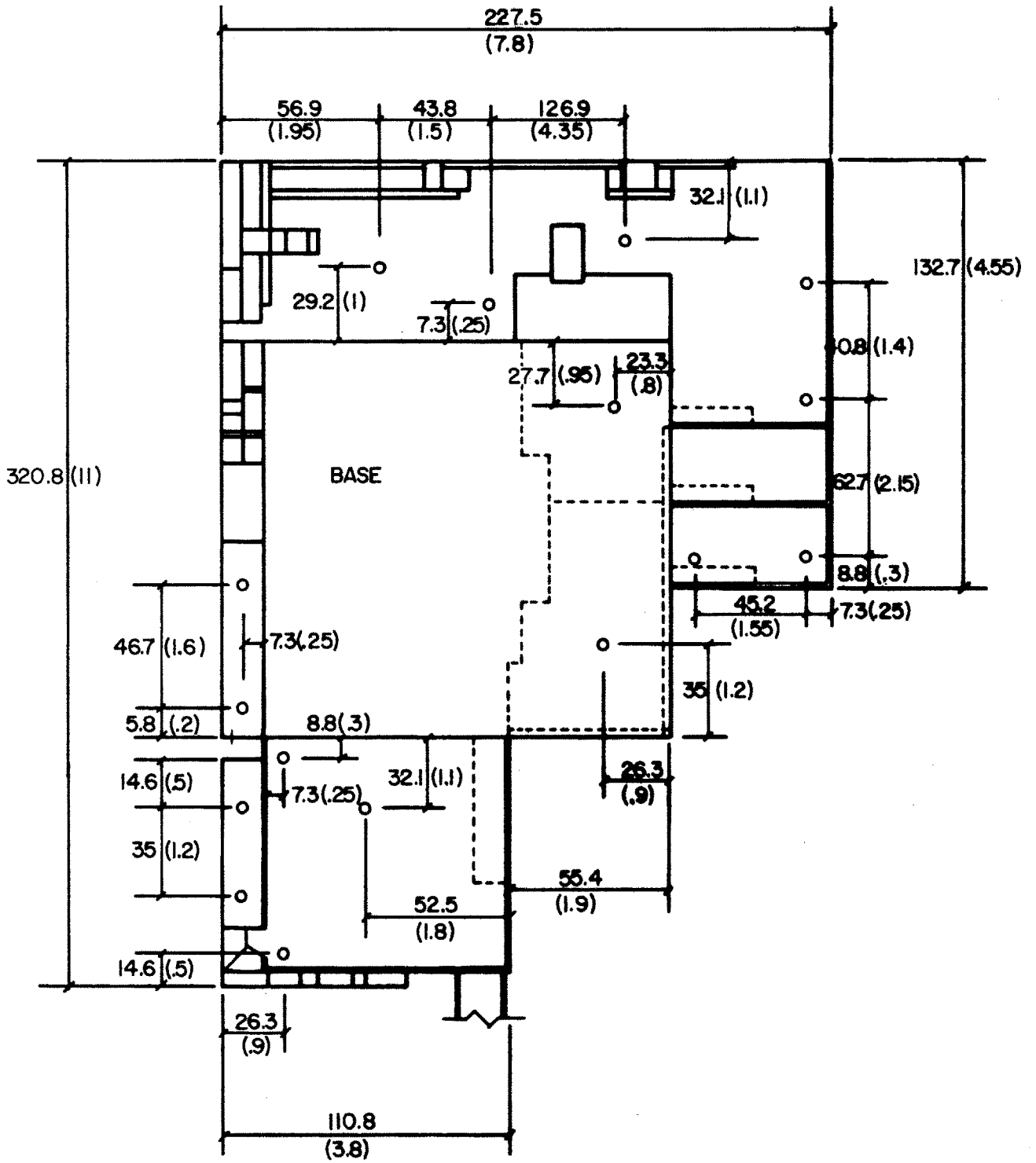


FIGURE 3b. PRESSURE TAP LOCATIONS.

BASE ELEVATIONS

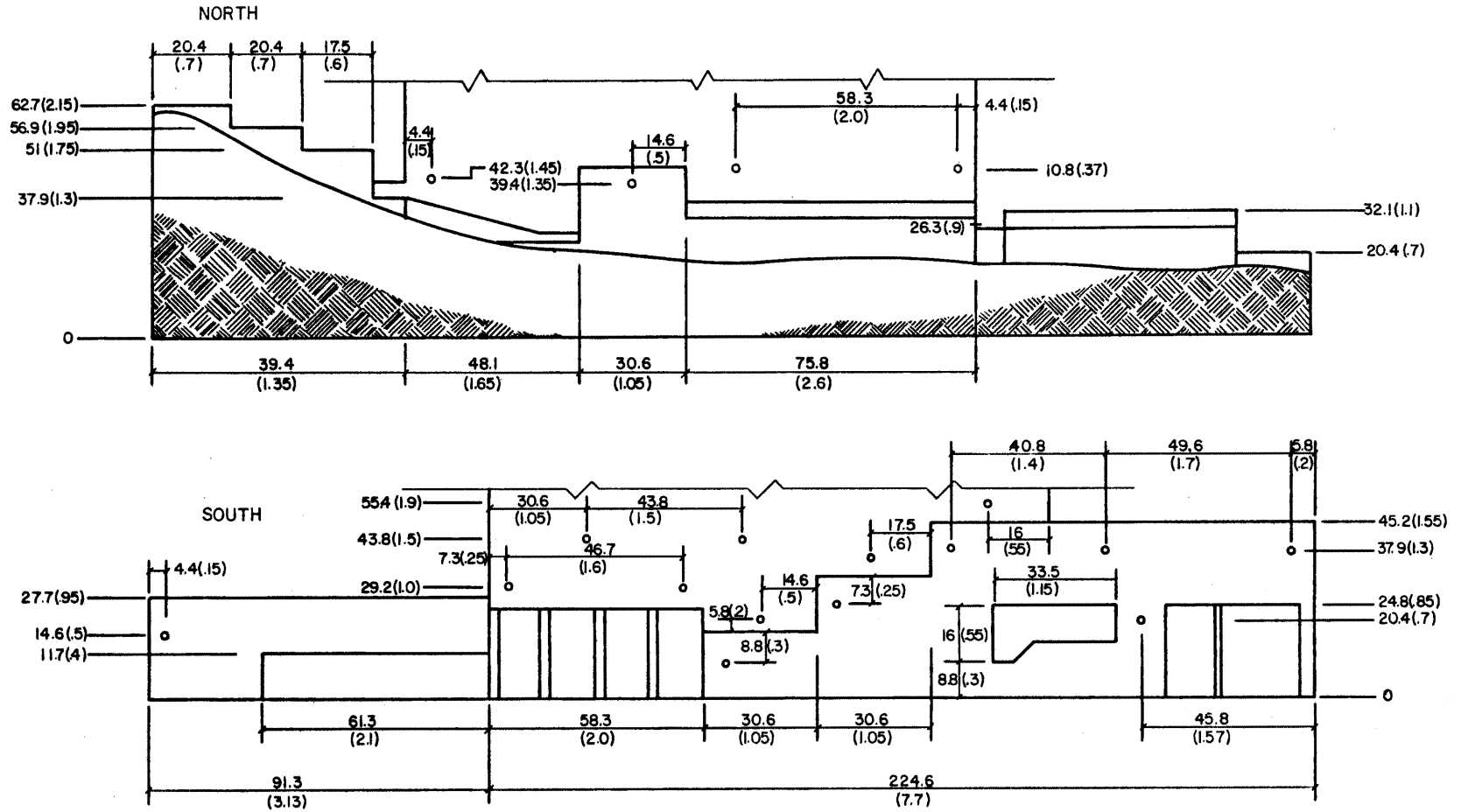
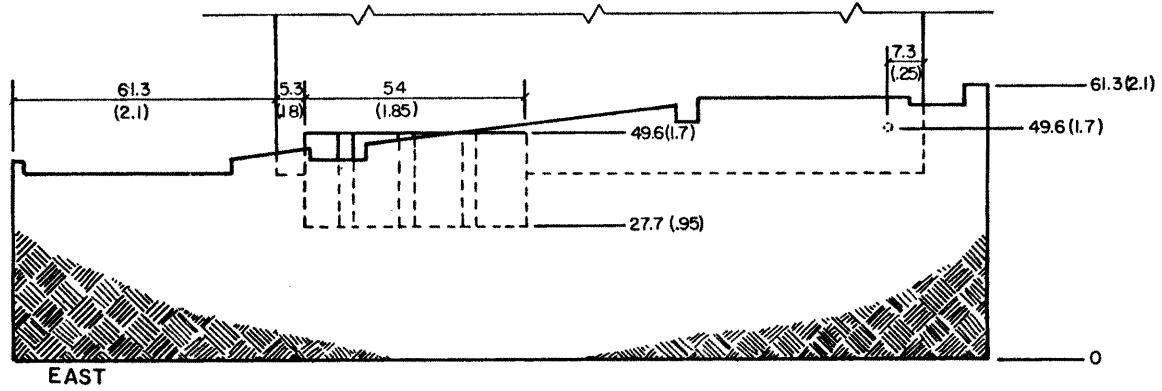


FIGURE 3c. PRESSURE TAP LOCATIONS.



BASE ELEVATIONS

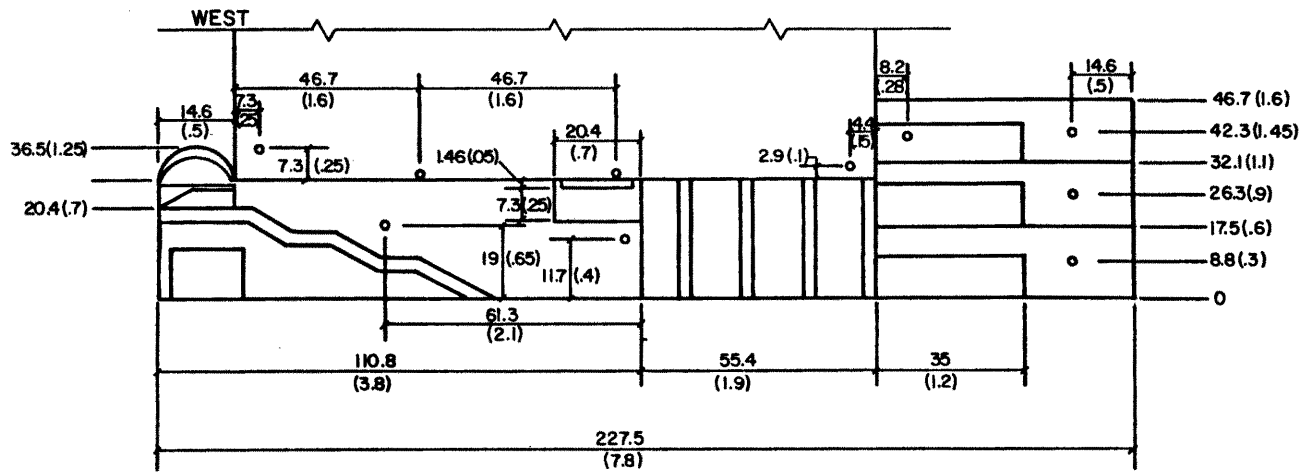


FIGURE 3d. PRESSURE TAP LOCATIONS

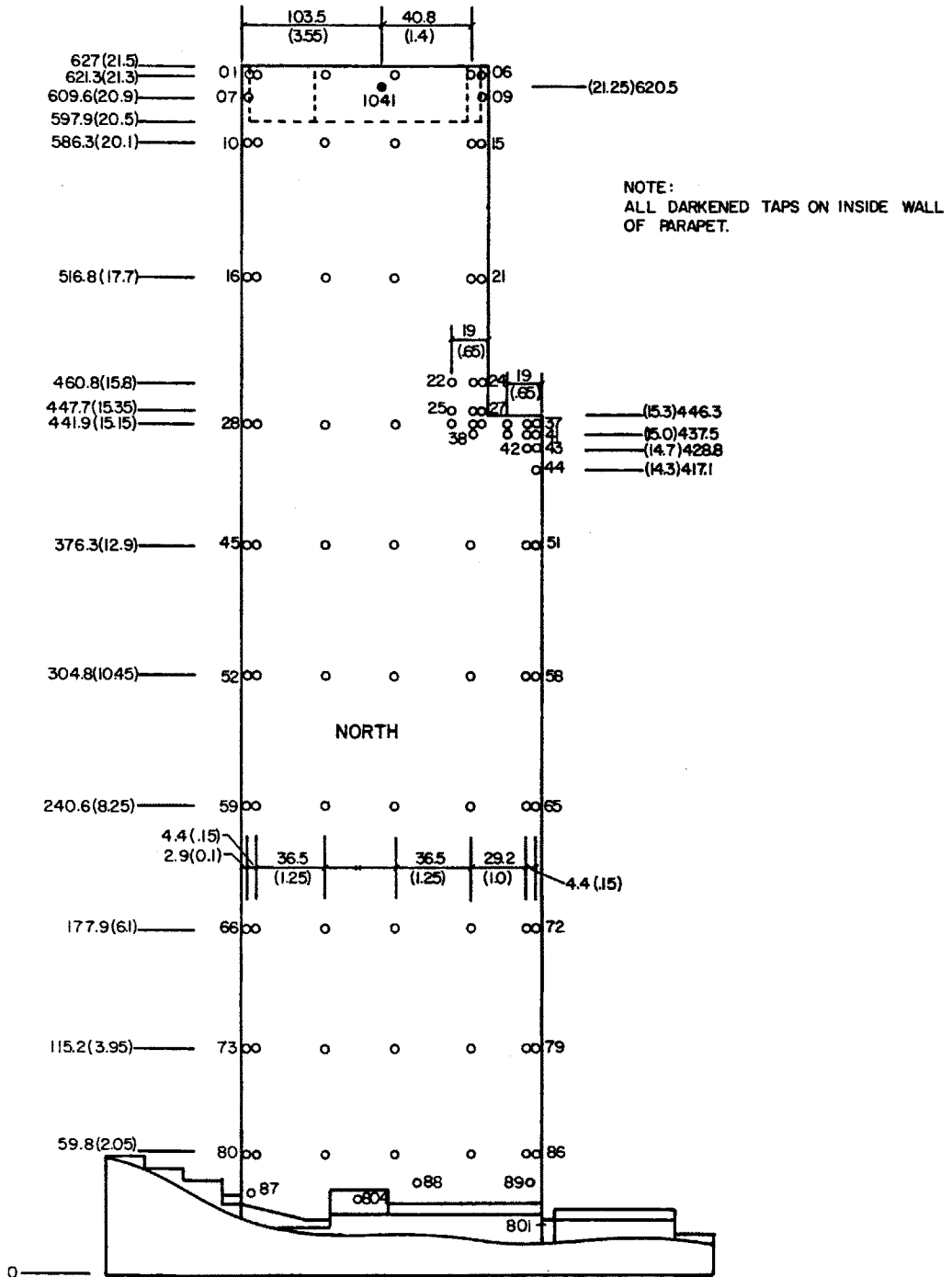


FIGURE 3e. PRESSURE TAP LOCATIONS.

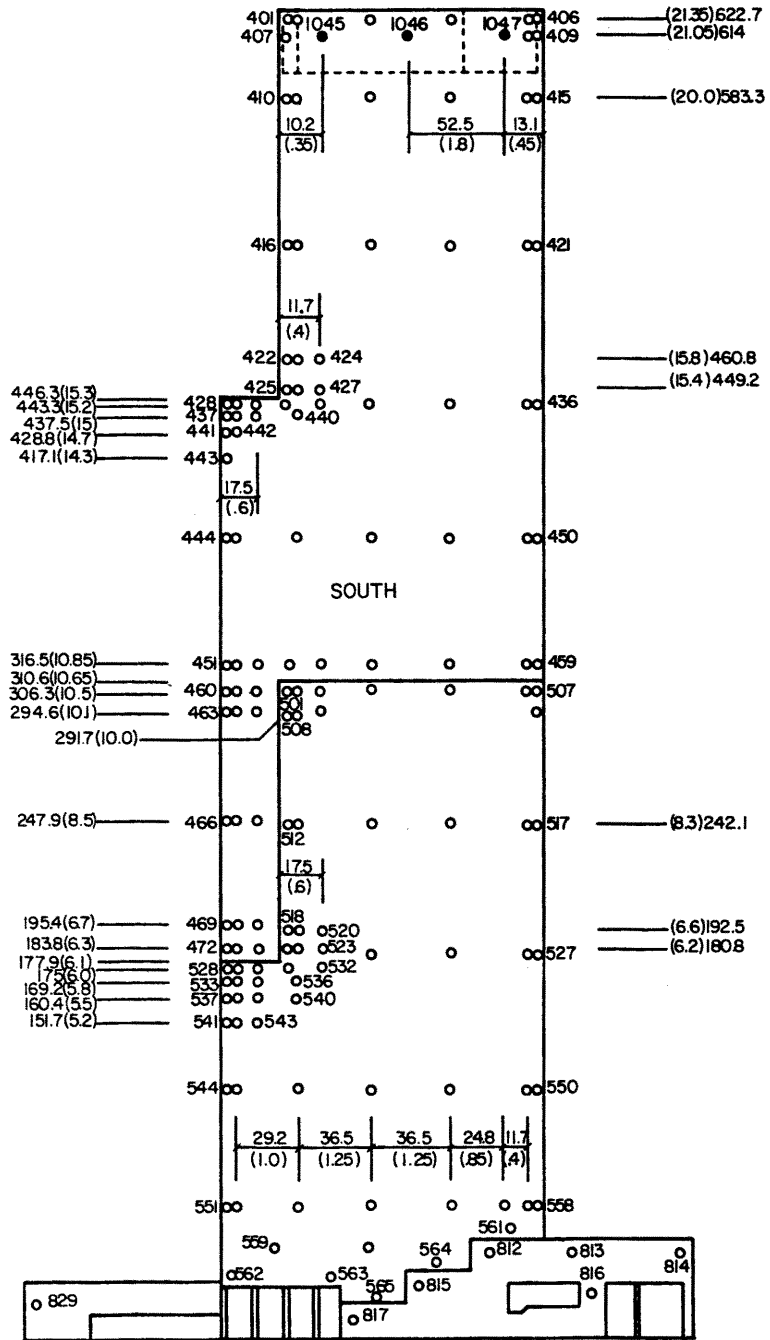


FIGURE 3f. PRESSURE TAP LOCATIONS.

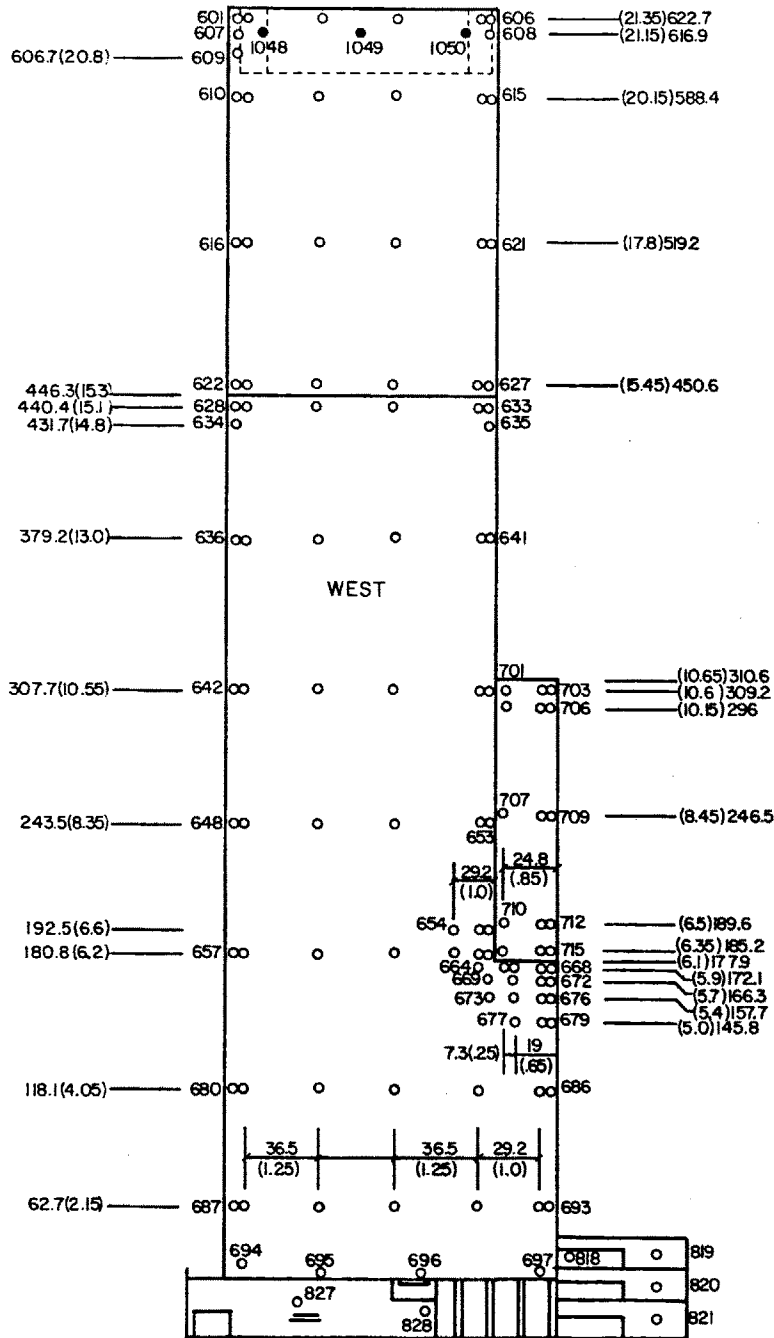


FIGURE 3g. PRESSURE TAP LOCATIONS.

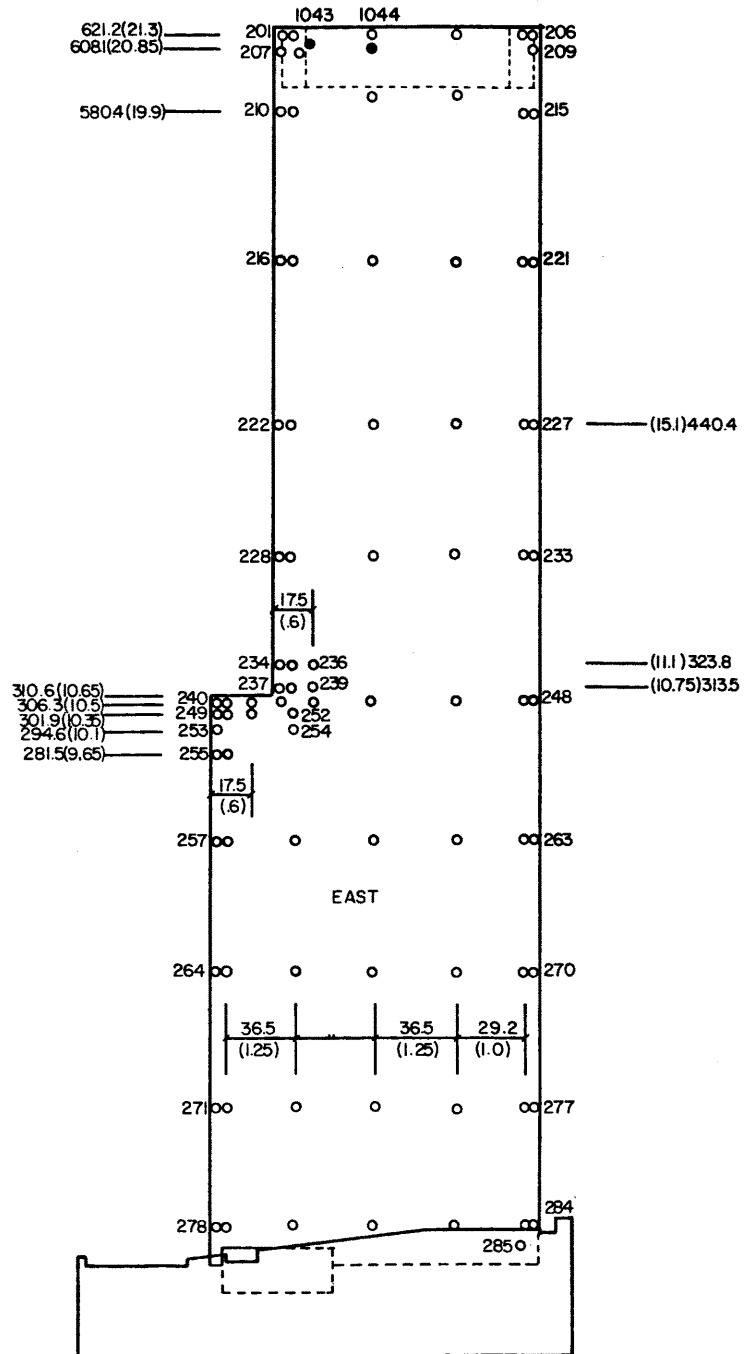


FIGURE 3h. PRESSURE TAP LOCATIONS

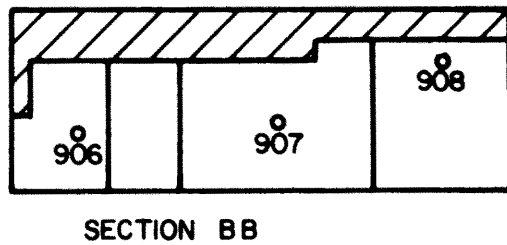
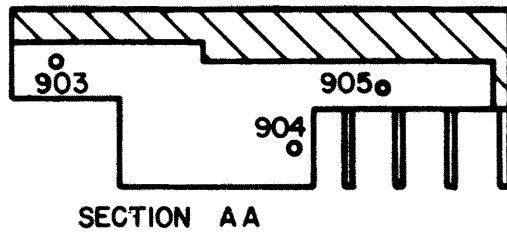
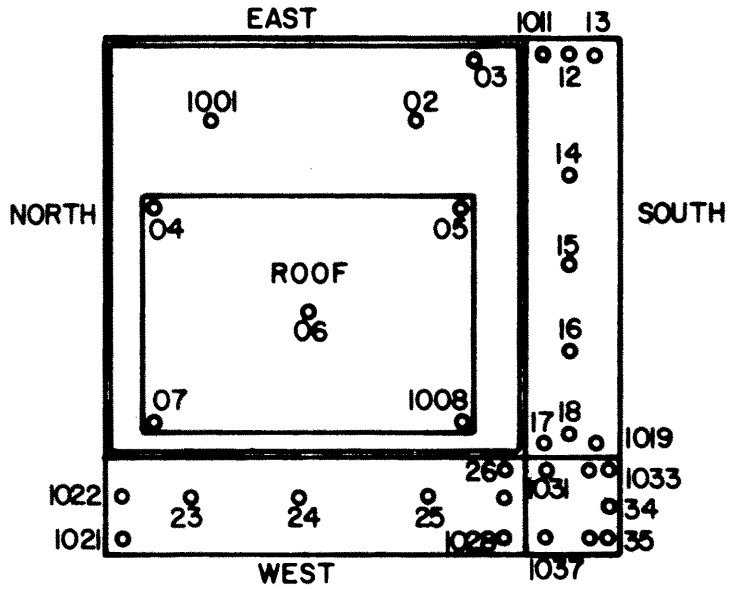


FIGURE 31. PRESSURE TAP LOCATIONS.

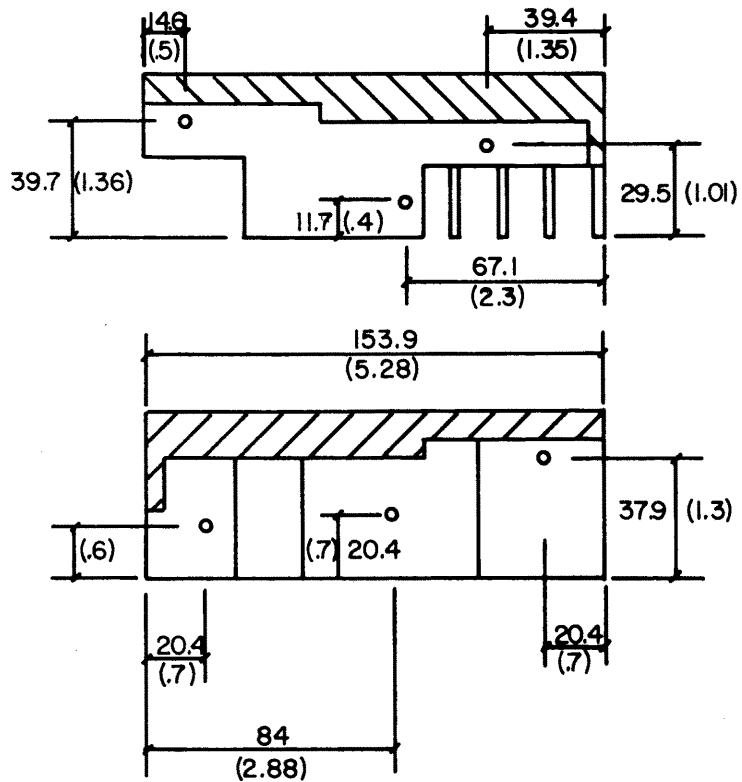
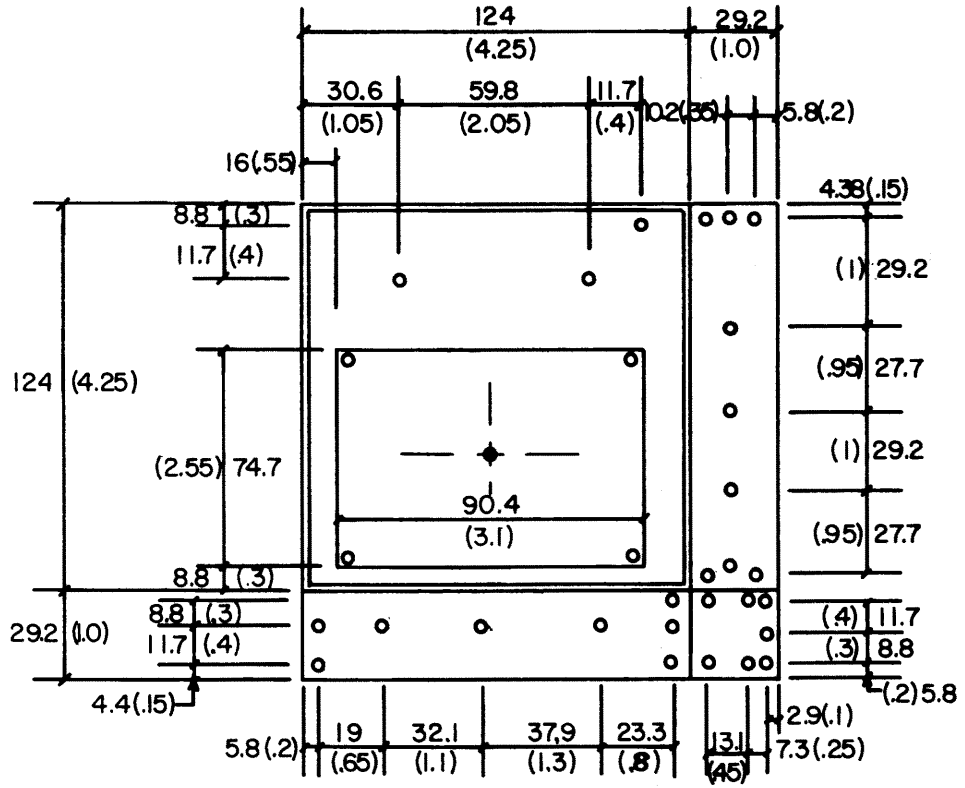
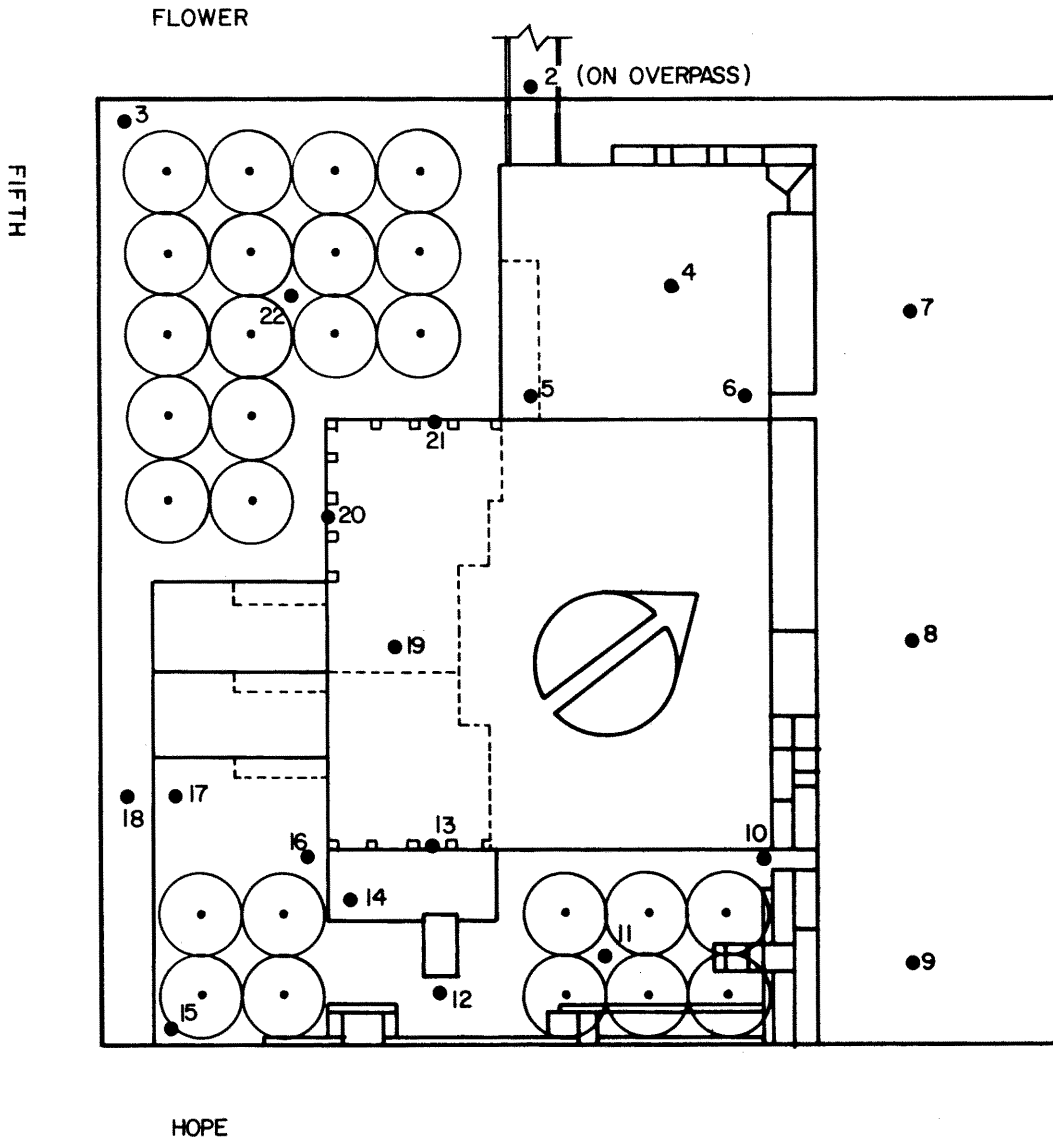


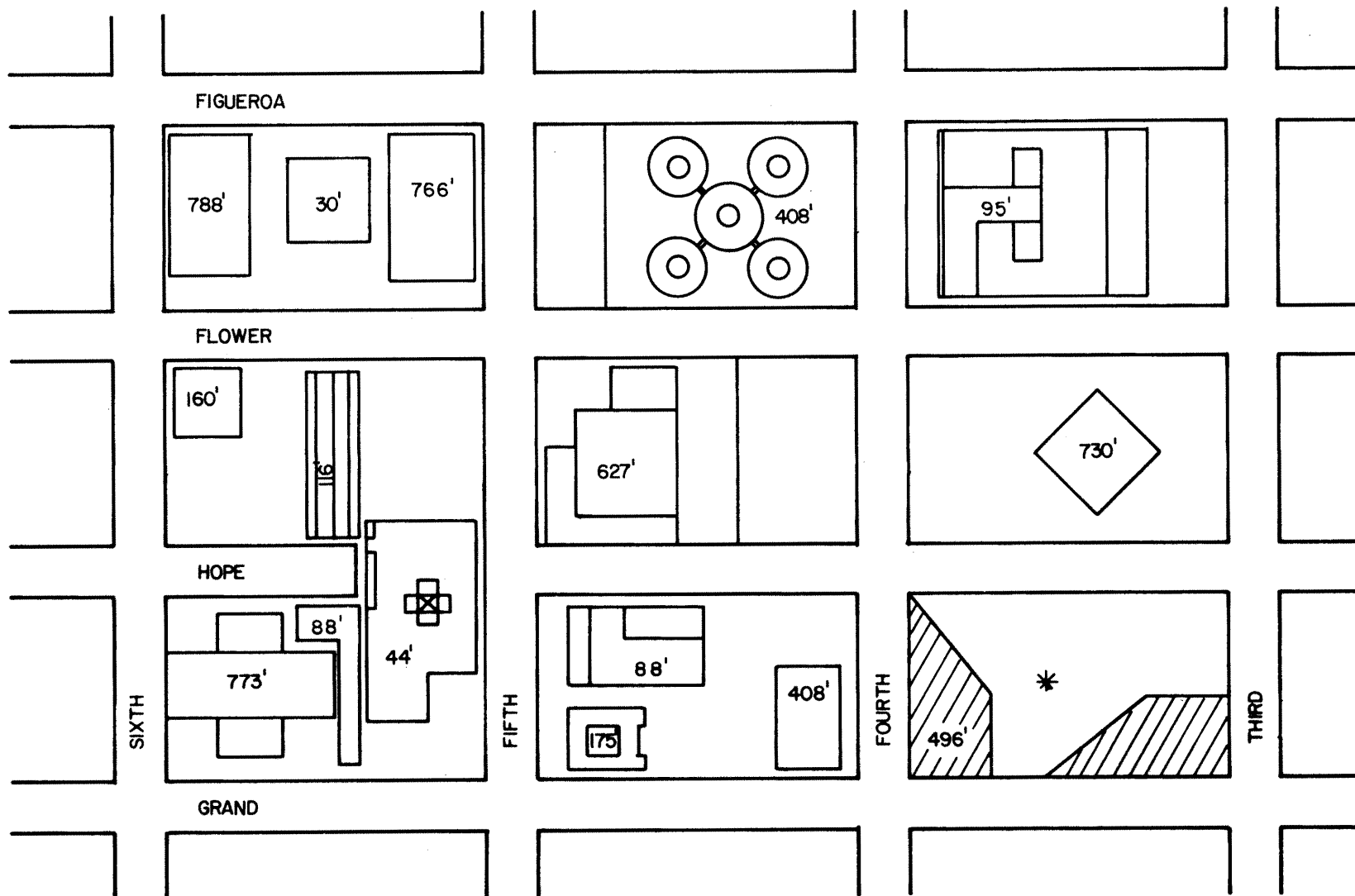
FIGURE 3j. PRESSURE TAP LOCATIONS

REF I



MODEL RADIUS $\approx 1575'$

FIGURE 4a. BUILDING LOCATION AND PEDESTRIAN WIND VELOCITY MEASURING POSITIONS.



*CONFIGURATION A - SHADED BUILDINGS NOT IN PLACE
 CONFIGURATION B,C - SHADED BUILDINGS IN PLACE

FIGURE 4b. BUILDING LOCATION AND PEDESTRIAN WIND VELOCITY MEASURING POSITIONS.

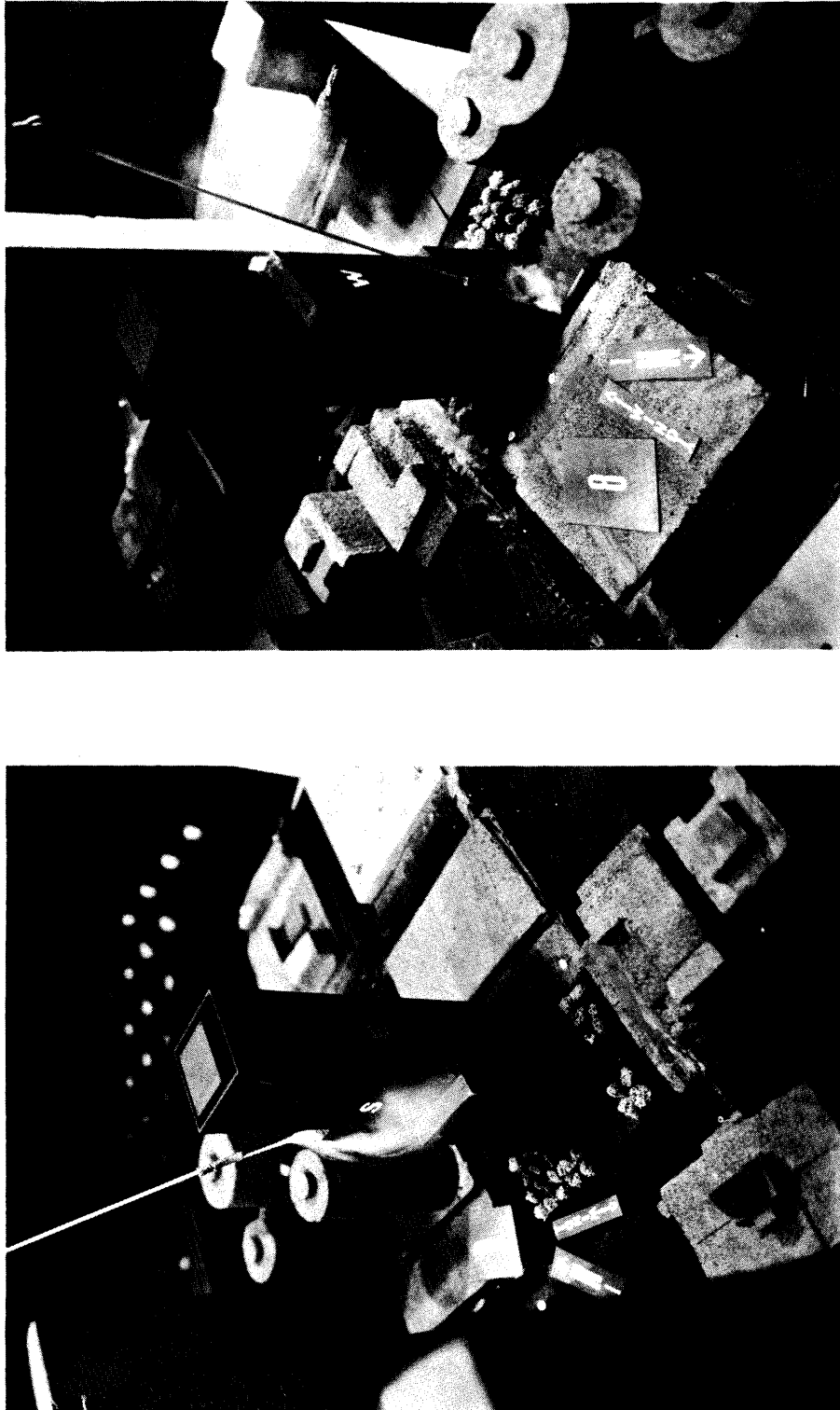


Figure 5. Completed Model in the Wind Tunnel.

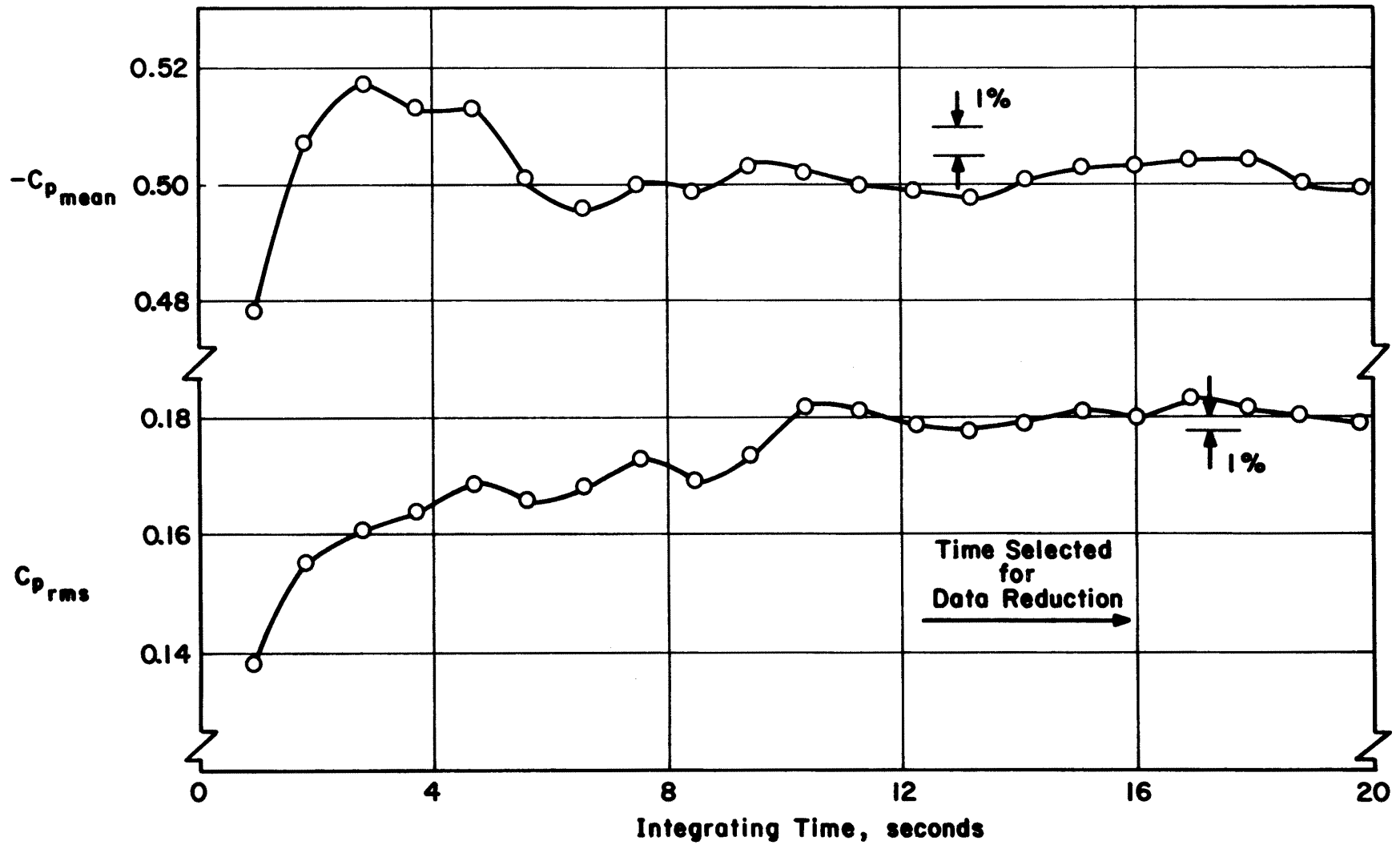


Figure 6- Data Sampling Time Verification

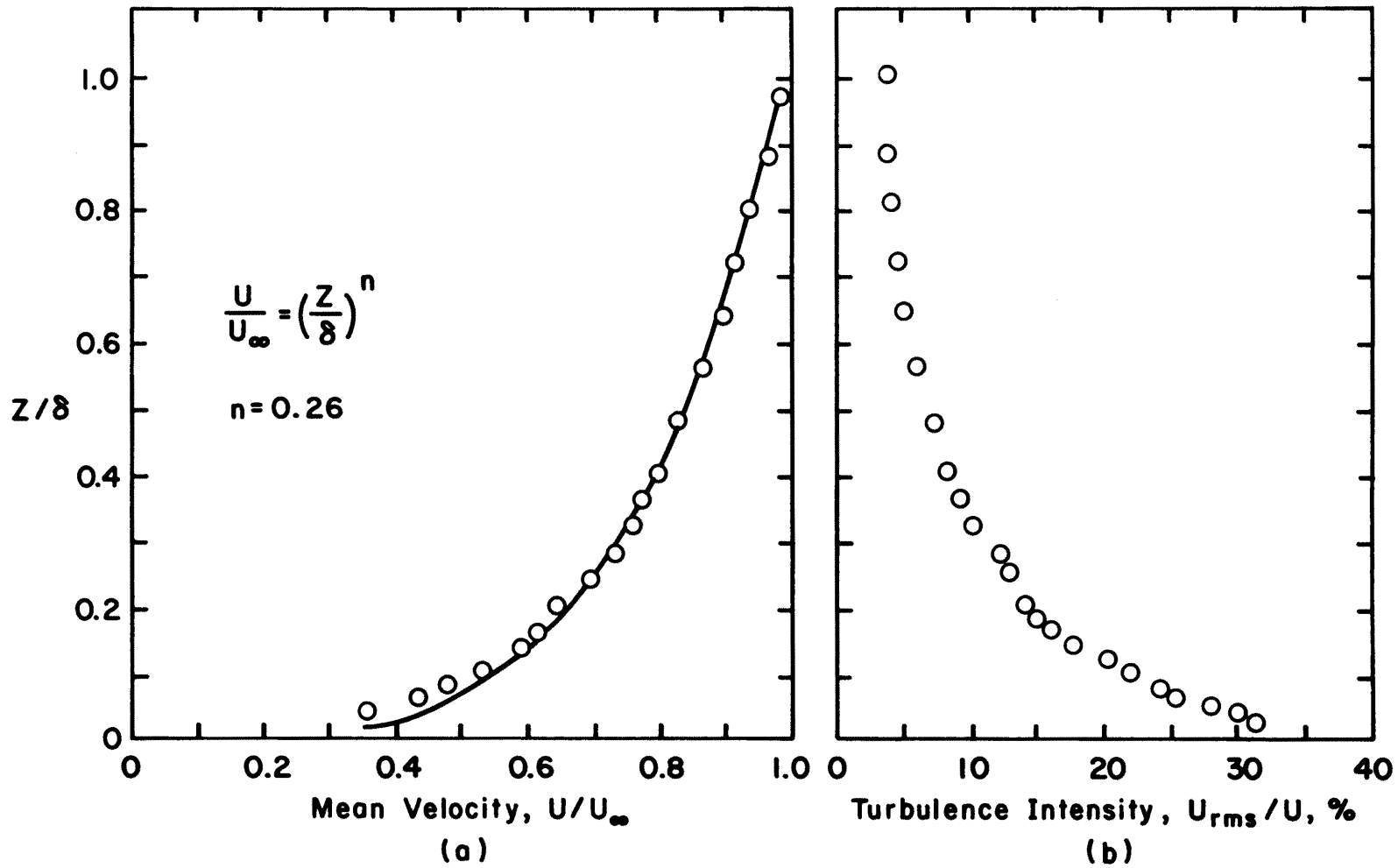


Figure 7 - Velocity and Turbulence Profiles Approaching the Model

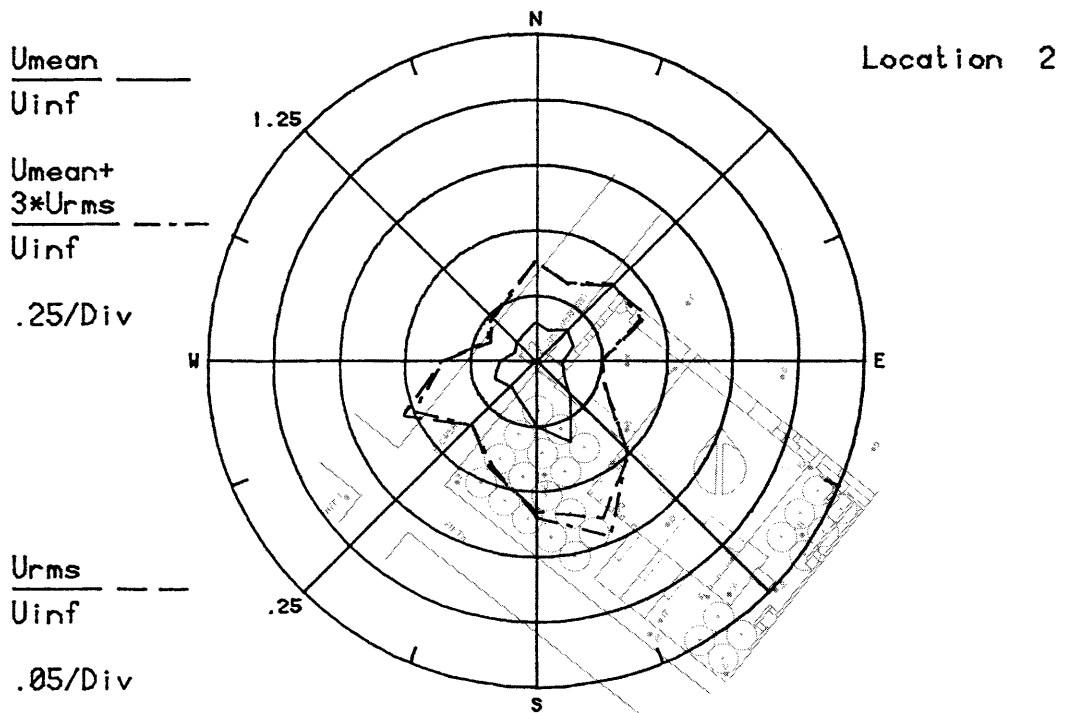
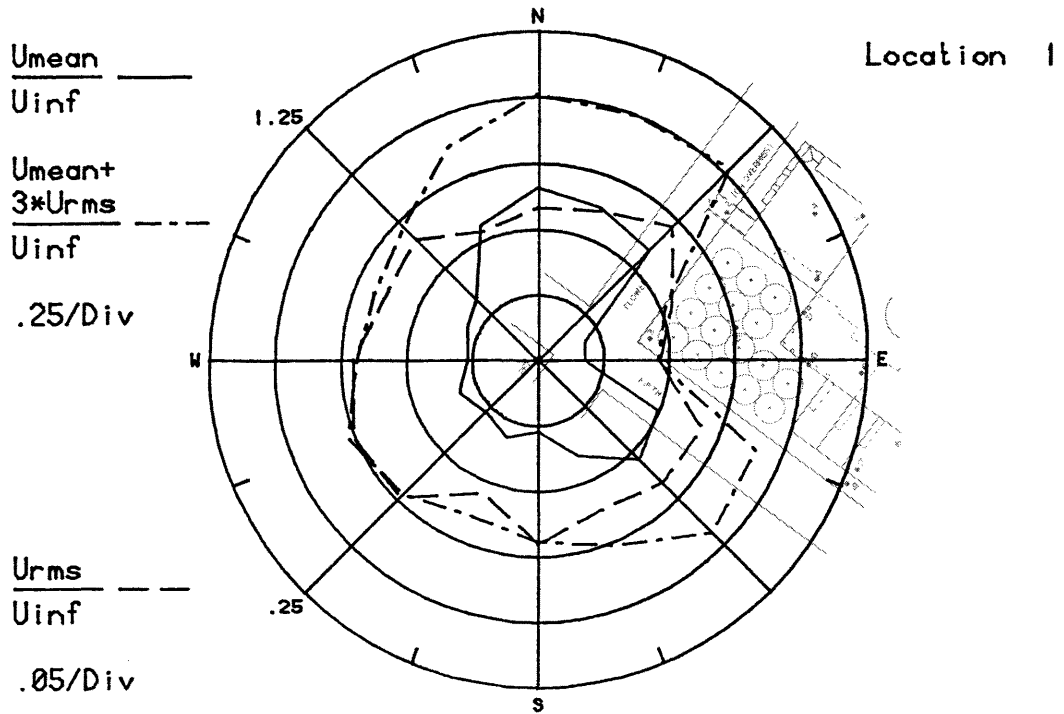


Figure 8a. Mean Velocities and Turbulence Intensities at Pedestrian Locations 1 and 2.

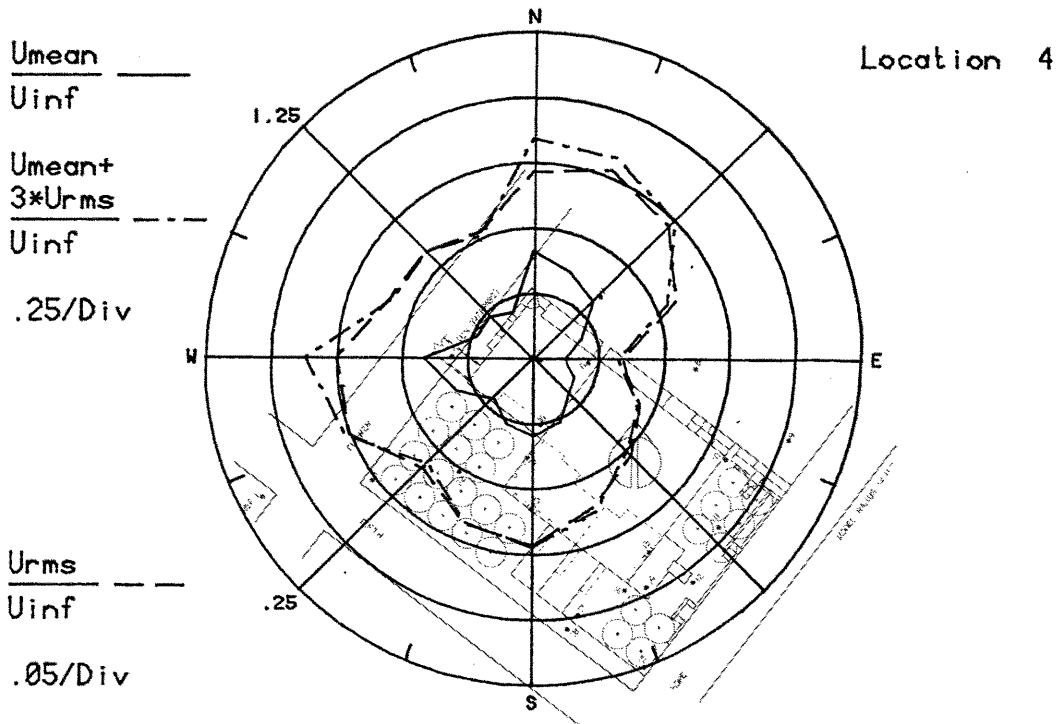
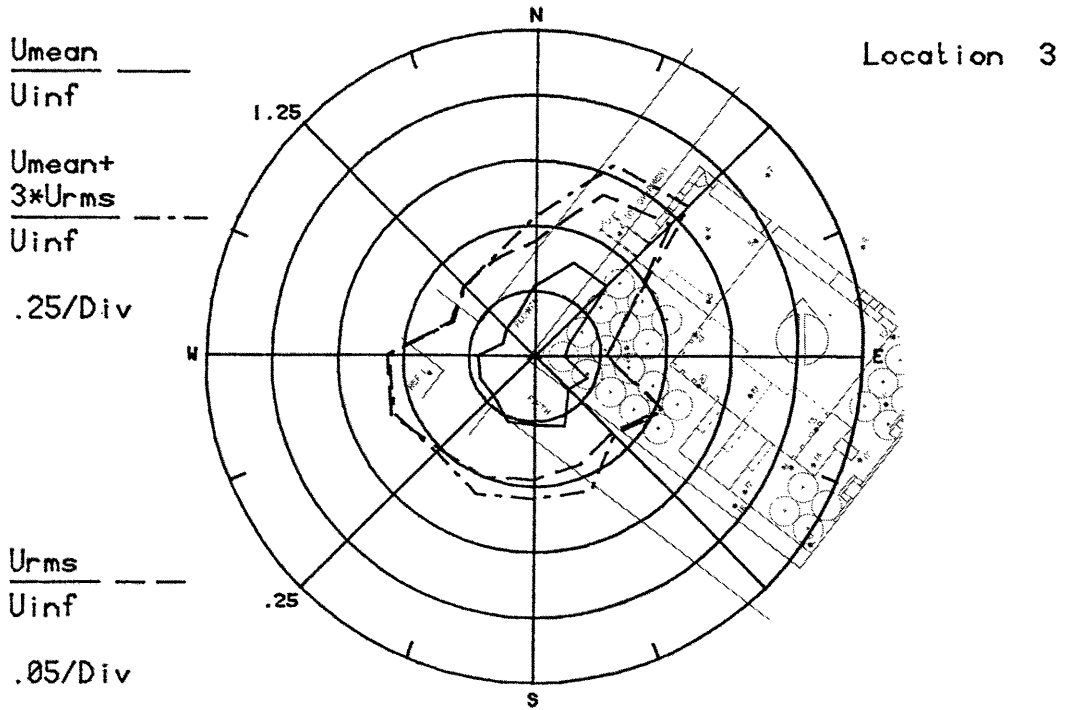


Figure 8b. Mean Velocities and Turbulence Intensities at Pedestrian Locations 3 and 4.

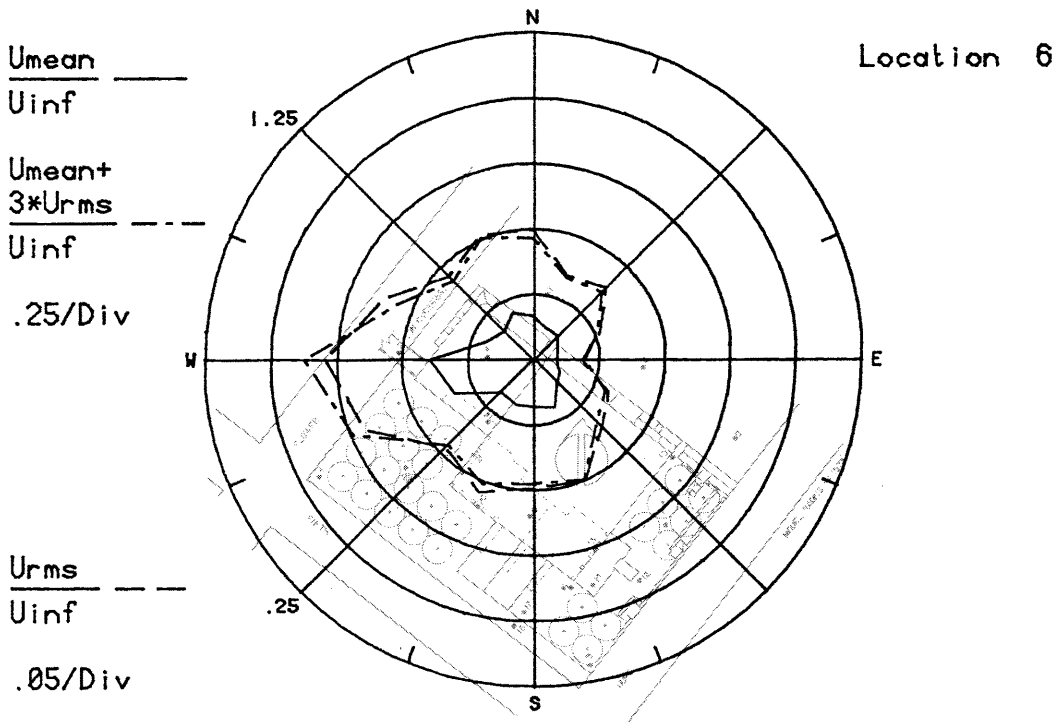
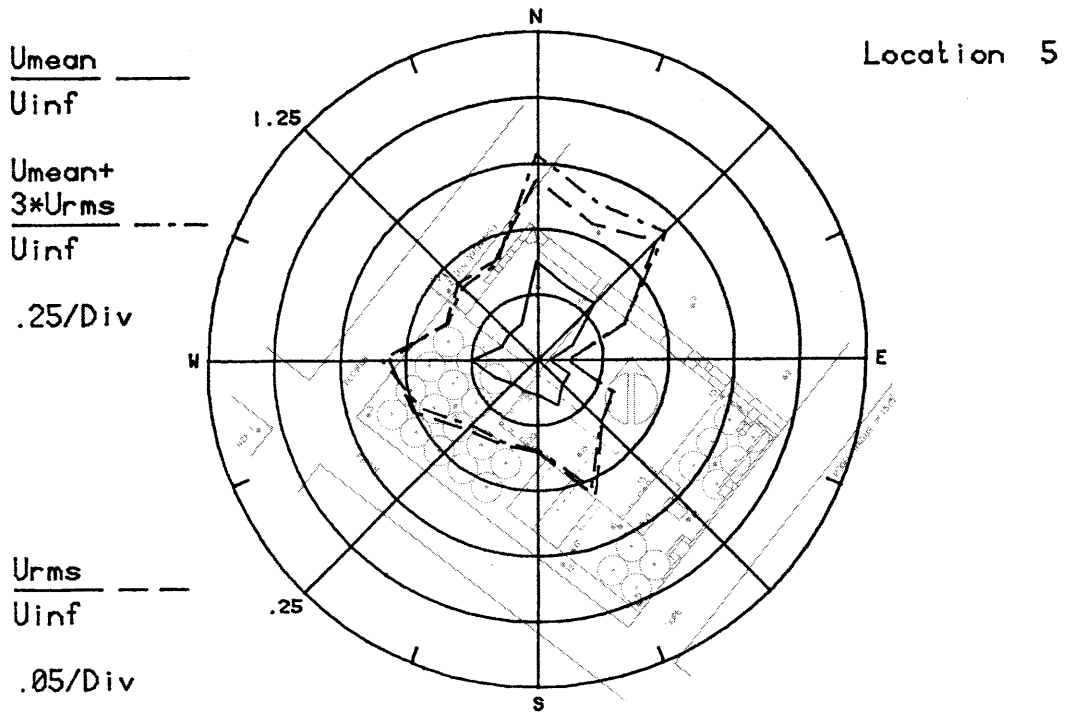


Figure 8c. Mean Velocities and Turbulence Intensities at Pedestrian Locations 5 and 6.

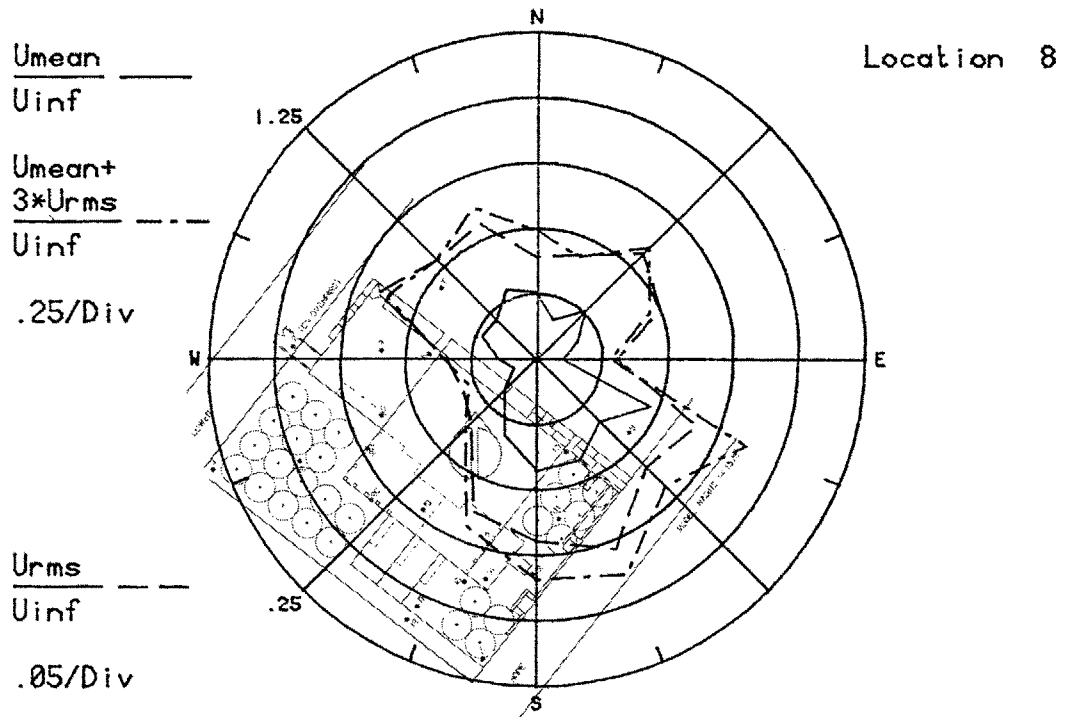
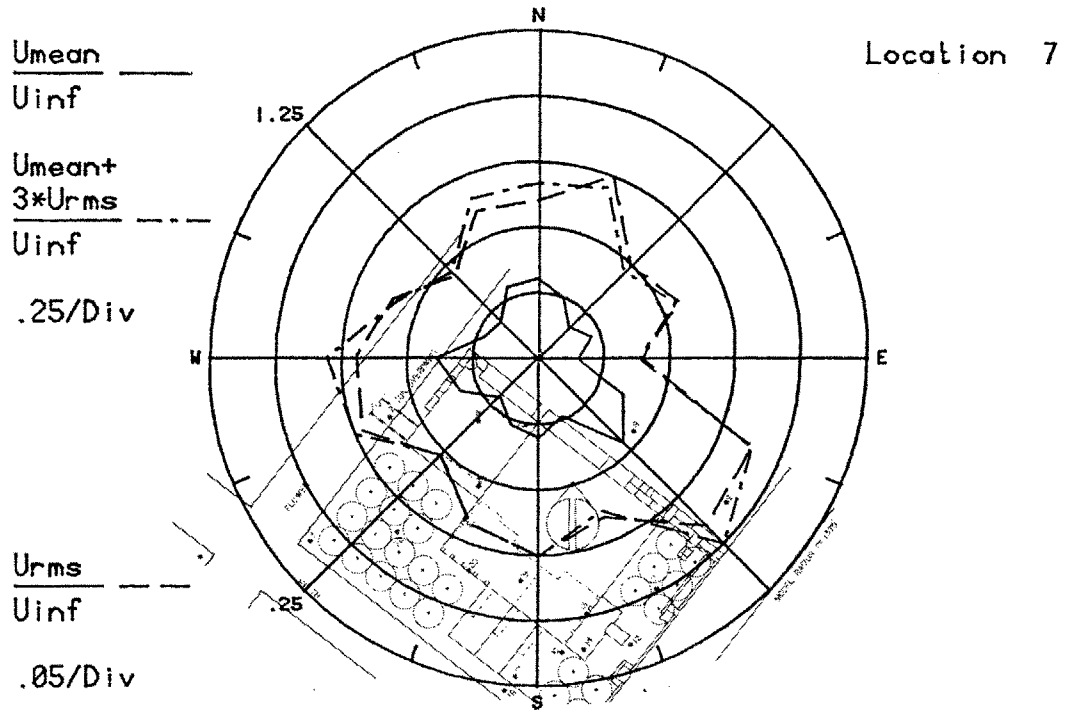


Figure 8d. Mean Velocities and Turbulence Intensities at Pedestrian Locations 7 and 8.

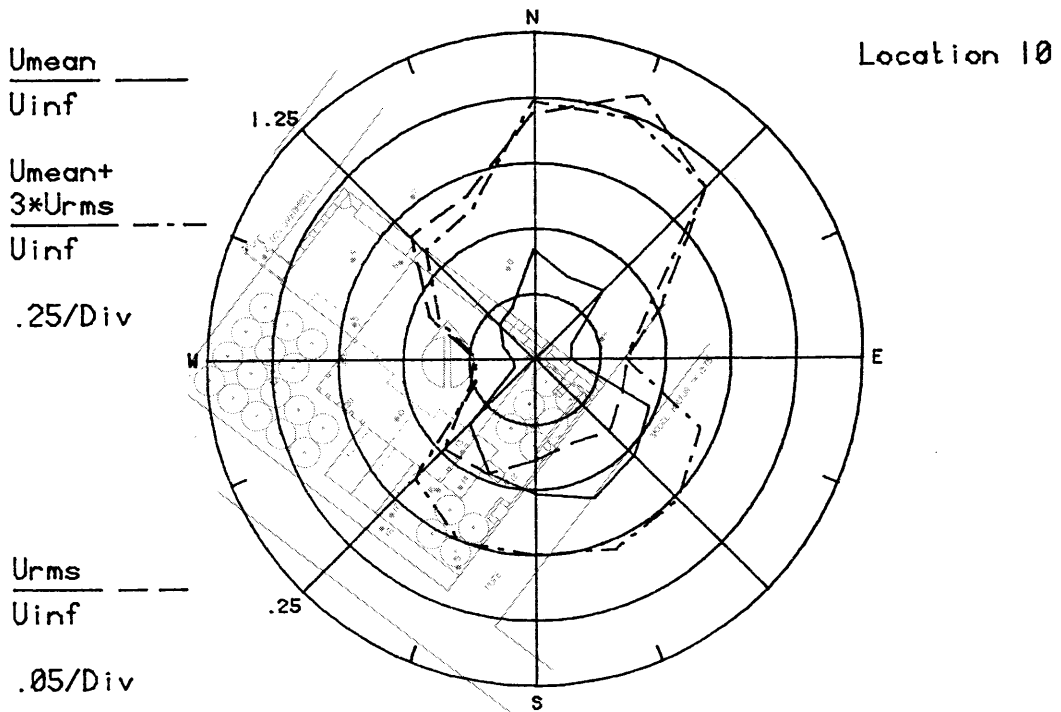
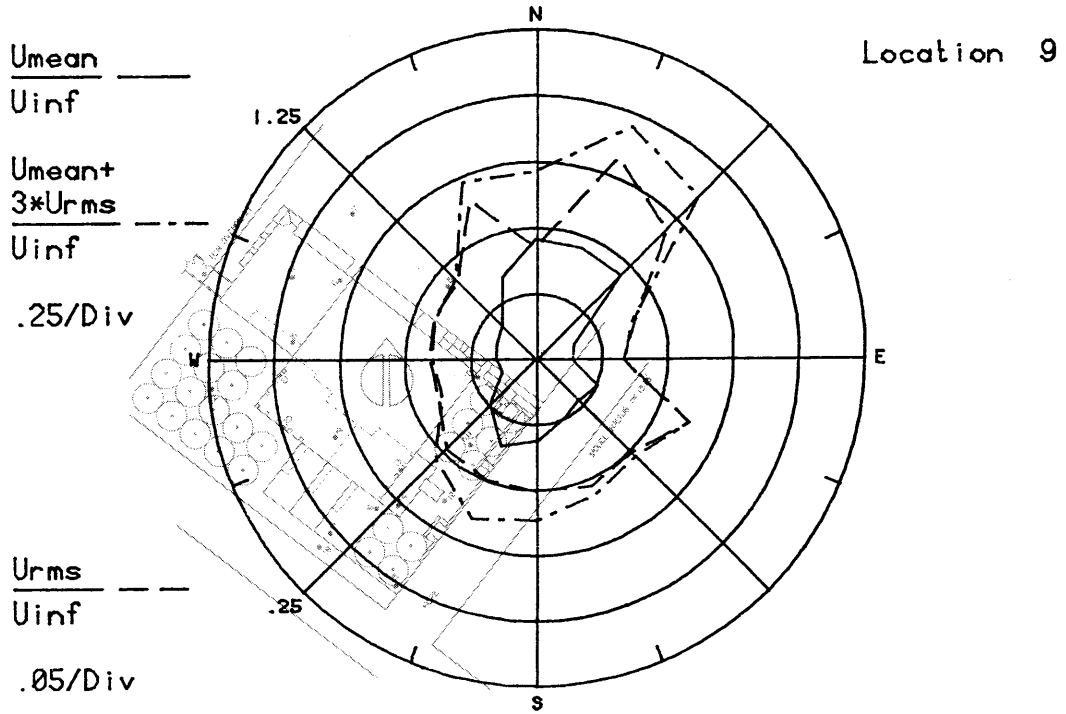


Figure 8e. Mean Velocities and Turbulence Intensities at Pedestrian Locations 9 and 10.

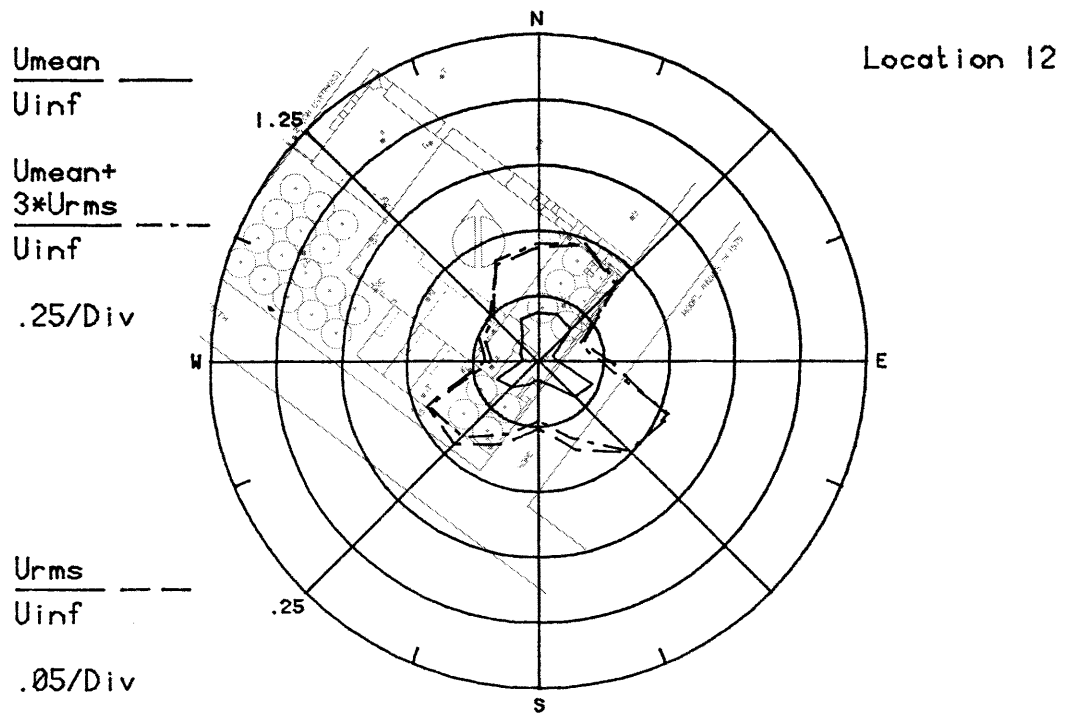
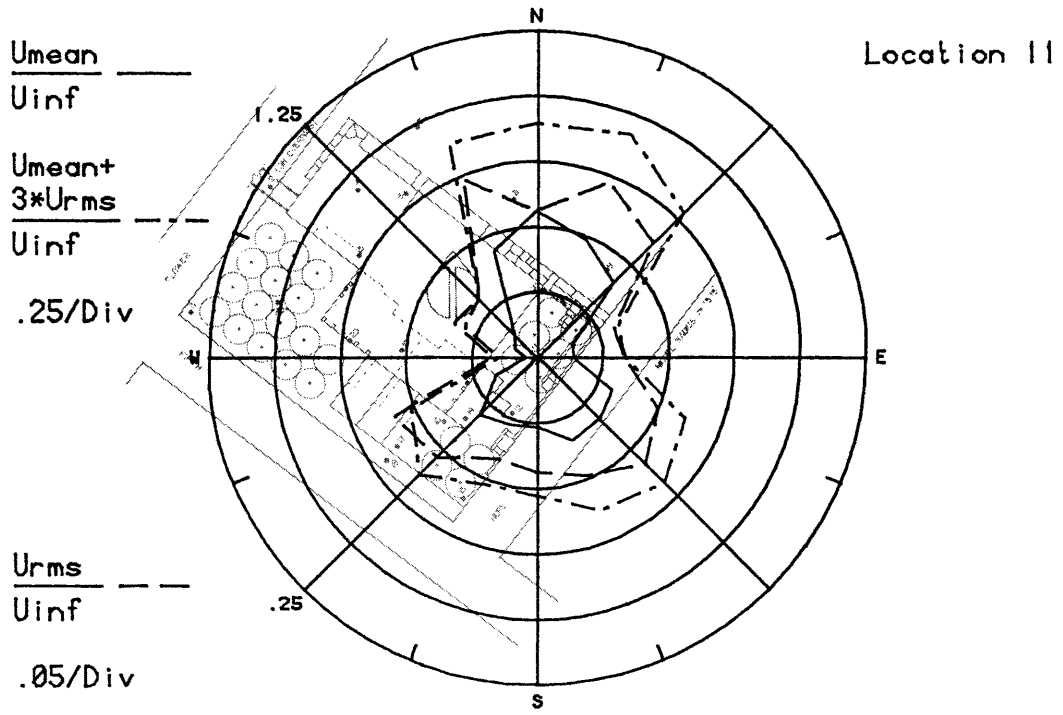


Figure 8f. Mean Velocities and Turbulence Intensities at Pedestrian Locations 11 and 12.

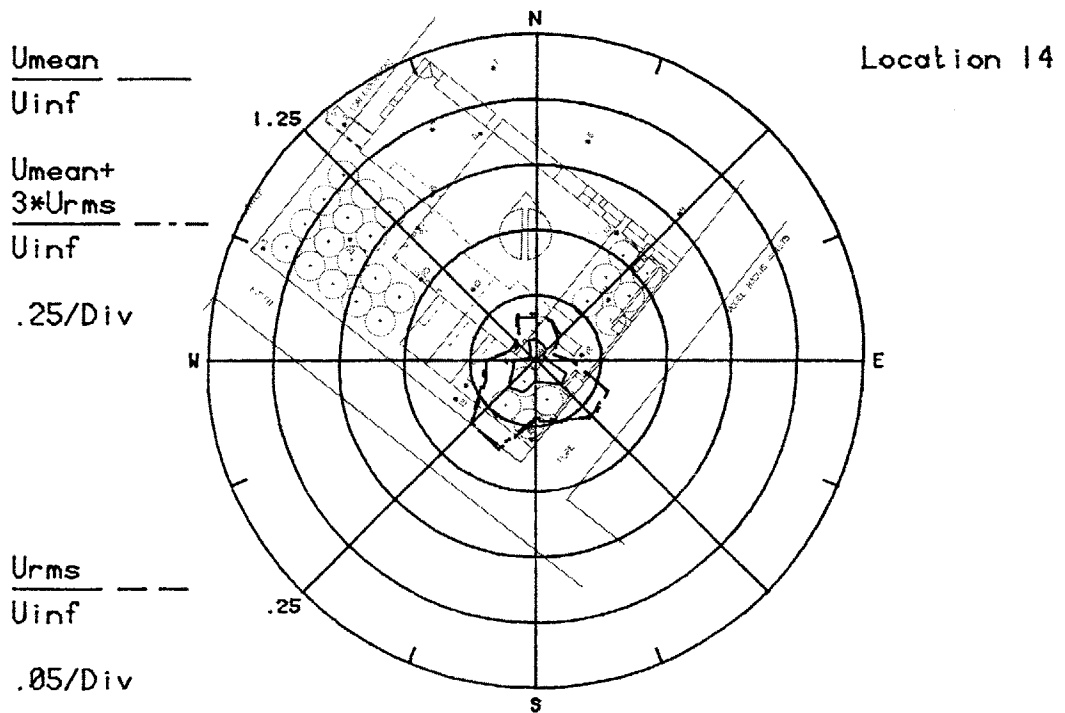
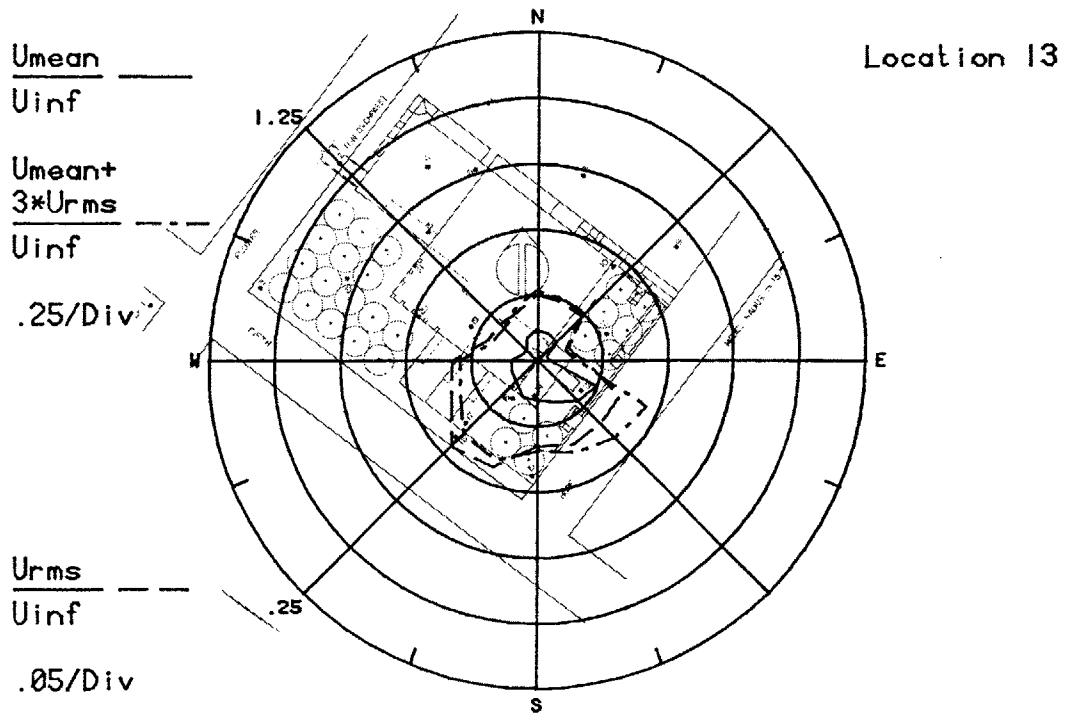


Figure 8g. Mean Velocities and Turbulence Intensities at Pedestrian Locations 13 and 14.

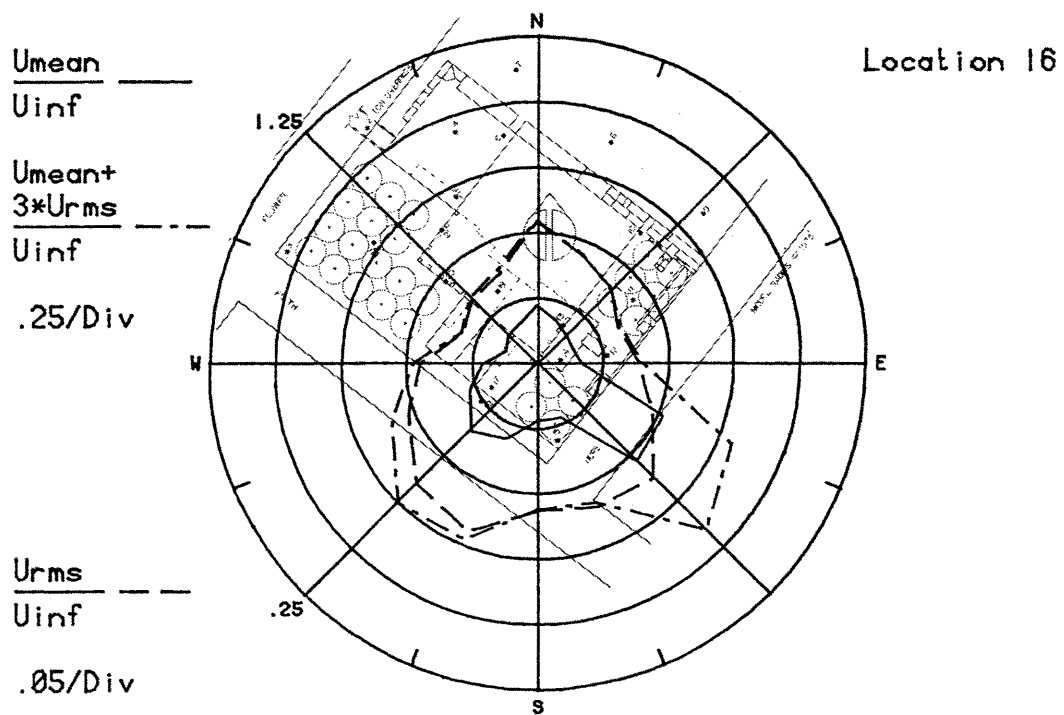
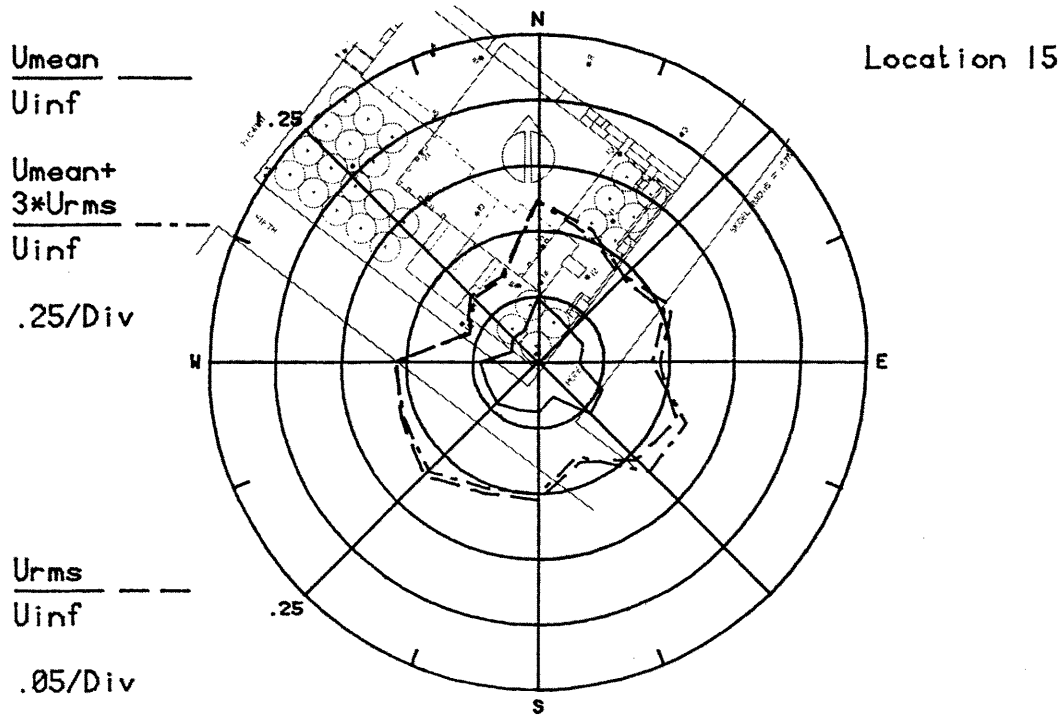


Figure 8h. Mean Velocities and Turbulence Intensities at Pedestrian Locations 15 and 16.

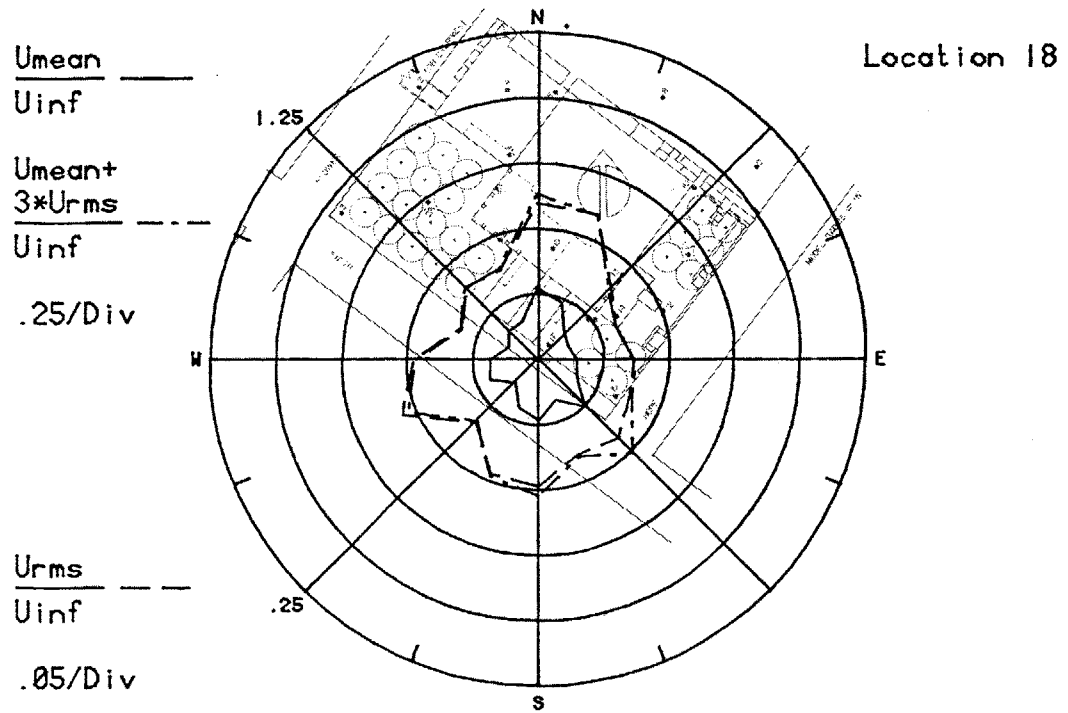
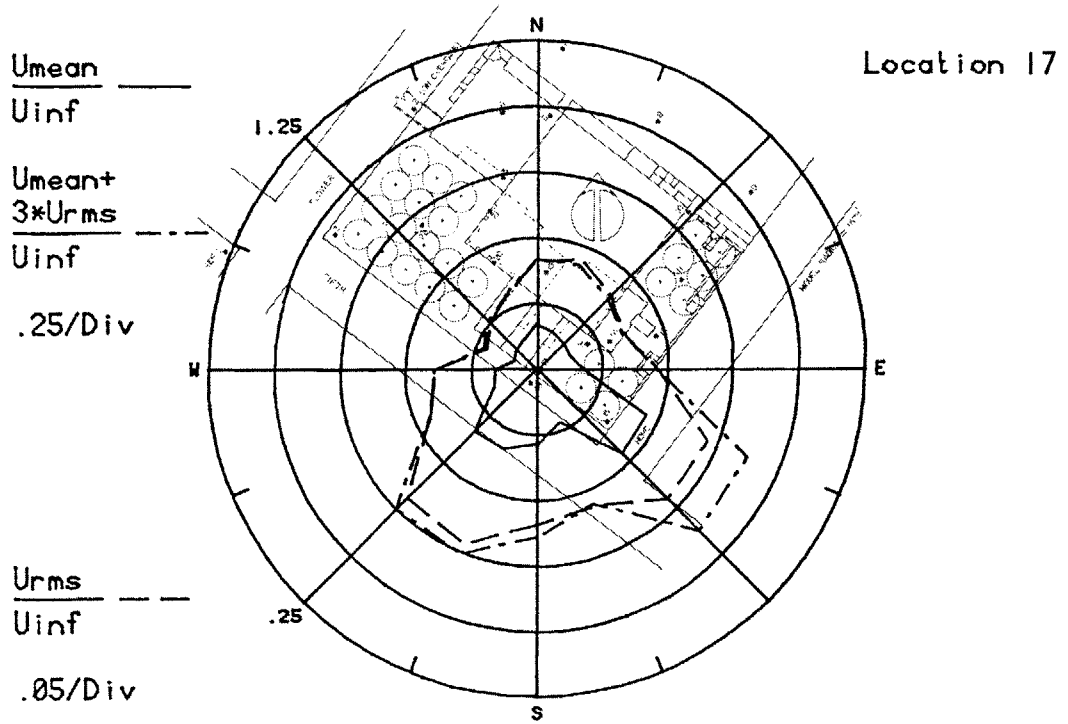


Figure 8i. Mean Velocities and Turbulence Intensities at Pedestrian Locations 17 and 18.

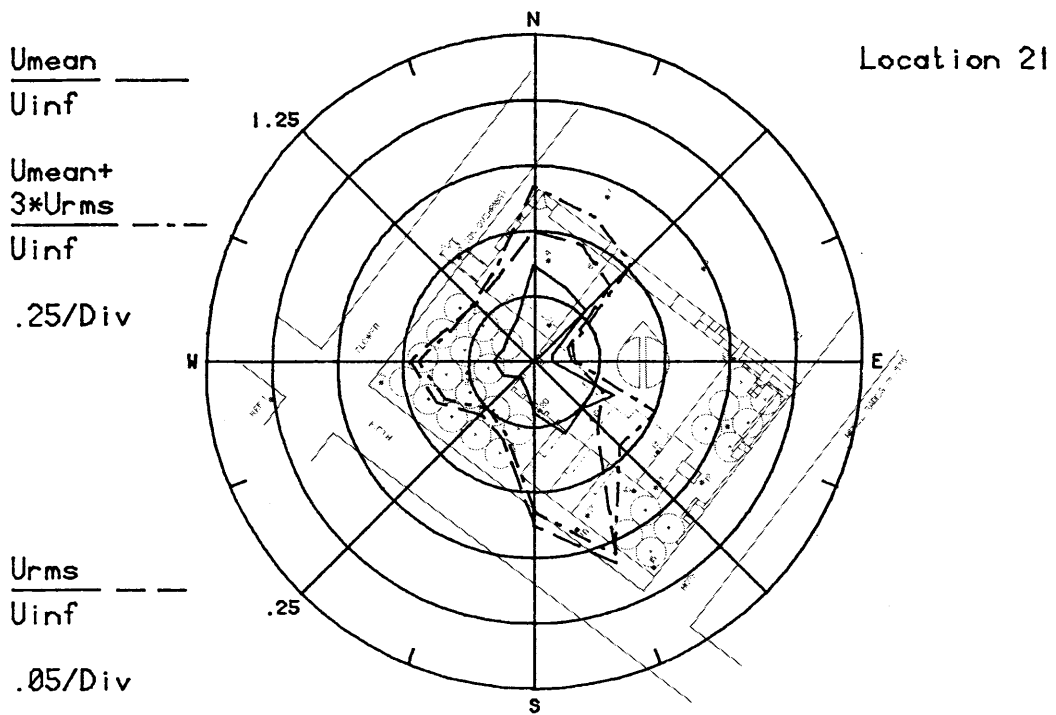
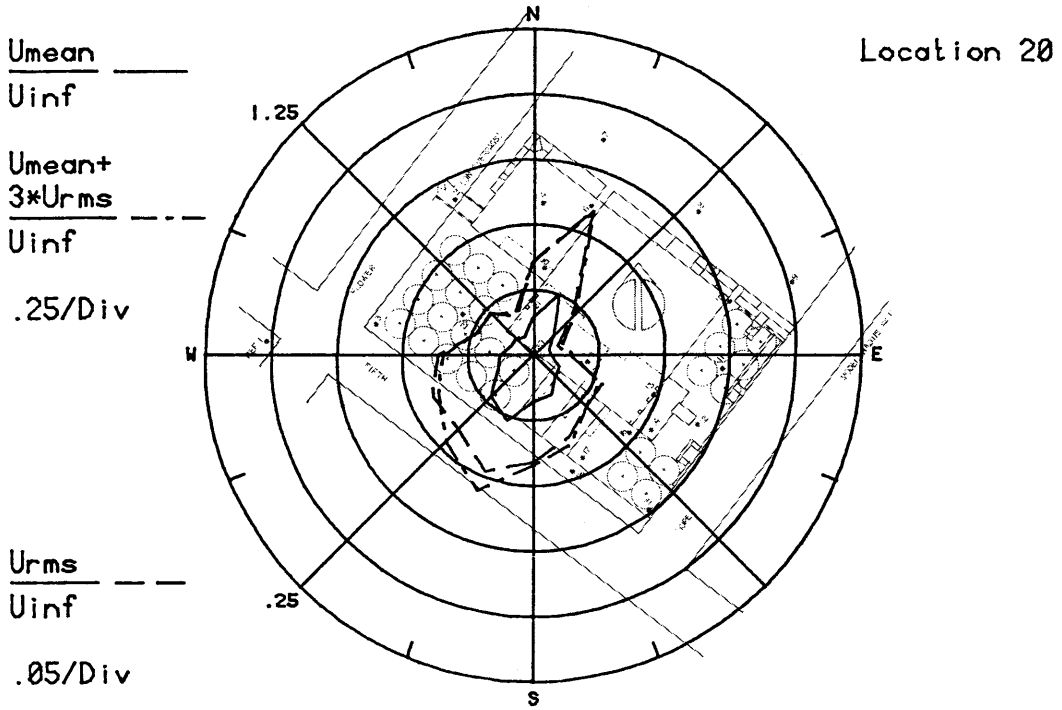


Figure 8j. Mean Velocities and Turbulence Intensities at Pedestrian Locations 20 and 21.

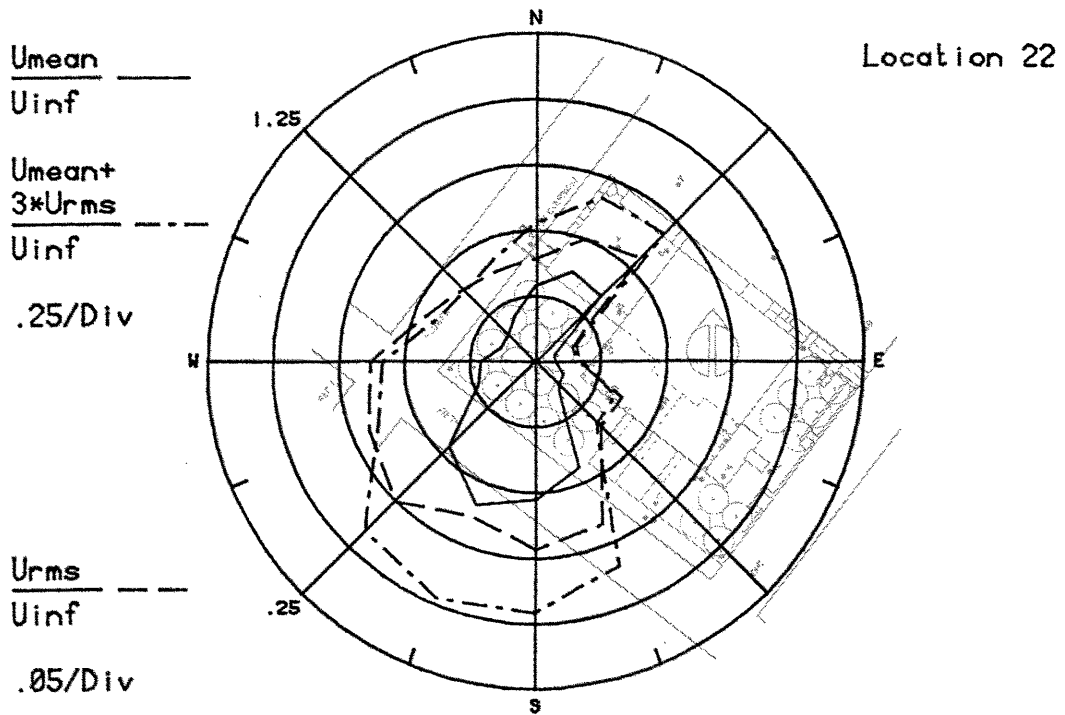


Figure 8k. Mean Velocities and Turbulence Intensities at Pedestrian Location 22.

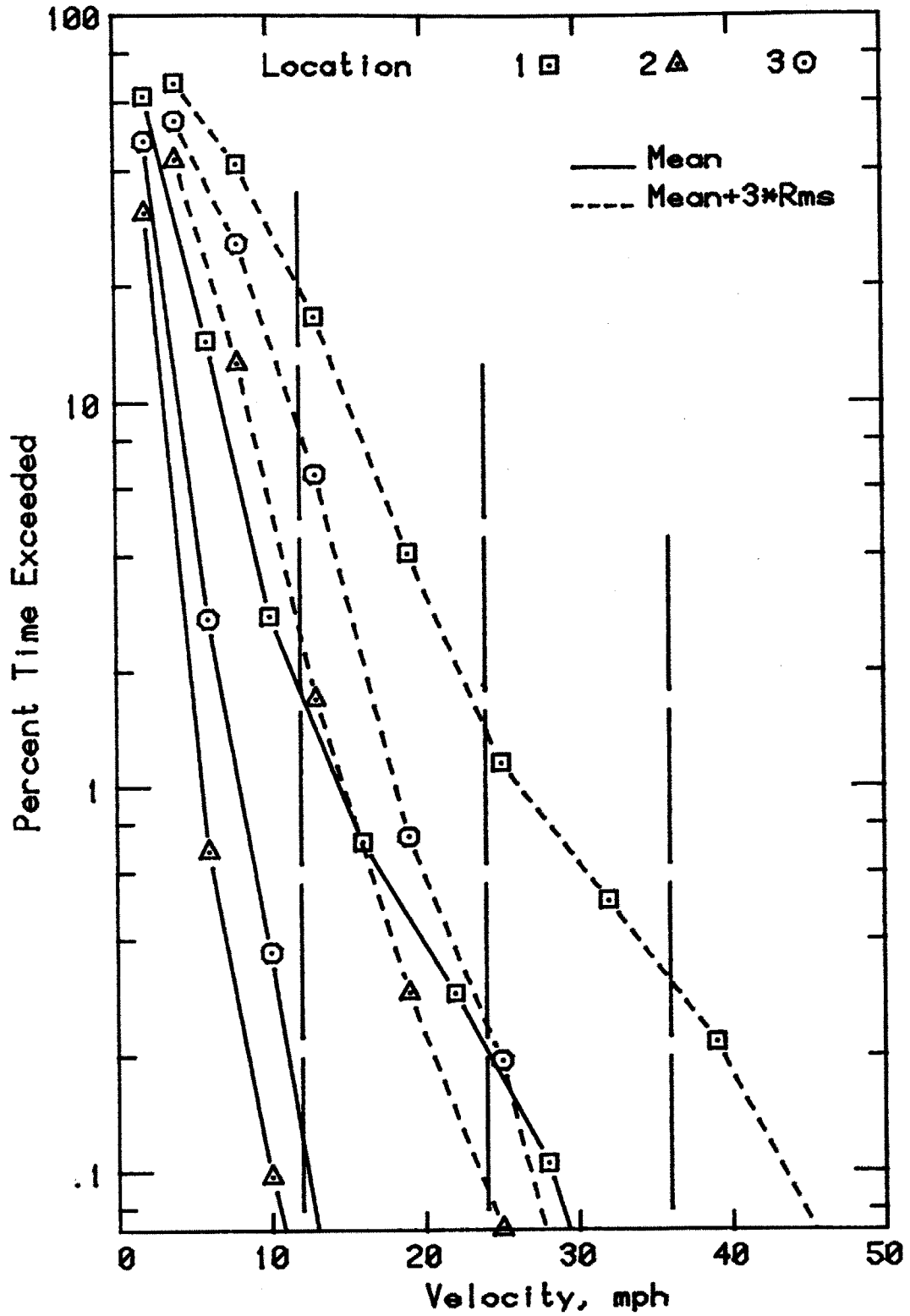


Figure 9a. Wind Velocity Probabilities for Pedestrian Locations

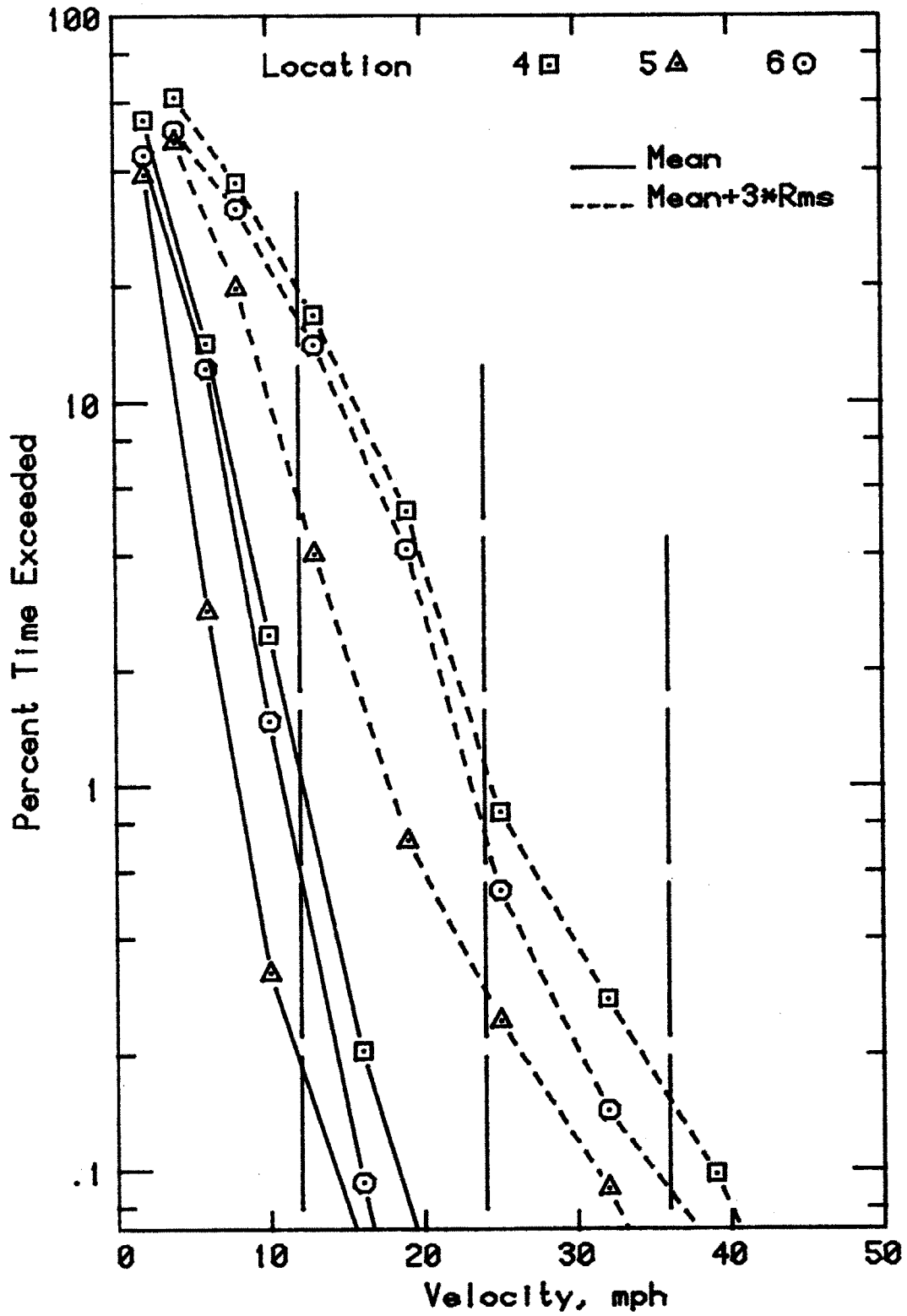


Figure 9b. Wind Velocity Probabilities for Pedestrian Locations

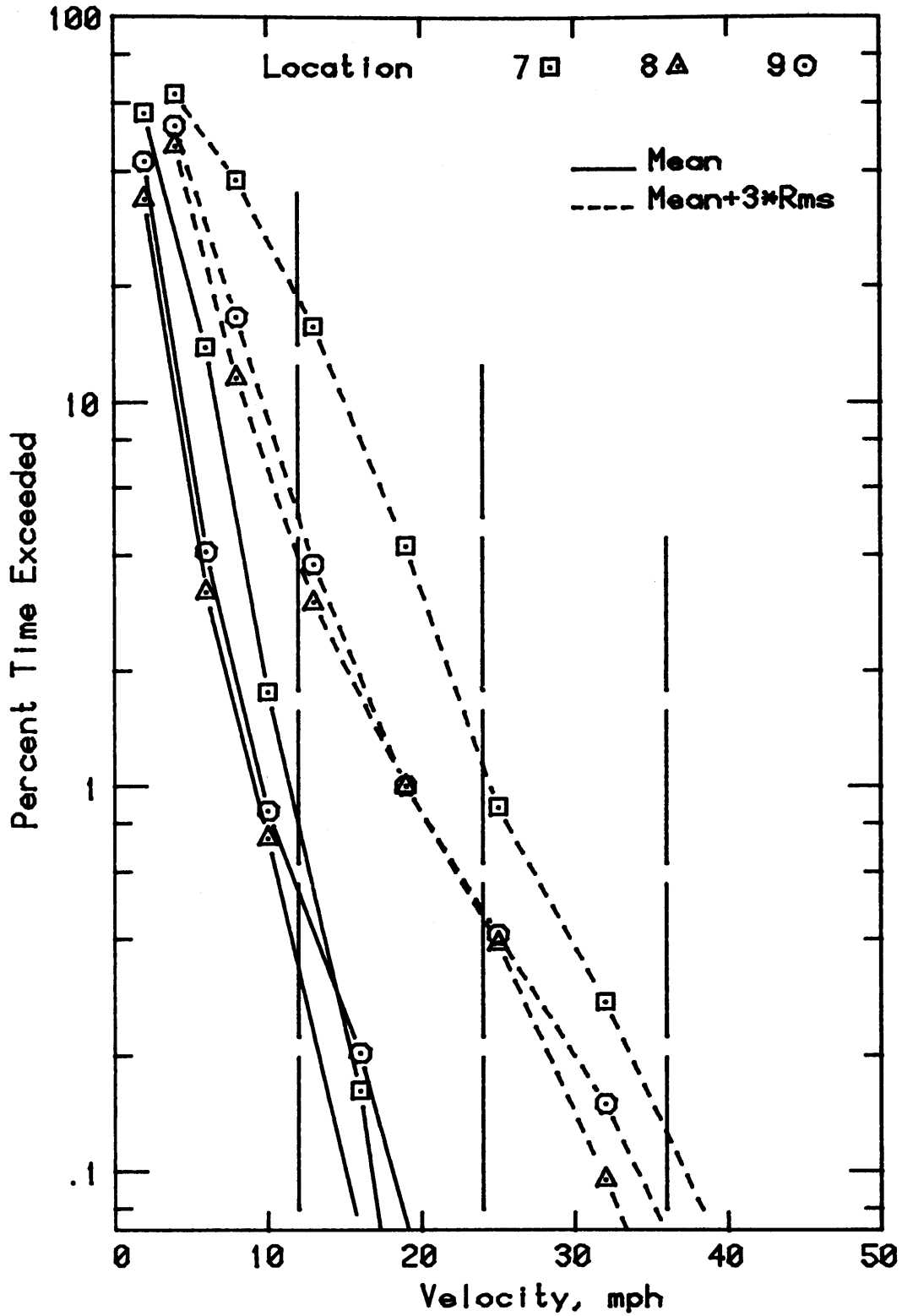


Figure 9c. Wind Velocity Probabilities for Pedestrian Locations

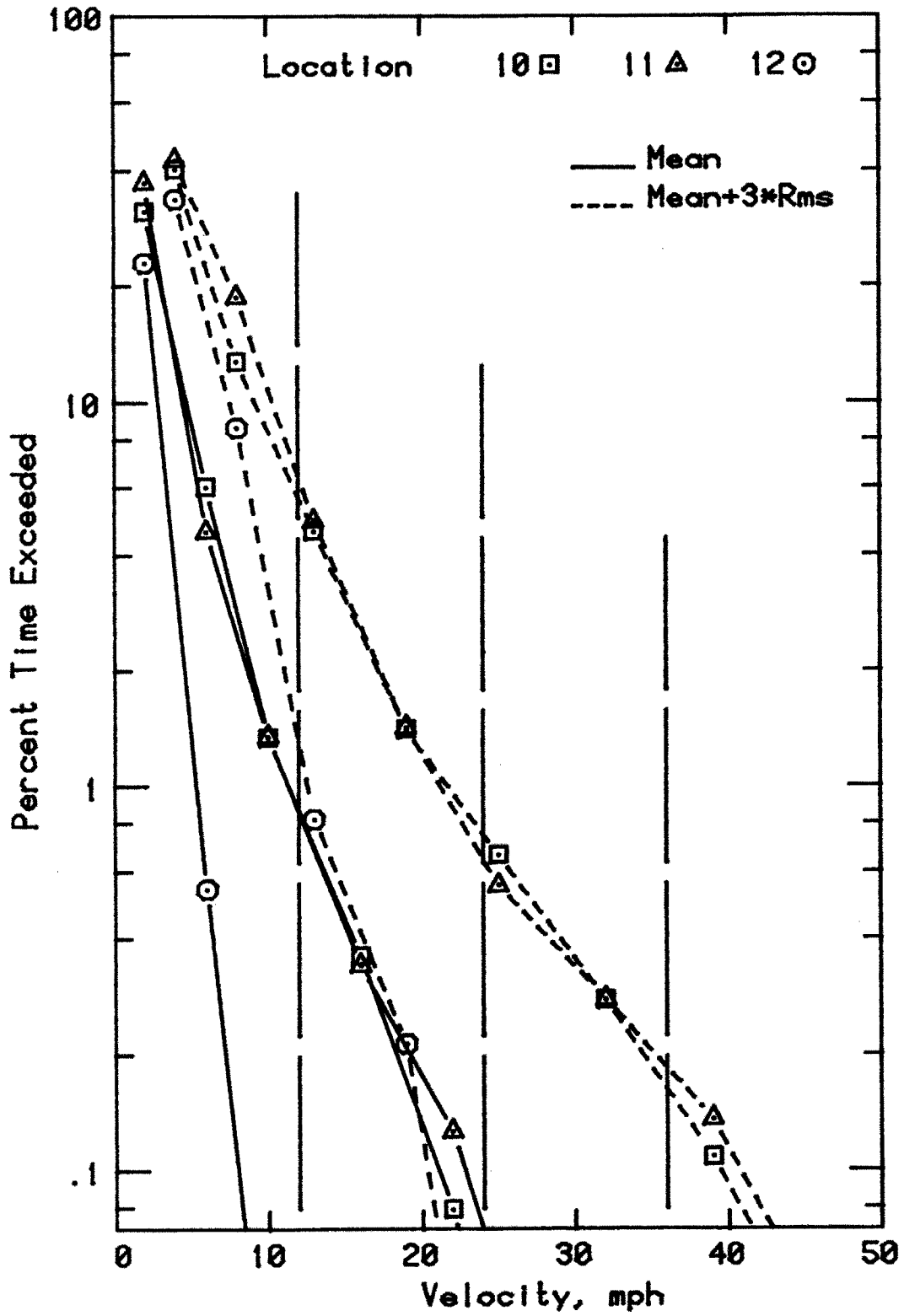


Figure 9d. Wind Velocity Probabilities for Pedestrian Locations

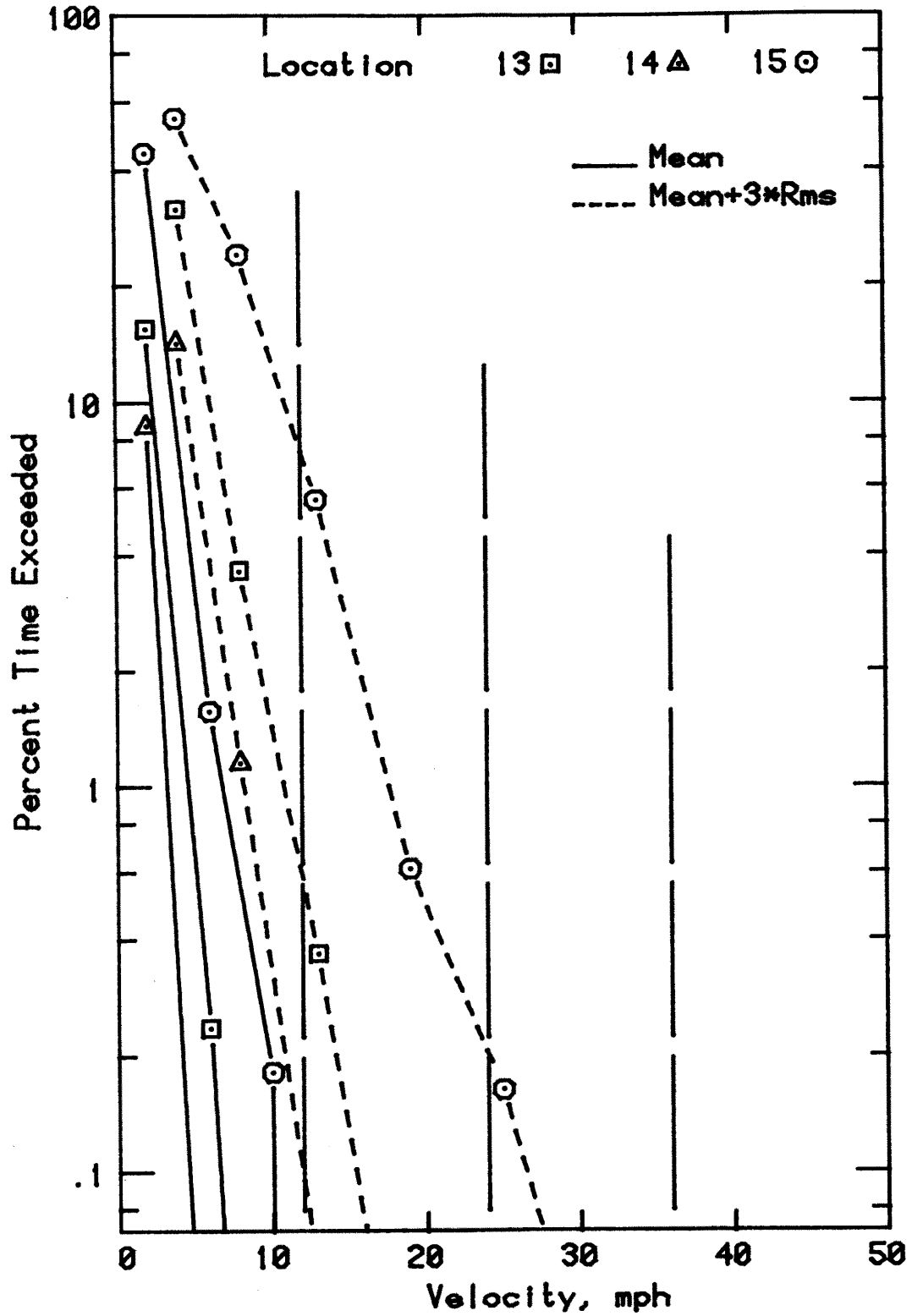


Figure 9e. Wind Velocity Probabilities for Pedestrian Locations

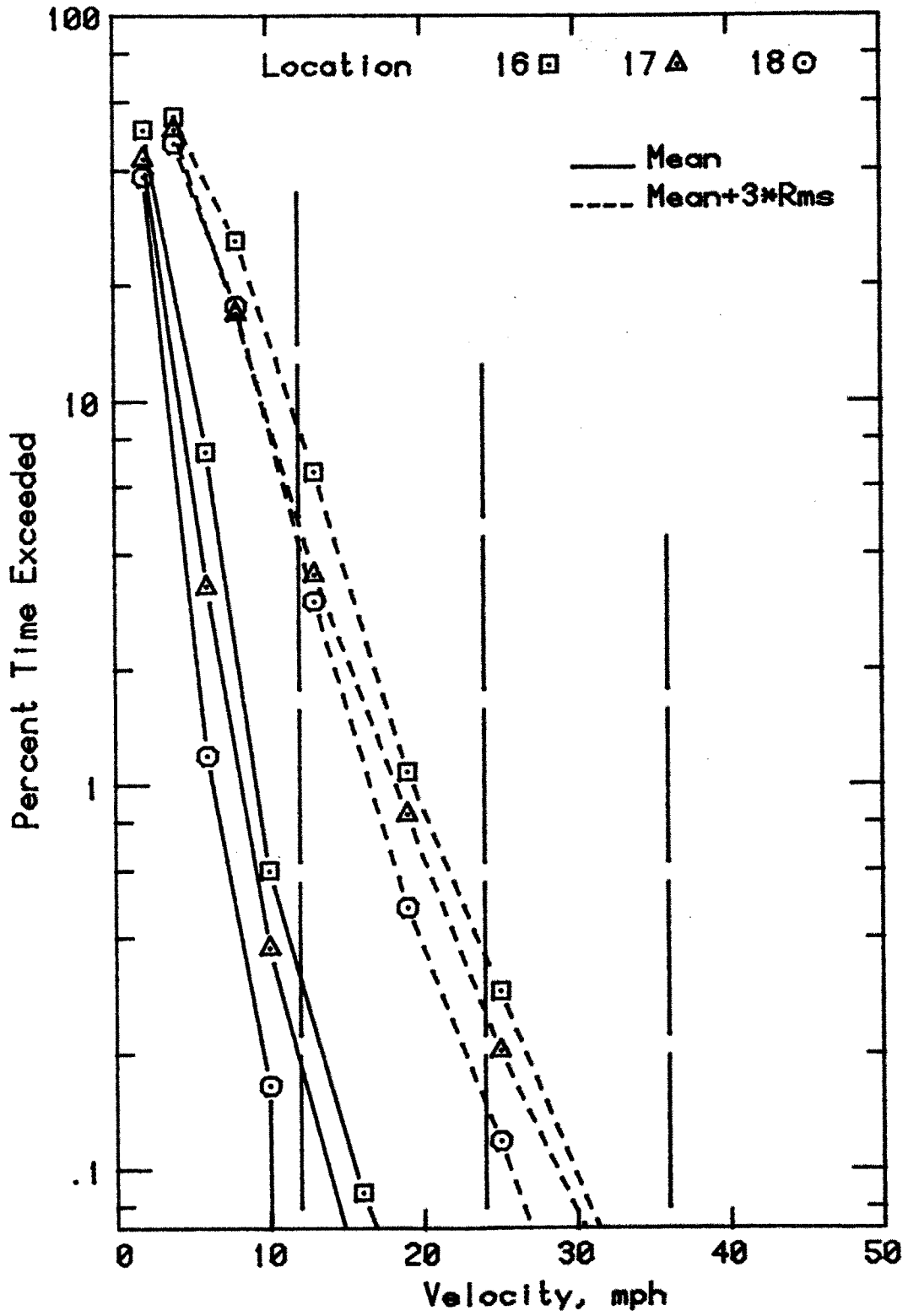


Figure 9f. Wind Velocity Probabilities for Pedestrian Locations

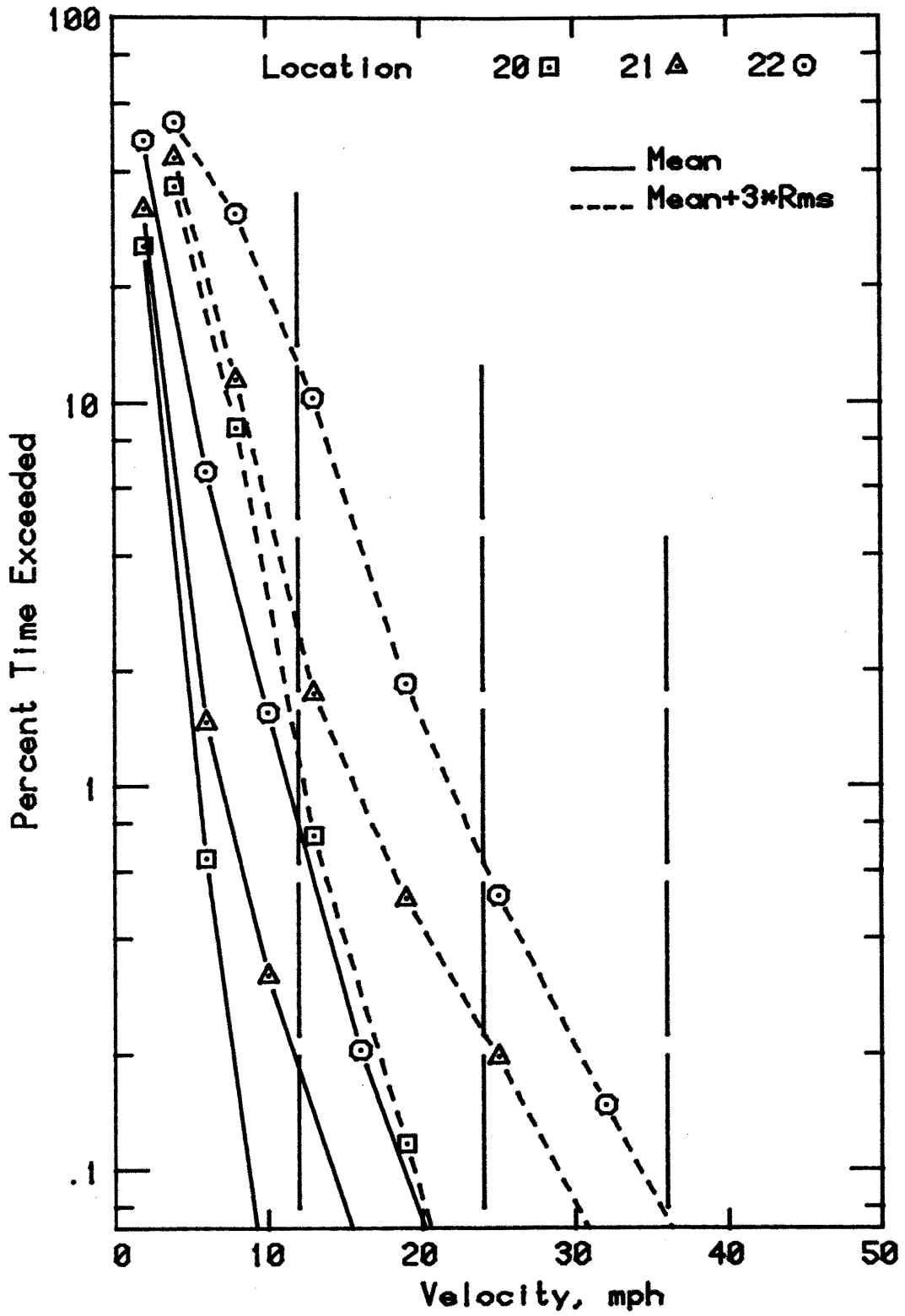


Figure 9g. Wind Velocity Probabilities for Pedestrian Locations

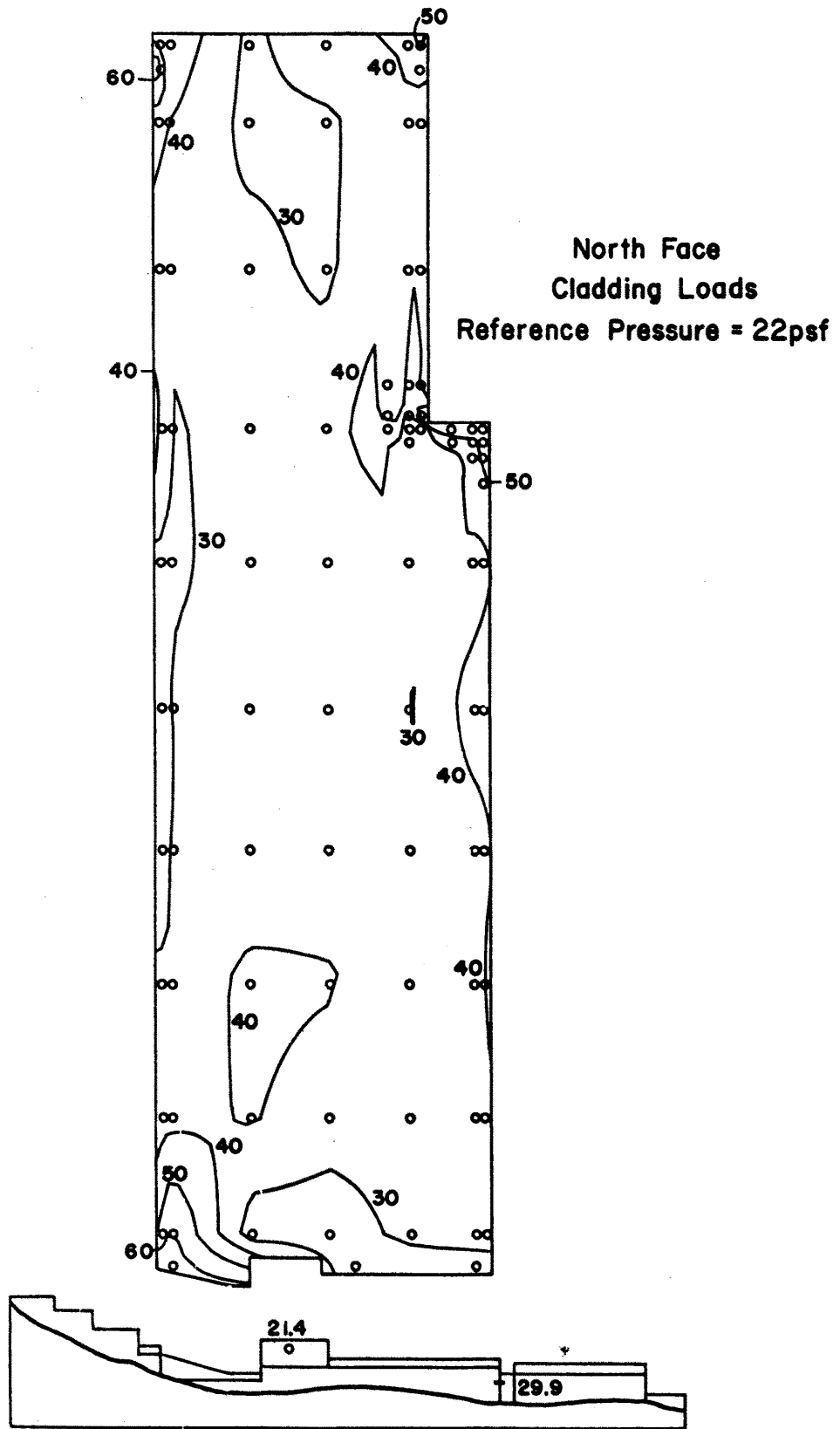


Figure 10a. Peak-Pressure Contours on the Building.

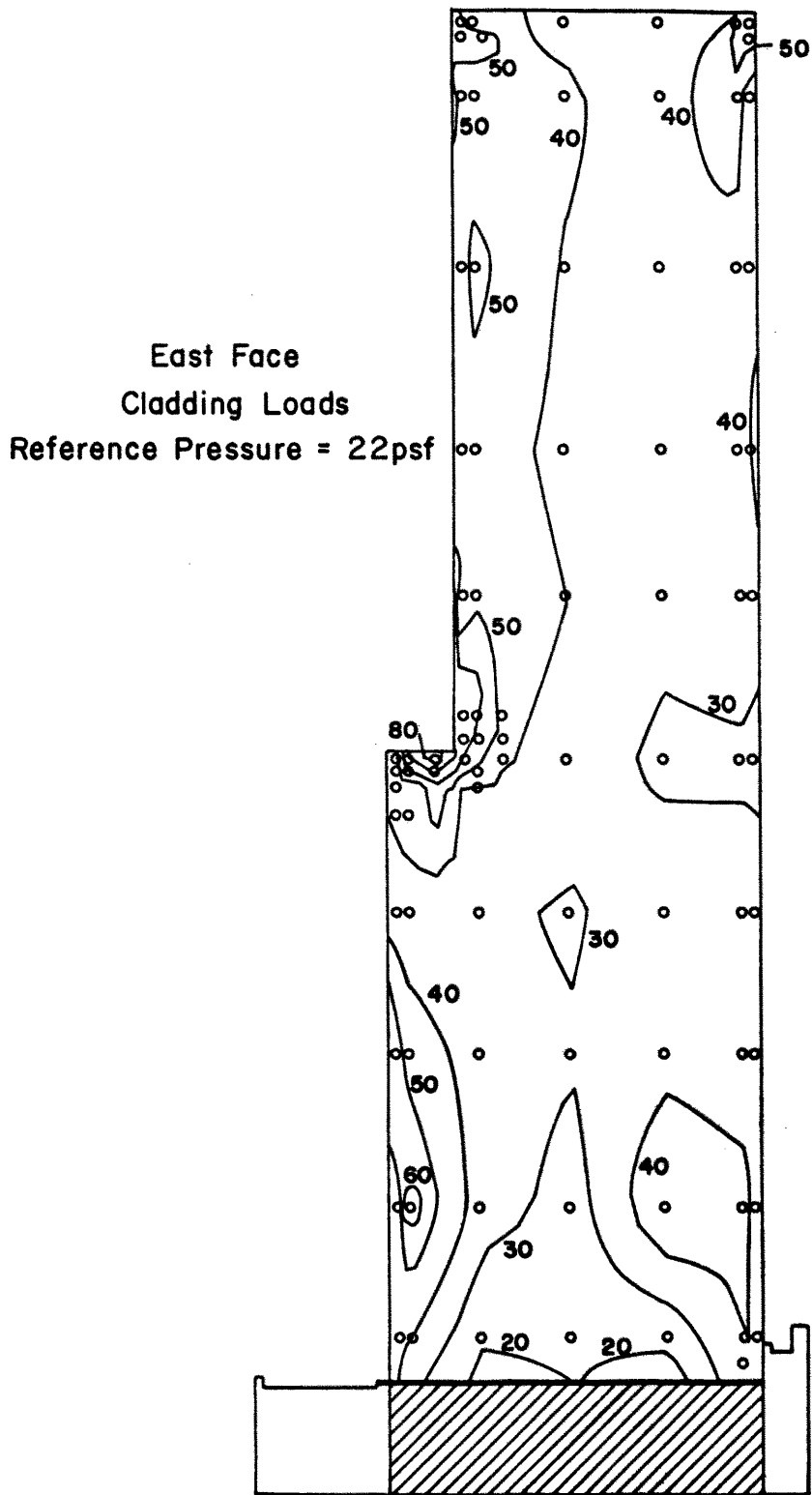


Figure 10b. Peak-Pressure Contours on the Building.

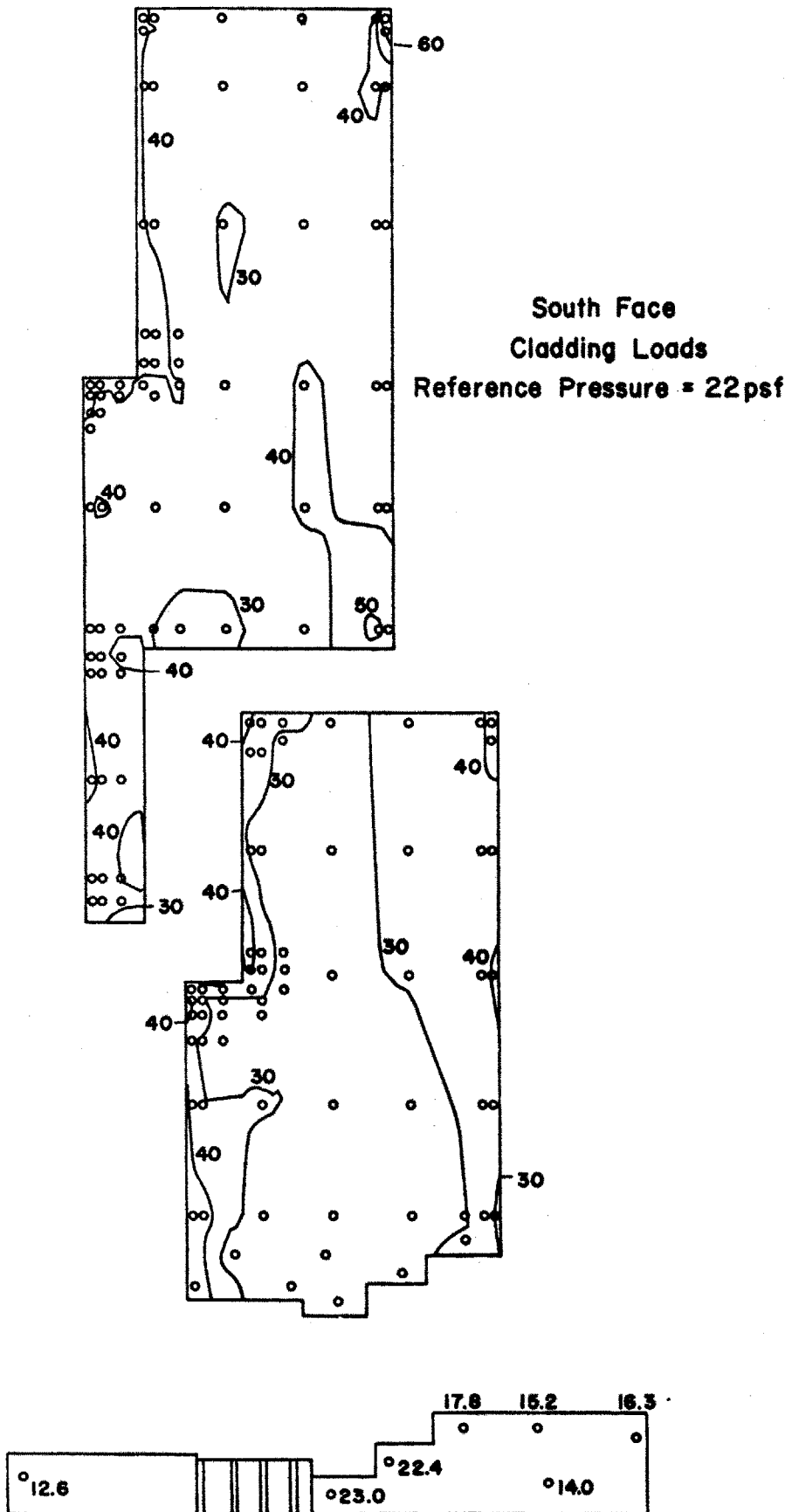
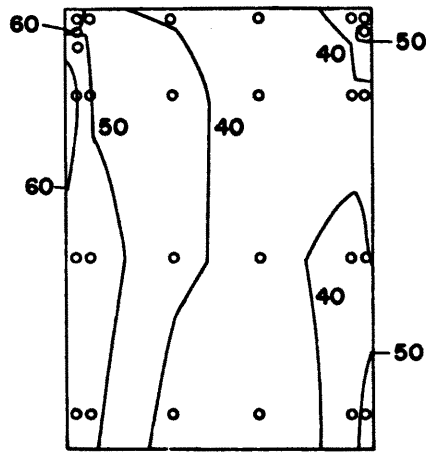


Figure 10c. Peak-Pressure Contours on the Building.



West Face
Cladding Loads
Reference Pressure = 22psf

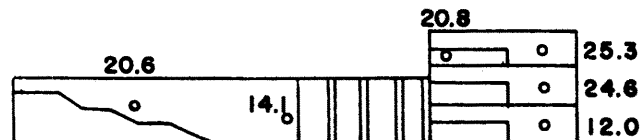
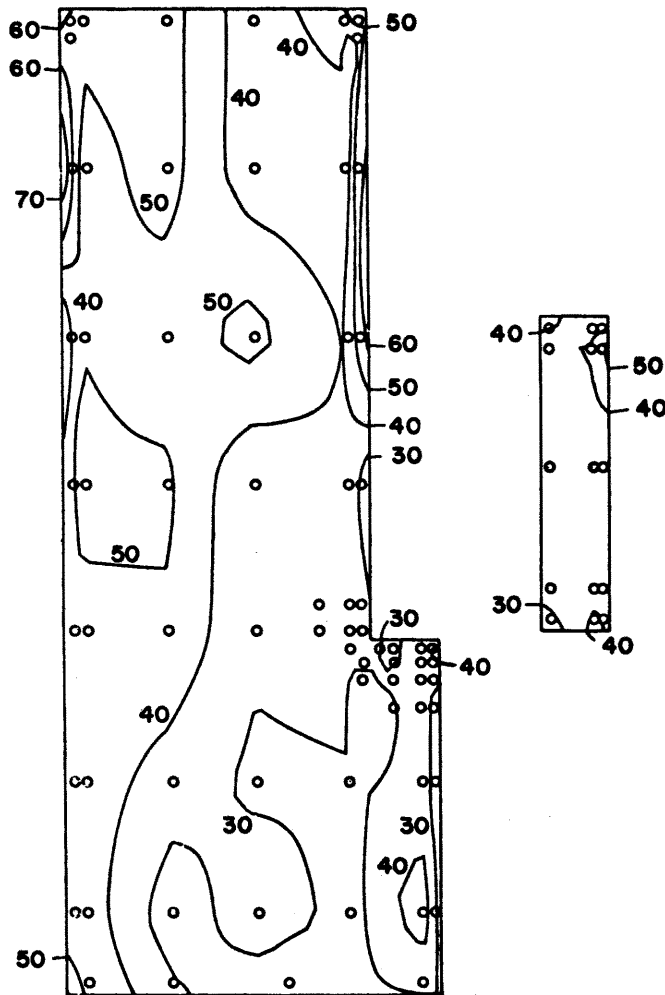


Figure 10d. Peak-Pressure Contours on the Building.

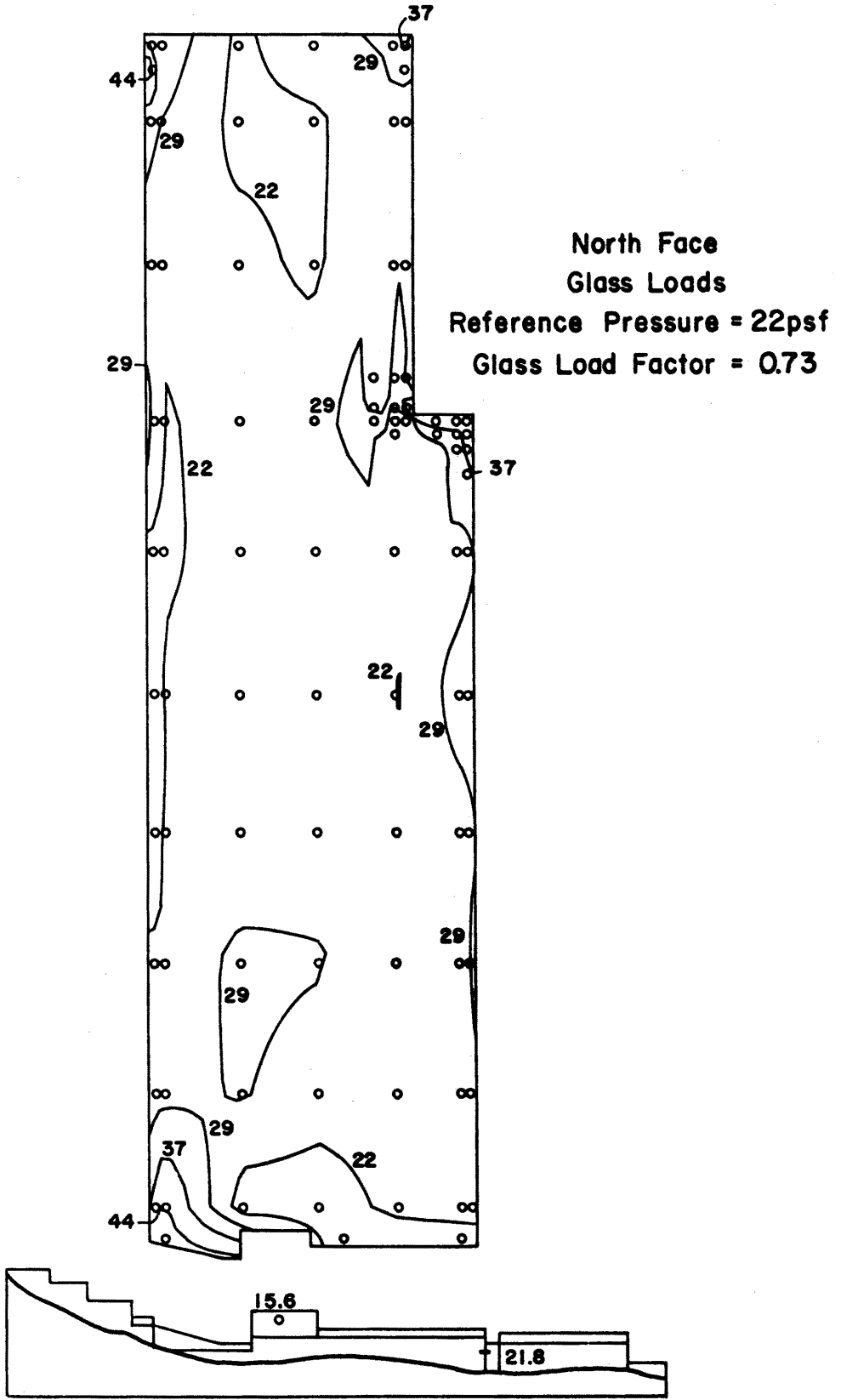


Figure 10e. Peak-Pressure Contours on the Building.

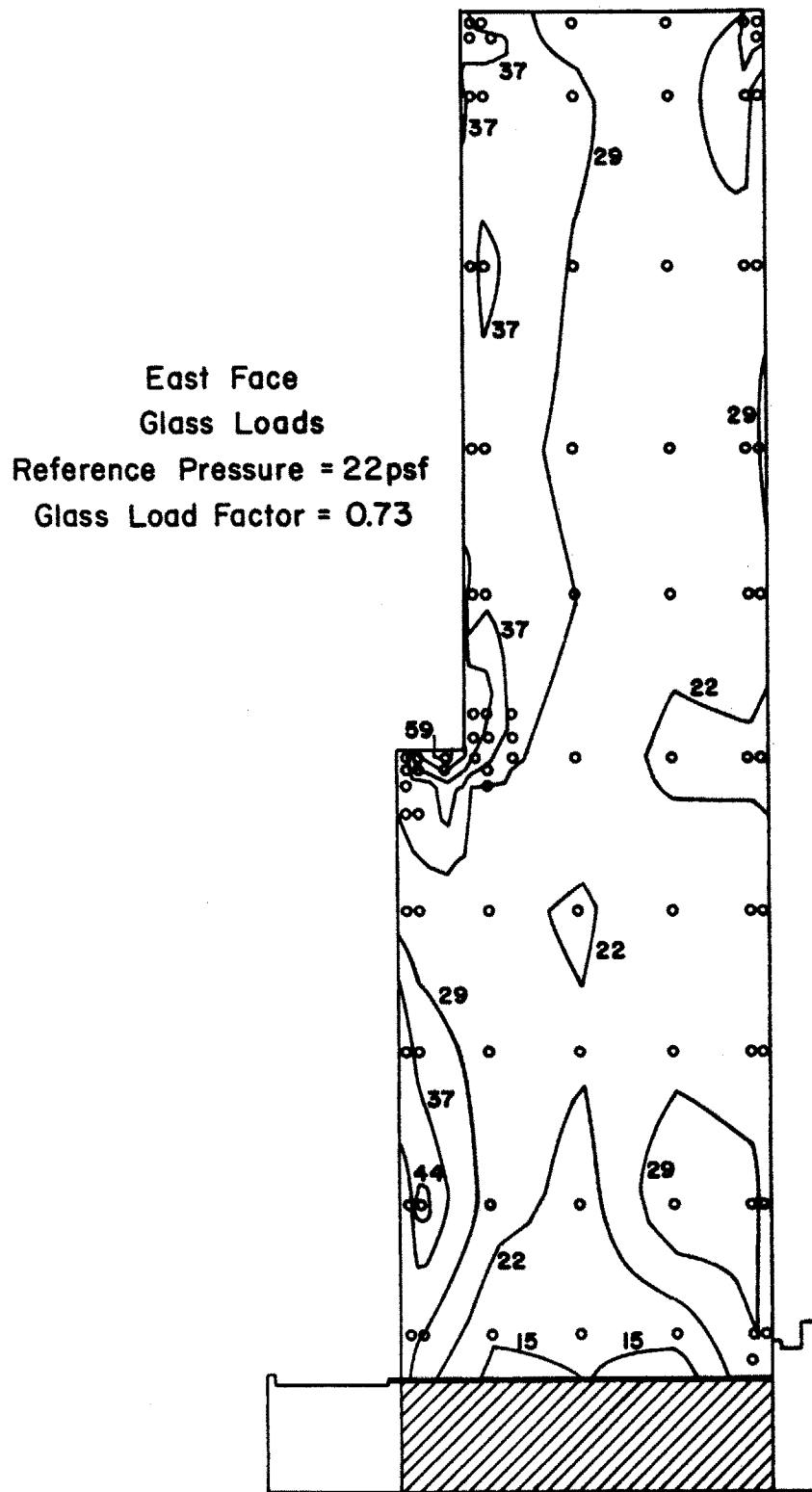


Figure 10f. Peak-Pressure Contours on the Building.

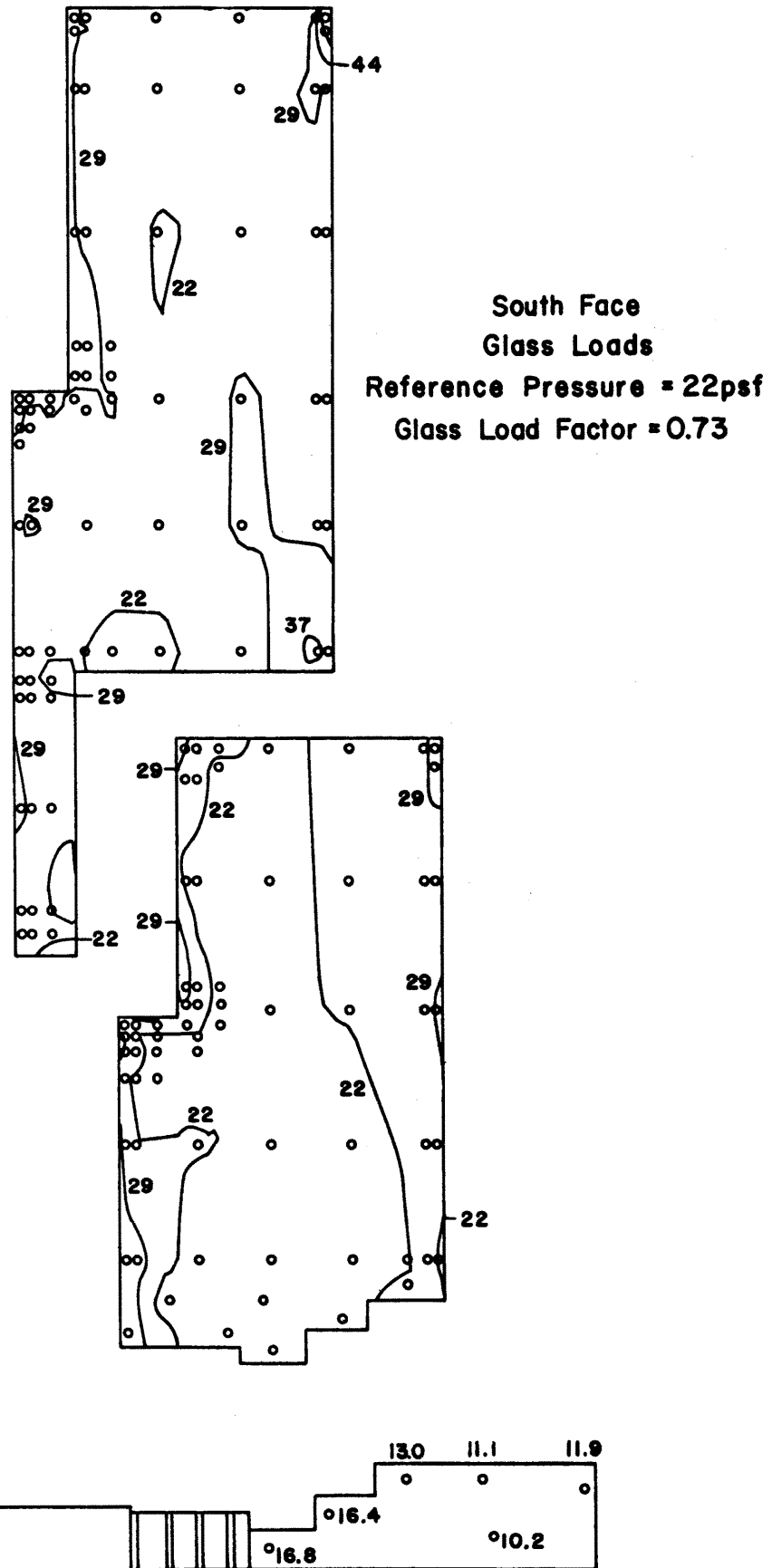
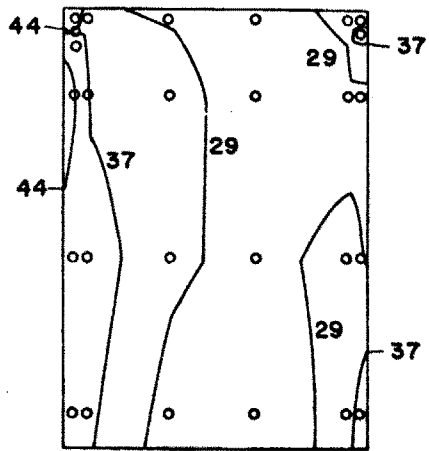


Figure 10g. Peak-Pressure Contours on the Building.



West Face
Glass Loads
Reference Pressure = 22psf
Glass Load Factor = 0.73

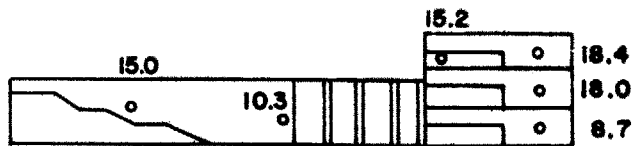
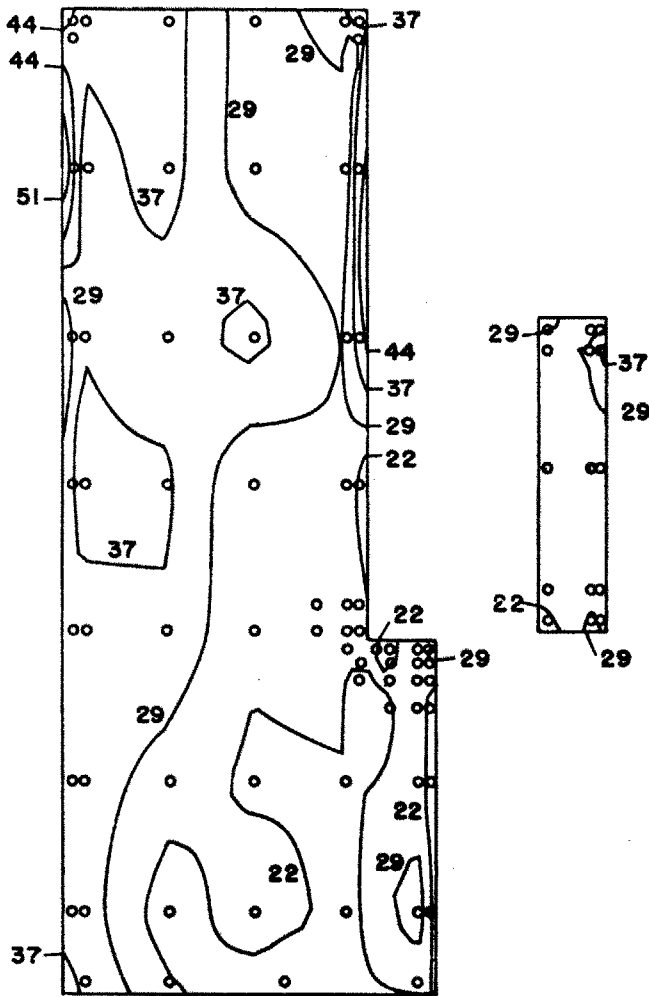


Figure 10h. Peak-Pressure Contours on the Building.

TABLE 1

MOTION PICTURE SCENE GUIDE

<u>Run No.</u>	<u>Approach Wind Direction</u>	<u>Smoke Location</u>
1	110 ^o	North face
2	170 ^o	North face
3a	210 ^o	East face - setback
3b	210 ^o	East face - setback
4	230 ^o	East face
5	170 ^o	West face - setback
6	320 ^o	South face - upper setback
7	110 ^o	South face
8	30 ^o	West face
9	130 ^o	Passageway - East entry
10	310 ^o	Passageway - East entry

TABLE 2--PEDESTRIAN WIND VELOCITIES AND TURBULENCE INTENSITIES
 JAY SQUARE PEDESTRIAN WIND VELOCITIES

LOCATION 1

WIND AZIMUTH	UMEAN/UINF (PERCENT)	URMS/UINF (PERCENT)	UMEAN+3*URMS/UINF (PERCENT)
0.00	66.0	11.6	100.9
22.50	63.1	12.3	99.9
45.00	59.6	14.4	102.9
67.50	19.0	10.9	51.8
90.00	17.7	9.2	45.3
112.50	48.9	13.5	89.4
135.00	53.5	13.2	93.2
157.50	39.4	12.4	76.6
180.00	27.1	14.1	69.3
202.50	31.7	11.0	64.6
225.00	28.0	14.8	72.3
247.50	32.3	15.2	78.0
270.00	26.4	14.0	68.4
292.50	29.3	12.5	66.9
315.00	32.7	13.0	71.7
337.50	55.8	10.7	87.8

LOCATION 2

WIND AZIMUTH	UMEAN/UINF (PERCENT)	URMS/UINF (PERCENT)	UMEAN+3*URMS/UINF (PERCENT)
0.00	14.9	7.6	37.8
22.50	13.0	6.4	32.1
45.00	17.1	8.1	41.4
67.50	15.5	9.1	42.8
90.00	9.9	5.0	24.9
112.50	11.3	5.8	28.8
135.00	18.8	10.0	48.8
157.50	33.5	13.1	72.7
180.00	25.1	11.6	59.8
202.50	16.6	9.1	43.8
225.00	13.9	6.9	34.8
247.50	17.4	10.9	50.2
270.00	13.5	7.1	34.8
292.50	8.6	3.7	19.8
315.00	9.9	4.6	23.7
337.50	11.2	5.3	27.1

LOCATION 3

WIND AZIMUTH	UMEAN/UINF (PERCENT)	URMS/UINF (PERCENT)	UMEAN+3*URMS/UINF (PERCENT)
0.00	26.9	8.8	53.3
22.50	38.9	13.5	79.3
45.00	38.6	14.4	81.7
67.50	14.0	7.4	36.3
90.00	11.0	5.4	27.3
112.50	21.9	10.5	53.3
135.00	17.7	8.3	42.6
157.50	29.0	9.0	56.0
180.00	26.3	9.5	54.7
202.50	27.1	10.1	57.3
225.00	22.1	10.2	52.5
247.50	22.5	11.8	57.9
270.00	21.8	11.2	55.5
292.50	12.8	6.8	33.1
315.00	14.6	7.5	37.2
337.50	16.9	7.9	40.6

LOCATION 4

WIND AZIMUTH	UMEAN/UINF (PERCENT)	URMS/UINF (PERCENT)	UMEAN+3*URMS/UINF (PERCENT)
0.00	41.4	14.3	84.3
22.50	36.1	15.6	82.9
45.00	31.8	14.4	75.1
67.50	19.2	11.7	54.2
90.00	11.8	6.7	31.9
112.50	17.0	8.8	43.3
135.00	18.8	10.5	50.2
157.50	26.2	12.3	63.0
180.00	29.4	14.3	72.3
202.50	26.8	13.7	67.9
225.00	21.3	11.9	57.0
247.50	32.0	15.2	77.6
270.00	41.9	15.0	87.0
292.50	22.7	11.8	58.1
315.00	22.8	11.6	57.5
337.50	19.4	10.5	51.0

17

TABLE 2--PEDESTRIAN WIND VELOCITIES AND TURBULENCE INTENSITIES

JAY SQUARE PEDESTRIAN WIND VELOCITIES

LOCATION 5

WIND AZIMUTH	U _{MEAN} /U _{INF} (PERCENT)	U _{RMS} /U _{INF} (PERCENT)	U _{MEAN} +3*U _{RMS} /U _{INF} (PERCENT)
0.00	37.3	13.7	78.5
22.50	30.2	11.2	64.0
45.00	30.8	12.7	68.9
67.50	13.7	7.2	35.3
90.00	4.5	2.3	11.5
112.50	13.3	6.2	31.9
135.00	13.0	6.9	33.5
157.50	18.8	11.3	52.7
180.00	13.4	7.0	34.5
202.50	12.8	7.0	33.9
225.00	12.8	7.5	35.3
247.50	17.1	10.2	47.9
270.00	25.1	11.2	58.8
292.50	14.2	7.4	36.3
315.00	14.4	8.3	39.5
337.50	14.9	8.2	39.4

LOCATION 6

WIND AZIMUTH	U _{MEAN} /U _{INF} (PERCENT)	U _{RMS} /U _{INF} (PERCENT)	U _{MEAN} +3*U _{RMS} /U _{INF} (PERCENT)
0.00	16.7	9.9	46.6
22.50	13.1	6.9	33.8
45.00	13.1	7.8	36.5
67.50	9.9	5.4	26.0
90.00	8.4	3.6	19.3
112.50	10.9	6.2	29.4
135.00	11.8	7.3	33.6
157.50	19.7	10.0	49.6
180.00	18.0	9.9	47.6
202.50	18.4	10.9	51.3
225.00	17.5	9.5	46.0
247.50	32.9	13.9	74.6
270.00	39.7	15.9	87.5
292.50	19.0	12.2	55.5
315.00	15.5	9.0	42.5
337.50	19.7	10.3	50.6

LOCATION 7

WIND AZIMUTH	U _{MEAN} /U _{INF} (PERCENT)	U _{RMS} /U _{INF} (PERCENT)	U _{MEAN} +3*U _{RMS} /U _{INF} (PERCENT)
0.00	30.5	12.0	66.6
22.50	20.1	15.1	70.3
45.00	14.6	10.0	46.5
67.50	25.8	11.4	56.1
90.00	12.7	7.8	38.3
112.50	30.3	17.6	88.0
135.00	48.6	18.0	99.7
157.50	23.5	13.1	62.8
180.00	30.2	15.0	75.3
202.50	27.3	13.6	68.1
225.00	20.6	10.5	52.2
247.50	32.2	14.4	75.5
270.00	38.8	13.9	80.4
292.50	21.7	11.9	57.3
315.00	19.6	8.9	46.3
337.50	29.2	12.1	65.7

LOCATION 8

WIND AZIMUTH	U _{MEAN} /U _{INF} (PERCENT)	U _{RMS} /U _{INF} (PERCENT)	U _{MEAN} +3*U _{RMS} /U _{INF} (PERCENT)
0.00	25.8	7.8	49.3
22.50	16.4	8.6	42.3
45.00	26.0	11.4	60.3
67.50	16.1	10.1	46.5
90.00	9.7	6.1	28.0
112.50	47.0	13.1	86.3
135.00	33.6	11.7	68.7
157.50	41.9	15.7	89.0
180.00	42.7	13.9	84.4
202.50	31.5	12.6	69.3
225.00	17.1	7.0	38.2
247.50	9.1	6.1	27.3
270.00	14.6	6.9	35.4
292.50	22.6	13.1	61.7
315.00	21.2	10.7	53.3
337.50	29.0	11.2	62.6

TABLE 2--PEDESTRIAN WIND VELOCITIES AND TURBULENCE INTENSITIES
 JAY SQUARE PEDESTRIAN WIND VELOCITIES

LOCATION 9

WIND AZIMUTH	U _{MEAN} /U _{INF} (PERCENT)	U _{RMS} /U _{INF} (PERCENT)	U _{MEAN} +3*U _{RMS} /U _{INF} (PERCENT)
0.00	45.8	8.5	71.3
22.50	45.7	16.5	95.2
45.00	45.3	14.0	87.2
67.50	15.0	8.0	39.1
90.00	13.4	6.5	33.0
112.50	25.4	12.6	63.1
135.00	22.1	10.2	52.5
157.50	24.9	10.5	56.6
180.00	31.2	10.1	61.5
202.50	35.9	9.9	65.7
225.00	25.1	9.7	54.2
247.50	14.1	8.1	38.3
270.00	15.6	8.1	39.9
292.50	16.0	8.3	40.9
315.00	17.8	8.4	42.9
337.50	33.7	13.0	72.7

LOCATION 10

WIND AZIMUTH	U _{MEAN} /U _{INF} (PERCENT)	U _{RMS} /U _{INF} (PERCENT)	U _{MEAN} +3*U _{RMS} /U _{INF} (PERCENT)
0.00	42.1	18.8	98.5
22.50	33.9	21.8	99.3
45.00	37.1	18.5	92.7
67.50	14.8	10.3	45.8
90.00	13.7	7.0	34.5
112.50	46.7	7.1	68.1
135.00	52.7	7.9	76.4
157.50	57.6	7.0	78.6
180.00	51.7	7.8	74.9
202.50	46.9	9.5	75.5
225.00	35.4	9.7	64.5
247.50	8.3	5.2	24.1
270.00	8.7	4.5	22.3
292.50	13.1	8.7	39.2
315.00	18.8	13.3	58.7
337.50	21.3	13.5	61.8

LOCATION 11

WIND AZIMUTH	U _{MEAN} /U _{INF} (PERCENT)	U _{RMS} /U _{INF} (PERCENT)	U _{MEAN} +3*U _{RMS} /U _{INF} (PERCENT)
0.00	56.0	11.2	89.5
22.50	48.8	14.6	92.5
45.00	41.3	12.5	78.7
67.50	14.4	6.3	33.2
90.00	13.8	6.7	33.9
112.50	30.9	9.8	60.4
135.00	33.0	11.5	67.5
157.50	33.9	9.7	63.1
180.00	26.5	8.8	52.8
202.50	27.4	8.3	52.3
225.00	30.8	10.8	63.1
247.50	16.5	11.8	51.9
270.00	4.2	3.5	14.6
292.50	9.3	6.9	29.9
315.00	12.4	6.3	31.2
337.50	43.6	14.8	88.0

LOCATION 12

WIND AZIMUTH	U _{MEAN} /U _{INF} (PERCENT)	U _{RMS} /U _{INF} (PERCENT)	U _{MEAN} +3*U _{RMS} /U _{INF} (PERCENT)
0.00	18.9	8.7	45.0
22.50	19.5	9.6	48.3
45.00	17.8	8.4	42.9
67.50	5.5	3.7	16.7
90.00	7.6	5.5	24.2
112.50	22.6	10.6	54.4
135.00	19.1	9.9	48.8
157.50	9.6	7.3	31.6
180.00	7.3	5.2	22.9
202.50	9.6	6.8	30.1
225.00	13.9	9.0	40.9
247.50	17.5	9.1	44.9
270.00	5.8	4.1	18.0
292.50	7.7	4.9	22.5
315.00	8.4	5.1	23.6
337.50	17.6	8.0	41.7

TABLE 2--PEDESTRIAN WIND VELOCITIES AND TURBULENCE INTENSITIES

JAY SQUARE PEDESTRIAN WIND VELOCITIES

LOCATION 13

WIND AZIMUTH	UMEAN/UINF (PERCENT)	URMS/UINF (PERCENT)	UMEAN+3*URMS/UINF (PERCENT)
0.00	11.7	5.0	26.7
22.50	11.2	4.8	25.7
45.00	10.6	4.8	25.0
67.50	3.5	2.5	11.1
90.00	5.0	3.7	16.0
112.50	24.5	6.8	45.0
135.00	21.3	6.8	41.6
157.50	17.0	6.9	37.8
180.00	14.9	6.6	34.6
202.50	14.9	8.7	41.0
225.00	11.6	9.3	39.4
247.50	10.7	7.1	31.9
270.00	10.3	6.4	29.4
292.50	6.1	4.0	18.3
315.00	5.6	3.9	17.3
337.50	9.6	3.9	21.4

LOCATION 14

WIND AZIMUTH	UMEAN/UINF (PERCENT)	URMS/UINF (PERCENT)	UMEAN+3*URMS/UINF (PERCENT)
0.00	8.2	3.3	18.1
22.50	6.9	3.2	16.6
45.00	6.1	2.5	13.6
67.50	3.0	1.2	6.7
90.00	4.7	2.9	13.6
112.50	12.7	5.9	30.3
135.00	13.0	6.0	30.8
157.50	9.2	5.1	24.4
180.00	8.0	4.7	22.0
202.50	13.2	7.4	35.4
225.00	14.4	6.8	34.9
247.50	9.0	4.0	21.1
270.00	8.0	3.8	19.4
292.50	2.7	2.1	8.9
315.00	2.6	2.0	8.7
337.50	8.3	3.6	19.1

LOCATION 15

WIND AZIMUTH	UMEAN/UINF (PERCENT)	URMS/UINF (PERCENT)	UMEAN+3*URMS/UINF (PERCENT)
0.00	24.3	12.3	61.3
22.50	19.3	10.8	51.8
45.00	17.4	9.3	45.2
67.50	18.3	11.0	51.5
90.00	15.3	9.2	42.8
112.50	26.5	11.4	60.7
135.00	27.8	10.5	59.1
157.50	14.2	8.2	38.9
180.00	18.7	10.5	50.2
202.50	19.6	10.8	51.9
225.00	22.2	12.2	58.8
247.50	21.5	11.3	55.2
270.00	22.3	10.8	54.7
292.50	10.7	5.8	28.0
315.00	12.9	7.1	34.3
337.50	13.0	7.1	34.2

LOCATION 16

WIND AZIMUTH	UMEAN/UINF (PERCENT)	URMS/UINF (PERCENT)	UMEAN+3*URMS/UINF (PERCENT)
0.00	22.3	10.9	54.9
22.50	18.1	8.9	44.9
45.00	15.7	8.0	39.8
67.50	14.7	6.7	34.9
90.00	17.0	7.8	40.4
112.50	51.5	9.5	79.9
135.00	53.0	12.5	90.4
157.50	22.1	11.9	58.0
180.00	22.1	11.4	56.2
202.50	31.2	14.0	73.1
225.00	36.2	13.1	75.4
247.50	28.1	10.6	60.1
270.00	20.5	8.8	47.0
292.50	12.7	6.1	31.1
315.00	15.1	6.9	35.9
337.50	16.6	7.4	38.9

TABLE 2--PEDESTRIAN WIND VELOCITIES AND TURBULENCE INTENSITIES

JAY SQUARE PEDESTRIAN WIND VELOCITIES

LOCATION 17

WIND AZINUTH	UNEAN/UINF (PERCENT)	URMS/UINF (PERCENT)	UNEAN+3*URMS/UINF (PERCENT)
0.00	17.2	8.2	41.8
22.50	15.7	9.0	42.8
45.00	14.3	7.9	38.1
67.50	13.8	7.1	35.2
90.00	18.2	9.2	45.9
112.50	44.7	14.1	87.0
135.00	45.2	13.9	86.9
157.50	21.4	11.3	55.3
180.00	28.4	11.8	64.0
202.50	32.8	14.4	76.0
225.00	33.7	13.9	75.4
247.50	17.4	8.6	43.3
270.00	15.5	7.7	38.6
292.50	9.3	4.1	21.5
315.00	10.7	4.9	25.8
337.50	12.3	6.0	30.2

LOCATION 18

WIND AZINUTH	UNEAN/UINF (PERCENT)	URMS/UINF (PERCENT)	UNEAN+3*URMS/UINF (PERCENT)
0.00	27.2	11.9	63.0
22.50	23.6	12.0	59.6
45.00	14.4	7.9	38.2
67.50	12.9	6.5	32.3
90.00	14.9	7.3	36.8
112.50	15.9	7.4	38.2
135.00	25.5	8.6	51.2
157.50	16.7	7.9	40.3
180.00	23.1	9.7	52.3
202.50	20.0	9.5	48.5
225.00	12.7	6.8	33.0
247.50	19.9	11.2	53.4
270.00	17.8	9.4	45.9
292.50	11.8	6.3	30.7
315.00	15.1	7.8	38.5
337.50	15.4	7.3	37.5

LOCATION 20

WIND AZINUTH	UNEAN/UINF (PERCENT)	URMS/UINF (PERCENT)	UNEAN+3*URMS/UINF (PERCENT)
0.00	14.3	7.1	35.6
22.50	25.0	11.7	60.1
45.00	10.0	4.0	22.1
67.50	5.9	1.9	11.6
90.00	6.8	2.8	15.3
112.50	10.8	5.7	27.6
135.00	11.1	5.6	27.9
157.50	16.5	6.8	36.9
180.00	17.7	8.2	42.3
202.50	27.2	9.7	56.2
225.00	22.9	8.1	47.1
247.50	14.3	8.3	39.2
270.00	12.4	7.2	33.9
292.50	9.2	4.5	22.7
315.00	8.8	4.5	22.3
337.50	7.9	3.2	17.4

LOCATION 21

WIND AZINUTH	UNEAN/UINF (PERCENT)	URMS/UINF (PERCENT)	UNEAN+3*URMS/UINF (PERCENT)
0.00	36.9	10.0	66.8
22.50	31.0	9.6	59.9
45.00	28.1	8.2	52.7
67.50	7.2	2.7	15.4
90.00	6.8	3.0	16.0
112.50	33.1	5.7	50.1
135.00	25.4	6.8	45.7
157.50	29.6	16.8	79.9
180.00	19.8	12.6	57.6
202.50	10.0	6.4	29.2
225.00	8.1	5.7	25.3
247.50	12.8	8.1	37.1
270.00	15.6	9.5	44.0
292.50	12.4	6.9	33.1
315.00	13.4	6.2	32.0
337.50	16.9	6.9	37.7

TABLE 2--PEDESTRIAN WIND VELOCITIES AND TURBULENCE INTENSITIES
 JAY SQUARE PEDESTRIAN WIND VELOCITIES

LOCATION 22

WIND AZIMUTH	UMEAN/UINF (PERCENT)	URMS/UINF (PERCENT)	UMEAN+3*URMS/UINF (PERCENT)
0.00	29.1	7.8	52.6
22.50	37.0	10.0	67.1
45.00	35.3	11.1	60.7
67.50	7.5	3.0	16.5
90.00	7.9	3.4	18.1
112.50	11.8	7.1	33.2
135.00	12.0	7.1	33.2
157.50	43.9	13.5	84.3
180.00	52.6	14.3	95.6
202.50	59.4	12.8	97.7
225.00	46.6	15.1	91.9
247.50	23.2	13.7	64.4
270.00	20.3	12.5	57.8
292.50	14.0	9.0	40.8
315.00	14.4	7.8	37.7
337.50	19.2	7.5	41.7

TABLE 3

ANNUAL PERCENTAGE FREQUENCIES OF WIND DIRECTION AND SPEED

Based on Summary of Hourly Observations
 Los Angeles International Airport
 1951-1960
 Effective Anemometer Elevation = 52 ft
 above ground

Annual Hourly Observations of Wind Speed - Miles Per Hour

<u>Direction</u>	<u>0-3</u>	<u>4-7</u>	<u>8-12</u>	<u>13-18</u>	<u>19-24</u>	<u>25-31</u>	<u>32-38</u>	<u>Total</u>
N	.8	.8	.4	.3	.1	.1	.0	2.4
NNE	.5	1.2	.5	.1	.0	.0		2.3
NE	.9	2.4	1.0	.1	.0			4.3
ENE	1.1	2.8	.7	.1	.0	.0		4.8
E	1.5	3.6	.8	.2	.0			6.1
ESE	.9	2.6	.9	.1	.0			4.5
SE	.9	2.2	.8	.1	.1	.0		4.1
SSE	.8	1.1	.5	.1	.1	.0	.0	2.5
S	.6	1.3	.1	.1	.0	.0		2.2
SSW	.5	1.1	.5	.2	.0	.0		2.3
SW	.9	2.1	2.6	.9	.1			6.5
WSW	.9	4.6	10.1	4.3	.1	.1	.0	20.1
W	1.1	4.8	7.3	3.8	.3	.1	.0	17.4
WNW	.7	1.5	.8	.2	.1	.0		3.3
NW	.5	.9	.2	.1	.1	.0	.0	1.8
NNW	.2	.7	.4	.5	.1	.1	.1	2.1
CALM	13.6							13.6
TOTAL	26.5	33.8	27.5	11.0	.9	.3	.1	100.00

TABLE 4
SUMMARY OF WIND EFFECTS ON PEOPLE

	<u>Beaufort number</u>	<u>Speed (mph)</u>	<u>Effects</u>
Calm, light air	0,1	0- 3	Calm, no noticeable wind
Light breeze	2	4- 7	Wind felt on face
Gentle breeze	3	8-12	Wind extends light flag Hair is disturbed Clothing flaps
Moderate breeze	4	13-18	Raises dust, dry soil and loose paper Hair disarranged
Fresh breeze	5	19-24	Force of wind felt on body Drifting snow becomes airborne Limit of agreeable wind on land
Strong breeze	6	25-31	Umbrellas used with difficulty Hair blown straight Difficult to walk steadily Wind noise on ears unpleasant Windborne snow above head height (blizzard)
Near gale	7	32-38	Inconvenience felt when walking
Gale	8	39-46	Generally impedes progress Great difficulty with balance in gusts
Strong gale	9	47-54	People blown over by gusts

Note: Table from Reference 4, p. 40

TABLE 5
CALCULATION OF REFERENCE PRESSURE

1. Basic wind speed from ANSI A58.1 (Ref. 5)

50-yr fastest mile at 30 ft = 60 mph.

$$\text{Mean hourly wind speed} = \frac{60}{1.24} = 48.4 \text{ mph}$$

$$\text{Mean hourly gradient wind speed} = 48.4 \left(\frac{1000}{30}\right)^{.17} = 87.8 \text{ mph}$$

$$\text{Gradient height in wind tunnel} = \frac{1250^1}{350} = 3.57 \text{ ft} = 42.8 \text{ in.}$$

Wind tunnel U_{∞} height was 50 in.

$$\text{Effective } U_{\infty} = 87.8 \left(\frac{50}{42.8}\right)^{.26} = 91.3 \text{ mph}$$

$$\text{Reference pressure } 0.5 \rho U_{\infty}^2 = .00256 (91.3)^2 = 21.3 \text{ psf}$$

$$\text{Use reference pressure} = \underline{\underline{22 \text{ psf}}}$$

2. Reduction of cladding peak pressures to 1 minute equivalent load for glass: multiply by glass load factor = 0.73 (Ref. 8).

3. Loads for 100-yr recurrence wind (Ref. 5):

100-yr fastest mile at 30 ft = 70 mph.

$$\text{Multiply loads by } \left(\frac{70}{60}\right)^2 = 1.36.$$

4. From Lew and Hart (ref. 9):

50-yr fastest mile at 30 ft could be 55 mph.

To use this fastest mile wind, multiply loads by

$$\left(\frac{55}{60}\right)^2 = 0.84$$

TABLE 6 --

CLADDING AND GLASS LOADS-- CONFIGURATION B -- JAY SQUARE -- LOS ANGELES, CALIFORNIA
 LARGEST VALUE OF ABS(CPMAX) OR ABS(CPMIN), PEAK LOAD AND GLASS LOAD (1 MINUTE EQUIVALENT)
 REFERENCE PRESSURE = 22. PSF GLASS LOAD FACTOR= .730

TAP	AZI- MUTH	PRESS COEFF	PEAK LOAD	GLASS LOAD (PSF)	TAP	AZI- MUTH	PRESS COEFF	PEAK LOAD	GLASS LOAD (PSF)	TAP	AZI- MUTH	PRESS COEFF	PEAK LOAD	GLASS LOAD (PSF)
1	110	2.30	50.5	36.9	52	130	1.13	24.8	18.1	213	220	1.53	33.7	24.6
2	100	2.16	47.5	34.7	53	150	1.42	31.3	22.9	214	20	2.20	48.3	35.3
3	30	1.28	28.1	20.5	54	120	1.48	32.5	23.7	215	20	1.72	37.8	27.6
4	310	1.59	35.1	25.6	55	130	1.71	37.5	27.4	216	200	2.02	44.5	32.5
5	310	1.90	41.8	30.5	56	160	1.33	29.2	21.3	217	200	2.41	53.1	38.8
6	310	2.45	53.8	39.3	57	290	2.02	44.5	32.5	218	220	1.78	39.3	28.7
7	110	3.11	68.4	50.0	58	290	1.98	43.6	31.9	219	30	1.75	38.4	28.1
9	310	1.88	41.5	30.3	59	110	1.32	29.1	21.3	220	20	1.58	34.9	25.5
10	100	1.95	42.8	31.3	60	130	1.37	30.2	22.0	221	210	1.63	35.9	26.2
11	100	1.83	40.3	29.4	61	150	1.40	30.7	22.4	222	20	2.05	45.1	32.9
12	110	1.25	27.6	20.1	62	150	1.60	35.1	25.6	223	200	2.06	45.2	33.0
13	120	1.30	28.5	20.8	63	150	1.60	35.2	25.7	224	20	1.68	37.0	27.0
14	320	1.65	36.3	26.5	64	160	1.64	36.1	26.3	225	200	1.46	32.0	23.4
15	320	1.61	35.5	25.9	65	130	1.76	38.7	28.3	226	20	1.40	30.8	22.5
16	110	1.54	33.9	24.8	66	110	1.38	30.4	22.2	227	20	1.75	38.5	28.1
17	100	1.46	32.2	23.5	67	120	1.37	30.1	22.0	228	230	1.81	39.7	29.0
18	110	1.49	32.8	23.9	68	170	1.98	43.6	31.8	229	210	2.16	47.4	34.6
19	300	1.29	28.3	20.7	69	150	1.86	41.0	30.0	230	210	1.82	40.1	29.3
20	320	1.80	39.7	29.0	70	150	1.53	33.6	24.5	231	20	1.52	33.4	24.4
21	320	1.81	39.8	29.1	71	150	1.73	38.1	27.8	232	20	1.67	36.7	26.8
22	320	1.57	34.6	25.3	72	150	1.83	40.3	29.4	233	20	1.58	34.8	25.4
23	290	1.90	41.8	30.5	73	150	1.61	35.4	25.8	234	220	3.32	73.1	53.4
24	310	1.80	39.6	28.9	74	150	1.67	36.7	26.8	235	220	3.03	66.6	48.6
25	310	1.71	37.5	27.4	75	150	1.87	41.1	30.0	236	220	2.17	47.7	34.8
26	320	1.91	42.0	30.6	76	140	1.52	33.4	24.4	237	220	2.80	61.6	45.0
27	320	2.31	50.7	37.0	77	150	1.50	33.1	24.1	238	220	2.32	51.0	37.3
28	110	1.72	37.8	27.6	78	160	1.67	36.8	26.8	239	200	2.27	50.0	36.5
29	100	1.32	29.0	21.2	79	160	1.76	38.6	28.2	240	200	2.28	50.2	36.7
30	130	1.52	33.5	24.5	80	170	2.43	53.4	39.0	241	200	3.12	68.6	50.1
31	120	1.59	35.0	25.5	81	160	2.81	61.7	45.1	242	200	4.04	88.8	64.8
32	300	2.23	49.1	35.8	82	160	1.10	24.2	17.7	243	200	2.73	60.0	43.8
33	310	1.68	36.9	27.0	83	150	1.16	25.5	18.6	244	210	1.86	40.9	29.9
34	310	1.75	38.5	28.1	84	160	1.48	32.6	23.8	245	220	1.65	36.3	26.5
35	310	2.53	55.6	40.6	85	150	1.51	33.3	24.3	246	220	1.26	27.6	20.2
36	310	2.36	52.0	38.0	86	160	1.53	33.6	24.6	247	20	1.29	28.4	20.7
37	310	2.48	54.6	39.9	87	160	2.96	65.2	47.6	248	20	1.26	27.8	20.3
38	310	1.62	35.6	26.0	88	160	1.12	24.7	18.0	249	220	3.14	69.1	50.4
39	310	1.57	34.5	25.2	89	160	1.22	26.9	19.6	250	220	1.68	37.0	27.0
40	310	2.04	45.0	32.8	201	210	2.34	51.4	37.5	251	210	2.58	56.7	41.4
41	310	2.68	59.0	43.0	202	10	2.05	45.0	32.9	252	200	2.02	44.4	32.4
42	280	1.75	38.5	28.1	203	20	1.67	36.8	26.9	253	210	2.02	44.5	32.5
43	320	2.46	54.2	39.5	204	20	1.61	35.5	25.9	254	210	1.77	39.0	28.5
44	280	2.14	47.2	34.4	205	40	1.81	39.7	29.0	255	210	1.90	41.7	30.4
45	120	1.28	28.1	20.5	206	20	2.55	56.1	41.0	256	210	2.04	45.0	32.8
46	120	1.30	28.6	20.9	207	200	2.69	59.3	43.3	257	230	1.55	34.2	25.0
47	120	1.50	33.1	24.1	208	200	2.54	55.9	40.8	258	230	1.54	33.9	24.8
48	120	1.39	30.7	22.4	209	70	2.54	55.8	40.7	259	230	1.45	32.0	23.3
49	290	1.50	33.0	24.1	210	20	1.80	39.6	28.9	260	20	1.31	28.7	21.0
50	130	1.62	35.6	26.0	211	200	1.91	42.1	30.7	261	20	1.64	36.1	26.3
51	310	1.74	38.2	27.9	212	220	1.92	42.3	30.9	262	20	1.55	34.1	24.9

TABLE 6 --

CLADDING AND GLASS LOADS-- CONFIGURATION B -- JAY SQUARE -- LOS ANGELES, CALIFORNIA
 LARGEST VALUE OF ABS(CPMAX) OR ABS(CPMIN), PEAK LOAD AND GLASS LOAD (1 MINUTE EQUIVALENT)
 REFERENCE PRESSURE = 22. PSF GLASS LOAD FACTOR= .730

TAP	AZI- MUTH	PRESS COEFF	PEAK LOAD	GLASS LOAD (PSF)	TAP	AZI- MUTH	PRESS COEFF	PEAK LOAD	GLASS LOAD (PSF)	TAP	AZI- MUTH	PRESS COEFF	PEAK LOAD	GLASS LOAD (PSF)
263	20	1.55	34.1	24.9	427	320	1.69	37.2	27.2	503	340	1.49	32.8	24.0
264	230	2.73	60.0	43.8	428	300	1.77	38.9	28.4	504	130	1.27	28.0	20.4
265	230	2.10	46.2	33.7	429	320	2.02	44.5	32.5	505	130	1.45	32.0	23.4
266	230	1.57	34.6	25.3	430	320	2.07	45.5	33.2	506	130	1.56	34.4	25.1
267	20	1.40	30.9	22.6	431	310	1.64	36.1	26.4	507	150	2.08	45.7	33.4
268	20	1.66	36.4	26.6	432	320	1.89	41.6	30.3	508	340	1.76	38.7	28.2
269	20	1.51	33.3	24.3	433	140	1.38	30.4	22.2	509	340	1.58	34.9	25.5
270	20	1.48	32.5	23.7	434	130	1.88	41.4	30.2	510	110	1.23	27.1	19.8
271	230	2.07	45.6	33.3	435	130	1.64	36.0	26.3	511	150	2.04	45.0	32.8
272	230	2.81	61.9	45.2	436	170	1.66	36.5	26.6	512	340	1.32	29.0	21.2
273	230	1.54	33.9	24.7	437	300	2.05	45.2	33.0	513	340	1.22	26.9	19.7
274	0	1.20	26.4	19.3	438	320	1.59	35.0	25.5	514	340	1.18	25.9	18.9
275	340	2.29	50.5	36.9	439	320	1.79	39.4	28.8	515	130	1.50	33.1	24.2
276	20	2.01	44.1	32.2	440	310	1.80	39.6	28.9	516	120	1.50	32.9	24.0
277	20	1.70	37.4	27.3	441	300	2.11	46.5	33.9	517	120	1.44	31.7	23.1
278	240	1.92	42.3	30.9	442	300	1.69	37.1	27.1	518	280	2.11	46.5	33.9
279	240	1.88	41.4	30.3	443	310	1.53	33.6	24.6	519	290	1.50	32.9	24.0
280	230	.96	21.1	15.4	444	120	1.80	39.6	28.9	520	290	1.31	28.9	21.1
281	340	.99	21.8	15.9	445	310	1.87	41.2	30.1	521	290	1.85	40.7	29.7
282	20	1.04	23.0	16.8	446	320	1.64	36.1	26.4	522	300	1.50	33.0	24.1
283	20	1.85	40.7	29.7	447	330	1.50	33.0	24.1	523	10	1.26	27.7	20.2
284	20	1.50	33.0	24.1	448	130	1.87	41.2	30.1	524	10	1.31	28.9	21.1
285	20	1.73	38.1	27.8	449	140	1.73	38.1	27.8	525	120	1.38	30.5	22.2
286	0	.79	17.4	12.7	450	140	1.71	37.6	27.4	526	120	1.71	37.6	27.4
401	320	1.83	40.3	29.5	451	150	1.62	35.7	26.0	527	120	1.87	41.1	30.0
402	300	1.75	38.5	28.1	452	300	1.31	28.8	21.0	528	340	1.63	35.8	26.1
403	320	1.44	31.7	23.1	453	320	1.71	37.6	27.4	529	340	1.78	39.2	28.6
404	130	1.49	32.7	23.9	454	120	1.38	30.3	22.1	530	290	1.81	39.8	29.0
405	130	1.61	35.4	25.9	455	290	1.26	27.6	20.2	531	300	1.54	34.0	24.8
406	130	2.86	62.8	45.9	456	130	1.31	28.7	21.0	532	300	1.21	26.6	19.4
407	300	1.85	40.7	29.7	457	130	1.56	34.3	25.0	532	300	1.21	26.6	19.4
408	140	2.38	52.3	38.2	458	120	2.28	50.2	36.7	533	300	1.88	41.4	30.2
409	130	2.86	62.9	45.9	459	120	2.14	47.1	34.4	534	340	1.29	28.3	20.7
410	110	1.84	40.5	29.6	460	150	1.60	35.2	25.7	535	340	1.29	28.4	20.7
411	300	1.39	30.6	22.3	461	160	1.57	34.5	25.2	536	290	1.34	29.5	21.5
412	320	1.62	35.7	26.1	462	170	2.07	45.5	33.2	537	330	1.73	38.1	27.8
413	130	1.51	33.2	24.3	463	160	1.66	36.5	26.7	538	260	1.53	33.7	24.6
414	130	1.91	42.1	30.7	464	160	1.59	34.9	25.5	539	340	1.25	27.4	20.0
415	130	1.81	39.8	29.0	465	170	1.63	35.9	26.2	540	10	1.18	25.9	18.9
416	120	1.83	40.2	29.3	466	160	1.92	42.2	30.8	541	340	1.38	30.4	22.2
417	120	1.72	37.9	27.7	467	150	1.77	39.0	28.5	542	340	1.33	29.2	21.3
418	130	1.31	28.8	21.0	468	150	1.70	37.4	27.3	543	340	1.24	27.2	19.9
419	140	1.48	32.5	23.7	469	330	1.37	30.2	22.1	544	340	1.73	38.0	27.7
420	180	1.59	35.0	25.6	470	150	1.54	33.9	24.7	545	340	1.36	29.9	21.8
421	330	1.43	31.5	23.0	471	150	1.89	41.5	30.3	546	0	1.41	31.0	22.7
422	310	2.12	46.6	34.0	472	330	1.64	36.1	26.4	547	0	1.26	27.8	20.3
423	310	2.13	46.9	34.2	473	330	1.47	32.4	23.6	548	120	1.20	26.3	19.2
424	310	1.66	36.6	26.7	474	160	1.50	33.1	24.1	549	130	1.49	32.8	23.9
425	310	2.06	45.3	33.1	501	330	2.00	44.0	32.1	550	110	1.57	34.5	25.2
426	310	1.99	43.8	32.0	502	340	1.39	30.6	22.3	551	350	1.93	42.5	31.0

TABLE 6 --

CLADDING AND GLASS LOADS-- CONFIGURATION B -- JAY SQUARE --
 LARGEST VALUE OF ABS(CPMAX) OR ABS(CPMIN), PEAK LOAD AND GLASS LOAD (1 MINUTE EQUIVALENT)
 REFERENCE PRESSURE = 22. PSF GLASS LOAD FACTOR= .730

LOS ANGELES, CALIFORNIA

TAP	AZI- MUTH	PRESS COEFF	PEAK LOAD	GLASS LOAD (PSF)	TAP	AZI- MUTH	PRESS COEFF	PEAK LOAD	GLASS LOAD (PSF)	TAP	AZI- MUTH	PRESS COEFF	PEAK LOAD	GLASS LOAD (PSF)
552	350	2.01	44.1	32.2	636	30	3.15	69.4	50.7	686	130	1.32	29.0	21.2
553	10	1.07	23.6	17.2	637	30	2.00	43.9	32.1	687	150	2.06	45.4	33.2
554	10	1.04	23.0	16.8	638	30	2.52	55.4	40.5	688	150	2.06	45.2	33.0
554	10	1.04	23.0	16.8	639	30	1.54	33.9	24.7	689	160	1.05	23.1	16.9
555	0	.98	21.6	15.8	640	50	1.45	31.9	23.3	690	30	1.69	37.1	27.1
556	120	1.33	29.2	21.3	641	30	2.52	55.4	40.4	691	160	1.17	25.8	18.8
557	120	1.71	37.7	27.5	642	50	1.63	35.9	26.2	692	160	2.18	47.9	35.0
558	120	1.37	30.1	22.0	643	20	2.26	49.7	36.3	693	140	1.56	34.2	25.0
559	0	.98	21.5	15.7	644	30	1.94	42.7	31.2	694	30	2.24	49.2	35.9
560	0	1.05	23.2	16.9	645	140	2.47	54.3	39.6	695	40	1.37	30.2	22.0
561	110	1.78	39.2	28.7	646	160	1.78	39.1	28.5	696	260	1.07	23.5	17.2
562	10	1.92	42.2	30.8	647	170	2.66	58.5	42.7	697	200	1.48	32.7	23.8
563	0	1.10	24.1	17.6	648	30	2.19	48.2	35.2	701	170	1.83	40.3	29.4
564	0	.97	21.4	15.6	649	30	2.42	53.2	38.8	701	170	1.83	40.3	29.4
565	0	1.00	22.1	16.1	650	30	2.39	52.5	38.4	702	170	1.64	36.1	26.3
601	30	2.67	58.7	42.8	651	40	1.40	30.7	22.4	703	170	1.68	36.9	26.9
602	40	1.86	40.9	29.9	652	150	1.76	38.7	28.2	704	160	1.68	36.9	26.9
603	200	1.78	39.1	28.5	653	40	1.23	27.1	19.8	705	200	1.87	41.2	30.1
604	170	1.58	34.8	25.4	654	150	1.82	40.0	29.2	706	170	2.22	48.9	35.7
605	230	1.96	43.1	31.5	655	210	1.54	34.0	24.8	707	150	1.48	32.6	23.8
606	170	2.22	48.9	35.7	656	30	1.59	35.1	25.6	708	160	1.52	33.3	24.3
607	30	2.15	47.3	34.5	657	30	2.24	49.2	35.9	709	160	1.38	30.4	22.2
608	170	2.37	52.2	38.1	658	30	2.14	47.1	34.4	710	230	1.61	35.5	25.9
609	20	2.46	54.1	39.5	659	30	2.18	48.1	35.1	711	150	1.71	37.6	27.4
610	30	2.81	61.8	45.1	660	30	1.46	32.1	23.5	712	160	1.57	34.6	25.3
611	40	2.20	48.3	35.3	661	30	1.54	33.8	24.7	713	220	1.28	28.1	20.5
612	20	1.99	43.7	31.9	662	240	1.56	34.4	25.1	714	150	1.91	42.1	30.7
613	210	1.58	34.9	25.4	663	230	1.49	32.7	23.9	715	150	1.79	39.3	28.7
614	210	1.61	35.4	25.8	664	220	1.39	30.6	22.3	801	40	1.36	29.9	21.8
615	220	1.63	35.9	26.2	665	210	1.55	34.0	24.8	802	300	1.20	26.4	19.3
616	20	2.42	53.2	38.8	666	160	1.29	28.5	20.8	803	160	1.40	30.8	22.5
617	20	2.53	55.7	40.6	667	220	1.91	41.9	30.6	804	140	.97	21.4	15.6
618	30	1.92	42.2	30.8	668	220	1.94	42.7	31.2	805	340	1.39	30.5	22.3
619	200	1.67	36.7	26.8	669	220	1.48	32.5	23.7	806	340	1.06	23.4	17.1
620	210	1.98	43.7	31.9	670	160	1.22	26.9	19.7	807	340	1.18	26.0	19.0
621	210	1.84	40.5	29.6	671	190	1.55	34.1	24.9	808	10	1.20	26.4	19.3
622	60	2.48	54.6	39.9	672	190	1.93	42.4	30.9	809	0	1.01	22.3	16.2
623	30	2.40	52.8	38.5	673	210	1.27	27.9	20.4	810	0	1.13	24.9	18.2
624	30	1.67	36.7	26.8	674	210	1.46	32.1	23.4	811	0	.96	21.0	15.4
625	30	1.42	31.3	22.8	675	220	1.52	33.5	24.5	812	20	.81	17.8	13.0
626	220	2.02	44.3	32.4	676	220	1.44	31.7	23.2	813	10	.69	15.2	11.1
627	190	2.47	54.4	39.7	677	160	1.29	28.5	20.8	814	130	.74	16.3	11.9
628	30	2.74	60.2	44.0	678	200	1.64	36.2	26.4	815	240	1.02	22.4	16.4
629	30	2.47	54.2	39.6	679	230	1.22	26.7	19.5	816	30	.64	14.0	10.2
630	40	2.55	56.2	41.0	680	30	2.09	46.1	33.6	817	230	1.04	23.0	16.8
631	30	1.56	34.3	25.1	681	30	2.09	46.0	33.6	818	0	.95	20.8	15.2
632	220	2.03	44.6	32.6	682	40	1.60	35.3	25.8	819	0	1.15	25.3	18.4
633	40	2.50	55.0	40.2	683	150	1.26	27.8	20.3	820	0	1.12	24.6	18.0
634	210	2.46	54.0	39.4	684	200	1.32	29.0	21.2	821	260	.54	12.0	8.7
635	210	1.60	35.1	25.6	685	200	1.46	32.2	23.5	822	150	1.55	34.1	24.9

TABLE 6 --

CLADDING AND GLASS LOADS-- CONFIGURATION B -- JAY SQUARE -- LOS ANGELES, CALIFORNIA
 LARGEST VALUE OF ABS(CP_{MAX}) OR ABS(CP_{MIN}), PEAK LOAD AND GLASS LOAD (1 MINUTE EQUIVALENT)
 REFERENCE PRESSURE = 22. PSF GLASS LOAD FACTOR= .730

TAP	AZI- MUTH	PRESS COEFF	PEAK LOAD	GLASS LOAD (PSF)	TAP	AZI- MUTH	PRESS COEFF	PEAK LOAD	GLASS LOAD (PSF)	TAP	AZI- MUTH	PRESS COEFF	PEAK LOAD	GLASS LOAD (PSF)
823	190	1.61	35.3	25.8	1005	210	1.42	31.3	22.9	1027	210	1.65	36.3	26.5
824	150	1.69	37.1	27.1	1006	220	1.34	29.5	21.5	1028	30	1.79	39.4	28.8
825	160	1.40	30.9	22.5	1007	30	1.78	39.2	28.6	1031	160	1.56	34.3	25.0
826	150	1.13	24.9	18.2	1008	200	1.55	34.2	24.9	1032	150	2.57	56.6	41.3
827	140	.94	20.6	15.0	1011	140	2.66	58.4	42.7	1033	160	1.84	40.6	29.6
828	270	.64	14.1	10.3	1012	130	2.13	46.9	34.2	1034	150	2.07	45.5	33.2
829	140	.57	12.6	9.2	1013	140	2.01	44.2	32.3	1035	150	1.55	34.2	25.0
901	0	.72	15.8	11.5	1014	130	1.91	42.0	30.7	1036	150	1.28	28.2	20.6
902	0	.68	14.9	10.9	1015	120	1.64	36.1	26.4	1037	340	1.37	30.1	22.0
903	0	.80	17.6	12.9	1016	120	1.45	31.9	23.3	1041	10	1.48	32.5	23.8
904	0	.66	14.6	10.6	1017	320	1.93	42.4	30.9	1042	20	1.39	30.7	22.4
905	0	.70	15.4	11.2	1018	320	1.71	37.7	27.5	1043	200	1.25	27.5	20.0
906	0	.76	16.8	12.3	1019	330	1.55	34.1	24.9	1044	220	1.51	33.2	24.2
907	0	.69	15.2	11.1	1021	30	2.36	51.9	37.9	1045	210	1.52	33.4	24.4
908	0	.79	17.4	12.7	1022	30	1.84	40.6	29.6	1046	200	1.24	27.3	20.0
1001	210	1.38	30.4	22.2	1023	30	2.36	52.0	38.0	1047	170	1.27	27.9	20.3
1002	210	1.23	27.1	19.8	1024	30	1.79	39.4	28.7	1048	30	1.55	34.0	24.8
1003	170	1.27	27.9	20.3	1025	190	2.15	47.4	34.6	1049	20	1.48	32.5	23.7
1004	20	1.52	33.5	24.4	1026	210	2.44	53.8	39.3	1050	210	1.49	32.8	23.9

APPENDIX A
PRESSURE DATA

Note: Pressure coefficients are defined in Section 4.3.
Pressure tap designation is explained in Figure 3.

APPENDIX A -- PRESSURE DATA:

JAY SQUARE -- CONFIGURATION A -- LOS ANGELES, CALIFORNIA

WD	TAP	CPMEAN	CPRMS	CPMAX	CPMIN	WD	TAP	CPMEAN	CPRMS	CPMAX	CPMIN	WD	TAP	CPMEAN	CPRMS	CPMAX	CPMIN
0	1	-.212	.067	.187	-.444	0	1014	-.515	.060	-.317	-.940	10	219	-.427	.080	-.190	-.934
0	3	-.020	.090	.353	-.324	0	1015	-.474	.063	-.294	-.785	10	220	-.410	.074	-.173	-.872
0	4	.029	.098	.372	-.355	0	1016	-.460	.064	-.264	-.772	10	221	-.404	.076	-.163	-.820
0	6	.370	.157	.799	-.574	0	1017	-.459	.065	-.239	-.759	10	222	-.469	.121	-.190	-1.330
0	7	-.175	.066	.155	-.457	0	1018	-.488	.065	-.262	-.789	10	223	-.451	.108	-.231	-1.217
0	12	.186	.112	.597	-.134	0	1019	-.471	.058	-.277	-.888	10	224	-.429	.074	-.073	-.933
0	13	.325	.131	.772	-.045	0	1023	.186	.145	.658	-.720	10	225	-.409	.067	-.161	-.797
0	14	.512	.158	1.002	-.148	0	1024	.121	.084	.412	-.225	10	226	-.401	.063	-.214	-.679
0	15	.514	.164	.999	-.164	0	1025	-.093	.057	.140	-.286	10	227	-.408	.067	-.175	-.797
0	16	-.282	.054	.066	-.490	0	1026	-.334	.056	-.104	-.569	10	228	-.462	.103	-.155	-1.190
0	17	-.135	.067	.121	-.321	0	1028	-.304	.057	-.077	-.548	10	403	-.397	.077	-.168	-.783
0	18	.179	.110	.556	-.123	0	1031	-.515	.077	-.291	-.961	10	404	-.386	.079	-.138	-.815
0	19	.326	.109	.638	.027	0	1033	-.539	.075	-.198	-.846	10	405	-.409	.101	-.125	-.953
0	20	.498	.146	.944	.103	0	1037	-.523	.075	-.302	-1.009	10	408	-.414	.102	-.088	-1.052
0	21	.507	.151	.940	.034	0	1041	-.593	.099	-.193	-1.073	10	410	-.380	.067	-.190	-.796
0	201	-.475	.112	-.222	-1.115	0	1043	-.319	.107	.103	-.669	10	411	-.373	.066	-.204	-.781
0	203	-.457	.072	-.218	-.785	0	1044	-.511	.088	-.111	-.971	10	412	-.383	.070	-.166	-.685
0	204	-.446	.060	-.256	-.712	0	1045	-.488	.071	-.239	-.847	10	413	-.401	.073	-.175	-.707
0	208	-.464	.099	-.186	-1.241	0	1046	-.524	.080	-.258	-.861	10	415	-.447	.101	-.184	-1.185
0	210	-.504	.106	-.270	-1.264	0	1047	-.441	.092	-.114	-.829	10	1001	-.506	.095	-.205	-.960
0	211	-.468	.090	-.240	-1.036	0	1048	-.544	.082	-.251	-.908	10	1002	-.442	.099	-.035	-.854
0	212	-.449	.063	-.271	-.815	0	1049	-.621	.104	-.244	-1.015	10	1003	-.335	.115	.229	-.648
0	213	-.435	.053	-.269	-.641	0	1050	-.562	.085	-.248	-.933	10	1007	-.590	.122	-.256	-1.214
0	215	-.418	.053	-.247	-.642	10	1	-.168	.099	.363	-.631	10	1014	-.440	.063	-.262	-.754
0	216	-.472	.088	-.218	-1.510	10	3	.017	.115	.512	-.587	10	1015	-.400	.058	-.220	-.646
0	217	-.460	.077	-.229	-1.091	10	4	.069	.117	.514	-.508	10	1016	-.398	.059	-.215	-.642
0	218	-.462	.067	-.274	-.985	10	6	.382	.141	.841	-.046	10	1017	-.401	.060	-.229	-.650
0	219	-.444	.056	-.221	-.860	10	7	-.128	.096	.229	-.522	10	1018	-.403	.060	-.247	-.659
0	220	-.428	.054	-.200	-.766	10	12	.231	.124	.787	-.256	10	1019	-.405	.065	-.222	-.756
0	221	-.432	.052	-.271	-.622	10	13	.376	.143	.914	-.048	10	1023	.061	.151	.429	-.567
0	222	-.478	.071	-.291	-.914	10	14	.533	.154	1.135	.042	10	1024	.052	.071	.302	-.259
0	223	-.500	.067	-.317	-.925	10	15	.502	.144	1.042	.009	10	1025	-.142	.046	.037	-.285
0	224	-.489	.050	-.327	-.668	10	16	-.225	.069	.123	-.536	10	1026	-.304	.051	-.155	-.466
0	225	-.466	.049	-.217	-.651	10	17	-.083	.078	.234	-.398	10	1028	-.273	.050	-.078	-.461
0	226	-.472	.046	-.282	-.643	10	18	.237	.112	.652	-.185	10	1031	-.435	.071	-.245	-.740
0	227	-.448	.049	-.231	-.650	10	19	.403	.105	.727	.060	10	1033	-.442	.069	-.228	-.696
0	228	-.501	.066	-.298	-.820	10	20	.556	.156	1.021	.100	10	1037	-.436	.068	-.175	-.812
0	403	-.415	.063	-.178	-.665	10	21	.520	.155	.985	-.067	10	1041	-.607	.130	-.290	-1.379
0	404	-.435	.064	-.211	-.703	10	201	-.483	.156	-.083	-1.414	10	1043	-.337	.123	.226	-.702
0	405	-.426	.086	-.101	-1.128	10	203	-.474	.114	-.010	-1.082	10	1044	-.539	.121	-.108	-1.149
0	408	-.418	.084	-.108	-.943	10	204	-.466	.099	-.141	-1.071	10	1045	-.484	.100	-.138	-.966
0	410	-.390	.059	-.138	-.722	10	208	-.469	.147	-.075	-1.454	10	1046	-.478	.110	-.063	-1.035
0	411	-.415	.059	-.176	-.742	10	210	-.479	.145	-.146	-1.355	10	1047	-.414	.112	.124	-.868
0	412	-.422	.064	-.247	-.693	10	211	-.476	.137	-.134	-1.229	10	1048	-.549	.104	-.268	-.957
0	413	-.425	.068	-.238	-.682	10	212	-.459	.109	-.123	-1.012	10	1049	-.634	.134	-.168	-1.264
0	415	-.474	.088	-.220	-1.202	10	213	-.447	.096	-.123	-.970	10	1050	-.522	.105	-.121	-.938
0	1001	-.511	.076	-.264	-.841	10	215	-.417	.086	-.188	-1.221	20	1	-.201	.130	.372	-.646
0	1002	-.449	.079	-.053	-.745	10	216	-.507	.145	-.205	-1.386	20	3	-.048	.128	.447	-.616
0	1003	-.270	.120	.243	-.626	10	217	-.496	.136	-.148	-1.249	20	4	.003	.146	.507	-.500
0	1007	-.620	.111	-.303	-1.145	10	218	-.452	.099	-.175	-.970	20	6	.311	.219	.958	-.675

APPENDIX A -- PRESSURE DATA:

JAY SQUARE -- CONFIGURATION A -- LOS ANGELES, CALIFORNIA

WD	TAP	CPMEAN	CPRMS	CPMAX	CPMIN	WD	TAP	CPMEAN	CPRMS	CPMAX	CPMIN	WD	TAP	CPMEAN	CPRMS	CPMAX	CPMIN
20	7	-.193	.122	.275	-.687	20	1018	-.300	.046	-.167	-.580	30	223	-.336	.129	.099	-1.091
20	12	.093	.121	.488	-.416	20	1019	-.309	.050	-.165	-.638	30	224	-.362	.145	.034	-1.098
20	13	.226	.157	.695	-.386	20	1023	.028	.126	.395	-.656	30	225	-.393	.187	.114	-1.442
20	14	.416	.213	1.155	-.573	20	1024	.019	.073	.287	-.452	30	226	-.391	.177	.176	-1.734
20	15	.405	.224	1.075	-1.157	20	1025	-.146	.042	-.008	-.371	30	227	-.398	.179	.027	-2.183
20	16	-.245	.075	.100	-.556	20	1026	-.270	.052	-.093	-.464	30	228	-.379	.168	-.013	-1.270
20	17	-.136	.073	.159	-.476	20	1028	-.236	.043	-.058	-.399	30	403	-.330	.107	-.057	-.972
20	18	.127	.106	.440	-.305	20	1031	-.324	.061	-.166	-.621	30	404	-.338	.112	-.034	-.990
20	19	.310	.098	.560	-.017	20	1033	-.322	.061	-.160	-.573	30	405	-.367	.150	-.047	-1.322
20	20	.477	.182	1.015	-.380	20	1037	-.314	.060	-.134	-.658	30	408	-.366	.149	-.045	-1.447
20	21	.465	.191	1.065	-.624	20	1041	-.545	.178	.269	-1.215	30	410	-.322	.094	-.086	-.950
20	201	-.427	.158	-.073	-1.332	20	1043	-.160	.189	.261	-.612	30	411	-.315	.093	-.097	-.840
20	203	-.444	.160	-.010	-1.319	20	1044	-.363	.172	.198	-.980	30	412	-.309	.094	-.071	-.881
20	204	-.454	.158	.031	-1.234	20	1045	-.369	.125	.012	-.776	30	413	-.318	.097	-.058	-.946
20	208	-.437	.165	-.045	-1.601	20	1046	-.357	.134	.107	-.899	30	415	-.349	.129	-.068	-1.294
20	210	-.429	.141	-.134	-1.235	20	1047	-.277	.146	.254	-.931	30	1001	-.203	.142	.292	-.766
20	211	-.414	.138	-.097	-1.197	20	1048	-.485	.158	.062	-1.015	30	1002	-.127	.123	.446	-.534
20	212	-.423	.131	-.052	-1.170	20	1049	-.564	.227	.234	-1.171	30	1003	-.070	.125	.487	-.397
20	213	-.445	.145	-.081	-1.124	20	1050	-.402	.140	.076	-.861	30	1007	-.207	.206	.448	-1.039
20	215	-.434	.143	.111	-1.555	30	1	-.214	.162	.585	-.947	30	1014	-.249	.058	-.080	-.506
20	216	-.460	.133	-.136	-1.245	30	3	-.107	.154	.656	-.886	30	1015	-.234	.045	-.095	-.454
20	217	-.454	.125	-.147	-1.217	30	4	-.094	.162	.608	-.857	30	1016	-.237	.044	-.038	-.414
20	218	-.430	.107	-.122	-1.012	30	6	-.056	.210	.590	-1.096	30	1017	-.239	.044	-.111	-.424
20	219	-.430	.130	-.117	-1.339	30	7	-.214	.149	.414	-.693	30	1018	-.232	.044	-.083	-.426
20	220	-.417	.114	-.139	-1.217	30	12	-.060	.185	.470	-.556	30	1019	-.237	.050	-.098	-.503
20	221	-.405	.098	-.057	-.950	30	13	-.030	.120	.419	-.499	30	1023	.000	.198	.612	-.869
20	222	-.472	.128	-.122	-1.073	30	14	-.007	.206	.677	-1.039	30	1024	-.007	.126	.431	-.561
20	223	-.450	.120	-.127	-.999	30	15	-.026	.238	.740	-1.055	30	1025	-.118	.067	.129	-.422
20	224	-.409	.085	-.134	-.887	30	16	-.260	.132	.396	-.953	30	1026	-.205	.046	-.003	-.389
20	225	-.382	.085	-.131	-1.112	30	17	-.173	.116	.268	-.615	30	1028	-.192	.047	-.010	-.503
20	226	-.369	.085	-.170	-1.378	30	18	-.042	.104	.336	-.519	30	1031	-.240	.053	-.090	-.557
20	227	-.370	.080	-.119	-1.029	30	19	.016	.047	.341	-.288	30	1033	-.237	.052	-.078	-.576
20	228	-.470	.137	-.142	-1.371	30	20	.086	.284	.707	-.681	30	1037	-.234	.054	-.061	-.663
20	403	-.332	.081	-.095	-.622	30	21	.059	.243	.795	-.963	30	1041	-.234	.178	.396	-1.021
20	404	-.324	.077	-.084	-.599	30	201	-.356	.164	.024	-1.234	30	1043	-.103	.122	.478	-.734
20	405	-.363	.100	-.097	-.803	30	203	-.363	.203	.127	-1.258	30	1044	-.143	.142	.411	-.839
20	408	-.372	.103	-.077	-.841	30	204	-.418	.244	.130	-1.499	30	1045	-.185	.124	.209	-.675
20	410	-.346	.079	-.103	-.644	30	208	-.343	.184	.060	-1.600	30	1046	-.184	.108	.217	-.801
20	411	-.337	.078	-.110	-.623	30	210	-.315	.120	-.039	-1.006	30	1047	-.144	.153	.485	-1.032
20	412	-.328	.067	-.124	-.588	30	211	-.296	.120	.012	-1.056	30	1048	-.238	.181	.391	-.953
20	413	-.345	.070	-.139	-.626	30	212	-.309	.135	.112	-1.106	30	1049	-.224	.187	.295	-.926
20	415	-.396	.106	-.146	-.911	30	213	-.370	.188	.091	-1.135	30	1050	-.190	.138	.154	-.794
20	1001	-.426	.145	.183	-1.023	30	215	-.484	.256	.263	-1.844	40	1	-.119	.172	.833	-.701
20	1002	-.266	.119	.205	-.641	30	216	-.317	.105	-.025	-1.056	40	3	-.155	.117	.459	-.571
20	1003	-.133	.114	.319	-.456	30	217	-.314	.103	-.030	-.837	40	4	-.192	.117	.383	-.597
20	1007	-.524	.197	.146	-1.180	30	218	-.350	.142	.076	-.972	40	6	-.201	.131	.291	-.811
20	1014	-.327	.051	-.146	-.625	30	219	-.430	.196	.162	-1.495	40	7	-.091	.189	.753	-.776
20	1015	-.306	.044	-.165	-.556	30	220	-.451	.199	.187	-1.920	40	12	-.052	.122	.484	-.490
20	1016	-.308	.046	-.171	-.567	30	221	-.440	.226	.406	-2.203	40	13	-.079	.098	.449	-.432
20	1017	-.305	.047	-.171	-.578	30	222	-.355	.138	.054	-1.147	40	14	-.148	.132	.449	-.967

WD	TAP	CPMEAN	CPRMS	CPMAX	CPMIN	WD	TAP	CPMEAN	CPRMS	CPMAX	CPMIN	WD	TAP	CPMEAN	CPRMS	CPMAX	CPMIN
40	15	-.179	.150	.481	-1.020	40	1025	-.169	.094	.193	-.680	50	227	-.375	.252	.502	-1.363
40	16	-.104	.220	.728	-1.114	40	1026	-.191	.066	.095	-.729	50	228	-.239	.041	-.112	-.410
40	17	-.053	.187	.647	-.623	40	1028	-.194	.071	.002	-.902	50	403	-.370	.122	-.052	-1.287
40	18	-.022	.121	.555	-.489	40	1031	-.254	.071	-.070	-.717	50	404	-.351	.112	-.032	-.972
40	19	-.023	.068	.194	-.253	40	1033	-.238	.060	-.017	-.575	50	405	-.333	.103	-.052	-.930
40	20	-.060	.139	.533	-1.042	40	1037	-.258	.081	-.068	-.926	50	408	-.340	.103	-.066	-.969
40	21	-.110	.174	.547	-1.004	40	1041	-.261	.113	.243	-.754	50	410	-.417	.144	-.120	-1.331
40	201	-.230	.083	.005	-.676	40	1043	-.178	.120	.518	-.676	50	411	-.394	.131	-.117	-1.115
40	203	-.195	.109	.238	-.710	40	1044	-.237	.124	.446	-.906	50	412	-.346	.095	-.135	-.705
40	204	-.222	.136	.206	-.970	40	1045	-.196	.097	.292	-.687	50	413	-.339	.086	-.133	-.753
40	208	-.189	.086	.119	-.923	40	1046	-.197	.080	.178	-.669	50	415	-.326	.081	-.114	-.749
40	210	-.218	.064	-.010	-.662	40	1047	-.164	.139	.547	-.788	50	1001	-.453	.195	.058	-1.321
40	211	-.193	.064	.048	-.638	40	1048	-.248	.132	.327	-.806	50	1002	-.318	.208	.339	-1.235
40	212	-.172	.105	.146	-.648	40	1049	-.232	.131	.262	-.842	50	1003	-.273	.186	.325	-1.038
40	213	-.197	.153	.284	-1.078	40	1050	-.197	.108	.173	-.876	50	1007	-.478	.216	.248	-1.210
40	215	-.270	.235	.608	-1.687	50	1	.165	.253	.951	-.678	50	1014	-.273	.056	-.131	-.684
40	216	-.213	.068	-.003	-.913	50	3	-.053	.172	.537	-.598	50	1015	-.272	.055	-.110	-.548
40	217	-.204	.074	.012	-.714	50	4	-.168	.145	.395	-.720	50	1016	-.286	.055	-.133	-.538
40	218	-.188	.122	.137	-.800	50	6	-.351	.148	.198	-1.219	50	1017	-.302	.063	-.092	-.557
40	219	-.210	.184	.275	-1.154	50	7	-.226	.270	.927	-.974	50	1018	-.298	.063	-.097	-.584
40	220	-.287	.252	.606	-1.551	50	12	.142	.189	.746	-.438	50	1019	-.298	.068	-.105	-.768
40	221	-.308	.244	.454	-1.555	50	13	.006	.138	.499	-.492	50	1023	-.399	.141	.026	-1.615
40	222	-.226	.078	.010	-.710	50	14	-.257	.124	.221	-.755	50	1024	-.397	.147	.259	-1.184
40	223	-.202	.079	.019	-.678	50	15	-.385	.155	.249	-1.004	50	1025	-.374	.150	.386	-1.012
40	224	-.195	.127	.146	-.775	50	16	.256	.250	1.170	-1.055	50	1026	-.385	.161	.022	-1.170
40	225	-.226	.186	.230	-1.021	50	17	.338	.245	.963	-.604	50	1028	-.394	.152	-.035	-.988
40	226	-.338	.244	.401	-1.450	50	18	.225	.192	.813	-.399	50	1031	-.346	.089	-.078	-.681
40	227	-.343	.230	.550	-1.620	50	19	.081	.099	.472	-.182	50	1033	-.355	.095	-.066	-.749
40	228	-.225	.070	-.052	-.656	50	20	-.148	.104	.352	-.534	50	1037	-.346	.090	-.005	-.640
40	403	-.294	.091	-.081	-.869	50	21	-.273	.114	.236	-.720	50	1041	-.472	.200	.231	-1.235
40	404	-.281	.085	-.087	-.772	50	201	-.273	.083	.022	-.563	50	1043	-.311	.187	.247	-1.103
40	405	-.287	.114	-.032	-1.008	50	203	-.182	.091	.148	-.703	50	1044	-.440	.211	.208	-1.243
40	408	-.287	.111	-.038	-1.154	50	204	-.176	.102	.141	-.676	50	1045	-.228	.094	.156	-.606
40	410	-.279	.090	-.071	-.984	50	208	-.202	.071	.025	-.585	50	1046	-.268	.118	.029	-.980
40	411	-.271	.089	-.089	-.996	50	210	-.278	.070	-.097	-.618	50	1047	-.304	.234	.423	-1.328
40	412	-.244	.060	-.105	-.589	50	211	-.236	.063	.012	-.492	50	1048	-.441	.189	.243	-1.499
40	413	-.244	.056	-.100	-.600	50	212	-.123	.077	.153	-.605	50	1049	-.358	.166	.109	-1.140
40	415	-.250	.073	-.058	-.799	50	213	-.088	.112	.320	-.966	50	1050	-.241	.111	.087	-.904
40	1001	-.235	.106	.208	-.783	50	215	-.270	.266	.729	-1.201	60	1	.368	.144	.871	-.410
40	1002	-.181	.116	.414	-.759	50	216	-.261	.057	-.096	-.522	60	3	.131	.133	.628	-.735
40	1003	-.165	.114	.454	-.719	50	217	-.229	.053	-.072	-.475	60	4	-.019	.128	.459	-.583
40	1007	-.257	.150	.218	-.864	50	218	-.126	.072	.124	-.611	60	6	-.315	.114	.163	-.785
40	1014	-.234	.049	-.109	-.650	50	219	-.062	.102	.231	-.565	60	7	.454	.157	.903	-.502
40	1015	-.222	.037	-.097	-.381	50	220	-.218	.263	.509	-1.215	60	12	.433	.138	.898	-.106
40	1016	-.228	.037	-.119	-.395	50	221	-.300	.282	.627	-1.449	60	13	.261	.125	.692	-.162
40	1017	-.231	.042	-.118	-.464	50	222	-.250	.042	-.072	-.383	60	14	-.159	.095	.247	-.558
40	1018	-.228	.043	-.111	-.464	50	223	-.204	.038	-.032	-.371	60	15	-.360	.096	.068	-.810
40	1019	-.227	.049	-.102	-.633	50	224	-.102	.058	.092	-.432	60	16	.403	.139	.917	-.088
40	1023	-.206	.213	.346	-1.400	50	225	-.054	.112	.271	-.724	60	17	.531	.148	.980	-.024
40	1024	-.153	.159	.295	-.870	50	226	-.294	.276	.436	-1.326	60	18	.478	.147	.943	-.004

APPENDIX A -- PRESSURE DATA:

JAY SQUARE -- CONFIGURATION A -- LOS ANGELES, CALIFORNIA

WD	TAP	CPMEAN	CPRMS	CPMAX	CPMIN	WD	TAP	CPMEAN	CPRMS	CPMAX	CPMIN	WD	TAP	CPMEAN	CPRMS	CPMAX	CPMIN
60	19	.300	.099	.577	-.001	60	1033	-.465	.097	-.175	-.847	70	405	-.406	.061	-.163	-.606
60	20	-.064	.084	.285	-.357	60	1037	-.472	.092	-.219	-.849	70	408	-.406	.061	-.161	-.606
60	21	-.254	.078	.034	-.510	60	1041	-.736	.140	-.308	-1.231	70	410	-.476	.065	-.244	-.867
60	201	-.369	.069	-.123	-.644	60	1043	-.573	.145	.111	-1.079	70	411	-.439	.059	-.228	-.741
60	203	-.245	.058	-.016	-.510	60	1044	-.683	.134	-.098	-1.211	70	412	-.403	.051	-.206	-.568
60	204	-.206	.054	-.001	-.494	60	1045	-.396	.107	.006	-.740	70	413	-.406	.052	-.205	-.575
60	208	-.253	.048	-.014	-.433	60	1046	-.469	.113	-.073	-.882	70	415	-.393	.051	-.193	-.551
60	210	-.359	.058	-.098	-.554	60	1047	-.618	.182	.363	-1.463	70	1001	-.588	.088	-.330	-.907
60	211	-.297	.051	-.113	-.484	60	1048	-.680	.131	-.172	-1.290	70	1002	-.562	.092	-.260	-.919
60	212	-.132	.044	.042	-.323	60	1049	-.597	.156	.039	-1.069	70	1003	-.532	.087	-.226	-.872
60	213	-.066	.071	.128	-.502	60	1050	-.462	.133	.029	-.879	70	1007	-.629	.098	-.341	-.979
60	215	-.424	.189	.412	-1.271	70	1	.356	.135	.733	-.100	70	1014	-.375	.068	-.190	-.778
60	216	-.373	.058	-.213	-.582	70	3	.091	.103	.573	-.226	70	1015	-.382	.061	-.226	-.786
60	217	-.308	.048	-.171	-.482	70	4	-.032	.091	.578	-.325	70	1016	-.390	.056	-.223	-.679
60	218	-.120	.046	.072	-.302	70	6	-.275	.068	.223	-.487	70	1017	-.395	.059	-.221	-.785
60	219	-.040	.088	.170	-.628	70	7	.492	.141	.920	.042	70	1018	-.393	.057	-.245	-.758
60	220	-.401	.220	.391	-1.210	70	12	.400	.132	.758	.001	70	1019	-.410	.061	-.211	-.682
60	221	-.422	.215	.426	-1.400	70	13	.245	.116	.573	-.115	70	1023	-.503	.102	-.290	-1.037
60	222	-.332	.049	-.171	-.522	70	14	-.137	.071	.139	-.364	70	1024	-.488	.066	-.229	-.763
60	223	-.273	.041	-.138	-.420	70	15	-.317	.058	-.098	-.564	70	1025	-.502	.063	-.296	-.746
60	224	-.117	.042	.120	-.249	70	16	.443	.150	.930	-.101	70	1026	-.515	.069	-.310	-.826
60	225	-.055	.108	.183	-.945	70	17	.521	.153	.938	.070	70	1028	-.499	.079	-.264	-1.054
60	226	-.426	.200	.309	-1.189	70	18	.427	.136	.904	.038	70	1031	-.473	.085	-.185	-.834
60	227	-.422	.186	.375	-1.267	70	19	.279	.093	.564	.004	70	1033	-.481	.089	-.168	-.863
60	228	-.310	.041	-.181	-.434	70	20	-.060	.074	.293	-.285	70	1037	-.466	.084	-.253	-.860
60	403	-.418	.081	-.173	-.740	70	21	-.226	.064	.042	-.489	70	1041	-.609	.096	-.345	-.981
60	404	-.418	.087	-.162	-.755	70	201	-.327	.048	-.138	-.507	70	1043	-.545	.090	-.259	-.902
60	405	-.418	.079	-.158	-.701	70	203	-.173	.058	.025	-.358	70	1044	-.605	.096	-.275	-1.170
60	408	-.419	.079	-.172	-.702	70	204	-.113	.067	.124	-.461	70	1045	-.428	.071	-.121	-.782
60	410	-.511	.116	-.214	-1.453	70	208	-.186	.047	-.022	-.335	70	1046	-.477	.082	-.165	-.868
60	411	-.478	.100	-.219	-1.234	70	210	-.306	.040	-.170	-.459	70	1047	-.558	.107	-.224	-1.113
60	412	-.437	.077	-.215	-.748	70	211	-.239	.042	-.075	-.399	70	1048	-.576	.085	-.278	-.929
60	413	-.437	.074	-.216	-.671	70	212	-.033	.063	.159	-.211	70	1049	-.551	.085	-.259	-.925
60	415	-.430	.072	-.219	-.661	70	213	.057	.080	.318	-.384	70	1050	-.449	.076	-.203	-.708
60	1001	-.692	.132	-.307	-1.087	70	215	-.045	.240	.667	-.829	80	1	.282	.138	.755	-.409
60	1002	-.604	.149	.091	-1.119	70	216	-.321	.044	-.174	-.482	80	3	.010	.089	.317	-.279
60	1003	-.534	.153	.075	-1.031	70	217	-.239	.042	-.083	-.382	80	4	-.106	.073	.152	-.332
60	1007	-.720	.155	.012	-1.466	70	218	-.023	.063	.203	-.371	80	6	-.331	.048	-.158	-.516
60	1014	-.374	.069	-.120	-.971	70	219	-.088	.091	.389	-.472	80	7	.369	.161	.825	-.304
60	1015	-.357	.060	-.200	-.646	70	220	-.036	.267	.683	-.775	80	12	.283	.121	.673	-.095
60	1016	-.372	.056	-.219	-.681	70	221	-.059	.247	.635	-.968	80	13	.136	.100	.498	-.136
60	1017	-.382	.059	-.191	-.684	70	222	-.308	.040	-.180	-.456	80	14	-.207	.053	-.008	-.375
60	1018	-.384	.058	-.202	-.691	70	223	-.228	.037	-.081	-.347	80	15	-.349	.048	-.185	-.484
60	1019	-.388	.057	-.193	-.599	70	224	-.030	.058	.161	-.228	80	16	.480	.152	.878	-.097
60	1023	-.577	.137	-.271	-2.164	70	225	.081	.093	.412	-.472	80	17	.460	.144	.892	-.028
60	1024	-.520	.093	-.238	-.975	70	226	-.092	.261	.631	-.765	80	18	.308	.110	.687	.015
60	1025	-.534	.096	-.152	-1.086	70	227	-.102	.224	.606	-.955	80	19	.155	.070	.385	-.032
60	1026	-.544	.109	-.178	-1.155	70	228	-.304	.047	-.154	-.489	80	20	-.113	.049	.057	-.287
60	1028	-.537	.119	-.230	-1.503	70	403	-.407	.060	-.218	-.644	80	21	-.256	.045	-.117	-.418
60	1031	-.444	.095	-.162	-.820	70	404	-.421	.067	-.180	-.738	80	201	-.277	.043	-.110	-.421

WD	TAP	CPMEAN	CPRMS	CPMAX	CPMIN	WD	TAP	CPMEAN	CPRMS	CPMAX	CPMIN	WD	TAP	CPMEAN	CPRMS	CPMAX	CPMIN
80	203	-.071	.070	.145	-.320	80	1044	-.573	.080	-.317	-.862	90	412	-.387	.049	-.221	-.575
80	204	.013	.084	.255	-.279	80	1045	-.444	.079	-.190	-.777	90	413	-.389	.050	-.232	-.569
80	208	-.091	.062	.128	-.294	80	1046	-.506	.081	-.195	-.763	90	415	-.372	.048	-.207	-.551
80	210	-.253	.038	-.101	-.383	80	1047	-.546	.089	-.259	-.892	90	1001	-.494	.074	-.216	-.803
80	211	-.155	.044	-.003	-.287	80	1048	-.546	.071	-.312	-.803	90	1002	-.526	.078	-.253	-.820
80	212	.110	.085	.383	-.133	80	1049	-.505	.067	-.299	-.737	90	1003	-.503	.068	-.259	-.738
80	213	.231	.107	.587	-.053	80	1050	-.429	.065	-.230	-.666	90	1007	-.477	.082	-.176	-.728
80	215	.424	.192	.852	-.441	90	1	-.017	.202	.446	-.670	90	1014	-.337	.083	-.145	1.244
80	216	-.257	.041	-.062	-.397	90	3	-.074	.062	.122	-.278	90	1015	-.334	.057	-.171	-.608
80	217	-.151	.047	.053	-.291	90	4	-.166	.054	.029	-.363	90	1016	-.357	.054	-.196	-.592
80	218	.104	.086	.379	-.122	90	6	-.324	.044	-.164	-.491	90	1017	-.380	.068	-.199	-.743
80	219	.237	.112	.606	-.036	90	7	.067	.230	.653	-.630	90	1018	-.373	.065	-.204	-.669
80	220	.347	.184	.843	-.342	90	12	.149	.091	.498	-.148	90	1019	-.370	.074	-.148	-1.047
80	221	.359	.210	.920	-.591	90	13	.024	.071	.322	-.181	90	1023	-.387	.066	-.209	-1.004
80	222	-.237	.042	-.104	-.375	90	14	-.248	.036	-.115	-.366	90	1024	-.390	.055	-.246	-.593
80	223	-.148	.047	.019	-.291	90	15	-.349	.042	-.221	-.499	90	1025	-.415	.054	-.276	-.643
80	224	.101	.079	.491	-.101	90	16	.149	.217	.754	-.499	90	1026	-.433	.069	-.242	-.695
80	225	.237	.101	.563	-.127	90	17	.186	.214	.743	-.595	90	1028	-.427	.064	-.266	-.718
80	226	.335	.180	.809	-.326	90	18	.168	.088	.489	-.094	90	1031	-.340	.078	-.052	-.715
80	227	.345	.196	.889	-.289	90	19	.050	.052	.227	-.088	90	1033	-.358	.078	-.115	-.729
80	228	-.222	.046	-.069	-.393	90	20	-.167	.039	-.019	-.301	90	1037	-.359	.076	-.068	-.712
80	403	-.421	.061	-.213	-.633	90	21	-.273	.038	-.151	-.419	90	1041	-.536	.090	-.281	-.859
80	404	-.428	.060	-.210	-.624	90	201	-.212	.051	-.019	-.396	90	1043	-.474	.068	-.261	-.733
80	405	-.400	.051	-.217	-.563	90	203	.027	.084	.299	-.276	90	1044	-.511	.072	-.286	-.833
80	408	-.403	.050	-.220	-.558	90	204	.118	.098	.447	-.229	90	1045	-.438	.079	-.168	-.748
80	410	-.461	.053	-.317	-.618	90	208	.016	.079	.251	-.222	90	1046	-.490	.077	-.219	-.783
80	411	-.432	.051	-.274	-.585	90	210	-.168	.049	.039	-.345	90	1047	-.506	.081	-.201	-.907
80	412	-.399	.043	-.272	-.598	90	211	-.046	.060	.149	-.221	90	1048	-.500	.075	-.217	-.772
80	413	-.405	.044	-.253	-.581	90	212	.241	.101	.587	-.055	90	1049	-.441	.069	-.176	-.662
80	415	-.386	.042	-.232	-.541	90	213	.360	.119	.761	.006	90	1050	-.398	.066	-.147	-.655
80	1001	-.553	.077	-.344	-.858	90	215	.520	.153	.953	.074	100	1	-.382	.142	-.222	-.996
80	1002	-.557	.078	-.305	-.877	90	216	-.180	.053	.007	-.345	100	3	-.100	.061	.060	-.536
80	1003	-.539	.069	-.322	-.820	90	217	-.053	.067	.171	-.229	100	4	-.156	.045	-.018	-.348
80	1007	-.566	.083	-.188	-.889	90	218	.245	.105	.533	-.057	100	6	-.241	.041	-.092	-.378
80	1014	-.319	.055	-.138	-.585	90	219	.386	.132	.859	.058	100	7	-.373	.174	.319	-1.178
80	1015	-.313	.049	-.165	-.519	90	220	.498	.155	.959	.105	100	12	.022	.119	.258	-.652
80	1016	-.329	.048	-.169	-.588	90	221	.490	.159	.918	.027	100	13	-.026	.048	.126	-.294
80	1017	-.342	.056	-.102	-.608	90	222	-.171	.053	.001	-.348	100	14	-.204	.033	-.107	-.330
80	1018	-.343	.054	-.116	-.580	90	223	-.052	.061	.145	-.236	100	15	-.255	.043	-.122	-.451
80	1019	-.334	.052	-.162	-.623	90	224	.195	.091	.496	-.036	100	16	-.264	.166	.405	-.956
80	1023	-.457	.083	-.237	-.948	90	225	.354	.117	.683	.044	100	17	-.251	.192	.388	-1.058
80	1024	-.440	.058	-.282	-.676	90	226	.441	.127	.888	.128	100	18	.020	.144	.323	-.851
80	1025	-.459	.055	-.297	-.645	90	227	.441	.144	.877	-.052	100	19	-.003	.039	.152	-.170
80	1026	-.484	.067	-.266	-.732	90	228	-.177	.056	.027	-.414	100	20	-.145	.032	-.031	-.284
80	1028	-.474	.070	-.257	-.708	90	403	-.421	.058	-.206	-.627	100	21	-.221	.036	-.073	-.364
80	1031	-.357	.062	-.049	-.609	90	404	-.415	.056	-.194	-.630	100	201	-.080	.060	.102	-.312
80	1033	-.383	.062	-.163	-.691	90	405	-.383	.049	-.231	-.565	100	203	.170	.104	.488	-.145
80	1037	-.375	.062	-.168	-.644	90	408	-.386	.049	-.232	-.551	100	204	.247	.118	.604	-.109
80	1041	-.570	.082	-.328	-.864	90	410	-.429	.052	-.232	-.612	100	208	.172	.093	.430	-.174
80	1043	-.525	.073	-.257	-.780	90	411	-.410	.050	-.231	-.585	100	210	-.031	.059	.175	-.231

APPENDIX A -- PRESSURE DATA:

JAY SQUARE -- CONFIGURATION A -- LOS ANGELES, CALIFORNIA

WD	TAP	CPMEAN	CPRMS	CPMAX	CPMIN	WD	TAP	CPMEAN	CPRMS	CPMAX	CPMIN	WD	TAP	CPMEAN	CPRMS	CPMAX	CPMIN
100	211	.096	.080	.324	-.156	100	1048	-.412	.097	.036	-.702	110	1002	-.505	.090	-.279	-.885
100	212	.382	.129	.725	-.008	100	1049	-.339	.063	-.156	-.613	110	1003	-.480	.078	-.253	-.776
100	213	.486	.147	.944	-.000	100	1050	-.356	.067	-.079	-.566	110	1007	-.363	.080	-.065	-.679
100	215	.449	.135	.812	-.023	110	1	-.827	.256	-.302	-1.975	110	1014	-.434	.139	-.066	-1.320
100	216	-.058	.064	.160	-.273	110	3	-.387	.161	-.103	-1.137	110	1015	-.428	.114	-.130	-1.122
100	217	.080	.085	.352	-.195	110	4	-.275	.074	-.094	-.761	110	1016	-.403	.101	-.077	-.823
100	218	.406	.131	.768	-.052	110	6	-.273	.050	-.079	-.436	110	1017	-.380	.122	.001	-1.033
100	219	.486	.150	.945	.068	110	7	-.861	.247	-.282	-1.914	110	1018	-.366	.119	-.026	-1.005
100	220	.483	.159	.962	.015	110	12	-.519	.230	.044	-1.102	110	1019	-.407	.140	-.077	-1.606
100	221	.409	.151	.958	-.071	110	13	-.228	.122	-.001	-.760	110	1023	-.348	.082	-.148	-.875
100	222	-.096	.074	.171	-.327	110	14	-.264	.047	-.063	-.609	110	1024	-.330	.057	-.193	-.601
100	223	.043	.087	.352	-.226	110	15	-.281	.050	-.071	-.643	110	1025	-.352	.051	-.214	-.589
100	224	.283	.131	.707	-.094	110	16	-.628	.125	-.203	-1.088	110	1026	-.373	.064	-.183	-.689
100	225	.404	.141	.819	.007	110	17	-.620	.128	-.145	-1.145	110	1028	-.361	.066	-.173	-.692
100	226	.412	.157	.905	.002	110	18	-.587	.212	.066	-1.270	110	1031	-.354	.100	-.061	-.734
100	227	.307	.151	.782	-.129	110	19	-.336	.147	-.026	-.758	110	1033	-.370	.101	-.046	-.758
100	228	-.151	.083	.145	-.447	110	20	-.257	.087	-.039	-.730	110	1037	-.367	.098	.009	-.833
100	403	-.377	.061	-.166	-.672	110	21	-.292	.080	-.076	-.822	110	1041	-.507	.119	-.162	-.984
100	404	-.352	.053	-.163	-.566	110	201	-.029	.071	.257	-.287	110	1043	-.431	.073	-.193	-.788
100	405	-.325	.049	-.156	-.529	110	203	.212	.106	.545	-.134	110	1044	-.479	.083	-.204	-.867
100	408	-.327	.049	-.155	-.528	110	204	.274	.115	.597	-.109	110	1045	-.441	.089	-.081	-.915
100	410	-.393	.084	-.205	-.978	110	208	.240	.102	.553	-.069	110	1046	-.472	.086	-.188	-.975
100	411	-.369	.077	-.188	-.898	110	210	.031	.066	.261	-.211	110	1047	-.469	.087	-.262	-.905
100	412	-.325	.047	-.169	-.526	110	211	.181	.100	.449	-.100	110	1048	-.360	.120	.124	-.753
100	413	-.322	.045	-.187	-.549	110	212	.446	.147	.836	.009	110	1049	-.373	.078	-.096	-.679
100	415	-.299	.043	-.160	-.449	110	213	.505	.160	.977	-.068	110	1050	-.405	.092	-.004	-.745
100	1001	-.430	.072	-.202	-.738	110	215	.238	.127	.611	-.158	120	1	-.643	.183	-.264	-1.771
100	1002	-.466	.076	-.218	-.746	110	216	.012	.077	.295	-.251	120	3	-.653	.154	-.218	-1.350
100	1003	-.444	.066	-.226	-.729	110	217	.184	.097	.543	-.096	120	4	-.555	.152	-.032	-1.086
100	1007	-.369	.081	-.083	-.626	110	218	.480	.153	.912	.037	120	6	-.374	.134	-.006	-1.158
100	1014	-.373	.127	-.069	-1.382	110	219	.531	.147	.982	.007	120	7	-.642	.176	-.227	-1.475
100	1015	-.375	.099	-.102	-.909	110	220	.346	.139	.884	-.081	120	12	-.627	.155	-.209	-1.184
100	1016	-.372	.093	-.061	-1.082	110	221	.186	.128	.579	-.227	120	13	-.555	.158	-.060	-1.246
100	1017	-.351	.100	-.060	-1.165	110	222	-.027	.084	.366	-.304	120	14	-.436	.162	-.006	-1.275
100	1018	-.342	.096	-.064	-1.083	110	223	.142	.099	.546	-.141	120	15	-.420	.173	-.028	-1.270
100	1019	-.343	.098	-.051	-.889	110	224	.405	.140	.901	.004	120	16	-.554	.135	-.191	-1.183
100	1023	-.291	.061	-.150	-.733	110	225	.451	.144	.910	.065	120	17	-.555	.133	-.202	-1.234
100	1024	-.291	.050	-.143	-.580	110	226	.244	.132	.671	-.138	120	18	-.615	.154	-.220	-1.285
100	1025	-.312	.044	-.161	-.494	110	227	.076	.117	.503	-.305	120	19	-.562	.099	-.187	-.941
100	1026	-.333	.055	-.153	-.592	110	228	-.062	.091	.263	-.527	120	20	-.521	.196	.154	-1.344
100	1028	-.328	.055	-.179	-.631	110	403	-.427	.097	-.106	-1.238	120	21	-.562	.222	.047	-1.499
100	1031	-.336	.087	-.045	-.683	110	404	-.403	.073	-.223	-1.100	120	201	-.000	.098	.277	-.395
100	1033	-.358	.090	-.132	-.895	110	405	-.364	.053	-.193	-.616	120	203	.225	.125	.545	-.153
100	1037	-.357	.088	-.059	-.649	110	408	-.368	.055	-.188	-.615	120	204	.250	.131	.627	-.126
100	1041	-.463	.093	-.179	-.917	110	410	-.441	.123	-.119	-1.218	120	208	.293	.128	.633	-.133
100	1043	-.409	.071	-.189	-.766	110	411	-.416	.111	-.034	-1.018	120	210	.072	.096	.362	-.342
100	1044	-.452	.078	-.216	-.930	110	412	-.367	.069	-.143	-.872	120	211	.235	.114	.656	-.126
100	1045	-.395	.074	-.125	-.766	110	413	-.367	.060	-.170	-.662	120	212	.492	.154	.935	.022
100	1046	-.444	.080	-.185	-.773	110	415	-.345	.051	-.188	-.551	120	213	.513	.164	.953	-.029
100	1047	-.444	.077	-.235	-.810	110	1001	-.474	.085	-.259	-.889	120	215	.128	.118	.470	-.264

WD	TAP	CPMEAN	CPRMS	CPMAX	CPMIN	WD	TAP	CPMEAN	CPRMS	CPMAX	CPMIN	WD	TAP	CPMEAN	CPRMS	CPMAX	CPMIN
120	216	.050	.098	.386	-.282	130	3	-.493	.119	-.219	-1.239	130	1015	-.568	.200	-.121	-1.528
120	217	.252	.117	.629	-.141	130	4	-.507	.147	-.080	-1.316	130	1016	-.477	.156	-.119	-1.023
120	218	.504	.146	.918	.134	130	6	-.457	.168	.038	-1.277	130	1017	-.448	.136	-.011	-1.049
120	219	.508	.157	.986	.102	130	7	-.421	.083	-.194	-.834	130	1018	-.422	.132	-.018	-1.039
120	220	.245	.133	.645	-.141	130	12	-.438	.106	-.189	-1.132	130	1019	-.464	.144	-.101	-1.310
120	221	.099	.114	.447	-.303	130	13	-.457	.120	-.029	-1.151	130	1023	-.458	.081	-.180	-.937
120	222	-.002	.104	.351	-.353	130	14	-.492	.160	.014	-1.262	130	1024	-.445	.080	-.181	-.852
120	223	.199	.111	.560	-.098	130	15	-.473	.168	-.021	-1.208	130	1025	-.464	.108	-.124	-1.239
120	224	.455	.138	.847	.130	130	16	-.393	.085	-.155	-.866	130	1026	-.489	.124	-.125	-1.036
120	225	.457	.151	.851	.026	130	17	-.413	.081	-.166	-.842	130	1028	-.447	.123	-.071	-.917
120	226	.210	.132	.612	-.149	130	18	-.450	.097	-.160	-1.113	130	1031	-.396	.123	-.063	-.913
120	227	-.004	.106	.350	-.445	130	19	-.448	.076	-.263	-.807	130	1033	-.491	.164	-.084	-1.226
120	228	-.045	.104	.262	-.432	130	20	-.501	.173	-.039	-1.548	130	1037	-.407	.119	-.075	-.927
120	403	-.556	.162	-.039	-1.316	130	21	-.543	.199	-.065	-1.777	130	1041	-.541	.117	-.214	-1.057
120	404	-.532	.125	-.241	-1.079	130	201	-.012	.119	.379	-.391	130	1043	-.513	.090	-.244	-.967
120	405	-.494	.104	-.267	-1.049	130	203	.254	.121	.578	-.114	130	1044	-.529	.094	-.278	-.990
120	408	-.502	.111	-.241	-1.081	130	204	.235	.121	.605	-.156	130	1045	-.533	.142	-.006	-1.277
120	410	-.559	.204	.096	-1.527	130	208	.346	.125	.770	-.109	130	1046	-.540	.121	-.236	-1.262
120	411	-.520	.178	.160	-1.297	130	210	.041	.113	.418	-.420	130	1047	-.514	.098	-.246	-1.107
120	412	-.506	.138	-.076	-1.217	130	211	.265	.130	.692	-.129	130	1048	-.499	.164	.030	-1.487
120	413	-.520	.126	-.182	-1.156	130	212	.509	.150	.934	.078	130	1049	-.466	.111	-.115	-.910
120	415	-.461	.103	-.201	-.946	130	213	.475	.147	.854	.047	130	1050	-.447	.114	-.048	-.983
120	1001	-.538	.103	-.322	-1.059	130	215	.105	.098	.434	-.254	140	1	-.439	.063	-.243	-.724
120	1002	-.554	.099	-.323	-1.125	130	216	.041	.115	.422	-.378	140	3	-.479	.077	-.278	-.903
120	1003	-.540	.087	-.325	-.953	130	217	.280	.128	.671	-.128	140	4	-.496	.089	-.222	-1.064
120	1007	-.458	.123	-.022	-1.027	130	218	.505	.146	.920	.052	140	6	-.469	.114	-.135	-1.124
120	1014	-.571	.188	-.142	-1.680	130	219	.515	.150	.939	.068	140	7	-.430	.059	-.248	-.650
120	1015	-.533	.156	-.104	-1.244	130	220	.203	.116	.600	-.184	140	12	-.427	.061	-.271	-.737
120	1016	-.491	.133	-.058	-1.252	130	221	.041	.098	.378	-.393	140	13	-.449	.068	-.179	-.717
120	1017	-.466	.166	-.019	-1.407	130	222	-.004	.113	.382	-.372	140	14	-.489	.097	-.220	-1.142
120	1018	-.452	.163	-.043	-1.314	130	223	.216	.120	.653	-.111	140	15	-.465	.102	-.193	-1.190
120	1019	-.474	.165	.006	-1.257	130	224	.473	.138	.959	.104	140	16	-.411	.067	-.191	-.697
120	1023	-.425	.100	-.120	-.938	130	225	.453	.138	.867	.009	140	17	-.410	.061	-.233	-.665
120	1024	-.415	.082	-.187	-.730	130	226	.161	.100	.489	-.146	140	18	-.440	.066	-.232	-.796
120	1025	-.448	.088	-.189	-.824	130	227	-.007	.092	.278	-.298	140	19	-.435	.048	-.267	-.692
120	1026	-.474	.107	-.152	-.925	130	228	-.025	.116	.402	-.417	140	20	-.475	.118	-.231	-1.337
120	1028	-.451	.115	-.076	-1.026	130	403	-.543	.155	.027	-1.105	140	21	-.515	.132	-.265	-1.618
120	1031	-.377	.120	-.097	-.922	130	404	-.688	.176	-.187	-1.287	140	201	.167	.119	.500	-.246
120	1033	-.417	.129	-.093	-1.069	130	405	-.892	.222	-.249	-1.665	140	203	.235	.122	.571	-.138
120	1037	-.393	.128	-.048	-1.223	130	408	-1.064	.394	-.239	-2.389	140	204	.178	.116	.544	-.207
120	1041	-.583	.135	-.125	-1.360	130	410	-.396	.128	.001	-1.163	140	208	.397	.144	.801	-.028
120	1043	-.511	.082	-.252	-1.001	130	411	-.345	.118	.050	-1.035	140	210	.214	.127	.637	-.186
120	1044	-.554	.094	-.295	-1.084	130	412	-.483	.164	-.054	-1.095	140	211	.425	.139	.833	.007
120	1045	-.538	.136	.004	-1.303	130	413	-.815	.200	-.142	-1.510	140	212	.527	.144	.946	.058
120	1046	-.556	.109	-.271	-1.116	130	415	-.889	.272	-.332	-1.862	140	213	.431	.136	.786	-.000
120	1047	-.533	.092	-.302	-.896	130	1001	-.525	.105	-.271	-1.047	140	215	-.015	.079	.280	-.280
120	1048	-.504	.151	.115	-1.210	130	1002	-.530	.108	-.257	-1.016	140	216	.214	.143	.722	-.197
120	1049	-.491	.118	-.111	-.986	130	1003	-.523	.102	-.262	-.943	140	217	.400	.150	.847	-.010
120	1050	-.511	.130	-.065	-1.143	130	1007	-.461	.129	.001	-.922	140	218	.540	.155	1.010	.121
130	1	-.437	.082	-.201	-.862	130	1014	-.679	.223	-.055	-1.683	140	219	.437	.141	.821	.043

APPENDIX A -- PRESSURE DATA:

JAY SQUARE -- CONFIGURATION A -- LOS ANGELES, CALIFORNIA

WD	TAP	CPMEAN	CPRMS	CPMAX	CPMIN	WD	TAP	CPMEAN	CPRMS	CPMAX	CPMIN	WD	TAP	CPMEAN	CPRMS	CPMAX	CPMIN
140	220	.076	.095	.484	-.232	150	12	-.424	.052	-.268	-.644	150	1019	-.421	.132	-.107	-.959
140	221	-.055	.081	.267	-.337	150	13	-.450	.055	-.278	-.666	150	1023	-.475	.055	-.303	-.691
140	222	.198	.127	.668	-.169	150	14	-.477	.071	-.271	-1.044	150	1024	-.459	.051	-.330	-.662
140	223	.381	.125	.789	.017	150	15	-.450	.072	-.244	-.945	150	1025	-.483	.077	-.284	-.932
140	224	.481	.134	.862	.149	150	16	-.416	.056	-.252	-.654	150	1026	-.483	.073	-.288	-.905
140	225	.388	.141	.813	.020	150	17	-.409	.051	-.260	-.607	150	1028	-.433	.061	-.216	-.676
140	226	.078	.090	.371	-.235	150	18	-.439	.054	-.271	-.656	150	1031	-.540	.157	-.153	-1.340
140	227	-.111	.075	.183	-.375	150	19	-.430	.040	-.310	-.571	150	1033	-.540	.182	-.183	-1.672
140	228	.141	.135	.632	-.273	150	20	-.458	.075	-.258	-1.095	150	1037	-.455	.114	-.144	-.920
140	403	-.343	.066	-.136	-.809	150	21	-.497	.082	-.299	-1.186	150	1041	-.578	.089	-.276	-1.041
140	404	-.384	.133	-.093	-.946	150	201	.279	.122	.753	-.089	150	1043	-.561	.075	-.335	-.847
140	405	-.804	.197	-.350	-1.438	150	203	.203	.114	.548	-.148	150	1044	-.588	.077	-.324	-.906
140	408	-.891	.300	-.273	-2.186	150	204	.119	.107	.419	-.220	150	1045	-.601	.106	-.228	-.928
140	410	-.410	.059	-.225	-.683	150	208	.437	.137	.839	-.003	150	1046	-.578	.096	-.274	-1.030
140	411	-.298	.049	-.140	-.521	150	210	.364	.141	.829	-.069	150	1047	-.559	.077	-.317	-.907
140	412	-.230	.108	.047	-.786	150	211	.505	.150	.931	.032	150	1048	-.486	.079	-.197	-.962
140	413	-.484	.261	.137	-1.314	150	212	.488	.140	.885	.051	150	1049	-.486	.072	-.251	-.791
140	415	-.743	.191	-.057	-1.613	150	213	.359	.123	.715	-.008	150	1050	-.531	.097	-.210	-.884
140	1001	-.559	.095	-.295	-.898	150	215	-.089	.065	.176	-.275	160	1	-.465	.065	-.185	-.716
140	1002	-.559	.092	-.301	-.957	150	216	.366	.155	.946	-.136	160	3	-.505	.072	-.178	-.799
140	1003	-.558	.092	-.300	-.948	150	217	.500	.153	.983	.025	160	4	-.507	.074	-.186	-.790
140	1007	-.491	.093	-.136	-.867	150	218	.499	.147	.978	.063	160	6	-.469	.072	-.233	-.826
140	1014	-.316	.240	.203	-1.400	150	219	.363	.121	.729	.005	160	7	-.466	.063	-.227	-.699
140	1015	-.213	.151	.158	-1.272	150	220	-.008	.076	.230	-.243	160	12	-.465	.058	-.267	-.721
140	1016	-.242	.098	.099	-.796	150	221	-.141	.068	.069	-.360	160	13	-.489	.060	-.265	-.761
140	1017	-.396	.124	-.023	-.893	150	222	.340	.148	.836	-.109	160	14	-.512	.063	-.345	-.782
140	1018	-.366	.120	-.022	-.826	150	223	.464	.140	.925	.041	160	15	-.481	.065	-.314	-.777
140	1019	-.428	.144	-.077	-.985	150	224	.458	.129	.871	.100	160	16	-.455	.060	-.280	-.696
140	1023	-.480	.065	-.281	-.946	150	225	.332	.113	.701	.007	160	17	-.463	.057	-.260	-.661
140	1024	-.466	.065	-.293	-.880	150	226	.012	.074	.288	-.230	160	18	-.495	.059	-.316	-.720
140	1025	-.508	.113	-.260	-1.237	150	227	-.160	.064	.053	-.358	160	19	-.478	.042	-.351	-.630
140	1026	-.503	.101	-.265	-1.112	150	228	.274	.139	.745	-.109	160	20	-.501	.066	-.317	-1.018
140	1028	-.429	.082	-.179	-.945	150	403	-.294	.051	-.056	-.478	160	21	-.544	.072	-.312	-1.127
140	1031	-.505	.178	-.072	-1.293	150	404	-.225	.069	.002	-.623	160	201	.385	.145	.978	-.190
140	1033	-.573	.234	-.137	-1.657	150	405	-.610	.158	.027	-1.197	160	203	.163	.102	.485	-.229
140	1037	-.407	.128	-.100	-.992	150	408	-.621	.178	.127	-1.376	160	204	.057	.087	.317	-.262
140	1041	-.558	.096	-.266	-.964	150	410	-.443	.055	-.261	-.705	160	208	.433	.131	.860	-.095
140	1043	-.543	.086	-.305	-.893	150	411	-.300	.040	-.164	-.437	160	210	.515	.146	1.100	-.066
140	1044	-.560	.089	-.327	-.926	150	412	-.140	.055	.114	-.466	160	211	.594	.148	1.105	-.125
140	1045	-.568	.117	-.071	-1.014	150	413	-.131	.159	.204	-.972	160	212	.461	.127	.876	-.118
140	1046	-.558	.107	-.250	-1.002	150	415	-.513	.166	.210	-1.177	160	213	.289	.104	.632	-.107
140	1047	-.529	.086	-.300	-.893	150	1001	-.588	.083	-.364	-.887	160	215	-.199	.056	-.020	-.404
140	1048	-.472	.094	-.156	-.959	150	1002	-.584	.081	-.340	-.868	160	216	.486	.161	1.061	-.260
140	1049	-.453	.074	-.177	-.900	150	1003	-.587	.080	-.341	-.862	160	217	.559	.160	1.028	-.130
140	1050	-.445	.105	-.076	-.856	150	1007	-.492	.081	-.220	-.804	160	218	.463	.141	.918	-.049
150	1	-.445	.052	-.253	-.669	150	1014	-.084	.143	.356	-.725	160	219	.297	.098	.596	-.026
150	3	-.484	.060	-.253	-.720	150	1015	-.094	.085	.282	-.518	160	220	-.108	.063	.091	-.399
150	4	-.499	.068	-.266	-.784	150	1016	-.181	.069	.140	-.409	160	221	-.231	.056	-.036	-.429
150	6	-.453	.080	-.235	-.896	150	1017	-.387	.110	-.056	-.903	160	222	.453	.151	.913	-.173
150	7	-.435	.059	-.248	-.736	150	1018	-.348	.104	-.037	-.832	160	223	.538	.149	.982	-.078

WD	TAP	CPMEAN	CPRMS	CPMAX	CPMIN	WD	TAP	CPMEAN	CPRMS	CPMAX	CPMIN	WD	TAP	CPMEAN	CPRMS	CPMAX	CPMIN
160	224	.440	.124	.818	-.027	170	16	-.426	.065	-.223	-.751	170	1026	-.523	.116	-.203	-1.508
160	225	.265	.094	.524	-.008	170	17	-.415	.062	-.177	-.945	170	1028	-.529	.128	-.182	-1.224
160	226	-.070	.060	.149	-.272	170	18	-.440	.062	-.234	-.710	170	1031	-.427	.183	.213	-1.254
160	227	-.249	.057	-.029	-.496	170	19	-.439	.046	-.302	-.612	170	1033	-.391	.185	.193	-1.164
160	228	.427	.142	.967	-.183	170	20	-.442	.073	-.237	-.845	170	1037	-.363	.141	.099	-.877
160	403	-.256	.087	.129	-.599	170	21	-.481	.083	-.249	-1.089	170	1041	-.480	.131	-.090	-1.003
160	404	-.160	.079	.188	-.405	170	201	.053	.233	.747	-.785	170	1043	-.559	.141	-.132	-.995
160	405	-.298	.248	.299	-1.315	170	203	.014	.177	.580	-.555	170	1044	-.580	.143	-.116	-1.018
160	408	-.263	.301	.513	-1.537	170	204	-.030	.149	.485	-.620	170	1045	-.466	.192	.119	-1.163
160	410	-.486	.073	-.219	-.769	170	208	.143	.234	.876	-.627	170	1046	-.549	.165	-.067	-1.112
160	411	-.299	.064	-.008	-.544	170	210	.153	.234	.837	-.535	170	1047	-.590	.159	-.035	-1.117
160	412	-.087	.080	.284	-.442	170	211	.208	.248	.889	-.469	170	1048	-.378	.099	.113	-.733
160	413	-.004	.096	.395	-.447	170	212	.222	.228	.858	-.604	170	1049	-.400	.094	-.097	-.813
160	415	-.258	.276	.637	-1.179	170	213	.142	.184	.683	-.541	170	1050	-.445	.165	.019	-1.117
160	1001	-.637	.098	-.160	-1.036	170	215	-.204	.079	.216	-.593	180	1	-.344	.078	-.110	-.901
160	1002	-.660	.097	-.332	-1.120	170	216	.148	.237	.979	-.710	180	3	-.342	.076	-.094	-.715
160	1003	-.655	.093	-.345	-1.054	170	217	.219	.253	1.129	-.518	180	4	-.347	.071	-.120	-.725
160	1007	-.492	.089	-.203	-.815	170	218	.238	.237	.893	-.500	180	6	-.406	.083	-.155	-.863
160	1014	.060	.110	.399	-.593	170	219	.164	.178	.637	-.507	180	7	-.345	.072	-.148	-.849
160	1015	-.020	.080	.302	-.447	170	220	-.136	.097	.243	-.645	180	12	-.338	.061	-.181	-.761
160	1016	-.142	.080	.262	-.460	170	221	-.226	.080	.051	-.555	180	13	-.333	.055	-.189	-.623
160	1017	-.458	.117	-.000	-.881	170	222	.177	.219	.901	-.663	180	14	-.355	.070	-.151	-.871
160	1018	-.406	.109	.039	-.811	170	223	.258	.226	1.000	-.681	180	15	-.398	.074	-.180	-.880
160	1019	-.498	.126	-.025	-1.026	170	224	.273	.193	.869	-.297	180	16	-.362	.058	-.192	-.679
160	1023	-.542	.073	-.363	-.895	170	225	.175	.153	.645	-.421	180	17	-.320	.053	-.181	-.835
160	1024	-.539	.070	-.355	-1.036	170	226	-.080	.095	.210	-.491	180	18	-.316	.050	-.165	-.585
160	1025	-.549	.081	-.273	-1.141	170	227	-.223	.077	.069	-.540	180	19	-.359	.030	-.269	-.478
160	1026	-.544	.072	-.259	-.850	170	228	.234	.226	.853	-.610	180	20	-.332	.049	-.189	-.625
160	1028	-.520	.073	-.297	-.891	170	403	-.273	.124	.350	-.683	180	21	-.342	.054	-.189	-.644
160	1031	-.671	.174	-.157	-1.496	170	404	-.228	.123	.408	-1.097	180	201	-.174	.189	.648	-1.104
160	1033	-.635	.165	-.142	-1.568	170	405	-.330	.240	.411	-1.630	180	203	-.143	.166	.533	-.821
160	1037	-.557	.144	-.089	-1.088	170	408	-.330	.286	.490	-1.786	180	204	-.143	.151	.348	-.611
160	1041	-.605	.107	-.242	-1.020	170	410	-.485	.139	-.031	-1.008	180	208	-.107	.186	.572	-1.169
160	1043	-.624	.091	-.332	-1.001	170	411	-.321	.102	.057	-.706	180	210	-.157	.167	.577	-1.166
160	1044	-.647	.095	-.314	-1.056	170	412	-.150	.081	.251	-.491	180	211	-.090	.187	.577	-1.066
160	1045	-.692	.127	-.252	-1.401	170	413	-.133	.115	.305	-.751	180	212	-.048	.185	.616	-.904
160	1046	-.639	.108	-.287	-1.201	170	415	-.370	.275	.470	-1.642	180	213	-.062	.168	.519	-.613
160	1047	-.617	.093	-.285	-.943	170	1001	-.513	.150	.055	-1.062	180	215	-.213	.085	.095	-.522
160	1048	-.463	.090	-.154	-.910	170	1002	-.597	.161	-.005	-1.113	180	216	-.103	.182	.519	-.790
160	1049	-.520	.085	-.252	-.848	170	1003	-.590	.153	-.028	-1.107	180	217	-.083	.202	.622	-.799
160	1050	-.592	.108	-.187	-.968	170	1007	-.392	.087	-.104	-.815	180	218	-.034	.220	.686	-1.119
170	1	-.425	.080	-.167	-.676	170	1014	.010	.137	.428	-.820	180	219	-.035	.177	.514	-.573
170	3	-.452	.086	-.155	-.794	170	1015	-.003	.109	.408	-.626	180	220	-.161	.110	.388	-.525
170	4	-.457	.082	-.221	-.843	170	1016	-.073	.115	.326	-.468	180	221	-.204	.084	.106	-.582
170	6	-.458	.103	-.176	-.986	170	1017	-.241	.167	.228	-.841	180	222	-.092	.208	.596	-1.054
170	7	-.422	.079	-.202	-.795	170	1018	-.247	.149	.175	-.869	180	223	-.105	.229	.644	-1.224
170	12	-.426	.070	-.175	-.691	170	1019	-.296	.169	.281	-1.074	180	224	-.059	.211	.591	-.965
170	13	-.454	.073	-.214	-.774	170	1023	-.516	.109	-.149	-.946	180	225	-.026	.163	.531	-.658
170	14	-.493	.089	-.236	-1.189	170	1024	-.508	.114	-.132	-.940	180	226	-.192	.105	.206	-.490
170	15	-.474	.095	-.206	-1.231	170	1025	-.535	.141	-.183	-2.105	180	227	-.202	.077	.087	-.527

APPENDIX A -- PRESSURE DATA:

JAY SQUARE -- CONFIGURATION A -- LOS ANGELES, CALIFORNIA

WD	TAP	CPMEAN	CPRMS	CPMAX	CPMIN	WD	TAP	CPMEAN	CPRMS	CPMAX	CPMIN	WD	TAP	CPMEAN	CPRMS	CPMAX	CPMIN
180	228	-.100	.226	.660	-1.145	190	20	-.346	.057	-.164	-.656	190	1037	-.208	.114	.158	-.645
180	403	-.207	.150	.589	-.699	190	21	-.366	.067	-.165	-.684	190	1041	-.261	.083	.017	-.694
180	404	-.235	.156	.448	-.674	190	201	-.550	.320	.559	-2.411	190	1043	-.423	.142	.047	-.884
180	405	-.225	.183	.627	-.904	190	203	-.303	.217	.334	-1.384	190	1044	-.399	.179	.094	-1.064
180	408	-.197	.186	.647	-1.053	190	204	-.220	.134	.274	-1.012	190	1045	-.449	.128	.045	-.898
180	410	-.321	.123	.276	-.770	190	208	-.465	.300	.459	-1.666	190	1046	-.492	.129	-.014	-.924
180	411	-.266	.134	.489	-.703	190	210	-.489	.230	.282	-1.727	190	1047	-.404	.144	.116	-.895
180	412	-.120	.125	.646	-.596	190	211	-.484	.238	.407	-1.660	190	1048	-.184	.110	.358	-.720
180	413	-.105	.119	.611	-.532	190	212	-.331	.253	.327	-1.481	190	1049	-.354	.118	.004	-.893
180	415	-.244	.177	.252	-1.207	190	213	-.216	.149	.274	-1.005	190	1050	-.451	.126	-.021	-.945
180	1001	-.311	.152	.352	-.827	190	215	-.287	.073	-.017	-.784	200	1	-.403	.106	-.115	-.844
180	1002	-.377	.148	.147	-.971	190	216	-.513	.197	.190	-1.471	200	3	-.412	.112	-.134	-1.212
180	1003	-.369	.142	.176	-.944	190	217	-.535	.209	.231	-1.601	200	4	-.449	.109	-.116	-.891
180	1007	-.258	.078	.062	-.532	190	218	-.459	.284	.374	-1.560	200	6	-.514	.126	-.144	-1.109
180	1014	-.060	.142	.397	-.757	190	219	-.322	.205	.231	-1.151	200	7	-.394	.102	-.036	-.832
180	1015	-.011	.147	.517	-.610	190	220	-.297	.106	.207	-1.005	200	12	-.403	.093	-.167	-.921
180	1016	-.008	.157	.584	-.541	190	221	-.305	.101	-.005	-1.035	200	13	-.413	.088	-.206	-.906
180	1017	-.029	.172	.622	-.584	190	222	-.529	.169	.109	-1.348	200	14	-.456	.092	-.220	-.941
180	1018	-.119	.147	.429	-.611	190	223	-.517	.173	.156	-1.394	200	15	-.494	.112	-.209	-.967
180	1019	-.117	.143	.326	-.765	190	224	-.515	.226	.607	-1.612	200	16	-.497	.124	-.144	-1.095
180	1023	-.420	.094	-.073	-.788	190	225	-.389	.200	.331	-1.090	200	17	-.418	.109	-.139	-.933
180	1024	-.410	.107	-.024	-.892	190	226	-.305	.115	.158	-.952	200	18	-.409	.089	-.175	-.947
180	1025	-.426	.122	-.094	-1.051	190	227	-.334	.128	-.003	-1.093	200	19	-.427	.058	-.235	-.634
180	1026	-.414	.109	-.136	-1.095	190	228	-.565	.153	.019	-1.189	200	20	-.418	.080	-.151	-.905
180	1028	-.441	.120	.071	-1.192	190	403	-.086	.169	.581	-.546	200	21	-.450	.098	-.137	-1.021
180	1031	-.254	.140	.381	-.795	190	404	-.090	.159	.561	-.525	200	201	-.910	.322	-.224	-2.662
180	1033	-.271	.151	.211	-.774	190	405	-.114	.180	.656	-.647	200	203	-.693	.275	.145	-1.774
180	1037	-.273	.114	.152	-.786	190	408	-.052	.171	.667	-.561	200	204	-.415	.207	.099	-1.453
180	1041	-.292	.103	.079	-.693	190	410	-.167	.147	.262	-.634	200	208	-.896	.264	.098	-1.879
180	1043	-.377	.140	.162	-.932	190	411	.003	.181	.573	-.463	200	210	-.840	.220	.180	-1.930
180	1044	-.369	.145	.147	-.894	190	412	.146	.224	.956	-.590	200	211	-.813	.218	-.000	-2.331
180	1045	-.347	.158	.183	-.949	190	413	.118	.194	.941	-.540	200	212	-.787	.268	.308	-1.788
180	1046	-.437	.146	.058	-.963	190	415	-.208	.160	.392	-.998	200	213	-.497	.245	.179	-1.337
180	1047	-.386	.152	.090	-1.004	190	1001	-.263	.172	.379	-.858	200	215	-.371	.116	-.057	-1.217
180	1048	-.228	.093	.236	-.585	190	1002	-.411	.151	.098	-.891	200	216	-.698	.182	-.113	-1.568
180	1049	-.286	.092	.121	-.646	190	1003	-.393	.138	.085	-.827	200	217	-.721	.183	-.071	-1.628
180	1050	-.381	.141	.133	-.967	190	1007	-.276	.103	.007	-.896	200	218	-.771	.252	.219	-1.826
190	1	-.358	.087	-.123	-.891	190	1014	.184	.172	.722	-.429	200	219	-.603	.255	.157	-1.429
190	3	-.357	.081	-.135	-.783	190	1015	.299	.169	.926	-.512	200	220	-.445	.182	.009	-1.347
190	4	-.366	.074	-.177	-.762	190	1016	.297	.151	.881	-.299	200	221	-.440	.192	.052	-1.324
190	6	-.418	.089	-.129	-.917	190	1017	.209	.119	.614	-.622	200	222	-.678	.170	-.090	-1.531
190	7	-.359	.082	-.140	-.760	190	1018	.113	.114	.465	-.677	200	223	-.702	.177	-.125	-1.536
190	12	-.357	.070	-.180	-.971	190	1019	.067	.110	.421	-.663	200	224	-.755	.220	.124	-1.723
190	13	-.349	.064	-.176	-.763	190	1023	-.454	.103	-.046	-.927	200	225	-.606	.228	.122	-1.420
190	14	-.371	.072	-.160	-1.129	190	1024	-.416	.102	-.041	-1.101	200	226	-.500	.211	.033	.572
190	15	-.370	.077	-.154	-1.071	190	1025	-.492	.184	-.005	-2.097	200	227	-.498	.219	.208	-1.413
190	16	-.328	.081	-.156	-1.261	190	1026	-.491	.167	.002	-1.870	200	228	-.713	.153	-.289	-1.382
190	17	-.346	.072	-.178	-.948	190	1028	-.486	.136	-.164	-1.298	200	403	.065	.134	.600	-.485
190	18	-.342	.056	-.186	-.638	190	1031	-.095	.139	.640	-.624	200	404	.097	.141	.681	-.471
190	19	-.320	.043	-.220	-.491	190	1033	-.057	.149	.479	-.576	200	405	.035	.150	.472	-.602

WD	TAP	CPMEAN	CPRMS	CPMAX	CPMIN	WD	TAP	CPMEAN	CPRMS	CPMAX	CPMIN	WD	TAP	CPMEAN	CPRMS	CPMAX	CPMIN
200	408	.181	.170	.707	-.490	210	204	-.583	.187	.040	-1.275	210	1045	-.617	.128	-.266	-1.127
200	410	-.127	.114	.276	-.522	210	208	-.685	.190	-.192	-1.520	210	1046	-.661	.114	-.311	-1.033
200	411	-.119	.137	.532	-.353	210	210	-.652	.171	-.172	-1.315	210	1047	-.575	.105	-.299	-1.057
200	412	.485	.164	1.074	-.174	210	211	-.647	.178	-.215	-1.604	210	1048	-.482	.162	.106	-1.093
200	413	.503	.181	1.123	-.163	210	212	-.683	.201	.076	-1.532	210	1049	-.636	.155	-.155	-1.364
200	415	-.130	.176	.381	-.891	210	213	-.594	.200	.028	-1.280	210	1050	-.664	.138	-.320	-1.404
200	1001	-.632	.188	.075	-1.436	210	215	-.473	.198	.016	-1.407	220	1	-.422	.111	-.057	-.987
200	1002	-.675	.134	-.313	-1.267	210	216	-.589	.165	-.124	-1.333	220	3	-.392	.097	-.060	-.850
200	1003	-.662	.125	-.314	-1.181	210	217	-.610	.168	-.127	-1.456	220	4	-.400	.100	-.124	-1.033
200	1007	-.573	.169	-.052	-1.328	210	218	-.657	.201	-.036	-1.505	220	6	-.485	.120	-.140	-1.153
200	1014	.369	.163	.926	-.202	210	219	-.595	.208	.054	-1.508	220	7	-.400	.100	-.104	-1.011
200	1015	.426	.153	.984	-.104	210	220	-.520	.212	.051	-1.489	220	12	-.369	.077	-.149	-.729
200	1016	.386	.142	.984	-.041	210	221	-.518	.242	.023	-1.553	220	13	-.363	.075	-.141	-.754
200	1017	.176	.113	.602	-.194	210	222	-.593	.179	-.219	-2.005	220	14	-.399	.095	-.147	-1.002
200	1018	.125	.118	.592	-.247	210	223	-.629	.184	-.247	-2.053	220	15	-.484	.111	-.169	-1.079
200	1019	.050	.115	.533	-.501	210	224	-.659	.189	-.179	-1.562	220	16	-.487	.124	-.169	-1.021
200	1023	-.563	.171	.002	-1.323	210	225	-.590	.197	.035	-1.449	220	17	-.383	.095	-.112	-.741
200	1024	-.519	.153	-.148	-1.288	210	226	-.594	.232	-.059	-1.623	220	18	-.340	.062	-.173	-.589
200	1025	-.583	.233	-.141	-2.110	210	227	-.543	.253	.009	-1.617	220	19	-.411	.046	-.284	-.605
200	1026	-.536	.169	-.097	-1.628	210	228	-.590	.142	-.226	-1.362	220	20	-.368	.079	-.161	-.760
200	1028	-.580	.156	-.144	-1.546	210	403	.052	.131	.558	-.369	220	21	-.403	.095	-.152	-.845
200	1031	-.138	.167	.714	-.696	210	404	.042	.130	.484	-.379	220	201	-.687	.247	-.249	-2.557
200	1033	-.079	.175	.523	-.694	210	405	.035	.144	.542	-.536	220	203	-.633	.183	-.168	-1.567
200	1037	-.216	.122	.314	-.607	210	408	.173	.161	.770	-.391	220	204	-.548	.165	-.083	-1.308
200	1041	-.500	.139	-.139	-1.097	210	410	-.123	.149	.544	-.629	220	208	-.655	.201	-.153	-1.709
200	1043	-.667	.123	-.278	-1.135	210	411	.079	.138	.783	-.341	220	210	-.718	.200	-.279	-1.750
200	1044	-.700	.165	-.199	-1.594	210	412	.446	.145	.932	-.091	220	211	-.642	.197	-.142	-1.676
200	1045	-.677	.130	-.319	-1.271	210	413	.473	.158	1.060	-.048	220	212	-.641	.203	-.139	-1.522
200	1046	-.696	.118	-.367	-1.138	210	415	-.110	.167	.352	-.729	220	213	-.556	.177	-.012	-1.351
200	1047	-.652	.116	-.327	-1.180	210	1001	-.561	.150	-.096	-1.510	220	215	-.469	.171	-.081	-1.518
200	1048	-.402	.167	.236	-1.264	210	1002	-.575	.120	-.233	-1.243	220	216	-.572	.188	-.127	-1.682
200	1049	-.664	.142	-.069	-1.297	210	1003	-.567	.111	-.207	-1.200	220	217	-.594	.191	-.133	-1.621
200	1050	-.724	.134	-.363	-1.512	210	1007	-.512	.162	.061	-1.132	220	218	-.633	.219	.111	-1.626
210	1	-.409	.124	-.059	-1.031	210	1014	.269	.152	.792	-.339	220	219	-.558	.202	.014	-1.678
210	3	-.403	.107	-.069	-1.003	210	1015	.377	.127	.925	-.045	220	220	-.518	.210	.088	-1.598
210	4	-.427	.110	-.099	-.970	210	1016	.349	.118	.832	.014	220	221	-.502	.222	.002	-1.570
210	6	-.478	.131	-.064	-1.070	210	1017	.180	.107	.734	-.167	220	222	-.556	.178	-.181	-1.538
210	7	-.402	.116	-.075	-.909	210	1018	.139	.104	.580	-.226	220	223	-.634	.188	-.245	-1.610
210	12	-.371	.091	-.082	-.828	210	1019	.060	.114	.610	-.339	220	224	-.710	.219	-.169	-1.823
210	13	-.369	.083	-.112	-.942	210	1023	-.558	.190	-.101	-1.496	220	225	-.554	.193	-.041	-1.402
210	14	-.416	.105	-.099	-1.099	210	1024	-.507	.168	-.091	-1.321	220	226	-.608	.239	.012	-1.669
210	15	-.459	.123	-.118	-1.141	210	1025	-.550	.229	-.081	-2.091	220	227	-.528	.248	.100	-1.594
210	16	-.457	.122	-.097	-1.025	210	1026	-.529	.200	-.068	-2.080	220	228	-.570	.187	-.178	-1.686
210	17	-.392	.106	-.089	-.900	210	1028	-.590	.179	-.119	-1.699	220	403	-.096	.179	.539	-.703
210	18	-.352	.072	-.143	-.776	210	1031	-.091	.146	.856	-.719	220	404	-.105	.179	.829	-.874
210	19	-.387	.055	-.233	-.621	210	1033	-.061	.155	.503	-.753	220	405	-.082	.167	.610	-.630
210	20	-.368	.089	-.089	-.814	210	1037	-.232	.109	.331	-.583	220	408	.041	.188	.861	-.680
210	21	-.407	.111	-.090	-1.024	210	1041	-.490	.141	-.102	-1.079	220	410	-.219	.150	.417	-.779
210	201	-.703	.244	-.271	-2.447	210	1043	-.583	.107	-.281	-.961	220	411	-.061	.169	.741	-.573
210	203	-.677	.186	-.007	-1.444	210	1044	-.625	.153	-.197	-1.333	220	412	.238	.192	1.041	-.362

APPENDIX A -- PRESSURE DATA:

JAY SQUARE -- CONFIGURATION A -- LOS ANGELES, CALIFORNIA

WD	TAP	CPMEAN	CPRMS	CPMAX	CPMIN	WD	TAP	CPMEAN	CPRMS	CPMAX	CPMIN	WD	TAP	CPMEAN	CPRMS	CPMAX	CPMIN
220	413	.280	.202	1.177	-.381	230	212	-.460	.140	-.112	-1.335	230	1049	-.437	.120	-.113	-1.003
220	415	-.215	.169	.423	-.781	230	213	-.425	.114	-.143	-.939	230	1050	-.425	.109	-.140	-1.077
220	1001	-.504	.143	.090	-1.184	230	215	-.397	.106	-.129	-1.041	240	1	-.341	.066	-.104	-.967
220	1002	-.544	.116	-.134	-.955	230	216	-.478	.163	-.069	-1.482	240	3	-.324	.057	-.161	-.649
220	1003	-.529	.107	-.155	-.919	230	217	-.492	.167	-.061	-1.519	240	4	-.340	.065	-.155	-.719
220	1007	-.439	.146	.028	-1.090	230	218	-.477	.164	-.024	-1.458	240	6	-.347	.080	-.146	-.852
220	1014	.183	.148	.714	-.548	230	219	-.426	.132	-.088	-1.121	240	7	-.341	.063	-.117	-.820
220	1015	.300	.136	.847	-.216	230	220	-.428	.134	-.113	-1.094	240	12	-.329	.051	-.170	-.593
220	1016	.287	.130	.796	-.127	230	221	-.428	.146	-.102	-1.150	240	13	-.326	.059	-.147	-.696
220	1017	.172	.124	.914	-.214	230	222	-.485	.159	-.118	-1.350	240	14	-.358	.076	-.134	-.938
220	1018	.085	.125	.707	-.328	230	223	-.453	.155	-.095	-1.364	240	15	-.350	.079	-.114	-.911
220	1019	.046	.131	.636	-.327	230	224	-.448	.158	-.000	-1.294	240	16	-.342	.052	-.196	-.659
220	1023	-.569	.154	-.167	-1.368	230	225	-.440	.135	-.049	-1.148	240	17	-.333	.049	-.177	-.600
220	1024	-.485	.146	-.055	-1.191	230	226	-.424	.150	-.030	-1.154	240	18	-.317	.039	-.168	-.440
220	1025	-.518	.193	-.094	-2.328	230	227	-.452	.175	-.069	-1.821	240	19	-.321	.032	-.205	-.423
220	1026	-.501	.156	-.083	-1.733	230	228	-.488	.177	-.108	-1.827	240	20	-.335	.052	-.189	-.639
220	1028	-.547	.161	-.142	-1.276	230	403	-.278	.128	.364	-.672	240	21	-.347	.057	-.180	-.763
220	1031	-.073	.172	.825	-.840	230	404	-.234	.136	.607	-.612	240	201	-.449	.147	-.138	-1.897
220	1033	-.080	.187	.638	-.756	230	405	-.259	.143	.406	-.674	240	203	-.384	.103	-.096	-1.271
220	1037	-.202	.119	.342	-.619	230	408	-.201	.168	.514	-.635	240	204	-.373	.086	-.132	-1.000
220	1041	-.434	.127	-.098	-.976	230	410	-.328	.107	.110	-.759	240	208	-.412	.116	-.156	-1.213
220	1043	-.546	.107	-.232	-.940	230	411	-.217	.112	.393	-.572	240	210	-.436	.126	-.155	-1.205
220	1044	-.572	.155	-.120	-1.390	230	412	-.125	.162	.493	-.550	240	211	-.442	.126	-.115	-1.523
220	1045	-.583	.128	-.164	-1.187	230	413	-.094	.182	.618	-.557	240	212	-.388	.105	-.093	-1.287
220	1046	-.649	.125	-.233	-1.150	230	415	-.276	.140	.286	-.861	240	213	-.372	.083	-.118	-.892
220	1047	-.516	.102	-.194	-.961	230	1001	-.380	.093	-.091	-.840	240	215	-.356	.085	-.127	-1.054
220	1048	-.412	.147	.045	-1.156	230	1002	-.405	.091	-.171	-.873	240	216	-.433	.138	-.140	-1.340
220	1049	-.559	.161	.026	-1.339	230	1003	-.401	.083	-.176	-.813	240	217	-.441	.137	-.145	-1.352
220	1050	-.650	.149	-.164	-1.620	230	1007	-.378	.097	-.101	-1.059	240	218	-.407	.116	-.118	-1.265
230	1	-.375	.080	-.141	-.884	230	1014	-.044	.199	.612	-.662	240	219	-.369	.089	-.084	-.826
230	3	-.353	.065	-.178	-.811	230	1015	-.020	.201	.715	-.580	240	220	-.374	.085	-.086	-.899
230	4	-.365	.067	-.205	-1.026	230	1016	-.017	.187	.756	-.643	240	221	-.364	.087	-.163	-.857
230	6	-.343	.066	-.165	-.648	230	1017	-.024	.191	.615	-1.411	240	222	-.425	.127	-.136	-1.306
230	7	-.366	.072	-.127	-.863	230	1018	-.089	.166	.589	-1.256	240	223	-.412	.127	-.121	-1.389
230	12	-.345	.048	-.194	-.608	230	1019	-.125	.177	.523	-1.260	240	224	-.399	.107	-.009	-1.098
230	13	-.343	.048	-.209	-.586	230	1023	-.397	.121	-.106	-1.016	240	225	-.377	.089	-.051	-.811
230	14	-.366	.060	-.188	-.723	230	1024	-.423	.111	-.138	-1.015	240	226	-.379	.097	-.134	-1.109
230	15	-.339	.064	-.154	-.696	230	1025	-.432	.136	-.116	-1.539	240	227	-.382	.104	-.149	-1.213
230	16	-.326	.074	-.097	-.689	230	1026	-.424	.120	-.115	-1.242	240	228	-.428	.123	-.104	-1.184
230	17	-.347	.065	-.103	-.690	230	1028	-.463	.147	-.096	-1.403	240	403	-.317	.100	.152	-.797
230	18	-.318	.041	-.152	-.657	230	1031	-.240	.208	.659	-.899	240	404	-.284	.110	.325	-.759
230	19	-.286	.034	-.176	-.438	230	1033	-.221	.187	.442	-.795	240	405	-.287	.111	.300	-.916
230	20	-.346	.057	-.185	-.617	230	1037	-.203	.147	.334	-.770	240	408	-.256	.131	.421	-.978
230	21	-.365	.070	-.174	-.744	230	1041	-.362	.082	-.128	-.785	240	410	-.338	.085	.221	-.668
230	201	-.517	.168	-.148	-1.683	230	1043	-.423	.090	-.136	-.772	240	411	-.286	.092	.345	-.618
230	203	-.454	.129	-.081	-1.202	230	1044	-.417	.112	-.100	-.913	240	412	-.258	.129	.643	-.629
230	204	-.427	.116	-.071	-1.233	230	1045	-.448	.107	-.120	-.984	240	413	-.228	.154	.677	-.677
230	208	-.480	.136	-.133	-1.365	230	1046	-.431	.100	-.183	-.861	240	415	-.314	.115	.279	-.739
230	210	-.464	.140	-.091	-1.219	230	1047	-.402	.082	-.136	-.788	240	1001	-.331	.072	-.083	-.659
230	211	-.494	.147	-.157	-1.496	230	1048	-.364	.099	-.055	-.951	240	1002	-.347	.072	-.024	-.617

WD	TAP	CPMEAN	CPRMS	CPMAX	CPMIN	WD	TAP	CPMEAN	CPRMS	CPMAX	CPMIN	WD	TAP	CPMEAN	CPRMS	CPMAX	CPMIN
240	1003	-.346	.072	.071	-.620	250	217	-.370	.071	-.169	-1.055	260	4	-.354	.072	-.100	-.743
240	1007	-.325	.101	.064	-.965	250	218	-.347	.058	-.136	-.646	260	6	-.382	.081	-.134	-.831
240	1014	-.264	.149	.375	-.782	250	219	-.339	.049	-.164	-.611	260	7	-.311	.062	-.138	-.675
240	1015	-.240	.144	.317	-.673	250	220	-.337	.049	-.162	-.544	260	12	-.307	.053	-.131	-.579
240	1016	-.243	.136	.339	-.617	250	221	-.346	.049	-.232	-.611	260	13	-.333	.062	-.136	-.935
240	1017	-.253	.140	.327	-.834	250	222	-.370	.066	-.086	-.734	260	14	-.358	.075	-.140	-.800
240	1018	-.277	.123	.184	-.739	250	223	-.360	.064	-.077	-.704	260	15	-.380	.084	-.134	-1.157
240	1019	-.296	.134	.266	-1.022	250	224	-.352	.056	-.194	-.673	260	16	-.321	.037	-.181	-.488
240	1023	-.358	.067	-.078	-.807	250	225	-.327	.048	-.171	-.614	260	17	-.305	.038	-.175	-.474
240	1024	-.374	.074	-.108	-.919	250	226	-.352	.051	-.233	-.641	260	18	-.323	.041	-.177	-.565
240	1025	-.376	.087	-.161	-.966	250	227	-.349	.053	-.181	-.722	260	19	-.332	.031	-.214	-.488
240	1026	-.381	.085	-.168	-1.226	250	228	-.375	.077	-.131	-.801	260	20	-.345	.077	-.124	-1.015
240	1028	-.384	.088	-.115	-.923	250	403	-.350	.101	.116	-1.060	260	21	-.376	.090	-.124	-1.246
240	1031	-.301	.160	.530	-1.089	250	404	-.341	.101	.114	-.818	260	201	-.357	.079	-.143	-.838
240	1033	-.319	.145	.345	-1.043	250	405	-.318	.101	.185	-.930	260	203	-.349	.069	-.131	-.787
240	1037	-.290	.118	.143	-.757	250	408	-.320	.099	.292	-.804	260	204	-.337	.066	-.150	-.643
240	1041	-.322	.073	-.056	-.705	250	410	-.355	.063	-.079	-.665	260	208	-.354	.070	-.131	-.720
240	1043	-.350	.079	-.021	-.680	250	411	-.350	.065	.051	-.627	260	210	-.368	.071	-.160	-.955
240	1044	-.336	.085	.021	-.791	250	412	-.311	.087	.377	-.551	260	211	-.339	.069	-.119	-.749
240	1045	-.366	.088	.030	-.935	250	413	-.309	.098	.396	-.573	260	212	-.334	.060	-.123	-.717
240	1046	-.361	.080	-.084	-.714	250	415	-.340	.079	.074	-.646	260	213	-.324	.057	-.095	-.695
240	1047	-.341	.071	-.051	-.724	250	1001	-.290	.093	.084	-.619	260	215	-.306	.056	-.145	-.626
240	1048	-.306	.086	.130	-.780	250	1002	-.325	.095	.164	-.618	260	216	-.358	.069	-.155	-.698
240	1049	-.348	.091	.060	-.735	250	1003	-.314	.095	.168	-.606	260	217	-.349	.064	-.169	-.705
240	1050	-.358	.086	.043	-.843	250	1007	-.328	.097	.147	-.725	260	218	-.327	.053	-.171	-.619
250	1	-.317	.065	-.120	-.640	250	1014	-.357	.084	.160	-.853	260	219	-.322	.045	-.181	-.534
250	3	-.328	.065	-.131	-.570	250	1015	-.354	.082	.110	-.672	260	220	-.320	.043	-.181	-.529
250	4	-.333	.070	-.126	-.634	250	1016	-.381	.080	.077	-.618	260	221	-.325	.044	-.181	-.592
250	6	-.343	.080	-.133	-.767	250	1017	-.383	.082	.095	-.691	260	222	-.350	.064	-.192	-.714
250	7	-.326	.064	-.153	-.719	250	1018	-.374	.078	.025	-.664	260	223	-.353	.062	-.202	-.711
250	12	-.310	.057	-.145	-.607	250	1019	-.375	.080	-.005	-.750	260	224	-.339	.053	-.209	-.627
250	13	-.324	.063	-.160	-.725	250	1023	-.377	.050	-.189	-.541	260	225	-.302	.039	-.171	-.509
250	14	-.336	.073	-.143	-.748	250	1024	-.362	.047	-.181	-.579	260	226	-.331	.038	-.218	-.657
250	15	-.338	.075	-.135	-.743	250	1025	-.373	.043	-.218	-.669	260	227	-.329	.040	-.210	-.474
250	16	-.323	.038	-.215	-.583	250	1026	-.371	.045	-.212	-.658	260	228	-.346	.065	-.171	-.738
250	17	-.312	.038	-.195	-.583	250	1028	-.355	.046	-.178	-.525	260	403	-.367	.072	-.010	-.923
250	18	-.317	.036	-.186	-.442	250	1031	-.220	.120	.273	-.626	260	404	-.360	.086	.180	-.943
250	19	-.306	.028	-.219	-.396	250	1033	-.252	.108	.116	-.650	260	405	-.321	.099	.098	-1.008
250	20	-.312	.040	-.092	-.616	250	1037	-.261	.088	.049	-.594	260	408	-.330	.102	.111	-.853
250	21	-.335	.044	-.133	-.661	250	1041	-.322	.090	.091	-.725	260	410	-.369	.047	-.164	-.572
250	201	-.366	.081	-.171	-.804	250	1043	-.318	.086	-.019	-.701	260	411	-.367	.048	-.111	-.566
250	203	-.353	.070	-.157	-.807	250	1044	-.328	.098	-.003	-.676	260	412	-.334	.063	.053	-.584
250	204	-.343	.072	-.124	-.803	250	1045	-.348	.079	.031	-.663	260	413	-.331	.079	.123	-.609
250	208	-.368	.071	-.138	-.708	250	1046	-.352	.085	-.033	-.671	260	415	-.341	.084	.044	-.720
250	210	-.381	.069	-.182	-.764	250	1047	-.322	.084	-.010	-.621	260	1001	-.333	.091	.023	-.717
250	211	-.353	.072	-.181	-.743	250	1048	-.310	.091	.128	-.662	260	1002	-.361	.084	.002	-.720
250	212	-.344	.059	-.152	-.787	250	1049	-.344	.088	.128	-.611	260	1003	-.352	.083	.090	-.693
250	213	-.334	.054	-.159	-.585	250	1050	-.347	.077	.030	-.648	260	1007	-.369	.093	-.043	-.774
250	215	-.324	.059	-.134	-.677	260	1	-.315	.065	-.103	-.614	260	1014	-.400	.091	-.017	-.821
250	216	-.376	.074	-.174	-1.063	260	3	-.343	.067	-.143	-.937	260	1015	-.395	.084	-.110	-.749

WD	TAP	CPMEAN	CPRMS	CPMAX	CPMIN	WD	TAP	CPMEAN	CPRMS	CPMAX	CPMIN	WD	TAP	CPMEAN	CPRMS	CPMAX	CPMIN
260	1016	-.411	.070	-.078	-.618	270	221	-.296	.050	-.127	-.656	280	13	-.313	.085	-.067	-.872
260	1017	-.395	.067	-.048	-.672	270	222	-.358	.083	-.167	-.837	280	14	-.384	.130	.053	-1.093
260	1018	-.400	.064	-.136	-.673	270	223	-.361	.077	-.189	-.801	280	15	-.417	.140	.067	-1.094
260	1019	-.375	.063	-.145	-.593	270	224	-.329	.059	-.179	-.637	280	16	-.289	.061	-.125	-.668
260	1023	-.410	.072	-.136	-1.009	270	225	-.289	.047	-.166	-.556	280	17	-.263	.058	-.085	-.606
260	1024	-.375	.052	-.187	-.612	270	226	-.308	.042	-.166	-.560	280	18	-.304	.079	.025	-.716
260	1025	-.396	.047	-.242	-.650	270	227	-.312	.048	-.173	-.702	280	19	-.342	.062	-.185	-.681
260	1026	-.386	.051	-.219	-.681	270	228	-.348	.084	-.147	-1.228	280	20	-.429	.167	-.005	-1.403
260	1028	-.363	.050	-.194	-.616	270	403	-.314	.086	.328	-.720	280	21	-.484	.185	-.013	-1.443
260	1031	-.202	.159	.374	-.655	270	404	-.292	.097	.413	-.667	280	201	-.307	.090	-.097	-.901
260	1033	-.265	.146	.220	-.720	270	405	-.247	.099	.187	-.608	280	203	-.292	.067	-.077	-.624
260	1037	-.301	.122	.068	-.845	270	408	-.249	.108	.310	-.681	280	204	-.280	.061	-.036	-.616
260	1041	-.361	.090	.014	-.771	270	410	-.330	.060	-.008	-.687	280	208	-.315	.079	-.131	-.906
260	1043	-.346	.088	.093	-.777	270	411	-.317	.065	.111	-.583	280	210	-.336	.080	-.135	-.828
260	1044	-.375	.104	.072	-.857	270	412	-.252	.095	.377	-.526	280	211	-.310	.078	-.107	-.887
260	1045	-.373	.066	-.029	-.660	270	413	-.237	.116	.391	-.567	280	212	-.291	.055	-.139	-.675
260	1046	-.389	.077	-.019	-.760	270	415	-.274	.081	.178	-.647	280	213	-.277	.049	-.116	-.538
260	1047	-.337	.079	.023	-.710	270	1001	-.288	.091	.086	-.635	280	215	-.250	.059	-.060	-.613
260	1048	-.352	.095	.116	-.667	270	1002	-.324	.082	.084	-.623	280	216	-.338	.081	-.123	-.813
260	1049	-.370	.072	.031	-.634	270	1003	-.308	.082	.206	-.593	280	217	-.324	.076	-.119	-.777
260	1050	-.378	.061	-.007	-.629	270	1007	-.328	.096	.176	-.777	280	218	-.297	.060	-.157	-1.194
270	1	-.277	.063	-.082	-.603	270	1014	-.370	.119	-.042	-.949	280	219	-.286	.049	-.129	-.654
270	3	-.312	.070	-.097	-.770	270	1015	-.345	.099	.098	-.798	280	220	-.277	.055	-.099	-.603
270	4	-.328	.075	-.085	-.715	270	1016	-.359	.088	-.028	-.808	280	221	-.284	.059	-.123	-.752
270	6	-.380	.084	-.099	-.964	270	1017	-.345	.078	-.060	-.650	280	222	-.322	.069	-.124	-.825
270	7	-.273	.060	-.099	-.699	270	1018	-.358	.078	-.072	-.662	280	223	-.318	.065	-.122	-.788
270	12	-.277	.049	-.097	-.660	270	1019	-.347	.089	-.050	-.776	280	224	-.305	.056	-.167	-.785
270	13	-.318	.058	-.115	-.671	270	1023	-.426	.106	.022	-.860	280	225	-.272	.040	-.100	-.469
270	14	-.352	.074	.020	-.779	270	1024	-.369	.076	-.099	-.650	280	226	-.295	.048	-.122	-.561
270	15	-.377	.080	-.000	-.853	270	1025	-.387	.067	-.115	-.824	280	227	-.298	.055	-.152	-.585
270	16	-.302	.050	-.102	-.592	270	1026	-.378	.069	-.185	-.834	280	228	-.320	.065	-.169	-.760
270	17	-.278	.046	-.119	-.581	270	1028	-.349	.070	-.079	-1.010	280	403	-.315	.085	.103	-.792
270	18	-.312	.059	-.140	-.735	270	1031	-.187	.207	.574	-.854	280	404	-.289	.088	.184	-.910
270	19	-.333	.042	-.208	-.625	270	1033	-.256	.185	.391	-.915	280	405	-.255	.088	.141	-.924
270	20	-.391	.137	-.102	-1.366	270	1037	-.287	.157	.270	-.788	280	408	-.259	.091	.151	-.796
270	21	-.434	.159	-.063	-1.320	270	1041	-.316	.088	.043	-.936	280	410	-.309	.060	.025	-.626
270	201	-.356	.089	-.119	-.795	270	1043	-.313	.072	.034	-.598	280	411	-.308	.059	.109	-.603
270	203	-.330	.069	-.127	-.900	270	1044	-.332	.088	.007	-.686	280	412	-.281	.073	.149	-.484
270	204	-.305	.061	-.107	-.585	270	1045	-.339	.066	.002	-.717	280	413	-.265	.094	.331	-.554
270	208	-.351	.077	-.107	-.770	270	1046	-.359	.072	-.042	-.984	280	415	-.272	.081	.109	-.653
270	210	-.375	.083	-.189	-.660	270	1047	-.300	.075	-.065	-.551	280	1001	-.234	.086	.106	-.569
270	211	-.344	.086	-.124	-.746	270	1048	-.300	.088	.106	-.887	280	1002	-.271	.084	.087	-.667
270	212	-.320	.065	-.132	-.692	270	1049	-.340	.075	-.020	-.939	280	1003	-.254	.085	.214	-.611
270	213	-.295	.052	-.127	-.580	270	1050	-.353	.068	-.087	-.749	280	1007	-.298	.116	.310	-.833
270	215	-.267	.056	-.082	-.704	280	1	-.268	.075	-.043	-.710	280	1014	-.361	.104	-.000	-.840
270	216	-.368	.089	-.166	-1.012	280	3	-.308	.089	-.062	-.962	280	1015	-.344	.096	.062	-.772
270	217	-.351	.083	-.162	-.847	280	4	-.333	.100	-.033	-.989	280	1016	-.379	.096	.048	-.726
270	218	-.318	.064	-.157	-.832	280	6	-.402	.147	-.008	-1.595	280	1017	-.373	.092	-.000	-.785
270	219	-.305	.052	-.130	-.689	280	7	-.259	.074	-.038	-.934	280	1018	-.379	.093	-.023	-.798
270	220	-.294	.050	-.107	-.603	280	12	-.265	.069	-.038	-.604	280	1019	-.374	.104	-.060	-1.001

WD	TAP	CPMEAN	CPRMS	CPMAX	CPMIN	WD	TAP	CPMEAN	CPRMS	CPMAX	CPMIN	WD	TAP	CPMEAN	CPRMS	CPMAX	CPMIN
280	1023	-.359	.163	.269	-1.094	290	225	-.254	.039	-.119	-.430	300	17	-.341	.124	.015	-.897
280	1024	-.299	.118	.258	-.626	290	226	-.299	.053	-.150	-.540	300	18	-.384	.129	.082	-1.004
280	1025	-.344	.086	.048	-.708	290	227	-.301	.058	-.120	-.593	300	19	-.431	.089	-.166	-.760
280	1026	-.343	.075	-.109	-.883	290	228	-.289	.054	-.144	-.559	300	20	-.440	.195	.012	-1.995
280	1028	-.315	.071	-.033	-.693	290	403	-.335	.136	.130	-.993	300	21	-.467	.198	-.031	-1.907
280	1031	-.037	.229	.736	-.657	290	404	-.315	.134	.208	-.971	300	201	-.316	.107	-.090	-.957
280	1033	-.138	.184	.361	-.793	290	405	-.261	.120	.213	-.808	300	203	-.321	.094	-.085	-.779
280	1037	-.218	.189	.359	-.845	290	408	-.271	.117	.336	-.825	300	204	-.299	.077	-.097	-.662
280	1041	-.281	.095	.107	-.711	290	410	-.301	.095	-.026	-.906	300	208	-.335	.106	-.085	-.944
280	1043	-.253	.084	.178	-.517	290	411	-.311	.093	-.000	-.898	300	210	-.364	.115	-.114	-1.185
280	1044	-.265	.094	.361	-.539	290	412	-.283	.090	.047	-.750	300	211	-.328	.106	-.077	-.962
280	1045	-.291	.077	.242	-.588	290	413	-.272	.089	.128	-.781	300	212	-.334	.089	-.134	-.790
280	1046	-.299	.077	.124	-.551	290	415	-.293	.095	.022	-.971	300	213	-.314	.072	-.145	-.758
280	1047	-.249	.074	.097	-.569	290	1001	-.198	.079	.093	-.609	300	215	-.303	.083	-.087	-.723
280	1048	-.262	.090	.161	-.644	290	1002	-.214	.093	.289	-.564	300	216	-.362	.123	-.114	-1.112
280	1049	-.297	.089	.209	-.689	290	1003	-.172	.111	.431	-.524	300	217	-.348	.114	-.114	-1.139
280	1050	-.302	.071	.022	-.621	290	1007	-.322	.148	.189	-.998	300	218	-.310	.070	-.119	-.796
290	1	-.266	.085	-.020	-.783	290	1014	-.318	.086	-.013	-.677	300	219	-.296	.055	-.155	-.558
290	3	-.338	.114	-.037	-.864	290	1015	-.315	.093	-.043	-.735	300	220	-.302	.063	-.130	-.657
290	4	-.396	.132	-.000	-.957	290	1016	-.382	.112	-.073	-.906	300	221	-.312	.070	-.096	-.702
290	6	-.598	.259	-.056	-2.261	290	1017	-.391	.122	-.090	-1.293	300	222	-.282	.053	-.125	-.642
290	7	-.266	.088	-.015	-1.077	290	1018	-.399	.122	-.104	-1.159	300	223	-.274	.049	-.124	-.682
290	12	-.289	.090	-.008	-.778	290	1019	-.394	.128	-.046	-1.089	300	224	-.266	.039	-.139	-.529
290	13	-.382	.128	-.037	-1.107	290	1023	-.180	.232	.798	-.895	300	225	-.239	.035	-.115	-.383
290	14	-.505	.171	-.077	-1.467	290	1024	-.133	.184	.659	-.571	300	226	-.282	.053	-.083	-.461
290	15	-.533	.173	-.079	-1.481	290	1025	-.236	.125	.370	-.582	300	227	-.302	.067	-.104	-.627
290	16	-.300	.091	-.033	-.923	290	1026	-.273	.080	.061	-.849	300	228	-.270	.044	-.117	-.444
290	17	-.273	.083	-.025	-.775	290	1028	-.254	.071	-.000	-.549	300	403	-.449	.221	.200	-1.453
290	18	-.339	.101	-.073	-.830	290	1031	.054	.168	.657	-.588	300	404	-.340	.177	.219	-1.165
290	19	-.407	.079	-.221	-.789	290	1033	-.057	.108	.319	-.576	300	405	-.271	.121	.211	-.892
290	20	-.516	.191	-.063	-1.743	290	1037	-.038	.167	.456	-.680	300	408	-.283	.110	.149	-.836
290	21	-.562	.202	-.057	-2.209	290	1041	-.299	.115	.135	-.864	300	410	-.473	.177	.101	-1.326
290	201	-.327	.117	-.091	-1.084	290	1043	-.178	.122	.460	-.569	300	411	-.474	.178	.070	-1.359
290	203	-.307	.081	-.102	-.744	290	1044	-.213	.101	.216	-.515	300	412	-.424	.178	.131	-1.232
290	204	-.287	.068	-.093	-.608	290	1045	-.279	.121	.307	-.934	300	413	-.323	.124	.191	-.942
290	208	-.320	.100	-.086	-1.031	290	1046	-.265	.107	.180	-.657	300	415	-.329	.089	-.046	-.763
290	210	-.341	.092	-.097	-1.035	290	1047	-.215	.106	.286	-.775	300	1001	-.254	.107	.077	-.674
290	211	-.296	.091	-.073	-1.059	290	1048	-.270	.113	.117	-.768	300	1002	-.228	.111	.317	-.614
290	212	-.292	.068	-.120	-.676	290	1049	-.314	.138	.133	-1.173	300	1003	-.119	.139	.484	-.566
290	213	-.276	.062	-.072	-.606	290	1050	-.316	.138	.314	-1.075	300	1007	-.580	.192	.078	-1.471
290	215	-.250	.068	-.046	-.730	300	1	-.312	.114	-.015	-.977	300	1014	-.285	.073	-.031	-.760
290	216	-.321	.074	-.102	-.710	300	3	-.407	.158	.069	-1.148	300	1015	-.277	.080	-.067	-.641
290	217	-.308	.068	-.111	-.634	300	4	-.495	.173	.033	-1.222	300	1016	-.366	.116	-.073	-.983
290	218	-.284	.054	-.134	-.729	300	6	-.541	.192	.025	-1.993	300	1017	-.454	.156	-.081	-1.415
290	219	-.275	.047	-.139	-.575	300	7	-.313	.109	-.023	-.914	300	1018	-.465	.153	-.078	-1.288
290	220	-.269	.057	-.062	-.572	300	12	-.364	.133	.059	-.972	300	1019	-.495	.175	-.065	-1.200
290	221	-.277	.061	-.066	-.551	300	13	-.465	.170	.036	-1.257	300	1023	.165	.213	.837	-.735
290	222	-.307	.061	-.136	-.654	300	14	-.496	.175	.010	-1.382	300	1024	.194	.217	.882	-.423
290	223	-.307	.056	-.152	-.624	300	15	-.493	.170	-.018	-1.278	300	1025	.038	.186	.815	-.558
290	224	-.285	.040	-.152	-.444	300	16	-.370	.133	-.061	-1.012	300	1026	-.158	.114	.370	-.517

APPENDIX A -- PRESSURE DATA:

JAY SQUARE -- CONFIGURATION A -- LOS ANGELES, CALIFORNIA

WD	TAP	CPMEAN	CPRMS	CPMAX	CPMIN	WD	TAP	CPMEAN	CPRMS	CPMAX	CPMIN	WD	TAP	CPMEAN	CPRMS	CPMAX	CPMIN
300	1028	-.171	.115	.188	-.641	310	403	-.410	.149	-.014	-1.345	320	21	-.685	.185	.374	-1.664
300	1031	-.044	.145	.756	-.472	310	404	-.292	.107	.014	-.880	320	201	-.321	.105	-.096	-.790
300	1033	-.060	.092	.422	-.488	310	405	-.233	.082	-.037	-.933	320	203	-.296	.064	-.110	-.698
300	1037	-.023	.134	.493	-.589	310	408	-.247	.077	-.043	-.824	320	204	-.283	.052	-.134	-.494
300	1041	-.469	.160	.007	-1.128	310	410	-.578	.189	.023	-1.366	320	208	-.313	.078	-.080	-.710
300	1043	-.126	.172	.526	-.641	310	411	-.569	.186	-.010	-1.332	320	210	-.333	.087	-.134	-.705
300	1044	-.266	.126	.152	-.782	310	412	-.393	.160	.023	-1.224	320	211	-.296	.072	-.110	-.760
300	1045	-.483	.180	.068	-1.204	310	413	-.284	.106	-.000	-.817	320	212	-.290	.052	-.158	-.593
300	1046	-.362	.165	.040	-1.064	310	415	-.271	.060	-.102	-.825	320	213	-.286	.049	-.108	-.532
300	1047	-.253	.147	.144	-1.086	310	1001	-.246	.085	.074	-.749	320	215	-.258	.052	-.091	-.538
300	1048	-.388	.123	-.000	-.916	310	1002	-.240	.084	.090	-.547	320	216	-.354	.080	-.168	-.649
300	1049	-.495	.144	.040	-1.014	310	1003	-.141	.118	.521	-.491	320	217	-.331	.061	-.174	-.572
300	1050	-.524	.181	.063	-1.223	310	1007	-.546	.173	-.021	-1.235	320	218	-.299	.046	-.167	-.508
310	1	-.264	.100	-.012	-1.139	310	1014	-.215	.043	.030	-.459	320	219	-.292	.043	-.178	-.547
310	3	-.346	.163	.045	-1.271	310	1015	-.209	.055	-.003	-.548	320	220	-.292	.046	-.167	-.537
310	4	-.447	.197	-.010	-1.312	310	1016	-.271	.084	.021	-.657	320	221	-.289	.046	-.144	-.620
310	6	-.635	.273	.014	-2.432	310	1017	-.340	.124	.042	-1.720	320	222	-.347	.081	-.091	-.704
310	7	-.252	.089	-.058	-.841	310	1018	-.338	.121	-.003	-1.603	320	223	-.325	.068	-.104	-.602
310	12	-.300	.131	.030	-.894	310	1019	-.359	.136	.032	-1.007	320	224	-.293	.044	-.181	-.461
310	13	-.440	.204	.031	-1.399	310	1023	.079	.147	.799	-.304	320	225	-.261	.039	-.157	-.416
310	14	-.564	.214	.042	-1.462	310	1024	.163	.163	.810	-.257	320	226	-.278	.043	-.170	-.626
310	15	-.559	.202	-.003	-1.408	310	1025	.108	.183	.840	-.499	320	227	-.294	.047	-.153	-.508
310	16	-.282	.085	-.062	-.763	310	1026	-.094	.162	.629	-.772	320	228	-.349	.076	-.158	-.761
310	17	-.274	.091	-.019	-.762	310	1028	-.091	.123	.455	-.458	320	403	-.537	.175	-.127	-1.505
310	18	-.333	.122	.016	-.908	310	1031	-.028	.112	.539	-.394	320	404	-.467	.174	-.047	-1.349
310	19	-.400	.096	-.152	-.733	310	1033	-.074	.078	.324	-.376	320	405	-.382	.168	-.017	-1.349
310	20	-.456	.189	.027	-1.416	310	1037	-.067	.094	.380	-.429	320	408	-.397	.165	-.042	-1.215
310	21	-.478	.187	.021	-1.385	310	1041	-.422	.137	.047	-.984	320	410	-.491	.151	-.136	-1.328
310	201	-.235	.056	-.070	-.531	310	1043	-.131	.155	.639	-.585	320	411	-.484	.151	-.132	-1.274
310	203	-.250	.049	-.096	-.473	310	1044	-.251	.085	.059	-.736	320	412	-.470	.156	-.063	-1.218
310	204	-.254	.049	-.064	-.509	310	1045	-.491	.160	-.080	-1.246	320	413	-.442	.144	-.042	-1.247
310	208	-.256	.058	-.086	-.592	310	1046	-.391	.139	.011	-1.145	320	415	-.416	.166	-.115	-1.100
310	210	-.264	.058	-.083	-.707	310	1047	-.245	.118	.189	-.841	320	1001	-.409	.160	-.005	-1.069
310	211	-.239	.051	-.083	-.527	310	1048	-.397	.124	-.048	-1.006	320	1002	-.354	.094	.014	-.700
310	212	-.255	.043	-.124	-.466	310	1049	-.485	.121	-.021	-1.091	320	1003	-.286	.089	.081	-.596
310	213	-.259	.044	-.132	-.563	310	1050	-.488	.146	-.079	-1.371	320	1007	-.616	.165	-.122	-1.345
310	215	-.250	.063	-.077	-.695	320	1	-.235	.046	-.035	-.437	320	1014	-.266	.082	-.036	-.964
310	216	-.263	.051	-.103	-.609	320	3	-.269	.061	-.037	-.826	320	1015	-.260	.089	.053	-.737
310	217	-.259	.048	-.118	-.559	320	4	-.372	.101	-.050	-.925	320	1016	-.334	.125	.087	-1.098
310	218	-.257	.039	-.150	-.453	320	6	-.858	.293	-.139	-2.558	320	1017	-.456	.187	.045	-2.067
310	219	-.259	.037	-.160	-.535	320	7	-.232	.044	-.068	-.409	320	1018	-.447	.197	.044	-1.878
310	220	-.267	.053	-.101	-.657	320	12	-.216	.073	-.021	-.671	320	1019	-.407	.183	.100	-1.302
310	221	-.272	.060	-.101	-.743	320	13	-.382	.169	-.003	-1.033	320	1023	.277	.206	.860	-.289
310	222	-.256	.041	-.146	-.448	320	14	-.724	.213	.007	-1.869	320	1024	.294	.185	.883	-.248
310	223	-.253	.040	-.141	-.438	320	15	-.716	.201	-.115	-1.862	320	1025	.103	.128	.716	-.350
310	224	-.252	.033	-.155	-.459	320	16	-.273	.044	-.101	-.564	320	1026	-.224	.124	.343	-.627
310	225	-.228	.030	-.141	-.363	320	17	-.237	.043	-.035	-.430	320	1028	-.151	.114	.451	-.776
310	226	-.256	.044	-.083	-.581	320	18	-.266	.094	.017	-.693	320	1031	-.047	.094	.371	-.357
310	227	-.267	.054	-.105	-.681	320	19	-.412	.114	-.134	-.795	320	1033	-.070	.076	.279	-.355
310	228	-.265	.048	-.132	-.613	320	20	-.648	.184	.262	-1.461	320	1037	-.042	.113	.392	-.421

WD	TAP	CPMEAN	CPRMS	CPMAX	CPMIN	WD	TAP	CPMEAN	CPRMS	CPMAX	CPMIN	WD	TAP	CPMEAN	CPRMS	CPMAX	CPMIN
320	1041	-.606	.179	-.102	-1.220	330	410	-.404	.053	-.241	-.681	340	208	-.407	.062	-.210	-.974
320	1043	-.328	.109	-.168	-.692	330	411	-.411	.052	-.262	-.699	340	210	-.439	.059	-.222	-.770
320	1044	-.340	.102	-.008	-.780	330	412	-.426	.058	-.255	-.720	340	211	-.420	.049	-.259	-.602
320	1045	-.509	.113	-.160	-1.264	330	413	-.458	.071	-.236	-.834	340	212	-.394	.044	-.253	-.588
320	1046	-.486	.133	-.040	-1.063	330	415	-.517	.122	-.206	-1.152	340	213	-.390	.045	-.239	-.554
320	1047	-.359	.119	.077	-.723	330	1001	-.557	.120	-.217	-1.191	340	215	-.387	.043	-.245	-.525
320	1048	-.533	.138	-.136	-1.043	330	1002	-.437	.077	-.160	-.815	340	216	-.460	.057	-.265	-.722
320	1049	-.587	.125	-.212	-1.035	330	1003	-.334	.082	-.021	-.643	340	217	-.436	.049	-.255	-.654
320	1050	-.575	.128	-.205	-1.114	330	1007	-.595	.109	-.276	-1.150	340	218	-.403	.042	-.278	-.568
330	1	-.286	.042	-.136	-.430	330	1014	-.455	.116	-.153	-1.057	340	219	-.408	.042	-.274	-.555
330	3	-.222	.042	-.019	-.434	330	1015	-.487	.112	-.178	-1.039	340	220	-.398	.042	-.253	-.540
330	4	-.230	.072	-.024	-.832	330	1016	-.508	.120	-.129	-1.041	340	221	-.398	.040	-.272	-.548
330	6	-.650	.168	-.030	-1.402	330	1017	-.544	.145	-.066	-1.129	340	222	-.494	.070	-.255	-.783
330	7	-.269	.040	-.115	-.435	330	1018	-.541	.148	-.003	-1.196	340	223	-.480	.062	-.247	-.758
330	12	-.135	.046	-.010	-.512	330	1019	-.457	.160	.035	-1.245	340	224	-.445	.045	-.284	-.659
330	13	-.173	.164	.085	-.946	330	1023	.476	.156	.944	-.016	340	225	-.432	.047	-.301	-.660
330	14	-.585	.152	.077	-1.146	330	1024	.440	.152	.983	.056	340	226	-.416	.043	-.241	-.603
330	15	-.577	.144	.046	-1.097	330	1025	.205	.109	.593	-.110	340	227	-.417	.044	-.255	-.550
330	16	-.313	.041	-.197	-.472	330	1026	-.241	.083	.119	-.533	340	228	-.553	.093	-.295	-1.031
330	17	-.261	.034	-.154	-.442	330	1028	-.118	.080	.133	-.393	340	403	-.457	.060	-.239	-.643
330	18	-.152	.073	-.000	-.732	330	1031	-.074	.129	.455	-.739	340	404	-.474	.067	-.243	-.716
330	19	-.228	.155	.055	-.697	330	1033	-.094	.097	.347	-.442	340	405	-.489	.100	-.231	-1.066
330	20	-.485	.167	.278	-1.156	330	1037	-.094	.152	.492	-.778	340	408	-.490	.101	-.226	-1.069
330	21	-.481	.155	.215	-1.167	330	1041	-.601	.123	-.227	-1.079	340	410	-.404	.045	-.262	-.577
330	201	-.426	.091	-.133	-.853	330	1043	-.450	.084	-.159	-.750	340	411	-.408	.043	-.268	-.575
330	203	-.353	.059	-.148	-.822	330	1044	-.374	.099	-.048	-.775	340	412	-.435	.045	-.301	-.614
330	204	-.331	.055	-.131	-.613	330	1045	-.486	.070	-.274	-.737	340	413	-.464	.055	-.307	-.674
330	208	-.392	.075	-.105	-.777	330	1046	-.543	.088	-.266	-.900	340	415	-.517	.091	-.183	-1.001
330	210	-.435	.070	-.190	-.812	330	1047	-.482	.086	-.131	-.841	340	1001	-.536	.085	-.250	-.859
330	211	-.396	.060	-.194	-.673	330	1048	-.560	.089	-.212	-.903	340	1002	-.435	.067	-.219	-.669
330	212	-.356	.053	-.210	-.543	330	1049	-.577	.087	-.271	-.891	340	1003	-.208	.094	.180	-.547
330	213	-.341	.053	-.185	-.522	330	1050	-.550	.077	-.329	-.849	340	1007	-.628	.097	-.311	-.991
330	215	-.338	.051	-.178	-.537	340	1	-.293	.039	-.157	-.439	340	1014	-.551	.097	-.284	-1.084
330	216	-.447	.066	-.241	-.732	340	3	-.171	.052	.019	-.348	340	1015	-.524	.090	-.247	-.893
330	217	-.413	.056	-.255	-.699	340	4	-.142	.060	.084	-.374	340	1016	-.510	.089	-.260	-.979
330	218	-.372	.046	-.239	-.641	340	6	-.288	.223	.383	-.797	340	1017	-.503	.093	-.232	-1.007
330	219	-.366	.045	-.229	-.505	340	7	-.259	.038	-.152	-.385	340	1018	-.507	.094	-.236	-1.104
330	220	-.352	.044	-.213	-.496	340	12	-.036	.052	.109	-.187	340	1019	-.510	.100	-.052	-1.050
330	221	-.354	.047	-.193	-.532	340	13	.058	.071	.264	-.357	340	1023	.419	.151	.935	-.005
330	222	-.481	.077	-.255	-.783	340	14	-.101	.240	.514	-.792	340	1024	.340	.132	.846	-.038
330	223	-.456	.067	-.241	-.738	340	15	-.120	.218	.559	-.742	340	1025	.096	.101	.447	-.200
330	224	-.405	.055	-.232	-.697	340	16	-.320	.032	-.210	-.425	340	1026	-.280	.072	-.061	-.568
330	225	-.395	.055	-.236	-.635	340	17	-.238	.034	-.105	-.343	340	1028	-.187	.077	.186	-.439
330	226	-.373	.053	-.192	-.592	340	18	-.037	.064	.173	-.205	340	1031	-.263	.176	.500	-.748
330	227	-.372	.053	-.198	-.567	340	19	.073	.075	.288	-.257	340	1033	-.184	.134	.476	-.691
330	228	-.515	.094	-.218	-.984	340	20	-.055	.262	.594	-.796	340	1037	-.318	.181	.261	-1.061
330	403	-.454	.074	-.225	-1.101	340	21	-.086	.243	.654	-.802	340	1041	-.591	.087	-.293	-.936
330	404	-.477	.092	-.118	-1.097	340	201	-.441	.075	-.110	-1.176	340	1043	-.380	.076	-.101	-.681
330	405	-.506	.128	-.136	-1.142	340	203	-.394	.058	-.210	-1.017	340	1044	-.316	.095	.016	-.662
330	408	-.510	.132	-.112	-1.172	340	204	-.396	.052	-.173	-.631	340	1045	-.460	.059	-.215	-.727

APPENDIX A -- PRESSURE DATA:

JAY SQUARE -- CONFIGURATION A -- LOS ANGELES, CALIFORNIA

WD	TAP	CPMEAN	CPRMS	CPMAX	CPMIN	WD	TAP	CPMEAN	CPRMS	CPMAX	CPMIN	WD	TAP	CPMEAN	CPRMS	CPMAX	CPMIN
340	1046	-.521	.072	-.273	-.823	350	212	-.430	.043	-.308	-.586	350	1002	-.444	.060	-.202	-.690
340	1047	-.503	.082	-.178	-.821	350	213	-.431	.042	-.305	-.591	350	1003	-.234	.089	.084	-.523
340	1048	-.559	.078	-.276	-.845	350	215	-.428	.044	-.280	-.613	350	1007	-.632	.096	-.344	-.941
340	1049	-.606	.090	-.269	-.916	350	216	-.465	.051	-.310	-.676	350	1014	-.533	.080	-.332	-.890
340	1050	-.547	.075	-.303	-.883	350	217	-.456	.047	-.316	-.660	350	1015	-.527	.073	-.335	-.900
350	1	-.305	.039	-.169	-.426	350	218	-.440	.039	-.334	-.639	350	1016	-.508	.070	-.297	-.986
350	3	-.146	.061	.044	-.338	350	219	-.445	.040	-.327	-.646	350	1017	-.507	.067	-.314	-.857
350	4	-.101	.071	.125	-.316	350	220	-.434	.040	-.307	-.635	350	1018	-.504	.067	-.327	-.894
350	6	.085	.206	.537	-.693	350	221	-.439	.040	-.317	-.591	350	1019	-.527	.077	-.308	-.994
350	7	-.265	.042	-.114	-.394	350	222	-.497	.051	-.328	-.700	350	1023	.339	.131	.768	-.052
350	12	.003	.074	.296	-.212	350	223	-.487	.045	-.348	-.675	350	1024	.225	.113	.592	-.064
350	13	.123	.095	.453	-.142	350	224	-.459	.042	-.339	-.632	350	1025	-.014	.082	.289	-.239
350	14	.213	.215	.698	-.582	350	225	-.459	.040	-.319	-.618	350	1026	-.327	.057	-.103	-.546
350	15	.196	.238	.753	-.502	350	226	-.441	.035	-.327	-.599	350	1028	-.250	.067	.038	-.501
350	16	-.323	.034	-.191	-.464	350	227	-.442	.041	-.267	-.574	350	1031	-.499	.126	.271	-.975
350	17	-.232	.039	-.085	-.365	350	228	-.529	.067	-.346	-.866	350	1033	-.372	.138	.219	-.715
350	18	.023	.078	.278	-.190	350	403	-.459	.053	-.289	-.680	350	1037	-.506	.119	.150	-1.174
350	19	.172	.085	.437	-.034	350	404	-.461	.060	-.227	-.753	350	1041	-.604	.090	-.262	-.986
350	20	.239	.216	.763	-.606	350	405	-.484	.079	-.265	-.984	350	1043	-.369	.080	-.055	-.688
350	21	.217	.245	.843	-.655	350	408	-.477	.079	-.250	-.961	350	1044	-.419	.093	-.109	-.741
350	201	-.447	.078	-.242	-.975	350	410	-.419	.042	-.278	-.566	350	1045	-.495	.064	-.278	-.750
350	203	-.428	.053	-.246	-.741	350	411	-.420	.041	-.289	-.565	350	1046	-.528	.074	-.265	-.816
350	204	-.436	.050	-.269	-.637	350	412	-.440	.043	-.285	-.593	350	1047	-.507	.081	-.201	-.843
350	208	-.428	.064	-.199	-.864	350	413	-.449	.048	-.287	-.628	350	1048	-.571	.072	-.329	-.834
350	210	-.436	.049	-.258	-.666	350	415	-.477	.078	-.276	-.854	350	1049	-.612	.088	-.346	-.932
350	211	-.433	.050	-.239	-.668	350	1001	-.545	.069	-.290	-.832	350	1050	-.563	.075	-.314	-.890

WD	TAP	CPMEAN	CPRMS	CPMAX	CPMIN	WD	TAP	CPMEAN	CPRMS	CPMAX	CPMIN	WD	TAP	CPMEAN	CPRMS	CPMAX	CPMIN
0	1	-.258	.062	.054	-.459	0	52	-.367	.047	-.174	-.508	0	213	-.501	.058	-.346	-.828
0	2	-.212	.075	.117	-.468	0	53	-.245	.049	-.040	-.393	0	214	-.514	.065	-.338	-.919
0	3	-.064	.088	.337	-.330	0	54	.087	.074	.403	-.114	0	215	-.470	.050	-.312	-.636
0	4	-.020	.099	.358	-.365	0	55	.241	.087	.556	.002	0	216	-.531	.088	-.287	-1.120
0	5	.278	.148	.713	-.299	0	56	.365	.103	.705	.084	0	217	-.530	.078	-.332	-1.124
0	6	.345	.148	.780	-.322	0	57	.373	.125	.852	.046	0	218	-.518	.053	-.329	-.723
0	7	-.214	.068	.198	-.501	0	58	.282	.128	.752	-.070	0	219	-.505	.055	-.277	-.874
0	9	.438	.155	.840	-.296	0	59	-.373	.048	-.183	-.547	0	220	-.498	.053	-.294	-.766
0	10	-.297	.063	.109	-.493	0	60	-.247	.050	-.056	-.407	0	221	-.486	.055	-.219	-.985
0	11	-.187	.080	.252	-.473	0	61	.082	.074	.393	-.086	0	222	-.549	.066	-.344	-1.009
0	12	.156	.105	.586	-.159	0	62	.222	.089	.616	-.003	0	223	-.542	.058	-.368	-.908
0	13	.296	.124	.720	-.085	0	63	.328	.108	.795	.063	0	224	-.539	.048	-.411	-.814
0	14	.482	.156	.932	-.160	0	64	.329	.120	.890	.017	0	225	-.515	.047	-.376	-.695
0	15	.489	.161	.902	-.190	0	65	.238	.112	.616	-.202	0	226	-.519	.045	-.340	-.661
0	16	-.320	.051	-.038	-.694	0	66	-.404	.057	-.151	-.624	0	227	-.513	.048	-.328	-.689
0	17	-.170	.063	.156	-.393	0	67	-.255	.053	.019	-.447	0	228	-.573	.057	-.358	-.854
0	18	.151	.106	.527	-.142	0	68	.050	.064	.336	-.104	0	229	-.575	.068	-.323	-1.724
0	19	.360	.135	.779	.014	0	69	.138	.077	.434	-.086	0	230	-.547	.048	-.378	-.725
0	20	.481	.156	.907	.061	0	70	.271	.106	.675	-.057	0	231	-.542	.046	-.349	-.703
0	21	.482	.165	.911	-.098	0	71	.270	.120	.783	-.076	0	232	-.524	.047	-.329	-.722
0	22	.422	.132	.879	.083	0	72	.203	.113	.685	-.147	0	233	-.521	.047	-.325	-.714
0	23	.453	.139	.910	.086	0	73	-.443	.056	-.243	-.676	0	234	-.584	.055	-.354	-.914
0	24	.472	.142	.934	.048	0	74	-.300	.047	-.119	-.503	0	235	-.582	.054	-.369	-.874
0	25	.399	.127	.861	.062	0	75	.014	.056	.239	-.164	0	236	-.565	.051	-.391	-.770
0	26	.476	.144	.921	.027	0	76	.118	.071	.423	-.101	0	237	-.572	.055	-.356	-.881
0	27	.484	.149	.913	-.042	0	77	.186	.089	.535	-.045	0	238	-.577	.049	-.383	-.812
0	28	-.210	.058	.100	-.457	0	78	.176	.111	.643	-.179	0	239	-.603	.055	-.421	-.897
0	29	-.210	.062	.091	-.421	0	79	.121	.108	.588	-.230	0	240	-.596	.058	-.434	-.950
0	30	.137	.097	.488	-.150	0	80	-.249	.047	-.053	-.431	0	241	-.587	.057	-.411	-.927
0	31	.299	.117	.720	-.003	0	81	-.161	.045	.007	-.290	0	242	-.598	.064	-.422	-.926
0	32	.417	.133	.877	.041	0	82	.045	.060	.313	-.127	0	243	-.585	.052	-.432	-.830
0	33	.425	.131	.856	.105	0	83	.151	.075	.445	-.071	0	244	-.599	.055	-.411	-.864
0	34	.439	.129	.851	.134	0	84	.216	.098	.577	-.008	0	245	-.559	.047	-.338	-.720
0	35	.436	.130	.783	-.045	0	85	.150	.096	.648	-.141	0	246	-.543	.046	-.401	-.728
0	36	.443	.137	.886	-.042	0	86	.070	.092	.425	-.226	0	247	-.548	.048	-.383	-.751
0	37	.427	.144	.924	-.149	0	87	-.071	.063	.235	-.233	0	248	-.549	.049	-.364	-.764
0	38	.445	.132	.830	.002	0	88	.230	.095	.726	-.008	0	249	-.610	.061	-.384	-.875
0	39	.452	.141	.945	.068	0	89	.130	.091	.504	-.140	0	250	-.607	.057	-.375	-.843
0	40	.465	.132	.912	.074	0	201	-.522	.107	-.241	-1.480	0	251	-.598	.061	-.439	-.916
0	41	.441	.140	.893	.028	0	202	-.541	.112	-.261	-1.458	0	252	-.603	.055	-.391	-.872
0	42	.446	.123	.846	.109	0	203	-.516	.071	-.275	-1.120	0	253	-.618	.060	-.425	-.952
0	43	.413	.137	.850	-.064	0	204	-.518	.060	-.282	-.943	0	254	-.605	.055	-.438	-.882
0	44	.444	.149	.959	.075	0	205	-.518	.068	-.310	-1.335	0	255	-.610	.061	-.401	-.931
0	45	-.324	.046	-.144	-.454	0	206	-.494	.061	-.291	-.847	0	256	-.601	.058	-.409	-.919
0	46	-.189	.054	-.003	-.344	0	207	-.542	.109	-.275	-1.190	0	257	-.638	.075	-.395	-1.122
0	47	.099	.083	.373	-.121	0	208	-.503	.093	-.263	-1.291	0	258	-.632	.071	-.423	-.984
0	48	.253	.099	.606	.010	0	209	-.487	.064	-.317	-.823	0	259	-.599	.057	-.406	-.868
0	49	.371	.114	.800	.090	0	210	-.524	.094	-.296	-1.356	0	260	-.578	.051	-.430	-.843
0	50	.440	.131	.859	.055	0	211	-.505	.085	-.296	-1.147	0	261	-.570	.055	-.422	-.817
0	51	.380	.144	.935	-.000	0	212	-.503	.066	-.311	-1.033	0	262	-.557	.057	-.381	-.796

WD	TAP	CPMEAN	CPRMS	CPMAX	CPMIN	WD	TAP	CPMEAN	CPRMS	CPMAX	CPMIN	WD	TAP	CPMEAN	CPRMS	CPMAX	CPMIN
0	263	-.547	.057	-.324	-.765	0	427	-.511	.047	-.342	-.700	0	503	-.658	.094	-.430	-1.032
0	264	-.664	.091	-.401	-1.299	0	428	-.525	.059	-.352	-.744	0	504	-.649	.087	-.446	-1.037
0	265	-.663	.081	-.451	-1.178	0	429	-.544	.068	-.359	-.830	0	505	-.635	.080	-.446	-1.021
0	266	-.653	.073	-.464	-1.013	0	430	-.591	.092	-.346	-.907	0	506	-.629	.075	-.439	-1.030
0	267	-.638	.079	-.453	-1.266	0	431	-.540	.057	-.361	-.726	0	507	-.639	.076	-.404	-1.010
0	268	-.616	.079	-.416	-1.223	0	432	-.528	.047	-.352	-.700	0	508	-.630	.076	-.391	-1.117
0	269	-.598	.072	-.376	-.884	0	433	-.530	.046	-.315	-.698	0	509	-.636	.076	-.420	-.919
0	270	-.598	.073	-.359	-.908	0	434	-.531	.045	-.370	-.686	0	510	-.655	.081	-.420	-.966
0	271	-.635	.094	-.295	-1.408	0	435	-.541	.059	-.361	-.843	0	511	-.633	.078	-.394	-1.075
0	272	-.639	.085	-.387	-1.177	0	436	-.554	.072	-.291	-.945	0	512	-.633	.068	-.439	-1.015
0	273	-.655	.074	-.347	-.984	0	437	-.538	.069	-.308	-.886	0	513	-.630	.067	-.434	-.950
0	274	-.695	.079	-.467	-1.201	0	438	-.549	.077	-.324	-.957	0	514	-.647	.070	-.447	-.959
0	275	-.707	.100	-.456	-1.257	0	439	-.579	.090	-.335	-.960	0	515	-.646	.071	-.467	-1.029
0	276	-.683	.092	-.430	-1.385	0	440	-.584	.100	-.344	-1.040	0	516	-.650	.074	-.421	-1.059
0	277	-.673	.092	-.306	-1.124	0	441	-.518	.061	-.330	-.844	0	517	-.651	.078	-.398	-1.106
0	278	-.571	.089	-.325	-.994	0	442	-.533	.067	-.347	-.845	0	518	-.658	.070	-.473	-.954
0	279	-.565	.082	-.314	-.931	0	443	-.494	.053	-.308	-.715	0	519	-.654	.070	-.474	-.995
0	280	-.618	.074	-.342	-.888	0	444	-.540	.053	-.366	-.759	0	520	-.658	.072	-.475	-1.071
0	281	-.619	.061	-.436	-.836	0	445	-.540	.052	-.365	-.729	0	521	-.675	.080	-.478	-1.270
0	282	-.640	.068	-.427	-.928	0	446	-.555	.050	-.364	-.772	0	522	-.645	.068	-.462	-.981
0	283	-.642	.076	-.365	-.957	0	447	-.568	.053	-.415	-.781	0	523	-.647	.067	-.428	-1.088
0	284	-.639	.074	-.363	-.953	0	448	-.596	.056	-.432	-.912	0	524	-.655	.073	-.453	-1.061
0	285	-.668	.095	-.365	-1.056	0	449	-.598	.071	-.355	-.922	0	525	-.658	.073	-.475	-1.045
0	286	-.533	.057	-.377	-.789	0	450	-.606	.076	-.283	-.975	0	526	-.666	.074	-.456	-1.027
0	401	-.495	.057	-.308	-.740	0	451	-.593	.056	-.410	-.790	0	527	-.664	.086	-.445	-1.271
0	402	-.501	.056	-.321	-.720	0	452	-.611	.056	-.432	-.810	0	528	-.666	.088	-.439	-1.114
0	403	-.496	.059	-.272	-.756	0	453	-.600	.052	-.450	-.814	0	529	-.687	.093	-.432	-1.131
0	404	-.490	.061	-.289	-1.013	0	454	-.568	.049	-.402	-.736	0	530	-.751	.103	-.483	-1.273
0	405	-.491	.088	-.241	-1.123	0	455	-.549	.050	-.400	-.737	0	531	-.664	.075	-.417	-.972
0	406	-.545	.112	-.247	-1.361	0	456	-.569	.050	-.395	-.786	0	532	-.658	.070	-.450	-1.083
0	407	-.490	.058	-.272	-.714	0	457	-.580	.057	-.372	-.834	0	532	-.658	.070	-.450	-1.083
0	408	-.490	.083	-.253	-1.151	0	458	-.603	.061	-.372	-1.081	0	533	-.700	.087	-.458	-1.104
0	409	-.524	.094	-.283	-1.214	0	459	-.602	.059	-.391	-1.050	0	534	-.715	.092	-.474	-1.144
0	410	-.471	.047	-.303	-.728	0	460	-.628	.060	-.427	-.861	0	535	-.719	.098	-.472	-1.257
0	411	-.474	.046	-.324	-.725	0	461	-.625	.061	-.450	-.897	0	536	-.665	.071	-.456	-1.074
0	412	-.495	.053	-.297	-.736	0	462	-.653	.070	-.451	-.995	0	537	-.669	.079	-.466	-1.076
0	413	-.487	.051	-.301	-.752	0	463	-.632	.065	-.437	-.926	0	538	-.695	.081	-.486	-1.105
0	414	-.527	.079	-.281	-1.147	0	464	-.651	.065	-.456	-.954	0	539	-.681	.070	-.489	-1.015
0	415	-.509	.074	-.293	-1.023	0	465	-.652	.068	-.416	-.910	0	540	-.661	.067	-.475	-1.037
0	416	-.473	.048	-.310	-.717	0	466	-.624	.061	-.416	-.864	0	541	-.644	.067	-.439	-.970
0	417	-.480	.048	-.320	-.725	0	467	-.622	.060	-.407	-.868	0	542	-.667	.067	-.495	-.998
0	418	-.488	.047	-.360	-.763	0	468	-.639	.060	-.444	-.873	0	543	-.683	.078	-.421	-1.118
0	419	-.494	.049	-.354	-.924	0	469	-.604	.060	-.435	-.873	0	544	-.672	.091	-.451	-1.214
0	420	-.506	.054	-.276	-.863	0	470	-.581	.062	-.372	-.938	0	545	-.687	.087	-.452	-1.144
0	421	-.514	.059	-.247	-.867	0	471	-.607	.059	-.439	-.878	0	546	-.687	.097	-.473	-1.411
0	422	-.501	.049	-.355	-.688	0	472	-.607	.061	-.420	-.886	0	547	-.682	.090	-.458	-1.263
0	423	-.502	.048	-.354	-.685	0	473	-.602	.060	-.401	-1.061	0	548	-.660	.084	-.434	-1.012
0	424	-.506	.047	-.344	-.679	0	474	-.606	.060	-.384	-1.086	0	549	-.617	.077	-.369	-1.076
0	425	-.526	.056	-.332	-.745	0	501	-.674	.081	-.449	-1.057	0	550	-.626	.083	-.343	-1.138
0	426	-.516	.052	-.329	-.727	0	502	-.685	.082	-.454	-1.190	0	551	-.753	.152	-.448	-1.793

APPENDIX A -- PRESSURE DATA:

JAY SQUAKE -- CONFIGURATION B -- LOS ANGELES, CALIFORNIA

WD	TAP	CPMEAN	CPRMS	CPMAX	CPMIN	WD	TAP	CPMEAN	CPRMS	CPMAX	CPMIN	WD	TAP	CPMEAN	CPRMS	CPMAX	CPMIN
0	552	-.769	.163	-.455	-1.907	0	636	-.331	.226	.539	-1.044	0	686	-.506	.068	-.114	-.743
0	553	-.683	.088	-.389	-1.032	0	637	-.039	.056	.211	-.327	0	687	-.304	.087	.015	-.738
0	554	-.674	.093	-.361	-1.039	0	638	-.246	.266	.488	-1.054	0	688	-.277	.094	.050	-.719
0	554	-.674	.093	-.361	-1.039	0	639	-.148	.045	.050	-.275	0	689	-.143	.050	.054	-.285
0	555	-.628	.077	-.388	-.981	0	640	-.306	.039	-.173	-.443	0	690	-.136	.063	.112	-.376
0	556	-.599	.074	-.335	-.892	0	641	-.432	.045	-.298	-.594	0	691	-.215	.065	.136	-.385
0	557	-.611	.078	-.344	-1.026	0	642	-.327	.039	-.190	-.463	0	692	-.334	.081	.093	-.603
0	558	-.620	.096	-.362	-1.198	0	643	-.491	.170	.224	-.984	0	693	-.603	.059	-.420	-.989
0	559	-.652	.089	-.196	-.977	0	644	-.147	.060	.081	-.545	0	694	-.191	.092	.162	-.557
0	560	-.632	.086	-.415	-1.053	0	645	-.419	.047	-.216	-.594	0	695	-.069	.066	.270	-.332
0	561	-.562	.071	-.277	-.897	0	646	-.219	.043	-.040	-.388	0	696	-.104	.058	.189	-.262
0	562	-.828	.156	-.470	-1.586	0	647	-.483	.050	-.283	-.694	0	697	-.403	.052	-.189	-.648
0	563	-.683	.094	-.356	-1.096	0	648	-.550	.113	-.208	-1.102	0	701	-.665	.088	-.408	-1.072
0	564	-.583	.080	-.344	-.971	0	649	-.199	.074	.046	-.587	0	701	-.665	.088	-.408	-1.072
0	565	-.637	.085	-.390	-1.002	0	650	-.540	.121	-.090	-1.119	0	702	-.696	.083	-.481	-1.029
0	601	-.078	.269	.488	-1.032	0	651	-.254	.042	-.008	-.436	0	703	-.699	.088	-.476	-1.049
0	602	-.018	.128	.273	-.727	0	652	-.440	.047	-.246	-.626	0	704	-.662	.080	-.463	-1.061
0	603	-.152	.068	.081	-.438	0	653	-.263	.041	-.079	-.393	0	705	-.649	.078	-.455	-1.013
0	604	-.225	.059	-.025	-.447	0	654	-.507	.051	-.321	-.708	0	706	-.654	.075	-.423	-.972
0	605	-.250	.053	-.028	-.446	0	655	-.413	.045	-.196	-.555	0	707	-.617	.059	-.436	-.851
0	606	-.375	.049	-.184	-.546	0	656	-.473	.047	-.333	-.670	0	708	-.626	.061	-.433	-.966
0	607	.041	.269	.622	-.871	0	657	-.517	.112	-.113	-1.009	0	709	-.617	.062	-.431	-.868
0	608	-.277	.050	-.108	-.442	0	658	-.529	.119	-.178	-1.219	0	710	-.370	.046	-.197	-.557
0	609	.148	.287	.767	-1.087	0	659	-.462	.118	.052	-1.031	0	711	-.608	.061	-.430	-.964
0	610	.162	.241	.737	-.576	0	660	-.231	.041	-.081	-.413	0	712	-.632	.071	-.404	-1.128
0	611	.226	.195	.613	-.747	0	661	-.261	.042	-.107	-.426	0	713	-.354	.045	-.123	-.506
0	612	.127	.092	.408	-.124	0	662	-.411	.046	-.243	-.587	0	714	-.608	.061	-.432	-.896
0	613	.006	.079	.287	-.199	0	663	-.359	.044	-.180	-.516	0	715	-.614	.063	-.291	-.904
0	614	-.267	.050	-.112	-.483	0	664	-.334	.043	-.096	-.525	0	801	-.049	.080	.275	-.362
0	615	-.379	.046	-.205	-.540	0	665	-.365	.045	-.131	-.558	0	802	.170	.106	.692	-.109
0	616	.195	.245	.856	-.627	0	666	-.587	.059	-.418	-.879	0	803	.224	.103	.705	-.030
0	617	.231	.219	.777	-.609	0	667	-.404	.048	-.194	-.582	0	804	.040	.076	.298	-.160
0	618	.135	.091	.432	-.135	0	668	-.428	.049	-.221	-.623	0	805	-.613	.085	-.377	-1.011
0	619	.002	.067	.240	-.195	0	669	-.321	.047	-.043	-.478	0	806	-.610	.068	-.422	-.910
0	620	-.325	.046	-.149	-.506	0	670	-.581	.063	-.371	-.861	0	807	-.562	.079	-.334	-1.114
0	621	-.466	.050	-.296	-.719	0	671	-.407	.044	-.202	-.592	0	808	-.598	.116	-.237	-1.028
0	622	.067	.286	.805	-.937	0	672	-.480	.048	-.312	-.671	0	809	-.590	.090	-.238	-1.011
0	623	.115	.218	.736	-.828	0	673	-.325	.046	-.079	-.488	0	810	-.682	.106	-.373	-1.131
0	624	.116	.102	.450	-.221	0	674	-.278	.047	-.033	-.458	0	811	-.629	.070	-.311	-.956
0	625	-.066	.069	.234	-.240	0	675	-.427	.052	-.086	-.682	0	812	-.451	.072	-.185	-.752
0	626	-.370	.049	-.229	-.525	0	676	-.508	.058	-.208	-.806	0	813	-.407	.055	-.213	-.583
0	627	-.491	.055	-.335	-.700	0	677	-.429	.056	-.074	-.665	0	814	-.304	.068	-.034	-.546
0	628	-.170	.296	.531	-1.360	0	678	-.315	.053	.045	-.491	0	815	-.460	.087	-.190	-.823
0	629	.098	.181	.502	-.747	0	679	-.515	.057	-.302	-.733	0	816	-.306	.067	.057	-.517
0	630	.003	.275	.540	-1.011	0	680	-.496	.109	-.089	-1.013	0	817	-.598	.111	-.195	-.984
0	631	-.070	.066	.221	-.307	0	681	-.213	.071	-.037	-.577	0	818	-.546	.078	-.218	-.947
0	632	-.239	.051	-.016	-.456	0	682	-.181	.058	.027	-.466	0	819	-.564	.146	-.003	-1.148
0	633	-.129	.260	.755	-1.219	0	683	-.188	.050	.048	-.319	0	820	-.633	.106	-.096	-1.119
0	634	-.263	.049	-.073	-.503	0	684	-.393	.065	-.086	-.609	0	821	-.307	.073	.006	-.534
0	635	-.371	.049	-.195	-.517	0	685	-.231	.058	.057	-.401	0	822	-.205	.110	.301	-.599

WD	TAP	CPMEAN	CPRMS	CPMAX	CPMIN	WD	TAP	CPMEAN	CPRMS	CPMAX	CPMIN	WD	TAP	CPMEAN	CPRMS	CPMAX	CPMIN
0	823	-.061	.059	.324	-.338	0	1044	-.578	.088	-.265	-1.079	10	45	-.268	.071	.130	-.569
0	824	-.128	.043	.064	-.296	0	1045	-.569	.068	-.256	-.816	10	46	-.139	.077	.308	-.411
0	825	-.066	.086	.269	-.386	0	1046	-.583	.076	-.305	-.868	10	47	.146	.098	.617	-.149
0	826	-.207	.058	.026	-.431	0	1047	-.493	.090	-.111	-.816	10	48	.294	.117	.749	-.099
0	827	-.214	.044	-.039	-.379	0	1048	-.609	.074	-.374	-1.021	10	49	.402	.133	.842	-.092
0	828	-.271	.054	-.048	-.440	0	1049	-.693	.096	-.358	-1.126	10	50	.424	.137	.937	-.113
0	829	-.281	.072	-.056	-.511	0	1050	-.612	.073	-.343	-.917	10	51	.363	.149	.831	-.278
0	901	-.511	.051	-.375	-.717	10	1	-.266	.112	.454	-.782	10	52	-.327	.060	-.070	-.639
0	902	-.502	.053	-.347	-.679	10	2	-.229	.109	.211	-.656	10	53	-.208	.063	.100	-.493
0	903	-.574	.066	-.381	-.802	10	3	-.068	.138	.460	-.933	10	54	.111	.091	.429	-.214
0	904	-.479	.052	-.307	-.662	10	4	-.006	.148	.581	-.920	10	55	.260	.107	.619	-.095
0	905	-.487	.054	-.329	-.699	10	5	.306	.179	.825	-.513	10	56	.378	.123	.772	.045
0	906	-.528	.055	-.368	-.765	10	6	.334	.191	.920	-1.059	10	57	.378	.145	.861	-.161
0	907	-.480	.050	-.340	-.691	10	7	-.201	.106	.377	-.669	10	58	.284	.144	.773	-.317
0	908	-.537	.057	-.366	-.792	10	9	.428	.187	.938	-.488	10	59	-.352	.063	-.008	-.690
0	1001	-.571	.075	-.341	-1.069	10	10	-.293	.108	.344	-.761	10	60	-.234	.060	.105	-.493
0	1002	-.503	.074	-.203	-.853	10	11	-.182	.126	.685	-.606	10	61	.054	.075	.334	-.176
0	1003	-.363	.124	.195	-.699	10	12	.196	.136	.798	-.311	10	62	.181	.089	.508	-.094
0	1004	-.672	.097	-.402	-1.092	10	13	.352	.161	.889	-.446	10	63	.279	.111	.626	-.070
0	1005	-.538	.076	-.225	-.929	10	14	.502	.187	1.098	-.477	10	64	.287	.134	.664	-.242
0	1006	-.566	.084	-.275	-.944	10	15	.437	.190	1.054	-.593	10	65	.231	.136	.658	-.303
0	1007	-.693	.112	-.306	-1.236	10	16	-.278	.096	.274	-.970	10	66	-.389	.075	-.062	-.705
0	1008	-.609	.078	-.353	-.890	10	17	-.117	.103	.513	-.580	10	67	-.250	.066	.048	-.484
0	1011	-.604	.054	-.435	-.939	10	18	.227	.126	.804	-.265	10	68	.016	.069	.282	-.201
0	1012	-.589	.053	-.428	-.879	10	19	.397	.153	.881	-.405	10	69	.093	.086	.418	-.161
0	1013	-.605	.067	-.416	-1.000	10	20	.521	.175	.996	-.210	10	70	.202	.121	.685	-.089
0	1014	-.570	.060	-.397	-1.121	10	21	.473	.182	.965	-.451	10	71	.217	.151	.745	-.179
0	1015	-.542	.054	-.334	-.785	10	22	.457	.159	1.019	-.088	10	72	.162	.148	.667	-.235
0	1016	-.529	.053	-.330	-.759	10	23	.473	.164	.980	-.182	10	73	-.415	.076	-.164	-.781
0	1017	-.539	.054	-.370	-.764	10	24	.455	.162	.953	-.206	10	74	-.282	.066	.039	-.573
0	1018	-.541	.052	-.371	-.755	10	25	.446	.151	1.097	-.024	10	75	-.008	.061	.256	-.201
0	1019	-.553	.060	-.338	-.901	10	26	.483	.154	1.080	-.073	10	76	.057	.076	.417	-.158
0	1021	-.066	.189	.419	-.827	10	27	.465	.155	1.031	-.135	10	77	.159	.104	.595	-.147
0	1022	-.019	.177	.486	-.814	10	28	-.155	.091	.338	-.537	10	78	.173	.138	.668	-.207
0	1023	.148	.149	.555	-.366	10	29	-.161	.106	.590	-.693	10	79	.134	.140	.665	-.320
0	1024	.081	.082	.364	-.163	10	30	.207	.119	.770	-.173	10	80	-.223	.059	-.010	-.459
0	1025	-.161	.055	.072	-.318	10	31	.372	.137	.832	-.106	10	81	-.150	.060	.131	-.347
0	1026	-.413	.051	-.241	-.594	10	32	.462	.152	1.042	-.232	10	82	.023	.072	.338	-.171
0	1027	-.438	.053	-.267	-.636	10	33	.485	.153	.943	-.102	10	83	.124	.083	.454	-.134
0	1028	-.355	.051	-.194	-.511	10	34	.485	.151	.958	-.036	10	84	.195	.100	.588	-.074
0	1031	-.585	.067	-.388	-.973	10	35	.414	.140	.924	-.115	10	85	.140	.114	.545	-.190
0	1032	-.592	.067	-.387	-.972	10	36	.396	.143	.884	-.322	10	86	.088	.111	.552	-.280
0	1033	-.601	.064	-.406	-.873	10	37	.348	.145	.832	-.583	10	87	-.094	.076	.317	-.317
0	1034	-.605	.065	-.427	-.955	10	38	.470	.148	.985	-.072	10	88	.167	.098	.558	-.105
0	1035	-.589	.070	-.313	-.902	10	39	.460	.152	1.010	-.166	10	89	.102	.123	.583	-.204
0	1036	-.581	.071	-.345	-.915	10	40	.465	.152	.914	-.294	10	201	-.578	.174	-.186	-1.842
0	1037	-.584	.065	-.366	-.910	10	41	.401	.157	.854	-.326	10	202	-.601	.178	-.206	-2.046
0	1041	-.666	.092	-.364	-1.050	10	42	.479	.150	.966	-.337	10	203	-.574	.136	-.188	-1.597
0	1042	-.625	.083	-.382	-1.067	10	43	.396	.159	.951	-.501	10	204	-.580	.129	-.282	-1.514
0	1043	-.373	.108	.078	-.719	10	44	.391	.159	.924	-.397	10	205	-.538	.107	-.228	-1.425

WD	TAP	CPMEAN	CPRMS	CPMAX	CPMIN	WD	TAP	CPMEAN	CPRMS	CPMAX	CPMIN	WD	TAP	CPMEAN	CPRMS	CPMAX	CPMIN
10	206	-.553	.134	-.245	-1.634	10	256	-.568	.088	-.297	-1.017	10	420	-.484	.072	-.235	-.907
10	207	-.617	.193	-.173	-2.169	10	257	-.598	.108	-.314	-1.365	10	421	-.500	.079	-.233	-.925
10	208	-.565	.159	-.191	-1.684	10	258	-.593	.098	-.290	-1.278	10	422	-.445	.069	-.243	-1.365
10	209	-.537	.116	-.269	-1.668	10	259	-.571	.079	-.313	-1.081	10	423	-.446	.066	-.260	-1.269
10	210	-.589	.160	-.281	-1.589	10	260	-.562	.075	-.338	-1.053	10	424	-.453	.055	-.277	-.831
10	211	-.555	.142	-.135	-1.489	10	261	-.547	.072	-.316	-.921	10	425	-.470	.070	-.265	-.997
10	212	-.536	.111	-.094	-1.099	10	262	-.532	.070	-.309	-.841	10	426	-.457	.059	-.243	-.770
10	213	-.530	.108	-.198	-1.352	10	263	-.522	.070	-.304	-.835	10	427	-.455	.053	-.263	-.664
10	214	-.565	.123	-.249	-1.521	10	264	-.618	.113	-.353	-1.644	10	428	-.450	.062	-.223	-.777
10	215	-.498	.100	-.245	-1.192	10	265	-.615	.091	-.370	-1.002	10	429	-.466	.068	-.223	-.861
10	216	-.574	.169	-.234	-1.667	10	266	-.621	.089	-.356	-1.076	10	430	-.490	.089	-.221	-.886
10	217	-.566	.154	-.227	-1.468	10	267	-.624	.105	-.386	-1.197	10	431	-.466	.063	-.297	-.664
10	218	-.546	.113	-.229	-1.375	10	268	-.607	.108	-.384	-1.624	10	432	-.461	.052	-.284	-.689
10	219	-.516	.114	-.188	-1.561	10	269	-.579	.096	-.316	-1.174	10	433	-.470	.051	-.260	-.675
10	220	-.502	.094	-.248	-1.042	10	270	-.578	.097	-.304	-1.172	10	434	-.471	.051	-.294	-.653
10	221	-.484	.093	-.244	-1.195	10	271	-.580	.109	-.289	-1.440	10	435	-.479	.067	-.217	-.815
10	222	-.559	.150	-.241	-1.776	10	272	-.575	.095	-.350	-1.162	10	436	-.491	.075	-.233	-.907
10	223	-.546	.135	-.263	-1.647	10	273	-.600	.084	-.363	-1.007	10	437	-.458	.064	-.282	-.730
10	224	-.525	.097	-.225	-1.209	10	274	-.636	.093	-.379	-1.135	10	438	-.459	.068	-.279	-.743
10	225	-.494	.094	-.189	-1.300	10	275	-.652	.122	-.374	-1.323	10	439	-.480	.079	-.275	-.773
10	226	-.481	.072	-.256	-1.083	10	276	-.625	.111	-.377	-1.496	10	440	-.471	.091	-.253	-.952
10	227	-.475	.087	-.210	-1.101	10	277	-.629	.113	-.336	-1.286	10	441	-.437	.056	-.222	-.638
10	228	-.565	.129	-.286	-1.666	10	278	-.547	.082	-.299	-1.053	10	442	-.453	.059	-.241	-.650
10	229	-.573	.142	-.241	-1.850	10	279	-.540	.076	-.326	-.928	10	443	-.431	.055	-.208	-.631
10	230	-.525	.099	-.145	-1.698	10	280	-.569	.075	-.353	-.941	10	444	-.458	.056	-.249	-.634
10	231	-.514	.086	-.126	-1.128	10	281	-.568	.073	-.346	-.860	10	445	-.462	.058	-.229	-.679
10	232	-.485	.079	-.192	-.950	10	282	-.579	.080	-.339	-.977	10	446	-.490	.060	-.287	-.746
10	233	-.490	.078	-.212	-.966	10	283	-.591	.098	-.294	-1.005	10	447	-.490	.055	-.299	-.717
10	234	-.564	.105	-.306	-1.507	10	284	-.592	.095	-.297	-.990	10	448	-.502	.056	-.280	-.729
10	235	-.561	.098	-.302	-1.491	10	285	-.607	.118	-.264	-1.424	10	449	-.504	.076	-.248	-.921
10	236	-.538	.081	-.296	-1.146	10	286	-.471	.057	-.272	-.696	10	450	-.524	.085	-.241	-.954
10	237	-.569	.102	-.309	-1.471	10	401	-.474	.086	-.153	-.858	10	451	-.506	.060	-.304	-.811
10	238	-.560	.083	-.346	-1.299	10	402	-.478	.085	-.171	-.853	10	452	-.514	.060	-.304	-.818
10	239	-.583	.106	-.333	-1.624	10	403	-.474	.079	-.193	-.772	10	453	-.504	.057	-.325	-.731
10	240	-.560	.079	-.170	-1.015	10	404	-.470	.082	-.167	-.928	10	454	-.494	.053	-.312	-.721
10	241	-.569	.080	-.122	-1.094	10	405	-.493	.111	-.212	-1.409	10	455	-.479	.052	-.290	-.701
10	242	-.558	.088	-.363	-1.242	10	406	-.539	.130	-.215	-1.353	10	456	-.492	.051	-.330	-.705
10	243	-.557	.087	-.285	-1.128	10	407	-.474	.083	-.208	-.850	10	457	-.487	.056	-.311	-.717
10	244	-.588	.078	-.368	-.973	10	408	-.490	.110	-.188	-1.149	10	458	-.524	.070	-.268	-.867
10	245	-.527	.070	-.338	-.962	10	409	-.518	.112	-.225	-1.168	10	459	-.529	.077	-.282	-1.019
10	246	-.520	.067	-.319	-1.014	10	410	-.457	.068	-.220	-.746	10	460	-.512	.061	-.301	-.734
10	247	-.502	.068	-.287	-1.100	10	411	-.455	.066	-.228	-.743	10	461	-.518	.060	-.311	-.801
10	248	-.504	.069	-.292	-1.110	10	412	-.486	.089	-.208	-1.174	10	462	-.547	.067	-.339	-.871
10	249	-.557	.088	-.243	-1.144	10	413	-.464	.070	-.241	-.795	10	463	-.527	.063	-.318	-.846
10	250	-.547	.072	-.307	-.958	10	414	-.534	.108	-.266	-1.326	10	464	-.537	.063	-.318	-.858
10	251	-.555	.076	-.284	-.983	10	415	-.515	.097	-.270	-.961	10	465	-.537	.071	-.354	-1.010
10	252	-.600	.081	-.390	-1.053	10	416	-.445	.066	-.253	-.691	10	466	-.534	.064	-.312	-.903
10	253	-.581	.092	-.299	-1.165	10	417	-.453	.067	-.267	-.700	10	467	-.530	.064	-.294	-.901
10	254	-.599	.082	-.273	-1.246	10	418	-.460	.066	-.277	-.731	10	468	-.539	.062	-.368	-.901
10	255	-.575	.096	-.294	-1.124	10	419	-.471	.068	-.290	-.715	10	469	-.518	.065	-.291	-.801

WD	TAP	CPMEAN	CPRMS	CPMAX	CPMIN	WD	TAP	CPMEAN	CPRMS	CPMAX	CPMIN	WD	TAP	CPMEAN	CPRMS	CPMAX	CPMIN
10	470	-.514	.068	-.322	-1.010	10	545	-.587	.083	-.309	-.978	10	629	-.153	.277	.393	-1.185
10	471	-.524	.065	-.311	-.789	10	546	-.613	.094	-.339	-1.078	10	630	-.301	.295	.494	-1.538
10	472	-.521	.065	-.297	-.803	10	547	-.608	.100	-.324	-1.253	10	631	-.099	.054	.086	-.377
10	473	-.508	.064	-.313	-.926	10	548	-.595	.090	-.325	-1.059	10	632	-.235	.042	-.090	-.439
10	474	-.520	.065	-.319	-.966	10	549	-.566	.090	-.248	-1.119	10	633	-.362	.252	.456	-1.314
10	501	-.543	.084	-.321	-.899	10	550	-.582	.097	-.324	-1.288	10	634	-.245	.042	-.111	-.436
10	502	-.550	.083	-.342	-.923	10	551	-.613	.106	-.343	-1.368	10	635	-.361	.046	-.153	-.596
10	503	-.553	.086	-.356	-1.119	10	552	-.624	.110	-.353	-1.479	10	636	-.414	.195	.361	-1.450
10	504	-.561	.086	-.339	-1.044	10	553	-.614	.096	-.267	-1.073	10	637	-.053	.083	.187	-.622
10	505	-.546	.080	-.294	-1.004	10	554	-.602	.090	-.298	-1.044	10	638	-.379	.230	.433	-1.518
10	506	-.551	.067	-.291	-.867	10	554	-.602	.090	-.298	-1.044	10	639	-.136	.048	.083	-.374
10	507	-.550	.075	-.251	-.951	10	555	-.552	.074	-.313	-.863	10	640	-.276	.042	-.088	-.411
10	508	-.531	.067	-.299	-.848	10	556	-.545	.081	-.270	-.907	10	641	-.383	.052	-.188	-.553
10	509	-.536	.074	-.313	-.890	10	557	-.554	.084	-.333	-.984	10	642	-.289	.043	-.121	-.436
10	510	-.550	.078	-.340	-.887	10	558	-.592	.096	-.311	-1.016	10	643	-.471	.164	.187	-1.189
10	511	-.540	.074	-.274	-.949	10	559	-.590	.093	-.313	-.943	10	644	-.140	.090	.129	-.942
10	512	-.555	.075	-.351	-1.044	10	560	-.567	.082	-.252	-.926	10	645	-.371	.052	-.166	-.565
10	513	-.546	.074	-.349	-1.081	10	561	-.549	.086	-.308	-.921	10	646	-.192	.049	.049	-.477
10	514	-.564	.077	-.368	-1.116	10	562	-.702	.174	-.331	-1.918	10	647	-.430	.050	-.165	-.615
10	515	-.582	.076	-.377	-1.013	10	563	-.643	.104	-.277	-1.092	10	648	-.492	.128	.074	-1.101
10	516	-.571	.080	-.334	-1.180	10	564	-.527	.077	-.189	-.799	10	649	-.168	.073	.053	-.572
10	517	-.571	.085	-.297	-1.203	10	565	-.583	.081	-.252	-.940	10	650	-.465	.146	.164	-1.095
10	518	-.576	.079	-.354	-1.028	10	601	-.438	.265	.369	-1.503	10	651	-.216	.039	-.018	-.374
10	519	-.560	.073	-.354	-.890	10	602	-.209	.201	.246	-1.585	10	652	-.390	.047	-.232	-.546
10	520	-.572	.075	-.392	-.920	10	603	-.237	.088	-.031	-1.007	10	653	-.227	.039	-.072	-.375
10	521	-.587	.088	-.356	-1.004	10	604	-.288	.066	-.037	-.754	10	654	-.447	.054	-.273	-.632
10	522	-.564	.071	-.326	-.825	10	605	-.293	.060	-.047	-.681	10	655	-.358	.046	-.222	-.584
10	523	-.567	.078	-.332	-1.258	10	606	-.381	.061	-.166	-.633	10	656	-.433	.048	-.216	-.690
10	524	-.584	.081	-.360	-1.312	10	607	-.325	.261	.419	-1.187	10	657	-.418	.145	.048	-1.019
10	525	-.577	.080	-.371	-.952	10	608	-.311	.057	-.132	-.625	10	658	-.471	.134	.049	-1.139
10	526	-.585	.084	-.347	-1.102	10	609	-.236	.318	.616	-1.516	10	659	-.299	.154	.351	-.768
10	527	-.594	.080	-.348	-.999	10	610	-.138	.279	.519	-1.281	10	660	-.183	.047	.160	-.369
10	528	-.627	.104	-.357	-1.266	10	611	-.058	.291	.555	-1.300	10	661	-.222	.046	.102	-.369
10	529	-.647	.111	-.334	-1.312	10	612	.019	.104	.289	-1.012	10	662	-.358	.047	-.171	-.517
10	530	-.652	.113	-.412	-1.100	10	613	-.083	.070	.205	-.508	10	663	-.315	.045	-.074	-.468
10	531	-.604	.099	-.366	-1.245	10	614	-.301	.056	-.059	-.558	10	664	-.313	.039	-.156	-.502
10	532	-.592	.076	-.390	-.924	10	615	-.386	.054	-.203	-.626	10	665	-.336	.042	-.178	-.510
10	532	-.592	.076	-.390	-.924	10	616	-.129	.284	.631	-1.287	10	666	-.517	.068	-.342	-.883
10	533	-.606	.095	-.396	-.954	10	617	-.083	.289	.538	-1.346	10	667	-.354	.050	-.155	-.556
10	534	-.635	.102	-.417	-1.012	10	618	.044	.103	.297	-.965	10	668	-.387	.053	-.187	-.608
10	535	-.631	.098	-.383	-1.162	10	619	-.070	.063	.131	-.784	10	669	-.287	.044	-.046	-.438
10	536	-.588	.081	-.390	-.961	10	620	-.349	.056	-.111	-.592	10	670	-.509	.074	-.263	-.937
10	537	-.587	.085	-.297	-1.009	10	621	-.463	.071	-.195	-.854	10	671	-.366	.051	-.158	-.546
10	538	-.603	.085	-.323	-1.009	10	622	-.223	.273	.575	-1.902	10	672	-.448	.059	-.234	-.648
10	539	-.610	.091	-.366	-1.227	10	623	-.165	.223	.492	-1.098	10	673	-.300	.049	-.032	-.430
10	540	-.597	.083	-.353	-1.178	10	624	.009	.104	.319	-.573	10	674	-.242	.048	.071	-.369
10	541	-.571	.083	-.347	-1.105	10	625	-.116	.056	.125	-.434	10	675	-.375	.053	.007	-.571
10	542	-.589	.085	-.347	-1.145	10	626	-.338	.050	-.194	-.572	10	676	-.460	.061	-.090	-.673
10	543	-.590	.075	-.359	-.941	10	627	-.433	.065	-.185	-.797	10	677	-.385	.057	.110	-.569
10	544	-.584	.081	-.343	-1.015	10	628	-.418	.283	.441	-2.496	10	678	-.273	.054	.140	-.431

WD	TAP	CPMEAN	CPRMS	CPMAX	CPMIN	WD	TAP	CPMEAN	CPRMS	CPMAX	CPMIN	WD	TAP	CPMEAN	CPRMS	CPMAX	CPMIN
10	679	-.456	.063	-.202	-.697	10	816	-.283	.069	.027	-.498	10	1034	-.539	.065	-.338	-.888
10	680	-.378	.132	.199	-.947	10	817	-.572	.099	-.217	-1.019	10	1035	-.531	.069	-.286	-.791
10	681	-.152	.067	.067	-.521	10	818	-.501	.077	.028	-.756	10	1036	-.521	.071	-.274	-.860
10	682	-.110	.067	.204	-.460	10	819	-.516	.122	-.018	-1.048	10	1037	-.513	.068	-.270	-.792
10	683	-.135	.060	.239	-.319	10	820	-.588	.092	-.261	-1.045	10	1041	-.699	.137	-.311	-1.479
10	684	-.343	.068	.055	-.632	10	821	-.266	.073	.040	-.531	10	1042	-.661	.125	-.289	-1.174
10	685	-.179	.065	.258	-.357	10	822	-.075	.129	.428	-.675	10	1043	-.423	.128	.141	-.825
10	686	-.443	.073	-.113	-.795	10	823	-.025	.073	.214	-.350	10	1044	-.657	.136	-.174	-1.342
10	687	-.202	.106	.228	-.630	10	824	-.098	.042	.063	-.259	10	1045	-.588	.108	-.231	-1.018
10	688	-.159	.109	.184	-.646	10	825	-.010	.091	.305	-.449	10	1046	-.582	.115	-.213	-1.099
10	689	-.089	.058	.237	-.286	10	826	-.140	.058	.074	-.398	10	1047	-.516	.115	-.078	-1.022
10	690	-.065	.068	.209	-.340	10	827	-.154	.052	.033	-.339	10	1048	-.648	.115	-.316	-1.096
10	691	-.175	.063	.197	-.347	10	828	-.222	.066	.101	-.419	10	1049	-.744	.155	-.165	-1.378
10	692	-.295	.075	.162	-.521	10	829	-.229	.090	.106	-.506	10	1050	-.622	.112	-.237	-1.092
10	693	-.526	.069	-.332	-.872	10	901	-.447	.054	-.284	-.695	20	1	-.314	.141	.361	-.875
10	694	-.096	.111	.316	-.786	10	902	-.445	.049	-.263	-.631	20	2	-.268	.154	.606	-.841
10	695	-.008	.078	.236	-.453	10	903	-.514	.058	-.331	-.772	20	3	-.197	.144	.495	-.639
10	696	-.051	.067	.187	-.279	10	904	-.419	.048	-.257	-.582	20	4	-.174	.182	.430	-.816
10	697	-.327	.062	-.078	-.544	10	905	-.416	.048	-.267	-.598	20	5	.052	.267	.721	-.984
10	701	-.576	.088	-.371	-1.063	10	906	-.474	.054	-.304	-.714	20	6	.086	.293	.809	-1.059
10	701	-.576	.088	-.371	-1.063	10	907	-.429	.049	-.286	-.610	20	7	-.252	.138	.403	-.779
10	702	-.590	.090	-.340	-1.014	10	908	-.479	.054	-.303	-.694	20	9	.147	.306	.842	-1.272
10	703	-.604	.094	-.347	-1.027	10	1001	-.620	.111	-.342	-1.232	20	10	-.303	.166	.463	-.976
10	704	-.553	.065	-.310	-.834	10	1002	-.548	.113	-.138	-1.096	20	11	-.213	.163	.609	-.796
10	705	-.543	.063	-.297	-.797	10	1003	-.438	.122	.207	-.882	20	12	.059	.151	.767	-.491
10	706	-.554	.077	-.347	-.930	10	1004	-.695	.140	-.273	-1.518	20	13	.154	.187	.700	-.553
10	707	-.545	.066	-.376	-.852	10	1005	-.555	.119	-.181	-1.270	20	14	.243	.289	1.076	-1.001
10	708	-.546	.062	-.320	-.846	10	1006	-.588	.121	-.252	-1.300	20	15	.171	.325	.927	-1.189
10	709	-.547	.070	-.367	-.854	10	1007	-.706	.150	-.327	-1.416	20	16	-.262	.156	.430	-.927
10	710	-.329	.050	.017	-.493	10	1008	-.627	.132	-.169	-1.444	20	17	-.102	.166	.783	-.643
10	711	-.543	.064	-.351	-.973	10	1011	-.558	.076	-.227	-.976	20	18	.153	.156	1.009	-.306
10	712	-.543	.062	-.286	-.797	10	1012	-.549	.073	-.214	-.866	20	19	.248	.172	.780	-.449
10	713	-.308	.047	-.092	-.493	10	1013	-.557	.070	-.334	-.910	20	20	.303	.246	.943	-.596
10	714	-.537	.067	-.311	-.828	10	1014	-.513	.059	-.310	-.766	20	21	.230	.287	.953	-.904
10	715	-.539	.081	-.296	-.885	10	1015	-.486	.058	-.262	-.815	20	22	.304	.190	.906	-.506
10	801	.001	.098	.373	-.374	10	1016	-.482	.060	-.297	-.822	20	23	.298	.221	1.049	-.669
10	802	.189	.114	.661	-.140	10	1017	-.488	.060	-.303	-.744	20	24	.260	.251	1.080	-.639
10	803	.210	.107	.669	-.063	10	1018	-.484	.059	-.295	-.745	20	25	.314	.176	.876	-.392
10	804	.039	.073	.367	-.207	10	1019	-.487	.061	-.306	-.792	20	26	.305	.191	.901	-.411
10	805	-.526	.086	-.268	-.836	10	1021	-.310	.222	.263	-1.759	20	27	.255	.215	.896	-.553
10	806	-.534	.070	-.341	-.845	10	1022	-.280	.205	.314	-1.171	20	28	-.114	.154	.791	-.719
10	807	-.518	.076	-.312	-.997	10	1023	-.030	.197	.426	-.994	20	29	-.089	.183	.748	-.676
10	808	-.575	.120	-.219	-1.200	10	1024	.004	.084	.282	-.580	20	30	.172	.152	1.007	-.416
10	809	-.523	.088	-.254	-1.002	10	1025	-.195	.049	-.012	-.576	20	31	.269	.144	.866	-.264
10	810	-.613	.104	-.315	-1.026	10	1026	-.374	.054	-.170	-.634	20	32	.303	.169	.949	-.416
10	811	-.588	.078	-.308	-.935	10	1027	-.405	.057	-.239	-.671	20	33	.311	.188	.949	-.311
10	812	-.436	.074	-.201	-.747	10	1028	-.357	.050	-.193	-.547	20	34	.289	.196	.958	-.334
10	813	-.380	.062	-.075	-.690	10	1031	-.522	.071	-.330	-.964	20	35	.229	.198	.850	-.531
10	814	-.279	.075	.059	-.559	10	1032	-.521	.068	-.335	-1.027	20	36	.192	.237	.829	-.696
10	815	-.458	.086	-.185	-.814	10	1033	-.538	.069	-.345	-.823	20	37	.124	.264	.815	-.913

APPENDIX A -- PRESSURE DATA:

JAY SQUARE -- CONFIGURATION B -- LOS ANGELES, CALIFORNIA

WD	TAP	CPMEAN	CPRMS	CPMAX	CPMIN	WD	TAP	CPMEAN	CPRMS	CPMAX	CPMIN	WD	TAP	CPMEAN	CPRMS	CPMAX	CPMIN
20	38	.313	.169	.842	-.370	20	88	.163	.119	.702	-.126	20	249	-.533	.147	-.209	-1.334
20	39	.286	.207	.894	-.578	20	89	.023	.115	.524	-.399	20	250	-.490	.108	-.208	-1.047
20	40	.259	.227	.842	-.629	20	201	-.519	.180	-.193	-2.187	20	251	-.516	.111	-.170	-1.071
20	41	.183	.262	.871	-1.028	20	202	-.523	.176	-.166	-1.621	20	252	-.534	.127	-.098	-1.229
20	42	.324	.235	.957	-.647	20	203	-.527	.152	-.172	-1.674	20	253	-.551	.132	-.225	-1.110
20	43	.203	.293	.954	-1.037	20	204	-.573	.155	-.142	-1.613	20	254	-.527	.119	-.138	-1.116
20	44	.211	.249	.852	-.690	20	205	-.598	.174	-.213	-1.573	20	255	-.549	.137	-.238	-1.222
20	45	-.199	.140	.427	-.733	20	206	-.597	.185	-.235	-2.552	20	256	-.532	.129	-.179	-1.195
20	46	-.069	.152	.633	-.509	20	207	-.551	.192	-.168	-1.833	20	257	-.561	.150	-.236	-1.277
20	47	.158	.154	.914	-.649	20	208	-.500	.158	-.110	-1.423	20	258	-.552	.140	-.225	-1.201
20	48	.260	.141	.876	-.227	20	209	-.570	.182	-.204	-2.192	20	259	-.534	.117	-.183	-1.072
20	49	.320	.157	.876	-.233	20	210	-.540	.149	-.184	-1.798	20	260	-.542	.143	-.179	-1.306
20	50	.279	.201	.914	-.615	20	211	-.526	.147	-.167	-1.690	20	261	-.543	.161	-.040	-1.640
20	51	.138	.242	.869	-.728	20	212	-.526	.134	-.137	-1.274	20	262	-.520	.144	-.200	-1.549
20	52	-.242	.142	.504	-.877	20	213	-.558	.153	-.123	-1.533	20	263	-.514	.141	-.207	-1.550
20	53	-.119	.140	.545	-.661	20	214	-.590	.192	-.114	-2.196	20	264	-.528	.146	-.215	-1.272
20	54	.155	.146	.792	-.449	20	215	-.551	.167	-.197	-1.718	20	265	-.537	.121	-.170	-1.225
20	55	.249	.142	.837	-.364	20	216	-.556	.170	-.175	-1.743	20	266	-.558	.119	-.124	-1.236
20	56	.296	.152	.914	-.221	20	217	-.551	.161	-.156	-1.760	20	267	-.593	.152	-.248	-1.405
20	57	.210	.186	.833	-.465	20	218	-.529	.138	-.156	-1.150	20	268	-.583	.164	-.256	-1.656
20	58	.093	.199	.817	-.662	20	219	-.537	.164	-.125	-1.420	20	269	-.558	.141	-.243	-1.513
20	59	-.265	.127	.323	-.702	20	220	-.527	.153	-.142	-1.585	20	270	-.555	.140	-.230	-1.475
20	60	-.151	.131	.461	-.550	20	221	-.509	.159	-.184	-1.602	20	271	-.487	.096	-.246	-.975
20	61	.110	.131	.852	-.285	20	222	-.570	.188	-.185	-2.051	20	272	-.476	.088	-.208	-.968
20	62	.191	.131	.777	-.180	20	223	-.565	.171	-.118	-1.624	20	273	-.510	.088	-.187	-.918
20	63	.225	.142	.723	-.153	20	224	-.523	.143	-.158	-1.683	20	274	-.561	.110	-.143	-1.110
20	64	.143	.161	.758	-.524	20	225	-.490	.149	-.143	-1.363	20	275	-.614	.162	-.275	-1.694
20	65	.045	.165	.646	-.597	20	226	-.490	.134	-.167	-1.400	20	276	-.600	.178	-.258	-2.005
20	66	-.289	.125	.343	-.753	20	227	-.480	.150	-.165	-1.750	20	277	-.615	.181	-.229	-1.699
20	67	-.143	.120	.483	-.537	20	228	-.562	.182	-.216	-1.635	20	278	-.459	.073	-.237	-.893
20	68	.096	.121	.633	-.204	20	229	-.563	.183	-.152	-1.767	20	279	-.455	.065	-.263	-.785
20	69	.148	.135	.763	-.285	20	230	-.525	.141	-.049	-1.380	20	280	-.449	.070	-.222	-.734
20	70	.131	.118	.740	-.198	20	231	-.508	.139	-.185	-1.520	20	281	-.478	.080	-.238	-.894
20	71	.056	.118	.548	-.282	20	232	-.478	.121	-.202	-1.669	20	282	-.485	.103	-.158	-1.044
20	72	-.024	.118	.552	-.406	20	233	-.463	.117	-.186	-1.581	20	283	-.592	.181	-.161	-1.849
20	73	-.320	.137	.277	-.998	20	234	-.575	.181	-.234	-1.611	20	284	-.564	.161	-.193	-1.501
20	74	-.176	.130	.429	-.657	20	235	-.564	.167	-.205	-1.473	20	285	-.579	.196	-.055	-1.732
20	75	.053	.112	.565	-.233	20	236	-.534	.126	-.178	-1.132	20	286	-.376	.052	-.205	-.672
20	76	.106	.112	.575	-.206	20	237	-.558	.171	-.210	-1.571	20	401	-.425	.093	-.177	-.800
20	77	.103	.113	.656	-.143	20	238	-.543	.149	-.145	-1.478	20	402	-.429	.092	-.179	-.794
20	78	.026	.119	.560	-.274	20	239	-.548	.143	-.195	-1.591	20	403	-.433	.104	-.093	-.975
20	79	-.027	.122	.573	-.425	20	240	-.507	.117	-.195	-1.115	20	404	-.430	.099	-.104	-1.231
20	80	-.177	.095	.197	-.545	20	241	-.518	.128	-.217	-1.323	20	405	-.440	.109	-.169	-1.328
20	81	-.097	.096	.383	-.352	20	242	-.539	.150	-.204	-1.589	20	406	-.488	.128	-.184	-1.471
20	82	.092	.107	.470	-.225	20	243	-.544	.148	-.198	-1.616	20	407	-.424	.090	-.124	-.793
20	83	.136	.108	.600	-.189	20	244	-.534	.128	-.115	-1.202	20	408	-.440	.113	-.163	-1.394
20	84	.122	.100	.518	-.152	20	245	-.519	.127	-.141	-1.298	20	409	-.470	.114	-.192	-1.286
20	85	.006	.092	.372	-.327	20	246	-.500	.118	-.189	-1.224	20	410	-.414	.078	-.201	-.696
20	86	-.039	.114	.493	-.457	20	247	-.486	.120	-.202	-1.289	20	411	-.417	.077	-.200	-.692
20	87	-.037	.098	.382	-.354	20	248	-.483	.120	-.178	-1.263	20	412	-.437	.082	-.213	-.723

WD	TAP	CPMEAN	CPRMS	CPMAX	CPMIN	WD	TAP	CPMEAN	CPRMS	CPMAX	CPMIN	WD	TAP	CPMEAN	CPRMS	CPMAX	CPMIN
20	413	-.429	.081	-.218	-.758	20	463	-.412	.061	-.230	-.783	20	538	-.443	.065	-.228	-.785
20	414	-.491	.097	-.216	-.957	20	464	-.423	.061	-.237	-.887	20	539	-.431	.060	-.238	-.734
20	415	-.495	.103	-.217	-1.047	20	465	-.422	.065	-.233	-.854	20	540	-.433	.059	-.234	-.745
20	416	-.415	.068	-.187	-.791	20	466	-.430	.070	-.222	-.798	20	541	-.414	.057	-.220	-.636
20	417	-.421	.070	-.200	-.854	20	467	-.420	.070	-.206	-.742	20	542	-.426	.057	-.235	-.653
20	418	-.431	.069	-.236	-.780	20	468	-.435	.072	-.192	-.909	20	543	-.440	.059	-.250	-.698
20	419	-.423	.068	-.237	-.690	20	469	-.426	.072	-.214	-.905	20	544	-.438	.065	-.225	-.777
20	420	-.456	.077	-.214	-.894	20	470	-.425	.078	-.237	-1.040	20	545	-.440	.064	-.264	-.759
20	421	-.471	.084	-.227	-.923	20	471	-.421	.074	-.230	-.988	20	546	-.454	.066	-.261	-.847
20	422	-.423	.118	-.190	-1.300	20	472	-.426	.074	-.242	-.913	20	547	-.457	.071	-.278	-.830
20	423	-.408	.101	-.198	-1.127	20	473	-.423	.077	-.216	-1.298	20	548	-.451	.072	-.275	-.840
20	424	-.406	.064	-.216	-.739	20	474	-.425	.073	-.227	-1.165	20	549	-.447	.073	-.223	-.866
20	425	-.422	.090	-.217	-.920	20	501	-.416	.065	-.234	-.759	20	550	-.457	.076	-.225	-.842
20	426	-.404	.066	-.209	-.734	20	502	-.421	.064	-.233	-.731	20	551	-.461	.088	-.239	-1.148
20	427	-.375	.056	-.222	-.666	20	503	-.417	.071	-.231	-.871	20	552	-.467	.089	-.225	-.961
20	428	-.380	.065	-.108	-1.053	20	504	-.420	.066	-.193	-.864	20	553	-.460	.081	-.245	-.876
20	429	-.384	.068	-.116	-1.123	20	505	-.412	.060	-.206	-.724	20	554	-.452	.064	-.259	-.672
20	430	-.393	.078	-.134	-1.167	20	506	-.425	.064	-.172	-.669	20	554	-.452	.064	-.259	-.672
20	431	-.391	.067	-.116	-1.289	20	507	-.438	.076	-.136	-.744	20	555	-.440	.065	-.278	-.842
20	432	-.401	.054	-.221	-.734	20	508	-.418	.070	-.155	-.851	20	556	-.439	.063	-.247	-.691
20	433	-.406	.053	-.210	-.703	20	509	-.416	.070	-.201	-.785	20	557	-.450	.072	-.267	-.756
20	434	-.407	.050	-.226	-.615	20	510	-.425	.068	-.245	-.769	20	558	-.455	.078	-.201	-.868
20	435	-.405	.072	-.176	-.924	20	511	-.431	.075	-.125	-.736	20	559	-.457	.069	-.242	-.733
20	436	-.459	.090	-.216	-.862	20	512	-.430	.077	-.191	-1.170	20	560	-.445	.062	-.263	-.739
20	437	-.381	.062	-.183	-.634	20	513	-.420	.075	-.196	-1.199	20	561	-.431	.064	-.254	-.768
20	438	-.382	.063	-.192	-.613	20	514	-.430	.068	-.264	-.899	20	562	-.496	.098	-.256	-1.012
20	439	-.362	.066	-.181	-.654	20	515	-.442	.060	-.275	-.678	20	563	-.471	.069	-.237	-.747
20	440	-.370	.066	-.173	-.761	20	516	-.438	.068	-.164	-.700	20	564	-.437	.063	-.270	-.734
20	441	-.385	.060	-.190	-.787	20	517	-.451	.079	-.163	-.780	20	565	-.462	.069	-.283	-.747
20	442	-.386	.061	-.193	-.835	20	518	-.427	.062	-.221	-.700	20	601	-.444	.308	.625	-1.699
20	443	-.371	.058	-.206	-.707	20	519	-.427	.062	-.238	-.715	20	602	-.313	.250	.378	-1.729
20	444	-.388	.056	-.216	-.636	20	520	-.432	.062	-.234	-.897	20	603	-.301	.141	.161	-1.066
20	445	-.387	.054	-.209	-.636	20	521	-.433	.065	-.251	-.842	20	604	-.326	.104	.005	-1.030
20	446	-.389	.053	-.196	-.624	20	522	-.414	.060	-.238	-.661	20	605	-.309	.085	-.032	-.738
20	447	-.388	.049	-.253	-.605	20	523	-.433	.060	-.221	-.758	20	606	-.367	.073	-.120	-.750
20	448	-.399	.049	-.247	-.607	20	524	-.443	.063	-.270	-.685	20	607	-.399	.327	.651	-1.708
20	449	-.418	.069	-.135	-.753	20	525	-.438	.063	-.267	-.695	20	608	-.317	.072	-.072	-.612
20	450	-.438	.083	-.126	-.888	20	526	-.453	.068	-.249	-.700	20	609	-.324	.370	.923	-2.461
20	451	-.392	.056	-.213	-.740	20	527	-.469	.072	-.259	-.834	20	610	-.240	.344	.593	-2.341
20	452	-.402	.055	-.216	-.745	20	528	-.453	.078	-.199	-1.000	20	611	-.167	.333	.677	-1.649
20	453	-.402	.055	-.226	-.667	20	529	-.440	.076	-.206	-.827	20	612	-.133	.215	.288	-1.987
20	454	-.400	.055	-.217	-.678	20	530	-.473	.082	-.264	-.886	20	613	-.169	.124	.159	-1.049
20	455	-.387	.053	-.187	-.667	20	531	-.442	.067	-.247	-.783	20	614	-.316	.069	-.097	-.753
20	456	-.399	.051	-.223	-.641	20	532	-.444	.058	-.265	-.685	20	615	-.385	.067	-.171	-.629
20	457	-.408	.050	-.255	-.614	20	532	-.444	.058	-.265	-.685	20	616	-.342	.369	.701	-2.418
20	458	-.455	.079	-.172	-.837	20	533	-.444	.070	-.268	-.770	20	617	-.259	.374	.585	-2.531
20	459	-.469	.097	-.208	-1.029	20	534	-.450	.073	-.268	-.766	20	618	-.125	.237	.276	-1.644
20	460	-.414	.055	-.226	-.615	20	535	-.452	.074	-.221	-.845	20	619	-.166	.117	.103	-.997
20	461	-.414	.060	-.216	-.787	20	536	-.438	.060	-.229	-.726	20	620	-.342	.060	-.051	-.879
20	462	-.428	.061	-.239	-.796	20	537	-.426	.065	-.206	-.759	20	621	-.424	.071	-.135	-.942

WD	TAP	CPMEAN	CPRMS	CPMAX	CPMIN	WD	TAP	CPMEAN	CPRMS	CPMAX	CPMIN	WD	TAP	CPMEAN	CPRMS	CPMAX	CPMIN
20	622	-.417	.282	.488	-1.911	20	672	-.359	.048	-.176	-.564	20	809	-.425	.067	-.206	-.882
20	623	-.384	.277	.349	-2.020	20	673	-.279	.047	-.034	-.490	20	810	-.459	.069	-.255	-.722
20	624	-.177	.219	.246	-1.219	20	674	-.244	.052	-.037	-.524	20	811	-.457	.062	-.240	-.710
20	625	-.190	.127	.051	-1.265	20	675	-.314	.047	-.118	-.497	20	812	-.406	.067	-.169	-.808
20	626	-.319	.070	-.072	-1.001	20	676	-.363	.049	-.196	-.557	20	813	-.335	.063	-.131	-.603
20	627	-.402	.092	-.123	-1.072	20	677	-.324	.048	-.092	-.517	20	814	-.261	.064	.061	-.615
20	628	-.629	.333	.353	-2.341	20	678	-.258	.051	-.020	-.504	20	815	-.436	.068	-.212	-.710
20	629	-.390	.309	.380	-2.386	20	679	-.359	.051	-.167	-.521	20	816	-.265	.063	-.063	-.539
20	630	-.485	.318	.274	-2.405	20	680	-.423	.169	.282	-1.168	20	817	-.448	.067	-.256	-.749
20	631	-.180	.102	.036	-1.121	20	681	-.313	.153	.086	-1.107	20	818	-.422	.059	-.249	-.670
20	632	-.251	.062	-.079	-.983	20	682	-.233	.133	.058	-.847	20	819	-.424	.064	-.216	-.750
20	633	-.580	.314	.480	-2.109	20	683	-.188	.078	.111	-.653	20	820	-.463	.062	-.245	-.709
20	634	-.252	.060	-.091	-1.006	20	684	-.307	.052	-.075	-.545	20	821	-.255	.059	-.005	-.422
20	635	-.316	.057	-.153	-1.060	20	685	-.199	.057	.041	-.595	20	822	-.206	.198	.357	-1.180
20	636	-.596	.270	.309	-2.284	20	686	-.353	.054	-.150	-.585	20	823	-.100	.100	.178	-.892
20	637	-.212	.191	.065	-1.513	20	687	-.268	.157	.296	-1.133	20	824	-.082	.047	.116	-.243
20	638	-.547	.300	.320	-2.473	20	688	-.259	.174	.225	-1.267	20	825	-.076	.102	.247	-.535
20	639	-.189	.083	.007	-1.055	20	689	-.144	.076	.117	-.906	20	826	-.125	.057	.107	-.380
20	640	-.266	.045	-.102	-.587	20	690	-.163	.131	.146	-.869	20	827	-.112	.055	.115	-.338
20	641	-.336	.051	-.154	-.756	20	691	-.164	.057	.137	-.362	20	828	-.194	.055	.083	-.373
20	642	-.269	.045	-.096	-.653	20	692	-.253	.059	.042	-.456	20	829	-.225	.076	.119	-.499
20	643	-.628	.269	.215	-2.261	20	693	-.437	.074	-.053	-.788	20	901	-.351	.047	-.203	-.517
20	644	-.299	.206	.039	-1.408	20	694	-.184	.181	.477	-1.090	20	902	-.347	.049	-.198	-.527
20	645	-.339	.050	-.154	-.721	20	695	-.089	.125	.367	-.781	20	903	-.403	.054	-.234	-.613
20	646	-.244	.093	-.030	-1.086	20	696	-.085	.072	.273	-.494	20	904	-.332	.047	-.195	-.506
20	647	-.358	.051	-.114	-.626	20	697	-.279	.051	-.128	-.466	20	905	-.330	.046	-.194	-.504
20	648	-.577	.189	-.018	-1.685	20	701	-.433	.067	-.216	-.880	20	906	-.376	.053	-.205	-.594
20	649	-.330	.170	-.005	-1.131	20	701	-.433	.067	-.216	-.880	20	907	-.344	.046	-.202	-.521
20	650	-.560	.209	.132	-1.693	20	702	-.440	.064	-.274	-.710	20	908	-.380	.051	-.221	-.561
20	651	-.262	.092	-.035	-.967	20	703	-.451	.066	-.263	-.733	20	1001	-.569	.123	.173	-1.007
20	652	-.349	.051	-.149	-.750	20	704	-.437	.063	-.259	-.722	20	1002	-.435	.103	.114	-.794
20	653	-.259	.067	-.063	-.800	20	705	-.434	.066	-.239	-.843	20	1003	-.307	.127	.182	-.684
20	654	-.380	.055	-.218	-.776	20	706	-.433	.066	-.220	-.778	20	1004	-.672	.172	-.035	-1.522
20	655	-.327	.055	-.168	-1.115	20	707	-.439	.066	-.250	-.896	20	1005	-.484	.113	-.166	-.977
20	656	-.350	.053	-.177	-.652	20	708	-.441	.077	-.220	-.877	20	1006	-.540	.151	-.055	-1.200
20	657	-.474	.180	.129	-1.415	20	709	-.441	.073	-.228	-.998	20	1007	-.675	.189	-.090	-1.396
20	658	-.477	.167	.164	-1.302	20	710	-.310	.049	.021	-.512	20	1008	-.552	.153	-.121	-1.500
20	659	-.395	.189	.261	-1.267	20	711	-.432	.075	-.256	-.881	20	1011	-.477	.089	-.204	-.911
20	660	-.230	.085	.009	-.893	20	712	-.437	.074	-.167	-.920	20	1012	-.468	.084	-.157	-.956
20	661	-.245	.066	.029	-.812	20	713	-.294	.049	-.003	-.521	20	1013	-.469	.082	-.222	-.887
20	662	-.326	.047	-.152	-.598	20	714	-.422	.067	-.189	-.785	20	1014	-.437	.066	-.262	-.812
20	663	-.288	.047	-.091	-.609	20	715	-.413	.066	-.088	-.690	20	1015	-.403	.057	-.240	-.707
20	664	-.275	.049	-.071	-.543	20	801	-.100	.127	.290	-.676	20	1016	-.400	.058	-.227	-.775
20	665	-.291	.049	-.075	-.500	20	802	.079	.115	.667	-.288	20	1017	-.403	.059	-.216	-.795
20	666	-.429	.072	-.238	-.986	20	803	.152	.118	.709	-.114	20	1018	-.416	.060	-.231	-.838
20	667	-.312	.051	-.039	-.509	20	804	.052	.096	.442	-.216	20	1019	-.414	.068	-.129	-.976
20	668	-.333	.052	-.079	-.522	20	805	-.404	.108	-.025	-1.087	20	1021	-.474	.240	.165	-1.696
20	669	-.261	.052	-.052	-.857	20	806	-.417	.067	-.231	-.925	20	1022	-.420	.211	.177	-1.491
20	670	-.425	.081	-.218	-.930	20	807	-.415	.066	-.238	-.914	20	1023	-.272	.294	.275	-2.026
20	671	-.312	.046	-.101	-.534	20	808	-.454	.091	-.247	-.952	20	1024	-.144	.177	.201	-1.115

WD	TAP	CPMEAN	CPRMS	CPMAX	CPMIN	WD	TAP	CPMEAN	CPRMS	CPMAX	CPMIN	WD	TAP	CPMEAN	CPRMS	CPMAX	CPMIN
20	1025	-.239	.084	-.029	-.820	30	31	.289	.179	1.011	-.214	30	81	-.068	.086	.419	-.331
20	1026	-.337	.058	-.057	-.767	30	32	.253	.149	.742	-.468	30	82	.106	.102	.545	-.225
20	1027	-.364	.067	-.158	-1.105	30	33	.203	.139	.784	-.343	30	83	.151	.096	.512	-.210
20	1028	-.334	.061	-.125	-.796	30	34	.158	.136	.680	-.401	30	84	.124	.092	.560	-.104
20	1031	-.417	.067	-.244	-.722	30	35	.074	.147	.595	-.493	30	85	-.028	.077	.252	-.355
20	1032	-.424	.072	-.242	-.928	30	36	-.044	.198	.613	-.719	30	86	-.111	.109	.359	-.745
20	1033	-.438	.063	-.259	-.716	30	37	-.173	.247	.557	-1.049	30	87	.004	.111	.448	-.295
20	1034	-.434	.072	-.246	-.922	30	38	.262	.143	.743	-.181	30	88	.176	.113	.740	-.162
20	1035	-.415	.067	-.195	-.875	30	39	.155	.157	.705	-.562	30	89	-.035	.090	.360	-.372
20	1036	-.431	.077	-.216	-.850	30	40	.024	.187	.672	-.740	30	201	-.444	.123	-.196	-1.152
20	1037	-.434	.076	-.245	-1.076	30	41	-.142	.264	.747	-1.380	30	202	-.465	.127	-.106	-1.488
20	1041	-.684	.164	-.189	-1.318	30	42	.136	.172	.751	-.609	30	203	-.479	.134	-.080	-1.143
20	1042	-.619	.160	-.055	-1.395	30	43	-.137	.284	.675	-1.415	30	204	-.540	.147	-.075	-1.376
20	1043	-.327	.128	.131	-.920	30	44	-.032	.248	.777	-.853	30	205	-.635	.183	-.151	-1.588
20	1044	-.568	.143	-.072	-1.229	30	45	-.103	.142	.382	-.562	30	206	-.615	.200	-.096	-1.755
20	1045	-.522	.129	-.095	-1.107	30	46	.043	.164	.621	-.392	30	207	-.468	.126	-.171	-1.380
20	1046	-.526	.128	-.139	-1.073	30	47	.293	.202	.917	-.541	30	208	-.439	.114	-.099	-1.035
20	1047	-.433	.118	.077	-.911	30	48	.355	.185	1.044	-.154	30	209	-.604	.177	-.168	-1.548
20	1048	-.611	.142	-.201	-1.425	30	49	.331	.152	.916	-.142	30	210	-.464	.105	-.177	-1.166
20	1049	-.693	.184	-.130	-1.476	30	50	.135	.186	.957	-.399	30	211	-.441	.099	-.168	-1.067
20	1050	-.582	.138	-.179	-1.238	30	51	-.052	.240	.750	-.881	30	212	-.477	.119	-.089	-1.049
30	1	-.226	.176	.503	-.932	30	52	-.129	.133	.269	-.627	30	213	-.543	.152	-.135	-1.341
30	2	-.188	.187	.609	-.820	30	53	-.006	.160	.476	-.484	30	214	-.621	.172	-.143	-1.517
30	3	-.182	.162	.570	-1.280	30	54	.259	.188	.896	-.240	30	215	-.550	.151	-.205	-1.194
30	4	-.246	.147	.348	-.715	30	55	.314	.169	.932	-.279	30	216	-.495	.127	-.209	-1.127
30	5	-.163	.180	.691	-.835	30	56	.309	.145	.868	-.181	30	217	-.494	.115	-.197	-1.132
30	6	-.227	.222	.544	-.939	30	57	.114	.174	.776	-.388	30	218	-.487	.116	-.065	-1.056
30	7	-.168	.182	.529	-.808	30	58	-.059	.206	.673	-.774	30	219	-.507	.154	-.104	-1.747
30	9	-.140	.226	.898	-.845	30	59	-.138	.143	.396	-.683	30	220	-.512	.146	-.170	-1.383
30	10	-.208	.184	.595	-.815	30	60	.001	.158	.581	-.535	30	221	-.489	.121	-.167	-1.169
30	11	-.135	.206	.779	-.782	30	61	.217	.176	.807	-.338	30	222	-.528	.156	-.112	-1.450
30	12	.064	.183	.821	-.456	30	62	.265	.163	.898	-.266	30	223	-.514	.142	-.092	-1.490
30	13	.076	.163	.748	-.444	30	63	.257	.145	.819	-.154	30	224	-.470	.109	-.177	-1.063
30	14	-.033	.205	.666	-1.330	30	64	.119	.166	.839	-.692	30	225	-.447	.118	-.044	-1.233
30	15	-.167	.267	.631	-1.336	30	65	-.030	.180	.709	-.693	30	226	-.441	.107	-.136	-.948
30	16	-.179	.175	.417	-.916	30	66	-.207	.138	.381	-.611	30	227	-.439	.120	-.153	-1.143
30	17	-.034	.201	.768	-.676	30	67	-.072	.153	.562	-.494	30	228	-.515	.167	-.179	-1.485
30	18	.196	.208	.978	-.369	30	68	.160	.157	.682	-.507	30	229	-.528	.165	-.213	-1.398
30	19	.221	.183	1.011	-.367	30	69	.166	.138	.733	-.269	30	230	-.469	.112	-.119	-1.069
30	20	.096	.179	.789	-.536	30	70	.168	.134	.831	-.223	30	231	-.445	.111	-.160	-1.201
30	21	-.047	.236	.789	-.729	30	71	.029	.135	.621	-.411	30	232	-.421	.097	-.169	-1.021
30	22	.241	.149	.724	-.417	30	72	-.078	.149	.520	-.634	30	233	-.382	.095	-.157	-.922
30	23	.178	.149	.747	-.496	30	73	-.274	.121	.190	-.946	30	234	-.501	.154	-.178	-1.591
30	24	.070	.167	.658	-.513	30	74	-.155	.125	.352	-.669	30	235	-.494	.148	-.167	-1.594
30	25	.264	.147	.741	-.343	30	75	.051	.119	.604	-.491	30	236	-.469	.113	-.136	-1.060
30	26	.191	.138	.686	-.305	30	76	.093	.107	.566	-.192	30	237	-.459	.157	-.152	-1.473
30	27	.086	.144	.630	-.396	30	77	.098	.109	.633	-.200	30	238	-.480	.134	-.180	-1.489
30	28	-.061	.152	.503	-.718	30	78	-.031	.106	.589	-.491	30	239	-.493	.126	-.177	-1.059
30	29	-.031	.193	.752	-.691	30	79	-.104	.117	.498	-.643	30	240	-.450	.107	-.169	-1.058
30	30	.245	.205	1.009	-.422	30	80	-.131	.097	.295	-.425	30	241	-.441	.120	-.175	-1.172

WD	TAP	CPMEAN	CPRMS	CPMAX	CPMIN	WD	TAP	CPMEAN	CPRMS	CPMAX	CPMIN	WD	TAP	CPMEAN	CPRMS	CPMAX	CPMIN
30	242	-.475	.143	-.195	-1.830	30	406	-.479	.115	-.217	-1.143	30	456	-.351	.048	-.217	-.600
30	243	-.480	.138	-.145	-1.375	30	407	-.424	.090	-.164	-1.124	30	457	-.342	.042	-.172	-.485
30	244	-.472	.115	-.134	-1.007	30	408	-.417	.095	-.181	-.991	30	458	-.382	.071	-.171	-.774
30	245	-.444	.109	-.169	-1.072	30	409	-.451	.097	-.188	-1.050	30	459	-.403	.090	-.185	-.917
30	246	-.423	.107	-.159	-1.142	30	410	-.398	.074	-.195	-.808	30	460	-.374	.079	-.194	-.990
30	247	-.411	.095	-.171	-1.121	30	411	-.394	.071	-.209	-.808	30	461	-.369	.067	-.177	-.692
30	248	-.411	.097	-.164	-1.125	30	412	-.422	.071	-.166	-.771	30	462	-.381	.069	-.204	-.830
30	249	-.489	.142	-.181	-1.138	30	413	-.400	.068	-.240	-.756	30	463	-.375	.074	-.171	-.786
30	250	-.438	.096	-.198	-.945	30	414	-.450	.077	-.250	-.793	30	464	-.376	.068	-.196	-.685
30	251	-.439	.092	-.218	-1.055	30	415	-.441	.085	-.218	-.941	30	465	-.374	.066	-.121	-.717
30	252	-.478	.116	-.171	-1.096	30	416	-.420	.085	-.209	-.939	30	466	-.390	.082	-.187	-1.120
30	253	-.472	.113	-.179	-1.056	30	417	-.421	.086	-.198	-.902	30	467	-.382	.075	-.182	-.922
30	254	-.481	.115	-.131	-1.140	30	418	-.414	.064	-.237	-.704	30	468	-.384	.069	-.164	-.771
30	255	-.469	.115	-.153	-1.039	30	419	-.393	.055	-.221	-.699	30	469	-.386	.073	-.188	-.954
30	256	-.446	.107	-.163	-1.027	30	420	-.430	.063	-.214	-.728	30	470	-.379	.079	-.194	-1.013
30	257	-.492	.136	-.218	-1.235	30	421	-.440	.068	-.198	-.738	30	471	-.383	.074	-.208	-1.076
30	258	-.482	.125	-.205	-1.223	30	422	-.438	.133	-.120	-1.272	30	472	-.383	.070	-.217	-.964
30	259	-.459	.098	-.155	-.960	30	423	-.401	.111	-.147	-1.101	30	473	-.380	.074	-.193	-.989
30	260	-.421	.110	-.083	-1.064	30	424	-.385	.068	-.199	-.759	30	474	-.381	.072	-.204	-.802
30	261	-.457	.125	-.147	-1.292	30	425	-.400	.092	-.167	-.864	30	501	-.368	.070	-.164	-.708
30	262	-.437	.103	-.183	-1.018	30	426	-.383	.073	-.195	-.690	30	502	-.369	.066	-.150	-.708
30	263	-.433	.099	-.181	-1.004	30	427	-.357	.059	-.198	-.628	30	503	-.358	.063	-.135	-.740
30	264	-.446	.116	-.085	-1.195	30	428	-.367	.094	-.128	-.927	30	504	-.357	.052	-.150	-.678
30	265	-.468	.106	-.185	-1.031	30	429	-.369	.092	-.122	-.935	30	505	-.350	.043	-.192	-.549
30	266	-.471	.097	-.183	-.971	30	430	-.368	.085	-.127	-.978	30	506	-.367	.053	-.199	-.568
30	267	-.498	.120	-.216	-1.286	30	431	-.357	.067	-.143	-.655	30	507	-.380	.058	-.212	-.613
30	268	-.461	.129	-.154	-1.315	30	432	-.371	.064	-.202	-.749	30	508	-.374	.074	-.190	-.794
30	269	-.487	.108	-.152	-1.121	30	433	-.378	.058	-.214	-.745	30	509	-.362	.068	-.166	-.678
30	270	-.485	.107	-.169	-1.111	30	434	-.381	.051	-.244	-.589	30	510	-.361	.060	-.164	-.704
30	271	-.431	.077	-.254	-.906	30	435	-.386	.062	-.205	-.612	30	511	-.371	.058	-.195	-.630
30	272	-.393	.071	-.209	-.839	30	436	-.414	.074	-.190	-.809	30	512	-.374	.071	-.171	-.924
30	273	-.461	.072	-.169	-.745	30	437	-.359	.083	-.110	-.835	30	513	-.365	.065	-.171	-.827
30	274	-.508	.094	-.117	-.887	30	438	-.358	.079	-.143	-.760	30	514	-.364	.050	-.236	-.715
30	275	-.547	.139	-.181	-1.541	30	439	-.346	.072	-.138	-.671	30	515	-.377	.048	-.201	-.620
30	276	-.509	.135	-.163	-1.345	30	440	-.358	.077	-.122	-.764	30	516	-.379	.059	-.187	-.606
30	277	-.532	.140	-.247	-1.550	30	441	-.362	.080	-.121	-.849	30	517	-.390	.070	-.187	-.687
30	278	-.410	.064	-.233	-.968	30	442	-.361	.075	-.138	-.739	30	518	-.385	.067	-.192	-.835
30	279	-.404	.056	-.247	-.680	30	443	-.358	.080	-.127	-1.074	30	519	-.373	.062	-.218	-.921
30	280	-.379	.059	-.186	-.618	30	444	-.362	.081	-.120	-.796	30	520	-.375	.056	-.234	-.772
30	281	-.426	.066	-.216	-.737	30	445	-.344	.067	-.105	-.671	30	521	-.378	.059	-.226	-.834
30	282	-.421	.083	-.136	-.814	30	446	-.357	.061	-.199	-.681	30	522	-.381	.058	-.212	-.717
30	283	-.516	.155	-.120	-1.518	30	447	-.343	.044	-.187	-.567	30	523	-.374	.056	-.214	-.720
30	284	-.475	.141	-.104	-1.260	30	448	-.346	.041	-.206	-.508	30	524	-.382	.051	-.225	-.653
30	285	-.535	.176	.065	-1.508	30	449	-.367	.065	-.149	-.657	30	525	-.373	.045	-.217	-.558
30	286	-.345	.049	-.176	-.548	30	450	-.396	.082	-.148	-.758	30	526	-.395	.055	-.219	-.632
30	401	-.417	.093	-.116	-.910	30	451	-.365	.076	-.164	-.906	30	527	-.418	.063	-.192	-.650
30	402	-.419	.091	-.131	-.799	30	452	-.365	.066	-.155	-.724	30	528	-.396	.067	-.210	-.720
30	403	-.403	.089	-.149	-.940	30	453	-.364	.065	-.174	-.789	30	529	-.403	.073	-.217	-.801
30	404	-.409	.084	-.177	-.953	30	454	-.357	.057	-.180	-.746	30	530	-.422	.072	-.235	-.774
30	405	-.418	.094	-.193	-.968	30	455	-.349	.053	-.198	-.659	30	531	-.403	.062	-.231	-.736

WD	TAP	CPMEAN	CPRMS	CPMAX	CPMIN	WD	TAP	CPMEAN	CPRMS	CPMAX	CPMIN	WD	TAP	CPMEAN	CPRMS	CPMAX	CPMIN
30	532	-.386	.053	-.222	-.632	30	615	-.411	.086	-.131	-.949	30	665	-.291	.065	-.019	-.567
30	532	-.386	.053	-.222	-.632	30	616	-.636	.371	.498	-2.258	30	666	-.377	.074	-.113	-.811
30	533	-.396	.064	-.213	-.761	30	617	-.597	.394	.424	-1.971	30	667	-.290	.055	-.051	-.513
30	534	-.405	.064	-.232	-.755	30	618	-.455	.348	.207	-1.920	30	668	-.309	.055	-.102	-.529
30	535	-.399	.070	-.214	-1.030	30	619	-.331	.213	.091	-1.436	30	669	-.264	.086	.028	-.913
30	536	-.389	.056	-.213	-.751	30	620	-.393	.124	-.074	-1.353	30	670	-.371	.073	-.147	-.760
30	537	-.380	.064	-.210	-.998	30	621	-.436	.117	-.056	-1.466	30	671	-.289	.055	-.077	-.671
30	538	-.390	.063	-.215	-.974	30	622	-.555	.256	.259	-1.868	30	672	-.324	.053	-.141	-.672
30	539	-.381	.054	-.225	-.791	30	623	-.574	.266	.116	-2.398	30	673	-.291	.070	-.007	-.797
30	540	-.383	.050	-.241	-.634	30	624	-.482	.310	.208	-1.670	30	674	-.250	.086	.115	-.868
30	541	-.368	.053	-.203	-.731	30	625	-.394	.244	.074	-1.422	30	675	-.292	.055	-.082	-.620
30	542	-.375	.053	-.199	-.699	30	626	-.370	.163	.058	-1.494	30	676	-.329	.050	-.146	-.575
30	543	-.391	.052	-.245	-.651	30	627	-.424	.171	-.065	-1.458	30	677	-.311	.056	-.111	-.641
30	544	-.379	.050	-.187	-.634	30	628	-.753	.367	.269	-2.737	30	678	-.252	.067	-.027	-.617
30	545	-.381	.053	-.229	-.690	30	629	-.706	.373	.248	-2.465	30	679	-.321	.050	-.072	-.553
30	546	-.380	.050	-.192	-.716	30	630	-.687	.362	.249	-2.391	30	680	-.516	.231	.019	-2.095
30	547	-.393	.052	-.255	-.636	30	631	-.345	.217	.045	-1.561	30	681	-.469	.273	.082	-2.090
30	548	-.384	.053	-.226	-.598	30	632	-.319	.147	-.056	-1.476	30	682	-.339	.219	.112	-1.401
30	549	-.392	.055	-.239	-.778	30	633	-.743	.344	.298	-2.376	30	683	-.233	.129	.060	-1.093
30	550	-.403	.058	-.222	-.765	30	634	-.313	.147	-.048	-1.585	30	684	-.306	.058	-.012	-.530
30	551	-.384	.054	-.242	-.662	30	635	-.363	.141	-.091	-1.470	30	685	-.200	.074	.292	-.612
30	552	-.384	.055	-.241	-.668	30	636	-.733	.297	.184	-3.154	30	686	-.305	.051	-.077	-.534
30	553	-.386	.056	-.223	-.615	30	637	-.485	.350	.078	-1.996	30	687	-.398	.209	.189	-1.779
30	554	-.388	.050	-.241	-.607	30	638	-.707	.322	.194	-2.520	30	688	-.416	.223	.218	-1.598
30	554	-.388	.050	-.241	-.607	30	639	-.358	.226	.124	-1.539	30	689	-.169	.092	.172	-.814
30	555	-.384	.049	-.254	-.618	30	640	-.321	.133	-.039	-1.300	30	690	-.278	.196	.146	-1.686
30	556	-.388	.047	-.232	-.631	30	641	-.357	.165	-.012	-2.516	30	691	-.163	.059	.261	-.367
30	557	-.389	.051	-.254	-.727	30	642	-.315	.142	-.031	-1.425	30	692	-.236	.053	.012	-.410
30	558	-.396	.057	-.256	-.711	30	643	-.719	.297	.172	-2.181	30	693	-.420	.090	-.182	-1.100
30	559	-.382	.055	-.224	-.602	30	644	-.502	.322	.068	-1.942	30	694	-.294	.216	.221	-2.237
30	560	-.394	.050	-.233	-.590	30	645	-.358	.122	-.121	-1.251	30	695	-.102	.119	.255	-1.155
30	561	-.382	.054	-.250	-.838	30	646	-.369	.215	-.005	-1.417	30	696	-.089	.068	.248	-.321
30	562	-.419	.078	-.226	-.837	30	647	-.374	.126	-.112	-1.657	30	697	-.272	.046	-.114	-.493
30	563	-.401	.058	-.234	-.633	30	648	-.695	.256	.036	-2.192	30	701	-.391	.079	-.168	-.794
30	564	-.395	.049	-.236	-.586	30	649	-.535	.294	.004	-2.419	30	701	-.391	.079	-.168	-.794
30	565	-.410	.054	-.251	-.641	30	650	-.688	.278	.060	-2.388	30	702	-.403	.085	-.182	-.946
30	601	-.650	.345	.359	-2.667	30	651	-.377	.185	-.036	-1.298	30	703	-.410	.093	-.182	-.977
30	602	-.520	.295	.233	-1.814	30	652	-.360	.095	-.046	-1.038	30	704	-.394	.070	-.197	-.843
30	603	-.417	.196	.082	-1.455	30	653	-.316	.135	.014	-1.036	30	705	-.396	.083	-.169	-.844
30	604	-.367	.131	.004	-1.170	30	654	-.370	.094	-.147	-1.192	30	706	-.398	.091	-.127	-1.044
30	605	-.331	.103	.014	-1.016	30	655	-.330	.097	-.012	-1.140	30	707	-.395	.073	-.204	-.812
30	606	-.381	.090	-.078	-.923	30	656	-.351	.087	-.168	-1.593	30	708	-.398	.084	-.155	-1.024
30	607	-.636	.369	.493	-2.150	30	657	-.633	.284	.146	-2.237	30	709	-.396	.085	-.089	-.859
30	608	-.331	.086	-.088	-1.272	30	658	-.604	.263	.194	-2.139	30	710	-.350	.061	-.116	-.759
30	609	-.543	.347	.587	-2.303	30	659	-.509	.252	.043	-2.185	30	711	-.396	.075	-.187	-.953
30	610	-.545	.410	.556	-2.810	30	660	-.314	.178	.038	-1.460	30	712	-.403	.077	-.081	-.988
30	611	-.528	.419	.581	-2.162	30	661	-.304	.148	.026	-1.537	30	713	-.299	.067	.047	-.646
30	612	-.381	.299	.220	-1.608	30	662	-.348	.081	-.114	-1.159	30	714	-.391	.079	-.173	-.921
30	613	-.291	.177	.126	-1.143	30	663	-.302	.092	-.041	-1.305	30	715	-.374	.078	-.136	-.999
30	614	-.337	.084	.014	-.940	30	664	-.287	.078	.021	-.641	30	801	-.145	.119	.226	-.870

APPENDIX A -- PRESSURE DATA:

JAY SQUARE -- CONFIGURATION B -- LOS ANGELES, CALIFORNIA

WD	TAP	CPMEAN	CPRMS	CPMAX	CPMIN	WD	TAP	CPMEAN	CPRMS	CPMAX	CPMIN	WD	TAP	CPMEAN	CPRMS	CPMAX	CPMIN
30	802	.053	.095	.517	-.226	30	1017	-.353	.059	-.184	-.696	40	24	.035	.132	.494	-.437
30	803	.189	.119	.701	-.137	30	1018	-.351	.060	-.175	-.730	40	25	.237	.157	.922	-.301
30	804	.079	.100	.531	-.191	30	1019	-.361	.075	-.164	-.904	40	26	.179	.151	.694	-.509
30	805	-.361	.099	-.047	-.815	30	1021	-.634	.290	-.007	-2.360	40	27	.076	.139	.562	-.529
30	806	-.388	.062	-.207	-.663	30	1022	-.586	.244	.105	-1.844	40	28	-.120	.121	.403	-.604
30	807	-.383	.056	-.201	-.699	30	1023	-.584	.351	.321	-2.364	40	29	-.088	.144	.574	-.771
30	808	-.400	.064	-.236	-.772	30	1024	-.429	.291	.154	-1.790	40	30	.164	.173	.785	-.382
30	809	-.391	.049	-.200	-.636	30	1025	-.381	.202	.084	-1.305	40	31	.264	.180	.861	-.244
30	810	-.401	.053	-.241	-.680	30	1026	-.384	.180	.014	-1.460	40	32	.266	.168	.879	-.257
30	811	-.402	.054	-.228	-.704	30	1027	-.434	.192	.002	-1.584	40	33	.203	.155	.772	-.347
30	812	-.383	.056	-.198	-.614	30	1028	-.402	.183	.073	-1.792	40	34	.159	.144	.687	-.289
30	813	-.325	.056	-.111	-.562	30	1031	-.371	.071	-.162	-.817	40	35	.061	.137	.612	-.406
30	814	-.278	.064	-.071	-.554	30	1032	-.386	.074	-.180	-.941	40	36	-.069	.142	.656	-.650
30	815	-.402	.059	-.218	-.634	30	1033	-.383	.072	-.182	-.859	40	37	-.204	.160	.658	-1.150
30	816	-.277	.063	-.038	-.636	30	1034	-.384	.077	-.199	-.946	40	38	.245	.158	.819	-.223
30	817	-.405	.057	-.217	-.741	30	1035	-.385	.075	-.173	-.971	40	39	.142	.150	.672	-.485
30	818	-.383	.049	-.243	-.551	30	1036	-.405	.087	-.179	-1.098	40	40	.013	.137	.509	-.579
30	819	-.382	.056	-.181	-.600	30	1037	-.371	.072	-.170	-1.035	40	41	-.187	.153	.354	-.838
30	820	-.408	.059	-.208	-.631	30	1041	-.571	.150	-.073	-1.312	40	42	.099	.144	.598	-.437
30	821	-.263	.056	.081	-.444	30	1042	-.554	.143	-.063	-1.188	40	43	-.191	.169	.444	-.780
30	822	-.311	.208	.223	-1.350	30	1043	-.336	.146	.138	-1.051	40	44	-.096	.148	.408	-.741
30	823	-.124	.096	.136	-1.340	30	1044	-.497	.144	.058	-1.270	40	45	-.165	.097	.313	-.520
30	824	-.080	.050	.170	-.253	30	1045	-.418	.122	-.037	-.887	40	46	-.071	.123	.467	-.425
30	825	-.091	.094	.209	-.618	30	1046	-.409	.106	-.083	-.928	40	47	.200	.168	.814	-.327
30	826	-.127	.056	.058	-.406	30	1047	-.389	.127	.193	-.959	40	48	.327	.177	.861	-.263
30	827	-.103	.056	.089	-.347	30	1048	-.541	.155	-.136	-1.547	40	49	.334	.165	.945	-.238
30	828	-.202	.053	-.028	-.388	30	1049	-.569	.181	.102	-1.258	40	50	.104	.128	.610	-.338
30	829	-.247	.067	.024	-.512	30	1050	-.476	.153	-.074	-1.221	40	51	-.091	.133	.408	-.658
30	901	-.326	.045	-.192	-.464	40	1	-.139	.167	.549	-1.001	40	52	-.166	.086	.352	-.528
30	902	-.324	.045	-.181	-.463	40	2	-.074	.179	.665	-.596	40	53	-.062	.108	.405	-.368
30	903	-.378	.052	-.201	-.601	40	3	-.078	.171	1.022	-.755	40	54	.224	.158	.927	-.225
30	904	-.315	.044	-.168	-.461	40	4	-.127	.164	.570	-.701	40	55	.334	.164	.976	-.133
30	905	-.311	.044	-.158	-.447	40	5	-.156	.146	.456	-.635	40	56	.328	.155	.941	-.122
30	906	-.348	.044	-.184	-.501	40	6	-.247	.161	.443	-.992	40	57	.095	.120	.549	-.279
30	907	-.325	.042	-.163	-.479	40	7	-.101	.169	.642	-.610	40	58	-.072	.122	.425	-.577
30	908	-.361	.046	-.185	-.537	40	9	-.207	.159	.421	-.851	40	59	-.151	.089	.263	-.551
30	1001	-.503	.112	.055	-.904	40	10	-.161	.167	.451	-.648	40	60	-.054	.106	.359	-.442
30	1002	-.396	.113	.270	-.855	40	11	-.069	.194	.690	-.640	40	61	.191	.142	.778	-.413
30	1003	-.330	.127	.257	-.736	40	12	.117	.189	.922	-.456	40	62	.267	.149	.876	-.205
30	1004	-.622	.164	-.003	-1.348	40	13	.115	.182	.815	-.381	40	63	.249	.136	.812	-.226
30	1005	-.430	.106	-.045	-.929	40	14	-.082	.157	.575	-.650	40	64	.061	.106	.453	-.425
30	1006	-.511	.153	-.051	-1.089	40	15	-.246	.172	.491	-.905	40	65	-.045	.116	.523	-.464
30	1007	-.613	.203	-.023	-1.782	40	16	-.206	.128	.406	-.746	40	66	-.180	.089	.292	-.642
30	1008	-.478	.157	-.007	-1.233	40	17	-.073	.156	.579	-.495	40	67	-.067	.107	.342	-.449
30	1011	-.414	.079	-.184	-.811	40	18	.152	.198	.891	-.391	40	68	.147	.142	.711	-.291
30	1012	-.410	.075	-.171	-.831	40	19	.235	.199	1.126	-.406	40	69	.231	.160	.807	-.258
30	1013	-.413	.071	-.195	-.820	40	20	.027	.153	.549	-.591	40	70	.182	.129	.832	-.155
30	1014	-.354	.049	-.186	-.556	40	21	-.130	.154	.537	-.752	40	71	.004	.105	.484	-.371
30	1015	-.341	.047	-.226	-.605	40	22	.208	.164	.895	-.276	40	72	-.134	.108	.324	-.580
30	1016	-.343	.053	-.204	-.665	40	23	.145	.152	.818	-.341	40	73	-.236	.087	.266	-.543

WD	TAP	CPMEAN	CPRMS	CPMAX	CPMIN	WD	TAP	CPMEAN	CPRMS	CPMAX	CPMIN	WD	TAP	CPMEAN	CPRMS	CPMAX	CPMIN
40	74	-.137	.104	.502	-.449	40	235	-.408	.094	-.198	-1.021	40	285	-.430	.128	.014	-1.278
40	75	.069	.118	.572	-.266	40	236	-.386	.070	-.219	-.798	40	286	-.315	.043	-.132	-.467
40	76	.095	.123	.565	-.189	40	237	-.406	.098	-.213	-1.007	40	401	-.368	.081	-.158	-.798
40	77	.121	.108	.530	-.190	40	238	-.395	.079	-.189	-.807	40	402	-.367	.080	-.159	-.892
40	78	-.034	.092	.466	-.377	40	239	-.399	.077	-.207	-.818	40	403	-.351	.071	-.117	-.731
40	79	-.127	.102	.349	-.537	40	240	-.376	.067	-.205	-.764	40	404	-.360	.067	-.161	-.684
40	80	-.127	.066	.105	-.334	40	241	-.377	.072	-.209	-.873	40	405	-.368	.074	-.175	-.780
40	81	-.067	.074	.237	-.291	40	242	-.385	.086	-.206	-1.092	40	406	-.411	.092	-.168	-.860
40	82	.083	.108	.508	-.187	40	243	-.394	.085	-.222	-.881	40	407	-.388	.078	-.159	-.927
40	83	.165	.111	.606	-.132	40	244	-.389	.066	-.218	-.736	40	408	-.371	.075	-.155	-.788
40	84	.127	.089	.476	-.120	40	245	-.366	.062	-.203	-.755	40	409	-.390	.076	-.142	-.750
40	85	-.012	.069	.332	-.326	40	246	-.344	.059	-.169	-.871	40	410	-.376	.073	-.180	-.792
40	86	-.117	.105	.215	-.630	40	247	-.328	.060	-.170	-.802	40	411	-.375	.069	-.186	-.772
40	87	.003	.100	.386	-.286	40	248	-.330	.062	-.162	-.806	40	412	-.379	.065	-.209	-.752
40	88	.176	.120	.672	-.168	40	249	-.389	.093	-.067	-.926	40	413	-.361	.058	-.184	-.611
40	89	-.031	.081	.270	-.424	40	250	-.369	.061	-.085	-.705	40	414	-.400	.066	-.209	-.762
40	201	-.382	.095	-.152	-1.063	40	251	-.366	.061	-.189	-.733	40	415	-.396	.071	-.191	-.778
40	202	-.412	.110	-.132	-1.220	40	252	-.407	.069	-.219	-.812	40	416	-.395	.095	-.177	-1.151
40	203	-.423	.125	-.090	-1.053	40	253	-.393	.086	-.196	-.946	40	417	-.392	.092	-.176	-1.159
40	204	-.476	.143	-.100	-1.301	40	254	-.392	.063	-.209	-.790	40	418	-.370	.055	-.229	-.641
40	205	-.554	.183	-.076	-1.805	40	255	-.390	.089	-.184	-.998	40	419	-.362	.046	-.185	-.555
40	206	-.541	.183	-.016	-1.587	40	256	-.373	.076	-.192	-.971	40	420	-.385	.054	-.199	-.661
40	207	-.403	.097	-.155	-.926	40	257	-.408	.093	-.168	-.824	40	421	-.395	.058	-.203	-.654
40	208	-.387	.096	-.132	-.943	40	258	-.402	.082	-.198	-.804	40	422	-.388	.100	-.126	-1.045
40	209	-.528	.180	-.137	-1.670	40	259	-.383	.058	-.234	-.638	40	423	-.373	.083	-.166	-.939
40	210	-.407	.082	-.209	-.976	40	260	-.366	.061	-.185	-.791	40	424	-.346	.056	-.173	-.685
40	211	-.388	.085	-.148	-.831	40	261	-.360	.067	-.194	-.965	40	425	-.362	.079	-.128	-.705
40	212	-.422	.111	-.094	-1.183	40	262	-.345	.065	-.145	-.927	40	426	-.347	.068	-.131	-.638
40	213	-.473	.142	-.149	-1.246	40	263	-.339	.064	-.153	-.883	40	427	-.334	.053	-.173	-.623
40	214	-.536	.155	-.190	-1.310	40	264	-.407	.082	-.162	-.843	40	428	-.367	.101	-.098	-.802
40	215	-.486	.148	-.136	-1.344	40	265	-.412	.077	-.199	-.840	40	429	-.369	.099	-.111	-.780
40	216	-.419	.094	-.193	-.936	40	266	-.407	.062	-.215	-.710	40	430	-.361	.092	-.100	-.798
40	217	-.420	.090	-.200	-.943	40	267	-.409	.069	-.236	-.814	40	431	-.342	.072	-.143	-.677
40	218	-.421	.091	-.186	-.936	40	268	-.392	.069	-.195	-.780	40	432	-.345	.059	-.163	-.582
40	219	-.422	.109	-.120	-1.100	40	269	-.386	.064	-.185	-.735	40	433	-.347	.049	-.181	-.536
40	220	-.431	.110	-.147	-1.248	40	270	-.387	.065	-.203	-.744	40	434	-.347	.043	-.191	-.543
40	221	-.425	.110	-.162	-1.136	40	271	-.399	.065	-.234	-.760	40	435	-.344	.049	-.155	-.564
40	222	-.440	.096	-.235	-.957	40	272	-.388	.058	-.246	-.609	40	436	-.372	.053	-.228	-.613
40	223	-.431	.090	-.228	-.918	40	273	-.411	.055	-.228	-.611	40	437	-.359	.093	-.104	-.874
40	224	-.402	.075	-.152	-.735	40	274	-.443	.071	-.256	-.847	40	438	-.348	.085	-.107	-.807
40	225	-.376	.079	-.154	-.831	40	275	-.440	.083	-.224	-1.090	40	439	-.328	.078	-.103	-.672
40	226	-.386	.079	-.113	-.785	40	276	-.422	.080	-.220	-.988	40	440	-.344	.091	-.104	-.790
40	227	-.372	.083	-.153	-.814	40	277	-.424	.083	-.228	-.910	40	441	-.362	.096	-.090	-.849
40	228	-.437	.109	-.196	-1.301	40	278	-.386	.057	-.230	-.712	40	442	-.358	.089	-.090	-.842
40	229	-.437	.113	-.200	-1.082	40	279	-.379	.051	-.236	-.622	40	443	-.364	.102	-.103	-.889
40	230	-.388	.071	-.161	-.900	40	280	-.376	.050	-.209	-.632	40	444	-.370	.112	-.091	-.871
40	231	-.373	.073	-.131	-1.166	40	281	-.378	.053	-.199	-.560	40	445	-.347	.095	-.064	-.724
40	232	-.353	.068	-.155	-.900	40	282	-.376	.062	-.157	-.628	40	446	-.331	.065	-.103	-.632
40	233	-.338	.066	-.164	-.833	40	283	-.413	.104	-.126	-.921	40	447	-.314	.044	-.187	-.485
40	234	-.411	.100	-.149	-1.027	40	284	-.406	.095	-.141	-.817	40	448	-.315	.042	-.196	-.543

WD	TAP	CPMEAN	CPRMS	CPMAX	CPMIN	WD	TAP	CPMEAN	CPRMS	CPMAX	CPMIN	WD	TAP	CPMEAN	CPRMS	CPMAX	CPMIN
40	449	-.326	.048	-.179	-.543	40	525	-.328	.042	-.201	-.509	40	608	-.321	.082	-.080	-.805
40	450	-.344	.057	-.152	-.638	40	526	-.339	.046	-.207	-.524	40	609	-.603	.259	.610	-1.864
40	451	-.371	.103	-.103	-.891	40	527	-.361	.051	-.151	-.551	40	610	-.607	.240	.169	-1.891
40	452	-.357	.083	-.131	-.708	40	528	-.341	.069	-.151	-.750	40	611	-.569	.261	.418	-2.197
40	453	-.341	.071	-.146	-.679	40	529	-.339	.074	-.141	-.809	40	612	-.470	.238	.200	-1.470
40	454	-.330	.058	-.164	-.557	40	530	-.369	.070	-.164	-.714	40	613	-.333	.142	.086	-1.129
40	455	-.320	.050	-.171	-.518	40	531	-.354	.060	-.182	-.663	40	614	-.326	.080	-.090	-.811
40	456	-.319	.042	-.168	-.461	40	532	-.352	.060	-.186	-.844	40	615	-.371	.081	-.121	-.851
40	457	-.316	.039	-.132	-.449	40	533	-.352	.060	-.186	-.844	40	616	-.594	.241	.506	-1.682
40	458	-.340	.054	-.169	-.548	40	533	-.346	.066	-.190	-.717	40	617	-.591	.245	.361	-1.676
40	459	-.350	.063	-.154	-.667	40	534	-.364	.065	-.214	-.735	40	618	-.523	.243	.078	-1.544
40	460	-.383	.100	-.135	-.875	40	535	-.353	.065	-.181	-.736	40	619	-.404	.172	.028	-1.089
40	461	-.368	.086	-.146	-.743	40	536	-.349	.056	-.183	-.676	40	620	-.420	.146	-.093	-1.427
40	462	-.367	.083	-.152	-.790	40	537	-.335	.063	-.168	-.824	40	621	-.431	.149	-.133	-1.551
40	463	-.383	.097	-.147	-.882	40	538	-.348	.061	-.193	-.806	40	622	-.530	.205	.197	-2.100
40	464	-.372	.085	-.156	-.759	40	539	-.341	.056	-.202	-.698	40	623	-.541	.197	.139	-1.491
40	465	-.359	.078	-.160	-.792	40	540	-.344	.051	-.211	-.666	40	624	-.521	.197	.021	-1.569
40	466	-.382	.094	-.124	-1.003	40	541	-.330	.057	-.159	-.880	40	625	-.467	.178	-.019	-1.165
40	467	-.370	.086	-.131	-.898	40	542	-.335	.056	-.173	-.801	40	626	-.406	.163	-.040	-1.284
40	468	-.368	.083	-.152	-.892	40	543	-.346	.050	-.180	-.774	40	627	-.450	.195	-.022	-1.577
40	469	-.359	.079	-.167	-.882	40	544	-.337	.048	-.166	-.598	40	628	-.625	.272	.057	-2.632
40	470	-.338	.078	-.160	-.797	40	545	-.343	.049	-.219	-.529	40	629	-.601	.251	.061	-2.064
40	471	-.354	.079	-.161	-.999	40	546	-.353	.052	-.183	-.548	40	630	-.608	.260	.037	-2.554
40	472	-.346	.070	-.159	-.717	40	547	-.351	.048	-.214	-.574	40	631	-.487	.197	-.020	-1.265
40	473	-.345	.071	-.151	-.708	40	548	-.345	.044	-.217	-.547	40	632	-.431	.178	-.033	-1.303
40	474	-.351	.074	-.161	-.737	40	549	-.355	.059	-.165	-.694	40	633	-.686	.255	-.008	-2.502
40	501	-.337	.075	-.122	-.740	40	550	-.367	.059	-.195	-.685	40	634	-.426	.191	-.050	-1.346
40	502	-.333	.069	-.145	-.754	40	551	-.348	.050	-.194	-.618	40	635	-.436	.194	-.000	-1.355
40	503	-.321	.061	-.137	-.872	40	552	-.351	.051	-.204	-.639	40	636	-.603	.202	.049	-1.631
40	504	-.316	.047	-.176	-.635	40	553	-.350	.051	-.170	-.600	40	637	-.670	.256	-.046	-1.676
40	505	-.309	.040	-.152	-.455	40	554	-.353	.047	-.226	-.542	40	638	-.598	.209	.037	-1.594
40	506	-.332	.044	-.180	-.524	40	554	-.353	.047	-.226	-.542	40	639	-.477	.209	.029	-1.324
40	507	-.333	.045	-.180	-.661	40	555	-.347	.044	-.217	-.517	40	640	-.431	.199	-.015	-1.362
40	508	-.346	.074	-.120	-.740	40	556	-.353	.045	-.242	-.616	40	641	-.411	.204	-.003	-1.624
40	509	-.329	.068	-.122	-.719	40	557	-.354	.048	-.215	-.613	40	642	-.427	.212	-.018	-1.449
40	510	-.323	.059	-.142	-.750	40	558	-.367	.055	-.235	-.620	40	643	-.574	.189	.014	-1.612
40	511	-.324	.045	-.173	-.691	40	559	-.351	.054	-.191	-.572	40	644	-.586	.219	.035	-1.689
40	512	-.337	.077	-.074	-.816	40	560	-.360	.047	-.236	-.564	40	645	-.518	.205	-.120	-1.694
40	513	-.327	.069	-.103	-.730	40	561	-.338	.051	-.201	-.610	40	646	-.506	.202	-.005	-1.420
40	514	-.318	.049	-.152	-.650	40	562	-.374	.066	-.209	-.711	40	647	-.446	.192	-.063	-1.468
40	515	-.322	.042	-.181	-.476	40	563	-.358	.056	-.186	-.575	40	648	-.590	.201	-.102	-1.855
40	516	-.320	.049	-.159	-.536	40	564	-.365	.050	-.219	-.676	40	649	-.605	.244	-.066	-1.905
40	517	-.332	.056	-.103	-.586	40	565	-.373	.050	-.225	-.593	40	650	-.584	.211	-.015	-1.966
40	518	-.345	.070	-.173	-.820	40	601	-.651	.263	.385	-1.792	40	651	-.492	.203	-.040	-1.395
40	519	-.342	.063	-.158	-.726	40	602	-.580	.250	.256	-1.860	40	652	-.417	.152	-.085	-1.265
40	520	-.335	.056	-.164	-.645	40	603	-.435	.186	.117	-1.247	40	653	-.418	.174	.056	-1.232
40	521	-.344	.062	-.164	-.637	40	604	-.347	.136	.151	-1.124	40	654	-.412	.155	-.081	-1.213
40	522	-.345	.056	-.190	-.581	40	605	-.309	.102	.065	-.922	40	655	-.351	.111	-.074	-.977
40	523	-.342	.051	-.212	-.581	40	606	-.350	.095	-.117	-.900	40	656	-.364	.100	-.118	-1.208
40	524	-.337	.045	-.206	-.534	40	607	-.623	.276	.327	-1.942	40	657	-.691	.231	-.031	-1.974

WD	TAP	CPMEAN	CPRMS	CPMAX	CPMIN	WD	TAP	CPMEAN	CPRMS	CPMAX	CPMIN	WD	TAP	CPMEAN	CPRMS	CPMAX	CPMIN
40	658	-.588	.207	-.008	-1.818	40	710	-.327	.076	.017	-.699	40	1008	-.321	.125	.039	-.910
40	659	-.605	.251	.037	-1.811	40	711	-.393	.090	-.132	-.870	40	1011	-.354	.057	-.155	-.654
40	660	-.389	.172	.108	-1.024	40	712	-.393	.099	-.125	-.975	40	1012	-.354	.057	-.172	-.782
40	661	-.355	.143	-.005	-1.051	40	713	-.342	.083	-.051	-.925	40	1013	-.357	.051	-.208	-.641
40	662	-.393	.084	-.163	-.910	40	714	-.380	.094	-.074	-.889	40	1014	-.327	.043	-.179	-.475
40	663	-.313	.092	-.052	-.849	40	715	-.353	.093	-.148	-.970	40	1015	-.318	.045	-.200	-.585
40	664	-.311	.093	-.046	-.783	40	801	-.167	.129	.190	-1.358	40	1016	-.327	.055	-.165	-.670
40	665	-.303	.073	-.043	-.659	40	802	.058	.090	.409	-.208	40	1017	-.339	.068	-.140	-.605
40	666	-.352	.081	-.116	-.876	40	803	.183	.120	.717	-.139	40	1018	-.344	.068	-.154	-.654
40	667	-.287	.064	-.018	-.638	40	804	.059	.094	.447	-.226	40	1019	-.337	.078	-.127	-.794
40	668	-.301	.064	-.030	-.710	40	805	-.322	.071	-.092	-.633	40	1021	-.577	.227	.021	-1.955
40	669	-.277	.093	-.005	-1.028	40	806	-.357	.048	-.208	-.585	40	1022	-.524	.179	-.007	-1.315
40	670	-.349	.081	-.027	-.797	40	807	-.359	.051	-.204	-.917	40	1023	-.558	.234	.195	-2.013
40	671	-.283	.063	-.077	-.775	40	808	-.379	.060	-.234	-.668	40	1024	-.501	.193	.057	-1.689
40	672	-.306	.060	-.075	-.924	40	809	-.365	.046	-.240	-.566	40	1025	-.433	.157	-.029	-1.110
40	673	-.337	.081	-.021	-1.009	40	810	-.365	.050	-.215	-.539	40	1026	-.422	.168	-.070	-1.339
40	674	-.266	.100	.027	-.933	40	811	-.373	.052	-.221	-.579	40	1027	-.455	.194	-.053	-1.614
40	675	-.272	.057	-.082	-.655	40	812	-.355	.058	-.156	-.570	40	1028	-.423	.173	-.049	-1.486
40	676	-.302	.052	-.117	-.712	40	813	-.293	.057	-.104	-.631	40	1031	-.343	.072	-.127	-.713
40	677	-.342	.057	-.153	-.826	40	814	-.252	.058	-.064	-.539	40	1032	-.360	.090	-.068	-.851
40	678	-.241	.072	.037	-.746	40	815	-.375	.060	-.159	-.589	40	1033	-.361	.078	-.172	-.769
40	679	-.290	.049	-.116	-.588	40	816	-.256	.057	-.028	-.495	40	1034	-.360	.089	-.116	-.928
40	680	-.591	.224	.017	-1.616	40	817	-.368	.057	-.181	-.633	40	1035	-.349	.089	-.111	-.848
40	681	-.643	.257	-.099	-2.027	40	818	-.355	.051	-.210	-.556	40	1036	-.368	.087	-.098	-.961
40	682	-.404	.237	.270	-1.605	40	819	-.354	.054	-.137	-.614	40	1037	-.351	.072	-.152	-.958
40	683	-.248	.144	.189	-.986	40	820	-.369	.056	-.199	-.585	40	1041	-.486	.138	.009	-1.009
40	684	-.313	.059	-.051	-.645	40	821	-.252	.050	-.082	-.418	40	1042	-.448	.141	.228	-.942
40	685	-.195	.079	.115	-.620	40	822	-.334	.230	.105	-1.441	40	1043	-.290	.131	.241	-1.144
40	686	-.277	.045	-.099	-.465	40	823	-.131	.081	.092	-1.135	40	1044	-.424	.146	.181	-1.075
40	687	-.412	.216	.088	-1.688	40	824	-.092	.046	.108	-.412	40	1045	-.321	.107	.060	-.834
40	688	-.428	.241	.069	-1.716	40	825	-.099	.086	.183	-.492	40	1046	-.331	.092	.013	-.668
40	689	-.193	.080	.180	-.755	40	826	-.146	.066	.090	-.434	40	1047	-.292	.134	.460	-.787
40	690	-.234	.182	.251	-1.427	40	827	-.080	.049	.126	-.239	40	1048	-.475	.156	.028	-1.455
40	691	-.146	.054	.064	-.372	40	828	-.193	.049	.057	-.332	40	1049	-.424	.160	.056	-1.132
40	692	-.211	.050	.062	-.386	40	829	-.238	.059	.034	-.430	40	1050	-.336	.125	-.009	-1.017
40	693	-.449	.105	-.173	-1.077	40	901	-.307	.040	-.173	-.488	50	1	-.083	.182	.604	-.576
40	694	-.292	.193	.080	-1.266	40	902	-.294	.039	-.167	-.427	50	2	-.019	.200	.705	-.545
40	695	-.105	.127	.241	-1.371	40	903	-.348	.042	-.194	-.538	50	3	-.007	.191	.725	-.603
40	696	-.091	.062	.201	-.309	40	904	-.291	.039	-.158	-.403	50	4	-.043	.177	.677	-.624
40	697	-.259	.049	-.092	-.467	40	905	-.286	.038	-.176	-.407	50	5	-.105	.153	.484	-.681
40	701	-.363	.090	-.105	-.786	40	906	-.313	.045	-.184	-.465	50	6	-.209	.156	.410	-.842
40	701	-.363	.090	-.105	-.786	40	907	-.300	.041	-.163	-.440	50	7	-.067	.192	.687	-.526
40	702	-.371	.092	-.106	-.884	40	908	-.334	.043	-.205	-.482	50	9	-.175	.141	.334	-.679
40	703	-.382	.098	-.100	-.957	40	1001	-.433	.110	-.023	-.948	50	10	-.112	.184	.649	-.628
40	704	-.370	.080	-.161	-.711	40	1002	-.316	.116	.279	-.701	50	11	-.057	.184	.635	-.514
40	705	-.378	.093	-.144	-.824	40	1003	-.276	.114	.270	-.659	50	12	.099	.207	.863	-.449
40	706	-.373	.102	-.123	-.933	40	1004	-.514	.154	.075	-1.046	50	13	.122	.202	.962	-.400
40	707	-.365	.082	-.135	-.725	40	1005	-.345	.105	-.028	-.793	50	14	-.071	.144	.427	-.531
40	708	-.380	.098	-.102	-.954	40	1006	-.424	.152	.018	-1.190	50	15	-.234	.135	.327	-.714
40	709	-.370	.098	-.096	-.918	40	1007	-.525	.194	.111	-1.383	50	16	-.210	.112	.343	-.642

WD	TAP	CPMEAN	CPRMS	CPMAX	CPMIN	WD	TAP	CPMEAN	CPRMS	CPMAX	CPMIN	WD	TAP	CPMEAN	CPRMS	CPMAX	CPMIN
50	17	-.125	.131	.532	-.484	50	67	-.162	.065	.202	-.332	50	228	-.332	.075	-.136	-.881
50	18	.044	.192	.784	-.478	50	68	-.016	.118	.665	-.324	50	229	-.345	.077	-.166	-.852
50	19	.160	.202	.817	-.408	50	69	.137	.133	.634	-.281	50	230	-.320	.059	-.161	-.644
50	20	-.006	.159	.580	-.505	50	70	.135	.130	.626	-.249	50	231	-.317	.072	-.107	-.836
50	21	-.139	.146	.427	-.624	50	71	.018	.100	.403	-.281	50	232	-.312	.076	-.101	-.799
50	22	.107	.174	.668	-.392	50	72	-.099	.089	.283	-.408	50	233	-.300	.073	-.116	-.773
50	23	.060	.163	.575	-.422	50	73	-.234	.048	.109	-.375	50	234	-.323	.064	-.138	-.720
50	24	-.023	.141	.468	-.462	50	74	-.201	.064	.224	-.383	50	235	-.315	.057	-.150	-.636
50	25	.116	.174	.708	-.363	50	75	-.066	.106	.358	-.322	50	236	-.306	.048	-.171	-.572
50	26	.074	.174	.690	-.472	50	76	.065	.109	.467	-.305	50	237	-.296	.049	-.130	-.538
50	27	.002	.158	.517	-.476	50	77	.093	.117	.537	-.208	50	238	-.308	.046	-.135	-.552
50	28	-.168	.097	.439	-.469	50	78	-.009	.092	.485	-.315	50	239	-.329	.054	-.190	-.614
50	29	-.149	.118	.524	-.441	50	79	-.101	.092	.290	-.447	50	240	-.305	.044	-.089	-.546
50	30	.001	.168	.869	-.375	50	80	-.175	.045	.002	-.327	50	241	-.291	.042	-.084	-.550
50	31	.091	.185	.792	-.364	50	81	-.138	.052	.055	-.303	50	242	-.310	.042	-.164	-.542
50	32	.131	.173	.742	-.343	50	82	-.008	.085	.346	-.252	50	243	-.303	.045	-.176	-.595
50	33	.087	.171	.634	-.361	50	83	.074	.100	.444	-.219	50	244	-.315	.045	-.168	-.521
50	34	.058	.164	.614	-.370	50	84	.045	.096	.434	-.226	50	245	-.300	.049	-.148	-.654
50	35	.001	.153	.585	-.540	50	85	-.014	.065	.224	-.290	50	246	-.283	.051	-.116	-.743
50	36	-.092	.146	.407	-.649	50	86	-.075	.081	.222	-.610	50	247	-.295	.054	-.138	-.682
50	37	-.186	.135	.230	-.757	50	87	-.070	.071	.258	-.256	50	248	-.290	.056	-.136	-.693
50	38	.107	.175	.761	-.363	50	88	.099	.109	.517	-.174	50	249	-.308	.048	-.174	-.560
50	39	.069	.167	.706	-.407	50	89	-.021	.071	.321	-.327	50	250	-.299	.043	-.139	-.518
50	40	-.024	.156	.505	-.548	50	201	-.300	.068	-.074	-.704	50	251	-.299	.041	-.133	-.611
50	41	-.155	.140	.367	-.684	50	202	-.329	.091	-.103	-.968	50	252	-.320	.044	-.183	-.498
50	42	.054	.151	.567	-.383	50	203	-.330	.111	.016	-.830	50	253	-.302	.045	-.191	-.603
50	43	-.159	.139	.333	-.726	50	204	-.415	.146	-.028	-1.087	50	254	-.314	.041	-.131	-.524
50	44	-.098	.137	.372	-.529	50	205	-.521	.204	.065	-1.680	50	255	-.296	.048	-.139	-.638
50	45	-.225	.067	.230	-.414	50	206	-.540	.219	-.012	-1.906	50	256	-.288	.045	-.139	-.633
50	46	-.177	.085	.355	-.387	50	207	-.324	.073	-.098	-.638	50	257	-.300	.054	-.171	-.635
50	47	-.005	.147	.634	-.397	50	208	-.300	.089	.002	-.738	50	258	-.298	.049	-.136	-.588
50	48	.120	.173	.836	-.320	50	209	-.497	.206	-.052	-1.785	50	259	-.290	.035	-.171	-.467
50	49	.179	.168	.898	-.269	50	210	-.318	.059	-.119	-.712	50	260	-.285	.037	-.158	-.513
50	50	.045	.135	.720	-.396	50	211	-.289	.058	-.077	-.641	50	261	-.276	.035	-.173	-.431
50	51	-.088	.124	.336	-.482	50	212	-.317	.091	.002	-.731	50	262	-.266	.036	-.174	-.479
50	52	-.240	.050	.041	-.435	50	213	-.396	.132	.002	-.970	50	263	-.261	.036	-.160	-.460
50	53	-.185	.071	.215	-.356	50	214	-.488	.169	-.072	-1.658	50	264	-.292	.059	-.135	-.578
50	54	-.016	.138	.602	-.342	50	215	-.438	.149	.076	-1.553	50	265	-.292	.048	-.147	-.545
50	55	.118	.160	.781	-.339	50	216	-.323	.069	-.133	-.735	50	266	-.288	.033	-.193	-.407
50	56	.189	.157	.780	-.312	50	217	-.321	.067	-.122	-.701	50	267	-.287	.034	-.164	-.434
50	57	.071	.131	.561	-.373	50	218	-.335	.083	.039	-.790	50	268	-.268	.036	-.132	-.441
50	58	-.057	.114	.331	-.551	50	219	-.381	.121	-.007	-1.109	50	269	-.257	.036	-.145	-.434
50	59	-.221	.049	.065	-.493	50	220	-.396	.124	-.066	-1.218	50	270	-.257	.037	-.143	-.434
50	60	-.189	.063	.199	-.442	50	221	-.382	.116	-.076	-1.229	50	271	-.298	.059	-.134	-.624
50	61	-.016	.124	.576	-.308	50	222	-.333	.074	-.129	-.785	50	272	-.283	.053	-.151	-.636
50	62	.104	.141	.707	-.256	50	223	-.335	.071	-.098	-.763	50	273	-.283	.034	-.175	-.407
50	63	.166	.135	.685	-.265	50	224	-.336	.078	-.102	-.744	50	274	-.295	.036	-.198	-.512
50	64	.048	.109	.475	-.274	50	225	-.323	.084	.051	-.861	50	275	-.288	.041	-.167	-.570
50	65	-.027	.110	.334	-.470	50	226	-.342	.082	-.114	-.851	50	276	-.253	.042	-.139	-.555
50	66	-.212	.049	.024	-.361	50	227	-.333	.091	-.109	-.932	50	277	-.272	.044	-.157	-.464

WD	TAP	CPMEAN	CPRMS	CPMAX	CPMIN	WD	TAP	CPMEAN	CPRMS	CPMAX	CPMIN	WD	TAP	CPMEAN	CPRMS	CPMAX	CPMIN
50	278	-.286	.055	-.153	-.643	50	442	-.309	.060	-.142	-.583	50	518	-.278	.041	-.145	-.441
50	279	-.276	.046	-.139	-.511	50	443	-.310	.066	-.140	-.609	50	519	-.262	.037	-.138	-.404
50	280	-.273	.039	-.146	-.415	50	444	-.322	.071	-.140	-.650	50	520	-.257	.033	-.155	-.393
50	281	-.297	.041	-.187	-.483	50	445	-.300	.060	-.121	-.598	50	521	-.258	.037	-.112	-.415
50	282	-.302	.045	-.184	-.514	50	446	-.283	.041	-.155	-.472	50	522	-.260	.035	-.143	-.401
50	283	-.292	.050	-.153	-.563	50	447	-.269	.031	-.167	-.373	50	523	-.255	.035	-.141	-.425
50	284	-.278	.049	-.128	-.534	50	448	-.279	.031	-.160	-.441	50	524	-.254	.031	-.155	-.370
50	285	-.317	.062	-.163	-.820	50	449	-.299	.042	-.194	-.490	50	525	-.245	.028	-.137	-.348
50	286	-.248	.031	-.148	-.360	50	450	-.313	.046	-.195	-.527	50	526	-.260	.031	-.152	-.378
50	401	-.321	.070	-.117	-.794	50	451	-.326	.074	-.127	-.796	50	527	-.262	.033	-.155	-.401
50	402	-.323	.066	-.106	-.728	50	452	-.317	.062	-.130	-.655	50	528	-.256	.045	-.110	-.466
50	403	-.308	.055	-.112	-.563	50	453	-.305	.051	-.131	-.512	50	529	-.250	.043	-.119	-.435
50	404	-.319	.057	-.139	-.812	50	454	-.309	.046	-.142	-.487	50	530	-.273	.038	-.167	-.443
50	405	-.315	.063	-.146	-.678	50	455	-.298	.041	-.167	-.448	50	531	-.269	.041	-.158	-.440
50	406	-.339	.072	-.122	-.673	50	456	-.300	.036	-.184	-.426	50	532	-.266	.035	-.158	-.444
50	407	-.327	.068	-.138	-.676	50	457	-.304	.035	-.194	-.435	50	532	-.266	.035	-.158	-.444
50	408	-.318	.064	-.140	-.679	50	458	-.320	.042	-.193	-.499	50	533	-.252	.037	-.137	-.448
50	409	-.328	.062	-.160	-.674	50	459	-.317	.045	-.189	-.505	50	534	-.260	.035	-.159	-.436
50	410	-.331	.065	-.140	-.816	50	460	-.332	.073	-.117	-.779	50	535	-.250	.037	-.123	-.407
50	411	-.332	.061	-.151	-.814	50	461	-.316	.060	-.121	-.553	50	536	-.252	.035	-.142	-.378
50	412	-.323	.049	-.164	-.541	50	462	-.312	.056	-.132	-.578	50	537	-.234	.037	-.130	-.473
50	413	-.305	.044	-.173	-.508	50	463	-.323	.069	-.140	-.619	50	538	-.241	.036	-.140	-.401
50	414	-.332	.055	-.167	-.603	50	464	-.315	.059	-.142	-.545	50	539	-.242	.033	-.146	-.379
50	415	-.329	.057	-.163	-.656	50	465	-.308	.055	-.138	-.535	50	540	-.247	.033	-.150	-.390
50	416	-.315	.058	-.175	-.701	50	466	-.317	.072	-.130	-.778	50	541	-.230	.034	-.132	-.391
50	417	-.310	.053	-.169	-.717	50	467	-.301	.062	-.125	-.734	50	542	-.235	.034	-.137	-.388
50	418	-.294	.035	-.134	-.441	50	468	-.305	.057	-.127	-.647	50	543	-.250	.035	-.138	-.474
50	419	-.292	.036	-.170	-.443	50	469	-.294	.054	-.108	-.573	50	544	-.231	.034	-.114	-.378
50	420	-.313	.052	-.178	-.661	50	470	-.262	.049	-.119	-.554	50	545	-.235	.038	-.110	-.383
50	421	-.317	.055	-.165	-.741	50	471	-.288	.050	-.110	-.502	50	546	-.244	.036	-.147	-.449
50	422	-.312	.062	-.155	-1.029	50	472	-.305	.055	-.127	-.530	50	547	-.243	.034	-.135	-.436
50	423	-.280	.054	-.105	-.789	50	473	-.299	.054	-.141	-.538	50	548	-.235	.032	-.135	-.478
50	424	-.294	.040	-.154	-.509	50	474	-.306	.056	-.137	-.548	50	549	-.245	.034	-.116	-.414
50	425	-.307	.054	-.162	-.543	50	501	-.294	.044	-.174	-.619	50	550	-.263	.038	-.127	-.469
50	426	-.297	.046	-.157	-.514	50	502	-.292	.040	-.179	-.587	50	551	-.241	.038	-.119	-.522
50	427	-.279	.038	-.153	-.476	50	503	-.290	.037	-.158	-.435	50	552	-.246	.038	-.128	-.535
50	428	-.311	.073	-.102	-.632	50	504	-.290	.032	-.190	-.406	50	553	-.242	.034	-.146	-.382
50	429	-.311	.071	-.115	-.612	50	505	-.287	.029	-.194	-.408	50	554	-.248	.037	-.129	-.464
50	430	-.304	.065	-.127	-.607	50	506	-.301	.033	-.164	-.448	50	554	-.248	.037	-.129	-.464
50	431	-.276	.051	-.121	-.541	50	507	-.299	.037	-.165	-.460	50	555	-.243	.031	-.145	-.368
50	432	-.292	.041	-.157	-.521	50	508	-.293	.046	-.131	-.594	50	556	-.241	.030	-.143	-.364
50	433	-.293	.034	-.198	-.467	50	509	-.290	.043	-.144	-.542	50	557	-.260	.031	-.172	-.410
50	434	-.293	.032	-.195	-.427	50	510	-.289	.037	-.164	-.540	50	558	-.252	.035	-.150	-.513
50	435	-.289	.045	-.151	-.550	50	511	-.287	.036	-.172	-.439	50	559	-.251	.039	-.141	-.487
50	436	-.315	.047	-.149	-.573	50	512	-.290	.045	-.147	-.482	50	560	-.254	.034	-.158	-.403
50	437	-.313	.060	-.141	-.562	50	513	-.274	.039	-.149	-.443	50	561	-.239	.031	-.122	-.397
50	438	-.303	.055	-.136	-.553	50	514	-.265	.027	-.184	-.391	50	562	-.264	.042	-.160	-.582
50	439	-.284	.054	-.123	-.531	50	515	-.271	.029	-.175	-.398	50	563	-.255	.037	-.155	-.445
50	440	-.298	.063	-.117	-.633	50	516	-.265	.030	-.157	-.479	50	564	-.266	.034	-.165	-.395
50	441	-.311	.065	-.126	-.613	50	517	-.264	.034	-.144	-.602	50	565	-.263	.034	-.160	-.406

WD	TAP	CPMEAN	CPRMS	CPMAX	CPMIN	WD	TAP	CPMEAN	CPRMS	CPMAX	CPMIN	WD	TAP	CPMEAN	CPRMS	CPMAX	CPMIN
50	601	-.580	.210	.020	-1.866	50	651	-.444	.125	-.102	-.978	50	703	-.326	.060	-.098	-.823
50	602	-.539	.216	.098	-1.517	50	652	-.384	.115	-.061	-1.032	50	704	-.316	.055	-.119	-.505
50	603	-.428	.178	.029	-1.206	50	653	-.435	.128	-.073	-1.018	50	705	-.321	.062	-.074	-.620
50	604	-.350	.138	.055	-1.056	50	654	-.377	.124	-.080	-1.355	50	706	-.319	.063	-.077	-.694
50	605	-.307	.111	-.025	-1.315	50	655	-.335	.101	-.115	-.805	50	707	-.316	.059	-.103	-.584
50	606	-.318	.089	-.103	-.838	50	656	-.307	.073	-.152	-.868	50	708	-.332	.070	-.139	-.613
50	607	-.552	.212	.279	-1.677	50	657	-.656	.156	-.096	-1.526	50	709	-.332	.072	-.028	-.644
50	608	-.293	.079	-.063	-.823	50	658	-.541	.141	-.030	-1.335	50	710	-.351	.058	-.172	-.675
50	609	-.554	.208	.251	-1.683	50	659	-.631	.225	-.062	-1.648	50	711	-.335	.068	-.152	-.661
50	610	-.511	.168	.093	-1.217	50	660	-.361	.137	-.060	-1.038	50	712	-.349	.081	-.077	-.786
50	611	-.500	.186	.100	-1.558	50	661	-.332	.116	-.068	-.994	50	713	-.343	.060	-.117	-.639
50	612	-.452	.174	.100	-1.156	50	662	-.366	.070	-.138	-.792	50	714	-.326	.066	-.082	-.559
50	613	-.335	.114	.036	-.843	50	663	-.283	.075	-.090	-.676	50	715	-.300	.072	-.108	-.713
50	614	-.305	.074	-.049	-.695	50	664	-.282	.073	-.077	-.725	50	801	-.130	.086	.108	-.607
50	615	-.331	.077	-.104	-.929	50	665	-.273	.060	-.058	-.565	50	802	.075	.092	.400	-.229
50	616	-.513	.191	-.128	-1.870	50	666	-.297	.054	-.130	-.569	50	803	.190	.121	.627	-.098
50	617	-.518	.192	-.044	-1.830	50	667	-.247	.049	-.047	-.533	50	804	-.004	.089	.389	-.347
50	618	-.456	.158	-.029	-1.255	50	668	-.254	.047	-.066	-.534	50	805	-.303	.049	-.162	-.533
50	619	-.378	.116	-.060	-1.170	50	669	-.266	.084	-.010	-.667	50	806	-.304	.040	-.194	-.511
50	620	-.357	.095	-.096	-.985	50	670	-.302	.059	-.062	-.545	50	807	-.299	.046	-.183	-.532
50	621	-.352	.097	-.143	-1.098	50	671	-.236	.052	-.052	-.548	50	808	-.298	.038	-.213	-.509
50	622	-.497	.208	.050	-2.228	50	672	-.250	.048	-.088	-.572	50	809	-.287	.040	-.182	-.461
50	623	-.485	.199	-.015	-1.610	50	673	-.323	.064	-.094	-.686	50	810	-.261	.042	-.162	-.460
50	624	-.411	.138	-.008	-1.112	50	674	-.240	.075	.032	-.642	50	811	-.258	.039	-.133	-.450
50	625	-.374	.116	.009	-.937	50	675	-.229	.049	-.072	-.570	50	812	-.265	.037	-.147	-.461
50	626	-.337	.105	-.094	-.893	50	676	-.245	.045	-.116	-.599	50	813	-.250	.029	-.038	-.379
50	627	-.357	.128	-.099	-1.157	50	677	-.317	.047	-.143	-.636	50	814	-.236	.036	-.111	-.720
50	628	-.467	.164	-.056	-1.729	50	678	-.220	.059	.017	-.619	50	815	-.260	.042	-.123	-.465
50	629	-.464	.155	-.087	-1.318	50	679	-.229	.037	-.099	-.382	50	816	-.249	.029	-.112	-.370
50	630	-.459	.157	-.055	-1.541	50	680	-.621	.195	-.078	-1.508	50	817	-.258	.040	-.135	-.446
50	631	-.399	.129	-.045	-1.080	50	681	-.636	.169	-.216	-1.438	50	818	-.258	.039	-.162	-.487
50	632	-.380	.124	-.003	-.989	50	682	-.327	.185	.119	-1.117	50	819	-.272	.041	-.140	-.587
50	633	-.535	.179	-.130	-1.973	50	683	-.217	.091	.050	-.717	50	820	-.274	.041	-.150	-.559
50	634	-.379	.133	-.045	-1.111	50	684	-.295	.041	-.125	-.470	50	821	-.220	.040	-.070	-.404
50	635	-.383	.131	-.052	-1.050	50	685	-.190	.057	-.003	-.510	50	822	-.232	.167	.127	-1.152
50	636	-.433	.128	-.144	-1.140	50	686	-.217	.037	-.050	-.441	50	823	-.134	.066	.062	-.852
50	637	-.519	.143	-.083	-1.202	50	687	-.345	.222	.344	-1.276	50	824	-.091	.045	.103	-.306
50	638	-.429	.129	-.122	-1.146	50	688	-.337	.239	.284	-1.487	50	825	-.102	.074	.179	-.406
50	639	-.400	.124	-.028	-1.070	50	689	-.195	.063	.072	-.774	50	826	-.154	.062	.024	-.410
50	640	-.395	.138	-.043	-1.452	50	690	-.162	.120	.102	-.868	50	827	-.086	.048	.147	-.270
50	641	-.382	.144	-.063	-1.149	50	691	-.137	.043	.019	-.283	50	828	-.179	.041	-.033	-.342
50	642	-.390	.146	-.023	-1.633	50	692	-.176	.039	.042	-.315	50	829	-.215	.047	.015	-.441
50	643	-.444	.125	-.122	-1.201	50	693	-.392	.079	-.159	-.870	50	901	-.249	.029	-.170	-.371
50	644	-.465	.134	-.103	-1.422	50	694	-.213	.144	.125	-.882	50	902	-.237	.029	-.115	-.348
50	645	-.478	.132	-.169	-1.155	50	695	-.093	.084	.200	-.817	50	903	-.284	.031	-.200	-.392
50	646	-.419	.120	-.060	-.977	50	696	-.096	.056	.187	-.276	50	904	-.244	.029	-.122	-.342
50	647	-.378	.121	-.031	-1.068	50	697	-.218	.036	-.112	-.339	50	905	-.233	.028	-.135	-.327
50	648	-.488	.113	-.187	-1.213	50	701	-.311	.055	-.115	-.592	50	906	-.243	.033	-.138	-.388
50	649	-.599	.135	-.234	-1.293	50	701	-.311	.055	-.115	-.592	50	907	-.245	.030	-.145	-.352
50	650	-.486	.115	-.174	-1.315	50	702	-.314	.057	-.084	-.706	50	908	-.272	.030	-.180	-.376

WD	TAP	CPMEAN	CPRMS	CPMAX	CPMIN	WD	TAP	CPMEAN	CPRMS	CPMAX	CPMIN	WD	TAP	CPMEAN	CPRMS	CPMAX	CPMIN
50	1001	-.389	.108	.046	-.815	60	10	-.085	.153	.545	-.518	60	60	-.212	.058	.183	-.423
50	1002	-.268	.109	.210	-.731	60	11	-.014	.162	.702	-.557	60	61	-.161	.097	.718	-.400
50	1003	-.237	.106	.203	-.640	60	12	.061	.177	.860	-.347	60	62	-.101	.126	.646	-.367
50	1004	-.467	.154	.086	-1.243	60	13	.065	.176	.822	-.395	60	63	-.046	.138	.622	-.426
50	1005	-.290	.095	.044	-.707	60	14	-.085	.123	.388	-.459	60	64	-.076	.117	.343	-.423
50	1006	-.350	.146	.086	-1.010	60	15	-.202	.107	.221	-.641	60	65	-.124	.117	.332	-.564
50	1007	-.456	.189	.145	-1.320	60	16	-.194	.103	.317	-.777	60	66	-.219	.041	.012	-.535
50	1008	-.242	.086	.028	-.652	60	17	-.110	.117	.518	-.377	60	67	-.208	.043	.129	-.400
50	1011	-.323	.041	-.180	-.580	60	18	.004	.166	.701	-.428	60	68	-.178	.080	.422	-.415
50	1012	-.313	.041	-.183	-.571	60	19	.068	.178	.717	-.325	60	69	-.101	.133	.590	-.392
50	1013	-.323	.040	-.170	-.497	60	20	-.055	.124	.535	-.363	60	70	-.068	.130	.451	-.418
50	1014	-.311	.039	-.186	-.473	60	21	-.155	.107	.251	-.544	60	71	-.079	.116	.347	-.407
50	1015	-.293	.036	-.192	-.449	60	22	.005	.156	.537	-.429	60	72	-.132	.100	.231	-.466
50	1016	-.298	.040	-.182	-.586	60	23	-.031	.143	.454	-.435	60	73	-.220	.041	-.061	-.463
50	1017	-.305	.048	-.162	-.540	60	24	-.088	.121	.342	-.551	60	74	-.216	.042	.007	-.423
50	1018	-.315	.049	-.179	-.608	60	25	.011	.156	.575	-.380	60	75	-.191	.064	.115	-.422
50	1019	-.300	.051	-.141	-.595	60	26	-.006	.150	.636	-.420	60	76	-.137	.099	.347	-.403
50	1021	-.450	.152	-.005	-1.198	60	27	-.054	.134	.510	-.440	60	77	-.113	.104	.325	-.398
50	1022	-.432	.148	.007	-1.224	60	28	-.176	.084	.318	-.419	60	78	-.111	.102	.335	-.462
50	1023	-.475	.186	-.014	-1.945	60	29	-.153	.110	.473	-.558	60	79	-.142	.092	.222	-.510
50	1024	-.389	.132	-.007	-1.011	60	30	-.033	.145	.677	-.379	60	80	-.181	.038	-.027	-.322
50	1025	-.349	.103	-.078	-.835	60	31	.023	.160	.777	-.367	60	81	-.172	.043	.024	-.335
50	1026	-.351	.113	-.080	-.949	60	32	.029	.160	.670	-.373	60	82	-.132	.080	.329	-.351
50	1027	-.383	.135	-.094	-1.067	60	33	.013	.146	.624	-.343	60	83	-.085	.089	.341	-.339
50	1028	-.338	.110	-.049	-.875	60	34	-.008	.137	.558	-.368	60	84	-.126	.082	.262	-.437
50	1031	-.294	.056	-.081	-.591	60	35	-.057	.128	.520	-.545	60	85	-.103	.085	.210	-.473
50	1032	-.316	.066	-.054	-.583	60	36	-.119	.121	.332	-.688	60	86	-.159	.094	.170	-.739
50	1033	-.315	.061	-.139	-.598	60	37	-.181	.107	.225	-.721	60	87	-.146	.059	.156	-.303
50	1034	-.318	.072	-.112	-.635	60	38	-.001	.138	.539	-.396	60	88	-.085	.106	.509	-.330
50	1035	-.311	.067	-.094	-.633	60	39	-.027	.144	.530	-.516	60	89	-.122	.093	.172	-.571
50	1036	-.332	.064	-.115	-.642	60	40	-.075	.131	.408	-.469	60	201	-.215	.053	-.033	-.403
50	1037	-.318	.062	-.142	-.617	60	41	-.170	.112	.215	-.692	60	202	-.190	.074	.130	-.518
50	1041	-.443	.135	.045	-.967	60	42	-.018	.128	.699	-.398	60	203	-.179	.097	.197	-.547
50	1042	-.392	.127	.114	-.936	60	43	-.183	.113	.348	-.712	60	204	-.242	.130	.188	-.850
50	1043	-.259	.140	.243	-1.109	60	44	-.143	.111	.323	-.503	60	205	-.497	.282	.380	-1.642
50	1044	-.391	.147	.120	-1.106	60	45	-.209	.073	.198	-.426	60	206	-.464	.273	.306	-1.809
50	1045	-.254	.084	.065	-.638	60	46	-.171	.089	.293	-.399	60	207	-.221	.056	-.023	-.434
50	1046	-.280	.081	.014	-.626	60	47	-.070	.142	.646	-.376	60	208	-.190	.077	.121	-.542
50	1047	-.239	.139	.488	-.785	60	48	-.003	.165	.704	-.350	60	209	-.461	.276	.344	-1.929
50	1048	-.437	.164	.045	-1.381	60	49	.026	.160	.591	-.340	60	210	-.246	.047	-.084	-.441
50	1049	-.353	.150	.084	-.989	60	50	-.065	.118	.317	-.411	60	211	-.216	.050	-.035	-.447
50	1050	-.272	.098	.051	-.784	60	51	-.142	.095	.180	-.446	60	212	-.193	.084	.180	-.744
60	1	-.024	.173	.632	-.472	60	52	-.225	.058	.057	-.475	60	213	-.266	.147	.143	-1.243
60	2	-.029	.184	.676	-.508	60	53	-.195	.075	.255	-.437	60	214	-.457	.217	.209	-1.432
60	3	-.002	.170	.739	-.497	60	54	-.099	.137	.641	-.379	60	215	-.403	.189	.318	-1.289
60	4	-.031	.160	.710	-.429	60	55	-.021	.164	.699	-.362	60	216	-.239	.047	-.086	-.530
60	5	-.070	.140	.497	-.498	60	56	.025	.166	.716	-.404	60	217	-.232	.050	-.052	-.497
60	6	-.168	.124	.401	-.599	60	57	-.048	.130	.376	-.408	60	218	-.230	.084	.059	-.678
60	7	-.013	.170	.781	-.582	60	58	-.128	.108	.235	-.510	60	219	-.306	.145	.102	-1.075
60	9	-.138	.117	.330	-.610	60	59	-.225	.050	.050	-.493	60	220	-.384	.169	.124	-1.283

WD	TAP	CPMEAN	CPRMS	CPMAX	CPMIN	WD	TAP	CPMEAN	CPRMS	CPMAX	CPMIN	WD	TAP	CPMEAN	CPRMS	CPMAX	CPMIN
60	221	-.385	.162	.216	-1.206	60	271	-.214	.038	-.058	-.397	60	435	-.249	.058	-.122	-.768
60	222	-.249	.053	-.104	-.537	60	272	-.207	.034	-.078	-.369	60	436	-.250	.053	-.101	-.711
60	223	-.244	.051	-.077	-.501	60	273	-.218	.032	-.094	-.371	60	437	-.253	.051	-.098	-.525
60	224	-.265	.081	-.007	-.655	60	274	-.226	.038	-.110	-.439	60	438	-.250	.047	-.109	-.487
60	225	-.310	.120	.002	-.933	60	275	-.231	.043	-.106	-.489	60	439	-.240	.042	-.099	-.466
60	226	-.364	.136	.037	-1.063	60	276	-.218	.045	-.074	-.454	60	440	-.243	.048	-.092	-.431
60	227	-.345	.125	.038	-.985	60	277	-.229	.054	-.075	-.683	60	441	-.262	.050	-.115	-.484
60	228	-.265	.065	-.092	-.626	60	278	-.202	.038	-.068	-.520	60	442	-.260	.046	-.128	-.481
60	229	-.265	.062	-.064	-.638	60	279	-.198	.035	-.063	-.464	60	443	-.260	.051	-.126	-.525
60	230	-.272	.073	.014	-.655	60	280	-.201	.035	-.078	-.443	60	444	-.265	.055	-.087	-.504
60	231	-.295	.095	-.026	-.774	60	281	-.222	.033	-.131	-.383	60	445	-.256	.046	-.118	-.552
60	232	-.311	.102	-.042	-.997	60	282	-.223	.037	-.129	-.418	60	446	-.245	.031	-.144	-.386
60	233	-.307	.098	-.044	-.876	60	283	-.223	.045	-.118	-.529	60	447	-.233	.031	-.145	-.373
60	234	-.253	.050	-.110	-.648	60	284	-.217	.046	-.108	-.860	60	448	-.247	.041	-.143	-.509
60	235	-.246	.049	-.094	-.543	60	285	-.251	.070	-.058	-.975	60	449	-.258	.055	-.105	-.782
60	236	-.245	.049	-.079	-.506	60	286	-.198	.026	-.122	-.299	60	450	-.264	.059	-.096	-.833
60	237	-.243	.049	-.094	-.590	60	401	-.291	.068	-.127	-.658	60	451	-.264	.056	-.121	-.508
60	238	-.246	.048	-.054	-.474	60	402	-.289	.063	-.137	-.615	60	452	-.255	.046	-.138	-.439
60	239	-.270	.056	-.068	-.498	60	403	-.268	.049	-.130	-.483	60	453	-.250	.038	-.130	-.440
60	240	-.241	.049	-.060	-.607	60	404	-.271	.050	-.131	-.522	60	454	-.256	.036	-.148	-.434
60	241	-.237	.052	-.016	-.560	60	405	-.259	.054	-.103	-.486	60	455	-.248	.033	-.155	-.365
60	242	-.245	.051	-.017	-.588	60	406	-.287	.068	-.094	-.718	60	456	-.247	.031	-.155	-.364
60	243	-.244	.048	-.056	-.555	60	407	-.301	.061	-.135	-.626	60	457	-.251	.038	-.149	-.467
60	244	-.263	.053	-.070	-.531	60	408	-.264	.056	-.093	-.471	60	458	-.265	.063	-.059	-1.114
60	245	-.255	.056	-.074	-.672	60	409	-.281	.062	-.068	-.617	60	459	-.265	.068	-.080	-1.546
60	246	-.274	.069	-.062	-.734	60	410	-.298	.064	-.097	-.605	60	460	-.265	.054	-.123	-.543
60	247	-.271	.070	-.080	-.763	60	411	-.293	.058	-.115	-.585	60	461	-.256	.047	-.122	-.457
60	248	-.268	.070	-.056	-.767	60	412	-.293	.050	-.140	-.498	60	462	-.254	.041	-.143	-.451
60	249	-.242	.045	-.095	-.540	60	413	-.261	.047	-.133	-.471	60	463	-.263	.056	-.099	-.513
60	250	-.246	.045	-.046	-.498	60	414	-.281	.054	-.129	-.537	60	464	-.252	.047	-.104	-.442
60	251	-.240	.046	-.073	-.569	60	415	-.268	.051	-.084	-.522	60	465	-.257	.041	-.115	-.442
60	252	-.266	.049	-.092	-.501	60	416	-.278	.053	-.129	-.630	60	466	-.258	.053	-.119	-.617
60	253	-.243	.041	-.075	-.511	60	417	-.268	.049	-.124	-.606	60	467	-.247	.047	-.116	-.528
60	254	-.267	.052	-.083	-.583	60	418	-.254	.037	-.134	-.432	60	468	-.244	.042	-.131	-.444
60	255	-.242	.043	-.051	-.508	60	419	-.250	.041	-.147	-.431	60	469	-.266	.049	-.130	-.477
60	256	-.238	.042	.011	-.422	60	420	-.257	.049	-.133	-.513	60	470	-.247	.049	-.092	-.461
60	257	-.239	.042	-.096	-.469	60	421	-.253	.049	-.124	-.606	60	471	-.243	.045	-.114	-.469
60	258	-.235	.040	-.054	-.413	60	422	-.262	.047	-.129	-.566	60	472	-.263	.051	-.121	-.502
60	259	-.235	.036	-.070	-.436	60	423	-.256	.041	-.142	-.560	60	473	-.271	.053	-.137	-.621
60	260	-.239	.041	-.083	-.507	60	424	-.246	.032	-.152	-.413	60	474	-.259	.053	-.109	-.631
60	261	-.250	.060	-.033	-.693	60	425	-.252	.040	-.135	-.415	60	501	-.242	.033	-.145	-.394
60	262	-.247	.068	.009	-.772	60	426	-.245	.034	-.143	-.381	60	502	-.239	.032	-.138	-.367
60	263	-.247	.065	-.046	-.681	60	427	-.235	.029	-.145	-.344	60	503	-.244	.031	-.142	-.362
60	264	-.222	.037	-.046	-.381	60	428	-.266	.056	-.096	-.527	60	504	-.244	.031	-.138	-.355
60	265	-.232	.039	-.129	-.443	60	429	-.259	.054	-.094	-.518	60	505	-.239	.036	-.124	-.385
60	266	-.228	.032	-.084	-.418	60	430	-.256	.049	-.097	-.506	60	506	-.260	.044	-.130	-.775
60	267	-.233	.033	-.111	-.388	60	431	-.242	.037	-.136	-.390	60	507	-.259	.043	-.117	-.483
60	268	-.228	.037	-.106	-.445	60	432	-.246	.033	-.136	-.385	60	508	-.252	.037	-.141	-.408
60	269	-.227	.046	-.110	-.604	60	433	-.242	.031	-.152	-.446	60	509	-.237	.031	-.141	-.351
60	270	-.224	.049	-.094	-.583	60	434	-.249	.041	-.148	-.632	60	510	-.237	.028	-.152	-.355

WD	TAP	CPMEAN	CPRMS	CPMAX	CPMIN	WD	TAP	CPMEAN	CPRMS	CPMAX	CPMIN	WD	TAP	CPMEAN	CPRMS	CPMAX	CPMIN
60	511	-.256	.042	-.123	-.466	60	559	-.192	.025	-.108	-.303	60	644	-.379	.129	-.018	-1.037
60	512	-.242	.038	-.136	-.424	60	560	-.193	.023	-.122	-.270	60	645	-.383	.100	-.113	-.912
60	513	-.232	.034	-.141	-.409	60	561	-.176	.026	-.059	-.305	60	646	-.335	.108	.020	-.853
60	514	-.230	.028	-.150	-.393	60	562	-.206	.032	-.114	-.333	60	647	-.311	.106	-.063	-1.013
60	515	-.245	.030	-.118	-.406	60	563	-.190	.027	-.115	-.300	60	648	-.447	.139	-.136	-1.165
60	516	-.247	.041	-.121	-.617	60	564	-.204	.023	-.121	-.308	60	649	-.457	.135	-.177	-1.270
60	517	-.246	.041	-.124	-.593	60	565	-.198	.024	-.117	-.342	60	650	-.437	.144	-.134	-1.123
60	518	-.226	.036	-.131	-.403	60	601	-.453	.144	-.028	-1.443	60	651	-.330	.105	-.106	-.874
60	519	-.223	.034	-.122	-.376	60	602	-.428	.154	.072	-1.611	60	652	-.296	.082	-.098	-.731
60	520	-.219	.030	-.121	-.345	60	603	-.376	.147	.078	-1.191	60	653	-.342	.092	-.141	-.777
60	521	-.221	.035	-.126	-.368	60	604	-.335	.137	-.000	-1.061	60	654	-.287	.085	-.082	-.810
60	522	-.218	.034	-.118	-.374	60	605	-.299	.112	.019	-1.037	60	655	-.269	.067	-.101	-.577
60	523	-.218	.029	-.125	-.345	60	606	-.300	.098	-.081	-1.147	60	656	-.265	.063	-.085	-.746
60	524	-.217	.025	-.128	-.336	60	607	-.440	.141	.304	-1.189	60	657	-.495	.156	-.161	-1.696
60	525	-.217	.025	-.138	-.344	60	608	-.302	.102	-.085	-1.102	60	658	-.427	.142	-.087	-1.394
60	526	-.228	.032	-.123	-.516	60	609	-.437	.143	.043	-1.353	60	659	-.387	.183	-.040	-1.489
60	527	-.240	.038	-.112	-.603	60	610	-.403	.130	-.075	-1.167	60	660	-.293	.099	-.082	-.768
60	528	-.221	.042	-.100	-.392	60	611	-.394	.133	.009	-1.257	60	661	-.282	.086	-.086	-.703
60	529	-.209	.043	-.089	-.398	60	612	-.385	.137	.039	-.991	60	662	-.338	.058	-.197	-.580
60	530	-.234	.036	-.095	-.408	60	613	-.313	.106	-.003	-.731	60	663	-.254	.061	-.100	-.515
60	531	-.224	.034	-.110	-.362	60	614	-.290	.084	-.061	-.753	60	664	-.245	.057	-.097	-.522
60	532	-.223	.028	-.125	-.342	60	615	-.303	.082	-.124	-.855	60	665	-.239	.051	-.085	-.532
60	532	-.223	.028	-.125	-.342	60	616	-.392	.132	-.046	-1.128	60	666	-.245	.046	-.072	-.428
60	533	-.222	.038	-.106	-.476	60	617	-.395	.133	-.043	-1.081	60	667	-.226	.043	-.092	-.400
60	534	-.223	.035	-.094	-.433	60	618	-.378	.128	-.058	-1.087	60	668	-.227	.043	-.093	-.430
60	535	-.213	.033	-.100	-.340	60	619	-.321	.089	-.105	-.747	60	669	-.229	.057	-.021	-.558
60	536	-.212	.030	-.104	-.333	60	620	-.307	.081	-.056	-.736	60	670	-.252	.048	-.043	-.477
60	537	-.202	.036	-.068	-.378	60	621	-.302	.085	-.094	-.797	60	671	-.217	.044	-.045	-.472
60	538	-.201	.034	-.068	-.340	60	622	-.412	.210	.081	-2.483	60	672	-.219	.043	-.038	-.500
60	539	-.205	.027	-.122	-.303	60	623	-.398	.179	.106	-1.567	60	673	-.279	.050	-.102	-.552
60	540	-.207	.026	-.119	-.306	60	624	-.325	.114	.007	-.982	60	674	-.220	.056	-.057	-.540
60	541	-.195	.029	-.109	-.344	60	625	-.305	.085	-.027	-.776	60	675	-.209	.040	-.079	-.437
60	542	-.197	.029	-.102	-.309	60	626	-.289	.093	-.077	-.809	60	676	-.212	.039	-.098	-.470
60	543	-.213	.030	-.122	-.350	60	627	-.295	.099	-.089	-.872	60	677	-.265	.039	-.154	-.516
60	544	-.191	.031	-.099	-.348	60	628	-.388	.127	-.103	-1.255	60	678	-.202	.044	-.070	-.510
60	545	-.192	.030	-.082	-.352	60	629	-.381	.132	-.062	-1.245	60	679	-.205	.037	-.089	-.477
60	546	-.199	.027	-.099	-.318	60	630	-.380	.124	-.075	-1.153	60	680	-.405	.170	-.015	-1.368
60	547	-.200	.023	-.119	-.294	60	631	-.312	.102	-.030	-.928	60	681	-.424	.135	-.125	-1.425
60	548	-.199	.026	-.114	-.299	60	632	-.312	.098	-.076	-.756	60	682	-.248	.105	-.057	-.921
60	549	-.209	.028	-.059	-.347	60	633	-.446	.147	-.021	-1.535	60	683	-.216	.068	-.053	-.756
60	550	-.213	.030	-.079	-.372	60	634	-.309	.103	-.077	-.798	60	684	-.250	.035	-.141	-.427
60	551	-.194	.030	-.105	-.403	60	635	-.322	.115	-.085	-.927	60	685	-.193	.048	-.048	-.537
60	552	-.199	.030	-.108	-.428	60	636	-.359	.107	-.056	-1.240	60	686	-.190	.031	-.089	-.346
60	553	-.191	.027	-.098	-.296	60	637	-.415	.114	-.067	-.968	60	687	-.231	.156	.217	-1.057
60	554	-.193	.026	-.113	-.317	60	638	-.355	.109	-.045	-1.283	60	688	-.216	.141	.163	-.964
60	554	-.193	.026	-.113	-.317	60	639	-.325	.100	-.062	-.758	60	689	-.229	.046	-.090	-.437
60	555	-.190	.023	-.106	-.261	60	640	-.322	.108	-.028	-.932	60	690	-.163	.072	.030	-.830
60	556	-.200	.023	-.115	-.286	60	641	-.299	.107	-.096	-1.039	60	691	-.158	.034	-.025	-.287
60	557	-.193	.024	-.102	-.295	60	642	-.316	.111	-.040	-.925	60	692	-.166	.029	-.048	-.269
60	558	-.203	.029	-.107	-.321	60	643	-.388	.126	.017	-1.121	60	693	-.333	.067	-.095	-.685

WD	TAP	CPMEAN	CPRMS	CPMAX	CPMIN	WD	TAP	CPMEAN	CPRMS	CPMAX	CPMIN	WD	TAP	CPMEAN	CPRMS	CPMAX	CPMIN
60	694	-.145	.103	.249	-1.096	60	902	-.197	.024	-.122	-.297	70	2	.217	.203	.885	-.357
60	695	-.116	.053	.104	-.489	60	903	-.215	.026	-.121	-.351	70	3	.145	.196	.746	-.594
60	696	-.123	.042	.068	-.300	60	904	-.203	.024	-.129	-.297	70	4	.091	.178	.714	-.397
60	697	-.185	.028	-.087	-.307	60	905	-.189	.024	-.118	-.286	70	5	-.007	.133	.625	-.429
60	701	-.253	.041	-.136	-.425	60	906	-.195	.025	-.117	-.294	70	6	-.116	.110	.326	-.551
60	701	-.253	.041	-.136	-.425	60	907	-.201	.023	-.114	-.293	70	7	.160	.186	.943	-.312
60	702	-.261	.040	-.126	-.425	60	908	-.210	.024	-.089	-.310	70	9	-.116	.111	.396	-.461
60	703	-.266	.042	-.148	-.440	60	1001	-.356	.124	.025	-.905	70	10	.073	.161	.666	-.413
60	704	-.266	.043	-.114	-.440	60	1002	-.225	.120	.294	-.664	70	11	.099	.158	.661	-.494
60	705	-.271	.047	-.129	-.447	60	1003	-.203	.112	.277	-.593	70	12	.183	.180	.831	-.271
60	706	-.259	.047	-.097	-.467	60	1004	-.415	.143	.095	-1.103	70	13	.146	.170	.867	-.274
60	707	-.257	.047	-.088	-.517	60	1005	-.228	.081	.070	-.600	70	14	-.071	.114	.361	-.451
60	708	-.280	.060	-.106	-.598	60	1006	-.311	.118	.081	-.907	70	15	-.196	.098	.213	-.597
60	709	-.270	.057	-.120	-.594	60	1007	-.416	.145	.110	-1.066	70	16	-.130	.104	.340	-.465
60	710	-.295	.050	-.161	-.542	60	1008	-.227	.085	.009	-.613	70	17	-.055	.108	.379	-.345
60	711	-.283	.060	-.128	-.532	60	1011	-.275	.056	-.104	-.752	70	18	.005	.133	.603	-.264
60	712	-.284	.070	-.085	-.653	60	1012	-.259	.053	-.038	-.490	70	19	.026	.128	.670	-.304
60	713	-.290	.049	-.146	-.503	60	1013	-.258	.059	.005	-.548	70	20	-.106	.097	.284	-.364
60	714	-.260	.062	-.061	-.545	60	1014	-.259	.047	-.147	-.506	70	21	-.191	.092	.216	-.505
60	715	-.245	.067	-.080	-.609	60	1015	-.239	.035	-.137	-.393	70	22	-.061	.112	.413	-.401
60	801	-.118	.063	.093	-.440	60	1016	-.247	.033	-.129	-.369	70	23	-.091	.105	.369	-.440
60	802	-.078	.107	.352	-.458	60	1017	-.255	.036	-.111	-.421	70	24	-.137	.094	.218	-.443
60	803	-.052	.122	.496	-.324	60	1018	-.262	.037	-.147	-.429	70	25	-.053	.111	.429	-.338
60	804	-.138	.073	.217	-.305	60	1019	-.249	.039	-.117	-.449	70	26	-.077	.108	.488	-.362
60	805	-.246	.042	-.112	-.542	60	1021	-.364	.135	.067	-1.016	70	27	-.109	.097	.398	-.391
60	806	-.234	.037	-.130	-.453	60	1022	-.325	.138	.112	-1.009	70	28	-.175	.071	.187	-.469
60	807	-.212	.031	-.093	-.429	60	1023	-.365	.138	-.007	-1.161	70	29	-.167	.078	.277	-.401
60	808	-.221	.026	-.121	-.333	60	1024	-.306	.101	-.019	-.821	70	30	-.092	.099	.462	-.338
60	809	-.211	.025	-.099	-.317	60	1025	-.283	.082	-.034	-.892	70	31	-.061	.111	.635	-.313
60	810	-.197	.027	-.123	-.318	60	1026	-.286	.090	-.073	-.871	70	32	-.058	.118	.448	-.346
60	811	-.195	.025	-.115	-.317	60	1027	-.316	.105	-.070	-.863	70	33	-.061	.104	.545	-.339
60	812	-.197	.024	-.114	-.280	60	1028	-.291	.098	-.033	-.833	70	34	-.067	.099	.489	-.374
60	813	-.198	.025	-.099	-.292	60	1031	-.244	.049	-.000	-.492	70	35	-.097	.120	.347	-.686
60	814	-.190	.031	-.069	-.304	60	1032	-.264	.059	-.113	-.584	70	36	-.147	.112	.283	-.630
60	815	-.192	.024	-.103	-.275	60	1033	-.266	.055	-.049	-.569	70	37	-.195	.089	.146	-.568
60	816	-.199	.024	-.096	-.280	60	1034	-.262	.061	-.100	-.615	70	38	-.061	.107	.484	-.319
60	817	-.191	.026	-.102	-.277	60	1035	-.252	.065	-.080	-.609	70	39	-.081	.100	.323	-.392
60	818	-.191	.022	-.123	-.260	60	1036	-.287	.067	-.111	-.817	70	40	-.107	.102	.351	-.459
60	819	-.203	.026	-.120	-.309	60	1037	-.271	.054	-.128	-.623	70	41	-.171	.088	.178	-.490
60	820	-.206	.027	-.114	-.333	60	1041	-.391	.122	-.029	-.956	70	42	-.085	.102	.382	-.381
60	821	-.185	.026	-.094	-.307	60	1042	-.338	.112	.105	-.769	70	43	-.215	.103	.187	-.699
60	822	-.132	.082	.124	-.670	60	1043	-.245	.148	.232	-.917	70	44	-.190	.092	.168	-.582
60	823	-.152	.047	-.008	-.339	60	1044	-.353	.155	.078	-1.158	70	45	-.223	.061	.108	-.462
60	824	-.144	.060	.176	-.568	60	1045	-.203	.065	.023	-.452	70	46	-.190	.063	.215	-.393
60	825	-.169	.061	.076	-.433	60	1046	-.236	.066	-.021	-.548	70	47	-.119	.103	.566	-.348
60	826	-.189	.059	-.022	-.472	60	1047	-.181	.172	.456	-.935	70	48	-.081	.120	.588	-.477
60	827	-.116	.052	.132	-.322	60	1048	-.375	.124	-.026	-.925	70	49	-.067	.121	.519	-.363
60	828	-.183	.027	-.091	-.283	60	1049	-.311	.120	.056	-.829	70	50	-.128	.097	.278	-.408
60	829	-.203	.036	-.089	-.381	60	1050	-.224	.080	.032	-.639	70	51	-.186	.087	.194	-.477
60	901	-.194	.022	-.110	-.274	70	1	.159	.196	.820	-.415	70	52	-.239	.058	.251	-.501

WD	TAP	CPMEAN	CPRMS	CPMAX	CPMIN	WD	TAP	CPMEAN	CPRMS	CPMAX	CPMIN	WD	TAP	CPMEAN	CPRMS	CPMAX	CPMIN
70	53	-.219	.052	.240	-.387	70	214	-.336	.257	.377	-1.392	70	264	-.187	.041	-.031	-.393
70	54	-.157	.093	.408	-.413	70	215	-.361	.232	.461	-1.393	70	265	-.186	.038	-.045	-.371
70	55	-.115	.114	.466	-.404	70	216	-.208	.046	-.024	-.369	70	266	-.180	.036	-.033	-.342
70	56	-.081	.127	.479	-.391	70	217	-.192	.051	.037	-.360	70	267	-.193	.035	-.064	-.394
70	57	-.115	.114	.393	-.613	70	218	-.169	.073	.157	-.489	70	268	-.198	.034	-.084	-.349
70	58	-.167	.094	.224	-.679	70	219	-.206	.123	.244	-.977	70	269	-.207	.041	-.066	-.437
70	59	-.227	.045	-.003	-.510	70	220	-.359	.207	.141	-1.109	70	270	-.207	.045	-.052	-.465
70	60	-.220	.048	.084	-.482	70	221	-.356	.201	.304	-1.222	70	271	-.170	.042	-.026	-.350
70	61	-.180	.083	.323	-.394	70	222	-.211	.042	-.045	-.374	70	272	-.157	.037	-.007	-.319
70	62	-.146	.111	.461	-.433	70	223	-.195	.042	.002	-.350	70	273	-.163	.035	-.014	-.305
70	63	-.111	.124	.495	-.397	70	224	-.202	.061	.016	-.505	70	274	-.171	.032	-.019	-.290
70	64	-.127	.109	.364	-.444	70	225	-.241	.098	.084	-.711	70	275	-.183	.032	-.028	-.348
70	65	-.167	.097	.274	-.523	70	226	-.330	.146	.081	-.984	70	276	-.186	.035	-.068	-.395
70	66	-.208	.040	.007	-.594	70	227	-.317	.141	.140	-.870	70	277	-.185	.039	-.076	-.468
70	67	-.204	.039	.113	-.505	70	228	-.222	.044	-.036	-.397	70	278	-.139	.031	-.007	-.254
70	68	-.197	.059	.314	-.358	70	229	-.217	.044	-.041	-.418	70	279	-.136	.031	-.005	-.242
70	69	-.175	.087	.387	-.454	70	230	-.222	.054	.021	-.477	70	280	-.133	.030	-.003	-.293
70	70	-.160	.092	.393	-.442	70	231	-.263	.089	.038	-.752	70	281	-.159	.029	-.055	-.281
70	71	-.156	.091	.279	-.383	70	232	-.323	.120	.028	-.918	70	282	-.167	.030	-.076	-.323
70	72	-.173	.079	.168	-.417	70	233	-.319	.115	.058	-.963	70	283	-.165	.034	-.071	-.491
70	73	-.183	.036	-.076	-.394	70	234	-.225	.048	-.019	-.427	70	284	-.154	.034	-.058	-.405
70	74	-.185	.035	-.076	-.354	70	235	-.213	.044	-.015	-.422	70	285	-.169	.038	-.024	-.514
70	75	-.188	.044	-.000	-.342	70	236	-.212	.043	-.026	-.448	70	286	-.147	.024	-.068	-.253
70	76	-.193	.052	.075	-.411	70	237	-.203	.044	-.037	-.365	70	401	-.262	.062	-.097	-.604
70	77	-.173	.067	.248	-.401	70	238	-.210	.040	-.036	-.418	70	402	-.258	.056	-.096	-.569
70	78	-.173	.074	.168	-.440	70	239	-.225	.049	-.008	-.453	70	403	-.231	.045	-.094	-.437
70	79	-.184	.072	.115	-.585	70	240	-.225	.061	-.007	-.589	70	404	-.226	.051	-.081	-.477
70	80	-.155	.035	.009	-.278	70	241	-.209	.065	.002	-.584	70	405	-.228	.052	-.028	-.448
70	81	-.154	.039	.053	-.299	70	242	-.210	.068	.021	-.557	70	406	-.243	.055	-.099	-.480
70	82	-.155	.053	.129	-.392	70	243	-.202	.044	-.033	-.468	70	407	-.250	.058	-.080	-.516
70	83	-.135	.063	.208	-.387	70	244	-.220	.046	-.070	-.528	70	408	-.229	.054	-.015	-.492
70	84	-.156	.063	.172	-.470	70	245	-.223	.048	-.040	-.528	70	409	-.252	.061	-.061	-.514
70	85	-.166	.066	.047	-.489	70	246	-.253	.068	-.026	-.647	70	410	-.285	.067	-.125	-.585
70	86	-.193	.071	.049	-.560	70	247	-.290	.076	-.092	-.654	70	411	-.261	.055	-.116	-.479
70	87	-.118	.046	.122	-.245	70	248	-.285	.076	-.093	-.688	70	412	-.234	.049	-.111	-.445
70	88	-.143	.065	.193	-.418	70	249	-.217	.048	-.064	-.521	70	413	-.240	.051	-.110	-.471
70	89	-.168	.063	.053	-.542	70	250	-.201	.048	-.019	-.447	70	414	-.248	.056	-.080	-.531
70	201	-.178	.060	.032	-.417	70	251	-.209	.051	.026	-.512	70	415	-.235	.052	-.081	-.431
70	202	-.126	.082	.199	-.610	70	252	-.196	.044	-.038	-.469	70	416	-.274	.053	-.135	-.744
70	203	-.091	.095	.347	-.476	70	253	-.220	.043	-.074	-.420	70	417	-.262	.047	-.114	-.650
70	204	-.129	.115	.350	-.590	70	254	-.218	.043	.021	-.591	70	418	-.244	.039	-.125	-.423
70	205	-.315	.292	.544	-1.515	70	255	-.222	.047	-.073	-.472	70	419	-.235	.043	-.117	-.440
70	206	-.311	.307	.498	-1.698	70	256	-.199	.041	-.047	-.416	70	420	-.236	.048	-.043	-.444
70	207	-.178	.060	.047	-.408	70	257	-.217	.044	-.073	-.446	70	421	-.233	.048	-.033	-.444
70	208	-.111	.085	.216	-.487	70	258	-.202	.038	-.071	-.375	70	422	-.259	.053	-.129	-.669
70	209	-.331	.332	.477	-2.537	70	259	-.195	.038	-.026	-.425	70	423	-.241	.043	-.128	-.505
70	210	-.193	.051	.060	-.505	70	260	-.204	.042	-.049	-.451	70	424	-.242	.035	-.135	-.385
70	211	-.163	.056	.102	-.345	70	261	-.236	.052	-.076	-.493	70	425	-.252	.048	-.128	-.489
70	212	-.101	.089	.306	-.442	70	262	-.240	.058	-.088	-.527	70	426	-.246	.041	-.132	-.444
70	213	-.127	.118	.432	-.794	70	263	-.241	.056	-.092	-.552	70	427	-.228	.034	-.123	-.375

WD	TAP	CPMEAN	CPRMS	CPMAX	CPMIN	WD	TAP	CPMEAN	CPRMS	CPMAX	CPMIN	WD	TAP	CPMEAN	CPRMS	CPMAX	CPMIN
70	428	-.256	.059	-.104	-.578	70	504	-.232	.038	-.124	-.423	70	553	-.148	.023	-.072	-.222
70	429	-.254	.058	-.095	-.569	70	505	-.226	.050	-.100	-.543	70	554	-.152	.023	-.076	-.228
70	430	-.251	.053	-.118	-.516	70	506	-.229	.059	-.090	-.574	70	554	-.152	.023	-.076	-.228
70	431	-.235	.039	-.100	-.393	70	507	-.248	.057	-.116	-.579	70	555	-.154	.022	-.083	-.240
70	432	-.233	.037	-.109	-.463	70	508	-.229	.038	-.102	-.426	70	556	-.159	.030	-.062	-.386
70	433	-.230	.039	-.117	-.517	70	509	-.223	.035	-.044	-.409	70	557	-.161	.031	-.078	-.385
70	434	-.233	.046	-.111	-.519	70	510	-.220	.033	-.109	-.363	70	558	-.165	.037	-.032	-.353
70	435	-.220	.051	-.089	-.577	70	511	-.239	.056	-.067	-.583	70	559	-.149	.024	-.062	-.240
70	436	-.226	.052	-.062	-.590	70	512	-.217	.035	-.107	-.423	70	560	-.156	.023	-.078	-.255
70	437	-.246	.051	-.095	-.470	70	513	-.211	.033	-.102	-.370	70	561	-.138	.029	-.045	-.357
70	438	-.243	.048	-.092	-.437	70	514	-.217	.038	-.097	-.439	70	562	-.154	.026	-.076	-.282
70	439	-.233	.044	-.107	-.393	70	515	-.238	.047	-.127	-.548	70	563	-.150	.024	-.072	-.240
70	440	-.233	.049	-.095	-.423	70	516	-.236	.061	-.042	-.650	70	564	-.168	.024	-.091	-.294
70	441	-.247	.046	-.094	-.499	70	517	-.233	.060	-.039	-.647	70	565	-.159	.023	-.080	-.258
70	442	-.243	.043	-.102	-.502	70	518	-.197	.030	-.068	-.298	70	601	-.379	.114	-.080	-.939
70	443	-.243	.045	-.076	-.504	70	519	-.196	.032	-.089	-.357	70	602	-.372	.107	.005	-.839
70	444	-.241	.043	-.129	-.562	70	520	-.200	.033	-.107	-.371	70	603	-.370	.123	-.022	-.971
70	445	-.238	.039	-.106	-.413	70	521	-.196	.032	-.105	-.358	70	604	-.343	.121	-.042	-.924
70	446	-.231	.036	-.104	-.433	70	522	-.197	.030	-.088	-.321	70	605	-.322	.114	-.054	-.877
70	447	-.224	.036	-.098	-.436	70	523	-.196	.031	-.101	-.352	70	606	-.328	.111	-.076	-.863
70	448	-.234	.053	-.104	-.557	70	524	-.204	.035	-.089	-.386	70	607	-.369	.109	-.095	-1.097
70	449	-.242	.063	-.081	-.851	70	525	-.216	.045	-.090	-.567	70	608	-.331	.118	-.076	-.836
70	450	-.244	.064	-.067	-.800	70	526	-.232	.059	-.109	-.693	70	609	-.365	.119	-.056	-1.195
70	451	-.242	.045	-.102	-.475	70	527	-.236	.063	-.099	-.706	70	610	-.363	.110	-.061	-.999
70	452	-.235	.041	-.117	-.446	70	528	-.194	.039	-.078	-.352	70	611	-.348	.104	-.052	-.843
70	453	-.229	.034	-.138	-.516	70	529	-.180	.036	-.074	-.407	70	612	-.361	.111	-.017	-.863
70	454	-.240	.040	-.136	-.470	70	530	-.200	.034	-.104	-.338	70	613	-.339	.104	-.063	-.958
70	455	-.235	.036	-.090	-.429	70	531	-.194	.033	-.095	-.355	70	614	-.332	.114	-.088	-1.026
70	456	-.232	.036	-.129	-.400	70	532	-.202	.031	-.112	-.395	70	615	-.340	.114	-.089	-.863
70	457	-.237	.052	-.104	-.571	70	532	-.202	.031	-.112	-.395	70	616	-.359	.092	-.128	-.873
70	458	-.252	.097	.012	-1.107	70	533	-.187	.035	-.084	-.335	70	617	-.359	.091	-.132	-.842
70	459	-.253	.101	.007	-1.487	70	534	-.169	.033	-.069	-.311	70	618	-.365	.106	-.010	-.837
70	460	-.233	.042	-.121	-.627	70	535	-.190	.031	-.091	-.364	70	619	-.322	.084	-.082	-.667
70	461	-.234	.036	-.133	-.391	70	536	-.193	.031	-.097	-.400	70	620	-.324	.088	-.127	-.735
70	462	-.233	.032	-.146	-.381	70	537	-.181	.032	-.088	-.334	70	621	-.314	.092	-.112	-.767
70	463	-.239	.039	-.132	-.426	70	538	-.178	.031	-.087	-.303	70	622	-.400	.176	.115	-1.789
70	464	-.229	.036	-.136	-.371	70	539	-.186	.031	-.076	-.367	70	623	-.383	.151	.014	-1.293
70	465	-.227	.035	-.111	-.389	70	540	-.190	.032	-.042	-.504	70	624	-.327	.109	-.022	-.870
70	466	-.230	.040	-.107	-.405	70	541	-.177	.034	-.051	-.414	70	625	-.297	.084	-.051	-.701
70	467	-.226	.039	-.110	-.390	70	542	-.177	.033	-.058	-.366	70	626	-.275	.081	-.106	-.645
70	468	-.219	.039	-.109	-.363	70	543	-.184	.030	-.082	-.299	70	627	-.290	.094	-.097	-.727
70	469	-.225	.040	-.089	-.406	70	544	-.163	.030	-.072	-.269	70	628	-.398	.186	-.113	-2.024
70	470	-.211	.045	-.081	-.409	70	545	-.161	.032	-.075	-.339	70	629	-.389	.156	-.121	-1.361
70	471	-.214	.040	-.100	-.407	70	546	-.167	.028	-.084	-.299	70	630	-.381	.164	-.104	-1.500
70	472	-.222	.040	-.097	-.407	70	547	-.177	.036	-.077	-.694	70	631	-.291	.083	-.092	-.727
70	473	-.230	.046	-.104	-.543	70	548	-.180	.040	-.078	-.518	70	632	-.276	.077	-.098	-.724
70	474	-.221	.042	-.084	-.492	70	549	-.200	.056	-.081	-.696	70	633	-.468	.154	-.132	-1.417
70	501	-.236	.038	-.129	-.446	70	550	-.209	.058	-.089	-.694	70	634	-.270	.081	-.104	-.813
70	502	-.229	.036	-.107	-.443	70	551	-.151	.032	-.058	-.365	70	635	-.264	.084	-.014	-.833
70	503	-.229	.035	-.121	-.423	70	552	-.154	.031	-.058	-.380	70	636	-.350	.093	-.138	-.839

WD	TAP	CPMEAN	CPRMS	CPMAX	CPMIN	WD	TAP	CPMEAN	CPRMS	CPMAX	CPMIN	WD	TAP	CPMEAN	CPRMS	CPMAX	CPMIN
70	637	-.416	.095	-.197	-.970	70	687	-.174	.075	.079	-.756	70	824	-.163	.058	.032	-.561
70	638	-.342	.095	-.116	-.786	70	688	-.168	.070	.087	-.789	70	825	-.173	.044	.067	-.338
70	639	-.285	.075	-.067	-.655	70	689	-.220	.036	-.083	-.383	70	826	-.192	.048	-.041	-.407
70	640	-.271	.070	-.113	-.689	70	690	-.144	.045	-.008	-.559	70	827	-.106	.051	.211	-.231
70	641	-.259	.081	-.057	-.928	70	691	-.134	.028	.032	-.257	70	828	-.153	.023	-.079	-.243
70	642	-.264	.073	-.109	-.667	70	692	-.137	.026	-.053	-.237	70	829	-.159	.027	-.078	-.283
70	643	-.353	.106	-.097	-1.130	70	693	-.303	.047	-.137	-.520	70	901	-.147	.025	-.064	-.238
70	644	-.320	.089	-.113	-.786	70	694	-.147	.045	.035	-.597	70	902	-.147	.021	-.068	-.219
70	645	-.339	.065	-.161	-.869	70	695	-.134	.039	-.000	-.275	70	903	-.152	.025	-.042	-.233
70	646	-.274	.073	-.101	-.763	70	696	-.131	.031	.002	-.243	70	904	-.152	.021	-.085	-.229
70	647	-.260	.070	-.102	-.841	70	697	-.151	.023	-.075	-.239	70	905	-.149	.020	-.086	-.214
70	648	-.351	.118	-.085	-1.038	70	701	-.234	.035	-.124	-.385	70	906	-.149	.023	-.073	-.241
70	649	-.380	.104	-.150	-1.022	70	701	-.234	.035	-.124	-.385	70	907	-.153	.022	-.074	-.245
70	650	-.338	.121	-.091	-1.086	70	702	-.240	.037	-.114	-.453	70	908	-.150	.028	-.020	-.290
70	651	-.255	.070	-.094	-.685	70	703	-.242	.038	-.138	-.449	70	1001	-.323	.109	-.014	-.809
70	652	-.234	.048	-.088	-.522	70	704	-.238	.035	-.138	-.447	70	1002	-.125	.117	.325	-.587
70	653	-.291	.054	-.153	-.649	70	705	-.239	.038	-.109	-.496	70	1003	-.096	.108	.404	-.545
70	654	-.228	.048	-.101	-.564	70	706	-.236	.040	-.124	-.438	70	1004	-.336	.146	.138	-.884
70	655	-.225	.050	-.098	-.604	70	707	-.215	.038	-.113	-.400	70	1005	-.156	.062	.073	-.489
70	656	-.197	.042	-.097	-.603	70	708	-.229	.045	-.105	-.478	70	1006	-.208	.090	.014	-.662
70	657	-.388	.136	-.117	-1.120	70	709	-.219	.044	-.042	-.446	70	1007	-.372	.124	-.024	-.839
70	658	-.307	.128	-.025	-1.133	70	710	-.269	.039	-.153	-.471	70	1008	-.154	.064	.059	-.407
70	659	-.222	.097	-.005	-.948	70	711	-.201	.041	-.047	-.412	70	1011	-.230	.072	.014	-.730
70	660	-.211	.062	-.052	-.628	70	712	-.225	.046	-.027	-.589	70	1012	-.190	.069	.145	-.608
70	661	-.207	.053	-.068	-.502	70	713	-.267	.035	-.124	-.474	70	1013	-.177	.073	.205	-.459
70	662	-.287	.041	-.166	-.484	70	714	-.221	.049	-.054	-.436	70	1014	-.247	.072	-.053	-.824
70	663	-.197	.041	-.057	-.406	70	715	-.210	.051	-.052	-.489	70	1015	-.237	.044	-.121	-.492
70	664	-.192	.039	-.053	-.485	70	801	-.160	.040	.059	-.314	70	1016	-.241	.038	-.143	-.459
70	665	-.188	.036	-.049	-.433	70	802	-.159	.070	.166	-.414	70	1017	-.244	.040	-.136	-.442
70	666	-.202	.039	-.062	-.402	70	803	-.142	.073	.364	-.377	70	1018	-.244	.040	-.139	-.433
70	667	-.188	.032	-.062	-.359	70	804	-.157	.060	.130	-.387	70	1019	-.239	.040	-.135	-.399
70	668	-.188	.032	-.073	-.392	70	805	-.187	.035	-.080	-.326	70	1021	-.288	.136	.150	-1.025
70	669	-.193	.044	-.055	-.542	70	806	-.162	.039	-.022	-.297	70	1022	-.238	.133	.198	-.841
70	670	-.207	.037	-.089	-.434	70	807	-.144	.046	.157	-.284	70	1023	-.346	.135	-.053	-1.199
70	671	-.183	.035	-.050	-.309	70	808	-.164	.032	-.054	-.285	70	1024	-.305	.101	-.063	-.865
70	672	-.187	.036	-.050	-.330	70	809	-.152	.033	.033	-.239	70	1025	-.280	.079	-.064	-.742
70	673	-.262	.038	-.117	-.417	70	810	-.159	.025	-.057	-.295	70	1026	-.278	.088	-.061	-.794
70	674	-.180	.039	-.042	-.362	70	811	-.153	.025	-.066	-.265	70	1027	-.298	.091	-.115	-.803
70	675	-.177	.032	-.065	-.349	70	812	-.161	.023	-.076	-.248	70	1028	-.278	.088	-.075	-.771
70	676	-.180	.032	-.080	-.372	70	813	-.154	.026	-.051	-.242	70	1031	-.208	.038	-.105	-.400
70	677	-.252	.033	-.127	-.435	70	814	-.150	.032	-.041	-.278	70	1032	-.222	.044	-.098	-.561
70	678	-.169	.034	-.042	-.360	70	815	-.156	.023	-.083	-.248	70	1033	-.217	.043	-.102	-.435
70	679	-.170	.034	-.067	-.497	70	816	-.153	.027	-.027	-.289	70	1034	-.227	.046	-.111	-.514
70	680	-.242	.104	-.000	-1.308	70	817	-.151	.023	-.061	-.280	70	1035	-.215	.051	-.095	-.468
70	681	-.313	.084	-.122	-.921	70	818	-.162	.023	-.093	-.247	70	1036	-.243	.051	-.120	-.577
70	682	-.197	.064	-.057	-.789	70	819	-.168	.024	-.102	-.292	70	1037	-.224	.046	-.100	-.609
70	683	-.181	.043	-.075	-.402	70	820	-.162	.023	-.074	-.248	70	1041	-.349	.116	.021	-.737
70	684	-.238	.031	-.132	-.375	70	821	-.155	.023	-.078	-.229	70	1042	-.257	.110	.173	-.649
70	685	-.165	.035	-.040	-.338	70	822	-.155	.046	.012	-.397	70	1043	-.135	.121	.298	-.848
70	686	-.159	.029	-.057	-.275	70	823	-.149	.036	-.012	-.306	70	1044	-.302	.139	.180	-.932

WD	TAP	CPMEAN	CPRMS	CPMAX	CPMIN	WD	TAP	CPMEAN	CPRMS	CPMAX	CPMIN	WD	TAP	CPMEAN	CPRMS	CPMAX	CPMIN
70	1045	-.140	.066	.110	-.338	80	46	-.198	.060	.138	-.425	80	207	-.125	.059	.090	-.363
70	1046	-.176	.060	.011	-.389	80	47	-.170	.071	.188	-.396	80	208	.017	.105	.342	-.329
70	1047	-.090	.155	.675	-.741	80	48	-.153	.081	.253	-.382	80	209	.174	.243	.800	-1.347
70	1048	-.333	.118	.071	-.882	80	49	-.148	.086	.239	-.410	80	210	-.160	.056	.037	-.461
70	1049	-.277	.098	.084	-.693	80	50	-.187	.077	.098	-.406	80	211	-.091	.071	.146	-.325
70	1050	-.169	.068	.078	-.479	80	51	-.232	.082	.074	-.521	80	212	.058	.125	.484	-.341
80	1	.097	.170	.595	-.633	80	52	-.257	.050	-.005	-.497	80	213	.086	.150	.606	-.679
80	2	.112	.160	.686	-.714	80	53	-.247	.048	.060	-.437	80	214	.087	.220	.692	-.979
80	3	.002	.122	.662	-.381	80	54	-.217	.064	.133	-.372	80	215	.093	.251	.852	-.823
80	4	-.045	.120	.480	-.468	80	55	-.194	.074	.280	-.451	80	216	-.195	.059	.059	-.501
80	5	-.096	.110	.381	-.381	80	56	-.177	.080	.241	-.351	80	217	-.160	.064	.107	-.412
80	6	-.165	.091	.224	-.507	80	57	-.200	.077	.233	-.403	80	218	-.076	.088	.353	-.422
80	7	.135	.180	.702	-.698	80	58	-.232	.080	.131	-.508	80	219	-.059	.100	.373	-.544
80	9	-.143	.092	.286	-.472	80	59	-.258	.043	-.103	-.453	80	220	-.081	.182	.547	-1.000
80	10	.076	.184	.704	-.721	80	60	-.249	.043	-.096	-.430	80	221	-.091	.206	.491	-.939
80	11	.115	.150	.602	-.551	80	61	-.232	.048	.017	-.403	80	222	-.227	.060	.049	-.632
80	12	.084	.126	.808	-.230	80	62	-.215	.059	.221	-.372	80	223	-.204	.056	.074	-.488
80	13	.040	.132	.671	-.274	80	63	-.195	.065	.242	-.374	80	224	-.173	.056	.092	-.438
80	14	-.116	.110	.346	-.445	80	64	-.195	.066	.195	-.423	80	225	-.175	.072	.090	-.617
80	15	-.201	.087	.129	-.544	80	65	-.213	.072	.103	-.453	80	226	-.205	.133	.199	-.831
80	16	-.042	.128	.442	-.673	80	66	-.224	.035	-.129	-.397	80	227	-.211	.146	.250	-.773
80	17	-.011	.106	.363	-.568	80	67	-.224	.033	-.130	-.391	80	228	-.251	.070	-.056	-.611
80	18	-.022	.096	.428	-.248	80	68	-.219	.036	-.079	-.372	80	229	-.228	.058	.007	-.456
80	19	-.029	.101	.432	-.239	80	69	-.208	.042	-.033	-.446	80	230	-.213	.050	.033	-.437
80	20	-.131	.096	.271	-.427	80	70	-.201	.048	.236	-.438	80	231	-.236	.062	.019	-.668
80	21	-.205	.086	.182	-.553	80	71	-.198	.053	.067	-.460	80	232	-.281	.104	.117	-.775
80	22	-.120	.084	.308	-.345	80	72	-.201	.056	.100	-.525	80	233	-.293	.106	.138	-.744
80	23	-.152	.082	.250	-.392	80	73	-.180	.033	-.065	-.381	80	234	-.236	.066	-.012	-.608
80	24	-.191	.076	.112	-.444	80	74	-.178	.032	-.064	-.389	80	235	-.223	.055	-.007	-.515
80	25	-.120	.082	.255	-.344	80	75	-.183	.036	-.063	-.386	80	236	-.207	.048	.021	-.417
80	26	-.129	.082	.272	-.369	80	76	-.181	.039	-.034	-.368	80	237	-.204	.052	.028	-.568
80	27	-.158	.080	.197	-.414	80	77	-.176	.044	-.036	-.492	80	238	-.197	.048	.047	-.378
80	28	-.125	.086	.270	-.480	80	78	-.193	.052	-.027	-.538	80	239	-.207	.051	.038	-.393
80	29	-.136	.073	.313	-.531	80	79	-.199	.056	-.019	-.520	80	240	-.253	.094	.059	-.782
80	30	-.110	.070	.209	-.302	80	80	-.142	.038	-.017	-.277	80	241	-.225	.094	.039	-.742
80	31	-.109	.081	.374	-.297	80	81	-.151	.039	-.034	-.352	80	242	-.198	.104	.166	-1.045
80	32	-.122	.086	.376	-.345	80	82	-.158	.039	-.003	-.326	80	243	-.200	.057	.131	-.699
80	33	-.124	.081	.242	-.341	80	83	-.147	.047	.067	-.321	80	244	-.198	.050	.110	-.352
80	34	-.122	.080	.219	-.399	80	84	-.158	.047	-.007	-.513	80	245	-.212	.049	.030	-.429
80	35	-.119	.104	.332	-.735	80	85	-.157	.050	.016	-.402	80	246	-.251	.059	-.077	-.606
80	36	-.154	.100	.279	-.781	80	86	-.187	.052	.029	-.431	80	247	-.295	.077	-.102	-.701
80	37	-.195	.076	.127	-.592	80	87	-.130	.040	.016	-.300	80	248	-.306	.078	-.091	-.697
80	38	-.115	.082	.353	-.310	80	88	-.161	.044	.041	-.371	80	249	-.241	.072	.132	-.575
80	39	-.124	.086	.340	-.504	80	89	-.172	.050	.050	-.431	80	250	-.213	.070	.159	-.571
80	40	-.136	.081	.314	-.385	80	201	-.114	.061	.123	-.334	80	251	-.198	.074	.102	-.611
80	41	-.188	.073	.188	-.475	80	202	-.017	.089	.260	-.314	80	252	-.173	.051	.099	-.387
80	42	-.133	.076	.212	-.418	80	203	.060	.124	.539	-.324	80	253	-.253	.066	-.029	-.551
80	43	-.235	.077	.074	-.528	80	204	.080	.150	.526	-.436	80	254	-.195	.048	.106	-.364
80	44	-.210	.078	.081	-.496	80	205	.089	.278	.815	-1.196	80	255	-.252	.074	.009	-.636
80	45	-.225	.064	.033	-.472	80	206	.148	.263	.854	-1.515	80	256	-.207	.060	.096	-.449

WD	TAP	CPMEAN	CPRMS	CPMAX	CPMIN	WD	TAP	CPMEAN	CPRMS	CPMAX	CPMIN	WD	TAP	CPMEAN	CPRMS	CPMAX	CPMIN
80	257	-.231	.065	.028	-.649	80	421	-.265	.057	-.103	-.819	80	471	-.202	.039	-.095	-.396
80	258	-.212	.056	.060	-.522	80	422	-.291	.063	-.156	-.817	80	472	-.203	.039	-.074	-.404
80	259	-.185	.045	.023	-.379	80	423	-.283	.056	-.150	-.678	80	473	-.203	.039	-.077	-.467
80	260	-.204	.041	-.035	-.405	80	424	-.274	.048	-.114	-.615	80	474	-.203	.037	-.063	-.426
80	261	-.235	.045	-.048	-.444	80	425	-.283	.049	-.139	-.596	80	501	-.240	.050	-.088	-.489
80	262	-.266	.053	-.115	-.524	80	426	-.269	.045	-.139	-.525	80	502	-.237	.049	-.074	-.447
80	263	-.261	.053	-.116	-.523	80	427	-.269	.048	-.131	-.550	80	503	-.245	.054	-.082	-.525
80	264	-.211	.055	.023	-.538	80	428	-.289	.052	-.114	-.499	80	504	-.252	.063	-.056	-.561
80	265	-.194	.046	.012	-.449	80	429	-.286	.051	-.098	-.491	80	505	-.263	.082	-.060	-.697
80	266	-.185	.038	-.000	-.321	80	430	-.275	.047	-.101	-.485	80	506	-.286	.096	-.092	-.895
80	267	-.192	.034	-.061	-.306	80	431	-.270	.042	-.120	-.494	80	507	-.303	.099	-.075	-.929
80	268	-.221	.031	-.117	-.351	80	432	-.277	.050	-.148	-.556	80	508	-.231	.052	-.054	-.583
80	269	-.229	.040	-.095	-.599	80	433	-.282	.066	-.132	-.673	80	509	-.237	.052	-.086	-.508
80	270	-.232	.041	-.118	-.594	80	434	-.277	.081	-.083	-.690	80	510	-.234	.053	-.081	-.518
80	271	-.188	.046	-.017	-.386	80	435	-.271	.082	-.096	-.992	80	511	-.287	.095	-.067	-.861
80	272	-.187	.042	-.052	-.337	80	436	-.273	.081	-.095	-.915	80	512	-.220	.046	-.080	-.445
80	273	-.166	.036	-.034	-.302	80	437	-.287	.055	-.103	-.551	80	513	-.212	.043	-.060	-.408
80	274	-.164	.034	-.053	-.283	80	438	-.274	.051	-.106	-.535	80	514	-.223	.054	-.078	-.487
80	275	-.166	.032	-.043	-.325	80	439	-.274	.045	-.141	-.477	80	515	-.262	.073	-.099	-.685
80	276	-.187	.029	-.084	-.342	80	440	-.256	.047	-.117	-.476	80	516	-.264	.085	-.061	-.933
80	277	-.180	.033	-.064	-.454	80	441	-.264	.045	-.099	-.491	80	517	-.257	.083	-.050	-.906
80	278	-.156	.037	-.024	-.326	80	442	-.264	.042	-.095	-.479	80	518	-.191	.036	-.092	-.421
80	279	-.143	.037	-.026	-.294	80	443	-.258	.045	-.074	-.491	80	519	-.194	.034	-.089	-.403
80	280	-.131	.037	-.005	-.297	80	444	-.254	.046	-.114	-.437	80	520	-.200	.038	-.080	-.411
80	281	-.124	.038	.002	-.295	80	445	-.252	.046	-.106	-.554	80	521	-.188	.034	-.083	-.342
80	282	-.133	.038	.048	-.244	80	446	-.252	.046	-.119	-.455	80	522	-.213	.038	-.109	-.433
80	283	-.141	.034	.009	-.325	80	447	-.270	.074	-.097	-.716	80	523	-.193	.041	-.096	-.427
80	284	-.143	.034	.018	-.374	80	448	-.298	.113	-.069	-1.127	80	524	-.206	.048	-.099	-.573
80	285	-.143	.034	-.019	-.266	80	449	-.281	.106	-.065	-.925	80	525	-.219	.060	-.048	-.591
80	286	-.149	.026	-.066	-.236	80	450	-.283	.106	-.061	-.955	80	526	-.252	.083	-.095	-.827
80	401	-.277	.073	-.058	-.815	80	451	-.235	.042	-.083	-.415	80	527	-.259	.084	-.095	-.900
80	402	-.272	.068	-.070	-.739	80	452	-.229	.040	-.095	-.414	80	528	-.179	.034	-.028	-.312
80	403	-.264	.064	-.078	-.688	80	453	-.231	.041	-.120	-.427	80	529	-.170	.034	-.049	-.355
80	404	-.268	.068	-.072	-.599	80	454	-.247	.057	-.068	-.636	80	530	-.200	.031	-.107	-.485
80	405	-.248	.052	-.105	-.466	80	455	-.245	.050	-.079	-.512	80	531	-.204	.035	-.090	-.370
80	406	-.277	.057	-.097	-.506	80	456	-.241	.054	-.026	-.508	80	532	-.203	.038	-.102	-.526
80	407	-.262	.069	-.109	-.768	80	457	-.275	.091	.004	-.721	80	532	-.203	.038	-.102	-.526
80	408	-.250	.053	-.085	-.482	80	458	-.300	.167	.048	-1.615	80	533	-.188	.030	-.091	-.328
80	409	-.261	.053	-.102	-.447	80	459	-.304	.182	-.012	-1.873	80	534	-.172	.030	-.069	-.345
80	410	-.288	.056	-.145	-.660	80	460	-.231	.043	-.104	-.404	80	535	-.181	.029	-.091	-.352
80	411	-.268	.050	-.130	-.583	80	461	-.231	.042	-.108	-.460	80	536	-.186	.031	-.078	-.334
80	412	-.246	.051	-.090	-.446	80	462	-.232	.039	-.114	-.416	80	537	-.174	.032	-.067	-.327
80	413	-.258	.048	-.088	-.461	80	463	-.229	.041	-.107	-.467	80	538	-.172	.031	-.055	-.336
80	414	-.266	.051	-.114	-.507	80	464	-.223	.041	-.111	-.506	80	539	-.179	.029	-.065	-.302
80	415	-.257	.048	-.093	-.468	80	465	-.223	.040	-.094	-.396	80	540	-.187	.032	-.082	-.346
80	416	-.293	.055	-.148	-.751	80	466	-.217	.036	-.104	-.360	80	541	-.172	.030	-.086	-.313
80	417	-.284	.049	-.146	-.642	80	467	-.212	.037	-.102	-.368	80	542	-.171	.029	-.076	-.286
80	418	-.271	.053	-.139	-.560	80	468	-.208	.040	-.092	-.392	80	543	-.186	.029	-.080	-.325
80	419	-.270	.059	-.089	-.529	80	469	-.207	.038	-.096	-.388	80	544	-.166	.028	-.068	-.298
80	420	-.267	.056	-.117	-.770	80	470	-.185	.038	-.047	-.348	80	545	-.159	.029	-.076	-.312

WD	TAP	CPMEAN	CPRMS	CPMAX	CPMIN	WD	TAP	CPMEAN	CPRMS	CPMAX	CPMIN	WD	TAP	CPMEAN	CPRMS	CPMAX	CPMIN
80	546	-.172	.029	-.068	-.339	80	630	-.322	.100	-.092	-.862	80	680	-.194	.050	-.025	-.468
80	547	-.187	.037	-.082	-.387	80	631	-.296	.070	-.105	-.697	80	681	-.190	.045	-.071	-.564
80	548	-.186	.044	-.074	-.567	80	632	-.300	.070	-.054	-.725	80	682	-.176	.031	-.061	-.357
80	549	-.214	.062	-.043	-.635	80	633	-.306	.095	-.109	-.911	80	683	-.173	.027	-.062	-.368
80	550	-.225	.065	-.020	-.728	80	634	-.295	.072	-.075	-.695	80	684	-.162	.023	-.090	-.229
80	551	-.155	.025	-.073	-.278	80	635	-.275	.066	-.116	-.598	80	685	-.164	.024	-.085	-.254
80	552	-.160	.024	-.082	-.273	80	636	-.328	.092	-.120	-.923	80	686	-.164	.026	-.076	-.253
80	553	-.155	.024	-.075	-.252	80	637	-.314	.087	-.111	-.783	80	687	-.174	.047	-.015	-.476
80	554	-.161	.026	-.085	-.294	80	638	-.324	.095	-.119	-.966	80	688	-.171	.045	.005	-.417
80	554	-.161	.026	-.085	-.294	80	639	-.289	.065	-.102	-.553	80	689	-.148	.027	-.012	-.290
80	555	-.159	.027	-.074	-.270	80	640	-.283	.061	-.123	-.654	80	690	-.156	.033	-.008	-.298
80	556	-.166	.035	-.060	-.355	80	641	-.263	.071	-.094	-.822	80	691	-.156	.022	-.085	-.231
80	557	-.182	.061	-.038	-.679	80	642	-.277	.065	-.104	-.683	80	692	-.156	.023	-.074	-.275
80	558	-.193	.055	-.044	-.535	80	643	-.329	.106	-.100	-1.099	80	693	-.197	.035	-.088	-.368
80	559	-.153	.024	-.073	-.240	80	644	-.294	.077	-.064	-.779	80	694	-.164	.037	-.012	-.370
80	560	-.167	.025	-.059	-.263	80	645	-.233	.043	-.102	-.460	80	695	-.157	.030	-.008	-.258
80	561	-.140	.039	-.028	-.395	80	646	-.256	.056	-.092	-.641	80	696	-.160	.027	-.047	-.246
80	562	-.168	.023	-.079	-.246	80	647	-.240	.048	-.102	-.530	80	697	-.168	.022	-.083	-.254
80	563	-.153	.024	-.080	-.254	80	648	-.307	.111	-.096	-1.124	80	701	-.236	.045	-.115	-.467
80	564	-.180	.030	-.091	-.339	80	649	-.241	.069	-.097	-.576	80	701	-.236	.045	-.115	-.467
80	565	-.170	.025	-.066	-.305	80	650	-.292	.114	-.090	-1.162	80	702	-.248	.046	-.112	-.408
80	601	-.319	.068	-.131	-.624	80	651	-.222	.048	-.097	-.444	80	703	-.249	.046	-.115	-.463
80	602	-.311	.069	-.084	-.714	80	652	-.214	.036	-.101	-.424	80	704	-.230	.036	-.114	-.376
80	603	-.301	.074	-.108	-.726	80	653	-.186	.032	-.083	-.373	80	705	-.227	.036	-.104	-.378
80	604	-.291	.072	-.082	-.661	80	654	-.211	.038	-.109	-.450	80	706	-.235	.043	-.080	-.502
80	605	-.303	.094	-.078	-.878	80	655	-.198	.030	-.090	-.331	80	707	-.214	.037	-.076	-.431
80	606	-.320	.086	-.090	-.759	80	656	-.181	.027	-.107	-.385	80	708	-.215	.037	-.115	-.431
80	607	-.308	.060	-.115	-.693	80	657	-.217	.063	.014	-.632	80	709	-.209	.038	-.078	-.462
80	608	-.311	.091	-.099	-.892	80	658	-.223	.068	.021	-.736	80	710	-.180	.027	-.095	-.295
80	609	-.291	.068	-.085	-.713	80	659	-.181	.045	-.020	-.475	80	711	-.190	.031	-.085	-.338
80	610	-.287	.063	-.098	-.726	80	660	-.187	.030	-.092	-.316	80	712	-.209	.034	-.097	-.393
80	611	-.261	.062	-.105	-.607	80	661	-.186	.027	-.098	-.294	80	713	-.177	.026	-.092	-.295
80	612	-.313	.066	-.124	-.734	80	662	-.180	.025	-.097	-.279	80	714	-.206	.036	-.072	-.379
80	613	-.299	.066	-.092	-.627	80	663	-.181	.025	-.095	-.262	80	715	-.187	.039	-.068	-.490
80	614	-.310	.080	-.083	-.703	80	664	-.192	.027	-.107	-.333	80	801	-.165	.037	-.000	-.331
80	615	-.336	.080	-.153	-.759	80	665	-.186	.026	-.104	-.288	80	802	-.178	.044	.017	-.380
80	616	-.312	.076	-.111	-.719	80	666	-.194	.034	-.087	-.334	80	803	-.159	.044	.053	-.329
80	617	-.311	.075	-.103	-.733	80	667	-.186	.027	-.097	-.323	80	804	-.160	.050	.056	-.307
80	618	-.348	.085	-.146	-.810	80	668	-.187	.028	-.091	-.324	80	805	-.147	.038	.002	-.262
80	619	-.325	.068	-.136	-.778	80	669	-.175	.027	-.092	-.277	80	806	-.112	.047	.072	-.244
80	620	-.318	.064	-.171	-.615	80	670	-.198	.035	-.078	-.339	80	807	-.113	.062	.182	-.295
80	621	-.309	.070	-.148	-.641	80	671	-.183	.027	-.071	-.291	80	808	-.166	.032	-.032	-.322
80	622	-.340	.123	-.007	-1.340	80	672	-.186	.029	-.076	-.311	80	809	-.149	.043	.084	-.312
80	623	-.364	.132	-.068	-1.135	80	673	-.168	.025	-.066	-.264	80	810	-.164	.028	-.049	-.305
80	624	-.332	.086	-.095	-.722	80	674	-.175	.025	-.080	-.281	80	811	-.161	.026	.007	-.246
80	625	-.308	.065	-.109	-.569	80	675	-.175	.026	-.051	-.282	80	812	-.177	.026	-.079	-.283
80	626	-.303	.073	-.120	-.675	80	676	-.177	.028	-.039	-.292	80	813	-.175	.029	-.044	-.293
80	627	-.313	.076	-.146	-.726	80	677	-.162	.025	-.059	-.269	80	814	-.179	.037	-.063	-.358
80	628	-.325	.102	-.088	-.901	80	678	-.166	.025	-.075	-.259	80	815	-.170	.027	-.051	-.314
80	629	-.327	.106	-.126	-1.062	80	679	-.173	.027	-.095	-.272	80	816	-.177	.027	-.074	-.288

WD	TAP	CPMEAN	CPRMS	CPMAX	CPMIN	WD	TAP	CPMEAN	CPRMS	CPMAX	CPMIN	WD	TAP	CPMEAN	CPRMS	CPMAX	CPMIN
80	817	-.170	.026	-.058	-.303	80	1035	-.187	.037	-.070	-.576	90	39	-.144	.066	.302	-.359
80	818	-.179	.027	-.090	-.290	80	1036	-.217	.037	-.106	-.396	90	40	-.152	.064	.240	-.380
80	819	-.181	.029	-.078	-.329	80	1037	-.210	.038	-.072	-.475	90	41	-.199	.057	.063	-.429
80	820	-.176	.024	-.079	-.285	80	1041	-.412	.121	.033	-.967	90	42	-.155	.066	.356	-.373
80	821	-.168	.023	-.063	-.266	80	1042	-.298	.087	.021	-.604	90	43	-.234	.063	.105	-.515
80	822	-.167	.036	-.029	-.343	80	1043	-.288	.102	.106	-.737	90	44	-.210	.068	.097	-.516
80	823	-.162	.028	-.049	-.256	80	1044	-.402	.113	-.026	-.783	90	45	-.247	.061	.007	-.698
80	824	-.173	.038	.017	-.531	80	1045	-.229	.066	-.012	-.506	90	46	-.230	.062	.007	-.780
80	825	-.176	.036	.077	-.351	80	1046	-.274	.080	-.035	-.586	90	47	-.210	.062	.088	-.547
80	826	-.185	.035	-.008	-.329	80	1047	-.316	.121	.048	-.825	90	48	-.194	.065	.098	-.411
80	827	-.163	.035	-.020	-.307	80	1048	-.358	.101	-.066	-.797	90	49	-.190	.067	.072	-.393
80	828	-.169	.021	-.099	-.234	80	1049	-.285	.066	-.075	-.525	90	50	-.212	.064	.153	-.447
80	829	-.171	.022	-.099	-.254	80	1050	-.242	.057	-.065	-.514	90	51	-.235	.069	.014	-.532
80	901	-.151	.030	-.029	-.261	90	1	-.057	.248	.693	-1.115	90	52	-.279	.059	-.082	-.766
80	902	-.156	.021	-.083	-.224	90	2	-.069	.220	.521	-1.205	90	53	-.269	.057	-.010	-.808
80	903	-.152	.030	-.035	-.248	90	3	-.040	.102	.422	-.334	90	54	-.254	.060	.049	-.416
80	904	-.163	.021	-.087	-.235	90	4	-.087	.089	.279	-.386	90	55	-.238	.064	.051	-.410
80	905	-.158	.021	-.087	-.239	90	5	-.158	.064	.136	-.393	90	56	-.222	.062	.127	-.420
80	906	-.150	.022	-.059	-.219	90	6	-.209	.056	.080	-.498	90	57	-.232	.065	.136	-.466
80	907	-.162	.023	-.086	-.234	90	7	-.037	.253	.603	-1.057	90	58	-.252	.073	.032	-.559
80	908	-.143	.033	-.037	-.240	90	9	-.191	.051	.049	-.387	90	59	-.280	.058	-.134	-.650
80	1001	-.418	.108	-.118	-.867	90	10	-.109	.237	.634	-.932	90	60	-.275	.056	-.135	-.744
80	1002	-.299	.107	.059	-.693	90	11	-.034	.216	.565	-.966	90	61	-.267	.044	-.088	-.447
80	1003	-.267	.105	.058	-.623	90	12	.045	.105	.497	-.295	90	62	-.261	.046	-.064	-.475
80	1004	-.348	.150	.038	-1.020	90	13	-.002	.095	.427	-.306	90	63	-.244	.047	-.000	-.487
80	1005	-.275	.095	.011	-.723	90	14	-.164	.065	.175	-.391	90	64	-.234	.054	-.019	-.504
80	1006	-.215	.062	-.033	-.607	90	15	-.227	.059	-.003	-.512	90	65	-.253	.068	-.032	-.576
80	1007	-.341	.097	-.073	-.831	90	16	-.080	.163	.516	-.827	90	66	-.251	.043	-.146	-.483
80	1008	-.214	.051	-.042	-.420	90	17	-.048	.155	.500	-.887	90	67	-.252	.041	-.146	-.492
80	1011	-.250	.127	.072	-1.387	90	18	-.028	.096	.418	-.493	90	68	-.246	.035	-.135	-.418
80	1012	-.168	.100	.406	-.857	90	19	-.068	.084	.382	-.289	90	69	-.237	.035	-.112	-.394
80	1013	-.134	.098	.272	-.651	90	20	-.161	.069	.320	-.376	90	70	-.237	.037	.017	-.414
80	1014	-.294	.123	.009	-1.224	90	21	-.217	.068	.194	-.467	90	71	-.241	.052	.031	-.546
80	1015	-.261	.070	-.014	-.677	90	22	-.151	.075	.346	-.352	90	72	-.248	.059	-.005	-.521
80	1016	-.261	.058	-.095	-.646	90	23	-.180	.074	.317	-.409	90	73	-.205	.036	-.098	-.474
80	1017	-.262	.059	-.101	-.548	90	24	-.217	.072	.189	-.463	90	74	-.210	.036	-.089	-.483
80	1018	-.266	.059	-.130	-.555	90	25	-.140	.075	.424	-.329	90	75	-.209	.033	-.095	-.381
80	1019	-.254	.063	-.086	-.647	90	26	-.166	.071	.207	-.435	90	76	-.206	.033	-.077	-.373
80	1021	-.217	.095	.095	-.591	90	27	-.192	.070	.142	-.458	90	77	-.197	.033	-.071	-.340
80	1022	-.214	.104	.109	-.651	90	28	-.177	.101	.281	-.657	90	78	-.210	.038	-.074	-.387
80	1023	-.348	.110	-.044	-1.074	90	29	-.186	.092	.253	-.699	90	79	-.214	.040	-.085	-.405
80	1024	-.318	.081	-.116	-.753	90	30	-.139	.075	.390	-.501	90	80	-.178	.030	-.079	-.322
80	1025	-.306	.062	-.135	-.664	90	31	-.137	.068	.334	-.352	90	81	-.181	.033	-.042	-.332
80	1026	-.310	.074	-.089	-.653	90	32	-.153	.068	.321	-.362	90	82	-.191	.034	-.015	-.319
80	1027	-.328	.073	-.135	-.637	90	33	-.155	.064	.218	-.427	90	83	-.186	.035	-.064	-.338
80	1028	-.309	.073	-.132	-.593	90	34	-.152	.062	.170	-.396	90	84	-.181	.037	.002	-.324
80	1031	-.195	.036	-.076	-.362	90	35	-.148	.078	.217	-.579	90	85	-.170	.041	-.033	-.445
80	1032	-.198	.037	-.090	-.503	90	36	-.163	.078	.224	-.525	90	86	-.195	.035	-.086	-.387
80	1033	-.208	.038	-.084	-.338	90	37	-.190	.063	.101	-.424	90	87	-.170	.038	-.061	-.401
80	1034	-.194	.038	-.075	-.361	90	38	-.143	.064	.213	-.307	90	88	-.184	.038	.021	-.287

WD	TAP	CPMEAN	CPRMS	CPMAX	CPMIN	WD	TAP	CPMEAN	CPRMS	CPMAX	CPMIN	WD	TAP	CPMEAN	CPRMS	CPMAX	CPMIN
90	89	-.189	.039	-.039	-.351	90	250	-.230	.086	.151	-.753	90	414	-.312	.065	-.147	-.651
90	201	-.110	.080	.221	-.417	90	251	-.214	.079	.170	-.598	90	415	-.286	.058	-.080	-.608
90	202	-.007	.118	.428	-.429	90	252	-.185	.066	.161	-.514	90	416	-.351	.098	-.152	-.840
90	203	.094	.139	.483	-.355	90	253	-.268	.070	-.010	-.582	90	417	-.341	.091	-.124	-.896
90	204	.134	.155	.626	-.377	90	254	-.204	.070	.123	-.569	90	418	-.331	.080	-.112	-.696
90	205	.276	.218	.915	-.359	90	255	-.255	.080	.081	-.600	90	419	-.347	.096	-.091	-.983
90	206	.295	.226	.875	-.600	90	256	-.216	.071	.130	-.456	90	420	-.322	.089	-.074	-.795
90	207	-.114	.086	.189	-.419	90	257	-.235	.067	.045	-.518	90	421	-.321	.089	-.067	-.789
90	208	.070	.136	.532	-.374	90	258	-.206	.071	.116	-.468	90	422	-.340	.097	-.091	-.796
90	209	.281	.219	.913	-.383	90	259	-.176	.064	.189	-.402	90	423	-.348	.087	-.093	-.772
90	210	-.137	.080	.162	-.434	90	260	-.206	.052	.046	-.384	90	424	-.323	.076	-.083	-.643
90	211	-.062	.106	.361	-.413	90	261	-.229	.048	-.033	-.393	90	425	-.322	.080	-.114	-.865
90	212	.124	.161	.658	-.348	90	262	-.264	.047	-.102	-.575	90	426	-.309	.070	-.082	-.675
90	213	.170	.180	.721	-.305	90	263	-.259	.047	-.096	-.542	90	427	-.332	.075	-.100	-.651
90	214	.165	.212	.835	-.479	90	264	-.221	.065	.127	-.535	90	428	-.307	.057	-.102	-.580
90	215	.193	.225	.850	-.827	90	265	-.176	.067	.196	-.450	90	429	-.306	.055	-.076	-.547
90	216	-.195	.092	.168	-.504	90	266	-.170	.059	.225	-.359	90	430	-.297	.053	-.108	-.537
90	217	-.146	.102	.272	-.419	90	267	-.184	.046	.023	-.322	90	431	-.316	.061	-.075	-.586
90	218	-.062	.121	.464	-.398	90	268	-.223	.039	-.033	-.337	90	432	-.320	.080	-.074	-.717
90	219	-.033	.123	.534	-.339	90	269	-.237	.036	-.085	-.367	90	433	-.344	.101	-.064	-.917
90	220	-.034	.162	.612	-.793	90	270	-.243	.036	-.110	-.371	90	434	-.361	.128	-.033	-1.167
90	221	-.058	.179	.560	-.892	90	271	-.183	.053	.058	-.395	90	435	-.388	.144	-.047	-1.155
90	222	-.261	.093	.261	-.624	90	272	-.185	.052	.048	-.360	90	436	-.385	.146	-.062	-1.443
90	223	-.223	.086	.249	-.466	90	273	-.176	.043	.064	-.395	90	437	-.301	.062	-.012	-.618
90	224	-.188	.066	.125	-.427	90	274	-.188	.038	-.055	-.345	90	438	-.289	.057	-.038	-.567
90	225	-.198	.074	.103	-.468	90	275	-.193	.034	-.063	-.308	90	439	-.307	.056	-.121	-.546
90	226	-.220	.116	.228	-.843	90	276	-.217	.028	-.121	-.335	90	440	-.282	.059	-.123	-.617
90	227	-.252	.126	.156	-.782	90	277	-.206	.032	-.100	-.414	90	441	-.293	.062	-.078	-.548
90	228	-.287	.088	.141	-.629	90	278	-.189	.040	-.045	-.350	90	442	-.295	.059	-.086	-.556
90	229	-.250	.081	.202	-.534	90	279	-.176	.042	-.014	-.343	90	443	-.294	.062	-.094	-.601
90	230	-.228	.064	.052	-.397	90	280	-.179	.042	.002	-.300	90	444	-.267	.051	-.115	-.532
90	231	-.249	.059	-.017	-.518	90	281	-.162	.038	-.014	-.324	90	445	-.261	.054	-.078	-.519
90	232	-.298	.088	-.082	-.833	90	282	-.171	.038	-.026	-.276	90	446	-.288	.069	-.036	-.676
90	233	-.315	.092	-.086	-.776	90	283	-.172	.033	-.010	-.290	90	447	-.318	.100	-.044	-.855
90	234	-.241	.077	.168	-.591	90	284	-.184	.033	-.028	-.372	90	448	-.357	.134	-.048	-1.037
90	235	-.221	.072	.242	-.475	90	285	-.178	.033	-.034	-.302	90	449	-.386	.144	-.037	-1.302
90	236	-.202	.067	.212	-.395	90	286	-.180	.025	-.083	-.271	90	450	-.394	.144	-.020	-1.262
90	237	-.210	.073	.160	-.648	90	401	-.345	.121	-.051	-.993	90	451	-.239	.044	-.119	-.404
90	238	-.213	.065	.047	-.504	90	402	-.343	.112	-.064	-.894	90	452	-.228	.043	-.110	-.407
90	239	-.214	.070	.148	-.489	90	403	-.318	.100	.016	-.962	90	453	-.226	.043	-.061	-.374
90	240	-.280	.110	.105	-.978	90	404	-.318	.094	-.044	-.937	90	454	-.233	.060	-.025	-.500
90	241	-.257	.111	.100	-.899	90	405	-.307	.067	-.106	-.597	90	455	-.244	.052	-.041	-.447
90	242	-.218	.113	.113	-.963	90	406	-.341	.074	-.117	-.738	90	456	-.247	.060	-.034	-.486
90	243	-.203	.079	.076	-.639	90	407	-.341	.121	-.082	-1.015	90	457	-.269	.089	.038	-.866
90	244	-.207	.066	.214	-.495	90	408	-.293	.066	-.063	-.589	90	458	-.328	.166	.156	-1.458
90	245	-.209	.058	.109	-.451	90	409	-.317	.070	-.121	-.701	90	459	-.364	.195	.036	-2.103
90	246	-.239	.054	-.037	-.588	90	410	-.336	.092	-.137	-.892	90	460	-.243	.044	-.113	-.429
90	247	-.291	.061	-.095	-.580	90	411	-.323	.086	-.126	-.813	90	461	-.227	.038	-.109	-.434
90	248	-.294	.062	-.121	-.618	90	412	-.311	.068	-.115	-.629	90	462	-.231	.037	-.103	-.387
90	249	-.261	.084	.121	-.675	90	413	-.298	.066	-.091	-.656	90	463	-.234	.037	-.131	-.442

WD	TAP	CPMEAN	CPRMS	CPMAX	CPMIN	WD	TAP	CPMEAN	CPRMS	CPMAX	CPMIN	WD	TAP	CPMEAN	CPRMS	CPMAX	CPMIN
90	464	-.227	.036	-.113	-.431	90	539	-.192	.028	-.102	-.299	90	623	-.346	.119	-.105	-1.145
90	465	-.223	.040	-.107	-.412	90	540	-.201	.030	-.098	-.319	90	624	-.335	.086	-.143	-.837
90	466	-.224	.036	-.089	-.427	90	541	-.192	.028	-.104	-.326	90	625	-.308	.057	-.161	-.733
90	467	-.222	.036	-.085	-.396	90	542	-.187	.028	-.098	-.292	90	626	-.323	.062	-.161	-.650
90	468	-.217	.035	-.079	-.431	90	543	-.212	.029	-.121	-.357	90	627	-.335	.069	-.118	-.854
90	469	-.217	.035	-.042	-.395	90	544	-.188	.026	-.098	-.314	90	628	-.265	.065	-.111	-.621
90	470	-.203	.033	-.084	-.345	90	545	-.184	.027	-.096	-.323	90	629	-.278	.074	-.119	-.740
90	471	-.220	.034	-.121	-.534	90	546	-.193	.026	-.106	-.289	90	630	-.261	.067	-.115	-.619
90	472	-.214	.036	-.027	-.386	90	547	-.204	.031	-.098	-.365	90	631	-.290	.056	-.052	-.580
90	473	-.213	.034	-.088	-.349	90	548	-.207	.036	-.089	-.402	90	632	-.296	.052	-.101	-.616
90	474	-.217	.032	-.064	-.331	90	549	-.247	.067	-.083	-.602	90	633	-.239	.062	-.090	-.663
90	501	-.247	.055	-.073	-.594	90	550	-.266	.076	-.089	-.782	90	634	-.294	.053	-.105	-.595
90	502	-.238	.055	-.065	-.632	90	551	-.191	.027	-.116	-.334	90	635	-.268	.055	-.094	-.652
90	503	-.246	.059	-.054	-.602	90	552	-.193	.027	-.122	-.333	90	636	-.271	.073	-.119	-.648
90	504	-.266	.069	-.054	-.757	90	553	-.181	.024	-.092	-.262	90	637	-.253	.071	-.093	-.571
90	505	-.307	.091	-.078	-.874	90	554	-.187	.028	-.098	-.308	90	638	-.267	.074	-.108	-.663
90	506	-.340	.106	-.106	-.968	90	554	-.187	.028	-.098	-.308	90	639	-.269	.057	-.123	-.617
90	507	-.364	.122	-.111	-1.297	90	555	-.191	.026	-.106	-.307	90	640	-.273	.051	-.119	-.584
90	508	-.246	.051	-.056	-.455	90	556	-.200	.035	-.088	-.449	90	641	-.253	.061	-.121	-.670
90	509	-.246	.059	-.068	-.693	90	557	-.227	.046	-.122	-.602	90	642	-.271	.052	-.100	-.590
90	510	-.242	.059	-.075	-.594	90	558	-.237	.049	-.101	-.553	90	643	-.299	.116	-.108	-1.084
90	511	-.352	.113	-.095	-1.246	90	559	-.182	.025	-.096	-.284	90	644	-.276	.085	-.106	-.939
90	512	-.233	.043	-.069	-.503	90	560	-.199	.028	-.112	-.344	90	645	-.227	.043	-.107	-.571
90	513	-.231	.041	-.090	-.459	90	561	-.183	.034	-.061	-.341	90	646	-.245	.050	-.066	-.512
90	514	-.239	.050	-.110	-.541	90	562	-.197	.024	-.116	-.278	90	647	-.247	.048	-.123	-.579
90	515	-.276	.062	-.098	-.618	90	563	-.183	.026	-.100	-.282	90	648	-.289	.105	-.094	-.956
90	516	-.307	.084	-.066	-.730	90	564	-.213	.029	-.104	-.325	90	649	-.232	.067	-.102	-.647
90	517	-.309	.082	-.090	-.754	90	565	-.204	.027	-.107	-.296	90	650	-.274	.104	-.076	-1.007
90	518	-.211	.032	-.103	-.390	90	601	-.299	.063	-.107	-.563	90	651	-.231	.041	-.123	-.734
90	519	-.211	.032	-.100	-.340	90	602	-.285	.058	-.117	-.548	90	652	-.228	.032	-.096	-.427
90	520	-.218	.034	-.066	-.363	90	603	-.277	.058	-.096	-.610	90	653	-.194	.029	-.093	-.370
90	521	-.213	.030	-.107	-.343	90	604	-.278	.061	-.120	-.749	90	654	-.223	.033	-.073	-.415
90	522	-.217	.034	-.053	-.393	90	605	-.298	.100	-.045	-1.553	90	655	-.216	.027	-.130	-.331
90	523	-.211	.033	-.095	-.345	90	606	-.308	.089	-.096	-.981	90	656	-.200	.026	-.092	-.307
90	524	-.223	.037	-.091	-.385	90	607	-.282	.060	-.100	-.525	90	657	-.222	.069	-.088	-.744
90	525	-.248	.054	-.097	-.580	90	608	-.299	.078	-.095	-.793	90	658	-.240	.072	-.093	-.732
90	526	-.292	.081	-.132	-.726	90	609	-.266	.054	-.101	-.473	90	659	-.204	.043	-.098	-.500
90	527	-.317	.090	-.113	-.962	90	610	-.270	.053	-.122	-.504	90	660	-.206	.028	-.093	-.360
90	528	-.213	.030	-.087	-.370	90	611	-.253	.053	-.088	-.535	90	661	-.206	.026	-.104	-.321
90	529	-.190	.029	-.095	-.369	90	612	-.284	.053	-.148	-.520	90	662	-.194	.025	-.093	-.270
90	530	-.222	.033	-.101	-.620	90	613	-.282	.059	-.127	-.669	90	663	-.200	.025	-.095	-.271
90	531	-.219	.033	-.105	-.388	90	614	-.296	.063	-.118	-.667	90	664	-.212	.025	-.126	-.297
90	532	-.223	.035	-.106	-.458	90	615	-.316	.067	-.118	-.751	90	665	-.208	.027	-.108	-.315
90	532	-.223	.035	-.106	-.458	90	616	-.292	.070	-.095	-.550	90	666	-.217	.030	-.110	-.339
90	533	-.213	.029	-.112	-.326	90	617	-.294	.068	-.120	-.538	90	667	-.205	.027	-.123	-.296
90	534	-.195	.028	-.066	-.331	90	618	-.314	.073	-.124	-.713	90	668	-.207	.027	-.119	-.293
90	535	-.199	.028	-.105	-.306	90	619	-.293	.053	-.154	-.519	90	669	-.195	.025	-.098	-.273
90	536	-.207	.030	-.096	-.311	90	620	-.305	.053	-.144	-.604	90	670	-.211	.032	-.032	-.356
90	537	-.198	.028	-.109	-.326	90	621	-.303	.060	-.145	-.650	90	671	-.202	.027	-.103	-.323
90	538	-.192	.027	-.103	-.283	90	622	-.341	.121	-.056	-1.008	90	672	-.205	.027	-.106	-.323

WD	TAP	CPMEAN	CPRMS	CPMAX	CPMIN	WD	TAP	CPMEAN	CPRMS	CPMAX	CPMIN	WD	TAP	CPMEAN	CPRMS	CPMAX	CPMIN
90	673	-.186	.026	-.090	-.294	90	810	-.192	.030	-.067	-.350	90	1026	-.326	.066	-.160	-.707
90	674	-.193	.024	-.078	-.276	90	811	-.197	.027	-.103	-.300	90	1027	-.342	.070	-.189	-.872
90	675	-.202	.025	-.123	-.304	90	812	-.213	.026	-.131	-.332	90	1028	-.328	.072	-.187	-.776
90	676	-.206	.026	-.116	-.311	90	813	-.215	.030	-.100	-.333	90	1031	-.203	.031	-.082	-.385
90	677	-.188	.028	-.086	-.320	90	814	-.216	.036	-.058	-.398	90	1032	-.217	.032	-.126	-.385
90	678	-.194	.024	-.103	-.300	90	815	-.202	.029	-.093	-.498	90	1033	-.216	.036	-.067	-.441
90	679	-.200	.026	-.123	-.301	90	816	-.216	.028	-.101	-.323	90	1034	-.230	.033	-.054	-.380
90	680	-.216	.046	-.099	-.528	90	817	-.201	.029	-.095	-.330	90	1035	-.202	.037	-.095	-.464
90	681	-.194	.040	-.081	-.393	90	818	-.198	.026	-.101	-.316	90	1036	-.229	.035	-.127	-.410
90	682	-.196	.026	-.079	-.313	90	819	-.213	.026	-.115	-.312	90	1037	-.216	.034	-.124	-.498
90	683	-.196	.022	-.109	-.274	90	820	-.207	.026	-.111	-.286	90	1041	-.428	.120	-.045	-.918
90	684	-.175	.024	-.100	-.292	90	821	-.198	.024	-.107	-.282	90	1042	-.333	.097	.070	-.806
90	685	-.189	.023	-.117	-.278	90	822	-.181	.032	-.067	-.462	90	1043	-.388	.105	-.026	-.850
90	686	-.196	.025	-.105	-.282	90	823	-.182	.025	-.078	-.283	90	1044	-.451	.107	-.150	-.876
90	687	-.189	.045	-.064	-.551	90	824	-.188	.032	-.015	-.362	90	1045	-.283	.090	.037	-.846
90	688	-.189	.043	-.047	-.569	90	825	-.192	.032	-.042	-.384	90	1046	-.344	.095	-.016	-.877
90	689	-.165	.022	-.093	-.258	90	826	-.183	.027	-.055	-.287	90	1047	-.422	.130	-.021	-1.150
90	690	-.177	.027	-.100	-.466	90	827	-.167	.032	.029	-.256	90	1048	-.363	.103	-.010	-.782
90	691	-.182	.023	-.103	-.260	90	828	-.193	.020	-.118	-.273	90	1049	-.265	.056	-.088	-.573
90	692	-.186	.024	-.101	-.266	90	829	-.195	.023	-.122	-.289	90	1050	-.260	.067	-.051	-.537
90	693	-.215	.034	-.086	-.382	90	901	-.176	.028	-.065	-.273	100	1	-.647	.330	.250	-1.907
90	694	-.176	.031	-.070	-.393	90	902	-.182	.022	-.098	-.261	100	2	-.627	.359	.207	-2.158
90	695	-.173	.030	-.054	-.334	90	903	-.186	.030	-.052	-.288	100	3	-.187	.086	.035	-.909
90	696	-.181	.026	-.062	-.254	90	904	-.191	.023	-.100	-.262	100	4	-.184	.064	.071	-.504
90	697	-.193	.024	-.114	-.267	90	905	-.177	.022	-.098	-.249	100	5	-.214	.054	-.018	-.427
90	701	-.226	.043	-.084	-.429	90	906	-.186	.022	-.086	-.261	100	6	-.263	.051	-.075	-.490
90	701	-.226	.043	-.084	-.429	90	907	-.192	.023	-.101	-.288	100	7	-.653	.382	.443	-2.275
90	702	-.245	.045	-.096	-.492	90	908	-.185	.032	-.056	-.333	100	9	-.256	.052	-.073	-.488
90	703	-.249	.046	-.089	-.503	90	1001	-.475	.099	-.168	-.986	100	10	-.616	.275	.352	-1.946
90	704	-.237	.036	-.133	-.386	90	1002	-.405	.100	-.068	-.794	100	11	-.543	.312	.400	-1.830
90	705	-.234	.038	-.108	-.404	90	1003	-.384	.091	.004	-.742	100	12	-.155	.134	.261	-1.122
90	706	-.242	.040	-.120	-.416	90	1004	-.355	.119	-.012	-.855	100	13	-.149	.080	.191	-.606
90	707	-.224	.031	-.123	-.330	90	1005	-.372	.107	-.040	-.729	100	14	-.256	.053	.014	-.496
90	708	-.227	.034	-.119	-.492	90	1006	-.261	.056	-.064	-.497	100	15	-.290	.056	-.112	-.585
90	709	-.225	.034	-.103	-.412	90	1007	-.341	.095	-.063	-.717	100	16	-.473	.210	.455	-1.391
90	710	-.193	.027	-.088	-.301	90	1008	-.252	.061	-.061	-.503	100	17	-.452	.247	.290	-1.464
90	711	-.207	.031	-.115	-.361	90	1011	-.261	.135	.167	-1.437	100	18	-.253	.179	.155	-1.236
90	712	-.240	.034	-.104	-.480	90	1012	-.181	.136	.344	-.743	100	19	-.185	.090	.100	-.732
90	713	-.178	.026	-.095	-.289	90	1013	-.186	.136	.373	-.775	100	20	-.252	.063	.044	-.521
90	714	-.226	.034	-.115	-.366	90	1014	-.277	.105	.013	-1.092	100	21	-.284	.067	-.000	-.572
90	715	-.197	.032	-.107	-.392	90	1015	-.276	.083	-.007	-.664	100	22	-.249	.062	-.047	-.536
90	801	-.176	.032	-.015	-.307	90	1016	-.263	.068	-.061	-.535	100	23	-.269	.061	-.082	-.534
90	802	-.181	.040	.033	-.352	90	1017	-.255	.061	-.090	-.559	100	24	-.290	.063	-.068	-.572
90	803	-.176	.040	.066	-.288	90	1018	-.257	.061	-.085	-.576	100	25	-.246	.061	-.046	-.481
90	804	-.181	.041	.002	-.313	90	1019	-.255	.062	-.067	-.548	100	26	-.255	.060	.044	-.519
90	805	-.189	.041	-.027	-.337	90	1021	-.239	.083	.021	-.722	100	27	-.272	.062	.017	-.554
90	806	-.139	.052	.174	-.268	90	1022	-.259	.098	.030	-.922	100	28	-.456	.170	.053	-1.397
90	807	-.177	.048	.124	-.337	90	1023	-.344	.111	-.098	-.975	100	29	-.467	.187	.104	-1.320
90	808	-.210	.029	-.096	-.320	90	1024	-.319	.075	-.118	-.905	100	30	-.338	.154	.024	-1.254
90	809	-.197	.036	.034	-.347	90	1025	-.313	.056	-.171	-.598	100	31	-.256	.084	.037	-.768

WD	TAP	CPMEAN	CPRMS	CPMAX	CPMIN	WD	TAP	CPMEAN	CPRMS	CPMAX	CPMIN	WD	TAP	CPMEAN	CPRMS	CPMAX	CPMIN
100	32	-.251	.066	-.013	-.573	100	82	-.235	.043	-.103	-.437	100	243	-.058	.131	.413	-.483
100	33	-.242	.061	.019	-.530	100	83	-.219	.035	-.078	-.342	100	244	-.019	.127	.470	-.432
100	34	-.236	.059	.002	-.479	100	84	-.207	.032	-.058	-.322	100	245	-.041	.113	.358	-.465
100	35	-.245	.084	.056	-.709	100	85	-.209	.029	-.092	-.359	100	246	-.116	.092	.215	-.431
100	36	-.244	.078	.017	-.658	100	86	-.225	.032	-.086	-.399	100	247	-.193	.069	.198	-.427
100	37	-.251	.061	-.046	-.574	100	87	-.202	.048	-.066	-.485	100	248	-.214	.066	.133	-.476
100	38	-.233	.059	-.015	-.534	100	88	-.224	.034	-.100	-.335	100	249	-.202	.122	.192	-.617
100	39	-.237	.061	.046	-.479	100	89	-.221	.030	-.056	-.362	100	250	-.129	.148	.421	-.568
100	40	-.231	.063	.046	-.493	100	201	-.079	.093	.268	-.507	100	251	-.060	.133	.443	-.561
100	41	-.253	.061	-.012	-.563	100	202	.093	.120	.517	-.352	100	252	.007	.125	.529	-.383
100	42	-.224	.057	-.003	-.475	100	203	.173	.157	.672	-.420	100	253	-.225	.092	.130	-.524
100	43	-.287	.062	-.077	-.591	100	204	.217	.181	.770	-.350	100	254	-.021	.132	.528	-.473
100	44	-.269	.063	-.058	-.576	100	205	.324	.222	.992	-.425	100	255	-.187	.107	.175	-.581
100	45	-.392	.125	-.126	-.985	100	206	.346	.216	.882	-.333	100	256	-.090	.121	.362	-.488
100	46	-.389	.127	-.106	-1.012	100	207	-.065	.090	.237	-.486	100	257	-.202	.091	.127	-.587
100	47	-.324	.104	-.022	-.988	100	208	.180	.158	.694	-.370	100	258	-.115	.112	.364	-.599
100	48	-.271	.065	-.008	-.667	100	209	.386	.226	1.000	-.393	100	259	-.018	.117	.597	-.399
100	49	-.253	.051	-.049	-.453	100	210	-.052	.108	.278	-.444	100	260	-.056	.096	.414	-.379
100	50	-.250	.051	-.094	-.510	100	211	.078	.134	.540	-.396	100	261	-.100	.082	.222	-.376
100	51	-.272	.062	-.096	-.824	100	212	.303	.198	.863	-.306	100	262	-.188	.061	.070	-.418
100	52	-.314	.087	-.108	-.998	100	213	.313	.218	.935	-.315	100	263	-.194	.054	.004	-.420
100	53	-.329	.091	-.142	-1.083	100	214	.265	.231	.917	-.410	100	264	-.176	.081	.123	-.445
100	54	-.307	.066	-.146	-.803	100	215	.156	.242	.853	-.792	100	265	-.107	.080	.246	-.374
100	55	-.278	.045	-.104	-.651	100	216	-.101	.135	.334	-.513	100	266	-.055	.078	.244	-.312
100	56	-.260	.036	-.128	-.421	100	217	.007	.165	.595	-.423	100	267	-.080	.069	.189	-.363
100	57	-.267	.047	-.132	-.648	100	218	.108	.206	.730	-.400	100	268	-.143	.065	.163	-.398
100	58	-.276	.060	-.111	-.869	100	219	.097	.178	.775	-.351	100	269	-.200	.047	.033	-.376
100	59	-.290	.068	-.131	-.680	100	220	-.017	.178	.631	-.437	100	270	-.216	.042	.005	-.396
100	60	-.290	.068	-.130	-.654	100	221	-.070	.179	.754	-.535	100	271	-.180	.065	.111	-.415
100	61	-.280	.049	-.169	-.629	100	222	-.187	.144	.262	-.600	100	272	-.152	.060	.120	-.331
100	62	-.267	.037	-.138	-.502	100	223	-.085	.156	.429	-.472	100	273	-.112	.059	.177	-.321
100	63	-.257	.032	-.153	-.419	100	224	-.038	.150	.696	-.439	100	274	-.130	.055	.096	-.276
100	64	-.252	.041	-.125	-.563	100	225	-.099	.116	.518	-.432	100	275	-.154	.047	.078	-.283
100	65	-.267	.049	-.142	-.604	100	226	-.191	.089	.232	-.553	100	276	-.226	.031	-.102	-.320
100	66	-.248	.040	-.123	-.520	100	227	-.248	.090	.124	-.702	100	277	-.223	.031	-.053	-.360
100	67	-.250	.038	-.114	-.477	100	228	-.232	.130	.316	-.610	100	278	-.200	.042	-.000	-.348
100	68	-.246	.033	-.116	-.409	100	229	-.120	.152	.444	-.614	100	279	-.171	.042	.061	-.313
100	69	-.248	.030	-.107	-.469	100	230	-.035	.147	.637	-.479	100	280	-.143	.043	.101	-.261
100	70	-.244	.031	-.111	-.365	100	231	-.099	.117	.437	-.483	100	281	-.109	.047	.160	-.257
100	71	-.247	.036	-.100	-.417	100	232	-.218	.072	.059	-.479	100	282	-.135	.043	.123	-.264
100	72	-.245	.039	-.120	-.416	100	233	-.267	.069	-.050	-.618	100	283	-.176	.029	-.064	-.268
100	73	-.224	.034	-.123	-.384	100	234	-.125	.118	.378	-.544	100	284	-.182	.027	-.059	-.261
100	74	-.227	.034	-.128	-.409	100	235	-.078	.130	.463	-.549	100	285	-.169	.038	.038	-.281
100	75	-.234	.031	-.121	-.354	100	236	-.029	.130	.531	-.422	100	286	-.185	.026	-.095	-.261
100	76	-.247	.035	-.134	-.428	100	237	-.077	.121	.444	-.499	100	401	-.470	.159	-.119	-1.244
100	77	-.230	.030	-.049	-.377	100	238	-.083	.122	.493	-.465	100	402	-.463	.144	-.135	-1.204
100	78	-.236	.032	-.099	-.397	100	239	-.042	.141	.627	-.519	100	403	-.436	.134	-.078	-1.168
100	79	-.239	.032	-.119	-.385	100	240	-.239	.133	.258	-.894	100	404	-.431	.113	-.156	-.941
100	80	-.218	.043	-.094	-.515	100	241	-.203	.144	.303	-.762	100	405	-.399	.089	-.106	-.948
100	81	-.228	.042	-.101	-.555	100	242	-.129	.146	.462	-.798	100	406	-.428	.089	-.183	-1.040

APPENDIX A -- PRESSURE DATA:

JAY SQUARE -- CONFIGURATION B -- LOS ANGELES, CALIFORNIA

WD	TAP	CPMEAN	CPRMS	CPMAX	CPMIN	WD	TAP	CPMEAN	CPRMS	CPMAX	CPMIN	WD	TAP	CPMEAN	CPRMS	CPMAX	CPMIN
120	68	-.566	.140	-.133	-1.344	120	229	.140	.113	.481	-.191	120	279	-.100	.042	.062	-.247
120	69	-.580	.171	-.030	-1.488	120	230	.423	.139	.903	.070	120	280	.026	.062	.287	-.171
120	70	-.467	.133	.043	-1.131	120	231	.398	.137	.898	.033	120	281	.117	.080	.431	-.071
120	71	-.416	.140	-.028	-1.086	120	232	.121	.101	.435	-.184	120	282	.088	.077	.427	-.096
120	72	-.419	.158	-.048	-1.314	120	233	-.040	.087	.242	-.339	120	283	-.147	.052	.064	-.386
120	73	-.606	.141	-.283	-1.254	120	234	.063	.113	.534	-.301	120	284	-.219	.060	-.010	-.470
120	74	-.612	.147	-.297	-1.388	120	235	.176	.120	.648	-.157	120	285	-.102	.065	.177	-.323
120	75	-.628	.170	-.031	-1.303	120	236	.293	.127	.810	-.045	120	286	-.111	.048	.167	-.728
120	76	-.455	.134	.070	-.965	120	237	.139	.117	.605	-.188	120	401	-.505	.206	.182	-1.433
120	77	-.310	.110	.079	-.789	120	238	.251	.122	.677	-.058	120	402	-.480	.161	.150	-1.140
120	78	-.250	.078	.059	-.600	120	239	.297	.126	.737	-.021	120	403	-.552	.166	.024	-1.201
120	79	-.253	.074	.005	-.580	120	240	-.079	.107	.256	-.455	120	404	-.558	.140	-.142	-1.253
120	80	-.721	.205	-.226	-1.668	120	241	.037	.114	.432	-.354	120	405	-.507	.125	-.236	-1.252
120	81	-.771	.249	-.216	-2.043	120	242	.138	.120	.492	-.254	120	406	-.537	.132	-.173	-1.416
120	82	-.295	.113	.175	-.923	120	243	.229	.122	.691	-.099	120	407	-.457	.197	.133	-1.393
120	83	-.199	.095	.174	-.570	120	244	.300	.121	.745	-.098	120	408	-.495	.130	-.204	-1.267
120	84	-.179	.065	.073	-.530	120	245	.348	.132	.900	.012	120	409	-.538	.135	-.205	-1.180
120	85	-.195	.060	.012	-.463	120	246	.302	.127	.786	-.008	120	410	-.544	.202	.024	-1.340
120	86	-.249	.073	.005	-.665	120	247	.100	.104	.467	-.181	120	411	-.527	.180	.084	-1.196
120	87	-.781	.247	-.228	-1.826	120	248	-.001	.089	.319	-.279	120	412	-.498	.152	.043	-1.212
120	88	-.219	.075	.078	-.637	120	249	-.113	.104	.228	-.453	120	413	-.528	.136	-.195	-1.154
120	89	-.223	.064	.038	-.629	120	250	.082	.122	.482	-.346	120	414	-.526	.126	-.245	-1.041
120	201	-.014	.103	.338	-.418	120	251	.200	.122	.650	-.153	120	415	-.487	.115	-.224	-.980
120	202	.137	.110	.497	-.252	120	252	.295	.115	.747	-.078	120	416	-.627	.217	-.035	-1.827
120	203	.221	.121	.580	-.128	120	253	-.217	.087	.116	-.499	120	417	-.621	.212	.020	-1.724
120	204	.240	.124	.598	-.157	120	254	.295	.136	.727	-.018	120	418	-.569	.146	-.197	-1.239
120	205	.199	.135	.589	-.259	120	255	-.194	.106	.226	-.557	120	419	-.566	.133	-.250	-1.234
120	206	.178	.125	.564	-.256	120	256	.044	.102	.427	-.270	120	420	-.528	.119	-.236	-1.117
120	207	.004	.102	.336	-.401	120	257	-.225	.100	.243	-.603	120	421	-.528	.119	-.236	-1.111
120	208	.288	.129	.664	-.121	120	258	-.030	.107	.460	-.344	120	422	-.605	.199	-.072	-1.545
120	209	.304	.124	.760	-.110	120	259	.225	.120	.689	-.110	120	423	-.604	.176	-.104	-1.323
120	210	.045	.104	.384	-.267	120	260	.237	.122	.645	-.055	120	424	-.567	.147	-.136	-1.275
120	211	.238	.112	.585	-.110	120	261	.207	.117	.637	-.083	120	425	-.579	.182	-.056	-1.686
120	212	.497	.142	.907	.066	120	262	-.003	.095	.354	-.327	120	426	-.555	.156	-.087	-1.415
120	213	.507	.149	.908	.085	120	263	-.082	.081	.228	-.431	120	427	-.577	.143	-.117	-1.229
120	214	.289	.128	.737	-.090	120	264	-.213	.098	.195	-.626	120	428	-.522	.147	-.025	-1.260
120	215	.132	.112	.539	-.292	120	265	-.053	.091	.384	-.299	120	429	-.524	.144	-.043	-1.400
120	216	.044	.098	.354	-.330	120	266	.103	.092	.473	-.134	120	430	-.520	.139	-.070	-1.373
120	217	.243	.115	.610	-.115	120	267	.115	.093	.500	-.105	120	431	-.565	.156	-.092	-1.479
120	218	.483	.154	.881	.053	120	268	.064	.092	.415	-.193	120	432	-.576	.163	-.081	-1.250
120	219	.492	.144	.979	.113	120	269	-.128	.077	.200	-.377	120	433	-.618	.172	-.030	-1.347
120	220	.224	.123	.744	-.115	120	270	-.230	.074	.114	-.517	120	434	-.604	.156	-.244	-1.490
120	221	.085	.106	.482	-.345	120	271	-.220	.082	.253	-.525	120	435	-.583	.135	-.238	-1.190
120	222	-.015	.098	.310	-.349	120	272	-.125	.072	.284	-.324	120	436	-.574	.134	-.216	-1.258
120	223	.165	.106	.485	-.164	120	273	-.004	.070	.311	-.191	120	437	-.533	.165	-.026	-1.369
120	224	.422	.129	.931	.110	120	274	.033	.075	.354	-.147	120	438	-.513	.145	-.085	-1.052
120	225	.447	.144	.860	.056	120	275	.013	.071	.338	-.162	120	439	-.533	.136	-.092	-1.029
120	226	.170	.110	.626	-.164	120	276	-.225	.055	-.005	-.418	120	440	-.493	.144	-.045	-1.067
120	227	-.005	.094	.388	-.382	120	277	-.331	.070	-.108	-.628	120	441	-.521	.164	.015	-1.348
120	228	-.044	.108	.317	-.479	120	278	-.180	.050	-.021	-.428	120	442	-.520	.157	-.026	-1.373

WD	TAP	CPMEAN	CPRMS	CPMAX	CPMIN	WD	TAP	CPMEAN	CPRMS	CPMAX	CPMIN	WD	TAP	CPMEAN	CPRMS	CPMAX	CPMIN
120	443	-.525	.171	.002	-1.375	120	519	-.346	.094	-.099	-.790	120	602	-.383	.116	-.023	-1.040
120	444	-.485	.172	.137	-1.798	120	520	-.347	.119	-.046	-.850	120	603	-.382	.097	.015	-.864
120	445	-.461	.159	.151	-1.757	120	521	-.327	.087	-.091	-.713	120	604	-.399	.087	-.057	-.715
120	446	-.531	.151	-.048	-1.074	120	522	-.334	.094	-.074	-.778	120	605	-.396	.113	.015	-.938
120	447	-.610	.171	-.096	-1.397	120	523	-.315	.122	-.005	-1.103	120	606	-.428	.118	-.035	-.956
120	448	-.630	.186	-.187	-1.514	120	524	-.385	.164	.056	-1.153	120	607	-.380	.115	-.061	-1.095
120	449	-.618	.178	-.243	-1.625	120	525	-.607	.205	.085	-1.385	120	608	-.409	.114	-.059	-1.074
120	450	-.624	.179	-.243	-1.551	120	526	-.707	.188	-.152	-1.709	120	609	-.391	.117	-.062	-1.007
120	451	-.442	.158	-.030	-1.217	120	527	-.702	.181	-.293	-1.870	120	610	-.375	.105	-.092	-.898
120	452	-.427	.149	-.045	-1.089	120	528	-.285	.084	.015	-.670	120	611	-.350	.104	-.025	-.826
120	453	-.443	.136	.002	-1.202	120	529	-.271	.077	-.033	-.604	120	612	-.369	.079	-.119	-.737
120	454	-.469	.161	.015	-1.378	120	530	-.307	.081	-.096	-.781	120	613	-.377	.077	-.193	-.866
120	455	-.482	.136	-.106	-1.096	120	531	-.299	.087	-.051	-.711	120	614	-.404	.105	-.090	-.984
120	456	-.524	.142	-.105	-1.138	120	532	-.300	.112	-.005	-.802	120	615	-.424	.115	-.042	-.895
120	457	-.609	.171	-.134	-1.456	120	532	-.300	.112	-.005	-.802	120	616	-.418	.107	-.124	-.881
120	458	-.626	.207	-.151	-2.283	120	533	-.295	.077	-.028	-.693	120	617	-.385	.093	-.121	-.809
120	459	-.622	.202	-.151	-2.142	120	534	-.236	.072	.019	-.622	120	618	-.339	.064	-.167	-.628
120	460	-.469	.155	-.048	-1.126	120	535	-.279	.082	-.036	-.684	120	619	-.341	.068	-.136	-.678
120	461	-.444	.127	-.071	-.899	120	536	-.292	.105	-.028	-.852	120	620	-.430	.111	-.008	-.925
120	462	-.444	.117	-.074	-.870	120	537	-.273	.073	-.010	-.587	120	621	-.481	.138	.020	-1.072
120	463	-.461	.133	-.055	-.996	120	538	-.251	.072	.007	-.558	120	622	-.497	.124	-.155	-1.109
120	464	-.445	.125	-.035	-.924	120	539	-.236	.071	-.015	-.639	120	623	-.489	.115	-.175	-1.033
120	465	-.455	.122	-.038	-.979	120	540	-.243	.090	.038	-.791	120	624	-.451	.078	-.232	-.791
120	466	-.480	.146	-.120	-1.291	120	541	-.270	.075	-.020	-.555	120	625	-.466	.080	-.229	-.840
120	467	-.472	.135	-.151	-1.031	120	542	-.239	.067	-.013	-.523	120	626	-.484	.113	-.174	-.922
120	468	-.458	.129	-.165	-1.031	120	543	-.231	.070	.025	-.541	120	627	-.509	.131	-.127	-1.072
120	469	-.370	.129	.285	-.876	120	544	-.260	.098	.056	-.630	120	628	-.431	.104	-.103	-.834
120	470	-.349	.122	.052	-.816	120	545	-.235	.069	.107	-.493	120	629	-.432	.098	-.069	-.875
120	471	-.406	.118	-.098	-1.096	120	546	-.200	.060	.122	-.590	120	630	-.413	.093	-.105	-.878
120	472	-.394	.120	-.048	-.947	120	547	-.217	.087	.122	-.694	120	631	-.401	.074	-.145	-.809
120	473	-.406	.122	-.058	-1.040	120	548	-.343	.175	.127	-1.196	120	632	-.447	.111	-.036	-.999
120	474	-.406	.117	.010	-.942	120	549	-.625	.179	-.154	-1.408	120	633	-.413	.113	-.085	-1.020
120	501	-.490	.150	-.063	-1.114	120	550	-.627	.171	-.189	-1.360	120	634	-.451	.114	-.026	-.952
120	502	-.486	.140	-.068	-1.099	120	551	-.276	.104	.060	-.640	120	635	-.409	.107	-.116	-.917
120	503	-.491	.139	.085	-1.075	120	552	-.231	.068	.025	-.458	120	636	-.440	.116	-.023	-1.022
120	504	-.557	.144	-.141	-1.204	120	553	-.175	.037	-.021	-.293	120	637	-.355	.072	-.102	-.677
120	505	-.656	.146	-.141	-1.315	120	554	-.186	.040	.010	-.343	120	638	-.409	.100	.012	-.896
120	506	-.643	.138	-.208	-1.195	120	554	-.186	.040	.010	-.343	120	639	-.360	.083	-.092	-.844
120	507	-.687	.143	-.336	-1.357	120	555	-.178	.054	.067	-.411	120	640	-.420	.109	-.031	-1.004
120	508	-.494	.157	-.038	-1.264	120	556	-.428	.182	-.073	-1.325	120	641	-.421	.123	.005	-.893
120	509	-.487	.146	.057	-1.019	120	557	-.458	.211	-.107	-1.714	120	642	-.430	.114	-.031	-.932
120	510	-.505	.140	.114	-.999	120	558	-.446	.179	-.119	-1.370	120	643	-.388	.106	-.119	-.829
120	511	-.691	.142	-.338	-1.305	120	559	-.169	.035	-.043	-.296	120	644	-.346	.084	-.114	-.760
120	512	-.430	.134	-.056	-1.164	120	560	-.173	.037	-.012	-.294	120	645	-.387	.124	-.040	-1.354
120	513	-.422	.134	-.040	-1.009	120	561	-.389	.185	-.035	-1.208	120	646	-.349	.093	-.077	-.873
120	514	-.502	.149	-.122	-1.086	120	562	-.192	.049	-.010	-.350	120	647	-.417	.132	-.061	-1.008
120	515	-.671	.163	-.229	-1.464	120	563	-.164	.034	-.038	-.321	120	648	-.423	.126	-.039	-.909
120	516	-.652	.141	-.271	-1.495	120	564	-.233	.048	-.104	-.434	120	649	-.317	.087	.020	-.789
120	517	-.638	.137	-.254	-1.440	120	565	-.186	.038	-.037	-.339	120	650	-.384	.109	-.082	-.819
120	518	-.383	.107	-.135	-.894	120	601	-.396	.118	.002	-.865	120	651	-.327	.093	-.084	-.690

APPENDIX A -- PRESSURE DATA:

JAY SQUARE -- CONFIGURATION B -- LOS ANGELES, CALIFORNIA

WD	TAP	CPMEAN	CPRMS	CPMAX	CPMIN	WD	TAP	CPMEAN	CPRMS	CPMAX	CPMIN	WD	TAP	CPMEAN	CPRMS	CPMAX	CPMIN
120	652	-.395	.107	-.116	-.971	120	704	-.439	.119	-.056	-.890	120	1002	-.541	.103	-.295	-.955
120	653	-.308	.086	-.000	-.699	120	705	-.444	.123	-.074	-.895	120	1003	-.531	.093	-.298	-.899
120	654	-.408	.114	-.125	-1.018	120	706	-.442	.129	-.086	-1.113	120	1004	-.573	.125	-.286	-1.218
120	655	-.343	.104	.005	-.922	120	707	-.418	.111	-.147	-.896	120	1005	-.561	.110	-.286	-.997
120	656	-.301	.093	-.044	-.743	120	708	-.455	.126	-.155	-1.095	120	1006	-.541	.121	-.189	-1.075
120	657	-.334	.093	-.055	-.829	120	709	-.446	.133	-.128	-.975	120	1007	-.432	.126	.049	-.955
120	658	-.356	.099	-.036	-.904	120	710	-.320	.090	.199	-.699	120	1008	-.445	.129	.002	-.900
120	659	-.273	.096	-.013	-1.508	120	711	-.397	.116	-.109	-.878	120	1011	-.590	.208	-.036	-1.660
120	660	-.295	.083	.012	-.657	120	712	-.435	.113	-.124	-.844	120	1012	-.547	.264	.102	-1.661
120	661	-.321	.096	-.034	-.783	120	713	-.320	.094	-.072	-.776	120	1013	-.715	.229	.125	-1.940
120	662	-.342	.102	-.067	-.754	120	714	-.431	.138	-.122	-1.262	120	1014	-.585	.184	-.154	-1.539
120	663	-.343	.104	-.051	-.776	120	715	-.391	.117	-.102	-.883	120	1015	-.573	.159	-.102	-1.641
120	664	-.362	.099	-.127	-.748	120	801	-.247	.073	.124	-.690	120	1016	-.506	.134	-.099	-1.452
120	665	-.363	.096	-.099	-.748	120	802	-.221	.061	-.017	-.477	120	1017	-.489	.153	-.042	-1.350
120	666	-.357	.100	-.051	-.712	120	803	-.195	.085	.063	-.678	120	1018	-.494	.151	-.094	-1.304
120	667	-.317	.090	-.086	-.751	120	804	-.224	.078	.098	-.565	120	1019	-.489	.154	-.068	-1.245
120	668	-.315	.091	-.065	-.755	120	805	.007	.066	.424	-.200	120	1021	-.462	.138	-.080	-1.160
120	669	-.333	.109	-.020	-.922	120	806	.289	.135	.875	-.064	120	1022	-.460	.111	-.122	-.960
120	670	-.369	.107	-.011	-.865	120	807	.025	.072	.352	-.194	120	1023	-.458	.093	-.204	-.855
120	671	-.312	.084	-.048	-.763	120	808	-.175	.033	-.015	-.321	120	1024	-.435	.076	-.204	-.839
120	672	-.311	.086	-.029	-.718	120	809	-.090	.061	.238	-.249	120	1025	-.449	.089	-.145	-.965
120	673	-.318	.093	-.072	-.936	120	810	-.191	.036	-.032	-.325	120	1026	-.485	.112	-.071	-1.033
120	674	-.335	.103	-.095	-.909	120	811	-.165	.045	.075	-.296	120	1027	-.507	.120	-.090	-1.048
120	675	-.325	.098	-.069	-.763	120	812	-.220	.030	-.114	-.341	120	1028	-.475	.120	-.073	-1.058
120	676	-.322	.097	-.047	-.773	120	813	-.251	.036	-.110	-.417	120	1031	-.356	.100	-.062	-.763
120	677	-.317	.108	-.020	-.799	120	814	-.315	.063	-.064	-.565	120	1032	-.478	.164	-.146	-1.746
120	678	-.342	.117	-.031	-.950	120	815	-.185	.028	-.034	-.309	120	1033	-.426	.120	-.065	-1.054
120	679	-.315	.104	-.016	-.862	120	816	-.248	.039	-.119	-.412	120	1034	-.472	.155	-.097	-1.125
120	680	-.275	.092	-.013	-1.442	120	817	-.184	.030	-.047	-.312	120	1035	-.424	.156	-.102	-1.201
120	681	-.294	.080	-.040	-.772	120	818	-.240	.039	-.083	-.426	120	1036	-.429	.129	-.142	-1.115
120	682	-.282	.096	-.033	-.910	120	819	-.246	.047	-.100	-.440	120	1037	-.397	.110	-.087	-.773
120	683	-.273	.066	-.011	-.626	120	820	-.199	.033	-.087	-.316	120	1041	-.540	.130	-.187	-1.144
120	684	-.309	.134	.042	-.898	120	821	-.180	.031	-.037	-.288	120	1042	-.467	.131	.057	-1.027
120	685	-.323	.125	-.044	-.937	120	822	-.314	.145	.088	-1.435	120	1043	-.515	.088	-.256	-.904
120	686	-.313	.125	.012	-.961	120	823	-.305	.117	-.054	-1.034	120	1044	-.531	.100	-.251	-.933
120	687	-.264	.100	.142	-1.184	120	824	-.196	.076	.116	-.792	120	1045	-.531	.134	-.052	-1.248
120	688	-.276	.104	.185	-1.164	120	825	-.271	.097	-.020	-.946	120	1046	-.561	.120	-.286	-1.107
120	689	-.233	.069	.132	-.563	120	826	-.265	.077	.017	-.633	120	1047	-.522	.089	-.287	-.975
120	690	-.277	.100	.135	-1.118	120	827	-.152	.074	.196	-.464	120	1048	-.481	.157	-.081	-1.154
120	691	-.232	.079	.169	-.733	120	828	-.189	.036	-.018	-.304	120	1049	-.460	.124	-.069	-1.116
120	692	-.409	.221	.054	-1.264	120	829	-.171	.037	-.032	-.310	120	1050	-.495	.136	.005	-1.037
120	693	-.420	.117	-.125	-.973	120	901	-.155	.049	.058	-.316	130	1	-.450	.073	-.257	-.819
120	694	-.309	.130	.029	-1.281	120	902	-.149	.036	-.005	-.270	130	2	-.412	.070	-.171	-.800
120	695	-.268	.098	.136	-.804	120	903	-.127	.052	.071	-.269	130	3	-.478	.103	-.211	-1.047
120	696	-.235	.087	.155	-.597	120	904	-.175	.038	-.027	-.302	130	4	-.502	.131	-.086	-1.178
120	697	-.289	.107	-.020	-.790	120	905	-.157	.037	.005	-.259	130	5	-.471	.129	-.124	-1.099
120	701	-.434	.130	-.038	-.879	120	906	-.146	.035	-.012	-.250	130	6	-.491	.156	-.085	-1.677
120	701	-.434	.130	-.038	-.879	120	907	-.211	.041	-.072	-.346	130	7	-.434	.080	-.208	-.816
120	702	-.458	.128	-.112	-.986	120	908	-.172	.051	.046	-.329	130	9	-.469	.142	-.091	-1.159
120	703	-.477	.136	-.096	-1.061	120	1001	-.549	.107	-.292	-1.075	130	10	-.420	.073	-.244	-.899

WD	TAP	CPMEAN	CPRMS	CPMAX	CPMIN	WD	TAP	CPMEAN	CPRMS	CPMAX	CPMIN	WD	TAP	CPMEAN	CPRMS	CPMAX	CPMIN
130	11	-.403	.075	-.208	-.890	130	61	-.512	.121	-.205	-1.320	130	222	-.004	.112	.361	-.394
130	12	-.447	.094	-.220	-1.005	130	62	-.530	.135	-.186	-1.479	130	223	.198	.120	.581	-.173
130	13	-.449	.108	-.189	-1.029	130	63	-.515	.124	-.038	-1.089	130	224	.440	.141	.995	.046
130	14	-.485	.146	.066	-1.414	130	64	-.536	.176	.086	-1.341	130	225	.412	.138	.867	-.000
130	15	-.493	.157	-.054	-1.363	130	65	-.572	.210	-.000	-1.761	130	226	.129	.109	.481	-.212
130	16	-.432	.088	-.158	-.896	130	66	-.533	.113	-.249	-1.294	130	227	-.045	.094	.379	-.404
130	17	-.413	.080	-.164	-.755	130	67	-.540	.113	-.251	-1.327	130	228	-.030	.121	.435	-.627
130	18	-.428	.093	-.124	-.952	130	68	-.552	.129	-.168	-1.299	130	229	.161	.125	.600	-.256
130	19	-.466	.114	-.216	-1.152	130	69	-.574	.152	-.197	-1.464	130	230	.402	.150	.886	-.028
130	20	-.496	.155	-.191	-1.381	130	70	-.520	.127	-.038	-1.118	130	231	.349	.142	.809	-.053
130	21	-.518	.173	-.197	-1.564	130	71	-.526	.160	-.040	-1.167	130	232	.068	.101	.386	-.335
130	22	-.491	.124	-.172	-1.186	130	72	-.532	.174	-.027	-1.252	130	233	-.074	.085	.187	-.541
130	23	-.501	.134	-.122	-1.268	130	73	-.571	.126	-.273	-1.148	130	234	.076	.124	.490	-.346
130	24	-.513	.149	-.193	-1.488	130	74	-.577	.129	-.270	-1.172	130	235	.198	.131	.641	-.171
130	25	-.467	.119	-.166	-1.151	130	75	-.607	.145	-.276	-1.305	130	236	.311	.140	.815	-.064
130	26	-.502	.134	-.149	-1.420	130	76	-.575	.135	-.234	-1.202	130	237	.174	.129	.673	-.207
130	27	-.518	.150	-.168	-1.647	130	77	-.437	.110	.083	-.893	130	238	.247	.133	.688	-.110
130	28	-.438	.092	-.131	-.967	130	78	-.357	.100	.002	-.951	130	239	.334	.135	.831	.010
130	29	-.437	.094	-.169	-1.133	130	79	-.358	.105	-.013	-1.102	130	240	-.076	.121	.357	-.554
130	30	-.455	.104	-.210	-1.524	130	80	-.675	.235	-.193	-2.012	130	241	.041	.127	.521	-.391
130	31	-.478	.120	-.145	-1.266	130	81	-.677	.221	-.205	-1.708	130	242	.134	.133	.563	-.368
130	32	-.506	.129	-.219	-1.333	130	82	-.419	.102	.092	-1.009	130	243	.239	.134	.734	-.138
130	33	-.484	.118	-.128	-1.152	130	83	-.340	.097	.086	-1.084	130	244	.321	.134	.767	.002
130	34	-.466	.113	-.124	-1.185	130	84	-.282	.073	-.052	-1.003	130	245	.328	.137	.864	-.022
130	35	-.482	.108	-.169	-1.085	130	85	-.242	.058	-.000	-.651	130	246	.276	.128	.740	-.086
130	36	-.489	.109	-.168	-1.037	130	86	-.279	.063	.025	-.694	130	247	.060	.108	.455	-.273
130	37	-.506	.123	-.203	-1.210	130	87	-.796	.283	-.213	-2.075	130	248	-.025	.095	.300	-.329
130	38	-.466	.124	-.030	-1.074	130	88	-.326	.074	-.008	-.631	130	249	-.103	.116	.293	-.483
130	39	-.497	.124	-.104	-1.229	130	89	-.275	.061	-.093	-.788	130	250	.111	.132	.609	-.273
130	40	-.507	.116	-.177	-1.033	130	201	-.039	.128	.366	-.599	130	251	.203	.139	.778	-.186
130	41	-.534	.142	-.153	-1.562	130	202	.199	.121	.541	-.247	130	252	.302	.132	.735	-.005
130	42	-.482	.126	-.127	-1.157	130	203	.228	.124	.590	-.127	130	253	-.212	.100	.185	-.519
130	43	-.530	.148	-.114	-1.426	130	204	.207	.123	.600	-.168	130	254	.301	.137	.851	-.081
130	44	-.541	.180	-.105	-1.490	130	205	.109	.119	.516	-.344	130	255	-.179	.119	.295	-.599
130	45	-.441	.098	-.201	-.899	130	206	.103	.113	.533	-.245	130	256	.068	.118	.462	-.231
130	46	-.424	.098	-.198	-.884	130	207	-.010	.125	.399	-.394	130	257	-.204	.103	.162	-.549
130	47	-.463	.110	-.200	-1.456	130	208	.320	.141	.716	-.246	130	258	-.001	.111	.431	-.339
130	48	-.494	.137	-.127	-1.304	130	209	.231	.117	.594	-.108	130	259	.224	.125	.739	-.096
130	49	-.508	.129	-.118	-1.232	130	210	.011	.124	.396	-.399	130	260	.224	.126	.752	-.057
130	50	-.519	.170	-.062	-1.620	130	211	.262	.130	.757	-.157	130	261	.168	.123	.676	-.181
130	51	-.534	.188	-.071	-1.622	130	212	.521	.159	.952	.010	130	262	-.044	.098	.330	-.291
130	52	-.445	.103	-.146	-1.126	130	213	.487	.157	.885	-.022	130	263	-.114	.083	.184	-.362
130	53	-.466	.106	-.134	-1.012	130	214	.211	.119	.554	-.162	130	264	-.193	.095	.132	-.534
130	54	-.500	.128	-.178	-1.195	130	215	.062	.105	.400	-.291	130	265	-.034	.096	.363	-.338
130	55	-.530	.160	-.100	-1.705	130	216	.036	.116	.439	-.325	130	266	.107	.105	.543	-.178
130	56	-.500	.147	.002	-1.311	130	217	.272	.136	.710	-.172	130	267	.106	.105	.608	-.168
130	57	-.541	.178	-.020	-1.652	130	218	.507	.158	.976	.037	130	268	.054	.099	.526	-.190
130	58	-.554	.198	-.031	-1.715	130	219	.481	.141	.949	.094	130	269	-.181	.076	.182	-.438
130	59	-.479	.100	-.178	-1.272	130	220	.169	.109	.541	-.158	130	270	-.268	.076	.070	-.632
130	60	-.470	.101	-.181	-1.373	130	221	.023	.099	.339	-.372	130	271	-.206	.085	.125	-.545

WD	TAP	CPMEAN	CPRMS	CPMAX	CPMIN	WD	TAP	CPMEAN	CPRMS	CPMAX	CPMIN	WD	TAP	CPMEAN	CPRMS	CPMAX	CPMIN
130	272	-.121	.076	.177	-.357	130	436	-.773	.169	-.268	-1.465	130	512	-.441	.108	-.154	-.939
130	273	-.025	.084	.480	-.251	130	437	-.434	.156	.010	-1.178	130	513	-.422	.106	-.159	-.991
130	274	.006	.088	.556	-.188	130	438	-.427	.143	.024	-1.057	130	514	-.486	.150	-.028	-1.091
130	275	-.012	.080	.418	-.210	130	439	-.466	.139	-.069	-1.158	130	515	-.677	.182	-.202	-1.504
130	276	-.233	.064	-.020	-.462	130	440	-.461	.153	-.047	-1.162	130	516	-.749	.137	-.323	-1.356
130	277	-.356	.077	-.143	-.751	130	441	-.447	.155	-.061	-1.102	130	517	-.733	.133	-.346	-1.331
130	278	-.205	.056	.163	-.379	130	442	-.449	.154	-.064	-1.039	130	518	-.413	.089	-.175	-.789
130	279	-.149	.052	.155	-.318	130	443	-.452	.151	-.073	-1.188	130	519	-.370	.078	-.117	-.866
130	280	-.039	.064	.253	-.234	130	444	-.442	.142	.057	-1.302	130	520	-.338	.086	-.080	-.946
130	281	.069	.081	.378	-.143	130	445	-.426	.139	-.021	-1.186	130	521	-.358	.072	-.139	-.759
130	282	.038	.078	.325	-.178	130	446	-.471	.155	-.073	-1.116	130	522	-.349	.067	-.161	-.722
130	283	-.177	.058	.037	-.360	130	447	-.646	.209	-.089	-1.351	130	523	-.313	.083	-.041	-.770
130	284	-.230	.067	-.013	-.450	130	448	-.786	.220	-.193	-1.875	130	524	-.343	.132	.048	-1.023
130	285	-.125	.070	.141	-.356	130	449	-.800	.198	-.219	-1.699	130	525	-.564	.223	-.051	-1.336
130	286	-.161	.042	.038	-.283	130	450	-.801	.198	-.226	-1.682	130	526	-.775	.170	-.261	-1.667
130	401	-.303	.134	.052	-1.081	130	451	-.452	.161	-.046	-1.238	130	527	-.740	.173	-.306	-1.686
130	402	-.340	.124	.057	-.855	130	452	-.438	.146	-.113	-1.109	130	528	-.351	.082	-.094	-.650
130	403	-.552	.162	-.067	-1.161	130	453	-.473	.144	-.061	-1.008	130	529	-.329	.073	-.005	-.633
130	404	-.713	.180	-.207	-1.487	130	454	-.445	.151	-.029	-1.272	130	530	-.343	.065	-.103	-.668
130	405	-.909	.218	-.372	-1.610	130	455	-.471	.146	-.111	-1.072	130	531	-.333	.070	-.080	-.729
130	406	-1.294	.509	-.365	-2.857	130	456	-.521	.181	-.093	-1.307	130	532	-.309	.071	-.068	-.721
130	407	-.290	.149	.084	-1.226	130	457	-.719	.228	-.084	-1.559	130	532	-.309	.071	-.068	-.721
130	408	-1.078	.378	-.357	-2.366	130	458	-.849	.254	-.211	-2.041	130	533	-.353	.071	-.120	-.686
130	409	-1.041	.375	-.344	-2.859	130	459	-.840	.245	-.215	-1.931	130	534	-.329	.062	-.097	-.609
130	410	-.404	.123	-.049	-1.360	130	460	-.470	.162	-.083	-1.281	130	535	-.318	.065	-.104	-.660
130	411	-.385	.118	-.051	-1.273	130	461	-.492	.142	-.137	-1.044	130	536	-.303	.072	-.080	-.733
130	412	-.539	.172	-.144	-1.090	130	462	-.521	.146	-.159	-1.138	130	537	-.353	.081	-.084	-.709
130	413	-.822	.186	-.090	-1.510	130	463	-.511	.147	-.121	-1.183	130	538	-.321	.069	-.098	-.681
130	414	-.890	.218	-.382	-1.912	130	464	-.500	.138	-.128	-1.001	130	539	-.293	.058	-.074	-.577
130	415	-.918	.251	-.309	-1.808	130	465	-.512	.144	-.165	-1.039	130	540	-.276	.062	.018	-.616
130	416	-.501	.179	-.060	-1.507	130	466	-.530	.147	-.167	-1.310	130	541	-.366	.084	-.119	-.681
130	417	-.495	.173	.010	-1.581	130	467	-.522	.143	-.164	-1.238	130	542	-.321	.067	-.128	-.566
130	418	-.653	.188	-.079	-1.310	130	468	-.510	.144	-.168	-1.209	130	543	-.291	.063	-.083	-.583
130	419	-.789	.173	-.175	-1.392	130	469	-.453	.125	-.041	-.960	130	544	-.373	.099	-.085	-.787
130	420	-.784	.158	-.276	-1.422	130	470	-.410	.117	-.079	-.949	130	545	-.320	.072	-.080	-.621
130	421	-.774	.157	-.263	-1.361	130	471	-.509	.139	-.194	-1.097	130	546	-.247	.049	-.044	-.526
130	422	-.530	.176	-.045	-1.776	130	472	-.467	.130	-.090	-1.174	130	547	-.245	.067	.048	-.667
130	423	-.523	.165	-.047	-1.623	130	473	-.441	.121	-.043	-.914	130	548	-.308	.120	.022	-1.079
130	424	-.578	.176	-.128	-1.210	130	474	-.463	.124	-.118	-1.044	130	549	-.635	.178	-.140	-1.491
130	425	-.547	.177	-.103	-1.288	130	501	-.480	.135	-.147	-.999	130	550	-.654	.166	-.198	-1.490
130	426	-.532	.167	-.050	-1.118	130	502	-.472	.133	-.130	-1.021	130	551	-.356	.099	-.118	-.753
130	427	-.569	.176	-.064	-1.232	130	503	-.519	.149	-.170	-1.102	130	552	-.298	.059	-.134	-.512
130	428	-.449	.146	-.045	-1.307	130	504	-.583	.171	-.149	-1.272	130	553	-.227	.038	-.061	-.371
130	429	-.460	.148	-.045	-1.451	130	505	-.734	.197	-.215	-1.455	130	554	-.239	.039	-.077	-.389
130	430	-.482	.144	-.077	-1.375	130	506	-.839	.171	-.396	-1.565	130	554	-.239	.039	-.077	-.389
130	431	-.515	.166	-.086	-1.207	130	507	-.851	.192	-.377	-1.721	130	555	-.241	.046	-.008	-.448
130	432	-.553	.176	-.028	-1.154	130	508	-.457	.133	-.161	-1.046	130	556	-.372	.144	-.061	-1.239
130	433	-.664	.209	.070	-1.333	130	509	-.469	.135	-.124	-1.026	130	557	-.422	.146	-.121	-1.288
130	434	-.792	.195	-.190	-1.882	130	510	-.490	.141	-.120	-1.036	130	558	-.396	.120	-.121	-1.006
130	435	-.780	.175	-.153	-1.638	130	511	-.843	.184	-.398	-1.695	130	559	-.220	.036	-.084	-.350

APPENDIX A -- PRESSURE DATA:

JAY SQUARE -- CONFIGURATION B -- LOS ANGELES, CALIFORNIA

WD	TAP	CPMEAN	CPRMS	CPMAX	CPMIN	WD	TAP	CPMEAN	CPRMS	CPMAX	CPMIN	WD	TAP	CPMEAN	CPRMS	CPMAX	CPMIN
130	560	-.223	.037	-.078	-.355	130	645	-.445	.165	-.064	-1.362	130	695	-.262	.058	-.041	-.570
130	561	-.350	.154	-.022	-1.069	130	646	-.465	.123	-.118	-1.154	130	696	-.293	.061	-.067	-.588
130	562	-.253	.037	-.118	-.384	130	647	-.470	.174	-.073	-1.570	130	697	-.336	.081	-.129	-.751
130	563	-.213	.034	-.084	-.340	130	648	-.435	.108	-.036	-.914	130	701	-.511	.170	-.099	-1.164
130	564	-.281	.048	-.128	-.529	130	649	-.370	.104	.051	-.811	130	701	-.511	.170	-.099	-1.164
130	565	-.233	.037	-.056	-.355	130	650	-.387	.098	.012	-.815	130	702	-.510	.151	-.163	-1.257
130	601	-.435	.093	-.098	-.875	130	651	-.440	.123	-.093	-.919	130	703	-.519	.151	-.173	-1.264
130	602	-.420	.094	-.093	-.829	130	652	-.480	.131	-.147	-1.319	130	704	-.480	.137	-.151	-.972
130	603	-.388	.076	-.092	-.677	130	653	-.403	.113	.082	-.909	130	705	-.490	.144	-.148	-1.111
130	604	-.395	.083	-.121	-.863	130	654	-.491	.139	-.164	-1.360	130	706	-.493	.149	-.166	-1.137
130	605	-.372	.098	-.018	-.887	130	655	-.412	.103	-.086	-.819	130	707	-.480	.125	-.196	-.949
130	606	-.394	.084	-.066	-.712	130	656	-.439	.107	-.129	-.874	130	708	-.488	.126	-.192	-1.002
130	607	-.409	.095	-.073	-.826	130	657	-.359	.085	-.059	-.741	130	709	-.491	.132	-.146	-1.111
130	608	-.372	.089	-.076	-.871	130	658	-.403	.097	-.071	-.860	130	710	-.398	.109	-.117	-.865
130	609	-.414	.090	-.094	-.821	130	659	-.301	.067	-.066	-.611	130	711	-.494	.133	-.166	-1.092
130	610	-.410	.078	-.042	-.754	130	660	-.379	.104	-.058	-.899	130	712	-.498	.129	-.211	-1.050
130	611	-.360	.073	-.093	-.917	130	661	-.424	.117	-.122	-1.013	130	713	-.412	.113	-.100	-.782
130	612	-.380	.061	-.140	-.747	130	662	-.412	.111	-.107	-.906	130	714	-.505	.160	-.146	-1.266
130	613	-.377	.069	-.162	-.780	130	663	-.432	.116	-.108	-.913	130	715	-.477	.139	-.164	-1.069
130	614	-.372	.089	-.120	-.895	130	664	-.460	.131	-.096	-.922	130	801	-.287	.051	-.114	-.544
130	615	-.380	.091	-.074	-.809	130	665	-.440	.123	-.101	-.866	130	802	-.288	.063	-.085	-.807
130	616	-.419	.088	-.156	-1.057	130	666	-.446	.112	-.146	-.948	130	803	-.304	.086	.005	-1.041
130	617	-.380	.074	-.161	-.975	130	667	-.394	.103	-.080	-.849	130	804	-.329	.079	-.096	-.674
130	618	-.365	.065	-.110	-.726	130	668	-.394	.103	-.071	-.835	130	805	-.043	.064	.248	-.224
130	619	-.370	.076	-.116	-.788	130	669	-.416	.120	-.067	-.888	130	806	.238	.132	.794	-.078
130	620	-.422	.102	-.073	-.872	130	670	-.453	.113	-.116	-.870	130	807	-.023	.076	.359	-.290
130	621	-.435	.123	-.037	-1.078	130	671	-.390	.110	-.073	-.842	130	808	-.189	.044	-.013	-.352
130	622	-.509	.097	-.263	-1.037	130	672	-.390	.109	-.071	-.827	130	809	-.154	.067	.146	-.343
130	623	-.512	.102	-.235	-1.118	130	673	-.416	.127	-.066	-.911	130	810	-.232	.043	-.027	-.399
130	624	-.462	.066	-.267	-.775	130	674	-.458	.143	-.108	-1.013	130	811	-.198	.045	-.010	-.345
130	625	-.473	.084	-.199	-.784	130	675	-.397	.114	-.053	-.847	130	812	-.265	.043	-.113	-.455
130	626	-.467	.107	-.077	-1.027	130	676	-.398	.112	-.056	-.883	130	813	-.266	.069	-.081	-.666
130	627	-.487	.113	-.173	-.949	130	677	-.400	.126	-.039	-.962	130	814	-.241	.105	.114	-.741
130	628	-.447	.075	-.224	-.799	130	678	-.448	.142	-.083	-1.056	130	815	-.217	.029	-.102	-.324
130	629	-.469	.080	-.212	-.946	130	679	-.405	.127	.005	-1.010	130	816	-.251	.051	-.067	-.423
130	630	-.431	.069	-.204	-.772	130	680	-.310	.070	-.071	-.675	130	817	-.217	.030	-.105	-.338
130	631	-.431	.071	-.178	-.694	130	681	-.309	.077	-.000	-.648	130	818	-.284	.039	-.161	-.425
130	632	-.435	.107	-.066	-.764	130	682	-.282	.052	-.093	-.524	130	819	-.286	.045	-.119	-.473
130	633	-.421	.081	-.105	-.955	130	683	-.308	.064	-.097	-.706	130	820	-.246	.036	-.118	-.393
130	634	-.433	.109	-.056	-.815	130	684	-.448	.154	-.076	-1.152	130	821	-.226	.034	-.107	-.372
130	635	-.420	.100	.076	-.914	130	685	-.433	.135	-.088	-1.116	130	822	-.274	.052	-.100	-.659
130	636	-.441	.098	-.130	-.901	130	686	-.441	.154	-.080	-1.318	130	823	-.301	.068	-.135	-.780
130	637	-.397	.085	-.090	-.755	130	687	-.272	.054	-.098	-.534	130	824	-.320	.094	.002	-.772
130	638	-.414	.090	-.113	-.835	130	688	-.283	.055	-.097	-.662	130	825	-.304	.073	-.124	-.800
130	639	-.436	.092	-.168	-.857	130	689	-.270	.065	-.005	-.604	130	826	-.331	.084	-.131	-.834
130	640	-.432	.106	-.059	-.921	130	690	-.275	.058	-.041	-.533	130	827	-.207	.067	.132	-.536
130	641	-.391	.118	-.064	-.949	130	691	-.290	.056	-.083	-.576	130	828	-.227	.041	-.094	-.406
130	642	-.429	.112	-.068	-.888	130	692	-.517	.219	-.132	-1.847	130	829	-.237	.051	-.032	-.469
130	643	-.399	.096	.030	-.919	130	693	-.484	.125	-.188	-.943	130	901	-.206	.042	-.044	-.394
130	644	-.419	.104	-.054	-.810	130	694	-.281	.059	-.114	-.931	130	902	-.196	.031	-.080	-.309

WD	TAP	CPMEAN	CPRMS	CPMAX	CPMIN	WD	TAP	CPMEAN	CPRMS	CPMAX	CPMIN	WD	TAP	CPMEAN	CPRMS	CPMAX	CPMIN
130	903	-.184	.050	.017	-.376	140	3	-.515	.072	-.310	-1.107	140	54	-.529	.090	-.226	-.970
130	904	-.228	.034	-.095	-.353	140	4	-.530	.082	-.278	-1.025	140	55	-.561	.104	-.271	-1.423
130	905	-.205	.032	-.073	-.321	140	5	-.537	.094	-.271	-1.183	140	56	-.567	.111	-.214	-1.087
130	906	-.191	.033	-.065	-.304	140	6	-.532	.102	-.225	-1.158	140	57	-.634	.150	-.216	-1.569
130	907	-.259	.041	-.099	-.396	140	7	-.485	.058	-.284	-.752	140	58	-.660	.174	-.162	-1.719
130	908	-.227	.049	-.015	-.418	140	9	-.528	.100	-.278	-1.247	140	59	-.557	.098	-.152	-.908
130	1001	-.548	.096	-.294	-.965	140	10	-.453	.054	-.266	-.651	140	60	-.543	.097	-.155	-.885
130	1002	-.534	.095	-.266	-1.022	140	11	-.460	.055	-.271	-.697	140	61	-.586	.102	-.314	-1.126
130	1003	-.531	.092	-.271	-.942	140	12	-.480	.058	-.299	-.692	140	62	-.621	.113	-.342	-1.147
130	1004	-.570	.115	-.287	-1.519	140	13	-.484	.062	-.308	-.736	140	63	-.631	.112	-.329	-1.184
130	1005	-.550	.099	-.291	-1.021	140	14	-.524	.088	-.305	-1.127	140	64	-.637	.154	-.057	-1.428
130	1006	-.539	.106	-.190	-.985	140	15	-.528	.093	-.312	-1.127	140	65	-.680	.179	-.238	-1.522
130	1007	-.465	.124	.022	-.927	140	16	-.472	.064	-.307	-.712	140	66	-.633	.114	-.188	-1.248
130	1008	-.425	.106	-.015	-.839	140	17	-.466	.061	-.299	-.745	140	67	-.639	.113	-.234	-1.239
130	1011	-.765	.230	-.111	-1.807	140	18	-.473	.064	-.296	-.773	140	68	-.640	.119	-.332	-1.583
130	1012	-.770	.307	-.096	-2.130	140	19	-.501	.070	-.300	-.859	140	69	-.708	.149	-.332	-1.435
130	1013	-.958	.240	-.057	-1.851	140	20	-.527	.111	-.287	-1.395	140	70	-.672	.124	-.299	-1.522
130	1014	-.726	.229	-.168	-1.910	140	21	-.544	.121	-.310	-1.417	140	71	-.676	.148	-.179	-1.453
130	1015	-.597	.188	-.147	-1.523	140	22	-.527	.091	-.329	-1.106	140	72	-.673	.162	-.123	-1.679
130	1016	-.493	.153	-.132	-1.195	140	23	-.541	.102	-.322	-1.294	140	73	-.688	.139	-.366	-1.519
130	1017	-.463	.132	-.170	-1.139	140	24	-.544	.110	-.306	-1.413	140	74	-.696	.142	-.372	-1.572
130	1018	-.473	.132	-.175	-1.183	140	25	-.511	.088	-.295	-1.043	140	75	-.726	.163	-.393	-1.838
130	1019	-.507	.141	-.113	-1.315	140	26	-.533	.090	-.319	-1.043	140	76	-.685	.148	-.111	-1.518
130	1021	-.501	.096	-.242	-.966	140	27	-.552	.102	-.334	-1.378	140	77	-.625	.139	-.131	-1.081
130	1022	-.493	.087	-.281	-.934	140	28	-.477	.069	-.274	-.811	140	78	-.572	.146	-.104	-1.360
130	1023	-.494	.081	-.280	-.990	140	29	-.489	.074	-.272	-.928	140	79	-.581	.159	-.132	-1.445
130	1024	-.460	.068	-.267	-.860	140	30	-.494	.066	-.258	-.855	140	80	-.740	.232	-.258	-2.144
130	1025	-.458	.096	-.166	-1.044	140	31	-.520	.077	-.302	-1.015	140	81	-.786	.289	-.269	-2.269
130	1026	-.485	.115	-.054	-.954	140	32	-.545	.089	-.341	-1.205	140	82	-.533	.120	-.092	-1.014
130	1027	-.492	.123	-.031	-1.086	140	33	-.537	.084	-.334	-1.149	140	83	-.452	.114	-.075	-.960
130	1028	-.465	.127	-.122	-1.110	140	34	-.522	.082	-.322	-1.138	140	84	-.438	.127	-.101	-1.050
130	1031	-.455	.121	-.161	-.908	140	35	-.528	.083	-.294	-1.088	140	85	-.431	.142	.019	-1.242
130	1032	-.536	.169	-.141	-1.469	140	36	-.541	.081	-.289	-1.018	140	86	-.440	.164	-.013	-1.271
130	1033	-.505	.140	-.188	-1.158	140	37	-.554	.090	-.294	-1.122	140	87	-.878	.292	-.305	-2.213
130	1034	-.545	.167	-.165	-1.372	140	38	-.511	.088	-.295	-1.104	140	88	-.443	.106	-.131	-.908
130	1035	-.454	.148	-.137	-1.433	140	39	-.539	.083	-.316	-.973	140	89	-.414	.143	-.082	-1.031
130	1036	-.475	.132	-.164	-1.061	140	40	-.552	.081	-.337	-1.115	140	201	.129	.131	.504	-.408
130	1037	-.480	.115	-.173	-1.025	140	41	-.543	.101	-.319	-1.305	140	202	.246	.130	.601	-.189
130	1041	-.536	.108	-.238	-.977	140	42	-.537	.101	-.262	-1.188	140	203	.212	.124	.570	-.173
130	1042	-.468	.116	-.077	-.999	140	43	-.599	.128	-.268	-1.621	140	204	.150	.119	.502	-.210
130	1043	-.524	.084	-.316	-.853	140	44	-.579	.126	-.319	-1.600	140	205	-.012	.098	.283	-.328
130	1044	-.523	.087	-.315	-.861	140	45	-.482	.082	-.247	-.801	140	206	-.024	.101	.317	-.363
130	1045	-.529	.131	.005	-1.114	140	46	-.466	.080	-.226	-.777	140	207	.163	.138	.591	-.261
130	1046	-.562	.114	-.261	-1.119	140	47	-.501	.081	-.269	-.880	140	208	.366	.135	.787	-.040
130	1047	-.536	.092	-.286	-1.073	140	48	-.532	.095	-.307	-1.132	140	209	.121	.106	.440	-.211
130	1048	-.502	.148	-.055	-1.540	140	49	-.563	.106	-.351	-1.187	140	210	.168	.131	.721	-.256
130	1049	-.478	.106	-.111	-.959	140	50	-.570	.130	-.303	-1.367	140	211	.375	.140	.744	-.080
130	1050	-.491	.110	.024	-.886	140	51	-.600	.147	-.233	-1.499	140	212	.489	.158	.888	.012
140	1	-.495	.058	-.323	-.808	140	52	-.499	.088	-.222	-.878	140	213	.394	.150	.756	-.017
140	2	-.472	.054	-.291	-.666	140	53	-.498	.086	-.193	-.845	140	214	.090	.109	.441	-.236

WD	TAP	CPMEAN	CPRMS	CPMAX	CPMIN	WD	TAP	CPMEAN	CPRMS	CPMAX	CPMIN	WD	TAP	CPMEAN	CPRMS	CPMAX	CPMIN
140	215	-.077	.081	.250	-.330	140	265	.065	.121	.592	-.310	140	429	-.354	.068	-.065	-.733
140	216	.191	.134	.617	-.249	140	266	.138	.101	.512	-.118	140	430	-.409	.064	-.168	-.751
140	217	.397	.146	.848	-.054	140	267	.107	.092	.502	-.113	140	431	-.383	.075	-.161	-.865
140	218	.528	.152	.980	.080	140	268	.036	.087	.447	-.181	140	432	-.305	.097	.005	-.858
140	219	.419	.143	.858	.039	140	269	-.242	.082	.138	-.543	140	433	-.306	.176	.100	-1.381
140	220	.050	.101	.358	-.251	140	270	-.348	.081	.010	-.708	140	434	-.495	.300	.137	-1.592
140	221	-.094	.085	.199	-.406	140	271	-.096	.086	.295	-.421	140	435	-.738	.183	.075	-1.602
140	222	.139	.140	.556	-.322	140	272	-.026	.078	.293	-.335	140	436	-.733	.166	-.023	-1.619
140	223	.312	.141	.752	-.138	140	273	.016	.076	.371	-.199	140	437	-.314	.062	-.080	-.693
140	224	.472	.149	.924	.087	140	274	.012	.074	.380	-.170	140	438	-.304	.064	-.050	-.711
140	225	.361	.124	.820	.048	140	275	-.041	.071	.256	-.241	140	439	-.398	.058	-.144	-.794
140	226	.033	.102	.391	-.283	140	276	-.322	.072	-.078	-.606	140	440	-.377	.059	-.102	-.685
140	227	-.142	.077	.128	-.374	140	277	-.447	.088	-.201	-.873	140	441	-.338	.057	-.139	-.670
140	228	.100	.139	.541	-.339	140	278	-.135	.063	.130	-.325	140	442	-.323	.062	-.048	-.755
140	229	.297	.149	.790	-.113	140	279	-.086	.060	.206	-.286	140	443	-.391	.055	-.212	-.592
140	230	.410	.141	.904	.077	140	280	.007	.067	.303	-.183	140	444	-.426	.067	-.239	-.753
140	231	.307	.129	.733	-.025	140	281	.087	.078	.386	-.102	140	445	-.390	.064	-.184	-.643
140	232	-.016	.090	.315	-.286	140	282	.024	.078	.312	-.183	140	446	-.298	.090	.095	-.838
140	233	-.172	.078	.114	-.455	140	283	-.242	.072	-.015	-.517	140	447	-.302	.173	.128	-1.122
140	234	.222	.146	.751	-.174	140	284	-.296	.082	-.061	-.621	140	448	-.475	.299	.187	-1.583
140	235	.312	.145	.770	-.065	140	285	-.214	.084	-.039	-.505	140	449	-.737	.209	.057	-1.733
140	236	.382	.142	.853	.032	140	286	-.160	.043	-.012	-.312	140	450	-.728	.206	-.018	-1.708
140	237	.279	.145	.776	-.103	140	401	-.204	.069	.082	-.545	140	451	-.501	.141	-.170	-1.306
140	238	.344	.139	.815	-.020	140	402	-.240	.061	.010	-.544	140	452	-.477	.128	-.154	-1.072
140	239	.376	.146	.952	.007	140	403	-.374	.067	-.171	-.822	140	453	-.521	.138	-.204	-1.020
140	240	.078	.155	.612	-.431	140	404	-.436	.133	-.138	-1.091	140	454	-.330	.100	.035	-.768
140	241	.177	.149	.652	-.274	140	405	-.881	.208	-.156	-1.565	140	455	-.320	.092	-.003	-.836
140	242	.238	.152	.818	-.174	140	406	-.960	.312	-.310	-2.752	140	456	-.272	.124	.109	-.955
140	243	.337	.152	.853	-.073	140	407	-.159	.079	.138	-.582	140	457	-.375	.246	.094	-1.489
140	244	.370	.140	.814	.029	140	408	-.916	.280	-.042	-2.377	140	458	-.730	.286	.212	-1.965
140	245	.335	.127	.755	.012	140	409	-.906	.262	.007	-2.243	140	459	-.754	.266	.165	-2.026
140	246	.224	.111	.627	-.056	140	410	-.444	.055	-.237	-.734	140	460	-.514	.169	-.105	-1.279
140	247	-.029	.089	.369	-.283	140	411	-.369	.049	-.167	-.661	140	461	-.572	.165	-.159	-1.211
140	248	-.104	.082	.285	-.360	140	412	-.264	.115	-.000	-.864	140	462	-.628	.206	-.183	-1.563
140	249	.098	.162	.605	-.391	140	413	-.501	.251	.069	-1.270	140	463	-.584	.160	-.146	-1.304
140	250	.276	.159	.764	-.152	140	414	-.797	.175	.223	-1.750	140	464	-.580	.163	-.156	-1.218
140	251	.320	.140	.810	-.124	140	415	-.811	.174	-.201	-1.472	140	465	-.634	.208	-.239	-1.561
140	252	.368	.142	.811	.034	140	416	-.422	.058	-.201	-.823	140	466	-.685	.215	-.030	-1.655
140	253	-.034	.148	.645	-.548	140	417	-.396	.066	-.110	-.766	140	467	-.674	.207	-.173	-1.624
140	254	.350	.135	.917	-.033	140	418	-.329	.178	.039	-1.137	140	468	-.651	.202	-.273	-1.605
140	255	.018	.165	.826	-.694	140	419	-.559	.276	.117	-1.475	140	469	-.434	.162	.146	-1.192
140	256	.215	.139	.923	-.157	140	420	-.743	.161	.148	-1.314	140	470	-.487	.175	.021	-1.263
140	257	-.036	.149	.503	-.489	140	421	-.737	.160	.075	-1.303	140	471	-.630	.199	-.239	-1.496
140	258	.119	.143	.673	-.423	140	422	-.456	.070	-.224	-.859	140	472	-.394	.160	.277	-1.043
140	259	.246	.125	.698	-.045	140	423	-.418	.069	-.149	-.823	140	473	-.444	.134	.235	-1.130
140	260	.211	.116	.747	-.047	140	424	-.340	.105	-.057	-.935	140	474	-.558	.143	-.188	-1.148
140	261	.121	.101	.540	-.117	140	425	-.436	.067	-.183	-.806	140	501	-.475	.123	-.106	-.932
140	262	-.128	.083	.220	-.340	140	426	-.376	.075	-.126	-.881	140	502	-.412	.106	-.008	-.772
140	263	-.193	.075	.108	-.404	140	427	-.334	.105	-.042	-.950	140	503	-.372	.106	.039	-.772
140	264	-.034	.118	.415	-.406	140	428	-.339	.065	-.075	-.707	140	504	-.351	.129	.040	-.930

WD	TAP	CPMEAN	CPRMS	CPMAX	CPMIN	WD	TAP	CPMEAN	CPRMS	CPMAX	CPMIN	WD	TAP	CPMEAN	CPRMS	CPMAX	CPMIN
140	505	-.422	.220	.091	-1.183	140	554	-.199	.042	-.037	-.349	140	638	-.522	.080	-.271	-1.003
140	506	-.633	.309	.302	-1.542	140	554	-.199	.042	-.037	-.349	140	639	-.491	.080	-.284	-.904
140	507	-.852	.265	-.020	-2.034	140	555	-.192	.045	-.032	-.361	140	640	-.471	.077	-.218	-1.272
140	508	-.380	.104	-.023	-.795	140	556	-.237	.120	.069	-1.298	140	641	-.429	.074	-.228	-1.109
140	509	-.413	.107	-.050	-.762	140	557	-.285	.114	-.003	-.881	140	642	-.458	.078	-.193	-1.392
140	510	-.344	.095	.005	-.748	140	558	-.289	.111	.118	-.921	140	643	-.510	.091	-.199	-1.126
140	511	-.807	.246	-.090	-1.978	140	559	-.193	.041	-.013	-.342	140	644	-.552	.104	-.249	-1.059
140	512	-.470	.113	-.135	-.893	140	560	-.184	.039	-.051	-.319	140	645	-.540	.237	-.168	-2.466
140	513	-.403	.091	-.084	-.727	140	561	-.197	.112	.060	-.898	140	646	-.569	.153	-.264	-1.738
140	514	-.264	.092	.022	-.806	140	562	-.237	.049	-.072	-.417	140	647	-.530	.213	-.076	-2.393
140	515	-.408	.200	.050	-1.351	140	563	-.182	.037	-.037	-.337	140	648	-.540	.115	-.178	-1.163
140	516	-.610	.147	-.030	-1.258	140	564	-.242	.054	.010	-.550	140	649	-.485	.104	-.178	-.972
140	517	-.598	.140	-.064	-1.201	140	565	-.196	.040	-.025	-.325	140	650	-.501	.106	-.111	-.983
140	518	-.456	.106	-.207	-1.011	140	601	-.500	.076	-.239	-.932	140	651	-.509	.114	-.097	-.984
140	519	-.389	.086	-.159	-.762	140	602	-.486	.067	-.269	-.809	140	652	-.619	.186	-.208	-1.381
140	520	-.303	.066	-.075	-.563	140	603	-.450	.060	-.263	-.905	140	653	-.413	.100	-.132	-.996
140	521	-.373	.079	-.161	-.700	140	604	-.441	.066	-.211	-.827	140	654	-.635	.199	-.163	-1.445
140	522	-.355	.068	-.112	-.611	140	605	-.443	.064	-.218	-.729	140	655	-.412	.105	-.093	-.945
140	523	-.269	.058	-.062	-.536	140	606	-.454	.060	-.273	-.740	140	656	-.426	.104	-.127	-.980
140	524	-.234	.074	-.028	-.688	140	607	-.477	.071	-.237	-.920	140	657	-.504	.124	-.122	-.959
140	525	-.304	.163	.007	-1.149	140	608	-.426	.059	-.223	-.617	140	658	-.534	.126	-.116	-.983
140	526	-.589	.184	-.032	-1.440	140	609	-.476	.065	-.253	-.917	140	659	-.489	.146	-.028	-1.294
140	527	-.584	.164	-.063	-1.355	140	610	-.464	.053	-.297	-.728	140	660	-.438	.113	-.135	-.929
140	528	-.318	.071	-.048	-.671	140	611	-.437	.053	-.237	-.736	140	661	-.431	.109	-.117	-.922
140	529	-.299	.069	-.041	-.550	140	612	-.455	.050	-.264	-.648	140	662	-.366	.088	-.098	-.794
140	530	-.331	.066	-.146	-.606	140	613	-.450	.053	-.279	-.639	140	663	-.384	.090	-.111	-.823
140	531	-.326	.063	-.128	-.599	140	614	-.446	.056	-.251	-.641	140	664	-.406	.089	-.116	-.795
140	532	-.283	.058	-.045	-.649	140	615	-.444	.056	-.229	-.740	140	665	-.387	.086	-.126	-.785
140	532	-.283	.058	-.045	-.649	140	616	-.483	.060	-.306	-.746	140	666	-.494	.128	-.053	-1.119
140	533	-.324	.072	-.080	-.601	140	617	-.459	.053	-.310	-.657	140	667	-.350	.081	-.137	-.765
140	534	-.301	.063	-.092	-.542	140	618	-.460	.047	-.289	-.620	140	668	-.351	.082	-.124	-.780
140	535	-.293	.058	-.124	-.536	140	619	-.459	.052	-.271	-.716	140	669	-.369	.086	-.108	-.730
140	536	-.276	.055	-.105	-.518	140	620	-.485	.059	-.283	-.754	140	670	-.467	.114	.002	-.993
140	537	-.313	.069	-.106	-.636	140	621	-.465	.059	-.271	-.723	140	671	-.345	.083	-.112	-.747
140	538	-.289	.060	-.105	-.543	140	622	-.568	.076	-.336	-.978	140	672	-.347	.085	-.119	-.748
140	539	-.269	.051	-.097	-.484	140	623	-.556	.072	-.351	-.933	140	673	-.343	.086	-.127	-.806
140	540	-.252	.050	-.090	-.465	140	624	-.519	.055	-.365	-.727	140	674	-.378	.093	-.146	-.943
140	541	-.316	.066	-.109	-.570	140	625	-.536	.074	-.296	-.855	140	675	-.358	.084	-.117	-.690
140	542	-.285	.056	-.095	-.485	140	626	-.519	.092	-.295	-1.170	140	676	-.361	.085	-.074	-.715
140	543	-.263	.051	-.093	-.548	140	627	-.517	.090	-.309	-.969	140	677	-.342	.086	-.110	-.706
140	544	-.304	.076	-.105	-.630	140	628	-.523	.066	-.297	-.829	140	678	-.374	.089	-.136	-.810
140	545	-.275	.062	-.071	-.538	140	629	-.541	.060	-.349	-.798	140	679	-.345	.086	-.100	-.802
140	546	-.218	.047	.030	-.498	140	630	-.511	.061	-.301	-.798	140	680	-.507	.142	-.031	-1.242
140	547	-.202	.048	-.033	-.498	140	631	-.478	.053	-.334	-.690	140	681	-.437	.108	-.032	-.847
140	548	-.211	.087	.012	-.819	140	632	-.432	.068	-.211	-.803	140	682	-.426	.132	-.020	-1.058
140	549	-.445	.164	.027	-1.301	140	633	-.502	.074	-.266	-.906	140	683	-.453	.125	-.074	-.973
140	550	-.484	.151	.020	-1.270	140	634	-.424	.068	-.203	-.758	140	684	-.345	.086	-.095	-.813
140	551	-.269	.084	.002	-.798	140	635	-.432	.062	-.191	-.706	140	685	-.406	.102	-.123	-.863
140	552	-.242	.060	-.045	-.557	140	636	-.541	.088	-.292	-.988	140	686	-.330	.081	-.092	-.797
140	553	-.188	.041	-.005	-.325	140	637	-.500	.080	-.290	-.933	140	687	-.439	.192	.022	-1.250

WD	TAP	CPMEAN	CPRMS	CPMAX	CPMIN	WD	TAP	CPMEAN	CPRMS	CPMAX	CPMIN	WD	TAP	CPMEAN	CPRMS	CPMAX	CPMIN
140	688	-.438	.192	.005	-1.409	140	825	-.480	.159	-.139	-1.384	140	1046	-.622	.103	-.340	-1.120
140	689	-.371	.117	-.059	-.916	140	826	-.408	.117	-.047	-.922	140	1047	-.597	.086	-.379	-.939
140	690	-.368	.127	-.035	-.870	140	827	-.266	.114	-.079	-.937	140	1048	-.528	.091	-.212	-1.046
140	691	-.371	.099	-.120	-.939	140	828	-.298	.053	-.116	-.493	140	1049	-.513	.072	-.266	-.807
140	692	-.357	.147	-.099	-1.469	140	829	-.289	.059	-.120	-.571	140	1050	-.533	.103	-.121	-.980
140	693	-.589	.187	-.200	-1.556	140	901	-.198	.054	.031	-.414	150	1	-.488	.054	-.315	-.691
140	694	-.366	.153	.107	-1.204	140	902	-.180	.035	-.061	-.324	150	2	-.542	.057	-.306	-.774
140	695	-.313	.106	.041	-.958	140	903	-.172	.055	.069	-.367	150	3	-.504	.062	-.329	-.863
140	696	-.330	.078	-.096	-.725	140	904	-.207	.039	-.088	-.354	150	4	-.522	.070	-.285	-.891
140	697	-.354	.103	-.161	-.940	140	905	-.193	.036	-.068	-.341	150	5	-.590	.079	-.339	-1.013
140	701	-.604	.205	-.166	-1.474	140	906	-.177	.040	-.032	-.316	150	6	-.507	.086	-.264	-1.167
140	701	-.604	.205	-.166	-1.474	140	907	-.234	.050	-.087	-.395	150	7	-.486	.057	-.325	-.706
140	702	-.578	.186	-.160	-1.265	140	908	-.208	.063	.022	-.430	150	9	-.582	.079	-.378	-1.004
140	703	-.578	.182	-.142	-1.287	140	1001	-.609	.085	-.369	-.934	150	10	-.528	.055	-.304	-.751
140	704	-.591	.190	-.194	-1.360	140	1002	-.584	.081	-.355	-.918	150	11	-.519	.055	-.332	-.812
140	705	-.584	.201	-.166	-1.513	140	1003	-.586	.082	-.344	-.922	150	12	-.484	.053	-.301	-.696
140	706	-.587	.195	-.229	-1.496	140	1004	-.639	.092	-.375	-1.044	150	13	-.486	.055	-.304	-.772
140	707	-.604	.160	-.231	-1.295	140	1005	-.630	.101	-.332	-1.084	150	14	-.517	.074	-.302	-1.137
140	708	-.598	.165	-.192	-1.332	140	1006	-.607	.091	-.283	-.948	150	15	-.515	.077	-.310	-1.075
140	709	-.595	.158	-.251	-1.264	140	1007	-.533	.091	-.181	-.873	150	16	-.470	.053	-.308	-.683
140	710	-.351	.081	-.095	-.706	140	1008	-.489	.088	-.162	-.840	150	17	-.471	.054	-.315	-.684
140	711	-.640	.199	-.196	-1.634	140	1011	-.673	.270	.313	-2.656	150	18	-.476	.056	-.312	-.712
140	712	-.598	.167	-.181	-1.373	140	1012	-.700	.311	.234	-2.113	150	19	-.500	.062	-.324	-.766
140	713	-.358	.080	-.120	-.733	140	1013	-.774	.293	.134	-2.010	150	20	-.512	.078	-.327	-1.109
140	714	-.661	.220	-.201	-1.884	140	1014	-.454	.259	.316	-1.800	150	21	-.532	.085	-.319	-1.188
140	715	-.602	.198	-.167	-1.530	140	1015	-.346	.191	.106	-1.390	150	22	-.516	.071	-.328	-.961
140	801	-.353	.107	-.093	-.771	140	1016	-.311	.112	.076	-.824	150	23	-.526	.077	-.341	-1.087
140	802	-.433	.136	-.078	-1.112	140	1017	-.447	.111	-.095	-.803	150	24	-.532	.084	-.350	-1.182
140	803	-.461	.123	-.010	-1.383	140	1018	-.449	.108	-.099	-.796	150	25	-.565	.075	-.343	-1.047
140	804	-.465	.102	-.067	-.971	140	1019	-.508	.137	-.163	-1.048	150	26	-.525	.072	-.290	-1.156
140	805	-.084	.072	.224	-.293	140	1021	-.560	.071	-.355	-.836	150	27	-.536	.081	-.341	-1.420
140	806	-.242	.142	.856	-.061	140	1022	-.537	.067	-.263	-.879	150	28	-.474	.057	-.301	-.693
140	807	-.024	.062	.260	-.193	140	1023	-.541	.060	-.355	-.792	150	29	-.480	.061	-.271	-.697
140	808	-.137	.046	.042	-.343	140	1024	-.513	.059	-.345	-.881	150	30	-.488	.059	-.323	-.768
140	809	-.138	.049	.063	-.278	140	1025	-.529	.101	-.315	-1.066	150	31	-.508	.063	-.333	-.820
140	810	-.194	.047	-.010	-.360	140	1026	-.529	.089	-.317	-1.098	150	32	-.609	.080	-.312	-1.094
140	811	-.148	.057	.359	-.316	140	1027	-.532	.092	-.256	-.975	150	33	-.526	.069	-.318	-.882
140	812	-.205	.047	-.040	-.375	140	1028	-.474	.073	-.204	-.859	150	34	-.579	.070	-.373	-.923
140	813	-.177	.067	.053	-.486	140	1031	-.531	.135	-.204	-1.275	150	35	-.535	.066	-.370	-.943
140	814	-.148	.080	.219	-.562	140	1032	-.719	.261	-.261	-2.038	150	36	-.543	.066	-.371	-.921
140	815	-.167	.035	-.032	-.295	140	1033	-.624	.185	-.249	-1.441	150	37	-.556	.074	-.360	-.994
140	816	-.164	.050	.024	-.385	140	1034	-.644	.198	-.118	-1.470	150	38	-.551	.074	-.346	-.905
140	817	-.175	.035	-.017	-.308	140	1035	-.509	.165	-.158	-1.285	150	39	-.530	.068	-.298	-.908
140	818	-.246	.045	-.032	-.397	140	1036	-.533	.132	-.203	-1.140	150	40	-.621	.070	-.414	-.902
140	819	-.240	.046	-.111	-.406	140	1037	-.490	.112	-.213	-.977	150	41	-.600	.077	-.344	-1.095
140	820	-.208	.039	-.064	-.365	140	1041	-.600	.102	-.268	-1.211	150	42	-.587	.078	-.370	-1.156
140	821	-.192	.038	-.052	-.320	140	1042	-.507	.084	-.059	-.864	150	43	-.647	.094	-.372	-1.520
140	822	-.400	.179	-.044	-1.384	140	1043	-.596	.080	-.340	-.990	150	44	-.570	.102	-.276	-1.130
140	823	-.405	.109	-.104	-1.021	140	1044	-.594	.080	-.345	-.930	150	45	-.487	.073	-.291	-.802
140	824	-.381	.146	.027	-1.077	140	1045	-.605	.113	-.244	-1.017	150	46	-.534	.074	-.310	-.850

WD	TAP	CPMEAN	CPRMS	CPMAX	CPMIN	WD	TAP	CPMEAN	CPRMS	CPMAX	CPMIN	WD	TAP	CPMEAN	CPRMS	CPMAX	CPMIN
150	47	-.499	.072	-.290	-.828	150	208	.391	.137	.771	-.030	150	258	.192	.159	.680	-.313
150	48	-.528	.080	-.320	-.915	150	209	-.011	.084	.367	-.244	150	259	.248	.130	.633	-.110
150	49	-.555	.086	-.346	-.979	150	210	.298	.153	.750	-.160	150	260	.175	.108	.529	-.109
150	50	-.615	.116	-.333	-1.367	150	211	.458	.155	.881	.005	150	261	.088	.091	.474	-.148
150	51	-.600	.129	-.290	-1.421	150	212	.471	.151	.890	.037	150	262	-.162	.072	.131	-.405
150	52	-.555	.090	-.265	-.976	150	213	.345	.137	.709	-.049	150	263	-.223	.068	.031	-.477
150	53	-.524	.088	-.243	-1.423	150	214	-.050	.084	.282	-.315	150	264	.015	.135	.589	-.396
150	54	-.551	.093	-.278	-1.415	150	215	-.139	.072	.134	-.352	150	265	.079	.124	.521	-.261
150	55	-.574	.096	-.283	-1.215	150	216	.320	.160	.766	-.146	150	266	.099	.102	.469	-.159
150	56	-.619	.102	-.217	-1.306	150	217	.470	.164	.964	.017	150	267	.054	.087	.389	-.190
150	57	-.616	.126	-.280	-1.216	150	218	.502	.153	.944	.078	150	268	-.029	.078	.269	-.257
150	58	-.640	.146	-.313	-1.553	150	219	.373	.123	.751	-.008	150	269	-.288	.067	.059	-.497
150	59	-.566	.091	-.269	-.986	150	220	-.008	.083	.270	-.297	150	270	-.392	.072	-.028	-.705
150	60	-.613	.097	-.315	-1.084	150	221	-.149	.074	.136	-.384	150	271	-.045	.095	.392	-.300
150	61	-.609	.114	-.305	-1.396	150	222	.258	.158	.940	-.219	150	272	-.009	.086	.373	-.260
150	62	-.635	.121	-.230	-1.596	150	223	.396	.156	.953	-.075	150	273	.010	.069	.376	-.202
150	63	-.641	.121	-.219	-1.602	150	224	.446	.137	.907	.080	150	274	-.014	.066	.293	-.184
150	64	-.713	.165	-.184	-1.574	150	225	.311	.114	.688	.031	150	275	-.075	.065	.202	-.278
150	65	-.688	.167	-.183	-1.473	150	226	-.016	.085	.353	-.237	150	276	-.366	.070	-.165	-.653
150	66	-.654	.112	-.333	-1.256	150	227	-.183	.071	.091	-.421	150	277	-.474	.077	-.229	-.854
150	67	-.659	.111	-.338	-1.257	150	228	.217	.170	.810	-.256	150	278	-.088	.063	.186	-.320
150	68	-.722	.127	-.346	-1.619	150	229	.427	.147	.909	-.044	150	279	-.053	.060	.202	-.278
150	69	-.765	.179	-.312	-1.865	150	230	.404	.128	.890	.046	150	280	-.010	.062	.322	-.194
150	70	-.686	.136	-.285	-1.526	150	231	.270	.111	.697	-.028	150	281	.072	.082	.398	-.138
150	71	-.674	.162	-.241	-1.734	150	232	-.064	.075	.243	-.290	150	282	-.004	.082	.307	-.214
150	72	-.730	.188	-.265	-1.833	150	233	-.205	.067	.070	-.427	150	283	-.265	.078	-.025	-.641
150	73	-.696	.147	-.328	-1.608	150	234	.310	.163	.767	-.158	150	284	-.319	.087	-.066	-.731
150	74	-.705	.153	-.326	-1.669	150	235	.363	.157	.801	-.092	150	285	-.233	.091	.017	-.584
150	75	-.736	.169	-.341	-1.868	150	236	.388	.142	.786	.007	150	286	-.163	.039	-.008	-.330
150	76	-.699	.141	-.220	-1.500	150	237	.354	.160	.781	-.037	150	401	-.168	.057	.095	-.392
150	77	-.597	.143	.012	-1.503	150	238	.356	.154	.883	-.062	150	402	-.190	.052	.056	-.379
150	78	-.525	.138	-.056	-1.508	150	239	.379	.149	.846	-.067	150	403	-.328	.054	-.111	-.572
150	79	-.534	.145	-.107	-1.734	150	240	.183	.166	.728	-.482	150	404	-.291	.076	-.100	-.695
150	80	-.804	.265	-.315	-2.068	150	241	.252	.161	.808	-.369	150	405	-.683	.155	-.125	-1.389
150	81	-.806	.274	-.360	-2.128	150	242	.306	.154	.809	-.136	150	406	-.726	.171	-.135	-1.784
150	82	-.549	.122	-.032	-.995	150	243	.364	.158	.873	-.045	150	407	-.110	.066	.130	-.364
150	83	-.537	.127	-.106	-1.158	150	244	.340	.143	.765	-.069	150	408	-.677	.175	.047	-1.585
150	84	-.512	.139	-.101	-1.263	150	245	.300	.121	.803	-.000	150	409	-.615	.189	.199	-1.296
150	85	-.415	.174	.205	-1.512	150	246	.184	.101	.793	-.063	150	410	-.450	.049	-.283	-.633
150	86	-.446	.150	.058	-1.158	150	247	-.068	.076	.378	-.298	150	411	-.349	.040	-.184	-.489
150	87	-.936	.326	-.366	-2.342	150	248	-.139	.070	.238	-.365	150	412	-.176	.060	.189	-.501
150	88	-.457	.104	-.125	-.849	150	249	.157	.169	.757	-.329	150	413	-.196	.171	.108	-.950
150	89	-.387	.153	.110	-1.039	150	250	.291	.170	.873	-.165	150	414	-.598	.183	.365	-1.169
150	201	.214	.134	.637	-.220	150	251	.368	.154	.969	-.106	150	415	-.634	.161	.140	-1.201
150	202	.289	.129	.654	-.097	150	252	.356	.151	.793	-.040	150	416	-.423	.048	-.256	-.586
150	203	.178	.120	.566	-.161	150	253	.116	.165	.645	-.454	150	417	-.382	.047	-.177	-.534
150	204	.095	.116	.508	-.226	150	254	.351	.155	.848	-.062	150	418	-.180	.071	-.119	-.631
150	205	-.081	.082	.183	-.376	150	255	.156	.173	.635	-.585	150	419	-.239	.223	.250	-1.039
150	206	-.156	.081	.114	-.454	150	256	.289	.157	.781	-.197	150	420	-.582	.171	.305	-1.252
150	207	.356	.142	.828	-.139	150	257	.073	.160	.602	-.436	150	421	-.573	.167	.270	-1.271

WD	TAP	CPMEAN	CPRMS	CPMAX	CPMIN	WD	TAP	CPMEAN	CPRMS	CPMAX	CPMIN	WD	TAP	CPMEAN	CPRMS	CPMAX	CPMIN
150	422	-.441	.056	-.254	-.684	150	472	-.362	.240	.566	-1.102	150	547	-.106	.056	.167	-.322
150	423	-.401	.050	-.207	-.595	150	473	-.451	.212	.365	-1.245	150	548	-.070	.060	.163	-.312
150	424	-.284	.049	.066	-.591	150	474	-.717	.192	-.148	-1.486	150	549	-.108	.146	.370	-.670
150	425	-.416	.048	-.142	-.613	150	501	-.528	.134	-.143	-.986	150	550	-.160	.165	.397	-.707
150	426	-.347	.045	.002	-.575	150	502	-.406	.105	-.024	-.780	150	551	-.317	.101	-.078	-.809
150	427	-.269	.049	.092	-.573	150	503	-.287	.095	.139	-.607	150	552	-.263	.068	-.082	-.562
150	428	-.326	.056	-.101	-.524	150	504	-.178	.090	.216	-.563	150	553	-.131	.048	.031	-.297
150	429	-.340	.055	-.122	-.516	150	505	-.097	.111	.280	-.660	150	554	-.121	.049	.125	-.300
150	430	-.398	.052	-.219	-.553	150	506	-.362	.280	.265	-1.247	150	554	-.121	.049	.125	-.300
150	431	-.349	.049	-.156	-.529	150	507	-.680	.281	.084	-2.077	150	555	-.093	.047	.086	-.236
150	432	-.262	.055	-.015	-.605	150	508	-.394	.108	-.120	-.794	150	556	-.070	.068	.236	-.483
150	433	-.204	.090	.082	-.871	150	509	-.411	.113	-.049	-.769	150	557	-.064	.086	.207	-.570
150	434	-.265	.231	.182	-1.147	150	510	-.267	.086	.065	-.586	150	558	-.222	.095	.082	-.896
150	435	-.582	.189	.194	-1.458	150	511	-.681	.271	.061	-2.044	150	559	-.144	.045	.031	-.300
150	436	-.572	.174	.275	-1.424	150	512	-.548	.133	-.072	-1.108	150	560	-.167	.039	-.005	-.299
150	437	-.300	.055	-.030	-.526	150	513	-.428	.105	-.005	-.897	150	561	-.022	.066	.200	-.323
150	438	-.288	.052	-.003	-.516	150	514	-.143	.069	.168	-.432	150	562	-.240	.051	-.107	-.502
150	439	-.378	.050	-.126	-.604	150	515	-.106	.101	.225	-.708	150	563	-.125	.041	.065	-.254
150	440	-.398	.070	-.079	-.657	150	516	-.311	.195	.395	-.892	150	564	-.212	.063	.131	-.460
150	441	-.376	.068	-.037	-.602	150	517	-.326	.173	.398	-.902	150	565	-.178	.042	-.013	-.368
150	442	-.343	.067	.041	-.538	150	518	-.535	.125	-.192	-.948	150	601	-.501	.072	-.243	-.899
150	443	-.448	.073	-.150	-.733	150	519	-.404	.096	-.030	-.797	150	602	-.483	.067	-.189	-.904
150	444	-.510	.097	-.178	-.905	150	520	-.253	.069	.088	-.511	150	603	-.489	.080	-.220	-1.208
150	445	-.428	.084	-.039	-.716	150	521	-.385	.090	-.017	-.749	150	604	-.456	.067	-.258	-1.033
150	446	-.272	.055	.025	-.462	150	522	-.362	.068	-.130	-.589	150	605	-.455	.059	-.263	-.774
150	447	-.131	.078	.365	-.701	150	523	-.209	.064	.051	-.402	150	606	-.472	.061	-.232	-.716
150	448	-.063	.135	.422	-.939	150	524	-.121	.058	.140	-.369	150	607	-.468	.067	-.243	-.825
150	449	-.373	.238	.597	-1.265	150	525	-.071	.069	.154	-.479	150	608	-.450	.055	-.278	-.671
150	450	-.381	.224	.577	-1.282	150	526	-.186	.193	.307	-.900	150	609	-.481	.064	-.273	-1.054
150	451	-.679	.194	-.247	-1.622	150	527	-.438	.161	.152	-1.131	150	610	-.524	.065	-.325	-.899
150	452	-.614	.160	-.236	-1.287	150	528	-.327	.085	-.005	-.648	150	611	-.516	.062	-.344	-.946
150	453	-.704	.173	-.207	-1.286	150	529	-.309	.079	.028	-.654	150	612	-.463	.050	-.298	-.689
150	454	-.350	.098	.046	-.649	150	530	-.312	.059	-.092	-.525	150	613	-.459	.050	-.325	-.628
150	455	-.288	.080	.067	-.549	150	531	-.322	.060	-.042	-.563	150	614	-.452	.052	-.300	-.615
150	456	-.152	.072	.161	-.478	150	532	-.220	.063	.104	-.429	150	615	-.454	.056	-.265	-.685
150	457	-.053	.103	.426	-.609	150	532	-.220	.063	.104	-.429	150	616	-.492	.055	-.331	-.847
150	458	-.262	.305	.569	-1.579	150	533	-.328	.068	-.096	-.650	150	617	-.516	.056	-.343	-.903
150	459	-.355	.294	.546	-1.566	150	534	-.295	.057	-.089	-.531	150	618	-.477	.048	-.326	-.678
150	460	-.747	.235	-.231	-1.599	150	535	-.269	.069	.014	-.490	150	619	-.525	.059	-.353	-.817
150	461	-.767	.216	-.222	-1.413	150	536	-.228	.065	.029	-.432	150	620	-.564	.061	-.377	-.773
150	462	-.830	.255	-.268	-1.668	150	537	-.353	.083	-.085	-.706	150	621	-.546	.061	-.346	-.745
150	463	-.751	.214	-.182	-1.455	150	538	-.292	.070	-.029	-.591	150	622	-.550	.068	-.373	-.862
150	464	-.748	.209	-.144	-1.395	150	539	-.231	.064	.121	-.468	150	623	-.546	.068	-.363	-1.088
150	465	-.805	.233	-.290	-1.603	150	540	-.191	.061	.127	-.369	150	624	-.526	.052	-.351	-.739
150	466	-.856	.247	-.261	-1.911	150	541	-.361	.086	-.087	-.793	150	625	-.607	.067	-.374	-.951
150	467	-.845	.238	-.232	-1.774	150	542	-.297	.073	.029	-.620	150	626	-.555	.085	-.285	-1.140
150	468	-.818	.230	-.284	-1.700	150	543	-.260	.050	-.015	-.438	150	627	-.522	.078	-.339	-.995
150	469	-.451	.271	.504	-1.250	150	544	-.354	.092	-.133	-.870	150	628	-.541	.070	-.342	-1.052
150	470	-.614	.259	.155	-1.540	150	545	-.292	.072	-.077	-.660	150	629	-.548	.066	-.331	-.902
150	471	-.853	.265	-.329	-1.888	150	546	-.162	.055	.135	-.332	150	630	-.531	.064	-.354	-.916

WD	TAP	CPMEAN	CPRMS	CPMAX	CPMIN	WD	TAP	CPMEAN	CPRMS	CPMAX	CPMIN	WD	TAP	CPMEAN	CPRMS	CPMAX	CPMIN
150	631	-.504	.055	-.347	-.778	150	681	-.448	.113	-.118	-.856	150	818	-.235	.047	-.025	-.433
150	632	-.456	.084	-.227	-1.107	150	682	-.455	.126	-.113	-.980	150	819	-.226	.046	-.090	-.393
150	633	-.520	.075	-.302	-.940	150	683	-.448	.136	-.088	-1.263	150	820	-.198	.039	-.060	-.359
150	634	-.446	.082	-.222	-1.086	150	684	-.332	.091	-.094	-1.070	150	821	-.186	.037	-.052	-.346
150	635	-.443	.064	-.246	-.739	150	685	-.397	.111	-.160	-1.257	150	822	-.434	.181	-.115	-1.552
150	636	-.554	.086	-.262	-.982	150	686	-.345	.090	-.110	-.888	150	823	-.446	.127	-.180	-1.208
150	637	-.517	.080	-.321	-.960	150	687	-.496	.221	.050	-2.065	150	824	-.440	.191	.057	-1.686
150	638	-.537	.079	-.329	-.857	150	688	-.489	.212	.015	-2.056	150	825	-.505	.173	-.120	-1.235
150	639	-.520	.090	-.314	-1.033	150	689	-.399	.112	-.135	-.858	150	826	-.414	.132	-.078	-1.134
150	640	-.490	.083	-.277	-.966	150	690	-.409	.119	-.045	-.931	150	827	-.306	.102	.002	-.864
150	641	-.557	.114	-.304	-1.013	150	691	-.386	.100	-.145	-1.102	150	828	-.288	.050	-.141	-.472
150	642	-.478	.082	-.247	-.934	150	692	-.402	.156	-.083	-1.673	150	829	-.288	.052	-.123	-.495
150	643	-.544	.089	-.250	-.980	150	693	-.638	.187	-.256	-1.376	150	901	-.197	.054	.044	-.413
150	644	-.578	.115	-.305	-1.180	150	694	-.431	.160	-.093	-1.134	150	902	-.180	.037	-.061	-.573
150	645	-.597	.263	-.157	-1.887	150	695	-.357	.105	-.109	-.760	150	903	-.174	.056	.042	-.376
150	646	-.612	.170	-.329	-1.407	150	696	-.353	.080	-.104	-.687	150	904	-.201	.039	-.076	-.390
150	647	-.577	.230	-.155	-1.840	150	697	-.394	.112	-.172	-.983	150	905	-.195	.037	-.071	-.342
150	648	-.571	.104	-.249	-1.122	150	701	-.830	.244	-.213	-1.819	150	906	-.175	.037	-.049	-.328
150	649	-.495	.113	-.140	-1.082	150	702	-.664	.227	-.230	-1.614	150	907	-.222	.048	-.070	-.391
150	650	-.532	.099	-.212	-1.041	150	703	-.656	.221	-.204	-1.636	150	908	-.199	.068	.049	-.468
150	651	-.550	.130	-.122	-1.030	150	704	-.608	.193	-.249	-1.508	150	1001	-.631	.083	-.369	-.996
150	652	-.678	.232	-.272	-1.759	150	705	-.614	.209	-.232	-1.580	150	1002	-.600	.078	-.341	-.987
150	653	-.624	.122	-.089	-.957	150	706	-.607	.217	-.165	-1.469	150	1003	-.605	.078	-.351	-1.009
150	654	-.694	.246	-.264	-1.820	150	707	-.632	.182	-.194	-1.480	150	1004	-.635	.094	-.330	-1.000
150	655	-.522	.154	-.052	-1.315	150	708	-.638	.166	-.306	-1.458	150	1005	-.708	.098	-.373	-1.004
150	656	-.447	.122	-.108	-.936	150	709	-.621	.176	-.155	-1.312	150	1006	-.601	.088	-.245	-.944
150	657	-.502	.119	-.114	-1.034	150	710	-.360	.089	-.133	-.704	150	1007	-.537	.084	-.209	-.884
150	658	-.545	.121	-.162	-1.048	150	711	-.677	.197	-.297	-1.709	150	1008	-.611	.095	-.308	-.919
150	659	-.501	.143	-.068	-1.364	150	712	-.647	.176	-.261	-1.353	150	1011	-.260	.269	.564	-1.181
150	660	-.433	.117	-.140	-.948	150	713	-.353	.088	-.094	-.740	150	1012	-.277	.263	.534	-1.149
150	661	-.421	.112	-.159	-.969	150	714	-.828	.259	-.177	-1.912	150	1013	-.489	.264	.295	-1.783
150	662	-.363	.095	-.092	-.803	150	715	-.796	.249	-.258	-1.789	150	1014	-.248	.201	.215	-1.215
150	663	-.378	.096	-.070	-.832	150	801	-.362	.127	-.003	-1.005	150	1015	-.195	.101	.232	-.757
150	664	-.409	.093	-.179	-.853	150	802	-.455	.141	.029	-1.058	150	1016	-.248	.073	.133	-.532
150	665	-.400	.090	-.150	-.814	150	803	-.501	.136	-.059	-1.082	150	1017	-.471	.127	-.145	-.955
150	666	-.553	.155	-.040	-1.245	150	804	-.483	.106	-.067	-.883	150	1018	-.460	.122	-.170	-.915
150	667	-.359	.088	-.050	-.748	150	805	-.112	.075	.181	-.351	150	1019	-.522	.138	-.161	-1.013
150	668	-.360	.088	-.036	-.717	150	806	.216	.152	.826	-.130	150	1021	-.609	.074	-.417	-.958
150	669	-.444	.111	-.177	-.946	150	807	-.036	.056	.257	-.199	150	1022	-.601	.072	-.401	-.908
150	670	-.505	.129	-.013	-1.016	150	808	-.121	.043	.079	-.255	150	1023	-.540	.059	-.368	-.942
150	671	-.361	.081	-.103	-.626	150	809	-.120	.047	.117	-.250	150	1024	-.517	.055	-.340	-.803
150	672	-.365	.081	-.096	-.619	150	810	-.178	.039	-.000	-.316	150	1025	-.523	.083	-.309	-1.130
150	673	-.362	.080	-.130	-.704	150	811	-.116	.073	.359	-.287	150	1026	-.521	.072	-.307	-.849
150	674	-.397	.084	-.187	-.740	150	812	-.192	.045	-.005	-.408	150	1027	-.583	.081	-.161	-1.107
150	675	-.369	.091	-.120	-.748	150	813	-.169	.068	.058	-.439	150	1028	-.483	.065	-.286	-.767
150	676	-.370	.091	-.096	-.745	150	814	-.151	.080	.146	-.528	150	1031	-.585	.169	-.154	-1.276
150	677	-.352	.091	-.121	-.880	150	815	-.164	.036	.029	-.321	150	1032	-.921	.315	-.259	-2.571
150	678	-.381	.095	-.140	-.807	150	816	-.156	.053	.066	-.420	150	1033	-.673	.230	-.259	-1.820
150	679	-.364	.092	-.127	-.766	150	817	-.169	.037	.014	-.338	150	1034	-.803	.245	-.064	-2.067
150	680	-.519	.144	-.116	-1.296							150	1035	-.653	.197	-.165	-1.555

WD	TAP	CPMEAN	CPRMS	CPMAX	CPMIN	WD	TAP	CPMEAN	CPRMS	CPMAX	CPMIN	WD	TAP	CPMEAN	CPRMS	CPMAX	CPMIN
150	1036	-.654	.156	-.245	-1.282	160	40	-.600	.066	-.405	-.968	160	201	.316	.144	.738	-.141
150	1037	-.491	.124	-.145	-1.092	160	41	-.591	.076	-.366	-1.138	160	202	.303	.131	.720	-.102
150	1041	-.599	.092	-.341	-.984	160	42	-.562	.073	-.350	-.951	160	203	.113	.103	.492	-.227
150	1042	-.559	.073	-.291	-.801	160	43	-.622	.084	-.389	-1.051	160	204	.005	.091	.295	-.281
150	1043	-.601	.076	-.357	-.850	160	44	-.582	.081	-.323	-1.035	160	205	-.187	.070	.044	-.428
150	1044	-.603	.077	-.351	-.868	160	45	-.504	.079	-.272	-.840	160	206	-.204	.069	.050	-.447
150	1045	-.616	.104	-.233	-1.014	160	46	-.598	.083	-.360	-1.005	160	207	.433	.149	.838	-.111
150	1046	-.624	.095	-.337	-1.019	160	47	-.527	.076	-.310	-.899	160	208	.402	.145	.954	-.069
150	1047	-.601	.084	-.313	-.935	160	48	-.565	.079	-.361	-.911	160	209	-.059	.070	.211	-.283
150	1048	-.521	.083	-.201	-.898	160	49	-.581	.082	-.353	-.914	160	210	.470	.162	1.063	-.022
150	1049	-.515	.071	-.287	-.766	160	50	-.696	.100	-.473	-1.301	160	211	.524	.162	1.029	-.042
150	1050	-.578	.104	-.187	-.910	160	51	-.601	.100	-.252	-1.171	160	212	.419	.132	.811	.019
160	1	-.540	.060	-.299	-.777	160	52	-.595	.091	-.269	-1.013	160	213	.257	.110	.571	-.069
160	2	-.506	.062	-.321	-.727	160	53	-.508	.087	-.226	-.901	160	214	-.104	.068	.140	-.320
160	3	-.555	.065	-.327	-.782	160	54	-.554	.090	-.288	-1.138	160	215	-.243	.055	-.015	-.464
160	4	-.564	.069	-.325	-.799	160	55	-.582	.098	-.299	-1.343	160	216	.459	.156	.981	-.281
160	5	-.546	.077	-.333	-1.288	160	56	-.707	.104	-.436	-1.325	160	217	.538	.150	1.033	-.149
160	6	-.537	.076	-.303	-1.044	160	57	-.615	.115	-.275	-1.255	160	218	.449	.129	.806	.061
160	7	-.531	.063	-.321	-.787	160	58	-.646	.125	-.309	-1.471	160	219	.289	.099	.585	-.013
160	9	-.542	.072	-.359	-1.066	160	59	-.514	.099	-.177	-.881	160	220	-.118	.063	.141	-.306
160	10	-.503	.057	-.333	-.704	160	60	-.620	.105	-.279	-.990	160	221	-.247	.059	-.008	-.448
160	11	-.502	.059	-.323	-.708	160	61	-.565	.111	-.228	-1.310	160	222	.405	.161	.950	-.137
160	12	-.538	.060	-.330	-.753	160	62	-.615	.116	-.300	-1.454	160	223	.482	.158	.974	-.005
160	13	-.536	.061	-.347	-.738	160	63	-.628	.108	-.355	-1.192	160	224	.414	.121	.842	.098
160	14	-.560	.065	-.362	-.799	160	64	-.770	.152	-.380	-1.641	160	225	.255	.104	.570	-.034
160	15	-.551	.068	-.368	-.838	160	65	-.680	.156	-.284	-1.452	160	226	-.094	.068	.204	-.375
160	16	-.519	.059	-.339	-.713	160	66	-.595	.147	-.175	-1.369	160	227	-.268	.060	.206	-.475
160	17	-.520	.059	-.330	-.770	160	67	-.599	.144	-.211	-1.355	160	228	.386	.161	.979	-.054
160	18	-.526	.059	-.342	-.731	160	68	-.749	.156	-.365	-1.500	160	229	.455	.164	.958	.014
160	19	-.552	.063	-.375	-.803	160	69	-.730	.170	-.289	-1.687	160	230	.366	.132	.820	.007
160	20	-.557	.068	-.362	-.923	160	70	-.679	.136	-.243	-1.343	160	231	.205	.104	.553	-.114
160	21	-.577	.075	-.337	-1.009	160	71	-.662	.159	-.204	-1.515	160	232	-.138	.064	.080	-.427
160	22	-.548	.068	-.328	-.906	160	72	-.789	.191	-.286	-1.761	160	233	-.268	.060	-.058	-.562
160	23	-.569	.073	-.333	-1.079	160	73	-.705	.170	-.280	-1.483	160	234	.410	.148	.922	.017
160	24	-.575	.087	-.311	-1.468	160	74	-.728	.175	-.305	-1.555	160	235	.425	.146	.905	.007
160	25	-.655	.071	-.426	-1.030	160	75	-.763	.191	-.371	-1.675	160	236	.406	.134	.858	-.012
160	26	-.558	.067	-.384	-1.071	160	76	-.715	.155	-.307	-1.321	160	237	.420	.145	.940	.005
160	27	-.582	.072	-.409	-1.256	160	77	-.624	.151	-.163	-1.408	160	238	.421	.140	.825	-.010
160	28	-.506	.070	-.309	-.840	160	78	-.573	.184	-.050	-1.671	160	239	.381	.133	.834	.039
160	29	-.531	.071	-.306	-.804	160	79	-.586	.212	.030	-1.756	160	240	.333	.142	.760	-.088
160	30	-.527	.064	-.352	-.829	160	80	-.962	.288	-.338	-2.136	160	241	.366	.137	.798	-.012
160	31	-.558	.065	-.380	-.805	160	81	-.877	.323	-.303	-2.807	160	242	.346	.135	.830	-.060
160	32	-.588	.070	-.392	-.931	160	82	-.579	.136	-.198	-1.101	160	243	.391	.143	.853	-.023
160	33	-.567	.064	-.374	-.905	160	83	-.513	.120	-.083	-.912	160	244	.346	.136	.797	-.077
160	34	-.671	.067	-.473	-1.027	160	84	-.615	.180	-.084	-1.481	160	245	.278	.112	.636	-.054
160	35	-.564	.058	-.387	-.924	160	85	-.388	.179	.123	-1.333	160	246	.152	.091	.465	-.090
160	36	-.585	.061	-.418	-.845	160	86	-.436	.201	.118	-1.530	160	247	-.108	.068	.192	-.336
160	37	-.590	.064	-.374	-.886	160	87	-1.018	.379	-.362	-2.965	160	248	-.163	.067	.134	-.397
160	38	-.669	.068	-.444	-1.101	160	88	-.473	.127	-.023	-1.123	160	249	.352	.153	.909	-.195
160	39	-.556	.064	-.349	-.957	160	89	-.375	.174	.057	-1.222	160	250	.409	.151	.899	-.075

WD	TAP	CPMEAN	CPRMS	CPMAX	CPMIN	WD	TAP	CPMEAN	CPRMS	CPMAX	CPMIN	WD	TAP	CPMEAN	CPRMS	CPMAX	CPMIN
160	251	.412	.139	.922	-.040	160	415	-.324	.232	.566	-1.023	160	465	-.847	.211	-.042	-1.576
160	252	.373	.143	.891	-.062	160	416	-.466	.059	-.265	-.796	160	466	-.862	.225	-.102	-1.919
160	253	.296	.150	.821	-.268	160	417	-.401	.060	-.149	-.690	160	467	-.854	.206	-.279	-1.711
160	254	.388	.142	.814	-.038	160	418	-.126	.065	.168	-.320	160	468	-.830	.195	-.387	-1.586
160	255	.314	.155	.919	-.283	160	419	.002	.101	.335	-.577	160	469	-.530	.267	.317	-1.306
160	256	.305	.146	.955	-.056	160	420	-.302	.214	.529	-.969	160	470	-.669	.244	.206	-1.528
160	257	.224	.145	.793	-.262	160	421	-.307	.194	.531	-.951	160	471	-.876	.242	-.244	-1.807
160	258	.280	.139	.786	-.114	160	422	-.472	.060	-.220	-.732	160	472	-.282	.268	.586	-.981
160	259	.260	.118	.695	-.039	160	423	-.389	.056	-.094	-.570	160	473	-.398	.252	.587	-1.264
160	260	.184	.102	.586	-.068	160	424	-.246	.059	-.008	-.433	160	474	-.732	.195	-.000	-1.503
160	261	.081	.089	.425	-.193	160	425	-.433	.058	-.216	-.643	160	501	-.521	.124	-.069	-1.035
160	262	-.176	.071	.094	-.487	160	426	-.336	.057	-.095	-.534	160	502	-.378	.103	.058	-.759
160	263	-.228	.071	.017	-.593	160	427	-.197	.058	.062	-.379	160	503	-.247	.090	.108	-.588
160	264	.134	.132	.680	-.258	160	428	-.360	.067	-.104	-.613	160	504	-.126	.088	.250	-.530
160	265	.161	.120	.573	-.146	160	429	-.366	.068	-.082	-.648	160	505	-.026	.098	.322	-.467
160	266	.139	.101	.511	-.129	160	430	-.417	.062	-.176	-.676	160	506	-.043	.220	.431	-.924
160	267	.080	.086	.409	-.149	160	431	-.310	.055	-.104	-.526	160	507	-.262	.256	.398	-1.153
160	268	-.006	.074	.289	-.196	160	432	-.212	.055	.069	-.396	160	508	-.420	.122	.020	-.828
160	269	-.302	.080	-.047	-.586	160	433	-.119	.060	.161	-.291	160	509	-.395	.106	.051	-.686
160	270	-.396	.093	-.102	-.809	160	434	-.024	.086	.229	-.522	160	510	-.232	.086	.204	-.526
160	271	.025	.097	.526	-.259	160	435	-.249	.209	.395	-.864	160	511	-.263	.244	.397	-1.380
160	272	.066	.090	.492	-.176	160	436	-.279	.191	.400	-.888	160	512	-.522	.134	-.094	-.961
160	273	.069	.084	.442	-.149	160	437	-.322	.065	.047	-.583	160	513	-.398	.109	.019	-.767
160	274	.037	.077	.417	-.152	160	438	-.290	.064	.090	-.476	160	514	-.115	.078	.250	-.380
160	275	-.040	.067	.280	-.203	160	439	-.379	.064	.026	-.574	160	515	-.046	.092	.332	-.461
160	276	-.351	.078	-.131	-.705	160	440	-.397	.065	-.126	-.623	160	516	-.201	.215	.492	-1.013
160	277	-.509	.106	-.228	-1.164	160	441	-.377	.063	-.101	-.681	160	517	-.234	.195	.498	-.979
160	278	-.052	.058	.193	-.244	160	442	-.341	.063	-.020	-.585	160	518	-.501	.122	-.090	-.995
160	279	-.017	.059	.229	-.217	160	443	-.455	.067	-.205	-.774	160	519	-.395	.105	.123	-.826
160	280	.058	.069	.475	-.111	160	444	-.525	.089	-.282	-.900	160	520	-.240	.083	.188	-.565
160	281	.093	.082	.442	-.099	160	445	-.417	.079	-.040	-.723	160	521	-.377	.099	.090	-.803
160	282	-.007	.076	.290	-.214	160	446	-.226	.066	.154	-.417	160	522	-.313	.085	.019	-.653
160	283	-.295	.082	-.091	-.612	160	447	-.106	.070	.229	-.301	160	523	-.199	.071	.128	-.433
160	284	-.324	.092	-.092	-.683	160	448	-.004	.092	.326	-.462	160	524	-.119	.064	.161	-.312
160	285	-.275	.100	.039	-.674	160	449	-.208	.240	.540	-.858	160	525	-.076	.073	.188	-.471
160	286	-.161	.042	.038	-.321	160	450	-.234	.218	.572	-.946	160	526	-.184	.203	.326	-.856
160	401	-.163	.078	.264	-.402	160	451	-.680	.168	-.196	-1.445	160	527	-.251	.200	.468	-.928
160	402	-.178	.075	.229	-.427	160	452	-.619	.144	-.139	-1.199	160	528	-.308	.093	.080	-.711
160	403	-.294	.082	.166	-.587	160	453	-.697	.161	-.222	-1.266	160	529	-.269	.085	.045	-.575
160	404	-.215	.074	.266	-.490	160	454	-.328	.091	.012	-.600	160	530	-.276	.080	.102	-.555
160	405	-.387	.222	.240	-1.052	160	455	-.261	.076	.058	-.496	160	531	-.285	.082	.024	-.643
160	406	-.490	.202	.383	-1.685	160	456	-.121	.068	.153	-.360	160	532	-.211	.075	.177	-.426
160	407	-.096	.082	.224	-.320	160	457	.005	.085	.339	-.399	160	532	-.211	.075	.177	-.426
160	408	-.323	.270	.401	-1.122	160	458	-.101	.277	.532	-1.095	160	533	-.352	.088	.019	-.847
160	409	-.326	.278	.495	-1.076	160	459	-.195	.282	.578	-1.243	160	534	-.285	.078	.103	-.601
160	410	-.508	.066	-.281	-.841	160	460	-.760	.190	-.073	-1.445	160	535	-.253	.075	.059	-.489
160	411	-.356	.061	-.116	-.615	160	461	-.758	.191	.037	-1.569	160	536	-.224	.071	.059	-.453
160	412	-.117	.079	.234	-.434	160	462	-.871	.230	-.201	-1.910	160	537	-.356	.088	-.066	-.676
160	413	-.027	.083	.359	-.423	160	463	-.705	.199	.061	-1.660	160	538	-.291	.076	-.032	-.569
160	414	-.285	.289	.609	-1.185	160	464	-.731	.198	.114	-1.586	160	539	-.228	.066	.066	-.497

WD	TAP	CPMEAN	CPRMS	CPMAX	CPMIN	WD	TAP	CPMEAN	CPRMS	CPMAX	CPMIN	WD	TAP	CPMEAN	CPRMS	CPMAX	CPMIN
160	540	-.191	.065	.163	-.451	160	624	-.585	.066	-.385	-.890	160	674	-.505	.132	-.099	-1.143
160	541	-.378	.093	-.142	-.784	160	625	-.602	.064	-.411	-.970	160	675	-.480	.116	-.205	-1.004
160	542	-.301	.078	-.037	-.584	160	626	-.659	.073	-.412	-.966	160	676	-.479	.114	-.192	-.988
160	543	-.235	.067	.134	-.516	160	627	-.581	.067	-.360	-.896	160	677	-.474	.124	-.194	-1.294
160	544	-.396	.109	-.124	-.904	160	628	-.634	.089	-.408	-1.080	160	678	-.506	.129	-.178	-1.185
160	545	-.324	.083	-.066	-.642	160	629	-.642	.084	-.395	-1.190	160	679	-.471	.125	-.145	-.982
160	546	-.185	.055	.015	-.404	160	630	-.620	.078	-.399	-.954	160	680	-.514	.161	-.080	-1.284
160	547	-.139	.055	.133	-.327	160	631	-.586	.081	-.364	-1.108	160	681	-.564	.142	-.186	-1.043
160	548	-.114	.062	.185	-.382	160	632	-.571	.113	-.316	-1.125	160	682	-.551	.130	-.175	-1.167
160	549	-.222	.161	.255	-.902	160	633	-.605	.098	-.287	-1.134	160	683	-.602	.151	-.254	-1.157
160	550	-.264	.163	.307	-.904	160	634	-.562	.109	-.291	-1.094	160	684	-.478	.143	-.132	-1.177
160	551	-.450	.139	-.095	-1.007	160	635	-.546	.090	-.298	-.985	160	685	-.553	.158	-.192	-1.264
160	552	-.323	.081	-.089	-.634	160	636	-.671	.124	-.334	-1.254	160	686	-.499	.151	-.168	-1.223
160	553	-.162	.043	.002	-.320	160	637	-.629	.107	-.363	-1.086	160	687	-.457	.212	-.015	-1.587
160	554	-.148	.042	.038	-.311	160	638	-.654	.112	-.343	-1.153	160	688	-.444	.197	-.000	-1.620
160	555	-.119	.051	.090	-.363	160	639	-.629	.112	-.377	-1.354	160	689	-.487	.131	-.172	-1.051
160	556	-.128	.080	.100	-.662	160	640	-.600	.105	-.341	-1.068	160	690	-.486	.113	-.178	-.961
160	557	-.134	.092	.165	-.583	160	641	-.555	.107	-.309	-1.039	160	691	-.465	.109	-.173	-1.171
160	558	-.166	.087	.074	-.671	160	642	-.587	.105	-.313	-1.069	160	692	-.722	.297	-.135	-2.177
160	559	-.163	.040	-.003	-.296	160	643	-.669	.123	-.296	-1.445	160	693	-.749	.196	-.246	-1.468
160	560	-.124	.044	.050	-.273	160	644	-.707	.141	-.179	-1.329	160	694	-.369	.124	-.012	-1.015
160	561	-.086	.076	.206	-.516	160	645	-.784	.269	-.260	-2.266	160	695	-.406	.102	-.125	-1.002
160	562	-.261	.053	-.110	-.477	160	646	-.764	.197	-.348	-1.776	160	696	-.409	.089	-.157	-.829
160	563	-.147	.035	-.008	-.260	160	647	-.807	.297	-.217	-2.311	160	697	-.572	.168	-.163	-1.362
160	564	-.149	.075	.161	-.428	160	648	-.658	.147	-.247	-1.565	160	701	-.852	.221	-.195	-1.671
160	565	-.132	.053	.082	-.340	160	649	-.602	.138	-.163	-1.122	160	702	-.845	.225	-.264	-1.597
160	601	-.589	.106	-.272	-1.229	160	650	-.630	.138	-.138	-1.424	160	703	-.840	.224	-.257	-1.605
160	602	-.556	.119	-.297	-1.816	160	651	-.631	.142	-.234	-1.238	160	704	-.832	.212	-.142	-1.678
160	603	-.632	.100	-.313	-1.392	160	652	-.733	.207	-.100	-1.628	160	705	-.859	.223	-.282	-1.663
160	604	-.524	.075	-.296	-.871	160	653	-.505	.129	-.115	-1.063	160	706	-.867	.201	-.286	-1.629
160	605	-.536	.075	-.309	-.848	160	654	-.758	.212	-.119	-1.656	160	707	-.768	.170	-.239	-1.344
160	606	-.568	.076	-.341	-.960	160	655	-.577	.163	-.099	-1.283	160	708	-.786	.182	-.341	-1.515
160	607	-.566	.105	-.300	-1.170	160	656	-.595	.157	-.118	-1.278	160	709	-.778	.171	-.348	-1.382
160	608	-.520	.066	-.324	-.773	160	657	-.540	.125	-.098	-1.125	160	710	-.453	.113	-.170	-.926
160	609	-.557	.088	-.347	-1.095	160	658	-.574	.137	-.133	-1.308	160	711	-.813	.206	-.281	-1.648
160	610	-.556	.086	-.324	-1.072	160	659	-.494	.151	-.037	-1.313	160	712	-.767	.180	-.321	-1.573
160	611	-.523	.079	-.304	-1.055	160	660	-.541	.137	-.168	-1.245	160	713	-.463	.118	-.175	-1.065
160	612	-.541	.071	-.335	-.831	160	661	-.514	.129	-.160	-1.108	160	714	-.821	.226	-.234	-1.802
160	613	-.529	.074	-.326	-.910	160	662	-.482	.130	-.112	-1.172	160	715	-.773	.208	-.162	-1.723
160	614	-.533	.070	-.345	-.862	160	663	-.480	.120	-.148	-.932	160	801	-.321	.089	-.046	-.762
160	615	-.550	.070	-.333	-.912	160	664	-.517	.135	-.202	-1.205	160	802	-.431	.139	.029	-1.047
160	616	-.574	.091	-.341	-1.097	160	665	-.504	.131	-.185	-1.187	160	803	-.544	.160	-.072	-1.400
160	617	-.664	.088	-.412	-1.136	160	666	-.661	.167	-.173	-1.294	160	804	-.517	.101	-.237	-.934
160	618	-.550	.061	-.357	-.791	160	667	-.457	.117	-.170	-1.201	160	805	-.124	.076	.223	-.364
160	619	-.642	.062	-.463	-.882	160	668	-.459	.116	-.150	-1.200	160	806	.209	.143	.783	-.090
160	620	-.559	.060	-.384	-.901	160	669	-.458	.116	-.135	-1.057	160	807	-.003	.063	.270	-.290
160	621	-.539	.060	-.356	-.855	160	670	-.631	.153	-.151	-1.225	160	808	-.101	.037	.105	-.220
160	622	-.605	.075	-.369	-1.074	160	671	-.464	.118	-.118	-1.034	160	809	-.098	.045	.128	-.240
160	623	-.601	.077	-.398	-1.038	160	672	-.464	.116	-.127	-1.050	160	810	-.143	.041	.079	-.273
						160	673	-.473	.126	-.084	-1.115						

WD	TAP	CPMEAN	CPRMS	CPMAX	CPMIN	WD	TAP	CPMEAN	CPRMS	CPMAX	CPMIN	WD	TAP	CPMEAN	CPRMS	CPMAX	CPMIN
160	811	-.047	.089	.395	-.264	160	1027	-.574	.079	-.335	-1.069	170	33	-.516	.054	-.333	-.707
160	812	-.157	.041	.012	-.311	160	1028	-.572	.067	-.377	-.974	170	34	-.642	.060	-.455	-.843
160	813	-.159	.055	.031	-.395	160	1031	-.740	.185	-.143	-1.560	170	35	-.522	.058	-.339	-.914
160	814	-.158	.060	.079	-.365	160	1032	-.859	.263	-.133	-2.224	170	36	-.546	.068	-.317	-.959
160	815	-.138	.035	-.027	-.365	160	1033	-.757	.193	-.248	-1.844	170	37	-.556	.075	-.309	-.893
160	816	-.141	.047	.005	-.350	160	1034	-.731	.234	.007	-1.599	170	38	-.628	.058	-.458	-.915
160	817	-.144	.034	-.015	-.255	160	1035	-.581	.148	-.062	-1.253	170	39	-.511	.059	-.319	-.803
160	818	-.181	.053	.007	-.370	160	1036	-.609	.139	-.168	-1.209	170	40	-.550	.069	-.336	-.825
160	819	-.166	.049	-.017	-.441	160	1037	-.571	.145	-.092	-1.083	170	41	-.550	.081	-.302	-.877
160	820	-.154	.039	.007	-.296	160	1041	-.638	.097	-.345	-.996	170	42	-.499	.059	-.313	-.756
160	821	-.156	.038	.029	-.315	160	1042	-.520	.087	-.190	-1.014	170	43	-.568	.075	-.324	-.875
160	822	-.380	.119	-.066	-1.305	160	1043	-.680	.089	-.425	-1.003	170	44	-.547	.083	-.311	-.981
160	823	-.502	.133	-.214	-1.436	160	1044	-.679	.093	-.418	-1.041	170	45	-.474	.065	-.250	-.722
160	824	-.451	.166	-.027	-1.262	160	1045	-.726	.121	-.235	-1.378	170	46	-.594	.069	-.383	-.872
160	825	-.455	.144	-.155	-1.403	160	1046	-.700	.106	-.416	-1.186	170	47	-.484	.063	-.285	-.803
160	826	-.404	.118	-.070	-.996	160	1047	-.680	.086	-.394	-.996	170	48	-.509	.065	-.302	-.844
160	827	-.292	.073	-.063	-.638	160	1048	-.524	.092	-.207	-1.092	170	49	-.517	.068	-.284	-.876
160	828	-.262	.052	-.076	-.450	160	1049	-.590	.087	-.259	-.924	170	50	-.671	.091	-.412	-1.120
160	829	-.265	.044	-.061	-.449	160	1050	-.681	.100	-.308	-1.073	170	51	-.551	.089	-.288	-.936
160	901	-.185	.048	-.008	-.380	170	1	-.510	.075	-.256	-.867	170	52	-.581	.077	-.280	-.989
160	902	-.166	.035	-.027	-.470	170	2	-.481	.073	-.237	-.813	170	53	-.458	.063	-.229	-.720
160	903	-.163	.053	.027	-.345	170	3	-.518	.082	-.255	-.890	170	54	-.493	.066	-.294	-.929
160	904	-.186	.036	-.051	-.340	170	4	-.516	.079	-.268	-.846	170	55	-.510	.069	-.335	-.908
160	905	-.182	.035	-.044	-.307	170	5	-.537	.086	-.312	-.988	170	56	-.655	.079	-.407	-1.189
160	906	-.164	.037	-.036	-.487	170	6	-.528	.094	-.227	-1.308	170	57	-.554	.094	-.246	-1.110
160	907	-.209	.042	-.086	-.377	170	7	-.498	.079	-.227	-.836	170	58	-.584	.100	-.249	-1.101
160	908	-.197	.063	.012	-.432	170	9	-.542	.090	-.293	-1.000	170	59	-.466	.078	-.238	-.803
160	1001	-.695	.093	-.377	-1.020	170	10	-.484	.064	-.281	-.754	170	60	-.589	.084	-.346	-.958
160	1002	-.678	.092	-.377	-.989	170	11	-.483	.068	-.254	-.754	170	61	-.486	.076	-.297	-.884
160	1003	-.682	.088	-.384	-.978	170	12	-.499	.065	-.305	-.782	170	62	-.523	.080	-.299	-1.126
160	1004	-.702	.101	-.339	-1.068	170	13	-.503	.066	-.293	-.830	170	63	-.541	.076	-.291	-.971
160	1005	-.699	.121	-.068	-1.180	170	14	-.541	.082	-.325	-1.040	170	64	-.719	.119	-.386	-1.383
160	1006	-.545	.105	-.189	-.905	170	15	-.538	.089	-.316	-1.088	170	65	-.591	.118	-.253	-1.306
160	1007	-.543	.086	-.242	-.870	170	16	-.496	.060	-.285	-.712	170	66	-.498	.102	-.237	-1.126
160	1008	-.617	.105	-.207	-1.146	170	17	-.499	.057	-.290	-.726	170	67	-.502	.099	-.242	-1.150
160	1011	-.136	.252	.632	-1.142	170	18	-.508	.058	-.290	-.766	170	68	-.665	.121	-.407	-1.981
160	1012	-.162	.241	.522	-1.324	170	19	-.503	.057	-.313	-.753	170	69	-.589	.129	-.338	-1.742
160	1013	-.192	.221	.493	-1.024	170	20	-.526	.067	-.339	-1.433	170	70	-.560	.102	-.224	-1.273
160	1014	-.007	.109	.381	-.624	170	21	-.551	.072	-.347	-1.283	170	71	-.568	.126	-.179	-1.346
160	1015	-.048	.074	.281	-.262	170	22	-.507	.055	-.339	-.783	170	72	-.722	.149	-.306	-1.433
160	1016	-.160	.071	.135	-.359	170	23	-.527	.057	-.346	-.951	170	73	-.612	.133	-.280	-1.542
160	1017	-.517	.126	-.113	-1.004	170	24	-.532	.061	-.328	-.981	170	74	-.634	.138	-.299	-1.609
160	1018	-.486	.118	-.101	-.963	170	25	-.648	.059	-.460	-.920	170	75	-.663	.149	-.286	-1.607
160	1019	-.584	.134	-.141	-1.032	170	26	-.510	.055	-.329	-.727	170	76	-.594	.115	-.293	-1.124
160	1021	-.607	.078	-.402	-.999	170	27	-.538	.060	-.336	-.777	170	77	-.511	.116	-.175	-1.360
160	1022	-.587	.071	-.383	-.946	170	28	-.479	.056	-.296	-.754	170	78	-.476	.140	-.087	-1.395
160	1023	-.610	.072	-.418	-.941	170	29	-.505	.061	-.305	-.745	170	79	-.485	.159	-.064	-1.456
160	1024	-.589	.056	-.423	-.814	170	30	-.487	.054	-.307	-.707	170	80	-.897	.256	-.394	-2.428
160	1025	-.576	.070	-.396	-1.082	170	31	-.509	.054	-.341	-.747	170	81	-.744	.234	-.305	-2.487
160	1026	-.578	.064	-.389	-.865	170	32	-.530	.055	-.371	-.764	170	82	-.498	.106	-.134	-.928

APPENDIX A -- PRESSURE DATA:

JAY SQUARE -- CONFIGURATION B -- LOS ANGELES, CALIFORNIA

WD	TAP	CPMEAN	CPRMS	CPMAX	CPMIN	WD	TAP	CPMEAN	CPRMS	CPMAX	CPMIN	WD	TAP	CPMEAN	CPRMS	CPMAX	CPMIN
170	83	-.444	.090	-.120	-.818	170	244	.279	.162	.947	-.208	170	408	-.352	.309	.540	-1.809
170	84	-.539	.126	-.099	-1.027	170	245	.241	.129	.649	-.196	170	409	-.359	.302	.367	-1.593
170	85	-.360	.120	.071	-.865	170	246	.136	.097	.479	-.250	170	410	-.507	.107	.017	-1.074
170	86	-.401	.156	.032	-1.300	170	247	-.118	.065	.123	-.337	170	411	-.366	.086	.089	-.700
170	87	-.798	.277	-.301	-2.329	170	248	-.165	.064	.047	-.377	170	412	-.167	.084	.205	-.477
170	88	-.432	.091	-.176	-.954	170	249	.290	.175	.840	-.303	170	413	-.101	.107	.339	-.674
170	89	-.352	.119	-.010	-.926	170	250	.320	.167	.874	-.271	170	414	-.338	.295	.339	-1.437
170	201	.137	.228	.745	-.578	170	251	.329	.157	.926	-.219	170	415	-.387	.278	.547	-1.412
170	202	.150	.202	.732	-.535	170	252	.303	.169	.940	-.232	170	416	-.444	.087	-.064	-.878
170	203	.049	.152	.560	-.575	170	253	.282	.157	.832	-.486	170	417	-.372	.088	.096	-.766
170	204	-.025	.120	.356	-.556	170	254	.265	.161	.739	-.471	170	418	-.135	.076	.202	-.530
170	205	-.215	.085	.209	-.670	170	255	.283	.169	.903	-.576	170	419	-.058	.119	.280	-.753
170	206	-.224	.071	.159	-.531	170	256	.323	.168	.924	-.587	170	420	-.343	.273	.530	-1.430
170	207	.221	.233	.838	-.582	170	257	.201	.174	.761	-.443	170	421	-.363	.250	.607	-1.413
170	208	.264	.210	.785	-.431	170	258	.218	.177	.870	-.503	170	422	-.422	.083	.027	-.664
170	209	-.098	.083	.270	-.420	170	259	.188	.141	.676	-.147	170	423	-.324	.079	.045	-.554
170	210	.282	.227	.846	-.456	170	260	.138	.111	.565	-.138	170	424	-.190	.079	.179	-.413
170	211	.379	.218	1.013	-.339	170	261	.030	.087	.358	-.246	170	425	-.382	.083	.057	-.627
170	212	.349	.170	.827	-.300	170	262	-.178	.065	.089	-.375	170	426	-.281	.083	.136	-.506
170	213	.215	.127	.567	-.352	170	263	-.217	.062	.012	-.428	170	427	-.143	.077	.187	-.380
170	214	-.142	.080	.285	-.528	170	264	.103	.135	.655	-.466	170	428	-.375	.079	-.121	-.762
170	215	-.257	.061	.048	-.502	170	265	.113	.126	.592	-.428	170	429	-.356	.085	-.025	-.751
170	216	.316	.192	.914	-.335	170	266	.085	.100	.575	-.191	170	430	-.392	.086	.034	-.713
170	217	.407	.197	1.054	-.263	170	267	.041	.081	.410	-.203	170	431	-.268	.081	.090	-.558
170	218	.390	.162	.882	-.359	170	268	-.008	.069	.273	-.186	170	432	-.155	.081	.238	-.433
170	219	.259	.126	.683	-.265	170	269	-.267	.067	.012	-.561	170	433	-.078	.079	.267	-.392
170	220	-.135	.070	.169	-.418	170	270	-.340	.075	-.042	-.652	170	434	-.013	.091	.317	-.669
170	221	-.258	.062	.096	-.518	170	271	.012	.094	.534	-.313	170	435	-.199	.278	.430	-1.200
170	222	.366	.171	1.066	-.521	170	272	.037	.084	.482	-.247	170	436	-.301	.276	.565	-1.659
170	223	.435	.169	1.158	-.406	170	273	.020	.076	.440	-.194	170	437	-.320	.085	.091	-.684
170	224	.392	.146	.793	-.261	170	274	-.009	.067	.364	-.176	170	438	-.268	.086	.144	-.581
170	225	.230	.108	.555	-.261	170	275	-.067	.061	.222	-.259	170	439	-.311	.091	.159	-.563
170	226	-.101	.067	.198	-.418	170	276	-.298	.068	.004	-.606	170	440	-.322	.101	.149	-.652
170	227	-.268	.055	.007	-.543	170	277	-.435	.090	-.194	-.887	170	441	-.337	.091	.082	-.783
170	228	.392	.159	.941	-.202	170	278	-.051	.050	.290	-.300	170	442	-.283	.097	.166	-.614
170	229	.400	.181	1.083	-.393	170	279	-.027	.051	.368	-.237	170	443	-.402	.098	.059	-.819
170	230	.337	.135	.752	-.101	170	280	.018	.054	.413	-.100	170	444	-.454	.118	.113	-.844
170	231	.180	.102	.518	-.201	170	281	.020	.063	.265	-.138	170	445	-.313	.122	.210	-.750
170	232	-.144	.058	.095	-.364	170	282	-.059	.062	.195	-.226	170	446	-.095	.117	.375	-.583
170	233	-.236	.051	-.036	-.437	170	283	-.291	.074	-.074	-.584	170	447	-.004	.101	.450	-.326
170	234	.380	.162	.901	-.175	170	284	-.330	.084	-.102	-.658	170	448	-.077	.095	.521	-.313
170	235	.377	.163	.892	-.164	170	285	-.258	.082	.037	-.539	170	449	-.013	.253	.684	-1.292
170	236	.349	.150	.798	-.152	170	286	-.167	.036	-.021	-.308	170	450	-.072	.252	.767	-1.268
170	237	.379	.163	.902	-.133	170	401	-.239	.108	.307	-.666	170	451	-.566	.171	.248	-1.211
170	238	.360	.165	.946	-.187	170	402	-.246	.103	.321	-.633	170	452	-.433	.169	.307	-1.011
170	239	.287	.159	.790	-.236	170	403	-.280	.113	.120	-.841	170	453	-.490	.193	.082	-1.154
170	240	.285	.159	.876	-.442	170	404	-.234	.108	.169	-.644	170	454	-.187	.124	.242	-.533
170	241	.310	.148	.867	-.300	170	405	-.386	.255	.268	-1.464	170	455	-.120	.112	.291	-.438
170	242	.300	.150	.769	-.280	170	406	-.498	.271	.380	-1.710	170	456	-.002	.092	.356	-.231
170	243	.341	.176	.855	-.196	170	407	-.183	.097	.156	-.579	170	457	.084	.100	.444	-.384

WD	TAP	CPMEAN	CPRMS	CPMAX	CPMIN	WD	TAP	CPMEAN	CPRMS	CPMAX	CPMIN	WD	TAP	CPMEAN	CPRMS	CPMAX	CPMIN
170	458	.082	.234	.600	-1.076	170	533	-.298	.096	.121	-.698	170	617	-.724	.105	-.439	-1.239
170	459	.022	.278	.644	-1.254	170	534	-.227	.093	.188	-.555	170	618	-.583	.092	-.299	-1.003
170	460	-.575	.204	.209	-1.304	170	535	-.180	.094	.273	-.487	170	619	-.711	.108	-.381	-1.628
170	461	-.551	.233	.413	-1.527	170	536	-.160	.085	.234	-.389	170	620	-.587	.102	-.285	-1.159
170	462	-.777	.308	.202	-2.068	170	537	-.328	.093	.087	-.634	170	621	-.564	.097	-.261	-1.038
170	463	-.436	.255	.330	-1.341	170	538	-.257	.087	.142	-.502	170	622	-.624	.118	-.262	-1.338
170	464	-.417	.286	.531	-1.419	170	539	-.183	.082	.245	-.457	170	623	-.618	.111	-.236	-1.142
170	465	-.636	.307	.318	-1.633	170	540	-.147	.078	.282	-.404	170	624	-.601	.090	-.314	-1.118
170	466	-.589	.247	.295	-1.535	170	541	-.354	.091	.049	-.714	170	625	-.593	.094	-.305	-1.044
170	467	-.623	.230	.437	-1.473	170	542	-.279	.081	.110	-.527	170	626	-.675	.084	-.412	-1.128
170	468	-.658	.174	-.200	-1.326	170	543	-.208	.078	.128	-.456	170	627	-.563	.084	-.264	-1.059
170	469	-.396	.215	.291	-1.089	170	544	-.402	.092	-.139	-.750	170	628	-.642	.124	-.269	-1.269
170	470	-.472	.223	.362	-1.257	170	545	-.313	.073	-.030	-.615	170	629	-.630	.119	-.276	-1.499
170	471	-.626	.220	.099	-1.629	170	546	-.167	.058	.113	-.392	170	630	-.620	.105	-.257	-1.150
170	472	-.197	.207	.487	-.839	170	547	-.114	.054	.121	-.278	170	631	-.607	.109	-.299	-1.113
170	473	-.259	.226	.426	-.901	170	548	-.082	.059	.265	-.382	170	632	-.599	.122	-.272	-1.548
170	474	-.497	.230	.411	-1.288	170	549	-.111	.126	.240	-.790	170	633	-.620	.128	-.304	-1.172
170	501	-.338	.166	.263	-.851	170	550	-.137	.139	.300	-.838	170	634	-.589	.119	-.276	-1.638
170	502	-.205	.145	.324	-.630	170	551	-.424	.105	-.133	-.901	170	635	-.578	.120	-.303	-1.383
170	503	-.093	.129	.451	-.502	170	552	-.300	.063	-.067	-.564	170	636	-.646	.138	-.198	-1.353
170	504	-.008	.116	.494	-.407	170	553	-.141	.039	.040	-.276	170	637	-.628	.118	-.221	-1.165
170	505	.059	.105	.445	-.406	170	554	-.129	.045	.069	-.295	170	638	-.629	.125	-.203	-1.255
170	506	.102	.139	.513	-.550	170	554	-.129	.045	.069	-.295	170	639	-.662	.130	-.257	-1.348
170	507	-.006	.227	.709	-.999	170	555	-.097	.051	.103	-.244	170	640	-.629	.118	-.287	-1.269
170	508	-.287	.156	.330	-.738	170	556	-.084	.064	.198	-.474	170	641	-.589	.123	-.285	-1.235
170	509	-.214	.162	.430	-.761	170	557	-.082	.077	.167	-.495	170	642	-.614	.119	-.271	-1.231
170	510	-.076	.132	.428	-.460	170	558	-.099	.075	.140	-.516	170	643	-.610	.113	-.196	-1.218
170	511	.001	.227	.682	-1.553	170	559	-.150	.037	.002	-.295	170	644	-.672	.135	.002	-1.469
170	512	-.319	.153	.214	-.851	170	560	-.116	.042	.049	-.381	170	645	-.873	.238	-.362	-2.039
170	513	-.221	.135	.301	-.657	170	561	-.038	.067	.284	-.484	170	646	-.811	.170	-.284	-1.555
170	514	-.015	.104	.496	-.332	170	562	-.259	.047	-.092	-.429	170	647	-.859	.236	-.321	-2.660
170	515	.025	.106	.547	-.398	170	563	-.131	.035	.045	-.285	170	648	-.600	.128	-.205	-1.274
170	516	.009	.205	.578	-.929	170	564	-.111	.074	.186	-.472	170	649	-.560	.121	-.179	-1.022
170	517	-.024	.208	.547	-.908	170	565	-.112	.052	.132	-.330	170	650	-.579	.124	-.213	-1.175
170	518	-.352	.131	.204	-.829	170	601	-.605	.151	-.237	-1.432	170	651	-.587	.133	-.181	-1.138
170	519	-.260	.108	.255	-.580	170	602	-.605	.168	-.201	-1.761	170	652	-.668	.170	-.213	-1.725
170	520	-.151	.095	.318	-.437	170	603	-.711	.160	-.303	-1.657	170	653	-.480	.108	-.152	-.915
170	521	-.257	.102	.286	-.580	170	604	-.582	.160	-.189	-1.584	170	654	-.696	.176	-.208	-1.638
170	522	-.200	.095	.359	-.513	170	605	-.598	.172	-.180	-1.843	170	655	-.600	.156	-.103	-1.206
170	523	-.129	.086	.306	-.427	170	606	-.596	.163	-.282	-2.221	170	656	-.575	.139	-.218	-1.202
170	524	-.072	.076	.426	-.366	170	607	-.592	.150	-.250	-1.487	170	657	-.487	.091	-.148	-.799
170	525	-.025	.073	.350	-.286	170	608	-.561	.138	-.261	-2.372	170	658	-.506	.098	-.147	-.850
170	526	-.036	.156	.359	-.932	170	609	-.603	.144	-.262	-1.681	170	659	-.409	.102	-.039	-.935
170	527	-.057	.186	.553	-.899	170	610	-.574	.124	-.271	-1.152	170	660	-.498	.110	-.044	-.969
170	528	-.256	.103	.228	-.709	170	611	-.557	.127	-.280	-1.238	170	661	-.491	.105	-.141	-.990
170	529	-.220	.106	.241	-.887	170	612	-.578	.124	-.209	-1.342	170	662	-.488	.115	-.188	-1.160
170	530	-.202	.104	.360	-.806	170	613	-.584	.132	-.275	-1.279	170	663	-.474	.098	-.157	-.862
170	531	-.209	.097	.254	-.511	170	614	-.588	.133	-.277	-1.400	170	664	-.479	.105	-.121	-.984
170	532	-.153	.083	.253	-.425	170	615	-.598	.139	-.245	-1.560	170	665	-.456	.105	-.160	-.876
170	532	-.153	.083	.253	-.425	170	616	-.610	.114	-.321	-1.373	170	666	-.522	.174	.056	-1.167

APPENDIX A -- PRESSURE DATA:

JAY SQUARE -- CONFIGURATION B -- LOS ANGELES, CALIFORNIA

WD	TAP	CPMEAN	CPRMS	CPMAX	CPMIN	WD	TAP	CPMEAN	CPRMS	CPMAX	CPMIN	WD	TAP	CPMEAN	CPRMS	CPMAX	CPMIN
170	667	-.431	.104	-.172	-.954	170	804	-.447	.080	-.215	-.827	170	1019	-.420	.167	.158	-.989
170	668	-.441	.102	-.161	-.916	170	805	-.139	.058	.090	-.318	170	1021	-.622	.117	-.271	-1.268
170	669	-.474	.110	-.166	-.923	170	806	.102	.110	.677	-.133	170	1022	-.617	.114	-.297	-1.321
170	670	-.473	.166	.056	-1.055	170	807	-.037	.046	.221	-.168	170	1023	-.607	.091	-.249	-1.023
170	671	-.435	.099	-.159	-.922	170	808	-.080	.042	.068	-.222	170	1024	-.594	.086	-.315	-1.092
170	672	-.444	.097	-.180	-.896	170	809	-.078	.048	.148	-.244	170	1025	-.578	.091	-.298	-1.066
170	673	-.457	.101	-.188	-.913	170	810	-.108	.043	.066	-.341	170	1026	-.576	.086	-.295	-1.160
170	674	-.476	.104	-.186	-.933	170	811	-.022	.082	.352	-.241	170	1027	-.587	.095	-.293	-1.123
170	675	-.448	.106	-.137	-1.015	170	812	-.139	.038	.009	-.290	170	1028	-.589	.095	-.346	-1.233
170	676	-.456	.103	-.185	-.997	170	813	-.131	.046	.051	-.290	170	1031	-.559	.198	.161	-1.296
170	677	-.461	.109	-.188	-1.013	170	814	-.110	.050	.119	-.300	170	1032	-.611	.253	.079	-2.068
170	678	-.482	.116	-.196	-1.087	170	815	-.126	.035	.014	-.266	170	1033	-.541	.204	.067	-1.682
170	679	-.449	.120	-.149	-1.025	170	816	-.112	.043	.134	-.278	170	1034	-.482	.259	.252	-1.329
170	680	-.423	.113	-.109	-1.034	170	817	-.124	.035	.021	-.258	170	1035	-.430	.167	.227	-1.169
170	681	-.513	.118	-.138	-.913	170	818	-.122	.055	.126	-.325	170	1036	-.459	.159	.216	-1.105
170	682	-.468	.107	-.098	-.988	170	819	-.144	.046	.056	-.350	170	1037	-.431	.168	.094	-1.023
170	683	-.515	.113	-.222	-1.005	170	820	-.138	.036	.080	-.295	170	1041	-.567	.122	-.194	-1.073
170	684	-.493	.139	-.217	-1.132	170	821	-.140	.033	.044	-.265	170	1042	-.457	.106	-.051	-.815
170	685	-.542	.157	-.164	-1.219	170	822	-.333	.073	-.122	-.724	170	1043	-.674	.131	-.202	-1.087
170	686	-.495	.129	-.194	-1.015	170	823	-.428	.092	-.187	-.962	170	1044	-.670	.132	-.199	-1.051
170	687	-.349	.110	.024	-.952	170	824	-.347	.102	-.017	-.969	170	1045	-.561	.211	.127	-1.219
170	688	-.349	.097	.019	-.977	170	825	-.368	.081	-.084	-.791	170	1046	-.665	.164	-.020	-1.149
170	689	-.415	.105	-.076	-.882	170	826	-.330	.082	-.037	-.893	170	1047	-.687	.141	-.193	-1.267
170	690	-.426	.093	-.098	-.821	170	827	-.300	.055	-.094	-.537	170	1048	-.445	.094	-.040	-.890
170	691	-.425	.094	-.110	-.820	170	828	-.238	.045	-.092	-.408	170	1049	-.453	.093	-.138	-.797
170	692	-.759	.271	-.193	-1.858	170	829	-.239	.048	.167	-.374	170	1050	-.510	.165	-.092	-1.086
170	693	-.560	.190	-.057	-1.440	170	901	-.148	.038	-.009	-.316	180	1	-.390	.083	-.108	-.789
170	694	-.319	.082	-.064	-.795	170	902	-.172	.031	-.061	-.283	180	2	-.374	.085	-.141	-.884
170	695	-.385	.078	-.133	-.682	170	903	-.158	.042	-.005	-.335	180	3	-.382	.083	-.088	-.756
170	696	-.390	.081	-.168	-.846	170	904	-.175	.031	-.065	-.290	180	4	-.388	.078	-.158	-.830
170	697	-.563	.139	-.207	-1.390	170	905	-.165	.031	-.055	-.261	180	5	-.417	.084	-.181	-.905
170	701	-.670	.241	.122	-1.831	170	906	-.166	.033	-.066	-.297	180	6	-.386	.081	-.166	-.845
170	701	-.670	.241	.122	-1.831	170	907	-.187	.036	-.083	-.358	180	7	-.378	.079	-.103	-1.031
170	702	-.775	.240	-.061	-1.639	170	908	-.154	.057	.004	-.434	180	9	-.412	.083	-.173	-.968
170	703	-.760	.235	-.032	-1.676	170	1001	-.619	.142	.019	-1.021	180	10	-.365	.063	-.197	-.641
170	704	-.647	.254	.156	-1.397	170	1002	-.676	.150	-.003	-1.197	180	11	-.351	.065	-.150	-.721
170	705	-.815	.244	-.093	-1.844	170	1003	-.675	.146	.022	-1.266	180	12	-.373	.057	-.199	-.615
170	706	-.807	.236	.012	-2.224	170	1004	-.598	.133	-.131	-1.095	180	13	-.368	.056	-.197	-.601
170	707	-.566	.169	.052	-1.256	170	1005	-.468	.218	.237	-1.151	180	14	-.398	.064	-.209	-.825
170	708	-.610	.164	-.156	-1.425	170	1006	-.385	.104	-.073	-.801	180	15	-.382	.065	-.206	-.791
170	709	-.593	.167	-.100	-1.258	170	1007	-.469	.089	-.180	-.922	180	16	-.350	.052	-.197	-.621
170	710	-.438	.103	-.167	-1.155	170	1008	-.471	.157	.071	-1.046	180	17	-.365	.052	-.210	-.629
170	711	-.593	.187	.007	-1.454	170	1011	.003	.237	.675	-.973	180	18	-.364	.052	-.181	-.666
170	712	-.614	.183	-.121	-1.339	170	1012	-.032	.217	.580	-1.035	180	19	-.357	.046	-.204	-.519
170	713	-.438	.104	-.155	-1.122	170	1013	-.065	.211	.472	-1.002	180	20	-.379	.053	-.217	-.928
170	714	-.595	.211	-.000	-1.360	170	1014	.084	.106	.403	-.656	180	21	-.396	.057	-.209	-.954
170	715	-.563	.214	-.005	-1.361	170	1015	.018	.089	.428	-.341	180	22	-.369	.041	-.225	-.514
170	801	-.296	.065	-.087	-.559	170	1016	-.074	.098	.381	-.404	180	23	-.382	.044	-.237	-.576
170	802	-.390	.107	-.074	-.891	170	1017	-.356	.161	.272	-.917	180	24	-.386	.048	-.205	-.604
170	803	-.455	.109	-.185	-.957	170	1018	-.336	.142	.217	-.852	180	25	-.349	.043	-.197	-.505

WD	TAP	CPMEAN	CPRMS	CPMAX	CPMIN	WD	TAP	CPMEAN	CPRMS	CPMAX	CPMIN	WD	TAP	CPMEAN	CPRMS	CPMAX	CPMIN
180	26	-.370	.044	-.228	-.521	180	76	-.448	.088	-.140	-.915	180	237	.125	.204	.862	-1.002
180	27	-.388	.050	-.225	-.571	180	77	-.362	.097	-.033	-.692	180	238	.130	.189	.672	-.930
180	28	-.353	.051	-.196	-.599	180	78	-.344	.093	-.067	-.939	180	239	.089	.167	.736	-.865
180	29	-.369	.052	-.205	-.589	180	79	-.351	.097	-.075	-.954	180	240	.017	.173	.536	-.867
180	30	-.358	.047	-.207	-.551	180	80	-.658	.182	-.231	-1.680	180	241	.047	.171	.566	-1.095
180	31	-.367	.044	-.233	-.541	180	81	-.723	.226	-.289	-1.831	180	242	.052	.163	.531	-.753
180	32	-.383	.042	-.233	-.562	180	82	-.366	.084	-.098	-.667	180	243	.115	.183	.676	-.674
180	33	-.369	.044	-.231	-.536	180	83	-.334	.081	-.031	-.845	180	244	.093	.159	.714	-.577
180	34	-.362	.045	-.229	-.543	180	84	-.281	.106	.039	-.692	180	245	.104	.141	.591	-.492
180	35	-.386	.050	-.214	-.607	180	85	-.244	.097	.051	-.804	180	246	.053	.114	.416	-.517
180	36	-.404	.060	-.228	-.657	180	86	-.282	.100	-.015	-.747	180	247	-.127	.078	.224	-.338
180	37	-.415	.065	-.217	-.685	180	87	-.769	.279	-.216	-1.979	180	248	-.158	.074	.152	-.385
180	38	-.357	.038	-.226	-.502	180	88	-.314	.084	-.030	-.616	180	249	.020	.235	.745	-1.647
180	39	-.376	.051	-.188	-.619	180	89	-.264	.092	.038	-.736	180	250	.084	.195	.676	-.838
180	40	-.398	.061	-.181	-.717	180	201	-.176	.170	.400	-.738	180	251	.070	.172	.616	-.862
180	41	-.396	.069	-.178	-.696	180	202	-.107	.186	.559	-.907	180	252	.095	.164	.704	-.697
180	42	-.361	.056	-.165	-.610	180	203	-.131	.169	.481	-.594	180	253	-.014	.193	.742	-1.030
180	43	-.419	.071	-.173	-.837	180	204	-.138	.159	.385	-.614	180	254	.067	.158	.628	-.567
180	44	-.402	.067	-.226	-.665	180	205	-.211	.118	.213	-.628	180	255	-.002	.202	.904	-1.030
180	45	-.349	.051	-.156	-.553	180	206	-.200	.117	.259	-.654	180	256	.041	.204	.726	-1.011
180	46	-.329	.051	-.155	-.530	180	207	-.120	.177	.508	-.768	180	257	-.009	.217	.651	-.810
180	47	-.359	.051	-.176	-.642	180	208	-.082	.198	.615	-.918	180	258	.007	.220	.704	-.788
180	48	-.372	.047	-.204	-.576	180	209	-.113	.117	.283	-.482	180	259	.058	.146	.533	-.674
180	49	-.374	.045	-.222	-.543	180	210	-.069	.165	.683	-.845	180	260	.055	.105	.553	-.239
180	50	-.391	.062	-.187	-.742	180	211	-.013	.188	.706	-.807	180	261	-.017	.101	.439	-.357
180	51	-.409	.066	-.216	-.706	180	212	.040	.199	.693	-.648	180	262	-.166	.071	.175	-.397
180	52	-.340	.054	-.142	-.596	180	213	.012	.179	.557	-.500	180	263	-.189	.064	.093	-.380
180	53	-.340	.052	-.174	-.560	180	214	-.142	.117	.200	-.572	180	264	.001	.196	.539	-.915
180	54	-.365	.051	-.233	-.588	180	215	-.201	.086	.121	-.464	180	265	.011	.168	.604	-.741
180	55	-.375	.049	-.231	-.597	180	216	.016	.187	.714	-.819	180	266	.035	.103	.723	-.420
180	56	-.355	.050	-.194	-.594	180	217	.073	.210	.845	-.848	180	267	.007	.079	.442	-.271
180	57	-.396	.065	-.197	-.802	180	218	.121	.216	.818	-.702	180	268	-.033	.067	.234	-.235
180	58	-.417	.073	-.192	-.872	180	219	.085	.178	.552	-.421	180	269	-.222	.061	.094	-.409
180	59	-.350	.059	-.156	-.588	180	220	-.122	.102	.268	-.488	180	270	-.270	.061	-.005	-.489
180	60	-.335	.058	-.149	-.594	180	221	-.195	.085	.162	-.520	180	271	.003	.134	.636	-.543
180	61	-.376	.062	-.202	-.671	180	222	.095	.215	.772	-1.167	180	272	.039	.120	.671	-.499
180	62	-.402	.065	-.233	-.870	180	223	.152	.226	.786	-1.109	180	273	.027	.077	.368	-.208
180	63	-.393	.053	-.252	-.695	180	224	.190	.181	.723	-.527	180	274	-.015	.065	.320	-.204
180	64	-.385	.066	-.192	-.824	180	225	.120	.157	.596	-.336	180	275	-.074	.056	.172	-.231
180	65	-.399	.074	-.181	-.858	180	226	-.093	.091	.188	-.450	180	276	-.250	.059	-.030	-.462
180	66	-.371	.072	-.166	-.714	180	227	-.191	.073	.162	-.460	180	277	-.346	.076	-.078	-.623
180	67	-.374	.071	-.170	-.725	180	228	.137	.221	.930	-.933	180	278	-.030	.074	.265	-.489
180	68	-.405	.076	-.194	-.765	180	229	.151	.231	.850	-.768	180	279	-.007	.072	.410	-.448
180	69	-.453	.083	-.237	-.827	180	230	.175	.188	.693	-.642	180	280	.032	.063	.453	-.107
180	70	-.407	.067	-.202	-.676	180	231	.089	.145	.545	-.397	180	281	.011	.062	.309	-.173
180	71	-.390	.077	-.094	-.772	180	232	-.127	.080	.160	-.399	180	282	-.087	.048	.133	-.257
180	72	-.377	.080	-.103	-.760	180	233	-.188	.060	.011	-.435	180	283	-.284	.058	-.110	-.511
180	73	-.450	.111	-.169	-1.153	180	234	.112	.238	.915	-1.043	180	284	-.291	.066	-.119	-.560
180	74	-.469	.113	-.173	-1.258	180	235	.123	.231	.892	-1.042	180	285	-.266	.066	-.041	-.515
180	75	-.512	.103	-.301	-.995	180	236	.140	.195	.806	-.767	180	286	-.148	.040	.006	-.304

APPENDIX A -- PRESSURE DATA:

JAY SQUARE -- CONFIGURATION B -- LOS ANGELES, CALIFORNIA

WD	TAP	CPMEAN	CPRMS	CPMAX	CPMIN	WD	TAP	CPMEAN	CPRMS	CPMAX	CPMIN	WD	TAP	CPMEAN	CPRMS	CPMAX	CPMIN
180	401	-.229	.124	.446	-.625	180	451	-.289	.193	.365	-1.054	180	527	.049	.150	.538	-.760
180	402	-.224	.127	.481	-.603	180	452	-.188	.189	.490	-.755	180	528	-.168	.120	.376	-.655
180	403	-.281	.135	.396	-.773	180	453	-.235	.166	.520	-.753	180	529	-.124	.128	.341	-.603
180	404	-.261	.142	.333	-.847	180	454	-.085	.153	.663	-.586	180	530	-.113	.128	.323	-.757
180	405	-.329	.201	.340	-1.015	180	455	-.041	.161	.732	-.442	180	531	-.097	.121	.437	-.433
180	406	-.385	.217	.304	-1.218	180	456	.002	.145	.731	-.412	180	532	-.069	.129	.506	-.602
180	407	-.195	.120	.296	-.799	180	457	.038	.145	.607	-.550	180	532	-.069	.129	.506	-.602
180	408	-.299	.224	.323	-1.084	180	458	-.013	.205	.734	-1.281	180	533	-.232	.095	.197	-.605
180	409	-.318	.219	.406	-1.086	180	459	-.043	.224	.609	-1.275	180	534	-.155	.103	.253	-.538
180	410	-.361	.118	.181	-.917	180	460	-.272	.191	.505	-.841	180	535	-.095	.126	.399	-.521
180	411	-.263	.116	.298	-.795	180	461	-.220	.190	.631	-.828	180	536	-.067	.126	.446	-.381
180	412	-.155	.110	.618	-.624	180	462	-.374	.202	.383	-1.632	180	537	-.268	.094	.175	-.651
180	413	-.153	.122	.307	-.728	180	463	-.193	.204	.489	-.879	180	538	-.187	.102	.259	-.515
180	414	-.306	.227	.255	-1.285	180	464	-.138	.208	.588	-.839	180	539	-.118	.107	.329	-.426
180	415	-.308	.226	.302	-1.163	180	465	-.314	.198	.440	-1.014	180	540	-.078	.112	.385	-.398
180	416	-.329	.114	.177	-.800	180	466	-.351	.160	.388	-.847	180	541	-.293	.085	.048	-.620
180	417	-.273	.120	.306	-.650	180	467	-.388	.153	.357	-.888	180	542	-.218	.090	.143	-.503
180	418	-.132	.105	.505	-.497	180	468	-.462	.108	-.053	-.903	180	543	-.153	.106	.336	-.458
180	419	-.094	.114	.432	-.751	180	469	-.303	.157	.384	-.719	180	544	-.338	.086	-.013	-.718
180	420	-.284	.274	.283	-1.593	180	470	-.288	.143	.380	-.838	180	545	-.263	.081	.069	-.541
180	421	-.313	.261	.339	-1.429	180	471	-.399	.126	.026	-1.025	180	546	-.154	.095	.300	-.447
180	422	-.285	.120	.312	-.755	180	472	-.171	.172	.421	-.636	180	547	-.085	.096	.405	-.359
180	423	-.207	.121	.434	-.613	180	473	-.155	.194	.510	-.705	180	548	-.037	.097	.471	-.305
180	424	-.135	.124	.486	-.550	180	474	-.272	.169	.380	-.832	180	549	-.031	.134	.409	-.712
180	425	-.264	.125	.246	-.667	180	501	-.140	.162	.458	-.701	180	550	-.061	.159	.356	-.966
180	426	-.193	.131	.356	-.536	180	502	-.032	.168	.547	-.512	180	551	-.330	.085	-.051	-.642
180	427	-.101	.122	.466	-.465	180	503	.049	.176	.624	-.521	180	552	-.252	.062	-.026	-.455
180	428	-.300	.132	.240	-.732	180	504	.090	.168	.646	-.415	180	553	-.141	.058	.128	-.293
180	429	-.281	.136	.303	-.779	180	505	.100	.147	.739	-.483	180	554	-.132	.060	.134	-.371
180	430	-.274	.140	.345	-.811	180	506	.090	.141	.611	-.877	180	554	-.132	.060	.134	-.371
180	431	-.173	.139	.393	-.547	180	507	.039	.178	.552	-1.300	180	555	-.070	.076	.247	-.338
180	432	-.109	.137	.658	-.449	180	508	-.098	.159	.625	-.604	180	556	-.048	.085	.266	-.395
180	433	-.061	.125	.600	-.408	180	509	-.042	.168	.537	-.550	180	557	-.080	.102	.184	-.814
180	434	-.031	.114	.629	-.529	180	510	.054	.165	.664	-.403	180	558	-.081	.101	.212	-.551
180	435	-.139	.276	.432	-1.445	180	511	.068	.176	.576	-1.105	180	559	-.142	.047	.102	-.273
180	436	-.213	.274	.399	-1.282	180	512	-.109	.141	.375	-.530	180	560	-.102	.062	.149	-.328
180	437	-.245	.139	.391	-.762	180	513	-.028	.150	.482	-.459	180	561	-.024	.091	.295	-.431
180	438	-.203	.143	.419	-.709	180	514	.135	.160	.769	-.365	180	562	-.236	.052	-.045	-.421
180	439	-.194	.147	.393	-.622	180	515	.138	.162	.739	-.344	180	563	-.111	.047	.122	-.244
180	440	-.218	.154	.423	-.584	180	516	.123	.175	.656	-.905	180	564	-.089	.118	.310	-.533
180	441	-.230	.154	.428	-.758	180	517	.079	.165	.578	-.994	180	565	-.080	.077	.228	-.348
180	442	-.187	.171	.551	-.705	180	518	-.176	.116	.343	-.517	180	601	-.423	.100	-.167	-.870
180	443	-.257	.155	.518	-.725	180	519	-.109	.122	.464	-.443	180	602	-.420	.110	-.112	-1.140
180	444	-.257	.143	.338	-.753	180	520	-.021	.138	.580	-.405	180	603	-.398	.121	-.080	-1.018
180	445	-.127	.172	.491	-.630	180	521	-.118	.115	.468	-.442	180	604	-.448	.130	-.068	-1.102
180	446	.033	.175	.733	-.449	180	522	-.089	.120	.462	-.471	180	605	-.486	.143	-.164	-1.330
180	447	.079	.158	.629	-.442	180	523	-.018	.130	.498	-.436	180	606	-.487	.154	-.187	-1.709
180	448	.098	.136	.612	-.393	180	524	.034	.131	.522	-.413	180	607	-.421	.104	-.170	-.995
180	449	.019	.228	.476	-1.017	180	525	.083	.125	.660	-.255	180	608	-.482	.163	-.181	-2.004
180	450	-.033	.244	.546	-1.103	180	526	.100	.133	.550	-.743	180	609	-.419	.097	-.114	-.995

WD	TAP	CPMEAN	CPRMS	CPMAX	CPMIN	WD	TAP	CPMEAN	CPRMS	CPMAX	CPMIN	WD	TAP	CPMEAN	CPRMS	CPMAX	CPMIN
180	610	-.389	.080	-.204	-.785	180	660	-.417	.090	-.144	-.898	180	712	-.399	.125	-.008	-1.015
180	611	-.378	.077	-.114	-.729	180	661	-.430	.090	-.160	-.967	180	713	-.395	.099	-.123	-.949
180	612	-.424	.090	-.150	-.903	180	662	-.436	.115	-.159	-.992	180	714	-.374	.141	.038	-.946
180	613	-.452	.111	-.127	-.978	180	663	-.426	.094	-.163	-.869	180	715	-.345	.139	.060	-1.220
180	614	-.483	.133	-.154	-1.240	180	664	-.421	.092	-.166	-.920	180	801	-.228	.050	-.064	-.432
180	615	-.483	.134	-.194	-1.516	180	665	-.410	.105	-.123	-1.166	180	802	-.271	.086	-.013	-.697
180	616	-.431	.090	-.201	-.909	180	666	-.339	.111	.097	-.743	180	803	-.332	.110	-.045	-.959
180	617	-.397	.079	-.185	-.740	180	667	-.385	.097	-.130	-.987	180	804	-.341	.072	-.097	-.646
180	618	-.433	.092	-.119	-.921	180	668	-.403	.097	-.148	-1.004	180	805	-.147	.049	.108	-.302
180	619	-.446	.115	-.119	-1.048	180	669	-.405	.102	-.110	-.956	180	806	.067	.091	.602	-.143
180	620	-.481	.150	-.136	-1.341	180	670	-.302	.123	.269	-.762	180	807	-.025	.047	.221	-.203
180	621	-.456	.147	-.120	-1.256	180	671	-.402	.092	-.142	-.843	180	808	-.077	.054	.180	-.250
180	622	-.479	.114	-.217	-1.070	180	672	-.419	.092	-.150	-.827	180	809	-.065	.064	.188	-.275
180	623	-.464	.105	-.146	-1.048	180	673	-.414	.093	-.164	-.838	180	810	-.087	.064	.177	-.285
180	624	-.446	.087	-.142	-.796	180	674	-.432	.093	-.170	-.801	180	811	.019	.114	.519	-.368
180	625	-.458	.104	-.146	-.970	180	675	-.400	.093	-.142	-.879	180	812	-.171	.054	.119	-.401
180	626	-.399	.091	-.135	-.904	180	676	-.418	.093	-.184	-.894	180	813	-.172	.069	.060	-.510
180	627	-.435	.101	-.166	-1.174	180	677	-.407	.095	-.149	-.805	180	814	-.151	.069	.125	-.517
180	628	-.494	.126	-.148	-1.230	180	678	-.431	.100	-.151	-.924	180	815	-.143	.043	.047	-.279
180	629	-.467	.103	-.129	-.914	180	679	-.396	.092	-.120	-.879	180	816	-.136	.055	.112	-.360
180	630	-.474	.108	-.134	-1.082	180	680	-.389	.106	-.096	-1.033	180	817	-.139	.041	.046	-.326
180	631	-.467	.120	-.142	-1.008	180	681	-.423	.089	-.123	-.876	180	818	-.111	.097	.326	-.393
180	632	-.492	.125	-.184	-1.193	180	682	-.403	.080	-.137	-.689	180	819	-.159	.064	.096	-.408
180	633	-.463	.123	-.140	-1.030	180	683	-.473	.098	-.194	-.857	180	820	-.158	.052	.060	-.340
180	634	-.484	.126	-.185	-1.148	180	684	-.429	.116	-.154	-.945	180	821	-.160	.048	-.002	-.342
180	635	-.477	.137	-.176	-1.455	180	685	-.471	.128	-.156	-1.271	180	822	-.238	.065	.004	-.533
180	636	-.504	.123	-.216	-1.176	180	686	-.431	.118	-.139	-.857	180	823	-.364	.093	-.034	-.823
180	637	-.486	.106	-.138	-1.053	180	687	-.271	.085	-.027	-.732	180	824	-.269	.120	.018	-.862
180	638	-.485	.112	-.143	-1.097	180	688	-.284	.079	-.059	-.734	180	825	-.273	.062	-.076	-.546
180	639	-.507	.125	-.168	-1.212	180	689	-.387	.087	-.126	-.734	180	826	-.285	.069	-.094	-.623
180	640	-.514	.126	-.202	-1.291	180	690	-.361	.083	-.102	-.675	180	827	-.199	.057	.011	-.420
180	641	-.483	.119	-.191	-1.162	180	691	-.403	.093	-.173	-.948	180	828	-.182	.055	.047	-.356
180	642	-.500	.125	-.192	-1.393	180	692	-.540	.181	-.150	-1.397	180	829	-.206	.040	-.056	-.324
180	643	-.451	.109	-.115	-.963	180	693	-.369	.121	.049	-.885	180	901	-.135	.043	.015	-.360
180	644	-.516	.118	-.086	-1.117	180	694	-.227	.080	.074	-.642	180	902	-.147	.039	.026	-.279
180	645	-.652	.183	-.223	-2.057	180	695	-.316	.074	.022	-.636	180	903	-.136	.047	.031	-.389
180	646	-.608	.143	-.168	-1.315	180	696	-.365	.074	-.117	-.799	180	904	-.154	.039	-.002	-.284
180	647	-.674	.185	-.210	-1.641	180	697	-.488	.139	-.169	-1.047	180	905	-.151	.038	.022	-.276
180	648	-.460	.114	-.091	-1.056	180	701	-.393	.182	.329	-1.275	180	906	-.140	.040	.031	-.277
180	649	-.417	.103	-.062	-.902	180	701	-.393	.182	.329	-1.275	180	907	-.160	.039	-.032	-.308
180	650	-.437	.106	-.037	-1.034	180	702	-.478	.182	.148	-1.227	180	908	-.118	.062	.122	-.379
180	651	-.437	.112	.021	-1.001	180	703	-.519	.191	.037	-1.402	180	1001	-.422	.140	.167	-.912
180	652	-.518	.135	-.148	-1.215	180	704	-.318	.181	.384	-1.188	180	1002	-.474	.146	.111	-.983
180	653	-.405	.090	-.121	-1.046	180	705	-.567	.192	.019	-1.330	180	1003	-.472	.139	.046	-.958
180	654	-.537	.144	-.141	-1.322	180	706	-.655	.248	-.029	-1.709	180	1004	-.420	.131	.019	-.973
180	655	-.471	.130	-.126	-1.183	180	707	-.376	.103	.078	-.835	180	1005	-.420	.211	.353	-1.178
180	656	-.448	.118	-.166	-1.166	180	708	-.408	.099	-.088	-.765	180	1006	-.315	.110	.072	-.792
180	657	-.422	.089	-.121	-.796	180	709	-.393	.101	-.066	-.859	180	1007	-.326	.088	-.019	-.752
180	658	-.449	.101	-.134	-.922	180	710	-.416	.124	-.140	-1.335	180	1008	-.389	.144	.017	-.930
180	659	-.371	.092	-.107	-.917	180	711	-.380	.120	-.045	-1.069	180	1011	-.048	.200	.641	-.922

APPENDIX A -- PRESSURE DATA:

JAY SQUARE -- CONFIGURATION B -- LOS ANGELES, CALIFORNIA

WD	TAP	CPMEAN	CPRMS	CPMAX	CPMIN	WD	TAP	CPMEAN	CPRMS	CPMAX	CPMIN	WD	TAP	CPMEAN	CPRMS	CPMAX	CPMIN
180	1012	-.091	.185	.456	-.924	190	19	-.306	.044	-.161	-.525	190	69	-.439	.083	-.179	-.795
180	1013	-.123	.195	.390	-1.017	190	20	-.350	.056	-.199	-.620	190	70	-.381	.072	-.122	-.726
180	1014	.014	.127	.459	-.569	190	21	-.373	.065	-.182	-.695	190	71	-.393	.093	-.078	-.974
180	1015	-.018	.134	.448	-.528	190	22	-.347	.040	-.208	-.584	190	72	-.380	.095	-.028	-.939
180	1016	-.044	.140	.501	-.504	190	23	-.358	.045	-.203	-.617	190	73	-.433	.121	-.108	-.987
180	1017	-.130	.157	.442	-.644	190	24	-.370	.051	-.210	-.672	190	74	-.449	.123	-.117	-1.123
180	1018	-.161	.128	.354	-.598	190	25	-.331	.041	-.182	-.566	190	75	-.508	.113	-.223	-.964
180	1019	-.224	.138	.162	-.752	190	26	-.353	.042	-.208	-.509	190	76	-.386	.100	.007	-.760
180	1021	-.459	.114	-.108	-.975	190	27	-.370	.050	-.215	-.564	190	77	-.312	.092	-.043	-.657
180	1022	-.447	.102	-.196	-1.026	190	28	-.348	.059	-.165	-.712	190	78	-.319	.102	-.043	-.946
180	1023	-.435	.090	-.155	-.838	190	29	-.352	.064	-.144	-.731	190	79	-.321	.105	-.040	-.907
180	1024	-.440	.087	-.149	-.809	190	30	-.346	.046	-.223	-.539	190	80	-.664	.174	-.214	-1.423
180	1025	-.430	.098	-.139	-.997	190	31	-.351	.040	-.225	-.504	190	81	-.710	.205	-.286	-1.729
180	1026	-.430	.089	-.174	-.965	190	32	-.348	.041	-.209	-.504	190	82	-.323	.079	-.050	-.619
180	1027	-.451	.103	-.171	-1.196	190	33	-.353	.042	-.228	-.512	190	83	-.273	.090	.129	-.682
180	1028	-.451	.106	-.167	-1.175	190	34	-.352	.044	-.199	-.544	190	84	-.255	.099	.022	-.780
180	1031	-.336	.138	.150	-.925	190	35	-.359	.054	-.161	-.634	190	85	-.235	.101	.058	-.909
180	1032	-.342	.157	.163	-1.295	190	36	-.378	.065	-.172	-.746	190	86	-.286	.104	.007	-.711
180	1033	-.298	.146	.271	-.869	190	37	-.391	.074	-.183	-.799	190	87	-.806	.215	-.232	-2.053
180	1034	-.207	.206	.410	-.948	190	38	-.335	.039	-.177	-.517	190	88	-.232	.078	.022	-.546
180	1035	-.243	.157	.295	-1.007	190	39	-.349	.048	-.113	-.506	190	89	-.253	.096	.024	-.639
180	1036	-.260	.129	.205	-.920	190	40	-.355	.057	-.174	-.591	190	201	-.408	.208	.365	-1.630
180	1037	-.263	.121	.188	-.652	190	41	-.370	.070	-.166	-.708	190	202	-.349	.203	.322	-1.453
180	1041	-.364	.113	.018	-.747	190	42	-.317	.052	-.151	-.615	190	203	-.319	.184	.359	-1.295
180	1042	-.312	.087	.178	-.676	190	43	-.377	.071	-.146	-.841	190	204	-.253	.128	.220	-.918
180	1043	-.467	.148	.087	-.955	190	44	-.387	.074	-.155	-.789	190	205	-.262	.096	.111	-.678
180	1044	-.461	.146	.071	-.964	190	45	-.337	.055	-.175	-.675	190	206	-.239	.087	.240	-.630
180	1045	-.412	.168	.197	-1.151	190	46	-.320	.057	-.129	-.653	190	207	-.362	.225	.256	-1.512
180	1046	-.449	.154	.074	-1.010	190	47	-.343	.048	-.208	-.564	190	208	-.374	.244	.368	-1.553
180	1047	-.492	.156	.064	-1.081	190	48	-.351	.042	-.218	-.506	190	209	-.196	.086	.235	-.673
180	1048	-.301	.092	.097	-.682	190	49	-.352	.040	-.213	-.570	190	210	-.352	.221	.484	-1.157
180	1049	-.353	.090	-.028	-.676	190	50	-.378	.058	-.192	-.656	190	211	-.364	.219	.365	-1.235
180	1050	-.392	.144	.078	-.952	190	51	-.400	.075	-.181	-.897	190	212	-.284	.227	.375	-1.272
190	1	-.360	.084	-.110	-.947	190	52	-.331	.056	-.132	-.835	190	213	-.200	.153	.317	-.835
190	2	-.326	.080	-.083	-.766	190	53	-.331	.049	-.181	-.514	190	214	-.233	.088	.118	-.643
190	3	-.353	.077	-.130	-.797	190	54	-.357	.049	-.203	-.564	190	215	-.270	.076	.018	-.780
190	4	-.366	.073	-.189	-.867	190	55	-.364	.047	-.233	-.555	190	216	-.384	.217	.310	-1.182
190	5	-.372	.083	-.154	-1.048	190	56	-.369	.049	-.214	-.728	190	217	-.405	.233	.404	-1.224
190	6	-.359	.080	-.164	-.749	190	57	-.389	.068	-.216	-.727	190	218	-.330	.280	.370	-1.481
190	7	-.349	.075	-.147	-.867	190	58	-.419	.078	-.225	-.751	190	219	-.219	.207	.419	-1.038
190	9	-.361	.078	-.155	-.971	190	59	-.339	.057	-.153	-.560	190	220	-.252	.103	.227	-.879
190	10	-.337	.062	-.144	-.806	190	60	-.326	.057	-.127	-.562	190	221	-.272	.083	.062	-.858
190	11	-.320	.066	-.149	-.795	190	61	-.370	.056	-.216	-.594	190	222	-.442	.217	.492	-1.168
190	12	-.338	.056	-.172	-.576	190	62	-.391	.054	-.241	-.635	190	223	-.426	.223	.542	-1.128
190	13	-.335	.053	-.151	-.561	190	63	-.388	.059	-.225	-.799	190	224	-.374	.264	.424	-1.651
190	14	-.361	.063	-.145	-.681	190	64	-.395	.084	-.174	-.882	190	225	-.260	.203	.315	-1.175
190	15	-.345	.066	-.151	-.646	190	65	-.407	.087	-.133	-1.042	190	226	-.234	.092	.096	-.792
190	16	-.337	.059	-.182	-.651	190	66	-.356	.078	-.142	-.713	190	227	-.276	.085	.011	-.677
190	17	-.335	.059	-.112	-.720	190	67	-.362	.077	-.165	-.707	190	228	-.475	.195	.296	-1.263
190	18	-.331	.049	-.160	-.672	190	68	-.394	.085	-.187	-.748	190	229	-.457	.232	.436	-1.467

APPENDIX A -- PRESSURE DATA:

JAY SQUARE -- CONFIGURATION B -- LOS ANGELES, CALIFORNIA

WD	TAP	CPMEAN	CPRMS	CPMAX	CPMIN	WD	TAP	CPMEAN	CPRMS	CPMAX	CPMIN	WD	TAP	CPMEAN	CPRMS	CPMAX	CPMIN
190	230	-.436	.275	.404	-1.689	190	280	-.008	.067	.400	-.189	190	444	-.102	.096	.270	-.500
190	231	-.252	.187	.352	-1.103	190	281	-.027	.061	.225	-.205	190	445	.073	.120	.465	-.410
190	232	-.246	.077	.046	-.658	190	282	-.115	.045	.046	-.253	190	446	.287	.161	.824	-.332
190	233	-.280	.062	-.039	-.704	190	283	-.291	.057	-.123	-.483	190	447	.379	.160	.948	-.190
190	234	-.716	.386	.241	-2.209	190	284	-.317	.065	-.131	-.536	190	448	.355	.154	.843	-.086
190	235	-.709	.390	.238	-2.159	190	285	-.300	.057	-.110	-.495	190	449	.127	.119	.594	-.257
190	236	-.540	.309	.240	-1.669	190	286	-.122	.044	.043	-.292	190	450	-.021	.129	.551	-.500
190	237	-.673	.372	.246	-2.125	190	401	-.117	.172	.428	-.648	190	451	-.125	.145	.456	-.616
190	238	-.609	.329	.295	-1.840	190	402	-.085	.187	.473	-.574	190	452	.011	.149	.675	-.554
190	239	-.456	.295	.357	-1.605	190	403	-.144	.191	.611	-.688	190	453	-.029	.135	.650	-.576
190	240	-.446	.287	.311	-1.586	190	404	-.151	.178	.726	-.765	190	454	.181	.134	.652	-.568
190	241	-.657	.413	.333	-2.098	190	405	-.192	.159	.544	-.643	190	455	.274	.154	.734	-.354
190	242	-.790	.473	.311	-3.033	190	406	-.288	.150	.350	-.898	190	456	.315	.168	.840	-.382
190	243	-.597	.336	.369	-2.175	190	407	-.043	.195	.687	-.666	190	457	.302	.165	.882	-.317
190	244	-.411	.241	.241	-1.448	190	408	-.126	.159	.540	-.742	190	458	-.005	.126	.604	-.459
190	245	-.246	.171	.254	-1.087	190	409	-.132	.157	.563	-.834	190	459	-.176	.158	.558	-.711
190	246	-.168	.097	.207	-.660	190	410	-.204	.154	.358	-.863	190	460	-.186	.162	.608	-.654
190	247	-.210	.059	.107	-.469	190	411	-.057	.183	.509	-.772	190	461	-.112	.160	.695	-.660
190	248	-.220	.059	.079	-.493	190	412	.071	.219	.808	-.522	190	462	-.274	.193	.323	-1.440
190	249	-.698	.372	.272	-2.553	190	413	.035	.178	.834	-.466	190	463	-.179	.161	.551	-.682
190	250	-.358	.216	.241	-1.212	190	414	-.101	.138	.453	-.753	190	464	-.114	.161	.578	-.798
190	251	-.394	.231	.360	-1.405	190	415	-.188	.126	.267	-.700	190	465	-.275	.195	.393	-1.082
190	252	-.443	.252	.248	-1.635	190	416	-.126	.151	.390	-.671	190	466	-.234	.176	.413	-.851
190	253	-.546	.227	.229	-1.411	190	417	-.001	.184	.600	-.736	190	467	-.282	.179	.330	-.920
190	254	-.345	.197	.229	-1.470	190	418	.154	.213	.833	-.404	190	468	-.395	.134	.049	-.884
190	255	-.463	.196	.367	-1.191	190	419	.126	.185	.754	-.375	190	469	-.317	.147	.412	-.823
190	256	-.471	.217	.432	-1.332	190	420	-.028	.131	.460	-.827	190	470	-.286	.149	.345	-.831
190	257	-.385	.195	.355	-1.110	190	421	-.093	.121	.362	-.841	190	471	-.310	.122	.083	-.820
190	258	-.383	.213	.390	-1.308	190	422	-.014	.144	.452	-.501	190	472	-.129	.157	.412	-.604
190	259	-.227	.200	.404	-.988	190	423	.092	.162	.545	-.442	190	473	-.094	.177	.609	-.614
190	260	-.124	.102	.349	-.706	190	424	.193	.183	.838	-.428	190	474	-.124	.151	.572	-.612
190	261	-.130	.067	.232	-.439	190	425	.005	.144	.439	-.519	190	501	.028	.120	.349	-.497
190	262	-.214	.056	.088	-.404	190	426	.113	.165	.625	-.487	190	502	.167	.130	.509	-.462
190	263	-.226	.053	.037	-.413	190	427	.211	.182	.816	-.387	190	503	.254	.163	.698	-.746
190	264	-.349	.242	.347	-1.261	190	428	-.090	.125	.339	-.539	190	504	.320	.169	.906	-.527
190	265	-.270	.240	.408	-1.282	190	429	-.054	.137	.446	-.509	190	505	.328	.163	.886	-.468
190	266	-.104	.135	.364	-.930	190	430	-.028	.143	.535	-.494	190	506	.246	.139	.715	-.300
190	267	-.083	.069	.251	-.610	190	431	.109	.161	.651	-.405	190	507	.186	.134	.716	-.446
190	268	-.120	.057	.248	-.354	190	432	.232	.189	.801	-.462	190	508	.015	.113	.500	-.605
190	269	-.245	.061	.014	-.507	190	433	.261	.199	.969	-.423	190	509	.134	.121	.627	-.290
190	270	-.276	.064	-.007	-.559	190	434	.222	.183	.826	-.663	190	510	.280	.136	.779	-.230
190	271	-.116	.180	.360	-1.371	190	435	.044	.127	.519	-.962	190	511	.202	.134	.726	-.406
190	272	-.078	.157	.365	-1.389	190	436	-.064	.127	.476	-.743	190	512	-.020	.116	.461	-.360
190	273	-.024	.072	.318	-.592	190	437	-.003	.145	.537	-.633	190	513	.060	.121	.525	-.333
190	274	-.056	.060	.268	-.299	190	438	.061	.156	.644	-.584	190	514	.237	.150	.753	-.254
190	275	-.110	.054	.214	-.363	190	439	.083	.166	.662	-.614	190	515	.277	.164	.899	-.146
190	276	-.269	.063	-.012	-.532	190	440	.063	.176	.581	-.533	190	516	.165	.142	.698	-.227
190	277	-.322	.077	-.100	-.583	190	441	-.011	.137	.563	-.607	190	517	.043	.120	.477	-.385
190	278	-.046	.084	.434	-.682	190	442	.074	.162	.739	-.624	190	518	-.083	.113	.372	-.464
190	279	-.031	.084	.537	-.635	190	443	-.046	.123	.553	-.592	190	519	-.029	.113	.393	-.326

WD	TAP	CPMEAN	CPRMS	CPMAX	CPMIN	WD	TAP	CPMEAN	CPRMS	CPMAX	CPMIN	WD	TAP	CPMEAN	CPRMS	CPMAX	CPMIN
190	520	.035	.131	.543	-.300	190	603	-.420	.125	-.030	-1.100	190	653	-.426	.097	-.172	-.886
190	521	-.038	.110	.349	-.321	190	604	-.459	.134	-.136	-1.290	190	654	-.579	.143	-.167	-1.507
190	522	-.022	.117	.405	-.405	190	605	-.518	.146	-.152	-1.368	190	655	-.468	.120	-.156	-1.124
190	523	.034	.124	.439	-.269	190	606	-.525	.153	-.174	-1.572	190	656	-.443	.116	-.147	-1.101
190	524	.062	.125	.560	-.334	190	607	-.369	.092	-.115	-1.101	190	657	-.400	.107	-.038	-.905
190	525	.107	.132	.696	-.259	190	608	-.519	.147	-.186	-1.338	190	658	-.424	.120	-.063	-1.106
190	526	.101	.126	.658	-.346	190	609	-.385	.093	-.104	-1.019	190	659	-.306	.090	-.046	-.659
190	527	.034	.121	.686	-.409	190	610	-.345	.076	-.157	-.796	190	660	-.437	.114	-.174	-.946
190	528	-.133	.145	.298	-.708	190	611	-.328	.076	-.124	-.756	190	661	-.458	.118	-.182	-.986
190	529	-.074	.158	.396	-.751	190	612	-.421	.100	-.132	-.878	190	662	-.470	.141	-.168	-1.411
190	530	-.090	.199	.429	-1.070	190	613	-.480	.137	-.055	-1.380	190	663	-.459	.128	-.179	-1.338
190	531	-.051	.125	.459	-.513	190	614	-.524	.146	-.162	-1.222	190	664	-.465	.111	-.210	-1.014
190	532	-.022	.125	.425	-.371	190	615	-.517	.142	-.121	-1.291	190	665	-.464	.137	-.167	-1.139
190	532	-.022	.125	.425	-.371	190	616	-.426	.114	-.133	-1.169	190	666	-.240	.118	.135	-.696
190	533	-.207	.108	.220	-.607	190	617	-.416	.102	-.077	-1.006	190	667	-.445	.148	-.142	-1.396
190	534	-.117	.117	.330	-.593	190	618	-.445	.116	-.078	-1.059	190	668	-.461	.148	-.174	-1.525
190	535	-.046	.134	.463	-.662	190	619	-.503	.147	-.067	-1.225	190	669	-.444	.133	-.128	-1.263
190	536	-.030	.124	.432	-.372	190	620	-.532	.171	-.161	-1.431	190	670	-.165	.116	.287	-.604
190	537	-.259	.099	.099	-.692	190	621	-.509	.168	-.138	-1.344	190	671	-.447	.149	-.152	-1.548
190	538	-.164	.102	.227	-.467	190	622	-.463	.130	-.125	-1.154	190	672	-.466	.158	-.169	-1.925
190	539	-.096	.108	.338	-.401	190	623	-.443	.120	-.188	-.972	190	673	-.440	.133	-.118	-1.060
190	540	-.061	.112	.406	-.397	190	624	-.439	.104	.043	-.923	190	674	-.454	.131	-.136	-1.101
190	541	-.289	.091	.059	-.632	190	625	-.436	.119	-.129	-1.053	190	675	-.461	.141	-.171	-1.379
190	542	-.205	.090	.125	-.479	190	626	-.468	.145	-.127	-1.768	190	676	-.474	.140	-.182	-1.420
190	543	-.145	.106	.326	-.468	190	627	-.488	.179	-.176	-2.472	190	677	-.454	.130	-.156	-1.122
190	544	-.338	.085	-.049	-.735	190	628	-.478	.156	-.157	-1.614	190	678	-.468	.131	-.138	-1.128
190	545	-.263	.076	.066	-.583	190	629	-.459	.125	-.135	-1.017	190	679	-.447	.130	-.123	-1.141
190	546	-.154	.085	.222	-.534	190	630	-.449	.128	-.121	-1.164	190	680	-.321	.097	-.027	-.773
190	547	-.098	.083	.256	-.365	190	631	-.446	.124	-.089	-1.413	190	681	-.414	.107	-.130	-1.077
190	548	-.047	.089	.383	-.273	190	632	-.446	.110	-.167	-1.324	190	682	-.366	.096	-.039	-.778
190	549	-.024	.096	.431	-.710	190	633	-.466	.145	-.104	-1.239	190	683	-.448	.118	-.118	-.961
190	550	-.047	.108	.418	-.742	190	634	-.433	.107	-.155	-1.253	190	684	-.452	.122	-.111	-1.011
190	551	-.319	.085	-.051	-.670	190	635	-.376	.095	-.161	-1.252	190	685	-.479	.139	-.150	-1.321
190	552	-.242	.057	-.005	-.476	190	636	-.509	.140	-.160	-1.155	190	686	-.450	.128	-.121	-1.122
190	553	-.124	.050	.060	-.281	190	637	-.446	.099	-.106	-1.018	190	687	-.235	.073	.026	-.554
190	554	-.095	.061	.159	-.268	190	638	-.485	.127	-.097	-1.111	190	688	-.244	.071	.078	-.581
190	554	-.095	.061	.159	-.268	190	639	-.446	.095	-.121	-.912	190	689	-.296	.091	-.026	-.719
190	555	-.028	.077	.258	-.261	190	640	-.435	.085	-.204	-1.003	190	690	-.274	.086	.113	-.713
190	556	-.013	.087	.323	-.269	190	641	-.373	.089	-.119	-1.111	190	691	-.385	.110	-.080	-.874
190	557	-.034	.097	.315	-.406	190	642	-.418	.085	-.191	-.993	190	692	-.541	.188	-.123	-1.540
190	558	-.079	.095	.244	-.624	190	643	-.474	.118	-.135	-1.107	190	693	-.223	.132	.150	-.785
190	559	-.123	.044	.029	-.314	190	644	-.520	.117	-.216	-1.025	190	694	-.185	.068	.180	-.460
190	560	-.066	.063	.195	-.269	190	645	-.511	.123	-.179	-1.192	190	695	-.236	.080	.039	-.988
190	561	.001	.105	.396	-.345	190	646	-.542	.134	-.215	-1.256	190	696	-.298	.085	-.049	-.806
190	562	-.203	.048	-.026	-.418	190	647	-.525	.121	-.269	-1.294	190	697	-.428	.152	-.062	-1.296
190	563	-.081	.052	.115	-.263	190	648	-.449	.120	-.116	-1.165	190	701	-.306	.178	.265	-1.293
190	564	-.019	.122	.406	-.483	190	649	-.431	.112	-.057	-.912	190	701	-.306	.178	.265	-1.293
190	565	-.022	.088	.393	-.277	190	650	-.428	.113	-.027	-.872	190	702	-.434	.191	.060	-1.546
190	601	-.376	.095	-.122	-.843	190	651	-.470	.112	-.020	-.961	190	703	-.482	.194	.046	-1.373
190	602	-.398	.115	-.098	-1.209	190	652	-.558	.135	-.116	-1.288	190	704	-.246	.163	.468	-.995

WD	TAP	CPMEAN	CPRMS	CPMAX	CPMIN	WD	TAP	CPMEAN	CPRMS	CPMAX	CPMIN	WD	TAP	CPMEAN	CPRMS	CPMAX	CPMIN
190	705	-.439	.222	.084	-1.422	190	1003	-.434	.121	-.007	-1.113	200	12	-.395	.077	-.176	-.764
190	706	-.805	.311	-.068	-2.029	190	1004	-.343	.116	.002	-.895	200	13	-.403	.073	-.219	-.748
190	707	-.266	.111	.152	-.857	190	1005	-.456	.160	.135	-1.180	200	14	-.451	.078	-.262	-.831
190	708	-.349	.114	.100	-.798	190	1006	-.335	.118	.132	-.835	200	15	-.465	.089	-.235	-1.034
190	709	-.309	.116	.106	-.761	190	1007	-.297	.088	.030	-.752	200	16	-.423	.102	-.170	-1.009
190	710	-.448	.155	-.139	-1.239	190	1008	-.409	.121	-.042	-.921	200	17	-.409	.090	-.219	-.899
190	711	-.254	.135	.071	-.867	190	1011	-.060	.150	.476	-.771	200	18	-.404	.072	-.231	-.847
190	712	-.270	.122	.146	-.792	190	1012	-.152	.154	.314	-.824	200	19	-.368	.055	-.219	-.616
190	713	-.445	.142	-.160	-1.256	190	1013	-.050	.120	.375	-.822	200	20	-.414	.066	-.179	-.869
190	714	-.226	.155	.168	-1.023	190	1014	.203	.153	.699	-.361	200	21	-.447	.081	-.215	-.953
190	715	-.191	.160	.260	-.824	190	1015	.242	.156	.786	-.318	200	22	-.387	.048	-.246	-.626
190	801	-.206	.048	.011	-.414	190	1016	.233	.148	.776	-.468	200	23	-.398	.053	-.242	-.620
190	802	-.274	.089	-.025	-.792	190	1017	.147	.127	.556	-.499	200	24	-.408	.061	-.228	-.675
190	803	-.257	.076	-.058	-.666	190	1018	.074	.116	.542	-.821	200	25	-.388	.046	-.251	-.562
190	804	-.291	.082	.021	-.687	190	1019	.009	.125	.395	-.805	200	26	-.389	.053	-.172	-.592
190	805	-.169	.043	-.035	-.355	190	1021	-.423	.120	-.113	-1.080	200	27	-.411	.063	-.198	-.702
190	806	-.022	.065	.274	-.220	190	1022	-.409	.113	-.149	-1.082	200	28	-.417	.103	-.181	-1.036
190	807	-.055	.044	.124	-.198	190	1023	-.415	.100	.013	-.846	200	29	-.414	.094	-.151	-.867
190	808	-.097	.043	.088	-.230	190	1024	-.429	.108	.034	-1.008	200	30	-.394	.066	-.203	-.683
190	809	-.073	.054	.146	-.273	190	1025	-.480	.167	-.084	-2.155	200	31	-.394	.052	-.254	-.611
190	810	-.041	.076	.242	-.261	190	1026	-.485	.154	-.124	-1.573	200	32	-.397	.051	-.234	-.576
190	811	.073	.113	.648	-.260	190	1027	-.455	.125	.017	-1.179	200	33	-.390	.048	-.212	-.632
190	812	-.168	.040	.053	-.423	190	1028	-.482	.128	-.094	-1.264	200	34	-.384	.053	-.197	-.632
190	813	-.195	.063	.011	-.524	190	1031	-.164	.139	.440	-.929	200	35	-.412	.069	-.227	-.686
190	814	-.183	.054	.018	-.433	190	1032	-.150	.164	.382	-.893	200	36	-.436	.088	-.217	-.850
190	815	-.137	.036	-.007	-.301	190	1033	-.072	.149	.457	-.776	200	37	-.452	.100	-.207	-.939
190	816	-.158	.049	-.005	-.348	190	1034	.023	.161	.527	-1.021	200	38	-.366	.046	-.188	-.501
190	817	-.137	.037	-.012	-.369	190	1035	-.085	.134	.282	-.642	200	39	-.396	.062	-.203	-.707
190	818	-.040	.118	.405	-.387	190	1036	-.139	.114	.299	-.544	200	40	-.418	.079	-.166	-.834
190	819	-.140	.069	.218	-.372	190	1037	-.176	.117	.264	-.525	200	41	-.430	.098	-.141	-.906
190	820	-.167	.058	.058	-.399	190	1041	-.299	.087	.037	-.621	200	42	-.386	.072	-.180	-.779
190	821	-.193	.061	-.028	-.451	190	1042	-.259	.084	.032	-.586	200	43	-.460	.101	-.191	-1.000
190	822	-.171	.069	.071	-.506	190	1043	-.429	.129	.029	-.899	200	44	-.428	.090	-.212	-.870
190	823	-.259	.101	.016	-1.606	190	1044	-.417	.156	.092	-1.036	200	45	-.396	.083	-.150	-.886
190	824	-.167	.075	.118	-.539	190	1045	-.453	.119	.041	-1.028	200	46	-.379	.075	-.155	-.756
190	825	-.234	.061	-.012	-.557	190	1046	-.449	.117	-.043	-.967	200	47	-.382	.056	-.232	-.619
190	826	-.242	.070	-.019	-.675	190	1047	-.430	.132	-.003	-1.116	200	48	-.386	.049	-.220	-.599
190	827	-.188	.054	.018	-.538	190	1048	-.246	.093	.125	-.605	200	49	-.382	.047	-.209	-.585
190	828	-.136	.058	.095	-.290	190	1049	-.379	.110	-.049	-.851	200	50	-.398	.073	-.188	-.756
190	829	-.188	.036	-.035	-.305	190	1050	-.426	.117	.063	-.868	200	51	-.443	.091	-.206	-.867
190	901	-.107	.038	.018	-.266	200	1	-.392	.093	-.109	-.829	200	52	-.357	.062	-.150	-.632
190	902	-.116	.038	.025	-.251	200	2	-.350	.097	-.089	-1.002	200	53	-.377	.058	-.194	-.600
190	903	-.107	.041	.074	-.272	200	3	-.400	.097	-.127	-.999	200	54	-.408	.058	-.246	-.637
190	904	-.120	.037	.011	-.282	200	4	-.436	.099	-.173	-.965	200	55	-.411	.056	-.264	-.665
190	905	-.117	.038	.039	-.236	200	5	-.438	.108	-.130	-.906	200	56	-.392	.052	-.218	-.607
190	906	-.107	.042	.050	-.287	200	6	-.472	.110	-.184	-1.059	200	57	-.423	.076	-.170	-.774
190	907	-.113	.039	.014	-.253	200	7	-.395	.094	-.155	-.931	200	58	-.457	.090	-.186	-.833
190	908	-.084	.046	.089	-.282	200	9	-.435	.105	-.143	-.908	200	59	-.401	.071	-.148	-.692
190	1001	-.348	.143	.192	-.940	200	10	-.364	.089	-.156	-.940	200	60	-.392	.070	-.162	-.663
190	1002	-.439	.131	.039	-1.168	200	11	-.359	.094	-.096	-.880	200	61	-.446	.072	-.253	-.831

WD	TAP	CPMEAN	CPRMS	CPMAX	CPMIN	WD	TAP	CPMEAN	CPRMS	CPMAX	CPMIN	WD	TAP	CPMEAN	CPRMS	CPMAX	CPMIN
200	62	-.454	.074	-.227	-.893	200	223	-.709	.172	.126	-2.056	200	273	-.097	.094	.110	-.667
200	63	-.411	.060	-.183	-.637	200	224	-.735	.231	.167	-1.654	200	274	-.119	.057	.046	-.403
200	64	-.412	.070	-.181	-.714	200	225	-.539	.239	.095	-1.457	200	275	-.180	.052	.011	-.384
200	65	-.404	.081	-.191	-.783	200	226	-.408	.166	.101	-1.197	200	276	-.365	.070	-.169	-.628
200	66	-.437	.081	-.213	-.765	200	227	-.424	.183	-.050	-1.383	200	277	-.422	.083	-.162	-.766
200	67	-.444	.080	-.228	-.763	200	228	-.738	.170	.194	-1.644	200	278	-.152	.127	.104	-1.310
200	68	-.495	.088	-.265	-.883	200	229	-.707	.188	.084	-1.782	200	279	-.131	.117	.117	-.994
200	69	-.435	.077	-.173	-.829	200	230	-.743	.219	.101	-1.703	200	280	-.071	.059	.196	-.464
200	70	-.392	.071	-.078	-.743	200	231	-.537	.224	.121	-1.347	200	281	-.102	.052	.108	-.291
200	71	-.402	.082	-.114	-.829	200	232	-.369	.117	-.069	-.959	200	282	-.194	.043	-.035	-.354
200	72	-.413	.087	-.115	-.808	200	233	-.374	.103	-.071	-1.030	200	283	-.388	.060	-.177	-.584
200	73	-.541	.133	-.179	-1.020	200	234	-1.036	.318	-.129	-2.420	200	284	-.414	.065	-.169	-.619
200	74	-.563	.138	-.210	-1.096	200	235	-1.049	.323	-.028	-2.424	200	285	-.385	.061	-.216	-.656
200	75	-.607	.123	-.269	-1.038	200	236	-1.000	.280	.014	-2.150	200	286	-.152	.047	.009	-.331
200	76	-.427	.103	-.053	-.793	200	237	-1.065	.333	-.037	-2.444	200	401	.095	.134	.600	-.488
200	77	-.330	.098	-.034	-.848	200	238	-1.044	.303	-.252	-2.235	200	402	.156	.143	.729	-.511
200	78	-.336	.097	-.039	-.784	200	239	-.838	.314	-.099	-2.273	200	403	.051	.140	.560	-.484
200	79	-.341	.098	-.003	-.749	200	240	-.827	.326	-.003	-2.283	200	404	.053	.152	.608	-.512
200	80	-.796	.181	-.237	-1.852	200	241	-1.187	.438	-.078	-3.120	200	405	-.004	.153	.488	-.531
200	81	-.856	.229	-.306	-1.798	200	242	-1.452	.473	-.104	-4.037	200	406	-.210	.191	.554	-1.010
200	82	-.377	.074	-.050	-.711	200	243	-1.022	.317	-.138	-2.729	200	407	.220	.139	.688	-.391
200	83	-.286	.057	-.080	-.549	200	244	-.820	.265	.057	-1.834	200	408	.136	.175	.693	-.470
200	84	-.277	.095	.002	-.899	200	245	-.582	.231	.062	-1.470	200	409	.177	.185	.810	-.461
200	85	-.289	.098	-.054	-.894	200	246	-.326	.138	.039	-.976	200	410	-.089	.114	.490	-.537
200	86	-.267	.091	.058	-.724	200	247	-.283	.067	-.067	-.662	200	411	.145	.129	.728	-.457
200	87	-.939	.243	-.335	-1.869	200	248	-.283	.066	-.056	-.633	200	412	.466	.173	1.162	-.242
200	88	-.275	.075	-.039	-.573	200	249	-1.166	.370	-.053	-2.782	200	413	.470	.186	1.058	-.226
200	89	-.265	.082	-.058	-.673	200	250	-.668	.245	.155	-1.492	200	414	.175	.163	.682	-.423
200	201	-.844	.251	.199	-2.179	200	251	-.695	.283	-.035	-1.827	200	415	-.145	.161	.450	-.827
200	202	-.740	.260	.090	-1.863	200	252	-.850	.268	.007	-2.018	200	416	-.042	.115	.366	-.542
200	203	-.629	.280	.317	-1.587	200	253	-.912	.238	-.312	-1.892	200	417	.148	.123	.639	-.335
200	204	-.370	.191	.222	-1.207	200	254	-.650	.215	.104	-1.517	200	418	.498	.156	1.050	-.104
200	205	-.315	.089	-.031	-.670	200	255	-.784	.204	-.173	-1.612	200	419	.530	.166	1.187	-.130
200	206	-.283	.091	.078	-.774	200	256	-.803	.222	-.044	-1.779	200	420	.236	.154	.766	-.411
200	207	-.766	.265	.087	-2.694	200	257	-.605	.145	-.196	-1.377	200	421	.095	.142	.595	-.717
200	208	-.834	.252	.279	-2.542	200	258	-.623	.150	-.182	-1.347	200	422	-.005	.117	.512	-.435
200	209	-.266	.097	.113	-.781	200	259	-.540	.195	.059	-1.217	200	423	.142	.115	.669	-.281
200	210	-.759	.191	.020	-1.573	200	260	-.303	.140	.016	-1.055	200	424	.350	.129	.766	-.074
200	211	-.790	.205	-.063	-1.913	200	261	-.235	.081	.090	-.780	200	425	.051	.116	.432	-.459
200	212	-.743	.289	.174	-1.766	200	262	-.295	.058	-.114	-.587	200	426	.209	.119	.586	-.189
200	213	-.438	.252	.266	-1.478	200	263	-.302	.057	-.124	-.566	200	427	.367	.128	.776	-.028
200	214	-.326	.119	.020	-.901	200	264	-.646	.206	-.089	-1.610	200	428	-.053	.117	.323	-.533
200	215	-.352	.103	-.033	-.896	200	265	-.641	.225	.032	-1.567	200	429	.013	.129	.407	-.498
200	216	-.689	.184	.211	-2.024	200	266	-.345	.219	.235	-1.219	200	430	.029	.125	.471	-.437
200	217	-.721	.189	.161	-2.415	200	267	-.179	.091	.202	-.676	200	431	.200	.122	.646	-.153
200	218	-.747	.268	.165	-1.695	200	268	-.190	.057	.032	-.453	200	432	.396	.135	.874	-.030
200	219	-.547	.259	.254	-1.423	200	269	-.332	.061	-.139	-.554	200	433	.488	.151	.993	-.098
200	220	-.414	.168	.009	-1.238	200	270	-.364	.067	-.131	-.596	200	434	.515	.159	1.124	-.152
200	221	-.405	.161	-.040	-1.293	200	271	-.408	.228	.191	-1.571	200	435	.234	.138	.747	-.208
200	222	-.711	.170	-.066	-1.948	200	272	-.326	.234	.176	-1.332	200	436	.005	.130	.486	-.487

APPENDIX A -- PRESSURE DATA:

JAY SQUARE -- CONFIGURATION B -- LOS ANGELES, CALIFORNIA

WD	TAP	CPMEAN	CPRMS	CPMAX	CPMIN	WD	TAP	CPMEAN	CPRMS	CPMAX	CPMIN	WD	TAP	CPMEAN	CPRMS	CPMAX	CPMIN
200	437	.029	.111	.502	-.403	200	513	.104	.101	.463	-.218	200	561	-.010	.071	.275	-.339
200	438	.115	.115	.552	-.336	200	514	.323	.123	.802	.004	200	562	-.222	.051	-.022	-.415
200	439	.135	.117	.548	-.295	200	515	.188	.179	.905	-.282	200	563	-.078	.040	.086	-.193
200	440	.099	.130	.597	-.413	200	516	.189	.113	.547	-.231	200	564	.147	.120	.667	-.264
200	441	.004	.098	.396	-.365	200	517	.003	.099	.361	-.311	200	565	.082	.110	.567	-.312
200	442	.121	.111	.555	-.261	200	518	-.041	.103	.356	-.436	200	601	-.532	.172	-.105	-1.294
200	443	-.061	.092	.349	-.444	200	519	.022	.098	.443	-.282	200	602	-.548	.163	-.126	-1.466
200	444	-.148	.089	.301	-.592	200	520	.113	.108	.503	-.231	200	603	-.565	.152	-.115	-1.777
200	445	.042	.106	.526	-.311	200	521	.020	.098	.404	-.291	200	604	-.594	.136	-.246	-1.476
200	446	.299	.136	.835	-.140	200	522	.042	.109	.465	-.269	200	605	-.554	.114	-.251	-1.378
200	447	.482	.146	1.132	.092	200	523	.104	.109	.509	-.218	200	606	-.551	.112	-.244	-1.474
200	448	.500	.154	1.142	.062	200	524	.151	.115	.616	-.192	200	607	-.542	.167	-.153	-1.350
200	449	.176	.127	.602	-.216	200	525	.200	.125	.686	-.233	200	608	-.529	.107	-.218	-1.452
200	450	-.029	.122	.432	-.455	200	526	.132	.122	.596	-.204	200	609	-.538	.161	-.126	-1.421
200	451	-.257	.129	.322	-.778	200	527	.034	.132	.538	-.387	200	610	-.487	.161	-.136	-1.372
200	452	-.096	.127	.464	-.494	200	528	-.196	.144	.398	-.921	200	611	-.476	.146	-.062	-1.393
200	453	-.095	.126	.423	-.595	200	529	-.138	.137	.353	-.784	200	612	-.551	.143	-.080	-1.363
200	454	.215	.102	.599	-.086	200	530	.020	.141	.388	-.915	200	613	-.540	.136	-.158	-1.270
200	455	.340	.118	.753	.029	200	531	.032	.111	.461	-.324	200	614	-.513	.115	-.152	-1.199
200	456	.441	.130	.898	.110	200	532	-.064	.103	.350	-.401	200	615	-.521	.118	-.179	-1.162
200	457	.447	.131	.849	-.159	200	532	-.064	.103	.350	-.401	200	616	-.548	.178	-.150	-1.528
200	458	.001	.121	.474	-.398	200	533	-.187	.101	.142	-.554	200	617	-.518	.153	-.138	-1.412
200	459	-.265	.150	.264	-.851	200	534	-.065	.102	.274	-.472	200	618	-.549	.144	-.102	-1.250
200	460	-.282	.142	.359	-.886	200	535	.032	.107	.499	-.433	200	619	-.562	.172	-.094	-1.669
200	461	-.232	.174	.394	-1.202	200	536	.056	.109	.540	-.253	200	620	-.464	.115	-.160	-1.591
200	462	-.496	.317	.226	-2.004	200	537	-.243	.084	.041	-.601	200	621	-.442	.110	-.151	-1.449
200	463	-.250	.164	.305	-.887	200	538	-.124	.089	.189	-.400	200	622	-.530	.174	-.219	-1.654
200	464	-.187	.185	.447	-.970	200	539	-.034	.098	.315	-.301	200	623	-.531	.175	-.175	-1.364
200	465	-.439	.223	.232	-1.216	200	540	.015	.102	.353	-.268	200	624	-.494	.125	-.109	-1.236
200	466	-.239	.177	.417	-.826	200	541	-.292	.083	-.010	-.655	200	625	-.493	.120	-.201	-1.091
200	467	-.300	.185	.441	-.846	200	542	-.181	.082	.134	-.431	200	626	-.525	.168	-.159	-1.578
200	468	-.432	.124	.021	-.884	200	543	-.081	.105	.388	-.418	200	627	-.568	.188	-.111	-1.543
200	469	-.354	.142	.274	-.781	200	544	-.380	.090	-.040	-.693	200	628	-.554	.188	-.108	-1.494
200	470	-.312	.185	.447	-1.020	200	545	-.272	.078	.069	-.541	200	629	-.536	.161	-.051	-1.403
200	471	-.356	.117	.051	-.902	200	546	-.112	.084	.277	-.401	200	630	-.523	.162	-.085	-1.245
200	472	-.116	.170	.517	-.513	200	547	-.047	.090	.366	-.317	200	631	-.495	.142	-.163	-1.258
200	473	-.075	.199	.638	-.573	200	548	.003	.098	.390	-.249	200	632	-.496	.122	-.150	-1.147
200	474	-.141	.158	.515	-.592	200	549	-.009	.099	.506	-.402	200	633	-.537	.201	-.127	-1.646
200	501	.008	.122	.470	-.667	200	550	-.060	.104	.351	-.681	200	634	-.480	.117	-.116	-1.115
200	502	.150	.126	.589	-.546	200	551	-.356	.094	-.065	-.788	200	635	-.442	.117	-.170	-1.325
200	503	.292	.141	.790	-.350	200	552	-.240	.064	.052	-.518	200	636	-.589	.186	-.216	-1.612
200	504	.395	.148	.889	-.185	200	553	-.091	.056	.195	-.284	200	637	-.524	.135	-.169	-1.200
200	505	.436	.148	.940	-.155	200	554	-.086	.051	.158	-.254	200	638	-.560	.167	-.181	-1.417
200	506	.312	.151	.908	-.277	200	554	-.086	.051	.158	-.254	200	639	-.516	.133	-.187	-1.390
200	507	.231	.156	.740	-.544	200	555	.049	.082	.364	-.177	200	640	-.498	.109	-.218	-.995
200	508	-.021	.112	.619	-.425	200	556	.085	.082	.391	-.191	200	641	-.478	.106	-.180	-.990
200	509	.123	.108	.581	-.197	200	557	-.051	.060	.374	-.323	200	642	-.481	.108	-.203	-.985
200	510	.292	.121	.744	-.115	200	558	-.003	.067	.271	-.360	200	643	-.553	.150	-.166	-1.208
200	511	.223	.148	.719	-.473	200	559	-.112	.043	.071	-.279	200	644	-.628	.148	-.057	-1.345
200	512	.011	.098	.373	-.320	200	560	.020	.076	.321	-.232	200	645	-.615	.161	-.200	-1.563

WD	TAP	CPMEAN	CPRMS	CPMAX	CPMIN	WD	TAP	CPMEAN	CPRMS	CPMAX	CPMIN	WD	TAP	CPMEAN	CPRMS	CPMAX	CPMIN
200	646	-.670	.171	-.237	-1.636	200	696	-.382	.099	-.095	-.953	200	904	-.140	.037	-.000	-.263
200	647	-.619	.175	-.216	-1.921	200	697	-.601	.180	-.156	-1.485	200	905	-.125	.041	.025	-.262
200	648	-.485	.145	-.079	-1.112	200	701	-.368	.177	.160	-1.572	200	906	-.132	.043	.021	-.293
200	649	-.487	.129	-.073	-1.021	200	701	-.368	.177	.160	-1.572	200	907	-.133	.037	-.012	-.245
200	650	-.465	.139	-.046	-1.105	200	702	-.543	.205	.218	-1.574	200	908	-.105	.042	.049	-.254
200	651	-.528	.125	-.132	-1.117	200	703	-.543	.202	.188	-1.436	200	1001	-.584	.190	.197	-1.334
200	652	-.623	.154	-.213	-1.666	200	704	-.367	.205	.369	-1.112	200	1002	-.663	.137	-.212	-1.148
200	653	-.474	.099	-.162	-1.026	200	705	-.608	.295	.225	-1.873	200	1003	-.653	.126	-.229	-1.084
200	654	-.657	.163	-.217	-1.595	200	706	-.833	.240	-.022	-1.843	200	1004	-.472	.149	-.012	-1.096
200	655	-.591	.163	-.188	-1.520	200	707	-.303	.108	.134	-.671	200	1005	-.669	.145	-.230	-1.350
200	656	-.496	.119	-.184	-1.058	200	708	-.412	.122	.085	-.879	200	1006	-.594	.156	-.107	-1.173
200	657	-.478	.124	-.115	-1.000	200	709	-.374	.103	-.008	-.813	200	1007	-.567	.162	-.091	-1.249
200	658	-.511	.146	-.119	-1.270	200	710	-.513	.130	-.202	-1.293	200	1008	-.615	.146	-.086	-1.553
200	659	-.392	.107	-.090	-.867	200	711	-.295	.144	.155	-.863	200	1011	-.145	.156	.543	-.845
200	660	-.491	.097	-.230	-1.023	200	712	-.311	.151	.211	-.959	200	1012	-.128	.149	.404	-.792
200	661	-.516	.098	-.238	-1.027	200	713	-.505	.115	-.233	-1.017	200	1013	-.045	.131	.399	-.530
200	662	-.509	.113	-.197	-1.075	200	714	-.250	.181	.153	-1.229	200	1014	.366	.145	.854	-.232
200	663	-.510	.103	-.217	-1.108	200	715	-.221	.187	.292	-1.474	200	1015	.433	.144	.903	-.162
200	664	-.526	.124	-.245	-1.168	200	801	-.229	.055	-.049	-.457	200	1016	.382	.135	.898	-.031
200	665	-.526	.149	-.214	-1.357	200	802	-.303	.096	-.028	-.943	200	1017	.144	.112	.600	-.203
200	666	-.296	.123	.157	-.729	200	803	-.312	.083	-.071	-.736	200	1018	.112	.105	.574	-.299
200	667	-.492	.109	-.247	-1.186	200	804	-.347	.084	-.062	-.750	200	1019	.014	.110	.463	-.366
200	668	-.508	.108	-.257	-1.144	200	805	-.249	.049	-.114	-.452	200	1021	-.532	.176	-.119	-1.501
200	669	-.554	.179	-.193	-1.476	200	806	-.076	.062	.236	-.255	200	1022	-.514	.154	-.177	-1.334
200	670	-.211	.128	.453	-.628	200	807	-.084	.048	.136	-.242	200	1023	-.519	.142	-.129	-1.307
200	671	-.496	.123	-.218	-1.201	200	808	-.097	.052	.167	-.255	200	1024	-.509	.127	-.139	-1.186
200	672	-.513	.122	-.226	-1.237	200	809	-.034	.068	.260	-.217	200	1025	-.574	.216	-.120	-2.001
200	673	-.505	.121	-.223	-1.195	200	810	.012	.075	.387	-.186	200	1026	-.549	.183	-.168	-2.272
200	674	-.524	.120	-.234	-1.200	200	811	.165	.126	.890	-.176	200	1027	-.456	.146	.139	-1.492
200	675	-.509	.110	-.240	-1.287	200	812	-.181	.052	.028	-.552	200	1028	-.571	.138	.115	-1.304
200	676	-.526	.109	-.265	-1.294	200	813	-.226	.068	.009	-.531	200	1031	-.210	.144	.371	-.931
200	677	-.516	.112	-.216	-1.275	200	814	-.192	.063	.085	-.529	200	1032	-.166	.178	.424	-.980
200	678	-.546	.122	-.242	-1.644	200	815	-.152	.047	.037	-.375	200	1033	-.101	.159	.443	-.802
200	679	-.493	.118	-.218	-1.105	200	816	-.190	.060	.007	-.434	200	1034	.004	.151	.592	-.756
200	680	-.411	.125	-.076	-1.129	200	817	-.165	.064	.174	-.640	200	1035	-.132	.121	.299	-.654
200	681	-.463	.109	-.127	-1.063	200	818	-.110	.109	.609	-.202	200	1036	-.177	.107	.243	-.551
200	682	-.453	.108	-.036	-.880	200	819	-.083	.086	.262	-.356	200	1037	-.225	.122	.314	-.620
200	683	-.565	.135	-.111	-1.083	200	820	-.163	.071	.120	-.420	200	1041	-.460	.126	-.118	-1.028
200	684	-.546	.130	-.148	-1.319	200	821	-.218	.064	.132	-.435	200	1042	-.334	.119	.076	-.936
200	685	-.601	.155	-.138	-1.463	200	822	-.193	.073	.085	-.471	200	1043	-.658	.126	-.130	-1.248
200	686	-.544	.122	-.168	-1.062	200	823	-.319	.109	.018	-.771	200	1044	-.684	.175	-.076	-1.484
200	687	-.250	.081	-.024	-.642	200	824	-.168	.080	.103	-.557	200	1045	-.673	.127	-.255	-1.385
200	688	-.268	.080	-.003	-.691	200	825	-.278	.067	-.086	-.629	200	1046	-.661	.116	-.214	-1.243
200	689	-.337	.110	.014	-.704	200	826	-.300	.095	-.086	-.841	200	1047	-.643	.127	-.174	-1.123
200	690	-.313	.109	.130	-.719	200	827	-.190	.061	.082	-.436	200	1048	-.344	.143	.122	-.934
200	691	-.487	.122	-.063	-1.057	200	828	-.122	.057	.143	-.283	200	1049	-.643	.142	-.119	-1.210
200	692	-.704	.207	-.267	-1.818	200	829	-.197	.039	-.040	-.361	200	1050	-.649	.125	-.276	-1.199
200	693	-.261	.140	.176	-.991	200	901	-.113	.039	.030	-.257	210	1	-.409	.114	-.100	-.871
200	694	-.169	.076	.338	-.438	200	902	-.137	.038	-.003	-.267	210	2	-.368	.096	-.103	-.787
200	695	-.288	.096	.061	-.694	200	903	-.128	.042	.021	-.281	210	3	-.410	.107	-.122	-1.149

APPENDIX A -- PRESSURE DATA:

JAY SQUARE -- CONFIGURATION B -- LOS ANGELES, CALIFORNIA

WD	TAP	CPMEAN	CPRMS	CPMAX	CPMIN	WD	TAP	CPMEAN	CPRMS	CPMAX	CPMIN	WD	TAP	CPMEAN	CPRMS	CPMAX	CPMIN
210	4	-.439	.106	-.119	-.861	210	55	-.382	.055	-.227	-.699	210	216	-.635	.167	-.205	-1.616
210	5	-.431	.104	-.091	-1.107	210	56	-.367	.055	-.218	-.672	210	217	-.663	.170	-.241	-1.641
210	6	-.451	.119	-.106	-.986	210	57	-.403	.073	-.174	-.859	210	218	-.708	.208	-.131	-1.698
210	7	-.405	.113	-.059	-.873	210	58	-.437	.089	-.135	-.992	210	219	-.605	.216	.159	-1.559
210	9	-.426	.102	-.088	-.875	210	59	-.385	.068	-.160	-.665	210	220	-.505	.209	.023	-1.419
210	10	-.364	.090	-.123	-.891	210	60	-.378	.067	-.161	-.638	210	221	-.507	.226	.048	-1.630
210	11	-.359	.091	-.112	-.838	210	61	-.411	.072	-.238	-.785	210	222	-.647	.166	-.245	-1.566
210	12	-.379	.081	-.150	-.780	210	62	-.407	.068	-.240	-.738	210	223	-.636	.165	-.243	-1.569
210	13	-.380	.074	-.184	-.774	210	63	-.386	.064	-.207	-.773	210	224	-.678	.187	-.048	-1.670
210	14	-.427	.095	-.170	-.950	210	64	-.396	.085	-.144	-.877	210	225	-.593	.187	.002	-1.351
210	15	-.439	.108	-.153	-.961	210	65	-.403	.089	-.104	-.743	210	226	-.489	.195	.094	-1.328
210	16	-.415	.119	-.113	-.988	210	66	-.408	.079	-.175	-.960	210	227	-.503	.220	.025	-1.492
210	17	-.386	.099	-.091	-.787	210	67	-.415	.079	-.197	-.953	210	228	-.667	.142	-.289	-1.485
210	18	-.359	.070	-.166	-.716	210	68	-.454	.092	-.262	-.955	210	229	-.705	.199	-.253	-2.156
210	19	-.328	.055	-.167	-.544	210	69	-.399	.066	-.189	-.625	210	230	-.734	.185	.030	-1.821
210	20	-.372	.080	-.139	-.712	210	70	-.362	.073	-.163	-.825	210	231	-.602	.173	.046	-1.238
210	21	-.416	.099	-.147	-.854	210	71	-.386	.096	-.111	-.960	210	232	-.444	.150	.002	-1.217
210	22	-.361	.056	-.176	-.758	210	72	-.385	.097	-.108	-.899	210	233	-.462	.162	-.067	-1.425
210	23	-.376	.064	-.183	-.843	210	73	-.481	.100	-.226	-1.008	210	234	-.901	.254	-.410	-2.822
210	24	-.392	.076	-.197	-.894	210	74	-.496	.106	-.230	-1.090	210	235	-.909	.257	-.407	-2.970
210	25	-.351	.051	-.181	-.696	210	75	-.527	.094	-.222	-.930	210	236	-.904	.223	-.320	-1.772
210	26	-.361	.059	-.156	-.716	210	76	-.372	.075	-.105	-.793	210	237	-.935	.257	-.350	-2.326
210	27	-.383	.072	-.158	-.723	210	77	-.304	.078	-.072	-.797	210	238	-.933	.255	-.341	-2.176
210	28	-.414	.109	-.126	-.864	210	78	-.291	.080	-.063	-.740	210	239	-.886	.268	-.164	-2.015
210	29	-.401	.096	-.074	-.833	210	79	-.289	.079	-.050	-.834	210	240	-.904	.298	-.119	-2.245
210	30	-.372	.070	-.124	-.740	210	80	-.679	.160	-.227	-1.482	210	241	-1.255	.359	-.354	-2.843
210	31	-.364	.052	-.210	-.565	210	81	-.764	.197	-.320	-1.785	210	242	-1.255	.379	-.329	-2.999
210	32	-.358	.052	-.186	-.737	210	82	-.358	.061	-.118	-.614	210	243	-.918	.255	-.289	-2.316
210	33	-.370	.060	-.200	-.670	210	83	-.276	.068	.074	-.573	210	244	-.832	.226	-.190	-1.861
210	34	-.368	.066	-.169	-.730	210	84	-.277	.081	-.056	-.816	210	245	-.668	.183	-.073	-1.553
210	35	-.407	.087	-.186	-.807	210	85	-.255	.069	-.022	-.826	210	246	-.446	.140	-.046	-.998
210	36	-.436	.113	-.135	-.885	210	86	-.259	.075	-.075	-.675	210	247	-.337	.080	-.115	-.706
210	37	-.456	.127	-.138	-.990	210	87	-.693	.194	-.254	-1.676	210	248	-.326	.079	-.137	-.780
210	38	-.360	.052	-.179	-.721	210	88	-.283	.059	-.076	-.556	210	249	-1.148	.331	-.391	-2.776
210	39	-.372	.072	-.176	-.765	210	89	-.274	.068	-.064	-.701	210	250	-.726	.201	-.129	-1.593
210	40	-.397	.102	-.162	-.877	210	201	-.744	.232	-.306	-2.338	210	251	-.806	.262	-.189	-2.576
210	41	-.399	.126	-.121	-1.021	210	202	-.776	.208	-.176	-1.861	210	252	-.808	.227	-.172	-1.925
210	42	-.349	.089	-.110	-.794	210	203	-.691	.185	-.120	-1.485	210	253	-.934	.219	-.410	-2.022
210	43	-.425	.123	-.129	-1.029	210	204	-.570	.195	-.021	-1.463	210	254	-.718	.195	-.118	-1.774
210	44	-.418	.105	-.136	-.862	210	205	-.372	.124	-.032	-.991	210	255	-.813	.188	-.387	-1.896
210	45	-.409	.090	-.126	-.849	210	206	-.361	.124	-.032	-1.026	210	256	-.849	.204	-.389	-2.043
210	46	-.376	.076	-.139	-.721	210	207	-.782	.231	-.284	-1.993	210	257	-.650	.131	-.242	-1.451
210	47	-.373	.061	-.171	-.901	210	208	-.724	.191	-.171	-1.736	210	258	-.661	.137	-.222	-1.409
210	48	-.365	.049	-.225	-.570	210	209	-.350	.124	-.000	-1.113	210	259	-.612	.167	-.057	-1.333
210	49	-.366	.051	-.187	-.608	210	210	-.674	.166	-.237	-1.533	210	260	-.408	.136	-.099	-1.030
210	50	-.388	.079	-.152	-.743	210	211	-.698	.179	-.220	-1.524	210	261	-.292	.088	-.055	-.745
210	51	-.423	.097	-.124	-.758	210	212	-.720	.205	.064	-1.540	210	262	-.295	.058	-.104	-.585
210	52	-.367	.068	-.176	-.672	210	213	-.585	.203	.075	-1.215	210	263	-.297	.055	-.121	-.574
210	53	-.366	.060	-.183	-.614	210	214	-.416	.139	-.028	-1.386	210	264	-.732	.207	-.154	-1.749
210	54	-.386	.059	-.225	-.685	210	215	-.444	.165	-.030	-1.438	210	265	-.731	.221	-.074	-1.819

WD	TAP	CPMEAN	CPRMS	CPMAX	CPMIN	WD	TAP	CPMEAN	CPRMS	CPMAX	CPMIN	WD	TAP	CPMEAN	CPRMS	CPMAX	CPMIN
210	266	-.433	.229	.132	-1.333	210	430	.027	.136	.553	-.387	210	506	.224	.159	.753	-.384
210	267	-.238	.110	.059	-.896	210	431	.179	.125	.714	-.173	210	507	.129	.157	.705	-.588
210	268	-.239	.063	.016	-.582	210	432	.352	.126	1.044	-.019	210	508	.008	.137	.712	-.409
210	269	-.319	.056	-.145	-.536	210	433	.428	.130	1.043	.046	210	509	.128	.113	.738	-.482
210	270	-.340	.061	-.148	-.565	210	434	.438	.135	1.022	.068	210	510	.266	.117	.815	-.483
210	271	-.464	.214	.164	-1.452	210	435	.163	.141	.717	-.294	210	511	.130	.153	.695	-.722
210	272	-.418	.231	.128	-1.572	210	436	-.018	.145	.443	-.527	210	512	.016	.094	.403	-.384
210	273	-.161	.104	.193	-.731	210	437	.015	.130	.546	-.479	210	513	.099	.092	.484	-.288
210	274	-.164	.056	.044	-.488	210	438	.101	.133	.656	-.400	210	514	.286	.109	.678	-.082
210	275	-.213	.049	.055	-.490	210	439	.113	.136	.735	-.407	210	515	.274	.139	.862	-.124
210	276	-.358	.064	-.161	-.651	210	440	.113	.167	.906	-.475	210	516	.125	.128	.722	-.292
210	277	-.385	.073	-.193	-.688	210	441	-.012	.116	.484	-.399	210	517	-.066	.115	.433	-.531
210	278	-.228	.133	.053	-1.182	210	442	.099	.124	.591	-.315	210	518	-.024	.098	.422	-.437
210	279	-.211	.123	.059	-1.011	210	443	-.069	.114	.384	-.485	210	519	.033	.094	.445	-.246
210	280	-.143	.056	.089	-.396	210	444	-.136	.107	.299	-.579	210	520	.104	.105	.487	-.183
210	281	-.155	.049	.030	-.320	210	445	.024	.120	.514	-.364	210	521	.029	.093	.421	-.268
210	282	-.219	.041	-.093	-.366	210	446	.309	.143	.895	-.115	210	522	.020	.119	.529	-.356
210	283	-.360	.051	-.215	-.542	210	447	.400	.125	.876	.039	210	523	.121	.103	.580	-.192
210	284	-.395	.057	-.219	-.605	210	448	.408	.134	.938	.009	210	524	.151	.106	.609	-.161
210	285	-.348	.055	-.192	-.547	210	449	.116	.138	.524	-.490	210	525	.181	.112	.584	-.149
210	286	-.155	.045	-.010	-.337	210	450	-.080	.138	.329	-.758	210	526	.069	.119	.506	-.299
210	401	.055	.144	.649	-.406	210	451	-.222	.146	.360	-.731	210	527	-.066	.133	.474	-.496
210	402	.118	.150	.810	-.374	210	452	-.061	.136	.465	-.548	210	528	-.148	.138	.298	-.799
210	403	.041	.130	.549	-.524	210	453	-.050	.129	.484	-.502	210	529	-.081	.154	.494	-.711
210	404	.081	.127	.589	-.414	210	454	.199	.100	.670	-.238	210	530	-.041	.221	.485	-1.379
210	405	.039	.145	.657	-.476	210	455	.304	.111	.779	-.027	210	531	.007	.122	.462	-.589
210	406	-.150	.198	.505	-.890	210	456	.370	.116	.859	-.024	210	532	.038	.114	.545	-.262
210	407	.172	.146	.783	-.323	210	457	.383	.129	.905	.005	210	532	.038	.114	.545	-.262
210	408	.178	.164	.927	-.399	210	458	-.057	.133	.406	-.577	210	533	-.194	.109	.223	-.669
210	409	.181	.182	.793	-.473	210	459	-.293	.150	.185	-.930	210	534	-.081	.120	.374	-.624
210	410	-.100	.136	.382	-.508	210	460	-.267	.157	.376	-.847	210	535	.029	.105	.391	-.421
210	411	.137	.130	.605	-.210	210	461	-.172	.150	.418	-.859	210	536	.046	.101	.406	-.221
210	412	.414	.163	.969	-.250	210	462	-.310	.252	.440	-1.607	210	537	-.231	.088	.073	-.577
210	413	.463	.160	1.006	-.028	210	463	-.234	.152	.258	-1.084	210	538	-.114	.088	.241	-.377
210	414	.185	.189	.886	-.473	210	464	-.159	.160	.400	-.850	210	539	-.012	.096	.315	-.308
210	415	-.065	.168	1.170	-.691	210	465	-.282	.206	.622	-1.134	210	540	.029	.100	.368	-.255
210	416	-.046	.143	.563	-.511	210	466	-.176	.171	.373	-.820	210	541	-.266	.085	.017	-.612
210	417	.146	.139	.763	-.259	210	467	-.208	.191	.509	-.836	210	542	-.151	.085	.161	-.420
210	418	.475	.139	.999	.096	210	468	-.352	.137	.181	-.828	210	543	-.097	.098	.250	-.353
210	419	.499	.154	1.013	.108	210	469	-.305	.151	.292	-.874	210	544	-.326	.078	-.040	-.629
210	420	.219	.153	.692	-.435	210	470	-.274	.162	.409	-1.011	210	545	-.228	.074	.096	-.507
210	421	.090	.146	.548	-.560	210	471	-.307	.132	.238	-.889	210	546	-.102	.078	.339	-.327
210	422	-.010	.136	.779	-.551	210	472	-.090	.167	.538	-.538	210	547	-.053	.083	.299	-.280
210	423	.112	.128	.898	-.320	210	473	-.056	.180	.686	-.618	210	548	-.031	.090	.294	-.309
210	424	.317	.121	.841	-.007	210	474	-.101	.149	.675	-.721	210	549	-.062	.101	.497	-.350
210	425	.046	.122	.599	-.347	210	501	.017	.129	.552	-.509	210	550	-.123	.109	.463	-.488
210	426	.191	.116	.720	-.117	210	502	.141	.127	.596	-.476	210	551	-.298	.070	-.085	-.599
210	427	.316	.120	.756	-.014	210	503	.249	.137	.681	-.391	210	552	-.215	.049	-.010	-.415
210	428	-.067	.133	.407	-.637	210	504	.326	.145	.861	-.359	210	553	-.084	.047	.108	-.232
210	429	-.002	.139	.488	-.655	210	505	.350	.148	.954	-.310	210	554	-.061	.065	.201	-.272

WD	TAP	CPMEAN	CPRMS	CPMAX	CPMIN	WD	TAP	CPMEAN	CPRMS	CPMAX	CPMIN	WD	TAP	CPMEAN	CPKMS	CPMAX	CPMIN
210	554	-.061	.065	.201	-.272	210	639	-.533	.165	-.130	-1.536	210	689	-.229	.075	.088	-.520
210	555	.047	.074	.275	-.191	210	640	-.506	.131	-.150	-1.215	210	690	-.224	.070	.054	-.562
210	556	.043	.070	.342	-.175	210	641	-.508	.160	-.202	-1.432	210	691	-.375	.113	.023	-.865
210	557	-.023	.068	.334	-.272	210	642	-.486	.129	-.157	-1.172	210	692	-.588	.177	-.162	-1.491
210	558	-.053	.060	.177	-.346	210	643	-.515	.160	-.033	-1.278	210	693	-.201	.134	.275	-.925
210	559	-.106	.043	.130	-.267	210	644	-.599	.152	-.150	-1.437	210	694	-.195	.056	.036	-.385
210	560	-.008	.068	.310	-.257	210	645	-.569	.155	-.248	-1.639	210	695	-.234	.072	.007	-.674
210	561	.072	.086	.423	-.237	210	646	-.635	.179	-.279	-1.565	210	696	-.316	.083	-.064	-.704
210	562	-.199	.044	-.057	-.363	210	647	-.637	.188	-.241	-1.600	210	697	-.482	.150	-.109	-1.044
210	563	-.060	.049	.125	-.211	210	648	-.464	.136	-.039	-1.072	210	701	-.286	.192	.458	-1.267
210	564	.089	.101	.449	-.277	210	649	-.480	.120	-.053	-1.165	210	701	-.286	.192	.458	-1.267
210	565	.042	.089	.396	-.200	210	650	-.442	.125	-.084	-1.022	210	702	-.419	.191	.198	-1.224
210	601	-.473	.177	.103	-1.364	210	651	-.524	.119	-.175	-1.184	210	703	-.435	.194	.157	-1.343
210	602	-.513	.170	.034	-1.457	210	652	-.638	.159	-.228	-1.544	210	704	-.246	.212	.558	-1.034
210	603	-.566	.178	-.047	-1.402	210	653	-.489	.109	-.194	-1.019	210	705	-.412	.288	.384	-1.511
210	604	-.651	.180	-.094	-1.458	210	654	-.659	.166	-.215	-1.529	210	706	-.743	.264	-.029	-1.717
210	605	-.613	.151	-.155	-1.330	210	655	-.562	.151	-.227	-1.545	210	707	-.231	.109	.242	-.598
210	606	-.633	.163	-.233	-1.483	210	656	-.514	.128	-.177	-1.349	210	708	-.355	.125	.151	-.816
210	607	-.471	.166	-.083	-1.257	210	657	-.392	.110	-.093	-.929	210	709	-.295	.105	.224	-.686
210	608	-.599	.153	-.218	-1.691	210	658	-.421	.131	-.110	-1.244	210	710	-.544	.166	-.194	-1.447
210	609	-.526	.187	-.033	-1.485	210	659	-.283	.083	-.024	-.648	210	711	-.232	.159	.223	-1.099
210	610	-.493	.166	-.121	-1.428	210	660	-.497	.109	-.196	-1.014	210	712	-.260	.166	.196	-1.078
210	611	-.468	.163	-.039	-1.169	210	661	-.537	.112	-.252	-1.089	210	713	-.530	.139	-.222	-1.227
210	612	-.564	.180	.005	-1.345	210	662	-.537	.137	-.271	-1.299	210	714	-.216	.190	.327	-1.214
210	613	-.599	.194	-.015	-1.584	210	663	-.542	.130	-.281	-1.208	210	715	-.180	.179	.294	-1.396
210	614	-.562	.161	-.193	-1.607	210	664	-.545	.134	-.245	-1.360	210	801	-.245	.045	-.109	-.450
210	615	-.580	.168	-.174	-1.433	210	665	-.543	.157	-.239	-1.547	210	802	-.297	.078	-.054	-.796
210	616	-.560	.218	-.037	-1.602	210	666	-.212	.119	.231	-.693	210	803	-.300	.065	-.155	-.729
210	617	-.529	.190	-.005	-1.372	210	667	-.531	.154	-.220	-1.448	210	804	-.317	.066	-.069	-.626
210	618	-.553	.176	-.096	-1.656	210	668	-.554	.158	-.242	-1.403	210	805	-.252	.045	-.109	-.416
210	619	-.621	.228	-.076	-1.631	210	669	-.530	.146	-.211	-1.328	210	806	-.139	.057	.164	-.334
210	620	-.627	.247	-.129	-1.985	210	670	-.134	.114	.514	-.574	210	807	-.120	.051	.051	-.344
210	621	-.596	.236	-.115	-1.842	210	671	-.519	.142	-.246	-1.193	210	808	-.127	.048	.039	-.275
210	622	-.550	.233	-.163	-1.799	210	672	-.544	.150	-.257	-1.452	210	809	-.058	.063	.168	-.250
210	623	-.529	.205	-.134	-1.515	210	673	-.512	.126	-.192	-1.269	210	810	-.012	.068	.242	-.211
210	624	-.491	.153	-.050	-1.140	210	674	-.534	.127	-.203	-1.458	210	811	.114	.106	.620	-.138
210	625	-.550	.188	-.096	-1.419	210	675	-.538	.137	-.236	-1.210	210	812	-.183	.049	.056	-.429
210	626	-.571	.224	-.103	-1.827	210	676	-.560	.135	-.252	-1.198	210	813	-.216	.066	-.000	-.476
210	627	-.599	.256	-.130	-2.086	210	677	-.528	.122	-.229	-1.149	210	814	-.220	.063	-.041	-.586
210	628	-.548	.213	-.070	-1.599	210	678	-.552	.131	-.191	-1.153	210	815	-.152	.043	.014	-.400
210	629	-.500	.188	-.060	-1.417	210	679	-.537	.128	-.215	-1.110	210	816	-.190	.052	-.037	-.363
210	630	-.518	.186	-.019	-1.417	210	680	-.290	.087	-.070	-.753	210	817	-.155	.048	.026	-.476
210	631	-.532	.187	-.107	-1.547	210	681	-.455	.111	-.167	-.941	210	818	.066	.110	.561	-.278
210	632	-.523	.164	-.165	-1.960	210	682	-.329	.101	-.031	-.766	210	819	-.087	.085	.223	-.325
210	633	-.511	.220	-.033	-1.743	210	683	-.439	.130	-.041	-1.028	210	820	-.156	.064	.120	-.400
210	634	-.506	.163	-.148	-2.456	210	684	-.522	.124	-.183	-1.267	210	821	-.204	.059	-.003	-.426
210	635	-.525	.186	-.189	-1.596	210	685	-.521	.144	-.124	-1.120	210	822	-.205	.058	-.012	-.569
210	636	-.579	.216	-.087	-1.790	210	686	-.519	.118	-.180	-1.014	210	823	-.253	.086	.007	-.761
210	637	-.517	.159	.014	-1.186	210	687	-.224	.058	-.052	-.477	210	824	-.179	.056	.046	-.449
210	638	-.551	.196	-.057	-1.455	210	688	-.238	.057	-.049	-.503	210	825	-.263	.056	-.087	-.616

WD	TAP	CPMEAN	CPRMS	CPMAX	CPMIN	WD	TAP	CPMEAN	CPRMS	CPMAX	CPMIN	WD	TAP	CPMEAN	CPRMS	CPMAX	CPMIN
210	826	-.280	.069	-.114	-.641	210	1047	-.598	.113	-.279	-1.206	220	48	-.325	.040	-.196	-.512
210	827	-.222	.046	-.041	-.487	210	1048	-.477	.162	.069	-1.098	220	49	-.330	.044	-.173	-.527
210	828	-.130	.048	.100	-.270	210	1049	-.654	.152	-.183	-1.181	220	50	-.355	.067	-.164	-.687
210	829	-.206	.032	-.060	-.308	210	1050	-.646	.136	-.232	-1.490	220	51	-.399	.091	-.137	-.740
210	901	-.146	.038	-.022	-.303	220	1	-.403	.107	-.103	-.875	220	52	-.343	.063	-.142	-.647
210	902	-.146	.035	-.017	-.255	220	2	-.438	.113	-.101	-.956	220	53	-.350	.058	-.194	-.643
210	903	-.144	.041	-.010	-.295	220	3	-.381	.092	-.112	-.897	220	54	-.355	.049	-.216	-.610
210	904	-.140	.033	-.027	-.253	220	4	-.399	.095	-.146	-1.009	220	55	-.349	.044	-.215	-.584
210	905	-.136	.039	.038	-.249	220	5	-.420	.117	-.074	-1.115	220	56	-.336	.050	-.186	-.591
210	906	-.128	.044	.060	-.279	220	6	-.411	.105	-.100	-.945	220	57	-.376	.067	-.137	-.638
210	907	-.145	.035	-.035	-.280	220	7	-.393	.101	-.110	-.903	220	58	-.406	.081	-.128	-.715
210	908	-.124	.040	.045	-.277	220	9	-.421	.114	-.140	-1.156	220	59	-.354	.056	-.188	-.591
210	1001	-.596	.160	-.166	-1.381	220	10	-.443	.108	-.172	-.953	220	60	-.341	.054	-.191	-.574
210	1002	-.614	.119	-.297	-1.232	220	11	-.428	.107	-.151	-.956	220	61	-.369	.058	-.221	-.753
210	1003	-.613	.112	-.314	-1.085	220	12	-.360	.070	-.138	-.674	220	62	-.366	.051	-.226	-.577
210	1004	-.516	.139	.002	-1.060	220	13	-.357	.069	-.168	-.713	220	63	-.356	.054	-.198	-.626
210	1005	-.682	.130	-.331	-1.423	220	14	-.398	.083	-.176	-.804	220	64	-.364	.072	-.118	-.669
210	1006	-.633	.149	-.092	-1.312	220	15	-.407	.093	-.157	-.920	220	65	-.382	.077	-.107	-.718
210	1007	-.523	.151	-.053	-1.044	220	16	-.408	.117	-.034	-.868	220	66	-.368	.062	-.186	-.610
210	1008	-.671	.156	-.207	-1.347	220	17	-.374	.097	-.115	-.795	220	67	-.371	.062	-.193	-.616
210	1011	-.235	.192	.390	-1.049	220	18	-.332	.058	-.138	-.582	220	68	-.395	.070	-.215	-.721
210	1012	-.226	.176	.272	-.980	220	19	-.331	.050	-.182	-.563	220	69	-.387	.062	-.217	-.717
210	1013	-.114	.132	.326	-.648	220	20	-.357	.070	-.115	-.690	220	70	-.340	.065	-.173	-.745
210	1014	.295	.139	.833	-.223	220	21	-.397	.087	-.109	-.783	220	71	-.343	.074	-.141	-.668
210	1015	.378	.138	.859	-.089	220	22	-.322	.045	-.179	-.509	220	72	-.328	.074	-.130	-.611
210	1016	.348	.130	.803	-.003	220	23	-.339	.052	-.181	-.615	220	73	-.397	.078	-.172	-.740
210	1017	.174	.117	.753	-.122	220	24	-.360	.064	-.188	-.680	220	74	-.410	.080	-.193	-.795
210	1018	.141	.110	.594	-.169	220	25	-.310	.042	-.183	-.513	220	75	-.430	.070	-.235	-.695
210	1019	.050	.103	.419	-.352	220	26	-.333	.051	-.192	-.537	220	76	-.338	.058	-.126	-.611
210	1021	-.517	.216	-.077	-1.445	220	27	-.357	.064	-.183	-.630	220	77	-.290	.058	-.127	-.671
210	1022	-.522	.205	-.127	-1.391	220	28	-.393	.104	-.124	-.868	220	78	-.279	.065	-.116	-.605
210	1023	-.520	.173	-.108	-1.405	220	29	-.397	.098	-.080	-.879	220	79	-.275	.064	-.107	-.633
210	1024	-.494	.155	-.130	-1.340	220	30	-.331	.055	-.159	-.591	220	80	-.546	.125	-.188	-1.195
210	1025	-.582	.243	-.113	-2.111	220	31	-.322	.042	-.163	-.482	220	81	-.581	.147	-.273	-1.232
210	1026	-.569	.231	-.099	-2.444	220	32	-.339	.049	-.181	-.589	220	82	-.342	.052	-.182	-.673
210	1027	-.551	.238	.208	-1.648	220	33	-.331	.050	-.159	-.552	220	83	-.309	.054	-.127	-.550
210	1028	-.587	.174	.025	-1.404	220	34	-.324	.054	-.125	-.574	220	84	-.274	.057	-.130	-.579
210	1031	-.129	.146	.532	-.790	220	35	-.368	.069	-.172	-.696	220	85	-.293	.063	-.106	-.578
210	1032	-.131	.223	.612	-1.431	220	36	-.396	.089	-.151	-.830	220	86	-.268	.062	-.103	-.620
210	1033	-.062	.157	.495	-.707	220	37	-.418	.100	-.139	-.913	220	87	-.606	.158	-.274	-1.474
210	1034	-.003	.176	.565	-.987	220	38	-.320	.045	-.166	-.538	220	88	-.298	.050	-.143	-.587
210	1035	-.113	.132	.397	-.806	220	39	-.341	.061	-.192	-.611	220	89	-.279	.061	-.135	-.627
210	1036	-.144	.115	.246	-.566	220	40	-.382	.089	-.147	-.869	220	201	-.663	.202	-.227	-1.915
210	1037	-.186	.111	.171	-.545	220	41	-.421	.110	-.159	-.911	220	202	-.678	.177	-.227	-1.739
210	1041	-.493	.137	-.111	-1.036	220	42	-.369	.077	-.156	-.694	220	203	-.642	.183	-.142	-1.509
210	1042	-.433	.136	.058	-.916	220	43	-.412	.106	-.148	-.841	220	204	-.565	.175	-.088	-1.323
210	1043	-.601	.110	-.300	-1.043	220	44	-.390	.093	-.112	-.841	220	205	-.463	.156	.055	-1.298
210	1044	-.640	.155	-.196	-1.308	220	45	-.392	.093	-.114	-.747	220	206	-.483	.163	-.048	-1.222
210	1045	-.637	.128	-.300	-1.520	220	46	-.357	.076	-.132	-.618	220	207	-.671	.197	-.271	-1.811
210	1046	-.629	.108	-.313	-1.126	220	47	-.332	.050	-.174	-.527	220	208	-.681	.194	-.175	-1.579

WD	TAP	CPMEAN	CPRMS	CPMAX	CPMIN	WD	TAP	CPMEAN	CPRMS	CPMAX	CPMIN	WD	TAP	CPMEAN	CPRMS	CPMAX	CPMIN
220	209	-.479	.162	-.046	-1.232	220	259	-.604	.175	-.078	-1.409	220	423	.119	.146	.629	-.309
220	210	-.651	.188	-.141	-1.608	220	260	-.412	.122	-.138	-1.235	220	424	.283	.145	.877	-.136
220	211	-.625	.176	-.117	-1.535	220	261	-.328	.092	-.042	-.912	220	425	.050	.139	.621	-.350
220	212	-.643	.207	-.052	-1.922	220	262	-.308	.059	-.123	-.761	220	426	.181	.142	.809	-.195
220	213	-.563	.189	.099	-1.533	220	263	-.301	.054	-.144	-.695	220	427	.297	.141	.861	-.103
220	214	-.512	.176	-.038	-1.209	220	264	-.723	.237	-.126	-1.800	220	428	-.104	.136	.466	-.626
220	215	-.453	.174	-.055	-1.455	220	265	-.688	.238	.016	-1.725	220	429	-.042	.142	.512	-.550
220	216	-.598	.180	-.217	-1.288	220	266	-.430	.213	-.007	-1.369	220	430	-.002	.145	.601	-.442
220	217	-.623	.184	-.243	-1.355	220	267	-.277	.103	.004	-.753	220	431	.152	.144	.776	-.348
220	218	-.659	.235	-.097	-1.785	220	268	-.268	.061	-.051	-.566	220	432	.290	.146	1.009	-.076
220	219	-.552	.207	-.017	-1.444	220	269	-.323	.051	-.173	-.529	220	433	.355	.146	1.078	-.026
220	220	-.492	.196	-.000	-1.376	220	270	-.330	.053	-.153	-.555	220	434	.353	.136	.878	-.078
220	221	-.497	.226	.018	-1.612	220	271	-.496	.217	.075	-1.635	220	435	.094	.138	.595	-.346
220	222	-.583	.184	-.196	-1.572	220	272	-.449	.228	.059	-1.647	220	436	-.081	.156	.570	-.711
220	223	-.580	.184	-.205	-1.552	220	273	-.246	.124	.018	-.875	220	437	-.022	.146	.524	-.457
220	224	-.627	.215	-.137	-1.640	220	274	-.218	.059	.014	-.575	220	438	.055	.149	.654	-.368
220	225	-.560	.194	-.014	-1.354	220	275	-.240	.046	-.087	-.426	220	439	.077	.155	.783	-.330
220	226	-.499	.209	-.030	-1.365	220	276	-.322	.049	-.172	-.534	220	440	.101	.170	.832	-.387
220	227	-.499	.222	-.021	-1.453	220	277	-.361	.059	-.162	-.626	220	441	-.039	.146	.488	-.506
220	228	-.641	.193	-.226	-1.593	220	278	-.292	.142	.009	-1.371	220	442	.059	.159	.698	-.375
220	229	-.659	.208	-.212	-1.967	220	279	-.276	.133	.007	-1.345	220	443	-.087	.141	.426	-.601
220	230	-.691	.208	-.222	-1.782	220	280	-.189	.065	.018	-.552	220	444	-.138	.123	.374	-.593
220	231	-.587	.174	-.081	-1.329	220	281	-.202	.043	-.049	-.353	220	445	.039	.147	.762	-.379
220	232	-.475	.161	.011	-1.208	220	282	-.245	.034	-.121	-.369	220	446	.308	.146	.950	-.162
220	233	-.500	.183	-.048	-1.283	220	283	-.333	.042	-.176	-.526	220	447	.365	.136	1.094	-.029
220	234	-.830	.329	-.266	-3.322	220	284	-.347	.047	-.170	-.580	220	448	.355	.135	1.157	-.046
220	235	-.833	.332	-.258	-3.029	220	285	-.351	.046	-.229	-.544	220	449	.057	.136	.614	-.467
220	236	-.822	.279	-.288	-2.168	220	286	-.161	.038	-.018	-.302	220	450	-.116	.145	.399	-.787
220	237	-.850	.322	-.250	-2.801	220	401	-.016	.165	.692	-.504	220	451	-.175	.154	.387	-.736
220	238	-.813	.287	-.326	-2.320	220	402	.038	.180	.839	-.530	220	452	-.028	.151	.605	-.515
220	239	-.822	.274	-.193	-2.229	220	403	-.067	.176	.544	-.628	220	453	-.022	.143	.653	-.515
220	240	-.845	.311	-.062	-2.228	220	404	-.021	.162	.565	-.552	220	454	.189	.117	.705	-.160
220	241	-1.100	.407	-.209	-3.053	220	405	-.051	.153	.483	-.594	220	455	.277	.123	.772	-.104
220	242	-1.023	.422	-.236	-3.535	220	406	-.202	.166	.411	-.865	220	456	.331	.122	.862	-.105
220	243	-.803	.298	-.235	-2.540	220	407	.086	.171	.670	-.503	220	457	.311	.134	.801	-.156
220	244	-.725	.227	-.129	-1.796	220	408	.065	.176	.649	-.538	220	458	-.101	.151	.360	-.679
220	245	-.670	.181	-.240	-1.649	220	409	.099	.170	.825	-.488	220	459	-.310	.178	.169	-1.148
220	246	-.500	.131	-.126	-1.255	220	410	-.165	.145	.369	-.654	220	460	-.215	.167	.445	-.925
220	247	-.364	.084	-.160	-.829	220	411	.024	.161	.633	-.539	220	461	-.127	.158	.498	-.846
220	248	-.349	.088	-.135	-.930	220	412	.317	.192	1.011	-.358	220	462	-.200	.211	.441	-1.490
220	249	-1.145	.384	-.250	-3.140	220	413	.336	.194	1.111	-.303	220	463	-.203	.164	.445	-.865
220	250	-.700	.228	-.092	-1.683	220	414	.101	.161	.684	-.466	220	464	-.096	.170	.574	-.694
220	251	-.791	.266	-.076	-2.496	220	415	-.146	.162	.436	-.720	220	465	-.185	.203	.677	-1.062
220	252	-.681	.218	-.126	-1.757	220	416	-.071	.141	.471	-.596	220	466	-.154	.189	.568	-.772
220	253	-.924	.225	-.350	-1.923	220	417	.091	.158	.723	-.411	220	467	-.161	.213	.736	-.782
220	254	-.680	.204	-.185	-1.657	220	418	.365	.161	1.036	-.206	220	468	-.276	.166	.343	-.848
220	255	-.808	.189	-.286	-1.631	220	419	.385	.160	1.195	-.145	220	469	-.274	.154	.298	-.834
220	256	-.837	.208	-.298	-1.876	220	420	.135	.152	.715	-.480	220	470	-.242	.158	.412	-.712
220	257	-.672	.156	-.275	-1.415	220	421	.022	.151	.547	-.582	220	471	-.247	.144	.452	-.773
220	258	-.678	.164	-.186	-1.473	220	422	.000	.142	.485	-.519	220	472	-.109	.147	.564	-.579

WD	TAP	CPMEAN	CPRMS	CPMAX	CPMIN	WD	TAP	CPMEAN	CPRMS	CPMAX	CPMIN	WD	TAP	CPMEAN	CPRMS	CPMAX	CPMIN
220	473	-.046	.173	.503	-.540	220	548	-.080	.083	.262	-.312	220	632	-.527	.151	-.181	-2.027
220	474	-.056	.160	.620	-.522	220	549	-.141	.096	.449	-.416	220	633	-.479	.186	-.043	-1.218
220	501	.043	.137	.765	-.446	220	550	-.200	.106	.399	-.579	220	634	-.505	.146	-.154	-2.022
220	502	.147	.133	.803	-.386	220	551	-.247	.071	.053	-.529	220	635	-.453	.139	-.138	-1.495
220	503	.242	.144	.901	-.377	220	552	-.184	.054	.076	-.363	220	636	-.525	.174	-.146	-1.339
220	504	.292	.143	.791	-.471	220	553	-.105	.047	.145	-.241	220	637	-.469	.134	-.078	-1.086
220	505	.293	.145	.789	-.339	220	554	-.056	.060	.219	-.252	220	638	-.496	.158	-.110	-1.231
220	506	.171	.137	.707	-.512	220	554	-.056	.060	.219	-.252	220	639	-.521	.153	-.044	-1.433
220	507	.062	.129	.638	-.500	220	555	.007	.071	.317	-.193	220	640	-.495	.129	-.211	-1.146
220	508	.063	.139	.612	-.357	220	556	-.000	.071	.291	-.263	220	641	-.473	.119	-.214	-1.272
220	509	.134	.140	.811	-.390	220	557	-.059	.060	.132	-.299	220	642	-.471	.127	-.192	-1.178
220	510	.240	.138	.986	-.443	220	558	-.089	.058	.128	-.290	220	643	-.474	.128	-.121	-1.175
220	511	.057	.124	.672	-.329	220	559	-.107	.044	.057	-.259	220	644	-.545	.129	-.060	-1.099
220	512	.026	.118	.593	-.392	220	560	.008	.072	.306	-.218	220	645	-.528	.145	-.224	-1.582
220	513	.101	.117	.634	-.325	220	561	.015	.082	.326	-.219	220	646	-.576	.148	-.161	-1.518
220	514	.247	.129	.833	-.205	220	562	-.188	.040	-.045	-.333	220	647	-.554	.142	-.261	-1.534
220	515	.238	.123	.713	-.137	220	563	-.066	.050	.154	-.214	220	648	-.431	.117	-.107	-.983
220	516	.042	.142	.644	-.463	220	564	.100	.101	.552	-.220	220	649	-.451	.112	-.123	-.966
220	517	-.134	.129	.372	-.651	220	565	.051	.090	.470	-.250	220	650	-.409	.109	-.083	-.844
220	518	-.037	.118	.552	-.431	220	601	-.429	.150	-.052	-1.137	220	651	-.539	.123	-.193	-1.050
220	519	.015	.112	.551	-.323	220	602	-.459	.159	-.025	-1.400	220	652	-.641	.149	-.206	-1.609
220	520	.066	.119	.627	-.233	220	603	-.511	.172	-.069	-1.514	220	653	-.508	.124	-.236	-1.090
220	521	.007	.110	.629	-.310	220	604	-.597	.181	-.060	-1.237	220	654	-.649	.157	-.195	-1.518
220	522	.035	.113	.520	-.284	220	605	-.583	.164	-.153	-1.422	220	655	-.588	.138	-.249	-1.506
220	523	.045	.114	.520	-.255	220	606	-.624	.184	-.161	-1.731	220	656	-.533	.130	-.168	-1.297
220	524	.056	.111	.541	-.267	220	607	-.435	.147	-.050	-1.216	220	657	-.319	.090	-.087	-.758
220	525	.069	.110	.501	-.223	220	608	-.557	.157	-.112	-1.302	220	658	-.338	.096	-.083	-.808
220	526	-.041	.114	.381	-.350	220	609	-.456	.151	-.131	-1.347	220	659	-.255	.059	-.078	-.599
220	527	-.154	.123	.357	-.572	220	610	-.475	.158	-.107	-1.669	220	660	-.500	.112	-.203	-1.006
220	528	-.174	.176	.350	-.839	220	611	-.475	.150	-.068	-1.169	220	661	-.553	.123	-.228	-1.057
220	529	-.093	.164	.445	-.790	220	612	-.508	.164	-.033	-1.299	220	662	-.587	.163	-.240	-1.549
220	530	-.052	.232	.538	-1.289	220	613	-.569	.183	-.117	-1.309	220	663	-.592	.158	-.239	-1.397
220	531	.037	.125	.472	-.734	220	614	-.545	.163	-.193	-1.404	220	664	-.598	.148	-.248	-1.390
220	532	.030	.121	.472	-.292	220	615	-.566	.166	-.180	-1.632	220	665	-.610	.170	-.215	-1.465
220	533	-.200	.115	.286	-.725	220	616	-.519	.185	-.139	-1.429	220	666	-.179	.136	.311	-.769
220	534	-.077	.125	.432	-.673	220	617	-.490	.162	-.110	-1.341	220	667	-.627	.210	-.126	-1.906
220	535	-.027	.138	.483	-.977	220	618	-.495	.149	-.032	-1.147	220	668	-.661	.233	-.141	-1.943
220	536	-.002	.117	.453	-.353	220	619	-.520	.178	-.054	-1.431	220	669	-.607	.173	-.232	-1.477
220	537	-.247	.101	.121	-.618	220	620	-.556	.191	-.150	-1.602	220	670	-.101	.147	.489	-.606
220	538	-.136	.099	.262	-.527	220	621	-.537	.185	-.172	-1.539	220	671	-.600	.178	-.181	-1.460
220	539	-.037	.110	.384	-.406	220	622	-.511	.192	-.166	-1.699	220	672	-.648	.205	-.178	-1.591
220	540	-.008	.112	.419	-.289	220	623	-.502	.181	-.005	-1.354	220	673	-.510	.145	-.134	-1.123
220	541	-.252	.097	.140	-.581	220	624	-.468	.129	-.005	-1.063	220	674	-.528	.142	-.178	-1.100
220	542	-.150	.094	.264	-.403	220	625	-.516	.157	.071	-1.277	220	675	-.613	.172	-.176	-1.523
220	543	-.078	.112	.482	-.408	220	626	-.468	.166	-.115	-2.015	220	676	-.630	.164	-.240	-1.443
220	544	-.285	.088	.032	-.701	220	627	-.501	.198	-.116	-2.107	220	677	-.564	.142	-.123	-1.168
220	545	-.207	.078	.200	-.470	220	628	-.523	.190	-.089	-1.401	220	678	-.552	.162	-.119	-1.326
220	546	-.113	.088	.326	-.407	220	629	-.498	.162	-.049	-1.149	220	679	-.559	.131	-.249	-1.146
220	547	-.097	.082	.377	-.336	220	630	-.492	.163	-.061	-1.144	220	680	-.265	.060	-.104	-.636
						220	631	-.516	.159	-.128	-1.397	220	681	-.395	.100	-.132	-.813

WD	TAP	CPMEAN	CPRMS	CPMAX	CPMIN	WD	TAP	CPMEAN	CPRMS	CPMAX	CPMIN	WD	TAP	CPMEAN	CPRMS	CPMAX	CPMIN
220	682	-.281	.080	-.087	-.688	220	819	-.060	.082	.264	-.317	220	1037	-.173	.109	.213	-.523
220	683	-.345	.117	.010	-.864	220	820	-.138	.068	.115	-.400	220	1041	-.443	.128	-.026	-.995
220	684	-.491	.133	-.149	-1.288	220	821	-.213	.064	.002	-.478	220	1042	-.439	.149	.069	-1.128
220	685	-.428	.150	-.049	-1.144	220	822	-.202	.054	.039	-.424	220	1043	-.566	.112	-.213	-1.072
220	686	-.506	.118	-.172	-1.180	220	823	-.232	.057	-.052	-.591	220	1044	-.607	.167	-.131	-1.509
220	687	-.243	.044	-.104	-.603	220	824	-.214	.043	-.040	-.415	220	1045	-.616	.131	-.130	-1.238
220	688	-.250	.043	-.077	-.659	220	825	-.291	.054	-.140	-.569	220	1046	-.620	.117	-.237	-1.095
220	689	-.221	.053	-.052	-.547	220	826	-.283	.051	-.151	-.602	220	1047	-.533	.108	-.239	-1.036
220	690	-.227	.047	-.044	-.506	220	827	-.254	.038	-.097	-.443	220	1048	-.427	.149	.002	-1.181
220	691	-.310	.098	-.070	-.801	220	828	-.144	.047	.085	-.310	220	1049	-.586	.160	-.127	-1.247
220	692	-.457	.161	-.149	-1.403	220	829	-.227	.032	-.091	-.336	220	1050	-.604	.140	-.171	-1.261
220	693	-.174	.156	.416	-.968	220	901	-.174	.040	-.037	-.375	230	1	-.355	.080	-.144	-.919
220	694	-.215	.047	.005	-.392	220	902	-.172	.035	-.013	-.339	230	2	-.378	.075	-.175	-.784
220	695	-.215	.049	-.042	-.435	220	903	-.176	.042	-.030	-.373	230	3	-.344	.066	-.174	-1.032
220	696	-.295	.074	-.045	-.718	220	904	-.166	.035	-.030	-.306	230	4	-.359	.068	-.165	-.968
220	697	-.384	.136	-.098	-1.152	220	905	-.131	.040	.024	-.252	230	5	-.378	.070	-.197	-.836
220	701	-.210	.156	.510	-.697	220	906	-.123	.042	.064	-.262	230	6	-.352	.070	-.184	-.834
220	701	-.210	.156	.510	-.697	220	907	-.166	.034	-.053	-.290	230	7	-.348	.075	-.133	-1.016
220	702	-.329	.203	.371	-1.081	220	908	-.163	.042	-.013	-.336	230	9	-.373	.069	-.194	-.808
220	703	-.347	.213	.292	-1.114	220	1001	-.526	.142	-.005	-1.146	230	10	-.378	.069	-.195	-.715
220	704	-.140	.176	.546	-.939	220	1002	-.559	.114	-.240	-1.011	230	11	-.367	.068	-.173	-.715
220	705	-.252	.243	.434	-1.259	220	1003	-.549	.105	-.217	-.951	230	12	-.330	.047	-.193	-.599
220	706	-.625	.301	.157	-1.880	220	1004	-.519	.137	-.084	-1.211	230	13	-.336	.049	-.208	-.593
220	707	-.183	.137	.368	-.649	220	1005	-.671	.145	-.150	-1.315	230	14	-.358	.058	-.220	-.669
220	708	-.296	.122	.159	-.766	220	1006	-.655	.165	-.152	-1.341	230	15	-.351	.063	-.207	-.708
220	709	-.253	.128	.226	-.718	220	1007	-.456	.148	-.003	-1.104	230	16	-.346	.074	-.133	-.783
220	710	-.600	.192	-.160	-1.542	220	1008	-.685	.169	-.018	-1.441	230	17	-.332	.059	-.166	-.735
220	711	-.160	.142	.245	-.951	220	1011	-.254	.158	.327	-.975	230	18	-.313	.038	-.174	-.535
220	712	-.187	.132	.257	-.760	220	1012	-.235	.166	.271	-.941	230	19	-.336	.041	-.217	-.591
220	713	-.559	.159	-.177	-1.279	220	1013	-.138	.125	.260	-.682	230	20	-.327	.055	-.148	-.594
220	714	-.147	.171	.365	-.950	220	1014	.210	.140	.699	-.341	230	21	-.355	.068	-.140	-.721
220	715	-.131	.174	.342	-1.031	220	1015	.294	.131	.820	-.156	230	22	-.321	.041	-.162	-.507
220	801	-.268	.040	-.148	-.456	220	1016	.284	.135	.915	-.133	230	23	-.337	.048	-.179	-.577
220	802	-.302	.062	-.133	-.715	220	1017	.175	.139	.854	-.259	230	24	-.347	.059	-.187	-.647
220	803	-.307	.050	-.176	-.645	220	1018	.127	.129	.656	-.246	230	25	-.301	.039	-.180	-.479
220	804	-.320	.051	-.158	-.550	220	1019	.046	.130	.662	-.296	230	26	-.322	.046	-.194	-.593
220	805	-.295	.040	-.177	-.456	220	1021	-.522	.184	-.065	-1.418	230	27	-.342	.055	-.181	-.656
220	806	-.213	.059	.034	-.405	220	1022	-.543	.186	-.141	-1.587	230	28	-.356	.084	-.095	-.834
220	807	-.142	.062	.148	-.344	220	1023	-.484	.138	-.105	-1.166	230	29	-.367	.075	-.116	-.684
220	808	-.157	.047	.030	-.343	220	1024	-.477	.138	-.083	-1.260	230	30	-.308	.040	-.152	-.448
220	809	-.066	.069	.179	-.258	220	1025	-.528	.198	-.152	-1.733	230	31	-.312	.032	-.201	-.451
220	810	-.021	.066	.212	-.207	220	1026	-.524	.187	-.157	-2.094	230	32	-.325	.038	-.216	-.503
220	811	.103	.109	.642	-.149	220	1027	-.526	.205	-.190	-1.615	230	33	-.321	.045	-.180	-.652
220	812	-.202	.046	.037	-.390	220	1028	-.543	.155	-.124	-1.350	230	34	-.307	.049	-.151	-.663
220	813	-.227	.058	-.037	-.561	220	1031	-.095	.158	.771	-.627	230	35	-.343	.060	-.167	-.659
220	814	-.241	.061	-.042	-.523	220	1032	-.064	.207	.779	-.949	230	36	-.367	.074	-.169	-.783
220	815	-.187	.047	-.010	-.527	220	1033	-.054	.159	.615	-.741	230	37	-.379	.084	-.170	-.754
220	816	-.219	.051	-.008	-.405	220	1034	.022	.168	.557	-.819	230	38	-.307	.042	-.175	-.505
220	817	-.197	.075	.002	-.750	220	1035	-.122	.130	.311	-.707	230	39	-.324	.052	-.199	-.588
220	818	.100	.108	.510	-.183	220	1036	-.119	.112	.284	-.551	230	40	-.351	.063	-.198	-.904

WD	TAP	CPMEAN	CPRMS	CPMAX	CPMIN	WD	TAP	CPMEAN	CPRMS	CPMAX	CPMIN	WD	TAP	CPMEAN	CPRMS	CPMAX	CPMIN
230	41	-.381	.080	-.184	-.947	230	202	-.519	.144	-.165	-1.411	230	252	-.599	.196	-.118	-1.516
230	42	-.344	.055	-.201	-.602	230	203	-.448	.129	-.096	-1.178	230	253	-.810	.234	-.224	-1.787
230	43	-.372	.074	-.190	-.700	230	204	-.413	.107	-.084	-1.185	230	254	-.600	.201	-.079	-1.770
230	44	-.364	.085	-.146	-.836	230	205	-.412	.103	-.120	-1.041	230	255	-.741	.206	-.199	-1.633
230	45	-.354	.082	-.144	-.773	230	206	-.405	.106	-.125	-1.053	230	256	-.760	.223	-.188	-1.742
230	46	-.319	.067	-.130	-.608	230	207	-.549	.174	-.186	-1.645	230	257	-.647	.193	-.196	-1.554
230	47	-.311	.046	-.194	-.514	230	208	-.479	.137	-.172	-1.647	230	258	-.649	.196	-.183	-1.542
230	48	-.307	.035	-.179	-.456	230	209	-.397	.101	-.106	-1.175	230	259	-.588	.196	-.073	-1.452
230	49	-.313	.041	-.178	-.584	230	210	-.473	.139	-.120	-1.167	230	260	-.453	.161	-.079	-1.265
230	50	-.318	.062	-.125	-.555	230	211	-.497	.157	-.162	-1.430	230	261	-.367	.122	-.018	-1.057
230	51	-.356	.082	-.155	-.688	230	212	-.461	.141	-.151	-1.150	230	262	-.319	.085	-.087	-.818
230	52	-.325	.074	-.084	-.685	230	213	-.412	.114	-.007	-1.015	230	263	-.317	.087	-.102	-.962
230	53	-.331	.065	-.164	-.578	230	214	-.411	.107	-.124	-1.026	230	264	-.694	.274	-.007	-2.727
230	54	-.321	.046	-.174	-.560	230	215	-.374	.101	-.146	-1.013	230	265	-.666	.263	-.105	-2.100
230	55	-.314	.035	-.202	-.438	230	216	-.476	.164	-.115	-1.736	230	266	-.526	.222	-.019	-1.574
230	56	-.301	.039	-.149	-.524	230	217	-.491	.167	-.116	-1.714	230	267	-.394	.149	-.046	-1.066
230	57	-.337	.059	-.140	-.637	230	218	-.480	.163	.029	-1.404	230	268	-.325	.093	-.111	-.707
230	58	-.357	.073	-.134	-.669	230	219	-.416	.133	-.094	-1.148	230	269	-.306	.058	-.116	-.800
230	59	-.326	.053	-.175	-.605	230	220	-.407	.128	-.104	-1.115	230	270	-.308	.056	-.092	-.878
230	60	-.295	.050	-.153	-.510	230	221	-.404	.140	-.062	-1.217	230	271	-.610	.247	.047	-2.074
230	61	-.322	.042	-.199	-.539	230	222	-.500	.167	-.143	-1.400	230	272	-.596	.263	-.007	-2.815
230	62	-.323	.038	-.206	-.523	230	223	-.493	.167	-.118	-1.338	230	273	-.403	.206	-.005	-1.541
230	63	-.324	.040	-.192	-.486	230	224	-.465	.165	.044	-1.360	230	274	-.294	.101	.002	-.820
230	64	-.313	.055	-.146	-.546	230	225	-.430	.135	-.094	-1.211	230	275	-.275	.062	-.075	-.568
230	65	-.341	.059	-.110	-.607	230	226	-.411	.153	-.049	-1.085	230	276	-.319	.046	-.165	-.522
230	66	-.330	.046	-.151	-.582	230	227	-.424	.171	-.048	-1.448	230	277	-.325	.046	-.164	-.562
230	67	-.329	.044	-.158	-.586	230	228	-.528	.184	-.143	-1.807	230	278	-.493	.234	-.067	-1.782
230	68	-.314	.040	-.182	-.517	230	229	-.522	.176	-.126	-1.483	230	279	-.485	.233	-.064	-1.649
230	69	-.349	.043	-.198	-.522	230	230	-.532	.189	-.078	-1.473	230	280	-.315	.130	-.034	-.960
230	70	-.328	.040	-.211	-.659	230	231	-.451	.150	-.025	-1.225	230	281	-.233	.067	.007	-.587
230	71	-.338	.051	-.192	-.603	230	232	-.412	.140	-.034	-1.176	230	282	-.260	.043	-.126	-.448
230	72	-.319	.055	-.175	-.625	230	233	-.423	.147	-.086	-1.288	230	283	-.312	.041	-.193	-.462
230	73	-.358	.053	-.226	-.583	230	234	-.648	.278	-.100	-2.011	230	284	-.318	.043	-.195	-.470
230	74	-.366	.055	-.226	-.609	230	235	-.647	.278	-.096	-2.088	230	285	-.324	.046	-.190	-.536
230	75	-.379	.058	-.229	-.613	230	236	-.622	.238	-.086	-1.785	230	286	-.216	.051	-.062	-.426
230	76	-.355	.048	-.180	-.544	230	237	-.670	.266	-.075	-2.171	230	401	-.234	.125	.541	-.629
230	77	-.312	.043	-.147	-.539	230	238	-.634	.243	-.096	-1.827	230	402	-.216	.139	.615	-.585
230	78	-.316	.051	-.124	-.530	230	239	-.630	.228	-.152	-1.852	230	403	-.271	.128	.262	-.649
230	79	-.315	.053	-.115	-.584	230	240	-.706	.286	-.003	-2.219	230	404	-.220	.138	.415	-.617
230	80	-.387	.091	-.204	-.950	230	241	-.789	.349	-.066	-2.560	230	405	-.240	.137	.327	-.614
230	81	-.423	.106	-.216	-1.129	230	242	-.759	.310	-.143	-2.507	230	406	-.329	.152	.325	-.861
230	82	-.367	.053	-.214	-.582	230	243	-.638	.241	-.133	-2.408	230	407	-.193	.131	.448	-.540
230	83	-.333	.045	-.184	-.529	230	244	-.599	.196	-.118	-1.580	230	408	-.190	.163	.542	-.590
230	84	-.287	.048	-.149	-.517	230	245	-.537	.184	-.134	-1.333	230	409	-.168	.196	.720	-.794
230	85	-.309	.055	-.132	-.682	230	246	-.440	.137	-.125	-1.137	230	410	-.306	.107	.169	-.871
230	86	-.305	.055	-.154	-.580	230	247	-.356	.105	-.084	-1.048	230	411	-.208	.116	.388	-.562
230	87	-.455	.117	-.215	-1.169	230	248	-.353	.118	-.071	-1.136	230	412	-.087	.186	.834	-.511
230	88	-.327	.047	-.163	-.575	230	249	-.981	.397	-.113	-2.757	230	413	-.068	.189	.711	-.593
230	89	-.308	.056	-.148	-.814	230	250	-.651	.230	-.057	-1.615	230	414	-.148	.185	.580	-.620
230	201	-.503	.165	-.159	-1.571	230	251	-.641	.240	-.114	-1.770	230	415	-.263	.143	.273	-.839

WD	TAP	CPMEAN	CPRMS	CPMAX	CPMIN	WD	TAP	CPMEAN	CPRMS	CPMAX	CPMIN	WD	TAP	CPMEAN	CPRMS	CPMAX	CPMIN
230	416	-.228	.117	.427	-.609	230	466	-.216	.214	.559	-.978	230	541	-.225	.115	.295	-.615
230	417	-.140	.143	.651	-.480	230	467	-.222	.231	.629	-.947	230	542	-.119	.125	.412	-.455
230	418	.004	.189	.902	-.468	230	468	-.325	.178	.507	-.965	230	543	-.044	.154	.619	-.438
230	419	.019	.199	1.075	-.502	230	469	-.210	.192	.508	-.778	230	544	-.270	.111	.194	-.686
230	420	-.108	.168	.559	-.691	230	470	-.191	.209	.795	-.836	230	545	-.171	.114	.452	-.462
230	421	-.165	.155	.507	-.738	230	471	-.301	.185	.439	-1.142	230	546	-.035	.126	.561	-.384
230	422	-.165	.124	.486	-.609	230	472	-.138	.186	.700	-.667	230	547	.028	.148	.598	-.367
230	423	-.096	.141	.675	-.522	230	473	-.117	.215	.804	-.720	230	548	.018	.140	.600	-.388
230	424	-.000	.160	.606	-.387	230	474	-.194	.217	.795	-.795	230	549	-.083	.137	.529	-.417
230	425	-.140	.122	.559	-.496	230	501	-.049	.173	.658	-.575	230	550	-.190	.142	.467	-.598
230	426	-.067	.143	.610	-.428	230	502	.040	.172	.750	-.546	230	551	-.268	.097	.172	-.738
230	427	.012	.162	.668	-.405	230	503	.121	.184	.768	-.410	230	552	-.181	.090	.406	-.534
230	428	-.240	.109	.216	-.627	230	504	.161	.190	.829	-.406	230	553	-.064	.091	.435	-.337
230	429	-.207	.114	.283	-.562	230	505	.162	.191	.939	-.464	230	554	-.018	.109	.540	-.310
230	430	-.187	.121	.278	-.507	230	506	.096	.182	.841	-.757	230	554	-.018	.109	.540	-.310
230	431	-.087	.147	.573	-.416	230	507	.003	.164	.651	-.622	230	555	.056	.118	.617	-.215
230	432	.026	.168	.884	-.384	230	508	-.015	.170	.835	-.578	230	556	.032	.109	.686	-.251
230	433	.080	.186	.893	-.396	230	509	.066	.174	.773	-.500	230	557	-.068	.083	.327	-.288
230	434	.089	.194	.875	-.480	230	510	.146	.173	.757	-.560	230	558	-.109	.082	.391	-.350
230	435	-.060	.174	.761	-.624	230	511	.019	.160	.651	-.695	230	559	-.081	.080	.444	-.270
230	436	-.182	.163	.547	-.684	230	512	-.026	.164	.651	-.479	230	560	.049	.114	.536	-.356
230	437	-.166	.129	.393	-.549	230	513	.052	.166	.718	-.411	230	561	.035	.105	.585	-.283
230	438	-.121	.139	.479	-.478	230	514	.200	.175	.959	-.334	230	562	-.203	.063	.092	-.462
230	439	-.109	.151	.542	-.472	230	515	.223	.161	.849	-.302	230	563	-.068	.071	.235	-.263
230	440	-.141	.149	.542	-.538	230	516	.013	.164	.654	-.586	230	564	.139	.137	.773	-.197
230	441	-.185	.123	.421	-.552	230	517	-.145	.155	.439	-.740	230	565	.094	.133	.697	-.370
230	442	-.134	.142	.586	-.426	230	518	-.054	.158	.602	-.517	230	601	-.374	.093	-.105	-.864
230	443	-.212	.125	.480	-.548	230	519	.002	.156	.611	-.463	230	602	-.357	.094	-.068	-1.208
230	444	-.208	.121	.376	-.653	230	520	.079	.162	.739	-.414	230	603	-.371	.120	-.098	-1.118
230	445	-.065	.149	.681	-.441	230	521	.001	.152	.636	-.459	230	604	-.453	.145	-.106	-1.241
230	446	.129	.185	.900	-.381	230	522	.082	.161	.795	-.399	230	605	-.498	.168	-.104	-1.958
230	447	.178	.179	.831	-.399	230	523	.080	.158	.695	-.347	230	606	-.511	.162	-.129	-1.409
230	448	.177	.181	.850	-.453	230	524	.107	.156	.710	-.292	230	607	-.379	.098	-.168	-1.084
230	449	-.037	.155	.498	-.556	230	525	.128	.151	.769	-.327	230	608	-.507	.171	-.113	-1.675
230	450	-.165	.149	.333	-.747	230	526	-.014	.159	.624	-.546	230	609	-.369	.096	-.112	-1.213
230	451	-.181	.179	.800	-.849	230	527	-.140	.155	.512	-.629	230	610	-.389	.100	-.102	-1.114
230	452	-.094	.186	.640	-.684	230	528	-.133	.153	.554	-.743	230	611	-.382	.097	-.135	-.996
230	453	-.127	.177	.693	-.703	230	529	-.067	.171	.816	-.944	230	612	-.390	.120	-.092	-.971
230	454	-.008	.177	.770	-1.223	230	530	.007	.169	.553	-.920	230	613	-.457	.164	-.044	-1.489
230	455	.048	.181	.872	-.522	230	531	.082	.159	.749	-.591	230	614	-.516	.171	-.087	-1.493
230	456	.071	.190	.824	-.443	230	532	.104	.160	.764	-.316	230	615	-.502	.149	-.170	-1.186
230	457	.066	.211	.770	-.576	230	532	.104	.160	.764	-.316	230	616	-.409	.131	-.168	-1.162
230	458	-.191	.184	.469	-.924	230	533	-.173	.131	.334	-.546	230	617	-.379	.116	-.161	-1.015
230	459	-.321	.179	.199	-1.185	230	534	-.070	.141	.458	-.497	230	618	-.410	.117	-.107	-.943
230	460	-.211	.189	.664	-.841	230	535	.009	.153	.626	-.662	230	619	-.430	.152	-.106	-1.405
230	461	-.143	.180	.763	-.694	230	536	.043	.156	.690	-.355	230	620	-.496	.170	-.169	-1.510
230	462	-.224	.200	.659	-1.206	230	537	-.214	.126	.269	-.639	230	621	-.485	.168	-.163	-1.302
230	463	-.164	.183	.819	-.762	230	538	-.104	.133	.402	-.479	230	622	-.420	.142	-.153	-1.451
230	464	-.101	.193	.950	-.715	230	539	.001	.145	.695	-.383	230	623	-.418	.138	-.147	-1.285
230	465	-.198	.217	.693	-1.134	230	540	.043	.150	.722	-.319	230	624	-.417	.114	-.156	-.991

WD	TAP	CPMEAN	CPRMS	CPMAX	CPMIN	WD	TAP	CPMEAN	CPRMS	CPMAX	CPMIN	WD	TAP	CPMEAN	CPRMS	CPMAX	CPMIN
230	625	-.446	.128	-.136	-1.284	230	675	-.565	.171	-.206	-1.414	230	812	-.200	.104	.347	-.564
230	626	-.406	.136	-.132	-1.627	230	676	-.575	.167	-.202	-1.379	230	813	-.187	.088	.213	-.624
230	627	-.427	.151	-.056	-2.062	230	677	-.525	.142	-.172	-1.219	230	814	-.197	.061	.095	-.572
230	628	-.437	.156	-.106	-1.458	230	678	-.531	.149	-.153	-1.204	230	815	-.214	.146	.329	-.816
230	629	-.429	.123	-.101	-1.084	230	679	-.523	.143	-.160	-1.216	230	816	-.178	.071	.167	-.427
230	630	-.411	.130	-.071	-1.124	230	680	-.331	.067	-.145	-.669	230	817	-.202	.173	.440	-1.045
230	631	-.466	.156	-.140	-1.276	230	681	-.394	.101	-.148	-.954	230	818	-.152	.150	.812	-.287
230	632	-.499	.163	-.167	-1.473	230	682	-.354	.086	-.092	-.735	230	819	-.018	.109	.536	-.443
230	633	-.419	.170	-.050	-1.330	230	683	-.427	.116	-.145	-.984	230	820	-.083	.113	.441	-.544
230	634	-.486	.162	-.153	-1.499	230	684	-.498	.126	-.125	-1.053	230	821	-.155	.103	.274	-.526
230	635	-.482	.159	-.200	-1.492	230	685	-.488	.136	-.131	-1.175	230	822	-.253	.064	-.085	-.628
230	636	-.443	.155	-.116	-1.195	230	686	-.514	.131	-.172	-1.271	230	823	-.311	.080	-.082	-.871
230	637	-.416	.127	-.071	-1.017	230	687	-.291	.059	-.128	-.667	230	824	-.259	.056	-.015	-.582
230	638	-.422	.146	-.085	-1.252	230	688	-.302	.057	-.163	-.556	230	825	-.314	.050	-.172	-.678
230	639	-.481	.161	-.078	-1.312	230	689	-.299	.072	-.094	-.616	230	826	-.314	.064	-.176	-.801
230	640	-.497	.152	-.145	-1.313	230	690	-.298	.067	-.107	-.608	230	827	-.285	.044	-.112	-.423
230	641	-.473	.139	-.154	-1.489	230	691	-.407	.118	-.087	-.977	230	828	-.179	.053	.062	-.320
230	642	-.477	.148	-.153	-1.368	230	692	-.560	.184	-.182	-1.773	230	829	-.239	.044	-.042	-.382
230	643	-.408	.129	-.087	-1.083	230	693	-.257	.164	.322	-.785	230	901	-.241	.064	-.078	-.521
230	644	-.462	.132	-.064	-1.097	230	694	-.266	.056	-.076	-.567	230	902	-.249	.054	-.087	-.532
230	645	-.528	.170	-.181	-1.713	230	695	-.297	.072	-.042	-.678	230	903	-.274	.074	-.053	-.786
230	646	-.517	.161	-.117	-1.407	230	696	-.388	.088	-.013	-.784	230	904	-.247	.056	-.081	-.590
230	647	-.539	.152	-.153	-1.365	230	697	-.494	.186	-.125	-1.290	230	905	-.160	.054	.087	-.343
230	648	-.408	.113	-.155	-1.038	230	701	-.275	.217	.621	-1.269	230	906	-.167	.054	.106	-.389
230	649	-.413	.112	-.111	-1.107	230	701	-.275	.217	.621	-1.269	230	907	-.242	.054	-.068	-.462
230	650	-.387	.102	-.112	-.959	230	702	-.336	.219	.367	-1.180	230	908	-.253	.073	-.037	-.514
230	651	-.478	.123	-.160	-1.059	230	703	-.355	.227	.319	-1.635	230	1001	-.368	.092	-.011	-.839
230	652	-.565	.151	-.209	-1.591	230	704	-.216	.196	.526	-1.291	230	1002	-.402	.089	-.062	-.869
230	653	-.462	.120	-.148	-1.090	230	705	-.406	.228	.221	-1.304	230	1003	-.397	.083	-.070	-.798
230	654	-.568	.157	-.194	-1.467	230	706	-.485	.315	.314	-1.941	230	1004	-.406	.100	-.146	-1.039
230	655	-.544	.135	-.209	-1.391	230	707	-.234	.162	.523	-.676	230	1005	-.493	.123	-.110	-1.020
230	656	-.541	.122	-.205	-1.145	230	708	-.315	.134	.305	-.854	230	1006	-.470	.134	-.128	-1.337
230	657	-.344	.079	-.141	-.696	230	709	-.276	.144	.222	-.753	230	1007	-.373	.098	-.091	-.990
230	658	-.366	.089	-.172	-.848	230	710	-.545	.173	-.073	-1.612	230	1008	-.498	.147	-.095	-1.114
230	659	-.321	.064	-.148	-.589	230	711	-.302	.156	.284	-.984	230	1011	-.213	.171	.415	-.826
230	660	-.465	.108	-.182	-1.097	230	712	-.321	.161	.236	-1.180	230	1012	-.371	.200	.188	-1.236
230	661	-.503	.119	-.192	-1.264	230	713	-.510	.147	-.158	-1.266	230	1013	-.259	.164	.199	-1.128
230	662	-.508	.153	-.134	-1.466	230	714	-.294	.184	.336	-1.077	230	1014	-.033	.193	.734	-.659
230	663	-.519	.145	-.170	-1.487	230	715	-.303	.192	.354	-1.086	230	1015	.030	.190	.641	-.565
230	664	-.568	.147	-.207	-1.291	230	801	-.291	.041	-.166	-.455	230	1016	.029	.176	.697	-.711
230	665	-.573	.167	-.187	-1.476	230	802	-.322	.058	-.166	-.589	230	1017	.013	.171	.676	-.995
230	666	-.235	.164	.423	-.901	230	803	-.325	.043	-.188	-.500	230	1018	-.068	.154	.554	-.850
230	667	-.554	.179	-.160	-1.528	230	804	-.334	.043	-.182	-.557	230	1019	-.108	.156	.540	-1.152
230	668	-.584	.198	-.214	-1.650	230	805	-.312	.049	-.181	-.526	230	1021	-.436	.136	-.167	-1.307
230	669	-.557	.150	-.142	-1.306	230	806	-.262	.082	.019	-.745	230	1022	-.434	.124	-.128	-1.050
230	670	-.181	.182	.477	-.855	230	807	-.157	.071	.148	-.463	230	1023	-.395	.116	-.129	-1.167
230	671	-.557	.177	-.182	-1.472	230	808	-.129	.080	.411	-.357	230	1024	-.399	.115	-.146	-.966
230	672	-.582	.194	-.231	-1.834	230	809	-.044	.100	.491	-.353	230	1025	-.424	.144	-.110	-1.905
230	673	-.504	.144	-.165	-1.130	230	810	-.003	.097	.508	-.249	230	1026	-.418	.125	-.140	-1.440
230	674	-.510	.139	-.194	-1.293	230	811	.147	.146	.870	-.196	230	1027	-.414	.130	.078	-1.216

WD	TAP	CPMEAN	CPRMS	CPMAX	CPMIN	WD	TAP	CPMEAN	CPRMS	CPMAX	CPMIN	WD	TAP	CPMEAN	CPRMS	CPMAX	CPMIN
230	1028	-.434	.144	-.083	-1.397	240	34	-.306	.038	-.182	-.567	240	84	-.320	.043	-.218	-.531
230	1031	-.229	.189	.571	-.858	240	35	-.321	.043	-.161	-.573	240	85	-.336	.044	-.201	-.512
230	1032	-.243	.206	.649	-1.122	240	36	-.335	.052	-.160	-.758	240	86	-.329	.047	-.195	-.569
230	1033	-.216	.179	.417	-.786	240	37	-.337	.054	-.162	-.707	240	87	-.324	.051	-.199	-.593
230	1034	-.208	.257	.675	-1.191	240	38	-.300	.036	-.168	-.589	240	88	-.329	.038	-.168	-.478
230	1035	-.273	.201	.486	-1.190	240	39	-.317	.044	-.181	-.558	240	89	-.327	.044	-.204	-.544
230	1036	-.202	.149	.432	-.890	240	40	-.333	.045	-.197	-.597	240	201	-.429	.143	-.168	-1.536
230	1037	-.216	.143	.237	-.777	240	41	-.318	.051	-.153	-.676	240	202	-.421	.115	-.167	-1.287
230	1041	-.352	.077	-.094	-.853	240	42	-.326	.042	-.191	-.519	240	203	-.368	.100	-.066	-1.105
230	1042	-.379	.104	-.003	-.952	240	43	-.340	.049	-.198	-.728	240	204	-.350	.084	-.100	-1.073
230	1043	-.406	.083	-.157	-.765	240	44	-.321	.048	-.191	-.610	240	205	-.351	.069	-.140	-.964
230	1044	-.409	.105	-.016	-1.114	240	45	-.330	.058	-.148	-.654	240	206	-.344	.073	-.128	-.658
230	1045	-.444	.102	-.179	-.952	240	46	-.304	.049	-.161	-.627	240	207	-.451	.137	-.162	-1.932
230	1046	-.439	.095	-.180	-.923	240	47	-.298	.033	-.198	-.424	240	208	-.395	.112	-.117	-1.069
230	1047	-.390	.083	-.034	-.796	240	48	-.301	.030	-.195	-.426	240	209	-.341	.074	-.078	-.958
230	1048	-.350	.095	-.073	-.757	240	49	-.308	.036	-.196	-.525	240	210	-.424	.122	-.121	-1.068
230	1049	-.432	.127	-.109	-1.027	240	50	-.304	.044	-.175	-.522	240	211	-.412	.119	-.133	-1.082
230	1050	-.439	.115	-.111	-1.016	240	51	-.319	.053	-.181	-.602	240	212	-.372	.101	-.124	-1.233
240	1	-.318	.063	-.122	-.777	240	52	-.321	.056	-.158	-.739	240	213	-.352	.079	-.100	-.895
240	2	-.342	.065	-.163	-.883	240	53	-.323	.048	-.183	-.541	240	214	-.354	.073	-.132	-.876
240	3	-.309	.055	-.165	-.579	240	54	-.312	.033	-.209	-.480	240	215	-.322	.064	-.155	-.693
240	4	-.327	.061	-.143	-.668	240	55	-.309	.031	-.211	-.438	240	216	-.413	.131	-.081	-1.305
240	5	-.358	.077	-.144	-.998	240	56	-.303	.036	-.201	-.459	240	217	-.422	.130	-.076	-1.189
240	6	-.327	.075	-.112	-.840	240	57	-.318	.044	-.176	-.539	240	218	-.393	.114	-.089	-1.071
240	7	-.313	.060	-.139	-.784	240	58	-.327	.050	-.177	-.586	240	219	-.345	.088	-.077	-.959
240	9	-.352	.076	-.164	-.944	240	59	-.330	.048	-.194	-.736	240	220	-.347	.079	-.103	-.840
240	10	-.315	.058	-.135	-.582	240	60	-.315	.043	-.196	-.536	240	221	-.340	.088	-.102	-.783
240	11	-.339	.054	-.182	-.621	240	61	-.307	.031	-.205	-.439	240	222	-.413	.118	-.116	-1.225
240	12	-.306	.048	-.172	-.623	240	62	-.313	.029	-.214	-.419	240	223	-.396	.116	-.099	-1.122
240	13	-.311	.057	-.160	-.696	240	63	-.314	.033	-.201	-.475	240	224	-.384	.110	-.079	-1.006
240	14	-.337	.070	-.141	-.766	240	64	-.306	.039	-.184	-.464	240	225	-.350	.087	-.038	-1.002
240	15	-.332	.071	-.160	-.763	240	65	-.318	.042	-.181	-.492	240	226	-.353	.084	-.160	-.822
240	16	-.313	.053	-.160	-.631	240	66	-.323	.039	-.217	-.561	240	227	-.348	.083	-.138	-.799
240	17	-.304	.045	-.153	-.519	240	67	-.319	.037	-.204	-.533	240	228	-.413	.119	-.141	-1.220
240	18	-.295	.037	-.180	-.466	240	68	-.301	.032	-.199	-.426	240	229	-.429	.125	-.078	-1.103
240	19	-.302	.037	-.195	-.492	240	69	-.323	.030	-.204	-.434	240	230	-.413	.122	-.021	-1.111
240	20	-.302	.047	-.170	-.669	240	70	-.321	.036	-.212	-.534	240	231	-.378	.098	-.048	-.908
240	21	-.325	.053	-.172	-.791	240	71	-.320	.039	-.206	-.492	240	232	-.370	.092	-.097	-.862
240	22	-.308	.037	-.178	-.517	240	72	-.307	.040	-.194	-.469	240	233	-.373	.097	-.137	-.930
240	23	-.319	.041	-.170	-.520	240	73	-.321	.038	-.195	-.473	240	234	-.443	.135	-.050	-1.310
240	24	-.323	.046	-.165	-.567	240	74	-.326	.038	-.209	-.478	240	235	-.440	.133	-.039	-1.342
240	25	-.295	.037	-.153	-.467	240	75	-.323	.037	-.201	-.475	240	236	-.434	.123	-.081	-1.116
240	26	-.313	.040	-.185	-.521	240	76	-.328	.037	-.212	-.506	240	237	-.450	.128	-.063	-1.275
240	27	-.326	.045	-.182	-.566	240	77	-.323	.036	-.188	-.483	240	238	-.449	.133	-.086	-1.172
240	28	-.328	.057	-.167	-.811	240	78	-.323	.038	-.202	-.561	240	239	-.457	.130	-.091	-1.091
240	29	-.336	.047	-.180	-.552	240	79	-.321	.039	-.204	-.547	240	240	-.511	.162	-.088	-1.314
240	30	-.303	.032	-.181	-.431	240	80	-.319	.043	-.208	-.548	240	241	-.512	.166	-.105	-1.581
240	31	-.309	.029	-.168	-.426	240	81	-.343	.048	-.227	-.607	240	242	-.516	.170	-.111	-1.520
240	32	-.323	.034	-.201	-.466	240	82	-.331	.040	-.195	-.538	240	243	-.458	.138	-.037	-1.265
240	33	-.313	.036	-.167	-.535	240	83	-.296	.034	-.183	-.418	240	244	-.450	.117	-.111	-1.067

APPENDIX A -- PRESSURE DATA:

JAY SQUARE -- CONFIGURATION B -- LOS ANGELES, CALIFORNIA

WD	TAP	CPMEAN	CPRMS	CPMAX	CPMIN	WD	TAP	CPMEAN	CPRMS	CPMAX	CPMIN	WD	TAP	CPMEAN	CPRMS	CPMAX	CPMIN
240	245	-.423	.118	-.079	-1.165	240	409	-.263	.138	.502	-.650	240	459	-.366	.133	.261	-1.058
240	246	-.387	.094	-.099	-.941	240	410	-.319	.083	.144	-.644	240	460	-.266	.140	.259	-.826
240	247	-.361	.087	-.107	-.916	240	411	-.277	.090	.449	-.638	240	461	-.247	.146	.456	-.668
240	248	-.358	.094	-.121	-.970	240	412	-.232	.124	.632	-.623	240	462	-.294	.148	.249	-.923
240	249	-.581	.241	-.099	-2.302	240	413	-.203	.145	.526	-.543	240	463	-.255	.135	.287	-.712
240	250	-.504	.156	-.094	-1.324	240	414	-.250	.141	.494	-.655	240	464	-.222	.147	.324	-.637
240	251	-.474	.141	-.000	-1.432	240	415	-.288	.111	.182	-.640	240	465	-.274	.155	.463	-1.022
240	252	-.436	.119	-.120	-1.005	240	416	-.305	.073	.249	-.654	240	466	-.252	.153	.266	-.916
240	253	-.517	.151	-.164	-1.210	240	417	-.277	.090	.554	-.552	240	467	-.246	.172	.351	-.901
240	254	-.464	.123	-.070	-1.179	240	418	-.210	.140	.604	-.571	240	468	-.297	.154	.250	-.896
240	255	-.508	.148	-.157	-1.172	240	419	-.180	.157	.606	-.570	240	469	-.261	.144	.384	-.782
240	256	-.510	.153	-.148	-1.178	240	420	-.210	.144	.656	-.588	240	470	-.251	.182	.531	-.805
240	257	-.535	.159	-.111	-1.283	240	421	-.241	.132	.504	-.679	240	471	-.339	.172	.374	-1.070
240	258	-.529	.162	-.084	-1.240	240	422	-.273	.082	.141	-.517	240	472	-.267	.143	.287	-.755
240	259	-.493	.140	-.081	-1.161	240	423	-.249	.097	.246	-.479	240	473	-.266	.161	.446	-.822
240	260	-.430	.112	-.083	-1.055	240	424	-.197	.127	.382	-.505	240	474	-.315	.164	.503	-.899
240	261	-.380	.084	-.102	-.751	240	425	-.260	.083	.211	-.511	240	501	-.216	.140	.358	-.633
240	262	-.339	.071	-.064	-.734	240	426	-.230	.104	.350	-.490	240	502	-.171	.141	.372	-.556
240	263	-.342	.076	-.083	-.934	240	427	-.191	.130	.400	-.508	240	503	-.149	.150	.406	-.701
240	264	-.566	.177	-.166	-1.398	240	428	-.325	.063	-.021	-.591	240	504	-.130	.162	.515	-.717
240	265	-.575	.183	-.102	-1.581	240	429	-.311	.064	.013	-.538	240	505	-.120	.168	.514	-.835
240	266	-.509	.165	-.062	-1.335	240	430	-.307	.067	.051	-.557	240	506	-.164	.160	.550	-.609
240	267	-.427	.119	-.083	-.945	240	431	-.273	.085	.210	-.497	240	507	-.205	.166	.396	-.799
240	268	-.367	.081	-.123	-.763	240	432	-.209	.130	.427	-.498	240	508	-.161	.142	.446	-.541
240	269	-.331	.054	-.183	-.645	240	433	-.171	.157	.640	-.529	240	509	-.141	.165	.607	-.550
240	270	-.322	.056	-.180	-.720	240	434	-.146	.171	.720	-.494	240	510	-.104	.169	.675	-.516
240	271	-.631	.221	-.029	-1.698	240	435	-.196	.144	.465	-.687	240	511	-.174	.167	.444	-.700
240	272	-.618	.227	-.067	-1.901	240	436	-.251	.122	.362	-.625	240	512	-.173	.145	.587	-.616
240	273	-.492	.174	-.107	-1.418	240	437	-.291	.074	.297	-.570	240	513	-.130	.151	.583	-.550
240	274	-.360	.086	-.114	-.920	240	438	-.275	.081	.379	-.519	240	514	-.044	.177	.574	-.549
240	275	-.326	.056	-.137	-.640	240	439	-.275	.088	.442	-.544	240	515	-.016	.199	.661	-.554
240	276	-.322	.041	-.177	-.566	240	440	-.300	.082	.111	-.614	240	516	-.183	.183	.525	-.667
240	277	-.321	.042	-.179	-.697	240	441	-.299	.074	.142	-.530	240	517	-.265	.160	.348	-.802
240	278	-.590	.255	-.123	-1.923	240	442	-.285	.086	.304	-.518	240	518	-.191	.132	.456	-.618
240	279	-.557	.225	-.135	-1.884	240	443	-.316	.075	.106	-.600	240	519	-.133	.146	.544	-.516
240	280	-.372	.106	-.099	-.908	240	444	-.285	.086	.136	-.738	240	520	-.080	.162	.702	-.446
240	281	-.303	.073	-.027	-.595	240	445	-.243	.103	.349	-.561	240	521	-.138	.142	.502	-.531
240	282	-.305	.049	-.109	-.516	240	446	-.135	.145	.579	-.537	240	522	-.088	.157	.560	-.498
240	283	-.313	.038	-.173	-.539	240	447	-.090	.170	.616	-.638	240	523	-.066	.155	.574	-.463
240	284	-.309	.039	-.188	-.550	240	448	-.057	.173	.701	-.648	240	524	-.026	.165	.647	-.487
240	285	-.318	.039	-.181	-.526	240	449	-.163	.139	.384	-.703	240	525	.003	.176	.879	-.524
240	286	-.266	.061	-.027	-.550	240	450	-.235	.124	.242	-.928	240	526	-.103	.167	.560	-.567
240	401	-.288	.094	.152	-.862	240	451	-.282	.135	.346	-.792	240	527	-.182	.161	.344	-.677
240	402	-.290	.096	.162	-.799	240	452	-.228	.141	.504	-.708	240	528	-.230	.118	.319	-.607
240	403	-.291	.098	.193	-.630	240	453	-.276	.138	.456	-.715	240	529	-.196	.129	.387	-.524
240	404	-.263	.107	.381	-.572	240	454	-.256	.141	.369	-.703	240	530	-.155	.127	.339	-.540
240	405	-.261	.113	.300	-.636	240	455	-.228	.151	.469	-.705	240	531	-.085	.152	.545	-.465
240	406	-.333	.118	.357	-.734	240	456	-.203	.156	.500	-.664	240	532	-.041	.154	.620	-.442
240	407	-.255	.102	.365	-.710	240	457	-.210	.161	.375	-.625	240	532	-.041	.154	.620	-.442
240	408	-.239	.135	.549	-.597	240	458	-.320	.146	.395	-1.180	240	533	-.221	.106	.479	-.555

WD	TAP	CPMEAN	CPRMS	CPMAX	CPMIN	WD	TAP	CPMEAN	CPRMS	CPMAX	CPMIN	WD	TAP	CPMEAN	CPRMS	CPMAX	CPMIN
240	534	-.169	.114	.524	-.501	240	618	-.344	.068	-.158	-.813	240	668	-.384	.131	.017	-1.145
240	535	-.132	.130	.475	-.637	240	619	-.357	.084	-.161	-.878	240	669	-.417	.123	.100	-1.244
240	536	-.094	.142	.621	-.496	240	620	-.384	.094	-.141	-.981	240	670	-.293	.148	.330	-.749
240	537	-.230	.101	.303	-.527	240	621	-.376	.092	-.150	-.923	240	671	-.387	.133	.122	-1.043
240	538	-.165	.108	.351	-.442	240	622	-.373	.077	-.187	-.891	240	672	-.388	.137	.118	-1.079
240	539	-.130	.126	.515	-.425	240	623	-.367	.080	-.115	-.784	240	673	-.403	.130	.149	-1.153
240	540	-.096	.142	.621	-.451	240	624	-.360	.074	-.145	-.992	240	674	-.371	.126	.157	-1.080
240	541	-.242	.098	.282	-.510	240	625	-.373	.072	-.165	-.852	240	675	-.394	.131	.012	-1.110
240	542	-.177	.104	.391	-.482	240	626	-.344	.078	-.048	-1.065	240	676	-.381	.127	.022	-1.032
240	543	-.111	.128	.380	-.447	240	627	-.362	.085	-.173	-1.128	240	677	-.426	.126	.012	-.959
240	544	-.244	.101	.225	-.635	240	628	-.342	.069	-.169	-.818	240	678	-.381	.129	.025	-.925
240	545	-.180	.097	.287	-.456	240	629	-.351	.061	-.186	-.792	240	679	-.392	.131	.127	-.920
240	546	-.091	.122	.414	-.408	240	630	-.341	.064	-.171	-.734	240	680	-.298	.060	-.096	-.785
240	547	-.030	.151	.656	-.396	240	631	-.382	.092	-.133	-.882	240	681	-.361	.092	.074	-.798
240	548	.008	.148	.578	-.371	240	632	-.392	.097	-.149	-.989	240	682	-.283	.087	.047	-.654
240	549	-.095	.155	.498	-.642	240	633	-.351	.066	-.194	-.765	240	683	-.300	.110	.148	-.720
240	550	-.207	.157	.390	-1.067	240	634	-.395	.096	-.176	-.987	240	684	-.374	.132	.049	-1.038
240	551	-.239	.095	.182	-.572	240	635	-.397	.097	-.159	-.934	240	685	-.349	.130	.190	-.894
240	552	-.169	.087	.242	-.430	240	636	-.328	.085	-.154	-1.122	240	686	-.366	.126	.050	-.998
240	553	-.091	.099	.384	-.494	240	637	-.361	.090	-.112	-.847	240	687	-.304	.055	-.030	-.549
240	554	-.015	.133	.695	-.382	240	638	-.327	.081	-.131	-1.142	240	688	-.278	.062	.035	-.541
240	554	-.015	.133	.695	-.382	240	639	-.392	.114	-.106	-1.361	240	689	-.319	.104	.340	-.686
240	555	.007	.134	.618	-.350	240	640	-.419	.117	-.106	-1.150	240	690	-.268	.093	.125	-.566
240	556	.005	.140	.636	-.354	240	641	-.427	.117	-.158	-.937	240	691	-.312	.118	.203	-.725
240	557	-.042	.128	.470	-.363	240	642	-.421	.115	-.103	-1.147	240	692	-.377	.167	.030	-1.298
240	558	-.109	.122	.434	-.446	240	643	-.323	.071	-.143	-.822	240	693	-.383	.143	.134	-1.140
240	559	-.103	.091	.360	-.340	240	644	-.332	.092	-.000	-.800	240	694	-.274	.073	.002	-.515
240	560	-.013	.118	.455	-.307	240	645	-.464	.159	-.075	-1.279	240	695	-.303	.083	.005	-.643
240	561	.014	.146	.814	-.300	240	646	-.381	.127	-.030	-1.092	240	696	-.345	.087	.110	-.671
240	562	-.214	.063	.039	-.443	240	647	-.481	.161	-.086	-1.113	240	697	-.445	.171	-.049	-1.152
240	563	-.104	.084	.449	-.319	240	648	-.317	.062	-.154	-.805	240	701	-.307	.168	.260	-1.190
240	564	.059	.141	.720	-.276	240	649	-.361	.096	-.030	-.840	240	701	-.307	.168	.260	-1.190
240	565	.010	.122	.558	-.336	240	650	-.313	.065	-.093	-.824	240	702	-.337	.158	.175	-1.567
240	601	-.338	.086	-.075	-.795	240	651	-.358	.116	.060	-.958	240	703	-.323	.155	.191	-1.467
240	602	-.330	.098	.111	-.973	240	652	-.420	.137	.005	-1.422	240	704	-.303	.139	.330	-.997
240	603	-.333	.107	.126	-.978	240	653	-.353	.120	.149	-.852	240	705	-.365	.151	.106	-1.208
240	604	-.370	.110	-.034	-.855	240	654	-.434	.136	-.023	-1.320	240	706	-.339	.150	.087	-1.176
240	605	-.386	.123	.081	-1.204	240	655	-.465	.154	.095	-1.437	240	707	-.252	.140	.395	-.773
240	606	-.384	.110	.038	-1.348	240	656	-.418	.141	.143	-1.143	240	708	-.351	.126	.244	-.789
240	607	-.336	.081	-.068	-.774	240	657	-.313	.058	-.080	-.758	240	709	-.309	.125	.150	-.802
240	608	-.384	.125	-.054	-1.369	240	658	-.306	.054	-.116	-.767	240	710	-.375	.127	.010	-.996
240	609	-.337	.081	-.111	-1.036	240	659	-.300	.061	-.040	-.772	240	711	-.366	.135	.203	-.913
240	610	-.323	.066	-.114	-.657	240	660	-.353	.120	.198	-.950	240	712	-.377	.136	.196	-1.066
240	611	-.330	.071	-.092	-.661	240	661	-.355	.124	.151	-.956	240	713	-.387	.129	.037	-1.120
240	612	-.341	.079	-.067	-.923	240	662	-.444	.153	.022	-1.563	240	714	-.356	.143	.287	-1.262
240	613	-.353	.086	-.105	-.872	240	663	-.382	.138	.067	-1.413	240	715	-.365	.148	.191	-1.045
240	614	-.372	.104	-.027	-1.211	240	664	-.405	.120	.019	-1.049	240	801	-.314	.038	-.146	-.484
240	615	-.371	.093	.014	-1.079	240	665	-.395	.124	.045	-1.246	240	802	-.343	.051	-.185	-.644
240	616	-.350	.079	-.148	-1.055	240	666	-.279	.133	.273	-.862	240	803	-.340	.038	-.222	-.523
240	617	-.331	.072	-.146	-.823	240	667	-.382	.129	.010	-1.173	240	804	-.332	.038	-.202	-.507

APPENDIX A -- PRESSURE DATA:

JAY SQUAKE -- CONFIGURATION B -- LOS ANGELES, CALIFORNIA

WD	TAP	CPMEAN	CPRMS	CPMAX	CPMIN	WD	TAP	CPMEAN	CPRMS	CPMAX	CPMIN	WD	TAP	CPMEAN	CPRMS	CPMAX	CPMIN
240	805	-.350	.052	-.203	-.563	240	1021	-.347	.072	-.139	-.758	250	27	-.337	.033	-.190	-.458
240	806	-.340	.080	-.075	-.659	240	1022	-.371	.075	-.050	-.743	250	28	-.342	.037	-.233	-.511
240	807	-.237	.078	.109	-.504	240	1023	-.348	.067	-.088	-.875	250	29	-.336	.034	-.210	-.472
240	808	-.105	.109	.346	-.568	240	1024	-.339	.070	-.022	-.673	250	30	-.323	.028	-.212	-.439
240	809	-.067	.121	.456	-.515	240	1025	-.343	.075	-.106	-.815	250	31	-.324	.028	-.217	-.421
240	810	-.062	.094	.366	-.350	240	1026	-.351	.077	-.034	-1.102	250	32	-.334	.031	-.229	-.455
240	811	.055	.128	.649	-.275	240	1027	-.364	.072	.131	-.826	250	33	-.329	.030	-.218	-.523
240	812	-.112	.161	.612	-.666	240	1028	-.354	.082	-.049	-1.040	250	34	-.322	.030	-.200	-.523
240	813	-.110	.132	.507	-.553	240	1031	-.286	.164	.465	-1.026	250	35	-.336	.034	-.239	-.591
240	814	-.161	.089	.265	-.391	240	1032	-.354	.159	.262	-1.042	250	36	-.347	.037	-.222	-.550
240	815	-.126	.170	.771	-1.020	240	1033	-.305	.145	.335	-.967	250	37	-.351	.038	-.175	-.523
240	816	-.147	.096	.297	-.452	240	1034	-.360	.180	.242	-1.127	250	38	-.313	.029	-.212	-.442
240	817	-.125	.142	.504	-.853	240	1035	-.412	.153	.002	-1.126	250	39	-.331	.036	-.193	-.653
240	818	.059	.142	.605	-.364	240	1036	-.368	.134	.090	-.974	250	40	-.343	.037	-.201	-.503
240	819	-.046	.121	.370	-.426	240	1037	-.297	.121	.087	-.772	250	41	-.344	.041	-.190	-.580
240	820	-.096	.113	.300	-.465	240	1041	-.297	.072	-.052	-.610	250	42	-.331	.038	-.188	-.665
240	821	-.145	.087	.154	-.524	240	1042	-.305	.091	.100	-.705	250	43	-.350	.042	-.191	-.683
240	822	-.280	.078	.050	-.501	240	1043	-.323	.077	.044	-.729	250	44	-.334	.037	-.175	-.528
240	823	-.322	.087	-.037	-.769	240	1044	-.318	.083	.090	-.754	250	45	-.344	.037	-.235	-.554
240	824	-.296	.059	-.076	-.597	240	1045	-.347	.083	.006	-.693	250	46	-.317	.033	-.212	-.523
240	825	-.333	.047	-.193	-.561	240	1046	-.342	.078	-.038	-.763	250	47	-.317	.029	-.222	-.453
240	826	-.341	.055	-.187	-.644	240	1047	-.316	.072	-.066	-.651	250	48	-.318	.027	-.234	-.421
240	827	-.302	.059	-.030	-.506	240	1048	-.278	.088	.132	-.680	250	49	-.319	.028	-.230	-.444
240	828	-.193	.066	.054	-.403	240	1049	-.327	.105	.149	-.969	250	50	-.308	.031	-.205	-.478
240	829	-.221	.071	.058	-.401	240	1050	-.340	.098	.017	-.811	250	51	-.328	.036	-.224	-.687
240	901	-.307	.060	-.122	-.546	250	1	-.333	.062	-.162	-.789	250	52	-.331	.043	-.171	-.492
240	902	-.296	.072	-.076	-.523	250	2	-.348	.064	-.178	-.759	250	53	-.332	.035	-.193	-.526
240	903	-.335	.078	-.123	-.652	250	3	-.331	.059	-.168	-.651	250	54	-.320	.027	-.219	-.414
240	904	-.298	.066	-.104	-.551	250	4	-.346	.063	-.132	-.653	250	55	-.312	.025	-.226	-.391
240	905	-.222	.058	-.029	-.415	250	5	-.364	.076	-.162	-.826	250	56	-.296	.027	-.212	-.440
240	906	-.210	.067	.073	-.412	250	6	-.352	.080	-.133	-.968	250	57	-.318	.031	-.227	-.482
240	907	-.293	.058	-.128	-.543	250	7	-.326	.063	-.146	-.678	250	58	-.323	.034	-.214	-.497
240	908	-.316	.068	-.109	-.592	250	9	-.360	.073	-.141	-.854	250	59	-.349	.042	-.202	-.540
240	1001	-.292	.076	-.029	-.658	250	10	-.347	.058	-.201	-.773	250	60	-.322	.037	-.188	-.480
240	1002	-.323	.079	-.079	-.705	250	11	-.335	.055	-.192	-.668	250	61	-.323	.029	-.186	-.415
240	1003	-.322	.077	-.085	-.719	250	12	-.316	.052	-.158	-.596	250	62	-.320	.029	-.197	-.433
240	1004	-.327	.065	-.094	-.594	250	13	-.322	.057	-.163	-.730	250	63	-.319	.031	-.202	-.511
240	1005	-.379	.094	-.061	-.967	250	14	-.344	.065	-.172	-.787	250	64	-.303	.036	-.179	-.642
240	1006	-.321	.089	.013	-.853	250	15	-.340	.068	-.115	-.842	250	65	-.320	.036	-.215	-.552
240	1007	-.297	.091	.100	-.615	250	16	-.332	.041	-.214	-.507	250	66	-.355	.045	-.224	-.562
240	1008	-.373	.121	.014	-1.114	250	17	-.316	.038	-.195	-.476	250	67	-.346	.040	-.211	-.552
240	1011	-.303	.151	.246	-1.000	250	18	-.314	.036	-.206	-.436	250	68	-.314	.033	-.195	-.442
240	1012	-.399	.139	.201	-1.124	250	19	-.307	.038	-.153	-.514	250	69	-.334	.032	-.222	-.449
240	1013	-.353	.126	.178	-.883	250	20	-.321	.049	-.175	-.833	250	70	-.328	.035	-.098	-.472
240	1014	-.239	.145	.407	-.721	250	21	-.343	.055	-.163	-.825	250	71	-.326	.038	-.185	-.497
240	1015	-.202	.142	.569	-.590	250	22	-.327	.032	-.205	-.434	250	72	-.307	.037	-.164	-.499
240	1016	-.209	.135	.465	-.531	250	23	-.334	.033	-.207	-.472	250	73	-.359	.044	-.227	-.543
240	1017	-.227	.140	.302	-1.064	250	24	-.341	.036	-.206	-.521	250	74	-.354	.041	-.217	-.545
240	1018	-.255	.119	.282	-.881	250	25	-.317	.030	-.219	-.419	250	75	-.338	.037	-.206	-.523
240	1019	-.271	.121	.192	-.940	250	26	-.328	.031	-.179	-.441	250	76	-.335	.035	-.216	-.448

WD	TAP	CPMEAN	CPRMS	CPMAX	CPMIN	WD	TAP	CPMEAN	CPRMS	CPMAX	CPMIN	WD	TAP	CPMEAN	CPRMS	CPMAX	CPMIN
250	77	-.339	.033	-.241	-.463	250	238	-.383	.067	-.148	-.683	250	402	-.352	.085	.105	-.789
250	78	-.338	.034	-.239	-.460	250	239	-.399	.073	-.162	-.745	250	403	-.341	.094	.234	-.832
250	79	-.337	.034	-.226	-.468	250	240	-.405	.084	-.187	-1.063	250	404	-.318	.100	.251	-.845
250	80	-.333	.036	-.233	-.485	250	241	-.403	.082	-.188	-.987	250	405	-.315	.086	.066	-.685
250	81	-.347	.034	-.241	-.482	250	242	-.404	.084	-.181	-.991	250	406	-.358	.088	.078	-.780
250	82	-.337	.034	-.225	-.478	250	243	-.388	.073	-.189	-.842	250	407	-.305	.076	.035	-.612
250	83	-.336	.034	-.240	-.469	250	244	-.390	.064	-.213	-.750	250	408	-.307	.093	.113	-.694
250	84	-.325	.035	-.231	-.478	250	245	-.377	.064	-.140	-.672	250	409	-.320	.102	.204	-.753
250	85	-.334	.037	-.225	-.483	250	246	-.365	.054	-.155	-.585	250	410	-.346	.059	-.132	-.767
250	86	-.335	.036	-.227	-.504	250	247	-.366	.061	-.163	-.686	250	411	-.329	.062	-.007	-.677
250	87	-.321	.034	-.225	-.479	250	248	-.367	.063	-.166	-.673	250	412	-.304	.070	.213	-.598
250	88	-.344	.033	-.257	-.465	250	249	-.399	.076	-.178	-.749	250	413	-.293	.099	.382	-.547
250	89	-.331	.035	-.230	-.469	250	250	-.396	.073	-.155	-.817	250	414	-.330	.090	.166	-.691
250	201	-.386	.079	-.180	-.888	250	251	-.395	.080	-.170	-.994	250	415	-.332	.080	.101	-.613
250	202	-.401	.074	-.194	-.810	250	252	-.387	.070	-.193	-.809	250	416	-.343	.065	-.020	-.721
250	203	-.357	.066	-.183	-.803	250	253	-.394	.069	-.193	-.772	250	417	-.335	.074	.199	-.696
250	204	-.360	.064	-.172	-.684	250	254	-.405	.071	-.210	-.891	250	418	-.309	.101	.515	-.585
250	205	-.368	.068	-.207	-.723	250	255	-.394	.071	-.203	-.740	250	419	-.290	.112	.626	-.574
250	206	-.353	.067	-.181	-.782	250	256	-.391	.072	-.203	-.766	250	420	-.309	.094	.256	-.873
250	207	-.413	.089	-.226	-1.293	250	257	-.400	.085	-.139	-.837	250	421	-.321	.090	.202	-1.100
250	208	-.365	.067	-.170	-.744	250	258	-.400	.086	-.133	-.886	250	422	-.346	.058	-.000	-.540
250	209	-.346	.061	-.169	-.759	250	259	-.398	.079	-.125	-.881	250	423	-.337	.063	.077	-.514
250	210	-.385	.077	-.139	-.906	250	260	-.382	.066	-.181	-.706	250	424	-.312	.073	.140	-.529
250	211	-.371	.069	-.158	-.891	250	261	-.363	.056	-.217	-.679	250	425	-.332	.053	-.007	-.586
250	212	-.350	.058	-.122	-.676	250	262	-.356	.057	-.213	-.682	250	426	-.330	.062	.066	-.583
250	213	-.346	.054	-.181	-.693	250	263	-.360	.060	-.203	-.685	250	427	-.315	.075	.119	-.512
250	214	-.354	.051	-.181	-.595	250	264	-.439	.118	-.170	-1.245	250	428	-.356	.050	-.163	-.545
250	215	-.333	.054	-.193	-.658	250	265	-.432	.123	-.172	-1.521	250	429	-.352	.051	-.099	-.566
250	216	-.383	.080	-.172	-.911	250	266	-.418	.102	-.144	-1.021	250	430	-.354	.053	-.020	-.612
250	217	-.391	.078	-.181	-.883	250	267	-.392	.072	-.185	-.703	250	431	-.342	.062	.017	-.512
250	218	-.369	.066	-.159	-.856	250	268	-.370	.055	-.219	-.603	250	432	-.323	.071	.082	-.565
250	219	-.338	.053	-.143	-.687	250	269	-.356	.068	-.181	-.703	250	433	-.307	.089	.327	-.649
250	220	-.349	.051	-.206	-.622	250	270	-.359	.069	-.191	-.743	250	434	-.290	.104	.366	-.587
250	221	-.337	.051	-.170	-.599	250	271	-.463	.143	-.194	-1.285	250	435	-.294	.095	.236	-.592
250	222	-.386	.075	-.119	-.760	250	272	-.464	.146	-.177	-1.311	250	436	-.312	.080	.169	-.585
250	223	-.375	.073	-.106	-.770	250	273	-.422	.098	-.190	-.976	250	437	-.352	.054	-.133	-.664
250	224	-.359	.063	-.091	-.752	250	274	-.371	.060	-.198	-.747	250	438	-.350	.055	-.107	-.645
250	225	-.339	.049	-.151	-.671	250	275	-.364	.052	-.185	-.625	250	439	-.351	.057	-.055	-.565
250	226	-.350	.051	-.227	-.611	250	276	-.368	.057	-.197	-.700	250	440	-.367	.054	-.103	-.651
250	227	-.350	.058	-.172	-.730	250	277	-.366	.062	-.232	-.726	250	441	-.367	.055	-.190	-.701
250	228	-.388	.089	-.108	-1.212	250	278	-.508	.194	-.144	-1.530	250	442	-.369	.057	-.168	-.627
250	229	-.404	.089	-.157	-.966	250	279	-.474	.155	-.129	-1.298	250	443	-.381	.060	-.175	-.679
250	230	-.367	.066	-.134	-.697	250	280	-.404	.088	-.144	-.823	250	444	-.370	.069	-.047	-.592
250	231	-.356	.056	-.137	-.669	250	281	-.372	.062	-.194	-.567	250	445	-.350	.074	.030	-.623
250	232	-.364	.060	-.196	-.727	250	282	-.357	.052	-.202	-.550	250	446	-.317	.088	.142	-.661
250	233	-.364	.061	-.212	-.702	250	283	-.362	.056	-.211	-.827	250	447	-.288	.110	.314	-.653
250	234	-.386	.073	-.172	-.956	250	284	-.365	.059	-.221	-.821	250	448	-.244	.119	.350	-.657
250	235	-.383	.072	-.160	-.918	250	285	-.365	.054	-.218	-.703	250	449	-.280	.107	.220	-.684
250	236	-.382	.068	-.178	-.794	250	286	-.208	.067	-.000	-.453	250	450	-.314	.094	.088	-.792
250	237	-.389	.069	-.210	-.786	250	401	-.348	.083	.085	-.756	250	451	-.364	.082	.139	-.705

WD	TAP	CPMEAN	CPRMS	CPMAX	CPMIN	WD	TAP	CPMEAN	CPRMS	CPMAX	CPMIN	WD	TAP	CPMEAN	CPRMS	CPMAX	CPMIN
250	452	-.330	.085	.225	-.583	250	528	-.293	.121	.143	-.780	250	611	-.339	.070	-.096	-.642
250	453	-.359	.081	-.031	-.618	250	529	-.286	.123	.145	-.953	250	612	-.351	.060	-.146	-.718
250	454	-.395	.087	-.005	-.716	250	530	-.266	.106	.138	-.669	250	613	-.349	.063	-.133	-.711
250	455	-.398	.088	.054	-.672	250	531	-.274	.110	.166	-.715	250	614	-.358	.065	-.127	-.825
250	456	-.357	.089	.125	-.569	250	532	-.242	.111	.321	-.671	250	615	-.368	.063	-.120	-.848
250	457	-.358	.102	.213	-.644	250	533	-.242	.111	.321	-.671	250	616	-.349	.060	-.051	-.631
250	458	-.389	.098	.004	-1.032	250	533	-.299	.144	.206	-1.176	250	617	-.329	.059	-.043	-.599
250	459	-.399	.092	-.074	-1.232	250	534	-.252	.124	.208	-.826	250	618	-.347	.047	-.168	-.631
250	460	-.335	.082	.023	-.668	250	535	-.260	.117	.440	-.720	250	619	-.342	.048	-.171	-.768
250	461	-.342	.084	.120	-.705	250	536	-.254	.116	.371	-.802	250	620	-.370	.053	-.131	-.631
250	462	-.345	.086	.244	-.687	250	537	-.336	.170	.352	-1.064	250	621	-.366	.054	-.115	-.606
250	463	-.351	.084	.004	-.655	250	538	-.292	.155	.327	-1.016	250	622	-.397	.060	-.084	-.660
250	464	-.315	.086	.025	-.645	250	539	-.263	.125	.203	-.746	250	623	-.388	.052	-.145	-.564
250	465	-.317	.085	.135	-.717	250	540	-.257	.118	.263	-.653	250	624	-.374	.045	-.180	-.557
250	466	-.282	.095	.146	-.680	250	541	-.336	.175	.224	-1.128	250	625	-.373	.044	-.174	-.545
250	467	-.262	.100	.239	-.714	250	542	-.300	.160	.208	-1.023	250	626	-.352	.045	-.207	-.670
250	468	-.236	.103	.157	-.712	250	543	-.254	.121	.266	-.879	250	627	-.388	.055	-.216	-1.248
250	469	-.280	.113	.210	-.779	250	544	-.338	.187	.222	-1.094	250	628	-.361	.053	-.020	-.697
250	470	-.279	.115	.215	-.717	250	545	-.297	.176	.280	-.986	250	629	-.365	.049	-.124	-.578
250	471	-.279	.123	.231	-.800	250	546	-.227	.125	.227	-.785	250	630	-.364	.052	-.023	-.591
250	472	-.255	.097	.229	-.724	250	547	-.219	.101	.366	-.637	250	631	-.381	.052	-.211	-.654
250	473	-.283	.109	.153	-.672	250	548	-.196	.088	.171	-.497	250	632	-.372	.058	-.167	-.659
250	474	-.284	.124	.198	-.749	250	549	-.266	.102	.250	-.630	250	633	-.401	.055	-.055	-.667
250	501	-.369	.101	.189	-.698	250	550	-.325	.106	.205	-.749	250	634	-.376	.059	-.179	-.686
250	502	-.331	.097	.218	-.645	250	551	-.317	.179	.199	-1.196	250	635	-.367	.062	-.153	-.626
250	503	-.339	.099	.201	-.623	250	552	-.305	.179	.150	-1.117	250	636	-.337	.046	-.071	-.543
250	504	-.328	.104	.249	-.656	250	553	-.196	.101	.236	-.556	250	637	-.404	.054	-.108	-.590
250	505	-.309	.110	.265	-.601	250	554	-.173	.084	.280	-.491	250	638	-.340	.046	-.043	-.563
250	506	-.292	.110	.234	-.732	250	554	-.173	.084	.280	-.491	250	639	-.378	.071	-.089	-.725
250	507	-.331	.099	.171	-.765	250	555	-.176	.077	.232	-.411	250	640	-.382	.090	-.091	-.926
250	508	-.353	.108	.156	-.772	250	556	-.206	.090	.336	-.421	250	641	-.404	.092	-.122	-1.002
250	509	-.348	.118	.343	-.764	250	557	-.250	.101	.362	-.490	250	642	-.392	.090	-.101	-.915
250	510	-.312	.108	.306	-.659	250	558	-.259	.111	.291	-.656	250	643	-.343	.040	-.239	-.552
250	511	-.316	.099	.201	-.731	250	559	-.172	.077	.161	-.512	250	644	-.354	.057	-.101	-.565
250	512	-.336	.150	.227	-1.015	250	560	-.162	.079	.296	-.434	250	645	-.420	.116	-.076	-1.142
250	513	-.320	.146	.205	-.984	250	561	-.223	.096	.473	-.551	250	646	-.362	.077	-.056	-.790
250	514	-.244	.118	.327	-.664	250	562	-.279	.163	.117	-1.305	250	647	-.399	.111	-.050	-.929
250	515	-.265	.132	.387	-.683	250	563	-.159	.076	.147	-.395	250	648	-.324	.037	-.202	-.628
250	516	-.309	.092	.155	-.582	250	564	-.169	.078	.187	-.538	250	649	-.393	.069	-.108	-.647
250	517	-.333	.080	.042	-.639	250	565	-.160	.083	.265	-.489	250	650	-.332	.038	-.211	-.558
250	518	-.267	.150	.345	-1.149	250	601	-.362	.087	-.043	-.766	250	651	-.352	.090	-.023	-.681
250	519	-.259	.135	.317	-1.131	250	602	-.358	.096	-.065	-1.266	250	652	-.319	.152	.146	-1.115
250	520	-.248	.119	.335	-.718	250	603	-.345	.087	.007	-1.184	250	653	-.297	.113	.115	-.703
250	521	-.268	.124	.295	-.925	250	604	-.369	.089	-.058	-.931	250	654	-.336	.164	.171	-1.091
250	522	-.261	.121	.239	-.751	250	605	-.375	.090	-.044	-1.102	250	655	-.288	.137	.202	-.904
250	523	-.241	.118	.234	-.724	250	606	-.374	.078	-.107	-1.024	250	656	-.242	.148	.279	-1.006
250	524	-.239	.114	.265	-.563	250	607	-.355	.086	-.044	-.891	250	657	-.362	.047	-.098	-.530
250	525	-.243	.111	.305	-.584	250	608	-.363	.069	-.157	-.762	250	658	-.319	.040	-.113	-.516
250	526	-.283	.101	.174	-.624	250	609	-.352	.080	-.071	-.730	250	659	-.321	.046	-.118	-.483
250	527	-.318	.099	.116	-.661	250	610	-.352	.067	-.095	-.676	250	660	-.285	.102	.188	-.562

WD	TAP	CPMEAN	CPRMS	CPMAX	CPMIN	WD	TAP	CPMEAN	CPRMS	CPMAX	CPMIN	WD	TAP	CPMEAN	CPRMS	CPMAX	CPMIN
250	661	-.241	.111	.219	-.543	250	713	-.165	.137	.388	-.607	250	1013	-.382	.089	-.068	-.729
250	662	-.255	.145	.313	-1.162	250	714	-.290	.115	.166	-.762	250	1014	-.364	.097	.240	-.796
250	663	-.209	.132	.362	-.764	250	715	-.289	.110	.110	-.780	250	1015	-.347	.092	.195	-.654
250	664	-.221	.124	.269	-.553	250	801	-.351	.042	-.200	-.485	250	1016	-.365	.089	.142	-.662
250	665	-.204	.124	.251	-.616	250	802	-.334	.037	-.228	-.494	250	1017	-.383	.093	.129	-.720
250	666	-.217	.135	.374	-.614	250	803	-.344	.037	-.239	-.540	250	1018	-.378	.088	.070	-.706
250	667	-.176	.135	.340	-.824	250	804	-.354	.037	-.249	-.495	250	1019	-.377	.082	-.060	-.674
250	668	-.169	.136	.371	-.782	250	805	-.375	.054	-.227	-.590	250	1021	-.382	.051	-.243	-.792
250	669	-.220	.121	.318	-.589	250	806	-.385	.061	-.204	-.656	250	1022	-.384	.049	-.237	-.583
250	670	-.232	.121	.243	-.606	250	807	-.318	.060	-.138	-.544	250	1023	-.366	.043	-.236	-.556
250	671	-.163	.139	.424	-.694	250	808	-.257	.085	.063	-.689	250	1024	-.358	.047	.155	-.543
250	672	-.160	.134	.403	-.719	250	809	-.260	.094	.174	-.640	250	1025	-.357	.046	.226	-.728
250	673	-.150	.139	.351	-.795	250	810	-.184	.066	.109	-.596	250	1026	-.364	.045	-.146	-.552
250	674	-.158	.127	.334	-.601	250	811	-.172	.081	.168	-.446	250	1027	-.372	.044	-.236	-.578
250	675	-.155	.149	.394	-.707	250	812	-.182	.093	.180	-.531	250	1028	-.358	.046	-.200	-.585
250	676	-.161	.141	.290	-.714	250	813	-.163	.088	.322	-.492	250	1031	-.200	.116	.210	-.604
250	677	-.140	.152	.459	-.748	250	814	-.201	.074	.209	-.418	250	1032	-.256	.135	.222	-.835
250	678	-.126	.143	.497	-.734	250	815	-.171	.088	.250	-.860	250	1033	-.242	.109	.083	-.622
250	679	-.154	.149	.434	-.941	250	816	-.189	.066	.190	-.431	250	1034	-.314	.110	.018	-.757
250	680	-.309	.039	-.157	-.444	250	817	-.170	.085	.257	-.933	250	1035	-.309	.109	.014	-.717
250	681	-.366	.078	-.000	-.672	250	818	-.133	.091	.230	-.404	250	1036	-.315	.113	.028	-.728
250	682	-.289	.085	.020	-.600	250	819	-.171	.078	.183	-.475	250	1037	-.259	.095	.013	-.664
250	683	-.186	.106	.282	-.525	250	820	-.179	.073	.182	-.414	250	1041	-.321	.087	.095	-.640
250	684	-.110	.150	.529	-.873	250	821	-.129	.074	.183	-.456	250	1042	-.327	.094	.180	-.741
250	685	-.102	.126	.442	-.541	250	822	-.161	.083	.142	-.413	250	1043	-.327	.089	.221	-.656
250	686	-.136	.149	.414	-.852	250	823	-.280	.083	.038	-.593	250	1044	-.323	.094	.074	-.800
250	687	-.325	.042	-.148	-.524	250	824	-.377	.067	-.202	-.694	250	1045	-.356	.075	-.018	-.702
250	688	-.290	.054	-.079	-.520	250	825	-.442	.090	-.246	-1.007	250	1046	-.346	.081	.048	-.626
250	689	-.127	.126	.286	-.482	250	826	-.412	.054	-.250	-.646	250	1047	-.327	.085	.210	-.663
250	690	-.189	.100	.150	-.516	250	827	-.338	.070	-.063	-.602	250	1048	-.311	.088	.117	-.683
250	691	-.006	.150	.559	-.488	250	828	-.114	.093	.202	-.614	250	1049	-.351	.084	.049	-.671
250	692	-.008	.156	.580	-.565	250	829	-.132	.098	.248	-.380	250	1050	-.345	.077	.026	-.706
250	693	-.277	.147	.233	-.986	250	901	-.254	.046	-.098	-.440	260	1	-.308	.063	-.108	-.772
250	694	-.231	.061	.002	-.456	250	902	-.191	.057	.014	-.398	260	2	-.325	.064	-.119	-.604
250	695	-.177	.099	.238	-.463	250	903	-.320	.057	-.142	-.587	260	3	-.310	.061	-.090	-.607
250	696	-.089	.186	.460	-.869	250	904	-.233	.051	-.062	-.406	260	4	-.334	.064	-.109	-.668
250	697	-.150	.065	.078	-.442	250	905	-.211	.060	-.017	-.423	260	5	-.349	.068	-.122	-.709
250	701	-.350	.086	.032	-.737	250	906	-.204	.076	.070	-.501	260	6	-.345	.071	-.088	-.717
250	701	-.350	.086	.032	-.737	250	907	-.213	.047	-.044	-.373	260	7	-.302	.062	-.121	-.635
250	702	-.356	.083	.007	-.684	250	908	-.279	.051	-.134	-.477	260	9	-.346	.066	-.099	-.696
250	703	-.337	.083	.030	-.598	250	1001	-.308	.085	.060	-.654	260	10	-.322	.051	-.150	-.551
250	704	-.326	.090	.009	-.753	250	1002	-.329	.083	.045	-.604	260	11	-.314	.053	-.154	-.620
250	705	-.333	.095	.080	-.725	250	1003	-.331	.084	.044	-.590	260	12	-.294	.047	-.150	-.508
250	706	-.331	.090	.043	-.648	250	1004	-.334	.090	-.029	-.886	260	13	-.301	.053	-.135	-.531
250	707	-.204	.110	.179	-.598	250	1005	-.367	.099	.049	-.795	260	14	-.340	.065	-.149	-.702
250	708	-.257	.121	.210	-.721	250	1006	-.344	.099	-.007	-.693	260	15	-.349	.069	-.116	-.713
250	709	-.236	.121	.196	-.810	250	1007	-.334	.094	.118	-.709	260	16	-.306	.041	-.158	-.527
250	710	-.193	.136	.303	-.670	250	1008	-.359	.092	.072	-.726	260	17	-.291	.038	-.161	-.479
250	711	-.233	.135	.323	-.875	250	1011	-.377	.108	.050	-1.078	260	18	-.291	.039	-.177	-.621
250	712	-.273	.139	.193	-.841	250	1012	-.407	.102	-.094	-1.111	260	19	-.299	.047	-.135	-.717

WD	TAP	CPMEAN	CPRMS	CPMAX	CPMIN	WD	TAP	CPMEAN	CPRMS	CPMAX	CPMIN	WD	TAP	CPMEAN	CPRMS	CPMAX	CPMIN
260	20	-.326	.068	-.139	-.776	260	70	-.315	.041	-.093	-.483	260	231	-.311	.038	-.174	-.488
260	21	-.357	.076	-.131	-.877	260	71	-.311	.036	-.161	-.453	260	232	-.324	.043	-.213	-.559
260	22	-.327	.058	-.167	-1.146	260	72	-.294	.035	-.154	-.430	260	233	-.322	.043	-.198	-.579
260	23	-.340	.062	-.164	-.798	260	73	-.297	.041	-.123	-.487	260	234	-.340	.060	-.166	-.683
260	24	-.348	.068	-.132	-.938	260	74	-.288	.040	-.134	-.469	260	235	-.331	.058	-.151	-.662
260	25	-.311	.050	-.140	-.624	260	75	-.290	.041	-.108	-.449	260	236	-.327	.051	-.179	-.581
260	26	-.340	.059	-.152	-.818	260	76	-.293	.041	-.102	-.432	260	237	-.339	.057	-.184	-.588
260	27	-.357	.064	-.108	-1.052	260	77	-.305	.037	-.157	-.420	260	238	-.320	.051	-.124	-.736
260	28	-.316	.034	-.197	-.542	260	78	-.299	.035	-.117	-.415	260	239	-.336	.055	-.177	-.577
260	29	-.320	.035	-.179	-.450	260	79	-.296	.034	-.108	-.420	260	240	-.358	.066	-.137	-.832
260	30	-.311	.031	-.172	-.446	260	80	-.283	.035	-.182	-.515	260	241	-.352	.065	-.142	-.856
260	31	-.324	.039	-.171	-.676	260	81	-.288	.033	-.133	-.456	260	242	-.351	.063	-.155	-.653
260	32	-.333	.049	-.154	-.733	260	82	-.289	.030	-.138	-.419	260	243	-.331	.054	-.167	-.616
260	33	-.343	.057	-.142	-.854	260	83	-.293	.032	-.181	-.450	260	244	-.317	.047	-.177	-.549
260	34	-.332	.058	-.116	-.838	260	84	-.291	.032	-.182	-.451	260	245	-.325	.045	-.179	-.526
260	35	-.361	.073	-.123	-.900	260	85	-.284	.035	-.142	-.417	260	246	-.321	.040	-.191	-.468
260	36	-.380	.080	-.142	-1.006	260	86	-.294	.035	-.147	-.442	260	247	-.320	.049	-.187	-.635
260	37	-.387	.082	-.111	-1.014	260	87	-.273	.035	-.125	-.389	260	248	-.325	.052	-.179	-.675
260	38	-.322	.057	-.130	-.704	260	88	-.298	.031	-.182	-.390	260	249	-.333	.057	-.141	-.573
260	39	-.347	.063	-.138	-.796	260	89	-.282	.032	-.157	-.390	260	250	-.330	.058	-.158	-.641
260	40	-.358	.071	-.160	-.888	260	201	-.343	.075	-.084	-.976	260	251	-.328	.057	-.166	-.615
260	41	-.376	.079	-.164	-.963	260	202	-.354	.071	-.138	-.698	260	252	-.290	.050	-.151	-.612
260	42	-.349	.072	-.140	-.805	260	203	-.321	.066	-.081	-.766	260	253	-.323	.050	-.183	-.567
260	43	-.368	.079	-.139	-.881	260	204	-.327	.065	-.096	-.595	260	254	-.312	.049	-.125	-.527
260	44	-.363	.075	-.168	-.866	260	205	-.327	.062	-.141	-.671	260	255	-.319	.050	-.184	-.593
260	45	-.319	.032	-.202	-.468	260	206	-.323	.066	-.050	-.625	260	256	-.318	.050	-.171	-.586
260	46	-.303	.029	-.201	-.432	260	207	-.372	.080	-.148	-.890	260	257	-.307	.052	-.146	-.779
260	47	-.312	.028	-.174	-.427	260	208	-.326	.067	-.054	-.623	260	258	-.308	.052	-.147	-.662
260	48	-.318	.032	-.149	-.479	260	209	-.312	.053	-.140	-.547	260	259	-.314	.049	-.159	-.559
260	49	-.324	.042	-.115	-.592	260	210	-.336	.064	-.140	-.691	260	260	-.317	.045	-.167	-.522
260	50	-.324	.054	-.140	-.742	260	211	-.325	.064	-.145	-.701	260	261	-.319	.040	-.205	-.492
260	51	-.337	.061	-.109	-.984	260	212	-.302	.054	-.106	-.576	260	262	-.330	.055	-.197	-.671
260	52	-.300	.032	-.201	-.472	260	213	-.309	.050	-.160	-.737	260	263	-.337	.056	-.208	-.693
260	53	-.311	.030	-.213	-.434	260	214	-.317	.047	-.165	-.589	260	264	-.306	.057	-.142	-.723
260	54	-.315	.027	-.230	-.400	260	215	-.298	.051	-.121	-.468	260	265	-.304	.051	-.144	-.613
260	55	-.318	.028	-.228	-.415	260	216	-.328	.065	-.106	-.730	260	266	-.311	.050	-.131	-.677
260	56	-.303	.030	-.158	-.423	260	217	-.332	.062	-.096	-.699	260	267	-.322	.047	-.177	-.561
260	57	-.332	.036	-.176	-.531	260	218	-.316	.050	-.178	-.577	260	268	-.326	.046	-.204	-.537
260	58	-.339	.039	-.188	-.547	260	219	-.293	.042	-.146	-.551	260	269	-.335	.061	-.169	-.611
260	59	-.312	.036	-.199	-.518	260	220	-.309	.041	-.156	-.502	260	270	-.340	.064	-.158	-.623
260	60	-.288	.034	-.170	-.496	260	221	-.299	.044	-.179	-.556	260	271	-.311	.052	-.170	-.566
260	61	-.301	.031	-.179	-.432	260	222	-.337	.066	-.109	-.853	260	272	-.309	.052	-.162	-.541
260	62	-.313	.034	-.208	-.452	260	223	-.325	.062	-.131	-.809	260	273	-.316	.057	-.133	-.676
260	63	-.320	.035	-.182	-.537	260	224	-.308	.049	-.164	-.543	260	274	-.317	.046	-.165	-.506
260	64	-.305	.034	-.187	-.522	260	225	-.298	.038	-.191	-.587	260	275	-.325	.046	-.184	-.521
260	65	-.320	.033	-.210	-.454	260	226	-.299	.035	-.206	-.453	260	276	-.343	.064	-.189	-.699
260	66	-.301	.040	-.176	-.554	260	227	-.301	.041	-.184	-.553	260	277	-.351	.072	-.180	-.712
260	67	-.289	.037	-.158	-.494	260	228	-.332	.064	-.140	-.653	260	278	-.326	.076	-.172	-.759
260	68	-.273	.037	-.121	-.411	260	229	-.331	.065	-.148	-.698	260	279	-.324	.067	-.172	-.673
260	69	-.288	.039	-.155	-.497	260	230	-.313	.050	-.155	-.759	260	280	-.319	.054	-.180	-.561

WD	TAP	CPMEAN	CPRMS	CPMAX	CPMIN	WD	TAP	CPMEAN	CPRMS	CPMAX	CPMIN	WD	TAP	CPMEAN	CPRMS	CPMAX	CPMIN
260	281	-.320	.044	-.148	-.496	260	445	-.392	.074	-.107	-.770	260	521	-.332	.141	.295	-1.067
260	282	-.318	.042	-.163	-.458	260	446	-.370	.073	-.003	-.621	260	522	-.325	.123	.193	-.773
260	283	-.329	.057	-.181	-.619	260	447	-.365	.094	.057	-.779	260	523	-.291	.125	.273	-.829
260	284	-.332	.063	-.162	-.604	260	448	-.296	.093	.113	-.606	260	524	-.272	.106	.291	-.591
260	285	-.321	.054	-.182	-.601	260	449	-.285	.098	.137	-.668	260	525	-.261	.089	.281	-.527
260	286	-.214	.059	.005	-.391	260	450	-.309	.092	.062	-.831	260	526	-.272	.063	.108	-.561
260	401	-.338	.059	.072	-.767	260	451	-.398	.082	-.072	-.941	260	527	-.282	.061	-.025	-.665
260	402	-.345	.059	.049	-.718	260	452	-.381	.079	.004	-.750	260	528	-.406	.144	.032	-.946
260	403	-.352	.066	-.082	-.662	260	453	-.383	.071	-.138	-.668	260	529	-.363	.142	.144	-.916
260	404	-.330	.082	.127	-.838	260	454	-.401	.064	-.154	-.738	260	530	-.355	.126	.079	-1.056
260	405	-.318	.083	.022	-.719	260	455	-.417	.065	-.179	-.662	260	531	-.327	.132	.217	-.903
260	406	-.336	.091	.179	-.864	260	456	-.414	.071	-.165	-.632	260	532	-.292	.115	.230	-.680
260	407	-.305	.056	-.024	-.662	260	457	-.391	.085	.021	-.663	260	532	-.292	.115	.230	-.680
260	408	-.312	.089	.132	-.717	260	458	-.414	.109	-.005	-.846	260	533	-.421	.174	.159	-1.375
260	409	-.315	.100	.248	-.818	260	459	-.418	.106	-.084	-.877	260	534	-.343	.142	.115	-1.142
260	410	-.350	.047	-.158	-.582	260	460	-.387	.086	-.111	-.826	260	535	-.326	.130	.168	-.813
260	411	-.337	.047	-.103	-.556	260	461	-.368	.082	.199	-.720	260	536	-.311	.123	.219	-.819
260	412	-.322	.064	.057	-.564	260	462	-.364	.077	.154	-.622	260	537	-.445	.198	.107	-1.560
260	413	-.306	.075	.074	-.583	260	463	-.383	.087	.131	-.788	260	538	-.394	.186	.125	-1.533
260	414	-.308	.090	.181	-.892	260	464	-.360	.086	.217	-.769	260	539	-.314	.135	.278	-.843
260	415	-.314	.081	.015	-.779	260	465	-.343	.085	-.019	-.748	260	540	-.293	.116	.289	-.742
260	416	-.348	.046	-.164	-.568	260	466	-.327	.115	.082	-.687	260	541	-.460	.214	.207	-1.365
260	417	-.345	.046	-.151	-.576	260	467	-.307	.119	.097	-.708	260	542	-.400	.194	.224	-1.024
260	418	-.341	.059	-.027	-.550	260	468	-.277	.122	.120	-.679	260	543	-.337	.147	.241	-1.019
260	419	-.314	.070	.093	-.608	260	469	-.303	.135	.145	-.867	260	544	-.471	.229	.248	-1.349
260	420	-.315	.078	.202	-.640	260	470	-.347	.137	.109	-.857	260	545	-.432	.225	.243	-1.158
260	421	-.317	.078	.180	-.641	260	471	-.298	.151	.250	-.912	260	546	-.287	.143	.156	-.913
260	422	-.369	.045	-.188	-.626	260	472	-.294	.129	.108	-.705	260	547	-.237	.087	.137	-.632
260	423	-.362	.045	-.153	-.590	260	473	-.323	.134	.218	-.922	260	548	-.231	.075	.139	-.559
260	424	-.357	.053	.004	-.537	260	474	-.324	.145	.303	-.897	260	549	-.266	.062	.088	-.494
260	425	-.367	.045	-.161	-.569	260	501	-.409	.087	.045	-.788	260	550	-.297	.060	.031	-.525
260	426	-.369	.049	-.049	-.568	260	502	-.384	.083	.014	-.712	260	551	-.465	.233	.253	-1.444
260	427	-.362	.055	.082	-.548	260	503	-.384	.082	.002	-.663	260	552	-.405	.227	.277	-1.495
260	428	-.366	.050	-.151	-.575	260	504	-.379	.092	.106	-.619	260	553	-.217	.094	.166	-.637
260	429	-.369	.048	-.149	-.610	260	505	-.358	.097	.109	-.748	260	554	-.207	.077	.283	-.504
260	430	-.376	.048	-.177	-.678	260	506	-.289	.085	.076	-.588	260	554	-.207	.077	.283	-.504
260	431	-.370	.048	-.133	-.522	260	507	-.315	.086	.059	-.684	260	555	-.220	.064	.134	-.470
260	432	-.366	.058	-.101	-.602	260	508	-.382	.105	.111	-.829	260	556	-.248	.055	.021	-.478
260	433	-.350	.067	-.059	-.729	260	509	-.396	.095	.088	-.843	260	557	-.270	.057	.014	-.515
260	434	-.318	.074	.051	-.570	260	510	-.369	.084	.042	-.628	260	558	-.260	.055	.005	-.499
260	435	-.300	.076	.060	-.610	260	511	-.292	.079	.078	-.667	260	559	-.187	.073	.075	-.478
260	436	-.305	.072	.042	-.611	260	512	-.422	.152	.123	-1.104	260	560	-.188	.072	.153	-.418
260	437	-.368	.051	-.206	-.612	260	513	-.399	.143	.159	-1.165	260	561	-.261	.062	.139	-.495
260	438	-.373	.049	-.177	-.602	260	514	-.299	.104	.158	-.757	260	562	-.263	.140	.034	-1.271
260	439	-.379	.048	-.091	-.561	260	515	-.293	.102	.213	-.723	260	563	-.176	.072	.114	-.452
260	440	-.373	.051	-.201	-.556	260	516	-.287	.077	.156	-.607	260	564	-.197	.070	.086	-.449
260	441	-.380	.061	-.202	-.729	260	517	-.296	.067	-.000	-.629	260	565	-.180	.081	.184	-.409
260	442	-.392	.058	-.183	-.752	260	518	-.358	.167	.158	-1.259	260	601	-.384	.091	-.054	-.796
260	443	-.397	.066	-.179	-.908	260	519	-.320	.149	.256	-1.007	260	602	-.382	.094	.019	-1.136
260	444	-.412	.080	-.137	-.901	260	520	-.296	.124	.306	-.759	260	603	-.356	.076	-.140	-.801

APPENDIX A -- PRESSURE DATA:

JAY SQUARE -- CONFIGURATION B -- LOS ANGELES, CALIFORNIA

WD	TAP	CPMEAN	CPRMS	CPMAX	CPMIN	WD	TAP	CPMEAN	CPRMS	CPMAX	CPMIN	WD	TAP	CPMEAN	CPRMS	CPMAX	CPMIN
260	604	-.378	.074	-.123	-.893	260	654	-.373	.147	.269	-1.011	260	706	-.378	.090	.002	-.686
260	605	-.373	.060	-.181	-.701	260	655	-.337	.152	.244	-.891	260	707	-.261	.127	.231	-.601
260	606	-.376	.053	-.199	-.678	260	656	-.265	.159	.268	-.837	260	708	-.277	.128	.139	-.733
260	607	-.383	.088	-.081	-.759	260	657	-.324	.032	-.186	-.446	260	709	-.283	.134	.206	-.667
260	608	-.363	.052	-.111	-.584	260	658	-.308	.031	-.194	-.427	260	710	-.194	.143	.327	-.575
260	609	-.388	.090	-.066	-.908	260	659	-.316	.038	-.189	-.487	260	711	-.230	.165	.371	-.782
260	610	-.387	.078	-.127	-.740	260	660	-.353	.083	.090	-.576	260	712	-.276	.168	.531	-1.044
260	611	-.375	.077	-.003	-.772	260	661	-.311	.098	.170	-.567	260	713	-.163	.148	.358	-.570
260	612	-.378	.060	-.125	-.757	260	662	-.271	.141	.310	-.718	260	714	-.323	.147	.243	-.780
260	613	-.375	.051	-.102	-.702	260	663	-.270	.130	.346	-.650	260	715	-.337	.135	.215	-.800
260	614	-.367	.049	-.166	-.654	260	664	-.241	.129	.350	-.544	260	801	-.332	.036	-.201	-.460
260	615	-.365	.048	-.193	-.614	260	665	-.210	.138	.362	-.534	260	802	-.293	.035	-.155	-.409
260	616	-.356	.084	.098	-.787	260	666	-.248	.153	.380	-.640	260	803	-.289	.037	-.103	-.408
260	617	-.334	.080	.030	-.659	260	667	-.165	.154	.475	-.608	260	804	-.303	.031	-.198	-.434
260	618	-.349	.063	-.005	-.568	260	668	-.154	.154	.479	-.616	260	805	-.317	.042	-.213	-.491
260	619	-.344	.049	-.144	-.508	260	669	-.262	.138	.288	-.595	260	806	-.315	.043	-.204	-.497
260	620	-.369	.052	-.142	-.558	260	670	-.257	.145	.320	-.701	260	807	-.300	.047	-.127	-.479
260	621	-.357	.055	-.141	-.588	260	671	-.160	.167	.389	-.639	260	808	-.250	.069	-.000	-.654
260	622	-.397	.086	-.027	-.787	260	672	-.157	.164	.360	-.645	260	809	-.306	.082	-.024	-.816
260	623	-.399	.086	.065	-.975	260	673	-.154	.154	.470	-.570	260	810	-.219	.073	.046	-.615
260	624	-.389	.057	-.105	-.618	260	674	-.199	.135	.397	-.601	260	811	-.191	.085	.202	-.486
260	625	-.395	.046	-.240	-.584	260	675	-.139	.165	.426	-.632	260	812	-.222	.080	.155	-.474
260	626	-.362	.047	-.222	-.557	260	676	-.144	.158	.367	-.618	260	813	-.204	.056	.063	-.518
260	627	-.390	.050	-.189	-.630	260	677	-.105	.162	.451	-.623	260	814	-.223	.050	.135	-.414
260	628	-.328	.088	.236	-.730	260	678	-.125	.152	.438	-.567	260	815	-.201	.085	.393	-.486
260	629	-.341	.094	.063	-.637	260	679	-.119	.161	.453	-.622	260	816	-.206	.051	.056	-.378
260	630	-.326	.094	.252	-.681	260	680	-.288	.034	-.168	-.443	260	817	-.196	.089	.266	-.557
260	631	-.363	.066	.142	-.644	260	681	-.381	.055	.019	-.616	260	818	-.148	.097	.331	-.523
260	632	-.357	.053	-.151	-.630	260	682	-.316	.080	.014	-.588	260	819	-.182	.087	.290	-.535
260	633	-.325	.096	.136	-.800	260	683	-.214	.108	.228	-.555	260	820	-.197	.084	.241	-.553
260	634	-.360	.052	-.165	-.667	260	684	-.045	.156	.622	-.828	260	821	-.144	.089	.317	-.545
260	635	-.325	.057	-.139	-.602	260	685	-.104	.138	.417	-.504	260	822	-.175	.084	.167	-.407
260	636	-.327	.080	.085	-.710	260	686	-.089	.148	.499	-.676	260	823	-.349	.074	-.049	-.596
260	637	-.315	.121	.293	-.730	260	687	-.301	.033	-.189	-.412	260	824	-.413	.063	-.247	-.703
260	638	-.325	.092	.150	-.672	260	688	-.294	.037	-.107	-.421	260	825	-.540	.109	-.254	-1.055
260	639	-.339	.106	.183	-.630	260	689	-.155	.128	.253	-.599	260	826	-.504	.080	-.245	-.814
260	640	-.365	.075	-.042	-.725	260	690	-.260	.087	.065	-.533	260	827	-.383	.071	-.137	-.701
260	641	-.371	.069	-.140	-.696	260	691	-.009	.153	.516	-.408	260	828	-.170	.114	.190	-.639
260	642	-.376	.075	-.105	-.749	260	692	-.060	.146	.600	-.548	260	829	-.206	.097	.249	-.431
260	643	-.350	.052	-.096	-.603	260	693	-.263	.155	.369	-.816	260	901	-.238	.044	-.090	-.392
260	644	-.349	.072	.007	-.642	260	694	-.244	.057	-.000	-.417	260	902	-.192	.057	.051	-.398
260	645	-.389	.086	.019	-.847	260	695	-.222	.090	.141	-.462	260	903	-.272	.040	-.146	-.437
260	646	-.357	.082	.123	-.621	260	696	-.105	.227	.626	-1.068	260	904	-.221	.048	-.032	-.378
260	647	-.390	.092	-.062	-1.022	260	697	-.166	.066	.060	-.431	260	905	-.205	.057	-.012	-.402
260	648	-.319	.038	-.192	-.586	260	701	-.365	.069	-.094	-.567	260	906	-.207	.068	.058	-.486
260	649	-.381	.061	-.129	-.597	260	701	-.365	.069	-.094	-.567	260	907	-.207	.045	-.023	-.380
260	650	-.329	.038	-.175	-.596	260	702	-.389	.067	-.150	-.610	260	908	-.249	.039	-.114	-.387
260	651	-.387	.079	.039	-.620	260	703	-.374	.070	-.093	-.594	260	1001	-.326	.095	.107	-.662
260	652	-.356	.132	.258	-.849	260	704	-.354	.087	-.186	-.616	260	1002	-.333	.084	.132	-.607
260	653	-.327	.103	.212	-.613	260	705	-.361	.092	-.040	-.640	260	1003	-.337	.084	.151	-.602

APPENDIX A -- PRESSURE DATA:

JAY SQUARE -- CONFIGURATION B -- LOS ANGELES, CALIFORNIA

WD	TAP	CPMEAN	CPRMS	CPMAX	CPMIN	WD	TAP	CPMEAN	CPRMS	CPMAX	CPMIN	WD	TAP	CPMEAN	CPRMS	CPMAX	CPMIN
260	1004	-.351	.085	-.056	-.753	270	13	-.298	.062	-.083	-.824	270	63	-.312	.037	-.187	-.460
260	1005	-.362	.093	.143	-.750	270	14	-.337	.076	-.026	-.732	270	64	-.297	.038	-.125	-.554
260	1006	-.357	.089	.002	-.715	270	15	-.353	.081	.007	-.913	270	65	-.310	.043	-.163	-.640
260	1007	-.355	.095	.062	-.795	270	16	-.281	.053	-.113	-.635	270	66	-.284	.047	-.154	-.529
260	1008	-.362	.067	.116	-.691	270	17	-.285	.052	-.124	-.625	270	67	-.276	.047	-.124	-.523
260	1011	-.408	.112	-.075	-.869	270	18	-.295	.068	-.107	-.795	270	68	-.266	.047	-.025	-.432
260	1012	-.413	.105	-.110	-.848	270	19	-.317	.078	-.092	-.902	270	69	-.275	.052	-.114	-.427
260	1013	-.406	.105	-.152	-.895	270	20	-.392	.129	-.098	-1.205	270	70	-.305	.042	-.126	-.455
260	1014	-.394	.088	-.007	-.689	270	21	-.422	.147	-.075	-1.314	270	71	-.301	.036	-.149	-.427
260	1015	-.382	.077	-.064	-.704	270	22	-.365	.109	-.077	-1.037	270	72	-.283	.035	-.132	-.402
260	1016	-.380	.067	-.050	-.612	270	23	-.384	.126	-.039	-1.156	270	73	-.287	.062	-.084	-.563
260	1017	-.384	.064	-.074	-.624	270	24	-.402	.141	-.033	-1.213	270	74	-.282	.060	-.018	-.545
260	1018	-.378	.061	-.079	-.610	270	25	-.354	.107	-.075	-.942	270	75	-.289	.051	-.091	-.452
260	1019	-.376	.063	-.051	-.644	270	26	-.379	.123	-.059	-1.009	270	76	-.278	.053	-.060	-.446
260	1021	-.427	.088	-.197	-1.188	270	27	-.397	.133	-.016	-1.148	270	77	-.298	.043	-.117	-.487
260	1022	-.413	.077	-.180	-.930	270	28	-.302	.054	-.147	-.599	270	78	-.293	.039	-.026	-.450
260	1023	-.390	.065	-.175	-.801	270	29	-.300	.048	-.165	-.660	270	79	-.292	.039	-.026	-.440
260	1024	-.369	.048	-.169	-.534	270	30	-.317	.071	-.087	-.703	270	80	-.274	.053	-.140	-.511
260	1025	-.368	.044	-.204	-.647	270	31	-.352	.101	-.054	-.925	270	81	-.293	.048	-.158	-.474
260	1026	-.372	.047	-.209	-.659	270	32	-.368	.116	-.080	-.957	270	82	-.274	.039	-.156	-.419
260	1027	-.389	.051	-.177	-.635	270	33	-.389	.125	-.086	-1.026	270	83	-.278	.039	-.073	-.398
260	1028	-.360	.047	-.207	-.611	270	34	-.385	.126	-.098	-1.015	270	84	-.274	.031	-.152	-.384
260	1031	-.220	.156	.403	-.630	270	35	-.418	.136	-.135	-1.228	270	85	-.273	.031	-.156	-.380
260	1032	-.280	.173	.396	-.874	270	36	-.438	.139	-.103	-1.294	270	86	-.278	.033	-.172	-.391
260	1033	-.285	.145	.186	-.726	270	37	-.459	.147	-.119	-1.412	270	87	-.268	.050	-.134	-.520
260	1034	-.372	.128	.016	-.808	270	38	-.372	.120	-.090	-1.099	270	88	-.285	.039	-.119	-.417
260	1035	-.357	.122	.049	-.812	270	39	-.413	.142	-.064	-1.544	270	89	-.270	.034	-.134	-.405
260	1036	-.356	.126	.064	-.874	270	40	-.422	.131	-.112	-1.236	270	201	-.352	.088	-.126	-1.035
260	1037	-.293	.119	.094	-.641	270	41	-.446	.146	-.119	-1.334	270	202	-.339	.077	-.138	-.869
260	1041	-.338	.087	-.018	-.697	270	42	-.407	.140	-.120	-1.491	270	203	-.308	.070	-.081	-.753
260	1042	-.333	.091	.072	-.841	270	43	-.441	.155	-.119	-1.799	270	204	-.290	.061	-.096	-.594
260	1043	-.332	.084	.059	-.682	270	44	-.428	.150	-.089	-1.561	270	205	-.284	.060	-.112	-.609
260	1044	-.338	.096	.170	-.746	270	45	-.304	.048	-.182	-.624	270	206	-.275	.056	-.122	-.546
260	1045	-.355	.062	-.031	-.633	270	46	-.287	.046	-.177	-.626	270	207	-.354	.083	-.162	-.837
260	1046	-.355	.073	-.053	-.678	270	47	-.302	.056	-.084	-.683	270	208	-.324	.074	-.121	-.686
260	1047	-.329	.077	.103	-.627	270	48	-.326	.079	-.108	-.796	270	209	-.267	.049	-.125	-.563
260	1048	-.327	.090	.042	-.636	270	49	-.356	.111	-.071	-1.016	270	210	-.341	.083	-.120	-.777
260	1049	-.360	.070	-.062	-.646	270	50	-.364	.117	-.105	-1.249	270	211	-.339	.081	-.126	-.897
260	1050	-.352	.058	-.033	-.569	270	51	-.362	.115	-.084	-1.123	270	212	-.299	.059	-.123	-.596
270	1	-.278	.062	-.089	-.534	270	52	-.285	.042	-.170	-.524	270	213	-.276	.048	-.121	-.525
270	2	-.277	.057	-.103	-.685	270	53	-.299	.039	-.173	-.477	270	214	-.278	.046	-.144	-.526
270	3	-.288	.065	-.050	-.667	270	54	-.303	.036	-.157	-.480	270	215	-.268	.049	-.082	-.490
270	4	-.304	.068	.032	-.566	270	55	-.315	.045	-.127	-.584	270	216	-.336	.084	-.147	-.847
270	5	-.343	.068	-.094	-.736	270	56	-.310	.056	-.095	-.651	270	217	-.327	.080	-.133	-.755
270	6	-.343	.071	-.083	-.711	270	57	-.324	.070	-.117	-.802	270	218	-.298	.062	-.126	-.678
270	7	-.276	.057	-.121	-.783	270	58	-.332	.077	-.113	-.999	270	219	-.279	.047	-.138	-.554
270	9	-.346	.072	-.100	-.806	270	59	-.288	.041	-.154	-.513	270	220	-.274	.046	-.126	-.483
270	10	-.274	.048	-.133	-.524	270	60	-.269	.039	-.127	-.476	270	221	-.274	.047	-.138	-.542
270	11	-.273	.049	-.115	-.617	270	61	-.291	.038	-.171	-.449	270	222	-.320	.080	-.140	-.832
270	12	-.285	.053	-.098	-.653	270	62	-.305	.040	-.149	-.462	270	223	-.314	.075	-.150	-.830

APPENDIX A -- PRESSURE DATA:

JAY SQUARE -- CONFIGURATION B -- LOS ANGELES, CALIFORNIA

WD	TAP	CPMEAN	CPRMS	CPMAX	CPMIN	WD	TAP	CPMEAN	CPRMS	CPMAX	CPMIN	WD	TAP	CPMEAN	CPRMS	CPMAX	CPMIN
270	224	-.295	.056	-.099	-.598	270	274	-.250	.036	-.144	-.435	270	438	-.297	.064	-.019	-.641
270	225	-.278	.043	-.154	-.518	270	275	-.256	.034	-.148	-.433	270	439	-.304	.063	-.037	-.607
270	226	-.280	.041	-.127	-.566	270	276	-.268	.047	-.127	-.534	270	440	-.322	.061	-.008	-.590
270	227	-.284	.044	-.095	-.476	270	277	-.282	.051	-.134	-.572	270	441	-.301	.069	-.060	-.658
270	228	-.310	.068	-.112	-.746	270	278	-.242	.032	-.140	-.390	270	442	-.314	.068	-.093	-.645
270	229	-.305	.072	-.122	-.806	270	279	-.244	.031	-.152	-.384	270	443	-.312	.072	-.083	-.676
270	230	-.277	.047	-.139	-.530	270	280	-.238	.031	-.152	-.410	270	444	-.325	.090	-.032	-.981
270	231	-.272	.036	-.170	-.501	270	281	-.250	.032	-.158	-.403	270	445	-.325	.071	-.035	-.688
270	232	-.280	.034	-.180	-.456	270	282	-.246	.032	-.144	-.457	270	446	-.337	.082	.112	-.696
270	233	-.268	.035	-.164	-.426	270	283	-.245	.034	-.131	-.505	270	447	-.330	.105	.089	-.729
270	234	-.288	.062	-.116	-.661	270	284	-.237	.036	-.115	-.527	270	448	-.257	.109	.243	-.629
270	235	-.279	.057	-.126	-.622	270	285	-.248	.035	-.113	-.532	270	449	-.243	.105	.234	-.640
270	236	-.272	.044	-.134	-.486	270	286	-.180	.047	-.036	-.332	270	450	-.267	.097	.078	-.748
270	237	-.272	.053	-.127	-.545	270	401	-.297	.065	.028	-.846	270	451	-.366	.090	-.040	-.983
270	238	-.276	.048	-.106	-.499	270	402	-.303	.067	.073	-.915	270	452	-.344	.087	.066	-.856
270	239	-.283	.044	-.122	-.545	270	403	-.301	.084	.172	-.692	270	453	-.342	.082	-.048	-.705
270	240	-.313	.072	-.124	-.634	270	404	-.276	.092	.218	-.662	270	454	-.344	.080	-.003	-.667
270	241	-.296	.070	-.113	-.603	270	405	-.259	.093	.158	-.636	270	455	-.361	.087	.040	-.646
270	242	-.305	.072	-.104	-.685	270	406	-.285	.087	.175	-.646	270	456	-.352	.098	.066	-.647
270	243	-.279	.054	-.126	-.679	270	407	-.284	.066	.086	-.630	270	457	-.344	.116	.201	-.814
270	244	-.274	.038	-.148	-.459	270	408	-.239	.104	.232	-.734	270	458	-.386	.147	.070	-1.012
270	245	-.268	.037	-.152	-.447	270	409	-.236	.101	.219	-.631	270	459	-.392	.143	-.043	-1.105
270	246	-.253	.030	-.159	-.394	270	410	-.311	.056	-.012	-.543	270	460	-.380	.110	.029	-1.261
270	247	-.278	.032	-.167	-.433	270	411	-.295	.057	.078	-.488	270	461	-.353	.100	.059	-1.019
270	248	-.281	.032	-.175	-.452	270	412	-.273	.083	.218	-.506	270	462	-.339	.090	.045	-.728
270	249	-.290	.058	-.112	-.638	270	413	-.235	.103	.383	-.573	270	463	-.373	.109	.047	-1.098
270	250	-.273	.057	-.097	-.621	270	414	-.233	.098	.228	-.626	270	464	-.352	.105	.051	-.912
270	251	-.282	.059	-.120	-.697	270	415	-.253	.082	.117	-.612	270	465	-.349	.097	.057	-.810
270	252	-.272	.043	-.131	-.497	270	416	-.297	.062	-.038	-.671	270	466	-.354	.130	.267	-.798
270	253	-.281	.054	-.123	-.712	270	417	-.293	.064	.038	-.764	270	467	-.342	.133	.249	-.764
270	254	-.279	.046	-.131	-.495	270	418	-.263	.089	.336	-.650	270	468	-.312	.136	.268	-.676
270	255	-.274	.050	-.136	-.582	270	419	-.210	.100	.273	-.552	270	469	-.286	.161	.254	-.760
270	256	-.257	.049	-.115	-.522	270	420	-.217	.096	.221	-.539	270	470	-.295	.160	.343	-.753
270	257	-.261	.044	-.123	-.598	270	421	-.234	.087	.132	-.639	270	471	-.280	.180	.381	-.886
270	258	-.262	.043	-.128	-.579	270	422	-.327	.063	.063	-.596	270	472	-.267	.153	.295	-.794
270	259	-.265	.040	-.143	-.449	270	423	-.304	.066	.124	-.557	270	473	-.313	.168	.386	-.802
270	260	-.251	.034	-.138	-.387	270	424	-.299	.078	.087	-.635	270	474	-.308	.181	.397	-1.080
270	261	-.272	.034	-.153	-.421	270	425	-.323	.061	-.005	-.568	270	501	-.392	.102	.207	-.811
270	262	-.277	.035	-.133	-.475	270	426	-.316	.067	.002	-.573	270	502	-.366	.100	.209	-.742
270	263	-.280	.036	-.159	-.479	270	427	-.289	.079	.080	-.617	270	503	-.373	.094	.059	-.844
270	264	-.224	.035	-.120	-.403	270	428	-.300	.059	-.092	-.652	270	504	-.364	.101	.161	-.844
270	265	-.241	.034	-.125	-.499	270	429	-.310	.059	-.088	-.693	270	505	-.340	.106	.127	-.804
270	266	-.250	.033	-.135	-.400	270	430	-.325	.060	-.045	-.620	270	506	-.292	.096	.089	-.672
270	267	-.262	.032	-.150	-.426	270	431	-.301	.064	.096	-.557	270	507	-.292	.089	.112	-.700
270	268	-.263	.037	-.143	-.426	270	432	-.314	.078	.207	-.565	270	508	-.388	.106	.064	-.872
270	269	-.284	.037	-.174	-.475	270	433	-.290	.098	.272	-.596	270	509	-.398	.111	.102	-.833
270	270	-.287	.037	-.180	-.480	270	434	-.246	.106	.292	-.561	270	510	-.361	.105	.088	-.789
270	271	-.240	.035	-.129	-.386	270	435	-.217	.092	.204	-.589	270	511	-.275	.082	.089	-.753
270	272	-.240	.034	-.122	-.389	270	436	-.245	.081	.148	-.607	270	512	-.439	.144	.110	-1.017
270	273	-.247	.036	-.141	-.435	270	437	-.288	.065	-.022	-.622	270	513	-.420	.140	.084	-1.006

WD	TAP	CPMEAN	CPRMS	CPMAX	CPMIN	WD	TAP	CPMEAN	CPRMS	CPMAX	CPMIN	WD	TAP	CPMEAN	CPRMS	CPMAX	CPMIN
270	514	-.308	.104	.105	-.706	270	562	-.207	.095	.049	-.881	270	647	-.351	.081	-.031	-.793
270	515	-.271	.089	.176	-.659	270	563	-.138	.058	.102	-.343	270	648	-.326	.049	-.129	-.595
270	516	-.246	.068	.070	-.859	270	564	-.147	.068	.163	-.358	270	649	-.293	.065	.039	-.570
270	517	-.255	.060	.012	-.928	270	565	-.123	.071	.218	-.351	270	650	-.307	.049	-.096	-.602
270	518	-.386	.166	.083	-1.222	270	601	-.372	.097	.170	-1.273	270	651	-.314	.083	.047	-.614
270	519	-.359	.146	.211	-1.103	270	602	-.362	.094	.093	-.970	270	652	-.336	.116	.305	-.813
270	520	-.318	.119	.294	-.939	270	603	-.337	.078	.035	-.785	270	653	-.288	.096	.238	-.580
270	521	-.368	.144	.336	-1.258	270	604	-.350	.068	-.153	-.943	270	654	-.335	.129	.360	-.817
270	522	-.358	.133	.097	-.995	270	605	-.342	.061	-.093	-.704	270	655	-.294	.164	.681	-.801
270	523	-.295	.119	.219	-1.083	270	606	-.354	.064	-.110	-.847	270	656	-.283	.159	.489	-.951
270	524	-.253	.092	.194	-.630	270	607	-.385	.090	.023	-.979	270	657	-.287	.037	-.167	-.420
270	525	-.228	.074	.132	-.544	270	608	-.334	.055	-.140	-.581	270	658	-.297	.035	-.179	-.428
270	526	-.223	.049	.017	-.516	270	609	-.386	.090	-.072	-.714	270	659	-.292	.040	-.113	-.428
270	527	-.237	.040	-.043	-.474	270	610	-.378	.090	-.000	-.946	270	660	-.317	.080	.083	-.588
270	528	-.431	.146	.166	-1.170	270	611	-.365	.079	-.032	-.770	270	661	-.301	.102	.218	-.609
270	529	-.385	.136	.029	-.880	270	612	-.377	.069	-.103	-.642	270	662	-.209	.171	.577	-.716
270	530	-.389	.110	.112	-.898	270	613	-.368	.057	-.102	-.606	270	663	-.233	.157	.577	-.650
270	531	-.357	.125	.064	-.886	270	614	-.343	.056	-.139	-.601	270	664	-.224	.146	.371	-.622
270	532	-.306	.107	.096	-.759	270	615	-.348	.061	-.057	-.850	270	665	-.186	.165	.476	-.557
270	533	-.306	.107	.096	-.759	270	616	-.299	.097	.116	-.672	270	666	-.203	.187	.532	-.664
270	533	-.483	.152	.021	-1.327	270	617	-.272	.095	.172	-.628	270	667	-.094	.191	.576	-.736
270	534	-.418	.128	.075	-.986	270	618	-.293	.076	.131	-.533	270	668	-.106	.189	.623	-.740
270	535	-.362	.114	.012	-.829	270	619	-.307	.063	-.063	-.643	270	669	-.220	.161	.548	-.624
270	536	-.335	.109	.085	-.881	270	620	-.343	.070	-.057	-.783	270	670	-.219	.181	.477	-.705
270	537	-.521	.172	-.020	-1.302	270	621	-.324	.072	-.015	-.748	270	671	-.098	.201	.561	-.691
270	538	-.454	.158	-.013	-1.062	270	622	-.420	.162	.106	-1.382	270	672	-.120	.194	.570	-.859
270	539	-.337	.124	.129	-1.006	270	623	-.392	.142	.196	-1.083	270	673	-.084	.186	.579	-.538
270	540	-.295	.106	.189	-.811	270	624	-.357	.091	.043	-.729	270	674	-.164	.165	.527	-.588
270	541	-.525	.192	.247	-1.307	270	625	-.374	.072	-.050	-.719	270	675	-.021	.202	.726	-.547
270	542	-.450	.174	.186	-1.209	270	626	-.354	.067	-.140	-.708	270	676	-.056	.189	.696	-.578
270	543	-.350	.138	.154	-1.060	270	627	-.355	.072	-.077	-.731	270	677	.022	.189	.688	-.468
270	544	-.503	.200	.216	-1.302	270	628	-.224	.130	.344	-.607	270	678	-.027	.188	.690	-.538
270	545	-.454	.195	.238	-1.335	270	629	-.234	.132	.264	-.836	270	679	-.056	.189	.513	-.629
270	546	-.257	.110	.199	-.693	270	630	-.189	.136	.420	-.571	270	680	-.289	.035	-.141	-.425
270	547	-.198	.074	.131	-.597	270	631	-.291	.080	.086	-.564	270	681	-.319	.058	-.056	-.533
270	548	-.193	.060	.179	-.430	270	632	-.316	.058	-.071	-.544	270	682	-.280	.069	.045	-.488
270	549	-.218	.044	-.015	-.409	270	633	-.170	.135	.326	-.682	270	683	-.203	.103	.293	-.503
270	550	-.237	.041	-.058	-.469	270	634	-.296	.056	-.031	-.540	270	684	-.073	.164	.674	-.415
270	551	-.395	.211	.226	-1.229	270	635	-.288	.056	-.045	-.574	270	685	-.039	.146	.539	-.452
270	552	-.314	.187	.230	-1.085	270	636	-.193	.150	.475	-.668	270	686	-.002	.161	.628	-.586
270	553	-.161	.077	.159	-.463	270	637	-.080	.188	.607	-.561	270	687	-.280	.032	-.184	-.399
270	554	-.168	.059	.109	-.432	270	638	-.129	.179	.542	-.631	270	688	-.299	.035	-.187	-.442
270	554	-.168	.059	.109	-.432	270	639	-.183	.143	.523	-.648	270	689	-.145	.112	.280	-.540
270	555	-.168	.060	.152	-.374	270	640	-.287	.078	.138	-.571	270	690	-.262	.069	-.000	-.523
270	556	-.200	.046	.017	-.409	270	641	-.302	.071	-.032	-.629	270	691	-.034	.128	.547	-.428
270	557	-.225	.038	-.041	-.353	270	642	-.277	.072	.057	-.559	270	692	.037	.136	.555	-.432
270	558	-.214	.042	-.019	-.417	270	643	-.324	.089	.076	-.741	270	693	-.191	.186	.405	-.742
270	559	-.150	.061	.082	-.396	270	644	-.332	.112	.128	-.726	270	694	-.228	.047	-.039	-.366
270	560	-.143	.064	.201	-.379	270	645	-.320	.087	.236	-.689	270	695	-.218	.071	.123	-.399
270	561	-.221	.046	.019	-.422	270	646	-.321	.100	.047	-.721	270	696	-.071	.200	.616	-.881

APPENDIX A -- PRESSURE DATA:

JAY SQUARE -- CONFIGURATION B -- LOS ANGELES, CALIFORNIA

WD	TAP	CPMEAN	CPRMS	CPMAX	CPMIN	WD	TAP	CPMEAN	CPRMS	CPMAX	CPMIN	WD	TAP	CPMEAN	CPRMS	CPMAX	CPMIN
270	697	-.166	.059	.061	-.394	270	905	-.195	.044	-.044	-.376	280	5	-.373	.134	.027	-1.486
270	701	-.330	.083	.002	-.721	270	906	-.171	.052	.010	-.417	280	6	-.370	.129	-.009	-1.526
270	701	-.330	.083	.002	-.721	270	907	-.180	.037	-.070	-.301	280	7	-.264	.062	-.075	-.622
270	702	-.333	.081	-.048	-.641	270	908	-.216	.029	-.127	-.336	280	9	-.378	.134	.096	-1.178
270	703	-.349	.086	-.010	-.697	270	1001	-.298	.084	.163	-.646	280	10	-.257	.062	-.083	-.690
270	704	-.336	.084	.009	-.667	270	1002	-.312	.073	-.033	-.578	280	11	-.252	.058	-.078	-.653
270	705	-.345	.092	.059	-.679	270	1003	-.304	.073	.109	-.660	280	12	-.272	.069	-.066	-.767
270	706	-.328	.106	.124	-.667	270	1004	-.319	.086	-.031	-.757	280	13	-.291	.079	-.060	-.946
270	707	-.243	.151	.356	-.617	270	1005	-.332	.081	.097	-.745	280	14	-.353	.122	.056	-1.188
270	708	-.285	.123	.294	-.640	270	1006	-.316	.085	.193	-.603	280	15	-.373	.131	.066	-1.172
270	709	-.242	.154	.348	-.614	270	1007	-.324	.092	.137	-.762	280	16	-.247	.052	-.085	-.565
270	710	-.120	.170	.479	-.559	270	1008	-.329	.067	-.049	-.678	280	17	-.261	.059	-.084	-.720
270	711	-.239	.182	.531	-.811	270	1011	-.386	.139	-.030	-1.019	280	18	-.277	.078	-.057	-.913
270	712	-.239	.183	.373	-.810	270	1012	-.388	.134	-.073	-1.027	280	19	-.325	.103	-.068	-1.005
270	713	-.091	.181	.588	-.638	270	1013	-.390	.141	-.061	-1.256	280	20	-.446	.172	-.012	-1.300
270	714	-.274	.185	.403	-.842	270	1014	-.369	.121	.145	-.819	280	21	-.484	.190	.021	-1.375
270	715	-.311	.145	.217	-.989	270	1015	-.371	.110	-.012	-.762	280	22	-.396	.138	-.104	-.997
270	801	-.325	.037	-.207	-.496	270	1016	-.361	.091	.014	-.674	280	23	-.432	.164	-.072	-1.205
270	802	-.289	.037	-.151	-.420	270	1017	-.342	.080	.046	-.615	280	24	-.473	.191	-.061	-1.553
270	803	-.288	.041	-.108	-.423	270	1018	-.344	.078	-.000	-.605	280	25	-.385	.128	-.055	-.999
270	804	-.297	.038	-.163	-.422	270	1019	-.357	.082	.002	-.762	280	26	-.407	.141	-.064	-1.197
270	805	-.252	.028	-.160	-.353	270	1021	-.453	.116	-.097	-1.110	280	27	-.439	.163	-.052	-1.318
270	806	-.265	.028	-.172	-.353	270	1022	-.456	.134	-.012	-1.138	280	28	-.278	.071	-.088	-.823
270	807	-.261	.038	-.106	-.420	270	1023	-.389	.105	.055	-.810	280	29	-.285	.070	-.110	-.744
270	808	-.225	.063	-.047	-.554	270	1024	-.369	.074	-.110	-.669	280	30	-.305	.090	-.046	-.855
270	809	-.286	.073	.025	-.673	270	1025	-.367	.064	-.171	-.771	280	31	-.358	.120	-.054	-1.049
270	810	-.188	.069	.051	-.555	270	1026	-.364	.069	-.128	-.739	280	32	-.401	.138	-.056	-1.536
270	811	-.142	.066	.116	-.363	270	1027	-.368	.071	-.020	-.764	280	33	-.419	.144	-.043	-1.110
270	812	-.179	.083	.228	-.472	270	1028	-.349	.067	-.075	-.671	280	34	-.401	.144	-.005	-1.071
270	813	-.172	.053	.078	-.369	270	1031	-.196	.206	.683	-.658	280	35	-.463	.156	-.066	-1.347
270	814	-.213	.043	.038	-.384	270	1032	-.214	.220	.541	-.830	280	36	-.481	.161	-.052	-1.343
270	815	-.159	.086	.322	-.425	270	1033	-.262	.186	.292	-.784	280	37	-.509	.185	-.041	-1.717
270	816	-.180	.044	.023	-.371	270	1034	-.359	.142	.096	-1.038	280	38	-.394	.127	-.087	-1.084
270	817	-.133	.077	.226	-.366	270	1035	-.338	.140	.126	-.950	280	39	-.440	.149	-.079	-1.121
270	818	-.115	.087	.309	-.412	270	1036	-.330	.151	.178	-.972	280	40	-.464	.156	-.101	-1.355
270	819	-.145	.089	.273	-.541	270	1037	-.310	.137	.241	-.752	280	41	-.502	.201	-.103	-1.913
270	820	-.139	.077	.160	-.497	270	1041	-.306	.083	.016	-.679	280	42	-.480	.172	-.083	-1.752
270	821	-.131	.071	.165	-.463	270	1042	-.294	.085	.111	-.692	280	43	-.512	.181	-.114	-1.632
270	822	-.174	.071	.156	-.374	270	1043	-.315	.079	.035	-.692	280	44	-.489	.179	-.114	-2.145
270	823	-.337	.065	-.088	-.595	270	1044	-.311	.090	.151	-.663	280	45	-.272	.052	-.149	-.536
270	824	-.368	.049	-.226	-.637	270	1045	-.325	.066	.037	-.634	280	46	-.260	.050	-.117	-.520
270	825	-.499	.104	-.252	-.996	270	1046	-.333	.072	-.007	-.603	280	47	-.288	.075	-.054	-.779
270	826	-.470	.073	-.294	-.929	270	1047	-.309	.075	-.003	-.599	280	48	-.348	.115	-.064	-1.008
270	827	-.346	.054	-.170	-.585	270	1048	-.293	.085	.156	-.698	280	49	-.421	.155	-.008	-1.150
270	828	-.210	.087	.106	-.642	270	1049	-.324	.067	.044	-.576	280	50	-.441	.146	-.095	-1.136
270	829	-.236	.066	.089	-.414	270	1050	-.326	.059	-.085	-.626	280	51	-.460	.162	-.107	-1.509
270	901	-.214	.031	-.105	-.338	280	1	-.268	.068	-.089	-.730	280	52	-.240	.041	-.120	-.564
270	902	-.178	.050	.007	-.407	280	2	-.269	.073	-.053	-.785	280	53	-.267	.040	-.150	-.459
270	903	-.234	.032	-.138	-.368	280	3	-.284	.080	-.038	-.873	280	54	-.281	.052	-.095	-.580
270	904	-.213	.039	-.079	-.369	280	4	-.307	.091	-.054	-.799	280	55	-.302	.071	-.033	-.647

APPENDIX A -- PRESSURE DATA:

JAY SQUARE -- CONFIGURATION B -- LOS ANGELES, CALIFORNIA

WD	TAP	CPMEAN	CPRMS	CPMAX	CPMIN	WD	TAP	CPMEAN	CPRMS	CPMAX	CPMIN	WD	TAP	CPMEAN	CPRMS	CPMAX	CPMIN
280	56	-.328	.110	-.035	-1.233	280	217	-.287	.068	-.117	-.722	280	267	-.257	.035	-.152	-.405
280	57	-.387	.152	-.031	-1.281	280	218	-.268	.053	-.120	-.583	280	268	-.264	.038	-.150	-.437
280	58	-.405	.163	-.026	-1.569	280	219	-.256	.045	-.105	-.526	280	269	-.275	.043	-.119	-.538
280	59	-.256	.039	-.126	-.476	280	220	-.256	.055	-.005	-.605	280	270	-.275	.044	-.110	-.537
280	60	-.241	.038	-.100	-.425	280	221	-.260	.051	-.100	-.628	280	271	-.255	.059	-.029	-.493
280	61	-.254	.044	-.049	-.419	280	222	-.293	.064	-.134	-.792	280	272	-.250	.061	-.059	-.489
280	62	-.276	.053	-.090	-.626	280	223	-.283	.057	-.140	-.684	280	273	-.233	.047	-.045	-.436
280	63	-.300	.065	-.061	-.765	280	224	-.257	.044	-.097	-.727	280	274	-.235	.037	-.079	-.369
280	64	-.310	.087	-.090	-1.093	280	225	-.260	.036	-.143	-.426	280	275	-.264	.038	-.109	-.490
280	65	-.318	.085	-.033	-.931	280	226	-.257	.043	-.108	-.468	280	276	-.282	.056	-.138	-.624
280	66	-.251	.044	-.087	-.449	280	227	-.268	.053	-.107	-.813	280	277	-.290	.058	-.141	-.590
280	67	-.238	.045	-.031	-.413	280	228	-.290	.061	-.115	-.691	280	278	-.253	.052	-.134	-.760
280	68	-.218	.057	-.018	-.403	280	229	-.288	.053	-.094	-.589	280	279	-.251	.049	-.130	-.701
280	69	-.262	.068	.054	-.532	280	230	-.265	.037	-.150	-.445	280	280	-.232	.034	-.082	-.411
280	70	-.282	.066	-.031	-.505	280	231	-.263	.030	-.163	-.386	280	281	-.224	.028	-.126	-.324
280	71	-.288	.059	-.018	-.692	280	232	-.270	.040	-.138	-.538	280	282	-.222	.028	-.134	-.352
280	72	-.274	.056	-.015	-.594	280	233	-.263	.043	-.140	-.603	280	283	-.241	.048	-.093	-.566
280	73	-.254	.056	-.069	-.533	280	234	-.292	.064	-.129	-1.011	280	284	-.235	.051	-.082	-.596
280	74	-.238	.060	-.016	-.533	280	235	-.284	.055	-.115	-.738	280	285	-.248	.047	-.122	-.557
280	75	-.231	.076	.065	-.534	280	236	-.275	.041	-.130	-.493	280	286	-.183	.037	-.050	-.314
280	76	-.241	.075	.175	-.454	280	237	-.282	.056	-.087	-.568	280	401	-.298	.069	-.058	-.877
280	77	-.249	.068	.048	-.454	280	238	-.275	.047	-.126	-.438	280	402	-.305	.068	-.025	-.966
280	78	-.259	.056	.018	-.480	280	239	-.278	.041	-.149	-.437	280	403	-.298	.072	.084	-.764
280	79	-.258	.053	-.013	-.478	280	240	-.307	.072	-.116	-.564	280	404	-.271	.079	.142	-.677
280	80	-.232	.048	-.052	-.470	280	241	-.297	.072	-.105	-.549	280	405	-.263	.076	.135	-.561
280	81	-.233	.048	-.061	-.469	280	242	-.304	.072	-.079	-.640	280	406	-.274	.085	.229	-.684
280	82	-.244	.053	-.055	-.416	280	243	-.282	.052	-.091	-.479	280	407	-.297	.066	.022	-.877
280	83	-.260	.055	-.052	-.419	280	244	-.279	.039	-.164	-.473	280	408	-.250	.083	.147	-.564
280	84	-.248	.053	-.040	-.477	280	245	-.269	.034	-.116	-.433	280	409	-.248	.086	.147	-.583
280	85	-.264	.047	-.070	-.459	280	246	-.257	.033	-.098	-.381	280	410	-.293	.056	-.028	-.647
280	86	-.251	.040	-.121	-.439	280	247	-.265	.036	-.150	-.588	280	411	-.290	.053	.013	-.661
280	87	-.234	.060	-.008	-.552	280	248	-.267	.038	-.154	-.630	280	412	-.296	.069	.268	-.559
280	88	-.254	.058	.020	-.476	280	249	-.291	.057	-.112	-.512	280	413	-.256	.085	.252	-.526
280	89	-.254	.046	-.040	-.426	280	250	-.281	.057	-.101	-.517	280	414	-.244	.083	.110	-.586
280	201	-.307	.079	-.077	-.947	280	251	-.287	.054	-.131	-.450	280	415	-.252	.076	.030	-.565
280	202	-.294	.068	-.083	-.683	280	252	-.286	.045	-.141	-.494	280	416	-.283	.055	.059	-.588
280	203	-.271	.062	-.095	-.661	280	253	-.283	.047	-.139	-.508	280	417	-.287	.056	.129	-.669
280	204	-.260	.057	-.066	-.576	280	254	-.281	.045	-.123	-.478	280	418	-.297	.070	.348	-.599
280	205	-.269	.066	.004	-.713	280	255	-.279	.045	-.138	-.469	280	419	-.259	.083	.308	-.661
280	206	-.255	.064	-.043	-.586	280	256	-.266	.044	-.124	-.449	280	420	-.247	.094	.142	-.573
280	207	-.313	.081	-.074	-.729	280	257	-.269	.045	-.119	-.478	280	421	-.254	.092	.079	-.616
280	208	-.282	.067	-.098	-.671	280	258	-.273	.045	-.115	-.539	280	422	-.321	.068	.030	-.578
280	209	-.246	.056	-.058	-.578	280	259	-.277	.043	-.142	-.474	280	423	-.304	.067	.046	-.575
280	210	-.292	.074	-.101	-.954	280	260	-.261	.033	-.143	-.402	280	424	-.317	.069	.102	-.573
280	211	-.292	.067	-.096	-.695	280	261	-.275	.036	-.155	-.402	280	425	-.322	.062	.012	-.618
280	212	-.261	.050	-.086	-.499	280	262	-.264	.037	-.134	-.434	280	426	-.323	.065	.090	-.590
280	213	-.248	.044	-.094	-.443	280	263	-.263	.037	-.128	-.426	280	427	-.310	.071	.128	-.575
280	214	-.257	.050	-.043	-.482	280	264	-.251	.061	-.084	-.596	280	428	-.319	.070	-.010	-.740
280	215	-.255	.051	-.077	-.543	280	265	-.264	.064	-.088	-.671	280	429	-.326	.071	-.015	-.769
280	216	-.298	.076	-.117	-.725	280	266	-.267	.053	-.137	-.477	280	430	-.342	.079	-.017	-.803

WD	TAP	CPMEAN	CPRMS	CPMAX	CPMIN	WD	TAP	CPMEAN	CPRMS	CPMAX	CPMIN	WD	TAP	CPMEAN	CPRMS	CPMAX	CPMIN
280	431	-.312	.066	.070	-.631	280	507	-.296	.081	.160	-.628	280	555	-.168	.042	.012	-.327
280	432	-.320	.075	.009	-.747	280	508	-.467	.129	.050	-1.105	280	556	-.191	.036	-.036	-.317
280	433	-.316	.089	.100	-.618	280	509	-.456	.122	.128	-1.070	280	557	-.207	.032	-.049	-.335
280	434	-.285	.095	.168	-.571	280	510	-.392	.101	.220	-.781	280	558	-.213	.035	-.060	-.383
280	435	-.248	.092	.238	-.603	280	511	-.284	.072	.200	-.582	280	559	-.155	.055	.081	-.417
280	436	-.279	.089	.102	-.738	280	512	-.549	.156	-.049	-1.251	280	560	-.155	.052	.130	-.404
280	437	-.318	.074	-.017	-.664	280	513	-.530	.151	.012	-1.158	280	561	-.201	.037	-.053	-.339
280	438	-.322	.072	-.057	-.628	280	514	-.355	.105	-.020	-.783	280	562	-.229	.100	-.010	-.911
280	439	-.317	.073	.044	-.633	280	515	-.288	.083	.050	-.646	280	563	-.146	.049	.150	-.328
280	440	-.327	.075	-.053	-.688	280	516	-.262	.055	.058	-.535	280	564	-.162	.054	.078	-.415
280	441	-.317	.081	-.018	-1.321	280	517	-.268	.051	-.025	-.622	280	565	-.141	.058	.100	-.536
280	442	-.331	.082	.033	-1.228	280	518	-.551	.220	-.015	-2.111	280	601	-.310	.150	.426	-.918
280	443	-.329	.081	-.005	-.957	280	519	-.492	.183	.060	-1.288	280	602	-.307	.155	.395	-1.367
280	444	-.356	.113	.005	-1.014	280	520	-.408	.146	.084	-1.129	280	603	-.295	.121	.280	-.977
280	445	-.347	.104	-.038	-1.135	280	521	-.494	.189	.040	-1.428	280	604	-.308	.094	.443	-.880
280	446	-.351	.089	-.018	-.867	280	522	-.459	.180	.081	-1.307	280	605	-.307	.070	.115	-.728
280	447	-.344	.098	.088	-.751	280	523	-.361	.126	-.061	-1.218	280	606	-.323	.068	.058	-.830
280	448	-.296	.096	.173	-.706	280	524	-.286	.084	.035	-.668	280	607	-.318	.150	.274	-.891
280	449	-.278	.098	.151	-.783	280	525	-.245	.063	.020	-.552	280	608	-.295	.065	.035	-.639
280	450	-.297	.098	.063	-.983	280	526	-.241	.048	.017	-.436	280	609	-.289	.148	.341	-.933
280	451	-.391	.129	.035	-1.035	280	527	-.255	.052	-.090	-.584	280	610	-.283	.144	.420	-.949
280	452	-.370	.118	.052	-.890	280	528	-.468	.172	.051	-1.233	280	611	-.273	.148	.769	-.917
280	453	-.354	.101	.012	-.740	280	529	-.419	.153	.067	-1.069	280	612	-.287	.122	.364	-.723
280	454	-.353	.086	-.016	-.859	280	530	-.475	.174	.025	-1.337	280	613	-.309	.090	.109	-.647
280	455	-.367	.089	-.005	-.801	280	531	-.445	.166	.026	-1.438	280	614	-.298	.061	-.036	-.674
280	456	-.344	.090	.039	-.741	280	532	-.362	.118	.012	-1.135	280	615	-.314	.062	-.122	-.680
280	457	-.335	.091	.040	-.740	280	532	-.362	.118	.012	-1.135	280	616	-.204	.140	.465	-.655
280	458	-.360	.119	-.044	-.828	280	533	-.583	.209	.136	-1.632	280	617	-.156	.144	.529	-.574
280	459	-.362	.114	-.116	-.846	280	534	-.485	.154	.075	-1.093	280	618	-.178	.125	.526	-.531
280	460	-.378	.132	.074	-1.066	280	535	-.385	.126	.022	-1.024	280	619	-.203	.090	.293	-.549
280	461	-.363	.133	.055	-1.064	280	536	-.384	.135	-.061	-1.243	280	620	-.292	.061	-.041	-.626
280	462	-.344	.115	.081	-.869	280	537	-.534	.177	-.031	-1.292	280	621	-.288	.061	-.030	-.604
280	463	-.376	.147	.078	-1.302	280	538	-.488	.171	-.028	-1.247	280	622	-.347	.182	.297	-1.193
280	464	-.347	.139	.124	-1.257	280	539	-.376	.128	.007	-.896	280	623	-.288	.184	.372	-.989
280	465	-.331	.119	.098	-.833	280	540	-.330	.109	.071	-.848	280	624	-.258	.153	.602	-.700
280	466	-.304	.168	.300	-1.009	280	541	-.531	.183	.007	-1.375	280	625	-.328	.108	.088	-.843
280	467	-.280	.173	.342	-.932	280	542	-.481	.168	.010	-1.254	280	626	-.311	.069	-.070	-.659
280	468	-.241	.176	.438	-.910	280	543	-.402	.141	.020	-1.081	280	627	-.331	.066	-.105	-.935
280	469	-.237	.185	.427	-.840	280	544	-.506	.185	.079	-1.274	280	628	-.114	.146	.387	-.599
280	470	-.223	.229	.481	-.937	280	545	-.472	.180	-.042	-1.328	280	629	-.093	.172	.597	-.555
280	471	-.216	.231	.624	-.995	280	546	-.275	.120	-.008	-.846	280	630	-.063	.157	.433	-.533
280	472	-.189	.169	.485	-.741	280	547	-.205	.063	.081	-.492	280	631	-.183	.107	.338	-.476
280	473	-.206	.203	.480	-.928	280	548	-.185	.047	.119	-.446	280	632	-.259	.068	.050	-.549
280	474	-.234	.230	.552	-1.297	280	549	-.211	.042	-.046	-.383	280	633	-.053	.150	.405	-.460
280	501	-.455	.131	.194	-1.400	280	550	-.235	.048	-.056	-.446	280	634	-.256	.061	.025	-.515
280	502	-.408	.111	.347	-.912	280	551	-.364	.176	.052	-1.240	280	635	-.275	.073	.263	-.531
280	503	-.388	.101	.138	-1.049	280	552	-.316	.166	.024	-1.152	280	636	-.070	.162	.550	-.601
280	504	-.372	.098	.132	-.754	280	553	-.181	.072	.053	-.637	280	637	.101	.213	.821	-.519
280	505	-.340	.096	.060	-.695	280	554	-.165	.050	.032	-.370	280	638	.037	.195	.730	-.569
280	506	-.317	.084	.100	-.632	280	554	-.165	.050	.032	-.370	280	639	-.053	.173	.619	-.601

WD	TAP	CPMEAN	CPRMS	CPMAX	CPMIN	WD	TAP	CPMEAN	CPRMS	CPMAX	CPMIN	WD	TAP	CPMEAN	CPRMS	CPMAX	CPMIN
280	640	-.209	.109	.332	-.562	280	690	-.223	.058	.075	-.486	280	827	-.289	.048	-.111	-.506
280	641	-.260	.092	.196	-.548	280	691	-.069	.111	.435	-.313	280	828	-.215	.070	.035	-.534
280	642	-.220	.095	.263	-.619	280	692	-.045	.117	.706	-.310	280	829	-.221	.050	.182	-.506
280	643	-.268	.109	.222	-.665	280	693	-.085	.196	.545	-.695	280	901	-.196	.026	-.089	-.303
280	644	-.240	.133	.305	-.769	280	694	-.188	.047	.051	-.321	280	902	-.173	.037	-.038	-.284
280	645	-.245	.119	.363	-.541	280	695	-.170	.070	.186	-.366	280	903	-.216	.025	-.129	-.308
280	646	-.235	.128	.338	-.633	280	696	-.029	.173	.576	-.575	280	904	-.193	.032	-.073	-.328
280	647	-.288	.170	.360	-.741	280	697	-.175	.048	.035	-.319	280	905	-.181	.036	-.042	-.310
280	648	-.314	.075	-.104	-.826	280	701	-.321	.105	.165	-.749	280	906	-.174	.046	.004	-.350
280	649	-.220	.079	.041	-.497	280	701	-.321	.105	.165	-.749	280	907	-.176	.035	-.060	-.313
280	650	-.284	.070	-.075	-.683	280	702	-.315	.106	.304	-.762	280	908	-.203	.028	-.120	-.326
280	651	-.216	.103	.254	-.499	280	703	-.324	.109	.126	-.808	280	1001	-.245	.081	.105	-.573
280	652	-.231	.158	.681	-.585	280	704	-.297	.130	.460	-.679	280	1002	-.254	.072	.088	-.542
280	653	-.185	.129	.600	-.502	280	705	-.280	.155	.681	-.724	280	1003	-.244	.074	.105	-.619
280	654	-.239	.172	.650	-.703	280	706	-.293	.126	.424	-.674	280	1004	-.270	.090	.102	-.658
280	655	-.153	.225	.721	-.822	280	707	-.198	.156	.504	-.551	280	1005	-.287	.082	.051	-.574
280	656	-.110	.224	.736	-.777	280	708	-.169	.191	.676	-.582	280	1006	-.276	.096	.164	-.724
280	657	-.239	.050	-.000	-.651	280	709	-.188	.169	.483	-.585	280	1007	-.297	.115	.232	-.850
280	658	-.255	.048	-.018	-.703	280	710	.010	.200	.742	-.449	280	1008	-.306	.082	.209	-.822
280	659	-.252	.051	-.021	-.442	280	711	-.056	.245	.694	-.945	280	1011	-.378	.136	.005	-.911
280	660	-.227	.098	.403	-.497	280	712	-.109	.208	.558	-.726	280	1012	-.379	.135	-.087	-.895
280	661	-.193	.126	.491	-.549	280	713	.041	.204	.733	-.625	280	1013	-.367	.134	-.072	-.993
280	662	-.061	.206	.622	.745	280	714	-.171	.216	.560	-.827	280	1014	-.337	.103	.036	-.755
280	663	-.088	.196	.603	-.665	280	715	-.276	.155	.204	-.865	280	1015	-.357	.096	-.014	-.756
280	664	-.111	.186	.668	-.646	280	801	-.275	.046	-.077	-.465	280	1016	-.356	.086	-.048	-.720
280	665	-.066	.211	.841	-.579	280	802	-.254	.054	-.075	-.484	280	1017	-.349	.082	-.047	-.687
280	666	-.092	.230	.753	-.828	280	803	-.254	.057	.028	-.435	280	1018	-.343	.080	-.083	-.720
280	667	.040	.209	.714	-.569	280	804	-.267	.050	.009	-.432	280	1019	-.375	.089	-.047	-.917
280	668	.007	.198	.660	-.576	280	805	-.233	.028	-.143	-.342	280	1021	-.401	.151	.171	-1.372
280	669	-.074	.200	.714	-.550	280	806	-.239	.028	-.137	-.356	280	1022	-.446	.168	.045	-1.156
280	670	-.111	.225	.648	-.683	280	807	-.210	.032	-.083	-.338	280	1023	-.315	.154	.314	-.918
280	671	.082	.210	.685	-.542	280	808	-.197	.047	-.029	-.429	280	1024	-.304	.109	.243	-.669
280	672	.027	.192	.644	-.578	280	809	-.241	.053	-.038	-.565	280	1025	-.321	.077	.031	-.656
280	673	.077	.201	.753	-.447	280	810	-.172	.054	.083	-.491	280	1026	-.320	.063	-.042	-.614
280	674	-.010	.185	.680	-.454	280	811	-.143	.061	.130	-.376	280	1027	-.331	.064	-.142	-.681
280	675	.066	.198	.669	-.606	280	812	-.180	.065	.205	-.370	280	1028	-.319	.062	-.054	-.643
280	676	.007	.177	.571	-.661	280	813	-.170	.045	.119	-.351	280	1031	-.134	.230	.698	-.697
280	677	.082	.182	.679	-.491	280	814	-.182	.038	.025	-.349	280	1032	-.085	.246	.675	-.791
280	678	.060	.191	.723	-.458	280	815	-.164	.064	.141	-.371	280	1033	-.205	.195	.367	-.854
280	679	.003	.184	.582	-.583	280	816	-.175	.038	-.017	-.365	280	1034	-.343	.152	.112	-.981
280	680	-.253	.047	-.016	-.484	280	817	-.148	.061	.189	-.377	280	1035	-.297	.146	.149	-.865
280	681	-.251	.069	.098	-.579	280	818	-.115	.075	.253	-.321	280	1036	-.258	.174	.295	-.896
280	682	-.233	.061	.093	-.454	280	819	-.155	.071	.163	-.378	280	1037	-.191	.183	.477	-.821
280	683	-.159	.064	.387	-.445	280	820	-.156	.061	.066	-.427	280	1041	-.279	.093	.109	-.694
280	684	.081	.152	.595	-.340	280	821	-.148	.056	.114	-.387	280	1042	-.263	.096	.313	-.698
280	685	.003	.145	.596	-.329	280	822	-.144	.066	.244	-.312	280	1043	-.275	.077	.126	-.690
280	686	.003	.145	.637	-.447	280	823	-.265	.058	.021	-.501	280	1044	-.268	.088	.073	-.602
280	687	-.251	.038	-.130	-.404	280	824	-.300	.042	-.165	-.527	280	1045	-.296	.066	.004	-.605
280	688	-.259	.037	-.124	-.404	280	825	-.416	.116	-.096	-.991	280	1046	-.291	.072	-.003	-.610
280	689	-.142	.088	.306	-.366	280	826	-.376	.072	-.184	-.724	280	1047	-.263	.075	.126	-.578

WD	TAP	CPMEAN	CPRMS	CPMAX	CPMIN	WD	TAP	CPMEAN	CPRMS	CPMAX	CPMIN	WD	TAP	CPMEAN	CPRMS	CPMAX	CPMIN
280	1048	-.258	.096	.230	-.694	290	49	-.541	.149	-.170	-1.500	290	210	-.277	.073	-.063	-.729
280	1049	-.290	.089	.271	-.626	290	50	-.522	.123	-.171	-1.202	290	211	-.282	.077	-.091	-.921
280	1050	-.284	.068	.073	-.544	290	51	-.531	.130	-.189	-1.317	290	212	-.253	.059	-.080	-.605
290	1	-.267	.085	.009	-.740	290	52	-.261	.045	-.087	-.574	290	213	-.243	.059	-.069	-.854
290	2	-.262	.083	-.028	-.727	290	53	-.263	.052	-.099	-.519	290	214	-.249	.061	-.051	-.544
290	3	-.309	.110	-.015	-.812	290	54	-.273	.085	-.010	-.729	290	215	-.244	.064	-.045	-.562
290	4	-.377	.135	-.026	-1.003	290	55	-.329	.133	.035	-.946	290	216	-.274	.069	-.089	-.836
290	5	-.512	.203	-.115	-1.796	290	56	-.453	.199	-.035	-1.190	290	217	-.266	.064	-.090	-.816
290	6	-.561	.249	-.070	-2.141	290	57	-.583	.211	-.051	-2.022	290	218	-.245	.044	-.107	-.508
290	7	-.264	.083	-.019	-.733	290	58	-.599	.208	-.082	-1.984	290	219	-.238	.043	-.082	-.472
290	9	-.523	.195	-.107	-1.407	290	59	-.260	.040	-.115	-.497	290	220	-.245	.053	-.067	-.486
290	10	-.252	.072	-.040	-.675	290	60	-.240	.041	-.084	-.421	290	221	-.249	.059	-.063	-.672
290	11	-.253	.070	-.023	-.747	290	61	-.218	.053	-.036	-.489	290	222	-.264	.051	-.128	-.565
290	12	-.293	.092	.016	-.804	290	62	-.237	.073	-.010	-.757	290	223	-.251	.046	-.121	-.527
290	13	-.356	.124	-.061	-1.140	290	63	-.292	.122	.002	-.899	290	224	-.239	.036	-.116	-.446
290	14	-.492	.183	-.052	-1.534	290	64	-.385	.163	.024	-1.316	290	225	-.247	.036	-.117	-.397
290	15	-.508	.186	-.072	-1.456	290	65	-.408	.161	.020	-1.181	290	226	-.257	.051	-.089	-.578
290	16	-.265	.082	-.047	-.827	290	66	-.249	.037	-.112	-.386	290	227	-.265	.060	-.092	-.528
290	17	-.279	.087	-.053	-.797	290	67	-.236	.039	-.055	-.370	290	228	-.270	.052	-.119	-.557
290	18	-.312	.103	-.044	-.896	290	68	-.214	.047	-.018	-.406	290	229	-.263	.051	-.095	-.568
290	19	-.377	.130	-.087	-.994	290	69	-.272	.043	-.150	-.463	290	230	-.243	.032	-.133	-.443
290	20	-.516	.193	-.065	-1.330	290	70	-.273	.078	-.013	-.681	290	231	-.248	.028	-.146	-.367
290	21	-.533	.198	-.069	-1.539	290	71	-.295	.078	-.028	-.829	290	232	-.263	.043	-.087	-.468
290	22	-.511	.168	-.020	-1.297	290	72	-.283	.074	-.008	-.735	290	233	-.261	.049	-.074	-.494
290	23	-.541	.197	-.056	-1.900	290	73	-.249	.036	-.111	-.388	290	234	-.254	.043	-.125	-.542
290	24	-.555	.214	-.015	-1.765	290	74	-.231	.039	-.066	-.358	290	235	-.248	.039	-.129	-.454
290	25	-.496	.155	-.082	-1.254	290	75	-.208	.050	.060	-.397	290	236	-.242	.033	-.142	-.372
290	26	-.539	.176	-.101	-1.398	290	76	-.263	.039	-.156	-.585	290	237	-.243	.041	-.107	-.432
290	27	-.572	.201	-.145	-1.910	290	77	-.262	.063	-.005	-.756	290	238	-.245	.037	-.123	-.422
290	28	-.344	.119	-.063	-1.046	290	78	-.267	.062	-.071	-.704	290	239	-.248	.036	-.115	-.440
290	29	-.296	.093	-.088	-.790	290	79	-.266	.060	-.088	-.657	290	240	-.267	.059	-.092	-.555
290	30	-.397	.120	-.093	-.997	290	80	-.217	.032	-.087	-.369	290	241	-.251	.057	-.069	-.536
290	31	-.473	.146	-.079	-1.405	290	81	-.213	.032	-.096	-.325	290	242	-.261	.060	-.109	-.520
290	32	-.401	.136	.020	-1.268	290	82	-.250	.032	-.145	-.424	290	243	-.247	.044	-.105	-.464
290	33	-.545	.172	-.098	-1.495	290	83	-.243	.033	-.156	-.445	290	244	-.243	.030	-.137	-.352
290	34	-.545	.168	-.084	-1.499	290	84	-.231	.058	-.035	-.520	290	245	-.243	.029	-.125	-.370
290	35	-.606	.208	-.101	-1.539	290	85	-.236	.044	-.120	-.475	290	246	-.237	.028	-.142	-.347
290	36	-.631	.226	-.112	-1.783	290	86	-.244	.062	-.010	-.620	290	247	-.259	.037	-.125	-.422
290	37	-.632	.215	-.150	-1.810	290	87	-.247	.043	-.105	-.526	290	248	-.267	.042	-.127	-.466
290	38	-.497	.140	-.097	-1.170	290	88	-.247	.032	-.149	-.423	290	249	-.251	.048	-.104	-.485
290	39	-.540	.163	-.076	-1.259	290	89	-.258	.047	-.121	-.509	290	250	-.238	.047	-.076	-.458
290	40	-.413	.138	-.080	-1.237	290	201	-.293	.094	-.117	-.994	290	251	-.246	.047	-.099	-.455
290	41	-.452	.185	-.104	-1.560	290	202	-.288	.090	-.065	-.907	290	252	-.241	.034	-.130	-.411
290	42	-.420	.158	-.090	-1.554	290	203	-.258	.073	-.056	-.858	290	253	-.246	.043	-.124	-.466
290	43	-.451	.171	-.112	-1.702	290	204	-.248	.059	-.069	-.581	290	254	-.240	.035	-.108	-.403
290	44	-.561	.173	-.123	-1.318	290	205	-.300	.073	-.125	-.687	290	255	-.240	.042	-.128	-.471
290	45	-.305	.086	-.093	-.871	290	206	-.245	.074	-.015	-.720	290	256	-.222	.041	-.076	-.437
290	46	-.297	.083	-.057	-.749	290	207	-.304	.103	-.092	-.944	290	257	-.224	.034	-.121	-.470
290	47	-.355	.119	.015	-.861	290	208	-.276	.085	-.056	-.788	290	258	-.226	.034	-.117	-.442
290	48	-.451	.141	-.077	-1.135	290	209	-.240	.071	-.005	-.710	290	259	-.229	.029	-.137	-.363

WD	TAP	CPMEAN	CPRMS	CPMAX	CPMIN	WD	TAP	CPMEAN	CPRMS	CPMAX	CPMIN	WD	TAP	CPMEAN	CPRMS	CPMAX	CPMIN
290	260	-.211	.024	-.137	-.291	290	424	-.304	.070	.089	-.621	290	474	-.035	.197	.630	-1.179
290	261	-.239	.024	-.154	-.340	290	425	-.306	.074	.043	-.629	290	501	-.511	.145	-.121	-1.178
290	262	-.258	.034	-.148	-.505	290	426	-.308	.073	.069	-.596	290	502	-.453	.124	-.116	-1.108
290	263	-.264	.036	-.154	-.581	290	427	-.287	.071	.092	-.577	290	503	-.420	.116	-.054	-.910
290	264	-.187	.032	-.095	-.449	290	428	-.322	.096	-.036	-.855	290	504	-.375	.106	.137	-.778
290	265	-.208	.031	-.113	-.330	290	429	-.329	.099	-.044	-.886	290	505	-.320	.088	.036	-.720
290	266	-.217	.029	-.129	-.333	290	430	-.347	.107	-.080	-.934	290	506	-.272	.071	-.000	-.561
290	267	-.221	.025	-.123	-.320	290	431	-.302	.082	-.052	-.723	290	507	-.261	.069	.080	-.586
290	268	-.206	.026	-.085	-.307	290	432	-.309	.077	-.020	-.797	290	508	-.472	.131	-.020	-1.086
290	269	-.236	.029	-.113	-.371	290	433	-.305	.080	-.020	-.707	290	509	-.503	.138	-.090	-1.137
290	270	-.243	.031	-.139	-.406	290	434	-.283	.078	.173	-.637	290	510	-.417	.115	-.028	-.917
290	271	-.206	.030	-.108	-.404	290	435	-.246	.077	.094	-.588	290	511	-.253	.062	.102	-.554
290	272	-.184	.029	-.092	-.395	290	436	-.269	.077	.048	-.698	290	512	-.515	.144	-.140	-1.218
290	273	-.208	.027	-.113	-.328	290	437	-.317	.088	-.051	-.785	290	513	-.521	.138	-.118	-1.214
290	274	-.212	.026	-.110	-.314	290	438	-.321	.084	-.080	-.742	290	514	-.374	.122	.042	-.919
290	275	-.209	.023	-.120	-.293	290	439	-.311	.085	-.057	-.739	290	515	-.281	.090	.076	-.874
290	276	-.193	.028	-.097	-.303	290	440	-.329	.100	-.063	-.870	290	516	-.227	.049	-.078	-.497
290	277	-.223	.032	-.089	-.361	290	441	-.314	.085	-.077	-1.022	290	517	-.238	.044	-.126	-.523
290	278	-.210	.028	-.124	-.350	290	442	-.328	.088	-.078	-1.068	290	518	-.555	.212	.015	-1.539
290	279	-.210	.028	-.118	-.344	290	443	-.329	.084	-.087	-.825	290	519	-.566	.206	-.077	-1.497
290	280	-.199	.025	-.125	-.314	290	444	-.361	.120	-.096	-1.106	290	520	-.475	.190	-.065	-1.313
290	281	-.214	.021	-.152	-.287	290	445	-.387	.143	-.028	-1.423	290	521	-.601	.254	-.095	-1.849
290	282	-.211	.020	-.153	-.280	290	446	-.362	.118	-.061	-.957	290	522	-.483	.214	-.088	-1.436
290	283	-.201	.027	-.082	-.296	290	447	-.335	.096	.030	-1.004	290	523	-.428	.186	-.034	-1.208
290	284	-.177	.030	-.040	-.281	290	448	-.279	.082	.113	-.594	290	524	-.271	.098	.018	-.732
290	285	-.208	.027	-.107	-.337	290	449	-.273	.083	.010	-.629	290	525	-.214	.057	-.011	-.523
290	286	-.199	.029	-.065	-.316	290	450	-.286	.082	-.034	-.812	290	526	-.195	.033	-.068	-.363
290	401	-.308	.122	.133	-1.408	290	451	-.406	.169	.005	-1.565	290	527	-.209	.035	-.051	-.466
290	402	-.311	.115	.082	-1.112	290	452	-.383	.156	.035	-1.219	290	528	-.477	.220	.039	-1.456
290	403	-.304	.113	.130	-1.020	290	453	-.374	.132	.010	-1.242	290	529	-.442	.201	-.010	-1.304
290	404	-.272	.113	.267	-.931	290	454	-.354	.101	-.026	-1.130	290	530	-.498	.240	-.036	-1.809
290	405	-.265	.106	.180	-.871	290	455	-.381	.109	-.067	-1.255	290	531	-.473	.223	-.047	-1.542
290	406	-.338	.109	.038	-.881	290	456	-.333	.091	.088	-.748	290	532	-.444	.192	.005	-1.179
290	407	-.296	.109	.040	-1.181	290	457	-.302	.078	-.039	-.685	290	532	-.444	.192	.005	-1.179
290	408	-.248	.100	.233	-.875	290	458	-.317	.106	-.039	-1.060	290	533	-.507	.225	-.040	-1.483
290	409	-.245	.093	.203	-.725	290	459	-.320	.104	-.075	-1.032	290	534	-.414	.174	-.003	-1.136
290	410	-.276	.078	-.048	-.823	290	460	-.356	.152	.075	-1.063	290	535	-.379	.156	-.026	-1.142
290	411	-.271	.073	-.040	-.815	290	461	-.345	.142	.025	-1.272	290	536	-.435	.188	.015	-1.339
290	412	-.284	.072	-.000	-.638	290	462	-.320	.125	.191	-1.034	290	537	-.467	.177	-.049	-1.204
290	413	-.258	.076	.079	-.627	290	463	-.334	.150	.094	-1.196	290	538	-.434	.180	-.046	-1.166
290	414	-.243	.080	.166	-.687	290	464	-.305	.144	.123	-1.118	290	539	-.318	.120	-.054	-.894
290	415	-.254	.081	.021	-.604	290	465	-.275	.141	.296	-.818	290	540	-.302	.108	-.055	-.858
290	416	-.269	.062	-.080	-.597	290	466	-.163	.169	.354	-1.031	290	541	-.420	.152	-.049	-1.112
290	417	-.273	.064	-.059	-.612	290	467	-.134	.161	.366	-.920	290	542	-.390	.154	-.000	-.987
290	418	-.287	.066	-.017	-.661	290	468	-.114	.169	.382	-.781	290	543	-.328	.144	.073	-.901
290	419	-.245	.066	.108	-.482	290	469	-.071	.160	.498	-.825	290	544	-.358	.153	.028	-1.130
290	420	-.249	.079	.089	-.715	290	470	-.028	.169	.514	-.810	290	545	-.342	.152	.037	-.909
290	421	-.253	.080	.065	-.707	290	471	-.024	.170	.520	-1.020	290	546	-.238	.103	.064	-.835
290	422	-.309	.081	.026	-.735	290	472	-.031	.134	.554	-.597	290	547	-.194	.058	.015	-.595
290	423	-.285	.079	.089	-.699	290	473	-.033	.158	.457	-.690	290	548	-.179	.040	.005	-.388

WD	TAP	CPMEAN	CPRMS	CPMAX	CPMIN	WD	TAP	CPMEAN	CPRMS	CPMAX	CPMIN	WD	TAP	CPMEAN	CPRMS	CPMAX	CPMIN
290	549	-.187	.027	-.072	-.304	290	633	-.009	.162	.551	-.689	290	683	-.104	.095	.371	-.360
290	550	-.201	.027	-.106	-.321	290	634	-.211	.075	.144	-.502	290	684	-.040	.113	.586	-.277
290	551	-.264	.125	.048	-.982	290	635	-.219	.084	.164	-.464	290	685	-.032	.125	.593	-.346
290	552	-.243	.117	.040	-.845	290	636	-.016	.145	.469	-.504	290	686	-.065	.114	.474	-.356
290	553	-.179	.060	.043	-.626	290	637	.211	.192	.874	-.328	290	687	-.223	.034	-.133	-.381
290	554	-.173	.040	-.018	-.339	290	638	.106	.169	.634	-.378	290	688	-.223	.031	-.091	-.365
290	554	-.173	.040	-.018	-.339	290	639	.105	.186	.841	-.383	290	689	-.110	.078	.330	-.277
290	555	-.170	.035	-.003	-.368	290	640	-.103	.132	.464	-.472	290	690	-.160	.054	.130	-.302
290	556	-.187	.027	-.074	-.292	290	641	-.196	.112	.267	-.600	290	691	-.100	.089	.547	-.290
290	557	-.201	.027	-.107	-.317	290	642	-.133	.14	.366	-.486	290	692	-.117	.080	.432	-.297
290	558	-.200	.028	-.043	-.308	290	643	-.117	.14	.540	-.481	290	693	-.015	.133	.531	-.498
290	559	-.177	.050	.012	-.476	290	644	-.012	.1	.534	-.502	290	694	-.155	.046	.068	-.287
290	560	-.177	.037	-.000	-.307	290	645	-.064	.170	.662	-.640	290	695	-.140	.064	.159	-.303
290	561	-.195	.031	-.058	-.303	290	646	-.002	.149	.615	-.412	290	696	-.111	.114	.406	-.500
290	562	-.217	.054	-.084	-.633	290	647	-.125	.169	.473	-.592	290	697	-.199	.036	-.051	-.327
290	563	-.164	.040	.012	-.297	290	648	-.283	.077	-.061	-.718	290	701	-.262	.111	.323	-.665
290	564	-.182	.036	.016	-.312	290	649	-.098	.097	.256	-.400	290	701	-.262	.111	.323	-.665
290	565	-.171	.040	.066	-.303	290	650	-.226	.070	-.003	-.579	290	702	-.174	.154	.326	-.588
290	601	-.035	.221	.638	-.850	290	651	-.044	.122	.513	-.399	290	703	-.192	.143	.364	-.664
290	602	.006	.218	.724	-.799	290	652	.022	.207	.931	-.578	290	704	-.169	.146	.417	-.629
290	603	-.020	.217	.779	-.698	290	653	.026	.149	.671	-.433	290	705	-.102	.193	.712	-.695
290	604	-.126	.184	.657	-.723	290	654	.019	.215	.906	-.744	290	706	-.131	.171	.435	-.652
290	605	-.195	.164	.538	-.767	290	655	.135	.200	.792	-.574	290	707	-.016	.164	.680	-.523
290	606	-.272	.138	.302	-.973	290	656	-.116	.180	.739	-.449	290	708	.019	.188	.752	-.534
290	607	-.061	.203	.609	-1.089	290	657	-.207	.046	-.047	-.420	290	709	.029	.198	.682	-.609
290	608	-.230	.128	.277	-.839	290	658	-.219	.043	-.067	-.415	290	710	.117	.183	.879	-.422
290	609	-.014	.211	.602	-.765	290	659	-.209	.036	-.071	-.348	290	711	.041	.168	.657	-.471
290	610	-.123	.213	.618	-.821	290	660	-.062	.120	.442	-.422	290	712	-.032	.135	.427	-.526
290	611	-.087	.230	.759	-.772	290	661	-.011	.146	.564	-.483	290	713	.088	.172	.691	-.306
290	612	.117	.260	.944	-.544	290	662	.108	.187	.776	-.453	290	714	.020	.151	.534	-.675
290	613	.003	.197	.685	-.544	290	663	.092	.187	.769	-.417	290	715	-.162	.108	.180	-.600
290	614	-.209	.120	.381	-.602	290	664	.071	.171	.729	-.363	290	801	-.204	.046	-.009	-.397
290	615	-.278	.101	.095	-.680	290	665	.083	.178	.768	-.348	290	802	-.239	.081	-.038	-.957
290	616	-.026	.179	.579	-.759	290	666	.060	.175	.657	-.609	290	803	-.215	.056	-.023	-.675
290	617	.101	.197	.828	-.542	290	667	.061	.165	.722	-.342	290	804	-.213	.042	-.061	-.425
290	618	.157	.218	.931	-.509	290	668	.017	.149	.661	-.400	290	805	-.251	.030	-.143	-.383
290	619	.050	.182	.766	-.384	290	669	.104	.173	.709	-.379	290	806	-.245	.028	-.159	-.391
290	620	-.231	.071	.119	-.501	290	670	.028	.160	.638	-.577	290	807	-.221	.036	-.076	-.475
290	621	-.260	.065	.022	-.506	290	671	.085	.170	.713	-.329	290	808	-.203	.035	-.077	-.378
290	622	-.186	.158	.362	-1.126	290	672	.010	.146	.568	-.390	290	809	-.232	.037	-.123	-.403
290	623	-.052	.192	.579	-.892	290	673	.106	.172	.678	-.364	290	810	-.190	.038	-.051	-.373
290	624	.119	.244	.853	-.579	290	674	.081	.168	.734	-.426	290	811	-.175	.040	.065	-.319
290	625	-.205	.170	.541	-.663	290	675	.048	.153	.777	-.463	290	812	-.193	.045	.058	-.450
290	626	-.233	.107	.170	-.616	290	676	-.021	.127	.659	-.520	290	813	-.186	.031	-.027	-.345
290	627	-.288	.075	-.050	-.629	290	677	.030	.140	.649	-.431	290	814	-.186	.029	-.066	-.349
290	628	-.040	.165	.464	-.588	290	678	.054	.157	.718	-.412	290	815	-.175	.052	.132	-.345
290	629	.088	.185	.649	-.606	290	679	-.046	.122	.481	-.406	290	816	-.185	.029	-.073	-.335
290	630	.027	.180	.606	-.508	290	680	-.215	.033	-.100	-.339	290	817	-.173	.050	.138	-.332
290	631	-.095	.142	.488	-.670	290	681	-.143	.073	.241	-.359	290	818	-.159	.045	.088	-.335
290	632	-.205	.086	.241	-.555	290	682	-.164	.058	.123	-.349	290	819	-.180	.048	.204	-.352

WD	TAP	CPMEAN	CPRMS	CPMAX	CPMIN	WD	TAP	CPMEAN	CPRMS	CPMAX	CPMIN	WD	TAP	CPMEAN	CPRMS	CPMAX	CPMIN
290	820	-.181	.044	.045	-.411	290	1041	-.279	.119	.067	-.889	300	42	-.460	.176	-.111	-1.415
290	821	-.177	.042	.024	-.365	290	1042	-.257	.119	.229	-.750	300	43	-.493	.206	-.130	-1.760
290	822	-.129	.064	.240	-.294	290	1043	-.191	.109	.423	-.664	300	44	-.441	.166	-.073	-1.516
290	823	-.182	.050	.060	-.401	290	1044	-.195	.095	.253	-.728	300	45	-.325	.108	-.095	-1.165
290	824	-.211	.039	-.075	-.362	290	1045	-.258	.111	.211	-.868	300	46	-.308	.097	-.057	-.921
290	825	-.267	.114	.107	-.830	290	1046	-.234	.098	.162	-.822	300	47	-.336	.098	-.056	-.816
290	826	-.256	.075	-.018	-.640	290	1047	-.230	.090	.180	-.633	300	48	-.374	.112	-.026	-.819
290	827	-.261	.043	-.103	-.487	290	1048	-.259	.103	.195	-.740	300	49	-.408	.118	-.090	-.958
290	828	-.195	.048	.034	-.405	290	1049	-.303	.121	.270	-.825	300	50	-.394	.111	-.109	-1.067
290	829	-.215	.033	-.092	-.325	290	1050	-.287	.114	.127	-1.010	300	51	-.396	.115	-.109	-1.070
290	901	-.207	.023	-.113	-.272	300	1	-.320	.118	-.022	-1.071	300	52	-.273	.080	-.065	-.852
290	902	-.191	.030	-.050	-.289	300	2	-.316	.118	-.023	-.961	300	53	-.282	.080	-.076	-.751
290	903	-.225	.024	-.147	-.321	300	3	-.387	.160	.026	-1.030	300	54	-.314	.086	-.089	-.664
290	904	-.208	.026	-.114	-.310	300	4	-.481	.177	.012	-1.229	300	55	-.362	.103	-.038	-.950
290	905	-.194	.027	-.066	-.287	300	5	-.507	.172	-.041	-1.319	300	56	-.394	.117	-.080	-.832
290	906	-.194	.029	-.088	-.296	300	6	-.524	.191	-.128	-1.861	300	57	-.433	.133	-.129	-1.433
290	907	-.201	.024	-.100	-.294	300	7	-.324	.117	-.055	-.882	300	58	-.434	.131	-.130	-1.386
290	908	-.216	.022	-.136	-.294	300	9	-.486	.165	-.058	-1.261	300	59	-.255	.055	-.005	-.610
290	1001	-.206	.078	.081	-.578	300	10	-.326	.118	-.062	-1.012	300	60	-.237	.054	-.032	-.607
290	1002	-.199	.085	.282	-.501	300	11	-.328	.119	-.035	-.911	300	61	-.265	.071	-.010	-.602
290	1003	-.169	.103	.367	-.479	300	12	-.375	.135	.016	-.978	300	62	-.302	.091	-.056	-.832
290	1004	-.293	.139	.042	-1.107	300	13	-.441	.170	.017	-1.270	300	63	-.341	.115	-.045	-.888
290	1005	-.224	.097	.189	-.595	300	14	-.463	.166	.052	-1.277	300	64	-.367	.132	-.132	-1.364
290	1006	-.244	.111	.205	-.737	300	15	-.459	.159	.026	-1.176	300	65	-.374	.128	-.139	-1.438
290	1007	-.320	.153	.194	-1.022	300	16	-.355	.137	-.074	-1.098	300	66	-.229	.037	-.082	-.450
290	1008	-.280	.137	.297	-1.012	300	17	-.339	.123	.004	-.968	300	67	-.219	.039	-.070	-.398
290	1011	-.318	.110	-.094	-.841	300	18	-.357	.127	.034	-1.236	300	68	-.219	.053	-.008	-.463
290	1012	-.316	.112	-.068	-.854	300	19	-.415	.155	.029	-1.288	300	69	-.270	.072	-.048	-.719
290	1013	-.315	.111	-.070	-.910	300	20	-.410	.153	-.022	-1.560	300	70	-.302	.086	-.046	-.756
290	1014	-.303	.094	-.030	-.711	300	21	-.403	.154	.012	-1.485	300	71	-.305	.087	-.118	-1.055
290	1015	-.326	.090	.012	-.735	300	22	-.409	.136	.045	-1.204	300	72	-.289	.083	-.104	-1.090
290	1016	-.351	.101	-.041	-.802	300	23	-.418	.144	.056	-1.315	300	73	-.217	.038	-.093	-.443
290	1017	-.359	.111	-.086	-.982	300	24	-.411	.142	-.090	-1.293	300	74	-.212	.040	-.069	-.468
290	1018	-.360	.111	-.098	-1.019	300	25	-.408	.138	.034	-1.221	300	75	-.212	.052	-.043	-.480
290	1019	-.404	.126	-.026	-1.099	300	26	-.425	.154	-.061	-1.269	300	76	-.228	.060	-.053	-.545
290	1021	-.291	.186	.212	-1.370	300	27	-.441	.163	-.031	-1.325	300	77	-.278	.080	-.099	-.957
290	1022	-.324	.180	.192	-1.184	300	28	-.355	.134	-.025	-1.035	300	78	-.275	.075	-.089	-.916
290	1023	-.188	.215	.601	-.908	300	29	-.351	.124	.002	-1.154	300	79	-.272	.073	-.100	-.883
290	1024	-.169	.170	.661	-.635	300	30	-.354	.107	-.033	-.894	300	80	-.191	.037	-.084	-.500
290	1025	-.230	.115	.298	-.578	300	31	-.403	.127	-.066	-.997	300	81	-.192	.037	-.051	-.396
290	1026	-.256	.076	.111	-.519	300	32	-.432	.155	-.084	-2.232	300	82	-.197	.046	-.027	-.398
290	1027	-.273	.076	-.038	-.554	300	33	-.428	.143	-.083	-1.516	300	83	-.226	.059	-.077	-.625
290	1028	-.266	.075	.090	-.647	300	34	-.425	.145	-.084	-1.510	300	84	-.253	.088	-.050	-.748
290	1031	.102	.166	.758	-.465	300	35	-.479	.189	-.114	-1.541	300	85	-.271	.092	-.098	-.891
290	1032	.058	.164	.615	-.498	300	36	-.487	.217	-.046	-2.027	300	86	-.287	.096	-.092	-.941
290	1033	-.017	.111	.362	-.667	300	37	-.465	.182	-.073	-1.548	300	87	-.200	.040	-.069	-.466
290	1034	-.211	.125	.104	-.888	300	38	-.403	.129	-.072	-1.067	300	88	-.217	.060	-.028	-.598
290	1035	-.191	.113	.117	-.889	300	39	-.450	.166	-.043	-1.564	300	89	-.270	.093	-.080	-.992
290	1036	-.091	.144	.368	-.783	300	40	-.455	.172	-.060	-1.803	300	201	-.302	.103	-.019	-1.560
290	1037	-.014	.154	.520	-.541	300	41	-.541	.269	-.060	-2.190	300	202	-.302	.085	-.075	-.764

APPENDIX A -- PRESSURE DATA:

JAY SQUARE -- CONFIGURATION B -- LOS ANGELES, CALIFORNIA

WD	TAP	CPMEAN	CPRMS	CPMAX	CPMIN	WD	TAP	CPMEAN	CPRMS	CPMAX	CPMIN	WD	TAP	CPMEAN	CPRMS	CPMAX	CPMIN
300	203	-.278	.082	-.025	-.884	300	253	-.232	.040	-.116	-.409	300	417	-.378	.124	-.044	-1.335
300	204	-.269	.070	-.053	-.691	300	254	-.240	.035	-.132	-.377	300	418	-.412	.130	-.043	-1.174
300	205	-.305	.087	-.081	-.777	300	255	-.238	.042	-.120	-.465	300	419	-.335	.100	-.016	-.825
300	206	-.284	.082	-.003	-.655	300	256	-.228	.042	-.116	-.456	300	420	-.276	.077	-.051	-.716
300	207	-.302	.100	-.035	-.772	300	257	-.234	.041	-.090	-.425	300	421	-.276	.080	-.029	-.646
300	208	-.299	.085	-.061	-.821	300	258	-.234	.042	-.099	-.440	300	422	-.426	.159	-.089	-1.516
300	209	-.288	.076	-.081	-.713	300	259	-.242	.040	-.132	-.472	300	423	-.420	.157	-.097	-1.501
300	210	-.326	.094	-.095	-.803	300	260	-.235	.029	-.147	-.402	300	424	-.437	.147	-.046	-1.389
300	211	-.334	.106	-.077	-1.040	300	261	-.251	.031	-.159	-.398	300	425	-.462	.177	-.075	-1.911
300	212	-.299	.076	-.110	-.724	300	262	-.248	.037	-.128	-.438	300	426	-.458	.164	-.077	-1.748
300	213	-.284	.061	-.132	-.552	300	263	-.251	.039	-.132	-.455	300	427	-.444	.152	-.074	-1.267
300	214	-.311	.073	-.115	-.760	300	264	-.233	.053	-.102	-.494	300	428	-.517	.244	.009	-1.770
300	215	-.307	.083	-.063	-.901	300	265	-.239	.053	-.104	-.497	300	429	-.557	.270	.038	-1.773
300	216	-.318	.113	-.068	-1.159	300	266	-.236	.044	-.133	-.433	300	430	-.543	.234	.019	-1.664
300	217	-.307	.102	-.079	-1.191	300	267	-.231	.028	-.132	-.326	300	431	-.446	.163	-.007	-1.192
300	218	-.276	.057	-.132	-.622	300	268	-.247	.034	-.154	-.381	300	432	-.435	.161	-.118	-1.497
300	219	-.268	.045	-.119	-.486	300	269	-.239	.039	-.133	-.576	300	433	-.396	.137	-.092	-1.062
300	220	-.282	.060	-.089	-.849	300	270	-.238	.040	-.136	-.583	300	434	-.325	.096	-.048	-.865
300	221	-.293	.069	-.088	-.729	300	271	-.241	.052	-.103	-.541	300	435	-.263	.068	.012	-.629
300	222	-.266	.052	-.101	-.538	300	272	-.239	.055	-.114	-.546	300	436	-.275	.069	-.032	-.716
300	223	-.262	.049	-.111	-.560	300	273	-.216	.039	-.102	-.490	300	437	-.604	.293	-.090	-2.053
300	224	-.251	.038	-.123	-.425	300	274	-.213	.028	-.133	-.344	300	438	-.484	.192	-.055	-1.288
300	225	-.256	.036	-.137	-.400	300	275	-.228	.028	-.132	-.362	300	439	-.482	.190	-.062	-1.232
300	226	-.274	.053	-.102	-.508	300	276	-.234	.038	-.140	-.485	300	440	-.452	.178	-.035	-1.212
300	227	-.289	.067	-.037	-.629	300	277	-.238	.038	-.147	-.526	300	441	-.546	.240	-.049	-2.113
300	228	-.273	.050	-.151	-.619	300	278	-.222	.039	-.128	-.462	300	442	-.529	.219	-.045	-1.687
300	229	-.286	.059	-.133	-.674	300	279	-.220	.035	-.122	-.400	300	443	-.503	.171	-.130	-1.451
300	230	-.247	.034	-.135	-.417	300	280	-.203	.023	-.137	-.308	300	444	-.460	.138	-.116	-1.103
300	231	-.245	.031	-.145	-.370	300	281	-.207	.022	-.140	-.290	300	445	-.478	.158	-.054	-1.287
300	232	-.268	.049	-.120	-.508	300	282	-.204	.022	-.133	-.305	300	446	-.415	.140	-.035	-1.079
300	233	-.271	.060	-.114	-.549	300	283	-.216	.029	-.132	-.376	300	447	-.337	.098	-.101	-.806
300	234	-.260	.061	-.116	-.697	300	284	-.208	.029	-.116	-.352	300	448	-.253	.065	-.088	-.642
300	235	-.248	.046	-.116	-.586	300	285	-.214	.029	-.129	-.381	300	449	-.247	.047	.013	-.548
300	236	-.245	.034	-.120	-.393	300	286	-.180	.025	-.089	-.275	300	450	-.265	.048	-.024	-.617
300	237	-.234	.038	-.118	-.381	300	401	-.554	.235	.299	-1.736	300	451	-.432	.166	.002	-1.309
300	238	-.239	.035	-.138	-.386	300	402	-.558	.238	.207	-1.752	300	452	-.400	.171	.035	-1.309
300	239	-.248	.048	-.062	-.464	300	403	-.446	.217	.129	-1.399	300	453	-.399	.187	.038	-1.501
300	240	-.234	.047	-.094	-.484	300	404	-.327	.170	.241	-1.157	300	454	-.420	.138	-.076	-1.096
300	241	-.231	.046	-.097	-.449	300	405	-.285	.116	.084	-.968	300	455	-.397	.126	-.039	-1.076
300	242	-.233	.044	-.061	-.437	300	406	-.308	.102	.141	-.983	300	456	-.306	.085	-.086	-.811
300	243	-.232	.036	-.112	-.399	300	407	-.545	.231	.118	-1.848	300	457	-.245	.061	-.031	-.572
300	244	-.244	.033	-.144	-.405	300	408	-.267	.105	.109	-.826	300	458	-.241	.055	-.089	-.622
300	245	-.245	.027	-.161	-.338	300	409	-.264	.114	.094	-.896	300	459	-.253	.055	-.099	-.643
300	246	-.245	.031	-.147	-.390	300	410	-.480	.172	-.096	-1.377	300	460	-.334	.152	.138	-1.191
300	247	-.258	.043	-.150	-.454	300	411	-.486	.172	-.085	-1.391	300	461	-.301	.145	.126	-1.060
300	248	-.259	.048	-.133	-.484	300	412	-.469	.197	.047	-1.315	300	462	-.301	.177	.223	-1.174
300	249	-.230	.042	-.113	-.393	300	413	-.326	.137	.104	-.913	300	463	-.261	.121	.186	-.990
300	250	-.224	.043	-.104	-.395	300	414	-.284	.083	.020	-.762	300	464	-.225	.121	.168	-.796
300	251	-.231	.041	-.102	-.408	300	415	-.308	.091	-.048	-.735	300	465	-.224	.157	.375	-.983
300	252	-.251	.035	-.141	-.420	300	416	-.370	.117	-.032	-1.114	300	466	-.121	.119	.328	-.786

WD	TAP	CPMEAN	CPRMS	CPMAX	CPMIN	WD	TAP	CPMEAN	CPRMS	CPMAX	CPMIN	WD	TAP	CPMEAN	CPRMS	CPMAX	CPMIN
300	467	-.115	.122	.365	-.653	300	542	-.287	.121	-.018	-.894	300	626	-.118	.116	.326	-.505
300	468	-.102	.141	.541	-.758	300	543	-.305	.123	-.067	-1.005	300	627	-.252	.113	.154	-.822
300	469	-.081	.113	.321	-.667	300	544	-.291	.108	.002	-.776	300	628	-.045	.158	.717	-.811
300	470	-.059	.128	.446	-.612	300	545	-.271	.115	.088	-.927	300	629	.030	.192	.650	-.896
300	471	-.072	.120	.349	-.560	300	546	-.210	.071	-.008	-.635	300	630	.049	.177	.840	-.742
300	472	-.057	.110	.309	-.632	300	547	-.185	.043	-.032	-.404	300	631	.151	.196	.751	-.845
300	473	-.051	.116	.411	-.425	300	548	-.165	.031	-.041	-.323	300	632	-.023	.160	.625	-.620
300	474	-.044	.120	.382	-.656	300	549	-.195	.030	-.093	-.340	300	633	-.059	.136	.393	-.570
300	501	-.550	.152	-.221	-1.348	300	550	-.217	.037	-.102	-.445	300	634	-.067	.143	.529	-.621
300	502	-.495	.139	-.161	-1.131	300	551	-.262	.106	-.025	-.927	300	635	-.100	.142	.377	-.607
300	503	-.428	.130	-.114	-1.148	300	552	-.246	.102	-.020	-.855	300	636	-.114	.121	.436	-.525
300	504	-.334	.103	-.076	-.851	300	553	-.172	.045	-.047	-.536	300	637	.217	.182	.774	-.382
300	505	-.272	.066	-.081	-.651	300	554	-.175	.034	-.040	-.302	300	638	.013	.141	.577	-.435
300	506	-.238	.053	-.057	-.518	300	555	-.175	.034	-.040	-.302	300	639	.182	.182	.888	-.297
300	507	-.228	.051	-.028	-.534	300	556	-.176	.023	-.075	-.260	300	640	.014	.151	.585	-.428
300	508	-.475	.118	-.173	-1.019	300	557	-.194	.023	-.112	-.281	300	641	-.101	.136	.414	-.622
300	509	-.510	.133	-.174	-1.443	300	558	-.194	.025	-.110	-.300	300	642	-.049	.132	.471	-.428
300	510	-.414	.121	-.116	-.934	300	559	-.180	.041	-.023	-.387	300	643	-.132	.094	.310	-.386
300	511	-.234	.049	-.060	-.522	300	560	-.169	.031	-.055	-.291	300	644	.017	.114	.522	-.263
300	512	-.461	.133	-.125	-1.226	300	561	-.181	.027	-.081	-.331	300	645	.055	.159	.701	-.351
300	513	-.470	.135	-.114	-1.221	300	562	-.216	.070	-.065	-.742	300	646	.084	.138	.716	-.243
300	514	-.305	.117	-.053	-.751	300	563	-.170	.032	-.045	-.305	300	647	-.011	.167	.786	-.457
300	515	-.271	.080	-.021	-.681	300	564	-.171	.032	-.010	-.285	300	648	-.262	.071	-.024	-.593
300	516	-.225	.041	-.037	-.432	300	565	-.166	.035	.057	-.298	300	649	-.061	.079	.284	-.305
300	517	-.243	.041	-.112	-.443	300	601	.085	.193	.700	-.587	300	650	-.191	.057	.039	-.401
300	518	-.421	.166	-.114	-1.390	300	602	.040	.189	.932	-.530	300	651	.019	.114	.523	-.294
300	519	-.448	.169	-.103	-1.212	300	603	.129	.206	.958	-.567	300	652	.064	.163	.687	-.344
300	520	-.387	.155	-.104	-1.005	300	604	.062	.201	.788	-.708	300	653	.014	.119	.516	-.247
300	521	-.491	.206	-.125	-1.423	300	605	-.023	.210	.892	-.634	300	654	.047	.163	.648	-.454
300	522	-.471	.189	-.097	-1.499	300	606	-.117	.189	.606	-.741	300	655	.075	.162	.665	-.294
300	523	-.350	.153	-.085	-1.130	300	607	.033	.174	.548	-.668	300	656	.032	.152	.856	-.353
300	524	-.255	.085	-.039	-.864	300	608	-.054	.187	.609	-.597	300	657	-.173	.043	-.038	-.356
300	525	-.219	.051	.005	-.684	300	609	.008	.176	.745	-.542	300	658	-.192	.044	-.041	-.399
300	526	-.189	.038	.020	-.433	300	610	.034	.181	.630	-.762	300	659	-.187	.037	-.062	-.328
300	527	-.223	.037	-.103	-.405	300	611	.150	.201	1.111	-.527	300	660	-.024	.107	.420	-.269
300	528	-.441	.208	-.003	-1.352	300	612	.305	.233	.953	-.356	300	661	-.002	.124	.638	-.272
300	529	-.416	.203	.035	-1.530	300	613	.227	.234	1.047	-.431	300	662	.040	.144	.757	-.311
300	530	-.458	.230	-.082	-1.538	300	614	-.046	.180	.516	-.562	300	663	.030	.147	.797	-.293
300	531	-.457	.209	-.069	-1.543	300	615	-.163	.166	.510	-.624	300	664	-.000	.126	.553	-.303
300	532	-.402	.176	-.049	-1.209	300	616	-.059	.142	.517	-.583	300	665	.000	.133	.547	-.427
300	532	-.402	.176	-.049	-1.209	300	617	.065	.158	.624	-.488	300	666	-.025	.119	.552	-.337
300	533	-.445	.202	-.069	-1.880	300	618	.265	.202	.920	-.268	300	667	-.016	.133	.567	-.398
300	534	-.364	.153	-.067	-1.056	300	619	.223	.193	.824	-.349	300	668	-.050	.122	.494	-.504
300	535	-.341	.148	-.039	-1.099	300	620	-.066	.138	.701	-.526	300	669	.028	.144	.631	-.402
300	536	-.375	.164	-.097	-1.247	300	621	-.225	.111	.364	-.822	300	670	-.005	.123	.602	-.348
300	537	-.389	.147	-.013	-1.135	300	622	-.156	.123	.362	-.738	300	671	-.014	.127	.528	-.372
300	538	-.334	.145	.020	-1.098	300	623	-.045	.135	.488	-.597	300	672	-.071	.109	.429	-.453
300	539	-.261	.094	-.065	-.788	300	624	.227	.208	.979	-.443	300	673	.020	.128	.598	-.316
300	540	-.263	.094	-.073	-.763	300	625	.178	.205	1.038	-.561	300	674	.004	.129	.595	-.357
300	541	-.340	.120	-.050	-.915							300	675	-.024	.117	.590	-.257

WD	TAP	CPMEAN	CPRMS	CPMAX	CPMIN	WD	TAP	CPMEAN	CPRMS	CPMAX	CPMIN	WD	TAP	CPMEAN	CPRMS	CPMAX	CPMIN
300	676	-.079	.100	.448	-.339	300	813	-.178	.028	-.082	-.394	300	1031	-.014	.126	.592	-.396
300	677	-.025	.104	.501	-.230	300	814	-.173	.024	-.097	-.276	300	1032	.015	.127	.724	-.327
300	678	-.011	.117	.586	-.243	300	815	-.183	.031	-.041	-.318	300	1033	-.080	.083	.300	-.369
300	679	-.096	.090	.351	-.381	300	816	-.180	.024	-.060	-.282	300	1034	-.179	.084	.158	-.687
300	680	-.199	.038	-.084	-.384	300	817	-.185	.037	.075	-.351	300	1035	-.172	.091	.138	-.733
300	681	-.087	.066	.238	-.298	300	818	-.148	.042	.076	-.285	300	1036	-.085	.116	.293	-.526
300	682	-.135	.058	.188	-.290	300	819	-.152	.052	.331	-.309	300	1037	-.031	.126	.413	-.584
300	683	-.096	.081	.353	-.298	300	820	-.168	.038	.057	-.319	300	1041	-.453	.154	.128	-1.163
300	684	-.070	.081	.366	-.254	300	821	-.162	.040	.077	-.289	300	1042	-.414	.124	-.015	-.909
300	685	-.058	.092	.391	-.273	300	822	-.080	.067	.287	-.218	300	1043	-.151	.175	.608	-.645
300	686	-.115	.071	.328	-.336	300	823	-.145	.046	.105	-.270	300	1044	-.267	.123	.128	-.775
300	687	-.207	.046	-.085	-.471	300	824	-.192	.031	-.040	-.289	300	1045	-.505	.176	.059	-1.250
300	688	-.193	.036	-.068	-.384	300	825	-.278	.102	.127	-.801	300	1046	-.387	.172	.144	-1.044
300	689	-.102	.057	.240	-.234	300	826	-.252	.067	.116	-.700	300	1047	-.285	.142	.208	-.832
300	690	-.138	.040	.080	-.252	300	827	-.214	.032	-.092	-.366	300	1048	-.391	.114	-.044	-.877
300	691	-.121	.056	.227	-.255	300	828	-.149	.047	.069	-.423	300	1049	-.504	.123	-.022	-1.007
300	692	-.131	.058	.232	-.279	300	829	-.191	.031	-.030	-.321	300	1050	-.528	.150	-.059	-1.131
300	693	-.080	.097	.404	-.448	300	901	-.180	.019	-.112	-.245	310	1	-.255	.068	-.070	-.784
300	694	-.123	.044	.060	-.245	300	902	-.181	.027	-.078	-.295	310	2	-.245	.074	-.056	-.681
300	695	-.092	.064	.199	-.220	300	903	-.199	.020	-.137	-.273	310	3	-.288	.123	.068	-1.252
300	696	-.054	.096	.381	-.419	300	904	-.186	.023	-.107	-.307	310	4	-.383	.157	-.022	-1.593
300	697	-.183	.031	-.046	-.312	300	905	-.177	.025	-.090	-.287	310	5	-.571	.219	-.037	-1.899
300	701	-.210	.132	.409	-.799	300	906	-.185	.028	-.087	-.311	310	6	-.637	.274	-.029	-2.447
300	701	-.210	.132	.409	-.799	300	907	-.178	.021	-.095	-.252	310	7	-.252	.071	-.066	-.772
300	702	-.019	.174	.631	-.496	300	908	-.190	.019	-.116	-.262	310	9	-.560	.216	.014	-1.884
300	703	-.064	.146	.432	-.544	300	1001	-.287	.107	.038	-.793	310	10	-.254	.064	-.049	-.723
300	704	-.075	.134	.548	-.536	300	1002	-.230	.106	.223	-.624	310	11	-.243	.068	-.034	-.788
300	705	.034	.177	.666	-.575	300	1003	-.119	.135	.640	-.505	310	12	-.276	.106	.007	-.789
300	706	-.009	.158	.627	-.549	300	1004	-.327	.138	.004	-.920	310	13	-.379	.179	.051	-1.218
300	707	-.022	.136	.555	-.397	300	1005	-.299	.142	.047	-.939	310	14	-.553	.207	.092	-1.528
300	708	.027	.159	.610	-.418	300	1006	-.472	.179	-.000	-1.183	310	15	-.544	.190	.121	-1.339
300	709	.037	.166	.696	-.477	300	1007	-.568	.176	-.015	-1.406	310	16	-.252	.061	-.076	-.995
300	710	.001	.132	.598	-.455	300	1008	-.562	.195	.055	-1.277	310	17	-.251	.058	-.058	-.648
300	711	-.020	.130	.528	-.272	300	1011	-.249	.058	-.062	-.594	310	18	-.271	.105	.051	-.766
300	712	-.072	.116	.446	-.429	300	1012	-.240	.061	-.085	-.612	310	19	-.365	.168	.067	-1.124
300	713	.016	.128	.565	-.256	300	1013	-.245	.066	-.067	-.796	310	20	-.518	.199	.031	-1.519
300	714	-.029	.121	.506	-.397	300	1014	-.257	.058	-.055	-.569	310	21	-.521	.191	.055	-1.443
300	715	-.155	.092	.263	-.457	300	1015	-.292	.079	-.039	-.844	310	22	-.471	.186	.030	-1.492
300	801	-.200	.055	.036	-.415	300	1016	-.355	.115	.005	-.923	310	23	-.519	.208	.039	-1.630
300	802	-.265	.089	-.061	-1.201	300	1017	-.486	.164	-.048	-1.465	310	24	-.522	.208	.023	-1.801
300	803	-.234	.069	-.023	-.611	300	1018	-.493	.157	-.064	-1.472	310	25	-.454	.192	-.013	-1.705
300	804	-.210	.050	-.042	-.511	300	1019	-.534	.182	-.067	-1.234	310	26	-.513	.203	.012	-1.544
300	805	-.212	.024	-.137	-.296	300	1021	-.049	.153	.607	-1.188	310	27	-.553	.224	-.008	-1.573
300	806	-.206	.023	-.146	-.299	300	1022	-.103	.145	.569	-.808	310	28	-.245	.064	-.082	-.697
300	807	-.192	.022	-.117	-.293	300	1023	.160	.194	.899	-.487	310	29	-.251	.057	-.085	-.597
300	808	-.184	.026	-.086	-.301	300	1024	.211	.204	.932	-.381	310	30	-.274	.104	-.011	-.888
300	809	-.209	.031	-.107	-.403	300	1025	.091	.186	.840	-.416	310	31	-.359	.153	.067	-1.151
300	810	-.181	.030	-.079	-.294	300	1026	-.123	.127	.535	-.519	310	32	-.446	.190	-.042	-1.537
300	811	-.162	.039	.048	-.320	300	1027	-.197	.129	.262	-.671	310	33	-.508	.219	-.010	-1.679
300	812	-.192	.030	-.079	-.354	300	1028	-.168	.119	.378	-.551	310	34	-.510	.217	-.003	-1.748

APPENDIX A -- PRESSURE DATA:

JAY SQUARE -- CONFIGURATION B -- LOS ANGELES, CALIFORNIA

WD	TAP	CPMEAN	CPRMS	CPMAX	CPMIN	WD	TAP	CPMEAN	CPRMS	CPMAX	CPMIN	WD	TAP	CPMEAN	CPRMS	CPMAX	CPMIN
310	35	-.619	.293	.064	-2.529	310	85	-.196	.074	.060	-.644	310	246	-.248	.033	-.170	-.481
310	36	-.599	.363	.158	-2.363	310	86	-.193	.069	-.021	-.718	310	247	-.242	.040	-.099	-.531
310	37	-.553	.306	.109	-2.483	310	87	-.165	.030	-.051	-.303	310	248	-.236	.042	-.090	-.578
310	38	-.453	.197	.070	-1.617	310	88	-.158	.049	-.003	-.515	310	249	-.216	.035	-.121	-.421
310	39	-.470	.247	.061	-1.567	310	89	-.194	.071	-.002	-.623	310	250	-.220	.036	-.113	-.439
310	40	-.430	.229	.109	-2.044	310	201	-.259	.051	-.116	-.566	310	251	-.217	.033	-.119	-.371
310	41	-.560	.302	.103	-2.680	310	202	-.248	.050	-.106	-.567	310	252	-.222	.031	-.125	-.363
310	42	-.408	.213	.146	-1.636	310	203	-.246	.042	-.106	-.440	310	253	-.214	.032	-.109	-.357
310	43	-.548	.265	.052	-1.926	310	204	-.247	.044	-.097	-.426	310	254	-.222	.032	-.119	-.350
310	44	-.530	.221	.282	-1.486	310	205	-.264	.053	-.098	-.502	310	255	-.223	.035	-.113	-.418
310	45	-.233	.042	-.100	-.522	310	206	-.238	.053	-.066	-.623	310	256	-.228	.035	-.125	-.381
310	46	-.213	.044	-.076	-.438	310	207	-.251	.052	-.089	-.521	310	257	-.226	.040	-.114	-.425
310	47	-.223	.069	-.008	-.602	310	208	-.250	.048	-.098	-.464	310	258	-.222	.040	-.099	-.447
310	48	-.249	.096	.010	-.829	310	209	-.236	.049	-.117	-.513	310	259	-.228	.036	-.118	-.404
310	49	-.316	.138	.035	-1.056	310	210	-.248	.046	-.128	-.498	310	260	-.230	.029	-.148	-.376
310	50	-.413	.161	.017	-1.130	310	211	-.260	.046	-.148	-.665	310	261	-.235	.034	-.131	-.477
310	51	-.435	.167	.138	-1.738	310	212	-.248	.035	-.135	-.396	310	262	-.233	.055	-.104	-.893
310	52	-.216	.045	-.058	-.674	310	213	-.247	.035	-.136	-.515	310	263	-.238	.058	-.101	-.987
310	53	-.222	.046	-.090	-.484	310	214	-.258	.046	-.124	-.523	310	264	-.223	.043	-.116	-.420
310	54	-.225	.067	-.011	-.557	310	215	-.260	.048	-.087	-.537	310	265	-.226	.046	-.102	-.487
310	55	-.246	.082	.035	-.758	310	216	-.262	.051	-.106	-.585	310	266	-.218	.038	-.112	-.419
310	56	-.283	.105	.002	-.981	310	217	-.259	.045	-.128	-.554	310	267	-.218	.028	-.128	-.327
310	57	-.337	.120	-.016	-1.367	310	218	-.254	.034	-.136	-.414	310	268	-.238	.035	-.140	-.452
310	58	-.347	.120	-.029	-1.361	310	219	-.251	.035	-.140	-.432	310	269	-.228	.043	-.136	-.652
310	59	-.217	.040	-.100	-.428	310	220	-.261	.050	-.109	-.692	310	270	-.226	.047	-.127	-.843
310	60	-.198	.039	-.071	-.380	310	221	-.262	.049	-.118	-.616	310	271	-.225	.049	-.084	-.588
310	61	-.201	.045	-.049	-.412	310	222	-.260	.041	-.124	-.426	310	272	-.233	.050	-.098	-.579
310	62	-.229	.057	.018	-.506	310	223	-.251	.039	-.119	-.429	310	273	-.207	.035	-.099	-.373
310	63	-.261	.076	-.036	-1.226	310	224	-.248	.029	-.168	-.412	310	274	-.201	.025	-.112	-.293
310	64	-.261	.075	-.076	-.959	310	225	-.250	.027	-.157	-.378	310	275	-.214	.028	-.136	-.352
310	65	-.274	.077	-.095	-.735	310	226	-.241	.037	-.121	-.524	310	276	-.228	.043	-.138	-.714
310	66	-.206	.034	-.099	-.428	310	227	-.255	.041	-.135	-.432	310	277	-.220	.038	-.111	-.699
310	67	-.194	.034	-.064	-.356	310	228	-.271	.052	-.153	-.578	310	278	-.211	.040	-.114	-.404
310	68	-.176	.040	-.010	-.357	310	229	-.269	.054	-.155	-.614	310	279	-.210	.037	-.116	-.382
310	69	-.213	.049	-.054	-.446	310	230	-.257	.032	-.156	-.418	310	280	-.202	.024	-.118	-.287
310	70	-.241	.066	-.057	-.614	310	231	-.248	.030	-.159	-.402	310	281	-.195	.024	-.121	-.289
310	71	-.250	.075	-.107	-.776	310	232	-.251	.037	-.104	-.458	310	282	-.196	.025	-.107	-.278
310	72	-.239	.072	-.103	-.730	310	233	-.255	.037	-.106	-.469	310	283	-.211	.032	-.094	-.409
310	73	-.189	.030	-.067	-.377	310	234	-.281	.081	-.144	-.877	310	284	-.215	.031	-.091	-.386
310	74	-.181	.033	-.018	-.322	310	235	-.257	.056	-.144	-.573	310	285	-.211	.032	-.109	-.386
310	75	-.165	.040	.122	-.377	310	236	-.248	.035	-.158	-.458	310	286	-.172	.024	-.063	-.256
310	76	-.187	.046	.007	-.380	310	237	-.238	.036	-.148	-.442	310	401	-.593	.197	-.124	-1.726
310	77	-.204	.061	.030	-.563	310	238	-.230	.033	-.134	-.383	310	402	-.586	.180	-.077	-1.689
310	78	-.233	.074	.015	-.661	310	239	-.238	.033	-.134	-.397	310	403	-.421	.149	-.041	-1.052
310	79	-.235	.071	.007	-.596	310	240	-.214	.033	-.106	-.332	310	404	-.308	.114	.026	-1.026
310	80	-.166	.025	-.066	-.277	310	241	-.219	.033	-.113	-.344	310	405	-.263	.084	-.061	-.844
310	81	-.160	.029	-.011	-.274	310	242	-.211	.035	-.114	-.388	310	406	-.279	.070	-.094	-.863
310	82	-.169	.038	-.012	-.347	310	243	-.219	.032	-.134	-.390	310	407	-.570	.181	-.125	-1.396
310	83	-.161	.043	.009	-.376	310	244	-.232	.029	-.140	-.364	310	408	-.255	.079	-.052	-.739
310	84	-.158	.050	-.003	-.451	310	245	-.236	.027	-.145	-.386	310	409	-.233	.078	-.020	-.787

204

WD	TAP	CPMEAN	CPRMS	CPMAX	CPMIN	WD	TAP	CPMEAN	CPRMS	CPMAX	CPMIN	WD	TAP	CPMEAN	CPRMS	CPMAX	CPMIN
310	410	-.560	.186	.014	-1.460	310	460	-.235	.109	.138	-.783	310	535	-.236	.087	.007	-.751
310	411	-.546	.181	.007	-1.343	310	461	-.227	.118	.162	-.860	310	536	-.248	.078	-.047	-.788
310	412	-.414	.156	.014	-1.288	310	462	-.216	.136	.246	-.992	310	537	-.280	.100	.036	-.886
310	413	-.299	.105	-.003	-.759	310	463	-.217	.102	.234	-.803	310	538	-.213	.086	.040	-.738
310	414	-.261	.059	-.068	-.687	310	464	-.162	.107	.261	-.763	310	539	-.207	.055	.062	-.473
310	415	-.267	.073	-.102	-.903	310	465	-.176	.122	.260	-.803	310	540	-.220	.054	.052	-.519
310	416	-.519	.187	-.107	-1.603	310	466	-.146	.087	.238	-.610	310	541	-.278	.090	.135	-.831
310	417	-.510	.191	-.085	-1.394	310	467	-.145	.089	.242	-.638	310	542	-.215	.080	.133	-.668
310	418	-.395	.147	-.050	-1.137	310	468	-.102	.093	.273	-.565	310	543	-.209	.059	-.010	-.508
310	419	-.303	.095	-.003	-.884	310	469	-.118	.088	.211	-.560	310	544	-.240	.083	.010	-.678
310	420	-.260	.062	-.065	-.662	310	470	-.100	.097	.301	-.589	310	545	-.193	.071	.042	-.582
310	421	-.256	.065	-.075	-.642	310	471	-.116	.089	.234	-.529	310	546	-.181	.040	-.019	-.409
310	422	-.536	.232	-.111	-2.118	310	472	-.085	.089	.261	-.522	310	547	-.171	.030	-.066	-.273
310	423	-.536	.227	-.091	-2.130	310	473	-.099	.090	.294	-.535	310	548	-.139	.026	-.025	-.221
310	424	-.478	.176	-.111	-1.663	310	474	-.092	.092	.340	-.440	310	549	-.184	.027	-.080	-.313
310	425	-.563	.239	-.149	-2.058	310	501	-.444	.140	-.029	-1.032	310	550	-.206	.032	-.105	-.367
310	426	-.526	.204	-.160	-1.993	310	502	-.350	.118	-.003	-.868	310	551	-.206	.062	.041	-.593
310	427	-.465	.168	-.086	-1.514	310	503	-.304	.089	-.070	-.855	310	552	-.198	.053	.021	-.615
310	428	-.496	.234	.101	-1.660	310	504	-.248	.057	-.071	-.568	310	553	-.160	.032	-.024	-.302
310	429	-.558	.294	.082	-1.971	310	505	-.223	.039	-.086	-.417	310	554	-.157	.030	-.025	-.311
310	430	-.569	.273	-.022	-1.973	310	506	-.206	.034	-.065	-.370	310	555	-.129	.026	-.023	-.229
310	431	-.532	.203	-.140	-1.642	310	507	-.204	.032	-.083	-.362	310	556	-.161	.022	-.062	-.240
310	432	-.452	.178	-.111	-1.379	310	508	-.382	.108	-.054	-1.053	310	557	-.178	.023	-.092	-.282
310	433	-.349	.124	-.032	-1.232	310	509	-.408	.117	-.076	-1.100	310	558	-.181	.025	-.061	-.307
310	434	-.277	.081	-.045	-.851	310	510	-.276	.088	-.035	-.698	310	559	-.167	.030	-.061	-.255
310	435	-.256	.045	-.143	-.518	310	511	-.208	.030	-.111	-.364	310	560	-.159	.032	-.016	-.286
310	436	-.257	.046	-.134	-.556	310	512	-.356	.103	-.063	-.851	310	561	-.160	.024	-.059	-.304
310	437	-.587	.287	-.042	-1.857	310	513	-.352	.104	-.086	-.844	310	562	-.194	.042	-.075	-.542
310	438	-.424	.176	.029	-1.329	310	514	-.197	.054	-.035	-.467	310	563	-.161	.028	-.039	-.248
310	439	-.460	.190	-.098	-1.445	310	515	-.206	.036	-.057	-.402	310	564	-.162	.033	-.007	-.248
310	440	-.431	.200	-.027	-1.799	310	516	-.207	.030	-.081	-.333	310	565	-.156	.038	.043	-.248
310	441	-.523	.213	-.005	-1.649	310	517	-.222	.033	-.091	-.360	310	601	-.024	.219	.610	-.810
310	442	-.472	.189	.091	-1.443	310	518	-.276	.098	-.035	-.780	310	602	-.053	.215	.666	-.685
310	443	-.489	.159	-.042	-1.529	310	519	-.272	.096	-.024	-.782	310	603	-.003	.181	.694	-.498
310	444	-.431	.159	-.078	-1.618	310	520	-.244	.075	-.021	-.712	310	604	-.025	.187	.627	-.571
310	445	-.441	.172	.064	-1.874	310	521	-.298	.111	-.019	-.980	310	605	.003	.210	.808	-.848
310	446	-.304	.111	-.066	-.914	310	522	-.292	.105	-.073	-.935	310	606	-.025	.199	.624	-.590
310	447	-.276	.080	-.050	-.909	310	523	-.231	.071	-.049	-.676	310	607	-.076	.203	.606	-.768
310	448	-.204	.050	-.043	-.504	310	524	-.202	.042	-.050	-.432	310	608	-.013	.189	.698	-.543
310	449	-.232	.038	-.104	-.403	310	525	-.199	.032	-.094	-.352	310	609	-.067	.214	.694	-.889
310	450	-.257	.042	-.139	-.537	310	526	-.171	.030	-.068	-.306	310	610	-.053	.193	.744	-.547
310	451	-.332	.135	.078	-.959	310	527	-.210	.034	-.117	-.333	310	611	.054	.189	.843	-.445
310	452	-.262	.142	.128	-.946	310	528	-.276	.129	.120	-1.001	310	612	.143	.176	.792	-.288
310	453	-.263	.134	.085	-1.603	310	529	-.256	.127	.014	-1.041	310	613	.166	.182	.924	-.387
310	454	-.325	.110	.097	-.877	310	530	-.293	.118	-.088	-1.008	310	614	.037	.203	.842	-.430
310	455	-.300	.105	.047	-.909	310	531	-.292	.113	-.063	-1.038	310	615	-.088	.182	.585	-.574
310	456	-.208	.063	.010	-.580	310	532	-.244	.072	-.047	-.989	310	616	-.111	.179	.684	-.763
310	457	-.199	.042	.018	-.403	310	532	-.244	.072	-.047	-.989	310	617	-.006	.167	.797	-.476
310	458	-.221	.035	-.102	-.458	310	533	-.302	.123	.021	-.976	310	618	.120	.139	.755	-.237
310	459	-.238	.039	-.115	-.425	310	534	-.250	.086	.005	-.615						

APPENDIX A -- PRESSURE DATA:

JAY SQUARE -- CONFIGURATION B -- LOS ANGELES, CALIFORNIA

WD	TAP	CPMEAN	CPRMS	CPMAX	CPMIN	WD	TAP	CPMEAN	CPRMS	CPMAX	CPMIN	WD	TAP	CPMEAN	CPRMS	CPMAX	CPMIN
310	619	.141	.158	.852	-.262	310	669	-.112	.090	.293	-.405	310	806	-.195	.023	-.125	-.316
310	620	-.044	.182	.743	-.464	310	670	-.062	.092	.390	-.353	310	807	-.182	.026	-.095	-.296
310	621	-.200	.161	.470	-.842	310	671	-.105	.088	.279	-.373	310	808	-.174	.027	-.054	-.264
310	622	-.202	.184	.595	-.911	310	672	-.129	.086	.269	-.383	310	809	-.197	.031	-.035	-.370
310	623	-.089	.172	.709	-.563	310	673	-.082	.078	.289	-.350	310	810	-.171	.030	-.009	-.309
310	624	.146	.145	.735	-.244	310	674	-.108	.072	.297	-.307	310	811	-.154	.041	.099	-.263
310	625	.118	.165	.951	-.251	310	675	-.103	.085	.284	-.322	310	812	-.179	.034	.021	-.320
310	626	-.103	.157	.530	-.614	310	676	-.127	.081	.247	-.324	310	813	-.169	.029	-.028	-.285
310	627	-.250	.161	.380	-1.093	310	677	-.098	.080	.256	-.263	310	814	-.163	.026	-.064	-.277
310	628	-.108	.203	.675	-1.060	310	678	-.105	.079	.288	-.272	310	815	-.169	.036	-.003	-.293
310	629	-.080	.191	.803	-.831	310	679	-.122	.083	.289	-.343	310	816	-.165	.025	-.066	-.257
310	630	-.044	.188	.745	-1.117	310	680	-.187	.031	-.092	-.416	310	817	-.168	.038	-.039	-.347
310	631	-.021	.176	.687	-.734	310	681	-.125	.046	.149	-.305	310	818	-.137	.047	.156	-.245
310	632	-.073	.187	.710	-.720	310	682	-.159	.038	.002	-.296	310	819	-.151	.044	.115	-.314
310	633	-.112	.166	.496	-.760	310	683	-.154	.051	.073	-.317	310	820	-.162	.038	.046	-.306
310	634	-.096	.178	.585	-.783	310	684	-.094	.079	.269	-.270	310	821	-.164	.039	.119	-.312
310	635	-.125	.167	.629	-.656	310	685	-.128	.069	.181	-.316	310	822	-.097	.049	.115	-.223
310	636	-.178	.119	.328	-.564	310	686	-.135	.074	.447	-.369	310	823	-.132	.048	.110	-.291
310	637	-.001	.095	.572	-.379	310	687	-.160	.037	-.031	-.322	310	824	-.169	.029	-.026	-.287
310	638	-.107	.103	.369	-.446	310	688	-.159	.034	-.031	-.302	310	825	-.175	.073	.149	-.654
310	639	-.005	.113	.503	-.345	310	689	-.119	.039	.082	-.250	310	826	-.180	.047	.036	-.515
310	640	-.081	.133	.623	-.430	310	690	-.133	.034	.011	-.288	310	827	-.201	.034	-.072	-.376
310	641	-.125	.142	.561	-.608	310	691	-.134	.047	.081	-.292	310	828	-.157	.038	.004	-.308
310	642	-.120	.128	.504	-.558	310	692	-.144	.063	.288	-.378	310	829	-.177	.030	-.062	-.283
310	643	-.164	.059	.088	-.371	310	693	-.107	.068	.193	-.359	310	901	-.167	.020	-.107	-.232
310	644	-.083	.069	.262	-.288	310	694	-.117	.040	.086	-.243	310	902	-.170	.023	-.076	-.256
310	645	-.030	.109	.472	-.319	310	695	-.108	.048	.087	-.245	310	903	-.188	.020	-.119	-.280
310	646	-.038	.085	.441	-.267	310	696	-.094	.075	.263	-.374	310	904	-.178	.021	-.090	-.273
310	647	-.048	.134	1.018	-.377	310	697	-.173	.031	-.005	-.289	310	905	-.164	.022	-.073	-.257
310	648	-.218	.048	-.076	-.498	310	701	-.157	.111	.402	-.590	310	906	-.174	.025	-.079	-.273
310	649	-.097	.055	.111	-.314	310	701	-.157	.111	.402	-.590	310	907	-.176	.022	-.096	-.255
310	650	-.178	.042	-.026	-.423	310	702	-.062	.138	.620	-.597	310	908	-.185	.020	-.117	-.260
310	651	-.066	.076	.347	-.308	310	703	-.087	.119	.417	-.574	310	1001	-.275	.094	.053	-.849
310	652	-.058	.101	.441	-.340	310	704	-.070	.122	.582	-.500	310	1002	-.247	.081	.073	-.646
310	653	-.061	.076	.374	-.259	310	705	-.020	.135	.569	-.382	310	1003	-.177	.101	.290	-.551
310	654	-.061	.104	.418	-.402	310	706	-.076	.102	.314	-.403	310	1004	-.287	.107	.011	-.899
310	655	-.085	.095	.369	-.345	310	707	-.089	.097	.389	-.397	310	1005	-.280	.106	.070	-.948
310	656	-.084	.094	.353	-.459	310	708	-.049	.11	.474	-.335	310	1006	-.407	.138	-.022	-1.217
310	657	-.153	.034	-.023	-.379	310	709	-.068	.102	.378	-.428	310	1007	-.521	.159	-.044	-1.248
310	658	-.182	.035	-.061	-.435	310	710	-.092	.095	.283	-.495	310	1008	-.503	.168	-.020	-1.522
310	659	-.174	.029	-.056	-.335	310	711	-.067	.097	.406	-.389	310	1011	-.222	.039	-.107	-.610
310	660	-.102	.070	.282	-.315	310	712	-.108	.078	.320	-.335	310	1012	-.210	.040	-.085	-.604
310	661	-.100	.078	.415	-.338	310	713	-.079	.088	.369	-.432	310	1013	-.215	.040	-.085	-.424
310	662	-.067	.091	.336	-.394	310	714	-.086	.082	.453	-.410	310	1014	-.222	.049	.019	-.694
310	663	-.080	.089	.348	-.379	310	715	-.135	.056	.184	-.377	310	1015	-.226	.054	-.037	-.484
310	664	-.088	.099	.405	-.401	310	801	-.148	.048	-.003	-.411	310	1016	-.256	.077	.034	-.774
310	665	-.095	.115	.425	-.547	310	802	-.201	.070	-.039	-.608	310	1017	-.343	.129	.019	-1.088
310	666	-.081	.089	.339	-.339	310	803	-.165	.049	.002	-.462	310	1018	-.345	.132	.012	-1.286
310	667	-.107	.105	.340	-.555	310	804	-.167	.037	-.026	-.322	310	1019	-.359	.148	.106	-1.113
310	668	-.122	.102	.306	-.588	310	805	-.204	.026	-.101	-.296	310	1021	-.067	.135	.426	-.709

APPENDIX A -- PRESSURE DATA:

JAY SQUARE -- CONFIGURATION B -- LOS ANGELES, CALIFORNIA

WD	TAP	CPMEAN	CPRMS	CPMAX	CPMIN	WD	TAP	CPMEAN	CPRMS	CPMAX	CPMIN	WD	TAP	CPMEAN	CPRMS	CPMAX	CPMIN
310	1022	-.101	.133	.423	-.503	320	28	-.236	.040	-.112	-.448	320	78	-.164	.064	.140	-.568
310	1023	.099	.150	.706	-.405	320	29	-.261	.040	-.128	-.417	320	79	-.170	.061	.138	-.517
310	1024	.149	.148	.745	-.208	320	30	-.186	.060	.012	-.420	320	80	-.183	.034	-.064	-.318
310	1025	.090	.164	.768	-.283	320	31	-.273	.130	.063	-.772	320	81	-.170	.036	-.025	-.297
310	1026	-.120	.166	.493	-.716	320	32	-.549	.227	.042	-1.447	320	82	-.140	.045	.034	-.293
310	1027	-.155	.137	.310	-.670	320	33	-.683	.246	.034	-1.630	320	83	-.131	.046	.143	-.302
310	1028	-.139	.128	.416	-.552	320	34	-.681	.234	.007	-1.596	320	84	-.123	.046	.063	-.340
310	1031	-.054	.102	.407	-.334	320	35	-.896	.417	.172	-2.265	320	85	-.144	.055	.041	-.491
310	1032	-.055	.087	.448	-.267	320	36	-.435	.331	.241	-1.946	320	86	-.152	.061	.032	-.536
310	1033	-.093	.074	.298	-.320	320	37	-.497	.297	.235	-1.721	320	87	-.169	.038	-.015	-.312
310	1034	-.144	.058	.115	-.355	320	38	-.468	.208	.073	-1.206	320	88	-.120	.050	.111	-.316
310	1035	-.126	.061	.141	-.365	320	39	-.365	.212	.152	-1.419	320	89	-.141	.059	.125	-.571
310	1036	-.103	.081	.203	-.375	320	40	-.293	.164	.188	-.973	320	201	-.396	.114	-.112	-.907
310	1037	-.086	.095	.303	-.455	320	41	-.730	.405	.251	-2.386	320	202	-.356	.091	-.132	-.717
310	1041	-.421	.139	-.022	-.968	320	42	-.343	.216	.298	-1.311	320	203	-.326	.065	-.124	-.646
310	1042	-.400	.116	-.051	-.951	320	43	-.734	.365	.400	-2.462	320	204	-.306	.055	-.119	-.557
310	1043	-.211	.125	.498	-.941	320	44	-.629	.264	.111	-2.035	320	205	-.306	.060	-.124	-.537
310	1044	-.252	.079	.066	-.680	320	45	-.263	.040	-.126	-.473	320	206	-.283	.056	-.046	-.568
310	1045	-.452	.138	-.080	-1.262	320	46	-.235	.039	-.103	-.413	320	207	-.383	.112	-.127	-.908
310	1046	-.387	.126	-.064	-.955	320	47	-.156	.047	-.008	-.337	320	208	-.357	.089	-.121	-.848
310	1047	-.270	.107	.121	-.866	320	48	-.138	.059	.063	-.370	320	209	-.280	.053	-.116	-.532
310	1048	-.402	.125	-.040	-1.044	320	49	-.196	.118	.153	-.883	320	210	-.397	.095	-.133	-.719
310	1049	-.480	.115	-.044	-.914	320	50	-.410	.185	.254	-1.111	320	211	-.370	.075	-.175	-.664
310	1050	-.481	.135	-.038	-1.038	320	51	-.442	.190	.264	-1.274	320	212	-.322	.052	-.180	-.543
320	1	-.284	.049	-.078	-.470	320	52	-.248	.050	-.064	-.488	320	213	-.310	.046	-.175	-.511
320	2	-.265	.046	-.104	-.455	320	53	-.230	.046	.062	-.420	320	214	-.312	.048	-.151	-.576
320	3	-.273	.055	-.040	-.683	320	54	-.167	.053	.158	-.335	320	215	-.312	.050	-.158	-.473
320	4	-.358	.096	-.129	-.909	320	55	-.156	.058	.116	-.359	320	216	-.414	.090	-.198	-.811
320	5	-.768	.206	.195	-1.649	320	56	-.190	.086	.141	-.686	320	217	-.381	.072	-.187	-.712
320	6	-.766	.210	.050	-1.756	320	57	-.302	.125	.090	-.947	320	218	-.334	.048	-.182	-.504
320	7	-.273	.044	-.136	-.453	320	58	-.317	.124	.083	-.898	320	219	-.325	.046	-.202	-.528
320	9	-.740	.194	.188	-1.814	320	59	-.242	.052	-.084	-.507	320	220	-.321	.046	-.199	-.538
320	10	-.288	.043	-.151	-.470	320	60	-.206	.049	-.017	-.444	320	221	-.320	.046	-.190	-.545
320	11	-.266	.043	-.128	-.416	320	61	-.158	.050	.080	-.352	320	222	-.420	.088	-.165	-.804
320	12	-.207	.061	-.029	-.541	320	62	-.160	.055	.075	-.372	320	223	-.393	.073	-.185	-.717
320	13	-.328	.165	.088	-1.080	320	63	-.186	.063	.029	-.522	320	224	-.345	.050	-.202	-.577
320	14	-.710	.184	.111	-1.650	320	64	-.224	.071	.019	-.667	320	225	-.336	.049	-.201	-.548
320	15	-.696	.172	.111	-1.614	320	65	-.246	.075	.010	-.660	320	226	-.315	.044	-.178	-.487
320	16	-.281	.038	-.166	-.434	320	66	-.225	.044	-.056	-.649	320	227	-.325	.048	-.138	-.535
320	17	-.264	.039	-.131	-.461	320	67	-.195	.043	.005	-.388	320	228	-.413	.086	-.180	-.756
320	18	-.216	.084	-.010	-.705	320	68	-.134	.049	.075	-.325	320	229	-.394	.091	-.145	-.833
320	19	-.381	.184	.002	-1.091	320	69	-.149	.055	.106	-.329	320	230	-.354	.052	-.215	-.597
320	20	-.659	.193	.135	-1.803	320	70	-.163	.062	.075	-.407	320	231	-.335	.052	-.201	-.577
320	21	-.659	.189	.055	-1.809	320	71	-.186	.063	.074	-.527	320	232	-.320	.051	-.142	-.530
320	22	-.637	.226	.027	-1.573	320	72	-.179	.062	.058	-.598	320	233	-.321	.051	-.154	-.529
320	23	-.713	.234	-.061	-1.782	320	73	-.222	.042	-.050	-.402	320	234	-.373	.109	-.143	-1.386
320	24	-.703	.218	-.146	-1.731	320	74	-.186	.045	.005	-.342	320	235	-.344	.078	-.146	-1.027
320	25	-.564	.232	.027	-1.523	320	75	-.132	.053	.057	-.292	320	236	-.334	.057	-.174	-.709
320	26	-.718	.255	-.043	-1.908	320	76	-.133	.059	.113	-.374	320	237	-.315	.060	-.164	-.661
320	27	-.773	.277	-.113	-2.305	320	77	-.139	.059	.130	-.330	320	238	-.314	.055	-.170	-.595

WD	TAP	CPMEAN	CPRMS	CPMAX	CPMIN	WD	TAP	CPMEAN	CPRMS	CPMAX	CPMIN	WD	TAP	CPMEAN	CPRMS	CPMAX	CPMIN
320	239	-.314	.054	-.146	-.711	320	403	-.563	.157	-.034	-1.439	320	453	-.554	.207	-.052	-1.708
320	240	-.290	.072	-.116	-.792	320	404	-.522	.167	-.067	-1.374	320	454	-.509	.155	-.024	-1.344
320	241	-.294	.074	-.101	-.773	320	405	-.473	.170	-.100	-1.290	320	455	-.436	.137	-.042	-1.046
320	242	-.291	.071	-.104	-.716	320	406	-.508	.206	-.083	-1.583	320	456	-.342	.113	-.043	-1.027
320	243	-.297	.060	-.119	-.634	320	407	-.535	.139	-.173	-1.605	320	457	-.312	.094	-.034	-1.297
320	244	-.311	.047	-.183	-.544	320	408	-.463	.172	-.092	-1.374	320	458	-.300	.083	-.084	-1.105
320	245	-.320	.052	-.179	-.652	320	409	-.457	.168	-.077	-1.490	320	459	-.313	.083	-.099	-1.085
320	246	-.336	.073	-.179	-.905	320	410	-.476	.114	-.199	-1.243	320	460	-.426	.152	-.018	-1.287
320	247	-.314	.066	-.138	-.735	320	411	-.473	.113	-.185	-1.196	320	461	-.463	.169	-.005	-1.561
320	248	-.306	.066	-.114	-.770	320	412	-.539	.140	-.132	-1.625	320	462	-.461	.199	.073	-1.538
320	249	-.292	.064	-.111	-.669	320	413	-.485	.125	-.126	-1.046	320	463	-.398	.136	.039	-1.288
320	250	-.298	.066	-.140	-.702	320	414	-.495	.161	-.138	-1.338	320	464	-.358	.140	.092	-1.142
320	251	-.292	.062	-.129	-.590	320	415	-.487	.170	-.128	-1.393	320	465	-.404	.168	.160	-1.364
320	252	-.316	.052	-.183	-.590	320	416	-.480	.097	-.210	-1.238	320	466	-.267	.130	.091	-1.124
320	253	-.290	.057	-.169	-.552	320	417	-.482	.103	-.196	-1.287	320	467	-.271	.130	.098	-.995
320	254	-.309	.056	-.155	-.621	320	418	-.526	.119	-.135	-1.170	320	468	-.222	.124	.120	-.927
320	255	-.299	.061	-.152	-.579	320	419	-.510	.113	-.123	-1.082	320	469	-.219	.131	.176	-1.160
320	256	-.306	.062	-.157	-.583	320	420	-.530	.148	-.119	-1.214	320	470	-.180	.120	.281	-.876
320	257	-.301	.063	-.143	-.592	320	421	-.530	.153	-.136	-1.210	320	471	-.186	.107	.197	-.706
320	258	-.301	.064	-.136	-.599	320	422	-.574	.128	-.209	-1.246	320	472	-.165	.140	.165	-1.476
320	259	-.303	.056	-.138	-.571	320	423	-.582	.127	-.235	-1.267	320	473	-.160	.123	.168	-1.069
320	260	-.299	.043	-.167	-.519	320	424	-.587	.139	-.207	-1.426	320	474	-.122	.102	.186	-.566
320	261	-.314	.066	-.173	-.713	320	425	-.626	.159	-.253	-1.536	320	501	-.707	.208	-.268	-1.690
320	262	-.297	.073	-.136	-.859	320	426	-.617	.152	-.189	-1.520	320	502	-.544	.149	-.180	-1.172
320	263	-.294	.070	-.147	-.763	320	427	-.616	.151	-.203	-1.693	320	503	-.441	.116	-.189	-1.051
320	264	-.282	.062	-.110	-.702	320	428	-.684	.191	-.198	-1.685	320	504	-.375	.093	-.142	-.901
320	265	-.283	.068	-.121	-.575	320	429	-.701	.199	-.161	-2.021	320	505	-.328	.072	-.128	-.732
320	266	-.274	.056	-.102	-.559	320	430	-.770	.221	-.201	-2.067	320	506	-.286	.055	-.122	-.680
320	267	-.275	.040	-.142	-.515	320	431	-.672	.160	-.220	-1.385	320	507	-.281	.054	-.126	-.564
320	268	-.304	.056	-.169	-.595	320	432	-.607	.153	-.227	-1.890	320	508	-.582	.145	-.207	-1.334
320	269	-.282	.065	-.121	-.760	320	433	-.592	.149	-.161	-1.348	320	509	-.576	.154	-.174	-1.145
320	270	-.276	.066	-.117	-.747	320	434	-.553	.138	-.091	-1.189	320	510	-.380	.102	-.128	-.917
320	271	-.277	.072	-.101	-.633	320	435	-.506	.147	-.167	-1.174	320	511	-.283	.048	-.139	-.513
320	272	-.289	.076	-.108	-.666	320	436	-.521	.178	-.138	-1.386	320	512	-.439	.108	-.181	-.956
320	273	-.237	.042	-.097	-.432	320	437	-.718	.228	-.181	-1.944	320	513	-.420	.097	-.166	-.867
320	274	-.247	.037	-.099	-.394	320	438	-.689	.189	-.084	-1.589	320	514	-.250	.049	-.123	-.515
320	275	-.288	.048	-.179	-.525	320	439	-.743	.210	-.157	-1.791	320	515	-.258	.041	-.124	-.442
320	276	-.313	.070	-.159	-.678	320	440	-.663	.206	-.087	-1.753	320	516	-.274	.045	-.131	-.529
320	277	-.307	.076	-.158	-.721	320	441	-.696	.210	-.275	-1.721	320	517	-.297	.054	-.146	-.592
320	278	-.237	.058	-.070	-.700	320	442	-.696	.184	-.139	-1.525	320	518	-.341	.088	-.038	-.869
320	279	-.236	.051	-.052	-.520	320	443	-.659	.162	-.299	-1.485	320	519	-.341	.080	-.145	-.883
320	280	-.224	.031	-.105	-.431	320	444	-.548	.123	-.220	-1.187	320	520	-.305	.065	-.129	-.584
320	281	-.222	.028	-.124	-.328	320	445	-.588	.135	-.207	-1.284	320	521	-.374	.093	-.143	-.914
320	282	-.236	.034	-.126	-.389	320	446	-.575	.166	-.141	-1.642	320	522	-.278	.074	-.046	-.639
320	283	-.282	.064	-.135	-.824	320	447	-.544	.163	-.177	-1.379	320	523	-.285	.065	-.086	-.619
320	284	-.289	.065	-.157	-1.003	320	448	-.443	.143	-.088	-1.172	320	524	-.248	.043	-.118	-.482
320	285	-.297	.064	-.117	-.808	320	449	-.402	.101	-.158	-.942	320	525	-.239	.033	-.128	-.449
320	286	-.160	.028	-.067	-.261	320	450	-.418	.103	-.171	-1.134	320	526	-.216	.037	-.110	-.400
320	401	-.503	.130	-.217	-1.834	320	451	-.537	.160	-.091	-1.301	320	527	-.262	.049	-.109	-.456
320	402	-.522	.131	-.239	-1.561	320	452	-.504	.180	-.045	-1.299	320	528	-.364	.144	.052	-1.083

WD	TAP	CPMEAN	CPRMS	CPMAX	CPMIN	WD	TAP	CPMEAN	CPRMS	CPMAX	CPMIN	WD	TAP	CPMEAN	CPRMS	CPMAX	CPMIN
320	529	-.343	.150	-.020	-.993	320	612	.354	.200	.854	-.249	320	662	-.075	.080	.209	-.411
320	530	-.364	.111	-.037	-.880	320	613	.234	.175	.736	-.268	320	663	-.092	.078	.237	-.437
320	531	-.283	.076	-.044	-.621	320	614	-.071	.108	.369	-.407	320	664	-.104	.079	.199	-.468
320	532	-.297	.071	-.094	-.709	320	615	-.179	.096	.147	-.792	320	665	-.098	.095	.251	-.593
320	532	-.297	.071	-.094	-.709	320	616	.185	.180	.687	-.440	320	666	-.113	.092	.280	-.427
320	533	-.401	.128	-.061	-1.054	320	617	.318	.191	.832	-.283	320	667	-.112	.105	.242	-.549
320	534	-.342	.098	-.093	-.894	320	618	.372	.190	.882	-.186	320	668	-.141	.106	.239	-.536
320	535	-.306	.099	-.055	-.699	320	619	.249	.149	.776	-.249	320	669	-.114	.079	.222	-.418
320	536	-.309	.075	-.108	-.631	320	620	-.106	.103	.434	-.464	320	670	-.050	.106	.431	-.335
320	537	-.365	.101	-.070	-.826	320	621	-.319	.105	.328	-.780	320	671	-.100	.084	.230	-.542
320	538	-.275	.089	-.038	-.800	320	622	.008	.162	.699	-.658	320	672	-.150	.087	.169	-.613
320	539	-.255	.066	-.039	-.629	320	623	.190	.173	.721	-.412	320	673	-.073	.076	.303	-.347
320	540	-.272	.067	-.071	-.692	320	624	.402	.186	.987	-.093	320	674	-.093	.072	.246	-.337
320	541	-.360	.092	-.006	-.758	320	625	.231	.150	.805	-.213	320	675	-.099	.084	.273	-.331
320	542	-.279	.086	.012	-.742	320	626	-.196	.094	.271	-.552	320	676	-.146	.085	.265	-.382
320	543	-.269	.061	-.084	-.547	320	627	-.397	.128	.268	-.872	320	677	-.089	.086	.335	-.306
320	544	-.314	.100	.028	-.794	320	628	.234	.208	.796	-.746	320	678	-.093	.080	.322	-.316
320	545	-.242	.086	.030	-.630	320	629	.279	.246	1.080	-.822	320	679	-.123	.091	.282	-.388
320	546	-.211	.043	-.079	-.404	320	630	.310	.214	.932	-.619	320	680	-.178	.052	-.003	-.495
320	547	-.196	.035	-.055	-.333	320	631	-.172	.175	.667	-.523	320	681	-.123	.056	.080	-.427
320	548	-.172	.028	-.050	-.303	320	632	-.032	.134	.436	-.707	320	682	-.140	.045	.040	-.359
320	549	-.214	.033	-.104	-.373	320	633	.158	.170	.737	-.467	320	683	-.129	.055	.111	-.430
320	550	-.245	.042	-.105	-.411	320	634	-.083	.122	.424	-.736	320	684	-.091	.090	.278	-.322
320	551	-.267	.082	.012	-.886	320	635	-.191	.109	.382	-.643	320	685	-.097	.071	.261	-.408
320	552	-.241	.064	-.022	-.625	320	636	-.046	.122	.453	-.384	320	686	-.123	.092	.254	-.385
320	553	-.171	.035	-.011	-.288	320	637	.093	.126	.583	-.297	320	687	-.120	.043	.047	-.302
320	554	-.172	.031	-.039	-.288	320	638	.023	.125	.524	-.342	320	688	-.126	.046	.055	-.353
320	554	-.172	.031	-.039	-.288	320	639	.050	.110	.442	-.281	320	689	-.079	.046	.082	-.320
320	555	-.162	.030	-.050	-.265	320	640	-.134	.088	.263	-.459	320	690	-.092	.051	.135	-.382
320	556	-.182	.025	-.093	-.319	320	641	-.250	.102	.231	-.710	320	691	-.100	.056	.173	-.276
320	557	-.200	.025	-.108	-.317	320	642	-.199	.087	.194	-.584	320	692	-.119	.085	.272	-.326
320	558	-.210	.027	-.118	-.342	320	643	-.168	.073	.076	-.580	320	693	-.123	.083	.278	-.457
320	559	-.176	.032	-.015	-.290	320	644	-.116	.083	.236	-.425	320	694	-.076	.053	.265	-.211
320	560	-.143	.037	-.005	-.284	320	645	-.136	.090	.340	-.476	320	695	-.068	.057	.217	-.252
320	561	-.182	.030	-.048	-.310	320	646	-.080	.086	.296	-.373	320	696	-.064	.066	.271	-.416
320	562	-.182	.042	-.047	-.463	320	647	-.190	.095	.270	-.729	320	697	-.152	.035	.011	-.312
320	563	-.169	.032	-.039	-.302	320	648	-.230	.079	.007	-.920	320	701	-.318	.167	.475	-.966
320	564	-.148	.040	.046	-.262	320	649	-.129	.067	.085	-.506	320	701	-.318	.167	.475	-.966
320	565	-.130	.046	.078	-.264	320	650	-.197	.075	-.000	-.766	320	702	-.095	.213	.596	-.806
320	601	.232	.152	.656	-.544	320	651	-.115	.074	.171	-.440	320	703	-.090	.186	.535	-.847
320	602	.162	.173	.680	-.515	320	652	-.128	.087	.234	-.394	320	704	-.214	.158	.290	-.749
320	603	.070	.155	.566	-.557	320	653	-.096	.070	.202	-.326	320	705	-.070	.164	.467	-.709
320	604	-.059	.145	.611	-.562	320	654	-.142	.092	.256	-.501	320	706	-.086	.135	.423	-.998
320	605	-.101	.132	.455	-.571	320	655	-.108	.081	.224	-.427	320	707	-.196	.106	.222	-.936
320	606	-.138	.110	.199	-.632	320	656	-.133	.084	.192	-.521	320	708	-.152	.114	.348	-.717
320	607	.231	.160	.731	-.455	320	657	-.161	.063	.016	-.570	320	709	-.151	.121	.299	-.897
320	608	-.122	.118	.389	-.577	320	658	-.183	.066	-.005	-.641	320	710	-.087	.091	.248	-.614
320	609	.224	.192	.678	-.511	320	659	-.165	.048	-.036	-.458	320	711	-.131	.091	.265	-.604
320	610	.284	.213	.802	-.436	320	660	-.106	.065	.142	-.333	320	712	-.160	.081	.207	-.453
320	611	.387	.229	.947	-.318	320	661	-.112	.070	.181	-.345	320	713	-.074	.084	.259	-.407

WD	TAP	CPMEAN	CPRMS	CPMAX	CPMIN	WD	TAP	CPMEAN	CPRMS	CPMAX	CPMIN	WD	TA	CPMEAN	CPRMS	CPMAX	CPMIN
320	714	-.087	.090	.261	-.369	320	1014	-.321	.091	-.026	-.899	330	21	.344	.215	.428	-1.216
320	715	-.139	.070	.276	-.419	320	1015	-.378	.112	-.012	-1.057	330	22	-.204	.279	.386	-1.258
320	801	-.116	.047	.061	-.272	320	1016	-.439	.159	.024	-1.507	330	23	-.307	.303	.431	-1.555
320	802	-.147	.053	.059	-.428	320	1017	-.554	.184	-.087	-1.926	330	24	-.330	.269	.467	-1.453
320	803	-.139	.045	.037	-.344	320	1018	-.547	.190	-.045	-1.713	330	25	-.142	.244	.374	-1.157
320	804	-.157	.038	.067	-.367	320	1019	-.494	.187	-.022	-1.440	330	26	-.286	.323	.466	-1.559
320	805	-.218	.030	-.108	-.338	320	1021	.163	.185	.742	-.463	330	27	-.404	.339	.511	-1.696
320	806	-.205	.028	-.127	-.336	320	1022	.138	.158	.546	-.486	330	28	-.266	.038	-.142	-.401
320	807	-.185	.030	-.081	-.347	320	1023	.354	.196	.875	-.275	330	29	-.292	.042	-.150	-.450
320	808	-.164	.027	-.059	-.285	320	1024	.326	.170	.826	-.296	330	30	-.085	.047	.092	-.324
320	809	-.217	.040	-.055	-.452	320	1025	.112	.120	.582	-.284	330	31	-.023	.095	.239	-.487
320	810	-.164	.040	-.023	-.370	320	1026	-.256	.107	.327	-.640	330	32	-.139	.240	.320	-1.087
320	811	-.141	.048	.124	-.280	320	1027	-.283	.113	.163	-.650	330	33	-.255	.308	.395	-1.438
320	812	-.189	.039	-.021	-.350	320	1028	-.187	.104	.235	-.643	330	34	-.279	.304	.399	-1.453
320	813	-.160	.027	-.037	-.262	320	1031	-.064	.099	.387	-.400	330	35	-.320	.488	.566	-2.421
320	814	-.147	.028	-.009	-.236	320	1032	-.065	.092	.297	-.372	330	36	.043	.302	.605	-1.696
320	815	-.174	.045	-.010	-.397	320	1033	-.082	.076	.218	-.385	330	37	.041	.284	.649	-1.381
320	816	-.156	.027	-.056	-.257	320	1034	-.166	.066	.079	-.487	330	38	-.066	.221	.445	-1.034
320	817	-.171	.049	.018	-.360	320	1035	-.138	.082	.170	-.462	330	39	.020	.211	.569	-1.103
320	818	-.123	.049	.129	-.247	320	1036	-.108	.105	.259	-.501	330	40	.047	.194	.522	-.960
320	819	-.133	.047	.168	-.277	320	1037	-.090	.117	.277	-.710	330	41	-.022	.315	.640	-1.419
320	820	-.142	.046	.137	-.259	320	1041	-.666	.179	-.156	-1.376	330	42	.069	.183	.487	-.877
320	821	-.130	.059	.144	-.276	320	1042	-.587	.136	-.090	-1.183	330	43	-.034	.311	.622	-1.657
320	822	-.061	.057	.238	-.211	320	1043	-.427	.115	-.058	-.861	330	44	-.021	.289	.646	-1.445
320	823	-.078	.076	.519	-.317	320	1044	-.386	.113	-.064	-.893	330	45	-.330	.049	-.142	-.550
320	824	-.125	.042	.098	-.250	320	1045	-.536	.103	-.204	-1.066	330	46	-.237	.046	-.059	-.414
320	825	-.146	.074	.183	-.448	320	1046	-.552	.133	-.098	-1.084	330	47	-.048	.054	.163	-.221
320	826	-.150	.052	.077	-.422	320	1047	-.444	.120	-.066	-.941	330	48	.045	.073	.310	-.184
320	827	-.174	.042	-.033	-.400	320	1048	-.578	.133	-.153	-1.004	330	49	.087	.105	.470	-.423
320	828	-.128	.047	.074	-.280	320	1049	-.628	.124	-.201	-1.156	330	50	.079	.198	.568	-.697
320	829	-.149	.037	.007	-.301	320	1050	-.597	.118	-.252	-1.037	330	51	.022	.221	.772	-.795
320	901	-.163	.022	-.086	-.259	330	1	-.359	.043	-.181	-.523	330	52	-.311	.070	-.032	-.608
320	902	-.159	.028	-.046	-.252	330	2	-.331	.042	-.187	-.475	330	53	-.230	.055	-.045	-.474
320	903	-.189	.024	-.108	-.297	330	3	-.258	.043	-.097	-.487	330	54	-.022	.063	.214	-.275
320	904	-.172	.024	-.099	-.280	330	4	-.250	.067	-.079	-.851	330	55	.050	.079	.328	-.286
320	905	-.154	.025	-.061	-.249	330	5	-.556	.202	.121	-1.687	330	56	.077	.098	.413	-.303
320	906	-.161	.032	-.037	-.312	330	6	-.563	.163	.159	-1.119	330	57	.014	.123	.481	-.564
320	907	-.163	.024	-.077	-.241	330	7	-.329	.038	-.191	-.491	330	58	-.033	.117	.418	-.562
320	908	-.179	.022	-.099	-.264	330	9	-.499	.186	.234	-1.473	330	59	-.269	.063	-.082	-.555
320	1001	-.514	.165	-.063	-1.178	330	10	-.362	.043	-.189	-.563	330	60	-.183	.055	.024	-.404
320	1002	-.398	.094	.019	-.737	330	11	-.317	.041	-.170	-.502	330	61	-.003	.065	.245	-.256
320	1003	-.320	.086	.063	-.749	330	12	-.127	.046	.078	-.340	330	62	.059	.084	.347	-.242
320	1004	-.444	.128	-.073	-1.079	330	13	-.077	.115	.201	-.790	330	63	.060	.106	.385	-.331
320	1005	-.515	.161	-.056	-1.353	330	14	-.407	.202	.393	-1.010	330	64	-.019	.106	.369	-.399
320	1006	-.629	.141	-.091	-1.172	330	15	-.398	.179	.400	-.926	330	65	-.104	.103	.245	-.424
320	1007	-.653	.151	-.240	-1.238	330	16	-.367	.041	-.229	-.521	330	66	-.239	.058	-.063	-.643
320	1008	-.606	.140	-.135	-1.270	330	17	-.295	.035	-.184	-.440	330	67	-.166	.054	.007	-.391
320	1011	-.298	.085	-.116	-1.151	330	18	-.111	.053	.079	-.564	330	68	-.000	.065	.275	-.222
320	1012	-.287	.089	-.107	-1.280	330	19	-.061	.142	.243	-.777	330	69	.042	.082	.377	-.237
320	1013	-.294	.079	-.088	-.827	330	20	-.334	.240	.415	-1.237	330	70	.049	.099	.426	-.267

APPENDIX A -- PRESSURE DATA:

JAY SQUARE -- CONFIGURATION B -- LOS ANGELES, CALIFORNIA

WD	TAP	CPMEAN	CPRMS	CPMAX	CPMIN	WD	TAP	CPMEAN	CPRMS	CPMAX	CPMIN	WD	TAP	CPMEAN	CPRMS	CPMAX	CPMIN
330	71	-.029	.102	.432	-.363	330	232	-.461	.062	-.227	-.814	330	282	-.356	.063	-.184	-.676
330	72	-.068	.091	.379	-.392	330	233	-.465	.063	-.226	-.830	330	283	-.408	.091	-.198	-1.125
330	73	-.266	.066	-.073	-.677	330	234	-.519	.098	-.236	-.996	330	284	-.413	.084	-.206	-1.114
330	74	-.180	.056	.037	-.502	330	235	-.509	.092	-.199	-.989	330	285	-.409	.077	-.206	-.829
330	75	-.021	.063	.201	-.344	330	236	-.511	.083	-.247	-.898	330	286	-.238	.033	-.128	-.384
330	76	.016	.065	.247	-.225	330	237	-.519	.101	-.139	-1.040	330	401	-.491	.056	-.302	-.701
330	77	.019	.081	.341	-.326	330	238	-.512	.094	-.255	-.956	330	402	-.505	.057	-.319	-.720
330	78	-.037	.087	.360	-.300	330	239	-.494	.093	-.222	-.875	330	403	-.541	.070	-.291	-1.030
330	79	-.077	.080	.283	-.296	330	240	-.520	.117	-.215	-.984	330	404	-.552	.090	-.229	-1.133
330	80	-.155	.044	.019	-.325	330	241	-.532	.118	-.223	-1.003	330	405	-.575	.110	-.245	-1.266
330	81	-.098	.044	.140	-.256	330	242	-.515	.120	-.226	-.983	330	406	-.606	.152	-.169	-1.465
330	82	-.010	.056	.217	-.213	330	243	-.503	.107	-.192	-.857	330	407	-.501	.057	-.318	-.744
330	83	.044	.074	.455	-.203	330	244	-.508	.085	-.238	-.948	330	408	-.573	.113	-.184	-1.199
330	84	.031	.081	.433	-.281	330	245	-.481	.083	-.269	-.886	330	409	-.583	.118	-.230	-1.241
330	85	-.078	.074	.204	-.276	330	246	-.482	.111	-.243	-1.213	330	410	-.478	.050	-.306	-.661
330	86	-.104	.064	.194	-.338	330	247	-.437	.095	-.211	-1.062	330	411	-.472	.049	-.321	-.637
330	87	-.075	.051	.165	-.236	330	248	-.427	.096	-.172	-1.039	330	412	-.507	.056	-.318	-.714
330	88	.050	.075	.549	-.178	330	249	-.506	.113	-.193	-.937	330	413	-.530	.064	-.333	-.934
330	89	-.065	.058	.222	-.245	330	250	-.519	.117	-.201	-.929	330	414	-.597	.114	-.285	-1.374
330	201	-.505	.091	-.252	-1.144	330	251	-.524	.111	-.236	-.971	330	415	-.585	.110	-.302	-1.182
330	202	-.466	.074	-.201	-.913	330	252	-.531	.100	-.268	-.945	330	416	-.501	.060	-.305	-.694
330	203	-.426	.064	-.251	-1.083	330	253	-.509	.108	-.206	-.919	330	417	-.502	.061	-.296	-.688
330	204	-.427	.060	-.228	-.670	330	254	-.527	.118	-.190	-1.082	330	418	-.533	.066	-.341	-.804
330	205	-.429	.066	-.203	-.657	330	255	-.517	.119	-.170	-1.019	330	419	-.573	.079	-.374	-.896
330	206	-.397	.059	-.146	-.626	330	256	-.530	.123	-.218	-1.075	330	420	-.604	.106	-.354	-1.283
330	207	-.497	.087	-.238	-.922	330	257	-.507	.136	-.119	-1.265	330	421	-.608	.108	-.358	-1.431
330	208	-.449	.074	-.214	-1.209	330	258	-.510	.141	-.110	-1.394	330	422	-.593	.095	-.323	-.955
330	209	-.394	.054	-.210	-.618	330	259	-.506	.119	-.064	-1.243	330	423	-.599	.093	-.344	-.961
330	210	-.485	.070	-.282	-1.044	330	260	-.436	.077	-.218	-.827	330	424	-.597	.085	-.357	-.924
330	211	-.472	.061	-.281	-.728	330	261	-.436	.120	-.213	-1.191	330	425	-.666	.116	-.353	-1.185
330	212	-.428	.051	-.261	-.673	330	262	-.396	.103	-.142	-1.521	330	426	-.649	.104	-.355	-1.095
330	213	-.424	.051	-.274	-.692	330	263	-.395	.098	-.146	-1.295	330	427	-.633	.093	-.372	-1.015
330	214	-.424	.050	-.260	-.625	330	264	-.477	.145	-.089	-1.837	330	428	-.663	.137	-.374	-1.676
330	215	-.432	.050	-.259	-.650	330	265	-.463	.129	-.151	-1.204	330	429	-.701	.163	-.373	-1.913
330	216	-.511	.062	-.318	-.725	330	266	-.415	.095	.020	-.974	330	430	-.834	.208	-.397	-1.993
330	217	-.488	.054	-.301	-.683	330	267	-.387	.073	-.215	-.767	330	431	-.706	.132	-.369	-1.419
330	218	-.459	.049	-.304	-.619	330	268	-.399	.102	-.213	-1.273	330	432	-.640	.102	-.354	-1.072
330	219	-.441	.047	-.271	-.666	330	269	-.350	.082	-.129	-.864	330	433	-.633	.105	-.326	-1.344
330	220	-.434	.047	-.260	-.648	330	270	-.340	.082	-.107	-.862	330	434	-.654	.109	-.365	-1.236
330	221	-.430	.045	-.286	-.608	330	271	-.398	.111	-.131	-1.103	330	435	-.683	.118	-.384	-1.196
330	222	-.557	.078	-.304	-.866	330	272	-.410	.118	-.139	-1.097	330	436	-.667	.113	-.357	-1.288
330	223	-.525	.068	-.316	-.757	330	273	-.334	.061	-.149	-.619	330	437	-.664	.129	-.351	-1.322
330	224	-.479	.057	-.306	-.721	330	274	-.362	.063	-.097	-.793	330	438	-.713	.147	-.353	-1.455
330	225	-.462	.054	-.291	-.719	330	275	-.421	.089	-.185	-.900	330	439	-.814	.178	-.344	-1.547
330	226	-.443	.052	-.287	-.615	330	276	-.411	.097	-.176	-.931	330	440	-.776	.178	-.330	-1.455
330	227	-.457	.051	-.308	-.648	330	277	-.391	.091	-.166	-1.003	330	441	-.644	.120	-.351	-1.189
330	228	-.575	.092	-.279	-.971	330	278	-.313	.076	-.149	-.820	330	442	-.693	.131	-.370	-1.335
330	229	-.558	.091	-.286	-.984	330	279	-.307	.065	-.161	-.649	330	443	-.622	.097	-.354	-1.037
330	230	-.513	.070	-.305	-.842	330	280	-.309	.047	-.161	-.584	330	444	-.590	.095	-.335	-1.308
330	231	-.490	.071	-.293	-.860	330	281	-.325	.055	-.166	-.560	330	445	-.612	.104	-.325	-1.020

WD	TAP	CPMEAN	CPRMS	CPMAX	CPMIN	WD	TAP	CPMEAN	CPRMS	CPMAX	CPMIN	WD	TAP	CPMEAN	CPRMS	CPMAX	CPMIN
330	446	-.663	.112	-.375	-1.191	330	522	-.431	.099	-.176	-.935	330	605	-.050	.080	.226	-.318
330	447	-.688	.135	-.364	-1.500	330	523	-.384	.079	-.133	-.945	330	606	-.169	.073	.105	-.425
330	448	-.626	.127	-.308	-1.207	330	524	-.355	.067	-.143	-.765	330	607	.342	.132	.732	-.075
330	449	-.625	.119	-.283	-1.256	330	525	-.340	.058	-.155	-.720	330	608	-.086	.073	.168	-.326
330	450	-.648	.132	-.309	-1.317	330	526	-.346	.064	-.104	-.597	330	609	.397	.149	.844	-.119
330	451	-.619	.114	-.259	-1.406	330	527	-.400	.085	-.083	-.839	330	610	.454	.149	.856	.017
330	452	-.574	.120	-.232	-1.308	330	528	-.468	.164	-.020	-1.587	330	611	.513	.158	.992	.059
330	453	-.619	.143	-.148	-1.236	330	529	-.467	.163	-.025	-1.549	330	612	.454	.137	.877	.040
330	454	-.611	.131	-.122	-1.216	330	530	-.465	.124	-.158	-1.034	330	613	.317	.124	.676	-.020
330	455	-.589	.120	-.152	-1.131	330	531	-.431	.106	-.203	-.989	330	614	-.037	.081	.320	-.270
330	456	-.541	.109	-.204	-1.104	330	532	-.391	.072	-.192	-.794	330	615	-.193	.064	.042	-.391
330	457	-.528	.112	-.112	-1.119	330	532	-.391	.072	-.192	-.794	330	616	.364	.141	.798	-.080
330	458	-.523	.142	-.196	-1.404	330	533	-.463	.131	-.037	-1.371	330	617	.467	.149	.918	-.003
330	459	-.533	.140	-.210	-1.369	330	534	-.459	.118	-.080	-1.110	330	618	.455	.142	.915	-.035
330	460	-.548	.107	-.225	-1.169	330	535	-.431	.119	-.112	-1.031	330	619	.320	.121	.758	-.123
330	461	-.594	.118	-.200	-1.376	330	536	-.425	.095	-.185	-.879	330	620	-.112	.078	.158	-.363
330	462	-.626	.147	.034	-1.251	330	537	-.481	.138	-.006	-1.733	330	621	-.356	.064	-.087	-.575
330	463	-.584	.110	-.252	-1.099	330	538	-.415	.115	-.053	-.953	330	622	.237	.160	.756	-.316
330	464	-.553	.110	-.081	-1.028	330	539	-.387	.097	-.112	-.927	330	623	.371	.151	.854	-.096
330	465	-.572	.142	-.060	-1.119	330	540	-.350	.089	-.140	-.805	330	624	.429	.165	1.040	-.048
330	466	-.466	.136	.055	-1.222	330	541	-.459	.115	-.150	-1.291	330	625	.259	.131	.716	-.157
330	467	-.488	.140	.015	-1.304	330	542	-.395	.108	-.091	-1.316	330	626	-.240	.085	.054	-.515
330	468	-.488	.157	.012	-1.275	330	543	-.403	.090	-.153	-.884	330	627	-.437	.103	-.105	-.858
330	469	-.393	.157	.078	-1.373	330	544	-.432	.112	-.058	-1.158	330	628	.295	.212	.857	-.661
330	470	-.385	.178	.130	-1.529	330	545	-.386	.104	-.053	-.875	330	629	.310	.257	.967	-.625
330	471	-.397	.157	.065	-1.055	330	546	-.343	.080	-.074	-.731	330	630	.309	.216	.855	-.589
330	472	-.383	.192	.138	-1.643	330	547	-.298	.061	-.114	-.557	330	631	.133	.213	.851	-.720
330	473	-.386	.186	.116	-1.472	330	548	-.261	.046	-.111	-.451	330	632	-.062	.149	.434	-.686
330	474	-.347	.189	.242	-1.417	330	549	-.298	.055	-.135	-.574	330	633	.297	.180	.853	-.376
330	501	-.897	.257	-.372	-2.000	330	550	-.337	.070	-.153	-.778	330	634	-.113	.132	.334	-.653
330	502	-.673	.140	-.330	-1.237	330	551	-.405	.114	-.058	-1.128	330	635	-.231	.102	.142	-.682
330	503	-.635	.129	-.260	-1.186	330	552	-.388	.115	-.075	-.997	330	636	-.019	.197	.608	-.947
330	504	-.578	.119	-.259	-1.119	330	553	-.267	.057	-.063	-.512	330	637	.045	.108	.447	-.223
330	505	-.538	.111	-.270	-1.120	330	554	-.258	.044	-.116	-.432	330	638	.020	.148	.559	-.606
330	506	-.504	.108	-.221	-.952	330	554	-.258	.044	-.116	-.432	330	639	-.040	.104	.463	-.381
330	507	-.493	.114	-.193	-1.119	330	555	-.239	.045	-.076	-.393	330	640	-.225	.087	.104	-.532
330	508	-.783	.188	-.275	-1.700	330	556	-.249	.036	-.107	-.377	330	641	-.347	.097	-.018	-.697
330	509	-.747	.165	-.296	-1.445	330	557	-.266	.032	-.174	-.406	330	642	-.280	.082	.012	-.584
330	510	-.563	.121	-.194	-1.008	330	558	-.269	.041	-.138	-.462	330	643	-.259	.177	.196	-1.220
330	511	-.476	.107	-.176	-.997	330	559	-.250	.043	-.087	-.471	330	644	-.192	.061	.057	-.425
330	512	-.629	.147	-.211	-1.266	330	560	-.252	.049	-.017	-.414	330	645	-.253	.087	.117	-.514
330	513	-.592	.127	-.202	-1.131	330	561	-.243	.037	-.094	-.448	330	646	-.197	.066	.090	-.411
330	514	-.404	.096	-.167	-.917	330	562	-.335	.091	-.158	-.893	330	647	-.372	.093	-.038	-.764
330	515	-.391	.077	-.162	-.767	330	563	-.250	.053	-.099	-.511	330	648	-.385	.158	.082	-1.205
330	516	-.436	.088	-.188	-.823	330	564	-.243	.048	.049	-.408	330	649	-.155	.065	.098	-.500
330	517	-.476	.102	-.191	-.880	330	565	-.248	.056	.046	-.412	330	650	-.364	.166	.100	-1.241
330	518	-.473	.118	-.202	-1.031	330	601	.296	.132	.728	-.144	330	651	-.201	.055	.072	-.432
330	519	-.458	.106	-.208	-.953	330	602	.202	.130	.589	-.217	330	652	-.301	.078	.131	-.547
330	520	-.418	.083	-.201	-.931	330	603	.081	.107	.458	-.291	330	653	-.135	.058	.085	-.328
330	521	-.494	.131	-.225	-1.191	330	604	.001	.093	.305	-.291	330	654	-.332	.093	.100	-.767

WD	TAP	CPMEAN	CPRMS	CPMAX	CPMIN	WD	TAP	CPMEAN	CPRMS	CPMAX	CPMIN	WD	TAP	CPMEAN	CPRMS	CPMAX	CPMIN
330	655	-.227	.080	.201	-.580	330	707	-.421	.160	.211	-1.014	330	1005	-.579	.101	-.207	-1.194
330	656	-.293	.084	.095	-.642	330	708	-.382	.173	.331	-1.264	330	1006	-.657	.098	-.272	-1.155
330	657	-.228	.100	.043	-.707	330	709	-.352	.187	.315	-1.056	330	1007	-.684	.108	-.348	-1.133
330	658	-.285	.104	.012	-.797	330	710	-.148	.116	.222	-.911	330	1008	-.619	.090	-.340	-1.007
330	659	-.266	.104	.027	-.765	330	711	-.294	.148	.338	-.779	330	1011	-.516	.137	-.212	-1.230
330	660	-.175	.057	.063	-.458	330	712	-.279	.140	.262	-.887	330	1012	-.513	.142	-.203	-1.191
330	661	-.197	.060	.062	-.465	330	713	-.137	.087	.160	-.675	330	1013	-.527	.139	-.223	-1.282
330	662	-.170	.076	.165	-.565	330	714	-.183	.146	.406	-.663	330	1014	-.553	.121	-.200	-1.350
330	663	-.213	.070	.105	-.545	330	715	-.208	.116	.349	-.527	330	1015	-.571	.109	-.149	-1.061
330	664	-.201	.077	.152	-.572	330	801	-.126	.047	.084	-.300	330	1016	-.582	.120	-.241	-1.115
330	665	-.208	.112	.219	-1.086	330	802	-.021	.079	.315	-.270	330	1017	-.606	.141	-.189	-1.360
330	666	-.315	.144	.254	-.804	330	803	.073	.090	.439	-.179	330	1018	-.597	.144	-.176	-1.355
330	667	-.205	.114	.194	-.747	330	804	-.000	.067	.292	-.217	330	1019	-.535	.141	-.052	-1.552
330	668	-.251	.112	.241	-.815	330	805	-.339	.076	-.167	-.819	330	1021	.329	.151	.782	-.211
330	669	-.189	.084	.202	-.513	330	806	-.309	.057	-.169	-.604	330	1022	.316	.138	.716	-.111
330	670	-.237	.179	.391	-.831	330	807	-.256	.048	-.086	-.691	330	1023	.440	.160	.906	-.022
330	671	-.228	.101	.305	-.817	330	808	-.240	.045	-.054	-.589	330	1024	.388	.149	.874	-.066
330	672	-.291	.102	.278	-.805	330	809	-.286	.052	-.111	-.500	330	1025	.140	.112	.586	-.229
330	673	-.145	.078	.323	-.551	330	810	-.256	.054	.004	-.469	330	1026	-.311	.088	.014	-.641
330	674	-.187	.073	.198	-.508	330	811	-.244	.054	.137	-.433	330	1027	-.337	.103	.030	-.716
330	675	-.213	.093	.206	-.521	330	812	-.256	.040	-.066	-.471	330	1028	-.197	.085	.137	-.548
330	676	-.275	.101	.231	-.574	330	813	-.232	.033	-.109	-.396	330	1031	-.292	.179	.521	-1.085
330	677	-.162	.090	.250	-.404	330	814	-.209	.035	-.064	-.345	330	1032	-.175	.140	.476	-.592
330	678	-.184	.080	.190	-.418	330	815	-.250	.040	-.058	-.412	330	1033	-.216	.138	.330	-.649
330	679	-.258	.101	.203	-.611	330	816	-.219	.033	-.085	-.361	330	1034	-.295	.101	.073	-.614
330	680	-.293	.109	.049	-.798	330	817	-.269	.046	-.021	-.579	330	1035	-.233	.110	.120	-.623
330	681	-.139	.069	.091	-.461	330	818	-.218	.058	.135	-.371	330	1036	-.227	.139	.249	-.782
330	682	-.178	.056	.017	-.463	330	819	-.203	.072	.144	-.442	330	1037	-.303	.171	.342	-1.056
330	683	-.180	.050	-.003	-.383	330	820	-.234	.064	.047	-.424	330	1041	-.660	.106	-.301	-1.107
330	684	-.157	.084	.273	-.402	330	821	-.200	.044	-.010	-.394	330	1042	-.621	.092	-.289	-1.038
330	685	-.167	.061	.110	-.362	330	822	-.154	.076	.295	-.567	330	1043	-.505	.087	-.166	-.875
330	686	-.231	.096	.249	-.478	330	823	-.135	.054	.221	-.347	330	1044	-.381	.096	-.087	-.723
330	687	-.198	.075	-.025	-.691	330	824	-.151	.036	-.005	-.276	330	1045	-.547	.067	-.333	-.785
330	688	-.211	.073	-.038	-.671	330	825	-.133	.059	.092	-.484	330	1046	-.605	.082	-.268	-.936
330	689	-.082	.046	.098	-.232	330	826	-.191	.046	-.016	-.418	330	1047	-.564	.087	-.196	-.970
330	690	-.167	.057	.029	-.550	330	827	-.177	.035	-.051	-.340	330	1048	-.624	.083	-.335	-.949
330	691	-.142	.048	.053	-.332	330	828	-.158	.058	.139	-.328	330	1049	-.664	.088	-.392	-1.006
330	692	-.187	.070	.141	-.442	330	829	-.169	.038	-.042	-.303	330	1050	-.605	.076	-.393	-.880
330	693	-.196	.124	.353	-.599	330	901	-.232	.032	-.133	-.357	340	1	-.376	.042	-.235	-.529
330	694	-.163	.067	.100	-.489	330	902	-.233	.033	-.091	-.347	340	2	-.338	.041	-.192	-.495
330	695	-.118	.073	.332	-.321	330	903	-.262	.035	-.156	-.415	340	3	-.217	.058	-.023	-.421
330	696	-.094	.086	.511	-.264	330	904	-.232	.032	-.091	-.333	340	4	-.184	.067	.068	-.403
330	697	-.210	.041	-.035	-.359	330	905	-.223	.032	-.085	-.327	340	5	-.078	.196	.320	-.848
330	701	-.540	.177	.155	-1.214	330	906	-.241	.035	-.077	-.393	340	6	-.114	.238	.497	-.799
330	701	-.540	.177	.155	-1.214	330	907	-.228	.031	-.083	-.330	340	7	-.332	.043	-.167	-.556
330	702	-.417	.247	.414	-1.106	330	908	-.251	.033	-.132	-.396	340	8	-.020	.233	.538	-.713
330	703	-.395	.259	.400	-1.093	330	1001	-.630	.113	-.286	-1.078	340	10	-.390	.037	-.272	-.538
330	704	-.499	.182	.254	-1.142	330	1002	-.502	.082	-.254	-.886	340	11	-.314	.040	-.155	-.443
330	705	-.385	.244	.339	-1.166	330	1003	-.348	.099	.012	-.722	340	12	-.040	.065	.164	-.223
330	706	-.337	.210	.300	-.941	330	1004	-.597	.110	-.240	-1.102	340	13	.080	.086	.358	-.319

WD	TAP	CPMEAN	CPRMS	CPMAX	CPMIN	WD	TAP	CPMEAN	CPRMS	CPMAX	CPMIN	WD	TAP	CPMEAN	CPRMS	CPMAX	CPMIN
340	14	.076	.248	.695	-.750	340	64	.187	.114	.626	-.152	340	225	-.523	.049	-.333	-.706
340	15	.056	.248	.772	-.700	340	65	.087	.107	.481	-.316	340	226	-.507	.044	-.379	-.676
340	16	-.382	.036	-.268	-.500	340	66	-.331	.067	-.144	-.700	340	227	-.501	.045	-.324	-.675
340	17	-.280	.041	-.137	-.417	340	67	-.216	.055	-.008	-.505	340	228	-.602	.082	-.418	-1.153
340	18	-.014	.069	.219	-.202	340	68	.025	.060	.281	-.118	340	229	-.590	.071	-.395	-.955
340	19	.142	.092	.472	-.444	340	69	.132	.077	.441	-.109	340	230	-.549	.051	-.415	-.778
340	20	.127	.252	.727	-.659	340	70	.169	.088	.511	-.129	340	231	-.532	.047	-.411	-.735
340	21	.098	.262	.791	-.646	340	71	.127	.100	.526	-.187	340	232	-.527	.046	-.401	-.733
340	22	.185	.151	.571	-.444	340	72	.063	.093	.452	-.235	340	233	-.508	.045	-.378	-.695
340	23	.149	.213	.652	-.753	340	73	-.375	.077	-.138	-.702	340	234	-.612	.076	-.390	-1.011
340	24	.112	.228	.715	-.656	340	74	-.245	.058	-.031	-.474	340	235	-.595	.071	-.406	-.919
340	25	.197	.127	.550	-.355	340	75	.001	.057	.266	-.187	340	236	-.593	.066	-.419	-.874
340	26	.133	.198	.669	-.602	340	76	.109	.068	.355	-.068	340	237	-.601	.069	-.427	-.921
340	27	.042	.276	.752	-.995	340	77	.123	.073	.439	-.083	340	238	-.602	.068	-.400	-.937
340	28	-.280	.038	-.117	-.440	340	78	.078	.088	.518	-.159	340	239	-.593	.072	-.414	-.956
340	29	-.291	.044	-.103	-.412	340	79	.020	.085	.472	-.224	340	240	-.653	.098	-.384	-1.258
340	30	-.010	.061	.248	-.196	340	80	-.221	.052	-.039	-.450	340	241	-.632	.094	-.373	-1.136
340	31	.126	.081	.443	-.144	340	81	-.144	.046	.032	-.284	340	242	-.624	.088	-.380	-1.014
340	32	.203	.115	.590	-.361	340	82	.047	.060	.261	-.089	340	243	-.597	.075	-.351	-.921
340	33	.180	.173	.631	-.900	340	83	.146	.074	.476	-.042	340	244	-.588	.060	-.398	-.798
340	34	.172	.197	.631	-.940	340	84	.126	.072	.460	-.071	340	245	-.571	.069	-.372	-.948
340	35	.251	.196	.692	-.820	340	85	.055	.079	.485	-.227	340	246	-.529	.061	-.341	-.797
340	36	.335	.141	.755	-.710	340	86	-.031	.075	.284	-.234	340	247	-.520	.059	-.341	-.768
340	37	.348	.147	.795	-.194	340	87	-.064	.051	.129	-.204	340	248	-.512	.060	-.326	-.765
340	38	.220	.117	.604	-.277	340	88	.156	.085	.600	-.045	340	249	-.647	.097	-.359	-1.156
340	39	.280	.133	.750	-.239	340	89	.035	.078	.465	-.135	340	250	-.628	.093	-.390	-1.214
340	40	.331	.129	.762	-.454	340	201	-.528	.073	-.316	-1.063	340	251	-.621	.080	-.415	-1.111
340	41	.364	.146	.872	-.409	340	202	-.502	.069	-.284	-1.245	340	252	-.578	.065	-.377	-.786
340	42	.338	.129	.751	-.074	340	203	-.499	.058	-.301	-1.093	340	253	-.641	.090	-.406	-1.018
340	43	.354	.162	.817	-.419	340	204	-.516	.053	-.322	-.769	340	254	-.615	.079	-.409	-.952
340	44	.342	.169	.842	-.567	340	205	-.518	.055	-.305	-.717	340	255	-.650	.096	-.384	-1.156
340	45	-.357	.046	-.199	-.537	340	206	-.489	.053	-.318	-.667	340	256	-.629	.095	-.371	-1.107
340	46	-.238	.047	-.069	-.401	340	207	-.515	.072	-.301	-1.054	340	257	-.659	.107	-.363	-1.284
340	47	-.002	.060	.215	-.156	340	208	-.497	.068	-.296	-1.001	340	258	-.649	.106	-.341	-1.345
340	48	.128	.076	.375	-.061	340	209	-.485	.048	-.338	-.667	340	259	-.633	.095	-.320	-1.132
340	49	.220	.097	.529	-.040	340	210	-.515	.055	-.348	-.795	340	260	-.569	.086	-.373	-1.180
340	50	.303	.132	.733	-.123	340	211	-.506	.052	-.353	-.698	340	261	-.541	.078	-.358	-.937
340	51	.304	.155	.892	-.231	340	212	-.497	.048	-.366	-.707	340	262	-.504	.071	-.324	-.867
340	52	-.359	.053	-.196	-.570	340	213	-.506	.048	-.379	-.674	340	263	-.508	.071	-.297	-.834
340	53	-.256	.048	-.058	-.424	340	214	-.512	.045	-.356	-.676	340	264	-.628	.128	-.234	-1.579
340	54	.024	.066	.284	-.174	340	215	-.486	.044	-.338	-.659	340	265	-.631	.121	-.120	-1.275
340	55	.149	.083	.504	-.082	340	216	-.528	.055	-.339	-.889	340	266	-.615	.107	-.287	-1.355
340	56	.244	.104	.667	-.017	340	217	-.526	.050	-.364	-.841	340	267	-.621	.114	-.322	-1.201
340	57	.242	.126	.752	-.111	340	218	-.512	.044	-.379	-.698	340	268	-.557	.111	-.307	-1.119
340	58	.172	.130	.669	-.169	340	219	-.502	.040	-.386	-.677	340	269	-.502	.087	-.256	-1.021
340	59	-.347	.060	-.179	-.604	340	220	-.501	.041	-.361	-.669	340	270	-.489	.087	-.214	-1.001
340	60	-.234	.053	-.074	-.428	340	221	-.493	.043	-.359	-.665	340	271	-.575	.136	-.273	-1.349
340	61	.036	.068	.271	-.156	340	222	-.552	.057	-.357	-.912	340	272	-.556	.137	-.242	-1.306
340	62	.150	.087	.465	-.091	340	223	-.538	.051	-.362	-.845	340	273	-.519	.099	-.144	-1.039
340	63	.224	.107	.651	-.057	340	224	-.528	.043	-.413	-.686	340	274	-.583	.109	-.155	-1.073

APPENDIX A -- PRESSURE DATA:

JAY SQUARE -- CONFIGURATION B -- LOS ANGELES, CALIFORNIA

WD	TAP	CPMEAN	CPRMS	CPMAX	CPMIN	WD	TAP	CPMEAN	CPRMS	CPMAX	CPMIN	WD	TAP	CPMEAN	CPRMS	CPMAX	CPMIN
340	275	-.698	.163	-.282	-2.295	340	439	-.642	.110	-.385	-1.277	340	515	-.657	.111	-.308	-1.201
340	276	-.619	.140	-.305	-1.384	340	440	-.642	.125	-.377	-1.303	340	516	-.631	.096	-.353	-1.191
340	277	-.599	.141	-.224	-1.349	340	441	-.539	.063	-.337	-.826	340	517	-.641	.096	-.343	-1.332
340	278	-.419	.096	-.152	-1.093	340	442	-.572	.071	-.343	-.904	340	518	-.592	.110	-.257	-1.161
340	279	-.416	.080	-.201	-.958	340	443	-.533	.056	-.353	-.797	340	519	-.583	.103	-.291	-1.227
340	280	-.421	.073	-.212	-.763	340	444	-.526	.062	-.340	-.779	340	520	-.585	.093	-.301	-1.024
340	281	-.502	.082	-.241	-.991	340	445	-.561	.070	-.378	-.957	340	521	-.602	.104	-.328	-1.201
340	282	-.565	.086	-.356	-.934	340	446	-.607	.075	-.323	-1.207	340	522	-.567	.098	-.257	-1.178
340	283	-.610	.094	-.354	-1.060	340	447	-.612	.083	-.389	-1.284	340	523	-.557	.090	-.309	-1.022
340	284	-.577	.084	-.344	-.921	340	448	-.578	.085	-.355	-1.159	340	524	-.595	.099	-.309	-1.076
340	285	-.615	.099	-.349	-1.178	340	449	-.620	.117	-.350	-1.497	340	525	-.594	.093	-.340	-1.031
340	286	-.396	.051	-.232	-.580	340	450	-.648	.124	-.361	-1.664	340	526	-.520	.085	-.250	-.944
340	401	-.518	.051	-.338	-.698	340	451	-.627	.085	-.395	-.979	340	527	-.587	.085	-.355	-.908
340	402	-.526	.051	-.351	-.716	340	452	-.583	.082	-.357	-.987	340	528	-.578	.110	-.340	-1.626
340	403	-.540	.059	-.337	-.900	340	453	-.627	.084	-.384	-1.019	340	529	-.560	.110	-.274	-1.783
340	404	-.535	.065	-.333	-1.007	340	454	-.608	.085	-.314	-1.113	340	530	-.619	.100	-.324	-1.243
340	405	-.553	.078	-.306	-1.085	340	455	-.597	.086	-.297	-1.134	340	531	-.574	.094	-.320	-1.292
340	406	-.584	.097	-.318	-1.201	340	456	-.559	.082	-.292	-.919	340	532	-.594	.091	-.318	-1.082
340	407	-.501	.046	-.358	-.681	340	457	-.609	.088	-.373	-1.158	340	532	-.594	.091	-.318	-1.082
340	408	-.549	.080	-.331	-.976	340	458	-.639	.105	-.376	-1.434	340	533	-.592	.092	-.294	-1.297
340	409	-.572	.084	-.334	-1.052	340	459	-.639	.104	-.384	-1.418	340	534	-.585	.091	-.304	-1.288
340	410	-.506	.045	-.376	-.669	340	460	-.600	.082	-.365	-.952	340	535	-.575	.093	-.263	-1.292
340	411	-.502	.044	-.375	-.662	340	461	-.640	.090	-.386	-1.006	340	536	-.586	.087	-.303	-1.071
340	412	-.516	.047	-.363	-.691	340	462	-.684	.103	-.379	-1.199	340	537	-.594	.097	-.307	-1.685
340	413	-.534	.050	-.386	-.705	340	463	-.667	.091	-.402	-1.010	340	538	-.550	.093	-.270	-1.306
340	414	-.582	.071	-.412	-1.127	340	464	-.619	.090	-.360	-.952	340	539	-.581	.093	-.281	-1.245
340	415	-.569	.078	-.394	-1.014	340	465	-.659	.090	-.373	-.980	340	540	-.599	.094	-.295	-1.150
340	416	-.515	.045	-.368	-.698	340	466	-.634	.080	-.345	-.964	340	541	-.602	.100	-.315	-1.384
340	417	-.512	.046	-.374	-.702	340	467	-.640	.080	-.346	-1.003	340	542	-.557	.098	-.260	-1.329
340	418	-.535	.046	-.401	-.770	340	468	-.597	.082	-.312	-1.034	340	543	-.622	.105	-.357	-1.238
340	419	-.529	.048	-.395	-.753	340	469	-.596	.106	-.315	-1.186	340	544	-.631	.135	-.329	-1.727
340	420	-.568	.064	-.390	-.962	340	470	-.628	.119	-.202	-1.522	340	545	-.597	.123	-.270	-1.359
340	421	-.570	.069	-.361	-.959	340	471	-.631	.116	-.183	-1.268	340	546	-.642	.132	-.243	-1.163
340	422	-.552	.058	-.384	-.810	340	472	-.570	.112	-.160	-1.306	340	547	-.570	.106	-.199	-.977
340	423	-.535	.056	-.368	-.800	340	473	-.600	.115	-.204	-1.266	340	548	-.463	.085	-.205	-.802
340	424	-.553	.055	-.405	-.785	340	474	-.622	.124	-.100	-1.330	340	549	-.450	.075	-.224	-.895
340	425	-.578	.070	-.386	-.879	340	501	-.701	.138	-.371	-1.428	340	550	-.492	.091	-.186	-1.228
340	426	-.578	.065	-.409	-.877	340	502	-.646	.131	-.302	-1.391	340	551	-.753	.181	-.345	-1.645
340	427	-.551	.057	-.400	-.797	340	503	-.672	.132	-.247	-1.492	340	552	-.793	.208	-.376	-1.892
340	428	-.584	.076	-.341	-.949	340	504	-.670	.125	-.259	-1.212	340	553	-.513	.105	-.188	-.857
340	429	-.602	.088	-.346	-1.071	340	505	-.657	.105	-.333	-1.188	340	554	-.504	.115	-.158	-.938
340	430	-.691	.127	-.359	-1.335	340	506	-.641	.103	-.341	-1.070	340	554	-.504	.115	-.158	-.938
340	431	-.602	.078	-.376	-.953	340	507	-.667	.111	-.392	-1.122	340	555	-.388	.072	-.163	-.802
340	432	-.574	.058	-.398	-.800	340	508	-.698	.151	-.295	-1.757	340	556	-.384	.065	-.144	-.649
340	433	-.568	.055	-.409	-.787	340	509	-.687	.129	-.333	-1.585	340	557	-.398	.060	-.206	-.677
340	434	-.587	.058	-.416	-.864	340	510	-.638	.120	-.325	-1.124	340	558	-.416	.075	-.218	-.823
340	435	-.590	.077	-.376	-.975	340	511	-.655	.109	-.376	-1.124	340	559	-.475	.101	-.161	-.827
340	436	-.613	.085	-.403	-1.145	340	512	-.664	.120	-.340	-1.319	340	560	-.499	.090	-.209	-.840
340	437	-.576	.076	-.381	-1.033	340	513	-.661	.112	-.335	-1.224	340	561	-.396	.062	-.160	-.675
340	438	-.607	.086	-.394	-1.146	340	514	-.601	.104	-.322	-1.176	340	562	-.756	.174	-.209	-1.361

APPENDIX A -- PRESSURE DATA:

JAY SQUARE -- CONFIGURATION B -- LOS ANGELES, CALIFORNIA

WD	TAP	CPMEAN	CPRMS	CPMAX	CPMIN	WD	TAP	CPMEAN	CPRMS	CPMAX	CPMIN	WD	TAP	CPMEAN	CPRMS	CPMAX	CPMIN
340	563	-.525	.111	-.220	-.901	340	648	-.540	.162	-.021	-1.359	340	701	-.743	.122	-.417	-1.219
340	564	-.411	.072	-.153	-.701	340	649	-.228	.082	.002	-.565	340	701	-.743	.122	-.417	-1.219
340	565	-.464	.076	-.198	-.703	340	650	-.535	.174	-.034	-1.524	340	702	-.738	.120	-.259	-1.261
340	601	.310	.155	.748	-.270	340	651	-.221	.048	.051	-.421	340	703	-.731	.133	-.000	-1.279
340	602	.192	.133	.521	-.214	340	652	-.393	.058	.070	-.633	340	704	-.717	.103	-.201	-1.220
340	603	.011	.102	.337	-.326	340	653	-.226	.051	-.003	-.413	340	705	-.689	.122	.110	-1.165
340	604	-.098	.084	.158	-.339	340	654	-.469	.068	.046	-.734	340	706	-.693	.115	-.106	-1.067
340	605	-.147	.073	.085	-.373	340	655	-.364	.060	-.071	-.595	340	707	-.651	.090	-.304	-.981
340	606	-.267	.063	-.030	-.493	340	656	-.427	.064	-.167	-.654	340	708	-.646	.111	.010	-1.144
340	607	.397	.154	.842	-.114	340	657	-.445	.113	-.140	-.859	340	709	-.635	.104	-.003	-1.003
340	608	-.177	.064	.027	-.392	340	658	-.438	.113	-.118	-.931	340	710	-.300	.071	.071	-.707
340	609	.438	.152	.954	-.025	340	659	-.418	.114	.074	-.939	340	711	-.572	.118	.188	-.960
340	610	.488	.170	.936	-.064	340	660	-.217	.051	-.008	-.475	340	712	-.574	.126	.042	-1.054
340	611	.491	.153	.901	-.072	340	661	-.229	.049	-.011	-.457	340	713	-.286	.067	-.013	-.548
340	612	.315	.138	.788	-.109	340	662	-.363	.058	-.054	-.596	340	714	-.483	.178	.244	-.937
340	613	.210	.120	.539	-.113	340	663	-.304	.054	-.026	-.512	340	715	-.430	.168	.322	-.813
340	614	-.140	.071	.093	-.411	340	664	-.282	.057	.030	-.447	340	801	-.111	.072	.206	-.384
340	615	-.288	.056	-.052	-.513	340	665	-.288	.067	.052	-.525	340	802	.095	.090	.551	-.171
340	616	.456	.160	.884	-.244	340	666	-.601	.098	-.118	-.951	340	803	.176	.089	.508	-.061
340	617	.470	.158	.902	-.120	340	667	-.322	.077	.013	-.899	340	804	.047	.069	.302	-.141
340	618	.319	.136	.830	-.023	340	668	-.347	.072	.007	-.822	340	805	-.554	.119	-.247	-1.387
340	619	.178	.109	.667	-.105	340	669	-.268	.059	-.013	-.432	340	806	-.478	.094	-.236	-1.065
340	620	-.215	.065	.075	-.401	340	670	-.567	.111	.360	-1.033	340	807	-.399	.086	-.197	-1.183
340	621	-.425	.052	-.220	-.602	340	671	-.338	.064	-.083	-.576	340	808	-.421	.110	-.080	-1.113
340	622	.396	.161	.941	-.236	340	672	-.399	.064	-.148	-.636	340	809	-.442	.083	-.185	-.802
340	623	.441	.180	1.058	-.319	340	673	-.273	.062	.002	-.479	340	810	-.516	.115	-.230	-1.042
340	624	.338	.148	.767	-.232	340	674	-.237	.059	.038	-.466	340	811	-.492	.080	-.228	-.766
340	625	.140	.123	.532	-.202	340	675	-.360	.066	.116	-.579	340	812	-.326	.059	-.078	-.523
340	626	-.284	.069	.009	-.526	340	676	-.429	.069	.062	-.716	340	813	-.305	.047	-.113	-.500
340	627	-.459	.071	-.220	-.716	340	677	-.358	.073	.364	-.634	340	814	-.267	.058	-.055	-.466
340	628	.320	.206	.915	-.581	340	678	-.263	.067	.260	-.478	340	815	-.331	.063	-.054	-.601
340	629	.326	.180	.889	-.943	340	679	-.435	.077	-.055	-.726	340	816	-.255	.049	-.028	-.406
340	630	.328	.163	.928	-.420	340	680	-.442	.113	.049	-.929	340	817	-.397	.083	-.074	-.770
340	631	.034	.149	.428	-.592	340	681	-.240	.083	-.021	-.591	340	818	-.376	.073	.075	-.649
340	632	-.143	.108	.391	-.560	340	682	-.221	.068	-.013	-.525	340	819	-.402	.140	.234	-.872
340	633	.280	.219	.894	-.684	340	683	-.194	.051	.059	-.361	340	820	-.446	.105	-.028	-.867
340	634	-.180	.097	.299	-.568	340	684	-.330	.075	.030	-.621	340	821	-.269	.055	-.053	-.456
340	635	-.276	.074	-.022	-.595	340	685	-.208	.058	.097	-.391	340	822	-.235	.098	.131	-.647
340	636	-.037	.280	.627	-1.048	340	686	-.435	.085	.033	-.765	340	823	-.123	.051	.065	-.455
340	637	.004	.079	.334	-.203	340	687	-.312	.082	-.070	-.710	340	824	-.147	.040	-.000	-.307
340	638	.069	.187	.606	-.778	340	688	-.302	.086	-.029	-.641	340	825	-.120	.066	.138	-.413
340	639	-.094	.076	.248	-.315	340	689	-.167	.044	-.018	-.342	340	826	-.206	.057	-.050	-.452
340	640	-.267	.065	-.008	-.519	340	690	-.187	.064	.010	-.512	340	827	-.222	.038	-.098	-.362
340	641	-.400	.067	-.082	-.631	340	691	-.209	.051	.015	-.393	340	828	-.258	.045	-.057	-.434
340	642	-.309	.060	-.087	-.568	340	692	-.300	.075	.186	-.532	340	829	-.270	.056	-.081	-.456
340	643	-.481	.225	.137	-1.312	340	693	-.534	.130	.066	-1.080	340	901	-.366	.051	-.227	-.586
340	644	-.156	.055	.041	-.477	340	694	-.235	.086	.034	-.613	340	902	-.380	.045	-.225	-.610
340	645	-.392	.060	-.135	-.578	340	695	-.127	.063	.127	-.425	340	903	-.400	.054	-.265	-.684
340	646	-.195	.049	.025	-.394	340	696	-.136	.049	.089	-.277	340	904	-.369	.044	-.219	-.592
340	647	-.471	.067	-.105	-.695	340	697	-.343	.048	-.145	-.528	340	905	-.362	.045	-.193	-.575

APPENDIX A -- PRESSURE DATA:

JAY SQUARE -- CONFIGURATION B -- LOS ANGELES, CALIFORNIA

WD	TAP	CPMEAN	CPRMS	CPMAX	CPMIN	WD	TAP	CPMEAN	CPRMS	CPMAX	CPMIN	WD	TAP	CPMEAN	CPRMS	CPMAX	CPMIN
340	906	-.406	.045	-.225	-.564	350	6	.161	.186	.630	-.555	350	57	.324	.132	.813	-.169
340	907	-.374	.041	-.197	-.518	350	7	-.294	.048	-.136	-.460	350	58	.226	.136	.804	-.297
340	908	-.393	.049	-.247	-.558	350	9	.280	.210	.778	-.477	350	59	-.367	.047	-.168	-.574
340	1001	-.621	.078	-.390	-.990	350	10	-.362	.040	-.213	-.523	350	60	-.241	.047	-.020	-.406
340	1002	-.513	.066	-.309	-.824	350	11	-.278	.047	-.113	-.430	350	61	.038	.066	.338	-.147
340	1003	-.287	.097	.078	-.600	350	12	.023	.084	.312	-.229	350	62	.173	.085	.512	-.048
340	1004	-.670	.092	-.370	-1.040	350	13	.160	.106	.541	-.128	350	63	.273	.107	.753	-.035
340	1005	-.578	.080	-.319	-.911	350	14	.322	.188	.887	-.483	350	64	.253	.115	.679	-.160
340	1006	-.650	.086	-.362	-.971	350	15	.329	.221	.957	-.447	350	65	.163	.123	.666	-.391
340	1007	-.725	.098	-.401	-1.118	350	16	-.378	.035	-.255	-.494	350	66	-.373	.053	-.165	-.602
340	1008	-.654	.090	-.320	-.995	350	17	-.249	.047	-.062	-.395	350	67	-.242	.048	-.042	-.424
340	1011	-.655	.108	-.399	-1.524	350	18	.053	.089	.343	-.208	350	68	.040	.063	.285	-.189
340	1012	-.645	.111	-.375	-1.510	350	19	.238	.109	.555	-.073	350	69	.129	.073	.443	-.080
340	1013	-.651	.115	-.331	-1.307	350	20	.383	.175	.849	-.350	350	70	.239	.105	.719	-.060
340	1014	-.632	.102	-.396	-1.234	350	21	.390	.210	.839	-.342	350	71	.217	.125	.711	-.190
340	1015	-.612	.088	-.353	-1.046	350	22	.296	.132	.699	-.150	350	72	.145	.117	.553	-.239
340	1016	-.592	.089	-.339	-1.210	350	23	.324	.159	.784	-.362	350	73	-.424	.058	-.264	-.794
340	1017	-.597	.089	-.354	-1.342	350	24	.332	.193	.814	-.369	350	74	-.286	.045	-.135	-.492
340	1018	-.592	.088	-.348	-1.343	350	25	.298	.122	.657	-.131	350	75	-.002	.056	.202	-.160
340	1019	-.607	.099	-.319	-1.208	350	26	.320	.141	.768	-.291	350	76	.111	.068	.438	-.060
340	1021	.298	.161	.745	-.323	350	27	.313	.185	.834	-.542	350	77	.168	.086	.544	-.055
340	1022	.346	.166	.795	-.175	350	28	-.264	.042	-.111	-.397	350	78	.159	.104	.566	-.220
340	1023	.345	.143	.876	-.049	350	29	-.255	.051	-.045	-.436	350	79	.099	.101	.492	-.266
340	1024	.274	.132	.688	-.106	350	30	.032	.076	.383	-.194	350	80	-.251	.043	-.075	-.397
340	1025	.013	.097	.385	-.247	350	31	.185	.098	.646	-.070	350	81	-.164	.043	.047	-.289
340	1026	-.352	.067	-.091	-.590	350	32	.301	.123	.686	-.126	350	82	.044	.063	.365	-.103
340	1027	-.363	.075	-.071	-.664	350	33	.318	.132	.819	-.175	350	83	.156	.076	.532	-.058
340	1028	-.263	.078	.034	-.522	350	34	.342	.139	.792	-.210	350	84	.162	.087	.509	-.087
340	1031	-.606	.115	-.100	-1.185	350	35	.385	.131	.753	-.951	350	85	.068	.091	.507	-.180
340	1032	-.497	.161	.303	-1.066	350	36	.416	.133	.841	-.285	350	86	-.032	.089	.459	-.245
340	1033	-.499	.132	.116	-.882	350	37	.437	.142	.918	-.086	350	87	-.083	.058	.152	-.254
340	1034	-.552	.093	-.125	-.932	350	38	.339	.113	.729	-.155	350	88	.199	.093	.663	-.035
340	1035	-.464	.126	.056	-.800	350	39	.368	.119	.719	.002	350	89	.080	.094	.492	-.149
340	1036	-.499	.141	.239	-1.002	350	40	.417	.134	.874	.029	350	201	-.506	.078	-.212	-1.069
340	1037	-.597	.113	-.024	-1.367	350	41	.447	.145	.966	.040	350	202	-.490	.068	-.289	-.961
340	1041	-.676	.090	-.389	-1.046	350	42	.412	.130	.833	.098	350	203	-.495	.055	-.276	-.752
340	1042	-.644	.075	-.400	-.938	350	43	.427	.145	.885	.056	350	204	-.512	.051	-.318	-.756
340	1043	-.446	.083	-.118	-.723	350	44	.418	.151	1.021	-.020	350	205	-.503	.049	-.327	-.709
340	1044	-.431	.105	-.040	-.802	350	45	-.352	.039	-.214	-.525	350	206	-.487	.052	-.296	-.690
340	1045	-.564	.064	-.361	-.841	350	46	-.211	.046	-.053	-.387	350	207	-.501	.076	-.260	-1.124
340	1046	-.603	.075	-.338	-.949	350	47	.041	.072	.331	-.150	350	208	-.486	.067	-.293	-.941
340	1047	-.585	.082	-.324	-.919	350	48	.194	.086	.499	-.035	350	209	-.473	.049	-.298	-.656
340	1048	-.641	.074	-.406	-.941	350	49	.310	.105	.691	.032	350	210	-.505	.052	-.348	-.893
340	1049	-.698	.088	-.445	-1.064	350	50	.404	.130	.879	-.008	350	211	-.494	.048	-.314	-.774
340	1050	-.625	.074	-.406	-.898	350	51	.357	.156	.833	-.100	350	212	-.499	.044	-.353	-.677
350	1	-.335	.044	-.172	-.493	350	52	-.368	.042	-.220	-.517	350	213	-.505	.042	-.354	-.641
350	2	-.304	.046	-.118	-.478	350	53	-.268	.043	-.085	-.423	350	214	-.503	.047	-.342	-.689
350	3	-.163	.068	.053	-.402	350	54	.053	.065	.294	-.150	350	215	-.484	.044	-.343	-.655
350	4	-.123	.080	.114	-.402	350	55	.210	.081	.499	-.027	350	216	-.520	.053	-.334	-.803
350	5	.116	.148	.502	-.524	350	56	.338	.102	.693	.036	350	217	-.520	.049	-.371	-.723

WD	TAP	CPMEAN	CPRMS	CPMAX	CPMIN	WD	TAP	CPMEAN	CPRMS	CPMAX	CPMIN	WD	TAP	CPMEAN	CPRMS	CPMAX	CPMIN
350	218	-.524	.044	-.383	-.679	350	268	-.548	.063	-.383	-.985	350	432	-.530	.049	-.386	-.702
350	219	-.506	.042	-.329	-.706	350	269	-.516	.063	-.307	-.762	350	433	-.533	.049	-.394	-.740
350	220	-.502	.042	-.330	-.682	350	270	-.514	.065	-.240	-.762	350	434	-.537	.050	-.389	-.723
350	221	-.500	.040	-.368	-.663	350	271	-.638	.124	-.294	-1.397	350	435	-.545	.066	-.348	-.952
350	222	-.562	.055	-.390	-.902	350	272	-.627	.127	-.284	-1.434	350	436	-.564	.062	-.376	-.872
350	223	-.557	.050	-.411	-.837	350	273	-.578	.080	-.132	-.874	350	437	-.559	.066	-.380	-.854
350	224	-.541	.040	-.366	-.744	350	274	-.620	.081	-.298	-.958	350	438	-.576	.075	-.385	-.895
350	225	-.522	.041	-.379	-.662	350	275	-.667	.102	-.406	-1.196	350	439	-.620	.089	-.381	-.962
350	226	-.530	.039	-.362	-.676	350	276	-.620	.102	-.333	-1.325	350	440	-.638	.105	-.416	-1.218
350	227	-.515	.043	-.363	-.660	350	277	-.610	.092	-.367	-1.035	350	441	-.551	.056	-.368	-.839
350	228	-.586	.057	-.414	-.907	350	278	-.490	.101	-.237	-1.180	350	442	-.572	.064	-.379	-.904
350	229	-.579	.052	-.374	-.771	350	279	-.476	.082	-.201	-.941	350	443	-.513	.049	-.353	-.708
350	230	-.536	.042	-.410	-.714	350	280	-.502	.075	-.262	-.766	350	444	-.560	.048	-.384	-.758
350	231	-.530	.040	-.404	-.694	350	281	-.562	.066	-.391	-.879	350	445	-.554	.045	-.385	-.753
350	232	-.516	.040	-.399	-.671	350	282	-.609	.071	-.414	-.931	350	446	-.571	.048	-.421	-.787
350	233	-.508	.039	-.392	-.669	350	283	-.632	.077	-.418	-.953	350	447	-.578	.047	-.416	-.766
350	234	-.572	.053	-.434	-.932	350	284	-.615	.072	-.416	-.891	350	448	-.602	.050	-.461	-.816
350	235	-.574	.050	-.440	-.917	350	285	-.711	.093	-.434	-1.073	350	449	-.617	.077	-.358	-1.031
350	236	-.563	.046	-.428	-.781	350	286	-.458	.054	-.269	-.689	350	450	-.623	.080	-.327	-1.054
350	237	-.565	.051	-.425	-.976	350	401	-.516	.049	-.315	-.758	350	451	-.606	.064	-.435	-.901
350	238	-.570	.049	-.424	-.798	350	402	-.527	.049	-.319	-.767	350	452	-.618	.063	-.461	-.915
350	239	-.595	.052	-.436	-.822	350	403	-.518	.054	-.345	-.768	350	453	-.616	.061	-.422	-.904
350	240	-.597	.061	-.392	-.914	350	404	-.519	.059	-.322	-.818	350	454	-.582	.057	-.415	-.804
350	241	-.585	.058	-.399	-.867	350	405	-.524	.088	-.291	-1.145	350	455	-.560	.055	-.368	-.793
350	242	-.583	.055	-.436	-.831	350	406	-.550	.086	-.263	-.932	350	456	-.572	.053	-.384	-.809
350	243	-.581	.051	-.428	-.774	350	407	-.502	.046	-.360	-.691	350	457	-.588	.058	-.400	-.875
350	244	-.599	.049	-.439	-.830	350	408	-.520	.088	-.269	-1.168	350	458	-.607	.063	-.406	-.961
350	245	-.557	.048	-.418	-.735	350	409	-.534	.077	-.280	-1.233	350	459	-.603	.062	-.421	-.928
350	246	-.530	.046	-.402	-.699	350	410	-.481	.045	-.349	-.632	350	460	-.631	.063	-.461	-.867
350	247	-.517	.045	-.379	-.695	350	411	-.487	.044	-.350	-.631	350	461	-.633	.067	-.405	-.924
350	248	-.520	.046	-.375	-.706	350	412	-.514	.043	-.365	-.672	350	462	-.663	.078	-.415	-1.081
350	249	-.607	.066	-.389	-.869	350	413	-.501	.046	-.358	-.706	350	463	-.641	.071	-.406	-.967
350	250	-.590	.062	-.395	-.877	350	414	-.547	.058	-.384	-.810	350	464	-.654	.071	-.413	-.983
350	251	-.574	.055	-.324	-.889	350	415	-.534	.074	-.357	-1.082	350	465	-.672	.075	-.444	-1.016
350	252	-.589	.053	-.418	-.880	350	416	-.480	.041	-.328	-.618	350	466	-.640	.069	-.406	-.961
350	253	-.606	.061	-.368	-.883	350	417	-.485	.042	-.324	-.639	350	467	-.636	.069	-.399	-.976
350	254	-.605	.057	-.463	-.832	350	418	-.499	.040	-.346	-.650	350	468	-.646	.070	-.418	-1.053
350	255	-.606	.065	-.397	-.907	350	419	-.505	.042	-.331	-.683	350	469	-.615	.078	-.405	-1.189
350	256	-.588	.063	-.376	-.860	350	420	-.530	.057	-.367	-.917	350	470	-.607	.082	-.390	-1.077
350	257	-.636	.075	-.441	-1.099	350	421	-.539	.063	-.344	-.977	350	471	-.617	.079	-.409	-1.095
350	258	-.638	.075	-.455	-1.055	350	422	-.527	.047	-.344	-.716	350	472	-.616	.082	-.389	-1.314
350	259	-.613	.070	-.423	-.955	350	423	-.522	.046	-.345	-.688	350	473	-.615	.079	-.407	-1.043
350	260	-.560	.052	-.430	-.893	350	424	-.523	.043	-.383	-.688	350	474	-.621	.083	-.403	-1.130
350	261	-.533	.051	-.328	-.819	350	425	-.556	.054	-.380	-.784	350	501	-.689	.098	-.428	-1.112
350	262	-.516	.051	-.315	-.697	350	426	-.546	.050	-.397	-.759	350	502	-.697	.100	-.425	-1.229
350	263	-.510	.051	-.296	-.695	350	427	-.532	.045	-.397	-.699	350	503	-.673	.101	-.397	-1.153
350	264	-.658	.098	-.430	-1.193	350	428	-.538	.061	-.359	-.836	350	504	-.664	.098	-.391	-1.147
350	265	-.665	.093	-.415	-1.059	350	429	-.566	.073	-.365	-.936	350	505	-.641	.083	-.445	-1.059
350	266	-.648	.085	-.397	-1.052	350	430	-.636	.100	-.361	-1.058	350	506	-.598	.063	-.406	-.928
350	267	-.595	.067	-.413	-.924	350	431	-.558	.060	-.359	-.815	350	507	-.629	.076	-.369	-1.181

WD	TAP	CPMEAN	CPRMS	CPMAX	CPMIN	WD	TAP	CPMEAN	CPRMS	CPMAX	CPMIN	WD	TAP	CPMEAN	CPRMS	CPMAX	CPMIN
350	508	-.617	.085	-.325	-1.164	350	556	-.477	.069	-.232	-.741	350	641	-.426	.050	-.185	-.644
350	509	-.658	.089	-.363	-1.191	350	557	-.493	.061	-.313	-.792	350	642	-.328	.040	-.146	-.497
350	510	-.674	.090	-.379	-1.024	350	558	-.588	.098	-.255	-1.057	350	643	-.536	.208	.251	-1.459
350	511	-.631	.077	-.397	-1.139	350	559	-.526	.102	-.203	-.904	350	644	-.174	.052	.079	-.469
350	512	-.649	.086	-.374	-1.143	350	560	-.530	.089	-.219	-.906	350	645	-.411	.050	-.230	-.585
350	513	-.643	.084	-.394	-1.083	350	561	-.461	.061	-.205	-.675	350	646	-.225	.044	-.028	-.403
350	514	-.653	.086	-.425	-1.133	350	562	-.849	.193	-.242	-1.668	350	647	-.469	.051	-.270	-.671
350	515	-.664	.093	-.382	-1.235	350	563	-.587	.105	-.219	-.916	350	648	-.605	.144	-.232	-1.232
350	516	-.652	.077	-.339	-1.128	350	564	-.457	.075	-.144	-.702	350	649	-.232	.079	-.027	-.674
350	517	-.651	.078	-.387	-1.059	350	565	-.488	.077	-.193	-.799	350	650	-.601	.155	-.159	-1.373
350	518	-.662	.092	-.425	-1.195	350	601	.242	.148	.653	-.449	350	651	-.254	.044	.012	-.427
350	519	-.640	.089	-.380	-1.163	350	602	.107	.118	.482	-.210	350	652	-.428	.049	-.164	-.663
350	520	-.636	.083	-.398	-1.059	350	603	-.058	.087	.287	-.312	350	653	-.254	.046	-.030	-.425
350	521	-.640	.086	-.387	-1.066	350	604	-.147	.074	.099	-.411	350	654	-.502	.055	-.308	-.796
350	522	-.619	.075	-.407	-1.006	350	605	-.192	.064	.042	-.415	350	655	-.403	.054	-.168	-.596
350	523	-.642	.084	-.417	-1.099	350	606	-.318	.055	-.111	-.504	350	656	-.465	.054	-.288	-.674
350	524	-.663	.097	-.411	-1.177	350	607	-.395	.171	.861	-.545	350	657	-.536	.114	-.171	-1.012
350	525	-.663	.096	-.394	-1.141	350	608	-.227	.057	.002	-.416	350	658	-.540	.121	-.162	-1.227
350	526	-.650	.085	-.372	-1.041	350	609	.473	.167	.971	-.233	350	659	-.505	.124	-.031	-1.081
350	527	-.636	.087	-.391	-.985	350	610	.458	.145	.875	-.074	350	660	-.239	.047	-.059	-.449
350	528	-.643	.093	-.368	-1.157	350	611	.431	.140	.838	-.003	350	661	-.262	.046	-.062	-.464
350	529	-.649	.103	-.382	-1.257	350	612	.253	.114	.616	-.048	350	662	-.398	.050	-.175	-.553
350	530	-.681	.098	-.419	-1.305	350	613	.110	.097	.457	-.155	350	663	-.349	.049	-.136	-.504
350	531	-.632	.083	-.335	-1.196	350	614	-.208	.058	.017	-.365	350	664	-.326	.043	-.109	-.498
350	532	-.655	.087	-.313	-.984	350	615	-.332	.052	-.151	-.510	350	665	-.352	.046	-.112	-.542
350	533	-.655	.087	-.313	-.984	350	616	.468	.165	.918	-.352	350	666	-.599	.074	-.406	-1.061
350	534	-.645	.081	-.390	-1.122	350	617	.472	.148	.884	-.314	350	667	-.385	.061	-.061	-.579
350	535	-.634	.084	-.399	-1.129	350	618	.257	.113	.632	-.020	350	668	-.409	.062	-.079	-.630
350	536	-.669	.098	-.441	-1.199	350	619	.108	.089	.406	-.114	350	669	-.311	.060	-.024	-.559
350	537	-.644	.083	-.418	-1.034	350	620	-.268	.056	-.035	-.431	350	670	-.591	.079	-.131	-1.018
350	538	-.646	.091	-.418	-1.107	350	621	-.452	.046	-.294	-.588	350	671	-.392	.056	-.130	-.622
350	538	-.662	.093	-.437	-1.159	350	622	.351	.218	.942	-.360	350	672	-.459	.058	-.166	-.724
350	539	-.672	.082	-.427	-1.102	350	623	.342	.198	.855	-.294	350	673	-.320	.056	-.067	-.516
350	540	-.666	.084	-.420	-1.088	350	624	.215	.117	.571	-.073	350	674	-.280	.054	-.036	-.476
350	541	-.657	.089	-.416	-1.346	350	625	.049	.092	.418	-.207	350	675	-.410	.058	-.137	-.607
350	542	-.676	.089	-.442	-1.171	350	626	-.345	.059	-.121	-.551	350	676	-.485	.062	-.143	-.788
350	543	-.655	.071	-.463	-.946	350	627	-.495	.055	-.315	-.703	350	677	-.413	.064	-.010	-.686
350	544	-.702	.130	-.420	-1.454	350	628	.187	.246	.849	-.765	350	678	-.310	.058	-.010	-.539
350	545	-.707	.122	-.423	-1.328	350	629	.258	.138	.718	-.467	350	679	-.506	.068	-.254	-.749
350	546	-.714	.119	-.376	-1.273	350	630	.269	.159	.753	-.499	350	680	-.547	.116	-.204	-1.181
350	547	-.657	.104	-.268	-1.106	350	631	-.023	.088	.291	-.378	350	681	-.247	.074	-.055	-.649
350	548	-.587	.078	-.317	-.877	350	632	-.200	.068	.097	-.454	350	682	-.213	.057	-.023	-.541
350	549	-.563	.074	-.354	-.968	350	633	.126	.242	.821	-.728	350	683	-.210	.051	-.023	-.365
350	550	-.590	.084	-.322	-1.047	350	634	-.233	.062	.030	-.481	350	684	-.389	.076	-.023	-.992
350	551	-.777	.156	-.458	-1.933	350	635	-.327	.054	-.131	-.498	350	685	-.237	.059	.022	-.413
350	552	-.801	.173	-.473	-2.006	350	636	-.205	.261	.629	-1.084	350	686	-.496	.084	-.079	-.812
350	553	-.623	.103	-.239	-.958	350	637	-.038	.058	.224	-.240	350	687	-.341	.092	-.056	-.931
350	554	-.591	.111	-.297	-1.007	350	638	-.064	.237	.541	-1.013	350	688	-.314	.095	-.016	-.758
350	554	-.591	.111	-.297	-1.007	350	639	-.135	.049	.043	-.307	350	689	-.181	.048	.054	-.358
350	555	-.518	.074	-.266	-.811	350	640	-.294	.042	-.102	-.457	350	690	-.188	.062	.068	-.426

APPENDIX A -- PRESSURE DATA:

JAY SQUARE -- CONFIGURATION B -- LOS ANGELES, CALIFORNIA

WD	TAP	CPMEAN	CPRMS	CPMAX	CPMIN	WD	TAP	CPMEAN	CPRMS	CPMAX	CPMIN	WD	TAP	CPMEAN	CPRMS	CPMAX	CPMIN
350	691	-.234	.056	.076	-.388	350	812	-.350	.062	-.076	-.581	350	1011	-.623	.062	-.463	-1.063
350	692	-.341	.079	.201	-.587	350	813	-.334	.048	-.121	-.539	350	1012	-.608	.062	-.443	-.944
350	693	-.601	.083	-.138	-.948	350	814	-.295	.055	-.080	-.489	350	1013	-.634	.073	-.446	-1.073
350	694	-.250	.083	.024	-.662	350	815	-.350	.064	-.113	-.671	350	1014	-.593	.062	-.435	-.967
350	695	-.137	.070	.092	-.423	350	816	-.282	.053	-.039	-.444	350	1015	-.557	.055	-.369	-.791
350	696	-.150	.055	.055	-.320	350	817	-.425	.097	-.052	-.844	350	1016	-.543	.057	-.341	-.798
350	697	-.387	.053	-.162	-.555	350	818	-.422	.074	-.051	-.671	350	1017	-.555	.058	-.373	-.797
350	701	-.722	.095	-.419	-1.209	350	819	-.453	.153	-.054	-.918	350	1018	-.557	.057	-.388	-.815
350	701	-.722	.095	-.419	-1.209	350	820	-.479	.109	-.099	-.971	350	1019	-.576	.062	-.295	-.914
350	702	-.715	.098	-.465	-1.155	350	821	-.295	.061	.038	-.483	350	1021	.198	.158	.641	-.503
350	703	-.718	.104	-.214	-1.188	350	822	-.263	.093	.109	-.649	350	1022	.229	.186	.785	-.308
350	704	-.661	.087	-.448	-1.139	350	823	-.137	.056	.162	-.398	350	1023	.276	.137	.711	-.225
350	705	-.653	.089	-.451	-1.203	350	824	-.174	.044	-.028	-.341	350	1024	.177	.113	.559	-.131
350	706	-.677	.081	-.188	-1.066	350	825	-.123	.068	.238	-.366	350	1025	-.077	.080	.309	-.295
350	707	-.635	.067	-.431	-1.025	350	826	-.251	.055	-.078	-.484	350	1026	-.392	.056	-.141	-.634
350	708	-.667	.085	-.480	-1.161	350	827	-.262	.041	-.140	-.409	350	1027	-.419	.062	-.182	-.642
350	709	-.633	.074	-.262	-1.016	350	828	-.287	.047	-.057	-.466	350	1028	-.321	.064	-.069	-.557
350	710	-.354	.055	-.111	-.546	350	829	-.291	.055	-.070	-.478	350	1031	-.604	.083	-.191	-1.078
350	711	-.628	.088	-.191	-1.097	350	901	-.432	.047	-.245	-.606	350	1032	-.582	.097	.154	-.920
350	712	-.633	.085	-.122	-1.072	350	902	-.436	.048	-.265	-.595	350	1033	-.587	.085	.049	-.886
350	713	-.336	.055	-.099	-.523	350	903	-.467	.055	-.277	-.752	350	1034	-.606	.075	-.289	-1.000
350	714	-.589	.103	.074	-.933	350	904	-.424	.046	-.265	-.593	350	1035	-.571	.088	-.029	-1.180
350	715	-.570	.099	.043	-.913	350	905	-.417	.047	-.258	-.578	350	1036	-.581	.093	.069	-1.223
350	801	-.138	.068	.284	-.367	350	906	-.453	.054	-.287	-.644	350	1037	-.608	.077	-.397	-1.035
350	802	.129	.102	.597	-.167	350	907	-.421	.046	-.279	-.587	350	1041	-.678	.089	-.411	-1.045
350	803	.219	.096	.757	-.039	350	908	-.455	.051	-.308	-.645	350	1042	-.628	.074	-.383	-.937
350	804	.053	.077	.374	-.160	350	1001	-.601	.067	-.350	-.888	350	1043	-.389	.086	-.012	-.700
350	805	-.623	.086	-.357	-1.035	350	1002	-.497	.061	-.240	-.728	350	1044	-.514	.097	-.090	-.839
350	806	-.562	.074	-.351	-.868	350	1003	-.288	.096	.210	-.634	350	1045	-.570	.068	-.361	-.845
350	807	-.459	.073	-.262	-.791	350	1004	-.682	.098	-.336	-1.031	350	1046	-.596	.077	-.362	-.922
350	808	-.479	.100	-.149	-.862	350	1005	-.541	.073	-.287	-.822	350	1047	-.552	.085	-.229	-.886
350	809	-.521	.084	-.238	-.930	350	1006	-.608	.085	-.270	-.935	350	1048	-.624	.072	-.377	-.953
350	810	-.574	.116	-.260	-1.033	350	1007	-.721	.103	-.369	-1.213	350	1049	-.682	.088	-.428	-1.007
350	811	-.510	.079	-.197	-.769	350	1008	-.644	.083	-.334	-.971	350	1050	-.632	.076	-.385	-.900

APPENDIX A -- PRESSURE DATA:

JAY SQUAKE -- CONFIGURATION C -- LOS ANGELES, CALIFORNIA

WD	TAP	CPMEAN	CPRMS	CPMAX	CPMIN	WD	TAP	CPMEAN	CPRMS	CPMAX	CPMIN	WD	TAP	CPMEAN	CPRMS	CPMAX	CPMIN
101	7	-.822	.341	.193	-2.644	205	235	-.972	.337	-.063	-2.873	200	241	-.894	.374	.092	-2.742
102	7	-.885	.355	.191	-2.654	206	235	-.951	.320	-.235	-2.747	201	241	-.937	.383	.045	-2.557
103	7	-.902	.365	.020	-2.955	207	235	-.972	.326	-.305	-3.161	202	241	-.991	.387	.043	-2.715
105	7	-1.003	.367	-.248	-2.723	208	235	-.974	.344	-.284	-2.809	203	241	-1.042	.362	-.007	-2.499
107	7	-.862	.315	-.237	-2.173	209	235	-.941	.322	-.332	-3.145	204	241	-1.024	.362	-.091	-2.650
109	7	-.791	.284	-.240	-2.246	210	235	-.925	.281	-.330	-2.229	205	241	-.832	.373	.071	-2.818
110	7	-.734	.256	-.250	-2.188	211	235	-.910	.297	-.248	-2.749	206	241	-.871	.359	.022	-2.353
111	7	-.750	.263	-.160	-2.245	212	235	-.876	.293	-.287	-2.101	207	241	-.937	.363	-.009	-2.351
113	7	-.641	.197	-.266	-1.822	213	235	-.853	.252	-.279	-2.677	208	241	-.953	.358	-.036	-2.630
155	81	-.900	.335	-.317	-2.948	214	235	-.812	.229	-.304	-1.981	209	241	-.944	.347	-.058	-2.867
157	81	-.871	.317	-.336	-2.753	215	235	-.793	.222	-.321	-2.349	210	241	-.987	.330	-.115	-2.714
160	81	-.928	.340	-.366	-3.243	216	235	-.943	.364	-.359	-3.753	211	241	-1.007	.336	-.105	-2.386
161	81	-.914	.365	-.359	-2.710	217	235	-.898	.355	-.335	-3.053	212	241	-1.003	.341	-.098	-2.434
162	81	-.916	.360	-.363	-3.132	218	235	-.853	.319	-.327	-2.792	213	241	-1.051	.331	-.187	-2.558
164	81	-.925	.362	-.319	-2.647	219	235	-.830	.331	-.278	-2.833	214	241	-1.010	.313	-.222	-2.594
166	81	-.843	.312	-.334	-2.584	220	235	-.782	.293	-.234	-2.810	215	241	-1.000	.313	-.265	-2.266
168	81	-.814	.309	-.349	-2.746	222	235	-.677	.225	-.256	-2.037	216	241	-.981	.347	-.050	-2.355
170	81	-.738	.273	-.331	-2.881	224	235	-.621	.215	-.183	-2.659	217	241	-.975	.353	-.207	-2.618
172	81	-.691	.223	-.308	-1.913	226	235	-.676	.279	-.182	-2.675	218	241	-.967	.349	-.224	-2.422
174	81	-.672	.207	-.278	-2.262	205	237	-.964	.317	-.012	-2.467	219	241	-.948	.343	-.227	-2.940
155	87	-.908	.329	-.307	-2.731	206	237	-.953	.297	-.289	-2.256	220	241	-.924	.337	-.155	-2.786
157	87	-.894	.326	-.332	-2.832	207	237	-.980	.306	-.254	-2.446	222	241	-.845	.306	-.181	-2.406
160	87	-.945	.348	-.357	-2.674	208	237	-.978	.314	-.248	-2.644	224	241	-.787	.291	-.125	-2.287
161	87	-.932	.370	-.317	-2.580	209	237	-.955	.304	-.347	-2.547	226	241	-.767	.306	-.016	-2.638
162	87	-.925	.359	-.305	-2.804	210	237	-.938	.276	-.336	-2.354	228	241	-.743	.291	-.077	-2.305
164	87	-.923	.358	-.237	-2.645	211	237	-.935	.285	-.254	-2.481	230	241	-.717	.278	-.031	-2.251
166	87	-.828	.292	-.268	-2.372	212	237	-.902	.287	-.317	-2.082	232	241	-.677	.242	-.122	-1.935
168	87	-.827	.322	-.336	-2.419	213	237	-.891	.249	-.259	-2.496	234	241	-.653	.221	-.106	-2.014
170	87	-.752	.280	-.310	-2.112	214	237	-.851	.229	-.300	-1.960	236	241	-.600	.189	-.181	-1.438
172	87	-.701	.242	-.287	-2.221	215	237	-.832	.223	-.303	-2.259	188	242	-.580	.414	.332	-2.455
174	87	-.676	.227	-.243	-1.916	216	237	-.941	.323	-.341	-3.145	189	242	-.618	.412	.330	-2.387
205	234	-.940	.347	-.212	-3.220	217	237	-.908	.318	-.312	-2.734	190	242	-.629	.415	.423	-2.328
206	234	-.950	.354	-.048	-2.980	218	237	-.871	.306	-.276	-2.642	191	242	-.674	.415	.342	-2.634
207	234	-.946	.342	-.265	-2.597	219	237	-.850	.307	-.283	-2.603	192	242	-.719	.428	.435	-2.415
208	234	-.949	.356	-.256	-2.952	220	237	-.814	.276	-.215	-2.657	193	242	-.888	.448	.231	-2.673
209	234	-.914	.310	-.311	-2.497	222	237	-.727	.225	-.219	-2.020	194	242	-.864	.482	.368	-2.915
210	234	-.928	.342	-.261	-2.993	224	237	-.688	.222	-.171	-2.413	195	242	-1.050	.460	.089	-3.292
211	234	-.870	.309	-.262	-2.986	226	237	-.715	.261	-.122	-2.338	196	242	-1.131	.471	.080	-2.723
212	234	-.850	.296	-.301	-3.197	188	241	-.399	.308	.284	-1.771	197	242	-1.207	.460	-.039	-2.929
213	234	-.821	.279	-.293	-2.722	189	241	-.426	.306	.323	-2.012	198	242	-1.153	.437	.145	-2.960
214	234	-.769	.249	-.284	-2.126	190	241	-.447	.313	.359	-1.957	199	242	-1.314	.481	.140	-3.584
215	234	-.727	.225	-.271	-2.009	191	241	-.478	.319	.347	-2.032	200	242	-1.315	.452	.088	-3.489
216	234	-.874	.351	-.264	-2.657	192	241	-.493	.316	.421	-1.888	201	242	-1.399	.461	-.074	-3.008
217	234	-.859	.359	-.271	-3.363	193	241	-.631	.344	.150	-2.304	202	242	-1.428	.460	.108	-3.318
218	234	-.803	.307	-.203	-2.438	194	241	-.589	.359	.309	-2.454	203	242	-1.257	.417	-.228	-3.351
219	234	-.785	.295	-.257	-3.106	195	241	-.722	.372	.186	-2.523	204	242	-1.459	.416	-.334	-3.035
220	234	-.735	.256	-.247	-2.244	196	241	-.729	.360	.210	-2.045	205	242	-1.155	.417	-.014	-2.811
222	234	-.673	.255	-.214	-2.459	197	241	-.776	.359	.027	-2.541	206	242	-1.168	.396	-.082	-2.886
224	234	-.590	.210	-.163	-2.177	198	241	-.782	.355	.164	-2.252	207	242	-1.207	.392	-.124	-3.072
226	234	-.659	.274	-.183	-2.514	199	241	-.865	.383	.092	-2.495	208	242	-1.199	.402	-.163	-2.960

APPENDIX A -- PRESSURE DATA: JAY SQUAKE -- CONFIGURATION C -- LOS ANGELES, CALIFORNIA

WD	TAP	CPMEAN	CPRMS	CPMAX	CPMIN	WD	TAP	CPMEAN	CPRMS	CPMAX	CPMIN	WD	TAP	CPMEAN	CPRMS	CPMAX	CPMIN
209	242	-1.169	.398	-.088	-3.197	214	243	-.829	.253	-.268	-2.164	31	610	-.560	.399	.439	-2.345
210	242	-1.171	.377	-.280	-2.898	215	243	-.778	.218	-.241	-1.867	32	610	-.558	.384	.419	-2.413
211	242	-1.197	.386	-.269	-2.948	216	243	-.888	.295	-.273	-2.563	34	610	-.570	.348	.382	-2.320
212	242	-1.057	.392	-.219	-2.838	217	243	-.864	.288	-.273	-2.591	36	610	-.639	.341	.362	-2.094
213	242	-1.089	.366	-.243	-2.768	218	243	-.818	.280	-.226	-2.333	38	610	-.600	.280	.385	-2.120
214	242	-1.032	.340	-.205	-2.524	219	243	-.800	.275	-.245	-2.360	40	610	-.625	.243	.283	-1.820
215	242	-.990	.335	-.352	-3.028	220	243	-.774	.273	-.210	-2.364	42	610	-.635	.243	.157	-1.767
216	242	-1.092	.409	-.151	-3.425	222	243	-.688	.225	-.087	-1.957	10	628	-.447	.313	.333	-2.011
217	242	-1.042	.384	-.261	-2.788	224	243	-.682	.218	-.178	-1.881	12	628	-.522	.311	.366	-1.880
218	242	-1.021	.390	-.229	-2.703	226	243	-.692	.242	-.158	-1.882	14	628	-.550	.315	.448	-2.135
219	242	-.984	.370	-.234	-2.768	228	243	-.652	.224	-.160	-2.029	16	628	-.562	.359	.251	-2.525
220	242	-.918	.358	-.166	-3.094	230	243	-.621	.218	-.129	-1.680	18	628	-.564	.344	.254	-2.932
222	242	-.764	.285	-.202	-2.345	232	243	-.607	.211	-.019	-1.640	20	628	-.607	.356	.249	-3.667
224	242	-.777	.315	-.123	-2.390	234	243	-.575	.182	-.080	-1.746	22	628	-.670	.383	.388	-3.540
226	242	-.744	.301	-.136	-2.746	236	243	-.542	.177	-.122	-1.520	24	628	-.727	.392	.423	-2.792
228	242	-.726	.291	-.068	-2.867	238	264	-.687	.227	-.224	-1.943	26	628	-.697	.427	.402	-3.370
230	242	-.664	.249	-.100	-2.028	232	264	-.693	.236	-.122	-1.945	28	628	-.782	.420	.167	-3.426
232	242	-.643	.227	-.068	-1.932	234	264	-.704	.237	-.104	-1.754	29	628	-.772	.406	.390	-3.488
234	242	-.593	.195	-.158	-1.423	236	264	-.672	.214	-.157	-1.918	30	628	-.741	.424	.335	-3.847
236	243	-.449	.316	.677	-1.910	228	272	-.609	.210	-.103	-1.426	31	628	-.741	.372	.252	-3.605
188	243	-.468	.311	.447	-1.764	228	272	-.597	.205	-.141	-1.632	34	628	-.690	.334	.195	-3.068
190	243	-.485	.296	.365	-1.637	232	272	-.601	.222	-.135	-1.752	36	628	-.705	.347	.081	-3.765
191	243	-.512	.317	.289	-1.861	234	272	-.622	.214	-.172	-1.571	38	628	-.669	.353	.247	-2.944
192	243	-.564	.333	.227	-2.587	236	272	-.600	.202	-.098	-1.635	40	628	-.650	.309	.007	-2.470
193	243	-.616	.311	.185	-1.934	128	409	-.938	.372	-.315	-2.725	42	628	-.634	.312	.135	-2.772
194	243	-.681	.339	.227	-2.587	129	409	-.997	.364	-.305	-2.597	10	636	-.414	.193	.390	-1.145
195	243	-.841	.331	-.053	-2.331	130	409	-1.094	.371	-.292	-2.703	12	636	-.465	.195	.360	-1.552
196	243	-.883	.345	.005	-2.509	131	409	-1.130	.359	-.395	-2.501	14	636	-.510	.207	.312	-2.056
197	243	-.924	.341	.002	-2.394	133	409	-1.219	.362	-.538	-2.862	16	636	-.529	.256	.240	-1.967
198	243	-.878	.315	-.081	-2.291	134	409	-1.191	.389	-.443	-2.623	18	636	-.577	.277	.403	-1.781
199	243	-.985	.323	-.181	-2.381	135	409	-1.142	.329	-.443	-2.658	20	636	-.628	.289	.383	-1.806
200	243	-1.015	.335	-.256	-2.572	136	409	-1.156	.333	-.431	-3.040	22	636	-.628	.289	.287	-1.744
201	243	-1.036	.332	-.036	-2.516	10	610	-.131	.306	.580	-1.922	24	636	-.695	.293	.365	-1.947
202	243	-1.036	.321	-.232	-2.933	12	610	-.178	.305	.524	-1.635	26	636	-.669	.296	.243	-2.053
203	243	-.973	.266	-.325	-2.156	14	610	-.169	.325	.661	-1.402	28	636	-.739	.305	.295	-2.227
204	243	-1.055	.304	-.187	-2.186	16	610	-.188	.328	.732	-1.759	29	636	-.772	.311	.303	-2.108
205	243	-.909	.299	-.117	-2.183	18	610	-.209	.335	.614	-1.661	30	636	-.736	.294	.277	-1.934
206	243	-.940	.299	-.262	-2.186	20	610	-.258	.362	.690	-1.730	31	636	-.749	.309	.445	-2.010
207	243	-.921	.282	-.171	-2.089	22	610	-.303	.393	.604	-2.097	32	636	-.727	.280	.220	-2.501
208	243	-.945	.303	-.228	-2.601	24	610	-.338	.404	.793	-2.221	34	636	-.694	.291	.143	-2.507
209	243	-.949	.300	-.286	-2.258	26	610	-.321	.390	.550	-2.407	36	636	-.681	.270	.267	-1.678
210	243	-.904	.274	-.278	-2.407	28	610	-.472	.398	.604	-2.229	38	636	-.624	.232	.048	-1.821
211	243	-.904	.274	-.324	-2.423	28	610	-.525	.394	.407	-2.413	40	636	-.600	.221	.102	-2.226
212	243	-.853	.273	-.314	-2.184	30	610	-.509	.380	.450	-2.212	42	636	-.579	.207	.012	-1.640
213	243	-.872	.274	-.265	-2.192	30	610	-.509	.380	.450	-2.212	42	636	-.579	.207	.012	-1.640