

WIND-TUNNEL STUDY OF
OLYMPIA AND YORK OFFICE TOWER, DALLAS

by

J. A. Peterka* and J. E. Cermak**

Engineering Sciences

for

MAR 11 1981

Branch Library

WZMH Habib, Incorporated
1901 N. Akard
Suite 730
Dallas, Texas 75201

Fluid Mechanics and Wind Engineering Program
Fluid Dynamics and Diffusion Laboratory
Department of Civil Engineering
Colorado State University
Fort Collins, Colorado 80523

Project 2-27290

January 1981

*Associate Professor
**Professor-in-Charge, Fluid Mechanics
and Wind Engineering Program



U18401 0075722

CER80-81JAP-CER29

TABLE OF CONTENTS

| <u>Chapter</u> | | <u>Page</u> |
|----------------|--|-------------|
| | LIST OF FIGURES | ii |
| | LIST OF TABLES | iii |
| | LIST OF SYMBOLS | iv |
| 1 | INTRODUCTION | 1 |
| | 1.1 General | 1 |
| | 1.2 The Wind-Tunnel Test | 2 |
| 2 | EXPERIMENTAL CONFIGURATION | 5 |
| | 2.1 Wind Tunnel | 5 |
| | 2.2 Model | 5 |
| 3 | INSTRUMENTATION AND DATA ACQUISITION | 8 |
| | 3.1 Flow Visualization | 8 |
| | 3.2 Pressures | 8 |
| | 3.3 Velocity | 10 |
| 4 | RESULTS | 12 |
| | 4.1 Flow Visualization | 12 |
| | 4.2 Velocity | 12 |
| | 4.3 Pressures | 15 |
| | 4.4 Forces and Moments | 19 |
| 5 | DISCUSSION | 21 |
| | 5.1 Flow Visualization | 21 |
| | 5.2 Pedestrian Winds | 21 |
| | 5.3 Pressures | 23 |
| | REFERENCES | 25 |
| | FIGURES | 26 |
| | TABLES | 60 |
| | APPENDIX A | 112 |

LIST OF FIGURES

| <u>Figure</u> | | <u>Page</u> |
|---------------|---|-------------|
| 1 | Fluid Dynamics and Diffusion Laboratory | 27 |
| 2 | Wind-Tunnel Configuration | 28 |
| 3 | Pressure Tap Locations | 29 |
| 4 | Building Location and Pedestrian Wind Velocity Measuring Positions | 38 |
| 5 | Completed Model in Wind Tunnel | 39 |
| 6 | Data Sampling Time Verification | 41 |
| 7 | Mean Velocity and Turbulence Profiles approaching the Model | 42 |
| 8 | Mean Velocities and Turbulence Intensities at Pedestrian Locations | 43 |
| 9 | Wind-Velocity Probabilities for Pedestrian Locations | 51 |
| 10 | Peak-Pressure Contours on the Building for Cladding Loads | 54 |
| 11 | Load, Shear, and Moment Diagrams for Selected Wind Directions | 58 |

LIST OF TABLES

| <u>Table</u> | | <u>Page</u> |
|--------------|--|-------------|
| 1 | Motion Picture Scene Guide | 61 |
| 2 | Pedestrian Wind Velocities and Turbulence Intensities | 62 |
| 3 | Annual Percentage Frequencies of Wind Direction and Speed | 66 |
| 4 | Summary of Wind Effects on People | 67 |
| 5 | Calculation of Reference Pressure | 68 |
| 6 | Maximum Pressure Coefficients and Loads in PSF . . . | 69 |
| 7 | Loads, Shears, and Moments for each Wind Direction . | 74 |

LIST OF SYMBOLS

| <u>Symbol</u> | <u>Definition</u> |
|--------------------|---|
| U | Local mean velocity |
| D | Characteristic dimension (building height, width, etc.) |
| ν, ρ | Kinematic viscosity and density of approach flow |
| $\frac{UD}{\nu}$ | Reynolds number |
| E | Mean voltage |
| A, B, n | Constants |
| U_{rms} | Root-mean-square of fluctuating velocity |
| E_{rms} | Root-mean-square of fluctuating voltage |
| U_{∞} | Reference mean velocity outside the boundary layer |
| X, Y | Horizontal coordinates |
| Z | Height above surface |
| δ | Height of boundary layer |
| T_u | Turbulence intensity $\frac{U_{rms}}{U_{\infty}}$ or $\frac{U_{rms}}{U}$ |
| $C_{p_{mean}}$ | Mean pressure coefficient, $\frac{(p-p_{\infty})_{mean}}{0.5 \rho U_{\infty}^2}$ |
| $C_{p_{rms}}$ | Root-mean-square pressure coefficient, $\frac{((p-p_{\infty}) - (p-p_{\infty})_{mean})_{rms}}{0.5 \rho U_{\infty}^2}$ |
| $C_{p_{max}}$ | Peak maximum pressure coefficient, $\frac{(p-p_{\infty})_{max}}{0.5 \rho U_{\infty}^2}$ |
| $C_{p_{min}}$ | Peak minimum pressure coefficient, $\frac{(p-p_{\infty})_{min}}{0.5 \rho U_{\infty}^2}$ |
| () _{min} | Minimum value during data record |
| () _{max} | Maximum value during data record |

| <u>Symbol</u> | <u>Definition</u> |
|---------------|--|
| p | Fluctuating pressure at a pressure tap on the structure |
| p_∞ | Static pressure in the wind tunnel above the model |
| F_x, F_y | Forces in X, Y direction |
| A_R | Reference Area |
| CF_X | Force coefficient, X direction, $\frac{F_x}{A_R 0.5\rho U_\infty^2}$ |
| CF_Y | Force coefficient, Y direction, $\frac{F_y}{A_R 0.5\rho U_\infty^2}$ |

1. INTRODUCTION

1.1 General

A significant characteristic of modern building design is lighter cladding and more flexible frames. These features produce an increased vulnerability of glass and cladding to wind damage and result in larger deflections of the building frame. In addition, increased use of pedestrian plazas at the base of the buildings has brought about a need to consider the effects of wind and gustiness in the design of these areas.

The building geometry itself may increase or decrease wind loading on the structure. Wind forces may be modified by nearby structures which can produce beneficial shielding or adverse increases in loading. Overestimating loads results in uneconomical design; underestimating may result in cladding or window failures. Tall structures have historically produced unpleasant wind and turbulence conditions at their bases. The intensity and frequency of objectionable winds in pedestrian areas is influenced both by the structure shape and by the shape and position of adjacent structures.

Techniques have been developed for wind tunnel modeling of proposed structures which allow the prediction of wind pressures on cladding and windows, overall structural loading, and also wind velocities and gusts in pedestrian areas adjacent to the building. Information on sidewalk-level gustiness allows plaza areas to be protected by design changes before the structure is constructed. Accurate knowledge of the intensity and distribution of the pressures on the structure permits adequate but economical selection of cladding strength to meet selected maximum design winds and overall wind loads for the design of the frame for flexural control.

Modeling of the aerodynamic loading on a structure requires special consideration of flow conditions in order to guarantee similitude between model and prototype. A detailed discussion of the similarity requirements and their wind-tunnel implementation can be found in references (1), (2), and (3). In general, the requirements are that the model and prototype be geometrically similar, that the approach mean velocity at the building site have a vertical profile shape similar to the full-scale flow, that the turbulence characteristics of the flows be similar, and that the Reynolds number for the model and prototype be equal.

These criteria are satisfied by constructing a scale model of the structure and its surroundings and performing the wind tests in a wind tunnel specifically designed to model atmospheric boundary-layer flows. Reynolds number similarity requires that the quantity UD/ν be similar for model and prototype. Since ν , the kinematic viscosity of air, is identical for both, Reynolds numbers cannot be made precisely equal with reasonable wind velocities. To accomplish this the air velocity in the wind tunnel would have to be as large as the model scale factor times the prototype wind velocity, a velocity which would introduce unacceptable compressibility effects. However, for sufficiently high Reynolds numbers ($>2 \times 10^4$) the pressure coefficient at any location on the structure will be essentially constant for a large range of Reynolds numbers. Typical values encountered are 10^7 - 10^8 for the full-scale and 10^5 - 10^6 for the wind-tunnel model. In this range acceptable flow similarity is achieved without precise Reynolds number equality.

1.2 The Wind-Tunnel Test

The wind-engineering study is performed on a building or building group modeled at scales ranging from 1:150 to 1:400. The building model

is constructed of clear plastic fastened together with screws. The structure is modeled in detail to provide accurate flow patterns in the wind passing over the building surfaces. The building under test is often located in a surrounding where nearby buildings or terrain may provide beneficial shielding or adverse wind loading. To achieve similarity in wind effects the area surrounding the test building is also modeled. A flow visualization study is first made (smoke is used to make the air currents visible) to define overall flow patterns and identify regions where local flow features might cause difficulties in building curtain-wall design or produce pedestrian discomfort.

The test model, equipped with pressure taps (200 to 600 or more), is exposed to an appropriately modeled atmospheric wind in the wind tunnel and the fluctuating pressure at each tap measured electronically. The model, and the modeled area, are rotated 10 or 15 degrees and another set of data recorded for each pressure tap. Normally, 24 or 36 sets of data (360 degrees of turning) are taken; however, when flow visualization or recorded data indicate high pressure regions of small azimuthal extent, data is obtained in smaller azimuthal steps.

Data are recorded, analyzed and processed by an on-line computerized data-acquisition system. Pressure coefficients of several types are calculated by the computer for each reading on each piezometer tap and are printed in tabular form as computer readout. Using wind data applicable to the building site, representative wind velocities are selected for combination with measured pressures on the building model. Integration of test data with wind data results in prediction of peak local wind pressures for design of glass or cladding and may include overall forces and moments on the structure (by floor if desired) for design of

the structural frame. Pressure contours are drawn on the developed building surfaces showing the intensity and distribution of peak wind loads on the building. These results may be used to divide the building into zones where lighter or heavier cladding or glass may be desirable.

Based on the visualization (smoke) tests and on a knowledge of heavy pedestrian use areas, a dozen or more locations may be chosen at the base of the building where wind velocities can be measured to determine the relative comfort or discomfort of pedestrians in plaza areas, near building entrances, near building corners, or on sidewalks.

Usually a reference pedestrian position is also tested to determine whether the wind environment in the building area is better or worse than the environment a block or so away in an undisturbed area.

The following pages discuss in greater detail the procedures followed and the equipment and data collecting and processing methods used. In addition, the data presentation format is explained and the implications of the data are discussed.

2. EXPERIMENTAL CONFIGURATION

2.1 Wind Tunnel

Wind-engineering studies are performed in the Fluid Dynamics and Diffusion Laboratory at Colorado State University (Figure 1). Three large wind tunnels are available for wind loading studies depending on the detailed requirements of the study. The wind tunnel used for this investigation is shown in Figure 2. All tunnels have a flexible roof adjustable in height to maintain a zero pressure gradient along the test section. The mean velocity can be adjusted continuously in each tunnel to the maximum velocity available.

2.2 Model

In order to obtain an accurate assessment of local pressures using piezometer taps, models are constructed to the largest scale that does not produce significant blockage in the wind-tunnel test section. The models are constructed of 1/2 in. thick Lucite plastic and fastened together with metal screws. Significant variations in the building surface, such as mullions, are machined into the plastic surface. Piezometer taps (1/16 in. diameter) are drilled normal to the exterior vertical surfaces in rows at several or more elevations between the bottom and top of the building. Similarly, taps are placed in the roof and on any sloping, protruding, or otherwise distinctive features of the building that might need investigation.

Pressure tap locations are chosen so that the entire surface of the building can be investigated for pressure loading and at the same time permit critical examination of areas where experience has shown that maximum wind effects may be expected to occur. Locations of the pressure taps for this study are shown in Figure 3. Dimensions are

given both for full-scale building (in ft) and for model (in in.). The pressure tap numbers are shown adjacent to the taps.

The pressure tests are sometimes made in two stages. In the first stage measurements are made on the initial distribution of pressure taps. If it becomes apparent from the data that the loading on the building is being influenced by some unsuspected geometry of the building or adjacent structures, additional pressure taps are installed in the critical areas. The locations of the taps are selected so that the maximum loading can be detected and the area over which this loading is acting can be defined. Any added taps are also shown in Figure 3.

A circular area 750 to 2000 ft in radius depending on model scale and characteristics of the surrounding buildings and terrain is modeled in detail. Structures within the modeled region are made from styrofoam and cut to the individual building geometries. They are mounted on the turntable in their proper locations. Significant terrain features are included as needed. The model is mounted on a turntable (Figure 2) near the downwind end of the test section. Any buildings or terrain features which do not fit on the turntable are placed on removable pieces which are placed upwind of the turntable for appropriate wind directions. A plan view of the building and its surroundings is shown in Figure 4. The turntable is calibrated to indicate azimuthal orientation to 0.1 degree.

The region upstream from the modeled area is covered with a randomized roughness constructed using various sized cubes placed on the floor of the wind tunnel. Different roughness sizes may be used for different wind directions. Spires are installed at the test-section entrance to provide a thicker boundary layer than would otherwise be

available. The thicker boundary layer permits a somewhat larger scale model than would otherwise be possible. The spires are approximately triangularly shaped pieces of 1/2 in. thick plywood 6 in. wide at the base and 1 in. wide at the top, extending from the floor to the top of the test section. They are placed so that the broad side intercepts the flow. A barrier approximately 8 in. high is placed on the test-section floor downstream of the spires to aid in development of the boundary-layer flow.

The distribution of the roughness cubes and the spires in the roughened area was designed to provide a boundary-layer thickness of approximately 4 ft, a velocity profile power-law exponent similar to that expected to occur in the region approaching the modeled area for each wind direction (a number of wind directions may have the same approach roughness). A photograph of the completed model in the wind tunnel is shown in Figure 5. The wind-tunnel ceiling is adjusted after placement of the model to obtain a zero pressure gradient along the test section.

3. INSTRUMENTATION AND DATA ACQUISITION

3.1 Flow Visualization

Making the air flow visible in the vicinity of the model is helpful

- (a) in understanding and interpreting mean and fluctuating pressures,
- (b) in defining zones of separated flow and reattachment and zones of vortex formation where pressure coefficients may be expected to be high and
- (c) in indicating areas where pedestrian discomfort may be a problem.

Titanium tetrachloride smoke is released from sources on and near the model to make the flow lines visible to the eye and to make it possible to obtain motion picture records of the tests. Conclusions obtained from these smoke studies are discussed in Sections 4.1 and 5.1.

3.2 Pressures

Mean and fluctuating pressures are measured at each of the pressure taps on the model structure. Data are obtained for 24 or 36 wind directions, rotating the entire model assembly in a complete circle. Seventy-six pieces of 1/16 in. I.D. plastic tubing are used to connect 76 pressure ports at a time to an 80 tap pressure switch mounted inside the model. The switch was designed and fabricated in the Fluid Dynamics and Diffusion Laboratory to minimize the attenuation of pressure fluctuations across the switch. Each of the 76 measurement ports is directed in turn by the switch to one of four pressure transducers mounted close to the switch. The four pressure input taps not used for transmitting building surface pressures are connected to a common tube leading outside the wind tunnel. This arrangement provides both a means of performing in-place calibration of the transducers and, by connecting this tube to a pitot tube mounted inside the wind tunnel, a means of automatically monitoring the tunnel speed. The switch is operated by means of a shaft projecting through

the floor of the wind tunnel. A computer-controlled stepping motor steps the switch into each of the 20 required positions. The computer keeps track of switch position but a digital readout of position is provided at the wind tunnel.

The pressure transducers used are setra differential transducers (Model 237) with a 0.10 psid range. Reference pressures are obtained by connecting the reference sides of the four transducers, using plastic tubing, to the static side of a pitot-static tube mounted in the wind tunnel free stream above the model building. In this way the transducer measures the instantaneous difference between the local pressures on the surface of the building and the static pressure in the free stream above the model.

Output from the pressure transducers is fed to an on-line data acquisition system consisting of a Hewlett-Packard 21 MX computer, disk unit, card reader, printer, Digi-Data digital tape drive and a Preston Scientific analog-to-digital converter. The data are processed immediately into pressure coefficient form as described in Section 4.3 and stored for printout or further analysis.

All four transducers are recorded simultaneously for 16 seconds at a 250 sample per second rate. The results of an experiment to determine the length of record required to obtain stable mean and rms (root-mean-square) pressures and to determine the overall accuracy of the pressure data acquisition system is shown in Figure 6. A typical pressure port record was integrated for a number of different time periods to obtain the data shown. Examination of a large number of pressure taps showed that the overall accuracy for a 16 second period is, in pressure coefficient form, 0.03 for mean pressures, 0.1 for peak pressures, and 0.01 for rms pressures. Pressure coefficients are defined in Section 4.3.

3.3 Velocity

Mean velocity and turbulence intensity profiles are measured upstream of the model to determine that an approach boundary-layer flow appropriate to the site has been established. Tests are made at one wind velocity in the tunnel. This velocity is well above that required to produce Reynolds number similarity between the model and the prototype as discussed in Section 1.1.

In addition, mean velocity and turbulence intensity measurements are made 5 to 7 ft (prototype) above the surface at a dozen or more locations on and near the building for 16 wind directions. The measurement locations are shown on Figure 4. The surface measurements are indicative of the wind environment to which a pedestrian at the measurement location would be subjected. The locations are chosen to determine the degree of pedestrian comfort or discomfort at the building corners where relatively severe conditions frequently are found, near building entrances and on adjacent sidewalks where pedestrian traffic is heavy, and in open plaza areas. In most studies a reference pedestrian position, located about a block away, is also tested. These data are helpful in evaluating the degree of pedestrian comfort or discomfort in the proposed plaza area in terms of the undisturbed environment in the immediate vicinity.

Measurements are made with a single hot-wire anemometer mounted with its axis vertical. The instrumentation used is a Thermo Systems constant temperature anemometer (Model 1050) with a 0.001 in. diameter platinum film sensing element 0.020 in. long. Output is directed to the on-line data acquisition system for analysis.

Calibration of the hot-wire anemometer is performed by comparing output with the pitot-static tube in the wind tunnel. The calibration

data are fit to a variable exponent King's Law relationship of the form

$$E^2 = A + BU^n$$

where E is the hot-wire output voltage, U the velocity and A , B , and n are coefficients selected to fit the data. The above relationship was used to determine the mean velocity at measurement points using the measured mean voltage. The fluctuating velocity in the form U_{rms} (root-mean-square velocity) was obtained from

$$U_{\text{rms}} = \frac{2 E E_{\text{rms}}}{B n U^{n-1}}$$

where E_{rms} is the root-mean-square voltage output from the anemometer. For interpretation all turbulence measurements for pedestrian winds were divided by the mean velocity outside the boundary-layer U_{∞} . Turbulence intensity in velocity profile measurements used the local mean velocity.

4. RESULTS

4.1 Flow Visualization

A film is included as part of this report showing the characteristics of flow about the structure using smoke to make the flow visible. A listing of the contents of the film is shown in Table 1. Several features can be noted from the visualization. As with all large structures, wind approaching the building is deflected down to the plaza level, up over the structure and around the sides. A description of the smoke test results emphasizing flow patterns of concern relative to possible high-wind load areas and pedestrian comfort is given in Section 5.1.

4.2 Velocity

Velocity and turbulence profiles are shown in Figure 7. Profiles were taken upstream from the model which are characteristic of the boundary layer approaching the model and sometimes at the building site with building removed. The boundary-layer thickness, δ , is shown in Figure 7. The corresponding prototype value of δ for this study is also shown in the figure. This value was established as a reasonable height for this study. The mean velocity profile approaching the modeled area has the form

$$\frac{U}{U_{\infty}} = \left(\frac{z}{\delta}\right)^n.$$

The exponent n for the approach flow established for this study is shown in Figure 7.

Profiles of longitudinal turbulence intensity in the flow approaching the modeled area are shown in Figure 7. The turbulence intensities are appropriate for the approach mean velocity profile selected. For the velocity profiles, turbulence intensity is defined

as the root-mean-square about the mean of the longitudinal velocity fluctuations divided by the local mean velocity U ,

$$Tu = \frac{U_{rms}}{U} .$$

Velocity data obtained at each of the pedestrian measurement locations shown in Figure 4 are listed in Table 2 as mean velocity U/U_{∞} , turbulence intensity U_{rms}/U_{∞} , and largest effective gust

$$U_{pk} = \frac{U + 3U_{rms}}{U_{\infty}} .$$

These data are plotted in polar form in Figure 8. Measurements were taken 5 to 7 ft above the ground surface. A site map is superimposed on the polar plots to aid in visualization of the effects of the nearby structures on the velocity and turbulence magnitudes. An analysis of these wind data is given in Section 5.2.

To enable a quantitative assessment of the wind environment, the wind-tunnel data were combined with wind frequency and direction information obtained at the local airport. Table 3 shows wind frequency by direction and magnitude obtained from summaries published by the National Weather Service. These data, usually obtained at an elevation of about 30-40 ft, were converted to velocities at the reference velocity height for the wind-tunnel measurements and combined with the wind-tunnel data to obtain cumulative probability distributions (percent time a given velocity is exceeded) for wind velocity at each measuring location. The percentage times were summed by wind direction to obtain a percent time exceeded at each measuring position independent of wind direction (but accounting for the fact that the wind blows from different directions with varying frequency). These results are plotted in Figure 9.

Interpretation of Figure 9 is aided by a description of the effects of wind of various magnitudes on people. The earliest quantitative description of wind effects was established by Sir Francis Beaufort in 1806 for use at sea and is still in use today. Several recent investigators have added to the knowledge of wind effects on pedestrians. These investigations along with suggested criteria for acceptance have been summarized by Penwarden and Wise (4) and Melbourne (5). The Beaufort scale (from ref. 4), based on mean velocity only, is reproduced as Table 4 including qualitative descriptions of wind effects. Table 4 suggests that mean wind speeds below 12 mph are of minor concern and that mean speeds above 24 mph are definitely inconvenient. Quantitative criteria for acceptance from reference 5 are superimposed as dashed lines on Figure 9. The peak gust curves shown in Figure 9 are the percent of time during which a short gust of the stated magnitude could occur (say about one of these gusts per hour). Implications of the data plotted in Figure 9 are presented in Section 5.2

Because some pedestrian wind measuring positions are purposely chosen at sites where the smoke tests showed large velocities of small spacial extent, the general wind environment about the structure may be less severe than one might infer from a strict analysis of Table 2 and Figure 9.

4.3 Pressures

For each of the pressure taps examined at each wind direction, the data record is analyzed to obtain four separate pressure coefficients.

The first is the mean pressure coefficient

$$C_{p_{\text{mean}}} = \frac{(p-p_{\infty})_{\text{mean}}}{0.5 \rho U_{\infty}^2}$$

where the symbols are as defined in the List of Symbols. It represents the mean of the instantaneous pressure difference between the building pressure tap and the static pressure in the wind tunnel above the building model, nondimensionalized by the dynamic pressure

$$0.5 \rho U_{\infty}^2$$

at the reference velocity position. This relationship produces a dimensionless coefficient which indicates that the mean pressure difference between building and ambient wind at a given point on the structure is some fraction less or some fraction greater than the undisturbed wind dynamic pressure near the upper edge of the boundary layer. Using the measured coefficient, prototype mean pressure values for any wind velocity may be calculated.

The magnitude of the fluctuating pressure is obtained by the rms pressure coefficient

$$C_{p_{\text{rms}}} = \frac{\left((p-p_{\infty}) - (p-p_{\infty})_{\text{mean}} \right)_{\text{rms}}}{0.5 \rho U_{\infty}^2}$$

in which the numerator is the root-mean-square of the instantaneous pressure difference about the mean.

If the pressure fluctuations followed a Gaussian probability distribution, no additional data would be required to predict the

frequency with which any given pressure level would be observed. However, the pressure fluctuations do not, in general, follow a Gaussian probability distribution so that additional information is required to show the extreme values of pressure expected. The peak maximum and peak minimum pressure coefficients are used to determine these values:

$$C_{p_{\max}} = \frac{(p-p_{\infty})_{\max}}{0.5 \rho U_{\infty}^2}$$

$$C_{p_{\min}} = \frac{(p-p_{\infty})_{\min}}{0.5 \rho U_{\infty}^2}$$

The values of $p-p_{\infty}$ which were digitized at 250 samples per second for 16 seconds, representing about one hour of time in the full-scale, are examined individually by the computer to obtain the most positive and most negative values during the 16-second period. These are converted to $C_{p_{\max}}$ and $C_{p_{\min}}$ by nondimensionalizing with the free stream dynamic pressure.

The four pressure coefficients are calculated by the on-line data acquisition system computer and tabulated along with the approach wind azimuth in degrees from true north. The list of coefficients is included as Appendix A. The pressure tap code numbers used in the appendix are explained in Figure 3.

To determine the largest peak loads acting at any point on the structure for cladding design purposes, the pressure coefficients for all wind directions were searched to obtain, at each pressure tap, the largest absolute value of peak pressure coefficient. Table 6 provides these pressure coefficients and associated wind directions. Included in Section 5.3 is an analysis of the coefficients of Table 6 including the maximum values obtained and where they occurred on the building.

The pressure coefficients of Table 6 can be converted to full-scale loads by multiplication by a suitable reference pressure selected for the field site. This reference pressure is represented in the equations for pressure coefficients by the $0.5 \rho U_{\infty}^2$ denominator. This value is the dynamic pressure associated with an hourly mean wind at the reference velocity measurement position at the edge of the boundary layer. In general, the method of arriving at a design reference pressure for a particular site involves selection of a design wind velocity, translation of the velocity to an hourly mean wind at the reference velocity location and conversion to a reference pressure. Selection of the design velocity can be made from statistical analysis of extreme wind data or selected from wind maps contained in the proposed wind loading code ANSI A58.1 of the American National Standards Institute (6). The calculation of reference pressure for this study is shown in Table 5. The factor used in Table 5 to reduce gust winds to hourly mean winds is given in reference (7).

The reference pressure associated with the design hourly mean velocity at the reference velocity location can be used directly with the peak-pressure coefficients to obtain peak local design wind loads for cladding design. Local, instantaneous peak loads on the full-scale building suitable for cladding design were computed by multiplying the reference pressure of Table 5 by the peak coefficients of Table 6 and are listed as peak pressures in that table. The maximum psf load given at each tap location is the absolute value of the maximum value found in the tests, irrespective of its algebraic sign. For ease in visualizing the loads on the structure, contours of equal peak pressures for cladding load shown in Table 6 have been plotted on developed elevation

views of the structure, Figure 10. For control of water infiltration from outside to inside, the largest positive (inward-acting) pressure at each tap location is tabulated in Table 6.

For glass design pressures, a glass load factor is used to account for the different duration between measured peak pressures and the one minute loading commonly used in glass design charts. The design pressure used for glass is normally less than the peak pressures used for cladding design because of the static fatigue property of glass which can withstand higher pressures for short duration loads than for long duration loads. Recent research (8) indicates that the period of application of the peak pressures reported herein is about 5-10 seconds or less. If a glass design is based on these peak-pressure values, then a glass strength associated with this duration load should be used. Because glass design charts are normally based on some alternate load duration--usually one minute--then some reduction in peak loads should be made. An estimate of a load reduction factor can be obtained from an empirical relation of glass strength as a function of load duration. Current glass selection charts showing glass strength as a function of load duration (9) and older references (10) indicate the following load reduction factors:

| | ref 9 | ref 10 |
|-------------------|-------|--------|
| annealed float | 0.80 | 0.81 |
| heat strengthened | 0.94 | |
| tempered | 0.97 | 0.98 |

Loadings appropriate for glass design can be computed by multiplying the peak-pressure loads of Table 6 by these load factors.

4.4 Forces and Moments

Force coefficients in the horizontal X and Y directions and moment coefficients about the X, Y, and Z axes with the origin at ground level at the base of the building with Z axis vertical may be computed for all wind directions tested by integration of mean pressures on the building. Overall forces and moments acting on the full-scale building due to wind loading which are useful in designing the structural framing of the proposed building may be obtained from use of these coefficients.

Force coefficients were computed for each floor for each wind direction using the equations shown below.

$$CF_X = \frac{F_X}{A_R 0.5 \rho U_\infty^2} \quad CF_Y = \frac{F_Y}{A_R 0.5 \rho U_\infty^2}$$

Terms and symbols used in the equations are defined in the List of Symbols and the axes are defined for the building in Figure 3. Force coefficients CF_X and CF_Y were computed for the horizontal forces acting along the X and Y axes using the mean pressure coefficient at each pressure tap. A_R represents a constant reference area for nondimensionalization of the forces and moments.

The total forces acting on the full-scale building for each floor and wind direction were computed by multiplying the above coefficients by the appropriate full-scale reference area, by the reference pressure of Table 5, and by a gust load factor selected for an appropriate wind gust duration. The gust load factor, shown in Table 5, was selected to increase the loads from an hourly mean load to that of a gust whose duration would be sufficient for its effect to be fully felt by the structure. A table of gust load factors for various gust durations is

incorporated in Table 5 so that force and moment data of Table 7 may be adjusted to a different load duration if desired.

The forces obtained at each floor were used to obtain load, shear, and moment diagrams for the building for each wind direction. The shear diagram, in kips, was obtained by algebraic sum of all forces in each coordinate direction acting above the floor of interest. The load diagram, in psf, was obtained by dividing the shear values by their contributing areas (listed in Table 7). The moment diagram, in 1000 ft-kips, was obtained by integration of the shear values so that the moment due to forces acting above the floor level of interest was calculated. The sign of the moment was established by the right-hand rule about an X', Y' axis through the floor of interest. Moments about the Z axis were calculated by considering the displacement of forces in the X and Y directions from the Z axis shown in Figure 3. Load, shear, and moment diagrams are shown in Figure 11 for several wind directions.

5. DISCUSSION

5.1 Flow Visualization

Flow patterns identified with smoke showed that the highest wind velocities approaching the model were due to northerly winds deflected by the 490 ft. building across Harwood Street to the northeast and due to easterly to southerly winds deflected by the 400 foot building to the southeast (see Figure 4 for site plan). There were no obvious sources of vortex flow patterns or other flow patterns which would lead to exceptionally high local pressures although pressure data did identify two vortices (sect. 5.3). Pedestrian wind magnitudes appeared highest near the southeast corner of the building. Wind velocities through the Federal Street passage underneath the building appeared to be moderate.

5.2 Pedestrian Winds

Figure 4 shows the 15 pedestrian locations selected for investigation of pedestrian wind comfort. Location 1 was selected as a reference location which should be reasonably undisturbed by presence of the Olympia and York office tower. Locations 7-14 were located underneath the building overhang while location 6 was located on Federal Street underneath the building. Table 2 and Figure 8 show that the largest values of mean velocity were measured at locations 2 and 1 with values of 64 and 60 percent respectively of the value of the mean velocity U_{∞} at the boundary layer height. The largest value immediately adjacent to the Olympia and York building was 59 percent measured at location 9 for a south wind. For comparison, in an open country environment the mean velocity would be about 45 percent of U_{∞} .

The largest values of fluctuating velocity, U_{rms} , were 14-15 percent of U_{∞} measured at locations 2, 3, 9 and 13. In an open-country environment, values of 10-12 percent would be expected. These largest values of U_{rms} are smaller than those often found in urban environments. The largest values of peak gust, represented by the mean plus three rms as discussed in Section 4.2, were obtained at locations 1, 2, and 9 with values between 91 and 99 percent of U_{∞} for several wind directions each and at location 3 for a single wind direction. These values are only slightly higher than the 80-90 percent that would be expected in an open-country location.

Velocity data of Table 2 integrated with local wind data is shown in Figure 9. Based on the data of this figure, the windiest positions will be reference location 1 and location 2 at the base of the 400 foot structure to the southeast. These locations exceed the unacceptable criteria line for mean winds 30 to 40 percent of the time and exceed the acceptability line for walking about 10 percent of the time for peak gusts. Locations 9 and 15 are the windiest locations immediately adjacent to the Olympia and York building. They exceed the unacceptable line for mean winds 6-8 percent of the time for mean wind speeds and exceed the acceptable criteria line for walking 10 and 4 percent of the time respectively for peak gusts. Other locations about the building ranged from low wind velocities (location 4) to a wind level where the comfort criteria for walking was exceeded more than 10 percent of the time (locations 7, 8, 10, and 14).

The results of the pedestrian wind velocity analysis showed that the pedestrian environment at the base of the Olympia and York building will be quite windy at some locations near the east corner of

the building. These locations will, however, be less windy than nearby locations 1 and 2.

5.3 Pressures

Table 6 shows the largest pressure coefficients and corresponding loads measured on the building for each pressure tap location. Data in Table 6 and Appendix A listed as Configuration A represent the basic data set obtained at 36 wind directions for all taps. Data listed as Configuration C represent data obtained at selected taps at 2 degree wind azimuth resolution near wind azimuths showing pressure peaks to ensure that the largest values were obtained. The largest pressure coefficient in Configuration A measured on the Olympia and York building was -4.4 measured at tap 223 for a wind azimuth of 180 degrees. Configuration C showed that this coefficient could be as high as -4.8 when 2 degree resolution data is considered. These coefficients represent local peak cladding loads of 119 and 129 psf based on the 50-yr recurrence reference pressure of Table 5. These large coefficients resulted from a small, local, but intense vortex forming over that corner of the building. The magnitude is probably increased by presence of the slightly lower building upwind which causes accelerated flow over its top to impinge on the building corner. The second highest pressure measured in Configuration A was -2.9 measured at tap 209 for a wind azimuth of 180 degrees. It was affected by the same phenomena as tap 223. Figure 10 shows that peak cladding ranged from less than 30 psf to 60 or 70 psf in most areas with roughly half the building face area showing pressures less than 45 psf.

Figure 11 shows load, shear and moment data extracted from Table 7 for two wind directions for which wind loads were maximum in the x and y directions.

REFERENCES

1. Cermak, J. E., "Laboratory Simulation of the Atmospheric Boundary Layer," AIAA J1., Vol. 9, September 1971.
2. Cermak, J. E., "Applications of Fluid Mechanics to Wind Engineering," A Freeman Scholar Lecture, ASME J1. of Fluids Engineering, Vol. 97, No. 1, March 1975.
3. Cermak, J. E., "Aerodynamics of Buildings," Annual Review of Fluid Mechanics, Vol. 8, 1976, pp. 75-106.
4. Penwarden, A. D., and Wise, A. F. E., "Wind Environment Around Buildings," Building Research Establishment Report, HMSO, 1975.
5. Melbourne, W. H., "Criteria for Environmental Wind Conditions," J1. Industrial Aerodynamics, vol. 3, pp. 241-247, 1978.
6. American National Standards Institute, "American National Standard Building Code Requirements for Minimum Design Loads in Buildings and Other Structures," ANSI Standard A58.1, 1972.
7. Hollister, S. C., "The Engineering Interpretation of Weather Bureau Records for Wind Loading on Structures," Building Science Series 30--Wind Loads on Buildings and Structures, National Bureau of Standards, pp. 151-164, 1970.
8. Peterka, J. A., and Cermak, J. E., "Peak-Pressure Duration in Separated Regions on a Structure," U.S.-Japan Research Seminar on Wind Effects on Structures, Kyoto, Japan, 9-13 September 1974; Report CEP74-75JAP-JEC8, Fluid Mechanics Program, Colorado State University, September 1974.
9. PPG Glass Thickness Recommendations to Meet Architects' Specified 1-Minute Wind Load, Pittsburgh Plate Glass Industries, April 1979.
10. Shand, E. B., "Glass Engineering Handbook," Second Edition, McGraw-Hill, New York, p. 51, 1958.

FIGURES

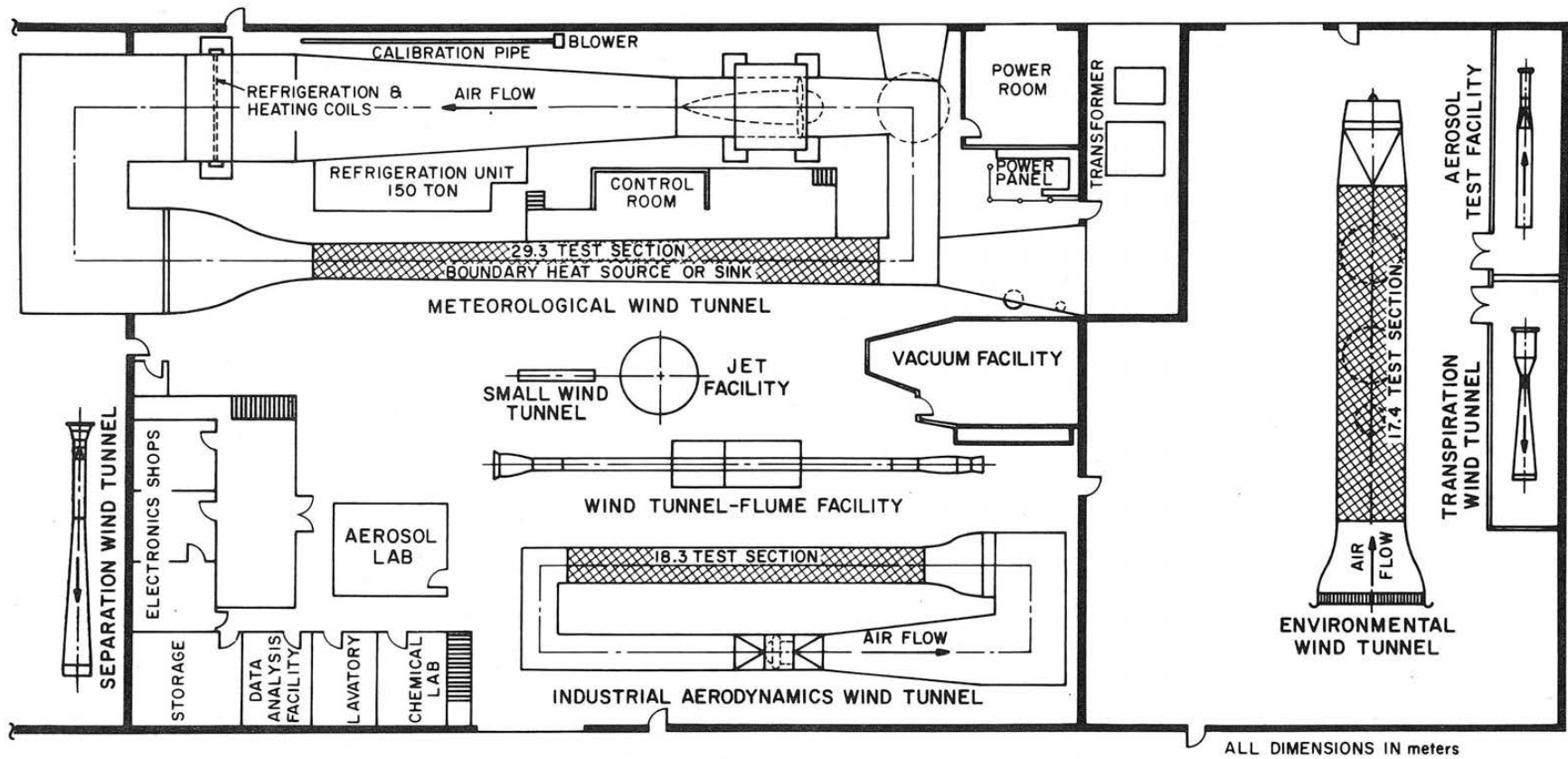
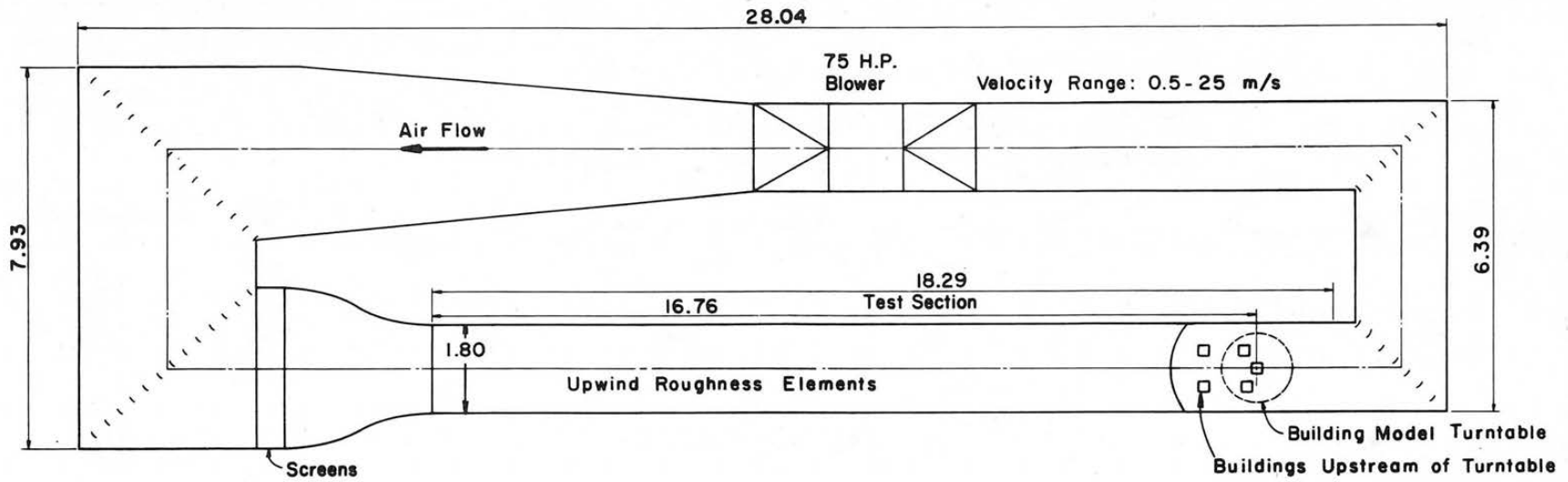
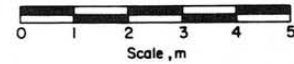


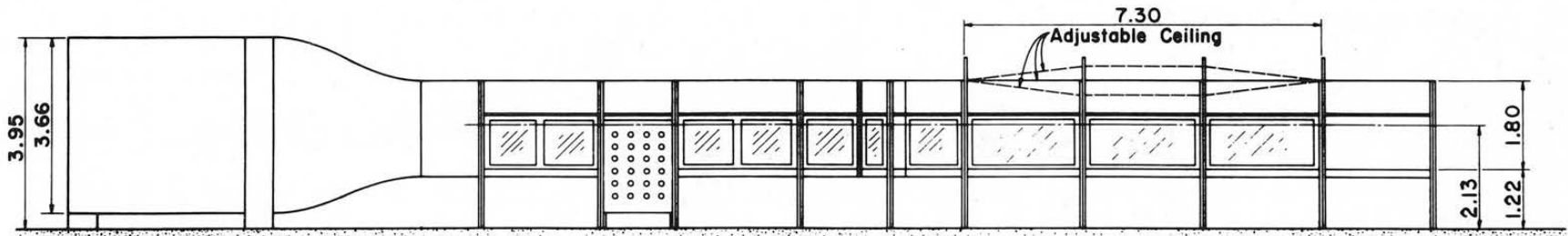
FIGURE 1 - FLUID DYNAMICS AND DIFFUSION LABORATORY
 COLORADO STATE UNIVERSITY



PLAN



28



All Dimensions in m

ELEVATION

INDUSTRIAL AERODYNAMICS WIND TUNNEL

Figure 2 - Wind Tunnel Configuration

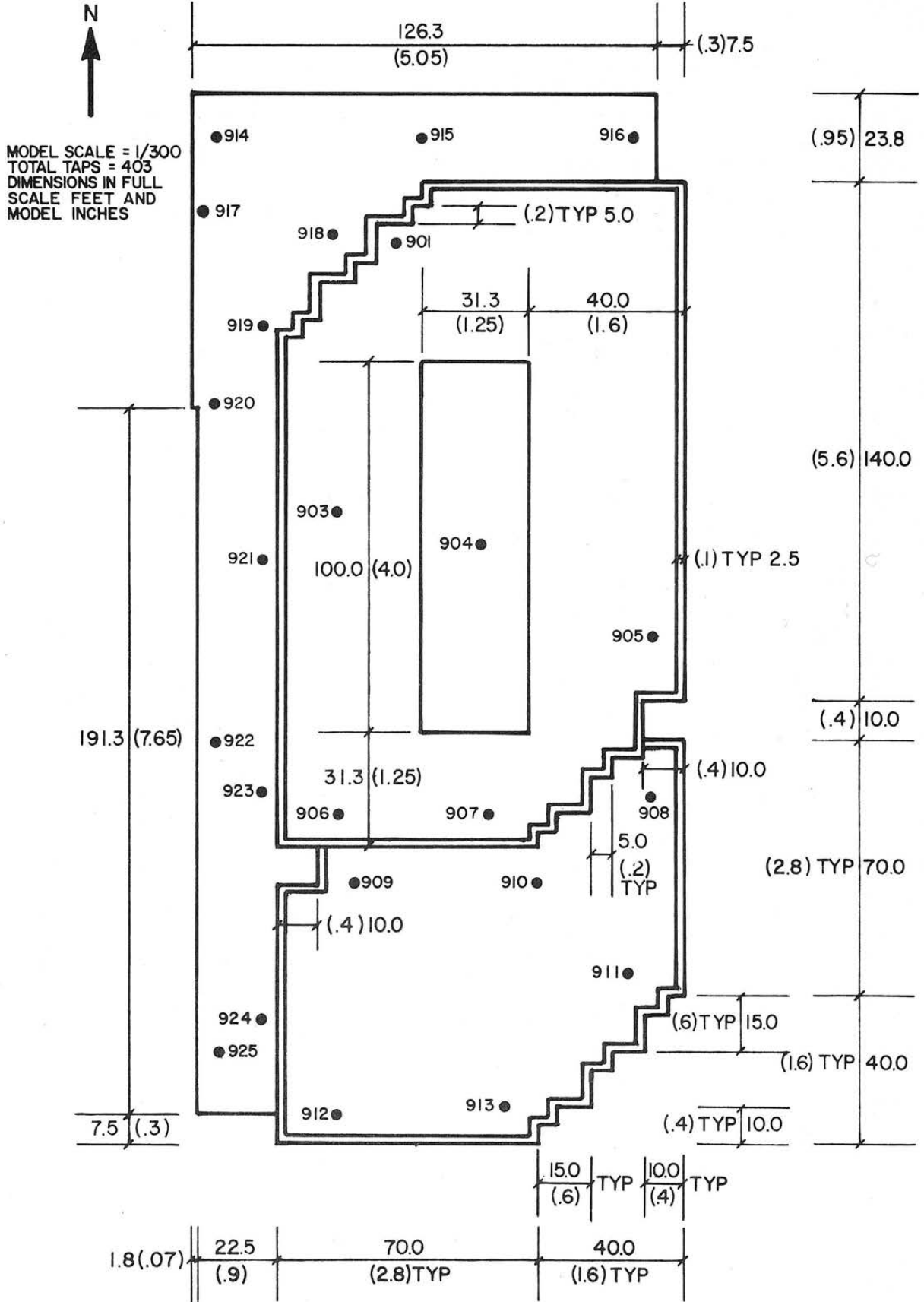


Figure 3a. Pressure Tap Locations

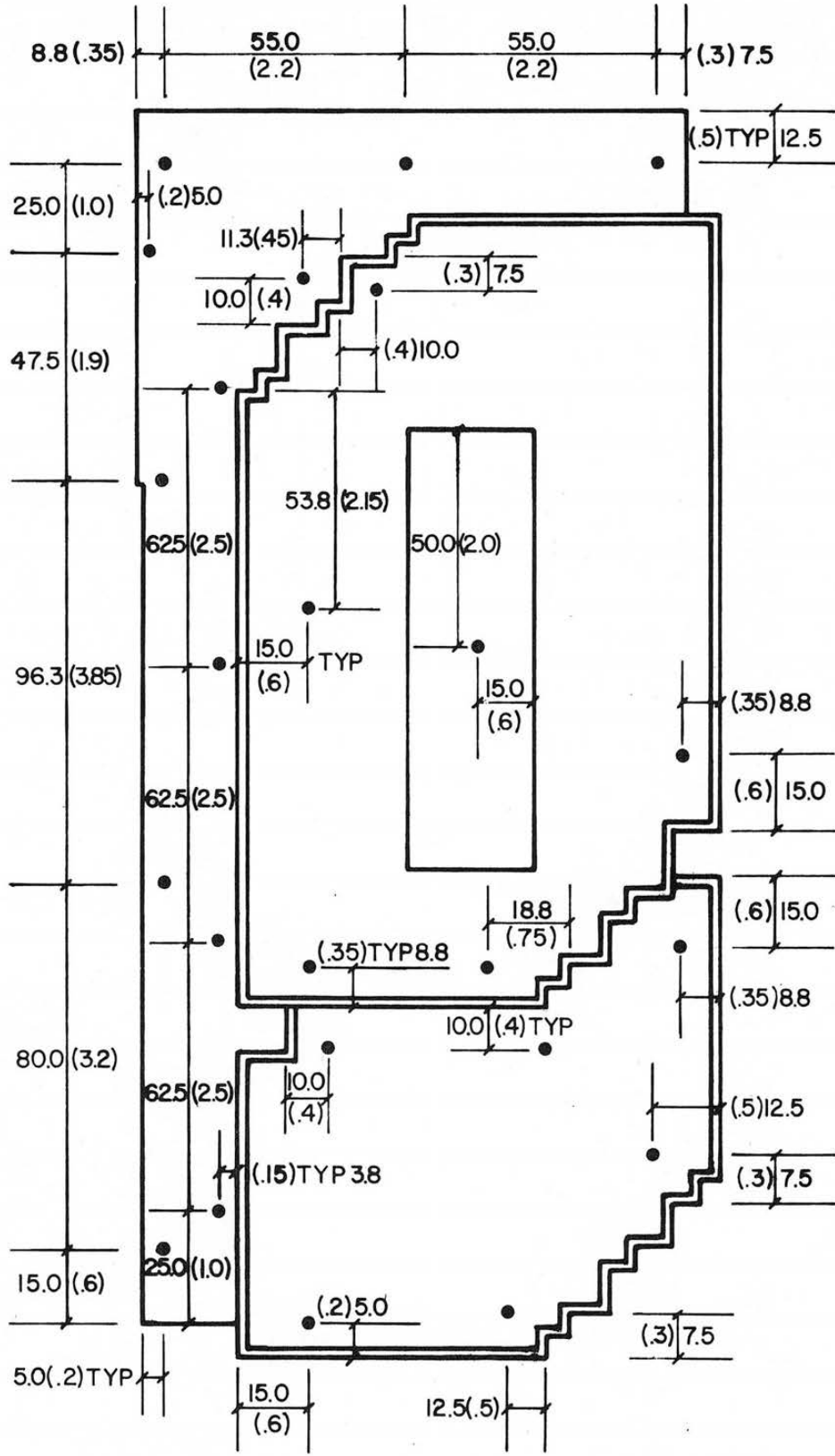


Figure 3b. Pressure Tap Locations

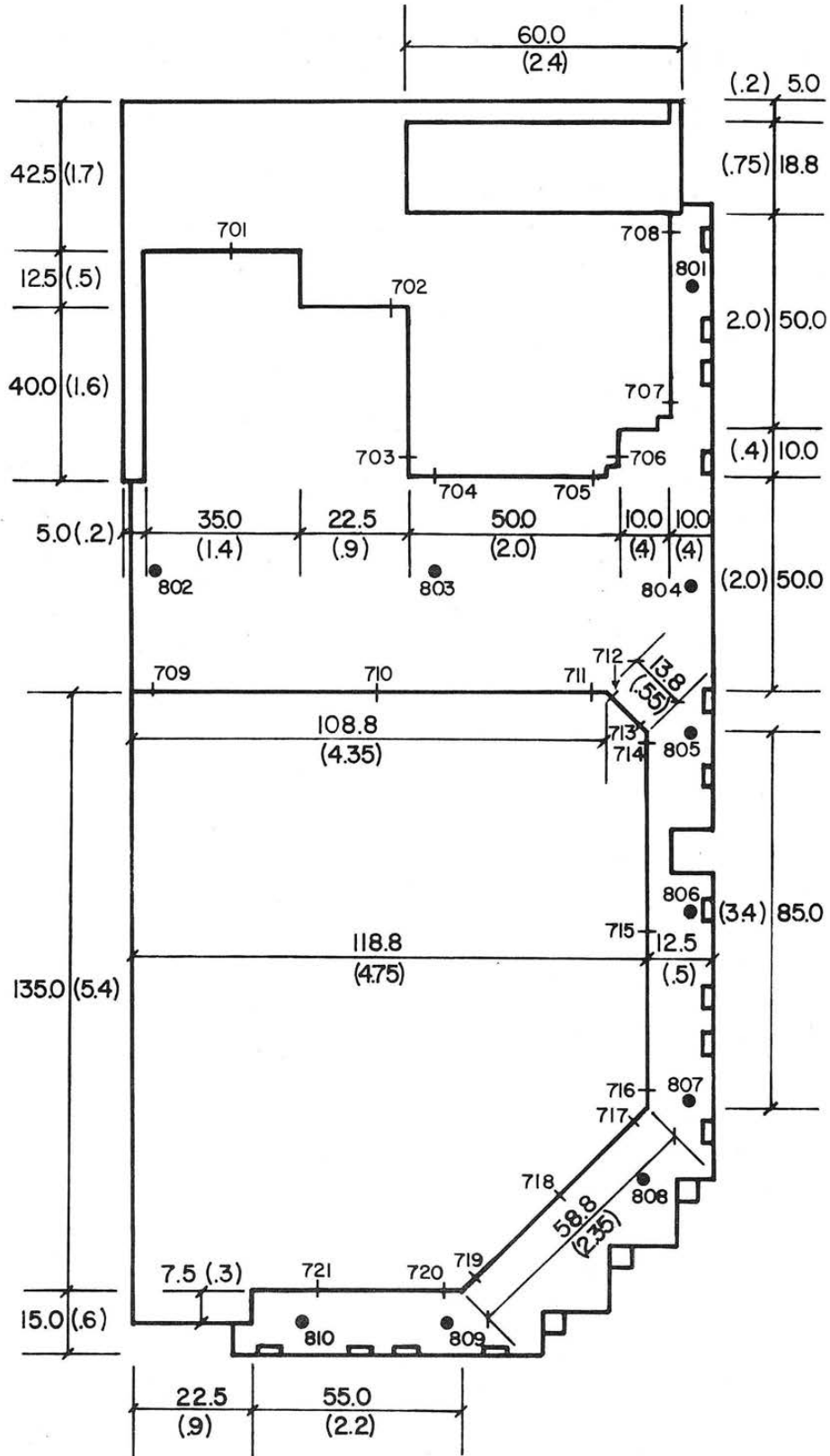


Figure 3c. Pressure Tap Locations

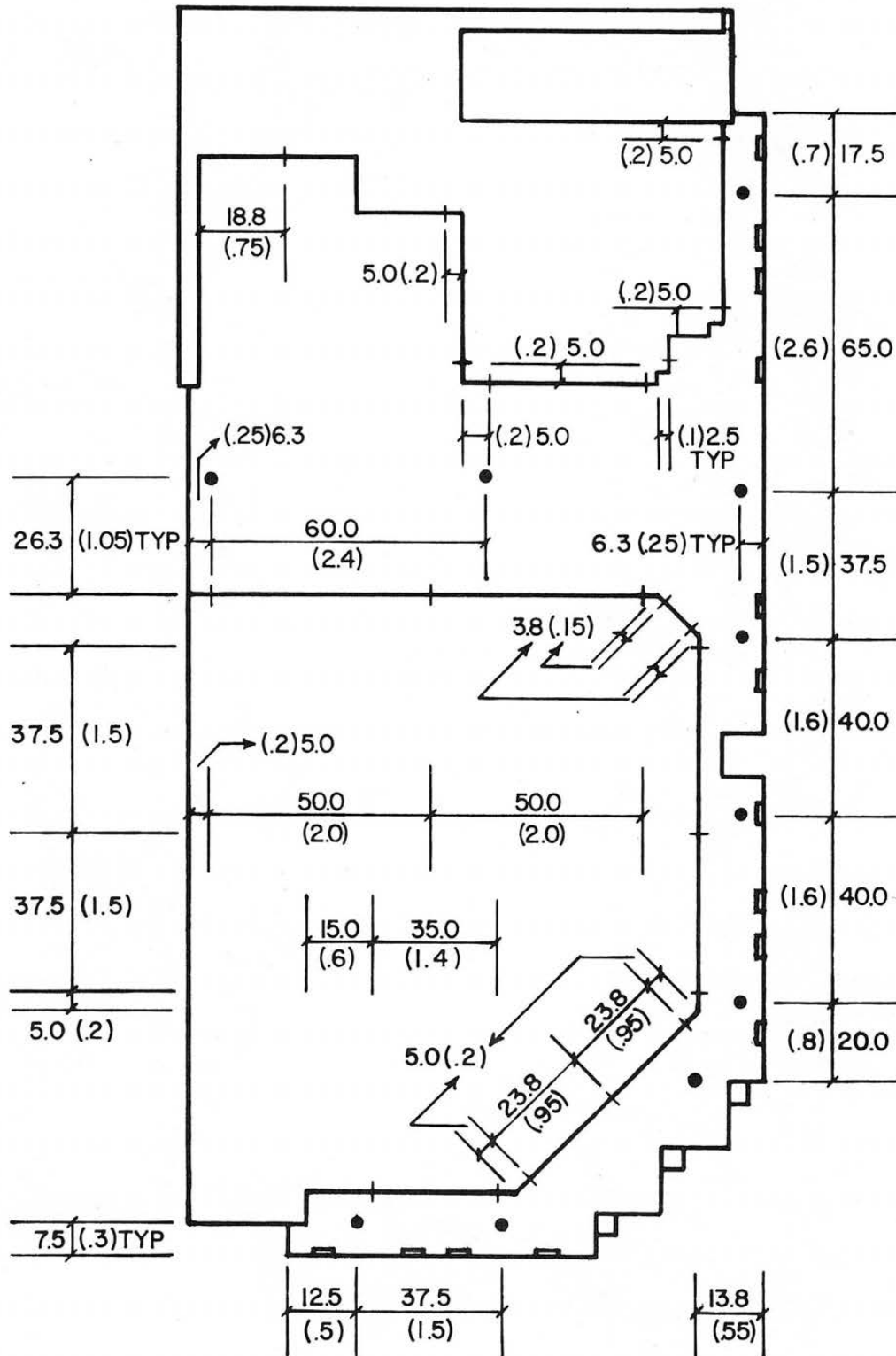


Figure 3d. Pressure Tap Locations

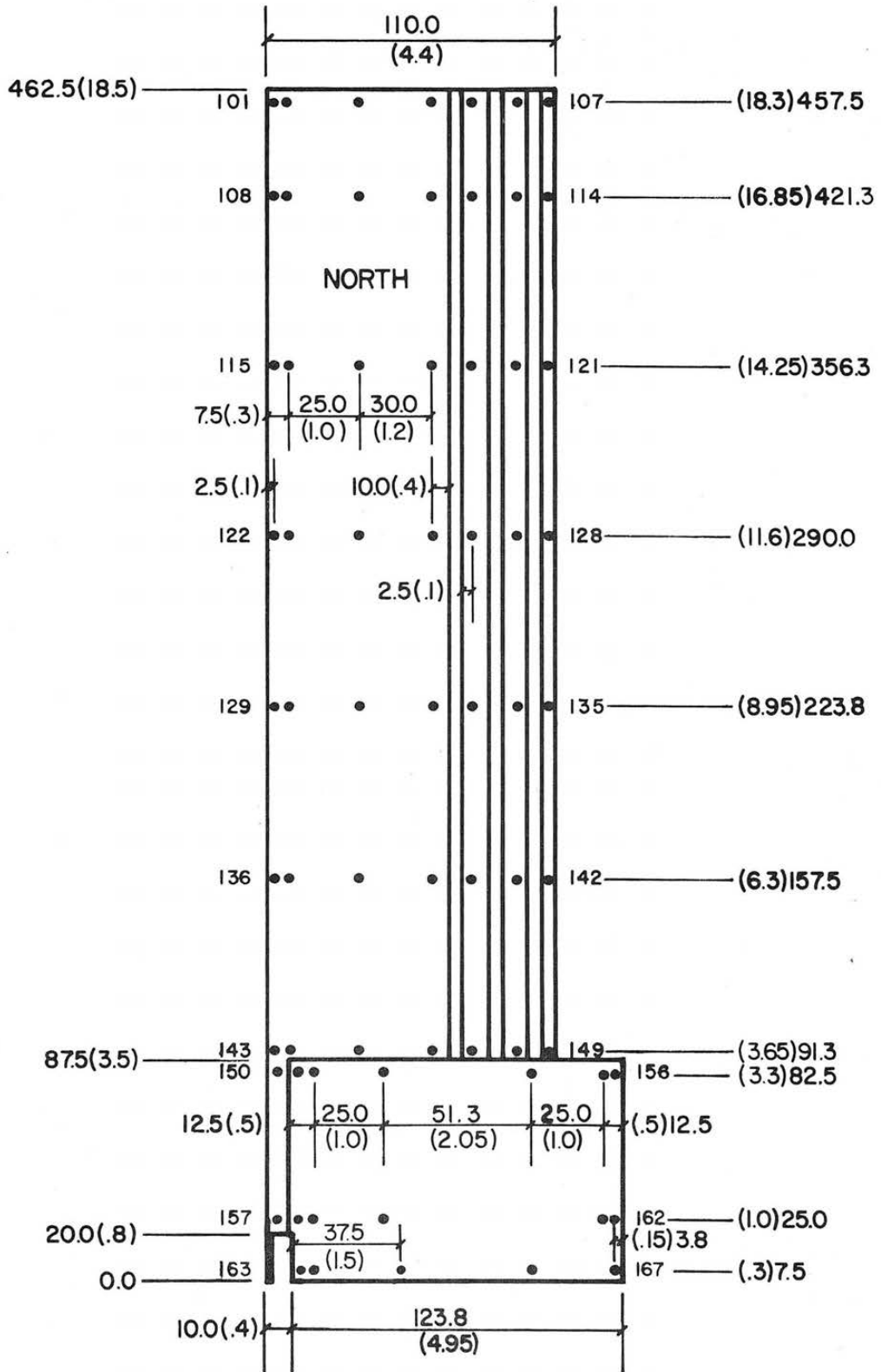


Figure 3e. Pressure Tap Locations

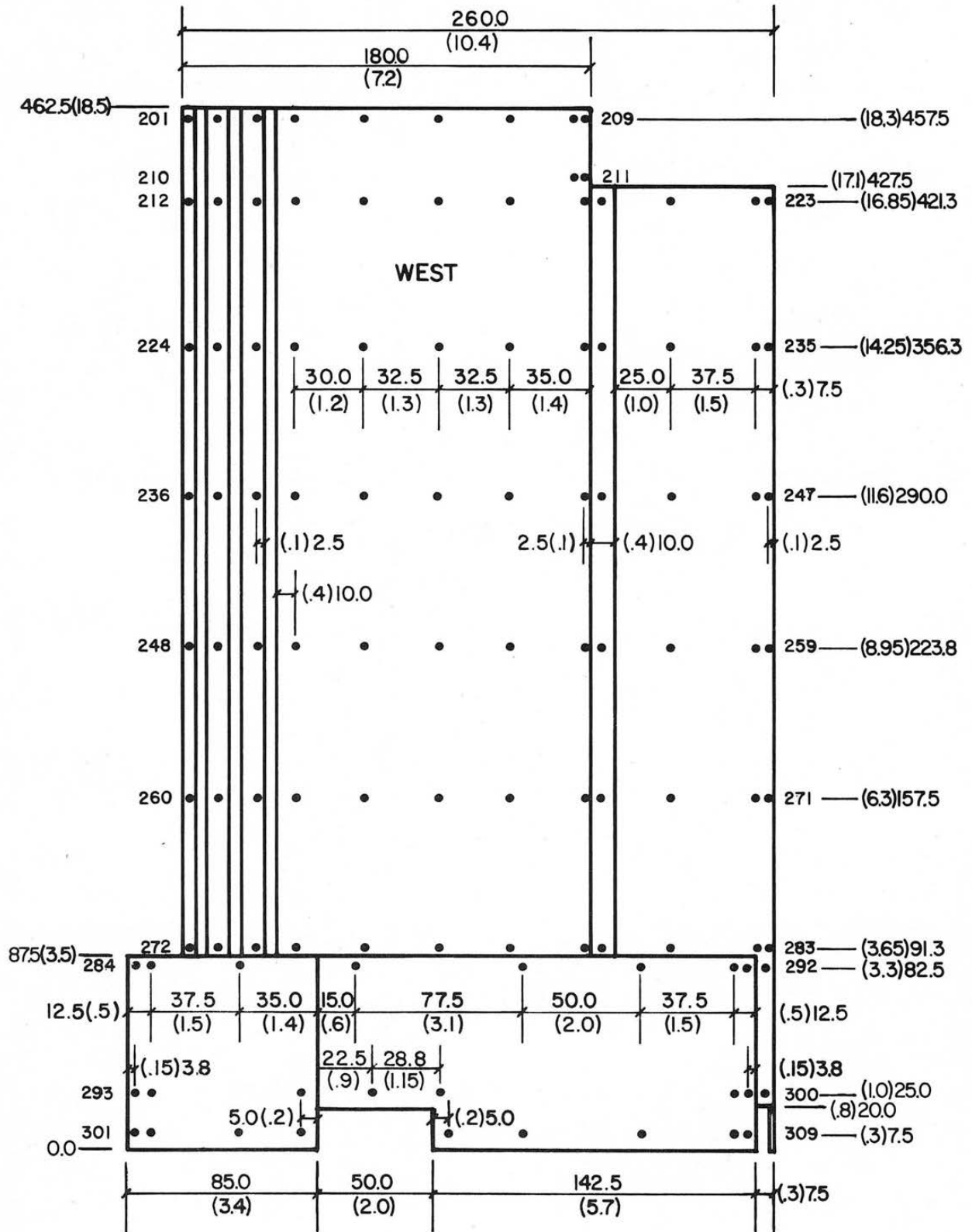


Figure 3f. Pressure Tap Locations

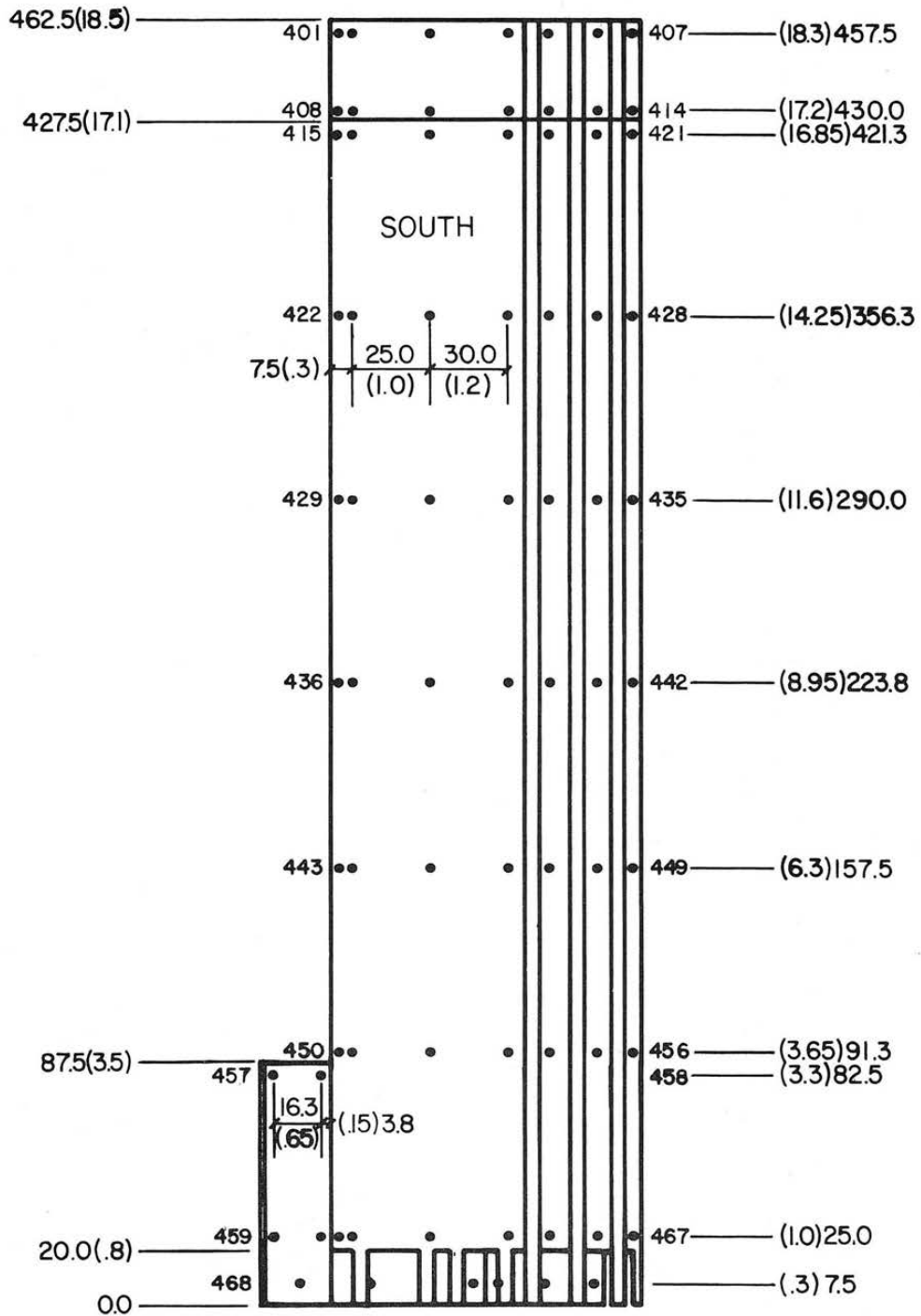


Figure 3g. Pressure Tap Locations

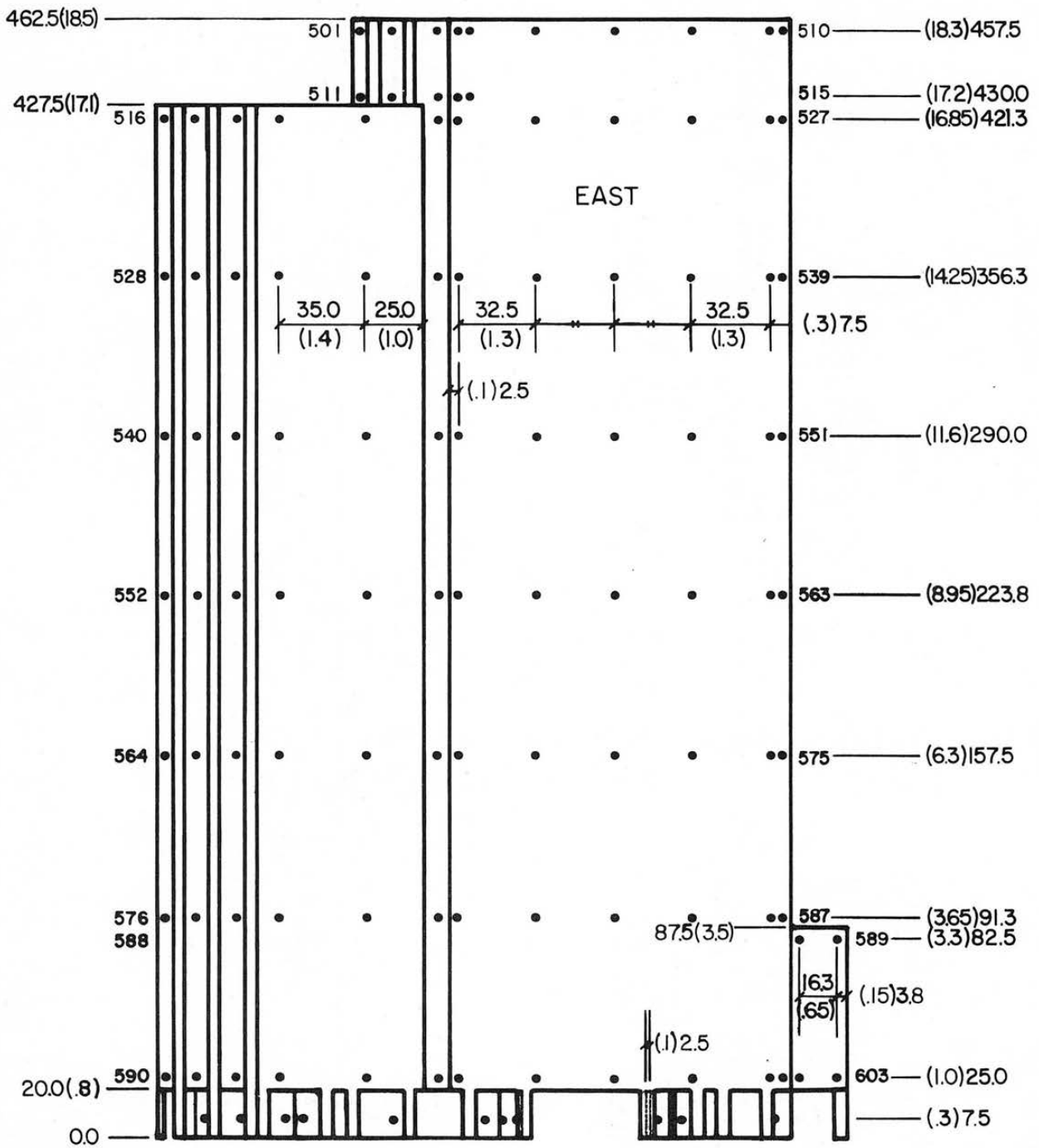


Figure 3h. Pressure Tap Locations

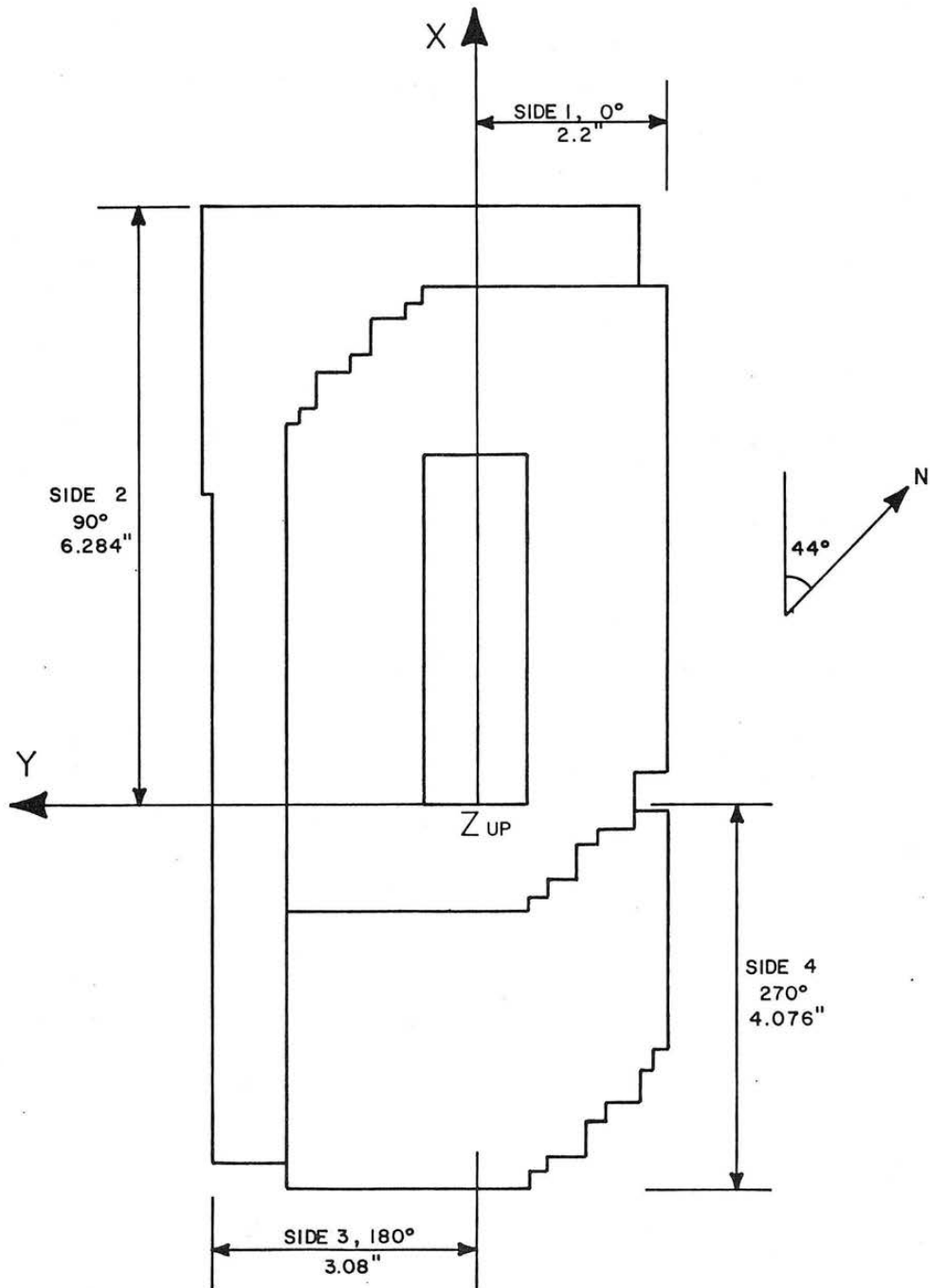


Figure 3i. Force and Moment Coordinate System

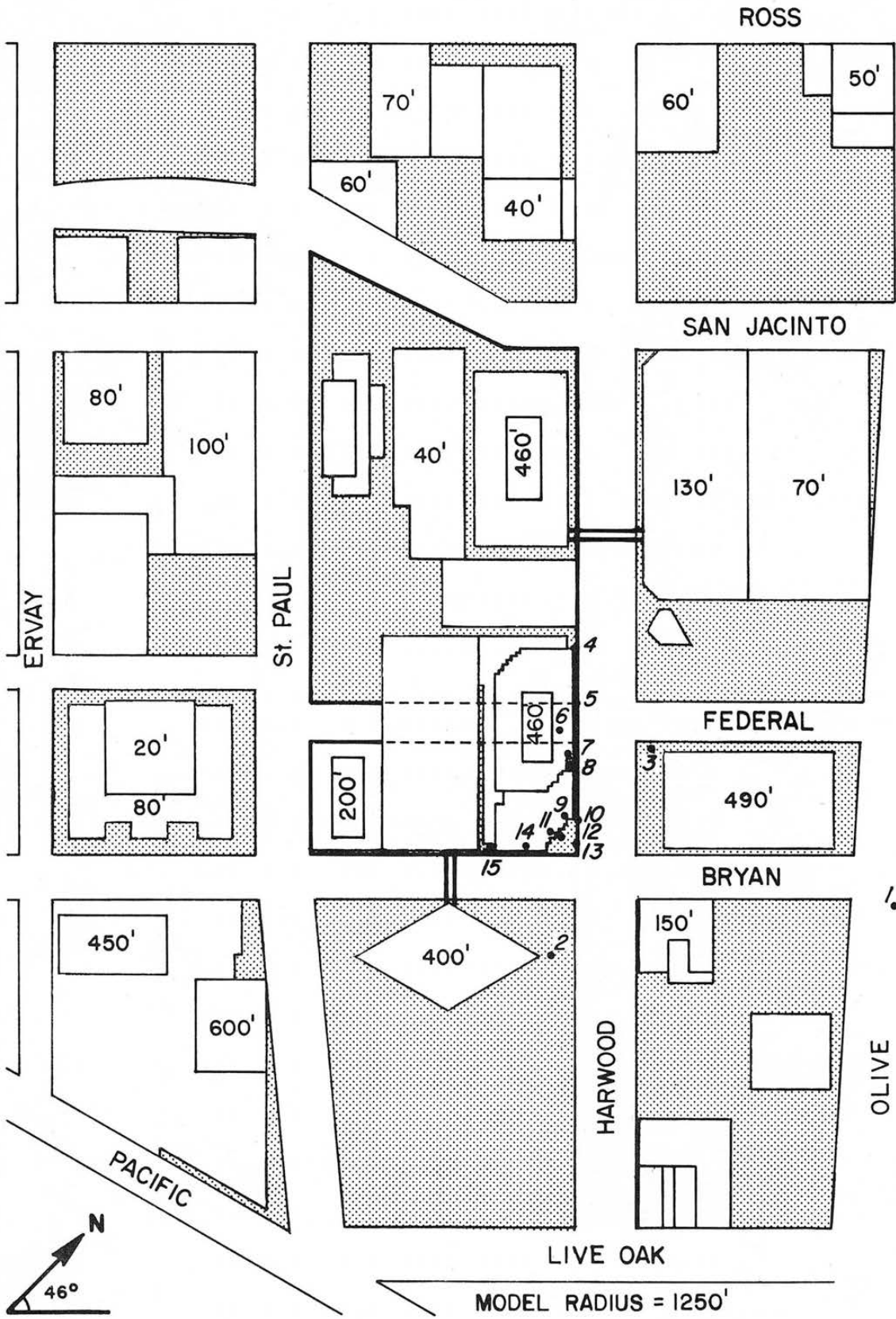


Figure 4. Building Location and Pedestrian Wind Velocity Measuring Positions

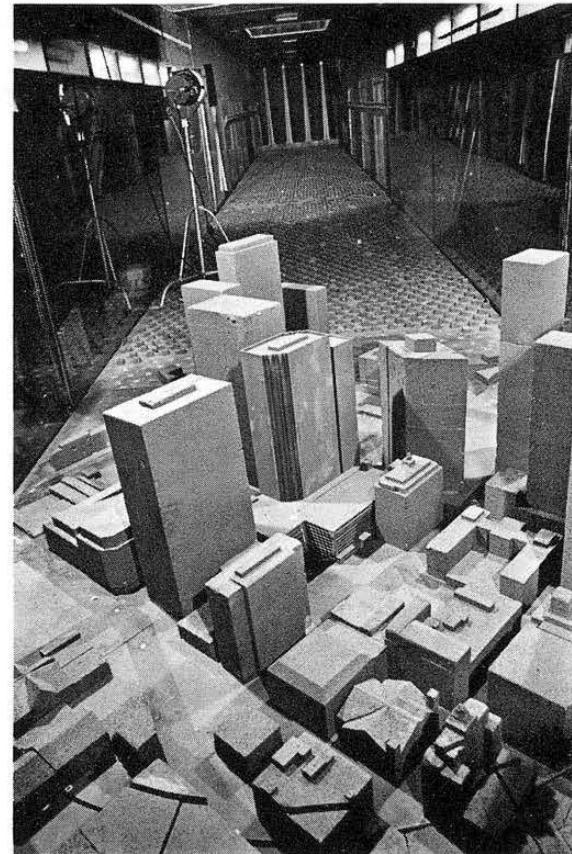
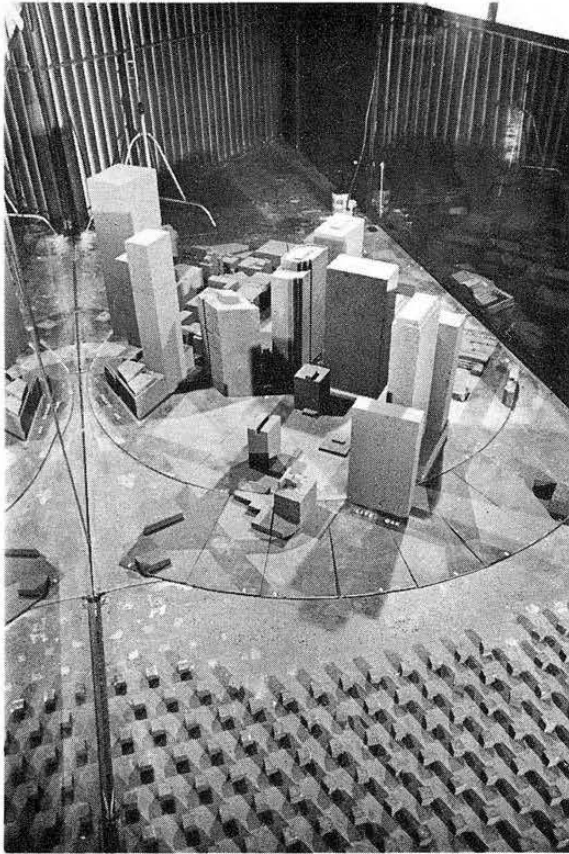


Figure 5. Completed Model in Wind Tunnel

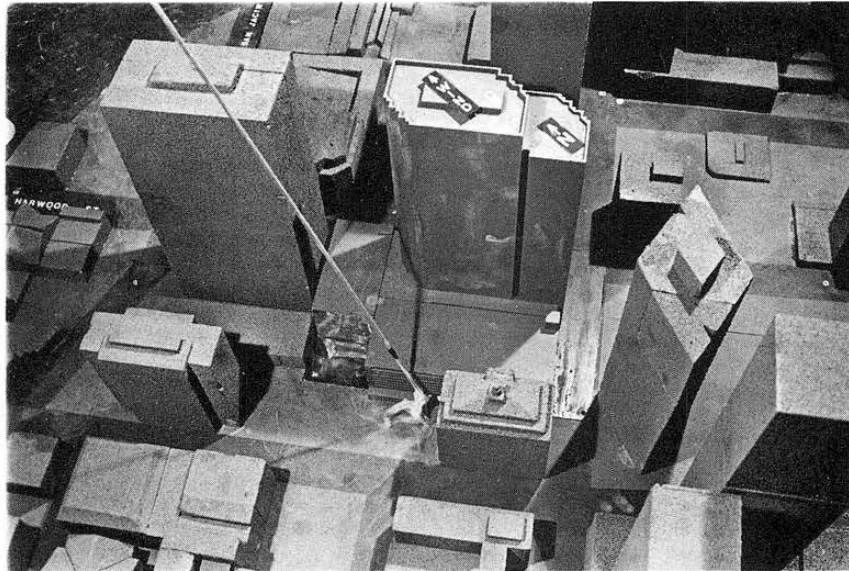
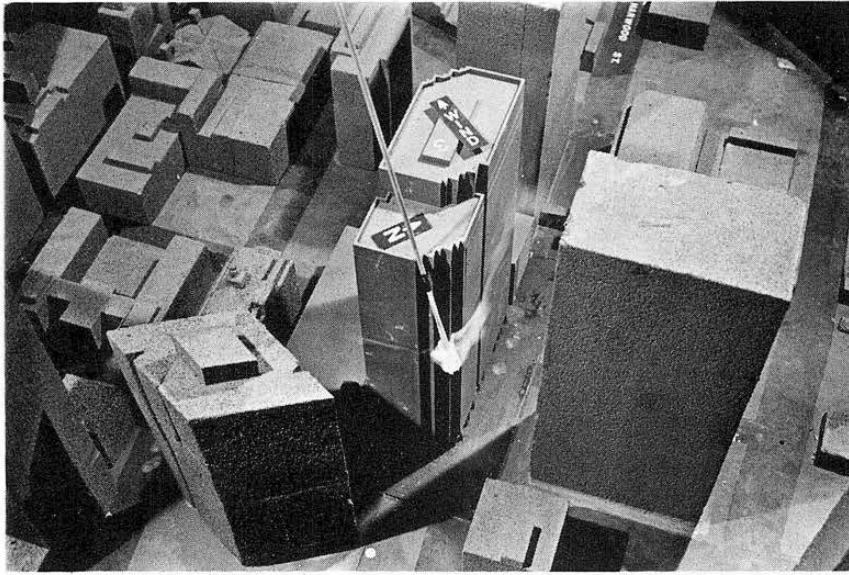


Figure 5. Completed Model in Wind Tunnel

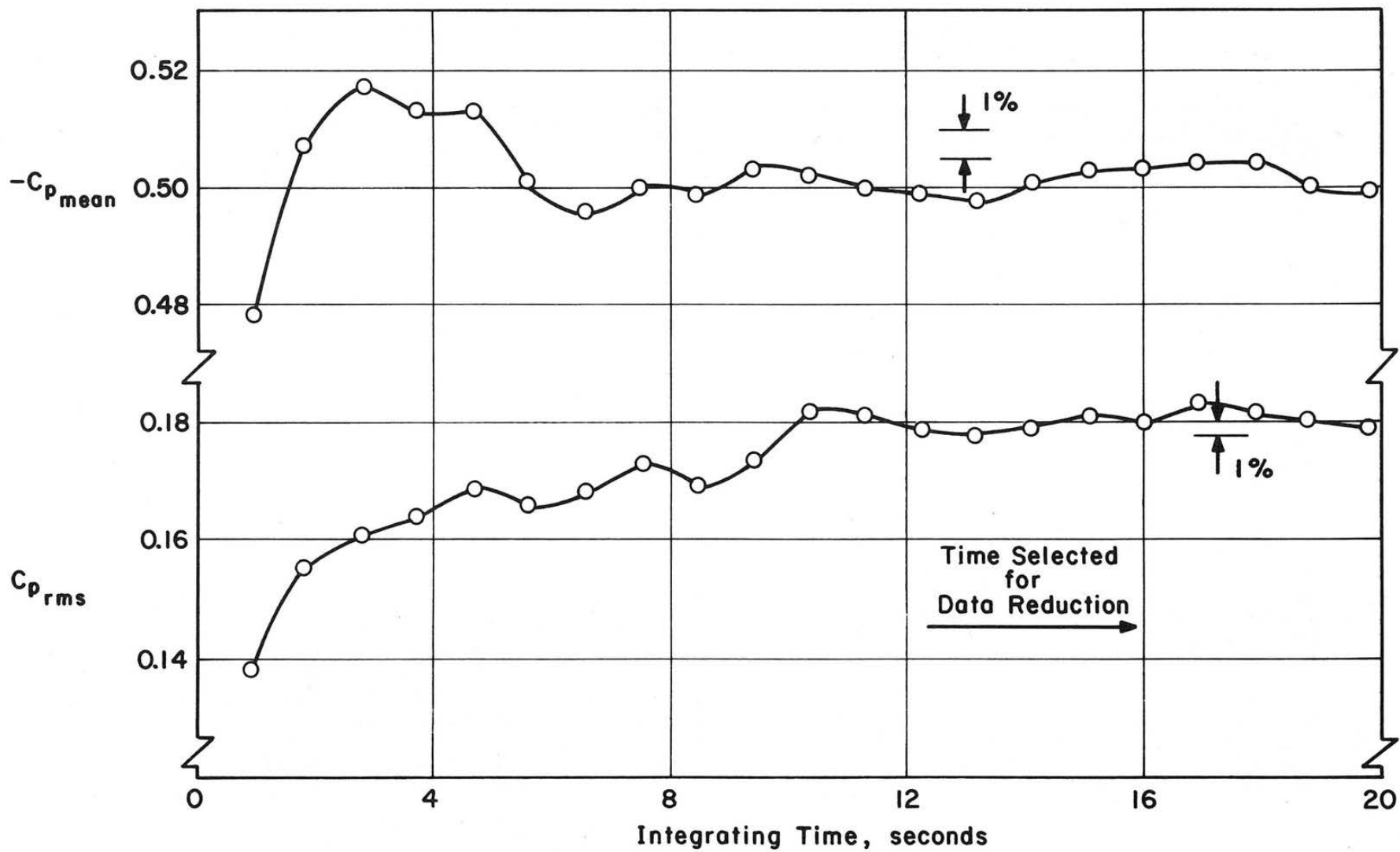


Figure 6 - Data Sampling Time Verification

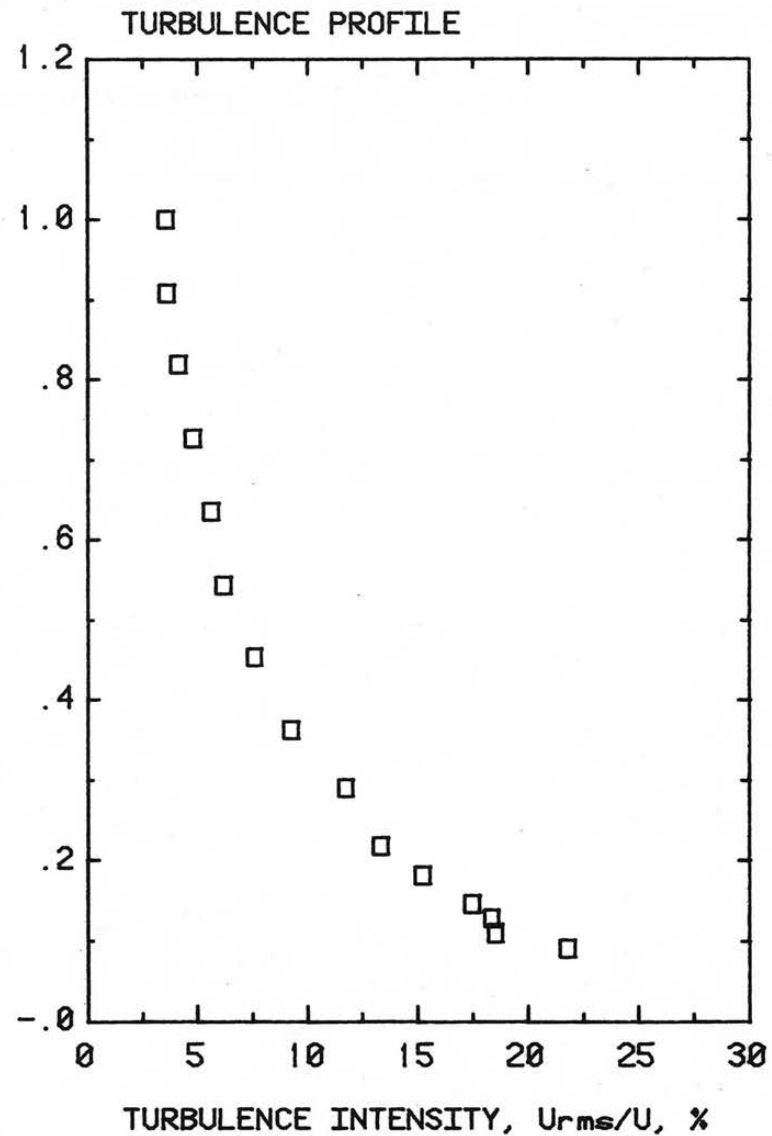
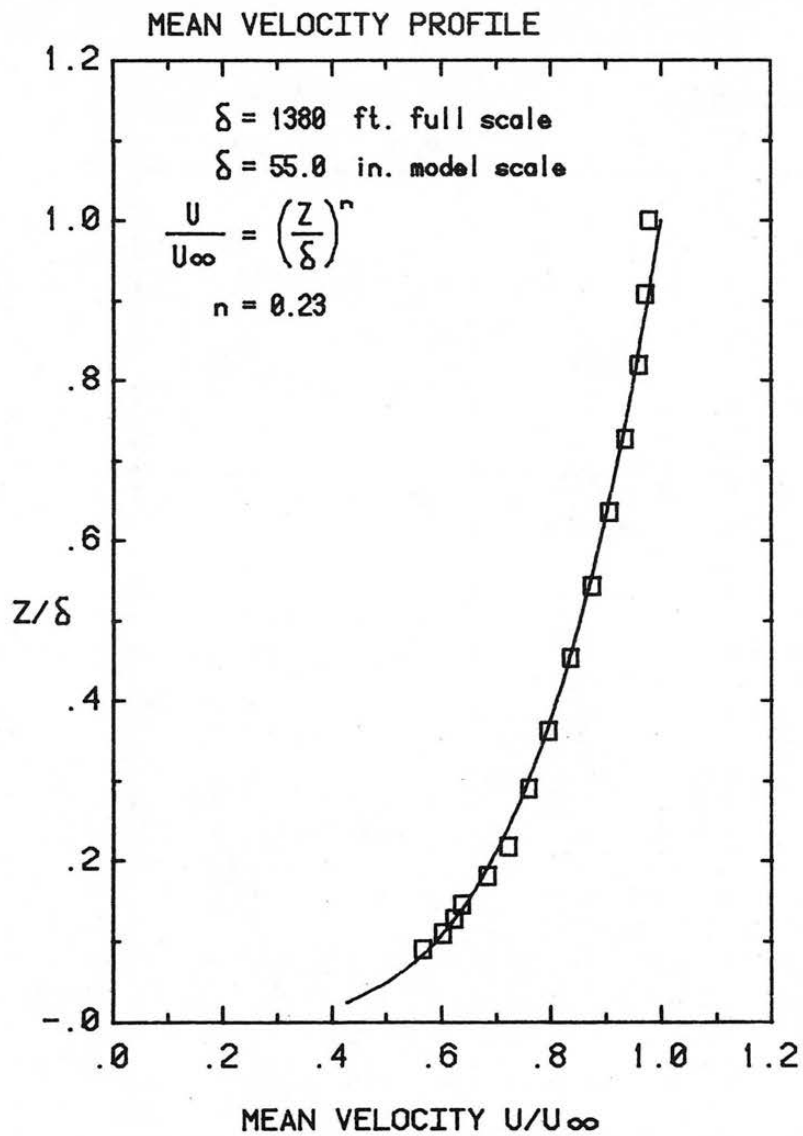


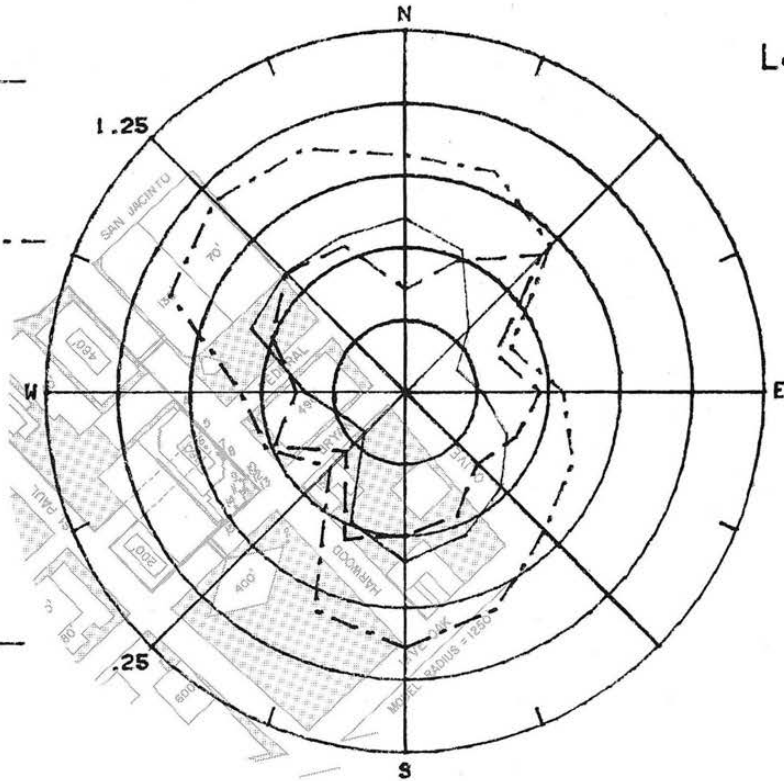
Figure 7. Mean Velocity and Turbulence Profiles Approaching the Model.

$\frac{U_{mean}}{U_{inf}}$ ———
 $\frac{U_{mean} + 3*U_{rms}}{U_{inf}}$ - - - -

Location 1

$\frac{U_{rms}}{U_{inf}}$ - - - -
.25/Div

$\frac{U_{rms}}{U_{inf}}$ - - - -
.05/Div



$\frac{U_{mean}}{U_{inf}}$ ———
 $\frac{U_{mean} + 3*U_{rms}}{U_{inf}}$ - - - -

Location 2

$\frac{U_{rms}}{U_{inf}}$ - - - -
.25/Div

$\frac{U_{rms}}{U_{inf}}$ - - - -
.05/Div

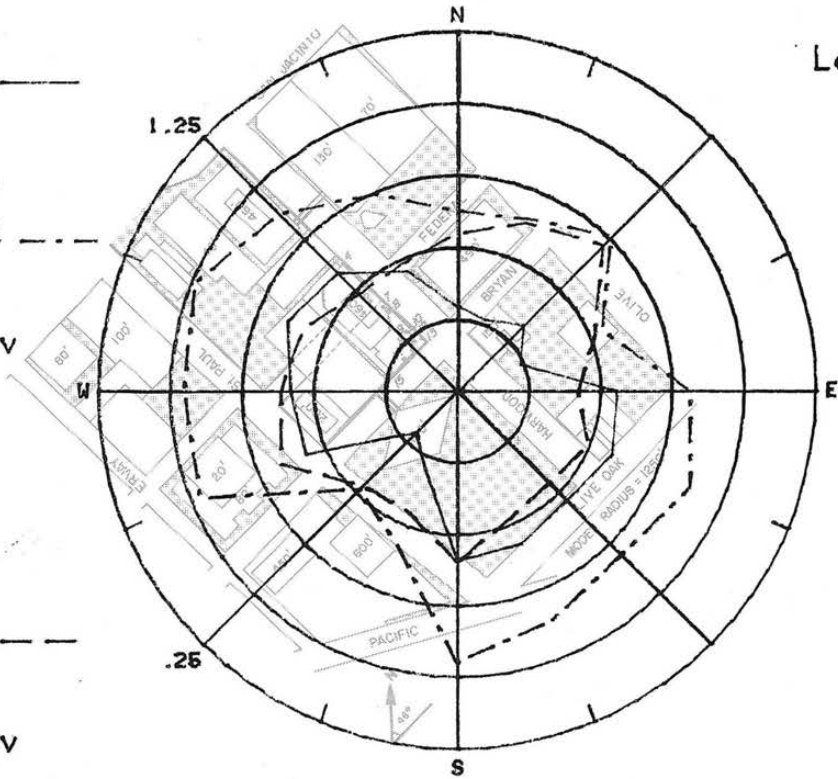


Figure 8a. Mean Velocities and Turbulence Intensities at Pedestrian Locations 1 and 2

$\frac{U_{mean}}{U_{inf}}$ ———

$\frac{U_{mean} + 3 \times U_{rms}}{U_{inf}}$ - - - -

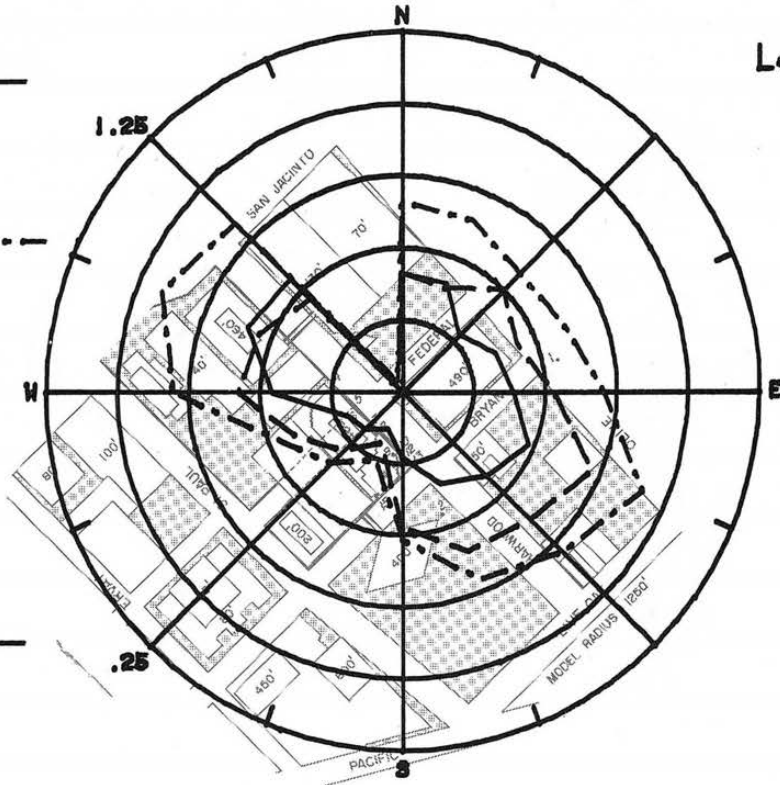
Location 3

$\frac{U_{rms}}{U_{inf}}$ - - - -

.25/Div

$\frac{U_{rms}}{U_{inf}}$ - - - -

.05/Div



$\frac{U_{mean}}{U_{inf}}$ ———

$\frac{U_{mean} + 3 \times U_{rms}}{U_{inf}}$ - - - -

Location 4

$\frac{U_{rms}}{U_{inf}}$ - - - -

.25/Div

$\frac{U_{rms}}{U_{inf}}$ - - - -

.05/Div

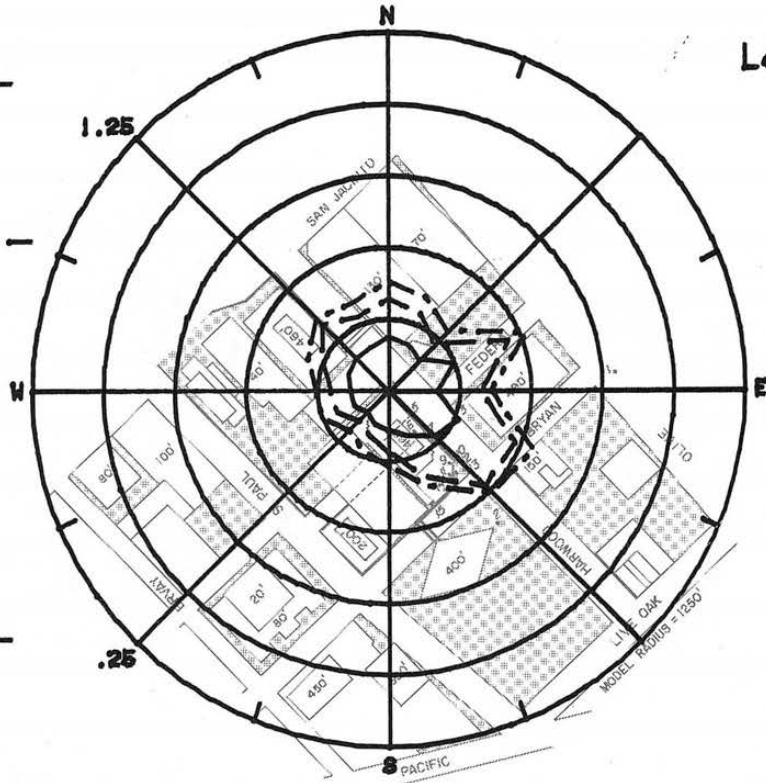


Figure 8b. Mean Velocities and Turbulence Intensities at Pedestrian Locations 3 and 4

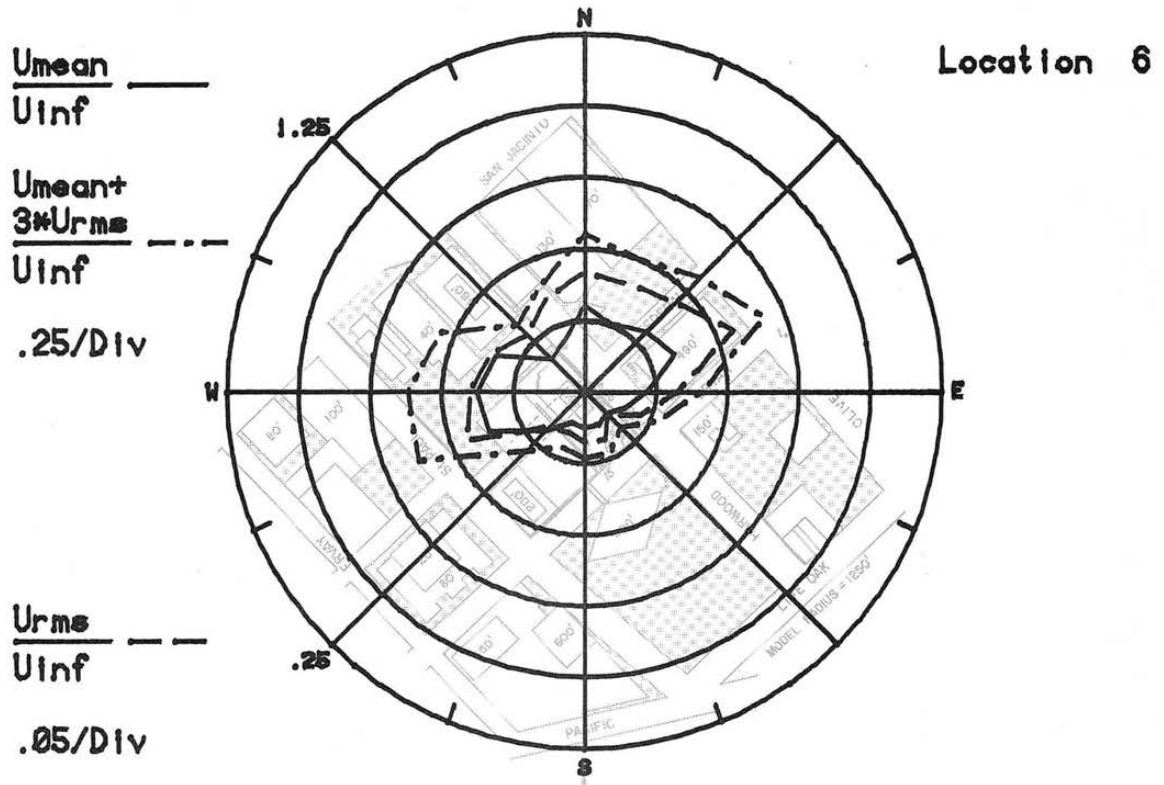
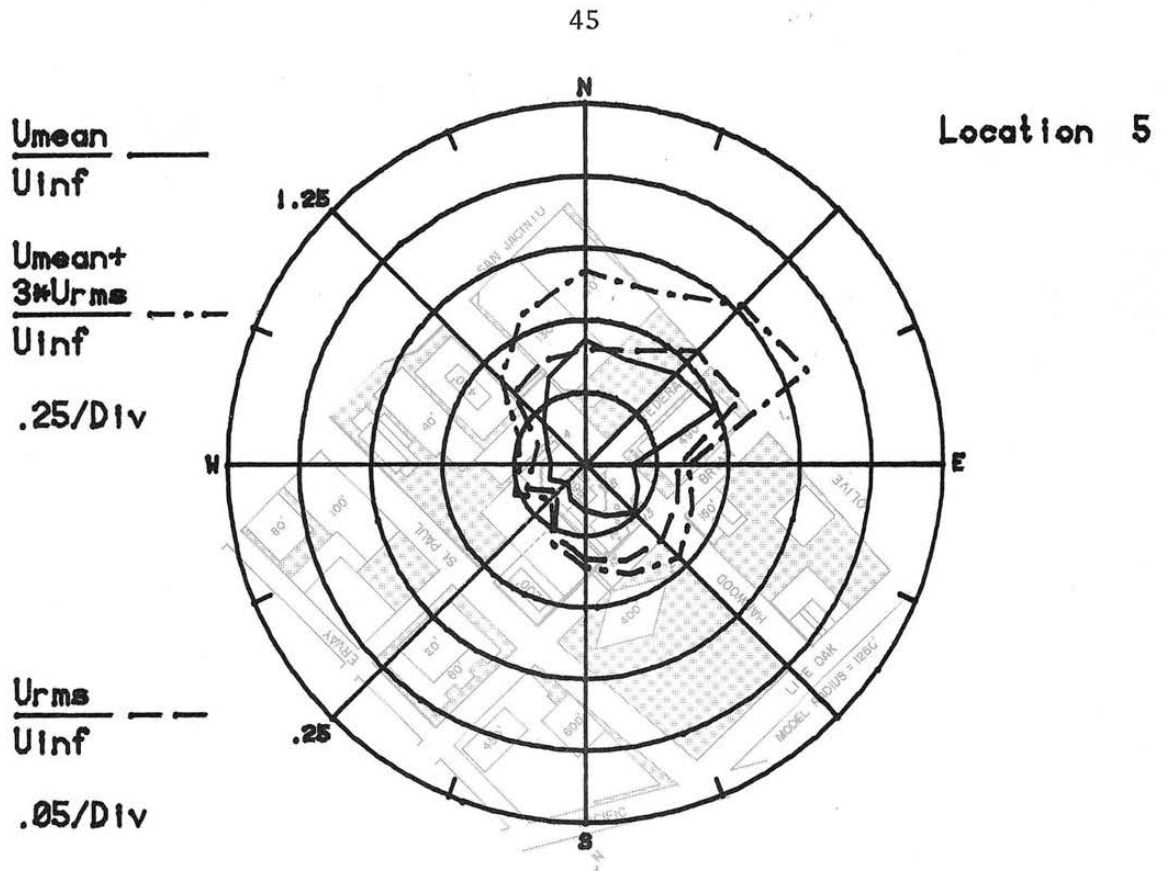


Figure 8c. Mean Velocities and Turbulence Intensities at Pedestrian Locations 5 and 6

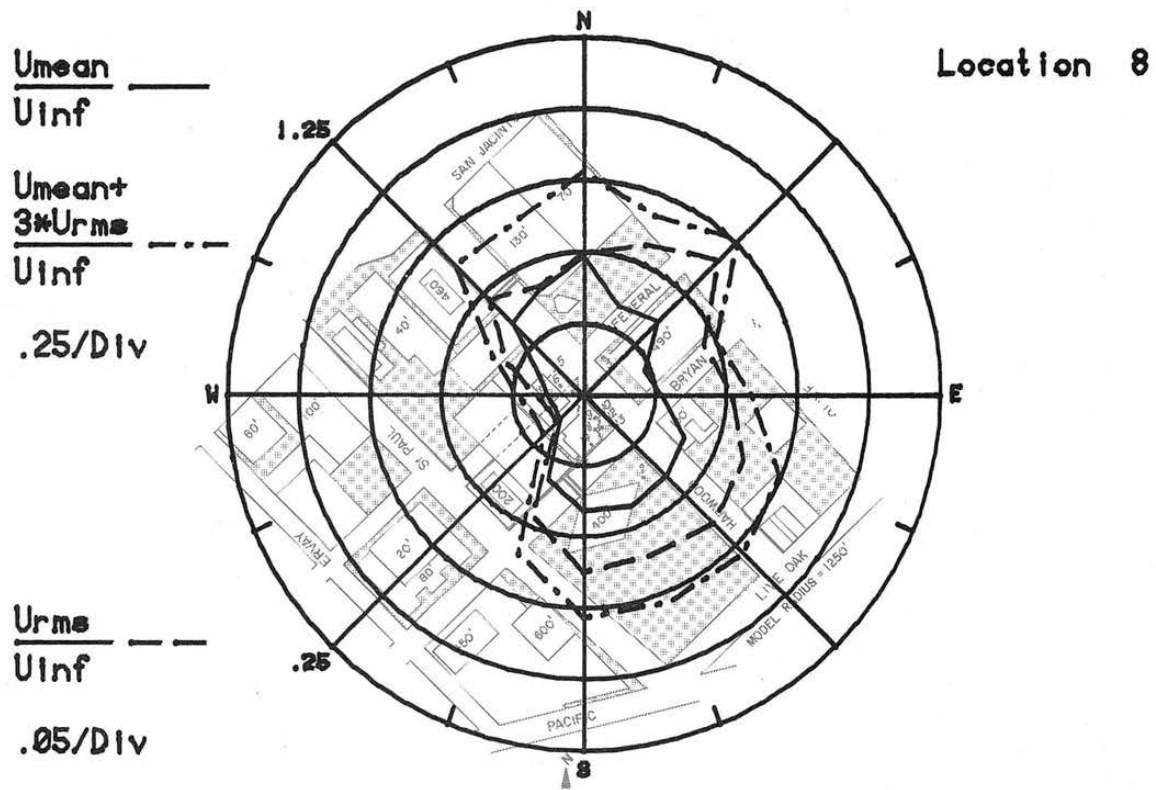
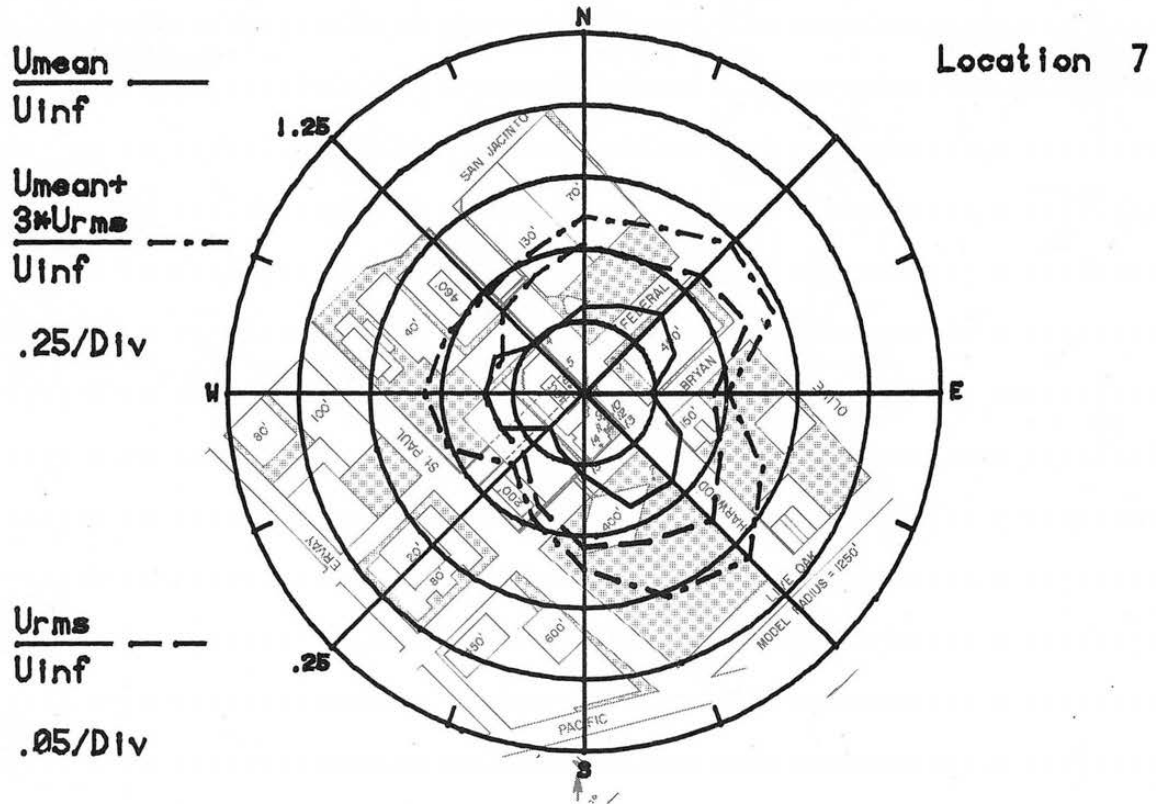


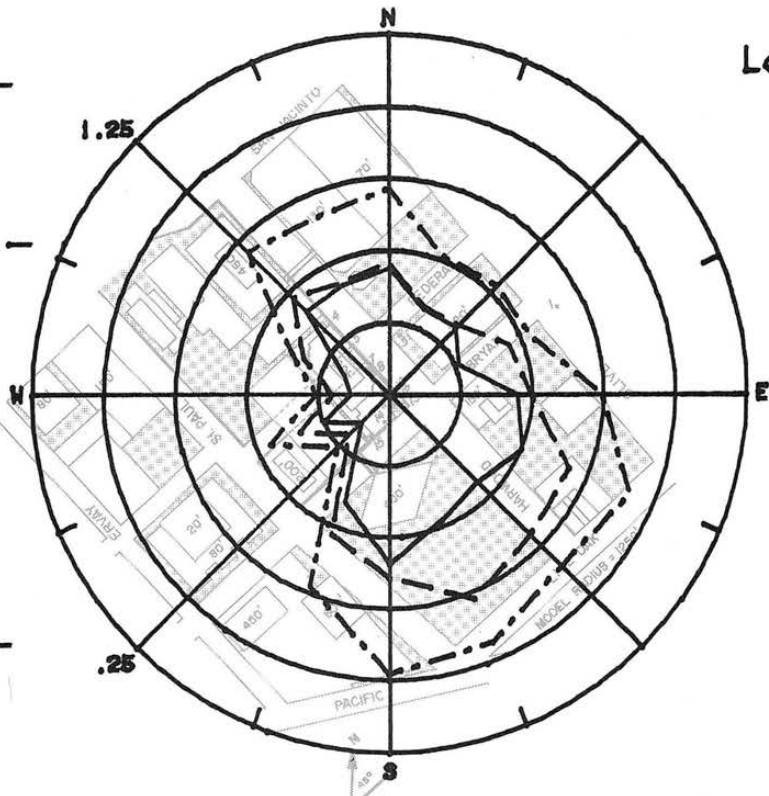
Figure 8d. Mean Velocities and Turbulence Intensities at Pedestrian Locations 7 and 8

$\frac{U_{mean}}{U_{inf}}$ ———
 $\frac{U_{mean} + 3 \times U_{rms}}{U_{inf}}$ - - -

Location 9

$\frac{U_{rms}}{U_{inf}}$ - - -
 .25/Div

$\frac{U_{rms}}{U_{inf}}$ - - -
 .05/Div



$\frac{U_{mean}}{U_{inf}}$ ———
 $\frac{U_{mean} + 3 \times U_{rms}}{U_{inf}}$ - - -

Location 10

$\frac{U_{rms}}{U_{inf}}$ - - -
 .25/Div

$\frac{U_{rms}}{U_{inf}}$ - - -
 .05/Div

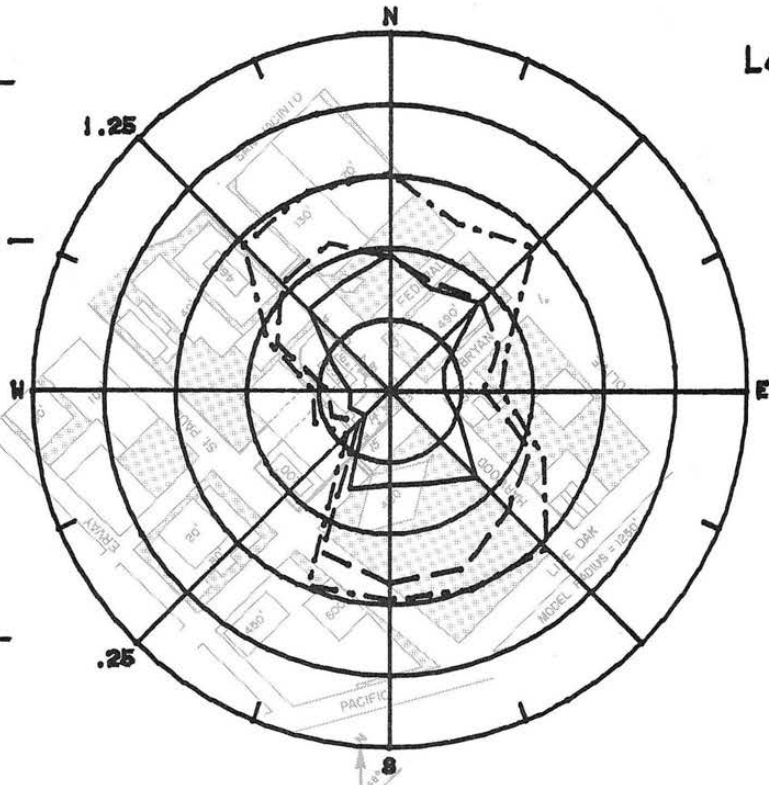
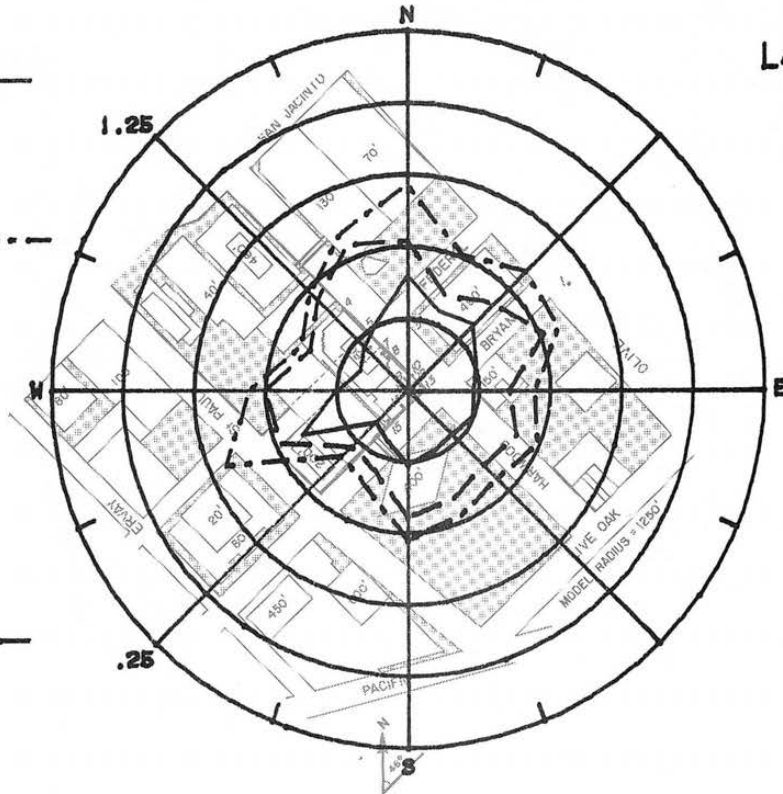


Figure 8e. Mean Velocities and Turbulence Intensities at Pedestrian Locations 9 and 10

$\frac{U_{mean}}{U_{inf}}$ ———
 $\frac{U_{mean} + 3*U_{rms}}{U_{inf}}$ - - -
 $\frac{U_{rms}}{U_{inf}}$ - - -
 .25/Div
 .05/Div

Location 11



$\frac{U_{mean}}{U_{inf}}$ ———
 $\frac{U_{mean} + 3*U_{rms}}{U_{inf}}$ - - -
 $\frac{U_{rms}}{U_{inf}}$ - - -
 .25/Div
 .05/Div

Location 12

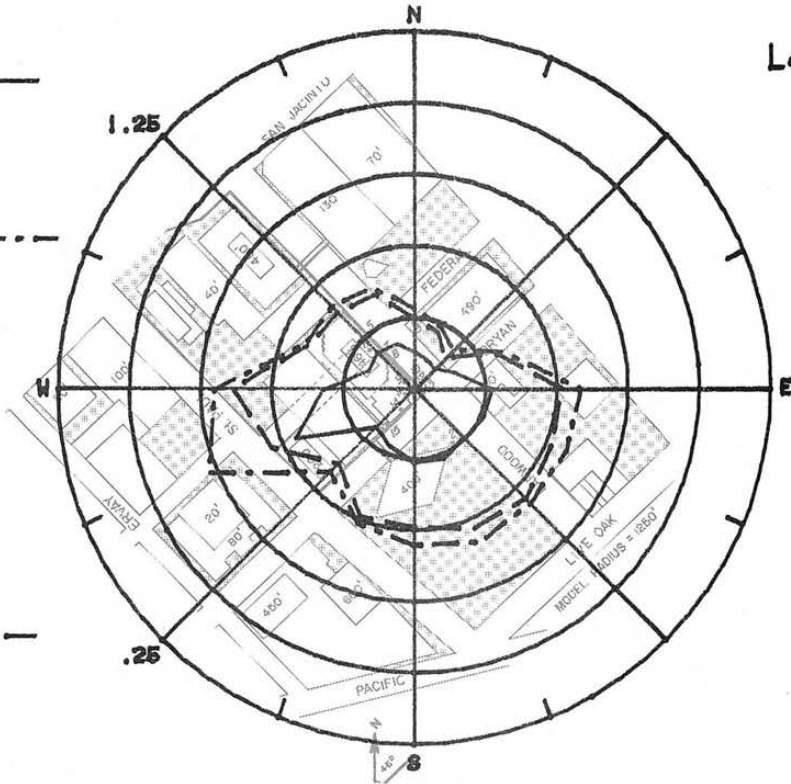


Figure 8f. Mean Velocities and Turbulence Intensities at Pedestrian Locations 11 and 12

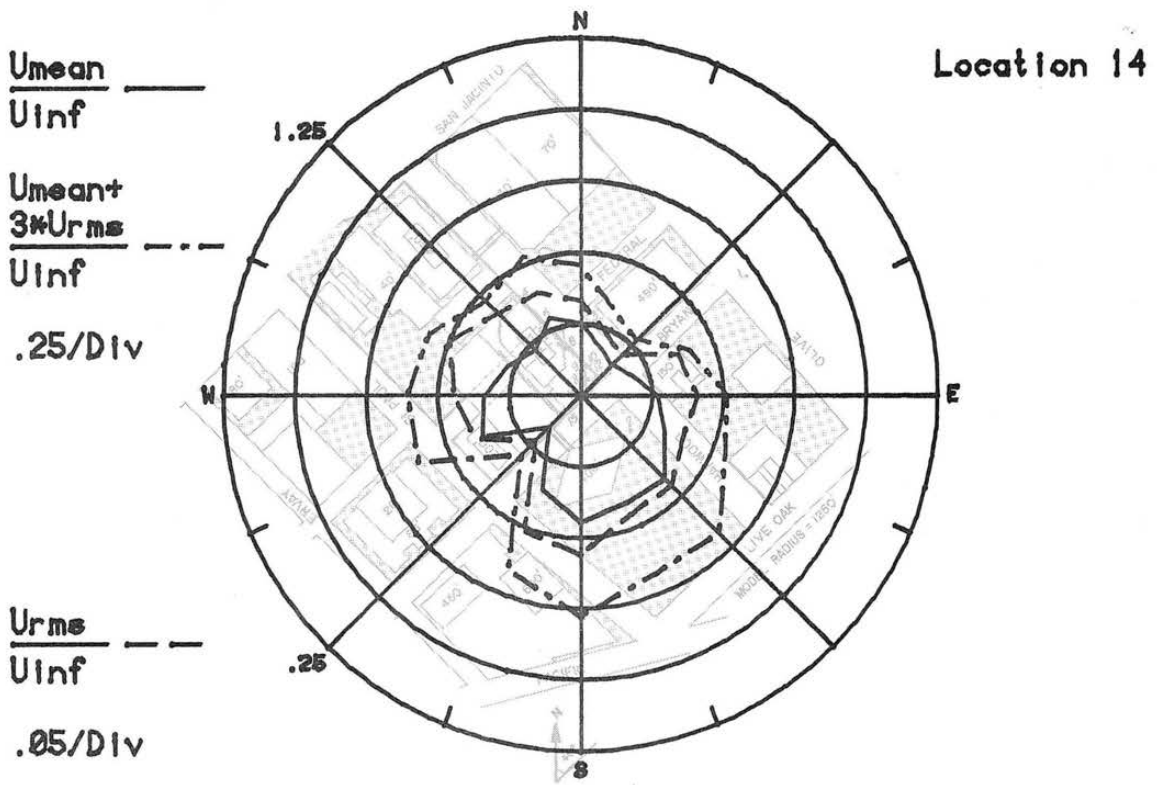
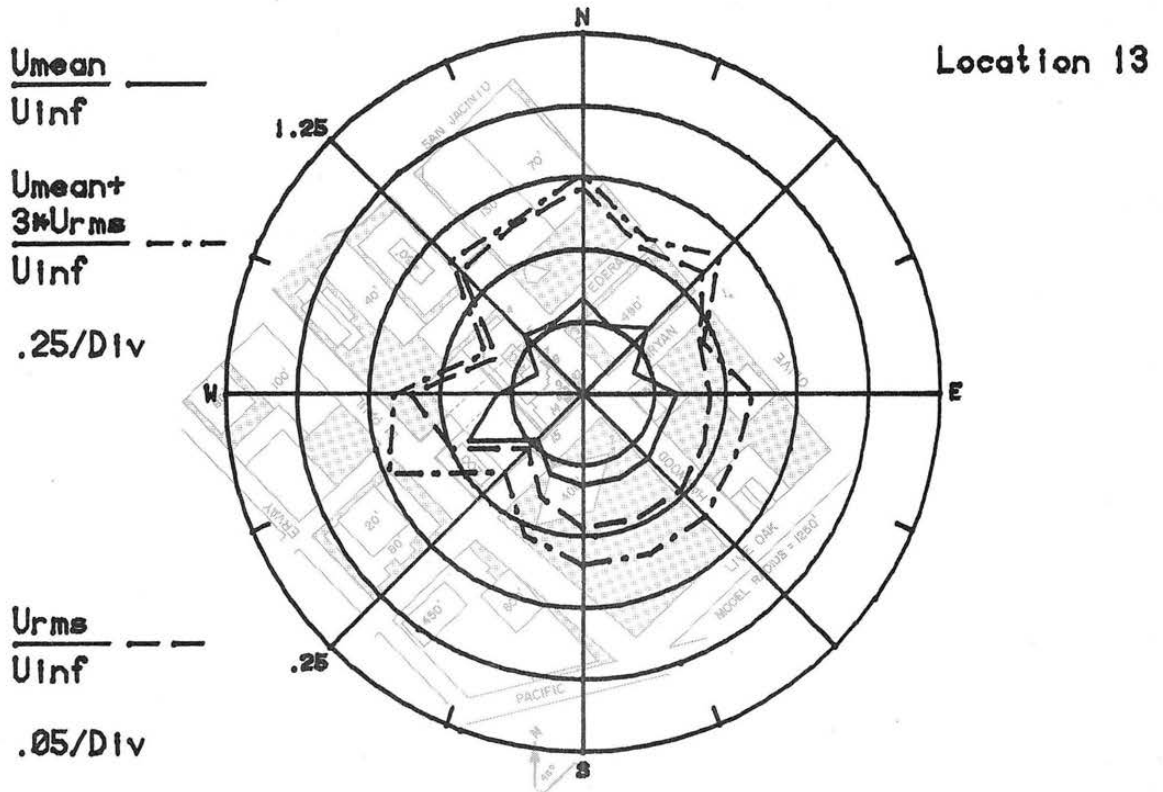


Figure 8g. Mean Velocities and Turbulence Intensities at Pedestrian Locations 13 and 14

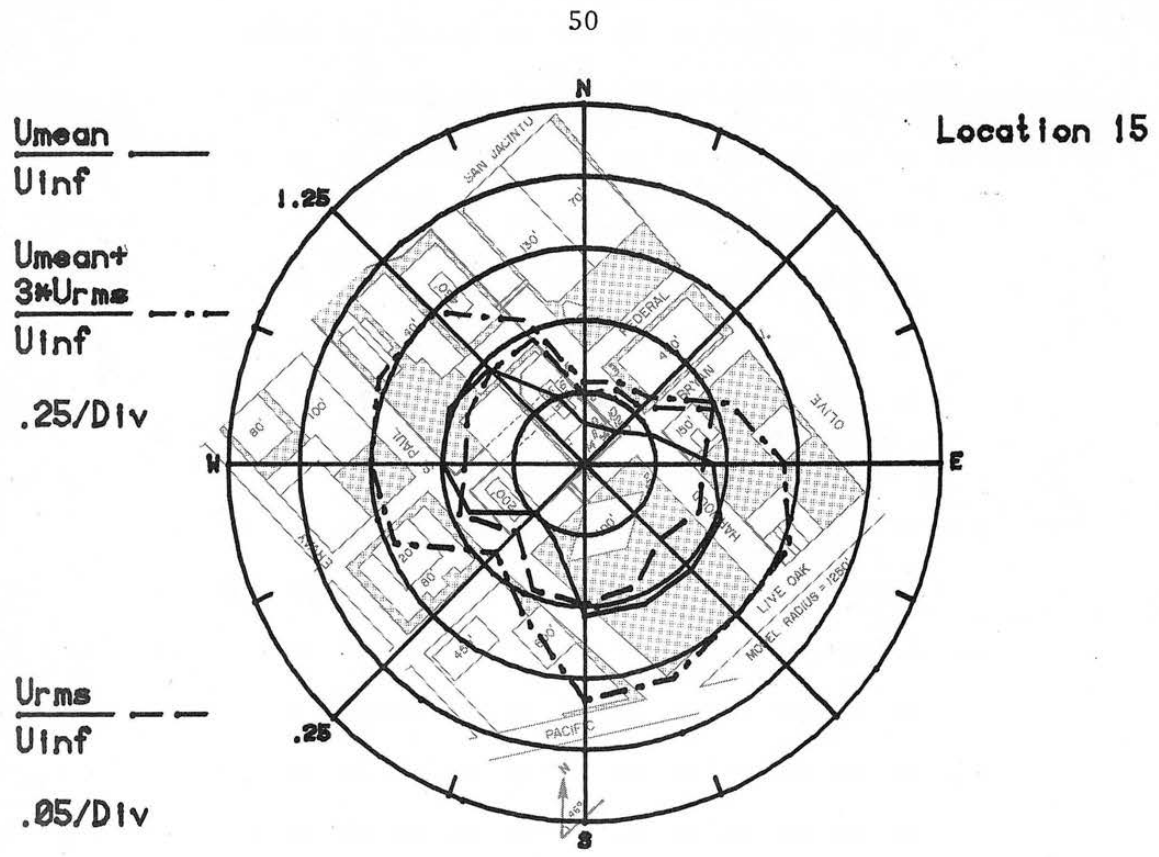


Figure 8h. Mean Velocities and Turbulence Intensities at Pedestrian Location 15

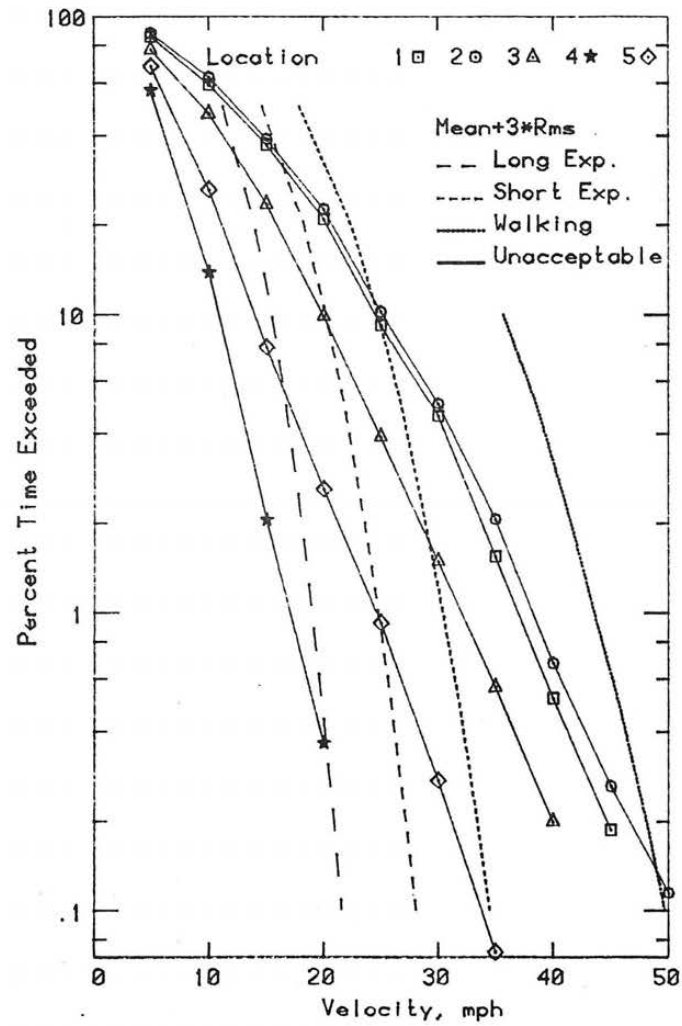
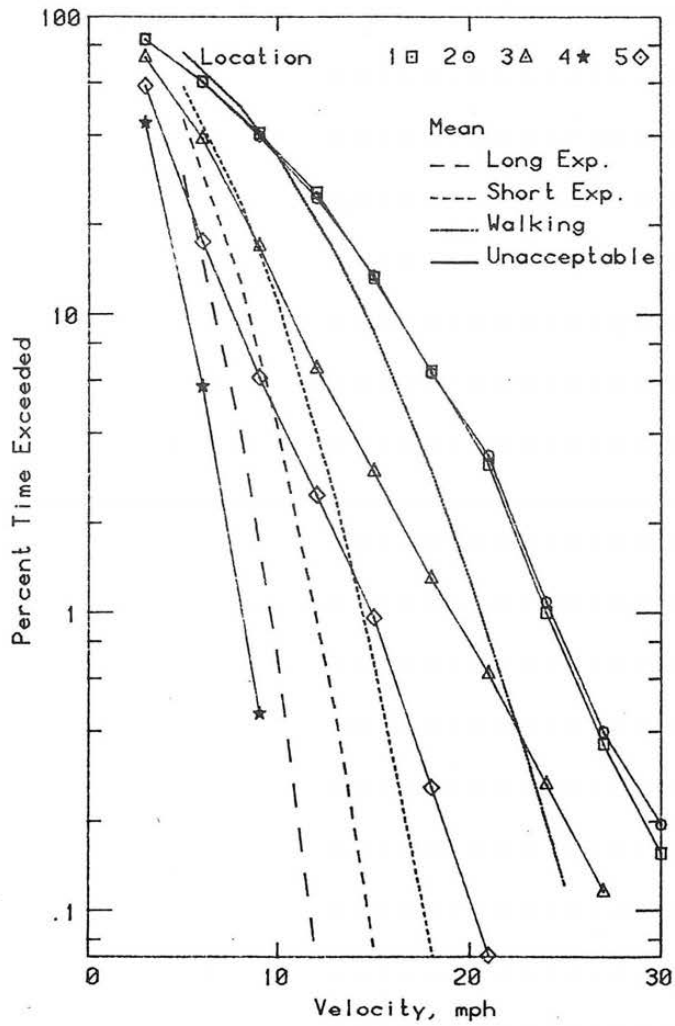


Figure 9a. Wind Velocity Probabilities for Pedestrian Locations

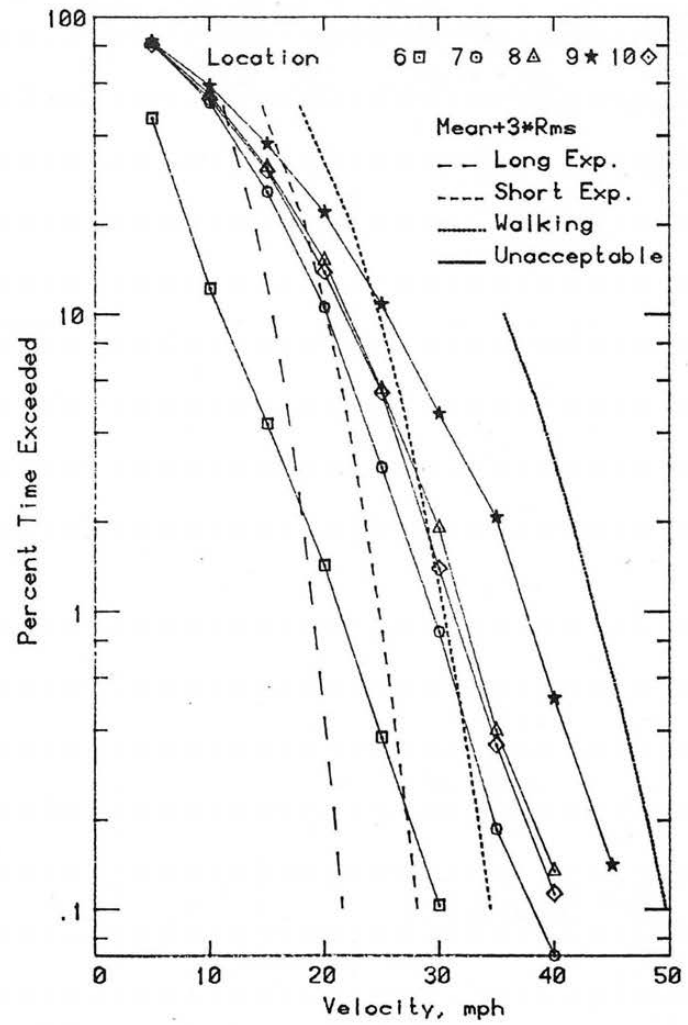
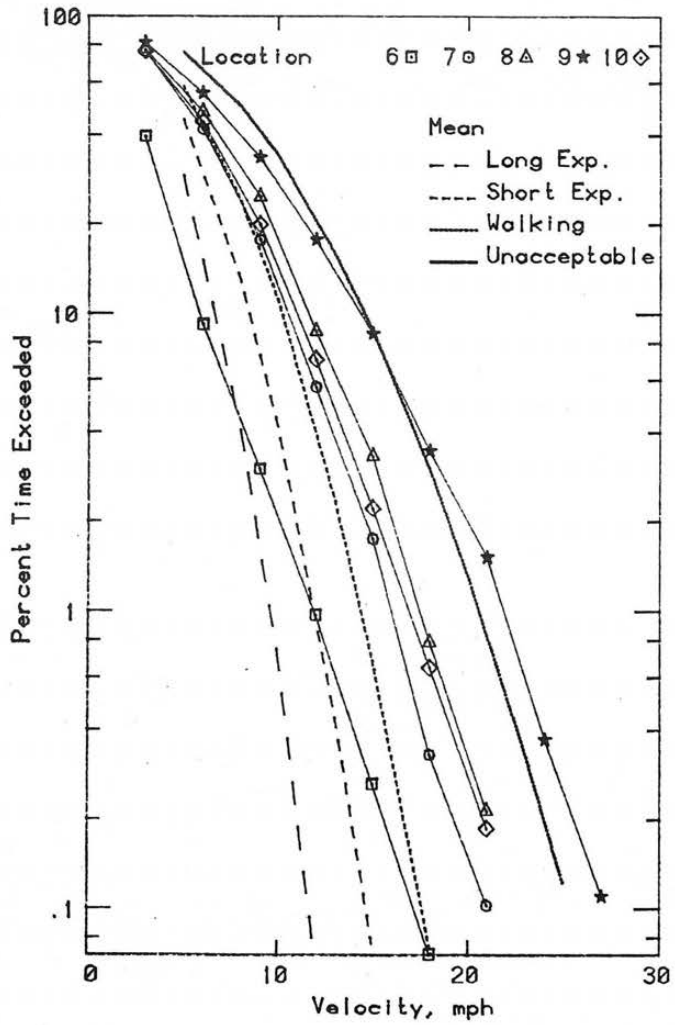


Figure 9b. Wind Velocity Probabilities for Pedestrian Locations

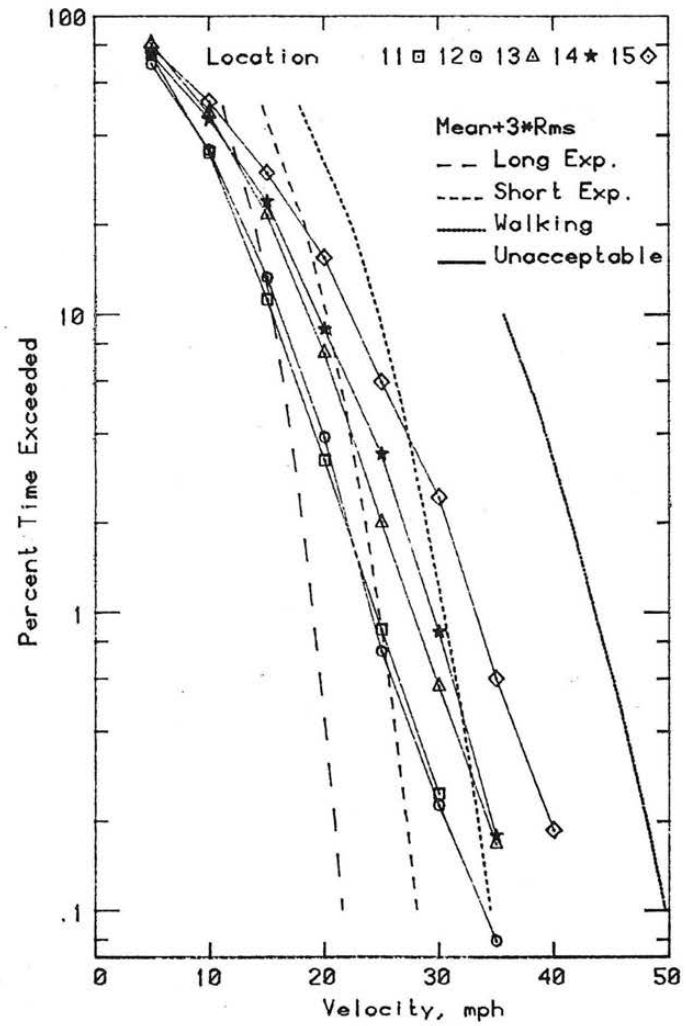
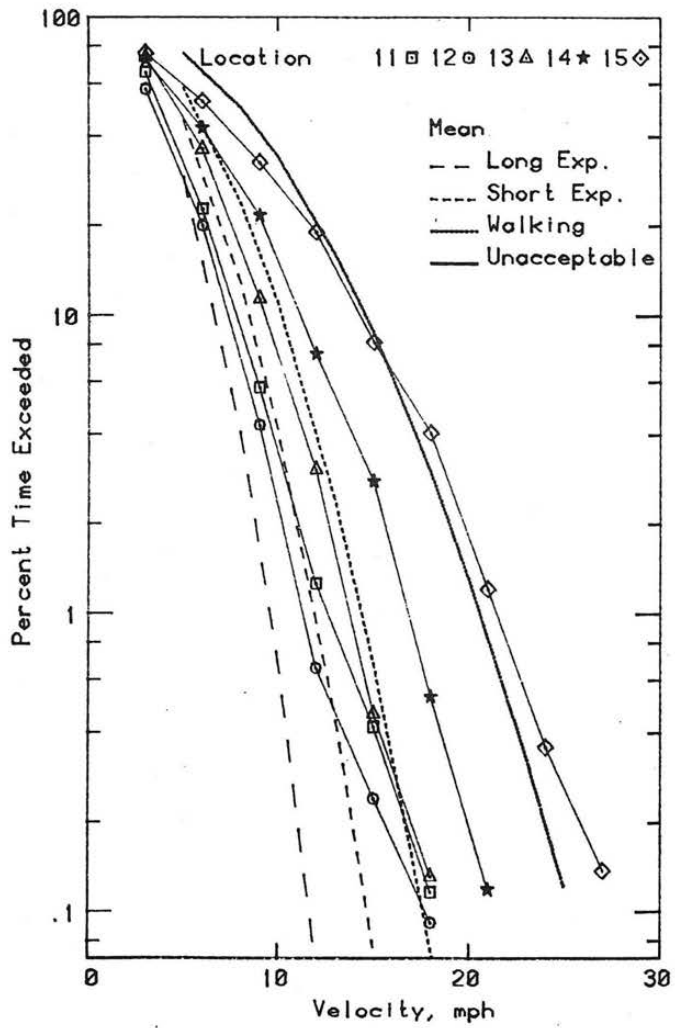


Figure 9c. Wind Velocity Probabilities for Pedestrian Locations

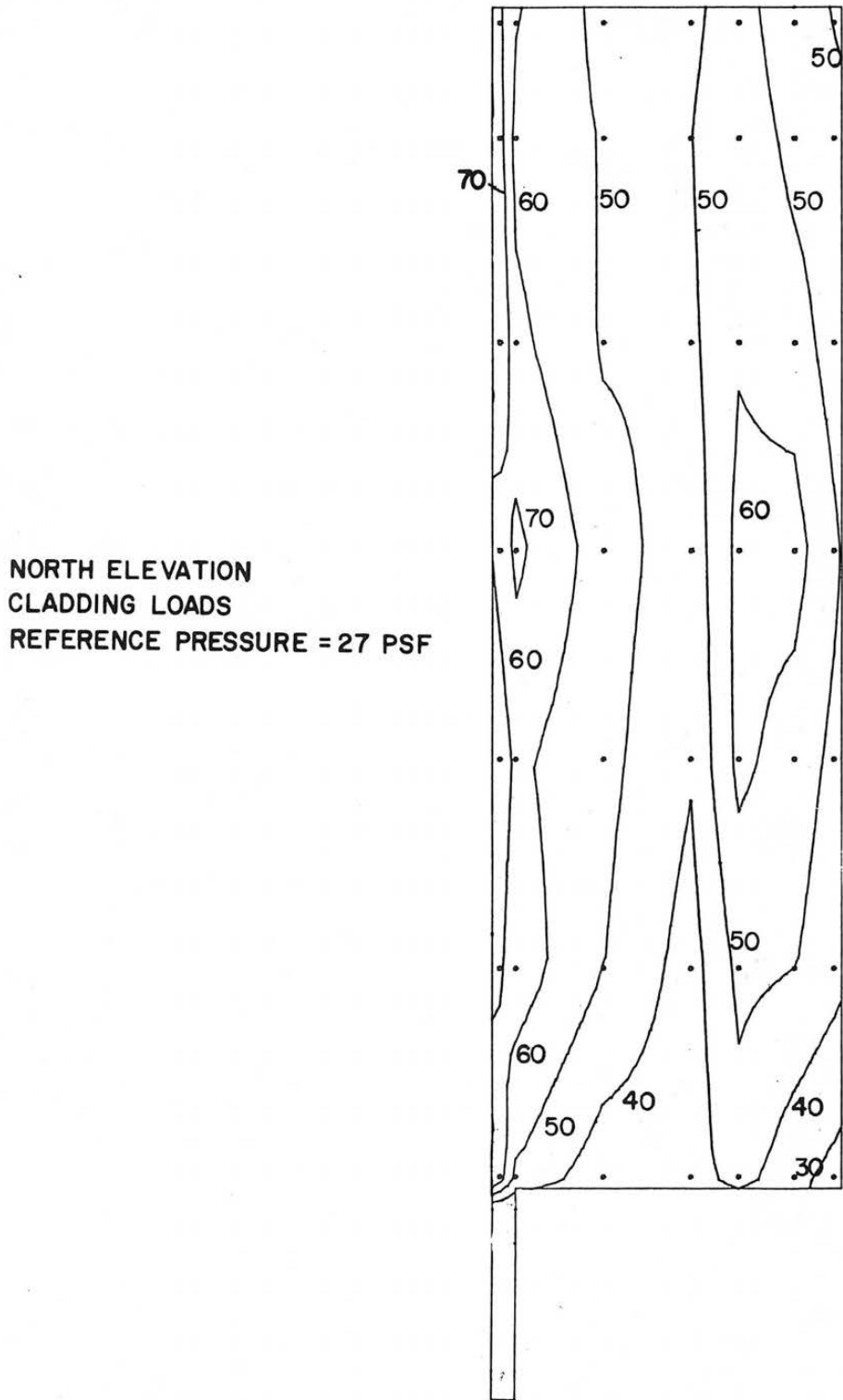


Figure 10a. Peak Pressure Loads on the Building

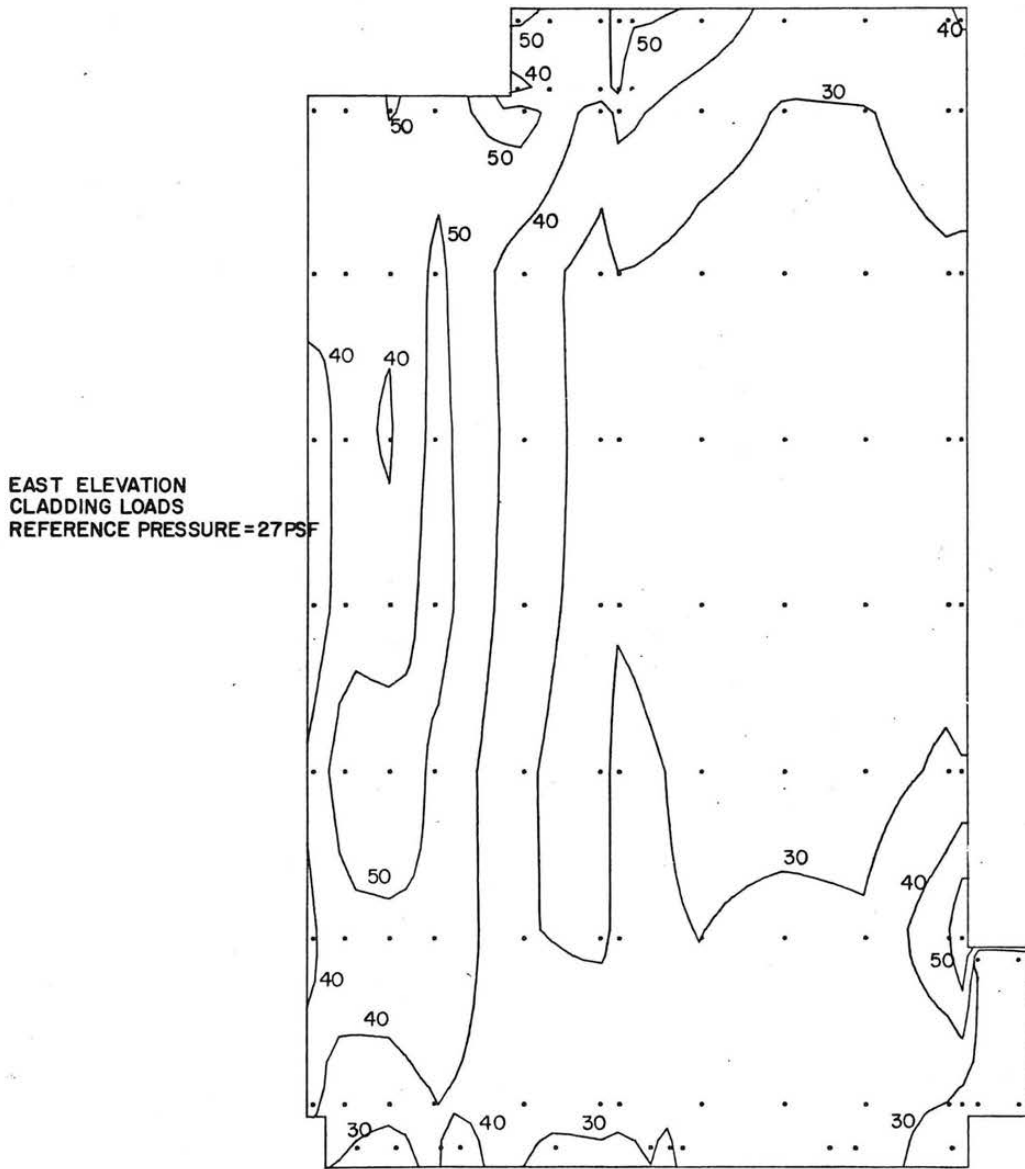


Figure 10b. Peak Pressure Loads on the Building

SOUTH ELEVATION
CLADDING LOADS
REFERENCE PRESSURE = 27 PSF

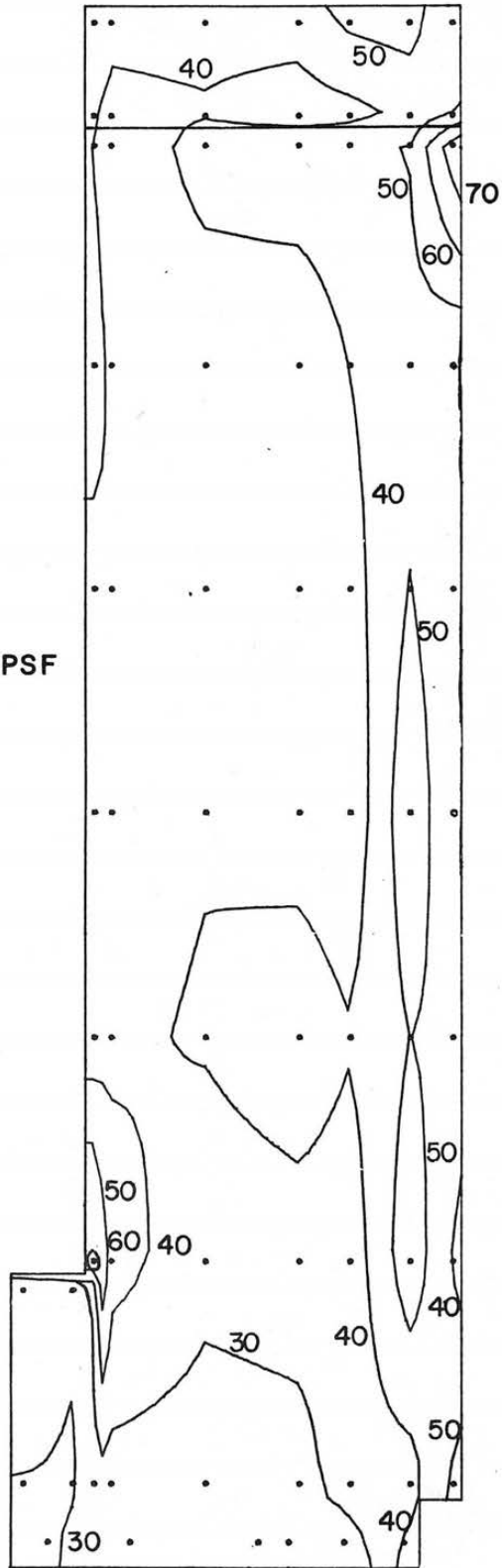


Figure 10c. Peak Pressure Loads on the Building

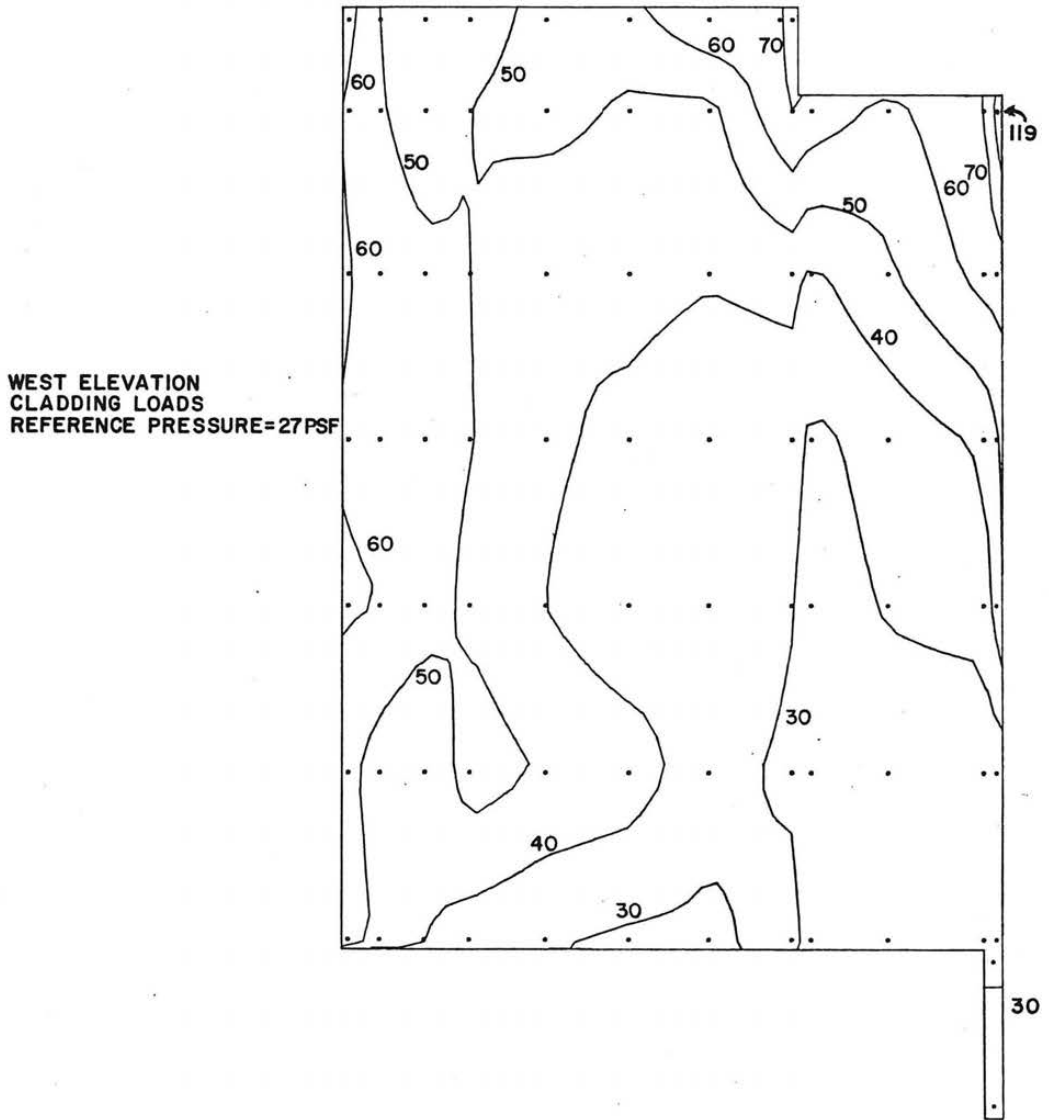
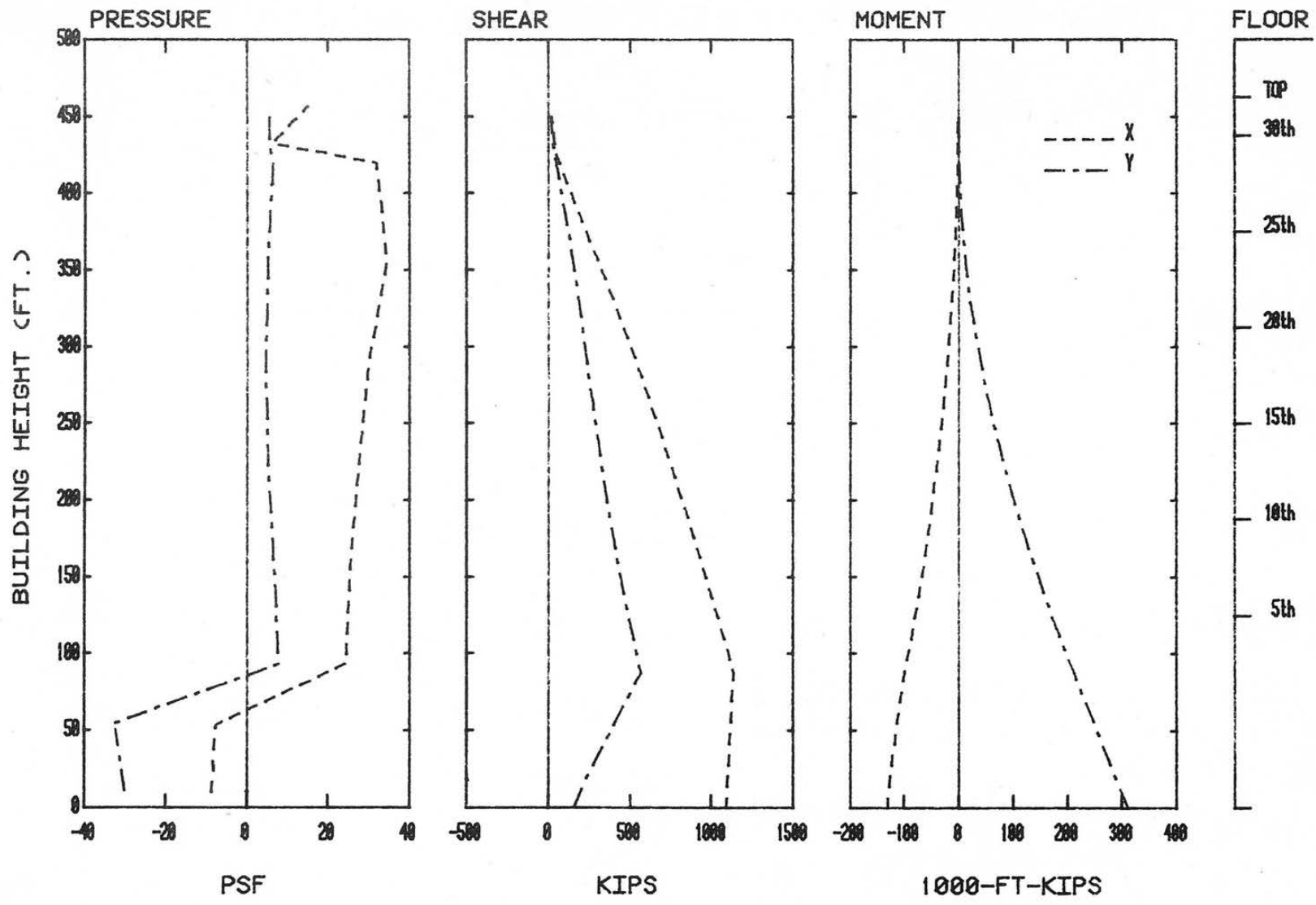


Figure 10d. Peak Pressure Loads on the Building



WIND DIRECTION 110

Figure 11. Load, Shear, and Moment Diagrams for Selected Wind Directions

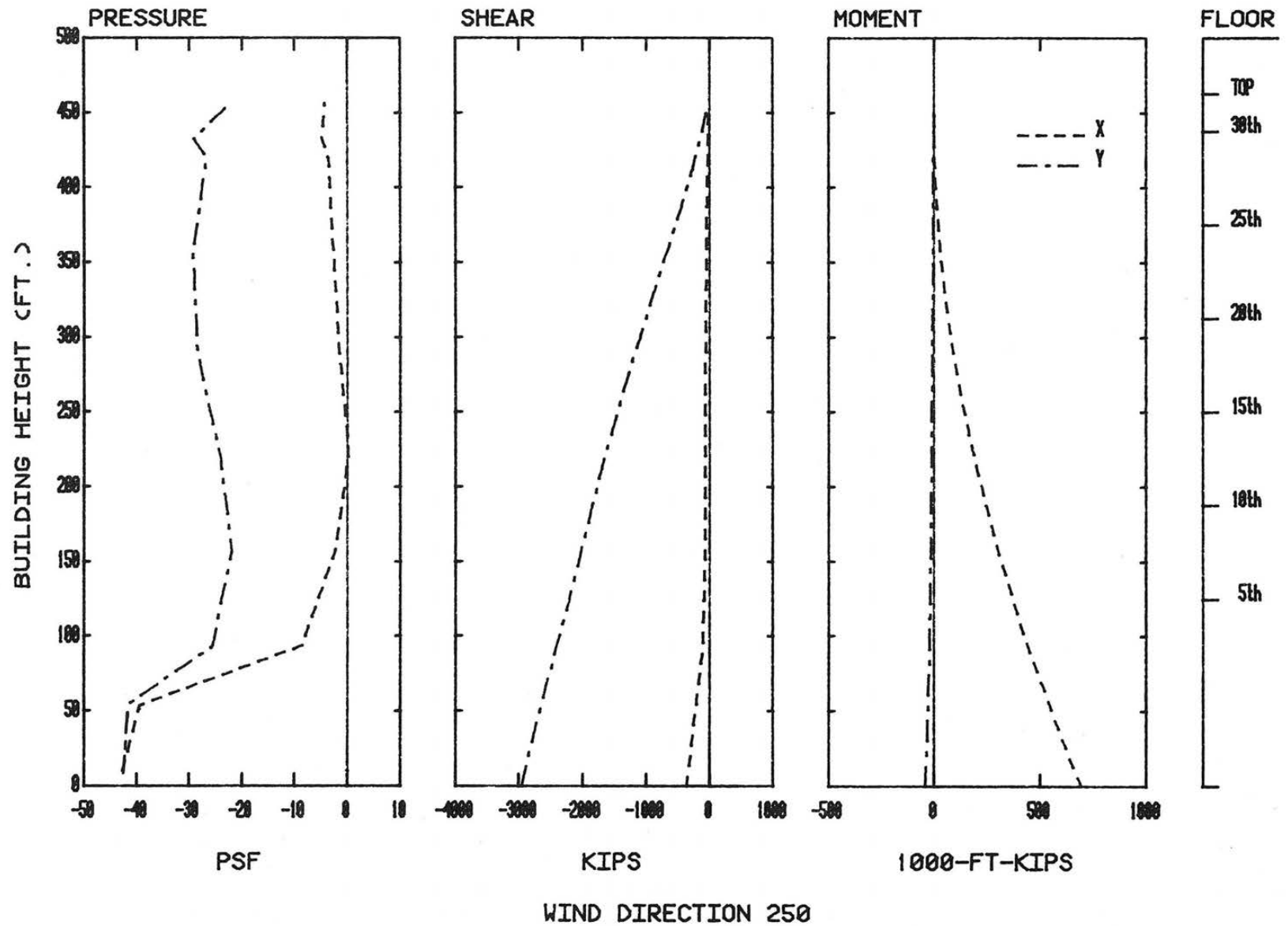


Figure 11. Load, Shear, and Moment Diagrams for Selected Wind Directions

TABLES

TABLE 1

MOTION PICTURE SCENE GUIDE

| <u>Run #</u> | <u>Approach Wind Azimuth, degrees</u> |
|--------------|---|
| 1 | 0 |
| 2 | 45 |
| 3 | 90 |
| 4 | 135 |
| 5 | 180 |
| 6 | 225 |
| 7 | 270 |
| 8 | 315 |

TABLE 2--PEDESTRIAN WIND VELOCITIES AND TURBULENCE INTENSITIES
OLYMPIA AND YORK OFFICE TOWER, DALLAS

| LOCATION 1 | | | | LOCATION 2 | | | |
|--------------|----------------------|---------------------|-----------------------------|--------------|----------------------|---------------------|-----------------------------|
| WIND AZIMUTH | UMEAN/UINF (PERCENT) | URMS/UINF (PERCENT) | UMEAN+3*URMS/UINF (PERCENT) | WIND AZIMUTH | UMEAN/UINF (PERCENT) | URMS/UINF (PERCENT) | UMEAN+3*URMS/UINF (PERCENT) |
| 0.00 | 60.3 | 7.1 | 81.6 | 0.00 | 29.6 | 10.9 | 62.4 |
| 22.50 | 52.9 | 9.8 | 82.3 | 22.50 | 26.0 | 12.7 | 64.0 |
| 45.00 | 31.4 | 13.4 | 71.6 | 45.00 | 32.0 | 14.4 | 70.0 |
| 67.50 | 19.4 | 6.8 | 39.8 | 67.50 | 23.7 | 10.3 | 54.7 |
| 90.00 | 26.9 | 9.4 | 55.1 | 90.00 | 55.0 | 8.4 | 81.1 |
| 112.50 | 38.4 | 8.3 | 63.3 | 112.50 | 22.2 | 9.9 | 67.9 |
| 135.00 | 47.2 | 7.1 | 68.0 | 135.00 | 53.5 | 9.0 | 80.0 |
| 157.50 | 54.0 | 9.3 | 81.9 | 157.50 | 57.6 | 9.5 | 86.3 |
| 180.00 | 58.9 | 9.9 | 88.7 | 180.00 | 59.0 | 11.9 | 94.7 |
| 202.50 | 48.9 | 11.1 | 82.1 | 202.50 | 27.7 | 9.1 | 56.8 |
| 225.00 | 19.5 | 5.8 | 36.9 | 225.00 | 26.4 | 9.3 | 48.0 |
| 247.50 | 22.4 | 9.8 | 52.0 | 247.50 | 57.1 | 13.3 | 97.0 |
| 270.00 | 34.6 | 7.5 | 57.2 | 270.00 | 58.1 | 12.3 | 95.7 |
| 292.50 | 58.4 | 10.1 | 88.7 | 292.50 | 84.2 | 11.5 | 101.1 |
| 315.00 | 58.5 | 11.7 | 93.5 | 315.00 | 58.3 | 9.6 | 87.2 |
| 337.50 | 58.3 | 10.9 | 91.1 | 337.50 | 45.4 | 9.6 | 74.3 |

| LOCATION 3 | | | | LOCATION 4 | | | |
|--------------|----------------------|---------------------|-----------------------------|--------------|----------------------|---------------------|-----------------------------|
| WIND AZIMUTH | UMEAN/UINF (PERCENT) | URMS/UINF (PERCENT) | UMEAN+3*URMS/UINF (PERCENT) | WIND AZIMUTH | UMEAN/UINF (PERCENT) | URMS/UINF (PERCENT) | UMEAN+3*URMS/UINF (PERCENT) |
| 22.50 | 41.1 | 8.2 | 65.8 | 0.00 | 18.7 | 6.4 | 37.9 |
| 45.00 | 40.9 | 7.8 | 64.3 | 22.50 | 17.4 | 5.8 | 34.0 |
| 67.50 | 28.2 | 10.0 | 58.2 | 45.00 | 15.5 | 4.6 | 29.9 |
| 90.00 | 35.1 | 8.7 | 61.2 | 67.50 | 24.9 | 9.2 | 52.4 |
| 112.50 | 38.8 | 10.6 | 70.6 | 90.00 | 16.5 | 6.5 | 35.9 |
| 135.00 | 47.9 | 14.4 | 91.0 | 112.50 | 28.4 | 9.5 | 55.0 |
| 157.50 | 41.3 | 12.6 | 79.1 | 135.00 | 22.3 | 9.5 | 50.8 |
| 180.00 | 34.7 | 12.0 | 70.8 | 157.50 | 16.0 | 6.5 | 34.4 |
| 202.50 | 23.0 | 9.5 | 51.5 | 180.00 | 13.0 | 4.4 | 26.8 |
| 225.00 | 13.7 | 3.8 | 25.3 | 202.50 | 12.6 | 3.5 | 21.5 |
| 247.50 | 18.0 | 5.7 | 35.2 | 225.00 | 19.7 | 2.9 | 31.5 |
| 270.00 | 21.1 | 8.0 | 45.2 | 247.50 | 13.3 | 3.9 | 22.0 |
| 292.50 | 45.7 | 11.5 | 80.3 | 270.00 | 13.5 | 4.1 | 27.7 |
| 315.00 | 58.9 | 10.8 | 91.3 | 292.50 | 15.5 | 5.0 | 34.4 |
| 337.50 | 55.6 | 9.1 | 82.9 | 315.00 | 16.0 | 5.5 | 35.7 |
| | | | | 337.50 | 16.4 | 5.6 | 36.1 |

TABLE 2--PEDESTRIAN WIND VELOCITIES AND TURBULENCE INTENSITIES
OLYMPIA AND YORK OFFICE TOWER, DALLAS

LOCATION 5

| WIND AZIMUTH | UMEAN/UINF (PERCENT) | URMS/UINF (PERCENT) | UMEAN+3*URMS/UINF (PERCENT) |
|--------------|----------------------|---------------------|-----------------------------|
| 0.00 | 43.0 | 8.0 | 67.0 |
| 22.50 | 38.9 | 8.5 | 64.4 |
| 45.00 | 44.5 | 11.0 | 77.5 |
| 67.50 | 48.8 | 11.8 | 84.3 |
| 90.00 | 16.5 | 6.6 | 36.1 |
| 112.50 | 19.8 | 6.6 | 40.5 |
| 135.00 | 23.9 | 7.7 | 46.4 |
| 157.50 | 19.5 | 7.7 | 41.4 |
| 180.00 | 16.0 | 6.6 | 35.8 |
| 202.50 | 13.6 | 5.5 | 30.0 |
| 225.00 | 9.0 | 2.7 | 17.1 |
| 247.50 | 13.6 | 4.4 | 26.9 |
| 270.00 | 11.8 | 3.6 | 22.7 |
| 292.50 | 14.5 | 3.6 | 25.2 |
| 315.00 | 20.5 | 7.0 | 41.1 |
| 337.50 | 33.2 | 7.7 | 56.4 |

LOCATION 6

| WIND AZIMUTH | UMEAN/UINF (PERCENT) | URMS/UINF (PERCENT) | UMEAN+3*URMS/UINF (PERCENT) |
|--------------|----------------------|---------------------|-----------------------------|
| 0.00 | 30.2 | 8.4 | 55.2 |
| 22.50 | 25.7 | 8.1 | 50.1 |
| 45.00 | 30.0 | 8.9 | 56.6 |
| 67.50 | 34.2 | 11.3 | 68.0 |
| 90.00 | 21.2 | 6.5 | 40.7 |
| 112.50 | 14.7 | 4.2 | 27.3 |
| 135.00 | 10.8 | 2.2 | 17.5 |
| 157.50 | 12.5 | 3.6 | 23.4 |
| 180.00 | 12.4 | 3.5 | 22.8 |
| 202.50 | 11.7 | 3.5 | 20.8 |
| 225.00 | 7.7 | 3.1 | 29.1 |
| 247.50 | 3.3 | 8.8 | 62.8 |
| 270.00 | 3.7 | 8.0 | 61.8 |
| 292.50 | 3.4 | 7.0 | 54.5 |
| 315.00 | 16.4 | 5.6 | 33.2 |
| 337.50 | 19.1 | 7.1 | 40.2 |

LOCATION 7

| WIND AZIMUTH | UMEAN/UINF (PERCENT) | URMS/UINF (PERCENT) | UMEAN+3*URMS/UINF (PERCENT) |
|--------------|----------------------|---------------------|-----------------------------|
| 0.00 | 30.0 | 10.3 | 61.0 |
| 22.50 | 32.8 | 9.9 | 62.4 |
| 45.00 | 38.5 | 11.5 | 73.0 |
| 67.50 | 34.6 | 12.5 | 72.1 |
| 90.00 | 23.2 | 9.1 | 50.5 |
| 112.50 | 36.7 | 10.4 | 66.9 |
| 135.00 | 43.8 | 12.7 | 81.9 |
| 157.50 | 42.9 | 11.3 | 76.8 |
| 180.00 | 29.2 | 10.8 | 61.5 |
| 202.50 | 21.9 | 8.5 | 47.2 |
| 225.00 | 17.1 | 6.0 | 35.0 |
| 247.50 | 32.1 | 6.3 | 51.0 |
| 270.00 | 34.6 | 7.1 | 55.9 |
| 292.50 | 33.7 | 6.2 | 55.9 |
| 315.00 | 24.0 | 8.1 | 48.2 |
| 337.50 | 25.1 | 8.9 | 51.7 |

LOCATION 8

| WIND AZIMUTH | UMEAN/UINF (PERCENT) | URMS/UINF (PERCENT) | UMEAN+3*URMS/UINF (PERCENT) |
|--------------|----------------------|---------------------|-----------------------------|
| 0.00 | 48.1 | 9.9 | 77.7 |
| 22.50 | 33.2 | 11.3 | 67.1 |
| 45.00 | 36.7 | 13.3 | 76.5 |
| 67.50 | 22.8 | 9.1 | 50.1 |
| 90.00 | 27.4 | 10.4 | 58.8 |
| 112.50 | 38.0 | 12.1 | 74.2 |
| 135.00 | 48.6 | 12.8 | 79.0 |
| 157.50 | 42.3 | 12.8 | 79.0 |
| 180.00 | 40.8 | 12.5 | 78.4 |
| 202.50 | 32.2 | 9.3 | 60.2 |
| 225.00 | 11.7 | 2.7 | 19.8 |
| 247.50 | 11.2 | 2.6 | 19.1 |
| 270.00 | 12.9 | 3.4 | 23.2 |
| 292.50 | 16.8 | 5.9 | 34.4 |
| 315.00 | 8.8 | 4.4 | 63.9 |
| 337.50 | 9.9 | 8.2 | 64.7 |

TABLE 2--PEDESTRIAN WIND VELOCITIES AND TURBULENCE INTENSITIES
OLYMPIA AND YORK OFFICE TOWER, DALLAS

LOCATION 9

| WIND AZIMUTH | UMEAN/UINF (PERCENT) | URMS/UINF (PERCENT) | UMEAN+3*URMS/UINF (PERCENT) |
|-----------------|-------------------------|------------------------|--------------------------------|
| 0.00 | 44.0 | 9.1 | 71.4 |
| 22.50 | 31.8 | 6.6 | 51.4 |
| 45.00 | 32.8 | 6.8 | 53.2 |
| 67.50 | 26.3 | 9.1 | 53.5 |
| 90.00 | 44.3 | 9.9 | 74.7 |
| 112.50 | 50.3 | 13.6 | 91.0 |
| 135.00 | 43.2 | 13.9 | 85.0 |
| 157.50 | 47.5 | 15.4 | 93.8 |
| 180.00 | 59.3 | 12.8 | 97.7 |
| 202.50 | 40.9 | 10.6 | 72.6 |
| 225.00 | 13.8 | 4.0 | 25.6 |
| 247.50 | 25.0 | 6.8 | 45.4 |
| 270.00 | 13.7 | 4.0 | 25.6 |
| 292.50 | 17.4 | 6.5 | 36.9 |
| 315.00 | 41.3 | 9.5 | 69.8 |
| 337.50 | 41.4 | 8.4 | 66.5 |

LOCATION 10

| WIND AZIMUTH | UMEAN/UINF (PERCENT) | URMS/UINF (PERCENT) | UMEAN+3*URMS/UINF (PERCENT) |
|-----------------|-------------------------|------------------------|--------------------------------|
| 0.00 | 47.0 | 9.4 | 75.9 |
| 22.50 | 38.4 | 8.2 | 62.9 |
| 45.00 | 43.7 | 9.0 | 70.8 |
| 67.50 | 20.2 | 8.2 | 44.8 |
| 90.00 | 19.2 | 6.6 | 38.8 |
| 112.50 | 26.3 | 10.6 | 58.1 |
| 135.00 | 42.5 | 11.7 | 77.7 |
| 157.50 | 34.8 | 13.5 | 75.3 |
| 180.00 | 32.9 | 13.5 | 73.4 |
| 202.50 | 37.2 | 12.2 | 73.8 |
| 225.00 | 11.9 | 3.1 | 21.1 |
| 247.50 | 15.3 | 4.5 | 28.8 |
| 270.00 | 13.8 | 4.3 | 26.8 |
| 292.50 | 21.1 | 8.5 | 46.8 |
| 315.00 | 40.3 | 10.6 | 72.2 |
| 337.50 | 41.9 | 11.2 | 75.5 |

LOCATION 11

| WIND AZIMUTH | UMEAN/UINF (PERCENT) | URMS/UINF (PERCENT) | UMEAN+3*URMS/UINF (PERCENT) |
|-----------------|-------------------------|------------------------|--------------------------------|
| 0.00 | 40.0 | 10.4 | 71.2 |
| 22.50 | 29.5 | 7.1 | 50.8 |
| 45.00 | 32.7 | 8.5 | 58.3 |
| 67.50 | 26.2 | 10.3 | 57.2 |
| 90.00 | 23.1 | 7.1 | 44.4 |
| 112.50 | 24.4 | 8.3 | 49.1 |
| 135.00 | 21.6 | 7.5 | 44.0 |
| 157.50 | 22.8 | 8.2 | 47.6 |
| 180.00 | 25.8 | 8.9 | 52.4 |
| 202.50 | 18.9 | 6.1 | 37.1 |
| 225.00 | 15.9 | 5.5 | 32.5 |
| 247.50 | 40.3 | 9.6 | 69.9 |
| 270.00 | 25.2 | 10.0 | 55.3 |
| 292.50 | 18.2 | 7.4 | 40.3 |
| 315.00 | 21.4 | 8.9 | 48.2 |
| 337.50 | 27.0 | 11.0 | 59.9 |

LOCATION 12

| WIND AZIMUTH | UMEAN/UINF (PERCENT) | URMS/UINF (PERCENT) | UMEAN+3*URMS/UINF (PERCENT) |
|-----------------|-------------------------|------------------------|--------------------------------|
| 0.00 | 13.1 | 5.0 | 28.1 |
| 22.50 | 11.0 | 4.3 | 23.9 |
| 45.00 | 9.9 | 3.1 | 19.3 |
| 67.50 | 14.8 | 6.3 | 33.6 |
| 90.00 | 27.3 | 10.3 | 58.4 |
| 112.50 | 26.1 | 10.4 | 57.4 |
| 135.00 | 24.4 | 11.0 | 57.4 |
| 157.50 | 26.7 | 10.7 | 58.8 |
| 180.00 | 26.0 | 10.7 | 58.4 |
| 202.50 | 22.2 | 9.8 | 51.5 |
| 225.00 | 19.0 | 9.8 | 41.6 |
| 247.50 | 45.4 | 10.8 | 77.8 |
| 270.00 | 31.8 | 12.7 | 70.0 |
| 292.50 | 17.1 | 8.0 | 41.0 |
| 315.00 | 18.2 | 7.5 | 40.7 |
| 337.50 | 16.9 | 7.1 | 38.3 |

TABLE 2--PEDESTRIAN WIND VELOCITIES AND TURBULENCE INTENSITIES
OLYMPIA AND YORK OFFICE TOWER, DALLAS

LOCATION 13

| WIND AZIMUTH | UMEAN/UINF (PERCENT) | URMS/UINF (PERCENT) | UMEAN+3*URMS/UINF (PERCENT) |
|--------------|----------------------|---------------------|-----------------------------|
| 0.00 | 33.2 | 14.2 | 75.9 |
| 22.50 | 28.4 | 10.8 | 57.9 |
| 45.00 | 31.9 | 11.8 | 67.4 |
| 67.50 | 19.0 | 8.8 | 45.5 |
| 90.00 | 32.8 | 8.9 | 59.5 |
| 112.50 | 30.0 | 9.2 | 57.5 |
| 135.00 | 31.9 | 9.6 | 60.7 |
| 157.50 | 32.3 | 9.5 | 60.8 |
| 180.00 | 31.8 | 9.4 | 60.0 |
| 202.50 | 31.1 | 7.8 | 53.5 |
| 225.00 | 28.6 | 5.4 | 38.8 |
| 247.50 | 43.4 | 9.9 | 73.3 |
| 270.00 | 29.9 | 12.1 | 66.1 |
| 292.50 | 17.5 | 6.5 | 37.0 |
| 315.00 | 29.1 | 12.1 | 65.3 |
| 337.50 | 26.7 | 12.6 | 64.6 |

LOCATION 14

| WIND AZIMUTH | UMEAN/UINF (PERCENT) | URMS/UINF (PERCENT) | UMEAN+3*URMS/UINF (PERCENT) |
|--------------|----------------------|---------------------|-----------------------------|
| 0.00 | 25.5 | 6.6 | 45.3 |
| 22.50 | 17.8 | 4.7 | 31.8 |
| 45.00 | 15.4 | 4.0 | 27.3 |
| 67.50 | 18.6 | 7.4 | 40.9 |
| 90.00 | 26.8 | 8.2 | 51.3 |
| 112.50 | 31.0 | 7.7 | 54.7 |
| 135.00 | 41.4 | 9.0 | 68.3 |
| 157.50 | 40.8 | 9.0 | 67.9 |
| 180.00 | 44.3 | 7.7 | 77.7 |
| 202.50 | 35.7 | 11.1 | 66.4 |
| 225.00 | 15.7 | 4.5 | 29.2 |
| 247.50 | 37.5 | 7.9 | 61.2 |
| 270.00 | 33.9 | 8.9 | 60.5 |
| 292.50 | 27.3 | 8.9 | 57.0 |
| 315.00 | 22.4 | 8.2 | 46.8 |
| 337.50 | 29.0 | 7.8 | 52.4 |

LOCATION 15

| WIND AZIMUTH | UMEAN/UINF (PERCENT) | URMS/UINF (PERCENT) | UMEAN+3*URMS/UINF (PERCENT) |
|--------------|----------------------|---------------------|-----------------------------|
| 0.00 | 14.0 | 4.8 | 28.5 |
| 22.50 | 13.8 | 5.7 | 30.8 |
| 45.00 | 15.7 | 5.6 | 32.4 |
| 67.50 | 22.8 | 9.7 | 55.0 |
| 90.00 | 43.5 | 8.3 | 70.0 |
| 112.50 | 51.8 | 8.7 | 78.0 |
| 135.00 | 50.0 | 7.5 | 75.1 |
| 157.50 | 50.0 | 9.2 | 81.1 |
| 180.00 | 50.0 | 9.9 | 82.6 |
| 202.50 | 22.2 | 9.5 | 58.7 |
| 225.00 | 23.9 | 6.7 | 43.9 |
| 247.50 | 43.8 | 9.5 | 72.1 |
| 270.00 | 49.7 | 8.4 | 74.8 |
| 292.50 | 51.4 | 8.9 | 78.0 |
| 315.00 | 44.8 | 9.2 | 74.5 |
| 337.50 | 26.6 | 9.4 | 53.8 |

TABLE 3

PERCENTAGE FREQUENCY OF WIND DIRECTION AND SPEED

DALLAS, TEXAS

LOVE FIELD (1951-1960)

SEASON : ANNUAL

NO. OF OBS. = 87672

HT. OF MEAS. = 40. FT.

VELOCITY LEVELS IN MPH

| DIRECTION | 0-3 | 4-7 | 8-12 | 13-18 | 19-24 | 25-31 | 32-38 | 39-46 | 47 + | TOTAL |
|-----------|------|-------|-------|-------|-------|-------|-------|-------|------|--------|
| N | .39 | 1.48 | 1.90 | 1.45 | .52 | .19 | .03 | 0.00 | 0.00 | 6.07 |
| NNE | .46 | 1.44 | 1.92 | 1.11 | .31 | .03 | 0.00 | 0.00 | 0.00 | 4.89 |
| NE | .87 | 2.23 | 1.90 | .65 | .23 | .03 | 0.00 | .03 | 0.00 | 5.47 |
| NNE | .28 | 1.09 | 1.33 | .61 | .29 | .04 | 0.00 | 0.00 | 0.00 | 3.58 |
| E | .42 | 1.29 | 1.52 | .53 | .22 | .01 | 0.00 | 0.00 | 0.00 | 3.99 |
| ESE | .32 | 1.08 | 2.17 | .92 | .23 | .03 | 0.00 | 0.00 | 0.00 | 4.99 |
| SE | .64 | 2.90 | 3.37 | 3.31 | .94 | .08 | .01 | 0.00 | 0.00 | 12.82 |
| SSE | .31 | 1.74 | 3.24 | 6.44 | 1.68 | .17 | .06 | .02 | 0.00 | 13.67 |
| SSW | .36 | 1.87 | 4.94 | 6.02 | 2.13 | .23 | .03 | .02 | 0.00 | 15.83 |
| SW | .30 | .90 | 1.91 | 2.02 | .66 | .11 | .01 | 0.00 | 0.00 | 5.51 |
| SSW | .30 | 1.08 | 1.22 | .93 | .27 | .08 | .01 | .03 | 0.00 | 4.16 |
| WSW | .19 | .36 | .39 | .33 | .16 | .04 | .02 | .01 | 0.00 | 1.42 |
| W | .33 | .06 | .47 | .34 | .20 | .05 | .02 | .02 | 0.00 | 2.00 |
| WNW | .27 | .49 | .36 | .32 | .31 | .07 | .03 | 0.00 | 0.00 | 2.23 |
| NW | .30 | 1.14 | 1.06 | 1.07 | .50 | .12 | .06 | .03 | 0.00 | 4.49 |
| NNW | .37 | 1.08 | 1.48 | 1.43 | .36 | .10 | .06 | 0.00 | 0.00 | 5.08 |
| CALM | 1.78 | 0.00 | 0.00 | 0.00 | 0.00 | 0.00 | 0.00 | 0.00 | 0.00 | 1.78 |
| TOT | 8.54 | 20.92 | 32.21 | 27.69 | 8.76 | 1.34 | .36 | .16 | 0.00 | 100.00 |

TABLE 4

SUMMARY OF WIND EFFECTS ON PEOPLE

| | <u>Beaufort number</u> | <u>Speed (mph)</u> | <u>Effects</u> |
|-----------------|----------------------------|------------------------|--|
| Calm, light air | 0, 1 | 0- 3 | Calm, no noticeable wind |
| Light breeze | 2 | 4- 7 | Wind felt on face |
| Gentle breeze | 3 | 8-12 | Wind extends light flag Hair is disturbed Clothing flaps |
| Moderate breeze | 4 | 13-18 | Raises dust, dry soil and loose paper Hair disarranged |
| Fresh breeze | 5 | 19-24 | Force of wind felt on body Drifting snow becomes airborne Limit of agreeable wind on land |
| Strong breeze | 6 | 25-31 | Umbrellas used with difficulty Hair blown straight Difficult to walk steadily Wind noise on ears unpleasant Windborne snow above head height (blizzard) |
| Near gale | 7 | 32-38 | Inconvenience felt when walking |
| Gale | 8 | 39-46 | Generally impedes progress Great difficulty with balance in gusts |
| Strong gale | 9 | 47-54 | People blown over by gusts |

Note: Table from Reference 4, p. 40.

TABLE 5

CALCULATION OF REFERENCE PRESSURE

1. Basic wind speed from ANSI A58.1 (Ref. 6):

50-yr fastest mile at 30 ft = 70 mph

$$\text{Mean hourly wind speed} = \frac{70}{1.25} = 56.0 \text{ mph}$$

$$\text{Mean hourly gradient wind speed} = 56.0 \left(\frac{1000}{30}\right)^{.17} = 101.6 \text{ mph}$$

Mean hourly wind at ref location U_{∞} = gradient wind

$$\text{Reference pressure} = 0.5 \rho U_{\infty}^2 = (0.00256) (101.6)^2 = 26.5 \text{ psf}$$

Use reference pressure = 27 psf

2. Loads for 100-yr recurrence wind:

100-yr fastest mile at 30 ft = 70 mph (Ref. 6)

no change in load.

3. Gust load factors to convert hourly mean integrated loads to various gust durations (see Sect. 4.4):

| <u>Gust Duration, sec</u> | <u>Gust Load Factor</u> |
|---------------------------|-------------------------|
| 10-15 | $(1.4)^2 = 1.96$ |
| 30 | $(1.32)^2 = 1.74$ |
| 45 | $(1.26)^2 = 1.59$ |

30 sec duration load factor was used in Table 7.

TABLE 6A. PEAK LOADS FOR CONFIGURATION A :
LARGEST VALUES OF CLADDING LOAD

OLYMPIA AND YORK OFFICE TOWER, DALLAS
REFERENCE PRESSURE = 27.0 PSF

| TAP | AZI-MUTH | PRESS COEFF | ABSOLUTE PEAK | POSITIVE PEAK | TAP | AZI-MUTH | PRESS COEFF | ABSOLUTE PEAK | POSITIVE PEAK | TAP | AZI-MUTH | PRESS COEFF | ABSOLUTE PEAK | POSITIVE PEAK |
|-----|----------|-------------|---------------|---------------|-----|----------|-------------|---------------|---------------|-----|----------|-------------|---------------|---------------|
| | | | PSF | PSF | | | | PSF | PSF | | | | PSF | PSF |
| 101 | 50 | 2 | 66 | 71.7 | 22 | 2 | 0 | 27.2 | 23.1 | 230 | 150 | 1 | 50 | 41.0 |
| 102 | 60 | 2 | 29 | 60.0 | 149 | 0 | 1 | 08 | 14.8 | 231 | 140 | 1 | 50 | 43.0 |
| 103 | 20 | 2 | 29 | 47.2 | 150 | 29 | 1 | 08 | 14.8 | 232 | 150 | 1 | 40 | 37.0 |
| 104 | 230 | 1 | 1 | 47.5 | 151 | 11 | 1 | 06 | 15.0 | 233 | 160 | 1 | 1 | 48.0 |
| 105 | 350 | 1 | 1 | 56.4 | 152 | 1 | 1 | 22 | 30.0 | 234 | 170 | 2 | 2 | 63.0 |
| 106 | 350 | 1 | 1 | 56.4 | 153 | 1 | 1 | 00 | 29.9 | 235 | 140 | 2 | 2 | 64.0 |
| 107 | 170 | 1 | 1 | 40.0 | 154 | 2 | 6 | 00 | 44.0 | 236 | 350 | 2 | 2 | 58.0 |
| 108 | 50 | 2 | 2 | 50.0 | 155 | 1 | 7 | 00 | 44.0 | 237 | 350 | 2 | 2 | 58.0 |
| 109 | 50 | 2 | 2 | 56.6 | 156 | 1 | 7 | 00 | 44.0 | 238 | 350 | 1 | 1 | 55.0 |
| 110 | 40 | 2 | 1 | 49.4 | 157 | 1 | 4 | 00 | 44.0 | 239 | 350 | 1 | 1 | 55.0 |
| 111 | 330 | 1 | 1 | 49.0 | 158 | 1 | 1 | 00 | 33.0 | 240 | 350 | 1 | 1 | 41.0 |
| 112 | 330 | 2 | 2 | 55.0 | 159 | 1 | 1 | 00 | 33.0 | 241 | 350 | 1 | 1 | 41.0 |
| 113 | 330 | 2 | 2 | 46.4 | 160 | 2 | 4 | 00 | 44.0 | 242 | 170 | 1 | 1 | 32.0 |
| 114 | 350 | 2 | 2 | 44.4 | 161 | 1 | 5 | 00 | 44.0 | 243 | 170 | 1 | 1 | 32.0 |
| 115 | 60 | 2 | 2 | 79.9 | 162 | 1 | 2 | 00 | 33.0 | 244 | 150 | 1 | 1 | 32.0 |
| 116 | 30 | 2 | 2 | 62.2 | 164 | 1 | 4 | 00 | 44.0 | 245 | 170 | 1 | 1 | 32.0 |
| 117 | 60 | 1 | 1 | 40.0 | 165 | 1 | 5 | 00 | 44.0 | 246 | 170 | 1 | 1 | 32.0 |
| 118 | 40 | 1 | 1 | 40.0 | 166 | 1 | 6 | 00 | 44.0 | 247 | 170 | 1 | 1 | 32.0 |
| 119 | 350 | 2 | 2 | 55.0 | 167 | 1 | 6 | 00 | 44.0 | 248 | 350 | 2 | 2 | 66.0 |
| 120 | 350 | 2 | 2 | 55.0 | 201 | 3 | 5 | 00 | 77.0 | 249 | 350 | 2 | 2 | 66.0 |
| 121 | 0 | 1 | 1 | 45.5 | 202 | 3 | 5 | 00 | 77.0 | 250 | 350 | 2 | 2 | 66.0 |
| 122 | 20 | 2 | 2 | 44.4 | 203 | 1 | 1 | 1 | 1 | 251 | 350 | 1 | 1 | 44.4 |
| 123 | 20 | 2 | 2 | 63.0 | 204 | 1 | 1 | 1 | 1 | 252 | 350 | 1 | 1 | 44.4 |
| 124 | 20 | 2 | 2 | 63.0 | 205 | 1 | 3 | 00 | 44.4 | 253 | 350 | 1 | 1 | 44.4 |
| 125 | 44 | 2 | 2 | 44.4 | 206 | 1 | 0 | 0 | 0 | 254 | 160 | 1 | 1 | 44.4 |
| 126 | 55 | 2 | 2 | 33.0 | 207 | 2 | 0 | 0 | 0 | 255 | 160 | 1 | 1 | 44.4 |
| 127 | 55 | 2 | 2 | 44.4 | 208 | 1 | 5 | 00 | 66.4 | 256 | 0 | 0 | 0 | 0 |
| 128 | 50 | 1 | 1 | 55.0 | 209 | 1 | 1 | 00 | 99.9 | 257 | 170 | 1 | 1 | 32.0 |
| 129 | 20 | 2 | 2 | 44.4 | 210 | 1 | 1 | 00 | 44.4 | 258 | 180 | 2 | 2 | 44.4 |
| 130 | 0 | 1 | 1 | 66.6 | 211 | 1 | 1 | 00 | 44.4 | 259 | 170 | 1 | 1 | 32.0 |
| 131 | 40 | 1 | 1 | 55.0 | 212 | 3 | 5 | 00 | 77.0 | 260 | 350 | 1 | 1 | 44.4 |
| 132 | 350 | 2 | 2 | 44.4 | 213 | 3 | 5 | 00 | 77.0 | 261 | 350 | 1 | 1 | 44.4 |
| 133 | 350 | 2 | 2 | 56.6 | 214 | 1 | 1 | 1 | 1 | 262 | 350 | 1 | 1 | 44.4 |
| 134 | 350 | 2 | 2 | 55.0 | 215 | 3 | 5 | 00 | 77.0 | 263 | 350 | 1 | 1 | 44.4 |
| 135 | 350 | 2 | 2 | 44.4 | 216 | 1 | 4 | 00 | 44.4 | 264 | 350 | 1 | 1 | 44.4 |
| 136 | 0 | 2 | 2 | 50.0 | 217 | 1 | 4 | 00 | 44.4 | 265 | 350 | 1 | 1 | 44.4 |
| 137 | 80 | 1 | 1 | 50.0 | 218 | 1 | 7 | 00 | 77.0 | 266 | 0 | 0 | 0 | 0 |
| 138 | 50 | 1 | 1 | 50.0 | 219 | 1 | 7 | 00 | 77.0 | 267 | 0 | 0 | 0 | 0 |
| 139 | 60 | 3 | 3 | 66.6 | 220 | 1 | 6 | 00 | 66.6 | 268 | 0 | 0 | 0 | 0 |
| 140 | 40 | 1 | 1 | 55.0 | 221 | 1 | 5 | 00 | 55.0 | 269 | 130 | 0 | 0 | 0 |
| 141 | 0 | 1 | 1 | 50.0 | 222 | 1 | 7 | 00 | 77.0 | 270 | 180 | 0 | 0 | 0 |
| 142 | 0 | 2 | 2 | 44.4 | 223 | 4 | 4 | 00 | 44.4 | 271 | 170 | 0 | 0 | 0 |
| 143 | 350 | 2 | 2 | 44.4 | 224 | 3 | 3 | 00 | 33.0 | 272 | 350 | 2 | 2 | 66.6 |
| 144 | 40 | 2 | 2 | 67.4 | 225 | 3 | 3 | 00 | 33.0 | 273 | 350 | 1 | 1 | 44.4 |
| 145 | 50 | 1 | 1 | 49.9 | 226 | 1 | 1 | 1 | 1 | 274 | 350 | 1 | 1 | 44.4 |
| 146 | 80 | 1 | 1 | 33.4 | 227 | 3 | 3 | 00 | 33.0 | 275 | 350 | 1 | 1 | 44.4 |
| 147 | 80 | 1 | 1 | 33.4 | 228 | 1 | 1 | 1 | 1 | 276 | 350 | 1 | 1 | 44.4 |
| 148 | 350 | 1 | 1 | 35.0 | 229 | 1 | 1 | 1 | 1 | 277 | 0 | 1 | 1 | 35.0 |

TABLE 6A. PEAK LOADS FOR CONFIGURATION A :
LARGEST VALUES OF CLADDING LOAD

OLYMPIA AND YORK OFFICE TOWER, DALLAS
REFERENCE PRESSURE = 27.0 PSF

| TAP | AZI-MUTH | PRESS COEFF | ABSOLUTE PEAK | POSITIVE PEAK | TAP | AZI-MUTH | PRESS COEFF | ABSOLUTE PEAK | POSITIVE PEAK | TAP | AZI-MUTH | PRESS COEFF | ABSOLUTE PEAK | POSITIVE PEAK |
|-----|----------|-------------|---------------|---------------|-----|----------|-------------|---------------|---------------|-----|----------|-------------|---------------|---------------|
| | | | PSF | PSF | | | | PSF | PSF | | | | PSF | PSF |
| 417 | 20 | 1.64 | 44 | 27 | 465 | 340 | 1.32 | 33 | 5 | 465 | 340 | 1.32 | 33 | 5 |
| 418 | 40 | 1.71 | 46 | 33 | 466 | 340 | 1.31 | 33 | 5 | 466 | 340 | 1.31 | 33 | 5 |
| 419 | 40 | 1.74 | 47 | 22 | 467 | 330 | 1.30 | 33 | 5 | 467 | 330 | 1.30 | 33 | 5 |
| 420 | 50 | 1.88 | 50 | 6 | 468 | 160 | 1.16 | 33 | 5 | 468 | 160 | 1.16 | 33 | 5 |
| 421 | 40 | 2.81 | 75 | 8 | 501 | 160 | 1.16 | 33 | 5 | 501 | 160 | 1.16 | 33 | 5 |
| 422 | 20 | 1.70 | 45 | 5 | 502 | 150 | 1.15 | 33 | 5 | 502 | 150 | 1.15 | 33 | 5 |
| 423 | 20 | 1.36 | 36 | 2 | 503 | 140 | 1.14 | 33 | 5 | 503 | 140 | 1.14 | 33 | 5 |
| 424 | 350 | 1.22 | 33 | 18 | 504 | 110 | 1.10 | 33 | 5 | 504 | 110 | 1.10 | 33 | 5 |
| 425 | 40 | 1.20 | 32 | 2 | 505 | 180 | 1.18 | 33 | 5 | 505 | 180 | 1.18 | 33 | 5 |
| 426 | 50 | 1.49 | 40 | 2 | 506 | 180 | 1.18 | 33 | 5 | 506 | 180 | 1.18 | 33 | 5 |
| 427 | 50 | 1.70 | 46 | 2 | 507 | 200 | 1.20 | 33 | 5 | 507 | 200 | 1.20 | 33 | 5 |
| 428 | 50 | 1.49 | 40 | 2 | 508 | 120 | 1.12 | 33 | 5 | 508 | 120 | 1.12 | 33 | 5 |
| 429 | 0 | 1.33 | 36 | 2 | 509 | 110 | 1.11 | 33 | 5 | 509 | 110 | 1.11 | 33 | 5 |
| 430 | 0 | 1.49 | 40 | 2 | 510 | 110 | 1.11 | 33 | 5 | 510 | 110 | 1.11 | 33 | 5 |
| 431 | 0 | 1.33 | 36 | 2 | 511 | 350 | 1.35 | 33 | 5 | 511 | 350 | 1.35 | 33 | 5 |
| 432 | 350 | 1.42 | 38 | 1 | 512 | 10 | 1.10 | 33 | 5 | 512 | 10 | 1.10 | 33 | 5 |
| 433 | 180 | 1.14 | 30 | 2 | 513 | 40 | 1.11 | 33 | 5 | 513 | 40 | 1.11 | 33 | 5 |
| 434 | 50 | 1.34 | 36 | 2 | 514 | 90 | 1.09 | 33 | 5 | 514 | 90 | 1.09 | 33 | 5 |
| 435 | 50 | 1.87 | 50 | 4 | 515 | 170 | 1.17 | 33 | 5 | 515 | 170 | 1.17 | 33 | 5 |
| 436 | 40 | 1.57 | 42 | 2 | 516 | 40 | 1.11 | 33 | 5 | 516 | 40 | 1.11 | 33 | 5 |
| 437 | 0 | 1.23 | 33 | 3 | 517 | 50 | 1.11 | 33 | 5 | 517 | 50 | 1.11 | 33 | 5 |
| 438 | 0 | 1.35 | 36 | 2 | 518 | 50 | 1.11 | 33 | 5 | 518 | 50 | 1.11 | 33 | 5 |
| 439 | 330 | 1.45 | 39 | 1 | 519 | 160 | 1.16 | 33 | 5 | 519 | 160 | 1.16 | 33 | 5 |
| 440 | 170 | 1.11 | 33 | 2 | 520 | 180 | 1.18 | 33 | 5 | 520 | 180 | 1.18 | 33 | 5 |
| 441 | 320 | 1.20 | 32 | 3 | 521 | 0 | 1.11 | 33 | 5 | 521 | 0 | 1.11 | 33 | 5 |
| 442 | 440 | 1.20 | 32 | 3 | 522 | 120 | 1.12 | 33 | 5 | 522 | 120 | 1.12 | 33 | 5 |
| 443 | 310 | 2.14 | 57 | 1 | 523 | 140 | 1.14 | 33 | 5 | 523 | 140 | 1.14 | 33 | 5 |
| 444 | 300 | 1.14 | 41 | 1 | 524 | 300 | 1.30 | 33 | 5 | 524 | 300 | 1.30 | 33 | 5 |
| 445 | 0 | 1.52 | 41 | 1 | 525 | 200 | 1.20 | 33 | 5 | 525 | 200 | 1.20 | 33 | 5 |
| 446 | 0 | 1.23 | 33 | 3 | 526 | 300 | 1.30 | 33 | 5 | 526 | 300 | 1.30 | 33 | 5 |
| 447 | 330 | 1.51 | 40 | 2 | 527 | 300 | 1.30 | 33 | 5 | 527 | 300 | 1.30 | 33 | 5 |
| 448 | 340 | 1.52 | 41 | 1 | 528 | 40 | 1.11 | 33 | 5 | 528 | 40 | 1.11 | 33 | 5 |
| 449 | 170 | 1.73 | 46 | 2 | 529 | 50 | 1.11 | 33 | 5 | 529 | 50 | 1.11 | 33 | 5 |
| 450 | 340 | 1.51 | 40 | 2 | 530 | 50 | 1.11 | 33 | 5 | 530 | 50 | 1.11 | 33 | 5 |
| 451 | 340 | 1.55 | 41 | 1 | 531 | 140 | 1.14 | 33 | 5 | 531 | 140 | 1.14 | 33 | 5 |
| 452 | 340 | 1.55 | 41 | 1 | 532 | 140 | 1.14 | 33 | 5 | 532 | 140 | 1.14 | 33 | 5 |
| 453 | 340 | 1.65 | 44 | 1 | 533 | 140 | 1.14 | 33 | 5 | 533 | 140 | 1.14 | 33 | 5 |
| 454 | 240 | 1.24 | 33 | 3 | 534 | 170 | 1.17 | 33 | 5 | 534 | 170 | 1.17 | 33 | 5 |
| 455 | 270 | 1.29 | 33 | 2 | 535 | 130 | 1.13 | 33 | 5 | 535 | 130 | 1.13 | 33 | 5 |
| 456 | 340 | 1.25 | 33 | 3 | 536 | 130 | 1.13 | 33 | 5 | 536 | 130 | 1.13 | 33 | 5 |
| 457 | 340 | 1.10 | 36 | 2 | 537 | 130 | 1.13 | 33 | 5 | 537 | 130 | 1.13 | 33 | 5 |
| 458 | 350 | 1.45 | 39 | 1 | 538 | 200 | 1.20 | 33 | 5 | 538 | 200 | 1.20 | 33 | 5 |
| 459 | 300 | 0.96 | 26 | 2 | 539 | 50 | 1.11 | 33 | 5 | 539 | 50 | 1.11 | 33 | 5 |
| 460 | 130 | 1.08 | 29 | 1 | 540 | 50 | 1.11 | 33 | 5 | 540 | 50 | 1.11 | 33 | 5 |
| 461 | 150 | 1.11 | 33 | 1 | 541 | 150 | 1.15 | 33 | 5 | 541 | 150 | 1.15 | 33 | 5 |
| 462 | 120 | 1.14 | 30 | 1 | 542 | 50 | 1.11 | 33 | 5 | 542 | 50 | 1.11 | 33 | 5 |
| 463 | 150 | 1.11 | 33 | 1 | 543 | 40 | 1.11 | 33 | 5 | 543 | 40 | 1.11 | 33 | 5 |
| 464 | 120 | 1.14 | 30 | 1 | 544 | 140 | 1.14 | 33 | 5 | 544 | 140 | 1.14 | 33 | 5 |

TABLE 6A. PEAK LOADS FOR CONFIGURATION A :
LARGEST VALUES OF CLADDING LOAD

OLYMPIA AND YORK OFFICE TOWER, DALLAS
REFERENCE PRESSURE = 27.0 PSF

| TAP | AZI-MUTH | PRESS COEFF | ABSOLUTE PEAK | POSITIVE PEAK | TAP | AZI-MUTH | PRESS COEFF | ABSOLUTE PEAK | POSITIVE PEAK | TAP | AZI-MUTH | PRESS COEFF | ABSOLUTE PEAK | POSITIVE PEAK |
|------|----------|-------------|---------------|---------------|-----|----------|-------------|---------------|---------------|-----|----------|-------------|---------------|---------------|
| | | | PSF | PSF | | | | PSF | PSF | | | | PSF | PSF |
| 5845 | 140 | .97 | 26 | 6.0 | 583 | 160 | 1.11 | 29 | 9 | 718 | 0 | .89 | 24 | 1 |
| 5844 | 140 | .04 | 22 | 8.0 | 584 | 290 | 1.11 | 33 | 7 | 719 | 340 | 1.07 | 22 | 9 |
| 5843 | 160 | .06 | 22 | 8.0 | 585 | 290 | 1.11 | 31 | 7 | 720 | 340 | 1.07 | 22 | 9 |
| 5842 | 160 | .00 | 22 | 17.1 | 586 | 300 | 1.11 | 49 | 5 | 721 | 340 | .87 | 22 | 4 |
| 5841 | 60 | .97 | 22 | 26.1 | 587 | 290 | 2.22 | 60 | 8 | 801 | 180 | .92 | 22 | 4 |
| 5840 | 50 | .04 | 22 | 26.1 | 588 | 170 | 1.11 | 05 | 3 | 802 | 260 | .96 | 22 | 9 |
| 5839 | 300 | .90 | 22 | 26.1 | 589 | 290 | 1.11 | 30 | 1 | 803 | 140 | .98 | 22 | 5 |
| 5838 | 330 | .20 | 22 | 26.1 | 590 | 340 | 1.11 | 44 | 4 | 804 | 170 | .97 | 22 | 9 |
| 5837 | 310 | .73 | 43 | 22.2 | 591 | 340 | 1.11 | 34 | 4 | 805 | 170 | .99 | 22 | 9 |
| 5836 | 320 | .60 | 43 | 15.0 | 592 | 340 | 1.11 | 33 | 6 | 806 | 160 | .89 | 22 | 9 |
| 5835 | 170 | .02 | 22 | 15.0 | 593 | 150 | 1.11 | 48 | 9 | 807 | 170 | 1.16 | 33 | 3 |
| 5834 | 140 | .22 | 22 | 15.0 | 594 | 330 | 1.11 | 33 | 4 | 808 | 330 | .99 | 22 | 4 |
| 5833 | 140 | .00 | 22 | 15.0 | 595 | 140 | 1.11 | 46 | 6 | 809 | 330 | .89 | 22 | 9 |
| 5832 | 140 | .08 | 22 | 15.0 | 596 | 170 | 1.11 | 33 | 3 | 901 | 330 | .99 | 22 | 9 |
| 5831 | 140 | .87 | 22 | 1 | 597 | 160 | 1.11 | 21 | 8 | 902 | 340 | .97 | 22 | 9 |
| 5830 | 60 | .86 | 22 | 1 | 598 | 170 | 1.11 | 33 | 5 | 903 | 290 | .48 | 33 | 3 |
| 5829 | 60 | .01 | 22 | 22.7 | 599 | 170 | 1.11 | 33 | 3 | 904 | 0 | .57 | 4 | 4 |
| 5828 | 10 | .91 | 22 | 22.7 | 600 | 200 | 1.11 | 02 | 2 | 905 | 40 | .86 | 4 | 0 |
| 5827 | 80 | .87 | 22 | 22.7 | 601 | 190 | 1.11 | 97 | 7 | 906 | 230 | .86 | 7 | 0 |
| 5826 | 80 | .63 | 44 | 22.7 | 602 | 290 | 1.11 | 99 | 9 | 907 | 150 | .55 | 0 | 0 |
| 5825 | 330 | .65 | 44 | 22.7 | 603 | 160 | 1.11 | 97 | 7 | 908 | 30 | .63 | 9 | 9 |
| 5824 | 330 | .08 | 55 | 22.7 | 701 | 140 | 1.11 | 00 | 0 | 909 | 340 | .71 | 4 | 4 |
| 5823 | 330 | .11 | 55 | 13.0 | 702 | 140 | 1.11 | 02 | 2 | 910 | 20 | .71 | 3 | 3 |
| 5822 | 150 | .78 | 44 | 2.4 | 703 | 240 | 1.11 | 02 | 2 | 911 | 0 | .53 | 4 | 4 |
| 5821 | 150 | .14 | 44 | 2.4 | 704 | 70 | 1.11 | 94 | 4 | 912 | 160 | .09 | 5 | 5 |
| 5820 | 170 | .97 | 22 | 1.9 | 705 | 70 | 1.11 | 20 | 0 | 913 | 150 | .67 | 5 | 5 |
| 5819 | 160 | .25 | 22 | 5.5 | 706 | 0 | 1.11 | 16 | 6 | 914 | 110 | .18 | 3 | 3 |
| 5818 | 160 | .01 | 22 | 11.7 | 707 | 150 | 1.11 | 31 | 1 | 915 | 90 | .15 | 3 | 3 |
| 5817 | 220 | .93 | 55 | 17.7 | 708 | 160 | 1.11 | 31 | 1 | 916 | 50 | .01 | 4 | 4 |
| 5816 | 290 | .94 | 55 | 22.1 | 709 | 260 | 1.11 | 34 | 4 | 917 | 110 | .04 | 7 | 7 |
| 5815 | 300 | .19 | 33 | 18.0 | 710 | 140 | 1.11 | 32 | 2 | 918 | 35 | .27 | 2 | 2 |
| 5814 | 80 | .14 | 33 | 16.2 | 711 | 160 | 1.11 | 33 | 3 | 919 | 0 | .19 | 7 | 7 |
| 5813 | 340 | .43 | 33 | 12.4 | 712 | 160 | 1.11 | 33 | 3 | 920 | 0 | .19 | 7 | 7 |
| 5812 | 350 | .75 | 44 | 16.2 | 713 | 160 | 1.11 | 33 | 3 | 921 | 10 | .02 | 2 | 2 |
| 5811 | 340 | .77 | 44 | 16.2 | 714 | 160 | 1.11 | 33 | 3 | 922 | 0 | .71 | 4 | 4 |
| 5810 | 170 | .83 | 44 | 1.9 | 715 | 150 | 1.11 | 35 | 5 | 923 | 0 | .92 | 3 | 3 |
| 5809 | 150 | .13 | 55 | 1.1 | 716 | 190 | 1.11 | 44 | 4 | 924 | 0 | .98 | 6 | 6 |
| 5808 | 160 | .04 | 22 | 2.5 | 717 | 0 | 1.11 | 49 | 9 | 925 | 0 | .15 | 1 | 1 |
| 5807 | 160 | .18 | 33 | 4.5 | | | | | | | | | | |

TABLE 6A. PEAK LOADS FOR CONFIGURATION C :
LARGEST VALUES OF CLADDING LOAD

OLYMPIA AND YORK OFFICE TOWER, DALLAS
REFERENCE PRESSURE = 27.0 PSF

| TAP | AZI- MUTH | PRESS COEFF | ABSOLUTE PEAK | POSITIVE PEAK | TAP | AZI- MUTH | PRESS COEFF | ABSOLUTE PEAK | POSITIVE PEAK | TAP | AZI- MUTH | PRESS COEFF | ABSOLUTE PEAK | POSITIVE PEAK |
|-----|--------------|----------------|------------------|------------------|-----|--------------|----------------|------------------|------------------|-----|--------------|----------------|------------------|------------------|
| | | | ---- PSF | ---- | | | | ---- PSF | ---- | | | | ---- PSF | ---- |
| 101 | 26 | 3.10 | 83.6 | 14.6 | 123 | 52 | 2.39 | 64.5 | 17.3 | 234 | 172 | 2.10 | 56.7 | 10.4 |
| 108 | 58 | 2.67 | 72.2 | 31.6 | 209 | 162 | 3.29 | 88.8 | 20.8 | 235 | 172 | 2.39 | 64.5 | 10.8 |
| 115 | 58 | 2.84 | 76.6 | 28.6 | 222 | 164 | 2.73 | 73.8 | 20.2 | 421 | 48 | 3.10 | 83.8 | 23.1 |
| 122 | 52 | 2.68 | 72.3 | 21.3 | 223 | 178 | 4.76 | 128.6 | 15.8 | 906 | 232 | 2.20 | 59.3 | 12.4 |

TABLE 6B. COMPARISON OF CONFIGURATIONS A AND C ; OLYMPIA AND YORK OFFICE TOWER, DALLAS
TAPS WHERE ABSOLUTE PEAK LOAD FOR CONFIG. C EXCEEDED THAT FOR CONFIG. A BY 5 PSF
REF. PRESSURE = 27.0 PSF

| TAP | AZIMUTH | A CONFIG. PSF LOAD | AZIMUTH | C CONFIG. PSF LOAD |
|-----|---------|-----------------------|---------|-----------------------|
| 101 | 50 | 71.7 | 26 | 83.6 |
| 122 | 20 | 64.3 | 52 | 72.3 |
| 209 | 180 | 79.5 | 162 | 88.0 |
| 223 | 180 | 119.0 | 178 | 128.6 |
| 421 | 40 | 75.8 | 48 | 83.8 |

TABLE 7. BASE SHEAR AND MOMENT SUMMARY : OLYMPIA AND YORK OFFICE TOWER, DALLAS
 CONFIGURATION A REFERENCE PRESSURE 27.0 GUST FACTOR 1.32

| AZIMUTH DEGREES | X-SHEAR KIPS | Y-SHEAR KIPS | X-MOMENT | Y-MOMENT 1000-FT-KIPS | Z-MOMENT |
|-----------------|--------------|--------------|----------|-----------------------|----------|
| 0 | -550.0 | 1620.7 | -492.1 | -102.0 | 173.5 |
| 10 | -530.6 | 1339.9 | -411.3 | -89.2 | 147.5 |
| 20 | -267.1 | 1027.6 | -336.0 | -19.6 | 129.9 |
| 30 | -85.2 | 789.1 | -279.3 | 23.7 | 113.7 |
| 40 | -84.4 | 814.4 | -278.1 | 22.1 | 116.9 |
| 50 | -11.6 | 1088.1 | -349.1 | 50.4 | 142.4 |
| 60 | 8.2 | 679.0 | -251.6 | 54.9 | 117.9 |
| 70 | 33.5 | 583.1 | -184.3 | 33.9 | 33.7 |
| 80 | 88.5 | 712.1 | -221.1 | 228.0 | 159.7 |
| 90 | 99.5 | 695.8 | -261.7 | 222.9 | 223.6 |
| 100 | 109.3 | 482.7 | -215.8 | 222.9 | 33.4 |
| 110 | 109.3 | 161.1 | -129.6 | 33.4 | 110.4 |
| 120 | 100.4 | -255.1 | -15.9 | 88.8 | 22.4 |
| 130 | 99.0 | -338.8 | 11.7 | 88.8 | 27.5 |
| 140 | 99.0 | -653.9 | 41.6 | 88.8 | 20.9 |
| 150 | 99.0 | -613.3 | 25.5 | 88.8 | 11.8 |
| 160 | 88.0 | -699.7 | 43.3 | 88.8 | 24.4 |
| 170 | 78.0 | -855.6 | 66.6 | 77.2 | 33.3 |
| 180 | 57.8 | -778.8 | 70.2 | 15.6 | 22.9 |
| 190 | 18.0 | -756.6 | 76.9 | 99.0 | 11.1 |
| 200 | -50.0 | -717.7 | 91.8 | 1.0 | 34.4 |
| 210 | -115.1 | -126.9 | 27.2 | 29.0 | 4.6 |
| 220 | -88.2 | -160.5 | 36.6 | 19.4 | 4.7 |
| 230 | -119.5 | -203.5 | 46.9 | 10.7 | 7.5 |
| 240 | -33.3 | -270.7 | 63.7 | 21.5 | 10.9 |
| 250 | -33.4 | -295.9 | 69.8 | 39.9 | 11.7 |
| 260 | -50.6 | -294.3 | 68.3 | 84.4 | 12.2 |
| 270 | -74.6 | -275.0 | 63.6 | 46.4 | 11.0 |
| 280 | -97.3 | -255.1 | 60.0 | 16.3 | 10.0 |
| 290 | -113.9 | -254.5 | 58.5 | 65.6 | 10.3 |
| 300 | -111.7 | -205.5 | 45.5 | 62.7 | 6.7 |
| 310 | -110.3 | -118.6 | 23.3 | 22.5 | 1.0 |
| 320 | -131.5 | -64.8 | 9.3 | 30.0 | 5.3 |
| 330 | -129.2 | -14.6 | 3.1 | 93.8 | 10.0 |
| 340 | -100.0 | 46.2 | -18.8 | 13.9 | 14.7 |
| 350 | -62.8 | 117.7 | -37.0 | 11.1 | 18.2 |

TABLE 7. SHEAR AND MOMENT DIAGRAMS : WIND DIRECTION ° CONFIGURATION A

OLYMPIA AND YORK OFFICE TOWER, DALLAS REFERENCE PRESSURE 27.0 PSF

GUST FACTOR 1.32

Table with 13 columns: FLOOR, HEIGHT FT, X-FORCE KIPS, Y-FORCE KIPS, X-AREA SQ FT, Y-AREA SQ FT, X-PRESS PSF, Y-PRESS PSF, X-SHEAR KIPS, Y-SHEAR KIPS, X-MOMENT 1000-FT-KIPS, Y-MOMENT 1000-FT-KIPS, Z-MOMENT 1000-FT-KIPS. Rows include GRND, LBBY, and various floor levels up to ROOF.

TABLE 7. SHEAR AND MOMENT DIAGRAMS : OLYMPIA AND YORK OFFICE TOWER, DALLAS
 WIND DIRECTION 10 CONFIGURATION A REFERENCE PRESSURE 27.0 PSF

GUST FACTOR 1.32

| FLOOR | HEIGHT FT | X-FORCE KIPS | Y-FORCE KIPS | X-AREA SQ FT | Y-AREA SQ FT | X-PRESS PSF | Y-PRESS PSF | X-SHEAR KIPS | Y-SHEAR KIPS | X-MOMENT 1000-FT-KIPS | Y-MOMENT 1000-FT-KIPS | Z-MOMENT 1000-FT-KIPS |
|-------|--------------|-----------------|-----------------|-----------------|-----------------|----------------|----------------|-----------------|-----------------|--------------------------|--------------------------|--------------------------|
| GRND | 0.00 | -161.3 | -48.7 | 119.9 | 33.5 | -1.4 | -1.9 | -530.6 | 133.9 | -4.3 | -8.2 | 14.7 |
| LBBY | 20.00 | -210.7 | -184.0 | 477.8 | 33.5 | -1.4 | -1.9 | -469.9 | 133.9 | -6.3 | -29.2 | 14.4 |
| 2 | 87.50 | -150.3 | 51.5 | 1377.7 | 33.5 | -1.3 | 1.9 | -255.6 | 152.1 | -1.1 | 54.4 | 134.4 |
| 3 | 100.00 | -150.3 | 52.1 | 1377.7 | 33.5 | -1.3 | 1.9 | -251.1 | 146.9 | -1.1 | 55.5 | 133.0 |
| 4 | 112.50 | -150.3 | 52.7 | 1377.7 | 33.5 | -1.3 | 1.9 | -244.6 | 141.6 | -1.1 | 56.6 | 122.6 |
| 5 | 125.00 | -150.3 | 53.3 | 1377.7 | 33.5 | -1.3 | 1.9 | -235.5 | 136.6 | -1.1 | 57.7 | 111.3 |
| 6 | 137.50 | -150.3 | 53.9 | 1377.7 | 33.5 | -1.3 | 1.9 | -224.0 | 131.6 | -1.1 | 58.8 | 100.8 |
| 7 | 150.00 | -150.3 | 54.4 | 1377.7 | 33.5 | -1.3 | 1.9 | -211.1 | 126.6 | -1.1 | 59.9 | 90.3 |
| 8 | 162.50 | -150.3 | 54.9 | 1377.7 | 33.5 | -1.3 | 1.9 | -200.0 | 121.6 | -1.1 | 61.0 | 80.0 |
| 9 | 175.00 | -150.3 | 55.4 | 1377.7 | 33.5 | -1.3 | 1.9 | -197.7 | 116.6 | -1.1 | 62.1 | 70.0 |
| 10 | 187.50 | -150.3 | 55.9 | 1377.7 | 33.5 | -1.3 | 1.9 | -189.9 | 111.6 | -1.1 | 63.2 | 60.0 |
| 11 | 200.00 | -150.3 | 56.4 | 1377.7 | 33.5 | -1.3 | 1.9 | -181.1 | 106.6 | -1.1 | 64.3 | 50.0 |
| 12 | 212.50 | -150.3 | 56.9 | 1377.7 | 33.5 | -1.3 | 1.9 | -172.2 | 101.6 | -1.1 | 65.4 | 40.0 |
| 13 | 225.00 | -150.3 | 57.4 | 1377.7 | 33.5 | -1.3 | 1.9 | -163.3 | 96.6 | -1.1 | 66.5 | 30.0 |
| 14 | 237.50 | -150.3 | 57.9 | 1377.7 | 33.5 | -1.3 | 1.9 | -153.3 | 91.6 | -1.1 | 67.6 | 20.0 |
| 15 | 250.00 | -150.3 | 58.4 | 1377.7 | 33.5 | -1.3 | 1.9 | -144.4 | 86.6 | -1.1 | 68.7 | 10.0 |
| 16 | 262.50 | -150.3 | 58.9 | 1377.7 | 33.5 | -1.3 | 1.9 | -134.4 | 81.6 | -1.1 | 69.8 | 0.0 |
| 17 | 275.00 | -150.3 | 59.4 | 1377.7 | 33.5 | -1.3 | 1.9 | -124.4 | 76.6 | -1.1 | 70.9 | 0.0 |
| 18 | 287.50 | -150.3 | 59.9 | 1377.7 | 33.5 | -1.3 | 1.9 | -114.4 | 71.6 | -1.1 | 72.0 | 0.0 |
| 19 | 300.00 | -150.3 | 60.4 | 1377.7 | 33.5 | -1.3 | 1.9 | -105.5 | 66.6 | -1.1 | 73.1 | 0.0 |
| 20 | 312.50 | -150.3 | 60.9 | 1377.7 | 33.5 | -1.3 | 1.9 | -95.5 | 61.6 | -1.1 | 74.2 | 0.0 |
| 21 | 325.00 | -150.3 | 61.4 | 1377.7 | 33.5 | -1.3 | 1.9 | -86.6 | 56.6 | -1.1 | 75.3 | 0.0 |
| 22 | 337.50 | -150.3 | 61.9 | 1377.7 | 33.5 | -1.3 | 1.9 | -77.7 | 51.6 | -1.1 | 76.4 | 0.0 |
| 23 | 350.00 | -150.3 | 62.4 | 1377.7 | 33.5 | -1.3 | 1.9 | -68.8 | 46.6 | -1.1 | 77.5 | 0.0 |
| 24 | 362.50 | -150.3 | 62.9 | 1377.7 | 33.5 | -1.3 | 1.9 | -59.9 | 41.6 | -1.1 | 78.6 | 0.0 |
| 25 | 375.00 | -150.3 | 63.4 | 1377.7 | 33.5 | -1.3 | 1.9 | -51.1 | 36.6 | -1.1 | 79.7 | 0.0 |
| 26 | 387.50 | -150.3 | 63.9 | 1377.7 | 33.5 | -1.3 | 1.9 | -42.2 | 31.6 | -1.1 | 80.8 | 0.0 |
| 27 | 400.00 | -150.3 | 64.4 | 1377.7 | 33.5 | -1.3 | 1.9 | -33.3 | 26.6 | -1.1 | 81.9 | 0.0 |
| 28 | 412.50 | -150.3 | 64.9 | 1377.7 | 33.5 | -1.3 | 1.9 | -24.4 | 21.6 | -1.1 | 83.0 | 0.0 |
| 29 | 425.00 | -150.3 | 65.4 | 1377.7 | 33.5 | -1.3 | 1.9 | -15.5 | 16.6 | -1.1 | 84.1 | 0.0 |
| 30 | 437.50 | -150.3 | 65.9 | 1377.7 | 33.5 | -1.3 | 1.9 | -6.6 | 11.6 | -1.1 | 85.2 | 0.0 |
| 31 | 450.00 | -150.3 | 66.4 | 1377.7 | 33.5 | -1.3 | 1.9 | 0.0 | 6.6 | -1.1 | 86.3 | 0.0 |
| ROOF | 450.00 | -150.3 | 66.9 | 1377.7 | 33.5 | -1.3 | 1.9 | 0.0 | 0.0 | -1.1 | 87.4 | 0.0 |

TABLE 7. SHEAR AND MOMENT DIAGRAMS :
WIND DIRECTION 20

OLYMPIA AND YORK OFFICE TOWER, DALLAS
CONFIGURATION A REFERENCE PRESSURE 27.0 PSF

GUST FACTOR 1.32

| FLOOR | HEIGHT FT | X-FORCE KIPS | Y-FORCE KIPS | X-AREA SQ FT | Y-AREA SQ FT | X-PRESS PSF | Y-PRESS PSF | X-SHEAR KIPS | Y-SHEAR KIPS | X-MOMENT 1000-FT-KIPS | Y-MOMENT 1000-FT-KIPS | Z-MOMENT 1000-FT-KIPS |
|-------|--------------|-----------------|-----------------|-----------------|-----------------|----------------|----------------|-----------------|-----------------|--------------------------|--------------------------|--------------------------|
| GRND | 0.00 | -5.7 | -51.5 | 1195 | 29515 | -45.0 | -20.5 | -267.1 | 102.6 | - | - | - |
| LBB | 20.00 | -187.3 | -187.3 | 4708 | 32788 | -39.9 | -18.7 | -213.3 | 107.9 | - | - | - |
| | 40.00 | -111.1 | -111.1 | 1375 | 32338 | - | - | -204.4 | 126.6 | - | - | - |
| | 60.00 | - | - | 1375 | 32338 | - | - | -204.4 | 126.6 | - | - | - |
| | 80.00 | - | - | 1375 | 32338 | - | - | -204.4 | 126.6 | - | - | - |
| | 100.00 | - | - | 1375 | 32338 | - | - | -204.4 | 126.6 | - | - | - |
| | 120.00 | - | - | 1375 | 32338 | - | - | -204.4 | 126.6 | - | - | - |
| | 140.00 | - | - | 1375 | 32338 | - | - | -204.4 | 126.6 | - | - | - |
| | 160.00 | - | - | 1375 | 32338 | - | - | -204.4 | 126.6 | - | - | - |
| | 180.00 | - | - | 1375 | 32338 | - | - | -204.4 | 126.6 | - | - | - |
| | 200.00 | - | - | 1375 | 32338 | - | - | -204.4 | 126.6 | - | - | - |
| | 220.00 | - | - | 1375 | 32338 | - | - | -204.4 | 126.6 | - | - | - |
| | 240.00 | - | - | 1375 | 32338 | - | - | -204.4 | 126.6 | - | - | - |
| | 260.00 | - | - | 1375 | 32338 | - | - | -204.4 | 126.6 | - | - | - |
| | 280.00 | - | - | 1375 | 32338 | - | - | -204.4 | 126.6 | - | - | - |
| | 300.00 | - | - | 1375 | 32338 | - | - | -204.4 | 126.6 | - | - | - |
| | 320.00 | - | - | 1375 | 32338 | - | - | -204.4 | 126.6 | - | - | - |
| | 340.00 | - | - | 1375 | 32338 | - | - | -204.4 | 126.6 | - | - | - |
| | 360.00 | - | - | 1375 | 32338 | - | - | -204.4 | 126.6 | - | - | - |
| | 380.00 | - | - | 1375 | 32338 | - | - | -204.4 | 126.6 | - | - | - |
| | 400.00 | - | - | 1375 | 32338 | - | - | -204.4 | 126.6 | - | - | - |
| | 420.00 | - | - | 1375 | 32338 | - | - | -204.4 | 126.6 | - | - | - |
| | 440.00 | - | - | 1375 | 32338 | - | - | -204.4 | 126.6 | - | - | - |
| | 460.00 | - | - | 1375 | 32338 | - | - | -204.4 | 126.6 | - | - | - |
| | 480.00 | - | - | 1375 | 32338 | - | - | -204.4 | 126.6 | - | - | - |
| | 500.00 | - | - | 1375 | 32338 | - | - | -204.4 | 126.6 | - | - | - |
| | 520.00 | - | - | 1375 | 32338 | - | - | -204.4 | 126.6 | - | - | - |
| | 540.00 | - | - | 1375 | 32338 | - | - | -204.4 | 126.6 | - | - | - |
| | 560.00 | - | - | 1375 | 32338 | - | - | -204.4 | 126.6 | - | - | - |
| | 580.00 | - | - | 1375 | 32338 | - | - | -204.4 | 126.6 | - | - | - |
| | 600.00 | - | - | 1375 | 32338 | - | - | -204.4 | 126.6 | - | - | - |
| | 620.00 | - | - | 1375 | 32338 | - | - | -204.4 | 126.6 | - | - | - |
| | 640.00 | - | - | 1375 | 32338 | - | - | -204.4 | 126.6 | - | - | - |
| | 660.00 | - | - | 1375 | 32338 | - | - | -204.4 | 126.6 | - | - | - |
| | 680.00 | - | - | 1375 | 32338 | - | - | -204.4 | 126.6 | - | - | - |
| | 700.00 | - | - | 1375 | 32338 | - | - | -204.4 | 126.6 | - | - | - |
| | 720.00 | - | - | 1375 | 32338 | - | - | -204.4 | 126.6 | - | - | - |
| | 740.00 | - | - | 1375 | 32338 | - | - | -204.4 | 126.6 | - | - | - |
| | 760.00 | - | - | 1375 | 32338 | - | - | -204.4 | 126.6 | - | - | - |
| | 780.00 | - | - | 1375 | 32338 | - | - | -204.4 | 126.6 | - | - | - |
| | 800.00 | - | - | 1375 | 32338 | - | - | -204.4 | 126.6 | - | - | - |
| | 820.00 | - | - | 1375 | 32338 | - | - | -204.4 | 126.6 | - | - | - |
| | 840.00 | - | - | 1375 | 32338 | - | - | -204.4 | 126.6 | - | - | - |
| | 860.00 | - | - | 1375 | 32338 | - | - | -204.4 | 126.6 | - | - | - |
| | 880.00 | - | - | 1375 | 32338 | - | - | -204.4 | 126.6 | - | - | - |
| | 900.00 | - | - | 1375 | 32338 | - | - | -204.4 | 126.6 | - | - | - |
| | 920.00 | - | - | 1375 | 32338 | - | - | -204.4 | 126.6 | - | - | - |
| | 940.00 | - | - | 1375 | 32338 | - | - | -204.4 | 126.6 | - | - | - |
| | 960.00 | - | - | 1375 | 32338 | - | - | -204.4 | 126.6 | - | - | - |
| | 980.00 | - | - | 1375 | 32338 | - | - | -204.4 | 126.6 | - | - | - |
| | 1000.00 | - | - | 1375 | 32338 | - | - | -204.4 | 126.6 | - | - | - |
| ROOF | 450.00 | - | - | 1375 | 32338 | - | - | -204.4 | 126.6 | - | - | - |

TABLE 7. SHEAR AND MOMENT DIAGRAMS :
WIND DIRECTION 30 CONFIGURATION A

OLYMPIA AND YORK OFFICE TOWER, DALLAS
REFERENCE PRESSURE 27.0 PSF

GUST FACTOR 1.32

| FLOOR | HEIGHT FT | X-FORCE KIPS | Y-FORCE KIPS | X-AREA SQ FT | Y-AREA SQ FT | X-PRESS PSF | Y-PRESS PSF | X-SHEAR KIPS | Y-SHEAR KIPS | X-MOMENT 1000-FT-KIPS | Y-MOMENT 1000-FT-KIPS | Z-MOMENT |
|-------|--------------|-----------------|-----------------|-----------------|-----------------|----------------|----------------|-----------------|-----------------|--------------------------|--------------------------|----------|
| GRND | 0.00 | -4.5 | -1.51 | 11.9 | 11.9 | -1.0 | -1.0 | -0.0 | 78.9 | -27.9 | 23.7 | 11.3 |
| LBBY | 2.00 | -16.3 | -17.9 | 12.0 | 12.0 | -1.0 | -1.0 | -0.0 | 84.0 | -26.3 | 25.0 | 11.2 |
| 2 | 8.75 | 22.9 | 22.9 | 12.7 | 12.7 | 1.1 | 1.1 | 124.9 | 101.9 | -20.0 | 22.1 | 10.8 |
| 3 | 10.00 | 22.9 | 22.9 | 12.7 | 12.7 | 1.1 | 1.1 | 121.1 | 99.0 | -18.7 | 20.6 | 10.5 |
| 4 | 11.25 | 22.9 | 22.9 | 12.7 | 12.7 | 1.1 | 1.1 | 117.9 | 96.1 | -17.5 | 19.1 | 10.3 |
| 5 | 12.50 | 22.9 | 22.9 | 12.7 | 12.7 | 1.1 | 1.1 | 114.4 | 93.3 | -16.3 | 17.6 | 10.0 |
| 6 | 13.75 | 22.9 | 22.9 | 12.7 | 12.7 | 1.1 | 1.1 | 110.9 | 90.3 | -15.2 | 16.2 | 9.7 |
| 7 | 15.00 | 22.9 | 22.9 | 12.7 | 12.7 | 1.1 | 1.1 | 106.6 | 87.5 | -14.1 | 14.9 | 9.4 |
| 8 | 16.25 | 22.9 | 22.9 | 12.7 | 12.7 | 1.1 | 1.1 | 102.2 | 84.6 | -13.0 | 13.6 | 9.1 |
| 9 | 17.50 | 22.9 | 22.9 | 12.7 | 12.7 | 1.1 | 1.1 | 97.7 | 81.7 | -11.9 | 12.3 | 8.8 |
| 10 | 18.75 | 22.9 | 22.9 | 12.7 | 12.7 | 1.1 | 1.1 | 93.3 | 78.8 | -10.9 | 11.1 | 8.4 |
| 11 | 20.00 | 22.9 | 22.9 | 12.7 | 12.7 | 1.1 | 1.1 | 88.8 | 75.8 | -10.0 | 10.0 | 8.1 |
| 12 | 21.25 | 22.9 | 22.9 | 12.7 | 12.7 | 1.1 | 1.1 | 84.4 | 72.8 | -9.0 | 8.9 | 7.7 |
| 13 | 22.50 | 22.9 | 22.9 | 12.7 | 12.7 | 1.1 | 1.1 | 80.0 | 69.7 | -8.0 | 7.7 | 7.5 |
| 14 | 23.75 | 22.9 | 22.9 | 12.7 | 12.7 | 1.1 | 1.1 | 75.5 | 66.6 | -7.0 | 6.6 | 7.1 |
| 15 | 25.00 | 22.9 | 22.9 | 12.7 | 12.7 | 1.1 | 1.1 | 71.1 | 63.5 | -6.0 | 5.5 | 6.6 |
| 16 | 26.25 | 22.9 | 22.9 | 12.7 | 12.7 | 1.1 | 1.1 | 66.6 | 60.4 | -5.0 | 4.4 | 6.0 |
| 17 | 27.50 | 22.9 | 22.9 | 12.7 | 12.7 | 1.1 | 1.1 | 62.2 | 57.3 | -4.0 | 3.3 | 5.5 |
| 18 | 28.75 | 22.9 | 22.9 | 12.7 | 12.7 | 1.1 | 1.1 | 57.7 | 54.2 | -3.0 | 2.2 | 4.9 |
| 19 | 30.00 | 22.9 | 22.9 | 12.7 | 12.7 | 1.1 | 1.1 | 53.3 | 51.1 | -2.0 | 1.1 | 4.4 |
| 20 | 31.25 | 22.9 | 22.9 | 12.7 | 12.7 | 1.1 | 1.1 | 48.8 | 48.0 | -1.0 | 0.0 | 3.9 |
| 21 | 32.50 | 22.9 | 22.9 | 12.7 | 12.7 | 1.1 | 1.1 | 44.4 | 44.9 | 0.0 | 0.0 | 3.4 |
| 22 | 33.75 | 22.9 | 22.9 | 12.7 | 12.7 | 1.1 | 1.1 | 40.0 | 41.7 | 0.0 | 0.0 | 2.9 |
| 23 | 35.00 | 22.9 | 22.9 | 12.7 | 12.7 | 1.1 | 1.1 | 35.5 | 38.6 | 0.0 | 0.0 | 2.4 |
| 24 | 36.25 | 22.9 | 22.9 | 12.7 | 12.7 | 1.1 | 1.1 | 31.1 | 35.5 | 0.0 | 0.0 | 1.9 |
| 25 | 37.50 | 22.9 | 22.9 | 12.7 | 12.7 | 1.1 | 1.1 | 26.6 | 32.4 | 0.0 | 0.0 | 1.4 |
| 26 | 38.75 | 22.9 | 22.9 | 12.7 | 12.7 | 1.1 | 1.1 | 22.2 | 29.3 | 0.0 | 0.0 | 0.9 |
| 27 | 40.00 | 22.9 | 22.9 | 12.7 | 12.7 | 1.1 | 1.1 | 17.7 | 26.2 | 0.0 | 0.0 | 0.4 |
| 28 | 41.25 | 22.9 | 22.9 | 12.7 | 12.7 | 1.1 | 1.1 | 13.3 | 23.1 | 0.0 | 0.0 | 0.0 |
| 29 | 42.50 | 22.9 | 22.9 | 12.7 | 12.7 | 1.1 | 1.1 | 8.8 | 20.0 | 0.0 | 0.0 | 0.0 |
| 30 | 43.75 | 22.9 | 22.9 | 12.7 | 12.7 | 1.1 | 1.1 | 4.4 | 16.9 | 0.0 | 0.0 | 0.0 |
| ROOF | 45.00 | 22.9 | 22.9 | 12.7 | 12.7 | 1.1 | 1.1 | 0.0 | 13.8 | 0.0 | 0.0 | 0.0 |

TABLE 7. SHEAR AND MOMENT DIAGRAMS :
WIND DIRECTION 50

OLYMPIA AND YORK OFFICE TOWER, DALLAS
CONFIGURATION A REFERENCE PRESSURE 27.0 PSF

GUST FACTOR 1.32

| FLOOR | HEIGHT FT | X-FORCE KIPS | Y-FORCE KIPS | X-AREA SQ FT | Y-AREA SQ FT | X-PRESS PSF | Y-PRESS PSF | X-SHEAR KIPS | Y-SHEAR KIPS | X-MOMENT 1000-FT-KIPS | Y-MOMENT 1000-FT-KIPS | Z-MOMENT |
|-------|--------------|-----------------|-----------------|-----------------|-----------------|----------------|----------------|-----------------|-----------------|--------------------------|--------------------------|----------|
| GRND | 0.00 | -43.0 | -30.1 | 119.5 | 25.15 | -36.0 | -12.0 | -1.6 | 1088.1 | -349.5 | 50.4 | 142.4 |
| LBBY | 20.00 | -160.4 | -121.0 | 470.8 | 97.8 | -34.1 | -12.4 | 41.4 | 1118.1 | -327.4 | 50.1 | 139.7 |
| 2 | 87.50 | | | 137.5 | 33.3 | 20.1 | 9.9 | 201.8 | 1239.2 | -247.8 | 41.8 | 130.2 |
| 3 | 100.00 | | | 137.5 | 33.3 | 19.8 | 9.8 | 199.8 | 1209.2 | -232.5 | 39.3 | 126.9 |
| 4 | 112.50 | | | 137.5 | 33.3 | 19.5 | 9.8 | 195.1 | 1178.8 | -217.6 | 36.9 | 123.2 |
| 5 | 125.00 | | | 137.5 | 33.3 | 19.2 | 9.9 | 192.1 | 1146.5 | -203.1 | 34.5 | 120.0 |
| 6 | 137.50 | | | 137.5 | 33.3 | 18.6 | 10.4 | 186.2 | 1113.8 | -189.0 | 32.1 | 116.4 |
| 7 | 150.00 | | | 137.5 | 33.3 | 18.1 | 10.7 | 181.0 | 1080.2 | -175.3 | 29.8 | 112.8 |
| 8 | 162.50 | | | 137.5 | 33.3 | 17.5 | 11.1 | 175.5 | 1045.6 | -162.0 | 27.6 | 109.1 |
| 9 | 175.00 | | | 137.5 | 33.3 | 16.9 | 11.4 | 169.9 | 1010.0 | -149.1 | 25.4 | 105.3 |
| 10 | 187.50 | | | 137.5 | 33.3 | 16.3 | 11.7 | 163.3 | 973.2 | -136.7 | 23.4 | 101.4 |
| 11 | 200.00 | | | 137.5 | 33.3 | 15.7 | 12.1 | 156.7 | 935.5 | -124.8 | 21.4 | 97.5 |
| 12 | 212.50 | | | 137.5 | 33.3 | 15.0 | 12.4 | 149.9 | 897.6 | -112.4 | 19.5 | 93.4 |
| 13 | 225.00 | | | 137.5 | 33.3 | 14.4 | 12.7 | 143.0 | 858.6 | -100.0 | 17.7 | 89.3 |
| 14 | 237.50 | | | 137.5 | 33.3 | 13.7 | 13.0 | 136.0 | 818.4 | -88.2 | 16.0 | 85.5 |
| 15 | 250.00 | | | 137.5 | 33.3 | 13.0 | 13.3 | 128.9 | 777.0 | -77.2 | 14.3 | 81.7 |
| 16 | 262.50 | | | 137.5 | 33.3 | 12.3 | 13.6 | 121.7 | 734.3 | -66.6 | 12.8 | 77.6 |
| 17 | 275.00 | | | 137.5 | 33.3 | 11.6 | 13.9 | 114.4 | 689.5 | -56.3 | 11.4 | 73.3 |
| 18 | 287.50 | | | 137.5 | 33.3 | 10.9 | 14.2 | 106.9 | 643.4 | -46.3 | 10.1 | 68.8 |
| 19 | 300.00 | | | 137.5 | 33.3 | 10.2 | 14.5 | 99.2 | 595.9 | -36.6 | 8.8 | 64.2 |
| 20 | 312.50 | | | 137.5 | 33.3 | 9.5 | 14.8 | 91.4 | 547.0 | -27.3 | 7.7 | 59.3 |
| 21 | 325.00 | | | 137.5 | 33.3 | 8.8 | 15.1 | 83.4 | 496.6 | -18.4 | 6.6 | 54.4 |
| 22 | 337.50 | | | 137.5 | 33.3 | 8.1 | 15.4 | 75.1 | 444.8 | -9.9 | 5.5 | 49.5 |
| 23 | 350.00 | | | 137.5 | 33.3 | 7.4 | 15.7 | 66.5 | 391.6 | -1.7 | 4.4 | 44.6 |
| 24 | 362.50 | | | 137.5 | 33.3 | 6.7 | 16.0 | 57.7 | 337.0 | 9.9 | 3.3 | 39.7 |
| 25 | 375.00 | | | 137.5 | 33.3 | 6.0 | 16.3 | 48.7 | 281.0 | 19.9 | 2.2 | 34.8 |
| 26 | 387.50 | | | 137.5 | 33.3 | 5.3 | 16.6 | 39.4 | 222.3 | 29.6 | 1.1 | 29.9 |
| 27 | 400.00 | | | 137.5 | 33.3 | 4.6 | 16.9 | 30.0 | 161.9 | 38.8 | .8 | 25.0 |
| 28 | 412.50 | | | 137.5 | 33.3 | 3.9 | 17.2 | 20.5 | 100.3 | 47.1 | .5 | 20.1 |
| 29 | 425.00 | | | 137.5 | 33.3 | 3.2 | 17.5 | 11.1 | 38.5 | 54.6 | .3 | 15.2 |
| 30 | 437.50 | | | 137.5 | 33.3 | 2.5 | 17.8 | 1.6 | 2.2 | 61.1 | .1 | 10.3 |
| ROOF | 450.00 | | | 137.5 | 33.3 | 1.9 | 18.1 | 0.0 | 0.0 | 66.6 | .1 | 5.4 |

TABLE 7. SHEAR AND MOMENT DIAGRAMS :
WIND DIRECTION 60

OLYMPIA AND YORK OFFICE TOWER, DALLAS
CONFIGURATION A REFERENCE PRESSURE 27.0 PSF

GUST FACTOR 1.32

| FLOOR | HEIGHT FT | X-FORCE KIPS | Y-FORCE KIPS | X-AREA SQ FT | Y-AREA SQ FT | X-PRESS PSF | Y-PRESS PSF | X-SHEAR KIPS | Y-SHEAR KIPS | X-MOMENT 1000-FT-KIPS | Y-MOMENT 1000-FT-KIPS | Z-MOMENT |
|-------|--------------|-----------------|-----------------|-----------------|-----------------|----------------|----------------|-----------------|-----------------|--------------------------|--------------------------|----------|
| GRND | 0 00 | -44.4 | -53.8 | 1195 | 2515 | -37.2 | -21.4 | 8.2 | 67.9 | -251.6 | 54.9 | 117.9 |
| LBBY | 2 00 | -161.1 | -158.2 | 4708 | 9788 | -34.2 | -16.2 | 52.2 | 73.2 | -237.4 | 54.3 | 116.7 |
| 3 | 8 00 | | | 1375 | 3238 | | | 21.3 | 89.1 | -182.6 | 45.3 | 108.6 |
| 4 | 16 00 | 1.7 | 20.4 | 1375 | 3238 | 1.1 | 6.6 | 11.1 | 85.0 | -171.6 | 40.0 | 106.0 |
| 5 | 24 00 | 3.2 | 20.6 | 1375 | 3238 | 2.2 | 6.4 | 11.1 | 85.0 | -160.9 | 37.4 | 103.2 |
| 6 | 32 00 | 4.4 | 20.8 | 1375 | 3238 | 2.9 | 6.4 | 11.1 | 85.0 | -140.4 | 33.3 | 100.5 |
| 7 | 40 00 | 5.2 | 20.8 | 1375 | 3238 | 3.8 | 6.5 | 11.1 | 85.0 | -120.0 | 29.9 | 97.7 |
| 8 | 48 00 | 5.8 | 20.9 | 1375 | 3238 | 4.2 | 6.8 | 11.1 | 85.0 | -100.4 | 26.8 | 94.4 |
| 9 | 56 00 | 5.5 | 22.0 | 1375 | 3238 | 4.7 | 7.7 | 11.1 | 85.0 | -80.0 | 23.7 | 91.1 |
| 10 | 64 00 | 5.1 | 24.4 | 1375 | 3238 | 5.2 | 8.8 | 11.1 | 85.0 | -60.0 | 20.6 | 88.8 |
| 11 | 72 00 | 4.7 | 24.4 | 1375 | 3238 | 5.6 | 9.3 | 11.1 | 85.0 | -44.4 | 18.6 | 85.5 |
| 12 | 80 00 | 4.3 | 25.6 | 1375 | 3238 | 6.1 | 8.8 | 11.1 | 85.0 | -34.4 | 16.6 | 82.2 |
| 13 | 88 00 | 3.9 | 26.7 | 1375 | 3238 | 6.6 | 8.0 | 11.1 | 85.0 | -26.6 | 14.6 | 78.9 |
| 14 | 96 00 | 3.6 | 28.4 | 1375 | 3238 | 7.1 | 7.7 | 11.1 | 85.0 | -20.0 | 12.6 | 75.6 |
| 15 | 104 00 | 3.3 | 30.0 | 1375 | 3238 | 7.6 | 7.3 | 11.1 | 85.0 | -14.4 | 10.6 | 72.3 |
| 16 | 112 00 | 3.0 | 32.2 | 1375 | 3238 | 8.1 | 6.6 | 11.1 | 85.0 | -9.9 | 8.6 | 69.0 |
| 17 | 120 00 | 2.7 | 34.4 | 1375 | 3238 | 8.6 | 5.9 | 11.1 | 85.0 | -6.6 | 6.6 | 65.7 |
| 18 | 128 00 | 2.4 | 36.4 | 1375 | 3238 | 9.1 | 5.2 | 11.1 | 85.0 | -4.4 | 4.6 | 62.4 |
| 19 | 136 00 | 2.1 | 37.7 | 1375 | 3238 | 9.6 | 4.4 | 11.1 | 85.0 | -3.3 | 2.6 | 59.1 |
| 20 | 144 00 | 1.8 | 37.7 | 1375 | 3238 | 10.1 | 3.7 | 11.1 | 85.0 | -2.2 | 0.6 | 55.8 |
| 21 | 152 00 | 1.5 | 36.4 | 1375 | 3238 | 10.6 | 3.0 | 11.1 | 85.0 | -1.1 | 0.6 | 52.5 |
| 22 | 160 00 | 1.2 | 34.4 | 1375 | 3238 | 11.1 | 2.3 | 11.1 | 85.0 | 0.0 | 0.6 | 49.2 |
| 23 | 168 00 | 0.9 | 32.2 | 1375 | 3238 | 11.6 | 1.6 | 11.1 | 85.0 | 0.0 | 0.6 | 45.9 |
| 24 | 176 00 | 0.6 | 30.0 | 1375 | 3238 | 12.1 | 0.9 | 11.1 | 85.0 | 0.0 | 0.6 | 42.6 |
| 25 | 184 00 | 0.3 | 27.7 | 1375 | 3238 | 12.6 | 0.2 | 11.1 | 85.0 | 0.0 | 0.6 | 39.3 |
| 26 | 192 00 | 0.0 | 24.4 | 1375 | 3238 | 13.1 | 0.0 | 11.1 | 85.0 | 0.0 | 0.6 | 36.0 |
| 27 | 200 00 | 0.0 | 20.6 | 1375 | 3238 | 13.6 | 0.0 | 11.1 | 85.0 | 0.0 | 0.6 | 32.7 |
| 28 | 208 00 | 0.0 | 16.6 | 1375 | 3238 | 14.1 | 0.0 | 11.1 | 85.0 | 0.0 | 0.6 | 29.4 |
| 29 | 216 00 | 0.0 | 12.6 | 1375 | 3238 | 14.6 | 0.0 | 11.1 | 85.0 | 0.0 | 0.6 | 26.1 |
| 30 | 224 00 | 0.0 | 8.6 | 1375 | 3238 | 15.1 | 0.0 | 11.1 | 85.0 | 0.0 | 0.6 | 22.8 |
| ROOF | 232 00 | 0.0 | 4.6 | 1375 | 3238 | 15.6 | 0.0 | 11.1 | 85.0 | 0.0 | 0.6 | 19.5 |

TABLE 7. SHEAR AND MOMENT DIAGRAMS : OLYMPIA AND YORK OFFICE TOWER, DALLAS
 WIND DIRECTION 70 CONFIGURATION A REFERENCE PRESSURE 27.0 PSF

GUST FACTOR 1.32

| FLOOR | HEIGHT FT | X-FORCE KIPS | Y-FORCE KIPS | X-AREA SQ FT | Y-AREA SQ FT | X-PRESS PSF | Y-PRESS PSF | X-SHEAR KIPS | Y-SHEAR KIPS | X-MOMENT 1000-FT-KIPS | Y-MOMENT 1000-FT-KIPS | Z-MOMENT |
|-------|--------------|-----------------|-----------------|-----------------|-----------------|----------------|----------------|-----------------|-----------------|--------------------------|--------------------------|----------|
| GRND | 0.00 | -1.30.5 | -42.8 | 1195 | 2515 | -25.5 | -17.0 | 325.4 | 58.1 | -118.2 | 123.9 | |
| LBBY | 29.00 | -1.29.5 | -42.8 | 4708 | 9788 | -26.7 | -12.5 | 355.9 | 62.2 | -117.2 | 127.3 | |
| 2 | 87.50 | | | 1375 | 3238 | 3.8 | 9.2 | 481.6 | 74.8 | -112.2 | 130.2 | |
| 3 | 100.00 | | | 1375 | 3238 | 4.2 | 9.9 | 476.4 | 71.8 | -111.6 | 130.8 | |
| 4 | 112.50 | | | 1375 | 3238 | 4.6 | 10.6 | 470.6 | 68.8 | -111.0 | 131.4 | |
| 5 | 125.00 | | | 1375 | 3238 | 5.1 | 11.1 | 464.4 | 66.6 | -110.4 | 132.0 | |
| 6 | 137.50 | | | 1375 | 3238 | 5.6 | 11.6 | 457.7 | 64.4 | -109.7 | 132.6 | |
| 7 | 150.00 | | | 1375 | 3238 | 6.0 | 12.2 | 449.9 | 62.2 | -109.1 | 133.2 | |
| 8 | 162.50 | 10.1 | 29.0 | 1375 | 3238 | 7.4 | 12.8 | 441.1 | 60.0 | -108.4 | 133.8 | |
| | 175.00 | 12.0 | 30.7 | 1375 | 3238 | 8.8 | 13.4 | 431.1 | 57.8 | -107.7 | 134.4 | |
| 1 | 187.50 | 14.0 | 32.5 | 1375 | 3238 | 10.2 | 14.0 | 419.1 | 55.5 | -107.1 | 135.0 | |
| 11 | 200.00 | 15.9 | 34.2 | 1375 | 3238 | 11.6 | 14.6 | 405.5 | 53.2 | -106.4 | 135.6 | |
| 11 | 212.50 | 17.7 | 36.0 | 1375 | 3238 | 13.0 | 15.2 | 388.9 | 50.9 | -105.7 | 136.2 | |
| 11 | 225.00 | 19.5 | 37.7 | 1375 | 3238 | 14.4 | 15.8 | 371.1 | 48.6 | -105.1 | 136.8 | |
| 11 | 237.50 | 21.3 | 39.5 | 1375 | 3238 | 15.8 | 16.4 | 353.3 | 46.3 | -104.4 | 137.4 | |
| 11 | 250.00 | 23.1 | 41.2 | 1375 | 3238 | 17.2 | 17.0 | 335.5 | 44.0 | -103.7 | 138.0 | |
| 11 | 262.50 | 24.9 | 43.0 | 1375 | 3238 | 18.6 | 17.6 | 317.7 | 41.7 | -103.1 | 138.6 | |
| 11 | 275.00 | 26.7 | 44.7 | 1375 | 3238 | 20.0 | 18.2 | 300.0 | 39.4 | -102.4 | 139.2 | |
| 11 | 287.50 | 28.5 | 46.5 | 1375 | 3238 | 21.4 | 18.8 | 282.2 | 37.1 | -101.7 | 139.8 | |
| 11 | 300.00 | 30.3 | 48.2 | 1375 | 3238 | 22.8 | 19.4 | 264.4 | 34.8 | -101.1 | 140.4 | |
| 11 | 312.50 | 32.1 | 50.0 | 1375 | 3238 | 24.2 | 20.0 | 246.6 | 32.5 | -100.4 | 141.0 | |
| 11 | 325.00 | 33.9 | 51.7 | 1375 | 3238 | 25.6 | 20.6 | 228.8 | 30.2 | -99.7 | 141.6 | |
| 11 | 337.50 | 35.7 | 53.5 | 1375 | 3238 | 27.0 | 21.2 | 211.0 | 27.9 | -99.1 | 142.2 | |
| 11 | 350.00 | 37.5 | 55.2 | 1375 | 3238 | 28.4 | 21.8 | 193.2 | 25.6 | -98.4 | 142.8 | |
| 11 | 362.50 | 39.3 | 57.0 | 1375 | 3238 | 29.8 | 22.4 | 175.4 | 23.3 | -97.7 | 143.4 | |
| 11 | 375.00 | 41.1 | 58.7 | 1375 | 3238 | 31.2 | 23.0 | 157.6 | 21.0 | -97.1 | 144.0 | |
| 11 | 387.50 | 42.9 | 60.5 | 1375 | 3238 | 32.6 | 23.6 | 139.8 | 18.7 | -96.4 | 144.6 | |
| 11 | 400.00 | 44.7 | 62.2 | 1375 | 3238 | 34.0 | 24.2 | 122.0 | 16.4 | -95.7 | 145.2 | |
| 11 | 412.50 | 46.5 | 64.0 | 1375 | 3238 | 35.4 | 24.8 | 104.2 | 14.1 | -95.1 | 145.8 | |
| 11 | 425.00 | 48.3 | 65.7 | 1375 | 3238 | 36.8 | 25.4 | 86.4 | 11.8 | -94.4 | 146.4 | |
| 11 | 437.50 | 50.1 | 67.5 | 1375 | 3238 | 38.2 | 26.0 | 68.6 | 9.5 | -93.7 | 147.0 | |
| 11 | 450.00 | 51.9 | 69.2 | 1375 | 3238 | 39.6 | 26.6 | 50.8 | 7.2 | -93.1 | 147.6 | |
| ROOF | 450.00 | 7.3 | 12.9 | 1375 | 2238 | 5.3 | 8.8 | 7.3 | 1.9 | -1.1 | 1.1 | |

TABLE 7. SHEAR AND MOMENT DIAGRAMS :
WIND DIRECTION 80

OLYMPIA AND YORK OFFICE TOWER, DALLAS
CONFIGURATION A
REFERENCE PRESSURE 27.0 PSF

GUST FACTOR 1.32

| FLOOR | HEIGHT FT | X-FORCE KIPS | Y-FORCE KIPS | X-AREA SQ FT | Y-AREA SQ FT | X-PRESS PSF | Y-PRESS PSF | X-SHEAR KIPS | Y-SHEAR KIPS | X-MOMENT 1000-FT-KIPS | Y-MOMENT 1000-FT-KIPS | Z-MOMENT |
|-------|--------------|-----------------|-----------------|-----------------|-----------------|----------------|----------------|-----------------|-----------------|--------------------------|--------------------------|----------|
| GRND | 0.00 | -14.5 | -41.1 | 1195 | 2515 | -12.2 | -16.3 | 883.5 | 712.1 | -221.2 | 280.8 | 1.9 |
| LBBY | 20.00 | -14.4 | -41.5 | 4700 | 3788 | -17.3 | -14.8 | 898.1 | 753.2 | -206.6 | 263.0 | 0.0 |
| 2 | 87.50 | -21.1 | -42.7 | 1377 | 3238 | 15.5 | 13.2 | 979.4 | 897.7 | -150.9 | 199.7 | 4.4 |
| 3 | 100.00 | -22.2 | -41.3 | 1377 | 3238 | 16.2 | 12.7 | 958.8 | 855.0 | -139.9 | 187.5 | 0.0 |
| 4 | 112.50 | -22.2 | -39.8 | 1377 | 3238 | 16.9 | 12.3 | 939.8 | 813.3 | -129.9 | 175.5 | 0.0 |
| 5 | 125.00 | -24.1 | -44.4 | 1377 | 3238 | 17.6 | 11.9 | 912.5 | 773.3 | -119.6 | 164.4 | 0.0 |
| 6 | 137.50 | -24.5 | -40.0 | 1377 | 3238 | 18.2 | 11.4 | 888.4 | 733.5 | -111.0 | 152.2 | 0.0 |
| 7 | 150.00 | -24.9 | -45.5 | 1377 | 3238 | 18.9 | 11.0 | 863.3 | 698.8 | -101.2 | 142.2 | 0.0 |
| 8 | 162.50 | -24.0 | -46.6 | 1377 | 3238 | 19.7 | 10.6 | 837.3 | 663.3 | -92.6 | 131.1 | 0.0 |
| 9 | 175.00 | -22.8 | -44.5 | 1377 | 3238 | 20.4 | 10.2 | 810.3 | 628.8 | -84.4 | 121.1 | 4.4 |
| 10 | 187.50 | -22.9 | -44.1 | 1377 | 3238 | 21.2 | 9.8 | 782.2 | 595.5 | -76.9 | 111.1 | 6.6 |
| 11 | 200.00 | -22.9 | -44.4 | 1377 | 3238 | 21.9 | 9.4 | 753.3 | 564.4 | -69.7 | 101.1 | 9.9 |
| 12 | 212.50 | -22.2 | -44.4 | 1377 | 3238 | 22.7 | 9.0 | 723.3 | 533.3 | -62.2 | 92.2 | 14.4 |
| 13 | 225.00 | -22.2 | -44.4 | 1377 | 3238 | 23.3 | 8.9 | 693.1 | 504.4 | -55.6 | 83.3 | 18.8 |
| 14 | 237.50 | -22.2 | -44.4 | 1377 | 3238 | 23.9 | 8.8 | 663.9 | 475.5 | -49.9 | 75.5 | 23.3 |
| 15 | 250.00 | -22.2 | -44.4 | 1377 | 3238 | 24.5 | 8.8 | 634.5 | 446.6 | -44.4 | 67.7 | 27.7 |
| 16 | 262.50 | -22.2 | -44.4 | 1377 | 3238 | 25.1 | 8.8 | 605.1 | 417.7 | -39.9 | 60.0 | 32.2 |
| 17 | 275.00 | -22.2 | -44.4 | 1377 | 3238 | 25.7 | 8.8 | 575.7 | 388.8 | -34.4 | 52.2 | 36.6 |
| 18 | 287.50 | -22.2 | -44.4 | 1377 | 3238 | 26.3 | 8.8 | 546.3 | 359.9 | -29.9 | 44.4 | 41.1 |
| 19 | 300.00 | -22.2 | -44.4 | 1377 | 3238 | 26.9 | 8.8 | 516.9 | 330.0 | -25.5 | 36.6 | 45.5 |
| 20 | 312.50 | -22.2 | -44.4 | 1377 | 3238 | 27.2 | 8.8 | 487.2 | 301.1 | -21.1 | 28.8 | 50.0 |
| 21 | 325.00 | -22.2 | -44.4 | 1377 | 3238 | 27.7 | 8.6 | 457.7 | 272.2 | -17.7 | 21.1 | 54.4 |
| 22 | 337.50 | -22.2 | -44.4 | 1377 | 3238 | 28.0 | 8.5 | 428.0 | 244.4 | -14.4 | 14.4 | 58.8 |
| 23 | 350.00 | -22.2 | -44.4 | 1377 | 3238 | 28.0 | 8.4 | 398.0 | 217.7 | -11.7 | 8.8 | 63.3 |
| 24 | 362.50 | -22.2 | -44.4 | 1377 | 3238 | 28.0 | 8.3 | 368.0 | 190.0 | -8.8 | 4.4 | 67.7 |
| 25 | 375.00 | -22.2 | -44.4 | 1377 | 3238 | 28.0 | 8.2 | 338.0 | 163.3 | -5.5 | 0.0 | 72.2 |
| 26 | 387.50 | -22.2 | -44.4 | 1377 | 3238 | 28.0 | 8.1 | 308.0 | 136.6 | -2.2 | 0.0 | 76.6 |
| 27 | 400.00 | -22.2 | -44.4 | 1377 | 3238 | 28.0 | 8.0 | 278.0 | 110.0 | 0.0 | 0.0 | 81.1 |
| 28 | 412.50 | -22.2 | -44.4 | 1377 | 3238 | 28.0 | 7.9 | 248.0 | 83.3 | 0.0 | 0.0 | 85.5 |
| 29 | 425.00 | -22.2 | -44.4 | 1377 | 3238 | 28.0 | 7.8 | 218.0 | 56.6 | 0.0 | 0.0 | 90.0 |
| 30 | 437.50 | -22.2 | -44.4 | 1377 | 3238 | 28.0 | 7.7 | 188.0 | 30.0 | 0.0 | 0.0 | 94.4 |
| ROOF | 450.00 | -22.2 | -44.4 | 1377 | 3238 | 28.0 | 7.6 | 158.0 | 3.3 | 0.0 | 0.0 | 98.8 |

TABLE 7. SHEAR AND MOMENT DIAGRAMS :
WIND DIRECTION 90

OLYMPIA AND YORK OFFICE TOWER, DALLAS
CONFIGURATION A
REFERENCE PRESSURE 27.0 PSF

GUST FACTOR 1.32

| FLOOR | HEIGHT FT | X-FORCE KIPS | Y-FORCE KIPS | X-AREA SQ FT | Y-AREA SQ FT | X-PRESS PSF | Y-PRESS PSF | X-SHEAR KIPS | Y-SHEAR KIPS | X-MOMENT 1000-FT-KIPS | Y-MOMENT 1000-FT-KIPS | Z-MOMENT |
|-------|--------------|-----------------|-----------------|-----------------|-----------------|----------------|----------------|-----------------|-----------------|--------------------------|--------------------------|----------|
| GRND | 0.00 | -5.8 | -5.9 | 119 | 119 | -1.7 | -2.3 | 935.6 | 695.8 | -261.7 | 294.8 | 2.3 |
| LBBY | 2.00 | -5.8 | -5.9 | 470 | 470 | -1.7 | -2.3 | 944.3 | 755.7 | -247.2 | 276.0 | 4.2 |
| 2 | 8.50 | -24.4 | -35.1 | 137 | 137 | -1.7 | -2.3 | 1002.9 | 998.0 | -188.0 | 210.3 | 13.4 |
| 3 | 10.00 | -24.4 | -35.1 | 137 | 137 | -1.7 | -2.3 | 1002.9 | 998.0 | -175.7 | 197.9 | 12.8 |
| 4 | 11.50 | -24.6 | -34.6 | 137 | 137 | -1.7 | -2.3 | 953.9 | 928.1 | -163.9 | 185.8 | 11.8 |
| 5 | 13.00 | -24.7 | -34.3 | 137 | 137 | -1.8 | -2.3 | 923.3 | 893.3 | -152.5 | 174.1 | 11.1 |
| 6 | 14.50 | -24.9 | -34.1 | 137 | 137 | -1.8 | -2.3 | 890.4 | 855.9 | -141.6 | 162.6 | 10.4 |
| 7 | 16.00 | -24.9 | -33.3 | 137 | 137 | -1.8 | -2.3 | 857.9 | 822.5 | -131.0 | 151.4 | 9.7 |
| 8 | 17.50 | -24.4 | -33.3 | 137 | 137 | -1.8 | -2.3 | 825.4 | 791.2 | -120.9 | 140.6 | 9.0 |
| 9 | 19.00 | -22.7 | -33.3 | 137 | 137 | -1.9 | -2.3 | 792.9 | 758.0 | -111.2 | 130.1 | 8.3 |
| 10 | 20.50 | -22.2 | -33.3 | 137 | 137 | -1.9 | -2.3 | 760.2 | 725.3 | -102.0 | 119.9 | 7.6 |
| 11 | 22.00 | -22.2 | -33.3 | 137 | 137 | -1.9 | -2.3 | 727.5 | 693.3 | -93.1 | 110.0 | 6.9 |
| 12 | 23.50 | -22.8 | -33.1 | 137 | 137 | -2.0 | -2.3 | 694.7 | 661.8 | -84.6 | 100.5 | 6.2 |
| 13 | 25.00 | -23.3 | -33.0 | 137 | 137 | -2.0 | -2.3 | 662.0 | 631.0 | -76.6 | 91.1 | 5.5 |
| 14 | 26.50 | -23.7 | -33.1 | 137 | 137 | -2.1 | -2.3 | 629.3 | 600.0 | -68.9 | 82.5 | 4.8 |
| 15 | 28.00 | -24.0 | -33.1 | 137 | 137 | -2.1 | -2.3 | 596.6 | 569.0 | -61.1 | 74.4 | 4.1 |
| 16 | 29.50 | -24.5 | -33.1 | 137 | 137 | -2.2 | -2.3 | 563.9 | 538.0 | -54.6 | 66.6 | 3.4 |
| 17 | 31.00 | -24.9 | -33.1 | 137 | 137 | -2.2 | -2.3 | 531.1 | 506.5 | -48.8 | 58.8 | 2.7 |
| 18 | 32.50 | -24.4 | -33.2 | 137 | 137 | -2.3 | -2.3 | 498.4 | 474.4 | -42.2 | 51.1 | 2.0 |
| 19 | 34.00 | -24.4 | -33.2 | 137 | 137 | -2.3 | -2.3 | 465.7 | 442.5 | -36.6 | 44.4 | 1.3 |
| 20 | 35.50 | -24.4 | -33.2 | 137 | 137 | -2.3 | -2.3 | 433.0 | 410.7 | -30.9 | 37.7 | 0.6 |
| 21 | 37.00 | -24.6 | -33.2 | 137 | 137 | -2.4 | -2.3 | 400.3 | 378.8 | -25.2 | 31.1 | 0.0 |
| 22 | 38.50 | -24.6 | -33.2 | 137 | 137 | -2.4 | -2.3 | 367.6 | 347.0 | -19.5 | 24.4 | 0.0 |
| 23 | 40.00 | -24.6 | -33.2 | 137 | 137 | -2.4 | -2.3 | 334.9 | 315.1 | -13.8 | 17.7 | 0.0 |
| 24 | 41.50 | -24.6 | -33.2 | 137 | 137 | -2.4 | -2.3 | 302.2 | 283.3 | -7.1 | 11.0 | 0.0 |
| 25 | 43.00 | -24.6 | -33.2 | 137 | 137 | -2.4 | -2.3 | 269.5 | 251.4 | 0.0 | 4.4 | 0.0 |
| 26 | 44.50 | -24.6 | -33.2 | 137 | 137 | -2.4 | -2.3 | 236.8 | 219.5 | 0.0 | 0.0 | 0.0 |
| 27 | 46.00 | -24.6 | -33.2 | 137 | 137 | -2.4 | -2.3 | 204.1 | 187.6 | 0.0 | 0.0 | 0.0 |
| 28 | 47.50 | -24.6 | -33.2 | 137 | 137 | -2.4 | -2.3 | 171.4 | 155.7 | 0.0 | 0.0 | 0.0 |
| 29 | 49.00 | -24.6 | -33.2 | 137 | 137 | -2.4 | -2.3 | 138.7 | 123.8 | 0.0 | 0.0 | 0.0 |
| 30 | 50.50 | -24.6 | -33.2 | 137 | 137 | -2.4 | -2.3 | 106.0 | 91.9 | 0.0 | 0.0 | 0.0 |
| 31 | 52.00 | -24.6 | -33.2 | 137 | 137 | -2.4 | -2.3 | 73.3 | 60.0 | 0.0 | 0.0 | 0.0 |
| 32 | 53.50 | -24.6 | -33.2 | 137 | 137 | -2.4 | -2.3 | 40.6 | 28.1 | 0.0 | 0.0 | 0.0 |
| 33 | 55.00 | -24.6 | -33.2 | 137 | 137 | -2.4 | -2.3 | 7.9 | 0.0 | 0.0 | 0.0 | 0.0 |
| ROOF | 56.00 | -24.6 | -33.2 | 137 | 137 | -2.4 | -2.3 | 0.0 | 0.0 | 0.0 | 0.0 | 0.0 |

TABLE 7. SHEAR AND MOMENT DIAGRAMS :
WIND DIRECTION 100

CONFIGURATION A

OLYMPIA AND YORK OFFICE TOWER, DALLAS
REFERENCE PRESSURE 27.0 PSF

GUST FACTOR 1.32

| FLOOR | HEIGHT FT | X-FORCE KIPS | Y-FORCE KIPS | X-AREA SQ FT | Y-AREA SQ FT | X-PRESS PSF | Y-PRESS PSF | X-SHEAR KIPS | Y-SHEAR KIPS | X-MOMENT 1000-FT-KIPS | Y-MOMENT 1000-FT-KIPS | Z-MOMENT 1000-FT-KIPS |
|-------|--------------|-----------------|-----------------|-----------------|-----------------|----------------|----------------|-----------------|-----------------|--------------------------|--------------------------|--------------------------|
| GRND | 0 | -7.3 | -70.3 | 1195 | 2515 | -1.1 | -2.8 | 1033 | 44 | -1.1 | 2.3 | -1.3 |
| LBBY | 2 | -7.3 | -70.3 | 1375 | 2515 | -1.1 | -2.8 | 1033 | 44 | -1.1 | 2.3 | -1.3 |
| 3 | 10 | -7.3 | -70.3 | 1375 | 2515 | -1.1 | -2.8 | 1033 | 44 | -1.1 | 2.3 | -1.3 |
| 4 | 18 | -7.3 | -70.3 | 1375 | 2515 | -1.1 | -2.8 | 1033 | 44 | -1.1 | 2.3 | -1.3 |
| 5 | 26 | -7.3 | -70.3 | 1375 | 2515 | -1.1 | -2.8 | 1033 | 44 | -1.1 | 2.3 | -1.3 |
| 6 | 34 | -7.3 | -70.3 | 1375 | 2515 | -1.1 | -2.8 | 1033 | 44 | -1.1 | 2.3 | -1.3 |
| 7 | 42 | -7.3 | -70.3 | 1375 | 2515 | -1.1 | -2.8 | 1033 | 44 | -1.1 | 2.3 | -1.3 |
| 8 | 50 | -7.3 | -70.3 | 1375 | 2515 | -1.1 | -2.8 | 1033 | 44 | -1.1 | 2.3 | -1.3 |
| 9 | 58 | -7.3 | -70.3 | 1375 | 2515 | -1.1 | -2.8 | 1033 | 44 | -1.1 | 2.3 | -1.3 |
| 10 | 66 | -7.3 | -70.3 | 1375 | 2515 | -1.1 | -2.8 | 1033 | 44 | -1.1 | 2.3 | -1.3 |
| 11 | 74 | -7.3 | -70.3 | 1375 | 2515 | -1.1 | -2.8 | 1033 | 44 | -1.1 | 2.3 | -1.3 |
| 12 | 82 | -7.3 | -70.3 | 1375 | 2515 | -1.1 | -2.8 | 1033 | 44 | -1.1 | 2.3 | -1.3 |
| 13 | 90 | -7.3 | -70.3 | 1375 | 2515 | -1.1 | -2.8 | 1033 | 44 | -1.1 | 2.3 | -1.3 |
| 14 | 98 | -7.3 | -70.3 | 1375 | 2515 | -1.1 | -2.8 | 1033 | 44 | -1.1 | 2.3 | -1.3 |
| 15 | 106 | -7.3 | -70.3 | 1375 | 2515 | -1.1 | -2.8 | 1033 | 44 | -1.1 | 2.3 | -1.3 |
| 16 | 114 | -7.3 | -70.3 | 1375 | 2515 | -1.1 | -2.8 | 1033 | 44 | -1.1 | 2.3 | -1.3 |
| 17 | 122 | -7.3 | -70.3 | 1375 | 2515 | -1.1 | -2.8 | 1033 | 44 | -1.1 | 2.3 | -1.3 |
| 18 | 130 | -7.3 | -70.3 | 1375 | 2515 | -1.1 | -2.8 | 1033 | 44 | -1.1 | 2.3 | -1.3 |
| 19 | 138 | -7.3 | -70.3 | 1375 | 2515 | -1.1 | -2.8 | 1033 | 44 | -1.1 | 2.3 | -1.3 |
| 20 | 146 | -7.3 | -70.3 | 1375 | 2515 | -1.1 | -2.8 | 1033 | 44 | -1.1 | 2.3 | -1.3 |
| 21 | 154 | -7.3 | -70.3 | 1375 | 2515 | -1.1 | -2.8 | 1033 | 44 | -1.1 | 2.3 | -1.3 |
| 22 | 162 | -7.3 | -70.3 | 1375 | 2515 | -1.1 | -2.8 | 1033 | 44 | -1.1 | 2.3 | -1.3 |
| 23 | 170 | -7.3 | -70.3 | 1375 | 2515 | -1.1 | -2.8 | 1033 | 44 | -1.1 | 2.3 | -1.3 |
| 24 | 178 | -7.3 | -70.3 | 1375 | 2515 | -1.1 | -2.8 | 1033 | 44 | -1.1 | 2.3 | -1.3 |
| 25 | 186 | -7.3 | -70.3 | 1375 | 2515 | -1.1 | -2.8 | 1033 | 44 | -1.1 | 2.3 | -1.3 |
| 26 | 194 | -7.3 | -70.3 | 1375 | 2515 | -1.1 | -2.8 | 1033 | 44 | -1.1 | 2.3 | -1.3 |
| 27 | 202 | -7.3 | -70.3 | 1375 | 2515 | -1.1 | -2.8 | 1033 | 44 | -1.1 | 2.3 | -1.3 |
| 28 | 210 | -7.3 | -70.3 | 1375 | 2515 | -1.1 | -2.8 | 1033 | 44 | -1.1 | 2.3 | -1.3 |
| 29 | 218 | -7.3 | -70.3 | 1375 | 2515 | -1.1 | -2.8 | 1033 | 44 | -1.1 | 2.3 | -1.3 |
| 30 | 226 | -7.3 | -70.3 | 1375 | 2515 | -1.1 | -2.8 | 1033 | 44 | -1.1 | 2.3 | -1.3 |
| 31 | 234 | -7.3 | -70.3 | 1375 | 2515 | -1.1 | -2.8 | 1033 | 44 | -1.1 | 2.3 | -1.3 |
| 32 | 242 | -7.3 | -70.3 | 1375 | 2515 | -1.1 | -2.8 | 1033 | 44 | -1.1 | 2.3 | -1.3 |
| 33 | 250 | -7.3 | -70.3 | 1375 | 2515 | -1.1 | -2.8 | 1033 | 44 | -1.1 | 2.3 | -1.3 |
| 34 | 258 | -7.3 | -70.3 | 1375 | 2515 | -1.1 | -2.8 | 1033 | 44 | -1.1 | 2.3 | -1.3 |
| 35 | 266 | -7.3 | -70.3 | 1375 | 2515 | -1.1 | -2.8 | 1033 | 44 | -1.1 | 2.3 | -1.3 |
| 36 | 274 | -7.3 | -70.3 | 1375 | 2515 | -1.1 | -2.8 | 1033 | 44 | -1.1 | 2.3 | -1.3 |
| 37 | 282 | -7.3 | -70.3 | 1375 | 2515 | -1.1 | -2.8 | 1033 | 44 | -1.1 | 2.3 | -1.3 |
| 38 | 290 | -7.3 | -70.3 | 1375 | 2515 | -1.1 | -2.8 | 1033 | 44 | -1.1 | 2.3 | -1.3 |
| 39 | 298 | -7.3 | -70.3 | 1375 | 2515 | -1.1 | -2.8 | 1033 | 44 | -1.1 | 2.3 | -1.3 |
| 40 | 306 | -7.3 | -70.3 | 1375 | 2515 | -1.1 | -2.8 | 1033 | 44 | -1.1 | 2.3 | -1.3 |
| 41 | 314 | -7.3 | -70.3 | 1375 | 2515 | -1.1 | -2.8 | 1033 | 44 | -1.1 | 2.3 | -1.3 |
| 42 | 322 | -7.3 | -70.3 | 1375 | 2515 | -1.1 | -2.8 | 1033 | 44 | -1.1 | 2.3 | -1.3 |
| 43 | 330 | -7.3 | -70.3 | 1375 | 2515 | -1.1 | -2.8 | 1033 | 44 | -1.1 | 2.3 | -1.3 |
| 44 | 338 | -7.3 | -70.3 | 1375 | 2515 | -1.1 | -2.8 | 1033 | 44 | -1.1 | 2.3 | -1.3 |
| 45 | 346 | -7.3 | -70.3 | 1375 | 2515 | -1.1 | -2.8 | 1033 | 44 | -1.1 | 2.3 | -1.3 |
| ROOF | 354 | -7.3 | -70.3 | 1375 | 2515 | -1.1 | -2.8 | 1033 | 44 | -1.1 | 2.3 | -1.3 |

TABLE 7. SHEAR AND MOMENT DIAGRAMS :
WIND DIRECTION 110

OLYMPIA AND YORK OFFICE TOWER, DALLAS
CONFIGURATION A
REFERENCE PRESSURE 27.0 PSF

GUST FACTOR 1.32

| FLOOR | HEIGHT FT | X-FORCE KIPS | Y-FORCE KIPS | X-AREA SQ FT | Y-AREA SQ FT | X-PRESS PSF | Y-PRESS PSF | X-SHEAR KIPS | Y-SHEAR KIPS | X-MOMENT 1000-FT-KIPS | Y-MOMENT 1000-FT-KIPS | Z-MOMENT |
|-------|--------------|-----------------|-----------------|-----------------|-----------------|----------------|----------------|-----------------|-----------------|--------------------------|--------------------------|----------|
| GRND | 0.00 | -110.2 | -77.1 | 1195 | 2515 | -8.6 | -30.7 | 109 | 161 | -12.9 | 311 | -10.4 |
| LBBY | 2.00 | -33.5 | -28.2 | 4708 | 9788 | -7.5 | -33.5 | 110 | 161 | -12.2 | 289 | -7.7 |
| 3 | 7.50 | -33.7 | -26.0 | 1375 | 3233 | -5.5 | -33.7 | 110 | 161 | -9.8 | 211 | -5.5 |
| 4 | 10.00 | -33.4 | -25.3 | 1375 | 3233 | -4.4 | -33.4 | 110 | 161 | -9.1 | 193 | -4.4 |
| 5 | 11.25 | -33.3 | -24.6 | 1375 | 3233 | -3.3 | -33.3 | 107 | 159 | -8.4 | 185 | -3.3 |
| 6 | 12.50 | -33.4 | -23.9 | 1375 | 3233 | -2.2 | -33.4 | 103 | 150 | -7.8 | 177 | -2.2 |
| 7 | 13.75 | -33.3 | -23.2 | 1375 | 3233 | -1.1 | -33.3 | 100 | 146 | -7.2 | 169 | -1.1 |
| 8 | 15.00 | -33.5 | -22.5 | 1375 | 3233 | 0.0 | -33.5 | 93 | 144 | -6.6 | 161 | 0.0 |
| 9 | 16.25 | -33.3 | -21.5 | 1375 | 3233 | 0.0 | -33.3 | 89 | 144 | -6.0 | 153 | 0.0 |
| 10 | 17.50 | -33.3 | -20.6 | 1375 | 3233 | 0.0 | -33.3 | 86 | 144 | -5.4 | 145 | 0.0 |
| 11 | 18.75 | -33.3 | -19.6 | 1375 | 3233 | 0.0 | -33.3 | 82 | 144 | -4.8 | 137 | 0.0 |
| 12 | 20.00 | -33.3 | -18.6 | 1375 | 3233 | 0.0 | -33.3 | 78 | 144 | -4.2 | 129 | 0.0 |
| 13 | 21.25 | -33.3 | -17.7 | 1375 | 3233 | 0.0 | -33.3 | 74 | 144 | -3.6 | 121 | 0.0 |
| 14 | 22.50 | -33.3 | -16.8 | 1375 | 3233 | 0.0 | -33.3 | 70 | 144 | -3.0 | 113 | 0.0 |
| 15 | 23.75 | -33.3 | -16.1 | 1375 | 3233 | 0.0 | -33.3 | 66 | 144 | -2.4 | 105 | 0.0 |
| 16 | 25.00 | -44.0 | -16.1 | 1375 | 3233 | 0.0 | -44.0 | 62 | 144 | -1.8 | 97 | 0.0 |
| 17 | 26.25 | -44.1 | -15.8 | 1375 | 3233 | 0.0 | -44.1 | 58 | 144 | -1.2 | 89 | 0.0 |
| 18 | 27.50 | -44.2 | -15.7 | 1375 | 3233 | 0.0 | -44.2 | 54 | 144 | -0.6 | 81 | 0.0 |
| 19 | 28.75 | -44.3 | -16.1 | 1375 | 3233 | 0.0 | -44.3 | 50 | 144 | 0.0 | 73 | 0.0 |
| 20 | 30.00 | -44.4 | -16.5 | 1375 | 3233 | 0.0 | -44.4 | 46 | 144 | 0.0 | 65 | 0.0 |
| 21 | 31.25 | -44.4 | -16.8 | 1375 | 3233 | 0.0 | -44.4 | 42 | 144 | 0.0 | 57 | 0.0 |
| 22 | 32.50 | -44.4 | -17.7 | 1375 | 3233 | 0.0 | -44.4 | 38 | 144 | 0.0 | 49 | 0.0 |
| 23 | 33.75 | -44.4 | -17.7 | 1375 | 3233 | 0.0 | -44.4 | 34 | 144 | 0.0 | 41 | 0.0 |
| 24 | 35.00 | -44.4 | -18.4 | 1375 | 3233 | 0.0 | -44.4 | 30 | 144 | 0.0 | 33 | 0.0 |
| 25 | 36.25 | -44.4 | -19.2 | 1375 | 3233 | 0.0 | -44.4 | 26 | 144 | 0.0 | 25 | 0.0 |
| 26 | 37.50 | -44.5 | -20.0 | 1375 | 3233 | 0.0 | -44.5 | 22 | 144 | 0.0 | 17 | 0.0 |
| 27 | 38.75 | -44.5 | -20.8 | 1375 | 3233 | 0.0 | -44.5 | 18 | 144 | 0.0 | 9 | 0.0 |
| 28 | 40.00 | -44.5 | -20.8 | 1375 | 3233 | 0.0 | -44.5 | 14 | 144 | 0.0 | 1 | 0.0 |
| 29 | 41.25 | -44.5 | -20.8 | 1375 | 3233 | 0.0 | -44.5 | 10 | 144 | 0.0 | 0 | 0.0 |
| 30 | 42.50 | -44.5 | -20.8 | 1375 | 3233 | 0.0 | -44.5 | 6 | 144 | 0.0 | 0 | 0.0 |
| ROOF | 45.00 | -20.6 | -13.0 | 1375 | 2233 | 15.0 | 55.8 | 2 | 144 | 0.0 | 0 | 0.0 |

TABLE 7. SHEAR AND MOMENT DIAGRAMS : OLYMPIA AND YORK OFFICE TOWER, DALLAS
 WIND DIRECTION 130 CONFIGURATION A REFERENCE PRESSURE 27.0 PSF

GUST FACTOR 1.32

| FLOOR | HEIGHT FT | X-FORCE KIPS | Y-FORCE KIPS | X-AREA SQ FT | Y-AREA SQ FT | X-PRESS PSF | Y-PRESS PSF | X-SHEAR KIPS | Y-SHEAR KIPS | X-MOMENT 1000-FT-KIPS | Y-MOMENT 1000-FT-KIPS | Z-MOMENT |
|-------|--------------|-----------------|-----------------|-----------------|-----------------|----------------|----------------|-----------------|-----------------|--------------------------|--------------------------|----------|
| GRND | 0.00 | -14.7 | -82.8 | 119.5 | 251.5 | -12.3 | -32.9 | 908.3 | -385.8 | 11.7 | 266.4 | -27.5 |
| LBBY | 20.00 | -39.1 | -403.2 | 470.8 | 978.8 | -8.3 | -41.2 | 923.0 | -302.9 | 4.8 | 248.1 | -23.6 |
| 3 | 87.50 | 26.0 | 111.7 | 137.5 | 283.8 | 18.9 | 16.2 | 962.1 | 100.2 | -2.1 | 184.5 | -4.2 |
| 4 | 100.00 | 26.2 | 111.8 | 137.5 | 283.8 | 19.1 | 16.3 | 936.1 | 88.5 | -.9 | 172.6 | -3.3 |
| 5 | 112.50 | 26.6 | 111.8 | 137.5 | 283.8 | 19.2 | 16.3 | 909.9 | 76.8 | -.2 | 161.1 | -3.3 |
| 6 | 125.00 | 26.8 | 111.9 | 137.5 | 283.8 | 19.4 | 16.4 | 883.5 | 64.9 | 1.0 | 149.9 | -3.3 |
| 7 | 137.50 | 27.0 | 112.0 | 137.5 | 283.8 | 19.5 | 16.5 | 856.8 | 53.0 | 1.8 | 139.0 | -2.9 |
| 8 | 150.00 | 27.7 | 112.0 | 137.5 | 283.8 | 19.6 | 16.6 | 830.0 | 41.1 | 2.4 | 128.5 | -2.7 |
| 9 | 162.50 | 28.8 | 112.0 | 137.5 | 283.8 | 19.8 | 16.7 | 803.0 | 29.0 | 2.8 | 118.3 | -2.5 |
| 10 | 175.00 | 29.9 | 112.0 | 137.5 | 283.8 | 20.0 | 16.8 | 775.2 | 18.1 | 3.3 | 108.4 | -2.3 |
| 11 | 187.50 | 30.4 | 112.0 | 137.5 | 283.8 | 20.1 | 16.8 | 746.6 | 8.4 | 3.3 | 98.9 | -2.2 |
| 12 | 200.00 | 31.1 | 112.0 | 137.5 | 283.8 | 20.2 | 16.9 | 717.7 | 1.1 | 3.3 | 89.7 | -2.1 |
| 13 | 212.50 | 32.2 | 112.0 | 137.5 | 283.8 | 20.4 | 17.0 | 688.6 | -7.4 | 3.3 | 81.0 | -2.0 |
| 14 | 225.00 | 33.3 | 112.0 | 137.5 | 283.8 | 20.6 | 17.1 | 659.5 | -13.3 | 3.3 | 72.2 | -1.9 |
| 15 | 237.50 | 34.4 | 112.0 | 137.5 | 283.8 | 20.8 | 17.2 | 630.3 | -18.2 | 3.3 | 64.4 | -1.8 |
| 16 | 250.00 | 35.5 | 112.0 | 137.5 | 283.8 | 21.0 | 17.3 | 601.0 | -21.4 | 3.3 | 57.7 | -1.7 |
| 17 | 262.50 | 36.6 | 112.0 | 137.5 | 283.8 | 21.2 | 17.4 | 571.6 | -23.3 | 3.3 | 49.8 | -1.6 |
| 18 | 275.00 | 37.7 | 112.0 | 137.5 | 283.8 | 21.4 | 17.5 | 542.1 | -23.5 | 3.3 | 43.1 | -1.5 |
| 19 | 287.50 | 38.8 | 112.0 | 137.5 | 283.8 | 21.6 | 17.6 | 512.5 | -22.2 | 3.3 | 36.8 | -1.4 |
| 20 | 300.00 | 39.9 | 112.0 | 137.5 | 283.8 | 21.8 | 17.7 | 482.8 | -20.0 | 3.3 | 31.1 | -1.3 |
| 21 | 312.50 | 40.0 | 112.0 | 137.5 | 283.8 | 22.0 | 17.8 | 453.0 | -18.1 | 3.3 | 25.6 | -1.2 |
| 22 | 325.00 | 42.1 | 112.0 | 137.5 | 283.8 | 22.2 | 17.9 | 423.2 | -16.1 | 3.3 | 20.7 | -1.1 |
| 23 | 337.50 | 43.2 | 112.0 | 137.5 | 283.8 | 22.4 | 18.0 | 393.3 | -14.4 | 3.3 | 16.4 | -1.0 |
| 24 | 350.00 | 43.3 | 112.0 | 137.5 | 283.8 | 22.6 | 18.1 | 363.4 | -12.2 | 3.3 | 12.5 | -0.9 |
| 25 | 362.50 | 43.3 | 112.0 | 137.5 | 283.8 | 22.8 | 18.2 | 333.5 | -10.0 | 3.3 | 9.2 | -0.8 |
| 26 | 375.00 | 43.3 | 112.0 | 137.5 | 283.8 | 23.0 | 18.3 | 303.6 | -8.3 | 3.3 | 6.4 | -0.7 |
| 27 | 387.50 | 43.3 | 112.0 | 137.5 | 283.8 | 23.2 | 18.4 | 273.7 | -6.7 | 3.3 | 4.1 | -0.6 |
| 28 | 400.00 | 42.2 | 112.0 | 137.5 | 283.8 | 23.4 | 18.5 | 243.8 | -5.5 | 3.3 | 2.4 | -0.5 |
| 29 | 412.50 | 51.1 | 112.0 | 137.5 | 283.8 | 23.6 | 18.6 | 213.9 | -4.4 | 3.3 | 1.1 | -0.4 |
| 30 | 427.50 | 7.7 | 112.0 | 137.5 | 283.8 | 23.8 | 18.7 | 184.0 | -3.3 | 3.3 | 0.0 | -0.3 |
| ROOF | 450.00 | 14.3 | 112.0 | 137.5 | 283.8 | 24.0 | 18.8 | 154.1 | -1.7 | 3.3 | 0.0 | 0.0 |

TABLE 7. SHEAR AND MOMENT DIAGRAMS :
WIND DIRECTION 140

CONFIGURATION A

OLYMPIA AND YORK OFFICE TOWER, DALLAS
REFERENCE PRESSURE 27.0 PSF

GUST FACTOR 1.32

| FLOOR | HEIGHT FT | X-FORCE KIPS | Y-FORCE KIPS | X-AREA SQ FT | Y-AREA SQ FT | X-PRESS PSF | Y-PRESS PSF | X-SHEAR KIPS | Y-SHEAR KIPS | X-MOMENT 1000-FT-KIPS | Y-MOMENT 1000-FT-KIPS | Z-MOMENT |
|-------|--------------|-----------------|-----------------|-----------------|-----------------|----------------|----------------|-----------------|-----------------|--------------------------|--------------------------|----------|
| GRND | 0.00 | -15.7 | -112.2 | 1195 | 2515 | -13.1 | -44.6 | 922.5 | -652.9 | 41.6 | 283.5 | -20.9 |
| LBBY | 20.00 | -15.7 | -48.2 | 4708 | 2788 | -12.6 | -49.4 | 938.2 | -540.8 | 29.7 | 264.4 | -16.2 |
| 2 | 87.50 | 225.9 | 18.3 | 1677 | 2238 | 18.7 | 1.8 | 997.4 | -56.9 | 9.9 | 199.6 | 4.1 |
| 3 | 100.00 | 225.9 | 18.3 | 1677 | 2238 | 18.7 | 1.8 | 971.7 | -54.2 | 8.8 | 187.7 | 4.4 |
| 4 | 112.50 | 225.9 | 18.3 | 1677 | 2238 | 18.7 | 1.8 | 946.1 | -51.8 | 8.8 | 175.5 | 4.4 |
| 5 | 125.00 | 225.9 | 18.3 | 1677 | 2238 | 18.7 | 1.8 | 920.0 | -49.5 | 8.8 | 163.3 | 4.4 |
| 6 | 137.50 | 225.9 | 18.3 | 1677 | 2238 | 18.7 | 1.8 | 895.5 | -47.2 | 8.8 | 152.2 | 4.4 |
| 7 | 150.00 | 225.9 | 18.3 | 1677 | 2238 | 18.7 | 1.8 | 870.0 | -45.0 | 8.8 | 141.1 | 4.4 |
| 8 | 162.50 | 225.9 | 18.3 | 1677 | 2238 | 18.7 | 1.8 | 845.5 | -42.8 | 8.8 | 130.0 | 4.4 |
| 9 | 175.00 | 225.9 | 18.3 | 1677 | 2238 | 18.7 | 1.8 | 820.0 | -40.6 | 8.8 | 119.0 | 4.4 |
| 10 | 187.50 | 225.9 | 18.3 | 1677 | 2238 | 18.7 | 1.8 | 795.5 | -38.4 | 8.8 | 108.0 | 4.4 |
| 11 | 200.00 | 225.9 | 18.3 | 1677 | 2238 | 18.7 | 1.8 | 770.0 | -36.2 | 8.8 | 97.0 | 4.4 |
| 12 | 212.50 | 225.9 | 18.3 | 1677 | 2238 | 18.7 | 1.8 | 745.5 | -34.0 | 8.8 | 86.0 | 4.4 |
| 13 | 225.00 | 225.9 | 18.3 | 1677 | 2238 | 18.7 | 1.8 | 720.0 | -31.8 | 8.8 | 75.0 | 4.4 |
| 14 | 237.50 | 225.9 | 18.3 | 1677 | 2238 | 18.7 | 1.8 | 695.5 | -29.6 | 8.8 | 64.0 | 4.4 |
| 15 | 250.00 | 225.9 | 18.3 | 1677 | 2238 | 18.7 | 1.8 | 670.0 | -27.4 | 8.8 | 53.0 | 4.4 |
| 16 | 262.50 | 225.9 | 18.3 | 1677 | 2238 | 18.7 | 1.8 | 645.5 | -25.2 | 8.8 | 42.0 | 4.4 |
| 17 | 275.00 | 225.9 | 18.3 | 1677 | 2238 | 18.7 | 1.8 | 620.0 | -23.0 | 8.8 | 31.0 | 4.4 |
| 18 | 287.50 | 225.9 | 18.3 | 1677 | 2238 | 18.7 | 1.8 | 595.5 | -20.8 | 8.8 | 20.0 | 4.4 |
| 19 | 300.00 | 225.9 | 18.3 | 1677 | 2238 | 18.7 | 1.8 | 570.0 | -18.6 | 8.8 | 9.0 | 4.4 |
| 20 | 312.50 | 225.9 | 18.3 | 1677 | 2238 | 18.7 | 1.8 | 545.5 | -16.4 | 8.8 | 0.0 | 4.4 |
| 21 | 325.00 | 225.9 | 18.3 | 1677 | 2238 | 18.7 | 1.8 | 520.0 | -14.2 | 8.8 | 0.0 | 4.4 |
| 22 | 337.50 | 225.9 | 18.3 | 1677 | 2238 | 18.7 | 1.8 | 495.5 | -12.0 | 8.8 | 0.0 | 4.4 |
| 23 | 350.00 | 225.9 | 18.3 | 1677 | 2238 | 18.7 | 1.8 | 470.0 | -9.8 | 8.8 | 0.0 | 4.4 |
| 24 | 362.50 | 225.9 | 18.3 | 1677 | 2238 | 18.7 | 1.8 | 445.5 | -7.6 | 8.8 | 0.0 | 4.4 |
| 25 | 375.00 | 225.9 | 18.3 | 1677 | 2238 | 18.7 | 1.8 | 420.0 | -5.4 | 8.8 | 0.0 | 4.4 |
| 26 | 387.50 | 225.9 | 18.3 | 1677 | 2238 | 18.7 | 1.8 | 395.5 | -3.2 | 8.8 | 0.0 | 4.4 |
| 27 | 400.00 | 225.9 | 18.3 | 1677 | 2238 | 18.7 | 1.8 | 370.0 | -1.0 | 8.8 | 0.0 | 4.4 |
| 28 | 412.50 | 225.9 | 18.3 | 1677 | 2238 | 18.7 | 1.8 | 345.5 | 1.2 | 8.8 | 0.0 | 4.4 |
| 29 | 427.50 | 225.9 | 18.3 | 1677 | 2238 | 18.7 | 1.8 | 320.0 | 3.4 | 8.8 | 0.0 | 4.4 |
| 30 | 437.50 | 225.9 | 18.3 | 1677 | 2238 | 18.7 | 1.8 | 295.5 | 5.6 | 8.8 | 0.0 | 4.4 |
| ROOF | 450.00 | 225.9 | 18.3 | 1677 | 2238 | 18.7 | 1.8 | 270.0 | 7.8 | 8.8 | 0.0 | 4.4 |

TABLE 7. SHEAR AND MOMENT DIAGRAMS :
WIND DIRECTION 150

OLYMPIA AND YORK OFFICE TOWER, DALLAS
CONFIGURATION A REFERENCE PRESSURE 27.0 PSF

GUST FACTOR 1.32

| FLOOR | HEIGHT FT | X-FORCE KIPS | Y-FORCE KIPS | X-AREA SQ FT | Y-AREA SQ FT | X-PRESS PSF | Y-PRESS PSF | X-SHEAR KIPS | Y-SHEAR KIPS | X-MOMENT 1000-FT-KIPS | Y-MOMENT 1000-FT-KIPS | Z-MOMENT |
|-------|--------------|-----------------|-----------------|-----------------|-----------------|----------------|----------------|-----------------|-----------------|--------------------------|--------------------------|----------|
| GRND | 0.00 | -17.5 | -114.3 | 1195 | 2015 | -14.7 | -45.5 | 901.1 | -613.4 | 25.5 | 288.2 | -18.7 |
| LBBY | 20.00 | -17.5 | -491.1 | 4708 | 9925 | -14.4 | -50.2 | 918.6 | -499.1 | 14.4 | 270.0 | -14.1 |
| 2 | 87.50 | 233.1 | -2.2 | 1337 | 3333 | 16.8 | 1.1 | 986.6 | -3.0 | 22.7 | 205.7 | 5.6 |
| 3 | 100.00 | 233.1 | -1.1 | 1337 | 3333 | 16.8 | 1.1 | 963.6 | -5.8 | 22.8 | 193.5 | 5.7 |
| 4 | 112.50 | 233.3 | -1.1 | 1337 | 3333 | 17.0 | 1.1 | 940.4 | -4.0 | 22.9 | 181.6 | 5.6 |
| 5 | 125.00 | 233.5 | -1.1 | 1337 | 3333 | 17.1 | 1.1 | 917.0 | -2.4 | 23.0 | 170.0 | 5.4 |
| 6 | 137.50 | 233.6 | 1.1 | 1337 | 3333 | 17.3 | 1.1 | 893.3 | 1.1 | 23.0 | 158.7 | 5.1 |
| 7 | 150.00 | 233.7 | 1.1 | 1337 | 3333 | 17.4 | 1.1 | 869.3 | 3.3 | 23.0 | 147.7 | 4.7 |
| 8 | 162.50 | 224.5 | 1.1 | 1337 | 3333 | 17.7 | 1.1 | 846.3 | 5.8 | 23.0 | 136.6 | 4.4 |
| 9 | 175.00 | 225.4 | 1.1 | 1337 | 3333 | 18.0 | 1.1 | 822.1 | 8.3 | 23.0 | 126.6 | 4.1 |
| 10 | 187.50 | 226.2 | 1.1 | 1337 | 3333 | 18.3 | 1.1 | 797.6 | 11.4 | 23.0 | 116.4 | 3.7 |
| 11 | 200.00 | 227.7 | 1.1 | 1337 | 3333 | 18.6 | 1.1 | 773.0 | 14.4 | 23.0 | 106.6 | 3.4 |
| 12 | 212.50 | 228.8 | 1.1 | 1337 | 3333 | 19.0 | 1.1 | 748.3 | 17.6 | 23.0 | 97.7 | 3.0 |
| 13 | 225.00 | 230.0 | 1.1 | 1337 | 3333 | 19.3 | 1.1 | 724.3 | 20.6 | 23.0 | 88.8 | 2.6 |
| 14 | 237.50 | 330.0 | 1.1 | 1337 | 3333 | 20.0 | 1.1 | 699.9 | 24.4 | 23.0 | 79.9 | 2.2 |
| 15 | 250.00 | 331.1 | 1.1 | 1337 | 3333 | 20.3 | 1.1 | 676.6 | 27.3 | 23.0 | 70.0 | 1.8 |
| 16 | 262.50 | 332.2 | 1.1 | 1337 | 3333 | 20.6 | 1.1 | 653.3 | 30.0 | 23.0 | 62.2 | 1.4 |
| 17 | 275.00 | 333.3 | 1.1 | 1337 | 3333 | 20.9 | 1.1 | 630.0 | 32.4 | 23.0 | 55.5 | 1.1 |
| 18 | 287.50 | 335.0 | 1.1 | 1337 | 3333 | 21.2 | 1.1 | 606.6 | 34.4 | 23.0 | 48.8 | 0.8 |
| 19 | 300.00 | 336.6 | 1.1 | 1337 | 3333 | 21.5 | 1.1 | 583.3 | 36.0 | 23.0 | 42.1 | 0.5 |
| 20 | 312.50 | 338.8 | 1.1 | 1337 | 3333 | 21.8 | 1.1 | 560.0 | 37.3 | 23.0 | 35.5 | 0.3 |
| 21 | 325.00 | 40.2 | 1.1 | 1337 | 3333 | 22.1 | 1.1 | 536.6 | 38.3 | 23.0 | 28.8 | 0.2 |
| 22 | 337.50 | 41.1 | 1.1 | 1337 | 3333 | 22.4 | 1.1 | 513.3 | 39.0 | 23.0 | 22.2 | 0.1 |
| 23 | 350.00 | 43.3 | 1.1 | 1337 | 3333 | 22.7 | 1.1 | 490.0 | 39.4 | 23.0 | 15.5 | 0.0 |
| 24 | 362.50 | 45.5 | 1.1 | 1337 | 3333 | 23.0 | 1.1 | 466.6 | 39.9 | 23.0 | 8.8 | 0.0 |
| 25 | 375.00 | 46.6 | 1.1 | 1337 | 3333 | 23.3 | 1.1 | 443.3 | 39.9 | 23.0 | 2.2 | 0.0 |
| 26 | 387.50 | 47.7 | 3.3 | 1337 | 3333 | 23.6 | 1.1 | 420.0 | 39.6 | 23.0 | 0.0 | 0.0 |
| 27 | 400.00 | 48.8 | 4.4 | 1337 | 3333 | 23.9 | 1.1 | 396.6 | 39.0 | 23.0 | 0.0 | 0.0 |
| 28 | 412.50 | 60.0 | 4.4 | 1635 | 3333 | 25.0 | 1.1 | 373.3 | 38.3 | 23.0 | 0.0 | 0.0 |
| 29 | 425.00 | 13.0 | 1.1 | 1100 | 3333 | 26.6 | 1.1 | 350.0 | 37.3 | 23.0 | 0.0 | 0.0 |
| 30 | 437.50 | 25.7 | 1.1 | 1337 | 3333 | 27.7 | 1.1 | 326.6 | 36.0 | 23.0 | 0.0 | 0.0 |
| ROOT | 450.00 | 36.3 | 1.8 | 1337 | 3333 | 28.4 | 1.8 | 303.3 | 34.4 | 23.0 | 0.0 | 0.0 |

TABLE 7. SHEAR AND MOMENT DIAGRAMS :
WIND DIRECTION 160

CONFIGURATION A OLYMPIA AND YORK OFFICE TOWER, DALLAS
REFERENCE PRESSURE 27.0 PSF

GUST FACTOR 1.32

| FLOOR | HEIGHT FT | X-FORCE KIPS | Y-FORCE KIPS | X-AREA SQ FT | Y-AREA SQ FT | X-PRESS PSF | Y-PRESS PSF | X-SHEAR KIPS | Y-SHEAR KIPS | X-MOMENT 1000-FT-KIPS | Y-MOMENT 1000-FT-KIPS | Z-MOMENT |
|-------|--------------|-----------------|-----------------|-----------------|-----------------|----------------|----------------|-----------------|-----------------|--------------------------|--------------------------|----------|
| GRND | 0.00 | -18.8 | -117.3 | 1195 | 2515 | -15.7 | -46.6 | 860.5 | -697.2 | 43.6 | 283.7 | -24.9 |
| LEBBY | 20.00 | -17.7 | -108.7 | 4708 | 4708 | -16.3 | -51.7 | 879.3 | -579.9 | 30.9 | 266.3 | -20.3 |
| 2 | 40.00 | 20.0 | 110.0 | 1333 | 1333 | 14.6 | -11.8 | 956.2 | -73.5 | 8.8 | 204.4 | 1.1 |
| 3 | 60.00 | 20.6 | 111.4 | 1333 | 1333 | 14.6 | -11.7 | 936.2 | -67.8 | 7.9 | 192.6 | 1.1 |
| 4 | 80.00 | 21.2 | 112.4 | 1333 | 1333 | 14.6 | -11.6 | 915.5 | -62.4 | 7.1 | 181.0 | 1.1 |
| 5 | 100.00 | 21.8 | 113.3 | 1333 | 1333 | 14.6 | -11.4 | 894.4 | -57.4 | 6.4 | 169.7 | 1.1 |
| 6 | 120.00 | 22.4 | 114.4 | 1333 | 1333 | 14.6 | -11.3 | 872.5 | -52.4 | 5.7 | 158.6 | 1.1 |
| 7 | 140.00 | 23.1 | 115.5 | 1333 | 1333 | 14.6 | -11.2 | 850.0 | -48.4 | 5.1 | 147.7 | 1.1 |
| 8 | 160.00 | 23.7 | 116.6 | 1333 | 1333 | 14.6 | -11.1 | 827.7 | -44.4 | 4.4 | 137.4 | 1.1 |
| 9 | 180.00 | 24.4 | 117.7 | 1333 | 1333 | 14.6 | -11.1 | 805.3 | -40.4 | 3.9 | 127.7 | 1.1 |
| 10 | 200.00 | 25.1 | 118.8 | 1333 | 1333 | 14.6 | -11.0 | 782.8 | -37.7 | 3.3 | 117.7 | 1.1 |
| 11 | 220.00 | 25.5 | 119.9 | 1333 | 1333 | 14.6 | -10.9 | 760.0 | -34.4 | 3.0 | 107.7 | 1.1 |
| 12 | 240.00 | 26.0 | 121.1 | 1333 | 1333 | 14.6 | -10.8 | 737.4 | -31.1 | 2.6 | 98.9 | 1.1 |
| 13 | 260.00 | 26.6 | 122.2 | 1333 | 1333 | 14.6 | -10.9 | 714.6 | -28.8 | 2.3 | 89.9 | 1.1 |
| 14 | 280.00 | 27.7 | 123.3 | 1333 | 1333 | 14.6 | -11.0 | 691.7 | -25.5 | 2.1 | 80.9 | 1.1 |
| 15 | 300.00 | 28.8 | 124.4 | 1333 | 1333 | 14.6 | -11.1 | 668.7 | -22.2 | 1.9 | 72.4 | 1.1 |
| 16 | 320.00 | 29.9 | 125.5 | 1333 | 1333 | 14.6 | -11.1 | 645.6 | -19.4 | 1.7 | 64.4 | 1.1 |
| 17 | 340.00 | 30.8 | 126.6 | 1333 | 1333 | 14.6 | -11.1 | 622.4 | -16.6 | 1.5 | 56.6 | 1.1 |
| 18 | 360.00 | 31.9 | 127.7 | 1333 | 1333 | 14.6 | -11.1 | 599.0 | -13.9 | 1.3 | 48.8 | 1.1 |
| 19 | 380.00 | 33.3 | 128.8 | 1333 | 1333 | 14.6 | -11.1 | 575.5 | -11.1 | 1.1 | 41.1 | 1.1 |
| 20 | 400.00 | 35.5 | 130.0 | 1333 | 1333 | 14.6 | -11.1 | 551.9 | -8.3 | 0.9 | 33.3 | 1.1 |
| 21 | 420.00 | 37.7 | 131.1 | 1333 | 1333 | 14.6 | -11.1 | 528.2 | -5.5 | 0.7 | 25.5 | 1.1 |
| 22 | 440.00 | 39.9 | 132.2 | 1333 | 1333 | 14.6 | -11.1 | 504.4 | -2.7 | 0.6 | 17.7 | 1.1 |
| 23 | 460.00 | 41.1 | 133.3 | 1333 | 1333 | 14.6 | -11.1 | 480.5 | 0.0 | 0.5 | 10.0 | 1.1 |
| 24 | 480.00 | 42.2 | 134.4 | 1333 | 1333 | 14.6 | -11.1 | 456.6 | 2.7 | 0.4 | 2.2 | 1.1 |
| 25 | 500.00 | 44.4 | 135.5 | 1333 | 1333 | 14.6 | -11.1 | 432.7 | 5.5 | 0.3 | 0.3 | 1.1 |
| 26 | 520.00 | 46.6 | 136.6 | 1333 | 1333 | 14.6 | -11.1 | 408.8 | 8.3 | 0.2 | 0.2 | 1.1 |
| 27 | 540.00 | 48.8 | 137.7 | 1333 | 1333 | 14.6 | -11.1 | 384.9 | 11.1 | 0.1 | 0.1 | 1.1 |
| 28 | 560.00 | 60.0 | 138.8 | 1333 | 1333 | 14.6 | -11.1 | 361.0 | 13.9 | 0.0 | 0.0 | 1.1 |
| 29 | 580.00 | 20.0 | 111.1 | 1333 | 1333 | 14.6 | -11.1 | 155.5 | -4.4 | 0.0 | 0.0 | 1.1 |
| 30 | 600.00 | 33.3 | 122.2 | 1333 | 1333 | 14.6 | -11.1 | 75.7 | -1.1 | 0.0 | 0.0 | 1.1 |
| ROOF | 620.00 | 42.4 | 133.3 | 1333 | 1333 | 14.6 | -11.1 | 42.4 | -6.9 | 0.0 | 0.0 | 1.1 |

TABLE 7. SHEAR AND MOMENT DIAGRAMS :
WIND DIRECTION 170

OLYMPIA AND YORK OFFICE TOWER, DALLAS
CONFIGURATION A
REFERENCE PRESSURE 27.0 PSF

GUST FACTOR 1.32

| FLOOR | HEIGHT FT | X-FORCE KIPS | Y-FORCE KIPS | X-AREA SQ FT | Y-AREA SQ FT | X-PRESS PSF | Y-PRESS PSF | X-SHEAR KIPS | Y-SHEAR KIPS | X-MOMENT 1000-FT-KIPS | Y-MOMENT 1000-FT-KIPS | Z-MOMENT |
|-------|--------------|-----------------|-----------------|-----------------|-----------------|----------------|----------------|-----------------|-----------------|--------------------------|--------------------------|----------|
| GRND | 0.00 | -18.58 | -1119.6 | 1119.9 | 4770.5 | -115.8 | -1147.6 | 788.9 | -856.4 | 86.6 | 2257.9 | -1233 |
| LBBY | 20.00 | -81.55 | -5110.6 | 4770.5 | 13777.0 | -115.8 | -1147.6 | 888.9 | -956.4 | 700.0 | 2257.9 | -1233 |
| 2 | 87.50 | 17.00 | -13.55 | 13777.0 | 13777.0 | 115.8 | 1147.6 | 888.9 | -956.4 | 330.0 | 1888.9 | -1199 |
| 3 | 100.00 | 17.00 | -12.55 | 13777.0 | 13777.0 | 115.8 | 1147.6 | 888.9 | -956.4 | 330.0 | 1888.9 | -1199 |
| 4 | 112.50 | 17.00 | -11.55 | 13777.0 | 13777.0 | 115.8 | 1147.6 | 888.9 | -956.4 | 330.0 | 1888.9 | -1199 |
| 5 | 125.00 | 17.00 | -10.55 | 13777.0 | 13777.0 | 115.8 | 1147.6 | 888.9 | -956.4 | 330.0 | 1888.9 | -1199 |
| 6 | 137.50 | 17.00 | -9.55 | 13777.0 | 13777.0 | 115.8 | 1147.6 | 888.9 | -956.4 | 330.0 | 1888.9 | -1199 |
| 7 | 150.00 | 17.00 | -8.55 | 13777.0 | 13777.0 | 115.8 | 1147.6 | 888.9 | -956.4 | 330.0 | 1888.9 | -1199 |
| 8 | 162.50 | 17.00 | -7.55 | 13777.0 | 13777.0 | 115.8 | 1147.6 | 888.9 | -956.4 | 330.0 | 1888.9 | -1199 |
| 9 | 175.00 | 17.00 | -6.55 | 13777.0 | 13777.0 | 115.8 | 1147.6 | 888.9 | -956.4 | 330.0 | 1888.9 | -1199 |
| 10 | 187.50 | 17.00 | -5.55 | 13777.0 | 13777.0 | 115.8 | 1147.6 | 888.9 | -956.4 | 330.0 | 1888.9 | -1199 |
| 11 | 200.00 | 20.00 | -4.55 | 13777.0 | 13777.0 | 115.8 | 1147.6 | 888.9 | -956.4 | 330.0 | 1888.9 | -1199 |
| 12 | 212.50 | 21.00 | -3.55 | 13777.0 | 13777.0 | 115.8 | 1147.6 | 888.9 | -956.4 | 330.0 | 1888.9 | -1199 |
| 13 | 225.00 | 22.00 | -2.55 | 13777.0 | 13777.0 | 115.8 | 1147.6 | 888.9 | -956.4 | 330.0 | 1888.9 | -1199 |
| 14 | 237.50 | 23.00 | -1.55 | 13777.0 | 13777.0 | 115.8 | 1147.6 | 888.9 | -956.4 | 330.0 | 1888.9 | -1199 |
| 15 | 250.00 | 24.00 | -0.55 | 13777.0 | 13777.0 | 115.8 | 1147.6 | 888.9 | -956.4 | 330.0 | 1888.9 | -1199 |
| 16 | 262.50 | 25.00 | 0.45 | 13777.0 | 13777.0 | 115.8 | 1147.6 | 888.9 | -956.4 | 330.0 | 1888.9 | -1199 |
| 17 | 275.00 | 27.00 | 1.45 | 13777.0 | 13777.0 | 115.8 | 1147.6 | 888.9 | -956.4 | 330.0 | 1888.9 | -1199 |
| 18 | 287.50 | 28.00 | 2.45 | 13777.0 | 13777.0 | 115.8 | 1147.6 | 888.9 | -956.4 | 330.0 | 1888.9 | -1199 |
| 19 | 300.00 | 30.00 | 3.45 | 13777.0 | 13777.0 | 115.8 | 1147.6 | 888.9 | -956.4 | 330.0 | 1888.9 | -1199 |
| 20 | 312.50 | 33.00 | 4.45 | 13777.0 | 13777.0 | 115.8 | 1147.6 | 888.9 | -956.4 | 330.0 | 1888.9 | -1199 |
| 21 | 325.00 | 34.00 | 5.45 | 13777.0 | 13777.0 | 115.8 | 1147.6 | 888.9 | -956.4 | 330.0 | 1888.9 | -1199 |
| 22 | 337.50 | 36.00 | 6.45 | 13777.0 | 13777.0 | 115.8 | 1147.6 | 888.9 | -956.4 | 330.0 | 1888.9 | -1199 |
| 23 | 350.00 | 38.00 | 7.45 | 13777.0 | 13777.0 | 115.8 | 1147.6 | 888.9 | -956.4 | 330.0 | 1888.9 | -1199 |
| 24 | 362.50 | 41.00 | 8.45 | 13777.0 | 13777.0 | 115.8 | 1147.6 | 888.9 | -956.4 | 330.0 | 1888.9 | -1199 |
| 25 | 375.00 | 43.00 | 9.45 | 13777.0 | 13777.0 | 115.8 | 1147.6 | 888.9 | -956.4 | 330.0 | 1888.9 | -1199 |
| 26 | 387.50 | 46.00 | 10.45 | 13777.0 | 13777.0 | 115.8 | 1147.6 | 888.9 | -956.4 | 330.0 | 1888.9 | -1199 |
| 27 | 400.00 | 49.00 | 11.45 | 13777.0 | 13777.0 | 115.8 | 1147.6 | 888.9 | -956.4 | 330.0 | 1888.9 | -1199 |
| 28 | 412.50 | 52.00 | 12.45 | 13777.0 | 13777.0 | 115.8 | 1147.6 | 888.9 | -956.4 | 330.0 | 1888.9 | -1199 |
| 29 | 425.00 | 55.00 | 13.45 | 13777.0 | 13777.0 | 115.8 | 1147.6 | 888.9 | -956.4 | 330.0 | 1888.9 | -1199 |
| 30 | 437.50 | 59.00 | 14.45 | 13777.0 | 13777.0 | 115.8 | 1147.6 | 888.9 | -956.4 | 330.0 | 1888.9 | -1199 |
| 31 | 450.00 | 63.00 | 15.45 | 13777.0 | 13777.0 | 115.8 | 1147.6 | 888.9 | -956.4 | 330.0 | 1888.9 | -1199 |
| ROOF | 500.00 | 66.00 | 16.45 | 13777.0 | 13777.0 | 115.8 | 1147.6 | 888.9 | -956.4 | 330.0 | 1888.9 | -1199 |

TABLE 7. SHEAR AND MOMENT DIAGRAMS : OLYMPIA AND YORK OFFICE TOWER, DALLAS
 WIND DIRECTION 180 CONFIGURATION A REFERENCE PRESSURE 27.0 PSF

GUST FACTOR 1.32

| FLOOR | HEIGHT FT | X-FORCE KIPS | Y-FORCE KIPS | X-AREA SQ FT | Y-AREA SQ FT | X-PRESS PSF | Y-PRESS PSF | X-SHEAR KIPS | Y-SHEAR KIPS | X-MOMENT 1000-FT-KIPS | Y-MOMENT 1000-FT-KIPS | Z-MOMENT |
|-------|--------------|-----------------|-----------------|-----------------|-----------------|----------------|----------------|-----------------|-----------------|--------------------------|--------------------------|----------|
| GRND | 0.00 | -18.0 | -10.7 | 11.9 | 3.5 | -1.5 | -4.2 | 576.4 | -778.8 | 70.2 | 215.6 | -229.9 |
| LBBY | 20.00 | -79.2 | -47.5 | 4.1 | 2.7 | -16.0 | -4.8 | 594.4 | -670.0 | 55.5 | 203.8 | -229.9 |
| 2 | 87.50 | 13.2 | -17.3 | 1.3 | 2.3 | 9.9 | -5.5 | 673.6 | -194.5 | 26.5 | 161.1 | -6.9 |
| 3 | 100.00 | 12.9 | -16.5 | 1.3 | 2.3 | 9.4 | -5.1 | 660.4 | -176.6 | 24.2 | 152.7 | -6.6 |
| 4 | 112.50 | 12.6 | -15.0 | 1.3 | 2.3 | 9.2 | -4.6 | 647.5 | -160.1 | 22.1 | 144.4 | -6.4 |
| 5 | 125.00 | 12.3 | -13.6 | 1.1 | 2.3 | 8.8 | -4.2 | 634.9 | -145.1 | 20.2 | 136.5 | -6.2 |
| 6 | 137.50 | 12.0 | -12.2 | 1.1 | 2.3 | 8.5 | -3.7 | 622.6 | -131.5 | 18.5 | 128.7 | -6.1 |
| 7 | 150.00 | 11.7 | -10.9 | 1.1 | 2.3 | 8.2 | -3.3 | 610.6 | -119.3 | 16.9 | 121.0 | -6.1 |
| 8 | 162.50 | 11.4 | -9.6 | 1.1 | 2.3 | 8.0 | -2.9 | 599.0 | -108.6 | 15.5 | 113.4 | -6.2 |
| 9 | 175.00 | 12.1 | -8.3 | 1.1 | 2.3 | 8.8 | -2.6 | 587.7 | -99.9 | 14.2 | 106.0 | -6.3 |
| 10 | 187.50 | 12.3 | -7.1 | 1.1 | 2.3 | 9.9 | -2.2 | 575.5 | -90.9 | 13.0 | 99.8 | -6.3 |
| 11 | 200.00 | 12.5 | -6.0 | 1.1 | 2.3 | 1.1 | -1.8 | 562.2 | -83.8 | 11.1 | 91.6 | -6.3 |
| 12 | 212.50 | 12.7 | -5.0 | 1.1 | 2.3 | 2.2 | -1.4 | 550.0 | -78.0 | 9.9 | 84.7 | -6.2 |
| 13 | 225.00 | 13.4 | -4.1 | 1.1 | 2.3 | 9.9 | -1.1 | 537.7 | -73.3 | 9.9 | 77.9 | -6.2 |
| 14 | 237.50 | 14.4 | -3.3 | 1.1 | 2.3 | 10.5 | -1.2 | 524.2 | -69.3 | 9.0 | 71.2 | -6.2 |
| 15 | 250.00 | 15.4 | -2.6 | 1.1 | 2.3 | 11.1 | -1.2 | 509.8 | -65.4 | 8.2 | 64.8 | -6.1 |
| 16 | 262.50 | 16.4 | -2.0 | 1.1 | 2.3 | 11.9 | -1.1 | 494.5 | -61.6 | 7.4 | 58.8 | -6.1 |
| 17 | 275.00 | 17.4 | -1.5 | 1.1 | 2.3 | 12.6 | -1.1 | 478.1 | -58.0 | 6.7 | 52.4 | -6.1 |
| 18 | 287.50 | 18.4 | -1.1 | 1.1 | 2.3 | 13.4 | -1.0 | 460.8 | -54.5 | 6.0 | 46.5 | -6.1 |
| 19 | 300.00 | 20.3 | -0.8 | 1.1 | 2.3 | 14.2 | -1.0 | 442.2 | -51.1 | 5.3 | 40.5 | -6.1 |
| 20 | 312.50 | 22.1 | -0.5 | 1.1 | 2.3 | 16.1 | -0.9 | 421.9 | -47.8 | 4.4 | 33.5 | -6.1 |
| 21 | 325.00 | 23.9 | -0.1 | 1.1 | 2.3 | 17.7 | -0.8 | 399.8 | -44.5 | 3.5 | 25.5 | -6.0 |
| 22 | 337.50 | 25.5 | 0.0 | 1.1 | 2.3 | 18.7 | -0.7 | 375.5 | -41.3 | 2.5 | 16.8 | -6.0 |
| 23 | 350.00 | 27.7 | 0.0 | 1.1 | 2.3 | 20.0 | -0.6 | 350.0 | -38.0 | 1.1 | 9.9 | -6.0 |
| 24 | 362.50 | 31.1 | 0.0 | 1.1 | 2.3 | 22.3 | -0.5 | 322.2 | -34.8 | 0.5 | 2.5 | -6.0 |
| 25 | 375.00 | 36.0 | 0.0 | 1.1 | 2.3 | 24.6 | -0.4 | 291.1 | -31.6 | 0.0 | 0.0 | -6.0 |
| 26 | 387.50 | 40.0 | 0.0 | 1.1 | 2.3 | 26.6 | -0.3 | 255.5 | -28.6 | 0.0 | 0.0 | -6.0 |
| 27 | 400.00 | 44.4 | 0.0 | 1.1 | 2.3 | 28.9 | -0.2 | 222.2 | -25.5 | 0.0 | 0.0 | -6.0 |
| 28 | 412.50 | 58.8 | 0.0 | 1.1 | 2.3 | 31.7 | -0.1 | 170.0 | -22.6 | 0.0 | 0.0 | -6.0 |
| 29 | 427.50 | 77.7 | 0.0 | 1.1 | 2.3 | 35.5 | 0.0 | 111.1 | -19.7 | 0.0 | 0.0 | -6.0 |
| 30 | 437.50 | 39.4 | 0.0 | 1.1 | 2.3 | 17.0 | 0.0 | 83.1 | -15.2 | 0.0 | 0.0 | -6.0 |
| ROOF | 450.00 | 43.7 | 0.0 | 1.1 | 2.3 | 31.8 | 0.0 | 43.7 | -8.3 | 0.0 | 0.0 | -6.0 |

TABLE 7. SHEAR AND MOMENT DIAGRAMS :
WIND DIRECTION 200

OLYMPIA AND YORK OFFICE TOWER, DALLAS
REFERENCE PRESSURE 27.0 PSF

GUST FACTOR 1.32

| FLOOR | HEIGHT FT | X-FORCE KIPS | Y-FORCE KIPS | X-AREA SQ FT | Y-AREA SQ FT | X-PRESS PSF | Y-PRESS PSF | X-SHEAR KIPS | Y-SHEAR KIPS | X-MOMENT 1000-FT-KIPS | Y-MOMENT 1000-FT-KIPS | Z-MOMENT |
|-------|--------------|-----------------|-----------------|-----------------|-----------------|----------------|----------------|-----------------|-----------------|--------------------------|--------------------------|----------|
| GRND | 0.00 | -14.3 | -86.1 | 119.5 | 251.5 | -12.0 | -34.3 | -5.0 | -71.9 | 91.8 | 1.0 | -34.3 |
| LBBY | 20.00 | -54.3 | -67.7 | 470.8 | 333.8 | -11.6 | -33.4 | -3.0 | -61.7 | 48.3 | 1.8 | -30.6 |
| 2 | 40.00 | 6.6 | -19.6 | 137.7 | 333.8 | 4.8 | -11.1 | 1.0 | -28.4 | 44.4 | 2.2 | -15.7 |
| 3 | 60.00 | 4.4 | -17.7 | 137.7 | 333.8 | 3.2 | -11.1 | 1.1 | -22.2 | 44.4 | 2.2 | -15.7 |
| 4 | 80.00 | 3.4 | -15.5 | 137.7 | 333.8 | 2.4 | -11.1 | 1.1 | -19.7 | 44.4 | 2.2 | -15.7 |
| 5 | 100.00 | 2.7 | -13.4 | 137.7 | 333.8 | 1.9 | -11.1 | 1.1 | -17.7 | 44.4 | 2.2 | -15.7 |
| 6 | 120.00 | 2.2 | -11.1 | 137.7 | 333.8 | 1.5 | -11.1 | 1.1 | -15.5 | 44.4 | 2.2 | -15.7 |
| 7 | 140.00 | 1.8 | -9.9 | 137.7 | 333.8 | 1.1 | -11.1 | 1.1 | -13.4 | 44.4 | 2.2 | -15.7 |
| 8 | 160.00 | 1.4 | -8.8 | 137.7 | 333.8 | .8 | -11.1 | 1.1 | -11.1 | 44.4 | 2.2 | -15.7 |
| 9 | 180.00 | 1.1 | -7.7 | 137.7 | 333.8 | .6 | -11.1 | 1.1 | -8.8 | 44.4 | 2.2 | -15.7 |
| 10 | 200.00 | 1.0 | -7.7 | 137.7 | 333.8 | .6 | -11.1 | 1.1 | -8.8 | 44.4 | 2.2 | -15.7 |
| 11 | 220.00 | 1.1 | -7.7 | 137.7 | 333.8 | .6 | -11.1 | 1.1 | -8.8 | 44.4 | 2.2 | -15.7 |
| 12 | 240.00 | 1.1 | -7.7 | 137.7 | 333.8 | .6 | -11.1 | 1.1 | -8.8 | 44.4 | 2.2 | -15.7 |
| 13 | 260.00 | 1.1 | -7.7 | 137.7 | 333.8 | .6 | -11.1 | 1.1 | -8.8 | 44.4 | 2.2 | -15.7 |
| 14 | 280.00 | 1.1 | -7.7 | 137.7 | 333.8 | .6 | -11.1 | 1.1 | -8.8 | 44.4 | 2.2 | -15.7 |
| 15 | 300.00 | 1.1 | -7.7 | 137.7 | 333.8 | .6 | -11.1 | 1.1 | -8.8 | 44.4 | 2.2 | -15.7 |
| 16 | 320.00 | 1.1 | -7.7 | 137.7 | 333.8 | .6 | -11.1 | 1.1 | -8.8 | 44.4 | 2.2 | -15.7 |
| 17 | 340.00 | 1.1 | -7.7 | 137.7 | 333.8 | .6 | -11.1 | 1.1 | -8.8 | 44.4 | 2.2 | -15.7 |
| 18 | 360.00 | 1.1 | -7.7 | 137.7 | 333.8 | .6 | -11.1 | 1.1 | -8.8 | 44.4 | 2.2 | -15.7 |
| 19 | 380.00 | 1.1 | -7.7 | 137.7 | 333.8 | .6 | -11.1 | 1.1 | -8.8 | 44.4 | 2.2 | -15.7 |
| 20 | 400.00 | 1.1 | -7.7 | 137.7 | 333.8 | .6 | -11.1 | 1.1 | -8.8 | 44.4 | 2.2 | -15.7 |
| 21 | 420.00 | 1.1 | -7.7 | 137.7 | 333.8 | .6 | -11.1 | 1.1 | -8.8 | 44.4 | 2.2 | -15.7 |
| 22 | 440.00 | 1.1 | -7.7 | 137.7 | 333.8 | .6 | -11.1 | 1.1 | -8.8 | 44.4 | 2.2 | -15.7 |
| 23 | 460.00 | 1.1 | -7.7 | 137.7 | 333.8 | .6 | -11.1 | 1.1 | -8.8 | 44.4 | 2.2 | -15.7 |
| 24 | 480.00 | 1.1 | -7.7 | 137.7 | 333.8 | .6 | -11.1 | 1.1 | -8.8 | 44.4 | 2.2 | -15.7 |
| 25 | 500.00 | 1.1 | -7.7 | 137.7 | 333.8 | .6 | -11.1 | 1.1 | -8.8 | 44.4 | 2.2 | -15.7 |
| 26 | 520.00 | 1.1 | -7.7 | 137.7 | 333.8 | .6 | -11.1 | 1.1 | -8.8 | 44.4 | 2.2 | -15.7 |
| 27 | 540.00 | 1.1 | -7.7 | 137.7 | 333.8 | .6 | -11.1 | 1.1 | -8.8 | 44.4 | 2.2 | -15.7 |
| 28 | 560.00 | 1.1 | -7.7 | 137.7 | 333.8 | .6 | -11.1 | 1.1 | -8.8 | 44.4 | 2.2 | -15.7 |
| 29 | 580.00 | 1.1 | -7.7 | 137.7 | 333.8 | .6 | -11.1 | 1.1 | -8.8 | 44.4 | 2.2 | -15.7 |
| 30 | 600.00 | 1.1 | -7.7 | 137.7 | 333.8 | .6 | -11.1 | 1.1 | -8.8 | 44.4 | 2.2 | -15.7 |
| 31 | 620.00 | 1.1 | -7.7 | 137.7 | 333.8 | .6 | -11.1 | 1.1 | -8.8 | 44.4 | 2.2 | -15.7 |
| 32 | 640.00 | 1.1 | -7.7 | 137.7 | 333.8 | .6 | -11.1 | 1.1 | -8.8 | 44.4 | 2.2 | -15.7 |
| 33 | 660.00 | 1.1 | -7.7 | 137.7 | 333.8 | .6 | -11.1 | 1.1 | -8.8 | 44.4 | 2.2 | -15.7 |
| 34 | 680.00 | 1.1 | -7.7 | 137.7 | 333.8 | .6 | -11.1 | 1.1 | -8.8 | 44.4 | 2.2 | -15.7 |
| 35 | 700.00 | 1.1 | -7.7 | 137.7 | 333.8 | .6 | -11.1 | 1.1 | -8.8 | 44.4 | 2.2 | -15.7 |
| 36 | 720.00 | 1.1 | -7.7 | 137.7 | 333.8 | .6 | -11.1 | 1.1 | -8.8 | 44.4 | 2.2 | -15.7 |
| 37 | 740.00 | 1.1 | -7.7 | 137.7 | 333.8 | .6 | -11.1 | 1.1 | -8.8 | 44.4 | 2.2 | -15.7 |
| 38 | 760.00 | 1.1 | -7.7 | 137.7 | 333.8 | .6 | -11.1 | 1.1 | -8.8 | 44.4 | 2.2 | -15.7 |
| 39 | 780.00 | 1.1 | -7.7 | 137.7 | 333.8 | .6 | -11.1 | 1.1 | -8.8 | 44.4 | 2.2 | -15.7 |
| 40 | 800.00 | 1.1 | -7.7 | 137.7 | 333.8 | .6 | -11.1 | 1.1 | -8.8 | 44.4 | 2.2 | -15.7 |
| 41 | 820.00 | 1.1 | -7.7 | 137.7 | 333.8 | .6 | -11.1 | 1.1 | -8.8 | 44.4 | 2.2 | -15.7 |
| 42 | 840.00 | 1.1 | -7.7 | 137.7 | 333.8 | .6 | -11.1 | 1.1 | -8.8 | 44.4 | 2.2 | -15.7 |
| 43 | 860.00 | 1.1 | -7.7 | 137.7 | 333.8 | .6 | -11.1 | 1.1 | -8.8 | 44.4 | 2.2 | -15.7 |
| 44 | 880.00 | 1.1 | -7.7 | 137.7 | 333.8 | .6 | -11.1 | 1.1 | -8.8 | 44.4 | 2.2 | -15.7 |
| 45 | 900.00 | 1.1 | -7.7 | 137.7 | 333.8 | .6 | -11.1 | 1.1 | -8.8 | 44.4 | 2.2 | -15.7 |
| 46 | 920.00 | 1.1 | -7.7 | 137.7 | 333.8 | .6 | -11.1 | 1.1 | -8.8 | 44.4 | 2.2 | -15.7 |
| 47 | 940.00 | 1.1 | -7.7 | 137.7 | 333.8 | .6 | -11.1 | 1.1 | -8.8 | 44.4 | 2.2 | -15.7 |
| 48 | 960.00 | 1.1 | -7.7 | 137.7 | 333.8 | .6 | -11.1 | 1.1 | -8.8 | 44.4 | 2.2 | -15.7 |
| 49 | 980.00 | 1.1 | -7.7 | 137.7 | 333.8 | .6 | -11.1 | 1.1 | -8.8 | 44.4 | 2.2 | -15.7 |
| 50 | 1000.00 | 1.1 | -7.7 | 137.7 | 333.8 | .6 | -11.1 | 1.1 | -8.8 | 44.4 | 2.2 | -15.7 |

TABLE 7. SHEAR AND MOMENT DIAGRAMS :
WIND DIRECTION 210

OLYMPIA AND YORK OFFICE TOWER, DALLAS
REFERENCE PRESSURE 27.0 PSF

GUST FACTOR 1.32

| FLOOR | HEIGHT FT | X-FORCE KIPS | Y-FORCE KIPS | X-AREA SQ FT | Y-AREA SQ FT | X-PRESS PSF | Y-PRESS PSF | X-SHEAR KIPS | Y-SHEAR KIPS | X-MOMENT 1000-FT-KIPS | Y-MOMENT 1000-FT-KIPS | Z-MOMENT |
|-------|--------------|-----------------|-----------------|-----------------|-----------------|----------------|----------------|-----------------|-----------------|--------------------------|--------------------------|----------|
| GRND | 0.00 | -25.2 | -37.9 | 119 | 95 | -21.1 | -31.5 | -15.1 | -126.9 | 27.2 | 29.0 | -4.6 |
| LBBY | 20.00 | -95.1 | -310.3 | 479 | 335 | -20.0 | -31.7 | -10.1 | -1190.6 | 247.7 | 255.1 | -44.4 |
| 2 | 87.50 | -1.1 | -33.1 | 137 | 333 | -1.1 | -10.2 | 10.0 | -880.0 | 177.7 | 333.3 | -32.2 |
| 3 | 100.00 | -1.1 | -30.4 | 137 | 333 | -1.1 | -9.9 | 10.0 | -844.7 | 167.7 | 333.3 | -31.1 |
| 4 | 112.50 | -1.1 | -27.7 | 137 | 333 | -1.1 | -9.6 | 10.0 | -816.8 | 156.7 | 333.3 | -30.0 |
| 5 | 125.00 | -1.1 | -25.0 | 137 | 333 | -1.1 | -9.3 | 10.0 | -789.9 | 146.6 | 333.3 | -28.9 |
| 6 | 137.50 | -1.1 | -22.2 | 137 | 333 | -1.1 | -9.0 | 10.0 | -764.1 | 136.6 | 333.3 | -27.8 |
| 7 | 150.00 | -1.1 | -19.7 | 137 | 333 | -1.1 | -8.7 | 10.0 | -741.1 | 126.6 | 333.3 | -26.7 |
| 8 | 162.50 | 1.1 | -17.0 | 137 | 333 | 1.1 | -8.4 | 10.0 | -722.0 | 118.8 | 333.3 | -25.6 |
| 9 | 175.00 | 1.1 | -14.3 | 137 | 333 | 1.1 | -8.1 | 10.0 | -701.8 | 109.9 | 333.3 | -24.5 |
| 10 | 187.50 | 2.2 | -11.6 | 137 | 333 | 2.2 | -7.8 | 100.0 | -680.5 | 100.7 | 333.3 | -23.4 |
| 11 | 200.00 | 2.2 | -9.0 | 137 | 333 | 2.2 | -7.5 | 92.2 | -658.2 | 92.2 | 333.3 | -22.3 |
| 12 | 212.50 | 2.2 | -6.3 | 137 | 333 | 2.2 | -7.2 | 84.4 | -635.5 | 84.4 | 333.3 | -21.2 |
| 13 | 225.00 | 3.3 | -3.7 | 137 | 333 | 3.3 | -6.9 | 76.6 | -611.0 | 76.6 | 333.3 | -20.1 |
| 14 | 237.50 | 3.3 | -1.0 | 137 | 333 | 3.3 | -6.6 | 68.8 | -588.2 | 68.8 | 333.3 | -19.0 |
| 15 | 250.00 | 3.3 | 1.7 | 137 | 333 | 3.3 | -6.3 | 61.1 | -565.5 | 61.1 | 333.3 | -17.9 |
| 16 | 262.50 | 4.4 | 4.4 | 137 | 333 | 4.4 | -6.0 | 53.3 | -542.2 | 53.3 | 333.3 | -16.8 |
| 17 | 275.00 | 4.4 | 7.1 | 137 | 333 | 4.4 | -5.7 | 45.5 | -518.9 | 45.5 | 333.3 | -15.7 |
| 18 | 287.50 | 4.4 | 9.8 | 137 | 333 | 4.4 | -5.4 | 37.7 | -495.6 | 37.7 | 333.3 | -14.6 |
| 19 | 300.00 | 5.5 | 12.5 | 137 | 333 | 5.5 | -5.1 | 30.0 | -472.2 | 30.0 | 333.3 | -13.5 |
| 20 | 312.50 | 5.5 | 15.2 | 137 | 333 | 5.5 | -4.8 | 22.2 | -448.9 | 22.2 | 333.3 | -12.4 |
| 21 | 325.00 | 6.6 | 17.9 | 137 | 333 | 6.6 | -4.5 | 14.4 | -425.6 | 14.4 | 333.3 | -11.3 |
| 22 | 337.50 | 6.6 | 20.6 | 137 | 333 | 6.6 | -4.2 | 6.6 | -402.2 | 6.6 | 333.3 | -10.2 |
| 23 | 350.00 | 6.6 | 23.3 | 137 | 333 | 6.6 | -3.9 | 0.0 | -378.9 | 0.0 | 333.3 | -9.1 |
| 24 | 362.50 | 6.6 | 26.0 | 137 | 333 | 6.6 | -3.6 | 0.0 | -355.6 | 0.0 | 333.3 | -8.0 |
| 25 | 375.00 | 6.6 | 28.7 | 137 | 333 | 6.6 | -3.3 | 0.0 | -332.2 | 0.0 | 333.3 | -6.9 |
| 26 | 387.50 | 6.6 | 31.4 | 137 | 333 | 6.6 | -3.0 | 0.0 | -308.9 | 0.0 | 333.3 | -5.8 |
| 27 | 400.00 | 6.6 | 34.1 | 137 | 333 | 6.6 | -2.7 | 0.0 | -285.6 | 0.0 | 333.3 | -4.7 |
| 28 | 412.50 | 6.6 | 36.8 | 137 | 333 | 6.6 | -2.4 | 0.0 | -262.2 | 0.0 | 333.3 | -3.6 |
| 29 | 425.00 | 6.6 | 39.5 | 137 | 333 | 6.6 | -2.1 | 0.0 | -238.9 | 0.0 | 333.3 | -2.5 |
| 30 | 437.50 | 6.6 | 42.2 | 137 | 333 | 6.6 | -1.8 | 0.0 | -215.6 | 0.0 | 333.3 | -1.4 |
| 31 | 450.00 | 6.6 | 44.9 | 137 | 333 | 6.6 | -1.5 | 0.0 | -192.2 | 0.0 | 333.3 | -0.3 |
| ROOF | 456.00 | 1.7 | 3.1 | 137 | 333 | 1.7 | -0.3 | 0.0 | -62.1 | 0.0 | 0.0 | -1.1 |

TABLE 7. SHEAR AND MOMENT DIAGRAMS :
WIND DIRECTION 220

OLYMPIA AND YORK OFFICE TOWER, DALLAS
CONFIGURATION A
REFERENCE PRESSURE 27.0 PSF

GUST FACTOR 1.32

| FLOOR | HEIGHT FT | X-FORCE KIPS | Y-FORCE KIPS | X-AREA SQ FT | Y-AREA SQ FT | X-PRESS PSF | Y-PRESS PSF | X-SHEAR KIPS | Y-SHEAR KIPS | X-MOMENT 1000-FT-KIPS | Y-MOMENT 1000-FT-KIPS | Z-MOMENT |
|-------|--------------|-----------------|-----------------|-----------------|-----------------|----------------|----------------|-----------------|-----------------|--------------------------|--------------------------|----------|
| GRND | 0.00 | -37.9 | -83.0 | 1195 | 2515 | -31.7 | -33.0 | -82.2 | -160.5 | 366.0 | 19.4 | -4.7 |
| LBBY | 20.00 | -136.9 | -308.5 | 4708 | 9788 | -29.1 | -31.5 | -44.3 | -152.2 | 334.7 | 20.7 | -4.7 |
| | 40.00 | -120.6 | -269.9 | 3939 | 7888 | -29.1 | -31.5 | -44.3 | -152.2 | 242.4 | 19.1 | -4.7 |
| | 60.00 | -106.6 | -230.0 | 3338 | 6788 | -11.9 | -12.0 | 92.6 | -121.3 | 227.5 | 17.9 | -3.3 |
| | 80.00 | -93.7 | -199.9 | 2838 | 5888 | -11.4 | -11.4 | 95.2 | -117.4 | 213.0 | 16.6 | -3.3 |
| | 100.00 | -81.7 | -176.6 | 2438 | 5138 | -10.7 | -10.7 | 96.9 | -113.8 | 199.0 | 15.5 | -3.3 |
| | 112.50 | -71.5 | -155.5 | 2138 | 4538 | -10.0 | -10.0 | 97.7 | -110.3 | 185.4 | 14.4 | -3.3 |
| | 125.00 | -62.2 | -135.3 | 1875 | 3988 | -9.3 | -9.3 | 97.7 | -107.1 | 172.2 | 13.3 | -3.3 |
| | 137.50 | -53.9 | -116.1 | 1622 | 3538 | -8.6 | -8.6 | 96.8 | -104.1 | 159.9 | 12.2 | -3.3 |
| | 150.00 | -46.2 | -99.9 | 1375 | 3138 | -8.0 | -8.0 | 93.3 | -101.3 | 146.6 | 11.1 | -3.3 |
| | 162.50 | -39.7 | -85.7 | 1137 | 2788 | -7.5 | -7.5 | 91.1 | -98.4 | 134.4 | 10.0 | -3.3 |
| | 175.00 | -34.0 | -73.3 | 900 | 2488 | -7.0 | -7.0 | 87.7 | -95.3 | 123.3 | 8.8 | -3.3 |
| | 187.50 | -29.1 | -62.3 | 675 | 2238 | -6.6 | -6.6 | 83.8 | -92.1 | 111.1 | 7.7 | -3.3 |
| | 200.00 | -24.4 | -52.3 | 450 | 2038 | -6.2 | -6.2 | 79.4 | -88.7 | 100.0 | 6.6 | -3.3 |
| | 212.50 | -20.6 | -43.4 | 225 | 1888 | -5.8 | -5.8 | 74.5 | -85.1 | 90.0 | 5.5 | -3.3 |
| | 225.00 | -17.7 | -35.5 | 0 | 1788 | -5.5 | -5.5 | 69.3 | -81.4 | 80.0 | 4.4 | -3.3 |
| | 237.50 | -15.5 | -28.5 | | 1738 | -5.2 | -5.2 | 64.1 | -77.6 | 71.1 | 3.3 | -3.3 |
| | 250.00 | -13.9 | -22.3 | | 1638 | -4.9 | -4.9 | 58.8 | -73.6 | 62.2 | 2.2 | -3.3 |
| | 262.50 | -12.4 | -16.6 | | 1538 | -4.6 | -4.6 | 53.5 | -69.4 | 53.3 | 1.1 | -3.3 |
| | 275.00 | -11.1 | -11.9 | | 1438 | -4.3 | -4.3 | 48.2 | -65.1 | 44.4 | 0.0 | -3.3 |
| | 287.50 | -10.0 | -8.0 | | 1338 | -4.0 | -4.0 | 42.2 | -60.6 | 35.5 | 0.0 | -3.3 |
| | 300.00 | -9.0 | -5.5 | | 1238 | -3.7 | -3.7 | 37.7 | -56.0 | 26.6 | 0.0 | -3.3 |
| | 312.50 | -8.1 | -4.4 | | 1138 | -3.4 | -3.4 | 32.2 | -51.2 | 17.7 | 0.0 | -3.3 |
| | 325.00 | -7.3 | -3.3 | | 1038 | -3.1 | -3.1 | 27.7 | -46.1 | 9.9 | 0.0 | -3.3 |
| | 337.50 | -6.6 | -2.3 | | 938 | -2.8 | -2.8 | 22.2 | -40.9 | 2.2 | 0.0 | -3.3 |
| | 350.00 | -6.0 | -1.1 | | 838 | -2.5 | -2.5 | 17.7 | -35.6 | 0.0 | 0.0 | -3.3 |
| | 362.50 | -5.5 | -0.8 | | 738 | -2.2 | -2.2 | 13.1 | -30.2 | 0.0 | 0.0 | -3.3 |
| | 375.00 | -5.0 | -0.6 | | 638 | -2.0 | -2.0 | 8.8 | -24.9 | 0.0 | 0.0 | -3.3 |
| | 387.50 | -4.4 | -0.5 | | 538 | -1.8 | -1.8 | 4.4 | -19.6 | 0.0 | 0.0 | -3.3 |
| | 400.00 | -4.0 | -0.4 | | 438 | -1.6 | -1.6 | 0.0 | -14.4 | 0.0 | 0.0 | -3.3 |
| | 412.50 | -3.7 | -0.3 | | 338 | -1.5 | -1.5 | 0.0 | -8.1 | 0.0 | 0.0 | -3.3 |
| | 425.00 | -3.3 | -0.2 | | 238 | -1.3 | -1.3 | 0.0 | -5.4 | 0.0 | 0.0 | -3.3 |
| | 437.50 | -3.0 | -0.1 | | 138 | -1.1 | -1.1 | 0.0 | -2.5 | 0.0 | 0.0 | -3.3 |
| ROOF | 450.00 | -2.4 | -0.1 | | 38 | -0.8 | -0.8 | 0.0 | 0.0 | 0.0 | 0.0 | -3.3 |

TABLE 7. SHEAR AND MOMENT DIAGRAMS ;
WIND DIRECTION 230

OLYMPIA AND YORK OFFICE TOWER, DALLAS
CONFIGURATION A REFERENCE PRESSURE 27.0 PSF

GUST FACTOR 1.32

| FLOOR | HEIGHT FT | X-FORCE KIPS | Y-FORCE KIPS | X-AREA SQ FT | Y-AREA SQ FT | X-PRESS PSF | Y-PRESS PSF | X-SHEAR KIPS | Y-SHEAR KIPS | X-MOMENT 1000-FT-KIPS | Y-MOMENT 1000-FT-KIPS | Z-MOMENT 1000-FT-KIPS |
|-------|--------------|-----------------|-----------------|-----------------|-----------------|----------------|----------------|-----------------|-----------------|--------------------------|--------------------------|--------------------------|
| GRND | 0.00 | -50.1 | -96.7 | 1195 | 2515 | -41.9 | -38.4 | -19.1 | -20.0 | 46.9 | 10.7 | -7.7 |
| LBBY | 20.00 | -183.8 | -358.4 | 4708 | 7751 | -39.0 | -36.3 | -145.5 | -110.6 | 330.9 | 14.1 | -77.0 |
| 2 | 27.50 | -83.8 | -353.3 | 1337 | 2288 | -36.3 | -33.3 | -308.9 | -220.3 | 111.3 | 17.7 | -62.3 |
| 3 | 100.00 | -77.6 | -350.7 | 1337 | 2288 | -33.3 | -30.8 | -277.7 | -200.9 | 291.9 | 17.7 | -59.9 |
| 4 | 112.50 | -66.4 | -48.1 | 1337 | 2288 | -30.8 | -27.7 | -255.1 | -170.7 | 273.1 | 16.5 | -57.7 |
| 5 | 125.00 | -45.4 | -42.8 | 1337 | 2288 | -27.7 | -25.0 | -233.3 | -155.5 | 254.4 | 15.8 | -55.5 |
| 6 | 137.50 | -44.1 | -40.2 | 1337 | 2288 | -25.0 | -22.2 | -211.1 | -140.4 | 237.7 | 14.4 | -53.3 |
| 7 | 150.00 | -41.1 | -41.1 | 1337 | 2288 | -22.2 | -20.0 | -199.9 | -125.5 | 222.2 | 13.2 | -52.2 |
| 8 | 162.50 | -42.5 | -42.5 | 1337 | 2288 | -20.0 | -18.8 | -188.8 | -110.6 | 207.7 | 12.0 | -50.7 |
| 9 | 175.00 | -43.3 | -43.3 | 1337 | 2288 | -18.8 | -17.5 | -177.7 | -95.9 | 192.2 | 11.1 | -49.9 |
| 10 | 187.50 | -45.5 | -45.5 | 1337 | 2288 | -17.5 | -16.3 | -166.6 | -81.1 | 177.7 | 10.0 | -48.7 |
| 11 | 200.00 | -46.6 | -46.6 | 1337 | 2288 | -16.3 | -15.1 | -155.5 | -66.6 | 162.2 | 9.0 | -47.6 |
| 12 | 212.50 | -47.7 | -47.7 | 1337 | 2288 | -15.1 | -14.0 | -144.4 | -51.9 | 147.7 | 8.0 | -46.4 |
| 13 | 225.00 | -48.8 | -48.8 | 1337 | 2288 | -14.0 | -12.9 | -133.3 | -37.2 | 132.2 | 7.0 | -45.3 |
| 14 | 237.50 | -50.0 | -50.0 | 1337 | 2288 | -12.9 | -11.8 | -122.2 | -22.4 | 117.7 | 6.0 | -44.2 |
| 15 | 250.00 | -51.1 | -51.1 | 1337 | 2288 | -11.8 | -10.7 | -111.1 | -7.7 | 102.2 | 5.0 | -43.1 |
| 16 | 262.50 | -52.2 | -52.2 | 1337 | 2288 | -10.7 | -9.6 | -100.0 | 0.0 | 87.7 | 4.0 | -42.0 |
| 17 | 275.00 | -53.3 | -53.3 | 1337 | 2288 | -9.6 | -8.5 | -88.9 | 0.0 | 73.2 | 3.0 | -40.9 |
| 18 | 287.50 | -54.4 | -54.4 | 1337 | 2288 | -8.5 | -7.4 | -77.7 | 0.0 | 58.7 | 2.0 | -39.8 |
| 19 | 300.00 | -55.5 | -55.5 | 1337 | 2288 | -7.4 | -6.3 | -66.6 | 0.0 | 44.2 | 1.0 | -38.7 |
| 20 | 312.50 | -56.6 | -56.6 | 1337 | 2288 | -6.3 | -5.2 | -55.5 | 0.0 | 29.7 | 0.0 | -37.6 |
| 21 | 325.00 | -57.7 | -57.7 | 1337 | 2288 | -5.2 | -4.1 | -44.4 | 0.0 | 15.2 | 0.0 | -36.5 |
| 22 | 337.50 | -58.8 | -58.8 | 1337 | 2288 | -4.1 | -3.0 | -33.3 | 0.0 | 0.0 | 0.0 | -35.4 |
| 23 | 350.00 | -59.9 | -59.9 | 1337 | 2288 | -3.0 | -2.0 | -22.2 | 0.0 | 0.0 | 0.0 | -34.3 |
| 24 | 362.50 | -61.1 | -61.1 | 1337 | 2288 | -2.0 | -1.0 | -11.1 | 0.0 | 0.0 | 0.0 | -33.2 |
| 25 | 375.00 | -62.2 | -62.2 | 1337 | 2288 | -1.0 | -0.9 | -0.9 | 0.0 | 0.0 | 0.0 | -32.1 |
| 26 | 387.50 | -63.3 | -63.3 | 1337 | 2288 | 0.0 | 0.0 | 0.0 | 0.0 | 0.0 | 0.0 | -31.0 |
| 27 | 400.00 | -64.4 | -64.4 | 1337 | 2288 | 0.0 | 0.0 | 0.0 | 0.0 | 0.0 | 0.0 | -29.9 |
| 28 | 412.50 | -65.5 | -65.5 | 1337 | 2288 | 0.0 | 0.0 | 0.0 | 0.0 | 0.0 | 0.0 | -28.8 |
| 29 | 425.00 | -66.6 | -66.6 | 1337 | 2288 | 0.0 | 0.0 | 0.0 | 0.0 | 0.0 | 0.0 | -27.7 |
| 30 | 437.50 | -67.7 | -67.7 | 1337 | 2288 | 0.0 | 0.0 | 0.0 | 0.0 | 0.0 | 0.0 | -26.6 |
| 31 | 450.00 | -68.8 | -68.8 | 1337 | 2288 | 0.0 | 0.0 | 0.0 | 0.0 | 0.0 | 0.0 | -25.5 |
| 32 | 462.50 | -69.9 | -69.9 | 1337 | 2288 | 0.0 | 0.0 | 0.0 | 0.0 | 0.0 | 0.0 | -24.4 |
| 33 | 475.00 | -71.0 | -71.0 | 1337 | 2288 | 0.0 | 0.0 | 0.0 | 0.0 | 0.0 | 0.0 | -23.3 |
| 34 | 487.50 | -72.1 | -72.1 | 1337 | 2288 | 0.0 | 0.0 | 0.0 | 0.0 | 0.0 | 0.0 | -22.2 |
| 35 | 500.00 | -73.2 | -73.2 | 1337 | 2288 | 0.0 | 0.0 | 0.0 | 0.0 | 0.0 | 0.0 | -21.1 |
| 36 | 512.50 | -74.3 | -74.3 | 1337 | 2288 | 0.0 | 0.0 | 0.0 | 0.0 | 0.0 | 0.0 | -20.0 |
| 37 | 525.00 | -75.4 | -75.4 | 1337 | 2288 | 0.0 | 0.0 | 0.0 | 0.0 | 0.0 | 0.0 | -18.9 |
| 38 | 537.50 | -76.5 | -76.5 | 1337 | 2288 | 0.0 | 0.0 | 0.0 | 0.0 | 0.0 | 0.0 | -17.8 |
| 39 | 550.00 | -77.6 | -77.6 | 1337 | 2288 | 0.0 | 0.0 | 0.0 | 0.0 | 0.0 | 0.0 | -16.7 |
| 40 | 562.50 | -78.7 | -78.7 | 1337 | 2288 | 0.0 | 0.0 | 0.0 | 0.0 | 0.0 | 0.0 | -15.6 |
| 41 | 575.00 | -79.8 | -79.8 | 1337 | 2288 | 0.0 | 0.0 | 0.0 | 0.0 | 0.0 | 0.0 | -14.5 |
| 42 | 587.50 | -80.9 | -80.9 | 1337 | 2288 | 0.0 | 0.0 | 0.0 | 0.0 | 0.0 | 0.0 | -13.4 |
| 43 | 600.00 | -82.0 | -82.0 | 1337 | 2288 | 0.0 | 0.0 | 0.0 | 0.0 | 0.0 | 0.0 | -12.3 |
| 44 | 612.50 | -83.1 | -83.1 | 1337 | 2288 | 0.0 | 0.0 | 0.0 | 0.0 | 0.0 | 0.0 | -11.2 |
| 45 | 625.00 | -84.2 | -84.2 | 1337 | 2288 | 0.0 | 0.0 | 0.0 | 0.0 | 0.0 | 0.0 | -10.1 |
| 46 | 637.50 | -85.3 | -85.3 | 1337 | 2288 | 0.0 | 0.0 | 0.0 | 0.0 | 0.0 | 0.0 | -9.0 |
| 47 | 650.00 | -86.4 | -86.4 | 1337 | 2288 | 0.0 | 0.0 | 0.0 | 0.0 | 0.0 | 0.0 | -7.9 |
| 48 | 662.50 | -87.5 | -87.5 | 1337 | 2288 | 0.0 | 0.0 | 0.0 | 0.0 | 0.0 | 0.0 | -6.8 |
| 49 | 675.00 | -88.6 | -88.6 | 1337 | 2288 | 0.0 | 0.0 | 0.0 | 0.0 | 0.0 | 0.0 | -5.7 |
| 50 | 687.50 | -89.7 | -89.7 | 1337 | 2288 | 0.0 | 0.0 | 0.0 | 0.0 | 0.0 | 0.0 | -4.6 |
| 51 | 700.00 | -90.8 | -90.8 | 1337 | 2288 | 0.0 | 0.0 | 0.0 | 0.0 | 0.0 | 0.0 | -3.5 |
| 52 | 712.50 | -91.9 | -91.9 | 1337 | 2288 | 0.0 | 0.0 | 0.0 | 0.0 | 0.0 | 0.0 | -2.4 |
| 53 | 725.00 | -93.0 | -93.0 | 1337 | 2288 | 0.0 | 0.0 | 0.0 | 0.0 | 0.0 | 0.0 | -1.3 |
| 54 | 737.50 | -94.1 | -94.1 | 1337 | 2288 | 0.0 | 0.0 | 0.0 | 0.0 | 0.0 | 0.0 | -0.2 |
| 55 | 750.00 | -95.2 | -95.2 | 1337 | 2288 | 0.0 | 0.0 | 0.0 | 0.0 | 0.0 | 0.0 | 0.9 |

TABLE 7. SHEAR AND MOMENT DIAGRAMS :
WIND DIRECTION 240

OLYMPIA AND YORK OFFICE TOWER, DALLAS
CONFIGURATION A REFERENCE PRESSURE 27.0 PSF

GUST FACTOR 1.32

| FLOOR | HEIGHT FT | X-FORCE KIPS | Y-FORCE KIPS | X-AREA SQ FT | Y-AREA SQ FT | X-PRESS PSF | Y-PRESS PSF | X-SHEAR KIPS | Y-SHEAR KIPS | X-MOMENT 1000-FT-KIPS | Y-MOMENT 1000-FT-KIPS | Z-MOMENT |
|-------|--------------|-----------------|-----------------|-----------------|-----------------|----------------|----------------|-----------------|-----------------|--------------------------|--------------------------|----------|
| GRND | 0.00 | -61.1 | -112.8 | 119.5 | 29.5 | -51.1 | -44.9 | -38.4 | -27.0 | 637.7 | -21.5 | -109.3 |
| LBBY | 20.00 | -236.0 | -417.0 | 476.8 | 97.5 | -50.1 | -44.4 | -38.4 | -25.9 | 584.7 | -14.5 | -107.3 |
| 2 | 40.00 | -18.4 | -76.2 | 137.5 | 33.8 | -13.4 | -23.2 | -8.7 | -7.7 | 423.3 | -1.6 | -94.4 |
| 3 | 60.00 | -16.4 | -72.5 | 137.5 | 33.8 | -12.0 | -22.4 | -8.0 | -7.3 | 396.9 | -1.4 | -91.5 |
| 4 | 80.00 | -14.5 | -68.8 | 137.5 | 33.8 | -10.6 | -21.1 | -7.5 | -6.8 | 371.1 | -1.1 | -88.8 |
| 5 | 100.00 | -12.5 | -65.5 | 137.5 | 33.8 | -9.2 | -20.0 | -7.0 | -6.4 | 346.2 | -0.9 | -85.5 |
| 6 | 120.00 | -10.7 | -61.4 | 137.5 | 33.8 | -7.7 | -19.0 | -6.5 | -6.0 | 322.2 | -0.7 | -82.2 |
| 7 | 140.00 | -9.6 | -57.7 | 137.5 | 33.8 | -6.6 | -18.0 | -6.0 | -5.6 | 298.8 | -0.6 | -78.7 |
| 8 | 160.00 | -8.2 | -53.3 | 137.5 | 33.8 | -5.5 | -17.0 | -5.5 | -5.2 | 276.2 | -0.5 | -76.4 |
| 9 | 180.00 | -7.0 | -49.9 | 137.5 | 33.8 | -4.4 | -16.0 | -5.0 | -4.8 | 254.4 | -0.4 | -74.0 |
| 10 | 200.00 | -6.0 | -46.6 | 137.5 | 33.8 | -3.6 | -15.0 | -4.6 | -4.4 | 233.3 | -0.3 | -71.8 |
| 11 | 220.00 | -5.5 | -43.7 | 137.5 | 33.8 | -3.3 | -14.4 | -4.3 | -4.1 | 212.2 | -0.3 | -69.9 |
| 12 | 240.00 | -5.0 | -41.1 | 137.5 | 33.8 | -3.0 | -13.9 | -4.0 | -3.9 | 191.1 | -0.2 | -68.1 |
| 13 | 260.00 | -4.7 | -38.7 | 137.5 | 33.8 | -2.8 | -13.4 | -3.7 | -3.6 | 170.0 | -0.2 | -66.3 |
| 14 | 280.00 | -4.4 | -36.5 | 137.5 | 33.8 | -2.6 | -13.0 | -3.5 | -3.4 | 150.0 | -0.1 | -64.4 |
| 15 | 300.00 | -4.2 | -34.4 | 137.5 | 33.8 | -2.4 | -12.6 | -3.3 | -3.2 | 130.0 | -0.1 | -62.5 |
| 16 | 320.00 | -4.0 | -32.3 | 137.5 | 33.8 | -2.3 | -12.2 | -3.2 | -3.1 | 110.0 | -0.1 | -60.6 |
| 17 | 340.00 | -3.8 | -30.3 | 137.5 | 33.8 | -2.2 | -11.8 | -3.1 | -3.0 | 90.0 | -0.1 | -58.7 |
| 18 | 360.00 | -3.6 | -28.3 | 137.5 | 33.8 | -2.1 | -11.5 | -3.0 | -2.9 | 70.0 | -0.1 | -56.8 |
| 19 | 380.00 | -3.5 | -26.4 | 137.5 | 33.8 | -2.0 | -11.2 | -2.9 | -2.8 | 50.0 | -0.1 | -54.9 |
| 20 | 400.00 | -3.4 | -24.5 | 137.5 | 33.8 | -1.9 | -10.9 | -2.8 | -2.7 | 30.0 | -0.1 | -53.0 |
| 21 | 420.00 | -3.3 | -22.7 | 137.5 | 33.8 | -1.8 | -10.6 | -2.7 | -2.6 | 10.0 | -0.1 | -51.1 |
| 22 | 440.00 | -3.2 | -21.0 | 137.5 | 33.8 | -1.7 | -10.3 | -2.6 | -2.5 | -10.0 | -0.1 | -49.2 |
| 23 | 460.00 | -3.1 | -19.4 | 137.5 | 33.8 | -1.6 | -10.0 | -2.5 | -2.4 | -30.0 | -0.1 | -47.3 |
| 24 | 480.00 | -3.0 | -17.9 | 137.5 | 33.8 | -1.5 | -9.7 | -2.4 | -2.3 | -50.0 | -0.1 | -45.4 |
| 25 | 500.00 | -2.9 | -16.5 | 137.5 | 33.8 | -1.4 | -9.4 | -2.3 | -2.2 | -70.0 | -0.1 | -43.5 |
| 26 | 520.00 | -2.8 | -15.2 | 137.5 | 33.8 | -1.3 | -9.1 | -2.2 | -2.1 | -90.0 | -0.1 | -41.6 |
| 27 | 540.00 | -2.7 | -14.0 | 137.5 | 33.8 | -1.2 | -8.8 | -2.1 | -2.0 | -110.0 | -0.1 | -39.7 |
| 28 | 560.00 | -2.6 | -12.9 | 137.5 | 33.8 | -1.1 | -8.5 | -2.0 | -1.9 | -130.0 | -0.1 | -37.8 |
| 29 | 580.00 | -2.5 | -11.9 | 137.5 | 33.8 | -1.0 | -8.2 | -1.9 | -1.8 | -150.0 | -0.1 | -35.9 |
| 30 | 600.00 | -2.4 | -11.0 | 137.5 | 33.8 | -0.9 | -7.9 | -1.8 | -1.7 | -170.0 | -0.1 | -34.0 |
| ROOF | 600.00 | -2.2 | -10.2 | 137.5 | 33.8 | -0.8 | -7.6 | -1.7 | -1.6 | -190.0 | -0.1 | -32.1 |

TABLE 7. SHEAR AND MOMENT DIAGRAMS :
WIND DIRECTION 250 CONFIGURATION A

OLYMPIA AND YORK OFFICE TOWER, DALLAS
REFERENCE PRESSURE 27.0 PSF

GUST FACTOR 1.32

| FLOOR | HEIGHT FT | X-FORCE KIPS | Y-FORCE KIPS | X-AREA SQ FT | Y-AREA SQ FT | X-PRESS PSF | Y-PRESS PSF | X-SHEAR KIPS | Y-SHEAR KIPS | X-MOMENT 1000-FT-KIPS | Y-MOMENT 1000-FT-KIPS | Z-MOMENT 1000-FT-KIPS |
|-------|--------------|-----------------|-----------------|-----------------|-----------------|----------------|----------------|-----------------|-----------------|--------------------------|--------------------------|--------------------------|
| GRND | 0.00 | -50.9 | -107.5 | 1195 | 2515 | -42.6 | -42.8 | -347.2 | -295.9 | 69.8 | -33.9 | -117.3 |
| LBBY | 20.00 | -185.4 | -409.3 | 4708 | 9788 | -39.4 | -41.8 | -296.3 | -285.2 | 64.0 | -33.0 | -115.7 |
| 2 | 87.50 | -111.8 | -82.6 | 1375 | 3238 | -8.6 | -25.5 | -110.9 | -244.3 | 46.1 | -19.3 | -99.9 |
| 3 | 100.00 | -10.1 | -80.2 | 1375 | 3238 | -7.3 | -24.8 | -99.1 | -236.0 | 43.1 | -18.0 | -96.0 |
| 4 | 112.50 | -8.3 | -77.9 | 1375 | 3238 | -6.1 | -24.1 | -89.1 | -228.0 | 40.2 | -17.7 | -92.2 |
| 5 | 125.00 | -6.6 | -75.5 | 1375 | 3238 | -4.8 | -23.3 | -80.7 | -220.0 | 37.4 | -16.6 | -88.0 |
| 6 | 137.50 | -4.9 | -73.2 | 1375 | 3238 | -3.6 | -22.2 | -74.4 | -212.0 | 34.7 | -15.5 | -83.7 |
| 7 | 150.00 | -3.2 | -70.8 | 1375 | 3238 | -2.3 | -21.1 | -69.9 | -205.5 | 32.0 | -14.4 | -79.2 |
| 8 | 162.50 | -1.5 | -71.9 | 1375 | 3238 | -1.1 | -22.2 | -63.3 | -198.2 | 29.3 | -13.3 | -74.5 |
| 9 | 175.00 | -1.1 | -73.4 | 1375 | 3238 | -0.8 | -22.2 | -61.1 | -191.0 | 26.6 | -12.2 | -70.0 |
| 10 | 187.50 | -0.0 | -74.8 | 1375 | 3238 | -0.3 | -23.1 | -60.9 | -183.7 | 24.0 | -11.1 | -65.5 |
| 11 | 200.00 | -0.4 | -76.3 | 1375 | 3238 | -0.3 | -23.6 | -60.9 | -176.2 | 21.4 | -10.0 | -61.0 |
| 12 | 212.50 | -0.3 | -77.8 | 1375 | 3238 | -0.2 | -24.0 | -60.0 | -168.6 | 18.8 | -8.9 | -56.5 |
| 13 | 225.00 | -0.3 | -79.9 | 1375 | 3238 | -0.2 | -24.7 | -60.0 | -160.8 | 16.2 | -7.8 | -52.0 |
| 14 | 237.50 | -0.4 | -82.4 | 1375 | 3238 | -0.2 | -25.5 | -61.1 | -152.8 | 13.6 | -6.7 | -47.5 |
| 15 | 250.00 | -0.5 | -85.0 | 1375 | 3238 | -0.1 | -26.2 | -60.9 | -144.6 | 11.0 | -5.6 | -43.0 |
| 16 | 262.50 | -0.2 | -87.5 | 1375 | 3238 | -0.1 | -27.7 | -60.0 | -136.1 | 8.4 | -4.5 | -38.5 |
| 17 | 275.00 | -0.1 | -90.1 | 1375 | 3238 | -0.1 | -29.0 | -55.8 | -127.7 | 5.8 | -3.4 | -34.0 |
| 18 | 287.50 | -0.2 | -92.0 | 1375 | 3238 | -0.1 | -28.8 | -55.7 | -118.3 | 3.2 | -2.3 | -29.5 |
| 19 | 300.00 | -0.5 | -92.5 | 1375 | 3238 | -0.1 | -28.8 | -49.2 | -109.9 | 0.6 | -1.2 | -25.0 |
| 20 | 312.50 | -0.3 | -93.3 | 1375 | 3238 | -0.2 | -28.8 | -46.6 | -99.9 | -0.4 | -0.1 | -20.5 |
| 21 | 325.00 | -0.0 | -93.5 | 1375 | 3238 | -0.2 | -29.9 | -46.6 | -90.0 | -0.4 | -0.1 | -16.0 |
| 22 | 337.50 | -0.3 | -94.0 | 1375 | 3238 | -0.2 | -29.9 | -46.6 | -81.2 | -0.5 | -0.1 | -11.5 |
| 23 | 350.00 | -0.6 | -94.5 | 1375 | 3238 | -0.2 | -29.9 | -43.3 | -71.9 | -0.5 | -0.1 | -7.0 |
| 24 | 362.50 | -0.4 | -92.8 | 1375 | 3238 | -0.3 | -28.8 | -39.9 | -62.4 | -0.5 | -0.1 | -2.5 |
| 25 | 375.00 | -0.4 | -91.2 | 1375 | 3238 | -0.3 | -28.8 | -36.6 | -53.1 | -0.4 | -0.1 | 2.0 |
| 26 | 387.50 | -0.3 | -89.7 | 1375 | 3238 | -0.3 | -27.7 | -33.1 | -44.0 | -0.3 | -0.1 | 7.5 |
| 27 | 400.00 | -0.4 | -87.9 | 1375 | 3238 | -0.3 | -27.7 | -30.6 | -35.1 | -0.2 | -0.1 | 13.0 |
| 28 | 412.50 | -0.8 | -103.3 | 1650 | 3885 | -0.5 | -26.6 | -27.7 | -30.6 | -0.2 | -0.1 | 18.5 |
| 29 | 427.50 | -0.5 | -52.0 | 1100 | 1790 | -0.4 | -22.9 | -11.1 | -10.7 | -0.1 | -0.1 | 24.0 |
| 30 | 437.50 | -0.2 | -57.8 | 1375 | 2238 | -0.4 | -25.5 | -11.1 | -10.7 | -0.1 | -0.1 | 29.5 |
| ROOF | 450.00 | -0.8 | -49.8 | 1375 | 2238 | -0.2 | -22.2 | -5.8 | -4.9 | -0.1 | -0.1 | 35.0 |

TABLE 7. SHEAR AND MOMENT DIAGRAMS
WIND DIRECTION 260

OLYMPIA AND YORK OFFICE TOWER, DALLAS
CONFIGURATION A REFERENCE PRESSURE 27.0 PSF

GUST FACTOR 1.32

| FLOOR | HEIGHT FT | X-FORCE KIPS | Y-FORCE KIPS | X-AREA SQ FT | Y-AREA SQ FT | X-PRESS PSF | Y-PRESS PSF | X-SHEAR KIPS | Y-SHEAR KIPS | X-MOMENT 1000-FT-KIPS | Y-MOMENT 1000-FT-KIPS | Z-MOMENT |
|-------|--------------|-----------------|-----------------|-----------------|-----------------|----------------|----------------|-----------------|-----------------|--------------------------|--------------------------|----------|
| GRND | 0.00 | -51.8 | -109.9 | 111.9 | 231.5 | -43.4 | -43.7 | -506.0 | -294.3 | 683.6 | -84.4 | -122.9 |
| LBBY | 20.00 | -189.2 | -422.0 | 417.9 | 370.8 | -40.2 | -43.1 | -454.2 | -283.3 | 625.5 | -74.8 | -120.4 |
| 2 | 87.50 | -14.5 | -79.9 | 137.9 | 333.8 | -10.6 | -24.4 | -264.9 | -241.2 | 448.8 | -50.8 | -103.3 |
| 3 | 100.00 | -13.0 | -78.8 | 137.9 | 333.8 | -9.5 | -24.4 | -250.4 | -233.3 | 419.1 | -47.7 | -100.0 |
| 4 | 112.50 | -11.1 | -77.7 | 137.9 | 333.8 | -8.4 | -24.4 | -237.7 | -225.3 | 390.4 | -44.2 | -96.7 |
| 5 | 125.00 | -10.0 | -76.6 | 137.9 | 333.8 | -7.3 | -24.4 | -225.5 | -217.5 | 362.7 | -41.4 | -93.8 |
| 6 | 137.50 | -8.8 | -75.5 | 137.9 | 333.8 | -6.2 | -24.4 | -215.8 | -209.9 | 336.6 | -38.8 | -90.6 |
| 7 | 150.00 | -7.7 | -74.4 | 137.9 | 333.8 | -5.1 | -24.4 | -207.3 | -202.3 | 310.3 | -35.5 | -87.7 |
| 8 | 162.50 | -6.6 | -73.3 | 137.9 | 333.8 | -4.4 | -24.4 | -200.4 | -194.9 | 285.4 | -33.3 | -84.8 |
| 9 | 175.00 | -6.6 | -72.2 | 137.9 | 333.8 | -4.4 | -24.4 | -193.7 | -187.4 | 261.5 | -30.9 | -81.9 |
| 10 | 187.50 | -6.6 | -71.1 | 137.9 | 333.8 | -4.4 | -24.4 | -187.7 | -179.7 | 238.8 | -28.8 | -79.9 |
| 11 | 200.00 | -6.6 | -70.0 | 137.9 | 333.8 | -4.4 | -24.4 | -180.9 | -172.0 | 216.6 | -26.6 | -77.0 |
| 12 | 212.50 | -6.6 | -68.9 | 137.9 | 333.8 | -4.4 | -24.4 | -174.9 | -164.1 | 195.5 | -24.4 | -74.9 |
| 13 | 225.00 | -6.6 | -67.8 | 137.9 | 333.8 | -4.4 | -24.4 | -168.8 | -156.1 | 175.5 | -22.1 | -72.0 |
| 14 | 237.50 | -6.6 | -66.7 | 137.9 | 333.8 | -4.4 | -24.4 | -162.6 | -147.9 | 156.6 | -19.9 | -69.9 |
| 15 | 250.00 | -6.6 | -65.6 | 137.9 | 333.8 | -4.4 | -24.4 | -156.6 | -139.6 | 138.8 | -17.7 | -67.7 |
| 16 | 262.50 | -6.6 | -64.5 | 137.9 | 333.8 | -4.4 | -24.4 | -149.9 | -131.1 | 121.1 | -15.5 | -65.5 |
| 17 | 275.00 | -6.6 | -63.4 | 137.9 | 333.8 | -4.4 | -24.4 | -141.1 | -122.4 | 105.5 | -14.1 | -63.4 |
| 18 | 287.50 | -6.6 | -62.3 | 137.9 | 333.8 | -4.4 | -24.4 | -134.4 | -113.6 | 91.1 | -12.4 | -61.1 |
| 19 | 300.00 | -6.6 | -61.2 | 137.9 | 333.8 | -4.4 | -24.4 | -126.6 | -104.6 | 77.4 | -10.6 | -58.8 |
| 20 | 312.50 | -6.6 | -60.1 | 137.9 | 333.8 | -4.4 | -24.4 | -117.7 | -95.6 | 64.4 | -9.9 | -56.6 |
| 21 | 325.00 | -6.6 | -59.0 | 137.9 | 333.8 | -4.4 | -24.4 | -109.9 | -86.5 | 53.3 | -7.7 | -54.5 |
| 22 | 337.50 | -6.6 | -57.9 | 137.9 | 333.8 | -4.4 | -24.4 | -100.4 | -77.4 | 44.4 | -6.6 | -52.4 |
| 23 | 350.00 | -6.6 | -56.8 | 137.9 | 333.8 | -4.4 | -24.4 | -91.1 | -68.3 | 36.6 | -5.5 | -50.3 |
| 24 | 362.50 | -6.6 | -55.7 | 137.9 | 333.8 | -4.4 | -24.4 | -82.2 | -59.1 | 28.8 | -4.4 | -48.1 |
| 25 | 375.00 | -6.6 | -54.6 | 137.9 | 333.8 | -4.4 | -24.4 | -72.7 | -50.0 | 19.9 | -3.3 | -45.9 |
| 26 | 387.50 | -6.6 | -53.5 | 137.9 | 333.8 | -4.4 | -24.4 | -62.2 | -41.3 | 11.1 | -2.2 | -43.7 |
| 27 | 400.00 | -6.6 | -52.4 | 137.9 | 333.8 | -4.4 | -24.4 | -53.3 | -32.8 | 3.3 | -1.1 | -41.5 |
| 28 | 412.50 | -6.6 | -51.3 | 137.9 | 333.8 | -4.4 | -24.4 | -42.2 | -24.5 | 1.1 | -1.1 | -39.3 |
| 29 | 425.00 | -6.6 | -50.2 | 137.9 | 333.8 | -4.4 | -24.4 | -33.0 | -14.9 | 0.0 | 0.0 | -37.1 |
| 30 | 437.50 | -6.6 | -49.1 | 137.9 | 333.8 | -4.4 | -24.4 | -21.1 | -5.5 | 0.0 | 0.0 | -34.9 |
| ROOF | 450.00 | -6.6 | -48.0 | 137.9 | 333.8 | -4.4 | -24.4 | -10.0 | -4.6 | 0.0 | 0.0 | -32.7 |

| TABLE 7. SHEAR AND MOMENT DIAGRAMS : OLYMPIA AND YORK OFFICE TOWER, DALLAS | | | | | | | | | | | | GUST FACTOR 1.32 | | |
|--|-----------|--------------|--------------|--------------|--------------|-------------|-------------|--------------|--------------|--------------|--------------|------------------|--|--|
| WIND DIRECTION 270 CONFIGURATION A REFERENCE PRESSURE 27.0 PSF | | | | | | | | | | | | | | |
| FLOOR | HEIGHT FT | X-FORCE KIPS | Y-FORCE KIPS | X-AREA SQ FT | Y-AREA SQ FT | X-PRESS PSF | Y-PRESS PSF | X-SHEAR KIPS | Y-SHEAR KIPS | X-MOMENT | Y-MOMENT | Z-MOMENT | | |
| | | | | | | | | | | 1000-FT-KIPS | 1000-FT-KIPS | 1000-FT-KIPS | | |
| GRND | 0.00 | -53.7 | -101.3 | 1195 | 2515 | -44.9 | -40.3 | -746.1 | -2750.2 | 633.6 | -144.4 | -111.1 | | |
| LBBY | 20.00 | -198.8 | -395.1 | 4708 | 9788 | -42.2 | -40.4 | -692.4 | -2648.8 | 582.6 | -132.0 | -100.0 | | |
| | 40.00 | -211.1 | -425.5 | 1375 | 3238 | -15.7 | -23.5 | -493.6 | -2253.8 | 417.7 | -92.0 | -73.0 | | |
| | 60.00 | -211.1 | -425.5 | 1375 | 3238 | -14.8 | -23.1 | -472.6 | -2177.7 | 389.9 | -86.0 | -69.0 | | |
| | 80.00 | -190.0 | -373.5 | 1375 | 3238 | -13.9 | -22.7 | -451.7 | -2102.9 | 362.2 | -80.2 | -65.0 | | |
| | 100.00 | -177.7 | -352.2 | 1375 | 3238 | -12.9 | -22.3 | -432.6 | -2029.9 | 335.5 | -74.7 | -61.0 | | |
| | 120.00 | -166.6 | -322.0 | 1375 | 3238 | -12.0 | -21.7 | -414.9 | -1957.7 | 311.1 | -69.9 | -58.0 | | |
| | 140.00 | -155.5 | -291.7 | 1375 | 3238 | -11.1 | -21.5 | -398.8 | -1886.6 | 287.7 | -65.4 | -55.0 | | |
| | 160.00 | -144.4 | -261.4 | 1375 | 3238 | -10.8 | -21.1 | -383.3 | -1816.6 | 264.4 | -61.4 | -52.0 | | |
| | 180.00 | -133.3 | -231.1 | 1375 | 3238 | -10.7 | -20.2 | -368.8 | -1745.5 | 241.1 | -57.4 | -49.0 | | |
| | 200.00 | -122.2 | -200.8 | 1375 | 3238 | -10.5 | -20.2 | -353.3 | -1673.3 | 222.2 | -53.4 | -46.0 | | |
| | 220.00 | -111.1 | -170.5 | 1375 | 3238 | -10.4 | -20.3 | -339.9 | -1600.0 | 200.0 | -49.9 | -43.0 | | |
| | 240.00 | -100.0 | -140.2 | 1375 | 3238 | -10.2 | -20.3 | -324.4 | -1526.6 | 181.1 | -46.4 | -40.0 | | |
| | 260.00 | -88.9 | -109.9 | 1375 | 3238 | -10.0 | -20.4 | -310.0 | -1450.0 | 162.2 | -43.0 | -37.0 | | |
| | 280.00 | -77.8 | -79.6 | 1375 | 3238 | -9.7 | -20.4 | -295.6 | -1373.3 | 144.4 | -39.9 | -34.0 | | |
| | 300.00 | -66.7 | -49.3 | 1375 | 3238 | -9.5 | -20.4 | -281.1 | -1296.6 | 128.8 | -36.6 | -31.0 | | |
| | 320.00 | -55.6 | -19.0 | 1375 | 3238 | -9.3 | -20.5 | -266.6 | -1220.0 | 111.1 | -33.3 | -28.0 | | |
| | 340.00 | -44.5 | 11.3 | 1375 | 3238 | -9.1 | -20.5 | -251.1 | -1143.3 | 93.3 | -30.0 | -25.0 | | |
| | 360.00 | -33.4 | 41.6 | 1375 | 3238 | -8.9 | -20.5 | -235.5 | -1066.6 | 75.5 | -26.6 | -22.0 | | |
| | 380.00 | -22.3 | 71.9 | 1375 | 3238 | -8.7 | -20.6 | -219.9 | -990.0 | 57.7 | -23.3 | -19.0 | | |
| | 400.00 | -11.2 | 102.2 | 1375 | 3238 | -8.5 | -20.6 | -202.2 | -913.3 | 40.0 | -20.0 | -16.0 | | |
| | 420.00 | 0.0 | 132.5 | 1375 | 3238 | -8.3 | -20.6 | -186.6 | -836.6 | 22.2 | -16.6 | -13.0 | | |
| | 440.00 | 11.1 | 162.8 | 1375 | 3238 | -8.1 | -20.6 | -169.9 | -760.0 | 4.4 | -13.3 | -10.0 | | |
| | 460.00 | 22.2 | 193.1 | 1375 | 3238 | -7.9 | -20.6 | -153.3 | -683.3 | -13.3 | -10.0 | -7.0 | | |
| | 480.00 | 33.3 | 223.4 | 1375 | 3238 | -7.7 | -20.5 | -136.6 | -606.6 | -31.1 | -6.6 | -4.0 | | |
| | 500.00 | 44.4 | 253.7 | 1375 | 3238 | -7.5 | -20.5 | -119.9 | -530.0 | -48.8 | -3.3 | -1.0 | | |
| | 520.00 | 55.5 | 284.0 | 1375 | 3238 | -7.3 | -20.5 | -103.3 | -453.3 | -66.6 | 0.0 | 2.0 | | |
| | 540.00 | 66.6 | 314.3 | 1375 | 3238 | -7.1 | -20.5 | -86.6 | -376.6 | -84.4 | 3.3 | 5.0 | | |
| | 560.00 | 77.7 | 344.6 | 1375 | 3238 | -6.9 | -20.4 | -70.0 | -300.0 | -102.2 | 6.6 | 8.0 | | |
| | 580.00 | 88.8 | 374.9 | 1375 | 3238 | -6.7 | -20.4 | -53.3 | -223.3 | -120.0 | 10.0 | 11.0 | | |
| | 600.00 | 99.9 | 405.2 | 1375 | 3238 | -6.5 | -20.4 | -36.6 | -146.6 | -137.7 | 13.3 | 14.0 | | |
| | 620.00 | 111.0 | 435.5 | 1375 | 3238 | -6.3 | -20.3 | -20.0 | -70.0 | -155.5 | 16.6 | 17.0 | | |
| | 640.00 | 122.1 | 465.8 | 1375 | 3238 | -6.1 | -20.3 | -3.3 | -4.4 | -173.3 | 20.0 | 20.0 | | |
| | 660.00 | 133.2 | 496.1 | 1375 | 3238 | -5.9 | -20.3 | 3.3 | 3.3 | -191.1 | 23.3 | 23.0 | | |
| | 680.00 | 144.3 | 526.4 | 1375 | 3238 | -5.7 | -20.3 | 16.6 | 16.6 | -208.8 | 26.6 | 26.0 | | |
| | 700.00 | 155.4 | 556.7 | 1375 | 3238 | -5.5 | -20.3 | 30.0 | 30.0 | -226.6 | 30.0 | 29.0 | | |
| | 720.00 | 166.5 | 587.0 | 1375 | 3238 | -5.3 | -20.3 | 43.3 | 43.3 | -244.4 | 33.3 | 32.0 | | |
| | 740.00 | 177.6 | 617.3 | 1375 | 3238 | -5.1 | -20.3 | 56.6 | 56.6 | -262.2 | 36.6 | 35.0 | | |
| | 760.00 | 188.7 | 647.6 | 1375 | 3238 | -4.9 | -20.3 | 70.0 | 70.0 | -280.0 | 40.0 | 38.0 | | |
| | 780.00 | 199.8 | 677.9 | 1375 | 3238 | -4.7 | -20.3 | 83.3 | 83.3 | -297.7 | 43.3 | 41.0 | | |
| | 800.00 | 210.9 | 708.2 | 1375 | 3238 | -4.5 | -20.3 | 96.6 | 96.6 | -315.5 | 46.6 | 44.0 | | |
| | 820.00 | 222.0 | 738.5 | 1375 | 3238 | -4.3 | -20.3 | 110.0 | 110.0 | -333.3 | 50.0 | 47.0 | | |
| | 840.00 | 233.1 | 768.8 | 1375 | 3238 | -4.1 | -20.3 | 123.3 | 123.3 | -351.1 | 53.3 | 50.0 | | |
| | 860.00 | 244.2 | 799.1 | 1375 | 3238 | -3.9 | -20.3 | 136.6 | 136.6 | -368.8 | 56.6 | 53.0 | | |
| | 880.00 | 255.3 | 829.4 | 1375 | 3238 | -3.7 | -20.3 | 150.0 | 150.0 | -386.6 | 60.0 | 56.0 | | |
| | 900.00 | 266.4 | 859.7 | 1375 | 3238 | -3.5 | -20.3 | 163.3 | 163.3 | -404.4 | 63.3 | 59.0 | | |
| | 920.00 | 277.5 | 890.0 | 1375 | 3238 | -3.3 | -20.3 | 176.6 | 176.6 | -422.2 | 66.6 | 62.0 | | |
| | 940.00 | 288.6 | 920.3 | 1375 | 3238 | -3.1 | -20.3 | 190.0 | 190.0 | -440.0 | 70.0 | 65.0 | | |
| | 960.00 | 299.7 | 950.6 | 1375 | 3238 | -2.9 | -20.3 | 203.3 | 203.3 | -457.7 | 73.3 | 68.0 | | |
| | 980.00 | 310.8 | 980.9 | 1375 | 3238 | -2.7 | -20.3 | 216.6 | 216.6 | -475.5 | 76.6 | 71.0 | | |
| | 1000.00 | 321.9 | 1011.2 | 1375 | 3238 | -2.5 | -20.3 | 230.0 | 230.0 | -493.3 | 80.0 | 74.0 | | |
| ROOF | 450.00 | 11.1 | 11.1 | 1375 | 2238 | -10.9 | -18.6 | -15.1 | -41.5 | 3.3 | 1.1 | 1.1 | | |

TABLE 7. SHEAR AND MOMENT DIAGRAMS :
WIND DIRECTION 290

OLYMPIA AND YORK OFFICE TOWER, DALLAS
CONFIGURATION A
REFERENCE PRESSURE 27.0 PSF

GUST FACTOR 1.32

| FLOOR | HEIGHT FT | X-FORCE KIPS | Y-FORCE KIPS | X-AREA SQ FT | Y-AREA SQ FT | X-PRESS PSF | Y-PRESS PSF | X-SHEAR KIPS | Y-SHEAR KIPS | X-MOMENT 1000-FT-KIPS | Y-MOMENT 1000-FT-KIPS | Z-MOMENT 1000-FT-KIPS |
|-------|--------------|-----------------|-----------------|-----------------|-----------------|----------------|----------------|-----------------|-----------------|--------------------------|--------------------------|--------------------------|
| GRND | 0 | 0 | 0 | 1195 | 2515 | -42.1 | 35.1 | -11.1 | -2.2 | 5.5 | -2.6 | -1.0 |
| LBB | 0 | 0 | 0 | 4708 | 9751 | -41.7 | 34.0 | -10.8 | -2.2 | 5.5 | -2.6 | -1.0 |
| 1 | 20 | 1.1 | -0.9 | 1377 | 3377 | -22.1 | 21.4 | -3.3 | 3.3 | 1.1 | -0.9 | 0.0 |
| 2 | 40 | 2.2 | -1.8 | 1377 | 3377 | -22.0 | 21.4 | -3.3 | 3.3 | 2.2 | -1.8 | 0.0 |
| 3 | 60 | 3.3 | -2.7 | 1377 | 3377 | -22.0 | 21.4 | -3.3 | 3.3 | 3.3 | -2.7 | 0.0 |
| 4 | 80 | 4.4 | -3.6 | 1377 | 3377 | -22.0 | 21.4 | -3.3 | 3.3 | 4.4 | -3.6 | 0.0 |
| 5 | 100 | 5.5 | -4.5 | 1377 | 3377 | -22.0 | 21.4 | -3.3 | 3.3 | 5.5 | -4.5 | 0.0 |
| 6 | 120 | 6.6 | -5.4 | 1377 | 3377 | -22.0 | 21.4 | -3.3 | 3.3 | 6.6 | -5.4 | 0.0 |
| 7 | 140 | 7.7 | -6.3 | 1377 | 3377 | -22.0 | 21.4 | -3.3 | 3.3 | 7.7 | -6.3 | 0.0 |
| 8 | 160 | 8.8 | -7.2 | 1377 | 3377 | -22.0 | 21.4 | -3.3 | 3.3 | 8.8 | -7.2 | 0.0 |
| 9 | 180 | 9.9 | -8.1 | 1377 | 3377 | -22.0 | 21.4 | -3.3 | 3.3 | 9.9 | -8.1 | 0.0 |
| 10 | 200 | 11.0 | -9.0 | 1377 | 3377 | -22.0 | 21.4 | -3.3 | 3.3 | 11.0 | -9.0 | 0.0 |
| 11 | 220 | 12.1 | -9.9 | 1377 | 3377 | -22.0 | 21.4 | -3.3 | 3.3 | 12.1 | -9.9 | 0.0 |
| 12 | 240 | 13.2 | -10.8 | 1377 | 3377 | -22.0 | 21.4 | -3.3 | 3.3 | 13.2 | -10.8 | 0.0 |
| 13 | 260 | 14.3 | -11.7 | 1377 | 3377 | -22.0 | 21.4 | -3.3 | 3.3 | 14.3 | -11.7 | 0.0 |
| 14 | 280 | 15.4 | -12.6 | 1377 | 3377 | -22.0 | 21.4 | -3.3 | 3.3 | 15.4 | -12.6 | 0.0 |
| 15 | 300 | 16.5 | -13.5 | 1377 | 3377 | -22.0 | 21.4 | -3.3 | 3.3 | 16.5 | -13.5 | 0.0 |
| 16 | 320 | 17.6 | -14.4 | 1377 | 3377 | -22.0 | 21.4 | -3.3 | 3.3 | 17.6 | -14.4 | 0.0 |
| 17 | 340 | 18.7 | -15.3 | 1377 | 3377 | -22.0 | 21.4 | -3.3 | 3.3 | 18.7 | -15.3 | 0.0 |
| 18 | 360 | 19.8 | -16.2 | 1377 | 3377 | -22.0 | 21.4 | -3.3 | 3.3 | 19.8 | -16.2 | 0.0 |
| 19 | 380 | 20.9 | -17.1 | 1377 | 3377 | -22.0 | 21.4 | -3.3 | 3.3 | 20.9 | -17.1 | 0.0 |
| 20 | 400 | 22.0 | -18.0 | 1377 | 3377 | -22.0 | 21.4 | -3.3 | 3.3 | 22.0 | -18.0 | 0.0 |
| 21 | 420 | 23.1 | -18.9 | 1377 | 3377 | -22.0 | 21.4 | -3.3 | 3.3 | 23.1 | -18.9 | 0.0 |
| 22 | 440 | 24.2 | -19.8 | 1377 | 3377 | -22.0 | 21.4 | -3.3 | 3.3 | 24.2 | -19.8 | 0.0 |
| 23 | 460 | 25.3 | -20.7 | 1377 | 3377 | -22.0 | 21.4 | -3.3 | 3.3 | 25.3 | -20.7 | 0.0 |
| 24 | 480 | 26.4 | -21.6 | 1377 | 3377 | -22.0 | 21.4 | -3.3 | 3.3 | 26.4 | -21.6 | 0.0 |
| 25 | 500 | 27.5 | -22.5 | 1377 | 3377 | -22.0 | 21.4 | -3.3 | 3.3 | 27.5 | -22.5 | 0.0 |
| 26 | 520 | 28.6 | -23.4 | 1377 | 3377 | -22.0 | 21.4 | -3.3 | 3.3 | 28.6 | -23.4 | 0.0 |
| 27 | 540 | 29.7 | -24.3 | 1377 | 3377 | -22.0 | 21.4 | -3.3 | 3.3 | 29.7 | -24.3 | 0.0 |
| 28 | 560 | 30.8 | -25.2 | 1377 | 3377 | -22.0 | 21.4 | -3.3 | 3.3 | 30.8 | -25.2 | 0.0 |
| 29 | 580 | 31.9 | -26.1 | 1377 | 3377 | -22.0 | 21.4 | -3.3 | 3.3 | 31.9 | -26.1 | 0.0 |
| 30 | 600 | 33.0 | -27.0 | 1377 | 3377 | -22.0 | 21.4 | -3.3 | 3.3 | 33.0 | -27.0 | 0.0 |
| 31 | 620 | 34.1 | -27.9 | 1377 | 3377 | -22.0 | 21.4 | -3.3 | 3.3 | 34.1 | -27.9 | 0.0 |
| 32 | 640 | 35.2 | -28.8 | 1377 | 3377 | -22.0 | 21.4 | -3.3 | 3.3 | 35.2 | -28.8 | 0.0 |
| 33 | 660 | 36.3 | -29.7 | 1377 | 3377 | -22.0 | 21.4 | -3.3 | 3.3 | 36.3 | -29.7 | 0.0 |
| 34 | 680 | 37.4 | -30.6 | 1377 | 3377 | -22.0 | 21.4 | -3.3 | 3.3 | 37.4 | -30.6 | 0.0 |
| 35 | 700 | 38.5 | -31.5 | 1377 | 3377 | -22.0 | 21.4 | -3.3 | 3.3 | 38.5 | -31.5 | 0.0 |
| 36 | 720 | 39.6 | -32.4 | 1377 | 3377 | -22.0 | 21.4 | -3.3 | 3.3 | 39.6 | -32.4 | 0.0 |
| 37 | 740 | 40.7 | -33.3 | 1377 | 3377 | -22.0 | 21.4 | -3.3 | 3.3 | 40.7 | -33.3 | 0.0 |
| 38 | 760 | 41.8 | -34.2 | 1377 | 3377 | -22.0 | 21.4 | -3.3 | 3.3 | 41.8 | -34.2 | 0.0 |
| 39 | 780 | 42.9 | -35.1 | 1377 | 3377 | -22.0 | 21.4 | -3.3 | 3.3 | 42.9 | -35.1 | 0.0 |
| 40 | 800 | 44.0 | -36.0 | 1377 | 3377 | -22.0 | 21.4 | -3.3 | 3.3 | 44.0 | -36.0 | 0.0 |
| 41 | 820 | 45.1 | -36.9 | 1377 | 3377 | -22.0 | 21.4 | -3.3 | 3.3 | 45.1 | -36.9 | 0.0 |
| 42 | 840 | 46.2 | -37.8 | 1377 | 3377 | -22.0 | 21.4 | -3.3 | 3.3 | 46.2 | -37.8 | 0.0 |
| 43 | 860 | 47.3 | -38.7 | 1377 | 3377 | -22.0 | 21.4 | -3.3 | 3.3 | 47.3 | -38.7 | 0.0 |
| 44 | 880 | 48.4 | -39.6 | 1377 | 3377 | -22.0 | 21.4 | -3.3 | 3.3 | 48.4 | -39.6 | 0.0 |
| 45 | 900 | 49.5 | -40.5 | 1377 | 3377 | -22.0 | 21.4 | -3.3 | 3.3 | 49.5 | -40.5 | 0.0 |
| 46 | 920 | 50.6 | -41.4 | 1377 | 3377 | -22.0 | 21.4 | -3.3 | 3.3 | 50.6 | -41.4 | 0.0 |
| 47 | 940 | 51.7 | -42.3 | 1377 | 3377 | -22.0 | 21.4 | -3.3 | 3.3 | 51.7 | -42.3 | 0.0 |
| 48 | 960 | 52.8 | -43.2 | 1377 | 3377 | -22.0 | 21.4 | -3.3 | 3.3 | 52.8 | -43.2 | 0.0 |
| 49 | 980 | 53.9 | -44.1 | 1377 | 3377 | -22.0 | 21.4 | -3.3 | 3.3 | 53.9 | -44.1 | 0.0 |
| 50 | 1000 | 55.0 | -45.0 | 1377 | 3377 | -22.0 | 21.4 | -3.3 | 3.3 | 55.0 | -45.0 | 0.0 |
| ROOF | 0 | 0 | 0 | 1377 | 3377 | -22.0 | 21.4 | -3.3 | 3.3 | 0.0 | 0.0 | 0.0 |

TABLE 7. SHEAR AND MOMENT DIAGRAMS :
WIND DIRECTION 300

OLYMPIA AND YORK OFFICE TOWER, DALLAS
CONFIGURATION A REFERENCE PRESSURE 27.0 PSF

GUST FACTOR 1.32

| FLOOR | HEIGHT FT | X-FORCE KIPS | Y-FORCE KIPS | X-AREA SQ FT | Y-AREA SQ FT | X-PRESS PSF | Y-PRESS PSF | X-SHEAR KIPS | Y-SHEAR KIPS | X-MOMENT 1000-FT-KIPS | Y-MOMENT 1000-FT-KIPS | Z-MOMENT |
|-------|--------------|-----------------|-----------------|-----------------|-----------------|----------------|----------------|-----------------|-----------------|--------------------------|--------------------------|----------|
| GRND | 0.00 | -4.67 | -63.3 | 1195 | 2515 | -39.1 | -25.2 | -1177.1 | -200.9 | 4.5 | -2.7 | -1.1 |
| LBB | 0.00 | -1.4 | -316.4 | 4708 | 9788 | -41.8 | -32.3 | -1112.5 | -199.5 | 4.5 | -2.7 | -1.1 |
| 3 | 87.50 | -1.4 | -60.3 | 13775 | 32338 | -24.2 | -18.6 | -922.5 | -167.9 | 2.2 | -1.1 | -0.4 |
| 4 | 100.00 | -1.4 | -60.3 | 13775 | 32338 | -24.2 | -18.6 | -806.6 | -155.5 | 2.2 | -1.1 | -0.4 |
| 5 | 112.50 | -1.4 | -60.3 | 13775 | 32338 | -24.2 | -18.6 | -690.7 | -143.1 | 2.2 | -1.1 | -0.4 |
| 6 | 125.00 | -1.4 | -60.3 | 13775 | 32338 | -24.2 | -18.6 | -574.8 | -130.7 | 2.2 | -1.1 | -0.4 |
| 7 | 137.50 | -1.4 | -60.3 | 13775 | 32338 | -24.2 | -18.6 | -458.9 | -118.3 | 2.2 | -1.1 | -0.4 |
| 8 | 150.00 | -1.4 | -60.3 | 13775 | 32338 | -24.2 | -18.6 | -343.0 | -105.9 | 2.2 | -1.1 | -0.4 |
| 9 | 162.50 | -1.4 | -60.3 | 13775 | 32338 | -24.2 | -18.6 | -227.1 | -93.5 | 2.2 | -1.1 | -0.4 |
| 10 | 175.00 | -1.4 | -60.3 | 13775 | 32338 | -24.2 | -18.6 | -111.2 | -81.1 | 2.2 | -1.1 | -0.4 |
| 11 | 187.50 | -1.4 | -60.3 | 13775 | 32338 | -24.2 | -18.6 | 5.7 | -68.7 | 2.2 | -1.1 | -0.4 |
| 12 | 200.00 | -1.4 | -60.3 | 13775 | 32338 | -24.2 | -18.6 | 19.6 | -56.3 | 2.2 | -1.1 | -0.4 |
| 13 | 212.50 | -1.4 | -60.3 | 13775 | 32338 | -24.2 | -18.6 | 33.5 | -43.9 | 2.2 | -1.1 | -0.4 |
| 14 | 225.00 | -1.4 | -60.3 | 13775 | 32338 | -24.2 | -18.6 | 47.4 | -31.5 | 2.2 | -1.1 | -0.4 |
| 15 | 237.50 | -1.4 | -60.3 | 13775 | 32338 | -24.2 | -18.6 | 61.3 | -19.1 | 2.2 | -1.1 | -0.4 |
| 16 | 250.00 | -1.4 | -60.3 | 13775 | 32338 | -24.2 | -18.6 | 75.2 | -6.7 | 2.2 | -1.1 | -0.4 |
| 17 | 262.50 | -1.4 | -60.3 | 13775 | 32338 | -24.2 | -18.6 | 89.1 | 5.7 | 2.2 | -1.1 | -0.4 |
| 18 | 275.00 | -1.4 | -60.3 | 13775 | 32338 | -24.2 | -18.6 | 103.0 | 18.3 | 2.2 | -1.1 | -0.4 |
| 19 | 287.50 | -1.4 | -60.3 | 13775 | 32338 | -24.2 | -18.6 | 116.9 | 30.9 | 2.2 | -1.1 | -0.4 |
| 20 | 300.00 | -1.4 | -60.3 | 13775 | 32338 | -24.2 | -18.6 | 130.8 | 43.5 | 2.2 | -1.1 | -0.4 |
| 21 | 312.50 | -1.4 | -60.3 | 13775 | 32338 | -24.2 | -18.6 | 144.7 | 56.1 | 2.2 | -1.1 | -0.4 |
| 22 | 325.00 | -1.4 | -60.3 | 13775 | 32338 | -24.2 | -18.6 | 158.6 | 68.7 | 2.2 | -1.1 | -0.4 |
| 23 | 337.50 | -1.4 | -60.3 | 13775 | 32338 | -24.2 | -18.6 | 172.5 | 81.3 | 2.2 | -1.1 | -0.4 |
| 24 | 350.00 | -1.4 | -60.3 | 13775 | 32338 | -24.2 | -18.6 | 186.4 | 93.9 | 2.2 | -1.1 | -0.4 |
| 25 | 362.50 | -1.4 | -60.3 | 13775 | 32338 | -24.2 | -18.6 | 200.3 | 106.5 | 2.2 | -1.1 | -0.4 |
| 26 | 375.00 | -1.4 | -60.3 | 13775 | 32338 | -24.2 | -18.6 | 214.2 | 119.1 | 2.2 | -1.1 | -0.4 |
| 27 | 387.50 | -1.4 | -60.3 | 13775 | 32338 | -24.2 | -18.6 | 228.1 | 131.7 | 2.2 | -1.1 | -0.4 |
| 28 | 400.00 | -1.4 | -60.3 | 13775 | 32338 | -24.2 | -18.6 | 242.0 | 144.3 | 2.2 | -1.1 | -0.4 |
| 29 | 412.50 | -1.4 | -60.3 | 13775 | 32338 | -24.2 | -18.6 | 255.9 | 156.9 | 2.2 | -1.1 | -0.4 |
| 30 | 425.00 | -1.4 | -60.3 | 13775 | 32338 | -24.2 | -18.6 | 269.8 | 169.5 | 2.2 | -1.1 | -0.4 |
| 31 | 437.50 | -1.4 | -60.3 | 13775 | 32338 | -24.2 | -18.6 | 283.7 | 182.1 | 2.2 | -1.1 | -0.4 |
| 32 | 450.00 | -1.4 | -60.3 | 13775 | 32338 | -24.2 | -18.6 | 297.6 | 194.7 | 2.2 | -1.1 | -0.4 |
| ROOF | 450.00 | -1.4 | -60.3 | 13775 | 32338 | -24.2 | -18.6 | 311.5 | 207.3 | 2.2 | -1.1 | -0.4 |

TABLE 7. SHEAR AND MOMENT DIAGRAMS
WIND DIRECTION 310

OLYMPIA AND YORK OFFICE TOWER, DALLAS
CONFIGURATION A
REFERENCE PRESSURE 27.0 PSF

GUST FACTOR 1.32

| FLOOR | HEIGHT FT | X-FORCE KIPS | Y-FORCE KIPS | X-AREA SQ FT | Y-AREA SQ FT | X-PRESS PSF | Y-PRESS PSF | X-SHEAR KIPS | Y-SHEAR KIPS | X-MOMENT 1000-FT-KIPS | Y-MOMENT 1000-FT-KIPS | Z-MOMENT |
|-------|--------------|-----------------|-----------------|-----------------|-----------------|----------------|----------------|-----------------|-----------------|--------------------------|--------------------------|----------|
| GRND | 0.00 | -45.2 | -19.1 | 119.5 | 22.5 | -1.3 | -.6 | -11.2 | -11.8 | 23.3 | -27.2 | 10.2 |
| LBB | 2.00 | -20.2 | -25.5 | 47.7 | 37.8 | -1.3 | -.7 | -11.2 | -11.8 | 23.3 | -27.2 | 10.2 |
| 1 | 2.50 | -11.1 | -14.4 | 13.7 | 10.8 | -1.3 | -.7 | -11.2 | -11.8 | 23.3 | -27.2 | 10.2 |
| 2 | 5.00 | -6.7 | -9.4 | 9.4 | 7.9 | -1.3 | -.7 | -11.2 | -11.8 | 23.3 | -27.2 | 10.2 |
| 3 | 7.50 | -4.4 | -6.2 | 6.2 | 5.3 | -1.3 | -.7 | -11.2 | -11.8 | 23.3 | -27.2 | 10.2 |
| 4 | 10.00 | -3.3 | -4.4 | 4.4 | 3.9 | -1.3 | -.7 | -11.2 | -11.8 | 23.3 | -27.2 | 10.2 |
| 5 | 12.50 | -2.2 | -3.3 | 3.3 | 2.9 | -1.3 | -.7 | -11.2 | -11.8 | 23.3 | -27.2 | 10.2 |
| 6 | 15.00 | -1.1 | -2.2 | 2.2 | 2.0 | -1.3 | -.7 | -11.2 | -11.8 | 23.3 | -27.2 | 10.2 |
| 7 | 17.50 | -1.1 | -1.1 | 1.1 | 1.5 | -1.3 | -.7 | -11.2 | -11.8 | 23.3 | -27.2 | 10.2 |
| 8 | 20.00 | -1.1 | -1.1 | 1.1 | 1.1 | -1.3 | -.7 | -11.2 | -11.8 | 23.3 | -27.2 | 10.2 |
| 9 | 22.50 | -1.1 | -1.1 | 1.1 | .8 | -1.3 | -.7 | -11.2 | -11.8 | 23.3 | -27.2 | 10.2 |
| 10 | 25.00 | -1.1 | -1.1 | 1.1 | .6 | -1.3 | -.7 | -11.2 | -11.8 | 23.3 | -27.2 | 10.2 |
| 11 | 27.50 | -1.1 | -1.1 | 1.1 | .4 | -1.3 | -.7 | -11.2 | -11.8 | 23.3 | -27.2 | 10.2 |
| 12 | 30.00 | -1.1 | -1.1 | 1.1 | .3 | -1.3 | -.7 | -11.2 | -11.8 | 23.3 | -27.2 | 10.2 |
| 13 | 32.50 | -1.1 | -1.1 | 1.1 | .2 | -1.3 | -.7 | -11.2 | -11.8 | 23.3 | -27.2 | 10.2 |
| 14 | 35.00 | -1.1 | -1.1 | 1.1 | .1 | -1.3 | -.7 | -11.2 | -11.8 | 23.3 | -27.2 | 10.2 |
| 15 | 37.50 | -1.1 | -1.1 | 1.1 | .1 | -1.3 | -.7 | -11.2 | -11.8 | 23.3 | -27.2 | 10.2 |
| 16 | 40.00 | -1.1 | -1.1 | 1.1 | .1 | -1.3 | -.7 | -11.2 | -11.8 | 23.3 | -27.2 | 10.2 |
| 17 | 42.50 | -1.1 | -1.1 | 1.1 | .1 | -1.3 | -.7 | -11.2 | -11.8 | 23.3 | -27.2 | 10.2 |
| 18 | 45.00 | -1.1 | -1.1 | 1.1 | .1 | -1.3 | -.7 | -11.2 | -11.8 | 23.3 | -27.2 | 10.2 |
| 19 | 47.50 | -1.1 | -1.1 | 1.1 | .1 | -1.3 | -.7 | -11.2 | -11.8 | 23.3 | -27.2 | 10.2 |
| 20 | 50.00 | -1.1 | -1.1 | 1.1 | .1 | -1.3 | -.7 | -11.2 | -11.8 | 23.3 | -27.2 | 10.2 |
| 21 | 52.50 | -1.1 | -1.1 | 1.1 | .1 | -1.3 | -.7 | -11.2 | -11.8 | 23.3 | -27.2 | 10.2 |
| 22 | 55.00 | -1.1 | -1.1 | 1.1 | .1 | -1.3 | -.7 | -11.2 | -11.8 | 23.3 | -27.2 | 10.2 |
| 23 | 57.50 | -1.1 | -1.1 | 1.1 | .1 | -1.3 | -.7 | -11.2 | -11.8 | 23.3 | -27.2 | 10.2 |
| 24 | 60.00 | -1.1 | -1.1 | 1.1 | .1 | -1.3 | -.7 | -11.2 | -11.8 | 23.3 | -27.2 | 10.2 |
| 25 | 62.50 | -1.1 | -1.1 | 1.1 | .1 | -1.3 | -.7 | -11.2 | -11.8 | 23.3 | -27.2 | 10.2 |
| 26 | 65.00 | -1.1 | -1.1 | 1.1 | .1 | -1.3 | -.7 | -11.2 | -11.8 | 23.3 | -27.2 | 10.2 |
| 27 | 67.50 | -1.1 | -1.1 | 1.1 | .1 | -1.3 | -.7 | -11.2 | -11.8 | 23.3 | -27.2 | 10.2 |
| 28 | 70.00 | -1.1 | -1.1 | 1.1 | .1 | -1.3 | -.7 | -11.2 | -11.8 | 23.3 | -27.2 | 10.2 |
| 29 | 72.50 | -1.1 | -1.1 | 1.1 | .1 | -1.3 | -.7 | -11.2 | -11.8 | 23.3 | -27.2 | 10.2 |
| 30 | 75.00 | -1.1 | -1.1 | 1.1 | .1 | -1.3 | -.7 | -11.2 | -11.8 | 23.3 | -27.2 | 10.2 |
| 31 | 77.50 | -1.1 | -1.1 | 1.1 | .1 | -1.3 | -.7 | -11.2 | -11.8 | 23.3 | -27.2 | 10.2 |
| 32 | 80.00 | -1.1 | -1.1 | 1.1 | .1 | -1.3 | -.7 | -11.2 | -11.8 | 23.3 | -27.2 | 10.2 |
| 33 | 82.50 | -1.1 | -1.1 | 1.1 | .1 | -1.3 | -.7 | -11.2 | -11.8 | 23.3 | -27.2 | 10.2 |
| 34 | 85.00 | -1.1 | -1.1 | 1.1 | .1 | -1.3 | -.7 | -11.2 | -11.8 | 23.3 | -27.2 | 10.2 |
| 35 | 87.50 | -1.1 | -1.1 | 1.1 | .1 | -1.3 | -.7 | -11.2 | -11.8 | 23.3 | -27.2 | 10.2 |
| 36 | 90.00 | -1.1 | -1.1 | 1.1 | .1 | -1.3 | -.7 | -11.2 | -11.8 | 23.3 | -27.2 | 10.2 |
| 37 | 92.50 | -1.1 | -1.1 | 1.1 | .1 | -1.3 | -.7 | -11.2 | -11.8 | 23.3 | -27.2 | 10.2 |
| 38 | 95.00 | -1.1 | -1.1 | 1.1 | .1 | -1.3 | -.7 | -11.2 | -11.8 | 23.3 | -27.2 | 10.2 |
| 39 | 97.50 | -1.1 | -1.1 | 1.1 | .1 | -1.3 | -.7 | -11.2 | -11.8 | 23.3 | -27.2 | 10.2 |
| 40 | 100.00 | -1.1 | -1.1 | 1.1 | .1 | -1.3 | -.7 | -11.2 | -11.8 | 23.3 | -27.2 | 10.2 |

TABLE 7. SHEAR AND MOMENT DIAGRAMS :
WIND DIRECTION 320

OLYMPIA AND YORK OFFICE TOWER, DALLAS
CONFIGURATION A
REFERENCE PRESSURE 27.0 PSF

GUST FACTOR 1.32

| FLOOR | HEIGHT FT | X-FORCE KIPS | Y-FORCE KIPS | X-AREA SQ FT | Y-AREA SQ FT | X-PRESS PSF | Y-PRESS PSF | X-SHEAR KIPS | Y-SHEAR KIPS | X-MOMENT 1000-FT-KIPS | Y-MOMENT 1000-FT-KIPS | Z-MOMENT |
|-------|--------------|-----------------|-----------------|-----------------|-----------------|----------------|----------------|-----------------|-----------------|--------------------------|--------------------------|----------|
| GRND | 0 | 0 | 0 | 119 | 251 | 0 | 0 | 0 | 0 | 0 | 0 | 0 |
| LB | 0 | 4.7 | -14.2 | 119 | 251 | 3.9 | -5.6 | -13.1 | -64.8 | 93.0 | -30.0 | 51 |
| B | 2 | 4.7 | -14.2 | 137 | 297 | 3.9 | -5.6 | -13.1 | -64.8 | 80.1 | -27.4 | 49 |
| 2 | 4 | 4.4 | -13.5 | 137 | 297 | 3.9 | -5.6 | -13.1 | -64.8 | 44.8 | -19.6 | 43 |
| 3 | 6 | 4.4 | -13.5 | 137 | 297 | 3.9 | -5.6 | -13.1 | -64.8 | 33.3 | -14.3 | 40 |
| 4 | 8 | 4.4 | -13.5 | 137 | 297 | 3.9 | -5.6 | -13.1 | -64.8 | 24.8 | -10.5 | 37 |
| 5 | 10 | 4.4 | -13.5 | 137 | 297 | 3.9 | -5.6 | -13.1 | -64.8 | 18.4 | -7.8 | 34 |
| 6 | 12 | 4.4 | -13.5 | 137 | 297 | 3.9 | -5.6 | -13.1 | -64.8 | 13.0 | -5.7 | 31 |
| 7 | 14 | 4.4 | -13.5 | 137 | 297 | 3.9 | -5.6 | -13.1 | -64.8 | 8.6 | -4.2 | 28 |
| 8 | 16 | 4.4 | -13.5 | 137 | 297 | 3.9 | -5.6 | -13.1 | -64.8 | 5.2 | -3.0 | 25 |
| 9 | 18 | 4.4 | -13.5 | 137 | 297 | 3.9 | -5.6 | -13.1 | -64.8 | 2.8 | -2.1 | 22 |
| 10 | 20 | 4.4 | -13.5 | 137 | 297 | 3.9 | -5.6 | -13.1 | -64.8 | 1.4 | -1.5 | 19 |
| 11 | 22 | 4.4 | -13.5 | 137 | 297 | 3.9 | -5.6 | -13.1 | -64.8 | 0.9 | -1.0 | 16 |
| 12 | 24 | 4.4 | -13.5 | 137 | 297 | 3.9 | -5.6 | -13.1 | -64.8 | 0.4 | -0.7 | 13 |
| 13 | 26 | 4.4 | -13.5 | 137 | 297 | 3.9 | -5.6 | -13.1 | -64.8 | 0.0 | -0.5 | 10 |
| 14 | 28 | 4.4 | -13.5 | 137 | 297 | 3.9 | -5.6 | -13.1 | -64.8 | 0.0 | -0.4 | 8 |
| 15 | 30 | 4.4 | -13.5 | 137 | 297 | 3.9 | -5.6 | -13.1 | -64.8 | 0.0 | -0.3 | 6 |
| 16 | 32 | 4.4 | -13.5 | 137 | 297 | 3.9 | -5.6 | -13.1 | -64.8 | 0.0 | -0.2 | 4 |
| 17 | 34 | 4.4 | -13.5 | 137 | 297 | 3.9 | -5.6 | -13.1 | -64.8 | 0.0 | -0.1 | 2 |
| 18 | 36 | 4.4 | -13.5 | 137 | 297 | 3.9 | -5.6 | -13.1 | -64.8 | 0.0 | 0.0 | 0 |
| 19 | 38 | 4.4 | -13.5 | 137 | 297 | 3.9 | -5.6 | -13.1 | -64.8 | 0.0 | 0.0 | 0 |
| 20 | 40 | 4.4 | -13.5 | 137 | 297 | 3.9 | -5.6 | -13.1 | -64.8 | 0.0 | 0.0 | 0 |
| 21 | 42 | 4.4 | -13.5 | 137 | 297 | 3.9 | -5.6 | -13.1 | -64.8 | 0.0 | 0.0 | 0 |
| 22 | 44 | 4.4 | -13.5 | 137 | 297 | 3.9 | -5.6 | -13.1 | -64.8 | 0.0 | 0.0 | 0 |
| 23 | 46 | 4.4 | -13.5 | 137 | 297 | 3.9 | -5.6 | -13.1 | -64.8 | 0.0 | 0.0 | 0 |
| 24 | 48 | 4.4 | -13.5 | 137 | 297 | 3.9 | -5.6 | -13.1 | -64.8 | 0.0 | 0.0 | 0 |
| 25 | 50 | 4.4 | -13.5 | 137 | 297 | 3.9 | -5.6 | -13.1 | -64.8 | 0.0 | 0.0 | 0 |
| 26 | 52 | 4.4 | -13.5 | 137 | 297 | 3.9 | -5.6 | -13.1 | -64.8 | 0.0 | 0.0 | 0 |
| 27 | 54 | 4.4 | -13.5 | 137 | 297 | 3.9 | -5.6 | -13.1 | -64.8 | 0.0 | 0.0 | 0 |
| 28 | 56 | 4.4 | -13.5 | 137 | 297 | 3.9 | -5.6 | -13.1 | -64.8 | 0.0 | 0.0 | 0 |
| 29 | 58 | 4.4 | -13.5 | 137 | 297 | 3.9 | -5.6 | -13.1 | -64.8 | 0.0 | 0.0 | 0 |
| 30 | 60 | 4.4 | -13.5 | 137 | 297 | 3.9 | -5.6 | -13.1 | -64.8 | 0.0 | 0.0 | 0 |
| 31 | 62 | 4.4 | -13.5 | 137 | 297 | 3.9 | -5.6 | -13.1 | -64.8 | 0.0 | 0.0 | 0 |
| 32 | 64 | 4.4 | -13.5 | 137 | 297 | 3.9 | -5.6 | -13.1 | -64.8 | 0.0 | 0.0 | 0 |
| 33 | 66 | 4.4 | -13.5 | 137 | 297 | 3.9 | -5.6 | -13.1 | -64.8 | 0.0 | 0.0 | 0 |
| 34 | 68 | 4.4 | -13.5 | 137 | 297 | 3.9 | -5.6 | -13.1 | -64.8 | 0.0 | 0.0 | 0 |
| 35 | 70 | 4.4 | -13.5 | 137 | 297 | 3.9 | -5.6 | -13.1 | -64.8 | 0.0 | 0.0 | 0 |
| 36 | 72 | 4.4 | -13.5 | 137 | 297 | 3.9 | -5.6 | -13.1 | -64.8 | 0.0 | 0.0 | 0 |
| 37 | 74 | 4.4 | -13.5 | 137 | 297 | 3.9 | -5.6 | -13.1 | -64.8 | 0.0 | 0.0 | 0 |
| 38 | 76 | 4.4 | -13.5 | 137 | 297 | 3.9 | -5.6 | -13.1 | -64.8 | 0.0 | 0.0 | 0 |
| 39 | 78 | 4.4 | -13.5 | 137 | 297 | 3.9 | -5.6 | -13.1 | -64.8 | 0.0 | 0.0 | 0 |
| 40 | 80 | 4.4 | -13.5 | 137 | 297 | 3.9 | -5.6 | -13.1 | -64.8 | 0.0 | 0.0 | 0 |
| 41 | 82 | 4.4 | -13.5 | 137 | 297 | 3.9 | -5.6 | -13.1 | -64.8 | 0.0 | 0.0 | 0 |
| 42 | 84 | 4.4 | -13.5 | 137 | 297 | 3.9 | -5.6 | -13.1 | -64.8 | 0.0 | 0.0 | 0 |
| 43 | 86 | 4.4 | -13.5 | 137 | 297 | 3.9 | -5.6 | -13.1 | -64.8 | 0.0 | 0.0 | 0 |
| 44 | 88 | 4.4 | -13.5 | 137 | 297 | 3.9 | -5.6 | -13.1 | -64.8 | 0.0 | 0.0 | 0 |
| 45 | 90 | 4.4 | -13.5 | 137 | 297 | 3.9 | -5.6 | -13.1 | -64.8 | 0.0 | 0.0 | 0 |
| 46 | 92 | 4.4 | -13.5 | 137 | 297 | 3.9 | -5.6 | -13.1 | -64.8 | 0.0 | 0.0 | 0 |
| 47 | 94 | 4.4 | -13.5 | 137 | 297 | 3.9 | -5.6 | -13.1 | -64.8 | 0.0 | 0.0 | 0 |
| 48 | 96 | 4.4 | -13.5 | 137 | 297 | 3.9 | -5.6 | -13.1 | -64.8 | 0.0 | 0.0 | 0 |
| 49 | 98 | 4.4 | -13.5 | 137 | 297 | 3.9 | -5.6 | -13.1 | -64.8 | 0.0 | 0.0 | 0 |
| 50 | 100 | 4.4 | -13.5 | 137 | 297 | 3.9 | -5.6 | -13.1 | -64.8 | 0.0 | 0.0 | 0 |
| ROOF | 0 | 0 | 0 | 137 | 297 | 0 | 0 | 0 | 0 | 0 | 0 | 0 |

TABLE 7. SHEAR AND MOMENT DIAGRAMS :
WIND DIRECTION 330

OLYMPIA AND YORK OFFICE TOWER, DALLAS
CONFIGURATION A
REFERENCE PRESSURE 27.0 PSF

GUST FACTOR 1.32

| FLOOR | HEIGHT FT | X-FORCE KIPS | Y-FORCE KIPS | X-AREA SQ FT | Y-AREA SQ FT | X-PRESS PSF | Y-PRESS PSF | X-SHEAR KIPS | Y-SHEAR KIPS | X-MOMENT 1000-FT-KIPS | Y-MOMENT 1000-FT-KIPS | Z-MOMENT |
|-------|--------------|-----------------|-----------------|-----------------|-----------------|----------------|----------------|-----------------|-----------------|--------------------------|--------------------------|----------|
| GRND | 0.00 | -54.7 | -19.8 | 1195 | 2515 | -45.7 | -7.9 | -129.2 | -146.8 | -31.2 | -293.8 | 100.2 |
| LBBY | 20.00 | -223.6 | -205.8 | 4708 | 9788 | -47.0 | -21.0 | -103.7 | -127.0 | -34.0 | -268.8 | 99.9 |
| 2 | 87.50 | -29.8 | -6.6 | 1375 | 3238 | -21.7 | -2.0 | -103.7 | -127.0 | -34.0 | -268.8 | 99.9 |
| 3 | 100.00 | -30.4 | -6.8 | 1375 | 3238 | -22.1 | -2.1 | -93.9 | -105.4 | -35.6 | -192.5 | 88.5 |
| 4 | 112.50 | -31.1 | -7.1 | 1375 | 3238 | -22.6 | -2.2 | -83.3 | -92.2 | -37.4 | -180.0 | 80.0 |
| 5 | 125.00 | -31.7 | -7.3 | 1375 | 3238 | -23.0 | -2.3 | -72.7 | -79.3 | -39.2 | -167.7 | 71.7 |
| 6 | 137.50 | -32.3 | -7.6 | 1375 | 3238 | -23.5 | -2.3 | -62.1 | -66.6 | -41.0 | -155.6 | 63.6 |
| 7 | 150.00 | -32.9 | -7.8 | 1375 | 3238 | -24.0 | -2.4 | -51.5 | -51.5 | -42.8 | -144.4 | 55.5 |
| 8 | 162.50 | -33.4 | -8.0 | 1375 | 3238 | -24.6 | -2.2 | -40.9 | -40.9 | -44.6 | -133.3 | 47.7 |
| 9 | 175.00 | -33.9 | -8.2 | 1375 | 3238 | -25.3 | -1.9 | -30.3 | -30.3 | -46.4 | -122.1 | 39.9 |
| 10 | 187.50 | -34.4 | -8.4 | 1375 | 3238 | -26.0 | -1.7 | -20.7 | -20.7 | -48.2 | -110.9 | 32.2 |
| 11 | 200.00 | -34.9 | -8.6 | 1375 | 3238 | -26.7 | -1.4 | -11.1 | -11.1 | -50.0 | -100.0 | 24.4 |
| 12 | 212.50 | -35.5 | -8.8 | 1375 | 3238 | -27.4 | -1.1 | -1.5 | -1.5 | -51.8 | -88.8 | 16.6 |
| 13 | 225.00 | -36.0 | -9.0 | 1375 | 3238 | -28.1 | -0.8 | 0.0 | 0.0 | -53.6 | -77.7 | 8.8 |
| 14 | 237.50 | -36.6 | -9.2 | 1375 | 3238 | -28.8 | -0.6 | 0.0 | 0.0 | -55.4 | -66.6 | 1.1 |
| 15 | 250.00 | -37.1 | -9.4 | 1375 | 3238 | -29.5 | -0.3 | 0.0 | 0.0 | -57.2 | -55.5 | 0.0 |
| 16 | 262.50 | -37.7 | -9.6 | 1375 | 3238 | -30.2 | 0.0 | 0.0 | 0.0 | -59.0 | -44.4 | 0.0 |
| 17 | 275.00 | -38.2 | -9.8 | 1375 | 3238 | -30.9 | 0.0 | 0.0 | 0.0 | -60.8 | -33.3 | 0.0 |
| 18 | 287.50 | -38.8 | -10.0 | 1375 | 3238 | -31.6 | 0.0 | 0.0 | 0.0 | -62.6 | -22.2 | 0.0 |
| 19 | 300.00 | -39.3 | -10.2 | 1375 | 3238 | -32.3 | 0.0 | 0.0 | 0.0 | -64.4 | -11.1 | 0.0 |
| 20 | 312.50 | -39.9 | -10.4 | 1375 | 3238 | -33.0 | 0.0 | 0.0 | 0.0 | -66.2 | 0.0 | 0.0 |
| 21 | 325.00 | -40.4 | -10.6 | 1375 | 3238 | -33.7 | 0.0 | 0.0 | 0.0 | -68.0 | 0.0 | 0.0 |
| 22 | 337.50 | -41.0 | -10.8 | 1375 | 3238 | -34.4 | 0.0 | 0.0 | 0.0 | -69.8 | 0.0 | 0.0 |
| 23 | 350.00 | -41.5 | -11.0 | 1375 | 3238 | -35.1 | 0.0 | 0.0 | 0.0 | -71.6 | 0.0 | 0.0 |
| 24 | 362.50 | -42.1 | -11.2 | 1375 | 3238 | -35.8 | 0.0 | 0.0 | 0.0 | -73.4 | 0.0 | 0.0 |
| 25 | 375.00 | -42.6 | -11.4 | 1375 | 3238 | -36.5 | 0.0 | 0.0 | 0.0 | -75.2 | 0.0 | 0.0 |
| 26 | 387.50 | -43.2 | -11.6 | 1375 | 3238 | -37.2 | 0.0 | 0.0 | 0.0 | -77.0 | 0.0 | 0.0 |
| 27 | 400.00 | -43.7 | -11.8 | 1375 | 3238 | -37.9 | 0.0 | 0.0 | 0.0 | -78.8 | 0.0 | 0.0 |
| 28 | 412.50 | -44.3 | -12.0 | 1375 | 3238 | -38.6 | 0.0 | 0.0 | 0.0 | -80.6 | 0.0 | 0.0 |
| 29 | 425.00 | -44.8 | -12.2 | 1375 | 3238 | -39.3 | 0.0 | 0.0 | 0.0 | -82.4 | 0.0 | 0.0 |
| 30 | 437.50 | -45.4 | -12.4 | 1375 | 3238 | -40.0 | 0.0 | 0.0 | 0.0 | -84.2 | 0.0 | 0.0 |
| ROOF | 450.00 | -46.0 | -12.6 | 1375 | 3238 | -40.7 | 0.0 | 0.0 | 0.0 | -86.0 | 0.0 | 0.0 |

TABLE 7. SHEAR AND MOMENT DIAGRAMS : OLYMPIA AND YORK OFFICE TOWER, DALLAS
WIND DIRECTION 340 CONFIGURATION A REFERENCE PRESSURE 27.0 PSF

GUST FACTOR 1.32

| FLOOR | HEIGHT FT | X-FORCE KIPS | Y-FORCE KIPS | X-AREA SQ FT | Y-AREA SQ FT | X-PRESS PSF | Y-PRESS PSF | X-SHEAR KIPS | Y-SHEAR KIPS | X-MOMENT 1000-FT-KIPS | Y-MOMENT 1000-FT-KIPS | Z-MOMENT |
|-------|--------------|-----------------|-----------------|-----------------|-----------------|----------------|----------------|-----------------|-----------------|--------------------------|--------------------------|----------|
| GRND | 0.00 | -62.3 | -32.5 | 1195 | 2515 | -52.1 | -12.9 | -1000.0 | 462.7 | -188.5 | -213.9 | 147.1 |
| LBBY | 20.00 | -232.5 | -195.9 | 4700 | 9700 | -49.4 | -20.0 | -937.7 | 495.2 | -178.9 | -194.5 | 142.8 |
| 2 | 37.50 | -200.0 | -153.3 | 1375 | 3375 | -14.6 | -4.7 | -700.5 | 691.1 | -138.9 | -139.1 | 131.1 |
| 3 | 100.00 | -120.4 | -15.4 | 1375 | 3375 | -6.8 | -2.2 | -685.5 | 675.8 | -130.4 | -130.4 | 127.7 |
| 4 | 112.50 | -20.7 | -15.6 | 1375 | 3375 | -1.9 | -4.8 | -644.8 | 660.4 | -122.0 | -121.9 | 124.0 |
| 5 | 125.00 | -21.1 | -15.7 | 1375 | 3375 | -1.9 | -4.9 | -644.1 | 644.8 | -113.9 | -113.8 | 120.2 |
| 6 | 137.50 | -21.4 | -15.9 | 1375 | 3375 | -1.9 | -4.9 | -623.0 | 629.1 | -105.9 | -105.8 | 116.3 |
| 7 | 150.00 | -21.8 | -16.1 | 1375 | 3375 | -1.9 | -5.0 | -601.6 | 613.2 | -98.1 | -98.2 | 112.2 |
| 8 | 162.50 | -22.1 | -17.2 | 1375 | 3375 | -1.6 | -5.3 | -579.8 | 597.1 | -90.6 | -90.8 | 107.9 |
| 9 | 175.00 | -22.5 | -18.4 | 1375 | 3375 | -1.6 | -5.7 | -557.7 | 579.9 | -83.7 | -83.7 | 103.5 |
| 10 | 187.50 | -22.9 | -19.7 | 1375 | 3375 | -1.6 | -6.6 | -535.1 | 561.5 | -76.9 | -76.9 | 99.0 |
| 11 | 200.00 | -23.3 | -21.0 | 1375 | 3375 | -1.6 | -6.9 | -512.2 | 541.8 | -69.9 | -70.3 | 94.3 |
| 12 | 212.50 | -23.7 | -22.2 | 1375 | 3375 | -1.7 | -7.2 | -488.9 | 520.8 | -62.5 | -64.1 | 89.9 |
| 13 | 225.00 | -24.1 | -23.3 | 1375 | 3375 | -1.7 | -7.4 | -465.5 | 498.6 | -55.2 | -56.1 | 84.4 |
| 14 | 237.50 | -24.4 | -24.4 | 1375 | 3375 | -1.7 | -7.7 | -441.5 | 475.4 | -47.7 | -47.7 | 79.9 |
| 15 | 250.00 | -24.8 | -25.5 | 1375 | 3375 | -1.6 | -7.9 | -418.0 | 451.3 | -40.3 | -40.3 | 75.0 |
| 16 | 262.50 | -25.1 | -26.6 | 1375 | 3375 | -1.6 | -8.0 | -394.7 | 426.4 | -32.8 | -32.8 | 70.1 |
| 17 | 275.00 | -25.4 | -27.7 | 1375 | 3375 | -1.6 | -8.5 | -371.1 | 400.6 | -25.3 | -25.2 | 65.5 |
| 18 | 287.50 | -25.7 | -28.8 | 1375 | 3375 | -1.6 | -8.5 | -348.8 | 373.9 | -17.7 | -17.7 | 60.0 |
| 19 | 300.00 | -25.9 | -29.9 | 1375 | 3375 | -1.6 | -9.4 | -326.6 | 346.2 | -10.1 | -10.1 | 55.5 |
| 20 | 312.50 | -26.2 | -31.0 | 1375 | 3375 | -1.6 | -9.9 | -303.3 | 317.2 | -2.4 | -2.4 | 50.0 |
| 21 | 325.00 | -26.4 | -32.1 | 1375 | 3375 | -1.6 | -10.2 | -281.1 | 288.6 | 1.1 | 1.1 | 45.5 |
| 22 | 337.50 | -26.6 | -33.2 | 1375 | 3375 | -1.6 | -10.6 | -258.8 | 259.5 | 8.6 | 8.6 | 40.0 |
| 23 | 350.00 | -26.8 | -34.3 | 1375 | 3375 | -1.6 | -11.1 | -236.6 | 230.2 | 16.0 | 16.0 | 35.5 |
| 24 | 362.50 | -27.0 | -35.4 | 1375 | 3375 | -1.6 | -11.6 | -214.4 | 200.9 | 23.4 | 23.4 | 30.0 |
| 25 | 375.00 | -27.2 | -36.5 | 1375 | 3375 | -1.6 | -12.1 | -192.3 | 188.2 | 30.8 | 30.8 | 25.5 |
| 26 | 387.50 | -27.4 | -37.6 | 1375 | 3375 | -1.7 | -12.7 | -169.1 | 174.1 | 38.2 | 38.2 | 20.0 |
| 27 | 400.00 | -27.6 | -38.7 | 1375 | 3375 | -1.7 | -13.4 | -145.4 | 159.4 | 45.6 | 45.6 | 15.5 |
| 28 | 412.50 | -27.8 | -39.8 | 1375 | 3375 | -1.8 | -14.1 | -121.0 | 144.2 | 53.0 | 53.0 | 11.0 |
| 29 | 425.00 | -28.0 | -40.9 | 1375 | 3375 | -1.8 | -14.8 | -91.0 | 128.6 | 60.4 | 60.4 | 6.5 |
| 30 | 437.50 | -28.2 | -42.0 | 1375 | 3375 | -1.9 | -15.5 | -63.7 | 117.4 | 67.8 | 67.8 | 2.0 |
| ROOF | 450.00 | -31.0 | -44.6 | 1375 | 3375 | -2.0 | -17.1 | -31.0 | 4.6 | 74.2 | 74.2 | 1.5 |

TABLE 7. SHEAR AND MOMENT DIAGRAMS :
WIND DIRECTION 350

OLYMPIA AND YORK OFFICE TOWER, DALLAS
CONFIGURATION A
REFERENCE PRESSURE 27.0 PSF

GUST FACTOR 1.32

| FLOOR | HEIGHT FT | X-FORCE KIPS | Y-FORCE KIPS | X-AREA SQ FT | Y-AREA SQ FT | X-PRESS PSF | Y-PRESS PSF | X-SHEAR KIPS | Y-SHEAR KIPS | X-MOMENT 1000-FT-KIPS | Y-MOMENT 1000-FT-KIPS | Z-MOMENT |
|-------|--------------|-----------------|-----------------|-----------------|-----------------|----------------|----------------|-----------------|-----------------|--------------------------|--------------------------|----------|
| GRND | 0.00 | -332.1 | -335.4 | 119.5 | 251.5 | -52.0 | -14.1 | - | - | - | - | 182.4 |
| LBBY | 20.00 | -236.5 | -183.5 | 476.9 | 979.7 | -49.0 | -10.8 | - | - | -37.5 | -116.1 | 178.3 |
| 1 | 40.00 | -190.3 | -38.8 | 1377.8 | 3333.9 | -41.4 | -11.4 | - | - | -346.6 | -104.1 | 166.4 |
| 2 | 60.00 | -150.0 | 40.1 | 1377.8 | 3333.9 | -38.8 | -11.4 | - | - | -258.8 | -73.7 | 161.5 |
| 3 | 80.00 | -110.0 | 41.4 | 1377.8 | 3333.9 | -36.2 | -11.4 | - | - | -224.1 | -69.6 | 155.3 |
| 4 | 100.00 | -80.0 | 42.7 | 1377.8 | 3333.9 | -33.6 | -11.4 | - | - | -224.1 | -69.6 | 145.1 |
| 5 | 120.00 | -60.0 | 44.0 | 1377.8 | 3333.9 | -31.0 | -11.4 | - | - | -190.0 | -61.6 | 151.1 |
| 6 | 140.00 | -40.0 | 45.3 | 1377.8 | 3333.9 | -28.4 | -11.4 | - | - | -155.9 | -54.4 | 144.4 |
| 7 | 160.00 | -20.0 | 46.6 | 1377.8 | 3333.9 | -25.8 | -11.4 | - | - | -121.8 | -46.6 | 139.9 |
| 8 | 180.00 | 0.0 | 47.9 | 1377.8 | 3333.9 | -23.2 | -11.4 | - | - | -87.7 | -38.8 | 135.5 |
| 9 | 200.00 | 0.0 | 49.2 | 1377.8 | 3333.9 | -20.6 | -11.4 | - | - | -53.6 | -31.0 | 131.1 |
| 10 | 220.00 | 0.0 | 50.5 | 1377.8 | 3333.9 | -18.0 | -11.4 | - | - | -19.5 | -23.2 | 126.7 |
| 11 | 240.00 | 0.0 | 51.8 | 1377.8 | 3333.9 | -15.4 | -11.4 | - | - | 14.6 | -15.4 | 122.3 |
| 12 | 260.00 | 0.0 | 53.1 | 1377.8 | 3333.9 | -12.8 | -11.4 | - | - | 50.0 | -7.7 | 117.9 |
| 13 | 280.00 | 0.0 | 54.4 | 1377.8 | 3333.9 | -10.2 | -11.4 | - | - | 105.4 | 0.0 | 113.5 |
| 14 | 300.00 | 0.0 | 55.7 | 1377.8 | 3333.9 | -7.6 | -11.4 | - | - | 160.8 | 0.0 | 109.1 |
| 15 | 320.00 | 0.0 | 57.0 | 1377.8 | 3333.9 | -5.0 | -11.4 | - | - | 216.2 | 0.0 | 104.7 |
| 16 | 340.00 | 0.0 | 58.3 | 1377.8 | 3333.9 | -2.4 | -11.4 | - | - | 271.6 | 0.0 | 100.3 |
| 17 | 360.00 | 0.0 | 59.6 | 1377.8 | 3333.9 | 0.2 | -11.4 | - | - | 327.0 | 0.0 | 95.9 |
| 18 | 380.00 | 0.0 | 60.9 | 1377.8 | 3333.9 | 2.8 | -11.4 | - | - | 382.4 | 0.0 | 91.5 |
| 19 | 400.00 | 0.0 | 62.2 | 1377.8 | 3333.9 | 5.4 | -11.4 | - | - | 437.8 | 0.0 | 87.1 |
| 20 | 420.00 | 0.0 | 63.5 | 1377.8 | 3333.9 | 8.0 | -11.4 | - | - | 493.2 | 0.0 | 82.7 |
| 21 | 440.00 | 0.0 | 64.8 | 1377.8 | 3333.9 | 10.6 | -11.4 | - | - | 548.6 | 0.0 | 78.3 |
| 22 | 460.00 | 0.0 | 66.1 | 1377.8 | 3333.9 | 13.2 | -11.4 | - | - | 604.0 | 0.0 | 73.9 |
| 23 | 480.00 | 0.0 | 67.4 | 1377.8 | 3333.9 | 15.8 | -11.4 | - | - | 659.4 | 0.0 | 69.5 |
| 24 | 500.00 | 0.0 | 68.7 | 1377.8 | 3333.9 | 18.4 | -11.4 | - | - | 714.8 | 0.0 | 65.1 |
| 25 | 520.00 | 0.0 | 70.0 | 1377.8 | 3333.9 | 21.0 | -11.4 | - | - | 770.2 | 0.0 | 60.7 |
| 26 | 540.00 | 0.0 | 71.3 | 1377.8 | 3333.9 | 23.6 | -11.4 | - | - | 825.6 | 0.0 | 56.3 |
| 27 | 560.00 | 0.0 | 72.6 | 1377.8 | 3333.9 | 26.2 | -11.4 | - | - | 881.0 | 0.0 | 51.9 |
| 28 | 580.00 | 0.0 | 73.9 | 1377.8 | 3333.9 | 28.8 | -11.4 | - | - | 936.4 | 0.0 | 47.5 |
| 29 | 600.00 | 0.0 | 75.2 | 1377.8 | 3333.9 | 31.4 | -11.4 | - | - | 991.8 | 0.0 | 43.1 |
| 30 | 620.00 | 0.0 | 76.5 | 1377.8 | 3333.9 | 34.0 | -11.4 | - | - | 1047.2 | 0.0 | 38.7 |
| 31 | 640.00 | 0.0 | 77.8 | 1377.8 | 3333.9 | 36.6 | -11.4 | - | - | 1102.6 | 0.0 | 34.3 |
| 32 | 660.00 | 0.0 | 79.1 | 1377.8 | 3333.9 | 39.2 | -11.4 | - | - | 1158.0 | 0.0 | 29.9 |
| 33 | 680.00 | 0.0 | 80.4 | 1377.8 | 3333.9 | 41.8 | -11.4 | - | - | 1213.4 | 0.0 | 25.5 |
| 34 | 700.00 | 0.0 | 81.7 | 1377.8 | 3333.9 | 44.4 | -11.4 | - | - | 1268.8 | 0.0 | 21.1 |
| 35 | 720.00 | 0.0 | 83.0 | 1377.8 | 3333.9 | 47.0 | -11.4 | - | - | 1324.2 | 0.0 | 16.7 |
| 36 | 740.00 | 0.0 | 84.3 | 1377.8 | 3333.9 | 49.6 | -11.4 | - | - | 1379.6 | 0.0 | 12.3 |
| 37 | 760.00 | 0.0 | 85.6 | 1377.8 | 3333.9 | 52.2 | -11.4 | - | - | 1435.0 | 0.0 | 7.9 |
| 38 | 780.00 | 0.0 | 86.9 | 1377.8 | 3333.9 | 54.8 | -11.4 | - | - | 1490.4 | 0.0 | 3.5 |
| 39 | 800.00 | 0.0 | 88.2 | 1377.8 | 3333.9 | 57.4 | -11.4 | - | - | 1545.8 | 0.0 | -0.9 |
| 40 | 820.00 | 0.0 | 89.5 | 1377.8 | 3333.9 | 60.0 | -11.4 | - | - | 1601.2 | 0.0 | -5.3 |
| 41 | 840.00 | 0.0 | 90.8 | 1377.8 | 3333.9 | 62.6 | -11.4 | - | - | 1656.6 | 0.0 | -9.7 |
| 42 | 860.00 | 0.0 | 92.1 | 1377.8 | 3333.9 | 65.2 | -11.4 | - | - | 1712.0 | 0.0 | -14.1 |
| 43 | 880.00 | 0.0 | 93.4 | 1377.8 | 3333.9 | 67.8 | -11.4 | - | - | 1767.4 | 0.0 | -18.5 |
| 44 | 900.00 | 0.0 | 94.7 | 1377.8 | 3333.9 | 70.4 | -11.4 | - | - | 1822.8 | 0.0 | -22.9 |
| 45 | 920.00 | 0.0 | 96.0 | 1377.8 | 3333.9 | 73.0 | -11.4 | - | - | 1878.2 | 0.0 | -27.3 |
| 46 | 940.00 | 0.0 | 97.3 | 1377.8 | 3333.9 | 75.6 | -11.4 | - | - | 1933.6 | 0.0 | -31.7 |
| 47 | 960.00 | 0.0 | 98.6 | 1377.8 | 3333.9 | 78.2 | -11.4 | - | - | 1989.0 | 0.0 | -36.1 |
| 48 | 980.00 | 0.0 | 99.9 | 1377.8 | 3333.9 | 80.8 | -11.4 | - | - | 2044.4 | 0.0 | -40.5 |
| 49 | 1000.00 | 0.0 | 101.2 | 1377.8 | 3333.9 | 83.4 | -11.4 | - | - | 2100.0 | 0.0 | -44.9 |

TABLE 7. OLYMPIA AND YORK OFFICE TOWER, DALLAS
 PROJECT 7290 CONFIGURATION A
 SCALE = 300 REF. PRESSURE = 27.0
 GUST FACTOR = 1.32 STANDARD FLOOR HEIGHT = 12.50
 NUMBER OF SIDES = 4 NO. OF FLOORS = 32

| SIDE | ANGLE | Z-AXIS |
|------|-------|--------|
| 1 | 0.0 | 2.200 |
| 2 | 90.0 | 6.284 |
| 3 | 180.0 | 3.080 |
| 4 | 270.0 | 4.076 |

| FLOOR # | LABEL | HEIGHT-FT |
|---------|-------|-----------|
| 1 | GRND | 20.00 |
| 2 | LBBY | 67.50 |
| 3 | 2 | 12.50 |
| 4 | 3 | 12.50 |
| 5 | 4 | 12.50 |
| 6 | 5 | 12.50 |
| 7 | 6 | 12.50 |
| 8 | 7 | 12.50 |
| 9 | 8 | 12.50 |
| 10 | 9 | 12.50 |
| 11 | 10 | 12.50 |
| 12 | 11 | 12.50 |
| 13 | 12 | 12.50 |
| 14 | 13 | 12.50 |
| 15 | 14 | 12.50 |
| 16 | 15 | 12.50 |
| 17 | 16 | 12.50 |
| 18 | 17 | 12.50 |
| 19 | 18 | 12.50 |
| 20 | 19 | 12.50 |
| 21 | 20 | 12.50 |
| 22 | 21 | 12.50 |
| 23 | 22 | 12.50 |
| 24 | 23 | 12.50 |
| 25 | 24 | 12.50 |
| 26 | 25 | 12.50 |
| 27 | 26 | 12.50 |
| 28 | 27 | 12.50 |
| 29 | 28 | 15.00 |
| 30 | 29 | 10.00 |
| 31 | 30 | 12.50 |
| 32 | ROOF | 12.50 |

APPENDIX A
PRESSURE DATA

Note: Pressure coefficients are defined in Section 4.3.
Pressure tap designation is explained in Figure 3.

APPENDIX A -- PRESSURE DATA:

CONFIGURATION A: OLYMPIA AND YORK OFFICE TOWER, DALLAS

| WD | TAP | CPMEAN | CPRMS | CPMAX | CPMIN | WD | TAP | CPMEAN | CPRMS | CPMAX | CPMIN | WD | TAP | CPMEAN | CPRMS | CPMAX | CPMIN |
|----|-----|--------|-------|-------|--------|----|-----|--------|-------|-------|--------|----|-----|--------|-------|-------|-------|
| 0 | 101 | 234 | 279 | 444 | -1.434 | 0 | 151 | 722 | 214 | 002 | -1.409 | 0 | 234 | 480 | 091 | 075 | 813 |
| 0 | 102 | 307 | 247 | 229 | -1.296 | 0 | 152 | 437 | 139 | 011 | -0.680 | 0 | 235 | 313 | 085 | 171 | 840 |
| 0 | 103 | 398 | 105 | 123 | -0.883 | 0 | 153 | 362 | 078 | 087 | -0.650 | 0 | 236 | 671 | 172 | 413 | 069 |
| 0 | 104 | 498 | 098 | 090 | -0.780 | 0 | 154 | 374 | 060 | 122 | -0.608 | 0 | 237 | 624 | 132 | 363 | 063 |
| 0 | 105 | 343 | 136 | 573 | -1.774 | 0 | 155 | 370 | 053 | 139 | -0.562 | 0 | 238 | 631 | 130 | 206 | 837 |
| 0 | 106 | 787 | 140 | 136 | -1.360 | 0 | 156 | 321 | 051 | 082 | -0.524 | 0 | 239 | 642 | 122 | 124 | 877 |
| 0 | 107 | 783 | 177 | 040 | -1.310 | 0 | 157 | 112 | 072 | 492 | -0.187 | 0 | 240 | 686 | 097 | 289 | 363 |
| 0 | 108 | 063 | 387 | 759 | -1.311 | 0 | 158 | 314 | 124 | 033 | -0.789 | 0 | 241 | 686 | 088 | 270 | 117 |
| 0 | 109 | 046 | 306 | 654 | -1.145 | 0 | 159 | 248 | 082 | 042 | -0.562 | 0 | 242 | 615 | 080 | 243 | 941 |
| 0 | 110 | 116 | 133 | 301 | -1.088 | 0 | 160 | 213 | 041 | 034 | -0.354 | 0 | 243 | 331 | 090 | 139 | 880 |
| 0 | 111 | 406 | 077 | 073 | -0.730 | 0 | 161 | 188 | 038 | 044 | -0.307 | 0 | 244 | 497 | 072 | 161 | 740 |
| 0 | 112 | 621 | 167 | 403 | -1.323 | 0 | 162 | 379 | 171 | 189 | -0.938 | 0 | 245 | 429 | 083 | 036 | 696 |
| 0 | 113 | 777 | 146 | 316 | -1.474 | 0 | 163 | 194 | 077 | 082 | -0.485 | 0 | 246 | 361 | 076 | 012 | 677 |
| 0 | 114 | 722 | 166 | 139 | -1.495 | 0 | 164 | 220 | 057 | 079 | -0.401 | 0 | 247 | 463 | 083 | 063 | 821 |
| 0 | 115 | 066 | 358 | 788 | -1.409 | 0 | 165 | 235 | 054 | 005 | -0.441 | 0 | 248 | 623 | 132 | 372 | 783 |
| 0 | 116 | 066 | 343 | 673 | -1.418 | 0 | 166 | 170 | 037 | 020 | -0.293 | 0 | 249 | 387 | 109 | 336 | 706 |
| 0 | 117 | 079 | 123 | 437 | -0.955 | 0 | 167 | 182 | 041 | 023 | -0.333 | 0 | 250 | 627 | 117 | 091 | 423 |
| 0 | 118 | 417 | 628 | 639 | -1.211 | 0 | 201 | 944 | 122 | 363 | -1.712 | 0 | 251 | 611 | 088 | 230 | 456 |
| 0 | 119 | 785 | 198 | 496 | -1.921 | 0 | 202 | 882 | 135 | 429 | -1.596 | 0 | 252 | 664 | 078 | 309 | 106 |
| 0 | 120 | 688 | 169 | 061 | -1.729 | 0 | 203 | 895 | 148 | 337 | -1.485 | 0 | 253 | 696 | 086 | 344 | 183 |
| 0 | 121 | 684 | 165 | 049 | -1.688 | 0 | 204 | 774 | 168 | 220 | -1.665 | 0 | 254 | 653 | 087 | 336 | 069 |
| 0 | 122 | 162 | 363 | 720 | -1.373 | 0 | 205 | 744 | 173 | 282 | -1.607 | 0 | 255 | 372 | 108 | 131 | 079 |
| 0 | 123 | 153 | 363 | 653 | -1.428 | 0 | 206 | 744 | 212 | 212 | -1.985 | 0 | 256 | 333 | 080 | 224 | 946 |
| 0 | 124 | 102 | 129 | 391 | -1.107 | 0 | 207 | 707 | 191 | 227 | -2.514 | 0 | 257 | 439 | 092 | 109 | 816 |
| 0 | 125 | 408 | 079 | 068 | -0.888 | 0 | 208 | 680 | 136 | 203 | -1.503 | 0 | 258 | 407 | 081 | 075 | 693 |
| 0 | 126 | 648 | 150 | 308 | -1.683 | 0 | 209 | 673 | 112 | 345 | -1.237 | 0 | 259 | 448 | 079 | 051 | 744 |
| 0 | 127 | 644 | 134 | 116 | -1.855 | 0 | 210 | 683 | 112 | 371 | -1.261 | 0 | 260 | 627 | 103 | 418 | 220 |
| 0 | 128 | 621 | 132 | 097 | -1.835 | 0 | 211 | 683 | 116 | 381 | -1.343 | 0 | 261 | 601 | 104 | 368 | 256 |
| 0 | 129 | 320 | 313 | 332 | -1.630 | 0 | 212 | 871 | 186 | 501 | -2.017 | 0 | 262 | 609 | 103 | 213 | 239 |
| 0 | 130 | 261 | 356 | 579 | -1.665 | 0 | 213 | 803 | 165 | 384 | -1.635 | 0 | 263 | 618 | 109 | 291 | 444 |
| 0 | 131 | 194 | 123 | 262 | -1.029 | 0 | 214 | 756 | 166 | 138 | -1.498 | 0 | 264 | 637 | 083 | 377 | 043 |
| 0 | 132 | 442 | 074 | 202 | -0.955 | 0 | 215 | 727 | 147 | 215 | -1.443 | 0 | 265 | 675 | 093 | 410 | 087 |
| 0 | 133 | 538 | 159 | 438 | -1.791 | 0 | 216 | 738 | 138 | 316 | -1.847 | 0 | 266 | 691 | 097 | 321 | 232 |
| 0 | 134 | 616 | 135 | 155 | -1.826 | 0 | 217 | 729 | 123 | 289 | -1.252 | 0 | 267 | 616 | 095 | 262 | 036 |
| 0 | 135 | 559 | 123 | 083 | -1.579 | 0 | 218 | 714 | 128 | 285 | -1.474 | 0 | 268 | 366 | 081 | 249 | 879 |
| 0 | 136 | 310 | 335 | 565 | -2.161 | 0 | 219 | 686 | 121 | 317 | -1.469 | 0 | 269 | 347 | 095 | 146 | 907 |
| 0 | 137 | 379 | 335 | 392 | -2.035 | 0 | 220 | 633 | 077 | 326 | -0.993 | 0 | 270 | 433 | 098 | 010 | 655 |
| 0 | 138 | 258 | 123 | 135 | -1.045 | 0 | 221 | 650 | 087 | 287 | -1.126 | 0 | 271 | 437 | 083 | 127 | 829 |
| 0 | 139 | 523 | 085 | 279 | -1.933 | 0 | 222 | 634 | 100 | 243 | -1.190 | 0 | 272 | 667 | 128 | 365 | 881 |
| 0 | 140 | 657 | 145 | 391 | -1.867 | 0 | 223 | 629 | 096 | 272 | -1.156 | 0 | 273 | 630 | 148 | 250 | 732 |
| 0 | 141 | 660 | 131 | 388 | -1.867 | 0 | 224 | 775 | 183 | 462 | -1.739 | 0 | 274 | 633 | 121 | 320 | 520 |
| 0 | 142 | 669 | 136 | 368 | -1.444 | 0 | 225 | 708 | 164 | 378 | -1.765 | 0 | 275 | 660 | 111 | 308 | 214 |
| 0 | 143 | 655 | 342 | 200 | -2.117 | 0 | 226 | 691 | 152 | 175 | -1.717 | 0 | 276 | 649 | 093 | 292 | 151 |
| 0 | 144 | 477 | 204 | 293 | -1.456 | 0 | 227 | 693 | 147 | 171 | -1.667 | 0 | 277 | 663 | 084 | 415 | 045 |
| 0 | 145 | 406 | 142 | 172 | -0.886 | 0 | 228 | 721 | 106 | 292 | -1.215 | 0 | 278 | 611 | 092 | 332 | 038 |
| 0 | 146 | 425 | 099 | 072 | -0.809 | 0 | 229 | 718 | 096 | 361 | -1.075 | 0 | 279 | 650 | 118 | 284 | 250 |
| 0 | 147 | 641 | 167 | 207 | -1.701 | 0 | 230 | 651 | 095 | 239 | -0.981 | 0 | 280 | 386 | 098 | 001 | 950 |
| 0 | 148 | 469 | 159 | 381 | -1.005 | 0 | 231 | 578 | 109 | 053 | -1.008 | 0 | 281 | 378 | 110 | 183 | 912 |
| 0 | 149 | 553 | 098 | 099 | -1.007 | 0 | 232 | 552 | 089 | 180 | -0.888 | 0 | 282 | 318 | 075 | 217 | 924 |
| 0 | 150 | 119 | 120 | 331 | -0.588 | 0 | 233 | 495 | 104 | 028 | -0.928 | 0 | 283 | 541 | 066 | 337 | 894 |

APPENDIX A -- PRESSURE DATA:

CONFIGURATION A: OLYMPIA AND YORK OFFICE TOWER, DALLAS

| WD | TAP | CPMEAN | CPRMS | CPMAX | CPMIN | WD | TAP | CPMEAN | CPRMS | CPMAX | CPMIN | WD | TAP | CPMEAN | CPRMS | CPMAX | CPMIN |
|----|-----|--------|-------|-------|-------|----|-----|--------|-------|-------|-------|----|-----|--------|-------|-------|-------|
| 0 | 284 | .337 | .063 | -.149 | -.641 | 0 | 425 | -.577 | .063 | -.388 | -.833 | 0 | 507 | -.383 | .092 | .007 | -.676 |
| 0 | 285 | -.341 | .076 | -.096 | -.632 | 0 | 426 | -.541 | .067 | -.346 | -.806 | 0 | 508 | -.289 | .113 | .229 | -.754 |
| 0 | 286 | -.446 | .046 | -.292 | -.585 | 0 | 427 | -.587 | .073 | -.328 | -.804 | 0 | 509 | -.034 | .149 | .472 | -.728 |
| 0 | 287 | -.533 | .078 | -.230 | -.582 | 0 | 428 | -.541 | .070 | -.295 | -.928 | 0 | 510 | -.034 | .167 | .558 | -.982 |
| 0 | 288 | -.449 | .065 | -.253 | -.667 | 0 | 429 | -.614 | .099 | -.376 | -.833 | 0 | 511 | -.783 | .103 | -.481 | -.827 |
| 0 | 289 | -.411 | .059 | -.295 | -.690 | 0 | 430 | -.511 | .108 | -.346 | -.888 | 0 | 512 | -.780 | .110 | -.479 | -.823 |
| 0 | 290 | -.509 | .037 | -.328 | -.777 | 0 | 431 | -.628 | .081 | -.384 | -.808 | 0 | 513 | -.983 | .134 | -.544 | -.864 |
| 0 | 291 | -.540 | .050 | -.339 | -.733 | 0 | 432 | -.540 | .055 | -.347 | -.796 | 0 | 514 | -.573 | .094 | -.179 | -.863 |
| 0 | 292 | -.531 | .056 | -.351 | -.722 | 0 | 433 | -.517 | .032 | -.313 | -.838 | 0 | 515 | -.449 | .089 | -.066 | -.789 |
| 0 | 293 | -.269 | .060 | -.104 | -.537 | 0 | 434 | -.508 | .061 | -.329 | -.913 | 0 | 516 | -.637 | .121 | -.236 | -.824 |
| 0 | 294 | -.265 | .038 | -.072 | -.533 | 0 | 435 | -.534 | .061 | -.325 | -.913 | 0 | 517 | -.637 | .128 | -.158 | -.829 |
| 0 | 295 | -.214 | .043 | -.050 | -.575 | 0 | 436 | -.614 | .116 | -.320 | -.824 | 0 | 518 | -.661 | .104 | -.331 | -.826 |
| 0 | 296 | -.313 | .042 | -.161 | -.471 | 0 | 437 | -.590 | .096 | -.383 | -.834 | 0 | 519 | -.639 | .081 | -.251 | -.979 |
| 0 | 297 | -.304 | .041 | -.163 | -.442 | 0 | 438 | -.550 | .067 | -.348 | -.803 | 0 | 520 | -.571 | .079 | -.180 | -.868 |
| 0 | 298 | -.445 | .035 | -.315 | -.573 | 0 | 439 | -.570 | .052 | -.362 | -.862 | 0 | 521 | -.682 | .108 | -.116 | -.827 |
| 0 | 299 | -.533 | .048 | -.345 | -.701 | 0 | 440 | -.486 | .040 | -.364 | -.686 | 0 | 522 | -.561 | .094 | -.152 | -.921 |
| 0 | 300 | -.541 | .069 | -.343 | -.926 | 0 | 441 | -.480 | .049 | -.299 | -.693 | 0 | 523 | -.114 | .117 | .410 | -.536 |
| 0 | 301 | -.179 | .043 | -.013 | -.333 | 0 | 442 | -.473 | .050 | -.255 | -.697 | 0 | 524 | -.051 | .139 | .559 | -.447 |
| 0 | 302 | -.210 | .043 | -.042 | -.333 | 0 | 443 | -.589 | .121 | -.316 | -.823 | 0 | 525 | -.153 | .130 | .726 | -.219 |
| 0 | 303 | -.160 | .041 | -.003 | -.333 | 0 | 444 | -.557 | .086 | -.344 | -.810 | 0 | 526 | -.295 | .169 | .883 | -.323 |
| 0 | 304 | -.163 | .037 | -.036 | -.375 | 0 | 445 | -.522 | .037 | -.321 | -.836 | 0 | 527 | -.306 | .171 | .825 | -.804 |
| 0 | 305 | -.338 | .038 | -.212 | -.476 | 0 | 446 | -.494 | .048 | -.321 | -.716 | 0 | 528 | -.386 | .071 | -.331 | -.887 |
| 0 | 306 | -.313 | .034 | -.178 | -.419 | 0 | 447 | -.480 | .048 | -.316 | -.750 | 0 | 529 | -.336 | .080 | -.172 | -.865 |
| 0 | 307 | -.346 | .041 | -.181 | -.446 | 0 | 448 | -.470 | .045 | -.294 | -.743 | 0 | 530 | -.354 | .074 | -.331 | -.919 |
| 0 | 308 | -.449 | .038 | -.314 | -.558 | 0 | 449 | -.477 | .050 | -.277 | -.732 | 0 | 531 | -.513 | .062 | -.299 | -.808 |
| 0 | 309 | -.474 | .043 | -.325 | -.653 | 0 | 450 | -.544 | .064 | -.318 | -.822 | 0 | 532 | -.406 | .072 | -.103 | -.694 |
| 0 | 401 | -.662 | .090 | -.396 | -.854 | 0 | 451 | -.534 | .058 | -.323 | -.799 | 0 | 533 | -.316 | .086 | -.035 | -.622 |
| 0 | 402 | -.554 | .084 | -.415 | -.833 | 0 | 452 | -.519 | .046 | -.337 | -.715 | 0 | 534 | -.271 | .093 | .131 | -.550 |
| 0 | 403 | -.559 | .075 | -.415 | -.833 | 0 | 453 | -.565 | .046 | -.323 | -.722 | 0 | 535 | -.057 | .109 | .377 | -.390 |
| 0 | 404 | -.719 | .109 | -.384 | -.926 | 0 | 454 | -.488 | .044 | -.337 | -.669 | 0 | 536 | -.123 | .131 | .611 | -.238 |
| 0 | 405 | -.719 | .109 | -.384 | -.926 | 0 | 455 | -.488 | .044 | -.337 | -.669 | 0 | 537 | -.250 | .139 | .726 | -.092 |
| 0 | 406 | -.952 | .127 | -.361 | -.933 | 0 | 456 | -.480 | .047 | -.318 | -.658 | 0 | 538 | -.355 | .153 | .870 | -.191 |
| 0 | 407 | -.952 | .127 | -.361 | -.933 | 0 | 457 | -.480 | .047 | -.318 | -.658 | 0 | 539 | -.317 | .163 | .817 | -.532 |
| 0 | 408 | -.837 | .192 | -.455 | -.911 | 0 | 458 | -.485 | .043 | -.330 | -.741 | 0 | 540 | -.317 | .163 | .817 | -.532 |
| 0 | 409 | -.837 | .192 | -.455 | -.911 | 0 | 459 | -.485 | .043 | -.330 | -.741 | 0 | 541 | -.325 | .053 | -.352 | -.890 |
| 0 | 410 | -.634 | .084 | -.364 | -.833 | 0 | 460 | -.562 | .056 | -.331 | -.783 | 0 | 542 | -.303 | .060 | -.306 | -.873 |
| 0 | 411 | -.634 | .084 | -.364 | -.833 | 0 | 461 | -.533 | .049 | -.346 | -.703 | 0 | 543 | -.503 | .038 | -.309 | -.838 |
| 0 | 412 | -.534 | .076 | -.404 | -.942 | 0 | 462 | -.533 | .061 | -.290 | -.853 | 0 | 544 | -.474 | .032 | -.294 | -.663 |
| 0 | 413 | -.712 | .096 | -.433 | -.939 | 0 | 463 | -.509 | .057 | -.297 | -.732 | 0 | 545 | -.486 | .077 | -.194 | -.756 |
| 0 | 414 | -.712 | .096 | -.433 | -.939 | 0 | 464 | -.509 | .057 | -.297 | -.732 | 0 | 546 | -.310 | .073 | -.038 | -.373 |
| 0 | 415 | -.659 | .091 | -.408 | -.889 | 0 | 465 | -.537 | .067 | -.273 | -.743 | 0 | 547 | -.277 | .080 | .014 | -.582 |
| 0 | 416 | -.659 | .091 | -.408 | -.889 | 0 | 466 | -.537 | .067 | -.273 | -.743 | 0 | 548 | -.064 | .092 | .232 | -.347 |
| 0 | 417 | -.955 | .199 | -.329 | -.939 | 0 | 467 | -.507 | .032 | -.309 | -.786 | 0 | 549 | -.064 | .114 | .567 | -.158 |
| 0 | 418 | -.672 | .094 | -.389 | -.939 | 0 | 468 | -.513 | .059 | -.333 | -.753 | 0 | 550 | -.236 | .126 | .743 | -.062 |
| 0 | 419 | -.672 | .094 | -.389 | -.939 | 0 | 469 | -.513 | .059 | -.333 | -.753 | 0 | 551 | -.321 | .144 | 1.014 | -.233 |
| 0 | 420 | -.612 | .097 | -.334 | -.922 | 0 | 470 | -.514 | .048 | -.280 | -.977 | 0 | 552 | -.494 | .048 | -.301 | -.731 |
| 0 | 421 | -.612 | .097 | -.334 | -.922 | 0 | 471 | -.534 | .048 | -.280 | -.977 | 0 | 553 | -.363 | .039 | -.341 | -.835 |
| 0 | 422 | -.537 | .077 | -.300 | -.911 | 0 | 472 | -.534 | .048 | -.280 | -.977 | 0 | 554 | -.495 | .053 | -.289 | -.788 |
| 0 | 423 | -.537 | .077 | -.300 | -.911 | 0 | 473 | -.534 | .048 | -.280 | -.977 | 0 | 555 | -.490 | .051 | -.257 | -.783 |
| 0 | 424 | -.631 | .105 | -.287 | -.833 | 0 | 474 | -.769 | .144 | -.196 | -.842 | 0 | 556 | -.478 | .069 | -.247 | -.822 |
| 0 | 425 | -.631 | .105 | -.287 | -.833 | 0 | 475 | -.665 | .199 | -.199 | -.842 | 0 | 557 | -.426 | .048 | -.301 | -.731 |
| 0 | 426 | -.631 | .105 | -.287 | -.833 | 0 | 476 | -.665 | .199 | -.199 | -.842 | 0 | 558 | -.363 | .039 | -.341 | -.835 |
| 0 | 427 | -.631 | .105 | -.287 | -.833 | 0 | 477 | -.665 | .199 | -.199 | -.842 | 0 | 559 | -.495 | .053 | -.289 | -.788 |
| 0 | 428 | -.631 | .105 | -.287 | -.833 | 0 | 478 | -.665 | .199 | -.199 | -.842 | 0 | 560 | -.490 | .051 | -.257 | -.783 |
| 0 | 429 | -.631 | .105 | -.287 | -.833 | 0 | 479 | -.665 | .199 | -.199 | -.842 | 0 | 561 | -.478 | .069 | -.247 | -.822 |
| 0 | 430 | -.631 | .105 | -.287 | -.833 | 0 | 480 | -.665 | .199 | -.199 | -.842 | 0 | 562 | -.478 | .069 | -.247 | -.822 |

APPENDIX A -- PRESSURE DATA:

CONFIGURATION A: OLYMPIA AND YORK OFFICE TOWER, DALLAS

| WD | TAP | CPMEAN | CFRMS | CPMAX | CPMIN | WD | TAP | CPMEAN | CFRMS | CPMAX | CPMIN |
|----|-----|--------|-------|--------|---------|----|-----|--------|-------|--------|---------|
| 0 | 924 | - .533 | .097 | - .130 | - .984 | 0 | 924 | - .533 | .097 | - .130 | - .984 |
| 0 | 923 | - .390 | .099 | - .361 | - 1.147 | 0 | 923 | - .390 | .099 | - .361 | - 1.147 |
| 10 | 101 | - .419 | .334 | - .397 | - 1.807 | 10 | 101 | - .419 | .334 | - .397 | - 1.807 |
| 10 | 102 | - .423 | .306 | - .186 | - 1.613 | 10 | 102 | - .423 | .306 | - .186 | - 1.613 |
| 10 | 103 | - .446 | .133 | - .035 | - 1.305 | 10 | 103 | - .446 | .133 | - .035 | - 1.305 |
| 10 | 104 | - .501 | .092 | - .143 | - .916 | 10 | 104 | - .501 | .092 | - .143 | - .916 |
| 10 | 105 | - .767 | .117 | - .423 | - 1.523 | 10 | 105 | - .767 | .117 | - .423 | - 1.523 |
| 10 | 106 | - .634 | .110 | - .282 | - 1.358 | 10 | 106 | - .634 | .110 | - .282 | - 1.358 |
| 10 | 107 | - .682 | .129 | - .198 | - 1.352 | 10 | 107 | - .682 | .129 | - .198 | - 1.352 |
| 10 | 108 | - .211 | .412 | - .765 | - 1.577 | 10 | 108 | - .211 | .412 | - .765 | - 1.577 |
| 10 | 109 | - .093 | .359 | - .662 | - 1.600 | 10 | 109 | - .093 | .359 | - .662 | - 1.600 |
| 10 | 110 | - .200 | .194 | - .361 | - 1.522 | 10 | 110 | - .200 | .194 | - .361 | - 1.522 |
| 10 | 111 | - .395 | .114 | - .105 | - 1.214 | 10 | 111 | - .395 | .114 | - .105 | - 1.214 |
| 10 | 112 | - .679 | .123 | - .412 | - 1.336 | 10 | 112 | - .679 | .123 | - .412 | - 1.336 |
| 10 | 113 | - .619 | .118 | - .412 | - 1.262 | 10 | 113 | - .619 | .118 | - .412 | - 1.262 |
| 10 | 114 | - .598 | .130 | - .116 | - 1.491 | 10 | 114 | - .598 | .130 | - .116 | - 1.491 |
| 10 | 115 | - .212 | .431 | - .913 | - 1.841 | 10 | 115 | - .212 | .431 | - .913 | - 1.841 |
| 10 | 116 | - .143 | .412 | - .921 | - 1.942 | 10 | 116 | - .143 | .412 | - .921 | - 1.942 |
| 10 | 117 | - .156 | .297 | - .488 | - 1.383 | 10 | 117 | - .156 | .297 | - .488 | - 1.383 |
| 10 | 118 | - .400 | .106 | - .167 | - 1.040 | 10 | 118 | - .400 | .106 | - .167 | - 1.040 |
| 10 | 119 | - .651 | .119 | - .345 | - 1.580 | 10 | 119 | - .651 | .119 | - .345 | - 1.580 |
| 10 | 120 | - .375 | .117 | - .234 | - 1.442 | 10 | 120 | - .375 | .117 | - .234 | - 1.442 |
| 10 | 121 | - .563 | .105 | - .235 | - 1.378 | 10 | 121 | - .563 | .105 | - .235 | - 1.378 |
| 10 | 122 | - .224 | .422 | - .731 | - 1.886 | 10 | 122 | - .224 | .422 | - .731 | - 1.886 |
| 10 | 123 | - .207 | .420 | - .796 | - 1.927 | 10 | 123 | - .207 | .420 | - .796 | - 1.927 |
| 10 | 124 | - .175 | .224 | - .473 | - 1.643 | 10 | 124 | - .175 | .224 | - .473 | - 1.643 |
| 10 | 125 | - .394 | .087 | - .089 | - .980 | 10 | 125 | - .394 | .087 | - .089 | - .980 |
| 10 | 126 | - .369 | .103 | - .325 | - 1.884 | 10 | 126 | - .369 | .103 | - .325 | - 1.884 |
| 10 | 127 | - .572 | .104 | - .152 | - 1.855 | 10 | 127 | - .572 | .104 | - .152 | - 1.855 |
| 10 | 128 | - .343 | .099 | - .098 | - 1.600 | 10 | 128 | - .343 | .099 | - .098 | - 1.600 |
| 10 | 129 | - .290 | .334 | - .695 | - 1.478 | 10 | 129 | - .290 | .334 | - .695 | - 1.478 |
| 10 | 130 | - .223 | .359 | - .634 | - 1.769 | 10 | 130 | - .223 | .359 | - .634 | - 1.769 |
| 10 | 131 | - .229 | .158 | - .452 | - 1.279 | 10 | 131 | - .229 | .158 | - .452 | - 1.279 |
| 10 | 132 | - .417 | .067 | - .006 | - .805 | 10 | 132 | - .417 | .067 | - .006 | - .805 |
| 10 | 133 | - .524 | .072 | - .349 | - 1.131 | 10 | 133 | - .524 | .072 | - .349 | - 1.131 |
| 10 | 134 | - .509 | .080 | - .186 | - 1.094 | 10 | 134 | - .509 | .080 | - .186 | - 1.094 |
| 10 | 135 | - .558 | .077 | - .189 | - 1.014 | 10 | 135 | - .558 | .077 | - .189 | - 1.014 |
| 10 | 136 | - .380 | .312 | - .548 | - 1.607 | 10 | 136 | - .380 | .312 | - .548 | - 1.607 |
| 10 | 137 | - .273 | .298 | - .490 | - 1.395 | 10 | 137 | - .273 | .298 | - .490 | - 1.395 |
| 10 | 138 | - .238 | .128 | - .291 | - .960 | 10 | 138 | - .238 | .128 | - .291 | - .960 |
| 10 | 139 | - .467 | .069 | - .226 | - .839 | 10 | 139 | - .467 | .069 | - .226 | - .839 |
| 10 | 140 | - .533 | .080 | - .296 | - 1.466 | 10 | 140 | - .533 | .080 | - .296 | - 1.466 |
| 10 | 141 | - .522 | .073 | - .295 | - .747 | 10 | 141 | - .522 | .073 | - .295 | - .747 |
| 10 | 142 | - .350 | .081 | - .109 | - .880 | 10 | 142 | - .350 | .081 | - .109 | - .880 |
| 10 | 143 | - .487 | .274 | - .303 | - 2.062 | 10 | 143 | - .487 | .274 | - .303 | - 2.062 |
| 10 | 144 | - .374 | .177 | - .339 | - 1.603 | 10 | 144 | - .374 | .177 | - .339 | - 1.603 |
| 10 | 145 | - .319 | .157 | - .311 | - .847 | 10 | 145 | - .319 | .157 | - .311 | - .847 |
| 10 | 146 | - .379 | .081 | - .007 | - .633 | 10 | 146 | - .379 | .081 | - .007 | - .633 |
| 10 | 147 | - .526 | .079 | - .128 | - .959 | 10 | 147 | - .526 | .079 | - .128 | - .959 |
| 10 | 148 | - .473 | .083 | - .030 | - .930 | 10 | 148 | - .473 | .083 | - .030 | - .930 |

APPENDIX A -- PRESSURE DATA:

CONFIGURATION A: OLYMPIA AND YORK OFFICE TOWER, DALLAS

| WD | TAP | CPMEAN | CPRMS | CPMAX | CPMIN | WD | TAP | CPMEAN | CPRMS | CPMAX | CPMIN | WD | TAP | CPMEAN | CPRMS | CPMAX | CPMIN |
|----|------|--------|-------|--------|--------|----|------|--------|-------|-------|--------|----|-----|--------|-------|-------|--------|
| 10 | 1449 | .4828 | .0774 | -.1622 | -.8887 | 10 | 2332 | -.5522 | .0322 | -.332 | -.791 | 10 | 282 | -.527 | .065 | -.329 | -.974 |
| 10 | 150 | .103 | .106 | -.207 | -.633 | 10 | 2333 | -.490 | .060 | -.108 | -.831 | 10 | 283 | -.530 | .058 | -.315 | -.953 |
| 10 | 151 | .524 | .292 | -.888 | -.1272 | 10 | 2334 | -.468 | .063 | -.166 | -.724 | 10 | 284 | -.382 | .049 | -.199 | -.987 |
| 10 | 152 | .418 | .141 | -.044 | -.961 | 10 | 2335 | -.468 | .063 | -.166 | -.682 | 10 | 285 | -.334 | .062 | -.149 | -.729 |
| 10 | 153 | .251 | .275 | -.822 | -.607 | 10 | 2336 | -.532 | .086 | -.407 | -1.140 | 10 | 286 | -.437 | .040 | -.302 | -.643 |
| 10 | 154 | .555 | .179 | -.532 | -.532 | 10 | 2337 | -.532 | .081 | -.208 | -1.108 | 10 | 287 | -.506 | .055 | -.329 | -.810 |
| 10 | 155 | .333 | .221 | -.532 | -.532 | 10 | 2338 | -.532 | .081 | -.218 | -1.161 | 10 | 288 | -.487 | .039 | -.355 | -.682 |
| 10 | 156 | .344 | .176 | -.494 | -.494 | 10 | 2339 | -.553 | .076 | -.171 | -1.064 | 10 | 289 | -.466 | .045 | -.281 | -.703 |
| 10 | 157 | .344 | .301 | -.195 | -.195 | 10 | 2340 | -.615 | .058 | -.407 | -.901 | 10 | 290 | -.549 | .037 | -.369 | -.846 |
| 10 | 158 | .379 | .118 | .089 | -.699 | 10 | 2341 | -.602 | .057 | -.438 | -.863 | 10 | 291 | -.519 | .047 | -.388 | -.743 |
| 10 | 159 | .337 | .674 | .626 | -.552 | 10 | 2342 | -.613 | .037 | -.414 | -.836 | 10 | 292 | -.518 | .049 | -.368 | -.791 |
| 10 | 160 | .234 | .045 | -.041 | -.364 | 10 | 2343 | -.517 | .062 | -.181 | -.817 | 10 | 293 | -.324 | .059 | -.127 | -.536 |
| 10 | 161 | .214 | .038 | -.088 | -.342 | 10 | 2344 | -.447 | .047 | -.256 | -.701 | 10 | 294 | -.255 | .038 | -.118 | -.391 |
| 10 | 162 | .303 | .156 | .087 | -.825 | 10 | 2345 | -.447 | .031 | -.181 | -.613 | 10 | 295 | -.262 | .037 | -.123 | -.416 |
| 10 | 163 | .227 | .060 | -.012 | -.473 | 10 | 2346 | -.395 | .052 | -.187 | -.554 | 10 | 296 | -.390 | .044 | -.235 | -.596 |
| 10 | 164 | .227 | .062 | .118 | -.437 | 10 | 2347 | -.447 | .039 | -.203 | -.631 | 10 | 297 | -.357 | .034 | -.250 | -.536 |
| 10 | 165 | .337 | .038 | -.048 | -.445 | 10 | 2348 | -.522 | .071 | -.358 | -1.074 | 10 | 298 | -.449 | .031 | -.343 | -.564 |
| 10 | 166 | .299 | .035 | .081 | -.320 | 10 | 2349 | -.511 | .069 | -.254 | -1.047 | 10 | 299 | -.517 | .037 | -.408 | -.653 |
| 10 | 167 | .777 | .440 | -.076 | -.328 | 10 | 2350 | -.524 | .068 | -.264 | -1.010 | 10 | 300 | -.506 | .031 | -.334 | -.672 |
| 10 | 168 | .588 | .110 | .459 | -1.446 | 10 | 2351 | -.542 | .064 | -.301 | -.841 | 10 | 301 | -.220 | .045 | -.063 | -.383 |
| 10 | 169 | .588 | .182 | .302 | -.440 | 10 | 2352 | -.616 | .055 | -.451 | -.884 | 10 | 302 | -.252 | .046 | -.068 | -.390 |
| 10 | 170 | .533 | .115 | .126 | -.541 | 10 | 2353 | -.621 | .060 | -.436 | -.863 | 10 | 303 | -.179 | .042 | -.027 | -.300 |
| 10 | 171 | .543 | .122 | -.127 | -.424 | 10 | 2354 | -.646 | .062 | -.426 | -.877 | 10 | 304 | -.201 | .037 | -.067 | -.302 |
| 10 | 172 | .704 | .161 | -.271 | -1.790 | 10 | 2355 | -.542 | .073 | -.269 | -.890 | 10 | 305 | -.390 | .036 | -.262 | -.529 |
| 10 | 173 | .586 | .222 | .176 | -.090 | 10 | 2356 | -.526 | .054 | -.332 | -.725 | 10 | 306 | -.363 | .029 | -.218 | -.476 |
| 10 | 174 | .337 | .158 | .242 | -2.120 | 10 | 2357 | -.434 | .054 | -.201 | -.625 | 10 | 307 | -.383 | .033 | -.264 | -.507 |
| 10 | 175 | .334 | .161 | .249 | -1.360 | 10 | 2358 | -.446 | .061 | -.104 | -.632 | 10 | 308 | -.468 | .034 | -.339 | -.600 |
| 10 | 176 | .209 | .097 | -.300 | -1.612 | 10 | 2359 | -.432 | .067 | -.185 | -.651 | 10 | 309 | -.471 | .039 | -.356 | -.623 |
| 10 | 177 | .334 | .084 | .197 | -.822 | 10 | 2360 | -.535 | .068 | -.327 | -1.074 | 10 | 401 | -.576 | .082 | -.286 | -1.383 |
| 10 | 178 | .339 | .084 | -.141 | -.141 | 10 | 2361 | -.506 | .067 | -.268 | -1.074 | 10 | 402 | -.583 | .079 | -.312 | -1.329 |
| 10 | 179 | .442 | .057 | -.135 | -.335 | 10 | 2362 | -.574 | .065 | -.281 | -1.073 | 10 | 403 | -.610 | .093 | -.284 | -1.126 |
| 10 | 180 | .442 | .057 | -.135 | -.335 | 10 | 2363 | -.539 | .059 | -.291 | -.927 | 10 | 404 | -.684 | .135 | -.215 | -1.547 |
| 10 | 181 | .630 | .091 | -.344 | -.431 | 10 | 2364 | -.603 | .056 | -.422 | -.884 | 10 | 405 | -.783 | .186 | -.279 | -1.823 |
| 10 | 182 | .630 | .091 | -.344 | -.431 | 10 | 2365 | -.617 | .050 | -.450 | -.863 | 10 | 406 | -.851 | .170 | -.369 | -2.012 |
| 10 | 183 | .640 | .087 | -.317 | -.076 | 10 | 2366 | -.628 | .068 | -.396 | -.913 | 10 | 407 | -.735 | .117 | -.413 | -1.263 |
| 10 | 184 | .613 | .082 | -.296 | -.020 | 10 | 2367 | -.561 | .062 | -.331 | -.779 | 10 | 408 | -.553 | .065 | -.339 | -.897 |
| 10 | 185 | .642 | .067 | -.427 | -.923 | 10 | 2368 | -.532 | .056 | -.323 | -.726 | 10 | 409 | -.579 | .077 | -.348 | -1.005 |
| 10 | 186 | .601 | .064 | -.373 | -.899 | 10 | 2369 | -.518 | .067 | -.230 | -.760 | 10 | 410 | -.611 | .112 | -.299 | -1.440 |
| 10 | 187 | .544 | .079 | -.434 | -1.076 | 10 | 2370 | -.368 | .078 | -.117 | -.618 | 10 | 411 | -.683 | .115 | -.371 | -1.317 |
| 10 | 188 | .571 | .058 | -.381 | -.783 | 10 | 2371 | -.381 | .075 | -.101 | -.682 | 10 | 412 | -.738 | .141 | -.283 | -1.339 |
| 10 | 189 | .577 | .060 | -.361 | -.815 | 10 | 2372 | -.543 | .084 | -.323 | -1.096 | 10 | 413 | -.752 | .150 | -.365 | -1.431 |
| 10 | 190 | .517 | .082 | -.222 | -.1314 | 10 | 2373 | -.519 | .083 | -.320 | -1.305 | 10 | 414 | -.949 | .182 | -.466 | -1.748 |
| 10 | 191 | .384 | .094 | -.271 | -.476 | 10 | 2374 | -.526 | .079 | -.317 | -1.003 | 10 | 415 | -.578 | .116 | -.245 | -1.262 |
| 10 | 192 | .384 | .086 | -.444 | -.165 | 10 | 2375 | -.572 | .073 | -.350 | -.950 | 10 | 416 | -.517 | .101 | -.190 | -1.116 |
| 10 | 193 | .384 | .086 | -.444 | -.165 | 10 | 2376 | -.602 | .070 | -.339 | -1.015 | 10 | 417 | -.519 | .094 | -.234 | -1.116 |
| 10 | 194 | .384 | .086 | -.444 | -.165 | 10 | 2377 | -.604 | .062 | -.407 | -.956 | 10 | 418 | -.598 | .104 | -.230 | -1.340 |
| 10 | 195 | .384 | .086 | -.444 | -.165 | 10 | 2378 | -.604 | .061 | -.392 | -.823 | 10 | 419 | -.573 | .120 | -.186 | -1.307 |
| 10 | 196 | .384 | .086 | -.444 | -.165 | 10 | 2379 | -.604 | .061 | -.400 | -1.204 | 10 | 420 | -.541 | .119 | -.210 | -1.193 |
| 10 | 197 | .384 | .086 | -.444 | -.165 | 10 | 2380 | -.604 | .063 | -.314 | -.915 | 10 | 421 | -.583 | .102 | -.248 | -1.064 |
| 10 | 198 | .384 | .086 | -.444 | -.165 | 10 | 2381 | -.604 | .067 | -.323 | -.873 | 10 | 422 | -.538 | .086 | -.285 | -.933 |

APPENDIX A -- PRESSURE DATA:

CONFIGURATION A: OLYMPIA AND YORK OFFICE TOWER, DALLAS

| WD | TAP | CPMEAN | CPRMS | CPMAX | CPMIN | WD | TAP | CPMEAN | CPRMS | CPMAX | CPMIN | WD | TAP | CPMEAN | CPRMS | CPMAX | CPMIN |
|----|-----|--------|-------|-------|-------|----|-----|--------|-------|-------|--------|----|-----|--------|-------|-------|-------|
| 10 | 423 | -.057 | .057 | -.293 | -.818 | 10 | 505 | -.502 | .125 | .354 | -.960 | 10 | 553 | -.454 | .048 | -.279 | -.728 |
| 10 | 424 | -.047 | .047 | -.311 | -.715 | 10 | 506 | -.417 | .134 | .137 | -1.047 | 10 | 556 | -.465 | .068 | -.123 | -.717 |
| 10 | 425 | -.069 | .069 | -.283 | -.808 | 10 | 507 | -.363 | .128 | .260 | -.854 | 10 | 557 | -.337 | .066 | -.061 | -.559 |
| 10 | 426 | -.069 | .069 | -.264 | -.861 | 10 | 508 | -.283 | .153 | .326 | -.818 | 10 | 558 | -.250 | .068 | -.063 | -.463 |
| 10 | 427 | -.069 | .069 | -.295 | -.936 | 10 | 509 | -.070 | .202 | .540 | -.746 | 10 | 559 | -.081 | .086 | -.238 | -.332 |
| 10 | 428 | -.072 | .072 | -.362 | -.993 | 10 | 510 | -.020 | .227 | .667 | -1.130 | 10 | 560 | -.117 | .101 | -.315 | -.152 |
| 10 | 429 | -.073 | .073 | -.342 | -.955 | 10 | 511 | -.769 | .128 | .366 | -1.321 | 10 | 561 | -.187 | .120 | -.706 | -.104 |
| 10 | 430 | -.052 | .052 | -.383 | -.851 | 10 | 512 | -.788 | .159 | .331 | -1.592 | 10 | 562 | -.271 | .132 | -.914 | -.125 |
| 10 | 431 | -.043 | .043 | -.310 | -.680 | 10 | 513 | -.966 | .164 | .440 | -1.332 | 10 | 563 | -.202 | .153 | -.812 | -.361 |
| 10 | 432 | -.047 | .047 | -.310 | -.666 | 10 | 514 | -.504 | .126 | .036 | -.911 | 10 | 564 | -.472 | .047 | -.224 | -.760 |
| 10 | 433 | -.060 | .060 | -.290 | -.168 | 10 | 515 | -.468 | .123 | .260 | -.789 | 10 | 565 | -.527 | .052 | -.234 | -.990 |
| 10 | 434 | -.061 | .061 | -.321 | -.983 | 10 | 516 | -.359 | .135 | .105 | -1.222 | 10 | 566 | -.449 | .048 | -.284 | -.672 |
| 10 | 435 | -.097 | .097 | -.332 | -.068 | 10 | 517 | -.365 | .126 | -.043 | -1.277 | 10 | 567 | -.479 | .048 | -.306 | -.680 |
| 10 | 436 | -.087 | .087 | -.376 | -.664 | 10 | 518 | -.587 | .112 | .206 | -1.159 | 10 | 568 | -.439 | .063 | -.193 | -.665 |
| 10 | 437 | -.049 | .049 | -.354 | -.726 | 10 | 519 | -.582 | .080 | .129 | -1.030 | 10 | 569 | -.333 | .066 | -.090 | -.332 |
| 10 | 438 | -.041 | .041 | -.333 | -.722 | 10 | 520 | -.538 | .091 | .073 | -1.010 | 10 | 570 | -.250 | .067 | -.000 | -.463 |
| 10 | 439 | -.040 | .040 | -.325 | -.750 | 10 | 521 | -.612 | .128 | .072 | -1.124 | 10 | 571 | -.098 | .082 | -.270 | -.293 |
| 10 | 440 | -.038 | .038 | -.251 | -.168 | 10 | 522 | -.502 | .127 | .065 | -.886 | 10 | 572 | -.089 | .059 | -.591 | -.155 |
| 10 | 441 | -.051 | .051 | -.042 | -.042 | 10 | 523 | -.141 | .147 | .492 | -.340 | 10 | 573 | -.136 | .115 | -.723 | -.143 |
| 10 | 442 | -.068 | .068 | -.296 | -.608 | 10 | 524 | -.011 | .148 | .721 | -.404 | 10 | 574 | -.187 | .122 | -.800 | -.154 |
| 10 | 443 | -.068 | .068 | -.337 | -.871 | 10 | 525 | -.131 | .157 | .823 | -.331 | 10 | 575 | -.109 | .128 | -.384 | -.381 |
| 10 | 444 | -.046 | .046 | -.269 | -.667 | 10 | 526 | -.235 | .219 | .828 | -.791 | 10 | 576 | -.492 | .040 | -.369 | -.701 |
| 10 | 445 | -.049 | .049 | -.259 | -.628 | 10 | 527 | -.516 | .057 | -.275 | -.854 | 10 | 577 | -.560 | .043 | -.416 | -.864 |
| 10 | 446 | -.049 | .049 | -.189 | -.713 | 10 | 528 | -.509 | .064 | -.297 | -.969 | 10 | 578 | -.494 | .041 | -.345 | -.798 |
| 10 | 447 | -.046 | .046 | -.257 | -.721 | 10 | 529 | -.512 | .062 | .318 | -.813 | 10 | 579 | -.519 | .041 | -.371 | -.694 |
| 10 | 448 | -.031 | .031 | -.272 | -.728 | 10 | 530 | -.503 | .064 | -.297 | -.969 | 10 | 580 | -.450 | .058 | -.236 | -.658 |
| 10 | 449 | -.033 | .033 | -.293 | -.802 | 10 | 531 | -.503 | .061 | .175 | -.849 | 10 | 581 | -.325 | .059 | -.048 | -.520 |
| 10 | 450 | -.036 | .036 | -.325 | -.723 | 10 | 532 | -.417 | .077 | .001 | -.658 | 10 | 582 | -.264 | .062 | -.017 | -.444 |
| 10 | 451 | -.038 | .038 | -.389 | -.728 | 10 | 533 | -.296 | .111 | .324 | -.619 | 10 | 583 | -.114 | .073 | -.207 | -.352 |
| 10 | 452 | -.039 | .039 | -.363 | -.652 | 10 | 534 | -.253 | .116 | .220 | -.531 | 10 | 584 | -.057 | .084 | -.544 | -.207 |
| 10 | 453 | -.040 | .040 | -.365 | -.722 | 10 | 535 | -.089 | .137 | .538 | -.441 | 10 | 585 | -.077 | .073 | -.335 | -.258 |
| 10 | 454 | -.044 | .044 | -.328 | -.820 | 10 | 536 | -.051 | .137 | .633 | -.292 | 10 | 586 | -.081 | .096 | -.559 | -.535 |
| 10 | 455 | -.049 | .049 | -.349 | -.673 | 10 | 537 | -.143 | .125 | .665 | -.205 | 10 | 587 | -.051 | .104 | -.380 | -.490 |
| 10 | 456 | -.043 | .043 | -.458 | -.800 | 10 | 538 | -.219 | .167 | 1.070 | -.952 | 10 | 588 | -.074 | .129 | -.406 | -.582 |
| 10 | 457 | -.050 | .050 | -.326 | -.823 | 10 | 539 | -.212 | .193 | .734 | -.605 | 10 | 589 | -.060 | .096 | -.394 | -.450 |
| 10 | 458 | -.044 | .044 | -.372 | -.697 | 10 | 540 | -.503 | .053 | -.292 | -1.020 | 10 | 590 | -.576 | .040 | -.424 | -.772 |
| 10 | 459 | -.051 | .051 | -.311 | -.762 | 10 | 541 | -.490 | .066 | -.205 | -1.181 | 10 | 591 | -.512 | .038 | -.381 | -.680 |
| 10 | 460 | -.047 | .047 | -.361 | -.701 | 10 | 542 | -.490 | .066 | -.257 | -1.133 | 10 | 592 | -.559 | .036 | -.437 | -.711 |
| 10 | 461 | -.049 | .049 | -.333 | -.713 | 10 | 543 | -.458 | .050 | -.177 | -.724 | 10 | 593 | -.464 | .040 | -.314 | -.618 |
| 10 | 462 | -.044 | .044 | -.363 | -.709 | 10 | 544 | -.470 | .079 | -.085 | -.832 | 10 | 594 | -.496 | .063 | -.273 | -.767 |
| 10 | 463 | -.044 | .044 | -.389 | -.820 | 10 | 545 | -.313 | .093 | .086 | -.553 | 10 | 595 | -.343 | .091 | -.012 | -.747 |
| 10 | 464 | -.038 | .038 | -.382 | -.748 | 10 | 546 | -.281 | .103 | .197 | -.545 | 10 | 596 | -.289 | .072 | -.035 | -.546 |
| 10 | 465 | -.039 | .039 | -.364 | -.796 | 10 | 547 | -.091 | .118 | .633 | -.371 | 10 | 597 | -.063 | .076 | -.278 | -.430 |
| 10 | 466 | -.037 | .037 | -.388 | -.702 | 10 | 548 | -.063 | .121 | .867 | -.277 | 10 | 598 | -.055 | .085 | -.412 | -.361 |
| 10 | 467 | -.050 | .050 | -.328 | -.747 | 10 | 549 | -.156 | .107 | .785 | -.158 | 10 | 599 | -.067 | .086 | -.530 | -.183 |
| 10 | 468 | -.079 | .079 | -.533 | -.993 | 10 | 550 | -.213 | .147 | .801 | -.655 | 10 | 600 | -.069 | .084 | -.426 | -.179 |
| 10 | 501 | -.170 | .170 | -.034 | -.515 | 10 | 551 | -.238 | .155 | .715 | -.454 | 10 | 601 | -.026 | .078 | -.404 | -.380 |
| 10 | 502 | -.129 | .129 | -.516 | -.492 | 10 | 552 | -.459 | .045 | .312 | -.756 | 10 | 602 | -.082 | .080 | -.441 | -.207 |
| 10 | 503 | -.117 | .117 | -.217 | -.993 | 10 | 553 | -.512 | .050 | -.295 | -1.016 | 10 | 603 | -.006 | .075 | -.284 | -.374 |
| 10 | 504 | -.054 | .054 | -.054 | -.993 | 10 | 554 | -.434 | .049 | -.280 | -.837 | 10 | 701 | -.327 | .062 | -.131 | -.552 |

APPENDIX A -- PRESSURE DATA:

CONFIGURATION A: OLYMPIA AND YORK OFFICE TOWER, DALLAS

| WD | TAP | CPMEAN | CPRMS | CPMAX | CPMIN | WD | TAP | CPMEAN | CPRMS | CPMAX | CPMIN | WD | TAP | CPMEAN | CPRMS | CPMAX | CPMIN |
|----|-----|--------|-------|-------|--------|----|-----|--------|-------|-------|--------|----|-----|--------|-------|-------|--------|
| 10 | 702 | -.279 | .062 | -.084 | -.326 | 10 | 922 | -.370 | .069 | -.403 | -.946 | 20 | 147 | -.430 | .063 | -.220 | -.983 |
| 10 | 703 | -.259 | .050 | -.100 | -.450 | 10 | 923 | -.347 | .061 | -.337 | -.807 | 20 | 148 | -.427 | .039 | -.062 | -.717 |
| 10 | 704 | -.288 | .069 | -.072 | -.356 | 10 | 924 | -.317 | .066 | -.295 | -.847 | 20 | 149 | -.394 | .043 | -.228 | -.637 |
| 10 | 705 | -.308 | .103 | -.264 | -.7084 | 10 | 925 | -.371 | .076 | -.334 | -1.027 | 20 | 150 | -.116 | .102 | -.238 | -.526 |
| 10 | 706 | -.128 | .179 | -.336 | -.793 | 20 | 101 | -.703 | .331 | -.284 | -2.272 | 20 | 151 | -.766 | .196 | -.121 | -1.487 |
| 10 | 707 | -.046 | .117 | -.608 | -.325 | 20 | 102 | -.700 | .325 | -.116 | -1.793 | 20 | 152 | -.486 | .143 | -.069 | -1.062 |
| 10 | 708 | -.098 | .090 | -.353 | -.337 | 20 | 103 | -.513 | .172 | -.033 | -1.748 | 20 | 153 | -.337 | .082 | -.125 | -.673 |
| 10 | 709 | -.402 | .043 | -.281 | -.332 | 20 | 104 | -.470 | .105 | -.121 | -1.188 | 20 | 154 | -.337 | .045 | -.176 | -.317 |
| 10 | 710 | -.268 | .049 | -.091 | -.448 | 20 | 105 | -.332 | .103 | -.150 | -1.116 | 20 | 155 | -.390 | .041 | -.180 | -.339 |
| 10 | 711 | -.154 | .075 | -.141 | -.332 | 20 | 106 | -.497 | .999 | -.173 | -1.032 | 20 | 156 | -.342 | .039 | -.133 | -.480 |
| 10 | 712 | -.167 | .086 | -.198 | -.188 | 20 | 107 | -.534 | .120 | -.103 | -2.236 | 20 | 157 | -.039 | .075 | -.471 | -.221 |
| 10 | 713 | -.109 | .104 | -.381 | -.232 | 20 | 108 | -.674 | .343 | -.719 | -2.599 | 20 | 158 | -.293 | .113 | -.016 | -.666 |
| 10 | 714 | -.643 | .101 | -.364 | -.333 | 20 | 109 | -.610 | .336 | -.476 | -1.606 | 20 | 159 | -.268 | .066 | -.051 | -.320 |
| 10 | 715 | -.299 | .066 | -.920 | -.490 | 20 | 110 | -.364 | .230 | -.429 | -1.456 | 20 | 160 | -.236 | .043 | -.043 | -.359 |
| 10 | 716 | -.497 | .041 | -.340 | -.646 | 20 | 111 | -.442 | .117 | -.084 | -1.219 | 20 | 161 | -.219 | .033 | -.102 | -.337 |
| 10 | 717 | -.772 | .066 | -.371 | -.610 | 20 | 112 | -.501 | .093 | -.203 | -1.146 | 20 | 162 | -.294 | .144 | -.222 | -.798 |
| 10 | 718 | -.466 | .044 | -.304 | -.666 | 20 | 113 | -.440 | .086 | -.141 | -.972 | 20 | 163 | -.228 | .038 | -.036 | -.436 |
| 10 | 719 | -.333 | .035 | -.378 | -.666 | 20 | 114 | -.453 | .087 | -.148 | -1.040 | 20 | 164 | -.204 | .062 | -.027 | -.403 |
| 10 | 720 | -.300 | .047 | -.323 | -.666 | 20 | 115 | -.708 | .372 | -.615 | -1.926 | 20 | 165 | -.298 | .032 | -.114 | -.306 |
| 10 | 721 | -.371 | .041 | -.492 | -.777 | 20 | 116 | -.653 | .373 | -.546 | -2.019 | 20 | 166 | -.236 | .033 | -.116 | -.351 |
| 10 | 801 | -.634 | .063 | -.243 | -.453 | 20 | 117 | -.406 | .310 | -.302 | -1.674 | 20 | 167 | -.210 | .037 | -.063 | -.367 |
| 10 | 802 | -.314 | .043 | -.182 | -.464 | 20 | 118 | -.419 | .142 | -.053 | -1.344 | 20 | 201 | -.383 | .101 | -.286 | -1.033 |
| 10 | 803 | -.250 | .033 | -.084 | -.496 | 20 | 119 | -.322 | .099 | -.131 | -1.247 | 20 | 202 | -.493 | .097 | -.138 | -1.014 |
| 10 | 804 | -.223 | .063 | -.019 | -.330 | 20 | 120 | -.443 | .092 | -.041 | -1.306 | 20 | 203 | -.324 | .105 | -.178 | -.987 |
| 10 | 805 | -.189 | .088 | -.233 | -.410 | 20 | 121 | -.408 | .074 | -.132 | -.663 | 20 | 204 | -.480 | .110 | -.127 | -1.092 |
| 10 | 806 | -.326 | .061 | -.028 | -.478 | 20 | 122 | -.606 | .390 | -.628 | -2.383 | 20 | 205 | -.318 | .141 | -.175 | -1.787 |
| 10 | 807 | -.432 | .036 | -.273 | -.379 | 20 | 123 | -.643 | .424 | -.618 | -2.683 | 20 | 206 | -.468 | .123 | -.160 | -1.324 |
| 10 | 808 | -.493 | .043 | -.323 | -.699 | 20 | 124 | -.417 | .315 | -.478 | -2.034 | 20 | 207 | -.477 | .089 | -.188 | -1.120 |
| 10 | 809 | -.337 | .043 | -.391 | -.699 | 20 | 125 | -.386 | .118 | -.027 | -1.224 | 20 | 208 | -.457 | .089 | -.183 | -.949 |
| 10 | 810 | -.391 | .043 | -.371 | -.699 | 20 | 126 | -.467 | .993 | -.131 | -1.201 | 20 | 209 | -.481 | .091 | -.197 | -1.052 |
| 10 | 811 | -.281 | .143 | -.363 | -.699 | 20 | 127 | -.480 | .086 | -.203 | -1.149 | 20 | 210 | -.433 | .037 | -.248 | -.727 |
| 10 | 812 | -.372 | .123 | -.149 | -.699 | 20 | 128 | -.431 | .973 | -.086 | -.999 | 20 | 211 | -.471 | .062 | -.273 | -1.063 |
| 10 | 813 | -.638 | .137 | -.449 | -.430 | 20 | 129 | -.530 | .312 | -.481 | -1.973 | 20 | 212 | -.493 | .089 | -.250 | -1.039 |
| 10 | 814 | -.313 | .133 | -.373 | -.333 | 20 | 130 | -.531 | .362 | -.432 | -2.238 | 20 | 213 | -.477 | .074 | -.233 | -.853 |
| 10 | 815 | -.347 | .146 | -.037 | -.100 | 20 | 131 | -.407 | .237 | -.177 | -1.823 | 20 | 214 | -.437 | .074 | -.143 | -.782 |
| 10 | 816 | -.534 | .117 | -.223 | -.153 | 20 | 132 | -.413 | .086 | -.163 | -1.008 | 20 | 215 | -.484 | .060 | -.283 | -.728 |
| 10 | 817 | -.778 | .143 | -.266 | -.443 | 20 | 133 | -.434 | .070 | -.212 | -.840 | 20 | 216 | -.430 | .032 | -.298 | -.677 |
| 10 | 818 | -.530 | .111 | -.324 | -.279 | 20 | 134 | -.430 | .973 | -.183 | -.853 | 20 | 217 | -.467 | .043 | -.296 | -.686 |
| 10 | 819 | -.721 | .131 | -.227 | -.317 | 20 | 135 | -.472 | .067 | -.198 | -.938 | 20 | 218 | -.437 | .046 | -.234 | -.634 |
| 10 | 820 | -.702 | .167 | -.043 | -.433 | 20 | 136 | -.571 | .274 | -.388 | -1.564 | 20 | 219 | -.466 | .051 | -.281 | -.687 |
| 10 | 821 | -.374 | .129 | -.032 | -.199 | 20 | 137 | -.461 | .267 | -.366 | -1.436 | 20 | 220 | -.430 | .039 | -.233 | -.718 |
| 10 | 822 | -.374 | .159 | -.032 | -.220 | 20 | 138 | -.339 | .157 | -.177 | -1.327 | 20 | 221 | -.458 | .062 | -.267 | -.809 |
| 10 | 823 | -.413 | .037 | -.200 | -.620 | 20 | 139 | -.459 | .062 | -.247 | -.879 | 20 | 222 | -.412 | .087 | -.174 | -1.000 |
| 10 | 824 | -.382 | .072 | -.015 | -.665 | 20 | 140 | -.461 | .968 | -.271 | -.973 | 20 | 223 | -.458 | .098 | -.193 | -1.077 |
| 10 | 825 | -.434 | .231 | -.339 | -.187 | 20 | 141 | -.414 | .039 | -.230 | -.763 | 20 | 224 | -.497 | .084 | -.293 | -.970 |
| 10 | 826 | -.409 | .054 | -.161 | -.618 | 20 | 142 | -.443 | .063 | -.131 | -.720 | 20 | 225 | -.431 | .078 | -.160 | -.967 |
| 10 | 827 | -.307 | .074 | -.268 | -.618 | 20 | 143 | -.371 | .298 | -.219 | -2.330 | 20 | 226 | -.468 | .071 | -.157 | -.931 |
| 10 | 828 | -.516 | .073 | -.331 | -.899 | 20 | 144 | -.431 | .174 | -.170 | -1.447 | 20 | 227 | -.428 | .038 | -.147 | -.757 |
| 10 | 829 | -.321 | .080 | -.336 | -.600 | 20 | 145 | -.403 | .169 | -.184 | -1.123 | 20 | 228 | -.462 | .038 | -.143 | -.633 |
| 10 | 830 | -.337 | .066 | -.373 | -.018 | 20 | 146 | -.393 | .073 | -.106 | -.634 | 20 | 229 | -.447 | .036 | -.332 | -.607 |

APPENDIX A -- PRESSURE DATA:

CONFIGURATION A: OLYMPIA AND YORK OFFICE TOWER, DALLAS

| WD | TAP | CPHEAN | CFRMS | CPHAX | CPHIN | WD | TAP | CPHEAN | CFRMS | CPHAX | CPHIN | WD | TAP | CPHEAN | CFRMS | CPHAX | CPHIN |
|----|-----|--------|-------|-------|-------|----|-----|--------|-------|-------|-------|----|-----|--------|-------|-------|-------|
| 20 | 280 | 463 | 041 | 319 | 629 | 20 | 421 | 508 | 092 | 237 | 931 | | | | | | |
| 20 | 281 | 486 | 044 | 324 | 631 | 20 | 422 | 521 | 106 | 278 | 697 | | | | | | |
| 20 | 282 | 455 | 049 | 235 | 649 | 20 | 423 | 555 | 103 | 314 | 359 | | | | | | |
| 20 | 283 | 459 | 037 | 133 | 648 | 20 | 424 | 465 | 064 | 281 | 889 | | | | | | |
| 20 | 284 | 400 | 047 | 250 | 638 | 20 | 425 | 450 | 050 | 304 | 724 | | | | | | |
| 20 | 285 | 368 | 057 | 159 | 584 | 20 | 426 | 443 | 062 | 204 | 823 | | | | | | |
| 20 | 286 | 439 | 032 | 341 | 565 | 20 | 427 | 458 | 070 | 278 | 1197 | | | | | | |
| 20 | 287 | 445 | 038 | 339 | 644 | 20 | 428 | 451 | 066 | 290 | 870 | | | | | | |
| 20 | 288 | 443 | 028 | 358 | 562 | 20 | 429 | 534 | 078 | 327 | 1237 | | | | | | |
| 20 | 289 | 422 | 031 | 278 | 546 | 20 | 430 | 509 | 078 | 293 | 1030 | | | | | | |
| 20 | 290 | 496 | 037 | 398 | 680 | 20 | 431 | 504 | 051 | 355 | 773 | | | | | | |
| 20 | 291 | 432 | 037 | 348 | 589 | 20 | 432 | 431 | 044 | 250 | 608 | | | | | | |
| 20 | 292 | 434 | 047 | 074 | 634 | 20 | 433 | 434 | 047 | 242 | 672 | | | | | | |
| 20 | 293 | 371 | 056 | 210 | 590 | 20 | 434 | 417 | 057 | 197 | 990 | | | | | | |
| 20 | 294 | 293 | 035 | 178 | 441 | 20 | 435 | 471 | 059 | 276 | 1130 | | | | | | |
| 20 | 295 | 288 | 034 | 180 | 433 | 20 | 436 | 524 | 076 | 266 | 962 | | | | | | |
| 20 | 296 | 405 | 037 | 290 | 375 | 20 | 437 | 515 | 070 | 313 | 821 | | | | | | |
| 20 | 297 | 356 | 029 | 278 | 495 | 20 | 438 | 442 | 040 | 266 | 605 | | | | | | |
| 20 | 298 | 414 | 029 | 323 | 503 | 20 | 439 | 458 | 041 | 307 | 683 | | | | | | |
| 20 | 299 | 482 | 037 | 350 | 630 | 20 | 440 | 437 | 043 | 221 | 801 | | | | | | |
| 20 | 300 | 451 | 045 | 316 | 677 | 20 | 441 | 414 | 056 | 186 | 1007 | | | | | | |
| 20 | 301 | 246 | 042 | 094 | 419 | 20 | 442 | 419 | 060 | 282 | 1025 | | | | | | |
| 20 | 302 | 277 | 042 | 094 | 403 | 20 | 443 | 523 | 083 | 290 | 837 | | | | | | |
| 20 | 303 | 183 | 038 | 015 | 305 | 20 | 444 | 493 | 070 | 337 | 801 | | | | | | |
| 20 | 304 | 222 | 033 | 102 | 330 | 20 | 445 | 437 | 036 | 312 | 571 | | | | | | |
| 20 | 305 | 382 | 033 | 283 | 502 | 20 | 446 | 416 | 039 | 235 | 605 | | | | | | |
| 20 | 306 | 363 | 027 | 282 | 463 | 20 | 447 | 421 | 053 | 127 | 766 | | | | | | |
| 20 | 307 | 373 | 030 | 271 | 476 | 20 | 448 | 406 | 050 | 233 | 975 | | | | | | |
| 20 | 308 | 441 | 032 | 331 | 549 | 20 | 449 | 403 | 058 | 254 | 925 | | | | | | |
| 20 | 309 | 427 | 037 | 300 | 582 | 20 | 450 | 452 | 056 | 266 | 770 | | | | | | |
| 20 | 401 | 496 | 107 | 034 | 1087 | 20 | 451 | 439 | 047 | 288 | 635 | | | | | | |
| 20 | 402 | 496 | 101 | 029 | 980 | 20 | 452 | 448 | 037 | 318 | 593 | | | | | | |
| 20 | 403 | 551 | 197 | 186 | 1253 | 20 | 453 | 435 | 042 | 160 | 622 | | | | | | |
| 20 | 404 | 593 | 147 | 186 | 1603 | 20 | 454 | 432 | 048 | 193 | 681 | | | | | | |
| 20 | 405 | 681 | 179 | 218 | 1921 | 20 | 455 | 414 | 050 | 215 | 812 | | | | | | |
| 20 | 406 | 704 | 156 | 333 | 1680 | 20 | 456 | 441 | 044 | 310 | 741 | | | | | | |
| 20 | 407 | 630 | 114 | 338 | 1432 | 20 | 457 | 505 | 043 | 383 | 837 | | | | | | |
| 20 | 408 | 458 | 077 | 182 | 793 | 20 | 458 | 451 | 051 | 155 | 617 | | | | | | |
| 20 | 409 | 501 | 082 | 244 | 836 | 20 | 459 | 449 | 041 | 286 | 675 | | | | | | |
| 20 | 410 | 543 | 111 | 152 | 1444 | 20 | 460 | 443 | 044 | 256 | 620 | | | | | | |
| 20 | 411 | 584 | 111 | 236 | 1058 | 20 | 461 | 477 | 041 | 329 | 647 | | | | | | |
| 20 | 412 | 641 | 136 | 223 | 1173 | 20 | 462 | 437 | 042 | 285 | 574 | | | | | | |
| 20 | 413 | 679 | 133 | 304 | 1341 | 20 | 463 | 458 | 044 | 298 | 704 | | | | | | |
| 20 | 414 | 816 | 167 | 376 | 1344 | 20 | 464 | 469 | 052 | 307 | 714 | | | | | | |
| 20 | 415 | 544 | 154 | 161 | 1479 | 20 | 465 | 448 | 047 | 280 | 718 | | | | | | |
| 20 | 416 | 477 | 125 | 139 | 1171 | 20 | 466 | 447 | 047 | 300 | 771 | | | | | | |
| 20 | 417 | 497 | 128 | 168 | 1638 | 20 | 467 | 472 | 045 | 347 | 813 | | | | | | |
| 20 | 418 | 470 | 123 | 130 | 1386 | 20 | 468 | 446 | 042 | 310 | 668 | | | | | | |
| 20 | 419 | 520 | 131 | 159 | 1185 | 20 | 501 | 600 | 154 | 107 | 1328 | | | | | | |
| 20 | 420 | 480 | 118 | 105 | 1460 | 20 | 502 | 596 | 164 | 261 | 1269 | | | | | | |

APPENDIX A -- PRESSURE DATA:

CONFIGURATION A) OLYMPIA AND YORK OFFICE TOWER, DALLAS

| WD | TAP | CFMEAN | CFRMS | CFMAX | CFMIN | WD | TAP | CFMEAN | CFRMS | CFMAX | CFMIN |
|----|-----|--------|-------|-------|--------|----|-----|--------|-------|-------|--------|
| 20 | 603 | -.047 | .066 | .297 | -.368 | 20 | 919 | -.430 | .047 | -.224 | -.678 |
| 20 | 701 | -.348 | .059 | -.132 | -.385 | 20 | 918 | -.414 | .057 | -.195 | -.566 |
| 20 | 702 | -.297 | .058 | -.089 | -.515 | 20 | 917 | -.379 | .048 | -.185 | -.538 |
| 20 | 703 | -.279 | .041 | -.158 | -.436 | 20 | 916 | -.342 | .228 | -.385 | -.581 |
| 20 | 704 | -.301 | .061 | -.111 | -.532 | 20 | 915 | -.342 | .053 | -.093 | -.338 |
| 20 | 705 | -.489 | .073 | -.238 | -1.124 | 20 | 914 | -.385 | .048 | -.188 | -.587 |
| 20 | 706 | -.193 | .174 | .414 | -.695 | 20 | 913 | -.436 | .133 | -.162 | -.140 |
| 20 | 707 | -.132 | .089 | .413 | -.378 | 20 | 912 | -.431 | .131 | -.043 | -.989 |
| 20 | 708 | -.041 | .077 | .364 | -.220 | 20 | 911 | -.376 | .162 | -.153 | -.140 |
| 20 | 709 | -.408 | .038 | -.267 | -.549 | 20 | 910 | -.596 | .134 | -.183 | -1.343 |
| 20 | 710 | -.281 | .039 | -.136 | -.419 | 20 | 909 | -.555 | .116 | -.136 | -1.143 |
| 20 | 711 | -.197 | .071 | -.071 | -.495 | 20 | 908 | -.687 | .143 | -.292 | -1.295 |
| 20 | 712 | .061 | .081 | .361 | -.246 | 20 | 907 | -.367 | .139 | -.062 | -1.335 |
| 20 | 713 | -.049 | .086 | .404 | -.279 | 20 | 906 | -.495 | .149 | -.116 | -1.251 |
| 20 | 714 | -.074 | .077 | .285 | -.376 | 20 | 905 | -.643 | .134 | -.232 | -1.362 |
| 20 | 715 | -.296 | .061 | -.043 | -.470 | 20 | 904 | -.495 | .149 | -.116 | -1.251 |
| 20 | 716 | -.430 | .045 | -.274 | -.624 | 20 | 903 | -.503 | .102 | -.037 | -.879 |
| 20 | 717 | -.671 | .067 | -.486 | -.994 | 20 | 902 | -.686 | .143 | -.116 | -1.223 |
| 20 | 718 | -.411 | .045 | -.268 | -.628 | 20 | 901 | -.677 | .176 | -.043 | -.447 |
| 20 | 719 | -.483 | .037 | -.320 | -.648 | 20 | 900 | -.634 | .309 | -.634 | -.634 |
| 20 | 720 | -.433 | .042 | -.258 | -.589 | 20 | 899 | -.430 | .342 | -.693 | -.693 |
| 20 | 721 | -.502 | .040 | -.347 | -.647 | 20 | 898 | -.285 | .285 | -.285 | -.285 |
| 20 | 801 | -.904 | .061 | -.299 | -.197 | 20 | 897 | -.694 | .694 | -.694 | -.694 |
| 20 | 802 | -.342 | .040 | -.213 | -.494 | 20 | 896 | -.633 | .176 | -.633 | -.633 |
| 20 | 803 | -.269 | .048 | -.109 | -.520 | 20 | 895 | -.636 | .079 | -.636 | -.636 |
| 20 | 804 | -.217 | .058 | .040 | -.442 | 20 | 894 | -.592 | .592 | -.592 | -.592 |
| 20 | 805 | -.173 | .082 | .210 | -.430 | 20 | 893 | -.592 | .592 | -.592 | -.592 |
| 20 | 806 | -.291 | .059 | -.070 | -.464 | 20 | 892 | -.592 | .592 | -.592 | -.592 |
| 20 | 807 | -.394 | .041 | -.226 | -.536 | 20 | 891 | -.592 | .592 | -.592 | -.592 |
| 20 | 808 | -.436 | .048 | -.268 | -.711 | 20 | 890 | -.592 | .592 | -.592 | -.592 |
| 20 | 809 | -.482 | .041 | -.281 | -.633 | 20 | 889 | -.592 | .592 | -.592 | -.592 |
| 20 | 810 | -.433 | .040 | -.282 | -.596 | 20 | 888 | -.592 | .592 | -.592 | -.592 |
| 20 | 901 | -.677 | .176 | -.043 | -.447 | 20 | 887 | -.592 | .592 | -.592 | -.592 |
| 20 | 903 | -.503 | .102 | -.037 | -.879 | 20 | 886 | -.592 | .592 | -.592 | -.592 |
| 20 | 904 | -.686 | .143 | -.116 | -1.223 | 20 | 885 | -.592 | .592 | -.592 | -.592 |
| 20 | 905 | -.643 | .134 | -.232 | -1.362 | 20 | 884 | -.592 | .592 | -.592 | -.592 |
| 20 | 906 | -.495 | .149 | -.116 | -1.251 | 20 | 883 | -.592 | .592 | -.592 | -.592 |
| 20 | 907 | -.367 | .139 | -.062 | -1.335 | 20 | 882 | -.592 | .592 | -.592 | -.592 |
| 20 | 908 | -.687 | .143 | -.292 | -1.295 | 20 | 881 | -.592 | .592 | -.592 | -.592 |
| 20 | 909 | -.555 | .116 | -.136 | -1.143 | 20 | 880 | -.592 | .592 | -.592 | -.592 |
| 20 | 910 | -.596 | .134 | -.183 | -1.343 | 20 | 879 | -.592 | .592 | -.592 | -.592 |
| 20 | 911 | -.376 | .162 | -.153 | -.140 | 20 | 878 | -.592 | .592 | -.592 | -.592 |
| 20 | 912 | -.431 | .131 | -.043 | -.989 | 20 | 877 | -.592 | .592 | -.592 | -.592 |
| 20 | 913 | -.436 | .133 | -.162 | -.140 | 20 | 876 | -.592 | .592 | -.592 | -.592 |
| 20 | 914 | -.385 | .048 | -.188 | -.587 | 20 | 875 | -.592 | .592 | -.592 | -.592 |
| 20 | 915 | -.347 | .053 | -.093 | -.338 | 20 | 874 | -.592 | .592 | -.592 | -.592 |
| 20 | 916 | -.342 | .228 | -.385 | -.581 | 20 | 873 | -.592 | .592 | -.592 | -.592 |
| 20 | 917 | -.379 | .048 | -.185 | -.566 | 20 | 872 | -.592 | .592 | -.592 | -.592 |
| 20 | 918 | -.414 | .057 | -.195 | -.588 | 20 | 871 | -.592 | .592 | -.592 | -.592 |
| 20 | 919 | -.430 | .047 | -.224 | -.678 | 20 | 870 | -.592 | .592 | -.592 | -.592 |

APPENDIX A -- PRESSURE DATA:

CONFIGURATION A: OLYMPIA AND YORK OFFICE TOWER, DALLAS

| WD | TAP | CPHEAN | CPRMS | CPHAX | CPHIN | WD | TAP | CPHEAN | CPRMS | CPHAX | CPHIN | WD | TAP | CPHEAN | CPRMS | CPHAX | CPHIN |
|----|-----|--------|-------|-------|-------|----|-----|--------|-------|-------|-------|----|-----|--------|-------|-------|-------|
| 30 | 920 | 456 | 052 | 280 | 852 | 30 | 145 | 456 | 106 | 035 | 913 | 30 | 228 | 413 | 039 | 231 | 373 |
| 30 | 921 | 460 | 041 | 331 | 694 | 30 | 146 | 394 | 061 | 191 | 681 | 30 | 229 | 393 | 037 | 260 | 343 |
| 30 | 922 | 468 | 039 | 335 | 640 | 30 | 147 | 401 | 057 | 247 | 705 | 30 | 230 | 416 | 035 | 298 | 349 |
| 30 | 923 | 444 | 037 | 309 | 608 | 30 | 148 | 384 | 054 | 229 | 654 | 30 | 231 | 378 | 033 | 257 | 307 |
| 30 | 924 | 441 | 049 | 249 | 641 | 30 | 149 | 333 | 046 | 165 | 578 | 30 | 232 | 398 | 031 | 283 | 320 |
| 30 | 925 | 493 | 059 | 289 | 790 | 30 | 150 | 138 | 103 | 226 | 590 | 30 | 233 | 382 | 038 | 265 | 366 |
| 30 | 101 | 847 | 086 | 007 | 057 | 30 | 151 | 834 | 166 | 172 | 1538 | 30 | 234 | 430 | 031 | 291 | 727 |
| 30 | 102 | 864 | 263 | 008 | 029 | 30 | 152 | 528 | 112 | 090 | 972 | 30 | 235 | 409 | 057 | 243 | 759 |
| 30 | 103 | 583 | 173 | 003 | 434 | 30 | 153 | 369 | 065 | 168 | 610 | 30 | 236 | 476 | 082 | 261 | 969 |
| 30 | 104 | 456 | 096 | 105 | 132 | 30 | 154 | 341 | 040 | 213 | 478 | 30 | 237 | 407 | 069 | 162 | 841 |
| 30 | 105 | 436 | 093 | 046 | 079 | 30 | 155 | 389 | 036 | 269 | 507 | 30 | 238 | 432 | 061 | 194 | 751 |
| 30 | 106 | 454 | 110 | 026 | 011 | 30 | 156 | 327 | 034 | 215 | 438 | 30 | 239 | 400 | 052 | 185 | 714 |
| 30 | 107 | 492 | 122 | 076 | 149 | 30 | 157 | 073 | 068 | 333 | 194 | 30 | 240 | 430 | 038 | 316 | 618 |
| 30 | 108 | 517 | 233 | 241 | 339 | 30 | 158 | 361 | 108 | 033 | 860 | 30 | 241 | 409 | 037 | 281 | 556 |
| 30 | 109 | 756 | 234 | 268 | 711 | 30 | 159 | 326 | 036 | 066 | 667 | 30 | 242 | 423 | 034 | 298 | 532 |
| 30 | 110 | 584 | 281 | 158 | 658 | 30 | 160 | 255 | 029 | 117 | 341 | 30 | 243 | 378 | 032 | 242 | 329 |
| 30 | 111 | 486 | 136 | 090 | 403 | 30 | 161 | 211 | 028 | 103 | 309 | 30 | 244 | 388 | 028 | 262 | 484 |
| 30 | 112 | 454 | 094 | 013 | 220 | 30 | 162 | 407 | 123 | 019 | 861 | 30 | 245 | 368 | 031 | 258 | 482 |
| 30 | 113 | 371 | 085 | 062 | 841 | 30 | 163 | 243 | 048 | 080 | 443 | 30 | 246 | 380 | 036 | 263 | 579 |
| 30 | 114 | 404 | 084 | 108 | 944 | 30 | 164 | 258 | 040 | 064 | 403 | 30 | 247 | 392 | 044 | 182 | 569 |
| 30 | 115 | 888 | 260 | 131 | 123 | 30 | 165 | 322 | 042 | 136 | 462 | 30 | 248 | 468 | 070 | 292 | 834 |
| 30 | 116 | 817 | 294 | 203 | 321 | 30 | 166 | 245 | 028 | 140 | 349 | 30 | 249 | 411 | 063 | 229 | 820 |
| 30 | 117 | 537 | 278 | 124 | 473 | 30 | 167 | 205 | 029 | 093 | 322 | 30 | 250 | 393 | 032 | 227 | 673 |
| 30 | 118 | 443 | 151 | 023 | 317 | 30 | 201 | 521 | 092 | 191 | 901 | 30 | 251 | 409 | 049 | 257 | 627 |
| 30 | 119 | 501 | 103 | 083 | 057 | 30 | 202 | 439 | 094 | 042 | 961 | 30 | 252 | 446 | 043 | 282 | 719 |
| 30 | 120 | 406 | 095 | 096 | 063 | 30 | 203 | 462 | 105 | 076 | 987 | 30 | 253 | 424 | 047 | 193 | 757 |
| 30 | 121 | 352 | 071 | 096 | 926 | 30 | 204 | 415 | 103 | 091 | 969 | 30 | 254 | 428 | 043 | 227 | 651 |
| 30 | 122 | 772 | 266 | 410 | 023 | 30 | 205 | 427 | 082 | 131 | 052 | 30 | 255 | 372 | 039 | 192 | 543 |
| 30 | 123 | 646 | 312 | 184 | 441 | 30 | 206 | 412 | 080 | 054 | 937 | 30 | 256 | 377 | 030 | 246 | 510 |
| 30 | 124 | 543 | 282 | 055 | 775 | 30 | 207 | 442 | 087 | 121 | 822 | 30 | 257 | 346 | 029 | 215 | 470 |
| 30 | 125 | 382 | 110 | 010 | 301 | 30 | 208 | 412 | 099 | 091 | 851 | 30 | 258 | 378 | 039 | 237 | 528 |
| 30 | 126 | 430 | 094 | 035 | 972 | 30 | 209 | 430 | 091 | 172 | 110 | 30 | 259 | 372 | 042 | 192 | 606 |
| 30 | 127 | 462 | 086 | 193 | 935 | 30 | 210 | 389 | 059 | 181 | 700 | 30 | 260 | 447 | 064 | 290 | 805 |
| 30 | 128 | 398 | 071 | 079 | 828 | 30 | 211 | 423 | 063 | 215 | 748 | 30 | 261 | 394 | 058 | 253 | 698 |
| 30 | 129 | 673 | 194 | 160 | 788 | 30 | 212 | 453 | 090 | 163 | 921 | 30 | 262 | 422 | 049 | 253 | 670 |
| 30 | 130 | 723 | 252 | 163 | 983 | 30 | 213 | 426 | 075 | 172 | 889 | 30 | 263 | 394 | 043 | 233 | 620 |
| 30 | 131 | 530 | 235 | 073 | 891 | 30 | 214 | 403 | 070 | 159 | 881 | 30 | 264 | 443 | 047 | 302 | 737 |
| 30 | 132 | 425 | 092 | 081 | 122 | 30 | 215 | 422 | 057 | 166 | 649 | 30 | 265 | 433 | 046 | 303 | 755 |
| 30 | 133 | 382 | 077 | 190 | 930 | 30 | 216 | 386 | 047 | 189 | 574 | 30 | 266 | 408 | 043 | 209 | 593 |
| 30 | 134 | 398 | 080 | 075 | 979 | 30 | 217 | 398 | 043 | 242 | 577 | 30 | 267 | 393 | 040 | 276 | 595 |
| 30 | 135 | 453 | 069 | 203 | 073 | 30 | 218 | 381 | 049 | 213 | 595 | 30 | 268 | 366 | 036 | 200 | 512 |
| 30 | 136 | 559 | 161 | 170 | 493 | 30 | 219 | 417 | 058 | 232 | 656 | 30 | 269 | 376 | 038 | 227 | 539 |
| 30 | 137 | 607 | 163 | 103 | 489 | 30 | 220 | 394 | 066 | 194 | 627 | 30 | 270 | 300 | 046 | 159 | 499 |
| 30 | 138 | 459 | 151 | 105 | 219 | 30 | 221 | 402 | 062 | 227 | 664 | 30 | 271 | 327 | 047 | 141 | 545 |
| 30 | 139 | 486 | 070 | 257 | 111 | 30 | 222 | 387 | 081 | 164 | 863 | 30 | 272 | 427 | 073 | 224 | 907 |
| 30 | 140 | 433 | 075 | 180 | 857 | 30 | 223 | 426 | 089 | 185 | 973 | 30 | 273 | 387 | 048 | 253 | 680 |
| 30 | 141 | 343 | 057 | 123 | 697 | 30 | 224 | 481 | 090 | 220 | 992 | 30 | 274 | 390 | 033 | 243 | 685 |
| 30 | 142 | 384 | 060 | 108 | 823 | 30 | 225 | 403 | 076 | 100 | 879 | 30 | 275 | 413 | 050 | 295 | 703 |
| 30 | 143 | 666 | 277 | 066 | 960 | 30 | 226 | 429 | 069 | 136 | 803 | 30 | 276 | 410 | 049 | 282 | 783 |
| 30 | 144 | 489 | 141 | 065 | 371 | 30 | 227 | 389 | 053 | 189 | 646 | 30 | 277 | 463 | 050 | 337 | 733 |

APPENDIX A -- PRESSURE DATA:

CONFIGURATION A; OLYMPIA AND YORK OFFICE TOWER, DALLAS

| WD | TAP | CPMEAN | CPRMS | CPMAX | CPMIN | WD | TAP | CPMEAN | CPRMS | CPMAX | CPMIN | WD | TAP | CPMEAN | CPRMS | CPMAX | CPMIN |
|----|-----|--------|-------|-------|--------|----|-----|--------|-------|-------|--------|----|-----|--------|-------|-------|--------|
| 30 | 419 | .519 | .148 | .080 | -1.283 | 30 | 501 | .525 | .164 | .525 | -1.179 | 30 | 501 | .525 | .164 | .525 | -1.179 |
| 30 | 420 | .474 | .136 | .019 | -1.386 | 30 | 502 | .556 | .167 | .617 | -1.220 | 30 | 502 | .556 | .167 | .617 | -1.220 |
| 30 | 421 | .637 | .101 | .189 | -1.037 | 30 | 503 | .690 | .119 | .390 | -1.238 | 30 | 503 | .690 | .119 | .390 | -1.238 |
| 30 | 422 | .449 | .079 | .251 | -.912 | 30 | 504 | .323 | .096 | .134 | -.663 | 30 | 504 | .323 | .096 | .134 | -.663 |
| 30 | 423 | .493 | .078 | .296 | -.939 | 30 | 505 | .264 | .108 | .236 | -.660 | 30 | 505 | .264 | .108 | .236 | -.660 |
| 30 | 424 | .427 | .056 | .236 | -.677 | 30 | 506 | .133 | .142 | .372 | -.680 | 30 | 506 | .133 | .142 | .372 | -.680 |
| 30 | 425 | .444 | .053 | .218 | -.701 | 30 | 507 | .106 | .146 | .374 | -.370 | 30 | 507 | .106 | .146 | .374 | -.370 |
| 30 | 426 | .437 | .072 | .164 | -1.003 | 30 | 508 | .020 | .170 | .572 | -.560 | 30 | 508 | .020 | .170 | .572 | -.560 |
| 30 | 427 | .483 | .081 | .248 | -1.180 | 30 | 509 | .076 | .194 | .889 | -.319 | 30 | 509 | .076 | .194 | .889 | -.319 |
| 30 | 428 | .448 | .074 | .253 | -1.037 | 30 | 510 | .059 | .194 | .833 | -.527 | 30 | 510 | .059 | .194 | .833 | -.527 |
| 30 | 429 | .481 | .062 | .271 | -.811 | 30 | 511 | .632 | .136 | -.219 | -1.246 | 30 | 511 | .632 | .136 | -.219 | -1.246 |
| 30 | 430 | .456 | .067 | .239 | -.850 | 30 | 512 | .664 | .146 | .209 | -1.473 | 30 | 512 | .664 | .146 | .209 | -1.473 |
| 30 | 431 | .473 | .050 | .263 | -.676 | 30 | 513 | .770 | .167 | .283 | -1.372 | 30 | 513 | .770 | .167 | .283 | -1.372 |
| 30 | 432 | .414 | .050 | .207 | -.685 | 30 | 514 | .313 | .099 | .063 | -.642 | 30 | 514 | .313 | .099 | .063 | -.642 |
| 30 | 433 | .443 | .066 | .180 | -1.073 | 30 | 515 | .244 | .100 | .132 | -.525 | 30 | 515 | .244 | .100 | .132 | -.525 |
| 30 | 434 | .424 | .077 | .181 | -1.073 | 30 | 516 | .453 | .142 | .115 | -1.101 | 30 | 516 | .453 | .142 | .115 | -1.101 |
| 30 | 435 | .480 | .079 | .272 | -1.113 | 30 | 517 | .446 | .148 | .159 | -1.029 | 30 | 517 | .446 | .148 | .159 | -1.029 |
| 30 | 436 | .466 | .073 | .207 | -.923 | 30 | 518 | .506 | .123 | .121 | -1.173 | 30 | 518 | .506 | .123 | .121 | -1.173 |
| 30 | 437 | .468 | .065 | .269 | -.664 | 30 | 519 | .438 | .093 | .022 | -.831 | 30 | 519 | .438 | .093 | .022 | -.831 |
| 30 | 438 | .406 | .045 | .219 | -.699 | 30 | 520 | .383 | .088 | .045 | -.736 | 30 | 520 | .383 | .088 | .045 | -.736 |
| 30 | 439 | .436 | .053 | .210 | -.983 | 30 | 521 | .445 | .105 | .092 | -.813 | 30 | 521 | .445 | .105 | .092 | -.813 |
| 30 | 440 | .443 | .060 | .193 | -.898 | 30 | 522 | .320 | .102 | .181 | -.708 | 30 | 522 | .320 | .102 | .181 | -.708 |
| 30 | 441 | .413 | .077 | .212 | -1.101 | 30 | 523 | .024 | .136 | .493 | -.463 | 30 | 523 | .024 | .136 | .493 | -.463 |
| 30 | 442 | .428 | .081 | .246 | -.931 | 30 | 524 | .179 | .188 | .741 | -.360 | 30 | 524 | .179 | .188 | .741 | -.360 |
| 30 | 443 | .463 | .072 | .227 | -.770 | 30 | 525 | .261 | .196 | .991 | -.250 | 30 | 525 | .261 | .196 | .991 | -.250 |
| 30 | 444 | .461 | .088 | .266 | -.831 | 30 | 526 | .191 | .188 | .843 | -.402 | 30 | 526 | .191 | .188 | .843 | -.402 |
| 30 | 445 | .388 | .038 | .240 | -.371 | 30 | 527 | .110 | .179 | .827 | -.473 | 30 | 527 | .110 | .179 | .827 | -.473 |
| 30 | 446 | .377 | .041 | .221 | -.565 | 30 | 528 | .461 | .081 | .188 | -.941 | 30 | 528 | .461 | .081 | .188 | -.941 |
| 30 | 447 | .383 | .053 | .091 | -1.012 | 30 | 529 | .461 | .087 | .217 | -.967 | 30 | 529 | .461 | .087 | .217 | -.967 |
| 30 | 448 | .403 | .069 | .219 | -1.040 | 30 | 530 | .464 | .079 | .237 | -.946 | 30 | 530 | .464 | .079 | .237 | -.946 |
| 30 | 449 | .393 | .081 | .235 | -1.030 | 30 | 531 | .438 | .067 | .079 | -.727 | 30 | 531 | .438 | .067 | .079 | -.727 |
| 30 | 450 | .406 | .055 | .239 | -.829 | 30 | 532 | .332 | .073 | .030 | -.579 | 30 | 532 | .332 | .073 | .030 | -.579 |
| 30 | 451 | .386 | .043 | .213 | -.673 | 30 | 533 | .177 | .095 | .341 | -.424 | 30 | 533 | .177 | .095 | .341 | -.424 |
| 30 | 452 | .405 | .037 | .278 | -.679 | 30 | 534 | .147 | .098 | .316 | -.425 | 30 | 534 | .147 | .098 | .316 | -.425 |
| 30 | 453 | .374 | .043 | .183 | -.713 | 30 | 535 | .013 | .139 | .661 | -.368 | 30 | 535 | .013 | .139 | .661 | -.368 |
| 30 | 454 | .377 | .053 | .135 | -.772 | 30 | 536 | .165 | .165 | .864 | -.261 | 30 | 536 | .165 | .165 | .864 | -.261 |
| 30 | 455 | .366 | .062 | .161 | -1.048 | 30 | 537 | .219 | .168 | .941 | -.176 | 30 | 537 | .219 | .168 | .941 | -.176 |
| 30 | 456 | .405 | .050 | .240 | -.710 | 30 | 538 | .135 | .159 | .709 | -.258 | 30 | 538 | .135 | .159 | .709 | -.258 |
| 30 | 457 | .429 | .045 | .298 | -.786 | 30 | 539 | .047 | .141 | .614 | -.456 | 30 | 539 | .047 | .141 | .614 | -.456 |
| 30 | 458 | .382 | .042 | .200 | -.555 | 30 | 540 | .443 | .076 | .172 | -.969 | 30 | 540 | .443 | .076 | .172 | -.969 |
| 30 | 459 | .384 | .040 | .238 | -.593 | 30 | 541 | .440 | .083 | .174 | -1.067 | 30 | 541 | .440 | .083 | .174 | -1.067 |
| 30 | 460 | .376 | .040 | .228 | -.535 | 30 | 542 | .443 | .079 | .241 | -1.003 | 30 | 542 | .443 | .079 | .241 | -1.003 |
| 30 | 461 | .401 | .038 | .246 | -.536 | 30 | 543 | .420 | .062 | .122 | -.837 | 30 | 543 | .420 | .062 | .122 | -.837 |
| 30 | 462 | .371 | .039 | .197 | -.550 | 30 | 544 | .358 | .080 | .009 | -.656 | 30 | 544 | .358 | .080 | .009 | -.656 |
| 30 | 463 | .397 | .037 | .262 | -.537 | 30 | 545 | .199 | .079 | .177 | -.437 | 30 | 545 | .199 | .079 | .177 | -.437 |
| 30 | 464 | .406 | .050 | .270 | -.717 | 30 | 546 | .164 | .089 | .230 | -.458 | 30 | 546 | .164 | .089 | .230 | -.458 |
| 30 | 465 | .393 | .044 | .260 | -.617 | 30 | 547 | .043 | .112 | .474 | -.326 | 30 | 547 | .043 | .112 | .474 | -.326 |
| 30 | 466 | .394 | .046 | .253 | -.704 | 30 | 548 | .096 | .132 | .673 | -.256 | 30 | 548 | .096 | .132 | .673 | -.256 |
| 30 | 467 | .432 | .051 | .302 | -.805 | 30 | 549 | .141 | .132 | .745 | -.187 | 30 | 549 | .141 | .132 | .745 | -.187 |
| 30 | 468 | .373 | .038 | .307 | -.541 | 30 | 550 | .061 | .128 | .619 | -.307 | 30 | 550 | .061 | .128 | .619 | -.307 |

APPENDIX A -- PRESSURE DATA:

CONFIGURATION A: OLYMPIA AND YORK OFFICE TOWER, DALLAS

| WD | TAF | CFMEAN | CFRMS | CFMAX | CFMIN | WD | TAF | CFMEAN | CFRMS | CFMAX | CFMIN | WD | TAF | CFMEAN | CFRMS | CFMAX | CFMIN |
|----|-----|--------|-------|-------|-------|----|-----|--------|-------|-------|-------|----|-----|--------|-------|-------|-------|
| 30 | 551 | .094 | .133 | .599 | .495 | 30 | 601 | .023 | .071 | .282 | .284 | 30 | 918 | .374 | .047 | .231 | .666 |
| 30 | 552 | .398 | .067 | .136 | .968 | 30 | 602 | .003 | .074 | .303 | .280 | 30 | 919 | .373 | .043 | .240 | .722 |
| 30 | 553 | .450 | .084 | .191 | 1.185 | 30 | 603 | .040 | .075 | .328 | .283 | 30 | 920 | .387 | .043 | .263 | .730 |
| 30 | 554 | .404 | .075 | .234 | .974 | 30 | 701 | .333 | .044 | .179 | .315 | 30 | 921 | .397 | .041 | .291 | .636 |
| 30 | 555 | .414 | .048 | .205 | .617 | 30 | 702 | .285 | .044 | .138 | .454 | 30 | 922 | .386 | .040 | .286 | .604 |
| 30 | 556 | .366 | .069 | .070 | .777 | 30 | 703 | .287 | .041 | .162 | .438 | 30 | 923 | .378 | .032 | .277 | .500 |
| 30 | 557 | .290 | .069 | .038 | .327 | 30 | 704 | .285 | .047 | .151 | .479 | 30 | 924 | .350 | .036 | .199 | .487 |
| 30 | 558 | .214 | .063 | .073 | .439 | 30 | 705 | .452 | .066 | .266 | .847 | 30 | 925 | .383 | .038 | .220 | .565 |
| 30 | 559 | .118 | .088 | .281 | .333 | 30 | 706 | .317 | .129 | .405 | .642 | 40 | 101 | .913 | .232 | .230 | 2.061 |
| 30 | 560 | .034 | .099 | .337 | .202 | 30 | 707 | .174 | .070 | .144 | .378 | 40 | 102 | .839 | .205 | .145 | 1.653 |
| 30 | 561 | .037 | .106 | .633 | .212 | 30 | 708 | .010 | .063 | .231 | .206 | 40 | 103 | .631 | .192 | .191 | 1.493 |
| 30 | 562 | .023 | .109 | .378 | .316 | 30 | 709 | .369 | .027 | .280 | .470 | 40 | 104 | .486 | .124 | .034 | 1.163 |
| 30 | 563 | .124 | .113 | .386 | .367 | 30 | 710 | .280 | .039 | .132 | .423 | 40 | 105 | .488 | .104 | .147 | .993 |
| 30 | 564 | .372 | .053 | .102 | .692 | 30 | 711 | .223 | .062 | .044 | .574 | 40 | 106 | .497 | .109 | .063 | 1.169 |
| 30 | 565 | .429 | .061 | .212 | .948 | 30 | 712 | .007 | .070 | .382 | .236 | 40 | 107 | .417 | .113 | .067 | 1.034 |
| 30 | 566 | .376 | .062 | .197 | .936 | 30 | 713 | .029 | .076 | .350 | .275 | 40 | 108 | .843 | .179 | .076 | 2.027 |
| 30 | 567 | .413 | .045 | .107 | .622 | 30 | 714 | .099 | .068 | .258 | .283 | 40 | 109 | .860 | .177 | .001 | 1.984 |
| 30 | 568 | .352 | .033 | .132 | .539 | 30 | 715 | .272 | .054 | .008 | .493 | 40 | 110 | .641 | .270 | .022 | 1.830 |
| 30 | 569 | .305 | .049 | .118 | .436 | 30 | 716 | .367 | .041 | .176 | .544 | 40 | 111 | .487 | .164 | .101 | 1.414 |
| 30 | 570 | .234 | .032 | .009 | .393 | 30 | 717 | .378 | .072 | .393 | .967 | 40 | 112 | .449 | .096 | .030 | 1.036 |
| 30 | 571 | .151 | .075 | .264 | .414 | 30 | 718 | .364 | .042 | .227 | .586 | 40 | 113 | .417 | .099 | .040 | .868 |
| 30 | 572 | .001 | .084 | .446 | .276 | 30 | 719 | .422 | .032 | .337 | .537 | 40 | 114 | .405 | .083 | .082 | .895 |
| 30 | 573 | .001 | .089 | .433 | .320 | 30 | 720 | .356 | .034 | .260 | .475 | 40 | 115 | .854 | .219 | .025 | 1.747 |
| 30 | 574 | .012 | .089 | .417 | .372 | 30 | 721 | .420 | .031 | .323 | .532 | 40 | 116 | .860 | .243 | .039 | 1.987 |
| 30 | 575 | .147 | .094 | .321 | .447 | 30 | 801 | .020 | .066 | .323 | .261 | 40 | 117 | .678 | .288 | .064 | 1.749 |
| 30 | 576 | .372 | .051 | .146 | .692 | 30 | 802 | .347 | .030 | .219 | .474 | 40 | 118 | .479 | .173 | .007 | 1.431 |
| 30 | 577 | .436 | .037 | .271 | .851 | 30 | 803 | .273 | .042 | .126 | .441 | 40 | 119 | .450 | .108 | .083 | 1.095 |
| 30 | 578 | .379 | .036 | .239 | .981 | 30 | 804 | .194 | .061 | .084 | .459 | 40 | 120 | .404 | .094 | .121 | 1.031 |
| 30 | 579 | .415 | .042 | .268 | .639 | 30 | 805 | .143 | .086 | .310 | .424 | 40 | 121 | .404 | .077 | .115 | .813 |
| 30 | 580 | .342 | .030 | .169 | .546 | 30 | 806 | .260 | .060 | .066 | .420 | 40 | 122 | .838 | .235 | .074 | 2.162 |
| 30 | 581 | .236 | .051 | .031 | .566 | 30 | 807 | .337 | .039 | .152 | .469 | 40 | 123 | .840 | .260 | .065 | 2.327 |
| 30 | 582 | .231 | .047 | .062 | .464 | 30 | 808 | .376 | .040 | .258 | .541 | 40 | 124 | .578 | .292 | .069 | 1.985 |
| 30 | 583 | .179 | .037 | .156 | .507 | 30 | 809 | .413 | .037 | .284 | .660 | 40 | 125 | .427 | .114 | .103 | 1.129 |
| 30 | 584 | .638 | .062 | .266 | .280 | 30 | 810 | .353 | .033 | .253 | .505 | 40 | 126 | .439 | .102 | .031 | 1.060 |
| 30 | 585 | .005 | .069 | .325 | .315 | 30 | 901 | .605 | .149 | .014 | 1.141 | 40 | 127 | .399 | .095 | .083 | 1.169 |
| 30 | 586 | .613 | .076 | .306 | .417 | 30 | 903 | .481 | .108 | .021 | 1.025 | 40 | 128 | .382 | .078 | .139 | 1.119 |
| 30 | 587 | .134 | .076 | .226 | .457 | 30 | 904 | .637 | .149 | .018 | 1.394 | 40 | 129 | .751 | .196 | .036 | 1.664 |
| 30 | 588 | .117 | .092 | .326 | .611 | 30 | 905 | .607 | .122 | .296 | 1.230 | 40 | 130 | .757 | .252 | .032 | 2.016 |
| 30 | 589 | .125 | .081 | .204 | .576 | 30 | 906 | .434 | .155 | .122 | 1.163 | 40 | 131 | .505 | .237 | .034 | 1.962 |
| 30 | 590 | .442 | .042 | .266 | .629 | 30 | 907 | .547 | .168 | .096 | 1.648 | 40 | 132 | .402 | .098 | .014 | 1.077 |
| 30 | 591 | .387 | .042 | .260 | .628 | 30 | 908 | .690 | .157 | .249 | 1.625 | 40 | 133 | .421 | .085 | .163 | .903 |
| 30 | 592 | .456 | .031 | .327 | .809 | 30 | 909 | .474 | .126 | .091 | 1.161 | 40 | 134 | .386 | .086 | .080 | .895 |
| 30 | 593 | .341 | .041 | .169 | .537 | 30 | 910 | .570 | .156 | .105 | 1.249 | 40 | 135 | .373 | .071 | .146 | .780 |
| 30 | 594 | .376 | .032 | .094 | .614 | 30 | 911 | .533 | .182 | .105 | 1.208 | 40 | 136 | .668 | .176 | .056 | 2.108 |
| 30 | 595 | .270 | .066 | .052 | .618 | 30 | 912 | .299 | .146 | .270 | .842 | 40 | 137 | .687 | .181 | .064 | 1.579 |
| 30 | 596 | .282 | .036 | .009 | .471 | 30 | 913 | .302 | .169 | .291 | .993 | 40 | 138 | .517 | .192 | .073 | 1.601 |
| 30 | 597 | .119 | .061 | .296 | .389 | 30 | 914 | .359 | .043 | .160 | .506 | 40 | 139 | .403 | .087 | .052 | .906 |
| 30 | 598 | .099 | .069 | .251 | .463 | 30 | 915 | .386 | .052 | .216 | .680 | 40 | 140 | .391 | .076 | .151 | .803 |
| 30 | 599 | .043 | .069 | .447 | .293 | 30 | 916 | .394 | .139 | .030 | 1.208 | 40 | 141 | .363 | .060 | .096 | .886 |
| 30 | 600 | .052 | .069 | .243 | .253 | 30 | 917 | .348 | .039 | .187 | .314 | 40 | 142 | .360 | .060 | .173 | .676 |

APPENDIX A -- PRESSURE DATA:

CONFIGURATION A: OLYMPIA AND YORK OFFICE TOWER, DALLAS

| WD | TAP | CPMEAN | CPRMS | CPMAX | CPMIN | WD | TAP | CPMEAN | CPRMS | CPMAX | CPMIN | WD | TAP | CPMEAN | CPRMS | CPMAX | CPMIN |
|----|-----|--------|-------|-------|--------|----|-----|--------|-------|-------|--------|----|-----|--------|-------|-------|--------|
| 40 | 143 | .679 | .317 | -.092 | -2.493 | 40 | 226 | -.412 | .067 | -.139 | -.790 | 40 | 276 | -.364 | .042 | -.249 | -.581 |
| 40 | 144 | -.303 | .178 | -.026 | -1.491 | 40 | 227 | -.374 | .050 | -.179 | -.613 | 40 | 277 | -.410 | .044 | -.280 | -.574 |
| 40 | 145 | -.367 | .120 | -.177 | -.998 | 40 | 228 | -.384 | .032 | -.264 | -.522 | 40 | 278 | -.358 | .039 | -.239 | -.509 |
| 40 | 146 | -.390 | .069 | -.145 | -.639 | 40 | 229 | -.368 | .031 | -.265 | -.491 | 40 | 279 | -.364 | .036 | -.265 | -.569 |
| 40 | 147 | -.400 | .064 | -.124 | -.751 | 40 | 230 | -.395 | .032 | -.238 | -.513 | 40 | 280 | -.339 | .035 | -.211 | -.447 |
| 40 | 148 | -.347 | .056 | -.058 | -.653 | 40 | 231 | -.371 | .037 | -.265 | -.510 | 40 | 281 | -.369 | .037 | -.247 | -.529 |
| 40 | 149 | -.348 | .048 | -.193 | -.606 | 40 | 232 | -.391 | .036 | -.269 | -.553 | 40 | 282 | -.331 | .048 | -.136 | -.530 |
| 40 | 150 | -.160 | .122 | -.228 | -.760 | 40 | 233 | -.389 | .049 | -.220 | -.622 | 40 | 283 | -.336 | .065 | -.021 | -.543 |
| 40 | 151 | -.897 | .189 | -.193 | -1.607 | 40 | 234 | -.433 | .076 | -.192 | -.921 | 40 | 284 | -.423 | .040 | -.300 | -.613 |
| 40 | 152 | -.318 | .121 | -.081 | -1.029 | 40 | 235 | -.413 | .080 | -.145 | -.909 | 40 | 285 | -.330 | .039 | -.197 | -.507 |
| 40 | 153 | -.411 | .069 | -.181 | -.698 | 40 | 236 | -.449 | .079 | -.221 | -.903 | 40 | 286 | -.376 | .031 | -.273 | -.531 |
| 40 | 154 | -.331 | .044 | -.182 | -.480 | 40 | 237 | -.382 | .068 | -.166 | -.812 | 40 | 287 | -.342 | .036 | -.242 | -.480 |
| 40 | 155 | -.320 | .036 | -.207 | -.452 | 40 | 238 | -.402 | .059 | -.159 | -.724 | 40 | 288 | -.351 | .030 | -.263 | -.486 |
| 40 | 156 | -.315 | .034 | -.202 | -.451 | 40 | 239 | -.369 | .046 | -.198 | -.616 | 40 | 289 | -.318 | .031 | -.202 | -.426 |
| 40 | 157 | -.068 | .086 | -.510 | -.400 | 40 | 240 | -.388 | .034 | -.283 | -.538 | 40 | 290 | -.383 | .032 | -.293 | -.498 |
| 40 | 158 | -.390 | .142 | -.014 | -1.468 | 40 | 241 | -.373 | .032 | -.237 | -.508 | 40 | 291 | -.349 | .032 | -.247 | -.511 |
| 40 | 159 | -.288 | .069 | -.081 | -.692 | 40 | 242 | -.401 | .031 | -.277 | -.516 | 40 | 292 | -.329 | .055 | -.093 | -.511 |
| 40 | 160 | -.231 | .033 | -.068 | -.331 | 40 | 243 | -.379 | .035 | -.272 | -.518 | 40 | 293 | -.356 | .047 | -.219 | -.532 |
| 40 | 161 | -.289 | .028 | -.177 | -.396 | 40 | 244 | -.393 | .033 | -.269 | -.524 | 40 | 294 | -.320 | .029 | -.203 | -.416 |
| 40 | 162 | -.392 | .153 | -.058 | -1.255 | 40 | 245 | -.390 | .044 | -.232 | -.636 | 40 | 295 | -.294 | .033 | -.166 | -.426 |
| 40 | 163 | -.244 | .055 | -.005 | -.470 | 40 | 246 | -.477 | .068 | -.262 | -1.153 | 40 | 296 | -.342 | .028 | -.240 | -.440 |
| 40 | 164 | -.233 | .043 | -.026 | -.381 | 40 | 247 | -.411 | .069 | -.200 | -1.318 | 40 | 297 | -.300 | .026 | -.196 | -.386 |
| 40 | 165 | -.258 | .047 | -.036 | -.443 | 40 | 248 | -.430 | .069 | -.232 | -.901 | 40 | 298 | -.344 | .031 | -.237 | -.462 |
| 40 | 166 | -.255 | .030 | -.128 | -.369 | 40 | 249 | -.370 | .066 | -.182 | -.931 | 40 | 299 | -.336 | .035 | -.229 | -.456 |
| 40 | 167 | -.255 | .031 | -.174 | -.412 | 40 | 250 | -.379 | .061 | -.155 | -.821 | 40 | 300 | -.336 | .044 | -.136 | -.469 |
| 40 | 201 | -.316 | .096 | -.231 | -1.120 | 40 | 251 | -.361 | .046 | -.198 | -.589 | 40 | 301 | -.306 | .037 | -.163 | -.457 |
| 40 | 202 | -.422 | .093 | -.120 | -.919 | 40 | 252 | -.387 | .038 | -.264 | -.526 | 40 | 302 | -.331 | .034 | -.199 | -.447 |
| 40 | 203 | -.428 | .099 | -.101 | -1.059 | 40 | 253 | -.389 | .037 | -.254 | -.525 | 40 | 303 | -.279 | .026 | -.195 | -.387 |
| 40 | 204 | -.391 | .082 | -.112 | -.876 | 40 | 254 | -.389 | .034 | -.253 | -.523 | 40 | 304 | -.258 | .024 | -.168 | -.342 |
| 40 | 205 | -.402 | .074 | -.169 | -.958 | 40 | 255 | -.356 | .035 | -.205 | -.491 | 40 | 305 | -.307 | .027 | -.189 | -.391 |
| 40 | 206 | -.378 | .074 | -.101 | -.800 | 40 | 256 | -.376 | .032 | -.266 | -.479 | 40 | 306 | -.315 | .025 | -.229 | -.419 |
| 40 | 207 | -.396 | .069 | -.117 | -.736 | 40 | 257 | -.368 | .042 | -.242 | -.689 | 40 | 307 | -.297 | .027 | -.206 | -.402 |
| 40 | 208 | -.375 | .075 | -.145 | -.762 | 40 | 258 | -.410 | .055 | -.206 | -.832 | 40 | 308 | -.362 | .031 | -.259 | -.488 |
| 40 | 209 | -.401 | .074 | -.145 | -.832 | 40 | 259 | -.413 | .054 | -.232 | -.848 | 40 | 309 | -.340 | .036 | -.225 | -.470 |
| 40 | 210 | -.381 | .066 | -.208 | -.648 | 40 | 260 | -.418 | .067 | -.269 | -.860 | 40 | 401 | -.407 | .107 | -.018 | -1.007 |
| 40 | 211 | -.420 | .077 | -.223 | -1.123 | 40 | 261 | -.362 | .062 | -.185 | -.777 | 40 | 402 | -.394 | .113 | -.044 | -1.093 |
| 40 | 212 | -.455 | .106 | -.028 | -1.062 | 40 | 262 | -.383 | .053 | -.225 | -.724 | 40 | 403 | -.513 | .151 | -.071 | -1.424 |
| 40 | 213 | -.414 | .069 | -.162 | -.779 | 40 | 263 | -.357 | .050 | -.217 | -.928 | 40 | 404 | -.555 | .159 | -.013 | -1.512 |
| 40 | 214 | -.384 | .052 | -.147 | -.629 | 40 | 264 | -.381 | .039 | -.278 | -.563 | 40 | 405 | -.667 | .177 | -.149 | -1.435 |
| 40 | 215 | -.399 | .051 | -.180 | -.588 | 40 | 265 | -.365 | .038 | -.232 | -.508 | 40 | 406 | -.683 | .172 | -.304 | -1.685 |
| 40 | 216 | -.367 | .046 | -.193 | -.530 | 40 | 266 | -.348 | .040 | -.224 | -.532 | 40 | 407 | -.643 | .146 | -.102 | -1.324 |
| 40 | 217 | -.385 | .041 | -.235 | -.534 | 40 | 267 | -.356 | .034 | -.241 | -.531 | 40 | 408 | -.334 | .084 | -.040 | -.770 |
| 40 | 218 | -.368 | .046 | -.194 | -.601 | 40 | 268 | -.326 | .033 | -.221 | -.445 | 40 | 409 | -.341 | .083 | -.033 | -.751 |
| 40 | 219 | -.400 | .055 | -.199 | -.727 | 40 | 269 | -.362 | .041 | -.235 | -.533 | 40 | 410 | -.367 | .123 | -.063 | -.993 |
| 40 | 220 | -.376 | .056 | -.171 | -.654 | 40 | 270 | -.309 | .061 | -.069 | -.399 | 40 | 411 | -.476 | .143 | -.028 | -1.058 |
| 40 | 221 | -.396 | .064 | -.212 | -.672 | 40 | 271 | -.342 | .058 | -.141 | -.589 | 40 | 412 | -.561 | .173 | -.113 | -1.138 |
| 40 | 222 | -.403 | .081 | -.144 | -.812 | 40 | 272 | -.379 | .070 | -.187 | -.764 | 40 | 413 | -.673 | .172 | -.073 | -1.312 |
| 40 | 223 | -.437 | .100 | -.159 | -.895 | 40 | 273 | -.374 | .059 | -.175 | -.860 | 40 | 414 | -.836 | .219 | -.025 | -1.670 |
| 40 | 224 | -.473 | .095 | -.088 | -.646 | 40 | 274 | -.348 | .049 | -.184 | -.385 | 40 | 415 | -.517 | .164 | -.053 | -1.410 |
| 40 | 225 | -.399 | .079 | -.168 | -.831 | 40 | 275 | -.374 | .042 | -.256 | -.560 | 40 | 416 | -.463 | .144 | -.020 | -1.128 |

APPENDIX A -- PRESSURE DATA:

CONFIGURATION A: OLYMPIA AND YORK OFFICE TOWER, DALLAS

| WD | TAP | CFMEAN | CFRMS | CFMAX | CFMIN | WD | TAP | CFMEAN | CFRMS | CFMAX | CFMIN | WD | TAP | CFMEAN | CFRMS | CFMAX | CFMIN |
|----|-----|--------|-------|-------|--------|----|-----|--------|-------|-------|--------|----|-----|--------|-------|-------|--------|
| 40 | 417 | .541 | .168 | -.067 | -1.214 | 40 | 467 | -.443 | .054 | -.281 | -.816 | 40 | 549 | .137 | .133 | .776 | -1.163 |
| 40 | 418 | -.367 | .239 | -.013 | -1.713 | 40 | 468 | -.339 | .042 | -.166 | -.523 | 40 | 550 | .034 | .123 | .623 | -1.309 |
| 40 | 419 | -.643 | .257 | -.243 | -1.742 | 40 | 501 | -.338 | .252 | .684 | -1.182 | 40 | 551 | -.122 | .124 | .390 | -1.528 |
| 40 | 420 | -.617 | .234 | .111 | -1.712 | 40 | 502 | -.443 | .289 | .833 | -1.229 | 40 | 552 | -.414 | .098 | -.099 | -1.145 |
| 40 | 421 | -.673 | .260 | .211 | -2.096 | 40 | 503 | -.744 | .148 | .082 | -1.384 | 40 | 553 | -.493 | .121 | -.067 | -1.200 |
| 40 | 422 | -.441 | .109 | -.101 | -1.069 | 40 | 504 | -.264 | .131 | .349 | -.763 | 40 | 554 | -.448 | .113 | -.202 | -1.210 |
| 40 | 423 | -.484 | .108 | -.123 | -1.123 | 40 | 505 | -.197 | .138 | .505 | -.738 | 40 | 555 | -.424 | .066 | -.131 | -1.783 |
| 40 | 424 | -.431 | .111 | -.038 | -1.073 | 40 | 506 | -.067 | .134 | .494 | -.662 | 40 | 556 | -.347 | .078 | -.030 | -1.681 |
| 40 | 425 | -.501 | .110 | -.170 | -1.204 | 40 | 507 | -.032 | .131 | .538 | -.482 | 40 | 557 | -.230 | .070 | .131 | -1.479 |
| 40 | 426 | -.498 | .122 | -.109 | -1.203 | 40 | 508 | -.052 | .167 | .385 | -.488 | 40 | 558 | -.172 | .073 | .230 | -1.413 |
| 40 | 427 | -.552 | .124 | -.182 | -1.386 | 40 | 509 | -.081 | .168 | .737 | -.573 | 40 | 559 | -.069 | .108 | .441 | -1.384 |
| 40 | 428 | -.519 | .119 | -.168 | -1.183 | 40 | 510 | -.043 | .161 | .717 | -.617 | 40 | 560 | .081 | .113 | .634 | -1.204 |
| 40 | 429 | -.449 | .069 | -.241 | -.773 | 40 | 511 | -.596 | .177 | .209 | -1.203 | 40 | 561 | .063 | .113 | .632 | -1.262 |
| 40 | 430 | -.422 | .071 | -.166 | -.760 | 40 | 512 | -.649 | .193 | .240 | -1.369 | 40 | 562 | .013 | .108 | .444 | -1.396 |
| 40 | 431 | -.471 | .069 | -.240 | -1.023 | 40 | 513 | -.812 | .205 | -.012 | -1.716 | 40 | 563 | -.149 | .119 | .312 | -1.601 |
| 40 | 432 | -.443 | .082 | -.136 | -1.066 | 40 | 514 | -.292 | .105 | .179 | -.674 | 40 | 564 | -.373 | .084 | -.021 | -1.939 |
| 40 | 433 | -.501 | .110 | -.129 | -1.331 | 40 | 515 | -.233 | .097 | .282 | -.596 | 40 | 565 | -.430 | .109 | -.033 | -1.278 |
| 40 | 434 | -.489 | .132 | -.097 | -1.802 | 46 | 516 | -.509 | .232 | .329 | -1.559 | 40 | 566 | -.403 | .101 | -.043 | -1.233 |
| 40 | 435 | -.565 | .135 | -.183 | -1.572 | 40 | 517 | -.440 | .241 | .544 | -1.333 | 40 | 567 | -.413 | .057 | .223 | -1.567 |
| 40 | 436 | -.421 | .073 | -.134 | -.809 | 40 | 518 | -.563 | .224 | .336 | -1.798 | 40 | 568 | -.319 | .059 | .089 | -1.583 |
| 40 | 437 | -.441 | .063 | -.141 | -.680 | 40 | 519 | -.432 | .124 | .108 | -.898 | 40 | 569 | -.262 | .038 | .033 | -1.478 |
| 40 | 438 | -.408 | .037 | -.036 | -.738 | 40 | 520 | -.324 | .114 | .164 | -.694 | 40 | 570 | -.187 | .062 | .109 | -1.446 |
| 40 | 439 | -.458 | .074 | -.151 | -.853 | 40 | 521 | -.423 | .129 | .011 | -.865 | 40 | 571 | -.105 | .089 | .368 | -1.401 |
| 40 | 440 | -.479 | .084 | -.218 | -.993 | 40 | 522 | -.315 | .102 | .110 | -.629 | 40 | 572 | .053 | .101 | .526 | -1.326 |
| 40 | 441 | -.447 | .108 | -.163 | -1.203 | 40 | 523 | -.072 | .140 | .523 | -.388 | 40 | 573 | .043 | .104 | .606 | -1.370 |
| 40 | 442 | -.467 | .109 | -.209 | -1.282 | 40 | 524 | -.268 | .177 | .863 | -.313 | 40 | 574 | -.008 | .102 | .406 | -1.572 |
| 40 | 443 | -.438 | .076 | -.138 | -.762 | 40 | 525 | -.308 | .195 | .900 | -.269 | 40 | 575 | -.168 | .107 | .281 | -1.603 |
| 40 | 444 | -.467 | .069 | -.274 | -.899 | 40 | 526 | -.213 | .163 | .686 | -.347 | 40 | 576 | -.333 | .069 | -.028 | -1.782 |
| 40 | 445 | -.392 | .043 | -.251 | -.583 | 40 | 527 | -.091 | .161 | .616 | -.448 | 40 | 577 | -.420 | .082 | -.124 | -1.578 |
| 40 | 446 | -.382 | .036 | -.191 | -.651 | 40 | 528 | -.319 | .140 | .231 | -1.573 | 40 | 578 | -.366 | .076 | -.173 | -1.049 |
| 40 | 447 | -.393 | .075 | -.160 | -.918 | 40 | 529 | -.325 | .138 | .013 | -1.363 | 40 | 579 | -.396 | .049 | .219 | -1.740 |
| 40 | 448 | -.433 | .084 | -.160 | -1.186 | 40 | 530 | -.535 | .133 | .172 | -1.326 | 40 | 580 | -.308 | .036 | .019 | -1.390 |
| 40 | 449 | -.420 | .105 | -.227 | -1.379 | 40 | 531 | -.470 | .084 | -.090 | -.809 | 40 | 581 | -.214 | .034 | .036 | -1.433 |
| 40 | 450 | -.404 | .067 | -.227 | -.729 | 40 | 532 | -.386 | .083 | -.027 | -.692 | 40 | 582 | -.188 | .033 | .078 | -1.380 |
| 40 | 451 | -.375 | .051 | -.231 | -.613 | 40 | 533 | -.167 | .086 | .169 | -.456 | 40 | 583 | -.126 | .077 | .239 | -1.389 |
| 40 | 452 | -.413 | .039 | -.293 | -.593 | 40 | 534 | -.135 | .094 | .232 | -.414 | 40 | 584 | .032 | .089 | .428 | -1.274 |
| 40 | 453 | -.365 | .047 | -.180 | -.642 | 40 | 535 | -.021 | .136 | .619 | -.308 | 40 | 585 | .030 | .096 | .569 | -1.241 |
| 40 | 454 | -.371 | .063 | -.131 | -.937 | 40 | 536 | .196 | .164 | .782 | -.192 | 40 | 586 | .033 | .088 | .324 | -1.234 |
| 40 | 455 | -.350 | .078 | -.138 | -1.034 | 40 | 537 | .247 | .167 | .808 | -.138 | 40 | 587 | -.112 | .096 | .319 | -1.640 |
| 40 | 456 | -.423 | .082 | -.262 | -1.051 | 40 | 538 | .133 | .148 | .727 | -.271 | 40 | 588 | -.103 | .124 | .442 | -1.684 |
| 40 | 457 | -.380 | .038 | -.230 | -.518 | 40 | 539 | -.078 | .128 | .471 | -.463 | 40 | 589 | -.084 | .090 | .429 | -1.427 |
| 40 | 458 | -.338 | .036 | -.146 | -.493 | 40 | 540 | -.479 | .121 | .003 | -1.330 | 40 | 590 | -.429 | .033 | -.274 | -1.698 |
| 40 | 459 | -.338 | .036 | -.193 | -.468 | 40 | 541 | -.484 | .128 | .238 | -1.581 | 40 | 591 | -.369 | .031 | .216 | -1.605 |
| 40 | 460 | -.329 | .044 | -.152 | -.472 | 40 | 542 | -.492 | .118 | -.138 | -1.371 | 40 | 592 | -.446 | .032 | -.294 | -1.803 |
| 40 | 461 | -.353 | .039 | -.219 | -.534 | 40 | 543 | -.429 | .075 | .002 | -.770 | 40 | 593 | -.316 | .041 | .131 | -1.471 |
| 40 | 462 | -.327 | .039 | -.191 | -.506 | 40 | 544 | -.327 | .088 | .149 | -.699 | 40 | 594 | -.331 | .037 | -.103 | -1.373 |
| 40 | 463 | -.377 | .037 | -.262 | -.543 | 40 | 545 | -.178 | .084 | .224 | -.468 | 40 | 595 | -.240 | .080 | .024 | -1.707 |
| 40 | 464 | -.400 | .061 | -.166 | -.706 | 40 | 546 | -.142 | .092 | .229 | -.430 | 40 | 596 | -.233 | .060 | .081 | -1.306 |
| 40 | 465 | -.381 | .053 | -.211 | -.733 | 40 | 547 | -.023 | .117 | .476 | -.330 | 40 | 597 | -.084 | .082 | .414 | -1.328 |
| 40 | 466 | -.377 | .052 | -.238 | -.781 | 40 | 548 | .124 | .133 | .777 | -.237 | 40 | 598 | -.033 | .099 | .502 | -1.362 |

APPENDIX A -- PRESSURE DATA:

CONFIGURATION A: OLYMPIA AND YORK OFFICE TOWER, DALLAS

| WD | TAP | CPMEAN | CPRMS | CPMAX | CPMIN | WD | TAP | CPMEAN | CPRMS | CPMAX | CPMIN | WD | TAP | CPMEAN | CPRMS | CPMAX | CPMIN |
|----|-----|--------|-------|-------|--------|----|-----|--------|-------|-------|--------|----|-----|--------|-------|-------|--------|
| 40 | 599 | .031 | .096 | .482 | -.223 | 40 | 916 | -.686 | .191 | -.133 | -1.729 | 50 | 141 | -.356 | .081 | -.039 | -.837 |
| 40 | 600 | .035 | .105 | .505 | -.275 | 40 | 917 | -.352 | .045 | -.196 | -.358 | 50 | 142 | -.333 | .075 | -.071 | -.869 |
| 40 | 601 | .036 | .096 | .735 | -.252 | 40 | 918 | -.366 | .057 | -.178 | -.674 | 50 | 143 | -.805 | .366 | -.143 | -2.419 |
| 40 | 602 | .074 | .096 | .599 | -.211 | 40 | 919 | -.425 | .046 | -.280 | -.672 | 50 | 144 | -.521 | .228 | -.000 | -1.819 |
| 40 | 603 | .012 | .075 | .332 | -.195 | 40 | 920 | -.368 | .044 | -.239 | -.604 | 50 | 145 | -.313 | .140 | -.072 | -1.234 |
| 40 | 701 | -.337 | .052 | -.115 | -.580 | 40 | 921 | -.376 | .042 | -.232 | -.356 | 50 | 146 | -.365 | .086 | -.046 | -.792 |
| 40 | 702 | -.286 | .052 | -.076 | -.527 | 40 | 922 | -.355 | .035 | -.257 | -.483 | 50 | 147 | -.377 | .079 | -.093 | -.801 |
| 40 | 703 | -.349 | .045 | -.218 | -.522 | 40 | 923 | -.409 | .036 | -.282 | -.560 | 50 | 148 | -.315 | .073 | -.043 | -.937 |
| 40 | 704 | -.289 | .055 | -.089 | -.564 | 40 | 924 | -.338 | .035 | -.199 | -.466 | 50 | 149 | -.333 | .060 | -.149 | -.750 |
| 40 | 705 | -.521 | .083 | -.305 | -.957 | 40 | 925 | -.372 | .041 | -.230 | -.570 | 50 | 150 | -.167 | .138 | -.377 | -.790 |
| 40 | 706 | -.142 | .186 | .660 | -.771 | 50 | 101 | -1.112 | .323 | -.294 | -2.657 | 50 | 151 | -.836 | .226 | -.214 | -1.864 |
| 40 | 707 | .097 | .098 | .517 | -.384 | 50 | 102 | -.912 | .211 | -.251 | -1.841 | 50 | 152 | -.508 | .141 | -.010 | -1.124 |
| 40 | 708 | .077 | .089 | .498 | -.143 | 50 | 103 | -.655 | .205 | -.107 | -1.478 | 50 | 153 | -.402 | .082 | -.088 | -.741 |
| 40 | 709 | -.365 | .030 | -.243 | -.489 | 50 | 104 | -.471 | .132 | -.096 | -1.185 | 50 | 154 | -.305 | .055 | -.087 | -.509 |
| 40 | 710 | -.272 | .040 | -.118 | -.399 | 50 | 105 | -.460 | .096 | -.102 | -.930 | 50 | 155 | -.305 | .048 | -.152 | -.477 |
| 40 | 711 | -.211 | .077 | -.120 | -.686 | 50 | 106 | -.459 | .090 | -.205 | -.846 | 50 | 156 | -.297 | .044 | -.188 | -.461 |
| 40 | 712 | .072 | .098 | .531 | -.216 | 50 | 107 | -.381 | .079 | -.134 | -.832 | 50 | 157 | -.098 | .088 | -.469 | -.156 |
| 40 | 713 | .072 | .110 | .579 | -.236 | 50 | 108 | -.865 | .188 | -.327 | -2.733 | 50 | 158 | -.358 | .152 | -.058 | -1.106 |
| 40 | 714 | -.024 | .085 | .358 | -.247 | 50 | 109 | -.929 | .185 | -.193 | -2.102 | 50 | 159 | -.224 | .073 | -.041 | -.627 |
| 40 | 715 | -.243 | .053 | -.014 | -.401 | 50 | 110 | -.725 | .244 | -.020 | -1.637 | 50 | 160 | -.208 | .039 | -.024 | -.319 |
| 40 | 716 | -.346 | .041 | -.211 | -.539 | 50 | 111 | -.489 | .147 | -.034 | -1.209 | 50 | 161 | -.299 | .028 | -.191 | -.418 |
| 40 | 717 | .377 | .077 | -.379 | -.037 | 50 | 112 | -.427 | .089 | -.103 | -.881 | 50 | 162 | -.318 | .153 | -.288 | -.928 |
| 40 | 718 | -.343 | .045 | -.185 | -.589 | 50 | 113 | -.402 | .077 | -.039 | -.982 | 50 | 163 | -.199 | .059 | -.023 | -.433 |
| 40 | 719 | -.397 | .040 | -.243 | -.584 | 50 | 114 | -.380 | .068 | -.139 | -.855 | 50 | 164 | -.212 | .053 | -.088 | -.359 |
| 40 | 720 | -.322 | .042 | -.176 | -.515 | 50 | 115 | -.932 | .216 | -.232 | -1.885 | 50 | 165 | -.235 | .053 | -.077 | -.475 |
| 40 | 721 | -.393 | .038 | -.243 | -.551 | 50 | 116 | -.930 | .225 | -.049 | -1.989 | 50 | 166 | -.256 | .031 | -.115 | -.386 |
| 40 | 801 | -.623 | .093 | -.577 | -.173 | 50 | 117 | -.736 | .278 | -.109 | -1.730 | 50 | 167 | -.318 | .032 | -.228 | -.420 |
| 40 | 802 | -.298 | .030 | -.202 | -.447 | 50 | 118 | -.489 | .170 | -.003 | -1.560 | 50 | 201 | -.507 | .094 | -.268 | -.740 |
| 40 | 803 | -.275 | .046 | -.119 | -.474 | 50 | 119 | -.458 | .110 | -.041 | -1.157 | 50 | 202 | -.407 | .084 | -.145 | -.911 |
| 40 | 804 | -.273 | .068 | .042 | -.649 | 50 | 120 | -.407 | .098 | -.066 | -1.022 | 50 | 203 | -.400 | .073 | -.176 | -.855 |
| 40 | 805 | -.151 | .096 | .251 | -.482 | 50 | 121 | -.489 | .075 | -.182 | -.750 | 50 | 204 | -.365 | .063 | -.139 | -.771 |
| 40 | 806 | -.185 | .056 | .097 | -.344 | 50 | 122 | -.903 | .242 | -.003 | -2.052 | 50 | 205 | -.378 | .048 | -.186 | -.615 |
| 40 | 807 | -.189 | .039 | -.142 | -.455 | 50 | 123 | -.916 | .258 | -.050 | -2.180 | 50 | 206 | -.369 | .052 | -.178 | -.617 |
| 40 | 808 | -.359 | .046 | -.190 | -.574 | 50 | 124 | -.580 | .297 | -.065 | -1.868 | 50 | 207 | -.395 | .055 | -.211 | -.626 |
| 40 | 809 | -.180 | .043 | -.199 | -.540 | 50 | 125 | -.488 | .141 | -.104 | -1.279 | 50 | 208 | -.378 | .063 | -.163 | -.669 |
| 40 | 810 | -.328 | .038 | -.138 | -.499 | 50 | 126 | -.467 | .123 | -.068 | -1.153 | 50 | 209 | -.394 | .059 | -.200 | -.679 |
| 40 | 811 | -.662 | .152 | -.666 | -.266 | 50 | 127 | -.430 | .115 | -.079 | -.973 | 50 | 210 | -.381 | .053 | -.223 | -.605 |
| 40 | 812 | -.515 | .128 | -.031 | -.993 | 50 | 128 | -.404 | .095 | -.124 | -.851 | 50 | 211 | -.405 | .059 | -.234 | -.716 |
| 40 | 813 | -.648 | .182 | -.660 | -1.413 | 50 | 129 | -.851 | .216 | -.259 | -2.011 | 50 | 212 | -.462 | .092 | -.146 | -.840 |
| 40 | 814 | -.728 | .182 | -.235 | -2.255 | 50 | 130 | -.857 | .247 | -.139 | -2.139 | 50 | 213 | -.411 | .067 | -.176 | -.728 |
| 40 | 815 | -.223 | .268 | -.371 | -1.665 | 50 | 131 | -.665 | .276 | -.045 | -1.719 | 50 | 214 | -.383 | .059 | -.183 | -.676 |
| 40 | 816 | -.413 | .221 | -.128 | -1.553 | 50 | 132 | -.465 | .160 | -.042 | -1.330 | 50 | 215 | -.396 | .047 | -.227 | -.607 |
| 40 | 817 | -.625 | .281 | -.148 | -1.463 | 50 | 133 | -.443 | .110 | -.095 | -1.005 | 50 | 216 | -.370 | .042 | -.227 | -.544 |
| 40 | 818 | -.325 | .127 | -.139 | -.937 | 50 | 134 | -.391 | .110 | -.009 | -1.026 | 50 | 217 | -.388 | .037 | -.280 | -.530 |
| 40 | 819 | -.477 | .179 | -.262 | -1.182 | 50 | 135 | -.380 | .091 | -.079 | -.946 | 50 | 218 | -.378 | .043 | -.244 | -.548 |
| 40 | 820 | -.252 | .291 | -.1 | -.401 | 50 | 136 | -.728 | .209 | -.166 | -2.055 | 50 | 219 | -.401 | .050 | -.232 | -.644 |
| 40 | 821 | -.145 | .141 | -.371 | -.747 | 50 | 137 | -.734 | .200 | -.234 | -1.824 | 50 | 220 | -.383 | .049 | -.191 | -.582 |
| 40 | 822 | -.188 | .155 | -.550 | -.928 | 50 | 138 | -.638 | .230 | -.007 | -1.880 | 50 | 221 | -.401 | .051 | -.242 | -.617 |
| 40 | 823 | -.354 | .048 | -.150 | -.557 | 50 | 139 | -.442 | .141 | -.041 | -1.137 | 50 | 222 | -.399 | .072 | -.188 | -.699 |
| 40 | 824 | -.461 | .066 | -.239 | -.774 | 50 | 140 | -.376 | .099 | -.056 | -.935 | 50 | 223 | -.425 | .079 | -.208 | -.802 |

APPENDIX A -- PRESSURE DATA:

CONFIGURATION A) OLYMPIA AND YORK OFFICE TOWER, DALLAS

| WD | TAP | CPMEAN | CPRMS | CPMAX | CPMIN | WD | TAP | CPMEAN | CPRMS | CPMAX | CPMIN | WD | TAP | CPMEAN | CPRMS | CPMAX | CPMIN |
|----|-----|--------|-------|-------|-------|----|-----|--------|-------|-------|--------|----|-----|--------|-------|-------|--------|
| 50 | 224 | .503 | .093 | .223 | .933 | 50 | 274 | .298 | .051 | .120 | -.632 | 50 | 415 | -.460 | .132 | -.097 | -1.203 |
| 50 | 225 | .418 | .083 | .164 | -.789 | 50 | 275 | -.313 | .040 | -.195 | -.494 | 50 | 416 | -.413 | .123 | .031 | -1.180 |
| 50 | 226 | .424 | .070 | .188 | -.737 | 50 | 276 | -.294 | .035 | -.184 | -.430 | 50 | 417 | -.314 | .133 | .128 | -1.301 |
| 50 | 227 | .389 | .034 | .203 | -.646 | 50 | 277 | -.343 | .034 | -.233 | -.479 | 50 | 418 | -.533 | .192 | .191 | -1.503 |
| 50 | 228 | .403 | .043 | .283 | -.630 | 50 | 278 | -.309 | .034 | -.186 | -.471 | 50 | 419 | -.339 | .277 | .634 | -1.347 |
| 50 | 229 | .391 | .049 | .266 | -.607 | 50 | 279 | -.338 | .036 | -.179 | -.459 | 50 | 420 | -.373 | .293 | .392 | -1.876 |
| 50 | 230 | .414 | .040 | .301 | -.593 | 50 | 280 | -.314 | .038 | -.156 | -.463 | 50 | 421 | -.737 | .349 | .361 | -2.039 |
| 50 | 231 | .394 | .043 | .262 | -.610 | 50 | 281 | -.366 | .043 | -.191 | -.558 | 50 | 422 | -.405 | .093 | -.109 | -1.008 |
| 50 | 232 | .425 | .038 | .278 | -.537 | 50 | 282 | -.329 | .051 | -.034 | -.379 | 50 | 423 | -.449 | .093 | -.099 | -1.081 |
| 50 | 233 | .401 | .047 | .242 | -.596 | 50 | 283 | -.349 | .055 | -.087 | -.532 | 50 | 424 | -.441 | .111 | .090 | -1.001 |
| 50 | 234 | .425 | .063 | .222 | -.753 | 50 | 284 | -.438 | .052 | -.217 | -.620 | 50 | 425 | -.560 | .147 | -.133 | -1.119 |
| 50 | 235 | .403 | .070 | .186 | -.752 | 50 | 285 | -.391 | .044 | -.153 | -.536 | 50 | 426 | -.563 | .181 | .013 | -1.490 |
| 50 | 236 | .504 | .097 | .216 | -.993 | 50 | 286 | -.336 | .033 | -.242 | -.493 | 50 | 427 | -.662 | .207 | -.003 | -1.704 |
| 50 | 237 | .432 | .096 | .157 | -.890 | 50 | 287 | -.293 | .032 | -.200 | -.421 | 50 | 428 | -.644 | .190 | -.032 | -1.489 |
| 50 | 238 | .433 | .087 | .262 | -.813 | 50 | 288 | -.323 | .027 | -.233 | -.410 | 50 | 429 | -.438 | .083 | -.203 | -1.033 |
| 50 | 239 | .439 | .066 | .212 | -.828 | 50 | 289 | -.304 | .032 | -.163 | -.413 | 50 | 430 | -.406 | .082 | -.139 | -.940 |
| 50 | 240 | .425 | .043 | .273 | -.686 | 50 | 290 | -.381 | .036 | -.226 | -.537 | 50 | 431 | -.474 | .091 | -.203 | -1.033 |
| 50 | 241 | .388 | .037 | .270 | -.570 | 50 | 291 | -.348 | .038 | -.223 | -.581 | 50 | 432 | -.467 | .114 | -.089 | -1.117 |
| 50 | 242 | .388 | .033 | .292 | -.534 | 50 | 292 | -.321 | .059 | -.108 | -.556 | 50 | 433 | -.523 | .119 | .167 | -1.336 |
| 50 | 243 | .424 | .036 | .235 | -.527 | 50 | 293 | -.414 | .055 | -.235 | -.633 | 50 | 434 | -.514 | .147 | -.034 | -1.863 |
| 50 | 244 | .424 | .033 | .297 | -.536 | 50 | 294 | -.315 | .028 | -.226 | -.412 | 50 | 435 | -.599 | .133 | -.123 | -1.303 |
| 50 | 245 | .400 | .044 | .261 | -.603 | 50 | 295 | -.300 | .033 | -.198 | -.411 | 50 | 436 | -.409 | .078 | -.127 | -.879 |
| 50 | 246 | .476 | .071 | .276 | -.626 | 50 | 296 | -.333 | .030 | -.233 | -.441 | 50 | 437 | -.437 | .070 | -.238 | -.820 |
| 50 | 247 | .412 | .078 | .160 | -.036 | 50 | 297 | -.293 | .030 | -.188 | -.393 | 50 | 438 | -.413 | .074 | -.200 | -.876 |
| 50 | 248 | .493 | .114 | .153 | -.168 | 50 | 298 | -.333 | .036 | -.209 | -.464 | 50 | 439 | -.482 | .094 | -.160 | -1.086 |
| 50 | 249 | .493 | .112 | .143 | -.086 | 50 | 299 | -.332 | .042 | -.180 | -.523 | 50 | 440 | -.463 | .093 | -.170 | -.984 |
| 50 | 250 | .383 | .084 | .143 | -.863 | 50 | 300 | -.310 | .060 | -.096 | -.524 | 50 | 441 | -.488 | .118 | -.176 | -1.291 |
| 50 | 251 | .356 | .063 | .194 | -.818 | 50 | 301 | -.297 | .032 | -.186 | -.427 | 50 | 442 | -.310 | .124 | -.230 | -1.186 |
| 50 | 252 | .386 | .037 | .219 | -.539 | 50 | 302 | -.333 | .030 | -.228 | -.431 | 50 | 443 | -.441 | .084 | -.230 | -.777 |
| 50 | 253 | .333 | .034 | .230 | -.480 | 50 | 303 | -.312 | .028 | -.207 | -.430 | 50 | 444 | -.413 | .067 | -.189 | -.673 |
| 50 | 254 | .333 | .033 | .237 | -.333 | 50 | 304 | -.292 | .026 | -.204 | -.416 | 50 | 445 | -.413 | .066 | -.133 | -.843 |
| 50 | 255 | .333 | .033 | .220 | -.544 | 50 | 305 | -.290 | .035 | -.167 | -.407 | 50 | 446 | -.419 | .083 | -.143 | -.893 |
| 50 | 256 | .333 | .033 | .289 | -.516 | 50 | 306 | -.296 | .033 | -.186 | -.419 | 50 | 447 | -.442 | .109 | -.130 | -1.262 |
| 50 | 257 | .394 | .044 | .263 | -.728 | 50 | 307 | -.264 | .040 | -.121 | -.404 | 50 | 448 | -.440 | .108 | -.126 | -1.138 |
| 50 | 258 | .431 | .061 | .271 | -.892 | 50 | 308 | -.338 | .039 | -.191 | -.462 | 50 | 449 | -.474 | .124 | -.230 | -1.151 |
| 50 | 259 | .438 | .062 | .198 | -.798 | 50 | 309 | -.314 | .044 | -.148 | -.450 | 50 | 450 | -.440 | .084 | -.168 | -.872 |
| 50 | 260 | .426 | .098 | .143 | -.983 | 50 | 401 | -.393 | .104 | -.079 | -1.137 | 50 | 451 | -.406 | .068 | -.142 | -.770 |
| 50 | 261 | .343 | .081 | .094 | -.744 | 50 | 402 | -.371 | .115 | -.001 | -1.099 | 50 | 452 | -.383 | .048 | -.193 | -.614 |
| 50 | 262 | .344 | .067 | .120 | -.656 | 50 | 403 | -.408 | .163 | -.130 | -1.117 | 50 | 453 | -.387 | .060 | -.136 | -.687 |
| 50 | 263 | .331 | .046 | .130 | -.518 | 50 | 404 | -.443 | .218 | -.236 | -1.302 | 50 | 454 | -.398 | .074 | -.102 | -.817 |
| 50 | 264 | .333 | .032 | .226 | -.464 | 50 | 405 | -.487 | .243 | -.334 | -1.324 | 50 | 455 | -.380 | .083 | -.132 | -1.047 |
| 50 | 265 | .333 | .033 | .204 | -.454 | 50 | 406 | -.487 | .263 | -.379 | -1.333 | 50 | 456 | -.407 | .086 | -.200 | -.973 |
| 50 | 266 | .336 | .036 | .201 | -.470 | 50 | 407 | -.486 | .263 | -.648 | -1.447 | 50 | 457 | -.386 | .051 | -.042 | -.637 |
| 50 | 267 | .333 | .037 | .235 | -.476 | 50 | 408 | -.327 | .066 | -.044 | -.584 | 50 | 458 | -.348 | .053 | -.164 | -.536 |
| 50 | 268 | .333 | .038 | .216 | -.460 | 50 | 409 | -.337 | .061 | -.099 | -.624 | 50 | 459 | -.333 | .030 | -.133 | -.346 |
| 50 | 269 | .396 | .043 | .233 | -.563 | 50 | 410 | -.259 | .139 | -.273 | -.738 | 50 | 460 | -.329 | .032 | -.041 | -.533 |
| 50 | 270 | .386 | .054 | .162 | -.603 | 50 | 411 | -.331 | .166 | -.248 | -1.024 | 50 | 461 | -.360 | .030 | -.134 | -.629 |
| 50 | 271 | .393 | .057 | .200 | -.707 | 50 | 412 | -.334 | .196 | -.496 | -1.053 | 50 | 462 | -.334 | .031 | -.171 | -.631 |
| 50 | 272 | .382 | .077 | .086 | -.873 | 50 | 413 | -.382 | .232 | -.493 | -1.117 | 50 | 463 | -.343 | .047 | -.191 | -.631 |
| 50 | 273 | .436 | .066 | .144 | -.886 | 50 | 414 | -.436 | .300 | -.483 | -1.630 | 50 | 464 | -.437 | .083 | -.199 | -.873 |

APPENDIX A -- PRESSURE DATA:

CONFIGURATION A: OLYMPIA AND YORK OFFICE TOWER, DALLAS

| WD | TAP | CPMEAN | CPRMS | CPMAX | CPMIN | WD | TAP | CPMEAN | CPRMS | CPMAX | CPMIN | WD | TAP | CPMEAN | CPRMS | CPMAX | CPMIN |
|----|-----|--------|-------|-------|--------|----|-----|--------|-------|-------|--------|----|-----|--------|-------|-------|--------|
| 50 | 463 | -.418 | .076 | -.193 | -.783 | 50 | 547 | .019 | .099 | .384 | -.293 | 50 | 597 | -.074 | .086 | .308 | -.336 |
| 50 | 466 | -.427 | .080 | -.213 | -.900 | 50 | 548 | .183 | .131 | .746 | -.225 | 50 | 598 | -.024 | .103 | .393 | -.379 |
| 50 | 467 | -.424 | .071 | -.263 | -.882 | 50 | 549 | .277 | .136 | .888 | -.148 | 50 | 599 | .043 | .100 | .317 | -.280 |
| 50 | 468 | -.333 | .050 | -.136 | -.379 | 50 | 550 | .168 | .170 | 1.941 | -.560 | 50 | 600 | .072 | .099 | .577 | -.232 |
| 50 | 501 | -.219 | .230 | .593 | -1.166 | 50 | 551 | -.048 | .134 | .671 | -.624 | 50 | 601 | .119 | .101 | .604 | -.123 |
| 50 | 502 | -.167 | .302 | .708 | -1.290 | 50 | 552 | -.447 | .116 | .033 | -1.082 | 50 | 602 | .117 | .083 | .534 | -.103 |
| 50 | 503 | -.420 | .284 | .637 | -1.280 | 50 | 553 | -.340 | .133 | -.033 | -1.363 | 50 | 603 | .092 | .079 | .469 | -.113 |
| 50 | 504 | -.167 | .189 | .673 | -.810 | 50 | 554 | -.496 | .130 | -.216 | -1.278 | 50 | 701 | -.320 | .030 | -.149 | -.544 |
| 50 | 505 | -.106 | .194 | .839 | -.860 | 50 | 555 | -.409 | .073 | -.099 | -.721 | 50 | 702 | -.271 | .030 | -.123 | -.312 |
| 50 | 506 | .033 | .211 | .843 | -.723 | 50 | 556 | -.313 | .077 | -.008 | -.572 | 50 | 703 | -.337 | .052 | -.202 | -.633 |
| 50 | 507 | .113 | .174 | .823 | -.607 | 50 | 557 | -.203 | .070 | .092 | -.470 | 50 | 704 | -.267 | .053 | -.086 | -.372 |
| 50 | 508 | .185 | .176 | .833 | -.499 | 50 | 558 | -.123 | .074 | .277 | -.381 | 50 | 705 | -.370 | .090 | -.307 | -1.073 |
| 50 | 509 | .198 | .161 | .873 | -.373 | 50 | 559 | -.004 | .106 | .444 | -.290 | 50 | 706 | -.013 | .232 | .862 | -.831 |
| 50 | 510 | .134 | .132 | .746 | -.404 | 50 | 560 | .203 | .129 | .710 | -.236 | 50 | 707 | -.013 | .143 | .589 | -.374 |
| 50 | 511 | -.331 | .196 | .319 | -1.672 | 50 | 561 | .233 | .162 | .808 | -.332 | 50 | 708 | .144 | .098 | .606 | -.039 |
| 50 | 512 | -.373 | .249 | .543 | -1.173 | 50 | 562 | .130 | .133 | .710 | -.336 | 50 | 709 | -.336 | .036 | -.234 | -.494 |
| 50 | 513 | -.566 | .284 | .299 | -1.312 | 50 | 563 | -.091 | .137 | .441 | -.339 | 50 | 710 | -.269 | .043 | -.109 | -.483 |
| 50 | 514 | -.218 | .128 | .309 | -.631 | 50 | 564 | -.406 | .093 | -.037 | -.947 | 50 | 711 | -.219 | .073 | .036 | -.609 |
| 50 | 515 | -.154 | .108 | .231 | -.619 | 50 | 565 | -.489 | .113 | -.088 | -1.132 | 50 | 712 | .104 | .093 | .328 | -.183 |
| 50 | 516 | -.458 | .280 | .727 | -1.404 | 50 | 566 | -.442 | .110 | -.221 | -1.136 | 50 | 713 | .126 | .112 | .864 | -.213 |
| 50 | 517 | -.432 | .302 | .848 | -1.473 | 50 | 567 | -.403 | .064 | -.140 | -.818 | 50 | 714 | .027 | .092 | .414 | -.266 |
| 50 | 518 | -.582 | .306 | .633 | -1.899 | 50 | 568 | -.274 | .068 | .032 | -.568 | 50 | 715 | -.216 | .039 | .031 | -.442 |
| 50 | 519 | -.411 | .190 | .409 | -1.624 | 50 | 569 | -.213 | .062 | .071 | -.433 | 50 | 716 | -.347 | .034 | -.172 | -.368 |
| 50 | 520 | -.303 | .160 | .322 | -1.731 | 50 | 570 | -.133 | .067 | .181 | -.367 | 50 | 717 | -.610 | .119 | -.277 | -1.019 |
| 50 | 521 | -.322 | .163 | .269 | -.888 | 50 | 571 | .011 | .102 | .422 | -.331 | 50 | 718 | -.336 | .033 | -.141 | -.399 |
| 50 | 522 | -.228 | .130 | .243 | -.813 | 50 | 572 | .184 | .122 | .633 | -.209 | 50 | 719 | -.402 | .047 | -.244 | -.631 |
| 50 | 523 | -.666 | .114 | .544 | -.312 | 50 | 573 | .202 | .141 | .796 | -.199 | 50 | 720 | -.311 | .046 | -.131 | -.300 |
| 50 | 524 | -.232 | .133 | .837 | -.242 | 50 | 574 | .104 | .126 | .778 | -.277 | 50 | 721 | -.383 | .043 | -.236 | -.600 |
| 50 | 525 | -.486 | .177 | 1.626 | -.289 | 50 | 575 | -.092 | .121 | .302 | -.390 | 50 | 801 | -.097 | .086 | .333 | -.076 |
| 50 | 526 | .302 | .169 | .892 | -.763 | 50 | 576 | -.386 | .091 | .014 | -1.044 | 50 | 802 | -.297 | .032 | -.193 | -.423 |
| 50 | 527 | .191 | .166 | .806 | -1.089 | 50 | 577 | -.437 | .107 | -.076 | -1.387 | 50 | 803 | -.267 | .044 | -.143 | -.468 |
| 50 | 528 | .513 | .176 | .204 | -1.423 | 50 | 578 | -.401 | .099 | -.214 | -1.333 | 50 | 804 | -.298 | .068 | .011 | -.603 |
| 50 | 529 | .559 | .193 | .271 | -1.464 | 50 | 579 | -.411 | .062 | -.210 | -.697 | 50 | 805 | -.178 | .088 | .292 | -.327 |
| 50 | 530 | .613 | .184 | .071 | -1.343 | 50 | 580 | -.289 | .067 | .014 | -.544 | 50 | 806 | -.137 | .066 | .116 | -.337 |
| 50 | 531 | .383 | .092 | .642 | -.714 | 50 | 581 | -.178 | .039 | .093 | -.434 | 50 | 807 | -.316 | .047 | -.132 | -.484 |
| 50 | 532 | .337 | .073 | -.033 | -.691 | 50 | 582 | -.143 | .066 | .167 | -.392 | 50 | 808 | -.381 | .034 | -.230 | -.383 |
| 50 | 533 | .162 | .073 | .199 | -.419 | 50 | 583 | -.049 | .101 | .434 | -.418 | 50 | 809 | -.333 | .030 | -.227 | -.626 |
| 50 | 534 | .133 | .079 | .132 | -.429 | 50 | 584 | .129 | .118 | .758 | -.223 | 50 | 810 | -.324 | .047 | -.160 | -.630 |
| 50 | 535 | .621 | .166 | .491 | -.296 | 50 | 585 | .166 | .113 | .642 | -.179 | 50 | 901 | -.467 | .167 | .339 | -1.111 |
| 50 | 536 | .207 | .145 | .803 | -.236 | 50 | 586 | .121 | .111 | .663 | -.266 | 50 | 903 | -.294 | .126 | .213 | -.841 |
| 50 | 537 | .346 | .168 | .895 | -.186 | 50 | 587 | -.068 | .113 | .431 | -.488 | 50 | 904 | -.330 | .189 | .068 | -1.379 |
| 50 | 538 | .263 | .180 | 1.074 | -.468 | 50 | 588 | -.056 | .130 | .332 | -.732 | 50 | 905 | -.620 | .368 | .631 | -2.143 |
| 50 | 539 | .671 | .132 | .628 | -.749 | 50 | 589 | .016 | .120 | .340 | -.400 | 50 | 906 | -.071 | .137 | .408 | -.371 |
| 50 | 540 | .517 | .142 | .096 | -1.359 | 50 | 590 | -.458 | .070 | .262 | -.799 | 50 | 907 | -.189 | .124 | .231 | -.924 |
| 50 | 541 | .333 | .136 | .613 | -1.434 | 50 | 591 | -.396 | .067 | -.211 | -.700 | 50 | 908 | -.334 | .274 | .730 | -1.230 |
| 50 | 542 | .338 | .133 | .126 | -1.434 | 50 | 592 | -.490 | .072 | -.319 | -.885 | 50 | 909 | -.263 | .156 | .377 | -.833 |
| 50 | 543 | .339 | .071 | .668 | -.696 | 50 | 593 | -.327 | .049 | .049 | -.337 | 50 | 910 | -.309 | .137 | .406 | -1.079 |
| 50 | 544 | -.299 | .079 | .031 | -.383 | 50 | 594 | -.347 | .060 | .014 | -.643 | 50 | 911 | -.338 | .203 | .313 | -1.124 |
| 50 | 545 | -.163 | .076 | .136 | -.391 | 50 | 595 | -.231 | .096 | .129 | -.707 | 50 | 912 | -.227 | .140 | .370 | -.711 |
| 50 | 546 | -.137 | .078 | .198 | -.383 | 50 | 596 | -.236 | .069 | .078 | -.332 | 50 | 913 | -.261 | .133 | .260 | -.920 |

APPENDIX A -- PRESSURE DATA:

CONFIGURATION A: OLYMPIA AND YORK OFFICE TOWER, DALLAS

| WD | TAP | CPMEAN | CPRMS | CPMAX | CPMIN | WD | TAP | CPMEAN | CPRMS | CPMAX | CPMIN | WD | TAP | CPMEAN | CPRMS | CPMAX | CPMIN |
|----|-----|--------|-------|-------|--------|----|-----|--------|-------|-------|--------|----|-----|--------|-------|-------|--------|
| 60 | 914 | .331 | .064 | -.014 | -.701 | 60 | 139 | -.382 | .106 | .002 | -1.320 | 60 | 222 | -.401 | .093 | -.186 | -1.378 |
| 60 | 915 | -.421 | .078 | -.141 | -.724 | 60 | 140 | -.345 | .085 | -.046 | -1.123 | 60 | 223 | -.429 | .100 | -.214 | -1.308 |
| 60 | 916 | -.733 | .229 | -.017 | -2.009 | 60 | 141 | -.354 | .077 | -.093 | -.836 | 60 | 224 | -.438 | .089 | -.181 | -.817 |
| 60 | 917 | -.350 | .064 | -.157 | -.725 | 60 | 142 | -.326 | .073 | -.101 | -.730 | 60 | 225 | -.366 | .079 | -.115 | -.723 |
| 60 | 918 | -.338 | .067 | -.094 | -.806 | 60 | 143 | -.440 | .378 | .325 | -2.307 | 60 | 226 | -.373 | .069 | -.156 | -.720 |
| 60 | 919 | -.380 | .052 | -.225 | -.608 | 60 | 144 | -.412 | .167 | .061 | -1.341 | 60 | 227 | -.343 | .051 | -.180 | -.629 |
| 60 | 920 | -.337 | .047 | -.173 | -.540 | 60 | 145 | -.506 | .144 | -.047 | -1.060 | 60 | 228 | -.356 | .038 | -.229 | -.498 |
| 60 | 921 | -.344 | .037 | -.220 | -.476 | 60 | 146 | -.333 | .072 | -.094 | -.895 | 60 | 229 | -.349 | .038 | -.219 | -.501 |
| 60 | 922 | -.312 | .036 | -.199 | -.492 | 60 | 147 | -.353 | .067 | -.124 | -.838 | 60 | 230 | -.373 | .039 | -.253 | -.569 |
| 60 | 923 | -.377 | .033 | -.238 | -.493 | 60 | 148 | -.310 | .069 | -.135 | -.786 | 60 | 231 | -.351 | .039 | -.239 | -.565 |
| 60 | 924 | -.341 | .041 | -.202 | -.518 | 60 | 149 | -.330 | .060 | -.180 | -.750 | 60 | 232 | -.368 | .036 | -.271 | -.500 |
| 60 | 925 | -.373 | .043 | -.157 | -.608 | 60 | 150 | -.027 | .147 | .549 | -.614 | 60 | 233 | -.356 | .039 | -.259 | -.501 |
| 60 | 101 | -.097 | .320 | -.279 | -1.502 | 60 | 151 | -.821 | .213 | -.213 | -1.734 | 60 | 234 | -.383 | .051 | -.253 | -.727 |
| 60 | 102 | -.848 | .246 | -.044 | -2.240 | 60 | 152 | -.492 | .150 | -.123 | -1.109 | 60 | 235 | -.369 | .055 | -.183 | -.719 |
| 60 | 103 | -.527 | .181 | -.118 | -1.440 | 60 | 153 | -.384 | .077 | -.127 | -.684 | 60 | 236 | -.441 | .106 | -.115 | -1.018 |
| 60 | 104 | -.420 | .127 | -.078 | -1.186 | 60 | 154 | -.295 | .043 | -.112 | -.475 | 60 | 237 | -.366 | .090 | -.037 | -.856 |
| 60 | 105 | -.438 | .093 | -.186 | -.918 | 60 | 155 | -.306 | .039 | -.162 | -.471 | 60 | 238 | -.371 | .077 | -.144 | -.778 |
| 60 | 106 | -.398 | .081 | -.155 | -.819 | 60 | 156 | -.301 | .037 | -.175 | -.453 | 60 | 239 | -.332 | .054 | -.171 | -.653 |
| 60 | 107 | -.367 | .075 | -.144 | -.840 | 60 | 157 | -.149 | .094 | -.608 | -.082 | 60 | 240 | -.339 | .035 | -.243 | -.474 |
| 60 | 108 | -.878 | .238 | -.278 | -1.888 | 60 | 158 | -.395 | .151 | .073 | -1.116 | 60 | 241 | -.333 | .034 | -.226 | -.446 |
| 60 | 109 | -.889 | .219 | -.171 | -2.070 | 60 | 159 | -.233 | .065 | .047 | -.573 | 60 | 242 | -.357 | .034 | -.251 | -.472 |
| 60 | 110 | -.604 | .213 | -.036 | -1.325 | 60 | 160 | -.200 | .038 | .003 | -.336 | 60 | 243 | -.340 | .033 | -.220 | -.453 |
| 60 | 111 | -.413 | .169 | -.124 | -.976 | 60 | 161 | -.325 | .028 | -.242 | -.432 | 60 | 244 | -.334 | .029 | -.266 | -.467 |
| 60 | 112 | -.392 | .088 | -.135 | -.888 | 60 | 162 | -.364 | .159 | .082 | -1.067 | 60 | 245 | -.343 | .031 | -.232 | -.479 |
| 60 | 113 | -.379 | .070 | -.153 | -.918 | 60 | 163 | -.183 | .059 | .082 | -.438 | 60 | 246 | -.373 | .036 | -.256 | -.649 |
| 60 | 114 | -.349 | .063 | -.153 | -.632 | 60 | 164 | -.191 | .050 | .043 | -.373 | 60 | 247 | -.354 | .047 | -.197 | -.577 |
| 60 | 115 | -.918 | .268 | -.162 | -2.940 | 60 | 165 | -.243 | .050 | -.031 | -.467 | 60 | 248 | -.419 | .099 | -.122 | -.835 |
| 60 | 116 | -.883 | .262 | -.034 | -2.140 | 60 | 166 | -.270 | .031 | -.146 | -.390 | 60 | 249 | -.347 | .085 | -.073 | -.815 |
| 60 | 117 | -.683 | .231 | -.111 | -1.811 | 60 | 167 | -.356 | .036 | -.256 | -.499 | 60 | 250 | -.335 | .071 | -.061 | -.853 |
| 60 | 118 | -.444 | .129 | -.023 | -1.239 | 60 | 201 | -.457 | .092 | -.203 | -.949 | 60 | 251 | -.316 | .050 | -.168 | -.605 |
| 60 | 119 | -.411 | .097 | -.004 | -.867 | 60 | 202 | -.377 | .079 | -.155 | -.804 | 60 | 252 | -.324 | .033 | -.238 | -.495 |
| 60 | 120 | -.351 | .090 | -.002 | -.811 | 60 | 203 | -.377 | .069 | -.177 | -.702 | 60 | 253 | -.316 | .030 | -.236 | -.468 |
| 60 | 121 | -.371 | .070 | -.171 | -.908 | 60 | 204 | -.344 | .058 | -.134 | -.610 | 60 | 254 | -.344 | .027 | -.260 | -.460 |
| 60 | 122 | -.818 | .217 | -.242 | -1.907 | 60 | 205 | -.350 | .046 | -.186 | -.557 | 60 | 255 | -.329 | .026 | -.230 | -.427 |
| 60 | 123 | -.636 | .221 | -.098 | -1.969 | 60 | 206 | -.345 | .051 | -.193 | -.624 | 60 | 256 | -.342 | .027 | -.247 | -.443 |
| 60 | 124 | -.686 | .239 | -.002 | -1.922 | 60 | 207 | -.376 | .059 | -.193 | -.762 | 60 | 257 | -.335 | .031 | -.241 | -.456 |
| 60 | 125 | -.482 | .151 | -.003 | -1.211 | 60 | 208 | -.373 | .071 | -.147 | -.764 | 60 | 258 | -.369 | .040 | -.253 | -.518 |
| 60 | 126 | -.394 | .116 | -.089 | -.936 | 60 | 209 | -.382 | .066 | -.191 | -.829 | 60 | 259 | -.373 | .045 | -.236 | -.644 |
| 60 | 127 | -.370 | .103 | -.022 | -.860 | 60 | 210 | -.372 | .061 | -.189 | -.726 | 60 | 260 | -.385 | .083 | -.198 | -.812 |
| 60 | 128 | -.344 | .083 | -.050 | -.865 | 60 | 211 | -.397 | .068 | -.200 | -.885 | 60 | 261 | -.324 | .070 | -.193 | -.782 |
| 60 | 129 | -.824 | .205 | -.263 | -1.999 | 60 | 212 | -.422 | .087 | -.182 | -.862 | 60 | 262 | -.337 | .061 | -.137 | -.676 |
| 60 | 130 | -.910 | .230 | -.167 | -1.846 | 60 | 213 | -.378 | .063 | -.169 | -.722 | 60 | 263 | -.301 | .045 | -.154 | -.491 |
| 60 | 131 | -.658 | .248 | -.045 | -1.716 | 60 | 214 | -.356 | .056 | -.167 | -.617 | 60 | 264 | -.313 | .031 | -.203 | -.436 |
| 60 | 132 | -.437 | .159 | -.007 | -1.284 | 60 | 215 | -.368 | .046 | -.225 | -.560 | 60 | 265 | -.308 | .028 | -.198 | -.416 |
| 60 | 133 | -.416 | .169 | -.047 | -.966 | 60 | 216 | -.345 | .041 | -.194 | -.503 | 60 | 266 | -.317 | .027 | -.220 | -.429 |
| 60 | 134 | -.356 | .104 | -.029 | -.908 | 60 | 217 | -.364 | .041 | -.238 | -.503 | 60 | 267 | -.353 | .029 | -.254 | -.458 |
| 60 | 135 | -.354 | .087 | -.091 | -.847 | 60 | 218 | -.362 | .049 | -.222 | -.565 | 60 | 268 | -.319 | .030 | -.214 | -.429 |
| 60 | 136 | -.782 | .245 | -.030 | -1.977 | 60 | 219 | -.399 | .062 | -.249 | -.667 | 60 | 269 | -.370 | .034 | -.247 | -.511 |
| 60 | 137 | -.764 | .262 | -.070 | -2.306 | 60 | 220 | -.369 | .056 | -.204 | -.729 | 60 | 270 | -.338 | .044 | -.199 | -.580 |
| 60 | 138 | -.491 | .233 | -.016 | -1.631 | 60 | 221 | -.394 | .067 | -.231 | -.774 | 60 | 271 | -.382 | .047 | -.230 | -.600 |

APPENDIX A -- PRESSURE DATA:

CONFIGURATION A: OLYMPIA AND YORK OFFICE TOWER, DALLAS

| WD | TAP | CPMEAN | CPRMS | CPMAX | CPMIN | WD | TAP | CPMEAN | CPRMS | CPMAX | CPMIN | WD | TAP | CPMEAN | CPRMS | CPMAX | CPMIN |
|----|-----|--------|-------|-------|-------|----|-----|--------|-------|-------|--------|----|-----|--------|-------|-------|--------|
| 60 | 272 | .336 | .669 | .119 | -.750 | 60 | 413 | -.426 | .168 | .291 | -1.213 | 60 | 463 | -.363 | .052 | -.178 | -.603 |
| 60 | 273 | .314 | .054 | -.173 | -.668 | 60 | 414 | -.454 | .223 | .247 | -1.678 | 60 | 464 | -.416 | .074 | -.237 | -.859 |
| 60 | 274 | .301 | .849 | -.161 | -.775 | 60 | 415 | -.427 | .106 | -.127 | -1.053 | 60 | 465 | -.405 | .062 | -.240 | -.689 |
| 60 | 275 | .329 | .037 | -.223 | -.583 | 60 | 416 | -.369 | .102 | .141 | -1.060 | 60 | 466 | -.397 | .062 | -.228 | -.736 |
| 60 | 276 | .293 | .631 | -.193 | -.436 | 60 | 417 | -.424 | .101 | -.019 | -.862 | 60 | 467 | -.406 | .067 | -.234 | -1.072 |
| 60 | 277 | .343 | .266 | -.031 | -.477 | 60 | 418 | -.493 | .107 | .020 | -1.028 | 60 | 468 | -.352 | .071 | -.088 | -.707 |
| 60 | 278 | .311 | .629 | -.237 | -.439 | 60 | 419 | -.483 | .126 | .077 | -1.179 | 60 | 501 | -.370 | .182 | -.390 | -1.101 |
| 60 | 279 | .335 | .031 | -.257 | -.473 | 60 | 420 | -.474 | .141 | -.067 | -1.191 | 60 | 502 | -.356 | .226 | -.649 | -1.231 |
| 60 | 280 | .326 | .632 | -.214 | -.443 | 60 | 421 | -.613 | .197 | -.192 | -1.869 | 60 | 503 | -.424 | .203 | -.312 | -1.252 |
| 60 | 281 | .370 | .036 | -.245 | -.513 | 60 | 422 | -.353 | .073 | -.041 | -.752 | 60 | 504 | -.336 | .188 | -.491 | -1.247 |
| 60 | 282 | .337 | .651 | -.187 | -.594 | 60 | 423 | -.393 | .074 | -.068 | -.681 | 60 | 505 | -.307 | .198 | -.336 | -1.280 |
| 60 | 283 | .383 | .032 | -.189 | -.660 | 60 | 424 | -.360 | .083 | -.086 | -.832 | 60 | 506 | -.143 | .240 | -.670 | -1.238 |
| 60 | 284 | .333 | .658 | -.165 | -.683 | 60 | 425 | -.437 | .100 | .023 | -.977 | 60 | 507 | .040 | .228 | -.767 | -.684 |
| 60 | 285 | .344 | .040 | -.440 | -.525 | 60 | 426 | -.435 | .124 | -.062 | -.998 | 60 | 508 | .169 | .243 | -.997 | -.772 |
| 60 | 286 | .344 | .629 | -.229 | -.470 | 60 | 427 | -.531 | .143 | -.181 | -1.423 | 60 | 509 | .216 | .216 | -.950 | -.580 |
| 60 | 287 | .344 | .029 | -.209 | -.411 | 60 | 428 | -.525 | .141 | -.102 | -1.184 | 60 | 510 | .153 | .205 | -.899 | -.729 |
| 60 | 288 | .344 | .626 | -.261 | -.430 | 60 | 429 | -.398 | .076 | -.093 | -.912 | 60 | 511 | -.361 | .160 | -.228 | -.936 |
| 60 | 289 | .311 | .029 | -.221 | -.419 | 60 | 430 | -.333 | .079 | -.020 | -.721 | 60 | 512 | -.384 | .198 | -.459 | -1.130 |
| 60 | 290 | .339 | .641 | -.256 | -.341 | 60 | 431 | -.418 | .083 | -.049 | -.804 | 60 | 513 | -.453 | .217 | -.148 | -1.443 |
| 60 | 291 | .332 | .042 | -.213 | -.493 | 60 | 432 | -.406 | .091 | -.071 | -.863 | 60 | 514 | -.316 | .133 | -.199 | -.851 |
| 60 | 292 | .333 | .658 | -.142 | -.608 | 60 | 433 | -.471 | .108 | -.021 | -1.043 | 60 | 515 | -.273 | .109 | -.173 | -.753 |
| 60 | 293 | .443 | .056 | -.293 | -.698 | 60 | 434 | -.446 | .133 | -.004 | -1.293 | 60 | 516 | -.421 | .126 | -.962 | -1.130 |
| 60 | 294 | .357 | .627 | -.276 | -.468 | 60 | 435 | -.528 | .139 | -.164 | -1.399 | 60 | 517 | -.439 | .139 | -.019 | -1.142 |
| 60 | 295 | .313 | .030 | -.209 | -.417 | 60 | 436 | -.369 | .083 | -.033 | -.792 | 60 | 518 | -.477 | .157 | -.008 | -1.423 |
| 60 | 296 | .344 | .626 | -.264 | -.451 | 60 | 437 | -.466 | .079 | -.103 | -.831 | 60 | 519 | -.428 | .121 | -.042 | -1.166 |
| 60 | 297 | .344 | .023 | -.221 | -.399 | 60 | 438 | -.376 | .074 | -.048 | -.778 | 60 | 520 | -.380 | .146 | -.090 | -1.508 |
| 60 | 298 | .344 | .643 | -.223 | -.576 | 60 | 439 | -.459 | .093 | -.148 | -.961 | 60 | 521 | -.368 | .144 | -.239 | -.932 |
| 60 | 299 | .341 | .046 | -.213 | -.516 | 60 | 440 | -.405 | .076 | -.072 | -.901 | 60 | 522 | -.313 | .123 | -.147 | -.814 |
| 60 | 300 | .352 | .657 | -.114 | -.551 | 60 | 441 | -.416 | .093 | -.209 | -1.158 | 60 | 523 | -.122 | .113 | -.369 | -.517 |
| 60 | 301 | .316 | .030 | -.211 | -.424 | 60 | 442 | -.435 | .100 | -.256 | -1.126 | 60 | 524 | .068 | .163 | -.588 | -.380 |
| 60 | 302 | .352 | .631 | -.252 | -.463 | 60 | 443 | -.374 | .073 | -.092 | -.786 | 60 | 525 | -.247 | .190 | -.975 | -.459 |
| 60 | 303 | .359 | .033 | -.256 | -.489 | 60 | 444 | -.383 | .067 | -.178 | -.823 | 60 | 526 | -.288 | .213 | -.991 | -.504 |
| 60 | 304 | .344 | .632 | -.233 | -.472 | 60 | 445 | -.382 | .059 | -.156 | -.663 | 60 | 527 | -.143 | .202 | -.876 | -.726 |
| 60 | 305 | .329 | .039 | -.199 | -.394 | 60 | 446 | -.387 | .058 | -.131 | -.700 | 60 | 528 | -.418 | .116 | -.317 | -1.071 |
| 60 | 306 | .322 | .622 | -.223 | -.430 | 60 | 447 | -.394 | .066 | -.179 | -.886 | 60 | 529 | -.434 | .123 | -.043 | -1.174 |
| 60 | 307 | .344 | .033 | -.162 | -.393 | 60 | 448 | -.390 | .062 | -.190 | -1.030 | 60 | 530 | -.451 | .125 | -.026 | -1.203 |
| 60 | 308 | .352 | .653 | -.221 | -.522 | 60 | 449 | -.403 | .070 | -.200 | -.962 | 60 | 531 | -.346 | .062 | -.083 | -.603 |
| 60 | 309 | .322 | .051 | -.164 | -.563 | 60 | 450 | -.391 | .083 | -.145 | -1.067 | 60 | 532 | -.343 | .073 | -.020 | -.634 |
| 60 | 310 | .322 | .666 | -.166 | -.642 | 60 | 451 | -.386 | .073 | -.136 | -.823 | 60 | 533 | -.237 | .071 | -.089 | -.480 |
| 60 | 311 | .339 | .031 | -.166 | -.522 | 60 | 452 | -.372 | .059 | -.134 | -.661 | 60 | 534 | -.213 | .076 | -.124 | -.459 |
| 60 | 312 | .366 | .631 | -.061 | -.928 | 60 | 453 | -.384 | .058 | -.153 | -.686 | 60 | 535 | -.083 | .087 | -.466 | -.353 |
| 60 | 313 | .402 | .031 | -.116 | -.157 | 60 | 454 | -.393 | .059 | -.213 | -.639 | 60 | 536 | -.091 | .130 | -.676 | -.291 |
| 60 | 314 | .418 | .138 | -.010 | -.232 | 60 | 455 | -.381 | .059 | -.223 | -.725 | 60 | 537 | -.262 | .167 | -.882 | -.326 |
| 60 | 315 | .467 | .159 | -.127 | -.278 | 60 | 456 | -.396 | .054 | -.240 | -.624 | 60 | 538 | -.266 | .193 | -.947 | -.572 |
| 60 | 316 | .475 | .195 | -.317 | -.418 | 60 | 457 | -.372 | .068 | -.079 | -.718 | 60 | 539 | -.098 | .158 | -.688 | -.598 |
| 60 | 317 | .475 | .216 | -.383 | -.490 | 60 | 458 | -.332 | .060 | -.165 | -.688 | 60 | 540 | -.418 | .102 | -.064 | -.999 |
| 60 | 318 | .446 | .070 | -.033 | -.851 | 60 | 459 | -.339 | .063 | -.037 | -.631 | 60 | 541 | -.421 | .100 | -.093 | -1.083 |
| 60 | 319 | .409 | .066 | -.062 | -.670 | 60 | 460 | -.344 | .057 | -.163 | -.582 | 60 | 542 | -.432 | .101 | -.174 | -1.023 |
| 60 | 320 | .410 | .102 | -.117 | -.703 | 60 | 461 | -.339 | .061 | -.056 | -.951 | 60 | 543 | -.422 | .052 | -.060 | -.527 |
| 60 | 321 | .411 | .122 | -.110 | -.832 | 60 | 462 | -.339 | .063 | -.141 | -.837 | 60 | 544 | -.329 | .076 | -.036 | -.623 |
| 60 | 322 | .378 | .149 | -.213 | -.303 | 60 | 463 | -.339 | .063 | -.141 | -.837 | 60 | 544 | -.329 | .076 | -.036 | -.623 |

APPENDIX A -- PRESSURE DATA:

CONFIGURATION A:

OLYMPIA AND YORK OFFICE TOWER, DALLAS

| WD | TAP | CPMEAN | CPRMS | CPMAX | CPMIN | WD | TAP | CPMEAN | CPRMS | CPMAX | CPMIN | WD | TAP | CPMEAN | CPRMS | CPMAX | CPMIN |
|----|-----|--------|-------|-------|--------|----|-----|--------|-------|-------|--------|----|-----|--------|-------|-------|--------|
| 60 | 545 | .249 | .071 | .102 | -.476 | 60 | 595 | -.297 | .077 | -.021 | -.855 | 60 | 912 | -.283 | .094 | .212 | -.698 |
| 60 | 546 | .218 | .081 | .229 | -.500 | 60 | 596 | -.328 | .058 | -.072 | -.515 | 60 | 913 | -.322 | .114 | .150 | -.884 |
| 60 | 547 | .044 | .114 | .395 | -.393 | 60 | 597 | -.124 | .066 | .188 | -.318 | 60 | 914 | -.318 | .053 | -.128 | -.596 |
| 60 | 548 | .154 | .153 | .695 | -.240 | 60 | 598 | -.082 | .088 | .333 | -.341 | 60 | 915 | -.373 | .065 | -.143 | -.656 |
| 60 | 549 | .257 | .152 | .962 | -.308 | 60 | 599 | -.004 | .095 | .459 | -.212 | 60 | 916 | -.678 | .184 | .035 | -1.721 |
| 60 | 550 | .263 | .161 | .949 | -.347 | 60 | 600 | .053 | .103 | .678 | -.300 | 60 | 917 | -.331 | .062 | -.129 | -.699 |
| 60 | 551 | .148 | .148 | .627 | -.673 | 60 | 601 | .106 | .110 | .744 | -.270 | 60 | 918 | -.319 | .069 | -.133 | -.785 |
| 60 | 552 | .393 | .100 | .239 | -1.132 | 60 | 602 | .159 | .102 | .708 | -.095 | 60 | 919 | -.328 | .043 | -.219 | -.580 |
| 60 | 553 | .472 | .111 | .068 | -1.339 | 60 | 603 | .148 | .101 | .647 | -.111 | 60 | 920 | -.305 | .040 | -.204 | -.531 |
| 60 | 554 | .427 | .107 | .170 | -1.090 | 60 | 701 | -.382 | .060 | -.204 | -.616 | 60 | 921 | -.317 | .031 | -.219 | -.457 |
| 60 | 555 | .407 | .066 | .113 | -.670 | 60 | 702 | -.339 | .062 | -.158 | -.627 | 60 | 922 | -.314 | .031 | -.227 | -.425 |
| 60 | 556 | .357 | .071 | .083 | -.612 | 60 | 703 | -.362 | .054 | -.194 | -.582 | 60 | 923 | -.341 | .031 | -.251 | -.471 |
| 60 | 557 | .288 | .077 | .077 | -.529 | 60 | 704 | -.357 | .066 | .166 | -.635 | 60 | 924 | -.337 | .039 | -.231 | -.526 |
| 60 | 558 | .217 | .083 | .142 | -.478 | 60 | 705 | -.523 | .076 | .297 | -.927 | 60 | 925 | -.363 | .044 | -.251 | -.566 |
| 60 | 559 | .131 | .132 | .446 | -.578 | 60 | 706 | -.437 | .213 | .405 | -1.155 | 70 | 101 | -.536 | .149 | -.182 | -1.370 |
| 60 | 560 | .106 | .159 | .955 | -.396 | 60 | 707 | -.243 | .099 | .308 | -.500 | 70 | 102 | -.474 | .122 | -.180 | -1.284 |
| 60 | 561 | .193 | .179 | 1.011 | -.332 | 60 | 708 | -.119 | .105 | .614 | -.161 | 70 | 103 | -.428 | .098 | -.085 | -1.216 |
| 60 | 562 | .190 | .156 | .806 | -.354 | 60 | 709 | -.354 | .035 | -.253 | -.482 | 70 | 104 | -.378 | .080 | -.045 | -.844 |
| 60 | 563 | .620 | .142 | .555 | -.614 | 60 | 710 | -.292 | .046 | -.088 | -.531 | 70 | 105 | -.404 | .061 | -.173 | -.867 |
| 60 | 564 | .390 | .044 | -.044 | -.784 | 60 | 711 | -.164 | .086 | .247 | -.486 | 70 | 106 | -.373 | .059 | -.158 | -.719 |
| 60 | 565 | .456 | .075 | -.208 | -.616 | 60 | 712 | .125 | .108 | .734 | -.260 | 70 | 107 | -.385 | .057 | -.078 | -.705 |
| 60 | 566 | .398 | .070 | .210 | -.867 | 60 | 713 | -.088 | .112 | .653 | -.314 | 70 | 108 | -.512 | .135 | -.213 | -1.460 |
| 60 | 567 | .433 | .056 | .205 | -.706 | 60 | 714 | -.098 | .083 | .300 | -.557 | 70 | 109 | -.538 | .138 | -.203 | -1.365 |
| 60 | 568 | .340 | .067 | .072 | -.635 | 60 | 715 | -.305 | .053 | -.089 | -.488 | 70 | 110 | -.406 | .091 | -.114 | -.905 |
| 60 | 569 | .211 | .059 | .076 | -.660 | 60 | 716 | -.382 | .061 | -.198 | -.649 | 70 | 111 | -.401 | .069 | -.071 | -1.127 |
| 60 | 570 | .244 | .082 | .047 | -.538 | 60 | 717 | -.612 | .115 | .267 | -1.124 | 70 | 112 | -.378 | .064 | -.180 | -.770 |
| 60 | 571 | .103 | .405 | -.462 | -.462 | 60 | 718 | -.368 | .069 | -.170 | -.638 | 70 | 113 | -.396 | .051 | -.262 | -.680 |
| 60 | 572 | .020 | .126 | .575 | -.334 | 60 | 719 | -.432 | .064 | -.241 | -.631 | 70 | 114 | -.358 | .047 | -.215 | -.554 |
| 60 | 573 | .166 | .142 | .620 | -.309 | 60 | 720 | -.328 | .062 | -.157 | -.543 | 70 | 115 | -.564 | .155 | -.092 | -1.711 |
| 60 | 574 | .119 | .131 | .601 | -.312 | 60 | 721 | -.394 | .070 | -.178 | -.702 | 70 | 116 | -.514 | .153 | -.059 | -1.338 |
| 60 | 575 | .658 | .131 | .526 | -.585 | 60 | 801 | -.063 | .087 | .458 | -.178 | 70 | 117 | -.454 | .096 | -.189 | -1.016 |
| 60 | 576 | .399 | .072 | -.079 | -.736 | 60 | 802 | -.339 | .040 | -.224 | -.511 | 70 | 118 | -.393 | .064 | -.157 | -.806 |
| 60 | 577 | .452 | .074 | .633 | -.775 | 60 | 803 | -.337 | .062 | -.141 | -.715 | 70 | 119 | -.402 | .064 | -.160 | -.689 |
| 60 | 578 | .396 | .072 | .217 | -.885 | 60 | 804 | -.322 | .058 | .095 | -.588 | 70 | 120 | -.370 | .061 | -.170 | -.840 |
| 60 | 579 | .443 | .059 | .237 | -.696 | 60 | 805 | -.192 | .066 | .075 | -.445 | 70 | 121 | -.400 | .053 | -.253 | -.760 |
| 60 | 580 | .336 | .065 | .081 | -.672 | 60 | 806 | -.225 | .050 | -.011 | -.391 | 70 | 122 | -.547 | .172 | -.028 | -1.456 |
| 60 | 581 | .266 | .053 | .029 | -.505 | 60 | 807 | -.328 | .048 | -.203 | -.517 | 70 | 123 | -.524 | .174 | -.048 | -1.557 |
| 60 | 582 | .238 | .058 | .009 | -.482 | 60 | 808 | -.377 | .071 | -.170 | -.678 | 70 | 124 | -.389 | .093 | -.070 | -.508 |
| 60 | 583 | .209 | .076 | .073 | -.479 | 60 | 809 | -.414 | .062 | .147 | -.820 | 70 | 125 | -.419 | .056 | -.080 | -.706 |
| 60 | 584 | .007 | .096 | .363 | -.308 | 60 | 901 | -.187 | .217 | .550 | -.906 | 70 | 126 | -.388 | .065 | -.194 | -.753 |
| 60 | 585 | .059 | .096 | .551 | -.239 | 60 | 903 | -.242 | .109 | .341 | -.844 | 70 | 127 | -.389 | .060 | -.220 | -.708 |
| 60 | 586 | .155 | .111 | .703 | -.154 | 60 | 904 | -.268 | .135 | .106 | -1.186 | 70 | 128 | -.365 | .053 | -.222 | -.709 |
| 60 | 587 | .032 | .117 | .468 | -.435 | 60 | 905 | -.441 | .267 | .417 | -1.748 | 70 | 129 | -.549 | .155 | -.028 | -1.294 |
| 60 | 588 | .082 | .120 | .595 | -.534 | 60 | 906 | -.197 | .130 | .227 | -.668 | 70 | 130 | -.470 | .169 | -.038 | -1.397 |
| 60 | 589 | .041 | .122 | .583 | -.404 | 60 | 907 | -.258 | .129 | .245 | -.733 | 70 | 131 | -.383 | .085 | -.133 | -.923 |
| 60 | 590 | .461 | .074 | .201 | -.859 | 60 | 908 | -.372 | .193 | .458 | -1.183 | 70 | 132 | -.380 | .052 | -.173 | -.629 |
| 60 | 591 | .388 | .068 | -.193 | -.787 | 60 | 909 | -.327 | .111 | .189 | -.719 | 70 | 133 | -.429 | .065 | -.224 | -.829 |
| 60 | 592 | .453 | .075 | .333 | -.936 | 60 | 910 | -.343 | .142 | .150 | -.849 | 70 | 134 | -.382 | .068 | -.145 | -.750 |
| 60 | 593 | .340 | .055 | -.184 | -.651 | 60 | 911 | -.362 | .143 | .149 | -1.066 | 70 | 135 | -.390 | .063 | -.211 | -.708 |
| 60 | 594 | .396 | .059 | .187 | -.634 | 60 | | | | | | 70 | 136 | -.552 | .176 | .002 | -1.408 |

APPENDIX A -- PRESSURE DATA:

CONFIGURATION A; OLYMPIA AND YORK OFFICE TOWER, DALLAS

| WD | TAP | CPMEAN | CPRMS | CPMAX | CPMIN | WD | TAP | CPMEAN | CPRMS | CPMAX | CPMIN | WD | TAP | CPMEAN | CPRMS | CPMAX | CPMIN |
|----|-----|--------|-------|-------|--------|----|-----|--------|-------|--------|-------|----|-----|--------|-------|-------|--------|
| 70 | 137 | .333 | .193 | .666 | -1.324 | 70 | 220 | -.397 | .072 | -1.119 | -.818 | 70 | 270 | -.367 | .044 | -.221 | -.733 |
| 70 | 138 | -.340 | .072 | .016 | -.991 | 70 | 221 | -.410 | .078 | -1.158 | -.785 | 70 | 271 | -.399 | .041 | -.236 | -.729 |
| 70 | 139 | -.411 | .663 | -.142 | -.689 | 70 | 222 | -.403 | .091 | -1.038 | -.820 | 70 | 272 | -.356 | .067 | -.131 | -.667 |
| 70 | 140 | -.409 | .093 | -.105 | -.889 | 70 | 223 | -.421 | .091 | -1.054 | -.915 | 70 | 273 | -.343 | .061 | -.147 | -.775 |
| 70 | 141 | -.464 | .684 | -.120 | -.834 | 70 | 224 | -.405 | .061 | -1.220 | -.671 | 70 | 274 | -.324 | .040 | -.183 | -.494 |
| 70 | 142 | -.354 | .068 | -.056 | -.645 | 70 | 225 | -.379 | .065 | -1.140 | -.755 | 70 | 275 | -.369 | .033 | -.233 | -.519 |
| 70 | 143 | -.333 | .155 | -.355 | -1.234 | 70 | 226 | -.390 | .061 | -1.181 | -.729 | 70 | 276 | -.341 | .033 | -.243 | -.470 |
| 70 | 144 | -.333 | .155 | -.058 | -.819 | 70 | 227 | -.357 | .048 | -1.129 | -.619 | 70 | 277 | -.396 | .033 | -.267 | -.538 |
| 70 | 145 | -.333 | .128 | -.172 | -1.632 | 70 | 228 | -.367 | .037 | -1.256 | -.578 | 70 | 278 | -.348 | .030 | -.248 | -.492 |
| 70 | 146 | -.333 | .085 | -.075 | -.750 | 70 | 229 | -.377 | .042 | -1.219 | -.578 | 70 | 279 | -.389 | .030 | -.282 | -.504 |
| 70 | 147 | -.333 | .676 | -.187 | -.723 | 70 | 230 | -.402 | .044 | -1.288 | -.612 | 70 | 280 | -.357 | .032 | -.257 | -.497 |
| 70 | 148 | -.333 | .662 | -.143 | -.746 | 70 | 231 | -.382 | .046 | -1.244 | -.583 | 70 | 281 | -.407 | .037 | -.268 | -.598 |
| 70 | 149 | -.333 | .646 | -.205 | -.670 | 70 | 232 | -.388 | .041 | -1.249 | -.586 | 70 | 282 | -.363 | .033 | -.192 | -.769 |
| 70 | 150 | -.010 | .098 | -.404 | -.351 | 70 | 233 | -.380 | .049 | -1.215 | -.585 | 70 | 283 | -.408 | .067 | -.197 | -.929 |
| 70 | 151 | -.752 | .178 | -.256 | -1.430 | 70 | 234 | -.390 | .054 | -1.209 | -.823 | 70 | 284 | -.376 | .041 | -.220 | -.564 |
| 70 | 152 | -.494 | .123 | -.136 | -1.048 | 70 | 235 | -.369 | .055 | -1.177 | -.902 | 70 | 285 | -.313 | .041 | -.176 | -.511 |
| 70 | 153 | -.456 | .684 | -.179 | -.812 | 70 | 236 | -.397 | .058 | -1.173 | -.637 | 70 | 286 | -.359 | .026 | -.266 | -.475 |
| 70 | 154 | -.333 | .052 | -.077 | -.568 | 70 | 237 | -.370 | .058 | -1.171 | -.637 | 70 | 287 | -.322 | .027 | -.231 | -.451 |
| 70 | 155 | -.333 | .648 | -.169 | -.572 | 70 | 238 | -.384 | .054 | -1.216 | -.643 | 70 | 288 | -.373 | .023 | -.297 | -.433 |
| 70 | 156 | -.333 | .044 | -.162 | -.531 | 70 | 239 | -.355 | .045 | -1.225 | -.599 | 70 | 289 | -.343 | .031 | -.233 | -.499 |
| 70 | 157 | -.333 | .111 | -.688 | -.293 | 70 | 240 | -.356 | .033 | -1.251 | -.574 | 70 | 290 | -.386 | .042 | -.244 | -.670 |
| 70 | 158 | -.491 | .164 | -.070 | -1.243 | 70 | 241 | -.357 | .031 | -1.270 | -.497 | 70 | 291 | -.358 | .070 | -.099 | -.708 |
| 70 | 159 | -.333 | .656 | -.686 | -.666 | 70 | 242 | -.380 | .030 | -1.277 | -.495 | 70 | 292 | -.323 | .043 | -.127 | -.619 |
| 70 | 160 | -.227 | .031 | -.102 | -.335 | 70 | 243 | -.361 | .032 | -1.256 | -.489 | 70 | 293 | -.393 | .046 | -.261 | -.614 |
| 70 | 161 | -.333 | .625 | -.258 | -.447 | 70 | 244 | -.369 | .030 | -1.258 | -.500 | 70 | 294 | -.347 | .023 | -.268 | -.436 |
| 70 | 162 | -.333 | .142 | -.034 | -.972 | 70 | 245 | -.362 | .036 | -1.227 | -.569 | 70 | 295 | -.312 | .027 | -.221 | -.401 |
| 70 | 163 | -.333 | .651 | -.652 | -.434 | 70 | 246 | -.356 | .037 | -1.148 | -.539 | 70 | 296 | -.353 | .024 | -.239 | -.454 |
| 70 | 164 | -.333 | .041 | -.084 | -.406 | 70 | 247 | -.351 | .040 | -1.201 | -.676 | 70 | 297 | -.308 | .023 | -.221 | -.385 |
| 70 | 165 | -.333 | .645 | -.108 | -.463 | 70 | 248 | -.392 | .053 | -1.249 | -.638 | 70 | 298 | -.333 | .033 | -.217 | -.526 |
| 70 | 166 | -.333 | .029 | -.173 | -.414 | 70 | 249 | -.364 | .055 | -1.205 | -.679 | 70 | 299 | -.353 | .074 | -.183 | -.856 |
| 70 | 167 | -.333 | .625 | -.265 | -.435 | 70 | 250 | -.348 | .047 | -1.213 | -.661 | 70 | 300 | -.262 | .050 | -.026 | -.496 |
| 70 | 201 | -.409 | .071 | -.151 | -.792 | 70 | 251 | -.346 | .042 | -1.223 | -.568 | 70 | 301 | -.309 | .026 | -.214 | -.396 |
| 70 | 202 | -.333 | .665 | -.198 | -.841 | 70 | 252 | -.349 | .029 | -1.249 | -.479 | 70 | 302 | -.356 | .026 | -.266 | -.451 |
| 70 | 203 | -.333 | .059 | -.235 | -.685 | 70 | 253 | -.347 | .028 | -1.246 | -.449 | 70 | 303 | -.348 | .025 | -.251 | -.433 |
| 70 | 204 | -.333 | .683 | -.189 | -1.634 | 70 | 254 | -.368 | .027 | -1.263 | -.471 | 70 | 304 | -.314 | .023 | -.234 | -.408 |
| 70 | 205 | -.403 | .075 | -.218 | -.868 | 70 | 255 | -.350 | .028 | -1.242 | -.458 | 70 | 305 | -.290 | .024 | -.212 | -.371 |
| 70 | 206 | -.416 | .696 | -.198 | -1.224 | 70 | 256 | -.353 | .026 | -1.265 | -.462 | 70 | 306 | -.303 | .023 | -.234 | -.387 |
| 70 | 207 | -.448 | .093 | -.213 | -.990 | 70 | 257 | -.348 | .031 | -1.260 | -.487 | 70 | 307 | -.250 | .029 | -.121 | -.355 |
| 70 | 208 | -.432 | .106 | -.194 | -.996 | 70 | 258 | -.362 | .033 | -1.237 | -.549 | 70 | 308 | -.321 | .029 | -.223 | -.504 |
| 70 | 209 | -.472 | .114 | -.218 | -1.205 | 70 | 259 | -.362 | .039 | -1.219 | -.733 | 70 | 309 | -.325 | .066 | -.171 | -.757 |
| 70 | 210 | -.438 | .097 | -.207 | -1.181 | 70 | 260 | -.417 | .074 | -1.246 | -.734 | 70 | 401 | -.285 | .156 | -.322 | -.779 |
| 70 | 211 | -.466 | .107 | -.202 | -1.299 | 70 | 261 | -.373 | .080 | -1.107 | -.868 | 70 | 402 | -.246 | .166 | -.440 | -.757 |
| 70 | 212 | -.333 | .667 | -.172 | -.683 | 70 | 262 | -.368 | .058 | -1.155 | -.675 | 70 | 403 | -.246 | .147 | -.476 | -.764 |
| 70 | 213 | -.333 | .061 | -.192 | -.787 | 70 | 263 | -.337 | .040 | -1.187 | -.559 | 70 | 404 | -.272 | .157 | -.379 | -.903 |
| 70 | 214 | -.333 | .036 | -.195 | -.676 | 70 | 264 | -.343 | .031 | -1.231 | -.462 | 70 | 405 | -.412 | .192 | -.388 | -1.268 |
| 70 | 215 | -.333 | .048 | -.239 | -.652 | 70 | 265 | -.343 | .030 | -1.253 | -.466 | 70 | 406 | -.365 | .162 | -.303 | -1.016 |
| 70 | 216 | -.333 | .054 | -.208 | -.765 | 70 | 266 | -.346 | .029 | -1.263 | -.463 | 70 | 407 | -.346 | .087 | -.036 | -.728 |
| 70 | 217 | -.403 | .055 | -.246 | -.678 | 70 | 267 | -.403 | .034 | -1.314 | -.373 | 70 | 408 | -.376 | .082 | -.038 | -.711 |
| 70 | 218 | -.413 | .669 | -.200 | -.825 | 70 | 268 | -.363 | .034 | -1.272 | -.518 | 70 | 409 | -.393 | .080 | -.122 | -.729 |
| 70 | 219 | -.442 | .089 | -.199 | -1.102 | 70 | 269 | -.420 | .042 | -1.309 | -.813 | 70 | 410 | -.302 | .136 | -.461 | -.671 |

APPENDIX A -- PRESSURE DATA:

CONFIGURATION A; OLYMPIA AND YORK OFFICE TOWER, DALLAS

| WD | TAP | CPHEAN | CPRMS | CPMAX | CPMIN | WD | TAP | CPHEAN | CPRMS | CPMAX | CPMIN | WD | TAP | CPHEAN | CPRMS | CPMAX | CPMIN |
|----|-----|--------|-------|-------|-------|----|-----|--------|-------|-------|-------|----|-----|--------|-------|-------|-------|
| 70 | 411 | .2888 | .128 | .486 | .654 | 70 | 461 | .228 | .055 | .046 | .512 | 70 | 543 | .256 | .113 | .061 | .753 |
| 70 | 412 | .398 | .139 | .350 | .935 | 70 | 462 | .274 | .063 | .086 | .639 | 70 | 544 | .172 | .080 | .070 | .554 |
| 70 | 413 | .459 | .173 | .166 | .494 | 70 | 463 | .267 | .055 | .143 | .492 | 70 | 545 | .170 | .084 | .084 | .419 |
| 70 | 414 | .287 | .099 | .037 | .954 | 70 | 464 | .277 | .061 | .142 | .558 | 70 | 546 | .163 | .088 | .070 | .489 |
| 70 | 415 | .274 | .115 | .139 | .656 | 70 | 465 | .292 | .057 | .135 | .609 | 70 | 547 | .183 | .057 | .094 | .541 |
| 70 | 416 | .151 | .142 | .375 | .571 | 70 | 466 | .305 | .058 | .021 | .620 | 70 | 548 | .200 | .069 | .354 | .447 |
| 70 | 417 | .130 | .155 | .434 | .541 | 70 | 467 | .336 | .060 | .073 | .621 | 70 | 549 | .200 | .086 | .483 | .465 |
| 70 | 418 | .130 | .157 | .662 | .552 | 70 | 468 | .267 | .055 | .030 | .489 | 70 | 550 | .213 | .122 | .593 | .611 |
| 70 | 419 | .223 | .142 | .536 | .656 | 70 | 501 | .329 | .140 | .448 | .912 | 70 | 551 | .256 | .112 | .221 | .630 |
| 70 | 420 | .251 | .129 | .565 | .742 | 70 | 502 | .311 | .132 | .212 | .826 | 70 | 552 | .090 | .163 | .508 | .749 |
| 70 | 421 | .359 | .068 | .176 | .662 | 70 | 503 | .317 | .090 | .045 | .819 | 70 | 553 | .189 | .125 | .299 | .697 |
| 70 | 422 | .196 | .090 | .214 | .321 | 70 | 504 | .314 | .079 | .001 | .737 | 70 | 554 | .207 | .107 | .235 | .707 |
| 70 | 423 | .153 | .123 | .386 | .533 | 70 | 505 | .315 | .072 | .002 | .736 | 70 | 555 | .142 | .080 | .101 | .625 |
| 70 | 424 | .022 | .148 | .599 | .463 | 70 | 506 | .307 | .066 | .003 | .563 | 70 | 556 | .153 | .080 | .159 | .445 |
| 70 | 425 | .01E | .143 | .583 | .383 | 70 | 507 | .289 | .070 | .221 | .551 | 70 | 557 | .166 | .061 | .097 | .404 |
| 70 | 426 | .007 | .129 | .690 | .403 | 70 | 508 | .266 | .102 | .511 | .606 | 70 | 558 | .173 | .060 | .076 | .402 |
| 70 | 427 | .166 | .136 | .666 | .523 | 70 | 509 | .252 | .142 | .452 | .676 | 70 | 559 | .188 | .036 | .054 | .426 |
| 70 | 428 | .144 | .096 | .466 | .533 | 70 | 510 | .263 | .143 | .526 | .706 | 70 | 560 | .189 | .062 | .049 | .436 |
| 70 | 429 | .262 | .064 | .081 | .490 | 70 | 511 | .346 | .104 | .014 | .741 | 70 | 561 | .170 | .076 | .219 | .431 |
| 70 | 430 | .132 | .093 | .334 | .485 | 70 | 512 | .370 | .113 | .118 | .799 | 70 | 562 | .178 | .097 | .381 | .596 |
| 70 | 431 | .656 | .134 | .577 | .532 | 70 | 513 | .285 | .080 | .016 | .905 | 70 | 563 | .215 | .098 | .201 | .635 |
| 70 | 432 | .060 | .149 | .681 | .390 | 70 | 514 | .253 | .072 | .012 | .663 | 70 | 564 | .292 | .094 | .089 | .852 |
| 70 | 433 | .631 | .132 | .763 | .382 | 70 | 515 | .247 | .067 | .010 | .496 | 70 | 565 | .243 | .077 | .128 | .836 |
| 70 | 434 | .025 | .138 | .793 | .434 | 70 | 516 | .276 | .134 | .456 | .759 | 70 | 566 | .231 | .105 | .081 | .752 |
| 70 | 435 | .126 | .107 | .389 | .540 | 70 | 517 | .357 | .104 | .034 | .831 | 70 | 567 | .181 | .068 | .052 | .410 |
| 70 | 436 | .260 | .061 | .007 | .501 | 70 | 518 | .372 | .094 | .033 | .754 | 70 | 568 | .196 | .058 | .011 | .429 |
| 70 | 437 | .229 | .077 | .081 | .538 | 70 | 519 | .361 | .080 | .115 | .755 | 70 | 569 | .197 | .044 | .017 | .356 |
| 70 | 438 | .100 | .123 | .463 | .492 | 70 | 520 | .323 | .080 | .099 | .806 | 70 | 570 | .200 | .044 | .004 | .355 |
| 70 | 439 | .116 | .151 | .666 | .634 | 70 | 521 | .272 | .068 | .004 | .681 | 70 | 571 | .177 | .049 | .161 | .373 |
| 70 | 440 | .054 | .137 | .578 | .452 | 70 | 522 | .255 | .070 | .069 | .812 | 70 | 572 | .151 | .062 | .242 | .332 |
| 70 | 441 | .083 | .144 | .668 | .520 | 70 | 523 | .230 | .065 | .021 | .588 | 70 | 573 | .115 | .078 | .472 | .370 |
| 70 | 442 | .137 | .105 | .366 | .514 | 70 | 524 | .222 | .083 | .323 | .523 | 70 | 574 | .100 | .104 | .478 | .447 |
| 70 | 443 | .315 | .072 | .001 | .558 | 70 | 525 | .213 | .110 | .483 | .514 | 70 | 575 | .140 | .100 | .323 | .472 |
| 70 | 444 | .291 | .082 | .089 | .619 | 70 | 526 | .228 | .145 | .779 | .613 | 70 | 576 | .282 | .069 | .263 | .603 |
| 70 | 445 | .278 | .120 | .330 | .773 | 70 | 527 | .240 | .142 | .430 | .579 | 70 | 577 | .296 | .083 | .040 | .627 |
| 70 | 446 | .299 | .116 | .401 | .764 | 70 | 528 | .085 | .132 | .666 | .661 | 70 | 578 | .351 | .088 | .066 | .840 |
| 70 | 447 | .274 | .087 | .389 | .596 | 70 | 529 | .236 | .101 | .371 | .646 | 70 | 579 | .263 | .042 | .090 | .417 |
| 70 | 448 | .246 | .080 | .049 | .809 | 70 | 530 | .353 | .113 | .045 | .821 | 70 | 580 | .231 | .039 | .104 | .403 |
| 70 | 449 | .253 | .116 | .080 | .851 | 70 | 531 | .320 | .105 | .005 | .852 | 70 | 581 | .184 | .040 | .034 | .345 |
| 70 | 450 | .342 | .067 | .064 | .741 | 70 | 532 | .226 | .073 | .028 | .623 | 70 | 582 | .189 | .037 | .061 | .352 |
| 70 | 451 | .324 | .072 | .002 | .668 | 70 | 533 | .207 | .058 | .021 | .424 | 70 | 583 | .149 | .046 | .064 | .310 |
| 70 | 452 | .319 | .078 | .068 | .631 | 70 | 534 | .199 | .059 | .038 | .482 | 70 | 584 | .110 | .059 | .216 | .269 |
| 70 | 453 | .318 | .072 | .201 | .549 | 70 | 535 | .206 | .058 | .061 | .452 | 70 | 585 | .036 | .080 | .384 | .239 |
| 70 | 454 | .320 | .067 | .048 | .676 | 70 | 536 | .215 | .073 | .189 | .537 | 70 | 586 | .005 | .092 | .429 | .333 |
| 70 | 455 | .352 | .092 | .017 | .790 | 70 | 537 | .215 | .098 | .404 | .570 | 70 | 587 | .016 | .093 | .402 | .417 |
| 70 | 456 | .369 | .078 | .031 | .800 | 70 | 538 | .233 | .138 | .523 | .680 | 70 | 588 | .036 | .092 | .374 | .575 |
| 70 | 457 | .234 | .098 | .249 | .462 | 70 | 539 | .292 | .121 | .369 | .621 | 70 | 589 | .021 | .104 | .501 | .265 |
| 70 | 458 | .355 | .059 | .025 | .801 | 70 | 540 | .019 | .140 | .747 | .435 | 70 | 590 | .277 | .063 | .033 | .663 |
| 70 | 459 | .182 | .073 | .253 | .578 | 70 | 541 | .137 | .115 | .322 | .509 | 70 | 591 | .294 | .060 | .121 | .594 |
| 70 | 460 | .308 | .056 | .034 | .644 | 70 | 542 | .251 | .120 | .255 | .725 | 70 | 592 | .314 | .070 | .038 | .581 |

APPENDIX A -- PRESSURE DATA:

CONFIGURATION A:

OLYMPIA AND YORK OFFICE TOWER, DALLAS

| WD | TAP | CPMEAN | CPRMS | CPMAX | CPMIN | WD | TAP | CPMEAN | CPRMS | CPMAX | CPMIN | WD | TAP | CPMEAN | CPRMS | CPMAX | CPMIN |
|----|-----|--------|-------|--------|--------|----|-----|--------|-------|-------|--------|----|-----|--------|-------|-------|--------|
| 70 | 593 | .245 | .042 | .066 | -.393 | 70 | 910 | -.310 | .116 | .212 | -.839 | 80 | 135 | -.464 | .059 | -.291 | -.775 |
| 70 | 594 | -.210 | .040 | -.033 | -.338 | 70 | 911 | -.388 | .103 | .028 | -.939 | 80 | 136 | -.678 | .276 | -.093 | -2.134 |
| 70 | 595 | -.193 | .052 | -.002 | -.381 | 70 | 912 | -.364 | .125 | .138 | -1.144 | 80 | 137 | -.732 | .294 | -.201 | -2.438 |
| 70 | 596 | -.163 | .043 | .029 | -.333 | 70 | 913 | -.411 | .126 | .188 | -1.116 | 80 | 138 | -.548 | .133 | -.224 | -1.316 |
| 70 | 597 | -.108 | .065 | .190 | -.424 | 70 | 914 | -.343 | .057 | -.155 | -.607 | 80 | 139 | -.530 | .191 | -.250 | -.981 |
| 70 | 598 | -.068 | .081 | .369 | -.358 | 70 | 915 | -.406 | .073 | -.131 | -.809 | 80 | 140 | -.482 | .088 | -.231 | -.826 |
| 70 | 599 | -.053 | .090 | .355 | -.366 | 70 | 916 | -.386 | .138 | -.109 | -1.288 | 80 | 141 | -.508 | .072 | -.277 | -.796 |
| 70 | 600 | -.066 | .091 | .665 | -.393 | 70 | 917 | -.364 | .053 | -.175 | -.610 | 80 | 142 | -.443 | .066 | -.191 | -.699 |
| 70 | 601 | -.025 | .114 | .486 | -.504 | 70 | 918 | -.343 | .056 | -.147 | -.773 | 80 | 143 | -.478 | .169 | -.046 | -1.437 |
| 70 | 602 | -.061 | .109 | .519 | -.264 | 70 | 919 | -.337 | .040 | -.232 | -.588 | 80 | 144 | -.523 | .113 | -.058 | -1.220 |
| 70 | 603 | -.112 | .106 | .559 | -.182 | 70 | 920 | -.337 | .036 | -.203 | -.514 | 80 | 145 | -.620 | .130 | -.294 | -1.276 |
| 70 | 604 | -.212 | .044 | .179 | -.366 | 70 | 921 | -.353 | .029 | -.254 | -.448 | 80 | 146 | -.505 | .118 | -.114 | -1.281 |
| 70 | 702 | -.321 | .048 | .184 | -.523 | 70 | 922 | -.343 | .029 | -.250 | -.463 | 80 | 147 | -.508 | .097 | -.210 | -1.033 |
| 70 | 703 | -.326 | .044 | .173 | -.549 | 70 | 923 | -.349 | .028 | -.267 | -.457 | 80 | 148 | -.443 | .073 | -.173 | -.793 |
| 70 | 704 | -.348 | .064 | .179 | -.942 | 70 | 924 | -.353 | .046 | -.248 | -.773 | 80 | 149 | -.462 | .056 | -.254 | -.743 |
| 70 | 705 | -.426 | .059 | .235 | -.732 | 70 | 925 | -.373 | .053 | -.217 | -.809 | 80 | 150 | -.252 | .056 | -.233 | -.585 |
| 70 | 706 | -.436 | .162 | .355 | -1.003 | 80 | 101 | -.385 | .171 | -.225 | -1.913 | 80 | 151 | -.713 | .149 | -.291 | -1.332 |
| 70 | 707 | -.267 | .073 | .461 | -.543 | 80 | 102 | -.343 | .173 | -.203 | -1.608 | 80 | 152 | -.523 | .108 | -.229 | -1.047 |
| 70 | 708 | -.018 | .091 | .439 | -.219 | 80 | 103 | -.361 | .156 | -.147 | -1.373 | 80 | 153 | -.534 | .084 | -.301 | -.846 |
| 70 | 709 | -.386 | .025 | -.215 | -.401 | 80 | 104 | -.312 | .124 | -.194 | -1.208 | 80 | 154 | -.419 | .063 | -.226 | -.780 |
| 70 | 710 | -.281 | .042 | .101 | -.577 | 80 | 105 | -.349 | .103 | -.246 | -1.195 | 80 | 155 | -.429 | .058 | -.259 | -.694 |
| 70 | 711 | -.148 | .074 | .188 | -.386 | 80 | 106 | -.491 | .083 | -.277 | -.962 | 80 | 156 | -.389 | .051 | -.196 | -.623 |
| 70 | 712 | -.013 | .078 | .581 | -.262 | 80 | 107 | -.517 | .092 | -.275 | -1.116 | 80 | 157 | -.092 | .095 | -.329 | -.387 |
| 70 | 713 | -.622 | .090 | .627 | -.264 | 80 | 108 | -.329 | .129 | -.222 | -1.476 | 80 | 158 | -.453 | .122 | -.147 | -1.208 |
| 70 | 714 | -.094 | .063 | .218 | -.317 | 80 | 109 | -.581 | .122 | -.263 | -1.245 | 80 | 159 | -.380 | .058 | -.179 | -.720 |
| 70 | 715 | -.162 | .036 | -.066 | -.282 | 80 | 110 | -.313 | .107 | -.073 | -1.064 | 80 | 160 | -.308 | .028 | -.198 | -.404 |
| 70 | 716 | -.268 | .046 | .066 | -.412 | 80 | 111 | -.515 | .092 | -.190 | -1.086 | 80 | 161 | -.378 | .024 | -.301 | -.453 |
| 70 | 717 | -.371 | .093 | -.038 | -.693 | 80 | 112 | -.497 | .091 | -.245 | -1.008 | 80 | 162 | -.518 | .131 | -.162 | -1.047 |
| 70 | 718 | -.274 | .054 | .028 | -.456 | 80 | 113 | -.525 | .079 | -.294 | -.971 | 80 | 163 | -.335 | .046 | -.186 | -.596 |
| 70 | 719 | -.252 | .047 | .112 | -.412 | 80 | 114 | -.478 | .074 | -.240 | -.824 | 80 | 164 | -.323 | .039 | -.200 | -.534 |
| 70 | 720 | -.260 | .032 | .225 | -.426 | 80 | 115 | -.311 | .080 | -.259 | -.983 | 80 | 165 | -.364 | .045 | -.192 | -.571 |
| 70 | 721 | -.244 | .053 | .076 | -.424 | 80 | 116 | -.486 | .080 | -.243 | -1.017 | 80 | 166 | -.319 | .026 | -.233 | -.434 |
| 70 | 801 | -.024 | .076 | .399 | -.234 | 80 | 117 | -.346 | .085 | -.320 | -1.086 | 80 | 167 | -.387 | .024 | -.303 | -.477 |
| 70 | 802 | -.328 | .032 | -.238 | -.513 | 80 | 118 | -.498 | .084 | -.254 | -.839 | 80 | 201 | -.519 | .096 | -.272 | -1.086 |
| 70 | 803 | -.309 | .052 | .166 | -.721 | 80 | 119 | -.494 | .070 | -.303 | -.942 | 80 | 202 | -.505 | .089 | -.226 | -1.008 |
| 70 | 804 | -.298 | .044 | .125 | -.585 | 80 | 120 | -.454 | .063 | -.296 | -.826 | 80 | 203 | -.518 | .089 | -.238 | -1.038 |
| 70 | 805 | -.139 | .058 | .287 | -.358 | 80 | 121 | -.497 | .054 | -.330 | -.772 | 80 | 204 | -.500 | .108 | -.205 | -1.093 |
| 70 | 806 | -.174 | .035 | .039 | -.291 | 80 | 122 | -.487 | .087 | -.256 | -1.148 | 80 | 205 | -.477 | .092 | -.216 | -1.051 |
| 70 | 807 | -.223 | .039 | .021 | -.377 | 80 | 123 | -.516 | .089 | -.300 | -1.311 | 80 | 206 | -.476 | .104 | -.173 | -1.178 |
| 70 | 808 | -.283 | .034 | .060 | -.473 | 80 | 124 | -.503 | .091 | -.285 | -1.094 | 80 | 207 | -.489 | .096 | -.157 | -1.036 |
| 70 | 809 | -.245 | .052 | .277 | -.560 | 80 | 125 | -.550 | .079 | -.280 | -.991 | 80 | 208 | -.470 | .083 | -.205 | -1.153 |
| 70 | 810 | -.246 | .062 | .272 | -.506 | 80 | 126 | -.484 | .072 | -.247 | -.892 | 80 | 209 | -.458 | .066 | -.279 | -.938 |
| 70 | 901 | -.317 | .068 | .074 | -.586 | 80 | 127 | -.483 | .060 | -.282 | -.786 | 80 | 210 | -.486 | .085 | -.250 | -1.392 |
| 70 | 903 | -.322 | .061 | .009 | -.588 | 80 | 128 | -.442 | .053 | -.238 | -.676 | 80 | 211 | -.516 | .102 | -.255 | -1.630 |
| 70 | 904 | -.350 | .069 | -.062 | -.616 | 80 | 129 | -.566 | .124 | -.325 | -1.304 | 80 | 212 | -.523 | .099 | -.251 | -1.021 |
| 70 | 905 | -.437 | .084 | .176 | -.818 | 80 | 130 | -.527 | .129 | -.259 | -1.295 | 80 | 213 | -.505 | .087 | -.308 | -1.009 |
| 70 | 906 | -.112 | .157 | -1.222 | -.972 | 80 | 131 | -.557 | .112 | -.238 | -1.123 | 80 | 214 | -.504 | .085 | -.235 | -1.004 |
| 70 | 907 | -.432 | .104 | -.029 | -.972 | 80 | 132 | -.507 | .087 | -.245 | -.963 | 80 | 215 | -.513 | .084 | -.192 | -1.118 |
| 70 | 908 | -.345 | .144 | -.098 | -1.186 | 80 | 133 | -.531 | .078 | -.306 | -.917 | 80 | 216 | -.475 | .075 | -.267 | -.859 |
| 70 | 909 | -.238 | .133 | .412 | -.674 | 80 | 134 | -.461 | .069 | -.217 | -.838 | 80 | 217 | -.463 | .061 | -.303 | -.737 |

APPENDIX A -- PRESSURE DATA:

CONFIGURATION A: OLYMPIA AND YORK OFFICE TOWER, DALLAS

| WD | TAP | CPMEAN | CPRMS | CPMAX | CPMIN | WD | TAP | CPMEAN | CPRMS | CPMAX | CPMIN | WD | TAP | CPMEAN | CPRMS | CPMAX | CPMIN |
|----|-----|--------|-------|-------|-------|----|-----|--------|-------|-------|-------|----|-----|--------|-------|-------|-------|
| 80 | 268 | -.437 | .035 | -.340 | -.594 | 80 | 409 | -.363 | .080 | -.064 | -.631 | | | | | | |
| 80 | 269 | -.519 | .037 | -.402 | -.657 | 80 | 410 | -.051 | .217 | -.746 | -.632 | | | | | | |
| 80 | 270 | -.456 | .036 | -.339 | -.589 | 80 | 411 | -.064 | .200 | 1.080 | -.326 | | | | | | |
| 80 | 271 | -.485 | .036 | -.358 | -.597 | 80 | 412 | -.009 | .221 | -.770 | -.831 | | | | | | |
| 80 | 272 | -.488 | .035 | -.248 | -.944 | 80 | 413 | -.078 | .191 | -.869 | -.934 | | | | | | |
| 80 | 273 | -.444 | .074 | -.143 | -.763 | 80 | 414 | -.229 | .134 | -.459 | -.815 | | | | | | |
| 80 | 274 | -.434 | .036 | -.193 | -.712 | 80 | 415 | -.236 | .087 | -.181 | -.389 | | | | | | |
| 80 | 275 | -.460 | .042 | -.339 | -.634 | 80 | 416 | -.035 | .117 | -.447 | -.472 | | | | | | |
| 80 | 276 | -.433 | .037 | -.260 | -.623 | 80 | 417 | -.119 | .161 | -.615 | -.495 | | | | | | |
| 80 | 277 | -.502 | .037 | -.358 | -.732 | 80 | 418 | -.213 | .195 | -.942 | -.407 | | | | | | |
| 80 | 278 | -.432 | .037 | -.341 | -.695 | 80 | 419 | -.111 | .205 | -.859 | -.337 | | | | | | |
| 80 | 279 | -.485 | .039 | -.339 | -.627 | 80 | 420 | -.100 | .225 | -.720 | -.756 | | | | | | |
| 80 | 280 | -.451 | .039 | -.304 | -.601 | 80 | 421 | -.058 | .195 | -.733 | -.661 | | | | | | |
| 80 | 281 | -.515 | .042 | -.329 | -.666 | 80 | 422 | -.247 | .075 | -.025 | -.628 | | | | | | |
| 80 | 282 | -.457 | .041 | -.324 | -.649 | 80 | 423 | -.175 | .104 | -.184 | -.613 | | | | | | |
| 80 | 283 | -.486 | .041 | -.339 | -.678 | 80 | 424 | -.122 | .153 | -.641 | -.421 | | | | | | |
| 80 | 284 | -.437 | .034 | -.267 | -.731 | 80 | 425 | -.283 | .189 | -.896 | -.483 | | | | | | |
| 80 | 285 | -.416 | .033 | -.260 | -.714 | 80 | 426 | -.305 | .197 | -.947 | -.344 | | | | | | |
| 80 | 286 | -.460 | .031 | -.355 | -.579 | 80 | 427 | -.154 | .230 | 1.051 | -.661 | | | | | | |
| 80 | 287 | -.411 | .031 | -.298 | -.533 | 80 | 428 | -.097 | .189 | -.621 | -.688 | | | | | | |
| 80 | 288 | -.458 | .034 | -.370 | -.651 | 80 | 429 | -.338 | .055 | -.068 | -.527 | | | | | | |
| 80 | 289 | -.436 | .039 | -.328 | -.618 | 80 | 430 | -.208 | .079 | -.131 | -.479 | | | | | | |
| 80 | 290 | -.482 | .045 | -.329 | -.700 | 80 | 431 | -.027 | .128 | -.468 | -.426 | | | | | | |
| 80 | 291 | -.467 | .097 | -.149 | 1.041 | 80 | 432 | -.197 | .165 | -.883 | -.407 | | | | | | |
| 80 | 292 | -.451 | .044 | -.293 | -.635 | 80 | 433 | -.271 | .165 | -.994 | -.429 | | | | | | |
| 80 | 293 | -.369 | .037 | -.211 | -.500 | 80 | 434 | -.237 | .180 | 1.074 | -.306 | | | | | | |
| 80 | 294 | -.385 | .023 | -.314 | -.461 | 80 | 435 | -.051 | .180 | -.696 | -.601 | | | | | | |
| 80 | 295 | -.367 | .025 | -.280 | -.448 | 80 | 436 | -.342 | .052 | -.118 | -.523 | | | | | | |
| 80 | 296 | -.420 | .025 | -.341 | -.521 | 80 | 437 | -.291 | .063 | -.002 | -.475 | | | | | | |
| 80 | 297 | -.362 | .025 | -.281 | -.467 | 80 | 438 | -.071 | .103 | -.368 | -.376 | | | | | | |
| 80 | 298 | -.378 | .047 | -.224 | -.602 | 80 | 439 | -.039 | .143 | -.635 | -.506 | | | | | | |
| 80 | 299 | -.405 | .094 | -.147 | -.887 | 80 | 440 | -.161 | .148 | -.775 | -.288 | | | | | | |
| 80 | 300 | -.376 | .074 | -.103 | -.611 | 80 | 441 | -.131 | .157 | -.914 | -.299 | | | | | | |
| 80 | 301 | -.358 | .027 | -.241 | -.457 | 80 | 442 | -.042 | .156 | -.587 | -.549 | | | | | | |
| 80 | 302 | -.411 | .026 | -.317 | -.504 | 80 | 443 | -.353 | .056 | -.142 | -.370 | | | | | | |
| 80 | 303 | -.384 | .022 | -.277 | -.463 | 80 | 444 | -.284 | .069 | -.033 | -.520 | | | | | | |
| 80 | 304 | -.330 | .023 | -.255 | -.417 | 80 | 445 | -.180 | .121 | -.325 | -.554 | | | | | | |
| 80 | 305 | -.330 | .029 | -.227 | -.438 | 80 | 446 | -.120 | .155 | -.527 | -.640 | | | | | | |
| 80 | 306 | -.337 | .027 | -.212 | -.422 | 80 | 447 | -.054 | .140 | -.583 | -.472 | | | | | | |
| 80 | 307 | -.305 | .031 | -.176 | -.433 | 80 | 448 | -.042 | .103 | -.506 | -.370 | | | | | | |
| 80 | 308 | -.385 | .044 | -.205 | -.557 | 80 | 449 | -.125 | .108 | -.459 | -.373 | | | | | | |
| 80 | 309 | -.422 | .092 | -.196 | -.882 | 80 | 450 | -.360 | .057 | -.088 | -.640 | | | | | | |
| 80 | 401 | -.126 | .159 | -.664 | -.709 | 80 | 451 | -.308 | .071 | -.071 | -.565 | | | | | | |
| 80 | 402 | -.042 | .176 | -.944 | -.792 | 80 | 452 | -.216 | .096 | -.229 | -.504 | | | | | | |
| 80 | 403 | -.165 | .187 | 1.010 | -.454 | 80 | 453 | -.174 | .138 | -.323 | -.637 | | | | | | |
| 80 | 404 | -.134 | .226 | 1.339 | -.458 | 80 | 454 | -.126 | .116 | -.332 | -.496 | | | | | | |
| 80 | 405 | -.081 | .226 | 1.142 | -.680 | 80 | 455 | -.117 | .096 | -.337 | -.443 | | | | | | |
| 80 | 406 | -.043 | .238 | 1.083 | -.827 | 80 | 456 | -.150 | .078 | -.199 | -.567 | | | | | | |
| 80 | 407 | -.185 | .232 | -.830 | -.958 | 80 | 457 | -.190 | .166 | -.442 | -.577 | | | | | | |
| 80 | 408 | -.397 | .070 | -.067 | -.705 | 80 | 458 | -.438 | .055 | -.209 | -.716 | | | | | | |

APPENDIX A -- PRESSURE DATA:

CONFIGURATION A: OLYMPIA AND YORK OFFICE TOWER, DALLAS

| WD | TAP | CPMEAN | CPRNS | CPMAX | CPMIN | WD | TAP | CPMEAN | CPRNS | CPMAX | CPMIN | WD | TAP | CPMEAN | CPRNS | CPMAX | CPMIN |
|----|-----|--------|-------|-------|-------|----|-----|--------|-------|-------|-------|----|-----|--------|-------|-------|-------|
| 80 | 441 | .073 | .146 | .631 | .602 | 80 | 591 | .133 | .070 | .224 | .610 | 80 | 591 | .133 | .070 | .224 | .610 |
| 80 | 442 | .268 | .162 | .235 | .898 | 80 | 592 | .196 | .076 | .138 | .557 | 80 | 592 | .196 | .076 | .138 | .557 |
| 80 | 443 | .516 | .173 | .073 | .376 | 80 | 593 | .252 | .073 | .036 | .639 | 80 | 593 | .252 | .073 | .036 | .639 |
| 80 | 444 | .261 | .075 | .013 | .695 | 80 | 594 | .213 | .059 | .040 | .468 | 80 | 594 | .213 | .059 | .040 | .468 |
| 80 | 445 | .246 | .053 | .065 | .493 | 80 | 595 | .200 | .051 | .054 | .400 | 80 | 595 | .200 | .051 | .054 | .400 |
| 80 | 446 | .248 | .065 | .036 | .551 | 80 | 596 | .182 | .049 | .029 | .399 | 80 | 596 | .182 | .049 | .029 | .399 |
| 80 | 447 | .226 | .050 | .040 | .527 | 80 | 597 | .181 | .033 | .023 | .488 | 80 | 597 | .181 | .033 | .023 | .488 |
| 80 | 448 | .246 | .054 | .032 | .437 | 80 | 598 | .149 | .059 | .077 | .510 | 80 | 598 | .149 | .059 | .077 | .510 |
| 80 | 449 | .271 | .058 | .051 | .463 | 80 | 599 | .122 | .069 | .198 | .386 | 80 | 599 | .122 | .069 | .198 | .386 |
| 80 | 450 | .389 | .075 | .057 | .646 | 80 | 600 | .081 | .098 | .320 | .648 | 80 | 600 | .081 | .098 | .320 | .648 |
| 80 | 451 | .406 | .060 | .118 | .676 | 80 | 601 | .132 | .102 | .221 | .872 | 80 | 601 | .132 | .102 | .221 | .872 |
| 80 | 452 | .140 | .144 | .824 | .316 | 80 | 602 | .039 | .096 | .362 | .353 | 80 | 602 | .039 | .096 | .362 | .353 |
| 80 | 453 | .619 | .119 | .526 | .425 | 80 | 603 | .036 | .089 | .477 | .313 | 80 | 603 | .036 | .089 | .477 | .313 |
| 80 | 454 | .289 | .137 | .234 | .775 | 80 | 701 | .317 | .032 | .207 | .459 | 80 | 701 | .317 | .032 | .207 | .459 |
| 80 | 455 | .463 | .153 | .041 | .639 | 80 | 702 | .323 | .033 | .224 | .493 | 80 | 702 | .323 | .033 | .224 | .493 |
| 80 | 456 | .266 | .067 | .066 | .580 | 80 | 703 | .309 | .027 | .230 | .474 | 80 | 703 | .309 | .027 | .230 | .474 |
| 80 | 457 | .227 | .052 | .033 | .446 | 80 | 704 | .324 | .050 | .197 | .648 | 80 | 704 | .324 | .050 | .197 | .648 |
| 80 | 458 | .235 | .064 | .062 | .522 | 80 | 705 | .423 | .063 | .052 | .727 | 80 | 705 | .423 | .063 | .052 | .727 |
| 80 | 459 | .221 | .048 | .034 | .425 | 80 | 706 | .249 | .168 | .146 | .931 | 80 | 706 | .249 | .168 | .146 | .931 |
| 80 | 460 | .239 | .051 | .036 | .410 | 80 | 707 | .142 | .083 | .080 | .501 | 80 | 707 | .142 | .083 | .080 | .501 |
| 80 | 461 | .260 | .054 | .010 | .441 | 80 | 708 | .087 | .070 | .319 | .339 | 80 | 708 | .087 | .070 | .319 | .339 |
| 80 | 462 | .397 | .079 | .069 | .794 | 80 | 709 | .327 | .024 | .237 | .423 | 80 | 709 | .327 | .024 | .237 | .423 |
| 80 | 463 | .441 | .098 | .057 | .867 | 80 | 710 | .313 | .029 | .209 | .537 | 80 | 710 | .313 | .029 | .209 | .537 |
| 80 | 464 | .016 | .113 | .461 | .465 | 80 | 711 | .326 | .070 | .103 | .490 | 80 | 711 | .326 | .070 | .103 | .490 |
| 80 | 465 | .089 | .088 | .265 | .453 | 80 | 712 | .260 | .074 | .139 | .472 | 80 | 712 | .260 | .074 | .139 | .472 |
| 80 | 466 | .287 | .109 | .098 | .720 | 80 | 713 | .250 | .084 | .047 | .567 | 80 | 713 | .250 | .084 | .047 | .567 |
| 80 | 467 | .336 | .110 | .087 | .781 | 80 | 714 | .200 | .050 | .047 | .453 | 80 | 714 | .200 | .050 | .047 | .453 |
| 80 | 468 | .222 | .058 | .011 | .458 | 80 | 715 | .202 | .056 | .027 | .392 | 80 | 715 | .202 | .056 | .027 | .392 |
| 80 | 469 | .206 | .051 | .024 | .418 | 80 | 716 | .227 | .066 | .017 | .519 | 80 | 716 | .227 | .066 | .017 | .519 |
| 80 | 470 | .204 | .059 | .005 | .443 | 80 | 717 | .182 | .050 | .008 | .363 | 80 | 717 | .182 | .050 | .008 | .363 |
| 80 | 471 | .190 | .050 | .029 | .369 | 80 | 718 | .066 | .064 | .293 | .302 | 80 | 718 | .066 | .064 | .293 | .302 |
| 80 | 472 | .199 | .054 | .054 | .413 | 80 | 719 | .009 | .088 | .352 | .315 | 80 | 719 | .009 | .088 | .352 | .315 |
| 80 | 473 | .221 | .054 | .015 | .452 | 80 | 720 | .002 | .101 | .407 | .417 | 80 | 720 | .002 | .101 | .407 | .417 |
| 80 | 474 | .371 | .092 | .012 | .839 | 80 | 721 | .096 | .071 | .267 | .304 | 80 | 721 | .096 | .071 | .267 | .304 |
| 80 | 475 | .447 | .128 | .032 | .136 | 80 | 801 | .082 | .061 | .136 | .303 | 80 | 801 | .082 | .061 | .136 | .303 |
| 80 | 476 | .921 | .196 | .309 | .427 | 80 | 802 | .299 | .032 | .203 | .534 | 80 | 802 | .299 | .032 | .203 | .534 |
| 80 | 477 | .117 | .076 | .251 | .462 | 80 | 803 | .299 | .032 | .203 | .534 | 80 | 803 | .299 | .032 | .203 | .534 |
| 80 | 478 | .254 | .092 | .117 | .531 | 80 | 804 | .281 | .051 | .113 | .587 | 80 | 804 | .281 | .051 | .113 | .587 |
| 80 | 479 | .265 | .077 | .064 | .578 | 80 | 805 | .221 | .055 | .002 | .384 | 80 | 805 | .221 | .055 | .002 | .384 |
| 80 | 480 | .202 | .053 | .042 | .491 | 80 | 806 | .208 | .055 | .053 | .394 | 80 | 806 | .208 | .055 | .053 | .394 |
| 80 | 481 | .196 | .048 | .034 | .394 | 80 | 807 | .178 | .054 | .026 | .364 | 80 | 807 | .178 | .054 | .026 | .364 |
| 80 | 482 | .173 | .051 | .065 | .405 | 80 | 808 | .143 | .045 | .029 | .307 | 80 | 808 | .143 | .045 | .029 | .307 |
| 80 | 483 | .151 | .051 | .075 | .383 | 80 | 809 | .082 | .073 | .215 | .299 | 80 | 809 | .082 | .073 | .215 | .299 |
| 80 | 484 | .161 | .060 | .052 | .540 | 80 | 810 | .118 | .065 | .142 | .396 | 80 | 810 | .118 | .065 | .142 | .396 |
| 80 | 485 | .168 | .059 | .108 | .527 | 80 | 901 | .254 | .087 | .182 | .561 | 80 | 901 | .254 | .087 | .182 | .561 |
| 80 | 486 | .234 | .085 | .124 | .748 | 80 | 903 | .223 | .088 | .251 | .670 | 80 | 903 | .223 | .088 | .251 | .670 |
| 80 | 487 | .270 | .100 | .071 | .876 | 80 | 904 | .282 | .081 | .102 | .670 | 80 | 904 | .282 | .081 | .102 | .670 |
| 80 | 488 | .259 | .095 | .118 | .857 | 80 | 905 | .376 | .170 | .167 | .245 | 80 | 905 | .376 | .170 | .167 | .245 |
| 80 | 489 | .184 | .094 | .242 | .548 | 80 | 906 | .407 | .160 | .175 | .247 | 80 | 906 | .407 | .160 | .175 | .247 |
| 80 | 490 | .095 | .095 | .559 | .411 | 80 | 907 | .500 | .188 | .139 | .191 | 80 | 907 | .500 | .188 | .139 | .191 |

APPENDIX A -- PRESSURE DATA:

CONFIGURATION A: OLYMPIA AND YORK OFFICE TOWER, DALLAS

| WD | TAP | CPMEAN | CPRMS | CPMAX | CPMIN | WD | TAP | CPMEAN | CPRMS | CPMAX | CPMIN | WD | TAP | CPMEAN | CPRMS | CPMAX | CPMIN |
|----|-----|--------|-------|-------|--------|----|-----|--------|-------|-------|--------|----|-----|--------|-------|-------|--------|
| 90 | 908 | .631 | .154 | .575 | -.729 | 90 | 133 | -.576 | .058 | -.408 | -.880 | 90 | 216 | -.522 | .058 | -.265 | -.755 |
| 90 | 909 | .624 | .178 | .788 | -.639 | 90 | 134 | -.509 | .951 | -.320 | -.809 | 90 | 217 | -.516 | .047 | -.353 | -.820 |
| 90 | 910 | .623 | .179 | .665 | -.618 | 90 | 135 | -.528 | .048 | -.327 | -.836 | 90 | 218 | -.528 | .046 | -.368 | -.793 |
| 90 | 911 | .252 | .189 | .419 | -1.310 | 90 | 136 | -.492 | .072 | -.346 | -1.279 | 90 | 219 | -.546 | .053 | -.390 | -.902 |
| 90 | 912 | .254 | .128 | .333 | -.769 | 90 | 137 | -.548 | .060 | -.389 | -1.239 | 90 | 220 | -.518 | .050 | -.340 | -.717 |
| 90 | 913 | .315 | .133 | .887 | -1.143 | 90 | 138 | -.517 | .060 | -.334 | -1.163 | 90 | 221 | -.512 | .044 | -.369 | -.709 |
| 90 | 914 | .475 | .683 | .221 | -.872 | 90 | 139 | -.557 | .069 | -.306 | -1.232 | 90 | 222 | -.516 | .060 | -.337 | -1.012 |
| 90 | 915 | .501 | .094 | .211 | -.933 | 90 | 140 | -.517 | .062 | -.286 | -.829 | 90 | 223 | -.529 | .059 | -.352 | -.841 |
| 90 | 916 | .383 | .125 | .222 | -1.311 | 90 | 141 | -.546 | .052 | -.304 | -.725 | 90 | 224 | -.529 | .056 | -.357 | -.832 |
| 90 | 917 | .493 | .977 | .315 | -.846 | 90 | 142 | -.483 | .050 | -.253 | -.640 | 90 | 225 | -.538 | .055 | -.368 | -.848 |
| 90 | 918 | .447 | .068 | .222 | -.765 | 90 | 143 | -.516 | .067 | -.290 | -.999 | 90 | 226 | -.552 | .050 | -.390 | -.853 |
| 90 | 919 | .418 | .049 | .227 | -.734 | 90 | 144 | -.505 | .069 | -.316 | -.961 | 90 | 227 | -.527 | .040 | -.401 | -.732 |
| 90 | 920 | .441 | .043 | .310 | -.734 | 90 | 145 | -.570 | .058 | -.413 | -1.018 | 90 | 228 | -.518 | .034 | -.400 | -.842 |
| 90 | 921 | .441 | .035 | .310 | -.585 | 90 | 146 | -.521 | .065 | -.357 | -.966 | 90 | 229 | -.526 | .037 | -.397 | -.679 |
| 90 | 922 | .433 | .034 | .303 | -.551 | 90 | 147 | -.557 | .077 | -.354 | -1.032 | 90 | 230 | -.537 | .037 | -.416 | -.885 |
| 90 | 923 | .426 | .034 | .303 | -.549 | 90 | 148 | -.480 | .053 | -.272 | -.824 | 90 | 231 | -.511 | .037 | -.396 | -.650 |
| 90 | 924 | .439 | .045 | .322 | -.717 | 90 | 149 | -.527 | .043 | -.354 | -.773 | 90 | 232 | -.502 | .034 | -.395 | -.849 |
| 90 | 925 | .463 | .050 | .327 | -.828 | 90 | 150 | -.499 | .061 | -.037 | -.614 | 90 | 233 | -.512 | .040 | -.387 | -.684 |
| 90 | 101 | .360 | .087 | .316 | -1.429 | 90 | 151 | -.626 | .094 | -.372 | -1.156 | 90 | 234 | -.520 | .042 | -.385 | -.699 |
| 90 | 102 | .524 | .084 | .199 | -1.001 | 90 | 152 | -.490 | .061 | -.323 | -.857 | 90 | 235 | -.496 | .042 | -.364 | -.671 |
| 90 | 103 | .542 | .091 | .302 | -.626 | 90 | 153 | -.553 | .059 | -.375 | -.996 | 90 | 236 | -.526 | .053 | -.365 | -.746 |
| 90 | 104 | .515 | .078 | .304 | -.982 | 90 | 154 | -.488 | .033 | -.343 | -.735 | 90 | 237 | -.525 | .052 | -.349 | -.783 |
| 90 | 105 | .563 | .060 | .392 | -.918 | 90 | 155 | -.510 | .052 | -.368 | -.736 | 90 | 238 | -.535 | .047 | -.352 | -.768 |
| 90 | 106 | .512 | .053 | .332 | -.822 | 90 | 156 | -.465 | .047 | -.318 | -.659 | 90 | 239 | -.509 | .040 | -.364 | -.664 |
| 90 | 107 | .544 | .064 | .354 | -.887 | 90 | 157 | -.357 | .083 | -.001 | -.677 | 90 | 240 | -.510 | .032 | -.346 | -.633 |
| 90 | 108 | .514 | .074 | .244 | -.977 | 90 | 158 | -.470 | .077 | -.230 | -.904 | 90 | 241 | -.523 | .033 | -.409 | -.662 |
| 90 | 109 | .571 | .073 | .366 | -1.175 | 90 | 159 | -.437 | .055 | -.247 | -.654 | 90 | 242 | -.537 | .033 | -.439 | -.659 |
| 90 | 110 | .532 | .078 | .281 | -1.034 | 90 | 160 | -.361 | .032 | -.231 | -.455 | 90 | 243 | -.511 | .033 | -.372 | -.645 |
| 90 | 111 | .550 | .070 | .368 | -1.264 | 90 | 161 | -.439 | .024 | -.366 | -.532 | 90 | 244 | -.501 | .033 | -.412 | -.633 |
| 90 | 112 | .516 | .056 | .348 | -1.068 | 90 | 162 | -.574 | .117 | -.236 | -.977 | 90 | 245 | -.510 | .034 | -.409 | -.662 |
| 90 | 113 | .572 | .056 | .378 | -.867 | 90 | 163 | -.428 | .044 | -.288 | -.610 | 90 | 246 | -.484 | .033 | -.361 | -.609 |
| 90 | 114 | .522 | .055 | .350 | -.767 | 90 | 164 | -.372 | .040 | -.226 | -.488 | 90 | 247 | -.494 | .037 | -.374 | -.650 |
| 90 | 115 | .545 | .068 | .276 | -.919 | 90 | 165 | -.423 | .039 | -.290 | -.576 | 90 | 248 | -.525 | .060 | -.329 | -.872 |
| 90 | 116 | .514 | .066 | .184 | -.882 | 90 | 166 | -.374 | .026 | -.283 | -.464 | 90 | 249 | -.516 | .059 | -.313 | -.923 |
| 90 | 117 | .575 | .058 | .370 | -.851 | 90 | 167 | -.442 | .024 | -.373 | -.527 | 90 | 250 | -.501 | .050 | -.303 | -.768 |
| 90 | 118 | .530 | .063 | .343 | -.927 | 90 | 201 | -.524 | .065 | -.315 | -.875 | 90 | 251 | -.491 | .046 | -.287 | -.657 |
| 90 | 119 | .556 | .066 | .393 | -.964 | 90 | 202 | -.531 | .062 | -.334 | -.812 | 90 | 252 | -.496 | .036 | -.362 | -.633 |
| 90 | 120 | .524 | .052 | .371 | -.822 | 90 | 203 | -.345 | .067 | -.302 | -.907 | 90 | 253 | -.514 | .037 | -.373 | -.643 |
| 90 | 121 | .573 | .042 | .397 | -.761 | 90 | 204 | -.531 | .093 | -.239 | -1.160 | 90 | 254 | -.532 | .036 | -.423 | -.639 |
| 90 | 122 | .499 | .051 | .332 | -.712 | 90 | 205 | -.520 | .086 | -.260 | -1.005 | 90 | 255 | -.509 | .036 | -.396 | -.625 |
| 90 | 123 | .527 | .051 | .426 | -.740 | 90 | 206 | -.534 | .104 | -.238 | -1.080 | 90 | 256 | -.495 | .033 | -.395 | -.626 |
| 90 | 124 | .514 | .050 | .376 | -.782 | 90 | 207 | -.550 | .092 | -.248 | -1.046 | 90 | 257 | -.505 | .037 | -.378 | -.646 |
| 90 | 125 | .577 | .054 | .428 | -.889 | 90 | 208 | -.529 | .068 | -.316 | -.867 | 90 | 258 | -.513 | .039 | -.368 | -.673 |
| 90 | 126 | .526 | .056 | .373 | -.922 | 90 | 209 | -.517 | .057 | -.346 | -.758 | 90 | 259 | -.513 | .037 | -.386 | -.698 |
| 90 | 127 | .546 | .048 | .382 | -.886 | 90 | 210 | -.525 | .052 | -.313 | -.768 | 90 | 260 | -.525 | .075 | -.312 | -.967 |
| 90 | 128 | .507 | .043 | .333 | -.717 | 90 | 211 | -.545 | .057 | -.312 | -.812 | 90 | 261 | -.505 | .068 | -.219 | -.809 |
| 90 | 129 | .546 | .051 | .387 | -.794 | 90 | 212 | -.536 | .066 | -.345 | -.915 | 90 | 262 | -.506 | .057 | -.286 | -.777 |
| 90 | 130 | .491 | .052 | .334 | -.753 | 90 | 213 | -.529 | .057 | -.365 | -.794 | 90 | 263 | -.485 | .049 | -.306 | -.659 |
| 90 | 131 | .543 | .051 | .384 | -.813 | 90 | 214 | -.542 | .058 | -.330 | -.788 | 90 | 264 | -.492 | .038 | -.362 | -.621 |
| 90 | 132 | .525 | .059 | .355 | -.852 | 90 | 215 | -.552 | .057 | -.312 | -.805 | 90 | 265 | -.513 | .039 | -.390 | -.662 |

APPENDIX A -- PRESSURE DATA:

CONFIGURATION A) OLYMPIA AND YORK OFFICE TOWER, DALLAS

| WD | TAP | CP | HEAN | CP | RMS | CP | MAX | CP | MIN | WD | TAP | CP | HEAN | CP | RMS | CP | MAX | CP | MIN | WD | TAP | CP | HEAN | CP | RMS | CP | MAX | CP | MIN |
|----|-----|-----|------|------|-----|----|-----|-----|-----|-------|-----|-----|------|-----|-----|-----|-----|-----|-----|-----|-----|-----|------|----|-----|----|-----|----|-----|
| 90 | 266 | 360 | 0.37 | 374 | 642 | 90 | 407 | 160 | 269 | 1.128 | 90 | 437 | 273 | 194 | 487 | 848 | 90 | 457 | 273 | 194 | 487 | 848 | | | | | | | |
| 90 | 267 | 362 | 0.39 | 441 | 728 | 90 | 408 | 160 | 269 | 1.128 | 90 | 438 | 273 | 194 | 487 | 848 | 90 | 458 | 273 | 194 | 487 | 848 | | | | | | | |
| 90 | 268 | 318 | 0.39 | 397 | 683 | 90 | 409 | 160 | 269 | 1.128 | 90 | 439 | 273 | 194 | 487 | 848 | 90 | 459 | 273 | 194 | 487 | 848 | | | | | | | |
| 90 | 269 | 387 | 0.42 | 459 | 802 | 90 | 410 | 160 | 269 | 1.128 | 90 | 460 | 273 | 194 | 487 | 848 | 90 | 460 | 273 | 194 | 487 | 848 | | | | | | | |
| 90 | 270 | 316 | 0.42 | 366 | 693 | 90 | 411 | 160 | 269 | 1.128 | 90 | 461 | 273 | 194 | 487 | 848 | 90 | 461 | 273 | 194 | 487 | 848 | | | | | | | |
| 90 | 271 | 346 | 0.40 | 405 | 794 | 90 | 412 | 160 | 269 | 1.128 | 90 | 462 | 273 | 194 | 487 | 848 | 90 | 462 | 273 | 194 | 487 | 848 | | | | | | | |
| 90 | 272 | 318 | 0.77 | 306 | 953 | 90 | 413 | 160 | 269 | 1.128 | 90 | 463 | 273 | 194 | 487 | 848 | 90 | 463 | 273 | 194 | 487 | 848 | | | | | | | |
| 90 | 273 | 472 | 0.53 | 271 | 774 | 90 | 414 | 160 | 269 | 1.128 | 90 | 464 | 273 | 194 | 487 | 848 | 90 | 464 | 273 | 194 | 487 | 848 | | | | | | | |
| 90 | 274 | 476 | 0.50 | 236 | 637 | 90 | 415 | 160 | 269 | 1.128 | 90 | 465 | 273 | 194 | 487 | 848 | 90 | 465 | 273 | 194 | 487 | 848 | | | | | | | |
| 90 | 275 | 327 | 0.43 | 335 | 662 | 90 | 416 | 160 | 269 | 1.128 | 90 | 466 | 273 | 194 | 487 | 848 | 90 | 466 | 273 | 194 | 487 | 848 | | | | | | | |
| 90 | 276 | 496 | 0.46 | 352 | 619 | 90 | 417 | 160 | 269 | 1.128 | 90 | 467 | 273 | 194 | 487 | 848 | 90 | 467 | 273 | 194 | 487 | 848 | | | | | | | |
| 90 | 277 | 371 | 0.39 | 422 | 720 | 90 | 418 | 160 | 269 | 1.128 | 90 | 468 | 273 | 194 | 487 | 848 | 90 | 468 | 273 | 194 | 487 | 848 | | | | | | | |
| 90 | 278 | 314 | 0.39 | 383 | 646 | 90 | 419 | 160 | 269 | 1.128 | 90 | 501 | 364 | 213 | 471 | 604 | 90 | 501 | 364 | 213 | 471 | 604 | | | | | | | |
| 90 | 279 | 347 | 0.44 | 417 | 713 | 90 | 420 | 160 | 269 | 1.128 | 90 | 502 | 364 | 213 | 471 | 604 | 90 | 502 | 364 | 213 | 471 | 604 | | | | | | | |
| 90 | 280 | 308 | 0.44 | 371 | 676 | 90 | 421 | 160 | 269 | 1.128 | 90 | 503 | 364 | 213 | 471 | 604 | 90 | 503 | 364 | 213 | 471 | 604 | | | | | | | |
| 90 | 281 | 375 | 0.47 | 434 | 788 | 90 | 422 | 160 | 269 | 1.128 | 90 | 504 | 364 | 213 | 471 | 604 | 90 | 504 | 364 | 213 | 471 | 604 | | | | | | | |
| 90 | 282 | 308 | 0.46 | 313 | 726 | 90 | 423 | 160 | 269 | 1.128 | 90 | 505 | 364 | 213 | 471 | 604 | 90 | 505 | 364 | 213 | 471 | 604 | | | | | | | |
| 90 | 283 | 344 | 0.44 | 410 | 735 | 90 | 424 | 160 | 269 | 1.128 | 90 | 506 | 364 | 213 | 471 | 604 | 90 | 506 | 364 | 213 | 471 | 604 | | | | | | | |
| 90 | 284 | 438 | 0.42 | 323 | 670 | 90 | 425 | 160 | 269 | 1.128 | 90 | 507 | 364 | 213 | 471 | 604 | 90 | 507 | 364 | 213 | 471 | 604 | | | | | | | |
| 90 | 285 | 454 | 0.45 | 323 | 635 | 90 | 426 | 160 | 269 | 1.128 | 90 | 508 | 364 | 213 | 471 | 604 | 90 | 508 | 364 | 213 | 471 | 604 | | | | | | | |
| 90 | 286 | 302 | 0.27 | 405 | 599 | 90 | 427 | 160 | 269 | 1.128 | 90 | 509 | 364 | 213 | 471 | 604 | 90 | 509 | 364 | 213 | 471 | 604 | | | | | | | |
| 90 | 287 | 463 | 0.31 | 333 | 591 | 90 | 428 | 160 | 269 | 1.128 | 90 | 510 | 364 | 213 | 471 | 604 | 90 | 510 | 364 | 213 | 471 | 604 | | | | | | | |
| 90 | 288 | 318 | 0.36 | 412 | 684 | 90 | 429 | 160 | 269 | 1.128 | 90 | 511 | 364 | 213 | 471 | 604 | 90 | 511 | 364 | 213 | 471 | 604 | | | | | | | |
| 90 | 289 | 491 | 0.42 | 352 | 671 | 90 | 430 | 160 | 269 | 1.128 | 90 | 512 | 364 | 213 | 471 | 604 | 90 | 512 | 364 | 213 | 471 | 604 | | | | | | | |
| 90 | 290 | 347 | 0.37 | 313 | 872 | 90 | 431 | 160 | 269 | 1.128 | 90 | 513 | 364 | 213 | 471 | 604 | 90 | 513 | 364 | 213 | 471 | 604 | | | | | | | |
| 90 | 291 | 329 | 1.00 | 206 | 936 | 90 | 432 | 160 | 269 | 1.128 | 90 | 514 | 364 | 213 | 471 | 604 | 90 | 514 | 364 | 213 | 471 | 604 | | | | | | | |
| 90 | 292 | 306 | 0.51 | 316 | 700 | 90 | 433 | 160 | 269 | 1.128 | 90 | 515 | 364 | 213 | 471 | 604 | 90 | 515 | 364 | 213 | 471 | 604 | | | | | | | |
| 90 | 293 | 417 | 0.37 | 279 | 540 | 90 | 434 | 160 | 269 | 1.128 | 90 | 516 | 364 | 213 | 471 | 604 | 90 | 516 | 364 | 213 | 471 | 604 | | | | | | | |
| 90 | 294 | 415 | 0.25 | 337 | 493 | 90 | 435 | 160 | 269 | 1.128 | 90 | 517 | 364 | 213 | 471 | 604 | 90 | 517 | 364 | 213 | 471 | 604 | | | | | | | |
| 90 | 295 | 393 | 0.29 | 304 | 499 | 90 | 436 | 160 | 269 | 1.128 | 90 | 518 | 364 | 213 | 471 | 604 | 90 | 518 | 364 | 213 | 471 | 604 | | | | | | | |
| 90 | 296 | 451 | 0.29 | 359 | 555 | 90 | 437 | 160 | 269 | 1.128 | 90 | 519 | 364 | 213 | 471 | 604 | 90 | 519 | 364 | 213 | 471 | 604 | | | | | | | |
| 90 | 297 | 358 | 0.27 | 301 | 485 | 90 | 438 | 160 | 269 | 1.128 | 90 | 520 | 364 | 213 | 471 | 604 | 90 | 520 | 364 | 213 | 471 | 604 | | | | | | | |
| 90 | 298 | 433 | 0.52 | 245 | 643 | 90 | 439 | 160 | 269 | 1.128 | 90 | 521 | 364 | 213 | 471 | 604 | 90 | 521 | 364 | 213 | 471 | 604 | | | | | | | |
| 90 | 299 | 322 | 1.27 | 064 | 787 | 90 | 440 | 160 | 269 | 1.128 | 90 | 522 | 364 | 213 | 471 | 604 | 90 | 522 | 364 | 213 | 471 | 604 | | | | | | | |
| 90 | 300 | 472 | 0.23 | 137 | 773 | 90 | 441 | 160 | 269 | 1.128 | 90 | 523 | 364 | 213 | 471 | 604 | 90 | 523 | 364 | 213 | 471 | 604 | | | | | | | |
| 90 | 301 | 387 | 0.25 | 272 | 468 | 90 | 442 | 160 | 269 | 1.128 | 90 | 524 | 364 | 213 | 471 | 604 | 90 | 524 | 364 | 213 | 471 | 604 | | | | | | | |
| 90 | 302 | 443 | 0.22 | 357 | 524 | 90 | 443 | 160 | 269 | 1.128 | 90 | 525 | 364 | 213 | 471 | 604 | 90 | 525 | 364 | 213 | 471 | 604 | | | | | | | |
| 90 | 303 | 436 | 0.24 | 349 | 520 | 90 | 444 | 160 | 269 | 1.128 | 90 | 526 | 364 | 213 | 471 | 604 | 90 | 526 | 364 | 213 | 471 | 604 | | | | | | | |
| 90 | 304 | 392 | 0.24 | 313 | 469 | 90 | 445 | 160 | 269 | 1.128 | 90 | 527 | 364 | 213 | 471 | 604 | 90 | 527 | 364 | 213 | 471 | 604 | | | | | | | |
| 90 | 305 | 372 | 0.30 | 265 | 502 | 90 | 446 | 160 | 269 | 1.128 | 90 | 528 | 364 | 213 | 471 | 604 | 90 | 528 | 364 | 213 | 471 | 604 | | | | | | | |
| 90 | 306 | 378 | 0.27 | 291 | 514 | 90 | 447 | 160 | 269 | 1.128 | 90 | 529 | 364 | 213 | 471 | 604 | 90 | 529 | 364 | 213 | 471 | 604 | | | | | | | |
| 90 | 307 | 346 | 0.35 | 237 | 487 | 90 | 448 | 160 | 269 | 1.128 | 90 | 530 | 364 | 213 | 471 | 604 | 90 | 530 | 364 | 213 | 471 | 604 | | | | | | | |
| 90 | 308 | 442 | 0.56 | 255 | 550 | 90 | 449 | 160 | 269 | 1.128 | 90 | 531 | 364 | 213 | 471 | 604 | 90 | 531 | 364 | 213 | 471 | 604 | | | | | | | |
| 90 | 309 | 367 | 1.14 | 152 | 093 | 90 | 450 | 160 | 269 | 1.128 | 90 | 532 | 364 | 213 | 471 | 604 | 90 | 532 | 364 | 213 | 471 | 604 | | | | | | | |
| 90 | 401 | 264 | 1.62 | 277 | 266 | 90 | 451 | 160 | 269 | 1.128 | 90 | 533 | 364 | 213 | 471 | 604 | 90 | 533 | 364 | 213 | 471 | 604 | | | | | | | |
| 90 | 402 | 108 | 1.80 | 412 | 764 | 90 | 452 | 160 | 269 | 1.128 | 90 | 534 | 364 | 213 | 471 | 604 | 90 | 534 | 364 | 213 | 471 | 604 | | | | | | | |
| 90 | 403 | 131 | 1.78 | 782 | 594 | 90 | 453 | 160 | 269 | 1.128 | 90 | 535 | 364 | 213 | 471 | 604 | 90 | 535 | 364 | 213 | 471 | 604 | | | | | | | |
| 90 | 404 | 244 | 2.08 | 873 | 844 | 90 | 454 | 160 | 269 | 1.128 | 90 | 536 | 364 | 213 | 471 | 604 | 90 | 536 | 364 | 213 | 471 | 604 | | | | | | | |
| 90 | 405 | 332 | 2.10 | 1219 | 624 | 90 | 455 | 160 | 269 | 1.128 | 90 | 537 | 364 | 213 | 471 | 604 | 90 | 537 | 364 | 213 | 471 | 604 | | | | | | | |
| 90 | 406 | 342 | 2.12 | 1238 | 468 | 90 | 456 | 160 | 269 | 1.128 | 90 | 538 | 364 | 213 | 471 | 604 | 90 | 538 | 364 | 213 | 471 | 604 | | | | | | | |

APPENDIX A -- PRESSURE DATA:

CONFIGURATION A: OLYMPIA AND YORK OFFICE TOWER, DALLAS

| WD | TAP | CPMEAN | CFRMS | CPHAX | CPHIN | WD | TAP | CPMEAN | CFRMS | CPHAX | CPHIN | WD | TAP | CPMEAN | CFRMS | CPHAX | CPHIN |
|----|-----|--------|-------|-------|-------|----|-----|--------|-------|-------|-------|-----|-----|--------|-------|-------|--------|
| 90 | 539 | .471 | .057 | .269 | .743 | 90 | 589 | .248 | .092 | .336 | .694 | 90 | 906 | .613 | .147 | .031 | -1.358 |
| 90 | 540 | .143 | .138 | .829 | .240 | 90 | 590 | .038 | .083 | .419 | .460 | 90 | 907 | .722 | .125 | .066 | -1.257 |
| 90 | 541 | .074 | .139 | .641 | .812 | 90 | 591 | .096 | .066 | .184 | .484 | 90 | 908 | .139 | .218 | .781 | -.859 |
| 90 | 542 | .156 | .385 | .106 | .812 | 90 | 592 | .166 | .097 | .203 | .346 | 90 | 909 | .012 | .201 | .677 | -.610 |
| 90 | 543 | .460 | .145 | .193 | 1.145 | 90 | 593 | .399 | .110 | .076 | .893 | 90 | 910 | .013 | .247 | .707 | -.727 |
| 90 | 544 | .311 | .050 | .118 | .522 | 90 | 594 | .365 | .081 | .116 | .662 | 90 | 911 | .604 | .203 | .127 | -1.337 |
| 90 | 545 | .466 | .065 | .135 | .522 | 90 | 595 | .348 | .069 | .140 | .643 | 90 | 912 | .269 | .116 | .099 | -.792 |
| 90 | 546 | .397 | .049 | .117 | .514 | 90 | 596 | .316 | .057 | .094 | .549 | 90 | 913 | .353 | .159 | .165 | -.988 |
| 90 | 547 | .322 | .048 | .133 | .550 | 90 | 597 | .305 | .052 | .105 | .524 | 90 | 914 | .542 | .080 | .323 | -1.026 |
| 90 | 548 | .447 | .047 | .106 | .550 | 90 | 598 | .241 | .054 | .020 | .498 | 90 | 915 | .527 | .073 | .351 | -1.163 |
| 90 | 549 | .434 | .032 | .211 | .669 | 90 | 599 | .240 | .054 | .031 | .522 | 90 | 916 | .546 | .088 | .360 | -1.946 |
| 90 | 550 | .453 | .042 | .300 | .641 | 90 | 600 | .233 | .060 | .094 | .396 | 90 | 917 | .564 | .067 | .381 | -.993 |
| 90 | 551 | .164 | .125 | .662 | .361 | 90 | 601 | .282 | .072 | .038 | .488 | 90 | 918 | .481 | .050 | .256 | -.700 |
| 90 | 552 | .079 | .125 | .577 | .338 | 90 | 602 | .303 | .090 | .034 | .637 | 90 | 919 | .477 | .043 | .315 | -.653 |
| 90 | 553 | .168 | .147 | .556 | .682 | 90 | 603 | .170 | .074 | .245 | .447 | 90 | 920 | .505 | .044 | .350 | -.679 |
| 90 | 554 | .322 | .132 | .045 | .031 | 90 | 701 | .364 | .041 | .240 | .534 | 90 | 921 | .520 | .043 | .381 | -.691 |
| 90 | 555 | .332 | .057 | .108 | .581 | 90 | 702 | .393 | .041 | .260 | .553 | 90 | 922 | .504 | .043 | .378 | -.655 |
| 90 | 556 | .444 | .045 | .153 | .478 | 90 | 703 | .371 | .035 | .269 | .572 | 90 | 923 | .496 | .039 | .371 | -.643 |
| 90 | 557 | .332 | .062 | .081 | .627 | 90 | 704 | .388 | .041 | .266 | .573 | 90 | 924 | .516 | .048 | .375 | -.698 |
| 90 | 558 | .324 | .042 | .161 | .491 | 90 | 705 | .307 | .109 | .180 | .648 | 90 | 925 | .538 | .051 | .398 | -.788 |
| 90 | 559 | .344 | .041 | .183 | .491 | 90 | 706 | .114 | .073 | .179 | .348 | 100 | 101 | .622 | .080 | .369 | -.973 |
| 90 | 560 | .361 | .038 | .192 | .513 | 90 | 707 | .202 | .080 | .061 | .590 | 100 | 102 | .560 | .082 | .349 | -1.019 |
| 90 | 561 | .439 | .040 | .322 | .682 | 90 | 708 | .224 | .056 | .035 | .391 | 100 | 103 | .597 | .085 | .377 | -1.054 |
| 90 | 562 | .453 | .041 | .319 | .332 | 90 | 709 | .380 | .030 | .286 | .483 | 100 | 104 | .537 | .074 | .334 | -.963 |
| 90 | 563 | .054 | .110 | .688 | .332 | 90 | 710 | .401 | .051 | .276 | .689 | 100 | 105 | .610 | .062 | .427 | -.888 |
| 90 | 564 | .226 | .146 | .482 | .703 | 90 | 711 | .406 | .046 | .268 | .631 | 100 | 106 | .542 | .058 | .372 | -.740 |
| 90 | 565 | .399 | .118 | .017 | .019 | 90 | 712 | .434 | .054 | .266 | .737 | 100 | 107 | .603 | .080 | .365 | -1.042 |
| 90 | 566 | .310 | .056 | .109 | .486 | 90 | 713 | .446 | .053 | .274 | .728 | 100 | 108 | .552 | .068 | .339 | -.900 |
| 90 | 567 | .313 | .045 | .118 | .485 | 90 | 714 | .377 | .049 | .155 | .574 | 100 | 109 | .621 | .068 | .396 | -1.006 |
| 90 | 568 | .320 | .060 | .071 | .454 | 90 | 715 | .326 | .074 | .103 | .593 | 100 | 110 | .558 | .063 | .376 | -.886 |
| 90 | 569 | .303 | .038 | .182 | .454 | 90 | 716 | .478 | .092 | .037 | .746 | 100 | 111 | .598 | .067 | .402 | -.887 |
| 90 | 570 | .324 | .039 | .197 | .483 | 90 | 717 | .277 | .071 | .056 | .506 | 100 | 112 | .537 | .059 | .376 | -.823 |
| 90 | 571 | .337 | .038 | .205 | .469 | 90 | 718 | .010 | .062 | .286 | .269 | 100 | 113 | .621 | .054 | .429 | -.920 |
| 90 | 572 | .423 | .043 | .257 | .603 | 90 | 719 | .134 | .087 | .597 | .140 | 100 | 114 | .564 | .057 | .391 | -.813 |
| 90 | 573 | .440 | .047 | .266 | .727 | 90 | 720 | .148 | .107 | .688 | .599 | 100 | 115 | .596 | .060 | .414 | -.878 |
| 90 | 574 | .603 | .105 | .603 | .364 | 90 | 721 | .001 | .073 | .302 | .272 | 100 | 116 | .537 | .059 | .381 | -.830 |
| 90 | 575 | .091 | .073 | .336 | .432 | 90 | 801 | .195 | .051 | .020 | .325 | 100 | 117 | .621 | .052 | .463 | -.893 |
| 90 | 576 | .332 | .102 | .141 | .744 | 90 | 802 | .404 | .031 | .293 | .537 | 100 | 118 | .563 | .052 | .419 | -.864 |
| 90 | 577 | .411 | .096 | .134 | .825 | 90 | 803 | .390 | .054 | .216 | .766 | 100 | 119 | .600 | .049 | .464 | -.802 |
| 90 | 578 | .310 | .057 | .119 | .583 | 90 | 804 | .349 | .059 | .106 | .673 | 100 | 120 | .559 | .045 | .418 | -.737 |
| 90 | 579 | .316 | .048 | .071 | .593 | 90 | 805 | .369 | .046 | .142 | .561 | 100 | 121 | .619 | .047 | .487 | -.845 |
| 90 | 580 | .291 | .044 | .101 | .465 | 90 | 806 | .339 | .070 | .103 | .647 | 100 | 122 | .539 | .049 | .352 | -.773 |
| 90 | 581 | .301 | .048 | .088 | .443 | 90 | 807 | .336 | .086 | .062 | .624 | 100 | 123 | .577 | .050 | .388 | -.816 |
| 90 | 582 | .274 | .048 | .048 | .461 | 90 | 808 | .173 | .047 | .053 | .333 | 100 | 124 | .550 | .047 | .376 | -.737 |
| 90 | 583 | .369 | .052 | .602 | .560 | 90 | 809 | .098 | .083 | .335 | .416 | 100 | 125 | .623 | .048 | .482 | -.814 |
| 90 | 584 | .397 | .051 | .110 | .782 | 90 | 810 | .043 | .077 | .272 | .313 | 100 | 126 | .565 | .049 | .377 | -.736 |
| 90 | 585 | .443 | .066 | .192 | .782 | 90 | 901 | .115 | .123 | .350 | .474 | 100 | 127 | .596 | .046 | .448 | -.781 |
| 90 | 586 | | | | | 90 | 903 | .243 | .088 | .311 | .577 | 100 | 128 | .548 | .043 | .374 | -.722 |
| 90 | 587 | | | | | 90 | 904 | .306 | .090 | .077 | .731 | 100 | 129 | .585 | .045 | .449 | -.730 |
| 90 | 588 | | | | | 90 | 905 | .680 | .230 | .214 | 1.644 | 100 | 130 | .528 | .046 | .401 | -.673 |

APPENDIX A -- PRESSURE DATA:

CONFIGURATION A: OLYMPIA AND YORK OFFICE TOWER, DALLAS

| WD | TAP | CPMEAN | CPRMS | CPMAX | CPMIN | WD | TAP | CPMEAN | CPRMS | CPMAX | CPMIN | WD | TAP | CPMEAN | CPRMS | CPMAX | CPMIN |
|-----|-----|--------|-------|-------|--------|-----|-----|--------|-------|-------|--------|-----|-----|--------|-------|-------|--------|
| 100 | 131 | .584 | .646 | .423 | -.739 | 100 | 214 | .392 | .037 | -.375 | -.862 | 100 | 264 | -.540 | .037 | -.378 | -.664 |
| 100 | 132 | .559 | .049 | -.423 | -.767 | 100 | 215 | .603 | .062 | -.369 | -.938 | 100 | 265 | -.560 | .039 | -.394 | -.697 |
| 100 | 133 | .623 | .046 | -.386 | -.824 | 100 | 216 | .375 | .063 | -.317 | -.863 | 100 | 266 | -.547 | .036 | -.409 | -.700 |
| 100 | 134 | .552 | .043 | -.375 | -.706 | 100 | 217 | .566 | .050 | -.404 | -.805 | 100 | 267 | -.583 | .037 | -.467 | -.731 |
| 100 | 135 | .382 | .043 | -.388 | -.735 | 100 | 218 | .579 | .051 | -.401 | -.784 | 100 | 268 | -.340 | .037 | -.434 | -.686 |
| 100 | 136 | .534 | .040 | -.376 | -.676 | 100 | 219 | .607 | .062 | -.450 | -1.222 | 100 | 269 | -.614 | .039 | -.481 | -.780 |
| 100 | 137 | .601 | .045 | -.461 | -.828 | 100 | 220 | .362 | .052 | -.414 | -.788 | 100 | 270 | -.538 | .039 | -.385 | -.721 |
| 100 | 138 | .557 | .048 | -.419 | -.889 | 100 | 221 | .557 | .046 | -.377 | -.752 | 100 | 271 | -.369 | .042 | -.435 | -.714 |
| 100 | 139 | .610 | .036 | -.409 | -1.213 | 100 | 222 | .358 | .053 | -.370 | -.784 | 100 | 272 | -.532 | .049 | -.405 | -.849 |
| 100 | 140 | .570 | .037 | -.396 | -1.061 | 100 | 223 | .568 | .055 | -.379 | -.803 | 100 | 273 | -.512 | .044 | -.316 | -.674 |
| 100 | 141 | .608 | .048 | -.451 | -.802 | 100 | 224 | .376 | .047 | -.416 | -.771 | 100 | 274 | -.528 | .043 | -.370 | -.819 |
| 100 | 142 | .542 | .046 | -.345 | -.694 | 100 | 225 | .587 | .047 | -.435 | -.750 | 100 | 275 | -.572 | .039 | -.440 | -.736 |
| 100 | 143 | .578 | .048 | -.414 | -.809 | 100 | 226 | .398 | .044 | -.436 | -.743 | 100 | 276 | -.533 | .036 | -.393 | -.662 |
| 100 | 144 | .553 | .047 | -.390 | -.771 | 100 | 227 | .378 | .039 | -.434 | -.703 | 100 | 277 | -.611 | .038 | -.489 | -.756 |
| 100 | 145 | .619 | .044 | -.490 | -.800 | 100 | 228 | .570 | .036 | -.440 | -.731 | 100 | 278 | -.544 | .037 | -.424 | -.704 |
| 100 | 146 | .568 | .030 | -.443 | -.827 | 100 | 229 | .582 | .039 | -.426 | -.779 | 100 | 279 | -.586 | .042 | -.464 | -.807 |
| 100 | 147 | .585 | .037 | -.397 | -.946 | 100 | 230 | .588 | .038 | -.438 | -.746 | 100 | 280 | -.546 | .042 | -.415 | -.773 |
| 100 | 148 | .534 | .047 | -.383 | -.764 | 100 | 231 | .361 | .038 | -.436 | -.696 | 100 | 281 | -.614 | .047 | -.469 | -.913 |
| 100 | 149 | .588 | .044 | -.432 | -.872 | 100 | 232 | .558 | .037 | -.447 | -.686 | 100 | 282 | -.542 | .046 | -.365 | -.843 |
| 100 | 150 | .494 | .043 | -.354 | -.701 | 100 | 233 | .372 | .042 | -.438 | -.743 | 100 | 283 | -.566 | .047 | -.340 | -.787 |
| 100 | 151 | .634 | .079 | -.414 | -.982 | 100 | 234 | .377 | .044 | -.443 | -.736 | 100 | 284 | -.480 | .043 | -.370 | -.661 |
| 100 | 152 | .335 | .046 | -.372 | -.764 | 100 | 235 | .555 | .044 | -.426 | -.713 | 100 | 285 | -.494 | .035 | -.381 | -.631 |
| 100 | 153 | .601 | .044 | -.441 | -.833 | 100 | 236 | .580 | .046 | -.428 | -.788 | 100 | 286 | -.538 | .028 | -.479 | -.670 |
| 100 | 154 | .528 | .041 | -.408 | -.747 | 100 | 237 | .587 | .048 | -.438 | -.847 | 100 | 287 | -.511 | .032 | -.399 | -.626 |
| 100 | 155 | .558 | .043 | -.425 | -.790 | 100 | 238 | .598 | .046 | -.439 | -.817 | 100 | 288 | -.563 | .038 | -.452 | -.711 |
| 100 | 156 | .505 | .040 | -.338 | -.725 | 100 | 239 | .574 | .041 | -.441 | -.761 | 100 | 289 | -.529 | .043 | -.393 | -.725 |
| 100 | 157 | .535 | .073 | -.240 | -.815 | 100 | 240 | .559 | .034 | -.438 | -.695 | 100 | 290 | -.593 | .034 | -.373 | -.917 |
| 100 | 158 | .542 | .074 | -.287 | -.789 | 100 | 241 | .571 | .036 | -.423 | -.699 | 100 | 291 | -.566 | .044 | -.194 | -.987 |
| 100 | 159 | .526 | .058 | -.256 | -.749 | 100 | 242 | .579 | .033 | -.466 | -.701 | 100 | 292 | -.540 | .048 | -.263 | -.709 |
| 100 | 160 | .412 | .025 | -.324 | -.517 | 100 | 243 | .552 | .036 | -.443 | -.674 | 100 | 293 | -.442 | .034 | -.336 | -.612 |
| 100 | 161 | .478 | .024 | -.401 | -.581 | 100 | 244 | .543 | .033 | -.426 | -.664 | 100 | 294 | -.464 | .024 | -.391 | -.540 |
| 100 | 162 | .704 | .095 | -.402 | -1.118 | 100 | 245 | .554 | .038 | -.430 | -.682 | 100 | 295 | -.439 | .027 | -.357 | -.537 |
| 100 | 163 | .432 | .041 | -.361 | -.664 | 100 | 246 | .515 | .035 | -.375 | -.674 | 100 | 296 | -.511 | .031 | -.413 | -.633 |
| 100 | 164 | .432 | .034 | -.306 | -.555 | 100 | 247 | .531 | .042 | -.392 | -.730 | 100 | 297 | -.435 | .026 | -.348 | -.526 |
| 100 | 165 | .474 | .032 | -.355 | -.822 | 100 | 248 | .567 | .043 | -.416 | -.736 | 100 | 298 | -.477 | .064 | -.269 | -.812 |
| 100 | 166 | .413 | .024 | -.327 | -.524 | 100 | 249 | .573 | .048 | -.367 | -.779 | 100 | 299 | -.617 | .153 | -.122 | -1.382 |
| 100 | 167 | .482 | .025 | -.386 | -.571 | 100 | 250 | .534 | .046 | -.341 | -.705 | 100 | 300 | -.503 | .081 | -.208 | -.968 |
| 100 | 201 | .574 | .058 | -.377 | -.843 | 100 | 251 | .548 | .043 | -.351 | -.679 | 100 | 301 | -.432 | .025 | -.352 | -.518 |
| 100 | 202 | .587 | .063 | -.363 | -.821 | 100 | 252 | .542 | .034 | -.385 | -.662 | 100 | 302 | -.500 | .026 | -.417 | -.589 |
| 100 | 203 | .503 | .077 | -.343 | -1.125 | 100 | 253 | .556 | .036 | -.404 | -.672 | 100 | 303 | -.484 | .026 | -.396 | -.578 |
| 100 | 204 | .597 | .112 | -.261 | -1.236 | 100 | 254 | .567 | .035 | -.436 | -.701 | 100 | 304 | -.442 | .026 | -.346 | -.522 |
| 100 | 205 | .385 | .105 | -.288 | -1.069 | 100 | 255 | .544 | .034 | -.417 | -.669 | 100 | 305 | -.422 | .028 | -.336 | -.521 |
| 100 | 206 | .596 | .117 | -.227 | -1.147 | 100 | 256 | .532 | .033 | -.431 | -.676 | 100 | 306 | -.439 | .028 | -.352 | -.543 |
| 100 | 207 | .609 | .195 | -.253 | -1.373 | 100 | 257 | .545 | .038 | -.421 | -.709 | 100 | 307 | -.399 | .039 | -.266 | -.542 |
| 100 | 208 | .605 | .091 | -.281 | -.691 | 100 | 258 | .546 | .040 | -.405 | -.703 | 100 | 308 | -.512 | .034 | -.324 | -.726 |
| 100 | 209 | .605 | .075 | -.350 | -.940 | 100 | 259 | .547 | .039 | -.374 | -.721 | 100 | 309 | -.666 | .112 | -.285 | -1.126 |
| 100 | 210 | .601 | .064 | -.469 | -.687 | 100 | 260 | .568 | .049 | -.383 | -.788 | 100 | 401 | -.395 | .200 | -.361 | -.956 |
| 100 | 211 | .626 | .075 | -.419 | -1.101 | 100 | 261 | .568 | .053 | -.334 | -.789 | 100 | 402 | -.332 | .223 | -.488 | -.920 |
| 100 | 212 | .584 | .066 | -.419 | -.824 | 100 | 262 | .577 | .051 | -.376 | -.836 | 100 | 403 | -.186 | .221 | -.509 | -.804 |
| 100 | 213 | .575 | .059 | -.385 | -.799 | 100 | 263 | .544 | .043 | -.309 | -.681 | 100 | 404 | -.198 | .283 | -.707 | -.947 |

APPENDIX A -- PRESSURE DATA

CONFIGURATION A) OLYMPIA AND YORK OFFICE TOWER, DALLAS

| WD | TAP | CPMEAN | CPRMS | CPMAX | CPMIN | WD | TAP | CPMEAN | CPRMS | CPMAX | CPMIN | WD | TAP | CPMEAN | CPRMS | CPMAX | CPMIN |
|-----|-----|--------|-------|-------|--------|-----|-----|--------|-------|-------|--------|-----|-----|--------|-------|-------|--------|
| 100 | 403 | .032 | .309 | .893 | -.988 | 100 | 453 | .003 | .100 | .449 | -.339 | 100 | 537 | -.421 | .074 | -.071 | -.733 |
| 100 | 405 | .220 | .257 | 1.041 | -.722 | 100 | 456 | -.219 | .088 | .264 | -.535 | 100 | 538 | -.501 | .067 | -.189 | -.781 |
| 100 | 407 | .131 | .239 | 1.034 | -.722 | 100 | 457 | -.233 | .234 | .717 | -.812 | 100 | 539 | -.508 | .030 | -.311 | -.707 |
| 100 | 408 | .547 | .057 | -.341 | -.853 | 100 | 458 | -.573 | .055 | -.384 | -.791 | 100 | 540 | -.175 | .146 | -.709 | -.237 |
| 100 | 409 | .566 | .037 | -.234 | -.785 | 100 | 459 | -.135 | .144 | .481 | -.710 | 100 | 541 | -.036 | .111 | -.532 | -.344 |
| 100 | 410 | .403 | .132 | .169 | -.763 | 100 | 460 | -.646 | .095 | -.281 | -1.066 | 100 | 542 | -.311 | .152 | -.304 | -.832 |
| 100 | 411 | .470 | .142 | .163 | -1.039 | 100 | 461 | -.206 | .073 | .070 | -.628 | 100 | 543 | -.618 | .149 | -.104 | -1.204 |
| 100 | 412 | .308 | .217 | .664 | -.921 | 100 | 462 | -.264 | .083 | .159 | -.699 | 100 | 544 | -.420 | .060 | -.291 | -.714 |
| 100 | 413 | .172 | .235 | .477 | -1.201 | 100 | 463 | -.018 | .092 | .436 | -.373 | 100 | 545 | -.406 | .033 | -.222 | -.623 |
| 100 | 414 | .040 | .260 | .943 | -.722 | 100 | 464 | .094 | .117 | .596 | -.331 | 100 | 546 | -.460 | .081 | -.126 | -.800 |
| 100 | 415 | .338 | .075 | -.035 | -.622 | 100 | 465 | .082 | .096 | .579 | -.346 | 100 | 547 | -.398 | .034 | -.043 | -.622 |
| 100 | 416 | .121 | .097 | -.232 | -.445 | 100 | 466 | .053 | .100 | .512 | -.348 | 100 | 548 | -.411 | .057 | -.177 | -.683 |
| 100 | 417 | .041 | .125 | .433 | -.277 | 100 | 467 | .011 | .123 | .447 | -.540 | 100 | 549 | -.423 | .054 | -.126 | -.703 |
| 100 | 418 | .176 | .148 | .768 | -.277 | 100 | 468 | -.407 | .123 | .037 | -1.027 | 100 | 550 | -.513 | .054 | -.240 | -.752 |
| 100 | 419 | .125 | .167 | .783 | -.333 | 100 | 501 | .017 | .336 | .893 | -.974 | 100 | 551 | -.491 | .042 | -.330 | -.700 |
| 100 | 420 | .176 | .166 | .822 | -.304 | 100 | 502 | -.042 | .253 | .781 | -.754 | 100 | 552 | -.124 | .132 | -.668 | -.258 |
| 100 | 421 | .185 | .167 | .898 | -.376 | 100 | 503 | -.008 | .184 | .490 | -.808 | 100 | 553 | -.000 | .104 | -.583 | -.374 |
| 100 | 422 | .332 | .057 | -.061 | -.349 | 100 | 504 | -.874 | .251 | .110 | -1.947 | 100 | 554 | -.328 | .133 | -.337 | -.896 |
| 100 | 423 | .255 | .082 | -.149 | -.528 | 100 | 505 | -.682 | .227 | .132 | -1.670 | 100 | 555 | -.587 | .149 | -.029 | -1.305 |
| 100 | 424 | .094 | .127 | .673 | -.333 | 100 | 506 | -.444 | .119 | -.010 | -.955 | 100 | 556 | -.407 | .054 | -.228 | -.612 |
| 100 | 425 | .239 | .148 | .743 | -.308 | 100 | 507 | -.373 | .101 | -.003 | -.886 | 100 | 557 | -.383 | .042 | -.242 | -.583 |
| 100 | 426 | .351 | .155 | 1.032 | -.054 | 100 | 508 | -.374 | .114 | -.054 | -1.292 | 100 | 558 | -.410 | .062 | -.175 | -.784 |
| 100 | 427 | .251 | .171 | 1.064 | -.266 | 100 | 509 | -.423 | .107 | -.016 | -1.113 | 100 | 559 | -.363 | .044 | -.150 | -.544 |
| 100 | 428 | .048 | .172 | .703 | -.489 | 100 | 510 | -.445 | .099 | -.071 | -1.025 | 100 | 560 | -.389 | .045 | -.158 | -.585 |
| 100 | 429 | .423 | .649 | 1.81 | -.601 | 100 | 511 | -.339 | .164 | .466 | -.771 | 100 | 561 | -.404 | .043 | -.154 | -.613 |
| 100 | 430 | .271 | .074 | 1.43 | -.508 | 100 | 512 | -.165 | .219 | .591 | -.830 | 100 | 562 | -.498 | .042 | -.223 | -.652 |
| 100 | 431 | .636 | .135 | .462 | -.395 | 100 | 513 | -.169 | .226 | .671 | -.789 | 100 | 563 | -.477 | .037 | -.355 | -.604 |
| 100 | 432 | .209 | .164 | .712 | -.331 | 100 | 514 | -.463 | .234 | .299 | -1.428 | 100 | 564 | -.068 | .110 | -.568 | -.308 |
| 100 | 433 | .214 | .134 | .756 | -.159 | 100 | 515 | -.407 | .140 | .146 | -.997 | 100 | 565 | -.030 | .083 | -.286 | -.325 |
| 100 | 434 | .177 | .139 | .758 | -.383 | 100 | 516 | -.159 | .183 | .712 | -.365 | 100 | 566 | -.329 | .134 | -.188 | -.758 |
| 100 | 435 | .125 | .151 | .519 | -.626 | 100 | 517 | -.044 | .207 | .536 | -.562 | 100 | 567 | -.523 | .123 | -.153 | -1.086 |
| 100 | 436 | .418 | .097 | -.641 | -.179 | 100 | 518 | -.222 | .179 | .500 | -.694 | 100 | 568 | -.386 | .032 | -.160 | -.662 |
| 100 | 437 | .346 | .671 | 1.636 | -.353 | 100 | 519 | -.486 | .142 | -.040 | -.971 | 100 | 569 | -.378 | .042 | -.219 | -.539 |
| 100 | 438 | .045 | .117 | .467 | -.356 | 100 | 520 | -.407 | .103 | .001 | -.779 | 100 | 570 | -.388 | .059 | -.144 | -.770 |
| 100 | 439 | .684 | .146 | .666 | -.449 | 100 | 521 | -.323 | .134 | .395 | -.786 | 100 | 571 | -.354 | .041 | -.195 | -.551 |
| 100 | 440 | .130 | .107 | .763 | -.160 | 100 | 522 | -.414 | .202 | .265 | -1.433 | 100 | 572 | -.384 | .041 | -.215 | -.564 |
| 100 | 441 | .674 | .122 | .766 | -.345 | 100 | 523 | -.376 | .096 | .014 | -.792 | 100 | 573 | -.400 | .039 | -.249 | -.569 |
| 100 | 442 | .140 | .137 | .591 | -.653 | 100 | 524 | -.380 | .098 | .047 | -.769 | 100 | 574 | -.479 | .038 | -.337 | -.618 |
| 100 | 443 | .453 | .656 | 1.177 | -.667 | 100 | 525 | -.404 | .086 | .024 | -.682 | 100 | 575 | -.473 | .033 | -.362 | -.583 |
| 100 | 444 | .349 | .068 | -.954 | -.363 | 100 | 526 | -.457 | .079 | -.104 | -.865 | 100 | 576 | -.083 | .098 | -.517 | -.418 |
| 100 | 445 | .146 | .112 | .297 | -.560 | 100 | 527 | -.511 | .071 | -.204 | -.616 | 100 | 577 | -.068 | .073 | -.251 | -.431 |
| 100 | 446 | .001 | .130 | .610 | -.485 | 100 | 528 | -.272 | .166 | .849 | -.269 | 100 | 578 | -.353 | .106 | -.113 | -.779 |
| 100 | 447 | .662 | .099 | .649 | -.194 | 100 | 529 | -.108 | .151 | .778 | -.309 | 100 | 579 | -.539 | .113 | -.034 | -1.019 |
| 100 | 448 | .024 | .086 | .389 | -.323 | 100 | 530 | -.305 | .179 | .562 | -.870 | 100 | 580 | -.389 | .057 | -.146 | -.616 |
| 100 | 449 | .166 | .116 | .309 | -.666 | 100 | 531 | -.664 | .184 | -.099 | -1.310 | 100 | 581 | -.371 | .041 | -.204 | -.539 |
| 100 | 450 | .451 | .061 | .161 | -.731 | 100 | 532 | -.405 | .061 | -.046 | -.632 | 100 | 582 | -.375 | .039 | -.163 | -.741 |
| 100 | 451 | .356 | .674 | 1.057 | -.764 | 100 | 533 | -.417 | .070 | .000 | -.684 | 100 | 583 | -.344 | .043 | -.202 | -.574 |
| 100 | 452 | .093 | .101 | .318 | -.455 | 100 | 534 | -.480 | .100 | .094 | -.864 | 100 | 584 | -.367 | .044 | -.184 | -.554 |
| 100 | 453 | .669 | .136 | .616 | -.449 | 100 | 535 | -.396 | .073 | .009 | -.683 | 100 | 585 | -.367 | .040 | -.246 | -.560 |
| 100 | 454 | .080 | .102 | .432 | -.253 | 100 | 536 | -.404 | .079 | .083 | -.729 | 100 | 586 | -.442 | .040 | -.293 | -.580 |

APPENDIX A -- PRESSURE DATA:

CONFIGURATION A: OLYMPIA AND YORK OFFICE TOWER, DALLAS

| WD | TAP | CPMEAN | CPRMS | CPMAX | CPMIN | WD | TAP | CPMEAN | CPRMS | CPMAX | CPMIN | WD | TAP | CPMEAN | CPRMS | CPMAX | CPMIN |
|-----|-----|--------|-------|-------|-------|-----|-----|--------|-------|-------|--------|-----|-----|--------|-------|-------|--------|
| 100 | 587 | .461 | .039 | .227 | .602 | 100 | 904 | .507 | .078 | .243 | .851 | 110 | 129 | .602 | .051 | .408 | .798 |
| 100 | 588 | .526 | .047 | .306 | .745 | 100 | 905 | .889 | .145 | .389 | -1.612 | 110 | 130 | .544 | .031 | .346 | .744 |
| 100 | 589 | .370 | .081 | .019 | .685 | 100 | 906 | .810 | .146 | .387 | -1.471 | 110 | 131 | .610 | .034 | .401 | .841 |
| 100 | 590 | .087 | .078 | .393 | .253 | 100 | 907 | .920 | .136 | .360 | -1.627 | 110 | 132 | .573 | .033 | .392 | .767 |
| 100 | 591 | .076 | .072 | .234 | .493 | 100 | 908 | .373 | .213 | .309 | -1.331 | 110 | 133 | .643 | .062 | .422 | .982 |
| 100 | 592 | .176 | .110 | .238 | .393 | 100 | 909 | .440 | .142 | .224 | -.825 | 110 | 134 | .564 | .036 | .380 | .874 |
| 100 | 593 | .451 | .123 | .116 | .048 | 100 | 910 | .488 | .112 | .161 | -.841 | 110 | 135 | .589 | .036 | .334 | .820 |
| 100 | 594 | .430 | .079 | .047 | .819 | 100 | 911 | .528 | .095 | .170 | -1.137 | 110 | 136 | .554 | .036 | .385 | .774 |
| 100 | 595 | .411 | .064 | .134 | .666 | 100 | 912 | .508 | .083 | .065 | -.899 | 110 | 137 | .616 | .035 | .456 | .838 |
| 100 | 596 | .362 | .033 | .080 | .666 | 100 | 913 | .531 | .083 | .092 | -.946 | 110 | 138 | .569 | .037 | .408 | .843 |
| 100 | 597 | .364 | .043 | .206 | .531 | 100 | 914 | .581 | .071 | .367 | -.902 | 110 | 139 | .636 | .067 | .452 | -1.094 |
| 100 | 598 | .310 | .048 | .090 | .530 | 100 | 915 | .554 | .049 | .387 | -.846 | 110 | 140 | .584 | .070 | .399 | -1.010 |
| 100 | 599 | .318 | .050 | .098 | .464 | 100 | 916 | .569 | .049 | .432 | -.771 | 110 | 141 | .619 | .063 | .453 | .944 |
| 100 | 600 | .327 | .044 | .085 | .446 | 100 | 917 | .595 | .054 | .434 | -.924 | 110 | 142 | .541 | .037 | .332 | .804 |
| 100 | 601 | .413 | .054 | .149 | .366 | 100 | 918 | .522 | .044 | .329 | -.681 | 110 | 143 | .611 | .066 | .385 | .976 |
| 100 | 602 | .451 | .071 | .024 | .707 | 100 | 919 | .526 | .039 | .372 | -.661 | 110 | 144 | .573 | .064 | .357 | .903 |
| 100 | 603 | .296 | .052 | .037 | .485 | 100 | 920 | .553 | .039 | .399 | -.723 | 110 | 145 | .634 | .061 | .470 | .898 |
| 100 | 701 | .438 | .038 | .318 | .485 | 100 | 921 | .566 | .040 | .414 | -.696 | 110 | 146 | .583 | .071 | .413 | -1.017 |
| 100 | 702 | .447 | .039 | .329 | .503 | 100 | 922 | .553 | .040 | .425 | -.707 | 110 | 147 | .610 | .075 | .408 | -1.060 |
| 100 | 703 | .452 | .042 | .301 | .666 | 100 | 923 | .531 | .036 | .402 | -.659 | 110 | 148 | .554 | .061 | .343 | .835 |
| 100 | 704 | .445 | .038 | .304 | .666 | 100 | 924 | .551 | .046 | .404 | -.751 | 110 | 149 | .604 | .049 | .367 | .800 |
| 100 | 705 | .298 | .104 | .146 | .669 | 100 | 925 | .569 | .049 | .414 | -.788 | 110 | 150 | .523 | .031 | .299 | .751 |
| 100 | 706 | .116 | .083 | .272 | .444 | 110 | 101 | .644 | .082 | .422 | -1.029 | 110 | 151 | .670 | .090 | .385 | -1.087 |
| 100 | 707 | .305 | .103 | .022 | .222 | 110 | 102 | .596 | .081 | .350 | -.953 | 110 | 152 | .559 | .057 | .364 | .814 |
| 100 | 708 | .307 | .045 | .089 | .444 | 110 | 103 | .636 | .087 | .366 | -.969 | 110 | 153 | .632 | .063 | .461 | .963 |
| 100 | 709 | .430 | .029 | .339 | .444 | 110 | 104 | .390 | .084 | .348 | -1.007 | 110 | 154 | .553 | .038 | .408 | .871 |
| 100 | 710 | .491 | .059 | .308 | .753 | 110 | 105 | .649 | .076 | .422 | -1.034 | 110 | 155 | .597 | .038 | .450 | .846 |
| 100 | 711 | .431 | .039 | .304 | .753 | 110 | 106 | .589 | .078 | .342 | -.933 | 110 | 156 | .538 | .034 | .408 | .807 |
| 100 | 712 | .456 | .041 | .337 | .666 | 110 | 107 | .655 | .100 | .345 | -1.133 | 110 | 157 | .582 | .089 | .212 | .936 |
| 100 | 713 | .474 | .042 | .442 | .666 | 110 | 108 | .589 | .074 | .383 | -.926 | 110 | 158 | .553 | .082 | .320 | .894 |
| 100 | 714 | .428 | .040 | .260 | .666 | 110 | 109 | .646 | .070 | .355 | -.944 | 110 | 159 | .549 | .066 | .361 | .920 |
| 100 | 715 | .325 | .071 | .127 | .666 | 110 | 110 | .603 | .076 | .368 | -.937 | 110 | 160 | .436 | .028 | .323 | .544 |
| 100 | 716 | .586 | .101 | .143 | .666 | 110 | 111 | .642 | .076 | .387 | -1.078 | 110 | 161 | .488 | .023 | .403 | .575 |
| 100 | 717 | .311 | .086 | .119 | .666 | 110 | 112 | .587 | .068 | .343 | -.938 | 110 | 162 | .669 | .099 | .342 | -1.023 |
| 100 | 718 | .006 | .053 | .236 | .666 | 110 | 113 | .637 | .066 | .391 | -.932 | 110 | 163 | .498 | .046 | .339 | .676 |
| 100 | 719 | .121 | .077 | .499 | .666 | 110 | 114 | .581 | .074 | .301 | -1.020 | 110 | 164 | .431 | .036 | .330 | .589 |
| 100 | 720 | .183 | .109 | .630 | .666 | 110 | 115 | .617 | .063 | .445 | -.848 | 110 | 165 | .496 | .037 | .352 | .637 |
| 100 | 801 | .634 | .661 | .396 | .666 | 110 | 116 | .370 | .061 | .406 | -.795 | 110 | 166 | .424 | .025 | .327 | .513 |
| 100 | 802 | .273 | .048 | .028 | .412 | 110 | 117 | .639 | .064 | .444 | -.929 | 110 | 167 | .487 | .027 | .408 | .585 |
| 100 | 803 | .455 | .057 | .274 | .666 | 110 | 118 | .580 | .068 | .376 | -.920 | 110 | 201 | .612 | .071 | .385 | .908 |
| 100 | 804 | .386 | .031 | .189 | .666 | 110 | 119 | .614 | .067 | .368 | -1.080 | 110 | 202 | .618 | .078 | .349 | .972 |
| 100 | 805 | .412 | .042 | .261 | .666 | 110 | 120 | .558 | .061 | .240 | -.940 | 110 | 203 | .639 | .094 | .328 | -1.155 |
| 100 | 806 | .386 | .068 | .048 | .666 | 110 | 121 | .622 | .057 | .394 | -1.073 | 110 | 204 | .628 | .131 | .231 | -1.334 |
| 100 | 807 | .376 | .119 | .245 | .666 | 110 | 122 | .556 | .036 | .417 | -.799 | 110 | 205 | .612 | .112 | .301 | -1.131 |
| 100 | 808 | .192 | .033 | .123 | .666 | 110 | 123 | .607 | .057 | .383 | -.826 | 110 | 206 | .612 | .118 | .250 | -1.278 |
| 100 | 809 | .047 | .083 | .353 | .666 | 110 | 124 | .642 | .060 | .482 | -.893 | 110 | 207 | .621 | .108 | .254 | -1.108 |
| 100 | 810 | .603 | .082 | .372 | .666 | 110 | 125 | .586 | .064 | .482 | -.850 | 110 | 208 | .632 | .117 | .228 | -1.329 |
| 100 | 901 | .309 | .124 | .235 | .666 | 110 | 126 | .516 | .064 | .373 | -.850 | 110 | 209 | .646 | .099 | .287 | -1.152 |
| 100 | 902 | .429 | .072 | .262 | .666 | 110 | 127 | .531 | .036 | .373 | -.941 | 110 | 210 | .603 | .075 | .364 | -1.142 |
| 100 | 903 | .429 | .072 | .262 | .666 | 110 | 128 | .531 | .036 | .310 | -.784 | 110 | 211 | .626 | .081 | .364 | -1.174 |

APPENDIX A -- PRESSURE DATA

CONFIGURATION A) OLYMPIA AND YORK OFFICE TOWER, DALLAS

| WD | TAP | CPMEAN | CPRMS | CPMAX | CPMIN | WD | TAP | CPMEAN | CPRMS | CPMAX | CPMIN | WD | TAP | CPMEAN | CPRMS | CPMAX | CPMIN |
|-----|-----|--------|-------|-------|--------|-----|-----|--------|-------|-------|--------|-----|-----|--------|-------|-------|--------|
| 110 | 212 | .614 | .079 | -.416 | -1.017 | 110 | 262 | -.379 | .054 | -.333 | -.853 | 110 | 403 | -.261 | .239 | .664 | -.935 |
| 110 | 213 | -.614 | .064 | -.366 | -.862 | 110 | 263 | -.546 | .045 | -.331 | -.798 | 110 | 404 | -.480 | .235 | .593 | -1.084 |
| 110 | 214 | -.626 | .073 | -.344 | -.969 | 110 | 264 | -.548 | .040 | -.393 | -.699 | 110 | 405 | -.351 | .301 | .593 | -1.266 |
| 110 | 215 | -.637 | .079 | -.314 | -1.033 | 110 | 265 | -.565 | .041 | -.396 | -.729 | 110 | 406 | -.025 | .327 | .888 | -1.034 |
| 110 | 216 | -.605 | .079 | -.282 | -1.199 | 110 | 266 | -.551 | .036 | -.423 | -.727 | 110 | 407 | -.041 | .318 | .853 | -.886 |
| 110 | 217 | -.591 | .063 | -.349 | -.891 | 110 | 267 | -.590 | .037 | -.470 | -.734 | 110 | 408 | -.572 | .072 | -.274 | -.969 |
| 110 | 218 | -.593 | .063 | -.286 | -1.037 | 110 | 268 | -.543 | .037 | -.396 | -.699 | 110 | 409 | -.582 | .079 | -.226 | -.932 |
| 110 | 219 | -.619 | .070 | -.385 | -1.036 | 110 | 269 | -.620 | .040 | -.505 | -.784 | 110 | 410 | -.488 | .132 | -.309 | -.871 |
| 110 | 220 | -.573 | .067 | -.328 | -.932 | 110 | 270 | -.539 | .040 | -.405 | -.697 | 110 | 411 | -.581 | .094 | -.119 | -1.093 |
| 110 | 221 | -.574 | .052 | -.395 | -.805 | 110 | 271 | -.562 | .038 | -.427 | -.702 | 110 | 412 | -.548 | .140 | .504 | -.984 |
| 110 | 222 | -.571 | .053 | -.374 | -.819 | 110 | 272 | -.566 | .057 | -.400 | -.953 | 110 | 413 | -.438 | .209 | .362 | -1.183 |
| 110 | 223 | -.580 | .054 | -.385 | -.820 | 110 | 273 | -.536 | .052 | -.288 | -.809 | 110 | 414 | -.148 | .281 | 1.062 | -1.041 |
| 110 | 224 | -.598 | .056 | -.376 | -.807 | 110 | 274 | -.547 | .049 | -.384 | -.811 | 110 | 415 | -.316 | .086 | -.020 | -.596 |
| 110 | 225 | -.605 | .055 | -.382 | -.797 | 110 | 275 | -.586 | .041 | -.446 | -.746 | 110 | 416 | -.099 | .109 | .266 | -.449 |
| 110 | 226 | -.619 | .056 | -.378 | -.799 | 110 | 276 | -.544 | .039 | -.429 | -.704 | 110 | 417 | -.064 | .132 | .362 | -.346 |
| 110 | 227 | -.606 | .058 | -.367 | -1.022 | 110 | 277 | -.629 | .041 | -.495 | -.818 | 110 | 418 | .183 | .146 | .737 | -.221 |
| 110 | 228 | -.589 | .046 | -.433 | -.774 | 110 | 278 | -.557 | .040 | -.427 | -.712 | 110 | 419 | .082 | .148 | .650 | -.331 |
| 110 | 229 | -.592 | .048 | -.434 | -.782 | 110 | 279 | -.581 | .036 | -.466 | -.724 | 110 | 420 | .139 | .151 | .635 | -.342 |
| 110 | 230 | -.593 | .047 | -.442 | -.815 | 110 | 280 | -.537 | .037 | -.400 | -.683 | 110 | 421 | -.136 | .158 | .718 | -.409 |
| 110 | 231 | -.563 | .045 | -.425 | -.754 | 110 | 281 | -.606 | .039 | -.463 | -.764 | 110 | 422 | -.317 | .055 | -.133 | -.527 |
| 110 | 232 | -.558 | .041 | -.409 | -.731 | 110 | 282 | -.533 | .040 | -.388 | -.709 | 110 | 423 | -.240 | .079 | .014 | -.522 |
| 110 | 233 | -.565 | .046 | -.376 | -.822 | 110 | 283 | -.563 | .045 | -.427 | -.810 | 110 | 424 | -.122 | .123 | .531 | -.274 |
| 110 | 234 | -.546 | .048 | -.376 | -.834 | 110 | 284 | -.511 | .043 | -.391 | -.688 | 110 | 425 | .323 | .153 | .833 | -.138 |
| 110 | 235 | -.543 | .049 | -.350 | -.810 | 110 | 285 | -.513 | .042 | -.393 | -.704 | 110 | 426 | .389 | .154 | .905 | -.047 |
| 110 | 236 | -.564 | .054 | -.426 | -.866 | 110 | 286 | -.575 | .029 | -.490 | -.669 | 110 | 427 | .261 | .176 | .785 | -.299 |
| 110 | 237 | -.579 | .053 | -.319 | -.777 | 110 | 287 | -.521 | .033 | -.405 | -.670 | 110 | 428 | .023 | .173 | .737 | -.593 |
| 110 | 238 | -.586 | .051 | -.366 | -.823 | 110 | 288 | -.567 | .035 | -.456 | -.773 | 110 | 429 | -.414 | .043 | -.195 | -.573 |
| 110 | 239 | -.571 | .049 | -.340 | -.798 | 110 | 289 | -.525 | .039 | -.386 | -.706 | 110 | 430 | -.269 | .063 | -.078 | -.463 |
| 110 | 240 | -.572 | .041 | -.406 | -.773 | 110 | 290 | -.588 | .049 | -.407 | -.808 | 110 | 431 | -.026 | .119 | .594 | -.378 |
| 110 | 241 | -.580 | .042 | -.451 | -.746 | 110 | 291 | -.553 | .102 | -.135 | -1.172 | 110 | 432 | .248 | .147 | .820 | -.133 |
| 110 | 242 | -.583 | .041 | -.426 | -.725 | 110 | 292 | -.534 | .046 | -.334 | -.724 | 110 | 433 | .301 | .132 | .886 | -.036 |
| 110 | 243 | -.554 | .039 | -.435 | -.698 | 110 | 293 | -.457 | .035 | -.333 | -.639 | 110 | 434 | .237 | .149 | .845 | -.348 |
| 110 | 244 | -.545 | .035 | -.443 | -.695 | 110 | 294 | -.478 | .023 | -.402 | -.568 | 110 | 435 | -.108 | .171 | .601 | -.637 |
| 110 | 245 | -.547 | .040 | -.425 | -.733 | 110 | 295 | -.448 | .028 | -.353 | -.553 | 110 | 436 | -.416 | .051 | -.155 | -.578 |
| 110 | 246 | -.497 | .038 | -.364 | -.633 | 110 | 296 | -.529 | .033 | -.417 | -.679 | 110 | 437 | -.343 | .067 | -.034 | -.553 |
| 110 | 247 | -.497 | .042 | -.384 | -.666 | 110 | 297 | -.449 | .028 | -.340 | -.544 | 110 | 438 | -.006 | .116 | .467 | -.322 |
| 110 | 248 | -.519 | .054 | -.383 | -.622 | 110 | 298 | -.488 | .039 | -.307 | -.741 | 110 | 439 | .187 | .163 | .853 | -.238 |
| 110 | 249 | -.594 | .060 | -.293 | -.840 | 110 | 299 | -.631 | .144 | -.144 | -1.170 | 110 | 440 | .228 | .116 | .657 | -.108 |
| 110 | 250 | -.539 | .054 | -.321 | -.764 | 110 | 300 | -.486 | .086 | -.201 | -.656 | 110 | 441 | -.122 | .137 | .711 | -.265 |
| 110 | 251 | -.551 | .049 | -.321 | -.764 | 110 | 301 | -.436 | .026 | -.357 | -.520 | 110 | 442 | -.165 | .150 | .566 | -.596 |
| 110 | 252 | -.545 | .037 | -.352 | -.699 | 110 | 302 | -.511 | .026 | -.429 | -.596 | 110 | 443 | -.439 | .049 | -.174 | -.613 |
| 110 | 253 | -.559 | .039 | -.405 | -.702 | 110 | 303 | -.488 | .026 | -.403 | -.578 | 110 | 444 | -.333 | .059 | -.054 | -.646 |
| 110 | 254 | -.571 | .039 | -.447 | -.701 | 110 | 304 | -.453 | .028 | -.347 | -.546 | 110 | 445 | -.078 | .102 | .373 | -.488 |
| 110 | 255 | -.547 | .038 | -.423 | -.674 | 110 | 305 | -.434 | .030 | -.323 | -.537 | 110 | 446 | -.134 | .136 | .643 | -.432 |
| 110 | 256 | -.544 | .033 | -.436 | -.666 | 110 | 306 | -.458 | .030 | -.361 | -.531 | 110 | 447 | .158 | .113 | .685 | -.265 |
| 110 | 257 | -.549 | .039 | -.415 | -.699 | 110 | 307 | -.407 | .041 | -.262 | -.594 | 110 | 448 | .064 | .101 | .571 | -.227 |
| 110 | 258 | -.545 | .040 | -.404 | -.666 | 110 | 308 | -.533 | .057 | -.334 | -.828 | 110 | 449 | -.216 | .127 | .541 | -.377 |
| 110 | 259 | -.525 | .040 | -.354 | -.699 | 110 | 309 | -.670 | .110 | -.303 | -1.142 | 110 | 450 | -.458 | .055 | -.168 | -.673 |
| 110 | 260 | -.596 | .066 | -.376 | -.822 | 110 | 401 | -.428 | .222 | -.382 | -1.123 | 110 | 451 | -.359 | .067 | -.013 | -.664 |
| 110 | 261 | -.579 | .062 | -.131 | -.909 | 110 | 402 | -.375 | .240 | -.480 | -1.113 | 110 | 452 | -.099 | .084 | .255 | -.393 |

APPENDIX A -- PRESSURE DATA:

CONFIGURATION A: OLYMPIA AND YORK OFFICE TOWER, DALLAS

| WD | TAP | CPMEAN | CPRMS | CPMAX | CPMIN | WD | TAP | CPMEAN | CPRMS | CPMAX | CPMIN | WD | TAP | CPMEAN | CPRMS | CPMAX | CPMIN |
|-----|-----|--------|-------|--------|--------|-----|-----|--------|-------|-------|--------|-----|-----|--------|-------|-------|-------|
| 110 | 453 | .099 | .115 | .374 | -.282 | 110 | 335 | -.487 | .068 | -.141 | -.787 | 110 | 385 | -.407 | .036 | -.239 | -.555 |
| 110 | 454 | .117 | .092 | .555 | -.180 | 110 | 336 | -.488 | .072 | -.169 | -.840 | 110 | 386 | -.481 | .043 | -.262 | -.661 |
| 110 | 455 | .032 | .102 | .516 | -.373 | 110 | 337 | -.496 | .070 | -.138 | -.806 | 110 | 387 | -.488 | .043 | -.336 | -.635 |
| 110 | 456 | .222 | .101 | .227 | -.592 | 110 | 338 | -.536 | .063 | -.210 | -.820 | 110 | 388 | -.538 | .053 | -.382 | -.768 |
| 110 | 457 | .222 | .773 | -.768 | -.768 | 110 | 339 | -.549 | .056 | -.225 | -.822 | 110 | 389 | -.426 | .080 | -.096 | -.735 |
| 110 | 458 | .637 | -.411 | -.609 | -.609 | 110 | 340 | -.310 | .151 | -.835 | -.090 | 110 | 390 | -.038 | .086 | -.644 | -.321 |
| 110 | 459 | .161 | .133 | .485 | -.837 | 110 | 341 | -.090 | .144 | -.576 | -.390 | 110 | 391 | -.086 | .081 | -.373 | -.575 |
| 110 | 460 | .641 | .684 | -.327 | -.934 | 110 | 342 | -.410 | .158 | -.225 | -1.029 | 110 | 392 | -.169 | .127 | -.297 | -.616 |
| 110 | 461 | -.081 | .013 | -.683 | -.683 | 110 | 343 | -.865 | .159 | -.274 | -1.365 | 110 | 393 | -.443 | .129 | -.126 | -.975 |
| 110 | 462 | .270 | .078 | .019 | -.705 | 110 | 344 | -.502 | .065 | -.303 | -.941 | 110 | 394 | -.444 | .083 | -.052 | -.781 |
| 110 | 463 | .051 | .087 | .363 | -.471 | 110 | 345 | -.477 | .047 | -.311 | -.640 | 110 | 395 | -.441 | .066 | -.211 | -.791 |
| 110 | 464 | .062 | .114 | .665 | -.310 | 110 | 346 | -.517 | .073 | -.272 | -.880 | 110 | 396 | -.369 | .069 | -.089 | -.616 |
| 110 | 465 | .053 | .095 | .538 | -.320 | 110 | 347 | -.458 | .053 | -.213 | -.726 | 110 | 397 | -.394 | .054 | -.189 | -.601 |
| 110 | 466 | .636 | .163 | .533 | -.326 | 110 | 348 | -.466 | .056 | -.193 | -.706 | 110 | 398 | -.352 | .053 | -.124 | -.574 |
| 110 | 467 | .119 | .135 | .379 | -.662 | 110 | 349 | -.475 | .055 | -.065 | -.703 | 110 | 399 | -.383 | .054 | -.170 | -.685 |
| 110 | 468 | .433 | .123 | .636 | -.893 | 110 | 350 | -.541 | .054 | -.166 | -.801 | 110 | 600 | -.372 | .046 | -.163 | -.544 |
| 110 | 501 | .476 | .279 | .898 | -1.059 | 110 | 351 | -.518 | .046 | -.265 | -.704 | 110 | 601 | -.465 | .055 | -.193 | -.637 |
| 110 | 502 | .222 | .367 | .765 | -1.099 | 110 | 352 | -.235 | .130 | -.857 | -.124 | 110 | 602 | -.510 | .077 | -.191 | -.803 |
| 110 | 503 | .221 | .221 | .428 | -.911 | 110 | 353 | -.039 | .124 | -.628 | -.305 | 110 | 603 | -.342 | .048 | -.165 | -.533 |
| 110 | 504 | .919 | .262 | .685 | -2.137 | 110 | 354 | -.460 | .151 | -.275 | -.945 | 110 | 701 | -.455 | .041 | -.266 | -.611 |
| 110 | 505 | .207 | .007 | -1.590 | -.130 | 110 | 355 | -.805 | .150 | -.311 | -1.448 | 110 | 702 | -.461 | .041 | -.309 | -.630 |
| 110 | 506 | .128 | .069 | -1.347 | -.130 | 110 | 356 | -.477 | .063 | -.286 | -.833 | 110 | 703 | -.471 | .042 | -.239 | -.609 |
| 110 | 507 | .433 | .101 | .026 | -1.042 | 110 | 357 | -.432 | .047 | -.266 | -.699 | 110 | 704 | -.458 | .040 | -.308 | -.631 |
| 110 | 508 | .445 | .116 | .611 | -1.176 | 110 | 358 | -.475 | .063 | -.247 | -.767 | 110 | 705 | -.308 | .117 | -.210 | -.734 |
| 110 | 509 | .523 | .109 | .078 | -1.433 | 110 | 359 | -.406 | .045 | -.110 | -.581 | 110 | 706 | -.158 | .106 | -.217 | -.514 |
| 110 | 510 | .163 | .163 | .046 | -1.496 | 110 | 360 | -.437 | .048 | -.153 | -.632 | 110 | 707 | -.388 | .106 | -.033 | -.840 |
| 110 | 511 | .037 | .181 | .197 | -.805 | 110 | 361 | -.453 | .049 | -.168 | -.641 | 110 | 708 | -.364 | .044 | -.101 | -.494 |
| 110 | 512 | .456 | .399 | -.399 | -.876 | 110 | 362 | -.539 | .052 | -.226 | -.726 | 110 | 709 | -.443 | .035 | -.319 | -.588 |
| 110 | 513 | .305 | .611 | .912 | -.912 | 110 | 363 | -.501 | .046 | -.313 | -.653 | 110 | 710 | -.505 | .057 | -.243 | -.768 |
| 110 | 514 | .263 | .151 | -.731 | -.731 | 110 | 364 | -.161 | .114 | -.636 | -.363 | 110 | 711 | -.428 | .041 | -.292 | -.621 |
| 110 | 515 | .305 | .134 | .047 | -1.114 | 110 | 365 | -.055 | .084 | -.284 | -.375 | 110 | 712 | -.471 | .044 | -.332 | -.691 |
| 110 | 516 | .133 | .155 | .629 | -.385 | 110 | 366 | -.476 | .116 | -.092 | -.873 | 110 | 713 | -.479 | .044 | -.333 | -.669 |
| 110 | 517 | .090 | .188 | .431 | -.622 | 110 | 367 | -.699 | .132 | -.244 | -1.226 | 110 | 714 | -.440 | .047 | -.245 | -.668 |
| 110 | 518 | .167 | .167 | .399 | -.762 | 110 | 368 | -.445 | .059 | -.260 | -.765 | 110 | 715 | -.385 | .077 | -.135 | -.718 |
| 110 | 519 | .813 | .144 | .066 | -1.072 | 110 | 369 | -.423 | .044 | -.256 | -.597 | 110 | 716 | -.618 | .140 | -.114 | -.063 |
| 110 | 520 | .698 | .698 | .611 | -1.195 | 110 | 370 | -.427 | .055 | -.216 | -.820 | 110 | 717 | -.329 | .112 | -.212 | -.588 |
| 110 | 521 | .433 | .121 | .177 | -.868 | 110 | 371 | -.381 | .042 | -.216 | -.535 | 110 | 718 | -.003 | .067 | -.323 | -.207 |
| 110 | 522 | .267 | .267 | .346 | -1.262 | 110 | 372 | -.418 | .044 | -.227 | -.578 | 110 | 719 | -.143 | .096 | -.595 | -.133 |
| 110 | 523 | .094 | .094 | .096 | -.817 | 110 | 373 | -.439 | .043 | -.254 | -.579 | 110 | 720 | -.144 | .134 | -.593 | -.501 |
| 110 | 524 | .163 | .488 | .637 | -.862 | 110 | 374 | -.515 | .045 | -.338 | -.709 | 110 | 721 | -.002 | .092 | -.340 | -.287 |
| 110 | 525 | .085 | .085 | .064 | -.974 | 110 | 375 | -.495 | .041 | -.353 | -.692 | 110 | 801 | -.318 | .051 | -.105 | -.540 |
| 110 | 526 | .682 | .682 | .694 | -.825 | 110 | 376 | -.120 | .095 | -.393 | -.222 | 110 | 802 | -.481 | .060 | -.361 | -.623 |
| 110 | 527 | .074 | .074 | -.875 | -.875 | 110 | 377 | -.074 | .076 | -.249 | -.372 | 110 | 803 | -.470 | .060 | -.275 | -.807 |
| 110 | 528 | .157 | .646 | -.157 | -.157 | 110 | 378 | -.436 | .100 | -.073 | -.615 | 110 | 804 | -.416 | .053 | -.171 | -.616 |
| 110 | 529 | .153 | .895 | .301 | -.301 | 110 | 379 | -.601 | .113 | -.073 | -1.131 | 110 | 805 | -.426 | .044 | -.225 | -.591 |
| 110 | 530 | .192 | .399 | -.952 | -.952 | 110 | 380 | -.436 | .065 | -.141 | -.736 | 110 | 806 | -.434 | .067 | -.014 | -.714 |
| 110 | 531 | .113 | .113 | -.352 | -.352 | 110 | 381 | -.412 | .046 | -.202 | -.589 | 110 | 807 | -.423 | .111 | -.319 | -.693 |
| 110 | 532 | .247 | .247 | .945 | -.945 | 110 | 382 | -.325 | .065 | -.168 | -.709 | 110 | 808 | -.195 | .083 | -.260 | -.380 |
| 110 | 533 | .251 | .251 | .717 | -.717 | 110 | 383 | -.420 | .041 | -.232 | -.510 | 110 | 809 | -.015 | .084 | -.373 | -.265 |
| 110 | 534 | .192 | .192 | -.997 | -.997 | 110 | 384 | -.487 | .043 | -.248 | -.572 | 110 | 810 | -.037 | .079 | -.304 | -.303 |

APPENDIX A -- PRESSURE DATA:

CONFIGURATION A: OLYMPIA AND YORK OFFICE TOWER, DALLAS

| WD | TAP | CPMEAN | CPRMS | CPMAX | CPMIN | WD | TAP | CPMEAN | CPRMS | CPMAX | CPMIN | WD | TAP | CPMEAN | CPRMS | CPMAX | CPMIN |
|-----|-----|--------|-------|-------|--------|-----|-----|--------|-------|-------|--------|-----|-----|--------|-------|-------|--------|
| 110 | 901 | .413 | .129 | .298 | -.836 | 120 | 127 | .540 | .076 | -.177 | -1.017 | 120 | 210 | -.537 | .092 | -.162 | -1.132 |
| 110 | 903 | .532 | .086 | -.225 | -.901 | 120 | 128 | .491 | .065 | -.243 | -.918 | 120 | 211 | -.552 | .091 | -.168 | -1.348 |
| 110 | 904 | .384 | .085 | -.275 | -1.256 | 120 | 129 | .547 | .066 | -.322 | -.813 | 120 | 212 | -.586 | .084 | -.258 | -.891 |
| 110 | 905 | .695 | .145 | -.491 | -1.733 | 120 | 130 | .496 | .066 | -.269 | -.759 | 120 | 213 | -.582 | .089 | -.285 | -1.210 |
| 110 | 906 | .878 | .160 | -.403 | -1.643 | 120 | 131 | .578 | .069 | -.362 | -.844 | 120 | 214 | -.596 | .115 | -.229 | -1.369 |
| 110 | 907 | .134 | .134 | -.514 | -1.408 | 120 | 132 | .566 | .065 | -.303 | -.895 | 120 | 215 | -.608 | .133 | -.227 | -1.427 |
| 110 | 908 | .549 | .157 | .063 | -1.549 | 120 | 133 | .579 | .098 | -.296 | -1.056 | 120 | 216 | -.567 | .123 | -.191 | -1.493 |
| 110 | 909 | .536 | .118 | .073 | -1.123 | 120 | 134 | .469 | .071 | -.228 | -.793 | 120 | 217 | -.545 | .105 | -.153 | -1.409 |
| 110 | 910 | .588 | .084 | -.215 | -.960 | 120 | 135 | .519 | .058 | -.313 | -.779 | 120 | 218 | -.537 | .101 | -.162 | -1.415 |
| 110 | 911 | .588 | .069 | -.326 | -.815 | 120 | 136 | .495 | .070 | -.289 | -.764 | 120 | 219 | -.543 | .078 | -.234 | -.932 |
| 110 | 912 | .593 | .076 | -.268 | -.910 | 120 | 137 | .557 | .070 | -.339 | -.790 | 120 | 220 | -.530 | .083 | -.196 | -.956 |
| 110 | 913 | .577 | .072 | -.354 | -.872 | 120 | 138 | .525 | .069 | -.317 | -.798 | 120 | 221 | -.541 | .064 | -.344 | -.988 |
| 110 | 914 | .620 | .085 | .385 | -1.178 | 120 | 139 | .613 | .096 | -.385 | -1.280 | 120 | 222 | -.531 | .065 | -.331 | -.919 |
| 110 | 915 | .577 | .066 | -.396 | -.844 | 120 | 140 | .500 | .096 | -.181 | -.982 | 120 | 223 | -.537 | .065 | -.353 | -.960 |
| 110 | 916 | .585 | .058 | .410 | -.823 | 120 | 141 | .515 | .068 | -.241 | -.887 | 120 | 224 | -.551 | .070 | -.268 | -.856 |
| 110 | 917 | .511 | .073 | -.423 | -1.033 | 120 | 142 | .453 | .058 | -.122 | -.628 | 120 | 225 | -.553 | .080 | -.277 | -1.032 |
| 110 | 918 | .541 | .049 | -.380 | -.754 | 120 | 143 | .575 | .069 | -.362 | -.991 | 120 | 226 | -.574 | .089 | -.269 | -1.154 |
| 110 | 919 | .537 | .037 | -.384 | -.644 | 120 | 144 | .528 | .068 | -.324 | -.844 | 120 | 227 | -.582 | .099 | -.318 | -1.277 |
| 110 | 920 | .533 | .037 | -.415 | -.743 | 120 | 145 | .602 | .072 | -.405 | -.863 | 120 | 228 | -.558 | .071 | -.363 | -.955 |
| 110 | 921 | .533 | .035 | -.379 | -.713 | 120 | 146 | .558 | .086 | -.336 | -.965 | 120 | 229 | -.552 | .068 | -.333 | -.845 |
| 110 | 922 | .544 | .037 | -.436 | -.717 | 120 | 147 | .520 | .087 | -.218 | -1.023 | 120 | 230 | -.544 | .061 | -.343 | -.827 |
| 110 | 923 | .533 | .036 | -.435 | -.678 | 120 | 148 | .479 | .061 | -.231 | -.699 | 120 | 231 | -.509 | .055 | -.330 | -.766 |
| 110 | 924 | .533 | .042 | -.407 | -.721 | 120 | 149 | .534 | .044 | -.343 | -.728 | 120 | 232 | -.506 | .048 | -.361 | -.708 |
| 110 | 925 | .544 | .044 | -.393 | -.808 | 120 | 150 | .496 | .058 | -.338 | -.825 | 120 | 233 | -.505 | .051 | -.344 | -.711 |
| 120 | 101 | .616 | .087 | -.391 | -1.013 | 120 | 151 | .584 | .085 | -.348 | -1.026 | 120 | 234 | -.502 | .051 | -.336 | -.694 |
| 120 | 102 | .549 | .087 | -.226 | -.967 | 120 | 152 | .510 | .063 | -.312 | -.824 | 120 | 235 | -.482 | .051 | -.309 | -.680 |
| 120 | 103 | .621 | .088 | -.360 | -1.127 | 120 | 153 | .585 | .066 | -.393 | -.866 | 120 | 236 | -.528 | .072 | -.283 | -.795 |
| 120 | 104 | .581 | .088 | -.271 | -1.041 | 120 | 154 | .492 | .056 | -.320 | -.857 | 120 | 237 | -.514 | .069 | -.265 | -.917 |
| 120 | 105 | .624 | .092 | -.313 | -.972 | 120 | 155 | .537 | .045 | -.403 | -.811 | 120 | 238 | -.538 | .073 | -.315 | -.930 |
| 120 | 106 | .533 | .101 | -.219 | -.926 | 120 | 156 | .484 | .042 | -.354 | -.754 | 120 | 239 | -.571 | .080 | -.342 | -1.042 |
| 120 | 107 | .533 | .132 | -.228 | -1.300 | 120 | 157 | .708 | .093 | -.396 | -1.186 | 120 | 240 | -.550 | .050 | -.398 | -.807 |
| 120 | 108 | .533 | .078 | -.312 | -.912 | 120 | 158 | .560 | .083 | -.343 | -.942 | 120 | 241 | -.557 | .050 | -.409 | -.792 |
| 120 | 109 | .533 | .078 | -.333 | -.908 | 120 | 159 | .561 | .065 | -.360 | -.844 | 120 | 242 | -.555 | .045 | -.423 | -.766 |
| 120 | 110 | .533 | .078 | -.328 | -.914 | 120 | 160 | .447 | .032 | -.315 | -.544 | 120 | 243 | -.521 | .042 | -.395 | -.699 |
| 120 | 111 | .626 | .082 | -.413 | -1.028 | 120 | 161 | .479 | .026 | -.381 | -.593 | 120 | 244 | -.520 | .038 | -.403 | -.649 |
| 120 | 112 | .566 | .082 | -.312 | -.962 | 120 | 162 | .648 | .119 | -.337 | -1.234 | 120 | 245 | -.515 | .041 | -.363 | -.644 |
| 120 | 113 | .621 | .090 | -.343 | -1.051 | 120 | 163 | .491 | .052 | -.308 | -.737 | 120 | 246 | -.484 | .040 | -.332 | -.629 |
| 120 | 114 | .566 | .110 | -.214 | -1.262 | 120 | 164 | .461 | .038 | -.330 | -.577 | 120 | 247 | -.491 | .043 | -.328 | -.635 |
| 120 | 115 | .589 | .074 | -.267 | -.883 | 120 | 165 | .486 | .039 | -.348 | -.639 | 120 | 248 | -.512 | .073 | -.226 | -.737 |
| 120 | 116 | .546 | .071 | -.229 | -.831 | 120 | 166 | .419 | .029 | -.306 | -.532 | 120 | 249 | -.483 | .065 | -.188 | -.833 |
| 120 | 117 | .617 | .074 | -.362 | -.878 | 120 | 167 | .478 | .027 | -.381 | -.564 | 120 | 250 | -.484 | .057 | -.237 | -.735 |
| 120 | 118 | .533 | .079 | -.278 | -.926 | 120 | 201 | .565 | .087 | -.276 | -.932 | 120 | 251 | -.540 | .063 | -.357 | -.872 |
| 120 | 119 | .533 | .087 | -.161 | -1.017 | 120 | 202 | .569 | .106 | -.229 | -1.015 | 120 | 252 | -.540 | .036 | -.403 | -.672 |
| 120 | 120 | .533 | .082 | -.167 | -.895 | 120 | 203 | .592 | .127 | -.138 | -1.103 | 120 | 253 | -.559 | .038 | -.409 | -.701 |
| 120 | 121 | .533 | .080 | -.234 | -1.132 | 120 | 204 | .593 | .178 | -.112 | -1.665 | 120 | 254 | -.565 | .038 | -.371 | -.717 |
| 120 | 122 | .533 | .067 | -.269 | -.726 | 120 | 205 | .592 | .163 | -.141 | -1.510 | 120 | 255 | -.533 | .037 | -.421 | -.668 |
| 120 | 123 | .571 | .068 | -.307 | -.791 | 120 | 206 | .585 | .178 | -.064 | -1.678 | 120 | 256 | -.531 | .034 | -.420 | -.660 |
| 120 | 124 | .546 | .066 | -.285 | -.773 | 120 | 207 | .580 | .166 | -.056 | -1.486 | 120 | 257 | -.523 | .037 | -.404 | -.653 |
| 120 | 125 | .622 | .077 | -.370 | -1.006 | 120 | 208 | .589 | .167 | -.064 | -1.692 | 120 | 258 | -.518 | .039 | -.364 | -.652 |
| 120 | 126 | .533 | .087 | -.278 | -.938 | 120 | 209 | .603 | .143 | -.150 | -1.307 | 120 | 259 | -.509 | .039 | -.374 | -.638 |

APPENDIX A -- PRESSURE DATA:

CONFIGURATION A: OLYMPIA AND YORK OFFICE TOWER, DALLAS

| WD | TAP | CPMEAN | CPRMS | CPMAX | CPMIN | WD | TAP | CPMEAN | CPRMS | CPMAX | CPMIN | WD | TAP | CPMEAN | CPRMS | CPMAX | CPMIN |
|-----|-----|--------|-------|--------|---------|-----|-----|--------|-------|--------|--------|-----|-----|---------|-------|--------|---------|
| 120 | 260 | - .477 | .076 | - .165 | - .889 | 120 | 401 | - .413 | .277 | .577 | -1.342 | 120 | 431 | - .409 | .077 | - .143 | - .739 |
| 120 | 261 | - .457 | .068 | - .097 | - .751 | 120 | 402 | - .369 | .281 | .808 | -1.265 | 120 | 432 | - .121 | .083 | .307 | - .441 |
| 120 | 262 | - .486 | .069 | - .124 | - .724 | 120 | 403 | - .241 | .233 | .680 | - .976 | 120 | 433 | .109 | .111 | .709 | - .248 |
| 120 | 263 | - .522 | .062 | - .244 | - .513 | 120 | 404 | - .449 | .232 | .726 | -1.156 | 120 | 434 | .142 | .096 | .633 | - .161 |
| 120 | 264 | - .534 | .036 | - .394 | - .670 | 120 | 405 | - .515 | .239 | .567 | -1.152 | 120 | 435 | .032 | .105 | .464 | - .338 |
| 120 | 265 | - .556 | .037 | - .409 | - .694 | 120 | 406 | - .274 | .315 | .863 | -1.086 | 120 | 436 | - .314 | .102 | .284 | - .661 |
| 120 | 266 | - .548 | .036 | - .432 | - .687 | 120 | 407 | - .212 | .336 | .854 | -1.063 | 120 | 437 | - .341 | .185 | .652 | - .736 |
| 120 | 267 | - .539 | .042 | - .476 | - .790 | 120 | 408 | - .563 | .106 | - .116 | -1.137 | 120 | 438 | - .623 | .068 | - .445 | - .920 |
| 120 | 268 | - .534 | .042 | - .419 | - .699 | 120 | 409 | - .585 | .105 | - .124 | -1.086 | 120 | 439 | - .244 | .126 | .331 | - .668 |
| 120 | 269 | - .641 | .048 | - .506 | - .838 | 120 | 410 | - .463 | .134 | .364 | - .863 | 120 | 440 | - .685 | .084 | - .407 | - 1.138 |
| 120 | 270 | - .533 | .045 | - .378 | - .737 | 120 | 411 | - .568 | .095 | - .149 | -1.018 | 120 | 441 | - .268 | .063 | - .430 | - .613 |
| 120 | 271 | - .566 | .041 | - .436 | - .717 | 120 | 412 | - .613 | .096 | - .045 | - .970 | 120 | 442 | - .314 | .081 | - .063 | - .824 |
| 120 | 272 | - .531 | .074 | - .312 | - .972 | 120 | 413 | - .609 | .143 | - .043 | -1.259 | 120 | 443 | - .036 | .079 | .253 | - .549 |
| 120 | 273 | - .482 | .054 | - .251 | - .753 | 120 | 414 | - .393 | .279 | .634 | - .967 | 120 | 444 | .107 | .109 | .661 | - .217 |
| 120 | 274 | - .507 | .046 | - .290 | - .732 | 120 | 415 | - .279 | .110 | .175 | - .566 | 120 | 445 | .134 | .094 | .628 | - .206 |
| 120 | 275 | - .536 | .044 | - .417 | - .771 | 120 | 416 | - .045 | .134 | .444 | - .375 | 120 | 446 | .120 | .108 | .748 | - .393 |
| 120 | 276 | - .511 | .034 | - .409 | - .654 | 120 | 417 | - .102 | .155 | .581 | - .317 | 120 | 447 | .051 | .141 | .480 | - .717 |
| 120 | 277 | - .646 | .037 | - .535 | - .814 | 120 | 418 | - .215 | .163 | .701 | - .260 | 120 | 448 | - .533 | .138 | .044 | - 1.012 |
| 120 | 278 | - .532 | .038 | - .431 | - .700 | 120 | 419 | - .066 | .134 | .537 | - .375 | 120 | 501 | - .623 | .204 | .420 | - 1.222 |
| 120 | 279 | - .538 | .042 | - .471 | - .761 | 120 | 420 | - .120 | .159 | .612 | - .397 | 120 | 502 | - .471 | .264 | .546 | - 1.255 |
| 120 | 280 | - .529 | .042 | - .412 | - .690 | 120 | 421 | - .049 | .164 | .584 | - .527 | 120 | 503 | - .353 | .248 | .319 | - 1.112 |
| 120 | 281 | - .638 | .044 | - .499 | - .824 | 120 | 422 | - .287 | .053 | - .091 | - .462 | 120 | 504 | - .908 | .234 | - .227 | - 1.806 |
| 120 | 282 | - .535 | .044 | - .344 | - .713 | 120 | 423 | - .240 | .077 | .046 | - .526 | 120 | 505 | - .765 | .162 | - .133 | - 1.487 |
| 120 | 283 | - .578 | .044 | - .427 | - .756 | 120 | 424 | - .141 | .127 | .622 | - .288 | 120 | 506 | - .621 | .107 | - .169 | - 1.113 |
| 120 | 284 | - .517 | .039 | - .382 | - .671 | 120 | 425 | - .325 | .149 | .838 | - .095 | 120 | 507 | - .548 | .090 | - .113 | - 1.020 |
| 120 | 285 | - .506 | .038 | - .355 | - .687 | 120 | 426 | - .365 | .130 | .863 | .001 | 120 | 508 | - .543 | .105 | - .092 | - 1.350 |
| 120 | 286 | - .594 | .029 | - .499 | - .695 | 120 | 427 | - .187 | .161 | .859 | - .311 | 120 | 509 | - .532 | .101 | - .128 | - 1.071 |
| 120 | 287 | - .586 | .031 | - .441 | - .662 | 120 | 428 | - .047 | .158 | .619 | - .519 | 120 | 510 | - .544 | .095 | - .147 | - 1.028 |
| 120 | 288 | - .586 | .036 | - .454 | - .729 | 120 | 429 | - .423 | .047 | - .227 | - .617 | 120 | 511 | - .616 | .083 | - .225 | - .957 |
| 120 | 289 | - .515 | .037 | - .402 | - .659 | 120 | 430 | - .271 | .063 | .022 | - .519 | 120 | 512 | - .589 | .129 | - .224 | - .985 |
| 120 | 290 | - .617 | .046 | - .459 | - .816 | 120 | 431 | - .036 | .114 | .443 | - .348 | 120 | 513 | - .492 | .241 | .558 | - 1.047 |
| 120 | 291 | - .547 | .023 | - .278 | - .673 | 120 | 432 | - .294 | .150 | .881 | - .077 | 120 | 514 | - .631 | .216 | - .226 | - 1.327 |
| 120 | 292 | - .571 | .058 | - .419 | - .803 | 120 | 433 | - .326 | .126 | .765 | - .009 | 120 | 515 | - .603 | .146 | - .028 | - 1.144 |
| 120 | 293 | - .428 | .046 | - .348 | - .678 | 120 | 434 | - .253 | .139 | .758 | - .215 | 120 | 516 | - .086 | .158 | .625 | - .536 |
| 120 | 294 | - .493 | .027 | - .405 | - .578 | 120 | 435 | - .154 | .176 | .490 | - .720 | 120 | 517 | - .158 | .179 | .387 | - .616 |
| 120 | 295 | - .429 | .031 | - .322 | - .535 | 120 | 436 | - .422 | .051 | - .198 | - .584 | 120 | 518 | - .376 | .161 | - .207 | - .805 |
| 120 | 296 | - .541 | .033 | - .442 | - .555 | 120 | 437 | - .384 | .073 | - .080 | - .646 | 120 | 519 | - .686 | .156 | - .092 | - 1.210 |
| 120 | 297 | - .451 | .031 | - .341 | - .555 | 120 | 438 | - .029 | .112 | .466 | - .464 | 120 | 520 | - .398 | .104 | - .227 | - 1.151 |
| 120 | 298 | - .518 | .064 | - .331 | - .920 | 120 | 439 | - .206 | .157 | .790 | - .251 | 120 | 521 | - .550 | .132 | - .031 | - .962 |
| 120 | 299 | - .606 | .140 | - .166 | - 1.127 | 120 | 440 | - .281 | .114 | .692 | - .005 | 120 | 522 | - .665 | .201 | - .149 | - 1.594 |
| 120 | 300 | - .527 | .077 | - .231 | - .794 | 120 | 441 | - .172 | .131 | .745 | - .179 | 120 | 523 | - .555 | .096 | - .075 | - .578 |
| 120 | 301 | - .435 | .028 | - .348 | - .550 | 120 | 442 | - .159 | .152 | .422 | - .693 | 120 | 524 | - .551 | .103 | - .076 | - 1.052 |
| 120 | 302 | - .541 | .030 | - .447 | - .667 | 120 | 443 | - .468 | .050 | - .263 | - .689 | 120 | 525 | - .530 | .088 | - .070 | - .873 |
| 120 | 303 | - .452 | .031 | - .327 | - .543 | 120 | 444 | - .382 | .069 | - .146 | - .647 | 120 | 526 | - .532 | .083 | - .162 | - .865 |
| 120 | 304 | - .422 | .032 | - .294 | - .512 | 120 | 445 | - .126 | .112 | .270 | - .608 | 120 | 527 | - .565 | .080 | - .233 | - .924 |
| 120 | 305 | - .444 | .036 | - .344 | - .548 | 120 | 446 | - .153 | .133 | .696 | - .276 | 120 | 528 | - .362 | .159 | .884 | - .148 |
| 120 | 306 | - .486 | .029 | - .373 | - .632 | 120 | 447 | - .207 | .114 | .676 | - .090 | 120 | 529 | - .114 | .164 | .701 | - .395 |
| 120 | 307 | - .422 | .038 | - .286 | - .628 | 120 | 448 | - .102 | .104 | .532 | - .253 | 120 | 530 | - .454 | .209 | .467 | - .990 |
| 120 | 308 | - .578 | .054 | - .375 | - .866 | 120 | 449 | - .233 | .126 | .311 | - .676 | 120 | 531 | - 1.042 | .221 | - .258 | - 1.733 |
| 120 | 309 | - .630 | .113 | - .231 | - 1.142 | 120 | 450 | - .366 | .062 | - .271 | - .740 | 120 | 532 | - .568 | .084 | - .304 | - .919 |

APPENDIX A -- PRESSURE DATA:

CONFIGURATION A: OLYMPIA AND YORK OFFICE TOWER, DALLAS

| WD | TAP | CPHEAN | CPRMS | CPHAX | CPHIN | WD | TAP | CPHEAN | CPRMS | CPHAX | CPHIN | WD | TAP | CPHEAN | CPRMS | CPHAX | CPHIN |
|-----|-----|--------|-------|-------|-------|-----|-----|--------|-------|-------|--------|-----|-----|--------|-------|-------|--------|
| 120 | 333 | -.589 | .081 | -.164 | -.850 | 120 | 383 | -.470 | .058 | -.288 | -.751 | 120 | 809 | -.011 | .097 | -.380 | -.361 |
| 120 | 334 | -.589 | .107 | -.166 | -.825 | 120 | 384 | -.477 | .058 | -.312 | -.763 | 120 | 810 | -.058 | .081 | -.261 | -.347 |
| 120 | 335 | -.530 | .081 | -.160 | -.886 | 120 | 385 | -.467 | .047 | -.312 | -.704 | 120 | 901 | -.403 | .112 | -.058 | -.817 |
| 120 | 336 | -.546 | .087 | -.104 | -.887 | 120 | 386 | -.484 | .048 | -.335 | -.752 | 120 | 903 | -.530 | .104 | -.082 | -.896 |
| 120 | 337 | -.546 | .082 | -.100 | -.810 | 120 | 387 | -.492 | .052 | -.331 | -.685 | 120 | 904 | -.593 | .079 | -.338 | -.889 |
| 120 | 338 | -.546 | .075 | -.217 | -.848 | 120 | 388 | -.514 | .058 | -.347 | -.772 | 120 | 905 | -.852 | .121 | -.317 | -1.349 |
| 120 | 339 | -.548 | .069 | -.279 | -.889 | 120 | 389 | -.504 | .064 | -.189 | -.713 | 120 | 906 | -.915 | .179 | -.297 | -1.538 |
| 120 | 340 | -.341 | .137 | -.865 | -.636 | 120 | 390 | -.118 | .094 | -.579 | -.213 | 120 | 907 | -.890 | .116 | -.341 | -1.338 |
| 120 | 341 | -.107 | .145 | -.600 | -.424 | 120 | 391 | -.036 | .114 | -.596 | -.287 | 120 | 908 | -.596 | .116 | -.034 | -1.073 |
| 120 | 342 | -.445 | .197 | -.339 | -.948 | 120 | 392 | -.053 | .156 | -.526 | -.643 | 120 | 909 | -.525 | .130 | -.044 | -1.115 |
| 120 | 343 | -.045 | .201 | -.230 | -.721 | 120 | 393 | -.406 | .156 | .025 | -1.259 | 120 | 910 | -.605 | .076 | -.330 | -1.000 |
| 120 | 344 | -.599 | .696 | -.287 | -.123 | 120 | 394 | -.445 | .101 | -.098 | -.865 | 120 | 911 | -.580 | .067 | -.319 | -.886 |
| 120 | 345 | -.533 | .066 | -.330 | -.873 | 120 | 395 | -.539 | .111 | -.194 | -1.122 | 120 | 912 | -.590 | .083 | -.277 | -.967 |
| 120 | 346 | -.533 | .091 | -.214 | -.983 | 120 | 396 | -.430 | .100 | -.112 | -.983 | 120 | 913 | -.606 | .070 | -.329 | -.833 |
| 120 | 347 | -.533 | .070 | -.207 | -.821 | 120 | 397 | -.446 | .071 | -.210 | -.749 | 120 | 914 | -.552 | .067 | -.376 | -1.061 |
| 120 | 348 | -.533 | .073 | -.203 | -.808 | 120 | 398 | -.428 | .070 | -.196 | -.717 | 120 | 915 | -.563 | .068 | -.387 | -.936 |
| 120 | 349 | -.328 | .069 | -.243 | -.817 | 120 | 399 | -.470 | .073 | -.206 | -.743 | 120 | 916 | -.546 | .071 | -.330 | -.924 |
| 120 | 350 | -.344 | .663 | -.366 | -.761 | 120 | 600 | -.470 | .053 | -.272 | -.731 | 120 | 917 | -.546 | .053 | -.361 | -.870 |
| 120 | 351 | -.307 | .060 | -.263 | -.762 | 120 | 601 | -.537 | .056 | -.302 | -.813 | 120 | 918 | -.481 | .051 | -.251 | -.659 |
| 120 | 352 | -.366 | .131 | -.821 | -.617 | 120 | 602 | -.601 | .079 | -.293 | -.967 | 120 | 919 | -.522 | .044 | -.349 | -.661 |
| 120 | 353 | -.075 | .126 | -.673 | -.319 | 120 | 603 | -.393 | .058 | -.174 | -.618 | 120 | 920 | -.541 | .041 | -.391 | -.750 |
| 120 | 354 | -.488 | .176 | -.279 | -.675 | 120 | 701 | -.435 | .046 | -.243 | -.631 | 120 | 921 | -.556 | .042 | -.421 | -.764 |
| 120 | 355 | -.745 | .166 | -.248 | -.600 | 120 | 702 | -.444 | .050 | -.251 | -.632 | 120 | 922 | -.555 | .040 | -.442 | -.768 |
| 120 | 356 | -.677 | .052 | -.266 | -.927 | 120 | 703 | -.498 | .049 | -.332 | -.694 | 120 | 923 | -.546 | .033 | -.449 | -.669 |
| 120 | 357 | -.492 | .052 | -.243 | -.741 | 120 | 704 | -.457 | .053 | -.257 | -.680 | 120 | 924 | -.539 | .037 | -.429 | -.666 |
| 120 | 358 | -.492 | .052 | -.243 | -.843 | 120 | 705 | -.282 | .148 | -.678 | -.684 | 120 | 925 | -.544 | .038 | -.411 | -.680 |
| 120 | 359 | -.494 | .056 | -.292 | -.751 | 120 | 706 | -.151 | .144 | -.408 | -.569 | 130 | 101 | -.545 | .071 | -.322 | -.830 |
| 120 | 360 | -.476 | .656 | -.136 | -.749 | 120 | 707 | -.567 | .130 | -.145 | -1.030 | 130 | 102 | -.508 | .075 | -.263 | -.862 |
| 120 | 361 | -.463 | .054 | -.091 | -.720 | 120 | 708 | -.423 | .049 | -.186 | -.592 | 130 | 103 | -.544 | .073 | -.332 | -.888 |
| 120 | 362 | -.496 | .057 | -.211 | -.721 | 120 | 709 | -.412 | .036 | -.293 | -.693 | 130 | 104 | -.507 | .079 | -.275 | -.878 |
| 120 | 363 | -.477 | .056 | -.305 | -.722 | 120 | 710 | -.530 | .062 | -.356 | -.833 | 130 | 105 | -.587 | .076 | -.246 | -.913 |
| 120 | 364 | -.242 | .116 | -.714 | -.698 | 120 | 711 | -.452 | .056 | -.239 | -.676 | 130 | 106 | -.544 | .113 | -.179 | -1.000 |
| 120 | 365 | -.008 | .081 | -.347 | -.261 | 120 | 712 | -.462 | .060 | -.259 | -.701 | 130 | 107 | -.635 | .138 | -.277 | -1.330 |
| 120 | 366 | -.513 | .122 | -.059 | -.874 | 120 | 713 | -.458 | .058 | -.293 | -.693 | 130 | 108 | -.513 | .075 | -.221 | -.799 |
| 120 | 367 | -.837 | .136 | -.180 | -.297 | 120 | 714 | -.422 | .054 | -.201 | -.669 | 130 | 109 | -.574 | .072 | -.353 | -.940 |
| 120 | 368 | -.514 | .077 | -.245 | -.922 | 120 | 715 | -.372 | .077 | -.051 | -.591 | 130 | 110 | -.537 | .073 | -.327 | -.784 |
| 120 | 369 | -.464 | .054 | -.252 | -.688 | 120 | 716 | -.462 | .296 | -.455 | -1.088 | 130 | 111 | -.592 | .076 | -.358 | -.944 |
| 120 | 370 | -.457 | .067 | -.172 | -.824 | 120 | 717 | -.139 | .162 | -.434 | -.546 | 130 | 112 | -.538 | .085 | -.284 | -.880 |
| 120 | 371 | -.453 | .049 | -.265 | -.668 | 120 | 718 | -.098 | .100 | -.548 | -.266 | 130 | 113 | -.599 | .102 | -.298 | -1.287 |
| 120 | 372 | -.454 | .049 | -.274 | -.639 | 120 | 719 | -.138 | .096 | -.493 | -.302 | 130 | 114 | -.553 | .127 | -.220 | -1.183 |
| 120 | 373 | -.451 | .047 | -.250 | -.613 | 120 | 720 | -.062 | .182 | -.557 | -.872 | 130 | 115 | -.560 | .071 | -.328 | -.877 |
| 120 | 374 | -.475 | .053 | -.289 | -.686 | 120 | 721 | -.017 | .089 | -.338 | -.264 | 130 | 116 | -.506 | .068 | -.291 | -.817 |
| 120 | 375 | -.488 | .053 | -.314 | -.701 | 120 | 801 | -.381 | .060 | -.152 | -.563 | 130 | 117 | -.582 | .066 | -.339 | -.837 |
| 120 | 376 | -.188 | .096 | -.695 | -.119 | 120 | 802 | -.467 | .037 | -.355 | -.606 | 130 | 118 | -.531 | .067 | -.266 | -.793 |
| 120 | 377 | -.034 | .068 | -.230 | -.408 | 120 | 803 | -.464 | .063 | -.234 | -.736 | 130 | 119 | -.584 | .078 | -.267 | -1.002 |
| 120 | 378 | -.489 | .096 | -.079 | -.881 | 120 | 804 | -.425 | .064 | -.104 | -.633 | 130 | 120 | -.532 | .080 | -.252 | -.843 |
| 120 | 379 | -.718 | .122 | -.305 | -.293 | 120 | 805 | -.419 | .055 | -.189 | -.609 | 130 | 121 | -.610 | .091 | -.267 | -1.069 |
| 120 | 380 | -.502 | .078 | -.191 | -.929 | 120 | 806 | -.432 | .079 | -.115 | -.703 | 130 | 122 | -.471 | .061 | -.250 | -.765 |
| 120 | 381 | -.474 | .053 | -.254 | -.730 | 120 | 807 | -.335 | .184 | -.312 | -.794 | 130 | 123 | -.528 | .062 | -.312 | -.842 |
| 120 | 382 | -.498 | .095 | -.153 | -.029 | 120 | 808 | -.099 | .113 | -.362 | -.566 | 130 | 124 | -.488 | .057 | -.289 | -.717 |

APPENDIX A -- PRESSURE DATA:

CONFIGURATION A: OLYMPIA AND YORK OFFICE TOWER, DALLAS

| WD | TAP | CPMEAN | CPRMS | CPMAX | CPMIN | WD | TAP | CPMEAN | CPRMS | CPMAX | CPMIN | WD | TAP | CPMEAN | CPRMS | CPMAX | CPMIN |
|-----|-----|--------|-------|-------|--------|-----|-----|--------|-------|-------|--------|-----|-----|--------|-------|--------|--------|
| 130 | 207 | 0.658 | 0.658 | 0.394 | -0.868 | 130 | 208 | 0.663 | 0.226 | 0.074 | -2.130 | 130 | 258 | 0.550 | 0.045 | -0.386 | -0.697 |
| 130 | 208 | 0.662 | 0.662 | 0.285 | -0.786 | 130 | 209 | 0.659 | 0.207 | 0.147 | -2.440 | 130 | 259 | 0.524 | 0.048 | -0.332 | -0.671 |
| 130 | 209 | 0.666 | 0.666 | 0.323 | -0.842 | 130 | 210 | 0.662 | 0.152 | 0.073 | -1.736 | 130 | 260 | 0.453 | 0.061 | -0.201 | -0.678 |
| 130 | 210 | 0.666 | 0.666 | 0.312 | -0.871 | 130 | 211 | 0.599 | 0.155 | 0.076 | -1.739 | 130 | 261 | 0.460 | 0.070 | -0.149 | -0.679 |
| 130 | 211 | 0.654 | 0.654 | 0.116 | -0.693 | 130 | 212 | 0.564 | 0.101 | 0.236 | -1.259 | 130 | 262 | 0.496 | 0.078 | -0.199 | -0.838 |
| 130 | 212 | 0.654 | 0.654 | 0.266 | -0.638 | 130 | 213 | 0.576 | 0.115 | 0.122 | -1.071 | 130 | 263 | 0.544 | 0.069 | -0.337 | -0.837 |
| 130 | 213 | 0.654 | 0.654 | 0.302 | -0.725 | 130 | 214 | 0.593 | 0.149 | 0.120 | -1.285 | 130 | 264 | 0.563 | 0.041 | -0.373 | -0.704 |
| 130 | 214 | 0.656 | 0.656 | 0.256 | -0.759 | 130 | 215 | 0.617 | 0.171 | 0.118 | -1.612 | 130 | 265 | 0.594 | 0.043 | -0.429 | -0.761 |
| 130 | 215 | 0.656 | 0.656 | 0.294 | -0.748 | 130 | 216 | 0.598 | 0.188 | 0.087 | -1.988 | 130 | 266 | 0.593 | 0.043 | -0.463 | -0.748 |
| 130 | 216 | 0.654 | 0.654 | 0.208 | -0.659 | 130 | 217 | 0.596 | 0.148 | 0.140 | -1.487 | 130 | 267 | 0.647 | 0.045 | -0.506 | -0.829 |
| 130 | 217 | 0.656 | 0.656 | 0.319 | -0.812 | 130 | 218 | 0.583 | 0.147 | 0.194 | -1.467 | 130 | 268 | 0.582 | 0.044 | -0.442 | -0.740 |
| 130 | 218 | 0.656 | 0.656 | 0.233 | -0.589 | 130 | 219 | 0.594 | 0.119 | 0.169 | -1.498 | 130 | 269 | 0.702 | 0.033 | -0.535 | -0.925 |
| 130 | 219 | 0.647 | 0.647 | 0.349 | -0.638 | 130 | 220 | 0.590 | 0.127 | 0.085 | -1.634 | 130 | 270 | 0.572 | 0.031 | -0.408 | -0.810 |
| 130 | 220 | 0.644 | 0.644 | 0.315 | -0.647 | 130 | 221 | 0.591 | 0.089 | 0.298 | -1.294 | 130 | 271 | 0.621 | 0.038 | -0.443 | -0.841 |
| 130 | 221 | 0.648 | 0.648 | 0.349 | -0.716 | 130 | 222 | 0.565 | 0.073 | 0.334 | -1.057 | 130 | 272 | 0.465 | 0.033 | -0.229 | -0.726 |
| 130 | 222 | 0.656 | 0.656 | 0.210 | -0.622 | 130 | 223 | 0.568 | 0.072 | 0.335 | -1.069 | 130 | 273 | 0.491 | 0.048 | -0.288 | -0.674 |
| 130 | 223 | 0.667 | 0.667 | 0.298 | -0.710 | 130 | 224 | 0.559 | 0.083 | 0.251 | -1.054 | 130 | 274 | 0.521 | 0.050 | -0.297 | -0.706 |
| 130 | 224 | 0.653 | 0.653 | 0.199 | -0.712 | 130 | 225 | 0.579 | 0.105 | 0.279 | -1.242 | 130 | 275 | 0.591 | 0.045 | -0.420 | -0.783 |
| 130 | 225 | 0.633 | 0.633 | 0.316 | -0.749 | 130 | 226 | 0.618 | 0.120 | 0.222 | -1.401 | 130 | 276 | 0.537 | 0.040 | -0.420 | -0.679 |
| 130 | 226 | 0.644 | 0.644 | 0.341 | -0.703 | 130 | 227 | 0.634 | 0.131 | 0.239 | -1.465 | 130 | 277 | 0.587 | 0.046 | -0.562 | -0.848 |
| 130 | 227 | 0.650 | 0.650 | 0.263 | -0.722 | 130 | 228 | 0.609 | 0.091 | 0.333 | -1.106 | 130 | 278 | 0.587 | 0.046 | -0.436 | -0.776 |
| 130 | 228 | 0.644 | 0.644 | 0.341 | -0.703 | 130 | 229 | 0.603 | 0.095 | 0.309 | -1.403 | 130 | 279 | 0.653 | 0.049 | -0.455 | -0.807 |
| 130 | 229 | 0.650 | 0.650 | 0.312 | -0.694 | 130 | 230 | 0.592 | 0.062 | 0.302 | -1.321 | 130 | 280 | 0.588 | 0.048 | -0.437 | -0.757 |
| 130 | 230 | 0.642 | 0.642 | 0.283 | -0.753 | 130 | 231 | 0.554 | 0.066 | 0.311 | -0.874 | 130 | 281 | 0.714 | 0.052 | -0.527 | -0.930 |
| 130 | 231 | 0.646 | 0.646 | 0.375 | -0.727 | 130 | 232 | 0.565 | 0.057 | 0.387 | -0.984 | 130 | 282 | 0.592 | 0.052 | -0.413 | -0.810 |
| 130 | 232 | 0.644 | 0.644 | 0.331 | -0.650 | 130 | 233 | 0.554 | 0.059 | 0.362 | -0.851 | 130 | 283 | 0.639 | 0.054 | -0.460 | -0.817 |
| 130 | 233 | 0.657 | 0.657 | 0.362 | -0.766 | 130 | 234 | 0.548 | 0.059 | 0.362 | -0.836 | 130 | 284 | 0.517 | 0.036 | -0.391 | -0.658 |
| 130 | 234 | 0.647 | 0.647 | 0.286 | -0.654 | 130 | 235 | 0.529 | 0.059 | 0.332 | -0.819 | 130 | 285 | 0.490 | 0.033 | -0.356 | -0.593 |
| 130 | 235 | 0.641 | 0.641 | 0.359 | -0.715 | 130 | 236 | 0.567 | 0.059 | 0.267 | -0.768 | 130 | 286 | 0.597 | 0.032 | -0.483 | -0.716 |
| 130 | 236 | 0.634 | 0.634 | 0.361 | -0.580 | 130 | 237 | 0.525 | 0.068 | 0.225 | -0.858 | 130 | 287 | 0.532 | 0.038 | -0.427 | -0.677 |
| 130 | 237 | 0.634 | 0.634 | 0.467 | -0.649 | 130 | 238 | 0.582 | 0.078 | 0.238 | -0.986 | 130 | 288 | 0.605 | 0.041 | -0.469 | -0.758 |
| 130 | 238 | 0.632 | 0.632 | 0.340 | -0.608 | 130 | 239 | 0.628 | 0.082 | 0.387 | -1.083 | 130 | 289 | 0.549 | 0.047 | -0.392 | -0.721 |
| 130 | 239 | 0.696 | 0.696 | 0.437 | -0.841 | 130 | 240 | 0.606 | 0.057 | 0.446 | -0.906 | 130 | 290 | 0.667 | 0.053 | -0.485 | -0.895 |
| 130 | 240 | 0.683 | 0.683 | 0.222 | -0.913 | 130 | 241 | 0.610 | 0.058 | 0.433 | -0.917 | 130 | 291 | 0.582 | 0.089 | -0.322 | -0.978 |
| 130 | 241 | 0.666 | 0.666 | 0.295 | -0.777 | 130 | 242 | 0.605 | 0.054 | 0.409 | -0.792 | 130 | 292 | 0.601 | 0.053 | -0.389 | -0.805 |
| 130 | 242 | 0.629 | 0.629 | 0.337 | -0.552 | 130 | 243 | 0.566 | 0.050 | 0.370 | -0.741 | 130 | 293 | 0.469 | 0.041 | -0.332 | -0.622 |
| 130 | 243 | 0.684 | 0.684 | 0.382 | -0.588 | 130 | 244 | 0.573 | 0.046 | 0.420 | -0.728 | 130 | 294 | 0.483 | 0.031 | -0.362 | -0.606 |
| 130 | 244 | 0.651 | 0.651 | 0.221 | -0.652 | 130 | 245 | 0.554 | 0.048 | 0.376 | -0.713 | 130 | 295 | 0.406 | 0.028 | -0.283 | -0.520 |
| 130 | 245 | 0.637 | 0.637 | 0.319 | -0.573 | 130 | 246 | 0.512 | 0.046 | 0.344 | -0.711 | 130 | 296 | 0.520 | 0.032 | -0.401 | -0.622 |
| 130 | 246 | 0.639 | 0.639 | 0.356 | -0.602 | 130 | 247 | 0.528 | 0.049 | 0.330 | -0.707 | 130 | 297 | 0.424 | 0.030 | -0.311 | -0.534 |
| 130 | 247 | 0.630 | 0.630 | 0.317 | -0.524 | 130 | 248 | 0.471 | 0.055 | 0.288 | -0.711 | 130 | 298 | 0.497 | 0.053 | -0.271 | -0.763 |
| 130 | 248 | 0.628 | 0.628 | 0.399 | -0.574 | 130 | 249 | 0.474 | 0.057 | 0.248 | -0.687 | 130 | 299 | 0.625 | 0.134 | -0.181 | -1.095 |
| 130 | 249 | 0.628 | 0.628 | 0.317 | -0.524 | 130 | 250 | 0.498 | 0.063 | 0.297 | -0.764 | 130 | 300 | 0.573 | 0.067 | -0.366 | -0.833 |
| 130 | 250 | 0.698 | 0.698 | 0.227 | -0.958 | 130 | 251 | 0.582 | 0.069 | 0.358 | -0.900 | 130 | 301 | 0.417 | 0.033 | -0.288 | -0.520 |
| 130 | 251 | 0.626 | 0.626 | 0.163 | -0.816 | 130 | 252 | 0.583 | 0.043 | 0.441 | -0.777 | 130 | 302 | 0.528 | 0.033 | -0.383 | -0.634 |
| 130 | 252 | 0.626 | 0.626 | 0.175 | -1.006 | 130 | 253 | 0.605 | 0.046 | 0.433 | -0.803 | 130 | 303 | 0.451 | 0.033 | -0.332 | -0.543 |
| 130 | 253 | 0.614 | 0.614 | 0.087 | -0.793 | 130 | 254 | 0.614 | 0.046 | 0.433 | -0.785 | 130 | 304 | 0.416 | 0.030 | -0.310 | -0.500 |
| 130 | 254 | 0.670 | 0.670 | 0.070 | -0.959 | 130 | 255 | 0.578 | 0.043 | 0.434 | -0.772 | 130 | 305 | 0.427 | 0.030 | -0.316 | -0.527 |
| 130 | 255 | 0.665 | 0.665 | 0.750 | -1.111 | 130 | 256 | 0.587 | 0.043 | 0.446 | -0.732 | 130 | 306 | 0.473 | 0.031 | -0.369 | -0.587 |
| 130 | 256 | 0.609 | 0.609 | 0.759 | -1.111 | 130 | 257 | 0.562 | 0.043 | 0.402 | -0.701 | 130 | 307 | 0.416 | 0.033 | -0.297 | -0.544 |

APPENDIX A -- PRESSURE DATA:

CONFIGURATION A: OLYMPIA AND YORK OFFICE TOWER, DALLAS

| WD | TAP | CPMEAN | CPRMS | CPMAX | CPMIN | WD | TAP | CPMEAN | CPRMS | CPMAX | CPMIN | WD | TAP | CPMEAN | CPRMS | CPMAX | CPMIN |
|------|-----|--------|-------|-------|--------|-----|-----|--------|-------|-------|--------|-----|-----|--------|-------|-------|--------|
| 1336 | 362 | .332 | .049 | .371 | -.786 | 130 | 449 | -.279 | .140 | -.300 | -.819 | 130 | 531 | -1.135 | .240 | -.221 | -1.805 |
| 1330 | 309 | .595 | .102 | .287 | -1.022 | 130 | 450 | -.539 | .062 | -.331 | -.762 | 130 | 532 | -.648 | .099 | -.351 | -1.130 |
| 1336 | 461 | .299 | .325 | .718 | -1.350 | 130 | 451 | -.442 | .077 | -.156 | -.775 | 130 | 533 | -.658 | .083 | -.354 | -.965 |
| 130 | 402 | .247 | .334 | .856 | -1.316 | 130 | 452 | -.139 | .085 | -.286 | -.544 | 130 | 534 | -.664 | .102 | -.252 | -1.114 |
| 1336 | 463 | .187 | .256 | .692 | -.948 | 130 | 453 | -.142 | .114 | -.636 | -.180 | 130 | 535 | -.611 | .080 | -.305 | -.987 |
| 130 | 404 | .377 | .317 | .818 | -1.054 | 130 | 454 | -.179 | .100 | -.623 | -.102 | 130 | 536 | -.597 | .082 | -.233 | -.955 |
| 1336 | 465 | .476 | .296 | .637 | -1.150 | 130 | 455 | -.064 | .106 | -.508 | -.329 | 130 | 537 | -.587 | .074 | -.254 | -.877 |
| 130 | 406 | .351 | .307 | 1.012 | -1.079 | 130 | 456 | -.307 | .130 | -.244 | -.785 | 130 | 538 | -.574 | .069 | -.293 | -.869 |
| 1336 | 467 | .325 | .332 | .745 | -1.117 | 130 | 457 | -.342 | .193 | -.466 | -.730 | 130 | 539 | -.553 | .069 | -.335 | -.795 |
| 130 | 408 | .586 | .128 | .016 | -1.320 | 130 | 458 | -.667 | .073 | -.458 | -1.077 | 130 | 540 | .322 | .137 | .776 | -.061 |
| 1336 | 469 | .613 | .117 | .878 | -1.135 | 130 | 459 | -.285 | .124 | -.231 | -.696 | 130 | 541 | .047 | .134 | .609 | -.384 |
| 130 | 410 | .451 | .160 | .283 | -.977 | 130 | 460 | -.725 | .078 | -.478 | -1.051 | 130 | 542 | -.547 | .200 | .393 | -1.118 |
| 1336 | 411 | .571 | .116 | .007 | -.963 | 130 | 461 | -.279 | .068 | -.023 | -.636 | 130 | 543 | -1.155 | .210 | -.230 | -1.798 |
| 130 | 412 | .647 | .099 | .074 | -1.086 | 130 | 462 | -.355 | .078 | -.024 | -.777 | 130 | 544 | -.678 | .100 | -.305 | -1.065 |
| 1336 | 413 | .684 | .128 | .020 | -1.145 | 130 | 463 | -.057 | .075 | -.262 | -.478 | 130 | 545 | -.647 | .074 | -.300 | -.914 |
| 130 | 414 | .542 | .251 | .461 | -1.337 | 130 | 464 | -.112 | .109 | -.630 | -.348 | 130 | 546 | -.654 | .091 | -.281 | -1.034 |
| 1336 | 415 | .246 | .132 | .317 | -.619 | 130 | 465 | .135 | .091 | -.583 | -.163 | 130 | 547 | -.607 | .072 | -.312 | -.932 |
| 130 | 416 | .015 | .156 | .639 | -.401 | 130 | 466 | .113 | .105 | -.640 | -.260 | 130 | 548 | -.591 | .074 | -.271 | -.957 |
| 1336 | 417 | .149 | .160 | .769 | -.352 | 130 | 467 | -.014 | .142 | -.405 | -.617 | 130 | 549 | -.571 | .067 | -.254 | -.902 |
| 130 | 418 | .248 | .164 | .851 | -.217 | 130 | 468 | -.572 | .137 | -.159 | -1.027 | 130 | 550 | -.551 | .065 | -.293 | -.806 |
| 1336 | 419 | .063 | .158 | .622 | -.383 | 130 | 501 | -.737 | .186 | -.374 | -1.427 | 130 | 551 | -.480 | .055 | -.271 | -.676 |
| 130 | 420 | .095 | .167 | .796 | -.507 | 130 | 502 | -.645 | .229 | -.549 | -1.454 | 130 | 552 | -.284 | .135 | .805 | -.124 |
| 1336 | 421 | .636 | .165 | .527 | -1.673 | 130 | 503 | -.523 | .226 | -.206 | -1.313 | 130 | 553 | .037 | .108 | .471 | -.325 |
| 130 | 422 | .257 | .092 | .123 | -.547 | 130 | 504 | -.888 | .196 | -.403 | -1.971 | 130 | 554 | -.562 | .164 | .147 | -1.091 |
| 1336 | 423 | .305 | .065 | .049 | -.525 | 130 | 505 | -.783 | .133 | -.333 | -1.439 | 130 | 555 | -1.040 | .167 | -.253 | -1.615 |
| 130 | 424 | .141 | .144 | .583 | -.263 | 130 | 506 | -.659 | .093 | -.264 | -1.034 | 130 | 556 | -.626 | .080 | -.271 | -.048 |
| 1336 | 425 | .322 | .161 | .906 | -.166 | 130 | 507 | -.366 | .078 | -.270 | -.934 | 130 | 557 | -.567 | .059 | -.343 | -.802 |
| 130 | 426 | .359 | .136 | .799 | -.075 | 130 | 508 | -.568 | .090 | -.183 | -1.249 | 130 | 558 | -.585 | .072 | -.317 | -.995 |
| 1336 | 427 | .162 | .164 | .749 | -.448 | 130 | 509 | -.563 | .089 | -.233 | -1.212 | 130 | 559 | -.528 | .056 | -.278 | -.798 |
| 130 | 428 | .092 | .167 | .603 | -.708 | 130 | 510 | -.547 | .085 | -.238 | -1.166 | 130 | 560 | -.514 | .053 | -.250 | -.778 |
| 1336 | 429 | .453 | .044 | .266 | -.666 | 130 | 511 | -.688 | .087 | -.300 | -1.086 | 130 | 561 | -.489 | .048 | -.264 | -.752 |
| 130 | 430 | .289 | .057 | .058 | -.496 | 130 | 512 | -.692 | .103 | -.192 | -1.082 | 130 | 562 | -.483 | .053 | -.294 | -.662 |
| 1336 | 431 | .645 | .115 | .362 | -.473 | 130 | 513 | -.654 | .192 | -.341 | -1.161 | 130 | 563 | -.450 | .050 | -.280 | -.658 |
| 130 | 432 | .299 | .157 | .833 | -.244 | 130 | 514 | -.755 | .193 | -.005 | -1.389 | 130 | 564 | -.227 | .116 | .926 | -.122 |
| 1336 | 433 | .311 | .122 | .774 | -.022 | 130 | 515 | .710 | .135 | -.181 | -1.268 | 130 | 565 | -.023 | .084 | .346 | -.409 |
| 130 | 434 | .235 | .132 | .749 | -.203 | 130 | 516 | -.009 | .157 | -.508 | -.541 | 130 | 566 | -.576 | .115 | .009 | -1.246 |
| 1336 | 435 | .202 | .186 | .483 | -.892 | 130 | 517 | -.281 | .157 | -.227 | -.681 | 130 | 567 | -.506 | .130 | -.322 | -1.435 |
| 130 | 436 | .438 | .048 | -.253 | -.652 | 130 | 518 | -.502 | .140 | -.033 | -.912 | 130 | 568 | -.586 | .074 | -.348 | -.974 |
| 1336 | 437 | .393 | .061 | .200 | -.680 | 130 | 519 | -.796 | .146 | -.303 | -1.268 | 130 | 569 | -.535 | .059 | -.368 | -.809 |
| 130 | 438 | .031 | .105 | .337 | -.340 | 130 | 520 | -.693 | .113 | -.348 | -1.282 | 130 | 570 | -.536 | .071 | -.322 | -.943 |
| 1336 | 439 | .185 | .163 | .843 | -.319 | 130 | 521 | -.630 | .123 | -.086 | -1.036 | 130 | 571 | -.504 | .055 | -.322 | -.754 |
| 130 | 440 | .297 | .125 | .766 | -.005 | 130 | 522 | -.758 | .173 | -.001 | -1.588 | 130 | 572 | -.498 | .051 | -.311 | -.726 |
| 1336 | 441 | .172 | .130 | .709 | -.207 | 130 | 523 | -.625 | .080 | -.204 | -.950 | 130 | 573 | -.479 | .045 | -.316 | -.635 |
| 130 | 442 | .208 | .149 | .378 | -.697 | 130 | 524 | -.604 | .083 | -.166 | -.960 | 130 | 574 | -.464 | .045 | -.294 | -.622 |
| 1336 | 443 | .481 | .054 | .286 | -.679 | 130 | 525 | -.543 | .083 | -.118 | -.879 | 130 | 575 | -.453 | .047 | -.283 | -.674 |
| 130 | 444 | .412 | .079 | .162 | -.713 | 130 | 526 | -.563 | .072 | -.262 | -.792 | 130 | 576 | -.183 | .106 | .674 | -.173 |
| 1336 | 445 | .146 | .126 | .271 | -.756 | 130 | 527 | -.543 | .072 | -.222 | -.796 | 130 | 577 | -.030 | .083 | .292 | -.431 |
| 130 | 446 | .185 | .137 | .945 | -.265 | 130 | 528 | -.323 | .149 | -.821 | -.140 | 130 | 578 | -.548 | .105 | -.066 | -1.035 |
| 1336 | 447 | .241 | .121 | .858 | -.094 | 130 | 529 | -.035 | .163 | -.534 | -.459 | 130 | 579 | -.862 | .130 | -.336 | -1.410 |
| 130 | 448 | .101 | .108 | .652 | -.265 | 130 | 530 | -.560 | .220 | -.223 | -1.114 | 130 | 580 | -.592 | .074 | -.334 | -.930 |

APPENDIX A -- PRESSURE DATA:

CONFIGURATION A; OLYMPIA AND YORK OFFICE TOWER, DALLAS

| WD | TAP | CPMEAN | CPRMS | CPMAX | CPMIN | WD | TAP | CPMEAN | CPRMS | CPMAX | CPMIN | WD | TAP | CPMEAN | CPRMS | CPMAX | CPMIN |
|-----|-----|--------|-------|-------|--------|-----|-----|--------|-------|-------|--------|-----|-----|--------|-------|-------|--------|
| 140 | 206 | -.671 | .173 | -.119 | -1.396 | 140 | 236 | -.646 | .041 | -.315 | -.807 | 140 | 306 | -.320 | .031 | -.432 | -1.627 |
| 140 | 207 | -.699 | .175 | -.124 | -1.595 | 140 | 237 | -.621 | .042 | -.493 | -.782 | 140 | 307 | -.531 | .037 | -.411 | -1.653 |
| 140 | 208 | -.897 | .296 | -.207 | -2.190 | 140 | 238 | -.601 | .042 | -.471 | -.810 | 140 | 308 | -.561 | .030 | -.380 | -1.786 |
| 140 | 209 | -1.009 | .287 | -.195 | -2.309 | 140 | 239 | -.578 | .047 | -.427 | -.770 | 140 | 309 | -.693 | .098 | -.423 | -1.196 |
| 140 | 210 | -.714 | .229 | -.049 | -2.016 | 140 | 260 | -.528 | .062 | -.269 | -.755 | 140 | 401 | -.139 | .382 | .868 | -1.266 |
| 140 | 211 | -.746 | .229 | -.126 | -2.131 | 140 | 261 | -.544 | .072 | -.247 | -.820 | 140 | 402 | -.063 | .383 | .998 | -1.231 |
| 140 | 212 | -.664 | .164 | -.253 | -1.121 | 140 | 262 | -.553 | .080 | -.274 | -.846 | 140 | 403 | -.046 | .279 | 1.023 | -.707 |
| 140 | 213 | -.674 | .112 | -.230 | -1.187 | 140 | 263 | -.658 | .079 | -.348 | -1.060 | 140 | 404 | -.236 | .370 | .931 | -1.194 |
| 140 | 214 | -.697 | .130 | -.255 | -1.280 | 140 | 264 | -.647 | .041 | -.509 | -.834 | 140 | 405 | -.360 | .367 | .902 | -1.167 |
| 140 | 215 | -.690 | .156 | -.193 | -1.741 | 140 | 265 | -.651 | .040 | -.512 | -.897 | 140 | 406 | -.450 | .372 | .748 | -1.267 |
| 140 | 216 | -.679 | .183 | -.075 | -2.003 | 140 | 266 | -.634 | .041 | -.494 | -.797 | 140 | 407 | -.500 | .329 | .745 | -1.227 |
| 140 | 217 | -.695 | .187 | -.129 | -1.780 | 140 | 267 | -.698 | .039 | -.506 | -.748 | 140 | 408 | -.549 | .176 | .428 | -1.321 |
| 140 | 218 | -.684 | .171 | -.081 | -1.744 | 140 | 268 | -.609 | .040 | -.503 | -.762 | 140 | 409 | -.552 | .165 | .471 | -1.258 |
| 140 | 219 | -.747 | .206 | -.077 | -2.092 | 140 | 269 | -.596 | .043 | -.472 | -.768 | 140 | 410 | -.322 | .225 | .601 | -1.934 |
| 140 | 220 | -.744 | .236 | -.015 | -2.104 | 140 | 270 | -.575 | .045 | -.445 | -.746 | 140 | 411 | -.550 | .167 | .586 | -1.192 |
| 140 | 221 | -.727 | .127 | -.070 | -1.490 | 140 | 271 | -.579 | .048 | -.375 | -.773 | 140 | 412 | -.686 | .139 | -.005 | -1.221 |
| 140 | 222 | -.682 | .119 | -.316 | -2.654 | 140 | 272 | -.520 | .053 | -.332 | -.700 | 140 | 413 | -.719 | .135 | .033 | -1.471 |
| 140 | 223 | -.681 | .119 | -.415 | -2.067 | 140 | 273 | -.516 | .052 | -.276 | -.795 | 140 | 414 | -.757 | .165 | .215 | -1.439 |
| 140 | 224 | -.682 | .089 | -.397 | -1.352 | 140 | 274 | -.571 | .049 | -.358 | -.773 | 140 | 415 | -.101 | .165 | .542 | -1.607 |
| 140 | 225 | -.682 | .110 | -.269 | -1.295 | 140 | 275 | -.611 | .049 | -.457 | -.842 | 140 | 416 | -.095 | .196 | .828 | -1.475 |
| 140 | 226 | -.697 | .121 | -.268 | -1.319 | 140 | 276 | -.597 | .037 | -.459 | -.737 | 140 | 417 | -.199 | .187 | .787 | -1.301 |
| 140 | 227 | -.699 | .138 | -.092 | -1.616 | 140 | 277 | -.607 | .040 | -.469 | -.778 | 140 | 418 | -.218 | .182 | .787 | -1.287 |
| 140 | 228 | -.688 | .126 | -.263 | -1.163 | 140 | 278 | -.604 | .043 | -.480 | -.828 | 140 | 419 | -.065 | .154 | .564 | -1.568 |
| 140 | 229 | -.687 | .135 | -.223 | -1.249 | 140 | 279 | -.615 | .041 | -.467 | -.859 | 140 | 420 | -.033 | .168 | .673 | -1.505 |
| 140 | 230 | -.681 | .131 | -.212 | -1.510 | 140 | 280 | -.617 | .043 | -.464 | -.849 | 140 | 421 | -.160 | .138 | .624 | -1.647 |
| 140 | 231 | -.652 | .117 | -.253 | -1.594 | 140 | 281 | -.612 | .048 | -.469 | -.780 | 140 | 422 | -.398 | .075 | .111 | -1.802 |
| 140 | 232 | -.656 | .097 | -.373 | -1.189 | 140 | 282 | -.619 | .046 | -.473 | -.781 | 140 | 423 | -.252 | .081 | .071 | -1.689 |
| 140 | 233 | -.654 | .114 | -.324 | -1.503 | 140 | 283 | -.620 | .045 | -.484 | -.807 | 140 | 424 | -.093 | .115 | .556 | -1.363 |
| 140 | 234 | -.652 | .136 | -.345 | -2.193 | 140 | 284 | -.514 | .085 | -.234 | -.917 | 140 | 425 | -.358 | .159 | .920 | -1.124 |
| 140 | 235 | -.639 | .132 | -.300 | -.376 | 140 | 285 | -.560 | .032 | -.461 | -.715 | 140 | 426 | -.320 | .142 | .817 | -1.061 |
| 140 | 236 | -.623 | .076 | -.377 | -.919 | 140 | 286 | -.555 | .027 | -.469 | -.643 | 140 | 427 | -.099 | .156 | .747 | -1.431 |
| 140 | 237 | -.645 | .095 | -.318 | -1.200 | 140 | 287 | -.574 | .033 | -.453 | -.698 | 140 | 428 | -.264 | .162 | .388 | -1.753 |
| 140 | 238 | -.687 | .103 | -.308 | -1.137 | 140 | 288 | -.592 | .034 | -.481 | -.703 | 140 | 429 | -.501 | .055 | -.326 | -1.792 |
| 140 | 239 | -.714 | .112 | -.326 | -1.141 | 140 | 289 | -.596 | .040 | -.451 | -.765 | 140 | 430 | -.423 | .072 | -.168 | -1.737 |
| 140 | 240 | -.685 | .082 | -.430 | -1.117 | 140 | 290 | -.594 | .048 | -.416 | -.776 | 140 | 431 | -.107 | .110 | .392 | -1.599 |
| 140 | 241 | -.679 | .092 | -.382 | -1.227 | 140 | 291 | -.674 | .086 | -.370 | -1.064 | 140 | 432 | -.251 | .143 | .873 | -1.293 |
| 140 | 242 | -.668 | .083 | -.364 | -1.165 | 140 | 292 | -.665 | .059 | -.505 | -.928 | 140 | 433 | -.318 | .149 | .947 | -1.010 |
| 140 | 243 | -.638 | .075 | -.421 | -1.011 | 140 | 293 | -.503 | .118 | -.126 | -1.106 | 140 | 434 | -.166 | .146 | .730 | -1.272 |
| 140 | 244 | -.650 | .066 | -.454 | -1.027 | 140 | 294 | -.532 | .030 | -.435 | -.634 | 140 | 435 | -.283 | .153 | .288 | -1.802 |
| 140 | 245 | -.629 | .069 | -.420 | -1.116 | 140 | 295 | -.531 | .030 | -.429 | -.643 | 140 | 436 | -.524 | .055 | -.240 | -1.733 |
| 140 | 246 | -.562 | .057 | -.376 | -.978 | 140 | 296 | -.528 | .029 | -.426 | -.653 | 140 | 437 | -.481 | .071 | -.264 | -1.755 |
| 140 | 247 | -.600 | .072 | -.393 | -1.250 | 140 | 297 | -.523 | .029 | -.420 | -.636 | 140 | 438 | -.223 | .145 | .171 | -1.822 |
| 140 | 248 | -.552 | .063 | -.369 | -.810 | 140 | 298 | -.539 | .056 | -.284 | -.782 | 140 | 439 | -.182 | .144 | .691 | -1.981 |
| 140 | 249 | -.576 | .075 | -.322 | -.924 | 140 | 299 | -.648 | .143 | -.179 | -1.191 | 140 | 440 | -.254 | .141 | .951 | -1.056 |
| 140 | 250 | -.596 | .087 | -.205 | -.978 | 140 | 300 | -.688 | .078 | -.434 | -1.027 | 140 | 441 | -.140 | .139 | .908 | -1.245 |
| 140 | 251 | -.691 | .087 | -.399 | -1.086 | 140 | 301 | -.531 | .034 | -.414 | -.740 | 140 | 442 | -.302 | .152 | .352 | -1.833 |
| 140 | 252 | -.664 | .055 | -.469 | -.948 | 140 | 302 | -.522 | .031 | -.402 | -.648 | 140 | 443 | -.545 | .055 | -.368 | -1.735 |
| 140 | 253 | -.659 | .055 | -.495 | -.961 | 140 | 303 | -.491 | .034 | -.329 | -.598 | 140 | 444 | -.544 | .086 | -.319 | -1.847 |
| 140 | 254 | -.654 | .052 | -.505 | -.904 | 140 | 304 | -.533 | .037 | -.415 | -.647 | 140 | 445 | -.264 | .164 | .124 | -1.029 |
| 140 | 255 | -.628 | .049 | -.488 | -.845 | 140 | 305 | -.520 | .028 | -.420 | -.621 | 140 | 446 | -.122 | .149 | .678 | -1.916 |

APPENDIX A -- PRESSURE DATA:

CONFIGURATION A: OLYMPIA AND YORK OFFICE TOWER, DALLAS

| WD | TAP | CPREAN | CPRMS | CPMAX | CPMIN | WD | TAP | CPREAN | CPRMS | CPMAX | CPMIN | WD | TAP | CPREAN | CPRMS | CPMAX | CPMIN |
|-----|-----|--------|-------|-------|--------|-----|-----|--------|-------|-------|--------|-----|-----|--------|-------|-------|--------|
| 140 | 447 | .243 | .142 | .933 | -.177 | 140 | 529 | -.089 | .129 | .397 | -.492 | 140 | 579 | -1.070 | .142 | -.366 | -1.713 |
| 140 | 448 | .601 | .127 | .601 | -.314 | 140 | 530 | -.770 | .161 | -.139 | -1.336 | 140 | 580 | -.709 | .076 | -.431 | -1.027 |
| 140 | 449 | -.383 | .137 | -.272 | -.817 | 140 | 531 | -1.369 | .172 | -.517 | -1.939 | 140 | 581 | -.679 | .062 | -.486 | -.931 |
| 140 | 450 | -.567 | .062 | -.351 | -.805 | 140 | 532 | -.749 | .102 | -.324 | -1.248 | 140 | 582 | -.676 | .099 | -.365 | -1.124 |
| 140 | 451 | -.496 | .681 | -.243 | -.798 | 140 | 533 | -.727 | .064 | -.482 | -.941 | 140 | 583 | -.634 | .070 | -.420 | -1.009 |
| 140 | 452 | -.241 | .110 | .078 | -.716 | 140 | 534 | -.723 | .096 | -.320 | -1.070 | 140 | 584 | -.623 | .069 | -.387 | -1.029 |
| 140 | 453 | .146 | .116 | .618 | -.517 | 140 | 535 | -.726 | .063 | -.391 | -.942 | 140 | 585 | -.566 | .051 | -.383 | -.862 |
| 140 | 454 | .200 | .115 | .698 | -.144 | 140 | 536 | -.644 | .059 | -.260 | -.848 | 140 | 586 | -.533 | .049 | -.378 | -.784 |
| 140 | 455 | .063 | .122 | .656 | -.381 | 140 | 537 | -.631 | .057 | -.327 | -.838 | 140 | 587 | -.509 | .046 | -.347 | -.701 |
| 140 | 456 | .420 | .157 | .106 | -.955 | 140 | 538 | -.631 | .066 | -.401 | -.885 | 140 | 588 | -.562 | .050 | -.392 | -.764 |
| 140 | 457 | .357 | .119 | -.244 | -.882 | 140 | 539 | -.673 | .068 | -.409 | -.930 | 140 | 589 | -.544 | .039 | -.192 | -.827 |
| 140 | 458 | -.690 | .069 | -.507 | -.969 | 140 | 540 | -.305 | .154 | -.941 | -.076 | 140 | 590 | -.128 | .100 | -.511 | -.316 |
| 140 | 459 | -.419 | .168 | -.301 | -.980 | 140 | 541 | -.032 | .103 | -.570 | -.410 | 140 | 591 | -.011 | .103 | -.540 | -.358 |
| 140 | 460 | -.729 | .075 | -.492 | -1.035 | 140 | 542 | -.706 | .168 | .001 | -1.402 | 140 | 592 | -.141 | .172 | -.476 | -.614 |
| 140 | 461 | -.423 | .699 | -.175 | -.880 | 140 | 543 | -1.426 | .154 | -.819 | -1.935 | 140 | 593 | -.616 | .172 | -.073 | -1.379 |
| 140 | 462 | -.388 | .071 | .136 | -.707 | 140 | 544 | -.763 | .093 | -.502 | -1.297 | 140 | 594 | -.668 | .123 | -.127 | -1.031 |
| 140 | 463 | -.152 | .685 | .145 | -.569 | 140 | 545 | -.713 | .060 | -.477 | -.971 | 140 | 595 | -.736 | .133 | -.092 | -1.484 |
| 140 | 464 | .108 | .117 | .578 | -.391 | 140 | 546 | -.709 | .072 | -.486 | -1.040 | 140 | 596 | -.578 | .106 | -.150 | -1.133 |
| 140 | 465 | .145 | .102 | .653 | -.198 | 140 | 547 | -.711 | .058 | -.401 | -.968 | 140 | 597 | -.589 | .076 | -.323 | -1.032 |
| 140 | 466 | .118 | .116 | .569 | -.269 | 140 | 548 | -.631 | .052 | -.406 | -.870 | 140 | 598 | -.523 | .075 | -.276 | -1.058 |
| 140 | 467 | .032 | .158 | .585 | -.698 | 140 | 549 | -.609 | .048 | -.410 | -.838 | 140 | 599 | -.589 | .079 | -.338 | -.993 |
| 140 | 468 | .604 | .152 | -.197 | -1.027 | 140 | 550 | -.592 | .055 | -.406 | -.783 | 140 | 600 | -.548 | .064 | -.293 | -.902 |
| 140 | 501 | -.782 | .236 | .547 | -1.642 | 140 | 551 | -.558 | .062 | -.313 | -.796 | 140 | 601 | -.594 | .070 | -.357 | -.906 |
| 140 | 502 | -.784 | .248 | .437 | -1.606 | 140 | 552 | -.288 | .136 | .851 | -.087 | 140 | 602 | -.607 | .081 | -.274 | -.958 |
| 140 | 503 | -.720 | .220 | .049 | -1.548 | 140 | 553 | -.033 | .095 | .540 | -.338 | 140 | 603 | -.516 | .070 | -.295 | -.850 |
| 140 | 504 | -.943 | .220 | -.491 | -2.068 | 140 | 554 | -.734 | .148 | .042 | -1.268 | 140 | 701 | -.551 | .051 | -.414 | -.841 |
| 140 | 505 | -.840 | .141 | -.433 | -1.613 | 140 | 555 | -1.237 | .151 | -.485 | -1.931 | 140 | 702 | -.543 | .052 | -.397 | -.822 |
| 140 | 506 | -.695 | .088 | -.373 | -1.048 | 140 | 556 | -.775 | .089 | -.477 | -1.215 | 140 | 703 | -.611 | .069 | -.435 | -.964 |
| 140 | 507 | -.687 | .070 | -.423 | -.984 | 140 | 557 | -.687 | .065 | -.431 | -1.002 | 140 | 704 | -.544 | .057 | -.340 | -.791 |
| 140 | 508 | -.602 | .071 | -.303 | -1.029 | 140 | 558 | -.684 | .077 | -.358 | -1.080 | 140 | 705 | -.518 | .108 | -.204 | -.824 |
| 140 | 509 | -.618 | .078 | -.277 | -.951 | 140 | 559 | -.622 | .056 | -.449 | -.871 | 140 | 706 | -.443 | .173 | -.297 | -.774 |
| 140 | 510 | -.611 | .080 | -.310 | -.967 | 140 | 560 | -.601 | .051 | -.426 | -.823 | 140 | 707 | -.626 | .110 | -.330 | -1.249 |
| 140 | 511 | -.783 | .121 | -.195 | -1.159 | 140 | 561 | -.568 | .046 | -.383 | -.760 | 140 | 708 | -.543 | .065 | -.333 | -.906 |
| 140 | 512 | -.738 | .112 | -.141 | -1.249 | 140 | 562 | -.546 | .052 | -.338 | -.722 | 140 | 709 | -.533 | .048 | -.395 | -.786 |
| 140 | 513 | -.771 | .135 | -.059 | -1.220 | 140 | 563 | -.503 | .049 | -.339 | -.684 | 140 | 710 | -.677 | .117 | -.445 | -1.339 |
| 140 | 514 | -.849 | .156 | -.310 | -1.478 | 140 | 564 | -.258 | .135 | .890 | -.099 | 140 | 711 | -.528 | .056 | -.325 | -.740 |
| 140 | 515 | -.864 | .119 | -.494 | -1.396 | 140 | 565 | -.054 | .091 | .504 | -.383 | 140 | 712 | -.544 | .062 | -.323 | -.943 |
| 140 | 516 | -.091 | .153 | .618 | -.595 | 140 | 566 | -.730 | .128 | -.085 | -1.350 | 140 | 713 | -.547 | .069 | -.323 | -.832 |
| 140 | 517 | -.382 | .127 | .086 | -.835 | 140 | 567 | -1.136 | .142 | -.349 | -1.681 | 140 | 714 | -.537 | .063 | -.311 | -.923 |
| 140 | 518 | -.621 | .109 | -.159 | -.987 | 140 | 568 | -.749 | .083 | -.478 | -1.133 | 140 | 715 | -.568 | .091 | -.223 | -.900 |
| 140 | 519 | -.337 | .131 | -.515 | -1.465 | 140 | 569 | -.680 | .064 | -.422 | -.942 | 140 | 716 | -.865 | .276 | -.386 | -1.460 |
| 140 | 520 | -.825 | .134 | -.434 | -1.577 | 140 | 570 | -.680 | .080 | -.422 | -1.159 | 140 | 717 | -.377 | .187 | -.423 | -.824 |
| 140 | 521 | -.720 | .113 | -.258 | -1.134 | 140 | 571 | -.628 | .059 | -.383 | -.902 | 140 | 718 | -.054 | .098 | -.387 | -.219 |
| 140 | 522 | -.835 | .144 | -.379 | -1.512 | 140 | 572 | -.606 | .055 | -.436 | -.847 | 140 | 719 | .166 | .114 | -.668 | -.201 |
| 140 | 523 | -.750 | .076 | -.247 | -1.259 | 140 | 573 | -.570 | .049 | -.388 | -.839 | 140 | 720 | -.102 | .184 | -.942 | -.842 |
| 140 | 524 | -.653 | .068 | -.282 | -.966 | 140 | 574 | -.520 | .048 | -.298 | -.772 | 140 | 721 | -.034 | .095 | -.445 | -.354 |
| 140 | 525 | -.642 | .072 | -.245 | -.933 | 140 | 575 | -.491 | .046 | -.247 | -.650 | 140 | 801 | -.524 | .066 | -.278 | -.746 |
| 140 | 526 | -.620 | .071 | -.348 | -.888 | 140 | 576 | -.213 | .115 | .890 | -.087 | 140 | 802 | -.514 | .038 | -.405 | -.724 |
| 140 | 527 | -.622 | .072 | -.348 | -.931 | 140 | 577 | -.057 | .084 | .427 | -.429 | 140 | 803 | -.548 | .068 | -.356 | -.981 |
| 140 | 528 | -.304 | .146 | -.916 | -.255 | 140 | 578 | -.660 | .131 | .198 | -1.186 | 140 | 804 | -.518 | .057 | -.256 | -.695 |

APPENDIX A -- PRESSURE DATA

CONFIGURATION A: OLYMPIA AND YORK OFFICE TOWER, DALLAS

| WD | TAP | CPMEAN | CPRMS | CPMAX | CPMIN | WD | TAP | CPMEAN | CPRMS | CPMAX | CPMIN | WD | TAP | CPMEAN | CPRMS | CPMAX | CPMIN |
|-----|-----|--------|-------|-------|--------|-----|-----|--------|-------|-------|--------|-----|-----|--------|-------|-------|--------|
| 140 | 805 | -.526 | .054 | -.288 | -.719 | 150 | 121 | -.690 | .106 | -.430 | -1.664 | 150 | 204 | -.657 | .135 | -.255 | -1.584 |
| 140 | 806 | -.340 | .081 | -.173 | -.782 | 150 | 122 | -.364 | .066 | -.364 | -.920 | 150 | 205 | -.621 | .119 | -.288 | -1.197 |
| 140 | 807 | -.438 | .203 | -.229 | -1.033 | 150 | 123 | -.382 | .085 | -.373 | -.875 | 150 | 206 | -.613 | .127 | -.268 | -1.309 |
| 140 | 808 | -.217 | .127 | -.223 | -.324 | 150 | 124 | -.387 | .062 | -.362 | -.821 | 150 | 207 | -.726 | .173 | -.273 | -1.743 |
| 140 | 809 | -.014 | .091 | -.374 | -.343 | 150 | 125 | -.611 | .061 | -.389 | -.886 | 150 | 208 | -1.190 | .321 | -.296 | -2.401 |
| 140 | 810 | -.020 | .079 | -.189 | -.333 | 150 | 126 | -.616 | .076 | -.361 | -1.120 | 150 | 209 | -1.233 | .294 | -.401 | -2.580 |
| 140 | 901 | -.423 | .071 | -.032 | -.779 | 150 | 127 | -.618 | .080 | -.357 | -1.222 | 150 | 210 | -.879 | .356 | -.003 | -2.222 |
| 140 | 903 | -.525 | .092 | -.182 | -.862 | 150 | 128 | -.633 | .088 | -.348 | -1.339 | 150 | 211 | -.939 | .382 | -.072 | -2.338 |
| 140 | 904 | -.385 | .073 | -.257 | -1.019 | 150 | 129 | -.369 | .069 | -.355 | -1.037 | 150 | 212 | -.686 | .099 | -.317 | -1.273 |
| 140 | 905 | -.825 | .127 | -.408 | -1.467 | 150 | 130 | -.354 | .062 | -.328 | -.983 | 150 | 213 | -.710 | .111 | -.324 | -1.232 |
| 140 | 906 | -.028 | .158 | -.349 | -1.816 | 150 | 131 | -.357 | .056 | -.368 | -.880 | 150 | 214 | -.733 | .124 | -.309 | -1.352 |
| 140 | 907 | -.631 | .131 | -.649 | -1.368 | 150 | 132 | -.363 | .054 | -.307 | -.883 | 150 | 215 | -.681 | .123 | -.264 | -1.221 |
| 140 | 908 | -.689 | .137 | -.143 | -1.290 | 150 | 133 | -.397 | .058 | -.353 | -.854 | 150 | 216 | -.659 | .150 | -.137 | -1.437 |
| 140 | 909 | -.416 | .228 | -.889 | -1.249 | 150 | 134 | -.389 | .064 | -.289 | -.885 | 150 | 217 | -.673 | .136 | -.264 | -1.331 |
| 140 | 910 | -.689 | .118 | -.162 | -1.049 | 150 | 135 | -.607 | .065 | -.219 | -.945 | 150 | 218 | -.677 | .163 | -.182 | -1.493 |
| 140 | 911 | -.641 | .078 | -.272 | -.883 | 150 | 136 | -.313 | .051 | -.314 | -.898 | 150 | 219 | -.916 | .349 | -.105 | -2.222 |
| 140 | 912 | -.639 | .115 | -.232 | -1.286 | 150 | 137 | -.334 | .045 | -.375 | -.739 | 150 | 220 | -.874 | .336 | -.016 | -2.278 |
| 140 | 913 | -.697 | .110 | -.264 | -1.177 | 150 | 138 | -.324 | .046 | -.373 | -.736 | 150 | 221 | -.798 | .172 | -.307 | -1.094 |
| 140 | 914 | -.367 | .049 | -.327 | -.805 | 150 | 139 | -.328 | .048 | -.313 | -.752 | 150 | 222 | -.767 | .203 | -.395 | -1.982 |
| 140 | 915 | -.325 | .050 | -.376 | -.758 | 150 | 140 | -.333 | .050 | -.333 | -.702 | 150 | 223 | -.787 | .262 | -.385 | -2.209 |
| 140 | 916 | -.492 | .051 | -.325 | -.700 | 150 | 141 | -.353 | .058 | -.322 | -.727 | 150 | 224 | -.691 | .093 | -.341 | -1.428 |
| 140 | 917 | -.399 | .043 | -.393 | -.784 | 150 | 142 | -.366 | .064 | -.251 | -.798 | 150 | 225 | -.678 | .122 | -.170 | -1.464 |
| 140 | 918 | -.315 | .050 | -.232 | -.671 | 150 | 143 | -.494 | .050 | -.280 | -.652 | 150 | 226 | -.704 | .139 | -.133 | -1.937 |
| 140 | 919 | -.380 | .047 | -.416 | -.751 | 150 | 144 | -.495 | .048 | -.302 | -.657 | 150 | 227 | -.677 | .133 | -.156 | -1.257 |
| 140 | 920 | -.607 | .042 | -.432 | -.786 | 150 | 145 | -.488 | .048 | -.242 | -.633 | 150 | 228 | -.706 | .133 | -.218 | -1.278 |
| 140 | 921 | -.636 | .043 | -.496 | -.842 | 150 | 146 | -.480 | .052 | -.117 | -.628 | 150 | 229 | -.697 | .151 | -.182 | -1.608 |
| 140 | 922 | -.633 | .044 | -.498 | -.805 | 150 | 147 | -.334 | .052 | -.305 | -.691 | 150 | 230 | -.701 | .146 | -.023 | -1.517 |
| 140 | 923 | -.606 | .038 | -.483 | -.725 | 150 | 148 | -.332 | .053 | -.217 | -.710 | 150 | 231 | -.697 | .147 | -.180 | -1.577 |
| 140 | 924 | -.577 | .038 | -.452 | -.707 | 150 | 149 | -.386 | .043 | -.269 | -.746 | 150 | 232 | -.692 | .122 | -.233 | -1.404 |
| 140 | 925 | -.618 | .041 | -.494 | -.782 | 150 | 150 | -.352 | .046 | -.361 | -.793 | 150 | 233 | -.707 | .157 | -.210 | -1.472 |
| 150 | 101 | -.648 | .073 | -.418 | -.999 | 150 | 151 | -.325 | .055 | -.345 | -.817 | 150 | 234 | -.728 | .180 | -.280 | -2.213 |
| 150 | 102 | -.616 | .084 | -.346 | -1.004 | 150 | 152 | -.302 | .044 | -.328 | -.743 | 150 | 235 | -.716 | .183 | -.281 | -2.360 |
| 150 | 103 | -.630 | .067 | -.422 | -.952 | 150 | 153 | -.314 | .038 | -.379 | -.686 | 150 | 236 | -.657 | .079 | -.367 | -1.017 |
| 150 | 104 | -.635 | .066 | -.382 | -.903 | 150 | 154 | -.332 | .037 | -.397 | -.702 | 150 | 237 | -.633 | .094 | -.220 | -1.095 |
| 150 | 105 | -.663 | .072 | -.394 | -.994 | 150 | 155 | -.346 | .035 | -.429 | -.754 | 150 | 238 | -.678 | .104 | -.275 | -1.594 |
| 150 | 106 | -.631 | .081 | -.346 | -1.013 | 150 | 156 | -.351 | .034 | -.439 | -.751 | 150 | 239 | -.686 | .111 | -.219 | -1.278 |
| 150 | 107 | -.712 | .104 | -.431 | -1.410 | 150 | 157 | -.621 | .070 | -.423 | -.980 | 150 | 240 | -.707 | .086 | -.312 | -1.074 |
| 150 | 108 | -.629 | .071 | -.389 | -.932 | 150 | 158 | -.358 | .071 | -.304 | -.932 | 150 | 241 | -.689 | .095 | -.249 | -1.086 |
| 150 | 109 | -.650 | .067 | -.408 | -.893 | 150 | 159 | -.329 | .055 | -.329 | -.759 | 150 | 242 | -.681 | .086 | -.299 | -1.074 |
| 150 | 110 | -.618 | .070 | -.367 | -.893 | 150 | 160 | -.300 | .056 | -.208 | -.806 | 150 | 243 | -.632 | .079 | -.339 | -1.023 |
| 150 | 111 | -.643 | .069 | -.392 | -1.045 | 150 | 161 | -.344 | .029 | -.435 | -.640 | 150 | 244 | -.675 | .079 | -.430 | -1.033 |
| 150 | 112 | -.662 | .088 | -.386 | -1.158 | 150 | 162 | -.387 | .095 | -.313 | -1.013 | 150 | 245 | -.632 | .088 | -.263 | -1.196 |
| 150 | 113 | -.698 | .105 | -.399 | -1.245 | 150 | 163 | -.315 | .053 | -.335 | -.713 | 150 | 246 | -.589 | .081 | -.381 | -1.104 |
| 150 | 114 | -.720 | .113 | -.456 | -1.266 | 150 | 164 | -.484 | .047 | -.281 | -.678 | 150 | 247 | -.632 | .098 | -.370 | -1.440 |
| 150 | 115 | -.608 | .077 | -.282 | -1.043 | 150 | 165 | -.309 | .039 | -.371 | -.678 | 150 | 248 | -.594 | .067 | -.326 | -.839 |
| 150 | 116 | -.610 | .076 | -.328 | -.933 | 150 | 166 | -.312 | .030 | -.403 | -.616 | 150 | 249 | -.606 | .075 | -.364 | -.913 |
| 150 | 117 | -.634 | .070 | -.372 | -.982 | 150 | 167 | -.359 | .033 | -.449 | -.698 | 150 | 250 | -.619 | .079 | -.337 | -.927 |
| 150 | 118 | -.625 | .073 | -.321 | -.973 | 150 | 201 | -.696 | .090 | -.406 | -1.194 | 150 | 251 | -.693 | .083 | -.433 | -1.088 |
| 150 | 119 | -.641 | .088 | -.345 | -1.141 | 150 | 202 | -.690 | .101 | -.385 | -1.201 | 150 | 252 | -.689 | .057 | -.502 | -1.154 |
| 150 | 120 | -.653 | .108 | -.297 | -1.472 | 150 | 203 | -.739 | .116 | -.427 | -1.347 | 150 | 253 | -.669 | .059 | -.455 | -1.050 |

APPENDIX A -- PRESSURE DATA:

CONFIGURATION A: OLYMPIA AND YORK OFFICE TOWER, DALLAS

| WD | TAP | CPHEAN | CPRHS | CPHAX | CPMIN | WD | TAP | CPHEAN | CPRHS | CPHAX | CPMIN | WD | TAP | CPHEAN | CPRHS | CPHAX | CPMIN |
|-----|-----|--------|-------|-------|-------|-----|-----|--------|-------|-------|--------|-----|-----|--------|-------|-------|--------|
| 150 | 234 | .663 | .033 | .464 | .924 | 150 | 304 | .538 | .039 | .383 | .704 | 150 | 445 | .336 | .172 | .154 | .978 |
| 150 | 235 | .638 | .031 | .467 | .866 | 150 | 305 | .538 | .029 | .461 | .678 | 150 | 446 | .077 | .186 | .618 | -1.163 |
| 150 | 236 | .534 | .045 | .521 | .858 | 150 | 306 | .531 | .030 | .447 | .663 | 150 | 447 | .248 | .140 | .856 | -1.543 |
| 150 | 237 | .612 | .047 | .469 | .813 | 150 | 307 | .565 | .035 | .434 | .699 | 150 | 448 | .067 | .140 | .612 | -1.278 |
| 150 | 238 | .603 | .051 | .464 | .934 | 150 | 308 | .595 | .047 | .424 | .779 | 150 | 449 | .402 | .141 | .391 | -1.814 |
| 150 | 239 | .605 | .036 | .438 | .852 | 150 | 309 | .698 | .089 | .393 | -1.117 | 150 | 450 | .397 | .064 | .400 | -1.861 |
| 150 | 240 | .533 | .058 | .252 | .728 | 150 | 401 | .063 | .331 | .880 | -1.065 | 150 | 451 | .530 | .086 | .272 | -1.879 |
| 150 | 241 | .575 | .067 | .249 | .793 | 150 | 402 | .133 | .336 | .995 | -1.910 | 150 | 452 | .306 | .136 | .059 | -1.801 |
| 150 | 242 | .641 | .073 | .238 | .892 | 150 | 403 | .161 | .274 | .977 | -1.720 | 150 | 453 | .114 | .124 | .560 | -1.699 |
| 150 | 243 | .698 | .074 | .447 | .837 | 150 | 404 | .041 | .379 | .899 | -1.177 | 150 | 454 | .221 | .128 | .730 | -1.147 |
| 150 | 244 | .667 | .039 | .548 | .810 | 150 | 405 | .185 | .417 | 1.039 | -1.211 | 150 | 455 | .076 | .136 | .648 | -1.358 |
| 150 | 245 | .643 | .036 | .496 | .786 | 150 | 406 | .332 | .416 | .830 | -1.342 | 150 | 456 | .428 | .139 | .172 | -1.897 |
| 150 | 246 | .630 | .038 | .512 | .813 | 150 | 407 | .548 | .318 | .667 | -1.290 | 150 | 457 | .603 | .091 | .928 | -1.908 |
| 150 | 247 | .620 | .038 | .512 | .782 | 150 | 408 | .378 | .261 | .663 | -1.394 | 150 | 458 | .726 | .070 | .312 | -1.032 |
| 150 | 248 | .621 | .039 | .501 | .789 | 150 | 409 | .369 | .281 | .727 | -1.127 | 150 | 459 | .508 | .176 | .114 | -1.112 |
| 150 | 249 | .611 | .040 | .483 | .804 | 150 | 410 | .107 | .293 | .895 | -1.897 | 150 | 460 | .746 | .066 | .534 | -1.024 |
| 150 | 250 | .611 | .043 | .469 | .802 | 150 | 411 | .409 | .220 | .766 | -1.057 | 150 | 461 | .487 | .101 | .204 | -1.964 |
| 150 | 251 | .539 | .041 | .432 | .730 | 150 | 412 | .642 | .193 | .338 | -1.240 | 150 | 462 | .424 | .073 | .177 | -1.746 |
| 150 | 252 | .537 | .058 | .234 | .717 | 150 | 413 | .661 | .170 | .215 | -1.450 | 150 | 463 | .180 | .094 | .101 | -1.695 |
| 150 | 253 | .546 | .033 | .334 | .816 | 150 | 414 | .768 | .146 | .101 | -1.322 | 150 | 464 | .120 | .116 | .639 | -1.572 |
| 150 | 254 | .609 | .033 | .401 | .857 | 150 | 415 | .933 | .194 | .634 | -1.813 | 150 | 465 | .168 | .112 | .733 | -1.176 |
| 150 | 255 | .633 | .051 | .407 | .914 | 150 | 416 | .177 | .220 | .998 | -1.304 | 150 | 466 | .134 | .122 | .601 | -1.548 |
| 150 | 256 | .609 | .036 | .431 | .774 | 150 | 417 | .265 | .184 | .890 | -1.216 | 150 | 467 | .034 | .159 | .371 | -1.700 |
| 150 | 257 | .621 | .037 | .480 | .745 | 150 | 418 | .252 | .169 | .765 | -1.204 | 150 | 468 | .668 | .133 | .152 | -1.134 |
| 150 | 258 | .616 | .037 | .497 | .751 | 150 | 419 | .073 | .157 | .622 | -1.432 | 150 | 501 | .828 | .234 | .336 | -1.828 |
| 150 | 259 | .611 | .035 | .507 | .725 | 150 | 420 | .069 | .171 | .633 | -1.678 | 150 | 502 | .866 | .225 | .159 | -1.735 |
| 150 | 260 | .614 | .037 | .501 | .729 | 150 | 421 | .193 | .168 | .553 | -1.708 | 150 | 503 | .784 | .205 | .155 | -1.536 |
| 150 | 261 | .610 | .039 | .466 | .779 | 150 | 422 | .446 | .110 | .024 | -1.869 | 150 | 504 | .935 | .221 | .343 | -1.928 |
| 150 | 262 | .630 | .043 | .499 | .786 | 150 | 423 | .292 | .110 | .130 | -1.726 | 150 | 505 | .837 | .144 | .417 | -1.572 |
| 150 | 263 | .636 | .041 | .504 | .799 | 150 | 424 | .063 | .113 | .572 | -1.353 | 150 | 506 | .680 | .091 | .410 | -1.215 |
| 150 | 264 | .635 | .099 | .193 | 1.102 | 150 | 425 | .324 | .147 | .977 | -1.226 | 150 | 507 | .661 | .070 | .427 | -1.099 |
| 150 | 265 | .635 | .035 | .469 | .744 | 150 | 426 | .283 | .143 | .835 | -1.209 | 150 | 508 | .598 | .070 | .371 | -1.948 |
| 150 | 266 | .584 | .026 | .485 | .692 | 150 | 427 | .065 | .149 | .629 | -1.446 | 150 | 509 | .647 | .086 | .344 | -1.265 |
| 150 | 267 | .536 | .032 | .456 | .721 | 150 | 428 | .320 | .149 | .346 | -1.877 | 150 | 510 | .638 | .086 | .320 | -1.158 |
| 150 | 268 | .605 | .032 | .507 | .710 | 150 | 429 | .540 | .072 | .316 | -1.904 | 150 | 511 | .732 | .154 | .098 | -1.213 |
| 150 | 269 | .608 | .036 | .481 | .789 | 150 | 430 | .485 | .087 | .204 | -1.892 | 150 | 512 | .727 | .134 | .072 | -1.149 |
| 150 | 270 | .617 | .046 | .402 | .823 | 150 | 431 | .208 | .140 | .169 | -1.765 | 150 | 513 | .781 | .116 | .021 | -1.243 |
| 150 | 271 | .666 | .066 | .433 | .935 | 150 | 432 | .199 | .141 | .726 | -1.451 | 150 | 514 | .844 | .133 | .390 | -1.481 |
| 150 | 272 | .703 | .069 | .517 | .081 | 150 | 433 | .308 | .144 | .856 | -1.005 | 150 | 515 | .857 | .101 | .475 | -1.303 |
| 150 | 273 | .666 | .168 | .608 | .667 | 150 | 434 | .154 | .154 | .795 | -1.244 | 150 | 516 | .147 | .138 | .333 | -1.719 |
| 150 | 274 | .635 | .030 | .455 | .665 | 150 | 435 | .320 | .155 | .369 | -1.857 | 150 | 517 | .403 | .101 | .007 | -1.832 |
| 150 | 275 | .629 | .029 | .466 | .662 | 150 | 436 | .562 | .056 | .360 | -1.774 | 150 | 518 | .639 | .105 | .250 | -1.115 |
| 150 | 276 | .633 | .039 | .475 | .653 | 150 | 437 | .531 | .070 | .278 | -1.819 | 150 | 519 | .912 | .125 | .406 | -1.566 |
| 150 | 277 | .636 | .039 | .459 | .658 | 150 | 438 | .343 | .161 | .184 | -1.812 | 150 | 520 | .859 | .134 | .470 | -1.612 |
| 150 | 278 | .570 | .055 | .390 | .827 | 150 | 439 | .096 | .199 | .736 | -1.071 | 150 | 521 | .737 | .101 | .334 | -1.096 |
| 150 | 279 | .636 | .135 | .243 | 1.122 | 150 | 440 | .276 | .141 | .918 | -1.182 | 150 | 522 | .843 | .130 | .390 | -1.504 |
| 150 | 280 | .713 | .071 | .483 | .992 | 150 | 441 | .160 | .148 | .965 | -1.241 | 150 | 523 | .731 | .066 | .510 | -1.068 |
| 150 | 281 | .637 | .037 | .439 | .734 | 150 | 442 | .323 | .135 | .416 | -1.797 | 150 | 524 | .643 | .060 | .401 | -1.881 |
| 150 | 282 | .633 | .033 | .439 | .677 | 150 | 443 | .562 | .051 | .385 | -1.807 | 150 | 525 | .637 | .058 | .336 | -1.937 |
| 150 | 283 | .632 | .032 | .418 | .654 | 150 | 444 | .574 | .080 | .315 | -1.879 | 150 | 526 | .620 | .063 | .410 | -1.904 |

APPENDIX A -- PRESSURE DATA:

CONFIGURATION A: OLYMPIA AND YORK OFFICE TOWER, DALLAS

| WD | TAF | CFMEAN | CFRMS | CFMAX | CFMIN | WD | TAF | CFMEAN | CFRMS | CFMAX | CFMIN | WD | TAF | CFMEAN | CFRMS | CFMAX | CFMIN |
|-----|-----|--------|-------|--------|-------|-----|------|--------|-------|--------|-------|-----|--------|--------|-------|--------|-------|
| 150 | 327 | .072 | .338 | .284 | 150 | 377 | .057 | .104 | .581 | .397 | 150 | 803 | .576 | .055 | .382 | .936 | |
| 150 | 328 | .138 | .761 | .284 | 150 | 378 | .704 | .136 | .275 | -1.146 | 150 | 804 | .553 | .069 | .283 | .773 | |
| 150 | 329 | .151 | .262 | .598 | 150 | 379 | .096 | .154 | .285 | -1.676 | 150 | 805 | .564 | .060 | .316 | .841 | |
| 150 | 330 | .135 | .235 | -1.293 | 150 | 380 | .726 | .079 | .359 | -1.130 | 150 | 806 | .575 | .090 | .175 | .810 | |
| 150 | 331 | -1.370 | .129 | .811 | 150 | 381 | .700 | .064 | .461 | .929 | 150 | 807 | .539 | .234 | .388 | -1.050 | |
| 150 | 332 | .788 | .689 | -1.181 | 150 | 382 | .711 | .098 | .386 | -1.178 | 150 | 808 | .234 | .132 | .344 | .632 | |
| 150 | 333 | .733 | .061 | .447 | 150 | 383 | .639 | .066 | .460 | -1.045 | 150 | 809 | .017 | .057 | .346 | .508 | |
| 150 | 334 | .731 | .079 | .427 | 150 | 384 | .630 | .063 | .435 | -1.021 | 150 | 810 | .104 | .081 | .214 | .389 | |
| 150 | 335 | .712 | .053 | .485 | 150 | 385 | .572 | .054 | .392 | .840 | 150 | 901 | .404 | .083 | .971 | .722 | |
| 150 | 336 | .643 | .047 | .420 | 150 | 386 | .511 | .052 | .283 | .713 | 150 | 903 | .468 | .091 | .142 | .945 | |
| 150 | 337 | .631 | .047 | .434 | 150 | 387 | .480 | .053 | .283 | .695 | 150 | 904 | .542 | .067 | .270 | .810 | |
| 150 | 338 | .622 | .062 | .307 | 150 | 388 | .555 | .058 | .298 | .877 | 150 | 905 | .801 | .117 | .388 | -1.299 | |
| 150 | 339 | .636 | .067 | .401 | 150 | 389 | .533 | .063 | .150 | .812 | 150 | 906 | -1.022 | .155 | .527 | -1.624 | |
| 150 | 340 | .646 | .139 | 1.000 | 150 | 390 | .590 | .098 | .754 | .216 | 150 | 907 | -1.063 | .144 | .671 | -1.833 | |
| 150 | 341 | .624 | .120 | .608 | 150 | 391 | .025 | .105 | .491 | .433 | 150 | 908 | .592 | .196 | .292 | -1.227 | |
| 150 | 342 | .723 | .146 | .242 | 150 | 392 | .142 | .177 | .492 | .724 | 150 | 909 | .115 | .332 | 1.008 | .942 | |
| 150 | 343 | .448 | .134 | .826 | 150 | 393 | .637 | .182 | .068 | -1.479 | 150 | 910 | .568 | .180 | .252 | -1.151 | |
| 150 | 344 | .715 | .085 | .530 | 150 | 394 | .686 | .134 | .221 | -1.181 | 150 | 911 | .587 | .098 | .149 | .893 | |
| 150 | 345 | .712 | .055 | .529 | 150 | 395 | .744 | .122 | .327 | -1.357 | 150 | 912 | .643 | .167 | .089 | -1.610 | |
| 150 | 346 | .699 | .065 | .448 | 150 | 396 | .587 | .112 | .177 | -1.096 | 150 | 913 | .641 | .140 | .154 | -1.668 | |
| 150 | 347 | .706 | .051 | .533 | 150 | 397 | .608 | .083 | .313 | -1.084 | 150 | 914 | .572 | .050 | .329 | .825 | |
| 150 | 348 | .638 | .046 | .478 | 150 | 398 | .548 | .084 | .265 | .922 | 150 | 915 | .501 | .044 | .282 | .718 | |
| 150 | 349 | .631 | .044 | .451 | 150 | 399 | .591 | .082 | .323 | .984 | 150 | 916 | .483 | .050 | .265 | .674 | |
| 150 | 350 | .601 | .057 | .385 | 150 | 600 | .543 | .066 | .319 | .894 | 150 | 917 | .602 | .044 | .357 | .760 | |
| 150 | 351 | .567 | .060 | .264 | 150 | 601 | .586 | .068 | .319 | .932 | 150 | 918 | .530 | .048 | .324 | .678 | |
| 150 | 352 | .287 | .146 | 1.007 | 150 | 602 | .585 | .071 | .362 | .862 | 150 | 919 | .595 | .045 | .432 | .774 | |
| 150 | 353 | .022 | .124 | .671 | 150 | 603 | .526 | .066 | .219 | .816 | 150 | 920 | .607 | .038 | .463 | .748 | |
| 150 | 354 | .781 | .130 | .227 | 150 | 701 | .363 | .048 | .413 | .791 | 150 | 921 | .639 | .037 | .528 | .769 | |
| 150 | 355 | -1.229 | .131 | .813 | 150 | 702 | .555 | .051 | .401 | .792 | 150 | 922 | .609 | .036 | .510 | .746 | |
| 150 | 356 | .789 | .081 | .521 | 150 | 703 | .607 | .064 | .463 | .966 | 150 | 923 | .580 | .031 | .484 | .713 | |
| 150 | 357 | .695 | .058 | .511 | 150 | 704 | .567 | .056 | .394 | .877 | 150 | 924 | .566 | .036 | .444 | .689 | |
| 150 | 358 | .687 | .066 | .443 | 150 | 705 | .515 | .125 | .291 | .877 | 150 | 925 | .602 | .039 | .437 | .760 | |
| 150 | 359 | .623 | .048 | .446 | 150 | 706 | .415 | .191 | .324 | .799 | 160 | 101 | .645 | .070 | .428 | -1.121 | |
| 150 | 360 | .610 | .046 | .411 | 150 | 707 | .634 | .125 | .108 | -1.309 | 160 | 102 | .621 | .074 | .374 | -1.047 | |
| 150 | 361 | .519 | .044 | .385 | 150 | 708 | .531 | .062 | .286 | .847 | 160 | 103 | .623 | .064 | .427 | .928 | |
| 150 | 362 | .534 | .034 | .386 | 150 | 709 | .551 | .045 | .406 | .782 | 160 | 104 | .620 | .064 | .418 | .982 | |
| 150 | 363 | .513 | .056 | .266 | 150 | 710 | .857 | .098 | .465 | -1.215 | 160 | 105 | .649 | .069 | .406 | -1.063 | |
| 150 | 364 | .244 | .146 | .787 | 150 | 711 | .554 | .061 | .331 | .803 | 160 | 106 | .609 | .067 | .326 | .982 | |
| 150 | 365 | .758 | .100 | .562 | 150 | 712 | .576 | .068 | .367 | .891 | 160 | 107 | .673 | .090 | .473 | .987 | |
| 150 | 366 | .759 | .112 | .692 | 150 | 713 | .579 | .066 | .382 | .844 | 160 | 108 | .621 | .069 | .399 | .987 | |
| 150 | 367 | -1.159 | .129 | .690 | 150 | 714 | .563 | .066 | .335 | .991 | 160 | 109 | .638 | .062 | .450 | .927 | |
| 150 | 368 | .687 | .082 | .484 | 150 | 715 | .587 | .088 | .239 | .949 | 160 | 110 | .605 | .062 | .391 | .871 | |
| 150 | 369 | .684 | .061 | .449 | 150 | 716 | .900 | .249 | .121 | -1.462 | 160 | 111 | .625 | .058 | .404 | .951 | |
| 150 | 370 | .682 | .075 | .421 | 150 | 717 | .413 | .170 | .383 | .777 | 160 | 112 | .638 | .067 | .356 | -1.081 | |
| 150 | 371 | .633 | .059 | .412 | 150 | 718 | .054 | .095 | .619 | .180 | 160 | 113 | .654 | .066 | .457 | -1.023 | |
| 150 | 372 | .632 | .053 | .430 | 150 | 719 | .187 | .124 | .833 | .172 | 160 | 114 | .657 | .072 | .453 | -1.014 | |
| 150 | 373 | .639 | .046 | .401 | 150 | 720 | .108 | .184 | .646 | .713 | 160 | 115 | .597 | .074 | .355 | .983 | |
| 150 | 374 | .647 | .047 | .330 | 150 | 721 | .041 | .093 | .271 | .401 | 160 | 116 | .599 | .073 | .320 | .987 | |
| 150 | 375 | .447 | .046 | .328 | 150 | 801 | .541 | .067 | .287 | .808 | 160 | 117 | .611 | .061 | .332 | .831 | |
| 150 | 376 | .227 | .134 | .631 | 150 | 802 | .533 | .038 | .438 | .722 | 160 | 118 | .609 | .072 | .360 | -1.037 | |

APPENDIX A -- PRESSURE DATA:

CONFIGURATION A) OLYMPIA AND YORK OFFICE TOWER, DALLAS

| WD | TAP | CPMEAN | CPRMS | CPMAX | CPMIN | WD | TAP | CPMEAN | CPRMS | CPMAX | CPMIN | WD | TAP | CPMEAN | CPRMS | CPMAX | CPMIN |
|-----|-----|--------|-------|--------|-------|-----|--------|--------|--------|--------|-------|-----|--------|--------|--------|--------|-------|
| 160 | 111 | 0.94 | 0.353 | -1.331 | 160 | 202 | 0.672 | 0.073 | -0.387 | -1.033 | 160 | 252 | -0.673 | 0.061 | -0.398 | -1.134 | |
| 160 | 112 | 1.20 | 0.312 | -1.760 | 160 | 203 | -0.702 | 0.086 | -0.432 | -1.222 | 160 | 253 | -0.673 | 0.068 | -0.367 | -1.175 | |
| 160 | 113 | 0.641 | 0.474 | -1.307 | 160 | 204 | -0.560 | 0.092 | -0.248 | -1.102 | 160 | 254 | -0.673 | 0.067 | -0.393 | -1.483 | |
| 160 | 114 | 0.683 | 0.293 | -0.914 | 160 | 205 | -0.533 | 0.096 | -0.210 | -1.211 | 160 | 255 | -0.652 | 0.039 | -0.408 | -1.135 | |
| 160 | 115 | 0.577 | 0.321 | -0.902 | 160 | 206 | -0.531 | 0.103 | -0.136 | -1.289 | 160 | 256 | -0.663 | 0.033 | -0.490 | -0.936 | |
| 160 | 116 | 0.578 | 0.329 | -0.843 | 160 | 207 | -0.551 | 0.156 | -0.231 | -1.520 | 160 | 257 | -0.640 | 0.036 | -0.460 | -0.883 | |
| 160 | 117 | 0.662 | 0.224 | -0.903 | 160 | 208 | -1.254 | 0.282 | -0.133 | -2.193 | 160 | 258 | -0.629 | 0.060 | -0.446 | -1.005 | |
| 160 | 118 | 0.610 | 0.298 | -1.253 | 160 | 209 | -1.342 | 0.264 | -0.403 | -2.684 | 160 | 259 | -0.618 | 0.070 | -0.412 | -1.235 | |
| 160 | 119 | 0.625 | 0.107 | -1.454 | 160 | 210 | -1.058 | 0.366 | -0.123 | -2.047 | 160 | 260 | -0.370 | 0.038 | -0.303 | -0.803 | |
| 160 | 120 | 0.653 | 0.413 | -1.467 | 160 | 211 | -1.125 | 0.347 | -0.035 | -2.178 | 160 | 261 | -0.588 | 0.062 | -0.344 | -0.800 | |
| 160 | 121 | 0.559 | 0.394 | -1.011 | 160 | 212 | -0.667 | 0.076 | -0.446 | -1.202 | 160 | 262 | -0.633 | 0.066 | -0.330 | -0.915 | |
| 160 | 122 | 0.660 | 0.377 | -0.814 | 160 | 213 | -0.687 | 0.082 | -0.315 | -1.178 | 160 | 263 | -0.668 | 0.071 | -0.427 | -1.038 | |
| 160 | 123 | 0.553 | 0.376 | -0.846 | 160 | 214 | -0.700 | 0.092 | -0.429 | -1.273 | 160 | 264 | -0.653 | 0.043 | -0.374 | -0.884 | |
| 160 | 124 | 0.577 | 0.341 | -0.934 | 160 | 215 | -0.633 | 0.088 | -0.358 | -1.160 | 160 | 265 | -0.646 | 0.047 | -0.474 | -1.021 | |
| 160 | 125 | 0.603 | 0.167 | -0.944 | 160 | 216 | -0.591 | 0.114 | -0.230 | -1.350 | 160 | 266 | -0.634 | 0.040 | -0.441 | -0.880 | |
| 160 | 126 | 0.599 | 0.283 | -1.303 | 160 | 217 | -0.603 | 0.118 | -0.227 | -1.233 | 160 | 267 | -0.608 | 0.036 | -0.493 | -0.781 | |
| 160 | 127 | 0.611 | 0.270 | -1.254 | 160 | 218 | -0.646 | 0.178 | -0.097 | -1.484 | 160 | 268 | -0.622 | 0.038 | -0.506 | -0.824 | |
| 160 | 128 | 0.536 | 0.324 | -0.913 | 160 | 219 | -1.083 | 0.372 | 0.046 | -2.592 | 160 | 269 | -0.613 | 0.038 | -0.504 | -0.781 | |
| 160 | 129 | 0.541 | 0.399 | -0.826 | 160 | 220 | -0.895 | 0.328 | -0.127 | -2.446 | 160 | 270 | -0.593 | 0.041 | -0.464 | -0.722 | |
| 160 | 130 | 0.540 | 0.391 | -0.809 | 160 | 221 | -0.735 | 0.195 | -0.151 | -1.648 | 160 | 271 | -0.578 | 0.038 | -0.447 | -0.763 | |
| 160 | 131 | 0.549 | 0.216 | -0.830 | 160 | 222 | -0.874 | 0.238 | -0.244 | -2.204 | 160 | 272 | -0.504 | 0.066 | -0.179 | -0.732 | |
| 160 | 132 | 0.553 | 0.356 | -0.766 | 160 | 223 | -0.951 | 0.401 | -0.342 | -3.546 | 160 | 273 | -0.548 | 0.037 | -0.273 | -0.768 | |
| 160 | 133 | 0.553 | 0.358 | -0.776 | 160 | 224 | -0.675 | 0.092 | -0.326 | -1.294 | 160 | 274 | -0.601 | 0.062 | -0.167 | -0.858 | |
| 160 | 134 | 0.537 | 0.362 | -0.799 | 160 | 225 | -0.669 | 0.125 | -0.180 | -1.548 | 160 | 275 | -0.624 | 0.038 | -0.408 | -0.915 | |
| 160 | 135 | 0.537 | 0.260 | -0.652 | 160 | 226 | -0.704 | 0.137 | -0.282 | -1.760 | 160 | 276 | -0.600 | 0.039 | -0.422 | -0.747 | |
| 160 | 136 | 0.553 | 0.298 | -0.644 | 160 | 227 | -0.657 | 0.118 | -0.283 | -1.302 | 160 | 277 | -0.613 | 0.039 | -0.408 | -0.800 | |
| 160 | 137 | 0.553 | 0.078 | -0.615 | 160 | 228 | -0.673 | 0.119 | -0.303 | -1.316 | 160 | 278 | -0.614 | 0.038 | -0.434 | -0.763 | |
| 160 | 138 | 0.663 | 0.025 | -0.606 | 160 | 229 | -0.671 | 0.142 | -0.138 | -1.272 | 160 | 279 | -0.599 | 0.034 | -0.490 | -0.737 | |
| 160 | 139 | 0.553 | 0.285 | -0.796 | 160 | 230 | -0.690 | 0.148 | -0.136 | -1.418 | 160 | 280 | -0.615 | 0.033 | -0.497 | -0.764 | |
| 160 | 140 | 0.559 | 0.154 | -0.697 | 160 | 231 | -0.718 | 0.162 | -0.064 | -1.379 | 160 | 281 | -0.607 | 0.038 | -0.444 | -0.747 | |
| 160 | 141 | 0.552 | 0.133 | -0.773 | 160 | 232 | -0.712 | 0.127 | -0.234 | -1.285 | 160 | 282 | -0.638 | 0.044 | -0.474 | -0.833 | |
| 160 | 142 | 0.663 | 0.341 | -0.921 | 160 | 233 | -0.763 | 0.183 | -0.135 | -1.795 | 160 | 283 | -0.624 | 0.040 | -0.471 | -0.802 | |
| 160 | 143 | 0.674 | 0.322 | -0.876 | 160 | 234 | -0.824 | 0.222 | -0.261 | -2.165 | 160 | 284 | -0.587 | 0.091 | -0.277 | -1.103 | |
| 160 | 144 | 0.550 | 0.341 | -0.737 | 160 | 235 | -0.812 | 0.225 | -0.193 | -2.245 | 160 | 285 | -0.583 | 0.039 | -0.457 | -0.786 | |
| 160 | 145 | 0.440 | 0.343 | -0.656 | 160 | 236 | -0.645 | 0.080 | -0.372 | -1.138 | 160 | 286 | -0.579 | 0.028 | -0.490 | -0.680 | |
| 160 | 146 | 0.533 | 0.338 | -0.733 | 160 | 237 | -0.637 | 0.102 | -0.211 | -1.287 | 160 | 287 | -0.587 | 0.034 | -0.437 | -0.744 | |
| 160 | 147 | 0.639 | 0.374 | -0.789 | 160 | 238 | -0.661 | 0.117 | -0.245 | -1.855 | 160 | 288 | -0.588 | 0.031 | -0.461 | -0.693 | |
| 160 | 148 | 0.538 | 0.389 | -0.805 | 160 | 239 | -0.651 | 0.104 | -0.267 | -1.178 | 160 | 289 | -0.609 | 0.036 | -0.484 | -0.774 | |
| 160 | 149 | 0.668 | 0.466 | -0.829 | 160 | 240 | -0.686 | 0.093 | -0.138 | -1.090 | 160 | 290 | -0.622 | 0.049 | -0.439 | -0.863 | |
| 160 | 150 | 0.533 | 0.331 | -0.883 | 160 | 241 | -0.685 | 0.106 | -0.099 | -1.325 | 160 | 291 | -0.649 | 0.068 | -0.417 | -1.105 | |
| 160 | 151 | 0.517 | 0.346 | -0.742 | 160 | 242 | -0.685 | 0.098 | -0.231 | -1.187 | 160 | 292 | -0.717 | 0.066 | -0.301 | -1.010 | |
| 160 | 152 | 0.456 | 0.287 | -0.619 | 160 | 243 | -0.674 | 0.095 | -0.345 | -1.186 | 160 | 293 | -0.609 | 0.090 | -0.246 | -1.068 | |
| 160 | 153 | 0.546 | 0.456 | -0.627 | 160 | 244 | -0.679 | 0.082 | -0.341 | -1.003 | 160 | 294 | -0.540 | 0.031 | -0.434 | -0.646 | |
| 160 | 154 | 0.771 | 0.324 | -1.058 | 160 | 245 | -0.677 | 0.094 | -0.339 | -1.197 | 160 | 295 | -0.557 | 0.029 | -0.464 | -0.680 | |
| 160 | 155 | 0.653 | 0.284 | -0.878 | 160 | 246 | -0.622 | 0.107 | -0.261 | -1.386 | 160 | 296 | -0.533 | 0.029 | -0.466 | -0.670 | |
| 160 | 156 | 0.554 | 0.149 | -0.590 | 160 | 247 | -0.670 | 0.120 | -0.355 | -1.725 | 160 | 297 | -0.549 | 0.030 | -0.462 | -0.659 | |
| 160 | 157 | 0.643 | 0.338 | -0.638 | 160 | 248 | -0.614 | 0.059 | -0.308 | -0.851 | 160 | 298 | -0.533 | 0.033 | -0.381 | -0.815 | |
| 160 | 158 | 0.509 | 0.363 | -0.639 | 160 | 249 | -0.612 | 0.070 | -0.277 | -0.890 | 160 | 299 | -0.847 | 0.138 | -0.226 | -1.215 | |
| 160 | 159 | 0.554 | 0.438 | -0.664 | 160 | 250 | -0.500 | 0.077 | -0.239 | -1.338 | 160 | 300 | -0.710 | 0.076 | -0.432 | -1.069 | |
| 160 | 160 | 0.071 | 0.448 | -1.026 | 160 | 251 | -0.645 | 0.077 | -0.386 | -1.178 | 160 | 301 | -0.569 | 0.037 | -0.378 | -0.713 | |

APPENDIX A -- PRESSURE DATA:

CONFIGURATION A) OLYMPIA AND YORK OFFICE TOWER, DALLAS

| WD | TAP | CPMEAN | CPRRS | CPMAX | CPMIN | WD | TAP | CPMEAN | CPRRS | CPMAX | CPMIN | WD | TAP | CPMEAN | CPRRS | CPMAX | CPMIN |
|-----|-----|--------|-------|-------|--------|-----|-----|--------|-------|-------|--------|-----|-----|--------|-------|--------|--------|
| 160 | 302 | .548 | .032 | .377 | -.673 | 160 | 443 | -.392 | .049 | -.413 | -.778 | 160 | 525 | -.641 | .034 | -.447 | -.762 |
| 160 | 303 | -.532 | .033 | -.414 | -.625 | 160 | 444 | -.606 | .070 | -.364 | -.848 | 160 | 526 | -.623 | .059 | -.397 | -.888 |
| 160 | 304 | -.535 | .031 | -.448 | -.667 | 160 | 443 | -.388 | .158 | -.020 | -.884 | 160 | 527 | -.621 | .063 | -.378 | -.835 |
| 160 | 305 | -.548 | .029 | -.417 | -.649 | 160 | 446 | .035 | .191 | .580 | -1.057 | 160 | 528 | -.245 | .154 | -.837 | -.470 |
| 160 | 306 | -.528 | .029 | -.439 | -.646 | 160 | 447 | .248 | .133 | .863 | -.263 | 160 | 529 | -.176 | .113 | -.369 | -.391 |
| 160 | 307 | -.558 | .035 | -.442 | -.732 | 160 | 448 | .087 | .147 | .743 | -.339 | 160 | 530 | -.840 | .118 | -.407 | -1.229 |
| 160 | 308 | -.534 | .046 | -.447 | -.800 | 160 | 449 | -.411 | .155 | .387 | -.929 | 160 | 531 | -1.343 | .114 | -.681 | -1.884 |
| 160 | 309 | -.680 | .087 | -.427 | -1.088 | 160 | 450 | -.619 | .059 | -.385 | -.836 | 160 | 532 | -.803 | .086 | -.522 | -1.211 |
| 160 | 401 | .224 | .242 | .836 | -.903 | 160 | 451 | -.362 | .078 | -.276 | -.846 | 160 | 533 | -.733 | .052 | -.527 | -.922 |
| 160 | 402 | .291 | .243 | .932 | -.891 | 160 | 452 | -.362 | .135 | .038 | -.947 | 160 | 534 | -.737 | .074 | -.445 | -.987 |
| 160 | 403 | .236 | .222 | .811 | -.615 | 160 | 453 | .084 | .129 | .537 | -.672 | 160 | 535 | -.714 | .049 | -.554 | -.916 |
| 160 | 404 | .034 | .315 | .859 | -1.068 | 160 | 454 | .226 | .127 | .840 | -.128 | 160 | 536 | -.652 | .044 | -.500 | -.829 |
| 160 | 405 | .009 | .396 | .943 | -1.090 | 160 | 455 | .090 | .138 | .770 | -.432 | 160 | 537 | -.641 | .044 | -.461 | -.804 |
| 160 | 406 | -.223 | .409 | .893 | -1.210 | 160 | 456 | -.436 | .168 | .160 | -.929 | 160 | 538 | -.622 | .064 | -.279 | -.853 |
| 160 | 407 | -.603 | .289 | .607 | -1.289 | 160 | 457 | -.624 | .064 | -.282 | -.876 | 160 | 539 | -.648 | .067 | -.410 | -.911 |
| 160 | 408 | -.334 | .308 | .604 | -1.218 | 160 | 458 | -.746 | .072 | -.514 | -1.069 | 160 | 540 | -.295 | .163 | -.954 | -.430 |
| 160 | 409 | .124 | .297 | .706 | -.912 | 160 | 459 | -.574 | .153 | -.057 | -1.026 | 160 | 541 | -.034 | .143 | -.766 | -.569 |
| 160 | 410 | .129 | .317 | .901 | -1.141 | 160 | 460 | -.765 | .069 | -.527 | -1.135 | 160 | 542 | -.785 | .141 | -.112 | -1.405 |
| 160 | 411 | -.263 | .250 | .639 | -.912 | 160 | 461 | -.526 | .100 | -.213 | -.941 | 160 | 543 | -1.404 | .115 | -1.008 | -1.983 |
| 160 | 412 | -.599 | .217 | .397 | -1.297 | 160 | 462 | -.449 | .075 | -.218 | -.793 | 160 | 544 | -.776 | .076 | -.529 | -1.154 |
| 160 | 413 | .511 | .217 | .535 | -1.333 | 160 | 463 | .214 | .113 | .059 | -.727 | 160 | 545 | -.723 | .052 | -.574 | -.929 |
| 160 | 414 | .742 | .144 | .071 | -1.351 | 160 | 464 | .111 | .121 | .587 | -.505 | 160 | 546 | -.719 | .063 | -.495 | -.964 |
| 160 | 415 | .029 | .202 | .721 | -.943 | 160 | 465 | .173 | .111 | .683 | -.192 | 160 | 547 | -.709 | .043 | -.564 | -1.058 |
| 160 | 416 | .257 | .219 | .013 | -.429 | 160 | 466 | .137 | .125 | .669 | -.216 | 160 | 548 | -.650 | .041 | -.505 | -.997 |
| 160 | 417 | .294 | .196 | .875 | -.244 | 160 | 467 | -.030 | .152 | .439 | -.633 | 160 | 549 | -.632 | .040 | -.478 | -.907 |
| 160 | 418 | .253 | .178 | .844 | -.244 | 160 | 468 | .712 | .129 | -.247 | -1.159 | 160 | 550 | -.602 | .054 | -.389 | -.813 |
| 160 | 419 | .058 | .170 | .642 | -.381 | 160 | 501 | -.862 | .234 | .178 | -1.897 | 160 | 551 | -.559 | .058 | -.316 | -.770 |
| 160 | 420 | .098 | .155 | .524 | -.344 | 160 | 502 | -.891 | .199 | -.019 | -1.584 | 160 | 552 | -.273 | .168 | -1.038 | -.786 |
| 160 | 421 | .148 | .163 | .570 | -.639 | 160 | 503 | -.851 | .188 | -.073 | -1.448 | 160 | 553 | -.017 | .149 | -.749 | -.767 |
| 160 | 422 | .494 | .121 | .070 | -1.019 | 160 | 504 | -1.029 | .226 | -.413 | -1.886 | 160 | 554 | -.810 | .140 | -.359 | -1.462 |
| 160 | 423 | .337 | .124 | .688 | -.825 | 160 | 505 | -.894 | .153 | -.413 | -1.409 | 160 | 555 | -1.290 | .134 | -.518 | -1.871 |
| 160 | 424 | .017 | .133 | .489 | -.531 | 160 | 506 | -.696 | .100 | -.387 | -1.138 | 160 | 556 | -.804 | .088 | -.555 | -1.192 |
| 160 | 425 | .319 | .132 | .794 | -.191 | 160 | 507 | -.673 | .073 | -.461 | -1.046 | 160 | 557 | -.701 | .053 | -.512 | -.919 |
| 160 | 426 | .285 | .140 | .794 | -.147 | 160 | 508 | -.626 | .078 | -.407 | -1.024 | 160 | 558 | -.697 | .063 | -.449 | -1.004 |
| 160 | 427 | .056 | .156 | .676 | -.507 | 160 | 509 | -.684 | .086 | -.434 | -1.152 | 160 | 559 | -.642 | .050 | -.451 | -.835 |
| 160 | 428 | .360 | .138 | .225 | -.898 | 160 | 510 | -.666 | .083 | -.440 | -1.052 | 160 | 560 | -.630 | .046 | -.451 | -.803 |
| 160 | 429 | .575 | .078 | .273 | -.978 | 160 | 511 | -.662 | .178 | .071 | -1.193 | 160 | 561 | -.595 | .044 | -.419 | -.772 |
| 160 | 430 | .537 | .088 | .162 | -.925 | 160 | 512 | -.661 | .130 | -.157 | -1.296 | 160 | 562 | -.571 | .051 | -.370 | -.747 |
| 160 | 431 | .292 | .146 | .143 | -.808 | 160 | 513 | -.808 | .119 | -.363 | -1.336 | 160 | 563 | -.530 | .054 | -.249 | -.775 |
| 160 | 432 | .137 | .180 | .679 | -.746 | 160 | 514 | -.887 | .139 | -.382 | -1.652 | 160 | 564 | -.243 | .144 | -.907 | -.622 |
| 160 | 433 | .298 | .141 | .919 | -.193 | 160 | 515 | -.876 | .109 | -.499 | -1.322 | 160 | 565 | -.063 | .113 | -.646 | -.419 |
| 160 | 434 | .154 | .155 | .849 | -.519 | 160 | 516 | -.190 | .132 | .312 | -.617 | 160 | 566 | -.799 | .119 | -.194 | -1.312 |
| 160 | 435 | .324 | .161 | .423 | -1.133 | 160 | 517 | -.385 | .106 | -.047 | -.812 | 160 | 567 | -1.204 | .144 | -.679 | -1.727 |
| 160 | 436 | .584 | .059 | -.337 | -.866 | 160 | 518 | -.622 | .128 | -.057 | -1.211 | 160 | 568 | -.792 | .089 | -.485 | -1.111 |
| 160 | 437 | .555 | .070 | -.203 | -.822 | 160 | 519 | -.897 | .143 | -.433 | -1.732 | 160 | 569 | -.707 | .066 | -.493 | -.937 |
| 160 | 438 | .406 | .157 | .053 | -.871 | 160 | 520 | -.884 | .151 | -.387 | -1.761 | 160 | 570 | -.709 | .082 | -.459 | -1.245 |
| 160 | 439 | .616 | .241 | .598 | -1.154 | 160 | 521 | -.753 | .088 | -.398 | -1.113 | 160 | 571 | -.646 | .058 | -.472 | -1.005 |
| 160 | 440 | .265 | .146 | .811 | -.499 | 160 | 522 | -.846 | .130 | -.425 | -1.465 | 160 | 572 | -.624 | .053 | -.448 | -.932 |
| 160 | 441 | .186 | .154 | .837 | -.662 | 160 | 523 | -.724 | .063 | -.509 | -1.020 | 160 | 573 | -.373 | .047 | -.412 | -.867 |
| 160 | 442 | .311 | .179 | .470 | -.861 | 160 | 524 | -.640 | .057 | -.452 | -.982 | 160 | 574 | -.514 | .046 | -.353 | -.691 |

APPENDIX A -- PRESSURE DATA:

CONFIGURATION A: OLYMPIA AND YORK OFFICE TOWER, DALLAS

| WD | TAP | CPMEAN | CPRMS | CPMAX | CPMIN | WD | TAP | CPMEAN | CPRMS | CPMAX | CPMIN | WD | TAP | CPMEAN | CPRMS | CPMAX | CPMIN |
|-----|-----|--------|-------|-------|--------|-----|-----|--------|-------|-------|--------|-----|-----|--------|-------|-------|--------|
| 160 | 573 | -.493 | .046 | -.312 | -.717 | 160 | 801 | -.558 | .070 | -.329 | -.905 | 170 | 117 | -.592 | .068 | -.309 | -.872 |
| 160 | 576 | -.236 | .122 | -.792 | -.191 | 160 | 802 | -.563 | .038 | -.448 | -.731 | 170 | 118 | -.617 | .077 | -.327 | -1.024 |
| 160 | 577 | -.053 | .101 | -.601 | -.428 | 160 | 803 | -.568 | .049 | -.373 | -.848 | 170 | 119 | -.648 | .095 | -.195 | -1.176 |
| 160 | 578 | -.734 | .122 | -.049 | -1.346 | 160 | 804 | -.574 | .064 | -.342 | -.802 | 170 | 120 | -.648 | .113 | -.311 | -1.361 |
| 160 | 579 | -.167 | .148 | -.475 | -1.715 | 160 | 805 | -.574 | .061 | -.343 | -.926 | 170 | 121 | -.697 | .103 | -.450 | -1.518 |
| 160 | 580 | -.761 | .079 | -.416 | -1.094 | 160 | 806 | -.612 | .082 | -.267 | -.884 | 170 | 122 | -.548 | .062 | -.344 | -.807 |
| 160 | 581 | -.724 | .070 | -.494 | -1.042 | 160 | 807 | -.623 | .203 | -.096 | -1.059 | 170 | 123 | -.552 | .061 | -.294 | -.825 |
| 160 | 582 | -.735 | .090 | -.390 | -1.156 | 160 | 808 | -.269 | .112 | -.310 | -.538 | 170 | 124 | -.549 | .056 | -.306 | -.828 |
| 160 | 583 | -.659 | .061 | -.501 | -1.108 | 160 | 809 | -.032 | .089 | -.262 | -.465 | 170 | 125 | -.587 | .064 | -.335 | -1.134 |
| 160 | 584 | -.641 | .057 | -.468 | -1.003 | 160 | 810 | -.112 | .074 | -.205 | -.426 | 170 | 126 | -.596 | .095 | -.218 | -1.361 |
| 160 | 585 | -.568 | .049 | -.366 | -.816 | 160 | 901 | -.373 | .076 | -.026 | -.633 | 170 | 127 | -.616 | .114 | -.333 | -1.428 |
| 160 | 586 | -.481 | .056 | -.213 | -.678 | 160 | 903 | -.385 | .087 | -.076 | -.870 | 170 | 128 | -.653 | .113 | -.395 | -1.289 |
| 160 | 587 | -.437 | .057 | -.189 | -.684 | 160 | 904 | -.486 | .073 | -.229 | -.880 | 170 | 129 | -.552 | .051 | -.392 | -.748 |
| 160 | 588 | -.550 | .069 | -.289 | -.908 | 160 | 905 | -.726 | .121 | -.313 | -1.404 | 170 | 130 | -.537 | .053 | -.353 | -.762 |
| 160 | 589 | -.517 | .075 | -.199 | -.881 | 160 | 906 | -1.036 | .169 | -.532 | -1.877 | 170 | 131 | -.541 | .049 | -.333 | -.775 |
| 160 | 590 | -.164 | .118 | -.777 | -.297 | 160 | 907 | -1.027 | .139 | -.646 | -1.754 | 170 | 132 | -.547 | .051 | -.304 | -.854 |
| 160 | 591 | -.031 | .106 | -.542 | -.383 | 160 | 908 | -.495 | .212 | -.225 | -1.101 | 170 | 133 | -.571 | .060 | -.388 | -1.001 |
| 160 | 592 | -.155 | .183 | -.622 | -.825 | 160 | 909 | -.100 | .323 | -.778 | -1.145 | 170 | 134 | -.571 | .086 | -.299 | -1.249 |
| 160 | 593 | -.674 | .182 | -.665 | -1.417 | 160 | 910 | -.448 | .296 | -.461 | -1.167 | 170 | 135 | -.595 | .093 | -.387 | -1.373 |
| 160 | 594 | -.714 | .138 | -.220 | -1.103 | 160 | 911 | -.501 | .119 | -.104 | -.954 | 170 | 136 | -.508 | .049 | -.299 | -.816 |
| 160 | 595 | -.766 | .122 | -.237 | -1.280 | 160 | 912 | -.734 | .274 | -.068 | -2.094 | 170 | 137 | -.525 | .044 | -.373 | -.724 |
| 160 | 596 | -.614 | .107 | -.163 | -1.140 | 160 | 913 | -.587 | .184 | -.021 | -1.461 | 170 | 138 | -.515 | .047 | -.320 | -.691 |
| 160 | 597 | -.627 | .088 | -.350 | -1.179 | 160 | 914 | -.563 | .062 | -.112 | -.946 | 170 | 139 | -.529 | .048 | -.331 | -.745 |
| 160 | 598 | -.597 | .096 | -.310 | -1.092 | 160 | 915 | -.511 | .056 | -.240 | -.734 | 170 | 140 | -.532 | .049 | -.309 | -.845 |
| 160 | 599 | -.602 | .089 | -.311 | -1.016 | 160 | 916 | -.498 | .060 | -.300 | -.835 | 170 | 141 | -.546 | .051 | -.388 | -.829 |
| 160 | 600 | -.543 | .074 | -.271 | -.840 | 160 | 917 | -.589 | .049 | -.301 | -.880 | 170 | 142 | -.537 | .058 | -.330 | -.924 |
| 160 | 601 | -.558 | .076 | -.296 | -.866 | 160 | 918 | -.532 | .051 | -.316 | -.698 | 170 | 143 | -.447 | .053 | -.216 | -.673 |
| 160 | 602 | -.553 | .068 | -.319 | -.901 | 160 | 919 | -.575 | .042 | -.394 | -.758 | 170 | 144 | -.451 | .049 | -.182 | -.620 |
| 160 | 603 | -.553 | .073 | -.272 | -.868 | 160 | 920 | -.587 | .040 | -.329 | -.835 | 170 | 145 | -.440 | .051 | -.175 | -.810 |
| 160 | 701 | -.557 | .045 | -.433 | -.934 | 160 | 921 | -.611 | .034 | -.452 | -.741 | 170 | 146 | -.429 | .060 | -.063 | -1.078 |
| 160 | 702 | -.557 | .047 | -.415 | -.881 | 160 | 922 | -.388 | .031 | -.463 | -.725 | 170 | 147 | -.507 | .053 | -.246 | -.844 |
| 160 | 703 | -.575 | .051 | -.431 | -.795 | 160 | 923 | -.566 | .027 | -.468 | -.664 | 170 | 148 | -.474 | .055 | -.180 | -.720 |
| 160 | 704 | -.565 | .038 | -.361 | -.788 | 160 | 924 | -.561 | .032 | -.432 | -.678 | 170 | 149 | -.524 | .051 | -.271 | -.719 |
| 160 | 705 | -.539 | .105 | -.148 | -.953 | 160 | 925 | -.591 | .036 | -.466 | -.790 | 170 | 150 | -.547 | .067 | -.339 | -.821 |
| 160 | 706 | -.466 | .165 | -.278 | -.819 | 170 | 101 | -.640 | .071 | -.414 | -.960 | 170 | 151 | -.527 | .071 | -.306 | -.934 |
| 160 | 707 | -.575 | .097 | -.302 | -1.262 | 170 | 102 | -.604 | .074 | -.391 | -.941 | 170 | 152 | -.490 | .053 | -.280 | -.701 |
| 160 | 708 | -.545 | .073 | -.245 | -.942 | 170 | 103 | -.625 | .067 | -.419 | -.899 | 170 | 153 | -.511 | .044 | -.349 | -.717 |
| 160 | 709 | -.558 | .050 | -.417 | -.793 | 170 | 104 | -.630 | .074 | -.385 | -.943 | 170 | 154 | -.519 | .044 | -.349 | -.928 |
| 160 | 710 | -.601 | .070 | -.414 | -.947 | 170 | 105 | -.671 | .091 | -.371 | -1.163 | 170 | 155 | -.531 | .044 | -.354 | -.872 |
| 160 | 711 | -.543 | .057 | -.389 | -.984 | 170 | 106 | -.621 | .091 | -.339 | -1.093 | 170 | 156 | -.532 | .043 | -.347 | -.825 |
| 160 | 712 | -.554 | .067 | -.382 | -1.182 | 170 | 107 | -.713 | .122 | -.430 | -1.867 | 170 | 157 | -.580 | .061 | -.380 | -.841 |
| 160 | 713 | -.555 | .064 | -.1 | -.048 | 170 | 108 | -.619 | .079 | -.347 | -.990 | 170 | 158 | -.527 | .058 | -.322 | -.755 |
| 160 | 714 | -.564 | .068 | -.358 | -1.129 | 170 | 109 | -.635 | .076 | -.399 | -1.125 | 170 | 159 | -.507 | .049 | -.333 | -.671 |
| 160 | 715 | -.607 | .085 | -.297 | -.921 | 170 | 110 | -.595 | .066 | -.357 | -.866 | 170 | 160 | -.424 | .046 | -.137 | -.572 |
| 160 | 716 | -.574 | .075 | -.1 | -.593 | 170 | 111 | -.645 | .083 | -.306 | -1.103 | 170 | 161 | -.519 | .033 | -.378 | -.614 |
| 160 | 717 | -.438 | .157 | -.184 | -.798 | 170 | 112 | -.657 | .095 | -.326 | -1.139 | 170 | 162 | -.512 | .055 | -.292 | -.733 |
| 160 | 718 | -.652 | .087 | -.466 | -.266 | 170 | 113 | -.682 | .097 | -.397 | -1.418 | 170 | 163 | -.478 | .054 | -.282 | -.674 |
| 160 | 719 | -.213 | .120 | -.655 | -.122 | 170 | 114 | -.696 | .106 | -.441 | -1.337 | 170 | 164 | -.588 | .052 | -.087 | -.546 |
| 160 | 720 | -.125 | .148 | -.584 | -.874 | 170 | 115 | -.577 | .083 | -.306 | -1.103 | 170 | 165 | -.474 | .050 | -.225 | -.638 |
| 160 | 721 | -.055 | .091 | -.301 | -.414 | 170 | 116 | -.577 | .082 | -.299 | -1.139 | 170 | 166 | -.481 | .039 | -.289 | -.593 |

APPENDIX A -- PRESSURE DATA:

CONFIGURATION A: OLYMPIA AND YORK OFFICE TOWER, DALLAS

| WD | TAP | CPHEAN | CPRMS | CPMAX | CPMIN | WD | TAP | CPHEAN | CPRMS | CPMAX | CPMIN | WD | TAP | CPHEAN | CPRMS | CPMAX | CPMIN |
|-----|-----|--------|-------|-------|--------|-----|-----|--------|-------|-------|--------|-----|-----|--------|-------|-------|--------|
| 170 | 157 | .5339 | .0322 | -.395 | -.643 | 170 | 250 | -.550 | .082 | -.234 | -1.182 | 170 | 300 | -.692 | .081 | -.419 | -1.019 |
| 170 | 201 | -.678 | .095 | -.322 | -1.162 | 170 | 251 | -.579 | .063 | -.310 | -1.072 | 170 | 301 | -.519 | .033 | -.305 | -.664 |
| 170 | 202 | -.682 | .112 | -.318 | -1.373 | 170 | 252 | -.618 | .061 | -.372 | -1.063 | 170 | 302 | -.509 | .029 | -.345 | -.604 |
| 170 | 203 | -.717 | .124 | -.353 | -1.475 | 170 | 253 | -.624 | .066 | -.394 | -.985 | 170 | 303 | -.524 | .032 | -.397 | -.624 |
| 170 | 204 | -.517 | .086 | -.047 | -.968 | 170 | 254 | -.630 | .063 | -.360 | -.948 | 170 | 304 | -.517 | .028 | -.425 | -.612 |
| 170 | 205 | -.460 | .076 | -.058 | -.973 | 170 | 255 | -.622 | .059 | -.391 | -.911 | 170 | 305 | -.519 | .025 | -.421 | -.591 |
| 170 | 206 | -.447 | .087 | -.048 | -1.228 | 170 | 256 | -.627 | .049 | -.403 | -.872 | 170 | 306 | -.495 | .023 | -.405 | -.582 |
| 170 | 207 | -.545 | .135 | -.117 | -1.358 | 170 | 257 | -.623 | .054 | -.359 | -1.139 | 170 | 307 | -.531 | .033 | -.441 | -.652 |
| 170 | 208 | -.216 | .287 | -.142 | -2.289 | 170 | 258 | -.619 | .064 | -.445 | -1.000 | 170 | 308 | -.548 | .043 | -.395 | -.734 |
| 170 | 209 | -.308 | .232 | -.325 | -2.727 | 170 | 259 | -.600 | .076 | -.284 | -1.634 | 170 | 309 | -.619 | .075 | -.396 | -1.159 |
| 170 | 210 | -.688 | .274 | -.193 | -1.926 | 170 | 260 | -.549 | .050 | -.313 | -.810 | 170 | 401 | -.272 | .186 | 1.011 | -.544 |
| 170 | 211 | -.110 | .238 | -.163 | -1.973 | 170 | 261 | -.549 | .060 | -.288 | -.867 | 170 | 402 | -.326 | .180 | 1.080 | -.539 |
| 170 | 212 | -.643 | .687 | -.377 | -1.653 | 170 | 262 | -.560 | .065 | -.291 | -.879 | 170 | 403 | -.263 | .141 | -.953 | -.468 |
| 170 | 213 | -.643 | .095 | -.384 | -1.310 | 170 | 263 | -.570 | .066 | -.277 | -1.058 | 170 | 404 | -.121 | .183 | -.678 | -.934 |
| 170 | 214 | -.765 | .102 | -.422 | -1.565 | 170 | 264 | -.593 | .046 | -.417 | -1.049 | 170 | 405 | -.130 | .334 | 1.005 | -1.202 |
| 170 | 215 | -.597 | .072 | -.266 | -.616 | 170 | 265 | -.602 | .052 | -.441 | -.959 | 170 | 406 | -.091 | .312 | -.963 | -1.173 |
| 170 | 216 | -.536 | .683 | -.136 | -.996 | 170 | 266 | -.601 | .047 | -.370 | -1.020 | 170 | 407 | -.711 | .249 | -.379 | -1.262 |
| 170 | 217 | -.529 | .085 | -.148 | -.914 | 170 | 267 | -.577 | .043 | -.408 | -.827 | 170 | 408 | -.137 | .231 | -.875 | -1.010 |
| 170 | 218 | -.593 | .178 | -.166 | -1.506 | 170 | 268 | -.596 | .043 | -.414 | -.805 | 170 | 409 | -.018 | .204 | -.811 | -.805 |
| 170 | 219 | -.166 | .308 | -.095 | -2.532 | 170 | 269 | -.598 | .041 | -.460 | -.792 | 170 | 410 | -.270 | .208 | -.874 | -.513 |
| 170 | 220 | -.856 | .264 | -.662 | -1.926 | 170 | 270 | -.585 | .044 | -.449 | -.828 | 170 | 411 | -.064 | .193 | -.659 | -.775 |
| 170 | 221 | -.516 | .186 | -.028 | -1.369 | 170 | 271 | -.587 | .042 | -.437 | -.861 | 170 | 412 | -.583 | .218 | -.185 | -1.242 |
| 170 | 222 | -.934 | .375 | -.185 | -2.218 | 170 | 272 | -.460 | .062 | -.663 | -.701 | 170 | 413 | -.333 | .210 | -.443 | -1.081 |
| 170 | 223 | -.470 | .701 | -.967 | -3.959 | 170 | 273 | -.498 | .056 | -.184 | -.689 | 170 | 414 | -.757 | .129 | -.090 | -1.171 |
| 170 | 224 | -.672 | .698 | -.296 | -1.192 | 170 | 274 | -.523 | .074 | -.135 | -.778 | 170 | 415 | -.061 | .225 | -.799 | -.895 |
| 170 | 225 | -.567 | .121 | -.264 | -1.330 | 170 | 275 | -.516 | .069 | -.192 | -.844 | 170 | 416 | -.290 | .211 | 1.007 | -.578 |
| 170 | 226 | -.766 | .123 | -.268 | -1.535 | 170 | 276 | -.533 | .054 | -.159 | -.674 | 170 | 417 | -.358 | .175 | -.906 | -.325 |
| 170 | 227 | -.616 | .090 | -.192 | -1.095 | 170 | 277 | -.549 | .048 | -.280 | -.722 | 170 | 418 | -.281 | .153 | -.768 | -.286 |
| 170 | 228 | -.612 | .088 | -.311 | -1.103 | 170 | 278 | -.564 | .045 | -.334 | -.703 | 170 | 419 | -.021 | .183 | -.641 | -.578 |
| 170 | 229 | -.606 | .106 | -.233 | -1.139 | 170 | 279 | -.556 | .041 | -.335 | -.727 | 170 | 420 | -.130 | .148 | -.554 | -.591 |
| 170 | 230 | -.622 | .119 | -.131 | -1.191 | 170 | 280 | -.580 | .043 | -.350 | -.768 | 170 | 421 | -.123 | .179 | -.615 | -.613 |
| 170 | 231 | -.675 | .159 | -.118 | -1.350 | 170 | 281 | -.574 | .042 | -.251 | -.729 | 170 | 422 | -.515 | .133 | -.083 | -.990 |
| 170 | 232 | -.664 | .126 | -.258 | -1.162 | 170 | 282 | -.604 | .046 | -.414 | -.808 | 170 | 423 | -.350 | .134 | -.126 | -.837 |
| 170 | 233 | -.718 | .193 | -.117 | -1.524 | 170 | 283 | -.591 | .045 | -.432 | -.773 | 170 | 424 | -.021 | .147 | -.499 | -.573 |
| 170 | 234 | -.926 | .257 | -.188 | -2.537 | 170 | 284 | -.514 | .063 | -.288 | -.831 | 170 | 425 | -.240 | .146 | -.787 | -.473 |
| 170 | 235 | -.902 | .249 | -.161 | -2.078 | 170 | 285 | -.558 | .044 | -.422 | -.884 | 170 | 426 | -.261 | .152 | -.827 | -.469 |
| 170 | 236 | -.612 | .679 | -.329 | -1.661 | 170 | 286 | -.550 | .030 | -.453 | -.813 | 170 | 427 | -.068 | .172 | -.910 | -.431 |
| 170 | 237 | -.511 | .103 | -.184 | -1.332 | 170 | 287 | -.553 | .035 | -.441 | -.813 | 170 | 428 | -.391 | .142 | -.212 | -.870 |
| 170 | 238 | -.649 | .116 | -.236 | -1.241 | 170 | 288 | -.547 | .033 | -.405 | -.732 | 170 | 429 | -.376 | .078 | -.315 | -.928 |
| 170 | 239 | -.507 | .080 | -.279 | -1.032 | 170 | 289 | -.583 | .039 | -.429 | -.746 | 170 | 430 | -.344 | .087 | -.258 | -.886 |
| 170 | 240 | -.626 | .681 | -.318 | -.983 | 170 | 290 | -.588 | .051 | -.383 | -.801 | 170 | 431 | -.344 | .140 | -.073 | -.833 |
| 170 | 241 | -.531 | .097 | -.254 | -1.323 | 170 | 291 | -.631 | .070 | -.349 | -1.019 | 170 | 432 | -.028 | .211 | -.561 | -1.005 |
| 170 | 242 | -.646 | .697 | -.282 | -2.660 | 170 | 292 | -.701 | .065 | -.434 | -1.000 | 170 | 433 | -.269 | .167 | -.799 | -.471 |
| 170 | 243 | -.659 | .100 | -.220 | -1.257 | 170 | 293 | -.560 | .075 | -.291 | -.908 | 170 | 434 | -.177 | .165 | -.714 | -.503 |
| 170 | 244 | -.641 | .677 | -.311 | -.971 | 170 | 294 | -.499 | .029 | -.395 | -.587 | 170 | 435 | -.298 | .168 | -.578 | -.842 |
| 170 | 245 | -.551 | .999 | -.236 | -1.243 | 170 | 295 | -.531 | .026 | -.439 | -.614 | 170 | 436 | -.584 | .068 | -.254 | -.885 |
| 170 | 246 | -.629 | .117 | -.242 | -1.241 | 170 | 296 | -.528 | .025 | -.434 | -.619 | 170 | 437 | -.553 | .071 | -.114 | -.052 |
| 170 | 247 | -.557 | .131 | -.258 | -1.891 | 170 | 297 | -.523 | .026 | -.434 | -.616 | 170 | 438 | -.470 | .123 | -.113 | -.931 |
| 170 | 248 | -.572 | .658 | -.358 | -.990 | 170 | 298 | -.519 | .050 | -.332 | -.742 | 170 | 439 | -.123 | .267 | -.475 | -1.306 |
| 170 | 249 | -.565 | .075 | -.273 | -1.304 | 170 | 299 | -.620 | .120 | -.229 | -1.276 | 170 | 440 | -.217 | .172 | -.737 | -.601 |

APPENDIX A -- PRESSURE DATA:

CONFIGURATION A: OLYMPIA AND YORK OFFICE TOWER, DALLAS

| WD | TAP | CPMEAN | CPRMS | CPMAX | CPMIN | WD | TAP | CPMEAN | CPRMS | CPMAX | CPMIN | WD | TAP | CPMEAN | CPRMS | CPMAX | CPMIN |
|-----|-----|--------|-------|-------|--------|-----|-----|--------|-------|-------|--------|-----|-----|--------|-------|-------|--------|
| 170 | 441 | .160 | .162 | .769 | -.589 | 170 | 523 | -.737 | .072 | -.541 | -1.122 | 170 | 573 | -.562 | .046 | -.381 | -.731 |
| 170 | 442 | -.308 | .188 | .402 | -.861 | 170 | 524 | -.655 | .059 | -.496 | -.982 | 170 | 574 | -.504 | .045 | -.299 | -.674 |
| 170 | 443 | -.583 | .050 | -.398 | -.789 | 170 | 525 | -.644 | .057 | -.472 | -.944 | 170 | 575 | -.488 | .043 | -.329 | -.677 |
| 170 | 444 | -.609 | .061 | -.323 | -.832 | 170 | 526 | -.617 | .060 | -.430 | -.882 | 170 | 576 | -.237 | .129 | -.816 | -.305 |
| 170 | 445 | -.485 | .140 | -.035 | -.860 | 170 | 527 | -.616 | .070 | -.368 | -.896 | 170 | 577 | -.043 | .113 | -.489 | -.385 |
| 170 | 446 | -.142 | .276 | .520 | -1.725 | 170 | 528 | -.179 | .171 | -.838 | -.517 | 170 | 578 | -.741 | .131 | -.027 | -1.385 |
| 170 | 447 | -.268 | .179 | -.869 | -.626 | 170 | 529 | -.206 | .126 | -.493 | -.641 | 170 | 579 | -1.183 | .143 | -.443 | -1.826 |
| 170 | 448 | -.107 | .153 | .762 | -.631 | 170 | 530 | -.854 | .117 | -.207 | -1.301 | 170 | 580 | -.766 | .085 | -.439 | -1.119 |
| 170 | 449 | -.377 | .177 | -.326 | -.947 | 170 | 531 | -1.311 | .113 | -.924 | -1.764 | 170 | 581 | -.704 | .068 | -.496 | -1.013 |
| 170 | 450 | -.611 | .059 | -.382 | -.819 | 170 | 532 | -.780 | .079 | -.559 | -1.164 | 170 | 582 | -.722 | .094 | -.440 | -1.167 |
| 170 | 451 | -.569 | .073 | -.296 | -.819 | 170 | 533 | -.738 | .053 | -.372 | -.978 | 170 | 583 | -.664 | .060 | -.433 | -1.001 |
| 170 | 452 | -.407 | .132 | -.022 | -.879 | 170 | 534 | -.709 | .066 | -.437 | -1.003 | 170 | 584 | -.634 | .057 | -.403 | -.976 |
| 170 | 453 | -.222 | .177 | -.565 | -.816 | 170 | 535 | -.707 | .044 | -.566 | -.909 | 170 | 585 | -.354 | .050 | -.334 | -.901 |
| 170 | 454 | -.229 | .132 | -.888 | -.428 | 170 | 536 | -.654 | .041 | -.520 | -.833 | 170 | 586 | -.460 | .052 | -.240 | -.733 |
| 170 | 455 | -.160 | .151 | -.761 | -.403 | 170 | 537 | -.641 | .043 | -.480 | -.773 | 170 | 587 | -.437 | .052 | -.181 | -.667 |
| 170 | 456 | -.442 | .167 | -.264 | -.428 | 170 | 538 | -.607 | .068 | -.325 | -.844 | 170 | 588 | -.543 | .073 | -.307 | -1.047 |
| 170 | 457 | -.596 | .067 | -.161 | -.677 | 170 | 539 | -.616 | .072 | -.325 | -.832 | 170 | 589 | -.501 | .078 | -.203 | -.812 |
| 170 | 458 | -.722 | .068 | -.510 | -.977 | 170 | 540 | -.255 | .186 | -.803 | -.500 | 170 | 590 | -.184 | .120 | -.734 | -.290 |
| 170 | 459 | -.569 | .144 | -.018 | -.986 | 170 | 541 | -.009 | .153 | -.627 | -.655 | 170 | 591 | -.024 | .109 | -.626 | -.346 |
| 170 | 460 | -.738 | .073 | -.409 | -1.134 | 170 | 542 | -.757 | .159 | -.076 | -1.296 | 170 | 592 | -.213 | .166 | -.402 | -.704 |
| 170 | 461 | -.533 | .099 | -.247 | -.977 | 170 | 543 | -1.364 | .143 | -.641 | -1.814 | 170 | 593 | -.720 | .164 | -.091 | -1.327 |
| 170 | 462 | -.456 | .074 | -.177 | -.812 | 170 | 544 | -.753 | .074 | -.492 | -1.069 | 170 | 594 | -.739 | .122 | -.238 | -1.076 |
| 170 | 463 | -.253 | .133 | -.181 | -.766 | 170 | 545 | -.715 | .049 | -.536 | -.890 | 170 | 595 | -.736 | .109 | -.368 | -1.276 |
| 170 | 464 | -.095 | .132 | -.542 | -.520 | 170 | 546 | -.703 | .059 | -.496 | -.980 | 170 | 596 | -.613 | .105 | -.186 | -1.173 |
| 170 | 465 | -.188 | .120 | -.663 | -.379 | 170 | 547 | -.700 | .042 | -.571 | -.842 | 170 | 597 | -.623 | .087 | -.346 | -1.143 |
| 170 | 466 | -.150 | .138 | -.671 | -.252 | 170 | 548 | -.646 | .039 | -.503 | -.781 | 170 | 598 | -.599 | .103 | -.256 | -1.210 |
| 170 | 467 | -.631 | .152 | -.672 | -.631 | 170 | 549 | -.621 | .039 | -.475 | -.756 | 170 | 599 | -.604 | .094 | -.314 | -1.224 |
| 170 | 468 | -.555 | .115 | -.286 | -1.141 | 170 | 550 | -.372 | .056 | -.435 | -.762 | 170 | 600 | -.566 | .081 | -.309 | -.909 |
| 170 | 469 | -.559 | .191 | -.169 | -.856 | 170 | 551 | -.538 | .056 | -.360 | -.749 | 170 | 601 | -.520 | .083 | -.216 | -.858 |
| 170 | 470 | -.833 | .149 | -.297 | -1.691 | 170 | 552 | -.202 | .205 | -.823 | -.648 | 170 | 602 | -.559 | .065 | -.351 | -.842 |
| 170 | 471 | -.854 | .131 | -.293 | -1.391 | 170 | 553 | -.067 | .159 | -.634 | -.653 | 170 | 603 | -.340 | .073 | -.306 | -.818 |
| 170 | 472 | -.104 | .174 | -.410 | -1.893 | 170 | 554 | -.756 | .186 | -.155 | -1.229 | 170 | 604 | -.557 | .048 | -.416 | -.750 |
| 170 | 473 | -.265 | .136 | -.453 | -.520 | 170 | 555 | -.287 | .143 | -.440 | -2.024 | 170 | 605 | -.346 | .046 | -.403 | -.731 |
| 170 | 474 | -.750 | .100 | -.435 | -1.309 | 170 | 556 | -.764 | .089 | -.474 | -1.116 | 170 | 606 | -.530 | .041 | -.392 | -.711 |
| 170 | 475 | -.925 | .081 | -.456 | -1.117 | 170 | 557 | -.705 | .057 | -.516 | -.902 | 170 | 607 | -.553 | .036 | -.324 | -.758 |
| 170 | 476 | -.719 | .084 | -.383 | -1.156 | 170 | 558 | -.706 | .066 | -.489 | -1.044 | 170 | 608 | -.553 | .073 | -.150 | -.816 |
| 170 | 477 | -.762 | .084 | -.423 | -1.093 | 170 | 559 | -.652 | .046 | -.496 | -.837 | 170 | 609 | -.549 | .093 | -.115 | -.886 |
| 170 | 478 | -.688 | .083 | -.390 | -1.093 | 170 | 560 | -.631 | .043 | -.466 | -.785 | 170 | 610 | -.590 | .079 | -.326 | -1.185 |
| 170 | 479 | -.688 | .191 | -.620 | -1.266 | 170 | 561 | -.585 | .040 | -.416 | -.716 | 170 | 611 | -.557 | .073 | -.317 | -.837 |
| 170 | 480 | -.522 | .112 | -.134 | -.634 | 170 | 562 | -.546 | .049 | -.316 | -.751 | 170 | 612 | -.554 | .057 | -.433 | -.816 |
| 170 | 481 | -.604 | .162 | -.438 | -1.620 | 170 | 563 | -.521 | .051 | -.341 | -.708 | 170 | 613 | -.543 | .049 | -.397 | -.852 |
| 170 | 482 | -.377 | .156 | -.433 | -1.550 | 170 | 564 | -.207 | .161 | -.914 | -.616 | 170 | 614 | -.544 | .065 | -.329 | -.800 |
| 170 | 483 | -.644 | .124 | -.581 | -.668 | 170 | 565 | -.040 | .138 | -.786 | -.550 | 170 | 615 | -.561 | .088 | -.346 | -1.023 |
| 170 | 484 | -.333 | .133 | -.348 | -.686 | 170 | 566 | -.785 | .135 | -.056 | -1.340 | 170 | 616 | -.557 | .081 | -.343 | -.931 |
| 170 | 485 | -.644 | .161 | -.647 | -.841 | 170 | 567 | -.191 | .162 | -.430 | -1.756 | 170 | 617 | -.565 | .086 | -.324 | -1.012 |
| 170 | 486 | -.622 | .138 | -.024 | -1.193 | 170 | 568 | -.770 | .092 | -.417 | -1.096 | 170 | 618 | -.608 | .081 | -.222 | -.736 |
| 170 | 487 | -.478 | .152 | -.478 | -1.311 | 170 | 569 | -.687 | .064 | -.473 | -.971 | 170 | 619 | -.964 | .232 | -.141 | -1.570 |
| 170 | 488 | -.914 | .173 | -.445 | -2.004 | 170 | 570 | -.694 | .078 | -.400 | -1.158 | 170 | 620 | -.417 | .180 | -.205 | -.502 |
| 170 | 489 | -.478 | .084 | -.473 | -1.138 | 170 | 571 | -.651 | .062 | -.433 | -.948 | 170 | 621 | -.070 | .103 | -.624 | -.191 |
| 170 | 490 | -.921 | .166 | -.503 | -1.542 | 170 | 572 | -.620 | .054 | -.410 | -.827 | 170 | 622 | -.209 | .126 | -.711 | -.176 |

APPENDIX A -- PRESSURE DATA:

| WD | TAP | CPMEAN | CPRMS | CPMAX | CPMIN |
|-------|-----|--------|-------|-------|-------|
| 17700 | 720 | .097 | .157 | .534 | .822 |
| 17700 | 721 | .070 | .091 | .346 | .450 |
| 17700 | 801 | .579 | .078 | .308 | .899 |
| 17700 | 802 | .382 | .031 | .436 | .777 |
| 17700 | 803 | .571 | .049 | .378 | .936 |
| 17700 | 804 | .602 | .068 | .352 | .937 |
| 17700 | 805 | .585 | .074 | .394 | .947 |
| 17700 | 806 | .650 | .065 | .363 | .869 |
| 17700 | 807 | .716 | .116 | .206 | .160 |
| 17700 | 808 | .255 | .122 | .402 | .561 |
| 17700 | 809 | .053 | .104 | .346 | .537 |
| 17700 | 810 | .126 | .081 | .203 | .417 |
| 17700 | 901 | .358 | .076 | .929 | .543 |
| 17700 | 902 | .333 | .090 | .114 | .831 |
| 17700 | 903 | .450 | .083 | .128 | .831 |
| 17700 | 904 | .702 | .137 | .191 | .390 |
| 17700 | 905 | .072 | .165 | .503 | .741 |
| 17700 | 906 | .957 | .119 | .315 | .643 |
| 17700 | 907 | .333 | .196 | .218 | .344 |
| 17700 | 908 | .333 | .208 | .211 | .222 |
| 17700 | 909 | .296 | .180 | .316 | .098 |
| 17700 | 910 | .296 | .180 | .316 | .098 |
| 17700 | 911 | .417 | .111 | .808 | .866 |
| 17700 | 912 | .914 | .297 | .063 | .044 |
| 17700 | 913 | .377 | .184 | .107 | .433 |
| 17700 | 914 | .505 | .070 | .122 | .738 |
| 17700 | 915 | .486 | .047 | .327 | .777 |
| 17700 | 916 | .490 | .057 | .307 | .533 |
| 17700 | 917 | .522 | .068 | .637 | .733 |
| 17700 | 918 | .495 | .049 | .296 | .222 |
| 17700 | 919 | .507 | .052 | .193 | .699 |
| 17700 | 920 | .523 | .060 | .140 | .741 |
| 17700 | 921 | .537 | .047 | .293 | .411 |
| 17700 | 922 | .551 | .038 | .256 | .694 |
| 17700 | 923 | .536 | .031 | .439 | .666 |
| 17700 | 924 | .535 | .035 | .431 | .694 |
| 17700 | 925 | .556 | .040 | .433 | .666 |
| 19000 | 101 | .555 | .065 | .352 | .891 |
| 19000 | 102 | .546 | .079 | .384 | .850 |
| 19000 | 103 | .550 | .067 | .321 | .899 |
| 19000 | 104 | .603 | .082 | .322 | .645 |
| 19000 | 105 | .553 | .114 | .333 | .555 |
| 19000 | 106 | .708 | .147 | .228 | .355 |
| 19000 | 107 | .824 | .223 | .198 | .355 |
| 19000 | 108 | .356 | .082 | .224 | .603 |
| 19000 | 109 | .545 | .079 | .044 | .777 |
| 19000 | 110 | .367 | .086 | .061 | .393 |
| 19000 | 111 | .595 | .097 | .227 | .442 |
| 19000 | 112 | .635 | .118 | .099 | .699 |
| 19000 | 113 | .593 | .135 | .305 | .393 |
| 19000 | 114 | .765 | .141 | .151 | .298 |

CONFIGURATION A:

| WD | TAP | CPMEAN | CPRMS | CPMAX | CPMIN |
|-----|-----|--------|-------|-------|-------|
| 180 | 115 | .447 | .082 | .168 | .893 |
| 180 | 116 | .467 | .083 | .234 | .904 |
| 180 | 117 | .509 | .065 | .239 | .782 |
| 180 | 118 | .368 | .091 | .304 | .065 |
| 180 | 119 | .561 | .105 | .195 | .030 |
| 180 | 120 | .618 | .125 | .186 | .262 |
| 180 | 121 | .689 | .127 | .333 | .218 |
| 180 | 122 | .465 | .036 | .299 | .781 |
| 180 | 123 | .435 | .053 | .278 | .768 |
| 180 | 124 | .467 | .046 | .296 | .652 |
| 180 | 125 | .507 | .060 | .305 | .793 |
| 180 | 126 | .539 | .084 | .246 | .096 |
| 180 | 127 | .534 | .100 | .273 | .244 |
| 180 | 128 | .606 | .113 | .287 | .401 |
| 180 | 129 | .454 | .044 | .298 | .727 |
| 180 | 130 | .466 | .046 | .306 | .637 |
| 180 | 131 | .440 | .041 | .246 | .695 |
| 180 | 132 | .473 | .044 | .299 | .688 |
| 180 | 133 | .482 | .057 | .303 | .822 |
| 180 | 134 | .506 | .068 | .316 | .034 |
| 180 | 135 | .501 | .073 | .305 | .998 |
| 180 | 136 | .440 | .041 | .270 | .636 |
| 180 | 137 | .444 | .039 | .269 | .625 |
| 180 | 138 | .461 | .041 | .265 | .616 |
| 180 | 139 | .437 | .041 | .307 | .595 |
| 180 | 140 | .458 | .043 | .296 | .629 |
| 180 | 141 | .458 | .041 | .291 | .740 |
| 180 | 142 | .476 | .047 | .301 | .760 |
| 180 | 143 | .387 | .047 | .218 | .576 |
| 180 | 144 | .411 | .044 | .227 | .583 |
| 180 | 145 | .393 | .039 | .227 | .511 |
| 180 | 146 | .400 | .049 | .193 | .365 |
| 180 | 147 | .443 | .048 | .141 | .612 |
| 180 | 148 | .410 | .046 | .184 | .605 |
| 180 | 149 | .439 | .042 | .189 | .627 |
| 180 | 150 | .521 | .061 | .304 | .789 |
| 180 | 151 | .458 | .066 | .295 | .613 |
| 180 | 152 | .446 | .035 | .208 | .691 |
| 180 | 153 | .447 | .043 | .310 | .558 |
| 180 | 154 | .475 | .040 | .366 | .681 |
| 180 | 155 | .453 | .041 | .325 | .677 |
| 180 | 156 | .474 | .041 | .354 | .698 |
| 180 | 157 | .541 | .056 | .331 | .753 |
| 180 | 158 | .511 | .058 | .265 | .707 |
| 180 | 159 | .453 | .048 | .257 | .629 |
| 180 | 160 | .388 | .039 | .210 | .517 |
| 180 | 161 | .443 | .027 | .338 | .552 |
| 180 | 162 | .475 | .037 | .240 | .677 |
| 180 | 163 | .451 | .047 | .235 | .518 |
| 180 | 164 | .370 | .045 | .174 | .508 |

OLYMPIA AND YORK OFFICE TOWER, DALLAS

| WD | TAP | CPMEAN | CPRMS | CPMAX | CPMIN |
|-----|-----|--------|-------|-------|-------|
| 180 | 165 | .417 | .038 | .168 | .893 |
| 180 | 166 | .433 | .029 | .234 | .904 |
| 180 | 167 | .456 | .028 | .239 | .782 |
| 180 | 201 | .689 | .117 | .304 | .065 |
| 180 | 202 | .732 | .155 | .195 | .030 |
| 180 | 203 | .805 | .198 | .186 | .262 |
| 180 | 204 | .610 | .184 | .333 | .218 |
| 180 | 205 | .323 | .147 | .299 | .781 |
| 180 | 206 | .476 | .138 | .278 | .768 |
| 180 | 207 | .311 | .142 | .296 | .652 |
| 180 | 208 | .085 | .338 | .305 | .793 |
| 180 | 209 | .292 | .283 | .246 | .096 |
| 180 | 210 | .039 | .245 | .273 | .244 |
| 180 | 211 | .028 | .224 | .287 | .401 |
| 180 | 212 | .599 | .128 | .298 | .727 |
| 180 | 213 | .676 | .145 | .306 | .637 |
| 180 | 214 | .737 | .155 | .246 | .695 |
| 180 | 215 | .381 | .093 | .299 | .688 |
| 180 | 216 | .397 | .083 | .303 | .822 |
| 180 | 217 | .510 | .081 | .316 | .034 |
| 180 | 218 | .568 | .141 | .305 | .998 |
| 180 | 219 | .030 | .261 | .270 | .636 |
| 180 | 220 | .794 | .194 | .269 | .625 |
| 180 | 221 | .483 | .147 | .265 | .616 |
| 180 | 222 | .718 | .340 | .307 | .595 |
| 180 | 223 | .504 | .619 | .296 | .629 |
| 180 | 224 | .600 | .104 | .291 | .740 |
| 180 | 225 | .618 | .127 | .301 | .760 |
| 180 | 226 | .688 | .131 | .218 | .576 |
| 180 | 227 | .575 | .081 | .227 | .583 |
| 180 | 228 | .361 | .070 | .227 | .511 |
| 180 | 229 | .333 | .077 | .193 | .365 |
| 180 | 230 | .366 | .081 | .141 | .612 |
| 180 | 231 | .605 | .113 | .184 | .605 |
| 180 | 232 | .585 | .076 | .189 | .627 |
| 180 | 233 | .394 | .127 | .304 | .789 |
| 180 | 234 | .882 | .252 | .295 | .613 |
| 180 | 235 | .673 | .238 | .208 | .691 |
| 180 | 236 | .540 | .079 | .310 | .558 |
| 180 | 237 | .545 | .098 | .366 | .681 |
| 180 | 238 | .601 | .113 | .325 | .677 |
| 180 | 239 | .531 | .064 | .354 | .698 |
| 180 | 240 | .560 | .057 | .331 | .753 |
| 180 | 241 | .560 | .069 | .265 | .707 |
| 180 | 242 | .569 | .069 | .257 | .629 |
| 180 | 243 | .581 | .080 | .210 | .517 |
| 180 | 244 | .584 | .054 | .338 | .552 |
| 180 | 245 | .596 | .075 | .337 | .677 |
| 180 | 246 | .597 | .115 | .235 | .518 |
| 180 | 247 | .637 | .121 | .174 | .508 |

APPENDIX A -- PRESSURE DATA:

CONFIGURATION A:

OLYMPIA AND YORK OFFICE TOWER, DALLAS

| WD | TAP | CPMEAN | CPRMS | CPMAX | CPMIN | WD | TAP | CPMEAN | CPRMS | CPMAX | CPMIN | WD | TAP | CPMEAN | CPRMS | CPMAX | CPMIN |
|-----|-----|--------|-------|-------|--------|-----|-----|--------|-------|-------|--------|-----|-----|--------|-------|-------|--------|
| 180 | 248 | .301 | .051 | .281 | .731 | 180 | 298 | .471 | .046 | .307 | .671 | 180 | 439 | .309 | .244 | .313 | -1.179 |
| 180 | 249 | .494 | .061 | .189 | .898 | 180 | 299 | .523 | .092 | .250 | .841 | 180 | 440 | .062 | .222 | .631 | .797 |
| 180 | 250 | .302 | .071 | .265 | -1.070 | 180 | 300 | .636 | .073 | .377 | .942 | 180 | 441 | .097 | .194 | .672 | .659 |
| 180 | 251 | .516 | .047 | .328 | .711 | 180 | 301 | .454 | .032 | .326 | .560 | 180 | 442 | .238 | .184 | .430 | .876 |
| 180 | 252 | .352 | .046 | .374 | .895 | 180 | 302 | .436 | .028 | .336 | .539 | 180 | 443 | .523 | .048 | .279 | .719 |
| 180 | 253 | .354 | .051 | .367 | .853 | 180 | 303 | .453 | .026 | .331 | .544 | 180 | 444 | .551 | .058 | .279 | .785 |
| 180 | 254 | .353 | .049 | .363 | .836 | 180 | 304 | .471 | .029 | .379 | .537 | 180 | 445 | .496 | .110 | .077 | .831 |
| 180 | 255 | .560 | .051 | .366 | .792 | 180 | 305 | .458 | .025 | .377 | .550 | 180 | 446 | .257 | .248 | .374 | -1.461 |
| 180 | 256 | .562 | .046 | .412 | .746 | 180 | 306 | .441 | .026 | .338 | .531 | 180 | 447 | .126 | .199 | .706 | .629 |
| 180 | 257 | .561 | .047 | .355 | .808 | 180 | 307 | .471 | .035 | .383 | .614 | 180 | 448 | .084 | .139 | .621 | .588 |
| 180 | 258 | .564 | .067 | .338 | -1.233 | 180 | 308 | .474 | .044 | .308 | .648 | 180 | 449 | .291 | .180 | .369 | .910 |
| 180 | 259 | .544 | .072 | .312 | -1.057 | 180 | 309 | .535 | .073 | .293 | .883 | 180 | 450 | .539 | .052 | .224 | .718 |
| 180 | 260 | .484 | .041 | .336 | .675 | 180 | 401 | .164 | .204 | .923 | .801 | 180 | 451 | .519 | .060 | .129 | .726 |
| 180 | 261 | .478 | .046 | .282 | .683 | 180 | 402 | .237 | .199 | .948 | .719 | 180 | 452 | .416 | .106 | .082 | .817 |
| 180 | 262 | .486 | .050 | .292 | .754 | 180 | 403 | .261 | .146 | .841 | .300 | 180 | 453 | .032 | .167 | .434 | .808 |
| 180 | 263 | .490 | .049 | .340 | .818 | 180 | 404 | .137 | .145 | .728 | .470 | 180 | 454 | .206 | .126 | .690 | .375 |
| 180 | 264 | .527 | .042 | .335 | .696 | 180 | 405 | .078 | .282 | .799 | .857 | 180 | 455 | .100 | .142 | .798 | .406 |
| 180 | 265 | .532 | .043 | .398 | .744 | 180 | 406 | .161 | .235 | .871 | .814 | 180 | 456 | .446 | .157 | .377 | -1.034 |
| 180 | 266 | .538 | .043 | .364 | .766 | 180 | 407 | .746 | .147 | .068 | -1.223 | 180 | 457 | .544 | .067 | .237 | .794 |
| 180 | 267 | .507 | .041 | .394 | .720 | 180 | 408 | .189 | .204 | .629 | .848 | 180 | 458 | .638 | .071 | .355 | .888 |
| 180 | 268 | .519 | .040 | .393 | .676 | 180 | 409 | .034 | .181 | .610 | .744 | 180 | 459 | .330 | .122 | .017 | .963 |
| 180 | 269 | .517 | .042 | .360 | .848 | 180 | 410 | .310 | .190 | 1.004 | .410 | 180 | 460 | .651 | .079 | .353 | .980 |
| 180 | 270 | .518 | .045 | .364 | .870 | 180 | 411 | .028 | .136 | .638 | .481 | 180 | 461 | .506 | .088 | .208 | .923 |
| 180 | 271 | .507 | .045 | .367 | .807 | 180 | 412 | .451 | .209 | .379 | -1.178 | 180 | 462 | .429 | .073 | .189 | .754 |
| 180 | 272 | .496 | .052 | .164 | .585 | 180 | 413 | .144 | .175 | .417 | .787 | 180 | 463 | .278 | .118 | .113 | .852 |
| 180 | 273 | .431 | .051 | .095 | .606 | 180 | 414 | .688 | .137 | .065 | -1.213 | 180 | 464 | .051 | .136 | .536 | .558 |
| 180 | 274 | .451 | .052 | .196 | .632 | 180 | 415 | .074 | .290 | 1.027 | .979 | 180 | 465 | .192 | .121 | .600 | .390 |
| 180 | 275 | .459 | .065 | .213 | .691 | 180 | 416 | .271 | .263 | 1.151 | .647 | 180 | 466 | .177 | .126 | .646 | .346 |
| 180 | 276 | .462 | .036 | .228 | .624 | 180 | 417 | .374 | .168 | .999 | .411 | 180 | 467 | .005 | .151 | .541 | .510 |
| 180 | 277 | .465 | .044 | .170 | .617 | 180 | 418 | .289 | .135 | .706 | .348 | 180 | 468 | .632 | .105 | .307 | -1.116 |
| 180 | 278 | .482 | .040 | .186 | .627 | 180 | 419 | .073 | .268 | .703 | .698 | 180 | 501 | .740 | .133 | .207 | -1.423 |
| 180 | 279 | .482 | .040 | .244 | .614 | 180 | 420 | .133 | .147 | .538 | .583 | 180 | 502 | .680 | .103 | .329 | -1.254 |
| 180 | 280 | .502 | .041 | .282 | .649 | 180 | 421 | .087 | .176 | .613 | .630 | 180 | 503 | .793 | .100 | .493 | -1.248 |
| 180 | 281 | .489 | .042 | .232 | .641 | 180 | 422 | .560 | .131 | .024 | -1.137 | 180 | 504 | 1.031 | .147 | .674 | -2.100 |
| 180 | 282 | .524 | .044 | .157 | .767 | 180 | 423 | .423 | .123 | .036 | .843 | 180 | 505 | .916 | .119 | .516 | -1.906 |
| 180 | 283 | .506 | .044 | .338 | .671 | 180 | 424 | .180 | .156 | .362 | .722 | 180 | 506 | .749 | .129 | .434 | -1.741 |
| 180 | 284 | .480 | .053 | .322 | .823 | 180 | 425 | .066 | .167 | .591 | .486 | 180 | 507 | .706 | .096 | .458 | -1.163 |
| 180 | 285 | .465 | .042 | .351 | .696 | 180 | 426 | .135 | .181 | .671 | .582 | 180 | 508 | .649 | .084 | .392 | -1.108 |
| 180 | 286 | .465 | .029 | .363 | .612 | 180 | 427 | .043 | .170 | .584 | .565 | 180 | 509 | .613 | .082 | .326 | -1.048 |
| 180 | 287 | .475 | .037 | .347 | .699 | 180 | 428 | .349 | .154 | .350 | .868 | 180 | 510 | .560 | .081 | .319 | -1.046 |
| 180 | 288 | .472 | .036 | .355 | .632 | 180 | 429 | .539 | .084 | .239 | .901 | 180 | 511 | .566 | .139 | .028 | -1.066 |
| 180 | 289 | .510 | .038 | .361 | .632 | 180 | 430 | .539 | .089 | .196 | .848 | 180 | 512 | .539 | .092 | .164 | .907 |
| 180 | 290 | .510 | .050 | .346 | .734 | 180 | 431 | .406 | .119 | .016 | .784 | 180 | 513 | .891 | .153 | .421 | -1.607 |
| 180 | 291 | .573 | .056 | .246 | .841 | 180 | 432 | .196 | .217 | .494 | -1.143 | 180 | 514 | .941 | .137 | .576 | -1.534 |
| 180 | 292 | .612 | .063 | .417 | .838 | 180 | 433 | .145 | .193 | .724 | .589 | 180 | 515 | .901 | .110 | .600 | -1.375 |
| 180 | 293 | .505 | .053 | .256 | .927 | 180 | 434 | .132 | .178 | .849 | .772 | 180 | 516 | .248 | .139 | .320 | .826 |
| 180 | 294 | .431 | .026 | .334 | .518 | 180 | 435 | .264 | .173 | .501 | .826 | 180 | 517 | .366 | .104 | .043 | .980 |
| 180 | 295 | .459 | .023 | .379 | .542 | 180 | 436 | .523 | .069 | .223 | .813 | 180 | 518 | .575 | .130 | .079 | -1.136 |
| 180 | 296 | .454 | .023 | .370 | .527 | 180 | 437 | .488 | .075 | .196 | .867 | 180 | 519 | .850 | .155 | .428 | -1.674 |
| 180 | 297 | .455 | .023 | .372 | .521 | 180 | 438 | .472 | .107 | .038 | .811 | 180 | 520 | .920 | .215 | .464 | -2.031 |

APPENDIX A -- PRESSURE DATA:

CONFIGURATION A) OLYMPIA AND YORK OFFICE TOWER, DALLAS

| WD | TAP | CPMEAN | CPRMS | CPMAX | CPMIN | WD | TAP | CPMEAN | CPRMS | CPMAX | CPMIN | WD | TAP | CPMEAN | CPRMS | CPMAX | CPMIN |
|-----|-----|--------|-------|-------|--------|-----|-----|--------|-------|-------|--------|-----|-----|--------|-------|-------|--------|
| 180 | 718 | .093 | .103 | .353 | -.406 | 180 | 718 | .093 | .103 | .353 | -.406 | 180 | 718 | .093 | .103 | .353 | -.406 |
| 180 | 719 | .210 | .126 | .673 | -.394 | 180 | 719 | .210 | .126 | .673 | -.394 | 180 | 719 | .210 | .126 | .673 | -.394 |
| 180 | 720 | .050 | .159 | .332 | -.602 | 180 | 720 | .050 | .159 | .332 | -.602 | 180 | 720 | .050 | .159 | .332 | -.602 |
| 180 | 721 | .095 | .094 | .253 | -.383 | 180 | 721 | .095 | .094 | .253 | -.383 | 180 | 721 | .095 | .094 | .253 | -.383 |
| 180 | 801 | .557 | .071 | .213 | -.916 | 180 | 801 | .557 | .071 | .213 | -.916 | 180 | 801 | .557 | .071 | .213 | -.916 |
| 180 | 802 | .492 | .047 | .373 | -.759 | 180 | 802 | .492 | .047 | .373 | -.759 | 180 | 802 | .492 | .047 | .373 | -.759 |
| 180 | 803 | .501 | .048 | .315 | -.705 | 180 | 803 | .501 | .048 | .315 | -.705 | 180 | 803 | .501 | .048 | .315 | -.705 |
| 180 | 804 | .521 | .063 | .293 | -.850 | 180 | 804 | .521 | .063 | .293 | -.850 | 180 | 804 | .521 | .063 | .293 | -.850 |
| 180 | 805 | .526 | .059 | .304 | -.880 | 180 | 805 | .526 | .059 | .304 | -.880 | 180 | 805 | .526 | .059 | .304 | -.880 |
| 180 | 806 | .555 | .073 | .241 | -.804 | 180 | 806 | .555 | .073 | .241 | -.804 | 180 | 806 | .555 | .073 | .241 | -.804 |
| 180 | 807 | .609 | .172 | .156 | -1.155 | 180 | 807 | .609 | .172 | .156 | -1.155 | 180 | 807 | .609 | .172 | .156 | -1.155 |
| 180 | 808 | .235 | .119 | .303 | -.650 | 180 | 808 | .235 | .119 | .303 | -.650 | 180 | 808 | .235 | .119 | .303 | -.650 |
| 180 | 809 | .086 | .113 | .381 | -.581 | 180 | 809 | .086 | .113 | .381 | -.581 | 180 | 809 | .086 | .113 | .381 | -.581 |
| 180 | 810 | .153 | .081 | .159 | -.378 | 180 | 810 | .153 | .081 | .159 | -.378 | 180 | 810 | .153 | .081 | .159 | -.378 |
| 180 | 901 | .309 | .104 | .284 | -.731 | 180 | 901 | .309 | .104 | .284 | -.731 | 180 | 901 | .309 | .104 | .284 | -.731 |
| 180 | 903 | .278 | .086 | .041 | -.682 | 180 | 903 | .278 | .086 | .041 | -.682 | 180 | 903 | .278 | .086 | .041 | -.682 |
| 180 | 904 | .368 | .097 | .011 | -.763 | 180 | 904 | .368 | .097 | .011 | -.763 | 180 | 904 | .368 | .097 | .011 | -.763 |
| 180 | 905 | .579 | .144 | -.045 | -1.115 | 180 | 905 | .579 | .144 | -.045 | -1.115 | 180 | 905 | .579 | .144 | -.045 | -1.115 |
| 180 | 906 | .933 | .211 | -.126 | -1.870 | 180 | 906 | .933 | .211 | -.126 | -1.870 | 180 | 906 | .933 | .211 | -.126 | -1.870 |
| 180 | 907 | .815 | .134 | .174 | -1.250 | 180 | 907 | .815 | .134 | .174 | -1.250 | 180 | 907 | .815 | .134 | .174 | -1.250 |
| 180 | 908 | .172 | .125 | .268 | -.675 | 180 | 908 | .172 | .125 | .268 | -.675 | 180 | 908 | .172 | .125 | .268 | -.675 |
| 180 | 909 | .241 | .188 | .196 | -.408 | 180 | 909 | .241 | .188 | .196 | -.408 | 180 | 909 | .241 | .188 | .196 | -.408 |
| 180 | 910 | .158 | .133 | .297 | -.654 | 180 | 910 | .158 | .133 | .297 | -.654 | 180 | 910 | .158 | .133 | .297 | -.654 |
| 180 | 911 | .346 | .090 | .041 | -.789 | 180 | 911 | .346 | .090 | .041 | -.789 | 180 | 911 | .346 | .090 | .041 | -.789 |
| 180 | 912 | .733 | .227 | .109 | -1.725 | 180 | 912 | .733 | .227 | .109 | -1.725 | 180 | 912 | .733 | .227 | .109 | -1.725 |
| 180 | 913 | .486 | .146 | .092 | -1.225 | 180 | 913 | .486 | .146 | .092 | -1.225 | 180 | 913 | .486 | .146 | .092 | -1.225 |
| 180 | 914 | .432 | .059 | .116 | -.640 | 180 | 914 | .432 | .059 | .116 | -.640 | 180 | 914 | .432 | .059 | .116 | -.640 |
| 180 | 915 | .423 | .045 | .235 | -.599 | 180 | 915 | .423 | .045 | .235 | -.599 | 180 | 915 | .423 | .045 | .235 | -.599 |
| 180 | 916 | .433 | .050 | .246 | -.701 | 180 | 916 | .433 | .050 | .246 | -.701 | 180 | 916 | .433 | .050 | .246 | -.701 |
| 180 | 917 | .471 | .055 | .173 | -.715 | 180 | 917 | .471 | .055 | .173 | -.715 | 180 | 917 | .471 | .055 | .173 | -.715 |
| 180 | 918 | .439 | .045 | .232 | -.385 | 180 | 918 | .439 | .045 | .232 | -.385 | 180 | 918 | .439 | .045 | .232 | -.385 |
| 180 | 919 | .436 | .047 | .209 | -.629 | 180 | 919 | .436 | .047 | .209 | -.629 | 180 | 919 | .436 | .047 | .209 | -.629 |
| 180 | 920 | .449 | .061 | .120 | -.644 | 180 | 920 | .449 | .061 | .120 | -.644 | 180 | 920 | .449 | .061 | .120 | -.644 |
| 180 | 921 | .483 | .045 | .233 | -.605 | 180 | 921 | .483 | .045 | .233 | -.605 | 180 | 921 | .483 | .045 | .233 | -.605 |
| 180 | 922 | .483 | .040 | .191 | -.374 | 180 | 922 | .483 | .040 | .191 | -.374 | 180 | 922 | .483 | .040 | .191 | -.374 |
| 180 | 923 | .465 | .035 | .260 | -.599 | 180 | 923 | .465 | .035 | .260 | -.599 | 180 | 923 | .465 | .035 | .260 | -.599 |
| 180 | 924 | .487 | .034 | .303 | -.649 | 180 | 924 | .487 | .034 | .303 | -.649 | 180 | 924 | .487 | .034 | .303 | -.649 |
| 180 | 925 | .507 | .037 | .312 | -.670 | 180 | 925 | .507 | .037 | .312 | -.670 | 180 | 925 | .507 | .037 | .312 | -.670 |
| 190 | 101 | .370 | .067 | .138 | -.874 | 190 | 101 | .370 | .067 | .138 | -.874 | 190 | 101 | .370 | .067 | .138 | -.874 |
| 190 | 102 | .395 | .063 | .177 | -.840 | 190 | 102 | .395 | .063 | .177 | -.840 | 190 | 102 | .395 | .063 | .177 | -.840 |
| 190 | 103 | .417 | .101 | .110 | -.976 | 190 | 103 | .417 | .101 | .110 | -.976 | 190 | 103 | .417 | .101 | .110 | -.976 |
| 190 | 104 | .524 | .124 | .156 | -1.443 | 190 | 104 | .524 | .124 | .156 | -1.443 | 190 | 104 | .524 | .124 | .156 | -1.443 |
| 190 | 105 | .522 | .137 | .085 | -1.165 | 190 | 105 | .522 | .137 | .085 | -1.165 | 190 | 105 | .522 | .137 | .085 | -1.165 |
| 190 | 106 | .447 | .117 | .056 | -1.060 | 190 | 106 | .447 | .117 | .056 | -1.060 | 190 | 106 | .447 | .117 | .056 | -1.060 |
| 190 | 107 | .503 | .212 | .206 | -.679 | 190 | 107 | .503 | .212 | .206 | -.679 | 190 | 107 | .503 | .212 | .206 | -.679 |
| 190 | 108 | .354 | .069 | .108 | -.796 | 190 | 108 | .354 | .069 | .108 | -.796 | 190 | 108 | .354 | .069 | .108 | -.796 |
| 190 | 109 | .376 | .066 | -.128 | -.646 | 190 | 109 | .376 | .066 | -.128 | -.646 | 190 | 109 | .376 | .066 | -.128 | -.646 |
| 190 | 110 | .405 | .068 | -.193 | -.761 | 190 | 110 | .405 | .068 | -.193 | -.761 | 190 | 110 | .405 | .068 | -.193 | -.761 |
| 190 | 111 | .513 | .113 | -.094 | -1.045 | 190 | 111 | .513 | .113 | -.094 | -1.045 | 190 | 111 | .513 | .113 | -.094 | -1.045 |
| 190 | 112 | .500 | .137 | .145 | -1.101 | 190 | 112 | .500 | .137 | .145 | -1.101 | 190 | 112 | .500 | .137 | .145 | -1.101 |

APPENDIX A -- PRESSURE DATA:

CONFIGURATION A: OLYMPIA AND YORK OFFICE TOWER, DALLAS

| WD | TAP | CPMEAN | CPRMS | CPMAX | CPMIN | WD | TAP | CPMEAN | CPRMS | CPMAX | CPMIN | WD | TAP | CPMEAN | CPRMS | CPMAX | CPMIN |
|-----|-----|--------|-------|-------|-------|-----|-----|--------|-------|-------|--------|-----|-----|--------|-------|-------|--------|
| 190 | 113 | .122 | .044 | .244 | -.333 | 190 | 163 | -.466 | .048 | -.187 | -.358 | 190 | 246 | -.467 | .063 | -.261 | -1.062 |
| 190 | 114 | .223 | .044 | .244 | -.333 | 190 | 164 | -.361 | .037 | -.206 | -.478 | 190 | 247 | -.514 | .081 | -.332 | -1.160 |
| 190 | 115 | .324 | .065 | .244 | -.333 | 190 | 165 | -.259 | .032 | -.133 | -.354 | 190 | 248 | -.408 | .048 | -.220 | -.343 |
| 190 | 116 | .425 | .137 | .244 | -.333 | 190 | 166 | -.233 | .037 | -.060 | -.348 | 190 | 249 | -.384 | .049 | -.123 | -.343 |
| 190 | 117 | .526 | .137 | .244 | -.333 | 190 | 167 | -.233 | .036 | -.090 | -.361 | 190 | 250 | -.391 | .051 | -.141 | -.393 |
| 190 | 118 | .627 | .132 | .244 | -.333 | 190 | 201 | -.455 | .121 | .143 | -.987 | 190 | 251 | -.454 | .055 | -.275 | -.709 |
| 190 | 119 | .728 | .144 | .244 | -.333 | 190 | 202 | -.412 | .144 | .302 | -1.032 | 190 | 252 | -.488 | .040 | -.198 | -.622 |
| 190 | 120 | .829 | .325 | .244 | -.333 | 190 | 203 | -.422 | .172 | .363 | -1.063 | 190 | 253 | -.465 | .039 | -.282 | -.665 |
| 190 | 121 | .930 | .325 | .244 | -.333 | 190 | 204 | -.386 | .179 | .571 | -1.125 | 190 | 254 | -.481 | .039 | -.359 | -.738 |
| 190 | 122 | 1.031 | .076 | .244 | -.333 | 190 | 205 | -.434 | .165 | .355 | -1.184 | 190 | 255 | -.485 | .040 | -.354 | -.727 |
| 190 | 123 | 1.132 | .076 | .244 | -.333 | 190 | 206 | -.435 | .165 | .388 | -1.413 | 190 | 256 | -.509 | .037 | -.375 | -.706 |
| 190 | 124 | 1.233 | .125 | .244 | -.333 | 190 | 207 | -.497 | .170 | .169 | -1.304 | 190 | 257 | -.470 | .038 | -.351 | -.631 |
| 190 | 125 | 1.334 | .216 | .244 | -.333 | 190 | 208 | -.659 | .226 | .017 | -1.647 | 190 | 258 | -.470 | .052 | -.329 | -1.000 |
| 190 | 126 | 1.435 | .059 | .244 | -.333 | 190 | 209 | -.755 | .266 | .010 | -2.227 | 190 | 259 | -.464 | .065 | -.288 | -1.245 |
| 190 | 127 | 1.536 | .174 | .244 | -.333 | 190 | 210 | -.604 | .191 | .147 | -1.460 | 190 | 260 | -.395 | .042 | -.193 | -.538 |
| 190 | 128 | 1.637 | .212 | .244 | -.333 | 190 | 211 | -.612 | .195 | .177 | -1.630 | 190 | 261 | -.380 | .043 | -.115 | -.579 |
| 190 | 129 | 1.738 | .124 | .244 | -.333 | 190 | 212 | -.417 | .098 | .141 | -.841 | 190 | 262 | -.427 | .031 | -.173 | -.616 |
| 190 | 130 | 1.839 | .093 | .244 | -.333 | 190 | 213 | -.453 | .118 | .324 | -.927 | 190 | 263 | -.469 | .060 | -.275 | -.722 |
| 190 | 131 | 1.940 | .070 | .244 | -.333 | 190 | 214 | -.442 | .146 | .341 | -.970 | 190 | 264 | -.486 | .041 | -.348 | -.675 |
| 190 | 132 | 2.041 | .080 | .244 | -.333 | 190 | 215 | -.389 | .138 | .426 | -.977 | 190 | 265 | -.450 | .037 | -.338 | -.605 |
| 190 | 133 | 2.142 | .061 | .244 | -.333 | 190 | 216 | -.393 | .122 | .417 | -.897 | 190 | 266 | -.452 | .031 | -.332 | -.591 |
| 190 | 134 | 2.243 | .022 | .244 | -.333 | 190 | 217 | -.467 | .102 | .045 | -.830 | 190 | 267 | -.439 | .037 | -.326 | -.585 |
| 190 | 135 | 2.344 | .132 | .244 | -.333 | 190 | 218 | -.486 | .109 | .019 | -.966 | 190 | 268 | -.454 | .038 | -.341 | -.614 |
| 190 | 136 | 2.445 | .120 | .244 | -.333 | 190 | 219 | -.609 | .176 | .004 | -1.569 | 190 | 269 | -.427 | .038 | -.335 | -.654 |
| 190 | 137 | 2.546 | .121 | .244 | -.333 | 190 | 220 | -.382 | .129 | .052 | -1.384 | 190 | 270 | -.426 | .040 | -.286 | -.630 |
| 190 | 138 | 2.647 | .134 | .244 | -.333 | 190 | 221 | -.587 | .129 | .231 | -1.246 | 190 | 271 | -.411 | .039 | -.281 | -.742 |
| 190 | 139 | 2.748 | .151 | .244 | -.333 | 190 | 222 | -.634 | .218 | .153 | -1.804 | 190 | 272 | -.328 | .043 | -.127 | -.493 |
| 190 | 140 | 2.849 | .022 | .244 | -.333 | 190 | 223 | -.939 | .424 | .067 | -2.945 | 190 | 273 | -.350 | .042 | -.072 | -.502 |
| 190 | 141 | 2.950 | .068 | .244 | -.333 | 190 | 224 | -.422 | .078 | .092 | -.799 | 190 | 274 | -.378 | .049 | -.198 | -.568 |
| 190 | 142 | 3.051 | .100 | .244 | -.333 | 190 | 225 | -.387 | .100 | .285 | -.889 | 190 | 275 | -.398 | .054 | -.225 | -.602 |
| 190 | 143 | 3.152 | .092 | .244 | -.333 | 190 | 226 | -.410 | .108 | .211 | -.975 | 190 | 276 | -.397 | .042 | -.203 | -.533 |
| 190 | 144 | 3.253 | .137 | .244 | -.333 | 190 | 227 | -.404 | .107 | .518 | -.801 | 190 | 277 | -.375 | .038 | -.151 | -.497 |
| 190 | 145 | 3.354 | .119 | .244 | -.333 | 190 | 228 | -.461 | .084 | .262 | -.856 | 190 | 278 | -.399 | .034 | -.195 | -.519 |
| 190 | 146 | 3.455 | .128 | .244 | -.333 | 190 | 229 | -.445 | .075 | .092 | -.880 | 190 | 279 | -.400 | .037 | -.242 | -.573 |
| 190 | 147 | 3.556 | .128 | .244 | -.333 | 190 | 230 | -.471 | .068 | -.148 | -.835 | 190 | 280 | -.419 | .038 | -.284 | -.597 |
| 190 | 148 | 3.657 | .202 | .244 | -.333 | 190 | 231 | -.497 | .070 | -.170 | -.876 | 190 | 281 | -.384 | .035 | -.262 | -.546 |
| 190 | 149 | 3.758 | .164 | .244 | -.333 | 190 | 232 | -.328 | .061 | -.326 | -.781 | 190 | 282 | -.422 | .042 | -.289 | -.644 |
| 190 | 150 | 3.859 | .211 | .244 | -.333 | 190 | 233 | -.517 | .077 | .261 | -.880 | 190 | 283 | -.411 | .045 | -.218 | -.580 |
| 190 | 151 | 3.960 | .096 | .244 | -.333 | 190 | 234 | -.610 | .143 | -.236 | -1.464 | 190 | 284 | -.409 | .066 | -.152 | -.635 |
| 190 | 152 | 4.061 | .110 | .244 | -.333 | 190 | 235 | -.609 | .149 | -.288 | -1.673 | 190 | 285 | -.438 | .046 | -.311 | -.693 |
| 190 | 153 | 4.162 | .176 | .244 | -.333 | 190 | 236 | -.420 | .053 | .047 | -.662 | 190 | 286 | -.402 | .034 | -.304 | -.520 |
| 190 | 154 | 4.263 | .158 | .244 | -.333 | 190 | 237 | -.389 | .067 | .031 | -.669 | 190 | 287 | -.412 | .035 | -.314 | -.662 |
| 190 | 155 | 4.364 | .121 | .244 | -.333 | 190 | 238 | -.415 | .071 | .017 | -.755 | 190 | 288 | -.406 | .030 | -.293 | -.561 |
| 190 | 156 | 4.465 | .115 | .244 | -.333 | 190 | 239 | -.431 | .067 | .075 | -.731 | 190 | 289 | -.424 | .035 | -.284 | -.567 |
| 190 | 157 | 4.566 | .246 | .244 | -.333 | 190 | 240 | -.485 | .048 | .260 | -.693 | 190 | 290 | -.398 | .049 | -.208 | -.593 |
| 190 | 158 | 4.667 | .209 | .244 | -.333 | 190 | 241 | -.465 | .050 | -.251 | -.725 | 190 | 291 | -.299 | .064 | -.122 | -.720 |
| 190 | 159 | 4.768 | .158 | .244 | -.333 | 190 | 242 | -.486 | .048 | -.337 | -.713 | 190 | 292 | -.519 | .066 | -.309 | -.785 |
| 190 | 160 | 4.869 | .158 | .244 | -.333 | 190 | 243 | -.498 | .048 | -.341 | -.914 | 190 | 293 | -.425 | .080 | -.063 | -1.048 |
| 190 | 161 | 4.970 | .097 | .244 | -.333 | 190 | 244 | -.325 | .045 | -.379 | -.706 | 190 | 294 | -.388 | .028 | -.302 | -.493 |
| 190 | 162 | 5.071 | .165 | .244 | -.333 | 190 | 245 | -.496 | .049 | -.321 | -.738 | 190 | 295 | -.424 | .026 | -.338 | -.515 |

APPENDIX A -- PRESSURE DATA:

CONFIGURATION A: OLYMPIA AND YORK OFFICE TOWER, DALLAS

| WD | TAP | CPHEAN | CFRMS | CPMAX | CPMIN | WD | TAP | CPHEAN | CFRMS | CPMAX | CPMIN |
|-----|-----|--------|-------|--------|--------|-----|-----|--------|-------|-------|--------|
| 190 | 437 | 419 | .063 | -1.98 | -.654 | 190 | 519 | 555 | .126 | -.329 | -1.445 |
| 190 | 438 | 419 | .093 | -1.98 | -.776 | 190 | 520 | 734 | .167 | -.301 | -1.574 |
| 190 | 439 | 401 | .157 | -1.239 | -.612 | 190 | 521 | 612 | .084 | -.366 | -1.039 |
| 190 | 440 | 135 | .220 | -.727 | -.763 | 190 | 522 | 763 | .120 | -.410 | -1.206 |
| 190 | 441 | 074 | .207 | -.583 | -.386 | 190 | 523 | 586 | .068 | -.338 | -.892 |
| 190 | 442 | 258 | .167 | -.345 | -.509 | 190 | 524 | 509 | .063 | -.289 | -.847 |
| 190 | 443 | 435 | .042 | -.280 | -.471 | 190 | 525 | 471 | .063 | -.251 | -.753 |
| 190 | 444 | 477 | .047 | -.289 | -.413 | 190 | 526 | 413 | .072 | -.124 | -.696 |
| 190 | 445 | 493 | .076 | -.197 | -.312 | 190 | 527 | 400 | .068 | -.151 | -.675 |
| 190 | 446 | 381 | .171 | -.347 | -.121 | 190 | 528 | 121 | .171 | -.496 | -.640 |
| 190 | 447 | 068 | .216 | -.563 | -.744 | 190 | 529 | 229 | .136 | -.345 | -.623 |
| 190 | 448 | 023 | .164 | -.481 | -.653 | 190 | 530 | 538 | .146 | -.197 | -.933 |
| 190 | 449 | 274 | .156 | -.366 | -.834 | 190 | 531 | 845 | .139 | -.366 | -.1497 |
| 190 | 450 | 443 | .047 | -.268 | -.648 | 190 | 532 | 534 | .076 | -.368 | -.865 |
| 190 | 451 | 447 | .050 | -.267 | -.694 | 190 | 533 | 538 | .051 | -.338 | -.750 |
| 190 | 452 | 421 | .078 | -.119 | -.720 | 190 | 534 | 520 | .061 | -.276 | -.878 |
| 190 | 453 | 148 | .158 | -.356 | -.864 | 190 | 535 | 528 | .041 | -.388 | -.717 |
| 190 | 454 | 124 | .133 | -.675 | -.438 | 190 | 536 | 486 | .041 | -.341 | -.637 |
| 190 | 455 | 197 | .131 | -.556 | -.501 | 190 | 537 | 447 | .044 | -.273 | -.601 |
| 190 | 456 | 465 | .143 | -.227 | -.934 | 190 | 538 | 374 | .060 | -.159 | -.606 |
| 190 | 457 | 465 | .065 | -.114 | -.772 | 190 | 539 | 367 | .063 | -.129 | -.608 |
| 190 | 458 | 466 | .073 | -.326 | -.867 | 190 | 540 | 159 | .225 | -.585 | -.680 |
| 190 | 459 | 496 | .099 | -.655 | -.845 | 190 | 541 | 108 | .191 | -.522 | -.713 |
| 190 | 460 | 544 | .067 | -.370 | -.827 | 190 | 542 | 339 | .169 | -.453 | -.917 |
| 190 | 461 | 502 | .079 | -.220 | -.834 | 190 | 543 | 784 | .188 | -.216 | -.512 |
| 190 | 462 | 386 | .063 | -.132 | -.661 | 190 | 544 | 522 | .063 | -.284 | -.734 |
| 190 | 463 | 256 | .102 | -.070 | -.603 | 190 | 545 | 531 | .049 | -.353 | -.740 |
| 190 | 464 | 056 | .128 | -.503 | -.468 | 190 | 546 | 526 | .058 | -.307 | -.734 |
| 190 | 465 | 193 | .120 | -.811 | -.253 | 190 | 547 | 536 | .042 | -.378 | -.752 |
| 190 | 466 | 165 | .126 | -.766 | -.212 | 190 | 548 | 492 | .041 | -.331 | -.677 |
| 190 | 467 | 066 | .155 | -.541 | -.608 | 190 | 549 | 448 | .042 | -.278 | -.682 |
| 190 | 468 | 083 | .083 | -.299 | -.1021 | 190 | 550 | 376 | .051 | -.180 | -.531 |
| 190 | 501 | 425 | .134 | -.041 | -.944 | 190 | 551 | 346 | .047 | -.154 | -.527 |
| 190 | 502 | 485 | .108 | -.132 | -.216 | 190 | 552 | 228 | .203 | -.436 | -.803 |
| 190 | 503 | 643 | .105 | -.057 | -.131 | 190 | 553 | 145 | .197 | -.457 | -.671 |
| 190 | 504 | 945 | .164 | -.510 | -.698 | 190 | 554 | 359 | .168 | -.264 | -.908 |
| 190 | 505 | 758 | .123 | -.424 | -.499 | 190 | 555 | 752 | .199 | -.251 | -.392 |
| 190 | 506 | 707 | .150 | -.328 | -.622 | 190 | 556 | 532 | .068 | -.235 | -.850 |
| 190 | 507 | 641 | .109 | -.336 | -.183 | 190 | 557 | 529 | .052 | -.329 | -.727 |
| 190 | 508 | 545 | .094 | -.284 | -.143 | 190 | 558 | 539 | .060 | -.253 | -.772 |
| 190 | 509 | 469 | .073 | -.246 | -.903 | 190 | 559 | 507 | .043 | -.337 | -.743 |
| 190 | 510 | 440 | .073 | -.217 | -.804 | 190 | 560 | 487 | .042 | -.309 | -.693 |
| 190 | 511 | 282 | .130 | -.327 | -.802 | 190 | 561 | 433 | .041 | -.250 | -.610 |
| 190 | 512 | 412 | .109 | -.067 | -.924 | 190 | 562 | 378 | .043 | -.207 | -.512 |
| 190 | 513 | 793 | .112 | -.268 | -.727 | 190 | 563 | 343 | .040 | -.161 | -.491 |
| 190 | 514 | 798 | .125 | -.393 | -.652 | 190 | 564 | 141 | .217 | -.392 | -.799 |
| 190 | 515 | 745 | .088 | -.498 | -.156 | 190 | 565 | 108 | .173 | -.424 | -.629 |
| 190 | 516 | 272 | .117 | -.184 | -.812 | 190 | 566 | 492 | .145 | -.055 | -.956 |
| 190 | 517 | 363 | .105 | -.947 | -.818 | 190 | 567 | 856 | .152 | -.370 | -.1427 |
| 190 | 518 | 507 | .132 | -.054 | -.967 | 190 | 568 | 579 | .072 | -.348 | -.900 |

APPENDIX A -- PRESSURE DATA:

CONFIGURATION A: OLYMPIA AND YORK OFFICE TOWER, DALLAS

| WD | TAP | CPHEAH | CPRMS | CPHMAX | CPHMIN | WD | TAP | CPHEAH | CPRMS | CPHMAX | CPHMIN | WD | TAP | CPHEAH | CPRMS | CPHMAX | CPHMIN |
|-----|-----|--------|-------|--------|--------|-----|-----|--------|-------|--------|--------|-----|-----|--------|-------|--------|--------|
| 190 | 569 | .539 | .051 | .367 | .729 | 190 | 716 | .897 | .213 | .154 | -1.633 | 200 | 111 | .405 | .088 | -.159 | -.826 |
| 190 | 576 | .536 | .060 | .343 | .637 | 190 | 717 | .330 | .145 | .283 | -.727 | 200 | 112 | .406 | .106 | -.031 | -.894 |
| 190 | 571 | .520 | .046 | .356 | .679 | 190 | 718 | .107 | .104 | .591 | -.231 | 200 | 113 | .354 | .101 | .018 | -.825 |
| 190 | 572 | .495 | .043 | .311 | .769 | 190 | 719 | .183 | .122 | .763 | -.232 | 200 | 114 | .314 | .148 | .220 | -1.113 |
| 190 | 573 | .435 | .041 | .278 | .619 | 190 | 720 | .020 | .145 | .614 | -.832 | 200 | 115 | .288 | .061 | .005 | -.708 |
| 190 | 574 | .363 | .041 | .207 | .556 | 190 | 721 | .097 | .087 | .253 | -.371 | 200 | 116 | .291 | .053 | -.012 | -.678 |
| 190 | 575 | .345 | .041 | .149 | .629 | 190 | 801 | .390 | .037 | .185 | -.529 | 200 | 117 | .319 | .057 | -.144 | -.744 |
| 190 | 576 | .077 | .157 | .609 | .432 | 190 | 802 | .360 | .044 | -.214 | -.529 | 200 | 118 | .370 | .072 | -.112 | -.752 |
| 190 | 577 | .041 | .110 | .433 | .451 | 190 | 803 | .329 | .038 | -.163 | -.462 | 200 | 119 | .350 | .088 | .003 | -.726 |
| 190 | 578 | .616 | .115 | .671 | -.671 | 190 | 804 | .353 | .043 | -.155 | -.531 | 200 | 120 | .305 | .091 | .140 | -.740 |
| 190 | 579 | .005 | .122 | .406 | -1.563 | 190 | 805 | .333 | .043 | -.189 | -.573 | 200 | 121 | .281 | .114 | .170 | -.838 |
| 190 | 580 | .649 | .074 | .394 | .960 | 190 | 806 | .360 | .044 | -.179 | -.580 | 200 | 122 | .282 | .050 | -.076 | -.773 |
| 190 | 581 | .365 | .036 | .373 | .833 | 190 | 807 | .382 | .086 | -.077 | -.726 | 200 | 123 | .271 | .045 | -.078 | -.573 |
| 190 | 582 | .627 | .081 | .342 | .920 | 190 | 808 | .211 | .114 | .201 | -.617 | 200 | 124 | .295 | .047 | -.142 | -.567 |
| 190 | 583 | .558 | .054 | .392 | .760 | 190 | 809 | .071 | .103 | .354 | -.413 | 200 | 125 | .333 | .053 | -.166 | -.716 |
| 190 | 584 | .536 | .053 | .333 | .736 | 190 | 810 | .146 | .074 | .163 | -.362 | 200 | 126 | .325 | .074 | -.047 | -.725 |
| 190 | 585 | .454 | .050 | .252 | .672 | 190 | 901 | .294 | .086 | .075 | -1.001 | 200 | 127 | .278 | .074 | .010 | -.624 |
| 190 | 586 | .381 | .048 | .175 | .832 | 190 | 903 | .312 | .090 | .050 | -.865 | 200 | 128 | .265 | .089 | .157 | -.837 |
| 190 | 587 | .356 | .044 | .190 | .584 | 190 | 904 | .331 | .089 | .054 | -.776 | 200 | 129 | .270 | .040 | -.109 | -.470 |
| 190 | 588 | .461 | .064 | .230 | .222 | 190 | 905 | .406 | .134 | .137 | -.920 | 200 | 130 | .274 | .041 | -.117 | -.485 |
| 190 | 589 | .431 | .055 | .059 | .765 | 190 | 906 | .565 | .192 | .013 | -1.381 | 200 | 131 | .279 | .041 | -.076 | -.559 |
| 190 | 590 | .190 | .128 | .674 | .388 | 190 | 907 | .525 | .146 | -.029 | -1.069 | 200 | 132 | .312 | .050 | -.168 | -.632 |
| 190 | 591 | .042 | .120 | .654 | .333 | 190 | 908 | .181 | .133 | .379 | -.738 | 200 | 133 | .297 | .057 | -.097 | -.594 |
| 190 | 592 | .105 | .174 | .449 | .627 | 190 | 909 | .073 | .176 | .611 | -.576 | 200 | 134 | .276 | .064 | .023 | -.581 |
| 190 | 593 | .586 | .181 | .091 | -1.259 | 190 | 910 | .164 | .140 | .450 | -.676 | 200 | 135 | .265 | .076 | .105 | -.508 |
| 190 | 594 | .608 | .122 | .693 | -1.065 | 190 | 911 | .333 | .106 | .022 | -.830 | 200 | 136 | .257 | .047 | -.101 | -.440 |
| 190 | 595 | .664 | .090 | .202 | -1.070 | 190 | 912 | .444 | .147 | .035 | -1.245 | 200 | 137 | .265 | .042 | -.132 | -.413 |
| 190 | 596 | .548 | .085 | .085 | -1.690 | 190 | 913 | .408 | .136 | .088 | -.987 | 200 | 138 | .281 | .041 | -.143 | -.454 |
| 190 | 597 | .575 | .080 | .268 | -.926 | 190 | 914 | .371 | .045 | -.065 | -.552 | 200 | 139 | .291 | .047 | -.103 | -.555 |
| 190 | 598 | .371 | .098 | .314 | .938 | 190 | 915 | .324 | .040 | -.085 | -.440 | 200 | 140 | .274 | .059 | .008 | -.546 |
| 190 | 599 | .555 | .079 | .330 | .930 | 190 | 916 | .341 | .049 | -.115 | -.510 | 200 | 141 | .273 | .061 | .065 | -.535 |
| 190 | 600 | .513 | .074 | .275 | .919 | 190 | 917 | .393 | .044 | -.026 | -.562 | 200 | 142 | .297 | .081 | .164 | -.586 |
| 190 | 601 | .502 | .094 | .246 | .971 | 190 | 918 | .343 | .040 | -.106 | -.459 | 200 | 143 | .288 | .054 | -.083 | -.527 |
| 190 | 602 | .510 | .069 | .295 | .784 | 190 | 919 | .373 | .041 | -.139 | -.528 | 200 | 144 | .298 | .052 | -.113 | -.478 |
| 190 | 603 | .523 | .071 | .288 | .814 | 190 | 920 | .389 | .045 | -.127 | -.536 | 200 | 145 | .262 | .038 | -.094 | -.387 |
| 190 | 701 | .457 | .047 | .325 | .666 | 190 | 921 | .404 | .039 | -.100 | -.532 | 200 | 146 | .261 | .048 | -.038 | -.502 |
| 190 | 702 | .443 | .045 | .299 | .638 | 190 | 922 | .398 | .037 | -.144 | -.502 | 200 | 147 | .243 | .060 | .084 | -.425 |
| 190 | 703 | .447 | .046 | .324 | .681 | 190 | 923 | .382 | .028 | -.285 | -.484 | 200 | 148 | .229 | .074 | .260 | -.418 |
| 190 | 704 | .455 | .049 | .314 | .717 | 190 | 924 | .400 | .031 | -.299 | -.520 | 200 | 149 | .273 | .075 | .127 | -.573 |
| 190 | 705 | .484 | .057 | .276 | .715 | 190 | 925 | .413 | .034 | -.304 | -.548 | 200 | 150 | .401 | .076 | -.194 | -.802 |
| 190 | 706 | .521 | .062 | .279 | .750 | 200 | 101 | .360 | .067 | -.120 | -.944 | 200 | 151 | .352 | .072 | -.092 | -.643 |
| 190 | 707 | .509 | .052 | .318 | .719 | 200 | 102 | .344 | .069 | -.099 | -.774 | 200 | 152 | .351 | .069 | -.106 | -.639 |
| 190 | 708 | .515 | .064 | .297 | .842 | 200 | 103 | .373 | .084 | -.127 | -.897 | 200 | 153 | .342 | .052 | -.147 | -.679 |
| 190 | 709 | .471 | .056 | .329 | .746 | 200 | 104 | .425 | .109 | -.136 | -1.166 | 200 | 154 | .347 | .053 | -.160 | -.689 |
| 190 | 710 | .448 | .047 | .304 | .655 | 200 | 105 | .435 | .115 | .093 | -1.061 | 200 | 155 | .336 | .057 | -.157 | -.594 |
| 190 | 711 | .435 | .055 | .235 | .724 | 200 | 106 | .370 | .114 | -.011 | -1.049 | 200 | 156 | .343 | .058 | -.163 | -.726 |
| 190 | 712 | .447 | .065 | .206 | .893 | 200 | 107 | .367 | .158 | .170 | -1.411 | 200 | 157 | .452 | .058 | -.273 | -.675 |
| 190 | 713 | .445 | .062 | .257 | .835 | 200 | 108 | .336 | .083 | -.103 | -.991 | 200 | 158 | .399 | .048 | -.225 | -.586 |
| 190 | 714 | .459 | .059 | .265 | .816 | 200 | 109 | .334 | .068 | -.097 | -.861 | 200 | 159 | .349 | .043 | -.198 | -.490 |
| 190 | 715 | .525 | .066 | .268 | .760 | 200 | 110 | .355 | .079 | -.108 | -.986 | 200 | 160 | .235 | .057 | .037 | -.519 |

APPENDIX A -- PRESSURE DATA:

CONFIGURATION A: OLYMPIA AND YORK OFFICE TOWER, DALLAS

| WD | TAP | CFRAN | CFRMS | CFRAX | CFRIN | WD | TAP | CFRAN | CFRMS | CFRAX | CFRIN | WD | TAP | CFRAN | CFRMS | CFRAX | CFRIN |
|------|-----|-------|-------|-------|-------|-----|-----|-------|-------|-------|-------|-----|-----|-------|-------|-------|-------|
| 2000 | 161 | 031 | 192 | 411 | 200 | 244 | 394 | 052 | 202 | 616 | 200 | 294 | 304 | 035 | 194 | 439 | |
| 2000 | 162 | 043 | 212 | 422 | 200 | 245 | 423 | 050 | 237 | 703 | 200 | 295 | 343 | 029 | 232 | 474 | |
| 2000 | 163 | 043 | 179 | 463 | 200 | 246 | 346 | 042 | 164 | 492 | 200 | 296 | 340 | 027 | 241 | 437 | |
| 2000 | 164 | 042 | 561 | 462 | 200 | 247 | 370 | 031 | 189 | 688 | 200 | 297 | 324 | 030 | 223 | 439 | |
| 2000 | 165 | 037 | 115 | 430 | 200 | 248 | 260 | 059 | 140 | 301 | 200 | 298 | 326 | 038 | 179 | 463 | |
| 2000 | 166 | 042 | 120 | 411 | 200 | 249 | 251 | 083 | 203 | 394 | 200 | 299 | 330 | 039 | 164 | 643 | |
| 2000 | 167 | 037 | 149 | 473 | 200 | 250 | 240 | 082 | 365 | 361 | 200 | 300 | 400 | 070 | 170 | 680 | |
| 2000 | 201 | 113 | 203 | 728 | 200 | 251 | 281 | 104 | 214 | 610 | 200 | 301 | 308 | 040 | 159 | 334 | |
| 2000 | 202 | 138 | 438 | 831 | 200 | 252 | 302 | 097 | 280 | 605 | 200 | 302 | 301 | 036 | 133 | 449 | |
| 2000 | 203 | 186 | 626 | 866 | 200 | 253 | 368 | 097 | 235 | 692 | 200 | 303 | 308 | 032 | 073 | 413 | |
| 2000 | 204 | 202 | 608 | 823 | 200 | 254 | 385 | 077 | 058 | 657 | 200 | 304 | 308 | 030 | 196 | 413 | |
| 2000 | 205 | 182 | 695 | 788 | 200 | 255 | 410 | 058 | 144 | 727 | 200 | 305 | 326 | 029 | 217 | 424 | |
| 2000 | 206 | 184 | 721 | 899 | 200 | 256 | 395 | 049 | 140 | 558 | 200 | 306 | 312 | 028 | 214 | 409 | |
| 2000 | 207 | 138 | 653 | 800 | 200 | 257 | 412 | 046 | 241 | 372 | 200 | 307 | 330 | 031 | 227 | 437 | |
| 2000 | 208 | 112 | 572 | 912 | 200 | 258 | 348 | 040 | 198 | 374 | 200 | 308 | 329 | 039 | 200 | 449 | |
| 2000 | 209 | 091 | 216 | 807 | 200 | 259 | 349 | 043 | 153 | 608 | 200 | 309 | 342 | 048 | 187 | 519 | |
| 2000 | 210 | 108 | 336 | 727 | 200 | 260 | 253 | 060 | 074 | 333 | 200 | 401 | 336 | 086 | 023 | 843 | |
| 2000 | 211 | 095 | 259 | 753 | 200 | 261 | 267 | 080 | 129 | 637 | 200 | 402 | 346 | 089 | 022 | 867 | |
| 2000 | 212 | 102 | 136 | 714 | 200 | 262 | 279 | 090 | 169 | 713 | 200 | 403 | 303 | 089 | 229 | 859 | |
| 2000 | 213 | 113 | 286 | 732 | 200 | 263 | 354 | 094 | 166 | 714 | 200 | 404 | 273 | 120 | 460 | 773 | |
| 2000 | 214 | 175 | 449 | 075 | 200 | 264 | 355 | 065 | 104 | 607 | 200 | 405 | 249 | 120 | 359 | 736 | |
| 2000 | 215 | 131 | 566 | 597 | 200 | 265 | 398 | 061 | 144 | 644 | 200 | 406 | 241 | 126 | 353 | 619 | |
| 2000 | 216 | 197 | 669 | 649 | 200 | 266 | 393 | 052 | 194 | 610 | 200 | 407 | 275 | 118 | 399 | 722 | |
| 2000 | 217 | 152 | 922 | 643 | 200 | 267 | 364 | 037 | 234 | 363 | 200 | 408 | 366 | 071 | 007 | 776 | |
| 2000 | 218 | 152 | 614 | 731 | 200 | 268 | 367 | 038 | 237 | 372 | 200 | 409 | 374 | 067 | 063 | 662 | |
| 2000 | 219 | 094 | 561 | 767 | 200 | 269 | 340 | 034 | 234 | 329 | 200 | 410 | 326 | 087 | 043 | 399 | |
| 2000 | 220 | 094 | 448 | 803 | 200 | 270 | 306 | 042 | 157 | 633 | 200 | 411 | 288 | 100 | 333 | 836 | |
| 2000 | 221 | 106 | 401 | 668 | 200 | 271 | 302 | 043 | 118 | 496 | 200 | 412 | 273 | 108 | 429 | 733 | |
| 2000 | 222 | 079 | 026 | 879 | 200 | 272 | 219 | 059 | 358 | 389 | 200 | 413 | 251 | 093 | 211 | 746 | |
| 2000 | 223 | 077 | 088 | 525 | 200 | 273 | 220 | 069 | 178 | 438 | 200 | 414 | 360 | 098 | 278 | 882 | |
| 2000 | 224 | 040 | 040 | 588 | 200 | 274 | 260 | 082 | 122 | 617 | 200 | 415 | 406 | 067 | 056 | 684 | |
| 2000 | 225 | 106 | 336 | 762 | 200 | 275 | 323 | 079 | 083 | 642 | 200 | 416 | 400 | 073 | 097 | 728 | |
| 2000 | 226 | 126 | 356 | 904 | 200 | 276 | 324 | 060 | 120 | 484 | 200 | 417 | 366 | 105 | 340 | 709 | |
| 2000 | 227 | 133 | 439 | 597 | 200 | 277 | 333 | 052 | 021 | 344 | 200 | 418 | 340 | 138 | 390 | 762 | |
| 2000 | 228 | 131 | 403 | 656 | 200 | 278 | 340 | 046 | 094 | 379 | 200 | 419 | 280 | 131 | 335 | 679 | |
| 2000 | 229 | 133 | 464 | 673 | 200 | 279 | 330 | 044 | 137 | 486 | 200 | 420 | 250 | 130 | 296 | 803 | |
| 2000 | 230 | 108 | 281 | 659 | 200 | 280 | 338 | 044 | 144 | 499 | 200 | 421 | 241 | 114 | 258 | 833 | |
| 2000 | 231 | 080 | 222 | 801 | 200 | 281 | 311 | 043 | 147 | 434 | 200 | 422 | 378 | 051 | 214 | 682 | |
| 2000 | 232 | 072 | 244 | 631 | 200 | 282 | 315 | 046 | 157 | 484 | 200 | 423 | 375 | 048 | 210 | 594 | |
| 2000 | 233 | 111 | 114 | 699 | 200 | 283 | 304 | 054 | 083 | 503 | 200 | 424 | 366 | 064 | 089 | 632 | |
| 2000 | 234 | 051 | 138 | 740 | 200 | 284 | 288 | 091 | 078 | 724 | 200 | 425 | 391 | 104 | 120 | 852 | |
| 2000 | 235 | 053 | 140 | 927 | 200 | 285 | 333 | 052 | 167 | 572 | 200 | 426 | 297 | 137 | 260 | 749 | |
| 2000 | 236 | 085 | 104 | 539 | 200 | 286 | 333 | 045 | 161 | 517 | 200 | 427 | 237 | 129 | 419 | 723 | |
| 2000 | 237 | 088 | 272 | 579 | 200 | 287 | 344 | 044 | 149 | 633 | 200 | 428 | 264 | 117 | 328 | 733 | |
| 2000 | 238 | 093 | 236 | 846 | 200 | 288 | 346 | 037 | 231 | 353 | 200 | 429 | 362 | 055 | 192 | 671 | |
| 2000 | 239 | 112 | 394 | 664 | 200 | 289 | 347 | 038 | 212 | 374 | 200 | 430 | 373 | 032 | 194 | 697 | |
| 2000 | 240 | 097 | 324 | 373 | 200 | 290 | 313 | 049 | 111 | 327 | 200 | 431 | 395 | 062 | 159 | 652 | |
| 2000 | 241 | 094 | 238 | 666 | 200 | 291 | 352 | 064 | 114 | 627 | 200 | 432 | 417 | 110 | 059 | 896 | |
| 2000 | 242 | 077 | 072 | 626 | 200 | 292 | 405 | 060 | 230 | 733 | 200 | 433 | 272 | 130 | 320 | 738 | |
| 2000 | 243 | 059 | 153 | 693 | 200 | 293 | 313 | 119 | 120 | 903 | 200 | 434 | 220 | 130 | 333 | 687 | |

APPENDIX A -- PRESSURE DATA:

CONFIGURATION A:

OLYMPIA AND YORK OFFICE TOWER, DALLAS

| WD | TAP | CPHEAN | CFRMS | CPHAX | CPHIN | WD | TAP | CPHEAN | CFRMS | CPHAX | CPHIN | WD | TAP | CPHEAN | CFRMS | CPHAX | CPHIN |
|-----|-----|--------|-------|-------|-------|-----|-----|--------|-------|-------|--------|-----|-----|--------|-------|-------|--------|
| 200 | 435 | -.250 | .120 | -.257 | -.701 | 200 | 317 | -.305 | .095 | .140 | -.725 | 200 | 367 | -.664 | .104 | -.215 | -1.068 |
| 200 | 436 | -.633 | -.144 | -.806 | -.806 | 200 | 318 | -.366 | .096 | .126 | -.734 | 200 | 368 | -.473 | .039 | -.175 | -.703 |
| 200 | 437 | -.334 | -.204 | -.657 | -.657 | 200 | 319 | -.374 | .083 | -.081 | -.856 | 200 | 369 | -.438 | .043 | -.283 | -.634 |
| 200 | 438 | -.666 | -.159 | -.749 | -.749 | 200 | 320 | -.386 | .088 | -.147 | -1.019 | 200 | 370 | -.449 | .050 | -.262 | -.670 |
| 200 | 439 | -.354 | -.170 | -.757 | -.757 | 200 | 321 | -.393 | .067 | -.191 | -.720 | 200 | 371 | -.411 | .040 | -.274 | -.568 |
| 200 | 440 | -.666 | -.159 | -.757 | -.757 | 200 | 322 | -.410 | .088 | -.144 | -.984 | 200 | 372 | -.386 | .041 | -.192 | -.569 |
| 200 | 441 | -.111 | -.202 | -.557 | -.557 | 200 | 323 | -.400 | .057 | -.259 | -.801 | 200 | 373 | -.331 | .042 | -.127 | -.523 |
| 200 | 442 | -.111 | -.193 | -.671 | -.671 | 200 | 324 | -.400 | .067 | -.229 | -.760 | 200 | 374 | -.268 | .044 | -.076 | -.587 |
| 200 | 443 | -.111 | -.109 | -.451 | -.451 | 200 | 325 | -.376 | .061 | -.214 | -.771 | 200 | 375 | -.253 | .042 | -.105 | -.461 |
| 200 | 444 | -.643 | -.159 | -.537 | -.537 | 200 | 326 | -.328 | .073 | -.119 | -1.079 | 200 | 376 | -.022 | .120 | -.434 | -.447 |
| 200 | 445 | -.077 | .017 | -.651 | -.651 | 200 | 327 | -.325 | .064 | -.099 | -.600 | 200 | 377 | -.086 | .089 | -.262 | -.542 |
| 200 | 446 | -.126 | .266 | -.596 | -.596 | 200 | 328 | -.296 | .113 | -.172 | -.634 | 200 | 378 | -.533 | .108 | -.013 | -.973 |
| 200 | 447 | -.126 | .329 | -.499 | -.499 | 200 | 329 | -.247 | .109 | -.232 | -.565 | 200 | 379 | -.824 | .120 | -.411 | -1.369 |
| 200 | 448 | -.111 | .317 | -.534 | -.534 | 200 | 330 | -.257 | .110 | -.279 | -.609 | 200 | 380 | -.520 | .063 | -.292 | -.848 |
| 200 | 449 | -.111 | .246 | -.755 | -.755 | 200 | 331 | -.386 | .104 | -.028 | -.898 | 200 | 381 | -.473 | .053 | -.297 | -.698 |
| 200 | 450 | -.666 | .633 | -.541 | -.541 | 200 | 332 | -.370 | .054 | -.204 | -.671 | 200 | 382 | -.509 | .073 | -.235 | -.831 |
| 200 | 451 | -.093 | .076 | -.586 | -.586 | 200 | 333 | -.393 | .048 | -.248 | -.625 | 200 | 383 | -.458 | .055 | -.282 | -.685 |
| 200 | 452 | -.093 | .647 | -.591 | -.591 | 200 | 334 | -.406 | .065 | -.208 | -.806 | 200 | 384 | -.435 | .057 | -.253 | -.644 |
| 200 | 453 | -.120 | .316 | -.609 | -.609 | 200 | 335 | -.403 | .049 | -.274 | -.618 | 200 | 385 | -.353 | .051 | -.173 | -.599 |
| 200 | 454 | -.114 | .662 | -.315 | -.315 | 200 | 336 | -.378 | .031 | -.231 | -.634 | 200 | 386 | -.290 | .032 | -.096 | -.541 |
| 200 | 455 | -.118 | .683 | -.339 | -.339 | 200 | 337 | -.339 | .031 | -.180 | -.642 | 200 | 387 | -.269 | .053 | -.095 | -.654 |
| 200 | 456 | -.126 | .193 | -.739 | -.739 | 200 | 338 | -.282 | .052 | -.069 | -.599 | 200 | 388 | -.398 | .080 | -.178 | -.828 |
| 200 | 457 | -.073 | .082 | -.638 | -.638 | 200 | 339 | -.283 | .049 | -.111 | -.480 | 200 | 389 | -.405 | .084 | -.098 | -.740 |
| 200 | 458 | -.666 | .263 | -.808 | -.808 | 200 | 340 | -.289 | .118 | -.219 | -.631 | 200 | 390 | -.142 | .134 | -.663 | -.367 |
| 200 | 459 | -.074 | .107 | -.727 | -.727 | 200 | 341 | -.231 | .114 | -.234 | -.696 | 200 | 391 | -.055 | .132 | -.723 | -.394 |
| 200 | 460 | -.666 | .223 | -.686 | -.686 | 200 | 342 | -.254 | .105 | -.246 | -.701 | 200 | 392 | -.043 | .154 | -.507 | -.592 |
| 200 | 461 | -.666 | .176 | -.684 | -.684 | 200 | 343 | -.408 | .108 | -.193 | -.960 | 200 | 393 | -.484 | .146 | -.004 | -1.056 |
| 200 | 462 | -.633 | .669 | -.634 | -.634 | 200 | 344 | -.399 | .063 | -.017 | -.676 | 200 | 394 | -.508 | .098 | -.127 | -.891 |
| 200 | 463 | -.083 | .149 | -.529 | -.529 | 200 | 345 | -.415 | .048 | -.269 | -.640 | 200 | 395 | -.581 | .094 | -.225 | -1.081 |
| 200 | 464 | -.119 | .562 | -.410 | -.410 | 200 | 346 | -.423 | .066 | -.146 | -.749 | 200 | 396 | -.464 | .075 | -.196 | -.848 |
| 200 | 465 | -.133 | .769 | -.219 | -.219 | 200 | 347 | -.411 | .044 | -.257 | -.606 | 200 | 397 | -.489 | .078 | -.299 | -.913 |
| 200 | 466 | -.131 | .746 | -.214 | -.214 | 200 | 348 | -.370 | .046 | -.211 | -.589 | 200 | 398 | -.481 | .096 | -.141 | -.889 |
| 200 | 467 | -.144 | .607 | -.539 | -.539 | 200 | 349 | -.323 | .047 | -.146 | -.618 | 200 | 399 | -.459 | .064 | -.199 | -.795 |
| 200 | 468 | -.066 | .226 | -.686 | -.686 | 200 | 350 | -.272 | .050 | -.076 | -.504 | 200 | 600 | -.432 | .068 | -.231 | -1.092 |
| 200 | 501 | -.101 | .135 | -.722 | -.722 | 200 | 351 | -.266 | .042 | -.112 | -.564 | 200 | 601 | -.415 | .087 | -.074 | -.913 |
| 200 | 502 | -.091 | .689 | -.831 | -.831 | 200 | 352 | -.271 | .110 | -.138 | -.627 | 200 | 602 | -.429 | .058 | -.234 | -.724 |
| 200 | 503 | -.142 | .050 | -.754 | -.754 | 200 | 353 | -.250 | .103 | -.198 | -.570 | 200 | 603 | -.446 | .068 | -.222 | -.736 |
| 200 | 504 | -.132 | -.140 | -.409 | -.409 | 200 | 354 | -.356 | .098 | -.012 | -.775 | 200 | 701 | -.376 | .037 | -.259 | -.537 |
| 200 | 505 | -.182 | -.133 | -.335 | -.335 | 200 | 355 | -.500 | .099 | -.148 | -.905 | 200 | 702 | -.365 | .036 | -.233 | -.516 |
| 200 | 506 | -.134 | -.149 | -.371 | -.371 | 200 | 356 | -.436 | .057 | -.195 | -.694 | 200 | 703 | -.382 | .041 | -.255 | -.629 |
| 200 | 507 | -.119 | .195 | -.267 | -.267 | 200 | 357 | -.419 | .044 | -.287 | -.610 | 200 | 704 | -.367 | .040 | -.197 | -.520 |
| 200 | 508 | -.118 | .186 | -.330 | -.330 | 200 | 358 | -.427 | .054 | -.172 | -.697 | 200 | 705 | -.402 | .049 | -.172 | -.579 |
| 200 | 509 | -.080 | .136 | -.805 | -.805 | 200 | 359 | -.388 | .039 | -.243 | -.525 | 200 | 706 | -.441 | .056 | -.186 | -.636 |
| 200 | 510 | -.678 | .144 | -.866 | -.866 | 200 | 360 | -.363 | .041 | -.205 | -.330 | 200 | 707 | -.418 | .048 | -.233 | -.611 |
| 200 | 511 | -.294 | .166 | -.608 | -.608 | 200 | 361 | -.312 | .040 | -.157 | -.469 | 200 | 708 | -.438 | .057 | -.226 | -.688 |
| 200 | 512 | -.666 | .172 | -.671 | -.671 | 200 | 362 | -.269 | .040 | -.120 | -.445 | 200 | 709 | -.385 | .042 | -.264 | -.579 |
| 200 | 513 | -.077 | .174 | -.739 | -.739 | 200 | 363 | -.254 | .041 | -.102 | -.413 | 200 | 710 | -.387 | .043 | -.250 | -.592 |
| 200 | 514 | -.077 | .131 | -.078 | -.078 | 200 | 364 | -.167 | .066 | -.278 | -.481 | 200 | 711 | -.346 | .042 | -.217 | -.556 |
| 200 | 515 | -.114 | .172 | -.768 | -.768 | 200 | 365 | -.190 | .094 | -.161 | -.476 | 200 | 712 | -.358 | .046 | -.222 | -.571 |
| 200 | 516 | -.114 | -.172 | -.768 | -.768 | 200 | 366 | -.434 | .102 | -.004 | -.834 | 200 | 713 | -.356 | .045 | -.214 | -.638 |

APPENDIX A -- PRESSURE DATA:

CONFIGURATION A: OLYMPIA AND YORK OFFICE TOWER, DALLAS

| WD | TAF | CFMFEAN | CFRMS | CFMAX | CFMIN | WD | TAF | CFMFEAN | CFRMS | CFMAX | CFMIN | WD | TAF | CFMFEAN | CFRMS | CFMAX | CFMIN |
|-----|-----|---------|-------|-------|--------|-----|-----|---------|-------|-------|--------|-----|-----|---------|-------|-------|--------|
| 210 | 109 | -.358 | .061 | -.119 | -.674 | 210 | 159 | -.302 | .033 | -.165 | -.394 | 210 | 201 | -.264 | .133 | .268 | -.891 |
| 210 | 110 | -.466 | .090 | -.060 | -1.012 | 210 | 160 | -.190 | .061 | -.156 | -.622 | 210 | 202 | -.281 | .162 | .378 | -.846 |
| 210 | 111 | -.500 | .105 | -.146 | -1.070 | 210 | 161 | -.218 | .028 | -.098 | -.301 | 210 | 203 | -.344 | .253 | .443 | -1.280 |
| 210 | 112 | -.484 | .123 | .035 | -1.061 | 210 | 162 | -.320 | .029 | -.224 | -.442 | 210 | 204 | -.143 | .180 | .571 | -1.700 |
| 210 | 113 | -.394 | .122 | .157 | -.976 | 210 | 163 | -.290 | .030 | -.173 | -.389 | 210 | 205 | -.078 | .193 | .719 | -.667 |
| 210 | 114 | -.430 | .214 | .246 | -1.305 | 210 | 164 | -.219 | .038 | -.022 | -.357 | 210 | 206 | -.063 | .233 | .516 | -.913 |
| 210 | 115 | -.345 | .073 | -.119 | -.881 | 210 | 165 | -.260 | .031 | -.116 | -.331 | 210 | 207 | -.091 | .237 | .793 | -.698 |
| 210 | 116 | -.348 | .066 | -.138 | -.676 | 210 | 166 | -.228 | .036 | -.076 | -.321 | 210 | 208 | -.185 | .230 | .845 | -.894 |
| 210 | 117 | -.399 | .083 | -.136 | -.924 | 210 | 167 | -.224 | .034 | -.093 | -.346 | 210 | 209 | -.208 | .179 | .331 | -.806 |
| 210 | 118 | -.475 | .102 | .008 | -.944 | 210 | 168 | -.264 | .133 | .268 | -.891 | 210 | 210 | -.119 | .186 | .776 | -.846 |
| 210 | 119 | -.474 | .121 | .044 | -1.001 | 210 | 169 | -.281 | .162 | .378 | -.846 | 210 | 211 | -.150 | .163 | .888 | -.594 |
| 210 | 120 | -.381 | .123 | .250 | -.995 | 210 | 170 | -.344 | .253 | .443 | -1.280 | 210 | 212 | -.325 | .137 | .386 | -.828 |
| 210 | 121 | -.392 | .178 | .121 | -1.172 | 210 | 171 | -.143 | .180 | .571 | -1.700 | 210 | 213 | -.271 | .140 | .344 | -.777 |
| 210 | 122 | -.330 | .063 | -.125 | -.725 | 210 | 172 | -.078 | .193 | .719 | -.667 | 210 | 214 | -.346 | .250 | .534 | -1.444 |
| 210 | 123 | -.324 | .058 | -.135 | -.638 | 210 | 173 | -.063 | .233 | .516 | -.913 | 210 | 215 | -.065 | .142 | .834 | -.584 |
| 210 | 124 | -.338 | .068 | -.088 | -.671 | 210 | 174 | -.091 | .237 | .793 | -.698 | 210 | 216 | -.028 | .178 | .807 | -.547 |
| 210 | 125 | -.422 | .072 | .193 | -.721 | 210 | 175 | -.185 | .230 | .845 | -.894 | 210 | 217 | -.053 | .175 | .818 | -.559 |
| 210 | 126 | -.446 | .094 | -.013 | -.906 | 210 | 176 | -.208 | .179 | .331 | -.806 | 210 | 218 | -.001 | .210 | .840 | -.520 |
| 210 | 127 | -.364 | .097 | -.029 | -.845 | 210 | 177 | -.119 | .186 | .776 | -.846 | 210 | 219 | -.142 | .169 | .615 | -.588 |
| 210 | 128 | -.378 | .132 | -.086 | -1.250 | 210 | 178 | -.150 | .163 | .888 | -.594 | 210 | 220 | -.213 | .151 | .489 | -.601 |
| 210 | 129 | -.315 | .057 | -.134 | -.657 | 210 | 179 | -.325 | .137 | .386 | -.828 | 210 | 221 | -.250 | .135 | .423 | -.705 |
| 210 | 130 | -.320 | .055 | -.144 | -.558 | 210 | 180 | -.271 | .140 | .344 | -.777 | 210 | 222 | -.341 | .089 | .274 | -.672 |
| 210 | 131 | -.344 | .064 | -.135 | -.695 | 210 | 181 | -.346 | .250 | .534 | -1.444 | 210 | 223 | -.330 | .074 | .132 | -.662 |
| 210 | 132 | -.392 | .072 | -.197 | -.821 | 210 | 182 | -.065 | .142 | .834 | -.584 | 210 | 224 | -.318 | .102 | .148 | -.777 |
| 210 | 133 | -.408 | .079 | -.108 | -.818 | 210 | 183 | -.028 | .178 | .807 | -.547 | 210 | 225 | -.267 | .124 | .235 | -.874 |
| 210 | 134 | -.350 | .083 | -.099 | -.772 | 210 | 184 | -.053 | .175 | .818 | -.559 | 210 | 226 | -.309 | .200 | .329 | -1.272 |
| 210 | 135 | -.346 | .127 | -.111 | -.927 | 210 | 185 | -.001 | .210 | .840 | -.520 | 210 | 227 | -.100 | .115 | .412 | -.459 |
| 210 | 136 | -.277 | .047 | -.114 | -.495 | 210 | 186 | -.142 | .169 | .615 | -.588 | 210 | 228 | -.014 | .121 | .497 | -.404 |
| 210 | 137 | -.281 | .043 | -.134 | -.516 | 210 | 187 | -.213 | .151 | .489 | -.601 | 210 | 229 | -.010 | .148 | .792 | -.407 |
| 210 | 138 | -.314 | .053 | -.161 | -.584 | 210 | 188 | -.250 | .135 | .423 | -.705 | 210 | 230 | -.037 | .153 | .812 | -.563 |
| 210 | 139 | -.361 | .069 | -.160 | -.695 | 210 | 189 | -.341 | .089 | .274 | -.672 | 210 | 231 | -.113 | .143 | .369 | -.536 |
| 210 | 140 | -.339 | .072 | -.085 | -.726 | 210 | 190 | -.341 | .089 | .274 | -.672 | 210 | 232 | -.097 | .137 | .509 | -.398 |
| 210 | 141 | -.283 | .068 | -.008 | -.688 | 210 | 191 | -.330 | .074 | .132 | -.662 | 210 | 233 | -.187 | .137 | .651 | -.496 |
| 210 | 142 | -.273 | .099 | -.026 | -.703 | 210 | 192 | -.318 | .102 | .148 | -.777 | 210 | 234 | -.271 | .071 | .146 | -.474 |
| 210 | 143 | -.266 | .044 | -.114 | -.424 | 210 | 193 | -.267 | .124 | .235 | -.874 | 210 | 235 | -.294 | .055 | .003 | -.495 |
| 210 | 144 | -.283 | .043 | -.133 | -.433 | 210 | 194 | -.267 | .124 | .235 | -.874 | 210 | 236 | -.321 | .084 | .042 | -.639 |
| 210 | 145 | -.262 | .035 | -.089 | -.377 | 210 | 195 | -.309 | .200 | .329 | -1.272 | 210 | 237 | -.283 | .103 | .297 | -.692 |
| 210 | 146 | -.303 | .059 | -.066 | -.775 | 210 | 196 | -.309 | .200 | .329 | -1.272 | 210 | 238 | -.315 | .165 | .300 | -.961 |
| 210 | 147 | -.272 | .075 | -.018 | -.633 | 210 | 197 | -.014 | .121 | .497 | -.404 | 210 | 239 | -.121 | .099 | .342 | -.448 |
| 210 | 148 | -.205 | .086 | -.091 | -.678 | 210 | 198 | -.010 | .148 | .792 | -.407 | 210 | 240 | -.060 | .098 | .387 | -.358 |
| 210 | 149 | -.171 | .084 | -.187 | -.610 | 210 | 199 | -.037 | .153 | .812 | -.563 | 210 | 241 | -.067 | .121 | .601 | -.412 |
| 210 | 150 | -.375 | .079 | -.180 | -.837 | 210 | 200 | -.113 | .143 | .369 | -.536 | | | | | | |
| 210 | 151 | -.306 | .060 | -.073 | -.525 | 210 | 201 | -.097 | .137 | .509 | -.398 | | | | | | |
| 210 | 152 | -.298 | .056 | -.081 | -.357 | 210 | 202 | -.187 | .137 | .651 | -.496 | | | | | | |
| 210 | 153 | -.306 | .047 | -.157 | -.354 | 210 | 203 | -.271 | .071 | .146 | -.474 | | | | | | |
| 210 | 154 | -.331 | .072 | -.170 | -.779 | 210 | 204 | -.315 | .165 | .300 | -.961 | | | | | | |
| 210 | 155 | -.298 | .068 | -.126 | -.725 | 210 | 205 | -.010 | .148 | .792 | -.407 | | | | | | |
| 210 | 156 | -.275 | .058 | -.100 | -.623 | 210 | 206 | -.037 | .153 | .812 | -.563 | | | | | | |
| 210 | 157 | -.358 | .033 | -.235 | -.487 | 210 | 207 | -.113 | .143 | .369 | -.536 | | | | | | |
| 210 | 158 | -.333 | .035 | -.187 | -.432 | 210 | 208 | -.060 | .098 | .387 | -.358 | | | | | | |

APPENDIX A -- PRESSURE DATA:

CONFIGURATION A: OLYMPIA AND YORK OFFICE TOWER, DALLAS

| WD | TAP | CPMEAN | CPRMS | CPMAX | CPMIN | WD | TAP | CPMEAN | CPRMS | CPMAX | CPMIN | WD | TAP | CPMEAN | CPRMS | CPMAX | CPMIN |
|-----|-----|--------|-------|-------|-------|-----|-----|--------|-------|-------|-------|-----|-----|--------|-------|-------|-------|
| 210 | 242 | .086 | .117 | .323 | .397 | 210 | 292 | .314 | .070 | .122 | .720 | 210 | 433 | .307 | .048 | .098 | .348 |
| 210 | 243 | .145 | .169 | .398 | .536 | 210 | 293 | .173 | .090 | .368 | .653 | 210 | 434 | .282 | .037 | .024 | .346 |
| 210 | 244 | .122 | .105 | .391 | .455 | 210 | 294 | .204 | .028 | .100 | .330 | 210 | 435 | .273 | .072 | .156 | .312 |
| 210 | 245 | .195 | .166 | .402 | .480 | 210 | 295 | .241 | .029 | .117 | .342 | 210 | 436 | .303 | .060 | .062 | .789 |
| 210 | 246 | .243 | .051 | .045 | .480 | 210 | 296 | .251 | .028 | .165 | .374 | 210 | 437 | .301 | .035 | .144 | .741 |
| 210 | 247 | .229 | .034 | .019 | .480 | 210 | 297 | .237 | .029 | .142 | .333 | 210 | 438 | .322 | .047 | .169 | .314 |
| 210 | 248 | .298 | .078 | .116 | .627 | 210 | 298 | .247 | .033 | .120 | .354 | 210 | 439 | .334 | .033 | .182 | .333 |
| 210 | 249 | .254 | .161 | .368 | .733 | 210 | 299 | .234 | .040 | .113 | .431 | 210 | 440 | .304 | .032 | .088 | .319 |
| 210 | 250 | .200 | .111 | .373 | .733 | 210 | 300 | .278 | .047 | .043 | .478 | 210 | 441 | .282 | .037 | .025 | .331 |
| 210 | 251 | .127 | .166 | .332 | .426 | 210 | 301 | .201 | .034 | .073 | .317 | 210 | 442 | .304 | .068 | .071 | .392 |
| 210 | 252 | .087 | .105 | .480 | .466 | 210 | 302 | .198 | .030 | .091 | .298 | 210 | 443 | .298 | .073 | .006 | .186 |
| 210 | 253 | .116 | .118 | .362 | .431 | 210 | 303 | .219 | .031 | .101 | .353 | 210 | 444 | .298 | .033 | .110 | .664 |
| 210 | 254 | .140 | .101 | .480 | .519 | 210 | 304 | .244 | .031 | .119 | .342 | 210 | 445 | .322 | .051 | .185 | .360 |
| 210 | 255 | .199 | .087 | .247 | .538 | 210 | 305 | .228 | .031 | .082 | .348 | 210 | 446 | .323 | .064 | .132 | .763 |
| 210 | 256 | .206 | .081 | .217 | .487 | 210 | 306 | .210 | .032 | .098 | .313 | 210 | 447 | .263 | .063 | .016 | .632 |
| 210 | 257 | .270 | .086 | .163 | .609 | 210 | 307 | .221 | .031 | .110 | .329 | 210 | 448 | .243 | .062 | .010 | .307 |
| 210 | 258 | .284 | .034 | .038 | .486 | 210 | 308 | .222 | .034 | .098 | .324 | 210 | 449 | .291 | .086 | .131 | .331 |
| 210 | 259 | .303 | .031 | .081 | .619 | 210 | 309 | .249 | .039 | .117 | .395 | 210 | 450 | .268 | .069 | .085 | .378 |
| 210 | 260 | .254 | .084 | .130 | .622 | 210 | 401 | .467 | .180 | .198 | .476 | 210 | 451 | .279 | .062 | .118 | .637 |
| 210 | 261 | .216 | .097 | .266 | .570 | 210 | 402 | .462 | .182 | .073 | .498 | 210 | 452 | .313 | .054 | .161 | .635 |
| 210 | 262 | .202 | .099 | .137 | .677 | 210 | 403 | .442 | .161 | .022 | .331 | 210 | 453 | .277 | .073 | .030 | .877 |
| 210 | 263 | .193 | .092 | .209 | .487 | 210 | 404 | .409 | .147 | .086 | .173 | 210 | 454 | .210 | .073 | .138 | .630 |
| 210 | 264 | .186 | .071 | .146 | .432 | 210 | 405 | .397 | .114 | .033 | .944 | 210 | 455 | .196 | .082 | .244 | .441 |
| 210 | 265 | .219 | .074 | .239 | .531 | 210 | 406 | .398 | .113 | .003 | .886 | 210 | 456 | .280 | .087 | .174 | .600 |
| 210 | 266 | .249 | .078 | .092 | .582 | 210 | 407 | .415 | .104 | .021 | .866 | 210 | 457 | .283 | .034 | .007 | .634 |
| 210 | 267 | .230 | .033 | .017 | .477 | 210 | 408 | .428 | .169 | .014 | .332 | 210 | 458 | .321 | .064 | .128 | .632 |
| 210 | 268 | .224 | .034 | .043 | .433 | 210 | 409 | .362 | .136 | .101 | .1200 | 210 | 459 | .302 | .030 | .137 | .321 |
| 210 | 269 | .267 | .031 | .013 | .467 | 210 | 410 | .421 | .132 | .102 | .409 | 210 | 460 | .303 | .047 | .137 | .318 |
| 210 | 270 | .282 | .046 | .093 | .489 | 210 | 411 | .352 | .109 | .058 | .983 | 210 | 461 | .296 | .057 | .142 | .563 |
| 210 | 271 | .298 | .030 | .134 | .532 | 210 | 412 | .335 | .097 | .089 | .846 | 210 | 462 | .294 | .037 | .106 | .560 |
| 210 | 272 | .175 | .079 | .196 | .386 | 210 | 413 | .326 | .092 | .143 | .694 | 210 | 463 | .264 | .074 | .018 | .381 |
| 210 | 273 | .189 | .096 | .333 | .354 | 210 | 414 | .438 | .104 | .038 | .029 | 210 | 464 | .198 | .084 | .223 | .704 |
| 210 | 274 | .099 | .080 | .466 | .353 | 210 | 415 | .326 | .039 | .133 | .947 | 210 | 465 | .143 | .099 | .263 | .492 |
| 210 | 275 | .082 | .083 | .352 | .298 | 210 | 416 | .332 | .039 | .144 | .993 | 210 | 466 | .123 | .111 | .406 | .481 |
| 210 | 276 | .078 | .095 | .427 | .364 | 210 | 417 | .342 | .037 | .161 | .660 | 210 | 467 | .168 | .108 | .248 | .303 |
| 210 | 277 | .053 | .091 | .484 | .381 | 210 | 418 | .363 | .073 | .107 | .938 | 210 | 468 | .288 | .032 | .079 | .348 |
| 210 | 278 | .125 | .086 | .322 | .400 | 210 | 419 | .330 | .073 | .079 | .993 | 210 | 501 | .432 | .123 | .037 | .949 |
| 210 | 279 | .131 | .069 | .147 | .449 | 210 | 420 | .314 | .077 | .060 | .734 | 210 | 502 | .427 | .108 | .038 | .932 |
| 210 | 280 | .153 | .071 | .262 | .354 | 210 | 421 | .307 | .089 | .032 | .076 | 210 | 503 | .431 | .098 | .149 | .909 |
| 210 | 281 | .169 | .061 | .167 | .346 | 210 | 422 | .309 | .043 | .167 | .334 | 210 | 504 | .367 | .120 | .141 | .130 |
| 210 | 282 | .262 | .030 | .077 | .491 | 210 | 423 | .303 | .040 | .172 | .486 | 210 | 505 | .336 | .112 | .159 | .072 |
| 210 | 283 | .258 | .037 | .086 | .589 | 210 | 424 | .319 | .037 | .204 | .491 | 210 | 506 | .487 | .101 | .222 | .278 |
| 210 | 284 | .183 | .100 | .333 | .836 | 210 | 425 | .337 | .043 | .200 | .343 | 210 | 507 | .430 | .078 | .213 | .934 |
| 210 | 285 | .238 | .052 | .056 | .499 | 210 | 426 | .322 | .033 | .117 | .339 | 210 | 508 | .379 | .062 | .173 | .840 |
| 210 | 286 | .258 | .079 | .300 | .500 | 210 | 427 | .273 | .038 | .023 | .367 | 210 | 509 | .347 | .033 | .156 | .390 |
| 210 | 287 | .212 | .098 | .714 | .544 | 210 | 428 | .270 | .079 | .084 | .787 | 210 | 510 | .343 | .036 | .150 | .620 |
| 210 | 288 | .320 | .074 | .131 | .687 | 210 | 429 | .298 | .047 | .112 | .621 | 210 | 511 | .377 | .100 | .068 | .889 |
| 210 | 289 | .344 | .064 | .133 | .637 | 210 | 430 | .306 | .046 | .103 | .309 | 210 | 512 | .393 | .103 | .064 | .827 |
| 210 | 290 | .273 | .032 | .134 | .317 | 210 | 431 | .311 | .041 | .179 | .469 | 210 | 513 | .443 | .081 | .022 | .801 |
| 210 | 291 | .288 | .063 | .094 | .391 | 210 | 432 | .338 | .046 | .194 | .610 | 210 | 514 | .338 | .106 | .260 | .014 |

APPENDIX A - PRESSURE DATA:

CONFIGURATION A: OLYMPIA AND YORK OFFICE TOWER, DALLAS

| WD | TAP | CPMEAN | CPRMS | CPMAX | CPMIN | WD | TAP | CPMEAN | CPRMS | CPMAX | CPMIN |
|-----|-----|--------|-------|-------|-------|-----|-----|--------|-------|-------|-------|
| 210 | 712 | 323 | 036 | 164 | 607 | 210 | 712 | 323 | 036 | 164 | 607 |
| 210 | 713 | 324 | 033 | 182 | 599 | 210 | 713 | 324 | 033 | 182 | 599 |
| 210 | 714 | 327 | 049 | 190 | 551 | 210 | 714 | 327 | 049 | 190 | 551 |
| 210 | 715 | 362 | 038 | 209 | 531 | 210 | 715 | 362 | 038 | 209 | 531 |
| 210 | 716 | 453 | 111 | 016 | 954 | 210 | 716 | 453 | 111 | 016 | 954 |
| 210 | 717 | 292 | 084 | 012 | 520 | 210 | 717 | 292 | 084 | 012 | 520 |
| 210 | 718 | 161 | 106 | 287 | 399 | 210 | 718 | 161 | 106 | 287 | 399 |
| 210 | 719 | 186 | 080 | 273 | 429 | 210 | 719 | 186 | 080 | 273 | 429 |
| 210 | 720 | 199 | 089 | 143 | 727 | 210 | 720 | 199 | 089 | 143 | 727 |
| 210 | 721 | 210 | 036 | 038 | 377 | 210 | 721 | 210 | 036 | 038 | 377 |
| 210 | 801 | 373 | 035 | 218 | 494 | 210 | 801 | 373 | 035 | 218 | 494 |
| 210 | 802 | 353 | 042 | 236 | 590 | 210 | 802 | 353 | 042 | 236 | 590 |
| 210 | 803 | 320 | 035 | 197 | 445 | 210 | 803 | 320 | 035 | 197 | 445 |
| 210 | 804 | 339 | 042 | 153 | 539 | 210 | 804 | 339 | 042 | 153 | 539 |
| 210 | 805 | 324 | 044 | 197 | 520 | 210 | 805 | 324 | 044 | 197 | 520 |
| 210 | 806 | 363 | 043 | 197 | 576 | 210 | 806 | 363 | 043 | 197 | 576 |
| 210 | 807 | 379 | 083 | 052 | 769 | 210 | 807 | 379 | 083 | 052 | 769 |
| 210 | 808 | 265 | 067 | 056 | 509 | 210 | 808 | 265 | 067 | 056 | 509 |
| 210 | 809 | 206 | 067 | 093 | 545 | 210 | 809 | 206 | 067 | 093 | 545 |
| 210 | 810 | 216 | 053 | 010 | 413 | 210 | 810 | 216 | 053 | 010 | 413 |
| 210 | 901 | 502 | 144 | 113 | 145 | 210 | 901 | 502 | 144 | 113 | 145 |
| 210 | 903 | 561 | 131 | 053 | 261 | 210 | 903 | 561 | 131 | 053 | 261 |
| 210 | 904 | 448 | 160 | 020 | 248 | 210 | 904 | 448 | 160 | 020 | 248 |
| 210 | 905 | 313 | 140 | 313 | 847 | 210 | 905 | 313 | 140 | 313 | 847 |
| 210 | 906 | 554 | 242 | 269 | 550 | 210 | 906 | 554 | 242 | 269 | 550 |
| 210 | 907 | 369 | 154 | 133 | 018 | 210 | 907 | 369 | 154 | 133 | 018 |
| 210 | 908 | 343 | 090 | 065 | 818 | 210 | 908 | 343 | 090 | 065 | 818 |
| 210 | 909 | 414 | 159 | 016 | 550 | 210 | 909 | 414 | 159 | 016 | 550 |
| 210 | 910 | 352 | 099 | 025 | 874 | 210 | 910 | 352 | 099 | 025 | 874 |
| 210 | 911 | 315 | 088 | 126 | 736 | 210 | 911 | 315 | 088 | 126 | 736 |
| 210 | 912 | 353 | 137 | 117 | 097 | 210 | 912 | 353 | 137 | 117 | 097 |
| 210 | 913 | 342 | 106 | 090 | 988 | 210 | 913 | 342 | 106 | 090 | 988 |
| 210 | 914 | 178 | 073 | 203 | 542 | 210 | 914 | 178 | 073 | 203 | 542 |
| 210 | 915 | 241 | 047 | 001 | 394 | 210 | 915 | 241 | 047 | 001 | 394 |
| 210 | 916 | 232 | 039 | 062 | 398 | 210 | 916 | 232 | 039 | 062 | 398 |
| 210 | 917 | 157 | 093 | 444 | 590 | 210 | 917 | 157 | 093 | 444 | 590 |
| 210 | 918 | 148 | 076 | 262 | 399 | 210 | 918 | 148 | 076 | 262 | 399 |
| 210 | 919 | 086 | 080 | 343 | 293 | 210 | 919 | 086 | 080 | 343 | 293 |
| 210 | 920 | 089 | 112 | 412 | 393 | 210 | 920 | 089 | 112 | 412 | 393 |
| 210 | 921 | 102 | 114 | 493 | 417 | 210 | 921 | 102 | 114 | 493 | 417 |
| 210 | 922 | 136 | 102 | 504 | 471 | 210 | 922 | 136 | 102 | 504 | 471 |
| 210 | 923 | 126 | 081 | 350 | 313 | 210 | 923 | 126 | 081 | 350 | 313 |
| 210 | 924 | 197 | 063 | 216 | 360 | 210 | 924 | 197 | 063 | 216 | 360 |
| 210 | 925 | 208 | 063 | 163 | 383 | 210 | 925 | 208 | 063 | 163 | 383 |
| 220 | 101 | 424 | 068 | 199 | 913 | 220 | 101 | 424 | 068 | 199 | 913 |
| 220 | 102 | 411 | 083 | 123 | 920 | 220 | 102 | 411 | 083 | 123 | 920 |
| 220 | 103 | 490 | 108 | 119 | 134 | 220 | 103 | 490 | 108 | 119 | 134 |
| 220 | 104 | 611 | 138 | 193 | 383 | 220 | 104 | 611 | 138 | 193 | 383 |
| 220 | 105 | 337 | 130 | 137 | 083 | 220 | 105 | 337 | 130 | 137 | 083 |
| 220 | 106 | 407 | 142 | 202 | 032 | 220 | 106 | 407 | 142 | 202 | 032 |

APPENDIX A -- PRESSURE DATA:

CONFIGURATION A: OLYMPIA AND YORK OFFICE TOWER, DALLAS

| WD | TAP | CPMEAN | CPRMS | CPMAX | CPMIN | WD | TAP | CPMEAN | CPRMS | CPMAX | CPMIN | WD | TAP | CPMEAN | CPRMS | CPMAX | CPMIN |
|-----|-----|--------|-------|-------|--------|-----|-----|--------|-------|-------|--------|-----|-----|--------|-------|-------|-------|
| 220 | 107 | .387 | .214 | .403 | -1.391 | 220 | 137 | -.374 | .028 | -.280 | -.479 | 220 | 240 | -.037 | .084 | .444 | -.240 |
| 220 | 108 | .408 | .059 | .183 | -.828 | 220 | 138 | -.349 | .028 | -.243 | -.459 | 220 | 241 | -.026 | .093 | .437 | -.289 |
| 220 | 109 | .427 | .052 | .177 | -.716 | 220 | 139 | -.323 | .026 | -.230 | -.429 | 220 | 242 | -.018 | .096 | .393 | -.276 |
| 220 | 110 | .503 | .076 | .134 | -.912 | 220 | 160 | -.209 | .078 | -.097 | -.622 | 220 | 243 | -.032 | .099 | .509 | -.296 |
| 220 | 111 | .577 | .142 | .186 | -1.430 | 220 | 161 | -.235 | .031 | -.115 | -.338 | 220 | 244 | -.013 | .094 | .306 | -.234 |
| 220 | 112 | .494 | .145 | .172 | -.989 | 220 | 162 | -.331 | .031 | -.224 | -.445 | 220 | 245 | -.058 | .106 | .454 | -.350 |
| 220 | 113 | .321 | .138 | .431 | -.894 | 220 | 163 | -.303 | .029 | -.207 | -.411 | 220 | 246 | -.152 | .080 | .279 | -.408 |
| 220 | 114 | .270 | .238 | .877 | -1.282 | 220 | 164 | -.191 | .052 | -.030 | -.346 | 220 | 247 | -.240 | .079 | .184 | -.580 |
| 220 | 115 | .397 | .063 | .172 | -.710 | 220 | 165 | -.286 | .027 | -.184 | -.378 | 220 | 248 | -.331 | .093 | .136 | -.644 |
| 220 | 116 | .408 | .063 | .162 | -.696 | 220 | 166 | -.261 | .035 | -.116 | -.385 | 220 | 249 | -.253 | .107 | .303 | -.722 |
| 220 | 117 | .483 | .086 | .119 | -.946 | 220 | 167 | -.257 | .043 | -.081 | -.390 | 220 | 250 | -.177 | .139 | .304 | -.833 |
| 220 | 118 | .649 | .147 | .231 | -1.301 | 220 | 201 | -.231 | .171 | .455 | -.731 | 220 | 251 | -.111 | .096 | .415 | -.403 |
| 220 | 119 | .649 | .147 | .231 | -1.301 | 220 | 202 | -.226 | .181 | .386 | -.761 | 220 | 252 | -.044 | .093 | .384 | -.246 |
| 220 | 120 | .301 | .148 | .389 | -.700 | 220 | 203 | -.249 | .207 | .452 | -1.360 | 220 | 253 | -.040 | .104 | .789 | -.274 |
| 220 | 121 | .339 | .198 | .470 | -1.032 | 220 | 204 | -.194 | .149 | .604 | -.619 | 220 | 254 | -.043 | .093 | .535 | -.299 |
| 220 | 122 | .333 | .066 | .133 | -.878 | 220 | 205 | -.205 | .130 | .495 | -.544 | 220 | 255 | -.077 | .084 | .393 | -.294 |
| 220 | 123 | .390 | .063 | .133 | -.772 | 220 | 206 | -.194 | .136 | .393 | -.769 | 220 | 256 | -.067 | .081 | .338 | -.269 |
| 220 | 124 | .440 | .082 | .111 | -.893 | 220 | 207 | -.153 | .179 | .818 | -.713 | 220 | 257 | -.113 | .093 | .489 | -.404 |
| 220 | 125 | .592 | .115 | .005 | -1.201 | 220 | 208 | -.143 | .215 | .817 | -.789 | 220 | 258 | -.196 | .086 | .276 | -.466 |
| 220 | 126 | .514 | .122 | .154 | -1.096 | 220 | 209 | -.173 | .189 | .656 | -.655 | 220 | 259 | -.244 | .080 | .134 | -.524 |
| 220 | 127 | .333 | .118 | .264 | -.818 | 220 | 210 | -.051 | .182 | .828 | -.592 | 220 | 260 | -.279 | .093 | .239 | -.629 |
| 220 | 128 | .304 | .173 | .468 | -1.114 | 220 | 211 | -.084 | .176 | .868 | -.597 | 220 | 261 | -.205 | .097 | .294 | -.588 |
| 220 | 129 | .334 | .053 | .215 | -.666 | 220 | 212 | -.273 | .196 | .677 | -.806 | 220 | 262 | -.180 | .101 | .342 | -.789 |
| 220 | 130 | .372 | .056 | .190 | -.659 | 220 | 213 | -.174 | .185 | .658 | -.885 | 220 | 263 | -.125 | .080 | .348 | -.403 |
| 220 | 131 | .411 | .068 | .174 | -.779 | 220 | 214 | -.198 | .245 | .781 | -1.435 | 220 | 264 | -.100 | .062 | .196 | -.335 |
| 220 | 132 | .509 | .089 | .200 | -.919 | 220 | 215 | -.061 | .139 | .613 | -.489 | 220 | 265 | -.112 | .067 | .206 | -.341 |
| 220 | 133 | .480 | .091 | .020 | -.889 | 220 | 216 | -.027 | .125 | .527 | -.410 | 220 | 266 | -.129 | .063 | .234 | -.352 |
| 220 | 134 | .333 | .093 | .163 | -.789 | 220 | 217 | -.003 | .122 | .501 | -.341 | 220 | 267 | -.123 | .049 | .180 | -.302 |
| 220 | 135 | .329 | .130 | .136 | -1.020 | 220 | 218 | -.004 | .152 | .601 | -.402 | 220 | 268 | -.123 | .051 | .201 | -.263 |
| 220 | 136 | .322 | .039 | .169 | -.549 | 220 | 219 | -.053 | .169 | .758 | -.435 | 220 | 269 | -.176 | .048 | .115 | -.413 |
| 220 | 137 | .353 | .040 | .220 | -.582 | 220 | 220 | -.134 | .171 | .759 | -.363 | 220 | 270 | -.238 | .046 | .012 | -.427 |
| 220 | 138 | .379 | .054 | .195 | -.632 | 220 | 221 | -.081 | .180 | .679 | -.519 | 220 | 271 | -.272 | .043 | .093 | -.466 |
| 220 | 139 | .455 | .086 | .177 | -.879 | 220 | 222 | -.173 | .191 | .670 | -.711 | 220 | 272 | -.182 | .089 | .433 | -.473 |
| 220 | 140 | .403 | .079 | .054 | -.772 | 220 | 223 | -.213 | .166 | .568 | -.684 | 220 | 273 | -.090 | .077 | .739 | -.332 |
| 220 | 141 | .455 | .071 | .046 | -.762 | 220 | 224 | -.317 | .149 | .383 | -.851 | 220 | 274 | -.084 | .073 | .283 | -.352 |
| 220 | 142 | .233 | .104 | .132 | -.892 | 220 | 225 | -.204 | .178 | .653 | -.741 | 220 | 275 | -.045 | .061 | .381 | -.213 |
| 220 | 143 | .333 | .032 | .269 | -.425 | 220 | 226 | -.207 | .212 | .574 | -1.182 | 220 | 276 | -.028 | .069 | .315 | -.228 |
| 220 | 144 | .338 | .031 | .200 | -.436 | 220 | 227 | -.066 | .127 | .580 | -.446 | 220 | 277 | -.022 | .071 | .446 | -.189 |
| 220 | 145 | .342 | .037 | .167 | -.501 | 220 | 228 | -.017 | .096 | .649 | -.232 | 220 | 278 | -.030 | .074 | .519 | -.216 |
| 220 | 146 | .393 | .068 | .041 | -.808 | 220 | 229 | -.002 | .106 | .543 | -.274 | 220 | 279 | -.049 | .068 | .273 | -.390 |
| 220 | 147 | .353 | .082 | .667 | -.770 | 220 | 230 | -.010 | .112 | .477 | -.260 | 220 | 280 | -.061 | .070 | .313 | -.216 |
| 220 | 148 | .236 | .082 | .124 | -.700 | 220 | 231 | -.001 | .124 | .557 | -.354 | 220 | 281 | -.085 | .073 | .354 | -.257 |
| 220 | 149 | .282 | .084 | .135 | -.541 | 220 | 232 | -.006 | .113 | .556 | -.276 | 220 | 282 | -.314 | .049 | .139 | -.560 |
| 220 | 150 | .051 | .051 | .265 | -.709 | 220 | 233 | -.036 | .135 | .632 | -.434 | 220 | 283 | -.346 | .052 | .184 | -.646 |
| 220 | 151 | .035 | .035 | .207 | -.538 | 220 | 234 | -.171 | .109 | .527 | -.531 | 220 | 284 | -.113 | .081 | .207 | -.494 |
| 220 | 152 | .337 | .038 | .190 | -.607 | 220 | 235 | -.243 | .091 | .167 | -.573 | 220 | 285 | -.193 | .061 | .051 | -.498 |
| 220 | 153 | .347 | .037 | .223 | -.529 | 220 | 236 | -.325 | .119 | .264 | -.722 | 220 | 286 | -.218 | .067 | .013 | -.474 |
| 220 | 154 | .315 | .057 | .152 | -.707 | 220 | 237 | -.231 | .140 | .526 | -.776 | 220 | 287 | -.260 | .098 | -.036 | -.754 |
| 220 | 155 | .055 | .055 | .258 | -.723 | 220 | 238 | -.229 | .171 | .473 | -1.079 | 220 | 288 | -.282 | .087 | .083 | -.631 |
| 220 | 156 | .233 | .045 | .068 | -.506 | 220 | 239 | -.091 | .109 | .516 | -.459 | 220 | 289 | -.277 | .084 | .064 | -.720 |

APPENDIX A -- PRESSURE DATA:

CONFIGURATION A: OLYMPIA AND YORK OFFICE TOWER, DALLAS

| WD | TAP | CFMEAN | CFRMS | CFMAX | CFMIN | WD | TAP | CFMEAN | CFRMS | CFMAX | CFMIN | WD | TAP | CFMEAN | CFRMS | CFMAX | CFMIN |
|------|-----|--------|-------|-------|--------|-----|-----|--------|-------|-------|-------|-----|-----|--------|-------|-------|-------|
| 2200 | 290 | .316 | .087 | .112 | .014 | 220 | 431 | .366 | .069 | .172 | -.944 | 220 | 513 | .466 | .061 | .260 | -.706 |
| 2200 | 291 | .383 | .073 | .202 | -.763 | 220 | 432 | .389 | .069 | -.204 | -.811 | 220 | 514 | .463 | .063 | -.303 | -.738 |
| 2200 | 292 | .410 | .067 | .244 | -.741 | 220 | 433 | .358 | .049 | -.213 | -.579 | 220 | 515 | .423 | .057 | -.253 | -.876 |
| 2200 | 293 | .110 | .073 | .209 | -.426 | 220 | 434 | .337 | .047 | -.134 | -.373 | 220 | 516 | .403 | .057 | -.033 | -.833 |
| 2200 | 294 | .133 | .032 | .017 | -.230 | 220 | 435 | .333 | .056 | -.076 | -.373 | 220 | 517 | .412 | .091 | -.085 | -.762 |
| 2200 | 295 | .199 | .031 | .074 | -.288 | 220 | 436 | .330 | .069 | -.106 | -.642 | 220 | 518 | .411 | .084 | -.023 | -.715 |
| 2200 | 296 | .206 | .028 | .088 | -.286 | 220 | 437 | .327 | .068 | -.137 | -.801 | 220 | 519 | .405 | .063 | -.165 | -.730 |
| 2200 | 297 | .190 | .029 | .083 | -.277 | 220 | 438 | .349 | .068 | -.126 | -.730 | 220 | 520 | .434 | .063 | -.260 | -.738 |
| 2200 | 298 | .254 | .031 | .137 | -.356 | 220 | 439 | .370 | .065 | -.153 | -.853 | 220 | 521 | .458 | .060 | -.298 | -.710 |
| 2200 | 299 | .313 | .039 | .167 | -.469 | 220 | 440 | .306 | .032 | -.129 | -.623 | 220 | 522 | .477 | .060 | -.313 | -.730 |
| 2200 | 300 | .361 | .033 | .150 | -.595 | 220 | 441 | .303 | .047 | -.124 | -.592 | 220 | 523 | .406 | .050 | -.265 | -.733 |
| 2200 | 301 | .150 | .039 | .021 | -.263 | 220 | 442 | .305 | .049 | -.060 | -.550 | 220 | 524 | .433 | .050 | -.263 | -.632 |
| 2200 | 302 | .148 | .033 | .009 | -.234 | 220 | 443 | .335 | .067 | -.160 | -.010 | 220 | 525 | .414 | .043 | -.268 | -.607 |
| 2200 | 303 | .191 | .029 | .043 | -.273 | 220 | 444 | .299 | .055 | -.138 | -.552 | 220 | 526 | .405 | .053 | -.208 | -.633 |
| 2200 | 304 | .213 | .025 | .116 | -.298 | 220 | 445 | .333 | .059 | -.203 | -.682 | 220 | 527 | .399 | .051 | -.225 | -.734 |
| 2200 | 305 | .173 | .031 | .031 | -.267 | 220 | 446 | .401 | .063 | -.214 | -.784 | 220 | 528 | .385 | .065 | -.181 | -.704 |
| 2200 | 306 | .139 | .032 | .014 | -.228 | 220 | 447 | .349 | .054 | -.163 | -.590 | 220 | 529 | .388 | .065 | -.180 | -.631 |
| 2200 | 307 | .163 | .031 | .036 | -.263 | 220 | 448 | .238 | .042 | -.091 | -.444 | 220 | 530 | .380 | .074 | -.130 | -.738 |
| 2200 | 308 | .217 | .034 | .078 | -.324 | 220 | 449 | .283 | .049 | -.087 | -.488 | 220 | 531 | .393 | .070 | -.157 | -.669 |
| 2200 | 309 | .293 | .041 | .154 | -.430 | 220 | 450 | .409 | .073 | -.260 | -.903 | 220 | 532 | .437 | .059 | -.233 | -.709 |
| 2200 | 401 | .692 | .202 | .019 | -1.571 | 220 | 451 | .393 | .074 | -.245 | -.875 | 220 | 533 | .472 | .049 | -.319 | -.694 |
| 2200 | 402 | .656 | .201 | .022 | -1.363 | 220 | 452 | .367 | .071 | -.174 | -.802 | 220 | 534 | .466 | .061 | -.260 | -.727 |
| 2200 | 403 | .533 | .153 | .018 | -1.384 | 220 | 453 | .392 | .056 | -.226 | -.652 | 220 | 535 | .409 | .046 | -.277 | -.638 |
| 2200 | 404 | .533 | .143 | .073 | -1.234 | 220 | 454 | .384 | .057 | -.165 | -.660 | 220 | 536 | .436 | .046 | -.303 | -.677 |
| 2200 | 405 | .487 | .100 | .103 | -.938 | 220 | 455 | .338 | .061 | -.095 | -.605 | 220 | 537 | .433 | .044 | -.314 | -.609 |
| 2200 | 406 | .462 | .088 | .131 | -.944 | 220 | 456 | .279 | .059 | -.043 | -.438 | 220 | 538 | .398 | .054 | -.190 | -.598 |
| 2200 | 407 | .443 | .072 | .178 | -.803 | 220 | 457 | .332 | .053 | -.127 | -.646 | 220 | 539 | .354 | .049 | -.184 | -.595 |
| 2200 | 408 | .496 | .188 | .153 | -1.513 | 220 | 458 | .469 | .067 | -.233 | -.667 | 220 | 540 | .344 | .032 | -.149 | -.578 |
| 2200 | 409 | .513 | .147 | .057 | -1.248 | 220 | 459 | .350 | .043 | -.182 | -.505 | 220 | 541 | .337 | .046 | -.146 | -.504 |
| 2200 | 410 | .576 | .136 | .096 | -1.223 | 220 | 460 | .364 | .059 | -.168 | -.614 | 220 | 542 | .313 | .049 | -.113 | -.503 |
| 2200 | 411 | .468 | .119 | .063 | -.999 | 220 | 461 | .306 | .044 | -.127 | -.477 | 220 | 543 | .317 | .051 | -.122 | -.534 |
| 2200 | 412 | .429 | .097 | .003 | -.844 | 220 | 462 | .331 | .049 | -.165 | -.330 | 220 | 544 | .392 | .050 | -.184 | -.622 |
| 2200 | 413 | .393 | .082 | .037 | -.690 | 220 | 463 | .288 | .037 | -.165 | -.408 | 220 | 545 | .430 | .046 | -.237 | -.632 |
| 2200 | 414 | .452 | .066 | .131 | -.690 | 220 | 464 | .332 | .041 | -.181 | -.493 | 220 | 546 | .407 | .051 | -.243 | -.693 |
| 2200 | 415 | .415 | .112 | .121 | -.947 | 220 | 465 | .378 | .058 | -.153 | -.689 | 220 | 547 | .368 | .039 | -.248 | -.537 |
| 2200 | 416 | .410 | .103 | .091 | -.907 | 220 | 466 | .341 | .056 | -.080 | -.360 | 220 | 548 | .403 | .041 | -.238 | -.587 |
| 2200 | 417 | .406 | .102 | .091 | -.963 | 220 | 467 | .308 | .056 | -.043 | -.518 | 220 | 549 | .405 | .040 | -.272 | -.587 |
| 2200 | 418 | .426 | .106 | .051 | -.872 | 220 | 468 | .352 | .049 | -.077 | -.635 | 220 | 550 | .377 | .053 | -.193 | -.600 |
| 2200 | 419 | .400 | .100 | .054 | -.775 | 220 | 501 | .331 | .105 | -.165 | -.967 | 220 | 551 | .358 | .048 | -.202 | -.536 |
| 2200 | 420 | .336 | .093 | .078 | -.832 | 220 | 502 | .472 | .085 | -.200 | -.813 | 220 | 552 | .322 | .052 | -.133 | -.523 |
| 2200 | 421 | .401 | .081 | .113 | -.715 | 220 | 503 | .404 | .061 | -.224 | -.819 | 220 | 553 | .296 | .046 | -.073 | -.486 |
| 2200 | 422 | .380 | .076 | .101 | -.999 | 220 | 504 | .461 | .068 | -.270 | -.833 | 220 | 554 | .289 | .047 | -.007 | -.431 |
| 2200 | 423 | .380 | .076 | .109 | -.949 | 220 | 505 | .470 | .065 | -.275 | -.796 | 220 | 555 | .326 | .042 | -.122 | -.471 |
| 2200 | 424 | .389 | .073 | .161 | -.869 | 220 | 506 | .434 | .063 | -.248 | -.880 | 220 | 556 | .354 | .035 | -.131 | -.477 |
| 2200 | 425 | .403 | .069 | .159 | -.749 | 220 | 507 | .380 | .051 | -.215 | -.628 | 220 | 557 | .372 | .033 | -.208 | -.514 |
| 2200 | 426 | .338 | .065 | .169 | -.747 | 220 | 508 | .411 | .061 | -.179 | -.803 | 220 | 558 | .369 | .038 | -.173 | -.544 |
| 2200 | 427 | .373 | .065 | .170 | -.734 | 220 | 509 | .421 | .067 | -.175 | -.786 | 220 | 559 | .374 | .030 | -.275 | -.505 |
| 2200 | 428 | .344 | .078 | .046 | -.784 | 220 | 510 | .464 | .069 | -.138 | -.778 | 220 | 560 | .369 | .031 | -.242 | -.508 |
| 2200 | 429 | .344 | .063 | .152 | -.815 | 220 | 511 | .429 | .083 | -.200 | -.864 | 220 | 561 | .351 | .032 | -.227 | -.493 |
| 2200 | 430 | .368 | .068 | .146 | -.812 | 220 | 512 | .460 | .078 | -.231 | -.927 | 220 | 562 | .339 | .042 | -.170 | -.532 |

APPENDIX A -- PRESSURE DATA:

CONFIGURATION A:

OLYMPIA AND YORK OFFICE TOWER, DALLAS

| WD | TAP | CPMEAN | CPRMS | CPMAX | CPMIN | WD | TAP | CPMEAN | CPRMS | CPMAX | CPMIN | WD | TAP | CPMEAN | CPRMS | CPMAX | CPMIN |
|------|-----|--------|-------|-------|-------|------|-----|--------|-------|-------|--------|------|-----|--------|-------|-------|--------|
| 2200 | 563 | -.334 | .042 | -.173 | -.508 | 2200 | 710 | -.356 | .043 | -.226 | -.544 | 2300 | 105 | -.603 | .122 | -.095 | -1.144 |
| 2200 | 564 | -.317 | .059 | -.012 | -.601 | 2200 | 711 | -.332 | .033 | -.224 | -.437 | 2300 | 106 | -.333 | .129 | -.271 | -.904 |
| 2200 | 565 | -.281 | .051 | .150 | -.469 | 2200 | 712 | -.327 | .037 | -.213 | -.467 | 2300 | 107 | -.116 | .211 | -.676 | -.978 |
| 2200 | 566 | -.271 | .052 | .115 | -.451 | 2200 | 713 | -.329 | .037 | -.216 | -.479 | 2300 | 108 | -.449 | .064 | -.235 | -.819 |
| 2200 | 567 | -.319 | .041 | -.168 | -.495 | 2200 | 714 | -.329 | .033 | -.217 | -.453 | 2300 | 109 | -.477 | .064 | -.223 | -.760 |
| 2200 | 568 | -.220 | .035 | -.220 | -.555 | 2200 | 715 | -.349 | .037 | -.197 | -.476 | 2300 | 110 | -.612 | .119 | -.283 | -1.269 |
| 2200 | 569 | -.363 | .032 | -.256 | -.491 | 2200 | 716 | -.351 | .047 | -.013 | -.503 | 2300 | 111 | -.983 | .208 | -.282 | -1.844 |
| 2200 | 570 | -.354 | .037 | -.229 | -.539 | 2200 | 717 | -.344 | .044 | -.128 | -.553 | 2300 | 112 | -.538 | .143 | -.176 | -1.179 |
| 2200 | 571 | -.365 | .029 | -.238 | -.551 | 2200 | 718 | -.332 | .042 | -.146 | -.480 | 2300 | 113 | -.140 | .173 | -.576 | -.704 |
| 2200 | 572 | -.338 | .030 | -.235 | -.501 | 2200 | 719 | -.352 | .049 | -.200 | -.510 | 2300 | 114 | -.104 | .238 | -.955 | -.716 |
| 2200 | 573 | -.337 | .030 | -.233 | -.450 | 2200 | 720 | -.325 | .038 | -.189 | -.457 | 2300 | 115 | -.433 | .062 | -.152 | -1.036 |
| 2200 | 574 | -.314 | .035 | -.175 | -.453 | 2200 | 721 | -.328 | .043 | -.147 | -.483 | 2300 | 116 | -.451 | .067 | -.056 | -.896 |
| 2200 | 575 | -.314 | .036 | -.197 | -.493 | 2200 | 801 | -.385 | .029 | -.269 | -.483 | 2300 | 117 | -.563 | .095 | -.199 | -1.091 |
| 2200 | 576 | -.356 | .036 | -.142 | -.647 | 2200 | 802 | -.411 | .038 | -.283 | -.534 | 2300 | 118 | -.876 | .213 | -.226 | -1.651 |
| 2200 | 577 | -.323 | .058 | -.068 | -.538 | 2200 | 803 | -.347 | .026 | -.265 | -.441 | 2300 | 119 | -.543 | .154 | -.157 | -1.213 |
| 2200 | 578 | -.310 | .063 | -.159 | -.520 | 2200 | 804 | -.390 | .028 | -.297 | -.491 | 2300 | 120 | -.168 | .172 | -.461 | -.710 |
| 2200 | 579 | -.338 | .050 | -.159 | -.566 | 2200 | 805 | -.350 | .036 | -.229 | -.512 | 2300 | 121 | -.009 | .199 | -.799 | -.658 |
| 2200 | 580 | -.354 | .036 | -.201 | -.518 | 2200 | 806 | -.348 | .035 | -.209 | -.494 | 2300 | 122 | -.405 | .054 | -.202 | -.805 |
| 2200 | 581 | -.348 | .030 | -.239 | -.503 | 2200 | 807 | -.347 | .044 | -.126 | -.537 | 2300 | 123 | -.423 | .058 | -.175 | -.713 |
| 2200 | 582 | -.363 | .037 | -.229 | -.648 | 2200 | 808 | -.337 | .040 | -.175 | -.510 | 2300 | 124 | -.504 | .082 | -.193 | -.925 |
| 2200 | 583 | -.365 | .030 | -.263 | -.478 | 2200 | 809 | -.340 | .042 | -.197 | -.493 | 2300 | 125 | -.774 | .167 | -.269 | -1.550 |
| 2200 | 584 | -.366 | .029 | -.250 | -.479 | 2200 | 810 | -.333 | .046 | -.118 | -.518 | 2300 | 126 | -.521 | .150 | -.240 | -1.101 |
| 2200 | 585 | -.311 | .025 | -.231 | -.406 | 2200 | 901 | -.592 | .141 | -.151 | -1.349 | 2300 | 127 | -.230 | .148 | -.358 | -.655 |
| 2200 | 586 | -.317 | .032 | -.207 | -.461 | 2200 | 903 | -.637 | .133 | -.078 | -1.236 | 2300 | 128 | -.103 | .169 | -.633 | -.734 |
| 2200 | 587 | -.319 | .031 | -.200 | -.474 | 2200 | 904 | -.532 | .156 | -.032 | -1.123 | 2300 | 129 | -.411 | .045 | -.245 | -.629 |
| 2200 | 588 | -.416 | .053 | -.267 | -.652 | 2200 | 905 | -.375 | .130 | -.475 | -.950 | 2300 | 130 | -.397 | .050 | -.178 | -.604 |
| 2200 | 589 | -.376 | .037 | -.240 | -.531 | 2200 | 906 | -.660 | .191 | -.037 | -1.561 | 2300 | 131 | -.465 | .066 | -.082 | -.806 |
| 2200 | 590 | -.376 | .063 | -.162 | -.697 | 2200 | 907 | -.490 | .147 | -.034 | -1.063 | 2300 | 132 | -.633 | .113 | -.268 | -1.319 |
| 2200 | 591 | -.345 | .062 | -.164 | -.667 | 2200 | 908 | -.432 | .078 | -.155 | -.772 | 2300 | 133 | -.502 | .114 | -.226 | -.982 |
| 2200 | 592 | -.342 | .052 | -.163 | -.556 | 2200 | 909 | -.616 | .176 | -.028 | -1.658 | 2300 | 134 | -.240 | .117 | -.288 | -.647 |
| 2200 | 593 | -.357 | .055 | -.096 | -.743 | 2200 | 910 | -.480 | .106 | -.070 | -1.132 | 2300 | 135 | -.152 | .128 | -.330 | -.673 |
| 2200 | 594 | -.353 | .046 | -.201 | -.553 | 2200 | 911 | -.361 | .110 | -.080 | -.765 | 2300 | 136 | -.370 | .037 | -.237 | -.532 |
| 2200 | 595 | -.357 | .035 | -.234 | -.574 | 2200 | 912 | -.584 | .237 | -.390 | -1.657 | 2300 | 137 | -.401 | .039 | -.260 | -.641 |
| 2200 | 596 | -.358 | .033 | -.226 | -.549 | 2200 | 913 | -.413 | .173 | -.136 | -1.190 | 2300 | 138 | -.414 | .053 | -.214 | -.743 |
| 2200 | 597 | -.364 | .039 | -.250 | -.550 | 2200 | 914 | -.165 | .072 | -.163 | -.465 | 2300 | 139 | -.554 | .096 | -.159 | -.978 |
| 2200 | 598 | -.369 | .044 | -.243 | -.542 | 2200 | 915 | -.283 | .049 | -.085 | -.469 | 2300 | 140 | -.430 | .103 | -.096 | -.780 |
| 2200 | 599 | -.377 | .034 | -.261 | -.564 | 2200 | 916 | -.363 | .038 | -.131 | -.532 | 2300 | 141 | -.253 | .101 | -.231 | -.583 |
| 2200 | 600 | -.342 | .036 | -.265 | -.527 | 2200 | 917 | -.163 | .083 | -.316 | -.551 | 2300 | 142 | -.143 | .109 | -.364 | -.359 |
| 2200 | 601 | -.337 | .037 | -.221 | -.468 | 2200 | 918 | -.153 | .073 | -.235 | -.389 | 2300 | 143 | -.374 | .036 | -.255 | -.510 |
| 2200 | 602 | -.352 | .036 | -.256 | -.474 | 2200 | 919 | -.041 | .074 | -.397 | -.261 | 2300 | 144 | -.376 | .034 | -.261 | -.512 |
| 2200 | 603 | -.345 | .031 | -.240 | -.459 | 2200 | 920 | -.014 | .102 | -.623 | -.324 | 2300 | 145 | -.389 | .040 | -.211 | -.579 |
| 2200 | 701 | -.386 | .033 | -.268 | -.488 | 2200 | 921 | -.015 | .108 | -.551 | -.318 | 2300 | 146 | -.443 | .077 | -.092 | -.879 |
| 2200 | 702 | -.384 | .035 | -.237 | -.463 | 2200 | 922 | -.042 | .108 | -.490 | -.380 | 2300 | 147 | -.367 | .098 | -.044 | -.725 |
| 2200 | 703 | -.381 | .071 | -.657 | -.726 | 2200 | 923 | -.028 | .090 | -.570 | -.247 | 2300 | 148 | -.196 | .094 | -.292 | -.563 |
| 2200 | 704 | -.356 | .030 | -.220 | -.486 | 2200 | 924 | -.117 | .097 | -.473 | -.352 | 2300 | 149 | -.141 | .088 | -.219 | -.559 |
| 2200 | 705 | -.356 | .028 | -.225 | -.553 | 2200 | 925 | -.129 | .096 | -.464 | -.420 | 2300 | 150 | -.403 | .039 | -.300 | -.604 |
| 2200 | 706 | -.358 | .029 | -.217 | -.461 | 2300 | 101 | -.489 | .091 | -.185 | -1.009 | 2300 | 151 | -.384 | .036 | -.252 | -.562 |
| 2200 | 707 | -.357 | .027 | -.225 | -.476 | 2300 | 102 | -.482 | .103 | -.106 | -1.538 | 2300 | 152 | -.372 | .039 | -.237 | -.681 |
| 2200 | 708 | -.361 | .031 | -.255 | -.479 | 2300 | 103 | -.604 | .134 | -.199 | -1.669 | 2300 | 153 | -.390 | .039 | -.262 | -.610 |
| 2200 | 709 | -.364 | .044 | -.238 | -.543 | 2300 | 104 | -.611 | .194 | -.295 | -1.738 | 2300 | 154 | -.308 | .057 | -.157 | -.633 |

APPENDIX A -- PRESSURE DATA:

CONFIGURATION A: OLYMPIA AND YORK OFFICE TOWER, DALLAS

| FLR | TAP | CPMEAN | CPRMS | CPMAX | CPMIN | WD | TAP | CPMEAN | CPRMS | CPMAX | CPMIN | WD | TAP | CPMEAN | CPRMS | CPMAX | CPMIN |
|------|-----|--------|-------|-------|-------|-----|-----|--------|-------|-------|-------|-----|-----|--------|-------|-------|-------|
| 2330 | 155 | .226 | .049 | .040 | .541 | 230 | 238 | .023 | .172 | .644 | .630 | 230 | 288 | .240 | .091 | .051 | .673 |
| 2330 | 156 | .226 | .049 | .036 | .423 | 230 | 239 | .035 | .141 | .713 | .440 | 230 | 289 | .245 | .082 | .019 | .636 |
| 2330 | 157 | .415 | .030 | .322 | .518 | 230 | 240 | .043 | .110 | .537 | .307 | 230 | 290 | .361 | .070 | .159 | .795 |
| 2330 | 158 | .373 | .030 | .274 | .480 | 230 | 241 | .020 | .108 | .594 | .338 | 230 | 291 | .416 | .060 | .243 | .764 |
| 2330 | 159 | .364 | .029 | .271 | .469 | 230 | 242 | .005 | .095 | .464 | .347 | 230 | 292 | .558 | .073 | .363 | .950 |
| 2330 | 160 | .244 | .101 | .112 | .772 | 230 | 243 | .039 | .090 | .506 | .290 | 230 | 293 | .090 | .085 | .491 | .334 |
| 2330 | 161 | .256 | .035 | .105 | .371 | 230 | 244 | .028 | .082 | .419 | .300 | 230 | 294 | .099 | .035 | .032 | .212 |
| 2330 | 162 | .368 | .032 | .269 | .487 | 230 | 245 | .077 | .089 | .304 | .366 | 230 | 295 | .168 | .029 | .057 | .280 |
| 2330 | 163 | .343 | .030 | .252 | .447 | 230 | 246 | .178 | .069 | .243 | .393 | 230 | 296 | .175 | .028 | .062 | .286 |
| 2330 | 164 | .209 | .036 | .035 | .370 | 230 | 247 | .268 | .067 | .045 | .560 | 230 | 297 | .148 | .030 | .018 | .271 |
| 2330 | 165 | .325 | .028 | .229 | .408 | 230 | 248 | .294 | .131 | .336 | .778 | 230 | 298 | .303 | .031 | .202 | .414 |
| 2330 | 166 | .229 | .036 | .121 | .423 | 230 | 249 | .158 | .137 | .411 | .705 | 230 | 299 | .401 | .043 | .261 | .585 |
| 2330 | 167 | .275 | .051 | .107 | .496 | 230 | 250 | .041 | .156 | .629 | .569 | 230 | 300 | .480 | .061 | .312 | .744 |
| 2330 | 201 | .686 | .186 | .563 | .784 | 230 | 251 | .023 | .097 | .502 | .314 | 230 | 301 | .101 | .045 | .111 | .230 |
| 2330 | 202 | .021 | .221 | .714 | .726 | 230 | 252 | .010 | .089 | .449 | .309 | 230 | 302 | .111 | .038 | .031 | .220 |
| 2330 | 203 | .624 | .206 | .638 | .787 | 230 | 253 | .026 | .091 | .404 | .325 | 230 | 303 | .138 | .034 | .009 | .262 |
| 2330 | 204 | .035 | .190 | .687 | .599 | 230 | 254 | .043 | .085 | .462 | .328 | 230 | 304 | .190 | .034 | .041 | .286 |
| 2330 | 205 | .127 | .152 | .374 | .566 | 230 | 255 | .077 | .080 | .450 | .327 | 230 | 305 | .138 | .033 | .028 | .261 |
| 2330 | 206 | .187 | .150 | .360 | .694 | 230 | 256 | .080 | .074 | .334 | .275 | 230 | 306 | .096 | .033 | .042 | .185 |
| 2330 | 207 | .215 | .134 | .378 | .513 | 230 | 257 | .125 | .082 | .262 | .399 | 230 | 307 | .135 | .032 | .011 | .230 |
| 2330 | 208 | .273 | .132 | .363 | .750 | 230 | 258 | .225 | .073 | .085 | .483 | 230 | 308 | .264 | .035 | .135 | .381 |
| 2330 | 209 | .313 | .168 | .297 | .744 | 230 | 259 | .289 | .073 | .067 | .597 | 230 | 309 | .390 | .044 | .239 | .547 |
| 2330 | 210 | .142 | .113 | .363 | .493 | 230 | 260 | .268 | .116 | .426 | .639 | 230 | 401 | .583 | .137 | .053 | .1329 |
| 2330 | 211 | .185 | .104 | .263 | .519 | 230 | 261 | .159 | .116 | .583 | .495 | 230 | 402 | .588 | .137 | .032 | .1375 |
| 2330 | 212 | .114 | .213 | .828 | .824 | 230 | 262 | .109 | .103 | .489 | .516 | 230 | 403 | .612 | .141 | .195 | .1471 |
| 2330 | 213 | .168 | .224 | .837 | .813 | 230 | 263 | .060 | .078 | .532 | .310 | 230 | 404 | .599 | .150 | .170 | .1180 |
| 2330 | 214 | .189 | .234 | .854 | .661 | 230 | 264 | .056 | .064 | .218 | .285 | 230 | 405 | .493 | .100 | .170 | .919 |
| 2330 | 215 | .216 | .210 | .878 | .313 | 230 | 265 | .071 | .067 | .275 | .316 | 230 | 406 | .483 | .093 | .082 | .1098 |
| 2330 | 216 | .149 | .183 | .915 | .386 | 230 | 266 | .093 | .063 | .269 | .292 | 230 | 407 | .480 | .094 | .139 | .859 |
| 2330 | 217 | .078 | .138 | .586 | .253 | 230 | 267 | .077 | .053 | .225 | .273 | 230 | 408 | .533 | .120 | .071 | .1214 |
| 2330 | 218 | .000 | .131 | .366 | .342 | 230 | 268 | .088 | .056 | .242 | .275 | 230 | 409 | .473 | .122 | .071 | .746 |
| 2330 | 219 | .143 | .106 | .443 | .487 | 230 | 269 | .158 | .051 | .106 | .352 | 230 | 410 | .569 | .110 | .262 | .1103 |
| 2330 | 220 | .248 | .103 | .391 | .643 | 230 | 270 | .297 | .052 | .033 | .461 | 230 | 411 | .540 | .117 | .133 | .1016 |
| 2330 | 221 | .201 | .103 | .312 | .527 | 230 | 271 | .333 | .051 | .093 | .490 | 230 | 412 | .473 | .090 | .061 | .884 |
| 2330 | 222 | .268 | .123 | .397 | .707 | 230 | 272 | .150 | .124 | .400 | .456 | 230 | 413 | .460 | .090 | .096 | .825 |
| 2330 | 223 | .226 | .112 | .378 | .697 | 230 | 273 | .070 | .111 | .499 | .317 | 230 | 414 | .477 | .071 | .263 | .724 |
| 2330 | 224 | .212 | .178 | .400 | .812 | 230 | 274 | .023 | .105 | .579 | .304 | 230 | 415 | .441 | .077 | .123 | .1064 |
| 2330 | 225 | .615 | .232 | .788 | .650 | 230 | 275 | .043 | .088 | .653 | .167 | 230 | 416 | .438 | .073 | .137 | .1082 |
| 2330 | 226 | .102 | .224 | .789 | .661 | 230 | 276 | .048 | .096 | .689 | .230 | 230 | 417 | .425 | .084 | .083 | .931 |
| 2330 | 227 | .166 | .196 | .987 | .327 | 230 | 277 | .031 | .082 | .489 | .198 | 230 | 418 | .446 | .090 | .124 | .897 |
| 2330 | 228 | .116 | .140 | .629 | .257 | 230 | 278 | .010 | .086 | .425 | .198 | 230 | 419 | .446 | .092 | .113 | .869 |
| 2330 | 229 | .072 | .124 | .596 | .314 | 230 | 279 | .017 | .070 | .316 | .194 | 230 | 420 | .451 | .089 | .051 | .826 |
| 2330 | 230 | .028 | .104 | .489 | .343 | 230 | 280 | .041 | .070 | .315 | .212 | 230 | 421 | .442 | .080 | .194 | .791 |
| 2330 | 231 | .027 | .093 | .356 | .338 | 230 | 281 | .083 | .069 | .272 | .269 | 230 | 422 | .400 | .056 | .242 | .679 |
| 2330 | 232 | .030 | .087 | .392 | .294 | 230 | 282 | .432 | .055 | .266 | .679 | 230 | 423 | .405 | .056 | .241 | .697 |
| 2330 | 233 | .075 | .086 | .376 | .358 | 230 | 283 | .461 | .053 | .291 | .692 | 230 | 424 | .414 | .059 | .254 | .710 |
| 2330 | 234 | .214 | .081 | .190 | .504 | 230 | 284 | .080 | .093 | .430 | .400 | 230 | 425 | .415 | .057 | .240 | .636 |
| 2330 | 235 | .282 | .073 | .123 | .562 | 230 | 285 | .133 | .060 | .034 | .411 | 230 | 426 | .428 | .053 | .240 | .683 |
| 2330 | 236 | .266 | .161 | .338 | .757 | 230 | 286 | .147 | .087 | .082 | .469 | 230 | 427 | .413 | .052 | .230 | .683 |
| 2330 | 237 | .091 | .167 | .356 | .742 | 230 | 287 | .214 | .119 | .124 | .737 | 230 | 428 | .404 | .062 | .157 | .793 |

APPENDIX A -- PRESSURE DATA:

CONFIGURATION A)

OLYMPIA AND YORK OFFICE TOWER, DALLAS

| WD | TAP | CPREAN | CPRMS | CPRAX | CPRIN | WD | TAP | CPMEAN | CPRMS | CPRAX | CPRIN | WD | TAP | CPREAN | CPRMS | CPRAX | CPRIN |
|------|-----|--------|-------|--------|-------|------|-----|--------|-------|-------|-------|------|-----|--------|-------|--------|-------|
| 2330 | 429 | -.366 | .032 | -.202 | -.640 | 2330 | 511 | -.440 | .072 | -.186 | -.773 | 2330 | 561 | -.398 | .030 | -.286 | -.543 |
| 2330 | 430 | -.387 | .037 | -.192 | -.702 | 2330 | 512 | -.476 | .079 | -.173 | -.825 | 2330 | 562 | -.389 | .040 | -.230 | -.567 |
| 2330 | 431 | -.409 | .061 | -.213 | -.830 | 2330 | 513 | -.482 | .068 | -.262 | -.807 | 2330 | 563 | -.378 | .040 | -.209 | -.545 |
| 2330 | 432 | -.427 | .063 | -.236 | -.763 | 2330 | 514 | -.477 | .066 | -.268 | -.793 | 2330 | 564 | -.442 | .072 | -.159 | -.680 |
| 2330 | 433 | -.406 | .031 | -.236 | -.673 | 2330 | 515 | -.428 | .037 | -.223 | -.639 | 2330 | 565 | -.380 | .069 | -.103 | -.615 |
| 2330 | 434 | -.390 | .048 | -.240 | -.692 | 2330 | 516 | -.435 | .084 | -.176 | -.825 | 2330 | 566 | -.354 | .066 | -.123 | -.584 |
| 2330 | 435 | -.370 | .047 | -.128 | -.637 | 2330 | 517 | -.448 | .082 | -.131 | -.790 | 2330 | 567 | -.365 | .030 | -.138 | -.533 |
| 2330 | 436 | -.393 | .065 | -.190 | -.765 | 2330 | 518 | -.452 | .080 | -.142 | -.765 | 2330 | 568 | -.391 | .041 | -.216 | -.539 |
| 2330 | 437 | -.373 | .038 | -.152 | -.695 | 2330 | 519 | -.433 | .068 | -.218 | -.771 | 2330 | 569 | -.399 | .033 | -.274 | -.536 |
| 2330 | 438 | -.416 | .066 | -.155 | -.822 | 2330 | 520 | -.477 | .068 | -.268 | -.732 | 2330 | 570 | -.393 | .039 | -.232 | -.579 |
| 2330 | 439 | -.433 | .072 | -.262 | -.930 | 2330 | 521 | -.477 | .067 | -.278 | -.832 | 2330 | 571 | -.393 | .029 | -.276 | -.506 |
| 2330 | 440 | -.403 | .033 | -.237 | -.615 | 2330 | 522 | -.481 | .062 | -.283 | -.788 | 2330 | 572 | -.392 | .030 | -.287 | -.512 |
| 2330 | 441 | -.388 | .048 | -.203 | -.622 | 2330 | 523 | -.427 | .033 | -.233 | -.688 | 2330 | 573 | -.382 | .030 | -.288 | -.536 |
| 2330 | 442 | -.357 | .046 | -.142 | -.614 | 2330 | 524 | -.461 | .037 | -.261 | -.697 | 2330 | 574 | -.366 | .035 | -.220 | -.492 |
| 2330 | 443 | -.442 | .039 | -.218 | -.707 | 2330 | 525 | -.430 | .033 | -.262 | -.641 | 2330 | 575 | -.364 | .037 | -.231 | -.516 |
| 2330 | 444 | -.407 | .034 | -.237 | -.649 | 2330 | 526 | -.442 | .062 | -.223 | -.662 | 2330 | 576 | -.492 | .039 | -.183 | -.705 |
| 2330 | 445 | -.476 | .063 | -.294 | -.790 | 2330 | 527 | -.441 | .060 | -.237 | -.678 | 2330 | 577 | -.460 | .038 | -.138 | -.730 |
| 2330 | 446 | -.510 | .077 | -.284 | -.883 | 2330 | 528 | -.406 | .031 | -.201 | -.647 | 2330 | 578 | -.438 | .062 | -.143 | -.619 |
| 2330 | 447 | -.457 | .077 | -.265 | -.813 | 2330 | 529 | -.402 | .030 | -.186 | -.580 | 2330 | 579 | -.429 | .032 | -.204 | -.641 |
| 2330 | 448 | -.349 | .063 | -.140 | -.652 | 2330 | 530 | -.392 | .037 | -.134 | -.624 | 2330 | 580 | -.420 | .044 | -.211 | -.616 |
| 2330 | 449 | -.336 | .054 | -.033 | -.612 | 2330 | 531 | -.387 | .039 | -.206 | -.683 | 2330 | 581 | -.403 | .036 | -.274 | -.542 |
| 2330 | 450 | -.310 | .066 | -.330 | -.834 | 2330 | 532 | -.433 | .032 | -.298 | -.666 | 2330 | 582 | -.404 | .038 | -.242 | -.537 |
| 2330 | 451 | -.497 | .066 | -.336 | -.829 | 2330 | 533 | -.467 | .047 | -.313 | -.678 | 2330 | 583 | -.396 | .031 | -.300 | -.585 |
| 2330 | 452 | -.474 | .069 | -1.013 | -.813 | 2330 | 534 | -.461 | .033 | -.292 | -.710 | 2330 | 584 | -.394 | .031 | -.273 | -.531 |
| 2330 | 453 | -.319 | .071 | -.336 | -.883 | 2330 | 535 | -.417 | .042 | -.281 | -.586 | 2330 | 585 | -.359 | .030 | -.236 | -.470 |
| 2330 | 454 | -.303 | .067 | -.230 | -.798 | 2330 | 536 | -.431 | .042 | -.324 | -.647 | 2330 | 586 | -.370 | .034 | -.247 | -.502 |
| 2330 | 455 | -.471 | .076 | -.187 | -.816 | 2330 | 537 | -.449 | .042 | -.323 | -.617 | 2330 | 587 | -.364 | .033 | -.236 | -.499 |
| 2330 | 456 | -.401 | .064 | -.094 | -.647 | 2330 | 538 | -.428 | .048 | -.260 | -.609 | 2330 | 588 | -.416 | .039 | -.302 | -.586 |
| 2330 | 457 | -.436 | .032 | -.284 | -.827 | 2330 | 539 | -.382 | .046 | -.220 | -.579 | 2330 | 589 | -.406 | .039 | -.281 | -.593 |
| 2330 | 458 | -.353 | .074 | -.364 | -.912 | 2330 | 540 | -.393 | .049 | -.196 | -.632 | 2330 | 590 | -.516 | .037 | -1.043 | |
| 2330 | 459 | -.444 | .047 | -.292 | -.673 | 2330 | 541 | -.380 | .044 | -.156 | -.560 | 2330 | 591 | -.473 | .063 | -.300 | -.678 |
| 2330 | 460 | -.304 | .064 | -.303 | -.817 | 2330 | 542 | -.358 | .046 | -.008 | -.546 | 2330 | 592 | -.450 | .033 | -.303 | -.705 |
| 2330 | 461 | -.414 | .036 | -.217 | -.613 | 2330 | 543 | -.347 | .038 | -.194 | -.548 | 2330 | 593 | -.446 | .033 | -.198 | -.697 |
| 2330 | 462 | -.464 | .037 | -.283 | -.768 | 2330 | 544 | -.421 | .042 | -.228 | -.730 | 2330 | 594 | -.434 | .034 | -.283 | -.735 |
| 2330 | 463 | -.388 | .041 | -.269 | -.543 | 2330 | 545 | -.447 | .038 | -.311 | -.683 | 2330 | 595 | -.413 | .042 | -.302 | -.614 |
| 2330 | 464 | -.426 | .042 | -.281 | -.589 | 2330 | 546 | -.433 | .044 | -.245 | -.788 | 2330 | 596 | -.404 | .040 | -.268 | -.580 |
| 2330 | 465 | -.481 | .066 | -.337 | -.886 | 2330 | 547 | -.391 | .034 | -.274 | -.567 | 2330 | 597 | -.403 | .043 | -.243 | -.712 |
| 2330 | 466 | -.447 | .038 | -.114 | -.712 | 2330 | 548 | -.426 | .035 | -.324 | -.569 | 2330 | 598 | -.403 | .039 | -.247 | -.586 |
| 2330 | 467 | -.466 | .053 | -.263 | -.666 | 2330 | 549 | -.424 | .036 | -.315 | -.604 | 2330 | 599 | -.394 | .029 | -.272 | -.529 |
| 2330 | 468 | -.466 | .036 | -.271 | -.762 | 2330 | 550 | -.409 | .046 | -.225 | -.642 | 2330 | 600 | -.389 | .032 | -.288 | -.504 |
| 2330 | 469 | -.344 | .116 | -.222 | -.669 | 2330 | 551 | -.461 | .042 | -.234 | -.599 | 2330 | 601 | -.379 | .038 | -.237 | -.546 |
| 2330 | 470 | -.499 | .099 | -.290 | -.894 | 2330 | 552 | -.399 | .057 | -.166 | -.623 | 2330 | 602 | -.390 | .034 | -.292 | -.527 |
| 2330 | 471 | -.443 | .062 | -.162 | -.826 | 2330 | 553 | -.365 | .049 | -.168 | -.581 | 2330 | 603 | -.386 | .031 | -.288 | -.521 |
| 2330 | 472 | -.499 | .191 | -.171 | -.988 | 2330 | 554 | -.331 | .044 | -.195 | -.497 | 2330 | 701 | -.442 | .043 | -.324 | -.586 |
| 2330 | 473 | -.466 | .066 | -.188 | -.962 | 2330 | 555 | -.371 | .046 | -.209 | -.516 | 2330 | 702 | -.401 | .043 | -.282 | -.537 |
| 2330 | 474 | -.496 | .109 | -.137 | -.979 | 2330 | 556 | -.395 | .038 | -.193 | -.525 | 2330 | 703 | -.430 | .030 | -.085 | -.811 |
| 2330 | 475 | -.435 | .076 | -.261 | -.746 | 2330 | 557 | -.411 | .033 | -.242 | -.563 | 2330 | 704 | -.393 | .034 | -.277 | -.524 |
| 2330 | 476 | -.475 | .086 | -.201 | -.862 | 2330 | 558 | -.413 | .038 | -.227 | -.616 | 2330 | 705 | -.394 | .031 | -.293 | -.519 |
| 2330 | 477 | -.485 | .085 | -.225 | -.834 | 2330 | 559 | -.414 | .031 | -.300 | -.567 | 2330 | 706 | -.393 | .031 | -.293 | -.529 |
| 2330 | 478 | -.480 | .087 | -.180 | -.846 | 2330 | 560 | -.412 | .032 | -.322 | -.574 | 2330 | 707 | -.386 | .030 | -.263 | -.501 |

APPENDIX A -- PRESSURE DATA:

CONFIGURATION A: OLYMPIA AND YORK OFFICE TOWER, DALLAS

| WD | TAP | CPMEAN | CPRMS | CPMAX | CPMIN | WD | TAP | CPMEAN | CPRMS | CPMAX | CPMIN | WD | TAP | CPMEAN | CPRMS | CPMAX | CPMIN |
|-----|-----|--------|-------|-------|-------|-----|-----|--------|-------|-------|--------|-----|-----|--------|-------|-------|-------|
| 240 | 768 | .388 | .031 | .248 | -.483 | 240 | 103 | -.379 | .112 | -.283 | -1.299 | 240 | 133 | -.409 | .037 | -.238 | -.707 |
| 240 | 709 | -.410 | .053 | -.235 | -.651 | 240 | 104 | -.798 | .162 | -.392 | -1.489 | 240 | 134 | -.381 | .096 | -.156 | -.895 |
| 240 | 710 | -.411 | .048 | -.242 | -.657 | 240 | 105 | -.532 | .104 | -.120 | -.919 | 240 | 135 | -.211 | .083 | .001 | -.719 |
| 240 | 711 | -.387 | .042 | -.251 | -.585 | 240 | 106 | -.258 | .131 | .202 | -.778 | 240 | 136 | -.191 | .058 | .036 | -.466 |
| 240 | 712 | -.393 | .033 | -.230 | -.734 | 240 | 107 | -.064 | .160 | .677 | -.554 | 240 | 137 | -.453 | .046 | -.326 | -.638 |
| 240 | 713 | -.398 | .053 | -.230 | -.750 | 240 | 108 | -.469 | .057 | -.245 | -.784 | 240 | 138 | -.448 | .037 | -.325 | -.586 |
| 240 | 714 | -.395 | .048 | -.232 | -.681 | 240 | 109 | -.471 | .054 | -.243 | -.877 | 240 | 139 | -.393 | .033 | -.277 | -.508 |
| 240 | 715 | -.413 | .044 | -.271 | -.594 | 240 | 110 | -.692 | .123 | -.244 | -1.177 | 240 | 140 | -.258 | .141 | .299 | -.888 |
| 240 | 716 | -.424 | .045 | -.268 | -.628 | 240 | 111 | -1.023 | .169 | .444 | -1.632 | 240 | 141 | -.192 | .047 | .020 | -.316 |
| 240 | 717 | -.429 | .047 | -.283 | -.697 | 240 | 112 | -.480 | .134 | .051 | -.938 | 240 | 142 | -.445 | .039 | -.269 | -.582 |
| 240 | 718 | -.422 | .039 | -.316 | -.567 | 240 | 113 | -.067 | .146 | .338 | -.420 | 240 | 143 | -.381 | .033 | -.230 | -.518 |
| 240 | 719 | -.454 | .044 | -.322 | -.612 | 240 | 114 | -.256 | .182 | .839 | -.347 | 240 | 144 | -.228 | .064 | -.156 | -.413 |
| 240 | 720 | -.426 | .046 | -.285 | -.574 | 240 | 115 | -.438 | .052 | .176 | -.811 | 240 | 145 | -.321 | .034 | -.199 | -.432 |
| 240 | 721 | -.449 | .043 | -.317 | -.605 | 240 | 116 | -.474 | .058 | .142 | -.803 | 240 | 146 | -.283 | .053 | -.029 | -.469 |
| 240 | 722 | -.427 | .043 | -.317 | -.605 | 240 | 117 | -.580 | .111 | .245 | -1.144 | 240 | 147 | -.206 | .072 | .105 | -.439 |
| 240 | 723 | -.427 | .043 | -.317 | -.605 | 240 | 118 | -1.090 | .210 | -.286 | -1.779 | 240 | 148 | -.031 | .144 | .468 | -.527 |
| 240 | 724 | -.489 | .045 | -.324 | -.650 | 240 | 119 | -.569 | .154 | .237 | -1.051 | 240 | 149 | .086 | .166 | .718 | -.371 |
| 240 | 725 | -.483 | .031 | -.297 | -.493 | 240 | 120 | -.003 | .163 | .657 | -.312 | 240 | 150 | .092 | .143 | .695 | -.499 |
| 240 | 726 | -.423 | .029 | -.298 | -.511 | 240 | 121 | -.268 | .159 | .864 | -.307 | 240 | 151 | -.095 | .146 | .810 | -.417 |
| 240 | 727 | -.422 | .045 | -.255 | -.556 | 240 | 122 | -.457 | .031 | -.253 | -.837 | 240 | 152 | -.013 | .127 | .479 | -.537 |
| 240 | 728 | -.400 | .041 | -.279 | -.618 | 240 | 123 | -.440 | .053 | -.228 | -.794 | 240 | 153 | -.071 | .132 | .478 | -.586 |
| 240 | 729 | -.428 | .043 | -.239 | -.623 | 240 | 124 | -.560 | .094 | -.235 | -1.056 | 240 | 154 | -.134 | .122 | .313 | -.691 |
| 240 | 730 | -.444 | .044 | -.278 | -.619 | 240 | 125 | -.993 | .194 | -.229 | -1.627 | 240 | 155 | -.238 | .108 | .216 | -.688 |
| 240 | 731 | -.457 | .046 | -.317 | -.628 | 240 | 126 | -.554 | .151 | .187 | -.989 | 240 | 156 | -.285 | .093 | .113 | -.604 |
| 240 | 732 | -.451 | .131 | -.158 | -.358 | 240 | 127 | -.012 | .149 | .516 | -.499 | 240 | 157 | -.090 | .108 | .411 | -.445 |
| 240 | 733 | -.677 | .133 | -.165 | -.373 | 240 | 128 | -.213 | .169 | .717 | -.303 | 240 | 158 | -.152 | .096 | .332 | -.461 |
| 240 | 734 | -.675 | .173 | -.013 | -.374 | 240 | 129 | -.420 | .042 | -.264 | -.725 | 240 | 159 | -.026 | .164 | .695 | -.588 |
| 240 | 735 | -.497 | .149 | -.109 | -.414 | 240 | 130 | -.458 | .048 | -.289 | -.781 | 240 | 160 | .183 | .172 | .742 | -.396 |
| 240 | 736 | -.671 | .196 | -.042 | -.859 | 240 | 131 | -.497 | .070 | -.297 | -.921 | 240 | 161 | .330 | .169 | .846 | -.278 |
| 240 | 737 | -.586 | .157 | -.192 | -.333 | 240 | 132 | -.826 | .167 | -.365 | -1.474 | 240 | 162 | .365 | .171 | .932 | -.132 |
| 240 | 738 | -.483 | .095 | -.175 | -.099 | 240 | 133 | -.494 | .120 | -.033 | -.948 | 240 | 163 | .299 | .163 | .829 | -.124 |
| 240 | 739 | -.533 | .125 | -.183 | -.354 | 240 | 134 | -.193 | .135 | -.392 | -.535 | 240 | 164 | .295 | .134 | .880 | -.253 |
| 240 | 740 | -.522 | .161 | -.224 | -.985 | 240 | 135 | -.089 | .145 | -.583 | -.334 | 240 | 165 | .102 | .133 | .628 | -.306 |
| 240 | 741 | -.476 | .101 | -.106 | -.918 | 240 | 136 | -.418 | .040 | -.247 | -.630 | 240 | 166 | -.116 | .098 | .283 | -.484 |
| 240 | 742 | -.559 | .183 | -.223 | -.775 | 240 | 137 | -.407 | .037 | -.276 | -.581 | 240 | 167 | -.239 | .091 | .118 | -.608 |
| 240 | 743 | -.502 | .155 | -.125 | -.215 | 240 | 138 | -.470 | .056 | -.306 | -.842 | 240 | 168 | -.193 | .087 | .158 | -.484 |
| 240 | 744 | -.688 | .088 | -.286 | -.539 | 240 | 139 | -.656 | .141 | -.256 | -1.273 | 240 | 169 | -.299 | .083 | .142 | -.606 |
| 240 | 745 | -.314 | .063 | -.082 | -.549 | 240 | 140 | -.429 | .115 | .106 | -.870 | 240 | 170 | -.340 | .072 | .051 | -.628 |
| 240 | 746 | -.347 | .043 | -.185 | -.517 | 240 | 141 | -.087 | .124 | .495 | -.560 | 240 | 171 | -.115 | .156 | .436 | -.745 |
| 240 | 747 | -.102 | .099 | -.389 | -.542 | 240 | 142 | -.033 | .146 | .658 | -.336 | 240 | 172 | .295 | .171 | .850 | -.398 |
| 240 | 748 | -.119 | .102 | -.392 | -.398 | 240 | 143 | -.424 | .051 | -.274 | -.609 | 240 | 173 | .345 | .165 | .896 | -.163 |
| 240 | 749 | -.010 | .083 | -.449 | -.193 | 240 | 144 | -.433 | .045 | -.298 | -.591 | 240 | 174 | .287 | .159 | .849 | -.157 |
| 240 | 750 | -.625 | .095 | -.538 | -.230 | 240 | 145 | -.371 | .045 | -.181 | -.572 | 240 | 175 | .215 | .153 | .728 | -.176 |
| 240 | 751 | -.026 | .097 | -.500 | -.222 | 240 | 146 | -.496 | .102 | -.163 | -1.008 | 240 | 176 | .129 | .133 | .616 | -.208 |
| 240 | 752 | -.013 | .166 | -.511 | -.283 | 240 | 147 | -.376 | .122 | -.248 | -.764 | 240 | 177 | .032 | .112 | .487 | -.278 |
| 240 | 753 | -.002 | .082 | -.381 | -.204 | 240 | 148 | -.060 | .131 | .575 | -.438 | 240 | 178 | -.029 | .097 | .423 | -.274 |
| 240 | 754 | -.142 | .086 | -.535 | -.438 | 240 | 149 | -.073 | .129 | .676 | -.248 | 240 | 179 | -.037 | .098 | .359 | -.382 |
| 240 | 755 | -.166 | .087 | -.266 | -.438 | 240 | 150 | -.494 | .059 | -.320 | -.743 | 240 | 180 | -.240 | .066 | .081 | -.440 |
| 240 | 756 | -.457 | .077 | -.169 | -.933 | 240 | 151 | -.440 | .056 | -.244 | -.701 | 240 | 181 | -.317 | .054 | -.094 | -.519 |
| 240 | 757 | -.501 | .089 | -.144 | -.943 | 240 | 152 | -.444 | .059 | -.247 | -.777 | 240 | 182 | | | | |

APPENDIX A -- PRESSURE DATA:

CONFIGURATION A: OLYMPIA AND YORK OFFICE TOWER, DALLAS

| WD | TAP | CPMEAN | CPRMS | CPMAX | CPMIN | WD | TAP | CPMEAN | CPRMS | CPMAX | CPMIN | WD | TAP | CPMEAN | CPRMS | CPMAX | CPMIN |
|-----|-----|--------|-------|-------|-------|-----|-----|--------|-------|-------|--------|-----|-----|--------|-------|-------|--------|
| 240 | 236 | .174 | .138 | .423 | -.766 | 240 | 286 | -.123 | .108 | .228 | -.460 | 240 | 427 | -.458 | .043 | -.314 | -.664 |
| 240 | 237 | .073 | .188 | .770 | -.584 | 240 | 287 | -.211 | .138 | .240 | -.722 | 240 | 428 | -.438 | .047 | -.236 | -.661 |
| 240 | 238 | .187 | .180 | .787 | -.541 | 240 | 288 | -.243 | .106 | .073 | -.862 | 240 | 429 | -.397 | .047 | -.230 | -.599 |
| 240 | 239 | .231 | .172 | .799 | -.237 | 240 | 289 | -.247 | .097 | -.019 | -.735 | 240 | 430 | -.423 | .050 | -.247 | -.644 |
| 240 | 240 | .204 | .153 | .793 | -.174 | 240 | 290 | -.447 | .077 | -.214 | -.835 | 240 | 431 | -.473 | .049 | -.311 | -.666 |
| 240 | 241 | .141 | .143 | .707 | -.224 | 240 | 291 | -.342 | .073 | -.347 | -.839 | 240 | 432 | -.478 | .054 | -.333 | -.738 |
| 240 | 242 | .071 | .123 | .622 | -.246 | 240 | 292 | -.713 | .087 | -.428 | -1.096 | 240 | 433 | -.449 | .044 | -.322 | -.626 |
| 240 | 243 | .022 | .102 | .487 | -.274 | 240 | 293 | -.066 | .107 | -.482 | -.580 | 240 | 434 | -.435 | .043 | -.280 | -.632 |
| 240 | 244 | .009 | .083 | .301 | -.223 | 240 | 294 | -.064 | .045 | -.127 | -.176 | 240 | 435 | -.440 | .047 | -.252 | -.614 |
| 240 | 245 | .081 | .086 | .272 | -.308 | 240 | 295 | -.148 | .034 | 0.16 | -.262 | 240 | 436 | -.446 | .062 | -.193 | -.697 |
| 240 | 246 | .060 | .137 | .446 | -.446 | 240 | 296 | -.167 | .033 | 0.18 | -.281 | 240 | 437 | -.421 | .054 | -.233 | -.629 |
| 240 | 247 | .314 | .054 | -.079 | -.538 | 240 | 297 | -.129 | .035 | 0.38 | -.239 | 240 | 438 | -.488 | .060 | -.287 | -.778 |
| 240 | 248 | .184 | .149 | .365 | -.648 | 240 | 298 | -.340 | .037 | -.213 | -.493 | 240 | 439 | -.340 | .069 | -.343 | -.883 |
| 240 | 249 | .054 | .177 | .589 | -.460 | 240 | 299 | -.474 | .048 | -.341 | -.664 | 240 | 440 | -.353 | .061 | -.331 | -.838 |
| 240 | 250 | .204 | .156 | .775 | -.332 | 240 | 300 | -.377 | .078 | -.130 | -.940 | 240 | 441 | -.436 | .053 | -.288 | -.686 |
| 240 | 251 | .146 | .150 | .636 | -.326 | 240 | 301 | -.057 | .055 | -.234 | -.174 | 240 | 442 | -.382 | .052 | -.139 | -.598 |
| 240 | 252 | .082 | .113 | .579 | -.219 | 240 | 302 | -.078 | .045 | -.121 | -.187 | 240 | 443 | -.317 | .066 | -.300 | -.809 |
| 240 | 253 | .022 | .107 | .492 | -.260 | 240 | 303 | -.113 | .036 | 0.15 | -.214 | 240 | 444 | -.366 | .059 | -.376 | -.760 |
| 240 | 254 | .022 | .092 | .413 | -.273 | 240 | 304 | -.187 | .038 | 0.03 | -.293 | 240 | 445 | -.350 | .063 | -.308 | -.792 |
| 240 | 255 | .074 | .078 | .268 | -.293 | 240 | 305 | -.143 | .041 | 0.38 | -.269 | 240 | 446 | -.371 | .077 | -.344 | -1.068 |
| 240 | 256 | .071 | .072 | .236 | -.283 | 240 | 306 | -.048 | .041 | -.142 | -.161 | 240 | 447 | -.329 | .098 | -.144 | -1.079 |
| 240 | 257 | .137 | .077 | .226 | -.402 | 240 | 307 | -.101 | .042 | 0.90 | -.242 | 240 | 448 | -.482 | .091 | -.133 | -1.021 |
| 240 | 258 | .279 | .060 | -.039 | -.480 | 240 | 308 | -.284 | .043 | 0.90 | -.410 | 240 | 449 | -.386 | .084 | -.031 | -.792 |
| 240 | 259 | .365 | .064 | -.031 | -.633 | 240 | 309 | -.432 | .052 | -.246 | -.643 | 240 | 450 | -.386 | .074 | -.408 | -1.049 |
| 240 | 260 | .178 | .142 | .408 | -.606 | 240 | 401 | -.344 | .094 | -.239 | -1.095 | 240 | 451 | -.386 | .074 | -.399 | -1.072 |
| 240 | 261 | .082 | .148 | .602 | -.413 | 240 | 402 | -.356 | .096 | -.246 | -1.102 | 240 | 452 | -.676 | .076 | -.439 | -1.236 |
| 240 | 262 | .066 | .128 | .535 | -.338 | 240 | 403 | -.371 | .103 | -.280 | -1.129 | 240 | 453 | -.640 | .084 | -.397 | -1.083 |
| 240 | 263 | .114 | .114 | .543 | -.397 | 240 | 404 | -.364 | .124 | -.184 | -1.194 | 240 | 454 | -.598 | .088 | -.182 | -.966 |
| 240 | 264 | .022 | .092 | .449 | -.293 | 240 | 405 | -.312 | .094 | -.235 | -1.020 | 240 | 455 | -.569 | .102 | -.120 | -1.010 |
| 240 | 265 | .081 | .081 | .363 | -.263 | 240 | 406 | -.322 | .096 | -.206 | -.966 | 240 | 456 | -.594 | .090 | -.115 | -.943 |
| 240 | 266 | .062 | .062 | .258 | -.343 | 240 | 407 | -.316 | .091 | -.230 | -.904 | 240 | 457 | -.550 | .063 | -.313 | -.888 |
| 240 | 267 | .065 | .065 | .293 | -.181 | 240 | 408 | -.381 | .097 | -.303 | -1.009 | 240 | 458 | -.698 | .089 | -.461 | -1.046 |
| 240 | 268 | .018 | .069 | .307 | -.212 | 240 | 409 | -.433 | .126 | 0.20 | -.946 | 240 | 459 | -.373 | .077 | -.287 | -.991 |
| 240 | 269 | .133 | .038 | .188 | -.381 | 240 | 410 | -.340 | .087 | -.262 | -1.034 | 240 | 460 | -.387 | .079 | -.106 | -.963 |
| 240 | 270 | .049 | .049 | .126 | -.489 | 240 | 411 | -.354 | .102 | -.180 | -1.247 | 240 | 461 | -.479 | .077 | -.229 | -.979 |
| 240 | 271 | .133 | .050 | .178 | -.641 | 240 | 412 | -.329 | .082 | -.213 | -.994 | 240 | 462 | -.361 | .075 | -.273 | -.859 |
| 240 | 272 | .137 | .144 | .517 | -.505 | 240 | 413 | -.394 | .081 | -.223 | -.968 | 240 | 463 | -.381 | .061 | -.326 | -.845 |
| 240 | 273 | .066 | .139 | .666 | -.306 | 240 | 414 | -.493 | .059 | -.293 | -.826 | 240 | 464 | -.320 | .059 | -.313 | -.844 |
| 240 | 274 | .137 | .123 | .693 | -.208 | 240 | 415 | -.469 | .058 | -.269 | -.766 | 240 | 465 | -.386 | .089 | -.344 | -1.106 |
| 240 | 275 | .222 | .128 | .768 | -.037 | 240 | 416 | -.437 | .059 | -.234 | -.743 | 240 | 466 | -.339 | .076 | -.154 | -.938 |
| 240 | 276 | .123 | .123 | .723 | -.073 | 240 | 417 | -.459 | .066 | -.233 | -.936 | 240 | 467 | -.609 | .067 | -.401 | -.933 |
| 240 | 277 | .136 | .122 | .682 | -.127 | 240 | 418 | -.482 | .077 | -.222 | -.839 | 240 | 468 | -.606 | .073 | -.387 | -1.049 |
| 240 | 278 | .113 | .112 | .683 | -.136 | 240 | 419 | -.509 | .082 | -.237 | -.857 | 240 | 501 | -.491 | .083 | -.227 | -1.049 |
| 240 | 279 | .067 | .084 | .384 | -.141 | 240 | 420 | -.493 | .075 | -.231 | -.784 | 240 | 502 | -.489 | .077 | -.231 | -.968 |
| 240 | 280 | .082 | .082 | .358 | -.166 | 240 | 421 | -.456 | .064 | -.230 | -.862 | 240 | 503 | -.377 | .079 | -.293 | -.983 |
| 240 | 281 | .064 | .064 | .317 | -.264 | 240 | 422 | -.433 | .046 | -.230 | -.936 | 240 | 504 | -.315 | .080 | -.184 | -1.066 |
| 240 | 282 | .053 | .051 | .282 | -.789 | 240 | 423 | -.453 | .046 | -.269 | -.609 | 240 | 505 | -.486 | .077 | -.139 | -.918 |
| 240 | 283 | .066 | .066 | .394 | -.839 | 240 | 424 | -.432 | .045 | -.292 | -.635 | 240 | 506 | -.493 | .076 | -.189 | -.767 |
| 240 | 284 | .090 | .139 | .607 | -.430 | 240 | 425 | -.440 | .042 | -.302 | -.602 | 240 | 507 | -.580 | .067 | -.326 | -.943 |
| 240 | 285 | .092 | .072 | .181 | -.432 | 240 | 426 | -.460 | .044 | -.315 | -.644 | 240 | 508 | -.508 | .070 | -.207 | -.787 |

APPENDIX A -- PRESSURE DATA:

CONFIGURATION A; OLYMPIA AND YORK OFFICE TOWER, DALLAS

| WD | TAP | CPMEAN | CPRMS | CPMAX | CPMIN | WD | TAP | CPMEAN | CPRMS | CPMAX | CPMIN | WD | TAP | CPMEAN | CPRMS | CPMAX | CPMIN |
|-----|-----|--------|-------|-------|-------|-----|-----|--------|-------|-------|--------|-----|-----|--------|-------|-------|--------|
| 240 | 509 | .451 | .075 | .201 | .721 | 240 | 509 | .446 | .031 | .331 | .608 | 240 | 706 | .447 | .046 | .233 | .630 |
| 240 | 510 | .470 | .078 | .201 | .753 | 240 | 510 | .446 | .033 | .350 | .695 | 240 | 707 | .427 | .047 | .210 | .623 |
| 240 | 511 | .466 | .066 | .334 | .853 | 240 | 511 | .437 | .035 | .329 | .682 | 240 | 708 | .476 | .031 | .323 | .705 |
| 240 | 512 | .517 | .070 | .266 | .824 | 240 | 512 | .425 | .041 | .272 | .658 | 240 | 709 | .466 | .073 | .233 | .890 |
| 240 | 513 | .469 | .053 | .256 | .690 | 240 | 513 | .405 | .043 | .237 | .594 | 240 | 710 | .493 | .060 | .291 | .763 |
| 240 | 514 | .477 | .051 | .233 | .669 | 240 | 514 | .483 | .088 | .072 | .823 | 240 | 711 | .447 | .056 | .246 | .752 |
| 240 | 515 | .477 | .051 | .233 | .669 | 240 | 515 | .410 | .084 | .099 | .720 | 240 | 712 | .469 | .074 | .213 | .976 |
| 240 | 516 | .477 | .051 | .233 | .669 | 240 | 516 | .382 | .080 | .064 | .660 | 240 | 713 | .479 | .075 | .218 | .999 |
| 240 | 517 | .477 | .051 | .233 | .669 | 240 | 517 | .416 | .060 | .217 | .701 | 240 | 714 | .470 | .070 | .222 | .899 |
| 240 | 518 | .477 | .075 | .192 | .814 | 240 | 518 | .454 | .046 | .309 | .636 | 240 | 715 | .472 | .052 | .288 | .713 |
| 240 | 519 | .477 | .075 | .192 | .814 | 240 | 519 | .462 | .040 | .338 | .682 | 240 | 716 | .499 | .057 | .262 | .848 |
| 240 | 520 | .477 | .063 | .286 | .812 | 240 | 520 | .455 | .045 | .267 | .765 | 240 | 717 | .510 | .063 | .322 | .989 |
| 240 | 521 | .477 | .063 | .286 | .812 | 240 | 521 | .440 | .034 | .327 | .643 | 240 | 718 | .503 | .049 | .342 | .763 |
| 240 | 522 | .477 | .063 | .286 | .812 | 240 | 522 | .447 | .035 | .338 | .589 | 240 | 719 | .521 | .053 | .333 | .859 |
| 240 | 523 | .477 | .049 | .308 | .757 | 240 | 523 | .437 | .035 | .324 | .598 | 240 | 720 | .503 | .053 | .304 | .743 |
| 240 | 524 | .477 | .049 | .308 | .651 | 240 | 524 | .414 | .039 | .264 | .576 | 240 | 721 | .557 | .060 | .283 | .804 |
| 240 | 525 | .477 | .053 | .297 | .637 | 240 | 525 | .399 | .039 | .273 | .599 | 240 | 801 | .468 | .041 | .320 | .612 |
| 240 | 526 | .477 | .053 | .297 | .637 | 240 | 526 | .370 | .081 | .166 | .944 | 240 | 802 | .567 | .063 | .354 | .822 |
| 240 | 527 | .477 | .053 | .297 | .637 | 240 | 527 | .353 | .082 | .163 | .910 | 240 | 803 | .447 | .042 | .310 | .618 |
| 240 | 528 | .477 | .045 | .293 | .607 | 240 | 528 | .396 | .069 | .188 | .834 | 240 | 804 | .481 | .076 | .265 | .859 |
| 240 | 529 | .477 | .045 | .293 | .607 | 240 | 529 | .490 | .057 | .259 | .710 | 240 | 805 | .466 | .054 | .286 | .714 |
| 240 | 530 | .477 | .045 | .293 | .607 | 240 | 530 | .470 | .047 | .266 | .730 | 240 | 806 | .486 | .033 | .324 | .760 |
| 240 | 531 | .477 | .045 | .293 | .607 | 240 | 531 | .465 | .048 | .267 | .690 | 240 | 807 | .486 | .058 | .322 | .872 |
| 240 | 532 | .477 | .038 | .350 | .642 | 240 | 532 | .436 | .040 | .261 | .589 | 240 | 808 | .495 | .060 | .261 | .742 |
| 240 | 533 | .477 | .038 | .350 | .642 | 240 | 533 | .455 | .044 | .291 | .730 | 240 | 809 | .559 | .067 | .217 | .828 |
| 240 | 534 | .477 | .038 | .350 | .642 | 240 | 534 | .416 | .032 | .320 | .544 | 240 | 810 | .598 | .116 | .273 | .1.268 |
| 240 | 535 | .477 | .038 | .350 | .642 | 240 | 535 | .462 | .072 | .272 | .641 | 240 | 901 | .635 | .113 | .338 | .1.145 |
| 240 | 536 | .477 | .038 | .350 | .642 | 240 | 536 | .420 | .048 | .224 | .637 | 240 | 902 | .635 | .149 | .094 | .1.331 |
| 240 | 537 | .477 | .043 | .275 | .631 | 240 | 537 | .482 | .050 | .279 | .732 | 240 | 903 | .591 | .154 | .083 | .1.408 |
| 240 | 538 | .477 | .043 | .275 | .631 | 240 | 538 | .477 | .052 | .297 | .691 | 240 | 904 | .630 | .142 | .263 | .1.531 |
| 240 | 539 | .477 | .042 | .264 | .767 | 240 | 539 | .629 | .132 | .391 | .1.314 | 240 | 905 | .601 | .127 | .168 | .1.410 |
| 240 | 540 | .477 | .042 | .264 | .767 | 240 | 540 | .569 | .095 | .367 | .1.104 | 240 | 906 | .552 | .097 | .249 | .908 |
| 240 | 541 | .477 | .044 | .169 | .582 | 240 | 541 | .525 | .067 | .365 | .915 | 240 | 907 | .561 | .094 | .244 | .1.081 |
| 240 | 542 | .477 | .039 | .411 | .697 | 240 | 542 | .525 | .066 | .333 | .979 | 240 | 908 | .553 | .091 | .261 | .961 |
| 240 | 543 | .477 | .039 | .411 | .697 | 240 | 543 | .518 | .066 | .309 | .896 | 240 | 909 | .565 | .112 | .186 | .1.188 |
| 240 | 544 | .477 | .035 | .339 | .595 | 240 | 544 | .478 | .052 | .277 | .747 | 240 | 910 | .593 | .163 | .042 | .1.518 |
| 240 | 545 | .477 | .035 | .339 | .595 | 240 | 545 | .455 | .054 | .242 | .691 | 240 | 911 | .564 | .143 | .094 | .1.247 |
| 240 | 546 | .477 | .035 | .339 | .595 | 240 | 546 | .465 | .058 | .301 | .809 | 240 | 912 | .609 | .119 | .364 | .537 |
| 240 | 547 | .477 | .035 | .339 | .595 | 240 | 547 | .467 | .039 | .358 | .734 | 240 | 913 | .356 | .080 | .111 | .621 |
| 240 | 548 | .477 | .030 | .375 | .580 | 240 | 548 | .452 | .050 | .222 | .688 | 240 | 914 | .391 | .047 | .201 | .631 |
| 240 | 549 | .477 | .032 | .313 | .524 | 240 | 549 | .472 | .060 | .331 | .688 | 240 | 915 | .027 | .129 | .474 | .416 |
| 240 | 550 | .477 | .044 | .305 | .669 | 240 | 550 | .434 | .037 | .301 | .571 | 240 | 916 | .021 | .132 | .671 | .311 |
| 240 | 551 | .477 | .044 | .305 | .669 | 240 | 551 | .482 | .060 | .318 | .698 | 240 | 917 | .175 | .127 | .771 | .132 |
| 240 | 552 | .477 | .044 | .305 | .669 | 240 | 552 | .462 | .045 | .332 | .640 | 240 | 918 | .145 | .131 | .723 | .215 |
| 240 | 553 | .477 | .062 | .227 | .735 | 240 | 553 | .525 | .058 | .338 | .766 | 240 | 919 | .113 | .127 | .849 | .171 |
| 240 | 554 | .477 | .062 | .227 | .735 | 240 | 554 | .474 | .058 | .312 | .710 | 240 | 920 | .004 | .108 | .366 | .268 |
| 240 | 555 | .477 | .041 | .232 | .599 | 240 | 555 | .559 | .110 | .137 | .1.045 | 240 | 921 | .003 | .087 | .455 | .186 |
| 240 | 556 | .477 | .041 | .232 | .599 | 240 | 556 | .450 | .044 | .259 | .644 | 240 | 922 | .177 | .075 | .144 | .396 |
| 240 | 557 | .477 | .039 | .294 | .630 | 240 | 557 | .450 | .044 | .269 | .627 | 240 | 923 | .201 | .086 | .267 | .421 |

APPENDIX A -- PRESSURE DATA:

CONFIGURATION A: OLYMPIA AND YORK OFFICE TOWER, DALLAS

| | TAP | CPMEAN | CPRMS | CPMAX | CPMIN | WD | TAP | CPMEAN | CPRMS | CPMAX | CPMIN | WD | TAP | CPMEAN | CPRMS | CPMAX | CPMIN |
|---|-----|--------|-------|-------|--------|-----|-----|--------|-------|-------|-------|-----|-----|--------|-------|-------|-------|
| N | 101 | .428 | .655 | .246 | -.766 | 250 | 151 | -.494 | .052 | -.355 | -.722 | 250 | 234 | -.163 | .062 | .189 | -.364 |
| N | 102 | -.431 | .068 | -.174 | -.785 | 250 | 152 | -.464 | .057 | -.305 | -.787 | 250 | 235 | -.247 | .050 | .137 | -.422 |
| N | 103 | -.434 | .677 | -.223 | -.748 | 250 | 153 | -.429 | .059 | -.270 | -.727 | 250 | 236 | .009 | .174 | .708 | -.329 |
| N | 104 | -.623 | .131 | -.186 | -1.111 | 250 | 154 | -.366 | .191 | -.055 | -.920 | 250 | 237 | .237 | .180 | .804 | -.287 |
| N | 105 | -.336 | .113 | -.261 | -.748 | 250 | 155 | -.206 | .109 | -.060 | -.826 | 250 | 238 | .316 | .156 | .790 | -.220 |
| N | 106 | -.094 | .147 | -.415 | -.536 | 250 | 156 | -.141 | .077 | -.113 | -.613 | 250 | 239 | .340 | .151 | .860 | -.155 |
| N | 107 | -.128 | .157 | -.611 | -.536 | 250 | 157 | -.494 | .049 | -.362 | -.693 | 250 | 240 | .326 | .137 | .818 | -.024 |
| N | 108 | -.413 | .041 | -.242 | -.537 | 250 | 158 | -.442 | .035 | -.313 | -.597 | 250 | 241 | .280 | .139 | .770 | -.026 |
| N | 109 | -.413 | .251 | -.251 | -.536 | 250 | 159 | -.409 | .032 | -.309 | -.547 | 250 | 242 | .221 | .127 | .676 | -.077 |
| N | 110 | -.479 | .098 | -.115 | -.944 | 250 | 160 | -.199 | .055 | -.005 | -.400 | 250 | 243 | .166 | .113 | .568 | -.123 |
| N | 111 | -.848 | .213 | -.642 | -1.552 | 250 | 161 | -.151 | .049 | -.014 | -.302 | 250 | 244 | .131 | .097 | .349 | -.133 |
| N | 112 | -.234 | .187 | -.417 | -.744 | 250 | 162 | -.431 | .034 | -.293 | -.550 | 250 | 245 | .082 | .096 | .481 | -.176 |
| N | 113 | -.200 | .171 | -.756 | -.353 | 250 | 163 | -.371 | .032 | -.195 | -.477 | 250 | 246 | -.119 | .059 | .140 | -.308 |
| N | 114 | -.392 | .178 | -.947 | -.353 | 250 | 164 | -.341 | .038 | -.212 | -.504 | 250 | 247 | -.218 | .053 | -.022 | -.422 |
| N | 115 | -.402 | .041 | -.234 | -.353 | 250 | 165 | -.322 | .035 | -.196 | -.442 | 250 | 248 | -.099 | .159 | .518 | -.632 |
| N | 116 | -.407 | .047 | -.221 | -.669 | 250 | 166 | -.247 | .060 | -.031 | -.436 | 250 | 249 | .103 | .165 | .696 | -.355 |
| N | 117 | -.443 | .682 | -.963 | -.963 | 250 | 167 | -.170 | .081 | -.148 | -.426 | 250 | 250 | .181 | .140 | .731 | -.433 |
| N | 118 | -.831 | .263 | -.117 | -1.533 | 250 | 201 | -.132 | .143 | .577 | -.424 | 250 | 251 | .231 | .123 | .674 | -.167 |
| N | 119 | -.273 | .218 | -.638 | -.736 | 250 | 202 | -.157 | .144 | .612 | -.397 | 250 | 252 | .217 | .110 | .684 | -.032 |
| N | 120 | -.181 | .195 | -.828 | -.363 | 250 | 203 | -.144 | .131 | .529 | -.287 | 250 | 253 | .180 | .111 | .634 | -.057 |
| N | 121 | -.358 | .164 | -.986 | -.223 | 250 | 204 | -.123 | .123 | .503 | -.280 | 250 | 254 | .133 | .104 | .378 | -.103 |
| N | 122 | -.401 | .044 | -.104 | -.698 | 250 | 205 | -.026 | .105 | .415 | -.241 | 250 | 255 | .095 | .093 | .484 | -.126 |
| N | 123 | -.467 | .048 | -.148 | -.697 | 250 | 206 | -.026 | .105 | .395 | -.320 | 250 | 256 | .121 | .093 | .457 | -.105 |
| N | 124 | -.456 | .088 | -.113 | -1.055 | 250 | 207 | -.082 | .097 | .280 | -.376 | 250 | 257 | .048 | .091 | .397 | -.222 |
| N | 125 | -.773 | .226 | -.625 | -1.293 | 250 | 208 | -.169 | .085 | .142 | -.475 | 250 | 258 | -.139 | .062 | .130 | -.381 |
| N | 126 | -.301 | .213 | -.470 | -.848 | 250 | 209 | -.193 | .076 | .068 | -.492 | 250 | 259 | -.241 | .054 | .006 | -.447 |
| N | 127 | -.124 | .178 | -.722 | -.848 | 250 | 210 | -.013 | .102 | .383 | -.349 | 250 | 260 | -.156 | .136 | .446 | -.585 |
| N | 128 | -.280 | .160 | -.772 | -.193 | 250 | 211 | -.087 | .091 | .270 | -.378 | 250 | 261 | .012 | .140 | .636 | -.445 |
| N | 129 | -.454 | .635 | -.235 | -.536 | 250 | 212 | -.109 | .165 | .992 | -.403 | 250 | 262 | .079 | .123 | .634 | -.441 |
| N | 130 | -.419 | .042 | -.211 | -.738 | 250 | 213 | -.332 | .174 | .809 | -.171 | 250 | 263 | .136 | .100 | .652 | -.164 |
| N | 131 | -.459 | .675 | -.215 | -.828 | 250 | 214 | -.383 | .171 | .914 | -.246 | 250 | 264 | .170 | .107 | .701 | -.121 |
| N | 132 | -.769 | .197 | -.126 | -1.522 | 250 | 215 | -.373 | .164 | .872 | -.164 | 250 | 265 | .138 | .111 | .656 | -.112 |
| N | 133 | -.387 | .173 | -.238 | -.874 | 250 | 216 | -.312 | .149 | .648 | -.107 | 250 | 266 | .120 | .108 | .342 | -.140 |
| N | 134 | -.017 | .157 | -.751 | -.417 | 250 | 217 | -.263 | .127 | .659 | -.065 | 250 | 267 | .067 | .085 | .452 | -.122 |
| N | 135 | -.170 | .135 | -.874 | -.417 | 250 | 218 | -.176 | .124 | .608 | -.155 | 250 | 268 | .072 | .090 | .486 | -.129 |
| N | 136 | -.404 | .039 | -.201 | -.626 | 250 | 219 | -.038 | .091 | .385 | -.299 | 250 | 269 | -.021 | .076 | .364 | -.236 |
| N | 137 | -.411 | .039 | -.272 | -.626 | 250 | 220 | -.150 | .078 | .250 | -.398 | 250 | 270 | -.206 | .052 | .011 | -.380 |
| N | 138 | -.449 | .068 | -.239 | -.814 | 250 | 221 | -.077 | .078 | .282 | -.367 | 250 | 271 | -.285 | .046 | .134 | -.468 |
| N | 139 | -.670 | .145 | -.202 | -1.202 | 250 | 222 | -.219 | .068 | .048 | -.481 | 250 | 272 | .121 | .160 | .629 | -.607 |
| N | 140 | -.403 | .145 | -.180 | -.964 | 250 | 223 | -.283 | .059 | .042 | -.516 | 250 | 273 | .035 | .124 | .661 | -.409 |
| N | 141 | -.030 | .131 | -.479 | -.401 | 250 | 224 | -.082 | .173 | .710 | -.538 | 250 | 274 | .132 | .132 | .723 | -.359 |
| N | 142 | -.055 | .129 | -.529 | -.501 | 250 | 225 | -.308 | .183 | .892 | -.246 | 250 | 275 | .206 | .193 | .617 | -.139 |
| N | 143 | -.453 | .047 | -.257 | -.691 | 250 | 226 | -.377 | .165 | .886 | -.255 | 250 | 276 | .239 | .127 | .806 | -.058 |
| N | 144 | -.433 | .041 | -.216 | -.613 | 250 | 227 | -.379 | .162 | .939 | -.258 | 250 | 277 | .218 | .127 | .857 | -.053 |
| N | 145 | -.356 | .062 | -.278 | -.662 | 250 | 228 | -.354 | .134 | .781 | -.023 | 250 | 278 | .193 | .122 | .754 | -.076 |
| N | 146 | -.454 | .129 | -.933 | -1.000 | 250 | 229 | -.290 | .130 | .754 | -.062 | 250 | 279 | .125 | .103 | .592 | -.106 |
| N | 147 | -.222 | .147 | -.233 | -.901 | 250 | 230 | -.217 | .119 | .676 | -.103 | 250 | 280 | .111 | .102 | .575 | -.115 |
| N | 148 | -.005 | .140 | -.383 | -.316 | 250 | 231 | -.144 | .106 | .578 | -.174 | 250 | 281 | .048 | .096 | .455 | -.186 |
| N | 149 | -.086 | .123 | -.636 | -.316 | 250 | 232 | -.148 | .103 | .593 | -.121 | 250 | 282 | -.406 | .055 | -.090 | -.606 |
| N | 150 | -.521 | .055 | -.365 | -.781 | 250 | 233 | -.074 | .100 | .514 | -.227 | 250 | 283 | -.456 | .052 | -.304 | -.680 |

APPENDIX A -- PRESSURE DATA:

CONFIGURATION A: OLYMPIA AND YORK OFFICE TOWER, DALLAS

| WD | TAP | CPMEAN | CPRMS | CPMAX | CPMIN | WD | TAP | CPMEAN | CPRMS | CPMAX | CPMIN | WD | TAP | CPMEAN | CPRMS | CPMAX | CPMIN |
|-----|------|--------|-------|-------|-------|-----|------|--------|-------|-------|-------|-----|------|--------|-------|-------|-------|
| 284 | 100 | .046 | .072 | .352 | 250 | 423 | .408 | .037 | .290 | .596 | 250 | 507 | .452 | .050 | .275 | .615 | |
| 285 | .062 | .053 | .253 | .364 | 250 | 426 | .401 | .036 | .279 | .574 | 250 | 508 | .433 | .059 | .251 | .688 | |
| 286 | .077 | .078 | .330 | .403 | 250 | 427 | .384 | .037 | .259 | .528 | 250 | 509 | .431 | .065 | .210 | .671 | |
| 287 | .136 | .122 | .393 | .646 | 250 | 428 | .385 | .043 | .210 | .542 | 250 | 510 | .425 | .065 | .179 | .637 | |
| 288 | .202 | .099 | .104 | .605 | 250 | 429 | .363 | .039 | .237 | .542 | 250 | 511 | .451 | .048 | .305 | .656 | |
| 289 | .190 | .099 | .100 | .743 | 250 | 430 | .362 | .042 | .221 | .564 | 250 | 512 | .456 | .052 | .277 | .674 | |
| 290 | .326 | .076 | .067 | .756 | 250 | 431 | .350 | .040 | .241 | .592 | 250 | 513 | .441 | .043 | .296 | .621 | |
| 291 | .426 | .198 | .198 | .727 | 250 | 432 | .333 | .041 | .278 | .620 | 250 | 514 | .439 | .042 | .296 | .606 | |
| 292 | .568 | .081 | .319 | .948 | 250 | 433 | .396 | .034 | .302 | .547 | 250 | 515 | .441 | .037 | .317 | .594 | |
| 293 | .101 | .033 | .036 | .234 | 250 | 434 | .365 | .040 | .176 | .536 | 250 | 516 | .416 | .057 | .157 | .714 | |
| 294 | .026 | .033 | .104 | .122 | 250 | 435 | .376 | .047 | .161 | .533 | 250 | 517 | .416 | .051 | .208 | .680 | |
| 295 | .066 | .036 | .125 | .262 | 250 | 436 | .342 | .051 | .132 | .547 | 250 | 518 | .417 | .049 | .259 | .615 | |
| 296 | .084 | .053 | .108 | .209 | 250 | 437 | .354 | .047 | .155 | .568 | 250 | 519 | .443 | .042 | .293 | .647 | |
| 297 | .058 | .049 | .136 | .165 | 250 | 438 | .374 | .049 | .204 | .647 | 250 | 520 | .457 | .047 | .272 | .695 | |
| 298 | .033 | .106 | .358 | | 250 | 439 | .417 | .053 | .259 | .756 | 250 | 521 | .460 | .043 | .307 | .630 | |
| 299 | .044 | .188 | .551 | | 250 | 440 | .385 | .041 | .238 | .564 | 250 | 522 | .449 | .045 | .270 | .641 | |
| 300 | .072 | .099 | .353 | .440 | 250 | 441 | .363 | .044 | .195 | .573 | 250 | 523 | .434 | .037 | .303 | .555 | |
| 301 | .020 | .033 | .127 | .148 | 250 | 442 | .322 | .051 | .183 | .555 | 250 | 524 | .437 | .040 | .294 | .571 | |
| 302 | .023 | .039 | .127 | .136 | 250 | 443 | .403 | .058 | .144 | .606 | 250 | 525 | .432 | .040 | .286 | .566 | |
| 303 | .011 | .161 | .162 | | 250 | 444 | .413 | .048 | .185 | .615 | 250 | 526 | .415 | .044 | .278 | .580 | |
| 304 | .106 | .028 | .198 | | 250 | 445 | .451 | .054 | .202 | .709 | 250 | 527 | .423 | .043 | .278 | .580 | |
| 305 | .077 | .051 | .139 | .217 | 250 | 446 | .504 | .066 | .285 | .882 | 250 | 528 | .392 | .038 | .263 | .517 | |
| 306 | .016 | .053 | .228 | .104 | 250 | 447 | .439 | .076 | .137 | .815 | 250 | 529 | .380 | .037 | .221 | .489 | |
| 307 | .031 | .051 | .177 | .192 | 250 | 448 | .369 | .069 | .088 | .696 | 250 | 530 | .381 | .039 | .226 | .538 | |
| 308 | .177 | .056 | .045 | .314 | 250 | 449 | .371 | .076 | .049 | .625 | 250 | 531 | .432 | .037 | .259 | .566 | |
| 309 | .333 | .056 | .050 | .564 | 250 | 450 | .483 | .057 | .321 | .841 | 250 | 532 | .428 | .030 | .312 | .604 | |
| 401 | .442 | .055 | .245 | .761 | 250 | 451 | .473 | .055 | .317 | .841 | 250 | 533 | .445 | .036 | .310 | .560 | |
| 402 | .462 | .065 | .252 | .904 | 250 | 452 | .485 | .051 | .300 | .733 | 250 | 534 | .457 | .035 | .338 | .666 | |
| 403 | .449 | .061 | .275 | .012 | 250 | 453 | .519 | .063 | .284 | .003 | 250 | 535 | .427 | .029 | .328 | .534 | |
| 404 | .473 | .072 | .258 | .132 | 250 | 454 | .512 | .060 | .314 | .802 | 250 | 536 | .429 | .033 | .322 | .540 | |
| 405 | .460 | .061 | .260 | .920 | 250 | 455 | .504 | .062 | .240 | .824 | 250 | 537 | .418 | .034 | .303 | .535 | |
| 406 | .453 | .066 | .242 | .835 | 250 | 456 | .484 | .051 | .164 | .767 | 250 | 538 | .409 | .038 | .275 | .532 | |
| 407 | .449 | .060 | .245 | .768 | 250 | 457 | .434 | .060 | .192 | .656 | 250 | 539 | .396 | .035 | .254 | .536 | |
| 408 | .447 | .079 | .248 | .880 | 250 | 458 | .539 | .087 | .270 | .944 | 250 | 540 | .376 | .038 | .237 | .542 | |
| 409 | .396 | .107 | .003 | .722 | 250 | 459 | .461 | .061 | .270 | .784 | 250 | 541 | .361 | .037 | .169 | .482 | |
| 410 | .454 | .066 | .206 | .741 | 250 | 460 | .416 | .115 | .056 | .730 | 250 | 542 | .360 | .041 | .183 | .498 | |
| 411 | .461 | .063 | .174 | .866 | 250 | 461 | .365 | .068 | .065 | .719 | 250 | 543 | .423 | .031 | .293 | .548 | |
| 412 | .433 | .057 | .205 | .703 | 250 | 462 | .396 | .071 | .106 | .648 | 250 | 544 | .447 | .030 | .350 | .582 | |
| 413 | .433 | .054 | .295 | .717 | 250 | 463 | .405 | .056 | .229 | .524 | 250 | 545 | .439 | .028 | .346 | .530 | |
| 414 | .441 | .046 | .256 | .604 | 250 | 464 | .466 | .064 | .272 | .768 | 250 | 546 | .437 | .030 | .343 | .566 | |
| 415 | .398 | .030 | .227 | .772 | 250 | 465 | .549 | .086 | .264 | .961 | 250 | 547 | .423 | .027 | .326 | .527 | |
| 416 | .393 | .050 | .215 | .783 | 250 | 466 | .486 | .077 | .155 | .841 | 250 | 548 | .424 | .030 | .317 | .539 | |
| 417 | .412 | .047 | .209 | .633 | 250 | 467 | .479 | .057 | .266 | .735 | 250 | 549 | .411 | .031 | .296 | .541 | |
| 418 | .419 | .054 | .164 | .710 | 250 | 468 | .480 | .109 | .038 | .881 | 250 | 550 | .408 | .038 | .280 | .532 | |
| 419 | .429 | .054 | .131 | .724 | 250 | 501 | .449 | .060 | .273 | .832 | 250 | 551 | .382 | .034 | .267 | .622 | |
| 420 | .418 | .049 | .203 | .618 | 250 | 502 | .441 | .057 | .228 | .796 | 250 | 552 | .359 | .043 | .180 | .501 | |
| 421 | .426 | .047 | .244 | .631 | 250 | 503 | .449 | .054 | .268 | .666 | 250 | 553 | .349 | .041 | .145 | .495 | |
| 422 | .390 | .039 | .225 | .557 | 250 | 504 | .468 | .061 | .254 | .723 | 250 | 554 | .346 | .044 | .104 | .522 | |
| 423 | .385 | .038 | .257 | .555 | 250 | 505 | .460 | .059 | .244 | .709 | 250 | 555 | .408 | .034 | .276 | .562 | |
| 424 | .386 | .037 | .271 | .545 | 250 | 506 | .455 | .060 | .179 | .782 | 250 | 556 | .444 | .032 | .339 | .585 | |

APPENDIX A -- PRESSURE DATA:

CONFIGURATION A; OLYMPIA AND YORK OFFICE TOWER, DALLAS

| WD | TAP | CPMEAN | CPRMS | CPMAX | CPMIN | WD | TAP | CPMEAN | CPRMS | CPMAX | CPMIN | WD | TAP | CPMEAN | CPRMS | CPMAX | CPMIN |
|------|-----|--------|-------|-------|--------|-----|-----|--------|-------|-------|--------|-----|-----|--------|-------|-------|--------|
| 2500 | 557 | .437 | .027 | .348 | -.541 | 250 | 704 | -.412 | .048 | -.255 | -.598 | 250 | 924 | -.040 | .091 | .374 | -.236 |
| 2500 | 558 | -.436 | .036 | -.335 | -.560 | 250 | 705 | -.419 | .059 | -.237 | -.624 | 250 | 925 | -.123 | .101 | .439 | -.371 |
| 2500 | 559 | -.415 | .025 | -.336 | -.529 | 250 | 706 | -.412 | .065 | -.230 | -.635 | 260 | 101 | -.434 | .049 | -.235 | -.613 |
| 2500 | 560 | -.415 | .028 | -.321 | -.541 | 250 | 707 | -.393 | .039 | -.229 | -.617 | 260 | 102 | -.420 | .055 | -.212 | -.633 |
| 2500 | 561 | -.411 | .029 | -.325 | -.525 | 250 | 708 | -.483 | .048 | -.281 | -.654 | 260 | 103 | -.423 | .065 | -.197 | -.809 |
| 2500 | 562 | -.398 | .033 | -.266 | -.534 | 250 | 709 | -.461 | .061 | -.263 | -.779 | 260 | 104 | -.539 | .135 | -.096 | -1.087 |
| 2500 | 563 | -.379 | .031 | -.281 | -.506 | 250 | 710 | -.441 | .048 | -.281 | -.638 | 260 | 105 | -.241 | .140 | .322 | -.673 |
| 2500 | 564 | -.379 | .072 | -.635 | -.661 | 250 | 711 | -.431 | .037 | -.276 | -.650 | 260 | 106 | -.023 | .141 | .457 | -.425 |
| 2500 | 565 | -.347 | .071 | -.014 | -.569 | 250 | 712 | -.449 | .045 | -.243 | -.808 | 260 | 107 | -.154 | .146 | .671 | -.320 |
| 2500 | 566 | -.338 | .064 | -.078 | -.532 | 250 | 713 | -.462 | .045 | -.263 | -.839 | 260 | 108 | -.418 | .041 | -.286 | -.563 |
| 2500 | 567 | -.400 | .044 | -.246 | -.587 | 250 | 714 | -.448 | .044 | -.183 | -.822 | 260 | 109 | -.425 | .036 | -.286 | -.535 |
| 2500 | 568 | -.422 | .037 | -.265 | -.590 | 250 | 715 | -.434 | .033 | -.313 | -.569 | 260 | 110 | -.414 | .070 | -.186 | -.792 |
| 2500 | 569 | -.428 | .035 | -.295 | -.569 | 250 | 716 | -.449 | .037 | -.331 | -.642 | 260 | 111 | -.735 | .198 | -.010 | -1.406 |
| 2500 | 570 | -.419 | .038 | -.292 | -.629 | 250 | 717 | -.449 | .036 | -.330 | -.583 | 260 | 112 | -.093 | .190 | .685 | -.390 |
| 2500 | 571 | -.421 | .032 | -.311 | -.597 | 250 | 718 | -.471 | .050 | -.311 | -.729 | 260 | 113 | -.329 | .171 | .862 | -.140 |
| 2500 | 572 | -.441 | .046 | -.321 | -.628 | 250 | 719 | -.559 | .064 | -.353 | -.854 | 260 | 114 | -.422 | .158 | .982 | -.013 |
| 2500 | 573 | -.446 | .046 | -.327 | -.772 | 250 | 720 | -.434 | .052 | -.194 | -.673 | 260 | 115 | -.428 | .038 | -.292 | -.624 |
| 2500 | 574 | -.418 | .046 | -.259 | -.636 | 250 | 721 | -.393 | .095 | -.016 | -.634 | 260 | 116 | -.415 | .045 | -.215 | -.658 |
| 2500 | 575 | -.406 | .038 | -.281 | -.548 | 250 | 801 | -.471 | .043 | -.297 | -.642 | 260 | 117 | -.420 | .061 | -.170 | -.647 |
| 2500 | 576 | -.487 | .037 | -.182 | -.734 | 250 | 802 | -.641 | .067 | -.396 | -.903 | 260 | 118 | -.685 | .239 | .087 | -1.382 |
| 2500 | 577 | -.494 | .058 | -.191 | -.756 | 250 | 803 | -.435 | .042 | -.285 | -.583 | 260 | 119 | -.192 | .214 | .737 | -.650 |
| 2500 | 578 | -.467 | .057 | -.176 | -.810 | 250 | 804 | -.453 | .038 | -.285 | -.569 | 260 | 120 | -.324 | .184 | .829 | -.706 |
| 2500 | 579 | -.451 | .047 | -.216 | -.780 | 250 | 805 | -.471 | .053 | -.228 | -.712 | 260 | 121 | -.405 | .154 | .848 | -.121 |
| 2500 | 580 | -.436 | .041 | -.267 | -.600 | 250 | 806 | -.471 | .041 | -.300 | -.643 | 260 | 122 | -.421 | .039 | -.275 | -.562 |
| 2500 | 581 | -.438 | .043 | -.214 | -.599 | 250 | 807 | -.460 | .039 | -.318 | -.613 | 260 | 123 | -.427 | .046 | -.214 | -.579 |
| 2500 | 582 | -.418 | .041 | -.238 | -.558 | 250 | 808 | -.426 | .053 | -.254 | -.653 | 260 | 124 | -.413 | .068 | -.125 | -.636 |
| 2500 | 583 | -.414 | .042 | -.218 | -.573 | 250 | 809 | -.409 | .065 | -.202 | -.627 | 260 | 125 | -.691 | .203 | -.004 | -1.350 |
| 2500 | 584 | -.468 | .052 | -.277 | -.649 | 250 | 810 | -.375 | .110 | -.106 | -.652 | 260 | 126 | -.150 | .196 | .327 | -.711 |
| 2500 | 585 | -.513 | .058 | -.319 | -.926 | 250 | 901 | -.500 | .074 | -.286 | -.938 | 260 | 127 | -.261 | .176 | .832 | -.282 |
| 2500 | 586 | -.493 | .065 | -.328 | -.886 | 250 | 902 | -.483 | .067 | -.247 | -.803 | 260 | 128 | -.367 | .154 | .857 | -.060 |
| 2500 | 587 | -.472 | .059 | -.267 | -.822 | 250 | 903 | -.515 | .093 | -.208 | -1.010 | 260 | 129 | -.431 | .034 | -.294 | -.544 |
| 2500 | 588 | -.518 | .052 | -.357 | -.713 | 250 | 904 | -.503 | .103 | -.128 | -1.057 | 260 | 130 | -.422 | .037 | -.229 | -.550 |
| 2500 | 589 | -.505 | .056 | -.342 | -.761 | 250 | 905 | -.503 | .091 | -.221 | -1.125 | 260 | 131 | -.443 | .059 | -.112 | -.754 |
| 2500 | 590 | -.536 | .081 | -.355 | -1.309 | 250 | 907 | -.495 | .092 | -.231 | -1.040 | 260 | 132 | -.868 | .191 | .028 | -1.291 |
| 2500 | 591 | -.489 | .077 | -.264 | -1.235 | 250 | 908 | -.475 | .064 | -.296 | -.780 | 260 | 133 | -.261 | .163 | .400 | -.868 |
| 2500 | 592 | -.473 | .065 | -.304 | -.792 | 250 | 909 | -.455 | .057 | -.279 | -.667 | 260 | 134 | -.140 | .164 | .710 | -.360 |
| 2500 | 593 | -.473 | .045 | -.319 | -.697 | 250 | 910 | -.462 | .058 | -.278 | -.678 | 260 | 135 | -.241 | .144 | .739 | -.301 |
| 2500 | 594 | -.464 | .039 | -.288 | -.712 | 250 | 911 | -.468 | .067 | -.259 | -.843 | 260 | 136 | -.413 | .040 | -.264 | -.590 |
| 2500 | 595 | -.441 | .039 | -.297 | -.594 | 250 | 912 | -.522 | .105 | -.205 | -1.174 | 260 | 137 | -.432 | .037 | -.274 | -.583 |
| 2500 | 596 | -.441 | .039 | -.220 | -.620 | 250 | 913 | -.502 | .100 | -.103 | -1.055 | 260 | 138 | -.426 | .056 | -.197 | -.723 |
| 2500 | 597 | -.464 | .033 | -.222 | -.713 | 250 | 914 | -.076 | .098 | -.281 | -.435 | 260 | 139 | -.653 | .152 | -.157 | -1.226 |
| 2500 | 598 | -.516 | .089 | -.269 | -1.087 | 250 | 915 | -.391 | .088 | -.107 | -.581 | 260 | 140 | -.343 | .122 | .267 | -.731 |
| 2500 | 599 | -.414 | .058 | -.216 | -.677 | 250 | 916 | -.419 | .049 | -.177 | -.581 | 260 | 141 | -.027 | .105 | .371 | -.345 |
| 2500 | 600 | -.322 | .066 | -.329 | -.806 | 250 | 917 | -.094 | .089 | -.368 | -.390 | 260 | 142 | -.126 | .113 | .625 | -.270 |
| 2500 | 601 | -.327 | .065 | -.378 | -.787 | 250 | 918 | -.097 | .128 | -.585 | -.314 | 260 | 143 | -.486 | .049 | -.157 | -.659 |
| 2500 | 602 | -.525 | .061 | -.385 | -.777 | 250 | 919 | -.148 | .108 | -.645 | -.131 | 260 | 144 | -.447 | .045 | -.223 | -.585 |
| 2500 | 603 | -.493 | .051 | -.340 | -.680 | 250 | 920 | -.193 | .128 | -.742 | -.108 | 260 | 145 | -.355 | .065 | -.050 | -.547 |
| 2500 | 701 | -.466 | .054 | -.297 | -.677 | 250 | 921 | -.209 | .135 | -.747 | -.084 | 260 | 146 | -.395 | .138 | -.189 | -.941 |
| 2500 | 702 | -.392 | .053 | -.126 | -.584 | 250 | 922 | -.155 | .127 | -.661 | -.131 | 260 | 147 | -.232 | .169 | .589 | -.720 |
| 2500 | 703 | -.384 | .061 | -.048 | -.576 | 250 | 923 | -.159 | .114 | -.617 | -.080 | 260 | 148 | -.069 | .128 | .615 | -.337 |

APPENDIX A -- PRESSURE DATA:

CONFIGURATION A: OLYMPIA AND YORK OFFICE TOWER, DALLAS

| WD | TAP | CPREAN | CPRMS | CPMAX | CPMIN | WD | TAP | CPREAN | CPRMS | CPMAX | CPMIN | WD | TAP | CPREAN | CPRMS | CPMAX | CPMIN |
|-----|-----|--------|-------|-------|--------|-----|-----|--------|-------|-------|-------|-----|-----|--------|-------|-------|--------|
| 260 | 149 | .142 | .118 | .612 | -.228 | 260 | 232 | .097 | .090 | .446 | -.107 | 260 | 282 | -.423 | .050 | -.240 | -.640 |
| 260 | 150 | .327 | .059 | -.363 | -.818 | 260 | 233 | .037 | .093 | .576 | -.182 | 260 | 283 | -.477 | .047 | -.304 | -.649 |
| 260 | 151 | .533 | .667 | -.353 | -.849 | 260 | 234 | .180 | .063 | .114 | -.347 | 260 | 284 | -.111 | .063 | -.086 | -.444 |
| 260 | 152 | .315 | .095 | -.283 | -1.040 | 260 | 235 | .260 | .030 | -.001 | -.421 | 260 | 285 | -.044 | .056 | .142 | -.387 |
| 260 | 153 | .426 | .074 | -.266 | -.897 | 260 | 236 | .136 | .162 | .589 | -.403 | 260 | 286 | -.070 | .061 | .122 | -.371 |
| 260 | 154 | .344 | .123 | .004 | -.942 | 260 | 237 | .334 | .163 | .801 | -.215 | 260 | 287 | -.123 | .104 | .190 | -.546 |
| 260 | 155 | .425 | .186 | .071 | -.764 | 260 | 238 | .363 | .148 | .794 | -.093 | 260 | 288 | -.160 | .077 | .102 | -.500 |
| 260 | 156 | .127 | .085 | .130 | -.517 | 260 | 239 | .307 | .128 | .673 | -.207 | 260 | 289 | -.147 | .074 | .102 | -.548 |
| 260 | 157 | .424 | .031 | -.295 | -.732 | 260 | 240 | .262 | .101 | .733 | -.010 | 260 | 290 | -.333 | .062 | -.106 | -.706 |
| 260 | 158 | .430 | .036 | -.338 | -.584 | 260 | 241 | .202 | .101 | .719 | -.045 | 260 | 291 | -.432 | .063 | -.229 | -.701 |
| 260 | 159 | .423 | .033 | -.328 | -.569 | 260 | 242 | .143 | .093 | .616 | -.075 | 260 | 292 | -.385 | .076 | -.229 | -1.017 |
| 260 | 160 | .192 | .060 | -.000 | -.446 | 260 | 243 | .098 | .089 | .536 | -.152 | 260 | 293 | -.097 | .042 | .052 | -.233 |
| 260 | 161 | .127 | .031 | -.064 | -.294 | 260 | 244 | .160 | .081 | .428 | -.093 | 260 | 294 | -.028 | .032 | .052 | -.141 |
| 260 | 162 | .442 | .035 | -.318 | -.605 | 260 | 245 | .036 | .084 | .428 | -.191 | 260 | 295 | -.080 | .035 | .059 | -.194 |
| 260 | 163 | .383 | .035 | -.259 | -.549 | 260 | 246 | .129 | .062 | .119 | -.307 | 260 | 296 | -.038 | .033 | .029 | -.133 |
| 260 | 164 | .340 | .042 | -.195 | -.508 | 260 | 247 | .248 | .053 | -.022 | -.484 | 260 | 297 | -.057 | .029 | .068 | -.153 |
| 260 | 165 | .319 | .039 | -.165 | -.489 | 260 | 248 | .013 | .161 | .547 | -.529 | 260 | 298 | -.263 | .043 | .080 | -.423 |
| 260 | 166 | .215 | .064 | -.065 | -.439 | 260 | 249 | .199 | .162 | .796 | -.334 | 260 | 299 | -.401 | .048 | -.185 | -.591 |
| 260 | 167 | .137 | .074 | -.128 | -.411 | 260 | 250 | .233 | .144 | .737 | -.383 | 260 | 300 | -.490 | .071 | -.030 | -.736 |
| 260 | 201 | .156 | .137 | .577 | -.284 | 260 | 251 | .230 | .125 | .656 | -.130 | 260 | 301 | -.018 | .040 | .146 | -.140 |
| 260 | 202 | .126 | .135 | .648 | -.263 | 260 | 252 | .211 | .095 | .589 | -.051 | 260 | 302 | -.023 | .035 | .120 | -.143 |
| 260 | 203 | .113 | .130 | .602 | -.312 | 260 | 253 | .156 | .091 | .586 | -.084 | 260 | 303 | -.008 | .037 | .169 | -.111 |
| 260 | 204 | .055 | .121 | .475 | -.361 | 260 | 254 | .103 | .083 | .504 | -.119 | 260 | 304 | -.086 | .027 | .026 | -.174 |
| 260 | 205 | .019 | .095 | .320 | -.380 | 260 | 255 | .065 | .076 | .406 | -.135 | 260 | 305 | -.100 | .035 | .030 | -.219 |
| 260 | 206 | .077 | .094 | .306 | -.428 | 260 | 256 | .076 | .070 | .432 | -.095 | 260 | 306 | -.010 | .035 | .148 | -.087 |
| 260 | 207 | .130 | .086 | .237 | -.444 | 260 | 257 | .007 | .073 | .514 | -.172 | 260 | 307 | -.009 | .046 | .191 | -.119 |
| 260 | 208 | .213 | .074 | -.062 | -.508 | 260 | 258 | .180 | .056 | .114 | -.342 | 260 | 308 | -.203 | .038 | -.083 | -.318 |
| 260 | 209 | .242 | .063 | -.025 | -.602 | 260 | 259 | .271 | .053 | -.023 | -.462 | 260 | 309 | -.382 | .049 | -.207 | -.542 |
| 260 | 210 | .075 | .056 | .191 | -.351 | 260 | 260 | .112 | .140 | .409 | -.543 | 260 | 401 | -.454 | .062 | -.255 | -.820 |
| 260 | 211 | .140 | .076 | .104 | -.391 | 260 | 261 | .082 | .133 | .657 | -.308 | 260 | 402 | -.469 | .065 | -.258 | -.833 |
| 260 | 212 | .214 | .177 | .781 | -.419 | 260 | 262 | .135 | .117 | .622 | -.228 | 260 | 403 | -.472 | .060 | -.286 | -.777 |
| 260 | 213 | .382 | .158 | .859 | -.196 | 260 | 263 | .158 | .105 | .586 | -.241 | 260 | 404 | -.484 | .069 | -.277 | -.859 |
| 260 | 214 | .400 | .160 | .901 | -.060 | 260 | 264 | .144 | .081 | .421 | -.105 | 260 | 405 | -.468 | .062 | -.227 | -.691 |
| 260 | 215 | .295 | .148 | .774 | -.251 | 260 | 265 | .105 | .074 | .399 | -.091 | 260 | 406 | -.455 | .066 | -.243 | -.753 |
| 260 | 216 | .220 | .129 | .634 | -.109 | 260 | 266 | .080 | .073 | .468 | -.099 | 260 | 407 | -.457 | .064 | -.225 | -.855 |
| 260 | 217 | .187 | .110 | .626 | -.119 | 260 | 267 | .041 | .058 | .321 | -.115 | 260 | 408 | -.501 | .079 | -.233 | -.806 |
| 260 | 218 | .101 | .109 | .519 | -.172 | 260 | 268 | .046 | .062 | .353 | -.126 | 260 | 409 | -.389 | .107 | -.048 | -.754 |
| 260 | 219 | .092 | .080 | .232 | -.333 | 260 | 269 | -.045 | .054 | .195 | -.197 | 260 | 410 | -.458 | .061 | -.250 | -.694 |
| 260 | 220 | .200 | .073 | .072 | -.486 | 260 | 270 | -.233 | .043 | -.010 | -.346 | 260 | 411 | -.474 | .062 | -.224 | -.785 |
| 260 | 221 | .125 | .071 | .138 | -.336 | 260 | 271 | -.326 | .035 | -.190 | -.469 | 260 | 412 | -.463 | .061 | -.243 | -.725 |
| 260 | 222 | .251 | .062 | .048 | -.463 | 260 | 272 | -.028 | .167 | .714 | -.553 | 260 | 413 | -.480 | .062 | -.218 | -.772 |
| 260 | 223 | .307 | .052 | .065 | -.495 | 260 | 273 | .038 | .121 | .544 | -.344 | 260 | 414 | -.454 | .052 | -.260 | -.706 |
| 260 | 224 | .183 | .164 | .701 | -.385 | 260 | 274 | .153 | .108 | .642 | -.212 | 260 | 415 | -.415 | .045 | -.257 | -.631 |
| 260 | 225 | .394 | .164 | .938 | -.160 | 260 | 275 | .168 | .097 | .719 | -.143 | 260 | 416 | -.406 | .045 | -.247 | -.586 |
| 260 | 226 | .428 | .148 | .990 | -.024 | 260 | 276 | .185 | .096 | .670 | -.079 | 260 | 417 | -.419 | .043 | -.269 | -.577 |
| 260 | 227 | .365 | .138 | .820 | -.188 | 260 | 277 | .151 | .087 | .533 | -.049 | 260 | 418 | -.425 | .047 | -.232 | -.661 |
| 260 | 228 | .281 | .122 | .712 | -.616 | 260 | 278 | .126 | .081 | .440 | -.062 | 260 | 419 | -.439 | .047 | -.270 | -.620 |
| 260 | 229 | .225 | .120 | .638 | -.055 | 260 | 279 | .084 | .067 | .325 | -.103 | 260 | 420 | -.424 | .046 | -.278 | -.638 |
| 260 | 230 | .161 | .112 | .492 | -.098 | 260 | 280 | .072 | .066 | .329 | -.112 | 260 | 421 | -.427 | .045 | -.295 | -.628 |
| 260 | 231 | .099 | .102 | .442 | -.145 | 260 | 281 | .008 | .066 | .309 | -.179 | 260 | 422 | -.387 | .039 | -.232 | -.532 |

APPENDIX A -- PRESSURE DATA:

CONFIGURATION A; OLYMPIA AND YORK OFFICE TOWER, DALLAS

| WD | TAP | CPMEAN | CPRMS | CPMAX | CPMIN | WD | TAP | CPMEAN | CPRMS | CPMAX | CPMIN | WD | TAP | CPMEAN | CPRMS | CPMAX | CPMIN |
|-----|-----|--------|-------|-------|-------|-----|-----|--------|-------|-------|-------|-----|-----|--------|-------|-------|-------|
| 260 | 423 | 397 | 039 | 238 | 540 | 260 | 503 | 469 | 063 | 212 | 833 | 260 | 535 | 427 | 030 | 330 | 338 |
| 260 | 424 | 391 | 038 | 250 | 539 | 260 | 506 | 462 | 063 | 225 | 824 | 260 | 536 | 452 | 028 | 334 | 362 |
| 260 | 425 | 413 | 035 | 285 | 597 | 260 | 507 | 461 | 051 | 248 | 934 | 260 | 537 | 447 | 028 | 359 | 338 |
| 260 | 426 | 404 | 034 | 288 | 516 | 260 | 508 | 466 | 061 | 225 | 861 | 260 | 538 | 436 | 029 | 314 | 392 |
| 260 | 427 | 400 | 032 | 298 | 524 | 260 | 509 | 431 | 059 | 249 | 690 | 260 | 539 | 433 | 030 | 339 | 336 |
| 260 | 428 | 398 | 037 | 262 | 608 | 260 | 510 | 441 | 058 | 237 | 677 | 260 | 560 | 438 | 033 | 349 | 374 |
| 260 | 429 | 389 | 036 | 257 | 581 | 260 | 511 | 434 | 056 | 211 | 694 | 260 | 561 | 444 | 034 | 352 | 393 |
| 260 | 430 | 388 | 040 | 241 | 612 | 260 | 512 | 466 | 063 | 189 | 773 | 260 | 562 | 425 | 038 | 288 | 371 |
| 260 | 431 | 404 | 040 | 264 | 638 | 260 | 513 | 455 | 054 | 236 | 638 | 260 | 563 | 413 | 033 | 293 | 343 |
| 260 | 432 | 407 | 041 | 271 | 728 | 260 | 514 | 448 | 050 | 273 | 632 | 260 | 564 | 443 | 053 | 193 | 632 |
| 260 | 433 | 398 | 036 | 290 | 511 | 260 | 515 | 437 | 042 | 274 | 590 | 260 | 565 | 437 | 053 | 154 | 660 |
| 260 | 434 | 391 | 032 | 281 | 499 | 260 | 516 | 419 | 049 | 241 | 634 | 260 | 566 | 416 | 056 | 142 | 641 |
| 260 | 435 | 413 | 035 | 261 | 542 | 260 | 517 | 426 | 048 | 281 | 602 | 260 | 567 | 425 | 038 | 279 | 640 |
| 260 | 436 | 394 | 044 | 217 | 598 | 260 | 518 | 421 | 049 | 273 | 658 | 260 | 568 | 429 | 038 | 249 | 584 |
| 260 | 437 | 462 | 038 | 253 | 572 | 260 | 519 | 446 | 049 | 290 | 727 | 260 | 569 | 442 | 037 | 296 | 618 |
| 260 | 438 | 411 | 042 | 269 | 626 | 260 | 520 | 466 | 054 | 286 | 750 | 260 | 570 | 433 | 038 | 283 | 604 |
| 260 | 439 | 443 | 047 | 277 | 670 | 260 | 521 | 478 | 049 | 294 | 632 | 260 | 571 | 448 | 036 | 291 | 589 |
| 260 | 440 | 401 | 037 | 285 | 594 | 260 | 522 | 438 | 050 | 273 | 691 | 260 | 572 | 473 | 042 | 347 | 719 |
| 260 | 441 | 402 | 036 | 241 | 536 | 260 | 523 | 441 | 037 | 323 | 362 | 260 | 573 | 488 | 046 | 368 | 802 |
| 260 | 442 | 421 | 035 | 254 | 557 | 260 | 524 | 450 | 041 | 310 | 584 | 260 | 574 | 454 | 047 | 285 | 766 |
| 260 | 443 | 448 | 042 | 289 | 627 | 260 | 525 | 443 | 040 | 302 | 578 | 260 | 575 | 449 | 049 | 279 | 642 |
| 260 | 444 | 447 | 037 | 325 | 645 | 260 | 526 | 430 | 042 | 280 | 566 | 260 | 576 | 480 | 044 | 319 | 675 |
| 260 | 445 | 472 | 043 | 338 | 716 | 260 | 527 | 442 | 041 | 301 | 614 | 260 | 577 | 491 | 043 | 310 | 713 |
| 260 | 446 | 501 | 053 | 352 | 770 | 260 | 528 | 400 | 038 | 260 | 558 | 260 | 578 | 476 | 045 | 342 | 703 |
| 260 | 447 | 466 | 056 | 261 | 812 | 260 | 529 | 393 | 038 | 210 | 543 | 260 | 579 | 454 | 038 | 339 | 623 |
| 260 | 448 | 436 | 052 | 197 | 671 | 260 | 530 | 392 | 041 | 218 | 519 | 260 | 580 | 437 | 047 | 162 | 659 |
| 260 | 449 | 443 | 050 | 123 | 688 | 260 | 531 | 423 | 050 | 267 | 541 | 260 | 581 | 452 | 046 | 234 | 612 |
| 260 | 450 | 493 | 052 | 348 | 701 | 260 | 532 | 448 | 029 | 337 | 539 | 260 | 582 | 421 | 055 | 179 | 682 |
| 260 | 451 | 480 | 051 | 339 | 696 | 260 | 533 | 430 | 031 | 325 | 568 | 260 | 583 | 443 | 051 | 293 | 658 |
| 260 | 452 | 481 | 047 | 355 | 730 | 260 | 534 | 463 | 033 | 362 | 597 | 260 | 584 | 438 | 053 | 288 | 762 |
| 260 | 453 | 518 | 067 | 329 | 1007 | 260 | 535 | 430 | 028 | 332 | 525 | 260 | 585 | 534 | 056 | 361 | 863 |
| 260 | 454 | 514 | 056 | 329 | 798 | 260 | 536 | 438 | 031 | 326 | 567 | 260 | 586 | 513 | 060 | 321 | 842 |
| 260 | 455 | 501 | 052 | 348 | 781 | 260 | 537 | 434 | 032 | 336 | 586 | 260 | 587 | 512 | 052 | 353 | 709 |
| 260 | 456 | 484 | 042 | 313 | 682 | 260 | 538 | 426 | 034 | 320 | 590 | 260 | 588 | 528 | 052 | 373 | 762 |
| 260 | 457 | 466 | 050 | 293 | 688 | 260 | 539 | 413 | 031 | 299 | 529 | 260 | 589 | 533 | 057 | 368 | 817 |
| 260 | 458 | 528 | 082 | 251 | 823 | 260 | 540 | 402 | 037 | 288 | 551 | 260 | 590 | 548 | 074 | 368 | 949 |
| 260 | 459 | 474 | 053 | 301 | 739 | 260 | 541 | 401 | 035 | 249 | 515 | 260 | 591 | 491 | 064 | 325 | 809 |
| 260 | 460 | 413 | 117 | 015 | 734 | 260 | 542 | 403 | 037 | 244 | 516 | 260 | 592 | 476 | 056 | 316 | 822 |
| 260 | 461 | 382 | 058 | 018 | 599 | 260 | 543 | 439 | 033 | 332 | 564 | 260 | 593 | 467 | 042 | 326 | 656 |
| 260 | 462 | 438 | 073 | 209 | 720 | 260 | 544 | 451 | 032 | 362 | 572 | 260 | 594 | 476 | 038 | 308 | 607 |
| 260 | 463 | 430 | 063 | 237 | 662 | 260 | 545 | 452 | 030 | 361 | 566 | 260 | 595 | 443 | 048 | 123 | 394 |
| 260 | 464 | 475 | 066 | 270 | 834 | 260 | 546 | 444 | 032 | 351 | 571 | 260 | 596 | 445 | 053 | 189 | 630 |
| 260 | 465 | 515 | 094 | 358 | 1039 | 260 | 547 | 431 | 028 | 343 | 527 | 260 | 597 | 480 | 059 | 202 | 738 |
| 260 | 466 | 505 | 073 | 268 | 826 | 260 | 548 | 439 | 032 | 345 | 551 | 260 | 598 | 549 | 090 | 270 | 1031 |
| 260 | 467 | 467 | 048 | 113 | 652 | 260 | 549 | 434 | 033 | 334 | 534 | 260 | 599 | 447 | 070 | 179 | 719 |
| 260 | 468 | 484 | 098 | 043 | 894 | 260 | 550 | 430 | 037 | 308 | 580 | 260 | 600 | 546 | 066 | 316 | 905 |
| 260 | 501 | 452 | 062 | 249 | 869 | 260 | 551 | 406 | 033 | 288 | 543 | 260 | 601 | 557 | 066 | 392 | 883 |
| 260 | 502 | 437 | 063 | 236 | 819 | 260 | 552 | 400 | 043 | 228 | 630 | 260 | 602 | 541 | 061 | 375 | 816 |
| 260 | 503 | 442 | 057 | 251 | 771 | 260 | 553 | 409 | 039 | 253 | 552 | 260 | 603 | 514 | 049 | 376 | 741 |
| 260 | 504 | 471 | 068 | 229 | 873 | 260 | 554 | 404 | 037 | 266 | 512 | 260 | 701 | 503 | 060 | 329 | 710 |

APPENDIX A -- PRESSURE DATA:

CONFIGURATION A: OLYMPIA AND YORK OFFICE TOWER, DALLAS

| WD | TAP | CPMEAN | CPRMS | CPMAX | CPMIN | WD | TAP | CPMEAN | CPRMS | CPMAX | CPMIN | WD | TAP | CPMEAN | CPRMS | CPMAX | CPMIN |
|------|-----|--------|-------|-------|--------|-----|-----|--------|-------|-------|-------|----|-----|--------|-------|-------|-------|
| 2600 | 922 | .116 | .091 | .559 | -.164 | 270 | 147 | -.050 | .242 | .776 | -.621 | | | | | | |
| 2600 | 923 | .109 | .073 | .405 | -.082 | 270 | 148 | .133 | .133 | .752 | -.279 | | | | | | |
| 2600 | 924 | .109 | .065 | .259 | -.241 | 270 | 149 | .143 | .102 | .672 | -.120 | | | | | | |
| 2600 | 925 | .159 | .078 | .217 | -.357 | 270 | 150 | -.439 | .048 | -.317 | -.671 | | | | | | |
| 2700 | 101 | -.449 | .058 | -.204 | -.730 | 270 | 151 | -.487 | .071 | -.288 | -.807 | | | | | | |
| 2700 | 102 | -.418 | .063 | -.075 | -.663 | 270 | 152 | -.470 | .095 | -.232 | -.970 | | | | | | |
| 2700 | 103 | -.400 | .068 | -.108 | -.697 | 270 | 153 | -.407 | .070 | -.226 | -.737 | | | | | | |
| 2700 | 104 | -.435 | .158 | .004 | -.993 | 270 | 154 | -.260 | .108 | -.049 | -.921 | | | | | | |
| 2700 | 105 | -.137 | .161 | .386 | -.532 | 270 | 155 | -.174 | .092 | .149 | -.668 | | | | | | |
| 2700 | 106 | .021 | .137 | .481 | -.389 | 270 | 156 | -.119 | .077 | .151 | -.474 | | | | | | |
| 2700 | 107 | .115 | .129 | .584 | -.255 | 270 | 157 | -.435 | .045 | -.280 | -.623 | | | | | | |
| 2700 | 108 | -.430 | .051 | -.218 | -.631 | 270 | 158 | -.379 | .039 | -.229 | -.509 | | | | | | |
| 2700 | 109 | -.428 | .049 | -.219 | -.631 | 270 | 159 | -.360 | .038 | -.216 | -.488 | | | | | | |
| 2700 | 110 | -.358 | .065 | .032 | -.610 | 270 | 160 | -.172 | .053 | .106 | -.381 | | | | | | |
| 2700 | 111 | .545 | .222 | .187 | -1.240 | 270 | 161 | -.087 | .050 | .067 | -.261 | | | | | | |
| 2700 | 112 | .071 | .222 | .811 | -.515 | 270 | 162 | -.371 | .039 | -.220 | -.537 | | | | | | |
| 2700 | 113 | .332 | .174 | .818 | -.145 | 270 | 163 | -.315 | .046 | -.149 | -.468 | | | | | | |
| 2700 | 114 | .365 | .153 | .815 | -.204 | 270 | 164 | -.275 | .048 | -.106 | -.468 | | | | | | |
| 2700 | 115 | -.420 | .053 | -.238 | -.610 | 270 | 165 | -.249 | .045 | -.072 | -.409 | | | | | | |
| 2700 | 116 | -.399 | .057 | -.171 | -.609 | 270 | 166 | -.130 | .067 | .107 | -.405 | | | | | | |
| 2700 | 117 | -.383 | .062 | -.056 | -.643 | 270 | 167 | -.104 | .073 | .117 | -.352 | | | | | | |
| 2700 | 118 | -.485 | .223 | .201 | -1.257 | 270 | 201 | .150 | .139 | .678 | -.387 | | | | | | |
| 2700 | 119 | .042 | .221 | .778 | -.555 | 270 | 202 | .083 | .137 | .639 | -.362 | | | | | | |
| 2700 | 120 | .356 | .169 | .894 | -.154 | 270 | 203 | .068 | .139 | .529 | -.356 | | | | | | |
| 2700 | 121 | .365 | .132 | 1.010 | -.039 | 270 | 204 | -.049 | .125 | .376 | -.656 | | | | | | |
| 2700 | 122 | -.387 | .046 | -.170 | -.568 | 270 | 205 | -.136 | .087 | .170 | -.415 | | | | | | |
| 2700 | 123 | -.397 | .050 | -.197 | -.630 | 270 | 206 | -.184 | .087 | .101 | -.441 | | | | | | |
| 2700 | 124 | -.362 | .066 | -.004 | -.683 | 270 | 207 | -.223 | .082 | .086 | -.497 | | | | | | |
| 2700 | 125 | -.489 | .194 | .213 | -1.109 | 270 | 208 | -.294 | .071 | .004 | -.527 | | | | | | |
| 2700 | 126 | .036 | .232 | .928 | -.661 | 270 | 209 | -.303 | .056 | -.075 | -.500 | | | | | | |
| 2700 | 127 | .327 | .177 | .894 | -.151 | 270 | 210 | -.138 | .071 | .169 | -.345 | | | | | | |
| 2700 | 128 | .361 | .136 | .862 | -.028 | 270 | 211 | -.195 | .064 | .065 | -.391 | | | | | | |
| 2700 | 129 | -.393 | .038 | -.234 | -.522 | 270 | 212 | -.230 | .176 | .834 | -.394 | | | | | | |
| 2700 | 130 | -.378 | .044 | -.162 | -.545 | 270 | 213 | .381 | .156 | .907 | -.137 | | | | | | |
| 2700 | 131 | -.386 | .064 | -.065 | -.656 | 270 | 214 | .370 | .161 | .962 | -.051 | | | | | | |
| 2700 | 132 | -.463 | .203 | .085 | -1.244 | 270 | 215 | .194 | .156 | .667 | -.653 | | | | | | |
| 2700 | 133 | .102 | .219 | .586 | -.616 | 270 | 216 | .138 | .113 | .500 | -.153 | | | | | | |
| 2700 | 134 | .203 | .153 | .724 | -.224 | 270 | 217 | -.078 | .089 | .371 | -.167 | | | | | | |
| 2700 | 135 | .253 | .120 | .728 | -.149 | 270 | 218 | -.000 | .086 | .297 | -.241 | | | | | | |
| 2700 | 136 | -.390 | .041 | -.247 | -.547 | 270 | 219 | -.170 | .065 | .105 | -.370 | | | | | | |
| 2700 | 137 | -.400 | .044 | -.169 | -.581 | 270 | 220 | -.276 | .063 | .014 | -.493 | | | | | | |
| 2700 | 138 | -.357 | .072 | -.079 | -.649 | 270 | 221 | -.191 | .061 | .142 | -.382 | | | | | | |
| 2700 | 139 | -.450 | .188 | .029 | -1.225 | 270 | 222 | -.307 | .056 | .058 | -.504 | | | | | | |
| 2700 | 140 | -.151 | .217 | .643 | -.724 | 270 | 223 | -.355 | .048 | -.064 | -.525 | | | | | | |
| 2700 | 141 | .054 | .126 | .526 | -.322 | 270 | 224 | .239 | .155 | .758 | -.278 | | | | | | |
| 2700 | 142 | -.143 | .098 | .616 | -.155 | 270 | 225 | .405 | .157 | .912 | -.075 | | | | | | |
| 2700 | 143 | -.441 | .044 | -.224 | -.608 | 270 | 226 | .400 | .142 | .835 | -.031 | | | | | | |
| 2700 | 144 | -.397 | .043 | -.188 | -.538 | 270 | 227 | .254 | .138 | .682 | -.360 | | | | | | |
| 2700 | 145 | -.289 | .067 | .080 | -.485 | 270 | 228 | .210 | .100 | .582 | -.054 | | | | | | |
| 2700 | 146 | -.248 | .143 | .262 | -.818 | 270 | 229 | .148 | .096 | .485 | -.104 | | | | | | |

APPENDIX A -- PRESSURE DATA:

CONFIGURATION A: OLYMPIA AND YORK OFFICE TOWER, DALLAS

| WD | TAP | CPNEAN | CPRMS | CPMAX | CPMIN | WD | TAP | CPMEAN | CPRMS | CPMAX | CPMIN | WD | TAP | CPNEAN | CPRMS | CPMAX | CPMIN |
|-----|-----|--------|-------|-------|-------|-----|-----|--------|-------|-------|-------|-----|-----|--------|-------|-------|-------|
| 270 | 230 | .092 | .089 | .444 | .141 | 270 | 280 | .045 | .066 | .313 | .126 | 270 | 421 | .486 | .051 | .324 | .724 |
| 270 | 231 | .033 | .081 | .371 | .185 | 270 | 281 | .009 | .063 | .268 | .191 | 270 | 422 | .433 | .039 | .306 | .615 |
| 270 | 232 | .041 | .077 | .326 | .146 | 270 | 282 | .432 | .042 | .304 | .657 | 270 | 423 | .432 | .038 | .309 | .611 |
| 270 | 233 | .014 | .079 | .306 | .241 | 270 | 283 | .484 | .049 | .362 | .622 | 270 | 424 | .434 | .038 | .319 | .631 |
| 270 | 234 | .224 | .057 | .667 | .433 | 270 | 284 | .113 | .058 | .089 | .342 | 270 | 425 | .451 | .034 | .345 | .580 |
| 270 | 235 | .307 | .048 | .132 | .488 | 270 | 285 | .039 | .059 | .169 | .291 | 270 | 426 | .457 | .035 | .334 | .608 |
| 270 | 236 | .165 | .158 | .754 | .311 | 270 | 286 | .023 | .059 | .131 | .265 | 270 | 427 | .436 | .035 | .333 | .616 |
| 270 | 237 | .347 | .162 | .926 | .135 | 270 | 287 | .062 | .091 | .214 | .585 | 270 | 428 | .456 | .036 | .338 | .705 |
| 270 | 238 | .347 | .144 | .887 | .129 | 270 | 288 | .116 | .064 | .117 | .435 | 270 | 429 | .413 | .039 | .286 | .587 |
| 270 | 239 | .231 | .136 | .745 | .408 | 270 | 289 | .118 | .060 | .126 | .437 | 270 | 430 | .421 | .042 | .284 | .617 |
| 270 | 240 | .206 | .094 | .581 | .616 | 270 | 290 | .316 | .053 | .140 | .664 | 270 | 431 | .429 | .041 | .300 | .622 |
| 270 | 241 | .159 | .090 | .494 | .070 | 270 | 291 | .427 | .053 | .231 | .737 | 270 | 432 | .441 | .041 | .304 | .626 |
| 270 | 242 | .161 | .081 | .438 | .103 | 270 | 292 | .586 | .069 | .386 | .878 | 270 | 433 | .440 | .033 | .319 | .618 |
| 270 | 243 | .056 | .074 | .381 | .163 | 270 | 293 | .933 | .039 | .069 | .259 | 270 | 434 | .443 | .033 | .337 | .591 |
| 270 | 244 | .055 | .067 | .428 | .111 | 270 | 294 | .008 | .031 | .098 | .111 | 270 | 435 | .443 | .033 | .340 | .583 |
| 270 | 245 | .005 | .068 | .374 | .174 | 270 | 295 | .069 | .031 | .059 | .171 | 270 | 436 | .420 | .049 | .223 | .588 |
| 270 | 246 | .169 | .055 | .081 | .335 | 270 | 296 | .072 | .028 | .025 | .166 | 270 | 437 | .422 | .042 | .265 | .577 |
| 270 | 247 | .276 | .046 | .076 | .437 | 270 | 297 | .037 | .028 | .077 | .117 | 270 | 438 | .440 | .046 | .279 | .641 |
| 270 | 248 | .166 | .165 | .791 | .399 | 270 | 298 | .284 | .037 | .165 | .426 | 270 | 439 | .461 | .051 | .314 | .741 |
| 270 | 249 | .262 | .156 | 1.018 | .157 | 270 | 299 | .430 | .044 | .236 | .606 | 270 | 440 | .440 | .043 | .260 | .618 |
| 270 | 250 | .246 | .122 | .762 | .129 | 270 | 300 | .509 | .060 | .176 | .729 | 270 | 441 | .446 | .045 | .220 | .627 |
| 270 | 251 | .219 | .132 | .750 | .503 | 270 | 301 | .009 | .039 | .166 | .116 | 270 | 442 | .454 | .045 | .282 | .738 |
| 270 | 252 | .185 | .103 | .636 | .108 | 270 | 302 | .066 | .035 | .152 | .103 | 270 | 443 | .466 | .040 | .320 | .695 |
| 270 | 253 | .134 | .096 | .485 | .094 | 270 | 303 | .003 | .039 | .181 | .090 | 270 | 444 | .462 | .035 | .349 | .602 |
| 270 | 254 | .087 | .085 | .377 | .122 | 270 | 304 | .071 | .027 | .039 | .166 | 270 | 445 | .491 | .040 | .350 | .653 |
| 270 | 255 | .048 | .075 | .332 | .144 | 270 | 305 | .085 | .035 | .041 | .201 | 270 | 446 | .513 | .046 | .374 | .738 |
| 270 | 256 | .055 | .066 | .324 | .146 | 270 | 306 | .021 | .034 | .171 | .080 | 270 | 447 | .495 | .048 | .233 | .707 |
| 270 | 257 | .012 | .063 | .268 | .205 | 270 | 307 | .003 | .046 | .234 | .109 | 270 | 448 | .483 | .043 | .279 | .665 |
| 270 | 258 | .206 | .047 | .010 | .380 | 270 | 308 | .223 | .038 | .066 | .330 | 270 | 449 | .498 | .053 | .241 | .741 |
| 270 | 259 | .296 | .050 | .095 | .588 | 270 | 309 | .418 | .046 | .223 | .612 | 270 | 450 | .511 | .047 | .365 | .701 |
| 270 | 260 | .051 | .154 | .551 | .602 | 270 | 401 | .477 | .061 | .285 | .814 | 270 | 451 | .493 | .047 | .344 | .676 |
| 270 | 261 | .105 | .124 | .661 | .304 | 270 | 402 | .487 | .063 | .287 | .817 | 270 | 452 | .500 | .046 | .384 | .879 |
| 270 | 262 | .124 | .092 | .487 | .195 | 270 | 403 | .503 | .061 | .289 | .779 | 270 | 453 | .538 | .069 | .386 | 1.289 |
| 270 | 263 | .107 | .108 | .572 | .360 | 270 | 404 | .508 | .072 | .271 | .874 | 270 | 454 | .541 | .060 | .381 | 1.040 |
| 270 | 264 | .075 | .075 | .408 | .080 | 270 | 405 | .514 | .068 | .317 | .880 | 270 | 455 | .509 | .050 | .361 | .775 |
| 270 | 265 | .068 | .075 | .371 | .152 | 270 | 406 | .526 | .076 | .234 | .855 | 270 | 456 | .508 | .048 | .363 | .725 |
| 270 | 266 | .047 | .069 | .327 | .183 | 270 | 407 | .505 | .074 | .274 | .762 | 270 | 457 | .500 | .046 | .344 | .696 |
| 270 | 267 | .024 | .058 | .225 | .139 | 270 | 408 | .526 | .077 | .292 | .801 | 270 | 458 | .571 | .084 | .289 | .899 |
| 270 | 268 | .024 | .061 | .265 | .140 | 270 | 409 | .466 | .096 | .111 | .691 | 270 | 459 | .482 | .044 | .323 | .692 |
| 270 | 269 | .054 | .051 | .145 | .207 | 270 | 410 | .492 | .062 | .301 | .742 | 270 | 460 | .459 | .134 | .059 | .835 |
| 270 | 270 | .245 | .038 | .695 | .381 | 270 | 411 | .489 | .060 | .243 | .725 | 270 | 461 | .411 | .055 | .193 | .606 |
| 270 | 271 | .335 | .034 | .191 | .451 | 270 | 412 | .495 | .068 | .264 | .761 | 270 | 462 | .465 | .071 | .259 | .787 |
| 270 | 272 | .088 | .188 | .892 | .471 | 270 | 413 | .569 | .063 | .284 | .774 | 270 | 463 | .441 | .057 | .277 | .705 |
| 270 | 273 | .117 | .113 | .713 | .188 | 270 | 414 | .504 | .059 | .298 | .778 | 270 | 464 | .486 | .063 | .312 | .769 |
| 270 | 274 | .169 | .098 | .653 | .698 | 270 | 415 | .445 | .044 | .278 | .646 | 270 | 465 | .607 | .096 | .319 | 1.113 |
| 270 | 275 | .139 | .115 | .642 | .350 | 270 | 416 | .443 | .044 | .280 | .682 | 270 | 466 | .491 | .067 | .273 | .775 |
| 270 | 276 | .167 | .117 | .737 | .112 | 270 | 417 | .453 | .042 | .277 | .618 | 270 | 467 | .453 | .049 | .316 | .746 |
| 270 | 277 | .149 | .109 | .660 | .131 | 270 | 418 | .467 | .047 | .279 | .648 | 270 | 468 | .548 | .078 | .222 | .852 |
| 270 | 278 | .122 | .097 | .519 | .136 | 270 | 419 | .479 | .052 | .265 | .660 | 270 | 501 | .495 | .068 | .257 | .844 |
| 270 | 279 | .091 | .067 | .363 | .113 | 270 | 420 | .483 | .055 | .244 | .717 | 270 | 502 | .481 | .070 | .245 | .771 |

APPENDIX A -- PRESSURE DATA:

CONFIGURATION A: OLYMPIA AND YORK OFFICE TOWER, DALLAS

| WD | TAP | CPMEAN | CPRMS | CPMAX | CPMIN | WD | TAP | CPMEAN | CPRMS | CPMAX | CPMIN | WD | TAP | CPMEAN | CPRMS | CPMAX | CPMIN |
|-----|-----|--------|-------|-------|--------|-----|-----|--------|-------|-------|--------|-----|-----|--------|-------|-------|--------|
| 270 | 503 | -.490 | .064 | -.279 | -.760 | 270 | 553 | -.440 | .047 | -.209 | -.596 | 270 | 603 | -.418 | .047 | -.272 | -.607 |
| 270 | 504 | -.502 | .075 | -.244 | -.847 | 270 | 554 | -.426 | .042 | -.228 | -.590 | 270 | 701 | -.498 | .050 | -.319 | -.700 |
| 270 | 505 | -.507 | .075 | -.211 | -.819 | 270 | 555 | -.425 | .031 | -.301 | -.550 | 270 | 702 | -.414 | .048 | -.238 | -.611 |
| 270 | 506 | -.509 | .081 | -.197 | -.901 | 270 | 556 | -.432 | .032 | -.283 | -.572 | 270 | 703 | -.425 | .048 | -.106 | -.599 |
| 270 | 507 | -.509 | .067 | -.249 | -.781 | 270 | 557 | -.433 | .033 | -.330 | -.568 | 270 | 704 | -.393 | .040 | -.229 | -.570 |
| 270 | 508 | -.511 | .077 | -.201 | -1.076 | 270 | 558 | -.410 | .036 | -.242 | -.540 | 270 | 705 | -.432 | .044 | -.254 | -.612 |
| 270 | 509 | -.496 | .067 | -.247 | -.823 | 270 | 559 | -.392 | .044 | -.212 | -.534 | 270 | 706 | -.412 | .049 | -.226 | -.636 |
| 270 | 510 | -.469 | .066 | -.233 | -.801 | 270 | 560 | -.391 | .044 | -.186 | -.552 | 270 | 707 | -.404 | .044 | -.243 | -.602 |
| 270 | 511 | -.482 | .052 | -.265 | -.665 | 270 | 561 | -.416 | .040 | -.249 | -.605 | 270 | 708 | -.416 | .046 | -.267 | -.646 |
| 270 | 512 | -.507 | .068 | -.258 | -.741 | 270 | 562 | -.395 | .042 | -.226 | -.553 | 270 | 709 | -.391 | .075 | -.373 | -.833 |
| 270 | 513 | -.494 | .060 | -.273 | -.692 | 270 | 563 | -.377 | .039 | -.238 | -.553 | 270 | 710 | -.438 | .039 | -.297 | -.586 |
| 270 | 514 | -.479 | .060 | -.260 | -.768 | 270 | 564 | -.471 | .048 | -.219 | -.660 | 270 | 711 | -.411 | .041 | -.240 | -.583 |
| 270 | 515 | -.477 | .032 | -.191 | -.733 | 270 | 565 | -.485 | .052 | -.216 | -.672 | 270 | 712 | -.410 | .049 | -.208 | -.622 |
| 270 | 516 | -.473 | .032 | -.310 | -.677 | 270 | 566 | -.467 | .034 | -.257 | -.694 | 270 | 713 | -.440 | .049 | -.242 | -.647 |
| 270 | 517 | -.485 | .034 | -.319 | -.701 | 270 | 567 | -.437 | .038 | -.263 | -.665 | 270 | 714 | -.416 | .048 | -.195 | -.630 |
| 270 | 518 | -.476 | .036 | -.306 | -.673 | 270 | 568 | -.422 | .038 | -.250 | -.659 | 270 | 715 | -.414 | .050 | -.177 | -.569 |
| 270 | 519 | -.477 | .031 | -.267 | -.670 | 270 | 569 | -.443 | .035 | -.302 | -.670 | 270 | 716 | -.433 | .045 | -.248 | -.639 |
| 270 | 520 | -.489 | .039 | -.232 | -.722 | 270 | 570 | -.429 | .038 | -.261 | -.697 | 270 | 717 | -.466 | .045 | -.309 | -.658 |
| 270 | 521 | -.485 | .054 | -.256 | -.718 | 270 | 571 | -.427 | .036 | -.280 | -.674 | 270 | 718 | -.442 | .048 | -.278 | -.670 |
| 270 | 522 | -.484 | .059 | -.235 | -.768 | 270 | 572 | -.428 | .038 | -.210 | -.585 | 270 | 719 | -.464 | .057 | -.298 | -.763 |
| 270 | 523 | -.471 | .052 | -.079 | -.716 | 270 | 573 | -.448 | .038 | -.314 | -.589 | 270 | 720 | -.425 | .050 | -.250 | -.631 |
| 270 | 524 | -.482 | .061 | -.213 | -.733 | 270 | 574 | -.416 | .042 | -.252 | -.601 | 270 | 721 | -.484 | .072 | -.140 | -.733 |
| 270 | 525 | -.486 | .060 | -.295 | -.623 | 270 | 575 | -.419 | .040 | -.196 | -.646 | 270 | 801 | -.398 | .042 | -.273 | -.560 |
| 270 | 526 | -.458 | .034 | -.263 | -.702 | 270 | 576 | -.516 | .052 | -.333 | -.804 | 270 | 802 | -.606 | .063 | -.406 | -.918 |
| 270 | 527 | -.462 | .055 | -.289 | -.711 | 270 | 577 | -.520 | .043 | -.351 | -.684 | 270 | 803 | -.394 | .037 | -.279 | -.555 |
| 270 | 528 | -.444 | .035 | -.331 | -.606 | 270 | 578 | -.501 | .049 | -.335 | -.737 | 270 | 804 | -.434 | .037 | -.290 | -.574 |
| 270 | 529 | -.452 | .034 | -.291 | -.634 | 270 | 579 | -.459 | .046 | -.270 | -.639 | 270 | 805 | -.426 | .043 | -.192 | -.634 |
| 270 | 530 | -.442 | .035 | -.237 | -.638 | 270 | 580 | -.424 | .049 | -.234 | -.596 | 270 | 806 | -.437 | .045 | -.226 | -.646 |
| 270 | 531 | -.444 | .036 | -.335 | -.646 | 270 | 581 | -.420 | .047 | -.174 | -.569 | 270 | 807 | -.425 | .040 | -.296 | -.584 |
| 270 | 532 | -.461 | .031 | -.320 | -.629 | 270 | 582 | -.421 | .048 | -.226 | -.677 | 270 | 808 | -.439 | .045 | -.292 | -.618 |
| 270 | 533 | -.460 | .038 | -.287 | -.614 | 270 | 583 | -.434 | .036 | -.259 | -.667 | 270 | 809 | -.439 | .063 | -.228 | -.670 |
| 270 | 534 | -.463 | .040 | -.201 | -.629 | 270 | 584 | -.445 | .041 | -.274 | -.655 | 270 | 810 | -.464 | .084 | -.113 | -.667 |
| 270 | 535 | -.434 | .047 | -.072 | -.374 | 270 | 585 | -.471 | .043 | -.358 | -.710 | 270 | 901 | -.590 | .079 | -.323 | -.979 |
| 270 | 536 | -.434 | .031 | -.213 | -.634 | 270 | 586 | -.449 | .040 | -.292 | -.644 | 270 | 903 | -.589 | .089 | -.342 | -1.093 |
| 270 | 537 | -.446 | .035 | -.205 | -.708 | 270 | 587 | -.444 | .039 | -.319 | -.625 | 270 | 904 | -.594 | .109 | -.268 | -1.108 |
| 270 | 538 | -.427 | .050 | -.240 | -.662 | 270 | 588 | -.464 | .048 | -.316 | -.688 | 270 | 905 | -.541 | .109 | -.046 | -1.093 |
| 270 | 539 | -.424 | .044 | -.236 | -.691 | 270 | 589 | -.465 | .048 | -.304 | -.699 | 270 | 906 | -.565 | .111 | -.270 | -1.427 |
| 270 | 540 | -.440 | .041 | -.310 | -.584 | 270 | 590 | -.624 | .128 | -.398 | -1.412 | 270 | 907 | -.558 | .106 | -.166 | -1.214 |
| 270 | 541 | -.447 | .037 | -.277 | -.595 | 270 | 591 | -.523 | .074 | -.321 | -.875 | 270 | 908 | -.511 | .069 | -.287 | -.802 |
| 270 | 542 | -.438 | .035 | -.285 | -.560 | 270 | 592 | -.458 | .053 | -.273 | -.719 | 270 | 909 | -.487 | .055 | -.299 | -.711 |
| 270 | 543 | -.435 | .029 | -.314 | -.546 | 270 | 593 | -.450 | .045 | -.302 | -.599 | 270 | 910 | -.493 | .062 | -.222 | -.742 |
| 270 | 544 | -.442 | .033 | -.308 | -.589 | 270 | 594 | -.453 | .057 | -.191 | -.668 | 270 | 911 | -.520 | .073 | -.294 | -.896 |
| 270 | 545 | -.445 | .034 | -.319 | -.574 | 270 | 595 | -.417 | .055 | -.169 | -.599 | 270 | 912 | -.544 | .097 | -.121 | -1.276 |
| 270 | 546 | -.431 | .035 | -.301 | -.564 | 270 | 596 | -.424 | .056 | -.186 | -.613 | 270 | 913 | -.537 | .093 | -.253 | -1.014 |
| 270 | 547 | -.415 | .046 | -.212 | -.556 | 270 | 597 | -.447 | .049 | -.274 | -.726 | 270 | 914 | -.051 | .119 | -.436 | -.477 |
| 270 | 548 | -.414 | .045 | -.208 | -.549 | 270 | 598 | -.417 | .083 | -.321 | -.937 | 270 | 915 | -.175 | .119 | -.288 | -.511 |
| 270 | 549 | -.423 | .046 | -.287 | -.561 | 270 | 599 | -.417 | .041 | -.247 | -.670 | 270 | 916 | -.375 | .053 | -.059 | -.603 |
| 270 | 550 | -.413 | .043 | -.275 | -.553 | 270 | 600 | -.431 | .050 | -.282 | -.620 | 270 | 917 | -.050 | .087 | -.433 | -.278 |
| 270 | 551 | -.466 | .046 | -.268 | -.553 | 270 | 601 | -.443 | .055 | -.299 | -.706 | 270 | 918 | -.133 | .133 | -.764 | -.258 |
| 270 | 552 | -.422 | .050 | -.168 | -.608 | 270 | 602 | -.430 | .052 | -.276 | -.634 | 270 | 919 | -.114 | .103 | -.650 | -.220 |

APPENDIX A -- PRESSURE DATA:

CONFIGURATION A: OLYMPIA AND YORK OFFICE TOWER, DALLAS

| WD | TAP | CPHEAN | CPRMS | CPMAX | CPMIN | WD | TAP | CPHEAN | CPRMS | CPMAX | CPMIN | WD | TAP | CPHEAN | CPRMS | CPMAX | CPMIN |
|-----|-----|--------|-------|-------|--------|-----|-----|--------|-------|-------|--------|-----|-----|--------|-------|-------|-------|
| 280 | 920 | .114 | .117 | .694 | -.210 | 280 | 145 | -.241 | .062 | .023 | -.435 | 280 | 229 | .136 | .086 | .411 | -.076 |
| 280 | 921 | .129 | .116 | .666 | -.134 | 280 | 146 | -.167 | .123 | .360 | -.644 | 280 | 229 | .082 | .083 | .382 | -.114 |
| 280 | 922 | .082 | .098 | .492 | -.133 | 280 | 147 | -.123 | .196 | .731 | -.500 | 280 | 230 | .034 | .076 | .343 | -.137 |
| 280 | 923 | .076 | .079 | .367 | -.133 | 280 | 148 | -.212 | .152 | .745 | -.196 | 280 | 231 | -.022 | .071 | .281 | -.196 |
| 280 | 924 | -.097 | .064 | .177 | -.287 | 280 | 149 | -.158 | .102 | .639 | -.089 | 280 | 232 | -.011 | .070 | .269 | -.204 |
| 280 | 925 | .171 | .072 | .131 | -.404 | 280 | 150 | -.420 | .052 | -.235 | -.654 | 280 | 233 | -.056 | .072 | .231 | -.260 |
| 280 | 101 | -.453 | .090 | .056 | -.809 | 280 | 151 | -.437 | .067 | -.230 | -.806 | 280 | 234 | -.260 | .055 | -.007 | -.434 |
| 280 | 102 | -.416 | .108 | .083 | -.899 | 280 | 152 | -.411 | .078 | -.196 | -.903 | 280 | 235 | -.347 | .049 | -.123 | -.517 |
| 280 | 103 | -.391 | .095 | .077 | -.774 | 280 | 153 | -.343 | .060 | -.184 | -.709 | 280 | 236 | .215 | .154 | .879 | -.295 |
| 280 | 104 | -.327 | .157 | .164 | -.940 | 280 | 154 | -.174 | .075 | .049 | -.728 | 280 | 237 | .374 | .164 | .915 | -.109 |
| 280 | 105 | -.057 | .174 | .516 | -.607 | 280 | 155 | -.111 | .058 | .101 | -.426 | 280 | 238 | .339 | .135 | .784 | -.087 |
| 280 | 106 | -.010 | .128 | .440 | -.397 | 280 | 156 | -.073 | .050 | .120 | -.421 | 280 | 239 | .138 | .144 | .573 | -.600 |
| 280 | 107 | .067 | .150 | .588 | -.363 | 280 | 157 | -.382 | .052 | -.223 | -.597 | 280 | 240 | -.135 | .082 | .497 | -.086 |
| 280 | 108 | -.443 | .073 | -.021 | -.765 | 280 | 158 | -.317 | .044 | -.161 | -.493 | 280 | 241 | .090 | .081 | .453 | -.109 |
| 280 | 109 | -.418 | .073 | -.101 | -.687 | 280 | 159 | -.297 | .042 | -.150 | -.455 | 280 | 242 | .052 | .075 | .360 | -.139 |
| 280 | 110 | -.312 | .083 | .121 | -.594 | 280 | 160 | -.131 | .049 | .022 | -.379 | 280 | 243 | .012 | .070 | .310 | -.167 |
| 280 | 111 | -.341 | .188 | .227 | -1.050 | 280 | 161 | -.075 | .048 | .078 | -.221 | 280 | 244 | .027 | .065 | .272 | -.134 |
| 280 | 112 | -.241 | .210 | .876 | -.369 | 280 | 162 | -.312 | .048 | -.155 | -.479 | 280 | 245 | -.022 | .066 | .243 | -.197 |
| 280 | 113 | -.408 | .161 | .905 | -.101 | 280 | 163 | -.257 | .047 | .062 | -.424 | 280 | 246 | -.207 | .048 | .025 | -.359 |
| 280 | 114 | -.354 | .143 | .899 | -.069 | 280 | 164 | -.223 | .053 | .037 | -.402 | 280 | 247 | -.303 | .048 | -.081 | -.478 |
| 280 | 115 | -.427 | .071 | .109 | -.719 | 280 | 165 | -.294 | .048 | .029 | -.378 | 280 | 248 | .118 | .170 | .716 | -.494 |
| 280 | 116 | -.394 | .069 | .090 | -.649 | 280 | 166 | -.092 | .064 | .132 | -.300 | 280 | 249 | .262 | .171 | .869 | -.175 |
| 280 | 117 | -.362 | .067 | -.071 | -.617 | 280 | 167 | -.072 | .073 | .223 | -.383 | 280 | 250 | .233 | .138 | .743 | -.140 |
| 280 | 118 | -.338 | .175 | .226 | -1.038 | 280 | 201 | -.102 | .143 | .733 | -.326 | 280 | 251 | -.082 | .130 | .516 | -.576 |
| 280 | 119 | -.223 | .214 | 1.062 | -.390 | 280 | 202 | -.008 | .131 | .499 | -.335 | 280 | 252 | .120 | .077 | .459 | -.976 |
| 280 | 120 | -.428 | .163 | .903 | -.046 | 280 | 203 | -.037 | .136 | .468 | -.568 | 280 | 253 | .080 | .076 | .460 | -.095 |
| 280 | 121 | -.319 | .126 | .708 | -.074 | 280 | 204 | -.199 | .133 | .195 | -1.034 | 280 | 254 | .046 | .070 | .380 | -.125 |
| 280 | 122 | -.354 | .065 | .094 | -.562 | 280 | 205 | -.228 | .080 | .024 | -.508 | 280 | 255 | .012 | .064 | .310 | -.145 |
| 280 | 123 | -.365 | .066 | .138 | -.393 | 280 | 206 | -.310 | .080 | -.061 | -.547 | 280 | 256 | .013 | .056 | .320 | -.122 |
| 280 | 124 | -.322 | .068 | .083 | -.372 | 280 | 207 | -.329 | .072 | .069 | -.570 | 280 | 257 | -.039 | .057 | .280 | -.192 |
| 280 | 125 | -.353 | .155 | .170 | -.916 | 280 | 208 | -.393 | .063 | .182 | -.637 | 280 | 258 | -.208 | .047 | .021 | -.376 |
| 280 | 126 | -.462 | .202 | 1.018 | -.533 | 280 | 209 | -.414 | .058 | .228 | -.722 | 280 | 259 | -.303 | .045 | .115 | -.502 |
| 280 | 127 | -.362 | .160 | .868 | -.143 | 280 | 210 | -.234 | .067 | .075 | -.431 | 280 | 260 | .040 | .175 | .543 | -.532 |
| 280 | 128 | -.344 | .138 | .753 | -.016 | 280 | 211 | -.290 | .062 | .017 | -.488 | 280 | 261 | .171 | .158 | .723 | -.302 |
| 280 | 129 | -.349 | .055 | .124 | -.540 | 280 | 212 | -.291 | .167 | .849 | -.277 | 280 | 262 | .151 | .114 | .614 | -.184 |
| 280 | 130 | -.322 | .059 | .114 | -.548 | 280 | 213 | -.401 | .161 | .898 | -.074 | 280 | 263 | .038 | .100 | .457 | -.520 |
| 280 | 131 | -.338 | .068 | .051 | -.595 | 280 | 214 | -.332 | .156 | .805 | -.221 | 280 | 264 | .061 | .058 | .358 | -.088 |
| 280 | 132 | -.352 | .214 | 1.094 | -.550 | 280 | 215 | -.047 | .177 | .485 | -.796 | 280 | 265 | .030 | .059 | .309 | -.124 |
| 280 | 133 | -.070 | .220 | .683 | -.550 | 280 | 216 | -.094 | .094 | .403 | -.206 | 280 | 266 | .007 | .058 | .323 | -.165 |
| 280 | 134 | -.262 | .177 | .803 | -.266 | 280 | 217 | -.066 | .082 | .286 | -.237 | 280 | 267 | -.008 | .052 | .219 | -.146 |
| 280 | 135 | -.231 | .127 | .585 | -.174 | 280 | 218 | -.071 | .080 | .204 | -.280 | 280 | 268 | -.009 | .055 | .232 | -.149 |
| 280 | 136 | -.031 | .061 | .646 | -.288 | 280 | 219 | -.238 | .062 | .004 | -.412 | 280 | 269 | -.076 | .050 | .157 | -.215 |
| 280 | 137 | -.349 | .050 | .101 | -.545 | 280 | 220 | -.355 | .065 | .120 | -.559 | 280 | 270 | .240 | .042 | .963 | -.403 |
| 280 | 138 | -.285 | .066 | .013 | -.555 | 280 | 221 | -.285 | .056 | .064 | -.465 | 280 | 271 | -.319 | .034 | .194 | -.457 |
| 280 | 139 | -.295 | .132 | .191 | -.844 | 280 | 222 | -.380 | .054 | .122 | -.598 | 280 | 272 | .131 | .167 | .780 | -.290 |
| 280 | 140 | -.212 | .211 | .763 | -.545 | 280 | 223 | -.419 | .046 | .179 | -.594 | 280 | 273 | .209 | .145 | .712 | -.184 |
| 280 | 141 | -.152 | .155 | .661 | -.288 | 280 | 224 | -.258 | .153 | .807 | -.218 | 280 | 274 | .193 | .115 | .672 | -.111 |
| 280 | 142 | -.116 | .116 | .549 | -.146 | 280 | 225 | -.416 | .165 | .912 | -.085 | 280 | 275 | .047 | .095 | .370 | -.354 |
| 280 | 143 | -.401 | .047 | -.182 | -.588 | 280 | 226 | -.363 | .144 | .882 | -.137 | 280 | 276 | .076 | .076 | .342 | -.084 |
| 280 | 144 | -.257 | .044 | -.145 | -.550 | 280 | 227 | -.130 | .164 | .565 | -.674 | 280 | 277 | .053 | .078 | .362 | -.109 |

APPENDIX A -- PRESSURE DATA:

CONFIGURATION A) OLYMPIA AND YORK OFFICE TOWER, DALLAS

| WD | TAP | CPMEAN | CPRMS | CPMAX | CPMIN | WD | TAP | CPMEAN | CPRMS | CPMAX | CPMIN | WD | TAP | CPMEAN | CPRMS | CPMAX | CPMIN |
|------|-----|--------|-------|-------|--------|------|-----|--------|-------|-------|--------|------|-----|--------|-------|-------|--------|
| 2800 | 276 | .038 | .073 | .482 | -.119 | 2800 | 419 | -.592 | .072 | -.373 | -1.082 | 2800 | 501 | -.661 | .085 | -.347 | -1.007 |
| 2800 | 279 | .002 | .037 | .252 | -.110 | 2800 | 420 | -.607 | .076 | -.364 | -1.084 | 2800 | 502 | -.610 | .092 | -.280 | -1.076 |
| 2800 | 280 | .009 | .055 | .251 | -.120 | 2800 | 421 | -.643 | .083 | -.361 | -1.018 | 2800 | 503 | -.399 | .089 | -.312 | -1.148 |
| 2800 | 281 | .039 | .037 | .185 | -.174 | 2800 | 422 | -.474 | .044 | -.319 | -.695 | 2800 | 504 | -.585 | .096 | -.169 | -1.085 |
| 2800 | 282 | .437 | .042 | -.306 | -.615 | 2800 | 423 | -.477 | .043 | -.333 | -.698 | 2800 | 505 | -.393 | .099 | -.119 | -1.135 |
| 2800 | 283 | .467 | .035 | -.330 | -.601 | 2800 | 424 | -.483 | .042 | -.350 | -.668 | 2800 | 506 | -.370 | .108 | -.224 | -1.022 |
| 2800 | 284 | .057 | .044 | -.073 | -.306 | 2800 | 425 | -.505 | .042 | -.388 | -.771 | 2800 | 507 | -.596 | .104 | -.194 | -1.170 |
| 2800 | 285 | .031 | .050 | .166 | -.217 | 2800 | 426 | -.531 | .057 | -.372 | -.889 | 2800 | 508 | -.610 | .129 | -.220 | -1.211 |
| 2800 | 286 | .014 | .041 | .126 | -.234 | 2800 | 427 | -.567 | .074 | -.373 | -.990 | 2800 | 509 | -.380 | .103 | -.247 | -.972 |
| 2800 | 287 | .014 | .053 | .137 | -.316 | 2800 | 428 | -.609 | .089 | -.316 | -1.150 | 2800 | 510 | -.352 | .102 | -.209 | -.957 |
| 2800 | 288 | .076 | .045 | .089 | -.337 | 2800 | 429 | -.441 | .041 | -.304 | -.625 | 2800 | 511 | -.642 | .072 | -.412 | -.942 |
| 2800 | 289 | .095 | .047 | .069 | -.348 | 2800 | 430 | -.451 | .045 | -.309 | -.651 | 2800 | 512 | -.655 | .091 | -.358 | -1.031 |
| 2800 | 290 | .314 | .047 | -.166 | -.722 | 2800 | 431 | -.470 | .045 | -.305 | -.667 | 2800 | 513 | -.616 | .087 | -.273 | -.977 |
| 2800 | 291 | .408 | .052 | -.262 | -.622 | 2800 | 432 | -.477 | .045 | -.325 | -.668 | 2800 | 514 | -.564 | .101 | -.913 | -.981 |
| 2800 | 292 | .568 | .058 | -.403 | -.810 | 2800 | 433 | -.480 | .040 | -.361 | -.666 | 2800 | 515 | -.374 | .091 | -.194 | -.957 |
| 2800 | 293 | .058 | .033 | .036 | -.177 | 2800 | 434 | -.503 | .051 | -.363 | -.797 | 2800 | 516 | -.581 | .075 | -.339 | -.976 |
| 2800 | 294 | .002 | .032 | .147 | -.093 | 2800 | 435 | -.537 | .065 | -.331 | -.894 | 2800 | 517 | -.616 | .079 | -.269 | -.958 |
| 2800 | 295 | .058 | .030 | .079 | -.154 | 2800 | 436 | -.423 | .043 | -.289 | -.603 | 2800 | 518 | -.634 | .090 | -.326 | -1.046 |
| 2800 | 296 | .055 | .029 | .077 | -.149 | 2800 | 437 | -.427 | .040 | -.273 | -.582 | 2800 | 519 | -.581 | .072 | -.295 | -.868 |
| 2800 | 297 | .028 | .032 | .108 | -.138 | 2800 | 438 | -.450 | .044 | -.288 | -.647 | 2800 | 520 | -.563 | .095 | -.126 | -.918 |
| 2800 | 298 | .296 | .034 | -.134 | -.407 | 2800 | 439 | -.469 | .045 | -.324 | -.722 | 2800 | 521 | -.539 | .091 | -.150 | -.809 |
| 2800 | 299 | .428 | .042 | -.300 | -.578 | 2800 | 440 | -.471 | .038 | -.326 | -.645 | 2800 | 522 | -.549 | .098 | -.059 | -.954 |
| 2800 | 300 | .483 | .054 | -.192 | -.728 | 2800 | 441 | -.486 | .045 | -.303 | -.763 | 2800 | 523 | -.552 | .093 | -.232 | -.940 |
| 2800 | 301 | .004 | .033 | .130 | -.108 | 2800 | 442 | -.521 | .056 | -.316 | -.744 | 2800 | 524 | -.379 | .089 | -.228 | -.939 |
| 2800 | 302 | .002 | .031 | .112 | -.109 | 2800 | 443 | -.445 | .042 | -.272 | -.646 | 2800 | 525 | -.376 | .077 | -.323 | -.920 |
| 2800 | 303 | .015 | .027 | .148 | -.106 | 2800 | 444 | -.452 | .038 | -.309 | -.619 | 2800 | 526 | -.530 | .078 | -.280 | -.903 |
| 2800 | 304 | .076 | .024 | .037 | -.163 | 2800 | 445 | -.479 | .044 | -.332 | -.659 | 2800 | 527 | -.523 | .076 | -.250 | -.859 |
| 2800 | 305 | .091 | .030 | .020 | -.196 | 2800 | 446 | -.507 | .047 | -.344 | -.737 | 2800 | 528 | -.505 | .056 | -.249 | -.831 |
| 2800 | 306 | .014 | .032 | .161 | -.069 | 2800 | 447 | -.488 | .044 | -.335 | -.702 | 2800 | 529 | -.533 | .073 | -.198 | -.965 |
| 2800 | 307 | .023 | .044 | .241 | -.113 | 2800 | 448 | -.487 | .037 | -.369 | -.652 | 2800 | 530 | -.370 | .077 | -.238 | -1.029 |
| 2800 | 308 | .233 | .034 | -.096 | -.347 | 2800 | 449 | -.501 | .051 | -.351 | -.743 | 2800 | 531 | -.501 | .054 | -.199 | -.690 |
| 2800 | 309 | .416 | .043 | -.248 | -.566 | 2800 | 450 | -.507 | .046 | -.363 | -.709 | 2800 | 532 | -.451 | .063 | -.079 | -.706 |
| 2800 | 401 | .566 | .079 | -.354 | -.901 | 2800 | 451 | -.485 | .045 | -.340 | -.692 | 2800 | 533 | -.407 | .085 | -.016 | -.647 |
| 2800 | 402 | .603 | .081 | -.370 | -.947 | 2800 | 452 | -.501 | .048 | -.367 | -.794 | 2800 | 534 | -.398 | .095 | -.036 | -.833 |
| 2800 | 403 | .635 | .081 | -.393 | -.928 | 2800 | 453 | -.528 | .069 | -.344 | -1.077 | 2800 | 535 | -.410 | .102 | -.026 | -.868 |
| 2800 | 404 | .650 | .088 | -.423 | -1.118 | 2800 | 454 | -.539 | .062 | -.342 | -.811 | 2800 | 536 | -.496 | .086 | -.182 | -.857 |
| 2800 | 405 | .652 | .086 | -.402 | -1.071 | 2800 | 455 | -.493 | .056 | -.316 | -.750 | 2800 | 537 | -.533 | .068 | -.209 | -.780 |
| 2800 | 406 | .652 | .098 | -.324 | -1.188 | 2800 | 456 | -.479 | .051 | -.333 | -.714 | 2800 | 538 | -.458 | .075 | -.182 | -.775 |
| 2800 | 407 | .591 | .094 | -.337 | -1.038 | 2800 | 457 | -.489 | .046 | -.351 | -.702 | 2800 | 539 | -.461 | .071 | -.230 | -.755 |
| 2800 | 408 | .631 | .094 | -.362 | -.963 | 2800 | 458 | -.541 | .068 | -.303 | -.828 | 2800 | 540 | -.473 | .047 | -.293 | -.695 |
| 2800 | 409 | .511 | .106 | -.148 | -.831 | 2800 | 459 | -.469 | .047 | -.324 | -.667 | 2800 | 541 | -.492 | .051 | -.306 | -.742 |
| 2800 | 410 | .608 | .076 | -.380 | -.863 | 2800 | 460 | -.437 | .124 | -.016 | -.827 | 2800 | 542 | -.501 | .065 | -.304 | -.830 |
| 2800 | 411 | .611 | .074 | -.376 | -.899 | 2800 | 461 | -.422 | .058 | -.196 | -.648 | 2800 | 543 | -.467 | .042 | -.223 | -.638 |
| 2800 | 412 | .621 | .080 | -.403 | -.973 | 2800 | 462 | -.445 | .063 | -.209 | -.715 | 2800 | 544 | -.455 | .052 | -.230 | -.654 |
| 2800 | 413 | .637 | .091 | -.346 | -1.042 | 2800 | 463 | -.443 | .052 | -.266 | -.645 | 2800 | 545 | -.422 | .061 | -.183 | -.621 |
| 2800 | 414 | .613 | .086 | -.305 | -1.030 | 2800 | 464 | -.473 | .060 | -.262 | -.755 | 2800 | 546 | -.394 | .070 | -.042 | -.597 |
| 2800 | 415 | .562 | .052 | -.307 | -.691 | 2800 | 465 | -.600 | .095 | -.266 | -1.043 | 2800 | 547 | -.358 | .080 | -.031 | -.621 |
| 2800 | 416 | .496 | .051 | -.301 | -.678 | 2800 | 466 | -.467 | .074 | -.219 | -.765 | 2800 | 548 | -.402 | .081 | -.097 | -.642 |
| 2800 | 417 | .525 | .056 | -.323 | -.730 | 2800 | 467 | -.442 | .056 | -.273 | -.678 | 2800 | 549 | -.443 | .071 | -.207 | -.721 |
| 2800 | 418 | .561 | .062 | -.343 | -.935 | 2800 | 468 | -.545 | .072 | -.257 | -.898 | 2800 | 550 | -.400 | .074 | -.066 | -.733 |

APPENDIX A -- PRESSURE DATA:

CONFIGURATION A: OLYMPIA AND YORK OFFICE TOWER, DALLAS

| WD | TAP | CPMEAN | CPRMS | CPMAX | CPMIN | WD | TAP | CPMEAN | CPRMS | CPMAX | CPMIN | WD | TAP | CPMEAN | CPRMS | CPMAX | CPMIN |
|-----|-----|--------|-------|-------|-------|-----|-----|--------|-------|-------|--------|-----|-----|--------|-------|-------|--------|
| 280 | 551 | .370 | .067 | -.016 | -.622 | 280 | 601 | -.382 | .065 | -.138 | -.689 | 280 | 918 | .201 | .144 | .803 | -.169 |
| 280 | 552 | -.434 | .045 | -.270 | -.618 | 280 | 602 | -.369 | .060 | -.195 | -.917 | 280 | 919 | .070 | .070 | .435 | -.219 |
| 280 | 553 | -.473 | .048 | -.268 | -.643 | 280 | 603 | -.371 | .057 | -.211 | -.608 | 280 | 920 | .044 | .066 | .431 | -.196 |
| 280 | 554 | -.476 | .054 | -.278 | -.731 | 280 | 701 | -.468 | .052 | -.301 | -.671 | 280 | 921 | .048 | .075 | .459 | -.101 |
| 280 | 555 | -.429 | .035 | -.284 | -.578 | 280 | 702 | -.384 | .049 | -.213 | -.582 | 280 | 922 | .011 | .073 | .401 | -.137 |
| 280 | 556 | -.420 | .039 | -.273 | -.583 | 280 | 703 | -.401 | .047 | -.224 | -.590 | 280 | 923 | .017 | .067 | .334 | -.122 |
| 280 | 557 | -.412 | .050 | -.179 | -.563 | 280 | 704 | -.351 | .047 | -.192 | -.529 | 280 | 924 | -.129 | .062 | .145 | -.274 |
| 280 | 558 | -.378 | .057 | -.055 | -.341 | 280 | 705 | -.378 | .054 | -.200 | -.577 | 280 | 925 | -.205 | .075 | .190 | -.408 |
| 280 | 559 | -.342 | .066 | -.046 | -.532 | 280 | 706 | -.348 | .054 | -.168 | -.563 | 290 | 101 | -.321 | .175 | .433 | -.790 |
| 280 | 560 | -.351 | .067 | -.041 | -.637 | 280 | 707 | -.352 | .046 | -.211 | -.526 | 290 | 102 | -.279 | .198 | .687 | -.918 |
| 280 | 561 | -.395 | .061 | -.184 | -.706 | 280 | 708 | -.354 | .052 | -.190 | -.616 | 290 | 103 | -.301 | .144 | .567 | -.750 |
| 280 | 562 | -.353 | .062 | -.125 | -.640 | 280 | 709 | -.543 | .083 | -.290 | -.800 | 290 | 104 | -.255 | .138 | .389 | -1.146 |
| 280 | 563 | -.342 | .059 | -.119 | -.537 | 280 | 710 | -.399 | .043 | -.247 | -.618 | 290 | 105 | .036 | .166 | .715 | -.518 |
| 280 | 564 | -.451 | .040 | -.263 | -.697 | 280 | 711 | -.399 | .031 | -.289 | -.512 | 290 | 106 | .021 | .150 | .680 | -.404 |
| 280 | 565 | -.481 | .042 | -.297 | -.643 | 280 | 712 | -.409 | .032 | -.297 | -.531 | 290 | 107 | -.081 | .162 | .762 | -.350 |
| 280 | 566 | -.467 | .049 | -.254 | -.633 | 280 | 713 | -.445 | .033 | -.334 | -.572 | 290 | 108 | -.399 | .100 | .057 | -.750 |
| 280 | 567 | -.426 | .035 | -.256 | -.557 | 280 | 714 | -.414 | .031 | -.307 | -.541 | 290 | 109 | -.343 | .103 | .158 | -.658 |
| 280 | 568 | -.406 | .043 | -.247 | -.619 | 280 | 715 | -.409 | .034 | -.249 | -.543 | 290 | 110 | -.232 | .117 | .328 | -.718 |
| 280 | 569 | -.418 | .047 | -.174 | -.624 | 280 | 716 | -.391 | .040 | -.195 | -.536 | 290 | 111 | -.305 | .190 | .365 | -1.315 |
| 280 | 570 | -.390 | .055 | -.105 | -.601 | 280 | 717 | -.433 | .046 | -.167 | -.652 | 290 | 112 | -.332 | .195 | 1.017 | -.394 |
| 280 | 571 | -.366 | .071 | -.037 | -.613 | 280 | 718 | -.403 | .047 | -.242 | -.580 | 290 | 113 | .414 | .170 | .975 | -.063 |
| 280 | 572 | -.371 | .071 | -.035 | -.612 | 280 | 719 | -.428 | .049 | -.275 | -.655 | 290 | 114 | .325 | .151 | .836 | -.048 |
| 280 | 573 | -.412 | .065 | -.160 | -.639 | 280 | 720 | -.400 | .049 | -.218 | -.607 | 290 | 115 | -.428 | .074 | -.126 | -.711 |
| 280 | 574 | -.360 | .063 | -.081 | -.644 | 280 | 721 | -.495 | .061 | -.238 | -.723 | 290 | 116 | -.377 | .073 | -.072 | -.646 |
| 280 | 575 | -.354 | .066 | -.110 | -.565 | 280 | 801 | -.345 | .053 | -.163 | -.572 | 290 | 117 | -.334 | .070 | -.106 | -.581 |
| 280 | 576 | -.500 | .058 | -.323 | -.879 | 280 | 802 | -.532 | .064 | -.276 | -.767 | 290 | 118 | -.315 | .160 | .150 | -1.281 |
| 280 | 577 | -.506 | .051 | -.316 | -.765 | 280 | 803 | -.347 | .042 | -.192 | -.513 | 290 | 119 | -.262 | .186 | .849 | -.380 |
| 280 | 578 | -.453 | .049 | -.304 | -.675 | 280 | 804 | -.385 | .044 | -.216 | -.530 | 290 | 120 | .409 | .156 | .949 | -.034 |
| 280 | 579 | -.422 | .039 | -.266 | -.566 | 280 | 805 | -.409 | .032 | -.291 | -.533 | 290 | 121 | -.325 | .128 | .766 | -.021 |
| 280 | 580 | -.410 | .039 | -.233 | -.571 | 280 | 806 | -.419 | .034 | -.269 | -.537 | 290 | 122 | -.372 | .070 | -.091 | -.611 |
| 280 | 581 | -.422 | .057 | -.277 | -.646 | 280 | 807 | -.394 | .037 | -.192 | -.582 | 290 | 123 | -.371 | .072 | -.114 | -.622 |
| 280 | 582 | -.422 | .044 | -.278 | -.604 | 280 | 808 | -.414 | .047 | -.285 | -.618 | 290 | 124 | -.310 | .082 | -.009 | -.657 |
| 280 | 583 | -.422 | .052 | -.266 | -.634 | 280 | 809 | -.406 | .056 | -.223 | -.618 | 290 | 125 | -.336 | .146 | .103 | -1.125 |
| 280 | 584 | -.426 | .064 | -.157 | -.180 | 280 | 901 | -.457 | .072 | -.116 | -.735 | 290 | 126 | .282 | .185 | .981 | -.287 |
| 280 | 585 | -.447 | .056 | -.224 | -.835 | 280 | 902 | -.539 | .122 | -.410 | -1.250 | 290 | 127 | .416 | .157 | .989 | -.074 |
| 280 | 586 | -.407 | .053 | -.180 | -.831 | 280 | 903 | -.798 | .129 | -.492 | -1.285 | 290 | 128 | -.349 | .129 | .858 | -.016 |
| 280 | 587 | -.412 | .049 | -.192 | -.625 | 280 | 904 | -.746 | .131 | -.206 | -1.262 | 290 | 129 | -.377 | .082 | -.081 | -.866 |
| 280 | 588 | -.428 | .053 | -.256 | -.650 | 280 | 905 | -.562 | .131 | -.025 | -1.116 | 290 | 130 | -.338 | .089 | .015 | -.804 |
| 280 | 589 | -.438 | .055 | -.277 | -.691 | 280 | 906 | -.698 | .134 | -.367 | -1.988 | 290 | 131 | -.319 | .097 | .106 | -.646 |
| 280 | 590 | -.656 | .142 | -.285 | -.547 | 280 | 907 | -.663 | .112 | -.221 | -1.155 | 290 | 132 | -.286 | .146 | .216 | -1.264 |
| 280 | 591 | -.566 | .089 | -.254 | -.898 | 280 | 908 | -.647 | .099 | -.362 | -1.082 | 290 | 133 | .182 | .176 | .929 | -.462 |
| 280 | 592 | -.425 | .058 | -.277 | -.688 | 280 | 909 | -.596 | .073 | -.384 | -.887 | 290 | 134 | -.332 | .166 | 1.062 | -.166 |
| 280 | 593 | -.406 | .047 | -.204 | -.600 | 280 | 910 | -.621 | .077 | -.353 | -.925 | 290 | 135 | -.259 | .131 | .784 | -.096 |
| 280 | 594 | -.440 | .039 | -.257 | -.637 | 280 | 911 | -.617 | .087 | -.323 | -1.039 | 290 | 136 | -.369 | .101 | .077 | -.803 |
| 280 | 595 | -.417 | .035 | -.285 | -.575 | 280 | 912 | -.640 | .125 | -.230 | -.353 | 290 | 137 | -.346 | .098 | .169 | -.650 |
| 280 | 596 | -.421 | .038 | -.293 | -.568 | 280 | 913 | -.623 | .102 | -.299 | -1.124 | 290 | 138 | -.241 | .105 | .261 | -.616 |
| 280 | 597 | -.410 | .055 | -.252 | -.678 | 280 | 914 | -.089 | .102 | .409 | -.365 | 290 | 139 | -.233 | .120 | .232 | -.661 |
| 280 | 598 | -.451 | .092 | -.240 | -.999 | 280 | 915 | -.103 | .104 | -.254 | -.492 | 290 | 140 | .186 | .156 | .846 | -.344 |
| 280 | 599 | -.357 | .051 | -.184 | -.896 | 280 | 916 | -.326 | .054 | -.128 | -.557 | 290 | 141 | -.247 | .126 | .710 | -.144 |
| 280 | 600 | -.372 | .057 | -.225 | -.912 | 280 | 917 | -.095 | .090 | -.461 | -.186 | 290 | 142 | .215 | .110 | .710 | -.131 |

APPENDIX A -- PRESSURE DATA:

CONFIGURATION A: OLYMPIA AND YORK OFFICE TOWER, DALLAS

| WD | TAP | CPMEAN | CPRMS | CPMAX | CPMIN | WD | TAP | CPMEAN | CPRMS | CPMAX | CPMIN | WD | TAP | CPMEAN | CPRMS | CPMAX | CPMIN |
|-----|-----|--------|-------|-------|--------|-----|-----|--------|-------|-------|-------|-----|-----|--------|-------|-------|--------|
| 290 | 143 | .512 | .111 | -.138 | -1.049 | 290 | 226 | .314 | .129 | 1.019 | -.125 | 290 | 276 | .056 | .048 | .258 | -.065 |
| 290 | 144 | -.406 | .080 | -.069 | -.704 | 290 | 227 | -.012 | .174 | .468 | -.704 | 290 | 277 | .018 | .044 | .197 | -.091 |
| 290 | 145 | -.220 | .081 | -.263 | -.482 | 290 | 228 | -.066 | .067 | .317 | -.113 | 290 | 278 | -.003 | .042 | .217 | -.098 |
| 290 | 146 | -.133 | .114 | .346 | -.488 | 290 | 229 | -.024 | .065 | .288 | -.153 | 290 | 279 | -.019 | .043 | .199 | -.132 |
| 290 | 147 | -.148 | .152 | .754 | -.321 | 290 | 230 | -.013 | .060 | .212 | -.189 | 290 | 280 | -.029 | .044 | .187 | -.141 |
| 290 | 148 | -.252 | .125 | .727 | -.072 | 290 | 231 | -.064 | .057 | .144 | -.251 | 290 | 281 | -.092 | .046 | .164 | -.211 |
| 290 | 149 | -.180 | .092 | .573 | -.060 | 290 | 232 | -.071 | .051 | .172 | -.214 | 290 | 282 | -.484 | .043 | -.329 | -.626 |
| 290 | 150 | -.522 | .109 | -.214 | -1.075 | 290 | 233 | -.101 | .056 | .217 | -.251 | 290 | 283 | -.510 | .042 | -.374 | -.676 |
| 290 | 151 | -.480 | .088 | -.237 | -.933 | 290 | 234 | -.281 | .051 | -.047 | -.481 | 290 | 284 | -.098 | .040 | -.098 | -.295 |
| 290 | 152 | -.432 | .088 | -.200 | -1.037 | 290 | 235 | -.361 | .052 | -.172 | -.606 | 290 | 285 | -.021 | .043 | .170 | -.185 |
| 290 | 153 | -.368 | .078 | -.086 | -.726 | 290 | 236 | -.210 | .131 | .882 | -.193 | 290 | 286 | -.019 | .042 | .152 | -.184 |
| 290 | 154 | -.172 | .091 | -.030 | -.698 | 290 | 237 | -.373 | .150 | 1.102 | -.073 | 290 | 287 | -.023 | .046 | .138 | -.253 |
| 290 | 155 | -.088 | .055 | .662 | -.442 | 290 | 238 | -.308 | .123 | .605 | -.200 | 290 | 288 | -.064 | .035 | .068 | -.231 |
| 290 | 156 | -.054 | .047 | .102 | -.268 | 290 | 239 | -.041 | .154 | .532 | -.795 | 290 | 289 | -.083 | .036 | -.035 | -.258 |
| 290 | 157 | -.562 | .095 | -.210 | -1.029 | 290 | 240 | -.080 | .062 | .339 | -.074 | 290 | 290 | -.331 | .043 | -.204 | -.602 |
| 290 | 158 | -.323 | .054 | .136 | -.535 | 290 | 241 | -.042 | .060 | .319 | -.122 | 290 | 291 | -.460 | .056 | -.249 | -.653 |
| 290 | 159 | -.303 | .046 | -.133 | -.461 | 290 | 242 | -.013 | .057 | .268 | -.158 | 290 | 292 | -.594 | .055 | -.400 | -.870 |
| 290 | 160 | -.123 | .047 | .048 | -.298 | 290 | 243 | -.023 | .054 | .225 | -.162 | 290 | 293 | -.062 | .030 | .051 | -.155 |
| 290 | 161 | -.074 | .044 | -.062 | -.220 | 290 | 244 | -.022 | .051 | .150 | -.154 | 290 | 294 | -.004 | .030 | .126 | -.089 |
| 290 | 162 | -.297 | .036 | -.083 | -.481 | 290 | 245 | -.056 | .056 | .149 | -.224 | 290 | 295 | -.036 | .031 | .082 | -.153 |
| 290 | 163 | -.244 | .044 | -.079 | -.402 | 290 | 246 | -.242 | .051 | -.033 | -.404 | 290 | 296 | -.040 | .031 | .085 | -.139 |
| 290 | 164 | -.219 | .044 | -.026 | -.384 | 290 | 247 | -.302 | .054 | -.079 | -.543 | 290 | 297 | -.016 | .032 | .109 | -.140 |
| 290 | 165 | -.198 | .041 | -.007 | -.336 | 290 | 248 | -.158 | .133 | .616 | -.352 | 290 | 298 | -.318 | .034 | -.188 | -.439 |
| 290 | 166 | -.088 | .054 | .117 | -.243 | 290 | 249 | -.296 | .147 | .783 | -.105 | 290 | 299 | -.463 | .046 | -.294 | -.676 |
| 290 | 167 | -.091 | .058 | .103 | -.281 | 290 | 250 | -.260 | .129 | .776 | -.184 | 290 | 300 | -.514 | .066 | -.142 | -.757 |
| 290 | 201 | -.125 | .156 | .706 | -.374 | 290 | 251 | -.030 | .111 | .409 | -.530 | 290 | 301 | -.007 | .031 | .106 | -.109 |
| 290 | 202 | -.029 | .144 | .536 | -.465 | 290 | 252 | -.065 | .053 | .314 | -.115 | 290 | 302 | -.006 | .030 | .106 | -.099 |
| 290 | 203 | -.085 | .122 | .400 | -.648 | 290 | 253 | -.031 | .054 | .295 | -.112 | 290 | 303 | -.013 | .030 | .123 | -.103 |
| 290 | 204 | -.325 | .145 | .636 | -1.062 | 290 | 254 | -.064 | .051 | .273 | -.135 | 290 | 304 | -.030 | .029 | .049 | -.139 |
| 290 | 205 | -.329 | .054 | -.120 | -.538 | 290 | 255 | -.024 | .050 | .210 | -.165 | 290 | 305 | -.056 | .032 | .067 | -.189 |
| 290 | 206 | -.347 | .037 | -.103 | -.536 | 290 | 256 | -.025 | .045 | .201 | -.147 | 290 | 306 | -.011 | .030 | .153 | -.086 |
| 290 | 207 | -.355 | .053 | -.167 | -.563 | 290 | 257 | -.063 | .049 | .202 | -.217 | 290 | 307 | -.006 | .066 | .354 | -.136 |
| 290 | 208 | -.466 | .051 | -.211 | -.606 | 290 | 258 | -.211 | .047 | .010 | -.353 | 290 | 308 | -.242 | .040 | -.068 | -.356 |
| 290 | 209 | -.447 | .047 | -.258 | -.618 | 290 | 259 | -.299 | .051 | -.086 | -.479 | 290 | 309 | -.435 | .048 | -.272 | -.609 |
| 290 | 210 | -.289 | .048 | -.085 | -.424 | 290 | 260 | -.146 | .133 | .660 | -.323 | 290 | 401 | -.637 | .079 | -.403 | -.993 |
| 290 | 211 | -.342 | .046 | -.146 | -.483 | 290 | 261 | -.270 | .140 | .824 | -.188 | 290 | 402 | -.655 | .082 | -.418 | -1.082 |
| 290 | 212 | -.367 | .158 | .914 | -.164 | 290 | 262 | -.213 | .108 | .647 | -.097 | 290 | 403 | -.733 | .076 | -.550 | -1.032 |
| 290 | 213 | -.400 | .160 | .957 | -.026 | 290 | 263 | -.007 | .096 | .306 | -.486 | 290 | 404 | -.733 | .087 | -.480 | -1.166 |
| 290 | 214 | -.263 | .131 | .665 | -.188 | 290 | 264 | -.027 | .040 | .213 | -.099 | 290 | 405 | -.739 | .090 | -.502 | -1.137 |
| 290 | 215 | -.118 | .178 | .337 | -.793 | 290 | 265 | -.002 | .038 | .173 | -.114 | 290 | 406 | -.736 | .100 | -.459 | -1.250 |
| 290 | 216 | -.032 | .065 | -.233 | -.226 | 290 | 266 | -.017 | .039 | .166 | -.165 | 290 | 407 | -.613 | .092 | -.344 | -1.045 |
| 290 | 217 | -.075 | .059 | -.186 | -.224 | 290 | 267 | -.034 | .036 | .138 | -.132 | 290 | 408 | -.692 | .084 | -.434 | -.990 |
| 290 | 218 | -.129 | .057 | -.190 | -.275 | 290 | 268 | -.036 | .039 | .150 | -.131 | 290 | 409 | -.593 | .107 | -.292 | -.983 |
| 290 | 219 | -.288 | .045 | -.055 | -.417 | 290 | 269 | -.102 | .038 | .063 | -.225 | 290 | 410 | -.672 | .074 | -.447 | -1.123 |
| 290 | 220 | -.468 | .054 | -.226 | -.592 | 290 | 270 | -.266 | .041 | -.103 | -.395 | 290 | 411 | -.688 | .084 | -.445 | -1.232 |
| 290 | 221 | -.322 | .046 | -.152 | -.490 | 290 | 271 | -.334 | .040 | -.159 | -.473 | 290 | 412 | -.707 | .088 | -.447 | -1.103 |
| 290 | 222 | -.388 | .052 | -.224 | -.600 | 290 | 272 | -.114 | .128 | .650 | -.258 | 290 | 413 | -.742 | .097 | -.456 | -1.210 |
| 290 | 223 | -.434 | .052 | -.269 | -.636 | 290 | 273 | -.236 | .128 | .824 | -.058 | 290 | 414 | -.721 | .110 | -.452 | -1.292 |
| 290 | 224 | -.257 | .136 | 1.003 | -.173 | 290 | 274 | -.206 | .105 | .630 | -.073 | 290 | 415 | -.548 | .067 | -.342 | -.776 |
| 290 | 225 | -.413 | .165 | 1.082 | -.024 | 290 | 275 | -.051 | .067 | .319 | -.306 | 290 | 416 | -.537 | .065 | -.331 | -.771 |

APPENDIX A -- PRESSURE DATA:

CONFIGURATION A) OLYMPIA AND YORK OFFICE TOWER, DALLAS

| WD | TAP | CPMEAN | CPRMS | CPMAX | CPMIN | WD | TAP | CPMEAN | CPRMS | CPMAX | CPMIN | WD | TAP | CPMEAN | CPRMS | CPMAX | CPMIN |
|-----|-----|--------|-------|-------|--------|-----|-----|--------|-------|-------|--------|-----|-----|--------|-------|-------|--------|
| 290 | 417 | .583 | .068 | .335 | -.843 | 290 | 467 | -.422 | .036 | -.248 | -.754 | 290 | 549 | -.311 | .083 | -.109 | -.892 |
| 290 | 418 | -.615 | .086 | -.381 | -1.079 | 290 | 468 | -.537 | .091 | -.291 | -.881 | 290 | 550 | -.419 | .076 | -.173 | -.708 |
| 290 | 419 | -.640 | .092 | -.378 | -1.081 | 290 | 501 | -.728 | .091 | -.424 | -1.088 | 290 | 551 | -.394 | .073 | -.154 | -.707 |
| 290 | 420 | -.675 | .097 | -.385 | -1.167 | 290 | 502 | -.634 | .110 | -.222 | -1.073 | 290 | 552 | -.463 | .034 | -.248 | -.781 |
| 290 | 421 | -.722 | .110 | -.425 | -1.246 | 290 | 503 | -.628 | .095 | -.368 | -1.139 | 290 | 553 | -.529 | .063 | -.316 | -.834 |
| 290 | 422 | -.483 | .065 | -.244 | -.738 | 290 | 504 | -.609 | .113 | -.291 | -1.153 | 290 | 554 | -.548 | .071 | -.363 | -.929 |
| 290 | 423 | -.493 | .064 | -.275 | -.740 | 290 | 505 | -.626 | .123 | -.288 | -1.228 | 290 | 555 | -.472 | .044 | -.311 | -.835 |
| 290 | 424 | -.532 | .074 | -.238 | -.818 | 290 | 506 | -.557 | .138 | -.161 | -1.263 | 290 | 556 | -.423 | .064 | -.136 | -.676 |
| 290 | 425 | -.602 | .079 | -.376 | -1.043 | 290 | 507 | -.566 | .123 | -.166 | -1.074 | 290 | 557 | -.368 | .067 | -.036 | -.391 |
| 290 | 426 | -.654 | .101 | -.400 | -1.049 | 290 | 508 | -.567 | .145 | -.027 | -1.155 | 290 | 558 | -.329 | .083 | -.029 | -.679 |
| 290 | 427 | -.694 | .102 | -.406 | -1.143 | 290 | 509 | -.607 | .132 | -.156 | -1.355 | 290 | 559 | -.319 | .106 | -.143 | -.699 |
| 290 | 428 | -.737 | .101 | -.390 | -1.163 | 290 | 510 | -.574 | .127 | -.202 | -1.273 | 290 | 560 | -.392 | .107 | -.128 | -.805 |
| 290 | 429 | -.427 | .050 | -.260 | -.657 | 290 | 511 | -.701 | .074 | -.437 | -.993 | 290 | 561 | -.485 | .099 | -.154 | -.942 |
| 290 | 430 | -.438 | .055 | -.261 | -.697 | 290 | 512 | -.730 | .099 | -.323 | -1.187 | 290 | 562 | -.391 | .085 | -.113 | -.734 |
| 290 | 431 | -.468 | .056 | -.285 | -.840 | 290 | 513 | -.720 | .095 | -.464 | -1.212 | 290 | 563 | -.377 | .083 | -.076 | -.632 |
| 290 | 432 | -.495 | .063 | -.299 | -.843 | 290 | 514 | -.624 | .111 | -.258 | -1.141 | 290 | 564 | -.473 | .034 | -.262 | -.812 |
| 290 | 433 | -.525 | .069 | -.336 | -.884 | 290 | 515 | -.599 | .110 | -.200 | -1.074 | 290 | 565 | -.524 | .064 | -.233 | -.842 |
| 290 | 434 | -.596 | .099 | -.310 | -1.044 | 290 | 516 | -.615 | .089 | -.359 | -1.048 | 290 | 566 | -.537 | .071 | -.284 | -.994 |
| 290 | 435 | -.691 | .107 | -.399 | -1.107 | 290 | 517 | -.663 | .092 | -.316 | -1.109 | 290 | 567 | -.463 | .044 | -.299 | -.645 |
| 290 | 436 | -.419 | .052 | -.216 | -.634 | 290 | 518 | -.675 | .098 | -.319 | -1.188 | 290 | 568 | -.413 | .053 | -.205 | -.834 |
| 290 | 437 | -.444 | .044 | -.282 | -.587 | 290 | 519 | -.632 | .089 | -.294 | -.963 | 290 | 569 | -.402 | .037 | -.176 | -.627 |
| 290 | 438 | -.479 | .050 | -.249 | -.670 | 290 | 520 | -.613 | .126 | -.197 | -1.034 | 290 | 570 | -.369 | .068 | -.063 | -.648 |
| 290 | 439 | -.499 | .052 | -.361 | -.700 | 290 | 521 | -.644 | .096 | -.221 | -1.014 | 290 | 571 | -.381 | .086 | -.062 | -.764 |
| 290 | 440 | -.477 | .047 | -.347 | -.684 | 290 | 522 | -.603 | .118 | -.200 | -1.031 | 290 | 572 | -.437 | .094 | -.022 | -.833 |
| 290 | 441 | -.530 | .063 | -.337 | -.927 | 290 | 523 | -.550 | .123 | -.063 | -1.009 | 290 | 573 | -.538 | .103 | -.223 | -.940 |
| 290 | 442 | -.602 | .068 | -.383 | -.901 | 290 | 524 | -.558 | .123 | -.039 | -1.075 | 290 | 574 | -.483 | .101 | -.070 | -.100 |
| 290 | 443 | -.484 | .059 | -.292 | -.691 | 290 | 525 | -.563 | .104 | -.207 | -1.009 | 290 | 575 | -.458 | .100 | -.119 | -.839 |
| 290 | 444 | -.497 | .050 | -.315 | -.742 | 290 | 526 | -.534 | .103 | -.090 | -.947 | 290 | 576 | -.522 | .071 | -.250 | -.924 |
| 290 | 445 | -.521 | .059 | -.368 | -.784 | 290 | 527 | -.545 | .104 | -.168 | -.979 | 290 | 577 | -.499 | .063 | -.233 | -.764 |
| 290 | 446 | -.575 | .075 | -.376 | -.880 | 290 | 528 | -.609 | .102 | -.272 | -1.221 | 290 | 578 | -.479 | .079 | -.248 | -.941 |
| 290 | 447 | -.525 | .061 | -.319 | -.796 | 290 | 529 | -.683 | .108 | -.302 | -1.221 | 290 | 579 | -.436 | .044 | -.288 | -.609 |
| 290 | 448 | -.546 | .062 | -.342 | -.860 | 290 | 530 | -.722 | .109 | -.365 | -1.229 | 290 | 580 | -.415 | .045 | -.248 | -.600 |
| 290 | 449 | -.573 | .072 | -.332 | -.648 | 290 | 531 | -.554 | .071 | -.315 | -.828 | 290 | 581 | -.403 | .049 | -.224 | -.639 |
| 290 | 450 | -.571 | .052 | -.405 | -.806 | 290 | 532 | -.512 | .092 | -.179 | -.854 | 290 | 582 | -.403 | .049 | -.219 | -.611 |
| 290 | 451 | -.539 | .051 | -.373 | -.774 | 290 | 533 | -.443 | .112 | -.077 | -.827 | 290 | 583 | -.404 | .063 | -.116 | -.619 |
| 290 | 452 | -.562 | .066 | -.395 | -.064 | 290 | 534 | -.422 | .126 | -.108 | -.948 | 290 | 584 | -.437 | .088 | -.107 | -.1233 |
| 290 | 453 | -.577 | .088 | -.326 | -.676 | 290 | 535 | -.438 | .126 | -.041 | -.830 | 290 | 585 | -.603 | .108 | -.258 | -.1168 |
| 290 | 454 | -.559 | .083 | -.297 | -.875 | 290 | 536 | -.510 | .116 | -.032 | -.934 | 290 | 586 | -.639 | .227 | -.231 | -.1731 |
| 290 | 455 | -.466 | .074 | -.246 | -.910 | 290 | 537 | -.575 | .091 | -.228 | -.887 | 290 | 587 | -.710 | .308 | -.223 | -.232 |
| 290 | 456 | -.493 | .072 | -.291 | -.775 | 290 | 538 | -.477 | .085 | -.178 | -.784 | 290 | 588 | -.478 | .102 | -.167 | -.974 |
| 290 | 457 | -.511 | .047 | -.361 | -.681 | 290 | 539 | -.470 | .075 | -.197 | -.826 | 290 | 589 | -.527 | .104 | -.285 | -.1114 |
| 290 | 458 | -.531 | .059 | -.318 | -.979 | 290 | 540 | -.514 | .076 | -.243 | -.852 | 290 | 590 | -.697 | .183 | -.169 | -.1426 |
| 290 | 459 | -.566 | .051 | -.337 | -.734 | 290 | 541 | -.579 | .086 | -.242 | -.949 | 290 | 591 | -.434 | .095 | -.193 | -.876 |
| 290 | 460 | -.559 | .144 | -.123 | -.699 | 290 | 542 | -.635 | .103 | -.190 | -1.154 | 290 | 592 | -.396 | .055 | -.188 | -.699 |
| 290 | 461 | -.456 | .063 | -.248 | -.693 | 290 | 543 | -.487 | .047 | -.323 | -.706 | 290 | 593 | -.378 | .048 | -.198 | -.603 |
| 290 | 462 | -.477 | .065 | -.266 | -.740 | 290 | 544 | -.419 | .066 | -.153 | -.692 | 290 | 594 | -.439 | .065 | -.195 | -.667 |
| 290 | 463 | -.448 | .058 | -.253 | -.674 | 290 | 545 | -.357 | .077 | -.087 | -.627 | 290 | 595 | -.457 | .060 | -.043 | -.859 |
| 290 | 464 | -.471 | .073 | -.250 | -.808 | 290 | 546 | -.319 | .092 | -.126 | -.725 | 290 | 596 | -.496 | .067 | -.230 | -.859 |
| 290 | 465 | -.521 | .122 | -.221 | -.228 | 290 | 547 | -.308 | .107 | -.075 | -.689 | 290 | 597 | -.573 | .118 | -.141 | -.1026 |
| 290 | 466 | -.410 | .079 | -.154 | -.818 | 290 | 548 | -.407 | .109 | -.032 | -.842 | 290 | 598 | -.404 | .174 | -.932 | -.1985 |

APPENDIX A -- PRESSURE DATA:

CONFIGURATION A: OLYMPIA AND YORK OFFICE TOWER, DALLAS

| WD | TAP | CPMEAN | CPRMS | CPMAX | CPMIN | WD | TAP | CPMEAN | CPRMS | CPMAX | CPMIN | WD | TAP | CPMEAN | CPRMS | CPMAX | CPMIN |
|-----|-----|--------|-------|-------|--------|-----|-----|--------|-------|-------|--------|-----|-----|--------|-------|-------|--------|
| 290 | 599 | -.274 | .085 | -.010 | -.799 | 290 | 916 | -.316 | .079 | .032 | -.598 | 300 | 141 | .255 | .117 | .738 | -.060 |
| 290 | 600 | -.401 | .096 | -.054 | -.842 | 290 | 917 | -.071 | .096 | .437 | -.198 | 300 | 142 | -.213 | .106 | .786 | -.078 |
| 290 | 661 | -.463 | .106 | -.058 | -.827 | 290 | 918 | -.251 | .141 | .822 | -.112 | 300 | 143 | -.373 | .138 | .091 | -1.032 |
| 290 | 602 | -.471 | .104 | -.093 | -.998 | 290 | 919 | -.074 | .070 | .378 | -.119 | 300 | 144 | -.254 | .110 | .208 | -.653 |
| 290 | 603 | -.412 | .073 | -.226 | -.717 | 290 | 920 | -.056 | .055 | .284 | -.106 | 300 | 145 | -.123 | .079 | .264 | -.346 |
| 290 | 701 | -.334 | .073 | -.133 | -.624 | 290 | 921 | -.031 | .049 | .323 | -.112 | 300 | 146 | -.082 | .095 | .280 | -.411 |
| 290 | 702 | -.234 | .064 | -.084 | -.549 | 290 | 922 | -.011 | .047 | .241 | -.131 | 300 | 147 | -.117 | .120 | .675 | -.178 |
| 290 | 703 | -.329 | .077 | -.104 | -.604 | 290 | 923 | -.040 | .046 | .217 | -.151 | 300 | 148 | -.230 | .112 | .673 | -.014 |
| 290 | 704 | -.244 | .066 | -.007 | -.474 | 290 | 924 | -.170 | .046 | .083 | -.282 | 300 | 149 | -.129 | .084 | .490 | -.070 |
| 290 | 705 | -.225 | .074 | .002 | -.532 | 290 | 925 | -.255 | .055 | .075 | -.408 | 300 | 150 | -.315 | .148 | .057 | -.970 |
| 290 | 706 | -.224 | .074 | .022 | -.485 | 300 | 101 | -.111 | .192 | .477 | -.676 | 300 | 151 | -.269 | .112 | .020 | -.695 |
| 290 | 707 | -.236 | .068 | -.058 | -.564 | 300 | 102 | -.054 | .215 | .736 | -.789 | 300 | 152 | -.222 | .100 | .026 | -.592 |
| 290 | 708 | -.342 | .088 | -.081 | -.641 | 300 | 103 | -.095 | .232 | .965 | -.781 | 300 | 153 | -.212 | .085 | .016 | -.721 |
| 290 | 709 | -.391 | .091 | -.109 | -.755 | 300 | 104 | -.225 | .225 | .705 | -1.030 | 300 | 154 | -.099 | .066 | .062 | -.694 |
| 290 | 710 | -.204 | .072 | -.081 | -.544 | 300 | 105 | -.085 | .162 | .502 | -.627 | 300 | 155 | -.066 | .049 | .084 | -.370 |
| 290 | 711 | -.349 | .048 | -.178 | -.514 | 300 | 106 | -.031 | .147 | .625 | -.418 | 300 | 156 | -.042 | .042 | .102 | -.240 |
| 290 | 712 | -.429 | .052 | -.212 | -.714 | 300 | 107 | -.085 | .154 | .626 | -.355 | 300 | 157 | -.316 | .120 | .067 | -1.147 |
| 290 | 713 | -.481 | .037 | -.278 | -.757 | 300 | 108 | -.280 | .107 | .094 | -.705 | 300 | 158 | -.172 | .070 | .090 | -.469 |
| 290 | 714 | -.441 | .032 | -.248 | -.630 | 300 | 109 | -.239 | .086 | .145 | -.519 | 300 | 159 | -.170 | .061 | .106 | -.350 |
| 290 | 715 | -.420 | .072 | -.088 | -.604 | 300 | 110 | -.179 | .099 | .315 | -.694 | 300 | 160 | -.103 | .039 | .028 | -.268 |
| 290 | 716 | -.364 | .051 | -.136 | -.548 | 300 | 111 | -.302 | .174 | .310 | -1.037 | 300 | 161 | -.066 | .029 | .059 | -.171 |
| 290 | 717 | -.404 | .048 | -.233 | -.593 | 300 | 112 | -.121 | .184 | .814 | -.519 | 300 | 162 | -.153 | .063 | .036 | -.377 |
| 290 | 718 | -.366 | .050 | -.209 | -.558 | 300 | 113 | -.306 | .177 | .961 | -.159 | 300 | 163 | -.144 | .057 | .136 | -.307 |
| 290 | 719 | -.395 | .059 | -.223 | -.666 | 300 | 114 | -.242 | .151 | .889 | -.218 | 300 | 164 | -.141 | .051 | .045 | -.317 |
| 290 | 720 | -.351 | .061 | -.184 | -.614 | 300 | 115 | -.298 | .089 | .037 | -.628 | 300 | 165 | -.121 | .048 | .084 | -.291 |
| 290 | 721 | -.438 | .055 | -.247 | -.721 | 300 | 116 | -.252 | .081 | .029 | -.529 | 300 | 166 | -.068 | .036 | .054 | -.212 |
| 290 | 861 | -.333 | .082 | -.076 | -.731 | 300 | 117 | -.243 | .069 | .001 | -.521 | 300 | 167 | -.076 | .036 | .041 | -.214 |
| 290 | 802 | -.408 | .108 | -.101 | -.782 | 300 | 118 | -.373 | .180 | .047 | -1.128 | 300 | 201 | -.003 | .141 | .541 | -.421 |
| 290 | 863 | -.266 | .074 | -.648 | -.510 | 300 | 119 | -.128 | .183 | .741 | -.439 | 300 | 202 | .021 | .150 | .389 | -.388 |
| 290 | 804 | -.309 | .082 | -.003 | -.602 | 300 | 120 | -.376 | .161 | .957 | -.079 | 300 | 203 | -.001 | .140 | .562 | -.384 |
| 290 | 865 | -.431 | .063 | -.176 | -.693 | 300 | 121 | -.270 | .118 | .776 | -.106 | 300 | 204 | -.270 | .095 | .009 | -.735 |
| 290 | 806 | -.434 | .092 | -.049 | -.725 | 300 | 122 | -.284 | .089 | .248 | -.619 | 300 | 205 | -.261 | .047 | -.084 | -.421 |
| 290 | 867 | -.382 | .066 | -.178 | -.609 | 300 | 123 | -.274 | .085 | .165 | -.633 | 300 | 206 | -.268 | .050 | -.094 | -.445 |
| 290 | 808 | -.374 | .053 | -.197 | -.599 | 300 | 124 | -.230 | .080 | .079 | -.542 | 300 | 207 | -.303 | .048 | -.134 | -.450 |
| 290 | 869 | -.357 | .061 | -.178 | -.633 | 300 | 125 | -.370 | .165 | .059 | -1.078 | 300 | 208 | -.358 | .044 | -.169 | -.520 |
| 290 | 810 | -.450 | .086 | -.136 | -.753 | 300 | 126 | -.149 | .175 | .811 | -.441 | 300 | 209 | -.396 | .041 | -.235 | -.528 |
| 290 | 961 | -.971 | .141 | -.524 | -1.528 | 300 | 127 | -.351 | .151 | .909 | -.251 | 300 | 210 | -.285 | .038 | -.114 | -.406 |
| 290 | 903 | -.911 | .126 | -.510 | -1.475 | 300 | 128 | -.289 | .125 | .721 | -.346 | 300 | 211 | -.346 | .040 | -.168 | -.480 |
| 290 | 964 | -.716 | .166 | -.126 | -1.323 | 300 | 129 | -.285 | .091 | .122 | -.607 | 300 | 212 | -.128 | .165 | .901 | -.448 |
| 290 | 905 | -.321 | .130 | -.077 | -.948 | 300 | 130 | -.225 | .096 | .145 | -.567 | 300 | 213 | -.311 | .160 | .894 | -.135 |
| 290 | 966 | -.635 | .113 | -.354 | -1.271 | 300 | 131 | -.267 | .090 | .098 | -.577 | 300 | 214 | -.286 | .147 | .832 | -.192 |
| 290 | 907 | -.587 | .160 | -.034 | -1.067 | 300 | 132 | -.272 | .151 | .109 | -1.012 | 300 | 215 | -.130 | .110 | .240 | -.667 |
| 290 | 968 | -.741 | .111 | -.182 | -1.281 | 300 | 133 | -.157 | .135 | .616 | -.311 | 300 | 216 | -.059 | .047 | .142 | -.211 |
| 290 | 909 | -.659 | .075 | -.448 | -.950 | 300 | 134 | -.327 | .135 | .859 | -.081 | 300 | 217 | -.101 | .039 | .055 | -.221 |
| 290 | 916 | -.689 | .066 | -.457 | -1.061 | 300 | 135 | -.249 | .116 | .643 | -.099 | 300 | 218 | -.143 | .040 | .021 | -.271 |
| 290 | 911 | -.677 | .110 | -.241 | -1.082 | 300 | 136 | -.239 | .132 | .419 | -.668 | 300 | 219 | -.304 | .037 | -.177 | -.456 |
| 290 | 912 | -.643 | .131 | -.279 | -1.330 | 300 | 137 | -.191 | .110 | .348 | -.597 | 300 | 220 | -.394 | .048 | -.221 | -.599 |
| 290 | 913 | -.595 | .100 | -.278 | -.971 | 300 | 138 | -.111 | .097 | .330 | -.481 | 300 | 221 | -.292 | .042 | -.108 | -.425 |
| 290 | 914 | -.628 | .120 | -.321 | -.465 | 300 | 139 | -.157 | .105 | .313 | -.746 | 300 | 222 | -.347 | .044 | -.190 | -.491 |
| 290 | 915 | -.101 | .096 | -.376 | -.446 | 300 | 140 | -.146 | .112 | .562 | -.368 | 300 | 223 | -.402 | .043 | -.247 | -.545 |

APPENDIX A -- PRESSURE DATA:

CONFIGURATION A: OLYMPIA AND YORK OFFICE TOWER, DALLAS

| WD | TAP | CPMEAN | CPRMS | CPMAX | CPMIN | WD | TAP | CPMEAN | CPRMS | CPMAX | CPMIN | WD | TAP | CPMEAN | CPRMS | CPMAX | CPMIN |
|-----|-----|--------|-------|-------|-------|-----|-----|--------|-------|-------|--------|-----|-----|--------|-------|-------|--------|
| 300 | 224 | .137 | .132 | .638 | -.273 | 300 | 274 | .158 | .091 | .737 | -.051 | 300 | 415 | -.486 | .055 | -.314 | -.673 |
| 300 | 225 | .342 | .151 | .937 | -.023 | 300 | 275 | .028 | .059 | .285 | -.297 | 300 | 416 | -.473 | .054 | -.301 | -.665 |
| 300 | 226 | .298 | .133 | .747 | -.038 | 300 | 276 | .031 | .045 | .226 | -.111 | 300 | 417 | -.487 | .047 | -.333 | -.698 |
| 300 | 227 | .034 | .101 | .330 | -.596 | 300 | 277 | -.010 | .040 | .138 | -.130 | 300 | 418 | -.494 | .053 | -.297 | -.734 |
| 300 | 228 | .001 | .048 | .155 | -.142 | 300 | 278 | -.023 | .037 | .123 | -.137 | 300 | 419 | -.532 | .073 | -.318 | -.868 |
| 300 | 229 | .028 | .047 | .143 | -.158 | 300 | 279 | -.049 | .038 | .133 | -.147 | 300 | 420 | -.548 | .084 | -.284 | -1.173 |
| 300 | 230 | .072 | .046 | .137 | -.199 | 300 | 280 | -.056 | .039 | .131 | -.155 | 300 | 421 | -.600 | .081 | -.362 | -1.074 |
| 300 | 231 | .102 | .045 | .081 | -.228 | 300 | 281 | -.130 | .040 | .061 | -.235 | 300 | 422 | -.493 | .051 | -.319 | -.693 |
| 300 | 232 | .102 | .046 | .070 | -.225 | 300 | 282 | -.517 | .048 | -.363 | -.736 | 300 | 423 | -.505 | .051 | -.338 | -.705 |
| 300 | 233 | .046 | .046 | .070 | -.225 | 300 | 283 | -.557 | .053 | -.364 | -.738 | 300 | 424 | -.496 | .049 | -.363 | -.738 |
| 300 | 234 | .315 | .047 | .675 | -.268 | 300 | 284 | -.080 | .036 | .076 | -.239 | 300 | 425 | -.511 | .050 | -.345 | -.746 |
| 300 | 235 | .377 | .046 | .186 | -.537 | 300 | 285 | -.025 | .039 | .165 | -.165 | 300 | 426 | -.530 | .061 | -.253 | -.871 |
| 300 | 236 | .143 | .126 | .738 | -.318 | 300 | 286 | -.037 | .038 | .095 | -.178 | 300 | 427 | -.548 | .071 | -.306 | -.983 |
| 300 | 237 | .243 | .138 | .888 | -.041 | 300 | 287 | -.032 | .040 | .138 | -.215 | 300 | 428 | -.563 | .079 | -.346 | -.996 |
| 300 | 238 | .295 | .124 | .764 | -.057 | 300 | 288 | -.061 | .036 | .073 | -.193 | 300 | 429 | -.465 | .054 | -.306 | -.700 |
| 300 | 239 | .068 | .102 | .325 | -.638 | 300 | 289 | -.087 | .038 | .060 | -.251 | 300 | 430 | -.471 | .059 | -.307 | -.723 |
| 300 | 240 | .033 | .052 | .238 | -.096 | 300 | 290 | -.376 | .045 | -.211 | -.548 | 300 | 431 | -.497 | .059 | -.318 | -.856 |
| 300 | 241 | .007 | .031 | .207 | -.129 | 300 | 291 | -.505 | .062 | -.321 | -.752 | 300 | 432 | -.506 | .059 | -.289 | -.986 |
| 300 | 242 | .031 | .059 | .176 | -.168 | 300 | 292 | -.519 | .064 | -.392 | -.839 | 300 | 433 | -.546 | .064 | -.357 | -.850 |
| 300 | 243 | .030 | .048 | .189 | -.184 | 300 | 293 | -.055 | .024 | .027 | -.123 | 300 | 434 | -.562 | .080 | -.317 | -1.116 |
| 300 | 244 | .055 | .044 | .160 | -.164 | 300 | 294 | -.011 | .024 | .083 | -.096 | 300 | 435 | -.610 | .086 | -.392 | -1.147 |
| 300 | 245 | .084 | .049 | .175 | -.207 | 300 | 295 | -.023 | .025 | .062 | -.109 | 300 | 436 | -.431 | .069 | -.198 | -.706 |
| 300 | 246 | .267 | .048 | -.045 | -.420 | 300 | 296 | -.033 | .026 | .056 | -.144 | 300 | 437 | -.443 | .061 | -.260 | -.782 |
| 300 | 247 | .345 | .053 | .154 | -.547 | 300 | 297 | -.017 | .028 | .094 | -.127 | 300 | 438 | -.481 | .069 | -.265 | -.864 |
| 300 | 248 | .125 | .108 | .658 | -.238 | 300 | 298 | -.349 | .039 | -.219 | -.480 | 300 | 439 | -.533 | .069 | -.211 | -.961 |
| 300 | 249 | .297 | .131 | .844 | -.018 | 300 | 299 | -.566 | .056 | -.328 | -.756 | 300 | 440 | -.542 | .073 | -.345 | -.899 |
| 300 | 250 | .273 | .124 | .782 | -.064 | 300 | 300 | -.585 | .093 | -.072 | -1.113 | 300 | 441 | -.608 | .116 | -.332 | -1.434 |
| 300 | 251 | .010 | .092 | .376 | -.532 | 300 | 301 | -.013 | .026 | .087 | -.099 | 300 | 442 | -.674 | .104 | -.424 | -1.521 |
| 300 | 252 | .048 | .048 | .231 | -.091 | 300 | 302 | -.016 | .027 | .099 | -.101 | 300 | 443 | -.528 | .080 | -.188 | -.875 |
| 300 | 253 | .055 | .048 | .217 | -.112 | 300 | 303 | -.013 | .026 | .102 | -.083 | 300 | 444 | -.537 | .063 | -.297 | -.748 |
| 300 | 254 | .045 | .045 | .154 | -.151 | 300 | 304 | -.014 | .027 | .092 | -.092 | 300 | 445 | -.587 | .080 | -.334 | -.996 |
| 300 | 255 | .044 | .044 | .137 | -.159 | 300 | 305 | -.027 | .030 | .087 | -.181 | 300 | 446 | -.639 | .094 | -.340 | -1.159 |
| 300 | 256 | .043 | .043 | .209 | -.160 | 300 | 306 | -.009 | .032 | .143 | -.089 | 300 | 447 | -.546 | .080 | -.302 | -1.014 |
| 300 | 257 | .053 | .047 | .202 | -.214 | 300 | 307 | -.019 | .072 | .280 | -.116 | 300 | 448 | -.548 | .103 | -.300 | -1.218 |
| 300 | 258 | .052 | .052 | .063 | -.425 | 300 | 308 | -.251 | .046 | -.075 | -.409 | 300 | 449 | -.612 | .123 | -.325 | -1.519 |
| 300 | 259 | .057 | .057 | .166 | -.561 | 300 | 309 | -.448 | .052 | -.237 | -.628 | 300 | 450 | -.634 | .061 | -.414 | -.945 |
| 300 | 260 | .103 | .073 | .519 | -.255 | 300 | 401 | -.540 | .070 | -.335 | -.876 | 300 | 451 | -.595 | .061 | -.363 | -.858 |
| 300 | 261 | .113 | .073 | .769 | -.038 | 300 | 402 | -.558 | .072 | -.347 | -.920 | 300 | 452 | -.608 | .079 | -.372 | -1.129 |
| 300 | 262 | .101 | .073 | .637 | -.093 | 300 | 403 | -.663 | .070 | -.442 | -1.078 | 300 | 453 | -.567 | .096 | -.240 | -1.090 |
| 300 | 263 | .079 | .079 | .241 | -.379 | 300 | 404 | -.673 | .079 | -.416 | -1.053 | 300 | 454 | -.533 | .091 | -.287 | -.909 |
| 300 | 264 | .043 | .043 | .250 | -.113 | 300 | 405 | -.737 | .097 | -.451 | -1.255 | 300 | 455 | -.451 | .069 | -.215 | -.748 |
| 300 | 265 | .011 | .046 | .262 | -.124 | 300 | 406 | -.729 | .103 | -.409 | -1.231 | 300 | 456 | -.478 | .077 | -.223 | -.837 |
| 300 | 266 | .041 | .036 | .195 | -.139 | 300 | 407 | -.557 | .088 | -.254 | -.966 | 300 | 457 | -.590 | .060 | -.386 | -.963 |
| 300 | 267 | .056 | .036 | .119 | -.149 | 300 | 408 | -.667 | .075 | -.299 | -.932 | 300 | 458 | -.538 | .067 | -.356 | -.877 |
| 300 | 268 | .059 | .038 | .136 | -.160 | 300 | 409 | -.596 | .099 | -.222 | -.922 | 300 | 459 | -.555 | .060 | -.354 | -.797 |
| 300 | 269 | .038 | .061 | -.061 | -.242 | 300 | 410 | -.614 | .075 | -.422 | -1.020 | 300 | 460 | -.384 | .152 | -.049 | -.771 |
| 300 | 270 | .046 | -.088 | -.088 | -.436 | 300 | 411 | -.639 | .079 | -.392 | -.999 | 300 | 461 | -.495 | .087 | -.213 | -.906 |
| 300 | 271 | .031 | .183 | -.031 | -.574 | 300 | 412 | -.686 | .097 | -.365 | -1.141 | 300 | 462 | -.472 | .073 | -.244 | -.785 |
| 300 | 272 | .073 | .073 | .549 | -.219 | 300 | 413 | -.749 | .116 | -.425 | -1.277 | 300 | 463 | -.415 | .068 | -.161 | -.777 |
| 300 | 273 | .123 | .123 | .707 | -.066 | 300 | 414 | -.763 | .140 | -.434 | -1.460 | 300 | 464 | -.394 | .086 | -.124 | -.855 |

APPENDIX A -- PRESSURE DATA:

CONFIGURATION A:

OLYMPIA AND YORK OFFICE TOWER, DALLAS

| WD | TAP | CP | MEAN | CPRMS | CPMAX | CPMIN | WD | TAP | CP | MEAN | CPRMS | CPMAX | CPMIN | WD | TAP | CP | MEAN | CPRMS | CPMAX | CPMIN |
|-----|-----|-------|-------|-------|-------|-------|-----|-----|-------|-------|-------|-------|--------|-----|-----|--------|-------|-------|--------|-------|
| 300 | 466 | 0.101 | 0.044 | 0.075 | 0.044 | 0.044 | 300 | 547 | 0.253 | 0.120 | 0.133 | 0.216 | -0.628 | 300 | 597 | -0.421 | 0.203 | 0.153 | -1.099 | |
| 300 | 466 | 0.177 | 0.044 | 0.075 | 0.044 | 0.044 | 300 | 548 | 0.270 | 0.120 | 0.133 | 0.293 | -0.620 | 300 | 598 | -0.195 | 0.126 | 0.268 | -0.778 | |
| 300 | 466 | 0.177 | 0.044 | 0.075 | 0.044 | 0.044 | 300 | 549 | 0.366 | 0.097 | 0.097 | 0.117 | -0.642 | 300 | 599 | -0.142 | 0.088 | 0.283 | -0.599 | |
| 300 | 466 | 0.333 | 0.044 | 0.075 | 0.044 | 0.044 | 300 | 550 | 0.338 | 0.102 | 0.102 | 0.058 | -0.811 | 300 | 600 | -0.197 | 0.105 | 0.128 | -0.869 | |
| 300 | 466 | 0.333 | 0.044 | 0.075 | 0.044 | 0.044 | 300 | 551 | 0.336 | 0.097 | 0.097 | 0.056 | -0.900 | 300 | 601 | -0.224 | 0.130 | 0.187 | -0.747 | |
| 300 | 466 | 0.333 | 0.044 | 0.075 | 0.044 | 0.044 | 300 | 552 | 0.314 | 0.090 | 0.090 | 0.171 | -1.026 | 300 | 602 | -0.258 | 0.132 | 0.144 | -0.856 | |
| 300 | 466 | 0.333 | 0.044 | 0.075 | 0.044 | 0.044 | 300 | 553 | 0.616 | 0.118 | 0.118 | 0.241 | -1.385 | 300 | 603 | -0.212 | 0.089 | 0.162 | -0.532 | |
| 300 | 466 | 0.333 | 0.044 | 0.075 | 0.044 | 0.044 | 300 | 554 | 0.644 | 0.118 | 0.118 | 0.253 | -1.368 | 300 | 701 | -0.207 | 0.067 | 0.038 | -0.419 | |
| 300 | 466 | 0.333 | 0.044 | 0.075 | 0.044 | 0.044 | 300 | 555 | 0.528 | 0.062 | 0.062 | 0.331 | -0.811 | 300 | 702 | -0.153 | 0.060 | 0.071 | -0.331 | |
| 300 | 466 | 0.333 | 0.044 | 0.075 | 0.044 | 0.044 | 300 | 556 | 0.470 | 0.078 | 0.078 | 0.116 | -0.674 | 300 | 703 | -0.142 | 0.072 | 0.080 | -0.403 | |
| 300 | 466 | 0.333 | 0.044 | 0.075 | 0.044 | 0.044 | 300 | 557 | 0.418 | 0.072 | 0.072 | 0.039 | -0.835 | 300 | 704 | -0.127 | 0.066 | 0.101 | -0.363 | |
| 300 | 466 | 0.333 | 0.044 | 0.075 | 0.044 | 0.044 | 300 | 558 | 0.371 | 0.079 | 0.079 | 0.090 | -0.750 | 300 | 705 | -0.161 | 0.069 | 0.120 | -0.441 | |
| 300 | 466 | 0.333 | 0.044 | 0.075 | 0.044 | 0.044 | 300 | 559 | 0.318 | 0.091 | 0.091 | 0.176 | -0.630 | 300 | 706 | -0.133 | 0.069 | 0.214 | -0.435 | |
| 300 | 466 | 0.333 | 0.044 | 0.075 | 0.044 | 0.044 | 300 | 560 | 0.322 | 0.106 | 0.106 | 0.041 | -0.784 | 300 | 707 | -0.135 | 0.061 | 0.118 | -0.369 | |
| 300 | 466 | 0.333 | 0.044 | 0.075 | 0.044 | 0.044 | 300 | 561 | 0.462 | 0.120 | 0.120 | 0.036 | -0.864 | 300 | 708 | -0.163 | 0.086 | 0.156 | -0.493 | |
| 300 | 466 | 0.333 | 0.044 | 0.075 | 0.044 | 0.044 | 300 | 562 | 0.358 | 0.098 | 0.098 | 0.000 | -0.864 | 300 | 709 | -0.241 | 0.107 | 0.041 | -0.619 | |
| 300 | 466 | 0.333 | 0.044 | 0.075 | 0.044 | 0.044 | 300 | 563 | 0.363 | 0.098 | 0.098 | 0.057 | -0.838 | 300 | 710 | -0.132 | 0.077 | 0.133 | -0.394 | |
| 300 | 466 | 0.333 | 0.044 | 0.075 | 0.044 | 0.044 | 300 | 564 | 0.513 | 0.066 | 0.066 | 0.253 | -0.781 | 300 | 711 | -0.208 | 0.107 | 0.181 | -0.444 | |
| 300 | 466 | 0.333 | 0.044 | 0.075 | 0.044 | 0.044 | 300 | 565 | 0.567 | 0.099 | 0.099 | 0.169 | -1.194 | 300 | 712 | -0.333 | 0.188 | 0.444 | -0.789 | |
| 300 | 466 | 0.333 | 0.044 | 0.075 | 0.044 | 0.044 | 300 | 566 | 0.594 | 0.129 | 0.129 | 0.268 | -1.358 | 300 | 713 | -0.355 | 0.183 | 0.486 | -0.771 | |
| 300 | 466 | 0.333 | 0.044 | 0.075 | 0.044 | 0.044 | 300 | 567 | 0.496 | 0.060 | 0.060 | 0.319 | -0.818 | 300 | 714 | -0.327 | 0.167 | 0.630 | -0.669 | |
| 300 | 466 | 0.333 | 0.044 | 0.075 | 0.044 | 0.044 | 300 | 568 | 0.448 | 0.062 | 0.062 | 0.159 | -0.777 | 300 | 715 | -0.275 | 0.106 | 0.099 | -0.682 | |
| 300 | 466 | 0.333 | 0.044 | 0.075 | 0.044 | 0.044 | 300 | 569 | 0.424 | 0.058 | 0.058 | 0.029 | -0.660 | 300 | 716 | -0.299 | 0.058 | 0.099 | -0.486 | |
| 300 | 466 | 0.333 | 0.044 | 0.075 | 0.044 | 0.044 | 300 | 570 | 0.377 | 0.061 | 0.061 | 0.037 | -0.655 | 300 | 717 | -0.363 | 0.072 | 0.157 | -0.756 | |
| 300 | 466 | 0.333 | 0.044 | 0.075 | 0.044 | 0.044 | 300 | 571 | 0.326 | 0.074 | 0.074 | 0.056 | -0.648 | 300 | 718 | -0.309 | 0.051 | 0.134 | -0.518 | |
| 300 | 466 | 0.333 | 0.044 | 0.075 | 0.044 | 0.044 | 300 | 572 | 0.324 | 0.099 | 0.099 | 0.048 | -0.678 | 300 | 719 | -0.328 | 0.062 | 0.069 | -0.624 | |
| 300 | 466 | 0.333 | 0.044 | 0.075 | 0.044 | 0.044 | 300 | 573 | 0.439 | 0.128 | 0.128 | 0.036 | -0.918 | 300 | 720 | -0.340 | 0.088 | 0.104 | -0.810 | |
| 300 | 466 | 0.333 | 0.044 | 0.075 | 0.044 | 0.044 | 300 | 574 | 0.417 | 0.112 | 0.112 | 0.027 | -1.188 | 300 | 721 | -0.488 | 0.083 | 0.154 | -0.766 | |
| 300 | 466 | 0.333 | 0.044 | 0.075 | 0.044 | 0.044 | 300 | 575 | 0.416 | 0.103 | 0.103 | 0.009 | -0.869 | 300 | 801 | -0.140 | 0.063 | 0.152 | -0.429 | |
| 300 | 466 | 0.333 | 0.044 | 0.075 | 0.044 | 0.044 | 300 | 576 | 0.528 | 0.088 | 0.088 | 0.238 | -0.837 | 300 | 802 | -0.162 | 0.092 | 0.054 | -0.386 | |
| 300 | 466 | 0.333 | 0.044 | 0.075 | 0.044 | 0.044 | 300 | 577 | 0.505 | 0.068 | 0.068 | 0.207 | -0.850 | 300 | 803 | -0.105 | 0.068 | 0.150 | -0.409 | |
| 300 | 466 | 0.333 | 0.044 | 0.075 | 0.044 | 0.044 | 300 | 578 | 0.490 | 0.086 | 0.086 | 0.209 | -0.983 | 300 | 804 | -0.143 | 0.085 | 0.236 | -0.415 | |
| 300 | 466 | 0.333 | 0.044 | 0.075 | 0.044 | 0.044 | 300 | 579 | 0.475 | 0.071 | 0.071 | 0.278 | -0.809 | 300 | 805 | -0.301 | 0.146 | 0.320 | -0.637 | |
| 300 | 466 | 0.333 | 0.044 | 0.075 | 0.044 | 0.044 | 300 | 580 | 0.470 | 0.087 | 0.087 | 0.238 | -0.820 | 300 | 806 | -0.260 | 0.122 | 0.209 | -0.700 | |
| 300 | 466 | 0.333 | 0.044 | 0.075 | 0.044 | 0.044 | 300 | 581 | 0.412 | 0.074 | 0.074 | 0.140 | -0.819 | 300 | 807 | -0.308 | 0.066 | 0.006 | -0.563 | |
| 300 | 466 | 0.333 | 0.044 | 0.075 | 0.044 | 0.044 | 300 | 582 | 0.431 | 0.088 | 0.088 | 0.183 | -0.818 | 300 | 808 | -0.327 | 0.067 | 0.056 | -0.613 | |
| 300 | 466 | 0.333 | 0.044 | 0.075 | 0.044 | 0.044 | 300 | 583 | 0.367 | 0.093 | 0.093 | 0.076 | -0.744 | 300 | 809 | -0.347 | 0.074 | 0.072 | -0.691 | |
| 300 | 466 | 0.333 | 0.044 | 0.075 | 0.044 | 0.044 | 300 | 584 | 0.349 | 0.096 | 0.096 | 0.022 | -0.680 | 300 | 810 | -0.433 | 0.109 | 0.084 | -0.805 | |
| 300 | 466 | 0.333 | 0.044 | 0.075 | 0.044 | 0.044 | 300 | 585 | 0.394 | 0.112 | 0.112 | 0.001 | -0.933 | 300 | 901 | -0.769 | 0.176 | 0.263 | -1.406 | |
| 300 | 466 | 0.333 | 0.044 | 0.075 | 0.044 | 0.044 | 300 | 586 | 0.583 | 0.244 | 0.244 | 0.017 | -1.833 | 300 | 903 | -0.634 | 0.130 | 0.288 | -1.228 | |
| 300 | 466 | 0.333 | 0.044 | 0.075 | 0.044 | 0.044 | 300 | 587 | 0.577 | 0.321 | 0.321 | 0.096 | -2.212 | 300 | 904 | -0.407 | 0.150 | 0.047 | -1.162 | |
| 300 | 466 | 0.333 | 0.044 | 0.075 | 0.044 | 0.044 | 300 | 588 | 0.276 | 0.137 | 0.137 | 0.028 | -0.801 | 300 | 905 | -0.232 | 0.081 | 0.054 | -0.614 | |
| 300 | 466 | 0.333 | 0.044 | 0.075 | 0.044 | 0.044 | 300 | 589 | 0.318 | 0.140 | 0.140 | 0.060 | -0.996 | 300 | 906 | -0.507 | 0.117 | 0.127 | -1.021 | |
| 300 | 466 | 0.333 | 0.044 | 0.075 | 0.044 | 0.044 | 300 | 590 | 0.566 | 0.185 | 0.185 | 0.108 | -1.267 | 300 | 907 | -0.265 | 0.154 | 0.333 | -0.781 | |
| 300 | 466 | 0.333 | 0.044 | 0.075 | 0.044 | 0.044 | 300 | 591 | 0.359 | 0.083 | 0.083 | 0.097 | -0.764 | 300 | 908 | -0.738 | 0.132 | 0.261 | -1.270 | |
| 300 | 466 | 0.333 | 0.044 | 0.075 | 0.044 | 0.044 | 300 | 592 | 0.403 | 0.081 | 0.081 | 0.123 | -0.773 | 300 | 909 | -0.993 | 0.076 | 0.351 | -1.094 | |
| 300 | 466 | 0.333 | 0.044 | 0.075 | 0.044 | 0.044 | 300 | 593 | 0.366 | 0.062 | 0.062 | 0.154 | -0.611 | 300 | 910 | -0.643 | 0.083 | 0.315 | -0.935 | |
| 300 | 466 | 0.333 | 0.044 | 0.075 | 0.044 | 0.044 | 300 | 594 | 0.404 | 0.082 | 0.082 | 0.087 | -0.732 | 300 | 911 | -0.580 | 0.128 | 0.140 | -1.022 | |
| 300 | 466 | 0.333 | 0.044 | 0.075 | 0.044 | 0.044 | 300 | 595 | 0.380 | 0.119 | 0.119 | 0.100 | -0.779 | 300 | 912 | -0.473 | 0.093 | 0.177 | -0.930 | |
| 300 | 466 | 0.333 | 0.044 | 0.075 | 0.044 | 0.044 | 300 | 596 | 0.410 | 0.108 | 0.108 | 0.073 | -0.794 | 300 | 913 | -0.433 | 0.094 | 0.032 | -0.764 | |

APPENDIX A -- PRESSURE DATA:

CONFIGURATION A: OLYMPIA AND YORK OFFICE TOWER, DALLAS

| WD | TAP | CPMEAN | CPRMS | CPMAX | CPMIN | WD | TAP | CPMEAN | CPRMS | CPMAX | CPMIN | WD | TAP | CPMEAN | CPRMS | CPMAX | CPMIN |
|-----|------|--------|-------|-------|-------|-----|-----|--------|-------|-------|-------|-----|-----|--------|-------|-------|-------|
| 310 | 914 | .022 | .100 | .386 | .456 | 310 | 139 | .064 | .073 | .234 | .632 | 310 | 222 | .376 | .047 | .209 | .577 |
| 310 | 915 | .072 | .078 | .274 | .423 | 310 | 140 | .013 | .093 | .420 | .430 | 310 | 223 | .422 | .046 | .261 | .604 |
| 310 | 916 | .177 | .691 | .153 | .478 | 310 | 141 | .062 | .120 | .519 | .290 | 310 | 224 | .078 | .093 | .424 | .715 |
| 310 | 917 | .009 | .078 | .328 | .251 | 310 | 142 | .067 | .118 | .530 | .299 | 310 | 225 | .008 | .138 | .581 | .564 |
| 310 | 918 | .219 | .123 | .695 | .061 | 310 | 143 | .108 | .073 | .124 | .463 | 310 | 226 | .014 | .169 | .636 | .527 |
| 310 | 919 | .083 | .070 | .412 | .121 | 310 | 144 | .066 | .057 | .176 | .291 | 310 | 227 | .096 | .110 | .208 | .619 |
| 310 | 920 | .638 | .635 | .275 | .116 | 310 | 145 | .057 | .049 | .274 | .201 | 310 | 228 | .108 | .068 | .090 | .352 |
| 310 | 921 | .006 | .046 | .177 | .116 | 310 | 146 | .049 | .051 | .272 | .321 | 310 | 229 | .107 | .058 | .068 | .322 |
| 310 | 922 | .040 | .041 | .129 | .164 | 310 | 147 | .019 | .065 | .343 | .576 | 310 | 230 | .136 | .051 | .022 | .333 |
| 310 | 923 | .061 | .042 | .100 | .182 | 310 | 148 | .049 | .094 | .544 | .174 | 310 | 231 | .156 | .045 | .021 | .308 |
| 310 | 924 | .215 | .040 | .052 | .355 | 310 | 149 | .068 | .076 | .369 | .170 | 310 | 232 | .173 | .043 | .023 | .337 |
| 310 | 925 | .308 | .043 | .111 | .478 | 310 | 150 | .079 | .066 | .159 | .445 | 310 | 233 | .191 | .051 | .014 | .377 |
| 310 | 1011 | .600 | .043 | .650 | .658 | 310 | 151 | .096 | .052 | .087 | .333 | 310 | 234 | .351 | .043 | .188 | .510 |
| 310 | 1012 | .099 | .180 | .012 | .802 | 310 | 152 | .064 | .042 | .072 | .280 | 310 | 235 | .403 | .041 | .248 | .569 |
| 310 | 1013 | .087 | .173 | .736 | .667 | 310 | 153 | .073 | .037 | .060 | .234 | 310 | 236 | .071 | .099 | .342 | .606 |
| 310 | 1014 | .095 | .159 | .699 | .580 | 310 | 154 | .039 | .035 | .093 | .246 | 310 | 237 | .003 | .136 | .559 | .572 |
| 310 | 1015 | .153 | .156 | .611 | .723 | 310 | 155 | .053 | .034 | .078 | .244 | 310 | 238 | .005 | .157 | .586 | .570 |
| 310 | 1016 | .092 | .134 | .595 | .475 | 310 | 156 | .039 | .033 | .085 | .202 | 310 | 239 | .106 | .105 | .193 | .542 |
| 310 | 1017 | .167 | .157 | .641 | .507 | 310 | 157 | .103 | .100 | .187 | .366 | 310 | 240 | .089 | .070 | .098 | .426 |
| 310 | 1018 | .073 | .133 | .730 | .874 | 310 | 158 | .115 | .087 | .123 | .354 | 310 | 241 | .087 | .059 | .083 | .288 |
| 310 | 1019 | .603 | .167 | .519 | .443 | 310 | 159 | .063 | .054 | .094 | .373 | 310 | 242 | .110 | .052 | .049 | .312 |
| 310 | 1020 | .080 | .091 | .269 | .507 | 310 | 160 | .053 | .025 | .028 | .146 | 310 | 243 | .122 | .047 | .039 | .270 |
| 310 | 1021 | .116 | .161 | .481 | .634 | 310 | 161 | .041 | .024 | .034 | .119 | 310 | 244 | .125 | .043 | .038 | .278 |
| 310 | 1022 | .121 | .105 | .438 | .747 | 310 | 162 | .103 | .091 | .082 | .748 | 310 | 245 | .148 | .049 | .053 | .308 |
| 310 | 1023 | .641 | .142 | .688 | .574 | 310 | 163 | .052 | .039 | .153 | .191 | 310 | 246 | .231 | .046 | .076 | .430 |
| 310 | 1024 | .929 | .159 | .554 | .255 | 310 | 164 | .055 | .035 | .058 | .189 | 310 | 247 | .389 | .051 | .208 | .589 |
| 310 | 1025 | .699 | .129 | .572 | .709 | 310 | 165 | .048 | .034 | .077 | .194 | 310 | 248 | .062 | .102 | .288 | .552 |
| 310 | 1026 | .077 | .105 | .544 | .613 | 310 | 166 | .024 | .027 | .075 | .123 | 310 | 249 | .010 | .125 | .473 | .584 |
| 310 | 1027 | .082 | .069 | .315 | .354 | 310 | 167 | .046 | .027 | .034 | .155 | 310 | 250 | .022 | .150 | .376 | .413 |
| 310 | 1028 | .101 | .094 | .136 | .723 | 310 | 201 | .187 | .130 | .671 | .715 | 310 | 251 | .098 | .102 | .189 | .617 |
| 310 | 1029 | .115 | .115 | .537 | .861 | 310 | 202 | .173 | .113 | .379 | .616 | 310 | 252 | .063 | .063 | .137 | .317 |
| 310 | 1030 | .140 | .155 | .631 | .697 | 310 | 203 | .184 | .124 | .523 | .474 | 310 | 253 | .067 | .054 | .102 | .253 |
| 310 | 1031 | .140 | .159 | .622 | .377 | 310 | 204 | .248 | .071 | .036 | .532 | 310 | 254 | .094 | .048 | .058 | .266 |
| 310 | 1032 | .035 | .140 | .656 | .811 | 310 | 205 | .238 | .051 | .055 | .463 | 310 | 255 | .106 | .045 | .044 | .250 |
| 310 | 1033 | .057 | .121 | .617 | .602 | 310 | 206 | .232 | .051 | .061 | .456 | 310 | 256 | .109 | .043 | .056 | .241 |
| 310 | 1034 | .057 | .074 | .293 | .384 | 310 | 207 | .264 | .047 | .043 | .493 | 310 | 257 | .136 | .048 | .073 | .293 |
| 310 | 1035 | .113 | .066 | .116 | .613 | 310 | 208 | .330 | .042 | .136 | .537 | 310 | 258 | .300 | .052 | .101 | .510 |
| 310 | 1036 | .059 | .100 | .464 | .660 | 310 | 209 | .373 | .038 | .223 | .611 | 310 | 259 | .361 | .056 | .167 | .552 |
| 310 | 1037 | .022 | .139 | .676 | .463 | 310 | 210 | .302 | .041 | .142 | .505 | 310 | 260 | .015 | .089 | .438 | .342 |
| 310 | 1038 | .040 | .142 | .605 | .336 | 310 | 211 | .353 | .041 | .198 | .563 | 310 | 261 | .053 | .115 | .490 | .305 |
| 310 | 1039 | .012 | .126 | .540 | .426 | 310 | 212 | .112 | .115 | .413 | .727 | 310 | 262 | .041 | .121 | .484 | .338 |
| 310 | 1040 | .008 | .118 | .568 | .357 | 310 | 213 | .074 | .119 | .480 | .687 | 310 | 263 | .075 | .075 | .169 | .380 |
| 310 | 1041 | .062 | .068 | .321 | .368 | 310 | 214 | .067 | .157 | .609 | .503 | 310 | 264 | .069 | .053 | .098 | .375 |
| 310 | 1042 | .075 | .143 | .445 | .445 | 310 | 215 | .192 | .105 | .153 | .658 | 310 | 265 | .073 | .047 | .080 | .231 |
| 310 | 1043 | .033 | .427 | .362 | .362 | 310 | 216 | .157 | .074 | .061 | .492 | 310 | 266 | .091 | .042 | .064 | .243 |
| 310 | 1044 | .131 | .605 | .319 | .319 | 310 | 217 | .175 | .054 | .021 | .399 | 310 | 267 | .114 | .040 | .032 | .223 |
| 310 | 1045 | .066 | .135 | .786 | .388 | 310 | 218 | .197 | .049 | .026 | .466 | 310 | 268 | .113 | .042 | .028 | .233 |
| 310 | 1046 | .015 | .132 | .727 | .433 | 310 | 219 | .320 | .040 | .169 | .452 | 310 | 269 | .175 | .043 | .022 | .319 |
| 310 | 1047 | .014 | .122 | .514 | .461 | 310 | 220 | .388 | .042 | .228 | .532 | 310 | 270 | .333 | .048 | .161 | .488 |
| 310 | 1048 | .019 | .079 | .308 | .334 | 310 | 221 | .335 | .047 | .110 | .512 | 310 | 271 | .412 | .048 | .244 | .598 |

APPENDIX A -- PRESSURE DATA:

CONFIGURATION A: OLYMPIA AND YORK OFFICE TOWER, DALLAS

| WD | TAP | CP | MEAN | CP | MAX | CP | MIN | WD | TAP | CP | MEAN | CP | MAX | CP | MIN | WD | TAP | CP | MEAN | CP | MAX | CP | MIN |
|-----|-----|----|------|----|-----|----|-----|-----|-----|----|------|----|-----|----|-----|-----|-----|----|------|----|-----|----|------|
| 310 | 272 | 0 | 016 | 0 | 057 | 0 | 287 | 310 | 413 | - | 620 | 0 | 090 | - | 383 | 310 | 463 | - | 374 | 0 | 069 | - | 143 |
| 310 | 273 | 0 | 020 | 0 | 080 | 0 | 496 | 310 | 414 | - | 661 | 0 | 106 | - | 390 | 310 | 464 | - | 333 | 0 | 084 | - | 010 |
| 310 | 274 | 0 | 023 | 0 | 083 | 0 | 413 | 310 | 415 | - | 492 | 0 | 048 | - | 316 | 310 | 465 | - | 373 | 0 | 076 | - | 082 |
| 310 | 275 | 0 | 037 | 0 | 053 | 0 | 175 | 310 | 416 | - | 474 | 0 | 048 | - | 291 | 310 | 466 | - | 378 | 0 | 114 | - | 068 |
| 310 | 276 | 0 | 050 | 0 | 047 | 0 | 109 | 310 | 417 | - | 480 | 0 | 046 | - | 339 | 310 | 467 | - | 381 | 0 | 159 | - | 221 |
| 310 | 277 | 0 | 068 | 0 | 043 | 0 | 676 | 310 | 418 | - | 487 | 0 | 056 | - | 317 | 310 | 468 | - | 538 | 0 | 112 | - | 197 |
| 310 | 278 | 0 | 084 | 0 | 040 | 0 | 082 | 310 | 419 | - | 525 | 0 | 065 | - | 328 | 310 | 501 | - | 602 | 0 | 086 | - | 062 |
| 310 | 279 | 0 | 112 | 0 | 040 | 0 | 022 | 310 | 420 | - | 517 | 0 | 063 | - | 321 | 310 | 502 | - | 541 | 0 | 098 | - | 002 |
| 310 | 280 | 0 | 115 | 0 | 042 | 0 | 026 | 310 | 421 | - | 545 | 0 | 068 | - | 333 | 310 | 503 | - | 522 | 0 | 098 | - | 342 |
| 310 | 281 | 0 | 193 | 0 | 043 | 0 | 022 | 310 | 422 | - | 495 | 0 | 043 | - | 351 | 310 | 504 | - | 416 | 0 | 063 | - | 113 |
| 310 | 282 | 0 | 331 | 0 | 063 | 0 | 267 | 310 | 423 | - | 512 | 0 | 045 | - | 371 | 310 | 505 | - | 416 | 0 | 068 | - | 030 |
| 310 | 283 | 0 | 576 | 0 | 059 | 0 | 341 | 310 | 424 | - | 496 | 0 | 043 | - | 366 | 310 | 506 | - | 277 | 0 | 078 | - | 109 |
| 310 | 284 | 0 | 025 | 0 | 028 | 0 | 113 | 310 | 425 | - | 511 | 0 | 042 | - | 380 | 310 | 507 | - | 205 | 0 | 073 | - | 029 |
| 310 | 285 | 0 | 045 | 0 | 030 | 0 | 054 | 310 | 426 | - | 520 | 0 | 056 | - | 314 | 310 | 508 | - | 177 | 0 | 097 | - | 160 |
| 310 | 286 | 0 | 056 | 0 | 046 | 0 | 079 | 310 | 427 | - | 541 | 0 | 063 | - | 328 | 310 | 509 | - | 232 | 0 | 130 | - | 197 |
| 310 | 287 | 0 | 055 | 0 | 046 | 0 | 079 | 310 | 428 | - | 532 | 0 | 066 | - | 321 | 310 | 510 | - | 227 | 0 | 149 | - | 256 |
| 310 | 288 | 0 | 098 | 0 | 033 | 0 | 025 | 310 | 429 | - | 512 | 0 | 058 | - | 307 | 310 | 511 | - | 585 | 0 | 063 | - | 369 |
| 310 | 289 | 0 | 139 | 0 | 046 | 0 | 021 | 310 | 430 | - | 516 | 0 | 064 | - | 299 | 310 | 512 | - | 608 | 0 | 086 | - | 362 |
| 310 | 290 | 0 | 401 | 0 | 048 | 0 | 230 | 310 | 431 | - | 550 | 0 | 064 | - | 319 | 310 | 513 | - | 687 | 0 | 104 | - | 261 |
| 310 | 291 | 0 | 503 | 0 | 073 | 0 | 236 | 310 | 432 | - | 556 | 0 | 061 | - | 343 | 310 | 514 | - | 441 | 0 | 083 | - | 039 |
| 310 | 292 | 0 | 607 | 0 | 073 | 0 | 323 | 310 | 433 | - | 571 | 0 | 066 | - | 373 | 310 | 515 | - | 380 | 0 | 074 | - | 260 |
| 310 | 293 | 0 | 645 | 0 | 058 | 0 | 647 | 310 | 434 | - | 577 | 0 | 081 | - | 346 | 310 | 516 | - | 507 | 0 | 071 | - | 261 |
| 310 | 294 | 0 | 017 | 0 | 026 | 0 | 131 | 310 | 435 | - | 611 | 0 | 087 | - | 355 | 310 | 517 | - | 559 | 0 | 076 | - | 287 |
| 310 | 295 | 0 | 021 | 0 | 035 | 0 | 165 | 310 | 436 | - | 479 | 0 | 072 | - | 196 | 310 | 518 | - | 536 | 0 | 072 | - | 296 |
| 310 | 296 | 0 | 047 | 0 | 039 | 0 | 157 | 310 | 437 | - | 491 | 0 | 063 | - | 240 | 310 | 519 | - | 524 | 0 | 060 | - | 260 |
| 310 | 297 | 0 | 062 | 0 | 043 | 0 | 128 | 310 | 438 | - | 514 | 0 | 066 | - | 270 | 310 | 520 | - | 516 | 0 | 077 | - | 074 |
| 310 | 298 | 0 | 373 | 0 | 043 | 0 | 218 | 310 | 439 | - | 575 | 0 | 074 | - | 340 | 310 | 521 | - | 517 | 0 | 072 | - | 171 |
| 310 | 299 | 0 | 564 | 0 | 070 | 0 | 236 | 310 | 440 | - | 604 | 0 | 099 | - | 333 | 310 | 522 | - | 454 | 0 | 078 | - | 035 |
| 310 | 300 | 0 | 121 | 0 | 090 | 0 | 024 | 310 | 441 | - | 751 | 0 | 172 | - | 315 | 310 | 523 | - | 206 | 0 | 091 | - | 240 |
| 310 | 301 | 0 | 615 | 0 | 025 | 0 | 074 | 310 | 442 | - | 777 | 0 | 132 | - | 456 | 310 | 524 | - | 129 | 0 | 100 | - | 256 |
| 310 | 302 | 0 | 025 | 0 | 026 | 0 | 071 | 310 | 443 | - | 570 | 0 | 072 | - | 252 | 310 | 525 | - | 102 | 0 | 094 | - | 252 |
| 310 | 303 | 0 | 017 | 0 | 029 | 0 | 113 | 310 | 444 | - | 558 | 0 | 060 | - | 277 | 310 | 526 | - | 123 | 0 | 131 | - | 363 |
| 310 | 304 | 0 | 006 | 0 | 026 | 0 | 093 | 310 | 445 | - | 593 | 0 | 074 | - | 271 | 310 | 527 | - | 133 | 0 | 139 | - | 374 |
| 310 | 305 | 0 | 074 | 0 | 045 | 0 | 074 | 310 | 446 | - | 630 | 0 | 087 | - | 312 | 310 | 528 | - | 530 | 0 | 061 | - | 364 |
| 310 | 306 | 0 | 059 | 0 | 043 | 0 | 073 | 310 | 447 | - | 527 | 0 | 077 | - | 254 | 310 | 529 | - | 577 | 0 | 074 | - | 383 |
| 310 | 307 | 0 | 041 | 0 | 068 | 0 | 206 | 310 | 448 | - | 469 | 0 | 088 | - | 211 | 310 | 530 | - | 544 | 0 | 071 | - | 351 |
| 310 | 308 | 0 | 271 | 0 | 051 | 0 | 056 | 310 | 449 | - | 567 | 0 | 128 | - | 219 | 310 | 531 | - | 510 | 0 | 061 | - | 150 |
| 310 | 309 | 0 | 450 | 0 | 057 | 0 | 215 | 310 | 450 | - | 680 | 0 | 101 | - | 469 | 310 | 532 | - | 443 | 0 | 079 | - | 021 |
| 310 | 310 | 0 | 454 | 0 | 054 | 0 | 267 | 310 | 451 | - | 638 | 0 | 084 | - | 406 | 310 | 533 | - | 373 | 0 | 098 | - | 197 |
| 310 | 311 | 0 | 482 | 0 | 056 | 0 | 281 | 310 | 452 | - | 614 | 0 | 074 | - | 260 | 310 | 534 | - | 321 | 0 | 096 | - | 336 |
| 310 | 312 | 0 | 524 | 0 | 053 | 0 | 373 | 310 | 453 | - | 560 | 0 | 087 | - | 290 | 310 | 535 | - | 144 | 0 | 089 | - | 304 |
| 310 | 313 | 0 | 596 | 0 | 060 | 0 | 378 | 310 | 454 | - | 567 | 0 | 099 | - | 302 | 310 | 536 | - | 059 | 0 | 092 | - | 362 |
| 310 | 314 | 0 | 641 | 0 | 088 | 0 | 421 | 310 | 455 | - | 492 | 0 | 093 | - | 244 | 310 | 537 | - | 062 | 0 | 094 | - | 315 |
| 310 | 315 | 0 | 634 | 0 | 094 | 0 | 356 | 310 | 456 | - | 511 | 0 | 088 | - | 182 | 310 | 538 | - | 039 | 0 | 110 | - | 375 |
| 310 | 316 | 0 | 507 | 0 | 067 | 0 | 298 | 310 | 457 | - | 591 | 0 | 066 | - | 343 | 310 | 539 | - | 055 | 0 | 100 | - | 369 |
| 310 | 317 | 0 | 565 | 0 | 067 | 0 | 365 | 310 | 458 | - | 565 | 0 | 070 | - | 310 | 310 | 540 | - | 591 | 0 | 084 | - | 332 |
| 310 | 318 | 0 | 514 | 0 | 080 | 0 | 269 | 310 | 459 | - | 549 | 0 | 063 | - | 323 | 310 | 541 | - | 638 | 0 | 091 | - | 1022 |
| 310 | 319 | 0 | 553 | 0 | 056 | 0 | 361 | 310 | 460 | - | 424 | 0 | 173 | - | 134 | 310 | 542 | - | 616 | 0 | 094 | - | 359 |
| 310 | 320 | 0 | 538 | 0 | 060 | 0 | 363 | 310 | 461 | - | 526 | 0 | 099 | - | 132 | 310 | 543 | - | 524 | 0 | 063 | - | 265 |
| 310 | 321 | 0 | 579 | 0 | 074 | 0 | 336 | 310 | 462 | - | 456 | 0 | 065 | - | 066 | 310 | 544 | - | 513 | 0 | 087 | - | 034 |

APPENDIX A -- PRESSURE DATA:

CONFIGURATION A:

OLYMPIA AND YORK OFFICE TOWER, DALLAS

| WD | TAP | CFMEAN | CFRMS | CFMAX | CFMIN | WD | TAP | CFMEAN | CFRMS | CFMAX | CFMIN | WD | TAP | CFMEAN | CFRMS | CFMAX | CFMIN |
|-----|-----|--------|-------|-------|-------|-----|-----|--------|-------|-------|--------|-----|-----|--------|-------|-------|-------|
| 310 | 354 | -.392 | .077 | .136 | -.657 | 310 | 595 | -.352 | .133 | .195 | -.886 | 310 | 912 | -.488 | .088 | -.084 | -.984 |
| 310 | 355 | -.324 | .082 | .116 | -.737 | 310 | 596 | -.330 | .125 | .091 | -1.115 | 310 | 913 | -.314 | .084 | -.119 | -.602 |
| 310 | 356 | -.193 | .079 | .508 | -.423 | 310 | 597 | -.154 | .144 | .333 | -.978 | 310 | 914 | -.049 | .043 | .197 | -.236 |
| 310 | 357 | -.673 | .088 | .463 | -.433 | 310 | 598 | -.062 | .115 | .361 | -.776 | 310 | 915 | -.030 | .043 | .137 | -.286 |
| 310 | 358 | -.055 | .088 | .320 | -.422 | 310 | 599 | -.017 | .107 | .339 | -.604 | 310 | 916 | -.079 | .053 | .272 | -.304 |
| 310 | 359 | -.636 | .110 | .387 | -.453 | 310 | 600 | -.007 | .077 | .363 | -.297 | 310 | 917 | -.043 | .048 | .290 | -.212 |
| 310 | 360 | -.070 | .119 | .366 | -.384 | 310 | 601 | -.009 | .093 | .371 | -.443 | 310 | 918 | -.033 | .091 | .494 | -.209 |
| 310 | 361 | -.558 | .105 | .212 | -.163 | 310 | 602 | -.016 | .084 | .360 | -.433 | 310 | 919 | -.006 | .074 | .383 | -.182 |
| 310 | 362 | -.772 | .177 | -.209 | -.729 | 310 | 603 | -.014 | .085 | .273 | -.265 | 310 | 920 | -.058 | .058 | .220 | -.235 |
| 310 | 363 | -.554 | .154 | -.369 | -.566 | 310 | 701 | -.046 | .042 | .108 | -.216 | 310 | 921 | -.062 | .053 | .164 | -.219 |
| 310 | 364 | -.722 | .068 | .304 | -.852 | 310 | 702 | -.020 | .042 | .146 | -.188 | 310 | 922 | -.108 | .049 | .088 | -.264 |
| 310 | 365 | -.524 | .066 | .124 | -.847 | 310 | 703 | -.017 | .037 | .194 | -.116 | 310 | 923 | -.073 | .044 | .106 | -.199 |
| 310 | 366 | -.777 | .060 | .125 | -.917 | 310 | 704 | -.009 | .049 | .180 | -.251 | 310 | 924 | -.276 | .044 | -.129 | -.453 |
| 310 | 367 | -.555 | .060 | .602 | -.636 | 310 | 705 | -.163 | .125 | .216 | -.671 | 310 | 925 | -.364 | .050 | -.193 | -.350 |
| 310 | 368 | -.799 | .057 | .098 | -.418 | 310 | 706 | -.094 | .125 | .359 | -.257 | 320 | 101 | -.163 | .195 | .820 | -.339 |
| 310 | 369 | -.536 | .055 | .136 | -.453 | 310 | 707 | -.093 | .124 | .707 | -.194 | 320 | 102 | -.134 | .207 | .769 | -.473 |
| 310 | 370 | -.611 | .083 | .142 | -.560 | 310 | 708 | -.033 | .073 | .372 | -.173 | 320 | 103 | -.028 | .149 | .890 | -.445 |
| 310 | 371 | -.127 | .123 | .367 | -.710 | 310 | 709 | -.086 | .044 | .056 | -.334 | 320 | 104 | -.083 | .144 | .709 | -.314 |
| 310 | 372 | -.187 | .125 | .244 | -.762 | 310 | 710 | -.015 | .046 | .220 | -.188 | 320 | 105 | -.242 | .236 | .498 | -.113 |
| 310 | 373 | -.444 | .077 | .236 | -.895 | 310 | 711 | -.039 | .085 | .261 | -.435 | 320 | 106 | -.025 | .166 | .637 | -.763 |
| 310 | 374 | -.549 | .092 | .201 | -.029 | 310 | 712 | -.081 | .143 | .464 | -.669 | 320 | 107 | -.127 | .146 | .553 | -.490 |
| 310 | 375 | -.722 | .133 | .647 | -.263 | 310 | 713 | -.086 | .174 | .636 | -.604 | 320 | 108 | -.221 | .186 | .868 | -.586 |
| 310 | 376 | -.422 | .075 | .243 | -.837 | 310 | 714 | -.072 | .188 | .683 | -.713 | 320 | 109 | -.204 | .169 | .967 | -.288 |
| 310 | 377 | -.777 | .073 | .262 | -.813 | 310 | 715 | -.095 | .098 | .358 | -.387 | 320 | 110 | -.062 | .110 | .507 | -.240 |
| 310 | 378 | -.437 | .051 | .189 | -.722 | 310 | 716 | -.261 | .062 | -.047 | -.625 | 320 | 111 | -.097 | .071 | .457 | -.345 |
| 310 | 379 | -.383 | .056 | .136 | -.696 | 310 | 717 | -.332 | .102 | -.074 | -1.221 | 320 | 112 | -.336 | .183 | .273 | -.111 |
| 310 | 380 | -.771 | .056 | .055 | -.308 | 310 | 718 | -.291 | .060 | -.104 | -.572 | 320 | 113 | -.159 | .145 | .364 | -.754 |
| 310 | 381 | -.188 | .066 | .639 | -.472 | 310 | 719 | -.299 | .060 | -.087 | -.645 | 320 | 114 | -.171 | .124 | .431 | -.658 |
| 310 | 382 | -.200 | .075 | .051 | -.504 | 310 | 720 | -.309 | .084 | -.076 | -.747 | 320 | 115 | -.244 | .185 | .983 | -.526 |
| 310 | 383 | -.444 | .104 | .672 | -.766 | 310 | 721 | -.483 | .089 | -.174 | -.727 | 320 | 116 | -.240 | .168 | .863 | -.311 |
| 310 | 384 | -.265 | .097 | .993 | -.727 | 310 | 801 | -.055 | .091 | -.396 | -.324 | 320 | 117 | -.087 | .100 | .478 | -.192 |
| 310 | 385 | -.556 | .087 | .286 | -.966 | 310 | 802 | -.033 | .040 | .112 | -.261 | 320 | 118 | -.109 | .077 | .211 | -.380 |
| 310 | 386 | -.777 | .093 | .275 | -.231 | 310 | 803 | -.008 | .052 | .199 | -.174 | 320 | 119 | -.378 | .201 | .347 | -.156 |
| 310 | 387 | -.556 | .100 | .178 | -.876 | 310 | 804 | -.062 | .083 | .371 | -.303 | 320 | 120 | -.164 | .182 | .629 | -.024 |
| 310 | 388 | -.522 | .087 | .137 | -.830 | 310 | 805 | -.037 | .151 | .546 | -.470 | 320 | 121 | -.166 | .128 | .457 | -.837 |
| 310 | 389 | -.794 | .102 | .136 | -.049 | 310 | 806 | -.063 | .124 | .410 | -.510 | 320 | 122 | -.265 | .164 | .938 | -.352 |
| 310 | 390 | -.501 | .097 | .209 | -.849 | 310 | 807 | -.259 | .073 | .014 | -.549 | 320 | 123 | -.235 | .158 | .973 | -.229 |
| 310 | 391 | -.484 | .091 | .153 | -.831 | 310 | 808 | -.324 | .081 | -.037 | -.633 | 320 | 124 | -.097 | .093 | .445 | -.165 |
| 310 | 392 | -.418 | .087 | .141 | -.820 | 310 | 809 | -.317 | .078 | -.109 | -.642 | 320 | 125 | -.123 | .073 | .158 | -.393 |
| 310 | 393 | -.334 | .081 | .610 | -.763 | 310 | 810 | -.420 | .126 | -.009 | -.837 | 320 | 126 | -.358 | .212 | .326 | -.130 |
| 310 | 394 | -.224 | .066 | .031 | -.461 | 310 | 901 | -.451 | .119 | -.066 | -1.091 | 320 | 127 | -.151 | .198 | .488 | -.940 |
| 310 | 395 | -.209 | .086 | .092 | -.328 | 310 | 903 | -.288 | .083 | .014 | -.730 | 320 | 128 | -.126 | .141 | .424 | -.742 |
| 310 | 396 | -.280 | .130 | .057 | -.117 | 310 | 904 | -.287 | .061 | -.074 | -.552 | 320 | 129 | -.206 | .141 | .790 | -.249 |
| 310 | 397 | -.077 | .053 | .124 | -.380 | 310 | 905 | -.244 | .100 | .176 | -.631 | 320 | 130 | -.219 | .146 | .950 | -.220 |
| 310 | 398 | -.093 | .056 | .090 | -.485 | 310 | 906 | -.254 | .104 | .270 | -.789 | 320 | 131 | -.069 | .087 | .427 | -.174 |
| 310 | 399 | -.556 | .210 | .007 | -.344 | 310 | 907 | -.210 | .082 | -.265 | -.560 | 320 | 132 | -.087 | .067 | .291 | -.373 |
| 310 | 400 | -.361 | .112 | .002 | -.987 | 310 | 908 | -.597 | .088 | -.243 | -1.098 | 320 | 133 | -.267 | .174 | .369 | -.064 |
| 310 | 401 | -.481 | .106 | .119 | -.666 | 310 | 909 | -.544 | .056 | -.356 | -.826 | 320 | 134 | -.067 | .134 | .476 | -.684 |
| 310 | 402 | -.400 | .076 | .124 | -.691 | 310 | 910 | -.570 | .059 | -.343 | -.936 | 320 | 135 | -.106 | .119 | .442 | -.578 |
| 310 | 403 | -.427 | .122 | .002 | -.933 | 310 | 911 | -.472 | .077 | -.128 | -.846 | 320 | 136 | -.120 | .118 | .645 | -.181 |

APPENDIX A -- PRESSURE DATA:

CONFIGURATION A: OLYMPIA AND YORK OFFICE TOWER, DALLAS

| WD | TAP | CPMEAN | CPRMS | CPMAX | CPMIN | WD | TAP | CPMEAN | CPRMS | CPMAX | CPMIN | WD | TAP | CPMEAN | CPRMS | CPMAX | CPMIN |
|-----|-----|--------|-------|-------|--------|-----|-----|--------|-------|-------|--------|-----|-----|--------|-------|-------|--------|
| 320 | 137 | .126 | .112 | .552 | -.270 | 320 | 220 | -.437 | .049 | -.294 | -.692 | 320 | 270 | -.353 | .053 | -.156 | -.535 |
| 320 | 138 | .064 | .076 | .465 | -.273 | 320 | 221 | -.377 | .050 | -.178 | -.603 | 320 | 271 | -.424 | .054 | -.251 | -.633 |
| 320 | 139 | .082 | .057 | .266 | -.339 | 320 | 222 | -.413 | .052 | -.188 | -.633 | 320 | 272 | -.153 | .119 | .142 | -.918 |
| 320 | 140 | .192 | .148 | .360 | -.819 | 320 | 223 | -.459 | .052 | -.234 | -.674 | 320 | 273 | -.119 | .088 | .154 | -.674 |
| 320 | 141 | .072 | .113 | .364 | -.633 | 320 | 224 | -.409 | .173 | -.116 | -.950 | 320 | 274 | -.137 | .082 | .150 | -.582 |
| 320 | 142 | .073 | .117 | .527 | -.528 | 320 | 225 | -.262 | .161 | -.263 | -.994 | 320 | 275 | -.174 | .069 | .119 | -.502 |
| 320 | 143 | .031 | .073 | .377 | -.269 | 320 | 226 | -.287 | .119 | -.142 | -.855 | 320 | 276 | -.128 | .047 | .080 | -.311 |
| 320 | 144 | .012 | .083 | .422 | -.334 | 320 | 227 | -.338 | .166 | -.067 | -.826 | 320 | 277 | -.134 | .041 | .043 | -.296 |
| 320 | 145 | .001 | .070 | .470 | -.210 | 320 | 228 | -.224 | .069 | -.061 | -.733 | 320 | 278 | -.141 | .038 | .065 | -.286 |
| 320 | 146 | .046 | .047 | .135 | -.258 | 320 | 229 | -.187 | .051 | -.036 | -.463 | 320 | 279 | -.160 | .033 | -.039 | -.283 |
| 320 | 147 | .080 | .110 | .169 | -.736 | 320 | 230 | -.201 | .044 | -.034 | -.413 | 320 | 280 | -.159 | .037 | .026 | -.291 |
| 320 | 148 | .024 | .071 | .350 | -.347 | 320 | 231 | -.211 | .040 | -.049 | -.382 | 320 | 281 | -.230 | .041 | -.091 | -.374 |
| 320 | 149 | .080 | .061 | .168 | -.363 | 320 | 232 | -.220 | .036 | -.094 | -.336 | 320 | 282 | -.519 | .068 | -.191 | -.764 |
| 320 | 150 | .036 | .065 | .248 | -.250 | 320 | 233 | -.239 | .043 | -.081 | -.381 | 320 | 283 | -.373 | .067 | -.320 | -.941 |
| 320 | 151 | .086 | .058 | .070 | -.402 | 320 | 234 | -.385 | .045 | -.185 | -.535 | 320 | 284 | -.051 | .031 | .063 | -.200 |
| 320 | 152 | .051 | .042 | .683 | -.209 | 320 | 235 | -.436 | .045 | -.236 | -.596 | 320 | 285 | -.063 | .033 | .038 | -.234 |
| 320 | 153 | .053 | .035 | .096 | -.187 | 320 | 236 | -.306 | .169 | -.161 | -1.015 | 320 | 286 | -.098 | .029 | -.001 | -.206 |
| 320 | 154 | .022 | .041 | .112 | -.225 | 320 | 237 | -.175 | .145 | -.455 | -.917 | 320 | 287 | -.113 | .042 | .031 | -.251 |
| 320 | 155 | .022 | .037 | .080 | -.221 | 320 | 238 | -.211 | .125 | -.496 | -.760 | 320 | 288 | -.138 | .032 | .008 | -.231 |
| 320 | 156 | .057 | .034 | .104 | -.209 | 320 | 239 | -.285 | .114 | -.228 | -.841 | 320 | 289 | -.161 | .036 | -.014 | -.281 |
| 320 | 157 | .024 | .100 | .277 | -.304 | 320 | 240 | -.203 | .071 | -.096 | -.660 | 320 | 290 | -.407 | .053 | -.208 | -.677 |
| 320 | 158 | .055 | .105 | .658 | -.727 | 320 | 241 | -.163 | .053 | -.036 | -.370 | 320 | 291 | -.513 | .076 | -.227 | -.829 |
| 320 | 159 | .107 | .072 | .085 | -.480 | 320 | 242 | -.172 | .043 | -.025 | -.369 | 320 | 292 | -.609 | .081 | -.268 | -.911 |
| 320 | 160 | .049 | .024 | .033 | -.128 | 320 | 243 | -.177 | .040 | -.022 | -.321 | 320 | 293 | -.058 | .028 | .033 | -.173 |
| 320 | 161 | .039 | .026 | .050 | -.120 | 320 | 244 | -.182 | .035 | -.041 | -.371 | 320 | 294 | -.042 | .027 | .069 | -.133 |
| 320 | 162 | .158 | .130 | .080 | -.821 | 320 | 245 | -.204 | .045 | -.019 | -.388 | 320 | 295 | -.048 | .035 | .085 | -.185 |
| 320 | 163 | .062 | .046 | .089 | -.319 | 320 | 246 | -.308 | .048 | -.142 | -.596 | 320 | 296 | -.101 | .035 | .063 | -.299 |
| 320 | 164 | .059 | .032 | .051 | -.168 | 320 | 247 | -.430 | .057 | -.236 | -.626 | 320 | 297 | -.112 | .038 | .038 | -.273 |
| 320 | 165 | .047 | .036 | .080 | -.184 | 320 | 248 | -.292 | .167 | -.131 | -1.112 | 320 | 298 | -.393 | .048 | -.219 | -.552 |
| 320 | 166 | .018 | .027 | .086 | -.096 | 320 | 249 | -.154 | .130 | -.296 | -.877 | 320 | 299 | -.310 | .070 | -.262 | -.784 |
| 320 | 167 | .038 | .025 | .040 | -.115 | 320 | 250 | -.201 | .112 | -.307 | -.882 | 320 | 300 | -.620 | .121 | -.145 | -1.183 |
| 320 | 201 | .451 | .189 | .126 | -1.227 | 320 | 251 | -.276 | .116 | -.067 | -.851 | 320 | 301 | -.023 | .027 | .066 | -.113 |
| 320 | 202 | .294 | .124 | .338 | -.877 | 320 | 252 | -.181 | .067 | -.054 | -.613 | 320 | 302 | -.040 | .027 | .058 | -.128 |
| 320 | 203 | .328 | .121 | .311 | -.923 | 320 | 253 | -.145 | .051 | -.034 | -.373 | 320 | 303 | -.025 | .028 | .088 | -.120 |
| 320 | 204 | .343 | .089 | -.029 | -1.032 | 320 | 254 | -.154 | .044 | -.047 | -.337 | 320 | 304 | -.000 | .030 | .126 | -.101 |
| 320 | 205 | .261 | .063 | -.033 | -.668 | 320 | 255 | -.160 | .041 | -.039 | -.344 | 320 | 305 | -.130 | .036 | -.009 | -.248 |
| 320 | 206 | .240 | .053 | .016 | -.320 | 320 | 256 | -.169 | .039 | -.043 | -.323 | 320 | 306 | -.120 | .042 | .035 | -.236 |
| 320 | 207 | .274 | .047 | -.075 | -.576 | 320 | 257 | -.189 | .048 | -.021 | -.363 | 320 | 307 | -.121 | .066 | .137 | -.276 |
| 320 | 208 | .364 | .057 | -.198 | -.803 | 320 | 258 | -.351 | .056 | -.146 | -.574 | 320 | 308 | -.317 | .054 | -.113 | -.474 |
| 320 | 209 | .424 | .058 | -.268 | -.750 | 320 | 259 | -.405 | .068 | -.150 | -.675 | 320 | 309 | -.459 | .061 | -.226 | -.689 |
| 320 | 210 | .344 | .041 | .161 | -.378 | 320 | 260 | -.242 | .162 | -.176 | -1.057 | 320 | 401 | -.555 | .093 | -.311 | -.909 |
| 320 | 211 | .400 | .043 | -.244 | -.637 | 320 | 261 | -.135 | .119 | -.316 | -.668 | 320 | 402 | -.379 | .094 | -.347 | -.962 |
| 320 | 212 | .386 | .183 | .150 | -1.153 | 320 | 262 | -.186 | .125 | -.328 | -.630 | 320 | 403 | -.607 | .070 | -.402 | -.905 |
| 320 | 213 | .269 | .137 | .334 | -.922 | 320 | 263 | -.252 | .111 | -.130 | -.629 | 320 | 404 | -.672 | .073 | -.480 | -1.057 |
| 320 | 214 | .300 | .111 | .291 | -.860 | 320 | 264 | -.167 | .071 | -.109 | -.545 | 320 | 405 | -.672 | .068 | -.478 | -.931 |
| 320 | 215 | .355 | .091 | .027 | -.799 | 320 | 265 | -.136 | .054 | -.091 | -.383 | 320 | 406 | -.658 | .080 | -.450 | -1.007 |
| 320 | 216 | .250 | .069 | -.022 | -.722 | 320 | 266 | -.139 | .042 | -.011 | -.321 | 320 | 407 | -.553 | .062 | -.381 | -.789 |
| 320 | 217 | .228 | .045 | -.063 | -.465 | 320 | 267 | -.164 | .036 | -.005 | -.305 | 320 | 408 | -.632 | .084 | -.400 | -1.060 |
| 320 | 218 | .239 | .042 | -.089 | -.488 | 320 | 268 | -.160 | .039 | -.021 | -.321 | 320 | 409 | -.620 | .090 | -.332 | -.995 |
| 320 | 219 | .562 | .040 | -.198 | -.659 | 320 | 269 | -.218 | .045 | -.040 | -.399 | 320 | 410 | -.628 | .076 | -.395 | -.960 |

APPENDIX A -- PRESSURE DATA:

CONFIGURATION A: OLYMPIA AND YORK OFFICE TOWER, DALLAS

| WD | TAP | CP | HEARN | CPRMS | CPMAX | CPMIN | WD | TAP | CPMEAN | CPRMS | CPMAX | CPMIN | WD | TAP | CPMEAN | CPRMS | CPMAX | CPMIN |
|-----|-----|-------|-------|-------|-------|-------|-----|-------|--------|-------|-------|-------|-----|-------|--------|-------|-------|-------|
| 320 | 411 | 0.58 | 332 | 0.58 | 0.886 | 320 | 461 | 0.99 | 0.99 | 1.41 | 0.892 | 320 | 543 | 0.509 | 0.555 | 0.304 | 0.772 | |
| 320 | 412 | 0.677 | 332 | 0.677 | 0.938 | 320 | 462 | 0.92 | 0.92 | 1.11 | 0.866 | 320 | 544 | 0.338 | 0.72 | 0.273 | 0.790 | |
| 320 | 413 | 0.955 | 320 | 0.955 | 1.911 | 320 | 463 | 0.74 | 0.74 | 1.39 | 0.762 | 320 | 545 | 0.429 | 0.65 | 0.204 | 0.680 | |
| 320 | 414 | 1.43 | 320 | 1.43 | 3.224 | 320 | 464 | 0.86 | 0.86 | 0.54 | 0.705 | 320 | 546 | 0.366 | 0.63 | 0.141 | 0.609 | |
| 320 | 415 | 0.63 | 320 | 0.63 | 0.799 | 320 | 465 | 0.93 | 0.93 | 0.67 | 0.905 | 320 | 547 | 0.167 | 0.64 | 0.074 | 0.336 | |
| 320 | 416 | 0.622 | 320 | 0.622 | 0.779 | 320 | 466 | 0.13 | 0.13 | 0.37 | 0.925 | 320 | 548 | 0.043 | 0.72 | 0.197 | 0.280 | |
| 320 | 417 | 0.57 | 320 | 0.57 | 0.766 | 320 | 467 | 0.175 | 0.175 | 0.244 | 1.580 | 320 | 549 | 0.002 | 0.77 | 0.236 | 0.492 | |
| 320 | 418 | 0.58 | 320 | 0.58 | 0.757 | 320 | 468 | 0.105 | 0.105 | 0.193 | 1.014 | 320 | 550 | 0.037 | 0.128 | 0.443 | 0.631 | |
| 320 | 419 | 0.58 | 320 | 0.58 | 0.803 | 320 | 501 | 0.72 | 0.72 | 0.333 | 0.927 | 320 | 551 | 0.004 | 0.155 | 0.325 | 0.609 | |
| 320 | 420 | 0.664 | 320 | 0.664 | 0.759 | 320 | 502 | 0.78 | 0.78 | 0.72 | 0.910 | 320 | 552 | 0.647 | 0.114 | 0.285 | 1.143 | |
| 320 | 421 | 0.649 | 320 | 0.649 | 0.867 | 320 | 503 | 0.64 | 0.64 | 0.376 | 0.793 | 320 | 553 | 0.799 | 0.149 | 0.273 | 1.421 | |
| 320 | 422 | 0.649 | 320 | 0.649 | 0.739 | 320 | 504 | 0.47 | 0.47 | 0.251 | 0.622 | 320 | 554 | 0.737 | 0.135 | 0.297 | 1.601 | |
| 320 | 423 | 0.649 | 320 | 0.649 | 0.764 | 320 | 505 | 0.48 | 0.48 | 0.253 | 0.643 | 320 | 555 | 0.612 | 0.068 | 0.358 | 0.858 | |
| 320 | 424 | 0.647 | 320 | 0.647 | 0.714 | 320 | 506 | 0.55 | 0.55 | 0.235 | 0.560 | 320 | 556 | 0.552 | 0.063 | 0.306 | 0.770 | |
| 320 | 425 | 0.45 | 320 | 0.45 | 0.744 | 320 | 507 | 0.59 | 0.59 | 0.10 | 0.472 | 320 | 557 | 0.437 | 0.061 | 0.116 | 0.623 | |
| 320 | 426 | 0.58 | 320 | 0.58 | 1.178 | 320 | 508 | 0.73 | 0.73 | 0.107 | 0.488 | 320 | 558 | 0.373 | 0.058 | 0.037 | 0.542 | |
| 320 | 427 | 0.62 | 320 | 0.62 | 1.091 | 320 | 509 | 0.129 | 0.129 | 0.246 | 0.814 | 320 | 559 | 0.221 | 0.061 | 0.023 | 0.397 | |
| 320 | 428 | 0.59 | 320 | 0.59 | 0.953 | 320 | 510 | 0.169 | 0.169 | 0.305 | 1.066 | 320 | 560 | 0.083 | 0.063 | 0.182 | 0.263 | |
| 320 | 429 | 0.64 | 320 | 0.64 | 0.837 | 320 | 511 | 0.73 | 0.73 | 0.417 | 0.971 | 320 | 561 | 0.037 | 0.068 | 0.234 | 0.236 | |
| 320 | 430 | 0.71 | 320 | 0.71 | 0.863 | 320 | 512 | 0.76 | 0.76 | 0.424 | 1.027 | 320 | 562 | 0.024 | 0.127 | 0.411 | 0.347 | |
| 320 | 431 | 0.76 | 320 | 0.76 | 1.008 | 320 | 513 | 0.115 | 0.115 | 0.465 | 1.259 | 320 | 563 | 0.093 | 0.133 | 0.462 | 0.836 | |
| 320 | 432 | 0.633 | 320 | 0.633 | 0.966 | 320 | 514 | 0.53 | 0.53 | 0.247 | 0.676 | 320 | 564 | 0.319 | 0.101 | 0.100 | 1.017 | |
| 320 | 433 | 0.54 | 320 | 0.54 | 0.914 | 320 | 515 | 0.45 | 0.45 | 0.141 | 0.561 | 320 | 565 | 0.603 | 0.191 | 0.071 | 1.517 | |
| 320 | 434 | 0.72 | 320 | 0.72 | 0.952 | 320 | 516 | 0.63 | 0.63 | 0.276 | 0.802 | 320 | 566 | 0.752 | 0.277 | 0.101 | 2.093 | |
| 320 | 435 | 0.72 | 320 | 0.72 | 0.950 | 320 | 517 | 0.66 | 0.66 | 0.294 | 0.856 | 320 | 567 | 0.589 | 0.086 | 0.275 | 0.873 | |
| 320 | 436 | 0.67 | 320 | 0.67 | 0.919 | 320 | 518 | 0.74 | 0.74 | 0.264 | 0.942 | 320 | 568 | 0.504 | 0.062 | 0.280 | 0.725 | |
| 320 | 437 | 0.78 | 320 | 0.78 | 0.909 | 320 | 519 | 0.61 | 0.61 | 0.321 | 0.880 | 320 | 569 | 0.432 | 0.056 | 0.185 | 0.606 | |
| 320 | 438 | 0.53 | 320 | 0.53 | 0.819 | 320 | 520 | 0.56 | 0.56 | 0.334 | 0.795 | 320 | 570 | 0.369 | 0.053 | 0.143 | 0.534 | |
| 320 | 439 | 0.94 | 320 | 0.94 | 1.033 | 320 | 521 | 0.58 | 0.58 | 0.257 | 0.774 | 320 | 571 | 0.254 | 0.057 | 0.023 | 0.534 | |
| 320 | 440 | 1.02 | 320 | 1.02 | 1.196 | 320 | 522 | 0.54 | 0.54 | 0.239 | 0.743 | 320 | 572 | 0.130 | 0.057 | 0.092 | 0.389 | |
| 320 | 441 | 1.49 | 320 | 1.49 | 1.553 | 320 | 523 | 0.54 | 0.54 | 0.048 | 0.415 | 320 | 573 | 0.113 | 0.057 | 0.138 | 0.308 | |
| 320 | 442 | 1.29 | 320 | 1.29 | 1.310 | 320 | 524 | 0.63 | 0.63 | 0.158 | 0.354 | 320 | 574 | 0.104 | 0.104 | 0.178 | 0.638 | |
| 320 | 443 | 0.76 | 320 | 0.76 | 0.824 | 320 | 525 | 0.76 | 0.76 | 0.282 | 0.350 | 320 | 575 | 0.167 | 0.116 | 0.186 | 0.627 | |
| 320 | 444 | 0.64 | 320 | 0.64 | 0.832 | 320 | 526 | 0.13 | 0.13 | 0.429 | 0.733 | 320 | 576 | 0.533 | 0.092 | 0.195 | 0.985 | |
| 320 | 445 | 0.78 | 320 | 0.78 | 0.990 | 320 | 527 | 0.182 | 0.182 | 0.502 | 0.861 | 320 | 577 | 0.568 | 0.113 | 0.244 | 1.290 | |
| 320 | 446 | 0.84 | 320 | 0.84 | 0.961 | 320 | 528 | 0.58 | 0.58 | 0.366 | 0.810 | 320 | 578 | 0.491 | 0.123 | 0.166 | 1.029 | |
| 320 | 447 | 1.06 | 320 | 1.06 | 1.132 | 320 | 529 | 0.65 | 0.65 | 0.394 | 1.025 | 320 | 579 | 0.522 | 0.112 | 0.226 | 0.983 | |
| 320 | 448 | 1.95 | 320 | 1.95 | 1.529 | 320 | 530 | 0.61 | 0.61 | 0.353 | 0.836 | 320 | 580 | 0.530 | 0.122 | 0.207 | 1.034 | |
| 320 | 449 | 2.11 | 320 | 2.11 | 1.685 | 320 | 531 | 0.50 | 0.50 | 0.304 | 0.698 | 320 | 581 | 0.436 | 0.098 | 0.161 | 0.886 | |
| 320 | 450 | 1.06 | 320 | 1.06 | 1.347 | 320 | 532 | 0.60 | 0.60 | 0.243 | 0.768 | 320 | 582 | 0.420 | 0.103 | 0.139 | 0.816 | |
| 320 | 451 | 0.91 | 320 | 0.91 | 1.219 | 320 | 533 | 0.65 | 0.65 | 0.179 | 0.648 | 320 | 583 | 0.348 | 0.094 | 0.019 | 0.755 | |
| 320 | 452 | 0.874 | 320 | 0.874 | 0.873 | 320 | 534 | 0.66 | 0.66 | 0.063 | 0.370 | 320 | 584 | 0.243 | 0.082 | 0.039 | 0.533 | |
| 320 | 453 | 0.82 | 320 | 0.82 | 0.907 | 320 | 535 | 0.67 | 0.67 | 0.077 | 0.398 | 320 | 585 | 0.121 | 0.074 | 0.149 | 0.390 | |
| 320 | 454 | 0.97 | 320 | 0.97 | 1.134 | 320 | 536 | 0.75 | 0.75 | 0.207 | 0.332 | 320 | 586 | 0.116 | 0.057 | 0.074 | 0.376 | |
| 320 | 455 | 1.29 | 320 | 1.29 | 1.105 | 320 | 537 | 0.82 | 0.82 | 0.324 | 0.260 | 320 | 587 | 0.147 | 0.073 | 0.069 | 0.550 | |
| 320 | 456 | 1.16 | 320 | 1.16 | 0.818 | 320 | 538 | 1.35 | 1.35 | 0.505 | 0.595 | 320 | 588 | 0.050 | 0.061 | 0.294 | 0.297 | |
| 320 | 457 | 0.74 | 320 | 0.74 | 0.840 | 320 | 539 | 1.48 | 1.48 | 0.530 | 0.698 | 320 | 589 | 0.033 | 0.057 | 0.278 | 0.203 | |
| 320 | 458 | 0.673 | 320 | 0.673 | 0.806 | 320 | 540 | 0.76 | 0.76 | 0.400 | 0.966 | 320 | 590 | 0.504 | 0.180 | 0.059 | 1.381 | |
| 320 | 459 | 0.69 | 320 | 0.69 | 0.780 | 320 | 541 | 0.91 | 0.91 | 0.411 | 1.005 | 320 | 591 | 0.409 | 0.140 | 0.000 | 1.202 | |
| 320 | 460 | 1.63 | 320 | 1.63 | 0.917 | 320 | 542 | 0.79 | 0.79 | 0.370 | 0.974 | 320 | 592 | 0.526 | 0.121 | 0.187 | 1.073 | |

APPENDIX A -- PRESSURE DATA:

CONFIGURATION A: OLYMPIA AND YORK OFFICE TOWER, DALLAS

| WD | TAP | CPMEAN | CPRMS | CPMAX | CPMIN | WD | TAP | CPMEAN | CPRMS | CPMAX | CPMIN | WD | TAP | CPMEAN | CPRMS | CPMAX | CPMIN |
|-----|-----|--------|-------|-------|--------|-----|-----|--------|-------|-------|--------|-----|-----|--------|-------|-------|--------|
| 330 | 393 | .415 | .079 | .183 | -.839 | 320 | 910 | -.638 | .072 | -.407 | -.926 | 330 | 135 | -.261 | .201 | .481 | -1.149 |
| 330 | 394 | .449 | .123 | .118 | -1.098 | 320 | 911 | -.513 | .090 | -.007 | -.852 | 330 | 136 | .117 | .130 | .625 | -.564 |
| 330 | 395 | .367 | .123 | .129 | -.980 | 320 | 912 | -.578 | .163 | .122 | -1.264 | 330 | 137 | .140 | .139 | .721 | -.332 |
| 330 | 396 | .297 | .162 | .613 | -.773 | 320 | 913 | -.332 | .099 | .041 | -.753 | 330 | 138 | .054 | .117 | .595 | -.322 |
| 330 | 397 | .116 | .277 | -.679 | -.679 | 320 | 914 | -.092 | .050 | .189 | -.304 | 330 | 139 | -.220 | .106 | .265 | -.606 |
| 330 | 398 | .036 | .124 | .339 | -.547 | 320 | 915 | -.032 | .052 | .113 | -.311 | 330 | 140 | -.564 | .249 | .406 | -1.327 |
| 330 | 399 | .106 | .453 | .453 | -.636 | 320 | 916 | -.062 | .078 | .297 | -.397 | 330 | 141 | -.286 | .172 | .344 | -1.042 |
| 330 | 400 | .036 | .679 | .264 | -.361 | 320 | 917 | -.083 | .037 | .067 | -.246 | 330 | 142 | -.256 | .152 | .443 | -.880 |
| 330 | 401 | .031 | .078 | .326 | -.273 | 320 | 918 | -.087 | .069 | .318 | -.523 | 330 | 143 | -.022 | .132 | .601 | -.511 |
| 330 | 402 | .622 | .311 | .423 | -.268 | 320 | 919 | -.123 | .062 | .231 | -.397 | 330 | 144 | -.048 | .143 | .465 | -.373 |
| 330 | 403 | .046 | .069 | .302 | -.268 | 320 | 920 | -.142 | .048 | .070 | -.365 | 330 | 145 | -.025 | .123 | .439 | -.379 |
| 330 | 404 | .073 | .646 | .622 | -.264 | 320 | 921 | -.138 | .042 | .075 | -.290 | 330 | 146 | -.143 | .077 | .212 | -.378 |
| 330 | 405 | .040 | .039 | .131 | -.166 | 320 | 922 | -.168 | .041 | .016 | -.332 | 330 | 147 | -.352 | .291 | .489 | -1.274 |
| 330 | 406 | .623 | .623 | .166 | -.137 | 320 | 923 | -.126 | .039 | .014 | -.258 | 330 | 148 | -.151 | .110 | .373 | -.625 |
| 330 | 407 | .030 | .944 | .131 | -.200 | 320 | 924 | -.297 | .043 | -.113 | -.440 | 330 | 149 | -.210 | .084 | .188 | -.540 |
| 330 | 408 | .231 | .127 | .093 | -.338 | 320 | 925 | -.386 | .051 | -.133 | -.552 | 330 | 150 | .028 | .105 | .494 | -.262 |
| 330 | 409 | .127 | .133 | .784 | .329 | 330 | 101 | .224 | .158 | .760 | -.276 | 330 | 151 | -.144 | .125 | .178 | -.534 |
| 330 | 410 | .115 | .126 | .623 | -.256 | 330 | 102 | .118 | .162 | .712 | -.346 | 330 | 152 | -.083 | .087 | .177 | -.416 |
| 330 | 411 | .083 | .075 | .381 | -.107 | 330 | 103 | -.072 | .114 | .343 | -.428 | 330 | 153 | .114 | .065 | .137 | -.340 |
| 330 | 412 | .124 | .041 | .015 | -.251 | 330 | 104 | -.229 | .101 | .195 | -.554 | 330 | 154 | -.126 | .058 | .093 | -.406 |
| 330 | 413 | .034 | .042 | .170 | -.183 | 330 | 105 | -.719 | .288 | .549 | -1.614 | 330 | 155 | -.128 | .052 | .067 | -.358 |
| 330 | 414 | .041 | .077 | .193 | -.390 | 330 | 106 | -.101 | .242 | .645 | -.975 | 330 | 156 | -.101 | .047 | .053 | -.299 |
| 330 | 415 | .158 | .084 | .518 | -.171 | 330 | 107 | -.191 | .183 | .566 | -.844 | 330 | 157 | .035 | .089 | .347 | -.373 |
| 330 | 416 | .182 | .120 | .721 | -.298 | 330 | 108 | -.376 | .161 | .887 | -.304 | 330 | 158 | -.175 | .111 | .098 | -.606 |
| 330 | 417 | .145 | .144 | .878 | -.435 | 330 | 109 | .345 | .163 | 1.031 | -.335 | 330 | 159 | -.127 | .088 | .085 | -.483 |
| 330 | 418 | .099 | .092 | .284 | -.383 | 330 | 110 | .126 | .106 | .514 | -.224 | 330 | 160 | -.057 | .030 | .085 | -.146 |
| 330 | 419 | .283 | .076 | .013 | -.616 | 330 | 111 | -.187 | .074 | .098 | -.463 | 330 | 161 | -.054 | .031 | .052 | -.158 |
| 330 | 420 | .401 | .140 | -.049 | -1.029 | 330 | 112 | -.737 | .218 | .019 | -1.544 | 330 | 162 | -.235 | .144 | .110 | -.818 |
| 330 | 421 | .316 | .071 | -.096 | -.594 | 330 | 113 | -.338 | .226 | .437 | -1.312 | 330 | 163 | -.076 | .053 | .193 | -.312 |
| 330 | 422 | .324 | .059 | -.141 | -.688 | 330 | 114 | -.281 | .157 | .390 | -1.080 | 330 | 164 | -.065 | .039 | .092 | -.213 |
| 330 | 423 | .330 | .085 | -.107 | -.808 | 330 | 115 | -.355 | .156 | .881 | -.286 | 330 | 165 | -.070 | .042 | .070 | -.243 |
| 330 | 424 | .482 | .086 | -.182 | -.741 | 330 | 116 | -.358 | .155 | .946 | -.090 | 330 | 166 | -.032 | .032 | .073 | -.134 |
| 330 | 425 | .126 | .089 | .532 | -.156 | 330 | 117 | -.143 | .104 | .493 | -.109 | 330 | 167 | -.049 | .028 | .062 | -.138 |
| 330 | 426 | .064 | .034 | .090 | -.181 | 330 | 118 | -.221 | .084 | .147 | -.502 | 330 | 201 | -.833 | .181 | -.216 | -1.551 |
| 330 | 427 | .024 | .045 | .183 | -.186 | 330 | 119 | -.763 | .222 | .203 | -1.655 | 330 | 202 | -.542 | .164 | .069 | -1.400 |
| 330 | 428 | .065 | .071 | .310 | -.249 | 330 | 120 | -.403 | .253 | .490 | -1.302 | 330 | 203 | -.533 | .146 | .289 | -1.238 |
| 330 | 429 | .073 | .115 | .614 | -.457 | 330 | 121 | -.340 | .178 | .298 | -1.253 | 330 | 204 | -.479 | .124 | -.105 | -1.049 |
| 330 | 430 | .053 | .114 | .407 | -.362 | 330 | 122 | -.324 | .152 | .907 | -.274 | 330 | 205 | -.331 | .083 | -.094 | -.760 |
| 330 | 431 | .274 | .073 | -.006 | -.562 | 330 | 123 | -.293 | .148 | .859 | -.276 | 330 | 206 | -.290 | .073 | -.021 | -.826 |
| 330 | 432 | .343 | .094 | -.020 | -.774 | 330 | 124 | -.136 | .100 | .493 | -.121 | 330 | 207 | -.318 | .063 | -.125 | -.688 |
| 330 | 433 | .351 | .078 | -.082 | -.729 | 330 | 125 | -.231 | .090 | .229 | -.553 | 330 | 208 | -.432 | .079 | -.199 | -.933 |
| 330 | 434 | .415 | .111 | -.049 | -.910 | 330 | 126 | -.726 | .251 | .334 | -1.709 | 330 | 209 | -.496 | .077 | -.311 | -.905 |
| 330 | 435 | .542 | .196 | -.007 | -1.384 | 330 | 127 | -.367 | .298 | .788 | -1.688 | 330 | 210 | -.404 | .053 | -.189 | -.648 |
| 330 | 436 | .189 | .653 | .653 | .518 | 330 | 128 | -.262 | .209 | .488 | -1.341 | 330 | 211 | -.465 | .056 | -.262 | -.727 |
| 330 | 437 | .244 | .050 | -.075 | -.525 | 330 | 129 | -.274 | .135 | .716 | -.273 | 330 | 212 | -.774 | .218 | -.204 | -1.802 |
| 330 | 438 | .333 | .165 | .655 | -.777 | 330 | 130 | -.284 | .138 | .793 | -.269 | 330 | 213 | -.509 | .183 | -.049 | -1.390 |
| 330 | 439 | .143 | .090 | -.189 | -.498 | 330 | 131 | -.116 | .102 | .603 | -.143 | 330 | 214 | -.494 | .133 | .036 | -1.079 |
| 330 | 440 | .191 | .162 | .568 | -.494 | 330 | 132 | -.161 | .111 | .414 | -.498 | 330 | 215 | -.498 | .125 | -.103 | -1.285 |
| 330 | 441 | .617 | .068 | -.420 | -.919 | 330 | 133 | -.644 | .255 | .232 | -1.583 | 330 | 216 | -.358 | .109 | -.067 | -.829 |
| 330 | 442 | .659 | .166 | -.465 | -1.100 | 330 | 134 | -.261 | .260 | .638 | -1.344 | 330 | 217 | -.293 | .065 | -.061 | -.639 |

APPENDIX A -- PRESSURE DATA:

CONFIGURATION A: OLYMPIA AND YORK OFFICE TOWER, DALLAS

| WD | TAF | CFMEAN | CFRMS | CFMAX | CFMIN | WD | TAF | CFMEAN | CFRMS | CFMAX | CFMIN | WD | TAF | CFMEAN | CFRMS | CFMAX | CFMIN |
|-----|-----|--------|-------|--------|-------|-----|------|--------|-------|--------|-------|-----|-------|--------|-------|--------|-------|
| 330 | 218 | .055 | .117 | .580 | 330 | 268 | .218 | .047 | .041 | -.404 | 330 | 409 | -.780 | .107 | -.442 | -1.288 | |
| 330 | 219 | .052 | .257 | .651 | 330 | 269 | .281 | .055 | -.055 | -.548 | 330 | 410 | -.784 | .099 | -.511 | -1.302 | |
| 330 | 220 | .063 | .328 | .804 | 330 | 270 | .403 | .065 | -.149 | -.684 | 330 | 411 | -.707 | .078 | -.468 | -1.008 | |
| 330 | 221 | .066 | .171 | -.669 | 330 | 271 | .474 | .061 | -.228 | -.737 | 330 | 412 | -.753 | .089 | -.415 | -1.059 | |
| 330 | 222 | .070 | .207 | .733 | 330 | 272 | .403 | .193 | .145 | -1.418 | 330 | 413 | -.724 | .080 | -.499 | -1.020 | |
| 330 | 223 | .068 | .298 | .769 | 330 | 273 | .297 | .125 | .216 | -.887 | 330 | 414 | -.951 | .200 | -.318 | -1.626 | |
| 330 | 224 | .767 | .139 | -1.581 | 330 | 274 | .303 | .111 | -.025 | -.758 | 330 | 415 | -.633 | .076 | -.385 | -.932 | |
| 330 | 225 | .214 | .056 | -1.359 | 330 | 275 | .313 | .094 | -.071 | -.816 | 330 | 416 | -.602 | .076 | -.353 | -.903 | |
| 330 | 226 | .481 | .158 | .030 | 330 | 276 | .217 | .059 | -.014 | -.513 | 330 | 417 | -.606 | .065 | -.400 | -.873 | |
| 330 | 227 | .135 | .042 | -1.128 | 330 | 277 | .234 | .050 | .043 | -.446 | 330 | 418 | -.603 | .066 | -.363 | -.783 | |
| 330 | 228 | .123 | .054 | .910 | 330 | 278 | .208 | .046 | .011 | -.435 | 330 | 419 | -.633 | .064 | -.412 | -1.152 | |
| 330 | 229 | .089 | .036 | -.693 | 330 | 279 | .223 | .042 | -.068 | -.344 | 330 | 420 | -.607 | .063 | -.383 | -.777 | |
| 330 | 230 | .061 | .039 | .602 | 330 | 280 | .221 | .046 | -.041 | -.343 | 330 | 421 | -.644 | .073 | -.420 | -1.082 | |
| 330 | 231 | .048 | .067 | .482 | 330 | 281 | .287 | .051 | -.064 | -.446 | 330 | 422 | -.599 | .057 | -.377 | -.847 | |
| 330 | 232 | .040 | .106 | -.449 | 330 | 282 | .552 | .071 | -.266 | -.850 | 330 | 423 | -.630 | .057 | -.414 | -.903 | |
| 330 | 233 | .052 | .074 | .338 | 330 | 283 | .607 | .074 | .290 | -.927 | 330 | 424 | -.601 | .052 | -.422 | -.923 | |
| 330 | 234 | .053 | .193 | .619 | 330 | 284 | .133 | .046 | .048 | -.327 | 330 | 425 | -.602 | .045 | -.430 | -.791 | |
| 330 | 235 | .493 | .053 | .690 | 330 | 285 | .120 | .050 | -.068 | -.385 | 330 | 426 | -.601 | .061 | -.432 | -.924 | |
| 330 | 236 | .244 | .062 | -1.626 | 330 | 286 | .154 | .037 | .042 | -.287 | 330 | 427 | -.634 | .065 | -.451 | -.942 | |
| 330 | 237 | .233 | .507 | -1.445 | 330 | 287 | .167 | .043 | .001 | -.350 | 330 | 428 | -.598 | .062 | -.412 | -.880 | |
| 330 | 238 | .170 | .284 | .550 | 330 | 288 | .185 | .032 | .081 | -.304 | 330 | 429 | -.621 | .069 | -.366 | -.887 | |
| 330 | 239 | .134 | .019 | .325 | 330 | 289 | .192 | .037 | -.058 | -.320 | 330 | 430 | -.623 | .076 | -.370 | -.916 | |
| 330 | 240 | .137 | .011 | .047 | 330 | 290 | .435 | .060 | -.233 | -.724 | 330 | 431 | -.670 | .081 | -.453 | -1.108 | |
| 330 | 241 | .106 | .001 | .833 | 330 | 291 | .538 | .080 | -.229 | -.850 | 330 | 432 | -.633 | .066 | -.350 | -1.012 | |
| 330 | 242 | .068 | .039 | .595 | 330 | 292 | .621 | .090 | -.293 | -1.047 | 330 | 433 | -.634 | .068 | -.425 | -1.008 | |
| 330 | 243 | .053 | .042 | .376 | 330 | 293 | .077 | .036 | .024 | -.303 | 330 | 434 | -.629 | .079 | -.382 | -1.144 | |
| 330 | 244 | .047 | .064 | .414 | 330 | 294 | .052 | .032 | .062 | -.157 | 330 | 435 | -.656 | .077 | -.421 | -1.094 | |
| 330 | 245 | .059 | .019 | .453 | 330 | 295 | .060 | .038 | .068 | -.202 | 330 | 436 | -.625 | .110 | -.303 | -1.226 | |
| 330 | 246 | .057 | .158 | .581 | 330 | 296 | .134 | .038 | .026 | -.299 | 330 | 437 | -.643 | .094 | -.371 | -1.111 | |
| 330 | 247 | .067 | .191 | .743 | 330 | 297 | .148 | .035 | .024 | -.291 | 330 | 438 | -.670 | .107 | -.345 | -1.450 | |
| 330 | 248 | .249 | .049 | -.536 | 330 | 298 | .428 | .047 | -.238 | -.585 | 330 | 439 | -.718 | .092 | -.402 | -1.194 | |
| 330 | 249 | .212 | .242 | .234 | 330 | 299 | .529 | .071 | -.296 | -.756 | 330 | 440 | -.678 | .103 | -.427 | -1.125 | |
| 330 | 250 | .153 | .314 | -.217 | 330 | 300 | .621 | .115 | .294 | -1.106 | 330 | 441 | -.721 | .125 | -.403 | -1.367 | |
| 330 | 251 | .145 | .034 | .204 | 330 | 301 | .633 | .033 | .080 | -.142 | 330 | 442 | -.788 | .129 | -.400 | -1.356 | |
| 330 | 252 | .131 | .022 | -1.072 | 330 | 302 | .053 | .033 | .070 | -.150 | 330 | 443 | -.579 | .096 | -.243 | -1.008 | |
| 330 | 253 | .096 | .024 | .733 | 330 | 303 | .037 | .034 | .126 | -.132 | 330 | 444 | -.553 | .086 | -.279 | -1.416 | |
| 330 | 254 | .067 | .022 | .578 | 330 | 304 | .016 | .035 | .159 | -.127 | 330 | 445 | -.612 | .097 | -.311 | -1.122 | |
| 330 | 255 | .055 | .034 | .500 | 330 | 305 | .182 | .037 | .034 | -.291 | 330 | 446 | -.670 | .096 | -.336 | -1.356 | |
| 330 | 256 | .050 | .021 | .412 | 330 | 306 | .160 | .034 | .022 | -.263 | 330 | 447 | -.646 | .157 | -.171 | -1.437 | |
| 330 | 257 | .062 | .024 | .482 | 330 | 307 | .184 | .049 | .023 | -.340 | 330 | 448 | -.749 | .243 | -.231 | -1.853 | |
| 330 | 258 | .070 | .156 | .707 | 330 | 308 | .371 | .052 | -.155 | -.517 | 330 | 449 | -.849 | .221 | -.279 | -1.748 | |
| 330 | 259 | .077 | .133 | .766 | 330 | 309 | .488 | .063 | -.258 | -.681 | 330 | 450 | -.789 | .191 | -.213 | -2.075 | |
| 330 | 260 | .243 | .009 | .828 | 330 | 401 | .687 | .114 | -.378 | -1.136 | 330 | 451 | -.715 | .160 | -.231 | -1.640 | |
| 330 | 261 | .176 | .114 | .357 | 330 | 402 | .711 | .115 | -.401 | -1.167 | 330 | 452 | -.610 | .086 | -.319 | -1.070 | |
| 330 | 262 | .133 | .107 | .131 | 330 | 403 | .742 | .079 | -.504 | -1.090 | 330 | 453 | -.549 | .080 | -.174 | -.880 | |
| 330 | 263 | .112 | .034 | .665 | 330 | 404 | .755 | .063 | -.524 | -1.141 | 330 | 454 | -.563 | .094 | -.169 | -.957 | |
| 330 | 264 | .100 | .019 | .857 | 330 | 405 | .827 | .088 | -.575 | -1.308 | 330 | 455 | -.488 | .134 | -.112 | -1.390 | |
| 330 | 265 | .077 | .034 | .693 | 330 | 406 | .876 | .133 | -.343 | -1.453 | 330 | 456 | -.501 | .147 | -.179 | -1.259 | |
| 330 | 266 | .063 | .047 | .568 | 330 | 407 | .655 | .064 | -.478 | -.977 | 330 | 457 | -.601 | .080 | -.245 | -.874 | |
| 330 | 267 | .045 | .068 | .425 | 330 | 408 | .767 | .109 | -.477 | -1.301 | 330 | 458 | -.606 | .092 | -.200 | -.902 | |

APPENDIX A -- PRESSURE DATA:

CONFIGURATION A: OLYMPIA AND YORK OFFICE TOWER, DALLAS

| WD | TAP | CPMEAN | CPRMS | CPMAX | CPMIN | WD | TAP | CPMEAN | CPRMS | CPMAX | CPMIN | WD | TAP | CPMEAN | CPRMS | CPMAX | CPMIN |
|-----|-----|--------|-------|--------|--------|-----|-----|--------|-------|-------|--------|-----|-----|--------|-------|-------|--------|
| 330 | 459 | .555 | .077 | .252 | -.847 | 330 | 541 | -.689 | .083 | -.435 | -1.218 | 330 | 591 | -.491 | .157 | .027 | -1.092 |
| 330 | 466 | -.666 | .156 | -.666 | -1.653 | 330 | 542 | -.624 | .078 | -.352 | -1.018 | 330 | 592 | -.573 | .138 | -.093 | -1.148 |
| 330 | 461 | -.594 | .099 | -.174 | -.997 | 330 | 543 | -.521 | .057 | -.312 | -.753 | 330 | 593 | -.453 | .089 | -.143 | -.976 |
| 330 | 462 | -.505 | .116 | -.144 | -.912 | 330 | 544 | -.546 | .078 | -.311 | -.809 | 330 | 594 | -.483 | .126 | -.150 | -1.341 |
| 330 | 463 | -.425 | .193 | -.105 | -.827 | 330 | 545 | -.429 | .082 | -.134 | -.666 | 330 | 595 | -.408 | .123 | .202 | -.908 |
| 330 | 464 | -.431 | .128 | -.020 | -.936 | 330 | 546 | -.332 | .082 | -.050 | -.582 | 330 | 596 | -.301 | .093 | .015 | -.898 |
| 330 | 465 | -.438 | .135 | -.190 | -1.206 | 330 | 547 | -.119 | .079 | .148 | -.327 | 330 | 597 | -.028 | .077 | .351 | -.533 |
| 330 | 466 | -.496 | .133 | -.643 | -1.113 | 330 | 548 | -.012 | .086 | .269 | -.252 | 330 | 598 | .041 | .104 | .492 | -.701 |
| 330 | 467 | -.174 | .174 | -.224 | -1.903 | 330 | 549 | .067 | .089 | .351 | -.208 | 330 | 599 | .081 | .087 | .448 | -.411 |
| 330 | 468 | -.547 | .112 | -.240 | -1.632 | 330 | 550 | .141 | .153 | .534 | -.600 | 330 | 600 | .081 | .073 | .079 | -.342 |
| 330 | 501 | -.798 | .094 | -.272 | -1.159 | 330 | 551 | -.033 | .191 | .551 | -.874 | 330 | 601 | .089 | .050 | .363 | -.316 |
| 330 | 502 | -.625 | .127 | -.666 | -1.122 | 330 | 552 | -.691 | .164 | -.361 | -1.199 | 330 | 602 | .084 | .090 | .382 | -.330 |
| 330 | 503 | -.709 | .081 | -.443 | -1.049 | 330 | 553 | -.799 | .134 | -.292 | -1.543 | 330 | 603 | .091 | .059 | .331 | -.087 |
| 330 | 504 | -.546 | .053 | -.325 | -.733 | 330 | 554 | -.731 | .122 | -.413 | -1.269 | 330 | 701 | -.106 | .044 | .098 | -.253 |
| 330 | 505 | -.554 | .054 | -.319 | -.765 | 330 | 555 | -.626 | .072 | -.379 | -.920 | 330 | 702 | -.069 | .043 | .128 | -.226 |
| 330 | 506 | -.639 | .053 | -.199 | -.654 | 330 | 556 | -.574 | .074 | -.285 | -.822 | 330 | 703 | -.038 | .039 | .110 | -.194 |
| 330 | 507 | -.652 | .052 | -.143 | -.520 | 330 | 557 | -.433 | .076 | -.113 | -.678 | 330 | 704 | -.061 | .048 | .143 | -.279 |
| 330 | 508 | -.666 | .066 | -.688 | -.504 | 330 | 558 | -.359 | .074 | .039 | -.578 | 330 | 705 | -.306 | .121 | .049 | -.833 |
| 330 | 509 | -.226 | .163 | .097 | -.986 | 330 | 559 | -.198 | .077 | .079 | -.396 | 330 | 706 | .122 | .141 | .706 | -.362 |
| 330 | 510 | -.227 | .201 | -.208 | -1.018 | 330 | 560 | -.034 | .075 | .278 | -.240 | 330 | 707 | .131 | .126 | .865 | -.193 |
| 330 | 511 | -.741 | .071 | -.524 | -1.032 | 330 | 561 | .007 | .075 | .322 | -.219 | 330 | 708 | .144 | .079 | .477 | -.124 |
| 330 | 512 | -.754 | .078 | -.506 | -1.054 | 330 | 562 | .067 | .151 | .450 | -.765 | 330 | 709 | -.175 | .043 | .030 | -.322 |
| 330 | 513 | -.897 | .133 | -.573 | -1.334 | 330 | 563 | .040 | .181 | .515 | -.663 | 330 | 710 | -.056 | .044 | .119 | -.202 |
| 330 | 514 | -.555 | .064 | -.213 | -.803 | 330 | 564 | -.613 | .148 | -.112 | -1.649 | 330 | 711 | -.021 | .073 | .233 | -.403 |
| 330 | 515 | -.440 | .049 | -.255 | -.615 | 330 | 565 | -.807 | .248 | -.027 | -2.076 | 330 | 712 | .184 | .080 | .501 | -.066 |
| 330 | 516 | -.578 | .067 | -.377 | -1.039 | 330 | 566 | -.911 | .278 | -.148 | -2.111 | 330 | 713 | .190 | .122 | .671 | -.197 |
| 330 | 517 | -.644 | .070 | -.430 | -1.184 | 330 | 567 | -.662 | .086 | -.364 | -.918 | 330 | 714 | .102 | .149 | .777 | -.512 |
| 330 | 518 | -.666 | .082 | -.305 | -1.127 | 330 | 568 | -.547 | .066 | -.342 | -.770 | 330 | 715 | -.147 | .097 | .277 | -.426 |
| 330 | 519 | -.666 | .066 | -.296 | -.956 | 330 | 569 | -.445 | .070 | -.202 | -.663 | 330 | 716 | -.372 | .098 | -.034 | -.710 |
| 330 | 520 | -.666 | .066 | -.372 | -.787 | 330 | 570 | -.372 | .066 | -.155 | -.566 | 330 | 717 | -.567 | .214 | -.047 | -1.354 |
| 330 | 521 | -.644 | .062 | -.401 | -.949 | 330 | 571 | -.228 | .072 | .030 | -.477 | 330 | 718 | -.395 | .102 | -.130 | -.856 |
| 330 | 522 | -.572 | .066 | -.350 | -.847 | 330 | 572 | -.072 | .072 | .213 | -.313 | 330 | 719 | -.407 | .092 | -.097 | -.879 |
| 330 | 523 | -.500 | .067 | -.074 | -.446 | 330 | 573 | -.043 | .072 | .275 | -.290 | 330 | 720 | -.434 | .145 | -.071 | -1.066 |
| 330 | 524 | -.688 | .076 | -.196 | -.369 | 330 | 574 | -.011 | .127 | .394 | -.642 | 330 | 721 | -.524 | .087 | -.238 | -.848 |
| 330 | 525 | -.003 | .079 | -.273 | -.245 | 330 | 575 | -.033 | .142 | .476 | -.656 | 330 | 801 | -.182 | .088 | .661 | -.049 |
| 330 | 526 | .011 | .194 | .537 | -1.179 | 330 | 576 | -.522 | .111 | -.095 | -1.020 | 330 | 802 | -.101 | .037 | .025 | -.208 |
| 330 | 527 | .092 | .221 | .479 | -1.065 | 330 | 577 | -.598 | .158 | -.108 | -1.467 | 330 | 803 | -.052 | .048 | .157 | -.279 |
| 330 | 528 | .666 | .466 | -1.073 | -.073 | 330 | 578 | -.551 | .172 | .017 | -1.505 | 330 | 804 | -.013 | .078 | .362 | -.476 |
| 330 | 529 | .666 | .442 | -1.097 | -.687 | 330 | 579 | -.541 | .117 | -.225 | -1.094 | 330 | 805 | -.063 | .117 | .758 | -.406 |
| 330 | 530 | .663 | .462 | -1.087 | -.687 | 330 | 580 | -.523 | .120 | -.221 | -1.105 | 330 | 806 | -.086 | .120 | .363 | -.411 |
| 330 | 531 | .053 | .341 | -.739 | -.739 | 330 | 581 | -.409 | .094 | .126 | -.733 | 330 | 807 | -.338 | .075 | -.060 | -.640 |
| 330 | 532 | .511 | .669 | -.261 | -.715 | 330 | 582 | -.381 | .097 | .101 | -.839 | 330 | 808 | -.408 | .116 | -.012 | -.890 |
| 330 | 533 | .441 | .081 | -.036 | -.681 | 330 | 583 | -.283 | .107 | .101 | -.663 | 330 | 809 | -.446 | .111 | -.159 | -.910 |
| 330 | 534 | .388 | .081 | -.686 | -.603 | 330 | 584 | -.143 | .096 | .203 | -.504 | 330 | 810 | -.461 | .097 | -.071 | -.828 |
| 330 | 535 | .118 | .080 | -.184 | -.348 | 330 | 585 | -.046 | .073 | .198 | -.256 | 330 | 901 | -.880 | .201 | -.174 | -1.762 |
| 330 | 536 | .669 | .684 | .281 | -.213 | 330 | 586 | -.036 | .066 | .199 | -.386 | 330 | 903 | -.196 | .062 | -.048 | -.454 |
| 330 | 537 | .063 | .083 | .334 | -.181 | 330 | 587 | -.081 | .082 | .199 | -.511 | 330 | 904 | -.291 | .072 | -.089 | -.917 |
| 330 | 538 | .128 | .175 | .517 | -1.638 | 330 | 588 | -.068 | .097 | .489 | -.238 | 330 | 905 | -.548 | .119 | -.169 | -1.091 |
| 330 | 539 | .981 | .196 | .637 | -.951 | 330 | 589 | -.029 | .074 | .380 | -.229 | 330 | 906 | -.123 | .104 | .355 | -.428 |
| 330 | 540 | .632 | .077 | -.386 | -1.103 | 330 | 590 | -.516 | .153 | -.044 | -1.359 | 330 | 907 | -.138 | .167 | .413 | -.559 |

APPENDIX A -- PRESSURE DATA:

CONFIGURATION A: OLYMPIA AND YORK OFFICE TOWER, DALLAS

| WD | TAP | CPMEAN | CPRMS | CPMAX | CPMIN | WD | TAP | CPMEAN | CPRMS | CPMAX | CPMIN | WD | TAP | CPMEAN | CPRMS | CPMAX | CPMIN |
|-----|-----|--------|-------|--------|--------|-----|-----|--------|-------|--------|--------|-----|-----|--------|-------|--------|--------|
| 340 | 133 | -0.011 | 0.240 | 0.62 | -2.054 | 340 | 216 | -0.492 | 0.157 | -0.028 | -1.277 | 340 | 216 | -0.492 | 0.157 | -0.028 | -1.277 |
| 340 | 134 | -0.609 | 0.301 | 4.02 | -1.962 | 340 | 217 | -0.388 | 0.108 | -0.043 | -1.101 | 340 | 217 | -0.388 | 0.108 | -0.043 | -1.101 |
| 340 | 135 | -0.517 | 0.238 | 4.99 | -1.531 | 340 | 218 | -0.359 | 0.090 | -0.046 | -0.841 | 340 | 218 | -0.359 | 0.090 | -0.046 | -0.841 |
| 340 | 136 | -0.056 | 0.291 | 6.99 | -1.204 | 340 | 219 | -0.438 | 0.069 | -0.232 | -0.922 | 340 | 219 | -0.438 | 0.069 | -0.232 | -0.922 |
| 340 | 137 | -0.006 | 0.245 | 6.00 | -1.411 | 340 | 220 | -0.542 | 0.071 | -0.264 | -0.934 | 340 | 220 | -0.542 | 0.071 | -0.264 | -0.934 |
| 340 | 138 | -0.078 | 0.149 | 5.11 | -0.601 | 340 | 221 | -0.468 | 0.078 | -0.113 | -0.797 | 340 | 221 | -0.468 | 0.078 | -0.113 | -0.797 |
| 340 | 139 | -0.410 | 0.127 | 1.88 | -0.808 | 340 | 222 | -0.507 | 0.082 | -0.190 | -0.896 | 340 | 222 | -0.507 | 0.082 | -0.190 | -0.896 |
| 340 | 140 | -0.846 | 0.255 | 3.53 | -1.769 | 340 | 223 | -0.548 | 0.077 | -0.207 | -0.886 | 340 | 223 | -0.548 | 0.077 | -0.207 | -0.886 |
| 340 | 141 | -0.534 | 0.191 | 3.95 | -1.434 | 340 | 224 | -1.136 | 0.225 | -0.340 | -1.973 | 340 | 224 | -1.136 | 0.225 | -0.340 | -1.973 |
| 340 | 142 | -0.439 | 0.168 | 2.50 | -1.166 | 340 | 225 | -0.787 | 0.253 | -0.046 | -2.070 | 340 | 225 | -0.787 | 0.253 | -0.046 | -2.070 |
| 340 | 143 | -0.182 | 0.267 | 4.49 | -1.297 | 340 | 226 | -0.681 | 0.202 | -0.048 | -1.606 | 340 | 226 | -0.681 | 0.202 | -0.048 | -1.606 |
| 340 | 144 | -0.193 | 0.194 | 4.90 | -1.033 | 340 | 227 | -0.619 | 0.182 | -0.039 | -1.649 | 340 | 227 | -0.619 | 0.182 | -0.039 | -1.649 |
| 340 | 145 | -0.199 | 0.167 | 4.24 | -0.647 | 340 | 228 | -0.496 | 0.185 | -0.034 | -1.471 | 340 | 228 | -0.496 | 0.185 | -0.034 | -1.471 |
| 340 | 146 | -0.290 | 0.097 | 1.11 | -0.586 | 340 | 229 | -0.358 | 0.144 | -0.033 | -1.153 | 340 | 229 | -0.358 | 0.144 | -0.033 | -1.153 |
| 340 | 147 | -0.651 | 0.232 | 1.39 | -1.625 | 340 | 230 | -0.315 | 0.099 | -0.009 | -0.898 | 340 | 230 | -0.315 | 0.099 | -0.009 | -0.898 |
| 340 | 148 | -0.252 | 0.134 | 5.11 | -0.686 | 340 | 231 | -0.304 | 0.072 | -0.011 | -0.814 | 340 | 231 | -0.304 | 0.072 | -0.011 | -0.814 |
| 340 | 149 | -0.291 | 0.093 | 1.26 | -0.747 | 340 | 232 | -0.307 | 0.059 | -0.105 | -0.703 | 340 | 232 | -0.307 | 0.059 | -0.105 | -0.703 |
| 340 | 150 | -0.016 | 0.104 | 5.29 | -0.479 | 340 | 233 | -0.320 | 0.070 | -0.063 | -0.650 | 340 | 233 | -0.320 | 0.070 | -0.063 | -0.650 |
| 340 | 151 | -0.386 | 0.182 | 1.08 | -1.062 | 340 | 234 | -0.457 | 0.064 | -0.203 | -0.675 | 340 | 234 | -0.457 | 0.064 | -0.203 | -0.675 |
| 340 | 152 | -0.230 | 0.118 | 1.08 | -0.630 | 340 | 235 | -0.513 | 0.062 | -0.281 | -0.784 | 340 | 235 | -0.513 | 0.062 | -0.281 | -0.784 |
| 340 | 153 | -0.191 | 0.083 | 0.98 | -0.606 | 340 | 236 | -1.045 | 0.248 | -0.063 | -1.832 | 340 | 236 | -1.045 | 0.248 | -0.063 | -1.832 |
| 340 | 154 | -0.201 | 0.070 | 0.91 | -0.558 | 340 | 237 | -0.704 | 0.281 | -0.110 | -1.721 | 340 | 237 | -0.704 | 0.281 | -0.110 | -1.721 |
| 340 | 155 | -0.196 | 0.067 | 1.10 | -0.417 | 340 | 238 | -0.616 | 0.218 | -0.039 | -1.649 | 340 | 238 | -0.616 | 0.218 | -0.039 | -1.649 |
| 340 | 156 | -0.164 | 0.063 | 1.16 | -0.419 | 340 | 239 | -0.585 | 0.186 | -0.049 | -1.627 | 340 | 239 | -0.585 | 0.186 | -0.049 | -1.627 |
| 340 | 157 | -0.110 | 0.075 | 3.93 | -0.207 | 340 | 240 | -0.463 | 0.193 | -0.008 | -1.383 | 340 | 240 | -0.463 | 0.193 | -0.008 | -1.383 |
| 340 | 158 | -0.207 | 0.104 | 0.93 | -0.677 | 340 | 241 | -0.323 | 0.148 | 0.046 | -0.945 | 340 | 241 | -0.323 | 0.148 | 0.046 | -0.945 |
| 340 | 159 | -0.158 | 0.087 | 0.73 | -0.565 | 340 | 242 | -0.281 | 0.097 | 0.089 | -0.731 | 340 | 242 | -0.281 | 0.097 | 0.089 | -0.731 |
| 340 | 160 | -0.069 | 0.037 | 1.08 | -0.211 | 340 | 243 | -0.268 | 0.072 | -0.018 | -0.614 | 340 | 243 | -0.268 | 0.072 | -0.018 | -0.614 |
| 340 | 161 | -0.083 | 0.034 | 0.44 | -0.194 | 340 | 244 | -0.275 | 0.062 | -0.078 | -0.508 | 340 | 244 | -0.275 | 0.062 | -0.078 | -0.508 |
| 340 | 162 | -0.284 | 0.160 | 1.15 | -0.889 | 340 | 245 | -0.289 | 0.074 | -0.019 | -0.608 | 340 | 245 | -0.289 | 0.074 | -0.019 | -0.608 |
| 340 | 163 | -0.102 | 0.059 | 1.43 | -0.487 | 340 | 246 | -0.401 | 0.067 | -0.169 | -0.625 | 340 | 246 | -0.401 | 0.067 | -0.169 | -0.625 |
| 340 | 164 | -0.067 | 0.054 | 1.38 | -0.239 | 340 | 247 | -0.497 | 0.071 | -0.239 | -0.749 | 340 | 247 | -0.497 | 0.071 | -0.239 | -0.749 |
| 340 | 165 | -0.107 | 0.050 | 0.80 | -0.271 | 340 | 248 | -0.995 | 0.251 | -0.068 | -1.869 | 340 | 248 | -0.995 | 0.251 | -0.068 | -1.869 |
| 340 | 166 | -0.059 | 0.036 | 0.70 | -0.167 | 340 | 249 | -0.669 | 0.264 | -0.115 | -1.708 | 340 | 249 | -0.669 | 0.264 | -0.115 | -1.708 |
| 340 | 167 | -0.080 | 0.035 | 0.52 | -0.230 | 340 | 250 | -0.599 | 0.196 | -0.069 | -1.598 | 340 | 250 | -0.599 | 0.196 | -0.069 | -1.598 |
| 340 | 201 | -1.071 | 0.188 | -0.579 | -1.938 | 340 | 251 | -0.576 | 0.174 | -0.061 | -1.324 | 340 | 251 | -0.576 | 0.174 | -0.061 | -1.324 |
| 340 | 202 | -0.800 | 0.189 | -0.004 | -1.664 | 340 | 252 | -0.458 | 0.169 | -0.050 | -1.276 | 340 | 252 | -0.458 | 0.169 | -0.050 | -1.276 |
| 340 | 203 | -0.694 | 0.168 | 1.16 | -1.475 | 340 | 253 | -0.334 | 0.134 | -0.006 | -1.114 | 340 | 253 | -0.334 | 0.134 | -0.006 | -1.114 |
| 340 | 204 | -0.598 | 0.172 | -0.141 | -1.402 | 340 | 254 | -0.290 | 0.092 | -0.012 | -0.751 | 340 | 254 | -0.290 | 0.092 | -0.012 | -0.751 |
| 340 | 205 | -0.438 | 0.130 | -0.068 | -1.207 | 340 | 255 | -0.273 | 0.073 | -0.019 | -0.606 | 340 | 255 | -0.273 | 0.073 | -0.019 | -0.606 |
| 340 | 206 | -0.373 | 0.127 | 0.11 | -1.005 | 340 | 256 | -0.269 | 0.063 | -0.033 | -0.515 | 340 | 256 | -0.269 | 0.063 | -0.033 | -0.515 |
| 340 | 207 | -0.375 | 0.110 | 0.021 | -1.048 | 340 | 257 | -0.286 | 0.075 | -0.029 | -0.596 | 340 | 257 | -0.286 | 0.075 | -0.029 | -0.596 |
| 340 | 208 | -0.481 | 0.124 | -0.146 | -1.102 | 340 | 258 | -0.431 | 0.078 | -0.145 | -0.693 | 340 | 258 | -0.431 | 0.078 | -0.145 | -0.693 |
| 340 | 209 | -0.533 | 0.110 | -0.246 | -1.066 | 340 | 259 | -0.510 | 0.085 | -0.170 | -0.853 | 340 | 259 | -0.510 | 0.085 | -0.170 | -0.853 |
| 340 | 210 | -0.443 | 0.072 | -0.190 | -0.975 | 340 | 260 | -0.878 | 0.240 | -0.125 | -1.921 | 340 | 260 | -0.878 | 0.240 | -0.125 | -1.921 |
| 340 | 211 | -0.496 | 0.071 | -0.273 | -1.026 | 340 | 261 | -0.599 | 0.200 | -0.266 | -1.582 | 340 | 261 | -0.599 | 0.200 | -0.266 | -1.582 |
| 340 | 212 | -1.053 | 0.216 | -0.291 | -1.854 | 340 | 262 | -0.566 | 0.148 | -0.126 | -1.420 | 340 | 262 | -0.566 | 0.148 | -0.126 | -1.420 |
| 340 | 213 | -0.736 | 0.203 | -0.137 | -1.835 | 340 | 263 | -0.533 | 0.132 | -0.044 | -1.217 | 340 | 263 | -0.533 | 0.132 | -0.044 | -1.217 |
| 340 | 214 | -0.652 | 0.166 | 0.061 | -1.317 | 340 | 264 | -0.454 | 0.137 | -0.038 | -1.074 | 340 | 264 | -0.454 | 0.137 | -0.038 | -1.074 |
| 340 | 215 | -0.600 | 0.154 | -0.087 | -1.330 | 340 | 265 | -0.347 | 0.113 | -0.019 | -0.935 | 340 | 265 | -0.347 | 0.113 | -0.019 | -0.935 |

APPENDIX A -- PRESSURE DATA:

CONFIGURATION A: OLYMPIA AND YORK OFFICE TOWER, DALLAS

| WD | TAP | CPMEAN | CPRMS | CPMAX | CPMIN | WD | TAP | CPMEAN | CPRMS | CPMAX | CPMIN | WD | TAP | CPMEAN | CPRMS | CPMAX | CPMIN |
|-----|-----|--------|-------|-------|--------|-----|-----|--------|-------|-------|--------|-----|-----|--------|-------|-------|--------|
| 340 | 266 | .085 | .085 | .612 | -.606 | 340 | 407 | -.742 | .081 | -.472 | -1.133 | 340 | 437 | -.363 | .087 | -.142 | -.876 |
| 340 | 267 | -.301 | .036 | -.031 | -.390 | 340 | 408 | -.809 | .125 | -.480 | -1.407 | 340 | 438 | -.619 | .087 | -.286 | -.955 |
| 340 | 268 | -.293 | .038 | -.031 | -.377 | 340 | 409 | -.817 | .106 | -.483 | -1.386 | 340 | 439 | -.326 | .078 | -.196 | -.796 |
| 340 | 269 | -.353 | .067 | -.055 | -.653 | 340 | 410 | -.831 | .104 | -.523 | -1.373 | 340 | 460 | -.674 | .106 | -.301 | -1.085 |
| 340 | 270 | -.451 | .076 | -.129 | -.717 | 340 | 411 | -.753 | .077 | -.486 | -1.181 | 340 | 461 | -.367 | .083 | -.278 | -.972 |
| 340 | 271 | -.517 | .070 | -.258 | -.854 | 340 | 412 | -.786 | .089 | -.495 | -1.155 | 340 | 462 | -.540 | .112 | -.090 | -.939 |
| 340 | 272 | -.725 | .223 | -.863 | -1.643 | 340 | 413 | -.760 | .083 | -.526 | -1.105 | 340 | 463 | -.435 | .121 | -.142 | -.895 |
| 340 | 273 | -.513 | .161 | -.133 | -1.308 | 340 | 414 | -.919 | .176 | -.582 | -1.749 | 340 | 464 | -.515 | .116 | -.151 | -.965 |
| 340 | 274 | -.493 | .138 | -.048 | -1.103 | 340 | 415 | -.671 | .081 | -.413 | -1.083 | 340 | 465 | -.333 | .110 | -.132 | -1.316 |
| 340 | 275 | -.458 | .112 | -.132 | -1.093 | 340 | 416 | -.634 | .079 | -.383 | -1.055 | 340 | 466 | -.495 | .102 | -.075 | -1.305 |
| 340 | 276 | -.316 | .074 | -.073 | -.733 | 340 | 417 | -.650 | .072 | -.453 | -.994 | 340 | 467 | -.474 | .110 | -.194 | -1.600 |
| 340 | 277 | -.330 | .061 | -.099 | -.592 | 340 | 418 | -.641 | .072 | -.417 | -.936 | 340 | 468 | -.346 | .093 | -.254 | -1.055 |
| 340 | 278 | -.286 | .035 | -.077 | -.550 | 340 | 419 | -.672 | .077 | -.442 | -1.068 | 340 | 501 | -.846 | .100 | -.348 | -1.246 |
| 340 | 279 | -.302 | .035 | -.103 | -.509 | 340 | 420 | -.642 | .081 | -.403 | -1.041 | 340 | 502 | -.704 | .157 | -.024 | -1.157 |
| 340 | 280 | -.293 | .038 | -.085 | -.493 | 340 | 421 | -.676 | .083 | -.403 | -1.201 | 340 | 503 | -.783 | .099 | -.783 | -1.231 |
| 340 | 281 | -.349 | .054 | -.114 | -.602 | 340 | 422 | -.617 | .059 | -.432 | -.919 | 340 | 504 | -.594 | .069 | -.318 | -.921 |
| 340 | 282 | -.355 | .074 | -.258 | -.814 | 340 | 423 | -.654 | .060 | -.467 | -.938 | 340 | 505 | -.623 | .071 | -.363 | -.974 |
| 340 | 283 | -.624 | .053 | -.332 | -1.031 | 340 | 424 | -.619 | .053 | -.433 | -.968 | 340 | 506 | -.499 | .074 | -.154 | -.850 |
| 340 | 284 | -.222 | .064 | -.049 | -.446 | 340 | 425 | -.626 | .048 | -.465 | -.834 | 340 | 507 | -.415 | .064 | -.177 | -.648 |
| 340 | 285 | -.211 | .060 | -.028 | -.446 | 340 | 426 | -.621 | .065 | -.402 | -.973 | 340 | 508 | -.376 | .076 | -.088 | -.689 |
| 340 | 286 | -.233 | .042 | -.079 | -.495 | 340 | 427 | -.661 | .070 | -.418 | -1.012 | 340 | 509 | -.222 | .137 | -.182 | -1.083 |
| 340 | 287 | -.236 | .047 | -.079 | -.495 | 340 | 428 | -.623 | .067 | -.393 | -.946 | 340 | 510 | -.158 | .198 | -.339 | -.919 |
| 340 | 288 | -.227 | .035 | -.120 | -.374 | 340 | 429 | -.632 | .065 | -.423 | -.903 | 340 | 511 | -.736 | .073 | -.530 | -1.013 |
| 340 | 289 | -.235 | .040 | -.053 | -.382 | 340 | 430 | -.630 | .071 | -.399 | -.941 | 340 | 512 | -.791 | .084 | -.535 | -1.282 |
| 340 | 290 | -.455 | .066 | -.293 | -.729 | 340 | 431 | -.678 | .072 | -.445 | -.987 | 340 | 513 | -.038 | .142 | -.610 | -1.633 |
| 340 | 291 | -.545 | .083 | -.269 | -.837 | 340 | 432 | -.636 | .061 | -.418 | -.951 | 340 | 514 | -.392 | .078 | -.238 | -.835 |
| 340 | 292 | -.610 | .091 | -.296 | -.988 | 340 | 433 | -.638 | .062 | -.433 | -.979 | 340 | 515 | -.432 | .063 | -.187 | -.672 |
| 340 | 293 | -.120 | .049 | -.071 | -.339 | 340 | 434 | -.631 | .071 | -.429 | -1.047 | 340 | 516 | -.609 | .071 | -.398 | -.977 |
| 340 | 294 | -.693 | .034 | -.032 | -.224 | 340 | 435 | -.666 | .070 | -.442 | -1.014 | 340 | 517 | -.682 | .082 | -.415 | -1.261 |
| 340 | 295 | -.105 | .040 | -.058 | -.241 | 340 | 436 | -.656 | .104 | -.348 | -1.195 | 340 | 518 | -.640 | .090 | -.384 | -1.330 |
| 340 | 296 | -.188 | .046 | -.082 | -.386 | 340 | 437 | -.656 | .086 | -.396 | -1.290 | 340 | 519 | -.606 | .074 | -.301 | -.928 |
| 340 | 297 | -.204 | .036 | -.087 | -.338 | 340 | 438 | -.673 | .095 | -.404 | -1.361 | 340 | 520 | -.609 | .068 | -.308 | -.904 |
| 340 | 298 | -.447 | .047 | -.283 | -.603 | 340 | 439 | -.700 | .076 | -.465 | -1.120 | 340 | 521 | -.691 | .076 | -.391 | -1.007 |
| 340 | 299 | -.537 | .072 | -.294 | -.755 | 340 | 440 | -.620 | .082 | -.334 | -1.143 | 340 | 522 | -.391 | .079 | -.258 | -.845 |
| 340 | 300 | -.595 | .167 | -.279 | -1.065 | 340 | 441 | -.664 | .098 | -.342 | -1.268 | 340 | 523 | -.160 | .084 | -.128 | -.398 |
| 340 | 301 | -.070 | .038 | -.080 | -.234 | 340 | 442 | -.734 | .102 | -.382 | -1.241 | 340 | 524 | -.038 | .097 | -.322 | -.325 |
| 340 | 302 | -.692 | .038 | -.080 | -.222 | 340 | 443 | -.607 | .097 | -.312 | -1.011 | 340 | 525 | -.042 | .101 | -.369 | -.228 |
| 340 | 303 | -.070 | .039 | -.082 | -.212 | 340 | 444 | -.565 | .086 | -.310 | -1.164 | 340 | 526 | -.167 | .178 | -.371 | -.748 |
| 340 | 304 | -.056 | .031 | -.071 | -.160 | 340 | 445 | -.634 | .098 | -.310 | -1.519 | 340 | 527 | -.092 | .270 | -.828 | -1.031 |
| 340 | 305 | -.239 | .036 | -.089 | -.490 | 340 | 446 | -.702 | .095 | -.360 | -1.281 | 340 | 528 | -.607 | .062 | -.435 | -1.063 |
| 340 | 306 | -.214 | .032 | -.081 | -.434 | 340 | 447 | -.697 | .155 | -.196 | -1.513 | 340 | 529 | -.683 | .070 | -.454 | -1.130 |
| 340 | 307 | -.253 | .041 | -.098 | -.407 | 340 | 448 | -.744 | .203 | -.331 | -1.796 | 340 | 530 | -.617 | .067 | -.367 | -1.028 |
| 340 | 308 | -.482 | .047 | -.205 | -.653 | 340 | 449 | -.782 | .197 | -.322 | -1.759 | 340 | 531 | -.329 | .056 | -.324 | -.769 |
| 340 | 309 | -.487 | .061 | -.273 | -.687 | 340 | 450 | -.875 | .220 | -.353 | -2.549 | 340 | 532 | -.502 | .071 | -.232 | -.738 |
| 340 | 401 | -.735 | .129 | -.424 | -1.347 | 340 | 451 | -.762 | .162 | -.340 | -1.632 | 340 | 533 | -.414 | .092 | -.051 | -.684 |
| 340 | 402 | -.747 | .128 | -.403 | -1.333 | 340 | 452 | -.612 | .092 | -.284 | -.980 | 340 | 534 | -.336 | .090 | -.005 | -.616 |
| 340 | 403 | -.763 | .093 | -.525 | -1.210 | 340 | 453 | -.545 | .086 | -.144 | -1.053 | 340 | 535 | -.071 | .098 | -.244 | -.312 |
| 340 | 404 | -.919 | .088 | -.482 | -1.251 | 340 | 454 | -.568 | .107 | -.041 | -1.249 | 340 | 536 | -.059 | .108 | -.469 | -.210 |
| 340 | 405 | -.645 | .090 | -.640 | -1.250 | 340 | 455 | -.563 | .154 | -.007 | -2.100 | 340 | 537 | -.118 | .113 | -.561 | -.155 |
| 340 | 406 | -.927 | .143 | -.523 | -1.628 | 340 | 456 | -.527 | .163 | -.192 | -1.408 | 340 | 538 | -.223 | .181 | -.740 | -.639 |

APPENDIX A -- PRESSURE DATA:

CONFIGURATION A: OLYMPIA AND YORK OFFICE TOWER, DALLAS

| WD | TAP | CPMEAN | CPRMS | CPMAX | CPMIN | WD | TAP | CPMEAN | CPRMS | CPMAX | CPMIN | WD | TAP | CPMEAN | CPRMS | CPMAX | CPMIN |
|-----|-----|--------|-------|-------|--------|-----|-----|--------|-------|-------|--------|-----|-----|--------|-------|-------|--------|
| 340 | 539 | .219 | .185 | .679 | -.532 | 340 | 589 | .007 | .109 | .435 | -.214 | 340 | 906 | -.125 | .141 | .325 | -.650 |
| 340 | 540 | -.623 | .069 | -.432 | -1.153 | 340 | 590 | -.562 | .136 | .002 | -1.577 | 340 | 907 | -.320 | .176 | .344 | -.864 |
| 340 | 541 | -.692 | .077 | -.464 | -1.279 | 340 | 591 | -.344 | .139 | -.072 | -1.282 | 340 | 908 | -.770 | .079 | -.502 | -1.281 |
| 340 | 542 | -.620 | .071 | -.406 | -.998 | 340 | 592 | -.561 | .124 | -.241 | -1.286 | 340 | 909 | -.833 | .122 | -.515 | -1.708 |
| 340 | 543 | -.536 | .057 | -.279 | -.624 | 340 | 593 | -.479 | .084 | -.209 | -.828 | 340 | 910 | -.787 | .078 | -.363 | -1.221 |
| 340 | 544 | -.535 | .083 | -.261 | -.872 | 340 | 594 | -.527 | .103 | -.114 | -1.179 | 340 | 911 | -.678 | .118 | -.153 | -1.186 |
| 340 | 545 | -.419 | .091 | -.135 | -.714 | 340 | 595 | -.433 | .135 | .114 | -.889 | 340 | 912 | -.716 | .190 | -.240 | -1.605 |
| 340 | 546 | -.332 | .092 | .023 | -.614 | 340 | 596 | -.315 | .100 | -.014 | -.851 | 340 | 913 | -.546 | .119 | .012 | -.997 |
| 340 | 547 | -.076 | .093 | .265 | -.336 | 340 | 597 | -.027 | .096 | .301 | -.634 | 340 | 914 | -.271 | .087 | .113 | -.633 |
| 340 | 548 | .060 | .102 | .423 | -.227 | 340 | 598 | .010 | .097 | .432 | -.458 | 340 | 915 | -.320 | .101 | .121 | -.637 |
| 340 | 549 | .122 | .107 | .573 | -.162 | 340 | 599 | .110 | .079 | .442 | -.393 | 340 | 916 | -.133 | .200 | .578 | -.700 |
| 340 | 550 | .225 | .163 | .683 | -.632 | 340 | 600 | .107 | .076 | .370 | -.241 | 340 | 917 | -.229 | .066 | .067 | -.525 |
| 340 | 551 | .188 | .181 | .682 | -.828 | 340 | 601 | .042 | .099 | .359 | -.357 | 340 | 918 | -.410 | .130 | .235 | -.982 |
| 340 | 552 | -.050 | .084 | -.406 | -1.039 | 340 | 602 | .144 | .077 | .458 | -.131 | 340 | 919 | -.423 | .103 | -.051 | -.939 |
| 340 | 553 | -.729 | .096 | -.465 | -1.174 | 340 | 603 | .104 | .074 | .539 | -.121 | 340 | 920 | -.359 | .079 | .156 | -.707 |
| 340 | 554 | -.658 | .091 | -.398 | -1.037 | 340 | 701 | -.145 | .052 | .042 | -.344 | 340 | 921 | -.306 | .069 | .055 | -.594 |
| 340 | 555 | -.603 | .065 | -.359 | -.939 | 340 | 702 | -.106 | .052 | .064 | -.326 | 340 | 922 | -.298 | .060 | .063 | -.578 |
| 340 | 556 | -.550 | .077 | -.244 | -.812 | 340 | 703 | -.090 | .043 | .060 | -.276 | 340 | 923 | -.264 | .053 | -.034 | -.462 |
| 340 | 557 | -.423 | .079 | -.131 | -.690 | 340 | 704 | -.108 | .057 | .055 | -.330 | 340 | 924 | -.365 | .061 | -.129 | -.581 |
| 340 | 558 | -.345 | .078 | .052 | -.600 | 340 | 705 | -.295 | .112 | -.000 | -.789 | 340 | 925 | -.453 | .069 | -.197 | -.681 |
| 340 | 559 | -.136 | .087 | .286 | -.378 | 340 | 706 | .008 | .154 | .583 | -.622 | 350 | 101 | -.098 | .242 | .549 | -1.180 |
| 340 | 560 | .031 | .090 | .398 | -.197 | 340 | 707 | .104 | .122 | .628 | -.260 | 350 | 102 | -.143 | .188 | .488 | -1.115 |
| 340 | 561 | .167 | .095 | .497 | -.148 | 340 | 708 | .178 | .076 | .529 | -.036 | 350 | 103 | -.333 | .123 | .121 | -.764 |
| 340 | 562 | .220 | .131 | .677 | -.580 | 340 | 709 | -.225 | .041 | -.101 | -.356 | 350 | 104 | -.436 | .112 | .054 | -.848 |
| 340 | 563 | .186 | .167 | .707 | -.629 | 340 | 710 | -.099 | .049 | .096 | -.299 | 350 | 105 | -1.142 | .234 | -.089 | -2.090 |
| 340 | 564 | .673 | .136 | .194 | -1.490 | 340 | 711 | -.000 | .072 | .288 | -.314 | 350 | 106 | -.691 | .314 | .545 | -1.500 |
| 340 | 565 | .826 | .198 | .292 | -1.765 | 340 | 712 | .194 | .076 | .533 | -.078 | 350 | 107 | -.559 | .262 | .327 | -1.496 |
| 340 | 566 | .735 | .196 | .319 | -1.783 | 340 | 713 | .171 | .117 | .640 | -.225 | 350 | 108 | .119 | .334 | .926 | -1.183 |
| 340 | 567 | .655 | .257 | .465 | -.991 | 340 | 714 | .021 | .154 | .516 | -.600 | 350 | 109 | .137 | .272 | .819 | -1.218 |
| 340 | 568 | .548 | .067 | .313 | -.782 | 340 | 715 | -.215 | .096 | .283 | -.479 | 350 | 110 | -.043 | .140 | .521 | -.426 |
| 340 | 569 | .413 | .074 | .153 | -.673 | 340 | 716 | -.467 | .082 | -.156 | -.789 | 350 | 111 | -.394 | .115 | .161 | -.740 |
| 340 | 570 | .337 | .072 | .072 | -.566 | 340 | 717 | -.743 | .164 | -.195 | -1.417 | 350 | 112 | -1.132 | .247 | -.172 | -2.079 |
| 340 | 571 | .172 | .092 | .173 | -.463 | 340 | 718 | -.451 | .097 | .096 | -.847 | 350 | 113 | -.852 | .245 | .076 | -1.718 |
| 340 | 572 | .003 | .094 | .417 | -.243 | 340 | 719 | -.505 | .081 | -.145 | -1.072 | 350 | 114 | -.664 | .228 | .127 | -1.662 |
| 340 | 573 | .632 | .092 | .436 | -.268 | 340 | 720 | -.554 | .151 | -.066 | -1.073 | 350 | 115 | .080 | .357 | .789 | -1.143 |
| 340 | 574 | .123 | .107 | .580 | -.516 | 340 | 721 | -.571 | .085 | -.309 | -.868 | 350 | 116 | .115 | .322 | .796 | -1.174 |
| 340 | 575 | .115 | .126 | .561 | -.484 | 340 | 801 | -.184 | .084 | .598 | -.036 | 350 | 117 | -.011 | .149 | .621 | -1.034 |
| 340 | 576 | .334 | .127 | .034 | -1.434 | 340 | 802 | -.146 | .042 | -.003 | -.296 | 350 | 118 | -.449 | .121 | .290 | -.877 |
| 340 | 577 | .156 | .150 | .662 | -1.728 | 340 | 803 | -.098 | .053 | .085 | -.348 | 350 | 119 | -1.165 | .298 | -.275 | -2.189 |
| 340 | 578 | .694 | .199 | .932 | -.773 | 340 | 804 | -.063 | .083 | .336 | -.391 | 350 | 120 | -.806 | .296 | .594 | -2.040 |
| 340 | 579 | .667 | .096 | .297 | -.661 | 340 | 805 | -.064 | .120 | .539 | -.330 | 350 | 121 | -.690 | .245 | .126 | -1.679 |
| 340 | 580 | .305 | .093 | .243 | -.986 | 340 | 806 | -.179 | .114 | .374 | -.540 | 350 | 122 | .034 | .364 | .840 | -1.175 |
| 340 | 581 | .362 | .086 | .669 | -.626 | 340 | 807 | -.402 | .076 | -.106 | -.748 | 350 | 123 | -.034 | .344 | .761 | -1.629 |
| 340 | 582 | .323 | .083 | .069 | -.522 | 340 | 808 | -.459 | .102 | -.059 | -.818 | 350 | 124 | -.031 | .153 | .504 | -.815 |
| 340 | 583 | .186 | .086 | .111 | -.521 | 340 | 809 | -.547 | .168 | -.191 | -.883 | 350 | 125 | -.499 | .130 | .044 | -.941 |
| 340 | 584 | .033 | .092 | .274 | -.299 | 340 | 910 | -.592 | .085 | -.211 | -.840 | 350 | 126 | -1.219 | .351 | .052 | -2.332 |
| 340 | 585 | .812 | .088 | .252 | -.252 | 340 | 901 | -1.029 | .209 | -.267 | -1.968 | 350 | 127 | -.848 | .383 | .564 | -2.378 |
| 340 | 586 | .028 | .074 | .291 | -.435 | 340 | 903 | -.238 | .091 | .082 | -.608 | 350 | 128 | -.647 | .308 | .408 | -1.930 |
| 340 | 587 | .622 | .096 | .366 | -.735 | 340 | 904 | -.524 | .197 | -.032 | -1.222 | 350 | 129 | -.047 | .321 | .764 | -1.696 |
| 340 | 588 | .023 | .114 | .487 | -.357 | 340 | 905 | -.777 | .131 | -.324 | -1.323 | 350 | 130 | -.006 | .317 | .804 | -1.132 |

APPENDIX A -- PRESSURE DATA:

CONFIGURATION A: OLYMPIA AND YORK OFFICE TOWER, DALLAS

| WD | TAP | CPMEAN | CPRMS | CPMAX | CPMIN | WD | TAP | CPMEAN | CPRMS | CPMAX | CPMIN | WD | TAP | CPMEAN | CPRMS | CPMAX | CPMIN |
|-----|-----|--------|-------|-------|--------|-----|-----|--------|-------|-------|--------|----|-----|--------|-------|-------|-------|
| 350 | 214 | .773 | .200 | -.031 | -1.649 | 350 | 264 | -.661 | .153 | -.193 | -1.816 | | | | | | |
| 350 | 215 | -.707 | .190 | -.139 | -1.857 | 350 | 265 | -.559 | .142 | -.021 | -1.698 | | | | | | |
| 350 | 216 | -.643 | .189 | -.004 | -1.937 | 350 | 266 | -.463 | .123 | -.123 | -1.036 | | | | | | |
| 350 | 217 | -.527 | .150 | -.143 | -1.209 | 350 | 267 | -.385 | .069 | -.153 | -.778 | | | | | | |
| 350 | 218 | -.473 | .146 | -.046 | -1.219 | 350 | 268 | -.369 | .066 | -.128 | -.671 | | | | | | |
| 350 | 219 | -.511 | .114 | -.144 | -1.276 | 350 | 269 | -.408 | .073 | -.021 | -.706 | | | | | | |
| 350 | 220 | -.347 | .086 | -.235 | -.932 | 350 | 270 | -.446 | .072 | -.095 | -.731 | | | | | | |
| 350 | 221 | -.505 | .118 | -.121 | -1.037 | 350 | 271 | -.506 | .067 | -.153 | -.788 | | | | | | |
| 350 | 222 | -.529 | .112 | -.140 | -1.051 | 350 | 272 | -.921 | .217 | -.351 | -2.082 | | | | | | |
| 350 | 223 | -.559 | .101 | -.187 | -1.048 | 350 | 273 | -.751 | .176 | -.039 | -1.771 | | | | | | |
| 350 | 224 | -1.209 | .318 | -.413 | -2.243 | 350 | 274 | -.667 | .153 | -.235 | -1.494 | | | | | | |
| 350 | 225 | -.931 | .287 | -.154 | -2.031 | 350 | 275 | -.633 | .137 | -.274 | -1.296 | | | | | | |
| 350 | 226 | -.789 | .241 | -.153 | -1.835 | 350 | 276 | -.470 | .107 | -.180 | -.987 | | | | | | |
| 350 | 227 | -.715 | .228 | -.088 | -1.793 | 350 | 277 | -.474 | .090 | -.186 | -.833 | | | | | | |
| 350 | 228 | -.647 | .197 | -.048 | -1.473 | 350 | 278 | -.403 | .080 | -.093 | -.842 | | | | | | |
| 350 | 229 | -.536 | .174 | -.107 | -1.100 | 350 | 279 | -.403 | .087 | -.163 | -.982 | | | | | | |
| 350 | 230 | -.457 | .139 | -.043 | -.950 | 350 | 280 | -.383 | .078 | -.141 | -.801 | | | | | | |
| 350 | 231 | -.413 | .119 | -.018 | -1.104 | 350 | 281 | -.415 | .078 | -.159 | -.804 | | | | | | |
| 350 | 232 | -.397 | .090 | -.062 | -.733 | 350 | 282 | -.524 | .066 | -.280 | -.780 | | | | | | |
| 350 | 233 | -.386 | .096 | -.053 | -.742 | 350 | 283 | -.575 | .073 | -.306 | -.861 | | | | | | |
| 350 | 234 | -.461 | .086 | -.055 | -.849 | 350 | 284 | -.353 | .068 | -.127 | -.619 | | | | | | |
| 350 | 235 | -.508 | .080 | -.160 | -.897 | 350 | 285 | -.311 | .079 | -.045 | -.618 | | | | | | |
| 350 | 236 | -1.060 | .323 | -.341 | -2.181 | 350 | 286 | -.329 | .050 | -.193 | -.534 | | | | | | |
| 350 | 237 | -.820 | .276 | -.099 | -2.125 | 350 | 287 | -.345 | .068 | -.132 | -.694 | | | | | | |
| 350 | 238 | -.725 | .222 | -.012 | -1.922 | 350 | 288 | -.303 | .048 | -.172 | -.537 | | | | | | |
| 350 | 239 | -.671 | .208 | -.133 | -1.689 | 350 | 289 | -.279 | .048 | -.124 | -.547 | | | | | | |
| 350 | 240 | -.614 | .207 | -.084 | -1.552 | 350 | 290 | -.472 | .036 | -.273 | -.701 | | | | | | |
| 350 | 241 | -.498 | .172 | -.046 | -1.379 | 350 | 291 | -.535 | .077 | -.277 | -.877 | | | | | | |
| 350 | 242 | -.425 | .123 | -.072 | -.895 | 350 | 292 | -.571 | .074 | -.337 | -.910 | | | | | | |
| 350 | 243 | -.382 | .104 | -.011 | -.797 | 350 | 293 | -.181 | .051 | -.020 | -.419 | | | | | | |
| 350 | 244 | -.364 | .080 | -.094 | -.714 | 350 | 294 | -.143 | .033 | -.017 | -.248 | | | | | | |
| 350 | 245 | -.355 | .087 | -.004 | -.656 | 350 | 295 | -.155 | .041 | -.008 | -.295 | | | | | | |
| 350 | 246 | -.426 | .074 | -.082 | -.734 | 350 | 296 | -.239 | .040 | -.103 | -.393 | | | | | | |
| 350 | 247 | -.481 | .078 | -.120 | -.805 | 350 | 297 | -.245 | .038 | -.110 | -.391 | | | | | | |
| 350 | 248 | -1.077 | .286 | -.136 | -2.260 | 350 | 298 | -.433 | .046 | -.250 | -.566 | | | | | | |
| 350 | 249 | -.842 | .236 | -.038 | -2.227 | 350 | 299 | -.519 | .070 | -.263 | -.756 | | | | | | |
| 350 | 250 | -.743 | .167 | -.141 | -2.003 | 350 | 300 | -.557 | .096 | -.256 | -1.015 | | | | | | |
| 350 | 251 | -.687 | .194 | -.135 | -1.776 | 350 | 301 | -.120 | .042 | -.057 | -.295 | | | | | | |
| 350 | 252 | -.670 | .169 | -.131 | -1.476 | 350 | 302 | -.148 | .042 | -.033 | -.288 | | | | | | |
| 350 | 253 | -.567 | .159 | -.024 | -1.140 | 350 | 303 | -.113 | .039 | -.015 | -.236 | | | | | | |
| 350 | 254 | -.475 | .127 | -.149 | -.993 | 350 | 304 | -.110 | .037 | -.018 | -.214 | | | | | | |
| 350 | 255 | -.417 | .110 | -.043 | -1.021 | 350 | 305 | -.265 | .041 | -.127 | -.425 | | | | | | |
| 350 | 256 | -.393 | .082 | -.094 | -.729 | 350 | 306 | -.247 | .036 | -.133 | -.374 | | | | | | |
| 350 | 257 | -.379 | .086 | -.018 | -.794 | 350 | 307 | -.283 | .044 | -.160 | -.427 | | | | | | |
| 350 | 258 | -.446 | .075 | -.074 | -.789 | 350 | 308 | -.413 | .047 | -.242 | -.597 | | | | | | |
| 350 | 259 | -.492 | .074 | -.200 | -.851 | 350 | 309 | -.475 | .058 | -.283 | -.696 | | | | | | |
| 350 | 260 | -1.007 | .205 | -.337 | -1.956 | 350 | 401 | -.681 | .116 | -.266 | -1.681 | | | | | | |
| 350 | 261 | -.808 | .173 | -.327 | -1.654 | 350 | 402 | -.682 | .112 | -.301 | -1.245 | | | | | | |
| 350 | 262 | -.724 | .149 | -.280 | -1.487 | 350 | 403 | -.706 | .083 | -.490 | -1.174 | | | | | | |
| 350 | 263 | -.675 | .162 | -.235 | -2.059 | 350 | 404 | -.725 | .088 | -.424 | -1.341 | | | | | | |

APPENDIX A -- PRESSURE DATA:

CONFIGURATION A:

OLYMPIA AND YORK OFFICE TOWER, DALLAS

| WD | TAP | CPMEAN | CPRMS | CPMAX | CPMIN | WD | TAP | CPMEAN | CPRMS | CPMAX | CPMIN | WD | TAP | CPMEAN | CPRMS | CPMAX | CPMIN |
|-----|-----|--------|-------|-------|--------|-----|-----|--------|-------|--------|--------|-----|-----|--------|-------|-------|--------|
| 350 | 405 | .741 | .096 | -.420 | -1.313 | 350 | 433 | -.304 | .109 | -1.241 | -1.274 | 350 | 537 | .201 | .121 | -.689 | -1.143 |
| 350 | 406 | -.939 | .173 | -.471 | -1.640 | 350 | 436 | -.343 | .124 | -1.297 | -1.453 | 350 | 538 | .293 | .153 | -.868 | -1.543 |
| 350 | 407 | -.828 | .107 | -.514 | -1.261 | 350 | 437 | -.366 | .072 | -1.316 | -.842 | 350 | 539 | .279 | .168 | -.881 | -.400 |
| 350 | 408 | -.704 | .118 | -.339 | -1.336 | 350 | 438 | -.389 | .073 | -.346 | -.833 | 350 | 540 | -.576 | .060 | -.333 | -.980 |
| 350 | 409 | -.705 | .087 | -.406 | -1.067 | 350 | 439 | -.535 | .067 | -1.272 | -1.770 | 350 | 541 | -.380 | .066 | -.331 | -.874 |
| 350 | 410 | -.719 | .083 | -.473 | -1.092 | 350 | 460 | -.588 | .091 | -.243 | -.946 | 350 | 542 | -.379 | .067 | -.355 | -.922 |
| 350 | 411 | -.685 | .075 | -.482 | -.969 | 350 | 461 | -.364 | .074 | -.278 | -.831 | 350 | 543 | -.349 | .058 | -.316 | -.840 |
| 350 | 412 | -.704 | .076 | -.465 | -1.053 | 350 | 462 | -.532 | .095 | -.209 | -.905 | 350 | 544 | -.511 | .077 | -.187 | -.779 |
| 350 | 413 | -.716 | .075 | -.521 | -1.036 | 350 | 463 | -.503 | .105 | -.243 | -.835 | 350 | 545 | -.327 | .084 | -.019 | -.598 |
| 350 | 414 | -.656 | .198 | -.525 | -1.862 | 350 | 464 | -.527 | .103 | -.177 | -.916 | 350 | 546 | -.293 | .090 | -.048 | -.376 |
| 350 | 415 | -.656 | .096 | -.346 | -1.112 | 350 | 465 | -.490 | .085 | -.183 | -.903 | 350 | 547 | -.077 | .100 | -.281 | -.375 |
| 350 | 416 | -.619 | .085 | -.334 | -1.088 | 350 | 466 | -.499 | .081 | -.199 | -.910 | 350 | 548 | .118 | .110 | -.493 | -.197 |
| 350 | 417 | -.641 | .075 | -.357 | -1.046 | 350 | 467 | -.321 | .082 | -.294 | -1.226 | 350 | 549 | .218 | .114 | -.375 | -.059 |
| 350 | 418 | -.621 | .075 | -.378 | -1.075 | 350 | 468 | -.341 | .081 | -.265 | -.948 | 350 | 550 | .299 | .131 | -.786 | -.333 |
| 350 | 419 | -.671 | .095 | -.395 | -1.266 | 350 | 501 | -.737 | .101 | -.247 | -1.296 | 350 | 551 | -.264 | .143 | -.634 | -.333 |
| 350 | 420 | -.646 | .101 | -.354 | -1.171 | 350 | 502 | -.716 | .154 | -.060 | -1.234 | 350 | 552 | -.370 | .058 | -.382 | -.867 |
| 350 | 421 | -.674 | .096 | -.418 | -1.699 | 350 | 503 | -.963 | .130 | -.629 | -1.448 | 350 | 553 | -.649 | .071 | -.426 | -1.219 |
| 350 | 422 | -.608 | .088 | -.339 | -1.314 | 350 | 504 | -.638 | .073 | -.378 | -.936 | 350 | 554 | -.578 | .064 | -.389 | -.914 |
| 350 | 423 | -.656 | .089 | -.375 | -1.285 | 350 | 505 | -.597 | .074 | -.345 | -.879 | 350 | 555 | -.538 | .057 | -.363 | -.787 |
| 350 | 424 | -.611 | .084 | -.379 | -1.221 | 350 | 506 | -.502 | .079 | -.207 | -.754 | 350 | 556 | -.516 | .072 | -.241 | -.759 |
| 350 | 425 | -.666 | .064 | -.418 | -1.026 | 350 | 507 | -.465 | .080 | -.171 | -.798 | 350 | 557 | -.370 | .083 | -.078 | -.612 |
| 350 | 426 | -.388 | .069 | -.383 | -.962 | 350 | 508 | -.364 | .096 | -.045 | -.681 | 350 | 558 | -.287 | .085 | -.012 | -.528 |
| 350 | 427 | -.631 | .075 | -.434 | -1.066 | 350 | 509 | -.123 | .132 | -.310 | -.972 | 350 | 559 | -.097 | .088 | -.203 | -.338 |
| 350 | 428 | -.591 | .071 | -.339 | -.967 | 350 | 510 | -.067 | .179 | -.442 | -.979 | 350 | 560 | .087 | .092 | -.453 | -.171 |
| 350 | 429 | -.612 | .082 | -.350 | -1.087 | 350 | 511 | -.752 | .076 | -.535 | -1.374 | 350 | 561 | .140 | .097 | -.343 | -.113 |
| 350 | 430 | -.611 | .090 | -.334 | -1.136 | 350 | 512 | -.734 | .084 | -.515 | -1.386 | 350 | 562 | .249 | .108 | -.684 | -.440 |
| 350 | 431 | -.651 | .079 | -.393 | -1.419 | 350 | 513 | -.932 | .126 | -.535 | -1.432 | 350 | 563 | .241 | .133 | -.720 | -.338 |
| 350 | 432 | -.598 | .061 | -.403 | -.898 | 350 | 514 | -.567 | .081 | -.259 | -.841 | 350 | 564 | -.600 | .104 | -.202 | -1.225 |
| 350 | 433 | -.652 | .052 | -.374 | -.861 | 350 | 515 | -.482 | .076 | -.132 | -.749 | 350 | 565 | -.697 | .137 | -.311 | -1.664 |
| 350 | 434 | -.581 | .067 | -.361 | -.982 | 350 | 516 | -.621 | .102 | -.292 | -1.364 | 350 | 566 | -.615 | .120 | -.293 | -1.437 |
| 350 | 435 | -.622 | .067 | -.465 | -1.613 | 350 | 517 | -.648 | .120 | -.295 | -1.356 | 350 | 567 | -.583 | .070 | -.280 | -.867 |
| 350 | 436 | -.622 | .067 | -.465 | -1.613 | 350 | 518 | -.661 | .107 | -.345 | -1.120 | 350 | 568 | -.513 | .067 | -.204 | -.737 |
| 350 | 437 | -.599 | .083 | -.337 | -1.175 | 350 | 519 | -.680 | .076 | -.275 | -1.027 | 350 | 569 | -.375 | .079 | -.071 | -.646 |
| 350 | 438 | -.603 | .075 | -.422 | -1.050 | 350 | 520 | -.584 | .067 | -.216 | -.877 | 350 | 570 | -.297 | .080 | -.064 | -.562 |
| 350 | 439 | -.658 | .059 | -.412 | -.896 | 350 | 521 | -.682 | .093 | -.385 | -1.115 | 350 | 571 | -.111 | .083 | -.200 | -.331 |
| 350 | 440 | -.590 | .059 | -.422 | -1.125 | 350 | 522 | -.564 | .081 | -.174 | -.838 | 350 | 572 | -.062 | .089 | -.420 | -.159 |
| 350 | 441 | -.553 | .059 | -.353 | -.666 | 350 | 523 | -.174 | .097 | -.198 | -.447 | 350 | 573 | .092 | .090 | -.333 | -.130 |
| 350 | 442 | -.581 | .068 | -.374 | -.972 | 350 | 524 | -.006 | .114 | -.388 | -.322 | 350 | 574 | -.164 | .094 | -.577 | -.254 |
| 350 | 443 | -.678 | .078 | -.298 | -1.157 | 350 | 525 | -.109 | .125 | -.495 | -.217 | 350 | 575 | -.113 | .124 | -.522 | -.524 |
| 350 | 444 | -.658 | .068 | -.390 | -.904 | 350 | 526 | -.258 | .169 | -.727 | -.954 | 350 | 576 | -.528 | .120 | -.029 | -1.251 |
| 350 | 445 | -.660 | .072 | -.385 | -.907 | 350 | 527 | -.242 | .207 | -.793 | -.768 | 350 | 577 | -.632 | .167 | -.181 | -1.752 |
| 350 | 446 | -.639 | .065 | -.399 | -.991 | 350 | 528 | -.584 | .070 | -.402 | -1.007 | 350 | 578 | -.567 | .151 | -.137 | -1.530 |
| 350 | 447 | -.644 | .104 | -.323 | -.353 | 350 | 529 | -.391 | .079 | -.388 | -1.298 | 350 | 579 | -.546 | .078 | -.319 | -.880 |
| 350 | 448 | -.611 | .117 | -.380 | -1.669 | 350 | 530 | -.590 | .074 | -.372 | -.930 | 350 | 580 | -.485 | .066 | -.288 | -.752 |
| 350 | 449 | -.659 | .113 | -.312 | -.364 | 350 | 531 | -.582 | .061 | -.279 | -.843 | 350 | 581 | -.317 | .071 | -.085 | -.545 |
| 350 | 450 | -.730 | .171 | -.283 | -1.670 | 350 | 532 | -.488 | .073 | -.065 | -.763 | 350 | 582 | -.303 | .074 | -.049 | -.525 |
| 350 | 451 | -.658 | .132 | -.266 | -.353 | 350 | 533 | -.320 | .092 | -.007 | -.395 | 350 | 583 | -.134 | .097 | -.203 | -.404 |
| 350 | 452 | -.634 | .072 | -.393 | -.919 | 350 | 534 | -.288 | .093 | -.124 | -.545 | 350 | 584 | -.026 | .097 | -.398 | -.219 |
| 350 | 453 | -.658 | .068 | -.288 | -.353 | 350 | 535 | -.082 | .104 | -.289 | -.373 | 350 | 585 | -.076 | .075 | -.346 | -.214 |
| 350 | 454 | -.613 | .083 | -.164 | -.227 | 350 | 536 | -.101 | .115 | -.500 | -.226 | 350 | 586 | -.035 | .079 | -.352 | -.358 |

APPENDIX A -- PRESSURE DATA:

CONFIGURATION A: OLYMPIA AND YORK OFFICE TOWER, DALLAS

| WD | TAP | CPMEAN | CFRMS | CPMAX | CPMIN |
|------|-----|--------|-------|-------|-------|
| 3350 | 587 | -.059 | .102 | .261 | -.441 |
| 3350 | 588 | -.065 | .121 | .363 | -.600 |
| 3350 | 589 | -.022 | .111 | .419 | -.446 |
| 3350 | 590 | -.170 | .102 | -.223 | -.280 |
| 3350 | 591 | -.533 | .099 | -.156 | -.012 |
| 3350 | 592 | -.347 | .093 | -.290 | -.367 |
| 3350 | 593 | -.471 | .073 | -.221 | -.970 |
| 3350 | 594 | -.525 | .097 | -.240 | -.243 |
| 3350 | 595 | -.406 | .127 | .010 | -.816 |
| 3350 | 596 | -.305 | .090 | .001 | -.843 |
| 3350 | 597 | -.031 | .087 | .283 | -.411 |
| 3350 | 598 | -.031 | .086 | .362 | -.463 |
| 3350 | 599 | -.101 | .082 | .435 | -.183 |
| 3350 | 600 | -.143 | .083 | .547 | -.248 |
| 3350 | 601 | -.082 | .098 | .316 | -.394 |
| 3350 | 602 | -.139 | .070 | .573 | -.132 |
| 3350 | 603 | -.124 | .087 | .549 | -.165 |
| 3350 | 701 | -.203 | .036 | .007 | -.384 |
| 3350 | 702 | -.163 | .035 | .034 | -.354 |
| 3350 | 703 | -.164 | .046 | -.019 | -.324 |
| 3350 | 704 | -.167 | .061 | -.057 | -.478 |
| 3350 | 705 | -.398 | .130 | -.071 | -.900 |
| 3350 | 706 | -.010 | .193 | .542 | -.777 |
| 3350 | 707 | -.047 | .123 | .578 | -.299 |

| WD | TAP | CPMEAN | CFRMS | CPMAX | CPMIN |
|-----|-----|--------|-------|-------|--------|
| 350 | 708 | .152 | .078 | .509 | -.142 |
| 350 | 709 | -.267 | .048 | -.091 | -.460 |
| 350 | 710 | -.156 | .046 | -.008 | -.329 |
| 350 | 711 | -.053 | .076 | .352 | -.441 |
| 350 | 712 | .181 | .078 | .521 | -.125 |
| 350 | 713 | .177 | .106 | .536 | -.318 |
| 350 | 714 | .036 | .125 | .596 | -.501 |
| 350 | 715 | -.227 | .090 | .181 | -.502 |
| 350 | 716 | -.482 | .070 | -.233 | -.733 |
| 350 | 717 | -.779 | .136 | -.267 | -1.287 |
| 350 | 718 | -.455 | .082 | -.203 | -.816 |
| 350 | 719 | -.506 | .069 | -.195 | -.731 |
| 350 | 720 | -.540 | .124 | -.053 | -1.033 |
| 350 | 721 | -.561 | .073 | -.311 | -.800 |
| 350 | 801 | -.168 | .093 | .842 | -.087 |
| 350 | 802 | -.198 | .042 | -.043 | -.330 |
| 350 | 803 | -.150 | .055 | .105 | -.413 |
| 350 | 804 | -.122 | .089 | .208 | -.337 |
| 350 | 805 | -.045 | .119 | .561 | -.454 |
| 350 | 806 | -.207 | .099 | .308 | -.508 |
| 350 | 807 | -.417 | .062 | -.177 | -.738 |
| 350 | 808 | -.461 | .093 | -.188 | -.865 |
| 350 | 809 | -.536 | .088 | -.197 | -.882 |
| 350 | 810 | -.491 | .076 | -.173 | -.754 |

| WD | TAP | CPMEAN | CFRMS | CPMAX | CPMIN |
|-----|-----|--------|-------|-------|--------|
| 350 | 901 | -1.047 | .168 | -.475 | -1.840 |
| 350 | 903 | -.380 | .134 | -.072 | -.977 |
| 350 | 904 | -.864 | .188 | -.227 | -1.395 |
| 350 | 905 | -.893 | .113 | -.559 | -1.466 |
| 350 | 906 | -.269 | .177 | .321 | -.573 |
| 350 | 907 | -.616 | .139 | .101 | -1.114 |
| 350 | 908 | -.714 | .079 | -.451 | -1.047 |
| 350 | 909 | -.718 | .102 | -.481 | -1.443 |
| 350 | 910 | -.712 | .078 | -.474 | -1.045 |
| 350 | 911 | -.721 | .131 | -.259 | -1.428 |
| 350 | 912 | -.678 | .144 | -.127 | -1.419 |
| 350 | 913 | -.641 | .117 | -.134 | -1.294 |
| 350 | 914 | -.414 | .094 | -.014 | -.744 |
| 350 | 915 | -.499 | .109 | .036 | -.910 |
| 350 | 916 | -.452 | .257 | .355 | -1.386 |
| 350 | 917 | -.354 | .076 | -.090 | -.681 |
| 350 | 918 | -.614 | .133 | -.097 | -1.287 |
| 350 | 919 | -.597 | .113 | -.317 | -1.066 |
| 350 | 920 | -.522 | .102 | -.227 | -1.020 |
| 350 | 921 | -.469 | .095 | -.045 | -1.009 |
| 350 | 922 | -.430 | .084 | -.093 | -.885 |
| 350 | 923 | -.407 | .076 | -.132 | -.734 |
| 350 | 924 | -.415 | .070 | -.171 | -.708 |
| 350 | 925 | -.501 | .064 | -.243 | -.839 |

APPENDIX A -- PRESSURE DATA:

CONFIGURATION C: OLYMPIA AND YORK OFFICE TOWER, DALLAS

| WD | TAP | CPMEAN | CPRMS | CPMAX | CPMIN |
|----|-----|--------|-------|-------|--------|
| 10 | 101 | .551 | .355 | .414 | -1.292 |
| 10 | 108 | .401 | .463 | .638 | -1.861 |
| 10 | 115 | .371 | .484 | .813 | -1.923 |
| 10 | 122 | .381 | .473 | .790 | -1.902 |
| 10 | 123 | .303 | .435 | .642 | -1.639 |
| 10 | 209 | .353 | .106 | .250 | -1.305 |
| 10 | 222 | .513 | .077 | .192 | -.981 |
| 10 | 223 | .513 | .088 | .178 | -1.108 |
| 10 | 234 | .453 | .052 | .160 | -.616 |
| 10 | 235 | .473 | .660 | .112 | -.674 |
| 10 | 421 | .589 | .110 | .197 | -1.098 |
| 10 | 906 | .549 | .151 | .051 | -1.463 |
| 12 | 101 | .534 | .336 | .540 | -1.961 |
| 12 | 108 | .469 | .455 | 1.171 | -2.114 |
| 12 | 115 | .366 | .468 | 1.057 | -1.740 |
| 12 | 122 | .373 | .448 | .704 | -2.147 |
| 12 | 123 | .333 | .433 | .500 | -1.842 |
| 12 | 209 | .571 | .107 | .172 | -1.296 |
| 12 | 222 | .497 | .988 | .215 | -1.185 |
| 12 | 223 | .498 | .696 | .197 | -1.414 |
| 12 | 234 | .443 | .045 | .245 | -.621 |
| 12 | 235 | .451 | .657 | .220 | -.733 |
| 12 | 421 | .577 | .110 | .245 | -1.069 |
| 12 | 906 | .561 | .156 | .145 | -1.246 |
| 14 | 101 | .562 | .345 | .415 | -1.863 |
| 14 | 108 | .454 | .476 | .739 | -2.121 |
| 14 | 115 | .409 | .485 | .757 | -2.150 |
| 14 | 122 | .421 | .452 | .754 | -2.244 |
| 14 | 123 | .417 | .433 | .527 | -2.072 |
| 14 | 209 | .537 | .092 | .193 | -1.402 |
| 14 | 222 | .467 | .090 | .193 | -1.088 |
| 14 | 223 | .476 | .102 | .145 | -1.207 |
| 14 | 234 | .431 | .045 | .262 | -.584 |
| 14 | 235 | .449 | .658 | .199 | -.671 |
| 14 | 421 | .558 | .109 | .227 | -1.098 |
| 14 | 906 | .537 | .163 | .223 | -1.555 |
| 15 | 101 | .533 | .316 | .241 | -2.074 |
| 15 | 108 | .444 | .414 | .653 | -1.623 |
| 15 | 115 | .432 | .443 | .755 | -1.772 |
| 15 | 122 | .432 | .427 | .709 | -2.291 |
| 15 | 123 | .431 | .433 | .523 | -1.773 |
| 15 | 209 | .512 | .106 | .161 | -1.309 |
| 15 | 222 | .447 | .097 | .179 | -1.198 |
| 15 | 223 | .454 | .699 | .162 | -1.243 |
| 15 | 234 | .414 | .045 | .225 | -.583 |
| 15 | 235 | .436 | .668 | .154 | -.668 |
| 15 | 421 | .544 | .109 | .197 | -1.152 |
| 16 | 906 | .542 | .136 | .074 | -1.174 |
| 18 | 101 | .594 | .318 | .282 | -2.113 |
| 18 | 108 | .498 | .410 | .641 | -1.715 |

| WD | TAP | CPMEAN | CPRMS | CPMAX | CPMIN |
|----|-----|--------|-------|-------|--------|
| 18 | 115 | .464 | .433 | .703 | -1.948 |
| 18 | 122 | .477 | .412 | .737 | -1.959 |
| 18 | 123 | .437 | .394 | .526 | -2.160 |
| 18 | 209 | .507 | .109 | .165 | -1.380 |
| 18 | 222 | .449 | .094 | .192 | -1.097 |
| 18 | 223 | .455 | .106 | .183 | -1.327 |
| 18 | 234 | .417 | .047 | .238 | -.636 |
| 18 | 235 | .434 | .062 | .211 | -.784 |
| 18 | 421 | .542 | .111 | .178 | -1.123 |
| 18 | 906 | .529 | .161 | .121 | -1.206 |
| 20 | 101 | .838 | .319 | .169 | -2.581 |
| 20 | 108 | .750 | .325 | .519 | -1.873 |
| 20 | 115 | .707 | .353 | .471 | -1.873 |
| 20 | 122 | .685 | .342 | .649 | -2.105 |
| 20 | 123 | .708 | .323 | .323 | -1.842 |
| 20 | 209 | .453 | .100 | .131 | -1.194 |
| 20 | 222 | .405 | .087 | .126 | -.933 |
| 20 | 223 | .412 | .097 | .107 | -1.031 |
| 20 | 234 | .389 | .045 | .224 | -.538 |
| 20 | 235 | .403 | .060 | .183 | -.642 |
| 20 | 421 | .507 | .102 | .195 | -1.132 |
| 20 | 906 | .490 | .147 | .111 | -1.149 |
| 22 | 101 | .793 | .300 | .127 | -2.152 |
| 22 | 108 | .711 | .308 | .584 | -1.703 |
| 22 | 115 | .692 | .322 | .597 | -2.594 |
| 22 | 122 | .672 | .306 | .489 | -1.903 |
| 22 | 123 | .659 | .309 | .455 | -2.113 |
| 22 | 209 | .451 | .098 | .121 | -1.950 |
| 22 | 222 | .404 | .087 | .173 | -.856 |
| 22 | 223 | .409 | .097 | .143 | -1.046 |
| 22 | 234 | .400 | .044 | .239 | -.579 |
| 22 | 235 | .411 | .057 | .221 | -.661 |
| 22 | 421 | .514 | .105 | .210 | -1.116 |
| 22 | 906 | .491 | .157 | .135 | -1.154 |
| 24 | 101 | .879 | .355 | .070 | -2.589 |
| 24 | 108 | .770 | .329 | .425 | -1.867 |
| 24 | 115 | .741 | .339 | .558 | -2.195 |
| 24 | 122 | .729 | .316 | .432 | -2.310 |
| 24 | 123 | .756 | .352 | .390 | -2.058 |
| 24 | 209 | .446 | .093 | .169 | -1.000 |
| 24 | 222 | .411 | .081 | .136 | -.811 |
| 24 | 223 | .416 | .090 | .131 | -.932 |
| 24 | 234 | .416 | .048 | .238 | -.655 |
| 24 | 235 | .428 | .061 | .239 | -.739 |
| 24 | 421 | .528 | .111 | .224 | -1.116 |
| 24 | 906 | .483 | .154 | .094 | -1.209 |
| 26 | 101 | .856 | .350 | .135 | -3.096 |
| 26 | 108 | .769 | .324 | .452 | -2.132 |
| 26 | 115 | .727 | .331 | .421 | -2.121 |
| 26 | 122 | .718 | .318 | .511 | -1.947 |

| WD | TAP | CPMEAN | CPRMS | CPMAX | CPMIN |
|----|-----|--------|-------|-------|--------|
| 26 | 123 | .726 | .324 | .264 | -2.206 |
| 26 | 209 | .441 | .097 | -.136 | -1.097 |
| 26 | 222 | .413 | .082 | -.148 | -1.026 |
| 26 | 223 | .419 | .090 | -.123 | -1.023 |
| 26 | 234 | .428 | .045 | -.279 | -.614 |
| 26 | 235 | .436 | .058 | -.234 | -.679 |
| 26 | 421 | .521 | .103 | -.222 | -1.082 |
| 26 | 906 | .471 | .148 | .099 | -1.093 |
| 28 | 101 | .839 | .323 | .089 | -2.386 |
| 28 | 108 | .755 | .304 | .503 | -1.984 |
| 28 | 115 | .724 | .325 | .437 | -1.951 |
| 28 | 122 | .713 | .305 | .453 | -1.957 |
| 28 | 123 | .717 | .317 | .314 | -1.956 |
| 28 | 209 | .443 | .096 | -.177 | -1.095 |
| 28 | 222 | .421 | .079 | -.160 | -.813 |
| 28 | 223 | .424 | .087 | -.154 | -.944 |
| 28 | 234 | .436 | .047 | -.250 | -.666 |
| 28 | 235 | .442 | .061 | -.251 | -.787 |
| 28 | 421 | .536 | .117 | -.216 | -1.300 |
| 28 | 906 | .472 | .162 | .133 | -1.220 |
| 30 | 101 | .873 | .324 | .090 | -2.932 |
| 30 | 108 | .779 | .318 | .649 | -2.323 |
| 30 | 115 | .751 | .334 | .729 | -2.122 |
| 30 | 122 | .737 | .312 | .458 | -2.443 |
| 30 | 123 | .720 | .312 | .238 | -2.369 |
| 30 | 209 | .440 | .107 | -.090 | -1.073 |
| 30 | 222 | .416 | .080 | -.197 | -1.210 |
| 30 | 223 | .418 | .087 | -.183 | -1.288 |
| 30 | 234 | .432 | .045 | -.315 | -.682 |
| 30 | 235 | .434 | .039 | -.273 | -.797 |
| 30 | 421 | .528 | .119 | -.157 | -1.237 |
| 30 | 906 | .448 | .161 | -.244 | -1.244 |
| 32 | 101 | .878 | .220 | -.073 | -2.273 |
| 32 | 108 | .796 | .218 | .250 | -1.633 |
| 32 | 115 | .776 | .250 | .260 | -2.200 |
| 32 | 122 | .732 | .238 | .262 | -2.246 |
| 32 | 123 | .707 | .250 | .008 | -1.851 |
| 32 | 209 | .418 | .098 | -.107 | -.893 |
| 32 | 222 | .401 | .077 | -.166 | -.723 |
| 32 | 223 | .403 | .083 | -.163 | -.736 |
| 32 | 234 | .433 | .055 | -.275 | -.847 |
| 32 | 235 | .428 | .070 | -.227 | -.876 |
| 32 | 421 | .560 | .163 | -.143 | -1.697 |
| 32 | 906 | .411 | .159 | -.248 | -1.114 |
| 34 | 101 | .904 | .218 | -.075 | -2.201 |
| 34 | 108 | .821 | .209 | .244 | -2.131 |
| 34 | 115 | .809 | .241 | .272 | -1.788 |
| 34 | 122 | .743 | .237 | .578 | -2.049 |
| 34 | 123 | .730 | .241 | -.018 | -1.865 |
| 34 | 209 | .410 | .096 | -.004 | -.832 |

APPENDIX A -- PRESSURE DATA:

CONFIGURATION C: OLYMPIA AND YORK OFFICE TOWER, DALLAS

| WD | TAP | CPMEAN | CPRMS | CPMAX | CPMIN | WD | TAP | CPMEAN | CPRMS | CPMAX | CPMIN | WD | TAP | CPMEAN | CPRMS | CPMAX | CPMIN |
|----|-----|--------|-------|-------|--------|----|-----|--------|-------|-------|--------|----|-----|--------|-------|-------|-------|
| 42 | 234 | -.423 | .063 | -.239 | -.687 | 50 | 421 | -.771 | .430 | .634 | -2.474 | | | | | | |
| 42 | 235 | -.407 | .078 | -.183 | -.894 | 50 | 906 | -.954 | .133 | .406 | -2.615 | | | | | | |
| 42 | 421 | -.750 | .367 | -.412 | -2.416 | 52 | 101 | -1.218 | .315 | .382 | -2.602 | | | | | | |
| 42 | 906 | -.223 | .175 | -.404 | -1.029 | 52 | 106 | -.936 | .201 | .059 | -2.172 | | | | | | |
| 44 | 101 | -1.031 | .271 | -.486 | -2.292 | 52 | 115 | -1.000 | .259 | .217 | -2.492 | | | | | | |
| 44 | 108 | -.889 | .186 | -.188 | -1.782 | 52 | 122 | -.937 | .267 | .119 | -2.678 | | | | | | |
| 44 | 115 | -.968 | .227 | -.096 | -1.929 | 52 | 123 | -.939 | .222 | .192 | -2.390 | | | | | | |
| 44 | 122 | -.872 | .245 | -.127 | -2.188 | 52 | 209 | -.389 | .068 | .151 | -.719 | | | | | | |
| 44 | 123 | -.895 | .242 | -.102 | -1.977 | 52 | 222 | -.420 | .072 | .210 | -.762 | | | | | | |
| 44 | 209 | -.390 | .064 | -.133 | -.740 | 52 | 223 | -.414 | .080 | .183 | -.806 | | | | | | |
| 44 | 222 | -.433 | .091 | -.071 | -.641 | 52 | 234 | -.451 | .056 | .237 | -.742 | | | | | | |
| 44 | 223 | -.434 | .102 | -.024 | -.860 | 52 | 235 | -.437 | .069 | .208 | -.906 | | | | | | |
| 44 | 234 | -.449 | .061 | -.211 | -.739 | 52 | 421 | -.680 | .304 | .350 | -2.148 | | | | | | |
| 44 | 235 | -.431 | .075 | -.114 | -.797 | 52 | 906 | -.976 | .137 | .413 | -2.627 | | | | | | |
| 44 | 421 | -.903 | .441 | -.637 | -2.603 | 54 | 101 | -1.176 | .301 | .301 | -2.289 | | | | | | |
| 44 | 906 | -.974 | .171 | -.395 | -.889 | 54 | 108 | -.929 | .208 | .211 | -2.453 | | | | | | |
| 46 | 101 | -1.049 | .296 | -.295 | -1.160 | 54 | 115 | -.997 | .261 | .066 | -2.492 | | | | | | |
| 46 | 108 | -.876 | .185 | -.114 | -1.752 | 54 | 122 | -.912 | .263 | .141 | -2.540 | | | | | | |
| 46 | 115 | -.904 | .227 | -.034 | -2.082 | 54 | 123 | -.947 | .231 | .204 | -2.272 | | | | | | |
| 46 | 122 | -.857 | .239 | -.096 | -2.190 | 54 | 209 | -.389 | .068 | .173 | -.765 | | | | | | |
| 46 | 123 | -.828 | .246 | -.112 | -2.168 | 54 | 222 | -.420 | .068 | .185 | -.758 | | | | | | |
| 46 | 209 | -.396 | .062 | -.215 | -.754 | 54 | 223 | -.414 | .074 | .148 | -.819 | | | | | | |
| 46 | 222 | -.443 | .088 | -.196 | -.797 | 54 | 234 | -.445 | .031 | .291 | -.729 | | | | | | |
| 46 | 223 | -.441 | .099 | -.180 | -.854 | 54 | 235 | -.432 | .061 | .234 | -.850 | | | | | | |
| 46 | 234 | -.445 | .056 | -.236 | -.765 | 54 | 421 | -.586 | .220 | .409 | -1.990 | | | | | | |
| 46 | 235 | -.425 | .071 | -.191 | -.819 | 54 | 906 | -.098 | .141 | .402 | -1.635 | | | | | | |
| 46 | 421 | -.899 | .470 | -.534 | -2.558 | 56 | 101 | -1.163 | .307 | .314 | -2.517 | | | | | | |
| 46 | 906 | -.965 | .153 | -.443 | -.736 | 56 | 108 | -.935 | .223 | .103 | -2.010 | | | | | | |
| 48 | 101 | -1.024 | .273 | -.419 | -2.243 | 56 | 115 | -.997 | .274 | .024 | -2.671 | | | | | | |
| 48 | 108 | -.863 | .176 | -.202 | -1.937 | 56 | 122 | -.885 | .248 | .253 | -2.223 | | | | | | |
| 48 | 115 | -.899 | .219 | -.171 | -2.066 | 56 | 123 | -.919 | .215 | .271 | -2.129 | | | | | | |
| 48 | 122 | -.854 | .242 | -.150 | -2.226 | 56 | 209 | -.395 | .070 | .138 | -.757 | | | | | | |
| 48 | 123 | -.869 | .232 | -.119 | -2.303 | 56 | 222 | -.430 | .072 | .237 | -.803 | | | | | | |
| 48 | 209 | -.391 | .063 | -.173 | -.694 | 56 | 223 | -.423 | .077 | .211 | -.870 | | | | | | |
| 48 | 222 | -.426 | .080 | -.199 | -.801 | 56 | 234 | -.437 | .050 | .304 | -.681 | | | | | | |
| 48 | 223 | -.422 | .090 | -.172 | -.853 | 56 | 235 | -.423 | .059 | .261 | -.801 | | | | | | |
| 48 | 234 | -.439 | .059 | -.266 | -.726 | 56 | 421 | -.532 | .144 | .137 | -1.513 | | | | | | |
| 48 | 235 | -.418 | .071 | -.193 | -.849 | 56 | 906 | -.119 | .143 | .396 | -.694 | | | | | | |
| 48 | 421 | -.916 | .528 | -.655 | -3.104 | 58 | 101 | -1.129 | .312 | .281 | -2.436 | | | | | | |
| 48 | 906 | -.949 | .143 | -.458 | -.783 | 58 | 108 | -.917 | .246 | .205 | -2.674 | | | | | | |
| 50 | 101 | -1.189 | .297 | -.366 | -2.407 | 58 | 115 | -.944 | .257 | .184 | -2.837 | | | | | | |
| 50 | 108 | -.931 | .191 | -.383 | -2.210 | 58 | 122 | -.847 | .233 | .164 | -2.330 | | | | | | |
| 50 | 115 | -.966 | .234 | -.097 | -2.418 | 58 | 123 | -.887 | .218 | .246 | -1.817 | | | | | | |
| 50 | 122 | -.925 | .244 | -.229 | -2.105 | 58 | 209 | -.389 | .072 | .179 | -.905 | | | | | | |
| 50 | 123 | -.938 | .225 | -.144 | -2.273 | 58 | 222 | -.440 | .090 | .214 | -1.276 | | | | | | |
| 50 | 209 | -.389 | .066 | -.166 | -.682 | 58 | 223 | -.432 | .096 | .214 | -1.184 | | | | | | |
| 50 | 222 | -.431 | .083 | -.131 | -1.015 | 58 | 234 | -.420 | .058 | .253 | -.865 | | | | | | |
| 50 | 223 | -.427 | .092 | -.097 | -.859 | 58 | 235 | -.406 | .069 | .207 | -1.002 | | | | | | |
| 50 | 234 | -.443 | .058 | -.259 | -.697 | 58 | 421 | -.540 | .163 | .073 | -1.606 | | | | | | |
| 50 | 235 | -.428 | .072 | -.192 | -1.062 | 58 | 906 | -.146 | .144 | .364 | -.694 | | | | | | |

APPENDIX A -- PRESSURE DATA:

CONFIGURATION C) OLYMPIA AND YORK OFFICE TOWER, DALLAS

| WD | TAP | CPMEAN | CPRMS | CPMAX | CPMIN | WD | TAP | CPMEAN | CPRMS | CPMAX | CPMIN | WD | TAP | CPMEAN | CPRMS | CPMAX | CPMIN |
|----|-----|--------|-------|-------|--------|-----|-----|--------|-------|-------|--------|-----|-----|--------|-------|-------|--------|
| 60 | 101 | .926 | .289 | 2.267 | -2.374 | 68 | 115 | -.619 | .198 | -.027 | -2.377 | 164 | 123 | -.517 | .054 | -.294 | -1.778 |
| 60 | 108 | -.959 | .282 | 2.244 | -2.421 | 68 | 122 | -.569 | .192 | -.156 | -1.423 | 164 | 209 | -1.270 | .252 | -.296 | -2.532 |
| 60 | 111 | -.856 | .283 | 2.239 | -2.460 | 68 | 123 | -.582 | .181 | -.119 | -1.564 | 164 | 222 | -.951 | .343 | -.133 | -2.734 |
| 60 | 122 | -.778 | .232 | 2.235 | -1.936 | 68 | 209 | -.421 | .106 | -.097 | -1.112 | 164 | 223 | -1.248 | .661 | -.029 | -4.128 |
| 60 | 123 | -.633 | .167 | 2.233 | -1.699 | 68 | 222 | -.388 | .067 | -.115 | -.843 | 164 | 234 | -.824 | .219 | -.241 | -1.713 |
| 60 | 209 | -.413 | .063 | 2.188 | -.917 | 68 | 223 | -.376 | .089 | -.100 | -.971 | 164 | 235 | -.869 | .244 | -.216 | -2.018 |
| 60 | 222 | -.446 | .103 | 2.231 | -1.519 | 68 | 234 | -.381 | .047 | -.224 | -.843 | 164 | 421 | -.166 | .200 | -.588 | -.761 |
| 60 | 223 | -.433 | .108 | 2.209 | -1.555 | 68 | 235 | -.353 | .056 | -.177 | -1.352 | 164 | 906 | -1.046 | .164 | -.530 | -1.860 |
| 60 | 234 | -.483 | .053 | 2.265 | -1.999 | 68 | 421 | -.284 | .089 | -.314 | -.964 | 166 | 101 | -.577 | .057 | -.339 | -.961 |
| 60 | 335 | -.390 | .066 | 2.217 | -1.666 | 68 | 906 | -.356 | .102 | -.259 | -.968 | 166 | 108 | -.613 | .067 | -.341 | -.954 |
| 60 | 421 | -.594 | .199 | 2.189 | -1.622 | 70 | 101 | -.549 | .148 | -.240 | -1.393 | 166 | 115 | -.397 | .073 | -.315 | -.925 |
| 60 | 906 | -.212 | .135 | 2.299 | -1.699 | 70 | 108 | -.531 | .146 | -.015 | -1.446 | 166 | 122 | -.356 | .063 | -.295 | -.820 |
| 60 | 101 | -.999 | .283 | 2.283 | -2.444 | 70 | 115 | -.592 | .162 | -.057 | -1.318 | 166 | 123 | -.316 | .053 | -.301 | -.831 |
| 60 | 108 | -.879 | .254 | 2.137 | -2.443 | 70 | 122 | -.591 | .178 | -.094 | -1.583 | 166 | 209 | -1.271 | .244 | -.341 | -2.624 |
| 60 | 111 | -.871 | .235 | 2.167 | -2.222 | 70 | 123 | -.582 | .173 | -.111 | -1.593 | 166 | 222 | -.980 | .323 | -.032 | -2.631 |
| 60 | 122 | -.804 | .230 | 2.119 | -2.000 | 70 | 209 | -.454 | .118 | -.189 | -1.182 | 166 | 223 | -1.229 | .588 | -.335 | -4.202 |
| 60 | 123 | -.787 | .218 | 2.147 | -1.111 | 70 | 222 | -.393 | .082 | -.117 | -.773 | 166 | 234 | -.819 | .214 | -.250 | -1.945 |
| 60 | 209 | -.395 | .087 | 2.149 | -1.944 | 70 | 223 | -.381 | .082 | -.097 | -.752 | 166 | 235 | -.870 | .243 | -.231 | -2.184 |
| 60 | 222 | -.486 | .091 | 2.183 | -1.999 | 70 | 234 | -.393 | .046 | -.240 | -.754 | 166 | 421 | -.170 | .208 | -.605 | -.767 |
| 60 | 223 | -.398 | .104 | 2.174 | -1.422 | 70 | 235 | -.364 | .052 | -.186 | -.721 | 166 | 906 | -1.068 | .166 | -.602 | -1.889 |
| 60 | 234 | -.378 | .046 | 2.231 | -1.653 | 70 | 421 | -.272 | .106 | -.258 | -.724 | 168 | 101 | -.620 | .063 | -.443 | -.931 |
| 60 | 335 | -.359 | .055 | 2.175 | -1.655 | 70 | 906 | -.399 | .130 | -.117 | -1.217 | 168 | 108 | -.613 | .073 | -.402 | -1.012 |
| 60 | 421 | -.551 | .213 | 2.227 | -1.626 | 166 | 101 | -.623 | .062 | -.414 | -.917 | 168 | 115 | -.571 | .077 | -.244 | -.933 |
| 60 | 906 | -.239 | .119 | 2.306 | -1.640 | 166 | 108 | -.631 | .067 | -.368 | -.952 | 168 | 122 | -.538 | .068 | -.316 | -.933 |
| 60 | 101 | -.992 | .269 | 2.268 | -2.439 | 166 | 115 | -.602 | .074 | -.295 | -1.019 | 168 | 123 | -.542 | .056 | -.274 | -.825 |
| 60 | 108 | -.809 | .242 | 2.015 | -2.224 | 166 | 122 | -.573 | .068 | -.316 | -.948 | 168 | 209 | -1.254 | .237 | -.271 | -2.869 |
| 60 | 111 | -.816 | .231 | 2.082 | -2.074 | 166 | 123 | -.561 | .059 | -.343 | -.792 | 168 | 222 | -.940 | .334 | -.143 | -2.611 |
| 60 | 122 | -.725 | .236 | 2.077 | -2.222 | 166 | 209 | -.254 | .267 | -.315 | -2.748 | 168 | 223 | -1.433 | .669 | -.296 | -4.070 |
| 60 | 123 | -.716 | .246 | 2.073 | -2.038 | 166 | 222 | -.871 | .292 | -.668 | -2.534 | 168 | 234 | -.880 | .227 | -.216 | -1.876 |
| 60 | 209 | -.376 | .076 | 2.184 | -.972 | 166 | 223 | -.984 | .494 | -.319 | -3.838 | 168 | 235 | -.880 | .249 | -.190 | -2.148 |
| 60 | 222 | -.369 | .071 | 2.147 | -1.446 | 166 | 234 | -.827 | .214 | -.306 | -1.820 | 168 | 421 | -.151 | .200 | -.554 | -.703 |
| 60 | 223 | -.363 | .077 | 2.085 | -.865 | 166 | 235 | -.845 | .234 | -.288 | -2.139 | 168 | 906 | -1.054 | .168 | -.539 | -2.051 |
| 60 | 234 | -.368 | .047 | 2.264 | -1.663 | 166 | 421 | -.178 | .196 | -.717 | -.793 | 170 | 101 | -.630 | .064 | -.397 | -.896 |
| 60 | 335 | -.345 | .054 | 2.162 | -1.683 | 166 | 906 | -.042 | .167 | -.507 | -1.897 | 170 | 108 | -.615 | .074 | -.317 | -.942 |
| 60 | 421 | -.532 | .172 | 2.289 | -1.699 | 166 | 101 | -.596 | .060 | -.387 | -.902 | 170 | 115 | -.572 | .079 | -.274 | -1.000 |
| 60 | 906 | -.291 | .133 | 2.345 | -1.799 | 166 | 108 | -.625 | .068 | -.353 | -.956 | 170 | 122 | -.536 | .066 | -.282 | -1.028 |
| 60 | 101 | -.743 | .233 | 2.253 | -1.869 | 162 | 113 | -.603 | .072 | -.263 | -.886 | 170 | 123 | -.542 | .056 | -.301 | -.842 |
| 60 | 108 | -.583 | .034 | 2.044 | -1.644 | 162 | 122 | -.564 | .065 | -.323 | -.824 | 170 | 209 | -1.266 | .246 | -.085 | -2.600 |
| 60 | 111 | -.676 | .217 | 2.026 | -1.644 | 162 | 123 | -.525 | .054 | -.312 | -.773 | 170 | 222 | -.924 | .359 | -.050 | -2.461 |
| 60 | 122 | -.613 | .212 | 2.045 | -1.727 | 162 | 209 | -.270 | .257 | -.219 | -3.290 | 170 | 223 | -1.401 | .667 | -.149 | -4.214 |
| 60 | 123 | -.607 | .213 | 2.023 | -1.793 | 162 | 222 | -.943 | .321 | -.009 | -2.519 | 170 | 234 | -.890 | .233 | -.281 | -1.998 |
| 60 | 209 | -.396 | .089 | 2.185 | -.884 | 162 | 223 | -.162 | .594 | -.277 | -4.209 | 170 | 235 | -.884 | .252 | -.272 | -2.154 |
| 60 | 222 | -.382 | .084 | 2.113 | -.897 | 162 | 234 | -.786 | .205 | -.321 | -1.619 | 170 | 421 | -.141 | .204 | -.716 | -.751 |
| 60 | 223 | -.379 | .084 | 2.100 | -.911 | 162 | 235 | -.828 | .233 | -.244 | -2.035 | 170 | 906 | -1.067 | .172 | -.530 | -1.955 |
| 60 | 234 | -.371 | .050 | 2.188 | -1.655 | 162 | 421 | -.171 | .205 | -.562 | -.711 | 172 | 101 | -.620 | .066 | -.434 | -.932 |
| 60 | 335 | -.344 | .056 | 2.161 | -1.699 | 162 | 906 | -.034 | .161 | -.551 | -1.830 | 172 | 108 | -.609 | .079 | -.325 | -.987 |
| 60 | 421 | -.531 | .199 | 2.294 | -1.660 | 164 | 101 | -.582 | .060 | -.397 | -.953 | 172 | 115 | -.559 | .082 | -.231 | -1.017 |
| 60 | 906 | -.294 | .135 | 2.367 | -1.699 | 164 | 108 | -.615 | .068 | -.373 | -.979 | 172 | 122 | -.521 | .065 | -.303 | -.786 |
| 60 | 101 | -.993 | .282 | 2.222 | -2.401 | 164 | 113 | -.593 | .072 | -.314 | -1.044 | 172 | 123 | -.524 | .059 | -.323 | -.808 |
| 60 | 108 | -.803 | .287 | 2.222 | -2.401 | 164 | 122 | -.554 | .064 | -.312 | -.875 | 172 | 209 | -1.267 | .256 | -.083 | -2.529 |

APPENDIX A -- PRESSURE DATA:

CONFIGURATION C; OLYMPIA AND YORK OFFICE TOWER, DALLAS

| WD | TAP | CFMEAN | CFRMS | CFMAX | CFMIN | WD | TAP | CFMEAN | CFRMS | CFMAX | CFMIN | WD | TAP | CFMEAN | CFRMS | CFMAX | CFMIN |
|-----|-----|--------|-------|-------|--------|-----|-----|--------|-------|-------|--------|-----|-----|--------|-------|-------|--------|
| 172 | 222 | 883 | 388 | 278 | -2.351 | 180 | 234 | 882 | 233 | 106 | -2.066 | 188 | 421 | 159 | 186 | 731 | -797 |
| 172 | 222 | 533 | 667 | 193 | -4.222 | 180 | 233 | 866 | 241 | 640 | -2.102 | 188 | 906 | 647 | 211 | 109 | -1.393 |
| 172 | 234 | 921 | 242 | 193 | -2.395 | 180 | 421 | 122 | 196 | 744 | -1.838 | 190 | 101 | 431 | 053 | 205 | -673 |
| 172 | 234 | 920 | 261 | 332 | -2.058 | 180 | 906 | 936 | 219 | 019 | -1.908 | 190 | 106 | 383 | 076 | 047 | -842 |
| 172 | 234 | 133 | 197 | 601 | -1.745 | 182 | 101 | 528 | 061 | 319 | -1.877 | 190 | 115 | 339 | 068 | 061 | -865 |
| 172 | 234 | 073 | 173 | 384 | -1.929 | 182 | 106 | 499 | 083 | 137 | -1.972 | 190 | 122 | 337 | 053 | 131 | -580 |
| 174 | 101 | 592 | 055 | 370 | -1.905 | 182 | 115 | 435 | 082 | 095 | -1.927 | 190 | 123 | 369 | 047 | 198 | -703 |
| 174 | 106 | 354 | 081 | 324 | -1.024 | 182 | 122 | 422 | 055 | 222 | -1.669 | 190 | 209 | 657 | 243 | 094 | -1.947 |
| 174 | 115 | 530 | 087 | 159 | -1.909 | 182 | 123 | 438 | 054 | 222 | -1.722 | 190 | 222 | 612 | 195 | 114 | -1.857 |
| 174 | 122 | 496 | 063 | 216 | -1.779 | 182 | 209 | 148 | 312 | 057 | -2.423 | 190 | 223 | 894 | 404 | 023 | -2.944 |
| 174 | 123 | 502 | 059 | 304 | -1.147 | 182 | 222 | 629 | 308 | 026 | -2.148 | 190 | 234 | 629 | 137 | 345 | -1.235 |
| 174 | 209 | 277 | 276 | 147 | -1.395 | 182 | 223 | 395 | 575 | 222 | -3.436 | 190 | 235 | 602 | 152 | 287 | -1.382 |
| 174 | 222 | 795 | 378 | 233 | -2.222 | 182 | 234 | 851 | 229 | 222 | -1.798 | 190 | 421 | 182 | 181 | 500 | -884 |
| 174 | 222 | 565 | 666 | 112 | -4.649 | 182 | 235 | 853 | 239 | 107 | -1.666 | 190 | 906 | 560 | 190 | 193 | -1.342 |
| 174 | 234 | 914 | 236 | 241 | -1.953 | 182 | 421 | 121 | 190 | 701 | -1.833 | 220 | 101 | 450 | 069 | 180 | -823 |
| 174 | 234 | 119 | 252 | 617 | -2.268 | 182 | 906 | 897 | 232 | 106 | -1.777 | 220 | 108 | 412 | 066 | 138 | -866 |
| 174 | 421 | 129 | 186 | 505 | -1.691 | 184 | 101 | 508 | 062 | 304 | -1.891 | 220 | 115 | 406 | 073 | 162 | -820 |
| 174 | 421 | 657 | 186 | 264 | -1.886 | 184 | 106 | 471 | 087 | 133 | -1.066 | 220 | 122 | 378 | 072 | 046 | -800 |
| 174 | 421 | 539 | 967 | 329 | -1.886 | 184 | 115 | 412 | 077 | 056 | -1.954 | 220 | 123 | 408 | 060 | 183 | -873 |
| 174 | 421 | 539 | 967 | 329 | -1.886 | 184 | 122 | 406 | 053 | 216 | -1.706 | 220 | 209 | 187 | 230 | 770 | -760 |
| 174 | 421 | 539 | 967 | 329 | -1.886 | 184 | 123 | 430 | 049 | 213 | -1.675 | 220 | 222 | 168 | 197 | 638 | -705 |
| 174 | 421 | 485 | 667 | 155 | -1.944 | 184 | 209 | 657 | 325 | 175 | -2.336 | 220 | 223 | 215 | 177 | 358 | -706 |
| 174 | 421 | 485 | 667 | 155 | -1.944 | 184 | 222 | 614 | 269 | 004 | -1.854 | 220 | 234 | 181 | 109 | 384 | -459 |
| 174 | 421 | 485 | 667 | 155 | -1.944 | 184 | 223 | 614 | 269 | 114 | -3.532 | 220 | 235 | 235 | 100 | 248 | -544 |
| 174 | 421 | 485 | 667 | 155 | -1.944 | 184 | 234 | 817 | 216 | 296 | -1.888 | 220 | 421 | 405 | 086 | 044 | -907 |
| 174 | 421 | 485 | 667 | 155 | -1.944 | 184 | 235 | 806 | 227 | 192 | -2.013 | 220 | 906 | 658 | 189 | 068 | -1.805 |
| 174 | 421 | 916 | 256 | 110 | -2.041 | 184 | 421 | 128 | 197 | 644 | -1.949 | 222 | 101 | 473 | 075 | 075 | -893 |
| 174 | 421 | 921 | 267 | 012 | -1.866 | 184 | 906 | 816 | 243 | 228 | -1.751 | 222 | 108 | 421 | 062 | 216 | -772 |
| 174 | 421 | 111 | 192 | 515 | -1.951 | 186 | 101 | 481 | 054 | 306 | -1.772 | 222 | 115 | 414 | 070 | 145 | -952 |
| 174 | 421 | 628 | 199 | 116 | -1.666 | 186 | 106 | 437 | 078 | 064 | -1.850 | 222 | 122 | 387 | 073 | 093 | -1.119 |
| 174 | 421 | 579 | 068 | 389 | -1.938 | 186 | 115 | 388 | 069 | 053 | -1.879 | 222 | 123 | 422 | 059 | 163 | -679 |
| 174 | 421 | 539 | 081 | 249 | -1.966 | 186 | 122 | 383 | 030 | 172 | -1.707 | 222 | 209 | 243 | 192 | 674 | -983 |
| 174 | 421 | 500 | 085 | 221 | -1.065 | 186 | 123 | 408 | 046 | 239 | -1.869 | 222 | 222 | 171 | 197 | 696 | -743 |
| 174 | 421 | 471 | 064 | 260 | -1.743 | 186 | 209 | 927 | 303 | 010 | -2.338 | 222 | 223 | 216 | 182 | 346 | -779 |
| 174 | 421 | 477 | 057 | 304 | -1.831 | 186 | 222 | 590 | 243 | 111 | -2.280 | 222 | 234 | 194 | 096 | 292 | -453 |
| 174 | 421 | 244 | 296 | 107 | -1.861 | 186 | 223 | 175 | 505 | 132 | -3.414 | 222 | 235 | 240 | 091 | 400 | -573 |
| 174 | 421 | 583 | 353 | 149 | -2.292 | 186 | 234 | 775 | 193 | 269 | -1.744 | 222 | 421 | 411 | 074 | 175 | -765 |
| 174 | 421 | 510 | 626 | 412 | -4.763 | 186 | 235 | 757 | 201 | 247 | -1.728 | 222 | 906 | 653 | 190 | 057 | -1.798 |
| 174 | 421 | 928 | 237 | 210 | -1.831 | 186 | 921 | 136 | 187 | 733 | -1.705 | 224 | 101 | 479 | 080 | 179 | -893 |
| 174 | 421 | 928 | 247 | 107 | -1.779 | 186 | 926 | 717 | 243 | 090 | -1.641 | 224 | 108 | 421 | 062 | 204 | -830 |
| 174 | 421 | 129 | 191 | 568 | -1.889 | 188 | 101 | 454 | 055 | 290 | -1.882 | 224 | 115 | 412 | 063 | 114 | -804 |
| 174 | 421 | 989 | 204 | 079 | -2.039 | 188 | 106 | 403 | 075 | 109 | -1.863 | 224 | 122 | 384 | 064 | 147 | -847 |
| 180 | 101 | 549 | 066 | 344 | -1.830 | 188 | 115 | 362 | 068 | 126 | -1.666 | 224 | 123 | 430 | 057 | 214 | -857 |
| 180 | 106 | 528 | 085 | 247 | -1.884 | 188 | 122 | 363 | 052 | 134 | -1.638 | 224 | 209 | 257 | 173 | 671 | -733 |
| 180 | 115 | 464 | 087 | 101 | -1.872 | 188 | 123 | 394 | 045 | 227 | -1.677 | 224 | 222 | 180 | 181 | 750 | -690 |
| 180 | 122 | 445 | 059 | 213 | -1.693 | 188 | 209 | 786 | 277 | 167 | -2.263 | 224 | 223 | 221 | 169 | 584 | -727 |
| 180 | 123 | 450 | 052 | 219 | -1.749 | 188 | 222 | 614 | 230 | 020 | -2.027 | 224 | 234 | 198 | 095 | 244 | -485 |
| 180 | 209 | 187 | 321 | 178 | -2.643 | 188 | 223 | 333 | 469 | 009 | -3.302 | 224 | 235 | 243 | 092 | 181 | -564 |
| 180 | 222 | 539 | 307 | 179 | -2.888 | 188 | 234 | 706 | 161 | 325 | -1.558 | 224 | 421 | 414 | 079 | 153 | -717 |
| 180 | 222 | 423 | 579 | 386 | -1.990 | 188 | 235 | 682 | 173 | 264 | -1.504 | 224 | 906 | 647 | 186 | 069 | -1.998 |

APPENDIX A -- PRESSURE DATA:

CONFIGURATION C: OLYMPIA AND YORK OFFICE TOWER, DALLAS

| WD | TAP | CPMEAN | CPRMS | CPMAX | CPMIN | WD | TAP | CPMEAN | CPRMS | CPMAX | CPMIN | WD | TAP | CPMEAN | CPRMS | CPMAX | CPMIN |
|------|-----|--------|-------|-------|-------|------|-----|--------|-------|-------|-------|------|-----|--------|-------|-------|-------|
| 2300 | 101 | .489 | .082 | .230 | .993 | 2300 | 123 | .502 | .051 | .291 | .861 | 2306 | 123 | .502 | .051 | .291 | .861 |
| 2300 | 106 | .424 | .062 | .197 | .842 | 2306 | 209 | .333 | .117 | .248 | .945 | 2306 | 209 | .333 | .117 | .248 | .945 |
| 2300 | 115 | .416 | .062 | .202 | .844 | 2306 | 222 | .301 | .090 | .151 | .723 | 2306 | 222 | .301 | .090 | .151 | .723 |
| 2300 | 123 | .396 | .061 | .167 | .751 | 2306 | 223 | .336 | .082 | .036 | .723 | 2306 | 223 | .336 | .082 | .036 | .723 |
| 2300 | 101 | .437 | .055 | .159 | .712 | 2306 | 234 | .312 | .063 | .039 | .526 | 2306 | 234 | .312 | .063 | .039 | .526 |
| 2300 | 106 | .284 | .159 | .686 | .986 | 2306 | 235 | .321 | .059 | .010 | .527 | 2306 | 235 | .321 | .059 | .010 | .527 |
| 2300 | 111 | .110 | .154 | .696 | .713 | 2306 | 421 | .476 | .050 | .235 | .872 | 2306 | 421 | .476 | .050 | .235 | .872 |
| 2300 | 115 | .247 | .144 | .556 | .734 | 2306 | 906 | .633 | .137 | .224 | .616 | 2306 | 906 | .633 | .137 | .224 | .616 |
| 2300 | 209 | .214 | .093 | .359 | .903 | 2306 | 101 | .571 | .076 | .231 | .896 | 2306 | 101 | .571 | .076 | .231 | .896 |
| 2300 | 223 | .253 | .089 | .299 | .613 | 2306 | 108 | .464 | .061 | .242 | .847 | 2306 | 108 | .464 | .061 | .242 | .847 |
| 2300 | 421 | .426 | .077 | .161 | .701 | 2306 | 115 | .453 | .060 | .226 | .734 | 2306 | 115 | .453 | .060 | .226 | .734 |
| 2300 | 906 | .656 | .186 | .629 | .757 | 2306 | 122 | .427 | .034 | .232 | .632 | 2306 | 122 | .427 | .034 | .232 | .632 |
| 2300 | 101 | .514 | .089 | .168 | .383 | 2306 | 123 | .513 | .053 | .288 | .834 | 2306 | 123 | .513 | .053 | .288 | .834 |
| 2300 | 106 | .438 | .062 | .222 | .814 | 2306 | 209 | .332 | .120 | .167 | .772 | 2306 | 209 | .332 | .120 | .167 | .772 |
| 2300 | 115 | .428 | .059 | .151 | .388 | 2306 | 222 | .313 | .084 | .110 | .600 | 2306 | 222 | .313 | .084 | .110 | .600 |
| 2300 | 123 | .406 | .057 | .146 | .656 | 2306 | 223 | .349 | .075 | .014 | .610 | 2306 | 223 | .349 | .075 | .014 | .610 |
| 2300 | 101 | .454 | .057 | .163 | .774 | 2306 | 222 | .313 | .084 | .110 | .600 | 2306 | 222 | .313 | .084 | .110 | .600 |
| 2300 | 106 | .141 | .419 | .419 | .333 | 2306 | 234 | .318 | .059 | .052 | .507 | 2306 | 234 | .318 | .059 | .052 | .507 |
| 2300 | 111 | .249 | .131 | .593 | .593 | 2306 | 235 | .328 | .053 | .033 | .519 | 2306 | 235 | .328 | .053 | .033 | .519 |
| 2300 | 115 | .224 | .124 | .509 | .333 | 2306 | 421 | .477 | .073 | .244 | .821 | 2306 | 421 | .477 | .073 | .244 | .821 |
| 2300 | 123 | .228 | .081 | .213 | .433 | 2306 | 906 | .621 | .160 | .141 | .643 | 2306 | 906 | .621 | .160 | .141 | .643 |
| 2300 | 101 | .433 | .081 | .133 | .433 | 2400 | 101 | .571 | .072 | .274 | .808 | 2400 | 101 | .571 | .072 | .274 | .808 |
| 2300 | 106 | .433 | .081 | .133 | .433 | 2400 | 108 | .462 | .053 | .229 | .772 | 2400 | 108 | .462 | .053 | .229 | .772 |
| 2300 | 115 | .433 | .081 | .133 | .433 | 2400 | 115 | .450 | .052 | .221 | .941 | 2400 | 115 | .450 | .052 | .221 | .941 |
| 2300 | 123 | .433 | .081 | .133 | .433 | 2400 | 122 | .432 | .051 | .242 | .841 | 2400 | 122 | .432 | .051 | .242 | .841 |
| 2300 | 101 | .533 | .083 | .253 | .949 | 2400 | 123 | .523 | .056 | .258 | .946 | 2400 | 123 | .523 | .056 | .258 | .946 |
| 2300 | 106 | .443 | .064 | .252 | .863 | 2400 | 209 | .323 | .117 | .136 | .782 | 2400 | 209 | .323 | .117 | .136 | .782 |
| 2300 | 115 | .442 | .060 | .193 | .837 | 2400 | 222 | .311 | .083 | .058 | .586 | 2400 | 222 | .311 | .083 | .058 | .586 |
| 2300 | 123 | .466 | .055 | .162 | .678 | 2400 | 223 | .348 | .075 | .043 | .616 | 2400 | 223 | .348 | .075 | .043 | .616 |
| 2300 | 101 | .470 | .054 | .250 | .748 | 2400 | 234 | .313 | .057 | .008 | .489 | 2400 | 234 | .313 | .057 | .008 | .489 |
| 2300 | 106 | .551 | .156 | .616 | .939 | 2400 | 235 | .323 | .053 | .070 | .488 | 2400 | 235 | .323 | .053 | .070 | .488 |
| 2300 | 111 | .239 | .123 | .589 | .683 | 2400 | 421 | .468 | .069 | .233 | .863 | 2400 | 421 | .468 | .069 | .233 | .863 |
| 2300 | 115 | .294 | .119 | .461 | .668 | 2400 | 906 | .597 | .148 | .196 | .896 | 2400 | 906 | .597 | .148 | .196 | .896 |