

TA7
.C6
CER-84/85-
38
COPY 2

UNIVERSITY OF PITTSBURGH
LIBRARY OF ENGINEERING
AND APPLIED SCIENCES

WIND-TUNNEL STUDY OF WIND LOADS ON
JENKINS/EMPIRE BUILDING, PITTSBURGH

by

J. A. Peterka* and J. E. Cermak*



**FLUID MECHANICS AND
WIND ENGINEERING PROGRAM**

COLLEGE OF ENGINEERING

COLORADO STATE UNIVERSITY
FORT COLLINS, COLORADO

CER84-85JAP-JEC 38

WIND-TUNNEL STUDY OF WIND LOADS ON
JENKINS/EMPIRE BUILDING, PITTSBURGH

by

J. A. Peterka* and J. E. Cermak*

for

The Stubbins Associates, Inc.
1033 Massachusetts Avenue
Cambridge, Massachusetts 02138

Fluid Mechanics and Wind Engineering Program
Fluid Dynamics and Diffusion Laboratory
Department of Civil Engineering
Colorado State University
Fort Collins, Colorado 80523

CSU Project 2-96160

March 1985

*Professor, Fluid Mechanics and
Wind Engineering Program

CER84-85JAP-JEC38

TABLE OF CONTENTS

<u>Chapter</u>		<u>Page</u>
	LIST OF FIGURES	ii
	LIST OF TABLES	iii
	LIST OF SYMBOLS	iv
1	INTRODUCTION	1
	1.1 General	1
	1.2 The Wind-Tunnel Test	2
2	EXPERIMENTAL CONFIGURATION	5
	2.1 Wind Tunnel	5
	2.2 Model	5
3	INSTRUMENTATION AND DATA ACQUISITION	8
	3.1 Flow Visualization	8
	3.2 Pressures	8
	3.3 Velocity	9
4	RESULTS	11
	4.1 Flow Visualization	11
	4.2 Velocity	11
	4.3 Pressures	12
	4.4 Forces and Moments	16
5	DISCUSSION	18
	5.1 Flow Visualization	18
	5.2 Wind Loads	18
	REFERENCES	22
	FIGURES	23
	TABLES	99
	APPENDIX A	192

LIST OF FIGURES

<u>Figure</u>		<u>Page</u>
1	Fluid Dynamics and Diffusion Laboratory	24
2	Wind-Tunnel Configuration	25
3	Pressure Tap Locations	26
4	Building Location and Pedestrian Wind Velocity Measuring Positions	41
5	Completed Model in Wind Tunnel	44
6	Data Sampling Time Verification	46
7	Mean Velocity and Turbulence Profiles Approaching the Model	47
8	Peak Pressure Contours on the Building for Cladding Loads	54
9	Coordinate System for Forces and Moments	96
10	Load, Shear, and Moment Diagrams for Selected Wind Directions	97

LIST OF TABLES

<u>Table</u>		<u>Page</u>
1	Data Configurations	100
2	Calculation of Reference Pressure	101
3	Maximum Pressure Coefficients and Loads in PSF -- Configurations A and B	102
4	Loads, Shears, and Moments for Each Wind Direction .	110
5	Maximum Pressure Coefficients and Loads in PSF -- Configurations C and D	184

LIST OF SYMBOLS

<u>Symbol</u>	<u>Definition</u>
U	Local mean velocity
D	Characteristic dimension (building height, width, etc.)
ν, ρ	Kinematic viscosity and density of approach flow
$\frac{UD}{\nu}$	Reynolds number
E	Mean voltage
A, B, n	Constants
U_{rms}	Root-mean-square of fluctuating velocity
E_{rms}	Root-mean-square of fluctuating voltage
U_{∞}	Reference mean velocity outside the boundary layer
X, Y	Horizontal coordinates
Z	Height above surface
δ	Height of boundary layer
T_u	Turbulence intensity $\frac{U_{rms}}{U_{\infty}}$ or $\frac{U_{rms}}{U}$
$C_{p_{mean}}$	Mean pressure coefficient, $\frac{(p-p_{\infty})_{mean}}{0.5 \rho U_{\infty}^2}$
$C_{p_{rms}}$	Root-mean-square pressure coefficient, $\frac{((p-p_{\infty})-(p-p_{\infty})_{mean})_{rms}}{0.5 \rho U_{\infty}^2}$
$C_{p_{max}}$	Peak maximum pressure coefficient, $\frac{(p-p_{\infty})_{max}}{0.5 \rho U_{\infty}^2}$
$C_{p_{min}}$	Peak minimum pressure coefficient, $\frac{(p-p_{\infty})_{min}}{0.5 \rho U_{\infty}^2}$
() _{min}	Minimum value during data record
() _{max}	Maximum value during data record

<u>Symbol</u>	<u>Definition</u>
p	Fluctuating pressure at a pressure tap on the structure
p_{∞}	Static pressure in the wind tunnel above the model
F_x, F_y	Forces in X, Y direction
A_R	Reference Area
CF_X	Force coefficient, X direction, $\frac{F_x}{A_R 0.5 \rho U_{\infty}^2}$
CF_Y	Force coefficient, X direction, $\frac{F_y}{A_R 0.5 \rho U_{\infty}^2}$

1. INTRODUCTION

1.1 General

A significant characteristic of modern building design is lighter cladding and more flexible frames. These features produce an increased vulnerability of glass and cladding to wind damage and result in larger deflections of the building frame. The building geometry itself may increase or decrease wind loading on the structure. Wind forces may be modified by nearby structures which can produce beneficial shielding or adverse increases in loading. Overestimating loads results in uneconomical design; underestimating may result in cladding or window failures.

Techniques have been developed for wind-tunnel modeling of proposed structures which allow the prediction of wind pressures on cladding and windows, overall structural loading, and also wind velocities and gusts in pedestrian areas adjacent to the building. Accurate knowledge of the intensity and distribution of the pressures on the structure permits adequate but economical selection of cladding strength to meet selected maximum design winds and overall wind loads for the design of the frame for flexural control.

Modeling of the aerodynamic loading on a structure requires special consideration of flow conditions in order to obtain similitude between model and prototype. A detailed discussion of the similarity requirements and their wind-tunnel implementation can be found in references (1), (2), and (3). In general, the requirements are that the model and prototype be geometrically similar, that the approach mean velocity at the building site have a vertical profile shape similar to the full-scale flow, that the turbulence characteristics of the flows be similar, and that the Reynolds number for the model and prototype be equal.

These criteria are satisfied by constructing a scale model of the structure and its surroundings and performing the wind tests in a wind tunnel specifically designed to model atmospheric boundary-layer flows. Reynolds number similarity requires that the quantity UD/ν be similar for model and prototype. Since ν , the kinematic viscosity of air, is identical for both, Reynolds numbers cannot be made precisely equal with reasonable wind velocities. To accomplish this the air velocity in the wind tunnel would have to be as large as the model scale factor times the prototype wind velocity, a velocity which would introduce unacceptable compressibility effects. However, for sufficiently high Reynolds numbers ($>2 \times 10^4$) the pressure coefficient at any location on the structure will be essentially constant for a large range of Reynolds numbers. Typical values encountered are 10^7 - 10^8 for the full-scale and 10^5 - 10^6 for the wind-tunnel model. In this range acceptable flow similarity is achieved without precise Reynolds number equality.

1.2 The Wind-Tunnel Test

The wind-engineering study is performed on a building modeled at scales ranging from 1:150 to 1:400. The building model is constructed of clear plastic fastened together with screws. The structure is modeled in detail to provide accurate flow patterns in the wind passing over the building surfaces. The building under test is often located in a surrounding where nearby buildings or terrain may provide beneficial shielding or adverse wind loading. To achieve similarity in wind effects the area surrounding the test building is also modeled. A flow visualization study is first made (smoke is used to make the air currents visible) to define overall flow patterns and identify regions where local flow features might cause difficulties in building curtain-wall design.

The test model, equipped with pressure taps (300 to 600 or more), is exposed to an appropriately modeled atmospheric wind in the wind tunnel and the fluctuating pressure at each tap measured electronically. The model, and the modeled area, are rotated 10 degrees and another set of data recorded for each pressure tap. Normally, 36 sets of data (360 degrees of turning) are taken; however, when flow visualization or recorded data indicate high pressure regions of small azimuthal extent, data is obtained in smaller azimuthal steps.

Data are recorded, analyzed and processed by an on-line computerized data-acquisition system. Pressure coefficients of several types are calculated by the computer for each reading on each piezometer tap and are printed in tabular form as computer readout. Using wind data applicable to the building site, representative wind velocities are selected for combination with measured pressures on the building model. Integration of test data with wind data results in prediction of peak local wind pressures for design of glass or cladding and may include forces and moments on the structure for design of the structural frame. Pressure contours are drawn on the developed building surfaces showing the intensity and distribution of peak wind loads on the building. These results may be used to divide the building into zones where lighter or heavier cladding or glass may be desirable.

Based on the visualization (smoke) tests and on a knowledge of heavy pedestrian use areas, a dozen or more locations may be chosen at the base of the building where wind velocities can be measured to determine the relative comfort or discomfort of pedestrians in plaza areas, near building entrances, near building corners, or on sidewalks. A separate report on pedestrian wind comfort for this project has been prepared.

The following pages discuss in greater detail the procedures followed and the equipment and data collecting and processing methods used. In addition, the data presentation format is explained and the implications of the data are discussed.

2. EXPERIMENTAL CONFIGURATION

2.1 Wind Tunnel

Wind-engineering studies are performed in the Fluid Dynamics and Diffusion Laboratory at Colorado State University (Figure 1). Three large wind tunnels are available for wind loading studies depending on the detailed requirements of the study. The wind tunnel used for this investigation is shown in Figure 2. All tunnels have a flexible roof adjustable in height to maintain a zero pressure gradient along the test section. The mean velocity can be adjusted continuously in each tunnel to the maximum velocity available.

2.2 Model

In order to obtain an accurate assessment of local pressures using piezometer taps, models are constructed to the largest scale that does not produce significant blockage in the wind-tunnel test section. The models are constructed of 1/2-in. thick Lucite plastic and fastened together with metal screws. Significant variations in the building surface, such as mullions, are machined into the plastic surface. Piezometer taps (1/16 in. diameter) are drilled normal to the exterior vertical surfaces in rows at several or more elevations between the bottom and top of the building. Similarly, taps are placed in the roof and on any sloping, protruding, or otherwise distinctive features of the building that might need investigation.

Pressure tap locations are chosen so that the entire surface of the building can be investigated for pressure loading and at the same time permit critical examination of areas where experience has shown that maximum wind effects may be expected to occur. Locations of the pressure taps for this study are shown in Figure 3. Dimensions are

given both for full-scale building (in ft) and for model (in in.). The pressure tap numbers are shown adjacent to the taps.

The pressure tests are sometimes made in two stages. In the first stage measurements are made on the initial distribution of pressure taps. If it becomes apparent from the data that the loading on the building is being influenced by some unsuspected geometry of the building or adjacent structures, additional pressure taps are installed in the critical areas. The locations of the taps are selected so that the maximum loading can be detected and the area over which this loading is acting can be defined. Any added taps are also shown in Figure 3.

A circular area about 1700 ft in radius was modeled in detail. Structures within the modeled region are made from styrofoam and cut to the individual building geometries. They are mounted on the turntable in their proper locations. Significant terrain features are included as needed. The model is mounted on a turntable (Figure 2) near the downwind end of the test section. Any buildings or terrain features which do not fit on the turntable are placed on removable pieces which are placed upwind of the turntable for appropriate wind directions. A plan view of the building and its surroundings is shown in Figure 4. The turntable is calibrated to indicate azimuthal orientation to 0.1 degree.

The region upstream from the modeled area is covered with a randomized roughness constructed using various sized cubes placed on the floor of the wind tunnel. Different roughness sizes may be used for different wind directions. Spires are installed at the test-section entrance to provide a thicker boundary layer than would otherwise be available. The thicker boundary layer permits a somewhat larger scale

model than would otherwise be possible. The spires are approximately triangularly shaped pieces of 1/2-in. thick plywood 6 in. wide at the base and 1 in. wide at the top, extending from the floor to the top of the test section. They are placed so that the broad side intercepts the flow. A barrier approximately 8 in. high is placed on the test-section floor downstream of the spires to aid in development of the boundary-layer flow.

The distribution of the roughness cubes and the spires in the roughened area was designed to provide a boundary-layer thickness of approximately 3 ft, a velocity profile power-law exponent similar to that expected to occur in the region approaching the modeled area for each wind direction (a number of wind directions may have the same approach roughness). A photograph of the completed model in the wind tunnel is shown in Figure 5. The wind-tunnel ceiling is adjusted after placement of the model to obtain a zero pressure gradient along the test section.

3. INSTRUMENTATION AND DATA ACQUISITION

3.1 Flow Visualization

Making the air flow visible in the vicinity of the model is helpful in understanding and interpreting mean and fluctuating pressures, and in defining zones of separated flow and reattachment and zones of vortex formation where pressure coefficients may be expected to be high. Titanium tetrachloride smoke is released from sources on and near the model to make the flow lines visible to the eye and to make it possible to obtain motion picture records of the tests. Conclusions obtained from these smoke studies are discussed in Sections 4.1 and 5.1.

3.2 Pressures

Mean and fluctuating pressures are measured at each of the pressure taps on the model structure. Data are obtained for 36 wind directions at 10-degree increments, rotating the entire model assembly in a complete circle. Up to 184 pieces of 1/16 in. I.D. plastic tubing are used to connect pressure ports on the building at a time to one of four 48-tap pressure switches mounted under the model. Each of the 184 measurement ports is directed in turn by the switches to one of four pressure transducers mounted close to the switches. Four pressure input taps not used for transmitting building surface pressures are connected to a common tube leading outside the wind tunnel. This arrangement provides both a means of performing in-place calibration of the transducers and, by connecting this tube to a pitot tube mounted inside the wind tunnel, a means of automatically monitoring the tunnel speed. The switch is operated by a solenoid drive motor under control of the on-line data acquisition computer. The computer keeps track of switch position but a digital readout of position is provided at the wind tunnel.

The pressure transducers used are setra differential transducers (Model 237) with a 0.10 psid range. Reference pressures are obtained by connecting the reference sides of the four transducers, using plastic tubing, to the static side of a pitot-static tube mounted in the wind tunnel free stream above the model building. In this way the transducer measures the instantaneous difference between the local pressures on the surface of the building and the static pressure in the free stream above the model.

Output from the pressure transducers is fed to an on-line data acquisition system consisting of a Hewlett-Packard 21 MX computer, disk unit, card reader, printer, Digi-Data digital tape drive and a Preston Scientific analog-to-digital converter. The data are processed immediately into pressure coefficient form as described in Section 4.3 and stored for printout or further analysis.

All four transducers are recorded simultaneously for 16 seconds at a 250 sample-per-second rate. The results of an experiment to determine the length of record required to obtain stable mean and rms (root-mean-square) pressures and to determine the overall accuracy of the pressure data acquisition system is shown in Figure 6. A typical pressure port record was integrated for a number of different time periods to obtain the data shown. Examination of a large number of pressure taps showed that the overall accuracy for a 16-second period is, in pressure coefficient form, 0.03 for mean pressures, 0.1 for most peak pressures, and 0.01 for rms pressures. Pressure coefficients are defined in Section 4.3.

3.3 Velocity

Mean velocity and turbulence intensity profiles are measured upstream of the model to determine that an approach boundary-layer flow

appropriate to the site has been established. Tests are made at one wind velocity in the tunnel. This velocity is well above that required to produce Reynolds number similarity between the model and the prototype as discussed in Section 1.1. In addition, mean velocity and turbulence profiles are measured at the vacant building site for a number of wind directions.

Measurements are made with a single hot-wire anemometer mounted with its axis vertical. The instrumentation used is a Thermo Systems constant temperature anemometer (Model 1050) with a 0.001 in. diameter platinum film sensing element 0.020 in. long. Output is directed to the on-line data acquisition system for analysis.

Calibration of the hot-wire anemometer is performed by comparing output with the pitot-static tube in the wind tunnel. The calibration data are fit to a variable exponent King's Law relationship of the form

$$E^2 = A + BU^n$$

where E is the hot-wire output voltage, U the velocity and A , B , and n are coefficients selected to fit the data. The above relationship was used to determine the mean velocity at measurement points using the measured mean voltage. The fluctuating velocity in the form U_{rms} (root-mean-square velocity) was obtained from

$$U_{rms} = \frac{2 E E_{rms}}{B n U^{n-1}}$$

where E_{rms} is the root-mean-square voltage output from the anemometer. For interpretation all turbulence measurements for pedestrian winds were divided by the local mean velocity.

4. RESULTS

4.1 Flow Visualization

A videotape is included as part of this report showing the characteristics of flow about the structure using smoke to make the flow visible. Several features can be noted from the visualization. As with all large structures, wind approaching the building is deflected down to the plaza level, up over the structure and around the sides. A description of the smoke test results emphasizing flow patterns of concern relative to possible high-wind load areas and pedestrian comfort is given in Section 5.1.

4.2 Velocity

Velocity and turbulence profiles are shown in Figure 7. Profiles were taken upstream from the model which are characteristic of the boundary layer approaching the model and at the building site with building removed. The boundary-layer thickness, δ , is shown in Figure 7. The corresponding prototype value of δ for this study is also shown in the figure. This value was established as a reasonable height for this study. The mean velocity profile approaching the modeled area has the form

$$\frac{U}{U_{\infty}} = \left(\frac{z}{\delta}\right)^n .$$

The exponent n for the approach flow established for this study is shown in Figure 7.

Profiles of longitudinal turbulence intensity in the flow approaching the modeled area are shown in Figure 7. The turbulence intensities are appropriate for the approach mean velocity profile selected. For the velocity profiles, turbulence intensity is defined

as the root-mean-square about the mean of the longitudinal velocity fluctuations divided by the local mean velocity U ,

$$Tu = \frac{U_{rms}}{U} .$$

4.3 Pressures

For each of the pressure taps examined at each wind direction, the data record is analyzed to obtain four separate pressure coefficients. The first is the mean pressure coefficient

$$C_{P_{mean}} = \frac{(p-p_{\infty})_{mean}}{0.5 \rho U_{\infty}^2}$$

where the symbols are as defined in the List of Symbols. It represents the mean of the instantaneous pressure difference between the building pressure tap and the static pressure in the wind tunnel above the building model, nondimensionalized by the dynamic pressure

$$0.5 \rho U_{\infty}^2$$

at the reference velocity position. This relationship produces a dimensionless coefficient which indicates that the mean pressure difference between building and ambient wind at a given point on the structure is some fraction less or some fraction greater than the undisturbed wind dynamic pressure near the upper edge of the boundary layer. Using the measured coefficient, prototype mean pressure values for any wind velocity may be calculated.

The magnitude of the fluctuating pressure is obtained by the rms pressure coefficient

$$C_{P_{rms}} = \frac{((p-p_{\infty}) - (p-p_{\infty})_{mean})_{rms}}{0.5 \rho U_{\infty}^2}$$

in which the numerator is the root-mean-square of the instantaneous pressure difference about the mean.

If the pressure fluctuations followed a Gaussian probability distribution, no additional data would be required to predict the frequency with which any given pressure level would be observed. However, the pressure fluctuations do not, in general, follow a Gaussian probability distribution so that additional information is required to show the extreme values of pressure expected. The peak maximum and peak minimum pressure coefficients are used to determine these values:

$$C_{P_{\max}} = \frac{(p-p_{\infty})_{\max}}{0.5 \rho U_{\infty}^2}$$

$$C_{P_{\min}} = \frac{(p-p_{\infty})_{\min}}{0.5 \rho U_{\infty}^2}$$

The values of $p-p_{\infty}$ which were digitized at 250 samples per second for 16 seconds, representing about one hour of time in the full-scale, are examined individually by the computer to obtain the most positive and most negative values during the 16-second period. These are converted to $C_{P_{\max}}$ and $C_{P_{\min}}$ by nondimensionalizing with the free stream dynamic pressure.

The four pressure coefficients are calculated by the on-line data acquisition system computer and tabulated along with the approach wind azimuth in degrees from true north. The list of coefficients is included as Appendix A. The pressure tap code numbers used in the appendix are explained in Figure 3.

To determine the largest peak loads acting at any point on the structure for cladding design purposes, the pressure coefficients for all wind directions were searched to obtain, at each pressure tap, the

largest peak positive and peak negative pressure coefficients. Table 3 lists the largest values and associated wind directions. Included in Section 5.3 is an analysis of the coefficients of Table 3 including the maximum values obtained and where they occurred on the building.

The pressure coefficients of Table 3 can be converted to full-scale loads by multiplication by a suitable reference pressure selected for the field site. This reference pressure is represented in the equations for pressure coefficients by the $0.5 \rho U_{\infty}^2$ denominator. This value is the dynamic pressure associated with an hourly mean wind at the reference velocity measurement position near the edge of the boundary layer. In general, the method of arriving at a design reference pressure for a particular site involves selection of a design wind velocity, translation of the velocity to an hourly mean wind at the reference velocity location and conversion to a reference pressure. Selection of the design velocity can be made from statistical analysis of extreme wind data or selected from wind maps contained in the proposed wind loading code ANSI A58.1 of the American National Standards Institute (4). The calculation of reference pressure for this study is shown in Table 2. The factor used in Table 2 to reduce gust winds to hourly mean winds is given in reference (5).

The reference pressure associated with the design hourly mean velocity at the reference velocity location can be used directly with the peak-pressure coefficients to obtain peak local design wind loads for cladding design. Local, instantaneous peak loads on the full-scale building suitable for cladding design were computed by multiplying the reference pressure and direction load factor of Table 2 by the peak coefficients at each wind direction. The largest pressure at each tap

is then listed in Table 3. The maximum psf loads given at each tap location are then the largest peak positive and peak negative values found in the tests. Data configurations tested are listed in Table 3. For ease in visualizing the loads on the structure, contours of equal peak pressures for cladding load shown in Table 3 have been plotted on developed elevation views of the structure, Figure 10. If a data point which is taken in the basic model configuration is retaken in a 2-degree angular resolution configuration, the data are averaged in preparing Figure 8. For control of water infiltration from outside to inside, the largest positive (inward acting) pressure at each tap location is also tabulated in Table 3 and shown in Figure 8.

For glass design pressures, a glass load factor is used to account for the different duration between measured peak pressures and the one minute loading commonly used in glass design charts. The design pressure used for glass is normally less than the peak pressures used for cladding design because of the static fatigue property of glass which can withstand higher pressures for short duration loads than for long duration loads. Recent research (6) indicates that the period of application of the peak pressures reported herein is about 5-10 seconds or less. If a glass design is based on these peak-pressure values, then a glass strength associated with this duration load should be used. Because glass design charts are normally based on some alternate load duration--usually one minute--then some reduction in peak loads should be made. An estimate of a load reduction factor can be obtained from an empirical relation of glass strength as a function of load duration. Current glass selection charts showing glass strength as a function of load duration (7) and older references (8) indicate the following load reduction factors:

	ref. 7	ref. 9
annealed float	0.80	0.81
heat strengthened	0.94	
tempered	0.97	0.98

Loadings appropriate for glass design can be computed by multiplying the peak-pressure loads of Table 3 or Figure 8 by these load factors.

4.4 Forces and Moments

Force coefficients in the horizontal X and Y directions and moment coefficients about the X, Y, and Z axes with the origin at ground level at the base of the building with Z axis vertical may be computed for all wind directions tested by integration of mean pressures on the building. Overall forces and moments acting on the full-scale building due to wind loading which are useful in designing the structural framing of the proposed building may be obtained from use of these coefficients.

Force coefficients were computed for each floor for each wind direction using the equations shown below.

$$CF_X = \frac{F_X}{A_R 0.5 \rho U_\infty^2} \quad CF_Y = \frac{F_Y}{A_R 0.5 \rho U_\infty^2}$$

Terms and symbols used in the equations are defined in the List of Symbols and the axes are defined for the building in Figure 9. Force coefficients CF_X and CF_Y were computed for the horizontal forces acting along the X and Y axes using the mean pressure coefficient at each pressure tap. A_R represents a constant reference area for nondimensionalization of the forces and moments.

The total forces acting on the full-scale building for each floor and wind direction were computed by multiplying the above coefficients

by the appropriate full-scale reference area, by the reference pressure and direction load factors of Table 2, and by a gust load factor selected for an appropriate wind gust duration. The gust load factor, shown in Table 2, was selected to increase the loads from an hourly mean load to that of a gust whose duration would be sufficient for its effect to be fully felt by the structure. A table of gust load factors for various gust durations is incorporated in Table 2 so that force and moment data of Table 4 may be adjusted to a different load duration if desired.

The forces obtained at each floor were used to obtain load, shear, and moment diagrams for the building for each wind direction. The shear diagram, in kips, was obtained by algebraic sum of all forces in each coordinate direction acting above the floor of interest. The load distribution, in psf, was obtained by dividing the shear values by their contributing areas (listed in Table 4). The moment distribution, in 1000 ft-kips, was obtained by integration of the shear values so that the moment due to forces acting above the floor level of interest was calculated. The sign of the moment was established by the right-hand rule about an X' , Y' axis through the floor of interest. Moments about the Z axis were calculated by considering the displacement of forces in the X and Y directions from the Z axis shown in Figure 9. Eccentricities were computed such that the product of the Y force and X eccentricity minus the product of the X force and Y eccentricity equaled the Z moment. Load, shear, and moment distributions are shown in Figure 10 for several wind directions.

5. DISCUSSION

5.1 Flow Visualization

Flow patterns identified with smoke showed that the largest pressures would most likely be found near the corners of the new tower structure due to flow separation phenomena. Flow separation occurs when the wind is unable to turn a sharp corner on the building and separates from the surface. Elevated negative (outward acting) pressures are often found under the separated flow near the point of separation. High velocity and large curvature in the separated flow contribute to the local elevated pressures. Flow visualization showed high velocity flow separation at the building corners near the top of the building and on the corners of the sloping top structure. For many wind directions the building was shielded by adjacent buildings and should have low wind loads for those directions.

At a few locations on the building, the wind flow at separation points rolled up into a vortex. This type of flow is often found near breaks in corner geometry on a building and can sometimes be responsible for local increases in pressures.

5.2 Wind Loads

Table 3 shows the largest peak pressure coefficients and corresponding loads measured on the building complex for each pressure tap location. Data identified as Configuration A in Table 3 and Appendix A represent data obtained at all pressure tap locations for 36 wind directions. Configuration B represents data obtained at selected taps at 2-degree azimuthal increments near azimuths where large pressure peaks were observed in Configuration A to ensure that the largest peaks were obtained. Cladding pressures on adjacent buildings were obtained

with and without the Jenkins/Empire building in place. Data cases are summarized in Table 3.

The largest peak pressures obtained on the Jenkins/Empire building for Configurations A and B were measured at locations 168 and 762 with values of -56 and -50 psf. These locations were on corners of the new tower where flow visualization showed the possibility of elevated pressures. Other pressures in the -35 to -45 psf range were also typically found near corners of the building.

Figure 8 shows the distribution of peak pressures on the building. Most of the area on the new tower had peak negative pressures between -10 and -30 psf with limited areas above -30 psf. The pressures on the sloped top of the building were relatively low indicating that velocities in the flow separations on the corners of the top structure were not large. Peak positive pressures ranged up to about 26 psf on the tower.

Internal pressures on buildings are often small when the windows are sealed and the internal pressure is governed primarily by infiltration and a central air supply system. Typical internal pressures for the Jenkins/Empire building which would add to the pressures of Table 3 and Figure 8 might be ± 5 psf. However, for a building where significant areas of the curtainwall can be opened, then larger internal pressures may be present. Typical openings which can increase the curtainwall loading due to internal pressure effects include features such as operable windows and doors onto balconies. If operable doors or windows could be open during high wind events, then consideration of the additional internal pressures from these openings should be made.

Table 3 and Figure 8 show the peak positive and negative pressures on adjacent buildings as well as pressures on the Jenkins/Empire building. Tap locations on the adjacent buildings and the locations of the adjacent buildings relative to the Jenkins/Empire building are shown in Figures 3 and 4 respectively. Data were obtained on the adjacent buildings both with and without the Jenkins/Empire building in place to permit evaluation of the impact of the new building on existing buildings.

Figure 10 shows frame pressure, shear and moment distributions plotted from Table 4 for the largest base shears in the X and Y coordinate directions on the new tower. The coordinate system is shown in Figure 9. For these cases, the loading is predominantly in the X or Y coordinate directions although a significant X component occurs with the maximum Y shear. For wind directions 290 and 300, moderate shears exist in both X and Y directions (see Table 4). Torsion on the tower was quite small as expected from its shape.

Wind loads were relatively low on adjacent buildings with and without the Jenkins/Empire building in place. The last pages of Table 5 compare tap locations where peak negative pressure were at least 5 psf larger or smaller with the new building in place. Only three tap locations decreased in pressure by more than 5 psf by including the new building. Forty nine taps increased by 5 psf or more. The largest pressure measured was -47 psf at roof tap 2238, up from -23 psf in the existing configuration. The second highest pressure was -34 psf at tap location 2210, up from -13 psf. Only nine of the taps exceeded -25 psf with the new building in place.

Wind loads on the building showed a decrease when adjacent buildings were upwind indicating a protective shielding. This shielding can be seen in the vertical velocity profiles of Figure 7 taken at the site with building removed. Also, for wind directions with buildings upwind, the velocity spectra shown in Figure 7 indicate higher levels of velocity fluctuations than those upwind. This is expected and is part of the physical process which provides the lower overall wind loads on the buildings.

REFERENCES

1. Cermak, J. E., "Laboratory Simulation of the Atmospheric Boundary Layer," AIAA Jl., Vol. 9, September 1971.
2. Cermak, J. E., "Applications of Fluid Mechanics to Wind Engineering," A Freeman Scholar Lecture, ASME Jl. of Fluids Engineering, Vol. 97, No. 1, March 1975.
3. Cermak, J. E., "Aerodynamics of Buildings," Annual Review of Fluid Mechanics, Vol. 8, 1976, pp. 75-106.
4. American National Standards Institute, "American National Standard Building Code Requirements for Minimum Design Loads in Buildings and Other Structures," ANSI Standard A58.1, 1972, or the revised ANSI Standard A58.1 to be published.
5. Hollister, S. C., "The Engineering Interpretation of Weather Bureau Records for Wind Loading on Structures," Building Science Series 30--Wind Loads on Buildings and Structures, National Bureau of Standards, pp. 151-164, 1970.
6. Peterka, J. A., and Cermak, J. E., "Peak-Pressure Duration in Separated Regions on a Structure," U.S.-Japan Research Seminar on Wind Effects on Structures, Kyoto, Japan, 9-13 September 1974; Report CEP74-75JAP-JEC8, Fluid Mechanics Program, Colorado State University, September 1974.
7. PPG Glass Thickness Recommendations to Meet Architects' Specified 1-Minute Wind Load, Pittsburgh Plate Glass Industries, April 1979.
8. Shand, E. B., "Glass Engineering Handbook," Second Edition, McGraw-Hill, New York, P. 51, 1958.

FIGURES

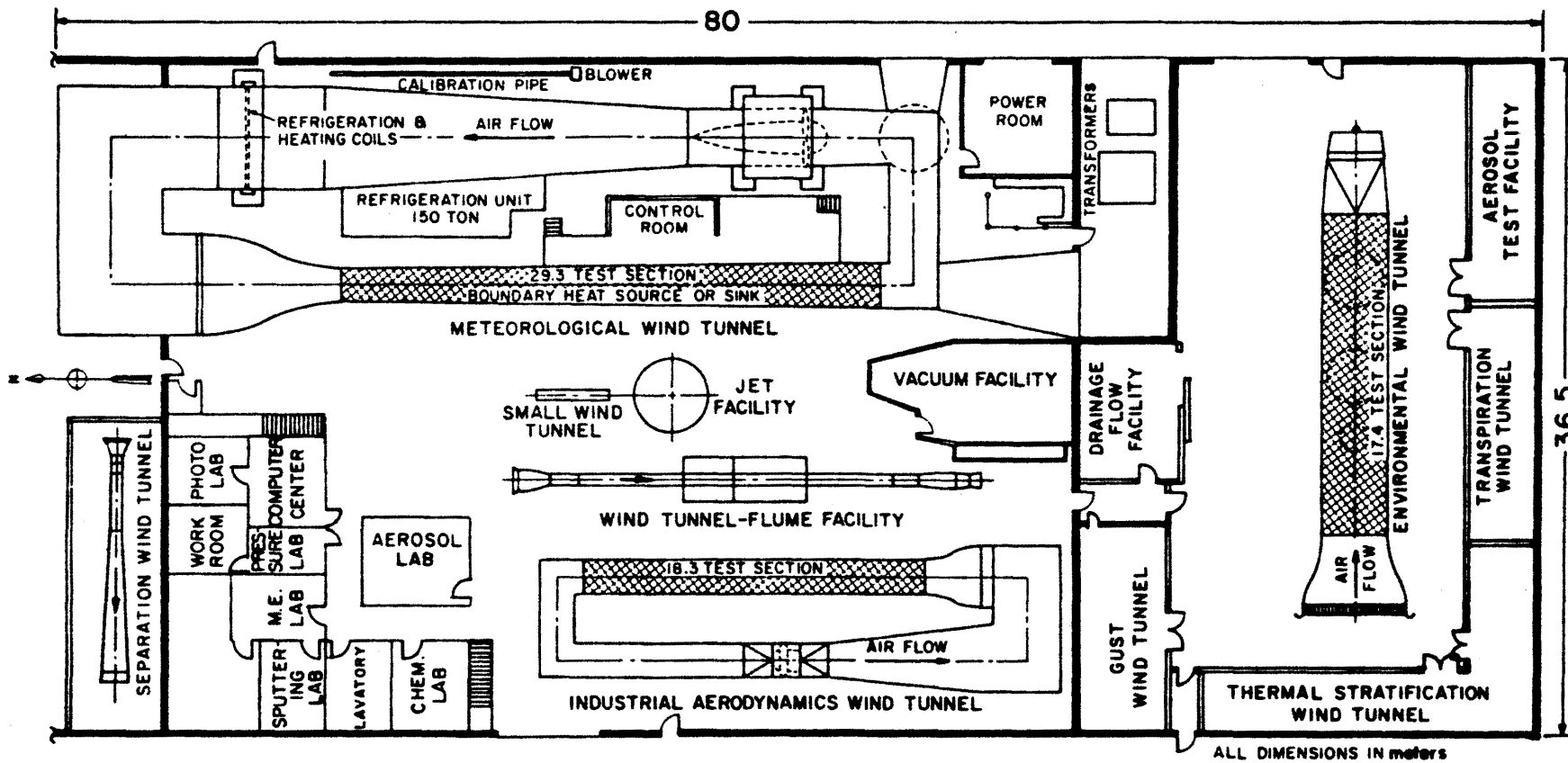
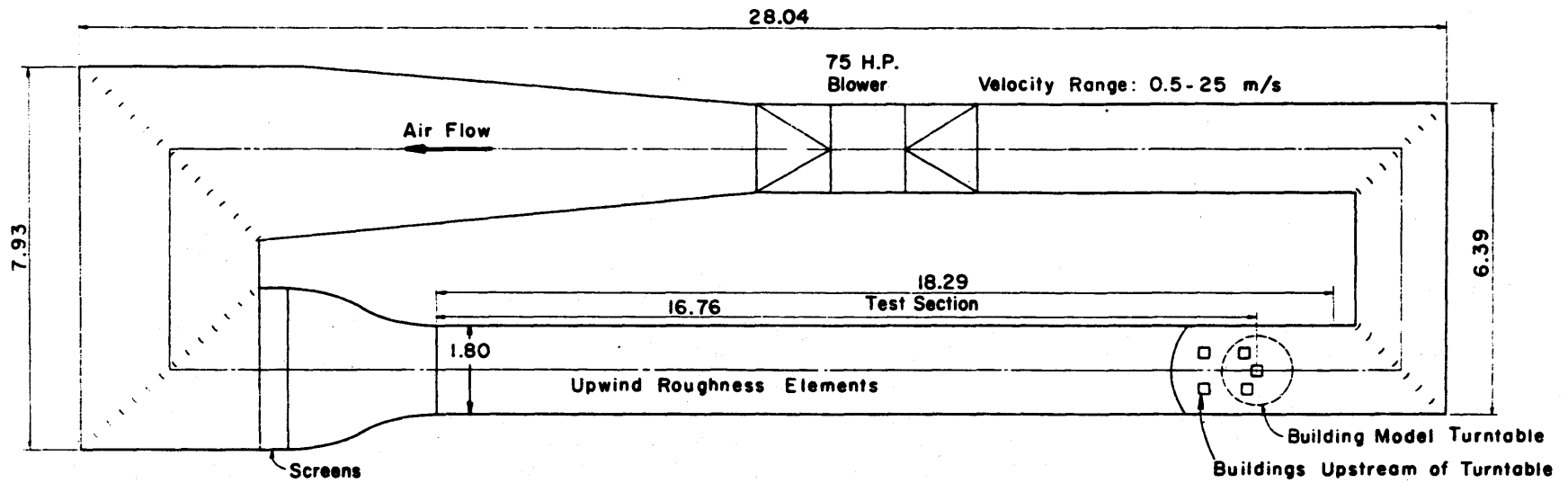
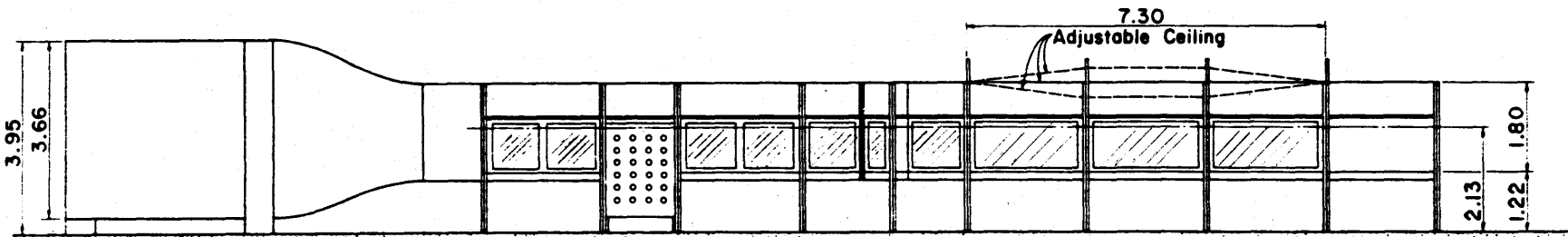
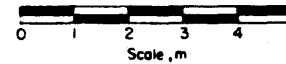


Figure 1. FLUID DYNAMICS AND DIFFUSION LABORATORY
COLORADO STATE UNIVERSITY



PLAN



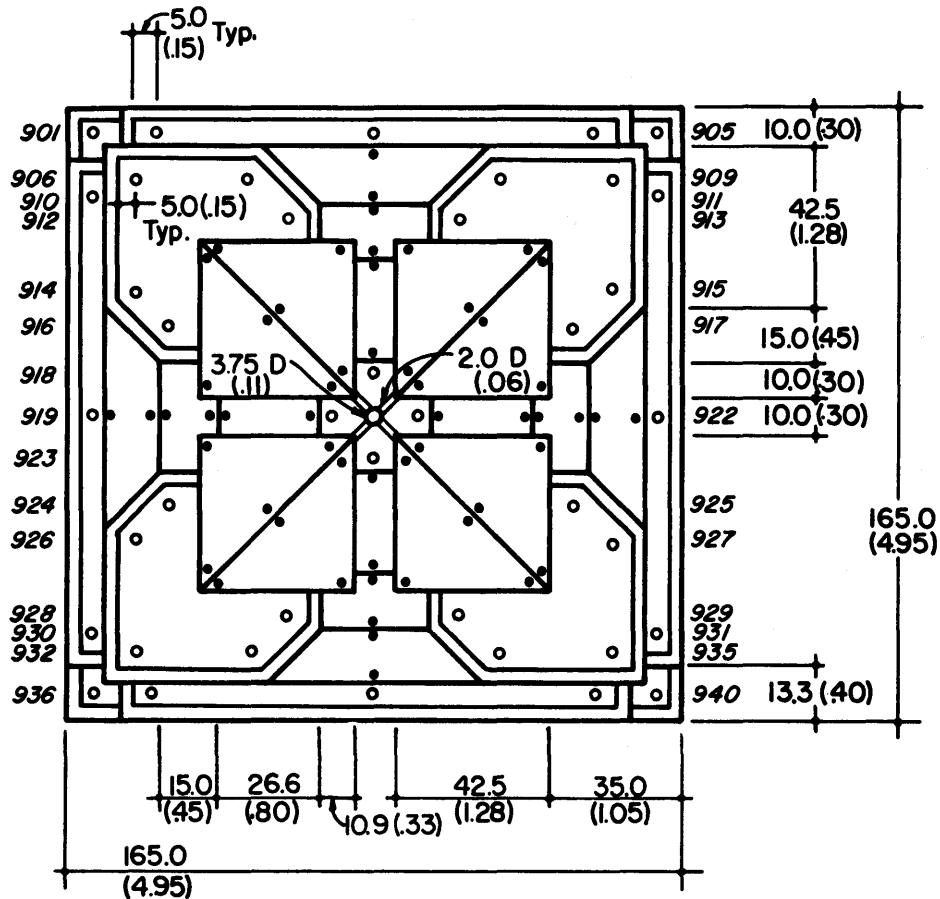
All Dimensions in m

ELEVATION

INDUSTRIAL AERODYNAMICS WIND TUNNEL

Figure 2. Wind-Tunnel Configuration

Total taps = 279
 Model scale = 1/400
 Dimensions are in full scale feet and (model inches).



TOWER ROOF

Note :
 Parapets are 3.3(.10) wide.
 Typical taps are located 3.3(.10) or 10.0(.30) from nearest edge or on centerline of surface unless noted.
 Darkened taps are located and identified in another view.
 Building is symmetrical above 50.5(1.52).

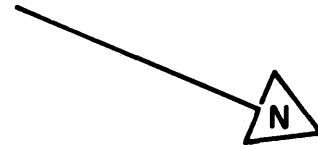


Figure 3a. Pressure Tap Locations

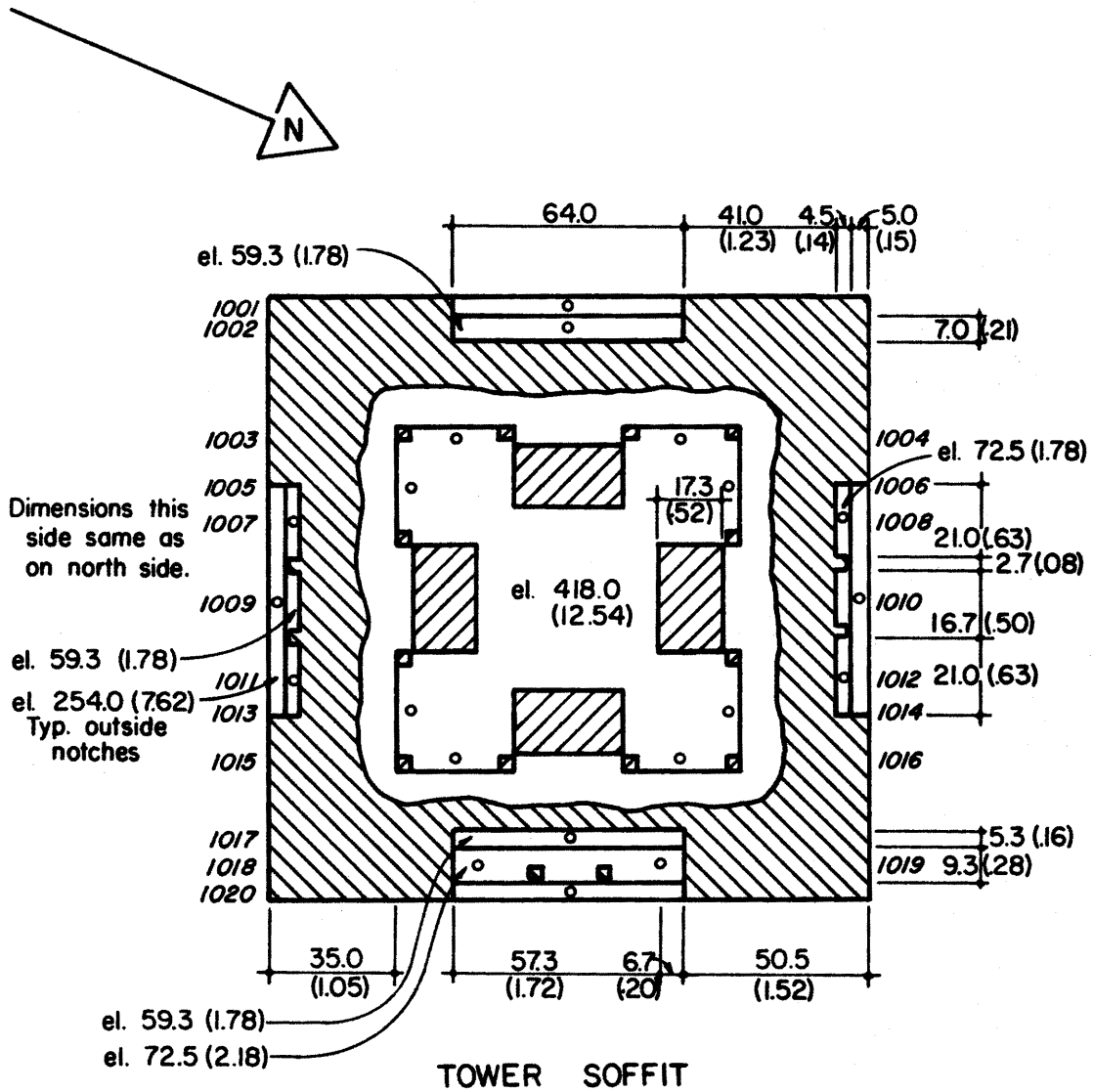
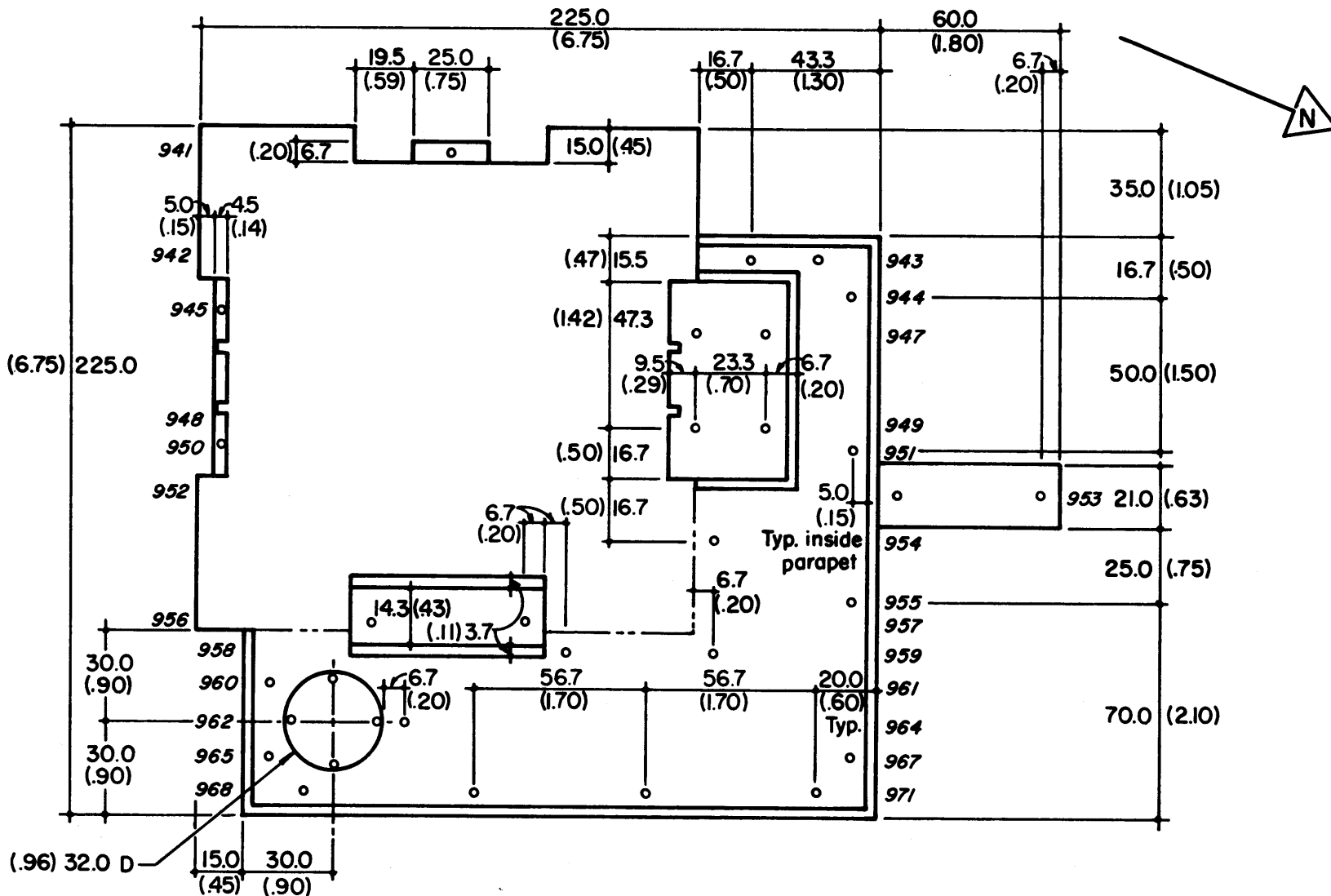


Figure 3b. Pressure Tap Locations



LOWRISE ROOF

Figure 3c. Pressure Tap Locations

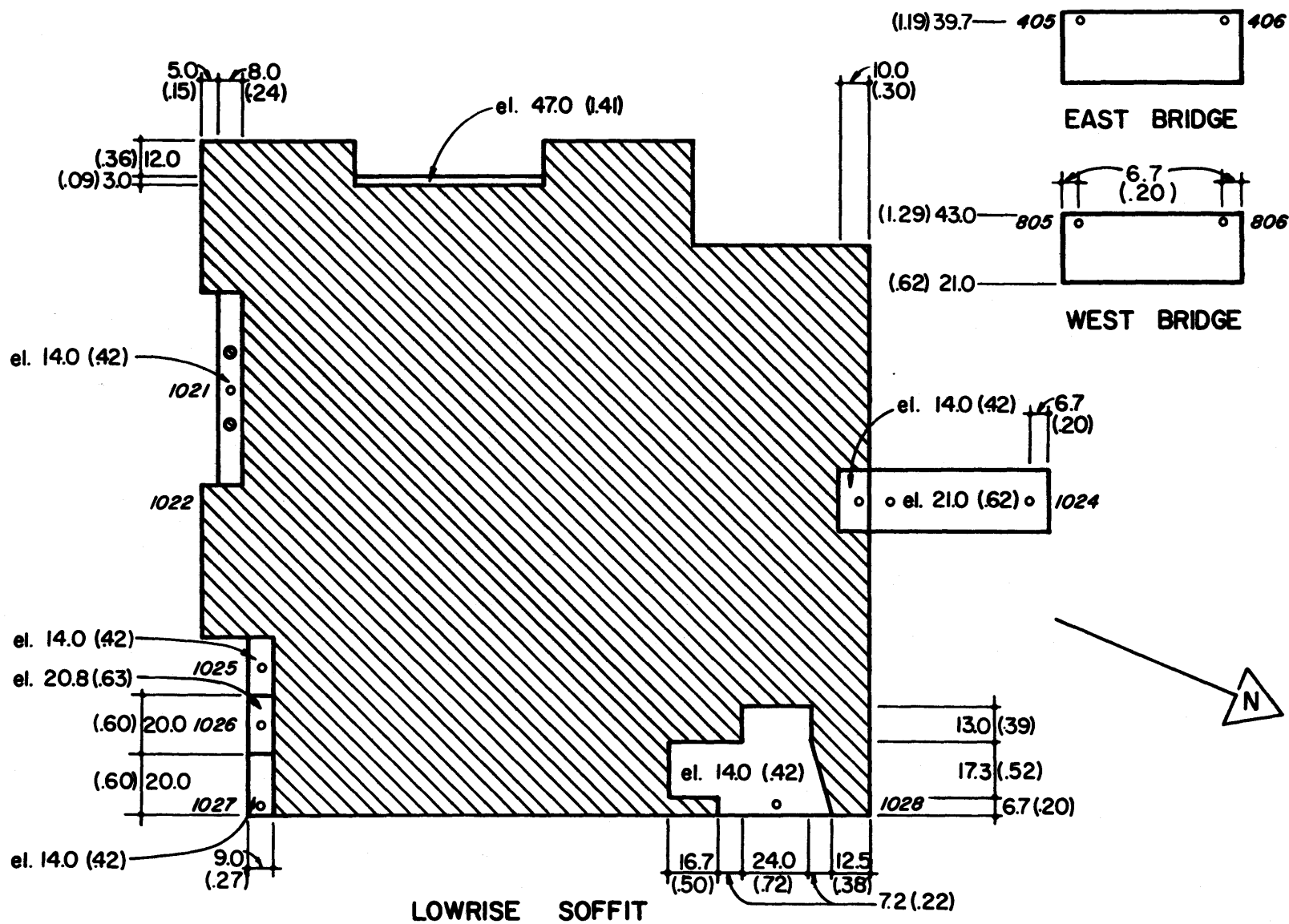


Figure 3d. Pressure Tap Locations

Note:

Taps are located 3.3 (.10) or 10.0 (.30) from nearest edge or on the centerline of the surface unless noted.

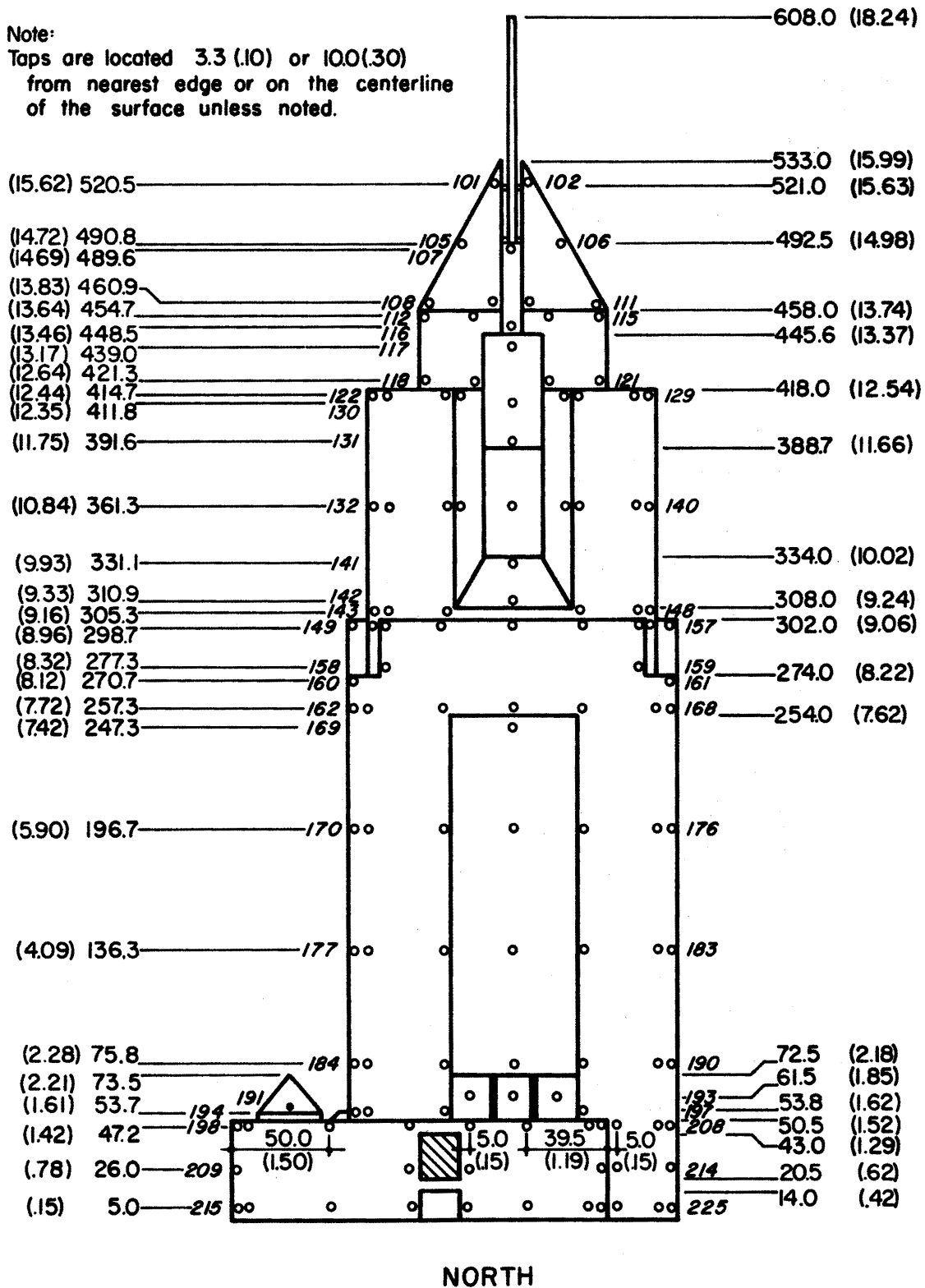


Figure 3e. Pressure Tap Locations

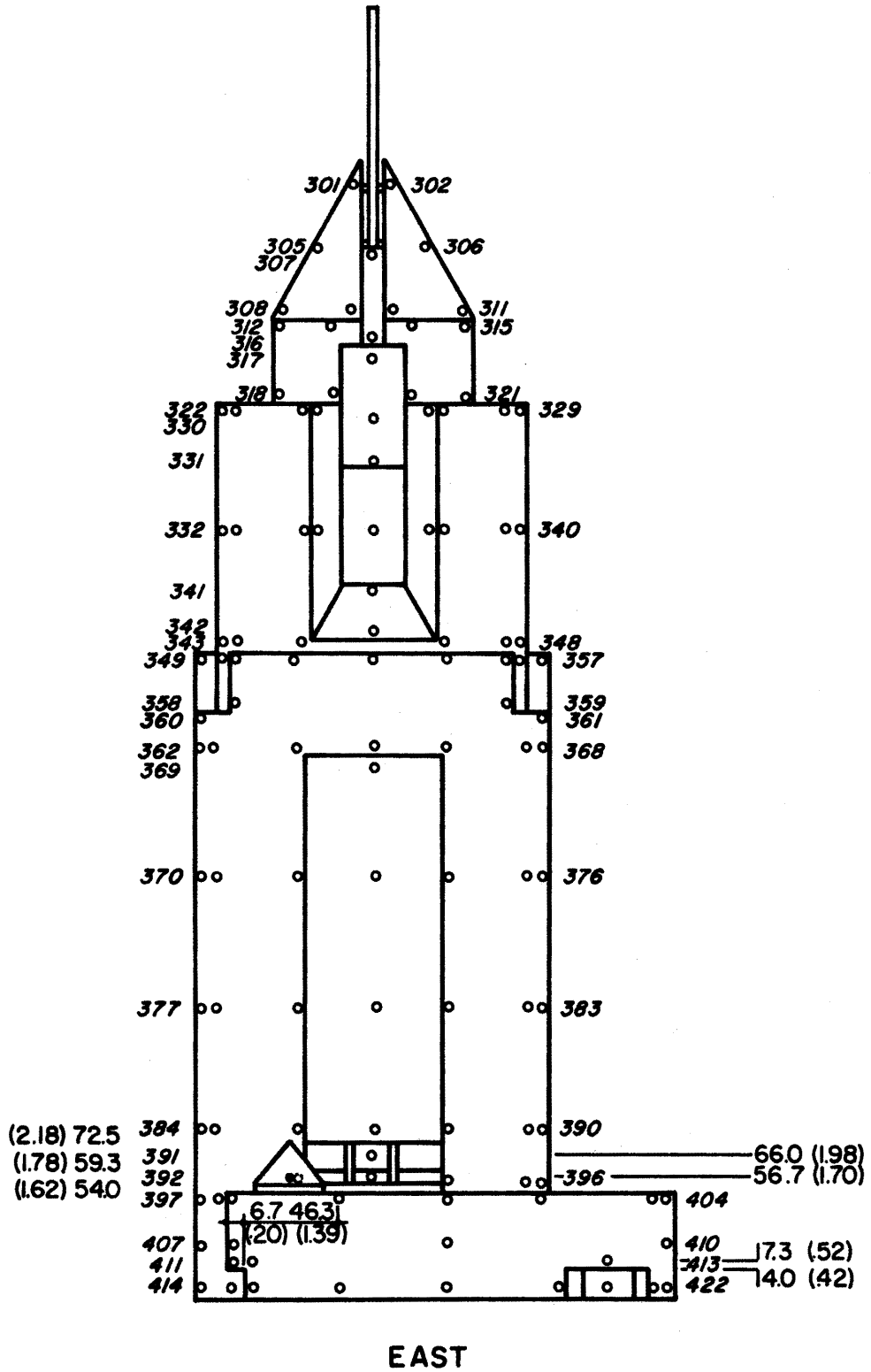


Figure 3f. Pressure Tap Locations

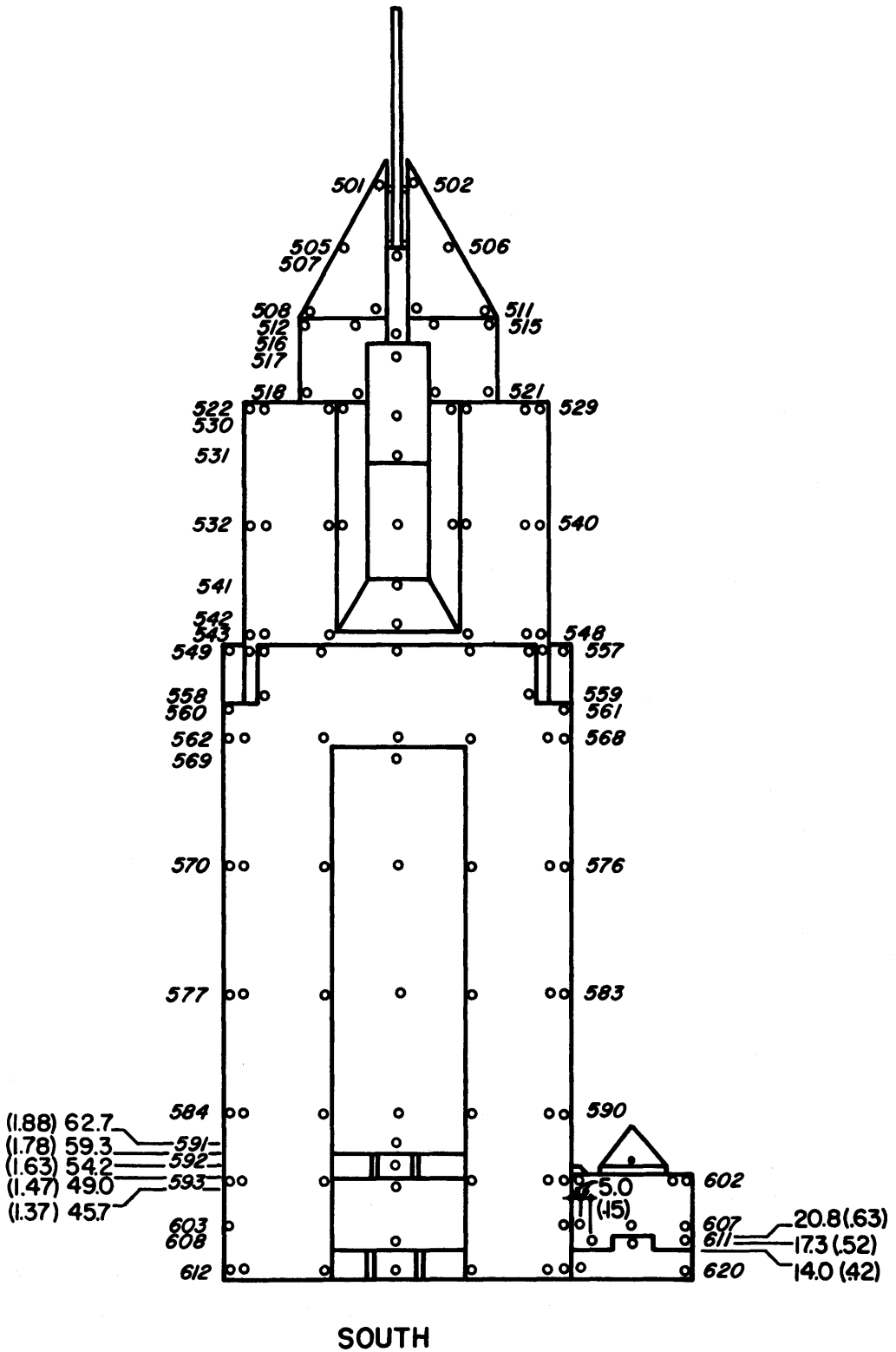


Figure 3g. Pressure Tap Locations

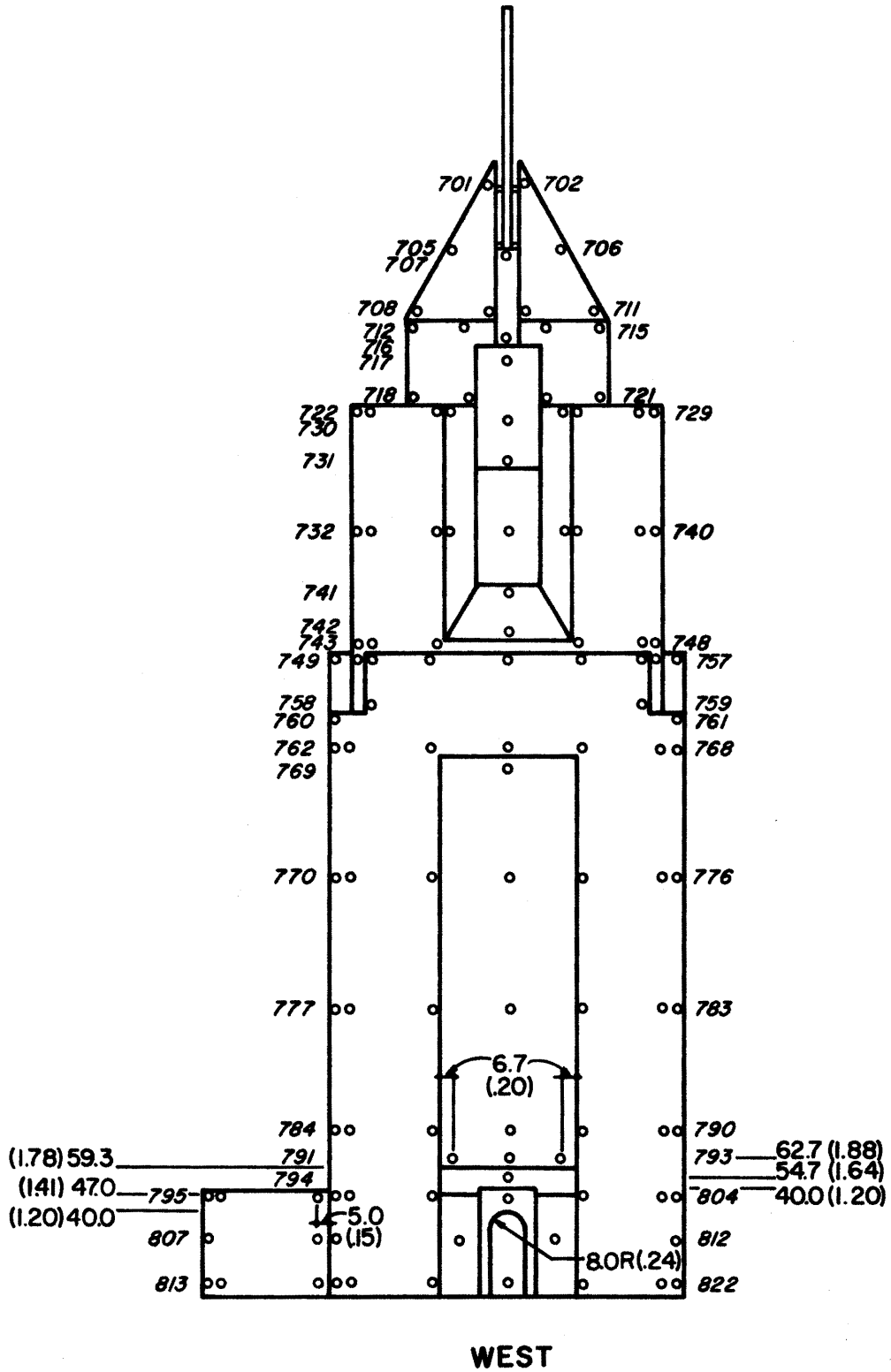
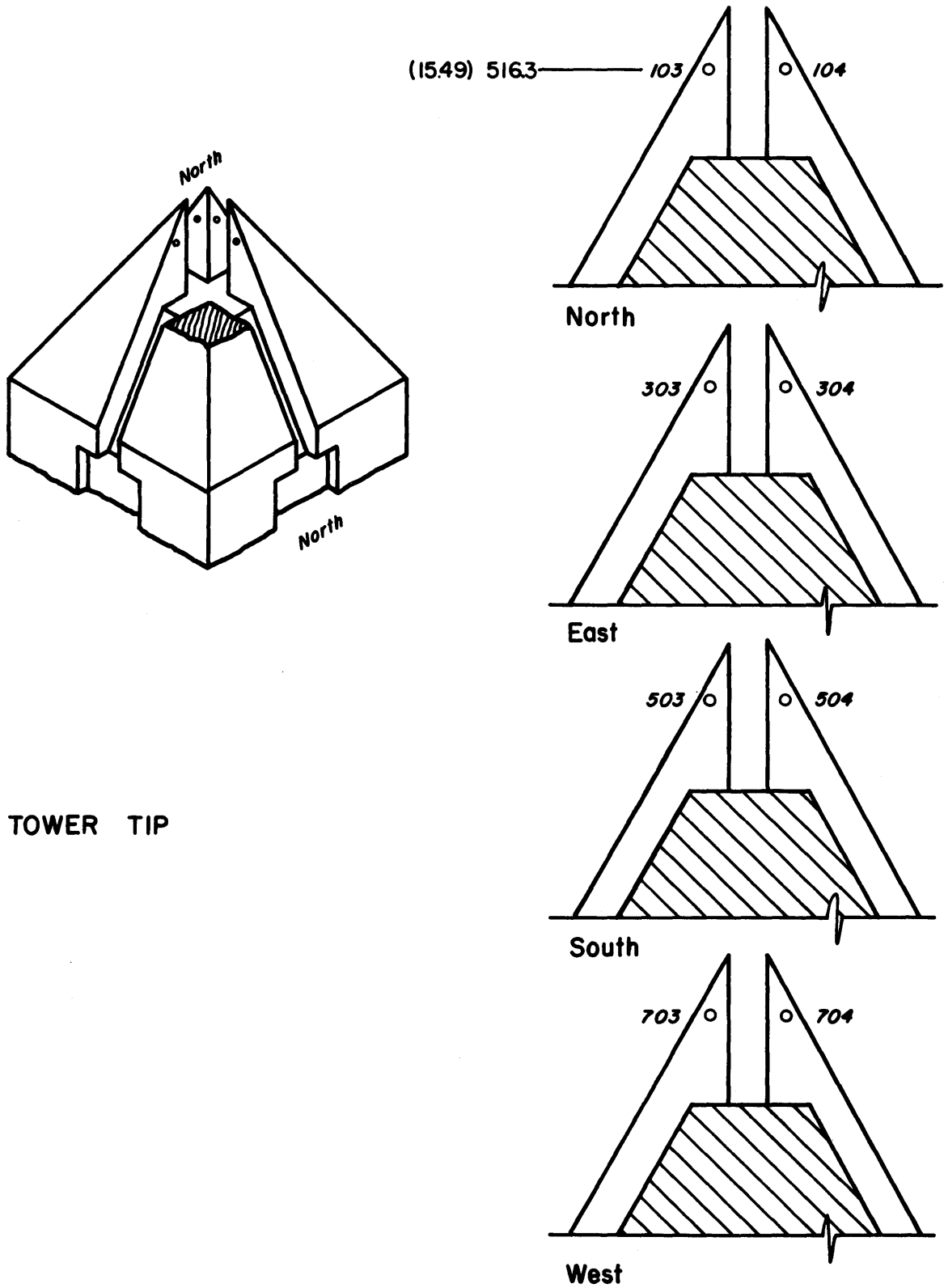
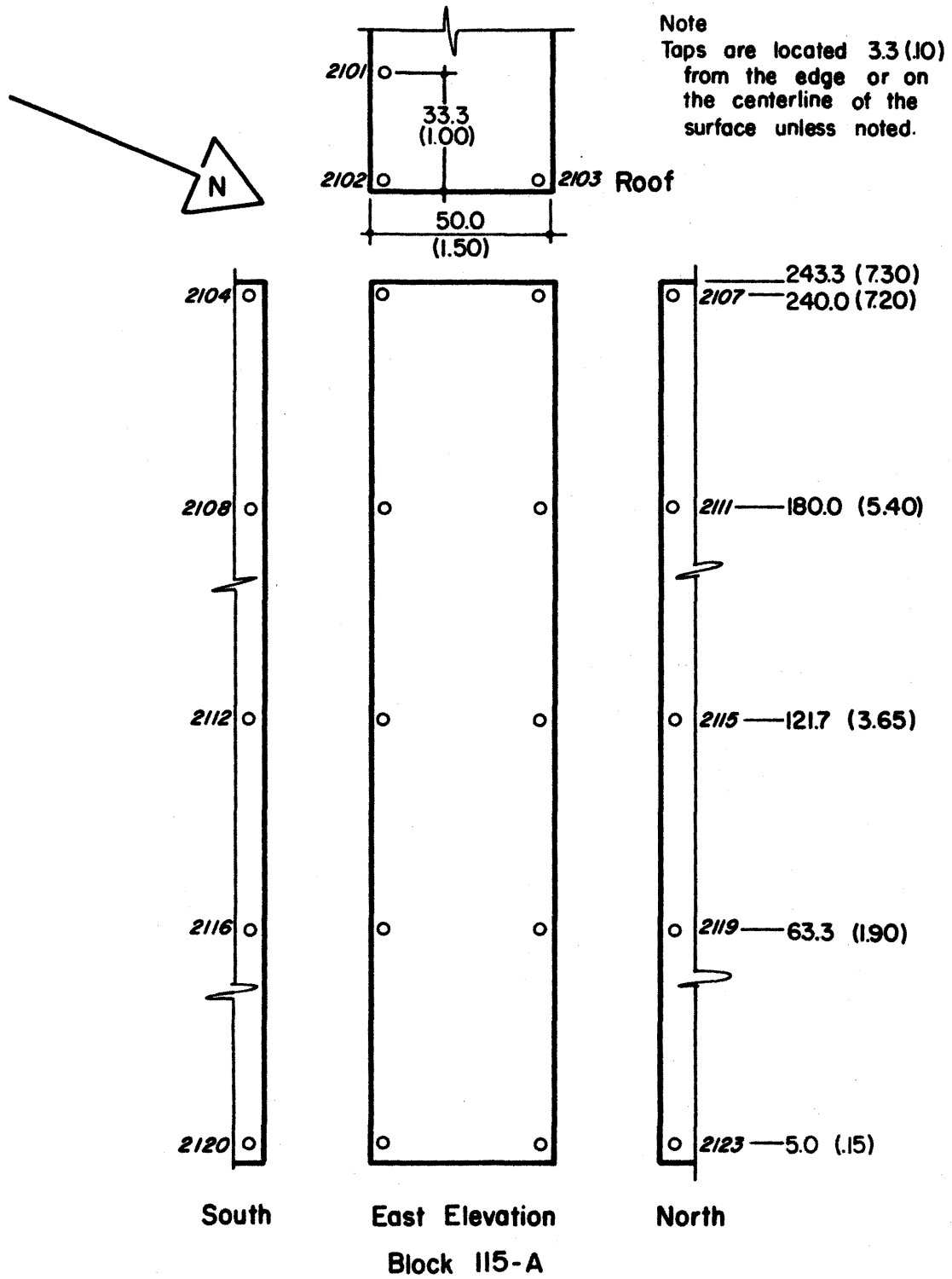


Figure 3h. Pressure Tap Locations



TOWER TIP

Figure 3i. Pressure Tap Locations



Total taps = 165 for buildings surrounding Jenkins/Empire site.

Figure 3j. Pressure Tap Locations

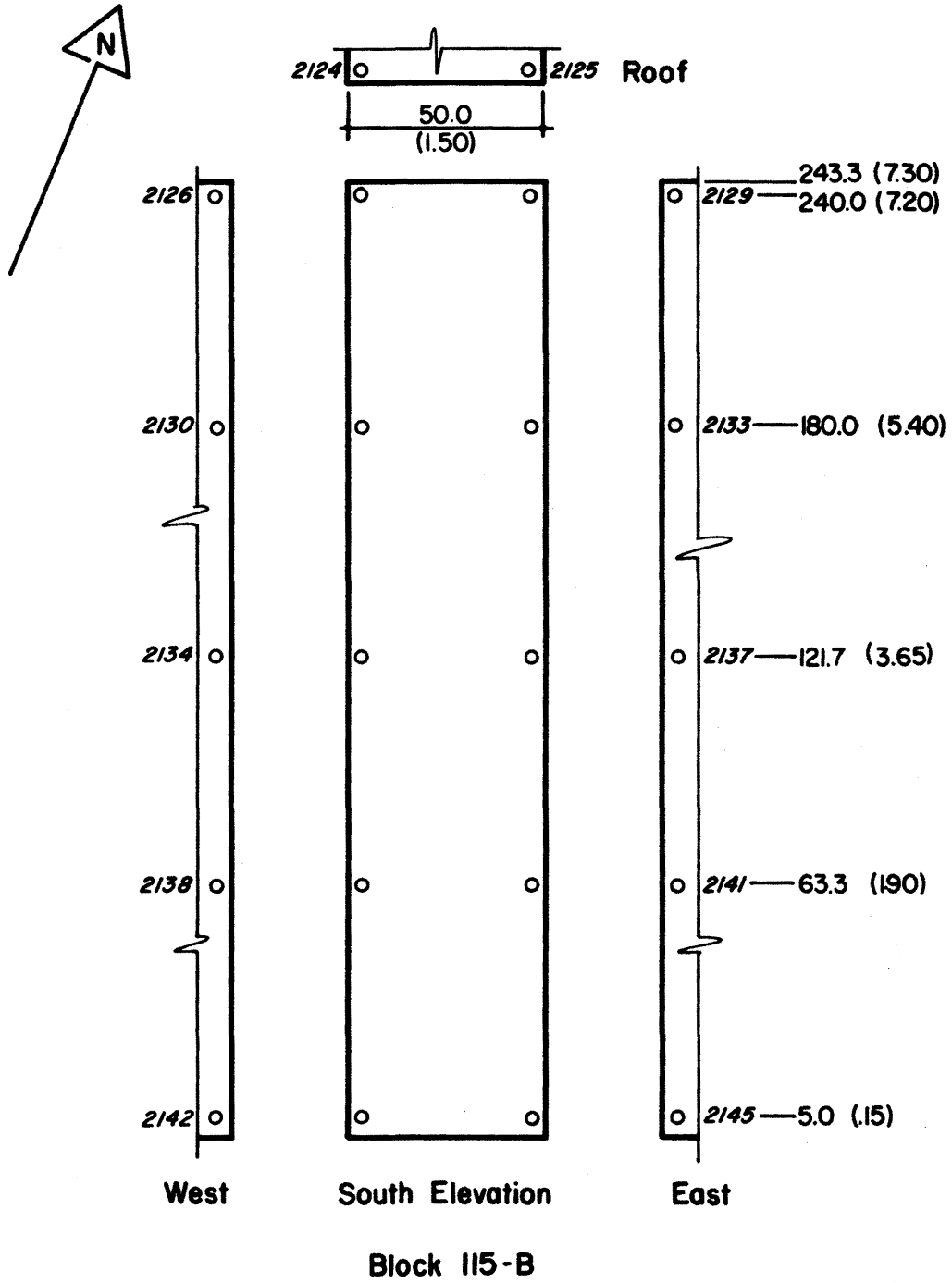
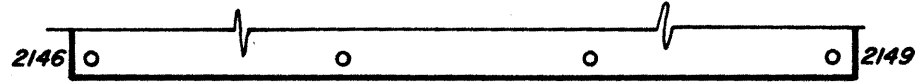
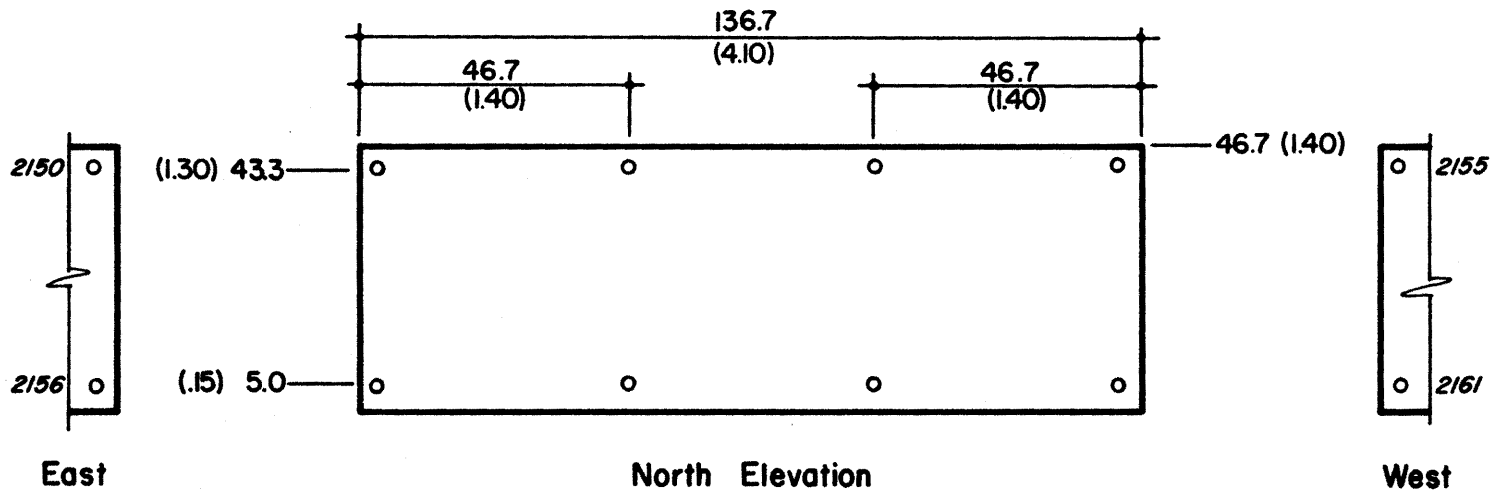


Figure 3k. Pressure Tap Locations

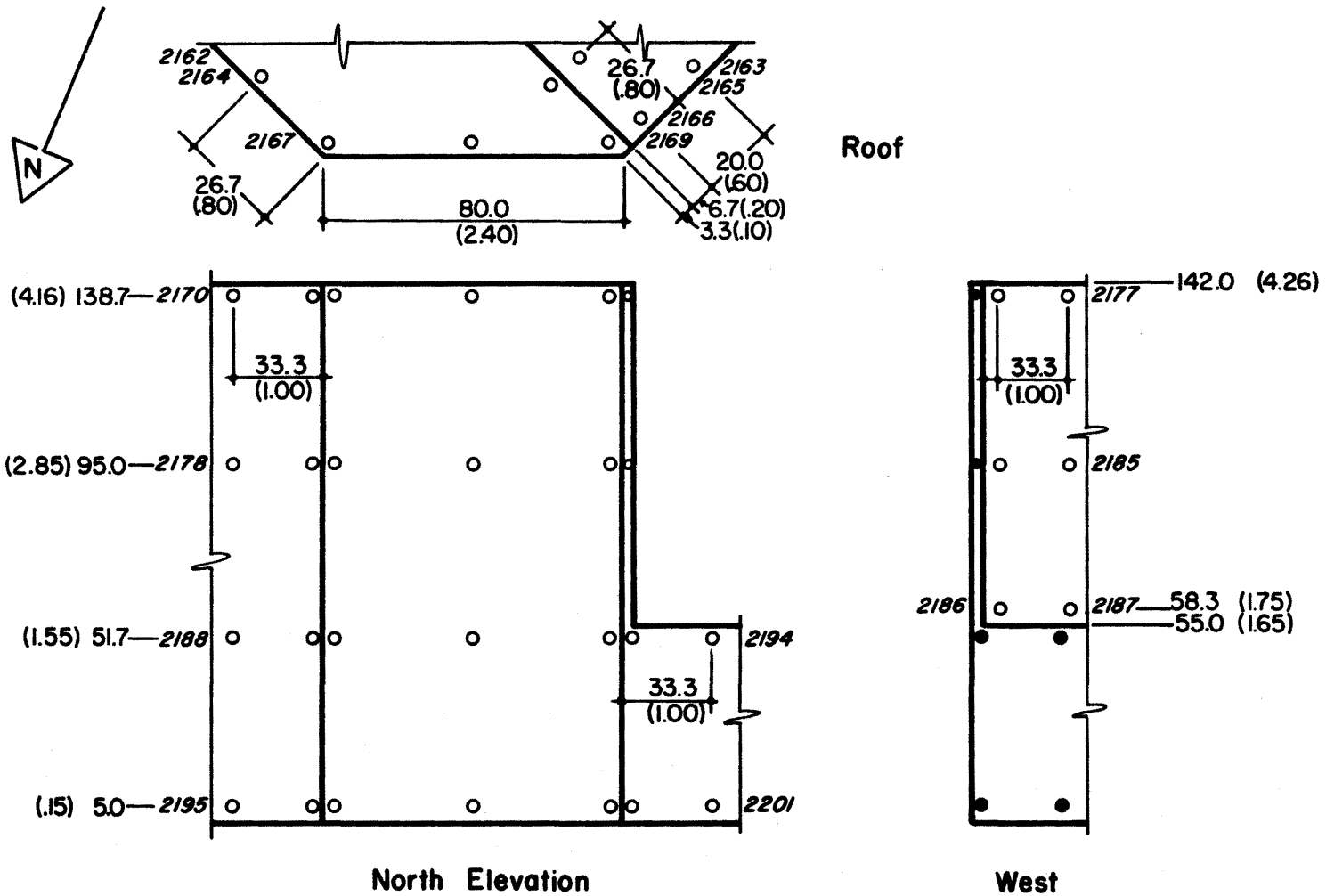


Roof



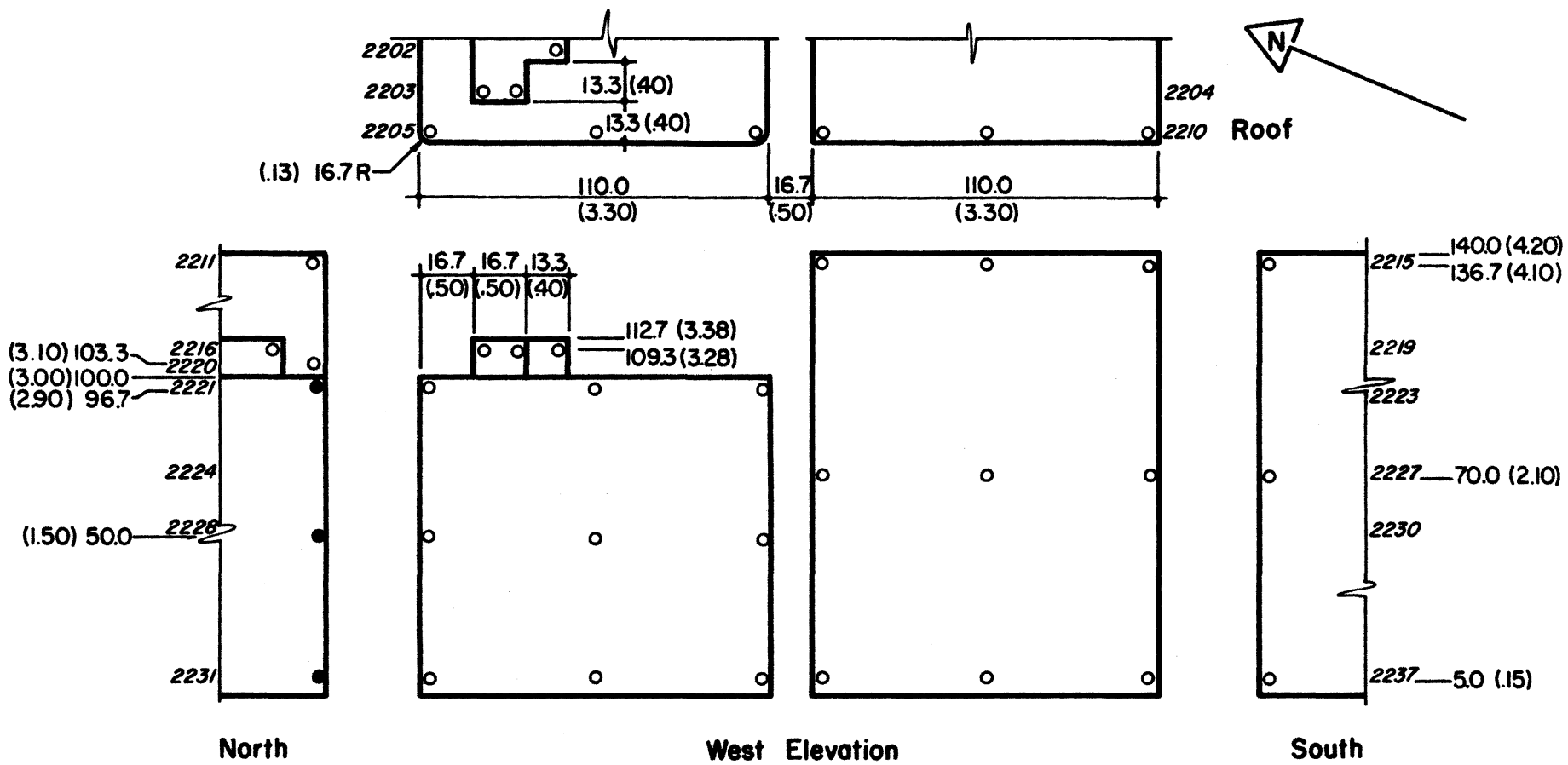
Block 99

Figure 31. Pressure Tap Locations



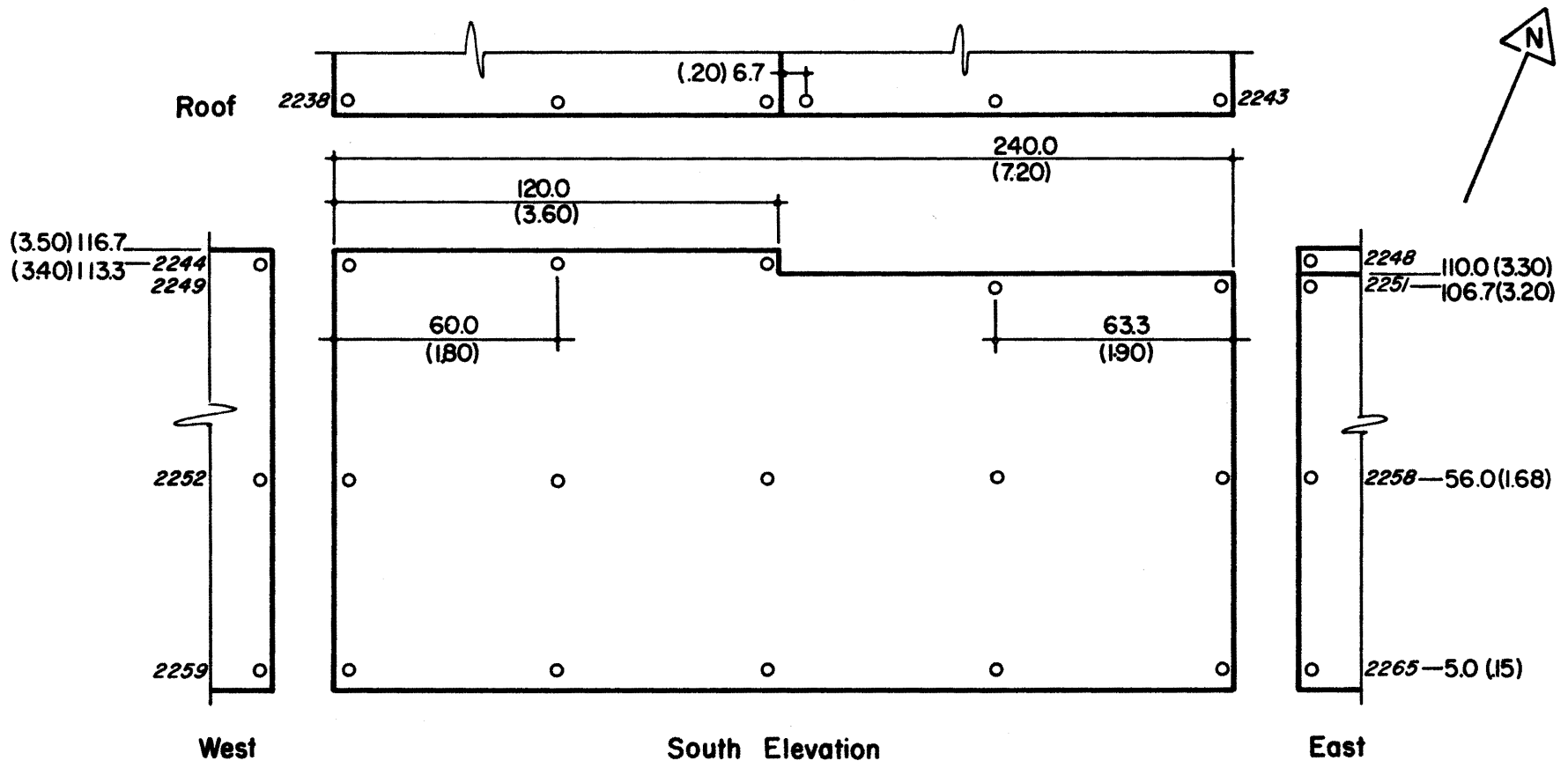
Block 100

Figure 3m. Pressure Tap Locations



Block 109

Figure 3n. Pressure Tap Locations



Block 116

Figure 30. Pressure Tap Locations

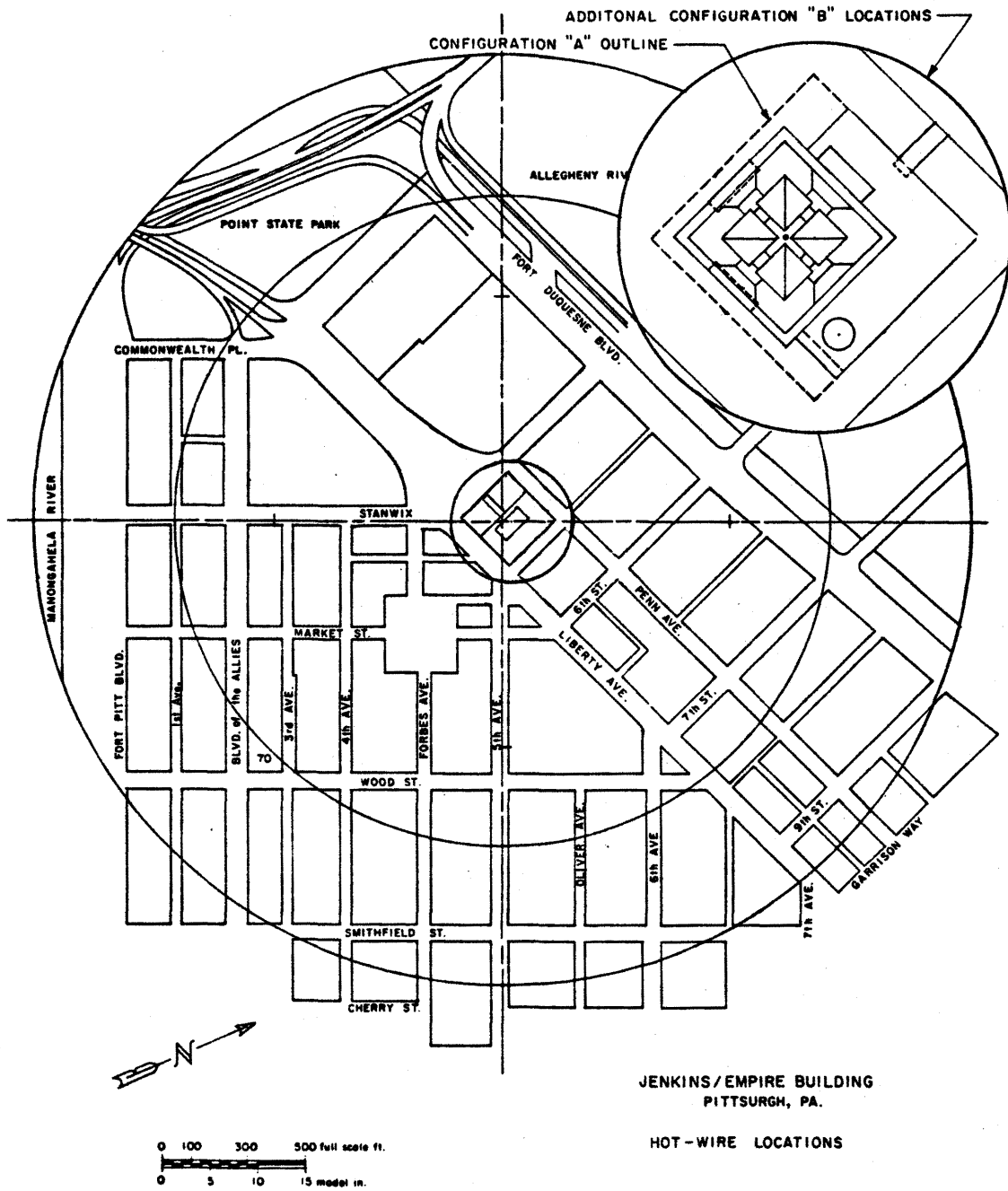
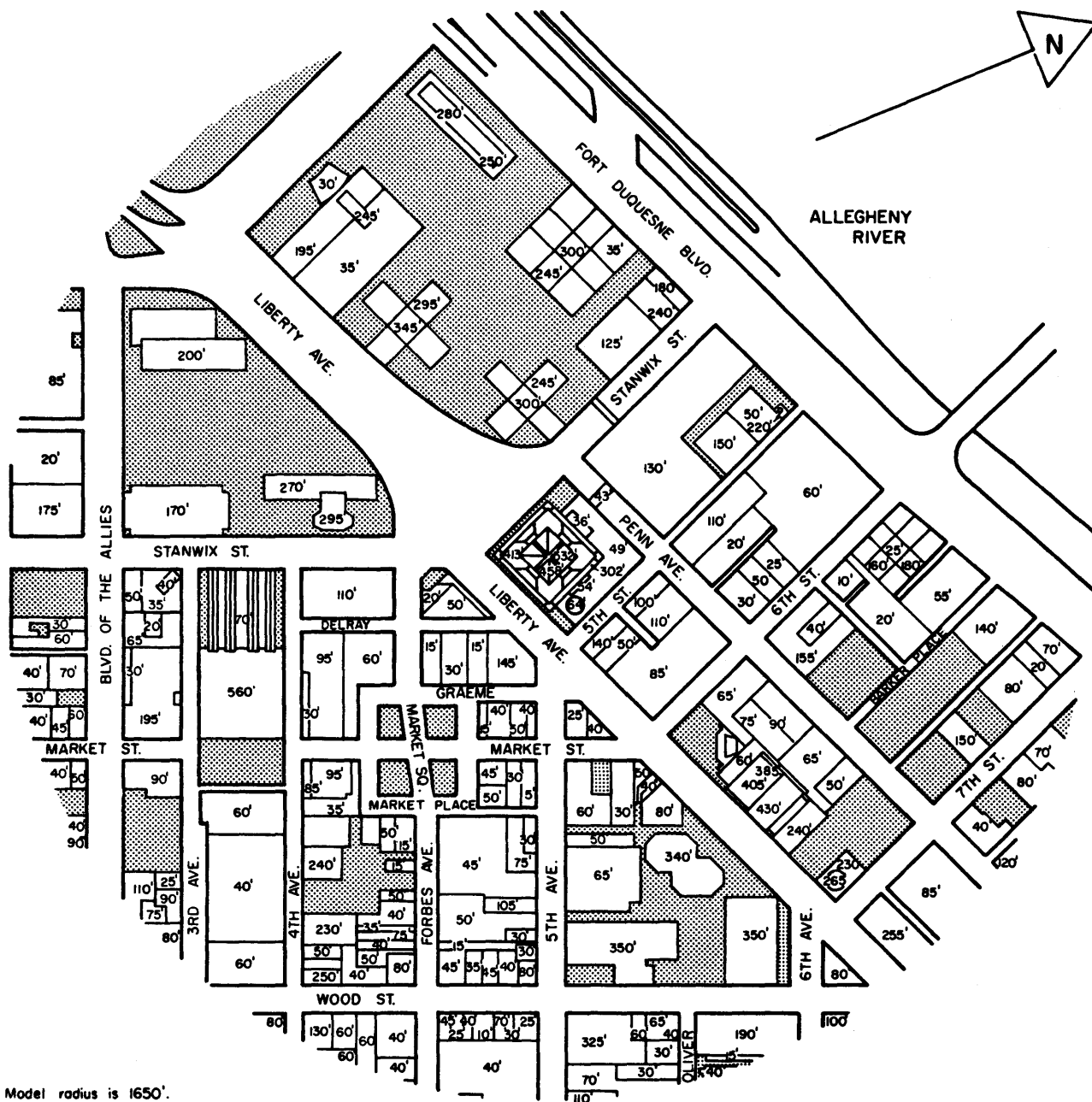
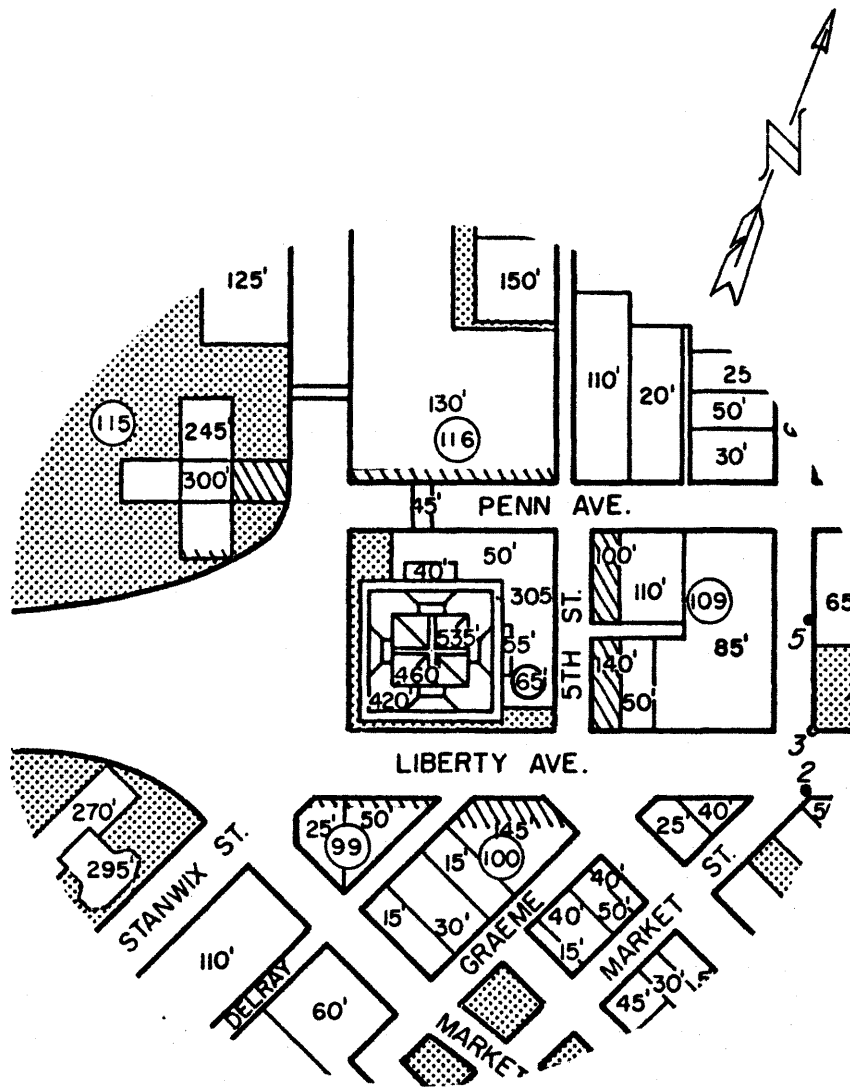


Figure 4a. Building Location and Pedestrian Wind Velocity Measuring Positions





//// Tapped Plexiglas Faces

○ Model Block Number

JENKINS / EMPIRE
PITTSBURGH, PA.

Figure 4c. Building Location and Pedestrian Wind Velocity Measuring Positions



Figure 5a. Completed Model in Wind Tunnel



Figure 5b. Completed Model in Wind Tunnel

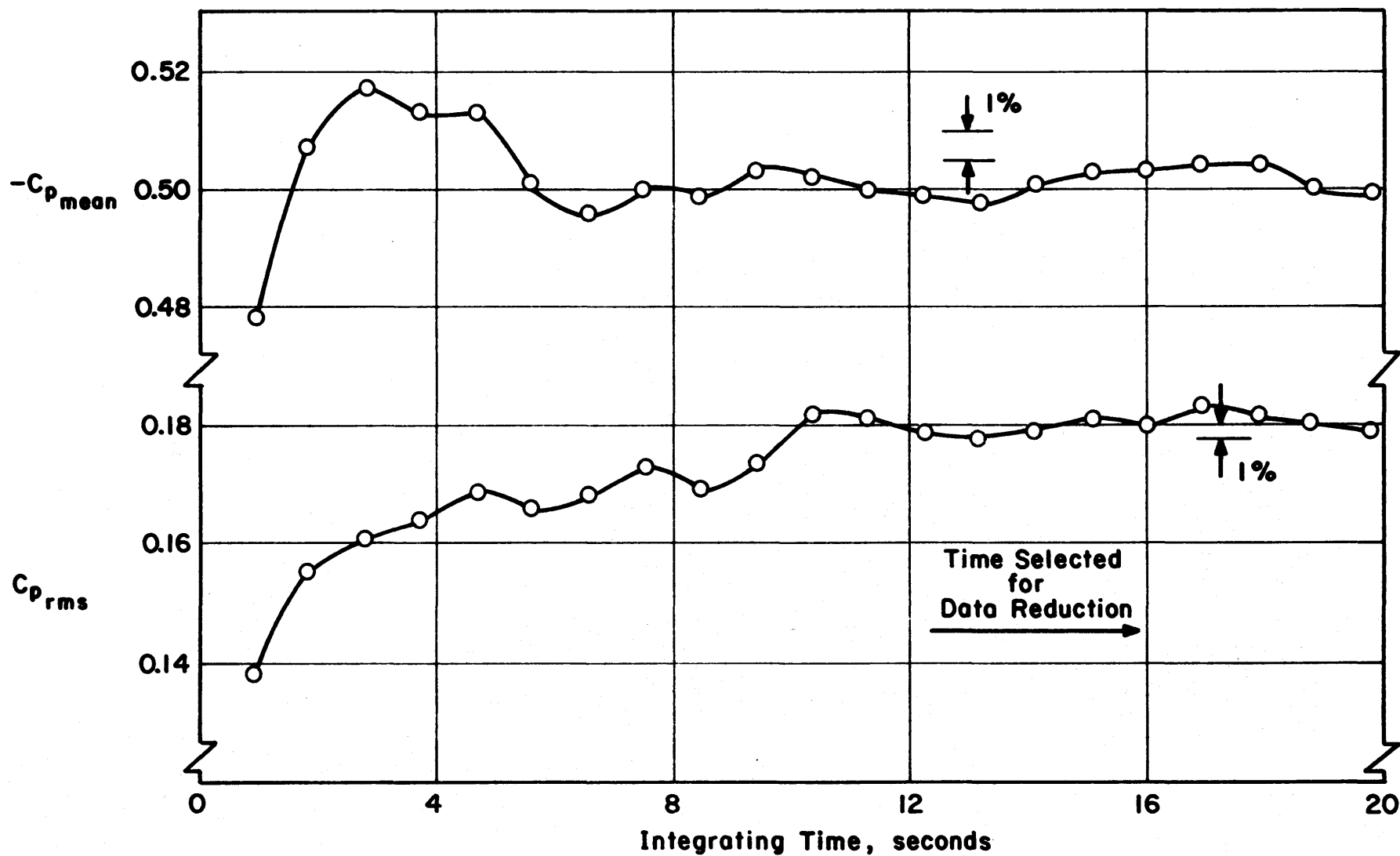


Figure 6. Data Sampling Time Verification

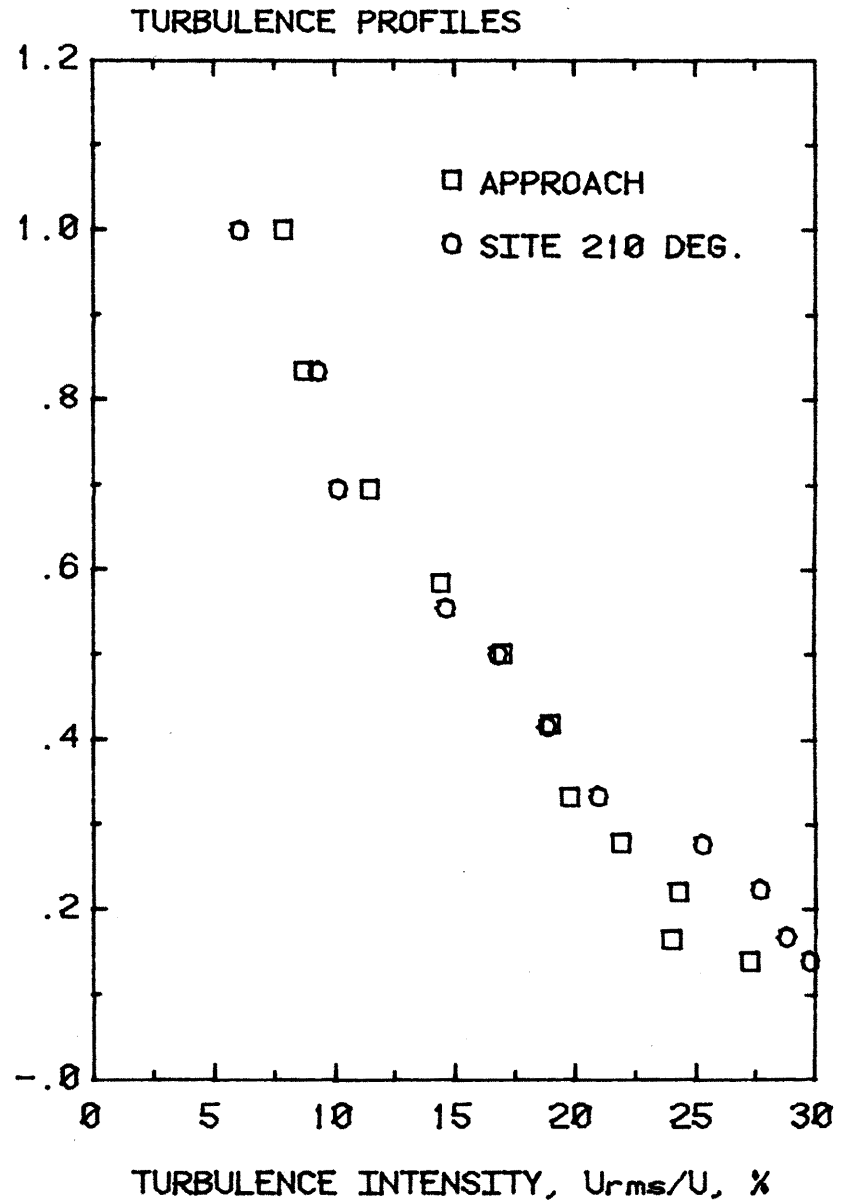
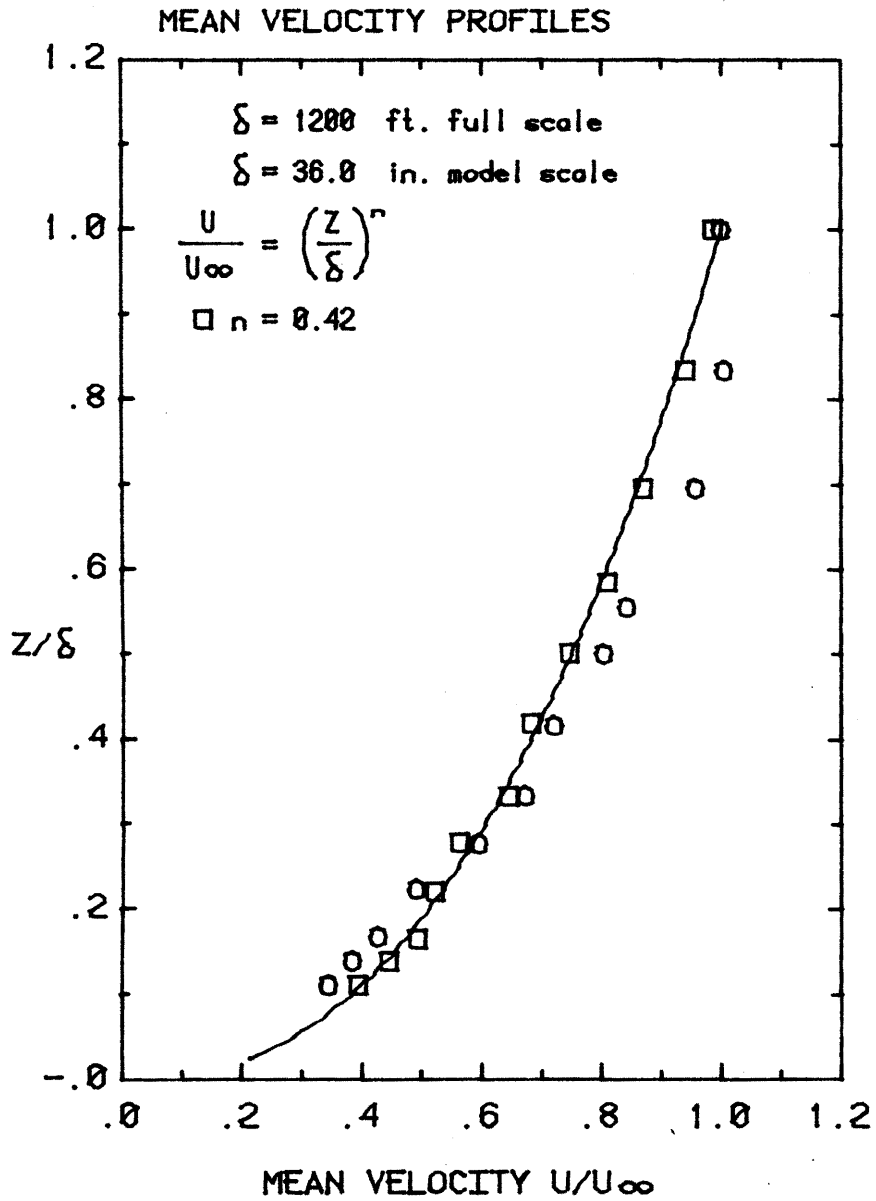


Figure 7a. Mean Velocity and Turbulence Profiles Approaching the Model

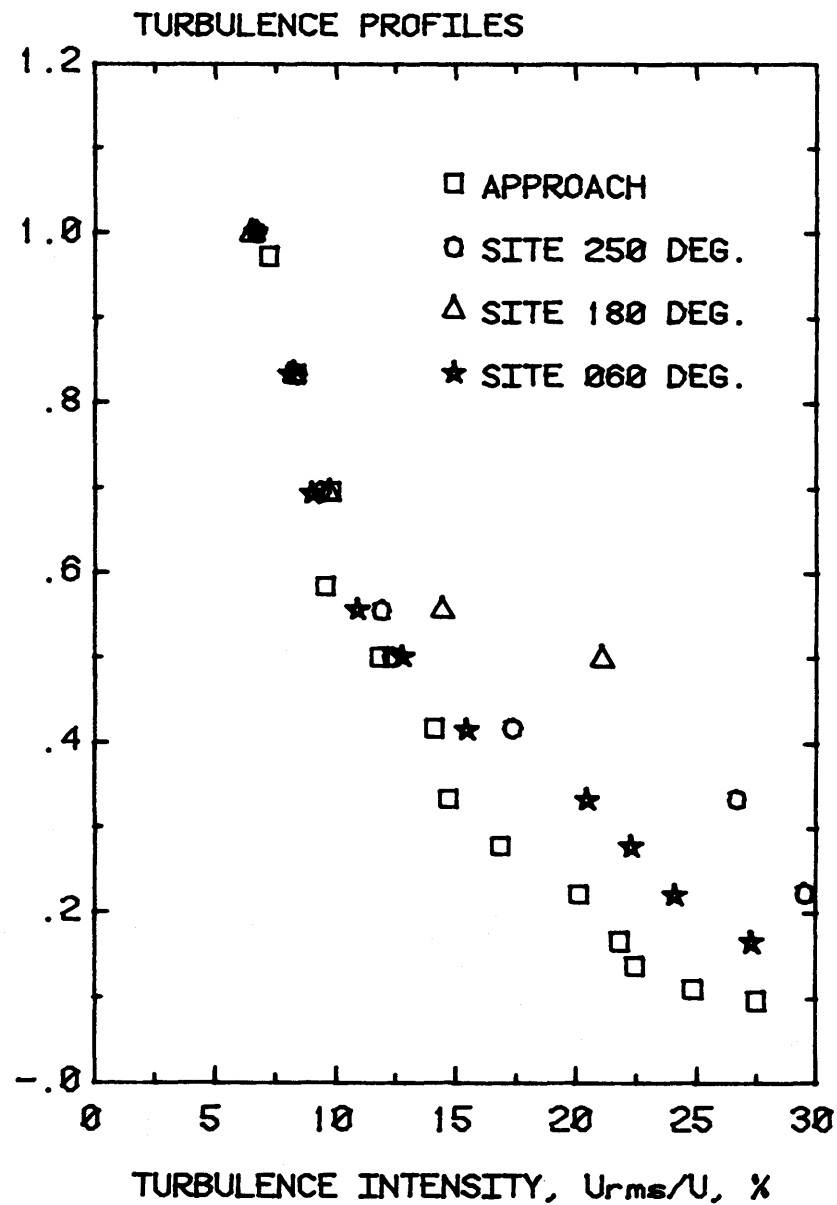
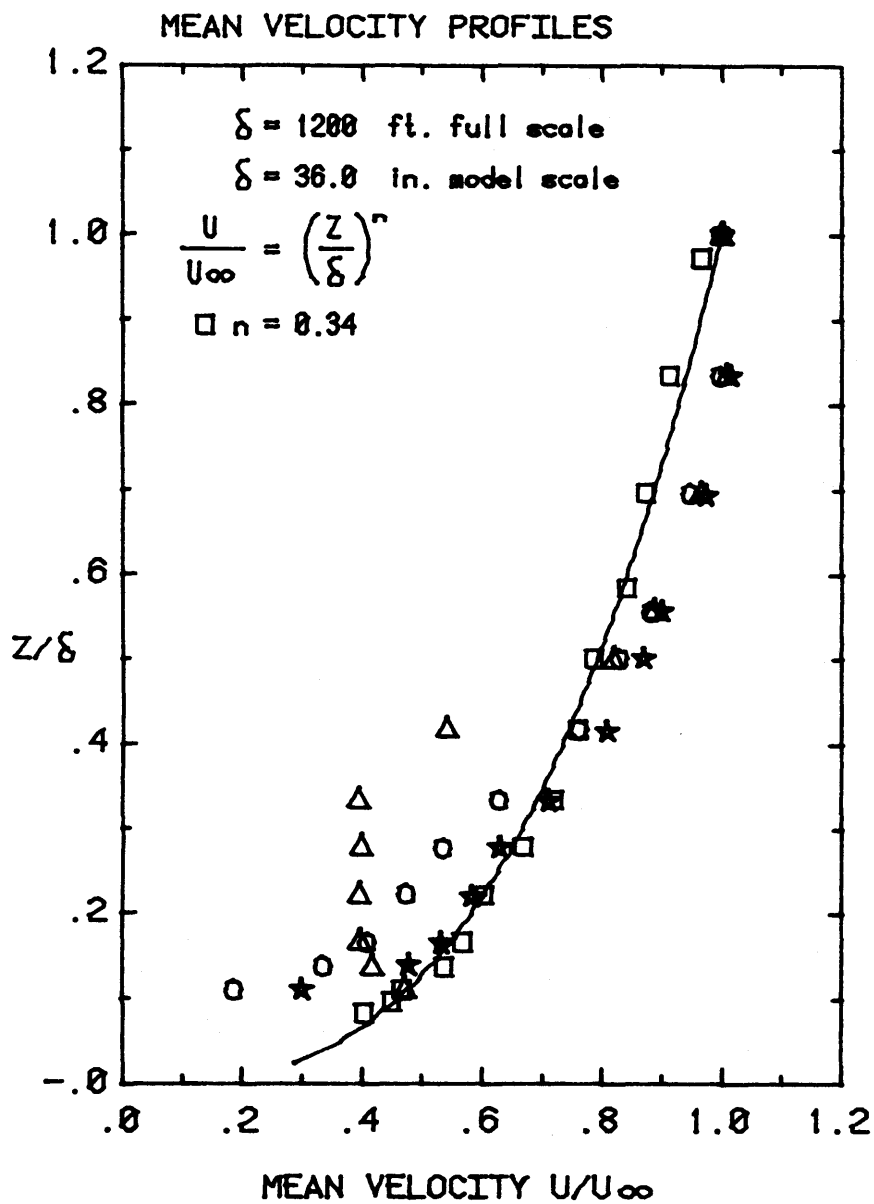


Figure 7b. Mean Velocity and Turbulence Profiles Approaching the Model

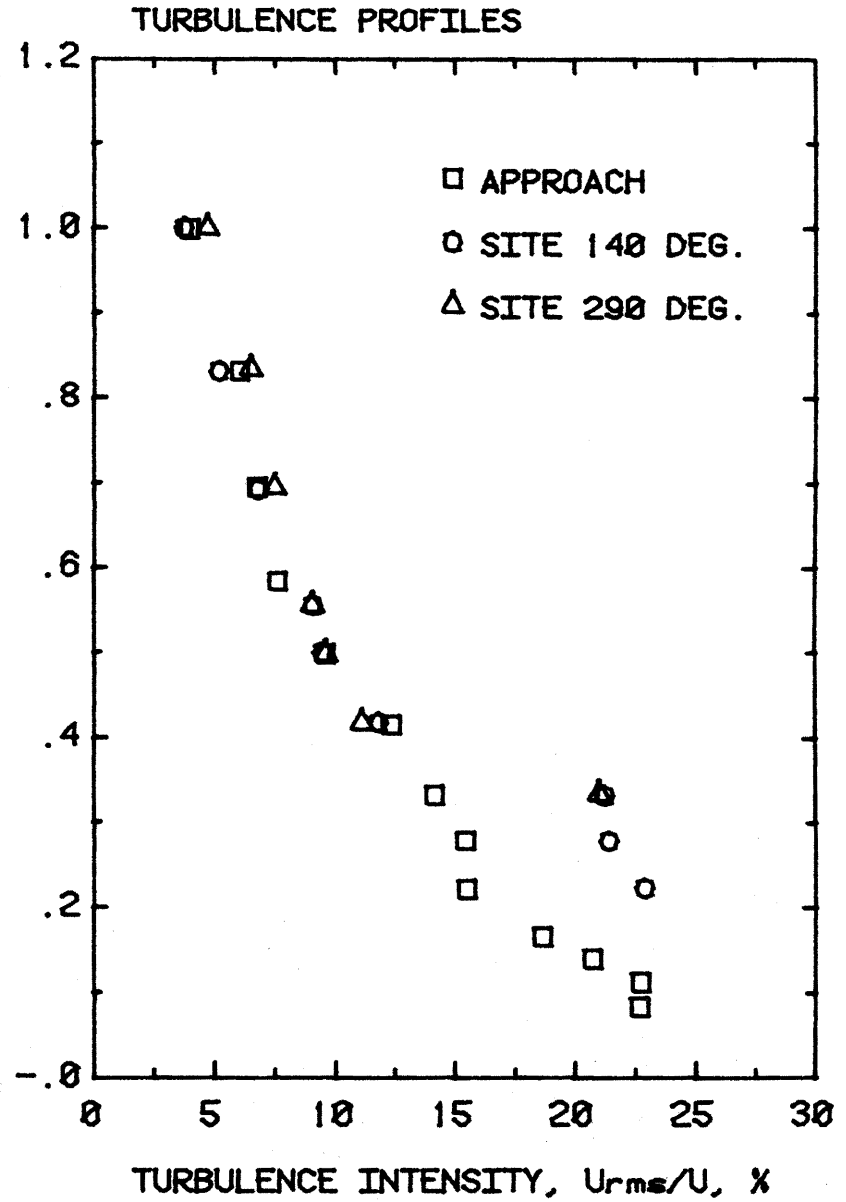
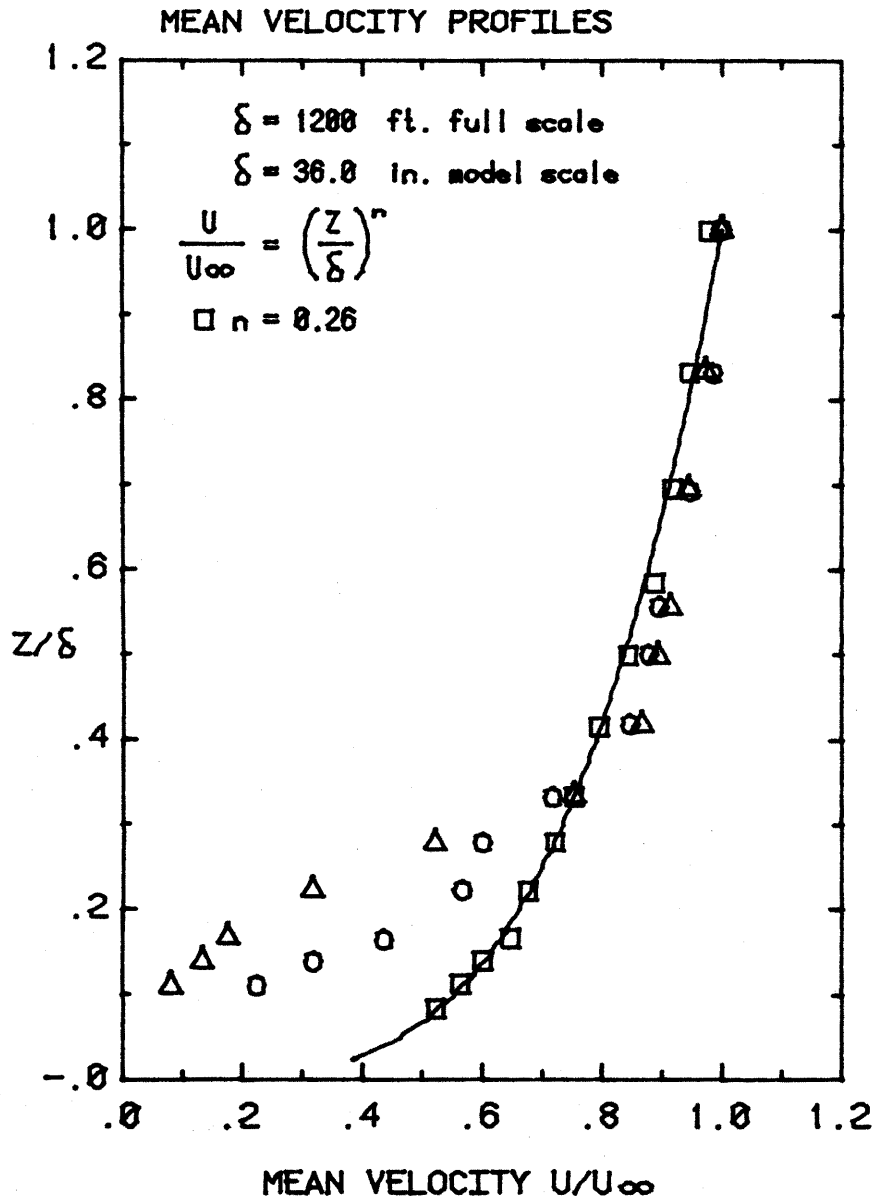
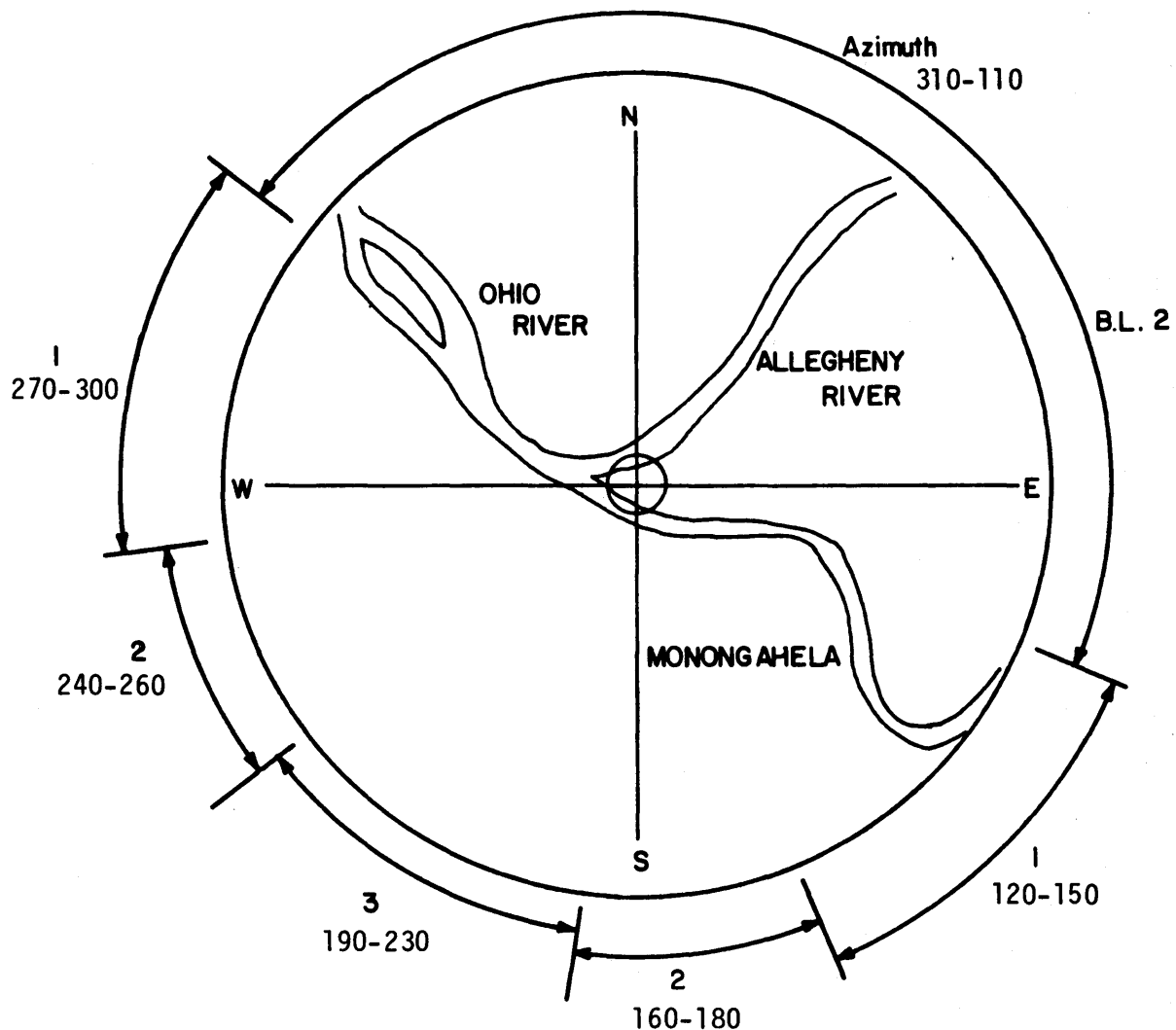


Figure 7c. Mean Velocity and Turbulence Profiles Approaching the Model

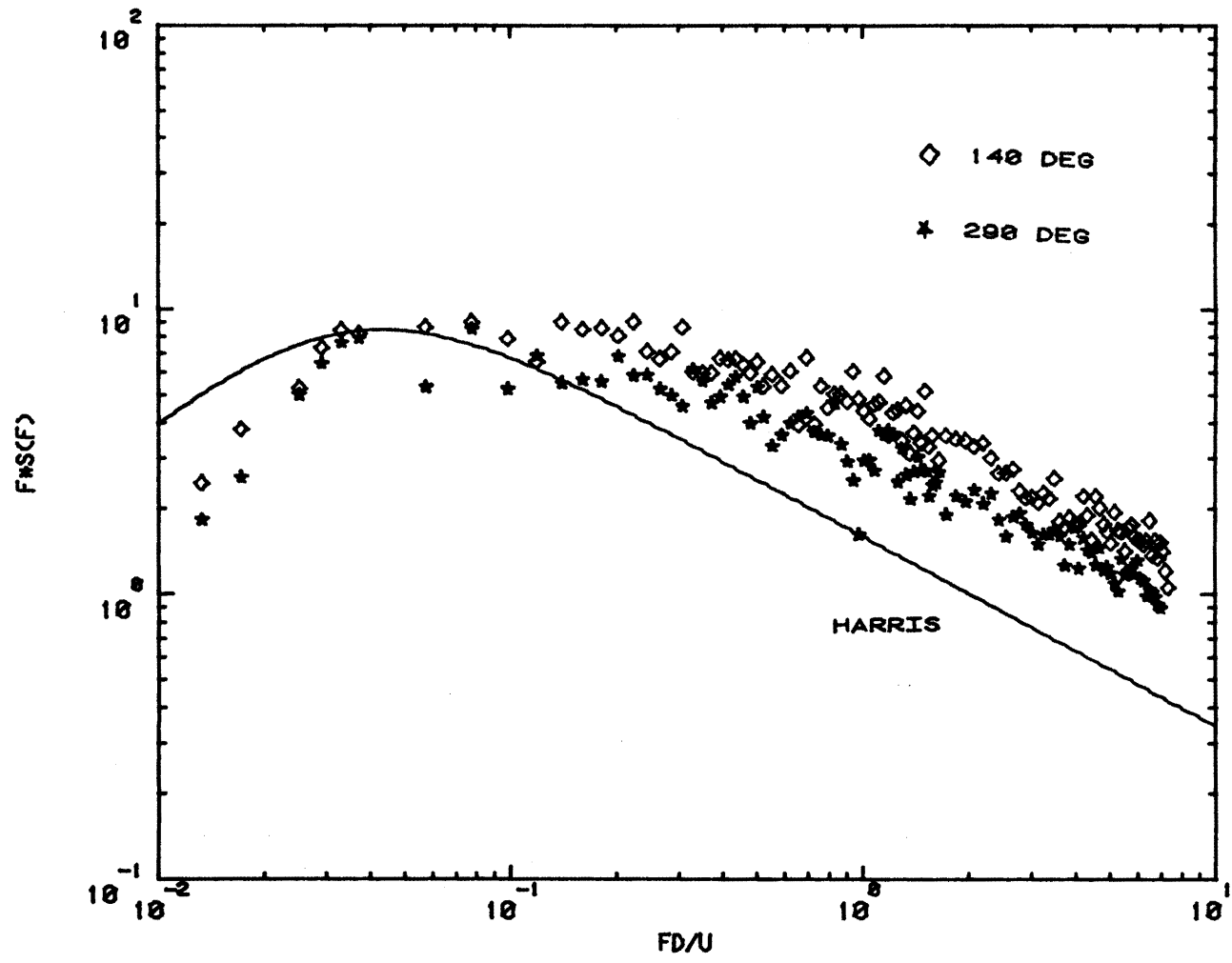


APPROACH VELOCITY PROFILES

<u>BOUNDARY LAYER</u>	<u>POWER LAW EXPONENT</u>
1	0.26
2	0.34
3	0.42

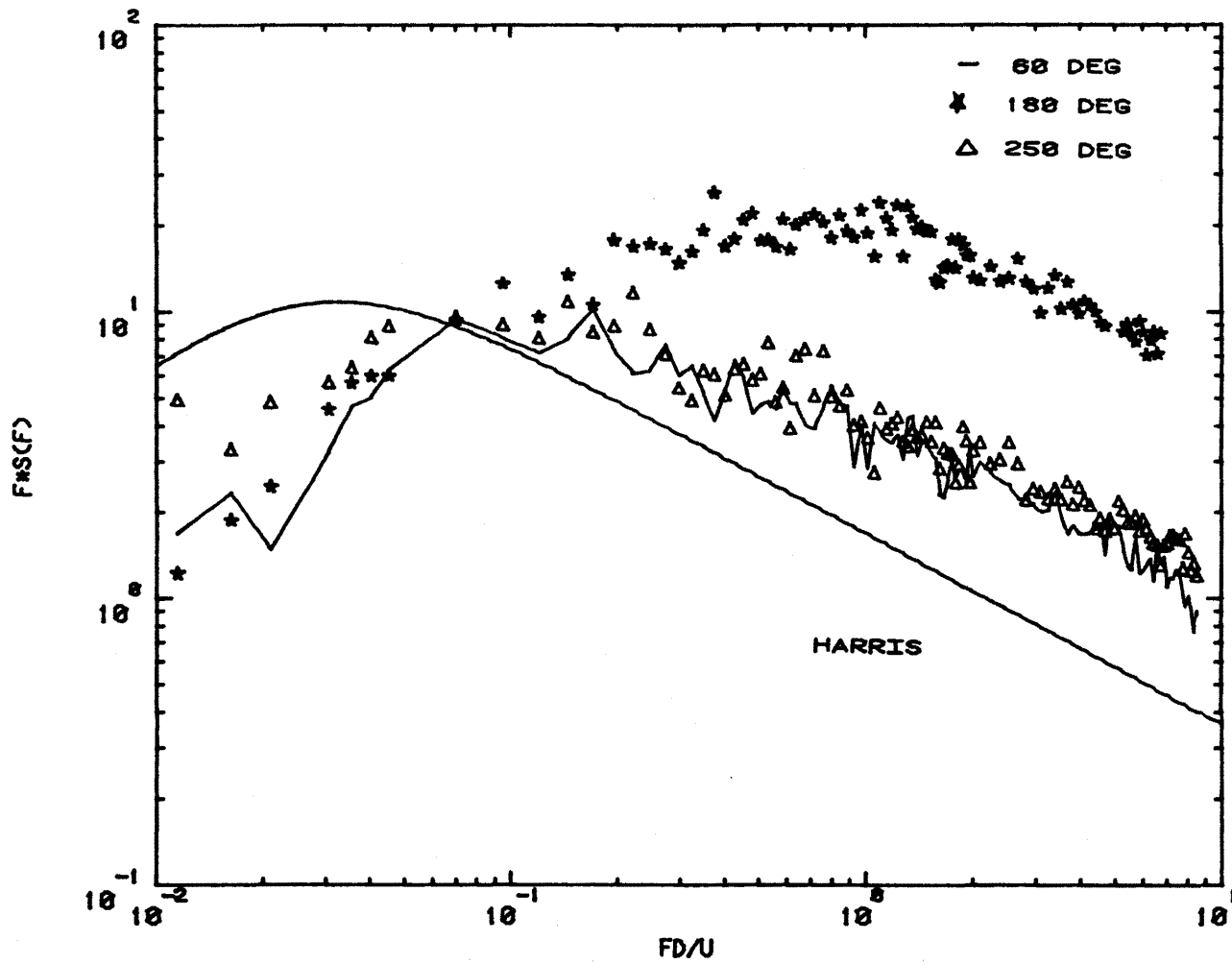
Sector Distribution of Boundary Layer Characteristics

Figure 7d. Mean Velocity and Turbulence Profiles Approaching the Model



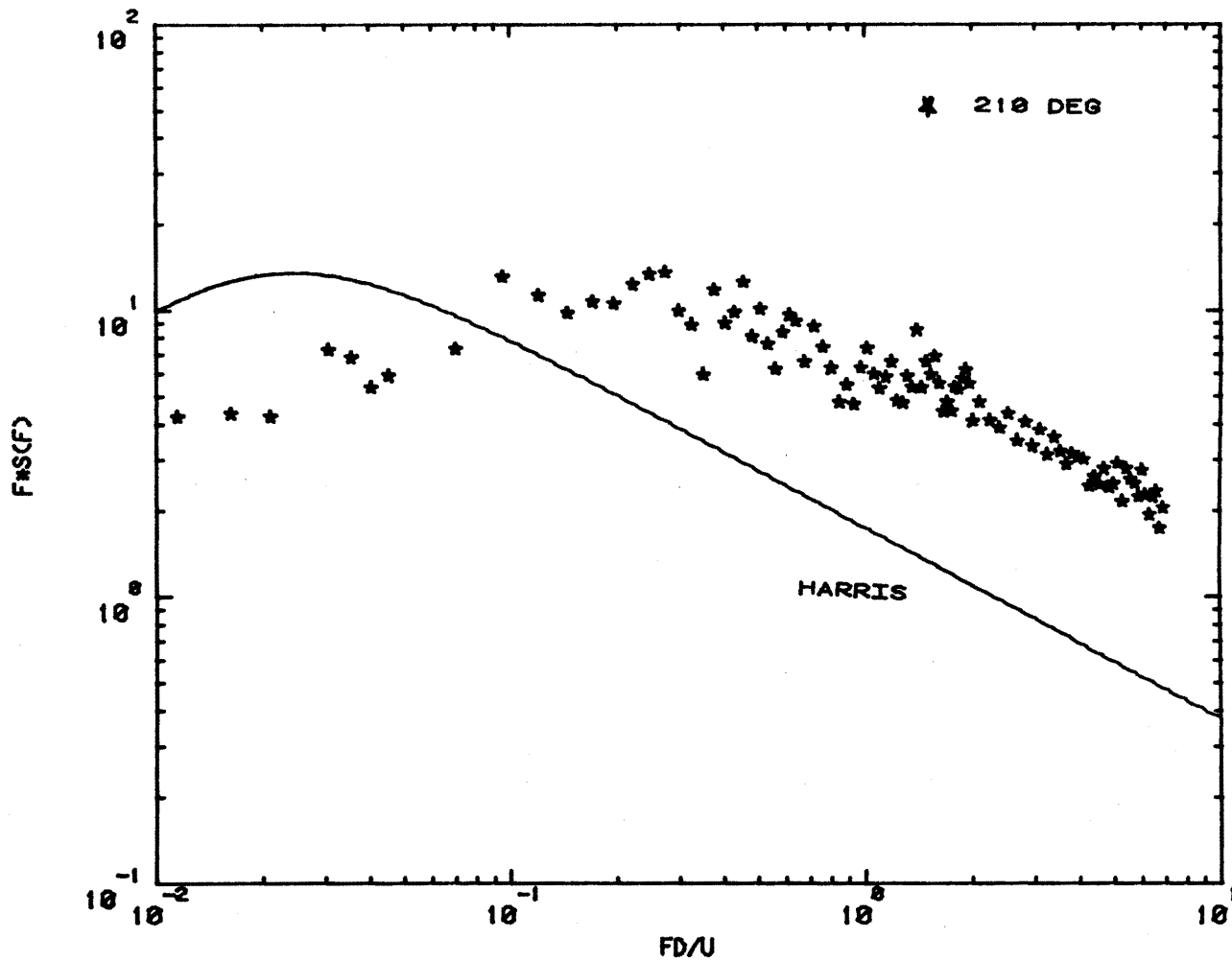
Longitudinal Velocity Spectra, Boundary Layer No. 1

Figure 7e. Mean Velocity and Turbulence Profiles Approaching the Model



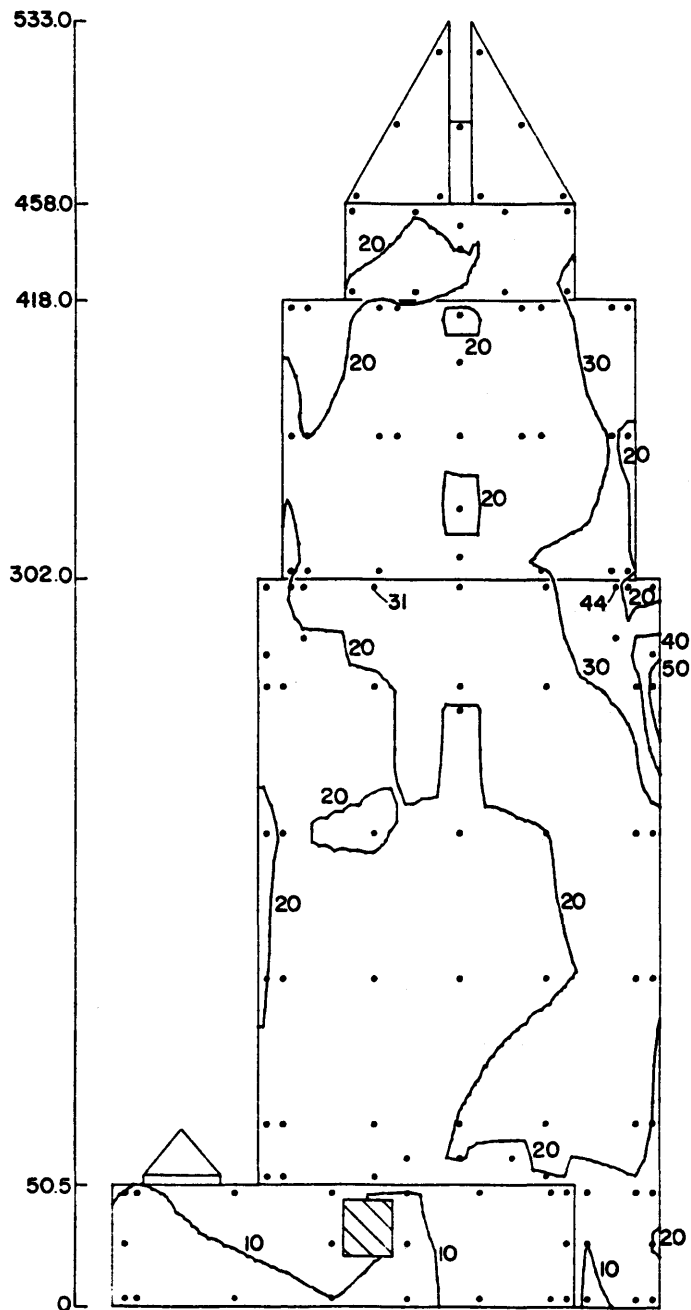
Longitudinal Velocity Spectra, Boundary Layer No. 2

Figure 7f. Mean Velocity and Turbulence Profiles Approaching the Model



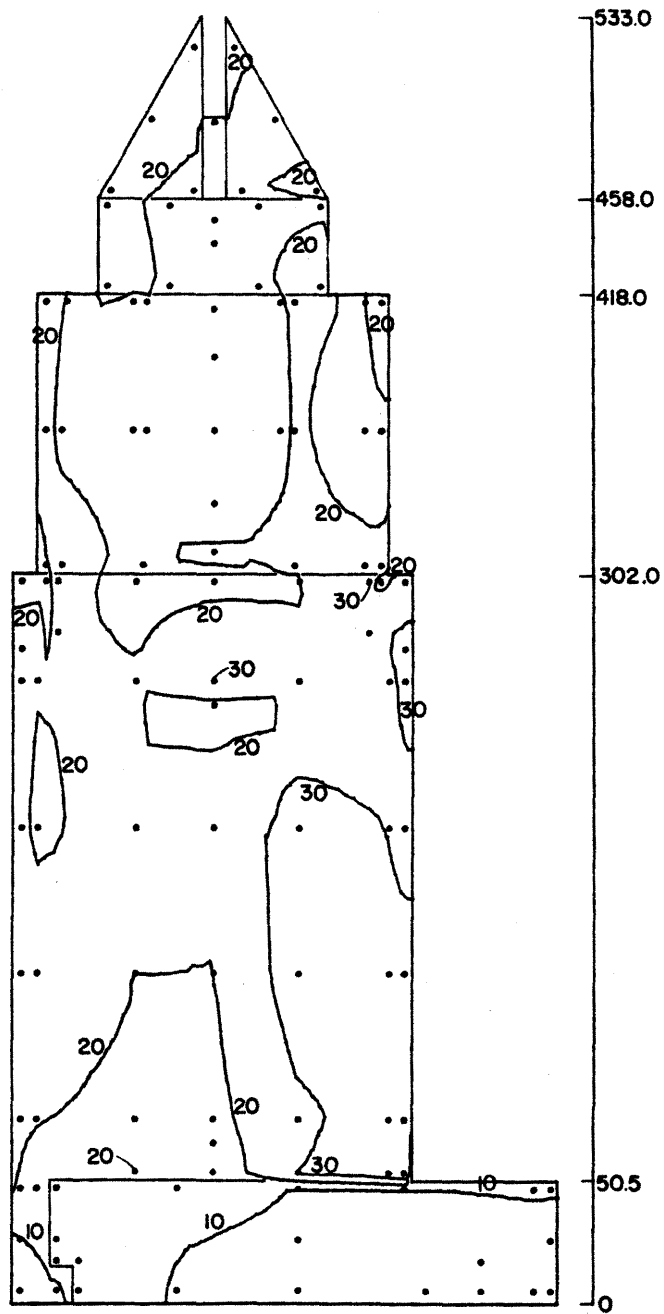
Longitudinal Velocity Spectra, Boundary Layer No. 3

Figure 7g. Mean Velocity and Turbulence Profiles Approaching the Model



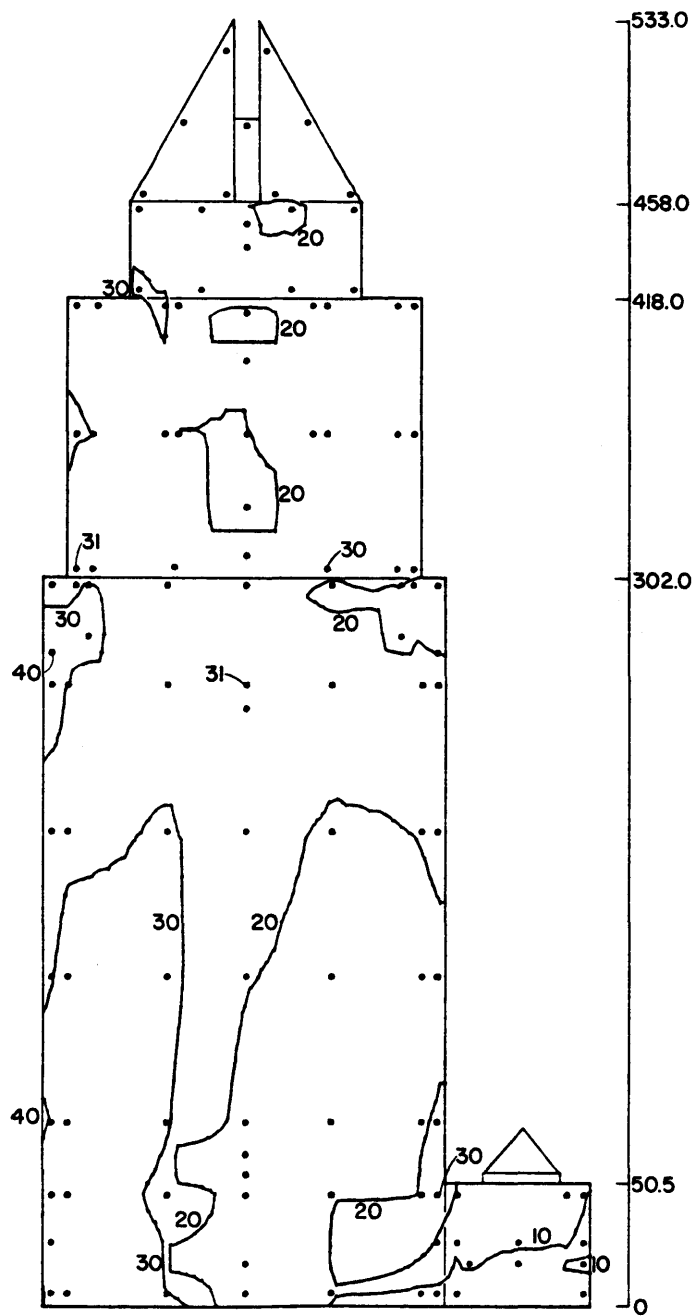
NORTH ELEVATION
 PEAK NEGATIVE CLADDING LOADS (PSF)
 FOR 100 YEAR RECURRENCE WIND
 WITH WIND DIRECTIONALITY
 NEGATIVE LOAD ACTS OUTWARDS
 AVERAGE OF CONFIGURATIONS A & B

Figure 8a. Peak Pressure Contours on the Building for Cladding Loads



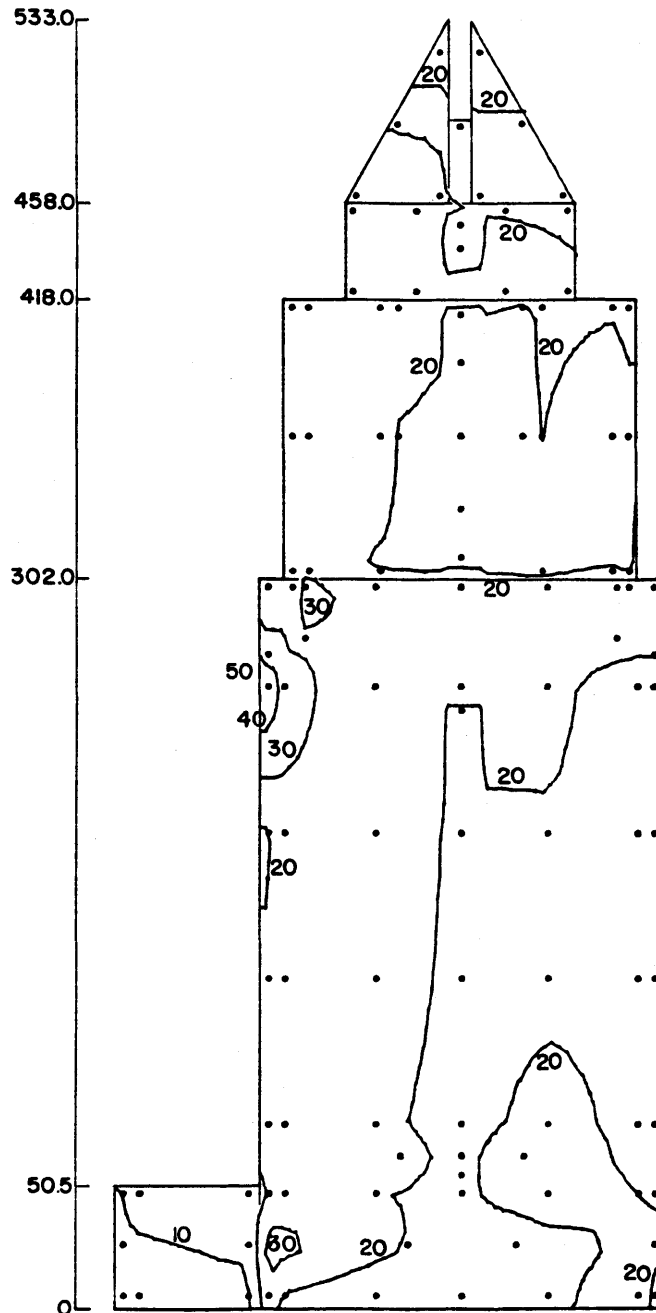
EAST ELEVATION
 PEAK NEGATIVE CLADDING LOADS (PSF)
 FOR 100 YEAR RECURRENCE WIND
 WITH WIND DIRECTIONALITY
 NEGATIVE LOAD ACTS OUTWARDS
 AVERAGE OF CONFIGURATIONS A & B

Figure 8b. Peak Pressure Contours on the Building for Cladding Loads



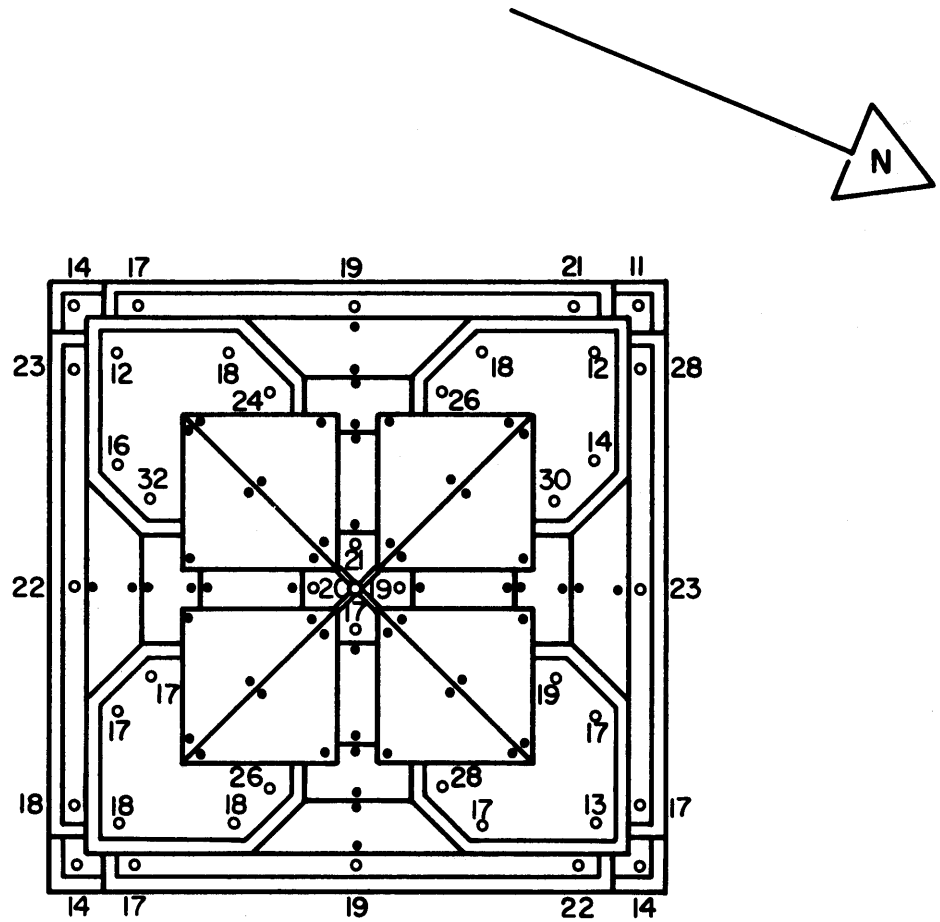
SOUTH ELEVATION
 PEAK NEGATIVE CLADDING LOADS (PSF)
 FOR 100 YEAR RECURRENCE WIND
 WITH WIND DIRECTIONALITY
 NEGATIVE LOAD ACTS OUTWARDS
 AVERAGE OF CONFIGURATIONS A & B

Figure 8c. Peak Pressure Contours on the Building for Cladding Loads



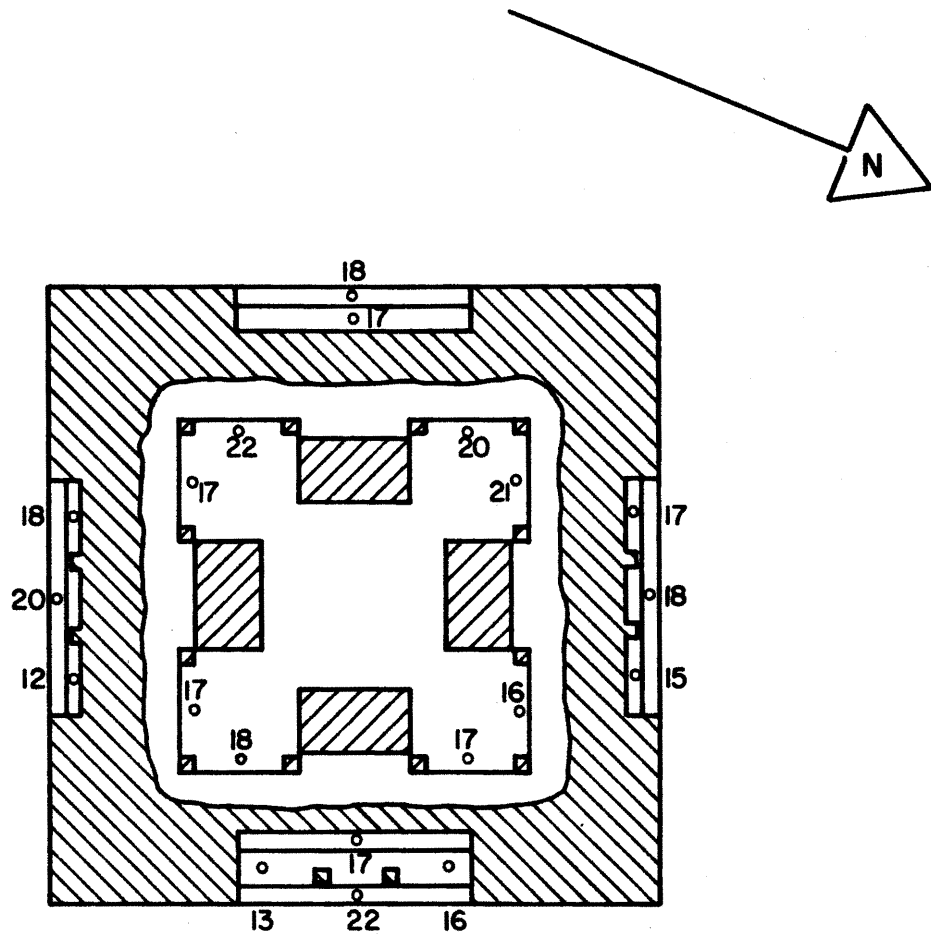
WEST ELEVATION
 PEAK NEGATIVE CLADDING LOADS (PSF)
 FOR 100 YEAR RECURRENCE WIND
 WITH WIND DIRECTIONALITY
 NEGATIVE LOAD ACTS OUTWARDS
 AVERAGE OF CONFIGURATIONS A & B

Figure 8d. Peak Pressure Contours on the Building for Cladding Loads



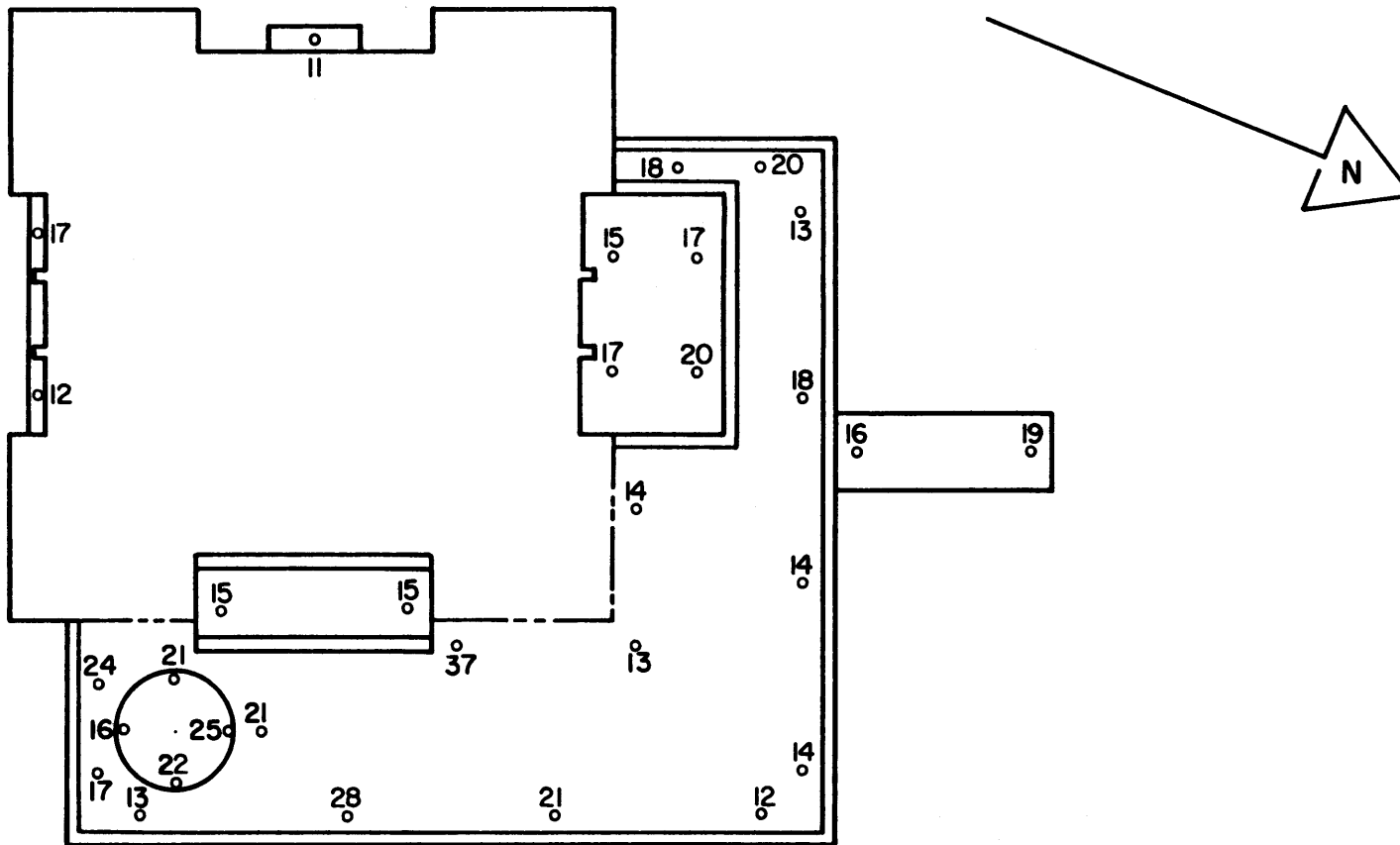
TOWER ROOF
 PEAK NEGATIVE CLADDING LOADS (PSF)
 FOR 100 YEAR RECURRENCE WIND
 WITH WIND DIRECTIONALITY
 NEGATIVE LOAD ACTS OUTWARDS
 AVERAGE OF CONFIGURATIONS A & B

Figure 8e. Peak Pressure Contours on the Building for Cladding Loads



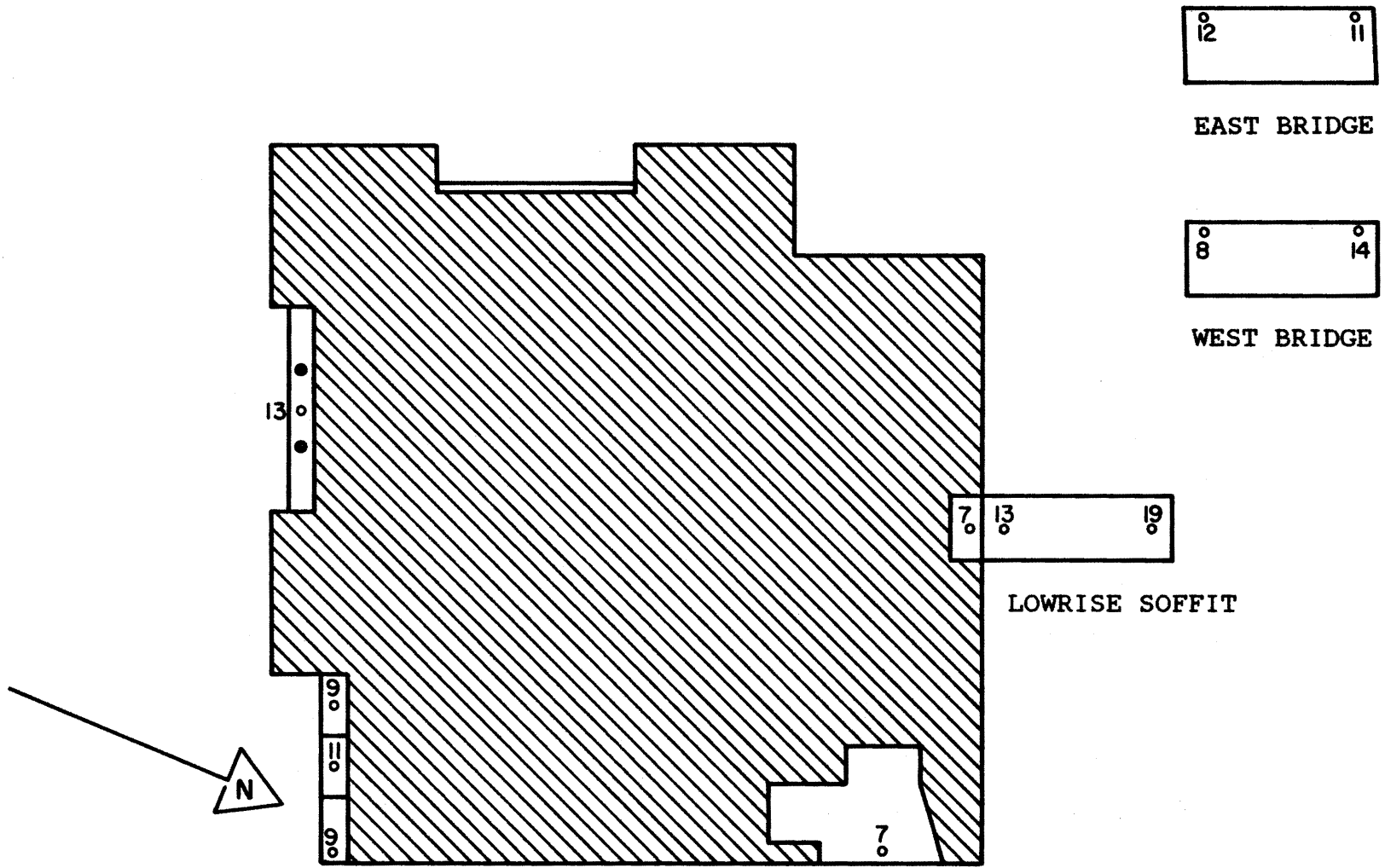
TOWER SOFFITS
 PEAK NEGATIVE CLADDING LOADS (PSF)
 FOR 100 YEAR RECURRENCE WIND
 WITH WIND DIRECTIONALITY
 NEGATIVE LOAD ACTS OUTWARDS
 AVERAGE OF CONFIGURATIONS A & B

Figure 8f. Peak Pressure Contours on the Building for Cladding Loads



LOWRISE ROOF
 PEAK NEGATIVE CLADDING LOADS (PSF)
 FOR 100 YEAR RECURRENCE WIND
 WITH WIND DIRECTIONALITY
 NEGATIVE LOAD ACTS OUTWARDS
 AVERAGE OF CONFIGURATIONS A & B

Figure 8g. Peak Pressure Contours on the Building for Cladding Loads



PEAK NEGATIVE CLADDING LOADS (PSF)
 FOR 100 YEAR RECURRENCE WIND
 WITH WIND DIRECTIONALITY
 NEGATIVE LOAD ACTS OUTWARDS
 AVERAGE OF CONFIGURATIONS A & B

Figure 8h. Peak Pressure Contours on the Building for Cladding Loads

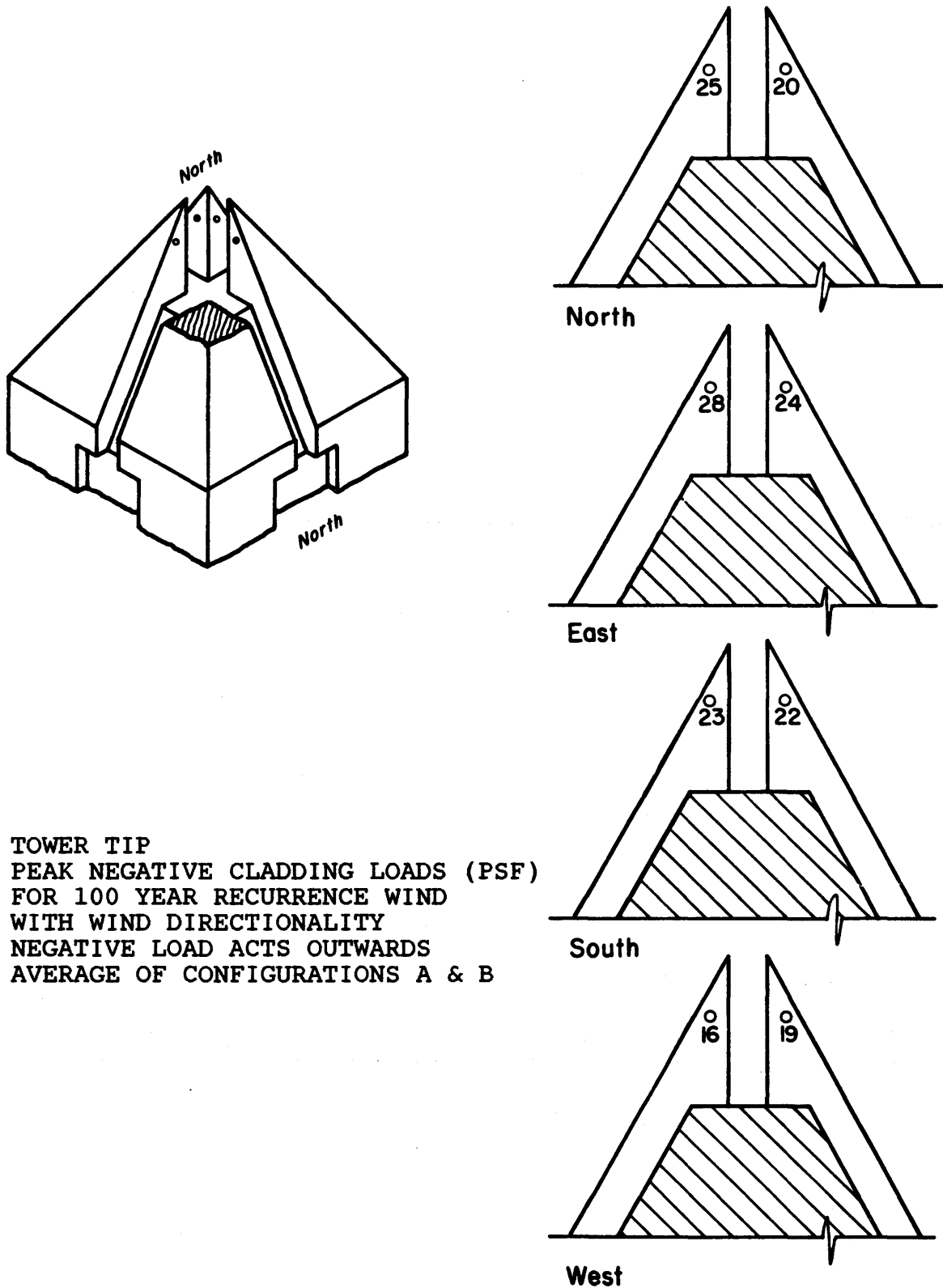
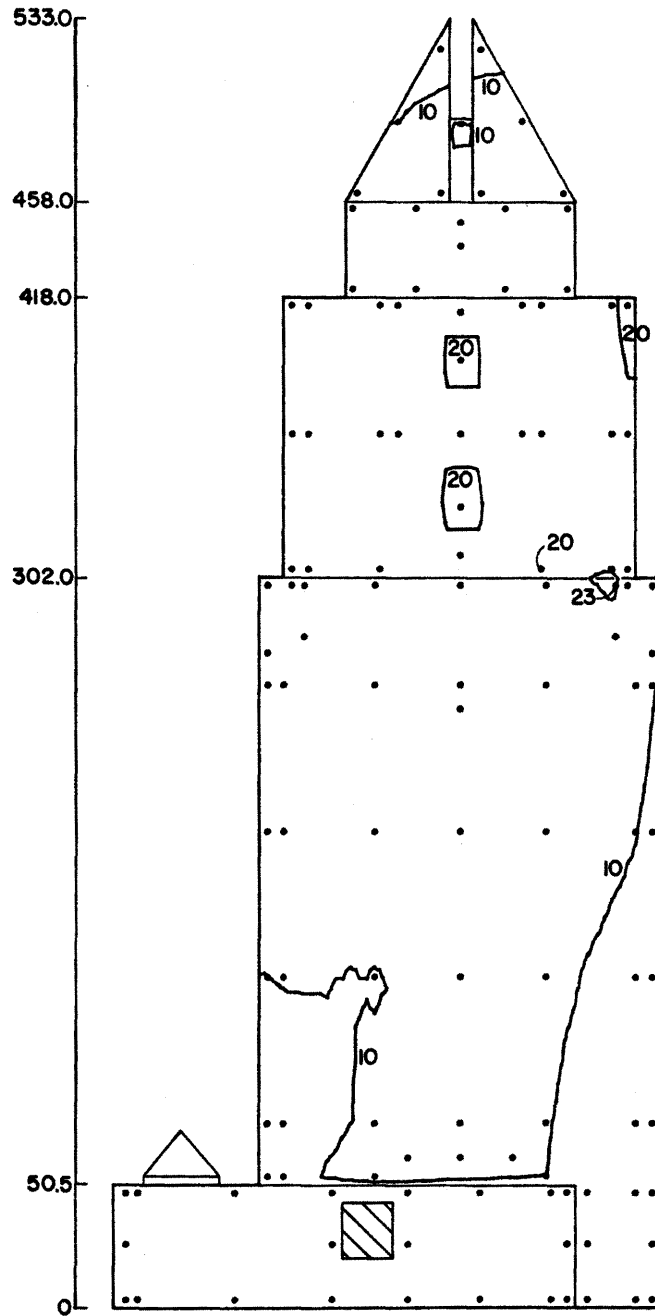
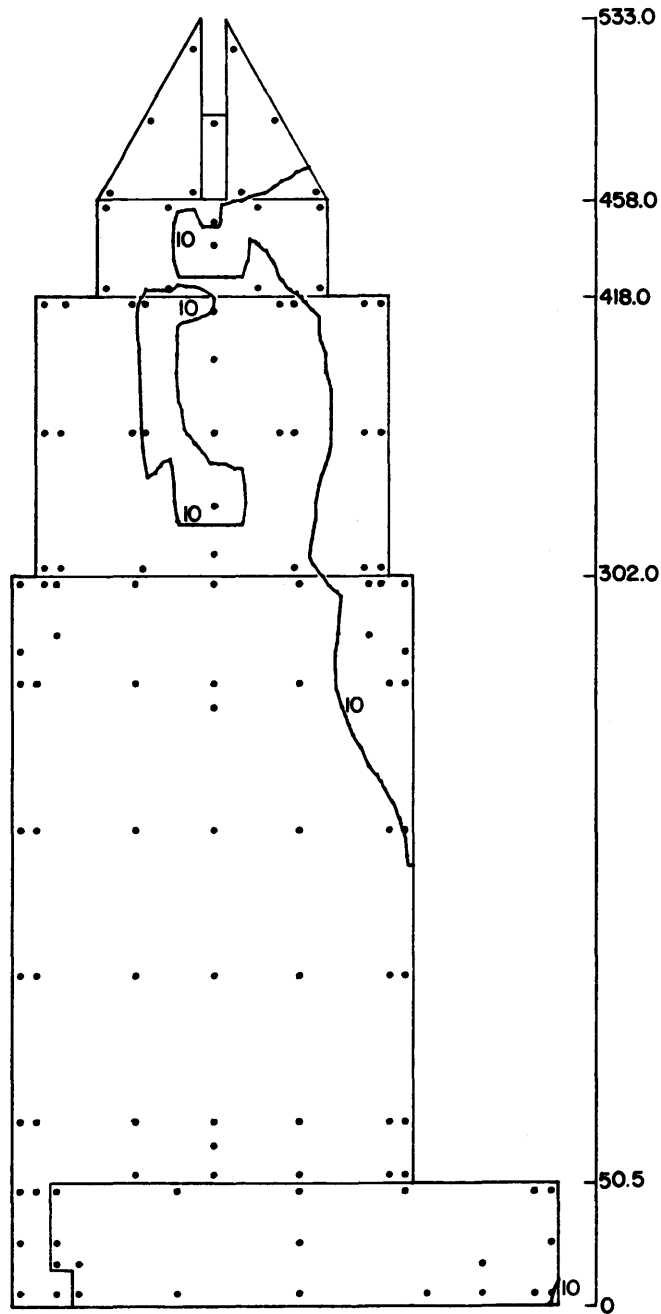


Figure 8i. Peak Pressure Contours on the Building for Cladding Loads



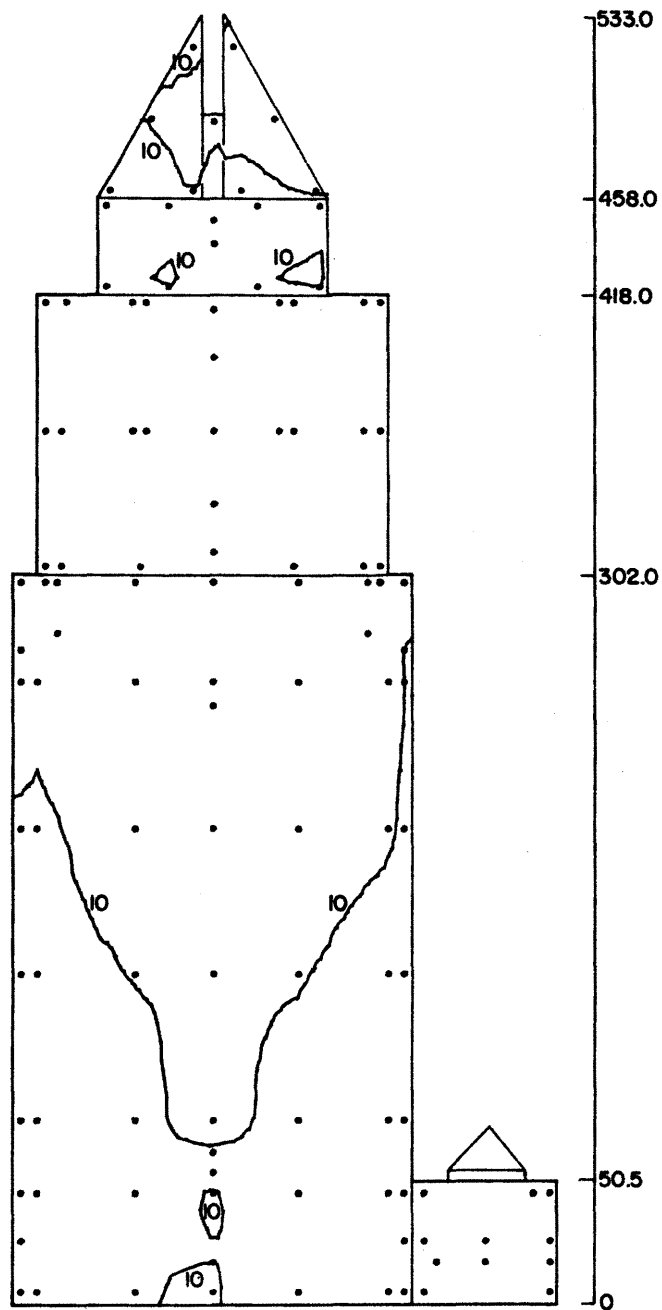
**NORTH ELEVATION
 PEAK POSITIVE CLADDING LOADS (PSF)
 FOR 100 YEAR RECURRENCE WIND
 WITH WIND DIRECTIONALITY
 POSITIVE LOAD ACTS INWARDS
 AVERAGE OF CONFIGURATIONS A & B**

Figure 8j. Peak Pressure Contours on the Building for Cladding Loads



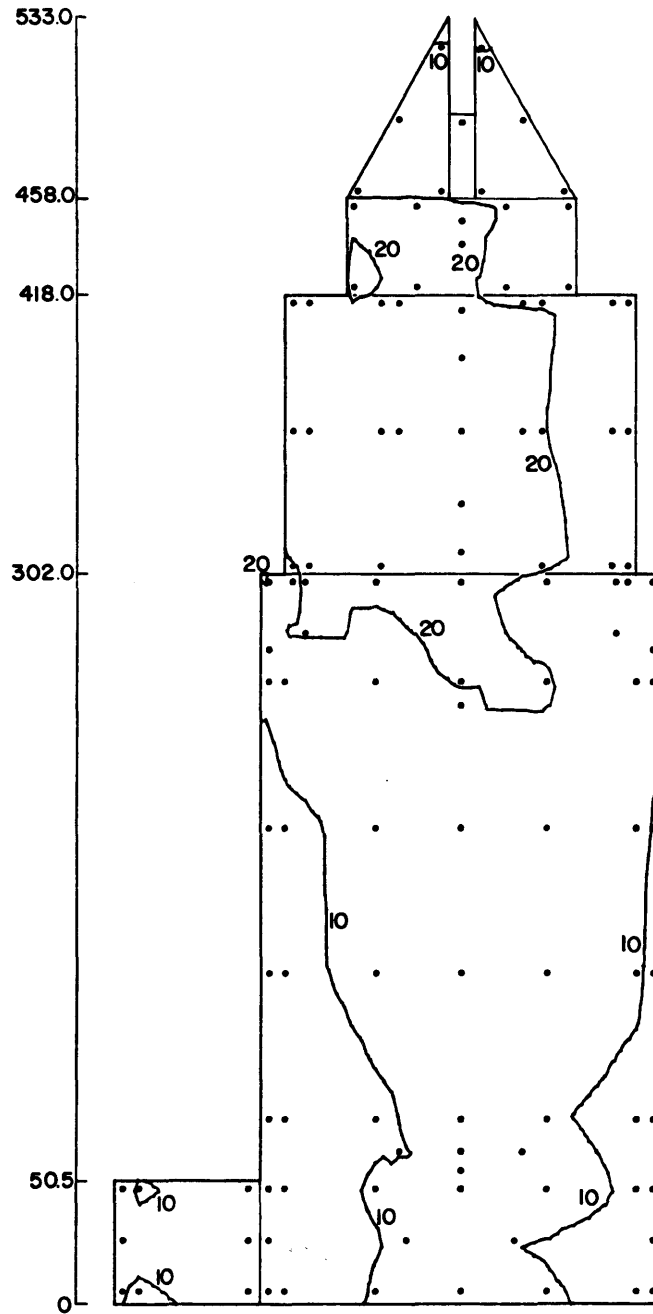
EAST ELEVATION
 PEAK POSITIVE CLADDING LOADS (PSF)
 FOR 100 YEAR RECURRENCE WIND
 WITH WIND DIRECTIONALITY
 POSITIVE LOAD ACTS INWARDS
 AVERAGE OF CONFIGURATIONS A & B

Figure 8k. Peak Pressure Contours on the Building for Cladding Loads



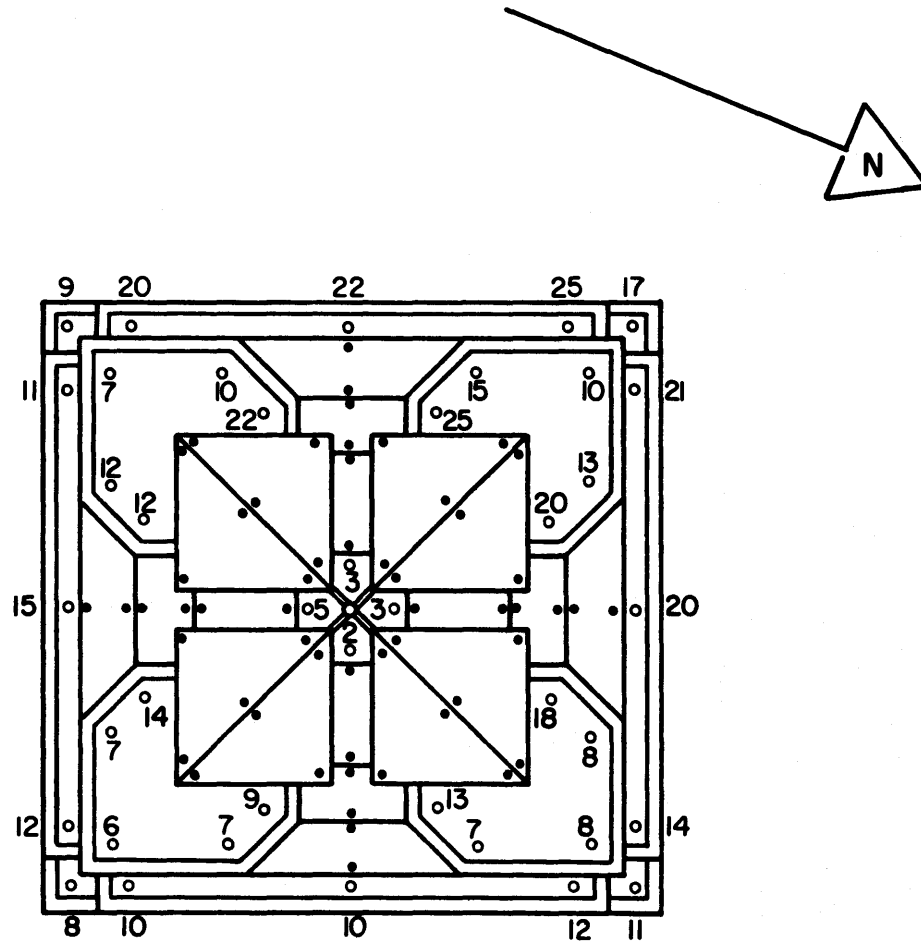
SOUTH ELEVATION
 PEAK POSITIVE CLADDING LOADS (PSF)
 FOR 100 YEAR RECURRENCE WIND
 WITH WIND DIRECTIONALITY
 POSITIVE LOAD ACTS INWARDS
 AVERAGE OF CONFIGURATIONS A & B

Figure 81. Peak Pressure Contours on the Building for Cladding Loads



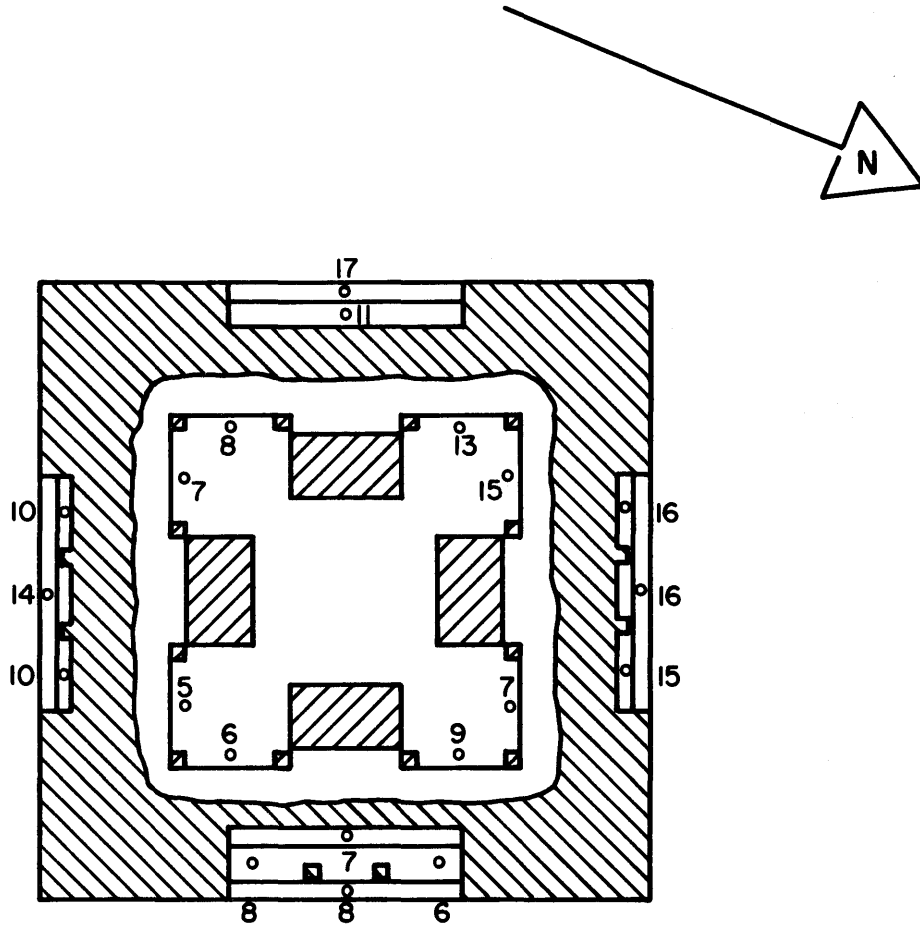
WEST ELEVATION
 PEAK POSITIVE CLADDING LOADS (PSF)
 FOR 100 YEAR RECURRENCE WIND
 WITH WIND DIRECTIONALITY
 POSITIVE LOAD ACTS INWARDS
 AVERAGE OF CONFIGURATIONS A & B

Figure 8m. Peak Pressure Contours on the Building for Cladding Loads



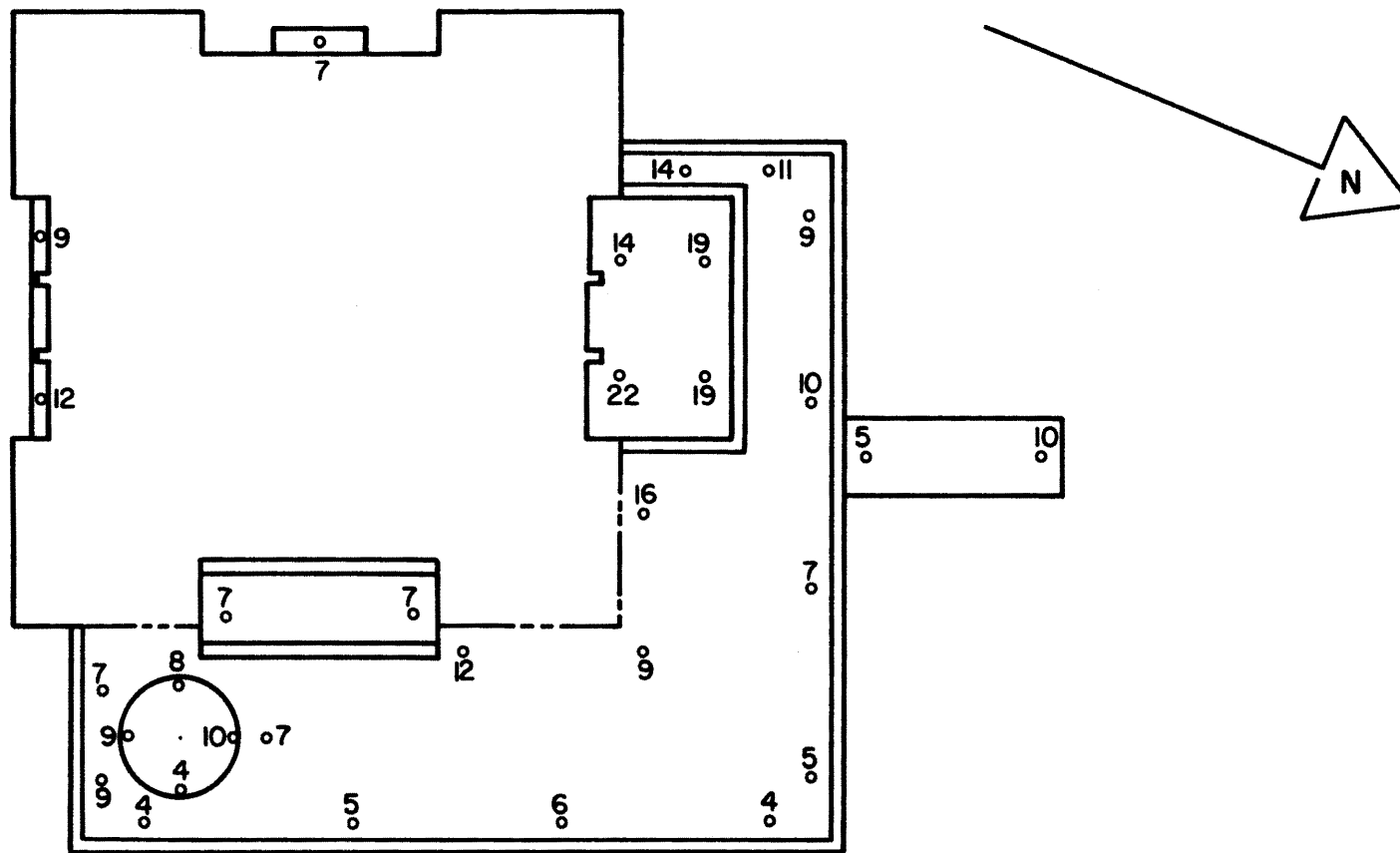
TOWER ROOF
 PEAK POSITIVE CLADDING LOADS (PSF)
 FOR 100 YEAR RECURRENCE WIND
 WITH WIND DIRECTIONALITY
 POSITIVE LOAD ACTS INWARDS
 AVERAGE OF CONFIGURATIONS A & B

Figure 8n. Peak Pressure Contours on the Building for Cladding Loads



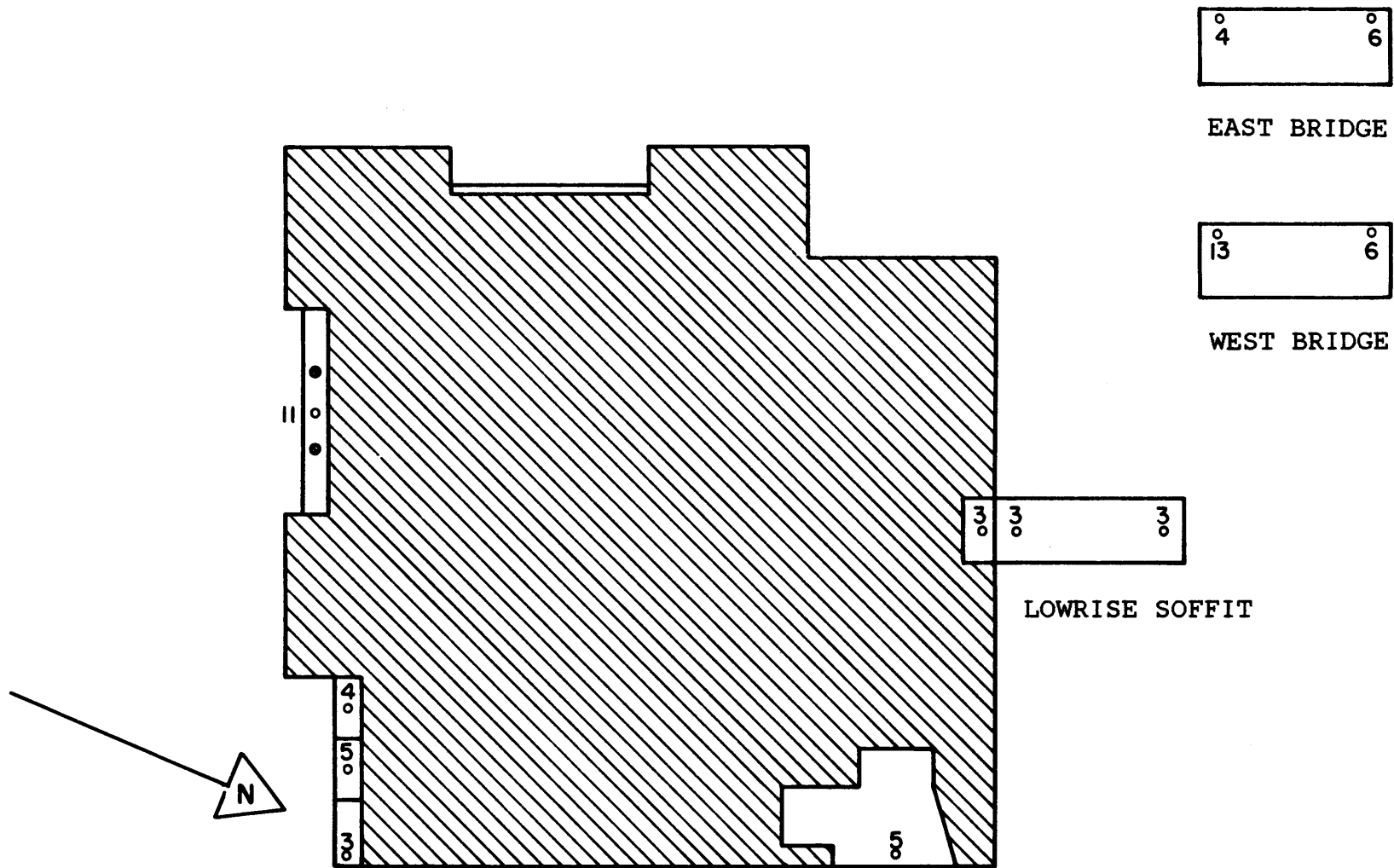
TOWER SOFFITS
 PEAK POSITIVE CLADDING LOADS (PSF)
 FOR 100 YEAR RECURRENCE WIND
 WITH WIND DIRECTIONALITY
 POSITIVE LOAD ACTS INWARDS
 AVERAGE OF CONFIGURATIONS A & B

Figure 80. Peak Pressure Contours on the Building for Cladding Loads



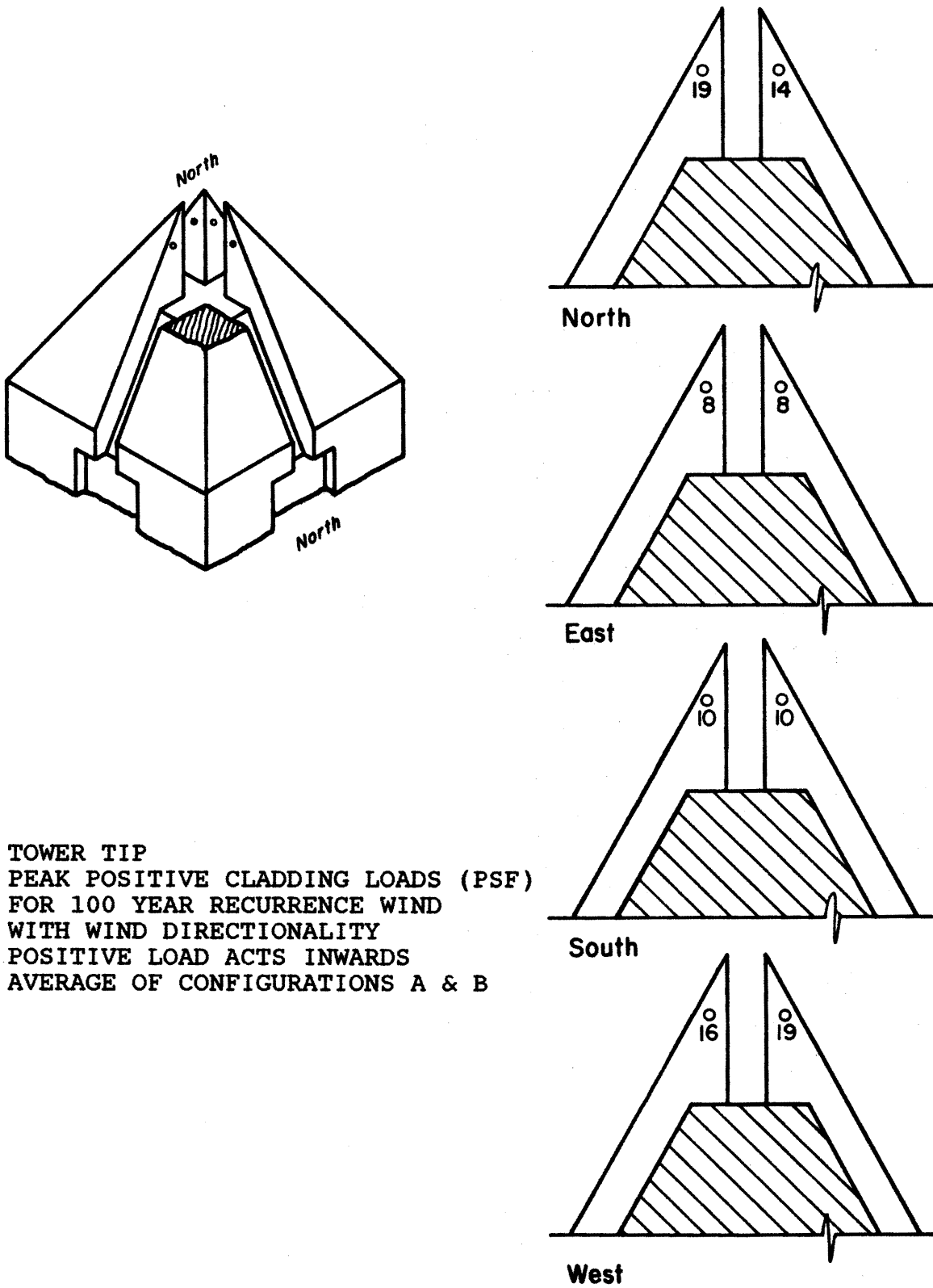
LOWRISE ROOF
 PEAK POSITIVE CLADDING LOADS (PSF)
 FOR 100 YEAR RECURRENCE WIND
 WITH WIND DIRECTIONALITY
 POSITIVE LOAD ACTS INWARDS
 AVERAGE OF CONFIGURATIONS A & B

Figure 8p. Peak Pressure Contours on the Building for Cladding Loads



PEAK POSITIVE CLADDING LOADS (PSF)
 FOR 100 YEAR RECURRENCE WIND
 WITH WIND DIRECTIONALITY
 POSITIVE LOAD ACTS INWARDS
 AVERAGE OF CONFIGURATIONS A & B

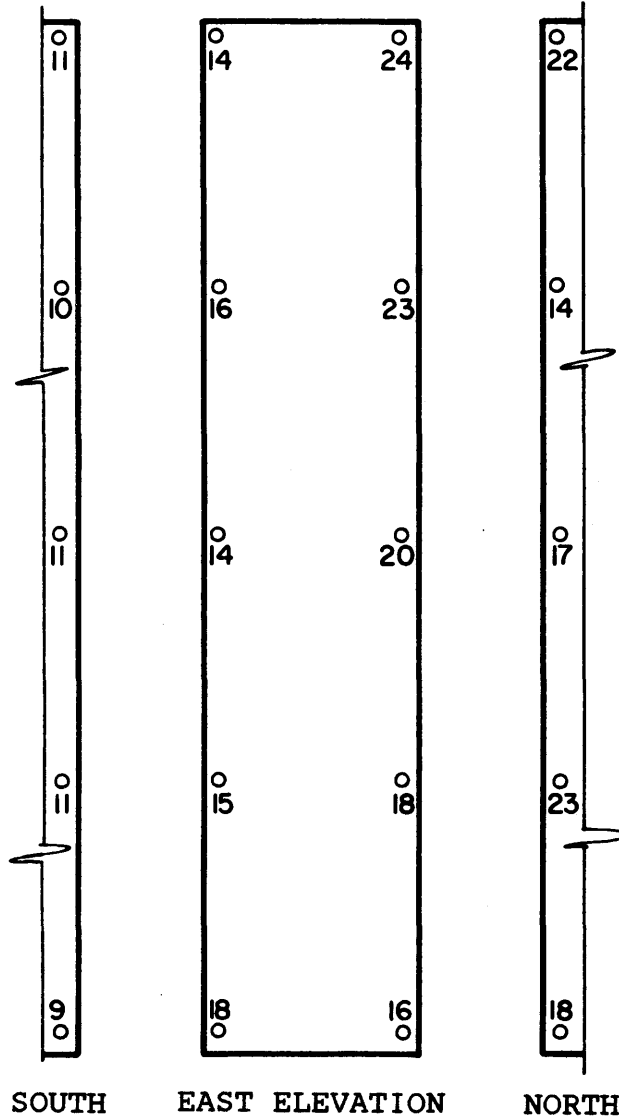
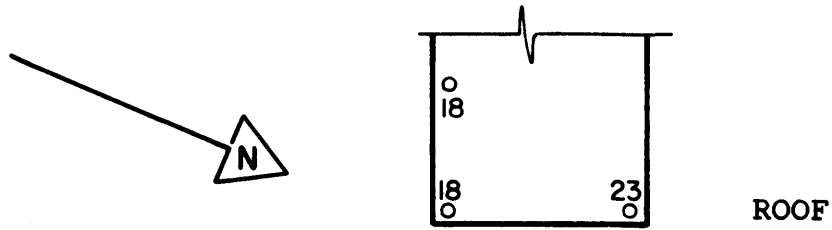
Figure 8q. Peak Pressure Contours on the Building for Cladding Loads



TOWER TIP
 PEAK POSITIVE CLADDING LOADS (PSF)
 FOR 100 YEAR RECURRENCE WIND
 WITH WIND DIRECTIONALITY
 POSITIVE LOAD ACTS INWARDS
 AVERAGE OF CONFIGURATIONS A & B

Figure 8r. Peak Pressure Contours on the Building for Cladding Loads

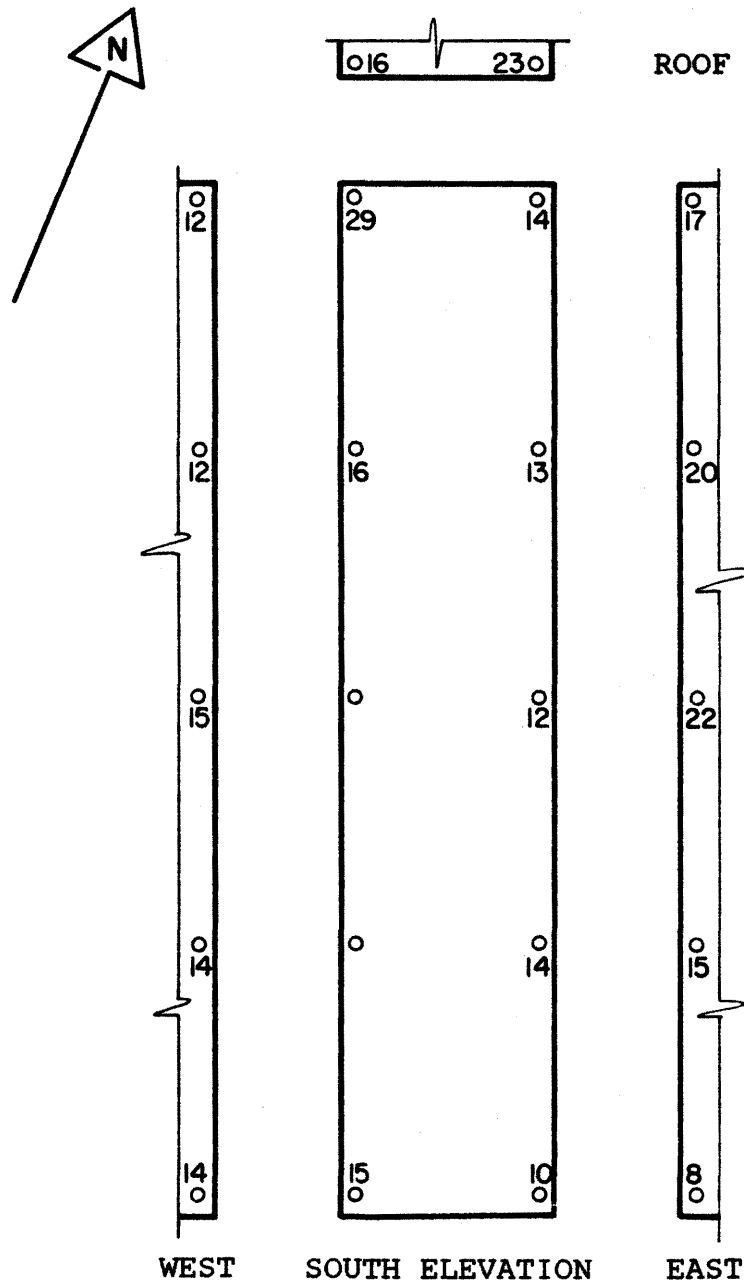
Configuration C



BLOCK 115-A
 PEAK NEGATIVE CLADDING LOADS (PSF)
 FOR 100 YEAR RECURRENCE WIND
 WITH WIND DIRECTIONALITY
 NEGATIVE LOAD ACTS INWARDS
 TOWER IN PLACE

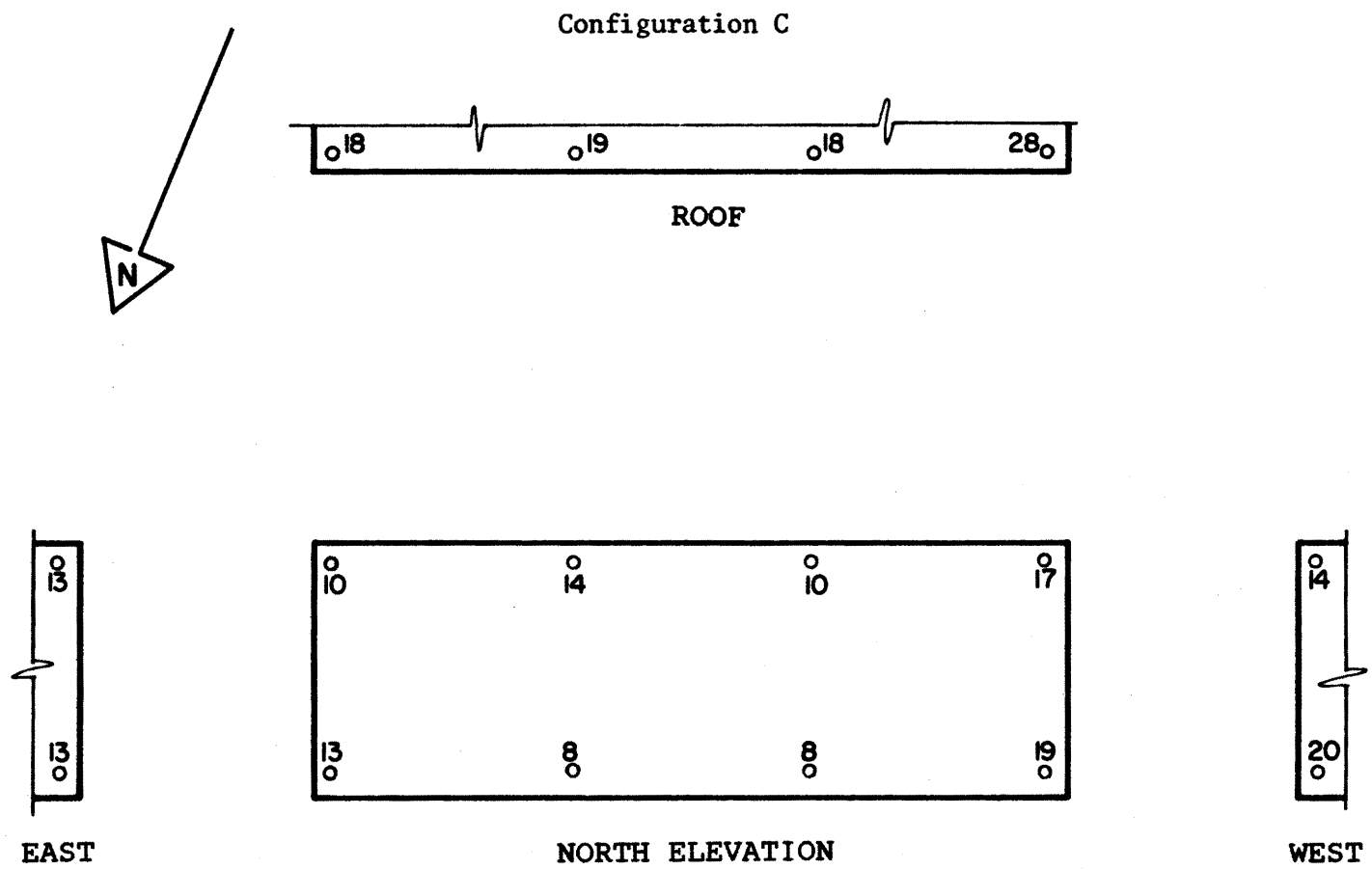
Figure 8s. Peak Pressure Contours on the Building for Cladding Loads

Configuration C



BLOCK 115-B
 PEAK NEGATIVE CLADDING LOADS (PSF)
 FOR 100 YEAR RECURRENCE WIND
 WITH WIND DIRECTIONALITY
 NEGATIVE LOAD ACTS INWARDS
 TOWER IN PLACE

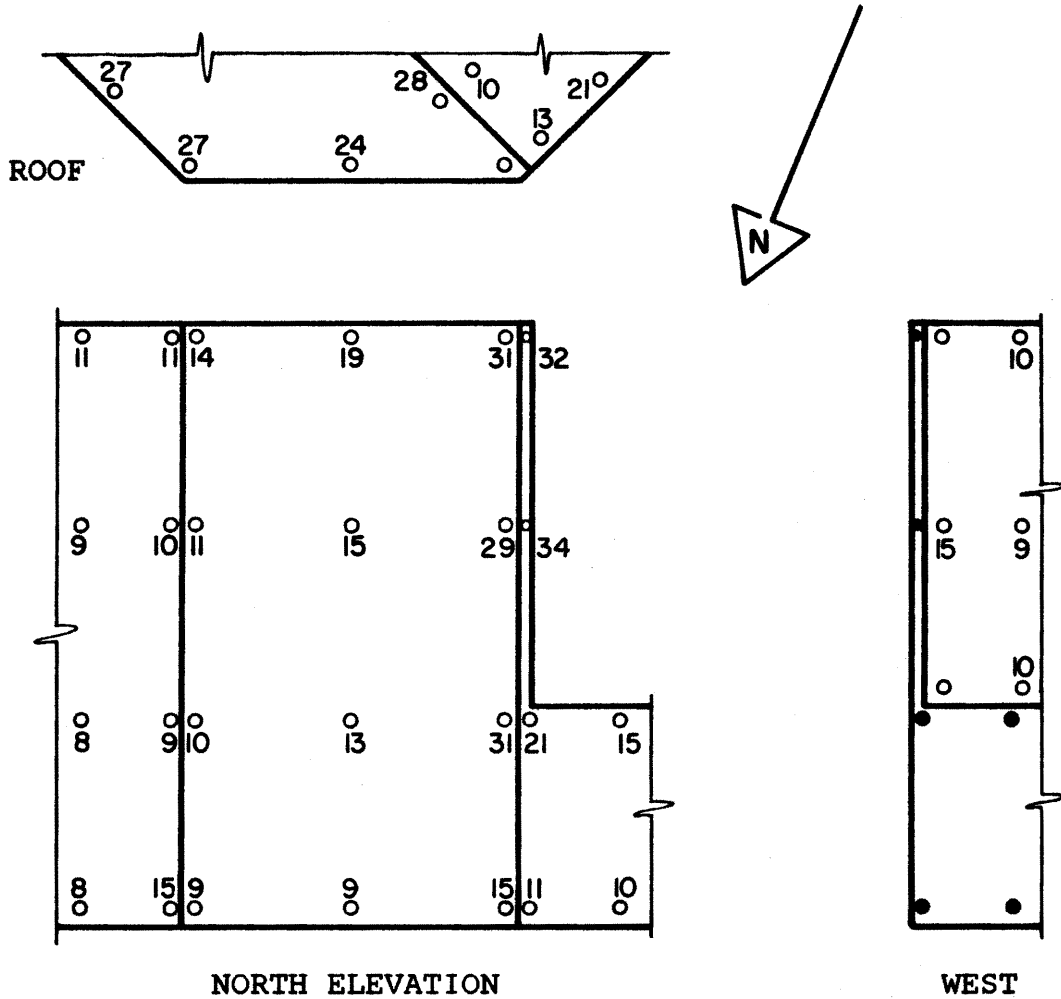
Figure 8t. Peak Pressure Contours on the Building for Cladding Loads



BLOCK 99
 PEAK NEGATIVE CLADDING LOADS (PSF)
 FOR 100 YEAR RECURRENCE WIND
 WITH WIND DIRECTIONALITY
 NEGATIVE LOAD ACTS INWARDS
 TOWER IN PLACE

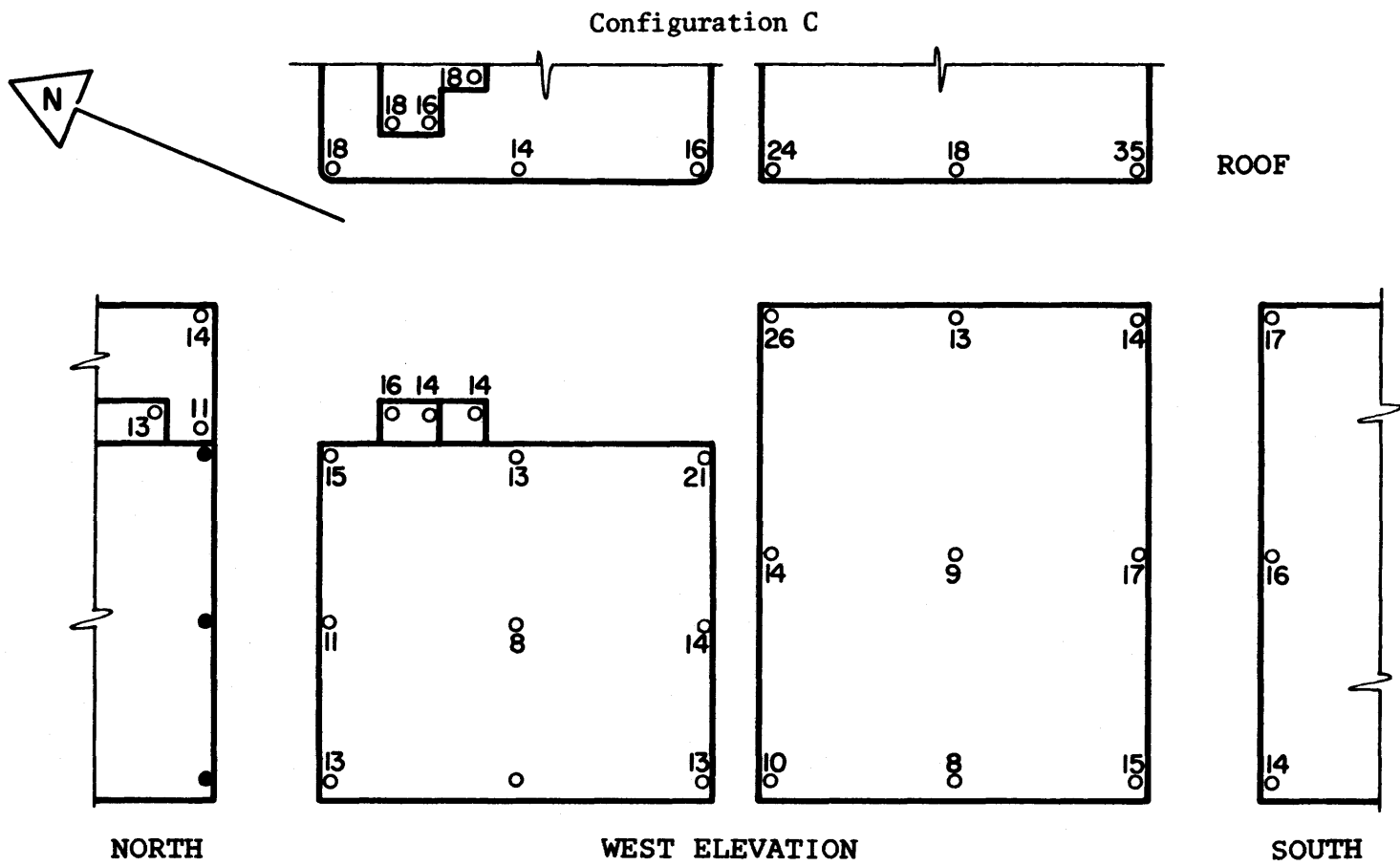
Figure 8u. Peak Pressure Contours on the Building for Cladding Loads

Configuration C



BLOCK 100
 PEAK NEGATIVE CLADDING LOADS (PSF)
 FOR 100 YEAR RECURRENCE WIND
 WITH WIND DIRECTIONALITY
 NEGATIVE LOAD ACTS INWARDS
 TOWER IN PLACE

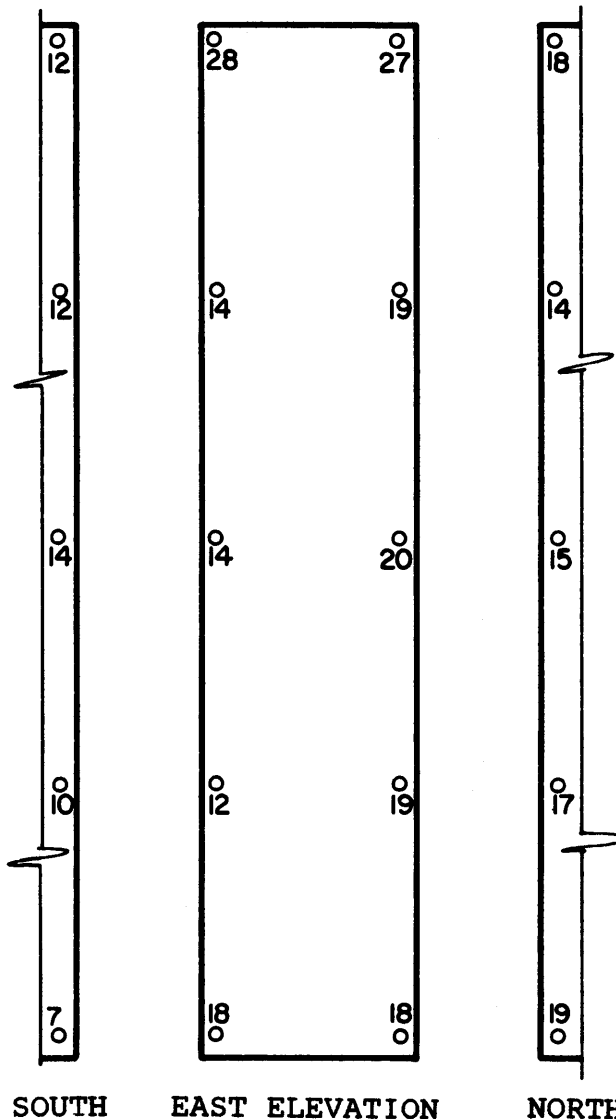
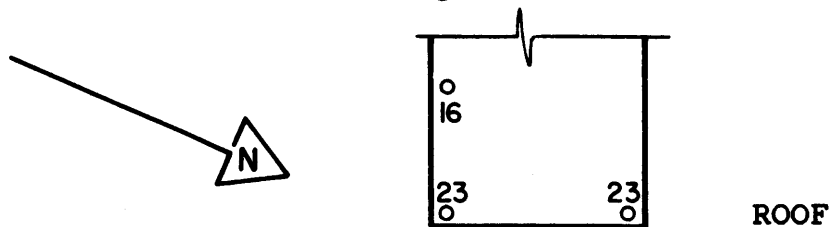
Figure 8v. Peak Pressure Contours on the Building for Cladding Loads



BLOCK 109
 PEAK NEGATIVE CLADDING LOADS (PSF)
 FOR 100 YEAR RECURRENCE WIND
 WITH WIND DIRECTIONALITY
 NEGATIVE LOAD ACTS INWARDS
 TOWER IN PLACE

Figure 8w. Peak Pressure Contours on the Building for Cladding Loads

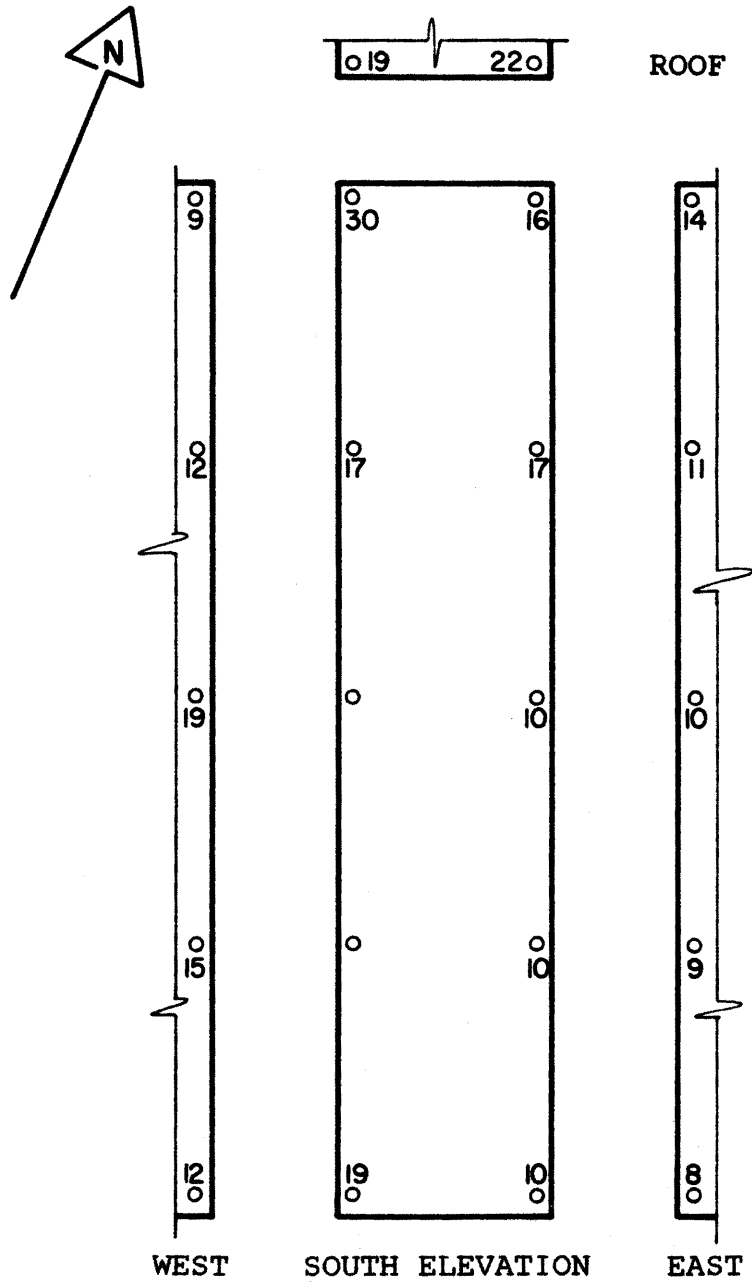
Configuration D



BLOCK 115-A
PEAK NEGATIVE CLADDING LOADS (PSF)
FOR 100 YEAR RECURRENCE WIND
WITH WIND DIRECTIONALITY
NEGATIVE LOAD ACTS INWARDS
EXISTING CONFIGURATION

Figure 8y. Peak Pressure Contours on the Building for Cladding Loads

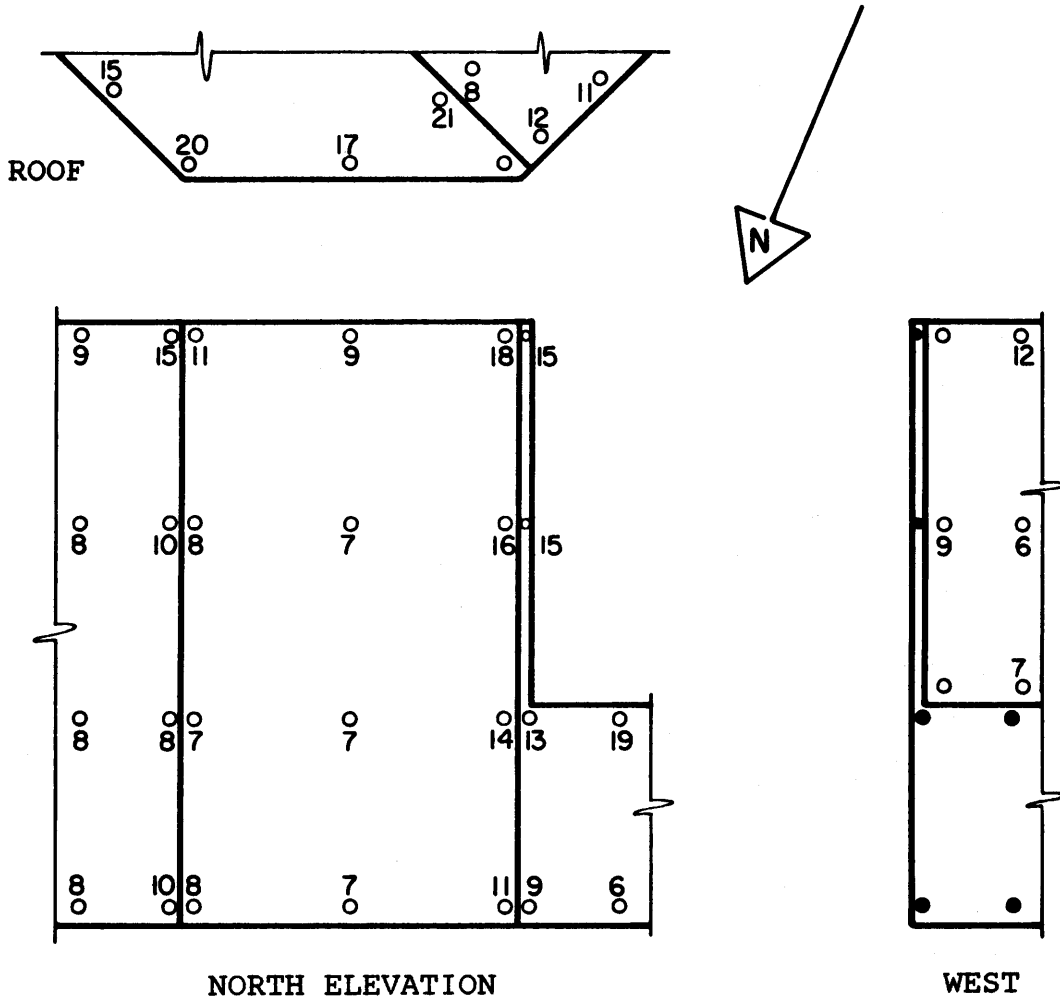
Configuration D



BLOCK 115-B
PEAK NEGATIVE CLADDING LOADS (PSF)
FOR 100 YEAR RECURRENCE WIND
WITH WIND DIRECTIONALITY
NEGATIVE LOAD ACTS INWARDS
EXISTING CONFIGURATION

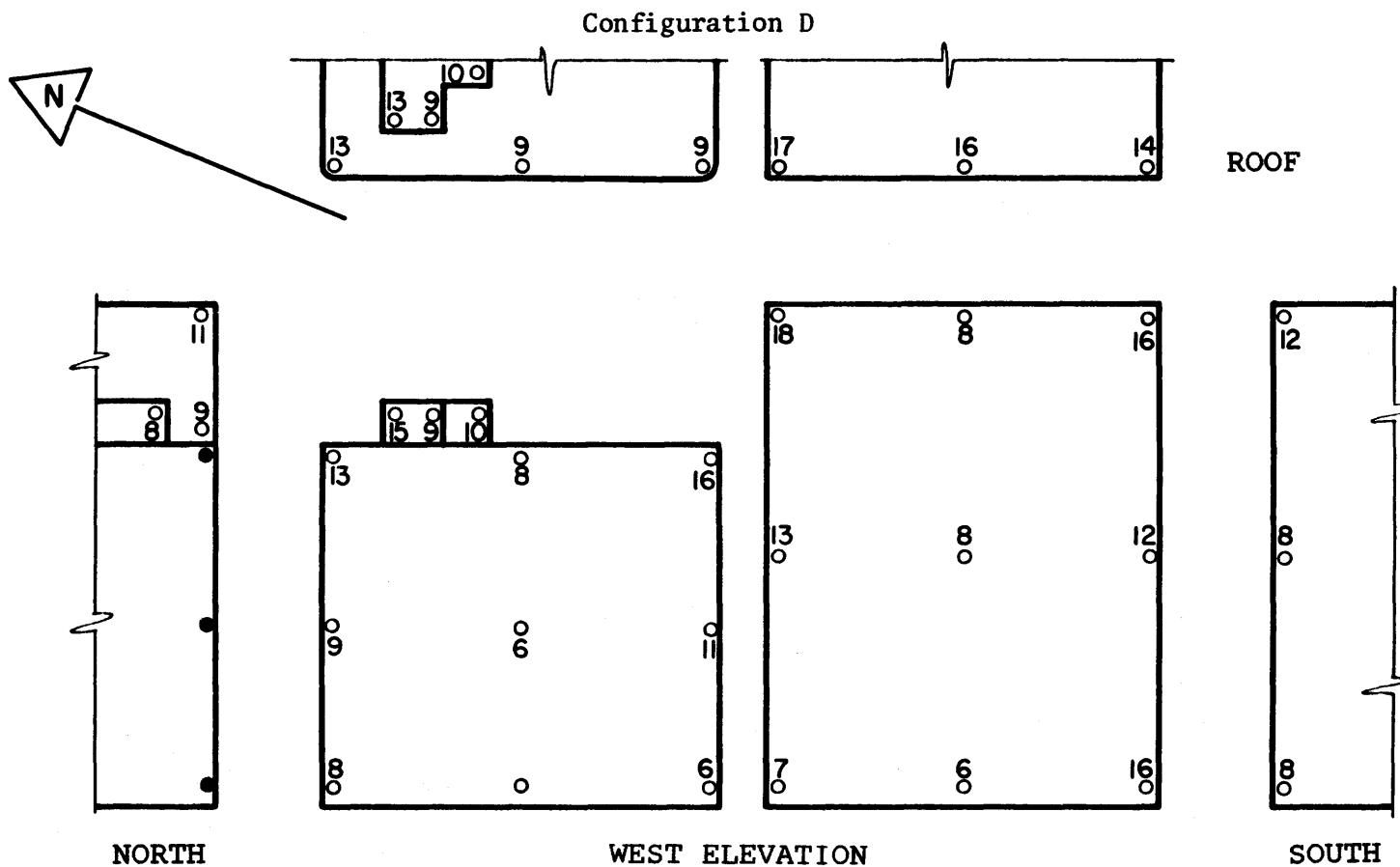
Figure 8z. Peak Pressure Contours on the Building for Cladding Loads

Configuration D



BLOCK 100
 PEAK NEGATIVE CLADDING LOADS (PSF)
 FOR 100 YEAR RECURRENCE WIND
 WITH WIND DIRECTIONALITY
 NEGATIVE LOAD ACTS INWARDS
 EXISTING CONFIGURATION

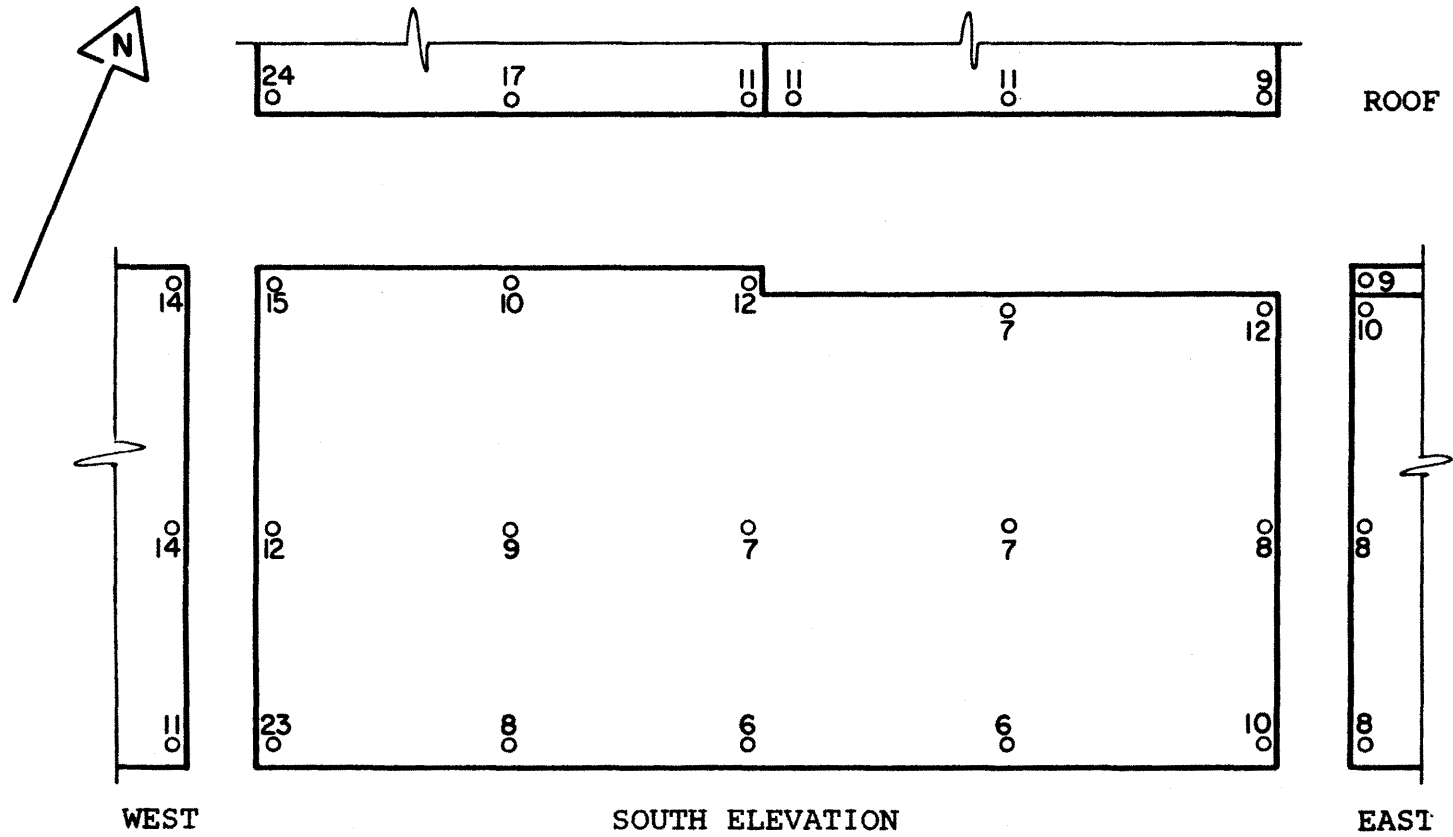
Figure 8bb. Peak Pressure Contours on the Building for Cladding Loads



BLOCK 109
 PEAK NEGATIVE CLADDING LOADS (PSF)
 FOR 100 YEAR RECURRENCE WIND
 WITH WIND DIRECTIONALITY
 NEGATIVE LOAD ACTS INWARDS
 EXISTING CONFIGURATION

Figure 8cc. Peak Pressure Contours on the Building for Cladding Loads

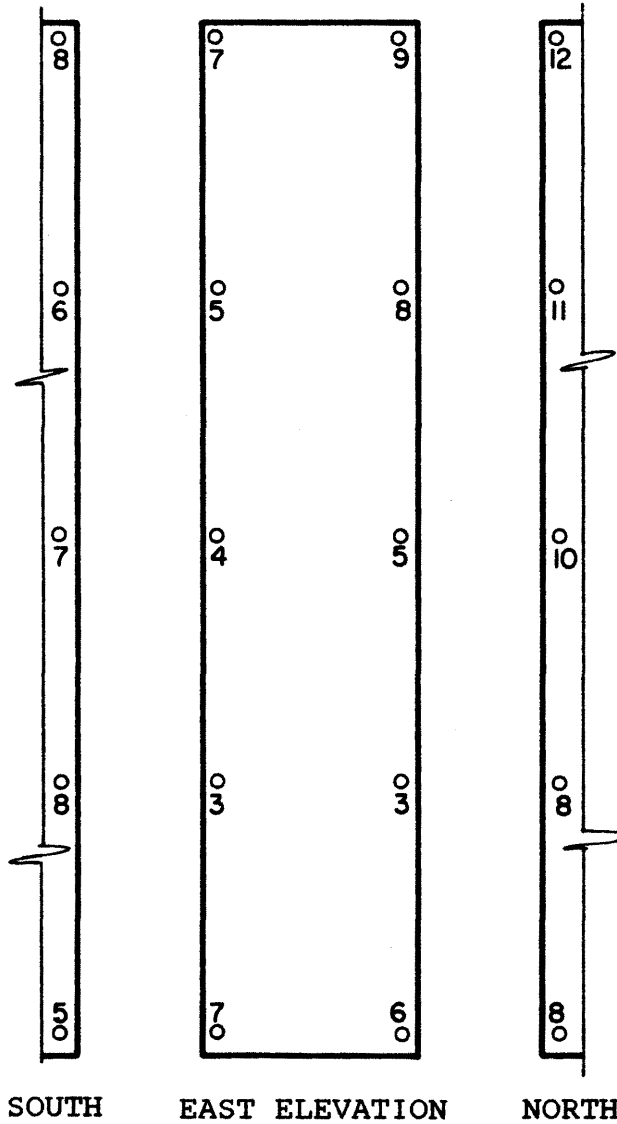
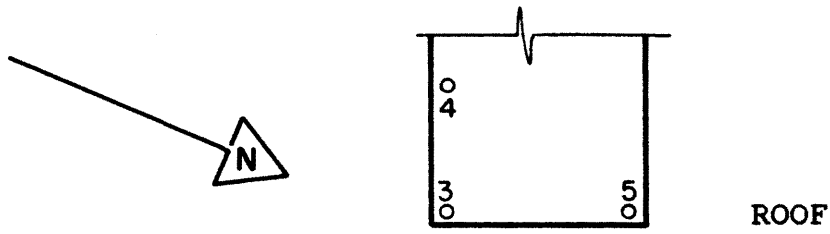
Configuration D



BLOCK 116
 PEAK NEGATIVE CLADDING LOADS (PSF)
 FOR 100 YEAR RECURRENCE WIND
 WITH WIND DIRECTIONALITY
 NEGATIVE LOAD ACTS INWARDS
 EXISTING CONFIGURATION

Figure 8dd. Peak Pressure Contours on the Building for Cladding Loads

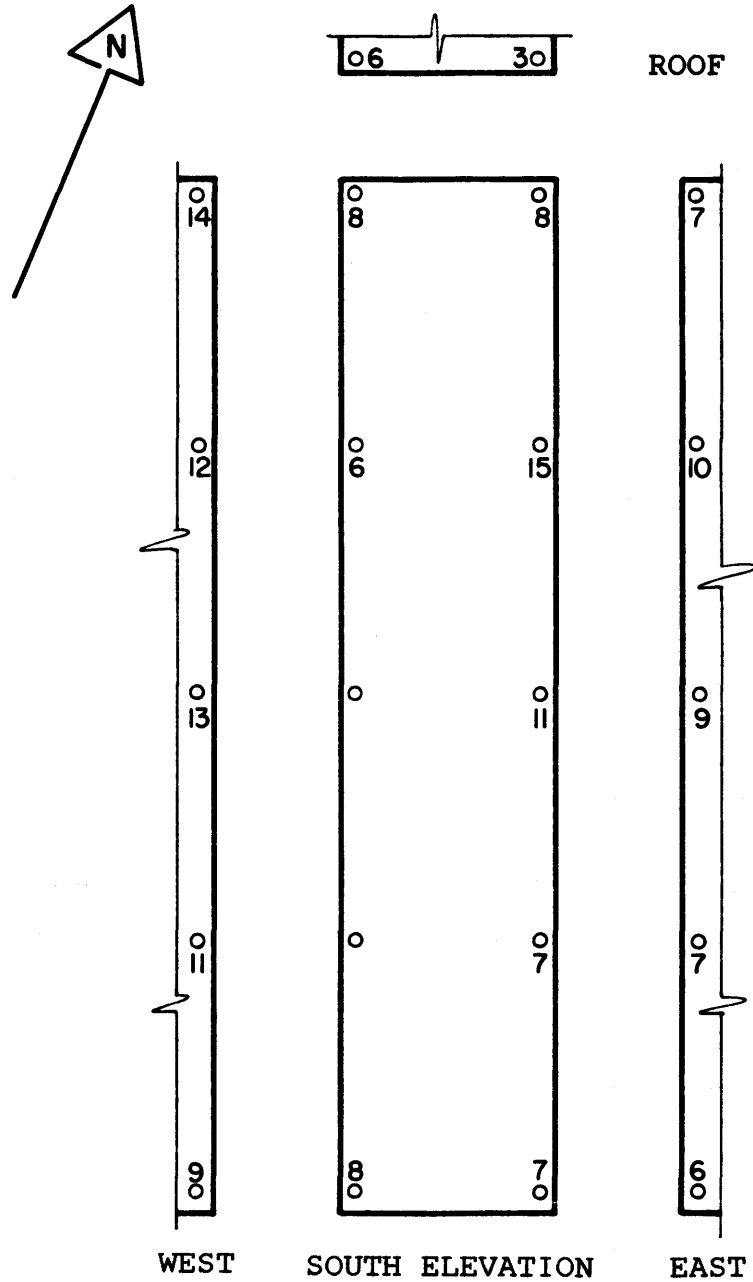
Configuration C



BLOCK 115-A
 PEAK POSITIVE CLADDING LOADS (PSF)
 FOR 100 YEAR RECURRENCE WIND
 WITH WIND DIRECTIONALITY
 POSITIVE LOAD ACTS INWARDS
 TOWER IN PLACE

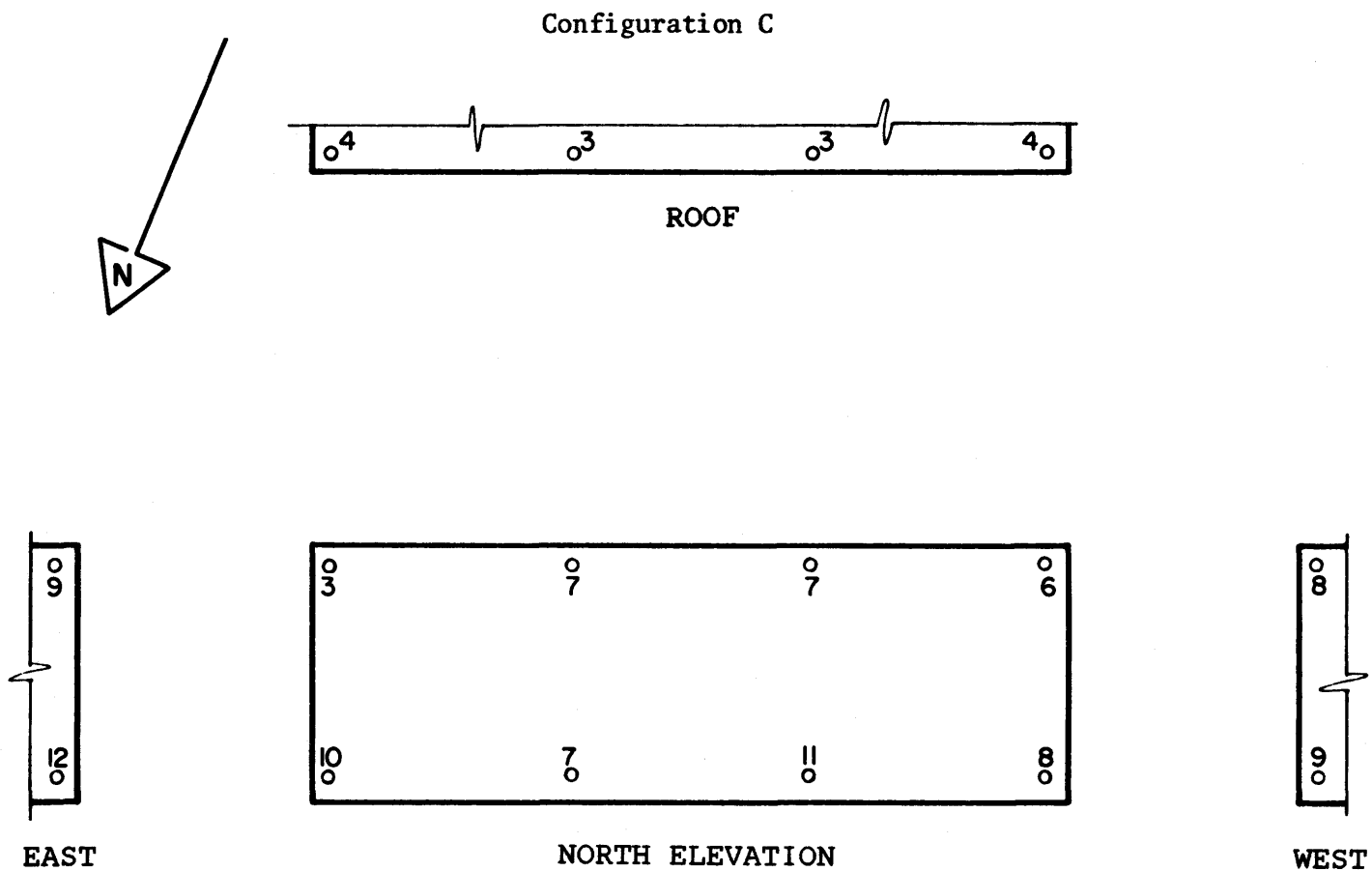
Figure 8ee. Peak Pressure Contours on the Building for Cladding Loads

Configuration C



BLOCK 115-B
 PEAK POSITIVE CLADDING LOADS (PSF)
 FOR 100 YEAR RECURRENCE WIND
 WITH WIND DIRECTIONALITY
 POSITIVE LOAD ACTS INWARDS
 TOWER IN PLACE

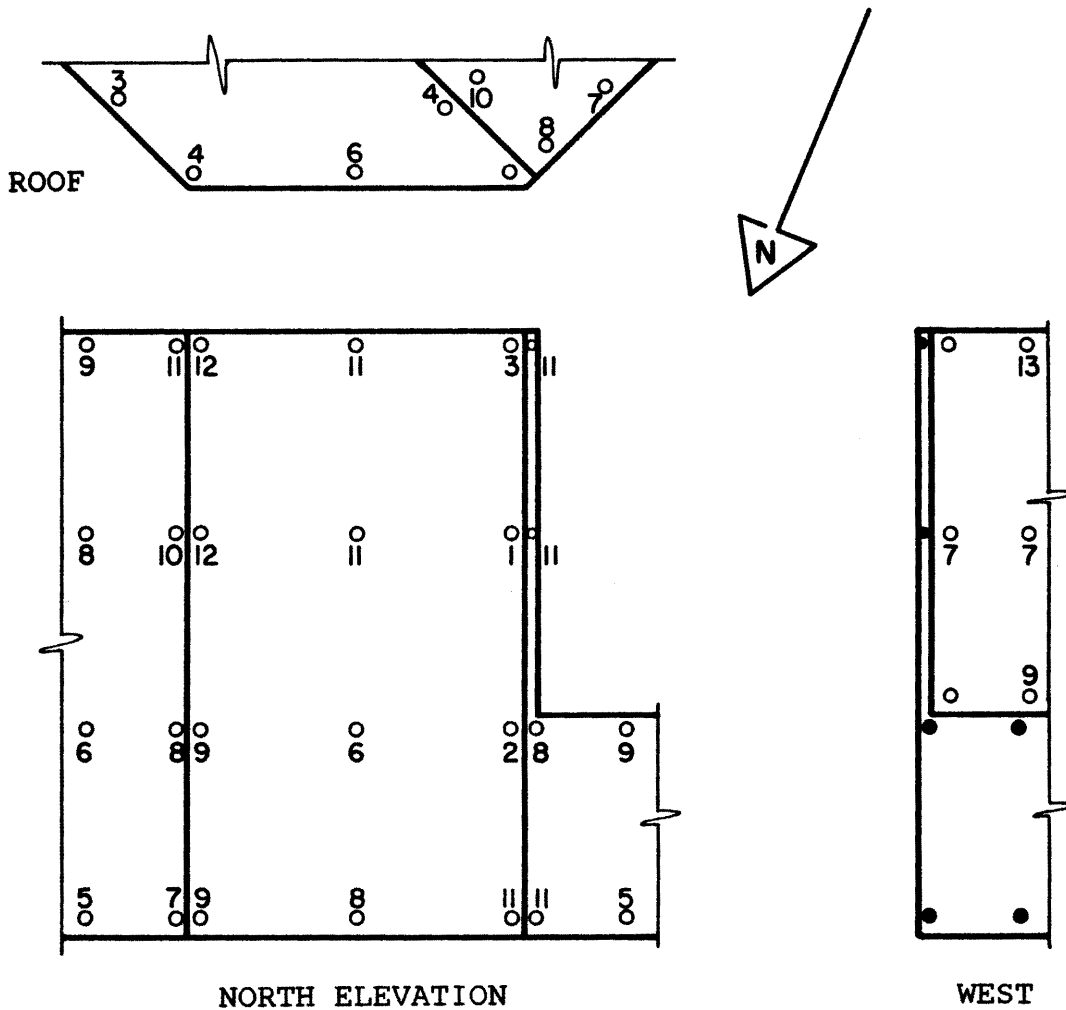
Figure 8ff. Peak Pressure Contours on the Building for Cladding Loads



BLOCK 99
 PEAK POSITIVE CLADDING LOADS (PSF)
 FOR 100 YEAR RECURRENCE WIND
 WITH WIND DIRECTIONALITY
 POSITIVE LOAD ACTS INWARDS
 TOWER IN PLACE

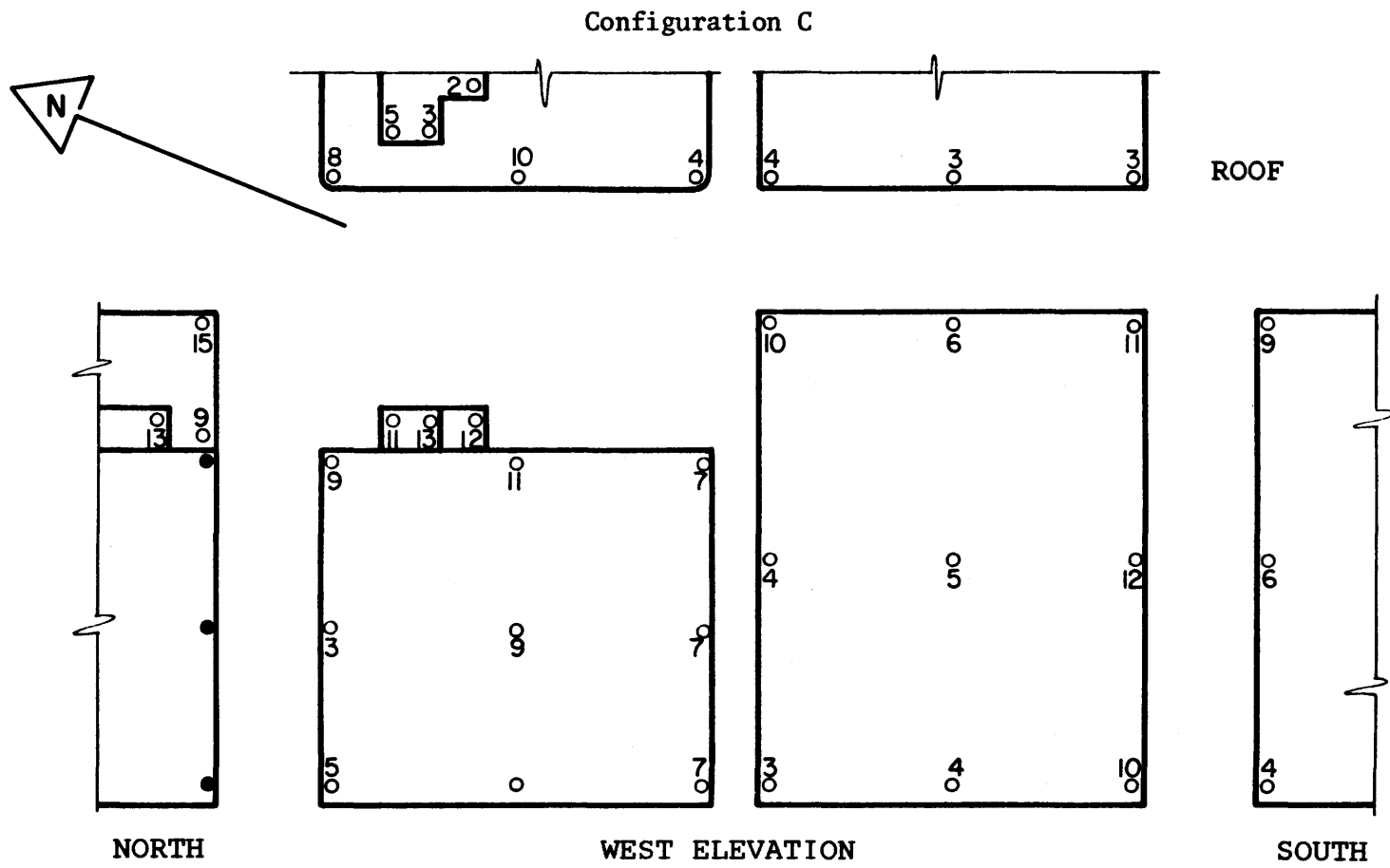
Figure 8gg. Peak Pressure Contours on the Building for Cladding Loads

Configuration C



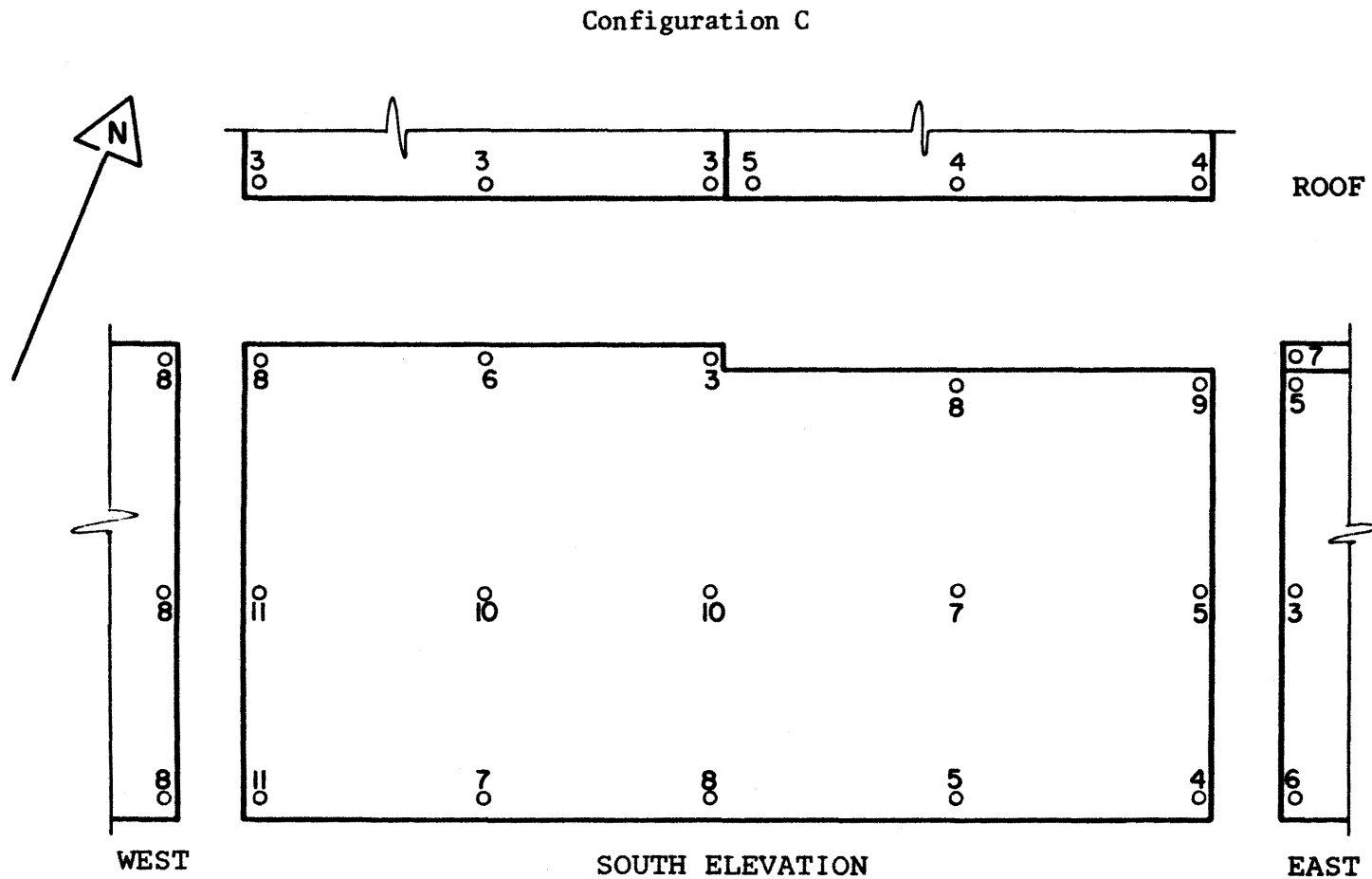
BLOCK 100
 PEAK POSITIVE CLADDING LOADS (PSF)
 FOR 100 YEAR RECURRENCE WIND
 WITH WIND DIRECTIONALITY
 POSITIVE LOAD ACTS INWARDS
 TOWER IN PLACE

Figure 8hh. Peak Pressure Contours on the Building for Cladding Loads



BLOCK 109
 PEAK POSITIVE CLADDING LOADS (PSF)
 FOR 100 YEAR RECURRENCE WIND
 WITH WIND DIRECTIONALITY
 POSITIVE LOAD ACTS INWARDS
 TOWER IN PLACE

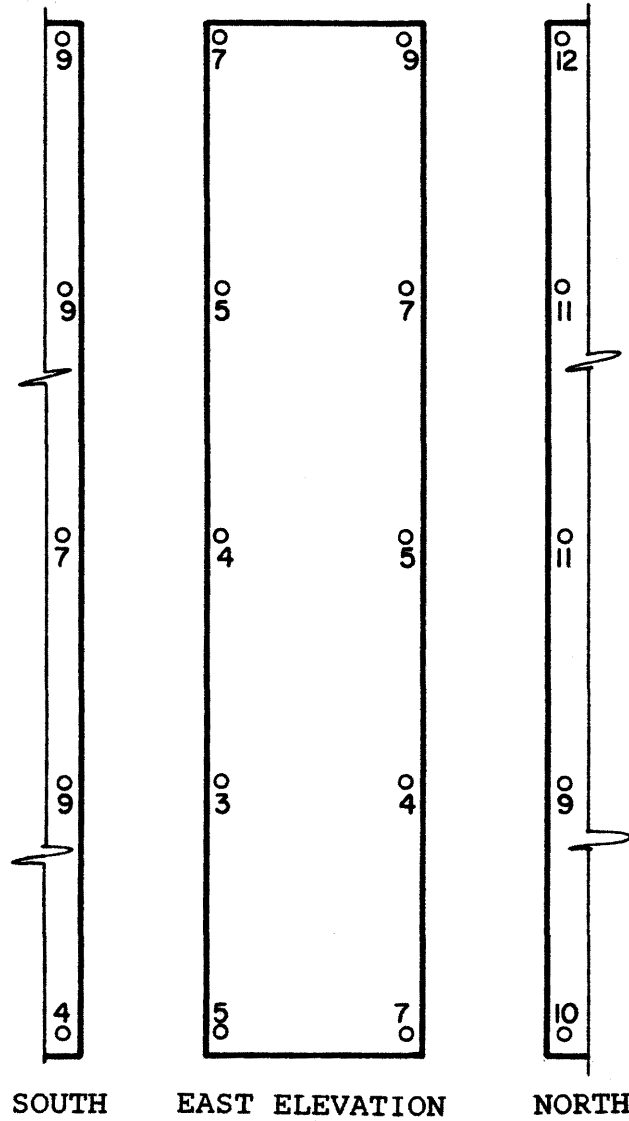
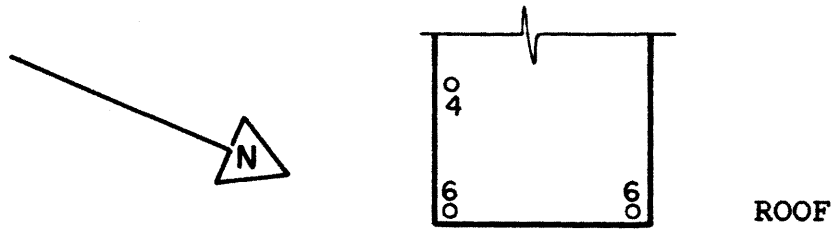
Figure 8ii. Peak Pressure Contours on the Building for Cladding Loads



BLOCK 116
 PEAK POSITIVE CLADDING LOADS (PSF)
 FOR 100 YEAR RECURRENCE WIND
 WITH WIND DIRECTIONALITY
 POSITIVE LOAD ACTS INWARDS
 TOWER IN PLACE

Figure 8jj. Peak Pressure Contours on the Building for Cladding Loads

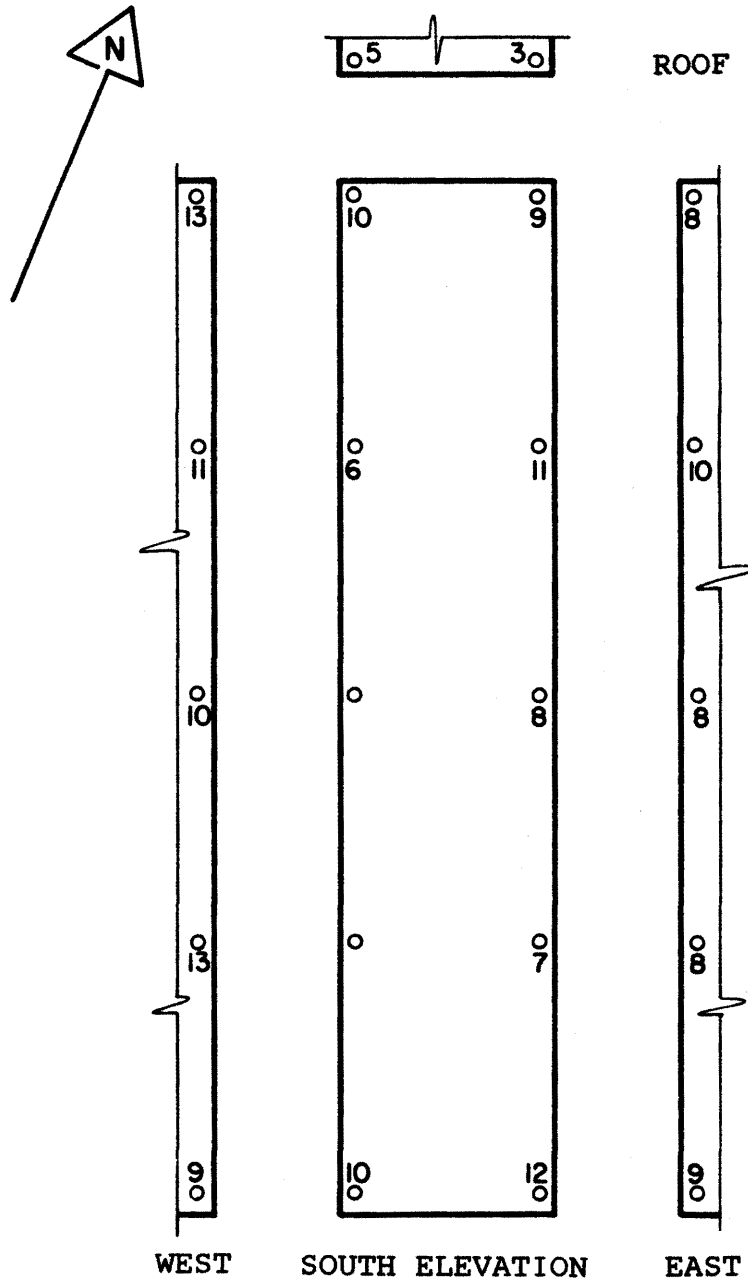
Configuration D



BLOCK 115-A
 PEAK POSITIVE CLADDING LOADS (PSF)
 FOR 100 YEAR RECURRENCE WIND
 WITH WIND DIRECTIONALITY
 POSITIVE LOAD ACTS INWARDS
 EXISTING CONFIGURATION

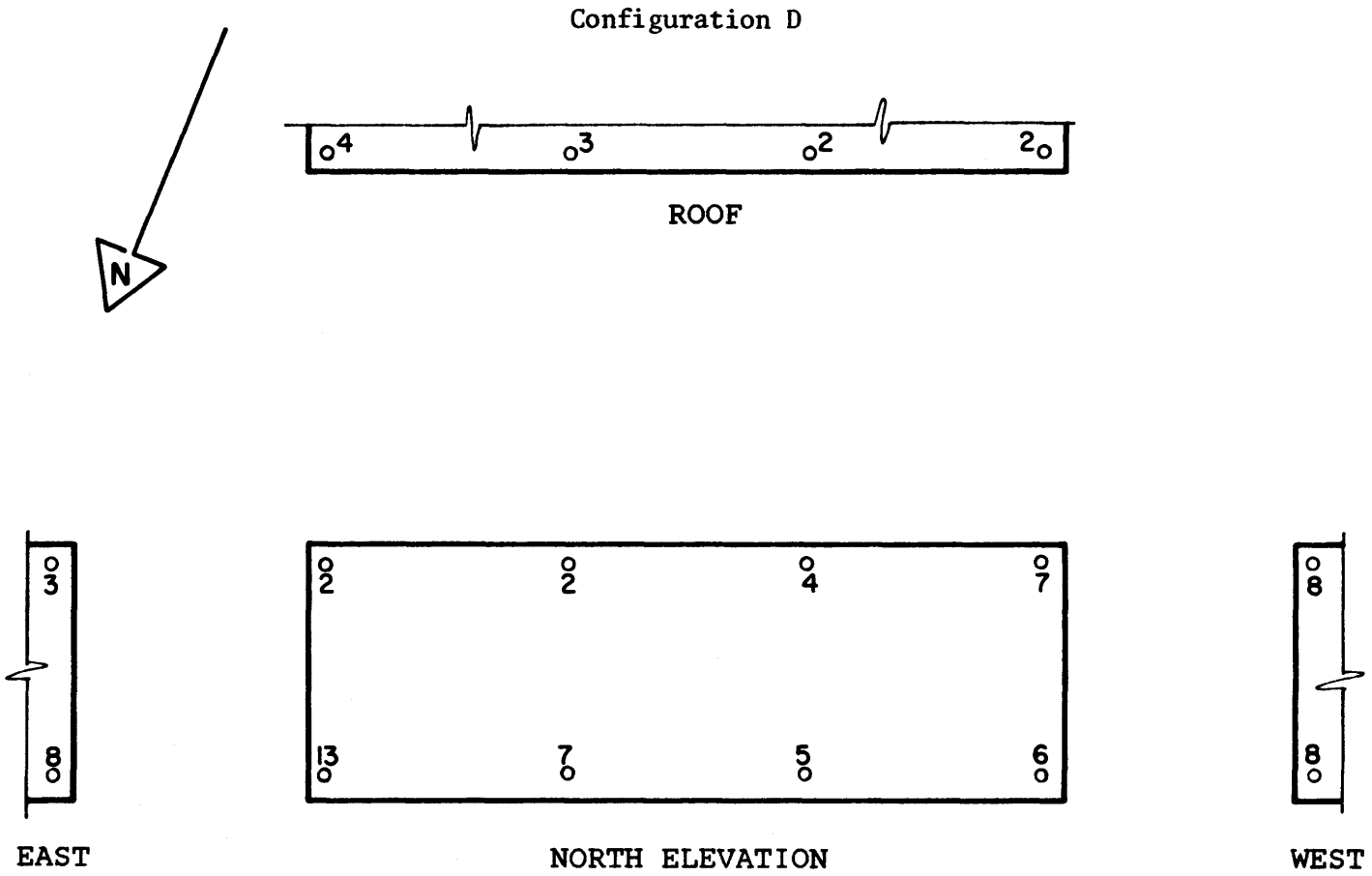
Figure 8kk. Peak Pressure Contours on the Building for Cladding Loads

Configuration D



BLOCK 115-B
 PEAK POSITIVE CLADDING LOADS (PSF)
 FOR 100 YEAR RECURRENCE WIND
 WITH WIND DIRECTIONALITY
 POSITIVE LOAD ACTS INWARDS
 EXISTING CONFIGURATION

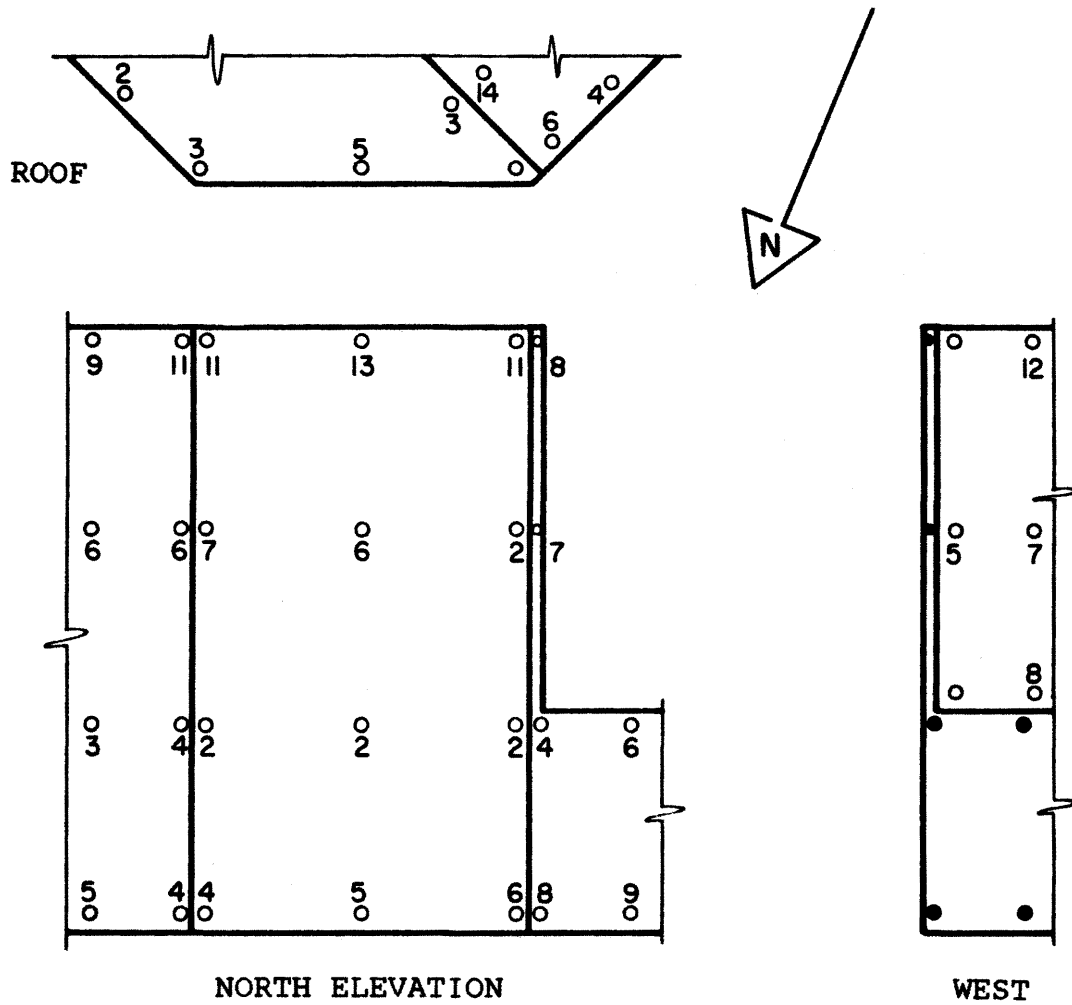
Figure 811. Peak Pressure Contours on the Building for Cladding Loads



BLOCK 99
 PEAK POSITIVE CLADDING LOADS (PSF)
 FOR 100 YEAR RECURRENCE WIND
 WITH WIND DIRECTIONALITY
 POSITIVE LOAD ACTS INWARDS
 EXISTING CONFIGURATION

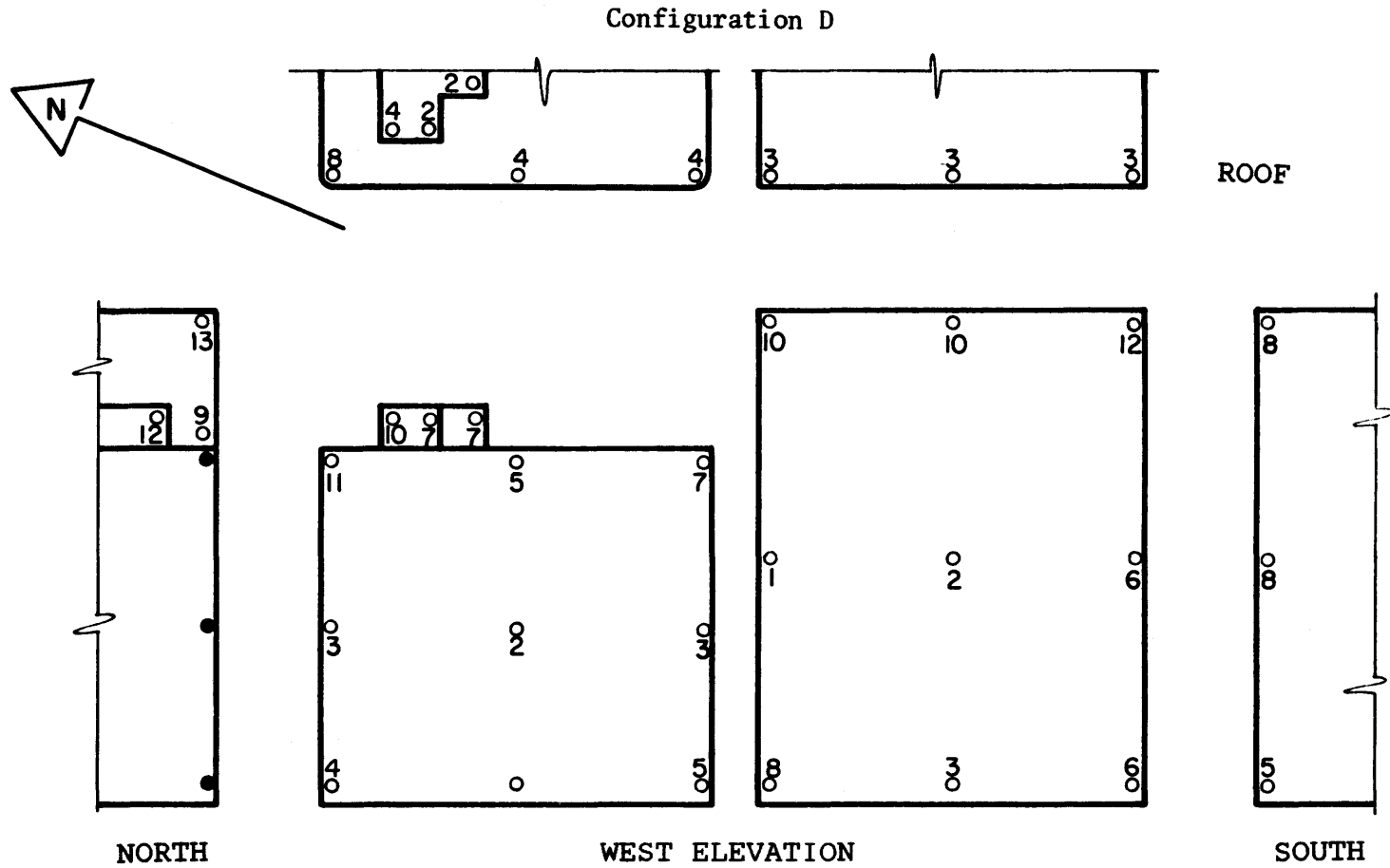
Figure 8mm. Peak Pressure Contours on the Building for Cladding Loads

Configuration D



BLOCK 100
 PEAK POSITIVE CLADDING LOADS (PSF)
 FOR 100 YEAR RECURRENCE WIND
 WITH WIND DIRECTIONALITY
 POSITIVE LOAD ACTS INWARDS
 EXISTING CONFIGURATION

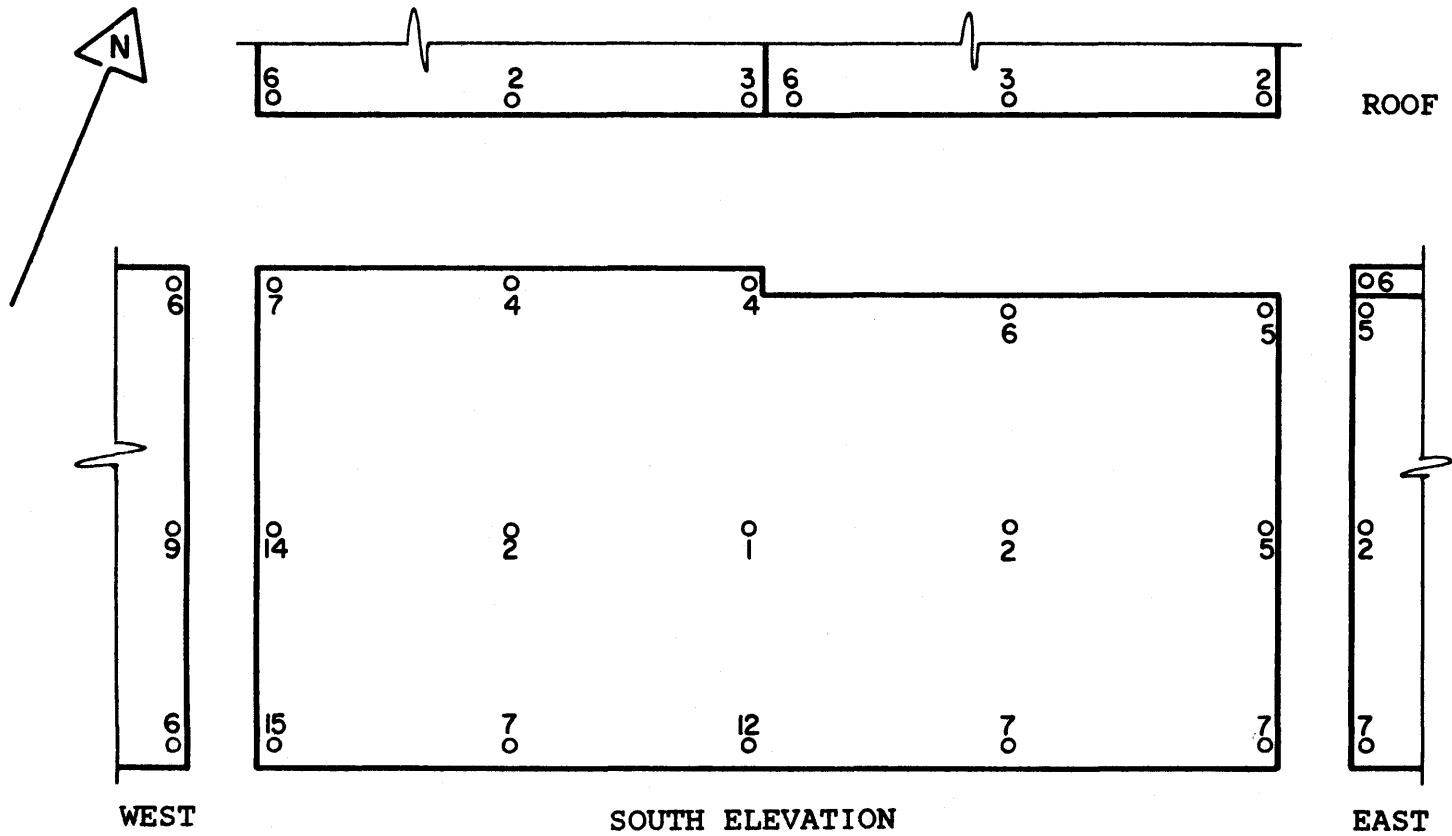
Figure 8nn. Peak Pressure Contours on the Building for Cladding Loads



BLOCK 109
 PEAK POSITIVE CLADDING LOADS (PSF)
 FOR 100 YEAR RECURRENCE WIND
 WITH WIND DIRECTIONALITY
 POSITIVE LOAD ACTS INWARDS
 EXISTING CONFIGURATION

Figure 800. Peak Pressure Contours on the Building for Cladding Loads

Configuration D



BLOCK 116
 PEAK POSITIVE CLADDING LOADS (PSF)
 FOR 100 YEAR RECURRENCE WIND
 WITH WIND DIRECTIONALITY
 POSITIVE LOAD ACTS INWARDS
 EXISTING CONFIGURATION

Figure 8pp. Peak Pressure Contours on the Building for Cladding Loads

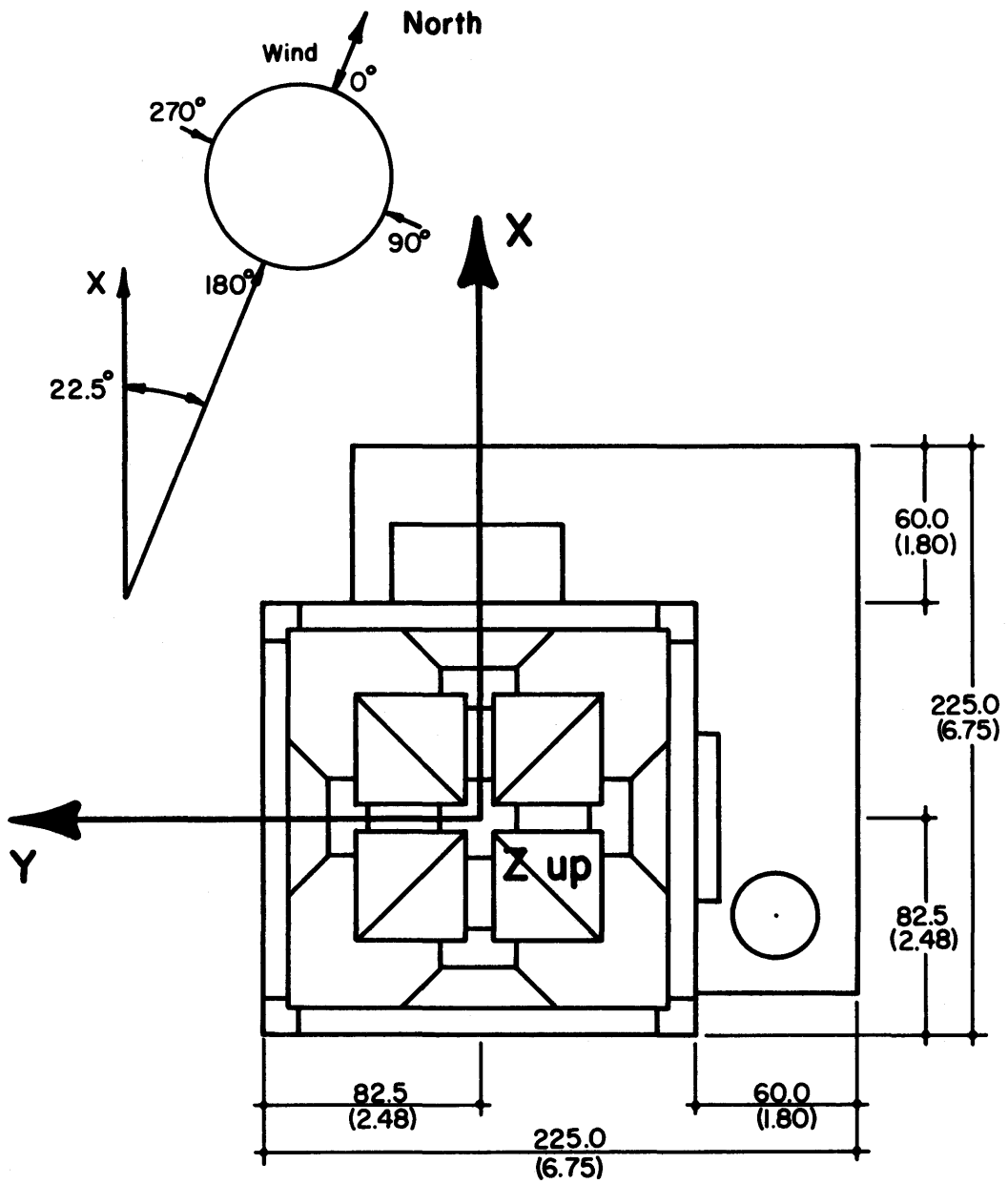


Figure 9. Coordinate System for Forces and Moments

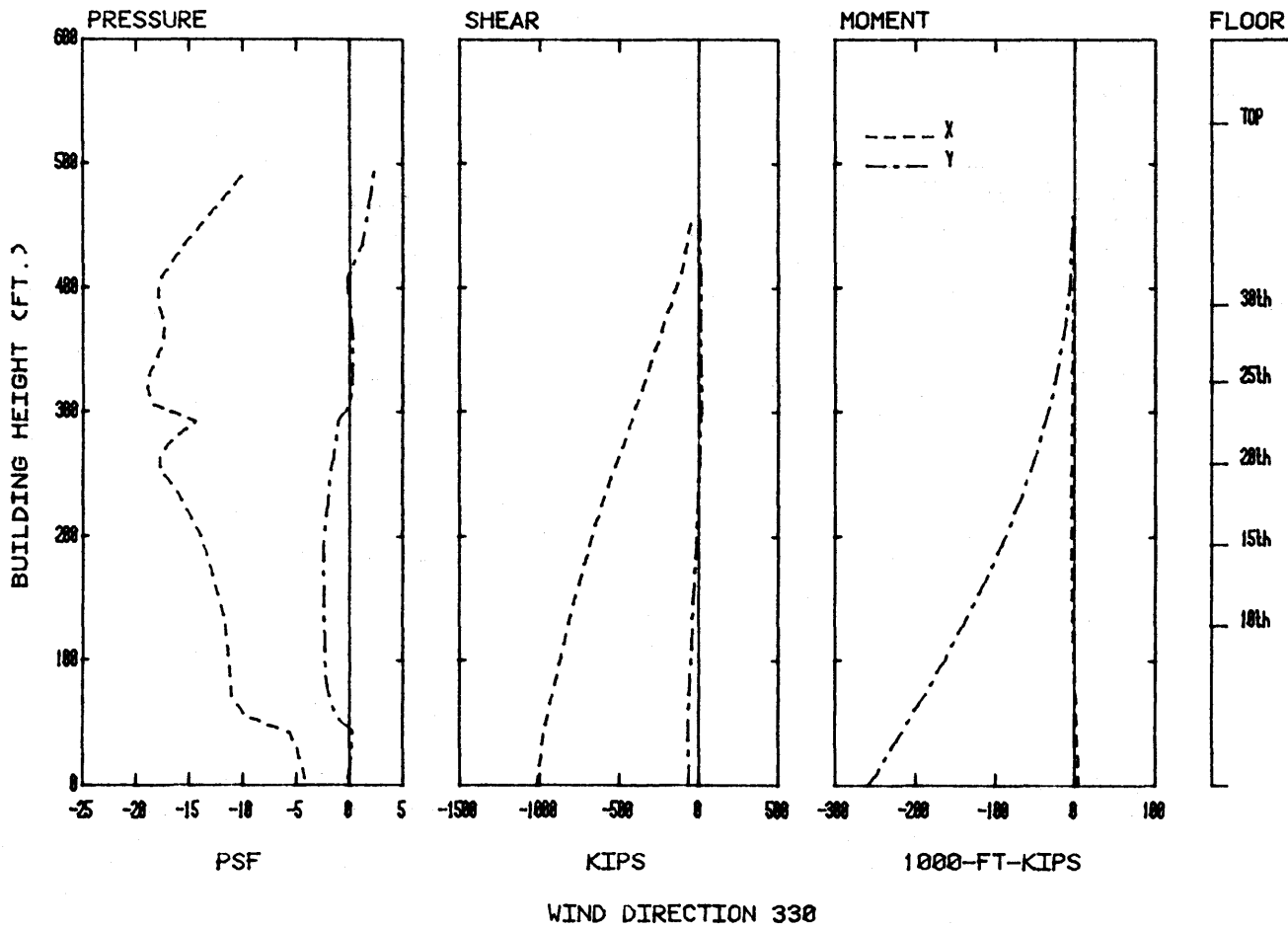


Figure 10a. Load, Shear, and Moment Diagrams for Selected Wind Directions

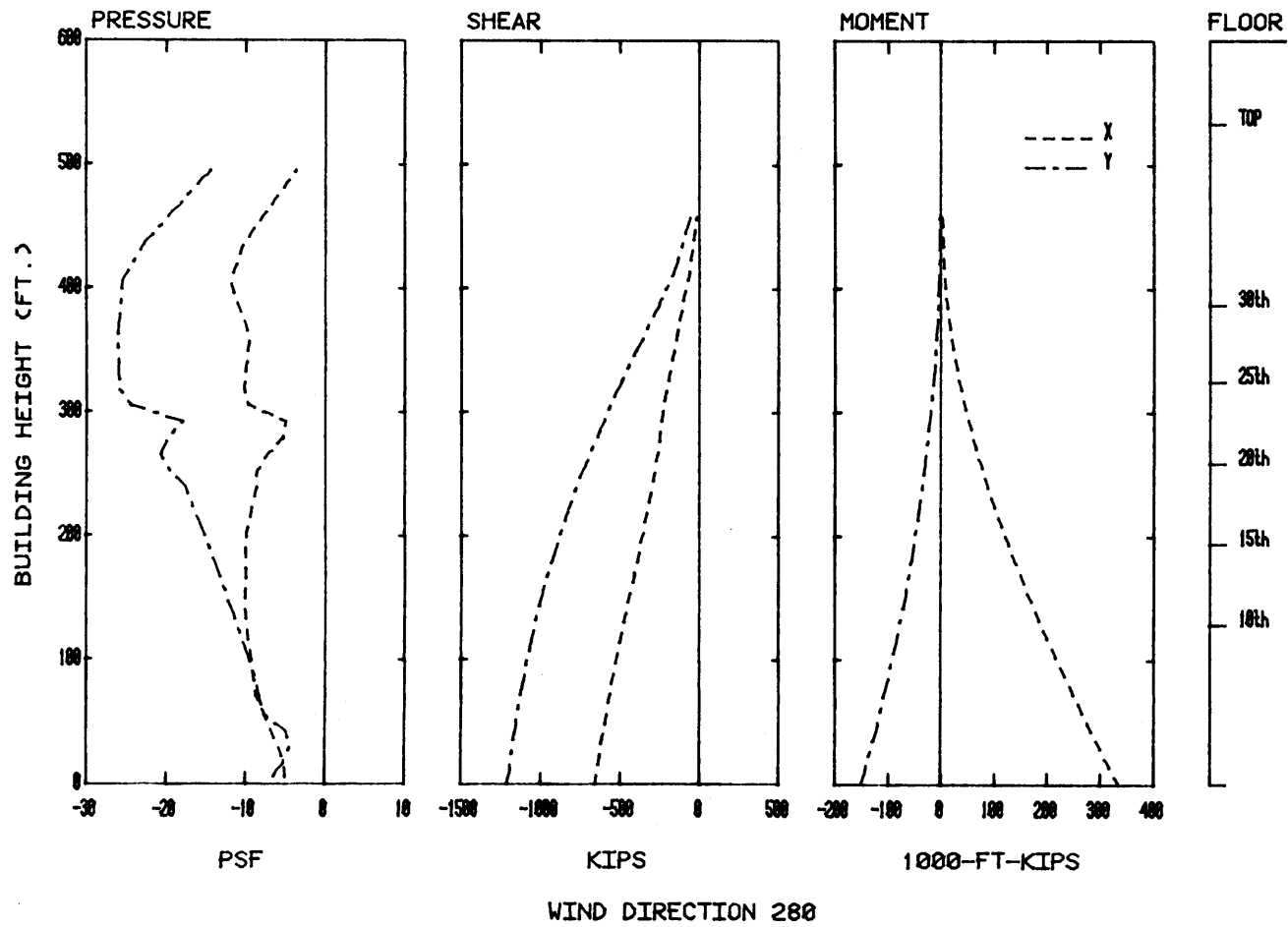


Figure 10b. Load, Shear, and Moment Diagrams for Selected Wind Directions

TABLES

TABLE 1

DATA CONFIGURATIONS

Configuration A:

- Geometry - Jenkins/Empire building in place.
- Pressures - Data measured for 36 wind directions, in 10-degree increments from 0, for all tap locations on Jenkins/Empire building.

Configuration B:

- Geometry - Jenkins/Empire building in place (same as Configuration A)
- Pressures - Data measured in 2-degree increments to both sides of selected wind directions for selected taps on Jenkins/Empire building where large pressure peaks were observed in Configuration A. Taps were selected to obtain the largest peak pressures on the structure.

Configuration C:

- Geometry - Jenkins/Empire building in place (same as Configuration A)
- Pressures - Data measured for 36 wind directions, in 10-degree increments from 0, for all tap locations on selected adjacent building faces.

Configuration D:

- Geometry - Jenkins/Empire building out, original block in place
- Pressures - Data measured for 36 wind directions, in 10-degree increments from 0, for all tap locations on selected adjacent building faces.

TABLE 2

CALCULATION OF REFERENCE PRESSURE

1. Wind speeds by direction for Pittsburgh airport*:

Wind Direction	100-yr Fastest Mile Wind, 33 ft mph	Gradient Wind Speed (ws) mph	Load Factor (ws/max ws)
N	55	79	0.71
NE	42	61	0.42
E	40	59	0.39
SE	44	65	0.48
S	51	74	0.62
SW	51	74	0.62
W	66	94	1.00
NW	59	84	0.80

2. Reference Pressure for largest wind speed.

100-yr fastest mile, 33 ft = 66.3 mph for west wind from Extreme Value Analysis

Mean hourly wind speed, 33 ft = $66.3/1.26 = 52.6$ mph

Mean hourly gradient wind speed = $54.8 \left(\frac{960}{33}\right)^{.17} = 93.7$ mph

Reference wind speed = gradient wind speed = U_{∞}

Reference dynamic pressure = $0.5 \rho U_{\infty}^2 = 0.00256 (93.7)^2 = 22.5$ psf

Use 23 psf

3. Gust load factors to convert hourly mean integrated loads to various gust durations (see Section 4.4):

<u>Gust Duration, sec</u>	<u>Gust Load Factor</u>
10-15	$(1.4)^2 = 1.96$
30	$(1.32)^2 = 1.74$
45	$(1.26)^2 = 1.59$

30-sec duration load factor was used in Table 4.

* Data obtained from National Climatic Data Center, Asheville, NC.

TABLE 3. PEAK CLADDING LOADS FOR : JENKINS/EMPIRE BUILDING - PITTSBURGH, PA.
AVERAGE OF CONFIGURATIONS A AND B 100-YEAR RECURRENCE INTERVAL

TAP	AZI-MUTH	PRESS COEFF	NEGATIVE PEAK	POSITIVE PEAK	TAP	AZI-MUTH	PRESS COEFF	NEGATIVE PEAK	POSITIVE PEAK	TAP	AZI-MUTH	PRESS COEFF	NEGATIVE PEAK	POSITIVE PEAK
			-----	PSF	-----			-----	PSF	-----			-----	PSF
101	270	-.92	-21.1	7.9	149	290	-.84	-19.4	14.0	197	250	-.84	-19.7	10.0
102	270	-1.12	-25.7	8.1	150	320	-1.11	-20.5	14.3	198	340	-.60	-9.8	5.4
103	270	-1.05	-24.2	13.8	151	250	-1.09	-25.1	14.6	199	250	-.37	-8.5	5.2
104	160	-1.38	-19.7	13.5	152	270	-1.35	-31.2	16.2	200	250	-.64	-14.7	3.7
105	250	-.91	-20.9	10.2	153	270	-1.25	-28.8	16.8	201	250	-.46	-10.6	5.5
106	270	-1.09	-25.0	15.1	154	270	-1.21	-27.8	16.8	202	250	-.40	-9.3	5.2
107	260	-.97	-22.3	8.1	155	270	-1.90	-43.7	22.5	203	250	-.61	-14.0	2.7
108	250	-1.00	-23.1	10.6	156	320	-1.19	-21.8	18.6	204	250	-.63	-14.5	2.7
109	260	-.90	-20.8	13.5	157	260	-1.08	-24.8	17.5	205	250	-.56	-12.8	3.8
110	250	-1.12	-25.7	15.4	158	250	-.82	-18.9	15.1	206	250	-.58	-13.3	4.6
111	270	-1.21	-27.8	16.3	159	270	-1.51	-34.7	14.8	207	250	-.76	-17.6	2.2
112	250	-1.07	-24.6	16.1	160	250	-.86	-19.7	13.7	208	250	-.68	-15.7	2.2
113	260	-.88	-20.5	15.8	161	280	-2.01	-46.3	15.0	209	330	-.37	-6.8	4.4
114	260	-.98	-22.5	16.9	162	250	-.81	-18.7	13.5	210	250	-.60	-13.9	2.4
115	260	-1.16	-26.6	18.8	163	60	-1.70	-16.5	14.2	211	0	-.55	-9.1	4.9
116	250	-1.02	-23.4	15.7	164	260	-.78	-18.0	15.2	212	250	-.66	-15.2	2.2
117	330	-1.11	-19.7	20.5	165	250	-1.17	-24.8	18.4	213	250	-.42	-9.7	5.4
118	250	-.82	-19.0	10.3	166	250	-1.17	-24.9	16.1	214	250	-.92	-21.2	4.4
119	250	-.73	-16.9	16.5	167	280	-1.41	-32.4	14.5	215	340	-.53	-8.6	4.4
120	250	-.99	-22.8	17.4	168	270	-2.41	-55.5	11.0	216	290	-.26	-5.9	4.1
121	260	-1.39	-32.0	16.2	169	260	-.80	-18.4	15.2	217	250	-.29	-6.8	3.1
122	250	-.83	-19.1	14.5	170	250	-.90	-20.8	11.9	218	250	-.42	-9.6	4.4
123	250	-.75	-17.3	14.4	171	250	-.87	-20.1	12.7	219	250	-.32	-7.3	3.8
124	290	-.95	-21.8	15.1	172	280	-.91	-20.9	13.4	220	250	-.59	-13.6	6.6
125	260	-.94	-21.5	19.6	173	250	-.78	-18.0	14.1	221	250	-.68	-15.7	4.4
126	270	-1.00	-22.9	14.9	174	250	-.87	-19.9	14.5	222	250	-.81	-18.5	2.2
127	260	-1.08	-24.9	15.7	175	270	-1.11	-25.4	10.6	223	260	-.34	-7.9	3.7
128	260	-1.59	-36.5	18.9	176	270	-1.01	-23.2	7.9	224	270	-.57	-13.1	4.4
129	270	-1.65	-38.0	22.2	177	250	-.91	-20.9	10.2	225	250	-.54	-12.4	5.0
130	330	1.04	-18.4	19.2	178	250	-.74	-17.0	10.6	301	180	-1.59	-22.7	6.3
131	270	-.98	-22.5	21.0	179	280	-.66	-15.3	9.9	302	330	-1.12	-20.6	5.2
132	250	-.95	-21.9	15.5	180	250	-.71	-16.3	11.1	303	250	-1.18	-27.2	6.6
133	250	-.88	-20.2	17.0	181	250	-.82	-18.8	11.9	304	250	-1.04	-23.9	7.7
134	290	-.92	-21.1	16.1	182	270	-.97	-22.4	7.4	305	170	-1.71	-24.3	6.6
135	250	-.90	-20.8	17.7	183	270	-.96	-22.0	6.7	306	250	-.76	-17.5	7.4
136	270	-1.02	-23.5	18.7	184	250	-.81	-18.6	6.6	307	330	-.93	-17.1	6.3
137	270	-1.02	-23.5	18.0	185	140	-1.47	-16.3	6.8	308	160	-1.59	-22.6	9.0
138	260	-1.10	-25.4	18.2	186	130	-1.24	-13.7	11.2	309	250	-.78	-18.0	9.1
139	270	-1.32	-30.4	17.7	187	250	-.89	-20.4	13.4	310	350	-1.19	-19.4	9.1
140	270	-1.27	-29.3	18.5	188	250	-1.15	-24.4	10.5	311	250	-.97	-22.4	11.8
141	330	1.19	-17.5	21.9	189	250	-1.35	-28.7	4.8	312	330	-1.25	-22.9	9.4
142	260	-.92	-21.5	18.1	190	270	-.89	-20.4	4.7	313	160	-1.23	-17.6	9.4
143	250	-.82	-18.9	14.9	191	250	-.82	-18.8	14.6	314	0	-1.16	-18.9	11.1
144	250	-.92	-21.1	16.6	192	250	-.90	-20.8	14.2	315	250	-.82	-19.0	10.7
145	250	-.94	-21.5	17.1	193	250	-.69	-15.8	14.2	316	250	-.77	-17.7	9.4
146	250	-1.35	-31.1	20.4	194	140	-1.65	-18.2	7.9	317	350	-.97	-15.8	13.4
147	250	-1.35	-30.9	19.1	195	140	-1.57	-17.3	8.5	318	170	-1.97	-28.1	8.2
148	270	-1.38	-31.8	17.1	196	140	-1.25	-13.8	12.7	319	250	-.78	-17.9	9.0

NEGATIVE PRESSURES ACT OUTWARD, POSITIVE PRESSURES ACT INWARD.

TABLE 3. PEAK CLADDING LOADS FOR : JENKINS/EMPIRE BUILDING - PITTSBURGH, PA.
AVERAGE OF CONFIGURATIONS A AND B 100-YEAR RECURRENCE INTERVAL

TAP	AZI-MUTH	PRESS COEFF	NEGATIVE PEAK	POSITIVE PEAK	TAP	AZI-MUTH	PRESS COEFF	NEGATIVE PEAK	POSITIVE PEAK	TAP	AZI-MUTH	PRESS COEFF	NEGATIVE PEAK	POSITIVE PEAK
			PSF	PSF				PSF	PSF				PSF	PSF
320	340	-1.16	-18.9	9.0	368	350	-2.09	-34.1	12.8	416	250	-.67	-15.3	2.0
321	350	-1.53	-24.9	12.0	369	340	-1.07	-17.5	7.2	417	250	-.42	-9.7	5.0
322	330	-1.24	-22.8	8.1	370	330	-1.20	-22.1	4.3	418	300	-.43	-7.8	2.2
323	150	-1.77	-19.5	9.1	371	150	-1.61	-17.8	4.3	419	320	-.52	-9.7	1.9
324	150	-1.54	-17.0	9.0	372	160	-1.81	-25.9	5.7	420	250	-.25	-5.7	4.2
325	320	-1.06	-19.4	12.5	373	330	-1.33	-24.4	7.0	421	270	-.34	-7.8	6.4
326	290	-.83	-19.2	9.1	374	290	-1.47	-33.9	6.6	422	350	-.59	-7.5	9.6
327	280	-.91	-21.0	9.3	375	270	-1.30	-30.0	9.1	501	260	-.91	-20.9	10.7
328	340	-1.20	-19.6	11.7	376	270	-1.11	-25.5	10.4	502	250	-1.02	-23.4	9.5
329	340	-1.54	-25.1	10.9	377	180	-1.69	-24.2	6.0	503	330	-1.24	-22.8	9.7
330	340	-1.07	-17.5	9.9	378	160	-1.89	-26.9	3.7	504	260	-.93	-21.3	9.5
331	340	-1.07	-17.5	9.7	379	150	-1.85	-20.4	4.6	505	250	-1.00	-23.0	10.0
332	340	-1.34	-21.8	9.3	380	330	-1.08	-19.8	5.4	506	270	-.94	-21.7	7.1
333	170	-1.27	-18.1	7.6	381	290	-1.53	-35.2	5.3	507	250	-1.09	-25.1	9.5
334	260	-.74	-17.1	7.7	382	280	-1.45	-33.5	6.8	508	250	-1.00	-23.1	12.9
335	290	-.80	-18.5	11.4	383	280	-1.52	-35.0	9.2	509	250	-1.04	-23.9	9.9
336	350	-1.07	-17.4	9.4	384	180	-1.50	-21.4	3.8	510	250	-.94	-21.7	12.3
337	350	-1.16	-18.9	8.8	385	160	-1.46	-20.8	4.4	511	250	-1.12	-25.7	8.8
338	350	-1.27	-20.7	9.0	386	160	-1.21	-17.3	4.6	512	260	-.95	-21.9	13.4
339	260	-.77	-17.8	11.1	387	270	-.76	-17.5	5.7	513	250	-.89	-20.4	12.2
340	350	-1.14	-18.6	13.0	388	280	-1.23	-28.2	5.8	514	250	-.81	-18.6	12.9
341	340	-.92	-15.0	11.2	389	270	-1.48	-34.1	5.2	515	270	-.99	-22.7	12.0
342	350	-1.33	-21.7	8.4	390	270	-1.36	-31.3	5.6	516	260	-1.05	-24.2	10.7
343	330	-1.09	-20.1	6.0	391	330	-.89	-16.5	7.8	517	250	-.90	-20.7	14.4
344	160	-1.69	-24.1	8.6	392	160	-1.38	-19.7	7.6	518	250	-1.41	-32.3	11.8
345	350	-1.12	-18.3	7.4	393	320	-.72	-13.3	7.7	519	250	-1.04	-23.9	9.1
346	340	-1.32	-21.6	9.5	394	330	-1.62	-29.9	7.4	520	170	-1.65	-23.5	10.3
347	260	-.92	-21.1	12.7	395	280	-1.62	-37.1	7.3	521	260	-.92	-21.2	8.7
348	260	-.91	-20.9	12.8	396	290	-1.67	-38.5	7.2	522	250	-1.03	-23.4	12.6
349	250	-.73	-16.7	9.7	397	170	-1.36	-19.4	3.3	523	250	-.98	-22.4	11.7
350	260	-.77	-17.6	8.0	398	160	-1.13	-16.3	4.1	524	270	-1.42	-32.6	12.1
351	160	-1.58	-22.5	7.4	399	270	-.63	-14.4	2.5	525	270	-1.05	-24.2	12.0
352	160	-1.21	-17.3	7.0	400	270	-.72	-16.5	.8	526	250	-1.01	-23.2	11.8
353	340	-1.10	-18.0	8.0	401	250	-.42	-9.6	1.0	527	260	-.94	-21.6	12.7
354	260	-.84	-19.3	9.2	402	250	-.43	-9.8	2.1	528	250	-.92	-21.2	14.1
355	350	-1.82	-29.7	10.6	403	330	-.60	-11.1	6.5	529	270	-.93	-21.4	11.5
356	290	-.79	-18.2	13.5	404	330	-.59	-10.9	6.2	530	250	-.81	-18.6	14.2
357	290	-1.15	-26.4	13.2	405	250	-.49	-11.2	4.0	531	250	-.92	-21.1	14.3
358	160	-1.45	-20.7	4.7	406	250	-.48	-11.0	5.9	532	250	-.83	-19.1	12.8
359	0	-1.59	-25.9	11.4	407	10	-.56	-9.1	2.9	533	250	-.89	-20.5	10.7
360	180	-1.81	-25.9	6.5	408	250	-.59	-13.7	.8	534	250	-1.06	-24.4	13.4
361	290	-1.42	-32.7	12.6	409	290	-.32	-7.4	1.3	535	250	-.87	-20.1	13.3
362	120	-2.18	-24.1	5.8	410	0	-.43	-6.6	7.0	536	250	-.86	-19.7	14.2
363	180	-1.45	-20.7	5.5	411	260	-.61	-14.1	1.9	537	250	-1.21	-27.9	14.2
364	290	-.92	-21.1	6.2	412	250	-.65	-15.0	.7	538	260	-.85	-19.6	14.6
365	290	-1.29	-29.7	8.0	413	320	-.36	-6.6	2.3	539	260	-1.00	-23.1	12.3
366	260	-1.00	-23.1	8.1	414	320	-.45	-8.2	4.7	540	250	-.89	-20.5	11.7
367	300	-1.40	-25.8	13.3	415	290	-.35	-8.0	3.5	541	160	1.23	-17.0	17.5

NEGATIVE PRESSURES ACT OUTWARD, POSITIVE PRESSURES ACT INWARD.

TABLE 3. PEAK CLADDING LOADS FOR : JENKINS/EMPIRE BUILDING - PITTSBURGH, PA.
AVERAGE OF CONFIGURATIONS A AND B 100-YEAR RECURRENCE INTERVAL

TAP	AZI-MUTH	PRESS COEFF	NEGATIVE PEAK	POSITIVE PEAK	TAP	AZI-MUTH	PRESS COEFF	NEGATIVE PEAK	POSITIVE PEAK	TAP	AZI-MUTH	PRESS COEFF	NEGATIVE PEAK	POSITIVE PEAK
			-----	PSF				-----	PSF				-----	PSF
542	250	-1.02	-23.4	13.8	590	0	-1.29	-21.1	2.8	718	330	-1.66	-30.5	17.2
543	250	-1.34	-30.9	12.6	591	250	-.72	-16.5	9.5	719	270	-1.02	-20.7	23.6
544	250	-1.13	-25.9	11.3	592	300	-.88	-16.2	8.0	720	270	-1.11	-25.4	16.8
545	250	-1.04	-24.0	13.6	593	250	-1.38	-31.7	3.5	721	160	-1.56	-22.2	13.8
546	250	-1.30	-29.8	14.9	594	250	-1.48	-34.1	5.6	722	330	-1.32	-24.2	23.2
547	250	-.94	-21.7	11.5	595	290	-1.25	-28.8	7.4	723	330	-1.36	-25.0	21.7
548	250	-1.22	-28.2	11.2	596	290	-.68	-15.6	10.7	724	250	-.92	-20.9	21.2
549	270	-1.09	-25.1	15.0	597	330	-.73	-13.4	6.5	725	320	-1.30	-24.0	21.2
550	250	-1.09	-25.0	16.1	598	0	-1.25	-20.4	1.5	726	260	-.90	-18.0	20.7
551	250	-1.35	-31.1	15.4	599	0	-1.84	-30.1	1.5	727	160	-1.51	-21.6	20.9
552	260	-.92	-21.2	16.1	600	160	-1.37	-19.5	4.2	728	170	-1.45	-20.7	17.1
553	270	-.92	-21.2	13.3	601	40	-1.41	-13.6	3.4	729	160	-1.56	-22.2	14.7
554	250	-.79	-18.1	11.9	602	320	-.59	-10.8	4.4	730	270	1.04	-16.7	24.0
555	250	-.85	-19.6	12.3	603	260	-1.29	-29.6	2.6	731	260	1.01	-19.1	23.3
556	160	-1.22	-17.5	11.4	604	0	-1.16	-19.0	1.9	732	280	1.12	-20.3	25.6
557	280	-.79	-18.2	15.1	605	170	-.75	-10.8	2.6	733	270	1.05	-22.5	22.2
558	250	-1.40	-32.1	10.3	606	330	-.56	-10.3	6.6	734	250	1.03	-23.6	24.4
559	270	-.82	-18.8	10.8	607	330	-.51	-9.4	4.4	735	270	-.92	-19.7	21.2
560	280	-1.75	-40.2	12.7	608	280	-.74	-17.1	10.0	736	280	1.02	-17.7	23.4
561	250	-.85	-19.6	10.2	609	160	-.75	-10.6	2.0	737	270	1.03	-18.6	23.6
562	260	-1.56	-35.8	12.0	610	340	-.58	-9.5	3.3	738	260	-.98	-20.2	23.3
563	270	-1.27	-29.2	11.3	611	330	-.60	-11.0	3.9	739	250	-.73	-15.7	16.7
564	250	-1.12	-25.9	12.0	612	270	-1.35	-31.2	4.2	740	180	-1.22	-17.4	15.2
565	250	-1.36	-31.2	12.4	613	280	-1.46	-33.5	5.2	741	270	1.03	-15.7	23.6
566	250	-1.11	-25.5	14.3	614	270	-1.36	-31.2	9.8	742	270	-.97	-19.9	22.3
567	250	-.96	-22.0	11.2	615	270	-.54	-12.5	10.8	743	330	-1.45	-26.7	20.4
568	270	-.90	-20.8	10.3	616	250	-.55	-12.8	4.8	744	330	-1.23	-22.6	22.5
569	260	-.88	-20.3	13.5	617	300	-.41	-7.5	7.4	745	270	1.09	-19.3	25.1
570	260	-1.02	-23.5	9.5	618	0	-.51	-8.3	6.7	746	250	1.02	-18.5	23.4
571	260	-1.17	-27.0	9.4	619	250	-.34	-7.9	3.5	747	330	-1.10	-20.3	15.1
572	270	-1.36	-31.4	12.2	620	320	-.42	-7.7	5.9	748	350	-1.08	-17.7	12.3
573	250	-1.04	-24.0	14.1	701	320	-1.12	-20.7	10.3	749	270	-.92	-21.2	20.1
574	270	-.81	-18.7	13.8	702	160	-1.65	-23.5	10.2	750	250	-.90	-20.8	14.1
575	280	-.89	-20.5	11.2	703	160	-1.10	-15.6	15.3	751	320	-2.00	-36.8	21.8
576	290	-1.00	-22.9	9.3	704	270	-.82	-18.6	18.9	752	330	-1.23	-22.7	21.5
577	290	-1.28	-29.4	7.6	705	330	-1.07	-19.6	14.2	753	320	-1.25	-23.0	22.4
578	270	-1.56	-35.8	8.9	706	330	-1.06	-19.5	10.0	754	290	-.96	-22.0	16.3
579	270	-1.42	-32.6	10.3	707	330	-.98	-18.1	10.2	755	160	-1.56	-22.3	14.8
580	280	-.90	-20.7	10.9	708	320	-1.44	-26.5	17.7	756	280	-1.28	-29.4	11.9
581	60	-1.81	-17.5	10.7	709	330	-1.12	-20.7	18.9	757	270	-.93	-21.3	18.2
582	310	-.84	-15.4	6.7	710	260	-.83	-16.8	19.0	758	320	-1.54	-28.4	20.7
583	310	-.93	-17.1	5.3	711	330	-.88	-16.3	12.0	759	170	-1.57	-22.4	15.0
584	280	-1.73	-39.9	5.2	712	320	-1.23	-22.6	22.3	760	320	-1.91	-35.1	19.4
585	270	-1.47	-33.7	7.4	713	270	-.94	-21.5	21.6	761	170	-1.42	-20.3	12.7
586	250	-1.34	-30.8	8.4	714	260	-.86	-19.7	19.8	762	320	-2.71	-49.9	12.2
587	290	-.74	-17.0	12.7	715	340	-1.13	-18.5	14.7	763	320	-1.92	-35.4	15.8
588	250	-.64	-14.8	7.2	716	250	-.88	-18.7	20.2	764	330	-1.12	-20.5	15.8
589	350	-1.15	-18.7	1.5	717	280	1.05	-16.8	24.2	765	330	-1.43	-26.3	21.5

NEGATIVE PRESSURES ACT OUTWARD, POSITIVE PRESSURES ACT INWARD.

TABLE 3. PEAK CLADDING LOADS FOR : JENKINS/EMPIRE BUILDING - PITTSBURGH, PA.
AVERAGE OF CONFIGURATIONS A AND B 100-YEAR RECURRENCE INTERVAL

TAP	AZI-MUTH	PRESS COEFF	NEGATIVE PEAK	POSITIVE PEAK	TAP	AZI-MUTH	PRESS COEFF	NEGATIVE PEAK	POSITIVE PEAK	TAP	AZI-MUTH	PRESS COEFF	NEGATIVE PEAK	POSITIVE PEAK
			-----	PSF				-----	PSF				-----	PSF
766	330	-1.20	-22.1	20.8	814	250	-.50	-7.9	11.5	940	290	-.57	-13.1	10.5
767	170	-1.16	-16.5	14.4	815	250	-.39	-8.9	5.2	941	0	-.67	-10.9	6.8
768	180	-1.27	-18.1	12.0	816	350	-1.71	-28.0	6.2	942	250	-.77	-17.7	13.7
769	330	-1.02	-18.8	16.1	817	10	-1.17	-19.2	6.4	943	250	-.84	-19.2	10.9
770	320	-1.02	-18.7	4.8	818	10	-.83	-13.5	10.5	944	250	-.55	-12.7	8.6
771	320	-1.44	-26.4	7.6	819	160	-1.05	-15.0	13.4	945	280	-.74	-17.0	8.4
772	330	-1.56	-28.6	13.3	820	170	-1.25	-17.9	10.8	946	250	-.62	-14.3	14.0
773	350	-1.07	-17.4	14.3	821	160	-1.74	-24.8	7.8	947	330	1.01	-16.9	18.6
774	170	-1.34	-19.4	17.6	822	10	-1.16	-18.9	3.9	948	330	1.18	-16.5	21.7
775	350	-1.14	-18.7	11.8	901	280	-.60	-13.7	8.8	949	250	-.83	-19.2	18.2
776	0	-.98	-16.0	9.9	902	260	-.84	-14.3	19.4	950	180	-.84	-11.7	12.0
777	330	-1.17	-21.4	5.2	903	260	-.93	-16.3	21.4	951	250	-.78	-17.9	9.3
778	340	-1.56	-25.5	8.2	904	280	1.07	-20.7	24.5	952	250	-.69	-15.9	4.8
779	340	-1.56	-25.5	12.3	905	280	-.70	-10.6	16.1	953	250	-.81	-18.6	9.7
780	330	-.94	-17.3	12.5	906	330	-.61	-11.3	6.1	954	10	-.97	-13.6	15.8
781	150	-1.61	-17.8	15.3	907	260	-.77	-17.8	9.5	955	250	-.61	-13.9	6.4
782	0	-1.18	-19.2	11.7	908	250	-.77	-17.7	14.9	956	330	-.78	-14.4	6.7
783	0	-1.15	-18.8	8.1	909	160	-.82	-11.7	9.3	957	320	-.79	-14.5	6.3
784	330	-1.32	-24.3	4.5	910	250	-.98	-22.6	10.5	958	270	-1.57	-36.1	11.2
785	330	-1.48	-27.2	6.2	911	260	-1.20	-27.7	20.9	959	280	-.56	-12.9	8.6
786	330	-1.19	-21.9	8.9	912	170	-1.64	-23.4	21.7	960	160	-1.63	-23.3	6.9
787	160	-1.20	-17.1	13.3	913	260	-1.09	-25.1	24.4	961	210	-1.43	-20.3	7.7
788	140	-2.11	-23.3	11.0	914	170	-1.08	-15.5	11.8	962	250	-.68	-15.7	8.9
789	0	-1.08	-17.6	7.8	915	330	-.76	-14.0	12.3	963	170	-1.73	-24.7	9.2
790	0	-1.19	-19.4	8.4	916	280	-1.39	-31.9	11.7	964	160	-1.41	-20.2	6.4
791	160	-1.56	-22.3	9.9	917	260	-1.30	-30.0	19.7	965	180	-1.18	-16.8	8.2
792	160	-1.29	-18.4	10.9	918	270	-.89	-20.4	2.5	966	170	-1.48	-21.1	3.8
793	0	-1.53	-25.1	10.7	919	250	-.94	-21.7	14.1	967	250	-.59	-13.7	4.3
794	10	-1.03	-16.8	10.5	920	250	-.85	-19.6	4.9	968	220	-.86	-12.2	3.6
795	350	-.63	-10.3	6.8	921	330	-1.02	-18.8	2.3	969	250	-1.19	-27.3	4.5
796	350	-.82	-13.4	11.6	922	250	-1.00	-23.0	19.5	970	250	-.88	-20.1	5.5
797	250	-.70	-16.1	5.0	923	290	-.72	-16.6	1.9	971	250	-.49	-11.4	3.8
798	330	-1.09	-20.1	4.9	924	320	-.89	-16.4	13.8	1001	330	-.98	-18.0	17.0
799	340	-1.41	-23.0	6.2	925	330	-1.00	-18.4	17.2	1002	0	-1.01	-16.4	10.7
800	330	-1.11	-20.4	10.9	926	320	-.89	-16.4	6.8	1003	250	-.96	-22.0	7.5
801	0	-1.15	-18.9	10.8	927	260	-.73	-16.7	7.7	1004	270	-.87	-20.0	12.4
802	160	-1.79	-25.5	14.7	928	160	-1.81	-25.8	8.7	1005	290	-.70	-16.1	6.8
803	150	-1.78	-19.6	8.8	929	260	-1.21	-27.8	12.2	1006	330	-1.10	-20.3	14.7
804	140	-1.72	-19.0	6.9	930	260	-.78	-18.0	11.1	1007	270	-.76	-17.4	9.7
805	250	-.53	-8.0	12.1	931	250	-.70	-16.1	13.3	1008	250	-.70	-16.1	15.4
806	280	-.61	-14.0	5.9	932	250	-.76	-17.4	5.2	1009	250	-.86	-19.7	13.5
807	280	-.39	-9.0	7.4	933	250	-.75	-17.3	6.2	1010	250	-.76	-17.5	15.4
808	250	-.49	-11.2	4.3	934	260	-.73	-16.8	6.7	1011	300	-.64	-11.8	9.4
809	350	-2.17	-35.4	5.3	935	250	-.56	-13.0	7.2	1012	250	-.64	-14.7	14.6
810	0	-1.22	-20.0	11.1	936	280	-.58	-13.3	7.6	1013	290	-.72	-16.5	4.6
811	160	-1.10	-15.7	10.1	937	160	-1.19	-17.0	9.6	1014	260	-.69	-15.9	6.8
812	160	-1.56	-22.2	7.5	938	340	-1.16	-18.9	9.6	1015	270	-.76	-17.5	5.6
813	250	-.42	-8.3	9.6	939	340	-1.34	-21.9	11.3	1016	260	-.73	-16.9	8.9

NEGATIVE PRESSURES ACT OUTWARD; POSITIVE PRESSURES ACT INWARD.

TABLE 3. PEAK CLADDING LOADS FOR : JENKINS/EMPIRE BUILDING - PITTSBURGH, PA.
 AVERAGE OF CONFIGURATIONS A AND B 100-YEAR RECURRENCE INTERVAL

TAP	AZI- MUTH	PRESS COEFF	NEGATIVE PEAK ----- PSF	POSITIVE PEAK ----- PSF	TAP	AZI- MUTH	PRESS COEFF	NEGATIVE PEAK ----- PSF	POSITIVE PEAK ----- PSF	TAP	AZI- MUTH	PRESS COEFF	NEGATIVE PEAK ----- PSF	POSITIVE PEAK ----- PSF
1017	330	-.92	-16.9	7.0	1021	250	-.54	-12.5	10.2	1025	250	-.36	-8.3	3.1
1018	250	-.55	-12.7	7.1	1022	250	-.30	-6.8	2.5	1026	250	-.44	-10.1	4.2
1019	310	-.85	-15.7	5.8	1023	250	-.56	-12.8	2.4	1027	270	-.37	-8.5	2.6
1020	330	-1.20	-22.0	7.4	1024	250	-.79	-18.2	2.3	1028	270	-.27	-6.3	4.2

NEGATIVE PRESSURES ACT OUTWARD, POSITIVE PRESSURES ACT INWARD.

TABLE 3. PEAK LOADS FOR : JENKINS/EMPIRE BUILDING - PITTSBURGH, PA.
 LARGEST VALUES OF CLADDING LOAD 100-YEAR REFERENCE PRESSURE

* * 15 GREATEST PRESSURE MAGNITUDES * *

TAP	AZI- MUTH	PRESS COEFF	NEGATIVE PEAK -----	POSITIVE PEAK ----- PSF
168	270	-2.41	-55.5	11.0
762	320	-2.71	-49.9	12.2
161	280	-2.01	-46.3	15.0
155	270	-1.90	-43.7	22.5
560	280	-1.75	-40.2	12.7
584	280	-1.73	-39.9	5.2
396	290	-1.67	-38.5	7.2
129	270	-1.65	-38.0	22.2
395	280	-1.62	-37.1	7.3
751	320	-2.00	-36.8	21.8
128	260	-1.59	-36.5	18.9
958	270	-1.57	-36.1	11.2
562	260	-1.56	-35.8	12.0
578	270	-1.56	-35.8	8.9
809	350	-2.17	-35.4	5.3

TABLE 3. PEAK LOADS FOR CONFIGURATION B : JENKINS/EMPIRE BUILDING - PITTSBURGH, PA.
 LARGEST VALUES OF CLADDING LOAD REFERENCE PRESSURE = 23.0 PSF

TAP	AZI- MUTH	PRESS COEFF	NEGATIVE PEAK ----- PSF	POSITIVE PEAK ----- PSF	TAP	AZI- MUTH	PRESS COEFF	NEGATIVE PEAK ----- PSF	POSITIVE PEAK ----- PSF	TAP	AZI- MUTH	PRESS COEFF	NEGATIVE PEAK ----- PSF	POSITIVE PEAK ----- PSF
160	58	-1.77	-17.1	14.4	362	138	-2.15	-23.7	5.1	599	358	-2.20	-35.9	2.3
161	268	-2.24	-51.5	14.9	378	156	-1.95	-27.8	4.5	762	314	-3.02	-55.7	13.6
168	274	-2.66	-61.1	13.1	562	260	-1.79	-41.1	10.2	809	346	-2.25	-36.7	6.1
360	156	-1.87	-26.7	7.3										

TABLE 3. PEAK LOADS FOR CONFIGURATION B : JENKINS/EMPIRE BUILDING - PITTSBURGH, PA.
 LARGEST VALUES OF CLADDING LOAD REFERENCE PRESSURE = 23.0 PSF

* * 10 GREATEST PRESSURE MAGNITUDES * *

TAP	AZI- MUTH	PRESS COEFF	NEGATIVE PEAK -----	POSITIVE PEAK PSF -----
168	274	-2.66	-61.1	13.1
762	314	-3.02	-55.7	13.6
161	268	-2.24	-51.5	14.9
562	260	-1.79	-41.1	10.2
809	346	-2.25	-36.7	6.1
599	358	-2.20	-35.9	2.3
378	156	-1.95	-27.8	4.5
360	156	-1.87	-26.7	7.3
362	138	-2.15	-23.7	5.1
160	58	-1.77	-17.1	14.4

TABLE 4. JENKINS/EMPIRE BUILDING - PITTSBURGH, PA
 PROJECT 6160 CONFIGURATION A
 SCALE = 400 REF. PRESSURE = 23.0
 GUST FACTOR = 1.32 STANDARD FLOOR HEIGHT = 13.00
 NUMBER OF SIDES = 4 NO. OF FLOORS = 34

SIDE	ANGLE	Z-AXIS	SHFACT
1	0.0	4.275	1.0
2	90.0	4.275	1.0
3	180.0	2.475	1.0
4	270.0	2.475	1.0

FLOOR #	LABEL	HEIGHT-FT	WIND AZIMUTH	LOAD FACTOR
1	1ST	12.50	0	.71
2	MEZZ	10.50	10	.71
3	2ND	13.00	20	.71
4	3RD	13.00	30	.42
5	4TH	15.00	40	.42
6	5TH	13.00	50	.42
7	6TH	13.00	60	.42
8	7TH	13.00	70	.39
9	8TH	13.00	80	.39
10	9TH	13.00	90	.39
11	10TH	13.00	100	.39
12	11TH	13.00	110	.39
13	12TH	13.00	120	.48
14	13TH	13.00	130	.48
15	14TH	13.00	140	.48
16	15TH	13.00	150	.48
17	16TH	13.00	160	.62
18	17TH	13.00	170	.62
19	18TH	13.00	180	.62
20	19TH	13.00	190	.62
21	20TH	13.00	200	.62
22	21ST	13.00	210	.62
23	22ND	15.00	220	.62
24	23RD	12.50	230	.62
25	24TH	12.50	240	.62
26	25TH	12.50	250	1.00
27	26TH	12.50	260	1.00
28	27TH	12.50	270	1.00
29	28TH	12.50	280	1.00
30	29TH	12.50	290	1.00
31	30TH	12.50	300	.80
32	MEZZ	13.00	310	.80
33	ROOF	45.00	320	.80
34	PNT	75.00	330	.80
			340	.71
			350	.71

TABLE 4. SHEAR AND MOMENT DIAGRAMS : JENKINS/EMPIRE BUILDING - PITTSBURGH, PA
WIND DIRECTION 0 CONFIGURATION A REFERENCE PRESSURE 23.0 PSF

FLOOR	HEIGHT	FORCE (KIPS)		AREA (SQ FT)		PRESSURE (PSF)		ECCEN (FT)		SHEAR (KIPS)		MOMENT (1000-FT-KIPS)		
		X	Y	X	Y	X	Y	X	Y	X	Y	X	Y	Z
1ST	0.00													
MEZZ	12.50	-10.0	11.7	2812	2812	-3.5	4.2	7	6	-948.4	293.3	-48.6	-233.9	-9.6
2ND	23.00	-12.9	10.8	2363	2363	-5.4	4.6	-12	-14	-938.4	281.6	-45.0	-222.1	-9.8
3RD	36.00	-20.8	14.5	2925	2925	-7.1	5.0	-15	-22	-925.5	270.8	-42.1	-212.4	-9.5
4TH	49.00	-20.1	15.2	2925	2925	-6.9	5.2	-14	-18	-904.7	256.3	-38.7	-200.5	-8.8
5TH	64.00	-26.9	17.4	2575	2575	-10.4	6.7	-5	-8	-884.6	241.0	-35.5	-188.8	-8.2
6TH	77.00	-24.3	14.0	2145	2145	-11.3	6.5	-3	-6	-857.8	223.7	-32.0	-175.8	-7.9
7TH	90.00	-24.1	13.3	2145	2145	-11.2	6.2	-3	-6	-833.5	209.6	-29.2	-164.8	-7.7
8TH	103.00	-24.1	12.9	2145	2145	-11.2	6.0	-3	-6	-809.4	196.3	-26.5	-154.1	-7.5
9TH	116.00	-24.1	12.6	2145	2145	-11.2	5.9	-4	-7	-785.3	183.4	-24.1	-143.7	-7.3
10TH	129.00	-24.1	12.2	2145	2145	-11.2	5.7	-4	-7	-761.3	170.8	-21.8	-133.7	-7.1
11TH	142.00	-24.1	11.9	2145	2145	-11.2	5.5	-4	-8	-737.2	158.6	-19.6	-123.9	-6.9
12TH	155.00	-25.0	11.0	2145	2145	-11.7	5.1	-4	-8	-713.1	146.7	-17.6	-114.5	-6.7
13TH	168.00	-26.0	10.1	2145	2145	-12.1	4.7	-3	-8	-688.0	135.7	-15.8	-105.4	-6.4
14TH	181.00	-27.0	9.1	2145	2145	-12.6	4.3	-3	-8	-662.0	125.7	-14.1	-96.6	-6.2
15TH	194.00	-28.0	8.2	2145	2145	-13.0	3.8	-3	-9	-635.0	116.5	-12.5	-88.2	-5.9
16TH	207.00	-28.9	7.6	2145	2145	-13.5	3.5	-2	-9	-607.0	108.3	-11.1	-80.1	-5.7
17TH	220.00	-29.7	7.7	2145	2145	-13.8	3.6	-2	-9	-578.1	100.7	-9.7	-72.4	-5.4
18TH	233.00	-30.5	7.9	2145	2145	-14.2	3.7	-2	-9	-548.4	93.0	-8.4	-65.1	-5.1
19TH	246.00	-31.2	8.1	2145	2145	-14.6	3.8	-2	-9	-518.0	85.1	-7.3	-58.2	-4.8
20TH	259.00	-32.5	7.5	2145	2145	-15.1	3.5	-2	-9	-486.7	77.0	-6.2	-51.6	-4.5
21ST	272.00	-32.8	6.3	2145	2145	-15.3	2.9	-2	-10	-454.3	69.5	-5.3	-45.5	-4.2
22ND	285.00	-32.0	5.9	2145	2145	-14.9	2.8	-2	-11	-421.5	63.2	-4.4	-39.8	-3.9
23RD	300.00	-32.0	5.9	2145	2145	-14.9	2.8	-2	-11	-389.5	57.3	-3.6	-34.6	-3.5
24TH	312.50	-35.3	7.2	2475	2475	-14.3	2.9	-2	-10	-354.2	50.1	-2.8	-29.0	-3.1
		-28.7	5.2	1853	1853	-15.5	2.8	-2	-10	-325.5	44.8	-2.2	-24.7	-2.8
		-29.1	5.2	1812	1812	-16.0	2.9	-2	-10					

TABLE 4. SHEAR AND MOMENT DIAGRAMS :														
WIND DIRECTION		JENKINS/EMPIRE BUILDING - PITTSBURGH, PA												
0		CONFIGURATION A												
		REFERENCE PRESSURE 23.0 PSF												
		GUST FACTOR 1.32												
FLOOR	HEIGHT	FORCE (KIPS)		AREA (SQ FT)		PRESSURE (PSF)		ECCEN (FT)		SHEAR (KIPS)		MOMENT (1000-FT-KIPS)		
		X	Y	X	Y	X	Y	X	Y	X	Y	X	Y	Z
25TH	325.00	-29.7	5.1	1812	1812	-16.4	2.8	-2	-10	-296.5	39.7	-1.7	-20.8	-2.5
26TH	337.50	-30.0	5.0	1812	1812	-16.6	2.8	-2	-10	-266.8	34.5	-1.2	-17.3	-2.3
27TH	350.00	-30.4	4.9	1812	1812	-16.8	2.7	-2	-10	-236.8	29.5	-.8	-14.2	-2.0
28TH	362.50	-29.9	4.9	1812	1812	-16.5	2.7	-2	-10	-206.4	24.7	-.5	-11.4	-1.6
29TH	375.00	-28.8	5.0	1812	1812	-15.9	2.7	-2	-9	-176.5	19.8	-.2	-9.0	-1.3
30TH	387.50	-27.9	5.1	1812	1812	-15.4	2.8	-2	-8	-147.7	14.8	-.0	-7.0	-1.1
MEZZ	400.00	-28.2	5.3	1885	1885	-15.0	2.8	-1	-7	-119.8	9.8	.1	-5.3	-.8
ROOF	413.00	-60.3	10.0	4512	4512	-13.4	2.2	-1	-8	-91.6	4.4	.2	-3.9	-.6
PNT	458.00	-31.3	-5.6	3913	3925	-8.0	-1.4	1	-4	-31.3	-5.6	.2	-1.2	-.1
TOP	533.00									0.0	0.0	0.0	0.0	0.0

TABLE 4. SHEAR AND MOMENT DIAGRAMS :
WIND DIRECTION 10

JENKINS/EMPIRE BUILDING - PITTSBURGH, PA
REFERENCE PRESSURE 23.0 PSF

GUST FACTOR 1.32

FLOOR	HEIGHT	FORCE (KIPS)		AREA (SQ FT)		PRESSURE (PSF)		ECCEN (FT)		SHEAR (KIPS)		MOMENT (1000-FT-KIPS)		
		X	Y	X	Y	X	Y	X	Y	X	Y	X	Y	Z
1ST	0.00	-11.3	16.0	2812	2812	-4.0	5.7	10	7	-891.8	470.5	-98.7	-215.9	-6.5
MEZZ	12.50	-15.8	14.1	2363	2363	-6.7	6.0	-9	-10	-880.5	454.5	-92.9	-204.8	-6.7
2ND	23.00	-26.0	18.3	2925	2925	-8.9	6.3	-12	-17	-864.7	440.4	-88.2	-195.7	-6.4
3RD	36.00	-21.8	18.4	2925	2925	-7.5	6.3	-9	-10	-838.7	422.1	-82.6	-184.6	-5.7
4TH	49.00	-26.5	21.4	2575	2575	-10.3	8.3	-3	-4	-816.8	403.7	-77.2	-173.8	-5.4
5TH	64.00	-23.0	17.0	2145	2145	-10.7	7.9	-2	-2	-790.3	382.3	-71.3	-161.8	-5.2
6TH	77.00	-22.4	15.9	2145	2145	-10.5	7.4	-2	-2	-767.3	365.2	-66.4	-151.7	-5.1
7TH	90.00	-22.5	15.4	2145	2145	-10.5	7.2	-2	-3	-744.9	349.3	-61.8	-141.8	-5.1
8TH	103.00	-22.6	14.8	2145	2145	-10.5	6.9	-2	-3	-722.3	333.9	-57.4	-132.3	-5.0
9TH	116.00	-22.6	14.3	2145	2145	-10.5	6.7	-2	-4	-699.8	319.1	-53.1	-123.1	-4.9
10TH	129.00	-22.7	13.7	2145	2145	-10.6	6.4	-3	-4	-677.2	304.8	-49.1	-114.1	-4.8
11TH	142.00	-23.4	13.0	2145	2145	-10.9	6.1	-3	-5	-654.5	291.1	-45.2	-105.5	-4.6
12TH	155.00	-24.3	12.4	2145	2145	-11.3	5.8	-3	-5	-631.0	278.1	-41.5	-97.1	-4.5
13TH	168.00	-25.1	11.7	2145	2145	-11.7	5.4	-3	-6	-606.8	265.7	-38.0	-89.1	-4.3
14TH	181.00	-25.9	11.0	2145	2145	-12.1	5.1	-3	-6	-581.7	254.1	-34.6	-81.3	-4.1
15TH	194.00	-26.6	10.8	2145	2145	-12.4	5.0	-3	-7	-555.8	243.1	-31.3	-73.9	-3.9
16TH	207.00	-27.3	11.8	2145	2145	-12.7	5.5	-3	-7	-529.2	232.3	-28.3	-66.9	-3.7
17TH	220.00	-28.0	12.7	2145	2145	-13.0	5.9	-3	-7	-501.9	220.5	-25.3	-60.2	-3.5
18TH	233.00	-28.6	13.7	2145	2145	-13.3	6.4	-3	-7	-473.9	207.8	-22.5	-53.8	-3.3
19TH	246.00	-29.5	13.8	2145	2145	-13.7	6.4	-3	-7	-445.3	194.1	-19.9	-47.9	-3.0
20TH	259.00	-29.6	13.1	2145	2145	-13.8	6.1	-3	-7	-415.8	180.3	-17.5	-42.3	-2.8
21ST	272.00	-28.9	12.8	2145	2145	-13.5	6.0	-3	-8	-386.3	167.2	-15.2	-37.1	-2.6
22ND	285.00	-32.3	15.5	2475	2475	-13.0	6.3	-3	-6	-357.4	154.4	-13.1	-32.2	-2.3
23RD	300.00	-25.9	11.2	1853	1853	-14.0	6.1	-3	-7	-325.1	138.9	-10.9	-27.1	-2.0
24TH	312.50	-26.4	11.7	1812	1812	-14.5	6.5	-3	-7	-299.2	127.7	-9.3	-23.2	-1.8

TABLE 4. SHEAR AND MOMENT DIAGRAMS :		JENKINS/EMPIRE BUILDING - PITTSBURGH, PA										GUST FACTOR 1.32		
WIND DIRECTION 10		CONFIGURATION A				REFERENCE PRESSURE 23.0 PSF								
FLOOR	HEIGHT	FORCE (KIPS)		AREA (SQ FT)		PRESSURE (PSF)		ECCEN (FT)		SHEAR (KIPS)		MOMENT (1000-FT-KIPS)		
		X	Y	X	Y	X	Y	X	Y	X	Y	X	Y	Z
25TH	325.00									-272.8	116.0	-7.7	-19.6	-1.6
26TH	337.50	-26.8	12.0	1812	1812	-14.8	6.6	-3	-6	-246.0	104.0	-6.4	-16.4	-1.4
27TH	350.00	-27.2	11.9	1812	1812	-15.0	6.6	-3	-6	-218.8	92.1	-5.1	-13.5	-1.2
28TH	362.50	-27.5	11.8	1812	1812	-15.2	6.5	-3	-6	-191.3	80.3	-4.1	-10.9	-1.0
29TH	375.00	-27.1	11.8	1812	1812	-14.9	6.5	-2	-6	-164.2	68.5	-3.1	-8.7	-.8
30TH	387.50	-26.1	11.7	1812	1812	-14.4	6.4	-2	-5	-138.0	56.8	-2.3	-6.8	-.7
MEZZ	400.00	-25.2	11.7	1812	1812	-13.9	6.4	-2	-4	-112.8	45.2	-1.7	-5.2	-.5
ROOF	413.00	-25.4	12.5	1885	1885	-13.5	6.6	-1	-3	-87.5	32.7	-1.2	-3.9	-.4
PNT	458.00	-54.7	24.9	4512	4512	-12.1	5.5	-2	-5	-32.8	7.8	-.3	-1.2	-.1
TOP	533.00	-32.8	7.8	3913	3925	-8.4	2.0	-1	-3	0.0	0.0	0.0	0.0	0.0

TABLE 4. SHEAR AND MOMENT DIAGRAMS : JENKINS/EMPIRE BUILDING - PITTSBURGH, PA
 WIND DIRECTION 20 CONFIGURATION A REFERENCE PRESSURE 23.0 PSF

GUST FACTOR 1.32

FLOOR	HEIGHT	FORCE (KIPS)		AREA (SQ FT)		PRESSURE (PSF)		ECCEN (FT)		SHEAR (KIPS)		MOMENT (1000-FT-KIPS)		
		X	Y	X	Y	X	Y	X	Y	X	Y	Z		
1ST	0.00	-12.4	18.1	2812	2812	-4.4	6.4	12	8	-828.2	612.1	-138.3	-194.1	-2.5
MEZZ	12.50	-17.1	15.3	2363	2363	-7.2	6.5	-8	-9	-815.8	594.0	-130.8	-183.9	-2.8
2ND	23.00	-27.6	19.4	2925	2925	-9.4	6.6	-10	-15	-798.7	578.7	-124.6	-175.4	-2.5
3RD	36.00	-22.5	20.1	2925	2925	-7.7	6.9	-5	-5	-771.1	559.3	-117.2	-165.2	-1.9
4TH	49.00	-25.3	24.6	2575	2575	-9.8	9.5	-0	-0	-748.7	539.2	-110.1	-155.3	-1.7
5TH	64.00	-21.8	20.0	2145	2145	-10.2	9.3	0	0	-723.4	514.6	-102.2	-144.3	-1.7
6TH	77.00	-21.5	19.0	2145	2145	-10.0	8.9	0	0	-701.6	494.6	-95.6	-135.0	-1.7
7TH	90.00	-21.7	18.4	2145	2145	-10.1	8.6	0	0	-680.1	475.6	-89.3	-126.0	-1.7
8TH	103.00	-22.0	17.7	2145	2145	-10.3	8.3	-0	-0	-658.4	457.2	-83.2	-117.3	-1.7
9TH	116.00	-22.3	17.1	2145	2145	-10.4	8.0	-0	-1	-636.4	439.5	-77.4	-108.9	-1.7
10TH	129.00	-22.5	16.5	2145	2145	-10.5	7.7	-1	-1	-614.1	422.3	-71.8	-100.8	-1.7
11TH	142.00	-23.0	16.0	2145	2145	-10.7	7.4	-1	-1	-591.6	405.8	-66.4	-92.9	-1.7
12TH	155.00	-23.6	15.4	2145	2145	-11.0	7.2	-1	-1	-568.5	389.9	-61.2	-85.4	-1.6
13TH	168.00	-24.1	14.9	2145	2145	-11.2	6.9	-1	-1	-545.0	374.5	-56.3	-78.2	-1.6
14TH	181.00	-24.6	14.4	2145	2145	-11.5	6.7	-1	-1	-520.9	359.6	-51.5	-71.2	-1.5
15TH	194.00	-25.2	14.4	2145	2145	-11.7	6.7	-1	-1	-496.2	345.2	-46.9	-64.6	-1.5
16TH	207.00	-25.8	15.6	2145	2145	-12.0	7.3	-1	-2	-471.1	330.8	-42.5	-58.3	-1.4
17TH	220.00	-26.4	16.8	2145	2145	-12.3	7.8	-1	-2	-445.3	315.3	-38.3	-52.4	-1.4
18TH	233.00	-27.0	18.0	2145	2145	-12.6	8.4	-1	-2	-419.0	298.4	-34.3	-46.8	-1.3
19TH	246.00	-27.5	18.4	2145	2145	-12.8	8.6	-1	-2	-392.0	280.4	-30.6	-41.5	-1.3
20TH	259.00	-27.6	17.9	2145	2145	-12.8	8.3	-2	-2	-364.5	262.0	-27.1	-36.6	-1.2
21ST	272.00	-27.1	17.8	2145	2145	-12.6	8.3	-2	-3	-336.9	244.1	-23.8	-32.0	-1.1
22ND	285.00	-30.6	21.0	2475	2475	-12.4	8.5	-2	-3	-309.9	226.3	-20.7	-27.8	-1.0
23RD	300.00	-22.4	15.6	1853	1853	-12.1	8.4	-2	-3	-279.3	205.4	-17.5	-23.4	-.9
24TH	312.50	-22.6	16.4	1812	1812	-12.5	9.0	-2	-3	-256.9	189.8	-15.0	-20.0	-.8

TABLE 4. SHEAR AND MOMENT DIAGRAMS :														
WIND DIRECTION 20		JENKINS/EMPIRE BUILDING - PITTSBURGH, PA										GUST FACTOR 1.32		
		CONFIGURATION A				REFERENCE PRESSURE 23.0 PSF								
FLOOR	HEIGHT	FORCE (KIPS)		AREA (SQ FT)		PRESSURE (PSF)		ECCEN (FT)		SHEAR (KIPS)		MOMENT (1000-FT-KIPS)		
		X	Y	X	Y	X	Y	X	Y	X	Y	X	Y	Z
25TH	325.00	-23.1	17.0	1812	1812	-12.7	9.4	-2	-3	-234.3	173.4	-12.7	-17.0	-.7
26TH	337.50	-23.2	16.8	1812	1812	-12.8	9.3	-2	-3	-211.2	156.4	-10.7	-14.2	-.6
27TH	350.00	-23.4	16.7	1812	1812	-12.9	9.2	-2	-3	-187.9	139.5	-8.8	-11.7	-.5
28TH	362.50	-23.0	16.4	1812	1812	-12.7	9.0	-2	-2	-164.6	122.9	-7.2	-9.5	-.4
29TH	375.00	-22.3	15.9	1812	1812	-12.3	8.8	-1	-2	-141.6	106.5	-5.7	-7.6	-.3
30TH	387.50	-21.5	15.6	1812	1812	-11.9	8.6	-1	-1	-119.3	90.6	-4.5	-5.9	-.2
MEZZ	400.00	-21.9	16.4	1885	1885	-11.6	8.7	-1	-1	-97.8	74.9	-3.5	-4.6	-.2
ROOF	413.00	-46.7	36.9	4512	4512	-10.3	8.2	-1	-2	-75.9	58.5	-2.6	-3.5	-.2
PNT	458.00	-29.3	21.6	3913	3925	-7.5	5.5	-1	-1	-29.3	21.6	-.8	-1.1	-.0
TOP	533.00									0.0	0.0	0.0	0.0	0.0

TABLE 4. SHEAR AND MOMENT DIAGRAMS : JENKINS/EMPIRE BUILDING - PITTSBURGH, PA
 WIND DIRECTION 30 CONFIGURATION A REFERENCE PRESSURE 23.0 PSF

FLOOR	HEIGHT	FORCE (KIPS)		AREA (SQ FT)		PRESSURE (PSF)		ECCEN (FT)		SHEAR (KIPS)		MOMENT (1000-FT-KIPS)		
		X	Y	X	Y	X	Y	X	Y	X	Y	X	Y	Z
1ST	0.00													
MEZZ	12.50	-6.5	10.5	2812	2812	-2.3	3.7	11	7	-456.1	411.9	-98.6	-103.5	-1.0
2ND	23.00	-10.5	8.6	2363	2363	-4.4	3.6	-11	-14	-449.6	401.4	-93.5	-97.9	-1.2
3RD	36.00	-17.1	10.7	2925	2925	-5.8	3.7	-13	-21	-439.2	392.8	-89.3	-93.2	-1.0
4TH	49.00	-13.3	11.3	2925	2925	-4.6	3.9	-8	-10	-422.1	382.0	-84.3	-87.6	-.5
5TH	64.00	-14.2	14.5	2575	2575	-5.5	5.6	-1	-1	-408.7	370.8	-79.4	-82.2	-.2
6TH	77.00	-12.8	12.1	2145	2145	-6.0	5.6	-1	-1	-394.5	356.2	-73.9	-76.2	-.2
7TH	90.00	-12.7	11.6	2145	2145	-5.9	5.4	-1	-1	-381.7	344.1	-69.4	-71.1	-.2
8TH	103.00	-12.8	11.3	2145	2145	-6.0	5.3	-1	-1	-369.0	332.5	-65.0	-66.2	-.2
9TH	116.00	-12.9	11.0	2145	2145	-6.0	5.1	-1	-1	-356.2	321.2	-60.7	-61.5	-.1
10TH	129.00	-13.0	10.6	2145	2145	-6.1	5.0	-1	-2	-343.3	310.3	-56.6	-57.0	-.1
11TH	142.00	-13.2	10.3	2145	2145	-6.1	4.8	-1	-2	-330.2	299.6	-52.7	-52.6	-.1
12TH	155.00	-13.3	10.2	2145	2145	-6.2	4.7	-1	-2	-317.1	289.3	-48.8	-48.4	-.0
13TH	168.00	-13.5	10.1	2145	2145	-6.3	4.7	-1	-1	-303.7	279.1	-45.1	-44.4	.0
14TH	181.00	-13.7	9.9	2145	2145	-6.4	4.6	-1	-1	-290.2	269.0	-41.6	-40.5	.0
15TH	194.00	-13.9	9.8	2145	2145	-6.5	4.6	-1	-1	-276.5	259.1	-38.1	-36.8	.1
16TH	207.00	-14.1	9.9	2145	2145	-6.6	4.6	-0	-1	-262.6	249.3	-34.8	-33.3	.1
17TH	220.00	-14.4	10.7	2145	2145	-6.7	5.0	-0	-1	-248.5	239.4	-31.7	-30.0	.1
18TH	233.00	-14.7	11.4	2145	2145	-6.9	5.3	-0	-0	-234.1	228.8	-28.6	-26.9	.1
19TH	246.00	-14.7	11.4	2145	2145	-6.9	5.3	-0	-0	-219.4	217.3	-25.7	-23.9	.1
20TH	259.00	-15.0	12.2	2145	2145	-7.0	5.7	-0	-0	-204.4	205.2	-23.0	-21.2	.1
21ST	272.00	-15.3	12.5	2145	2145	-7.1	5.8	-0	-0	-189.1	192.7	-20.4	-18.6	.1
22ND	285.00	-15.2	12.3	2145	2145	-7.1	5.7	-0	-1	-173.9	180.4	-18.0	-16.2	.1
23RD	300.00	-14.7	12.1	2145	2145	-6.9	5.6	-0	-1	-159.2	168.3	-15.7	-14.1	.1
24TH	312.50	-16.6	13.9	2475	2475	-6.7	5.6	0	0	-142.6	154.4	-13.3	-11.8	.1
		-11.9	11.7	1853	1853	-6.4	6.3	1	1	-130.7	142.6	-11.4	-10.1	.1
		-11.8	12.2	1812	1812	-6.5	6.7	1	1					

TABLE 4. SHEAR AND MOMENT DIAGRAMS :																
WIND DIRECTION		JENKINS/EMPIRE BUILDING - PITTSBURGH, PA														
30		CONFIGURATION A								REFERENCE PRESSURE 23.0 PSF					GUST FACTOR 1.32	
FLOOR	HEIGHT	FORCE (KIPS)		AREA (SQ FT)		PRESSURE (PSF)		ECCEN (FT)		SHEAR (KIPS)		MOMENT (1000-FT-KIPS)				
		X	Y	X	Y	X	Y	X	Y	X	Y	X	Y	Z		
25TH	325.00	-11.9	12.5	1812	1812	-6.6	6.9	1	1	-118.9	130.4	-9.7	-8.5	.1		
26TH	337.50	-11.9	12.5	1812	1812	-6.5	6.9	1	1	-107.0	118.0	-8.2	-7.1	.1		
27TH	350.00	-11.8	12.5	1812	1812	-6.5	6.9	1	1	-95.1	105.5	-6.8	-5.9	.1		
28TH	362.50	-11.6	12.3	1812	1812	-6.4	6.8	1	1	-83.3	93.0	-5.5	-4.8	.0		
29TH	375.00	-11.4	12.0	1812	1812	-6.3	6.6	1	1	-71.7	80.7	-4.4	-3.8	.0		
30TH	387.50	-11.1	11.7	1812	1812	-6.1	6.4	0	0	-60.3	68.8	-3.5	-3.0	.0		
MEZZ	400.00	-11.5	12.0	1885	1885	-6.1	6.4	-0	-0	-49.2	57.1	-2.7	-2.3	-.0		
ROOF	413.00	-23.3	27.8	4512	4512	-5.2	6.2	0	0	-37.6	45.1	-2.1	-1.7	.0		
PNT	458.00	-14.4	17.3	3913	3925	-3.7	4.4	-0	-0	-14.4	17.3	-.6	-.5	-.0		
TOP	533.00									0.0	0.0	0.0	0.0	0.0		

TABLE 4. SHEAR AND MOMENT DIAGRAMS : JENKINS/EMPIRE BUILDING - PITTSBURGH, PA
WIND DIRECTION 40 CONFIGURATION A REFERENCE PRESSURE 23.0 PSF

GUST FACTOR 1.32

FLOOR	HEIGHT	FORCE (KIPS)		AREA (SQ FT)		PRESSURE (PSF)		ECCEN (FT)		SHEAR (KIPS)		MOMENT (1000-FT-KIPS)		
		X	Y	X	Y	X	Y	X	Y	X	Y	Z		
1ST	0.00	-4.6	10.0	2812	2812	-1.6	3.6	14	6	-351.9	454.4	-112.1	-75.8	-.5
MEZZ	12.50	-9.6	8.2	2363	2363	-4.1	3.5	-13	-15	-347.3	444.4	-106.5	-71.5	-.7
2ND	23.00	-16.1	10.1	2925	2925	-5.5	3.5	-14	-23	-337.8	436.2	-101.9	-67.9	-.4
3RD	36.00	-12.2	10.7	2925	2925	-4.2	3.7	-12	-14	-321.7	426.1	-96.3	-63.6	.1
4TH	49.00	-11.6	14.3	2575	2575	-4.5	5.6	-5	-4	-309.5	415.4	-90.8	-59.5	.4
5TH	64.00	-10.1	12.2	2145	2145	-4.7	5.7	-5	-4	-298.0	401.1	-84.7	-54.9	.5
6TH	77.00	-10.1	11.9	2145	2145	-4.7	5.6	-5	-4	-287.9	388.9	-79.6	-51.1	.6
7TH	90.00	-10.4	11.8	2145	2145	-4.8	5.5	-5	-4	-277.7	376.9	-74.6	-47.4	.7
8TH	103.00	-10.7	11.6	2145	2145	-5.0	5.4	-5	-4	-267.3	365.1	-69.8	-43.9	.8
9TH	116.00	-10.9	11.5	2145	2145	-5.1	5.3	-5	-4	-256.6	353.5	-65.1	-40.5	.9
10TH	129.00	-11.2	11.3	2145	2145	-5.2	5.3	-4	-4	-245.7	342.0	-60.6	-37.2	1.0
11TH	142.00	-11.2	11.3	2145	2145	-5.2	5.2	-4	-4	-234.6	330.7	-56.2	-34.1	1.1
12TH	155.00	-11.2	11.2	2145	2145	-5.2	5.2	-3	-3	-223.4	319.5	-52.0	-31.1	1.2
13TH	168.00	-11.1	11.2	2145	2145	-5.2	5.2	-2	-2	-212.2	308.3	-47.9	-28.3	1.3
14TH	181.00	-11.1	11.2	2145	2145	-5.2	5.2	-1	-1	-201.1	297.1	-44.0	-25.6	1.3
15TH	194.00	-11.1	11.3	2145	2145	-5.2	5.3	-1	-1	-190.0	285.9	-40.2	-23.1	1.3
16TH	207.00	-11.1	11.9	2145	2145	-5.2	5.6	0	0	-178.9	274.6	-36.5	-20.7	1.4
17TH	220.00	-11.2	12.5	2145	2145	-5.2	5.8	1	1	-167.8	262.7	-33.0	-18.4	1.3
18TH	233.00	-11.2	13.1	2145	2145	-5.2	6.1	2	1	-156.6	250.2	-29.7	-16.3	1.3
19TH	246.00	-11.4	13.8	2145	2145	-5.3	6.4	2	2	-145.4	237.0	-26.5	-14.3	1.3
20TH	259.00	-11.2	14.1	2145	2145	-5.2	6.6	3	3	-134.0	223.2	-23.5	-12.5	1.2
21ST	272.00	-10.5	13.9	2145	2145	-4.9	6.5	5	3	-122.8	209.1	-20.7	-10.8	1.2
22ND	285.00	-12.0	15.6	2475	2475	-4.8	6.3	5	4	-112.3	195.2	-18.1	-9.3	1.1
23RD	300.00	-8.6	13.8	1853	1853	-4.6	7.4	5	3	-100.3	179.6	-15.3	-7.7	.9
24TH	312.50	-8.6	14.3	1812	1812	-4.7	7.9	5	3	-91.7	165.8	-13.1	-6.5	.9

TABLE 4. SHEAR AND MOMENT DIAGRAMS :														
WIND DIRECTION 40		JENKINS/EMPIRE BUILDING - PITTSBURGH, PA										GUST FACTOR 1.32		
		CONFIGURATION A										REFERENCE PRESSURE 23.0 PSF		
FLOOR	HEIGHT	FORCE (KIPS)		AREA (SQ FT)		PRESSURE (PSF)		ECCEN (FT)		SHEAR (KIPS)		MOMENT (1000-FT-KIPS)		
		X	Y	X	Y	X	Y	X	Y	X	Y	X	Y	Z
25TH	325.00	-8.7	14.6	1812	1812	-4.8	8.0	5	3	-83.2	151.6	-11.1	-5.4	.8
26TH	337.50	-8.6	14.6	1812	1812	-4.8	8.0	5	3	-74.5	137.0	-9.3	-4.4	.7
27TH	350.00	-8.6	14.6	1812	1812	-4.7	8.1	6	3	-65.8	122.4	-7.7	-3.6	.5
28TH	362.50	-8.6	14.4	1812	1812	-4.7	8.0	5	3	-57.3	107.8	-6.3	-2.8	.4
29TH	375.00	-8.7	14.1	1812	1812	-4.8	7.8	4	2	-48.7	93.4	-5.0	-2.1	.3
30TH	387.50	-8.8	13.8	1812	1812	-4.9	7.6	3	2	-40.0	79.2	-3.9	-1.6	.3
MEZZ	400.00	-9.4	14.1	1885	1885	-5.0	7.5	1	1	-31.2	65.4	-3.0	-1.1	.2
ROOF	413.00	-16.7	32.4	4512	4512	-3.7	7.2	3	2	-21.8	51.3	-2.3	-.8	.2
PNT	458.00	-5.1	18.8	3913	3925	-1.3	4.8	2	1	-5.1	18.8	-.7	-.2	.0
TOP	533.00									0.0	0.0	0.0	0.0	0.0

TABLE 4. SHEAR AND MOMENT DIAGRAMS : JENKINS/EMPIRE BUILDING - PITTSBURGH, PA
 WIND DIRECTION 50 CONFIGURATION A REFERENCE PRESSURE 23.0 PSF

FLOOR	HEIGHT	FORCE (KIPS)		AREA (SQ FT)		PRESSURE (PSF)		ECCEN (FT)		SHEAR (KIPS)		MOMENT (1000-FT-KIPS)			
		X	Y	X	Y	X	Y	X	Y	X	Y	X	Y	Z	
1ST	0.00														
MEZZ	12.50	-3.1	8.7	2812	2812	-1.1	3.1	14	5	-238.4	462.3	-116.4	-49.3	.7	
2ND	23.00	-7.5	6.7	2363	2363	-3.2	2.9	-13	-14	-235.3	453.6	-110.7	-46.3	.5	
3RD	36.00	-11.9	8.0	2925	2925	-4.1	2.7	-14	-21	-227.8	446.9	-106.0	-43.9	.7	
4TH	49.00	-7.3	8.8	2925	2925	-2.5	3.0	-10	-8	-215.8	438.8	-100.2	-41.0	1.1	
5TH	64.00	-5.7	14.1	2575	2575	-2.2	5.5	-1	-0	-208.6	430.0	-94.6	-38.3	1.2	
6TH	77.00	-5.4	12.0	2145	2145	-2.5	5.6	-4	-2	-202.9	415.9	-88.2	-35.2	1.2	
7TH	90.00	-6.0	11.6	2145	2145	-2.8	5.4	-6	-3	-197.4	404.0	-82.9	-32.6	1.3	
8TH	103.00	-6.6	11.4	2145	2145	-3.1	5.3	-7	-4	-191.4	392.4	-77.7	-30.1	1.4	
9TH	116.00	-7.3	11.3	2145	2145	-3.4	5.3	-7	-5	-184.8	380.9	-72.7	-27.6	1.5	
10TH	129.00	-7.9	11.1	2145	2145	-3.7	5.2	-8	-6	-177.6	369.7	-67.8	-25.3	1.6	
11TH	142.00	-8.5	11.0	2145	2145	-4.0	5.1	-8	-6	-169.7	358.6	-63.1	-23.0	1.7	
12TH	155.00	-8.7	11.2	2145	2145	-4.1	5.2	-7	-5	-161.2	347.6	-58.5	-20.8	1.9	
13TH	168.00	-8.9	11.5	2145	2145	-4.1	5.4	-5	-4	-152.5	336.4	-54.0	-18.8	2.0	
14TH	181.00	-9.0	11.8	2145	2145	-4.2	5.5	-4	-3	-143.6	324.9	-49.7	-16.9	2.1	
15TH	194.00	-9.2	12.1	2145	2145	-4.3	5.6	-3	-2	-134.6	313.1	-45.6	-15.1	2.2	
16TH	207.00	-9.3	12.5	2145	2145	-4.3	5.8	-1	-1	-125.4	301.0	-41.6	-13.4	2.2	
17TH	220.00	-9.0	13.1	2145	2145	-4.2	6.1	0	0	-116.1	288.5	-37.8	-11.8	2.3	
18TH	233.00	-8.7	13.7	2145	2145	-4.1	6.4	2	1	-107.1	275.5	-34.1	-10.4	2.3	
19TH	246.00	-8.4	14.2	2145	2145	-3.9	6.6	4	2	-98.4	261.8	-30.6	-9.0	2.2	
20TH	259.00	-8.5	14.9	2145	2145	-4.0	7.0	6	3	-90.0	247.6	-27.3	-7.8	2.1	
21ST	272.00	-8.1	15.1	2145	2145	-3.8	7.0	7	4	-81.4	232.7	-24.2	-6.7	2.0	
22ND	285.00	-7.3	14.8	2145	2145	-3.4	6.9	9	4	-73.3	217.6	-21.2	-5.7	1.9	
23RD	300.00	-8.2	16.5	2475	2475	-3.3	6.7	9	4	-66.0	202.8	-18.5	-4.8	1.7	
24TH	312.50	-5.4	15.0	1853	1853	-2.9	8.1	9	3	-57.8	186.3	-15.6	-3.9	1.5	
		-5.3	15.3	1812	1812	-2.9	8.5	9	3	-52.4	171.3	-13.4	-3.2	1.4	

TABLE 4. SHEAR AND MOMENT DIAGRAMS :
WIND DIRECTION 50 CONFIGURATION A

JENKINS/EMPIRE BUILDING - PITTSBURGH, PA
REFERENCE PRESSURE 23.0 PSF

GUST FACTOR 1.32

FLOOR	HEIGHT	FORCE (KIPS)		AREA (SQ FT)		PRESSURE (PSF)		ECCEN (FT)		SHEAR (KIPS)		MOMENT (1000-FT-KIPS)		
		X	Y	X	Y	X	Y	X	Y	X	Y	X	Y	Z
25TH	325.00	-5.3	15.4	1812	1812	-2.9	8.5	9	3	-47.1	156.0	-11.3	-2.5	1.2
26TH	337.50	-5.4	15.2	1812	1812	-3.0	8.4	9	3	-41.8	140.6	-9.5	-2.0	1.1
27TH	350.00	-5.4	15.1	1812	1812	-3.0	8.3	9	3	-36.4	125.4	-7.8	-1.5	.9
28TH	362.50	-5.5	14.9	1812	1812	-3.0	8.2	9	3	-31.0	110.2	-6.3	-1.1	.7
29TH	375.00	-5.7	14.6	1812	1812	-3.1	8.0	7	3	-25.5	95.4	-5.0	-.7	.6
30TH	387.50	-5.9	14.3	1812	1812	-3.2	7.9	6	2	-19.8	80.8	-3.9	-.4	.5
MEZZ	400.00	-6.3	14.5	1885	1885	-3.3	7.7	4	2	-13.9	66.5	-3.0	-.2	.4
ROOF	413.00	-9.0	34.2	4512	4512	-2.0	7.6	7	2	-7.6	52.1	-2.2	-.1	.3
PNT	458.00	1.4	17.9	3913	3925	.3	4.6	3	-0	1.4	17.9	-.7	.1	.1
TOP	533.00									0.0	0.0	0.0	0.0	0.0

TABLE 4. SHEAR AND MOMENT DIAGRAMS : JENKINS/EMPIRE BUILDING - PITTSBURGH, PA
WIND DIRECTION 60 CONFIGURATION A REFERENCE PRESSURE 23.0 PSF

GUST FACTOR 1.32

FLOOR	HEIGHT	FORCE (KIPS)		AREA (SQ FT)		PRESSURE (PSF)		ECCEN (FT)		SHEAR (KIPS)		MOMENT (1000-FT-KIPS)		
		X	Y	X	Y	X	Y	X	Y	X	Y	X	Y	Z
1ST	0.00	-1.6	6.0	2812	2812	-1.6	2.1	12	3	-93.3	414.3	-110.0	-14.5	3.0
MEZZ	12.50	-4.9	4.5	2363	2363	-2.1	1.9	-14	-15	-91.7	408.4	-104.8	-13.3	2.9
2ND	23.00	-8.1	5.2	2925	2925	-2.8	1.8	-15	-24	-86.8	403.9	-100.6	-12.4	3.0
3RD	36.00	-4.4	5.8	2925	2925	-1.5	2.0	-9	-7	-78.7	398.6	-95.4	-11.3	3.3
4TH	49.00	-2.4	11.0	2575	2575	-.9	4.3	3	1	-74.4	392.9	-90.2	-10.3	3.4
5TH	64.00	-2.1	9.2	2145	2145	-1.0	4.3	-0	-0	-72.0	381.9	-84.4	-9.2	3.3
6TH	77.00	-2.2	9.0	2145	2145	-1.0	4.2	-3	-1	-69.9	372.6	-79.5	-8.3	3.3
7TH	90.00	-2.6	8.9	2145	2145	-1.2	4.2	-4	-1	-67.6	363.7	-74.7	-7.4	3.4
8TH	103.00	-3.0	8.9	2145	2145	-1.4	4.2	-4	-1	-65.0	354.7	-70.0	-6.6	3.4
9TH	116.00	-3.4	8.9	2145	2145	-1.6	4.1	-5	-2	-62.0	345.8	-65.5	-5.7	3.5
10TH	129.00	-3.8	8.9	2145	2145	-1.8	4.1	-6	-2	-58.6	336.9	-61.0	-5.0	3.5
11TH	142.00	-4.1	9.3	2145	2145	-1.9	4.3	-3	-1	-54.8	328.0	-56.7	-4.2	3.6
12TH	155.00	-4.3	9.8	2145	2145	-2.0	4.6	-1	-0	-50.7	318.7	-52.5	-3.5	3.6
13TH	168.00	-4.6	10.3	2145	2145	-2.2	4.8	1	0	-46.4	308.9	-48.4	-2.9	3.6
14TH	181.00	-4.9	10.7	2145	2145	-2.3	5.0	3	1	-41.7	298.7	-44.5	-2.3	3.6
15TH	194.00	-5.0	11.2	2145	2145	-2.3	5.2	5	2	-36.8	288.0	-40.7	-1.8	3.6
16TH	207.00	-4.7	11.9	2145	2145	-2.2	5.5	7	3	-31.8	276.7	-37.0	-1.4	3.5
17TH	220.00	-4.3	12.5	2145	2145	-2.0	5.8	10	3	-27.2	264.8	-33.5	-1.0	3.4
18TH	233.00	-4.0	13.2	2145	2145	-1.9	6.1	12	4	-22.9	252.3	-30.1	-.7	3.3
19TH	246.00	-4.3	13.9	2145	2145	-2.0	6.5	14	4	-18.9	239.1	-26.9	-.4	3.1
20TH	259.00	-3.9	14.1	2145	2145	-1.8	6.6	16	4	-14.6	225.3	-23.9	-.2	2.9
21ST	272.00	-2.9	13.7	2145	2145	-1.3	6.4	18	4	-10.6	211.2	-21.1	-.0	2.6
22ND	285.00	-2.8	15.2	2475	2475	-1.1	6.1	17	3	-7.8	197.5	-18.4	.1	2.4
23RD	300.00	-1.6	14.3	1853	1853	-.8	7.7	14	2	-5.0	182.4	-15.6	.2	2.1
24TH	312.50	-1.2	14.6	1812	1812	-.7	8.1	14	1	-3.4	168.1	-13.4	.3	1.9

TABLE 4. SHEAR AND MOMENT DIAGRAMS :		JENKINS/EMPIRE BUILDING - PITTSBURGH, PA								GUST FACTOR 1.32				
WIND DIRECTION 60		CONFIGURATION A								REFERENCE PRESSURE 23.0 PSF				
FLOOR	HEIGHT	FORCE (KIPS)		AREA (SQ FT)		PRESSURE (PSF)		ECCEN (FT)		SHEAR (KIPS)		MOMENT (1000-FT-KIPS)		
		X	Y	X	Y	X	Y	X	Y	X	Y	X	Y	Z
25TH	325.00									-2.2	153.5	-11.4	.3	1.7
		-1.1	14.6	1812	1812	-.6	8.0	14	1	-1.1	138.9	-9.5	.3	1.5
26TH	337.50	-.9	14.5	1812	1812	-.5	8.0	15	1	-.2	124.5	-7.9	.3	1.3
27TH	350.00	-.8	14.4	1812	1812	-.4	7.9	15	1	.6	110.1	-6.4	.3	1.1
28TH	362.50	-.7	14.3	1812	1812	-.4	7.9	15	1	1.3	95.8	-5.1	.3	.8
29TH	375.00	-.7	14.1	1812	1812	-.4	7.8	14	1	2.0	81.7	-4.0	.3	.6
30TH	387.50	-.7	14.0	1812	1812	-.4	7.7	13	1	2.7	67.7	-3.1	.3	.5
MEZZ	400.00	-.8	14.3	1885	1885	-.4	7.6	12	1	3.6	53.4	-2.3	.2	.3
ROOF	413.00	1.3	35.0	4512	4512	.3	7.7	8	-0	2.3	18.5	-.7	.1	.0
PNT	458.00	2.3	18.5	3913	3925	.6	4.7	1	-0	0.0	0.0	0.0	0.0	0.0
TOP	533.00													

TABLE 4. SHEAR AND MOMENT DIAGRAMS : JENKINS/EMPIRE BUILDING - PITTSBURGH, PA
WIND DIRECTION 70 CONFIGURATION A REFERENCE PRESSURE 23.0 PSF

FLOOR	HEIGHT	FORCE (KIPS)		AREA (SQ FT)		PRESSURE (PSF)		ECCEN (FT)		SHEAR (KIPS)		MOMENT (1000-FT-KIPS)		
		X	Y	X	Y	X	Y	X	Y	X	Y	X	Y	Z
1ST	0.00													
		-.4	3.5	2812	2812	-.2	1.2	16	2	-3.6	231.7	-61.7	2.1	1.9
MEZZ	12.50													
		-2.2	2.7	2363	2363	-.9	1.1	-11	-9	-3.1	228.3	-58.8	2.1	1.9
2ND	23.00													
		-3.9	3.1	2925	2925	-1.3	1.1	-14	-17	-.9	225.6	-56.4	2.2	1.9
3RD	36.00													
		-1.4	3.4	2925	2925	-.5	1.2	4	2	3.0	222.5	-53.5	2.2	2.0
4TH	49.00													
		-.3	5.7	2575	2575	-.1	2.2	8	0	4.3	219.1	-50.6	2.1	2.0
5TH	64.00													
		-.0	5.0	2145	2145	-.0	2.3	5	0	4.7	213.4	-47.4	2.0	2.0
6TH	77.00													
		.0	5.1	2145	2145	.0	2.4	5	-0	4.7	208.4	-44.6	2.0	2.0
7TH	90.00													
		-.1	5.2	2145	2145	-.0	2.4	5	0	4.6	203.3	-42.0	1.9	1.9
8TH	103.00													
		-.2	5.4	2145	2145	-.1	2.5	6	0	4.7	198.0	-39.4	1.9	1.9
9TH	116.00													
		-.3	5.5	2145	2145	-.1	2.6	6	0	4.9	192.7	-36.8	1.8	1.9
10TH	129.00													
		-.4	5.7	2145	2145	-.2	2.6	6	0	5.2	187.2	-34.3	1.7	1.8
11TH	142.00													
		-.4	5.9	2145	2145	-.2	2.7	8	1	5.6	181.5	-32.0	1.7	1.8
12TH	155.00													
		-.4	6.1	2145	2145	-.2	2.9	9	1	6.1	175.6	-29.6	1.6	1.8
13TH	168.00													
		-.4	6.4	2145	2145	-.2	3.0	10	1	6.5	169.5	-27.4	1.5	1.7
14TH	181.00													
		-.4	6.6	2145	2145	-.2	3.1	12	1	6.9	163.1	-25.2	1.4	1.6
15TH	194.00													
		-.4	6.8	2145	2145	-.2	3.2	13	1	7.3	156.5	-23.1	1.3	1.6
16TH	207.00													
		-.2	6.9	2145	2145	-.1	3.2	14	0	7.7	149.6	-21.2	1.2	1.5
17TH	220.00													
		-.0	7.0	2145	2145	-.0	3.3	15	0	7.9	142.7	-19.3	1.1	1.4
18TH	233.00													
		.1	7.1	2145	2145	.1	3.3	17	-0	7.9	135.6	-17.4	1.0	1.3
19TH	246.00													
		.0	7.1	2145	2145	.0	3.3	18	-0	7.8	128.5	-15.7	.9	1.2
20TH	259.00													
		.2	6.7	2145	2145	.1	3.1	21	-1	7.7	121.4	-14.1	.8	1.0
21ST	272.00													
		.4	6.3	2145	2145	.2	2.9	22	-1	7.6	114.7	-12.6	.7	.9
22ND	285.00													
		.2	6.7	2475	2475	.1	2.7	18	-1	7.2	108.4	-11.1	.6	.7
23RD	300.00													
		.5	6.7	1853	1853	.3	3.6	12	-1	6.9	101.7	-9.5	.5	.6
24TH	312.50													
		.6	7.1	1812	1812	.3	3.9	11	-1	6.4	95.0	-8.3	.4	.5

TABLE 4. SHEAR AND MOMENT DIAGRAMS :														
WIND DIRECTION 70		CONFIGURATION A				JENKINS/EMPIRE BUILDING - PITTSBURGH, PA				GUST FACTOR 1.32				
FLOOR	HEIGHT	FORCE (KIPS)		AREA (SQ FT)		PRESSURE (PSF)		ECCEN (FT)		SHEAR (KIPS)		MOMENT (1000-FT-KIPS)		
		X	Y	X	Y	X	Y	X	Y	X	Y	X	Y	Z
25TH	325.00			1812	1812	.3	4.0	10	-1	5.8	87.9	-7.2	.4	.5
26TH	337.50	.6	7.2	1812	1812	.3	4.0	10	-1	5.2	80.7	-6.1	.3	.4
27TH	350.00	.6	7.2	1812	1812	.3	4.0	10	-1	4.6	73.5	-5.2	.2	.3
28TH	362.50	.7	7.1	1812	1812	.4	3.9	10	-1	3.9	66.4	-4.3	.2	.3
29TH	375.00	.7	7.2	1812	1812	.4	4.0	9	-1	3.2	59.2	-3.5	.1	.2
30TH	387.50	.7	7.4	1812	1812	.4	4.1	8	-1	2.6	51.8	-2.8	.1	.1
MEZZ	400.00	.7	7.5	1812	1812	.4	4.2	7	-1	1.9	44.3	-2.2	.1	.1
ROOF	413.00	.7	8.2	1885	1885	.4	4.3	6	-1	1.2	36.1	-1.7	.0	.0
PNT	458.00	.9	21.6	4512	4512	.2	4.8	1	-0	.3	14.5	-.5	.0	-.0
TOP	533.00	.3	14.5	3913	3925	.1	3.7	-1	0	0.0	0.0	0.0	0.0	0.0

TABLE 4. SHEAR AND MOMENT DIAGRAMS : JENKINS/EMPIRE BUILDING - PITTSBURGH, PA
 WIND DIRECTION 80 CONFIGURATION A REFERENCE PRESSURE 23.0 PSF

FLOOR	HEIGHT	FORCE (KIPS)		AREA (SQ FT)		PRESSURE (PSF)		ECCEN (FT)		SHEAR (KIPS)		MOMENT (1000-FT-KIPS)		
		X	Y	X	Y	X	Y	X	Y	X	Y	X	Y	Z
1ST	0.00	.2	2.8	2812	2812	.1	1.0	27	-2	75.6	203.8	-62.4	21.0	.6
MEZZ	12.50	-.9	2.1	2363	2363	-.4	.9	2	1	75.4	201.0	-59.9	20.1	.5
2ND	23.00	-1.7	2.4	2925	2925	-.6	.8	-6	-4	76.3	198.9	-57.8	19.3	.5
3RD	36.00	.1	2.5	2925	2925	.0	.8	25	-1	78.0	196.6	-55.2	18.3	.5
4TH	49.00	1.1	3.6	2575	2575	.4	1.4	12	-4	77.9	194.1	-52.7	17.3	.5
5TH	64.00	1.1	3.1	2145	2145	.5	1.4	10	-3	76.8	190.5	-49.8	16.1	.4
6TH	77.00	1.3	3.1	2145	2145	.6	1.4	11	-5	75.7	187.4	-47.4	15.1	.4
7TH	90.00	1.4	3.1	2145	2145	.7	1.5	13	-6	74.5	184.3	-44.9	14.1	.4
8TH	103.00	1.6	3.2	2145	2145	.7	1.5	15	-8	73.0	181.2	-42.6	13.2	.3
9TH	116.00	1.8	3.2	2145	2145	.8	1.5	17	-9	71.4	178.0	-40.2	12.2	.2
10TH	129.00	2.0	3.3	2145	2145	.9	1.5	18	-11	69.6	174.7	-37.9	11.3	.2
11TH	142.00	2.1	3.4	2145	2145	1.0	1.6	18	-11	67.7	171.5	-35.7	10.4	.1
12TH	155.00	2.2	3.6	2145	2145	1.0	1.7	17	-10	65.6	168.0	-33.5	9.6	.0
13TH	168.00	2.3	3.8	2145	2145	1.1	1.8	16	-10	63.4	164.4	-31.3	8.7	-.1
14TH	181.00	2.4	3.9	2145	2145	1.1	1.8	15	-9	61.2	160.6	-29.2	7.9	-.2
15TH	194.00	2.5	4.1	2145	2145	1.2	1.9	14	-9	58.8	156.7	-27.1	7.1	-.2
16TH	207.00	2.7	4.2	2145	2145	1.3	1.9	13	-8	56.3	152.6	-25.1	6.4	-.3
17TH	220.00	2.9	4.3	2145	2145	1.4	2.0	12	-8	53.6	148.4	-23.2	5.7	-.4
18TH	233.00	3.1	4.4	2145	2145	1.5	2.0	10	-7	50.7	144.2	-21.3	5.0	-.5
19TH	246.00	3.4	4.6	2145	2145	1.6	2.1	9	-7	47.6	139.8	-19.4	4.3	-.5
20TH	259.00	3.4	4.2	2145	2145	1.6	2.0	7	-6	44.2	135.2	-17.6	3.7	-.6
21ST	272.00	3.2	3.4	2145	2145	1.5	1.6	5	-5	40.9	131.0	-15.9	3.2	-.6
22ND	285.00	3.6	2.8	2475	2475	1.5	1.1	2	-3	37.7	127.6	-14.2	2.7	-.7
23RD	300.00	3.8	7.1	1853	1853	2.0	3.8	-4	2	34.1	124.8	-12.3	2.1	-.7
24TH	312.50	3.7	7.9	1812	1812	2.1	4.4	-5	2	30.3	117.7	-10.8	1.7	-.7

TABLE 4. SHEAR AND MOMENT DIAGRAMS :														
WIND DIRECTION 80		JENKINS/EMPIRE BUILDING - PITTSBURGH, PA										GUST FACTOR 1.32		
		CONFIGURATION A										REFERENCE PRESSURE 23.0 PSF		
FLOOR	HEIGHT	FORCE (KIPS)		AREA (SQ FT)		PRESSURE (PSF)		ECCEN (FT)		SHEAR (KIPS)		MOMENT (1000-FT-KIPS)		
		X	Y	X	Y	X	Y	X	Y	X	Y	X	Y	Z
25TH	325.00									26.6	109.8	-9.4	1.4	-.6
26TH	337.50	3.6	8.0	1812	1812	2.0	4.4	-5	2	23.0	101.9	-8.1	1.1	-.6
27TH	350.00	3.4	7.8	1812	1812	1.9	4.3	-6	3	19.6	94.0	-6.8	.8	-.5
28TH	362.50	3.3	7.7	1812	1812	1.8	4.2	-6	3	16.4	86.4	-5.7	.6	-.4
29TH	375.00	3.1	8.1	1812	1812	1.7	4.5	-6	2	13.3	78.3	-4.7	.4	-.4
30TH	387.50	3.0	8.9	1812	1812	1.6	4.9	-6	2	10.3	69.4	-3.8	.3	-.3
MEZZ	400.00	2.8	9.7	1812	1812	1.6	5.4	-5	1	7.5	59.7	-3.0	.1	-.3
ROOF	413.00	2.8	10.9	1885	1885	1.5	5.8	-4	1	4.7	48.8	-2.3	.1	-.2
PNT	458.00	5.4	29.5	4512	4512	1.2	6.5	-5	1	-.7	19.3	-.7	-.0	-.1
TOP	533.00	-.7	19.3	3913	3925	-.2	4.9	-4	-0	0.0	0.0	0.0	0.0	0.0

TABLE 4. SHEAR AND MOMENT DIAGRAMS : JENKINS/EMPIRE BUILDING - PITTSBURGH, PA
 WIND DIRECTION 90 CONFIGURATION A REFERENCE PRESSURE 23.0 PSF

FLOOR	HEIGHT	FORCE (KIPS)		AREA (SQ FT)		PRESSURE (PSF)		ECCEN (FT)		SHEAR (KIPS)		MOMENT (1000-FT-KIPS)		
		X	Y	X	Y	X	Y	X	Y	X	Y	X	Y	Z
1ST	0.00	1.4	2.8	2812	2812	.5	1.0	31	-16	160.2	207.9	-65.7	39.9	.9
MEZZ	12.50	.9	2.1	2363	2363	.4	.9	28	-12	158.7	205.1	-63.2	37.9	.8
2ND	23.00	1.0	2.4	2925	2925	.3	.8	28	-11	157.8	203.0	-61.0	36.2	.7
3RD	36.00	1.8	2.6	2925	2925	.6	.9	29	-19	156.9	200.6	-58.4	34.2	.7
4TH	49.00	3.5	3.3	2575	2575	1.3	1.3	14	-15	155.1	197.9	-55.8	32.1	.5
5TH	64.00	3.2	2.8	2145	2145	1.5	1.3	10	-12	151.6	194.7	-52.9	29.8	.5
6TH	77.00	3.5	2.8	2145	2145	1.6	1.3	9	-11	148.4	191.8	-50.3	27.9	.4
7TH	90.00	3.8	2.7	2145	2145	1.8	1.3	8	-12	144.9	189.1	-47.9	26.0	.3
8TH	103.00	4.1	2.6	2145	2145	1.9	1.2	7	-11	141.1	186.4	-45.4	24.1	.3
9TH	116.00	4.4	2.5	2145	2145	2.0	1.2	7	-11	137.1	183.8	-43.0	22.3	.2
10TH	129.00	4.7	2.5	2145	2145	2.2	1.2	6	-11	132.7	181.2	-40.7	20.6	.1
11TH	142.00	4.9	2.7	2145	2145	2.3	1.2	6	-11	128.1	178.8	-38.3	18.9	.1
12TH	155.00	5.1	2.9	2145	2145	2.4	1.3	6	-10	123.2	176.1	-36.0	17.2	-.0
13TH	168.00	5.3	3.1	2145	2145	2.5	1.4	5	-9	118.1	173.2	-33.7	15.7	-.1
14TH	181.00	5.5	3.3	2145	2145	2.6	1.5	5	-9	112.9	170.1	-31.5	14.2	-.1
15TH	194.00	5.7	3.5	2145	2145	2.7	1.6	5	-8	107.4	166.9	-29.3	12.7	-.2
16TH	207.00	6.0	3.7	2145	2145	2.8	1.7	5	-7	101.7	163.4	-27.2	11.4	-.3
17TH	220.00	6.3	3.9	2145	2145	2.9	1.8	4	-7	95.7	159.7	-25.1	10.1	-.3
18TH	233.00	6.5	4.1	2145	2145	3.1	1.9	4	-6	89.4	155.8	-23.0	8.9	-.4
19TH	246.00	6.9	4.6	2145	2145	3.2	2.1	3	-5	82.9	151.6	-21.0	7.8	-.4
20TH	259.00	6.6	4.2	2145	2145	3.1	2.0	3	-4	76.0	147.0	-19.1	6.7	-.5
21ST	272.00	5.9	3.0	2145	2145	2.7	1.4	1	-3	69.4	142.8	-17.2	5.8	-.5
22ND	285.00	6.2	1.9	2475	2475	2.5	.8	-0	1	63.5	139.8	-15.4	4.9	-.6
23RD	300.00	5.7	8.4	1853	1853	3.1	4.5	-3	2	57.3	137.9	-13.3	4.0	-.5
24TH	312.50	5.7	9.3	1812	1812	3.1	5.1	-3	2	51.7	129.5	-11.6	3.3	-.5

TABLE 4. SHEAR AND MOMENT DIAGRAMS :														
WIND DIRECTION 90		JENKINS/EMPIRE BUILDING - PITTSBURGH, PA								GUST FACTOR 1.32				
		CONFIGURATION A				REFERENCE PRESSURE 23.0 PSF								
FLOOR	HEIGHT	FORCE (KIPS)		AREA (SQ FT)		PRESSURE (PSF)		ECCEN (FT)		SHEAR (KIPS)		MOMENT (1000-FT-KIPS)		
		X	Y	X	Y	X	Y	X	Y	X	Y	X	Y	Z
25TH	325.00	5.5	9.3	1812	1812	3.0	5.1	-4	2	46.0	120.2	-10.0	2.7	-.5
26TH	337.50	5.3	9.0	1812	1812	2.9	5.0	-4	2	40.5	110.9	-8.6	2.2	-.4
27TH	350.00	5.2	8.7	1812	1812	2.8	4.8	-5	3	35.1	101.8	-7.3	1.7	-.4
28TH	362.50	5.0	9.1	1812	1812	2.8	5.0	-4	2	30.0	93.1	-6.0	1.3	-.3
29TH	375.00	4.9	9.9	1812	1812	2.7	5.5	-3	1	25.0	84.0	-4.9	1.0	-.3
30TH	387.50	4.7	10.7	1812	1812	2.6	5.9	-2	1	20.1	74.1	-4.0	.7	-.2
MEZZ	400.00	4.8	11.9	1885	1885	2.5	6.3	-1	0	15.4	63.4	-3.1	.5	-.2
ROOF	413.00	9.5	31.7	4512	4512	2.1	7.0	-4	1	10.6	51.5	-2.3	.3	-.2
PNT	458.00	1.1	19.8	3913	3925	.3	5.0	-4	0	1.1	19.8	-.7	.0	-.1
TOP	533.00									0.0	0.0	0.0	0.0	0.0

TABLE 4. SHEAR AND MOMENT DIAGRAMS : JENKINS/EMPIRE BUILDING - PITTSBURGH, PA
 WIND DIRECTION 100 CONFIGURATION A REFERENCE PRESSURE 23.0 PSF

FLOOR	HEIGHT	FORCE (KIPS)		AREA (SQ FT)		PRESSURE (PSF)		ECCEN (FT)		SHEAR (KIPS)		MOMENT (1000-FT-KIPS)		
		X	Y	X	Y	X	Y	X	Y	X	Y	X	Y	Z
1ST	0.00									173.2	196.7	-52.2	43.1	.1
MEZZ	12.50	1.5	3.4	2812	2812	.5	1.2	1	-0	171.8	193.3	-49.8	40.9	.1
2ND	23.00	1.2	2.8	2363	2363	.5	1.2	-2	1	170.6	190.5	-47.8	39.1	.1
3RD	36.00	1.3	3.5	2925	2925	.4	1.2	-5	2	169.3	187.0	-45.3	36.9	.1
4TH	49.00	1.3	4.1	2925	2925	.4	1.4	-7	2	168.0	182.9	-42.9	34.7	.2
5TH	64.00	3.5	5.1	2575	2575	1.3	2.0	-5	4	164.5	177.8	-40.2	32.2	.2
6TH	77.00	3.7	4.6	2145	2145	1.7	2.2	-7	6	160.9	173.2	-37.9	30.1	.3
7TH	90.00	4.2	4.8	2145	2145	2.0	2.2	-6	5	156.7	168.4	-35.7	28.1	.3
8TH	103.00	4.7	4.8	2145	2145	2.2	2.3	-4	4	151.9	163.5	-33.5	26.1	.4
9TH	116.00	5.2	4.9	2145	2145	2.4	2.3	-2	2	146.7	158.7	-31.5	24.1	.4
10TH	129.00	5.7	4.9	2145	2145	2.6	2.3	-0	0	141.1	153.8	-29.4	22.2	.4
11TH	142.00	6.2	4.9	2145	2145	2.9	2.3	1	-1	134.9	148.9	-27.5	20.5	.4
12TH	155.00	6.2	4.9	2145	2145	2.9	2.3	2	-2	128.6	144.0	-25.5	18.7	.3
13TH	168.00	6.3	4.9	2145	2145	2.9	2.3	2	-2	122.3	139.1	-23.7	17.1	.3
14TH	181.00	6.3	4.9	2145	2145	3.0	2.3	2	-3	116.0	134.2	-21.9	15.6	.3
15TH	194.00	6.4	4.9	2145	2145	3.0	2.3	2	-3	109.6	129.3	-20.2	14.1	.3
16TH	207.00	6.4	4.9	2145	2145	3.0	2.3	3	-4	103.2	124.4	-18.6	12.7	.2
17TH	220.00	6.3	5.0	2145	2145	3.0	2.3	3	-4	96.9	119.4	-17.0	11.4	.2
18TH	233.00	6.3	5.0	2145	2145	2.9	2.3	3	-4	90.6	114.4	-15.5	10.2	.1
19TH	246.00	6.2	5.0	2145	2145	2.9	2.3	3	-4	84.3	109.4	-14.0	9.1	.1
20TH	259.00	6.2	5.2	2145	2145	2.9	2.4	4	-4	78.2	104.2	-12.6	8.0	.0
21ST	272.00	5.7	5.0	2145	2145	2.7	2.3	3	-4	72.4	99.2	-11.3	7.0	.0
22ND	285.00	5.2	4.2	2145	2145	2.4	2.0	2	-3	67.3	95.0	-10.0	6.1	-.0
23RD	300.00	5.4	3.9	2475	2475	2.2	1.6	2	-2	61.9	91.0	-8.6	5.1	-.0
24TH	312.50	5.2	6.0	1853	1853	2.8	3.2	1	-1	56.7	85.1	-7.5	4.4	-.0
		5.3	6.4	1812	1812	2.9	3.5	0	-0					

TABLE 4. SHEAR AND MOMENT DIAGRAMS :														
WIND DIRECTION 100		JENKINS/EMPIRE BUILDING - PITTSBURGH, PA								GUST FACTOR 1.32				
FLOOR	HEIGHT	FORCE (KIPS)		AREA (SQ FT)		PRESSURE (PSF)		ECCEN (FT)		SHEAR (KIPS)		MOMENT (1000-FT-KIPS)		
		X	Y	X	Y	X	Y	X	Y	X	Y	Z		
25TH	325.00									51.4	78.7	-6.5	3.7	-0
26TH	337.50	5.2	6.4	1812	1812	2.8	3.5	0	-0	46.2	72.3	-5.6	3.1	-0
27TH	350.00	4.9	6.3	1812	1812	2.7	3.5	0	-0	41.3	66.1	-4.7	2.6	-0
28TH	362.50	4.7	6.2	1812	1812	2.6	3.4	-0	0	36.5	59.9	-3.9	2.1	-0
29TH	375.00	4.6	6.3	1812	1812	2.5	3.5	-0	0	31.9	53.6	-3.2	1.7	-0
30TH	387.50	4.6	6.6	1812	1812	2.5	3.6	0	-0	27.3	47.0	-2.6	1.3	-0
MEZZ	400.00	4.5	6.9	1812	1812	2.5	3.8	0	-0	22.8	40.1	-2.0	1.0	-0
ROOF	413.00	4.6	7.5	1885	1885	2.4	4.0	1	-0	18.2	32.5	-1.6	.7	-1
PNT	458.00	13.3	18.6	4512	4512	3.0	4.1	-0	0	4.9	14.0	-1.5	.2	-0
TOP	533.00	4.9	14.0	3913	3925	1.3	3.6	-3	1	0.0	0.0	0.0	0.0	0.0

TABLE 4. SHEAR AND MOMENT DIAGRAMS : JENKINS/EMPIRE BUILDING - PITTSBURGH, PA
 WIND DIRECTION 110 CONFIGURATION A REFERENCE PRESSURE 23.0 PSF

GUST FACTOR 1.32

FLOOR	HEIGHT	FORCE (KIPS)		AREA (SQ FT)		PRESSURE (PSF)		ECCEN (FT)		SHEAR (KIPS)		MOMENT (1000-FT-KIPS)		
		X	Y	X	Y	X	Y	X	Y	X	Y	X	Y	Z
1ST	0.00	3.3	5.9	2812	2812	1.2	2.1	-9	5	278.4	231.7	-57.1	68.1	1.4
MEZZ	12.50	3.1	5.0	2363	2363	1.3	2.1	-3	2	275.1	225.8	-54.2	64.6	1.4
2ND	23.00	3.7	6.5	2925	2925	1.3	2.2	-1	1	271.9	220.8	-51.9	61.8	1.4
3RD	36.00	3.0	7.3	2925	2925	1.0	2.5	-5	2	268.2	214.3	-49.1	58.2	1.4
4TH	49.00	6.9	8.6	2575	2575	2.7	3.4	-4	3	265.1	207.0	-46.3	54.8	1.5
5TH	64.00	6.7	7.2	2145	2145	3.1	3.3	-2	2	258.3	198.4	-43.3	50.8	1.5
6TH	77.00	7.3	6.8	2145	2145	3.4	3.2	-1	1	251.5	191.2	-40.8	47.5	1.6
7TH	90.00	7.9	6.5	2145	2145	3.7	3.0	1	-1	244.2	184.5	-38.3	44.3	1.6
8TH	103.00	8.5	6.2	2145	2145	4.0	2.9	2	-2	236.3	178.0	-36.0	41.2	1.6
9TH	116.00	9.1	5.9	2145	2145	4.3	2.8	3	-4	227.7	171.8	-33.7	38.2	1.5
10TH	129.00	9.7	5.6	2145	2145	4.5	2.6	3	-4	218.6	165.8	-31.5	35.3	1.5
11TH	142.00	9.7	5.5	2145	2145	4.5	2.6	4	-6	208.8	160.2	-29.4	32.5	1.4
12TH	155.00	9.7	5.3	2145	2145	4.5	2.5	4	-7	199.1	154.7	-27.3	29.8	1.3
13TH	168.00	9.6	5.2	2145	2145	4.5	2.4	4	-8	189.4	149.4	-25.4	27.3	1.2
14TH	181.00	9.6	5.1	2145	2145	4.5	2.4	4	-8	179.8	144.2	-23.4	24.9	1.2
15TH	194.00	9.5	5.0	2145	2145	4.4	2.3	4	-9	170.2	139.1	-21.6	22.6	1.1
16TH	207.00	9.5	5.2	2145	2145	4.4	2.4	5	-8	160.7	134.1	-19.8	20.5	.9
17TH	220.00	9.5	5.4	2145	2145	4.4	2.5	5	-8	151.1	128.9	-18.1	18.5	.8
18TH	233.00	9.5	5.6	2145	2145	4.4	2.6	5	-8	141.6	123.5	-16.5	16.6	.7
19TH	246.00	9.2	5.8	2145	2145	4.3	2.7	5	-8	132.2	118.0	-14.9	14.8	.6
20TH	259.00	8.7	5.6	2145	2145	4.1	2.6	5	-8	122.9	112.2	-13.4	13.1	.5
21ST	272.00	8.2	5.1	2145	2145	3.8	2.4	4	-6	114.2	106.6	-12.0	11.6	.4
22ND	285.00	9.0	5.3	2475	2475	3.6	2.1	3	-5	106.0	101.6	-10.6	10.2	.4
23RD	300.00	7.5	6.3	1853	1853	4.0	3.4	3	-3	97.0	96.2	-9.1	8.6	.3
24TH	312.50	7.6	6.6	1812	1812	4.2	3.7	2	-3	89.5	89.9	-8.0	7.5	.3

TABLE 4. SHEAR AND MOMENT DIAGRAMS :
 WIND DIRECTION 110
 JENKINS/EMPIRE BUILDING - PITTSBURGH, PA
 CONFIGURATION A
 REFERENCE PRESSURE 23.0 PSF

FLOOR	HEIGHT	FORCE (KIPS)		AREA (SQ FT)		PRESSURE (PSF)		ECCEN (FT)		SHEAR (KIPS)		GUST FACTOR 1.32 MOMENT (1000-FT-KIPS)		
		X	Y	X	Y	X	Y	X	Y	X	Y	X	Y	Z
25TH	325.00	7.5	6.7	1812	1812	4.1	3.7	2	-3	81.9	83.3	-6.9	6.4	.2
26TH	337.50	7.4	6.7	1812	1812	4.1	3.7	2	-2	74.4	76.6	-5.9	5.4	.2
27TH	350.00	7.2	6.7	1812	1812	4.0	3.7	2	-2	67.0	69.9	-5.0	4.5	.2
28TH	362.50	7.1	6.8	1812	1812	3.9	3.8	2	-2	59.8	63.2	-4.2	3.7	.1
29TH	375.00	7.0	7.1	1812	1812	3.9	3.9	2	-2	52.7	56.4	-3.4	3.0	.1
30TH	387.50	6.9	7.3	1812	1812	3.8	4.0	2	-2	45.7	49.3	-2.7	2.4	.1
MEZZ	400.00	7.1	7.8	1885	1885	3.8	4.2	2	-1	38.8	42.0	-2.2	1.9	.0
ROOF	413.00	19.6	19.0	4512	4512	4.4	4.2	1	-1	31.7	34.2	-1.7	1.4	.0
PNT	458.00	12.1	15.2	3913	3925	3.1	3.9	-1	1	12.1	15.2	-.6	.5	-.0
TOP	533.00									0.0	0.0	0.0	0.0	0.0

TABLE 4. SHEAR AND MOMENT DIAGRAMS : JENKINS/EMPIRE BUILDING - PITTSBURGH, PA
 WIND DIRECTION 120 CONFIGURATION A REFERENCE PRESSURE 23.0 PSF

FLOOR	HEIGHT	FORCE (KIPS)		AREA (SQ FT)		PRESSURE (PSF)		ECCEN (FT)		SHEAR (KIPS)		MOMENT (1000-FT-KIPS)		
		X	Y	X	Y	X	Y	X	Y	X	Y	X	Y	Z
1ST	0.00	6.4	8.8	2812	2812	2.3	3.1	-11	8	581.7	389.0	-89.0	152.5	3.5
MEZZ	12.50	6.8	7.7	2363	2363	2.9	3.2	-1	0	575.3	380.2	-84.2	145.2	3.6
2ND	23.00	8.4	10.5	2925	2925	2.9	3.6	3	-2	568.5	372.5	-80.3	139.2	3.6
3RD	36.00	6.5	12.7	2925	2925	2.2	4.4	-3	1	560.0	362.0	-75.5	131.9	3.6
4TH	49.00	13.0	14.8	2575	2575	5.0	5.7	-5	4	553.5	349.3	-70.9	124.7	3.6
5TH	64.00	11.7	12.7	2145	2145	5.5	5.9	-4	4	540.5	334.5	-65.7	116.5	3.8
6TH	77.00	12.3	12.5	2145	2145	5.7	5.8	-3	3	528.8	321.8	-61.5	109.5	3.8
7TH	90.00	13.0	12.0	2145	2145	6.1	5.6	-1	1	516.4	309.4	-57.4	102.7	3.9
8TH	103.00	13.7	11.6	2145	2145	6.4	5.4	0	-0	503.4	297.3	-53.4	96.1	3.9
9TH	116.00	14.4	11.2	2145	2145	6.7	5.2	1	-2	489.7	285.8	-49.6	89.6	3.9
10TH	129.00	15.1	10.7	2145	2145	7.0	5.0	2	-3	475.3	274.6	-46.0	83.3	3.9
11TH	142.00	15.5	10.5	2145	2145	7.2	4.9	3	-4	460.2	263.9	-42.5	77.3	3.8
12TH	155.00	15.9	10.2	2145	2145	7.4	4.8	3	-5	444.8	253.4	-39.1	71.4	3.7
13TH	168.00	16.2	10.0	2145	2145	7.6	4.6	4	-6	428.9	243.2	-35.9	65.7	3.6
14TH	181.00	16.6	9.7	2145	2145	7.8	4.5	4	-7	412.6	233.3	-32.8	60.2	3.5
15TH	194.00	17.1	9.8	2145	2145	8.0	4.5	4	-8	396.0	223.5	-29.8	55.0	3.3
16TH	207.00	17.8	10.5	2145	2145	8.3	4.9	5	-8	378.9	213.8	-27.0	49.9	3.1
17TH	220.00	18.4	11.2	2145	2145	8.6	5.2	5	-8	361.2	203.3	-24.3	45.1	3.0
18TH	233.00	19.1	11.9	2145	2145	8.9	5.5	5	-8	342.7	192.1	-21.7	40.6	2.7
19TH	246.00	19.8	12.0	2145	2145	9.3	5.6	5	-9	323.6	180.2	-19.3	36.2	2.5
20TH	259.00	19.9	11.8	2145	2145	9.3	5.5	5	-8	303.8	168.3	-17.0	32.1	2.3
21ST	272.00	19.5	11.8	2145	2145	9.1	5.5	5	-8	283.8	156.5	-14.9	28.3	2.1
22ND	285.00	21.8	13.5	2475	2475	8.8	5.4	5	-8	264.4	144.6	-13.0	24.8	1.9
23RD	300.00	18.6	10.0	1853	1853	10.0	5.4	4	-8	242.6	131.2	-10.9	21.0	1.6
24TH	312.50	19.2	10.4	1812	1812	10.6	5.7	4	-7	224.0	121.2	-9.3	18.0	1.4

TABLE 4. SHEAR AND MOMENT DIAGRAMS :														
WIND DIRECTION 120		JENKINS/EMPIRE BUILDING - PITTSBURGH, PA										GUST FACTOR 1.32		
		CONFIGURATION A										REFERENCE PRESSURE 23.0 PSF		
FLOOR	HEIGHT	FORCE (KIPS)		AREA (SQ FT)		PRESSURE (PSF)		ECCEN (FT)		SHEAR (KIPS)		MOMENT (1000-FT-KIPS)		
		X	Y	X	Y	X	Y	X	Y	X	Y	Z		
25TH	325.00									204.8	110.8	-7.9	15.4	1.2
26TH	337.50	19.4	10.5	1812	1812	10.7	5.8	4	-7	185.4	100.3	-6.5	12.9	1.0
27TH	350.00	19.2	10.6	1812	1812	10.6	5.8	4	-7	166.2	89.7	-5.4	10.7	.9
28TH	362.50	19.0	10.6	1812	1812	10.5	5.9	4	-7	147.2	79.1	-4.3	8.8	.7
29TH	375.00	18.8	10.7	1812	1812	10.4	5.9	4	-7	128.4	68.4	-3.4	7.1	.5
30TH	387.50	18.5	11.0	1812	1812	10.2	6.0	3	-5	110.0	57.4	-2.6	5.6	.4
MEZZ	400.00	18.1	11.2	1812	1812	10.0	6.2	2	-3	91.8	46.2	-1.9	4.3	.3
ROOF	413.00	18.6	12.1	1885	1885	9.8	6.4	1	-2	73.3	34.1	-1.4	3.2	.3
PNT	458.00	47.0	23.2	4512	4512	10.4	5.1	2	-4	26.3	10.9	-.4	1.0	.0
TOP	533.00	26.3	10.9	3913	3925	6.7	2.8	0	-1	0.0	0.0	0.0	0.0	0.0

TABLE 4. SHEAR AND MOMENT DIAGRAMS : JENKINS/EMPIRE BUILDING - PITTSBURGH, PA
 WIND DIRECTION 130 CONFIGURATION A REFERENCE PRESSURE 23.0 PSF

FLOOR	HEIGHT	FORCE (KIPS)		AREA (SQ FT)		PRESSURE (PSF)		ECCEN (FT)		SHEAR (KIPS)		MOMENT (1000-FT-KIPS)		
		X	Y	X	Y	X	Y	X	Y	X	Y	X	Y	Z
1ST	0.00	8.1	7.3	2812	2812	2.9	2.6	-6	6	568.9	363.3	-81.4	151.2	2.2
MEZZ	12.50	7.5	6.5	2363	2363	3.2	2.7	-1	2	560.7	356.0	-76.9	144.1	2.3
2ND	23.00	8.6	8.9	2925	2925	2.9	3.0	-0	0	553.3	349.5	-73.2	138.3	2.3
3RD	36.00	6.2	10.4	2925	2925	2.1	3.6	-8	5	544.7	340.6	-68.7	131.1	2.3
4TH	49.00	12.6	13.2	2575	2575	4.9	5.1	-8	8	538.5	330.2	-64.4	124.1	2.4
5TH	64.00	11.7	11.5	2145	2145	5.5	5.3	-9	10	525.9	317.0	-59.5	116.1	2.6
6TH	77.00	12.4	11.3	2145	2145	5.8	5.3	-9	9	514.2	305.5	-55.5	109.3	2.8
7TH	90.00	12.8	11.2	2145	2145	6.0	5.2	-7	8	501.8	294.2	-51.6	102.7	3.0
8TH	103.00	13.2	11.1	2145	2145	6.2	5.2	-5	6	489.0	283.0	-47.8	96.3	3.2
9TH	116.00	13.6	11.1	2145	2145	6.4	5.2	-3	4	475.7	271.8	-44.2	90.0	3.3
10TH	129.00	14.0	11.0	2145	2145	6.5	5.1	-2	3	462.1	260.8	-40.8	83.9	3.4
11TH	142.00	14.2	10.9	2145	2145	6.6	5.1	-1	1	448.0	249.8	-37.4	78.0	3.5
12TH	155.00	14.3	10.8	2145	2145	6.6	5.0	0	-1	433.9	238.9	-34.3	72.3	3.5
13TH	168.00	14.3	10.7	2145	2145	6.7	5.0	2	-2	419.6	228.1	-31.2	66.7	3.5
14TH	181.00	14.4	10.6	2145	2145	6.7	4.9	3	-4	405.3	217.4	-28.3	61.4	3.5
15TH	194.00	14.8	10.7	2145	2145	6.9	5.0	4	-5	390.9	206.8	-25.6	56.2	3.4
16TH	207.00	15.7	11.2	2145	2145	7.3	5.2	4	-6	376.1	196.1	-23.0	51.2	3.2
17TH	220.00	16.7	11.7	2145	2145	7.8	5.4	5	-6	360.3	185.0	-20.5	46.4	3.1
18TH	233.00	17.7	12.2	2145	2145	8.2	5.7	5	-7	343.6	173.3	-18.1	41.8	2.9
19TH	246.00	18.5	12.1	2145	2145	8.6	5.7	5	-8	325.9	161.1	-16.0	37.5	2.8
20TH	259.00	18.6	11.6	2145	2145	8.6	5.4	5	-8	307.4	148.9	-14.0	33.4	2.6
21ST	272.00	18.1	11.2	2145	2145	8.4	5.2	5	-8	288.8	137.3	-12.1	29.5	2.4
22ND	285.00	20.3	12.6	2475	2475	8.2	5.1	6	-9	270.8	126.1	-10.4	25.9	2.2
23RD	300.00	18.7	9.4	1853	1853	10.1	5.1	4	-8	250.4	113.4	-8.6	22.0	1.9
24TH	312.50	19.3	9.7	1812	1812	10.7	5.4	4	-8	231.7	104.0	-7.2	18.9	1.7

TABLE 4. SHEAR AND MOMENT DIAGRAMS :
WIND DIRECTION 130

JENKINS/EMPIRE BUILDING - PITTSBURGH, PA
CONFIGURATION A REFERENCE PRESSURE 23.0 PSF

GUST FACTOR 1.32

FLOOR	HEIGHT	FORCE (KIPS)		AREA (SQ FT)		PRESSURE (PSF)		ECCEN (FT)		SHEAR (KIPS)		MOMENT (1000-FT-KIPS)		
		X	Y	X	Y	X	Y	X	Y	X	Y	X	Y	Z
25TH	325.00									212.4	94.3	-6.0	16.2	1.5
26TH	337.50	19.6	9.9	1812	1812	10.8	5.5	4	-8	192.8	84.4	-4.9	13.6	1.3
27TH	350.00	19.3	9.8	1812	1812	10.7	5.4	4	-9	173.5	74.6	-3.9	11.3	1.1
28TH	362.50	19.1	9.8	1812	1812	10.5	5.4	5	-9	154.4	64.8	-3.0	9.3	.9
29TH	375.00	18.9	9.9	1812	1812	10.4	5.4	4	-8	135.5	54.9	-2.3	7.5	.7
30TH	387.50	18.8	10.1	1812	1812	10.4	5.6	3	-6	116.7	44.8	-1.6	5.9	.5
MEZZ	400.00	18.8	10.4	1812	1812	10.4	5.7	2	-4	97.9	34.5	-1.1	4.6	.4
ROOF	413.00	19.5	11.2	1885	1885	10.4	6.0	1	-2	78.4	23.2	-.8	3.4	.3
PNT	458.00	50.7	19.2	4512	4512	11.2	4.2	2	-5	27.6	4.0	-.2	1.0	.1
TOP	533.00	27.6	4.0	3913	3925	7.1	1.0	0	-2	0.0	0.0	0.0	0.0	0.0

TABLE 4. SHEAR AND MOMENT DIAGRAMS : JENKINS/EMPIRE BUILDING - PITTSBURGH, PA
 WIND DIRECTION 140 CONFIGURATION A REFERENCE PRESSURE 23.0 PSF

FLOOR	HEIGHT	FORCE (KIPS)		AREA (SQ FT)		PRESSURE (PSF)		ECCEN (FT)		SHEAR (KIPS)		GUST FACTOR 1.32 MOMENT (1000-FT-KIPS)		
		X	Y	X	Y	X	Y	X	Y	X	Y	Z		
1ST	0.00									519.1	206.7	-38.3	140.0	.5
MEZZ	12.50	7.9	4.9	2812	2812	2.8	1.8	-10	16	511.2	201.7	-35.7	133.5	.7
2ND	23.00	6.1	4.6	2363	2363	2.6	2.0	-11	14	505.1	197.1	-33.6	128.2	.8
3RD	36.00	6.9	6.7	2925	2925	2.4	2.3	-14	15	498.2	190.4	-31.1	121.7	1.0
4TH	49.00	7.5	7.6	2925	2925	2.6	2.6	-14	14	490.7	182.8	-28.7	115.2	1.2
5TH	64.00	10.9	9.5	2575	2575	4.2	3.7	-14	16	479.8	173.3	-26.0	108.0	1.5
6TH	77.00	9.7	8.2	2145	2145	4.5	3.8	-14	17	470.1	165.1	-23.8	101.8	1.8
7TH	90.00	10.1	8.1	2145	2145	4.7	3.8	-13	16	460.0	157.0	-21.7	95.8	2.1
8TH	103.00	10.5	8.2	2145	2145	4.9	3.8	-10	13	449.5	148.8	-19.7	89.8	2.3
9TH	116.00	10.9	8.2	2145	2145	5.1	3.8	-8	10	438.6	140.6	-17.8	84.1	2.5
10TH	129.00	11.3	8.2	2145	2145	5.3	3.8	-6	8	427.3	132.4	-16.1	78.4	2.6
11TH	142.00	11.7	8.3	2145	2145	5.5	3.9	-4	5	415.6	124.1	-14.4	73.0	2.7
12TH	155.00	12.2	8.1	2145	2145	5.7	3.8	-2	3	403.4	115.9	-12.8	67.6	2.7
13TH	168.00	12.7	8.0	2145	2145	5.9	3.7	-1	1	390.7	108.0	-11.4	62.5	2.8
14TH	181.00	13.2	7.8	2145	2145	6.2	3.6	1	-1	377.5	100.2	-10.0	57.5	2.8
15TH	194.00	13.7	7.7	2145	2145	6.4	3.6	2	-3	363.8	92.5	-8.8	52.7	2.7
16TH	207.00	14.2	7.5	2145	2145	6.6	3.5	2	-5	349.6	85.0	-7.6	48.0	2.6
17TH	220.00	14.9	7.5	2145	2145	7.0	3.5	3	-6	334.6	77.4	-6.6	43.6	2.5
18TH	233.00	15.6	7.5	2145	2145	7.3	3.5	3	-6	319.0	69.9	-5.6	39.3	2.4
19TH	246.00	16.3	7.6	2145	2145	7.6	3.5	3	-7	302.8	62.3	-4.8	35.3	2.2
20TH	259.00	17.1	7.2	2145	2145	8.0	3.4	3	-8	285.7	55.1	-4.0	31.5	2.1
21ST	272.00	17.0	6.4	2145	2145	7.9	3.0	3	-8	268.7	48.7	-3.3	27.9	1.9
22ND	285.00	15.8	5.6	2145	2145	7.4	2.6	3	-9	252.9	43.1	-2.7	24.5	1.8
23RD	300.00	16.6	5.8	2475	2475	6.7	2.4	3	-9	236.3	37.3	-2.1	20.8	1.6
24TH	312.50	17.2	4.4	1853	1853	9.3	2.4	2	-7	219.1	32.9	-1.7	18.0	1.5
		18.0	4.4	1812	1812	9.9	2.5	2	-7					

TABLE 4. SHEAR AND MOMENT DIAGRAMS : JENKINS/EMPIRE BUILDING - PITTSBURGH, PA
 WIND DIRECTION 140 CONFIGURATION A REFERENCE PRESSURE 23.0 PSF

FLOOR	HEIGHT	FORCE (KIPS)		AREA (SQ FT)		PRESSURE (PSF)		ECCEN (FT)		SHEAR (KIPS)		MOMENT (1000-FT-KIPS)		
		X	Y	X	Y	X	Y	X	Y	X	Y	X	Y	Z
25TH	325.00									201.1	28.5	-1.3	15.3	1.3
26TH	337.50	18.1	4.4	1812	1812	10.0	2.4	2	-8	183.0	24.1	-1.0	12.9	1.2
27TH	350.00	18.0	4.0	1812	1812	9.9	2.2	2	-9	165.0	20.1	-.7	10.8	1.0
28TH	362.50	17.9	3.6	1812	1812	9.9	2.0	2	-10	147.1	16.5	-.5	8.8	.9
29TH	375.00	18.0	3.4	1812	1812	9.9	1.9	2	-9	129.1	13.1	-.3	7.1	.7
30TH	387.50	18.2	3.4	1812	1812	10.0	1.9	1	-8	110.9	9.7	-.1	5.6	.5
MEZZ	400.00	18.4	3.3	1812	1812	10.1	1.8	1	-7	92.5	6.4	-.0	4.3	.4
ROOF	413.00	19.3	3.4	1885	1885	10.2	1.8	1	-6	73.2	3.0	.0	3.2	.3
PNT	458.00	47.0	4.6	4512	4512	10.4	1.0	0	-5	26.3	-1.6	.1	1.0	.1
TOP	533.00	26.3	-1.6	3913	3925	6.7	-1.4	-0	-2	0.0	0.0	0.0	0.0	0.0

GUST FACTOR 1.32

TABLE 4. SHEAR AND MOMENT DIAGRAMS : JENKINS/EMPIRE BUILDING - PITTSBURGH, PA
 WIND DIRECTION 150 CONFIGURATION A REFERENCE PRESSURE 23.0 PSF

FLOOR	HEIGHT	FORCE (KIPS)		AREA (SQ FT)		PRESSURE (PSF)		ECCEN (FT)		SHEAR (KIPS)		MOMENT (1000-FT-KIPS)		
		X	Y	X	Y	X	Y	X	Y	X	Y	X	Y	Z
1ST	0.00									685.5	106.7	-6.2	184.1	1.4
MEZZ	12.50	10.8	5.3	2812	2812	3.8	1.9	-12	25	674.7	101.4	-4.9	175.6	1.7
2ND	23.00	8.8	4.2	2363	2363	3.7	1.8	-10	20	665.9	97.2	-3.9	168.6	1.9
3RD	36.00	9.4	6.0	2925	2925	3.2	2.1	-10	15	656.4	91.2	-2.7	160.0	2.1
4TH	49.00	8.0	9.4	2925	2925	2.7	3.2	-14	12	648.4	81.8	-1.5	151.5	2.3
5TH	64.00	12.0	11.4	2575	2575	4.6	4.4	-13	14	636.5	70.4	-.4	141.9	2.7
6TH	77.00	10.5	8.5	2145	2145	4.9	4.0	-13	16	625.9	61.8	.5	133.7	2.9
7TH	90.00	11.3	7.7	2145	2145	5.3	3.6	-10	14	614.6	54.1	1.2	125.6	3.2
8TH	103.00	12.2	7.6	2145	2145	5.7	3.5	-6	10	602.4	46.5	1.9	117.7	3.4
9TH	116.00	13.1	7.4	2145	2145	6.1	3.5	-4	7	589.3	39.1	2.4	110.0	3.5
10TH	129.00	14.0	7.3	2145	2145	6.5	3.4	-2	3	575.3	31.9	2.9	102.4	3.5
11TH	142.00	14.9	7.1	2145	2145	6.9	3.3	0	-1	560.4	24.7	3.3	95.0	3.5
12TH	155.00	16.0	6.7	2145	2145	7.5	3.1	1	-3	544.4	18.0	3.5	87.8	3.5
13TH	168.00	17.2	6.3	2145	2145	8.0	2.9	2	-4	527.2	11.7	3.7	80.9	3.4
14TH	181.00	18.4	5.9	2145	2145	8.6	2.7	2	-6	508.8	5.8	3.9	74.1	3.3
15TH	194.00	19.5	5.5	2145	2145	9.1	2.6	2	-8	489.3	.3	3.9	67.6	3.1
16TH	207.00	20.6	5.0	2145	2145	9.6	2.3	2	-9	468.7	-4.7	3.9	61.4	2.9
17TH	220.00	21.4	4.5	2145	2145	10.0	2.1	2	-8	447.3	-9.2	3.8	55.5	2.7
18TH	233.00	22.2	4.0	2145	2145	10.4	1.8	1	-8	425.1	-13.2	3.6	49.8	2.5
19TH	246.00	23.1	3.4	2145	2145	10.8	1.6	1	-8	402.0	-16.6	3.4	44.4	2.3
20TH	259.00	24.4	2.2	2145	2145	11.4	1.0	1	-8	377.6	-18.8	3.2	39.3	2.1
21ST	272.00	24.8	.7	2145	2145	11.6	.3	0	-8	352.8	-19.4	3.0	34.6	2.0
22ND	285.00	23.7	-.0	2145	2145	11.0	-.0	-0	-8	329.1	-19.4	2.7	30.2	1.8
23RD	300.00	25.1	-.4	2475	2475	10.1	-.2	-0	-7	304.0	-19.1	2.4	25.4	1.6
24TH	312.50	23.5	-.7	1853	1853	12.7	-.4	-0	-5	280.5	-18.4	2.2	21.8	1.5
		24.4	-.8	1812	1812	13.5	-.4	-0	-5					

TABLE 4. SHEAR AND MOMENT DIAGRAMS :		JENKINS/EMPIRE BUILDING - PITTSBURGH, PA										GUST FACTOR 1.32		
WIND DIRECTION 150		CONFIGURATION A										REFERENCE PRESSURE 23.0 PSF		
FLOOR	HEIGHT	FORCE (KIPS)		AREA (SQ FT)		PRESSURE (PSF)		ECCEN (FT)		SHEAR (KIPS)		MOMENT (1000-FT-KIPS)		
		X	Y	X	Y	X	Y	X	Y	X	Y	Z		
25TH	325.00	24.6	-.7	1812	1812	13.6	-.4	-0	-6	256.1	-17.6	2.0	18.4	1.3
26TH	337.50	24.8	-.7	1812	1812	13.7	-.4	-0	-6	231.5	-16.9	1.7	15.4	1.2
27TH	350.00	25.0	-.8	1812	1812	13.8	-.4	-0	-7	206.7	-16.2	1.5	12.6	1.0
28TH	362.50	24.9	-.8	1812	1812	13.8	-.5	-0	-7	181.7	-15.5	1.3	10.2	.9
29TH	375.00	24.6	-1.0	1812	1812	13.6	-.5	-0	-6	156.7	-14.6	1.1	8.1	.7
30TH	387.50	24.3	-1.1	1812	1812	13.4	-.6	-0	-6	132.1	-13.7	1.0	6.3	.5
MEZZ	400.00	24.9	-1.1	1885	1885	13.2	-.6	-0	-6	107.8	-12.6	.8	4.8	.4
ROOF	413.00	55.0	-5.0	4512	4512	12.2	-1.1	-0	-4	83.0	-11.5	.6	3.5	.2
PNT	458.00	27.9	-6.5	3913	3925	7.1	-1.7	-0	-1	27.9	-6.5	.2	1.0	.0
TOP	533.00									0.0	0.0	0.0	0.0	0.0

TABLE 4. SHEAR AND MOMENT DIAGRAMS : JENKINS/EMPIRE BUILDING - PITTSBURGH, PA
 WIND DIRECTION 160 CONFIGURATION A REFERENCE PRESSURE 23.0 PSF

FLOOR	HEIGHT	FORCE (KIPS)		AREA (SQ FT)		PRESSURE (PSF)		ECCEN (FT)		SHEAR (KIPS)		MOMENT (1000-FT-KIPS)		
		X	Y	X	Y	X	Y	X	Y	X	Y	X	Y	Z
1ST	0.00									749.2	63.3	-3.8	194.6	1.6
MEZZ	12.50	12.6	3.9	2812	2812	4.5	1.4	-9	30	736.6	59.3	-3.0	185.3	2.0
2ND	23.00	10.2	2.8	2363	2363	4.3	1.2	-6	23	726.3	56.6	-2.4	177.6	2.3
3RD	36.00	11.2	3.9	2925	2925	3.8	1.3	-7	21	715.2	52.7	-1.7	168.3	2.5
4TH	49.00	8.1	5.3	2925	2925	2.8	1.8	-26	39	707.1	47.4	-1.1	159.0	3.0
5TH	64.00	14.0	8.8	2575	2575	5.5	3.4	-11	17	693.1	38.6	-.4	148.5	3.3
6TH	77.00	13.0	6.9	2145	2145	6.0	3.2	-7	14	680.1	31.8	.1	139.6	3.5
7TH	90.00	13.6	6.1	2145	2145	6.4	2.8	-5	11	666.5	25.7	.4	130.8	3.7
8TH	103.00	14.8	5.7	2145	2145	6.9	2.7	-3	7	651.7	19.9	.7	122.3	3.8
9TH	116.00	15.9	5.4	2145	2145	7.4	2.5	-1	3	635.8	14.5	.9	113.9	3.9
10TH	129.00	17.0	5.0	2145	2145	7.9	2.3	0	-0	618.9	9.5	1.1	105.7	3.9
11TH	142.00	18.1	4.7	2145	2145	8.4	2.2	1	-4	600.8	4.8	1.2	97.8	3.8
12TH	155.00	19.3	3.9	2145	2145	9.0	1.8	1	-5	581.5	1.0	1.2	90.1	3.7
13TH	168.00	20.4	3.0	2145	2145	9.5	1.4	1	-6	561.1	-2.1	1.2	82.7	3.6
14TH	181.00	21.6	2.2	2145	2145	10.1	1.0	1	-7	539.5	-4.3	1.2	75.5	3.4
15TH	194.00	22.8	1.4	2145	2145	10.6	.6	1	-8	516.7	-5.7	1.1	68.7	3.2
16TH	207.00	23.9	.7	2145	2145	11.1	.3	0	-9	492.8	-6.4	1.0	62.1	3.0
17TH	220.00	24.9	.5	2145	2145	11.6	.2	0	-8	467.9	-6.8	1.0	55.9	2.8
18TH	233.00	25.9	.2	2145	2145	12.1	.1	0	-8	442.0	-7.1	.9	50.0	2.6
19TH	246.00	27.0	-.0	2145	2145	12.6	-.0	-0	-7	415.0	-7.1	.8	44.4	2.4
20TH	259.00	28.0	-.7	2145	2145	13.1	-.3	-0	-7	387.0	-6.4	.7	39.2	2.2
21ST	272.00	27.9	-1.2	2145	2145	13.0	-.6	-0	-8	359.1	-5.2	.6	34.3	2.0
22ND	285.00	26.6	-1.0	2145	2145	12.4	-.5	-0	-8	332.5	-4.1	.5	29.8	1.8
23RD	300.00	28.3	-.4	2475	2475	11.4	-.2	-0	-7	304.2	-3.7	.5	25.1	1.6
24TH	312.50	24.4	-.5	1853	1853	13.1	-.3	-0	-5	279.9	-3.2	.4	21.4	1.4
		25.1	-.5	1812	1812	13.9	-.2	-0	-5					

TABLE 4. SHEAR AND MOMENT DIAGRAMS : JENKINS/EMPIRE BUILDING - PITTSBURGH, PA
WIND DIRECTION 140 CONFIGURATION A REFERENCE PRESSURE 23.0 PSF

GUST FACTOR 1.32

FLOOR	HEIGHT	FORCE (KIPS)		AREA (SQ FT)		PRESSURE (PSF)		ECCEN (FT)		SHEAR (KIPS)		MOMENT (1000-FT-KIPS)		
		X	Y	X	Y	X	Y	X	Y	X	Y	Z		
25TH	325.00									254.7	-2.8	.4	18.1	1.3
26TH	337.50	25.3	-.3	1812	1812	13.9	-.2	-0	-5	229.5	-2.5	.4	15.0	1.2
27TH	350.00	25.4	-.2	1812	1812	14.0	-.1	-0	-6	204.1	-2.2	.3	12.3	1.0
28TH	362.50	25.5	-.2	1812	1812	14.1	-.1	-0	-6	178.6	-2.0	.3	9.9	.9
29TH	375.00	25.2	-.1	1812	1812	13.9	-.0	-0	-6	153.4	-2.0	.3	7.9	.7
30TH	387.50	24.5	.2	1812	1812	13.5	.1	0	-6	128.9	-2.2	.3	6.1	.6
MEZZ	400.00	23.9	.4	1812	1812	13.2	.2	0	-6	105.1	-2.5	.2	4.6	.4
ROOF	413.00	24.3	.6	1885	1885	12.9	.3	0	-6	80.7	-3.1	.2	3.4	.3
PNT	458.00	53.9	-.9	4512	4512	12.0	-.2	-0	-5	26.8	-2.2	.1	1.0	.0
TOP	533.00	26.8	-2.2	3913	3925	6.8	-.6	-0	-0	0.0	0.0	0.0	0.0	0.0

TABLE 4. SHEAR AND MOMENT DIAGRAMS :
 WIND DIRECTION 170 CONFIGURATION A JENKINS/EMPIRE BUILDING - PITTSBURGH, PA
 REFERENCE PRESSURE 23.0 PSF

GUST FACTOR 1.32

FLOOR	HEIGHT	FORCE (KIPS)		AREA (SQ FT)		PRESSURE (PSF)		ECCEN (FT)		SHEAR (KIPS)		MOMENT (1000-FT-KIPS)		
		X	Y	X	Y	X	Y	X	Y	X	Y	Z		
1ST	0.00	12.2	3.2	2812	2812	4.3	1.1	-6	22	545.8	-96.0	30.4	118.8	1.5
MEZZ	12.50	10.7	1.1	2363	2363	4.5	.5	-1	13	533.6	-99.2	29.1	112.1	1.8
2ND	23.00	11.9	.7	2925	2925	4.1	.2	-0	8	523.0	-100.3	28.1	106.6	2.0
3RD	36.00	8.2	1.3	2925	2925	2.8	.4	-7	43	511.0	-101.0	26.8	99.8	2.1
4TH	49.00	14.3	2.1	2575	2575	5.6	.8	-2	16	502.9	-102.3	25.5	93.2	2.4
5TH	64.00	13.5	.5	2145	2145	6.3	.3	-0	11	488.6	-104.4	23.9	85.8	2.7
6TH	77.00	14.6	-.4	2145	2145	6.8	-.2	0	8	475.1	-104.9	22.6	79.5	2.8
7TH	90.00	16.1	-1.1	2145	2145	7.5	-.5	0	5	460.4	-104.5	21.2	73.5	2.9
8TH	103.00	17.6	-1.8	2145	2145	8.2	-.8	0	2	444.3	-103.5	19.8	67.6	3.0
9TH	116.00	19.0	-2.5	2145	2145	8.9	-1.2	-0	-0	426.8	-101.7	18.5	61.9	3.1
10TH	129.00	20.5	-3.2	2145	2145	9.5	-1.5	-0	-2	407.8	-99.2	17.2	56.5	3.1
11TH	142.00	21.0	-3.4	2145	2145	9.8	-1.6	-1	-3	387.3	-96.0	15.9	51.3	3.0
12TH	155.00	21.4	-3.5	2145	2145	10.0	-1.6	-1	-4	366.3	-92.6	14.7	46.4	2.9
13TH	168.00	21.9	-3.6	2145	2145	10.2	-1.7	-1	-5	344.9	-89.2	13.5	41.8	2.8
14TH	181.00	22.3	-3.7	2145	2145	10.4	-1.7	-1	-5	323.0	-85.6	12.4	37.5	2.7
15TH	194.00	22.5	-3.8	2145	2145	10.5	-1.8	-1	-6	300.7	-81.8	11.3	33.4	2.6
16TH	207.00	22.2	-3.8	2145	2145	10.4	-1.8	-1	-6	278.1	-78.0	10.3	29.7	2.5
17TH	220.00	21.9	-3.8	2145	2145	10.2	-1.8	-1	-7	255.9	-74.2	9.3	26.2	2.3
18TH	233.00	21.6	-3.8	2145	2145	10.1	-1.8	-1	-7	234.0	-70.4	8.3	23.0	2.2
19TH	246.00	20.3	-3.9	2145	2145	9.5	-1.8	-2	-8	212.4	-66.6	7.4	20.1	2.0
20TH	259.00	18.3	-4.0	2145	2145	8.5	-1.9	-2	-10	192.1	-62.7	6.6	17.5	1.9
21ST	272.00	16.9	-3.9	2145	2145	7.9	-1.8	-2	-10	173.8	-58.6	5.8	15.1	1.7
22ND	285.00	17.7	-4.3	2475	2475	7.2	-1.7	-3	-11	157.0	-54.8	5.1	12.9	1.5
23RD	300.00	12.1	-3.8	1853	1853	6.5	-2.1	-3	-9	139.3	-50.5	4.3	10.7	1.3
24TH	312.50	12.5	-4.0	1812	1812	6.9	-2.2	-3	-8	127.2	-46.7	3.7	9.0	1.2

TABLE 4. SHEAR AND MOMENT DIAGRAMS :
WIND DIRECTION 170

JENKINS/EMPIRE BUILDING - PITTSBURGH, PA
REFERENCE PRESSURE 23.0 PSF

GUST FACTOR 1.32

FLOOR	HEIGHT	FORCE (KIPS)		AREA (SQ FT)		PRESSURE (PSF)		ECCEN (FT)		SHEAR (KIPS)		MOMENT (1000-FT-KIPS)		
		X	Y	X	Y	X	Y	X	Y	X	Y	X	Y	Z
25TH	325.00	13.2	-4.1	1812	1812	7.3	-2.2	-2	-7	114.6	-42.7	3.1	7.5	1.1
26TH	337.50	13.3	-4.2	1812	1812	7.4	-2.3	-2	-7	101.4	-38.6	2.6	6.2	1.0
27TH	350.00	13.5	-4.3	1812	1812	7.4	-2.4	-2	-7	88.1	-34.4	2.2	5.0	.8
28TH	362.50	12.6	-4.3	1812	1812	7.0	-2.4	-3	-8	74.6	-30.1	1.8	4.0	.7
29TH	375.00	11.1	-4.1	1812	1812	6.1	-2.3	-3	-9	62.0	-25.8	1.4	3.1	.6
30TH	387.50	9.8	-4.0	1812	1812	5.4	-2.2	-4	-10	50.9	-21.7	1.1	2.4	.5
MEZZ	400.00	9.9	-4.1	1885	1885	5.2	-2.2	-5	-11	41.0	-17.7	.9	1.9	.4
ROOF	413.00	19.8	-7.6	4512	4512	4.4	-1.7	-4	-11	31.2	-13.6	.7	1.4	.3
PNT	458.00	11.4	-6.0	3913	3925	2.9	-1.5	-1	-2	11.4	-6.0	.2	.4	.0
TOP	533.00									0.0	0.0	0.0	0.0	0.0

TABLE 4. SHEAR AND MOMENT DIAGRAMS : JENKINS/EMPIRE BUILDING - PITTSBURGH, PA
 WIND DIRECTION 180 CONFIGURATION A REFERENCE PRESSURE 23.0 PSF

FLOOR	HEIGHT	FORCE (KIPS)		AREA (SQ FT)		PRESSURE (PSF)		ECCEN (FT)		SHEAR (KIPS)		MOMENT (1000-F1-KIPS)		
		X	Y	X	Y	X	Y	X	Y	X	Y	Z		
1ST	0.00	10.7	-2.5	2812	2812	3.8	-0.9	3	12	437.1	-317.1	82.3	91.6	3.6
MEZZ	12.50	9.1	-2.9	2363	2363	3.9	-1.2	1	3	426.4	-314.5	78.4	86.2	3.7
2ND	23.00	10.3	-3.8	2925	2925	3.5	-1.3	-1	-2	417.3	-311.7	75.1	81.7	3.7
3RD	36.00	7.8	-3.7	2925	2925	2.7	-1.3	8	16	407.0	-307.8	71.1	76.4	3.7
4TH	49.00	12.8	-4.4	2575	2575	5.0	-1.7	2	5	399.2	-304.1	67.1	71.1	3.9
5TH	64.00	12.1	-4.7	2145	2145	5.6	-2.2	1	2	386.4	-299.8	62.5	65.3	3.9
6TH	77.00	12.9	-5.5	2145	2145	6.0	-2.6	-0	-0	374.3	-295.0	58.7	60.3	4.0
7TH	90.00	13.8	-6.2	2145	2145	6.4	-2.9	-2	-4	361.4	-289.6	54.9	55.5	4.0
8TH	103.00	14.6	-6.9	2145	2145	6.8	-3.2	-4	-7	347.6	-283.3	51.2	50.9	3.9
9TH	116.00	15.5	-7.7	2145	2145	7.2	-3.6	-5	-10	333.0	-276.4	47.5	46.5	3.7
10TH	129.00	16.3	-8.4	2145	2145	7.6	-3.9	-6	-13	317.5	-268.8	44.0	42.3	3.6
11TH	142.00	16.9	-9.1	2145	2145	7.9	-4.2	-7	-13	301.2	-260.4	40.5	38.2	3.3
12TH	155.00	17.4	-9.8	2145	2145	8.1	-4.6	-7	-12	284.3	-251.3	37.2	34.4	3.0
13TH	168.00	18.0	-10.5	2145	2145	8.4	-4.9	-7	-12	266.9	-241.5	34.0	30.9	2.7
14TH	181.00	18.5	-11.2	2145	2145	8.6	-5.2	-7	-12	248.9	-230.9	30.9	27.5	2.4
15TH	194.00	18.8	-11.8	2145	2145	8.8	-5.5	-7	-12	230.4	-219.7	28.0	24.4	2.1
16TH	207.00	18.5	-11.8	2145	2145	8.6	-5.5	-7	-11	211.6	-207.9	25.2	21.5	1.8
17TH	220.00	18.2	-11.9	2145	2145	8.5	-5.5	-6	-10	193.1	-196.1	22.6	18.9	1.5
18TH	233.00	17.9	-11.9	2145	2145	8.3	-5.6	-6	-9	174.9	-184.3	20.1	16.5	1.3
19TH	246.00	16.6	-12.2	2145	2145	7.7	-5.7	-6	-8	157.1	-172.4	17.8	14.3	1.1
20TH	259.00	14.7	-12.3	2145	2145	6.8	-5.7	-6	-7	140.5	-160.1	15.6	12.4	.9
21ST	272.00	13.5	-11.9	2145	2145	6.3	-5.6	-5	-5	125.8	-147.8	13.6	10.7	.7
22ND	285.00	14.4	-14.2	2475	2475	5.8	-5.7	-3	-3	112.3	-135.9	11.8	9.1	.6
23RD	300.00	8.6	-10.0	1853	1853	4.6	-5.4	-2	-2	97.9	-121.7	9.9	7.5	.5
24TH	312.50	8.8	-10.1	1812	1812	4.8	-5.6	-2	-2	89.3	-111.7	8.4	6.4	.4

TABLE 4. SHEAR AND MOMENT DIAGRAMS : JENKINS/EMPIRE BUILDING - PITTSBURGH, PA
WIND DIRECTION 180 CONFIGURATION A REFERENCE PRESSURE 23.0 PSF

FLOOR	HEIGHT	FORCE (KIPS)		AREA (SQ FT)		PRESSURE (PSF)		ECCEN (FT)		SHEAR (KIPS)		GUST FACTOR 1.32 MOMENT (1000-FT-KIPS)		
		X	Y	X	Y	X	Y	X	Y	X	Y	Z		
25TH	325.00									80.5	-101.6	7.1	5.3	.4
26TH	337.50	9.4	-10.4	1812	1812	5.2	-5.8	-3	-2	71.1	-91.2	5.9	4.4	.3
27TH	350.00	9.6	-10.6	1812	1812	5.3	-5.9	-3	-3	61.5	-80.5	4.8	3.5	.3
28TH	362.50	9.8	-10.8	1812	1812	5.4	-6.0	-3	-3	51.7	-69.7	3.9	2.8	.2
29TH	375.00	9.0	-10.6	1812	1812	5.0	-5.8	-4	-3	42.7	-59.1	3.1	2.2	.2
30TH	387.50	7.6	-10.1	1812	1812	4.2	-5.5	-4	-3	35.2	-49.1	2.4	1.8	.1
MEZZ	400.00	6.4	-9.5	1812	1812	3.5	-5.3	-5	-3	28.8	-39.5	1.8	1.4	.0
ROOF	413.00	6.5	-9.5	1885	1885	3.5	-5.0	-5	-3	22.3	-30.0	1.4	1.0	-.0
PNT	458.00	13.6	-18.4	4512	4512	3.0	-4.1	1	1	8.7	-11.6	.4	.3	-.0
TOP	533.00	8.7	-11.6	3913	3925	2.2	-3.0	1	1	0.0	0.0	0.0	0.0	0.0

TABLE 4. SHEAR AND MOMENT DIAGRAMS :
WIND DIRECTION 190 CONFIGURATION A

JENKINS/EMPIRE BUILDING - PITTSBURGH, PA
REFERENCE PRESSURE 23.0 PSF

GUST FACTOR 1.32

FLOOR	HEIGHT	FORCE (KIPS)		AREA (SQ FT)		PRESSURE (PSF)		ECCEN (FT)		SHEAR (KIPS)		MOMENT (1000-FT-KIPS)		
		X	Y	X	Y	X	Y	X	Y	X	Y	Z		
1ST	0.00	6.9	-7.7	2812	2812	2.5	-2.7	7	6	369.4	-397.3	94.1	88.3	1.8
MEZZ	12.50	5.5	-7.1	2363	2363	2.3	-3.0	2	1	362.5	-389.6	89.2	83.7	1.9
2ND	23.00	6.3	-9.1	2925	2925	2.2	-3.1	-2	-2	357.0	-382.5	85.2	79.9	1.9
3RD	36.00	5.8	-9.6	2925	2925	2.0	-3.3	8	5	350.7	-373.4	80.3	75.3	1.9
4TH	49.00	10.2	-11.7	2575	2575	4.0	-4.6	-3	-2	344.9	-363.8	75.5	70.8	2.0
5TH	64.00	9.1	-10.6	2145	2145	4.2	-5.0	-4	-3	334.7	-352.1	70.1	65.7	1.9
6TH	77.00	9.5	-10.9	2145	2145	4.4	-5.1	-4	-4	325.6	-341.5	65.6	61.4	1.9
7TH	90.00	9.9	-11.1	2145	2145	4.6	-5.2	-5	-4	316.1	-330.6	61.2	57.2	1.8
8TH	103.00	10.4	-11.4	2145	2145	4.8	-5.3	-5	-5	306.2	-319.5	57.0	53.2	1.7
9TH	116.00	10.8	-11.6	2145	2145	5.0	-5.4	-6	-5	295.8	-308.1	52.9	49.3	1.6
10TH	129.00	11.2	-11.9	2145	2145	5.2	-5.5	-6	-6	285.0	-296.5	49.0	45.5	1.5
11TH	142.00	11.5	-11.8	2145	2145	5.4	-5.5	-6	-6	273.8	-284.6	45.2	41.9	1.3
12TH	155.00	11.8	-11.8	2145	2145	5.5	-5.5	-6	-6	262.2	-272.8	41.6	38.4	1.2
13TH	168.00	12.1	-11.8	2145	2145	5.7	-5.5	-5	-6	250.4	-261.0	38.1	35.0	1.1
14TH	181.00	12.4	-11.7	2145	2145	5.8	-5.5	-5	-6	238.3	-249.2	34.8	31.9	.9
15TH	194.00	12.7	-11.8	2145	2145	5.9	-5.5	-5	-5	225.9	-237.5	31.6	28.9	.8
16TH	207.00	13.0	-12.0	2145	2145	6.1	-5.6	-4	-5	213.2	-225.7	28.6	26.0	.7
17TH	220.00	13.3	-12.3	2145	2145	6.2	-5.7	-4	-4	200.1	-213.7	25.8	23.3	.6
18TH	233.00	13.7	-12.5	2145	2145	6.4	-5.8	-3	-4	186.8	-201.4	23.1	20.8	.5
19TH	246.00	13.7	-12.9	2145	2145	6.4	-6.0	-3	-3	173.1	-188.9	20.5	18.5	.4
20TH	259.00	13.2	-12.9	2145	2145	6.1	-6.0	-3	-3	159.4	-175.9	18.2	16.3	.3
21ST	272.00	12.5	-12.5	2145	2145	5.8	-5.8	-2	-2	146.2	-163.0	16.0	14.3	.2
22ND	285.00	13.6	-14.2	2475	2475	5.5	-5.8	-2	-2	133.8	-150.5	13.9	12.5	.2
23RD	300.00	9.5	-10.6	1853	1853	5.1	-5.7	-0	-0	120.1	-136.3	11.8	10.6	.1
24TH	312.50	9.7	-10.8	1812	1812	5.3	-5.9	-0	-0	110.6	-125.6	10.1	9.1	.1

TABLE 4. SHEAR AND MOMENT DIAGRAMS :
WIND DIRECTION 190

JENKINS/EMPIRE BUILDING - PITTSBURGH, PA
REFERENCE PRESSURE 23.0 PSF

GUST FACTOR 1.32

FLOOR	HEIGHT	FORCE (KIPS)		AREA (SQ FT)		PRESSURE (PSF)		ECCEN (FT)		SHEAR (KIPS)		MOMENT (1000-FT-KIPS)		
		X	Y	X	Y	X	Y	X	Y	X	Y	Z		
25TH	325.00									100.9	-114.9	8.6	7.8	.1
26TH	337.50	10.0	-11.0	1812	1812	5.5	-6.1	-1	-1	91.0	-103.9	7.3	6.6	.1
27TH	350.00	9.8	-11.0	1812	1812	5.4	-6.1	-1	-1	81.2	-92.8	6.0	5.5	.1
28TH	362.50	9.6	-11.1	1812	1812	5.3	-6.1	-1	-1	71.5	-81.7	4.9	4.6	.0
29TH	375.00	9.1	-11.0	1812	1812	5.0	-6.0	-1	-1	62.4	-70.8	4.0	3.8	.0
30TH	387.50	8.5	-10.6	1812	1812	4.7	-5.9	-1	-1	53.9	-60.1	3.2	3.0	-.0
MEZZ	400.00	7.9	-10.3	1812	1812	4.4	-5.7	-1	-1	46.0	-49.8	2.5	2.4	-.0
ROOF	413.00	8.2	-10.6	1885	1885	4.4	-5.6	-1	-1	37.8	-39.2	1.9	1.9	-.1
PNT	458.00	21.0	-22.3	4512	4512	4.7	-4.9	1	1	16.8	-17.0	.6	.6	-.0
TOP	533.00	16.8	-17.0	3913	3925	4.3	-4.3	1	1	0.0	0.0	0.0	0.0	0.0

TABLE 4. SHEAR AND MOMENT DIAGRAMS : JENKINS/EMPIRE BUILDING - PITTSBURGH, PA
 WIND DIRECTION 200 CONFIGURATION A REFERENCE PRESSURE 23.0 PSF

FLOOR	HEIGHT	FORCE (KIPS)		AREA (SQ FT)		PRESSURE (PSF)		ECCEN (FT)		SHEAR (KIPS)		MOMENT (1000-FT-KIPS)		
		X	Y	X	Y	X	Y	X	Y	X	Y	X	Y	Z
1ST	0.00									463.5	-511.6	125.1	116.8	-.4
MEZZ	12.50	7.1	-7.8	2812	2812	2.5	-2.8	4	4	456.5	-503.9	118.7	111.0	-.3
2ND	23.00	5.5	-7.4	2363	2363	2.3	-3.1	-3	-2	451.0	-496.5	113.5	106.3	-.4
3RD	36.00	6.6	-9.6	2925	2925	2.2	-3.3	-8	-5	444.4	-486.9	107.1	100.5	-.5
4TH	49.00	6.0	-10.3	2925	2925	2.1	-3.5	5	3	438.3	-476.5	100.8	94.7	-.4
5TH	64.00	11.2	-14.7	2575	2575	4.4	-5.7	-0	-0	427.1	-461.8	93.8	88.2	-.4
6TH	77.00	10.1	-14.2	2145	2145	4.7	-6.6	-0	-0	417.0	-447.6	87.9	82.7	-.4
7TH	90.00	10.4	-14.8	2145	2145	4.9	-6.9	-0	-0	406.6	-432.9	82.1	77.4	-.4
8TH	103.00	10.9	-15.0	2145	2145	5.1	-7.0	0	0	395.7	-417.9	76.6	72.2	-.4
9TH	116.00	11.4	-15.1	2145	2145	5.3	-7.1	0	0	384.3	-402.8	71.3	67.1	-.4
10TH	129.00	11.9	-15.3	2145	2145	5.6	-7.2	0	0	372.4	-387.5	66.1	62.2	-.4
11TH	142.00	12.4	-15.5	2145	2145	5.8	-7.2	1	0	360.0	-371.9	61.2	57.4	-.4
12TH	155.00	12.9	-15.4	2145	2145	6.0	-7.2	1	1	347.0	-356.5	56.5	52.8	-.4
13TH	168.00	13.5	-15.2	2145	2145	6.3	-7.1	1	1	333.5	-341.3	51.9	48.4	-.4
14TH	181.00	14.0	-15.0	2145	2145	6.5	-7.0	1	1	319.5	-326.3	47.6	44.2	-.3
15TH	194.00	14.6	-14.8	2145	2145	6.8	-6.9	1	1	304.9	-311.5	43.4	40.1	-.3
16TH	207.00	15.1	-14.8	2145	2145	7.1	-6.9	1	1	289.8	-296.7	39.5	36.2	-.3
17TH	220.00	15.8	-14.9	2145	2145	7.4	-7.0	1	1	274.0	-281.8	35.7	32.6	-.2
18TH	233.00	16.4	-15.1	2145	2145	7.7	-7.1	1	1	257.6	-266.6	32.2	29.1	-.2
19TH	246.00	17.1	-15.3	2145	2145	8.0	-7.1	0	0	240.5	-251.3	28.8	25.9	-.2
20TH	259.00	17.5	-15.5	2145	2145	8.2	-7.2	0	0	222.9	-235.8	25.6	22.9	-.2
21ST	272.00	17.2	-15.1	2145	2145	8.0	-7.1	1	1	205.7	-220.7	22.7	20.1	-.2
22ND	285.00	16.5	-14.3	2145	2145	7.7	-6.7	1	1	189.3	-206.3	19.9	17.5	-.1
23RD	300.00	18.0	-16.2	2475	2475	7.3	-6.5	1	1	171.3	-190.1	16.9	14.8	-.1
24TH	312.50	13.7	-13.9	1853	1853	7.4	-7.5	1	1	157.6	-176.2	14.6	12.7	-.1
		14.0	-14.3	1812	1812	7.7	-7.9	1	1					

TABLE 4. SHEAR AND MOMENT DIAGRAMS :														
WIND DIRECTION 200		JENKINS/EMPIRE BUILDING - PITTSBURGH, PA								GUST FACTOR 1.32				
FLOOR	HEIGHT	FORCE (KIPS)		AREA (SQ FT)		PRESSURE (PSF)		ECCEN (FT)		SHEAR (KIPS)		MOMENT (1000-FT-KIPS)		
		X	Y	X	Y	X	Y	X	Y	X	Y	X	Y	Z
25TH	325.00	14.2	-14.4	1812	1812	7.9	-8.0	1	1	143.6	-161.9	12.5	10.9	-0.0
26TH	337.50	13.8	-14.5	1812	1812	7.6	-8.0	0	0	129.3	-147.5	10.6	9.2	-0.0
27TH	350.00	13.4	-14.6	1812	1812	7.4	-8.1	0	0	115.5	-133.0	8.8	7.6	-0.0
28TH	362.50	13.0	-14.7	1812	1812	7.2	-8.1	-0	-0	102.1	-118.3	7.3	6.3	-0.0
29TH	375.00	12.5	-14.6	1812	1812	6.9	-8.1	-0	-0	89.2	-103.7	5.9	5.1	-0.0
30TH	387.50	12.1	-14.6	1812	1812	6.7	-8.1	-0	-0	76.7	-89.0	4.7	4.0	-0.0
MEZZ	400.00	12.7	-15.2	1885	1885	6.7	-8.1	-0	-0	64.6	-74.4	3.6	3.2	-0.0
ROOF	413.00	31.4	-35.1	4512	4512	7.0	-7.8	0	0	51.9	-59.2	2.8	2.4	-0.0
PNT	458.00	20.5	-24.1	3913	3925	5.2	-6.1	0	0	20.5	-24.1	.9	.8	-0.0
TOP	533.00									0.0	0.0	0.0	0.0	0.0

TABLE 4. SHEAR AND MOMENT DIAGRAMS : JENKINS/EMPIRE BUILDING - PITTSBURGH, PA
 WIND DIRECTION 210 CONFIGURATION A REFERENCE PRESSURE 23.0 PSF

GUST FACTOR 1.32

FLOOR	HEIGHT	FORCE (KIPS)		AREA (SQ FT)		PRESSURE (PSF)		ECCEN (FT)		SHEAR (KIPS)		MOMENT (1000-FT-KIPS)		
		X	Y	X	Y	X	Y	X	Y	X	Y	Z		
1ST	0.00	6.2	-8.1	2812	2812	2.2	-2.9	4	3	488.3	-542.7	134.5	124.4	-1.1
MEZZ	12.50	4.9	-7.6	2363	2363	2.1	-3.2	-3	-2	482.1	-534.6	127.7	118.4	-1.1
2ND	23.00	6.3	-10.0	2925	2925	2.1	-3.4	-10	-6	477.2	-527.0	122.2	113.3	-1.1
3RD	36.00	5.6	-10.4	2925	2925	1.9	-3.6	5	3	470.9	-517.1	115.4	107.2	-1.2
4TH	49.00	11.3	-15.2	2575	2575	4.4	-5.9	1	1	465.3	-506.7	108.7	101.1	-1.2
5TH	64.00	10.4	-14.4	2145	2145	4.8	-6.7	2	1	454.0	-491.5	101.2	94.2	-1.2
6TH	77.00	10.8	-14.9	2145	2145	5.0	-6.9	2	1	443.6	-477.1	94.9	88.4	-1.1
7TH	90.00	11.4	-15.2	2145	2145	5.3	-7.1	2	2	432.8	-462.2	88.8	82.7	-1.1
8TH	103.00	12.1	-15.6	2145	2145	5.6	-7.3	2	2	421.4	-447.0	82.9	77.1	-1.0
9TH	116.00	12.7	-15.9	2145	2145	5.9	-7.4	2	2	409.3	-431.4	77.2	71.7	-1.0
10TH	129.00	13.3	-16.3	2145	2145	6.2	-7.6	2	2	396.6	-415.5	71.7	66.5	-.9
11TH	142.00	13.9	-16.2	2145	2145	6.5	-7.6	2	2	383.3	-399.2	66.4	61.4	-.9
12TH	155.00	14.4	-16.1	2145	2145	6.7	-7.5	2	2	369.4	-383.0	61.3	56.5	-.8
13TH	168.00	15.0	-16.0	2145	2145	7.0	-7.5	3	2	355.0	-366.9	56.5	51.8	-.7
14TH	181.00	15.5	-15.9	2145	2145	7.2	-7.4	3	3	340.1	-350.9	51.8	47.3	-.6
15TH	194.00	16.0	-15.9	2145	2145	7.5	-7.4	3	3	324.6	-334.9	47.3	43.0	-.6
16TH	207.00	16.6	-15.9	2145	2145	7.7	-7.4	2	2	308.5	-319.0	43.1	38.8	-.5
17TH	220.00	17.1	-16.0	2145	2145	8.0	-7.5	2	2	292.0	-303.1	39.0	34.9	-.4
18TH	233.00	17.6	-16.0	2145	2145	8.2	-7.5	1	2	274.9	-287.1	35.2	31.3	-.3
19TH	246.00	18.0	-16.4	2145	2145	8.4	-7.6	1	1	257.2	-271.1	31.6	27.8	-.3
20TH	259.00	17.6	-16.0	2145	2145	8.2	-7.5	2	2	239.2	-254.7	28.2	24.6	-.2
21ST	272.00	16.8	-14.8	2145	2145	7.8	-6.9	2	2	221.6	-238.7	24.9	21.6	-.2
22ND	285.00	18.4	-16.3	2475	2475	7.4	-6.6	1	1	204.8	-223.9	21.9	18.8	-.1
23RD	300.00	14.9	-14.9	1853	1853	8.0	-8.0	1	1	186.4	-207.6	18.7	15.9	-.1
24TH	312.50	15.2	-15.3	1812	1812	8.4	-8.4	1	1	171.5	-192.7	16.2	13.6	-.1

TABLE 4. SHEAR AND MOMENT DIAGRAMS :		JENKINS/EMPIRE BUILDING - PITTSBURGH, PA								GUST FACTOR 1.32				
WIND DIRECTION 210		CONFIGURATION A								REFERENCE PRESSURE 23.0 PSF				
FLOOR	HEIGHT	FORCE (KIPS)		AREA (SQ FT)		PRESSURE (PSF)		ECCEN (FT)		SHEAR (KIPS)		MOMENT (1000-FT-KIPS)		
		X	Y	X	Y	X	Y	X	Y	X	Y	Z		
25TH	325.00	15.2	-15.5	1812	1812	8.4	-8.6	1	0	156.3	-177.4	13.9	11.6	-0.0
26TH	337.50	15.0	-15.6	1812	1812	8.3	-8.6	0	0	141.1	-161.9	11.8	9.7	-0.0
27TH	350.00	14.8	-15.8	1812	1812	8.2	-8.7	0	0	126.1	-146.2	9.8	8.1	-0.0
28TH	362.50	14.6	-15.9	1812	1812	8.0	-8.7	0	0	111.2	-130.4	8.1	6.6	-0.0
29TH	375.00	14.2	-15.9	1812	1812	7.9	-8.8	0	0	96.7	-114.6	6.6	5.3	-0.0
30TH	387.50	14.0	-15.9	1812	1812	7.7	-8.7	0	0	82.4	-98.7	5.2	4.2	-0.0
MEZZ	400.00	14.6	-16.4	1885	1885	7.7	-8.7	1	0	68.5	-82.9	4.1	3.2	-0.0
ROOF	413.00	33.8	-39.0	4512	4512	7.5	-8.6	-0	-0	53.9	-66.5	3.1	2.4	.0
PNT	458.00	20.1	-27.5	3913	3925	5.1	-7.0	-0	-0	20.1	-27.5	1.0	.8	.0
TOP	533.00									0.0	0.0	0.0	0.0	0.0

TABLE 4. SHEAR AND MOMENT DIAGRAMS :
 WIND DIRECTION 220 CONFIGURATION A JENKINS/EMPIRE BUILDING - PITTSBURGH, PA
 REFERENCE PRESSURE 23.0 PSF

GUST FACTOR 1.32

FLOOR	HEIGHT	FORCE (KIPS)		AREA (SQ FT)		PRESSURE (PSF)		ECCEN (FT)		SHEAR (KIPS)		MOMENT (1000-FT-KIPS)		
		X	Y	X	Y	X	Y	X	Y	X	Y	Z		
1ST	0.00	4.4	-9.8	2812	2812	1.6	-3.5	8	4	328.5	-611.6	152.0	75.6	1.4
MEZZ	12.50	3.4	-8.7	2363	2363	1.5	-3.7	-1	-0	324.1	-601.8	144.4	71.5	1.5
2ND	23.00	4.5	-11.2	2925	2925	1.5	-3.8	-9	-4	320.7	-593.1	138.1	68.1	1.5
3RD	36.00	4.6	-11.6	2925	2925	1.6	-4.0	3	1	316.1	-581.9	130.5	63.9	1.4
4TH	49.00	10.1	-15.8	2575	2575	3.9	-6.1	1	1	311.5	-570.3	123.0	59.9	1.4
5TH	64.00	9.4	-15.2	2145	2145	4.4	-7.1	2	1	301.4	-554.5	114.6	55.3	1.5
6TH	77.00	9.5	-15.9	2145	2145	4.4	-7.4	2	1	292.1	-539.3	107.5	51.4	1.5
7TH	90.00	10.0	-16.2	2145	2145	4.7	-7.6	2	1	282.5	-523.4	100.5	47.7	1.6
8TH	103.00	10.4	-16.5	2145	2145	4.9	-7.7	2	1	272.5	-507.2	93.8	44.1	1.6
9TH	116.00	10.9	-16.8	2145	2145	5.1	-7.8	1	1	262.1	-490.7	87.4	40.6	1.6
10TH	129.00	11.3	-17.1	2145	2145	5.3	-8.0	1	1	251.3	-473.9	81.1	37.3	1.7
11TH	142.00	11.6	-17.3	2145	2145	5.4	-8.0	1	0	240.0	-456.8	75.0	34.1	1.7
12TH	155.00	11.8	-17.4	2145	2145	5.5	-8.1	1	0	228.4	-439.5	69.2	31.0	1.7
13TH	168.00	12.1	-17.6	2145	2145	5.6	-8.2	0	0	216.6	-422.1	63.6	28.1	1.7
14TH	181.00	12.3	-17.8	2145	2145	5.8	-8.3	0	0	204.5	-404.5	58.2	25.4	1.7
15TH	194.00	12.5	-18.0	2145	2145	5.8	-8.4	0	0	192.2	-386.6	53.1	22.8	1.7
16TH	207.00	12.5	-18.3	2145	2145	5.8	-8.5	-1	-1	179.6	-368.6	48.2	20.4	1.7
17TH	220.00	12.5	-18.5	2145	2145	5.8	-8.6	-2	-1	167.1	-350.3	43.5	18.1	1.7
18TH	233.00	12.5	-18.8	2145	2145	5.8	-8.8	-3	-2	154.6	-331.8	39.1	16.1	1.7
19TH	246.00	12.1	-19.3	2145	2145	5.7	-9.0	-3	-2	142.1	-313.0	34.9	14.1	1.6
20TH	259.00	11.2	-19.4	2145	2145	5.2	-9.0	-4	-2	130.0	-293.7	30.9	12.4	1.5
21ST	272.00	10.3	-18.8	2145	2145	4.8	-8.8	-4	-2	118.8	-274.3	27.3	10.7	1.4
22ND	285.00	10.6	-20.4	2475	2475	4.3	-8.2	-5	-2	108.5	-255.5	23.8	9.3	1.3
23RD	300.00	8.3	-17.8	1853	1853	4.5	-9.6	-4	-2	97.9	-235.2	20.1	7.7	1.2
24TH	312.50	8.4	-18.3	1812	1812	4.6	-10.1	-4	-2	89.6	-217.3	17.3	6.5	1.1

TABLE 4. SHEAR AND MOMENT DIAGRAMS :
WIND DIRECTION 220

JENKINS/EMPIRE BUILDING - PITTSBURGH, PA
REFERENCE PRESSURE 23.0 PSF

GUST FACTOR 1.32

FLOOR	HEIGHT	FORCE (KIPS)		AREA (SQ FT)		PRESSURE (PSF)		ECCEN (FT)		SHEAR (KIPS)		MOMENT (1000-FT-KIPS)		
		X	Y	X	Y	X	Y	X	Y	X	Y	Z		
25TH	325.00	8.4	-18.6	1812	1812	4.6	-10.3	-5	-2	81.2	-199.0	14.7	5.5	1.0
26TH	337.50	8.3	-18.9	1812	1812	4.6	-10.4	-5	-2	72.8	-180.4	12.3	4.5	.9
27TH	350.00	8.1	-19.1	1812	1812	4.5	-10.5	-5	-2	64.5	-161.5	10.2	3.7	.8
28TH	362.50	8.0	-19.1	1812	1812	4.4	-10.5	-5	-2	56.4	-142.4	8.3	2.9	.7
29TH	375.00	8.0	-18.8	1812	1812	4.4	-10.4	-5	-2	48.4	-123.3	6.6	2.2	.5
30TH	387.50	8.0	-18.6	1812	1812	4.4	-10.2	-4	-2	40.4	-104.5	5.2	1.7	.4
MEZZ	400.00	8.4	-19.1	1885	1885	4.5	-10.1	-4	-2	32.3	-85.9	4.0	1.2	.3
ROOF	413.00	18.5	-41.5	4512	4512	4.1	-9.2	-4	-2	23.9	-66.8	3.0	.9	.3
PNT	458.00	5.4	-25.4	3913	3925	1.4	-6.5	-2	-1	5.4	-25.4	1.0	.2	.1
TOP	533.00									0.0	0.0	0.0	0.0	0.0

TABLE 4. SHEAR AND MOMENT DIAGRAMS : JENKINS/EMPIRE BUILDING - PITTSBURGH, PA
WIND DIRECTION 230 CONFIGURATION A REFERENCE PRESSURE 23.0 PSF

FLOOR	HEIGHT	FORCE (KIPS)		AREA (SQ FT)		PRESSURE (PSF)		ECCEN (FT)		SHEAR (KIPS)		MOMENT (1000-FT-KIPS)		
		X	Y	X	Y	X	Y	X	Y	X	Y	X	Y	Z
1ST	0.00									160.8	-709.9	175.3	29.7	5.0
MEZZ	12.50	1.5	-14.1	2812	2812	.5	-5.0	9	1	159.4	-695.9	166.6	27.7	5.1
2ND	23.00	.5	-12.0	2363	2363	.2	-5.1	3	0	158.9	-683.9	159.3	26.1	5.2
3RD	36.00	.7	-14.9	2925	2925	.2	-5.1	-3	-0	158.1	-669.0	150.5	24.0	5.1
4TH	49.00	1.8	-15.4	2925	2925	.6	-5.3	6	1	156.4	-653.6	141.9	22.0	5.2
5TH	64.00	7.0	-19.4	2575	2575	2.7	-7.5	-0	-0	149.3	-634.2	132.3	19.7	5.2
6TH	77.00	7.2	-17.4	2145	2145	3.4	-8.1	-0	-0	142.1	-616.8	124.1	17.8	5.2
7TH	90.00	7.5	-17.6	2145	2145	3.5	-8.2	-0	-0	134.6	-599.2	116.2	16.0	5.2
8TH	103.00	7.8	-17.7	2145	2145	3.7	-8.3	-1	-0	126.7	-581.5	108.6	14.3	5.2
9TH	116.00	8.2	-17.9	2145	2145	3.8	-8.3	-1	-1	118.6	-563.6	101.1	12.7	5.2
10TH	129.00	8.5	-18.1	2145	2145	4.0	-8.4	-2	-1	110.1	-545.5	93.9	11.2	5.1
11TH	142.00	8.8	-18.2	2145	2145	4.1	-8.5	-3	-1	101.3	-527.3	86.9	9.8	5.1
12TH	155.00	8.6	-18.6	2145	2145	4.0	-8.7	-3	-2	92.7	-508.7	80.2	8.6	5.0
13TH	168.00	8.4	-19.0	2145	2145	3.9	-8.9	-4	-2	84.3	-489.6	73.7	7.4	4.9
14TH	181.00	8.2	-19.4	2145	2145	3.8	-9.1	-5	-2	76.1	-470.2	67.5	6.4	4.8
15TH	194.00	8.0	-19.9	2145	2145	3.7	-9.3	-6	-2	68.1	-450.3	61.5	5.4	4.6
16TH	207.00	7.7	-20.3	2145	2145	3.6	-9.5	-7	-3	60.4	-430.1	55.8	4.6	4.5
17TH	220.00	7.2	-20.7	2145	2145	3.4	-9.7	-8	-3	53.2	-409.4	50.3	3.9	4.3
18TH	233.00	6.8	-21.1	2145	2145	3.2	-9.8	-8	-3	46.4	-388.2	45.1	3.2	4.1
19TH	246.00	6.4	-21.6	2145	2145	3.0	-10.0	-9	-3	40.0	-366.7	40.2	2.6	3.9
20TH	259.00	5.5	-22.3	2145	2145	2.6	-10.4	-10	-3	34.5	-344.4	35.6	2.2	3.6
21ST	272.00	4.4	-22.7	2145	2145	2.1	-10.6	-11	-2	30.1	-321.7	31.3	1.7	3.4
22ND	285.00	3.6	-22.3	2145	2145	1.7	-10.4	-13	-2	26.4	-299.4	27.2	1.4	3.1
23RD	300.00	3.2	-24.5	2475	2475	1.3	-9.9	-13	-2	23.2	-274.9	22.9	1.0	2.8
24TH	312.50	2.9	-21.5	1853	1853	1.6	-11.6	-10	-1	20.3	-253.4	19.6	.7	2.6
		3.0	-22.1	1812	1812	1.6	-12.2	-10	-1					

TABLE 4. SHEAR AND MOMENT DIAGRAMS :		JENKINS/EMPIRE BUILDING - PITTSBURGH, PA								GUST FACTOR 1.32				
WIND DIRECTION 230		CONFIGURATION A								REFERENCE PRESSURE 23.0 PSF				
FLOOR	HEIGHT	FORCE (KIPS)		AREA (SQ FT)		PRESSURE (PSF)		ECCEN (FT)		SHEAR (KIPS)		MOMENT (1000-FT-KIPS)		
		X	Y	X	Y	X	Y	X	Y	X	Y	X	Y	Z
25TH	325.00	2.7	-22.6	1812	1812	1.5	-12.5	-11	-1	17.3	-231.2	16.6	.5	2.3
26TH	337.50	2.5	-22.9	1812	1812	1.4	-12.6	-12	-1	14.7	-208.7	13.8	.3	2.1
27TH	350.00	2.3	-23.2	1812	1812	1.3	-12.8	-13	-1	12.1	-185.8	11.4	.1	1.8
28TH	362.50	2.3	-23.0	1812	1812	1.3	-12.7	-12	-1	9.8	-162.6	9.2	-.0	1.5
29TH	375.00	2.4	-22.4	1812	1812	1.3	-12.4	-12	-1	7.5	-139.6	7.3	-.1	1.2
30TH	387.50	2.4	-21.8	1812	1812	1.3	-12.0	-11	-1	5.1	-117.2	5.7	-.2	.9
MEZZ	400.00	2.4	-22.0	1885	1885	1.3	-11.7	-10	-1	2.6	-95.4	4.4	-.2	.7
ROOF	413.00	4.7	-46.4	4512	4512	1.0	-10.3	-8	-1	.2	-73.5	3.3	-.3	.5
PNT	458.00	-4.4	-27.0	3913	3925	-1.1	-6.9	-3	1	-4.4	-27.0	1.0	-.2	.1
TOP	533.00									0.0	0.0	0.0	0.0	0.0

TABLE 4. SHEAR AND MOMENT DIAGRAMS : JENKINS/EMPIRE BUILDING - PITTSBURGH, PA
WIND DIRECTION 240 CONFIGURATION A REFERENCE PRESSURE 23.0 PSF

FLOOR	HEIGHT	FORCE (KIPS)		AREA (SQ FT)		PRESSURE (PSF)		ECCEN (FT)		SHEAR (KIPS)		MOMENT (1000-FT-KIPS)		
		X	Y	X	Y	X	Y	X	Y	X	Y	X	Y	Z
1ST	0.00									13.6	-721.2	177.7	-7.0	7.0
MEZZ	12.50	-1.7	-15.9	2812	2812	-0.6	-5.6	6	-1	15.3	-705.4	168.7	-7.2	7.1
2ND	23.00	-2.0	-13.6	2363	2363	-0.8	-5.8	1	-0	17.3	-691.7	161.4	-7.4	7.1
3RD	36.00	-2.7	-17.0	2925	2925	-0.9	-5.8	-3	1	20.0	-674.7	152.5	-7.6	7.0
4TH	49.00	-1.6	-17.5	2925	2925	-0.5	-6.0	2	-0	21.6	-657.2	143.9	-7.9	7.1
5TH	64.00	3.7	-20.3	2575	2575	1.4	-7.9	-6	-1	18.0	-636.9	134.2	-8.2	6.9
6TH	77.00	4.4	-17.2	2145	2145	2.0	-8.0	-6	-2	13.6	-619.7	126.0	-8.4	6.8
7TH	90.00	4.7	-17.1	2145	2145	2.2	-8.0	-7	-2	8.9	-602.6	118.0	-8.5	6.7
8TH	103.00	4.9	-17.3	2145	2145	2.3	-8.1	-8	-2	3.9	-585.3	110.3	-8.6	6.5
9TH	116.00	5.1	-17.6	2145	2145	2.4	-8.2	-9	-3	-1.2	-567.7	102.8	-8.6	6.3
10TH	129.00	5.3	-17.8	2145	2145	2.5	-8.3	-10	-3	-6.5	-549.9	95.6	-8.6	6.1
11TH	142.00	5.5	-18.1	2145	2145	2.6	-8.4	-11	-3	-12.0	-531.8	88.5	-8.5	5.9
12TH	155.00	5.1	-18.4	2145	2145	2.4	-8.6	-12	-3	-17.1	-513.3	81.7	-8.3	5.7
13TH	168.00	4.6	-18.8	2145	2145	2.1	-8.8	-13	-3	-21.7	-494.5	75.2	-8.0	5.4
14TH	181.00	4.1	-19.1	2145	2145	1.9	-8.9	-14	-3	-25.8	-475.4	68.9	-7.7	5.1
15TH	194.00	3.6	-19.5	2145	2145	1.7	-9.1	-15	-3	-29.3	-455.9	62.8	-7.3	4.8
16TH	207.00	3.1	-19.9	2145	2145	1.4	-9.3	-16	-2	-32.4	-436.0	57.0	-6.9	4.5
17TH	220.00	2.5	-20.5	2145	2145	1.2	-9.6	-15	-2	-34.9	-415.5	51.5	-6.5	4.2
18TH	233.00	2.0	-21.1	2145	2145	0.9	-9.8	-14	-1	-36.9	-394.4	46.2	-6.0	3.9
19TH	246.00	1.4	-21.7	2145	2145	0.7	-10.1	-14	-1	-38.3	-372.7	41.3	-5.6	3.6
20TH	259.00	0.2	-22.4	2145	2145	0.1	-10.5	-13	-0	-38.5	-350.3	36.6	-5.1	3.3
21ST	272.00	-0.9	-22.7	2145	2145	-0.4	-10.6	-13	1	-37.6	-327.7	32.1	-4.6	3.0
22ND	285.00	-1.1	-21.9	2145	2145	-0.5	-10.2	-13	1	-36.4	-305.8	28.0	-4.1	2.7
23RD	300.00	-1.6	-23.4	2475	2475	-0.6	-9.5	-13	1	-34.9	-282.4	23.6	-3.5	2.4
24TH	312.50	-1.6	-21.7	1853	1853	-0.9	-11.7	-9	1	-33.3	-260.6	20.2	-3.1	2.2
		-1.8	-22.5	1812	1812	-1.0	-12.4	-9	1					

TABLE 4. SHEAR AND MOMENT DIAGRAMS :
WIND DIRECTION 240

JENKINS/EMPIRE BUILDING - PITTSBURGH, PA
REFERENCE PRESSURE 23.0 PSF

GUST FACTOR 1.32

FLOOR	HEIGHT	FORCE (KIPS)		AREA (SQ FT)		PRESSURE (PSF)		ECCEN (FT)		SHEAR (KIPS)		MOMENT (1000-FT-KIPS)		
		X	Y	X	Y	X	Y	X	Y	X	Y	X	Y	Z
25TH	325.00			1812	1812	-1.1	-12.6	-9	1	-31.4	-238.2	17.1	-2.7	2.0
26TH	337.50	-2.0	-22.8	1812	1812	-1.1	-12.6	-9	1	-29.4	-215.3	14.3	-2.3	1.8
27TH	350.00	-2.4	-23.2	1812	1812	-1.3	-12.8	-10	1	-27.1	-192.1	11.7	-2.0	1.5
28TH	362.50	-2.7	-23.5	1812	1812	-1.5	-13.0	-10	1	-24.3	-168.6	9.5	-1.7	1.3
29TH	375.00	-2.9	-23.4	1812	1812	-1.6	-12.9	-10	1	-21.5	-145.2	7.5	-1.4	1.0
30TH	387.50	-2.9	-23.0	1812	1812	-1.6	-12.7	-10	1	-18.6	-122.1	5.8	-1.1	.8
MEZZ	400.00	-2.9	-22.6	1812	1812	-1.6	-12.5	-10	1	-15.7	-99.5	4.5	-.9	.6
ROOF	413.00	-3.0	-23.1	1885	1885	-1.6	-12.2	-10	1	-12.7	-76.5	3.3	-.7	.3
PNT	458.00	-5.5	-50.0	4512	4512	-1.2	-11.1	-6	1	-7.2	-26.5	1.0	-.3	.0
TOP	533.00	-7.2	-26.5	3913	3925	-1.9	-6.7	-2	0	0.0	0.0	0.0	0.0	0.0

TABLE 4. SHEAR AND MOMENT DIAGRAMS : JENKINS/EMPIRE BUILDING - PITTSBURGH, PA
 WIND DIRECTION 250 CONFIGURATION A REFERENCE PRESSURE 23.0 PSF

FLOOR	HEIGHT	FORCE (KIPS)		AREA (SQ FT)		PRESSURE (PSF)		ECCEN (FT)		SHEAR (KIPS)		MOMENT (1000-FT-KIPS)			
		X	Y	X	Y	X	Y	X	Y	X	Y	X	Y	Z	
1ST	0.00														
MEZZ	12.50	-4.6	-22.8	2812	2812	-1.6	-8.1	2	-0	-52.8	-1058.4	272.4	-14.6	8.7	
2ND	23.00	-4.5	-19.0	2363	2363	-1.9	-8.0	-3	1	-48.3	-1035.6	259.3	-13.9	8.7	
3RD	36.00	-5.8	-23.1	2925	2925	-2.0	-7.9	-7	2	-43.7	-1016.6	248.6	-13.4	8.7	
4TH	49.00	-4.1	-23.2	2925	2925	-1.4	-7.9	-4	1	-37.9	-993.5	235.5	-12.9	8.5	
5TH	64.00	1.5	-26.1	2575	2575	.6	-10.1	-14	-1	-33.9	-970.3	222.7	-12.4	8.4	
6TH	77.00	2.2	-22.4	2145	2145	1.0	-10.4	-15	-1	-35.4	-944.2	208.4	-11.9	8.0	
7TH	90.00	2.4	-22.3	2145	2145	1.1	-10.4	-16	-2	-37.6	-921.8	196.2	-11.4	7.7	
8TH	103.00	2.4	-22.6	2145	2145	1.1	-10.5	-17	-2	-40.0	-899.6	184.4	-10.9	7.4	
9TH	116.00	2.3	-23.0	2145	2145	1.1	-10.7	-18	-2	-42.4	-876.9	172.9	-10.4	7.0	
10TH	129.00	2.3	-23.3	2145	2145	1.1	-10.9	-19	-2	-44.7	-854.0	161.6	-9.8	6.6	
11TH	142.00	2.2	-23.7	2145	2145	1.0	-11.0	-19	-2	-47.0	-830.7	150.7	-9.2	6.1	
12TH	155.00	1.5	-24.5	2145	2145	.7	-11.4	-20	-1	-49.2	-807.0	140.0	-8.6	5.6	
13TH	168.00	.7	-25.4	2145	2145	.3	-11.8	-20	-1	-50.7	-782.5	129.7	-8.0	5.2	
14TH	181.00	-.1	-26.2	2145	2145	-.0	-12.2	-19	0	-51.4	-757.1	119.7	-7.3	4.7	
15TH	194.00	-.9	-27.1	2145	2145	-.4	-12.6	-19	1	-51.3	-730.9	110.0	-6.6	4.1	
16TH	207.00	-1.5	-28.0	2145	2145	-.7	-13.1	-18	1	-50.5	-703.8	100.7	-6.0	3.6	
17TH	220.00	-2.0	-29.0	2145	2145	-.9	-13.5	-16	1	-48.9	-675.7	91.7	-5.3	3.1	
18TH	233.00	-2.5	-30.0	2145	2145	-1.2	-14.0	-14	1	-46.9	-646.7	83.1	-4.7	2.6	
19TH	246.00	-2.9	-31.0	2145	2145	-1.4	-14.5	-13	1	-44.5	-616.7	74.9	-4.1	2.2	
20TH	259.00	-4.3	-32.7	2145	2145	-2.0	-15.2	-11	1	-41.5	-585.7	67.1	-3.6	1.8	
21ST	272.00	-5.0	-33.2	2145	2145	-2.3	-15.5	-10	1	-37.2	-553.1	59.7	-3.0	1.4	
22ND	285.00	-4.3	-31.5	2145	2145	-2.0	-14.7	-9	1	-32.2	-519.9	52.7	-2.6	1.1	
23RD	300.00	-3.3	-32.8	2475	2475	-1.3	-13.3	-8	1	-27.9	-488.4	46.2	-2.2	.8	
24TH	312.50	-2.1	-32.7	1853	1853	-1.1	-17.6	-2	0	-24.6	-455.6	39.1	-1.8	.6	
		-2.1	-34.4	1812	1812	-1.2	-19.0	-1	0	-22.5	-423.0	33.6	-1.5	.5	

TABLE 4. SHEAR AND MOMENT DIAGRAMS : JENKINS/EMPIRE BUILDING - PITTSBURGH, PA
 WIND DIRECTION 250 CONFIGURATION A REFERENCE PRESSURE 23.0 PSF

FLOOR	HEIGHT	FORCE (KIPS)		AREA (SQ FT)		PRESSURE (PSF)		ECCEN (FT)		SHEAR (KIPS)		GUST FACTOR 1.32 MOMENT (1000-FT-KIPS)		
		X	Y	X	Y	X	Y	X	Y	X	Y	Z		
25TH	325.00									-20.4	-388.6	28.5	-1.2	.5
26TH	337.50	-2.1	-35.3	1812	1812	-1.2	-19.5	-2	0	-18.3	-353.2	23.9	-1.0	.4
27TH	350.00	-2.1	-36.2	1812	1812	-1.2	-20.0	-2	0	-16.1	-317.0	19.7	-.8	.3
28TH	362.50	-2.2	-37.1	1812	1812	-1.2	-20.5	-2	0	-14.0	-279.9	16.0	-.6	.2
29TH	375.00	-2.3	-37.4	1812	1812	-1.3	-20.6	-2	0	-11.7	-242.5	12.7	-.4	.1
30TH	387.50	-2.4	-37.3	1812	1812	-1.3	-20.6	-2	0	-9.3	-205.1	9.9	-.3	.1
MEZZ	400.00	-2.5	-37.2	1812	1812	-1.4	-20.5	-2	0	-6.7	-167.9	7.6	-.2	-.0
ROOF	413.00	-2.8	-38.5	1885	1885	-1.5	-20.4	-2	0	-3.9	-129.4	5.6	-.1	-.1
PNT	458.00	-3.1	-84.1	4512	4512	-.7	-18.6	1	-0	-.8	-45.4	1.7	-.0	-.0
TOP	533.00	-.8	-45.4	3913	3925	-.2	-11.6	1	-0	0.0	0.0	0.0	0.0	0.0

TABLE 4. SHEAR AND MOMENT DIAGRAMS :
WIND DIRECTION 260

JENKINS/EMPIRE BUILDING - PITTSBURGH, PA
REFERENCE PRESSURE 23.0 PSF

GUST FACTOR 1.32

FLOOR	HEIGHT	FORCE (KIPS)		AREA (SQ FT)		PRESSURE (PSF)		ECCEN (FT)		SHEAR (KIPS)		MOMENT (1000-FT-KIPS)		
		X	Y	X	Y	X	Y	X	Y	X	Y	X	Y	Z
1ST	0.00	-4.2	-18.1	2812	2812	-1.5	-6.4	-2	0	-77.8	-903.2	240.7	-8.3	2.9
MEZZ	12.50	-4.1	-15.0	2363	2363	-1.7	-6.3	-6	2	-73.6	-885.1	229.5	-7.4	2.8
2ND	23.00	-5.9	-18.3	2925	2925	-2.0	-6.2	-10	3	-69.6	-870.2	220.3	-6.6	2.7
3RD	36.00	-5.3	-19.2	2925	2925	-1.8	-6.6	-6	2	-63.7	-851.9	209.1	-5.7	2.5
4TH	49.00	-1.4	-21.2	2575	2575	-.5	-8.2	-18	1	-58.3	-832.7	198.1	-4.9	2.4
5TH	64.00	-1.0	-18.0	2145	2145	-.5	-8.4	-19	1	-57.0	-811.5	185.8	-4.1	2.0
6TH	77.00	-1.3	-18.1	2145	2145	-.6	-8.4	-19	1	-55.9	-793.4	175.4	-3.3	1.7
7TH	90.00	-1.8	-18.4	2145	2145	-.8	-8.6	-19	2	-54.6	-775.4	165.2	-2.6	1.3
8TH	103.00	-2.2	-18.7	2145	2145	-1.0	-8.7	-20	2	-52.9	-757.0	155.2	-1.9	1.0
9TH	116.00	-2.7	-19.0	2145	2145	-1.3	-8.9	-20	3	-50.6	-738.3	145.5	-1.3	.6
10TH	129.00	-3.2	-19.3	2145	2145	-1.5	-9.0	-20	3	-47.9	-719.3	136.0	-.6	.2
11TH	142.00	-3.7	-19.8	2145	2145	-1.7	-9.2	-18	3	-44.7	-700.0	126.8	-.0	-.2
12TH	155.00	-4.1	-20.3	2145	2145	-1.9	-9.5	-17	3	-41.0	-680.2	117.8	.5	-.6
13TH	168.00	-4.6	-20.8	2145	2145	-2.2	-9.7	-15	3	-36.9	-659.9	109.1	1.1	-.9
14TH	181.00	-5.1	-21.3	2145	2145	-2.4	-9.9	-14	3	-32.3	-639.2	100.7	1.5	-1.2
15TH	194.00	-5.4	-21.8	2145	2145	-2.5	-10.2	-12	3	-27.2	-617.9	92.5	1.9	-1.5
16TH	207.00	-5.3	-22.5	2145	2145	-2.5	-10.5	-10	2	-21.8	-596.1	84.6	2.2	-1.8
17TH	220.00	-5.2	-23.2	2145	2145	-2.4	-10.8	-8	2	-16.5	-573.6	77.0	2.5	-2.1
18TH	233.00	-5.0	-23.9	2145	2145	-2.3	-11.1	-7	1	-11.4	-550.4	69.7	2.6	-2.3
19TH	246.00	-5.6	-25.6	2145	2145	-2.6	-11.9	-5	1	-6.3	-526.5	62.7	2.8	-2.4
20TH	259.00	-5.4	-26.3	2145	2145	-2.5	-12.3	-3	1	-.7	-500.9	56.0	2.8	-2.5
21ST	272.00	-3.9	-24.8	2145	2145	-1.8	-11.6	-2	0	4.7	-474.6	49.7	2.8	-2.6
22ND	285.00	-2.9	-24.8	2475	2475	-1.2	-10.0	0	-0	8.6	-449.8	43.7	2.7	-2.7
23RD	300.00	-1.8	-29.5	1853	1853	-1.0	-15.9	6	-0	11.4	-424.9	37.1	2.5	-2.7
24TH	312.50	-1.3	-31.5	1812	1812	-.7	-17.4	7	-0	13.2	-395.4	32.0	2.4	-2.5

TABLE 4. SHEAR AND MOMENT DIAGRAMS :
WIND DIRECTION 260

JENKINS/EMPIRE BUILDING - PITTSBURGH, PA
REFERENCE PRESSURE 23.0 PSF

GUST FACTOR 1.32

FLOOR	HEIGHT	FORCE (KIPS)		AREA (SQ FT)		PRESSURE (PSF)		ECCEN (FT)		SHEAR (KIPS)		MOMENT (1000-FT-KIPS)		
		X	Y	X	Y	X	Y	X	Y	X	Y	X	Y	Z
25TH	325.00	-.8	-32.2	1812	1812	-.4	-17.7	7	-0	14.5	-363.9	27.2	2.2	-2.3
26TH	337.50	-.4	-32.9	1812	1812	-.2	-18.1	8	-0	15.3	-331.8	22.9	2.0	-2.0
27TH	350.00	.0	-33.6	1812	1812	.0	-18.5	8	0	15.7	-298.9	18.9	1.8	-1.8
28TH	362.50	.2	-34.1	1812	1812	.1	-18.8	8	0	15.7	-265.4	15.4	1.6	-1.5
29TH	375.00	.3	-34.6	1812	1812	.1	-19.1	7	0	15.4	-231.2	12.3	1.4	-1.2
30TH	387.50	.3	-34.9	1812	1812	.2	-19.3	6	0	15.2	-196.6	9.6	1.2	-1.0
MEZZ	400.00	.7	-35.9	1885	1885	.4	-19.1	6	0	14.8	-161.7	7.4	1.1	-.8
ROOF	413.00	5.0	-80.8	4512	4512	1.1	-17.9	5	0	14.2	-125.8	5.5	.9	-.6
PNT	458.00	9.2	-45.0	3913	3925	2.3	-11.5	3	1	9.2	-45.0	1.7	.3	-.1
TOP	533.00									0.0	0.0	0.0	0.0	0.0

TABLE 4. SHEAR AND MOMENT DIAGRAMS : JENKINS/EMPIRE BUILDING - PITTSBURGH, PA
 WIND DIRECTION 270 CONFIGURATION A REFERENCE PRESSURE 23.0 PSF

FLOOR	HEIGHT	FORCE (KIPS)		AREA (SQ FT)		PRESSURE (PSF)		ECCEN (FT)		SHEAR (KIPS)		MOMENT (1000-FT-KIPS)		
		X	Y	X	Y	X	Y	X	Y	X	Y	X	Y	Z
1ST	0.00													
MEZZ	12.50	-11.8	-18.0	2812	2812	-4.2	-6.4	3	-2	-388.7	-1120.8	308.1	-81.4	-6.2
2ND	23.00	-9.7	-13.9	2363	2363	-4.1	-5.9	2	-1	-377.0	-1102.8	294.2	-76.7	-6.1
3RD	36.00	-12.9	-16.2	2925	2925	-4.4	-5.6	0	-0	-367.3	-1088.9	282.7	-72.7	-6.1
4TH	49.00	-13.8	-17.7	2925	2925	-4.7	-6.0	-3	2	-354.4	-1072.7	268.7	-68.1	-6.1
5TH	64.00	-11.1	-22.1	2575	2575	-4.3	-8.6	-10	5	-340.5	-1055.0	254.9	-63.5	-6.1
6TH	77.00	-10.3	-19.3	2145	2145	-4.8	-9.0	-9	5	-329.4	-1032.9	239.2	-58.5	-6.4
7TH	90.00	-10.9	-19.8	2145	2145	-5.1	-9.2	-8	4	-319.1	-1013.7	225.9	-54.3	-6.6
8TH	103.00	-11.5	-21.0	2145	2145	-5.4	-9.8	-7	4	-308.2	-993.9	212.9	-50.2	-6.8
9TH	116.00	-12.1	-22.1	2145	2145	-5.7	-10.3	-6	3	-296.7	-972.9	200.1	-46.3	-7.0
10TH	129.00	-12.8	-23.3	2145	2145	-6.0	-10.9	-5	3	-284.6	-950.8	187.6	-42.5	-7.2
11TH	142.00	-13.4	-24.5	2145	2145	-6.2	-11.4	-4	2	-271.8	-927.5	175.4	-38.9	-7.3
12TH	155.00	-13.6	-25.1	2145	2145	-6.3	-11.7	-3	1	-258.4	-903.0	163.5	-35.4	-7.5
13TH	168.00	-13.7	-25.6	2145	2145	-6.4	-11.9	-1	1	-244.9	-877.9	151.9	-32.2	-7.5
14TH	181.00	-13.9	-26.2	2145	2145	-6.5	-12.2	-0	0	-231.1	-852.3	140.6	-29.1	-7.6
15TH	194.00	-14.0	-26.7	2145	2145	-6.5	-12.4	1	-1	-217.3	-826.1	129.7	-26.2	-7.6
16TH	207.00	-13.9	-27.3	2145	2145	-6.5	-12.7	2	-1	-203.2	-799.4	119.2	-23.4	-7.6
17TH	220.00	-13.2	-28.2	2145	2145	-6.2	-13.2	4	-2	-189.3	-772.1	108.9	-20.9	-7.5
18TH	233.00	-12.5	-29.1	2145	2145	-5.8	-13.6	5	-2	-176.1	-743.8	99.1	-18.5	-7.3
19TH	246.00	-11.8	-30.0	2145	2145	-5.5	-14.0	7	-3	-163.6	-714.7	89.6	-16.3	-7.2
20TH	259.00	-11.9	-33.2	2145	2145	-5.6	-15.5	8	-3	-151.8	-684.8	80.5	-14.2	-6.9
21ST	272.00	-10.5	-35.1	2145	2145	-4.9	-16.3	10	-3	-139.8	-651.6	71.8	-12.4	-6.6
22ND	285.00	-7.5	-33.3	2145	2145	-4.5	-15.5	15	-3	-129.4	-616.5	63.6	-10.6	-6.2
23RD	300.00	-8.3	-33.5	2475	2475	-3.3	-13.5	15	-4	-121.9	-583.3	55.8	-9.0	-5.7
24TH	312.50	-11.2	-40.7	1853	1853	-6.0	-22.0	10	-3	-113.6	-549.7	47.3	-7.2	-5.2
		-11.2	-42.8	1812	1812	-6.2	-23.6	10	-3	-102.4	-509.0	40.7	-5.9	-4.7

TABLE 4. SHEAR AND MOMENT DIAGRAMS : JENKINS/EMPIRE BUILDING - PITTSBURGH, PA
WIND DIRECTION 270 CONFIGURATION A REFERENCE PRESSURE 23.0 PSF

FLOOR	HEIGHT	FORCE (KIPS)		AREA (SQ FT)		PRESSURE (PSF)		ECCEN (FT)		SHEAR (KIPS)		MOMENT (1000-FT-KIPS)		
		X	Y	X	Y	X	Y	X	Y	X	Y	X	Y	Z
25TH	325.00			1812	1812	-6.0	-23.7	11	-3	-91.2	-466.3	34.6	-4.6	-4.3
26TH	337.50	-10.9	-42.9	1812	1812	-5.8	-23.6	11	-3	-80.3	-423.3	29.0	-3.6	-3.8
27TH	350.00	-10.6	-42.8	1812	1812	-5.7	-23.5	12	-3	-69.7	-380.5	24.0	-2.6	-3.3
28TH	362.50	-10.3	-42.7	1812	1812	-5.9	-23.7	11	-3	-59.4	-337.9	19.5	-1.8	-2.7
29TH	375.00	-10.6	-43.0	1812	1812	-6.3	-24.0	10	-3	-48.8	-294.9	15.5	-1.1	-2.2
30TH	387.50	-11.4	-43.5	1812	1812	-6.7	-24.3	8	-2	-37.4	-251.4	12.1	-.6	-1.8
MEZZ	400.00	-12.2	-44.0	1812	1812	-6.8	-24.3	6	-2	-25.2	-207.3	9.3	-.2	-1.4
ROOF	413.00	-12.8	-45.9	1885	1885	-3.9	-23.8	8	-1	-12.4	-161.4	6.9	.0	-1.1
PNT	458.00	-17.5	-107.5	4512	4512	1.3	-13.7	4	0	5.1	-53.9	2.0	.2	-.2
TOP	533.00	5.1	-53.9	3913	3925					0.0	0.0	0.0	0.0	0.0

GUST FACTOR 1.32

TABLE 4. SHEAR AND MOMENT DIAGRAMS :
 WIND DIRECTION 280 CONFIGURATION A JENKINS/EMPIRE BUILDING - PITTSBURGH, PA
 REFERENCE PRESSURE 23.0 PSF

FLOOR	HEIGHT	FORCE (KIPS)		AREA (SQ FT)		PRESSURE (PSF)		ECCEN (FT)		SHEAR (KIPS)		MOMENT (1000-FT-KIPS)		
		X	Y	X	Y	X	Y	X	Y	X	Y	Z		
1ST	0.00	-13.9	-18.2	2812	2812	-5.0	-6.5	2	-2	-652.5	-1209.1	335.7	-150.0	-7.2
MEZZ	12.50	-12.0	-12.4	2363	2363	-5.1	-5.2	3	-3	-638.6	-1190.9	320.7	-141.9	-7.2
2ND	23.00	-17.0	-12.9	2925	2925	-5.8	-4.4	3	-4	-626.6	-1178.6	308.2	-135.3	-7.1
3RD	36.00	-19.5	-14.2	2925	2925	-6.7	-4.8	2	-2	-609.7	-1165.7	293.0	-127.2	-7.0
4TH	49.00	-19.5	-19.7	2575	2575	-7.6	-7.7	-6	6	-590.2	-1151.5	277.9	-119.4	-6.9
5TH	64.00	-18.5	-17.8	2145	2145	-8.6	-8.3	-5	5	-570.7	-1131.7	260.8	-110.7	-7.1
6TH	77.00	-19.1	-18.5	2145	2145	-8.9	-8.6	-4	4	-552.2	-1114.0	246.2	-103.4	-7.3
7TH	90.00	-19.7	-20.0	2145	2145	-9.2	-9.3	-2	2	-533.1	-1095.5	231.8	-96.4	-7.5
8TH	103.00	-20.3	-21.5	2145	2145	-9.5	-10.0	-1	1	-513.4	-1075.5	217.7	-89.6	-7.6
9TH	116.00	-20.9	-23.0	2145	2145	-9.7	-10.7	0	0	-493.1	-1054.0	203.9	-83.0	-7.6
10TH	129.00	-21.4	-24.5	2145	2145	-10.0	-11.4	1	-1	-472.2	-1031.0	190.3	-76.7	-7.6
11TH	142.00	-21.5	-26.1	2145	2145	-10.0	-12.2	2	-1	-450.8	-1006.5	177.1	-70.7	-7.6
12TH	155.00	-21.4	-27.7	2145	2145	-10.0	-12.9	2	-2	-429.3	-980.4	164.2	-65.0	-7.5
13TH	168.00	-21.4	-29.2	2145	2145	-10.0	-13.6	3	-2	-407.9	-952.7	151.6	-59.6	-7.4
14TH	181.00	-21.4	-30.8	2145	2145	-10.0	-14.4	4	-3	-386.5	-923.5	139.4	-54.4	-7.3
15TH	194.00	-21.1	-32.4	2145	2145	-9.8	-15.1	4	-3	-365.2	-892.7	127.6	-49.5	-7.1
16TH	207.00	-20.2	-34.1	2145	2145	-9.4	-15.9	5	-3	-344.1	-860.3	116.2	-44.9	-6.9
17TH	220.00	-19.3	-35.8	2145	2145	-9.0	-16.7	6	-3	-323.9	-826.2	105.3	-40.6	-6.7
18TH	233.00	-18.4	-37.5	2145	2145	-8.6	-17.5	7	-3	-304.6	-790.4	94.7	-36.5	-6.4
19TH	246.00	-18.1	-41.7	2145	2145	-8.4	-19.4	7	-3	-286.2	-753.0	84.7	-32.7	-6.1
20TH	259.00	-15.4	-44.2	2145	2145	-7.2	-20.6	10	-3	-268.1	-711.3	75.2	-29.1	-5.7
21ST	272.00	-11.3	-42.5	2145	2145	-5.3	-19.8	13	-4	-252.7	-667.1	66.2	-25.7	-5.2
22ND	285.00	-12.0	-44.1	2475	2475	-4.8	-17.8	12	-3	-241.3	-624.6	57.8	-22.5	-4.6
23RD	300.00	-17.6	-45.2	1853	1853	-9.5	-24.4	8	-3	-229.3	-580.5	48.8	-18.9	-4.0
24TH	312.50	-18.3	-46.8	1812	1812	-10.1	-25.8	7	-3	-211.8	-535.3	41.8	-16.2	-3.6

TABLE 4. SHEAR AND MOMENT DIAGRAMS :																
WIND DIRECTION 280		CONFIGURATION A				JENKINS/EMPIRE BUILDING - PITTSBURGH, PA				REFERENCE PRESSURE 23.0 PSF				GUST FACTOR 1.32		
FLOOR	HEIGHT	FORCE (KIPS)		AREA (SQ FT)		PRESSURE (PSF)		ECCEN (FT)		SHEAR (KIPS)		MOMENT (1000-FT-KIPS)				
		X	Y	X	Y	X	Y	X	Y	X	Y	X	Y	Z		
25TH	325.00	-18.0	-47.0	1812	1812	-9.9	-25.9	8	-3	-193.4	-488.5	35.4	-13.6	-3.2		
26TH	337.50	-17.6	-47.1	1812	1812	-9.7	-26.0	8	-3	-175.4	-441.6	29.6	-11.3	-2.8		
27TH	350.00	-17.2	-47.2	1812	1812	-9.5	-26.1	8	-3	-157.8	-394.5	24.4	-9.3	-2.4		
28TH	362.50	-17.9	-47.0	1812	1812	-9.9	-26.0	8	-3	-140.6	-347.2	19.8	-7.4	-2.0		
29TH	375.00	-19.2	-46.7	1812	1812	-10.6	-25.7	6	-3	-122.8	-300.2	15.7	-5.7	-1.6		
30TH	387.50	-20.5	-46.3	1812	1812	-11.3	-25.5	5	-2	-103.6	-253.5	12.2	-4.3	-1.2		
MEZZ	400.00	-22.3	-47.9	1885	1885	-11.8	-25.4	4	-2	-83.1	-207.2	9.4	-3.2	-.9		
ROOF	413.00	-46.6	-102.7	4512	4512	-10.3	-22.8	5	-2	-60.8	-159.3	7.0	-2.2	-.7		
PNT	458.00	-14.2	-56.7	3913	3925	-3.6	-14.4	3	-1	-14.2	-56.7	2.1	-.5	-.2		
TOP	533.00									0.0	0.0	0.0	0.0	0.0		

TABLE 4. SHEAR AND MOMENT DIAGRAMS : JENKINS/EMPIRE BUILDING - PITTSBURGH, PA
 WIND DIRECTION 290 CONFIGURATION A REFERENCE PRESSURE 23.0 PSF

FLOOR	HEIGHT	FORCE (KIPS)		AREA (SQ FT)		PRESSURE (PSF)		ECCEN (FT)		SHEAR (KIPS)		MOMENT (1000-FT-KIPS)		
		X	Y	X	Y	X	Y	X	Y	X	Y	X	Y	Z
1ST	0.00	-13.8	-10.3	2812	2812	-4.9	-3.7	-0	0	-781.6	-924.9	263.8	-201.5	-3.3
MEZZ	12.50	-12.3	-7.2	2363	2363	-5.2	-3.1	2	-4	-767.8	-914.5	252.3	-191.8	-3.3
2ND	23.00	-17.0	-7.7	2925	2925	-5.8	-2.6	3	-6	-755.5	-907.3	242.7	-183.8	-3.2
3RD	36.00	-18.9	-8.8	2925	2925	-6.5	-3.0	4	-8	-738.5	-899.6	230.9	-174.1	-3.1
4TH	49.00	-20.0	-12.9	2575	2575	-7.8	-5.0	-1	1	-719.6	-890.7	219.3	-164.6	-2.9
5TH	64.00	-18.6	-12.1	2145	2145	-8.7	-5.6	0	-0	-699.6	-877.8	206.0	-154.0	-2.9
6TH	77.00	-19.1	-13.0	2145	2145	-8.9	-6.0	1	-2	-681.0	-865.7	194.7	-145.0	-2.9
7TH	90.00	-19.8	-14.4	2145	2145	-9.2	-6.7	2	-3	-661.9	-852.7	183.5	-136.3	-2.9
8TH	103.00	-20.4	-15.9	2145	2145	-9.5	-7.4	3	-4	-642.1	-838.3	172.6	-127.8	-2.8
9TH	116.00	-21.0	-17.3	2145	2145	-9.8	-8.1	4	-5	-621.7	-822.5	161.8	-119.6	-2.6
10TH	129.00	-21.7	-18.8	2145	2145	-10.1	-8.7	4	-5	-600.7	-805.1	151.2	-111.6	-2.5
11TH	142.00	-21.7	-20.4	2145	2145	-10.1	-9.5	4	-5	-579.1	-786.4	140.8	-104.0	-2.3
12TH	155.00	-21.6	-22.0	2145	2145	-10.1	-10.3	4	-4	-557.4	-766.0	130.7	-96.6	-2.1
13TH	168.00	-21.6	-23.7	2145	2145	-10.1	-11.0	4	-3	-535.8	-744.0	120.9	-89.5	-1.9
14TH	181.00	-21.6	-25.3	2145	2145	-10.0	-11.8	4	-3	-514.2	-720.3	111.4	-82.7	-1.8
15TH	194.00	-21.4	-26.7	2145	2145	-10.0	-12.4	3	-3	-492.6	-695.1	102.2	-76.1	-1.6
16TH	207.00	-20.8	-27.6	2145	2145	-9.7	-12.8	3	-2	-471.3	-668.4	93.3	-69.8	-1.5
17TH	220.00	-20.2	-28.4	2145	2145	-9.4	-13.3	3	-2	-450.5	-640.8	84.8	-63.9	-1.3
18TH	233.00	-19.6	-29.3	2145	2145	-9.1	-13.7	2	-1	-430.3	-612.4	76.7	-58.1	-1.2
19TH	246.00	-19.8	-32.2	2145	2145	-9.2	-15.0	2	-1	-410.8	-583.1	68.9	-52.7	-1.1
20TH	259.00	-17.6	-32.6	2145	2145	-8.2	-15.2	3	-1	-390.9	-550.9	61.6	-47.4	-1.1
21ST	272.00	-13.4	-29.5	2145	2145	-6.3	-13.7	4	-2	-373.3	-518.2	54.6	-42.5	-.9
22ND	285.00	-11.9	-29.3	2475	2475	-4.8	-11.8	2	-1	-359.9	-488.7	48.1	-37.7	-.8
23RD	300.00	-23.0	-32.2	1853	1853	-12.4	-17.4	0	-0	-347.9	-459.4	40.9	-32.4	-.7
24TH	312.50	-24.5	-33.8	1812	1812	-13.5	-18.7	1	-0	-325.0	-427.2	35.4	-28.2	-.7

TABLE 4. SHEAR AND MOMENT DIAGRAMS :
WIND DIRECTION 290

JENKINS/EMPIRE BUILDING - PITTSBURGH, PA
REFERENCE PRESSURE 23.0 PSF

GUST FACTOR 1.32

FLOOR	HEIGHT	FORCE (KIPS)		AREA (SQ FT)		PRESSURE (PSF)		ECCEN (FT)		SHEAR (KIPS)		MOMENT (1000-FT-KIPS)		
		X	Y	X	Y	X	Y	X	Y	X	Y	Z		
25TH	325.00	-24.5	-34.2	1812	1812	-13.5	-18.8	1	-1	-300.4	-393.4	30.3	-24.3	-.7
26TH	337.50	-24.4	-34.6	1812	1812	-13.4	-19.1	1	-1	-275.9	-359.2	25.6	-20.7	-.6
27TH	350.00	-24.2	-35.0	1812	1812	-13.4	-19.3	1	-1	-251.6	-324.7	21.3	-17.4	-.6
28TH	362.50	-24.7	-35.5	1812	1812	-13.6	-19.6	1	-1	-227.4	-289.7	17.5	-14.4	-.5
29TH	375.00	-25.7	-36.1	1812	1812	-14.2	-19.9	2	-1	-202.6	-254.2	14.1	-11.7	-.4
30TH	387.50	-26.7	-36.7	1812	1812	-14.7	-20.3	2	-1	-176.9	-218.1	11.1	-9.3	-.4
MEZZ	400.00	-28.5	-38.8	1885	1885	-15.1	-20.6	2	-2	-150.2	-181.4	8.6	-7.3	-.2
ROOF	413.00	-75.1	-87.6	4512	4512	-16.6	-19.4	1	-0	-121.7	-142.6	6.5	-5.5	-.1
PNT	458.00	-46.5	-55.0	3913	3925	-11.9	-14.0	0	-0	-46.5	-55.0	2.1	-1.7	-.0
TOP	533.00									0.0	0.0	0.0	0.0	0.0

TABLE 4. SHEAR AND MOMENT DIAGRAMS :
WIND DIRECTION 300

JENKINS/EMPIRE BUILDING - PITTSBURGH, PA
REFERENCE PRESSURE 23.0 PSF

GUST FACTOR 1.32

FLOOR	HEIGHT	FORCE (KIPS)		AREA (SQ FT)		PRESSURE (PSF)		ECCEN (FT)		SHEAR (KIPS)		MOMENT (1000-FT-KIPS)		
		X	Y	X	Y	X	Y	X	Y	X	Y	X	Y	Z
1ST	0.00	-15.4	-6.6	2812	2812	-5.5	-2.4	4	-9	-779.4	-582.8	160.9	-204.7	-3.1
MEZZ	12.50	-13.4	-4.8	2363	2363	-5.7	-2.0	3	-7	-764.0	-576.1	153.7	-195.0	-3.0
2ND	23.00	-16.5	-5.5	2925	2925	-5.7	-1.9	3	-8	-750.6	-571.4	147.7	-187.1	-2.9
3RD	36.00	-17.2	-7.0	2925	2925	-5.9	-2.4	5	-12	-734.1	-565.8	140.3	-177.4	-2.7
4TH	49.00	-19.9	-9.0	2575	2575	-7.7	-3.5	1	-2	-716.9	-558.9	133.0	-168.0	-2.5
5TH	64.00	-17.8	-8.6	2145	2145	-8.3	-4.0	1	-2	-697.0	-549.9	124.6	-157.4	-2.4
6TH	77.00	-17.6	-9.5	2145	2145	-8.2	-4.4	2	-4	-679.2	-541.3	117.5	-148.4	-2.4
7TH	90.00	-17.8	-10.6	2145	2145	-8.3	-4.9	4	-6	-661.6	-531.8	110.6	-139.7	-2.3
8TH	103.00	-18.0	-11.6	2145	2145	-8.4	-5.4	5	-8	-643.8	-521.2	103.7	-131.2	-2.2
9TH	116.00	-18.1	-12.7	2145	2145	-8.5	-5.9	6	-9	-625.9	-509.6	97.0	-123.0	-2.0
10TH	129.00	-18.3	-13.7	2145	2145	-8.5	-6.4	8	-10	-607.7	-496.9	90.5	-115.0	-1.7
11TH	142.00	-18.5	-14.6	2145	2145	-8.6	-6.8	7	-9	-589.4	-483.2	84.1	-107.2	-1.4
12TH	155.00	-18.8	-15.5	2145	2145	-8.8	-7.2	7	-8	-570.9	-468.6	77.9	-99.7	-1.1
13TH	168.00	-19.0	-16.4	2145	2145	-8.9	-7.6	6	-7	-552.1	-453.1	71.9	-92.4	-.9
14TH	181.00	-19.2	-17.3	2145	2145	-9.0	-8.1	6	-7	-533.1	-436.7	66.2	-85.3	-.6
15TH	194.00	-19.4	-18.0	2145	2145	-9.1	-8.4	5	-6	-513.9	-419.4	60.6	-78.5	-.4
16TH	207.00	-19.5	-18.2	2145	2145	-9.1	-8.5	4	-5	-494.4	-401.4	55.3	-71.9	-.2
17TH	220.00	-19.6	-18.5	2145	2145	-9.1	-8.6	3	-4	-474.9	-383.2	50.2	-65.6	-.0
18TH	233.00	-19.7	-18.7	2145	2145	-9.2	-8.7	3	-3	-455.3	-364.8	45.3	-59.6	.1
19TH	246.00	-21.0	-19.9	2145	2145	-9.8	-9.3	2	-2	-435.6	-346.1	40.7	-53.8	.2
20TH	259.00	-20.8	-19.3	2145	2145	-9.7	-9.0	1	-1	-414.6	-326.2	36.3	-48.3	.3
21ST	272.00	-18.4	-16.7	2145	2145	-8.6	-7.8	0	-0	-393.8	-306.9	32.2	-43.0	.3
22ND	285.00	-18.0	-16.3	2475	2475	-7.3	-6.6	-0	0	-375.3	-290.2	28.3	-38.0	.3
23RD	300.00	-25.1	-19.3	1853	1853	-13.5	-10.4	-0	1	-357.3	-273.9	24.1	-32.5	.3
24TH	312.50	-26.4	-20.2	1812	1812	-14.5	-11.2	-1	1	-332.2	-254.6	20.8	-28.2	.3

TABLE 4. SHEAR AND MOMENT DIAGRAMS :

WIND DIRECTION 300
 CONFIGURATION A
 JENKINS/EMPIRE BUILDING - PITTSBURGH, PA
 REFERENCE PRESSURE 23.0 PSF

GUST FACTOR 1.32

FLOOR	HEIGHT	FORCE (KIPS)		AREA (SQ FT)		PRESSURE (PSF)		ECCEN (FT)		SHEAR (KIPS)		MOMENT (1000-FT-KIPS)			
		X	Y	X	Y	X	Y	X	Y	X	Y	X	Y	Z	
25TH	325.00														
		-26.3	-20.3	1812	1812	-14.5	-11.2	-1	1	-305.9	-234.3	17.7	-24.2	.3	
26TH	337.50	-26.0	-20.4	1812	1812	-14.3	-11.2	-1	1	-279.6	-214.0	14.9	-20.6	.2	
27TH	350.00	-25.7	-20.5	1812	1812	-14.2	-11.3	-1	1	-253.7	-193.7	12.4	-17.2	.2	
28TH	362.50	-25.9	-21.1	1812	1812	-14.3	-11.7	-1	1	-228.0	-173.2	10.1	-14.2	.1	
29TH	375.00	-26.5	-22.2	1812	1812	-14.6	-12.3	0	-0	-202.1	-152.1	8.0	-11.5	.1	
30TH	387.50	-27.1	-23.2	1812	1812	-15.0	-12.8	1	-1	-175.6	-129.9	6.3	-9.2	.1	
MEZZ	400.00	-28.8	-25.0	1885	1885	-15.3	-13.3	2	-2	-148.4	-106.6	4.8	-7.2	.1	
ROOF	413.00	-74.3	-52.6	4512	4512	-16.5	-11.7	-1	2	-119.6	-81.6	3.6	-5.4	.2	
PNT	458.00	-45.3	-29.0	3913	3925	-11.6	-7.4	-1	1	-45.3	-29.0	1.1	-1.7	.1	
TOP	533.00									0.0	0.0	0.0	0.0	0.0	

TABLE 4. SHEAR AND MOMENT DIAGRAMS : JENKINS/EMPIRE BUILDING - PITTSBURGH, PA
 WIND DIRECTION 310 CONFIGURATION A REFERENCE PRESSURE 23.0 PSF

GUST FACTOR 1.32

FLOOR	HEIGHT	FORCE (KIPS)		AREA (SQ FT)		PRESSURE (PSF)		ECCEN (FT)		SHEAR (KIPS)		MOMENT (1000-FT-KIPS)		
		X	Y	X	Y	X	Y	X	Y	X	Y	X	Y	Z
1ST	0.00													
		-14.9	-3.5	2812	2812	-5.3	-1.2	3	-11	-849.9	-427.8	109.4	-223.8	-.8
MEZZ	12.50	-12.6	-2.4	2363	2363	-5.3	-1.0	2	-11	-834.9	-424.3	104.1	-213.2	-.7
2ND	23.00	-15.2	-2.5	2925	2925	-5.2	-.8	1	-9	-822.4	-421.9	99.6	-204.5	-.5
3RD	36.00	-15.6	-3.4	2925	2925	-5.3	-1.2	3	-14	-807.2	-419.4	94.1	-194.0	-.4
4TH	49.00	-20.7	-7.0	2575	2575	-8.1	-2.7	2	-7	-791.6	-416.0	88.7	-183.6	-.2
5TH	64.00	-18.4	-7.4	2145	2145	-8.6	-3.4	3	-6	-770.9	-409.0	82.5	-171.8	.0
6TH	77.00	-17.9	-8.7	2145	2145	-8.4	-4.1	4	-7	-752.5	-401.7	77.3	-161.9	.2
7TH	90.00	-18.2	-10.0	2145	2145	-8.5	-4.6	5	-9	-734.5	-393.0	72.1	-152.3	.3
8TH	103.00	-18.5	-11.2	2145	2145	-8.6	-5.2	6	-9	-716.3	-383.0	67.1	-142.8	.5
9TH	116.00	-18.8	-12.5	2145	2145	-8.8	-5.8	7	-10	-697.8	-371.7	62.1	-133.7	.8
10TH	129.00	-19.1	-13.8	2145	2145	-8.9	-6.4	8	-11	-679.0	-359.2	57.4	-124.7	1.0
11TH	142.00	-19.6	-14.4	2145	2145	-9.1	-6.7	7	-9	-660.0	-345.5	52.8	-116.0	1.4
12TH	155.00	-20.1	-15.0	2145	2145	-9.4	-7.0	6	-8	-640.4	-331.1	48.4	-107.5	1.6
13TH	168.00	-20.6	-15.6	2145	2145	-9.6	-7.3	5	-7	-620.3	-316.1	44.2	-99.4	1.9
14TH	181.00	-21.1	-16.2	2145	2145	-9.9	-7.6	4	-5	-599.7	-300.5	40.2	-91.4	2.1
15TH	194.00	-21.7	-16.5	2145	2145	-10.1	-7.7	3	-4	-578.6	-284.3	36.4	-83.8	2.3
16TH	207.00	-22.4	-16.0	2145	2145	-10.5	-7.5	2	-3	-556.9	-267.8	32.8	-76.4	2.4
17TH	220.00	-23.1	-15.6	2145	2145	-10.8	-7.3	1	-2	-534.5	-251.7	29.4	-69.3	2.5
18TH	233.00	-23.8	-15.1	2145	2145	-11.1	-7.0	0	-0	-511.3	-236.1	26.3	-62.5	2.6
19TH	246.00	-25.7	-15.2	2145	2145	-12.0	-7.1	-0	1	-487.5	-221.0	23.3	-56.0	2.6
20TH	259.00	-26.7	-14.6	2145	2145	-12.5	-6.8	-1	2	-461.8	-205.8	20.5	-49.8	2.6
21ST	272.00	-25.9	-12.9	2145	2145	-12.1	-6.0	-2	4	-435.1	-191.2	17.9	-44.0	2.5
22ND	285.00	-28.3	-13.2	2475	2475	-11.4	-5.4	-2	5	-409.2	-178.3	15.5	-38.5	2.4
23RD	300.00	-29.7	-13.0	1853	1853	-16.0	-7.0	-2	5	-380.9	-165.0	13.0	-32.6	2.2
24TH	312.50	-30.5	-13.4	1812	1812	-16.8	-7.4	-2	6	-351.2	-152.0	11.0	-28.0	2.0

TABLE 4. SHEAR AND MOMENT DIAGRAMS :
 WIND DIRECTION 310 CONFIGURATION A JENKINS/EMPIRE BUILDING - PITTSBURGH, PA
 REFERENCE PRESSURE 23.0 PSF

FLOOR	HEIGHT	FORCE (KIPS)		AREA (SQ FT)		PRESSURE (PSF)		ECCEN (FT)		SHEAR (KIPS)		GUST FACTOR 1.32 MOMENT (1000-FT-KIPS)		
		X	Y	X	Y	X	Y	X	Y	X	Y	Z		
25TH	325.00	-30.4	-13.4	1812	1812	-16.8	-7.4	-3	6	-320.7	-138.6	9.2	-23.8	1.8
26TH	337.50	-30.2	-13.5	1812	1812	-16.7	-7.5	-3	6	-290.3	-125.2	7.5	-20.0	1.6
27TH	350.00	-30.0	-13.7	1812	1812	-16.6	-7.5	-3	7	-260.1	-111.6	6.0	-16.6	1.4
28TH	362.50	-29.9	-14.1	1812	1812	-16.5	-7.8	-3	6	-230.1	-98.0	4.7	-13.5	1.1
29TH	375.00	-29.8	-14.8	1812	1812	-16.4	-8.2	-2	5	-200.2	-83.9	3.6	-10.8	.9
30TH	387.50	-29.6	-15.4	1812	1812	-16.3	-8.5	-2	3	-170.5	-69.1	2.6	-8.5	.7
MEZZ	400.00	-30.3	-16.5	1885	1885	-16.0	-8.7	-1	2	-140.9	-53.7	1.9	-6.5	.6
ROOF	413.00	-70.4	-29.9	4512	4512	-15.6	-6.6	-2	5	-110.6	-37.2	1.3	-4.9	.5
PNT	458.00	-40.2	-7.3	3913	3925	-10.3	-1.9	-1	3	-40.2	-7.3	.3	-1.5	.1
TOP	533.00									0.0	0.0	0.0	0.0	0.0

TABLE 4. SHEAR AND MOMENT DIAGRAMS : JENKINS/EMPIRE BUILDING - PITTSBURGH, PA
 WIND DIRECTION 320 CONFIGURATION A REFERENCE PRESSURE 23.0 PSF

FLOOR	HEIGHT	FORCE (KIPS)		AREA (SQ FT)		PRESSURE (PSF)		ECCEN (FT)		SHEAR (KIPS)		GUST FACTOR 1.32 MOMENT (1000-FT-KIPS)		
		X	Y	X	Y	X	Y	X	Y	X	Y	X	Y	Z
1ST	0.00													
MEZZ	12.50	-13.2	-2.3	2812	2812	-4.7	-0.8	4	-21	-1005.2	-249.3	52.4	-262.3	1.8
2ND	23.00	-10.6	-2.2	2363	2363	-4.5	-0.9	6	-28	-991.9	-247.0	49.3	-249.8	2.1
3RD	36.00	-12.9	-2.7	2925	2925	-4.4	-0.9	6	-27	-981.4	-244.9	46.7	-239.5	2.4
4TH	49.00	-15.2	-2.4	2925	2925	-5.2	-0.8	5	-29	-968.4	-242.2	43.6	-226.8	2.8
5TH	64.00	-24.1	-7.1	2575	2575	-9.3	-2.7	4	-15	-953.2	-239.8	40.4	-214.3	3.3
6TH	77.00	-22.4	-7.0	2145	2145	-10.5	-3.3	4	-12	-929.1	-232.7	36.9	-200.2	3.6
7TH	90.00	-22.4	-8.0	2145	2145	-10.4	-3.7	4	-11	-906.7	-225.7	33.9	-188.3	3.9
8TH	103.00	-22.5	-8.8	2145	2145	-10.5	-4.1	4	-10	-884.3	-217.7	31.0	-176.6	4.2
9TH	116.00	-22.6	-9.6	2145	2145	-10.5	-4.5	4	-10	-861.8	-208.9	28.3	-165.3	4.5
10TH	129.00	-22.7	-10.5	2145	2145	-10.6	-4.9	4	-9	-839.2	-199.3	25.6	-154.2	4.7
11TH	142.00	-22.8	-11.3	2145	2145	-10.6	-5.3	4	-8	-816.5	-188.8	23.1	-143.5	5.0
12TH	155.00	-24.0	-11.5	2145	2145	-11.2	-5.4	3	-6	-793.7	-177.5	20.7	-133.0	5.2
13TH	168.00	-25.2	-11.7	2145	2145	-11.8	-5.4	2	-4	-769.7	-166.0	18.5	-122.8	5.4
14TH	181.00	-26.5	-11.8	2145	2145	-12.4	-5.5	1	-2	-744.5	-154.3	16.4	-113.0	5.5
15TH	194.00	-27.7	-12.0	2145	2145	-12.9	-5.6	0	-1	-718.0	-142.5	14.5	-103.5	5.6
16TH	207.00	-28.9	-11.9	2145	2145	-13.5	-5.5	-0	1	-690.2	-130.5	12.7	-94.3	5.6
17TH	220.00	-30.0	-11.2	2145	2145	-14.0	-5.2	-1	2	-661.3	-118.6	11.1	-85.6	5.6
18TH	233.00	-31.1	-10.6	2145	2145	-14.5	-4.9	-1	4	-631.2	-107.4	9.6	-77.2	5.5
19TH	246.00	-32.2	-9.9	2145	2145	-15.0	-4.6	-2	5	-600.1	-96.8	8.3	-69.1	5.4
20TH	259.00	-34.3	-9.4	2145	2145	-16.0	-4.4	-2	6	-568.0	-86.9	7.1	-61.6	5.2
21ST	272.00	-35.6	-8.4	2145	2145	-16.6	-3.9	-2	7	-533.7	-77.5	6.0	-54.4	5.0
22ND	285.00	-34.9	-7.0	2145	2145	-16.3	-3.3	-2	8	-498.1	-69.2	5.0	-47.7	4.7
23RD	300.00	-39.0	-6.5	2475	2475	-15.7	-2.6	-2	10	-463.2	-62.2	4.2	-41.4	4.4
24TH	312.50	-35.4	-5.6	1853	1853	-19.1	-3.0	-2	10	-424.2	-55.7	3.3	-34.8	4.0
		-35.7	-5.5	1812	1812	-19.7	-3.0	-2	10	-388.9	-50.1	2.6	-29.7	3.7

TABLE 4. SHEAR AND MOMENT DIAGRAMS :
WIND DIRECTION 320

JENKINS/EMPIRE BUILDING - PITTSBURGH, PA
CONFIGURATION A
REFERENCE PRESSURE 23.0 PSF

GUST FACTOR 1.32

FLOOR	HEIGHT	FORCE (KIPS)		AREA (SQ FT)		PRESSURE (PSF)		ECCEN (F1)		SHEAR (KIPS)		MOMENT (1000-FT-KIPS)		
		X	Y	X	Y	X	Y	X	Y	X	Y	X	Y	Z
25TH	325.00	-35.5	-5.5	1812	1812	-19.6	-3.0	-2	11	-353.2	-44.6	2.1	-25.1	3.3
26TH	337.50	-35.5	-5.4	1812	1812	-19.6	-3.0	-2	11	-317.7	-39.1	1.5	-20.9	2.9
27TH	350.00	-35.4	-5.3	1812	1812	-19.5	-3.0	-2	12	-282.2	-33.7	1.1	-17.1	2.5
28TH	362.50	-34.9	-5.6	1812	1812	-19.2	-3.1	-2	12	-246.8	-28.4	.7	-13.8	2.1
29TH	375.00	-34.0	-6.1	1812	1812	-18.7	-3.4	-2	10	-211.9	-22.7	.4	-10.9	1.7
30TH	387.50	-33.0	-6.5	1812	1812	-18.2	-3.6	-2	9	-177.9	-16.6	.1	-8.5	1.3
MEZZ	400.00	-33.3	-6.8	1885	1885	-17.6	-3.6	-2	8	-144.9	-10.1	-.0	-6.5	1.0
ROOF	413.00	-73.1	-6.8	4512	4512	-16.2	-1.5	-1	8	-111.7	-3.3	-.1	-4.8	.7
PNT	458.00	-38.6	3.5	3913	3925	-9.9	.9	0	3	-38.6	3.5	-.1	-1.4	.1
TOP	533.00									0.0	0.0	0.0	0.0	0.0

TABLE 4. SHEAR AND MOMENT DIAGRAMS : JENKINS/EMPIRE BUILDING - PITTSBURGH, PA
 WIND DIRECTION 330 CONFIGURATION A REFERENCE PRESSURE 23.0 PSF

FLOOR	HEIGHT	FORCE (KIPS)		AREA (SQ FT)		PRESSURE (PSF)		ECCEN (FT)		SHEAR (KIPS)		MOMENT (1000-FT-KIPS)			
		X	Y	X	Y	X	Y	X	Y	X	Y	X	Y	Z	
1ST	0.00														
MEZZ	12.50	-11.7	-.4	2812	2812	-4.2	-.2	1	-21	-1010.8	-62.4	5.7	-258.5	1.5	
2ND	23.00	-10.7	.1	2363	2363	-4.5	.0	-0	-34	-999.1	-62.0	4.9	-245.9	1.7	
3RD	36.00	-14.4	.8	2925	2925	-4.9	.3	-2	-36	-988.4	-62.1	4.2	-235.5	2.1	
4TH	49.00	-16.2	1.2	2925	2925	-5.5	.4	-3	-36	-974.1	-62.8	3.4	-222.7	2.6	
5TH	64.00	-25.1	-3.1	2575	2575	-9.7	-1.2	2	-16	-957.9	-64.0	2.6	-210.2	3.2	
6TH	77.00	-23.5	-4.0	2145	2145	-11.0	-1.8	2	-10	-932.8	-60.8	1.7	-196.0	3.6	
7TH	90.00	-23.7	-4.7	2145	2145	-11.1	-2.2	2	-9	-909.3	-56.9	.9	-184.0	3.9	
8TH	103.00	-24.0	-4.8	2145	2145	-11.2	-2.2	2	-8	-885.6	-52.2	.2	-172.4	4.1	
9TH	116.00	-24.4	-4.9	2145	2145	-11.4	-2.3	1	-8	-861.5	-47.4	-.5	-161.0	4.3	
10TH	129.00	-24.7	-4.9	2145	2145	-11.5	-2.3	1	-7	-837.2	-42.6	-1.0	-150.0	4.5	
11TH	142.00	-25.0	-5.0	2145	2145	-11.7	-2.3	1	-6	-812.5	-37.6	-1.6	-139.2	4.7	
12TH	155.00	-25.9	-5.1	2145	2145	-12.1	-2.4	1	-3	-787.4	-32.6	-2.0	-128.8	4.8	
13TH	168.00	-26.8	-5.1	2145	2145	-12.5	-2.4	-0	1	-761.5	-27.5	-2.4	-118.8	4.9	
14TH	181.00	-27.8	-5.1	2145	2145	-12.9	-2.4	-1	4	-734.7	-22.4	-2.7	-109.1	4.9	
15TH	194.00	-28.7	-5.1	2145	2145	-13.4	-2.4	-1	7	-706.9	-17.3	-3.0	-99.7	4.8	
16TH	207.00	-29.8	-5.0	2145	2145	-13.9	-2.3	-1	8	-678.2	-12.2	-3.2	-90.7	4.6	
17TH	220.00	-31.5	-4.7	2145	2145	-14.7	-2.2	-1	7	-648.4	-7.2	-3.3	-82.1	4.3	
18TH	233.00	-33.2	-4.3	2145	2145	-15.5	-2.0	-1	6	-616.9	-2.5	-3.4	-73.8	4.1	
19TH	246.00	-34.9	-3.9	2145	2145	-16.2	-1.8	-1	5	-583.7	1.8	-3.4	-66.0	3.9	
20TH	259.00	-37.8	-3.6	2145	2145	-17.6	-1.7	-0	4	-548.8	5.7	-3.3	-58.7	3.7	
21ST	272.00	-38.1	-3.1	2145	2145	-17.8	-1.4	-0	4	-511.1	9.4	-3.2	-51.8	3.5	
22ND	285.00	-35.2	-2.5	2145	2145	-16.4	-1.2	-0	4	-473.0	12.4	-3.1	-45.4	3.4	
23RD	300.00	-35.6	-2.5	2475	2475	-14.4	-1.0	-0	1	-437.7	15.0	-2.9	-39.5	3.2	
24TH	312.50	-33.9	-.0	1853	1853	-18.3	-.0	-0	6	-402.1	17.5	-2.7	-33.2	3.2	
		-34.3	.4	1812	1812	-18.9	.2	0	8	-368.3	17.5	-2.5	-28.3	3.0	

TABLE 4. SHEAR AND MOMENT DIAGRAMS :														
WIND DIRECTION 330		JENKINS/EMPIRE BUILDING - PITTSBURGH, PA								GUST FACTOR 1.32				
		CONFIGURATION A				REFERENCE PRESSURE 23.0 PSF								
FLOOR	HEIGHT	FORCE (KIPS)		AREA (SQ FT)		PRESSURE (PSF)		ECCEN (FT)		SHEAR (KIPS)		MOMENT (1000-FT-KIPS)		
		X	Y	X	Y	X	Y	X	Y	X	Y	X	Y	Z
25TH	325.00	-33.9	.7	1812	1812	-18.7	.4	0	9	-333.9	17.1	-2.2	-24.0	2.7
26TH	337.50	-32.7	.7	1812	1812	-18.0	.4	0	11	-300.1	16.4	-2.0	-20.0	2.4
27TH	350.00	-31.4	.7	1812	1812	-17.3	.4	0	12	-267.4	15.7	-1.8	-16.5	2.1
28TH	362.50	-31.3	.5	1812	1812	-17.3	.3	0	12	-236.0	15.1	-1.6	-13.3	1.7
29TH	375.00	-32.0	.2	1812	1812	-17.6	.1	0	11	-204.6	14.6	-1.5	-10.6	1.3
30TH	387.50	-32.5	-.1	1812	1812	-17.9	-.1	-0	9	-172.7	14.4	-1.3	-8.2	1.0
MEZZ	400.00	-33.6	-.5	1885	1885	-17.8	-.3	-0	8	-140.2	14.5	-1.1	-6.2	.7
ROOF	413.00	-69.4	5.6	4512	4512	-15.4	1.2	0	5	-106.6	15.0	-.9	-4.6	.4
PNT	458.00	-37.3	9.4	3913	3925	-9.5	2.4	0	2	-37.3	9.4	-.4	-1.4	.1
TOP	533.00									0.0	0.0	0.0	0.0	0.0

TABLE 4. SHEAR AND MOMENT DIAGRAMS : JENKINS/EMPIRE BUILDING - PITTSBURGH, PA
 WIND DIRECTION 340 CONFIGURATION A REFERENCE PRESSURE 23.0 PSF

FLOOR	HEIGHT	FORCE (KIPS)		AREA (SQ FT)		PRESSURE (PSF)		ECCEN (FT)		SHEAR (KIPS)		MOMENT (1000-FT-KIPS)		
		X	Y	X	Y	X	Y	X	Y	X	Y	X	Y	Z
1ST	0.00											6.3	-238.0	-4.0
MEZZ	12.50	-8.7	.2	2812	2812	-3.1	.1	-0	-12	-913.8	7.7	6.4	-226.5	-3.9
2ND	23.00	-8.3	1.8	2363	2363	-3.5	.8	-6	-28	-905.5	6.0	6.5	-217.0	-3.6
3RD	36.00	-11.9	4.0	2925	2925	-4.1	1.4	-10	-30	-893.6	1.9	6.5	-205.3	-3.2
4TH	49.00	-13.8	4.6	2925	2925	-4.7	1.6	-9	-29	-879.7	-2.6	6.5	-193.8	-2.8
5TH	64.00	-21.9	2.9	2575	2575	-8.5	1.1	-2	-12	-857.9	-5.5	6.5	-180.7	-2.5
6TH	77.00	-20.8	1.5	2145	2145	-9.7	.7	-1	-8	-837.1	-7.0	6.4	-169.7	-2.3
7TH	90.00	-20.9	.9	2145	2145	-9.8	.4	-0	-7	-816.1	-7.9	6.3	-159.0	-2.2
8TH	103.00	-21.3	1.3	2145	2145	-9.9	.6	-0	-7	-794.9	-9.2	6.2	-148.5	-2.0
9TH	116.00	-21.6	1.6	2145	2145	-10.1	.7	-0	-6	-773.3	-10.8	6.1	-138.3	-1.9
10TH	129.00	-21.9	1.9	2145	2145	-10.2	.9	-0	-5	-751.4	-12.7	5.9	-128.4	-1.8
11TH	142.00	-22.2	2.2	2145	2145	-10.3	1.0	-0	-4	-729.2	-14.9	5.7	-118.8	-1.7
12TH	155.00	-23.5	2.1	2145	2145	-11.0	1.0	-0	-4	-705.7	-17.0	5.5	-109.4	-1.6
13TH	168.00	-24.9	2.0	2145	2145	-11.6	.9	-0	-4	-680.8	-19.0	5.3	-100.4	-1.5
14TH	181.00	-26.3	1.8	2145	2145	-12.2	.8	-0	-4	-654.6	-20.8	5.0	-91.7	-1.4
15TH	194.00	-27.6	1.7	2145	2145	-12.9	.8	-0	-5	-627.0	-22.5	4.7	-83.4	-1.3
16TH	207.00	-28.9	1.5	2145	2145	-13.5	.7	-0	-4	-598.0	-23.9	4.4	-75.4	-1.1
17TH	220.00	-30.1	1.1	2145	2145	-14.0	.5	-0	-4	-567.9	-25.1	4.1	-67.9	-1.0
18TH	233.00	-31.2	.8	2145	2145	-14.5	.4	-0	-3	-536.7	-25.9	3.8	-60.7	-.9
19TH	246.00	-32.3	.5	2145	2145	-15.1	.2	-0	-2	-504.4	-26.4	3.5	-53.9	-.9
20TH	259.00	-34.3	-.5	2145	2145	-16.0	-.2	0	-1	-470.1	-25.9	3.1	-47.6	-.8
21ST	272.00	-34.6	-1.2	2145	2145	-16.1	-.6	0	-1	-435.5	-24.7	2.8	-41.7	-.8
22ND	285.00	-32.7	-1.2	2145	2145	-15.2	-.6	0	-1	-402.8	-23.5	2.5	-36.3	-.8
23RD	300.00	-34.9	-1.3	2475	2475	-14.1	-.5	0	-1	-367.9	-22.2	2.1	-30.5	-.7
24TH	312.50	-28.9	-1.0	1853	1853	-15.6	-.5	0	-2	-339.0	-21.2	1.9	-26.1	-.7
		-29.6	-1.2	1812	1812	-16.3	-.7	0	-2					

TABLE 4. SHEAR AND MOMENT DIAGRAMS :
 WIND DIRECTION 340
 JENKINS/EMPIRE BUILDING - PITTSBURGH, PA
 CONFIGURATION A
 REFERENCE PRESSURE 23.0 PSF

FLOOR	HEIGHT	FORCE (KIPS)		AREA (SQ FT)		PRESSURE (PSF)		ECCEN (FT)		SHEAR (KIPS)		GUST FACTOR 1.32 MOMENT (1000-FT-KIPS)		
		X	Y	X	Y	X	Y	X	Y	X	Y	X	Y	Z
25TH	325.00	-30.1	-1.4	1812	1812	-16.6	-.8	0	-2	-309.4	-20.0	1.6	-22.0	-.6
26TH	337.50	-30.6	-1.5	1812	1812	-16.9	-.8	0	-3	-279.3	-18.7	1.4	-18.3	-.5
27TH	350.00	-31.1	-1.7	1812	1812	-17.1	-.9	0	-3	-248.7	-17.2	1.1	-15.0	-.4
28TH	362.50	-30.9	-1.9	1812	1812	-17.0	-1.0	0	-3	-217.6	-15.5	.9	-12.1	-.3
29TH	375.00	-30.2	-2.1	1812	1812	-16.7	-1.1	0	-3	-186.8	-13.6	.8	-9.6	-.3
30TH	387.50	-29.6	-2.3	1812	1812	-16.3	-1.3	0	-2	-156.5	-11.5	.6	-7.4	-.2
MEZZ	400.00	-30.3	-2.5	1885	1885	-16.1	-1.3	0	-2	-126.9	-9.2	.5	-5.7	-.1
ROOF	413.00	-62.6	-3.2	4512	4512	-13.9	-.7	0	-0	-96.6	-6.7	.4	-4.2	-.0
PNT	458.00	-34.0	-3.5	3913	3925	-8.7	-.9	0	-1	-34.0	-3.5	.1	-1.3	-.0
TOP	533.00									0.0	0.0	0.0	0.0	0.0

TABLE 4. SHEAR AND MOMENT DIAGRAMS :
WIND DIRECTION 350 CONFIGURATION A JENKINS/EMPIRE BUILDING - PITTSBURGH, PA
REFERENCE PRESSURE 23.0 PSF

GUST FACTOR 1.32

FLOOR	HEIGHT	FORCE (KIPS)		AREA (SQ FT)		PRESSURE (PSF)		ECCEN (FT)		SHEAR (KIPS)		MOMENT (1000-FT-KIPS)		
		X	Y	X	Y	X	Y	X	Y	X	Y	X	Y	Z
1ST	0.00	-8.4	4.8	2812	2812	-3.0	1.7	4	6	-915.9	90.5	2.2	-232.9	-8.6
MEZZ	12.50	-9.3	5.9	2363	2363	-3.9	2.5	-10	-16	-907.4	85.7	3.3	-221.5	-8.6
2ND	23.00	-13.9	9.4	2925	2925	-4.8	3.2	-13	-20	-898.2	79.9	4.2	-212.0	-8.4
3RD	36.00	-14.9	10.4	2925	2925	-5.1	3.5	-13	-19	-884.3	70.5	5.1	-200.4	-8.0
4TH	49.00	-22.7	11.6	2575	2575	-8.8	4.5	-4	-8	-869.4	60.1	6.0	-189.0	-7.6
5TH	64.00	-21.9	9.1	2145	2145	-10.2	4.2	-2	-5	-846.7	48.5	6.8	-176.1	-7.4
6TH	77.00	-22.2	8.3	2145	2145	-10.3	3.8	-2	-5	-824.8	39.4	7.4	-165.3	-7.2
7TH	90.00	-22.3	8.1	2145	2145	-10.4	3.8	-2	-6	-802.6	31.2	7.8	-154.7	-7.1
8TH	103.00	-22.3	8.0	2145	2145	-10.4	3.7	-2	-6	-780.4	23.1	8.2	-144.4	-7.0
9TH	116.00	-22.4	7.8	2145	2145	-10.4	3.7	-2	-7	-758.1	15.1	8.4	-134.4	-6.8
10TH	129.00	-22.5	7.7	2145	2145	-10.5	3.6	-3	-8	-735.7	7.2	8.6	-124.7	-6.6
11TH	142.00	-23.7	7.1	2145	2145	-11.1	3.3	-2	-8	-713.2	-5.5	8.6	-115.3	-6.4
12TH	155.00	-25.0	6.4	2145	2145	-11.7	3.0	-2	-9	-689.5	-7.5	8.6	-106.2	-6.2
13TH	168.00	-26.4	5.7	2145	2145	-12.3	2.7	-2	-9	-664.4	-13.9	8.4	-97.4	-6.0
14TH	181.00	-27.7	5.0	2145	2145	-12.9	2.4	-2	-10	-638.0	-19.6	8.2	-88.9	-5.7
15TH	194.00	-28.9	4.4	2145	2145	-13.5	2.0	-2	-10	-610.4	-24.7	7.9	-80.8	-5.4
16TH	207.00	-29.7	3.8	2145	2145	-13.8	1.8	-1	-10	-581.5	-29.1	7.6	-73.0	-5.1
17TH	220.00	-30.5	3.2	2145	2145	-14.2	1.5	-1	-9	-551.8	-32.9	7.2	-65.7	-4.8
18TH	233.00	-31.3	2.6	2145	2145	-14.6	1.2	-1	-9	-521.3	-36.1	6.7	-58.7	-4.5
19TH	246.00	-32.9	1.6	2145	2145	-15.3	.8	-0	-9	-489.9	-38.7	6.2	-52.1	-4.2
20TH	259.00	-33.0	.3	2145	2145	-15.4	.1	-0	-9	-457.1	-40.3	5.7	-46.0	-3.9
21ST	272.00	-31.6	-.7	2145	2145	-14.7	-.3	0	-10	-424.0	-40.6	5.2	-40.2	-3.6
22ND	285.00	-34.3	-1.8	2475	2475	-13.9	-.7	1	-11	-392.4	-39.9	4.7	-34.9	-3.3
23RD	300.00	-28.5	-1.9	1853	1853	-15.4	-1.0	1	-8	-358.1	-38.1	4.1	-29.3	-3.0
24TH	312.50	-29.2	-2.1	1812	1812	-16.1	-1.2	1	-8	-329.6	-36.2	3.6	-25.0	-2.7

TABLE 4. SHEAR AND MOMENT DIAGRAMS :
WIND DIRECTION 350

JENKINS/EMPIRE BUILDING - PITTSBURGH, PA
REFERENCE PRESSURE 23.0 PSF

GUST FACTOR 1.32

FLOOR	HEIGHT	FORCE (KIPS)		AREA (SQ FT)		PRESSURE (PSF)		ECCEN (FT)		SHEAR (KIPS)		MOMENT (1000-FT-KIPS)		
		X	Y	X	Y	X	Y	X	Y	X	Y	X	Y	Z
25TH	325.00	-30.0	-2.3	1812	1812	-16.5	-1.3	1	-9	-300.4	-34.1	3.2	-21.1	-2.5
26TH	337.50	-30.4	-2.5	1812	1812	-16.8	-1.4	1	-10	-270.4	-31.8	2.8	-17.5	-2.2
27TH	350.00	-30.8	-2.6	1812	1812	-17.0	-1.4	1	-10	-240.0	-29.3	2.4	-14.3	-1.9
28TH	362.50	-30.4	-2.6	1812	1812	-16.8	-1.5	1	-10	-209.1	-26.7	2.1	-11.5	-1.6
29TH	375.00	-29.4	-2.6	1812	1812	-16.2	-1.4	1	-10	-178.7	-24.1	1.7	-9.1	-1.3
30TH	387.50	-28.5	-2.6	1812	1812	-15.7	-1.4	1	-9	-149.3	-21.5	1.5	-7.0	-1.0
MEZZ	400.00	-28.7	-2.5	1885	1885	-15.2	-1.3	1	-9	-120.8	-18.9	1.2	-5.3	-.7
ROOF	413.00	-60.5	-6.4	4512	4512	-13.4	-1.4	1	-6	-92.0	-16.4	1.0	-4.0	-.5
PNT	458.00	-31.6	-10.0	3913	3925	-8.1	-2.5	1	-2	-31.6	-10.0	.4	-1.2	-.1
TOP	533.00									0.0	0.0	0.0	0.0	0.0

TABLE 4. BASE SHEAR AND MOMENT SUMMARY : JENKINS/EMPIRE BUILDING - PITTSBURGH, PA
 CONFIGURATION A REFERENCE PRESSURE 23.0 GUST FACTOR 1.32

AZIMUTH	SHEAR (KIPS)		MOMENT (1000-FT-KIPS)			ECCEN (FT)	
	X	Y	X	Y	Z	X	Y
0	-948.4	293.3	-48.6	-233.9	-9.6	-3	-9
10	-891.8	470.5	-98.7	-215.9	-6.5	-3	-6
20	-828.2	612.1	-138.3	-194.1	-2.5	-1	-2
30	-456.1	411.9	-98.6	-103.5	-1.0	-1	-1
40	-351.9	454.4	-112.1	-75.8	-	-1	-1
50	-238.4	462.3	-116.4	-49.3	.7	1	1
60	-93.3	414.3	-110.0	-14.5	3.0	7	2
70	-3.6	231.7	-61.7	2.1	1.9	8	0
80	75.6	203.8	-62.4	21.0	.6	3	-1
90	160.2	207.9	-65.7	39.9	.9	3	-2
100	173.2	196.7	-52.2	43.1	.1	0	-0
110	278.4	231.7	-57.1	68.1	1.4	3	-4
120	581.7	389.0	-89.0	152.5	3.5	3	-4
130	568.9	363.3	-81.4	151.2	2.2	2	-3
140	519.1	206.7	-38.3	140.0	.5	0	-1
150	685.5	106.7	-6.2	184.1	1.4	0	-1
160	749.2	63.3	-3.8	194.6	1.6	0	-2
170	545.8	-96.0	30.4	118.8	1.5	-0	-3
180	437.1	-317.1	82.3	91.6	3.6	-4	-5
190	369.4	-397.3	94.1	88.3	1.8	-2	-1
200	463.5	-511.6	125.1	116.8	.4	-0	0
210	488.3	-542.7	134.5	124.4	-1.1	1	1
220	328.5	-611.6	152.0	75.6	1.4	-2	-1
230	160.8	-709.9	175.3	29.7	5.0	-7	-2
240	13.6	-721.2	177.7	-7.0	7.0	-10	-0
250	-52.8	-1058.4	272.4	-14.6	8.7	-8	0
260	-77.8	-903.2	240.7	-8.3	2.9	-3	0
270	-388.7	-1120.8	308.1	-81.4	-6.2	-5	-1
280	-652.5	-1209.1	335.7	-150.0	-7.2	-5	-2
290	-781.6	-924.9	263.8	-201.5	-3.3	-2	-1
300	-779.4	-582.8	160.9	-204.7	-3.1	-2	-3
310	-849.9	-427.8	109.4	-223.8	-	0	-1
320	-1005.2	-249.3	52.4	-262.3	1.8	-0	-2
330	-1010.8	-62.4	5.7	-258.5	1.5	-0	1
340	-922.5	8.0	6.3	-238.0	-4.0	-0	-4
350	-915.9	90.5	2.2	-232.9	-8.6	-1	-9

TABLE 5A. PEAK LOADS FOR CONFIGURATION C : JENKINS/EMPIRE BUILDING IN PLACE
LARGEST VALUES OF CLADDING LOAD REFERENCE PRESSURE = 23.0 PSF

TAP	AZI-MUTH	PRESS COEFF	NEGATIVE PEAK	POSITIVE PEAK	TAP	AZI-MUTH	PRESS COEFF	NEGATIVE PEAK	POSITIVE PEAK	TAP	AZI-MUTH	PRESS COEFF	NEGATIVE PEAK	POSITIVE PEAK
			-----	PSF				-----	PSF				-----	PSF
2101	150	-1.59	-17.6	3.2	2151	290	-.43	-9.8	2.7	2202	270	-.77	-17.7	1.8
2102	280	-.75	-17.2	2.6	2152	290	-.58	-13.4	6.6	2203	270	-.75	-17.2	4.1
2103	10	-1.41	-23.0	4.7	2153	10	-.59	-9.7	6.4	2204	270	-.66	-15.1	2.2
2104	20	-.66	-10.8	7.3	2154	300	-.91	-16.8	5.8	2205	250	-.77	-17.6	7.3
2105	270	-.59	-13.5	6.3	2155	280	-.58	-13.4	8.0	2206	270	-.57	-13.1	10.0
2106	20	-1.44	-23.4	8.7	2156	130	-1.12	-12.3	11.3	2207	250	-.69	-15.8	3.4
2107	270	-.94	-21.6	11.4	2157	20	-.77	-12.5	9.3	2208	280	-1.03	-23.7	3.7
2108	10	-.60	-9.8	5.5	2158	290	-.32	-7.4	6.5	2209	220	-1.21	-17.3	2.9
2109	270	-.69	-15.5	4.7	2159	290	-.46	-7.2	10.6	2210	250	-1.49	-34.3	2.6
2110	350	-1.41	-23.0	7.3	2160	300	-1.01	-18.6	7.8	2211	280	-.61	-13.1	14.1
2111	270	-.58	-13.3	10.5	2161	290	-.87	-19.9	9.0	2212	280	-1.13	-24.0	9.2
2112	270	-.47	-10.8	6.4	2162	320	-.52	-9.5	9.1	2213	270	-.55	-12.6	5.1
2113	160	-.97	-13.9	3.7	2163	320	-1.14	-21.0	6.8	2214	160	-.96	-13.6	10.1
2114	0	-1.19	-19.5	4.2	2164	340	-1.64	-26.9	2.7	2215	250	-.73	-16.7	8.6
2115	280	-.70	-16.2	9.2	2165	280	-1.21	-27.8	3.7	2216	250	-.53	-12.3	12.1
2116	0	-.64	-10.5	7.1	2166	320	-.71	-13.0	8.0	2217	280	-.69	-15.8	10.5
2117	270	-.63	-14.4	2.5	2167	330	-1.43	-24.3	3.3	2218	250	-.59	-13.5	13.0
2118	20	-1.06	-17.3	2.8	2168	20	-1.44	-23.5	5.5	2219	280	-.60	-13.7	11.1
2119	270	-.98	-22.6	7.4	2170	270	-.46	-10.6	8.9	2220	270	-.44	-10.1	8.5
2120	10	-.50	-8.1	4.5	2171	0	-.65	-10.4	10.7	2221	290	-.63	-14.5	8.5
2121	150	-1.58	-17.4	6.2	2172	280	-.58	-13.3	11.7	2222	270	-.56	-12.2	10.4
2122	300	-.82	-15.1	6.0	2173	260	-.82	-18.7	10.5	2223	270	-.90	-20.7	6.8
2123	270	-.78	-18.0	7.8	2174	280	-1.34	-30.8	2.2	2224	280	-.58	-13.4	4.1
2124	250	-.69	-15.9	5.2	2175	290	-1.39	-32.0	11.0	2225	280	-.36	-8.3	3.9
2125	140	-2.06	-22.7	3.8	2176	260	-.53	-9.5	12.3	2226	180	-1.18	-16.8	11.3
2126	290	-.60	-11.2	13.9	2177	250	-.37	-8.6	7.7	2227	260	-.69	-15.9	5.2
2127	270	-1.36	-29.0	7.6	2178	330	-.52	-9.2	9.6	2228	280	-.46	-10.5	8.5
2128	280	-.61	-14.0	7.9	2180	330	-.63	-10.1	11.7	2229	330	-.45	-7.7	3.5
2129	270	-.70	-16.1	6.9	2181	290	-.63	-14.5	10.3	2230	280	-.57	-13.1	6.4
2130	280	-.50	-11.5	11.1	2182	280	-1.26	-28.9	6.6	2231	250	-.55	-12.7	4.2
2131	270	-.67	-15.5	5.7	2183	260	-1.44	-33.1	10.6	2233	270	-.54	-12.4	6.1
2132	160	1.04	-12.8	14.8	2184	320	-.81	-15.0	7.0	2234	320	-.52	-9.5	2.8
2133	270	-.87	-20.0	10.0	2185	310	-.49	-9.0	7.0	2235	280	-.31	-7.1	3.6
2134	270	-.62	-14.3	12.8	2187	320	-.51	-9.3	8.5	2236	140	-1.29	-14.3	9.1
2136	20	-.71	-11.6	10.3	2188	280	-.33	-7.6	5.2	2237	290	-.58	-13.4	3.9
2137	130	-1.96	-21.7	8.3	2189	260	-.37	-8.6	7.8	2238	250	-2.04	-47.0	2.9
2138	270	-.60	-13.7	10.5	2190	300	-.50	-9.3	8.9	2239	270	-.82	-18.8	2.8
2140	0	-.80	-13.1	6.8	2191	310	-.69	-12.7	5.7	2240	130	-1.23	-13.6	2.5
2141	120	-1.31	-14.5	6.5	2192	250	-1.33	-30.7	1.9	2241	170	-.94	-13.4	4.4
2142	300	-.74	-13.5	8.8	2193	250	-.91	-21.0	7.1	2242	130	-1.34	-14.4	3.1
2143	280	-.63	-14.4	7.5	2194	280	-.63	-14.4	8.6	2243	160	-1.18	-14.8	3.2
2144	0	-.58	-9.5	7.0	2195	280	-.34	-7.9	4.1	2244	250	-.66	-15.5	7.5
2145	250	-.34	-7.9	5.5	2196	160	-1.00	-14.3	6.4	2245	270	-.88	-20.3	7.1
2146	290	-.78	-18.0	3.5	2197	20	-.55	-8.6	9.0	2246	270	-.52	-11.9	5.9
2147	290	-.81	-18.5	2.8	2198	280	-.37	-8.4	7.9	2247	260	-.64	-14.7	2.9
2148	290	-.78	-17.9	3.0	2199	280	-.63	-14.5	10.1	2248	150	-1.12	-12.4	6.1
2149	290	-1.18	-27.1	3.8	2200	160	-.75	-10.4	10.6	2249	260	-.50	-11.1	7.7
2150	290	-.53	-12.2	9.0	2201	290	-.42	-9.6	4.5	2250	270	-.40	-9.2	8.3

TABLE 5A. PEAK LOADS FOR CONFIGURATION C : JENKINS/EMPIRE BUILDING IN PLACE
 LARGEST VALUES OF CLADDING LOAD REFERENCE PRESSURE = 23.0 PSF

TAP	AZI-MUTH	PRESS COEFF	NEGATIVE PEAK	POSITIVE PEAK	TAP	AZI-MUTH	PRESS COEFF	NEGATIVE PEAK	POSITIVE PEAK	TAP	AZI-MUTH	PRESS COEFF	NEGATIVE PEAK	POSITIVE PEAK
			PSF	PSF				PSF	PSF				PSF	PSF
2251	160	-1.08	-15.4	4.2	2256	250	-.58	-13.3	7.0	2261	270	-.39	-8.9	6.3
2252	250	-.64	-14.8	7.5	2257	250	-.32	-7.3	4.9	2262	330	-.39	-6.3	7.3
2253	270	-.57	-13.2	10.5	2258	140	-.76	-10.9	2.3	2263	250	-.37	-8.6	4.3
2254	120	-1.22	-13.5	9.5	2259	250	-.67	-15.4	7.6	2264	290	-.29	-6.7	3.8
2255	330	.55	-6.9	10.0	2260	270	-.72	-16.5	11.0	2265	250	-.32	-7.4	5.2

TABLE 5A. PEAK LOADS FOR CONFIGURATION C : JENKINS/EMPIRE BUILDING IN PLACE.
 LARGEST VALUES OF CLADDING LOAD REFERENCE PRESSURE = 23.0 PSF

* * 15 GREATEST PRESSURE MAGNITUDES * *

TAP	AZI- MUTH	PRESS COEFF	NEGATIVE PEAK ----- PSF	POSITIVE PEAK ----- PSF
2238	250	-2.04	-47.0	2.9
2210	250	-1.49	-34.3	2.6
2183	260	-1.44	-33.1	10.6
2175	290	-1.39	-32.0	11.0
2174	280	-1.34	-30.8	2.2
2192	250	-1.33	-30.7	1.9
2127	270	-1.26	-29.0	7.6
2182	280	-1.26	-28.9	.6
2165	280	-1.21	-27.8	3.7
2149	290	-1.18	-27.1	3.8
2164	340	-1.64	-26.9	2.7
2167	330	-1.43	-26.3	3.3
2212	280	-1.13	-26.0	9.2
2208	280	-1.03	-23.7	3.7
2168	20	-1.44	-23.5	5.3

TABLE 5A. PEAK LOADS FOR CONFIGURATION D : EXISTING CONFIGURATION
 LARGEST VALUES OF CLADDING LOAD REFERENCE PRESSURE = 23.0 PSF

TAP	AZI-MUTH	PRESS COEFF	NEGATIVE PEAK	POSITIVE PEAK	TAP	AZI-MUTH	PRESS COEFF	NEGATIVE PEAK	POSITIVE PEAK	TAP	AZI-MUTH	PRESS COEFF	NEGATIVE PEAK	POSITIVE PEAK
			PSF	PSF				PSF	PSF				PSF	PSF
2101	140	-1.41	-15.5	3.6	2151	10	-.55	-9.0	1.4	2202	350	-.56	-9.1	1.9
2102	280	-.99	-22.8	5.2	2152	10	-.42	-6.9	1.9	2203	290	-.54	-12.3	3.6
2103	10	-1.37	-22.3	5.1	2153	300	-.41	-7.6	3.7	2204	220	-.63	-9.0	3.6
2104	250	-1.49	-11.3	9.0	2154	300	-.90	-16.5	7.0	2205	290	-.56	-12.8	3.6
2105	150	-2.45	-27.1	6.1	2155	280	-.48	-11.1	7.3	2206	290	-.38	-8.8	3.7
2106	10	-1.63	-26.6	8.3	2156	150	-1.14	-12.6	7.4	2207	250	-.36	-8.2	3.6
2107	280	-.74	-17.5	11.9	2157	150	1.11	-9.8	12.3	2208	290	-.72	-16.6	3.5
2108	10	-.69	-11.3	8.9	2158	170	-.44	-5.3	6.3	2209	250	-.66	-15.1	4.4
2109	150	-1.23	-13.6	4.4	2159	300	-.31	-5.8	4.7	2210	220	-.94	-13.4	0.0
2110	20	-1.13	-18.5	6.3	2160	300	-.77	-14.2	5.6	2211	290	-.57	-10.6	1.3
2111	280	-.57	-13.2	11.0	2161	320	-.60	-11.1	7.7	2212	300	-.96	-17.6	2.2
2112	20	-.84	-13.8	6.4	2162	250	-.60	-7.1	13.8	2213	250	-.41	-7.5	5.5
2113	270	-.58	-13.2	3.4	2163	300	-.55	-10.2	3.9	2214	180	-1.08	-15.4	1.1
2114	340	-1.21	-19.7	4.4	2164	310	-.81	-14.8	2.0	2215	200	-.82	-11.8	7.6
2115	280	-.63	-14.5	10.5	2165	180	-1.43	-20.4	2.7	2216	290	-.52	-7.2	12.0
2116	20	-.61	-9.9	8.1	2166	330	-.63	-11.1	5.7	2217	290	-.62	-14.3	3.3
2117	250	-.52	-11.9	3.7	2167	20	-1.22	-19.9	2.2	2218	0	-.52	-8.5	6.6
2118	10	-1.12	-18.3	3.9	2168	0	-.99	-16.2	4.1	2219	290	-.43	-9.9	3.3
2119	250	-.74	-17.0	3.3	2170	290	-.36	-8.2	8.1	2220	310	-.45	-8.2	8.8
2120	0	-.42	-6.9	3.3	2171	320	-.79	-14.5	10.3	2221	0	-.78	-12.8	10.8
2121	260	-.76	-17.6	4.2	2172	280	-.45	-10.4	10.3	2222	330	-.42	-7.7	2.2
2122	10	-1.06	-17.3	6.1	2173	330	-.70	-8.8	13.0	2223	300	-.82	-15.1	6.6
2123	270	-.79	-18.2	9.4	2174	260	-.75	-17.3	11.0	2224	20	-.75	-12.3	1.9
2124	250	-.79	-18.1	4.8	2175	250	-.62	-14.2	7.5	2225	130	-.68	-7.5	3.5
2125	140	-1.98	-21.9	2.9	2177	290	-.51	-11.8	11.4	2226	160	-.80	-11.4	1.1
2126	250	-.55	-8.8	12.7	2178	140	-.66	-7.3	5.9	2227	180	-.54	-7.1	7.6
2127	280	-1.28	-29.4	9.2	2179	330	-.50	-9.3	5.6	2228	300	-.45	-8.2	2.2
2128	280	-.68	-15.6	8.4	2180	290	-.32	-7.7	6.5	2229	290	-.26	-5.9	1.1
2129	260	-.58	-13.4	7.7	2181	250	-.31	-7.0	5.3	2230	140	-.95	-10.4	0.0
2130	280	-.49	-11.3	11.0	2182	250	-.68	-15.7	1.7	2231	160	-.53	-7.5	5.5
2131	280	-.72	-16.6	5.2	2183	250	-.65	-15.0	6.3	2233	130	-.52	-5.8	2.2
2132	280	-.70	-16.2	10.4	2184	300	-.45	-8.3	4.9	2234	130	-.65	-6.9	1.1
2133	280	-.47	-10.7	9.4	2185	250	-.30	-5.9	6.9	2235	160	-.36	-5.2	3.3
2134	280	-.80	-18.4	9.4	2187	250	-.33	-6.7	7.7	2236	180	-1.07	-15.3	1.1
2136	310	-.50	-9.1	7.9	2188	130	-.73	-8.0	2.8	2237	280	-.33	-7.5	1.1
2137	0	-.59	-9.7	8.0	2189	150	-.68	-7.6	3.4	2238	250	-1.01	-23.3	4.4
2138	280	-.65	-14.9	12.4	2190	20	-.41	-6.6	1.6	2239	250	-.71	-16.4	0.0
2140	10	-.59	-9.6	6.5	2191	160	-.49	-6.9	2.0	2240	250	-.46	-10.5	2.2
2141	280	-.59	-8.9	7.6	2192	250	-.59	-13.6	1.4	2241	250	-.44	-10.1	7.7
2142	300	-.60	-11.1	8.1	2193	250	-.56	-12.8	3.1	2242	140	-.93	-10.2	2.2
2143	260	-.82	-18.8	9.4	2194	260	-.81	-18.6	5.8	2243	180	-.68	-9.0	9.8
2144	280	-.50	-9.9	11.6	2195	180	-.50	-7.2	4.7	2244	250	-.58	-13.3	5.5
2145	280	-.37	-8.0	8.6	2196	190	-.66	-9.4	3.9	2245	270	-.63	-14.4	6.6
2146	250	-.42	-9.7	3.4	2197	20	-.44	-7.1	3.2	2246	260	-.42	-9.6	4.4
2147	290	-.49	-11.2	2.4	2198	250	-.29	-6.7	4.3	2247	310	-.41	-11.1	0.0
2148	250	-.51	-11.7	1.8	2199	250	-.46	-10.7	5.6	2248	130	-.75	-8.3	6.6
2149	290	-.79	-18.2	1.8	2200	10	-.50	-8.2	7.8	2249	290	-.29	-6.5	5.5
2150	170	-.49	-7.0	2.2	2201	150	-.79	-6.0	8.7	2250	300	-.61	-11.2	4.6

TABLE 5A. PEAK LOADS FOR CONFIGURATION II : EXISTING CONFIGURATION
 LARGEST VALUES OF CLADDING LOAD REFERENCE PRESSURE = 23.0 PSF

TAP	AZI- MUTH	PRESS COEFF	NEGATIVE PEAK ----- PSF	POSITIVE PEAK -----	TAP	AZI- MUTH	PRESS COEFF	NEGATIVE PEAK ----- PSF	POSITIVE PEAK -----	TAP	AZI- MUTH	PRESS COEFF	NEGATIVE PEAK ----- PSF	POSITIVE PEAK -----
2251	160	-.65	-9.3	4.7	2256	150	-.56	-6.2	1.1	2261	280	-.34	-7.8	6.9
2252	250	-.58	-13.3	8.1	2257	330	-.42	-7.8	4.1	2262	140	1.05	-5.1	11.6
2253	250	.57	-11.6	13.1	2258	150	-.68	-7.5	2.0	2263	150	.58	-5.9	6.4
2254	260	-.36	-8.2	2.0	2259	250	-.46	-10.5	5.9	2264	290	-.39	-9.1	6.8
2255	290	-.28	-6.4	.7	2260	260	-.98	-22.6	14.8	2265	150	-.67	-7.4	6.5

TABLE 5A. PEAK LOADS FOR CONFIGURATION D : EXISTING CONFIGURATION
 LARGEST VALUES OF CLADDING LOAD REFERENCE PRESSURE = 23.0 PSF

* * 15 GREATEST PRESSURE MAGNITUDES * *

TAP	AZI- MUTH	PRESS COEFF	NEGATIVE PEAK -----	POSITIVE PEAK ----- PSF
2127	280	-1.28	-29.4	9.2
2105	150	-2.45	-27.1	6.1
2106	10	-1.63	-26.6	8.3
2238	250	-1.01	-23.3	5.6
2102	280	-.99	-22.8	5.2
2260	260	-.98	-22.6	14.8
2103	10	-1.37	-22.3	5.1
2125	140	-1.98	-21.9	2.9
2165	180	-1.43	-20.4	2.7
2167	20	-1.22	-19.9	2.2
2114	340	-1.21	-19.7	4.3
2143	260	-.82	-18.8	9.4
2194	260	-.81	-18.6	5.8
2110	20	-1.13	-18.5	6.3
2134	280	-.80	-18.4	9.4

TABLE 5B

COMPARISON OF CONFIGURATIONS C AND D

Taps Where Negative Peak Load for Configuration D
Exceeded That for Configuration C by 5.0 psf

Ref. Pressure: 23.0 psf

Tap	Azimuth	C Configuration psf load	Azimuth	D Configuration psf load
2102	280	-17.2	280	-22.8
2105	270	-13.5	150	-27.1
2260	270	-16.5	260	-22.6

TABLE 5B (Con't.)

COMPARISON OF CONFIGURATIONS D AND C

Taps Where Negative Peak Load for Configuration C
Exceeded That for Configuration D by 5.0 psf

Ref. Pressure: 23.0 psf

Tap	Azimuth	C Configuration psf load	Azimuth	D Configuration psf load
2119	250	-17.0	270	-22.6
2133	280	-10.7	270	-20.0
2137	0	-9.7	130	-21.7
2141	280	-8.9	120	-14.5
2146	250	-9.7	290	-18.0
2147	290	-11.2	290	-18.5
2148	250	-11.7	290	-17.9
2149	290	-18.2	290	-27.1
2150	170	-7.0	290	-12.2
2152	10	-6.9	290	-13.4
2161	320	-11.0	290	-19.9
2163	300	-10.2	320	-21.0
2164	310	-14.8	340	-26.9
2165	180	-20.4	280	-27.8
2167	20	-19.9	330	-26.3
2168	0	-16.2	20	-23.5
2173	250	-8.8	260	-18.7
2174	260	-17.3	280	-30.8
2175	250	-14.2	290	-32.0
2181	250	-7.0	290	-14.5
2182	250	-15.7	280	-28.9
2183	250	-15.0	260	-33.1
2184	300	-8.3	320	-15.0
2191	160	-6.9	310	-12.7
2192	250	-13.6	250	-30.7
2193	250	-12.8	250	-21.0
2202	350	-9.1	270	-17.7
2204	220	-9.0	270	-15.1
2207	250	-8.2	250	-15.8
2208	290	-16.6	280	-23.7
2210	220	-13.4	250	-34.3
2212	300	-17.6	280	-26.0
2213	10	-7.5	270	-12.6
2216	210	-7.2	250	-12.3
2218	0	-8.5	250	-13.5
2222	330	-7.7	270	-12.9
2223	300	-15.1	270	-20.7
2226	160	-11.4	180	-16.8
2227	250	-7.1	260	-15.9
2231	160	-7.5	250	-12.7
2233	130	-5.8	270	-12.4
2237	280	-7.5	290	-13.4
2238	250	-23.3	250	-47.0
2243	180	-9.0	160	-16.8
2245	270	-14.4	270	-20.3
2249	230	-6.5	260	-11.5
2251	160	-9.3	160	-15.4
2254	260	-8.2	120	-13.5
2256	150	-6.2	250	-13.3

APPENDIX A

Configuration A	A 1
Configuration B	A 143
Configuration C	A 150
Configuration D	A 189

WD	TAP	CPMEAN	CPRMS	CPMAX	CPMIN	WD	TAP	CPMEAN	CPRMS	CPMAX	CPMIN	WD	TAP	CPMEAN	CPRMS	CPMAX	CPMIN
0	101	-.010	.091	.331	-.328	0	151	.264	.153	.846	-.357	0	201	-.022	.032	.115	-.132
0	102	-.004	.097	.356	-.300	0	152	.307	.150	.828	-.429	0	202	-.116	.055	.065	-.400
0	103	.031	.163	.533	-.380	0	153	.294	.152	.824	-.296	0	203	-.068	.045	.088	-.251
0	104	.258	.137	.749	-.226	0	154	.213	.133	.734	-.197	0	204	-.082	.041	.077	-.237
0	105	.028	.111	.392	-.350	0	155	-.006	.109	.378	-.433	0	205	-.099	.038	.072	-.248
0	106	-.096	.071	.302	-.308	0	156	-.393	.083	.049	-.733	0	206	-.156	.042	-.012	-.321
0	107	.015	.095	.401	-.275	0	157	-.337	.146	.463	-.661	0	207	-.191	.046	-.019	-.394
0	108	.045	.139	.644	-.452	0	158	.277	.139	.849	-.149	0	208	-.278	.058	-.044	-.550
0	109	.129	.147	.651	-.387	0	159	.039	.106	.499	-.251	0	209	-.037	.045	.126	-.289
0	110	.078	.156	.636	-.391	0	160	.179	.139	.716	-.244	0	210	-.012	.034	.144	-.148
0	111	-.147	.102	.218	-.494	0	161	-.057	.082	.303	-.343	0	211	-.182	.067	-.005	-.555
0	112	.252	.157	.851	-.198	0	162	.171	.132	.749	-.237	0	212	-.150	.039	-.015	-.334
0	113	.305	.162	.967	-.130	0	163	.267	.131	.745	-.138	0	213	-.172	.039	.004	-.417
0	114	.187	.142	.747	-.201	0	164	.295	.140	.921	-.012	0	214	-.249	.079	.100	-.706
0	115	.015	.099	.454	-.287	0	165	.271	.118	.790	-.080	0	215	-.054	.058	.103	-.369
0	116	.092	.169	.678	-.430	0	166	.218	.124	.715	-.140	0	216	-.032	.034	.094	-.219
0	117	.352	.153	.899	-.098	0	167	.049	.097	.532	-.212	0	217	-.028	.029	.128	-.120
0	118	.082	.151	.581	-.366	0	168	-.045	.085	.306	-.285	0	218	-.038	.030	.135	-.127
0	119	.220	.218	.826	-.727	0	169	.267	.127	.829	-.033	0	219	-.074	.040	.123	-.228
0	120	-.241	.175	.517	-.884	0	170	.121	.125	.591	-.245	0	220	-.013	.058	.241	-.150
0	121	-.072	.110	.297	-.532	0	171	.202	.118	.691	-.109	0	221	-.023	.056	.257	-.162
0	122	.250	.152	.885	-.194	0	172	.217	.110	.658	-.121	0	222	-.069	.050	.167	-.201
0	123	.300	.150	.762	-.112	0	173	.211	.103	.667	-.024	0	223	-.147	.040	.064	-.290
0	124	.240	.142	.681	-.164	0	174	.089	.123	.586	-.295	0	224	-.114	.057	.190	-.329
0	125	.177	.128	.674	-.160	0	175	.024	.091	.465	-.254	0	225	-.107	.073	.227	-.385
0	126	.260	.145	.756	-.157	0	176	-.074	.082	.366	-.321	0	301	-.408	.092	-.167	-.842
0	127	.121	.160	.739	-.479	0	177	.017	.100	.461	-.266	0	302	-.342	.095	-.034	-.927
0	128	.062	.114	.503	-.249	0	178	.072	.085	.565	-.185	0	303	-.444	.088	-.082	-.756
0	129	.003	.095	.335	-.258	0	179	.094	.067	.356	-.269	0	304	-.051	.066	.209	-.352
0	130	.345	.154	.972	-.063	0	180	.113	.074	.565	-.071	0	305	-.276	.067	-.084	-.787
0	131	.300	.166	.969	-.244	0	181	-.013	.101	.411	-.442	0	306	-.453	.113	.135	-.883
0	132	.264	.151	.893	-.169	0	182	-.040	.083	.437	-.242	0	307	-.298	.100	-.003	-.898
0	133	.342	.157	.820	-.083	0	183	-.114	.079	.408	-.480	0	308	-.280	.048	-.108	-.509
0	134	.371	.158	.944	.013	0	184	-.033	.045	.228	-.216	0	309	-.224	.107	.038	-.763
0	135	.347	.149	.808	-.026	0	185	.021	.047	.223	-.136	0	310	-.287	.152	.019	-1.042
0	136	.381	.154	.919	-.008	0	186	.114	.075	.444	-.117	0	311	-.488	.150	.098	-1.138
0	137	.321	.152	1.052	-.060	0	187	.165	.104	.610	-.067	0	312	-.264	.049	-.109	-.782
0	138	.177	.164	.719	-.412	0	188	-.025	.082	.344	-.292	0	313	-.222	.073	-.022	-.746
0	139	.102	.113	.507	-.215	0	189	-.141	.044	.047	-.335	0	314	-.299	.204	.216	-1.160
0	140	.001	.089	.427	-.224	0	190	-.222	.046	.021	-.458	0	315	-.447	.129	.156	-1.071
0	141	.384	.153	.958	-.025	0	191	.178	.103	.687	-.032	0	316	-.276	.122	-.015	-.876
0	142	.310	.138	.944	-.003	0	192	.180	.096	.662	-.087	0	317	-.204	.131	.189	-.737
0	143	.143	.148	.707	-.313	0	193	.183	.099	.669	-.105	0	318	-.281	.055	-.111	-.539
0	144	.268	.144	.822	-.116	0	194	.036	.062	.320	-.160	0	319	-.247	.094	.122	-.677
0	145	.380	.157	1.045	.013	0	195	.103	.078	.510	-.130	0	320	-.175	.147	.283	-1.047
0	146	.228	.131	.746	-.097	0	196	.143	.082	.517	-.123	0	321	-.554	.251	.052	-1.470
0	147	-.005	.086	.319	-.251	0	197	-.003	.085	.360	-.312	0	322	-.243	.035	-.109	-.426
0	148	-.183	.070	.098	-.437	0	198	-.033	.060	.220	-.369	0	323	-.222	.037	-.090	-.470
0	149	.202	.196	.799	-.458	0	199	-.028	.050	.161	-.362	0	324	-.346	.101	-.034	-.804
0	150	.032	.204	.668	-.695	0	200	-.027	.036	.167	-.201	0	325	.048	.174	.762	-.691

WD	TAP	CPMEAN	CPRNS	CPMAX	CPMIN	WD	TAP	CPMEAN	CPRNS	CPMAX	CPMIN	WD	TAP	CPMEAN	CPRNS	CPMAX	CPMIN
0	326	-.286	.157	.062	-1.008	0	376	-.408	.155	.233	-1.295	0	504	-.306	.098	-.073	-.811
0	327	-.238	.132	.101	-.771	0	377	-.286	.042	-.147	-.451	0	505	-.309	.040	-.194	-.489
0	328	-.308	.217	.297	-1.155	0	378	-.240	.036	-.089	-.370	0	506	-.299	.047	-.112	-.548
0	329	-.439	.204	.217	-1.204	0	379	-.335	.096	-.016	-.745	0	507	-.317	.044	-.178	-.504
0	330	-.237	.119	.181	-.737	0	380	-.083	.068	.180	-.501	0	508	-.321	.042	-.207	-.475
0	331	-.219	.141	.322	-.900	0	381	-.156	.104	.052	-.848	0	509	-.320	.043	-.201	-.611
0	332	-.242	.036	-.096	-.502	0	382	-.296	.181	.187	-1.119	0	510	-.322	.048	-.143	-.613
0	333	-.210	.043	-.045	-.528	0	383	-.348	.170	.155	-1.257	0	511	-.304	.047	-.142	-.494
0	334	-.241	.111	.110	-.686	0	384	-.351	.061	-.195	-.614	0	512	-.318	.039	-.213	-.490
0	335	-.040	.180	.518	-.660	0	385	-.284	.039	-.134	-.519	0	513	-.319	.039	-.206	-.506
0	336	-.208	.161	.322	-.856	0	386	-.323	.062	-.069	-.692	0	514	-.321	.048	-.178	-.548
0	337	-.277	.177	.130	-1.097	0	387	-.080	.052	.117	-.375	0	515	-.320	.051	-.159	-.564
0	338	-.300	.213	.188	-1.126	0	388	-.104	.057	.087	-.639	0	516	-.326	.046	-.201	-.653
0	339	-.376	.159	.390	-.985	0	389	-.185	.105	.122	-.840	0	517	-.308	.037	-.210	-.448
0	340	-.395	.133	.322	-1.133	0	390	-.198	.096	.049	-.757	0	518	-.334	.039	-.217	-.490
0	341	-.182	.153	.356	-.686	0	391	-.076	.047	.126	-.332	0	519	-.337	.045	-.234	-.548
0	342	-.193	.165	.190	-.941	0	392	-.292	.049	-.139	-.548	0	520	-.330	.050	-.189	-.725
0	343	-.282	.041	-.130	-.485	0	393	-.061	.048	.165	-.263	0	521	-.359	.067	-.180	-.690
0	344	-.240	.049	-.011	-.577	0	394	-.039	.066	.288	-.785	0	522	-.316	.041	-.187	-.497
0	345	-.194	.088	.062	-.917	0	395	-.155	.112	.146	-.929	0	523	-.320	.040	-.175	-.522
0	346	-.251	.169	.241	-.922	0	396	-.153	.097	.204	-.697	0	524	-.317	.036	-.206	-.445
0	347	-.371	.159	.169	-1.192	0	397	-.343	.075	-.144	-.767	0	525	-.322	.037	-.217	-.490
0	348	-.355	.198	.506	-1.221	0	398	-.265	.051	-.102	-.505	0	526	-.305	.039	-.182	-.457
0	349	-.322	.046	-.167	-.534	0	399	-.215	.029	-.120	-.316	0	527	-.305	.042	-.195	-.600
0	350	-.322	.048	-.191	-.584	0	400	-.168	.029	-.059	-.305	0	528	-.304	.043	-.162	-.530
0	351	-.269	.048	-.110	-.570	0	401	-.137	.029	-.015	-.237	0	529	-.297	.040	-.151	-.466
0	352	-.215	.089	.036	-.782	0	402	-.147	.043	-.017	-.393	0	530	-.307	.037	-.186	-.445
0	353	-.193	.144	.162	-.985	0	403	-.109	.119	.400	-.668	0	531	-.307	.037	-.207	-.471
0	354	-.264	.178	.121	-1.111	0	404	-.090	.115	.378	-.623	0	532	-.314	.038	-.191	-.560
0	355	-.540	.236	.057	-1.543	0	405	-.018	.032	.112	-.113	0	533	-.315	.039	-.172	-.459
0	356	-.041	.190	.479	-.782	0	406	-.007	.048	-.148	-.264	0	534	-.312	.034	-.186	-.478
0	357	-.056	.191	.617	-.742	0	407	-.251	.060	-.048	-.555	0	535	-.315	.034	-.219	-.468
0	358	-.253	.037	-.131	-.475	0	408	-.216	.033	-.086	-.341	0	536	-.305	.034	-.191	-.438
0	359	-.477	.202	-.236	-1.585	0	409	-.145	.029	-.044	-.258	0	537	-.302	.036	-.184	-.442
0	360	-.268	.036	-.127	-.489	0	410	-.018	.069	-.430	-.305	0	538	-.313	.039	-.205	-.464
0	361	-.469	.279	-.338	-1.557	0	411	-.208	.031	-.098	-.325	0	539	-.308	.038	-.181	-.442
0	362	-.266	.037	-.124	-.541	0	412	-.187	.029	-.104	-.290	0	540	-.306	.037	-.174	-.466
0	363	-.240	.037	-.079	-.487	0	413	-.066	.040	.088	-.259	0	541	-.311	.034	-.207	-.440
0	364	-.212	.062	.002	-.665	0	414	-.165	.046	.045	-.375	0	542	-.318	.034	-.209	-.461
0	365	-.135	.110	.140	-1.099	0	415	-.168	.040	.038	-.314	0	543	-.333	.044	-.207	-.567
0	366	-.176	.126	.067	-1.026	0	416	-.185	.026	-.093	-.280	0	544	-.330	.039	-.174	-.541
0	367	-.474	.243	.222	-1.410	0	417	-.147	.027	-.026	-.242	0	545	-.323	.035	-.231	-.487
0	368	-.535	.252	.253	-1.757	0	418	-.119	.029	.005	-.231	0	546	-.318	.037	-.205	-.454
0	369	-.095	.107	.371	-.760	0	419	-.198	.055	.016	-.456	0	547	-.314	.040	-.191	-.605
0	370	-.265	.034	-.094	-.406	0	420	-.008	.044	.256	-.140	0	548	-.311	.040	-.198	-.565
0	371	-.232	.034	-.011	-.461	0	421	-.051	.063	.392	-.153	0	549	-.326	.041	-.161	-.551
0	372	-.361	.112	.049	-.838	0	422	-.069	.064	.415	-.195	0	550	-.337	.047	-.186	-.611
0	373	-.078	.096	.187	-.840	0	501	-.321	.048	-.175	-.559	0	551	-.323	.039	-.191	-.532
0	374	-.185	.148	.127	-1.189	0	502	-.355	.057	-.185	-.720	0	552	-.321	.034	-.207	-.442
0	375	-.370	.188	.444	-1.169	0	503	-.380	.053	-.208	-.718	0	553	-.321	.035	-.226	-.475

WD	TAP	CPMEAN	CPRMS	CPMAX	CPMIN	WD	TAP	CPMEAN	CPRMS	CPMAX	CPMIN	WD	TAP	CPMEAN	CPRMS	CPMAX	CPMIN
0	554	-.321	.035	-.196	-.463	0	604	-.421	.116	-.169	-1.164	0	734	-.338	.052	-.180	-.669
0	555	-.317	.041	-.166	-.484	0	605	-.221	.040	-.045	-.382	0	735	-.327	.046	-.175	-.607
0	556	-.328	.046	-.198	-.562	0	606	-.289	.051	-.100	-.487	0	736	-.330	.044	-.185	-.564
0	557	-.338	.051	-.205	-.532	0	607	-.298	.039	-.178	-.462	0	737	-.338	.048	-.185	-.607
0	558	-.327	.039	-.166	-.468	0	608	-.139	.050	.121	-.412	0	738	-.340	.048	-.161	-.657
0	559	-.318	.039	-.198	-.465	0	609	-.192	.049	-.003	-.391	0	739	-.350	.059	-.194	-.614
0	560	-.338	.044	-.198	-.558	0	610	-.248	.049	.065	-.452	0	740	-.353	.068	-.168	-.827
0	561	-.316	.043	-.175	-.507	0	611	-.330	.048	-.174	-.575	0	741	-.338	.047	-.206	-.585
0	562	-.326	.043	-.203	-.532	0	612	-.147	.067	.065	-.514	0	742	-.347	.049	-.199	-.619
0	563	-.328	.043	-.182	-.522	0	613	-.144	.058	.074	-.343	0	743	-.347	.056	-.170	-.733
0	564	-.320	.040	-.186	-.525	0	614	-.180	.078	.137	-.556	0	744	-.346	.054	-.165	-.652
0	565	-.349	.050	-.207	-.560	0	615	-.144	.048	.132	-.301	0	745	-.345	.057	-.201	-1.077
0	566	-.326	.041	-.214	-.542	0	616	-.160	.049	.195	-.299	0	746	-.350	.055	-.213	-.662
0	567	-.312	.038	-.177	-.456	0	617	-.171	.073	.248	-.394	0	747	-.355	.058	-.185	-.757
0	568	-.304	.037	-.189	-.439	0	618	-.174	.080	.232	-.508	0	748	-.357	.065	-.182	-.879
0	569	-.298	.041	-.150	-.447	0	619	-.167	.041	-.004	-.304	0	749	-.415	.081	-.126	-.804
0	570	-.319	.050	-.145	-.537	0	620	-.249	.031	-.141	-.368	0	750	-.373	.082	.061	-.699
0	571	-.306	.042	-.150	-.493	0	701	-.370	.052	-.202	-.608	0	751	-.376	.066	-.189	-.795
0	572	-.298	.048	-.148	-.486	0	702	-.313	.046	-.185	-.520	0	752	-.352	.056	-.187	-.645
0	573	-.327	.047	-.162	-.515	0	703	-.200	.051	.023	-.409	0	753	-.349	.055	-.166	-.666
0	574	-.364	.048	-.218	-.583	0	704	-.459	.084	-.223	-.834	0	754	-.352	.053	-.208	-.582
0	575	-.332	.040	-.189	-.539	0	705	-.305	.042	-.155	-.496	0	755	-.359	.064	-.182	-.870
0	576	-.324	.040	-.218	-.464	0	706	-.322	.044	-.174	-.621	0	756	-.344	.044	-.224	-.535
0	577	-.330	.066	-.104	-.580	0	707	-.326	.042	-.176	-.504	0	757	-.353	.054	-.206	-.613
0	578	-.300	.055	-.094	-.473	0	708	-.326	.056	-.176	-.785	0	758	-.360	.077	-.171	-.926
0	579	-.284	.064	-.002	-.515	0	709	-.333	.049	-.193	-.669	0	759	-.354	.055	-.194	-.669
0	580	-.353	.047	-.172	-.529	0	710	-.336	.055	-.200	-.676	0	760	-.342	.073	-.138	-.804
0	581	-.426	.071	-.255	-.792	0	711	-.335	.053	-.186	-.708	0	761	-.360	.059	-.217	-.706
0	582	-.400	.061	-.260	-.685	0	712	-.346	.057	-.195	-.591	0	762	-.347	.078	-.166	-.975
0	583	-.392	.060	-.231	-.668	0	713	-.354	.063	-.193	-.730	0	763	-.348	.067	-.154	-.851
0	584	-.287	.063	-.056	-.542	0	714	-.333	.049	-.169	-.556	0	764	-.359	.064	-.189	-.853
0	585	-.285	.051	-.063	-.488	0	715	-.345	.059	-.188	-.869	0	765	-.372	.074	-.182	-.984
0	586	-.280	.060	-.077	-.522	0	716	-.341	.051	-.183	-.723	0	766	-.345	.061	-.148	-.733
0	587	-.316	.045	-.119	-.505	0	717	-.335	.048	-.145	-.534	0	767	-.347	.063	-.184	-.760
0	588	-.432	.072	-.257	-.736	0	718	-.443	.116	-.190	-1.136	0	768	-.353	.065	-.207	-.748
0	589	-.553	.129	-.267	-1.137	0	719	-.339	.070	-.074	-.619	0	769	-.334	.059	-.167	-.795
0	590	-.551	.120	-.289	-1.295	0	720	-.341	.045	-.185	-.600	0	770	-.349	.063	-.170	-.679
0	591	-.307	.049	-.155	-.525	0	721	-.344	.045	-.235	-.565	0	771	-.345	.060	-.180	-.790
0	592	-.293	.047	-.136	-.511	0	722	-.331	.051	-.174	-.572	0	772	-.383	.088	-.103	-1.053
0	593	-.206	.058	-.066	-.468	0	723	-.338	.054	-.181	-.558	0	773	-.367	.075	-.172	-.770
0	594	-.202	.051	-.016	-.425	0	724	-.363	.065	-.204	-.683	0	774	-.370	.072	-.118	-.790
0	595	-.250	.073	-.043	-.629	0	725	-.351	.065	-.190	-.645	0	775	-.376	.079	-.123	-.834
0	596	-.258	.046	-.076	-.487	0	726	-.346	.051	-.190	-.655	0	776	-.384	.085	-.155	-.979
0	597	-.371	.068	-.200	-.722	0	727	-.335	.049	-.173	-.621	0	777	-.391	.079	-.199	-.972
0	598	-.560	.121	-.254	-1.252	0	728	-.338	.055	-.182	-.702	0	778	-.396	.077	-.170	-1.085
0	599	-.240	.217	-.280	-2.167	0	729	-.343	.057	-.194	-.621	0	779	-.437	.113	-.125	-1.114
0	600	-.245	.041	-.079	-.442	0	730	-.331	.044	-.189	-.588	0	780	-.412	.093	-.143	-.947
0	601	-.303	.049	-.153	-.598	0	731	-.340	.044	-.185	-.497	0	781	-.409	.089	.017	-.817
0	602	-.295	.043	-.155	-.480	0	732	-.325	.044	-.185	-.571	0	782	-.438	.125	-.017	-1.178
0	603	-.164	.068	.060	-.475	0	733	-.331	.043	-.204	-.538	0	783	-.450	.140	-.093	-1.151

WD	TAP	CPMEAN	CPRMS	CPMAX	CPMIN	WD	TAP	CPMEAN	CPRMS	CPMAX	CPMIN	WD	TAP	CPMEAN	CPRMS	CPMAX	CPMIN
0	784	-.422	.093	-.202	-1.016	0	912	-.329	.042	-.202	-.520	0	962	-.279	.040	-.125	-.467
0	785	-.438	.103	-.170	-1.200	0	913	-.261	.121	-.135	-1.099	0	963	-.042	.064	-.317	-.249
0	786	-.476	.104	-.212	-1.087	0	914	-.330	.042	-.207	-.527	0	964	-.051	.049	-.197	-.468
0	787	-.433	.100	-.091	-.866	0	915	-.351	.096	-.143	-.676	0	965	-.186	.041	-.007	-.380
0	788	-.390	.098	-.020	-.851	0	916	-.331	.044	-.212	-.525	0	966	-.321	.051	-.169	-.580
0	789	-.347	.106	-.010	-1.080	0	917	-.346	.241	-.749	-.905	0	967	-.055	.044	-.196	-.272
0	790	-.360	.123	-.017	-1.186	0	918	-.346	.053	-.162	-.747	0	968	-.183	.040	-.034	-.321
0	791	-.442	.117	-.199	-1.238	0	919	-.310	.034	-.203	-.428	0	969	-.106	.036	-.082	-.224
0	792	-.428	.104	-.086	-.992	0	920	-.333	.057	-.185	-.679	0	970	-.066	.047	-.126	-.214
0	793	-.478	.166	-.033	-1.535	0	921	-.408	.080	-.179	-.803	0	971	-.068	.048	-.157	-.229
0	794	-.413	.097	-.088	-1.012	0	922	-.338	.144	-.867	-.012	0	1001	-.323	.055	-.161	-.619
0	795	-.251	.062	-.056	-.580	0	923	-.368	.086	-.072	-.753	0	1002	-.406	.097	-.136	-1.005
0	796	-.257	.083	-.072	-.777	0	924	-.358	.089	-.162	-.871	0	1003	-.341	.044	-.229	-.599
0	797	-.182	.044	-.003	-.587	0	925	-.217	.265	-.949	-1.106	0	1004	-.329	.068	-.119	-.690
0	798	-.447	.113	-.232	-1.104	0	926	-.319	.046	-.165	-.513	0	1005	-.346	.043	-.239	-.551
0	799	-.449	.107	-.229	-1.226	0	927	-.183	.115	-.365	-.587	0	1006	-.385	.078	-.145	-.729
0	800	-.470	.117	-.204	-1.118	0	928	-.372	.084	-.094	-.737	0	1007	-.224	.048	-.009	-.415
0	801	-.428	.110	-.168	-1.154	0	929	-.047	.175	-.406	-1.217	0	1008	-.188	.106	-.621	-.056
0	802	-.335	.079	-.024	-.749	0	930	-.312	.037	-.216	-.470	0	1009	-.280	.044	-.030	-.435
0	803	-.268	.100	-.020	-1.029	0	931	-.335	.147	-.786	-.050	0	1010	-.256	.123	-.713	-.039
0	804	-.253	.096	-.024	-.772	0	932	-.243	.048	-.015	-.439	0	1011	-.313	.067	-.027	-.680
0	805	-.025	.064	-.229	-.490	0	933	-.362	.077	-.082	-.630	0	1012	-.189	.105	-.674	-.025
0	806	-.192	.074	-.055	-.530	0	934	-.001	.099	-.342	-.451	0	1013	-.336	.053	-.180	-.594
0	807	-.236	.051	-.077	-.537	0	935	-.156	.096	-.152	-.533	0	1014	-.367	.118	-.030	-.866
0	808	-.175	.036	-.041	-.331	0	936	-.318	.030	-.241	-.417	0	1015	-.315	.052	-.155	-.587
0	809	-.443	.127	-.199	-1.334	0	937	-.202	.054	-.024	-.608	0	1016	-.116	.151	-.310	-.897
0	810	-.421	.115	-.187	-1.224	0	938	-.190	.154	-.169	-.856	0	1017	-.073	.044	-.143	-.263
0	811	-.293	.076	-.015	-.617	0	939	-.348	.136	-.288	-1.211	0	1018	-.058	.049	-.155	-.207
0	812	-.212	.117	-.083	-.918	0	940	-.033	.103	-.396	-.235	0	1019	-.088	.050	-.135	-.345
0	813	-.209	.046	-.041	-.446	0	941	-.430	.060	-.296	-.667	0	1020	-.120	.113	-.152	-.714
0	814	-.214	.048	-.044	-.455	0	942	-.144	.152	-.769	-.309	0	1021	-.135	.052	-.208	-.306
0	815	-.149	.041	-.031	-.307	0	943	.086	.079	-.434	-.117	0	1022	-.060	.029	-.063	-.170
0	816	-.499	.161	-.128	-1.358	0	944	-.084	.071	-.372	-.130	0	1023	-.072	.036	-.072	-.209
0	817	-.421	.110	-.131	-.970	0	945	-.238	.042	-.082	-.392	0	1024	-.038	.040	-.111	-.267
0	818	-.376	.079	-.048	-.744	0	946	-.197	.110	-.792	-.103	0	1025	-.180	.041	-.027	-.333
0	819	-.298	.082	-.034	-.730	0	947	.232	.131	-.812	-.057	0	1026	-.256	.049	-.030	-.471
0	820	-.197	.077	-.144	-.596	0	948	.175	.098	-.544	-.057	0	1027	-.254	.034	-.158	-.401
0	821	-.161	.078	-.051	-.743	0	949	.242	.136	-.840	-.048	0	1028	-.020	.039	-.191	-.134
0	822	-.185	.099	-.071	-1.023	0	950	-.340	.056	-.188	-.635	10	101	-.026	.091	-.444	-.278
0	901	-.339	.027	-.249	-.440	0	951	-.092	.070	-.363	-.119	10	102	-.013	.091	-.350	-.267
0	902	-.350	.051	-.222	-.741	0	952	-.105	.061	-.172	-.456	10	103	-.085	.075	-.350	-.328
0	903	-.350	.050	-.217	-.718	0	953	-.035	.080	-.413	-.282	10	104	.261	.146	-.692	-.296
0	904	-.342	.048	-.201	-.587	0	954	.166	.106	-.753	-.133	10	105	.105	.119	-.622	-.332
0	905	-.322	.050	-.185	-.444	0	955	-.034	.051	-.308	-.108	10	106	-.110	.061	-.107	-.284
0	906	-.330	.035	-.237	-.468	0	956	-.063	.051	-.191	-.218	10	107	.004	.088	-.339	-.322
0	907	-.326	.040	-.207	-.567	0	957	-.080	.049	-.145	-.302	10	108	.128	.141	-.552	-.489
0	908	-.077	.100	-.252	-.385	0	958	-.044	.079	-.262	-.608	10	109	.133	.151	-.657	-.370
0	909	-.197	.061	-.056	-.505	0	959	-.029	.082	-.470	-.195	10	110	.066	.152	-.651	-.608
0	910	-.324	.032	-.237	-.438	0	960	-.187	.040	-.007	-.319	10	111	-.154	.085	-.173	-.471
0	911	.140	.108	.592	-.134	0	961	-.314	.059	-.002	-.571	10	112	.308	.158	.949	-.250

WD	TAP	CPMEAN	CPRMS	CPMAX	CPMIN	WD	TAP	CPMEAN	CPRMS	CPMAX	CPMIN	WD	TAP	CPMEAN	CPRMS	CPMAX	CPMIN
10	113	.299	.144	.790	-.154	10	163	.316	.143	.871	-.002	10	213	-.160	.038	-.001	-.289
10	114	.112	.123	.589	-.232	10	144	.295	.132	.759	.002	10	214	-.201	.071	.089	-.484
10	115	-.051	.078	.224	-.273	10	165	.239	.115	.784	-.034	10	215	-.036	.050	.141	-.296
10	116	.112	.159	.635	-.367	10	166	.158	.102	.650	-.113	10	216	-.016	.034	.124	-.182
10	117	.306	.150	.864	-.120	10	167	-.005	.076	.434	-.242	10	217	-.013	.028	.096	-.124
10	118	.082	.122	.632	-.239	10	168	-.096	.062	.153	-.257	10	218	-.029	.027	.087	-.152
10	119	.236	.177	.907	-.400	10	169	.249	.115	.657	-.022	10	219	-.065	.036	.101	-.198
10	120	-.280	.154	.288	-.748	10	170	.220	.123	.631	-.144	10	220	-.013	.049	.215	-.140
10	121	-.117	.103	.199	-.505	10	171	.258	.124	.777	-.139	10	221	-.021	.050	.236	-.187
10	122	.349	.161	.864	-.161	10	172	.213	.108	.703	-.029	10	222	-.062	.046	.154	-.201
10	123	.326	.164	.880	-.106	10	173	.218	.106	.779	-.005	10	223	-.146	.038	.017	-.270
10	124	.230	.134	.685	-.124	10	174	.005	.127	.477	-.477	10	224	-.117	.058	.113	-.277
10	125	.148	.113	.518	-.182	10	175	-.008	.070	.257	-.199	10	225	-.110	.077	.180	-.400
10	126	.226	.139	.884	-.131	10	176	-.110	.058	.278	-.338	10	301	-.310	.097	-.055	-.702
10	127	.002	.152	.473	-.510	10	177	.102	.091	.549	-.192	10	302	-.202	.094	.104	-.599
10	128	.008	.095	.561	-.296	10	178	.124	.093	.518	-.132	10	303	-.360	.109	.205	-.683
10	129	-.061	.073	.226	-.247	10	179	.109	.069	.463	-.074	10	304	-.011	.070	.246	-.269
10	130	.316	.149	.805	-.082	10	180	.116	.066	.379	-.036	10	305	-.206	.036	-.062	-.452
10	131	.300	.167	.886	-.145	10	181	-.044	.099	.340	-.415	10	306	-.242	.159	.308	-.749
10	132	.356	.156	.888	-.092	10	182	-.070	.059	.357	-.254	10	307	-.160	.077	.207	-.500
10	133	.375	.152	.916	-.006	10	183	-.142	.051	.254	-.340	10	308	-.241	.041	-.087	-.434
10	134	.346	.147	.986	-.001	10	184	.016	.049	.333	-.189	10	309	-.120	.081	.176	-.476
10	135	.308	.139	.879	-.092	10	185	.050	.048	.249	-.084	10	310	-.093	.086	.181	-.700
10	136	.382	.152	.960	-.052	10	186	.135	.077	.480	-.053	10	311	-.255	.234	.501	-1.195
10	137	.297	.137	.818	-.082	10	187	.146	.083	.590	-.086	10	312	-.220	.041	-.043	-.346
10	138	.059	.143	.605	-.503	10	188	-.062	.080	.293	-.348	10	313	-.131	.072	.152	-.363
10	139	.035	.090	.366	-.273	10	189	-.139	.040	.014	-.312	10	314	-.036	.132	.311	-.738
10	140	-.063	.071	.261	-.268	10	190	-.216	.040	-.034	-.434	10	315	-.229	.214	.469	-.859
10	141	.358	.139	.823	.004	10	191	.154	.082	.511	-.044	10	316	-.135	.098	.284	-.733
10	142	.323	.137	.965	-.004	10	192	.165	.089	.575	-.042	10	317	-.029	.100	.474	-.524
10	143	.243	.152	.900	-.189	10	193	.170	.093	.575	-.067	10	318	-.261	.053	-.086	-.539
10	144	.332	.149	.914	-.075	10	194	.073	.064	.375	-.085	10	319	-.204	.092	.152	-.565
10	145	.337	.142	.925	-.015	10	195	.116	.076	.520	-.106	10	320	-.015	.098	.378	-.529
10	146	.160	.110	.517	-.140	10	196	.159	.091	.644	-.033	10	321	-.193	.193	.496	-.991
10	147	-.045	.075	.275	-.277	10	197	-.028	.096	.330	-.374	10	322	-.208	.034	-.096	-.341
10	148	-.222	.054	.094	-.396	10	198	.013	.064	.279	-.374	10	323	-.179	.040	.005	-.310
10	149	.313	.162	.841	-.294	10	199	-.015	.060	.316	-.319	10	324	-.325	.100	.015	-.774
10	150	.225	.184	.828	-.446	10	200	-.021	.041	.139	-.280	10	325	-.158	.142	.695	-.334
10	151	.322	.157	.846	-.214	10	201	-.013	.029	.107	-.120	10	326	-.074	.096	.214	-.543
10	152	.286	.131	.737	-.194	10	202	-.096	.044	.068	-.345	10	327	-.032	.097	.325	-.396
10	153	.261	.135	.814	-.421	10	203	-.062	.041	.098	-.191	10	328	-.009	.175	.410	-.787
10	154	.155	.112	.557	-.225	10	204	-.072	.037	.096	-.223	10	329	-.153	.236	.538	-1.054
10	155	-.071	.081	.293	-.432	10	205	-.092	.039	.089	-.223	10	330	-.065	.090	.301	-.738
10	156	-.413	.073	-.162	-.712	10	206	-.151	.042	.073	-.328	10	331	-.080	.102	.524	-.486
10	157	-.358	.083	.211	-.582	10	207	-.178	.041	-.004	-.317	10	332	-.206	.033	-.059	-.340
10	158	.323	.141	.928	-.002	10	208	-.259	.046	-.053	-.450	10	333	-.163	.039	.009	-.294
10	159	-.029	.077	.325	-.348	10	209	-.022	.048	.224	-.273	10	334	-.235	.100	.082	-.658
10	160	.255	.129	.798	-.159	10	210	-.006	.031	.108	-.103	10	335	-.110	.131	.662	-.289
10	161	-.102	.069	.264	-.316	10	211	-.141	.055	.020	-.484	10	336	-.034	.099	.356	-.595
10	162	.275	.139	.823	-.173	10	212	-.135	.040	.001	-.305	10	337	-.030	.118	.313	-.624

WD	TAP	CPMEAN	CPRMS	CPMAX	CPMIN	WD	TAP	CPMEAN	CPRMS	CPMAX	CPMIN	WD	TAP	CPMEAN	CPRMS	CPMAX	CPMIN
10	338	-.019	.132	.446	-.724	10	388	-.034	.052	.257	-.308	10	516	-.296	.038	-.199	-.455
10	339	-.119	.222	.555	-.860	10	389	-.050	.073	.202	-.408	10	517	-.285	.029	-.186	-.412
10	340	-.167	.204	.553	-.753	10	390	-.073	.082	.217	-.479	10	518	-.320	.035	-.197	-.441
10	341	.041	.139	.599	-.445	10	391	-.011	.055	.254	-.152	10	519	-.314	.038	-.204	-.471
10	342	.007	.120	.378	-.826	10	392	-.242	.049	-.027	-.503	10	520	-.325	.051	-.170	-.544
10	343	-.249	.035	-.131	-.394	10	393	-.001	.061	.287	-.154	10	521	-.360	.065	-.174	-.633
10	344	-.185	.038	-.027	-.360	10	394	.015	.063	.307	-.194	10	522	-.299	.036	-.174	-.469
10	345	-.106	.054	.177	-.449	10	395	-.030	.083	.396	-.521	10	523	-.288	.029	-.170	-.414
10	346	-.045	.146	.385	-.809	10	396	-.050	.074	.216	-.357	10	524	-.298	.030	-.202	-.421
10	347	-.161	.172	.546	-.738	10	397	-.264	.065	-.095	-.591	10	525	-.299	.031	-.202	-.421
10	348	-.107	.232	.536	-.843	10	398	-.195	.053	.057	-.412	10	526	-.281	.033	-.179	-.450
10	349	-.291	.038	-.176	-.488	10	399	-.186	.028	-.096	-.291	10	527	-.281	.036	-.152	-.508
10	350	-.288	.040	-.154	-.471	10	400	-.140	.029	-.018	-.255	10	528	-.273	.035	-.136	-.406
10	351	-.222	.042	-.049	-.397	10	401	-.101	.031	-.027	-.223	10	529	-.272	.038	-.155	-.397
10	352	-.119	.074	.194	-.459	10	402	-.105	.042	.020	-.335	10	530	-.289	.030	-.178	-.425
10	353	-.032	.092	.261	-.629	10	403	-.041	.096	.261	-.623	10	531	-.293	.032	-.198	-.427
10	354	-.040	.131	.309	-.641	10	404	-.031	.088	.268	-.455	10	532	-.297	.035	-.175	-.445
10	355	-.266	.202	.459	-1.196	10	405	-.001	.034	.173	-.130	10	533	-.290	.029	-.173	-.409
10	356	.154	.159	.683	-.595	10	406	-.001	.037	.141	-.187	10	534	-.287	.029	-.201	-.418
10	357	.194	.176	.795	-.531	10	407	-.230	.066	-.028	-.557	10	535	-.290	.029	-.187	-.404
10	358	-.204	.037	-.054	-.350	10	408	-.195	.030	-.076	-.294	10	536	-.279	.030	-.182	-.397
10	359	-.291	.199	.557	-1.201	10	409	-.096	.027	-.025	-.182	10	537	-.280	.031	-.171	-.379
10	360	-.233	.036	-.085	-.354	10	410	-.018	.056	.375	-.182	10	538	-.282	.034	-.180	-.425
10	361	-.131	.266	.688	-1.807	10	411	-.188	.029	-.084	-.310	10	539	-.276	.031	-.185	-.402
10	362	-.226	.034	-.090	-.335	10	412	-.166	.028	-.039	-.263	10	540	-.274	.033	-.168	-.397
10	363	-.193	.036	.070	-.316	10	413	-.032	.036	.134	-.192	10	541	-.284	.030	-.198	-.392
10	364	-.115	.059	.170	-.366	10	414	-.143	.048	.067	-.384	10	542	-.285	.031	-.196	-.406
10	365	-.002	.071	.285	-.300	10	415	-.133	.044	.115	-.285	10	543	-.308	.035	-.178	-.452
10	366	-.021	.080	.262	-.388	10	416	-.161	.027	-.048	-.249	10	544	-.314	.034	-.192	-.478
10	367	-.155	.271	.511	-1.209	10	417	-.113	.029	.014	-.209	10	545	-.297	.031	-.194	-.402
10	368	-.277	.268	.486	-1.571	10	418	-.077	.032	.103	-.168	10	546	-.293	.033	-.187	-.420
10	369	-.030	.082	.332	-.431	10	419	-.143	.049	.002	-.372	10	547	-.281	.033	-.180	-.432
10	370	-.234	.036	-.084	-.398	10	420	-.011	.042	.204	-.108	10	548	-.282	.035	-.173	-.422
10	371	-.194	.035	-.004	-.313	10	421	.069	.060	.364	-.109	10	549	-.308	.036	-.200	-.446
10	372	-.357	.109	-.032	-.891	10	422	-.072	.062	.484	-.097	10	550	-.317	.043	-.204	-.528
10	373	.022	.067	.280	-.326	10	501	-.292	.039	-.161	-.528	10	551	-.301	.034	-.184	-.446
10	374	-.057	.073	.197	-.534	10	502	-.329	.043	-.195	-.508	10	552	-.296	.033	-.209	-.478
10	375	-.183	.173	.348	-.810	10	503	-.374	.052	-.179	-.581	10	553	-.291	.032	-.188	-.433
10	376	-.204	.177	.440	-.858	10	504	-.169	.067	.015	-.517	10	554	-.290	.035	-.198	-.514
10	377	-.253	.036	-.120	-.408	10	505	-.301	.035	-.173	-.439	10	555	-.283	.036	-.143	-.430
10	378	-.206	.033	-.069	-.315	10	506	-.284	.035	-.177	-.402	10	556	-.290	.042	-.157	-.512
10	379	-.319	.082	-.017	-.675	10	507	-.291	.034	-.190	-.432	10	557	-.291	.043	-.177	-.620
10	380	-.014	.054	.197	-.275	10	508	-.310	.038	-.207	-.484	10	558	-.307	.037	-.175	-.482
10	381	-.059	.059	.214	-.459	10	509	-.299	.037	-.204	-.514	10	559	-.283	.036	-.155	-.532
10	382	-.122	.168	.285	-1.064	10	510	-.300	.038	-.195	-.544	10	560	-.315	.040	-.159	-.462
10	383	-.167	.167	.423	-1.275	10	511	-.299	.041	-.195	-.507	10	561	-.276	.041	-.116	-.467
10	384	-.284	.054	-.135	-.524	10	512	-.299	.036	-.167	-.457	10	562	-.301	.040	-.155	-.442
10	385	-.222	.039	-.107	-.396	10	513	-.294	.034	-.202	-.428	10	563	-.287	.035	-.146	-.417
10	386	-.280	.054	-.047	-.509	10	514	-.308	.044	-.163	-.555	10	564	-.286	.035	-.166	-.419
10	387	-.009	.057	.287	-.137	10	515	-.302	.041	-.165	-.501	10	565	-.304	.045	-.168	-.566

WD	TAP	CPMEAN	CPRMS	CPMAX	CPMIN	WD	TAP	CPMEAN	CPRMS	CPMAX	CPMIN	WD	TAP	CPMEAN	CPRMS	CPMAX	CPMIN
10	566	-.298	.038	-.161	-.463	10	616	-.173	.049	.057	-.313	10	746	-.317	.038	-.211	-.503
10	567	-.274	.034	-.175	-.401	10	617	-.115	.088	.383	-.369	10	747	-.322	.045	-.186	-.528
10	568	-.274	.038	-.137	-.409	10	618	-.115	.108	.409	-.442	10	748	-.320	.042	-.190	-.537
10	569	-.280	.038	-.142	-.428	10	619	-.124	.045	.135	-.266	10	749	-.391	.066	-.196	-.785
10	570	-.297	.045	-.094	-.440	10	620	-.220	.033	-.104	-.360	10	750	-.363	.057	-.079	-.575
10	571	-.283	.043	-.153	-.452	10	701	-.352	.044	-.202	-.562	10	751	-.335	.050	-.191	-.577
10	572	-.278	.044	-.070	-.437	10	702	-.280	.036	-.159	-.420	10	752	-.315	.041	-.175	-.524
10	573	-.301	.043	-.091	-.483	10	703	-.142	.050	-.017	-.341	10	753	-.312	.038	-.187	-.510
10	574	-.339	.044	-.153	-.559	10	704	-.406	.063	-.224	-.643	10	754	-.321	.036	-.198	-.481
10	575	-.302	.041	-.168	-.487	10	705	-.291	.034	-.183	-.433	10	755	-.324	.044	-.189	-.535
10	576	-.301	.040	-.184	-.463	10	706	-.305	.042	-.185	-.594	10	756	-.314	.035	-.189	-.463
10	577	-.312	.059	-.041	-.604	10	707	-.300	.036	-.184	-.440	10	757	-.321	.042	-.193	-.517
10	578	-.290	.054	-.072	-.466	10	708	-.298	.036	-.178	-.440	10	758	-.328	.063	-.151	-.868
10	579	-.294	.061	-.083	-.528	10	709	-.299	.036	-.181	-.474	10	759	-.323	.042	-.218	-.504
10	580	-.337	.044	-.177	-.571	10	710	-.298	.032	-.197	-.440	10	760	-.313	.051	-.178	-.655
10	581	-.361	.053	-.244	-.602	10	711	-.311	.042	-.180	-.690	10	761	-.328	.048	-.196	-.669
10	582	-.348	.049	-.211	-.602	10	712	-.297	.036	-.188	-.461	10	762	-.310	.047	-.175	-.566
10	583	-.354	.052	-.220	-.666	10	713	-.301	.037	-.188	-.501	10	763	-.312	.045	-.160	-.526
10	584	-.297	.055	-.022	-.583	10	714	-.306	.036	-.193	-.461	10	764	-.317	.045	-.162	-.472
10	585	-.279	.054	-.053	-.483	10	715	-.311	.043	-.184	-.567	10	765	-.331	.045	-.202	-.602
10	586	-.323	.068	-.034	-.604	10	716	-.301	.033	-.186	-.447	10	766	-.316	.041	-.198	-.544
10	587	-.325	.044	-.173	-.525	10	717	-.300	.034	-.181	-.431	10	767	-.319	.046	-.212	-.570
10	588	-.366	.058	-.187	-.642	10	718	-.340	.067	-.161	-.641	10	768	-.319	.046	-.184	-.547
10	589	-.409	.085	-.199	-.852	10	719	-.286	.050	-.096	-.456	10	769	-.311	.041	-.180	-.580
10	590	-.408	.093	-.211	-.888	10	720	-.307	.035	-.195	-.456	10	770	-.310	.048	-.158	-.518
10	591	-.328	.045	-.192	-.523	10	721	-.312	.038	-.202	-.485	10	771	-.310	.046	-.168	-.749
10	592	-.315	.045	-.110	-.494	10	722	-.302	.041	-.170	-.497	10	772	-.328	.061	-.074	-.970
10	593	-.255	.057	-.053	-.472	10	723	-.312	.042	-.170	-.515	10	773	-.328	.052	-.158	-.744
10	594	-.247	.048	-.026	-.537	10	724	-.340	.064	-.175	-.661	10	774	-.336	.051	-.154	-.603
10	595	-.352	.084	-.103	-.722	10	725	-.356	.075	-.184	-.681	10	775	-.344	.057	-.180	-.718
10	596	-.290	.043	-.149	-.472	10	726	-.310	.037	-.195	-.474	10	776	-.339	.057	-.187	-.662
10	597	-.368	.055	-.206	-.614	10	727	-.312	.037	-.199	-.457	10	777	-.345	.055	-.165	-.565
10	598	-.419	.117	-.199	-.933	10	728	-.310	.039	-.186	-.487	10	778	-.349	.056	-.189	-.664
10	599	-.498	.184	-.207	-1.386	10	729	-.310	.042	-.197	-.544	10	779	-.381	.071	-.189	-.897
10	600	-.199	.045	-.041	-.400	10	730	-.305	.035	-.206	-.475	10	780	-.370	.067	-.123	-.770
10	601	-.279	.046	-.144	-.685	10	731	-.307	.035	-.190	-.414	10	781	-.376	.064	-.170	-.822
10	602	-.266	.043	-.123	-.439	10	732	-.298	.036	-.163	-.507	10	782	-.392	.088	-.142	-.947
10	603	-.209	.059	-.003	-.545	10	733	-.298	.036	-.179	-.473	10	783	-.389	.087	-.085	-.874
10	604	-.461	.117	-.170	-1.011	10	734	-.308	.040	-.188	-.452	10	784	-.382	.068	-.210	-.773
10	605	-.188	.044	-.013	-.402	10	735	-.303	.037	-.181	-.455	10	785	-.389	.068	-.165	-.827
10	606	-.251	.057	-.072	-.475	10	736	-.308	.036	-.186	-.441	10	786	-.415	.086	-.201	-.916
10	607	-.272	.042	-.147	-.477	10	737	-.310	.035	-.197	-.432	10	787	-.400	.075	-.125	-.810
10	608	-.138	.050	-.121	-.390	10	738	-.313	.038	-.181	-.482	10	788	-.384	.077	-.172	-.869
10	609	-.163	.049	-.057	-.396	10	739	-.319	.042	-.211	-.553	10	789	-.358	.098	-.109	-1.020
10	610	-.200	.051	-.039	-.349	10	740	-.329	.045	-.179	-.592	10	790	-.368	.098	-.071	-1.034
10	611	-.304	.052	-.116	-.566	10	741	-.307	.037	-.186	-.437	10	791	-.421	.095	-.224	-1.173
10	612	-.195	.069	-.039	-.521	10	742	-.315	.036	-.183	-.452	10	792	-.428	.095	-.228	-.948
10	613	-.183	.055	-.043	-.420	10	743	-.318	.042	-.195	-.489	10	793	-.458	.135	-.139	-1.301
10	614	-.271	.088	.025	-.662	10	744	-.311	.042	-.188	-.468	10	794	-.422	.087	-.123	-1.026
10	615	-.146	.054	.093	-.310	10	745	-.311	.040	-.174	-.494	10	795	-.234	.059	-.052	-.508

WD	TAP	CPMEAN	CPRMS	CPMAX	CPMIN	WD	TAP	CPMEAN	CPRMS	CPMAX	CPMIN	WD	TAP	CPMEAN	CPRMS	CPMAX	CPMIN
10	796	-.228	.070	-.033	-.620	10	924	-.368	.092	-.153	-.869	10	1003	-.312	.038	-.211	-.497
10	797	-.169	.043	-.012	-.323	10	925	-.217	.221	-.886	-.598	10	1004	-.302	.057	-.122	-.660
10	798	-.413	.080	-.233	-.848	10	926	-.301	.041	-.171	-.490	10	1005	-.320	.038	-.213	-.532
10	799	-.408	.081	-.218	-.924	10	927	-.018	.125	.380	-.410	10	1006	-.373	.074	-.173	-.726
10	800	-.440	.088	-.214	-.900	10	928	-.378	.083	-.100	-.775	10	1007	-.252	.047	-.059	-.441
10	801	-.418	.095	-.230	-1.001	10	929	.058	.115	.440	-.665	10	1008	.174	.092	.611	-.066
10	802	-.360	.074	-.092	-.727	10	930	-.282	.034	-.179	-.421	10	1009	-.278	.041	-.029	-.422
10	803	-.314	.088	-.095	-.884	10	931	.373	.151	.800	-.041	10	1010	.225	.106	.704	-.083
10	804	-.302	.090	-.004	-.945	10	932	-.224	.056	-.001	-.405	10	1011	-.341	.065	-.100	-.630
10	805	-.032	.052	.188	-.313	10	933	-.370	.070	-.088	-.622	10	1012	-.155	.082	-.476	-.022
10	806	-.148	.060	.076	-.382	10	934	.041	.085	.398	-.298	10	1013	-.327	.050	-.188	-.555
10	807	-.216	.046	-.033	-.406	10	935	.018	.086	.264	-.307	10	1014	-.186	.119	.200	-.623
10	808	-.165	.037	-.031	-.285	10	936	-.286	.024	-.226	-.395	10	1015	-.295	.052	-.145	-.538
10	809	-.425	.094	-.187	-1.335	10	937	-.130	.051	.108	-.495	10	1016	.033	.102	.411	-.536
10	810	-.422	.091	-.214	-.829	10	938	-.006	.095	.356	-.510	10	1017	-.011	.061	.292	-.147
10	811	-.339	.070	-.126	-.710	10	939	-.161	.166	.580	-.882	10	1018	.003	.067	.326	-.157
10	812	-.258	.118	-.029	-1.142	10	940	.209	.122	.614	-.084	10	1019	-.031	.053	.211	-.240
10	813	-.199	.046	-.033	-.408	10	941	-.430	.054	-.301	-.637	10	1020	.007	.072	.312	-.230
10	814	-.201	.045	-.047	-.413	10	942	.077	.174	.673	-.424	10	1021	-.133	.054	.115	-.336
10	815	-.147	.041	-.064	-.287	10	943	.070	.068	.378	-.139	10	1022	-.048	.029	.054	-.142
10	816	-.442	.119	-.123	-1.318	10	944	.066	.068	.385	-.081	10	1023	-.066	.034	.061	-.184
10	817	-.398	.097	-.154	-1.173	10	945	-.269	.040	-.111	-.451	10	1024	-.024	.036	.106	-.216
10	818	-.389	.077	-.180	-.827	10	946	.181	.110	.768	-.071	10	1025	-.132	.043	.093	-.294
10	819	-.356	.072	-.064	-.655	10	947	.210	.115	.786	-.046	10	1026	-.202	.053	.007	-.400
10	820	-.247	.065	.131	-.579	10	948	.148	.089	.751	-.050	10	1027	-.235	.038	-.115	-.397
10	821	-.211	.098	.012	-1.012	10	949	.204	.107	.923	-.025	10	1028	.003	.038	.255	-.113
10	822	-.234	.105	-.006	-1.156	10	950	-.353	.049	-.215	-.618	20	101	.059	.087	.358	-.229
10	901	-.324	.028	-.256	-.406	10	951	-.078	.057	.367	-.062	20	102	-.058	.081	.270	-.328
10	902	-.320	.038	-.198	-.593	10	952	-.085	.048	.144	-.310	20	103	-.008	.080	.297	-.231
10	903	-.313	.038	-.196	-.450	10	953	.031	.078	.369	-.180	20	104	.163	.174	.684	-.412
10	904	-.314	.037	-.180	-.510	10	954	.178	.105	.969	-.081	20	105	.136	.124	.535	-.323
10	905	-.332	.038	-.218	-.452	10	955	.025	.044	.223	-.099	20	106	-.123	.046	.085	-.260
10	906	-.303	.029	-.218	-.428	10	956	-.007	.061	.265	-.157	20	107	.003	.074	.304	-.206
10	907	-.295	.031	-.186	-.419	10	957	-.028	.052	.258	-.229	20	108	.185	.135	.631	-.441
10	908	-.122	.077	.170	-.364	10	958	.029	.073	.439	-.220	20	109	.100	.113	.578	-.299
10	909	-.183	.057	.139	-.385	10	959	.059	.073	.494	-.127	20	110	.041	.127	.471	-.421
10	910	-.303	.029	-.202	-.406	10	960	-.122	.047	.109	-.261	20	111	-.153	.066	.051	-.398
10	911	-.075	.092	.425	-.155	10	961	-.256	.050	-.064	-.502	20	112	.372	.170	.988	-.453
10	912	-.302	.031	-.180	-.420	10	962	-.232	.038	-.103	-.419	20	113	.251	.123	.732	-.102
10	913	-.272	.080	.131	-.576	10	963	.006	.074	.359	-.259	20	114	.068	.111	.535	-.195
10	914	-.312	.036	-.212	-.448	10	964	.004	.059	.391	-.163	20	115	-.079	.063	.170	-.285
10	915	-.348	.094	.247	-.698	10	965	-.135	.043	.072	-.273	20	116	.094	.141	.623	-.308
10	916	-.318	.038	-.208	-.489	10	966	-.274	.048	-.108	-.539	20	117	.254	.145	.813	-.084
10	917	-.385	.145	-.517	-.845	10	967	-.022	.048	.263	-.191	20	118	.116	.116	.628	-.240
10	918	-.335	.046	-.187	-.559	10	968	-.138	.041	.093	-.272	20	119	.168	.132	.850	-.417
10	919	-.286	.028	-.200	-.424	10	969	-.056	.047	.179	-.186	20	120	-.216	.144	.299	-.761
10	920	-.362	.060	-.182	-.568	10	970	-.050	.044	.209	-.206	20	121	-.152	.085	.102	-.469
10	921	-.360	.066	-.111	-.642	10	971	-.037	.044	.145	-.233	20	122	.339	.152	.841	-.179
10	922	-.319	.136	.819	-.016	10	1001	-.319	.041	-.186	-.532	20	123	.318	.143	.797	-.059
10	923	-.270	.085	.049	-.623	10	1002	-.410	.082	-.145	-.844	20	124	.212	.122	.682	-.075

WD	TAP	CPMEAN	CPRMS	CPMAX	CPMIN	WD	TAP	CPMEAN	CPRMS	CPMAX	CPMIN	WD	TAP	CPMEAN	CPRMS	CPMAX	CPMIN
20	125	.158	.108	.548	-.129	20	175	-.054	.058	.254	-.213	20	225	-.077	.084	.207	-.306
20	124	.232	.134	.739	-.156	20	174	-.131	.047	.102	-.281	20	301	-.159	.066	.121	-.538
20	127	-.112	.130	.311	-.595	20	177	-.147	.087	.623	-.402	20	302	-.055	.100	.320	-.372
20	128	-.045	.072	.214	-.254	20	178	.156	.086	.521	-.104	20	303	-.155	.144	.382	-.571
20	129	-.092	.056	.136	-.254	20	179	.119	.068	.431	-.030	20	304	.027	.077	.322	-.201
20	130	.240	.128	.755	-.077	20	180	.121	.067	.478	-.035	20	305	-.150	.039	.019	-.274
20	131	.219	.158	.872	-.235	20	181	-.102	.093	.339	-.497	20	306	.023	.161	.450	-.502
20	132	.370	.164	.948	-.187	20	182	-.085	.048	.166	-.224	20	307	-.048	.066	.327	-.357
20	133	.397	.161	.886	-.153	20	183	-.150	.045	.128	-.298	20	308	-.176	.044	-.044	-.383
20	134	.281	.134	.705	-.109	20	184	.066	.057	.403	-.182	20	309	-.012	.101	.361	-.444
20	135	.238	.118	.622	-.077	20	185	.088	.057	.417	-.087	20	310	.025	.088	.342	-.218
20	136	.283	.135	.847	-.061	20	186	.135	.068	.417	-.023	20	311	-.074	.196	.726	-.825
20	137	.263	.127	.731	-.054	20	187	.125	.075	.474	-.052	20	312	-.149	.049	.046	-.369
20	138	-.041	.134	.478	-.515	20	188	-.091	.068	.242	-.400	20	313	-.030	.092	.303	-.314
20	139	-.015	.071	.308	-.210	20	189	-.138	.038	.000	-.284	20	314	.114	.101	.488	-.372
20	140	-.088	.055	.175	-.238	20	190	-.208	.037	-.085	-.350	20	315	.156	.204	.656	-.703
20	141	.327	.132	.806	.008	20	191	.136	.078	.616	-.072	20	316	.000	.125	.490	-.528
20	142	.271	.115	.712	-.063	20	192	.144	.080	.526	-.045	20	317	.116	.134	.820	-.170
20	143	.314	.143	.914	-.093	20	193	.139	.081	.532	-.059	20	318	-.196	.058	.015	-.451
20	144	.340	.158	1.015	-.194	20	194	.111	.075	.483	-.072	20	319	-.191	.104	.205	-.665
20	145	.267	.122	.726	-.045	20	195	.134	.073	.480	-.072	20	320	.089	.102	.440	-.266
20	146	.102	.088	.462	-.111	20	196	.153	.084	.571	-.041	20	321	-.045	.131	.735	-.528
20	147	-.079	.058	.166	-.258	20	197	-.073	.081	.292	-.326	20	322	-.158	.039	.012	-.281
20	148	-.219	.040	-.061	-.359	20	198	.044	.057	.329	-.201	20	323	-.111	.051	.085	-.264
20	149	.341	.141	.859	-.067	20	199	.044	.053	.268	-.269	20	324	-.244	.099	.159	-.600
20	150	.318	.149	.877	-.282	20	200	-.010	.043	.141	-.272	20	325	.174	.129	.767	-.197
20	151	.319	.165	.893	-.176	20	201	.003	.031	.125	-.133	20	326	.067	.089	.354	-.168
20	152	.281	.131	.770	-.098	20	202	-.068	.036	.093	-.222	20	327	.122	.092	.508	-.173
20	153	.223	.119	.633	-.183	20	203	-.045	.037	.095	-.174	20	328	.184	.130	.717	-.398
20	154	.109	.101	.545	-.264	20	204	-.059	.038	.093	-.204	20	329	.153	.193	.666	-.698
20	155	-.099	.064	.189	-.362	20	205	-.079	.038	.073	-.217	20	330	.071	.097	.455	-.303
20	156	-.350	.065	-.156	-.878	20	206	-.133	.049	.050	-.294	20	331	.038	.113	.438	-.366
20	157	-.321	.049	-.008	-.504	20	207	-.158	.042	.014	-.337	20	332	-.159	.036	.055	-.274
20	158	.299	.159	.850	-.322	20	208	-.228	.045	-.038	-.450	20	333	-.100	.047	.140	-.262
20	159	-.069	.058	.202	-.248	20	209	.011	.051	.283	-.258	20	334	-.191	.104	.125	-.676
20	160	.328	.143	.841	-.060	20	210	.006	.032	.134	-.132	20	335	-.193	.124	.700	-.119
20	161	-.132	.051	.084	-.311	20	211	-.098	.049	.058	-.382	20	336	.109	.107	.520	-.211
20	162	.296	.139	.828	-.076	20	212	-.125	.043	.024	-.267	20	337	.115	.098	.540	-.160
20	163	.304	.129	.843	-.127	20	213	-.144	.042	.054	-.309	20	338	.133	.099	.518	-.286
20	164	.236	.114	.700	-.024	20	214	-.153	.058	.056	-.366	20	339	.159	.204	.683	-.693
20	165	.215	.100	.675	-.096	20	215	-.005	.051	.267	-.258	20	340	.126	.231	.794	-.519
20	166	.122	.090	.653	-.196	20	216	.009	.039	.251	-.118	20	341	.211	.135	.688	-.127
20	167	-.041	.062	.254	-.187	20	217	-.006	.028	.141	-.082	20	342	.138	.098	.474	-.262
20	168	-.121	.047	.100	-.258	20	218	-.020	.026	.072	-.098	20	343	-.232	.034	-.110	-.369
20	169	.212	.106	.632	-.071	20	219	-.049	.034	.077	-.160	20	344	-.139	.042	.050	-.269
20	170	.234	.131	.727	-.362	20	220	-.008	.043	.207	-.141	20	345	-.030	.061	.283	-.221
20	171	.232	.110	.687	-.064	20	221	-.003	.051	.269	-.150	20	346	.116	.107	.530	-.306
20	172	.193	.097	.670	-.042	20	222	-.032	.048	.152	-.180	20	347	.076	.169	.775	-.517
20	173	.189	.088	.556	-.026	20	223	-.133	.041	.026	-.286	20	348	.166	.186	.782	-.577
20	174	-.073	.123	.384	-.565	20	224	-.100	.063	.223	-.304	20	349	-.298	.044	-.111	-.496

WD	TAP	CPMEAN	CPRMS	CPMAX	CPMIN	WD	TAP	CPMEAN	CPRMS	CPMAX	CPMIN	WD	TAP	CPMEAN	CPRMS	CPMAX	CPMIN
20	350	-.300	.048	-.177	-.544	20	400	-.105	.028	.007	-.232	20	528	-.248	.033	-.135	-.390
20	351	-.190	.047	.008	-.370	20	401	-.066	.029	.041	-.208	20	529	-.251	.033	-.129	-.374
20	352	-.040	.079	.292	-.427	20	402	-.065	.041	.068	-.282	20	530	-.255	.027	-.158	-.356
20	353	.058	.092	.377	-.384	20	403	.007	.052	.218	-.306	20	531	-.257	.029	-.165	-.397
20	354	.110	.108	.563	-.261	20	404	.004	.050	.220	-.324	20	532	-.263	.031	-.122	-.393
20	355	.050	.211	.646	-.696	20	405	.024	.041	.187	-.145	20	533	-.261	.031	-.170	-.425
20	356	.291	.147	.825	-.192	20	406	.006	.033	.142	-.239	20	534	-.259	.026	-.154	-.397
20	357	.324	.160	.811	-.184	20	407	-.170	.055	.066	-.432	20	535	-.262	.028	-.174	-.402
20	358	-.153	.039	.027	-.299	20	408	-.175	.029	-.073	-.306	20	536	-.253	.027	-.156	-.386
20	359	-.024	.195	.696	-.711	20	409	-.058	.030	.079	-.172	20	537	-.253	.030	-.163	-.354
20	360	-.200	.039	.006	-.399	20	410	-.017	.046	.236	-.214	20	538	-.253	.029	-.156	-.354
20	361	.130	.181	.773	-.732	20	411	-.158	.029	-.028	-.259	20	539	-.246	.028	-.145	-.361
20	362	-.194	.037	.018	-.330	20	412	-.144	.028	-.047	-.257	20	540	-.248	.030	-.149	-.379
20	363	-.150	.044	.092	-.292	20	413	-.009	.031	.142	-.127	20	541	-.258	.029	-.177	-.372
20	364	-.038	.064	.213	-.303	20	414	-.095	.048	.133	-.378	20	542	-.260	.028	-.174	-.395
20	365	.061	.074	.492	-.123	20	415	-.087	.046	.147	-.248	20	543	-.272	.031	-.161	-.452
20	366	.085	.083	.496	-.121	20	416	-.122	.031	.067	-.217	20	544	-.272	.030	-.151	-.402
20	367	.098	.201	.817	-.765	20	417	-.076	.029	.102	-.165	20	545	-.265	.028	-.179	-.379
20	368	.034	.252	.784	-1.071	20	418	-.043	.028	.100	-.135	20	546	-.258	.029	-.158	-.365
20	369	.107	.087	.443	-.154	20	419	-.078	.042	.081	-.312	20	547	-.257	.029	-.161	-.361
20	370	-.207	.033	-.078	-.327	20	420	.022	.039	.329	-.101	20	548	-.263	.030	-.151	-.397
20	371	-.161	.039	.045	-.279	20	421	.051	.051	.311	-.200	20	549	-.274	.034	-.154	-.488
20	372	-.311	.124	.147	-.871	20	422	.059	.057	.339	-.191	20	550	-.274	.032	-.136	-.418
20	373	.076	.078	.426	-.121	20	501	-.252	.033	-.155	-.407	20	551	-.280	.034	-.147	-.416
20	374	.034	.073	.328	-.532	20	502	-.298	.037	-.171	-.462	20	552	-.276	.035	-.177	-.488
20	375	.028	.178	.556	-.625	20	503	-.349	.046	-.221	-.544	20	553	-.282	.037	-.186	-.420
20	376	.002	.200	.636	-.607	20	504	-.073	.052	.074	-.269	20	554	-.284	.036	-.188	-.427
20	377	-.221	.030	-.066	-.372	20	505	-.260	.031	-.152	-.362	20	555	-.287	.042	-.170	-.465
20	378	-.174	.030	.137	-.289	20	506	-.250	.030	-.147	-.367	20	556	-.308	.050	-.184	-.510
20	379	-.281	.081	.002	-.627	20	507	-.256	.031	-.158	-.362	20	557	-.319	.060	-.152	-.736
20	380	.039	.060	.318	-.141	20	508	-.259	.031	-.163	-.378	20	558	-.283	.036	-.141	-.429
20	381	.007	.059	.265	-.474	20	509	-.256	.031	-.164	-.394	20	559	-.295	.042	-.127	-.558
20	382	.010	.121	.416	-.678	20	510	-.254	.031	-.162	-.364	20	560	-.285	.039	-.145	-.634
20	383	-.040	.143	.561	-.615	20	511	-.250	.032	-.163	-.412	20	561	-.318	.065	-.170	-.783
20	384	-.210	.034	-.088	-.432	20	512	-.257	.029	-.169	-.369	20	562	-.290	.040	-.147	-.456
20	385	-.162	.031	-.024	-.332	20	513	-.252	.027	-.164	-.362	20	563	-.288	.038	-.129	-.418
20	386	-.224	.050	-.046	-.560	20	514	-.256	.032	-.155	-.391	20	564	-.293	.034	-.161	-.407
20	387	.044	.059	.350	-.111	20	515	-.254	.033	-.135	-.396	20	565	-.296	.034	-.177	-.427
20	388	.031	.060	.355	-.146	20	516	-.257	.031	-.158	-.423	20	566	-.283	.035	-.180	-.424
20	389	.024	.067	.320	-.359	20	517	-.252	.028	-.155	-.353	20	567	-.272	.038	-.146	-.535
20	390	-.013	.066	.343	-.327	20	518	-.271	.029	-.180	-.410	20	568	-.273	.035	-.163	-.455
20	391	.037	.063	.306	-.130	20	519	-.266	.033	-.176	-.426	20	569	-.297	.034	-.194	-.459
20	392	-.186	.062	.184	-.446	20	520	-.255	.038	-.128	-.464	20	570	-.311	.048	-.146	-.569
20	393	.065	.066	.336	-.084	20	521	-.298	.054	-.164	-.555	20	571	-.313	.045	-.165	-.542
20	394	.073	.073	.438	-.076	20	522	-.263	.029	-.151	-.419	20	572	-.327	.039	-.199	-.497
20	395	.052	.083	.447	-.522	20	523	-.259	.028	-.169	-.401	20	573	-.318	.038	-.210	-.455
20	396	.032	.072	.442	-.522	20	524	-.261	.028	-.169	-.373	20	574	-.318	.038	-.206	-.500
20	397	-.210	.047	-.073	-.462	20	525	-.261	.028	-.173	-.380	20	575	-.297	.033	-.184	-.426
20	398	-.147	.047	-.030	-.367	20	526	-.252	.033	-.160	-.432	20	576	-.299	.035	-.177	-.538
20	399	-.148	.026	-.058	-.250	20	527	-.269	.047	-.135	-.510	20	577	-.327	.044	-.158	-.521

WD	TAP	CPMEAN	CPRMS	CPMAX	CPMIN	WD	TAP	CPMEAN	CPRMS	CPMAX	CPMIN	WD	TAP	CPMEAN	CPRMS	CPMAX	CPMIN
20	578	-.325	.041	-.123	-.505	20	708	-.259	.034	-.151	-.408	20	758	-.306	.060	-.174	-.630
20	579	-.339	.046	-.218	-.590	20	709	-.258	.030	-.168	-.369	20	759	-.291	.037	-.180	-.514
20	580	-.334	.048	-.222	-.554	20	710	-.261	.030	-.150	-.378	20	760	-.297	.058	-.178	-.666
20	581	-.331	.049	-.227	-.607	20	711	-.268	.032	-.177	-.502	20	761	-.298	.039	-.176	-.498
20	582	-.323	.046	-.199	-.609	20	712	-.254	.031	-.161	-.396	20	762	-.282	.039	-.165	-.458
20	583	-.322	.046	-.206	-.595	20	713	-.262	.031	-.168	-.385	20	763	-.285	.045	-.156	-.541
20	584	-.312	.046	-.177	-.505	20	714	-.263	.030	-.148	-.371	20	764	-.290	.037	-.183	-.462
20	585	-.300	.042	-.111	-.505	20	715	-.267	.034	-.177	-.437	20	765	-.291	.035	-.191	-.473
20	586	-.370	.051	-.168	-.590	20	716	-.261	.029	-.173	-.378	20	766	-.282	.033	-.172	-.410
20	587	-.316	.044	-.182	-.474	20	717	-.261	.030	-.141	-.367	20	767	-.289	.037	-.191	-.519
20	588	-.321	.057	-.154	-.656	20	718	-.302	.059	-.161	-.568	20	768	-.289	.039	-.179	-.547
20	589	-.307	.048	-.189	-.509	20	719	-.245	.043	-.078	-.435	20	769	-.285	.035	-.179	-.422
20	590	-.311	.053	-.182	-.578	20	720	-.262	.027	-.173	-.394	20	770	-.289	.039	-.115	-.500
20	591	-.316	.045	-.168	-.508	20	721	-.271	.031	-.182	-.396	20	771	-.290	.037	-.153	-.462
20	592	-.319	.045	-.170	-.568	20	722	-.259	.033	-.134	-.403	20	772	-.305	.043	-.163	-.528
20	593	-.269	.047	-.099	-.480	20	723	-.264	.037	-.143	-.401	20	773	-.295	.038	-.179	-.457
20	594	-.270	.040	-.113	-.468	20	724	-.303	.063	-.152	-.620	20	774	-.309	.038	-.198	-.469
20	595	-.414	.084	-.132	-.894	20	725	-.284	.054	-.107	-.570	20	775	-.314	.041	-.196	-.538
20	596	-.300	.038	-.187	-.494	20	726	-.265	.028	-.184	-.389	20	776	-.319	.042	-.205	-.554
20	597	-.347	.058	-.203	-.624	20	727	-.268	.030	-.174	-.377	20	777	-.328	.046	-.193	-.523
20	598	-.316	.063	-.149	-.669	20	728	-.267	.032	-.160	-.393	20	778	-.336	.051	-.170	-.625
20	599	-.357	.082	-.170	-1.158	20	729	-.262	.030	-.151	-.391	20	779	-.341	.061	-.167	-.898
20	600	-.147	.038	-.016	-.348	20	730	-.263	.030	-.156	-.382	20	780	-.342	.062	-.203	-.851
20	601	-.243	.046	-.085	-.662	20	731	-.268	.031	-.172	-.384	20	781	-.361	.058	-.182	-.613
20	602	-.234	.039	-.085	-.452	20	732	-.261	.031	-.163	-.361	20	782	-.361	.065	-.215	-.707
20	603	-.220	.050	-.028	-.431	20	733	-.261	.032	-.165	-.402	20	783	-.365	.058	-.111	-.663
20	604	-.430	.100	-.198	-.977	20	734	-.263	.031	-.174	-.377	20	784	-.365	.054	-.222	-.592
20	605	-.151	.043	-.045	-.339	20	735	-.264	.032	-.163	-.400	20	785	-.365	.055	-.226	-.634
20	606	-.211	.049	-.064	-.440	20	736	-.268	.029	-.170	-.359	20	786	-.401	.074	-.226	-.811
20	607	-.228	.038	-.104	-.378	20	737	-.273	.031	-.174	-.380	20	787	-.400	.073	-.233	-.814
20	608	-.139	.049	-.070	-.353	20	738	-.266	.029	-.174	-.396	20	788	-.378	.067	-.205	-.707
20	609	-.125	.050	-.104	-.338	20	739	-.277	.036	-.131	-.485	20	789	-.348	.070	-.127	-.788
20	610	-.182	.045	-.023	-.358	20	740	-.278	.038	-.160	-.485	20	790	-.346	.070	-.075	-.835
20	611	-.271	.050	-.125	-.513	20	741	-.268	.031	-.167	-.380	20	791	-.405	.077	-.214	-.916
20	612	-.200	.055	-.009	-.466	20	742	-.273	.031	-.176	-.389	20	792	-.419	.090	-.229	-1.019
20	613	-.204	.047	-.028	-.440	20	743	-.276	.036	-.160	-.409	20	793	-.443	.115	-.205	-1.147
20	614	-.328	.079	-.090	-.721	20	744	-.270	.034	-.160	-.400	20	794	-.418	.079	-.219	-.892
20	615	-.133	.063	-.129	-.287	20	745	-.267	.033	-.163	-.402	20	795	-.206	.056	-.048	-.520
20	616	-.167	.050	-.101	-.351	20	746	-.271	.029	-.183	-.396	20	796	-.199	.058	-.033	-.479
20	617	-.100	.089	-.452	-.367	20	747	-.283	.036	-.170	-.462	20	797	-.153	.045	-.038	-.310
20	618	-.085	.119	-.379	-.443	20	748	-.280	.033	-.174	-.425	20	798	-.386	.069	-.210	-.713
20	619	-.084	.049	-.139	-.221	20	749	-.356	.062	-.178	-.670	20	799	-.384	.069	-.217	-.728
20	620	-.188	.032	-.057	-.332	20	750	-.332	.053	-.118	-.574	20	800	-.402	.072	-.243	-.737
20	701	-.315	.041	-.182	-.514	20	751	-.294	.042	-.180	-.527	20	801	-.409	.077	-.214	-.770
20	702	-.253	.033	-.155	-.365	20	752	-.279	.034	-.167	-.435	20	802	-.364	.066	-.148	-.699
20	703	-.070	.048	-.105	-.290	20	753	-.285	.036	-.169	-.451	20	803	-.309	.074	-.102	-.756
20	704	-.353	.054	-.173	-.570	20	754	-.285	.030	-.200	-.422	20	804	-.301	.076	-.083	-.775
20	705	-.258	.030	-.156	-.369	20	755	-.292	.039	-.187	-.465	20	805	-.042	.052	-.206	-.262
20	706	-.265	.032	-.173	-.386	20	756	-.274	.033	-.176	-.465	20	806	-.100	.050	-.046	-.372
20	707	-.267	.032	-.164	-.383	20	757	-.276	.036	-.120	-.487	20	807	-.190	.044	-.016	-.413

WD	TAP	CPMEAN	CPRMS	CPMAX	CPMIN	WD	TAP	CPMEAN	CPRMS	CPMAX	CPMIN	WD	TAP	CPMEAN	CPRMS	CPMAX	CPMIN
20	808	-.149	.041	-.012	-.331	20	936	-.274	.020	-.215	-.349	20	1015	-.274	.057	-.113	-.518
20	809	-.393	.079	-.179	-1.050	20	937	-.065	.054	-.166	-.203	20	1016	.098	.099	.544	-.246
20	810	-.409	.079	-.224	-.847	20	938	.118	.091	.465	-.120	20	1017	.048	.065	.399	-.123
20	811	-.347	.063	-.141	-.682	20	939	.091	.181	.692	-.501	20	1018	.060	.073	.382	-.121
20	812	-.240	.094	-.024	-.978	20	940	.310	.115	.642	-.008	20	1019	.032	.065	.288	-.133
20	813	-.182	.047	-.004	-.384	20	941	-.419	.051	-.310	-.606	20	1020	.071	.081	.451	-.140
20	814	-.183	.044	-.026	-.413	20	942	-.046	.145	.628	-.387	20	1021	-.114	.062	.143	-.295
20	815	-.137	.044	-.058	-.274	20	943	.062	.066	.323	-.107	20	1022	-.038	.027	.059	-.133
20	816	-.417	.098	-.150	-1.033	20	944	.064	.058	.307	-.098	20	1023	-.058	.033	.052	-.261
20	817	-.382	.085	-.160	-.771	20	945	-.290	.035	-.170	-.452	20	1024	-.020	.035	.106	-.153
20	818	-.373	.068	-.200	-.778	20	946	.162	.087	.677	-.035	20	1025	-.096	.043	.094	-.236
20	819	-.362	.068	-.145	-.756	20	947	.202	.099	.759	-.014	20	1026	-.185	.048	.052	-.431
20	820	-.262	.061	-.007	-.537	20	948	.165	.090	.754	-.033	20	1027	-.194	.035	-.086	-.350
20	821	-.208	.078	-.005	-.776	20	949	.192	.094	.668	-.054	20	1028	.019	.034	.227	-.098
20	822	-.219	.076	-.035	-.892	20	950	-.340	.050	-.198	-.608	30	101	.005	.098	.310	-.403
20	901	-.285	.019	-.231	-.337	20	951	.076	.056	.351	-.063	30	102	-.122	.064	.115	-.427
20	902	-.285	.029	-.203	-.420	20	952	-.052	.046	.170	-.217	30	103	.087	.095	.387	-.192
20	903	-.275	.031	-.178	-.400	20	953	.015	.056	.270	-.149	30	104	-.055	.145	.573	-.510
20	904	-.271	.032	-.156	-.409	20	954	.194	.099	.656	-.028	30	105	.096	.143	.588	-.471
20	905	-.303	.025	-.223	-.384	20	955	.036	.046	.284	-.086	30	106	-.147	.038	-.002	-.282
20	906	-.361	.025	-.184	-.393	20	956	.058	.077	.405	-.124	30	107	-.029	.063	.294	-.227
20	907	-.254	.028	-.163	-.355	20	957	.038	.064	.328	-.107	30	108	.130	.167	.642	-.622
20	908	-.154	.057	-.107	-.334	20	958	.079	.079	.684	-.084	30	109	.048	.086	.359	-.308
20	909	-.163	.058	-.108	-.299	20	959	.097	.076	.528	-.073	30	110	.005	.099	.382	-.387
20	910	-.271	.026	-.186	-.384	20	960	-.064	.061	.228	-.233	30	111	-.167	.050	-.004	-.392
20	911	-.031	.075	-.337	-.165	20	961	-.201	.068	.470	-.461	30	112	.210	.218	.845	-.810
20	912	-.265	.030	-.184	-.455	20	962	-.190	.042	-.042	-.432	30	113	.155	.108	.526	-.234
20	913	-.250	.065	-.003	-.576	20	963	.062	.080	.458	-.172	30	114	-.010	.088	.419	-.271
20	914	-.263	.029	-.161	-.381	20	964	.056	.067	.377	-.151	30	115	-.126	.052	.085	-.283
20	915	-.330	.086	-.048	-.581	20	965	-.092	.048	.193	-.226	30	116	.003	.110	.508	-.320
20	916	-.269	.033	-.177	-.430	20	966	-.233	.051	-.056	-.489	30	117	.156	.135	.694	-.178
20	917	-.342	.109	-.342	-.713	20	967	.010	.046	.222	-.150	30	118	.129	.126	.568	-.541
20	918	-.291	.044	-.146	-.458	20	968	-.079	.049	.175	-.194	30	119	.152	.109	.587	-.257
20	919	-.263	.029	-.177	-.404	20	969	-.006	.051	.279	-.140	30	120	-.201	.118	.199	-.692
20	920	-.330	.054	-.176	-.554	20	970	-.004	.050	.286	-.128	30	121	-.187	.063	.059	-.510
20	921	-.305	.081	-.062	-.643	20	971	.000	.044	.234	-.143	30	122	.240	.178	.808	-.545
20	922	-.266	.123	.812	-.031	20	1001	-.296	.034	-.185	-.441	30	123	.233	.130	.675	-.217
20	923	-.201	.078	-.038	-.512	20	1002	-.401	.073	-.239	-.879	30	124	.167	.106	.588	-.134
20	924	-.267	.061	-.093	-.667	20	1003	-.267	.031	-.167	-.402	30	125	.125	.096	.489	-.159
20	925	-.228	.170	.744	-.476	20	1004	-.271	.047	-.109	-.469	30	126	.211	.140	.754	-.176
20	926	-.236	.036	-.058	-.399	20	1005	-.274	.032	-.190	-.409	30	127	-.204	.102	.160	-.609
20	927	-.146	.111	.473	-.270	20	1006	-.314	.068	-.107	-.548	30	128	-.089	.053	.104	-.266
20	928	-.347	.092	.014	-.739	20	1007	-.260	.041	-.121	-.438	30	129	-.136	.042	.019	-.273
20	929	-.192	.144	.746	-.208	20	1008	-.174	.086	-.609	-.010	30	130	.127	.101	.502	-.179
20	930	-.259	.029	-.159	-.371	20	1009	-.305	.037	-.170	-.451	30	131	.084	.115	.577	-.259
20	931	-.344	.153	.817	-.120	20	1010	-.196	.096	-.606	-.039	30	132	.248	.212	.855	-.515
20	932	-.166	.065	-.096	-.349	20	1011	-.328	.058	-.106	-.628	30	133	.269	.179	.899	-.433
20	933	-.307	.075	-.037	-.560	20	1012	.139	.075	.562	-.047	30	134	.189	.109	.596	-.113
20	934	.107	.084	.393	-.136	20	1013	-.270	.046	-.145	-.445	30	135	.141	.104	.485	-.129
20	935	.076	.075	.400	-.149	20	1014	.032	.128	.418	-.367	30	136	.195	.125	.761	-.141

WD	TAP	CPMEAN	CPRMS	CPMAX	CPMIN	WD	TAP	CPMEAN	CPRMS	CPMAX	CPMIN	WD	TAP	CPMEAN	CPRMS	CPMAX	CPMIN
30	137	.227	.123	.784	-.113	30	187	.108	.074	.477	-.103	30	312	-.086	.061	.150	-.297
30	138	-.148	.116	.236	-.944	30	188	-.106	.064	.205	-.487	30	313	.054	.101	.411	-.228
30	139	-.078	.051	.118	-.223	30	189	-.139	.041	.071	-.332	30	314	.221	.130	.706	-.113
30	140	-.138	.041	.033	-.266	30	190	-.213	.044	-.079	-.419	30	315	.330	.161	1.079	-.312
30	141	.246	.134	.742	-.092	30	191	.120	.076	.498	-.069	30	316	.131	.147	.608	-.364
30	142	.199	.104	.572	-.120	30	192	.121	.077	.501	-.055	30	317	.221	.158	.773	-.111
30	143	.268	.182	.841	-.433	30	193	.107	.077	.496	-.113	30	318	-.138	.069	.162	-.446
30	144	.246	.159	.815	-.322	30	194	.084	.068	.447	-.541	30	319	-.158	.119	.215	-.709
30	145	.203	.119	.650	-.148	30	195	.111	.076	.489	-.155	30	320	.184	.127	.596	-.266
30	146	.030	.071	.339	-.157	30	196	.111	.080	.515	-.052	30	321	.133	.111	.665	-.147
30	147	-.115	.045	.101	-.263	30	197	-.083	.066	.161	-.355	30	322	-.125	.050	.069	-.283
30	148	-.227	.035	-.059	-.376	30	198	.049	.059	.329	-.224	30	323	-.060	.060	.237	-.221
30	149	.300	.150	.838	-.217	30	199	.046	.050	.282	-.283	30	324	-.133	.124	.347	-.630
30	150	.334	.145	.834	-.040	30	200	-.016	.041	.120	-.245	30	325	.204	.130	.727	-.223
30	151	.181	.188	.852	-.550	30	201	-.003	.032	.134	-.117	30	326	.145	.104	.586	-.173
30	152	.178	.120	.633	-.473	30	202	-.042	.036	.108	-.203	30	327	.178	.105	.521	-.208
30	153	.141	.100	.490	-.374	30	203	-.047	.035	.087	-.166	30	328	.289	.144	.765	-.063
30	154	.022	.077	.363	-.356	30	204	-.074	.037	.068	-.222	30	329	.311	.155	.833	-.239
30	155	-.135	.054	.118	-.372	30	205	-.086	.039	.059	-.250	30	330	.173	.109	.601	-.133
30	156	-.301	.044	-.171	-.522	30	206	-.127	.047	.122	-.327	30	331	.168	.135	.705	-.205
30	157	-.299	.045	-.113	-.494	30	207	-.163	.048	-.013	-.371	30	332	-.123	.048	.116	-.259
30	158	-.162	.176	.774	-.413	30	208	-.236	.049	-.090	-.506	30	333	-.049	.062	.253	-.244
30	159	-.104	.049	.118	-.261	30	209	.028	.057	.405	-.199	30	334	-.116	.127	.463	-.676
30	160	.259	.162	.778	-.589	30	210	.015	.037	.238	-.099	30	335	.216	.125	.746	-.164
30	161	-.158	.040	.053	-.284	30	211	-.084	.053	.078	-.381	30	336	.222	.138	.835	-.126
30	162	.223	.182	.778	-.993	30	212	-.123	.048	.019	-.303	30	337	.207	.123	.698	-.169
30	163	.232	.140	.854	-.351	30	213	-.128	.047	.071	-.327	30	338	.240	.124	.700	-.080
30	164	.162	.099	.570	-.129	30	214	-.157	.059	.050	-.412	30	339	.314	.154	.777	-.271
30	165	.152	.095	.605	-.201	30	215	.016	.055	.287	-.233	30	340	.343	.185	.869	-.442
30	166	.055	.076	.402	-.186	30	216	-.027	.048	.247	-.106	30	341	.262	.134	.739	-.053
30	167	-.084	.049	.137	-.259	30	217	-.014	.031	.118	-.115	30	342	.206	.113	.698	-.092
30	168	-.144	.042	.067	-.286	30	218	-.024	.029	.113	-.113	30	343	-.234	.042	-.061	-.401
30	169	.156	.094	.509	-.082	30	219	-.047	.032	.076	-.167	30	344	-.123	.057	.157	-.307
30	170	.149	.150	.769	-.417	30	220	-.019	.037	.212	-.148	30	345	.039	.090	.434	-.213
30	171	.168	.122	.591	-.621	30	221	-.011	.051	.273	-.167	30	346	.236	.114	.702	-.114
30	172	.119	.083	.487	-.072	30	222	-.029	.047	.132	-.169	30	347	.253	.158	.859	-.244
30	173	.149	.080	.479	-.072	30	223	-.120	.044	.058	-.285	30	348	.298	.158	.912	-.189
30	174	-.132	.112	.365	-.599	30	224	-.047	.069	.233	-.282	30	349	-.356	.060	-.062	-.623
30	175	-.079	.048	.147	-.259	30	225	-.047	.075	.257	-.296	30	350	-.385	.071	-.218	-.794
30	176	-.145	.041	.064	-.283	30	301	-.081	.068	.189	-.400	30	351	-.186	.069	.098	-.500
30	177	.109	.096	.509	-.492	30	302	.042	.086	.387	-.187	30	352	.003	.109	.385	-.341
30	178	.124	.081	.511	-.220	30	303	.071	.168	.646	-.412	30	353	.106	.118	.524	-.412
30	179	.084	.065	.392	-.164	30	304	-.011	.062	.256	-.209	30	354	.190	.130	.774	-.325
30	180	.091	.065	.402	-.086	30	305	-.101	.047	.078	-.249	30	355	.234	.178	.823	-.424
30	181	-.133	.103	.212	-.684	30	306	.150	.123	.576	-.303	30	356	.323	.155	.985	-.159
30	182	-.100	.048	.098	-.276	30	307	.001	.071	.306	-.211	30	357	.315	.145	.849	-.109
30	183	-.160	.045	.074	-.405	30	308	-.135	.053	.089	-.339	30	358	-.144	.054	.098	-.336
30	184	.072	.055	.368	-.269	30	309	.071	.112	.435	-.386	30	359	.188	.179	.800	-.450
30	185	.083	.059	.390	-.145	30	310	.106	.107	.509	-.209	30	360	-.208	.055	.060	-.398
30	186	.102	.067	.441	-.057	30	311	.222	.137	.791	-.315	30	361	.239	.146	.838	-.237

WD	TAP	CPMEAN	CPRMS	CPMAX	CPMIN	WD	TAP	CPMEAN	CPRMS	CPMAX	CPMIN	WD	TAP	CPMEAN	CPRMS	CPMAX	CPMIN
30	362	-.201	.045	.044	-.353	30	412	-.150	.028	-.033	-.298	30	540	-.253	.030	-.151	-.379
30	363	-.132	.053	.105	-.322	30	413	-.007	.031	.178	-.157	30	541	-.269	.032	-.177	-.407
30	364	.030	.085	.460	-.168	30	414	-.072	.054	.144	-.305	30	542	-.277	.031	-.167	-.421
30	365	.095	.091	.484	-.161	30	415	-.075	.047	.200	-.247	30	543	-.291	.034	-.158	-.430
30	366	.121	.092	.615	-.110	30	416	-.119	.037	.096	-.215	30	544	-.291	.035	-.181	-.451
30	367	.242	.139	.847	-.265	30	417	-.069	.031	.154	-.150	30	545	-.287	.033	-.197	-.432
30	368	.223	.170	.842	-.747	30	418	-.034	.027	.074	-.120	30	546	-.274	.032	-.184	-.391
30	369	.130	.096	.457	-.107	30	419	-.054	.036	.113	-.218	30	547	-.277	.036	-.161	-.412
30	370	-.212	.045	.107	-.360	30	420	.013	.035	.178	-.084	30	548	-.281	.033	-.177	-.428
30	371	-.143	.050	.205	-.290	30	421	.024	.048	.330	-.149	30	549	-.295	.038	-.170	-.473
30	372	-.242	.137	.332	-1.055	30	422	.032	.053	.223	-.294	30	550	-.286	.033	-.157	-.470
30	373	.089	.071	.357	-.102	30	501	-.243	.034	-.125	-.371	30	551	-.303	.039	-.175	-.502
30	374	.053	.072	.437	-.102	30	502	-.302	.044	-.168	-.478	30	552	-.307	.040	-.204	-.493
30	375	.130	.118	.590	-.405	30	503	-.346	.054	-.184	-.562	30	553	-.313	.042	-.202	-.520
30	376	.130	.159	.780	-.495	30	504	-.057	.049	-.139	-.228	30	554	-.318	.042	-.209	-.491
30	377	-.231	.044	.048	-.400	30	505	-.246	.032	-.145	-.366	30	555	-.325	.052	-.179	-.520
30	378	-.171	.042	.110	-.320	30	506	-.244	.032	-.136	-.366	30	556	-.378	.066	-.146	-.649
30	379	-.245	.103	.312	-.652	30	507	-.261	.033	-.162	-.410	30	557	-.405	.082	-.195	-.933
30	380	.037	.057	.305	-.112	30	508	-.258	.034	-.136	-.464	30	558	-.305	.039	-.179	-.488
30	381	.017	.052	.270	-.120	30	509	-.246	.028	-.141	-.357	30	559	-.367	.077	-.168	-.953
30	382	.046	.083	.387	-.322	30	510	-.245	.031	-.153	-.364	30	560	-.305	.040	-.157	-.479
30	383	.047	.114	.500	-.517	30	511	-.239	.031	-.143	-.338	30	561	-.433	.133	-.186	-1.289
30	384	-.240	.045	-.100	-.435	30	512	-.263	.034	-.159	-.414	30	562	-.307	.038	-.123	-.479
30	385	-.174	.040	.005	-.350	30	513	-.253	.030	-.146	-.414	30	563	-.311	.037	-.200	-.473
30	386	-.202	.067	.043	-.567	30	514	-.246	.031	-.143	-.376	30	564	-.317	.035	-.207	-.468
30	387	.052	.063	.320	-.127	30	515	-.243	.031	-.148	-.369	30	565	-.325	.043	-.193	-.497
30	388	.044	.059	.417	-.072	30	516	-.250	.028	-.157	-.373	30	566	-.318	.042	-.204	-.532
30	389	.043	.063	.352	-.170	30	517	-.252	.029	-.173	-.362	30	567	-.344	.067	-.183	-.722
30	390	.011	.064	.355	-.290	30	518	-.264	.029	-.175	-.444	30	568	-.336	.067	-.195	-.651
30	391	.054	.065	.405	-.089	30	519	-.259	.030	-.173	-.371	30	569	-.327	.044	-.211	-.518
30	392	-.169	.084	.257	-.423	30	520	-.250	.039	-.109	-.453	30	570	-.324	.048	-.152	-.535
30	393	.066	.071	.492	-.077	30	521	-.262	.045	-.127	-.474	30	571	-.320	.043	-.161	-.504
30	394	.097	.082	.577	-.067	30	522	-.263	.035	-.159	-.474	30	572	-.351	.046	-.235	-.549
30	395	.060	.077	.464	-.194	30	523	-.263	.033	-.166	-.417	30	573	-.359	.053	-.216	-.580
30	396	.052	.074	.520	-.224	30	524	-.267	.034	-.168	-.465	30	574	-.362	.057	-.214	-.682
30	397	-.254	.071	-.049	-.645	30	525	-.273	.034	-.173	-.410	30	575	-.338	.045	-.218	-.568
30	398	-.183	.057	-.005	-.406	30	526	-.294	.057	-.159	-.551	30	576	-.337	.045	-.214	-.608
30	399	-.159	.029	-.042	-.272	30	527	-.352	.078	-.149	-.665	30	577	-.335	.052	-.104	-.604
30	400	-.103	.028	.002	-.222	30	528	-.281	.046	-.133	-.467	30	578	-.318	.051	-.142	-.516
30	401	-.062	.028	.058	-.187	30	529	-.273	.043	-.098	-.471	30	579	-.346	.051	-.161	-.554
30	402	-.051	.037	.092	-.238	30	530	-.257	.031	-.142	-.400	30	580	-.361	.057	-.185	-.675
30	403	.004	.039	.212	-.286	30	531	-.272	.033	-.170	-.412	30	581	-.375	.060	-.226	-.782
30	404	-.007	.046	.245	-.182	30	532	-.287	.043	-.174	-.492	30	582	-.371	.057	-.240	-.694
30	405	.036	.047	.282	-.113	30	533	-.288	.041	-.154	-.478	30	583	-.368	.059	-.233	-.613
30	406	-.000	.036	.148	-.139	30	534	-.284	.033	-.184	-.400	30	584	-.280	.054	-.021	-.494
30	407	-.191	.070	.101	-.547	30	535	-.282	.031	-.179	-.407	30	585	-.273	.054	-.052	-.468
30	408	-.183	.033	-.063	-.331	30	536	-.271	.031	-.174	-.400	30	586	-.343	.074	-.095	-.658
30	409	-.057	.027	.092	-.166	30	537	-.268	.032	-.128	-.393	30	587	-.320	.050	-.111	-.532
30	410	-.001	.052	.289	-.247	30	538	-.276	.033	-.170	-.416	30	588	-.375	.068	-.164	-.756
30	411	-.163	.034	-.030	-.302	30	539	-.257	.030	-.158	-.368	30	589	-.385	.089	-.211	-1.119

WD	TAP	CPMEAN	CPRMS	CPMAX	CPMIN	WD	TAP	CPMEAN	CPRMS	CPMAX	CPMIN	WD	TAP	CPMEAN	CPRMS	CPMAX	CPMIN
30	590	-.415	.096	-.204	-.927	30	720	-.256	.030	-.160	-.401	30	770	-.268	.038	-.143	-.408
30	591	-.320	.056	-.128	-.570	30	721	-.259	.029	-.160	-.389	30	771	-.273	.038	-.140	-.453
30	592	-.307	.056	-.045	-.614	30	722	-.255	.035	-.133	-.412	30	772	-.290	.044	-.155	-.588
30	593	-.222	.053	-.011	-.473	30	723	-.260	.036	-.142	-.466	30	773	-.299	.042	-.178	-.609
30	594	-.227	.048	-.040	-.422	30	724	-.286	.063	-.149	-.591	30	774	-.313	.045	-.190	-.640
30	595	-.322	.078	-.061	-.756	30	725	-.263	.044	-.138	-.507	30	775	-.323	.050	-.202	-.585
30	596	-.288	.051	-.106	-.560	30	726	-.259	.030	-.167	-.387	30	776	-.321	.044	-.195	-.566
30	597	-.366	.066	-.142	-.684	30	727	-.255	.029	-.154	-.372	30	777	-.322	.049	-.166	-.554
30	598	-.408	.110	-.201	-1.041	30	728	-.256	.027	-.154	-.376	30	778	-.328	.052	-.133	-.533
30	599	-.447	.155	-.191	-1.990	30	729	-.251	.029	-.149	-.363	30	779	-.352	.069	-.185	-.942
30	600	-.171	.048	-.025	-.390	30	730	-.249	.027	-.163	-.367	30	780	-.355	.062	-.207	-.706
30	601	-.272	.068	-.066	-.915	30	731	-.252	.027	-.159	-.367	30	781	-.358	.056	-.188	-.592
30	602	-.252	.049	-.094	-.529	30	732	-.255	.032	-.149	-.374	30	782	-.381	.066	-.098	-.772
30	603	-.170	.053	-.009	-.380	30	733	-.256	.032	-.154	-.376	30	783	-.379	.070	-.178	-.867
30	604	-.476	.147	-.166	-1.199	30	734	-.263	.031	-.168	-.386	30	784	-.381	.064	-.233	-.682
30	605	-.170	.052	-.076	-.445	30	735	-.262	.030	-.165	-.365	30	785	-.380	.065	-.237	-.699
30	606	-.239	.065	-.038	-.575	30	736	-.259	.029	-.165	-.376	30	786	-.404	.082	-.230	-.848
30	607	-.252	.049	-.094	-.445	30	737	-.261	.028	-.170	-.354	30	787	-.409	.080	-.221	-.940
30	608	-.121	.053	-.090	-.382	30	738	-.262	.029	-.168	-.370	30	788	-.370	.073	-.131	-.753
30	609	-.147	.057	-.083	-.376	30	739	-.263	.031	-.172	-.370	30	789	-.326	.074	-.095	-.720
30	610	-.210	.057	-.010	-.498	30	740	-.262	.032	-.129	-.393	30	790	-.318	.070	-.105	-.737
30	611	-.289	.059	-.103	-.582	30	741	-.263	.029	-.170	-.390	30	791	-.409	.083	-.242	-.878
30	612	-.160	.055	-.011	-.422	30	742	-.267	.029	-.170	-.397	30	792	-.418	.089	-.196	-.815
30	613	-.160	.047	-.025	-.368	30	743	-.272	.034	-.161	-.402	30	793	-.449	.119	-.140	-1.152
30	614	-.239	.084	-.062	-.564	30	744	-.266	.033	-.163	-.399	30	794	-.413	.088	-.213	-.935
30	615	-.122	.064	-.137	-.349	30	745	-.265	.031	-.168	-.399	30	795	-.198	.057	-.007	-.491
30	616	-.159	.052	-.090	-.345	30	746	-.268	.028	-.182	-.381	30	796	-.192	.063	-.005	-.553
30	617	-.104	.099	-.421	-.352	30	747	-.275	.029	-.186	-.379	30	797	-.125	.047	-.057	-.324
30	618	-.104	.120	-.558	-.552	30	748	-.283	.033	-.170	-.434	30	798	-.420	.085	-.203	-.888
30	619	-.064	.054	-.335	-.233	30	749	-.299	.046	-.169	-.519	30	799	-.385	.072	-.210	-.701
30	620	-.200	.038	-.054	-.368	30	750	-.293	.045	-.151	-.654	30	800	-.419	.078	-.224	-.822
30	701	-.294	.041	-.165	-.451	30	751	-.273	.039	-.165	-.627	30	801	-.412	.091	-.215	-.873
30	702	-.240	.032	-.129	-.362	30	752	-.269	.032	-.154	-.412	30	802	-.337	.071	-.135	-.647
30	703	-.059	.050	-.084	-.287	30	753	-.271	.033	-.174	-.405	30	803	-.260	.072	-.035	-.727
30	704	-.330	.049	-.197	-.557	30	754	-.273	.032	-.160	-.414	30	804	-.255	.075	-.047	-.775
30	705	-.244	.030	-.142	-.350	30	755	-.286	.033	-.194	-.448	30	805	-.051	.048	-.106	-.383
30	706	-.239	.032	-.130	-.376	30	756	-.292	.038	-.165	-.441	30	806	-.088	.047	-.087	-.305
30	707	-.253	.032	-.145	-.355	30	757	-.288	.036	-.180	-.416	30	807	-.195	.051	-.024	-.409
30	708	-.242	.031	-.149	-.360	30	758	-.269	.038	-.149	-.434	30	808	-.130	.042	-.057	-.281
30	709	-.246	.032	-.156	-.412	30	759	-.288	.032	-.187	-.445	30	809	-.417	.089	-.198	-.940
30	710	-.244	.030	-.149	-.383	30	760	-.264	.037	-.129	-.421	30	810	-.409	.080	-.220	-.928
30	711	-.247	.030	-.163	-.381	30	761	-.292	.034	-.194	-.445	30	811	-.321	.067	-.085	-.657
30	712	-.245	.031	-.145	-.373	30	762	-.265	.036	-.133	-.414	30	812	-.199	.087	-.035	-.966
30	713	-.249	.031	-.145	-.380	30	763	-.268	.036	-.131	-.418	30	813	-.192	.054	-.028	-.458
30	714	-.245	.030	-.140	-.369	30	764	-.275	.035	-.147	-.430	30	814	-.192	.055	-.012	-.621
30	715	-.253	.028	-.163	-.417	30	765	-.280	.034	-.172	-.425	30	815	-.107	.047	-.078	-.262
30	716	-.249	.029	-.158	-.369	30	766	-.274	.032	-.169	-.403	30	816	-.441	.108	-.172	-.954
30	717	-.253	.030	-.163	-.378	30	767	-.289	.035	-.174	-.446	30	817	-.394	.090	-.158	-.871
30	718	-.279	.050	-.142	-.514	30	768	-.291	.034	-.178	-.479	30	818	-.380	.071	-.187	-.723
30	719	-.247	.036	-.111	-.426	30	769	-.272	.035	-.171	-.434	30	819	-.346	.069	-.080	-.739

WD	TAP	CPMEAN	CPRMS	CPMAX	CPMIN	WD	TAP	CPMEAN	CPRMS	CPMAX	CPMIN	WD	TAP	CPMEAN	CPRMS	CPMAX	CPMIN
30	820	-.231	.069	.042	-.477	30	948	.114	.079	.641	-.065	30	1027	-.198	.037	-.029	-.373
30	821	-.179	.074	-.021	-.763	30	949	.152	.095	.537	-.092	30	1028	-.005	.033	-.193	-.107
30	822	-.190	.076	-.025	-.715	30	950	-.362	.060	-.166	-.645	40	101	-.136	.085	.204	-.514
30	901	-.297	.024	-.231	-.396	30	951	-.068	.059	.373	-.083	40	102	-.217	.091	.024	-.636
30	902	-.275	.028	-.196	-.380	30	952	-.037	.047	.191	-.210	40	103	.096	.084	.404	-.199
30	903	-.265	.028	-.176	-.367	30	953	-.003	.045	.191	-.180	40	104	-.251	.125	.257	-.650
30	904	-.265	.029	-.174	-.376	30	954	.146	.092	.595	-.074	40	105	-.165	.154	.464	-.872
30	905	-.290	.022	-.230	-.400	30	955	.023	.043	.258	-.095	40	106	-.156	.032	-.029	-.334
30	906	-.256	.026	-.191	-.423	30	956	.066	.075	.412	-.108	40	107	-.089	.066	.197	-.399
30	907	-.260	.030	-.168	-.378	30	957	.058	.074	.491	-.101	40	108	-.149	.209	.393	-.890
30	908	-.184	.042	-.025	-.337	30	958	.099	.088	.648	-.076	40	109	-.027	.078	.266	-.608
30	909	-.159	.062	-.152	-.299	30	959	.086	.072	.585	-.106	40	110	-.055	.081	.231	-.381
30	910	-.296	.033	-.193	-.430	30	960	-.051	.071	.394	-.242	40	111	-.184	.038	-.036	-.402
30	911	-.027	.060	-.219	-.203	30	961	-.180	.093	.369	-.496	40	112	-.126	.214	.558	-.917
30	912	-.256	.030	-.170	-.391	30	962	-.191	.049	.016	-.416	40	113	-.044	.105	.349	-.553
30	913	-.248	.049	-.078	-.654	30	963	.055	.079	.545	-.203	40	114	-.085	.067	.268	-.339
30	914	-.248	.031	-.140	-.366	30	964	.064	.071	.431	-.099	40	115	-.161	.041	.004	-.300
30	915	-.309	.085	.093	-.602	30	965	-.078	.050	.219	-.233	40	116	-.092	.069	.167	-.413
30	916	-.255	.030	-.154	-.372	30	966	-.212	.055	-.051	-.473	40	117	-.037	.097	.689	-.236
30	917	-.321	.100	.050	-.730	30	967	-.008	.040	.188	-.124	40	118	-.051	.154	.376	-.726
30	918	-.264	.048	-.111	-.471	30	968	-.072	.051	.134	-.226	40	119	-.060	.085	.360	-.358
30	919	-.282	.031	-.148	-.403	30	969	-.006	.050	.341	-.117	40	120	-.177	.089	-.084	-.599
30	920	-.316	.054	-.169	-.551	30	970	-.001	.047	.281	-.122	40	121	-.198	.053	-.019	-.482
30	921	-.224	.083	.031	-.531	30	971	.003	.038	.193	-.158	40	122	-.028	.208	.588	-.889
30	922	-.168	.101	.526	-.060	30	1001	-.274	.032	-.183	-.402	40	123	.095	.146	.517	-.710
30	923	-.262	.087	.039	-.569	30	1002	-.404	.075	-.197	-.880	40	124	.053	.096	.408	-.422
30	924	-.216	.059	.012	-.449	30	1003	-.265	.033	-.174	-.421	40	125	.014	.097	.342	-.489
30	925	-.233	.142	.742	-.228	30	1004	-.258	.044	-.140	-.506	40	126	.196	.137	.749	-.328
30	926	-.201	.035	-.066	-.348	30	1005	-.263	.032	-.161	-.437	40	127	-.280	.097	.073	-.730
30	927	-.128	.093	.549	-.230	30	1006	-.258	.064	-.102	-.605	40	128	-.123	.040	.045	-.272
30	928	-.341	.114	.335	-.836	30	1007	-.241	.051	-.014	-.470	40	129	-.154	.034	.008	-.276
30	929	-.262	.157	.796	-.473	30	1008	.118	.082	.468	-.068	40	130	.012	.080	.352	-.330
30	930	-.267	.033	-.121	-.405	30	1009	-.324	.042	-.204	-.499	40	131	-.032	.091	.299	-.355
30	931	-.218	.157	.730	-.406	30	1010	.145	.087	.456	-.097	40	132	-.057	.207	.641	-.632
30	932	-.151	.062	.138	-.294	30	1011	-.352	.072	-.114	-.750	40	133	-.034	.228	.594	-.651
30	933	-.285	.098	.055	-.676	30	1012	.115	.072	-.510	-.053	40	134	.059	.115	.501	-.467
30	934	-.123	.094	.453	-.212	30	1013	-.235	.042	-.096	-.432	40	135	.040	.097	.331	-.411
30	935	-.093	.078	.349	-.136	30	1014	.120	.104	.552	-.323	40	136	.053	.100	.478	-.328
30	936	-.308	.025	-.239	-.415	30	1015	-.286	.066	-.097	-.547	40	137	.172	.133	.636	-.230
30	937	-.032	.060	.219	-.180	30	1016	.081	.112	.446	-.313	40	138	-.190	.098	.145	-.591
30	938	-.189	.114	.660	-.066	30	1017	.052	.066	.432	-.124	40	139	-.117	.040	.115	-.279
30	939	-.242	.160	.757	-.251	30	1018	.070	.079	.461	-.092	40	140	-.141	.034	-.037	-.297
30	940	-.343	.117	.674	-.074	30	1019	.044	.063	.422	-.100	40	141	.131	.133	.587	-.325
30	941	-.428	.057	-.297	-.627	30	1020	-.102	.093	.473	-.141	40	142	.079	.097	.420	-.316
30	942	-.078	.104	.482	-.373	30	1021	-.103	.065	.178	-.339	40	143	-.001	.226	.636	-.961
30	943	-.030	.059	.286	-.141	30	1022	-.035	.030	.090	-.146	40	144	.012	.174	.624	-.665
30	944	-.041	.055	.281	-.097	30	1023	-.052	.036	.078	-.209	40	145	.070	.109	.427	-.428
30	945	-.273	.045	-.099	-.456	30	1024	-.030	.036	.127	-.175	40	146	-.042	.057	.187	-.423
30	946	-.124	.085	.595	-.088	30	1025	-.087	.047	.198	-.251	40	147	-.146	.038	.019	-.283
30	947	.141	.091	.578	-.069	30	1026	-.207	.056	.088	-.438	40	148	-.234	.040	-.113	-.432

WD	TAP	CPMEAN	CPRMS	CPMAX	CPMIN	WD	TAP	CPMEAN	CPRMS	CPMAX	CPMIN	WD	TAP	CPMEAN	CPRMS	CPMAX	CPMIN
40	149	.204	.166	.718	-.610	40	199	-.027	.049	.227	-.399	40	324	-.010	.149	.609	-.490
40	150	.210	.156	.700	-.384	40	200	-.025	.039	.130	-.229	40	325	.241	.137	.962	-.240
40	151	-.116	.231	.652	-1.122	40	201	-.019	.033	.153	-.160	40	326	.174	.110	.649	-.101
40	152	.038	.125	.508	-.560	40	202	-.078	.032	.033	-.220	40	327	.247	.124	.679	-.075
40	153	.037	.098	.368	-.393	40	203	-.067	.033	.052	-.194	40	328	.363	.151	.881	-.065
40	154	-.060	.070	.158	-.384	40	204	-.090	.037	.043	-.240	40	329	.369	.161	.959	-.007
40	155	-.167	.046	.000	-.388	40	205	-.102	.039	.054	-.298	40	330	.299	.141	1.002	-.017
40	156	-.286	.059	-.137	-.571	40	206	-.129	.049	.091	-.360	40	331	.293	.154	.987	-.115
40	157	-.281	.049	-.123	-.622	40	207	-.185	.057	.010	-.475	40	332	-.077	.064	.246	-.245
40	158	-.096	.177	.551	-.798	40	208	-.254	.065	-.095	-.675	40	333	.011	.083	.574	-.220
40	159	-.143	.040	.021	-.306	40	209	.017	.048	.238	-.144	40	334	-.006	.151	.589	-.548
40	160	.046	.220	.691	-1.047	40	210	-.002	.042	.178	-.190	40	335	.267	.141	.764	-.127
40	161	-.175	.035	-.018	-.297	40	211	-.078	.039	.082	-.272	40	336	.306	.151	.949	-.050
40	162	-.071	.279	.454	-1.385	40	212	-.120	.043	.008	-.386	40	337	.297	.128	.719	-.047
40	163	.028	.200	.522	-.996	40	213	-.137	.049	.089	-.330	40	338	.297	.146	.804	-.055
40	164	.054	.096	.433	-.471	40	214	-.169	.060	.024	-.521	40	339	.375	.158	1.052	-.105
40	165	.046	.080	.417	-.331	40	215	.022	.052	.233	-.162	40	340	.397	.170	.904	-.097
40	166	-.025	.061	.255	-.288	40	216	.030	.048	.310	-.095	40	341	.327	.148	.839	-.112
40	167	-.115	.040	.029	-.247	40	217	-.028	.030	.068	-.146	40	342	.267	.136	.851	-.092
40	168	-.163	.035	-.014	-.283	40	218	-.044	.027	.077	-.165	40	343	-.213	.050	.003	-.383
40	169	.072	.082	.381	-.271	40	219	-.067	.034	.075	-.190	40	344	-.074	.067	.243	-.283
40	170	-.015	.166	.616	-.798	40	220	-.047	.033	.182	-.148	40	345	.142	.114	.548	-.160
40	171	.012	.151	.527	-.762	40	221	-.060	.037	.122	-.188	40	346	.292	.148	.846	-.102
40	172	.016	.084	.263	-.598	40	222	-.067	.043	.175	-.195	40	347	.335	.168	.957	-.117
40	173	.071	.078	.412	-.197	40	223	-.108	.047	.091	-.283	40	348	.301	.161	.846	-.092
40	174	-.177	.111	.162	-.759	40	224	-.050	.060	.219	-.272	40	349	-.355	.083	.302	-.667
40	175	-.112	.043	.090	-.238	40	225	-.043	.064	.196	-.281	40	350	-.395	.081	-.111	-.856
40	176	-.166	.045	-.014	-.377	40	301	-.005	.079	.284	-.252	40	351	-.146	.094	.160	-.536
40	177	-.021	.126	.409	-.632	40	302	.080	.088	.463	-.207	40	352	.056	.146	.595	-.423
40	178	.017	.109	.361	-.505	40	303	-.253	.152	.684	-.332	40	353	.155	.163	.705	-.475
40	179	.005	.063	.246	-.358	40	304	-.052	.075	.612	-.262	40	354	.243	.181	.752	-.625
40	180	.034	.058	.320	-.168	40	305	-.054	.058	.168	-.234	40	355	.288	.183	.902	-.561
40	181	-.142	.092	.171	-.521	40	306	.082	.112	.602	-.278	40	356	.221	.188	.848	-.435
40	182	-.130	.050	.109	-.382	40	307	.050	.085	.369	-.188	40	357	.288	.170	.937	-.256
40	183	-.175	.052	.032	-.411	40	308	-.099	.071	.152	-.353	40	358	-.095	.073	.192	-.394
40	184	.015	.067	.332	-.418	40	309	.107	.128	.639	-.483	40	359	.294	.178	.868	-.347
40	185	.015	.070	.272	-.473	40	310	.177	.127	.711	-.302	40	360	-.147	.064	.219	-.403
40	186	.036	.056	.308	-.307	40	311	-.186	.145	.693	-.282	40	361	-.256	.172	.878	-.285
40	187	.030	.061	.359	-.156	40	312	-.032	.073	.247	-.240	40	362	-.155	.064	.137	-.396
40	188	-.134	.060	.097	-.497	40	313	-.145	.117	.612	-.173	40	363	-.075	.080	.378	-.298
40	189	-.162	.048	.017	-.355	40	314	.322	.146	.816	-.130	40	364	.087	.112	.642	-.246
40	190	-.228	.057	-.074	-.483	40	315	.372	.164	.940	-.140	40	365	.153	.123	.755	-.268
40	191	.055	.067	.385	-.132	40	316	.188	.159	.699	-.341	40	366	.167	.121	.647	-.119
40	192	.043	.067	.326	-.116	40	317	-.321	.152	.897	-.088	40	367	.243	.150	.812	-.341
40	193	.043	.067	.374	-.123	40	318	-.070	.084	.274	-.399	40	368	.231	.153	.823	-.416
40	194	.014	.069	.372	-.422	40	319	-.157	.136	.448	-.709	40	369	.127	.123	.670	-.170
40	195	.030	.075	.461	-.374	40	320	.232	.151	.850	-.379	40	370	-.182	.065	.161	-.393
40	196	.053	.061	.349	-.105	40	321	.117	.112	.622	-.257	40	371	-.090	.080	.360	-.351
40	197	-.110	.064	.094	-.452	40	322	-.079	.048	.220	-.307	40	372	-.119	.150	.590	-.682
40	198	.033	.054	.330	-.365	40	323	-.003	.087	.331	-.245	40	373	.089	.091	.530	-.113

WD	TAP	CPMEAN	CPRMS	CPMAX	CPMIN	WD	TAP	CPMEAN	CPRMS	CPMAX	CPMIN	WD	TAP	CPMEAN	CPRMS	CPMAX	CPMIN
40	374	.079	.097	.551	-.129	40	502	-.291	.049	-.126	-.533	40	552	-.309	.042	-.168	-.534
40	375	.115	.107	.608	-.191	40	503	-.345	.064	-.151	-.590	40	553	-.312	.046	-.177	-.585
40	376	.129	.118	.717	-.354	40	504	-.093	.048	-.088	-.377	40	554	-.312	.045	-.182	-.504
40	377	-.214	.062	.137	-.470	40	505	-.246	.043	-.100	-.466	40	555	-.327	.055	-.168	-.652
40	378	-.144	.065	.241	-.320	40	506	-.222	.034	-.084	-.461	40	556	-.357	.071	-.007	-.666
40	379	-.149	.118	.308	-.729	40	507	-.253	.041	-.099	-.454	40	557	-.408	.086	-.182	-.890
40	380	.033	.067	.375	-.147	40	508	-.276	.053	-.151	-.595	40	558	-.319	.049	-.173	-.567
40	381	.027	.068	.378	-.173	40	509	-.253	.036	-.147	-.488	40	559	-.361	.094	-.166	-.942
40	382	.047	.063	.375	-.186	40	510	-.240	.037	-.124	-.454	40	560	-.315	.048	-.141	-.538
40	383	.042	.075	.404	-.333	40	511	-.235	.034	-.141	-.360	40	561	-.382	.104	-.175	-.977
40	384	-.280	.062	-.093	-.574	40	512	-.286	.052	-.142	-.619	40	562	-.318	.054	-.150	-.556
40	385	-.177	.050	.031	-.367	40	513	-.267	.040	-.151	-.418	40	563	-.325	.049	-.132	-.601
40	386	-.125	.090	.228	-.504	40	514	-.248	.037	-.129	-.474	40	564	-.326	.047	-.213	-.529
40	387	.074	.086	.445	-.111	40	515	-.239	.035	-.113	-.386	40	565	-.335	.058	-.186	-.650
40	388	.056	.078	.437	-.088	40	516	-.253	.036	-.140	-.384	40	566	-.306	.047	-.146	-.533
40	389	.033	.055	.313	-.139	40	517	-.262	.037	-.135	-.420	40	567	-.341	.077	-.163	-.925
40	390	.014	.051	.218	-.194	40	518	-.279	.043	-.163	-.454	40	568	-.334	.073	-.153	-.710
40	391	.079	.094	.582	-.113	40	519	-.265	.041	-.142	-.436	40	569	-.303	.044	-.172	-.509
40	392	-.079	.123	.485	-.481	40	520	-.243	.049	-.083	-.544	40	570	-.294	.051	-.087	-.573
40	393	.100	.096	.606	-.090	40	521	-.234	.044	-.108	-.648	40	571	-.299	.054	-.061	-.524
40	394	.068	.071	.503	-.139	40	522	-.288	.056	-.147	-.624	40	572	-.349	.062	-.160	-.693
40	395	.046	.063	.330	-.185	40	523	-.289	.052	-.165	-.576	40	573	-.368	.059	-.196	-.663
40	396	.041	.061	.460	-.123	40	524	-.288	.048	-.149	-.504	40	574	-.368	.069	-.191	-.736
40	397	-.312	.083	-.034	-.738	40	525	-.288	.046	-.153	-.538	40	575	-.354	.058	-.186	-.601
40	398	-.191	.060	.000	-.448	40	526	-.381	.086	-.160	-.730	40	576	-.346	.062	-.196	-.611
40	399	-.149	.035	-.018	-.343	40	527	-.393	.088	-.167	-.702	40	577	-.296	.061	-.033	-.531
40	400	-.100	.030	.046	-.235	40	528	-.324	.065	-.149	-.606	40	578	-.265	.059	-.075	-.493
40	401	-.082	.029	.046	-.194	40	529	-.307	.057	-.135	-.510	40	579	-.286	.082	-.085	-.592
40	402	-.052	.034	.087	-.237	40	530	-.256	.037	-.123	-.460	40	580	-.375	.077	-.111	-.738
40	403	-.006	.042	.261	-.253	40	531	-.281	.039	-.169	-.473	40	581	-.435	.101	-.172	-1.182
40	404	-.017	.050	.181	-.336	40	532	-.305	.051	-.167	-.574	40	582	-.411	.081	-.210	-.927
40	405	-.023	.047	.218	-.164	40	533	-.306	.054	-.183	-.732	40	583	-.411	.084	-.200	-.981
40	406	-.011	.033	.142	-.137	40	534	-.303	.040	-.149	-.448	40	584	-.229	.055	-.026	-.450
40	407	-.211	.082	.133	-.663	40	535	-.292	.041	-.165	-.476	40	585	-.205	.050	-.019	-.474
40	408	-.186	.040	-.040	-.369	40	536	-.291	.036	-.185	-.439	40	586	-.230	.069	.024	-.533
40	409	-.061	.026	.037	-.183	40	537	-.282	.038	-.167	-.448	40	587	-.253	.072	.019	-.554
40	410	-.013	.049	.158	-.231	40	538	-.296	.039	-.158	-.482	40	588	-.371	.096	-.002	-.767
40	411	-.152	.041	.005	-.295	40	539	-.270	.035	-.167	-.460	40	589	-.574	.161	-.155	-1.500
40	412	-.130	.036	.021	-.292	40	540	-.261	.036	-.158	-.405	40	590	-.547	.148	-.054	-1.602
40	413	-.021	.027	.087	-.122	40	541	-.284	.038	-.169	-.418	40	591	-.256	.080	-.005	-.704
40	414	-.077	.056	.371	-.375	40	542	-.284	.039	-.167	-.444	40	592	-.247	.068	-.036	-.613
40	415	-.080	.050	.236	-.286	40	543	-.302	.045	-.146	-.542	40	593	-.173	.048	-.016	-.394
40	416	-.180	.043	.116	-.214	40	544	-.307	.047	-.187	-.544	40	594	-.170	.044	.020	-.502
40	417	-.059	.036	.174	-.146	40	545	-.296	.040	-.178	-.441	40	595	-.231	.072	.010	-.618
40	418	-.036	.026	.082	-.115	40	546	-.280	.039	-.167	-.457	40	596	-.219	.054	-.055	-.493
40	419	-.053	.035	.082	-.230	40	547	-.278	.039	-.171	-.469	40	597	-.307	.081	-.103	-.784
40	420	-.007	.031	.123	-.122	40	548	-.286	.042	-.171	-.466	40	598	-.557	.144	-.204	-1.373
40	421	-.001	.044	.309	-.141	40	549	-.298	.043	-.166	-.504	40	599	-.771	.242	-.150	-1.820
40	422	-.005	.058	.351	-.287	40	550	-.301	.041	-.148	-.525	40	600	-.187	.048	-.106	-.384
40	501	-.220	.040	-.088	-.418	40	551	-.311	.048	-.186	-.527	40	601	-.301	.117	-.030	-1.411

WD	TAP	CPMEAN	CPRMS	CPMAX	CPMIN	WD	TAP	CPMEAN	CPRMS	CPMAX	CPMIN	WD	TAP	CPMEAN	CPRMS	CPMAX	CPMIN
40	602	-.251	.043	-.065	-.615	40	732	-.249	.034	-.132	-.359	40	782	-.402	.105	-.194	-1.029
40	603	-.153	.048	-.024	-.420	40	733	-.244	.035	-.134	-.363	40	783	-.397	.099	-.129	-.948
40	604	-.499	.179	-.083	-1.778	40	734	-.250	.034	-.134	-.387	40	784	-.370	.084	-.184	-.726
40	605	-.189	.057	-.020	-.429	40	735	-.254	.034	-.141	-.403	40	785	-.370	.080	-.206	-.867
40	606	-.257	.068	-.043	-.567	40	736	-.257	.031	-.171	-.370	40	786	-.421	.099	-.203	-1.251
40	607	-.249	.058	-.026	-.542	40	737	-.259	.034	-.162	-.384	40	787	-.387	.087	-.129	-.867
40	608	-.099	.057	-.112	-.297	40	738	-.272	.036	-.139	-.421	40	788	-.346	.073	-.158	-.812
40	609	-.159	.061	-.117	-.472	40	739	-.280	.041	-.144	-.447	40	789	-.294	.084	-.067	-1.010
40	610	-.228	.044	.024	-.517	40	740	-.279	.041	-.148	-.467	40	790	-.287	.086	-.060	-.797
40	611	-.294	.083	.000	-.687	40	741	-.257	.031	-.158	-.384	40	791	-.410	.113	-.181	-1.060
40	612	-.137	.049	.137	-.369	40	742	-.268	.032	-.169	-.391	40	792	-.392	.093	-.169	-1.000
40	613	-.132	.045	.065	-.311	40	743	-.267	.039	-.162	-.504	40	793	-.412	.128	-.157	-1.158
40	614	-.170	.070	.154	-.529	40	744	-.264	.038	-.160	-.461	40	794	-.398	.096	-.190	-.880
40	615	-.087	.046	.263	-.264	40	745	-.269	.036	-.162	-.465	40	795	-.213	.040	-.014	-.437
40	616	-.120	.054	.209	-.294	40	746	-.268	.034	-.171	-.463	40	796	-.210	.043	-.035	-.663
40	617	-.092	.092	.393	-.482	40	747	-.289	.035	-.176	-.449	40	797	-.127	.051	-.052	-.360
40	618	-.100	.110	.481	-.515	40	748	-.289	.040	-.171	-.465	40	798	-.420	.106	-.204	-1.026
40	619	-.060	.059	.351	-.243	40	749	-.283	.055	-.151	-.535	40	799	-.402	.093	-.188	-.828
40	620	-.196	.045	-.027	-.378	40	750	-.284	.048	-.157	-.538	40	800	-.417	.094	-.228	-1.018
40	701	-.274	.042	-.131	-.445	40	751	-.272	.052	-.128	-.689	40	801	-.397	.099	-.169	-.919
40	702	-.220	.041	-.086	-.438	40	752	-.269	.035	-.173	-.422	40	802	-.293	.068	-.108	-.616
40	703	-.104	.063	-.054	-.387	40	753	-.276	.038	-.174	-.463	40	803	-.225	.074	-.021	-.675
40	704	-.314	.053	-.150	-.568	40	754	-.278	.034	-.164	-.447	40	804	-.214	.071	-.078	-.642
40	705	-.232	.037	-.103	-.359	40	755	-.287	.040	-.167	-.461	40	805	-.069	.040	.083	-.270
40	706	-.240	.037	-.116	-.406	40	756	-.300	.047	-.148	-.488	40	806	-.081	.037	-.057	-.322
40	707	-.239	.039	-.113	-.403	40	757	-.293	.041	-.146	-.483	40	807	-.217	.057	-.028	-.494
40	708	-.247	.038	-.133	-.391	40	758	-.254	.038	-.096	-.379	40	808	-.145	.041	-.008	-.322
40	709	-.246	.042	-.127	-.561	40	759	-.297	.038	-.198	-.445	40	809	-.421	.112	-.178	-1.534
40	710	-.242	.037	-.141	-.454	40	760	-.243	.041	-.087	-.420	40	810	-.419	.093	-.207	-.960
40	711	-.255	.038	-.111	-.416	40	761	-.312	.042	-.162	-.560	40	811	-.278	.048	-.054	-.649
40	712	-.248	.040	-.134	-.451	40	762	-.249	.039	-.124	-.413	40	812	-.171	.079	-.015	-.830
40	713	-.253	.043	-.088	-.467	40	763	-.253	.041	-.117	-.425	40	813	-.212	.058	-.025	-.569
40	714	-.240	.036	-.125	-.415	40	764	-.271	.039	-.153	-.459	40	814	-.215	.058	-.042	-.515
40	715	-.242	.035	-.131	-.385	40	765	-.289	.043	-.169	-.511	40	815	-.107	.048	-.137	-.256
40	716	-.241	.035	-.129	-.403	40	766	-.284	.039	-.182	-.459	40	816	-.439	.125	-.108	-1.063
40	717	-.238	.032	-.115	-.371	40	767	-.295	.041	-.158	-.554	40	817	-.400	.100	-.167	-.990
40	718	-.283	.062	-.136	-.559	40	768	-.308	.045	-.167	-.583	40	818	-.376	.085	-.181	-.748
40	719	-.260	.047	-.122	-.490	40	769	-.266	.036	-.139	-.447	40	819	-.313	.071	-.096	-.649
40	720	-.258	.038	-.143	-.447	40	770	-.259	.047	-.139	-.444	40	820	-.194	.058	-.008	-.465
40	721	-.266	.034	-.159	-.422	40	771	-.266	.045	-.139	-.533	40	821	-.169	.077	.152	-.817
40	722	-.234	.039	-.115	-.440	40	772	-.290	.057	-.165	-.595	40	822	-.164	.073	.016	-.806
40	723	-.241	.040	-.115	-.408	40	773	-.290	.047	-.158	-.566	40	901	-.308	.027	-.238	-.399
40	724	-.247	.048	-.109	-.531	40	774	-.317	.052	-.146	-.628	40	902	-.284	.032	-.194	-.411
40	725	-.243	.036	-.115	-.408	40	775	-.337	.062	-.122	-.485	40	903	-.268	.033	-.178	-.402
40	726	-.261	.036	-.161	-.438	40	776	-.335	.067	-.177	-.681	40	904	-.265	.034	-.162	-.495
40	727	-.257	.032	-.137	-.377	40	777	-.317	.065	-.155	-.719	40	905	-.295	.029	-.214	-.397
40	728	-.257	.035	-.146	-.403	40	778	-.328	.074	-.148	-.695	40	906	-.260	.031	-.166	-.419
40	729	-.264	.039	-.111	-.396	40	779	-.353	.078	-.144	-.962	40	907	-.264	.034	-.148	-.421
40	730	-.241	.031	-.125	-.384	40	780	-.337	.071	-.170	-.652	40	908	-.214	.037	-.014	-.370
40	731	-.249	.033	-.146	-.356	40	781	-.359	.068	-.177	-.695	40	909	-.172	.046	.010	-.327

WD	TAP	CPMEAN	CPRMS	CPMAX	CPMIN	WD	TAP	CPMEAN	CPRMS	CPMAX	CPMIN	WD	TAP	CPMEAN	CPRMS	CPMAX	CPMIN
40	910	-.302	.039	-.193	-.482	40	960	-.003	.105	.540	-.241	50	111	-.215	.049	-.063	-.495
40	911	-.077	.049	-.115	-.279	40	961	-.082	.133	.554	-.450	50	112	-.320	.121	.236	-.889
40	912	-.266	.042	-.162	-.496	40	962	-.145	.060	.110	-.379	50	113	-.175	.160	.205	-.898
40	913	-.281	.074	-.109	-.962	40	963	.035	.074	.513	-.281	50	114	-.153	.063	.037	-.544
40	914	-.246	.036	-.135	-.402	40	964	.063	.074	.381	-.125	50	115	-.198	.044	-.049	-.463
40	915	-.298	.064	-.058	-.576	40	965	-.025	.082	.393	-.218	50	116	-.182	.082	.037	-.654
40	916	-.259	.037	-.142	-.402	40	966	-.160	.061	.051	-.445	50	117	-.101	.102	.227	-.530
40	917	-.297	.087	-.032	-.687	40	967	-.011	.038	.149	-.169	50	118	-.349	.207	.169	-1.357
40	918	-.271	.055	-.055	-.490	40	968	-.036	.064	.358	-.216	50	119	-.089	.129	.227	-.981
40	919	-.280	.035	-.177	-.410	40	969	.011	.052	.356	-.116	50	120	-.185	.081	.090	-.553
40	920	-.288	.052	-.144	-.551	40	970	.003	.049	.327	-.126	50	121	-.219	.048	-.060	-.441
40	921	-.207	.075	.092	-.482	40	971	-.012	.036	.169	-.147	50	122	-.325	.170	.238	-1.064
40	922	-.072	.083	.467	-.313	40	1001	-.263	.041	-.121	-.471	50	123	-.155	.194	.357	-.916
40	923	-.317	.076	-.051	-.609	40	1002	-.378	.085	-.172	-.840	50	124	-.154	.115	.169	-.651
40	924	-.202	.069	.085	-.488	40	1003	-.273	.041	-.164	-.481	50	125	-.177	.132	.176	-.824
40	925	-.131	.113	.592	-.656	40	1004	-.269	.050	-.142	-.569	50	126	-.120	.155	.655	-.340
40	926	-.171	.043	.017	-.342	40	1005	-.268	.038	-.146	-.471	50	127	-.289	.103	.007	-.672
40	927	-.102	.087	.415	-.276	40	1006	-.230	.053	-.068	-.487	50	128	-.138	.035	-.012	-.381
40	928	-.329	.149	.443	-.888	40	1007	-.177	.052	.045	-.403	50	129	-.149	.034	-.030	-.338
40	929	-.308	.165	.925	-.372	40	1008	-.056	.049	.365	-.092	50	130	-.122	.084	.161	-.561
40	930	-.270	.036	-.155	-.406	40	1009	-.300	.049	-.116	-.517	50	131	-.126	.103	.292	-.669
40	931	-.002	.170	.524	-.688	40	1010	-.055	.081	.370	-.264	50	132	-.301	.132	.394	-.840
40	932	-.139	.069	.125	-.344	40	1011	-.278	.079	.013	-.648	50	133	-.257	.155	.365	-.708
40	933	-.272	.119	.201	-.698	40	1012	.041	.068	.375	-.196	50	134	-.137	.159	.229	-.828
40	934	.044	.109	.622	-.395	40	1013	-.217	.049	-.036	-.433	50	135	-.125	.133	.263	-.681
40	935	.060	.074	.318	-.171	40	1014	-.076	.092	.359	-.315	50	136	-.107	.121	.365	-.683
40	936	-.334	.036	-.217	-.450	40	1015	-.306	.081	-.086	-.723	50	137	.046	.138	.515	-.483
40	937	.042	.085	.489	-.165	40	1016	-.081	.130	.295	-.632	50	138	.165	.095	.163	-.601
40	938	.273	.129	.730	-.040	40	1017	.084	.080	.451	-.109	50	139	-.133	.038	-.018	-.365
40	939	.336	.167	1.030	-.143	40	1018	.100	.100	.618	-.079	50	140	-.156	.036	.011	-.329
40	940	.269	.117	.811	-.080	40	1019	.078	.083	.460	-.089	50	141	-.067	.143	.358	-.647
40	941	-.395	.059	-.259	-.640	40	1020	.135	.119	.662	-.155	50	142	-.049	.116	.256	-.631
40	942	-.107	.078	.290	-.385	40	1021	-.074	.068	.244	-.276	50	143	-.249	.198	.351	-1.119
40	943	-.025	.058	.255	-.202	40	1022	-.062	.029	.069	-.162	50	144	-.229	.162	.272	-1.368
40	944	-.020	.046	.175	-.135	40	1023	-.084	.039	.032	-.269	50	145	-.121	.150	.277	-.810
40	945	-.185	.049	-.004	-.422	40	1024	-.059	.034	.066	-.220	50	146	-.110	.071	-.106	-.715
40	946	.057	.068	.349	-.096	40	1025	-.092	.054	.169	-.320	50	147	-.166	.042	-.023	-.377
40	947	.075	.081	.446	-.096	40	1026	-.210	.065	.176	-.495	50	148	-.232	.053	-.093	-.470
40	948	.041	.070	.430	-.142	40	1027	-.195	.045	-.006	-.444	50	149	.062	.170	.676	-.561
40	949	.057	.080	.459	-.110	40	1028	-.015	.031	.142	-.101	50	150	.046	.160	.549	-.581
40	950	-.294	.074	-.082	-.597	50	101	-.246	.084	.070	-.685	50	151	-.357	.221	.327	-1.316
40	951	.014	.056	.356	-.115	50	102	-.309	.092	-.042	-.746	50	152	-.136	.150	.238	-.817
40	952	-.059	.051	.234	-.218	50	103	-.055	.077	.283	-.255	50	153	-.100	.117	.196	-.834
40	953	-.031	.037	.193	-.213	50	104	-.343	.100	-.046	-.721	50	154	-.111	.066	-.085	-.586
40	954	.070	.075	.471	-.314	50	105	-.355	.105	-.072	-.785	50	155	-.181	.052	-.041	-.577
40	955	-.007	.038	.170	-.135	50	106	-.193	.051	-.030	-.581	50	156	-.260	.074	-.090	-.686
40	956	.107	.099	.565	-.103	50	107	-.179	.076	.034	-.555	50	157	-.277	.075	-.106	-.686
40	957	.072	.086	.604	-.110	50	108	-.392	.137	.216	-1.029	50	158	-.325	.171	.303	-1.407
40	958	.108	.097	.712	-.080	50	109	-.173	.120	.093	-.793	50	159	-.163	.043	.003	-.519
40	959	.048	.059	.384	-.094	50	110	-.146	.083	.113	-.761	50	160	-.235	.249	.532	-1.912

WD	TAP	CPMEAN	CPRMS	CPMAX	CPMIN	WD	TAP	CPMEAN	CPRMS	CPMAX	CPMIN	WD	TAP	CPMEAN	CPRMS	CPMAX	CPMIN
50	161	-.165	.036	.001	-.328	50	211	-.088	.030	.018	-.200	50	336	.338	.147	.918	-.012
50	162	-.365	.259	.381	-1.576	50	212	-.117	.035	.011	-.424	50	337	.347	.142	.882	-.024
50	163	-.239	.237	.365	-1.592	50	213	-.138	.041	-.000	-.318	50	338	.318	.149	.863	-.031
50	164	-.112	.118	.314	-.697	50	214	-.144	.050	.007	-.375	50	339	.362	.146	.918	-.036
50	165	-.052	.096	.212	-1.014	50	215	.007	.048	.286	-.125	50	340	.299	.142	.765	-.143
50	166	-.085	.053	.118	-.386	50	216	.004	.040	.193	-.116	50	341	.350	.141	.842	-.033
50	167	-.126	.038	.068	-.360	50	217	-.034	.029	.081	-.161	50	342	.291	.138	.873	-.098
50	168	-.148	.037	-.014	-.414	50	218	-.062	.024	.036	-.143	50	343	-.184	.058	.136	-.368
50	169	-.012	.083	.263	-.440	50	219	-.095	.031	-.000	-.250	50	344	-.027	.075	.368	-.224
50	170	-.204	.149	.317	-.848	50	220	-.075	.029	.025	-.184	50	345	.192	.114	.686	-.112
50	171	-.209	.162	.305	-1.176	50	221	-.085	.028	.054	-.193	50	346	.320	.138	.856	-.026
50	172	-.088	.112	.263	-.801	50	222	-.098	.032	.020	-.223	50	347	.309	.148	.894	-.036
50	173	-.011	.078	.242	-.606	50	223	-.124	.041	-.009	-.347	50	348	.155	.139	.662	-.253
50	174	-.186	.101	.106	-.747	50	224	-.078	.043	.084	-.259	50	349	-.346	.090	.240	-.723
50	175	-.114	.039	.064	-.281	50	225	-.068	.049	.174	-.297	50	350	-.398	.096	-.018	-1.054
50	176	-.140	.042	.015	-.332	50	301	.035	.085	.400	-.221	50	351	-.079	.098	.270	-.483
50	177	-.150	.129	.202	-.695	50	302	.057	.083	.445	-.242	50	352	.104	.139	.585	-.387
50	178	-.152	.129	.343	-.796	50	303	.253	.132	.782	-.259	50	353	.218	.151	.665	-.439
50	179	-.069	.088	.146	-.680	50	304	.052	.147	.621	-.263	50	354	.273	.168	.794	-.509
50	180	-.039	.068	.225	-.672	50	305	-.008	.072	.272	-.271	50	355	.247	.161	.789	-.385
50	181	-.140	.075	.132	-.475	50	306	.092	.104	.466	-.216	50	356	.062	.180	.695	-.587
50	182	-.121	.045	.073	-.267	50	307	.061	.083	.346	-.192	50	357	.196	.183	.738	-.516
50	183	-.156	.048	.015	-.396	50	308	-.057	.085	.238	-.376	50	358	-.036	.076	.369	-.382
50	184	-.103	.112	.149	-.878	50	309	.131	.129	.623	-.330	50	359	.272	.152	.815	-.145
50	185	-.085	.103	.204	-.651	50	310	.209	.132	.723	-.221	50	360	-.107	.067	.249	-.333
50	186	-.033	.051	.293	-.377	50	311	.151	.140	.628	-.360	50	361	-.214	.152	.928	-.220
50	187	-.030	.041	.293	-.182	50	312	.026	.085	.433	-.237	50	362	-.112	.067	.205	-.335
50	188	-.142	.051	.059	-.513	50	313	.201	.127	.761	-.142	50	363	-.027	.072	.350	-.267
50	189	-.169	.040	-.044	-.353	50	314	.328	.148	1.149	-.045	50	364	.160	.117	.620	-.180
50	190	-.217	.055	-.075	-.440	50	315	.308	.146	.791	-.197	50	365	.182	.126	.620	-.072
50	191	-.032	.043	.144	-.264	50	316	.202	.140	.874	-.413	50	366	.247	.141	.823	-.059
50	192	-.009	.047	.229	-.205	50	317	.327	.138	.829	-.109	50	367	.225	.134	.766	-.168
50	193	-.016	.043	.234	-.136	50	318	-.000	.099	.334	-.446	50	368	.156	.128	.776	-.163
50	194	-.070	.092	.185	-.681	50	319	-.134	.146	.479	-.735	50	369	.187	.125	.734	-.138
50	195	-.077	.109	.229	-.835	50	320	.237	.167	.862	-.493	50	370	-.146	.066	.181	-.388
50	196	-.012	.044	.328	-.205	50	321	.139	.129	.673	-.263	50	371	-.043	.071	.304	-.279
50	197	-.129	.052	.070	-.378	50	322	-.022	.082	.336	-.242	50	372	.020	.126	.445	-.470
50	198	-.011	.046	.258	-.293	50	323	.052	.090	.512	-.187	50	373	.139	.111	.559	-.094
50	199	-.013	.044	.220	-.445	50	324	.113	.150	.670	-.446	50	374	.140	.111	.579	-.111
50	200	-.044	.031	.093	-.179	50	325	.244	.139	.737	-.090	50	375	.120	.109	.653	-.178
50	201	-.039	.030	.086	-.156	50	326	.211	.123	.694	-.138	50	376	-.096	.107	.658	-.200
50	202	-.094	.029	.019	-.235	50	327	.280	.133	.961	-.057	50	377	-.163	.061	.094	-.447
50	203	-.086	.029	.025	-.228	50	328	.302	.138	.775	-.038	50	378	-.086	.062	.208	-.326
50	204	-.103	.032	.001	-.275	50	329	.284	.148	.896	-.112	50	379	-.040	.090	.336	-.363
50	205	-.117	.034	-.010	-.273	50	330	.335	.133	.885	-.079	50	380	.072	.082	.428	-.138
50	206	-.147	.047	-.004	-.351	50	331	.319	.143	1.002	-.100	50	381	.063	.089	.536	-.119
50	207	-.176	.048	-.037	-.405	50	332	-.037	.063	.232	-.246	50	382	.048	.074	.487	-.203
50	208	-.218	.056	-.071	-.600	50	333	.064	.086	.404	-.191	50	383	.033	.071	.398	-.388
50	209	-.001	.042	.290	-.131	50	334	.107	.143	.796	-.423	50	384	-.187	.063	.010	-.457
50	210	-.010	.034	.113	-.143	50	335	.289	.134	.808	-.067	50	385	-.088	.043	.084	-.230

WD	TAP	CPMEAN	CPRMS	CPMAX	CPMIN	WD	TAP	CPMEAN	CPRMS	CPMAX	CPMIN	WD	TAP	CPMEAN	CPRMS	CPMAX	CPMIN
50	386	-.020	.070	.299	-.299	50	514	-.269	.050	-.128	-.583	50	564	-.377	.071	-.201	-.687
50	387	.112	.084	.477	-.101	50	515	-.250	.047	-.111	-.469	50	565	-.389	.088	-.166	-.814
50	388	.094	.075	.413	-.082	50	516	-.277	.050	-.118	-.555	50	566	-.349	.069	-.174	-.734
50	389	.054	.059	.334	-.116	50	517	-.277	.049	-.128	-.520	50	567	-.371	.090	-.186	-.807
50	390	.007	.046	.284	-.163	50	518	-.297	.064	-.130	-.741	50	568	-.357	.088	-.161	-.844
50	391	.123	.084	.528	-.075	50	519	-.297	.053	-.151	-.564	50	569	-.326	.059	-.130	-.586
50	392	.036	.095	.435	-.238	50	520	-.277	.064	-.070	-.608	50	570	-.276	.059	-.013	-.606
50	393	.154	.115	.655	-.064	50	521	-.246	.062	-.067	-.581	50	571	-.271	.068	-.038	-.550
50	394	.144	.096	.574	-.139	50	522	.317	.081	-.125	-.743	50	572	-.271	.068	-.038	-.550
50	395	.092	.078	.629	-.086	50	523	-.322	.074	-.118	-.664	50	573	-.342	.088	-.004	-.756
50	396	.049	.057	.352	-.106	50	524	-.310	.060	-.139	-.611	50	574	-.408	.089	-.072	-.788
50	397	-.228	.077	-.040	-.731	50	525	-.305	.064	-.102	-.657	50	575	-.447	.105	-.200	-.960
50	398	-.128	.044	-.045	-.312	50	526	-.414	.096	-.158	-.894	50	576	-.415	.089	-.164	-.899
50	399	-.107	.029	-.001	-.221	50	527	-.432	.103	-.160	-.894	50	577	-.410	.090	-.181	-.839
50	400	-.073	.029	.041	-.221	50	528	-.356	.076	-.177	-.720	50	578	-.251	.060	-.030	-.475
50	401	-.051	.029	.061	-.188	50	529	-.328	.069	-.160	-.602	50	579	-.207	.056	-.016	-.458
50	402	-.048	.030	.063	-.184	50	530	-.276	.047	-.122	-.463	50	580	-.218	.090	-.025	-.579
50	403	-.031	.040	.305	-.186	50	531	-.305	.050	-.167	-.553	50	581	-.314	.121	-.025	-.817
50	404	-.026	.048	.203	-.292	50	532	-.323	.069	-.153	-.809	50	582	-.496	.144	-.079	-1.385
50	405	.002	.042	.172	-.179	50	533	-.327	.066	-.137	-.724	50	583	-.460	.125	-.113	-1.285
50	406	-.024	.033	.156	-.168	50	534	-.318	.055	-.130	-.548	50	584	-.447	.122	-.149	-1.191
50	407	-.157	.062	.038	-.583	50	535	-.321	.057	-.169	-.682	50	585	-.447	.122	-.149	-1.191
50	408	-.153	.044	.018	-.306	50	536	-.307	.048	-.160	-.515	50	586	-.187	.047	-.004	-.368
50	409	-.055	.028	.045	-.166	50	537	-.308	.049	-.141	-.499	50	587	-.162	.042	-.011	-.365
50	410	-.032	.043	.174	-.264	50	538	-.325	.059	-.160	-.560	50	588	-.169	.055	-.157	-.431
50	411	-.103	.037	.038	-.306	50	539	-.291	.045	-.141	-.532	50	589	-.169	.055	-.157	-.431
50	412	-.109	.032	-.010	-.242	50	540	-.292	.047	-.134	-.503	50	590	-.166	.078	.215	-.603
50	413	-.032	.025	.068	-.126	50	541	-.306	.048	-.186	-.541	50	591	-.262	.129	.096	-1.028
50	414	-.054	.052	.188	-.262	50	542	-.310	.050	-.162	-.496	50	592	-.518	.202	.069	-1.601
50	415	-.069	.051	.366	-.283	50	543	-.319	.061	-.137	-.602	50	593	-.499	.192	-.047	-1.649
50	416	-.043	.043	.165	-.157	50	544	-.324	.061	-.177	-.598	50	594	-.142	.051	-.073	-.466
50	417	-.028	.043	.254	-.121	50	545	-.322	.051	-.169	-.529	50	595	-.154	.052	-.004	-.517
50	418	-.032	.026	.075	-.119	50	546	-.307	.051	-.153	-.529	50	596	-.141	.035	-.017	-.276
50	419	-.045	.027	.073	-.187	50	547	-.302	.049	-.125	-.508	50	597	-.130	.030	-.014	-.271
50	420	-.021	.027	.092	-.110	50	548	-.310	.053	-.162	-.534	50	598	-.160	.044	-.008	-.431
50	421	-.022	.037	.145	-.146	50	549	-.329	.061	-.150	-.570	50	599	-.145	.042	-.016	-.449
50	422	-.022	.047	.227	-.235	50	550	-.311	.050	-.157	-.554	50	600	-.200	.073	-.037	-.620
50	501	-.219	.052	-.065	-.506	50	551	-.337	.059	-.183	-.600	50	601	-.374	.134	-.086	-1.183
50	502	.299	.056	-.128	-.557	50	552	-.331	.063	-.176	-.745	50	602	-.584	.252	-.127	-2.085
50	503	-.359	.085	-.128	-.771	50	553	-.328	.061	-.153	-.664	50	603	-.129	.037	-.010	-.302
50	504	-.136	.047	-.070	-.372	50	554	-.338	.057	-.146	-.611	50	604	-.223	.095	-.003	-.947
50	505	-.280	.069	-.028	-.613	50	555	-.344	.062	-.160	-.671	50	605	-.207	.068	-.029	-.536
50	506	-.215	.042	-.089	-.418	50	556	-.370	.080	-.013	-.678	50	606	-.133	.038	.056	-.301
50	507	-.257	.057	-.072	-.727	50	557	-.425	.099	-.086	-.890	50	607	-.410	.168	-.092	-1.371
50	508	-.303	.076	-.098	-.786	50	558	-.337	.060	-.162	-.556	50	608	-.160	.051	-.005	-.392
50	509	-.276	.054	-.083	-.694	50	559	-.403	.114	-.150	-.823	50	609	-.189	.063	-.015	-.510
50	510	-.262	.054	-.109	-.687	50	560	-.340	.062	-.169	-.623	50	610	-.191	.061	-.023	-.512
50	511	-.236	.043	-.091	-.425	50	561	-.381	.110	-.130	-.815	50	611	-.114	.043	.122	-.376
50	512	-.317	.079	-.104	-.783	50	562	-.335	.068	-.116	-.657	50	612	-.139	.055	.063	-.463
50	513	-.300	.062	-.088	-.585	50	563	-.350	.067	-.095	-.678	50	613	-.197	.061	-.091	-.451
50						50						50		-.243	.082	-.012	-.667
50						50						50		-.129	.035	-.007	-.320
50						50						50		-.124	.033	.021	-.263

WD	TAP	CPMEAN	CPRMS	CPMAX	CPMIN	WD	TAP	CPMEAN	CPRMS	CPMAX	CPMIN	WD	TAP	CPMEAN	CPRMS	CPMAX	CPMIN
50	614	-.145	.050	.258	-.461	50	744	-.282	.069	-.123	-.737	50	794	-.326	.083	-.114	-.767
50	615	-.097	.051	.190	-.245	50	745	-.297	.061	-.139	-.621	50	795	-.207	.049	-.076	-.500
50	616	-.108	.047	.140	-.259	50	746	-.288	.043	-.176	-.460	50	796	-.198	.051	-.066	-.428
50	617	-.096	.066	.258	-.362	50	747	-.300	.046	-.162	-.473	50	797	-.145	.044	-.014	-.376
50	618	-.098	.099	.324	-.505	50	748	-.310	.049	-.164	-.533	50	798	-.349	.086	-.116	-.764
50	619	-.062	.054	.366	-.280	50	749	-.277	.070	-.081	-.700	50	799	-.319	.084	-.143	-.769
50	620	-.166	.046	-.010	-.369	50	750	-.278	.068	-.099	-.567	50	800	-.343	.093	-.162	-1.148
50	701	-.256	.054	-.111	-.545	50	751	-.273	.086	-.095	-1.005	50	801	-.308	.090	-.084	-.743
50	702	-.237	.053	-.088	-.501	50	752	-.253	.043	-.108	-.459	50	802	-.233	.062	-.066	-.600
50	703	-.204	.080	-.004	-.599	50	753	-.265	.039	-.149	-.436	50	803	-.177	.061	-.014	-.600
50	704	-.299	.038	-.104	-.577	50	754	-.283	.039	-.167	-.477	50	804	-.177	.061	-.019	-.595
50	705	-.215	.044	-.048	-.410	50	755	-.298	.045	-.160	-.492	50	805	-.088	.034	-.077	-.309
50	706	-.236	.045	-.059	-.424	50	756	-.315	.060	-.156	-.610	50	806	-.100	.030	-.010	-.238
50	707	-.227	.041	-.086	-.394	50	757	-.299	.049	-.144	-.508	50	807	-.206	.046	-.074	-.502
50	708	-.240	.052	-.093	-.467	50	758	-.203	.045	-.068	-.436	50	808	-.148	.042	-.019	-.326
50	709	-.243	.058	-.109	-.579	50	759	-.308	.047	-.151	-.504	50	809	-.347	.101	-.154	-.900
50	710	-.262	.056	-.116	-.515	50	760	-.198	.046	-.036	-.391	50	810	-.324	.084	-.116	-.702
50	711	-.264	.055	-.059	-.569	50	761	-.315	.051	-.154	-.583	50	811	-.207	.063	-.012	-.605
50	712	-.238	.052	-.109	-.478	50	762	-.203	.046	-.045	-.391	50	812	-.149	.055	.041	-.431
50	713	-.262	.054	-.079	-.499	50	763	-.201	.046	-.061	-.427	50	813	-.206	.048	-.057	-.414
50	714	-.244	.043	-.113	-.428	50	764	-.224	.045	-.115	-.639	50	814	-.198	.044	-.074	-.405
50	715	-.245	.043	-.063	-.401	50	765	-.292	.054	-.108	-.574	50	815	-.127	.043	-.055	-.314
50	716	-.252	.054	-.104	-.524	50	766	-.310	.059	-.145	-.665	50	816	-.392	.109	-.145	-1.050
50	717	-.215	.037	-.086	-.387	50	767	-.309	.050	-.169	-.581	50	817	-.328	.083	-.081	-.798
50	718	-.310	.077	-.093	-.695	50	768	-.311	.051	-.183	-.529	50	818	-.302	.073	-.085	-.645
50	719	-.272	.067	-.024	-.609	50	769	-.225	.045	-.095	-.436	50	819	-.242	.063	-.050	-.488
50	720	-.298	.062	-.141	-.622	50	770	-.207	.048	-.006	-.390	50	820	-.161	.049	-.038	-.445
50	721	-.284	.048	-.136	-.472	50	771	-.211	.051	.010	-.519	50	821	-.149	.059	.013	-.535
50	722	-.191	.044	-.011	-.376	50	772	-.238	.050	-.095	-.422	50	822	-.148	.053	-.019	-.937
50	723	-.191	.045	-.052	-.405	50	773	-.262	.047	-.119	-.472	50	901	-.337	.036	-.247	-.482
50	724	-.198	.040	-.070	-.392	50	774	-.316	.063	-.150	-.634	50	902	-.294	.041	-.185	-.438
50	725	-.226	.040	-.113	-.387	50	775	-.323	.064	-.119	-.636	50	903	-.288	.043	-.138	-.499
50	726	-.246	.039	-.143	-.410	50	776	-.320	.064	-.185	-.608	50	904	-.389	.061	-.138	-.644
50	727	-.269	.046	-.116	-.480	50	777	-.247	.066	-.078	-.641	50	905	-.304	.052	-.185	-.522
50	728	-.269	.043	-.104	-.420	50	778	-.259	.068	-.066	-.581	50	906	-.280	.044	-.173	-.448
50	729	-.272	.046	-.127	-.439	50	779	-.291	.088	-.111	-1.140	50	907	-.306	.058	-.118	-.579
50	730	-.223	.035	-.111	-.372	50	780	-.265	.061	-.097	-.629	50	908	-.241	.049	-.081	-.464
50	731	-.253	.046	-.113	-.469	50	781	-.301	.045	-.078	-.660	50	909	-.184	.048	-.093	-.327
50	732	-.212	.044	-.093	-.487	50	782	-.374	.112	-.135	-.882	50	910	-.333	.056	-.166	-.579
50	733	-.217	.044	-.102	-.501	50	783	-.365	.105	-.119	-.913	50	911	-.122	.048	-.094	-.370
50	734	-.228	.044	-.109	-.443	50	784	-.311	.073	-.152	-.732	50	912	-.316	.065	-.148	-.558
50	735	-.234	.039	-.116	-.446	50	785	-.314	.085	-.121	-.844	50	913	-.353	.121	-.113	-1.265
50	736	-.222	.038	-.093	-.402	50	786	-.343	.094	-.138	-.922	50	914	-.273	.047	-.073	-.461
50	737	-.239	.039	-.111	-.413	50	787	-.325	.081	-.104	-.772	50	915	-.304	.068	-.054	-.603
50	738	-.270	.051	-.132	-.506	50	788	-.263	.064	-.097	-.536	50	916	-.291	.050	-.134	-.558
50	739	-.277	.043	-.143	-.448	50	789	-.231	.082	-.040	-.770	50	917	-.279	.074	-.042	-.790
50	740	-.286	.046	-.134	-.485	50	790	-.252	.100	-.047	-.880	50	918	-.235	.046	-.091	-.459
50	741	-.245	.042	-.111	-.485	50	791	-.348	.109	-.127	-.921	50	919	-.312	.050	-.185	-.549
50	742	-.284	.043	-.155	-.462	50	792	-.333	.082	-.115	-.733	50	920	-.287	.058	-.130	-.597
50	743	-.292	.074	-.116	-.843	50	793	-.334	.112	-.099	-1.228	50	921	-.273	.073	.021	-.654

WD	TAP	CPMEAN	CPRMS	CPMAX	CPMIN	WD	TAP	CPMEAN	CPRMS	CPMAX	CPMIN	WD	TAP	CPMEAN	CPRMS	CPMAX	CPMIN
50	922	-.064	.113	.289	-.641	50	1001	-.214	.053	-.000	-.462	60	123	-.426	.167	.064	-1.062
50	923	-.324	.075	-.109	-.686	50	1002	-.303	.081	-.091	-.779	60	124	-.320	.133	-.027	-.966
50	924	-.181	.079	.110	-.559	50	1003	-.316	.064	-.151	-.603	60	125	-.342	.144	-.035	-1.041
50	925	-.047	.129	.576	-.656	50	1004	-.293	.058	-.122	-.544	60	126	-.054	.167	.557	-.837
50	926	-.127	.053	.068	-.305	50	1005	-.299	.051	-.141	-.657	60	127	-.270	.089	-.012	-.771
50	927	-.097	.097	.472	-.186	50	1006	-.236	.047	-.039	-.452	60	128	-.170	.052	.022	-.446
50	928	-.248	.222	.643	-.874	50	1007	-.133	.043	.103	-.447	60	129	-.167	.047	.026	-.384
50	929	.311	.183	.871	-.817	50	1008	-.016	.044	.214	-.177	60	130	-.291	.114	-.007	-.755
50	930	-.299	.046	-.162	-.478	50	1009	-.291	.066	-.046	-.535	60	131	-.294	.132	.128	-.802
50	931	-.206	.137	.287	-1.034	50	1010	-.030	.084	-.258	-.467	60	132	-.395	.115	.098	-.907
50	932	-.133	.059	.167	-.307	50	1011	-.184	.056	-.037	-.531	60	133	-.427	.126	.081	-1.429
50	933	-.219	.121	.206	-.657	50	1012	-.033	.044	.234	-.184	60	134	-.364	.171	.069	-1.215
50	934	-.080	.133	.549	-.614	50	1013	-.203	.059	-.024	-.418	60	135	-.318	.133	.022	-.748
50	935	-.062	.075	.170	-.328	50	1014	-.045	.120	.325	-.561	60	136	-.273	.133	.278	-.762
50	936	-.320	.045	-.129	-.462	50	1015	-.294	.080	-.082	-.695	60	137	-.121	.153	.404	-.610
50	937	-.088	.084	.468	-.145	50	1016	-.279	.116	.029	-.741	60	138	-.184	.098	.109	-.624
50	938	.308	.127	.808	-.000	50	1017	.132	.097	.664	-.086	60	139	-.162	.051	-.007	-.434
50	939	.328	.139	.829	-.023	50	1018	.166	.107	.733	-.064	60	140	-.176	.051	-.028	-.422
50	940	-.127	.090	.440	-.153	50	1019	.136	.098	.533	-.098	60	141	-.244	.126	.133	-.786
50	941	-.312	.060	-.173	-.563	50	1020	.181	.124	.723	-.147	60	142	-.244	.146	.140	-.840
50	942	-.140	.055	.109	-.452	50	1021	-.088	.054	.219	-.250	60	143	-.435	.184	.064	-1.294
50	943	-.073	.038	.090	-.196	50	1022	-.087	.026	.020	-.179	60	144	-.383	.138	.074	-.985
50	944	-.066	.036	.148	-.194	50	1023	-.108	.037	.008	-.314	60	145	-.298	.139	.095	-.904
50	945	-.138	.040	.090	-.335	50	1024	-.096	.039	.030	-.282	60	146	-.184	.096	.117	-.767
50	946	-.006	.053	.269	-.231	50	1025	-.093	.052	.187	-.287	60	147	-.191	.058	.007	-.470
50	947	-.008	.051	.267	-.189	50	1026	-.187	.063	.128	-.481	60	148	-.216	.056	-.009	-.508
50	948	-.035	.047	.206	-.200	50	1027	-.159	.044	-.014	-.390	60	149	-.089	.134	.592	-.523
50	949	-.022	.057	.295	-.189	50	1028	-.024	.028	.116	-.103	60	150	-.082	.145	.403	-.723
50	950	-.191	.062	-.045	-.561	60	101	-.363	.113	-.091	-1.057	60	151	-.534	.207	.136	-1.619
50	951	-.041	.036	.127	-.180	60	102	-.300	.102	.017	-.809	60	152	-.332	.157	.115	-1.047
50	952	-.103	.048	.171	-.324	60	103	-.010	.082	.226	-.337	60	153	-.232	.128	.089	-.807
50	953	-.071	.034	.120	-.275	60	104	-.427	.116	-.081	-.870	60	154	-.175	.075	-.011	-.628
50	954	-.006	.062	.276	-.442	60	105	-.372	.108	-.027	-.968	60	155	-.188	.057	.017	-.495
50	955	-.024	.037	.125	-.175	60	106	-.249	.088	.069	-.696	60	156	-.234	.064	-.069	-.714
50	956	.155	.105	.632	-.075	60	107	-.306	.100	.022	-.788	60	157	-.256	.071	-.001	-.609
50	957	.148	.109	.655	-.068	60	108	-.404	.119	-.083	-.995	60	158	-.487	.165	-.044	-1.268
50	958	.148	.098	.797	-.073	60	109	-.326	.129	-.002	-.884	60	159	-.176	.050	.012	-.628
50	959	.060	.069	.348	-.094	60	110	-.269	.108	.095	-.762	60	160	-.455	.209	.203	-2.015
50	960	.095	.102	.609	-.142	60	111	-.229	.064	-.011	-.503	60	161	-.167	.047	.003	-.460
50	961	.049	.114	.650	-.359	60	112	-.422	.116	-.027	-1.043	60	162	-.478	.184	.005	-1.680
50	962	-.061	.047	.130	-.221	60	113	-.357	.133	.019	-.914	60	163	-.448	.184	.187	-1.703
50	963	.061	.091	.598	-.197	60	114	-.244	.090	.026	-.605	60	164	-.236	.140	.147	-.998
50	964	.120	.092	.570	-.065	60	115	-.238	.068	-.009	-.562	60	165	-.151	.120	.142	-.837
50	965	-.051	.090	.504	-.161	60	116	-.319	.109	.059	-.795	60	166	-.143	.075	.082	-.582
50	966	-.075	.055	.174	-.263	60	117	-.266	.120	.118	-.752	60	167	-.135	.047	.114	-.430
50	967	-.024	.037	.121	-.221	60	118	-.553	.185	-.077	-1.391	60	168	-.143	.041	.006	-.394
50	968	.024	.065	.337	-.140	60	119	-.306	.157	.104	-.950	60	169	-.128	.110	.178	-.867
50	969	.049	.064	.317	-.110	60	120	-.252	.092	.045	-.680	60	170	-.348	.140	.089	-1.080
50	970	-.024	.052	.285	-.105	60	121	-.252	.069	-.035	-.562	60	171	-.323	.143	.173	-1.273
50	971	-.034	.035	.212	-.194	60	122	-.470	.160	-.067	-1.252	60	172	-.238	.155	.104	-1.107

WD	TAP	CPMEAN	CPRMS	CPMAX	CPMIN	WD	TAP	CPMEAN	CPRMS	CPMAX	CPMIN	WD	TAP	CPMEAN	CPRMS	CPMAX	CPMIN
60	173	-.107	.103	.175	-.609	60	223	-.115	.040	.074	-.251	60	348	.096	.121	.534	-.430
60	174	-.157	.076	.126	-.469	60	224	-.091	.040	.098	-.254	60	349	-.344	.090	.063	-.782
60	175	-.116	.046	.050	-.430	60	225	-.090	.045	.044	-.247	60	350	-.390	.102	-.128	-.885
60	176	-.130	.041	.053	-.337	60	301	.044	.095	.371	-.267	60	351	-.102	.086	.194	-.492
60	177	-.316	.145	.116	-1.158	60	302	.059	.086	.371	-.296	60	352	.118	.132	.729	-.435
60	178	-.291	.137	.077	-.996	60	303	.245	.137	.681	-.320	60	353	.231	.173	.824	-.499
60	179	-.175	.122	.104	-1.028	60	304	.177	.144	.669	-.296	60	354	.286	.157	.853	-.294
60	180	-.094	.074	.146	-.469	60	305	.028	.095	.527	-.391	60	355	.226	.155	.953	-.451
60	181	-.146	.071	.180	-.543	60	306	.059	.098	.515	-.235	60	356	-.043	.161	.572	-.720
60	182	-.122	.038	.048	-.344	60	307	.079	.104	.472	-.236	60	357	.133	.195	.722	-.559
60	183	-.138	.038	.043	-.335	60	308	-.011	.116	.442	-.476	60	358	-.044	.064	.263	-.351
60	184	-.215	.125	.107	-1.237	60	309	.181	.165	.833	-.510	60	359	-.250	.142	.722	-.202
60	185	-.204	.128	.077	-1.193	60	310	.238	.161	.238	-.233	60	360	-.100	.067	.189	-.430
60	186	-.091	.057	.180	-.597	60	311	.099	.128	.614	-.373	60	361	-.150	.132	.655	-.385
60	187	-.057	.042	.192	-.242	60	312	.083	.113	.549	-.286	60	362	-.111	.054	.132	-.416
60	188	-.157	.052	.048	-.499	60	313	.258	.160	.780	-.238	60	363	-.028	.063	.284	-.225
60	189	-.150	.035	-.048	-.308	60	314	.324	.164	.977	-.207	60	364	.138	.097	.534	-.244
60	190	-.177	.040	-.063	-.330	60	315	.256	.143	.770	-.180	60	365	.205	.122	.746	-.104
60	191	-.068	.039	.134	-.241	60	316	.233	.181	.888	-.351	60	366	.252	.127	.810	-.064
60	192	-.036	.049	.228	-.192	60	317	.359	.156	.917	-.053	60	367	.249	.135	.848	-.081
60	193	-.042	.043	.172	-.201	60	318	.021	.127	.445	-.546	60	368	.123	.119	.672	-.234
60	194	-.183	.129	.120	-1.121	60	319	-.069	.196	.597	-.833	60	369	.200	.125	.717	-.091
60	195	-.188	.143	.144	-.992	60	320	.253	.161	.929	-.306	60	370	-.136	.056	.107	-.360
60	196	-.043	.041	.158	-.166	60	321	.125	.136	.616	-.457	60	371	-.039	.041	.270	-.250
60	197	-.142	.050	.001	-.415	60	322	.008	.105	.501	-.293	60	372	.020	.105	.514	-.440
60	198	-.049	.039	.120	-.354	60	323	.080	.118	.616	-.265	60	373	.174	.103	.695	-.064
60	199	-.051	.041	.141	-.335	60	324	.147	.168	.715	-.435	60	374	.191	.121	.680	-.096
60	200	-.054	.028	.062	-.182	60	325	.259	.162	.809	-.154	60	375	.138	.113	.667	-.142
60	201	-.063	.027	.050	-.199	60	326	.230	.158	.773	-.298	60	376	.078	.103	.642	-.244
60	202	-.109	.029	-.016	-.227	60	327	.267	.151	.825	-.174	60	377	-.151	.067	.125	-.483
60	203	-.101	.025	.008	-.218	60	328	.296	.146	.830	-.149	60	378	-.065	.059	.225	-.282
60	204	-.106	.028	.008	-.253	60	329	.236	.141	.701	-.239	60	379	-.023	.082	.328	-.455
60	205	-.114	.028	.010	-.229	60	330	.339	.151	.871	-.060	60	380	.088	.080	.554	-.084
60	206	-.127	.043	.090	-.279	60	331	.325	.154	.874	-.154	60	381	.100	.093	.539	-.129
60	207	-.148	.040	.008	-.321	60	332	-.044	.068	.263	-.295	60	382	.067	.090	.539	-.192
60	208	-.175	.050	.001	-.436	60	333	.054	.090	.415	-.186	60	383	.027	.079	.494	-.209
60	209	-.033	.035	.231	-.149	60	334	.117	.148	.653	-.413	60	384	-.135	.062	.072	-.423
60	210	-.028	.034	.114	-.140	60	335	.289	.148	.874	-.089	60	385	-.056	.044	.107	-.242
60	211	-.103	.026	.010	-.216	60	336	.340	.152	.849	-.084	60	386	.003	.068	.328	-.224
60	212	-.115	.028	-.004	-.237	60	337	.308	.145	.869	-.052	60	387	.130	.078	.534	-.066
60	213	-.124	.040	.100	-.275	60	338	.353	.158	.929	-.101	60	388	.107	.083	.449	-.061
60	214	-.120	.043	.041	-.292	60	339	.323	.164	.966	-.135	60	389	.029	.055	.275	-.104
60	215	-.011	.044	.316	-.154	60	340	.237	.133	.818	-.346	60	390	-.023	.043	.197	-.214
60	216	-.014	.040	.302	-.118	60	341	.337	.148	1.024	-.018	60	391	.151	.089	.565	-.054
60	217	-.049	.027	.090	-.137	60	342	.303	.138	.837	-.026	60	392	.062	.093	.425	-.270
60	218	-.074	.024	-.034	-.171	60	343	-.183	.060	.103	-.406	60	393	.188	.118	.793	-.045
60	219	-.112	.028	-.007	-.218	60	344	-.032	.070	.454	-.251	60	394	.139	.100	.622	-.095
60	220	-.091	.025	.010	-.197	60	345	.189	.121	.704	-.115	60	395	.090	.076	.445	-.097
60	221	-.096	.027	-.004	-.192	60	346	.335	.152	.985	-.009	60	396	.038	.062	.385	-.104
60	222	-.106	.027	.000	-.223	60	347	.241	.144	.772	-.205	60	397	-.146	.056	.010	-.455

WD	TAP	CPMEAN	CPRMS	CPMAX	CPMIN	WD	TAP	CPMEAN	CPRMS	CPMAX	CPMIN	WD	TAP	CPMEAN	CPRMS	CPMAX	CPMIN
60	398	-.105	.041	.082	-.293	60	526	-.314	.093	-.067	-.794	60	576	-.381	.089	-.173	-.941
60	399	-.090	.033	.056	-.230	60	527	-.335	.093	-.092	-.801	60	577	-.181	.041	-.038	-.393
60	400	-.062	.028	.040	-.169	60	528	-.297	.076	-.062	-.909	60	578	-.156	.041	-.030	-.389
60	401	-.056	.027	.049	-.214	60	529	-.304	.072	-.053	-.928	60	579	-.153	.069	.201	-.481
60	402	-.055	.026	.035	-.151	60	530	-.279	.063	-.071	-.604	60	580	-.205	.110	.094	-.677
60	403	-.042	.039	.138	-.286	60	531	-.278	.060	-.053	-.576	60	581	-.394	.164	-.029	-1.811
60	404	-.040	.040	.215	-.256	60	532	-.299	.093	-.085	-.875	60	582	-.454	.127	-.100	-1.248
60	405	-.028	.037	.156	-.160	60	533	-.297	.084	-.083	-.700	60	583	-.445	.130	-.133	-1.428
60	406	-.040	.041	.271	-.151	60	534	-.289	.068	-.099	-.572	60	584	-.152	.035	.016	-.310
60	407	-.137	.059	.054	-.493	60	535	-.295	.074	-.044	-.703	60	585	-.131	.031	.002	-.241
60	408	-.117	.036	.010	-.280	60	536	-.276	.057	-.104	-.517	60	586	-.137	.052	.094	-.398
60	409	-.056	.028	.059	-.155	60	537	-.289	.062	-.074	-.528	60	587	-.112	.054	.123	-.474
60	410	-.042	.039	.131	-.232	60	538	-.312	.075	-.060	-.974	60	588	-.187	.120	.201	-.961
60	411	-.090	.031	.019	-.246	60	539	-.285	.060	-.067	-.570	60	589	-.394	.178	.045	-1.181
60	412	-.088	.029	.007	-.209	60	540	-.285	.055	-.126	-.517	60	590	-.364	.166	-.015	-1.506
60	413	-.047	.025	.082	-.131	60	541	-.290	.063	-.009	-.549	60	591	-.111	.045	.084	-.418
60	414	-.053	.047	.165	-.227	60	542	-.291	.066	-.071	-.576	60	592	-.117	.037	.031	-.310
60	415	-.071	.044	.165	-.234	60	543	-.303	.074	-.133	-.645	60	593	-.128	.031	-.031	-.295
60	416	-.023	.042	.202	-.141	60	544	-.312	.079	-.113	-.737	60	594	-.124	.027	-.021	-.259
60	417	-.008	.042	.246	-.124	60	545	-.314	.070	-.090	-.705	60	595	-.131	.035	.114	-.313
60	418	-.036	.028	.094	-.124	60	546	-.305	.064	-.094	-.622	60	596	-.112	.031	.065	-.293
60	419	-.048	.026	.043	-.161	60	547	-.306	.066	-.117	-.618	60	597	-.155	.058	.004	-.575
60	420	-.040	.026	.097	-.119	60	548	-.310	.063	-.131	-.710	60	598	-.300	.108	-.036	-.969
60	421	-.036	.033	.119	-.154	60	549	-.285	.063	-.086	-.554	60	599	-.418	.187	-.072	-1.488
60	422	-.040	.042	.192	-.186	60	550	-.270	.053	-.066	-.509	60	600	-.105	.038	.043	-.293
60	501	-.225	.066	-.015	-.589	60	551	-.311	.071	-.091	-.608	60	601	-.153	.066	.001	-.765
60	502	-.321	.084	-.095	-.902	60	552	-.313	.068	-.026	-.584	60	602	-.144	.053	-.019	-.428
60	503	-.375	.096	-.088	-.855	60	553	-.310	.072	-.089	-.723	60	603	-.121	.027	-.027	-.257
60	504	-.151	.064	.123	-.478	60	554	-.315	.061	-.116	-.588	60	604	-.304	.099	-.084	-.991
60	505	-.298	.101	.097	-.858	60	555	-.331	.083	-.147	-.822	60	605	-.116	.042	.051	-.296
60	506	-.252	.072	-.056	-.788	60	556	-.328	.086	-.030	-.678	60	606	-.169	.058	.011	-.424
60	507	-.276	.081	-.027	-.730	60	557	-.401	.101	-.125	-1.164	60	607	-.156	.057	.036	-.480
60	508	-.306	.113	.087	-.900	60	558	-.306	.066	-.127	-.552	60	608	-.098	.032	.076	-.341
60	509	-.270	.077	.026	-.680	60	559	-.351	.101	-.118	-.937	60	609	-.116	.047	.069	-.377
60	510	-.283	.083	.012	-.759	60	560	-.301	.068	-.109	-.615	60	610	-.128	.050	.067	-.348
60	511	-.277	.069	-.044	-.656	60	561	-.330	.106	-.120	-.935	60	611	-.180	.068	.037	-.597
60	512	-.294	.101	.071	-.798	60	562	-.289	.068	-.091	-.640	60	612	-.116	.028	-.018	-.255
60	513	-.278	.075	-.024	-.862	60	563	-.294	.069	-.039	-.602	60	613	-.111	.024	-.018	-.207
60	514	-.284	.073	-.049	-.812	60	564	-.360	.088	-.134	-.782	60	614	-.124	.037	.124	-.305
60	515	-.270	.067	-.072	-.789	60	565	-.424	.126	-.071	-1.031	60	615	-.087	.040	.178	-.200
60	516	-.271	.073	-.036	-.691	60	566	-.341	.085	-.038	-.803	60	616	-.099	.033	.137	-.225
60	517	-.271	.064	-.033	-.626	60	567	-.330	.083	-.121	-.805	60	617	-.090	.054	.226	-.448
60	518	-.276	.076	-.022	-.676	60	568	-.337	.082	-.123	-.770	60	618	-.094	.073	.192	-.451
60	519	-.281	.065	-.079	-.653	60	569	-.296	.065	-.131	-.576	60	619	-.059	.044	.251	-.223
60	520	-.294	.080	-.052	-.651	60	570	-.203	.046	-.071	-.410	60	620	-.127	.041	.007	-.307
60	521	-.320	.117	-.040	-1.186	60	571	-.198	.056	.002	-.478	60	701	-.255	.066	-.080	-.606
60	522	-.291	.097	-.020	-.834	60	572	-.271	.088	-.080	-.599	60	702	-.244	.063	-.080	-.608
60	523	-.282	.087	.112	-.739	60	573	-.364	.101	-.055	-.810	60	703	-.319	.108	-.013	-.816
60	524	-.292	.082	-.024	-.796	60	574	-.424	.116	-.147	-.940	60	704	-.317	.086	-.023	-.842
60	525	-.295	.083	-.036	-.664	60	575	-.377	.089	-.152	-.805	60	705	-.225	.067	-.007	-.558

WD	TAP	CPMEAN	CPRMS	CPMAX	CPMIN	WD	TAP	CPMEAN	CPRMS	CPMAX	CPMIN	WD	TAP	CPMEAN	CPRMS	CPMAX	CPMIN
60	706	-.240	.057	-.022	-.512	60	756	-.281	.061	-.119	-.613	60	806	-.109	.025	-.026	-.206
60	707	-.226	.049	-.029	-.496	60	757	-.271	.051	-.112	-.482	60	807	-.162	.035	-.051	-.306
60	708	-.255	.071	-.007	-.638	60	758	-.177	.042	-.035	-.337	60	808	-.120	.037	-.027	-.257
60	709	-.277	.068	-.089	-.643	60	759	-.274	.054	-.094	-.489	60	809	-.269	.080	-.105	-.747
60	710	-.282	.066	-.096	-.608	60	760	-.167	.045	-.024	-.421	60	810	-.200	.047	-.081	-.465
60	711	-.265	.069	-.007	-.614	60	761	-.283	.054	-.119	-.504	60	811	-.150	.035	-.035	-.333
60	712	-.264	.069	-.027	-.585	60	762	-.167	.042	-.028	-.380	60	812	-.143	.042	-.028	-.398
60	713	-.250	.060	-.066	-.512	60	763	-.169	.042	-.042	-.357	60	813	-.154	.035	-.057	-.329
60	714	-.248	.050	-.080	-.498	60	764	-.196	.045	-.024	-.411	60	814	-.157	.040	-.003	-.352
60	715	-.247	.059	-.041	-.528	60	765	-.241	.056	-.087	-.502	60	815	-.114	.035	-.073	-.239
60	716	-.259	.063	-.089	-.544	60	766	-.297	.064	-.116	-.604	60	816	-.266	.080	-.051	-.646
60	717	-.202	.039	-.089	-.341	60	767	-.257	.049	-.133	-.439	60	817	-.232	.063	-.047	-.539
60	718	-.297	.089	-.077	-.736	60	768	-.264	.052	-.118	-.553	60	818	-.188	.044	-.061	-.384
60	719	-.232	.069	-.050	-.574	60	769	-.185	.045	-.042	-.379	60	819	-.157	.035	-.051	-.303
60	720	-.295	.075	-.089	-.638	60	770	-.160	.043	-.020	-.345	60	820	-.134	.043	-.099	-.451
60	721	-.278	.059	-.087	-.508	60	771	-.159	.040	-.006	-.350	60	821	-.135	.039	-.039	-.350
60	722	-.173	.052	-.035	-.423	60	772	-.180	.044	-.028	-.451	60	822	-.132	.039	-.012	-.418
60	723	-.175	.052	-.011	-.414	60	773	-.204	.042	-.020	-.391	60	901	-.320	.043	-.203	-.437
60	724	-.204	.050	-.052	-.482	60	774	-.271	.062	-.083	-.577	60	902	-.270	.051	-.135	-.473
60	725	-.214	.046	-.068	-.434	60	775	-.257	.053	-.142	-.527	60	903	-.275	.046	-.144	-.461
60	726	-.231	.043	-.089	-.379	60	776	-.258	.054	-.097	-.582	60	904	-.276	.061	-.121	-.604
60	727	-.255	.035	-.069	-.465	60	777	-.178	.043	-.040	-.439	60	905	-.260	.044	-.160	-.441
60	728	-.245	.063	-.013	-.523	60	778	-.177	.043	-.056	-.381	60	906	-.267	.058	-.032	-.554
60	729	-.251	.041	-.046	-.516	60	779	-.199	.046	-.030	-.429	60	907	-.280	.069	-.004	-.581
60	730	-.207	.038	-.092	-.384	60	780	-.199	.043	-.066	-.458	60	908	-.238	.064	-.016	-.581
60	731	-.256	.054	-.101	-.490	60	781	-.246	.061	-.095	-.659	60	909	-.190	.053	-.049	-.439
60	732	-.224	.072	-.090	-.629	60	782	-.267	.078	-.095	-.637	60	910	-.326	.079	-.064	-.701
60	733	-.229	.064	-.067	-.583	60	783	-.258	.071	-.087	-.900	60	911	-.159	.056	-.063	-.491
60	734	-.214	.049	-.081	-.463	60	784	-.225	.060	-.073	-.513	60	912	-.282	.075	-.051	-.636
60	735	-.207	.041	-.076	-.393	60	785	-.222	.054	-.099	-.537	60	913	-.311	.121	-.074	-1.102
60	736	-.192	.038	-.043	-.358	60	786	-.229	.065	-.080	-.575	60	914	-.269	.064	-.007	-.570
60	737	-.214	.043	-.071	-.391	60	787	-.204	.054	-.083	-.599	60	915	-.275	.075	-.028	-.563
60	738	-.262	.058	-.113	-.527	60	788	-.189	.046	-.028	-.451	60	916	-.279	.069	-.064	-.540
60	739	-.251	.051	-.094	-.456	60	789	-.206	.058	-.080	-.606	60	917	-.270	.076	-.023	-.606
60	740	-.267	.057	-.085	-.544	60	790	-.198	.066	-.068	-.811	60	918	-.240	.058	-.077	-.503
60	741	-.231	.045	-.111	-.472	60	791	-.223	.064	-.063	-.542	60	919	-.296	.061	-.104	-.604
60	742	-.272	.047	-.122	-.486	60	792	-.206	.057	-.054	-.485	60	920	-.319	.078	-.071	-.740
60	743	-.270	.074	-.094	-.801	60	793	-.215	.060	-.045	-.531	60	921	-.313	.088	-.032	-.689
60	744	-.265	.070	-.057	-.638	60	794	-.204	.050	-.081	-.451	60	922	-.251	.141	-.122	-.791
60	745	-.280	.057	-.148	-.511	60	795	-.196	.037	-.035	-.331	60	923	-.374	.096	-.060	-.773
60	746	-.278	.052	-.134	-.467	60	796	-.159	.036	-.024	-.331	60	924	-.169	.128	-.263	-1.245
60	747	-.276	.052	-.141	-.513	60	797	-.122	.041	-.062	-.308	60	925	-.061	.132	.411	-.821
60	748	-.284	.058	-.122	-.546	60	798	-.248	.069	-.081	-.590	60	926	-.106	.076	.198	-.447
60	749	-.221	.057	-.062	-.523	60	799	-.244	.064	-.095	-.904	60	927	-.072	.110	.511	-.377
60	750	-.233	.057	-.060	-.509	60	800	-.217	.057	-.095	-.530	60	928	-.108	.289	.764	-.855
60	751	-.226	.062	-.069	-.842	60	801	-.213	.065	-.048	-.749	60	929	-.340	.180	1.204	-.482
60	752	-.231	.045	-.121	-.421	60	802	-.171	.046	-.031	-.470	60	930	-.306	.066	-.111	-.701
60	753	-.244	.040	-.130	-.430	60	803	-.158	.042	-.047	-.472	60	931	-.379	.122	.019	-.870
60	754	-.269	.045	-.133	-.439	60	804	-.152	.041	-.017	-.424	60	932	-.117	.064	.191	-.330
60	755	-.283	.055	-.135	-.507	60	805	-.104	.024	-.008	-.197	60	933	-.148	.140	.406	-.729

WD	TAP	CPMEAN	CPRMS	CPMAX	CPMIN	WD	TAP	CPMEAN	CPRMS	CPMAX	CPMIN	WD	TAP	CPMEAN	CPRMS	CPMAX	CPMIN
60	934	-.117	.191	.689	-.688	60	1013	-.196	.077	.055	-.559	70	135	-.242	.086	-.026	-.680
60	935	-.173	.063	.098	-.377	60	1014	-.203	.109	.231	-.651	70	136	-.230	.084	-.163	-.675
60	936	-.324	.045	-.168	-.466	60	1015	-.281	.079	-.014	-.656	70	137	-.146	.102	.367	-.574
60	937	.082	.081	.422	-.104	60	1016	-.415	.123	-.009	-1.018	70	138	-.176	.067	.055	-.519
60	938	.305	.141	.998	-.068	60	1017	.145	.087	.589	-.063	70	139	-.159	.049	-.014	-.473
60	939	.295	.144	.817	-.085	60	1018	.158	.099	.627	-.046	70	140	-.161	.047	.016	-.448
60	940	.004	.074	.287	-.279	60	1019	.144	.086	.599	-.029	70	141	-.202	.075	.169	-.611
60	941	-.205	.040	-.109	-.389	60	1020	.199	.124	.721	-.113	70	142	-.201	.082	.041	-.737
60	942	-.128	.040	.105	-.323	60	1021	-.083	.042	.186	-.211	70	143	-.344	.151	.048	-1.304
60	943	-.084	.032	.074	-.215	60	1022	-.094	.021	-.012	-.168	70	144	-.315	.122	.043	-1.042
60	944	-.083	.027	.035	-.197	60	1023	-.110	.033	-.000	-.349	70	145	-.265	.107	.084	-.861
60	945	-.106	.030	.135	-.235	60	1024	-.111	.031	-.010	-.297	70	146	-.173	.068	.091	-.599
60	946	-.041	.043	.184	-.181	60	1025	-.077	.042	.217	-.234	70	147	-.157	.043	-.003	-.411
60	947	-.035	.045	.223	-.188	60	1026	-.130	.054	.202	-.375	70	148	-.160	.042	-.035	-.466
60	948	-.070	.034	.069	-.208	60	1027	-.119	.040	.026	-.285	70	149	-.179	.134	.298	-.881
60	949	-.069	.036	.139	-.237	60	1028	-.041	.025	.085	-.115	70	150	-.128	.130	.334	-.690
60	950	-.136	.042	.011	-.422	70	101	-.306	.103	-.034	-.887	70	151	-.404	.139	-.051	-1.050
60	951	-.071	.030	.063	-.197	70	102	-.253	.092	.034	-.721	70	152	-.258	.096	.032	-.778
60	952	-.126	.035	.024	-.398	70	103	-.116	.088	.232	-.401	70	153	-.194	.069	.019	-.600
60	953	-.090	.032	.024	-.375	70	104	-.338	.117	-.061	-.864	70	154	-.157	.044	-.014	-.386
60	954	-.047	.055	.175	-.738	70	105	-.323	.128	-.032	-1.031	70	155	-.150	.038	-.017	-.395
60	955	-.038	.036	.200	-.145	70	106	-.236	.096	.075	-.784	70	156	-.161	.042	-.051	-.398
60	956	.165	.103	.676	-.034	70	107	-.250	.089	.002	-.723	70	157	-.172	.044	-.022	-.386
60	957	.126	.089	.572	-.052	70	108	-.346	.149	-.002	-1.120	70	158	-.367	.141	-.037	-1.149
60	958	.150	.098	.687	-.048	70	109	-.280	.117	.052	-.948	70	159	-.150	.037	.023	-.310
60	959	.047	.069	.394	-.147	70	110	-.240	.094	.027	-.816	70	160	-.393	.163	.012	-1.192
60	960	.101	.089	.523	-.107	70	111	-.214	.079	.120	-.759	70	161	-.144	.035	.010	-.303
60	961	.075	.105	.590	-.240	70	112	-.330	.136	.055	-1.116	70	162	-.387	.155	-.026	-1.685
60	962	-.032	.047	.177	-.265	70	113	-.285	.125	.036	-.941	70	163	-.350	.142	.014	-1.401
60	963	.068	.078	.489	-.221	70	114	-.219	.081	.050	-.662	70	164	-.206	.085	.005	-.728
60	964	.131	.082	.540	-.041	70	115	-.205	.067	.100	-.581	70	165	-.169	.082	.023	-.643
60	965	.071	.078	.532	-.095	70	116	-.255	.096	.007	-.742	70	166	-.150	.052	.014	-.448
60	966	-.044	.047	.153	-.278	70	117	-.229	.088	.068	-.653	70	167	-.127	.035	-.005	-.334
60	967	-.052	.032	.083	-.180	70	118	-.393	.179	.046	-1.304	70	168	-.128	.035	-.003	-.315
60	968	.037	.057	.291	-.113	70	119	-.273	.115	.068	-.832	70	169	-.126	.058	.095	-.460
60	969	.061	.055	.355	-.074	70	120	-.235	.082	.075	-.653	70	170	-.333	.126	.021	-1.215
60	970	.013	.043	.212	-.108	70	121	-.214	.066	-.009	-.565	70	171	-.323	.131	.054	-1.215
60	971	-.061	.032	.064	-.187	70	122	-.422	.192	-.013	-1.540	70	172	-.188	.081	.102	-.770
60	1001	-.185	.057	.117	-.399	70	123	-.362	.164	.055	-1.374	70	173	-.116	.061	.132	-.420
60	1002	-.188	.049	-.060	-.483	70	124	-.290	.116	.007	-.925	70	174	-.153	.051	.092	-.545
60	1003	-.299	.073	-.071	-.652	70	125	-.278	.107	.034	-1.105	70	175	-.116	.033	-.003	-.315
60	1004	-.272	.067	-.069	-.672	70	126	-.168	.114	.442	-.446	70	176	-.122	.032	-.005	-.266
60	1005	-.281	.062	-.089	-.613	70	127	-.222	.068	.009	-.606	70	177	-.273	.101	.054	-.827
60	1006	-.263	.065	-.055	-.621	70	128	-.181	.062	.025	-.558	70	178	-.279	.119	.009	-1.045
60	1007	-.105	.031	.164	-.251	70	129	-.173	.057	.016	-.505	70	179	-.150	.069	.078	-.645
60	1008	-.034	.043	.241	-.194	70	130	-.235	.077	.002	-.666	70	180	-.097	.051	.151	-.410
60	1009	-.250	.071	.050	-.569	70	131	-.253	.092	.068	-.696	70	181	-.141	.050	.040	-.448
60	1010	-.127	.103	.152	-.412	70	132	-.368	.131	.023	-1.111	70	182	-.115	.029	.002	-.258
60	1011	-.132	.039	.004	-.392	70	133	-.365	.139	.032	-1.451	70	183	-.119	.029	-.026	-.221
60	1012	-.068	.035	.085	-.249	70	134	-.277	.119	.027	-.999	70	184	-.190	.080	.059	-.801

WD	TAP	CPMEAN	CPRMS	CPMAX	CPMIN	WD	TAP	CPMEAN	CPRMS	CPMAX	CPMIN	WD	TAP	CPMEAN	CPRMS	CPMAX	CPMIN
70	185	-.179	.091	.071	-1.021	70	310	.155	.187	.922	-.409	70	360	-.089	.064	.293	-.506
70	186	-.113	.043	.052	-.356	70	311	.034	.164	.670	-.621	70	361	-.015	.144	.530	-.496
70	187	-.084	.035	.149	-.197	70	312	.074	.159	.681	-.343	70	362	-.088	.055	.169	-.363
70	188	-.131	.036	.007	-.301	70	313	.184	.187	1.043	-.551	70	363	-.043	.054	.204	-.417
70	189	-.120	.028	-.026	-.249	70	314	.193	.186	.974	-.249	70	364	.021	.075	.378	-.332
70	190	-.137	.032	-.038	-.327	70	315	.102	.170	.804	-.412	70	365	.056	.093	.504	-.311
70	191	-.086	.032	.046	-.202	70	316	.179	.192	.783	-.393	70	366	.113	.109	.596	-.231
70	192	-.072	.036	.116	-.179	70	317	.200	.174	1.017	-.284	70	367	.083	.143	.690	-.265
70	193	-.071	.037	.120	-.202	70	318	-.019	.148	.622	-.644	70	368	.028	.133	.593	-.391
70	194	-.161	.088	.114	-.828	70	319	.029	.217	.745	-.812	70	369	.099	.088	.628	-.265
70	195	-.156	.085	.111	-.816	70	320	.091	.199	1.000	-.729	70	370	-.079	.053	.144	-.325
70	196	-.078	.035	.093	-.243	70	321	.017	.149	.669	-.417	70	371	-.030	.052	.228	-.231
70	197	-.100	.032	.009	-.240	70	322	.011	.141	.643	-.452	70	372	-.011	.085	.339	-.505
70	198	-.065	.030	.082	-.209	70	323	.057	.146	.728	-.324	70	373	.098	.080	.463	-.088
70	199	-.065	.031	.082	-.231	70	324	.071	.160	.937	-.554	70	374	.122	.106	.680	-.152
70	200	-.068	.026	.055	-.181	70	325	.100	.146	.769	-.296	70	375	.089	.120	.579	-.327
70	201	-.074	.029	.064	-.181	70	326	.092	.155	.873	-.388	70	376	.032	.115	.477	-.322
70	202	-.106	.024	-.002	-.209	70	327	.109	.160	.873	-.338	70	377	-.084	.049	.139	-.332
70	203	-.094	.024	-.007	-.190	70	328	.101	.165	.733	-.421	70	378	-.038	.049	.184	-.283
70	204	-.094	.027	-.018	-.256	70	329	.065	.166	.683	-.311	70	379	-.033	.070	.213	-.399
70	205	-.102	.029	.032	-.222	70	330	.207	.160	.938	-.111	70	380	.053	.070	.435	-.117
70	206	-.093	.030	.016	-.227	70	331	.136	.142	.740	-.211	70	381	.070	.082	.591	-.130
70	207	-.110	.033	.000	-.265	70	332	-.045	.094	.435	-.357	70	382	.061	.101	.559	-.189
70	208	-.124	.034	-.020	-.272	70	333	.005	.090	.594	-.233	70	383	.013	.093	.482	-.310
70	209	-.060	.031	.166	-.150	70	334	.024	.114	.544	-.621	70	384	-.083	.046	.060	-.411
70	210	-.044	.036	.142	-.329	70	335	.099	.108	.756	-.228	70	385	-.042	.034	.102	-.189
70	211	-.102	.024	-.007	-.214	70	336	.140	.124	.878	-.116	70	386	-.016	.053	.191	-.226
70	212	-.098	.026	.011	-.225	70	337	.106	.112	.642	-.207	70	387	.042	.058	.423	-.063
70	213	-.093	.033	.066	-.218	70	338	.106	.131	.687	-.466	70	388	.051	.056	.287	-.090
70	214	-.097	.031	.011	-.216	70	339	.088	.160	.864	-.247	70	389	-.020	.050	.292	-.147
70	215	-.039	.039	.179	-.154	70	340	.022	.141	.642	-.319	70	390	-.060	.043	.255	-.199
70	216	-.036	.038	.204	-.156	70	341	.155	.118	.883	-.066	70	391	.050	.057	.360	-.072
70	217	-.058	.029	.114	-.166	70	342	.117	.100	.625	-.145	70	392	.013	.054	.275	-.198
70	218	-.077	.024	.045	-.166	70	343	-.126	.077	.311	-.454	70	393	.055	.065	.454	-.074
70	219	-.108	.023	-.019	-.182	70	344	-.042	.074	.323	-.273	70	394	.034	.063	.406	-.121
70	220	-.089	.025	.011	-.175	70	345	.066	.086	.613	-.190	70	395	.006	.055	.296	-.134
70	221	-.090	.024	.009	-.177	70	346	.117	.127	.773	-.238	70	396	-.031	.049	.388	-.159
70	222	-.091	.025	.027	-.232	70	347	.053	.146	.766	-.392	70	397	-.075	.036	.086	-.200
70	223	-.094	.030	.034	-.221	70	348	-.051	.137	.571	-.500	70	398	-.051	.030	.093	-.186
70	224	-.088	.031	.091	-.191	70	349	-.173	.133	.380	-.712	70	399	-.064	.026	.023	-.179
70	225	-.090	.033	.073	-.202	70	350	-.234	.114	.195	-.766	70	400	-.051	.024	.039	-.148
70	301	.042	.125	.544	-.424	70	351	-.089	.076	.235	-.491	70	401	-.060	.025	.059	-.157
70	302	.070	.127	.539	-.327	70	352	.006	.098	.382	-.686	70	402	-.059	.026	.066	-.143
70	303	.107	.159	.667	-.405	70	353	.059	.110	.565	-.508	70	403	-.041	.030	.095	-.190
70	304	.137	.171	.747	-.511	70	354	.061	.121	.635	-.496	70	404	-.061	.033	.118	-.247
70	305	.025	.137	.505	-.355	70	355	.027	.132	.642	-.623	70	405	-.047	.038	.127	-.150
70	306	.021	.134	.548	-.311	70	356	-.129	.155	.483	-.857	70	406	-.044	.043	.230	-.231
70	307	.077	.144	.646	-.241	70	357	.002	.172	.734	-.439	70	407	-.054	.038	.107	-.260
70	308	.024	.162	.641	-.460	70	358	-.060	.060	.153	-.496	70	408	-.070	.029	.020	-.187
70	309	.156	.204	.903	-.390	70	359	.075	.151	.727	-.421	70	409	-.059	.026	.032	-.168

WD	TAP	CPMEAN	CPRMS	CPMAX	CPMIN	WD	TAP	CPMEAN	CPRMS	CPMAX	CPMIN	WD	TAP	CPMEAN	CPRMS	CPMAX	CPMIN
70	410	-.062	.032	.138	-.199	70	538	-.240	.106	.025	-.773	70	588	-.105	.047	.048	-.832
70	411	-.050	.027	.064	-.170	70	539	-.265	.106	.064	-.902	70	589	-.211	.114	.060	-.977
70	412	-.056	.024	.027	-.151	70	540	-.280	.114	.100	-.991	70	590	-.208	.098	.022	-.846
70	413	-.054	.024	.040	-.171	70	541	-.199	.079	.162	-.576	70	591	-.079	.026	.002	-.216
70	414	-.041	.030	.135	-.142	70	542	-.200	.081	.119	-.565	70	592	-.083	.025	.016	-.258
70	415	-.046	.029	.080	-.159	70	543	-.181	.048	-.019	-.491	70	593	-.102	.022	-.019	-.192
70	416	-.029	.025	.092	-.104	70	544	-.179	.062	-.026	-.569	70	594	-.098	.020	-.031	-.173
70	417	-.032	.023	.099	-.102	70	545	-.185	.079	.093	-.627	70	595	-.113	.025	-.022	-.244
70	418	-.044	.023	.066	-.126	70	546	-.219	.091	.050	-.778	70	596	-.085	.026	-.003	-.221
70	419	-.053	.023	.045	-.154	70	547	-.246	.095	.045	-.819	70	597	-.099	.028	-.014	-.249
70	420	-.052	.024	.059	-.133	70	548	-.235	.090	.114	-.776	70	598	-.180	.070	-.029	-.578
70	421	-.056	.027	.151	-.182	70	549	-.174	.042	-.018	-.427	70	599	-.216	.114	-.031	-1.115
70	422	-.059	.031	.063	-.216	70	550	-.186	.042	-.059	-.414	70	600	-.051	.030	.061	-.178
70	501	-.256	.095	.041	-.716	70	551	-.179	.053	-.032	-.443	70	601	-.075	.042	.063	-.484
70	502	-.319	.116	-.009	-1.029	70	552	-.181	.060	.011	-.452	70	602	-.077	.039	-.027	-.342
70	503	-.334	.112	-.064	-.861	70	553	-.198	.073	.072	-.567	70	603	-.102	.022	-.031	-.180
70	504	-.124	.078	.134	-.440	70	554	-.216	.078	.018	-.722	70	604	-.198	.076	-.038	-.660
70	505	-.221	.094	.095	-.751	70	555	-.283	.111	.042	-1.012	70	605	-.059	.035	.117	-.288
70	506	-.313	.120	.016	-.894	70	556	-.218	.100	.281	-.702	70	606	-.068	.037	.059	-.313
70	507	-.241	.091	-.014	-.705	70	557	-.250	.110	.211	-.920	70	607	-.071	.044	.073	-.324
70	508	-.200	.077	.046	-.771	70	558	-.173	.044	-.034	-.425	70	608	-.076	.023	.020	-.200
70	509	-.240	.110	.093	-.848	70	559	-.236	.082	-.007	-.789	70	609	-.055	.034	.075	-.214
70	510	-.268	.123	.118	-1.090	70	560	-.166	.040	-.014	-.351	70	610	-.055	.033	.075	-.214
70	511	-.330	.149	.098	-1.055	70	561	-.232	.088	-.030	-.803	70	611	-.072	.043	.061	-.279
70	512	-.202	.073	.038	-.630	70	562	-.164	.041	-.034	-.385	70	612	-.101	.021	-.034	-.167
70	513	-.210	.082	.054	-.698	70	563	-.157	.042	-.022	-.423	70	613	-.094	.020	-.013	-.162
70	514	-.274	.135	.100	-1.031	70	564	-.183	.061	.024	-.576	70	614	-.102	.026	.011	-.225
70	515	-.326	.130	.093	-.979	70	565	-.237	.110	.067	-.823	70	615	-.076	.023	.041	-.146
70	516	-.257	.105	.095	-.698	70	566	-.216	.079	-.027	-.655	70	616	-.085	.023	.018	-.171
70	517	-.215	.090	.161	-.585	70	567	-.214	.070	-.023	-.837	70	617	-.096	.036	.056	-.322
70	518	-.207	.068	-.002	-.583	70	568	-.217	.072	-.009	-.693	70	618	-.122	.050	.070	-.354
70	519	-.228	.080	.025	-.619	70	569	-.174	.051	.019	-.402	70	619	-.045	.028	.093	-.128
70	520	-.240	.111	.111	-.784	70	570	-.138	.028	-.007	-.288	70	620	-.058	.033	.052	-.185
70	521	-.403	.194	.070	-1.731	70	571	-.130	.030	-.033	-.283	70	701	-.237	.070	-.061	-.590
70	522	-.180	.066	.045	-.669	70	572	-.140	.044	.019	-.359	70	702	-.242	.072	-.052	-.636
70	523	-.177	.061	.009	-.539	70	573	-.188	.071	-.002	-.738	70	703	-.309	.109	-.043	-.893
70	524	-.216	.078	.038	-.734	70	574	-.246	.085	-.049	-.676	70	704	-.280	.109	-.001	-.806
70	525	-.176	.117	.347	-.759	70	575	-.244	.069	-.066	-.527	70	705	-.206	.068	.031	-.681
70	526	-.246	.100	.045	-.898	70	576	-.230	.067	.027	-.643	70	706	-.201	.070	.047	-.594
70	527	-.261	.117	.006	-.943	70	577	-.128	.026	-.028	-.229	70	707	-.189	.045	-.054	-.387
70	528	-.284	.154	.128	-1.150	70	578	-.116	.025	-.004	-.229	70	708	-.213	.072	-.005	-.584
70	529	-.323	.142	.057	-1.133	70	579	-.120	.039	.010	-.302	70	709	-.222	.062	-.083	-.639
70	530	-.218	.070	.020	-.517	70	580	-.120	.062	.140	-.463	70	710	-.223	.062	-.072	-.491
70	531	-.224	.096	.155	-.705	70	581	-.205	.104	-.029	-1.007	70	711	-.200	.067	-.003	-.558
70	532	-.175	.054	-.033	-.645	70	582	-.279	.103	-.030	-.835	70	712	-.213	.071	-.010	-.639
70	533	-.165	.055	-.013	-.462	70	583	-.279	.095	-.052	-.818	70	713	-.195	.047	-.057	-.433
70	534	-.182	.074	.116	-.677	70	584	-.116	.023	-.023	-.193	70	714	-.205	.054	-.050	-.454
70	535	-.154	.099	.213	-.636	70	585	-.105	.022	-.007	-.177	70	715	-.193	.059	-.030	-.536
70	536	-.208	.081	.103	-.576	70	586	-.113	.031	.022	-.269	70	716	-.217	.058	-.077	-.619
70	537	-.225	.087	.006	-.803	70	587	-.086	.029	.062	-.215	70	717	-.169	.035	-.061	-.367

WD	TAP	CPMEAN	CPRMS	CPMAX	CPMIN	WD	TAP	CPMEAN	CPRMS	CPMAX	CPMIN	WD	TAP	CPMEAN	CPRMS	CPMAX	CPMIN
70	718	-.218	.066	-.043	-.581	70	768	-.162	.034	-.057	-.297	70	818	-.131	.024	-.033	-.266
70	719	-.200	.054	-.050	-.516	70	769	-.137	.027	-.040	-.234	70	819	-.117	.023	-.040	-.229
70	720	-.199	.056	-.090	-.572	70	770	-.132	.031	-.029	-.304	70	820	-.126	.037	-.008	-.337
70	721	-.218	.063	-.043	-.545	70	771	-.136	.032	-.031	-.355	70	821	-.114	.024	-.051	-.198
70	722	-.163	.052	-.008	-.440	70	772	-.144	.038	-.052	-.411	70	822	-.111	.022	-.047	-.243
70	723	-.163	.049	-.042	-.416	70	773	-.149	.026	-.057	-.238	70	901	-.183	.026	-.122	-.311
70	724	-.179	.043	-.045	-.371	70	774	-.178	.040	-.057	-.469	70	902	-.190	.041	-.087	-.439
70	725	-.181	.039	-.072	-.344	70	775	-.158	.030	-.050	-.308	70	903	-.188	.031	-.087	-.311
70	726	-.177	.039	-.041	-.422	70	776	-.158	.032	-.064	-.327	70	904	-.185	.041	-.070	-.503
70	727	-.183	.045	-.056	-.381	70	777	-.139	.031	-.045	-.336	70	905	-.184	.028	-.114	-.335
70	728	-.176	.049	-.033	-.464	70	778	-.141	.033	-.052	-.357	70	906	-.181	.055	-.016	-.452
70	729	-.177	.052	-.015	-.487	70	779	-.147	.037	-.036	-.378	70	907	-.207	.054	-.032	-.481
70	730	-.172	.032	-.078	-.347	70	780	-.142	.024	-.043	-.222	70	908	-.198	.057	-.031	-.509
70	731	-.194	.038	-.103	-.347	70	781	-.167	.035	-.073	-.378	70	909	-.186	.052	-.005	-.432
70	732	-.185	.051	-.047	-.487	70	782	-.155	.035	-.061	-.355	70	910	-.168	.056	.060	-.445
70	733	-.185	.055	-.054	-.604	70	783	-.152	.033	-.045	-.367	70	911	-.150	.045	.086	-.659
70	734	-.172	.037	-.069	-.428	70	784	-.174	.049	-.054	-.567	70	912	-.223	.076	-.028	-.893
70	735	-.172	.032	-.049	-.345	70	785	-.172	.046	-.071	-.460	70	913	-.218	.073	-.047	-.771
70	736	-.157	.030	-.067	-.277	70	786	-.143	.027	-.061	-.266	70	914	-.210	.069	.107	-.546
70	737	-.171	.034	-.049	-.342	70	787	-.133	.025	-.045	-.292	70	915	-.212	.065	.050	-.624
70	738	-.190	.044	-.083	-.475	70	788	-.142	.030	-.040	-.350	70	916	-.215	.068	.034	-.578
70	739	-.181	.044	-.045	-.430	70	789	-.135	.029	-.052	-.294	70	917	-.216	.068	-.002	-.523
70	740	-.186	.051	-.065	-.595	70	790	-.134	.032	-.050	-.374	70	918	-.215	.058	-.052	-.600
70	741	-.173	.030	-.087	-.351	70	791	-.150	.031	-.049	-.315	70	919	-.198	.079	.069	-.654
70	742	-.189	.034	-.094	-.360	70	792	-.135	.026	-.058	-.279	70	920	-.288	.109	.011	-.769
70	743	-.179	.048	-.056	-.455	70	793	-.148	.029	-.063	-.284	70	921	-.284	.097	-.037	-.686
70	744	-.181	.045	-.069	-.435	70	794	-.133	.025	-.054	-.282	70	922	-.206	.084	.077	-.672
70	745	-.191	.037	-.090	-.385	70	795	-.122	.028	-.024	-.245	70	923	-.318	.116	.113	-.834
70	746	-.186	.039	-.074	-.545	70	796	-.121	.030	-.017	-.234	70	924	-.154	.152	.313	-1.222
70	747	-.186	.046	-.054	-.507	70	797	-.103	.029	-.013	-.200	70	925	-.131	.128	.263	-.937
70	748	-.182	.044	-.067	-.428	70	798	-.192	.065	-.063	-.654	70	926	-.085	.094	.256	-.527
70	749	-.165	.038	-.056	-.357	70	799	-.178	.051	-.049	-.568	70	927	-.043	.112	.468	-.407
70	750	-.164	.040	-.043	-.414	70	800	-.140	.028	-.042	-.316	70	928	.040	.247	.840	-.779
70	751	-.167	.038	-.048	-.330	70	801	-.124	.026	-.042	-.267	70	929	.126	.200	.872	-.625
70	752	-.174	.033	-.074	-.304	70	802	-.143	.037	-.044	-.332	70	930	-.238	.096	.137	-.915
70	753	-.175	.029	-.081	-.300	70	803	-.124	.028	-.044	-.239	70	931	-.318	.117	.001	-1.019
70	754	-.178	.030	-.074	-.333	70	804	-.124	.026	-.047	-.243	70	932	-.091	.083	.228	-.426
70	755	-.174	.043	-.039	-.620	70	805	-.106	.022	-.012	-.202	70	933	-.057	.155	.573	-.764
70	756	-.174	.041	-.063	-.386	70	806	-.110	.023	-.026	-.207	70	934	-.050	.167	.537	-.578
70	757	-.180	.041	-.076	-.450	70	807	-.128	.030	-.001	-.291	70	935	-.109	.095	.230	-.400
70	758	-.151	.034	-.043	-.291	70	808	-.098	.029	-.024	-.213	70	936	-.197	.058	.071	-.421
70	759	-.164	.032	-.039	-.306	70	809	-.188	.051	-.065	-.476	70	937	.023	.081	.530	-.156
70	760	-.146	.035	-.039	-.337	70	810	-.132	.026	-.040	-.264	70	938	.118	.104	.703	-.124
70	761	-.163	.035	-.028	-.306	70	811	-.116	.022	-.045	-.209	70	939	.091	.135	.664	-.187
70	762	-.141	.033	-.030	-.302	70	812	-.112	.026	-.038	-.257	70	940	-.137	.074	.152	-.330
70	763	-.143	.032	-.030	-.341	70	813	-.119	.035	-.072	-.344	70	941	-.133	.022	-.085	-.270
70	764	-.154	.035	-.056	-.401	70	814	-.121	.031	-.013	-.252	70	942	-.110	.028	.047	-.234
70	765	-.186	.039	-.045	-.341	70	815	-.094	.030	-.042	-.191	70	943	-.086	.029	.042	-.229
70	766	-.177	.037	-.073	-.332	70	816	-.163	.052	-.028	-.536	70	944	-.092	.025	.018	-.180
70	767	-.162	.034	-.071	-.320	70	817	-.153	.039	-.040	-.353	70	945	-.081	.022	.020	-.165

WD	TAP	CPMEAN	CPRMS	CPMAX	CPMIN	WD	TAP	CPMEAN	CPRMS	CPMAX	CPMIN	WD	TAP	CPMEAN	CPRMS	CPMAX	CPMIN
70	946	-.071	.038	.134	-.214	70	1025	-.047	.028	.080	-.151	80	147	-.232	.089	-.045	-.826
70	947	-.066	.042	.131	-.203	70	1026	-.049	.032	.066	-.196	80	148	-.218	.071	-.057	-.801
70	948	-.090	.033	.082	-.180	70	1027	-.057	.031	.052	-.205	80	149	-.322	.127	.148	-1.355
70	949	-.091	.033	.087	-.209	70	1028	-.051	.024	.061	-.125	80	150	-.285	.118	.095	-.999
70	950	-.097	.026	-.022	-.221	80	101	-.314	.099	-.072	-1.021	80	151	-.349	.112	-.087	-1.115
70	951	-.091	.028	.036	-.201	80	102	-.241	.070	.057	-.669	80	152	-.309	.110	-.012	-.947
70	952	-.124	.030	.007	-.323	80	103	-.160	.070	.183	-.439	80	153	-.274	.087	-.037	-.742
70	953	-.099	.029	.029	-.227	80	104	-.368	.121	-.074	-.908	80	154	-.235	.073	-.044	-.596
70	954	-.088	.054	.158	-.510	80	105	-.260	.079	.050	-.720	80	155	-.216	.069	-.017	-.616
70	955	-.071	.030	.058	-.256	80	106	-.278	.098	.027	-.870	80	156	-.207	.054	-.074	-.475
70	956	-.051	.059	.397	-.069	80	107	-.263	.082	-.003	-.664	80	157	-.208	.057	-.039	-.482
70	957	.052	.061	.481	-.085	80	108	-.271	.086	.018	-.859	80	158	-.324	.112	-.074	-1.747
70	958	.042	.076	.573	-.105	80	109	-.275	.095	.020	-1.140	80	159	-.190	.056	-.017	-.520
70	959	-.018	.061	.294	-.174	80	110	-.263	.088	.052	-.784	80	160	-.348	.146	-.060	-1.587
70	960	.033	.056	.397	-.094	80	111	-.277	.111	.088	-.881	80	161	-.185	.050	-.019	-.475
70	961	-.014	.059	.345	-.196	80	112	-.277	.092	-.053	-1.032	80	162	-.337	.114	-.092	-1.081
70	962	-.029	.032	.089	-.215	80	113	-.274	.086	.018	-.782	80	163	-.329	.115	-.062	-1.115
70	963	-.017	.056	.469	-.195	80	114	-.262	.085	.013	-.664	80	164	-.282	.115	-.021	-1.136
70	964	.041	.052	.320	-.090	80	115	-.267	.100	.048	-.823	80	165	-.266	.122	.004	-1.145
70	965	.015	.049	.299	-.127	80	116	-.268	.086	.016	-.770	80	166	-.203	.069	-.078	-.742
70	966	-.038	.034	.111	-.205	80	117	-.265	.076	.009	-.703	80	167	-.168	.045	-.022	-.442
70	967	-.073	.029	.111	-.191	80	118	-.329	.141	.013	-1.207	80	168	-.163	.042	-.015	-.389
70	968	.002	.037	.182	-.132	80	119	-.282	.091	-.010	-.733	80	169	-.186	.063	-.011	-.531
70	969	.008	.042	.248	-.090	80	120	-.261	.080	-.042	-.681	80	170	-.312	.107	-.053	-1.082
70	970	-.041	.032	.111	-.170	80	121	-.256	.083	-.012	-.646	80	171	-.312	.111	-.019	-1.157
70	971	-.077	.028	.040	-.201	80	122	-.314	.128	-.042	-1.691	80	172	-.237	.094	-.020	-1.030
70	1001	-.137	.030	-.007	-.246	80	123	-.321	.133	.027	-1.119	80	173	-.170	.059	-.098	-.531
70	1002	-.127	.023	-.043	-.255	80	124	-.324	.124	.034	-1.076	80	174	-.169	.047	-.028	-.488
70	1003	-.214	.059	-.032	-.569	80	125	-.300	.112	-.028	-.874	80	175	-.142	.033	-.025	-.305
70	1004	-.217	.055	-.021	-.529	80	126	-.263	.094	.156	-.770	80	176	-.144	.033	-.011	-.324
70	1005	-.214	.058	-.041	-.529	80	127	-.259	.085	.064	-.703	80	177	-.306	.107	.028	-1.049
70	1006	-.217	.060	-.044	-.472	80	128	-.243	.086	.011	-.603	80	178	-.288	.108	.042	-.799
70	1007	-.080	.022	-.005	-.154	80	129	-.237	.085	.085	-.710	80	179	-.183	.062	-.019	-.869
70	1008	-.064	.038	.106	-.189	80	130	-.255	.071	-.022	-.675	80	180	-.132	.041	-.008	-.365
70	1009	-.158	.053	.045	-.491	80	131	-.270	.078	-.019	-.696	80	181	-.158	.043	-.002	-.387
70	1010	-.127	.063	.144	-.474	80	132	-.301	.094	.046	-.931	80	182	-.134	.029	-.039	-.262
70	1011	-.097	.025	-.014	-.217	80	133	-.303	.091	-.023	-.780	80	183	-.137	.028	-.037	-.243
70	1012	-.090	.033	.042	-.238	80	134	-.316	.106	-.047	-.826	80	184	-.204	.065	-.009	-.718
70	1013	-.169	.107	.242	-.776	80	135	-.292	.095	-.045	-.871	80	185	-.194	.063	-.013	-.567
70	1014	-.184	.094	.172	-.670	80	136	-.267	.080	.016	-.638	80	186	-.141	.036	-.022	-.471
70	1015	-.245	.096	.022	-.721	80	137	-.258	.099	.118	-.924	80	187	-.123	.030	-.008	-.262
70	1016	-.292	.122	.129	-1.047	80	138	-.248	.094	.013	-.719	80	188	-.145	.032	-.029	-.322
70	1017	.052	.057	.446	-.090	80	139	-.238	.082	-.045	-.671	80	189	-.136	.026	-.039	-.224
70	1018	.072	.066	.465	-.087	80	140	-.242	.088	-.025	-.738	80	190	-.144	.028	-.051	-.284
70	1019	.051	.058	.446	-.085	80	141	-.270	.082	-.012	-.715	80	191	-.127	.030	.041	-.235
70	1020	-.064	.074	.439	-.132	80	142	-.283	.103	.046	-.880	80	192	-.118	.033	.029	-.239
70	1021	-.074	.024	-.045	-.144	80	143	-.317	.111	.060	-1.282	80	193	-.118	.031	.032	-.260
70	1022	-.089	.022	-.005	-.168	80	144	-.303	.100	-.045	-.973	80	194	-.181	.070	.023	-.788
70	1023	-.102	.026	-.017	-.238	80	145	-.300	.107	.018	-.957	80	195	-.178	.070	.091	-.575
70	1024	-.113	.032	-.019	-.328	80	146	-.266	.102	.046	-.920	80	196	-.123	.033	.041	-.336

WD	TAP	CPMEAN	CPRMS	CPMAX	CPMIN	WD	TAP	CPMEAN	CPRMS	CPMAX	CPMIN	WD	TAP	CPMEAN	CPRMS	CPMAX	CPMIN
80	197	-.128	.029	.016	-.246	80	322	.155	.190	.840	-.368	80	372	-.047	.054	.204	-.433
80	198	-.101	.033	.101	-.239	80	323	.238	.206	1.012	-.378	80	373	-.016	.054	.247	-.258
80	199	-.101	.032	.057	-.203	80	324	.206	.191	.998	-.492	80	374	-.027	.069	.278	-.341
80	200	-.101	.029	.050	-.200	80	325	.179	.182	.857	-.470	80	375	-.056	.083	.336	-.334
80	201	-.107	.029	.057	-.203	80	326	.216	.203	.990	-.300	80	376	-.111	.088	.344	-.445
80	202	-.139	.027	-.026	-.239	80	327	.071	.192	.797	-.540	80	377	-.091	.038	.090	-.349
80	203	-.126	.027	-.004	-.235	80	328	.042	.152	.653	-.545	80	378	-.075	.035	.088	-.197
80	204	-.123	.025	-.016	-.230	80	329	-.016	.139	.702	-.447	80	379	-.073	.043	.067	-.435
80	205	-.126	.024	-.039	-.207	80	330	.291	.193	.937	-.165	80	380	-.042	.043	.250	-.169
80	206	-.123	.028	-.030	-.223	80	331	.214	.187	.952	-.241	80	381	-.043	.061	.298	-.547
80	207	-.130	.029	-.037	-.255	80	332	.035	.136	.650	-.405	80	382	-.041	.083	.415	-.331
80	208	-.138	.032	-.035	-.375	80	333	.080	.145	.721	-.234	80	383	-.076	.085	.334	-.440
80	209	-.093	.038	.108	-.214	80	334	.113	.148	.778	-.351	80	384	-.092	.031	.085	-.260
80	210	-.066	.046	.230	-.173	80	335	.105	.142	.704	-.305	80	385	-.075	.028	.034	-.199
80	211	-.137	.026	-.031	-.315	80	336	.144	.149	.773	-.180	80	386	-.057	.038	.116	-.255
80	212	-.125	.023	-.050	-.219	80	337	.106	.140	.741	-.197	80	387	-.025	.037	.138	-.133
80	213	-.119	.028	.011	-.224	80	338	-.031	.139	.709	-.577	80	388	-.037	.041	.189	-.202
80	214	-.116	.027	-.003	-.250	80	339	-.058	.088	.290	-.329	80	389	-.088	.035	.090	-.247
80	215	-.075	.040	.146	-.233	80	340	-.113	.086	.342	-.520	80	390	-.120	.037	.070	-.253
80	216	-.077	.038	.125	-.187	80	341	.176	.151	.829	-.099	80	391	-.029	.038	.141	-.136
80	217	-.084	.033	.104	-.175	80	342	.117	.126	.903	-.126	80	392	-.041	.040	.144	-.229
80	218	-.102	.026	-.032	-.187	80	343	-.045	.099	.518	-.332	80	393	-.020	.044	.269	-.133
80	219	-.145	.026	-.059	-.266	80	344	.055	.120	.824	-.280	80	394	-.041	.047	.287	-.192
80	220	-.122	.023	-.026	-.212	80	345	.119	.140	.763	-.192	80	395	-.067	.039	.120	-.165
80	221	-.119	.023	-.026	-.191	80	346	.026	.090	.501	-.182	80	396	-.097	.035	.075	-.219
80	222	-.120	.024	-.017	-.194	80	347	-.077	.077	.332	-.342	80	397	-.083	.032	.116	-.194
80	223	-.119	.027	-.029	-.212	80	348	-.198	.083	.192	-.567	80	398	-.066	.028	.086	-.165
80	224	-.114	.026	.025	-.191	80	349	-.116	.133	.484	-.669	80	399	-.089	.025	-.010	-.256
80	225	-.111	.027	.066	-.201	80	350	-.168	.117	.291	-.861	80	400	-.083	.022	.038	-.169
80	301	.098	.121	.519	-.322	80	351	-.123	.162	.583	-.885	80	401	-.090	.025	.009	-.213
80	302	.109	.128	.551	-.426	80	352	-.129	.161	.381	-1.181	80	402	-.094	.026	.013	-.185
80	303	.104	.188	.764	-.390	80	353	-.128	.145	.313	-.950	80	403	-.094	.033	.070	-.197
80	304	.242	.171	.757	-.502	80	354	-.148	.137	.207	-.934	80	404	-.090	.041	.300	-.219
80	305	.127	.145	.554	-.389	80	355	-.198	.136	.265	-.818	80	405	-.084	.042	.143	-.201
80	306	.023	.128	.515	-.463	80	356	-.338	.144	.174	-1.047	80	406	-.064	.050	.157	-.204
80	307	.121	.139	.536	-.300	80	357	-.260	.170	.301	-1.102	80	407	-.058	.039	.193	-.165
80	308	.142	.175	.660	-.560	80	358	-.045	.086	.498	-1.109	80	408	-.092	.025	-.012	-.235
80	309	.289	.201	.876	-.249	80	359	-.129	.102	.248	-.719	80	409	-.087	.025	.038	-.188
80	310	.275	.200	1.017	-.426	80	360	-.079	.083	.431	-.462	80	410	-.088	.039	.157	-.233
80	311	.018	.142	.610	-.514	80	361	-.132	.086	.207	-.575	80	411	-.078	.024	.018	-.172
80	312	.226	.189	.825	-.487	80	362	-.095	.067	.308	-.334	80	412	-.084	.022	-.009	-.226
80	313	.293	.205	.944	-.329	80	363	-.059	.068	.255	-.366	80	413	-.083	.029	.035	-.188
80	314	.251	.196	.901	-.550	80	364	-.034	.066	.279	-.317	80	414	-.059	.030	.078	-.152
80	315	.064	.153	.650	-.526	80	365	-.035	.072	.212	-.467	80	415	-.059	.027	.062	-.152
80	316	.260	.209	1.044	-.302	80	366	-.025	.075	.286	-.537	80	416	-.068	.024	.031	-.166
80	317	.272	.200	1.044	-.390	80	367	-.087	.079	.344	-.562	80	417	-.068	.022	.002	-.152
80	318	.158	.175	.726	-.366	80	368	-.136	.086	.306	-.532	80	418	-.076	.023	-.001	-.157
80	319	.247	.211	.976	-.446	80	369	-.035	.069	.286	-.478	80	419	-.077	.025	.026	-.171
80	320	.029	.199	.718	-.903	80	370	-.093	.045	.154	-.331	80	420	-.078	.028	.050	-.195
80	321	.006	.127	.487	-.383	80	371	-.068	.046	.133	-.324	80	421	-.087	.035	.127	-.180

WD	TAP	CPMEAN	CPRMS	CPMAX	CPMIN	WD	TAP	CPMEAN	CPRMS	CPMAX	CPMIN	WD	TAP	CPMEAN	CPRMS	CPMAX	CPMIN
80	422	-.087	.040	.136	-.294	80	550	-.221	.070	-.047	-.645	80	600	-.063	.027	.081	-.159
80	501	-.294	.106	-.000	-.761	80	551	-.184	.055	-.027	-.448	80	601	-.093	.029	.016	-.278
80	502	-.304	.108	-.032	-.861	80	552	-.158	.061	-.027	-.872	80	602	-.096	.029	-.000	-.301
80	503	-.373	.118	-.052	-.859	80	553	-.158	.071	-.093	-.597	80	603	-.120	.021	.009	-.194
80	504	-.051	.085	.225	-.477	80	554	-.183	.078	.145	-.581	80	604	-.155	.050	-.025	-.468
80	505	-.188	.066	.043	-.651	80	555	-.237	.116	.097	-.895	80	605	-.068	.031	.095	-.160
80	506	-.363	.142	.098	-1.246	80	556	-.144	.094	.381	-.530	80	606	-.073	.027	.052	-.181
80	507	-.197	.084	.041	-.582	80	557	-.164	.101	.280	-.663	80	607	-.073	.030	.082	-.239
80	508	-.185	.053	-.016	-.444	80	558	-.165	.043	-.031	-.408	80	608	-.096	.024	-.014	-.189
80	509	-.145	.082	.093	-.654	80	559	-.223	.093	.003	-.832	80	609	-.063	.030	.085	-.184
80	510	-.179	.113	.107	-.843	80	560	-.155	.039	.021	-.372	80	610	-.071	.027	.050	-.158
80	511	-.414	.199	.354	-1.280	80	561	-.242	.131	.045	-1.111	80	611	-.080	.027	.054	-.196
80	512	-.187	.051	.011	-.459	80	562	-.151	.035	-.056	-.356	80	612	-.118	.019	-.007	-.201
80	513	-.167	.049	.084	-.509	80	563	-.142	.036	.021	-.387	80	613	-.115	.020	-.023	-.174
80	514	-.186	.143	.175	-.825	80	564	-.130	.040	.131	-.372	80	614	-.125	.024	-.034	-.215
80	515	-.356	.171	.285	-1.070	80	565	-.129	.049	.073	-.478	80	615	-.097	.021	.002	-.158
80	516	-.184	.094	.091	-.725	80	566	-.138	.052	.036	-.465	80	616	-.103	.019	-.007	-.171
80	517	-.127	.093	.372	-.563	80	567	-.184	.080	.131	-.662	80	617	-.108	.027	-.005	-.230
80	518	-.213	.068	.023	-.529	80	568	-.226	.114	.108	-1.037	80	618	-.123	.033	-.005	-.324
80	519	-.212	.080	.050	-.625	80	569	-.118	.042	.131	-.393	80	619	-.065	.029	.132	-.151
80	520	-.166	.116	.207	-.711	80	570	-.140	.030	-.040	-.301	80	620	-.077	.022	.002	-.155
80	521	-.351	.222	.304	-1.292	80	571	-.131	.027	-.014	-.322	80	701	-.260	.070	-.080	-.601
80	522	-.158	.049	.032	-.427	80	572	-.134	.037	.046	-.346	80	702	-.261	.072	-.064	-.689
80	523	-.157	.056	.036	-.522	80	573	-.108	.033	.022	-.279	80	703	-.340	.111	-.069	-1.030
80	524	-.220	.079	.057	-.809	80	574	-.129	.041	.017	-.353	80	704	-.258	.096	-.034	-.670
80	525	-.073	.119	.540	-.602	80	575	-.159	.051	.010	-.524	80	705	-.245	.061	-.050	-.528
80	526	-.224	.108	.086	-.952	80	576	-.159	.049	-.009	-.455	80	706	-.215	.060	-.033	-.599
80	527	-.211	.115	.080	-.872	80	577	-.127	.024	-.040	-.218	80	707	-.211	.049	-.062	-.405
80	528	-.221	.178	.273	-1.454	80	578	-.119	.024	-.002	-.211	80	708	-.266	.078	-.028	-.633
80	529	-.340	.231	.303	-1.323	80	579	-.123	.029	-.026	-.289	80	709	-.251	.064	-.080	-.528
80	530	-.174	.086	.156	-.619	80	580	-.095	.027	-.004	-.194	80	710	-.243	.065	-.069	-.629
80	531	-.150	.115	.351	-.615	80	581	-.113	.034	-.016	-.339	80	711	-.229	.072	.001	-.609
80	532	-.167	.045	-.012	-.433	80	582	-.144	.054	-.004	-.424	80	712	-.232	.061	-.045	-.553
80	533	-.147	.044	.016	-.348	80	583	-.151	.055	.003	-.469	80	713	-.228	.052	-.039	-.541
80	534	-.213	.106	.009	-.794	80	584	-.118	.021	-.037	-.192	80	714	-.240	.045	-.034	-.611
80	535	-.030	.098	.409	-.320	80	585	-.112	.021	-.042	-.192	80	715	-.221	.067	-.028	-.606
80	536	-.114	.088	.294	-.647	80	586	-.122	.025	-.030	-.263	80	716	-.239	.061	-.055	-.590
80	537	-.161	.087	.091	-.649	80	587	-.096	.023	-.021	-.206	80	717	-.192	.042	-.064	-.389
80	538	-.160	.094	.170	-.734	80	588	-.105	.023	-.021	-.211	80	718	-.261	.071	-.039	-.634
80	539	-.267	.162	.262	-.930	80	589	-.128	.040	-.016	-.398	80	719	-.275	.081	-.080	-.744
80	540	-.303	.157	.285	-.932	80	590	-.132	.040	.008	-.348	80	720	-.247	.076	-.048	-.645
80	541	-.106	.072	.252	-.444	80	591	-.094	.025	.002	-.181	80	721	-.281	.089	-.071	-.802
80	542	-.112	.069	.172	-.428	80	592	-.089	.025	.011	-.169	80	722	-.237	.074	.035	-.583
80	543	-.187	.048	-.046	-.403	80	593	-.113	.020	-.051	-.185	80	723	-.233	.069	-.072	-.539
80	544	-.154	.048	.029	-.394	80	594	-.108	.021	-.005	-.185	80	724	-.231	.057	-.075	-.479
80	545	-.115	.053	.216	-.362	80	595	-.129	.028	-.041	-.264	80	725	-.226	.050	-.066	-.454
80	546	-.134	.091	.209	-.592	80	596	-.088	.024	-.002	-.173	80	726	-.202	.048	-.066	-.421
80	547	-.188	.122	.255	-.934	80	597	-.100	.023	-.015	-.190	80	727	-.195	.050	-.013	-.503
80	548	-.190	.119	.220	-.877	80	598	-.130	.043	-.007	-.329	80	728	-.180	.050	-.031	-.440
80	549	-.218	.064	-.054	-.769	80	599	-.152	.048	-.034	-.447	80	729	-.178	.050	-.008	-.428

WD	TAP	CPMEAN	CPRMS	CPMAX	CPMIN	WD	TAP	CPMEAN	CPRMS	CPMAX	CPMIN	WD	TAP	CPMEAN	CPRMS	CPMAX	CPMIN
80	730	-.207	.043	-.092	-.372	80	780	-.146	.023	-.067	-.236	80	908	-.255	.078	.048	-.585
80	731	-.237	.050	-.092	-.440	80	781	-.160	.030	-.086	-.291	80	909	-.246	.044	-.027	-.494
80	732	-.237	.063	-.013	-.487	80	782	-.152	.029	-.057	-.416	80	910	-.125	.049	-.160	-.338
80	733	-.223	.054	-.071	-.531	80	783	-.153	.029	-.067	-.310	80	911	-.230	.085	-.017	-.666
80	734	-.209	.048	-.083	-.452	80	784	-.173	.046	-.067	-.510	80	912	-.318	.124	-.086	-1.141
80	735	-.207	.045	-.083	-.452	80	785	-.172	.039	-.069	-.409	80	913	-.270	.082	-.071	-.664
80	736	-.188	.039	-.024	-.379	80	786	-.148	.023	-.065	-.255	80	914	-.227	.072	-.029	-.516
80	737	-.203	.050	-.066	-.501	80	787	-.140	.020	-.050	-.233	80	915	-.251	.066	-.027	-.510
80	738	-.221	.061	-.076	-.557	80	788	-.146	.027	-.077	-.404	80	916	-.242	.072	.066	-.667
80	739	-.202	.055	-.083	-.519	80	789	-.137	.024	-.062	-.337	80	917	-.251	.074	.125	-.552
80	740	-.199	.054	-.022	-.578	80	790	-.134	.021	-.060	-.209	80	918	-.255	.064	-.057	-.677
80	741	-.197	.041	-.090	-.449	80	791	-.151	.023	-.060	-.287	80	919	-.098	.070	.280	-.378
80	742	-.238	.052	-.118	-.559	80	792	-.145	.025	-.070	-.314	80	920	-.264	.106	.030	-.771
80	743	-.212	.057	-.080	-.536	80	793	-.152	.029	-.066	-.321	80	921	-.320	.095	.016	-.831
80	744	-.225	.057	-.071	-.603	80	794	-.139	.021	-.064	-.240	80	922	-.287	.095	-.071	-.762
80	745	-.233	.054	-.085	-.554	80	795	-.144	.024	-.066	-.251	80	923	-.345	.135	.195	-.869
80	746	-.243	.049	-.101	-.799	80	796	-.144	.025	-.057	-.237	80	924	-.022	.137	.447	-.648
80	747	-.243	.081	-.064	-.862	80	797	-.137	.027	-.034	-.254	80	925	-.137	.111	.255	-.847
80	748	-.234	.049	-.085	-.636	80	798	-.176	.043	-.085	-.559	80	926	-.018	.104	.359	-.375
80	749	-.213	.054	-.075	-.478	80	799	-.166	.037	-.073	-.436	80	927	-.078	.100	.318	-.410
80	750	-.205	.053	-.070	-.482	80	800	-.146	.024	-.076	-.307	80	928	.259	.190	.925	-.337
80	751	-.211	.053	-.080	-.487	80	801	-.132	.021	-.048	-.201	80	929	.097	.249	.883	-.864
80	752	-.213	.047	-.098	-.418	80	802	-.145	.031	-.059	-.383	80	930	-.177	.119	.406	-.807
80	753	-.214	.049	-.093	-.434	80	803	-.135	.024	-.048	-.249	80	931	-.303	.097	-.030	-.926
80	754	-.214	.049	-.080	-.473	80	804	-.134	.023	-.043	-.235	80	932	-.043	.075	.311	-.358
80	755	-.220	.075	-.010	-.702	80	805	-.147	.025	-.055	-.272	80	933	.094	.149	.616	-.604
80	756	-.222	.065	-.064	-.617	80	806	-.149	.026	-.050	-.274	80	934	.009	.151	.649	-.484
80	757	-.213	.063	-.052	-.624	80	807	-.147	.027	-.016	-.254	80	935	-.021	.102	.305	-.306
80	758	-.198	.050	-.073	-.482	80	808	-.127	.027	-.016	-.242	80	936	-.065	.076	.195	-.276
80	759	-.178	.042	-.032	-.416	80	809	-.165	.040	-.073	-.436	80	937	.118	.145	.737	-.161
80	760	-.192	.051	-.020	-.471	80	810	-.137	.020	-.050	-.224	80	938	.146	.130	.705	-.101
80	761	-.170	.041	-.038	-.382	80	811	-.131	.020	-.062	-.221	80	939	.004	.091	.568	-.240
80	762	-.183	.044	-.045	-.407	80	812	-.127	.022	-.050	-.221	80	940	-.264	.057	-.096	-.500
80	763	-.183	.044	-.057	-.377	80	813	-.145	.024	.010	-.288	80	941	-.136	.012	-.104	-.192
80	764	-.196	.058	-.027	-.558	80	814	-.145	.026	-.055	-.242	80	942	-.138	.025	-.057	-.244
80	765	-.208	.050	-.057	-.450	80	815	-.128	.025	-.025	-.230	80	943	-.128	.026	-.009	-.217
80	766	-.190	.050	-.065	-.443	80	816	-.151	.031	-.078	-.351	80	944	-.128	.025	-.041	-.226
80	767	-.168	.041	-.053	-.400	80	817	-.146	.027	-.053	-.281	80	945	-.096	.023	-.009	-.181
80	768	-.172	.042	-.055	-.400	80	818	-.139	.022	-.071	-.295	80	946	-.124	.030	.027	-.215
80	769	-.157	.030	-.040	-.298	80	819	-.130	.025	-.033	-.305	80	947	-.124	.032	-.063	-.285
80	770	-.159	.036	-.057	-.419	80	820	-.139	.036	-.030	-.364	80	948	-.134	.027	-.005	-.233
80	771	-.166	.042	-.062	-.455	80	821	-.128	.023	-.059	-.244	80	949	-.136	.029	-.034	-.271
80	772	-.172	.048	-.053	-.523	80	822	-.126	.020	-.061	-.217	80	950	-.111	.025	-.030	-.212
80	773	-.158	.027	-.072	-.277	80	901	-.220	.040	-.135	-.437	80	951	-.135	.027	-.041	-.237
80	774	-.173	.039	-.069	-.501	80	902	-.249	.072	-.112	-.601	80	952	-.165	.036	-.036	-.458
80	775	-.165	.035	-.069	-.356	80	903	-.239	.051	-.130	-.528	80	953	-.144	.037	.101	-.350
80	776	-.164	.035	-.062	-.404	80	904	-.229	.053	-.105	-.473	80	954	-.146	.048	.022	-.544
80	777	-.159	.036	-.067	-.368	80	905	-.218	.039	-.132	-.370	80	955	-.111	.033	.146	-.235
80	778	-.158	.035	-.045	-.361	80	906	-.151	.059	-.088	-.349	80	956	-.033	.037	.135	-.129
80	779	-.159	.033	-.065	-.322	80	907	-.228	.062	-.074	-.550	80	957	-.034	.039	.223	-.156

WD	TAP	CPMEAN	CPRMS	CPMAX	CPMIN	WD	TAP	CPMEAN	CPRMS	CPMAX	CPMIN	WD	TAP	CPMEAN	CPRMS	CPMAX	CPMIN
80	958	-.027	.047	.230	-.163	90	109	-.244	.066	-.054	-.775	90	159	-.255	.067	-.072	-.542
80	959	-.100	.043	.178	-.244	90	110	-.253	.069	-.009	-.655	90	160	-.336	.133	-.092	-1.248
80	960	-.039	.039	.216	-.201	90	111	-.280	.087	-.009	-.788	90	161	-.248	.069	-.070	-.619
80	961	-.044	.041	.164	-.203	90	112	-.240	.059	-.070	-.522	90	162	-.321	.116	-.086	-1.104
80	962	-.072	.028	.045	-.206	90	113	-.252	.068	-.027	-.705	90	163	-.313	.114	-.086	-1.165
80	963	-.051	.037	.170	-.199	90	114	-.256	.074	-.070	-.662	90	164	-.316	.108	-.052	-.872
80	964	-.034	.036	.263	-.142	90	115	-.263	.084	-.041	-.764	90	165	-.334	.112	-.086	-.896
80	965	-.058	.032	.155	-.215	90	116	-.246	.064	-.032	-.633	90	166	-.249	.077	-.034	-.645
80	966	-.044	.135	.426	-.440	90	117	-.245	.059	-.066	-.542	90	167	-.248	.075	-.081	-.617
80	967	-.102	.032	.079	-.227	90	118	-.271	.103	-.032	-1.083	90	168	-.230	.073	.006	-.636
80	968	-.059	.028	.122	-.177	90	119	-.267	.073	-.090	-.667	90	169	-.266	.073	.020	-.678
80	969	-.054	.032	.132	-.148	90	120	-.256	.066	-.041	-.680	90	170	-.295	.099	-.088	-.865
80	970	-.086	.032	.191	-.198	90	121	-.256	.065	-.025	-.561	90	171	-.303	.092	-.074	-1.023
80	971	-.104	.033	.022	-.220	90	122	-.268	.082	.000	-.877	90	172	-.313	.118	-.020	-1.445
80	1001	-.154	.034	-.021	-.322	90	123	-.275	.092	.020	-.863	90	173	-.249	.074	-.015	-.681
80	1002	-.134	.020	-.072	-.220	90	124	-.337	.127	-.018	-.985	90	174	-.220	.075	.060	-.537
80	1003	-.254	.068	-.086	-.585	90	125	-.312	.111	-.029	-.902	90	175	-.180	.051	.032	-.461
80	1004	-.273	.070	-.064	-.595	90	126	-.267	.076	-.023	-.644	90	176	-.188	.054	-.020	-.494
80	1005	-.220	.056	-.072	-.521	90	127	-.264	.074	-.058	-.630	90	177	-.289	.100	-.091	-.891
80	1006	-.257	.070	.009	-.550	90	128	-.268	.081	-.023	-.673	90	178	-.288	.100	-.074	-1.363
80	1007	-.094	.023	.012	-.172	90	129	-.248	.081	-.057	-.648	90	179	-.287	.122	-.025	-1.072
80	1008	-.121	.031	.036	-.212	90	130	-.251	.060	-.060	-.495	90	180	-.215	.068	-.015	-.612
80	1009	-.130	.042	.065	-.399	90	131	-.259	.066	-.085	-.572	90	181	-.169	.046	-.013	-.423
80	1010	-.189	.064	.017	-.504	90	132	-.274	.072	-.019	-.627	90	182	-.153	.038	-.029	-.346
80	1011	-.112	.024	-.041	-.217	90	133	-.275	.074	-.037	-.730	90	183	-.157	.040	-.022	-.360
80	1012	-.133	.029	.029	-.258	90	134	-.291	.091	-.035	-.781	90	184	-.249	.083	-.095	-.931
80	1013	-.029	.115	.357	-.480	90	135	-.273	.071	-.081	-.561	90	185	-.254	.084	-.074	-1.183
80	1014	-.184	.085	.118	-.673	90	136	-.264	.065	-.039	-.563	90	186	-.228	.080	.056	-.768
80	1015	-.239	.121	.193	-.676	90	137	-.292	.083	-.006	-.662	90	187	-.166	.047	.046	-.447
80	1016	-.261	.078	-.005	-.693	90	138	-.277	.074	-.076	-.737	90	188	-.143	.038	-.037	-.369
80	1017	-.028	.037	.129	-.136	90	139	-.279	.084	-.046	-.739	90	189	-.142	.031	-.046	-.348
80	1018	-.028	.037	.203	-.126	90	140	-.283	.093	-.044	-.845	90	190	-.148	.032	-.043	-.334
80	1019	-.033	.040	.165	-.146	90	141	-.270	.070	-.010	-.593	90	191	-.165	.048	.084	-.504
80	1020	-.047	.062	.220	-.351	90	142	-.291	.085	-.046	-.959	90	192	-.157	.045	.020	-.497
80	1021	-.094	.021	-.007	-.155	90	143	-.288	.080	-.085	-.792	90	193	-.142	.034	-.004	-.298
80	1022	-.122	.023	-.048	-.200	90	144	-.275	.079	-.051	-.868	90	194	-.253	.096	-.129	-1.062
80	1023	-.133	.028	-.021	-.317	90	145	-.284	.077	-.071	-.701	90	195	-.272	.118	-.016	-1.300
80	1024	-.161	.040	-.050	-.387	90	146	-.291	.086	-.060	-.705	90	196	-.175	.075	-.233	-.558
80	1025	-.064	.028	.115	-.160	90	147	-.290	.089	-.055	-.739	90	197	-.135	.036	.052	-.310
80	1026	-.068	.026	.031	-.169	90	148	-.275	.078	-.074	-.634	90	198	-.107	.030	.000	-.278
80	1027	-.072	.023	.022	-.148	90	149	-.337	.099	-.030	-.849	90	199	-.105	.031	.009	-.273
80	1028	-.066	.025	-.048	-.147	90	150	-.306	.085	-.052	-.726	90	200	-.102	.028	.016	-.228
90	101	-.296	.072	-.077	-.655	90	151	-.332	.105	-.119	-1.008	90	201	-.117	.028	-.005	-.269
90	102	-.224	.058	-.056	-.601	90	152	-.303	.088	-.099	-1.010	90	202	-.159	.032	-.027	-.294
90	103	-.125	.059	.156	-.389	90	153	-.296	.080	-.097	-.668	90	203	-.145	.029	-.023	-.357
90	104	-.366	.100	-.086	-.735	90	154	-.283	.078	-.090	-.773	90	204	-.134	.027	-.041	-.296
90	105	-.232	.057	-.052	-.673	90	155	-.271	.077	-.070	-.674	90	205	-.136	.026	-.043	-.282
90	106	-.266	.081	-.048	-.832	90	156	-.252	.062	-.097	-.540	90	206	-.136	.030	-.023	-.454
90	107	-.241	.061	-.054	-.590	90	157	-.259	.066	-.086	-.531	90	207	-.135	.028	-.020	-.280
90	108	-.238	.060	-.068	-.614	90	158	-.307	.100	-.050	-.916	90	208	-.138	.031	-.043	-.287

WD	TAP	CPMEAN	CPRMS	CPMAX	CPMIN	WD	TAP	CPMEAN	CPRMS	CPMAX	CPMIN	WD	TAP	CPMEAN	CPRMS	CPMAX	CPMIN
90	209	-.108	.030	.025	-.219	90	334	.132	.156	.702	-.430	90	384	-.055	.049	.239	-.382
90	210	-.080	.035	.075	-.250	90	335	.138	.144	.750	-.233	90	385	-.057	.042	.113	-.484
90	211	-.155	.028	-.037	-.364	90	336	.176	.160	.853	-.181	90	386	-.054	.042	.237	-.238
90	212	-.133	.025	-.039	-.238	90	337	.129	.156	.910	-.236	90	387	-.046	.050	.232	-.236
90	213	-.130	.026	-.033	-.277	90	338	-.004	.166	.669	-.556	90	388	-.089	.043	.173	-.276
90	214	-.131	.028	-.042	-.250	90	339	-.038	.102	.537	-.305	90	389	-.114	.033	.078	-.241
90	215	-.097	.035	.077	-.271	90	340	-.093	.082	.298	-.324	90	390	-.156	.036	-.026	-.382
90	216	-.098	.032	.018	-.211	90	341	.209	.174	.896	-.154	90	391	-.053	.049	.230	-.177
90	217	-.093	.028	.093	-.179	90	342	.150	.148	.704	-.150	90	392	-.058	.048	.265	-.245
90	218	-.114	.025	.036	-.222	90	343	.035	.112	.623	-.370	90	393	-.048	.053	.343	-.179
90	219	-.159	.030	-.007	-.300	90	344	.108	.131	.748	-.176	90	394	-.065	.051	.205	-.180
90	220	-.136	.023	-.053	-.220	90	345	.143	.157	.822	-.202	90	395	-.101	.036	.132	-.227
90	221	-.131	.025	-.023	-.220	90	346	-.050	.111	.606	-.202	90	396	-.134	.037	.073	-.482
90	222	-.133	.025	-.035	-.277	90	347	-.056	.095	.508	-.303	90	397	-.060	.040	.158	-.209
90	223	-.127	.025	-.046	-.225	90	348	-.186	.072	.137	-.437	90	398	-.055	.037	.129	-.280
90	224	-.128	.025	-.035	-.229	90	349	-.029	.140	.568	-.687	90	399	-.099	.030	.011	-.240
90	225	-.129	.027	-.039	-.257	90	350	-.067	.128	.404	-.777	90	400	-.093	.024	.008	-.175
90	301	.116	.119	.472	-.311	90	351	-.085	.170	.500	-1.096	90	401	-.095	.025	.017	-.211
90	302	.102	.123	.536	-.311	90	352	-.197	.206	.432	-1.640	90	402	-.095	.026	.006	-.193
90	303	.089	.171	.643	-.313	90	353	-.228	.167	.343	-1.002	90	403	-.097	.029	.020	-.227
90	304	.248	.178	.835	-.415	90	354	-.231	.143	.239	-.969	90	404	-.096	.033	.085	-.209
90	305	.173	.138	.724	-.247	90	355	-.267	.136	.131	-.908	90	405	-.094	.035	.058	-.247
90	306	.040	.096	.363	-.336	90	356	-.352	.112	-.019	-.885	90	406	-.071	.046	.293	-.260
90	307	.137	.131	.702	-.292	90	357	-.321	.103	.162	-.737	90	407	-.043	.041	.197	-.162
90	308	.233	.177	.893	-.314	90	358	-.010	.097	.427	-.598	90	408	-.106	.030	-.021	-.304
90	309	.274	.183	1.016	-.275	90	359	-.161	.098	.192	-.666	90	409	-.095	.027	-.009	-.265
90	310	.256	.185	.854	-.233	90	360	-.042	.098	.430	-.744	90	410	-.094	.035	.071	-.218
90	311	.048	.115	.508	-.398	90	361	-.155	.086	.147	-.690	90	411	-.095	.029	-.001	-.280
90	312	.291	.195	.887	-.204	90	362	-.042	.076	.392	-.330	90	412	-.100	.027	-.010	-.209
90	313	.316	.207	.992	-.280	90	363	-.032	.069	.303	-.342	90	413	-.092	.027	.030	-.232
90	314	.245	.183	.785	-.396	90	364	-.043	.070	.232	-.368	90	414	-.048	.031	.110	-.157
90	315	.074	.133	.503	-.354	90	365	-.066	.076	.286	-.868	90	415	-.048	.031	.089	-.164
90	316	.285	.210	.933	-.344	90	366	-.058	.080	.289	-.558	90	416	-.090	.026	.006	-.185
90	317	.326	.207	1.030	-.275	90	367	-.121	.066	.168	-.538	90	417	-.081	.023	.020	-.154
90	318	.206	.190	.918	-.332	90	368	-.175	.067	.093	-.555	90	418	-.081	.024	.013	-.169
90	319	.272	.223	1.008	-.491	90	369	-.081	.067	.234	-.489	90	419	-.078	.028	.084	-.164
90	320	.062	.176	.686	-.624	90	370	-.062	.049	.153	-.347	90	420	-.082	.025	.006	-.173
90	321	.052	.123	.505	-.349	90	371	-.056	.052	.220	-.355	90	421	-.091	.031	.020	-.232
90	322	.215	.198	.847	-.448	90	372	-.067	.046	.205	-.293	90	422	-.087	.036	.126	-.228
90	323	.213	.200	.933	-.361	90	373	-.060	.046	.145	-.214	90	501	-.273	.110	.018	-.745
90	324	.273	.199	.880	-.446	90	374	-.114	.068	.153	-.498	90	502	-.249	.118	.185	-.888
90	325	.220	.180	.833	-.396	90	375	-.132	.054	.135	-.333	90	503	-.336	.114	.120	-.793
90	326	.260	.209	.876	-.339	90	376	-.173	.062	.108	-.526	90	504	-.017	.081	.299	-.417
90	327	.134	.202	.824	-.628	90	377	-.064	.045	.168	-.347	90	505	-.152	.057	.075	-.488
90	328	.085	.144	.712	-.399	90	378	-.062	.041	.096	-.333	90	506	-.299	.171	.409	-.216
90	329	.027	.130	.551	-.535	90	379	-.072	.037	.138	-.261	90	507	-.120	.094	.185	-.634
90	330	.306	.203	1.106	-.152	90	380	-.075	.037	.073	-.263	90	508	-.165	.048	-.002	-.393
90	331	.241	.196	.905	-.255	90	381	-.129	.054	.083	-.397	90	509	-.065	.077	.256	-.508
90	332	.103	.154	.733	-.449	90	382	-.143	.048	.086	-.335	90	510	-.077	.103	.276	-.832
90	333	.131	.159	.846	-.174	90	383	-.173	.056	.083	-.461	90	511	-.325	.229	.378	-1.148

WD	TAP	CPMEAN	CPRMS	CPMAX	CPMIN	WD	TAP	CPMEAN	CPRMS	CPMAX	CPMIN	WD	TAP	CPMEAN	CPRMS	CPMAX	CPMIN
90	512	-.179	.051	.129	-.614	90	562	-.144	.041	-.012	-.417	90	612	-.121	.022	-.053	-.283
90	513	-.109	.068	.133	-.413	90	563	-.126	.040	.066	-.315	90	613	-.113	.022	-.028	-.193
90	514	-.071	.140	.319	-.793	90	564	-.088	.045	.082	-.331	90	614	-.118	.027	-.017	-.239
90	515	-.265	.209	.464	-1.126	90	565	-.074	.050	.174	-.345	90	615	-.074	.024	.022	-.141
90	516	-.103	.084	.215	-.684	90	566	-.065	.057	.136	-.515	90	616	-.078	.021	-.003	-.159
90	517	-.036	.110	.523	-.700	90	567	-.080	.086	.271	-.776	90	617	-.079	.026	.034	-.193
90	518	-.192	.059	.004	-.440	90	568	-.099	.117	.266	-.780	90	618	-.086	.029	.052	-.242
90	519	-.196	.079	.059	-.537	90	569	-.067	.046	.153	-.295	90	619	-.058	.034	.100	-.170
90	520	-.071	.135	.367	-.684	90	570	-.134	.037	-.008	-.387	90	620	-.086	.025	.054	-.170
90	521	-.229	.223	.453	-1.232	90	571	-.114	.034	.053	-.295	90	701	-.224	.056	-.062	-.503
90	522	-.153	.053	.040	-.446	90	572	-.118	.053	.067	-.598	90	702	-.243	.059	-.086	-.487
90	523	-.138	.059	.081	-.528	90	573	-.059	.036	.089	-.193	90	703	-.307	.076	-.082	-.670
90	524	-.209	.084	.127	-.700	90	574	-.066	.037	.120	-.245	90	704	-.171	.085	.074	-.599
90	525	-.008	.131	.582	-.449	90	575	-.070	.048	.205	-.285	90	705	-.223	.054	-.076	-.605
90	526	-.135	.099	.258	-.743	90	576	-.079	.057	.200	-.558	90	706	-.203	.050	-.036	-.486
90	527	-.118	.124	.249	-.767	90	577	-.124	.032	.008	-.397	90	707	-.200	.044	-.064	-.380
90	528	-.095	.187	.327	-1.202	90	578	-.107	.030	.004	-.269	90	708	-.253	.065	-.026	-.662
90	529	-.143	.232	.496	-1.613	90	579	-.104	.039	.067	-.517	90	709	-.223	.055	-.086	-.541
90	530	-.110	.100	.263	-.707	90	580	-.063	.030	.075	-.236	90	710	-.229	.060	-.075	-.525
90	531	-.083	.123	.368	-.691	90	581	-.048	.029	.060	-.188	90	711	-.214	.059	-.043	-.494
90	532	-.164	.049	.006	-.418	90	582	-.071	.034	.065	-.231	90	712	-.217	.048	-.064	-.443
90	533	-.133	.045	.084	-.315	90	583	-.073	.038	.096	-.311	90	713	-.219	.046	-.093	-.416
90	534	-.202	.108	.121	-.760	90	584	-.122	.024	-.001	-.288	90	714	-.218	.056	-.066	-.465
90	535	-.026	.109	.441	-.283	90	585	-.108	.026	.013	-.257	90	715	-.212	.057	-.046	-.547
90	536	-.041	.099	.366	-.567	90	586	-.112	.032	-.004	-.295	90	716	-.220	.053	-.071	-.485
90	537	-.078	.096	.233	-.638	90	587	-.071	.026	.025	-.217	90	717	-.196	.039	-.073	-.354
90	538	-.071	.108	.306	-1.088	90	588	-.070	.025	.041	-.172	90	718	-.250	.062	-.035	-.523
90	539	-.134	.191	.405	-1.088	90	589	-.066	.030	.032	-.169	90	719	-.264	.070	-.086	-.616
90	540	-.187	.186	.453	-.975	90	590	-.072	.036	.060	-.264	90	720	-.244	.065	-.049	-.628
90	541	-.024	.082	.281	-.407	90	591	-.064	.025	.039	-.147	90	721	-.267	.081	-.078	-.663
90	542	-.025	.081	.325	-.411	90	592	-.064	.024	.039	-.150	90	722	-.233	.059	-.017	-.574
90	543	-.227	.069	-.024	-.648	90	593	-.114	.024	-.022	-.253	90	723	-.223	.052	-.042	-.438
90	544	-.160	.051	.036	-.361	90	594	-.106	.021	-.029	-.183	90	724	-.230	.046	-.104	-.429
90	545	-.090	.051	.162	-.283	90	595	-.109	.027	.004	-.244	90	725	-.238	.050	-.113	-.465
90	546	-.038	.101	.529	-.590	90	596	-.067	.025	.058	-.171	90	726	-.201	.048	-.069	-.456
90	547	-.071	.144	.506	-.822	90	597	-.072	.022	.018	-.176	90	727	-.192	.050	-.049	-.459
90	548	-.093	.138	.396	-.771	90	598	-.073	.031	.063	-.197	90	728	-.179	.053	.021	-.461
90	549	-.275	.097	-.086	-.839	90	599	-.088	.035	.027	-.301	90	729	-.177	.051	-.006	-.407
90	550	-.281	.092	-.055	-.713	90	600	-.054	.036	.122	-.282	90	730	-.210	.046	-.091	-.447
90	551	-.191	.069	-.037	-.744	90	601	-.093	.031	.034	-.260	90	731	-.230	.049	-.091	-.463
90	552	-.142	.082	.113	-.881	90	602	-.092	.029	.038	-.226	90	732	-.240	.058	-.055	-.470
90	553	-.111	.090	.131	-.641	90	603	-.122	.023	-.035	-.205	90	733	-.223	.048	-.071	-.481
90	554	-.105	.084	.163	-.484	90	604	-.090	.032	.025	-.228	90	734	-.222	.049	-.049	-.524
90	555	-.145	.150	.383	-1.050	90	605	-.054	.035	.116	-.175	90	735	-.223	.049	-.073	-.481
90	556	-.047	.126	.536	-.538	90	606	-.062	.031	.051	-.190	90	736	-.191	.042	-.055	-.416
90	557	-.096	.150	.464	-.675	90	607	-.073	.030	.111	-.192	90	737	-.211	.052	-.094	-.493
90	558	-.160	.049	-.001	-.417	90	608	-.074	.026	.052	-.159	90	738	-.219	.068	-.091	-.659
90	559	-.131	.111	.284	-.704	90	609	-.051	.032	.070	-.154	90	739	-.204	.057	-.064	-.711
90	560	-.144	.043	.039	-.354	90	610	-.069	.032	.064	-.170	90	740	-.196	.055	-.053	-.506
90	561	-.143	.149	.298	-1.104	90	611	-.088	.030	.087	-.177	90	741	-.214	.047	-.082	-.522

WD	TAP	CPMEAN	CPRMS	CPMAX	CPMIN	WD	TAP	CPMEAN	CPRMS	CPMAX	CPMIN	WD	TAP	CPMEAN	CPRMS	CPMAX	CPMIN
90	742	-.252	.061	-.127	-.616	90	792	-.154	.025	-.081	-.349	90	920	-.184	.097	-.105	-.582
90	743	-.253	.060	-.069	-.531	90	793	-.157	.030	-.069	-.361	90	921	-.298	.071	-.063	-.609
90	744	-.255	.060	-.085	-.549	90	794	-.149	.023	-.081	-.283	90	922	-.283	.081	-.045	-.744
90	745	-.254	.060	-.121	-.598	90	795	-.147	.024	-.041	-.232	90	923	-.289	.101	.089	-.745
90	746	-.265	.078	-.116	-.844	90	796	-.151	.027	-.064	-.260	90	924	-.076	.144	.688	-.590
90	747	-.268	.083	-.094	-.668	90	797	-.142	.027	-.057	-.304	90	925	-.099	.104	.219	-1.092
90	748	-.267	.085	-.094	-.813	90	798	-.170	.051	-.050	-.574	90	926	-.080	.114	.526	-.278
90	749	-.243	.058	-.017	-.532	90	799	-.160	.036	-.067	-.386	90	927	-.053	.088	.315	-.401
90	750	-.243	.060	-.084	-.514	90	800	-.154	.028	-.060	-.314	90	928	.333	.192	.905	-.391
90	751	-.244	.054	-.075	-.510	90	801	-.140	.025	-.070	-.262	90	929	.144	.236	.882	-.451
90	752	-.225	.045	-.103	-.441	90	802	-.161	.039	-.071	-.614	90	930	-.056	.136	.448	-.751
90	753	-.229	.051	-.110	-.527	90	803	-.147	.029	-.050	-.309	90	931	-.289	.076	-.036	-.668
90	754	-.218	.055	-.101	-.496	90	804	-.145	.029	-.053	-.325	90	932	.014	.079	.305	-.257
90	755	-.261	.104	-.055	-.691	90	805	-.166	.030	-.048	-.314	90	933	.140	.159	.688	-.473
90	756	-.253	.081	-.077	-.635	90	806	-.170	.028	-.064	-.304	90	934	.041	.147	.629	-.518
90	757	-.256	.086	-.081	-.726	90	807	-.151	.026	-.039	-.269	90	935	.032	.099	.353	-.240
90	758	-.234	.057	-.062	-.454	90	808	-.137	.026	-.027	-.276	90	936	.073	.082	.404	-.168
90	759	-.174	.045	-.048	-.412	90	809	-.155	.036	-.002	-.379	90	937	.143	.158	1.069	-.168
90	760	-.243	.056	-.081	-.567	90	810	-.153	.031	-.067	-.353	90	938	.160	.149	.698	-.182
90	761	-.169	.048	-.028	-.397	90	811	-.146	.023	-.062	-.255	90	939	.030	.113	.512	-.215
90	762	-.231	.058	-.059	-.549	90	812	-.141	.027	-.071	-.293	90	940	-.254	.052	-.068	-.424
90	763	-.220	.051	-.079	-.452	90	813	-.148	.028	-.032	-.332	90	941	-.147	.016	-.108	-.233
90	764	-.220	.055	-.015	-.503	90	814	-.148	.029	-.043	-.255	90	942	-.145	.030	.003	-.299
90	765	-.243	.071	-.084	-.638	90	815	-.135	.025	-.025	-.218	90	943	-.138	.029	.040	-.258
90	766	-.196	.059	-.080	-.686	90	816	-.144	.033	-.002	-.344	90	944	-.150	.026	-.065	-.369
90	767	-.174	.047	-.033	-.571	90	817	-.143	.029	-.053	-.318	90	945	-.070	.025	.051	-.178
90	768	-.171	.044	-.047	-.481	90	818	-.146	.028	-.064	-.339	90	946	-.162	.039	.060	-.351
90	769	-.176	.045	-.047	-.432	90	819	-.142	.026	-.027	-.381	90	947	-.173	.051	.103	-.576
90	770	-.200	.053	-.056	-.578	90	820	-.152	.036	-.053	-.390	90	948	-.177	.038	-.031	-.462
90	771	-.197	.053	-.061	-.483	90	821	-.139	.024	-.076	-.269	90	949	-.180	.044	-.024	-.567
90	772	-.195	.045	-.049	-.462	90	822	-.141	.026	-.074	-.351	90	950	-.083	.026	.051	-.167
90	773	-.183	.044	-.059	-.380	90	901	-.270	.050	-.136	-.502	90	951	-.162	.033	.049	-.310
90	774	-.195	.064	-.089	-.683	90	902	-.276	.088	-.099	-.796	90	952	-.181	.039	-.040	-.501
90	775	-.174	.047	-.033	-.555	90	903	-.248	.060	-.130	-.604	90	953	-.144	.052	.140	-.317
90	776	-.171	.043	-.035	-.415	90	904	-.256	.054	-.121	-.468	90	954	-.233	.084	.040	-.966
90	777	-.180	.056	-.052	-.658	90	905	-.266	.045	-.150	-.432	90	955	-.101	.042	.283	-.215
90	778	-.182	.054	-.031	-.495	90	906	-.115	.075	-.295	-.342	90	956	-.058	.045	.144	-.171
90	779	-.175	.041	-.035	-.534	90	907	-.220	.052	-.062	-.452	90	957	-.046	.047	.249	-.156
90	780	-.164	.034	-.019	-.313	90	908	-.259	.070	-.060	-.702	90	958	-.045	.060	.306	-.178
90	781	-.174	.049	-.075	-.457	90	909	-.238	.051	-.077	-.443	90	959	-.144	.041	.206	-.330
90	782	-.159	.039	-.070	-.415	90	910	-.107	.048	-.104	-.306	90	960	-.079	.052	.335	-.301
90	783	-.160	.044	-.045	-.492	90	911	-.301	.084	-.070	-.686	90	961	-.071	.049	.217	-.221
90	784	-.180	.062	-.049	-.861	90	912	-.329	.128	-.019	-1.260	90	962	-.081	.042	.105	-.285
90	785	-.174	.055	-.012	-.548	90	913	-.263	.066	-.105	-.587	90	963	-.082	.041	.212	-.292
90	786	-.152	.028	-.047	-.289	90	914	-.218	.073	-.132	-.572	90	964	-.058	.050	.223	-.228
90	787	-.150	.028	-.031	-.308	90	915	-.233	.052	-.066	-.465	90	965	-.092	.039	.165	-.283
90	788	-.154	.040	-.070	-.520	90	916	-.227	.072	-.086	-.588	90	966	-.098	.031	.060	-.308
90	789	-.153	.044	-.063	-.648	90	917	-.245	.060	-.073	-.520	90	967	-.094	.029	.065	-.192
90	790	-.152	.042	-.056	-.464	90	918	-.237	.059	-.028	-.487	90	968	-.082	.036	.130	-.259
90	791	-.164	.035	-.004	-.361	90	919	-.021	.078	.327	-.464	90	969	-.064	.039	.142	-.161

WD	TAP	CPMEAN	CPRMS	CPMAX	CPMIN	WD	TAP	CPMEAN	CPRMS	CPMAX	CPMIN	WD	TAP	CPMEAN	CPRMS	CPMAX	CPMIN
90	970	-.079	.031	.161	-.211	100	121	-.228	.054	-.094	-.630	100	171	-.247	.069	-.079	-.657
90	971	-.103	.029	.092	-.211	100	122	-.185	.059	.025	-.472	100	172	-.263	.079	-.094	-.823
90	1001	-.170	.043	.019	-.391	100	123	-.193	.063	.013	-.455	100	173	-.246	.070	-.055	-.638
90	1002	-.146	.027	-.062	-.343	100	124	-.210	.078	.027	-.647	100	174	-.237	.070	-.075	-.781
90	1003	-.250	.066	-.075	-.545	100	125	-.188	.061	-.026	-.588	100	175	-.210	.061	-.055	-.633
90	1004	-.270	.063	-.117	-.551	100	126	-.214	.066	-.015	-.824	100	176	-.214	.059	-.016	-.574
90	1005	-.199	.054	-.030	-.425	100	127	-.212	.060	.018	-.557	100	177	-.251	.077	-.101	-.857
90	1006	-.252	.061	-.056	-.531	100	128	-.208	.053	-.016	-.516	100	178	-.270	.092	-.101	-1.035
90	1007	-.070	.024	.022	-.149	100	129	-.207	.051	.015	-.457	100	179	-.307	.107	-.092	-1.142
90	1008	-.148	.040	.044	-.319	100	130	-.198	.052	-.046	-.457	100	180	-.229	.075	-.045	-.767
90	1009	-.075	.049	.099	-.307	100	131	-.207	.054	-.051	-.469	100	181	-.172	.053	.055	-.489
90	1010	-.262	.070	-.012	-.583	100	132	-.206	.061	.020	-.623	100	182	-.161	.047	-.009	-.491
90	1011	-.081	.025	.046	-.161	100	133	-.202	.058	-.039	-.573	100	183	-.166	.048	.001	-.533
90	1012	-.172	.044	.140	-.403	100	134	-.218	.068	-.046	-.552	100	184	-.268	.100	-.104	-1.137
90	1013	-.056	.125	.504	-.434	100	135	-.206	.060	-.049	-.639	100	185	-.269	.098	-.101	-1.418
90	1014	-.145	.068	.096	-.430	100	136	-.208	.054	-.060	-.457	100	186	-.250	.081	.030	-.891
90	1015	-.164	.144	.291	-.720	100	137	-.222	.068	-.027	-.736	100	187	-.172	.060	.025	-.506
90	1016	-.228	.074	.006	-.586	100	138	-.214	.054	-.042	-.512	100	188	-.124	.048	.133	-.384
90	1017	-.055	.045	.168	-.192	100	139	-.215	.057	.018	-.575	100	189	-.122	.040	.042	-.348
90	1018	-.057	.045	.221	-.168	100	140	-.222	.055	-.060	-.547	100	190	-.126	.042	.003	-.287
90	1019	-.043	.046	.245	-.187	100	141	-.219	.055	-.011	-.500	100	191	-.177	.056	.167	-.441
90	1020	-.099	.065	.156	-.682	100	142	-.230	.065	-.049	-.665	100	192	-.150	.054	.135	-.434
90	1021	-.069	.023	.022	-.137	100	143	-.226	.068	-.037	-.911	100	193	-.133	.045	-.025	-.420
90	1022	-.131	.025	-.024	-.240	100	144	-.228	.074	-.034	-.696	100	194	-.263	.097	-.082	-1.171
90	1023	-.143	.034	-.024	-.334	100	145	-.229	.067	-.013	-.646	100	195	-.280	.115	-.019	-1.325
90	1024	-.173	.036	-.053	-.391	100	146	-.233	.056	-.063	-.575	100	196	-.201	.084	.142	-.719
90	1025	-.055	.032	.094	-.165	100	147	-.244	.059	-.117	-.668	100	197	-.123	.044	.214	-.425
90	1026	-.062	.030	.072	-.144	100	148	-.233	.052	-.051	-.479	100	198	-.106	.026	.025	-.220
90	1027	-.070	.027	.046	-.170	100	149	-.262	.076	-.022	-.785	100	199	-.108	.024	-.017	-.210
90	1028	-.081	.026	.034	-.168	100	150	-.245	.067	-.034	-.621	100	200	-.101	.028	.020	-.229
100	101	-.262	.068	-.085	-.658	100	151	-.235	.079	-.022	-.921	100	201	-.115	.029	.044	-.297
100	102	-.209	.060	-.033	-.539	100	152	-.222	.065	-.048	-.991	100	202	-.132	.035	.041	-.301
100	103	-.101	.067	-.149	-.448	100	153	-.225	.063	-.022	-.602	100	203	-.127	.035	.032	-.294
100	104	-.299	.085	-.094	-.707	100	154	-.232	.050	-.080	-.461	100	204	-.120	.033	.053	-.290
100	105	-.198	.054	-.032	-.464	100	155	-.233	.055	-.055	-.545	100	205	-.119	.034	.039	-.315
100	106	-.209	.058	-.052	-.550	100	156	-.222	.049	-.085	-.431	100	206	-.121	.032	.006	-.238
100	107	-.214	.055	-.066	-.479	100	157	-.224	.052	-.050	-.667	100	207	-.126	.035	.048	-.276
100	108	-.218	.067	-.007	-.577	100	158	-.226	.072	-.029	-.704	100	208	-.119	.034	.004	-.255
100	109	-.243	.082	-.029	-.866	100	159	-.239	.052	-.101	-.510	100	209	-.107	.029	.044	-.252
100	110	-.240	.079	-.061	-.709	100	160	-.236	.099	.001	-.993	100	210	-.094	.035	.034	-.372
100	111	-.218	.060	-.068	-.737	100	161	-.243	.048	-.089	-.589	100	211	-.129	.034	.034	-.287
100	112	-.237	.073	-.038	-.574	100	162	-.223	.077	-.027	-.676	100	212	-.115	.033	-.001	-.349
100	113	-.253	.084	-.054	-.751	100	163	-.234	.091	-.031	-.931	100	213	-.123	.029	.008	-.268
100	114	-.219	.066	-.052	-.693	100	164	-.239	.071	-.082	-.820	100	214	-.126	.031	.015	-.273
100	115	-.217	.060	-.026	-.628	100	165	-.264	.076	-.061	-.702	100	215	-.104	.025	.046	-.181
100	116	-.224	.069	-.038	-.600	100	166	-.231	.061	-.072	-.652	100	216	-.104	.026	.015	-.186
100	117	-.197	.052	-.012	-.532	100	167	-.231	.057	-.070	-.550	100	217	-.083	.035	.126	-.176
100	118	-.351	.137	-.052	-1.059	100	168	-.227	.056	-.019	-.513	100	218	-.098	.030	.041	-.200
100	119	-.244	.077	-.019	-.612	100	169	-.206	.055	-.019	-.513	100	219	-.127	.031	-.034	-.297
100	120	-.233	.060	-.066	-.511	100	170	-.229	.072	-.040	-1.166	100	220	-.112	.026	-.011	-.214

WD	TAP	CPMEAN	CPRMS	CPMAX	CPMIN	WD	TAP	CPMEAN	CPRMS	CPMAX	CPMIN	WD	TAP	CPMEAN	CPRMS	CPMAX	CPMIN
100	221	-.109	.029	.041	-.214	100	346	-.025	.091	.449	-.244	100	396	-.156	.038	.056	-.353
100	222	-.109	.030	.006	-.261	100	347	-.089	.073	.298	-.295	100	397	-.063	.041	.192	-.193
100	223	-.120	.028	.018	-.252	100	348	-.161	.058	.090	-.514	100	398	-.067	.043	.133	-.233
100	224	-.126	.032	.008	-.257	100	349	-.017	.099	.513	-.374	100	399	-.109	.034	.008	-.295
100	225	-.123	.031	-.016	-.306	100	350	-.024	.093	.508	-.407	100	400	-.103	.025	.015	-.198
100	301	-.033	.148	.697	-.667	100	351	-.078	.119	.438	-.788	100	401	-.102	.027	.043	-.214
100	302	-.004	.140	.556	-.559	100	352	-.123	.134	.338	-.970	100	402	-.108	.025	-.024	-.221
100	303	-.012	.101	.571	-.399	100	353	-.149	.119	.345	-.698	100	403	-.105	.025	-.008	-.226
100	304	-.086	.200	.669	-.566	100	354	-.160	.108	.381	-.776	100	404	-.104	.024	.003	-.200
100	305	.114	.181	.848	-.619	100	355	-.182	.088	.163	-.741	100	405	-.108	.036	.038	-.267
100	306	-.050	.095	.284	-.324	100	356	-.246	.072	-.045	-.736	100	406	-.060	.053	.426	-.249
100	307	.042	.135	.592	-.294	100	357	-.234	.068	-.005	-.757	100	407	-.068	.034	.142	-.202
100	308	.117	.187	.880	-.542	100	358	-.063	.098	.291	-.663	100	408	-.110	.039	.016	-.413
100	309	.079	.162	.788	-.318	100	359	-.143	.066	.262	-.506	100	409	-.100	.024	.003	-.205
100	310	.079	.165	.791	-.402	100	360	-.066	.097	.440	-.585	100	410	-.105	.025	-.013	-.196
100	311	-.057	.108	.325	-.430	100	361	-.138	.056	.125	-.398	100	411	-.100	.032	.029	-.302
100	312	.125	.190	.924	-.707	100	362	-.074	.092	.253	-.693	100	412	-.108	.030	.001	-.260
100	313	.106	.171	.922	-.265	100	363	-.056	.075	.288	-.528	100	413	-.099	.025	-.016	-.216
100	314	-.052	.155	.759	-.363	100	364	-.062	.057	.262	-.338	100	414	-.057	.032	.133	-.189
100	315	-.052	.113	.475	-.397	100	365	-.072	.054	.213	-.338	100	415	-.055	.033	.086	-.170
100	316	.063	.156	.724	-.318	100	366	-.076	.061	.225	-.623	100	416	-.108	.035	-.030	-.313
100	317	.118	.179	.798	-.268	100	367	-.124	.051	.125	-.498	100	417	-.093	.023	-.009	-.175
100	318	.098	.170	.702	-.822	100	368	-.148	.050	.120	-.391	100	418	-.091	.025	-.001	-.170
100	319	.090	.161	.788	-.313	100	369	-.079	.058	.197	-.361	100	419	-.092	.026	.067	-.162
100	320	-.075	.121	.530	-.442	100	370	-.093	.048	.210	-.443	100	420	-.094	.024	.003	-.167
100	321	-.065	.101	.427	-.339	100	371	-.083	.061	.105	-.386	100	421	-.094	.025	-.002	-.170
100	322	.088	.167	.807	-.471	100	372	-.071	.042	.145	-.219	100	422	-.095	.024	.021	-.181
100	323	.088	.153	.898	-.488	100	373	-.063	.041	.177	-.207	100	501	-.154	.109	.270	-.579
100	324	.052	.145	.967	-.308	100	374	-.145	.062	.102	-.558	100	502	-.092	.137	.351	-.721
100	325	.033	.136	.583	-.569	100	375	-.140	.041	.033	-.309	100	503	-.180	.135	.349	-.703
100	326	.111	.161	.829	-.339	100	376	-.168	.043	.008	-.461	100	504	-.005	.102	.351	-.374
100	327	-.018	.172	.688	-.767	100	377	-.096	.055	.120	-.411	100	505	-.129	.058	.118	-.371
100	328	-.011	.126	.526	-.504	100	378	-.095	.056	.070	-.339	100	506	-.125	.213	.615	-.926
100	329	-.043	.113	.497	-.372	100	379	-.080	.036	.105	-.329	100	507	-.044	.105	.363	-.570
100	330	.138	.175	.907	-.290	100	380	-.077	.033	.060	-.247	100	508	-.144	.057	.137	-.411
100	331	.080	.154	.721	-.283	100	381	-.150	.046	.033	-.506	100	509	-.032	.101	.397	-.383
100	332	.020	.128	.673	-.593	100	382	-.149	.040	-.027	-.341	100	510	-.020	.110	.487	-.539
100	333	.040	.129	.724	-.536	100	383	-.181	.049	-.047	-.483	100	511	-.116	.237	.587	-.1057
100	334	.030	.116	.625	-.333	100	384	-.064	.048	.287	-.341	100	512	-.133	.052	.137	-.327
100	335	.035	.120	.599	-.215	100	385	-.068	.038	.122	-.237	100	513	-.053	.087	.354	-.406
100	336	.041	.130	.635	-.244	100	386	-.071	.033	.105	-.184	100	514	-.008	.122	.514	-.595
100	337	-.050	.128	.641	-.254	100	387	-.065	.042	.225	-.207	100	515	-.047	.225	.692	-.762
100	338	-.063	.135	.659	-.618	100	388	-.126	.041	.130	-.366	100	516	-.031	.104	.401	-.509
100	339	-.072	.084	.317	-.266	100	389	-.130	.029	.003	-.256	100	517	-.018	.119	.608	-.349
100	340	-.097	.072	.206	-.374	100	390	-.165	.039	-.072	-.705	100	518	-.132	.067	.149	-.399
100	341	.057	.133	1.027	-.189	100	391	-.075	.045	.181	-.209	100	519	-.141	.085	.171	-.586
100	342	.036	.110	.685	-.187	100	392	-.065	.044	.228	-.313	100	520	-.007	.120	.493	-.505
100	343	-.003	.095	.481	-.466	100	393	-.069	.051	.303	-.221	100	521	-.051	.192	.692	-.883
100	344	.036	.116	.558	-.507	100	394	-.104	.048	.304	-.283	100	522	-.134	.054	.101	-.437
100	345	.041	.112	.673	-.206	100	395	-.119	.040	.140	-.267	100	523	-.106	.069	.210	-.487

WD	TAP	CPMEAN	CPRMS	CPMAX	CPMIN	WD	TAP	CPMEAN	CPRMS	CPMAX	CPMIN	WD	TAP	CPMEAN	CPRMS	CPMAX	CPMIN
100	524	-.142	.098	.401	-.712	100	574	-.010	.049	.219	-.213	100	704	-.098	.077	-.121	-.464
100	525	-.024	.117	.572	-.361	100	575	-.025	.057	.292	-.410	100	705	-.200	.048	-.055	-.514
100	526	-.052	.096	.390	-.457	100	576	-.037	.066	.299	-.453	100	706	-.190	.043	-.038	-.402
100	527	-.031	.106	.344	-.465	100	577	-.155	.047	.048	-.377	100	707	-.195	.042	-.036	-.382
100	528	.005	.147	.506	-.930	100	578	-.100	.047	.114	-.305	100	708	-.210	.049	-.079	-.445
100	529	-.016	.176	.572	-1.140	100	579	-.037	.066	.229	-.401	100	709	-.203	.043	-.080	-.427
100	530	-.023	.103	.506	-.440	100	580	.003	.050	.236	-.142	100	710	-.201	.049	-.075	-.439
100	531	-.009	.115	.508	-.504	100	581	-.030	.047	.168	-.232	100	711	-.196	.049	-.038	-.433
100	532	-.146	.044	.061	-.319	100	582	-.044	.044	.175	-.286	100	712	-.211	.046	-.066	-.443
100	533	-.115	.047	.191	-.287	100	583	-.052	.043	.168	-.417	100	713	-.203	.044	-.080	-.471
100	534	-.145	.099	.314	-.629	100	584	-.147	.047	.067	-.413	100	714	-.206	.054	-.055	-.535
100	535	.019	.090	.451	-.280	100	585	-.093	.047	.121	-.363	100	715	-.200	.050	-.039	-.507
100	536	.003	.088	.476	-.335	100	586	-.041	.055	.186	-.328	100	716	-.202	.044	-.068	-.414
100	537	-.028	.081	.424	-.369	100	587	-.057	.040	.184	-.276	100	717	-.195	.038	-.084	-.363
100	538	-.015	.093	.501	-.832	100	588	-.073	.037	.053	-.361	100	718	-.216	.046	-.089	-.478
100	539	-.038	.164	.474	-.802	100	589	-.075	.026	.034	-.197	100	719	-.219	.045	-.096	-.503
100	540	-.053	.169	.494	-.941	100	590	-.077	.028	.067	-.239	100	720	-.211	.053	-.032	-.580
100	541	.016	.088	.515	-.228	100	591	-.061	.032	.174	-.145	100	721	-.241	.080	-.036	-.840
100	542	.003	.075	.394	-.274	100	592	-.071	.027	.064	-.157	100	722	-.217	.048	-.078	-.473
100	543	-.191	.045	.029	-.408	100	593	-.162	.039	.062	-.406	100	723	-.213	.047	-.073	-.503
100	544	-.133	.047	.093	-.294	100	594	-.129	.035	.018	-.294	100	724	-.208	.038	-.098	-.359
100	545	-.061	.057	.346	-.260	100	595	-.094	.034	.147	-.245	100	725	-.209	.037	-.080	-.375
100	546	-.009	.090	.467	-.424	100	596	-.078	.030	.050	-.187	100	726	-.194	.042	-.046	-.420
100	547	-.010	.129	.674	-.604	100	597	-.076	.028	.038	-.262	100	727	-.208	.057	-.073	-.675
100	548	-.024	.132	.455	-.693	100	598	-.079	.028	.067	-.204	100	728	-.192	.045	-.034	-.393
100	549	-.236	.066	-.002	-.762	100	599	-.085	.033	.034	-.319	100	729	-.189	.043	-.069	-.388
100	550	-.256	.063	-.085	-.603	100	600	-.069	.037	.159	-.279	100	730	-.196	.037	-.096	-.358
100	551	-.172	.058	.014	-.525	100	601	-.078	.035	.057	-.343	100	731	-.210	.038	-.083	-.349
100	552	-.108	.081	.287	-.615	100	602	-.077	.039	.133	-.251	100	732	-.226	.048	-.110	-.633
100	553	-.074	.092	.349	-.756	100	603	-.182	.038	-.038	-.429	100	733	-.219	.043	-.103	-.515
100	554	-.056	.095	.349	-.668	100	604	-.077	.029	.014	-.260	100	734	-.215	.037	-.106	-.365
100	555	-.062	.134	.421	-.787	100	605	-.066	.032	.142	-.204	100	735	-.216	.036	-.080	-.367
100	556	-.013	.100	.510	-.402	100	606	-.068	.029	.096	-.206	100	736	-.211	.036	-.113	-.362
100	557	-.018	.116	.691	-.512	100	607	-.065	.041	.144	-.201	100	737	-.206	.038	-.094	-.351
100	558	-.145	.044	.027	-.357	100	608	-.056	.027	.113	-.132	100	738	-.210	.044	-.099	-.436
100	559	-.066	.119	.490	-.664	100	609	-.063	.034	.110	-.214	100	739	-.200	.042	-.064	-.386
100	560	-.155	.045	.047	-.360	100	610	-.063	.026	.061	-.143	100	740	-.196	.042	-.071	-.390
100	561	-.071	.131	.410	-.890	100	611	-.067	.040	.194	-.190	100	741	-.218	.038	-.120	-.404
100	562	-.157	.041	.041	-.375	100	612	-.159	.036	-.004	-.289	100	742	-.222	.038	-.113	-.367
100	563	-.127	.043	.090	-.351	100	613	-.124	.033	.032	-.262	100	743	-.234	.046	-.087	-.480
100	564	-.070	.053	.280	-.277	100	614	-.089	.037	.190	-.208	100	744	-.240	.042	-.113	-.434
100	565	-.040	.059	.282	-.286	100	615	-.046	.032	.158	-.134	100	745	-.235	.038	-.108	-.406
100	566	-.019	.055	.337	-.258	100	616	-.058	.028	.068	-.265	100	746	-.223	.043	-.099	-.430
100	567	-.020	.077	.325	-.523	100	617	-.064	.028	.082	-.215	100	747	-.221	.052	-.022	-.696
100	568	-.047	.113	.386	-.772	100	618	-.065	.026	.043	-.186	100	748	-.224	.047	-.103	-.487
100	569	-.021	.050	.292	-.232	100	619	-.062	.032	.091	-.163	100	749	-.226	.044	-.074	-.420
100	570	-.150	.045	.001	-.410	100	620	-.063	.037	.136	-.222	100	750	-.217	.042	-.069	-.413
100	571	-.115	.044	.111	-.314	100	701	-.202	.057	-.057	-.505	100	751	-.238	.042	-.105	-.461
100	572	-.087	.067	.170	-.429	100	702	-.234	.057	-.064	-.535	100	752	-.236	.040	-.123	-.465
100	573	-.003	.049	.346	-.157	100	703	-.269	.070	-.100	-.690	100	753	-.225	.040	-.096	-.413

WD	TAP	CPMEAN	CPRMS	CPMAX	CPMIN	WD	TAP	CPMEAN	CPRMS	CPMAX	CPMIN	WD	TAP	CPMEAN	CPRMS	CPMAX	CPMIN
100	754	-.216	.042	-.071	-.395	100	804	-.297	.071	-.095	-.726	100	932	.018	.091	.362	-.215
100	755	-.229	.065	-.071	-.916	100	805	-.122	.029	-.008	-.243	100	933	.041	.138	.594	-.668
100	756	-.231	.053	-.096	-.545	100	806	-.130	.034	-.005	-.291	100	934	-.061	.144	.574	-.552
100	757	-.249	.064	-.074	-.715	100	807	-.114	.030	-.020	-.291	100	935	-.037	.110	.408	-.325
100	758	-.242	.041	-.105	-.418	100	808	-.123	.030	.021	-.245	100	936	.023	.067	.310	-.137
100	759	-.205	.051	-.049	-.658	100	809	-.123	.045	.024	-.489	100	937	.057	.125	.849	-.241
100	760	-.250	.046	-.087	-.450	100	810	-.158	.078	.044	-.448	100	938	.042	.117	.743	-.171
100	761	-.212	.060	-.024	-.622	100	811	-.211	.070	-.004	-.637	100	939	-.030	.102	.577	-.277
100	762	-.250	.054	-.071	-.474	100	812	-.315	.082	-.049	-.751	100	940	-.214	.035	-.096	-.339
100	763	-.244	.050	-.098	-.549	100	813	-.110	.028	-.006	-.289	100	941	-.230	.065	-.071	-.423
100	764	-.243	.043	-.126	-.613	100	814	-.109	.030	-.013	-.341	100	942	-.127	.034	.018	-.272
100	765	-.274	.069	-.130	-.758	100	815	-.123	.031	-.015	-.261	100	943	-.134	.041	.064	-.347
100	766	-.226	.048	-.109	-.563	100	816	-.122	.038	-.006	-.384	100	944	-.140	.037	.009	-.343
100	767	-.204	.046	-.059	-.649	100	817	-.119	.042	-.006	-.717	100	945	-.061	.033	.118	-.154
100	768	-.204	.050	-.064	-.544	100	818	-.146	.057	.012	-.485	100	946	-.151	.051	.046	-.510
100	769	-.212	.041	-.071	-.548	100	819	-.168	.072	.044	-.722	100	947	-.179	.062	.015	-.728
100	770	-.246	.071	-.083	-.689	100	820	-.226	.084	.003	-.806	100	948	-.177	.048	-.018	-.510
100	771	-.233	.057	-.066	-.599	100	821	-.288	.083	-.083	-.768	100	949	-.171	.046	.013	-.494
100	772	-.252	.043	-.102	-.439	100	822	-.291	.078	-.107	-.597	100	950	-.066	.027	.084	-.158
100	773	-.257	.050	-.119	-.455	100	901	-.240	.035	-.143	-.409	100	951	-.145	.036	.026	-.305
100	774	-.257	.054	-.124	-.534	100	902	-.216	.046	-.107	-.422	100	952	-.142	.039	.066	-.370
100	775	-.232	.052	-.074	-.656	100	903	-.226	.040	-.123	-.425	100	953	-.088	.049	.171	-.270
100	776	-.230	.050	-.043	-.527	100	904	-.240	.040	-.128	-.413	100	954	-.258	.092	.086	-.986
100	777	-.190	.072	-.003	-.525	100	905	-.254	.028	-.187	-.339	100	955	-.099	.048	.300	-.229
100	778	-.190	.069	-.026	-.541	100	906	-.095	.081	-.242	-.297	100	956	-.077	.042	.171	-.218
100	779	-.236	.063	-.043	-.470	100	907	-.175	.044	-.011	-.420	100	957	-.061	.049	.256	-.185
100	780	-.279	.057	-.119	-.620	100	908	-.208	.042	-.080	-.427	100	958	-.080	.061	.333	-.205
100	781	-.298	.073	-.150	-.773	100	909	-.208	.041	-.092	-.382	100	959	-.162	.037	.038	-.379
100	782	-.272	.064	-.069	-.620	100	910	-.087	.050	.164	-.255	100	960	-.071	.049	.293	-.310
100	783	-.264	.059	-.093	-.663	100	911	-.250	.064	-.085	-.693	100	961	-.077	.055	.240	-.276
100	784	-.130	.073	.031	-.627	100	912	-.219	.097	.052	-.975	100	962	-.079	.039	.082	-.246
100	785	-.118	.049	.077	-.453	100	913	-.216	.045	-.099	-.420	100	963	-.098	.038	.093	-.288
100	786	-.171	.071	.031	-.429	100	914	-.158	.086	.239	-.470	100	964	-.079	.042	.235	-.243
100	787	-.242	.082	-.012	-.587	100	915	-.208	.045	-.078	-.402	100	965	-.088	.043	.122	-.434
100	788	-.337	.094	-.064	-1.047	100	916	-.179	.093	.303	-.659	100	966	-.103	.035	.095	-.312
100	789	-.300	.066	-.109	-.582	100	917	-.226	.058	-.057	-.554	100	967	-.086	.031	.089	-.191
100	790	-.299	.078	-.057	-.849	100	918	-.233	.064	-.042	-.543	100	968	-.086	.039	.136	-.262
100	791	-.188	.101	.070	-.660	100	919	-.005	.080	.378	-.246	100	969	-.080	.035	.136	-.179
100	792	-.218	.089	.070	-.615	100	920	-.137	.098	.216	-.738	100	970	-.088	.036	.216	-.177
100	793	-.261	.078	.023	-.912	100	921	-.241	.063	-.059	-.547	100	971	-.098	.029	.096	-.182
100	794	-.218	.076	.026	-.587	100	922	-.223	.059	-.059	-.602	100	1001	-.201	.047	-.000	-.429
100	795	-.122	.033	-.026	-.300	100	923	-.189	.104	.214	-.689	100	1002	-.193	.079	-.044	-.638
100	796	-.121	.031	-.008	-.234	100	924	-.080	.137	.705	-.459	100	1003	-.190	.051	-.010	-.456
100	797	-.126	.031	.012	-.261	100	925	-.172	.127	.192	-.894	100	1004	-.220	.045	-.094	-.561
100	798	-.125	.052	.003	-.487	100	926	-.037	.110	.449	-.277	100	1005	-.176	.060	.005	-.503
100	799	-.119	.048	.033	-.494	100	927	-.079	.089	.289	-.412	100	1006	-.232	.053	-.055	-.475
100	800	-.149	.062	.055	-.430	100	928	-.117	.165	.945	-.449	100	1007	-.066	.029	.070	-.163
100	801	-.214	.085	.073	-.508	100	929	-.003	.205	.814	-.705	100	1008	-.127	.045	.105	-.344
100	802	-.309	.113	-.044	-.838	100	930	-.000	.135	.595	-.700	100	1009	-.035	.047	.223	-.290
100	803	-.318	.080	-.061	-.838	100	931	-.222	.065	-.038	-.554	100	1010	-.200	.057	-.057	-.683

WD	TAP	CPMEAN	CPRMS	CPMAX	CPMIN	WD	TAP	CPMEAN	CPRMS	CPMAX	CPMIN	WD	TAP	CPMEAN	CPRMS	CPMAX	CPMIN
100	1011	-.069	.024	.058	-.146	110	133	-.195	.050	-.040	-.430	110	183	-.224	.059	.030	-.545
100	1012	-.165	.056	.131	-.433	110	134	-.203	.047	-.044	-.494	110	184	-.290	.064	-.119	-.723
100	1013	.042	.129	.517	-.463	110	135	-.200	.049	-.028	-.554	110	185	-.290	.061	-.128	-.694
100	1014	-.205	.075	.017	-.503	110	136	-.205	.039	-.079	-.391	110	186	-.336	.091	-.003	-.879
100	1015	-.032	.125	.478	-.585	110	137	-.219	.047	-.070	-.543	110	187	-.221	.089	.134	-.708
100	1016	-.199	.064	.031	-.542	110	138	-.223	.041	-.090	-.483	110	188	-.192	.047	.099	-.427
100	1017	-.074	.040	.129	-.212	110	139	-.220	.039	-.093	-.412	110	189	-.194	.061	.070	-.460
100	1018	-.074	.044	.138	-.189	110	140	-.228	.043	-.083	-.492	110	190	-.205	.062	.025	-.500
100	1019	-.064	.049	.279	-.320	110	141	-.219	.040	-.095	-.400	110	191	-.251	.066	-.031	-.519
100	1020	-.091	.055	.131	-.342	110	142	-.227	.043	-.104	-.474	110	192	-.215	.074	-.037	-.723
100	1021	-.046	.030	.155	-.135	110	143	-.222	.053	-.044	-.612	110	193	-.184	.073	.157	-.471
100	1022	-.094	.029	.063	-.193	110	144	-.214	.056	-.031	-.607	110	194	-.282	.071	-.115	-.977
100	1023	-.101	.028	.018	-.229	110	145	-.225	.052	-.047	-.478	110	195	-.287	.072	-.115	-.804
100	1024	-.131	.031	-.022	-.337	110	146	-.237	.040	-.104	-.478	110	196	-.302	.087	.046	-.736
100	1025	-.058	.030	.089	-.156	110	147	-.254	.049	-.125	-.586	110	197	-.178	.074	.164	-.471
100	1026	-.053	.030	.084	-.153	110	148	-.245	.046	-.099	-.481	110	198	-.098	.033	.026	-.208
100	1027	-.062	.030	.112	-.156	110	149	-.242	.066	-.073	-.608	110	199	-.096	.032	.080	-.215
100	1028	-.089	.024	.075	-.167	110	150	-.230	.056	-.069	-.588	110	200	-.097	.036	.064	-.233
110	101	-.278	.059	-.113	-.528	110	151	-.225	.073	-.033	-1.134	110	201	-.127	.041	.060	-.292
110	102	-.224	.049	-.022	-.498	110	152	-.227	.049	-.064	-.491	110	202	-.156	.054	.166	-.419
110	103	-.083	.063	-.155	-.403	110	153	-.225	.045	-.094	-.592	110	203	-.160	.053	.064	-.414
110	104	-.310	.069	-.124	-.675	110	154	-.231	.039	-.125	-.422	110	204	-.145	.040	.128	-.437
110	105	-.222	.050	-.079	-.536	110	155	-.242	.046	-.073	-.471	110	205	-.143	.065	.180	-.476
110	106	-.231	.045	-.097	-.447	110	156	-.234	.051	-.051	-.523	110	206	-.148	.054	.118	-.378
110	107	-.238	.055	-.088	-.555	110	157	-.228	.046	-.038	-.440	110	207	-.173	.052	.057	-.378
110	108	-.245	.063	-.039	-.525	110	158	-.206	.050	-.022	-.473	110	208	-.184	.056	.032	-.507
110	109	-.257	.066	-.088	-.530	110	159	-.240	.042	-.071	-.455	110	209	-.105	.035	.039	-.247
110	110	-.255	.067	-.104	-.727	110	160	-.213	.065	-.029	-.666	110	210	-.102	.047	.098	-.308
110	111	-.249	.049	-.119	-.518	110	161	-.258	.047	-.056	-.478	110	211	-.167	.041	.057	-.391
110	112	-.255	.068	-.038	-.568	110	162	-.211	.061	-.013	-.581	110	212	-.124	.051	.050	-.536
110	113	-.266	.070	-.076	-.680	110	163	-.208	.051	-.047	-.518	110	213	-.128	.051	.080	-.279
110	114	-.239	.052	-.097	-.505	110	164	-.228	.052	-.078	-.538	110	214	-.168	.050	.013	-.380
110	115	-.233	.041	-.106	-.421	110	165	-.261	.064	-.098	-.738	110	215	-.082	.036	.165	-.178
110	116	-.249	.067	-.056	-.564	110	166	-.234	.046	-.057	-.443	110	216	-.084	.036	.112	-.180
110	117	-.210	.044	-.040	-.437	110	167	-.240	.045	-.048	-.557	110	217	-.055	.051	.229	-.184
110	118	-.367	.115	-.113	-1.024	110	168	-.238	.044	-.079	-.460	110	218	-.056	.053	.293	-.214
110	119	-.252	.069	-.049	-.568	110	169	-.210	.051	-.055	-.654	110	219	-.152	.061	.038	-.416
110	120	-.262	.054	-.108	-.580	110	170	-.234	.064	-.029	-.860	110	220	-.104	.043	.066	-.272
110	121	-.250	.046	-.115	-.487	110	171	-.229	.055	-.081	-.595	110	221	-.111	.045	.057	-.304
110	122	-.178	.053	.050	-.398	110	172	-.266	.065	-.091	-.689	110	222	-.113	.044	.075	-.329
110	123	-.179	.050	.039	-.471	110	173	-.258	.057	-.095	-.526	110	223	-.139	.049	.052	-.324
110	124	-.189	.053	.062	-.607	110	174	-.250	.056	-.079	-.552	110	224	-.166	.058	.025	-.474
110	125	-.192	.045	-.022	-.435	110	175	-.231	.050	-.055	-.533	110	225	-.170	.061	.068	-.556
110	126	-.228	.046	-.101	-.435	110	176	-.243	.056	.004	-.633	110	301	-.013	.143	.490	-.469
110	127	-.230	.040	-.106	-.414	110	177	-.270	.072	-.107	-1.040	110	302	-.066	.115	.412	-.499
110	128	-.228	.040	-.097	-.412	110	178	-.267	.069	-.079	-.644	110	303	-.025	.106	.451	-.382
110	129	-.225	.039	-.067	-.416	110	179	-.326	.083	-.143	-.834	110	304	-.013	.182	.615	-.576
110	130	-.208	.043	-.044	-.370	110	180	-.258	.065	-.050	-.779	110	305	.131	.182	.753	-.746
110	131	-.224	.047	-.070	-.481	110	181	-.228	.065	-.008	-.578	110	306	-.088	.080	.241	-.350
110	132	-.191	.046	-.037	-.391	110	182	-.218	.058	.080	-.491	110	307	.023	.119	.540	-.271

WD	TAP	CPMEAN	CPRMS	CPMAX	CPMIN	WD	TAP	CPMEAN	CPRMS	CPMAX	CPMIN	WD	TAP	CPMEAN	CPRMS	CPMAX	CPMIN
110	308	.144	.207	.865	-.587	110	358	-.110	.140	.519	-.928	110	408	-.114	.042	.029	-.304
110	309	.054	.138	.596	-.373	110	359	-.166	.056	.162	-.477	110	409	-.088	.032	.088	-.186
110	310	.055	.146	.647	-.511	110	360	-.101	.163	.524	-.897	110	410	-.101	.031	.059	-.226
110	311	-.094	.090	.306	-.381	110	361	-.160	.051	.135	-.417	110	411	-.102	.056	.086	-.413
110	312	.104	.220	1.044	-.700	110	362	-.161	.185	.447	-1.670	110	412	-.110	.042	.036	-.342
110	313	.109	.155	.790	-.358	110	363	-.088	.148	.536	-1.024	110	413	-.097	.030	.037	-.237
110	314	.022	.138	.577	-.421	110	364	-.059	.069	.438	-.407	110	414	-.032	.049	.191	-.230
110	315	-.109	.090	.444	-.375	110	365	-.054	.057	.330	-.266	110	415	-.029	.046	.248	-.214
110	316	.036	.146	.766	-.397	110	366	-.088	.059	.269	-.274	110	416	-.103	.046	.122	-.377
110	317	.117	.172	.887	-.268	110	367	-.138	.049	.150	-.314	110	417	-.082	.034	.092	-.192
110	318	.064	.182	.812	-1.024	110	368	-.160	.044	.017	-.345	110	418	-.082	.032	.092	-.188
110	319	.097	.156	.792	-.322	110	369	-.059	.060	.176	-.395	110	419	-.093	.030	.054	-.185
110	320	-.129	.113	.388	-.591	110	370	-.177	.125	.262	-.761	110	420	-.097	.028	.032	-.178
110	321	-.117	.091	.296	-.387	110	371	-.137	.135	.431	-.784	110	421	-.099	.031	.086	-.304
110	322	.077	.180	.775	-.632	110	372	-.079	.058	.138	-.547	110	422	-.094	.031	.092	-.182
110	323	.101	.156	.712	-.450	110	373	-.043	.052	.150	-.355	110	501	-.099	.090	.246	-.552
110	324	.047	.140	.637	-.407	110	374	-.222	.078	.110	-.597	110	502	-.066	.120	.439	-.456
110	325	.017	.118	.591	-.293	110	375	-.157	.038	.007	-.317	110	503	-.044	.163	.553	-.687
110	326	.106	.155	.768	-.319	110	376	-.189	.046	-.036	-.390	110	504	.003	.098	.327	-.267
110	327	-.112	.149	.572	-.743	110	377	-.164	.099	.241	-.648	110	505	-.108	.061	.128	-.317
110	328	-.049	.103	.455	-.414	110	378	-.143	.102	.161	-.830	110	506	.052	.173	.672	-.673
110	329	-.084	.083	.292	-.480	110	379	-.083	.053	.148	-.425	110	507	-.003	.095	.387	-.249
110	330	.097	.160	.785	-.282	110	380	-.058	.043	.118	-.241	110	508	-.145	.064	.080	-.464
110	331	.075	.156	.897	-.306	110	381	-.219	.067	.007	-.617	110	509	.023	.119	.649	-.680
110	332	.025	.192	.738	-.599	110	382	-.170	.039	-.029	-.390	110	510	.049	.114	.569	-.386
110	333	.039	.181	.836	-.860	110	383	-.195	.046	-.062	-.410	110	511	.086	.182	.744	-.743
110	334	.044	.116	.543	-.511	110	384	-.091	.065	.120	-.602	110	512	-.118	.061	.143	-.303
110	335	.021	.116	.516	-.353	110	385	-.074	.066	.171	-.612	110	513	-.003	.099	.419	-.290
110	336	.034	.127	.790	-.275	110	386	-.063	.043	.204	-.218	110	514	.109	.124	.611	-.281
110	337	.073	.126	.621	-.192	110	387	-.059	.042	.163	-.249	110	515	.140	.202	1.017	-.718
110	338	-.129	.118	.477	-.651	110	388	-.165	.047	.047	-.433	110	516	.041	.124	.622	-.436
110	339	-.097	.072	.250	-.309	110	389	-.158	.036	.044	-.289	110	517	.110	.129	.981	-.245
110	340	-.127	.064	.172	-.336	110	390	-.192	.040	-.057	-.420	110	518	-.131	.079	.163	-.521
110	341	.047	.121	.690	-.297	110	391	-.049	.048	.208	-.191	110	519	-.180	.113	.226	-.933
110	342	.030	.108	.538	-.240	110	392	-.014	.052	.227	-.226	110	520	.106	.127	.652	-.572
110	343	.003	.145	.670	-.638	110	393	-.040	.051	.282	-.201	110	521	.075	.150	.656	-.756
110	344	.010	.157	.956	-.641	110	394	-.137	.047	.147	-.336	110	522	-.128	.058	.192	-.353
110	345	.042	.125	.760	-.421	110	395	-.145	.038	.055	-.269	110	523	-.087	.072	.259	-.536
110	346	-.048	.088	.499	-.323	110	396	-.181	.039	.001	-.383	110	524	-.137	.118	.369	-.794
110	347	-.116	.067	.250	-.316	110	397	-.074	.043	.108	-.291	110	525	.083	.130	.699	-.272
110	348	-.179	.056	.074	-.404	110	398	-.051	.055	.279	-.264	110	526	.038	.089	.448	-.245
110	349	.045	.127	.570	-.462	110	399	-.089	.057	.183	-.361	110	527	.070	.093	.450	-.273
110	350	.059	.111	.577	-.275	110	400	-.093	.033	.030	-.251	110	528	.155	.129	.723	-.434
110	351	-.084	.175	.678	-1.154	110	401	-.096	.030	.030	-.202	110	529	.157	.152	.675	-.421
110	352	-.086	.122	.683	-.784	110	402	-.107	.029	.070	-.206	110	530	.088	.123	.757	-.291
110	353	-.142	.126	.318	-.842	110	403	-.102	.031	.016	-.242	110	531	.079	.122	.643	-.255
110	354	-.169	.092	.224	-.623	110	404	-.100	.029	.034	-.213	110	532	-.140	.049	.078	-.296
110	355	-.200	.068	.054	-.558	110	405	-.141	.046	.115	-.395	110	533	-.087	.060	.253	-.244
110	356	-.251	.069	-.042	-.729	110	406	-.021	.067	.466	-.282	110	534	-.107	.121	.432	-.652
110	357	-.246	.064	-.100	-.597	110	407	-.043	.050	.236	-.289	110	535	.096	.102	.548	-.180

WD	TAP	CPMEAN	CPRMS	CPMAX	CPMIN	WD	TAP	CPMEAN	CPRMS	CPMAX	CPMIN	WD	TAP	CPMEAN	CPRMS	CPMAX	CPMIN
110	536	.108	.113	.745	-.214	110	586	-.009	.085	.370	-.327	110	716	-.226	.039	-.093	-.390
110	537	.071	.090	.487	-.169	110	587	-.006	.077	.349	-.227	110	717	-.227	.037	-.099	-.390
110	538	.096	.096	.584	-.176	110	588	-.048	.070	.174	-.501	110	718	-.244	.040	-.128	-.401
110	539	.140	.136	.625	-.489	110	589	-.053	.040	.129	-.292	110	719	-.243	.041	-.124	-.410
110	540	.121	.161	.700	-.740	110	590	-.060	.043	.164	-.253	110	720	-.233	.047	-.064	-.451
110	541	.117	.100	.580	-.144	110	591	-.008	.058	.295	-.133	110	721	-.260	.067	-.115	-.679
110	542	.101	.098	.564	-.139	110	592	-.017	.044	.219	-.157	110	722	-.246	.049	-.104	-.594
110	543	-.204	.044	-.037	-.407	110	593	-.178	.049	.103	-.412	110	723	-.244	.047	-.102	-.524
110	544	-.119	.056	.151	-.316	110	594	-.131	.047	.141	-.292	110	724	-.242	.041	-.135	-.415
110	545	-.008	.077	.405	-.232	110	595	-.077	.051	.175	-.287	110	725	-.244	.043	-.108	-.493
110	546	.111	.110	.691	-.355	110	596	-.026	.045	.231	-.199	110	726	-.234	.050	-.075	-.495
110	547	.120	.121	.689	-.432	110	597	-.050	.054	.111	-.356	110	727	-.252	.066	-.080	-.596
110	548	-.110	.125	.620	-.493	110	598	-.053	.038	.108	-.280	110	728	-.227	.050	-.085	-.433
110	549	-.268	.072	.111	-.560	110	599	-.070	.034	.050	-.221	110	729	-.218	.043	-.087	-.381
110	550	-.299	.074	-.113	-.706	110	600	-.066	.058	.156	-.377	110	730	-.226	.038	-.107	-.427
110	551	-.145	.062	.103	-.451	110	601	-.077	.045	.126	-.387	110	731	-.235	.039	-.116	-.374
110	552	-.019	.093	.334	-.524	110	602	-.086	.050	.185	-.356	110	732	-.261	.058	-.107	-.608
110	553	.053	.112	.549	-.640	110	603	-.199	.045	-.036	-.403	110	733	-.253	.052	-.128	-.540
110	554	.075	.115	.594	-.491	110	604	-.043	.035	.108	-.187	110	734	-.247	.042	-.134	-.429
110	555	.083	.133	.625	-.624	110	605	-.060	.038	.108	-.237	110	735	-.244	.039	-.128	-.397
110	556	.105	.131	.705	-.309	110	606	-.058	.047	.141	-.384	110	736	-.238	.038	-.132	-.399
110	557	.118	.123	.682	-.404	110	607	-.068	.063	.261	-.371	110	737	-.232	.042	-.107	-.424
110	558	-.112	.053	.127	-.317	110	608	.009	.044	.214	-.124	110	738	-.237	.045	-.110	-.447
110	559	.083	.123	.796	-.591	110	609	-.042	.049	.176	-.302	110	739	-.228	.043	-.089	-.408
110	560	-.152	.051	.083	-.386	110	610	-.045	.033	.169	-.169	110	740	-.223	.042	-.101	-.393
110	561	.082	.124	.682	-.542	110	611	-.084	.046	.196	-.381	110	741	-.238	.038	-.119	-.404
110	562	-.144	.051	.089	-.304	110	612	-.152	.049	.043	-.345	110	742	-.244	.043	-.112	-.528
110	563	-.090	.060	.218	-.289	110	613	-.084	.051	.169	-.257	110	743	-.261	.051	-.116	-.578
110	564	-.004	.086	.478	-.282	110	614	-.027	.062	.273	-.200	110	744	-.265	.046	-.139	-.492
110	565	.066	.093	.440	-.313	110	615	.030	.052	.311	-.088	110	745	-.255	.043	-.137	-.442
110	566	.099	.086	.572	-.187	110	616	.003	.048	.201	-.144	110	746	-.245	.044	-.121	-.431
110	567	.113	.103	.677	-.271	110	617	.002	.048	.223	-.137	110	747	-.238	.046	-.114	-.460
110	568	.091	.111	.581	-.740	110	618	-.011	.041	.212	-.153	110	748	-.241	.049	-.114	-.580
110	569	.106	.099	.586	-.178	110	619	-.042	.038	.140	-.187	110	749	-.247	.051	-.080	-.546
110	570	-.136	.054	.129	-.330	110	620	-.066	.034	.131	-.162	110	750	-.241	.047	-.075	-.504
110	571	-.078	.060	.225	-.243	110	701	-.221	.049	-.077	-.460	110	751	-.275	.056	-.093	-.710
110	572	-.043	.100	.394	-.421	110	702	-.280	.057	-.113	-.540	110	752	-.264	.045	-.140	-.473
110	573	.102	.086	.537	-.121	110	703	-.307	.070	-.115	-.656	110	753	-.254	.044	-.122	-.437
110	574	.110	.090	.553	-.133	110	704	-.076	.063	.124	-.415	110	754	-.246	.043	-.124	-.453
110	575	.108	.098	.586	-.360	110	705	-.235	.045	-.051	-.419	110	755	-.259	.063	-.097	-.863
110	576	.084	.095	.504	-.313	110	706	-.228	.042	-.101	-.404	110	756	-.264	.062	-.062	-.714
110	577	-.137	.054	.150	-.339	110	707	-.229	.044	-.106	-.421	110	757	-.290	.071	-.077	-.841
110	578	-.065	.062	.242	-.278	110	708	-.248	.047	-.118	-.494	110	758	-.275	.051	-.089	-.486
110	579	.007	.104	.502	-.407	110	709	-.228	.040	-.093	-.415	110	759	-.250	.066	-.082	-.710
110	580	.099	.088	.572	-.128	110	710	-.228	.044	-.052	-.448	110	760	-.285	.062	-.122	-.654
110	581	.078	.083	.541	-.182	110	711	-.230	.044	-.077	-.436	110	761	-.235	.052	-.077	-.484
110	582	.044	.071	.366	-.217	110	712	-.244	.050	-.068	-.522	110	762	-.285	.073	-.075	-.706
110	583	.035	.072	.356	-.192	110	713	-.234	.042	-.099	-.448	110	763	-.280	.060	-.069	-.577
110	584	-.162	.057	.089	-.370	110	714	-.229	.043	-.102	-.399	110	764	-.275	.049	-.120	-.486
110	585	-.079	.062	.225	-.332	110	715	-.224	.043	-.070	-.442	110	765	-.278	.054	-.131	-.548

WD	TAP	CPMEAN	CPRMS	CPMAX	CPMIN	WD	TAP	CPMEAN	CPRMS	CPMAX	CPMIN	WD	TAP	CPMEAN	CPRMS	CPMAX	CPMIN
110	766	-.244	.050	-.100	-.535	110	816	-.142	.058	.097	-.518	110	944	-.186	.055	-.001	-.441
110	767	-.231	.050	-.065	-.460	110	817	-.144	.065	.042	-.540	110	945	-.002	.057	-.322	-.146
110	768	-.222	.046	-.079	-.439	110	818	-.157	.079	.156	-.527	110	946	-.192	.065	-.005	-.523
110	769	-.247	.045	-.107	-.448	110	819	-.262	.107	.040	-.646	110	947	-.258	.092	-.046	-.938
110	770	-.300	.087	-.051	-.873	110	820	-.327	.091	.010	-.824	110	948	-.232	.069	-.077	-.773
110	771	-.293	.071	-.047	-.684	110	821	-.373	.091	-.149	-.813	110	949	-.246	.071	-.046	-.869
110	772	-.300	.055	-.156	-.523	110	822	-.379	.090	-.189	-.867	110	950	-.019	.046	-.239	-.144
110	773	-.275	.049	-.135	-.537	110	901	-.270	.031	-.191	-.397	110	951	-.194	.052	-.019	-.496
110	774	-.272	.055	-.121	-.546	110	902	-.244	.046	-.104	-.437	110	952	-.168	.051	-.081	-.612
110	775	-.247	.048	-.077	-.418	110	903	-.246	.039	-.146	-.399	110	953	-.054	.061	-.367	-.202
110	776	-.249	.051	-.088	-.446	110	904	-.265	.044	-.140	-.510	110	954	-.317	.101	-.093	-1.219
110	777	-.308	.099	-.039	-.932	110	905	-.273	.027	-.200	-.370	110	955	-.111	.050	.317	-.287
110	778	-.292	.088	-.058	-.768	110	906	-.104	.085	.218	-.309	110	956	-.063	.049	.288	-.220
110	779	-.317	.061	-.128	-.633	110	907	-.195	.041	-.035	-.357	110	957	-.052	.048	.157	-.195
110	780	-.305	.068	-.135	-.644	110	908	-.238	.044	-.091	-.470	110	958	-.084	.053	.380	-.240
110	781	-.313	.070	-.109	-.647	110	909	-.239	.038	-.115	-.410	110	959	-.195	.041	-.013	-.392
110	782	-.279	.058	-.114	-.546	110	910	-.048	.068	.334	-.262	110	960	-.027	.061	.315	-.340
110	783	-.277	.062	-.072	-.567	110	911	-.245	.039	-.127	-.422	110	961	-.058	.061	.302	-.291
110	784	-.259	.122	.066	-.885	110	912	-.219	.075	.044	-.625	110	962	-.043	.058	.261	-.237
110	785	-.239	.103	.056	-.752	110	913	-.242	.043	-.051	-.440	110	963	-.080	.046	.131	-.303
110	786	-.296	.072	-.042	-.553	110	914	-.212	.104	-.122	-.645	110	964	-.052	.050	.205	-.209
110	787	-.330	.072	-.102	-.698	110	915	-.239	.046	-.091	-.495	110	965	-.063	.048	.311	-.240
110	788	-.352	.088	-.144	-.983	110	916	-.232	.111	.301	-.706	110	966	-.096	.045	.280	-.291
110	789	-.331	.075	-.126	-.626	110	917	-.258	.055	-.119	-.510	110	967	-.079	.044	.231	-.219
110	790	-.324	.080	-.100	-.705	110	918	-.283	.064	-.072	-.648	110	968	-.069	.038	.116	-.219
110	791	-.327	.122	.041	-1.021	110	919	-.097	.096	.476	-.129	110	969	-.074	.039	.151	-.224
110	792	-.352	.095	.174	-.852	110	920	-.161	.096	.160	-.515	110	970	-.099	.038	.132	-.202
110	793	-.382	.091	-.009	-.942	110	921	-.263	.064	-.028	-.595	110	971	-.093	.037	.111	-.224
110	794	-.335	.082	-.013	-.748	110	922	-.228	.043	-.044	-.410	110	1001	-.247	.050	.000	-.419
110	795	-.132	.054	.122	-.611	110	923	-.177	.098	.144	-.648	110	1002	-.304	.091	.064	-.648
110	796	-.129	.047	.083	-.383	110	924	-.138	.149	.765	-.445	110	1003	-.218	.053	-.055	-.430
110	797	-.161	.048	.085	-.351	110	925	-.280	.140	.142	-.956	110	1004	-.251	.049	-.133	-.579
110	798	-.162	.076	.104	-1.155	110	926	-.073	.120	.548	-.371	110	1005	-.231	.067	-.014	-.582
110	799	-.153	.071	.047	-.698	110	927	-.143	.075	.210	-.407	110	1006	-.265	.058	-.116	-.601
110	800	-.210	.097	-.069	-.620	110	928	-.139	.169	.863	-.245	110	1007	-.014	.047	.234	-.134
110	801	-.350	.084	-.029	-.772	110	929	-.154	.145	.608	-.694	110	1008	-.157	.071	.253	-.592
110	802	-.404	.105	-.079	-1.440	110	930	-.139	.121	.660	-.535	110	1009	-.055	.073	.427	-.181
110	803	-.389	.086	-.113	-.908	110	931	-.215	.052	-.062	-.496	110	1010	-.197	.052	-.026	-.438
110	804	-.390	.078	-.168	-.810	110	932	-.048	.090	.431	-.196	110	1011	-.026	.038	.170	-.134
110	805	-.123	.045	.076	-.346	110	933	-.084	.128	.624	-.299	110	1012	-.219	.070	.069	-.655
110	806	-.149	.044	.010	-.392	110	934	-.136	.121	.400	-.496	110	1013	-.042	.143	.518	-.504
110	807	-.110	.046	.115	-.470	110	935	-.061	.103	.407	-.347	110	1014	-.249	.070	-.015	-.572
110	808	-.145	.045	.101	-.307	110	936	-.083	.072	.428	-.141	110	1015	-.047	.123	.620	-.462
110	809	-.142	.053	.035	-.677	110	937	-.037	.158	.683	-.438	110	1016	-.237	.065	-.021	-.551
110	810	-.201	.095	.115	-.543	110	938	-.036	.109	.649	-.263	110	1017	-.057	.045	.241	-.207
110	811	-.341	.083	-.065	-.831	110	939	-.058	.086	.323	-.256	110	1018	-.064	.044	.191	-.186
110	812	-.394	.098	-.173	-1.287	110	940	-.228	.033	-.132	-.422	110	1019	-.050	.051	.210	-.243
110	813	-.111	.047	.069	-.353	110	941	-.348	.053	-.142	-.554	110	1020	-.070	.059	.229	-.462
110	814	-.113	.044	.049	-.383	110	942	-.187	.057	.034	-.403	110	1021	-.029	.049	.312	-.087
110	815	-.146	.047	.040	-.312	110	943	-.198	.071	.110	-.510	110	1022	-.075	.039	.097	-.217

WD	TAP	CPMEAN	CPRMS	CPMAX	CPMIN	WD	TAP	CPMEAN	CPRMS	CPMAX	CPMIN	WD	TAP	CPMEAN	CPRMS	CPMAX	CPMIN
110	1023	-.093	.037	.102	-.302	120	145	-.325	.059	-.173	-.954	120	195	-.398	.085	-.169	-.836
110	1024	-.142	.049	.076	-.412	120	146	-.328	.040	-.203	-.583	120	196	-.440	.109	-.090	-1.126
110	1025	-.038	.036	.135	-.167	120	147	-.348	.045	-.150	-.537	120	197	-.322	.099	.119	-.761
110	1026	-.036	.037	.154	-.167	120	148	-.352	.052	-.155	-.583	120	198	-.137	.037	-.001	-.282
110	1027	-.056	.032	.073	-.172	120	149	-.324	.080	-.088	-.808	120	199	-.131	.036	.022	-.264
110	1028	-.090	.032	.215	-.181	120	150	-.314	.066	-.104	-.813	120	200	-.127	.042	.038	-.303
120	101	-.360	.054	-.191	-.570	120	151	-.316	.084	-.090	-1.564	120	201	-.201	.054	.017	-.407
120	102	-.303	.047	-.155	-.475	120	152	-.301	.040	-.176	-.563	120	202	-.239	.086	.122	-.564
120	103	-.131	.073	-.081	-.511	120	153	-.309	.039	-.174	-.477	120	203	-.251	.097	.246	-.559
120	104	-.414	.057	-.198	-.684	120	154	-.318	.036	-.216	-.459	120	204	-.239	.110	.249	-.686
120	105	-.302	.044	-.131	-.478	120	155	-.335	.052	-.144	-.570	120	205	-.229	.107	.344	-.720
120	106	-.326	.041	-.202	-.487	120	156	-.356	.074	-.142	-.795	120	206	-.243	.074	.078	-.677
120	107	-.325	.050	-.178	-.566	120	157	-.340	.062	-.102	-.599	120	207	-.293	.076	.038	-.595
120	108	-.354	.062	-.149	-.592	120	158	-.277	.052	-.054	-.448	120	208	-.289	.068	.024	-.589
120	109	-.348	.063	-.191	-.632	120	159	-.345	.050	-.176	-.545	120	209	-.162	.040	-.037	-.343
120	110	-.353	.060	-.185	-.682	120	160	-.250	.058	-.013	-.455	120	210	-.162	.066	.101	-.438
120	111	-.356	.049	-.218	-.583	120	161	-.372	.057	-.151	-.651	120	211	-.232	.115	.200	-.638
120	112	-.362	.067	-.148	-.650	120	162	-.259	.052	-.099	-.453	120	212	-.173	.080	.110	-.670
120	113	-.368	.071	-.180	-.706	120	163	-.271	.052	-.034	-.473	120	213	-.205	.074	.165	-.463
120	114	-.338	.049	-.203	-.634	120	164	-.303	.049	-.165	-.504	120	214	-.279	.069	-.005	-.574
120	115	-.324	.045	-.171	-.514	120	165	-.351	.066	-.196	-.714	120	215	-.114	.041	.071	-.254
120	116	-.343	.060	-.182	-.650	120	166	-.323	.050	-.153	-.543	120	216	-.112	.045	.080	-.244
120	117	-.306	.042	-.153	-.455	120	167	-.341	.052	-.108	-.541	120	217	-.045	.066	.285	-.201
120	118	-.475	.097	-.235	-1.015	120	168	-.359	.057	-.089	-.710	120	218	-.020	.080	.444	-.247
120	119	-.387	.082	-.101	-.704	120	169	-.292	.053	-.089	-.572	120	219	-.173	.103	.154	-.617
120	120	-.360	.053	-.198	-.629	120	170	-.278	.062	-.027	-.589	120	220	-.142	.070	.103	-.419
120	121	-.351	.044	-.226	-.552	120	171	-.281	.058	-.051	-.515	120	221	-.152	.071	.126	-.523
120	122	-.243	.052	-.049	-.439	120	172	-.349	.072	-.170	-.715	120	222	-.150	.070	.239	-.530
120	123	-.251	.053	-.026	-.484	120	173	-.340	.066	-.122	-.631	120	223	-.216	.073	.085	-.454
120	124	-.267	.048	-.058	-.475	120	174	-.354	.068	-.103	-.612	120	224	-.270	.080	.071	-.650
120	125	-.303	.051	-.130	-.591	120	175	-.347	.062	-.106	-.636	120	225	-.268	.075	.004	-.634
120	126	-.330	.042	-.210	-.530	120	176	-.361	.064	-.115	-.710	120	301	-.159	.126	.275	-.800
120	127	-.328	.041	-.201	-.500	120	177	-.327	.081	-.091	-.767	120	302	-.255	.107	.028	-.814
120	128	-.323	.042	-.166	-.505	120	178	-.322	.078	-.068	-.715	120	303	-.105	.103	.485	-.294
120	129	-.328	.044	-.182	-.500	120	179	-.435	.099	-.134	-.895	120	304	-.288	.151	.203	-.824
120	130	-.305	.040	-.152	-.463	120	180	-.324	.074	.006	-.667	120	305	-.152	.193	.495	-.938
120	131	-.325	.044	-.189	-.491	120	181	-.345	.091	.063	-.760	120	306	-.212	.045	-.034	-.384
120	132	-.264	.044	-.097	-.422	120	182	-.340	.079	.068	-.608	120	307	-.104	.084	.249	-.432
120	133	-.267	.046	-.113	-.452	120	183	-.345	.080	.066	-.638	120	308	-.131	.272	.575	-1.122
120	134	-.281	.045	-.109	-.470	120	184	-.395	.087	-.110	-.772	120	309	-.029	.096	.298	-.360
120	135	-.289	.043	-.118	-.461	120	185	-.399	.088	-.163	-.891	120	310	-.066	.094	.324	-.490
120	136	-.289	.038	-.120	-.445	120	186	-.486	.121	-.072	-1.114	120	311	-.249	.056	.059	-.435
120	137	-.309	.040	-.159	-.493	120	187	-.300	.106	.142	-.693	120	312	-.144	.273	.725	-1.027
120	138	-.308	.038	-.157	-.468	120	188	-.323	.098	.054	-.724	120	313	-.028	.108	.406	-.511
120	139	-.316	.045	-.159	-.477	120	189	-.333	.079	.168	-.641	120	314	-.097	.090	.217	-.411
120	140	-.324	.046	-.134	-.539	120	190	-.324	.075	.101	-.784	120	315	-.234	.058	-.000	-.441
120	141	-.300	.038	-.178	-.488	120	191	-.355	.100	.008	-.770	120	316	-.120	.095	.343	-.453
120	142	-.318	.041	-.166	-.500	120	192	-.299	.107	.063	-.822	120	317	-.031	.135	.781	-.322
120	143	-.310	.058	-.152	-.703	120	193	-.287	.104	.060	-.711	120	318	-.087	.183	.513	-.770
120	144	-.309	.063	-.097	-.751	120	194	-.383	.082	-.130	-.727	120	319	.031	.112	.466	-.297

WD	TAP	CPMEAN	CPRMS	CPMAX	CPMIN	WD	TAP	CPMEAN	CPRMS	CPMAX	CPMIN	WD	TAP	CPMEAN	CPRMS	CPMAX	CPMIN
120	320	-.253	.099	.109	-.679	120	370	-.278	.182	.386	-.829	120	420	-.135	.030	.001	-.229
120	321	-.270	.066	.079	-.555	120	371	-.218	.211	.388	-1.082	120	421	-.147	.026	-.043	-.220
120	322	-.010	.221	.730	-.845	120	372	-.098	.072	.145	-.551	120	422	-.143	.029	.019	-.269
120	323	.137	.141	.527	-.551	120	373	.005	.072	.291	-.186	120	501	-.031	.085	.318	-.365
120	324	.030	.112	.361	-.308	120	374	-.465	.125	-.089	-1.208	120	502	.068	.096	.398	-.274
120	325	-.003	.101	.359	-.301	120	375	-.217	.043	-.069	-.400	120	503	.255	.156	.739	-.311
120	326	.226	.157	.828	-.290	120	376	-.241	.046	-.106	-.417	120	504	-.092	.068	.312	-.343
120	327	-.370	.123	.103	-.863	120	377	-.249	.161	.544	-.967	120	505	-.100	.063	.124	-.371
120	328	-.155	.053	.094	-.379	120	378	-.184	.161	.293	-.868	120	506	.176	.142	.639	-.285
120	329	-.180	.050	.047	-.337	120	379	-.097	.062	.140	-.454	120	507	.034	.085	.280	-.247
120	330	-.042	.100	.421	-.388	120	380	-.046	.066	.245	-.313	120	508	-.162	.086	.131	-.561
120	331	-.054	.101	.386	-.508	120	381	-.402	.112	-.072	-.928	120	509	.098	.153	.561	-.785
120	332	-.159	.211	.840	-.939	120	382	-.235	.045	-.072	-.422	120	510	.172	.137	.770	-.363
120	333	-.100	.249	.673	-.819	120	383	-.256	.056	-.074	-.490	120	511	.254	.173	.793	-.389
120	334	.037	.106	.447	-.593	120	384	-.122	.095	.347	-.746	120	512	-.083	.071	.176	-.351
120	335	.006	.102	.347	-.480	120	385	-.086	.085	.245	-.675	120	513	.140	.115	.587	-.187
120	336	-.023	.090	.341	-.442	120	386	-.066	.058	.194	-.352	120	514	.343	.145	.763	-.153
120	337	-.144	.147	.790	-.369	120	387	-.065	.052	.174	-.232	120	515	.454	.179	1.086	-.167
120	338	-.267	.112	.320	-.896	120	388	-.268	.060	-.059	-.549	120	516	.206	.165	.750	-.723
120	339	-.173	.044	.049	-.327	120	389	-.232	.041	-.004	-.417	120	517	-.386	.165	.943	-.076
120	340	-.205	.041	-.038	-.351	120	390	-.295	.052	-.106	-.500	120	518	-.122	.090	.194	-.598
120	341	.046	.123	.562	-.358	120	391	-.050	.059	.175	-.244	120	519	-.230	.157	.307	-.997
120	342	.034	.098	.473	-.412	120	392	-.008	.070	.349	-.180	120	520	.277	.168	.908	-.420
120	343	-.123	.235	.527	-.995	120	393	-.041	.059	.202	-.212	120	521	.133	.143	.681	-.294
120	344	-.098	.181	.541	-.776	120	394	-.200	.059	-.038	-.459	120	522	-.114	.066	.154	-.347
120	345	-.004	.123	.372	-.591	120	395	-.195	.044	-.018	-.347	120	523	-.031	.081	.296	-.318
120	346	-.122	.052	.092	-.416	120	396	-.247	.048	-.095	-.426	120	524	-.063	.137	.425	-.496
120	347	-.202	.051	.052	-.525	120	397	-.120	.049	.077	-.386	120	525	.275	.145	.714	-.323
120	348	-.283	.060	-.087	-.624	120	398	-.086	.074	.371	-.376	120	526	.204	.124	.565	-.249
120	349	.265	.195	.879	-.341	120	399	-.124	.080	.227	-.504	120	527	.308	.133	.736	-.114
120	350	.245	.153	.724	-.325	120	400	-.135	.044	.074	-.309	120	528	.403	.157	.883	-.096
120	351	-.328	.210	.671	-1.247	120	401	-.133	.034	.018	-.252	120	529	.412	.175	1.041	-.060
120	352	-.026	.117	.437	-.759	120	402	-.149	.031	-.023	-.252	120	530	.333	.136	.903	-.150
120	353	-.065	.094	.236	-.616	120	403	-.139	.032	-.016	-.248	120	531	.327	.158	.883	-.281
120	354	-.165	.074	.075	-.639	120	404	-.138	.034	-.034	-.275	120	532	-.126	.060	.134	-.301
120	355	-.261	.058	-.073	-.586	120	405	-.232	.062	-.009	-.466	120	533	-.015	.077	.319	-.240
120	356	-.341	.078	-.115	-.842	120	406	-.008	.089	.533	-.255	120	534	-.045	.142	.454	-.581
120	357	-.335	.075	-.156	-.898	120	407	-.058	.066	.261	-.333	120	535	.310	.135	.786	-.096
120	358	-.311	.174	-.271	-.997	120	408	-.174	.042	-.022	-.398	120	536	.386	.151	.955	-.082
120	359	-.238	.043	-.066	-.406	120	409	-.126	.035	-.000	-.241	120	537	.303	.130	.836	-.037
120	360	-.041	.230	.569	-1.217	120	410	-.137	.035	.036	-.250	120	538	.349	.145	.820	-.042
120	361	-.233	.045	-.045	-.415	120	411	-.151	.063	.173	-.477	120	539	.469	.166	1.018	-.062
120	362	-.372	.368	.673	-2.684	120	412	-.166	.038	.007	-.435	120	540	.436	.177	1.059	-.035
120	363	-.130	.265	.500	-1.487	120	413	-.140	.032	.035	-.246	120	541	.412	.154	.914	-.006
120	364	-.080	.080	.209	-.450	120	414	-.039	.070	.417	-.320	120	542	.336	.131	.725	-.080
120	365	-.048	.067	.234	-.290	120	415	-.040	.062	.244	-.241	120	543	-.288	.059	-.055	-.495
120	366	-.133	.049	.101	-.332	120	416	-.145	.049	.082	-.451	120	544	-.113	.071	.213	-.369
120	367	-.203	.039	-.028	-.347	120	417	-.122	.041	.056	-.286	120	545	.132	.103	.540	-.157
120	368	-.228	.040	-.055	-.386	120	418	-.113	.036	.051	-.229	120	546	.372	.147	.914	-.055
120	369	-.003	.084	.296	-.303	120	419	-.134	.029	-.015	-.222	120	547	.393	.160	1.041	-.030

WD	TAP	CPMEAN	CPRMS	CPMAX	CPMIN	WD	TAP	CPMEAN	CPRMS	CPMAX	CPMIN	WD	TAP	CPMEAN	CPRMS	CPMAX	CPMIN
120	548	.327	.170	1.016	-.179	120	598	-.068	.051	.134	-.317	120	728	-.378	.049	-.168	-.752
120	549	-.460	.074	-.038	-.777	120	599	-.104	.042	.067	-.416	120	729	-.355	.057	-.168	-.608
120	550	-.500	.100	-.223	-1.231	120	600	-.108	.078	.246	-.424	120	730	-.335	.038	-.213	-.521
120	551	-.187	.083	.116	-.552	120	601	-.141	.056	.093	-.423	120	731	-.354	.045	-.200	-.523
120	552	.073	.133	.453	-.514	120	602	-.144	.056	.247	-.527	120	732	-.412	.072	-.200	-.786
120	553	.239	.160	.883	-.541	120	603	-.254	.050	-.046	-.458	120	733	-.399	.065	-.229	-.689
120	554	.333	.152	.844	-.243	120	604	-.040	.052	.176	-.220	120	734	-.379	.050	-.236	-.586
120	555	.415	.179	.965	-.195	120	605	-.084	.049	.125	-.370	120	735	-.383	.051	-.245	-.613
120	556	.311	.202	1.007	-.439	120	606	-.081	.059	.187	-.479	120	736	-.372	.046	-.220	-.586
120	557	.362	.185	.978	-.303	120	607	-.119	.076	.398	-.423	120	737	-.361	.048	-.213	-.568
120	558	-.125	.069	.220	-.448	120	608	-.058	.075	.376	-.149	120	738	-.350	.046	-.216	-.559
120	559	-.373	.161	.982	-.089	120	609	-.054	.045	.184	-.500	120	739	-.341	.045	-.204	-.541
120	560	-.213	.068	.048	-.468	120	610	-.048	.048	.162	-.349	120	740	-.340	.043	-.157	-.494
120	561	-.311	.161	.921	-.278	120	611	-.134	.043	.065	-.393	120	741	-.361	.044	-.242	-.568
120	562	-.204	.064	.035	-.468	120	612	-.186	.052	.042	-.400	120	742	-.367	.044	-.229	-.523
120	563	-.111	.069	.200	-.311	120	613	-.093	.055	.132	-.260	120	743	-.395	.042	-.238	-.712
120	564	-.104	.100	.528	-.190	120	614	-.023	.070	.337	-.285	120	744	-.389	.056	-.207	-.611
120	565	.230	.123	.736	-.146	120	615	.110	.094	.507	-.096	120	745	-.380	.046	-.240	-.613
120	566	.308	.131	.837	-.036	120	616	.039	.075	.371	-.191	120	746	-.353	.046	-.207	-.541
120	567	.346	.152	.917	-.099	120	617	.041	.075	.378	-.140	120	747	-.348	.045	-.191	-.503
120	568	.284	.169	.935	-.182	120	618	.018	.070	.355	-.177	120	748	-.361	.050	-.207	-.579
120	569	.215	.123	.646	-.140	120	619	-.053	.054	.189	-.225	120	749	-.395	.071	-.149	-.706
120	570	-.210	.054	.034	-.413	120	620	-.101	.037	.060	-.227	120	750	-.376	.058	-.182	-.783
120	571	-.118	.062	.202	-.338	120	701	-.303	.045	-.154	-.482	120	751	-.421	.067	-.236	-.787
120	572	-.120	.132	.393	-.855	120	702	-.394	.057	-.214	-.624	120	752	-.393	.057	-.239	-.669
120	573	.190	.115	.768	-.085	120	703	-.461	.076	-.203	-.730	120	753	-.391	.055	-.243	-.620
120	574	.211	.115	.653	-.143	120	704	-.129	.061	.090	-.375	120	754	-.396	.056	-.199	-.881
120	575	.246	.143	.816	-.119	120	705	-.340	.047	-.201	-.581	120	755	-.395	.060	-.225	-.732
120	576	.190	.140	.740	-.152	120	706	-.318	.039	-.203	-.450	120	756	-.461	.075	-.252	-.765
120	577	-.230	.056	-.033	-.476	120	707	-.334	.042	-.196	-.504	120	757	-.505	.106	-.258	-1.202
120	578	-.137	.057	.151	-.352	120	708	-.357	.048	-.203	-.572	120	758	-.415	.063	-.225	-.706
120	579	-.097	.111	.388	-.706	120	709	-.336	.040	-.194	-.493	120	759	-.454	.108	-.230	-1.081
120	580	.132	.102	.619	-.106	120	710	-.327	.043	-.167	-.566	120	760	-.431	.077	-.236	-.792
120	581	.098	.093	.511	-.154	120	711	-.324	.042	-.189	-.523	120	761	-.461	.137	-.164	-1.351
120	582	.084	.103	.591	-.206	120	712	-.347	.049	-.229	-.652	120	762	-.445	.087	-.109	-.857
120	583	.056	.098	.437	-.287	120	713	-.343	.046	-.220	-.577	120	763	-.440	.075	-.243	-.829
120	584	-.260	.060	-.003	-.573	120	714	-.334	.040	-.200	-.502	120	764	-.407	.055	-.250	-.645
120	585	-.164	.054	.067	-.417	120	715	-.320	.044	-.180	-.526	120	765	-.407	.059	-.225	-.640
120	586	-.109	.090	.302	-.424	120	716	-.329	.041	-.174	-.506	120	766	-.384	.049	-.198	-.562
120	587	-.020	.080	.388	-.173	120	717	-.338	.043	-.180	-.570	120	767	-.419	.084	-.173	-.863
120	588	-.036	.051	.302	-.264	120	718	-.350	.043	-.218	-.537	120	768	-.415	.088	-.233	-.908
120	589	-.091	.047	.130	-.252	120	719	-.339	.039	-.180	-.519	120	769	-.396	.054	-.207	-.606
120	590	-.103	.053	.130	-.345	120	720	-.317	.056	-.125	-.522	120	770	-.458	.107	-.124	-.982
120	591	-.007	.063	.277	-.184	120	721	-.338	.067	-.165	-.670	120	771	-.454	.087	-.221	-1.056
120	592	-.016	.055	-.237	-.184	120	722	-.360	.058	-.214	-.712	120	772	-.451	.062	-.286	-.768
120	593	-.270	.059	-.080	-.489	120	723	-.362	.051	-.227	-.721	120	773	-.424	.062	-.261	-.710
120	594	-.198	.049	.008	-.365	120	724	-.355	.048	-.209	-.648	120	774	-.434	.062	-.251	-.729
120	595	-.118	.062	.137	-.401	120	725	-.358	.047	-.209	-.559	120	775	-.412	.062	-.198	-.662
120	596	-.004	.058	.239	-.160	120	726	-.403	.091	-.174	-.827	120	776	-.407	.058	-.221	-.685
120	597	-.022	.060	.213	-.253	120	727	-.440	.096	-.218	-.903	120	777	-.426	.115	-.133	-1.072

WD	TAP	CPMEAN	CPRMS	CPMAX	CPMIN	WD	TAP	CPMEAN	CPRMS	CPMAX	CPMIN	WD	TAP	CPMEAN	CPRMS	CPMAX	CPMIN
120	778	-.407	.098	-.101	-1.061	120	906	-.197	.071	.129	-.417	120	956	-.097	.048	.175	-.247
120	779	-.471	.078	-.184	-.910	120	907	-.231	.050	-.051	-.430	120	957	-.074	.051	.200	-.203
120	780	-.470	.080	-.224	-.873	120	908	-.328	.043	-.184	-.501	120	958	-.132	.050	.352	-.292
120	781	-.476	.088	-.272	-1.028	120	909	-.344	.038	-.228	-.493	120	959	-.285	.045	-.124	-.488
120	782	-.438	.076	-.228	-.852	120	910	-.031	.079	.431	-.186	120	960	-.025	.075	.307	-.422
120	783	-.434	.075	-.189	-.852	120	911	-.339	.042	-.205	-.518	120	961	-.086	.070	.239	-.456
120	784	-.353	.121	-.036	-1.063	120	912	-.297	.086	.003	-.698	120	962	-.071	.075	.285	-.340
120	785	-.346	.111	.059	-1.016	120	913	-.341	.041	-.211	-.523	120	963	-.115	.056	.094	-.356
120	786	-.407	.108	-.038	-.847	120	914	-.375	.116	-.062	-.808	120	964	-.058	.059	.256	-.267
120	787	-.491	.100	-.133	-.956	120	915	-.356	.044	-.225	-.627	120	965	-.087	.060	.227	-.276
120	788	-.530	.116	-.289	-1.211	120	916	-.432	.133	.301	-.851	120	966	-.148	.043	.084	-.406
120	789	-.482	.095	-.245	-1.172	120	917	-.370	.053	-.195	-.588	120	967	-.113	.039	.115	-.256
120	790	-.491	.100	-.254	-1.037	120	918	-.394	.057	-.224	-.642	120	968	-.100	.043	.170	-.280
120	791	-.402	.196	.088	-1.213	120	919	-.321	.129	.773	-.056	120	969	-.112	.037	.129	-.259
120	792	-.417	.149	.127	-1.026	120	920	-.410	.090	-.030	-.760	120	970	-.150	.031	.004	-.239
120	793	-.532	.135	-.046	-1.344	120	921	-.367	.057	-.175	-.599	120	971	-.141	.033	.095	-.259
120	794	-.404	.131	.074	-.889	120	922	-.316	.039	-.198	-.464	120	1001	-.374	.054	-.165	-.588
120	795	-.174	.068	.074	-.546	120	923	-.232	.089	.052	-.593	120	1002	-.368	.142	.071	-.897
120	796	-.184	.066	.109	-.553	120	924	-.363	.174	.934	-.440	120	1003	-.307	.058	-.133	-.561
120	797	-.298	.059	-.068	-.516	120	925	-.534	.163	-.120	-1.607	120	1004	-.345	.041	-.219	-.508
120	798	-.248	.057	-.061	-.623	120	926	-.042	.130	.430	-.581	120	1005	-.394	.081	-.159	-.755
120	799	-.228	.068	-.040	-.693	120	927	-.296	.061	.057	-.624	120	1006	-.366	.053	-.246	-.687
120	800	-.281	.117	.009	-.854	120	928	-.148	.131	.656	.308	120	1007	-.025	.053	.218	-.170
120	801	-.481	.127	-.077	-1.353	120	929	-.342	.084	-.030	-.740	120	1008	-.248	.090	.095	-.656
120	802	-.573	.171	.032	-1.458	120	930	-.417	.145	.901	-.038	120	1009	.197	.125	.661	-.126
120	803	-.563	.126	-.278	-1.290	120	931	-.305	.058	-.185	-.788	120	1010	-.280	.052	-.018	-.451
120	804	-.560	.123	-.292	-1.479	120	932	-.065	.084	.350	-.251	120	1011	-.045	.047	.182	-.254
120	805	-.166	.072	.195	-.495	120	933	.101	.096	.489	-.257	120	1012	-.338	.096	-.020	-.726
120	806	-.199	.067	.023	-.588	120	934	-.344	.090	.078	-.669	120	1013	-.132	.149	.359	-.640
120	807	-.124	.066	.151	-.455	120	935	-.183	.073	.148	-.394	120	1014	-.389	.067	-.183	-.693
120	808	-.259	.063	.046	-.472	120	936	-.298	.119	.689	-.013	120	1015	-.074	.111	.444	-.350
120	809	-.229	.051	.032	-.735	120	937	-.130	.174	.694	-.720	120	1016	-.319	.056	-.103	-.558
120	810	-.233	.130	.051	-.735	120	938	-.026	.083	.350	-.327	120	1017	-.082	.048	.141	-.215
120	811	-.427	.121	-.082	-.980	120	939	-.126	.055	.102	-.320	120	1018	-.098	.042	.086	-.249
120	812	-.568	.139	-.264	-1.258	120	940	-.347	.066	-.203	-.603	120	1019	-.072	.051	.232	-.223
120	813	-.139	.062	.079	-.523	120	941	-.411	.107	-.137	-.681	120	1020	-.068	.061	.235	-.268
120	814	-.129	.064	.172	-.397	120	942	-.335	.066	-.121	-.604	120	1021	.106	.089	.447	-.088
120	815	-.258	.062	.018	-.493	120	943	-.386	.105	-.087	-.798	120	1022	-.086	.053	.172	-.242
120	816	-.224	.047	-.036	-.670	120	944	-.309	.074	-.073	-.681	120	1023	-.114	.049	.098	-.295
120	817	-.213	.056	.002	-.651	120	945	-.023	.055	.293	-.171	120	1024	-.184	.076	.062	-.620
120	818	-.217	.090	.074	-.619	120	946	-.287	.085	.038	-.738	120	1025	-.052	.052	.208	-.242
120	819	-.246	.152	.251	-.831	120	947	-.398	.107	-.165	-.946	120	1026	-.020	.059	.370	-.196
120	820	-.383	.141	.030	-1.010	120	948	-.352	.079	-.151	-.704	120	1027	-.082	.038	.119	-.210
120	821	-.545	.142	-.237	-1.312	120	949	-.396	.103	-.144	-1.137	120	1028	-.143	.026	-.018	-.230
120	822	-.550	.123	-.262	-1.169	120	950	-.036	.056	.243	-.247	130	101	-.370	.061	-.193	-.639
120	901	-.409	.038	-.303	-.558	120	951	-.298	.076	-.085	-.609	130	102	-.328	.058	-.139	-.642
120	902	-.344	.049	-.206	-.519	120	952	-.250	.079	-.005	-.663	130	103	-.230	.075	-.027	-.678
120	903	-.358	.044	-.230	-.526	120	953	-.055	.072	.332	-.237	130	104	-.429	.066	-.222	-.747
120	904	-.388	.049	-.261	-.607	120	954	-.456	.097	-.258	-1.137	130	105	-.327	.051	-.105	-.541
120	905	-.403	.038	-.274	-.535	120	955	-.167	.042	.047	-.317	130	106	-.362	.052	-.168	-.602

WD	TAP	CPMEAN	CPRMS	CPMAX	CPMIN	WD	TAP	CPMEAN	CPRMS	CPMAX	CPMIN	WD	TAP	CPMEAN	CPRMS	CPMAX	CPMIN
130	107	-.343	.055	-.160	-.545	130	157	-.395	.059	-.212	-.694	130	207	-.334	.057	-.169	-.586
130	108	-.388	.066	-.182	-.653	130	158	-.292	.047	-.125	-.459	130	208	-.310	.054	-.135	-.550
130	109	-.392	.078	-.184	-.805	130	159	-.395	.051	-.218	-.492	130	209	-.185	.032	-.079	-.314
130	110	-.388	.068	-.207	-.678	130	160	-.263	.049	-.098	-.430	130	210	-.192	.048	-.019	-.408
130	111	-.401	.055	-.217	-.642	130	161	-.425	.057	-.192	-.717	130	211	-.212	.083	.081	-.538
130	112	-.396	.068	-.178	-.689	130	162	-.275	.048	-.105	-.470	130	212	-.211	.076	.013	-.649
130	113	-.407	.076	-.211	-.702	130	163	-.277	.045	-.125	-.468	130	213	-.225	.076	.102	-.463
130	114	-.367	.052	-.202	-.588	130	164	-.318	.047	-.152	-.625	130	214	-.297	.051	-.124	-.499
130	115	-.361	.047	-.195	-.527	130	165	-.395	.069	-.216	-.804	130	215	-.157	.035	.031	-.271
130	116	-.370	.065	-.184	-.702	130	166	-.389	.068	-.202	-.691	130	216	-.150	.039	.045	-.258
130	117	-.320	.044	-.166	-.507	130	167	-.393	.054	-.184	-.630	130	217	-.096	.063	.204	-.237
130	118	-.496	.101	-.191	-.886	130	168	-.398	.055	-.205	-.698	130	218	-.073	.071	.295	-.265
130	119	-.419	.099	-.153	-.873	130	169	-.300	.047	-.096	-.463	130	219	-.177	.068	.093	-.485
130	120	-.426	.070	-.213	-.778	130	170	-.274	.054	-.064	-.482	130	220	-.166	.054	.066	-.506
130	121	-.410	.055	-.243	-.662	130	171	-.283	.049	-.099	-.477	130	221	-.191	.067	.036	-.551
130	122	-.265	.049	-.032	-.447	130	172	-.340	.060	-.155	-.670	130	222	-.204	.074	.024	-.663
130	123	-.341	.050	-.072	-.514	130	173	-.334	.051	-.136	-.545	130	223	-.241	.071	.059	-.494
130	124	-.285	.047	-.092	-.476	130	174	-.394	.070	-.169	-.802	130	224	-.314	.068	-.028	-.683
130	125	-.335	.049	-.189	-.516	130	175	-.391	.056	-.202	-.743	130	225	-.291	.061	-.119	-.531
130	126	-.358	.046	-.173	-.565	130	176	-.393	.058	-.150	-.656	130	301	-.294	.088	.047	-.802
130	127	-.379	.057	-.212	-.649	130	177	-.287	.066	-.059	-.602	130	302	-.406	.125	-.064	-.863
130	128	-.376	.052	-.192	-.579	130	178	-.308	.072	-.120	-.656	130	303	-.052	.095	.357	-.391
130	129	-.376	.050	-.224	-.626	130	179	-.417	.103	-.155	-.955	130	304	-.436	.140	.016	-.904
130	130	-.318	.041	-.176	-.529	130	180	-.315	.066	-.080	-.590	130	305	-.354	.136	.185	-.904
130	131	-.350	.049	-.221	-.608	130	181	-.408	.102	-.068	-.910	130	306	-.253	.045	-.115	-.523
130	132	-.383	.042	-.114	-.545	130	182	-.398	.047	-.089	-.790	130	307	-.206	.078	.028	-.568
130	133	-.286	.047	-.146	-.697	130	183	-.389	.063	-.165	-.785	130	308	-.410	.215	.378	-1.135
130	134	-.300	.045	-.169	-.556	130	184	-.401	.086	-.150	-.917	130	309	-.142	.083	.163	-.674
130	135	-.311	.040	-.169	-.529	130	185	-.400	.083	-.122	-.922	130	310	-.162	.072	.089	-.445
130	136	-.307	.039	-.196	-.599	130	186	-.503	.123	-.075	-1.244	130	311	-.310	.050	-.146	-.525
130	137	-.323	.038	-.153	-.460	130	187	-.288	.095	-.092	-.682	130	312	-.355	.201	.503	-1.192
130	138	-.359	.055	-.178	-.608	130	188	-.377	.101	-.007	-.828	130	313	-.084	.118	.186	-.790
130	139	-.372	.047	-.203	-.533	130	189	-.381	.074	-.094	-.835	130	314	-.203	.067	.023	-.440
130	140	-.387	.048	-.203	-.633	130	190	-.360	.072	-.061	-.679	130	315	-.303	.050	-.140	-.497
130	141	-.334	.039	-.194	-.506	130	191	-.349	.089	-.036	-.707	130	316	-.212	.070	.033	-.620
130	142	-.359	.046	-.228	-.554	130	192	-.291	.082	-.005	-.689	130	317	-.074	.095	.437	-.445
130	143	-.360	.072	-.194	-.856	130	193	-.293	.085	-.058	-.630	130	318	-.270	.197	.328	-1.102
130	144	-.362	.074	-.192	-.986	130	194	-.391	.082	-.112	-.752	130	319	-.049	.092	.215	-.480
130	145	-.379	.067	-.228	-.847	130	195	-.407	.077	-.110	-.850	130	320	-.281	.093	.054	-.707
130	146	-.377	.047	-.251	-.563	130	196	-.445	.105	-.099	-1.133	130	321	-.334	.058	-.102	-.558
130	147	-.404	.049	-.256	-.722	130	197	-.351	.098	-.027	-.749	130	322	-.274	.211	.397	-1.154
130	148	-.409	.056	-.251	-.667	130	198	-.172	.032	-.061	-.290	130	323	-.019	.176	.442	-.993
130	149	-.357	.089	-.118	-.812	130	199	-.166	.032	-.034	-.290	130	324	-.078	.098	.196	-.594
130	150	-.343	.085	-.196	-1.095	130	200	-.157	.038	-.031	-.285	130	325	-.118	.098	.217	-.613
130	151	-.355	.092	-.141	-1.068	130	201	-.207	.045	-.000	-.420	130	326	-.173	.166	.647	-.367
130	152	-.333	.047	-.196	-.592	130	202	-.221	.043	-.103	-.491	130	327	-.440	.124	-.112	-.893
130	153	-.347	.040	-.223	-.530	130	203	-.240	.072	.047	-.662	130	328	-.198	.043	-.015	-.396
130	154	-.364	.037	-.230	-.514	130	204	-.251	.072	.114	-.599	130	329	-.212	.044	-.065	-.425
130	155	-.389	.048	-.243	-.663	130	205	-.250	.073	.042	-.613	130	330	-.123	.076	.129	-.501
130	156	-.403	.074	-.156	-.714	130	206	-.276	.069	-.061	-.646	130	331	-.145	.101	.257	-.759

WD	TAP	CPMEAN	CPRMS	CPMAX	CPMIN	WD	TAP	CPMEAN	CPRMS	CPMAX	CPMIN	WD	TAP	CPMEAN	CPRMS	CPMAX	CPMIN
130	332	-.286	.188	.458	-1.069	130	382	-.215	.042	-.034	-.355	130	510	.189	.155	.753	-.253
130	333	-.240	.221	.446	-.993	130	383	-.230	.049	-.034	-.404	130	511	-.192	.151	.740	-.339
130	334	-.069	.114	.255	-.881	130	384	-.128	.094	-.250	-.600	130	512	-.054	.096	.310	-.379
130	335	-.087	.105	.307	-.654	130	385	-.104	.084	-.401	-.553	130	513	.191	.154	.668	-.321
130	336	-.090	.101	.346	-.537	130	386	-.108	.049	.124	-.315	130	514	.364	.172	.952	-.283
130	337	.096	.148	.641	-.332	130	387	-.099	.051	.124	-.318	130	515	.417	.171	.914	-.147
130	338	-.303	.109	.059	-.874	130	388	-.302	.064	-.086	-.681	130	516	.236	.170	.748	-.454
130	339	-.203	.041	-.041	-.368	130	389	-.238	.042	-.051	-.485	130	517	.387	.176	.999	-.159
130	340	-.227	.038	-.086	-.387	130	390	-.263	.058	-.024	-.486	130	518	-.098	.129	.315	-.613
130	341	-.015	.129	.436	-.449	130	391	-.130	.050	.125	-.271	130	519	-.215	.172	.453	-.867
130	342	-.036	.091	.288	-.401	130	392	-.102	.057	.241	-.256	130	520	.299	.211	.928	-.454
130	343	-.202	.238	.424	-1.126	130	393	-.117	.053	.131	-.317	130	521	.124	.172	.793	-.323
130	344	-.211	.171	.458	-.995	130	394	-.166	.048	.057	-.316	130	522	-.119	.099	.312	-.419
130	345	-.074	.110	.248	-.590	130	395	-.202	.040	-.012	-.347	130	523	-.024	.118	.397	-.379
130	346	-.170	.048	-.007	-.365	130	396	-.260	.045	-.083	-.421	130	524	-.007	.197	.605	-.653
130	347	-.246	.052	-.081	-.489	130	397	-.106	.059	.199	-.534	130	525	.277	.177	.943	-.276
130	348	-.335	.074	-.143	-.742	130	398	-.138	.045	-.055	-.361	130	526	.178	.143	.685	-.353
130	349	.166	.199	.741	-.567	130	399	-.192	.031	-.085	-.298	130	527	.272	.163	.748	-.247
130	350	.120	.174	.626	-.557	130	400	-.186	.033	-.032	-.345	130	528	.374	.177	.893	-.195
130	351	-.401	.202	.300	-1.237	130	401	-.167	.029	-.067	-.258	130	529	.367	.192	.881	-.199
130	352	-.104	.116	.251	-.843	130	402	-.184	.029	-.080	-.301	130	530	.368	.177	.903	-.178
130	353	-.108	.091	.190	-.653	130	403	-.174	.029	-.056	-.276	130	531	.323	.187	1.110	-.187
130	354	-.190	.066	-.012	-.475	130	404	-.173	.029	-.056	-.263	130	532	-.161	.083	.195	-.534
130	355	-.291	.062	-.100	-.588	130	405	-.226	.052	-.043	-.621	130	533	-.047	.106	.328	-.370
130	356	-.388	.111	-.147	-1.052	130	406	-.074	.085	.324	-.294	130	534	-.070	.188	.587	-.800
130	357	-.384	.092	-.196	-.979	130	407	-.110	.047	.164	-.314	130	535	.256	.168	.786	-.297
130	358	-.388	.184	.260	-1.300	130	408	-.191	.059	-.054	-.499	130	536	.359	.189	1.055	-.116
130	359	-.272	.047	-.136	-.501	130	409	-.165	.028	-.038	-.258	130	537	.294	.167	.903	-.204
130	360	-.148	.234	.511	-1.281	130	410	-.171	.028	-.058	-.256	130	538	.346	.174	.867	-.325
130	361	-.248	.041	-.086	-.398	130	411	-.192	.033	-.040	-.301	130	539	.435	.207	1.076	-.230
130	362	-.408	.315	.511	-2.099	130	412	-.188	.050	-.049	-.490	130	540	.374	.195	1.031	-.187
130	363	-.210	.258	.471	-1.227	130	413	-.177	.026	-.054	-.282	130	541	.380	.179	.915	-.111
130	364	-.098	.079	.164	-.485	130	414	-.093	.057	.125	-.381	130	542	.286	.165	.848	-.133
130	365	-.072	.065	.171	-.337	130	415	-.086	.056	.174	-.280	130	543	-.315	.067	-.023	-.582
130	366	-.173	.052	.085	-.446	130	416	-.186	.031	-.054	-.303	130	544	-.145	.085	.288	-.425
130	367	-.218	.037	-.081	-.343	130	417	-.179	.032	-.061	-.289	130	545	.081	.130	.653	-.230
130	368	-.235	.038	-.098	-.478	130	418	-.140	.035	-.045	-.237	130	546	.334	.193	.967	-.140
130	369	-.034	.077	.250	-.370	130	419	-.176	.026	-.075	-.268	130	547	.323	.182	.886	-.278
130	370	-.327	.174	.315	-.995	130	420	-.173	.027	-.056	-.270	130	548	-.279	.192	.965	-.297
130	371	-.221	.200	.335	-1.153	130	421	-.161	.029	-.034	-.276	130	549	-.484	.077	-.036	-.825
130	372	-.132	.061	.092	-.518	130	422	-.161	.028	-.052	-.250	130	550	-.521	.091	-.226	-.964
130	373	-.031	.067	.280	-.296	130	501	-.021	.095	.305	-.459	130	551	-.241	.102	.161	.751
130	374	-.441	.122	-.068	-1.020	130	502	.040	.094	.382	-.363	130	552	.007	.153	.605	-.649
130	375	-.212	.035	-.078	-.357	130	503	.276	.149	.776	-.419	130	553	.154	.198	.753	-.642
130	376	-.229	.040	-.066	-.367	130	504	-.090	.134	.516	-.419	130	554	.247	.194	.776	-.600
130	377	-.271	.158	.342	-1.118	130	505	-.080	.075	.195	-.382	130	555	.339	.216	1.025	-.435
130	378	-.195	.145	.255	-.876	130	506	-.135	.115	.500	-.301	130	556	.197	.209	1.034	-.528
130	379	-.127	.055	.124	-.389	130	507	-.029	.093	.401	-.353	130	557	.275	.217	1.034	-.688
130	380	-.082	.056	.191	-.419	130	508	-.135	.092	.255	-.485	130	558	-.174	.073	.147	-.495
130	381	-.397	.106	-.137	-.970	130	509	.134	.151	.711	-.388	130	559	.284	.185	.960	-.366

WD	TAP	CPMEAN	CPRMS	CPMAX	CPMIN	WD	TAP	CPMEAN	CPRMS	CPMAX	CPMIN	WD	TAP	CPMEAN	CPRMS	CPMAX	CPMIN
130	560	-.231	.076	.152	-.598	130	610	-.064	.057	.174	-.384	130	740	-.392	.054	-.220	-.640
130	561	-.241	.179	.786	-.314	130	611	-.146	.075	.351	-.700	130	741	-.411	.051	-.249	-.607
130	562	-.243	.061	.055	-.465	130	612	-.206	.054	.063	-.402	130	742	-.407	.051	-.249	-.611
130	563	-.153	.073	.212	-.544	130	613	-.107	.050	.121	-.266	130	743	-.433	.067	-.231	-.748
130	564	.039	.114	.570	-.393	130	614	-.039	.066	.346	-.236	130	744	-.436	.067	-.233	-.732
130	565	.153	.131	.633	-.210	130	615	.089	.089	.464	-.105	130	745	-.427	.056	-.274	-.622
130	566	.217	.149	.775	-.100	130	616	.060	.083	.395	-.167	130	746	-.409	.055	-.227	-.611
130	567	.268	.182	1.015	-.164	130	617	.067	.091	.538	-.179	130	747	-.411	.056	-.224	-.690
130	568	.230	.182	.915	-.247	130	618	.033	.074	.411	-.165	130	748	-.418	.057	-.220	-.631
130	569	.164	.140	.772	-.237	130	619	.041	.065	.252	-.264	130	749	-.447	.074	-.204	-.834
130	570	-.261	.059	.138	-.473	130	620	-.112	.049	.190	-.296	130	750	-.415	.059	-.204	-.702
130	571	-.168	.061	.191	-.377	130	701	-.306	.034	-.104	-.545	130	751	-.449	.070	-.256	-.819
130	572	-.182	.117	.263	-.674	130	702	-.410	.064	-.201	-.727	130	752	-.435	.059	-.236	-.832
130	573	.113	.101	.530	-.174	130	703	-.468	.084	-.201	-.756	130	753	-.424	.055	-.254	-.676
130	574	.122	.113	.711	-.174	130	704	-.190	.051	-.012	-.394	130	754	-.430	.055	-.252	-.711
130	575	.168	.154	.780	-.215	130	705	-.410	.081	-.123	-.809	130	755	-.446	.071	-.254	-1.005
130	576	.152	.167	.846	-.407	130	706	-.329	.050	-.152	-.566	130	756	-.445	.083	-.245	-.858
130	577	-.257	.067	.076	-.514	130	707	-.366	.061	-.181	-.693	130	757	-.525	.097	-.269	-1.104
130	578	-.160	.062	.140	-.426	130	708	-.432	.079	-.171	-.946	130	758	-.453	.071	-.261	-.830
130	579	-.123	.102	.304	-.617	130	709	-.386	.056	-.192	-.645	130	759	-.457	.090	-.188	-.990
130	580	.073	.087	.557	-.157	130	710	-.359	.052	-.179	-.654	130	760	-.464	.076	-.272	-.812
130	581	.057	.090	.437	-.262	130	711	-.350	.049	-.194	-.584	130	761	-.455	.093	-.223	-1.333
130	582	.036	.112	.606	-.306	130	712	-.423	.071	-.186	-.873	130	762	-.474	.091	-.175	-.957
130	583	.014	.108	.481	-.338	130	713	-.410	.065	-.194	-.722	130	763	-.445	.076	-.234	-.795
130	584	-.253	.080	.162	-.556	130	714	-.374	.057	-.186	-.736	130	764	-.458	.066	-.287	-.773
130	585	-.170	.068	.226	-.421	130	715	-.351	.048	-.192	-.536	130	765	-.458	.080	-.261	-.913
130	586	-.103	.092	.287	-.446	130	716	-.378	.050	-.197	-.614	130	766	-.429	.063	-.231	-.742
130	587	-.010	.066	.527	-.215	130	717	-.395	.054	-.232	-.603	130	767	-.439	.076	-.249	-.797
130	588	-.059	.054	.204	-.277	130	718	-.410	.062	-.221	-.729	130	768	-.422	.068	-.252	-.802
130	589	-.121	.043	.089	-.289	130	719	-.406	.057	-.225	-.689	130	769	-.428	.060	-.256	-.665
130	590	-.130	.051	.101	-.426	130	720	-.377	.067	-.130	-.636	130	770	-.429	.098	-.189	-1.020
130	591	-.032	.056	.301	-.190	130	721	-.338	.061	-.132	-.718	130	771	-.433	.092	-.189	-.920
130	592	-.050	.048	.204	-.205	130	722	-.438	.083	-.152	-.891	130	772	-.482	.082	-.270	-.853
130	593	-.266	.075	.270	-.581	130	723	-.420	.069	-.225	-.731	130	773	-.482	.077	-.284	-.846
130	594	-.181	.065	.188	-.444	130	724	-.429	.072	-.212	-.742	130	774	-.494	.087	-.289	-.964
130	595	-.115	.060	.202	-.379	130	725	-.417	.065	-.219	-.729	130	775	-.451	.071	-.228	-.867
130	596	-.051	.047	.150	-.237	130	726	-.513	.109	-.137	-.909	130	776	-.446	.068	-.266	-.802
130	597	-.088	.045	.120	-.287	130	727	-.544	.119	-.249	-1.063	130	777	-.353	.082	-.129	-1.002
130	598	-.125	.039	.063	-.277	130	728	-.452	.088	-.177	-.827	130	778	-.359	.090	-.082	-.855
130	599	-.105	.055	.109	-.368	130	729	-.428	.074	-.240	-.885	130	779	-.445	.099	-.068	-.883
130	600	-.145	.049	.059	-.411	130	730	-.372	.049	-.144	-.566	130	780	-.521	.098	-.261	-.932
130	601	-.127	.071	.305	-.513	130	731	-.410	.052	-.242	-.598	130	781	-.541	.113	-.291	-1.067
130	602	-.118	.090	.337	-.439	130	732	-.446	.079	-.231	-.820	130	782	-.489	.086	-.282	-.957
130	603	-.274	.054	-.082	-.508	130	733	-.444	.073	-.220	-.896	130	783	-.490	.090	-.270	-.895
130	604	-.043	.051	.162	-.253	130	734	-.435	.055	-.256	-.678	130	784	-.285	.077	-.052	-.930
130	605	-.084	.054	.190	-.310	130	735	-.433	.055	-.274	-.649	130	785	-.267	.080	.059	-.591
130	606	-.094	.052	.155	-.254	130	736	-.416	.052	-.229	-.622	130	786	-.335	.131	.231	-.742
130	607	-.150	.028	-.034	-.254	130	737	-.407	.053	-.200	-.640	130	787	-.479	.127	.113	-1.004
130	608	-.049	.073	.346	-.119	130	738	-.422	.056	-.204	-.712	130	788	-.588	.161	-.173	-1.628
130	609	-.101	.057	.127	-.383	130	739	-.392	.049	-.249	-.562	130	789	-.556	.115	-.259	-1.071

WD	TAP	CPMEAN	CPRMS	CPMAX	CPMIN	WD	TAP	CPMEAN	CPRMS	CPMAX	CPMIN	WD	TAP	CPMEAN	CPRMS	CPMAX	CPMIN
130	790	-.541	.113	-.259	-1.139	130	918	-.422	.069	-.217	-.726	130	968	-.121	.048	.123	-.316
130	791	-.429	.200	.222	-1.117	130	919	-.270	.161	-.846	-.108	130	969	-.131	.037	.043	-.287
130	792	-.443	.156	.132	-1.179	130	920	-.459	.090	-.155	-.783	130	970	-.171	.032	-.024	-.272
130	793	-.549	.154	-.071	-1.407	130	921	-.383	.065	-.111	-.705	130	971	-.159	.031	-.024	-.251
130	794	-.410	.153	.109	-1.042	130	922	-.363	.045	-.243	-.590	130	1001	-.406	.059	-.056	-.616
130	795	-.177	.066	.102	-.561	130	923	-.318	.090	-.042	-.647	130	1002	-.338	.144	.094	-1.018
130	796	-.184	.068	.106	-.508	130	924	-.362	.189	1.057	-.392	130	1003	-.293	.071	.007	-.505
130	797	-.335	.060	-.148	-.582	130	925	-.592	.189	-.215	-1.580	130	1004	-.405	.056	-.243	-.650
130	798	-.261	.050	-.048	-.804	130	926	-.047	.128	-.457	-.501	130	1005	-.416	.092	-.173	-.753
130	799	-.234	.062	.015	-.720	130	927	-.350	.061	-.183	-.601	130	1006	-.431	.071	-.243	-.743
130	800	-.253	.103	.039	-.753	130	928	-.102	.133	-.579	-.425	130	1007	-.003	.058	.272	-.164
130	801	-.391	.169	.091	-.961	130	929	-.414	.081	-.035	-.772	130	1008	-.299	.076	-.010	-.643
130	802	-.597	.177	-.015	-1.570	130	930	-.361	.188	.971	-.082	130	1009	-.168	.114	.679	-.152
130	803	-.600	.135	-.279	-1.588	130	931	-.357	.072	-.212	-.781	130	1010	-.287	.053	.036	-.458
130	804	-.586	.129	-.300	-1.143	130	932	-.023	.077	.211	-.311	130	1011	-.034	.045	.183	-.166
130	805	-.162	.077	.155	-.424	130	933	-.066	.109	.489	-.284	130	1012	-.316	.079	.029	-.600
130	806	-.235	.067	.006	-.496	130	934	-.429	.086	-.049	-.734	130	1013	-.291	.132	.180	-.813
130	807	-.128	.045	-.120	-.515	130	935	-.256	.059	.118	-.490	130	1014	-.432	.075	-.212	-.728
130	808	-.275	.063	-.024	-.482	130	936	-.203	.123	.645	-.173	130	1015	-.005	.111	-.429	-.445
130	809	-.238	.047	-.015	-.701	130	937	-.227	.156	.319	-.817	130	1016	-.359	.062	-.154	-.630
130	810	-.239	.132	-.078	-.767	130	938	-.045	.081	.228	-.365	130	1017	-.089	.050	.096	-.226
130	811	-.420	.131	-.017	-.963	130	939	-.174	.054	.035	-.391	130	1018	-.108	.046	.103	-.251
130	812	-.602	.143	-.277	-1.208	130	940	-.410	.078	-.247	-.861	130	1019	-.077	.050	.161	-.229
130	813	-.139	.059	.097	-.438	130	941	-.449	.113	-.159	-.674	130	1020	-.054	.044	.226	-.316
130	814	-.135	.067	.102	-.482	130	942	-.384	.060	-.221	-.608	130	1021	-.085	.084	.460	-.099
130	815	-.271	.072	-.034	-.599	130	943	-.438	.104	-.223	-.884	130	1022	-.073	.053	.159	-.267
130	816	-.235	.050	.064	-.680	130	944	-.351	.068	-.164	-.615	130	1023	-.127	.051	.113	-.323
130	817	-.218	.051	-.010	-.624	130	945	-.010	.063	.592	-.141	130	1024	-.221	.087	-.003	-.648
130	818	-.219	.098	.176	-.865	130	946	-.335	.066	-.082	-.567	130	1025	-.046	.058	.200	-.255
130	819	-.266	.146	.183	-.844	130	947	-.382	.074	-.209	-.770	130	1026	-.031	.061	.250	-.270
130	820	-.384	.161	.069	-1.236	130	948	-.335	.061	-.107	-.590	130	1027	-.094	.053	.228	-.323
130	821	-.585	.154	-.239	-1.508	130	949	-.370	.078	-.162	-.972	130	1028	-.159	.027	-.063	-.246
130	822	-.577	.137	-.298	-1.341	130	950	-.022	.055	-.248	-.180	140	101	-.396	.079	-.117	-.823
130	901	-.466	.047	-.307	-.642	130	951	-.356	.072	-.130	-.790	140	102	-.370	.072	-.162	-.697
130	902	-.397	.053	-.234	-.652	130	952	-.304	.080	-.050	-.674	140	103	-.385	.117	-.088	-1.019
130	903	-.403	.049	-.254	-.603	130	953	-.064	.073	.339	-.253	140	104	-.450	.100	-.196	-1.071
130	904	-.427	.056	-.261	-.628	130	954	-.397	.076	-.162	-.888	140	105	-.353	.075	-.088	-.724
130	905	-.436	.045	-.302	-.614	130	955	-.190	.039	.007	-.335	140	106	-.373	.065	-.152	-.683
130	906	-.204	.079	-.113	-.433	130	956	-.112	.046	.105	-.287	140	107	-.349	.056	-.164	-.544
130	907	-.232	.058	-.017	-.440	130	957	-.070	.054	.155	-.203	140	108	-.375	.080	-.085	-.788
130	908	-.381	.053	-.202	-.573	130	958	-.146	.048	.157	-.326	140	109	-.392	.082	-.180	-.792
130	909	-.384	.047	-.217	-.610	130	959	-.271	.050	-.100	-.537	140	110	-.392	.071	-.218	-.729
130	910	-.015	.105	.382	-.268	130	960	-.020	.083	.308	-.626	140	111	-.408	.075	-.142	-.740
130	911	-.387	.044	-.245	-.572	130	961	-.093	.074	.246	-.351	140	112	-.372	.081	-.110	-.938
130	912	-.293	.090	-.026	-.648	130	962	-.154	.062	.133	-.343	140	113	-.381	.076	-.112	-.861
130	913	-.398	.055	-.229	-.582	130	963	-.185	.048	.033	-.390	140	114	-.369	.058	-.178	-.587
130	914	-.342	.150	-.169	-.857	130	964	-.132	.050	.106	-.292	140	115	-.371	.061	-.124	-.776
130	915	-.423	.066	-.182	-.740	130	965	-.111	.069	.180	-.408	140	116	-.386	.076	-.207	-1.014
130	916	-.388	.226	-.703	-1.009	130	966	-.172	.049	.014	-.387	140	117	-.332	.049	-.146	-.542
130	917	-.432	.068	-.260	-.674	130	967	-.116	.041	.091	-.229	140	118	-.439	.102	-.146	-1.086

WD	TAP	CPMEAN	CPRMS	CPMAX	CPMIN	WD	TAP	CPMEAN	CPRMS	CPMAX	CPMIN	WD	TAP	CPMEAN	CPRMS	CPMAX	CPMIN
140	119	-.379	.088	-.133	-.816	140	169	-.274	.051	-.092	-.500	140	219	-.119	.055	.081	-.312
140	120	-.435	.090	-.207	-.913	140	170	-.347	.123	-.052	-1.161	140	220	-.187	.090	.081	-.862
140	121	-.409	.071	-.214	-.738	140	171	-.355	.126	-.089	-1.152	140	221	-.303	.138	.054	-1.004
140	122	-.313	.072	-.040	-.747	140	172	-.353	.119	-.099	-1.031	140	222	-.346	.153	.003	-1.109
140	123	-.314	.072	-.070	-.708	140	173	-.304	.052	-.125	-.592	140	223	-.200	.088	.266	-.629
140	124	-.325	.065	-.099	-.661	140	174	-.378	.083	-.111	-.878	140	224	-.267	.074	.033	-.561
140	125	-.346	.061	-.166	-.774	140	175	-.346	.059	-.167	-.592	140	225	-.253	.064	-.006	-.565
140	126	-.372	.054	-.196	-.610	140	176	-.349	.065	-.133	-.732	140	301	-.457	.133	-.083	-1.164
140	127	-.386	.062	-.173	-.641	140	177	-.330	.125	-.022	-.892	140	302	-.478	.133	-.097	-1.071
140	128	-.373	.065	-.136	-.727	140	178	-.365	.127	-.030	-.984	140	303	-.051	.111	.261	-.541
140	129	-.378	.071	-.147	-.796	140	179	-.289	.114	-.057	-.956	140	304	-.582	.146	-.152	-1.049
140	130	-.341	.053	-.184	-.620	140	180	-.277	.059	-.014	-.479	140	305	-.518	.146	-.026	-1.093
140	131	-.395	.070	-.218	-.721	140	181	-.361	.089	-.151	-.932	140	306	-.321	.079	-.037	-.804
140	132	-.360	.092	-.143	-1.093	140	182	-.307	.057	-.127	-.602	140	307	-.372	.122	-.081	-1.007
140	133	-.372	.107	-.173	-1.223	140	183	-.309	.061	-.122	-.578	140	308	-.564	.196	.158	-1.650
140	134	-.375	.093	-.136	-.887	140	184	-.345	.104	-.011	-.996	140	309	-.374	.177	.060	-1.131
140	135	-.361	.078	-.152	-.807	140	185	-.378	.119	-.094	-1.473	140	310	-.320	.134	-.008	-.904
140	136	-.328	.054	-.143	-.565	140	186	-.292	.105	-.059	-1.197	140	311	-.334	.065	-.079	-.718
140	137	-.339	.054	-.170	-.625	140	187	-.268	.065	-.085	-.493	140	312	-.537	.173	.120	-1.503
140	138	-.350	.058	-.129	-.782	140	188	-.324	.083	-.004	-.821	140	313	-.376	.208	.122	-1.021
140	139	-.368	.062	-.141	-.611	140	189	-.276	.054	-.122	-.517	140	314	-.318	.105	-.007	-.897
140	140	-.380	.067	-.115	-.782	140	190	-.269	.057	-.111	-.495	140	315	-.346	.073	-.093	-.849
140	141	-.360	.062	-.168	-.757	140	191	-.263	.070	-.009	-.580	140	316	-.375	.136	-.004	-1.002
140	142	-.412	.073	-.166	-.812	140	192	-.266	.059	.000	-.544	140	317	-.300	.158	.211	-.959
140	143	-.400	.097	-.065	-.974	140	193	-.277	.055	.034	-.531	140	318	-.591	.256	.063	-1.484
140	144	-.399	.099	-.136	-1.024	140	194	-.349	.131	-.043	-1.649	140	319	-.307	.183	.203	-1.183
140	145	-.402	.075	-.211	-.787	140	195	-.359	.123	-.016	-1.568	140	320	-.379	.115	-.042	-.990
140	146	-.426	.063	-.170	-.753	140	196	-.307	.105	-.018	-1.253	140	321	-.379	.080	-.104	-.780
140	147	-.424	.069	-.122	-.725	140	197	-.308	.075	-.043	-.722	140	322	-.539	.251	.280	-1.722
140	148	-.427	.077	-.188	-.743	140	198	-.201	.035	-.047	-.360	140	323	-.397	.267	.230	-1.424
140	149	-.368	.095	-.082	-.946	140	199	-.203	.037	-.063	-.403	140	324	-.365	.194	.060	-1.183
140	150	-.363	.092	-.087	-1.024	140	200	-.212	.056	.027	-.517	140	325	-.395	.178	.053	-1.410
140	151	-.355	.095	-.046	-1.129	140	201	-.227	.074	.063	-.547	140	326	-.123	.201	.559	-.856
140	152	-.361	.073	-.165	-.736	140	202	-.188	.070	.149	-.421	140	327	-.425	.116	-.109	-1.103
140	153	-.362	.055	-.149	-.640	140	203	-.295	.089	.092	-.684	140	328	-.290	.065	-.082	-.670
140	154	-.381	.049	-.169	-.560	140	204	-.324	.080	.016	-.859	140	329	-.288	.062	-.080	-.826
140	155	-.411	.067	-.127	-.633	140	205	-.337	.078	-.072	-.706	140	330	-.328	.126	.130	-.891
140	156	-.451	.091	-.165	-.988	140	206	-.236	.067	-.038	-.495	140	331	-.317	.180	.366	-1.081
140	157	-.434	.078	-.180	-.778	140	207	-.271	.055	-.097	-.504	140	332	-.514	.195	.592	-1.214
140	158	-.330	.079	-.122	-.959	140	208	-.257	.053	-.063	-.553	140	333	-.495	.217	.233	-1.301
140	159	-.405	.060	-.198	-.633	140	209	-.195	.034	-.067	-.355	140	334	-.362	.221	.195	-1.464
140	160	-.319	.084	-.042	-.714	140	210	-.202	.075	.044	-.549	140	335	-.355	.186	.130	-1.122
140	161	-.423	.074	-.147	-.767	140	211	-.016	.085	.392	-.362	140	336	-.292	.166	.361	-1.202
140	162	-.323	.085	-.084	-.814	140	212	-.359	.120	-.001	-.938	140	337	-.132	.172	.438	-.845
140	163	-.328	.090	-.107	-1.200	140	213	-.193	.087	.282	-.419	140	338	-.348	.128	.060	-1.009
140	164	-.378	.112	-.118	-.979	140	214	-.255	.058	-.006	-.490	140	339	-.282	.058	-.097	-.569
140	165	-.405	.089	-.145	-.857	140	215	-.188	.033	-.058	-.291	140	340	-.312	.069	-.135	-.754
140	166	-.406	.075	-.203	-.736	140	216	-.189	.033	-.045	-.300	140	341	-.226	.159	.436	-.759
140	167	-.394	.063	-.151	-.670	140	217	-.186	.050	.232	-.449	140	342	-.253	.149	.130	-.918
140	168	-.409	.072	-.155	-.762	140	218	-.197	.063	.081	-.447	140	343	-.420	.229	.216	-1.587

WD	TAP	CPMEAN	CPRMS	CPMAX	CPMIN	WD	TAP	CPMEAN	CPRMS	CPMAX	CPMIN	WD	TAP	CPMEAN	CPRMS	CPMAX	CPMIN
140	344	-.417	.191	.144	-1.358	140	394	-.214	.047	-.002	-.426	140	522	-.038	.158	.725	-.502
140	345	-.324	.190	.293	-1.320	140	395	-.228	.046	-.035	-.424	140	523	.039	.183	.605	-.455
140	346	-.277	.092	.072	-1.000	140	396	-.257	.057	-.024	-.528	140	524	.135	.253	.884	-.745
140	347	-.302	.071	-.054	-.711	140	397	-.187	.104	.294	-.856	140	525	.224	.237	1.060	-.352
140	348	-.349	.079	-.118	-.754	140	398	-.191	.078	.090	-.683	140	526	.178	.221	.927	-.435
140	349	-.235	.252	.549	-1.292	140	399	-.233	.040	-.091	-.412	140	527	.235	.231	.941	-.524
140	350	-.214	.234	.650	-1.205	140	400	-.236	.045	-.075	-.466	140	528	.203	.229	.981	-.420
140	351	-.543	.214	.093	-1.618	140	401	-.204	.035	-.020	-.363	140	529	.175	.225	.947	-.422
140	352	-.550	.191	.154	-1.181	140	402	-.214	.032	-.093	-.325	140	530	.303	.222	.942	-.222
140	353	-.288	.139	.081	-1.035	140	403	-.197	.032	-.071	-.343	140	531	.251	.227	.966	-.319
140	354	-.327	.098	-.063	-1.299	140	404	-.195	.034	-.069	-.310	140	532	-.105	.143	.558	-.548
140	355	-.327	.080	-.085	-1.023	140	405	-.234	.066	-.013	-.589	140	533	.025	.179	.618	-.548
140	356	-.389	.104	-.139	-1.125	140	406	-.189	.080	.230	-.553	140	534	.079	.252	.874	-.941
140	357	-.399	.111	-.132	-1.363	140	407	-.135	.052	.034	-.395	140	535	.215	.211	1.087	-.299
140	358	-.528	.212	-.112	-1.522	140	408	-.228	.085	.075	-.699	140	536	.258	.201	1.012	-.254
140	359	-.314	.066	-.137	-.765	140	409	-.188	.031	-.053	-.279	140	537	.201	.202	.916	-.275
140	360	-.498	.301	.419	-2.557	140	410	-.190	.032	-.060	-.323	140	538	.213	.205	.954	-.425
140	361	-.308	.069	.012	-.737	140	411	-.235	.043	-.069	-.448	140	539	.183	.199	.973	-.319
140	362	-.522	.259	.180	-1.945	140	412	-.225	.061	.059	-.533	140	540	.092	.194	.829	-.437
140	363	-.435	.271	.232	-1.685	140	413	-.198	.030	-.063	-.299	140	541	.245	.200	1.000	-.207
140	364	-.284	.166	.081	-1.623	140	414	-.112	.047	.095	-.299	140	542	.204	.182	.899	-.244
140	365	-.241	.136	.109	-1.295	140	415	-.111	.044	.055	-.276	140	543	-.249	.119	.266	-.611
140	366	-.274	.084	.000	-.859	140	416	-.230	.037	-.101	-.429	140	544	-.060	.158	.643	-.514
140	367	-.274	.063	-.022	-.580	140	417	-.231	.042	-.052	-.368	140	545	.119	.184	.768	-.294
140	368	-.284	.069	-.020	-.605	140	418	-.164	.042	.033	-.311	140	546	.180	.178	.923	-.210
140	369	-.207	.116	.130	-.907	140	419	-.199	.031	-.089	-.307	140	547	.094	.168	.790	-.321
140	370	-.428	.178	.202	-1.632	140	420	-.197	.030	-.082	-.309	140	548	-.045	.185	.850	-.507
140	371	-.380	.200	.299	-1.592	140	421	-.180	.035	-.049	-.376	140	549	-.397	.182	.587	-.954
140	372	-.272	.143	.040	-1.283	140	422	-.178	.033	-.042	-.294	140	550	-.482	.129	.043	-1.143
140	373	-.190	.112	.157	-.929	140	501	-.016	.119	.415	-.502	140	551	-.160	.182	.495	-.776
140	374	-.355	.113	.052	-.989	140	502	.001	.121	.343	-.509	140	552	-.004	.204	.792	-1.013
140	375	-.269	.065	.025	-.618	140	503	.223	.197	.741	-.662	140	553	.045	.202	.806	-.937
140	376	-.292	.079	-.057	-.628	140	504	.078	.211	.589	-.509	140	554	.080	.181	.677	-.758
140	377	-.370	.138	.100	-1.368	140	505	-.070	.109	.268	-.450	140	555	.028	.200	.717	-.897
140	378	-.335	.155	.102	-1.833	140	506	.038	.146	.571	-.472	140	556	-.183	.259	.825	-1.107
140	379	-.264	.124	.015	-1.412	140	507	.039	.138	.529	-.445	140	557	-.078	.258	.736	-1.270
140	380	-.197	.084	.057	-.735	140	508	-.089	.136	.522	-.639	140	558	-.088	.160	.544	-.632
140	381	-.319	.099	.012	-.854	140	509	.152	.206	.772	-.566	140	559	.071	.146	.773	-.387
140	382	-.243	.067	.027	-.483	140	510	.170	.221	.910	-.583	140	560	-.170	.139	.710	-.576
140	383	-.271	.079	.003	-.648	140	511	.080	.190	.702	-.587	140	561	-.009	.163	.762	-.474
140	384	-.288	.142	.172	-1.654	140	512	-.002	.148	.510	-.581	140	562	-.189	.131	.622	-.706
140	385	-.298	.149	.152	-1.385	140	513	.222	.209	.846	-.547	140	563	-.095	.141	.509	-.439
140	386	-.222	.069	.075	-.533	140	514	.292	.229	.925	-.383	140	564	.061	.162	.693	-.389
140	387	-.199	.066	.022	-.673	140	515	.239	.221	.960	-.407	140	565	.081	.125	.745	-.280
140	388	-.277	.066	-.057	-.673	140	516	.234	.219	.970	-.549	140	566	.114	.124	.695	-.203
140	389	-.247	.054	-.025	-.438	140	517	.315	.228	1.122	-.328	140	567	-.044	.139	.772	-.255
140	390	-.263	.066	-.003	-.538	140	518	-.047	.164	.477	-.783	140	568	-.029	.163	.762	-.542
140	391	-.199	.047	.067	-.355	140	519	-.075	.232	.772	-1.021	140	569	-.095	.127	.742	-.253
140	392	-.178	.069	.145	-.515	140	520	.128	.270	.896	-1.071	140	570	-.201	.117	.383	-.572
140	393	-.199	.047	.024	-.346	140	521	.072	.216	.727	-.516	140	571	-.116	.123	.540	-.440

WD	TAP	CPMEAN	CPRMS	CPMAX	CPMIN	WD	TAP	CPMEAN	CPRMS	CPMAX	CPMIN	WD	TAP	CPMEAN	CPRMS	CPMAX	CPMIN
140	572	-.032	.157	.642	-.674	140	702	-.453	.095	-.199	-.982	140	752	-.447	.083	-.193	-.814
140	573	.073	.103	.647	-.168	140	703	-.528	.118	-.228	-.973	140	753	-.445	.087	-.129	-.909
140	574	.048	.096	.445	-.412	140	704	-.265	.073	.050	-.618	140	754	-.454	.084	-.155	-.891
140	575	-.017	.124	.692	-.415	140	705	-.435	.102	-.119	-1.023	140	755	-.469	.092	-.164	-1.060
140	576	-.047	.151	.707	-.457	140	706	-.384	.076	-.190	-.976	140	756	-.438	.106	-.106	-.968
140	577	-.214	.106	.311	-.597	140	707	-.395	.084	-.168	-.867	140	757	-.492	.127	-.009	-.990
140	578	-.119	.113	.535	-.477	140	708	-.440	.111	-.124	-1.119	140	758	-.457	.089	-.085	-.817
140	579	.002	.132	.530	-.555	140	709	-.406	.081	-.174	-.940	140	759	-.471	.104	-.151	-.977
140	580	-.046	.090	.622	-.218	140	710	-.401	.086	-.166	-1.211	140	760	-.471	.099	-.085	-.905
140	581	-.002	.082	.376	-.390	140	711	-.413	.086	-.174	-1.018	140	761	-.454	.108	-.191	-1.293
140	582	-.075	.081	.563	-.300	140	712	-.428	.104	-.143	-.966	140	762	-.480	.116	-.112	-1.146
140	583	-.130	.081	.258	-.385	140	713	-.411	.084	.010	-.787	140	763	-.481	.101	-.081	-.948
140	584	-.211	.117	.475	-.632	140	714	-.421	.084	-.152	-.951	140	764	-.474	.090	-.180	-1.017
140	585	-.100	.119	.433	-.440	140	715	-.398	.073	-.157	-1.071	140	765	-.489	.108	-.182	-1.096
140	586	-.007	.115	.488	-.333	140	716	-.401	.074	-.163	-.778	140	766	-.459	.095	-.142	-.985
140	587	-.010	.084	.403	-.245	140	717	-.407	.074	-.112	-.980	140	767	-.457	.097	-.052	-1.194
140	588	-.081	.075	.283	-.587	140	718	-.421	.090	-.128	-.949	140	768	-.439	.084	-.209	-1.013
140	589	-.136	.056	.109	-.460	140	719	-.412	.077	-.183	-.889	140	769	-.443	.079	-.175	-.832
140	590	-.176	.057	.044	-.652	140	720	-.431	.084	-.181	-.796	140	770	-.405	.127	.018	-1.164
140	591	-.006	.075	.333	-.226	140	721	-.451	.124	-.170	-1.397	140	771	-.402	.092	-.063	-.846
140	592	-.023	.071	.484	-.198	140	722	-.425	.119	-.019	-1.204	140	772	-.484	.092	-.114	-.899
140	593	-.205	.116	.317	-.554	140	723	-.429	.101	-.101	-1.033	140	773	-.500	.095	-.168	-.964
140	594	-.116	.118	.508	-.465	140	724	-.417	.094	-.130	-1.077	140	774	-.516	.110	-.191	-1.210
140	595	-.033	.087	.409	-.288	140	725	-.429	.097	-.157	-1.073	140	775	-.477	.090	-.079	-.966
140	596	-.027	.071	.395	-.245	140	726	-.452	.105	-.170	-.984	140	776	-.465	.087	-.219	-1.003
140	597	-.101	.070	.166	-.472	140	727	-.479	.119	-.142	-1.167	140	777	-.300	.077	-.008	-.815
140	598	-.121	.054	.114	-.387	140	728	-.438	.090	-.167	-.868	140	778	-.322	.085	.004	-.827
140	599	-.143	.057	.103	-.453	140	729	-.425	.082	-.142	-.826	140	779	-.415	.108	-.073	-.887
140	600	-.206	.096	.244	-1.201	140	730	-.404	.074	-.165	-.821	140	780	-.524	.103	-.251	-1.050
140	601	-.105	.074	.283	-.372	140	731	-.413	.071	-.169	-.790	140	781	-.576	.136	-.191	-1.203
140	602	-.107	.088	.395	-.416	140	732	-.437	.111	-.124	-1.069	140	782	-.525	.109	-.216	-1.038
140	603	-.252	.072	.008	-.609	140	733	-.437	.107	-.039	-1.006	140	783	-.527	.113	-.249	-1.379
140	604	-.100	.051	.080	-.340	140	734	-.422	.080	-.090	-.929	140	784	-.237	.090	.076	-.474
140	605	-.119	.074	.239	-.480	140	735	-.440	.088	-.066	-.965	140	785	-.222	.065	.027	-.507
140	606	-.094	.048	.102	-.250	140	736	-.421	.069	-.151	-.778	140	786	-.287	.116	.220	-.760
140	607	-.189	.033	-.047	-.306	140	737	-.420	.074	-.169	-.864	140	787	-.449	.128	.030	-1.015
140	608	-.007	.061	.453	-.160	140	738	-.450	.092	-.178	-.970	140	788	-.646	.184	-.077	-2.106
140	609	-.134	.056	.113	-.348	140	739	-.427	.081	-.120	-1.057	140	789	-.606	.138	-.288	-1.528
140	610	-.081	.059	.262	-.310	140	740	-.429	.078	-.149	-.956	140	790	-.589	.129	-.207	-1.440
140	611	-.127	.077	.329	-.545	140	741	-.424	.071	-.111	-.733	140	791	-.344	.183	.202	-1.121
140	612	-.205	.071	.114	-.464	140	742	-.431	.074	-.149	-.799	140	792	-.404	.162	.142	-1.033
140	613	-.107	.074	.306	-.330	140	743	-.453	.096	-.165	-1.051	140	793	-.548	.159	-.042	-1.257
140	614	-.000	.085	.375	-.241	140	744	-.463	.107	-.093	-1.051	140	794	-.370	.132	.092	-.828
140	615	-.035	.070	.342	-.132	140	745	-.454	.087	-.115	-.929	140	795	-.201	.063	.149	-.482
140	616	-.058	.070	.289	-.367	140	746	-.436	.082	-.149	-.819	140	796	-.197	.071	-.174	-.473
140	617	-.051	.050	.356	-.201	140	747	-.435	.085	-.063	-.828	140	797	-.292	.064	-.090	-.573
140	618	-.058	.051	.213	-.199	140	748	-.437	.089	-.162	-1.161	140	798	-.234	.048	-.062	-.445
140	619	-.078	.065	.299	-.296	140	749	-.465	.089	-.114	-.922	140	799	-.209	.055	.022	-.512
140	620	-.103	.075	.301	-.365	140	750	-.437	.073	-.169	-.799	140	800	-.227	.093	.167	-.559
140	701	-.359	.076	-.112	-.833	140	751	-.448	.087	-.138	-1.111	140	801	-.353	.150	.119	-.928

WD	TAP	CPMEAN	CPRMS	CPMAX	CPMIN	WD	TAP	CPMEAN	CPRMS	CPMAX	CPMIN	WD	TAP	CPMEAN	CPRMS	CPMAX	CPMIN
140	802	-.577	.193	-.039	-1.666	140	930	-.179	.178	-.967	-.299	140	1009	-.067	.104	.533	-.266
140	803	-.644	.150	-.235	-1.505	140	931	-.395	.084	-.218	-1.028	140	1010	-.261	.064	.064	-.498
140	804	-.638	.151	-.216	-1.722	140	932	-.200	.098	-.135	-.590	140	1011	-.047	.056	.529	-.192
140	805	-.040	.087	-.412	-.290	140	933	-.024	.143	.537	-.475	140	1012	-.274	.082	.044	-.575
140	806	-.125	.071	-.179	-.421	140	934	-.403	.090	-.104	-.774	140	1013	-.461	.166	.062	-1.202
140	807	-.137	.072	-.310	-.377	140	935	-.284	.074	-.043	-.420	140	1014	-.416	.078	-.158	-.729
140	808	-.257	.068	-.039	-.456	140	936	-.085	.135	.360	-.446	140	1015	-.221	.178	-.388	-.810
140	809	-.226	.049	-.025	-.393	140	937	-.426	.179	.121	-1.271	140	1016	-.391	.076	-.146	-.751
140	810	-.190	.096	-.188	-.662	140	938	-.260	.154	.164	-1.115	140	1017	-.183	.048	-.009	-.440
140	811	-.403	.114	-.069	-.912	140	939	-.258	.074	-.109	-.612	140	1018	-.184	.050	.008	-.387
140	812	-.645	.160	-.255	-1.645	140	940	-.379	.067	-.245	-.712	140	1019	-.159	.052	.114	-.481
140	813	-.109	.076	-.471	-.328	140	941	-.375	.074	-.154	-.633	140	1020	-.171	.094	.203	-.681
140	814	-.103	.081	-.258	-.447	140	942	-.328	.068	-.140	-.626	140	1021	-.030	.066	.321	-.134
140	815	-.253	.069	-.050	-.501	140	943	-.341	.076	-.140	-.788	140	1022	-.108	.054	.088	-.375
140	816	-.232	.052	-.011	-.587	140	944	-.301	.068	-.152	-.763	140	1023	-.121	.051	.059	-.377
140	817	-.199	.052	-.095	-.349	140	945	-.001	.078	-.553	-.179	140	1024	-.184	.090	.061	-.729
140	818	-.215	.099	-.121	-.664	140	946	-.281	.051	-.092	-.516	140	1025	-.082	.064	.268	-.329
140	819	-.220	.117	-.265	-.779	140	947	-.294	.050	-.136	-.521	140	1026	-.079	.054	.170	-.271
140	820	-.360	.145	-.088	-1.243	140	948	-.279	.059	-.074	-.548	140	1027	-.098	.061	.240	-.331
140	821	-.642	.178	-.214	-1.488	140	949	-.312	.058	-.152	-.614	140	1028	-.185	.030	-.071	-.336
140	822	-.644	.140	-.275	-1.335	140	950	-.034	.064	-.639	-.188	150	101	-.418	.095	-.154	-1.007
140	901	-.403	.071	-.134	-.611	140	951	-.392	.119	-.113	-1.061	150	102	-.406	.084	-.133	-.843
140	902	-.426	.075	-.171	-.913	140	952	-.239	.091	-.049	-.596	150	103	-.560	.155	-.101	-1.601
140	903	-.432	.076	-.153	-.764	140	953	-.161	.118	.220	-.836	150	104	-.519	.123	-.165	-1.194
140	904	-.455	.090	-.180	-.872	140	954	-.333	.133	.019	-1.203	150	105	-.430	.124	-.035	-1.080
140	905	-.453	.054	-.300	-.665	140	955	-.213	.062	.047	-.726	150	106	-.434	.095	-.164	-.879
140	906	-.211	.100	-.169	-.545	140	956	-.195	.048	.006	-.396	150	107	-.398	.079	-.136	-.761
140	907	-.182	.109	-.211	-.654	140	957	-.159	.056	.074	-.402	150	108	-.465	.147	-.045	-1.142
140	908	-.404	.066	-.189	-.700	140	958	-.191	.048	-.037	-.343	150	109	-.448	.114	-.158	-1.105
140	909	-.407	.064	-.191	-.722	140	959	-.247	.063	-.004	-.501	150	110	-.469	.114	-.197	-1.160
140	910	-.056	.169	-.615	-.375	140	960	-.190	.112	.183	-1.041	150	111	-.475	.122	-.138	-1.113
140	911	-.414	.061	-.196	-.649	140	961	-.229	.086	.115	-1.221	150	112	-.426	.120	-.056	-1.109
140	912	-.255	.149	-.218	-1.033	140	962	-.094	.091	.378	-.377	150	113	-.431	.102	-.108	-1.014
140	913	-.406	.076	-.057	-.976	140	963	-.255	.064	-.064	-.678	150	114	-.434	.088	-.167	-.873
140	914	-.248	.157	-.326	-.898	140	964	-.217	.056	.085	-.460	150	115	-.429	.100	-.083	-.950
140	915	-.420	.075	-.202	-.825	140	965	-.150	.081	-.158	-.617	150	116	-.450	.113	-.158	-1.080
140	916	-.072	.357	-.867	-1.099	140	966	-.247	.066	-.013	-.840	150	117	-.359	.063	-.151	-.625
140	917	-.425	.086	-.176	-.936	140	967	-.170	.042	.028	-.324	150	118	-.457	.118	-.142	-1.155
140	918	-.462	.094	-.191	-1.004	140	968	-.170	.055	.172	-.445	150	119	-.422	.107	-.149	-1.096
140	919	-.212	.191	-.995	-.290	140	969	-.193	.042	-.011	-.370	150	120	-.485	.141	-.106	-1.216
140	920	-.479	.119	-.067	-1.015	140	970	-.213	.039	-.054	-.341	150	121	-.468	.110	-.174	-1.123
140	921	-.384	.071	-.162	-.686	140	971	-.190	.035	-.049	-.367	150	122	-.367	.107	-.001	-1.173
140	922	-.401	.067	-.243	-.796	140	1001	-.419	.069	-.163	-.782	150	123	-.370	.103	-.010	-.930
140	923	-.409	.100	-.102	-.859	140	1002	-.326	.129	.247	-.724	150	124	-.398	.098	-.079	-.875
140	924	-.198	.292	1.028	-.944	140	1003	-.285	.093	.001	-.746	150	125	-.400	.083	-.149	-.805
140	925	-.467	.144	-.127	-1.362	140	1004	-.408	.069	-.228	-.751	150	126	-.409	.077	-.142	-.843
140	926	-.110	.223	-.613	-.758	140	1005	-.411	.093	-.129	-.765	150	127	-.409	.085	-.148	-.834
140	927	-.363	.075	-.111	-.835	140	1006	-.441	.082	-.218	-.799	150	128	-.408	.105	-.086	-1.083
140	928	-.109	.193	-.394	-1.130	140	1007	-.016	.076	-.502	-.177	150	129	-.411	.117	-.016	-1.004
140	929	-.407	.094	-.013	-.844	140	1008	-.281	.063	-.037	-.517	150	130	-.374	.062	-.162	-.637

WD	TAP	CPMEAN	CPRMS	CPMAX	CPMIN	WD	TAP	CPMEAN	CPRMS	CPMAX	CPMIN	WD	TAP	CPMEAN	CPRMS	CPMAX	CPMIN
150	131	-.444	.084	-.240	-.813	150	181	-.401	.100	-.144	-.962	150	306	-.487	.159	-.049	-1.177
150	132	-.402	.121	-.014	-1.212	150	182	-.332	.066	-.125	-.664	150	307	-.548	.157	-.086	-1.352
150	133	-.402	.122	-.002	-1.346	150	183	-.338	.068	-.146	-.743	150	308	-.640	.156	-.166	-1.394
150	134	-.403	.105	-.164	-1.122	150	184	-.347	.100	-.011	-.991	150	309	-.588	.178	-.027	-1.267
150	135	-.377	.076	-.141	-.815	150	185	-.377	.103	-.077	-1.134	150	310	-.534	.167	-.061	-1.300
150	136	-.343	.059	-.134	-.605	150	186	-.327	.122	.064	-.910	150	311	-.451	.143	-.145	-1.372
150	137	-.361	.066	-.139	-.896	150	187	-.280	.075	.033	-.559	150	312	-.633	.164	-.114	-1.295
150	138	-.372	.073	-.146	-.951	150	188	-.361	.106	-.032	-.924	150	313	-.618	.181	-.032	-1.317
150	139	-.391	.087	-.116	-.891	150	189	-.322	.073	-.084	-.779	150	314	-.517	.164	-.087	-1.191
150	140	-.414	.101	-.039	-.926	150	190	-.307	.070	-.101	-.647	150	315	-.462	.136	-.015	-1.059
150	141	-.381	.066	-.180	-.695	150	191	-.284	.071	.015	-.550	150	316	-.574	.164	-.067	-1.232
150	142	-.417	.075	-.224	-.813	150	192	-.280	.066	.035	-.527	150	317	-.520	.163	-.087	-1.173
150	143	-.400	.100	-.116	-1.014	150	193	-.301	.068	-.004	-.625	150	318	-.842	.270	-.159	-1.881
150	144	-.412	.098	-.136	-.944	150	194	-.346	.098	-.026	-.927	150	319	-.611	.205	-.072	-1.605
150	145	-.425	.083	-.210	-.894	150	195	-.367	.099	-.083	-1.080	150	320	-.515	.160	-.048	-1.168
150	146	-.440	.076	-.233	-.792	150	196	-.376	.119	.047	-.975	150	321	-.449	.133	-.009	-1.277
150	147	-.462	.096	-.173	-.845	150	197	-.350	.084	.022	-.814	150	322	-.638	.187	-.126	-1.761
150	148	-.470	.107	-.169	-1.014	150	198	-.146	.059	.094	-.377	150	323	-.643	.210	-.044	-1.766
150	149	-.395	.099	-.133	-.874	150	199	-.160	.056	.062	-.395	150	324	-.600	.191	-.088	-1.536
150	150	-.376	.093	-.045	-.910	150	200	-.244	.049	.033	-.531	150	325	-.609	.184	-.121	-.376
150	151	-.380	.100	-.028	-.993	150	201	-.256	.082	.185	-.636	150	326	-.401	.233	-.427	-1.364
150	152	-.391	.077	-.164	-.813	150	202	-.188	.070	.110	-.434	150	327	-.469	.150	-.050	-1.221
150	153	-.381	.062	-.164	-.702	150	203	-.298	.094	.069	-.882	150	328	-.380	.130	.008	-1.345
150	154	-.408	.063	-.214	-.693	150	204	-.368	.085	-.126	-.848	150	329	-.381	.124	.041	-.968
150	155	-.441	.086	-.180	-.926	150	205	-.375	.081	-.106	-.789	150	330	-.536	.161	-.059	-1.340
150	156	-.484	.123	-.153	-1.210	150	206	-.221	.073	-.049	-.497	150	331	-.562	.181	-.292	-1.240
150	157	-.451	.102	-.153	-.960	150	207	-.308	.066	-.058	-.607	150	332	-.595	.144	-.035	-1.336
150	158	-.369	.091	-.058	-.804	150	208	-.280	.060	-.049	-.531	150	333	-.599	.145	-.035	-1.286
150	159	-.434	.081	-.178	-.792	150	209	-.188	.037	-.035	-.327	150	334	-.638	.213	-.023	-1.467
150	160	-.365	.100	.019	-.921	150	210	-.238	.069	-.002	-.564	150	335	-.583	.178	-.054	-1.226
150	161	-.469	.103	-.144	-.853	150	211	-.001	.088	.372	-.236	150	336	-.542	.181	-.007	-1.183
150	162	-.348	.094	-.031	-.828	150	212	-.407	.124	.004	-1.007	150	337	-.452	.233	.296	-1.450
150	163	-.358	.091	-.067	-.878	150	213	-.137	.108	.376	-.503	150	338	-.428	.175	.144	-1.181
150	164	-.405	.119	-.110	-1.023	150	214	-.255	.067	-.007	-.536	150	339	-.358	.116	.031	-1.023
150	165	-.422	.095	-.121	-.822	150	215	-.202	.031	-.072	-.300	150	340	-.382	.140	.089	-1.219
150	166	-.425	.096	-.180	-1.046	150	216	-.207	.029	-.076	-.316	150	341	-.517	.163	.051	-1.216
150	167	-.422	.080	-.156	-.738	150	217	-.207	.041	-.063	-.351	150	342	-.545	.203	-.002	-1.877
150	168	-.445	.090	-.177	-.800	150	218	-.221	.057	-.019	-.494	150	343	-.576	.190	-.145	-1.701
150	169	-.287	.059	-.015	-.559	150	219	-.125	.053	.166	-.300	150	344	-.598	.181	-.100	-1.453
150	170	-.358	.108	.004	-1.134	150	220	-.161	.082	.134	-.637	150	345	-.588	.188	.029	-1.371
150	171	-.363	.113	.006	-.962	150	221	-.316	.154	.074	-1.354	150	346	-.454	.187	.160	-1.393
150	172	-.376	.126	.004	-1.072	150	222	-.384	.177	.081	-1.448	150	347	-.389	.148	.113	-1.348
150	173	-.315	.053	-.120	-.585	150	223	-.160	.106	.275	-.557	150	348	-.396	.131	-.016	-1.037
150	174	-.420	.102	-.187	-.936	150	224	-.280	.094	.099	-.642	150	349	-.458	.199	.192	-1.254
150	175	-.386	.078	-.151	-.833	150	225	-.246	.083	.129	-.603	150	350	-.464	.205	-.271	-1.186
150	176	-.411	.091	-.151	-.810	150	301	-.603	.162	-.173	-1.574	150	351	-.710	.223	-.115	-1.786
150	177	-.349	.122	-.025	-.883	150	302	-.457	.132	-.067	-1.227	150	352	-.596	.210	-.033	-1.504
150	178	-.353	.127	-.034	-1.050	150	303	-.143	.097	.129	-.513	150	353	-.522	.200	-.093	-1.394
150	179	-.338	.142	-.116	-1.027	150	304	-.638	.143	-.206	-1.281	150	354	-.450	.160	-.054	-1.240
150	180	-.289	.064	-.027	-.585	150	305	-.616	.156	-.119	-1.320	150	355	-.405	.143	.021	-1.160

WD	TAP	CPMEAN	CPRMS	CPMAX	CPMIN	WD	TAP	CPMEAN	CPRMS	CPMAX	CPMIN	WD	TAP	CPMEAN	CPRMS	CPMAX	CPMIN
150	356	-.401	.117	.093	-1.046	150	406	-.223	.067	.012	-.833	150	534	.396	.219	1.141	-.318
150	357	-.393	.110	.068	-.973	150	407	-.111	.049	.150	-.607	150	535	.460	.210	1.117	-.320
150	358	-.664	.211	-.150	-1.729	150	408	-.328	.087	-.061	-.834	150	536	.447	.202	1.086	-.158
150	359	-.374	.123	-.024	-.985	150	409	-.147	.037	-.059	-.279	150	537	.424	.201	1.105	-.281
150	360	-.624	.239	-.000	-2.426	150	410	-.208	.041	-.063	-.352	150	538	.398	.229	1.054	-.509
150	361	-.353	.110	-.044	-1.102	150	411	-.227	.077	-.028	-.594	150	539	.245	.188	.858	-.359
150	362	-.602	.201	-.094	-2.002	150	412	-.293	.080	-.048	-.647	150	540	.107	.162	.727	-.359
150	363	-.610	.207	-.080	-1.630	150	413	-.188	.034	-.044	-.313	150	541	.442	.196	1.076	-.127
150	364	-.549	.235	-.028	-1.766	150	414	-.068	.057	.426	-.268	150	542	.429	.203	1.042	-.192
150	365	-.595	.275	.075	-1.902	150	415	-.057	.055	.211	-.242	150	543	-.179	.110	.316	-.540
150	366	-.395	.170	.090	-1.077	150	416	-.201	.059	.013	-.657	150	544	.052	.139	.623	-.417
150	367	-.326	.122	.108	-1.027	150	417	-.178	.050	.085	-.363	150	545	.357	.189	1.008	-.296
150	368	-.338	.121	.009	-1.116	150	418	-.134	.039	.068	-.247	150	546	.377	.210	1.185	-.172
150	369	-.382	.182	.135	-1.055	150	419	-.137	.040	.056	-.244	150	547	.116	.155	.718	-.335
150	370	-.582	.189	.004	-1.834	150	420	-.200	.029	-.058	-.285	150	548	-.152	.139	.452	-.577
150	371	-.582	.197	.031	-1.615	150	421	-.194	.034	-.061	-.392	150	549	-.435	.196	.730	-1.038
150	372	-.550	.269	.073	-2.007	150	422	-.192	.038	-.059	-.329	150	550	-.519	.144	.175	-1.050
150	373	-.366	.203	.075	-1.314	150	501	-.052	.093	.311	-.314	150	551	.008	.158	.555	-.915
150	374	-.325	.130	.261	-.941	150	502	-.039	.094	.301	-.405	150	552	.267	.232	1.024	-.749
150	375	-.277	.086	.046	-.741	150	503	.258	.151	.728	-.388	150	553	.315	.249	1.064	-.690
150	376	-.297	.083	-.053	-.744	150	504	.198	.146	.676	-.498	150	554	.300	.220	1.061	-.610
150	377	-.586	.231	-.053	-1.908	150	505	-.064	.097	.331	-.447	150	555	-.083	.192	.780	-.920
150	378	-.574	.244	-.011	-2.010	150	506	-.049	.109	.338	-.445	150	556	-.457	.224	.350	-1.288
150	379	-.448	.260	.105	-1.852	150	507	-.003	.102	.483	-.417	150	557	-.281	.277	.700	-1.279
150	380	-.265	.143	.152	-.956	150	508	-.105	.126	.345	-.636	150	558	.051	.147	.605	-.643
150	381	-.303	.114	.164	-.798	150	509	-.163	.158	.697	-.476	150	559	-.125	.164	.853	-.383
150	382	-.242	.066	.048	-.455	150	510	.172	.169	.709	-.534	150	560	-.051	.132	.501	-.650
150	383	-.253	.078	.066	-.544	150	511	-.013	.146	.565	-.600	150	561	-.012	.136	.518	-.451
150	384	-.470	.223	.162	-1.649	150	512	.081	.129	.509	-.493	150	562	-.072	.129	.404	-.508
150	385	-.490	.238	.051	-1.864	150	513	.298	.161	.828	-.300	150	563	.068	.151	.591	-.416
150	386	-.246	.085	.182	-.741	150	514	.343	.179	.979	-.340	150	564	.269	.189	.920	-.272
150	387	-.300	.085	.125	-.549	150	515	.198	.158	.728	-.431	150	565	.321	.193	.962	-.281
150	388	-.306	.092	.063	-.897	150	516	.212	.186	.883	-.586	150	566	.274	.177	.843	-.231
150	389	-.252	.057	-.053	-.458	150	517	.394	.177	1.031	-.207	150	567	.100	.146	.601	-.313
150	390	-.273	.067	-.013	-.593	150	518	-.005	.139	.435	-.743	150	568	-.034	.135	.536	-.493
150	391	-.164	.054	.178	-.397	150	519	-.046	.231	.769	-1.266	150	569	.265	.188	.923	-.214
150	392	-.108	.097	.314	-.963	150	520	.116	.264	.840	-1.104	150	570	-.123	.120	.391	-.518
150	393	-.147	.054	.161	-.337	150	521	.022	.182	.499	-.572	150	571	.015	.144	.768	-.476
150	394	-.210	.055	.084	-.451	150	522	.042	.145	.692	-.617	150	572	.182	.177	.771	-.273
150	395	-.216	.050	.064	-.363	150	523	.149	.152	.797	-.500	150	573	.243	.164	.858	-.171
150	396	-.349	.058	-.054	-.499	150	524	.271	.185	.888	-.543	150	574	.166	.161	.786	-.373
150	397	-.344	.190	.100	-1.587	150	525	.366	.181	.933	-.321	150	575	-.018	.110	.488	-.333
150	398	-.188	.115	.136	-.910	150	526	.313	.176	.821	-.524	150	576	-.108	.102	.331	-.443
150	399	-.238	.079	.120	-.697	150	527	.318	.196	.998	-.506	150	577	-.186	.109	.231	-.666
150	400	-.191	.050	-.002	-.542	150	528	.228	.180	.764	-.407	150	578	-.052	.118	.436	-.398
150	401	-.158	.039	.021	-.350	150	529	.174	.177	.669	-.494	150	579	.095	.134	.656	-.288
150	402	-.149	.045	.114	-.392	150	530	.421	.176	1.015	-.192	150	580	.116	.115	.548	-.199
150	403	-.163	.047	.073	-.327	150	531	.392	.190	1.095	-.250	150	581	-.039	.114	.533	-.413
150	404	-.170	.050	.016	-.352	150	532	.016	.133	.539	-.456	150	582	-.085	.074	.246	-.458
150	405	-.257	.063	-.045	-.535	150	533	.188	.158	.679	-.443	150	583	-.165	.088	.244	-.576

WD	TAP	CPMEAN	CPRMS	CPMAX	CPMIN	WD	TAP	CPMEAN	CPRMS	CPMAX	CPMIN	WD	TAP	CPMEAN	CPRMS	CPMAX	CPMIN
150	584	-.249	.102	.336	-.628	150	714	-.505	.131	-.034	-1.181	150	764	-.506	.108	-.175	-1.033
150	585	-.117	.112	.384	-.461	150	715	-.488	.120	-.180	-1.273	150	765	-.530	.122	-.191	-1.364
150	586	-.000	.109	.598	-.354	150	716	-.492	.126	-.133	-1.262	150	766	-.500	.107	-.158	-1.087
150	587	-.026	.093	.506	-.191	150	717	-.489	.129	-.131	-1.089	150	767	-.482	.098	-.212	-1.043
150	588	-.067	.093	.379	-.491	150	718	-.473	.145	-.095	-1.262	150	768	-.478	.094	-.205	-.954
150	589	-.156	.066	.106	-.428	150	719	-.479	.132	-.175	-1.490	150	769	-.485	.099	-.167	-.949
150	590	-.241	.091	.086	-.716	150	720	-.509	.130	-.061	-1.170	150	770	-.524	.195	-.123	-1.528
150	591	-.009	.080	.440	-.227	150	721	-.634	.220	-.171	-1.741	150	771	-.512	.144	-.146	-1.249
150	592	-.020	.071	.324	-.208	150	722	-.467	.182	-.035	-1.360	150	772	-.560	.132	-.158	-1.125
150	593	-.261	.089	.126	-.573	150	723	-.476	.178	-.011	-1.293	150	773	-.568	.109	-.240	-1.015
150	594	-.172	.090	.321	-.466	150	724	-.475	.155	-.075	-1.403	150	774	-.562	.121	-.244	-1.130
150	595	-.048	.090	.393	-.282	150	725	-.502	.164	-.055	-1.291	150	775	-.529	.105	-.259	-1.214
150	596	-.009	.076	.357	-.187	150	726	-.495	.135	-.133	-1.145	150	776	-.513	.100	-.181	-1.123
150	597	-.089	.068	.145	-.485	150	727	-.525	.145	-.062	-1.306	150	777	-.369	.139	-.050	-1.310
150	598	-.121	.058	.085	-.385	150	728	-.492	.123	-.103	-1.086	150	778	-.358	.118	.053	-.891
150	599	-.181	.075	.084	-.541	150	729	-.482	.115	-.092	-1.120	150	779	-.483	.147	.093	-1.247
150	600	-.198	.150	.378	-1.282	150	730	-.477	.120	-.087	-1.379	150	780	-.592	.139	-.078	-1.279
150	601	-.130	.080	.148	-.511	150	731	-.495	.129	-.137	-1.256	150	781	-.667	.175	-.120	-1.614
150	602	-.157	.085	.174	-.486	150	732	-.503	.194	-.028	-1.522	150	782	-.601	.135	-.244	-1.385
150	603	-.268	.070	-.027	-.748	150	733	-.495	.170	-.065	-1.275	150	783	-.564	.119	-.195	-1.104
150	604	-.083	.051	.075	-.352	150	734	-.495	.138	-.101	-1.088	150	784	-.243	.071	.154	-.565
150	605	-.124	.067	.121	-.486	150	735	-.509	.153	-.146	-1.293	150	785	-.226	.075	.168	-.591
150	606	-.055	.069	.214	-.447	150	736	-.481	.120	-.119	-1.127	150	786	-.293	.141	.203	-.959
150	607	-.142	.062	.295	-.413	150	737	-.479	.112	-.071	-.977	150	787	-.476	.169	.058	-1.221
150	608	-.116	.108	.579	-.133	150	738	-.519	.120	-.180	-1.109	150	788	-.752	.222	-.085	-1.748
150	609	-.102	.067	.101	-.591	150	739	-.472	.094	-.155	-.879	150	789	-.661	.155	-.237	-1.476
150	610	-.079	.057	.261	-.326	150	740	-.467	.100	-.126	-1.163	150	790	-.652	.148	-.273	-1.478
150	611	-.164	.067	.289	-.456	150	741	-.473	.102	-.148	-1.029	150	791	-.401	.253	.471	-1.705
150	612	-.187	.076	.174	-.511	150	742	-.495	.107	-.130	-.963	150	792	-.463	.203	.190	-1.290
150	613	-.056	.087	.347	-.271	150	743	-.521	.161	-.001	-1.349	150	793	-.613	.201	.001	-1.809
150	614	-.087	.116	.642	-.214	150	744	-.505	.153	-.087	-1.345	150	794	-.404	.166	.181	-1.089
150	615	-.140	.120	.683	-.119	150	745	-.496	.117	-.055	-1.061	150	795	-.185	.072	.097	-.450
150	616	-.006	.091	.432	-.324	150	746	-.481	.098	-.219	-.977	150	796	-.169	.077	.335	-.562
150	617	-.014	.061	.264	-.220	150	747	-.486	.101	-.146	-1.045	150	797	-.264	.069	-.032	-.564
150	618	-.029	.058	.294	-.216	150	748	-.472	.095	-.126	-1.016	150	798	-.207	.064	.024	-.625
150	619	-.079	.058	.252	-.257	150	749	-.510	.128	-.175	-1.107	150	799	-.176	.069	.125	-.471
150	620	-.125	.073	.531	-.324	150	750	-.487	.112	-.209	-.976	150	800	-.203	.114	.326	-.821
150	701	-.404	.093	-.117	-.928	150	751	-.501	.137	-.135	-1.304	150	801	-.392	.188	.240	-1.294
150	702	-.524	.120	-.142	-1.277	150	752	-.508	.108	-.002	-1.127	150	802	-.684	.248	-.018	-1.811
150	703	-.594	.132	-.213	-1.098	150	753	-.493	.105	-.162	-1.080	150	803	-.693	.166	-.302	-1.776
150	704	-.263	.091	-.037	-.648	150	754	-.490	.091	-.095	-1.109	150	804	-.678	.162	-.249	-1.509
150	705	-.489	.152	-.032	-1.492	150	755	-.524	.115	-.222	-1.257	150	805	-.038	.094	.449	-.312
150	706	-.443	.112	-.102	-1.085	150	756	-.495	.125	.217	-.996	150	806	-.071	.077	.251	-.349
150	707	-.471	.120	-.146	-1.116	150	757	-.542	.141	.020	-1.189	150	807	-.079	.082	.335	-.368
150	708	-.498	.171	-.098	-1.475	150	758	-.500	.123	-.175	-1.138	150	808	-.199	.097	.335	-.620
150	709	-.491	.141	-.037	-1.340	150	759	-.496	.109	-.182	-1.027	150	809	-.169	.067	.113	-.431
150	710	-.494	.136	-.061	-1.226	150	760	-.512	.132	-.082	-1.182	150	810	-.154	.133	.260	-.909
150	711	-.483	.117	-.157	-1.064	150	761	-.480	.105	-.129	-1.178	150	811	-.449	.171	.029	-1.222
150	712	-.503	.168	-.027	-1.596	150	762	-.532	.148	-.180	-1.198	150	812	-.706	.200	-.225	-1.766
150	713	-.474	.125	-.104	-1.087	150	763	-.548	.149	-.142	-1.220	150	813	-.044	.100	.456	-.305

WD	TAP	CPMEAN	CPRMS	CPMAX	CPMIN	WD	TAP	CPMEAN	CPRMS	CPMAX	CPMIN	WD	TAP	CPMEAN	CPRMS	CPMAX	CPMIN
150	814	-.032	.094	.489	-.328	150	942	-.325	.061	-.139	-.610	150	1021	-.137	.115	.651	-.098
150	815	-.176	.097	.155	-.499	150	943	-.334	.064	-.145	-.628	150	1022	-.116	.058	.160	-.297
150	816	-.163	.067	.122	-.417	150	944	-.349	.068	-.180	-.685	150	1023	-.135	.054	.114	-.382
150	817	-.141	.070	.148	-.538	150	945	-.032	.093	-.581	-.180	150	1024	-.210	.099	.110	-.724
150	818	-.139	.109	.272	-.844	150	946	-.289	.052	-.100	-.524	150	1025	-.082	.059	.252	-.261
150	819	-.217	.164	.244	-1.064	150	947	-.298	.049	-.125	-.528	150	1026	-.072	.059	.384	-.297
150	820	-.385	.182	.149	-1.276	150	948	-.288	.062	-.068	-.631	150	1027	-.122	.064	.237	-.336
150	821	-.708	.214	-.116	-1.954	150	949	-.322	.060	-.145	-.647	150	1028	-.197	.035	-.054	-.302
150	822	-.710	.181	-.262	-1.621	150	950	-.021	.089	-.152	-.207	160	101	-.362	.104	-.112	-.891
150	901	-.404	.068	-.144	-.603	150	951	-.410	.121	-.089	-.993	160	102	-.373	.101	-.118	-.863
150	902	-.481	.092	-.228	-1.009	150	952	-.237	.105	-.169	-.863	160	103	-.482	.143	-.132	-1.185
150	903	-.496	.108	-.209	-1.142	150	953	-.213	.132	.196	-.993	160	104	-.484	.159	-.093	-1.384
150	904	-.501	.131	-.087	-1.306	150	954	-.335	.111	.034	-1.016	160	105	-.352	.114	-.008	-.921
150	905	-.504	.082	-.282	-.832	150	955	-.230	.067	.094	-.576	160	106	-.354	.105	-.028	-.914
150	906	-.292	.081	-.012	-.598	150	956	-.229	.055	.041	-.524	160	107	-.342	.080	-.079	-.692
150	907	-.158	.110	.236	-.603	150	957	-.167	.070	.221	-.587	160	108	-.367	.130	-.005	-1.246
150	908	-.467	.109	-.021	-1.025	150	958	-.218	.047	.000	-.442	160	109	-.388	.110	-.098	-1.097
150	909	-.445	.108	-.142	-.949	150	959	-.262	.062	-.032	-.514	160	110	-.398	.115	-.093	-.914
150	910	-.223	.151	-.782	-.225	150	960	-.244	.199	-.351	-1.917	160	111	-.368	.130	-.064	-.990
150	911	-.428	.079	-.173	-.799	150	961	-.345	.105	-.029	-1.209	160	112	-.355	.107	-.010	-.856
150	912	-.277	.197	-.420	-1.464	150	962	-.046	.130	-.613	-.490	160	113	-.355	.097	-.054	-.873
150	913	-.456	.110	-.142	-.995	150	963	-.242	.084	-.015	-1.258	160	114	-.345	.085	-.017	-.787
150	914	-.343	.133	-.212	-.799	150	964	-.187	.063	.033	-.728	160	115	-.347	.105	-.005	-.900
150	915	-.479	.133	-.133	-1.211	150	965	-.130	.123	.490	-.599	160	116	-.380	.102	-.093	-1.062
150	916	-.107	.427	-.933	-1.082	150	966	-.361	.107	-.127	-1.473	160	117	-.291	.058	-.135	-.567
150	917	-.471	.133	-.055	-1.138	150	967	-.181	.042	.093	-.468	160	118	-.351	.092	-.024	-.840
150	918	-.510	.107	-.145	-1.173	150	968	-.204	.060	.117	-.481	160	119	-.345	.095	-.121	-.775
150	919	-.431	.202	1.198	-.118	150	969	-.214	.044	.025	-.391	160	120	-.385	.134	-.034	-1.011
150	920	-.593	.121	-.256	-1.148	150	970	-.228	.036	-.093	-.350	160	121	-.370	.109	-.026	-.870
150	921	-.450	.087	-.204	-.857	150	971	-.204	.036	-.061	-.334	160	122	-.306	.098	-.018	-.852
150	922	-.424	.066	-.261	-.734	150	1001	-.445	.093	-.102	-.837	160	123	-.297	.091	-.032	-.755
150	923	-.563	.130	-.183	-1.200	150	1002	-.341	.153	.136	-1.258	160	124	-.314	.076	-.118	-.683
150	924	-.255	.376	1.150	-1.302	150	1003	-.363	.123	.053	-.836	160	125	-.315	.070	-.135	-.715
150	925	-.460	.131	-.149	-1.231	150	1004	-.474	.103	-.237	-1.069	160	126	-.310	.071	-.102	-.563
150	926	-.366	.201	.414	-.894	150	1005	-.514	.104	-.203	-.974	160	127	-.333	.086	-.053	-.764
150	927	-.429	.110	-.037	-1.071	150	1006	-.472	.111	-.173	-1.145	160	128	-.333	.105	-.027	-.753
150	928	-.250	.188	.287	-1.393	150	1007	-.026	.094	.591	-.201	160	129	-.337	.114	-.032	-.860
150	929	-.455	.121	-.028	-1.065	150	1008	-.285	.064	.042	-.586	160	130	-.287	.052	-.123	-.505
150	930	-.254	.161	-.804	-.203	150	1009	-.260	.171	.827	-.165	160	131	-.326	.070	-.118	-.661
150	931	-.411	.088	-.173	-.810	150	1010	-.258	.069	.047	-.654	160	132	-.299	.092	-.006	-.802
150	932	-.332	.087	-.014	-.627	150	1011	-.013	.080	.488	-.189	160	133	-.287	.082	-.043	-.743
150	933	-.014	.134	.444	-.567	150	1012	-.293	.084	-.016	-.697	160	134	-.275	.059	-.121	-.755
150	934	-.441	.121	-.017	-.948	150	1013	-.629	.149	.038	-1.182	160	135	-.281	.050	-.128	-.591
150	935	-.372	.100	.066	-.799	150	1014	-.447	.108	-.178	-.950	160	136	-.268	.047	-.130	-.488
150	936	-.280	.086	.058	-.527	150	1015	-.442	.145	.004	-1.018	160	137	-.288	.058	-.128	-.554
150	937	-.580	.167	-.032	-1.305	150	1016	-.462	.116	-.108	-.950	160	138	-.301	.063	-.123	-.622
150	938	-.536	.187	-.052	-1.198	150	1017	-.195	.068	.136	-.579	160	139	-.325	.084	-.088	-.790
150	939	-.378	.140	.004	-1.062	150	1018	-.230	.060	.018	-.546	160	140	-.319	.089	-.022	-.699
150	940	-.398	.066	-.239	-.718	150	1019	-.170	.070	.175	-.490	160	141	-.282	.048	-.104	-.584
150	941	-.435	.118	-.168	-.779	150	1020	-.372	.183	.187	-1.193	160	142	-.314	.058	-.151	-.692

WD	TAP	CPMEAN	CPRMS	CPMAX	CPMIN	WD	TAP	CPMEAN	CPRMS	CPMAX	CPMIN	WD	TAP	CPMEAN	CPRMS	CPMAX	CPMIN
160	143	-.326	.089	-.074	-.713	160	193	-.244	.060	-.019	-.479	160	318	-.680	.243	-.107	-1.777
160	144	-.318	.086	-.041	-.741	160	194	-.256	.082	.039	-.803	160	319	-.458	.151	.060	-1.141
160	145	-.318	.071	-.121	-.692	160	195	-.270	.087	.023	-.750	160	320	-.402	.123	-.069	-.926
160	146	-.320	.062	-.165	-.678	160	196	-.260	.086	.073	-.829	160	321	-.351	.111	-.003	-.926
160	147	-.338	.081	-.130	-.683	160	197	-.275	.070	-.028	-.625	160	322	-.435	.126	-.060	-1.090
160	148	-.345	.089	-.139	-.732	160	198	-.152	.041	.032	-.308	160	323	-.456	.134	-.103	-1.037
160	149	-.315	.090	-.026	-.730	160	199	-.156	.044	.057	-.320	160	324	-.461	.140	-.097	-1.041
160	150	-.333	.104	-.093	-.725	160	200	-.160	.053	.036	-.421	160	325	-.459	.137	-.085	-1.023
160	151	-.308	.085	-.037	-.973	160	201	-.165	.068	.247	-.465	160	326	-.377	.142	.160	-1.099
160	152	-.291	.056	-.131	-.521	160	202	-.144	.071	.238	-.410	160	327	-.374	.131	.182	-.954
160	153	-.307	.055	-.150	-.590	160	203	-.262	.086	.067	-.761	160	328	-.310	.114	.067	-.898
160	154	-.305	.054	-.166	-.519	160	204	-.280	.069	-.047	-.558	160	329	-.308	.112	.024	-.923
160	155	-.328	.072	-.134	-.636	160	205	-.275	.071	-.056	-.637	160	330	-.428	.125	-.071	-.990
160	156	-.364	.110	-.111	-.929	160	206	-.214	.064	.004	-.512	160	331	-.435	.128	-.062	-1.164
160	157	-.332	.077	-.109	-.675	160	207	-.241	.055	.023	-.475	160	332	-.441	.123	-.109	-1.202
160	158	-.286	.080	-.061	-.803	160	208	-.236	.060	-.038	-.669	160	333	-.439	.118	-.055	-1.209
160	159	-.321	.075	-.109	-.649	160	209	-.143	.044	.036	-.294	160	334	-.473	.146	.001	-1.159
160	160	-.310	.095	-.047	-.688	160	210	-.145	.063	.111	-.556	160	335	-.447	.132	-.062	-.974
160	161	-.346	.088	-.104	-.769	160	211	-.015	.077	.376	-.214	160	336	-.411	.110	-.021	-.833
160	162	-.294	.095	.077	-.828	160	212	-.284	.095	.008	-.699	160	337	-.430	.153	.238	-1.180
160	163	-.287	.087	-.024	-.677	160	213	-.185	.080	.198	-.577	160	338	-.382	.132	.109	-.963
160	164	-.284	.071	-.063	-.640	160	214	-.226	.058	.015	-.565	160	339	-.328	.132	.132	-1.078
160	165	-.325	.079	-.104	-.743	160	215	-.136	.042	.041	-.261	160	340	-.323	.137	.125	-1.236
160	166	-.326	.073	-.111	-.688	160	216	-.142	.038	.041	-.254	160	341	-.411	.118	-.012	-.947
160	167	-.321	.074	-.131	-.809	160	217	-.132	.047	.085	-.266	160	342	-.428	.133	.053	-1.137
160	168	-.335	.085	-.099	-.795	160	218	-.125	.057	.205	-.313	160	343	-.455	.157	-.023	-1.256
160	169	-.240	.045	-.089	-.448	160	219	-.075	.066	.216	-.420	160	344	-.429	.138	-.075	-1.687
160	170	-.276	.088	-.138	-.775	160	220	-.157	.086	.113	-.533	160	345	-.437	.133	.028	-1.157
160	171	-.278	.080	-.014	-.649	160	221	-.271	.128	.113	-.875	160	346	-.398	.146	.139	-1.175
160	172	-.263	.077	-.014	-.947	160	222	-.286	.129	.118	-1.062	160	347	-.360	.152	.105	-1.011
160	173	-.259	.047	-.104	-.477	160	223	-.187	.078	.212	-.481	160	348	-.343	.136	.130	-.925
160	174	-.313	.078	-.126	-.707	160	224	-.241	.070	-.027	-.605	160	349	-.351	.150	.277	-.980
160	175	-.298	.067	-.026	-.574	160	225	-.216	.062	.111	-.465	160	350	-.316	.154	.301	-.949
160	176	-.322	.085	-.019	-.671	160	301	-.483	.151	-.100	-1.426	160	351	-.567	.181	-.050	-1.578
160	177	-.253	.090	.024	-.630	160	302	-.358	.122	-.007	-1.003	160	352	-.461	.132	.045	-1.214
160	178	-.254	.095	.032	-.686	160	303	-.128	.085	.164	-.510	160	353	-.444	.147	.027	-1.059
160	179	-.225	.078	.039	-.623	160	304	-.495	.154	-.140	-1.241	160	354	-.377	.120	-.002	-.898
160	180	-.241	.053	.000	-.482	160	305	-.491	.153	-.105	-1.501	160	355	-.344	.135	.115	-1.112
160	181	-.315	.083	-.121	-.845	160	306	-.407	.141	-.077	-1.044	160	356	-.312	.095	-.006	-.794
160	182	-.270	.062	-.046	-.562	160	307	-.426	.128	-.023	-1.017	160	357	-.333	.114	-.043	-.794
160	183	-.272	.064	-.092	-.649	160	308	-.519	.158	-.152	-1.587	160	358	-.488	.139	-.116	-1.452
160	184	-.262	.077	-.026	-.681	160	309	-.473	.153	.029	-1.239	160	359	-.338	.133	.148	-1.057
160	185	-.278	.084	.027	-.700	160	310	-.418	.138	.118	-1.072	160	360	-.477	.158	-.057	-1.567
160	186	-.231	.089	.104	-.666	160	311	-.365	.122	.057	-1.082	160	361	-.325	.132	.087	-.986
160	187	-.233	.063	.061	-.465	160	312	-.497	.151	-.123	-1.330	160	362	-.454	.134	-.121	-1.275
160	188	-.289	.082	-.046	-.867	160	313	-.511	.158	-.023	-1.232	160	363	-.465	.130	-.121	-1.167
160	189	-.258	.062	-.082	-.511	160	314	-.378	.117	.093	-.897	160	364	-.469	.162	-.057	-1.445
160	190	-.245	.059	.000	-.504	160	315	-.364	.128	.015	-1.090	160	365	-.467	.203	.153	-1.810
160	191	-.222	.060	.127	-.498	160	316	-.442	.130	-.060	-1.039	160	366	-.379	.145	.018	-1.020
160	192	-.226	.057	.018	-.440	160	317	-.411	.132	.033	-.943	160	367	-.310	.129	.070	-.817

WD	TAP	CPMEAN	CPRMS	CPMAX	CPMIN	WD	TAP	CPMEAN	CPRMS	CPMAX	CPMIN	WD	TAP	CPMEAN	CPRMS	CPMAX	CPMIN
160	368	-.306	.128	.181	-.908	160	418	-.174	.030	-.026	-.269	160	546	.358	.161	1.008	-.158
160	369	-.392	.129	.074	-.996	160	419	-.155	.036	-.012	-.283	160	547	.173	.134	.803	-.397
160	370	-.476	.133	-.131	-1.206	160	420	-.155	.036	.034	-.276	160	548	-.050	.124	.386	-.479
160	371	-.504	.148	-.145	-1.239	160	421	-.143	.042	.107	-.275	160	549	-.363	.171	.403	-.990
160	372	-.492	.197	-.005	-1.815	160	422	-.143	.037	.019	-.257	160	550	-.467	.133	.100	-1.001
160	373	-.394	.145	.021	-1.036	160	501	-.054	.110	.542	-.577	160	551	-.026	.120	.419	-.598
160	374	-.326	.134	.123	-.819	160	502	-.042	.114	.551	-.543	160	552	.277	.152	1.128	-.332
160	375	-.260	.099	-.005	-.742	160	503	.145	.161	.682	-.590	160	553	.315	.148	.936	-.332
160	376	-.257	.100	-.065	-.828	160	504	.147	.157	.621	-.514	160	554	.319	.150	.800	-.208
160	377	-.512	.164	-.166	-1.430	160	505	-.105	.120	.481	-.613	160	555	.152	.135	.762	-.444
160	378	-.517	.180	-.056	-1.897	160	506	-.061	.113	.326	-.537	160	556	-.348	.175	.341	-1.224
160	379	-.420	.193	.037	-1.425	160	507	-.024	.109	.529	-.426	160	557	-.122	.239	.764	-.894
160	380	-.295	.151	.158	-.882	160	508	-.171	.147	.365	-.824	160	558	.036	.111	.557	-.355
160	381	-.254	.102	.233	-.681	160	509	.065	.212	.668	-1.208	160	559	.191	.125	.713	-.384
160	382	-.201	.072	.093	-.635	160	510	.102	.198	.866	-1.127	160	560	-.078	.100	.399	-.515
160	383	-.211	.071	-.086	-.847	160	511	-.059	.150	.464	-1.037	160	561	.065	.124	.668	-.328
160	384	-.448	.172	-.091	-1.451	160	512	.011	.134	.796	-.460	160	562	-.054	.092	.392	-.375
160	385	-.466	.187	.119	-1.456	160	513	.181	.182	.852	-.664	160	563	.050	.107	.454	-.364
160	386	-.278	.126	.319	-1.211	160	514	.259	.171	.906	-.348	160	564	.274	.145	.844	-.321
160	387	-.181	.097	.244	-.705	160	515	.151	.139	.763	-.460	160	565	.308	.138	.795	-.257
160	388	-.232	.086	.105	-.686	160	516	.127	.190	.754	-.653	160	566	.338	.140	.907	-.084
160	389	-.193	.051	.109	-.423	160	517	.344	.168	1.012	-.377	160	567	.158	.115	.634	-.308
160	390	-.203	.057	.028	-.381	160	518	-.086	.168	.437	-.909	160	568	.036	.111	.528	-.284
160	391	-.182	.087	.259	-.680	160	519	-.197	.266	.639	-1.327	160	569	.316	.140	.907	-.046
160	392	-.098	.160	.532	-1.383	160	520	.109	.193	.677	-.992	160	570	-.066	.083	.304	-.355
160	393	-.164	.083	.188	-.565	160	521	.004	.146	.455	-.545	160	571	.055	.098	.431	-.263
160	394	-.199	.078	.260	-.533	160	522	-.062	.141	.437	-.597	160	572	.187	.141	.855	-.440
160	395	-.194	.051	.043	-.354	160	523	.028	.149	.666	-.543	160	573	.268	.136	.759	-.068
160	396	-.210	.057	.036	-.409	160	524	.132	.218	.850	-.956	160	574	.219	.131	.966	-.221
160	397	-.382	.184	.035	-1.189	160	525	.229	.174	.843	-.336	160	575	.099	.102	.497	-.207
160	398	-.284	.124	-.063	-1.140	160	526	.232	.167	.828	-.658	160	576	-.035	.099	.457	-.364
160	399	-.333	.096	-.035	-.950	160	527	.288	.164	.889	-.431	160	577	-.097	.083	.394	-.388
160	400	-.233	.048	-.040	-.455	160	528	.204	.142	.826	-.315	160	578	.008	.097	.450	-.317
160	401	-.196	.034	-.035	-.406	160	529	.130	.137	.673	-.356	160	579	.130	.127	.721	-.254
160	402	-.188	.036	-.040	-.358	160	530	.340	.161	.996	-.185	160	580	.182	.115	.721	-.098
160	403	-.155	.040	.043	-.319	160	531	.307	.170	1.001	-.377	160	581	.114	.103	.518	-.199
160	404	-.154	.036	.045	-.290	160	532	-.046	.114	.377	-.408	160	582	-.023	.074	.304	-.287
160	405	-.175	.060	.068	-.464	160	533	.074	.128	.561	-.288	160	583	-.108	.079	.220	-.404
160	406	-.142	.072	.201	-.457	160	534	.219	.214	.922	-.723	160	584	-.151	.084	.309	-.433
160	407	-.159	.076	.070	-.546	160	535	.339	.166	.933	-.288	160	585	-.045	.087	.384	-.322
160	408	-.305	.080	-.042	-.790	160	536	.395	.161	.996	-.128	160	586	.079	.101	.587	-.221
160	409	-.184	.029	-.065	-.301	160	537	.374	.176	.994	-.445	160	587	.055	.116	.709	-.280
160	410	-.144	.041	-.098	-.271	160	538	.409	.166	1.021	-.101	160	588	.002	.084	.415	-.261
160	411	-.313	.087	-.033	-.869	160	539	.259	.142	.819	-.288	160	589	-.140	.050	.102	-.364
160	412	-.285	.074	-.015	-.580	160	540	.141	.129	.657	-.397	160	590	-.213	.067	.196	-.557
160	413	-.159	.034	-.009	-.266	160	541	.396	.160	1.226	-.037	160	591	.092	.093	.448	-.123
160	414	-.084	.051	.170	-.293	160	542	.387	.158	.967	-.258	160	592	-.054	.079	.441	-.121
160	415	-.063	.048	.155	-.254	160	543	-.193	.101	.379	-.566	160	593	-.196	.073	.170	-.441
160	416	-.249	.062	.017	-.661	160	544	.005	.115	.543	-.415	160	594	-.097	.071	.310	-.344
160	417	-.171	.061	.182	-.349	160	545	.267	.156	.955	-.185	160	595	.038	.089	.511	-.201

WD	TAP	CPMEAN	CPRMS	CPMAX	CPMIN	WD	TAP	CPMEAN	CPRMS	CPMAX	CPMIN	WD	TAP	CPMEAN	CPRMS	CPMAX	CPMIN
160	596	.066	.084	.562	-.177	160	726	-.462	.156	-.111	-1.214	160	776	-.388	.082	-.155	-.714
160	597	-.068	.059	.453	-.341	160	727	-.465	.152	-.052	-1.513	160	777	-.297	.129	.011	-1.201
160	598	-.144	.052	.044	-.380	160	728	-.439	.128	-.031	-1.041	160	778	-.297	.122	.068	-.797
160	599	-.202	.071	.042	-.573	160	729	-.429	.130	-.015	-1.357	160	779	-.396	.125	.016	-.899
160	600	-.368	.171	.194	-1.366	160	730	-.395	.120	-.050	-.882	160	780	-.487	.126	-.182	-1.154
160	601	-.094	.075	.191	-.394	160	731	-.430	.132	-.068	-1.147	160	781	-.498	.131	-.046	-1.175
160	602	-.139	.071	.224	-.478	160	732	-.367	.155	-.038	-1.188	160	782	-.430	.098	-.186	-.904
160	603	-.180	.059	.089	-.403	160	733	-.367	.138	-.052	-1.246	160	783	-.428	.100	-.153	-1.080
160	604	-.086	.049	.066	-.311	160	734	-.399	.128	.033	-1.002	160	784	-.200	.083	.142	-.859
160	605	-.151	.075	.098	-.611	160	735	-.418	.151	.068	-1.331	160	785	-.179	.081	.089	-.759
160	606	-.025	.065	.279	-.266	160	736	-.407	.113	-.047	-.968	160	786	-.268	.159	.291	-1.025
160	607	-.158	.047	.020	-.389	160	737	-.417	.118	-.112	-.912	160	787	-.412	.163	.066	-1.197
160	608	-.144	.093	.645	-.110	160	738	-.444	.138	-.105	-1.177	160	788	-.554	.170	.001	-1.598
160	609	-.159	.083	.067	-.746	160	739	-.422	.113	-.017	-.887	160	789	-.495	.126	-.203	-1.151
160	610	-.056	.061	.227	-.399	160	740	-.403	.099	-.109	-.935	160	790	-.497	.126	-.179	-1.113
160	611	-.135	.045	.064	-.302	160	741	-.412	.111	-.008	-.986	160	791	-.379	.236	.270	-1.562
160	612	-.112	.062	.154	-.390	160	742	-.414	.116	-.010	-.972	160	792	-.395	.186	.170	-1.289
160	613	-.007	.067	.319	-.191	160	743	-.371	.122	-.043	-.961	160	793	-.486	.169	.030	-1.492
160	614	.128	.091	.550	-.130	160	744	-.380	.134	-.068	-1.069	160	794	-.357	.173	.130	-1.155
160	615	.212	.111	.739	-.033	160	745	-.391	.116	-.036	-.910	160	795	-.148	.067	.093	-.571
160	616	-.004	.073	.265	-.270	160	746	-.411	.110	-.084	-1.154	160	796	-.138	.074	.210	-.445
160	617	-.001	.058	.353	-.146	160	747	-.412	.108	-.146	-.968	160	797	-.240	.059	-.076	-.571
160	618	-.024	.053	.238	-.178	160	748	-.395	.100	-.096	-.820	160	798	-.170	.062	.061	-1.075
160	619	-.069	.048	.234	-.275	160	749	-.363	.111	-.064	-1.028	160	799	-.150	.075	.137	-.692
160	620	-.094	.059	.342	-.241	160	750	-.349	.088	-.034	-.758	160	800	-.167	.123	.283	-.734
160	701	-.363	.113	-.061	-1.051	160	751	-.403	.144	-.078	-1.037	160	801	-.350	.183	.111	-1.193
160	702	-.503	.160	-.127	-1.651	160	752	-.393	.123	-.046	-1.026	160	802	-.528	.210	.011	-1.787
160	703	-.471	.138	-.114	-1.096	160	753	-.426	.123	-.037	-1.012	160	803	-.532	.140	-.186	-1.185
160	704	-.223	.094	.095	-.678	160	754	-.409	.095	-.156	-1.012	160	804	-.517	.138	-.205	-1.162
160	705	-.421	.171	.100	-1.075	160	755	-.479	.143	-.143	-1.564	160	805	-.029	.085	.443	-.253
160	706	-.426	.136	-.069	-1.161	160	756	-.429	.128	-.022	-1.066	160	806	-.087	.059	.162	-.269
160	707	-.435	.145	.004	-1.112	160	757	-.467	.127	-.043	-1.154	160	807	-.091	.077	.233	-.546
160	708	-.403	.174	.077	-1.375	160	758	-.382	.114	-.098	-.924	160	808	-.211	.066	.164	-.438
160	709	-.424	.145	.075	-1.041	160	759	-.391	.093	-.120	-.958	160	809	-.157	.070	.125	-.850
160	710	-.442	.145	-.009	-1.180	160	760	-.392	.134	-.061	-1.129	160	810	-.135	.147	.228	-.969
160	711	-.425	.124	-.013	-1.086	160	761	-.380	.090	-.084	-.787	160	811	-.362	.150	.013	-1.098
160	712	-.401	.173	-.011	-1.430	160	762	-.403	.144	-.023	-1.199	160	812	-.544	.160	-.138	-1.560
160	713	-.425	.149	.009	-1.146	160	763	-.386	.124	-.073	-.904	160	813	-.077	.075	.299	-.408
160	714	-.456	.137	-.043	-1.301	160	764	-.392	.114	-.030	-1.077	160	814	-.058	.088	.494	-.523
160	715	-.453	.127	-.018	-1.287	160	765	-.428	.119	-.053	-1.093	160	815	-.208	.073	.043	-.544
160	716	-.440	.139	-.098	-1.091	160	766	-.399	.104	-.084	-.964	160	816	-.156	.071	.098	-1.063
160	717	-.413	.119	-.068	-1.041	160	767	-.378	.082	-.141	-.700	160	817	-.129	.060	.100	-.660
160	718	-.383	.155	.036	-1.278	160	768	-.377	.090	-.094	-.795	160	818	-.111	.112	.329	-.649
160	719	-.410	.132	-.016	-1.014	160	769	-.381	.097	-.025	-.838	160	819	-.190	.170	.231	-1.050
160	720	-.423	.134	-.000	-.966	160	770	-.387	.156	.006	-1.254	160	820	-.337	.177	.125	-1.013
160	721	-.532	.187	-.091	-1.560	160	771	-.372	.121	-.032	-1.061	160	821	-.542	.176	-.087	-1.739
160	722	-.358	.156	.009	-1.139	160	772	-.424	.107	-.101	-.907	160	822	-.514	.145	-.125	-1.323
160	723	-.360	.140	.023	-1.071	160	773	-.431	.103	-.155	-.961	160	901	-.350	.060	-.154	-.584
160	724	-.400	.154	.041	-1.096	160	774	-.421	.099	-.132	-1.118	160	902	-.404	.102	-.127	-.881
160	725	-.438	.172	.082	-1.328	160	775	-.396	.081	-.151	-.726	160	903	-.416	.114	-.116	-1.017

WD	TAP	CPMEAN	CPRMS	CPMAX	CPMIN	WD	TAP	CPMEAN	CPRMS	CPMAX	CPMIN	WD	TAP	CPMEAN	CPRMS	CPMAX	CPMIN
160	904	-.367	.127	-.016	-.954	160	954	-.261	.094	.040	-.957	170	105	-.287	.075	-.073	-.727
160	905	-.360	.061	-.228	-.591	160	955	-.174	.054	.244	-.449	170	106	-.283	.078	-.051	-.714
160	906	-.259	.083	-.093	-.620	160	956	-.201	.085	.098	-.606	170	107	-.270	.057	-.062	-.645
160	907	-.197	.113	.165	-.487	160	957	-.136	.086	.190	-.561	170	108	-.283	.082	-.022	-.745
160	908	-.368	.114	-.151	-.864	160	958	-.169	.056	.103	-.552	170	109	-.277	.056	-.109	-.603
160	909	-.363	.108	-.048	-.818	160	959	-.212	.058	.060	-.440	170	110	-.281	.059	-.120	-.596
160	910	-.132	.118	-.695	-.261	160	960	-.296	.238	.487	-1.632	170	111	-.290	.082	-.062	-.839
160	911	-.326	.071	-.118	-.578	160	961	-.335	.127	-.036	-1.084	170	112	-.262	.065	-.076	-.677
160	912	-.337	.198	.231	-1.611	160	962	-.031	.174	.618	-.764	170	113	-.259	.050	-.109	-.485
160	913	-.369	.121	.042	-.945	160	963	-.296	.124	-.017	-1.403	170	114	-.277	.061	-.078	-.576
160	914	-.349	.170	.420	-1.053	160	964	-.227	.112	.175	-1.415	170	115	-.274	.064	-.078	-.701
160	915	-.375	.118	-.066	-.917	160	965	-.042	.134	.465	-.521	170	116	-.278	.057	-.105	-.547
160	916	-.368	.379	-.819	-1.415	160	966	-.345	.110	-.065	-1.001	170	117	-.239	.036	-.062	-.384
160	917	-.382	.142	-.043	-1.046	160	967	-.130	.045	.092	-.291	170	118	-.272	.061	-.089	-.645
160	918	-.441	.122	-.089	-.977	160	968	-.152	.070	.255	-.414	170	119	-.255	.055	-.114	-.677
160	919	-.364	.155	-.987	-.281	160	969	-.173	.048	.038	-.502	170	120	-.257	.057	-.098	-.614
160	920	-.513	.126	-.086	-1.233	160	970	-.184	.041	-.005	-.386	170	121	-.284	.067	-.089	-.706
160	921	-.368	.089	-.119	-.832	160	971	-.159	.036	.026	-.270	170	122	-.253	.065	-.011	-.594
160	922	-.308	.051	-.182	-.571	160	1001	-.383	.098	-.097	-1.005	170	123	-.246	.056	-.073	-.511
160	923	-.439	.114	-.107	-.931	160	1002	-.277	.162	.248	-1.024	170	124	-.245	.043	-.111	-.467
160	924	-.321	.289	-.966	-.878	160	1003	-.354	.117	-.067	-1.093	170	125	-.253	.041	-.123	-.411
160	925	-.354	.098	-.102	-.926	160	1004	-.384	.110	-.073	-.841	170	126	-.245	.042	-.107	-.453
160	926	-.364	.149	-.239	-.858	160	1005	-.425	.114	-.065	-.921	170	127	-.247	.044	-.124	-.517
160	927	-.342	.094	-.088	-.863	160	1006	-.373	.115	-.058	-.973	170	128	-.248	.053	-.106	-.572
160	928	-.186	.158	.369	-1.811	160	1007	-.079	.085	.643	-.111	170	129	-.246	.052	-.085	-.538
160	929	-.357	.101	-.160	-.797	160	1008	-.226	.056	-.005	-.416	170	130	-.237	.035	-.122	-.400
160	930	-.362	.129	-.809	-.143	160	1009	-.305	.127	.849	-.052	170	131	-.248	.037	-.122	-.438
160	931	-.311	.067	-.095	-.597	160	1010	-.218	.052	.080	-.405	170	132	-.246	.054	-.065	-.472
160	932	-.273	.078	.009	-.554	160	1011	-.050	.077	.558	-.123	170	133	-.238	.046	-.081	-.440
160	933	-.013	.131	.391	-.553	160	1012	-.223	.064	.061	-.575	170	134	-.233	.032	-.119	-.411
160	934	-.366	.104	.205	-.913	160	1013	-.498	.124	-.139	-.977	170	135	-.235	.031	-.131	-.391
160	935	-.331	.086	-.047	-.778	160	1014	-.366	.090	-.131	-.824	170	136	-.230	.030	-.133	-.348
160	936	-.180	.064	-.031	-.395	160	1015	-.346	.120	-.047	-.927	170	137	-.234	.030	-.110	-.336
160	937	-.444	.134	-.099	-1.192	160	1016	-.351	.084	-.019	-.748	170	138	-.243	.038	-.144	-.465
160	938	-.429	.129	-.074	-1.207	160	1017	-.168	.085	.168	-.594	170	139	-.242	.044	-.115	-.486
160	939	-.356	.138	-.065	-.971	160	1018	-.202	.069	.052	-.490	170	140	-.246	.045	-.119	-.533
160	940	-.342	.050	-.214	-.551	160	1019	-.131	.073	.220	-.549	170	141	-.235	.029	-.144	-.343
160	941	-.361	.118	-.058	-.682	160	1020	-.370	.126	.125	-.956	170	142	-.245	.031	-.155	-.379
160	942	-.244	.061	-.098	-.552	160	1021	-.205	.106	.714	-.021	170	143	-.244	.056	-.074	-.520
160	943	-.263	.062	-.045	-.579	160	1022	-.082	.056	.175	-.270	170	144	-.260	.053	-.076	-.533
160	944	-.288	.066	-.094	-.590	160	1023	-.101	.049	.111	-.301	170	145	-.247	.036	-.088	-.400
160	945	-.080	.082	-.418	-.110	160	1024	-.154	.082	.161	-.776	170	146	-.247	.036	-.128	-.436
160	946	-.328	.043	-.085	-.393	160	1025	-.081	.051	.220	-.334	170	147	-.251	.045	-.124	-.549
160	947	-.239	.043	-.080	-.438	160	1026	-.054	.058	.217	-.270	170	148	-.258	.050	-.090	-.544
160	948	-.225	.050	-.004	-.474	160	1027	-.094	.052	.118	-.372	170	149	-.265	.058	-.027	-.552
160	949	-.255	.054	-.103	-.545	160	1028	-.149	.034	.021	-.256	170	150	-.278	.069	-.032	-.627
160	950	-.059	.084	-.583	-.125	170	101	-.300	.075	-.109	-.762	170	151	-.252	.050	-.085	-.559
160	951	-.319	.104	-.013	-.903	170	102	-.308	.083	-.098	-.788	170	152	-.239	.032	-.102	-.388
160	952	-.180	.077	.101	-.357	170	103	-.371	.117	-.091	-1.077	170	153	-.240	.030	-.140	-.368
160	953	-.145	.104	.150	-.794	170	104	-.321	.118	-.047	-.978	170	154	-.242	.031	-.131	-.399

WD	TAP	CPMEAN	CPRMS	CPMAX	CPMIN	WD	TAP	CPMEAN	CPRMS	CPMAX	CPMIN	WD	TAP	CPMEAN	CPRMS	CPMAX	CPMIN
170	155	-.249	.048	-.109	-.581	170	205	-.226	.046	-.096	-.426	170	330	-.347	.095	-.040	-.823
170	156	-.252	.047	-.105	-.474	170	206	-.215	.041	-.007	-.424	170	331	-.368	.102	-.036	-.840
170	157	-.259	.049	-.118	-.621	170	207	-.222	.039	-.089	-.391	170	332	-.412	.142	-.082	-1.243
170	158	-.255	.052	-.083	-.519	170	208	-.220	.041	-.056	-.482	170	333	-.421	.147	-.045	-1.270
170	159	-.233	.040	-.118	-.428	170	209	-.130	.033	.032	-.243	170	334	-.414	.135	-.049	-1.122
170	160	-.271	.061	-.043	-.567	170	210	-.151	.054	.025	-.468	170	335	-.373	.112	-.018	-1.030
170	161	-.237	.045	-.069	-.488	170	211	-.039	.063	.206	-.226	170	336	-.362	.098	-.065	-.825
170	162	-.270	.063	-.021	-.556	170	212	-.220	.053	-.060	-.506	170	337	-.372	.126	-.242	-1.023
170	163	-.258	.052	-.085	-.468	170	213	-.205	.043	-.046	-.384	170	338	-.332	.100	.024	-.790
170	164	-.247	.038	-.136	-.428	170	214	-.214	.038	-.065	-.386	170	339	-.394	.097	.041	-.748
170	165	-.261	.041	-.153	-.563	170	215	-.129	.034	-.059	-.221	170	340	-.398	.111	-.013	-.860
170	166	-.238	.034	-.144	-.411	170	216	-.135	.031	-.002	-.226	170	341	-.350	.101	-.073	-.906
170	167	-.233	.041	-.109	-.568	170	217	-.134	.038	.021	-.260	170	342	-.360	.109	-.019	-.957
170	168	-.235	.044	-.081	-.441	170	218	-.130	.052	.109	-.336	170	343	-.411	.154	-.036	-1.332
170	169	-.217	.029	-.104	-.324	170	219	-.094	.054	.120	-.287	170	344	-.414	.142	-.038	-1.241
170	170	-.270	.056	-.074	-.530	170	220	-.198	.072	.025	-.535	170	345	-.382	.117	-.089	-.935
170	171	-.243	.049	-.048	-.462	170	221	-.215	.070	-.003	-.556	170	346	-.329	.101	.061	-.875
170	172	-.249	.047	-.104	-.521	170	222	-.220	.073	-.008	-.592	170	347	-.307	.106	.052	-.871
170	173	-.235	.031	-.137	-.371	170	223	-.202	.043	-.020	-.373	170	348	-.305	.108	.026	-.807
170	174	-.247	.039	-.107	-.448	170	224	-.211	.042	-.049	-.438	170	349	-.332	.132	.113	-.975
170	175	-.235	.042	-.109	-.504	170	225	-.204	.042	-.038	-.499	170	350	-.205	.149	.409	-.690
170	176	-.235	.045	-.116	-.551	170	301	-.393	.128	-.084	-1.053	170	351	-.524	.166	-.105	-1.307
170	177	-.262	.054	-.067	-.521	170	302	-.324	.105	-.015	-.964	170	352	-.411	.123	-.107	-1.188
170	178	-.266	.058	-.076	-.584	170	303	-.169	.092	.051	-.528	170	353	-.385	.129	-.031	-1.009
170	179	-.231	.060	-.034	-.528	170	304	-.342	.104	-.123	-.968	170	354	-.343	.105	.038	-.867
170	180	-.230	.037	-.074	-.369	170	305	-.441	.157	-.005	-1.706	170	355	-.314	.112	-.038	-.912
170	181	-.254	.046	-.135	-.469	170	306	-.312	.101	.041	-.890	170	356	-.273	.067	-.040	-.541
170	182	-.231	.042	-.088	-.516	170	307	-.340	.101	-.093	-.859	170	357	-.282	.080	-.051	-.722
170	183	-.238	.048	-.086	-.549	170	308	-.507	.194	-.108	-1.491	170	358	-.443	.129	-.090	-1.281
170	184	-.248	.060	-.020	-.497	170	309	-.389	.127	-.023	-1.153	170	359	-.311	.110	-.092	-.981
170	185	-.243	.063	-.027	-.699	170	310	-.339	.111	-.031	-.848	170	360	-.402	.115	-.113	-1.325
170	186	-.218	.064	-.092	-.483	170	311	-.306	.096	-.048	-.899	170	361	-.295	.096	-.059	-.759
170	187	-.220	.046	-.002	-.395	170	312	-.496	.186	-.091	-1.384	170	362	-.396	.107	-.092	-1.272
170	188	-.250	.051	-.104	-.750	170	313	-.396	.136	.022	-1.201	170	363	-.400	.105	-.066	-1.070
170	189	-.225	.039	-.083	-.427	170	314	-.316	.102	.009	-.776	170	364	-.413	.117	-.016	-1.024
170	190	-.223	.043	-.090	-.488	170	315	-.287	.092	-.028	-.900	170	365	-.387	.111	-.042	-1.009
170	191	-.203	.049	-.020	-.435	170	316	-.351	.099	-.091	-.820	170	366	-.331	.099	-.004	-.771
170	192	-.211	.040	.023	-.384	170	317	-.331	.102	-.018	-1.042	170	367	-.296	.095	.055	-.753
170	193	-.219	.039	-.018	-.411	170	318	-.523	.213	-.065	-1.971	170	368	-.294	.107	.053	-.856
170	194	-.241	.060	-.029	-.547	170	319	-.373	.112	-.011	-.953	170	369	-.367	.101	-.078	-.935
170	195	-.254	.066	.005	-.639	170	320	-.323	.089	-.021	-.700	170	370	-.409	.085	-.182	-1.079
170	196	-.229	.065	-.049	-.616	170	321	-.286	.083	-.017	-.728	170	371	-.414	.092	-.145	-.988
170	197	-.239	.045	-.082	-.632	170	322	-.418	.143	-.073	-1.327	170	372	-.445	.118	-.150	-1.243
170	198	-.144	.033	.011	-.272	170	323	-.417	.135	-.084	-1.092	170	373	-.368	.097	-.068	-.792
170	199	-.148	.036	.045	-.266	170	324	-.408	.125	-.080	-1.118	170	374	-.341	.096	.119	-.776
170	200	-.162	.041	-.015	-.377	170	325	-.389	.112	-.113	-.998	170	375	-.290	.085	.000	-.988
170	201	-.172	.060	.096	-.469	170	326	-.334	.114	.068	-.844	170	376	-.293	.092	.023	-.799
170	202	-.106	.057	.134	-.290	170	327	-.320	.100	.112	-.871	170	377	-.446	.103	-.175	-1.183
170	203	-.256	.063	-.056	-.509	170	328	-.275	.087	-.095	-.809	170	378	-.449	.104	-.198	-1.637
170	204	-.226	.046	-.060	-.554	170	329	-.269	.086	-.016	-.737	170	379	-.470	.133	-.079	-1.154

WD	TAP	CPMEAN	CPRMS	CPMAX	CPMIN	WD	TAP	CPMEAN	CPRMS	CPMAX	CPMIN	WD	TAP	CPMEAN	CPRMS	CPMAX	CPMIN
170	380	-.384	.113	-.011	-.824	170	508	-.253	.136	.317	-.911	170	558	-.068	.101	.350	-.381
170	381	-.282	.097	.076	-.694	170	509	-.213	.252	.594	-1.603	170	559	.124	.173	.466	-.543
170	382	-.225	.067	.030	-.589	170	510	-.170	.248	.816	-1.119	170	560	-.143	.117	.401	-.625
170	383	-.236	.045	.078	-.610	170	511	-.210	.195	.465	-.909	170	561	-.013	.158	.506	-.596
170	384	-.437	.119	-.116	-1.099	170	512	-.153	.117	.274	-.575	170	562	-.096	.103	.346	-.465
170	385	-.452	.130	-.100	-1.297	170	513	-.101	.197	.659	-1.112	170	563	-.023	.104	.499	-.310
170	386	-.328	.111	.158	-.894	170	514	-.007	.215	.731	-.721	170	564	.069	.176	.768	-.519
170	387	-.245	.113	.119	-.726	170	515	-.005	.203	.646	-.626	170	565	.136	.216	.839	-.836
170	388	-.211	.077	.119	-.532	170	516	-.151	.229	.679	-.906	170	566	.247	.169	1.002	-.366
170	389	-.191	.045	.023	-.355	170	517	-.084	.186	.787	-.398	170	567	.160	.169	.678	-.647
170	390	-.207	.044	.010	-.377	170	518	-.281	.151	.169	-.951	170	568	.058	.142	.631	-.628
170	391	-.205	.085	.077	-.565	170	519	-.332	.207	.404	-1.207	170	569	.262	.149	.950	-.122
170	392	-.208	.185	.437	-1.071	170	520	-.130	.293	.686	-1.450	170	570	-.050	.088	.373	-.326
170	393	-.191	.081	.120	-.529	170	521	-.189	.194	.420	-.750	170	571	.052	.102	.584	-.260
170	394	-.169	.080	.177	-.468	170	522	-.180	.115	.263	-.570	170	572	.153	.153	.739	-.391
170	395	-.180	.044	.030	-.335	170	523	-.154	.115	.404	-.586	170	573	.279	.141	.990	-.152
170	396	-.203	.044	-.012	-.397	170	524	-.174	.192	.554	-.945	170	574	.295	.152	.840	-.180
170	397	-.406	.133	-.102	-1.362	170	525	-.070	.148	.581	-.432	170	575	.138	.127	.584	-.436
170	398	-.320	.091	-.052	-.942	170	526	-.084	.214	.617	-.873	170	576	.030	.110	.415	-.349
170	399	-.345	.084	-.049	-.966	170	527	.014	.215	.714	-.627	170	577	-.037	.077	.296	-.305
170	400	-.234	.046	-.005	-.443	170	528	.039	.218	.989	-.645	170	578	.073	.097	.582	-.211
170	401	-.205	.031	-.067	-.421	170	529	.020	.203	.789	-.629	170	579	.200	.134	.723	-.528
170	402	-.191	.030	-.047	-.324	170	530	.074	.185	.762	-.497	170	580	.274	.124	.765	-.009
170	403	-.152	.028	-.025	-.253	170	531	-.035	.220	.730	-.944	170	581	.182	.124	.692	-.209
170	404	-.145	.032	-.021	-.277	170	532	-.122	.118	.460	-.583	170	582	.000	.079	.329	-.293
170	405	-.177	.055	.035	-.503	170	533	-.064	.106	.383	-.502	170	583	-.090	.072	.272	-.323
170	406	-.144	.054	.119	-.381	170	534	-.072	.207	.651	-1.014	170	584	-.078	.068	.253	-.298
170	407	-.239	.079	-.014	-.574	170	535	.095	.166	.759	-.357	170	585	.020	.082	.518	-.274
170	408	-.338	.081	-.060	-.819	170	536	.156	.170	.848	-.261	170	586	.131	.102	.540	-.239
170	409	-.190	.028	-.065	-.302	170	537	.079	.218	.896	-.500	170	587	.131	.121	.664	-.192
170	410	-.133	.033	-.048	-.253	170	538	.144	.214	.850	-.486	170	588	.005	.098	.504	-.513
170	411	-.338	.086	-.094	-.731	170	539	.132	.223	.864	-.627	170	589	-.160	.046	.021	-.399
170	412	-.320	.074	-.074	-.626	170	540	.045	.211	.678	-.783	170	590	-.237	.052	-.012	-.525
170	413	-.156	.026	-.051	-.294	170	541	.176	.205	.979	-.416	170	591	.124	.095	.663	-.118
170	414	-.129	.054	.167	-.350	170	542	.093	.208	.909	-.613	170	592	.113	.094	.558	-.093
170	415	-.097	.052	.155	-.306	170	543	-.217	.116	.367	-.674	170	593	-.107	.065	.167	-.444
170	416	-.265	.062	-.095	-.642	170	544	-.127	.105	.392	-.538	170	594	-.032	.063	.258	-.259
170	417	-.151	.063	-.160	-.336	170	545	.007	.144	.471	-.465	170	595	.084	.087	.522	-.144
170	418	-.175	.026	-.065	-.271	170	546	.094	.243	1.043	-.608	170	596	.109	.084	.511	-.123
170	419	-.148	.029	-.006	-.228	170	547	.029	.202	.685	-1.067	170	597	-.084	.075	.244	-.500
170	420	-.146	.028	-.006	-.228	170	548	-.080	.161	.526	-.679	170	598	-.184	.051	-.009	-.518
170	421	-.145	.031	.015	-.258	170	549	-.207	.225	.541	-1.245	170	599	-.256	.064	-.036	-.421
170	422	-.135	.037	.048	-.272	170	550	-.352	.198	.423	-1.199	170	600	-.394	.120	.176	-1.190
170	501	-.145	.136	.549	-.613	170	551	-.110	.110	.459	-.468	170	601	-.094	.073	.145	-.405
170	502	-.142	.146	.572	-.669	170	552	.046	.134	.597	-.459	170	602	-.155	.071	.080	-.535
170	503	-.054	.192	.626	-.835	170	553	.121	.187	.708	-.681	170	603	-.107	.058	.136	-.377
170	504	-.094	.182	.635	-.953	170	554	.176	.206	.835	-.425	170	604	-.161	.055	.071	-.363
170	505	-.182	.105	.443	-.730	170	555	.111	.189	.863	-.563	170	605	-.261	.095	-.027	-.754
170	506	-.163	.141	.344	-.607	170	556	-.278	.166	.550	-.852	170	606	-.023	.072	.258	-.334
170	507	-.139	.132	.487	-.501	170	557	.009	.193	.695	-.665	170	607	-.162	.042	.005	-.362

WD	TAP	CPMEAN	CPRMS	CPMAX	CPMIN	WD	TAP	CPMEAN	CPRMS	CPMAX	CPMIN	WD	TAP	CPMEAN	CPRMS	CPMAX	CPMIN
170	608	.194	.106	.700	-.099	170	738	-.337	.187	.122	-1.165	170	788	-.415	.145	.029	-1.143
170	609	-.238	.095	-.002	-.728	170	739	-.353	.174	.165	-1.101	170	789	-.348	.107	-.089	-.937
170	610	-.103	.075	.225	-.421	170	740	-.354	.170	.356	-1.131	170	790	-.351	.105	-.022	-.865
170	611	-.141	.041	.022	-.307	170	741	-.239	.127	.270	-.716	170	791	-.223	.163	-.248	-1.087
170	612	-.042	.064	.292	-.297	170	742	-.255	.137	.143	-.869	170	792	-.279	.151	.197	-1.115
170	613	.044	.070	.362	-.151	170	743	-.219	.067	.115	-.633	170	793	-.333	.133	.122	-1.036
170	614	.165	.098	.684	-.069	170	744	-.227	.075	.055	-.864	170	794	-.265	.142	.183	-.876
170	615	.231	.118	.756	-.057	170	745	-.244	.116	.080	-1.191	170	795	-.151	.068	.100	-.436
170	616	-.068	.086	.318	-.598	170	746	-.305	.151	.166	-.874	170	796	-.159	.074	.216	-.434
170	617	-.040	.055	.220	-.262	170	747	-.308	.138	.293	-1.070	170	797	-.237	.043	-.101	-.453
170	618	-.078	.044	.138	-.244	170	748	-.298	.134	.383	-.959	170	798	-.177	.061	.037	-.573
170	619	-.120	.051	.108	-.358	170	749	-.264	.057	-.060	-.586	170	799	-.154	.073	.112	-.590
170	620	-.095	.055	.138	-.251	170	750	-.268	.053	-.072	-.543	170	800	-.158	.116	.268	-.611
170	701	-.305	.096	.034	-.892	170	751	-.251	.083	.001	-.737	170	801	-.262	.151	.205	-.880
170	702	-.332	.135	.130	-1.194	170	752	-.256	.122	.046	-1.030	170	802	-.393	.180	.115	-1.377
170	703	-.324	.108	.071	-.821	170	753	-.300	.165	.166	-1.263	170	803	-.373	.128	-.101	-1.210
170	704	-.227	.083	.110	-.565	170	754	-.327	.150	.103	-.959	170	804	-.372	.122	-.077	-.990
170	705	-.295	.107	.020	-.866	170	755	-.387	.156	.189	-1.152	170	805	-.006	.071	.313	-.214
170	706	-.332	.127	.207	-1.151	170	756	-.260	.183	.504	-1.018	170	806	-.104	.049	.082	-.252
170	707	-.301	.102	.162	-.876	170	757	-.415	.214	.334	-1.308	170	807	-.131	.066	.167	-.420
170	708	-.285	.107	.103	-1.083	170	758	-.236	.074	-.004	-.654	170	808	-.229	.043	-.075	-.422
170	709	-.313	.125	.146	-.885	170	759	-.375	.167	.155	-1.573	170	809	-.176	.060	.067	-.774
170	710	-.346	.151	.098	-1.148	170	760	-.234	.067	-.013	-.745	170	810	-.156	.140	.188	-.730
170	711	-.334	.123	.092	-1.020	170	761	-.340	.151	.277	-1.424	170	811	-.265	.137	.053	-.732
170	712	-.259	.102	.044	-.979	170	762	-.226	.070	.069	-.745	170	812	-.388	.138	-.056	-.949
170	713	-.281	.118	.199	-.890	170	763	-.226	.080	.221	-.737	170	813	-.135	.056	.084	-.460
170	714	-.330	.152	.133	-1.020	170	764	-.246	.113	.082	-.844	170	814	-.137	.069	.141	-.451
170	715	-.325	.130	.165	-1.087	170	765	-.289	.143	.073	-.864	170	815	-.215	.047	-.058	-.451
170	716	-.333	.132	.100	-1.043	170	766	-.331	.147	.117	-1.028	170	816	-.168	.051	.089	-.642
170	717	-.266	.118	.158	-.679	170	767	-.375	.151	.149	-1.160	170	817	-.145	.057	.105	-.543
170	718	-.276	.089	.123	-1.128	170	768	-.354	.143	.261	-1.134	170	818	-.136	.111	.313	-.585
170	719	-.292	.113	.144	-.945	170	769	-.277	.136	.137	-.947	170	819	-.192	.153	.214	-.850
170	720	-.313	.150	.139	-.965	170	770	-.223	.081	.072	-.925	170	820	-.292	.171	.204	-1.252
170	721	-.366	.162	.073	-1.194	170	771	-.218	.076	.062	-.614	170	821	-.387	.150	-.090	-1.289
170	722	-.216	.066	.027	-.609	170	772	-.270	.098	.122	-.657	170	822	-.370	.133	-.064	-1.128
170	723	-.216	.079	.052	-.773	170	773	-.315	.114	.139	-.798	170	901	-.297	.074	-.025	-.568
170	724	-.237	.110	.240	-.856	170	774	-.376	.136	-.014	-1.362	170	902	-.310	.128	.162	-.857
170	725	-.199	.164	.391	-1.116	170	775	-.343	.105	.324	-.885	170	903	-.258	.137	.105	-.848
170	726	-.314	.137	.068	-.945	170	776	-.340	.100	.036	-.870	170	904	-.207	.077	.024	-.715
170	727	-.322	.181	.108	-1.425	170	777	-.207	.069	.101	-.573	170	905	-.261	.023	-.205	-.373
170	728	-.342	.199	.189	-1.450	170	778	-.205	.083	.206	-.587	170	906	-.261	.093	.075	-.692
170	729	-.347	.186	.147	-1.434	170	779	-.259	.120	.161	-.805	170	907	-.277	.118	.050	-1.123
170	730	-.233	.118	.194	-.897	170	780	-.328	.107	-.014	-.827	170	908	-.297	.078	.034	-.709
170	731	-.265	.137	.370	-.855	170	781	-.383	.123	-.031	-1.131	170	909	-.260	.058	-.010	-.540
170	732	-.217	.066	.004	-.846	170	782	-.341	.087	-.053	-.870	170	910	-.065	.099	.430	-.381
170	733	-.203	.073	.050	-.536	170	783	-.322	.083	-.103	-.827	170	911	-.249	.043	-.100	-.505
170	734	-.231	.116	.187	-.726	170	784	-.187	.067	.058	-.544	170	912	-.339	.174	.249	-1.638
170	735	-.221	.173	.314	-1.031	170	785	-.157	.072	.089	-.501	170	913	-.296	.083	.018	-.705
170	736	-.237	.143	.309	-.753	170	786	-.190	.112	.204	-.676	170	914	-.325	.161	.172	-1.085
170	737	-.302	.147	.034	-.927	170	787	-.295	.120	.153	-.856	170	915	-.268	.056	-.026	-.642

WD	TAP	CPMEAN	CPRMS	CPMAX	CPMIN	WD	TAP	CPMEAN	CPRMS	CPMAX	CPMIN	WD	TAP	CPMEAN	CPRMS	CPMAX	CPMIN
170	916	-.353	.209	-.528	-1.373	170	966	-.392	.123	-.103	-1.483	180	117	-.252	.045	-.104	-.433
170	917	-.280	.048	-.045	-.776	170	967	-.137	.039	.039	-.288	180	118	-.279	.048	-.129	-.495
170	918	-.321	.105	-.003	-.955	170	968	-.162	.085	.205	-.567	180	119	-.284	.055	-.106	-.505
170	919	-.089	.183	.768	-.414	170	969	-.193	.050	.041	-.532	180	120	-.268	.057	-.099	-.524
170	920	-.351	.105	-.134	-.861	170	970	-.200	.035	-.027	-.364	180	121	-.267	.115	-.101	-.925
170	921	-.297	.075	-.050	-.763	170	971	-.166	.034	-.013	-.332	180	122	-.263	.050	-.081	-.677
170	922	-.244	.029	-.149	-.359	170	1001	-.297	.129	.085	-.845	180	123	-.264	.050	-.092	-.533
170	923	-.348	.092	-.047	-.864	170	1002	-.229	.141	.180	-.801	180	124	-.263	.042	-.129	-.461
170	924	-.077	.313	-.892	-1.144	170	1003	-.344	.131	.017	-.966	180	125	-.265	.042	-.138	-.454
170	925	-.271	.058	-.042	-.590	170	1004	-.295	.063	-.031	-.565	180	126	-.247	.041	-.124	-.431
170	926	-.357	.127	.230	-.761	170	1005	-.356	.136	.012	-.996	180	127	-.251	.048	-.109	-.471
170	927	-.272	.063	.023	-.565	170	1006	-.277	.057	-.076	-.654	180	128	-.250	.052	-.105	-.558
170	928	-.256	.138	.268	-.884	170	1007	-.138	.106	.641	-.103	180	129	-.245	.050	-.096	-.558
170	929	-.286	.071	.012	-.576	170	1008	-.219	.043	.061	-.391	180	130	-.249	.039	-.128	-.404
170	930	-.122	.215	.681	-.812	170	1009	-.286	.151	.949	-.076	180	131	-.261	.042	-.137	-.454
170	931	-.250	.040	-.114	-.503	170	1010	-.225	.033	-.037	-.349	180	132	-.259	.046	-.112	-.517
170	932	-.287	.075	-.023	-.670	170	1011	-.120	.097	.563	-.098	180	133	-.253	.040	-.112	-.461
170	933	-.185	.166	.361	-.743	170	1012	-.216	.053	.034	-.454	180	134	-.244	.032	-.155	-.488
170	934	-.275	.067	-.009	-.632	170	1013	-.417	.132	-.043	-1.012	180	135	-.251	.036	-.142	-.450
170	935	-.260	.057	-.052	-.519	170	1014	-.284	.057	-.087	-.618	180	136	-.242	.031	-.148	-.365
170	936	-.224	.067	-.038	-.478	170	1015	-.310	.105	.042	-.798	180	137	-.248	.036	-.132	-.420
170	937	-.395	.113	-.049	-1.026	170	1016	-.282	.057	-.044	-.588	180	138	-.251	.042	-.112	-.530
170	938	-.363	.104	-.014	-.893	170	1017	-.201	.093	.222	-.742	180	139	-.244	.040	-.105	-.441
170	939	-.309	.105	-.029	-.886	170	1018	-.247	.074	-.003	-.620	180	140	-.246	.041	-.125	-.567
170	940	-.283	.030	-.209	-.424	170	1019	-.141	.080	.305	-.571	180	141	-.251	.033	-.119	-.583
170	941	-.271	.098	-.025	-.655	170	1020	-.383	.108	-.003	-1.142	180	142	-.258	.034	-.153	-.441
170	942	-.247	.043	-.115	-.447	170	1021	-.222	.113	.678	-.054	180	143	-.277	.049	-.102	-.507
170	943	-.254	.054	-.055	-.556	170	1022	-.100	.052	.112	-.266	180	144	-.269	.041	-.096	-.436
170	944	-.255	.049	-.080	-.498	170	1023	-.113	.048	.134	-.288	180	145	-.263	.037	-.125	-.434
170	945	-.151	.098	-.589	-.108	170	1024	-.186	.077	.058	-.557	180	146	-.261	.041	-.160	-.620
170	946	-.224	.034	-.106	-.383	170	1025	-.146	.060	.085	-.415	180	147	-.259	.046	-.146	-.606
170	947	-.234	.032	-.124	-.371	170	1026	-.100	.062	.168	-.376	180	148	-.262	.046	-.125	-.572
170	948	-.228	.039	-.036	-.415	170	1027	-.110	.051	.107	-.342	180	149	-.280	.049	-.124	-.511
170	949	-.248	.038	-.101	-.431	170	1028	-.147	.031	.056	-.276	180	150	-.282	.055	-.086	-.610
170	950	-.133	.104	-.635	-.094	180	101	-.307	.081	-.081	-.806	180	151	-.273	.044	-.131	-.495
170	951	-.293	.078	-.057	-.710	180	102	-.306	.076	-.117	-.709	180	152	-.257	.035	-.135	-.428
170	952	-.179	.066	-.028	-.493	180	103	-.358	.107	-.122	-.995	180	153	-.253	.033	-.137	-.432
170	953	-.175	.087	-.164	-.747	180	104	-.216	.068	.053	-.547	180	154	-.256	.036	-.149	-.482
170	954	-.255	.070	-.032	-.595	180	105	-.289	.064	-.090	-.697	180	155	-.268	.058	-.119	-.747
170	955	-.178	.048	-.058	-.509	180	106	-.271	.061	-.081	-.611	180	156	-.268	.050	-.106	-.522
170	956	-.253	.088	.021	-.576	180	107	-.278	.057	-.072	-.645	180	157	-.272	.055	-.122	-.594
170	957	-.175	.090	.217	-.567	180	108	-.298	.049	-.104	-.663	180	158	-.272	.042	-.135	-.470
170	958	-.177	.061	.040	-.544	180	109	-.291	.062	-.131	-.624	180	159	-.244	.040	-.106	-.428
170	959	-.214	.047	.000	-.394	180	110	-.303	.077	-.074	-.818	180	160	-.281	.051	-.113	-.534
170	960	-.429	.194	.300	-1.559	180	111	-.288	.071	-.104	-.645	180	161	-.238	.037	-.095	-.385
170	961	-.366	.112	-.025	-1.128	180	112	-.274	.055	-.092	-.620	180	162	-.282	.051	-.106	-.612
170	962	-.072	.190	.615	-.791	180	113	-.269	.052	-.120	-.522	180	163	-.281	.050	-.099	-.536
170	963	-.348	.139	-.049	-1.730	180	114	-.302	.074	-.106	-.681	180	164	-.276	.042	-.133	-.504
170	964	-.247	.118	-.132	-.761	180	115	-.294	.075	-.095	-.681	180	165	-.276	.042	-.142	-.515
170	965	-.058	.170	.573	-.772	180	116	-.293	.068	-.088	-.774	180	166	-.254	.039	-.156	-.475

WD	TAP	CPMEAN	CPRMS	CPMAX	CPMIN	WD	TAP	CPMEAN	CPRMS	CPMAX	CPMIN	WD	TAP	CPMEAN	CPRMS	CPMAX	CPMIN
180	167	-.242	.036	-.134	-.389	180	217	-.173	.033	-.056	-.282	180	342	-.333	.099	-.028	-.792
180	168	-.237	.036	-.122	-.368	180	218	-.191	.040	-.047	-.314	180	343	-.364	.123	-.035	-1.119
180	169	-.238	.032	-.127	-.368	180	219	-.144	.040	-.040	-.284	180	344	-.371	.115	-.064	-1.110
180	170	-.292	.053	-.115	-.587	180	220	-.189	.057	-.008	-.505	180	345	-.363	.122	-.037	-.946
180	171	-.291	.056	-.118	-.715	180	221	-.225	.063	-.066	-.574	180	346	-.319	.088	-.021	-.923
180	172	-.275	.045	-.134	-.494	180	222	-.233	.063	-.050	-.659	180	347	-.303	.081	-.048	-.732
180	173	-.251	.032	-.087	-.408	180	223	-.175	.045	-.070	-.305	180	348	-.302	.076	-.087	-.698
180	174	-.266	.044	-.146	-.625	180	224	-.198	.041	-.017	-.436	180	349	-.392	.149	.131	-1.119
180	175	-.247	.035	-.156	-.477	180	225	-.191	.041	-.015	-.369	180	350	-.231	.137	.396	-.843
180	176	-.247	.038	-.129	-.525	180	301	-.348	.109	-.102	-1.592	180	351	-.482	.148	-.133	-1.257
180	177	-.278	.066	-.072	-.711	180	302	-.303	.078	-.080	-.695	180	352	-.386	.113	-.044	-1.052
180	178	-.289	.068	-.103	-.620	180	303	-.205	.078	-.104	-.560	180	353	-.367	.115	-.020	-.908
180	179	-.246	.047	-.025	-.463	180	304	-.319	.072	-.120	-.690	180	354	-.328	.078	-.118	-.763
180	180	-.258	.038	-.120	-.403	180	305	-.328	.093	-.026	-.885	180	355	-.315	.088	-.089	-.952
180	181	-.274	.048	-.144	-.634	180	306	-.314	.088	-.053	-.793	180	356	-.285	.056	-.080	-.576
180	182	-.253	.043	-.141	-.580	180	307	-.314	.089	-.051	-1.011	180	357	-.290	.060	-.091	-.705
180	183	-.253	.045	-.148	-.637	180	308	-.351	.113	-.068	-1.047	180	358	-.454	.133	-.069	-1.448
180	184	-.272	.065	-.045	-.589	180	309	-.327	.094	-.003	-.809	180	359	-.313	.082	-.029	-.823
180	185	-.276	.059	-.077	-.634	180	310	-.313	.083	-.044	-.780	180	360	-.450	.144	-.102	-1.813
180	186	-.231	.044	-.041	-.439	180	311	-.306	.078	-.037	-.674	180	361	-.296	.069	-.004	-.641
180	187	-.247	.039	-.045	-.401	180	312	-.344	.107	-.064	-.971	180	362	-.422	.114	-.144	-1.074
180	188	-.269	.053	-.137	-.680	180	313	-.337	.100	-.008	-1.004	180	363	-.458	.138	-.093	-1.453
180	189	-.260	.058	-.103	-.613	180	314	-.303	.078	-.008	-.742	180	364	-.415	.122	-.013	-.961
180	190	-.252	.059	-.118	-.627	180	315	-.311	.085	-.060	-.766	180	365	-.386	.115	-.038	-.923
180	191	-.223	.044	-.042	-.404	180	316	-.310	.075	-.039	-.643	180	366	-.334	.085	-.069	-.886
180	192	-.228	.037	-.081	-.445	180	317	-.308	.077	-.026	-.789	180	367	-.297	.066	-.076	-.676
180	193	-.241	.040	-.099	-.452	180	318	-.345	.101	-.044	-.905	180	368	-.302	.076	.044	-.738
180	194	-.256	.069	-.072	-.754	180	319	-.333	.101	.014	-.874	180	369	-.357	.087	.006	-.804
180	195	-.261	.068	-.070	-.693	180	320	-.313	.073	-.078	-.713	180	370	-.457	.104	-.179	-1.201
180	196	-.228	.047	-.036	-.427	180	321	-.299	.070	-.069	-.627	180	371	-.465	.112	-.135	-1.091
180	197	-.252	.046	-.088	-.715	180	322	-.369	.114	-.069	-1.121	180	372	-.476	.133	-.090	-1.257
180	198	-.169	.030	-.049	-.302	180	323	-.377	.114	-.060	-1.094	180	373	-.421	.105	.030	-.968
180	199	-.174	.029	-.076	-.277	180	324	-.364	.109	-.048	-1.000	180	374	-.334	.086	-.027	-.804
180	200	-.192	.036	-.034	-.377	180	325	-.345	.092	-.071	-.816	180	375	-.270	.067	-.020	-.569
180	201	-.215	.045	-.047	-.483	180	326	-.320	.091	.006	-.843	180	376	-.275	.060	-.057	-.571
180	202	-.153	.047	.037	-.317	180	327	-.308	.079	-.049	-.746	180	377	-.504	.143	-.205	-1.694
180	203	-.236	.051	-.065	-.427	180	328	-.288	.069	-.048	-.619	180	378	-.533	.155	-.175	-1.410
180	204	-.238	.043	-.117	-.481	180	329	-.290	.070	-.012	-.603	180	379	-.445	.143	.004	-1.318
180	205	-.237	.043	-.113	-.499	180	330	-.307	.070	-.091	-.605	180	380	-.285	.120	.145	-.903
180	206	-.203	.046	-.026	-.356	180	331	-.329	.085	-.044	-.789	180	381	-.247	.085	.074	-.616
180	207	-.234	.045	-.072	-.583	180	332	-.378	.129	-.060	-1.230	180	382	-.215	.052	-.030	-.447
180	208	-.220	.041	-.097	-.443	180	333	-.371	.129	-.096	-1.226	180	383	-.223	.048	-.050	-.402
180	209	-.166	.029	-.074	-.263	180	334	-.379	.130	-.039	-1.057	180	384	-.358	.105	-.109	-1.499
180	210	-.203	.048	-.056	-.466	180	335	-.339	.101	-.048	-.898	180	385	-.382	.107	-.005	-1.001
180	211	-.081	.055	-.178	-.257	180	336	-.325	.088	.054	-.930	180	386	-.285	.104	.042	-.943
180	212	-.232	.048	-.066	-.517	180	337	-.338	.101	.018	-.978	180	387	-.207	.060	.035	-.468
180	213	-.184	.048	-.123	-.333	180	338	-.314	.082	.088	-.851	180	388	-.224	.066	-.157	-.506
180	214	-.205	.038	-.066	-.411	180	339	-.299	.078	.018	-.657	180	389	-.211	.035	-.083	-.332
180	215	-.164	.028	-.061	-.252	180	340	-.301	.082	-.096	-.744	180	390	-.222	.035	-.088	-.379
180	216	-.167	.027	-.054	-.252	180	341	-.328	.089	.015	-.678	180	391	-.193	.054	.019	-.429

WD	TAP	CPMEAN	CPRMS	CPMAX	CPMIN	WD	TAP	CPMEAN	CPRMS	CPMAX	CPMIN	WD	TAP	CPMEAN	CPRMS	CPMAX	CPMIN
180	392	-.234	.142	.390	-.892	180	520	-.376	.212	.510	-1.299	180	570	-.043	.094	.586	-.343
180	393	-.186	.051	.024	-.376	180	521	-.309	.149	.383	-.912	180	571	.011	.089	.522	-.227
180	394	-.206	.050	.067	-.430	180	522	-.091	.101	.358	-.439	180	572	.049	.142	.633	-.589
180	395	-.203	.034	-.068	-.320	180	523	-.091	.088	.331	-.665	180	573	.159	.135	.861	-.153
180	396	-.217	.038	-.059	-.344	180	524	-.118	.083	.242	-.536	180	574	.156	.168	.690	-.582
180	397	-.317	.088	-.132	-.968	180	525	-.139	.091	.643	-.652	180	575	.090	.149	.783	-.464
180	398	-.290	.070	-.079	-.752	180	526	-.143	.142	.424	-.731	180	576	-.005	.129	.574	-.572
180	399	-.298	.065	-.088	-.689	180	527	-.191	.146	.520	-.748	180	577	-.066	.068	.266	-.331
180	400	-.230	.041	-.095	-.414	180	528	-.158	.146	.685	-.599	180	578	-.022	.070	.423	-.236
180	401	-.203	.031	-.074	-.320	180	529	-.183	.155	.541	-.698	180	579	.018	.113	.667	-.471
180	402	-.200	.029	-.095	-.333	180	530	-.049	.102	.609	-.374	180	580	.141	.127	.733	-.148
180	403	-.176	.027	-.077	-.293	180	531	-.176	.146	.389	-.973	180	581	.122	.139	.752	-.418
180	404	-.172	.026	-.063	-.281	180	532	.004	.122	.550	-.551	180	582	-.030	.090	.366	-.317
180	405	-.209	.042	-.027	-.407	180	533	.008	.099	.451	-.532	180	583	-.111	.086	.375	-.478
180	406	-.192	.042	-.036	-.349	180	534	-.028	.094	.447	-.656	180	584	-.078	.046	.134	-.236
180	407	-.235	.061	-.011	-.540	180	535	-.040	.095	.632	-.328	180	585	-.034	.055	.240	-.189
180	408	-.303	.071	-.023	-.694	180	536	.029	.110	.621	-.303	180	586	.018	.092	.532	-.516
180	409	-.187	.026	-.074	-.284	180	537	-.021	.129	.619	-.560	180	587	.091	.127	.892	-.302
180	410	-.164	.028	-.068	-.272	180	538	-.070	.163	.655	-.741	180	588	-.023	.114	.505	-.738
180	411	-.287	.066	-.077	-.597	180	539	-.089	.160	.741	-.594	180	589	-.170	.046	-.016	-.418
180	412	-.287	.062	-.060	-.566	180	540	-.142	.154	.458	-.775	180	590	-.223	.049	-.049	-.480
180	413	-.183	.027	-.084	-.282	180	541	.031	.139	.639	-.720	180	591	.072	.099	.568	-.198
180	414	-.158	.045	.004	-.420	180	542	-.051	.120	.447	-.544	180	592	-.066	.095	.537	-.175
180	415	-.139	.050	.114	-.341	180	543	-.035	.147	.497	-.594	180	593	-.080	.045	.116	-.241
180	416	-.254	.053	-.070	-.532	180	544	-.048	.121	.513	-.471	180	594	-.051	.043	.180	-.177
180	417	-.199	.050	-.008	-.394	180	545	-.055	.096	.398	-.590	180	595	.009	.075	.433	-.334
180	418	-.178	.033	.028	-.282	180	546	-.084	.148	.807	-.695	180	596	.055	.084	.747	-.168
180	419	-.179	.026	-.084	-.275	180	547	-.163	.158	.433	-.755	180	597	-.096	.092	.323	-.634
180	420	-.178	.025	-.072	-.276	180	548	-.233	.145	.398	-.778	180	598	-.193	.052	-.017	-.451
180	421	-.177	.027	-.093	-.339	180	549	-.028	.161	.686	-.801	180	599	-.246	.054	-.058	-.494
180	422	-.171	.028	-.067	-.304	180	550	-.054	.207	.534	-.920	180	600	-.318	.086	-.110	-.872
180	501	-.154	.142	.550	-.781	180	551	-.018	.113	.446	-.489	180	601	-.142	.080	.158	-.555
180	502	-.199	.134	.498	-.867	180	552	.006	.092	.531	-.316	180	602	-.187	.073	.095	-.501
180	503	-.149	.104	.503	-.493	180	553	-.006	.111	.579	-.334	180	603	-.076	.038	.088	-.232
180	504	-.176	.167	.541	-.810	180	554	-.019	.126	.567	-.381	180	604	-.184	.049	-.023	-.406
180	505	-.156	.147	.685	-.925	180	555	-.097	.170	.565	-.599	180	605	-.260	.073	.021	-.578
180	506	-.232	.101	.265	-.645	180	556	-.337	.181	.253	-1.140	180	606	-.100	.079	.285	-.549
180	507	-.177	.108	.559	-.545	180	557	-.089	.197	1.062	-.848	180	607	-.174	.047	.058	-.372
180	508	-.163	.118	.524	-.811	180	558	-.007	.111	.491	-.456	180	608	-.108	.098	.612	-.165
180	509	-.202	.151	.482	-.957	180	559	-.058	.177	.601	-.677	180	609	-.241	.070	-.010	-.733
180	510	-.275	.182	.408	-.950	180	560	-.015	.149	.675	-.527	180	610	-.131	.062	.179	-.427
180	511	-.285	.134	.301	-.888	180	561	-.133	.178	.513	-.781	180	611	-.166	.045	.021	-.402
180	512	-.108	.127	.500	-.810	180	562	-.016	.137	.839	-.435	180	612	-.033	.045	.211	-.167
180	513	-.116	.116	.360	-.577	180	563	.022	.117	.549	-.358	180	613	.010	.054	.318	-.128
180	514	-.157	.130	.573	-.631	180	564	.014	.126	.534	-.558	180	614	.069	.083	.522	-.374
180	515	-.169	.140	.591	-.611	180	565	.020	.178	.871	-.747	180	615	.157	.113	.698	-.077
180	516	-.241	.156	.399	-.907	180	566	.086	.177	.806	-.402	180	616	-.080	.100	.306	-.455
180	517	-.051	.101	.353	-.391	180	567	.011	.179	.690	-.525	180	617	-.091	.050	.109	-.253
180	518	-.172	.099	.315	-.778	180	568	-.075	.171	.555	-.715	180	618	-.120	.047	.125	-.274
180	519	-.172	.125	.276	-.797	180	569	.142	.133	.778	-.141	180	619	-.156	.048	.009	-.364

WD	TAP	CPMEAN	CPRMS	CPMAX	CPMIN	WD	TAP	CPMEAN	CPRMS	CPMAX	CPMIN	WD	TAP	CPMEAN	CPRMS	CPMAX	CPMIN
180	620	-.125	.046	.067	-.302	180	750	-.277	.052	-.135	-.636	180	800	-.150	.068	.121	-.472
180	701	-.239	.087	.280	-.854	180	751	-.060	.103	.217	-.596	180	801	-.144	.069	.140	-.358
180	702	-.204	.096	.296	-.667	180	752	-.143	.064	.234	-.500	180	802	-.200	.090	.142	-.858
180	703	-.212	.107	.244	-.674	180	753	-.108	.087	.188	-.540	180	803	-.184	.067	.020	-.536
180	704	-.183	.089	.226	-.509	180	754	-.106	.103	.261	-.624	180	804	-.186	.065	.010	-.566
180	705	-.218	.068	.055	-.360	180	755	-.162	.177	.441	-1.056	180	805	-.057	.065	.285	-.227
180	706	-.184	.120	.454	-1.166	180	756	-.027	.166	.552	-.818	180	806	-.147	.041	.017	-.322
180	707	-.187	.082	.238	-.566	180	757	-.074	.216	.610	-1.038	180	807	-.135	.050	.147	-.293
180	708	-.253	.086	.109	-.760	180	758	-.198	.038	-.033	-.360	180	808	-.208	.038	-.046	-.371
180	709	-.203	.127	.303	-.795	180	759	-.169	.171	.381	-.958	180	809	-.164	.056	.151	-.383
180	710	-.050	.106	.231	-.811	180	760	-.205	.038	-.024	-.469	180	810	-.140	.071	.238	-.472
180	711	-.164	.128	.661	-.737	180	761	-.150	.206	.521	-1.165	180	811	-.149	.063	.125	-.406
180	712	-.200	.062	.073	-.494	180	762	-.203	.036	-.042	-.357	180	812	-.186	.070	.017	-.677
180	713	-.157	.094	.235	-.509	180	763	-.182	.040	-.013	-.384	180	813	-.141	.042	.074	-.303
180	714	-.121	.107	.435	-.597	180	764	-.144	.055	.096	-.567	180	814	-.121	.055	.163	-.277
180	715	-.119	.144	.465	-.791	180	765	-.112	.079	.259	-.589	180	815	-.195	.041	-.004	-.347
180	716	-.191	.133	.283	-.824	180	766	-.117	.102	.210	-.866	180	816	-.158	.046	.133	-.401
180	717	-.089	.099	.514	-.444	180	767	-.155	.194	.473	-1.092	180	817	-.141	.047	.102	-.364
180	718	-.254	.084	.132	-.635	180	768	-.208	.213	.605	-1.269	180	818	-.133	.059	.109	-.449
180	719	-.246	.122	.330	-.809	180	769	-.096	.087	.236	-.593	180	819	-.129	.064	.067	-.390
180	720	-.144	.122	.319	-.701	180	770	-.201	.037	-.059	-.344	180	820	-.174	.088	.102	-.771
180	721	-.174	.113	.453	-.802	180	771	-.176	.041	-.012	-.329	180	821	-.176	.063	-.013	-.645
180	722	-.193	.061	.082	-.498	180	772	-.203	.088	.080	-.791	180	822	-.182	.064	-.011	-.524
180	723	-.177	.067	.116	-.480	180	773	-.127	.089	.189	-.593	180	901	-.050	.118	.347	-.405
180	724	-.208	.108	.352	-.611	180	774	-.189	.113	.116	-.791	180	902	-.106	.132	.372	-.638
180	725	-.063	.114	.480	-.545	180	775	-.227	.134	.271	-1.026	180	903	-.075	.076	.286	-.398
180	726	-.161	.080	.179	-.638	180	776	-.042	.111	.302	-.960	180	904	-.146	.044	.067	-.288
180	727	-.125	.088	.199	-.715	180	777	-.187	.043	-.012	-.374	180	905	-.278	.024	-.217	-.366
180	728	-.093	.127	.509	-.825	180	778	-.161	.046	.076	-.332	180	906	-.153	.062	.176	-.397
180	729	-.103	.146	.450	-1.054	180	779	-.166	.069	.085	-.584	180	907	-.162	.097	.374	-.576
180	730	-.080	.094	.375	-.415	180	780	-.158	.074	.130	-.393	180	908	-.303	.093	.031	-.768
180	731	-.109	.118	.550	-.542	180	781	-.227	.101	.066	-1.229	180	909	-.234	.069	.096	-.551
180	732	-.193	.043	.067	-.381	180	782	-.218	.078	.123	-.666	180	910	-.025	.090	.304	-.354
180	733	-.163	.051	.067	-.347	180	783	-.210	.082	.101	-.725	180	911	-.260	.041	-.142	-.504
180	734	-.204	.105	.181	-.681	180	784	-.177	.052	.068	-.438	180	912	-.140	.144	.444	-1.399
180	735	-.040	.102	.418	-.540	180	785	-.146	.055	.111	-.365	180	913	-.313	.116	.299	-.768
180	736	-.040	.110	.459	-.476	180	786	-.129	.077	.191	-.405	180	914	-.172	.111	.442	-.688
180	737	-.053	.105	.147	-.793	180	787	-.147	.070	.101	-.384	180	915	-.265	.054	-.086	-.538
180	738	-.084	.102	.334	-.829	180	788	-.209	.081	.073	-.706	180	916	-.158	.132	.458	-1.083
180	739	-.064	.167	.495	-.831	180	789	-.193	.061	.052	-.449	180	917	-.337	.105	-.112	-.911
180	740	-.082	.185	.459	-1.223	180	790	-.182	.063	.026	-.675	180	918	-.275	.084	.081	-.907
180	741	-.029	.111	.516	-.417	180	791	-.133	.075	.172	-.480	180	919	-.040	.109	.394	-.509
180	742	-.072	.085	.270	-.502	180	792	-.146	.069	.128	-.399	180	920	-.281	.091	.273	-.882
180	743	-.238	.042	-.074	-.413	180	793	-.165	.067	.083	-.508	180	921	-.300	.071	-.067	-.746
180	744	-.190	.042	.038	-.374	180	794	-.161	.060	.088	-.423	180	922	-.261	.036	-.162	-.500
180	745	-.131	.058	.199	-.408	180	795	-.148	.055	.121	-.336	180	923	-.312	.070	-.092	-.611
180	746	-.088	.106	.254	-.679	180	796	-.136	.064	.274	-.314	180	924	-.363	.179	.768	-1.148
180	747	-.113	.143	.395	-.982	180	797	-.241	.038	-.133	-.463	180	925	-.288	.056	-.116	-.523
180	748	-.084	.160	.557	-.781	180	798	-.180	.052	.271	-.347	180	926	-.364	.117	-.207	-1.028
180	749	-.267	.051	-.122	-.573	180	799	-.155	.056	.173	-.385	180	927	-.283	.055	-.091	-.500

WD	TAP	CPMEAN	CPRMS	CPMAX	CPMIN	WD	TAP	CPMEAN	CPRMS	CPMAX	CPMIN	WD	TAP	CPMEAN	CPRMS	CPMAX	CPMIN
180	928	-.326	.103	.081	-.844	180	1007	.083	.094	.681	-.124	190	129	-.218	.044	-.083	-.509
180	929	-.288	.057	.008	-.519	180	1008	-.241	.037	-.071	-.399	190	130	-.229	.038	-.105	-.433
180	930	-.100	.154	.572	-.596	180	1009	.150	.141	.946	-.214	190	131	-.236	.040	-.127	-.437
180	931	-.263	.035	-.133	-.414	180	1010	-.241	.036	-.098	-.377	190	132	-.237	.037	-.083	-.581
180	932	-.279	.077	.165	-.563	180	1011	.066	.097	.659	-.154	190	133	-.234	.037	-.098	-.489
180	933	-.288	.112	.163	-.712	180	1012	-.236	.045	-.083	-.397	190	134	-.233	.032	-.136	-.361
180	934	-.289	.053	-.061	-.572	180	1013	-.381	.117	-.044	-.936	190	135	-.231	.035	-.127	-.437
180	935	-.286	.051	-.022	-.527	180	1014	-.291	.050	-.108	-.486	190	136	-.227	.033	-.123	-.372
180	936	-.352	.063	-.144	-.565	180	1015	-.327	.089	-.029	-.738	190	137	-.225	.036	-.083	-.426
180	937	-.357	.099	-.096	-.847	180	1016	-.297	.056	-.069	-.667	190	138	-.226	.037	-.112	-.410
180	938	-.339	.101	-.042	-.999	180	1017	-.205	.056	.075	-.484	190	139	-.221	.036	-.094	-.392
180	939	-.300	.080	-.031	-.779	180	1018	-.217	.053	.163	-.421	190	140	-.224	.039	-.094	-.415
180	940	-.286	.025	-.216	-.387	180	1019	-.181	.058	.075	-.387	190	141	-.232	.032	-.125	-.365
180	941	-.157	.051	.024	-.298	180	1020	-.364	.095	-.073	-.942	190	142	-.238	.036	-.134	-.410
180	942	-.264	.043	-.158	-.464	180	1021	.149	.107	.608	-.076	190	143	-.259	.042	-.101	-.487
180	943	-.277	.061	-.124	-.717	180	1022	-.161	.036	-.027	-.273	190	144	-.252	.036	-.136	-.419
180	944	-.250	.043	-.121	-.457	180	1023	-.171	.040	-.044	-.411	190	145	-.244	.034	-.145	-.453
180	945	-.093	.100	.543	-.112	180	1024	-.250	.069	-.037	-.579	190	146	-.236	.037	-.145	-.523
180	946	-.243	.034	-.110	-.406	180	1025	-.177	.050	-.015	-.392	190	147	-.239	.045	-.132	-.498
180	947	-.249	.034	-.151	-.390	180	1026	-.132	.054	.085	-.321	190	148	-.237	.043	-.123	-.484
180	948	-.242	.038	-.107	-.425	180	1027	-.134	.045	.051	-.297	190	149	-.250	.040	-.115	-.470
180	949	-.258	.041	-.128	-.501	180	1028	-.180	.026	-.071	-.278	190	150	-.261	.047	-.115	-.481
180	950	-.081	.109	-.844	-.167	190	101	-.276	.078	-.055	-.669	190	151	-.253	.037	-.150	-.427
180	951	-.271	.043	-.080	-.459	190	102	-.293	.073	-.079	-.669	190	152	-.240	.031	-.150	-.400
180	952	-.230	.058	-.033	-.434	190	103	-.347	.105	-.095	-.911	190	153	-.236	.032	-.150	-.413
180	953	-.232	.064	-.039	-.567	190	104	-.154	.071	-.069	-.642	190	154	-.236	.036	-.141	-.440
180	954	-.249	.055	-.084	-.599	190	105	-.257	.060	-.067	-.544	190	155	-.247	.059	-.073	-.745
180	955	-.199	.045	-.006	-.434	190	106	-.241	.055	-.063	-.502	190	156	-.250	.051	-.097	-.534
180	956	-.222	.057	.026	-.501	190	107	-.251	.055	-.061	-.505	190	157	-.263	.060	-.097	-.662
180	957	-.180	.058	-.104	-.466	190	108	-.267	.064	-.096	-.701	190	158	-.255	.038	-.148	-.473
180	958	-.199	.048	-.016	-.393	190	109	-.270	.061	-.086	-.598	190	159	-.227	.039	-.119	-.407
180	959	-.221	.034	-.071	-.372	190	110	-.270	.070	-.090	-.669	190	160	-.262	.044	-.115	-.677
180	960	-.351	.158	-.155	-1.165	190	111	-.259	.064	-.087	-.524	190	161	-.224	.040	-.082	-.451
180	961	-.317	.099	-.032	-.956	190	112	-.248	.050	-.068	-.651	190	162	-.263	.047	-.110	-.578
180	962	-.158	.163	.623	-.927	190	113	-.248	.050	-.095	-.514	190	163	-.258	.044	-.093	-.640
180	963	-.280	.094	-.052	-1.065	190	114	-.276	.071	-.084	-.622	190	164	-.248	.037	-.113	-.481
180	964	-.231	.077	.121	-.818	190	115	-.263	.065	-.097	-.571	190	165	-.260	.044	-.148	-.626
180	965	-.163	.148	.463	-1.179	190	116	-.260	.061	-.092	-.551	190	166	-.234	.037	-.130	-.402
180	966	-.330	.104	-.112	-1.241	190	117	-.238	.047	-.050	-.449	190	167	-.220	.037	-.109	-.374
180	967	-.175	.031	-.046	-.380	190	118	-.265	.050	-.135	-.529	190	168	-.216	.036	-.109	-.402
180	968	-.209	.073	.250	-.555	190	119	-.268	.058	-.106	-.574	190	169	-.222	.033	-.125	-.381
180	969	-.220	.042	-.034	-.431	190	120	-.250	.057	-.050	-.509	190	170	-.244	.052	-.109	-.567
180	970	-.213	.032	-.068	-.406	190	121	-.344	.106	-.052	-.915	190	171	-.261	.048	-.086	-.599
180	971	-.188	.030	-.073	-.338	190	122	-.242	.048	-.092	-.485	190	172	-.254	.043	-.102	-.513
180	1001	-.118	.081	-.168	-.528	190	123	-.239	.047	-.090	-.496	190	173	-.243	.035	-.116	-.374
180	1002	-.158	.068	.099	-.596	190	124	-.239	.041	-.106	-.416	190	174	-.245	.040	-.123	-.450
180	1003	-.203	.096	.232	-.584	190	125	-.248	.046	-.097	-.469	190	175	-.233	.036	-.116	-.427
180	1004	-.318	.076	-.099	-.747	190	126	-.225	.041	-.097	-.412	190	176	-.230	.037	-.077	-.446
180	1005	-.199	.096	-.163	-.709	190	127	-.229	.044	-.098	-.413	190	177	-.246	.062	-.056	-.581
180	1006	-.300	.065	-.106	-.684	190	128	-.224	.045	-.069	-.473	190	178	-.260	.064	-.060	-.687

WD	TAP	CPMEAN	CPRMS	CPMAX	CPMIN	WD	TAP	CPMEAN	CPRMS	CPMAX	CPMIN	WD	TAP	CPMEAN	CPRMS	CPMAX	CPMIN
190	179	-.242	.050	-.002	-.553	190	304	-.322	.077	-.104	-.651	190	354	-.283	.056	-.014	-.566
190	180	-.252	.042	-.100	-.450	190	305	-.283	.077	-.099	-.739	190	355	-.283	.068	-.073	-.663
190	181	-.266	.050	-.144	-.527	190	306	-.290	.083	-.081	-.751	190	356	-.259	.046	-.110	-.568
190	182	-.242	.046	-.125	-.444	190	307	-.277	.075	-.020	-.686	190	357	-.240	.046	-.118	-.499
190	183	-.233	.041	-.100	-.404	190	308	-.284	.079	-.085	-.908	190	358	-.348	.093	-.127	-.925
190	184	-.240	.060	-.070	-.669	190	309	-.277	.076	-.017	-.689	190	359	-.281	.056	-.114	-.687
190	185	-.262	.060	-.051	-.536	190	310	-.270	.068	-.050	-.704	190	360	-.340	.098	-.101	-1.072
190	186	-.235	.053	-.044	-.432	190	311	-.292	.083	-.069	-.801	190	361	-.270	.054	-.064	-.531
190	187	-.242	.048	-.028	-.527	190	312	-.272	.074	-.071	-.876	190	362	-.320	.084	-.077	-.931
190	188	-.259	.055	-.121	-.541	190	313	-.282	.074	-.056	-.832	190	363	-.320	.079	-.062	-.689
190	189	-.239	.047	-.102	-.485	190	314	-.268	.067	-.011	-.680	190	364	-.317	.081	-.077	-.797
190	190	-.233	.050	-.025	-.599	190	315	-.285	.085	-.026	-.795	190	365	-.320	.081	-.105	-.890
190	191	-.225	.048	-.005	-.478	190	316	-.270	.064	-.087	-.787	190	366	-.289	.061	-.107	-.717
190	192	-.227	.045	-.059	-.465	190	317	-.264	.062	-.063	-.625	190	367	-.274	.056	-.046	-.564
190	193	-.233	.042	-.064	-.436	190	318	-.301	.090	-.078	-.798	190	368	-.275	.060	-.105	-.692
190	194	-.238	.067	-.066	-.700	190	319	-.268	.069	-.001	-.645	190	369	-.295	.062	-.100	-.639
190	195	-.255	.067	-.015	-.711	190	320	-.272	.060	-.095	-.628	190	370	-.340	.078	-.100	-.781
190	196	-.235	.049	-.028	-.416	190	321	-.271	.061	-.085	-.580	190	371	-.338	.078	-.160	-.792
190	197	-.245	.046	-.128	-.487	190	322	-.284	.089	-.034	-.970	190	372	-.353	.094	-.135	-1.041
190	198	-.150	.032	-.016	-.270	190	323	-.277	.078	-.058	-.928	190	373	-.325	.071	-.123	-.726
190	199	-.155	.030	-.026	-.261	190	324	-.305	.096	-.045	-.832	190	374	-.290	.066	-.039	-.626
190	200	-.172	.041	-.037	-.403	190	325	-.280	.075	-.067	-.706	190	375	-.253	.054	-.084	-.511
190	201	-.194	.052	-.005	-.401	190	326	-.281	.070	-.065	-.787	190	376	-.252	.050	-.041	-.600
190	202	-.125	.051	-.087	-.325	190	327	-.277	.065	-.005	-.753	190	377	-.365	.095	-.160	-.893
190	203	-.250	.060	-.052	-.507	190	328	-.271	.063	-.002	-.537	190	378	-.363	.096	-.151	-1.039
190	204	-.241	.049	-.106	-.474	190	329	-.277	.072	-.082	-.974	190	379	-.352	.102	-.027	-.927
190	205	-.235	.045	-.099	-.480	190	330	-.265	.058	-.066	-.539	190	380	-.291	.091	-.055	-.744
190	206	-.164	.061	-.127	-.396	190	331	-.272	.057	-.075	-.581	190	381	-.250	.074	-.082	-.573
190	207	-.217	.041	-.099	-.449	190	332	-.269	.065	-.108	-.777	190	382	-.220	.051	-.046	-.477
190	208	-.196	.041	-.035	-.381	190	333	-.271	.073	-.086	-.872	190	383	-.230	.051	-.046	-.680
190	209	-.142	.030	-.006	-.296	190	334	-.288	.079	-.066	-.742	190	384	-.345	.094	-.041	-1.005
190	210	-.181	.052	-.005	-.433	190	335	-.270	.063	-.082	-.627	190	385	-.350	.105	-.121	-1.066
190	211	-.027	.065	-.283	-.206	190	336	-.272	.058	-.086	-.590	190	386	-.285	.077	-.021	-.735
190	212	-.231	.049	-.087	-.644	190	337	-.284	.066	-.108	-.432	190	387	-.243	.068	-.018	-.660
190	213	-.112	.070	-.238	-.267	190	338	-.277	.058	-.036	-.557	190	388	-.215	.053	-.103	-.470
190	214	-.171	.045	-.006	-.397	190	339	-.280	.065	-.044	-.607	190	389	-.199	.039	-.034	-.393
190	215	-.147	.031	-.042	-.249	190	340	-.278	.068	-.051	-.707	190	390	-.214	.041	-.037	-.441
190	216	-.146	.031	-.022	-.260	190	341	-.271	.060	-.082	-.621	190	391	-.229	.055	-.034	-.549
190	217	-.155	.036	-.024	-.276	190	342	-.280	.061	-.073	-.658	190	392	-.234	.090	-.090	-.716
190	218	-.167	.049	-.009	-.419	190	343	-.276	.064	-.064	-.579	190	393	-.229	.054	-.029	-.581
190	219	-.108	.051	-.097	-.343	190	344	-.276	.062	-.091	-.621	190	394	-.200	.046	-.048	-.420
190	220	-.198	.069	-.003	-.532	190	345	-.281	.069	-.089	-.720	190	395	-.194	.035	-.029	-.407
190	221	-.235	.070	-.049	-.664	190	346	-.280	.061	-.108	-.588	190	396	-.204	.037	-.047	-.453
190	222	-.232	.066	-.044	-.680	190	347	-.283	.060	-.133	-.543	190	397	-.293	.088	-.060	-.767
190	223	-.121	.055	-.229	-.278	190	348	-.281	.063	-.077	-.627	190	398	-.256	.066	-.073	-.796
190	224	-.179	.051	-.032	-.399	190	349	-.374	.114	-.030	-1.011	190	399	-.257	.056	-.042	-.552
190	225	-.158	.044	-.057	-.338	190	350	-.291	.100	-.113	-.791	190	400	-.206	.039	-.080	-.389
190	301	-.327	.098	-.085	-.937	190	351	-.319	.090	-.051	-1.102	190	401	-.191	.033	-.009	-.326
190	302	-.276	.079	-.054	-.682	190	352	-.305	.075	-.043	-.795	190	402	-.183	.027	-.091	-.290
190	303	-.148	.074	-.136	-.457	190	353	-.301	.071	-.056	-.791	190	403	-.151	.028	-.022	-.268

WD	TAP	CPMEAN	CPRMS	CPMAX	CPMIN	WD	TAP	CPMEAN	CPRMS	CPMAX	CPMIN	WD	TAP	CPMEAN	CPRMS	CPMAX	CPMIN
190	404	-.148	.029	-.040	-.288	190	532	.044	.141	.656	-.668	190	582	-.114	.068	.281	-.351
190	405	-.198	.050	-.020	-.468	190	533	.061	.111	.512	-.402	190	583	-.164	.071	.178	-.388
190	406	-.175	.050	-.019	-.435	190	534	.007	.074	.395	-.322	190	584	-.047	.043	.251	-.278
190	407	-.173	.046	-.016	-.367	190	535	-.019	.080	.313	-.444	190	585	-.045	.043	.118	-.273
190	408	-.252	.049	-.100	-.546	190	536	.060	.101	.514	-.247	190	586	-.029	.045	.231	-.276
190	409	-.149	.027	-.040	-.297	190	537	-.027	.093	.375	-.316	190	587	-.045	.064	.501	-.262
190	410	-.142	.030	-.022	-.238	190	538	-.153	.133	.260	-.814	190	588	-.099	.075	.288	-.576
190	411	-.249	.058	-.036	-.613	190	539	-.111	.077	.410	-.444	190	589	-.152	.039	-.001	-.386
190	412	-.242	.047	-.082	-.446	190	540	-.151	.081	.333	-.482	190	590	-.203	.049	-.051	-.498
190	413	-.155	.029	-.037	-.267	190	541	.081	.109	.703	-.369	190	591	-.031	.052	.418	-.160
190	414	-.124	.034	.007	-.269	190	542	.016	.084	.384	-.243	190	592	-.023	.053	.437	-.232
190	415	-.117	.037	.037	-.253	190	543	.078	.124	.612	-.342	190	593	-.054	.034	.058	-.204
190	416	-.221	.049	-.012	-.474	190	544	.042	.121	.452	-.690	190	594	-.051	.036	.093	-.255
190	417	-.149	.042	.035	-.318	190	545	.006	.077	.344	-.349	190	595	-.038	.044	.302	-.241
190	418	-.158	.032	-.007	-.269	190	546	-.060	.078	.563	-.475	190	596	-.030	.050	.311	-.197
190	419	-.158	.029	-.035	-.253	190	547	-.160	.078	.302	-.546	190	597	-.096	.059	.170	-.406
190	420	-.154	.029	-.028	-.265	190	548	-.242	.082	.235	-.548	190	598	-.144	.038	-.012	-.302
190	421	-.149	.028	-.038	-.245	190	549	.121	.135	.701	-.288	190	599	-.188	.041	-.049	-.366
190	422	-.146	.029	-.045	-.254	190	550	.120	.134	.690	-.418	190	600	-.298	.079	-.058	-.738
190	501	-.030	.172	.748	.612	190	551	.041	.122	.506	-.557	190	601	-.108	.051	.178	-.366
190	502	-.083	.171	.665	-.736	190	552	.039	.080	.356	-.301	190	602	-.133	.050	.067	-.421
190	503	-.061	.102	.374	-.393	190	553	.007	.074	.337	-.290	190	603	-.050	.037	.078	-.287
190	504	-.081	.177	.670	-.776	190	554	-.032	.077	.510	-.301	190	604	-.134	.035	.042	-.348
190	505	-.018	.170	.688	-.738	190	555	-.158	.091	.387	-.555	190	605	-.177	.046	-.038	-.444
190	506	-.151	.102	.444	-.545	190	556	-.359	.126	.144	-.952	190	606	-.070	.053	.123	-.281
190	507	-.046	.144	.670	-.443	190	557	-.269	.140	.298	-.954	190	607	-.132	.040	.094	-.303
190	508	-.028	.166	.726	-.844	190	558	.060	.120	.621	-.449	190	608	-.010	.052	.294	-.185
190	509	-.034	.143	.696	-.730	190	559	-.131	.088	.311	-.401	190	609	-.166	.046	.014	-.433
190	510	-.098	.153	.750	-.688	190	560	.098	.136	.682	-.433	190	610	-.112	.046	.074	-.323
190	511	-.191	.101	.371	-.793	190	561	-.182	.095	.393	-.618	190	611	-.125	.039	.105	-.312
190	512	-.021	.153	.733	-.767	190	562	.103	.134	.803	-.475	190	612	-.034	.037	.143	-.290
190	513	-.011	.116	.683	-.472	190	563	.101	.121	.649	-.173	190	613	-.030	.035	.167	-.165
190	514	-.087	.123	.521	-.572	190	564	.047	.078	.508	-.190	190	614	-.016	.055	.263	-.345
190	515	-.147	.102	.447	-.531	190	565	.023	.093	.604	-.427	190	615	-.003	.060	.513	-.156
190	516	-.087	.138	.565	-.688	190	566	-.019	.092	.558	-.328	190	616	-.076	.052	.152	-.448
190	517	.001	.112	.906	-.325	190	567	-.094	.095	.478	-.420	190	617	-.089	.034	.071	-.236
190	518	-.042	.128	.711	-.430	190	568	-.151	.096	.402	-.553	190	618	-.105	.035	.036	-.232
190	519	-.026	.126	.447	-.590	190	569	.050	.083	.588	-.200	190	619	-.120	.038	.074	-.263
190	520	-.255	.165	.383	-1.023	190	570	.048	.114	.666	-.386	190	620	-.109	.039	.134	-.279
190	521	-.215	.127	.379	-.778	190	571	.050	.099	.611	-.280	190	701	-.183	.101	.417	-.660
190	522	.007	.134	.672	-.496	190	572	.020	.069	.503	-.374	190	702	-.118	.126	.463	-.719
190	523	-.002	.110	.490	-.408	190	573	.044	.075	.446	-.168	190	703	-.144	.151	.506	-.783
190	524	-.025	.092	.576	-.371	190	574	-.075	.140	.618	-1.061	190	704	-.106	.097	.356	-.521
190	525	-.054	.089	.420	-.483	190	575	-.083	.096	.508	-.450	190	705	-.162	.041	.168	-.455
190	526	-.022	.112	.571	-.378	190	576	-.139	.098	.412	-.525	190	706	-.059	.177	.663	-.970
190	527	-.197	.133	.428	-.798	190	577	-.023	.074	.363	-.383	190	707	-.100	.102	.358	-.426
190	528	-.143	.095	.472	-.759	190	578	-.013	.062	.276	-.285	190	708	-.198	.072	.046	-.560
190	529	-.166	.093	.353	-.553	190	579	-.008	.057	.302	-.317	190	709	-.109	.136	.435	-.985
190	530	-.005	.097	.629	-.371	190	580	.010	.060	.508	-.198	190	710	-.069	.125	.460	-.889
190	531	-.061	.121	.470	-.643	190	581	-.074	.112	.551	-.663	190	711	-.037	.168	.592	-.861

WD	TAP	CPMEAN	CPRMS	CPMAX	CPMIN	WD	TAP	CPMEAN	CPRMS	CPMAX	CPMIN	WD	TAP	CPMEAN	CPRMS	CPMAX	CPMIN
190	712	-.173	.064	.206	-.430	190	762	-.185	.035	-.027	-.326	190	812	-.045	.038	.156	-.203
190	713	-.090	.101	.308	-.544	190	763	-.159	.039	.151	-.313	190	813	-.082	.042	.154	-.212
190	714	-.014	.127	.678	-.424	190	764	-.112	.056	.110	-.407	190	814	-.043	.053	.199	-.249
190	715	-.001	.188	.778	-.944	190	765	-.033	.065	.252	-.281	190	815	-.143	.048	.113	-.357
190	716	-.085	.151	.458	-.728	190	766	-.012	.068	.325	-.255	190	816	-.094	.049	.170	-.203
190	717	-.006	.129	.578	-.435	190	767	.035	.114	.490	-.451	190	817	-.071	.051	.269	-.194
190	718	-.213	.083	.110	-.653	190	768	.025	.140	.559	-.591	190	818	-.039	.058	.267	-.224
190	719	-.217	.130	.397	-.844	190	769	-.018	.065	.249	-.263	190	819	-.014	.050	.281	-.133
190	720	-.029	.134	.506	-.599	190	770	-.178	.034	-.032	-.329	190	820	-.030	.043	.186	-.296
190	721	-.046	.147	.731	-.876	190	771	-.152	.038	.068	-.310	190	821	-.036	.037	.182	-.255
190	722	-.158	.059	.113	-.444	190	772	-.222	.112	.080	-1.000	190	822	-.035	.031	.067	-.289
190	723	-.132	.074	.451	-.517	190	773	-.024	.060	.252	-.213	190	901	.117	.088	.434	-.108
190	724	-.178	.111	.331	-.826	190	774	-.041	.054	.183	-.270	190	902	.019	.129	.790	-.362
190	725	.007	.137	.653	-.403	190	775	-.019	.102	.421	-.515	190	903	-.002	.083	.369	-.261
190	726	-.067	.085	.299	-.451	190	776	-.024	.117	.554	-.562	190	904	-.106	.048	.153	-.272
190	727	-.024	.103	.473	-.318	190	777	-.168	.038	.018	-.327	190	905	-.261	.026	-.200	-.376
190	728	.014	.137	.638	-.727	190	778	-.134	.042	.018	-.310	190	906	-.043	.091	.419	-.253
190	729	-.026	.151	.769	-.601	190	779	-.120	.078	.147	-.562	190	907	-.029	.110	.476	-.433
190	730	-.000	.104	.569	-.288	190	780	-.031	.047	.199	-.184	190	908	-.278	.110	.273	-.773
190	731	-.018	.128	.684	-.583	190	781	-.037	.052	.187	-.253	190	909	-.182	.076	.171	-.414
190	732	-.170	.044	.038	-.332	190	782	-.045	.070	.354	-.415	190	910	-.042	.101	.474	-.258
190	733	-.130	.055	.146	-.318	190	783	-.050	.073	.566	-.427	190	911	-.233	.037	-.130	-.422
190	734	-.194	.113	.293	-.794	190	784	-.139	.048	.130	-.455	190	912	-.024	.149	.771	-.535
190	735	.031	.112	.673	-.288	190	785	-.099	.051	.128	-.279	190	913	-.294	.120	.231	-.875
190	736	.036	.115	.636	-.235	190	786	-.069	.070	.171	-.551	190	914	-.026	.122	.831	-.506
190	737	-.017	.091	.346	-.477	190	787	-.033	.046	.197	-.236	190	915	-.241	.055	-.070	-.603
190	738	.009	.097	.385	-.424	190	788	-.032	.049	.192	-.201	190	916	.015	.143	.729	-.504
190	739	.065	.142	.648	-.652	190	789	-.052	.049	.145	-.296	190	917	-.338	.118	-.058	-1.059
190	740	.052	.158	.790	-.601	190	790	-.052	.048	.147	-.432	190	918	-.204	.093	.172	-.709
190	741	.053	.114	.723	-.373	190	791	-.012	.060	.292	-.314	190	919	-.005	.075	.426	-.251
190	742	.013	.094	.408	-.263	190	792	-.019	.053	.243	-.152	190	920	-.200	.109	.342	-.810
190	743	-.216	.043	-.019	-.447	190	793	-.021	.053	.212	-.198	190	921	-.284	.073	-.112	-.716
190	744	-.160	.049	.183	-.330	190	794	-.015	.056	.301	-.199	190	922	-.236	.034	-.145	-.402
190	745	-.090	.062	.254	-.327	190	795	-.087	.051	.274	-.244	190	923	-.302	.074	-.102	-.732
190	746	.014	.099	.447	-.334	190	796	-.070	.058	.174	-.326	190	924	-.275	.166	.768	-.897
190	747	.010	.136	.581	-.477	190	797	-.212	.043	-.079	-.387	190	925	-.269	.055	-.101	-.666
190	748	.050	.129	.625	-.422	190	798	-.123	.052	.163	-.262	190	926	-.256	.151	.340	-.817
190	749	-.258	.047	-.072	-.506	190	799	-.091	.058	.208	-.235	190	927	-.263	.055	-.101	-.536
190	750	-.268	.060	-.115	-.756	190	800	-.037	.071	.382	-.280	190	928	-.262	.095	.086	-.751
190	751	-.192	.052	.013	-.423	190	801	-.028	.054	.204	-.172	190	929	-.271	.055	-.080	-.572
190	752	-.109	.070	.223	-.479	190	802	-.014	.057	.308	-.217	190	930	-.098	.076	.326	-.435
190	753	-.043	.088	.313	-.534	190	803	-.037	.050	.170	-.538	190	931	-.246	.034	-.141	-.451
190	754	-.015	.085	.322	-.403	190	804	-.045	.045	.125	-.389	190	932	-.189	.102	.364	-.503
190	755	-.007	.146	.785	-.592	190	805	-.017	.066	.391	-.208	190	933	-.212	.093	.263	-.716
190	756	.115	.147	.763	-.534	190	806	-.099	.048	.093	-.262	190	934	-.268	.051	-.025	-.576
190	757	.119	.146	.718	-.419	190	807	-.077	.049	.258	-.251	190	935	-.263	.049	-.106	-.534
190	758	-.176	.040	-.020	-.344	190	808	-.157	.055	.125	-.344	190	936	-.302	.036	-.194	-.443
190	759	-.010	.127	.459	-.567	190	809	-.092	.063	.208	-.258	190	937	-.271	.060	-.084	-.603
190	760	-.188	.039	.162	-.340	190	810	-.019	.050	.206	-.142	190	938	-.281	.060	-.051	-.603
190	761	.043	.145	.668	-.545	190	811	-.020	.051	.278	-.179	190	939	-.285	.060	-.040	-.574

WD	TAP	CPMEAN	CPRMS	CPMAX	CPMIN	WD	TAP	CPMEAN	CPRMS	CPMAX	CPMIN	WD	TAP	CPMEAN	CPRMS	CPMAX	CPMIN
190	940	-.269	.027	-.200	-.376	190	1019	-.211	.059	.007	-.555	200	141	-.265	.041	-.155	-.433
190	941	-.010	.037	-.113	-.125	190	1020	-.300	.063	-.100	-.425	200	142	-.269	.046	-.151	-.530
190	942	-.246	.045	-.123	-.428	190	1021	-.006	.057	.448	-.156	200	143	-.283	.051	-.139	-.551
190	943	-.260	.058	-.083	-.580	190	1022	-.121	.048	.066	-.270	200	144	-.294	.049	-.162	-.487
190	944	-.245	.048	-.090	-.476	190	1023	-.142	.051	.019	-.520	200	145	-.287	.046	-.166	-.533
190	945	-.030	.054	.400	-.211	190	1024	-.232	.078	-.004	-.574	200	146	-.262	.046	-.141	-.492
190	946	-.241	.039	-.145	-.445	190	1025	-.128	.037	.063	-.273	200	147	-.267	.050	-.123	-.624
190	947	-.243	.036	-.136	-.414	190	1026	-.116	.042	.073	-.317	200	148	-.262	.048	-.128	-.505
190	948	-.246	.045	-.035	-.454	190	1027	-.116	.040	.042	-.254	200	149	-.278	.053	-.119	-.558
190	949	-.281	.044	-.154	-.520	190	1028	-.153	.027	-.028	-.233	200	150	-.277	.049	-.135	-.533
190	950	-.022	.058	.398	-.187	200	101	-.254	.056	-.085	-.649	200	151	-.280	.051	-.130	-.562
190	951	-.287	.082	-.057	-.871	200	102	-.302	.059	-.119	-.577	200	152	-.276	.044	-.157	-.482
190	952	-.210	.067	.020	-.525	200	103	-.361	.088	-.089	-.950	200	153	-.275	.047	-.135	-.506
190	953	-.212	.076	.009	-.644	200	104	-.092	.063	.124	-.384	200	154	-.276	.051	-.155	-.664
190	954	-.241	.054	-.028	-.492	200	105	-.254	.051	-.096	-.567	200	155	-.280	.064	-.115	-.1036
190	955	-.190	.052	-.014	-.560	200	106	-.251	.052	-.092	-.488	200	156	-.296	.067	-.121	-.662
190	956	-.261	.065	-.050	-.679	200	107	-.257	.051	-.092	-.544	200	157	-.307	.073	-.132	-.818
190	957	-.222	.061	-.029	-.538	200	108	-.270	.059	-.114	-.587	200	158	-.293	.051	-.146	-.524
190	958	-.211	.051	-.046	-.547	200	109	-.265	.057	-.128	-.552	200	159	-.274	.060	-.112	-.609
190	959	-.214	.039	-.070	-.397	200	110	-.254	.058	-.098	-.611	200	160	-.294	.052	-.155	-.524
190	960	-.357	.137	.082	-1.357	200	111	-.249	.060	-.077	-.622	200	161	-.274	.068	-.097	-.773
190	961	-.308	.088	-.055	-.763	200	112	-.260	.048	-.116	-.510	200	162	-.288	.054	-.041	-.517
190	962	-.107	.094	.335	-.690	200	113	-.260	.050	-.112	-.512	200	163	-.294	.052	-.128	-.564
190	963	-.306	.094	-.071	-1.063	200	114	-.269	.061	-.123	-.550	200	164	-.297	.058	-.117	-.624
190	964	-.262	.081	.100	-1.071	200	115	-.261	.061	-.096	-.662	200	165	-.334	.075	-.166	-.731
190	965	-.202	.116	.228	-1.006	200	116	-.261	.055	-.105	-.651	200	166	-.278	.052	-.122	-.492
190	966	-.330	.091	-.114	-1.414	200	117	-.244	.044	-.110	-.467	200	167	-.263	.056	-.092	-.588
190	967	-.154	.034	-.016	-.282	200	118	-.279	.052	-.112	-.503	200	168	-.263	.054	-.122	-.650
190	968	-.204	.049	-.075	-.445	200	119	-.282	.063	-.130	-.647	200	169	-.266	.049	-.099	-.527
190	969	-.215	.047	-.028	-.501	200	120	-.264	.061	-.092	-.573	200	170	-.286	.064	-.056	-.701
190	970	-.202	.038	-.063	-.473	200	121	-.343	.106	-.092	-.970	200	171	-.274	.059	-.070	-.544
190	971	-.171	.034	-.037	-.380	200	122	-.252	.046	-.130	-.465	200	172	-.301	.068	-.118	-.633
190	1001	-.021	.057	.224	-.263	200	123	-.260	.047	-.114	-.525	200	173	-.308	.065	-.153	-.593
190	1002	-.007	.055	.311	-.151	200	124	-.261	.043	-.143	-.498	200	174	-.320	.078	-.162	-.730
190	1003	-.068	.117	.522	-.470	200	125	-.274	.048	-.141	-.489	200	175	-.281	.057	-.127	-.537
190	1004	-.290	.081	-.016	-.707	200	126	-.245	.049	-.071	-.532	200	176	-.278	.063	-.136	-.654
190	1005	-.057	.110	-.341	-.418	200	127	-.256	.061	-.107	-.637	200	177	-.249	.079	.021	-.626
190	1006	-.280	.066	-.088	-.561	200	128	-.238	.045	-.071	-.467	200	178	-.241	.077	.061	-.675
190	1007	-.037	.049	.262	-.203	200	129	-.238	.048	-.091	-.478	200	179	-.274	.073	.052	-.612
190	1008	-.231	.039	-.044	-.406	200	130	-.249	.042	-.112	-.439	200	180	-.326	.074	-.132	-.680
190	1009	-.045	.082	.483	-.203	200	131	-.260	.046	-.137	-.578	200	181	-.331	.077	-.146	-.852
190	1010	-.227	.037	-.102	-.368	200	132	-.263	.045	-.135	-.437	200	182	-.296	.066	-.146	-.593
190	1011	-.028	.051	.313	-.196	200	133	-.260	.045	-.114	-.485	200	183	-.299	.065	-.143	-.680
190	1012	-.237	.051	-.037	-.441	200	134	-.261	.043	-.139	-.412	200	184	-.246	.081	.080	-.671
190	1013	-.295	.092	-.025	-.774	200	135	-.270	.049	-.151	-.501	200	185	-.239	.086	.073	-.640
190	1014	-.272	.053	-.064	-.514	200	136	-.254	.041	-.141	-.464	200	186	-.245	.077	.087	-.522
190	1015	-.270	.078	.045	-.639	200	137	-.247	.043	-.114	-.485	200	187	-.279	.063	-.061	-.586
190	1016	-.274	.058	-.123	-.609	200	138	-.252	.043	-.132	-.455	200	188	-.347	.091	-.132	-.913
190	1017	-.240	.063	-.014	-.588	200	139	-.248	.044	-.123	-.521	200	189	-.303	.071	-.113	-.725
190	1018	-.254	.058	-.088	-.553	200	140	-.248	.043	-.121	-.421	200	190	-.298	.077	-.026	-.998

WD	TAP	CPMEAN	CPRMS	CPMAX	CPMIN	WD	TAP	CPMEAN	CPRMS	CPMAX	CPMIN	WD	TAP	CPMEAN	CPRMS	CPMAX	CPMIN
200	191	-.253	.079	.050	-.593	200	316	-.276	.063	-.079	-.627	200	366	-.316	.059	-.119	-.555
200	192	-.255	.063	.030	-.566	200	317	-.264	.056	-.063	-.529	200	367	-.314	.062	-.141	-.581
200	193	-.293	.068	-.071	-.631	200	318	-.297	.079	-.094	-.989	200	368	-.319	.070	-.119	-.764
200	194	-.244	.086	.079	-.737	200	319	-.261	.053	-.047	-.588	200	369	-.317	.061	-.133	-.598
200	195	-.236	.081	.050	-.757	200	320	-.282	.060	-.097	-.590	200	370	-.326	.066	-.143	-.716
200	196	-.245	.065	.041	-.568	200	321	-.285	.062	-.126	-.699	200	371	-.326	.064	-.155	-.641
200	197	-.304	.076	-.146	-.750	200	322	-.267	.063	-.072	-.767	200	372	-.357	.079	-.126	-.856
200	198	-.133	.034	-.006	-.296	200	323	-.274	.067	-.101	-.994	200	373	-.349	.075	-.141	-.776
200	199	-.140	.031	-.011	-.256	200	324	-.306	.088	-.033	-.722	200	374	-.345	.077	-.079	-.667
200	200	-.163	.045	.039	-.440	200	325	-.279	.063	-.101	-.631	200	375	-.322	.081	-.110	-.856
200	201	-.185	.055	.021	-.462	200	326	-.287	.066	-.133	-.760	200	376	-.320	.088	-.122	-.804
200	202	-.115	.058	.122	-.415	200	327	-.283	.058	-.108	-.849	200	377	-.354	.079	-.152	-1.055
200	203	-.280	.075	-.058	-.611	200	328	-.278	.057	-.103	-.592	200	378	-.364	.082	-.160	-.728
200	204	-.256	.053	-.096	-.478	200	329	-.278	.061	-.106	-.599	200	379	-.386	.093	-.169	-.939
200	205	-.259	.052	-.105	-.590	200	330	-.271	.053	-.122	-.477	200	380	-.356	.078	-.081	-.738
200	206	-.198	.066	-.104	-.458	200	331	-.280	.056	-.080	-.507	200	381	-.335	.084	-.032	-.816
200	207	-.262	.059	-.101	-.656	200	332	-.265	.051	-.103	-.603	200	382	-.279	.083	-.046	-.946
200	208	-.229	.056	-.071	-.770	200	333	-.270	.054	-.115	-.587	200	383	-.276	.091	-.044	-.785
200	209	-.120	.033	.054	-.271	200	334	-.288	.064	-.124	-.736	200	384	-.357	.101	-.133	-1.079
200	210	-.169	.056	.054	-.571	200	335	-.281	.054	-.131	-.635	200	385	-.377	.118	-.148	-1.259
200	211	-.016	.071	.257	-.239	200	336	-.283	.052	-.129	-.521	200	386	-.349	.081	-.126	-.702
200	212	-.240	.065	-.066	-.599	200	337	-.295	.061	-.131	-.617	200	387	-.331	.086	-.117	-.889
200	213	-.125	.072	.223	-.342	200	338	-.291	.056	-.126	-.530	200	388	-.290	.080	-.053	-.660
200	214	-.181	.043	.016	-.464	200	339	-.298	.067	-.073	-.665	200	389	-.221	.068	-.073	-.702
200	215	-.125	.030	-.012	-.246	200	340	-.304	.070	-.126	-.651	200	390	-.222	.068	-.008	-.821
200	216	-.138	.029	-.006	-.239	200	341	-.283	.051	-.117	-.482	200	391	-.314	.081	-.114	-.801
200	217	-.137	.032	-.014	-.282	200	342	-.297	.059	-.090	-.571	200	392	-.285	.083	-.005	-.797
200	218	-.154	.048	.018	-.360	200	343	-.283	.054	-.099	-.518	200	393	-.297	.075	-.132	-.692
200	219	-.089	.050	.157	-.278	200	344	-.279	.055	-.117	-.647	200	394	-.257	.073	-.021	-.598
200	220	-.208	.081	.036	-.555	200	345	-.279	.053	-.129	-.516	200	395	-.201	.059	-.003	-.691
200	221	-.231	.079	-.019	-.672	200	346	-.304	.060	-.138	-.713	200	396	-.215	.068	-.050	-.811
200	222	-.244	.078	-.057	-.628	200	347	-.309	.043	-.133	-.635	200	397	-.313	.087	-.122	-.852
200	223	-.124	.056	.220	-.287	200	348	-.304	.061	-.135	-.599	200	398	-.263	.070	-.086	-.760
200	224	-.193	.059	-.019	-.551	200	349	-.375	.092	-.120	-.870	200	399	-.270	.055	-.117	-.566
200	225	-.162	.047	-.002	-.351	200	350	-.345	.079	-.106	-.792	200	400	-.223	.046	-.059	-.482
200	301	-.322	.071	-.122	-.763	200	351	-.313	.069	-.095	-.661	200	401	-.219	.045	-.097	-.464
200	302	-.259	.056	-.090	-.545	200	352	-.308	.061	-.131	-.601	200	402	-.188	.035	-.039	-.375
200	303	-.093	.067	-.118	-.455	200	353	-.310	.060	-.142	-.547	200	403	-.141	.030	-.014	-.333
200	304	-.340	.073	-.115	-.815	200	354	-.312	.055	-.138	-.533	200	404	-.134	.030	-.010	-.299
200	305	-.254	.054	-.096	-.563	200	355	-.315	.064	-.093	-.639	200	405	-.173	.047	-.012	-.397
200	306	-.272	.064	-.107	-.661	200	356	-.290	.058	-.104	-.572	200	406	-.159	.051	-.019	-.460
200	307	-.272	.057	-.094	-.683	200	357	-.287	.055	-.104	-.608	200	407	-.159	.044	-.025	-.368
200	308	-.257	.056	-.100	-.632	200	358	-.339	.086	-.124	-.821	200	408	-.262	.051	-.125	-.536
200	309	-.272	.068	-.054	-.767	200	359	-.311	.063	-.145	-.592	200	409	-.177	.030	-.039	-.326
200	310	-.269	.060	-.074	-.599	200	360	-.340	.101	-.120	-1.129	200	410	-.120	.032	-.059	-.221
200	311	-.276	.064	-.120	-.730	200	361	-.319	.065	-.145	-.715	200	411	-.269	.041	-.066	-.564
200	312	-.260	.057	-.099	-.658	200	362	-.309	.072	-.093	-.778	200	412	-.253	.051	-.095	-.488
200	313	-.272	.060	-.097	-.665	200	363	-.325	.078	-.140	-.826	200	413	-.144	.028	-.035	-.263
200	314	-.274	.058	-.103	-.579	200	364	-.314	.063	-.138	-.628	200	414	-.103	.035	-.066	-.231
200	315	-.282	.065	-.103	-.620	200	365	-.330	.068	-.113	-.929	200	415	-.094	.038	-.080	-.198

WD	TAP	CPMEAN	CPRMS	CPMAX	CPMIN	WD	TAP	CPMEAN	CPRMS	CPMAX	CPMIN	WD	TAP	CPMEAN	CPRMS	CPMAX	CPMIN
200	416	-.230	.055	-.049	-.626	200	544	.153	.156	.683	-.509	200	594	-.051	.042	.165	-.226
200	417	-.148	.056	-.163	-.327	200	545	.108	.106	.325	-.288	200	595	-.042	.036	.158	-.209
200	418	-.170	.029	-.061	-.296	200	546	-.034	.059	.289	-.251	200	596	-.036	.039	.153	-.183
200	419	-.143	.027	-.040	-.259	200	547	-.157	.057	.233	-.444	200	597	-.123	.046	.066	-.409
200	420	-.141	.027	-.030	-.233	200	548	-.251	.060	.188	-.569	200	598	-.140	.034	.031	-.318
200	421	-.135	.030	-.007	-.274	200	549	.193	.147	.745	-.304	200	599	-.188	.040	-.086	-.373
200	422	-.135	.030	-.002	-.219	200	550	.214	.159	1.132	-.223	200	600	-.318	.090	-.012	-.894
200	501	-.002	.139	.495	-.517	200	551	.127	.143	.722	-.550	200	601	-.058	.058	.206	-.283
200	502	-.096	.115	.511	-.647	200	552	.089	.104	.547	-.341	200	602	-.099	.048	.108	-.326
200	503	-.029	.111	.381	-.380	200	553	.054	.088	.373	-.402	200	603	-.046	.036	.172	-.219
200	504	-.063	.157	.568	-.688	200	554	-.027	.067	.198	-.339	200	604	-.121	.033	.029	-.256
200	505	-.054	.184	.701	-.671	200	555	-.173	.064	.163	-.448	200	605	-.170	.048	.009	-.405
200	506	-.141	.075	.315	-.456	200	556	-.366	.101	.030	-1.008	200	606	-.031	.061	.327	-.289
200	507	-.028	.106	.632	-.385	200	557	-.333	.082	.176	-.808	200	607	-.111	.037	.027	-.269
200	508	-.097	.194	.904	-.831	200	558	.129	.143	.641	-.576	200	608	-.014	.045	.291	-.127
200	509	.026	.129	.465	-.719	200	559	-.146	.053	.109	-.321	200	609	-.155	.047	-.005	-.419
200	510	-.008	.122	.489	-.523	200	560	.175	.150	.761	-.437	200	610	-.094	.054	.233	-.310
200	511	-.164	.082	.304	-.604	200	561	-.193	.062	.087	-.463	200	611	-.105	.038	.047	-.219
200	512	-.138	.196	.804	-.763	200	562	.170	.150	.818	-.498	200	612	-.028	.039	.208	-.192
200	513	-.091	.127	.617	-.363	200	563	.167	.134	.794	-.315	200	613	-.035	.042	.217	-.262
200	514	-.025	.112	.498	-.477	200	564	.086	.083	.477	-.223	200	614	-.011	.050	.267	-.190
200	515	-.137	.074	.267	-.396	200	565	.061	.081	.379	-.284	200	615	-.001	.052	.343	-.149
200	516	-.023	.123	.493	-.631	200	566	-.016	.068	.403	-.419	200	616	-.062	.046	.167	-.242
200	517	.111	.147	.771	-.246	200	567	-.118	.058	.212	-.320	200	617	-.076	.036	.149	-.172
200	518	.083	.161	.755	-.682	200	568	-.173	.055	.094	-.353	200	618	-.087	.037	.099	-.183
200	519	.092	.135	.546	-.420	200	569	.079	.085	.410	-.148	200	619	-.098	.035	.070	-.228
200	520	-.230	.134	.441	-.917	200	570	.103	.133	.647	-.452	200	620	-.090	.044	.115	-.269
200	521	-.179	.099	.286	-.574	200	571	.111	.116	.560	-.258	200	701	-.106	.088	.291	-.625
200	522	.147	.171	.683	-.717	200	572	.043	.076	.417	-.178	200	702	-.003	.121	.445	-.494
200	523	.143	.147	.819	-.468	200	573	.070	.076	.334	-.201	200	703	-.018	.160	.645	-.607
200	524	.069	.104	.487	-.264	200	574	-.176	.110	.288	-.747	200	704	-.037	.095	.369	-.360
200	525	.031	.097	.474	-.332	200	575	-.124	.052	.122	-.307	200	705	-.124	.060	.132	-.407
200	526	.100	.137	.658	-.303	200	576	-.183	.049	.041	-.366	200	706	-.091	.174	.669	-.787
200	527	-.216	.132	.344	-.870	200	577	.001	.100	.530	-.360	200	707	-.027	.093	.465	-.385
200	528	-.116	.072	.284	-.429	200	578	.005	.083	.433	-.300	200	708	-.156	.071	.112	-.640
200	529	-.149	.063	.302	-.433	200	579	.004	.062	.348	-.203	200	709	.020	.135	.463	-.803
200	530	.072	.112	.511	-.268	200	580	.011	.061	.391	-.141	200	710	.047	.124	.487	-.445
200	531	.023	.125	.567	-.547	200	581	-.178	.101	.173	-.740	200	711	.149	.187	.830	-.590
200	532	.202	.194	.857	-.692	200	582	-.148	.046	.103	-.348	200	712	-.119	.063	.187	-.376
200	533	.176	.147	.696	-.442	200	583	-.195	.051	.037	-.406	200	713	.016	.108	.352	-.407
200	534	.086	.091	.478	-.222	200	584	-.059	.054	.269	-.403	200	714	.129	.136	.745	-.385
200	535	.048	.091	.366	-.522	200	585	-.052	.052	.212	-.297	200	715	.213	.200	.903	-.525
200	536	.123	.117	.906	-.217	200	586	-.033	.042	.184	-.191	200	716	.090	.163	.627	-.619
200	537	.094	.104	.589	-.219	200	587	-.044	.053	.290	-.327	200	717	.159	.162	.839	-.229
200	538	-.192	.133	.402	-.955	200	588	-.161	.069	.041	-.523	200	718	-.153	.078	.145	-.576
200	539	-.108	.057	.163	-.362	200	589	-.152	.036	.004	-.390	200	719	-.182	.115	.347	-.763
200	540	-.156	.053	.168	-.431	200	590	-.208	.045	-.058	-.484	200	720	-.119	.141	.661	-.503
200	541	.171	.122	.767	-.161	200	591	-.035	.041	.224	-.169	200	721	.089	.156	.728	-.478
200	542	.096	.090	.540	-.173	200	592	-.038	.039	.212	-.179	200	722	-.128	.058	.105	-.461
200	543	.198	.161	.865	-.415	200	593	-.057	.040	.214	-.259	200	723	-.083	.070	.209	-.354

WD	TAP	CPMEAN	CPRMS	CPMAX	CPMIN	WD	TAP	CPMEAN	CPRMS	CPMAX	CPMIN	WD	TAP	CPMEAN	CPRMS	CPMAX	CPMIN
200	724	-.154	.115	.389	-.661	200	774	-.002	.051	.207	-.243	200	902	.130	.143	.651	-.370
200	725	.133	.153	.774	-.260	200	775	.039	.087	.447	-.431	200	903	.074	.090	.587	-.295
200	726	.033	.102	.429	-.360	200	776	.034	.122	.650	-.566	200	904	-.066	.061	.219	-.224
200	727	.090	.109	.506	-.399	200	777	-.184	.049	.111	-.438	200	905	-.287	.032	-.202	-.409
200	728	.179	.163	.763	-.347	200	778	-.131	.046	.179	-.348	200	906	.032	.093	.416	-.315
200	729	.199	.181	.864	-.581	200	779	-.133	.093	.202	-.755	200	907	.073	.111	.539	-.408
200	730	.113	.124	.734	-.257	200	780	.005	.045	.177	-.161	200	908	-.236	.101	.146	-.817
200	731	.095	.131	.745	-.381	200	781	-.007	.046	.198	-.161	200	909	-.130	.076	.188	-.356
200	732	-.157	.047	.060	-.311	200	782	.009	.066	.365	-.306	200	910	.166	.138	.661	-.376
200	733	-.104	.059	.171	-.369	200	783	.003	.079	.454	-.480	200	911	-.257	.044	-.112	-.451
200	734	-.178	.122	.313	-.817	200	784	-.154	.046	.032	-.373	200	912	-.199	.163	.801	-.322
200	735	.120	.126	.650	-.286	200	785	-.103	.046	.167	-.278	200	913	-.278	.116	.328	-.806
200	736	.091	.119	.770	-.302	200	786	-.070	.065	.277	-.492	200	914	.068	.119	.609	-.366
200	737	.066	.091	.416	-.279	200	787	-.002	.039	.181	-.122	200	915	-.219	.050	-.043	-.594
200	738	.111	.112	.628	-.201	200	788	-.004	.044	.198	-.306	200	916	.154	.151	.727	-.380
200	739	.190	.151	.801	-.336	200	789	-.014	.045	.205	-.364	200	917	-.293	.122	.033	-.971
200	740	.189	.180	.974	-.475	200	790	-.023	.046	.223	-.306	200	918	-.219	.106	.103	-.700
200	741	.114	.115	.779	-.293	200	791	-.002	.040	.185	-.206	200	919	-.084	.084	.436	-.153
200	742	.085	.094	.486	-.205	200	792	-.005	.040	.201	-.190	200	920	-.188	.089	.232	-.810
200	743	-.222	.050	.045	-.460	200	793	.005	.040	.194	-.174	200	921	-.312	.074	-.112	-.674
200	744	-.136	.055	.128	-.327	200	794	.001	.043	.197	-.146	200	922	-.271	.045	-.166	-.480
200	745	-.042	.070	.369	-.257	200	795	-.079	.053	.186	-.314	200	923	-.286	.069	-.093	-.664
200	746	.108	.106	.556	-.232	200	796	-.052	.058	.250	-.284	200	924	-.287	.132	.537	-.759
200	747	.098	.143	.677	-.390	200	797	-.261	.055	-.085	-.571	200	925	-.279	.056	-.139	-.581
200	748	.141	.141	.763	-.401	200	798	-.142	.046	.069	-.321	200	926	-.244	.123	-.284	-.684
200	749	-.293	.058	-.063	-.577	200	799	-.095	.045	.207	-.215	200	927	-.271	.053	-.096	-.528
200	750	.306	.069	-.145	-.788	200	800	-.055	.065	.230	-.339	200	928	-.254	.098	.094	-.064
200	751	-.202	.064	.096	-.548	200	801	.000	.042	.190	-.121	200	929	-.273	.052	-.119	-.530
200	752	-.117	.093	.237	-.645	200	802	-.007	.041	.243	-.126	200	930	-.069	.060	.251	-.258
200	753	-.033	.105	.444	-.561	200	803	-.019	.038	.204	-.227	200	931	-.288	.044	-.170	-.524
200	754	.019	.095	.373	-.502	200	804	-.021	.038	.214	-.234	200	932	-.144	.089	.219	-.399
200	755	.049	.160	.645	-.725	200	805	-.019	.065	.388	-.231	200	933	-.201	.068	-.076	-.434
200	756	.190	.149	.794	-.288	200	806	-.079	.052	.122	-.341	200	934	-.265	.047	-.115	-.473
200	757	.190	.154	.755	-.389	200	807	-.065	.045	.209	-.245	200	935	-.263	.042	-.108	-.471
200	758	-.164	.049	.054	-.385	200	808	-.196	.047	.009	-.419	200	936	-.313	.035	-.196	-.439
200	759	.008	.131	.572	-.650	200	809	-.108	.048	.195	-.240	200	937	-.283	.052	-.147	-.524
200	760	-.186	.049	.085	-.449	200	810	-.002	.041	.197	-.119	200	938	-.294	.055	-.149	-.565
200	761	-.096	.138	.631	-.440	200	811	-.003	.038	.177	-.110	200	939	-.311	.058	-.149	-.657
200	762	-.185	.045	-.006	-.423	200	812	-.023	.035	.168	-.206	200	940	-.317	.036	-.228	-.433
200	763	-.150	.045	.069	-.361	200	813	-.060	.044	.253	-.206	200	941	.000	.027	.115	-.071
200	764	-.075	.056	.142	-.385	200	814	-.030	.054	.220	-.231	200	942	-.306	.062	-.147	-.678
200	765	-.002	.053	.312	-.317	200	815	-.153	.049	.165	-.401	200	943	-.338	.091	-.109	-.935
200	766	.018	.058	.286	-.231	200	816	-.105	.036	.154	-.261	200	944	-.289	.064	-.038	-.577
200	767	.083	.106	.539	-.462	200	817	-.078	.038	.099	-.188	200	945	-.038	.039	.220	-.165
200	768	.075	.135	.671	-.513	200	818	-.054	.046	.172	-.270	200	946	-.280	.062	-.107	-.606
200	769	.024	.068	.284	-.252	200	819	-.002	.036	.186	-.128	200	947	-.291	.060	-.134	-.689
200	770	-.193	.047	-.033	-.483	200	820	-.004	.036	.243	-.121	200	948	-.278	.069	-.006	-.611
200	771	-.146	.045	.046	-.378	200	821	-.007	.032	.144	-.136	200	949	-.318	.076	-.154	-.779
200	772	-.221	.126	.123	-.874	200	822	-.017	.030	.130	-.215	200	950	-.026	.042	-.253	-.132
200	773	.025	.056	.272	-.198	200	901	.216	.100	.617	-.046	200	951	-.319	.109	-.020	-.920

WD	TAP	CPMEAN	CPRMS	CPMAX	CPMIN	WD	TAP	CPMEAN	CPRMS	CPMAX	CPMIN	WD	TAP	CPMEAN	CPRMS	CPMAX	CPMIN
200	952	-.202	.065	.018	-.521	210	103	-.332	.070	-.156	-.640	210	153	-.287	.059	-.136	-.764
200	953	-.194	.072	.016	-.629	210	104	-.079	.055	-.110	-.312	210	154	-.291	.056	-.142	-.538
200	954	-.234	.070	.043	-.718	210	105	-.249	.045	-.118	-.477	210	155	-.305	.072	-.123	-.945
200	955	-.184	.068	.036	-.506	210	106	-.252	.045	-.127	-.484	210	156	-.319	.077	-.077	-.749
200	956	-.330	.082	-.141	-.761	210	107	-.259	.047	-.125	-.473	210	157	-.346	.085	-.090	-.693
200	957	-.297	.084	-.045	-.938	210	108	-.267	.050	-.127	-.580	210	158	-.308	.057	-.138	-.566
200	958	-.243	.068	-.058	-.633	210	109	-.260	.048	-.136	-.481	210	159	-.299	.079	-.112	-.730
200	959	-.211	.055	-.002	-.465	210	110	-.258	.048	-.123	-.525	210	160	-.310	.064	-.136	-.632
200	960	-.385	.133	-.022	-1.325	210	111	-.254	.047	-.107	-.506	210	161	-.311	.110	-.118	-1.026
200	961	-.395	.124	-.163	-1.161	210	112	-.263	.046	-.141	-.506	210	162	-.314	.065	-.136	-.669
200	962	-.117	.102	-.248	-.729	210	113	-.253	.045	-.138	-.492	210	163	-.303	.062	-.118	-.606
200	963	-.357	.101	-.123	-.934	210	114	-.260	.047	-.108	-.488	210	164	-.322	.064	-.164	-.643
200	964	-.318	.093	-.056	-1.391	210	115	-.253	.047	-.114	-.508	210	165	-.348	.082	-.164	-.993
200	965	-.204	.127	-.206	-.743	210	116	-.253	.044	-.132	-.466	210	166	-.304	.063	-.149	-.598
200	966	-.411	.114	-.152	-1.058	210	117	-.251	.041	-.134	-.444	210	167	-.281	.072	-.114	-.706
200	967	-.147	.041	-.049	-.470	210	118	-.270	.045	-.132	-.464	210	168	-.281	.070	-.123	-.860
200	968	-.216	.054	-.027	-.581	210	119	-.268	.047	-.125	-.457	210	169	-.288	.064	-.130	-.609
200	969	-.261	.065	-.089	-.745	210	120	-.262	.053	-.110	-.556	210	170	-.300	.072	-.119	-.674
200	970	-.230	.055	-.072	-.546	210	121	-.305	.086	-.121	-.723	210	171	-.295	.067	-.082	-.687
200	971	-.174	.054	.016	-.626	210	122	-.265	.048	-.141	-.578	210	172	-.333	.073	-.146	-.614
200	1001	.014	.055	.385	-.162	210	123	-.258	.048	-.138	-.547	210	173	-.333	.068	-.181	-.669
200	1002	.005	.040	.133	-.136	210	124	-.271	.047	-.132	-.477	210	174	-.350	.084	-.172	-.908
200	1003	.047	.131	.457	-.407	210	125	-.276	.048	-.134	-.519	210	175	-.324	.077	-.112	-.667
200	1004	-.277	.069	-.032	-.661	210	126	-.267	.061	-.090	-.605	210	176	-.321	.075	-.105	-.676
200	1005	.061	.123	.445	-.387	210	127	-.306	.086	-.107	-.730	210	177	-.239	.074	-.001	-.678
200	1006	-.260	.064	-.094	-.600	210	128	-.250	.056	-.092	-.503	210	178	-.234	.073	-.008	-.577
200	1007	-.036	.037	.155	-.160	210	129	-.248	.054	-.094	-.503	210	179	-.299	.074	-.017	-.623
200	1008	-.273	.061	-.015	-.534	210	130	-.253	.042	-.118	-.430	210	180	-.370	.082	-.162	-.888
200	1009	.068	.082	.383	-.164	210	131	-.269	.048	-.136	-.528	210	181	-.363	.091	-.174	-.915
200	1010	-.259	.058	-.022	-.510	210	132	-.285	.059	-.129	-.579	210	182	-.328	.072	-.158	-.687
200	1011	-.031	.039	.250	-.131	210	133	-.275	.055	-.125	-.599	210	183	-.326	.067	-.153	-.941
200	1012	-.256	.077	.042	-.612	210	134	-.273	.050	-.145	-.546	210	184	-.209	.080	.077	-.595
200	1013	-.276	.079	-.005	-.723	210	135	-.287	.056	-.147	-.519	210	185	-.194	.082	.066	-.651
200	1014	-.284	.058	-.117	-.602	210	136	-.277	.053	-.136	-.523	210	186	-.222	.084	.137	-.634
200	1015	-.264	.065	-.032	-.592	210	137	-.272	.053	-.141	-.606	210	187	-.318	.079	.086	-.807
200	1016	-.294	.066	-.122	-.686	210	138	-.270	.049	-.138	-.497	210	188	-.373	.101	-.162	-.941
200	1017	-.312	.080	-.129	-.780	210	139	-.255	.047	-.136	-.457	210	189	-.335	.078	-.169	-.809
200	1018	-.316	.072	-.124	-.738	210	140	-.260	.047	-.112	-.439	210	190	-.333	.085	-.151	-1.111
200	1019	-.272	.079	-.044	-.771	210	141	-.282	.050	-.156	-.479	210	191	-.245	.090	.059	-.688
200	1020	-.307	.060	-.093	-.619	210	142	-.282	.051	-.149	-.508	210	192	-.276	.080	.020	-.704
200	1021	-.004	.050	.338	-.148	210	143	-.296	.055	-.132	-.546	210	193	-.317	.077	-.048	-.664
200	1022	-.102	.047	.120	-.271	210	144	-.302	.055	-.145	-.546	210	194	-.192	.089	.139	-.745
200	1023	-.139	.052	.013	-.425	210	145	-.293	.055	-.145	-.523	210	195	-.185	.073	.077	-.578
200	1024	-.215	.072	-.022	-.683	210	146	-.276	.054	-.149	-.486	210	196	-.236	.074	.165	-.451
200	1025	-.110	.035	.037	-.285	210	147	-.275	.055	-.123	-.510	210	197	-.341	.083	-.011	-.822
200	1026	-.098	.047	.177	-.271	210	148	-.281	.053	-.100	-.543	210	198	-.120	.035	-.002	-.534
200	1027	-.110	.039	.051	-.259	210	149	-.290	.056	-.138	-.614	210	199	-.128	.035	-.011	-.266
200	1028	-.139	.028	-.008	-.228	210	150	-.290	.059	-.081	-.564	210	200	-.153	.040	.020	-.332
210	101	-.244	.045	-.090	-.451	210	151	-.310	.063	-.149	-.667	210	201	-.177	.050	.029	-.393
210	102	-.302	.061	-.132	-.622	210	152	-.294	.051	-.151	-.486	210	202	-.113	.052	.110	-.297

WD	TAP	CPMEAN	CPRMS	CPMAX	CPMIN	WD	TAP	CPMEAN	CPRMS	CPMAX	CPMIN	WD	TAP	CPMEAN	CPRMS	CPMAX	CPMIN
210	203	-.237	.070	-.009	-.576	210	328	-.268	.048	-.135	-.524	210	378	-.350	.080	-.170	-.921
210	204	-.244	.060	-.007	-.580	210	329	-.272	.046	-.144	-.495	210	379	-.366	.089	-.156	-.821
210	205	-.231	.053	-.048	-.459	210	330	-.253	.041	-.126	-.425	210	380	-.371	.090	-.125	-.807
210	206	-.225	.049	-.020	-.521	210	331	-.269	.045	-.141	-.497	210	381	-.347	.081	-.035	-.668
210	207	-.279	.060	-.108	-.644	210	332	-.256	.045	-.119	-.466	210	382	-.288	.099	-.025	-.724
210	208	-.243	.055	-.079	-.697	210	333	-.258	.044	-.137	-.450	210	383	-.294	.099	-.035	-.879
210	209	-.110	.031	-.009	-.251	210	334	-.264	.044	-.146	-.511	210	384	-.350	.093	-.158	-1.024
210	210	-.166	.053	-.011	-.441	210	335	-.266	.043	-.123	-.434	210	385	-.360	.100	-.160	-1.089
210	211	-.020	.061	-.242	-.198	210	336	-.270	.042	-.155	-.488	210	386	-.365	.094	-.128	-1.024
210	212	-.213	.053	-.074	-.501	210	337	-.281	.049	-.162	-.497	210	387	-.329	.087	-.104	-.768
210	213	-.146	.054	-.169	-.314	210	338	-.282	.049	-.114	-.497	210	388	-.280	.080	-.031	-.717
210	214	-.175	.042	.002	-.479	210	339	-.279	.050	-.144	-.578	210	389	-.201	.087	.103	-.663
210	215	-.115	.029	.006	-.236	210	340	-.280	.058	-.110	-.558	210	390	-.204	.087	.056	-.765
210	216	-.115	.027	-.029	-.218	210	341	-.274	.047	-.117	-.493	210	391	-.322	.082	-.074	-.681
210	217	-.128	.032	-.032	-.250	210	342	-.284	.045	-.153	-.515	210	392	-.307	.089	.022	-.859
210	218	-.158	.044	.017	-.348	210	343	-.277	.048	-.162	-.475	210	393	-.310	.075	-.107	-.686
210	219	-.090	.042	.084	-.243	210	344	-.271	.048	-.114	-.448	210	394	-.242	.073	.067	-.536
210	220	-.183	.048	.093	-.494	210	345	-.270	.046	-.150	-.513	210	395	-.242	.073	.084	-.736
210	221	-.210	.064	-.023	-.566	210	346	-.291	.051	-.153	-.531	210	396	-.177	.083	-.043	-.806
210	222	-.206	.070	-.011	-.588	210	347	-.307	.054	-.162	-.619	210	397	-.196	.083	-.107	-.899
210	223	-.126	.055	-.138	-.341	210	348	-.289	.053	-.132	-.538	210	398	-.266	.068	-.075	-.649
210	224	-.173	.049	-.032	-.383	210	349	-.340	.082	-.162	-.891	210	399	-.265	.058	-.105	-.612
210	225	-.149	.049	.024	-.441	210	350	-.322	.066	-.140	-.686	210	400	-.227	.049	-.094	-.510
210	301	-.298	.054	-.157	-.486	210	351	-.292	.060	-.122	-.651	210	401	-.209	.047	-.062	-.397
210	302	-.248	.049	-.088	-.568	210	352	-.293	.056	-.032	-.678	210	402	-.175	.044	.030	-.438
210	303	-.071	.061	-.105	-.351	210	353	-.290	.051	-.149	-.515	210	403	-.128	.032	.012	-.332
210	304	-.335	.070	-.111	-.619	210	354	-.293	.051	-.169	-.508	210	404	-.122	.034	.067	-.373
210	305	-.245	.044	-.115	-.550	210	355	-.308	.059	-.149	-.638	210	405	-.174	.045	-.023	-.342
210	306	-.251	.043	-.115	-.440	210	356	-.298	.055	-.114	-.600	210	406	-.158	.049	.004	-.388
210	307	-.255	.044	-.124	-.435	210	357	-.301	.055	-.125	-.600	210	407	-.183	.052	-.004	-.493
210	308	-.244	.045	-.120	-.597	210	358	-.305	.074	-.125	-.669	210	408	-.267	.055	-.064	-.587
210	309	-.253	.043	-.126	-.493	210	359	-.312	.058	-.111	-.581	210	409	-.163	.033	.008	-.292
210	310	-.254	.045	-.137	-.562	210	360	-.314	.089	-.078	-.944	210	410	-.113	.030	.010	-.229
210	311	-.271	.045	-.118	-.507	210	361	-.337	.065	-.147	-.733	210	411	-.256	.057	-.084	-.543
210	312	-.255	.049	-.099	-.537	210	362	-.287	.062	-.109	-.717	210	412	-.249	.053	-.042	-.508
210	313	-.254	.050	-.128	-.573	210	363	-.293	.061	-.140	-.539	210	413	-.132	.027	-.027	-.241
210	314	-.255	.047	-.133	-.455	210	364	-.300	.057	-.158	-.554	210	414	-.106	.038	.084	-.291
210	315	-.265	.048	-.135	-.517	210	365	-.329	.070	-.175	-.735	210	415	-.093	.038	.107	-.215
210	316	-.260	.045	-.097	-.526	210	366	-.310	.058	-.116	-.626	210	416	-.232	.060	-.033	-.570
210	317	-.254	.042	-.135	-.511	210	367	-.323	.071	-.130	-.705	210	417	-.132	.059	-.353	-.324
210	318	-.295	.078	-.126	-.919	210	368	-.335	.072	-.118	-.651	210	418	-.157	.030	-.024	-.317
210	319	-.257	.053	-.093	-.626	210	369	-.297	.058	-.142	-.591	210	419	-.133	.027	-.022	-.229
210	320	-.269	.050	-.144	-.630	210	370	-.316	.071	-.116	-.705	210	420	-.128	.028	-.001	-.241
210	321	-.278	.045	-.148	-.488	210	371	-.319	.063	-.151	-.649	210	421	-.126	.028	-.004	-.268
210	322	-.245	.052	-.079	-.502	210	372	-.345	.076	-.181	-.789	210	422	-.123	.030	-.008	-.250
210	323	-.254	.054	-.111	-.479	210	373	-.335	.071	-.165	-.670	210	501	-.005	.114	-.385	-.506
210	324	-.278	.072	-.053	-.666	210	374	-.350	.072	-.135	-.644	210	502	-.126	.087	.246	-.565
210	325	-.265	.058	-.117	-.626	210	375	-.338	.083	-.060	-.779	210	503	-.060	.103	.405	-.274
210	326	-.270	.044	-.142	-.522	210	376	-.335	.096	-.095	-1.080	210	504	-.075	.146	.487	-.587
210	327	-.269	.044	-.141	-.549	210	377	-.348	.082	-.156	-.824	210	505	-.056	.173	.603	-.523

WD	TAP	CPMEAN	CPRMS	CPMAX	CPMIN	WD	TAP	CPMEAN	CPRMS	CPMAX	CPMIN	WD	TAP	CPMEAN	CPRMS	CPMAX	CPMIN
210	506	-.140	.047	.152	-.345	210	556	-.339	.088	-.128	-.982	210	606	-.024	.062	.466	-.280
210	507	-.024	.085	.373	-.332	210	557	-.321	.075	-.082	-.627	210	607	-.103	.034	.029	-.222
210	508	.084	.204	.664	-.886	210	558	-.093	.170	-.725	-.630	210	608	-.020	.046	.219	-.201
210	509	.051	.108	.474	-.424	210	559	-.149	.047	.080	-.408	210	609	-.163	.048	-.023	-.530
210	510	.016	.113	.405	-.509	210	560	-.098	.196	.891	-.867	210	610	-.105	.057	.230	-.315
210	511	-.156	.056	.191	-.422	210	561	-.189	.050	.022	-.401	210	611	-.101	.037	.073	-.237
210	512	.169	.243	.941	-.748	210	562	-.122	.197	.812	-1.472	210	612	-.039	.050	.189	-.342
210	513	.114	.125	.568	-.511	210	563	.119	.166	.694	-.636	210	613	-.033	.055	.349	-.484
210	514	-.012	.099	.423	-.319	210	564	.088	.105	.510	-.339	210	614	-.017	.055	.241	-.454
210	515	-.130	.055	.132	-.326	210	565	-.057	.091	.390	-.452	210	615	-.003	.054	.284	-.149
210	516	.004	.116	.512	-.511	210	566	-.011	.068	.470	-.308	210	616	-.065	.050	.187	-.302
210	517	.143	.157	.795	-.388	210	567	-.131	.047	.071	-.331	210	617	-.086	.039	.118	-.208
210	518	.101	.171	.827	-.667	210	568	-.181	.047	.001	-.383	210	618	-.091	.037	.053	-.205
210	519	.127	.121	.530	-.350	210	569	.069	.093	.419	-.245	210	619	-.110	.042	.129	-.300
210	520	-.203	.111	.364	-.772	210	570	.047	.148	.660	-.476	210	620	-.080	.049	.171	-.224
210	521	-.167	.072	.112	-.502	210	571	.088	.138	.642	-.593	210	701	-.073	.087	.292	-.424
210	522	.186	.192	.887	-.594	210	572	.040	.084	.417	-.378	210	702	.036	.106	.420	-.316
210	523	.173	.164	.720	-.607	210	573	-.057	.083	.375	-.149	210	703	-.028	.165	.621	-.406
210	524	.120	.112	.454	-.236	210	574	-.178	.099	.239	-.649	210	704	-.026	.078	.292	-.334
210	525	.071	.105	.469	-.404	210	575	-.140	.050	.089	-.341	210	705	-.097	.065	.174	-.302
210	526	.150	.142	.746	-.270	210	576	-.196	.047	.015	-.390	210	706	-.168	.157	.698	-.504
210	527	-.208	.110	.187	-.690	210	577	-.004	.111	.452	-.471	210	707	-.011	.093	.353	-.219
210	528	-.103	.059	.187	-.405	210	578	-.015	.097	.625	-.579	210	708	-.125	.069	.216	-.402
210	529	-.141	.048	.065	-.374	210	579	-.009	.062	.342	-.317	210	709	-.074	.128	.483	-.491
210	530	.090	.110	.632	-.254	210	580	-.008	.063	.302	-.193	210	710	.100	.133	.677	-.286
210	531	.057	.113	.638	-.335	210	581	-.182	.094	.122	-.621	210	711	-.201	.161	.834	-.351
210	532	.212	.231	.900	-.629	210	582	-.156	.045	.024	-.348	210	712	-.094	.067	.213	-.325
210	533	.178	.205	.747	-.681	210	583	-.207	.049	-.041	-.425	210	713	-.067	.110	.515	-.291
210	534	.112	.116	.483	-.365	210	584	-.048	.063	.246	-.425	210	714	.186	.139	.841	-.187
210	535	.093	.112	.664	-.435	210	585	-.051	.061	.225	-.359	210	715	.287	.166	.909	-.298
210	536	.122	.120	.598	-.211	210	586	-.035	.046	.162	-.331	210	716	.152	.160	.722	-.298
210	537	.142	.134	.663	-.179	210	587	-.054	.058	.213	-.322	210	717	-.235	.177	.978	-.212
210	538	-.170	.108	.250	-.660	210	588	-.164	.064	.064	-.460	210	718	-.121	.078	.164	-.377
210	539	-.112	.050	.119	-.297	210	589	-.169	.040	-.023	-.352	210	719	-.171	.117	.328	-.685
210	540	-.154	.045	.042	-.326	210	590	-.216	.048	-.088	-.485	210	720	-.156	.139	.785	-.331
210	541	.153	.131	.711	-.195	210	591	-.034	.042	.165	-.220	210	721	.138	.152	.686	-.338
210	542	.130	.115	.577	-.502	210	592	-.036	.041	.208	-.199	210	722	-.116	.069	.191	-.338
210	543	.184	.184	.880	-.559	210	593	-.055	.047	.174	-.330	210	723	-.062	.081	.348	-.313
210	544	.169	.173	.794	-.622	210	594	-.044	.049	.171	-.268	210	724	-.120	.147	.508	-.624
210	545	.137	.120	.523	-.468	210	595	-.028	.046	.194	-.418	210	725	.188	.158	.758	-.239
210	546	-.027	.064	.288	-.335	210	596	-.033	.042	.183	-.333	210	726	.094	.111	.600	-.235
210	547	-.145	.047	.076	-.319	210	597	-.129	.047	.031	-.379	210	727	.150	.124	.751	-.140
210	548	-.242	.048	-.069	-.507	210	598	-.143	.034	-.017	-.328	210	728	.211	.154	.794	-.233
210	549	.191	.179	1.053	-.439	210	599	-.198	.042	-.064	-.371	210	729	.241	.164	.920	-.327
210	550	.203	.179	.863	-.268	210	600	-.321	.082	-.063	-.800	210	730	.151	.141	.722	-.265
210	551	.103	.205	1.082	-.743	210	601	-.056	.059	.237	-.262	210	731	-.144	.139	1.059	-.281
210	552	.073	.139	.625	-.481	210	602	-.089	.050	.167	-.291	210	732	-.136	.061	.152	-.350
210	553	.034	.115	.437	-.818	210	603	-.050	.047	.122	-.275	210	733	-.079	.077	.257	-.288
210	554	-.039	.084	.217	-.521	210	604	-.132	.035	-.008	-.268	210	734	-.120	.152	.587	-.675
210	555	-.179	.060	.062	-.472	210	605	-.189	.054	-.046	-.479	210	735	.158	.127	.653	-.242

WD	TAP	CPMEAN	CPRMS	CPMAX	CPMIN	WD	TAP	CPMEAN	CPRMS	CPMAX	CPMIN	WD	TAP	CPMEAN	CPRMS	CPMAX	CPMIN
210	736	.130	.123	.797	-.265	210	786	-.071	.069	.212	-.481	210	914	.116	.110	.523	-.238
210	737	.122	.110	.598	-.142	210	787	.010	.043	.177	-.111	210	915	-.205	.050	.028	-.405
210	738	.150	.115	.678	-.126	210	788	.007	.041	.188	-.196	210	916	-.223	.153	.754	-.182
210	739	.229	.148	.790	-.375	210	789	.002	.045	.217	-.274	210	917	-.239	.098	.045	-.828
210	740	.228	.174	.988	-.381	210	790	-.011	.049	.212	-.347	210	918	-.224	.092	.093	-.556
210	741	.141	.114	.674	-.201	210	791	.019	.047	.295	-.138	210	919	-.094	.099	.477	-.410
210	742	.123	.094	.564	-.108	210	792	.016	.044	.270	-.131	210	920	-.191	.083	.160	-.568
210	743	-.230	.061	.029	-.491	210	793	.016	.047	.311	-.147	210	921	-.328	.071	-.134	-.706
210	744	-.126	.043	.152	-.361	210	794	.022	.047	.275	-.098	210	922	-.283	.051	-.149	-.493
210	745	.002	.090	.459	-.220	210	795	-.055	.059	.191	-.271	210	923	-.274	.058	-.076	-.557
210	746	.142	.109	.719	-.154	210	796	-.020	.066	.282	-.235	210	924	-.287	.103	.376	-.749
210	747	.134	.140	.747	-.340	210	797	-.292	.063	-.146	-.548	210	925	-.269	.046	-.123	-.510
210	748	.168	.143	.863	-.311	210	798	-.150	.049	.079	-.332	210	926	-.246	.097	.122	-.600
210	749	-.316	.082	.132	-.659	210	799	-.098	.047	.118	-.260	210	927	-.256	.042	-.098	-.434
210	750	-.352	.085	-.104	-.730	210	800	-.051	.071	.323	-.287	210	928	-.255	.076	-.060	-.713
210	751	-.200	.089	.277	-.574	210	801	.004	.040	.238	-.138	210	929	-.266	.047	-.138	-.532
210	752	-.085	.108	.438	-.779	210	802	.012	.042	.250	-.121	210	930	-.054	.061	-.182	-.226
210	753	-.007	.112	.587	-.543	210	803	-.002	.040	.195	-.273	210	931	-.301	.055	-.179	-.608
210	754	.036	.107	.469	-.368	210	804	-.009	.040	.150	-.210	210	932	-.124	.076	.184	-.363
210	755	.065	.155	.676	-.565	210	805	-.003	.070	.336	-.223	210	933	-.194	.049	.066	-.416
210	756	.182	.162	.832	-.360	210	806	-.067	.054	.191	-.280	210	934	-.263	.041	-.140	-.453
210	757	.210	.170	.828	-.623	210	807	-.047	.048	.159	-.221	210	935	-.254	.039	-.160	-.442
210	758	-.144	.068	.150	-.420	210	808	-.199	.046	-.037	-.405	210	936	-.303	.034	-.211	-.431
210	759	.016	.128	.493	-.605	210	809	-.115	.040	.063	-.371	210	937	-.264	.044	-.125	-.497
210	760	-.166	.067	.224	-.443	210	810	.015	.050	.380	-.103	210	938	-.283	.047	-.160	-.526
210	761	.080	.127	.808	-.456	210	811	.022	.045	.248	-.116	210	939	-.302	.051	-.180	-.618
210	762	-.178	.062	.155	-.416	210	812	-.012	.039	.177	-.255	210	940	-.312	.040	-.205	-.475
210	763	-.119	.070	.293	-.316	210	813	-.046	.049	.193	-.241	210	941	-.022	.032	.174	-.050
210	764	-.025	.075	.400	-.313	210	814	-.006	.058	.245	-.280	210	942	-.347	.074	-.185	-.705
210	765	.037	.070	.527	-.151	210	815	-.156	.049	.145	-.410	210	943	-.387	.105	-.088	-.947
210	766	.043	.063	.398	-.198	210	816	-.100	.039	.107	-.241	210	944	-.282	.064	-.094	-.654
210	767	.081	.085	.523	-.276	210	817	-.073	.038	.145	-.180	210	945	-.042	.043	.121	-.399
210	768	.060	.130	.681	-.778	210	818	-.044	.053	.207	-.235	210	946	-.319	.071	-.150	-.652
210	769	.035	.065	.394	-.238	210	819	.026	.044	.327	-.073	210	947	-.324	.072	-.090	-1.182
210	770	-.191	.059	.042	-.415	210	820	.017	.041	.275	-.100	210	948	-.293	.072	-.030	-.658
210	771	-.126	.062	.288	-.323	210	821	.009	.033	.168	-.097	210	949	-.343	.088	-.039	-.847
210	772	-.154	.131	.344	-.797	210	822	-.002	.031	.148	-.088	210	950	-.030	.044	-.199	-.181
210	773	.036	.056	.351	-.335	210	901	.203	.106	.535	-.031	210	951	-.309	.107	-.017	-.858
210	774	.020	.059	.493	-.212	210	902	.178	.152	.814	-.289	210	952	-.212	.069	.028	-.605
210	775	.043	.073	.441	-.505	210	903	.130	.110	.743	-.120	210	953	-.217	.079	.030	-.645
210	776	.022	.101	.424	-.441	210	904	-.038	.072	.291	-.231	210	954	-.207	.068	.041	-.583
210	777	-.194	.055	.007	-.441	210	905	-.306	.039	-.186	-.454	210	955	-.191	.074	-.048	-.532
210	778	-.131	.052	.127	-.340	210	906	.069	.090	.428	-.273	210	956	-.339	.082	-.157	-.712
210	779	-.105	.095	.257	-.788	210	907	.113	.108	.543	-.415	210	957	-.313	.090	-.017	-.765
210	780	.017	.046	.278	-.137	210	908	-.213	.104	.131	-.605	210	958	-.252	.077	.032	-.714
210	781	.006	.048	.229	-.182	210	909	-.113	.079	.197	-.340	210	959	-.186	.057	.028	-.536
210	782	.018	.060	.278	-.321	210	910	.180	.170	.736	-.652	210	960	-.390	.137	.028	-1.460
210	783	.008	.073	.330	-.578	210	911	-.274	.052	-.125	-.521	210	961	-.398	.142	-.103	-1.426
210	784	-.169	.051	.028	-.413	210	912	.230	.162	.891	-.306	210	962	-.147	.115	-.247	-.571
210	785	-.109	.048	.108	-.333	210	913	-.250	.131	.464	-.698	210	963	-.362	.105	-.084	-1.152

WD	TAP	CPMEAN	CPRMS	CPMAX	CPMIN	WD	TAP	CPMEAN	CPRMS	CPMAX	CPMIN	WD	TAP	CPMEAN	CPRMS	CPMAX	CPMIN
210	964	-.337	.101	-.146	-1.100	220	115	-.263	.058	-.108	-.637	220	165	-.326	.077	-.151	-.702
210	965	-.239	.131	-.223	-.714	220	116	-.257	.049	-.128	-.567	220	166	-.289	.062	-.114	-.548
210	966	-.433	.129	-.154	-1.138	220	117	-.252	.047	-.119	-.498	220	167	-.321	.119	-.114	-1.243
210	967	-.140	.048	-.045	-.442	220	118	-.269	.052	-.150	-.684	220	168	-.302	.093	-.090	-1.029
210	968	-.239	.061	-.040	-.522	220	119	-.271	.047	-.146	-.520	220	169	-.295	.061	-.135	-.635
210	969	-.275	.069	-.082	-.644	220	120	-.261	.061	-.022	-.527	220	170	-.334	.094	-.102	-.860
210	970	-.232	.070	-.004	-.677	220	121	-.342	.100	-.123	-.884	220	171	-.338	.081	-.142	-.780
210	971	-.169	.072	.022	-.787	220	122	-.265	.060	-.123	-.760	220	172	-.332	.072	-.142	-.724
210	1001	.040	.065	.400	-.150	220	123	-.257	.048	-.139	-.567	220	173	-.347	.076	-.158	-.788
210	1002	.019	.049	.355	-.103	220	124	-.268	.054	-.143	-.538	220	174	-.342	.081	-.177	-.780
210	1003	-.045	.143	-.527	-.701	220	125	-.271	.054	-.121	-.518	220	175	-.308	.067	-.144	-.635
210	1004	-.264	.059	-.100	-.556	220	126	-.265	.063	-.094	-.594	220	176	-.312	.068	-.125	-.635
210	1005	-.111	.117	.461	-.286	220	127	-.285	.079	-.062	-.770	220	177	-.250	.085	-.041	-.795
210	1006	-.224	.056	-.040	-.608	220	128	-.262	.058	-.094	-.562	220	178	-.256	.073	-.013	-.715
210	1007	-.034	.042	.217	-.256	220	129	-.249	.053	-.087	-.503	220	179	-.311	.075	-.078	-.658
210	1008	-.306	.068	.003	-.806	220	130	-.254	.043	-.132	-.459	220	180	-.363	.080	-.161	-.891
210	1009	-.048	.085	.363	-.239	220	131	-.262	.048	-.123	-.514	220	181	-.359	.080	-.165	-.804
210	1010	-.282	.064	-.061	-.609	220	132	-.295	.072	-.130	-.884	220	182	-.331	.076	-.156	-.661
210	1011	-.034	.040	.177	-.174	220	133	-.270	.060	-.135	-.661	220	183	-.332	.070	-.158	-.762
210	1012	-.256	.087	-.245	-.672	220	134	-.279	.052	-.146	-.507	220	184	-.193	.077	.065	-.633
210	1013	-.249	.065	-.053	-.559	220	135	-.277	.053	-.139	-.530	220	185	-.184	.070	.067	-.501
210	1014	-.272	.049	-.131	-.506	220	136	-.262	.048	-.121	-.564	220	186	-.239	.087	.140	-.604
210	1015	-.263	.057	-.105	-.578	220	137	-.263	.049	-.114	-.473	220	187	-.337	.085	-.083	-.757
210	1016	-.279	.051	-.153	-.585	220	138	-.263	.051	-.112	-.487	220	188	-.364	.091	-.146	-.945
210	1017	-.330	.079	-.108	-.670	220	139	-.253	.049	-.101	-.455	220	189	-.351	.095	-.149	-1.076
210	1018	-.339	.076	-.134	-.787	220	140	-.250	.048	-.105	-.580	220	190	-.345	.104	-.123	-1.222
210	1019	-.304	.087	-.076	-.729	220	141	-.272	.048	-.137	-.523	220	191	-.262	.085	.108	-.756
210	1020	-.295	.057	-.141	-.540	220	142	-.274	.048	-.130	-.464	220	192	-.320	.088	.076	-.852
210	1021	-.005	.052	.271	-.143	220	143	-.290	.060	-.121	-.580	220	193	-.346	.083	-.112	-.724
210	1022	-.107	.045	.038	-.265	220	144	-.296	.041	-.151	-.718	220	194	-.176	.079	.074	-.747
210	1023	-.145	.051	.036	-.493	220	145	-.289	.052	-.148	-.496	220	195	-.171	.073	.063	-.630
210	1024	-.217	.077	-.021	-.867	220	146	-.268	.050	-.132	-.462	220	196	-.234	.085	.238	-.612
210	1025	-.122	.042	.125	-.366	220	147	-.276	.055	-.130	-.566	220	197	-.344	.085	-.069	-.771
210	1026	-.106	.054	.158	-.357	220	148	-.273	.058	-.119	-.584	220	198	-.115	.040	.034	-.280
210	1027	-.107	.043	.174	-.242	220	149	-.286	.056	-.133	-.540	220	199	-.126	.041	.009	-.437
210	1028	-.132	.029	-.009	-.254	220	150	-.274	.049	-.131	-.500	220	200	-.159	.049	.002	-.372
220	101	-.243	.047	-.081	-.446	220	151	-.305	.064	-.175	-.633	220	201	-.204	.058	-.009	-.543
220	102	-.313	.064	-.117	-.606	220	152	-.285	.052	-.149	-.573	220	202	-.116	.061	.153	-.383
220	103	-.357	.083	-.161	-.702	220	153	-.284	.058	-.140	-.558	220	203	-.224	.074	.031	-.662
220	104	-.120	.055	-.130	-.332	220	154	-.283	.056	-.124	-.567	220	204	-.254	.064	-.090	-.570
220	105	-.260	.053	-.114	-.641	220	155	-.304	.075	-.115	-.887	220	205	-.242	.060	-.054	-.583
220	106	-.246	.045	-.101	-.427	220	156	-.304	.074	-.055	-.584	220	206	-.208	.073	.114	-.588
220	107	-.250	.046	-.110	-.473	220	157	-.364	.097	-.118	-1.071	220	207	-.284	.066	-.130	-.644
220	108	-.263	.051	-.128	-.511	220	158	-.305	.059	-.138	-.653	220	208	-.236	.057	-.090	-.713
220	109	-.259	.052	-.112	-.523	220	159	-.333	.112	-.075	-.987	220	209	-.105	.034	.029	-.209
220	110	-.261	.052	-.135	-.567	220	160	-.309	.062	-.122	-.671	220	210	-.206	.062	.036	-.630
220	111	-.267	.059	-.108	-.693	220	161	-.339	.134	-.089	-1.287	220	211	-.032	.084	.433	-.203
220	112	-.262	.055	-.130	-.671	220	162	-.326	.080	-.142	-.902	220	212	-.228	.062	-.051	-.820
220	113	-.255	.049	-.119	-.509	220	163	-.316	.070	-.138	-.738	220	213	-.126	.066	.204	-.366
220	114	-.263	.058	-.117	-.516	220	164	-.320	.069	-.138	-.662	220	214	-.167	.050	.013	-.625

WD	TAP	CPMEAN	CPRMS	CPMAX	CPMIN	WD	TAP	CPMEAN	CPRMS	CPMAX	CPMIN	WD	TAP	CPMEAN	CPRMS	CPMAX	CPMIN
220	215	-.112	.031	-.006	-.221	220	340	-.262	.047	-.113	-.482	220	390	-.204	.087	-.040	-.835
220	216	-.112	.030	-.005	-.235	220	341	-.253	.040	-.129	-.408	220	391	-.299	.071	-.094	-.648
220	217	-.133	.034	-.006	-.264	220	342	-.259	.043	-.158	-.477	220	392	-.293	.075	-.058	-.782
220	218	-.189	.049	-.030	-.366	220	343	-.240	.045	-.138	-.473	220	393	-.288	.045	-.085	-.596
220	219	-.084	.050	.190	-.249	220	344	-.251	.044	-.102	-.435	220	394	-.224	.062	-.056	-.531
220	220	-.176	.077	.095	-.491	220	345	-.264	.043	-.138	-.486	220	395	-.190	.077	-.076	-.775
220	221	-.221	.077	.011	-.780	220	346	-.270	.044	-.164	-.437	220	396	-.191	.084	-.058	-.613
220	222	-.219	.077	.011	-.904	220	347	-.279	.046	-.191	-.578	220	397	-.271	.065	-.128	-.712
220	223	-.101	.067	.304	-.371	220	348	-.277	.045	-.140	-.424	220	398	-.270	.063	-.095	-.613
220	224	-.164	.063	.072	-.525	220	349	-.301	.068	-.134	-.634	220	399	-.263	.052	-.078	-.500
220	225	-.131	.058	.204	-.480	220	350	-.294	.059	-.113	-.529	220	400	-.228	.052	-.084	-.615
220	301	-.279	.055	-.117	-.504	220	351	-.272	.056	-.126	-.621	220	401	-.195	.046	-.047	-.411
220	302	-.248	.050	-.095	-.484	220	352	-.276	.047	-.150	-.476	220	402	-.171	.048	-.007	-.431
220	303	-.148	.082	-.044	-.488	220	353	-.274	.044	-.156	-.511	220	403	-.123	.039	-.022	-.431
220	304	-.316	.064	-.130	-.610	220	354	-.273	.042	-.148	-.452	220	404	-.116	.034	-.018	-.322
220	305	-.231	.041	-.114	-.409	220	355	-.278	.047	-.141	-.454	220	405	-.214	.057	-.029	-.535
220	306	-.236	.042	-.116	-.396	220	356	-.270	.052	-.126	-.643	220	406	-.186	.055	-.022	-.469
220	307	-.238	.041	-.117	-.395	220	357	-.270	.048	-.106	-.507	220	407	-.197	.049	-.075	-.564
220	308	-.237	.042	-.120	-.432	220	358	-.265	.051	-.097	-.516	220	408	-.269	.058	-.101	-.665
220	309	-.245	.044	-.122	-.473	220	359	-.296	.052	-.132	-.568	220	409	-.159	.032	-.067	-.302
220	310	-.245	.042	-.091	-.486	220	360	-.278	.065	-.106	-.728	220	410	-.108	.031	-.011	-.215
220	311	-.254	.045	-.109	-.513	220	361	-.294	.052	-.104	-.540	220	411	-.254	.056	-.051	-.631
220	312	-.245	.043	-.108	-.413	220	362	-.267	.051	-.097	-.693	220	412	-.256	.058	-.045	-.629
220	313	-.247	.044	-.122	-.453	220	363	-.270	.050	-.130	-.498	220	413	-.120	.029	-.020	-.247
220	314	-.246	.041	-.137	-.431	220	364	-.287	.052	-.145	-.529	220	414	-.132	.039	-.032	-.271
220	315	-.248	.043	-.137	-.477	220	365	-.295	.058	-.165	-.621	220	415	-.123	.039	-.044	-.257
220	316	-.242	.043	-.130	-.466	220	366	-.284	.053	-.128	-.530	220	416	-.242	.063	-.045	-.675
220	317	-.242	.038	-.135	-.426	220	367	-.285	.051	-.131	-.570	220	417	-.136	.053	-.117	-.367
220	318	-.271	.065	-.111	-.700	220	368	-.292	.060	-.117	-.586	220	418	-.152	.030	-.027	-.294
220	319	-.259	.050	-.115	-.627	220	369	-.275	.049	-.142	-.475	220	419	-.124	.029	-.015	-.212
220	320	-.263	.047	-.155	-.722	220	370	-.287	.054	-.126	-.563	220	420	-.119	.028	-.003	-.219
220	321	-.281	.041	-.144	-.475	220	371	-.281	.055	-.135	-.607	220	421	-.125	.030	-.005	-.286
220	322	-.243	.045	-.100	-.486	220	372	-.311	.062	-.154	-.718	220	422	-.122	.029	-.009	-.270
220	323	-.247	.049	-.124	-.508	220	373	-.299	.058	-.168	-.565	220	501	-.192	.125	.278	-.759
220	324	-.267	.068	-.075	-.859	220	374	-.302	.063	-.101	-.563	220	502	-.246	.112	.050	-.716
220	325	-.244	.047	-.126	-.477	220	375	-.283	.060	-.119	-.660	220	503	.046	.104	.365	-.331
220	326	-.258	.043	-.146	-.495	220	376	-.288	.067	-.085	-.644	220	504	-.280	.139	.226	-.862
220	327	-.255	.041	-.133	-.462	220	377	-.316	.064	-.133	-.611	220	505	-.213	.177	.428	-.920
220	328	-.259	.043	-.050	-.451	220	378	-.310	.062	-.149	-.660	220	506	-.175	.044	-.009	-.375
220	329	-.256	.044	-.120	-.477	220	379	-.332	.073	-.158	-.658	220	507	-.115	.095	.206	-.515
220	330	-.245	.040	-.138	-.417	220	380	-.317	.068	-.161	-.653	220	508	-.215	.243	.630	-1.009
220	331	-.254	.041	-.138	-.424	220	381	-.301	.068	-.078	-.628	220	509	-.076	.118	.307	-.700
220	332	-.238	.040	-.129	-.439	220	382	-.239	.068	-.031	-.607	220	510	-.092	.099	.208	-.596
220	333	-.244	.042	-.111	-.399	220	383	-.245	.078	-.043	-.683	220	511	-.187	.048	.020	-.437
220	334	-.249	.042	-.122	-.448	220	384	-.326	.085	-.156	-.960	220	512	-.177	.219	.602	-.898
220	335	-.248	.041	-.115	-.401	220	385	-.317	.076	-.163	-.866	220	513	-.047	.150	.352	-.930
220	336	-.256	.043	-.124	-.489	220	386	-.323	.076	-.147	-.727	220	514	-.107	.083	.239	-.556
220	337	-.261	.044	-.138	-.482	220	387	-.311	.071	-.126	-.658	220	515	-.181	.049	-.026	-.398
220	338	-.265	.040	-.151	-.437	220	388	-.250	.072	-.049	-.581	220	516	-.125	.099	.320	-.596
220	339	-.262	.042	-.138	-.469	220	389	-.198	.080	-.061	-.792	220	517	-.029	.123	.602	-.540

WD	TAP	CPMEAN	CPRMS	CPMAX	CPMIN	WD	TAP	CPMEAN	CPRMS	CPMAX	CPMIN	WD	TAP	CPMEAN	CPRMS	CPMAX	CPMIN
220	518	-.182	.214	.537	-1.092	220	568	-.194	.045	-.008	-.415	220	618	-.125	.038	.054	-.291
220	519	-.023	.116	.465	-.673	220	569	-.012	.083	-.315	-.664	220	619	-.143	.044	-.018	-.343
220	520	-.183	.091	.174	-.700	220	570	-.112	.177	.477	-.749	220	620	-.095	.040	.079	-.237
220	521	-.191	.064	.129	-.470	220	571	-.103	.195	.506	-.829	220	701	-.015	.100	.427	-.443
220	522	-.152	.237	.548	-1.006	220	572	-.039	.099	.348	-.763	220	702	.049	.109	.416	-.294
220	523	-.034	.192	.564	-.997	220	573	.002	.080	.411	-.391	220	703	.183	.161	.728	-.352
220	524	-.046	.117	.347	-.696	220	574	-.189	.095	.164	-.798	220	704	-.035	.105	.474	-.239
220	525	-.089	.110	.338	-.743	220	575	-.145	.050	.082	-.405	220	705	-.061	.078	.274	-.287
220	526	-.088	.149	.631	-.297	220	576	-.205	.048	.018	-.401	220	706	.102	.136	.587	-.210
220	527	-.255	.103	.221	-.775	220	577	-.124	.120	.331	-.671	220	707	.039	.102	.392	-.235
220	528	-.144	.051	.132	-.338	220	578	-.133	.116	.341	-.652	220	708	-.101	.087	.207	-.462
220	529	-.174	.045	.002	-.436	220	579	-.062	.090	.240	-.579	220	709	.099	.149	.574	-.469
220	530	-.061	.099	.385	-.650	220	580	-.043	.067	.277	-.316	220	710	.139	.152	.689	-.348
220	531	-.060	.111	.636	-.479	220	581	-.167	.080	.216	-.575	220	711	.147	.177	.770	-.497
220	532	-.169	.227	.750	-.960	220	582	-.170	.048	.032	-.396	220	712	-.028	.085	.294	-.300
220	533	-.135	.221	.718	-.778	220	583	-.206	.046	-.052	-.509	220	713	.130	.131	.706	-.246
220	534	-.050	.151	.401	-.880	220	584	-.116	.072	.169	-.638	220	714	.238	.162	1.010	-.161
220	535	-.067	.128	.367	-.871	220	585	-.110	.074	.256	-.455	220	715	.262	.175	.891	-.140
220	536	-.033	.124	.472	-.645	220	586	-.083	.076	.211	-.627	220	716	.164	.176	.830	-.450
220	537	-.054	.127	.551	-.456	220	587	-.090	.064	.221	-.419	220	717	.242	.164	.826	-.183
220	538	-.192	.106	.492	-.618	220	588	-.157	.063	.094	-.452	220	718	-.059	.094	.286	-.374
220	539	-.149	.047	.163	-.310	220	589	-.172	.042	.009	-.358	220	719	-.134	.139	.424	-.769
220	540	-.177	.042	-.005	-.345	220	590	-.216	.046	-.050	-.497	220	720	.170	.178	.811	-.361
220	541	-.015	.124	.481	-.493	220	591	-.056	.053	.126	-.339	220	721	.122	.154	.763	-.246
220	542	-.026	.116	.378	-.586	220	592	-.055	.051	.328	-.316	220	722	-.045	.081	.403	-.313
220	543	-.141	.215	.645	-1.085	220	593	-.088	.063	.126	-.478	220	723	.015	.094	.335	-.309
220	544	-.123	.192	.547	-.951	220	594	-.079	.061	.140	-.459	220	724	.033	.151	.574	-.563
220	545	-.051	.146	.492	-.639	220	595	-.072	.066	.178	-.651	220	725	.199	.158	.808	-.179
220	546	-.093	.064	.255	-.459	220	596	-.046	.049	.196	-.316	220	726	.157	.134	.689	-.198
220	547	-.171	.049	.036	-.365	220	597	-.127	.047	.051	-.325	220	727	.199	.148	.874	-.246
220	548	-.246	.047	-.064	-.417	220	598	-.152	.037	.001	-.308	220	728	.248	.167	.880	-.266
220	549	.021	.162	.711	-.703	220	599	-.197	.043	-.065	-.439	220	729	.247	.171	1.030	-.154
220	550	.023	.163	.782	-.674	220	600	-.292	.074	.034	-.607	220	730	.254	.169	.872	-.174
220	551	-.221	.260	.690	-1.322	220	601	-.080	.055	.216	-.273	220	731	.231	.164	.830	-.250
220	552	-.074	.141	.429	-.944	220	602	-.121	.042	.043	-.340	220	732	-.060	.074	.217	-.294
220	553	-.085	.109	.337	-.651	220	603	-.079	.073	.180	-.649	220	733	.021	.092	.367	-.231
220	554	-.112	.088	-.185	-.698	220	604	-.152	.041	-.023	-.306	220	734	.068	.159	.630	-.597
220	555	-.215	.062	-.034	-.605	220	605	-.207	.047	-.083	-.469	220	735	.229	.141	.874	-.198
220	556	-.311	.068	-.146	-.678	220	606	-.065	.059	.248	-.299	220	736	.245	.153	.926	-.187
220	557	-.302	.062	-.032	-.566	220	607	-.119	.035	.083	-.283	220	737	.206	.130	.779	-.088
220	558	-.199	.209	.438	-1.085	220	608	-.039	.054	.250	-.394	220	738	.238	.145	.896	-.114
220	559	-.183	.050	.037	-.562	220	609	-.186	.047	-.017	-.430	220	739	.250	.160	1.041	-.141
220	560	-.201	.275	.559	-1.624	220	610	-.142	.059	.128	-.421	220	740	.204	.148	.872	-.171
220	561	-.209	.047	-.041	-.392	220	611	-.113	.036	.054	-.230	220	741	.250	.150	1.012	-.077
220	562	-.244	.322	.610	-2.371	220	612	-.064	.072	.209	-.678	220	742	.220	.140	.777	-.114
220	563	-.115	.226	.503	-1.305	220	613	-.063	.073	.234	-.512	220	743	-.170	.062	.072	-.393
220	564	-.045	.111	.418	-.657	220	614	-.038	.063	.360	-.491	220	744	-.039	.079	.283	-.268
220	565	-.040	.085	.268	-.857	220	615	-.019	.052	.246	-.304	220	745	.137	.123	.705	-.187
220	566	-.083	.072	.218	-.514	220	616	-.111	.051	.113	-.320	220	746	.206	.139	.687	-.103
220	567	-.151	.048	.061	-.349	220	617	-.111	.041	.083	-.266	220	747	.183	.147	1.060	-.196

WD	TAP	CPMEAN	CPRMS	CPMAX	CPMIN	WD	TAP	CPMEAN	CPRMS	CPMAX	CPMIN	WD	TAP	CPMEAN	CPRMS	CPMAX	CPMIN
220	748	.121	.126	.623	-.310	220	798	-.141	.048	.058	-.385	220	926	-.258	.080	.137	-.599
220	749	-.291	.096	.261	-.902	220	799	-.087	.053	.241	-.280	220	927	-.254	.044	-.130	-.414
220	750	-.350	.090	-.078	-.807	220	800	-.039	.072	.319	-.277	220	928	-.257	.071	-.024	-.694
220	751	-.101	.098	.255	-.470	220	801	-.066	.070	.400	-.095	220	929	-.264	.047	-.151	-.612
220	752	.066	.138	.605	-.434	220	802	.037	.057	.374	-.136	220	930	-.106	.059	.163	-.309
220	753	.124	.151	.645	-.423	220	803	-.012	.048	.275	-.181	220	931	-.294	.051	-.160	-.511
220	754	.136	.142	.813	-.554	220	804	-.010	.048	.205	-.207	220	932	-.148	.072	.170	-.338
220	755	.135	.150	.884	-.498	220	805	.020	.082	.458	-.207	220	933	-.208	.043	-.035	-.390
220	756	.046	.158	.633	-.646	220	806	-.061	.065	.211	-.305	220	934	-.259	.041	-.140	-.424
220	757	.095	.168	.836	-.580	220	807	-.029	.058	.337	-.241	220	935	-.264	.040	-.162	-.422
220	758	-.043	.083	.283	-.380	220	808	-.185	.049	.068	-.367	220	936	-.283	.036	-.180	-.430
220	759	.136	.123	.673	-.305	220	809	-.105	.044	.131	-.268	220	937	-.253	.041	-.132	-.441
220	760	-.102	.070	.171	-.391	220	810	.039	.059	.376	-.090	220	938	-.266	.041	-.165	-.430
220	761	.085	.109	.596	-.316	220	811	-.051	.067	.385	-.092	220	939	-.274	.044	-.167	-.483
220	762	-.112	.074	.279	-.380	220	812	-.005	.043	.403	-.248	220	940	-.308	.044	-.218	-.458
220	763	-.033	.086	.399	-.294	220	813	-.021	.064	.333	-.218	220	941	-.039	.042	.302	-.037
220	764	.092	.112	.485	-.209	220	814	-.019	.077	.458	-.298	220	942	-.351	.082	-.144	-.712
220	765	.122	.113	.603	-.209	220	815	-.137	.054	.125	-.319	220	943	-.377	.110	.030	-.806
220	766	.136	.105	.662	-.127	220	816	-.076	.048	.159	-.211	220	944	-.245	.063	.036	-.612
220	767	.107	.087	.573	-.150	220	817	-.046	.050	.218	-.168	220	945	-.050	.047	.121	-.334
220	768	.060	.095	.528	-.527	220	818	-.019	.066	.385	-.266	220	946	-.315	.068	-.124	-.574
220	769	.108	.099	.644	-.152	220	819	.054	.062	.426	-.099	220	947	-.327	.068	-.120	-.661
220	770	-.124	.063	.110	-.329	220	820	.049	.060	.390	-.161	220	948	-.291	.075	-.055	-.750
220	771	-.054	.078	.280	-.327	220	821	.022	.042	.208	-.102	220	949	-.342	.092	-.071	-.944
220	772	.031	.127	.639	-.636	220	822	.005	.034	.179	-.149	220	950	-.042	.052	.262	-.271
220	773	.112	.100	.787	-.122	220	901	.102	.094	.458	-.124	220	951	-.290	.090	.025	-.860
220	774	.074	.078	.492	-.277	220	902	.219	.148	.841	-.185	220	952	-.237	.075	.007	-.679
220	775	.038	.058	.298	-.407	220	903	.224	.140	.766	-.065	220	953	-.239	.087	-.028	-.764
220	776	.010	.068	.362	-.304	220	904	.060	.094	.409	-.166	220	954	-.180	.068	.061	-.536
220	777	-.135	.067	.155	-.391	220	905	-.287	.039	-.176	-.410	220	955	-.188	.072	.079	-.548
220	778	-.061	.077	.337	-.298	220	906	-.015	.089	.342	-.370	220	956	-.303	.072	-.146	-.686
220	779	.018	.101	.532	-.454	220	907	.011	.157	.498	-.461	220	957	-.294	.075	-.073	-.657
220	780	.078	.077	.546	-.127	220	908	-.201	.102	.274	-.604	220	958	-.220	.063	.021	-.532
220	781	.048	.068	.416	-.229	220	909	-.133	.068	.238	-.312	220	959	-.177	.052	.132	-.396
220	782	.011	.053	.273	-.225	220	910	-.091	.179	.565	-.712	220	960	-.326	.100	-.071	-1.192
220	783	-.016	.059	.264	-.423	220	911	-.278	.054	-.147	-.531	220	961	-.308	.083	-.129	-.873
220	784	-.135	.062	.153	-.386	220	912	-.265	.207	1.082	-.611	220	962	-.192	.093	.200	-.529
220	785	-.067	.062	.257	-.282	220	913	-.222	.182	.632	-.856	220	963	-.355	.116	-.127	-1.451
220	786	.016	.083	.607	-.247	220	914	-.090	.112	.533	-.215	220	964	-.325	.090	-.142	-1.088
220	787	.065	.069	.394	-.143	220	915	-.148	.058	.139	-.380	220	965	-.271	.101	.130	-.719
220	788	.046	.062	.339	-.209	220	916	.100	.144	.624	-.554	220	966	-.352	.115	-.106	-1.027
220	789	.010	.046	.214	-.218	220	917	-.212	.104	.123	-.962	220	967	-.131	.054	.088	-.464
220	790	-.020	.044	.160	-.222	220	918	-.299	.085	.030	-.697	220	968	-.262	.067	-.070	-.855
220	791	.031	.058	.378	-.133	220	919	-.007	.104	.418	-.716	220	969	-.285	.080	-.065	-.839
220	792	.032	.058	.457	-.169	220	920	-.207	.083	.067	-.618	220	970	-.237	.101	.053	-1.056
220	793	.048	.067	.525	-.131	220	921	-.323	.070	-.139	-.666	220	971	-.167	.081	.065	-.650
220	794	.043	.065	.369	-.106	220	922	-.277	.052	-.129	-.571	220	1001	-.089	.095	.612	-.159
220	795	-.030	.067	.280	-.312	220	923	-.269	.056	-.103	-.503	220	1002	-.035	.058	.345	-.091
220	796	.001	.077	.392	-.266	220	924	-.255	.088	-.193	-.679	220	1003	-.161	.152	.403	-.824
220	797	-.288	.068	.093	-.648	220	925	-.270	.050	-.135	-.498	220	1004	-.266	.067	-.058	-.554

WD	TAP	CPMEAN	CPRMS	CPMAX	CPMIN	WD	TAP	CPMEAN	CPRMS	CPMAX	CPMIN	WD	TAP	CPMEAN	CPRMS	CPMAX	CPMIN
220	1005	.008	.130	.474	-.506	230	127	-.277	.076	-.102	-.705	230	177	-.284	.100	.003	-.844
220	1006	-.231	.067	-.004	-.533	230	128	-.256	.058	-.079	-.572	230	178	-.278	.087	.000	-.788
220	1007	-.064	.046	-.124	-.265	230	129	-.249	.057	-.075	-.471	230	179	-.334	.083	-.058	-.784
220	1008	-.316	.067	-.084	-.664	230	130	-.254	.050	-.104	-.617	230	180	-.354	.085	-.175	-.751
220	1009	-.016	.089	-.386	-.440	230	131	-.266	.051	-.115	-.500	230	181	-.371	.094	-.130	-.933
220	1010	-.297	.063	-.124	-.681	230	132	-.291	.080	-.106	-1.039	230	182	-.349	.085	-.161	-.784
220	1011	-.044	.049	.265	-.282	230	133	-.282	.068	-.115	-.777	230	183	-.338	.081	-.149	-.809
220	1012	-.248	.086	.164	-.610	230	134	-.268	.058	-.099	-.629	230	184	-.199	.093	.084	-.872
220	1013	-.243	.061	-.054	-.562	230	135	-.287	.067	-.111	-.647	230	185	-.192	.079	.152	-.669
220	1014	-.261	.047	-.140	-.540	230	136	-.266	.056	-.090	-.534	230	186	-.247	.085	.140	-.681
220	1015	-.250	.049	-.117	-.538	230	137	-.261	.059	-.095	-.543	230	187	-.349	.092	-.044	-.910
220	1016	-.266	.045	-.159	-.498	230	138	-.264	.059	-.111	-.611	230	188	-.353	.092	-.144	-.956
220	1017	-.292	.068	-.067	-.593	230	139	-.255	.056	-.084	-.561	230	189	-.347	.097	-.144	-.984
220	1018	-.297	.068	-.112	-.676	230	140	-.253	.050	-.113	-.455	230	190	-.344	.100	-.091	-1.045
220	1019	-.289	.085	-.044	-.756	230	141	-.269	.054	-.081	-.543	230	191	-.289	.091	.088	-.778
220	1020	-.266	.049	-.107	-.445	230	142	-.284	.059	-.093	-.742	230	192	-.331	.094	.007	-.885
220	1021	-.019	.050	.232	-.296	230	143	-.299	.074	-.138	-.940	230	193	-.330	.083	-.122	-.805
220	1022	-.125	.043	-.047	-.284	230	144	-.303	.073	-.126	-.782	230	194	-.170	.078	.092	-.634
220	1023	-.163	.059	-.018	-.534	230	145	-.288	.067	-.106	-.768	230	195	-.170	.073	.214	-.749
220	1024	-.246	.085	-.067	-.751	230	146	-.275	.060	-.041	-.568	230	196	-.229	.089	.134	-.540
220	1025	-.155	.047	-.025	-.405	230	147	-.267	.060	-.097	-.669	230	197	-.341	.092	.039	-.845
220	1026	-.144	.055	.110	-.353	230	148	-.277	.062	-.088	-.712	230	198	-.121	.041	.039	-.338
220	1027	-.118	.043	-.088	-.273	230	149	-.292	.068	-.107	-.747	230	199	-.131	.044	.005	-.393
230	1028	-.122	.027	-.004	-.230	230	150	-.273	.052	-.121	-.513	230	200	-.171	.055	-.004	-.674
230	101	-.256	.052	-.111	-.538	230	151	-.307	.079	-.063	-.734	230	201	-.229	.061	.027	-.551
230	102	-.314	.063	-.148	-.645	230	152	-.288	.063	-.046	-.681	230	202	-.110	.067	.177	-.364
230	103	-.381	.090	-.162	-.734	230	153	-.286	.067	-.103	-.639	230	203	-.221	.079	-.021	-.565
230	104	-.154	.054	-.030	-.373	230	154	-.287	.061	-.087	-.688	230	204	-.249	.066	-.057	-.534
230	105	-.265	.056	-.112	-.704	230	155	-.305	.078	-.068	-.793	230	205	-.248	.064	-.055	-.603
230	106	-.254	.052	-.079	-.517	230	156	-.318	.078	-.074	-.621	230	206	-.197	.080	.061	-.627
230	107	-.269	.053	-.122	-.536	230	157	-.380	.107	-.057	-1.008	230	207	-.277	.074	-.113	-.850
230	108	-.282	.063	-.077	-.717	230	158	-.310	.067	-.134	-.674	230	208	-.228	.064	-.050	-.810
230	109	-.282	.070	-.073	-.765	230	159	-.330	.124	-.072	-1.030	230	209	-.108	.034	-.016	-.246
230	110	-.295	.083	-.084	-.919	230	160	-.319	.074	-.098	-.721	230	210	-.242	.068	-.032	-.626
230	111	-.282	.070	-.119	-.746	230	161	-.318	.143	-.065	-1.747	230	211	-.075	.087	.495	-.158
230	112	-.270	.066	-.070	-.721	230	162	-.337	.090	-.059	-.793	230	212	-.227	.063	-.020	-.638
230	113	-.267	.059	-.033	-.689	230	163	-.312	.080	-.103	-.827	230	213	-.105	.074	.254	-.457
230	114	-.295	.075	-.104	-.672	230	164	-.309	.070	-.116	-.641	230	214	-.152	.055	.058	-.554
230	115	-.290	.073	-.111	-.669	230	165	-.315	.076	-.132	-.679	230	215	-.109	.029	.025	-.216
230	116	-.284	.067	-.091	-.643	230	166	-.291	.068	-.123	-.623	230	216	-.117	.029	.002	-.225
230	117	-.265	.058	-.073	-.545	230	167	-.321	.107	-.116	-.921	230	217	-.146	.036	-.029	-.295
230	118	-.280	.056	-.131	-.569	230	168	-.294	.093	-.095	-1.050	230	218	-.220	.057	-.025	-.453
230	119	-.274	.058	-.122	-.649	230	169	-.286	.062	-.058	-.632	230	219	-.083	.051	.142	-.277
230	120	-.269	.080	-.061	-.781	230	170	-.357	.105	-.109	-1.169	230	220	-.173	.082	.126	-.550
230	121	-.390	.126	.041	-1.005	230	171	-.343	.091	-.107	-.947	230	221	-.229	.087	.020	-.721
230	122	-.273	.069	-.075	-.754	230	172	-.346	.079	-.149	-.812	230	222	-.221	.082	.018	-.755
230	123	-.263	.065	-.017	-.701	230	173	-.323	.076	-.116	-.667	230	223	-.094	.066	.257	-.284
230	124	-.271	.063	-.102	-.578	230	174	-.345	.087	-.156	-.809	230	224	-.157	.063	.065	-.581
230	125	-.280	.065	-.050	-.645	230	175	-.311	.069	-.123	-.651	230	225	-.124	.064	.128	-.471
230	126	-.273	.076	-.097	-.781	230	176	-.307	.074	-.102	-.732	230	301	-.280	.061	-.100	-.564

WD	TAP	CPMEAN	CPRMS	CPMAX	CPMIN	WD	TAP	CPMEAN	CPRMS	CPMAX	CPMIN	WD	TAP	CPMEAN	CPRMS	CPMAX	CPMIN
2330	302	-.269	.052	-.120	-.506	2330	352	-.264	.047	-.091	-.436	2330	402	-.165	.045	.063	-.359
2330	303	-.279	.108	-.072	-.856	2330	353	-.270	.046	-.131	-.502	2330	403	-.120	.038	.034	-.317
2330	304	-.317	.062	-.145	-.618	2330	354	-.265	.043	-.149	-.463	2330	404	-.113	.036	.021	-.277
2330	305	-.252	.055	-.033	-.615	2330	355	-.276	.050	-.144	-.505	2330	405	-.248	.062	-.063	-.582
2330	306	-.263	.048	-.108	-.638	2330	356	-.274	.055	-.122	-.666	2330	406	-.220	.057	-.057	-.456
2330	307	-.245	.049	-.087	-.444	2330	357	-.263	.050	-.098	-.471	2330	407	-.199	.042	-.087	-.511
2330	308	-.247	.053	-.074	-.477	2330	358	-.259	.053	-.111	-.525	2330	408	-.259	.055	-.081	-.677
2330	309	-.254	.054	-.107	-.656	2330	359	-.279	.051	-.124	-.509	2330	409	-.157	.032	-.008	-.275
2330	310	-.253	.047	-.120	-.589	2330	360	-.283	.071	-.118	-.737	2330	410	-.106	.031	.023	-.211
2330	311	-.277	.051	-.144	-.518	2330	361	-.289	.059	-.126	-.595	2330	411	-.253	.056	-.063	-.613
2330	312	-.238	.052	-.096	-.553	2330	362	-.270	.054	-.122	-.527	2330	412	-.247	.054	-.079	-.485
2330	313	-.246	.048	-.085	-.490	2330	363	-.277	.053	-.126	-.498	2330	413	-.120	.028	-.021	-.228
2330	314	-.248	.045	-.129	-.535	2330	364	-.279	.049	-.144	-.567	2330	414	-.160	.036	-.016	-.310
2330	315	-.257	.050	-.127	-.611	2330	365	-.305	.058	-.160	-.549	2330	415	-.151	.036	.005	-.326
2330	316	-.256	.050	-.129	-.618	2330	366	-.265	.047	-.139	-.468	2330	416	-.243	.065	.021	-.730
2330	317	-.238	.040	-.125	-.424	2330	367	-.269	.053	-.104	-.482	2330	417	-.148	.047	.031	-.366
2330	318	-.276	.078	-.073	-.921	2330	368	-.282	.057	-.071	-.552	2330	418	-.149	.030	-.035	-.256
2330	319	-.254	.056	-.109	-.548	2330	369	-.271	.049	-.125	-.454	2330	419	-.118	.027	-.007	-.207
2330	320	-.276	.055	-.140	-.584	2330	370	-.285	.056	-.127	-.597	2330	420	-.119	.029	-.018	-.219
2330	321	-.273	.048	-.116	-.468	2330	371	-.290	.060	-.130	-.455	2330	421	-.122	.030	.014	-.245
2330	322	-.244	.051	-.085	-.504	2330	372	-.306	.064	-.119	-.632	2330	422	-.119	.030	.005	-.265
2330	323	-.250	.051	-.033	-.466	2330	373	-.301	.062	-.176	-.674	2330	501	-.324	.113	.059	-1.075
2330	324	-.251	.058	-.098	-.544	2330	374	-.291	.059	-.090	-.545	2330	502	-.339	.109	-.025	-.835
2330	325	-.244	.046	-.091	-.426	2330	375	-.265	.058	-.067	-.529	2330	503	-.008	.092	.308	-.335
2330	326	-.265	.041	-.147	-.448	2330	376	-.267	.059	-.099	-.643	2330	504	-.395	.109	-.028	-.877
2330	327	-.252	.042	-.114	-.428	2330	377	-.281	.055	-.134	-.555	2330	505	-.383	.119	.250	-.910
2330	328	-.260	.045	-.130	-.478	2330	378	-.300	.062	-.146	-.592	2330	506	-.217	.063	.007	-.545
2330	329	-.263	.049	-.128	-.489	2330	379	-.307	.070	-.155	-1.026	2330	507	-.242	.103	.041	-.677
2330	330	-.245	.043	-.121	-.401	2330	380	-.307	.065	-.151	-.571	2330	508	-.404	.152	.172	-1.106
2330	331	-.257	.041	-.134	-.421	2330	381	-.279	.059	-.071	-.548	2330	509	-.229	.143	.126	-.849
2330	332	-.247	.047	-.103	-.473	2330	382	-.220	.062	-.006	-.555	2330	510	-.195	.109	.113	-.720
2330	333	-.243	.046	-.121	-.448	2330	383	-.220	.063	-.004	-.622	2330	511	-.217	.054	-.015	-.576
2330	334	-.253	.047	-.121	-.469	2330	384	-.301	.078	-.148	-.849	2330	512	-.372	.124	.188	-.913
2330	335	-.246	.044	-.125	-.428	2330	385	-.305	.083	-.130	-1.056	2330	513	-.272	.184	.166	-.904
2330	336	-.249	.042	-.128	-.502	2330	386	-.317	.081	-.141	-.909	2330	514	-.207	.091	.110	-.653
2330	337	-.254	.042	-.130	-.439	2330	387	-.303	.071	-.095	-.576	2330	515	-.215	.056	.017	-.757
2330	338	-.251	.041	-.132	-.462	2330	388	-.256	.069	-.003	-.517	2330	516	-.243	.113	.188	-.748
2330	339	-.254	.044	-.125	-.482	2330	389	-.193	.070	.055	-.549	2330	517	-.193	.132	.302	-.742
2330	340	-.254	.049	-.094	-.509	2330	390	-.199	.079	.136	-.697	2330	518	-.456	.210	.208	-1.358
2330	341	-.254	.043	-.137	-.432	2330	391	-.283	.066	-.086	-.590	2330	519	-.193	.165	.219	-.822
2330	342	-.259	.041	-.141	-.401	2330	392	-.294	.073	-.088	-.807	2330	520	-.223	.096	.044	-.766
2330	343	-.254	.044	-.121	-.462	2330	393	-.281	.061	-.117	-.597	2330	521	-.223	.059	-.008	-.484
2330	344	-.246	.047	-.103	-.460	2330	394	-.220	.058	-.010	-.465	2330	522	-.424	.203	.239	-1.265
2330	345	-.259	.046	-.141	-.444	2330	395	-.186	.073	.056	-.432	2330	523	-.278	.215	.277	-1.024
2330	346	-.273	.046	-.114	-.475	2330	396	-.187	.080	.082	-.791	2330	524	-.239	.152	.235	-1.007
2330	347	-.281	.049	-.125	-.514	2330	397	-.281	.049	-.134	-.736	2330	525	-.262	.143	.093	-1.015
2330	348	-.284	.053	-.130	-.613	2330	398	-.259	.055	-.090	-.540	2330	526	-.038	.166	.678	-.619
2330	349	-.293	.066	-.089	-.631	2330	399	-.254	.051	-.083	-.487	2330	527	-.304	.104	.009	-.709
2330	350	-.285	.058	-.107	-.580	2330	400	-.230	.050	-.070	-.513	2330	528	-.179	.043	-.014	-.415
2330	351	-.266	.052	-.115	-.485	2330	401	-.198	.043	-.023	-.383	2330	529	-.197	.042	-.034	-.543

WD	TAP	CPMEAN	CPRMS	CPMAX	CPMIN	WD	TAP	CPMEAN	CPRMS	CPMAX	CPMIN	WD	TAP	CPMEAN	CPRMS	CPMAX	CPMIN
230	530	-.211	.110	.117	-.667	230	580	-.103	.084	.165	-.562	230	710	.181	.157	.692	-.300
230	531	-.182	.130	.337	-.714	230	581	-.173	.071	.097	-.520	230	711	.113	.152	.701	-.357
230	532	-.389	.141	.337	-1.101	230	582	-.179	.042	.051	-.392	230	712	.024	.092	.348	-.278
230	533	-.384	.147	.337	-.907	230	583	-.213	.046	-.068	-.452	230	713	.198	.138	.773	-.187
230	534	-.262	.198	.506	-1.020	230	584	-.186	.096	.167	-1.132	230	714	.322	.160	.907	-.112
230	535	-.245	.166	.236	-.808	230	585	-.189	.096	.113	-.892	230	715	.275	.161	.893	-.192
230	536	-.189	.147	.279	-.793	230	586	-.165	.108	.102	-.881	230	716	.190	.171	.830	-.386
230	537	-.022	.173	.690	-.705	230	587	-.125	.069	.097	-.545	230	717	.321	.158	.955	-.058
230	538	-.203	.099	.148	-.698	230	588	-.156	.058	.060	-.464	230	718	-.053	.105	.348	-.432
230	539	-.175	.048	.040	-.457	230	589	-.175	.040	-.045	-.345	230	719	-.150	.159	.370	-.758
230	540	-.194	.042	-.032	-.401	230	590	-.207	.044	-.073	-.420	230	720	.219	.193	.837	-.552
230	541	-.178	.140	.270	-.898	230	591	-.106	.065	-.082	-.543	230	721	.119	.147	.669	-.595
230	542	-.158	.148	.281	-.896	230	592	-.108	.061	.122	-.522	230	722	.005	.090	.411	-.232
230	543	-.327	.178	.312	-1.351	230	593	-.174	.087	.084	-.809	230	723	.075	.104	.520	-.185
230	544	-.315	.155	.310	-1.108	230	594	-.174	.097	.031	-1.127	230	724	.115	.147	.597	-.488
230	545	-.231	.172	.288	-.892	230	595	-.146	.091	.068	-.700	230	725	.254	.160	.862	-.176
230	546	-.165	.101	.130	-1.015	230	596	-.098	.053	.089	-.389	230	726	.220	.137	.678	-.171
230	547	-.194	.057	.047	-.610	230	597	-.140	.051	.075	-.401	230	727	.250	.141	.861	-.129
230	548	-.242	.049	-.073	-.516	230	598	-.163	.038	-.004	-.324	230	728	.283	.163	.843	-.113
230	549	-.106	.182	.656	-.740	230	599	-.208	.044	-.054	-.394	230	729	.252	.176	.949	-.193
230	550	-.109	.170	.470	-.797	230	600	-.283	.066	-.114	-.634	230	730	.315	.159	.939	-.069
230	551	-.488	.230	.473	-1.687	230	601	-.116	.047	.145	-.306	230	731	.329	.165	.969	-.188
230	552	-.269	.160	.254	-1.263	230	602	-.143	.043	.102	-.299	230	732	-.003	.084	.421	-.243
230	553	-.226	.146	.210	-.875	230	603	-.167	.092	.088	-.627	230	733	.091	.096	.559	-.170
230	554	-.189	.079	.095	-.643	230	604	-.168	.035	-.020	-.324	230	734	.155	.155	.772	-.452
230	555	-.229	.065	-.066	-.691	230	605	-.212	.043	-.088	-.408	230	735	.319	.153	.875	-.078
230	556	-.285	.065	-.099	-.649	230	606	-.107	.059	.157	-.368	230	736	.351	.151	.884	-.010
230	557	-.282	.059	-.113	-.510	230	607	-.135	.031	-.004	-.262	230	737	.332	.149	.784	-.044
230	558	-.427	.172	-.082	-1.436	230	608	-.106	.068	.113	-.833	230	738	.377	.150	1.024	-.019
230	559	-.206	.052	-.035	-.530	230	609	-.200	.042	-.050	-.372	230	739	.323	.160	.896	-.085
230	560	-.418	.245	.238	-1.610	230	610	-.155	.051	.073	-.358	230	740	.260	.163	.910	-.129
230	561	-.224	.051	-.057	-.501	230	611	-.134	.034	.039	-.267	230	741	.359	.148	.910	-.004
230	562	-.476	.279	.223	-2.125	230	612	-.157	.090	.113	-.720	230	742	-.324	.144	.864	-.049
230	563	-.348	.221	.245	-1.402	230	613	-.158	.092	.134	-.573	230	743	-.153	.064	.112	-.470
230	564	-.216	.154	.144	-.945	230	614	-.127	.089	.111	-.811	230	744	-.002	.077	.304	-.207
230	565	-.145	.125	.150	-1.122	230	615	-.088	.061	.161	-.437	230	745	.229	.125	.685	-.039
230	566	-.156	.085	.109	-.648	230	616	-.118	.048	.077	-.303	230	746	.332	.159	.962	-.019
230	567	-.182	.046	.051	-.401	230	617	-.135	.034	.073	-.243	230	747	.251	.152	.793	-.117
230	568	-.209	.045	-.031	-.406	230	618	-.151	.036	-.007	-.265	230	748	.095	.152	.696	-.259
230	569	-.117	.109	.146	-.650	230	619	-.164	.037	-.041	-.299	230	749	-.320	.106	.289	-.763
230	570	-.271	.140	.183	-1.174	230	620	-.121	.036	.005	-.258	230	750	-.374	.097	-.023	-.790
230	571	-.288	.154	.246	-1.074	230	701	-.002	.097	.511	-.309	230	751	-.042	.097	.348	-.503
230	572	-.188	.153	.176	-1.328	230	702	.033	.099	.406	-.246	230	752	.175	.142	.774	-.386
230	573	-.088	.100	.223	-.762	230	703	.220	.148	.764	-.232	230	753	.236	.173	.817	-.510
230	574	-.203	.091	.106	-.634	230	704	.066	.159	.615	-.402	230	754	.272	.173	.826	-.429
230	575	-.174	.042	-.029	-.434	230	705	-.034	.079	.335	-.285	230	755	.201	.166	.785	-.429
230	576	-.218	.045	-.050	-.420	230	706	.066	.116	.506	-.432	230	756	-.075	.190	.637	-.705
230	577	-.224	.107	.113	-.964	230	707	.047	.096	.477	-.210	230	757	.046	.221	.794	-.669
230	578	-.246	.126	.234	-.962	230	708	-.080	.095	.248	-.488	230	758	-.004	.077	.447	-.278
230	579	-.172	.128	.218	-.932	230	709	.137	.156	.703	-.416	230	759	.192	.133	.736	-.254

WD	TAP	CPMEAN	CPRMS	CPMAX	CPMIN	WD	TAP	CPMEAN	CPRMS	CPMAX	CPMIN	WD	TAP	CPMEAN	CPRMS	CPMAX	CPMIN
230	760	-.064	.073	.310	-.388	230	810	.137	.086	.507	-.083	230	938	-.265	.041	-.118	-.441
230	761	-.095	.129	.449	-.312	230	811	.130	.079	.491	-.053	230	939	-.286	.049	-.157	-.496
230	762	-.082	.073	.204	-.361	230	812	-.017	.061	.358	-.226	230	940	-.296	.038	-.198	-.412
230	763	.014	.083	.545	-.222	230	813	-.017	.072	.305	-.249	230	941	-.134	.051	-.344	.012
230	764	.177	.117	.772	-.186	230	814	-.073	.091	.560	-.217	230	942	-.364	.088	-.147	-.797
230	765	.216	.121	.707	-.184	230	815	-.127	.061	.188	-.345	230	943	-.399	.119	-.066	-.877
230	766	.213	.118	.701	-.079	230	816	-.032	.054	.211	-.221	230	944	-.285	.081	-.073	-.628
230	767	.118	.104	.599	-.124	230	817	-.010	.058	.284	-.155	230	945	-.123	.062	-.077	-.635
230	768	.034	.104	.469	-.328	230	818	.082	.083	.541	-.157	230	946	-.339	.077	-.111	-.745
230	769	.191	.122	.782	-.114	230	819	.158	.088	.580	-.031	230	947	-.334	.079	-.131	-.702
230	770	-.098	.067	.210	-.347	230	820	.104	.078	.449	-.184	230	948	-.314	.072	-.059	-.732
230	771	-.004	.076	.391	-.261	230	821	.040	.055	.313	-.144	230	949	-.356	.104	-.086	-.971
230	772	.095	.110	.673	-.411	230	822	-.008	.041	.167	-.171	230	950	-.096	.058	.089	-.371
230	773	.168	.105	.621	-.084	230	901	.004	.098	.400	-.212	230	951	-.310	.098	.012	-.927
230	774	.139	.105	.549	-.209	230	902	.316	.158	1.053	-.043	230	952	-.291	.092	.042	-.841
230	775	.043	.075	.417	-.219	230	903	.344	.145	1.005	-.018	230	953	-.311	.110	-.064	-.909
230	776	-.028	.070	.353	-.314	230	904	.116	.094	.424	-.142	230	954	-.212	.077	.086	-.539
230	777	-.122	.068	.229	-.465	230	905	-.289	.044	-.164	-.415	230	955	-.203	.078	-.062	-.588
230	778	-.033	.075	.329	-.423	230	906	-.130	.082	.163	-.402	230	956	-.292	.064	-.133	-.682
230	779	.095	.108	.718	-.214	230	907	-.118	.170	.519	-.627	230	957	-.286	.068	.001	-.597
230	780	.140	.091	.647	-.124	230	908	-.225	.112	.265	-.667	230	958	-.217	.053	-.003	-.440
230	781	.083	.085	.424	-.205	230	909	-.149	.044	.139	-.379	230	959	-.178	.053	.080	-.440
230	782	.010	.058	.343	-.197	230	910	-.293	.149	.305	-1.142	230	960	-.324	.092	-.066	-.841
230	783	-.041	.057	.222	-.366	230	911	-.272	.056	-.107	-.509	230	961	-.312	.088	-.142	-1.124
230	784	-.120	.066	.201	-.446	230	912	-.288	.204	.911	-.802	230	962	-.227	.080	.105	-.555
230	785	-.026	.074	.433	-.302	230	913	-.219	.232	.699	-.855	230	963	-.341	.117	-.123	-1.180
230	786	.079	.095	.474	-.261	230	914	-.058	.106	.452	-.329	230	964	-.327	.088	-.158	-.903
230	787	.114	.083	.495	-.088	230	915	-.122	.071	.139	-.501	230	965	-.284	.093	.046	-.776
230	788	.079	.074	.455	-.169	230	916	-.006	.165	.562	-.923	230	966	-.361	.105	-.129	-.978
230	789	.011	.055	.300	-.178	230	917	-.227	.130	.139	-1.075	230	967	-.134	.059	-.098	-.457
230	790	-.035	.051	.175	-.276	230	918	-.357	.089	-.107	-.730	230	968	-.259	.061	-.054	-.547
230	791	.123	.088	.695	-.188	230	919	-.147	.137	.333	-.733	230	969	-.276	.068	-.063	-.652
230	792	.129	.083	.560	-.100	230	920	-.278	.083	.040	-.608	230	970	-.253	.104	.063	-.979
230	793	.127	.084	.512	-.131	230	921	-.302	.062	-.140	-.597	230	971	-.150	.067	.115	-.592
230	794	.135	.084	.578	-.058	230	922	-.280	.054	-.110	-.508	230	1001	.206	.130	.720	-.087
230	795	.008	.081	.353	-.377	230	923	-.278	.058	-.120	-.528	230	1002	.128	.079	.616	-.099
230	796	.064	.097	.608	-.226	230	924	-.276	.074	.024	-.602	230	1003	-.347	.131	-.173	-.956
230	797	-.286	.069	.102	-.667	230	925	-.270	.054	-.102	-.500	230	1004	-.308	.074	-.041	-.741
230	798	-.083	.064	.192	-.281	230	926	-.281	.072	-.047	-.655	230	1005	-.119	.149	.420	-.656
230	799	-.018	.073	.316	-.345	230	927	-.266	.050	-.115	-.496	230	1006	-.245	.079	.032	-.699
230	800	.073	.092	.500	-.200	230	928	-.284	.092	-.083	-1.089	230	1007	-.122	.061	.167	-.428
230	801	.125	.088	.603	-.090	230	929	-.249	.049	-.124	-.514	230	1008	-.324	.077	-.092	-.687
230	802	.098	.086	.541	-.194	230	930	-.148	.067	-.280	-.546	230	1009	-.121	.103	-.207	-.768
230	803	.021	.064	.335	-.212	230	931	-.292	.064	-.134	-.604	230	1010	-.294	.071	-.099	-.670
230	804	-.029	.058	.257	-.331	230	932	-.174	.062	-.170	-.379	230	1011	-.098	.055	.117	-.362
230	805	.090	.104	.553	-.235	230	933	-.235	.050	-.073	-.484	230	1012	-.285	.091	.117	-.977
230	806	-.027	.074	.291	-.295	230	934	-.264	.047	-.134	-.502	230	1013	-.256	.059	-.042	-.583
230	807	.024	.078	.408	-.194	230	935	-.247	.043	-.154	-.451	230	1014	-.276	.049	-.143	-.579
230	808	-.168	.054	.036	-.451	230	936	-.283	.035	-.188	-.398	230	1015	-.267	.060	-.029	-.668
230	809	-.048	.057	.289	-.221	230	937	-.252	.046	-.126	-.494	230	1016	-.276	.050	-.166	-.580

WD	TAP	CPMEAN	CPRMS	CPMAX	CPMIN	WD	TAP	CPMEAN	CPRMS	CPMAX	CPMIN	WD	TAP	CPMEAN	CPRMS	CPMAX	CPMIN
230	1017	-.289	.065	-.099	-.557	240	139	-.286	.068	-.116	-.771	240	189	-.342	.088	-.111	-.821
230	1018	-.283	.061	-.084	-.504	240	140	-.286	.069	-.086	-.660	240	190	-.340	.101	-.135	-1.057
230	1019	-.276	.072	-.011	-.689	240	141	-.294	.067	-.086	-.621	240	191	-.290	.080	-.028	-.636
230	1020	-.267	.051	-.063	-.490	240	142	-.312	.073	-.100	-.729	240	192	-.334	.089	-.109	-.956
230	1021	-.088	.059	.160	-.419	240	143	-.313	.088	-.084	-.829	240	193	-.332	.082	-.152	-.839
230	1022	-.124	.050	.117	-.312	240	144	-.321	.092	-.035	-.838	240	194	-.206	.095	.072	-.848
230	1023	-.186	.073	.022	-.566	240	145	-.314	.083	-.091	-.914	240	195	-.190	.079	.092	-.942
230	1024	-.327	.116	-.039	-.910	240	146	-.309	.081	-.100	-.819	240	196	-.249	.083	.159	-.657
230	1025	-.173	.039	-.042	-.312	240	147	-.308	.078	-.121	-.829	240	197	-.335	.087	-.088	-.682
230	1026	-.162	.047	-.039	-.386	240	148	-.306	.076	-.082	-.745	240	198	-.134	.040	.012	-.526
230	1027	-.141	.038	-.039	-.315	240	149	-.304	.069	-.119	-.624	240	199	-.141	.043	.019	-.465
230	1028	-.119	.029	-.004	-.215	240	150	-.287	.062	-.105	-.529	240	200	-.183	.053	.015	-.451
240	101	-.277	.058	-.088	-.531	240	151	-.329	.092	-.051	-.937	240	201	-.252	.058	-.047	-.531
240	102	-.342	.074	-.104	-.741	240	152	-.314	.075	-.055	-.705	240	202	-.122	.074	.027	-.426
240	103	-.414	.092	-.131	-.832	240	153	-.314	.077	-.116	-.760	240	203	-.223	.079	.010	-.579
240	104	-.175	.069	-.074	-.474	240	154	-.319	.073	-.135	-.710	240	204	-.267	.072	-.058	-.645
240	105	-.308	.081	-.089	-.812	240	155	-.341	.096	-.103	-1.075	240	205	-.262	.069	.015	-.586
240	106	-.299	.074	-.111	-.755	240	156	-.323	.083	.072	-.687	240	206	-.205	.080	.074	-.609
240	107	-.305	.071	-.093	-.611	240	157	-.355	.105	.010	-.900	240	207	-.283	.070	-.102	-.631
240	108	-.309	.080	-.080	-.697	240	158	-.317	.081	-.087	-.728	240	208	-.244	.071	-.067	-.773
240	109	-.322	.087	-.118	-.803	240	159	-.331	.102	-.078	-1.170	240	209	-.122	.033	.026	-.259
240	110	-.342	.101	-.115	-.912	240	160	-.322	.086	-.037	-1.070	240	210	-.273	.067	-.052	-.729
240	111	-.328	.087	-.093	-.762	240	161	-.319	.106	-.060	-1.014	240	211	-.092	.097	.497	-.195
240	112	-.302	.086	-.020	-.844	240	162	-.335	.093	.006	-.744	240	212	-.240	.065	-.049	-.655
240	113	-.302	.081	-.088	-.846	240	163	-.329	.084	-.096	-.708	240	213	-.123	.074	.175	-.440
240	114	-.361	.115	-.083	-.862	240	164	-.315	.072	-.069	-.712	240	214	-.167	.054	-.010	-.516
240	115	-.338	.094	-.095	-1.097	240	165	-.333	.090	-.101	-.955	240	215	-.129	.029	-.010	-.315
240	116	-.336	.097	-.102	-.844	240	166	-.303	.071	-.092	-.747	240	216	-.130	.029	-.031	-.255
240	117	-.292	.077	-.013	-.679	240	167	-.307	.108	-.109	-1.014	240	217	-.168	.036	-.052	-.308
240	118	-.295	.072	-.095	-.759	240	168	-.297	.092	-.016	-.950	240	218	-.239	.054	-.045	-.440
240	119	-.297	.068	-.115	-.634	240	169	-.301	.068	-.111	-.747	240	219	-.098	.048	.120	-.315
240	120	-.320	.098	-.042	-.748	240	170	-.360	.099	-.099	-.864	240	220	-.185	.085	.103	-.567
240	121	-.456	.166	-.065	-1.796	240	171	-.359	.100	-.078	-.880	240	221	-.239	.088	-.012	-.752
240	122	-.297	.091	-.015	-.796	240	172	-.343	.075	-.116	-.911	240	222	-.238	.084	.013	-.688
240	123	-.291	.085	-.054	-.778	240	173	-.333	.079	-.094	-.794	240	223	-.101	.075	.231	-.394
240	124	-.294	.082	-.004	-.675	240	174	-.337	.076	-.152	-.727	240	224	-.163	.067	.113	-.535
240	125	-.314	.092	-.017	-1.020	240	175	-.310	.069	-.137	-.639	240	225	-.134	.062	.235	-.403
240	126	-.291	.080	-.061	-.700	240	176	-.304	.066	-.147	-.656	240	301	-.305	.069	-.089	-.599
240	127	-.303	.085	-.031	-.708	240	177	-.318	.110	.006	-.933	240	302	-.291	.062	-.125	-.706
240	128	-.285	.071	-.109	-.600	240	178	-.302	.086	-.032	-.727	240	303	-.392	.119	-.078	-.995
240	129	-.281	.072	-.102	-.683	240	179	-.332	.079	-.044	-.861	240	304	-.333	.071	-.112	-.784
240	130	-.295	.074	-.100	-.810	240	180	-.351	.084	-.113	-.778	240	305	-.276	.074	-.003	-.676
240	131	-.295	.068	-.084	-.688	240	181	-.367	.097	-.176	-.916	240	306	-.276	.055	-.117	-.596
240	132	-.324	.108	-.003	-1.280	240	182	-.328	.078	-.123	-.696	240	307	-.266	.050	-.121	-.499
240	133	-.311	.088	-.089	-.653	240	183	-.330	.079	-.156	-.768	240	308	-.278	.080	-.021	-.719
240	134	-.308	.083	-.022	-.651	240	184	-.226	.099	.054	-.845	240	309	-.283	.069	-.096	-.808
240	135	-.310	.081	.018	-.840	240	185	-.220	.083	.180	-.689	240	310	-.274	.054	-.109	-.506
240	136	-.293	.066	-.116	-.625	240	186	-.269	.081	-.147	-.596	240	311	-.282	.059	-.092	-.643
240	137	-.291	.068	-.082	-.614	240	187	-.339	.086	-.085	-.852	240	312	-.266	.074	-.007	-.666
240	138	-.307	.079	-.072	-.722	240	188	-.352	.089	-.173	-.943	240	313	-.264	.062	-.094	-.735

WD	TAP	CPMEAN	CPRMS	CPMAX	CPMIN	WD	TAP	CPMEAN	CPRMS	CPMAX	CPMIN	WD	TAP	CPMEAN	CPRMS	CPMAX	CPMIN
240	314	-.267	.048	-.121	-.512	240	364	-.277	.054	-.098	-.515	240	414	-.199	.035	-.044	-.333
240	315	-.273	.064	-.094	-.842	240	365	-.274	.056	-.142	-.522	240	415	-.198	.036	-.051	-.331
240	316	-.279	.063	-.116	-.646	240	366	-.257	.054	-.112	-.591	240	416	-.282	.070	-.123	-.684
240	317	-.242	.042	-.112	-.481	240	367	-.251	.050	-.091	-.494	240	417	-.178	.045	-.011	-.431
240	318	-.288	.086	-.085	-.779	240	368	-.258	.055	-.063	-.512	240	418	-.160	.031	-.027	-.297
240	319	-.275	.067	-.114	-.610	240	369	-.256	.045	-.084	-.501	240	419	-.134	.027	.016	-.223
240	320	-.291	.061	-.145	-.697	240	370	-.263	.050	-.131	-.505	240	420	-.130	.029	.008	-.250
240	321	-.286	.056	-.147	-.583	240	371	-.266	.046	-.124	-.468	240	421	-.137	.030	.009	-.264
240	322	-.242	.061	-.033	-.541	240	372	-.297	.055	-.154	-.538	240	422	-.131	.029	.007	-.248
240	323	-.243	.063	-.049	-.555	240	373	-.274	.050	-.129	-.450	240	501	-.409	.118	-.082	-.960
240	324	-.251	.058	-.040	-.543	240	374	-.259	.051	-.017	-.529	240	502	-.332	.100	-.035	-.895
240	325	-.244	.049	-.092	-.454	240	375	-.244	.057	-.003	-.498	240	503	-.049	.085	.249	-.514
240	326	-.273	.047	-.141	-.517	240	376	-.253	.055	-.056	-.503	240	504	-.468	.112	-.127	-.924
240	327	-.271	.048	-.023	-.557	240	377	-.277	.051	-.154	-.536	240	505	-.426	.120	-.061	-1.097
240	328	-.261	.055	-.098	-.656	240	378	-.285	.053	-.156	-.512	240	506	-.324	.110	-.006	-.997
240	329	-.261	.058	-.102	-.701	240	379	-.296	.054	-.175	-.538	240	507	-.381	.109	-.005	-.997
240	330	-.243	.042	-.125	-.409	240	380	-.295	.055	-.145	-.526	240	508	-.451	.132	-.067	-1.339
240	331	-.252	.044	-.120	-.463	240	381	-.265	.052	-.018	-.484	240	509	-.401	.127	-.005	-.958
240	332	-.239	.052	-.030	-.521	240	382	-.222	.056	-.042	-.529	240	510	-.348	.122	.067	-.843
240	333	-.244	.053	-.075	-.483	240	383	-.226	.057	-.003	-.556	240	511	-.286	.096	.106	-.851
240	334	-.246	.051	-.107	-.607	240	384	-.276	.053	-.138	-.554	240	512	-.434	.117	-.118	-1.005
240	335	-.238	.043	-.080	-.442	240	385	-.280	.055	-.135	-.622	240	513	-.423	.132	-.019	-.994
240	336	-.241	.040	-.111	-.402	240	386	-.305	.064	-.154	-.668	240	514	-.315	.104	.019	-.809
240	337	-.250	.041	-.138	-.420	240	387	-.287	.063	-.004	-.589	240	515	-.282	.094	.078	-.942
240	338	-.250	.042	-.109	-.456	240	388	-.251	.064	-.001	-.524	240	516	-.370	.111	-.071	-.868
240	339	-.253	.047	-.123	-.499	240	389	-.188	.071	.030	-.587	240	517	-.349	.116	.046	-.798
240	340	-.258	.052	-.048	-.519	240	390	-.194	.072	.088	-.522	240	518	-.584	.194	-.100	-1.543
240	341	-.246	.039	-.134	-.436	240	391	-.290	.063	-.065	-.574	240	519	-.401	.140	.082	-.890
240	342	-.255	.045	-.138	-.494	240	392	-.311	.070	-.142	-.615	240	520	-.319	.111	-.023	-.983
240	343	-.252	.057	-.073	-.542	240	393	-.285	.056	-.116	-.542	240	521	-.285	.091	-.039	-.893
240	344	-.250	.055	-.093	-.483	240	394	-.228	.059	.017	-.443	240	522	-.504	.151	-.031	-1.219
240	345	-.260	.050	-.123	-.490	240	395	-.201	.073	.028	-.536	240	523	-.507	.164	-.021	-1.143
240	346	-.270	.043	-.134	-.436	240	396	-.200	.082	.058	-.674	240	524	-.413	.136	-.062	-1.041
240	347	-.281	.052	-.134	-.528	240	397	-.267	.045	-.159	-.494	240	525	-.431	.145	-.066	-1.102
240	348	-.281	.059	-.080	-.582	240	398	-.269	.050	-.137	-.619	240	526	-.216	.172	.522	-.753
240	349	-.279	.066	-.098	-.643	240	399	-.295	.061	-.146	-.624	240	527	-.314	.100	-.013	-.849
240	350	-.274	.063	-.085	-.608	240	400	-.265	.051	-.116	-.545	240	528	-.241	.073	-.017	-.710
240	351	-.254	.058	-.091	-.528	240	401	-.220	.044	-.017	-.411	240	529	-.248	.071	-.031	-.648
240	352	-.259	.049	-.136	-.477	240	402	-.170	.051	.051	-.325	240	530	-.373	.116	-.024	-.853
240	353	-.263	.045	-.142	-.489	240	403	-.134	.039	.031	-.348	240	531	-.383	.131	.110	-.869
240	354	-.258	.041	-.144	-.418	240	404	-.130	.038	.015	-.316	240	532	-.448	.120	-.095	-.936
240	355	-.266	.049	-.091	-.559	240	405	-.280	.061	-.105	-.613	240	533	-.471	.116	-.067	-1.084
240	356	-.280	.068	-.063	-.749	240	406	-.250	.053	-.110	-.547	240	534	-.476	.146	-.038	-1.072
240	357	-.258	.054	-.060	-.539	240	407	-.240	.041	-.130	-.413	240	535	-.434	.143	-.038	-1.054
240	358	-.259	.054	-.105	-.497	240	408	-.283	.055	-.141	-.818	240	536	-.387	.134	.085	-.922
240	359	-.262	.049	-.069	-.469	240	409	-.171	.033	-.031	-.286	240	537	-.286	.157	.302	-.819
240	360	-.268	.068	-.102	-.661	240	410	-.122	.032	-.012	-.227	240	538	-.280	.121	.101	-.828
240	361	-.276	.059	-.100	-.636	240	411	-.289	.061	-.123	-.590	240	539	-.224	.072	.003	-.585
240	362	-.255	.056	-.111	-.579	240	412	-.289	.059	-.141	-.563	240	540	-.225	.064	-.006	-.714
240	363	-.258	.054	-.113	-.555	240	413	-.135	.028	-.042	-.305	240	541	-.345	.118	.110	-.936

WD	TAP	CPMEAN	CPRMS	CPMAX	CPMIN	WD	TAP	CPMEAN	CPRMS	CPMAX	CPMIN	WD	TAP	CPMEAN	CPRMS	CPMAX	CPMIN
240	542	-.355	.140	.124	-.965	240	592	-.165	.078	-.063	-.591	240	722	.072	.110	.477	-.313
240	543	-.449	.154	-.004	-1.357	240	593	-.281	.106	-.035	-.914	240	723	.148	.119	.581	-.237
240	544	-.428	.134	-.042	-1.093	240	594	-.277	.103	-.037	-.995	240	724	.208	.154	.686	-.538
240	545	-.403	.130	.044	-.940	240	595	-.271	.130	.016	-1.153	240	725	.264	.149	.815	-.163
240	546	-.292	.124	.063	-.924	240	596	-.178	.087	.171	-.653	240	726	.232	.143	1.045	-.199
240	547	-.254	.083	-.006	-.753	240	597	-.165	.055	.104	-.417	240	727	.271	.154	.808	-.224
240	548	-.272	.076	-.013	-.655	240	598	-.189	.040	-.004	-.362	240	728	.237	.147	.765	-.190
240	549	-.264	.141	.267	-.885	240	599	-.225	.040	-.075	-.394	240	729	.207	.141	.733	-.230
240	550	-.263	.145	.256	-.941	240	600	-.276	.049	-.147	-.500	240	730	.330	.145	.833	-.057
240	551	-.530	.193	-.124	-1.636	240	601	-.155	.040	-.009	-.298	240	731	.333	.168	.963	-.145
240	552	-.424	.136	-.050	-1.173	240	602	-.178	.036	-.052	-.326	240	732	.035	.096	.444	-.278
240	553	-.356	.141	-.075	-1.122	240	603	-.281	.121	-.021	-1.297	240	733	.148	.116	.645	-.197
240	554	-.278	.099	-.030	-.928	240	604	-.200	.036	-.059	-.342	240	734	.261	.163	.842	-.273
240	555	-.253	.080	-.070	-.756	240	605	-.244	.042	-.125	-.442	240	735	.313	.141	.817	-.054
240	556	-.280	.073	-.095	-.765	240	606	-.165	.062	.104	-.510	240	736	.361	.156	.945	-.020
240	557	-.276	.066	-.074	-.582	240	607	-.165	.032	-.042	-.312	240	737	.354	.152	.909	-.084
240	558	-.470	.142	-.130	-1.238	240	608	-.152	.077	-.080	-.647	240	738	.348	.154	.943	-.118
240	559	-.246	.072	-.021	-.722	240	609	-.239	.045	-.102	-.401	240	739	.277	.152	.846	-.104
240	560	-.442	.167	-.016	-1.685	240	610	-.198	.049	-.076	-.412	240	740	.163	.133	.720	-.187
240	561	-.246	.064	-.021	-.582	240	611	-.161	.033	-.036	-.301	240	741	.365	.152	.903	-.032
240	562	-.453	.149	-.099	-1.332	240	612	-.267	.128	.146	-1.140	240	742	.353	.146	.864	-.007
240	563	-.440	.145	-.032	-1.357	240	613	-.273	.123	-.013	-1.194	240	743	-.120	.080	.264	-.395
240	564	-.384	.159	.106	-1.165	240	614	-.224	.137	.187	-1.297	240	744	.045	.101	.467	-.219
240	565	-.347	.193	.073	-1.307	240	615	-.141	.072	.180	-.504	240	745	.249	.138	.801	-.099
240	566	-.248	.106	.113	-.733	240	616	-.154	.057	.199	-.476	240	746	.362	.160	1.058	-.034
240	567	-.218	.064	-.016	-.631	240	617	-.172	.034	-.050	-.285	240	747	.178	.133	.645	-.167
240	568	-.241	.068	-.021	-.714	240	618	-.189	.034	-.075	-.317	240	748	-.030	.121	.496	-.449
240	569	-.250	.136	.142	-.874	240	619	-.212	.039	-.070	-.374	240	749	-.292	.104	.255	-.834
240	570	-.400	.130	.078	-1.289	240	620	-.155	.037	.039	-.323	240	750	-.355	.095	.003	-.790
240	571	-.405	.141	.017	-1.484	240	701	.003	.087	.381	-.261	240	751	-.015	.122	.397	-.534
240	572	-.360	.192	.127	-1.487	240	702	.014	.084	.347	-.264	240	752	.176	.147	.766	-.461
240	573	-.218	.138	.288	-.817	240	703	.247	.128	.702	-.324	240	753	.249	.172	.779	-.353
240	574	-.194	.091	.134	-.688	240	704	.174	.133	.597	-.375	240	754	.259	.164	.942	-.540
240	575	-.198	.056	.005	-.492	240	705	-.023	.082	.338	-.283	240	755	.143	.165	.728	-.624
240	576	-.221	.048	-.071	-.504	240	706	-.001	.096	.313	-.292	240	756	-.250	.158	.332	-.867
240	577	-.363	.134	.101	-1.223	240	707	.039	.092	.456	-.253	240	757	-.078	.230	.679	-.898
240	578	-.364	.146	.050	-1.407	240	708	-.065	.107	.340	-.506	240	758	.029	.095	.503	-.275
240	579	-.382	.173	.083	-1.465	240	709	.150	.154	.688	-.404	240	759	.157	.133	.739	-.377
240	580	-.162	.103	.186	-.643	240	710	.179	.147	.655	-.375	240	760	-.030	.089	.489	-.275
240	581	-.174	.076	.238	-.525	240	711	.050	.126	.527	-.499	240	761	-.055	.115	.598	-.293
240	582	-.194	.044	.019	-.445	240	712	.080	.110	.485	-.340	240	762	-.058	.081	.273	-.326
240	583	-.216	.041	-.082	-.448	240	713	.246	.146	.760	-.221	240	763	.037	.091	.427	-.182
240	584	-.293	.113	-.038	-1.128	240	714	.316	.154	.831	-.168	240	764	.188	.117	.737	-.098
240	585	-.286	.113	.052	-1.150	240	715	.307	.141	.673	-.195	240	765	.227	.120	.732	-.140
240	586	-.271	.144	.120	-1.242	240	716	.211	.165	.733	-.253	240	766	.252	.130	.832	-.043
240	587	-.180	.091	.104	-.570	240	717	.339	.156	.885	-.068	240	767	.121	.116	.592	-.275
240	588	-.169	.065	.137	-.450	240	718	.006	.115	.430	-.507	240	768	.026	.107	.480	-.342
240	589	-.189	.040	-.016	-.363	240	719	-.055	.187	.608	-.603	240	769	.216	.116	.662	-.083
240	590	-.220	.040	-.059	-.370	240	720	.177	.201	.813	-.761	240	770	-.093	.066	.284	-.286
240	591	-.171	.089	.123	-.704	240	721	.077	.133	.521	-.444	240	771	-.012	.073	.323	-.256

WD	TAP	CPMEAN	CPRMS	CPMAX	CPMIN	WD	TAP	CPMEAN	CPRMS	CPMAX	CPMIN	WD	TAP	CPMEAN	CPRMS	CPMAX	CPMIN
240	772	.093	.107	.622	-.347	240	822	-.030	.044	.159	-.211	240	950	-.124	.065	.137	-.470
240	773	.208	.112	.774	-.029	240	901	-.117	.065	.147	-.318	240	951	-.322	.092	-.071	-1.016
240	774	.166	.107	.657	-.151	240	902	.261	.136	.832	-.059	240	952	-.322	.090	-.028	-.824
240	775	.057	.089	.522	-.258	240	903	.353	.146	1.046	-.014	240	953	-.343	.102	-.003	-.869
240	776	-.041	.082	.321	-.317	240	904	.155	.105	.651	-.121	240	954	-.231	.075	.116	-.497
240	777	-.125	.057	.097	-.359	240	905	-.378	.046	-.092	-.406	240	955	-.222	.085	.101	-.935
240	778	-.042	.061	.256	-.305	240	906	-.237	.064	.001	-.472	240	956	-.283	.050	-.132	-.499
240	779	.075	.089	.519	-.207	240	907	-.237	.170	.497	-.707	240	957	-.293	.064	-.005	-.515
240	780	.154	.090	.538	-.071	240	908	-.199	.110	.244	-.612	240	958	-.229	.055	-.010	-.425
240	781	.131	.097	.615	-.193	240	909	-.161	.060	-.096	-.379	240	959	-.196	.051	.035	-.357
240	782	.013	.070	.365	-.251	240	910	-.431	.126	-.077	-1.053	240	960	-.301	.055	-.168	-.680
240	783	-.058	.065	.230	-.261	240	911	-.307	.079	-.058	-.946	240	961	-.317	.072	-.157	-.720
240	784	-.119	.062	.150	-.331	240	912	-.270	.241	.851	-.740	240	962	-.298	.072	-.049	-.624
240	785	-.041	.066	.281	-.284	240	913	-.060	.303	.769	-.792	240	963	-.321	.081	-.139	-1.005
240	786	.066	.087	.508	-.242	240	914	-.036	.113	.436	-.350	240	964	-.323	.084	-.154	-.947
240	787	.132	.075	.454	-.118	240	915	-.075	.080	.231	-.417	240	965	-.316	.070	-.134	-.675
240	788	.104	.084	.538	-.139	240	916	-.135	.136	.284	-.997	240	966	-.320	.079	-.141	-.978
240	789	.004	.063	.328	-.230	240	917	-.200	.152	.232	-1.393	240	967	-.156	.058	.044	-.543
240	790	-.063	.056	.162	-.296	240	918	-.408	.095	-.170	-.868	240	968	-.281	.056	-.111	-.603
240	791	.139	.083	.516	-.209	240	919	-.360	.136	.100	-.946	240	969	-.323	.084	-.132	-.858
240	792	.139	.086	.607	-.155	240	920	-.384	.096	-.123	-.847	240	970	-.284	.104	.035	-.921
240	793	.133	.082	.511	-.241	240	921	-.333	.070	-.120	-.685	240	971	-.161	.061	.066	-.627
240	794	.144	.079	.587	-.056	240	922	-.309	.071	-.094	-.805	240	1001	.221	.116	.615	-.108
240	795	.021	.077	.291	-.244	240	923	-.301	.057	-.120	-.501	240	1002	.156	.080	.477	-.046
240	796	.078	.101	.568	-.246	240	924	-.300	.084	-.012	-.706	240	1003	-.450	.124	-.114	-.965
240	797	-.273	.070	-.042	-.651	240	925	-.391	.061	-.084	-.567	240	1004	-.341	.079	-.098	-.823
240	798	-.098	.061	.156	-.369	240	926	-.301	.085	-.021	-.654	240	1005	-.284	.107	.066	-.651
240	799	-.026	.073	.291	-.262	240	927	-.296	.063	-.065	-.584	240	1006	-.260	.094	.017	-.667
240	800	.069	.099	.445	-.223	240	928	-.292	.087	-.055	-.951	240	1007	-.192	.078	.080	-.534
240	801	.144	.085	.636	-.128	240	929	-.290	.059	-.137	-.588	240	1008	-.327	.072	-.089	-.675
240	802	.122	.091	.711	-.297	240	930	-.235	.075	-.013	-.588	240	1009	-.237	.125	.154	-.710
240	803	.035	.079	.526	-.290	240	931	-.328	.085	-.116	-1.020	240	1010	-.297	.066	-.125	-.639
240	804	-.052	.067	.279	-.322	240	932	-.237	.070	-.010	-.579	240	1011	-.125	.065	.135	-.474
240	805	.116	.108	.591	-.232	240	933	-.267	.069	-.003	-.647	240	1012	-.296	.080	.102	-.701
240	806	-.039	.074	.291	-.281	240	934	-.287	.058	-.132	-.640	240	1013	-.297	.075	-.068	-.713
240	807	.041	.080	.390	-.221	240	935	-.288	.055	-.130	-.515	240	1014	-.298	.058	-.123	-.651
240	808	-.179	.056	.018	-.533	240	936	-.259	.037	-.153	-.389	240	1015	-.287	.065	-.118	-.612
240	809	-.052	.059	.369	-.234	240	937	-.249	.050	-.116	-.546	240	1016	-.283	.056	-.120	-.661
240	810	.155	.083	.573	-.121	240	938	-.253	.043	-.142	-.431	240	1017	-.292	.058	-.128	-.567
240	811	.165	.087	.556	-.049	240	939	-.271	.043	-.131	-.458	240	1018	-.284	.054	-.053	-.524
240	812	-.033	.081	.381	-.389	240	940	-.307	.046	-.205	-.488	240	1019	-.294	.061	-.046	-.517
240	813	.031	.073	.371	-.223	240	941	-.164	.056	.423	-.037	240	1020	-.271	.054	-.053	-.474
240	814	.094	.094	.494	-.195	240	942	-.335	.085	-.150	-.757	240	1021	-.143	.070	.133	-.486
240	815	-.144	.061	.073	-.468	240	943	-.362	.114	-.026	-.919	240	1022	-.142	.048	.073	-.321
240	816	-.033	.052	.230	-.188	240	944	-.280	.082	-.030	-.601	240	1023	-.211	.077	.016	-.622
240	817	.016	.059	.314	-.149	240	945	-.197	.080	-.065	-.610	240	1024	-.368	.118	-.089	-1.002
240	818	.078	.081	.526	-.160	240	946	-.325	.081	-.143	-.716	240	1025	-.221	.040	-.077	-.369
240	819	.172	.086	.626	-.047	240	947	-.431	.074	-.125	-.691	240	1026	-.208	.052	-.003	-.440
240	820	.119	.086	.508	-.204	240	948	-.311	.072	-.091	-.648	240	1027	-.184	.041	-.051	-.402
240	821	.032	.054	.247	-.166	240	949	-.345	.098	-.078	-1.086	240	1028	-.135	.030	.023	-.254

WD	TAP	CPMEAN	CPRMS	CPMAX	CPMIN	WD	TAP	CPMEAN	CPRMS	CPMAX	CPMIN	WD	TAP	CPMEAN	CPRMS	CPMAX	CPMIN
250	101	-.286	.081	-.034	-.714	250	151	-.306	.113	.215	-1.092	250	201	-.221	.056	.006	-.462
250	102	-.378	.108	-.138	-.888	250	152	-.304	.098	-.028	-.846	250	202	-.125	.064	.144	-.404
250	103	-.394	.099	-.145	-.883	250	153	-.325	.109	-.003	-.931	250	203	-.199	.073	.027	-.611
250	104	-.127	.076	.128	-.404	250	154	-.337	.098	-.014	-.891	250	204	-.231	.064	-.046	-.631
250	105	-.327	.111	-.028	-.908	250	155	-.385	.135	-.086	-1.246	250	205	-.224	.060	-.032	-.557
250	106	-.355	.106	-.103	-.953	250	156	-.328	.109	-.142	-.942	250	206	-.208	.079	-.054	-.577
250	107	-.342	.100	-.041	-.863	250	157	-.332	.113	-.184	-.951	250	207	-.255	.078	-.091	-.764
250	108	-.316	.110	-.085	-1.003	250	158	-.284	.095	-.015	-.822	250	208	-.231	.069	-.048	-.683
250	109	-.341	.116	-.011	-.890	250	159	-.309	.110	-.063	-1.072	250	209	-.126	.033	-.031	-.280
250	110	-.339	.130	-.032	-1.117	250	160	-.302	.106	-.012	-.860	250	210	-.235	.057	-.062	-.605
250	111	-.382	.114	-.076	-.985	250	161	-.276	.094	-.052	-.949	250	211	-.050	.086	.389	-.220
250	112	-.303	.102	-.011	-1.068	250	162	-.307	.114	-.021	-.813	250	212	-.217	.061	-.033	-.662
250	113	-.313	.103	.067	-.861	250	163	-.290	.100	.050	-.690	250	213	-.125	.069	.211	-.422
250	114	-.396	.128	.020	-.949	250	164	-.286	.090	.019	-.701	250	214	-.170	.057	.024	-.921
250	115	-.385	.111	-.122	-.937	250	165	-.307	.099	-.021	-1.166	250	215	-.126	.030	-.003	-.281
250	116	-.363	.115	.006	-1.016	250	166	-.294	.098	-.053	-1.170	250	216	-.131	.027	-.033	-.226
250	117	-.318	.098	-.009	-.744	250	167	-.280	.090	-.062	-.974	250	217	-.155	.033	.017	-.295
250	118	-.393	.092	-.034	-.825	250	168	-.266	.077	-.029	-.762	250	218	-.213	.047	.027	-.416
250	119	-.312	.090	-.070	-.735	250	169	-.277	.079	-.003	-.778	250	219	-.108	.044	.077	-.318
250	120	-.365	.128	-.108	-.991	250	170	-.303	.107	-.038	-.903	250	220	-.165	.076	.061	-.591
250	121	-.321	.186	-.043	-1.316	250	171	-.296	.095	-.008	-.873	250	221	-.221	.079	.031	-.682
250	122	-.290	.109	-.083	-.829	250	172	-.294	.081	-.005	-.724	250	222	-.220	.081	.036	-.805
250	123	-.384	.101	.067	-.750	250	173	-.307	.087	-.086	-.783	250	223	-.110	.067	.316	-.297
250	124	-.306	.103	.027	-.822	250	174	-.306	.088	-.069	-.866	250	224	-.148	.058	.081	-.413
250	125	-.307	.123	.234	-.904	250	175	-.294	.083	-.086	-.623	250	225	-.129	.065	.184	-.541
250	126	-.339	.115	-.059	-.969	250	176	-.287	.078	-.069	-.668	250	301	-.283	.067	-.084	-.592
250	127	-.337	.118	-.014	-1.028	250	177	-.265	.093	-.013	-.908	250	302	-.298	.071	-.107	-.601
250	128	-.348	.131	-.026	-1.058	250	178	-.262	.082	-.050	-.741	250	303	-.387	.115	-.046	-1.182
250	129	-.339	.137	-.003	-1.243	250	179	-.295	.074	-.053	-.630	250	304	-.369	.104	-.046	-1.037
250	130	-.315	.096	-.012	-.716	250	180	-.308	.094	-.126	-.708	250	305	-.285	.080	-.074	-.721
250	131	-.339	.109	-.053	-.960	250	181	-.326	.100	-.093	-.818	250	306	-.295	.077	-.067	-.759
250	132	-.288	.108	-.003	-.951	250	182	-.298	.088	-.074	-.811	250	307	-.269	.053	-.118	-.531
250	133	-.285	.107	.045	-.880	250	183	-.288	.085	-.088	-.929	250	308	-.312	.101	.044	-.891
250	134	-.310	.106	.029	-.876	250	184	-.214	.086	.011	-.807	250	309	-.304	.078	-.102	-.784
250	135	-.325	.118	.184	-.903	250	185	-.191	.073	.077	-.637	250	310	-.306	.068	-.138	-.680
250	136	-.323	.106	-.029	-.823	250	186	-.229	.068	-.141	-.545	250	311	-.321	.096	-.049	-.972
250	137	-.343	.115	-.055	-.812	250	187	-.306	.092	-.050	-.889	250	312	-.279	.082	-.028	-.646
250	138	-.360	.126	-.046	-.990	250	188	-.309	.097	-.123	-1.146	250	313	-.274	.065	-.071	-.658
250	139	-.334	.106	-.074	-1.085	250	189	-.292	.101	-.109	-1.247	250	314	-.283	.044	-.100	-.694
250	140	-.328	.104	-.008	-.933	250	190	-.289	.093	-.102	-.833	250	315	-.287	.081	-.055	-.825
250	141	-.317	.094	-.011	-.714	250	191	-.240	.073	-.022	-.814	250	316	-.294	.068	-.127	-.771
250	142	-.330	.107	-.028	-.865	250	192	-.272	.079	-.030	-.904	250	317	-.241	.045	-.093	-.493
250	143	-.292	.099	-.021	-.821	250	193	-.283	.079	.047	-.685	250	318	-.288	.076	-.046	-.701
250	144	-.294	.110	.024	-.919	250	194	-.184	.077	.040	-.600	250	319	-.295	.079	-.075	-.780
250	145	-.298	.101	.090	-.935	250	195	-.175	.069	.047	-.545	250	320	-.299	.086	-.132	-.809
250	146	-.345	.114	.011	-1.354	250	196	-.202	.081	.238	-.444	250	321	-.301	.072	-.104	-.841
250	147	-.343	.118	.090	-1.345	250	197	-.286	.083	-.088	-.856	250	322	-.251	.081	-.010	-.610
250	148	-.356	.122	-.001	-1.286	250	198	-.131	.037	.054	-.325	250	323	-.253	.078	-.019	-.680
250	149	-.278	.084	-.019	-.679	250	199	-.138	.037	-.081	-.368	250	324	-.268	.063	-.093	-.606
250	150	-.278	.080	-.037	-.690	250	200	-.174	.047	-.010	-.640	250	325	-.264	.058	-.084	-.608

WD	TAP	CPMEAN	CPRMS	CPMAX	CPMIN	WD	TAP	CPMEAN	CPRMS	CPMAX	CPMIN	WD	TAP	CPMEAN	CPRMS	CPMAX	CPMIN
250	326	-.268	.055	-.098	-.518	250	376	-.231	.063	-.033	-.567	250	504	-.451	.111	-.149	-.842
250	327	-.268	.064	-.119	-.647	250	377	-.254	.051	-.125	-.492	250	505	-.351	.114	-.095	-1.000
250	328	-.264	.074	-.025	-.773	250	378	-.254	.047	-.127	-.473	250	506	-.334	.118	-.018	-.922
250	329	-.265	.077	-.009	-.666	250	379	-.273	.052	-.144	-.520	250	507	-.359	.111	-.056	-1.090
250	330	-.244	.044	-.112	-.439	250	380	-.264	.056	-.049	-.548	250	508	-.378	.117	-.127	-1.005
250	331	-.267	.050	-.121	-.467	250	381	-.227	.057	.022	-.513	250	509	-.365	.121	-.035	-1.040
250	332	-.256	.071	-.018	-.675	250	382	-.185	.054	.057	-.449	250	510	-.343	.114	-.015	-.942
250	333	-.240	.067	-.050	-.746	250	383	-.192	.051	.003	-.506	250	511	-.330	.120	-.123	-1.117
250	334	-.257	.067	-.099	-.643	250	384	-.244	.045	-.127	-.489	250	512	-.370	.112	-.065	-.935
250	335	-.228	.046	-.076	-.425	250	385	-.244	.046	-.116	-.437	250	513	-.372	.116	-.037	-.887
250	336	-.221	.040	-.101	-.409	250	386	-.283	.061	-.149	-.709	250	514	-.332	.106	-.010	-.808
250	337	-.250	.045	-.126	-.556	250	387	-.253	.049	-.026	-.458	250	515	-.332	.124	-.035	-.953
250	338	-.248	.057	-.092	-.663	250	388	-.224	.062	.045	-.487	250	516	-.354	.104	-.026	-.812
250	339	-.255	.069	-.083	-.746	250	389	-.182	.065	.033	-.515	250	517	-.351	.106	-.001	-.899
250	340	-.267	.079	-.044	-.684	250	390	-.175	.059	.000	-.525	250	518	-.462	.191	-.051	-1.406
250	341	-.230	.042	-.050	-.428	250	391	-.254	.057	-.044	-.479	250	519	-.391	.127	-.085	-1.040
250	342	-.256	.048	-.121	-.448	250	392	-.269	.058	-.140	-.682	250	520	-.343	.105	-.078	-.908
250	343	-.259	.072	-.080	-.618	250	393	-.237	.053	.022	-.500	250	521	-.332	.110	-.024	-.901
250	344	-.253	.064	-.071	-.572	250	394	-.185	.057	.066	-.378	250	522	-.393	.133	-.047	-1.026
250	345	-.259	.052	-.103	-.519	250	395	-.182	.063	.057	-.608	250	523	-.412	.130	-.065	-.976
250	346	-.266	.059	-.124	-.668	250	396	-.180	.064	-.079	-.655	250	524	-.410	.117	-.019	-.903
250	347	-.278	.061	-.099	-.570	250	397	-.253	.045	-.131	-.463	250	525	-.405	.118	-.062	-.976
250	348	-.268	.072	-.073	-.656	250	398	-.235	.044	-.130	-.452	250	526	-.335	.124	-.099	-1.010
250	349	-.271	.073	-.082	-.728	250	399	-.275	.055	-.141	-.525	250	527	-.331	.111	.006	-.764
250	350	-.272	.078	-.078	-.614	250	400	-.246	.049	-.101	-.458	250	528	-.280	.106	.121	-.923
250	351	-.263	.067	-.047	-.641	250	401	-.197	.041	-.052	-.416	250	529	-.290	.111	.050	-.776
250	352	-.258	.053	-.118	-.517	250	402	-.157	.045	.091	-.427	250	530	-.356	.104	-.100	-.810
250	353	-.249	.047	-.094	-.490	250	403	-.139	.036	.015	-.311	250	531	-.364	.112	-.026	-.918
250	354	-.251	.050	-.132	-.605	250	404	-.133	.035	-.033	-.316	250	532	-.387	.103	-.037	-.829
250	355	-.253	.058	-.026	-.627	250	405	-.244	.055	-.092	-.485	250	533	-.385	.102	-.074	-.893
250	356	-.274	.082	-.044	-.748	250	406	-.218	.048	-.079	-.478	250	534	-.407	.120	-.063	-1.061
250	357	-.254	.070	-.060	-.587	250	407	-.220	.038	-.086	-.385	250	535	-.384	.111	-.017	-.872
250	358	-.253	.065	-.091	-.589	250	408	-.268	.050	-.124	-.594	250	536	-.356	.108	-.017	-.858
250	359	-.242	.058	-.073	-.688	250	409	-.157	.035	-.010	-.280	250	537	-.357	.123	.147	-1.215
250	360	-.253	.073	-.062	-.661	250	410	-.128	.030	-.010	-.240	250	538	-.327	.106	.020	-.842
250	361	-.263	.070	-.024	-.569	250	411	-.267	.059	-.083	-.585	250	539	-.280	.104	.025	-.937
250	362	-.243	.066	-.060	-.540	250	412	-.269	.056	-.138	-.651	250	540	-.283	.109	.022	-.891
250	363	-.248	.064	-.047	-.573	250	413	-.134	.030	-.018	-.241	250	541	-.352	.098	.050	-.730
250	364	-.280	.065	-.109	-.654	250	414	-.187	.033	-.062	-.338	250	542	-.368	.113	-.035	-1.017
250	365	-.263	.073	-.103	-.838	250	415	-.188	.035	-.036	-.328	250	543	-.387	.134	-.086	-1.344
250	366	-.222	.054	-.038	-.567	250	416	-.257	.064	-.109	-.665	250	544	-.375	.120	-.045	-1.128
250	367	-.228	.060	-.047	-.513	250	417	-.175	.046	.056	-.420	250	545	-.379	.115	-.065	-1.045
250	368	-.242	.066	-.042	-.695	250	418	-.144	.035	.037	-.279	250	546	-.331	.111	.029	-1.298
250	369	-.226	.053	-.080	-.468	250	419	-.129	.033	.039	-.255	250	547	-.304	.115	.096	-.944
250	370	-.236	.050	-.092	-.544	250	420	-.132	.027	-.034	-.248	250	548	-.278	.102	-.003	-1.224
250	371	-.255	.052	-.123	-.579	250	421	-.136	.030	.002	-.259	250	549	-.308	.121	.188	-.899
250	372	-.280	.062	-.137	-.815	250	422	-.134	.029	-.007	-.236	250	550	-.283	.130	.206	-1.089
250	373	-.251	.057	-.068	-.501	250	501	-.384	.108	-.099	-.847	250	551	-.439	.139	-.150	-1.350
250	374	-.208	.052	-.038	-.444	250	502	-.281	.082	.026	-1.017	250	552	-.395	.114	-.064	-.885
250	375	-.208	.054	-.012	-.473	250	503	-.118	.086	.169	-.456	250	553	-.368	.117	.037	-.919

WD	TAP	CPMEAN	CPRMS	CPMAX	CPMIN	WD	TAP	CPMEAN	CPRMS	CPMAX	CPMIN	WD	TAP	CPMEAN	CPRMS	CPMAX	CPMIN
2550	554	-.320	.094	-.003	-.786	250	604	-.196	.038	-.044	-.344	250	734	.269	.189	1.031	-.505
2550	555	-.295	.102	-.022	-.854	250	605	-.234	.041	-.090	-.397	250	735	.360	.168	.856	-.184
2550	556	-.280	.079	-.067	-.664	250	606	-.171	.060	-.087	-.446	250	736	.374	.157	.879	-.073
2550	557	-.274	.085	-.010	-.651	250	607	-.156	.033	-.023	-.295	250	737	.314	.166	.955	-.154
2550	558	-.423	.124	-.139	-1.398	250	608	-.163	.081	-.119	-.669	250	738	.322	.179	.884	-.170
2550	559	-.382	.097	-.109	-.746	250	609	-.222	.042	-.053	-.438	250	739	.210	.141	.726	-.165
2550	560	-.397	.115	-.132	-1.449	250	610	-.190	.048	-.080	-.358	250	740	.107	.129	.659	-.287
2550	561	-.249	.092	-.035	-.852	250	611	-.156	.034	-.035	-.291	250	741	.362	.161	.898	-.060
2550	562	-.383	.108	-.130	-.876	250	612	-.329	.145	-.011	-1.349	250	742	.311	.164	.877	-.080
2550	563	-.400	.110	-.143	-1.019	250	613	-.315	.130	-.030	-1.336	250	743	-.108	.104	.409	-.501
2550	564	-.402	.135	-.037	-1.125	250	614	-.225	.139	-.295	-1.102	250	744	.057	.119	.510	-.253
2550	565	-.400	.164	-.006	-1.357	250	615	-.151	.073	.130	-.511	250	745	.268	.163	.834	-.129
2550	566	-.308	.112	-.032	-1.108	250	616	-.159	.056	.061	-.555	250	746	.286	.167	1.019	-.096
2550	567	-.248	.094	-.006	-.956	250	617	-.171	.034	.045	-.323	250	747	.104	.121	.613	-.209
2550	568	-.355	.094	-.017	-.804	250	618	-.181	.035	-.018	-.310	250	748	-.072	.108	.397	-.533
2550	569	-.313	.112	-.049	-.826	250	619	-.202	.036	-.072	-.342	250	749	-.304	.148	.407	-.827
2550	570	-.401	.117	-.129	-.954	250	620	-.152	.035	-.014	-.275	250	750	-.350	.120	.176	-.903
2550	571	-.419	.117	-.067	-.985	250	701	-.000	.090	.348	-.249	250	751	-.033	.145	.465	-.598
2550	572	-.410	.168	-.092	-1.313	250	702	.014	.091	.443	-.337	250	752	.146	.186	.755	-.438
2550	573	-.308	.133	.094	-1.042	250	703	.186	.140	.609	-.303	250	753	.197	.188	.884	-.519
2550	574	-.233	.105	.108	-.780	250	704	.206	.143	.706	-.308	250	754	.201	.170	.710	-.377
2550	575	-.202	.068	-.011	-.607	250	705	-.006	.093	.320	-.362	250	755	.061	.158	.643	-.699
2550	576	-.216	.059	-.048	-.576	250	706	-.003	.100	.329	-.339	250	756	-.298	.134	.372	-.984
2550	577	-.407	.128	-.151	-1.182	250	707	.036	.101	.446	-.253	250	757	-.201	.207	.791	-.829
2550	578	-.410	.143	-.067	-1.291	250	708	-.003	.120	.544	-.497	250	758	.020	.110	.497	-.557
2550	579	-.355	.178	.128	-1.180	250	709	.200	.151	.720	-.287	250	759	-.105	.124	.652	-.519
2550	580	-.229	.121	.089	-.818	250	710	.169	.148	.743	-.367	250	760	-.034	.096	.490	-.305
2550	581	-.182	.076	.087	-.588	250	711	.010	.124	.453	-.515	250	761	.010	.108	.432	-.503
2550	582	-.186	.047	-.078	-.424	250	712	.139	.134	.609	-.278	250	762	-.064	.081	.292	-.395
2550	583	-.206	.044	-.020	-.555	250	713	.279	.158	.822	-.330	250	763	.016	.095	.445	-.283
2550	584	-.357	.130	-.025	-1.213	250	714	.278	.162	.804	-.174	250	764	.185	.130	.688	-.135
2550	585	-.364	.140	-.048	-1.422	250	715	.161	.122	.638	-.242	250	765	.203	.133	.681	-.126
2550	586	-.312	.162	.087	-1.341	250	716	.207	.174	.879	-.389	250	766	.217	.131	.754	-.232
2550	587	-.179	.087	.156	-.650	250	717	.357	.163	.992	-.269	250	767	-.091	.117	.628	-.192
2550	588	-.165	.068	-.173	-.643	250	718	.038	.125	.452	-.650	250	768	-.005	.097	.452	-.303
2550	589	-.179	.040	-.001	-.367	250	719	.085	.195	.632	-.652	250	769	.179	.121	.701	-.196
2550	590	-.203	.040	-.027	-.419	250	720	.100	.191	.731	-.605	250	770	-.096	.059	.207	-.315
2550	591	-.175	.086	.112	-.719	250	721	.056	.125	.602	-.412	250	771	-.022	.076	.324	-.303
2550	592	-.155	.072	.143	-.564	250	722	.098	.137	.548	-.324	250	772	.066	.101	.580	-.317
2550	593	-.329	.121	-.064	-1.379	250	723	.198	.146	.890	-.249	250	773	.164	.103	.623	-.094
2550	594	-.327	.125	-.057	-1.481	250	724	.268	.173	.920	-.360	250	774	.160	.111	.766	-.118
2550	595	-.280	.141	.087	-1.080	250	725	.276	.162	.922	-.181	250	775	.045	.097	.504	-.258
2550	596	-.168	.079	.145	-.571	250	726	.268	.161	.861	-.224	250	776	-.046	.089	.329	-.336
2550	597	-.155	.062	.136	-.404	250	727	.273	.162	.845	-.370	250	777	-.129	.057	.103	-.410
2550	598	-.174	.040	-.011	-.401	250	728	.200	.149	.742	-.202	250	778	-.059	.062	.333	-.332
2550	599	-.210	.040	-.051	-.381	250	729	.129	.133	.606	-.394	250	779	.034	.085	.535	-.268
2550	600	-.235	.043	-.118	-.434	250	730	.341	.172	.955	-.133	250	780	.098	.079	.545	-.132
2550	601	-.158	.040	-.003	-.358	250	731	.318	.163	.836	-.179	250	781	-.097	.089	.530	-.177
2550	602	-.174	.033	-.033	-.328	250	732	.063	.123	.512	-.338	250	782	-.002	.077	.376	-.268
2550	603	-.323	.123	.048	-1.111	250	733	.162	.147	.638	-.287	250	783	-.073	.076	.300	-.398

WD	TAP	CPMEAN	CPRMS	CPMAX	CPMIN	WD	TAP	CPMEAN	CPRMS	CPMAX	CPMIN	WD	TAP	CPMEAN	CPRMS	CPMAX	CPMIN
250	784	-.144	.062	.115	-.386	250	912	.200	.288	.919	-.794	250	962	-.270	.062	-.050	-.484
250	785	-.077	.059	.184	-.287	250	913	.099	.337	1.061	-.866	250	963	-.264	.066	-.023	-.708
250	786	-.008	.075	.369	-.215	250	914	.006	.117	.475	-.387	250	964	-.267	.061	-.064	-.717
250	787	.101	.075	.378	-.132	250	915	-.067	.093	.232	-.465	250	965	-.281	.064	-.136	-.573
250	788	-.073	.074	.431	-.222	250	916	-.148	.138	.273	-.925	250	966	-.307	.078	-.154	-.777
250	789	-.011	.068	.288	-.325	250	917	-.186	.171	.319	-1.210	250	967	-.160	.055	-.065	-.595
250	790	-.087	.062	.177	-.346	250	918	-.417	.093	-.183	-.803	250	968	-.262	.052	-.132	-.525
250	791	.095	.083	.425	-.312	250	919	-.359	.115	.026	-.944	250	969	-.307	.091	-.134	-1.187
250	792	.110	.074	.435	-.127	250	920	-.375	.099	-.126	-.851	250	970	-.257	.105	-.012	-.875
250	793	.104	.080	.464	-.259	250	921	-.370	.087	-.106	-.714	250	971	-.160	.055	.022	-.494
250	794	.117	.069	.457	-.059	250	922	-.338	.116	.062	-1.000	250	1001	.189	.121	.739	-.082
250	795	-.005	.079	.296	-.328	250	923	-.304	.060	-.103	-.595	250	1002	.123	.070	.465	-.115
250	796	.031	.096	.503	-.288	250	924	-.301	.084	-.032	-.702	250	1003	-.397	.112	-.033	-.957
250	797	-.257	.071	.083	-.699	250	925	-.299	.079	.022	-.650	250	1004	-.358	.095	-.040	-.766
250	798	-.110	.056	.183	-.319	250	926	-.299	.084	.032	-.692	250	1005	-.251	.098	.021	-.696
250	799	-.061	.066	.257	-.265	250	927	-.292	.078	.027	-.648	250	1006	-.244	.102	.120	-.724
250	800	.021	.092	.473	-.288	250	928	-.304	.084	-.094	-.892	250	1007	-.201	.076	-.082	-.600
250	801	.100	.070	.450	-.097	250	929	-.302	.091	-.060	-1.145	250	1008	-.279	.076	-.072	-.698
250	802	.095	.085	.638	-.179	250	930	-.297	.097	.003	-.714	250	1009	-.306	.115	-.132	-.856
250	803	.002	.074	.287	-.261	250	931	-.289	.095	.021	-.701	250	1010	-.290	.083	-.038	-.763
250	804	-.074	.070	.301	-.370	250	932	-.286	.079	-.004	-.755	250	1011	-.124	.069	.168	-.468
250	805	-.068	.102	.526	-.263	250	933	-.300	.090	.048	-.750	250	1012	-.249	.077	.101	-.638
250	806	-.054	.073	.257	-.275	250	934	-.287	.074	-.079	-.628	250	1013	-.309	.079	-.116	-.617
250	807	-.011	.075	.320	-.205	250	935	-.281	.069	-.032	-.563	250	1014	-.304	.076	-.099	-.657
250	808	-.178	.054	.025	-.486	250	936	-.268	.043	-.163	-.423	250	1015	-.306	.075	-.091	-.665
250	809	-.072	.053	.204	-.247	250	937	-.255	.056	-.096	-.513	250	1016	-.309	.073	-.134	-.706
250	810	.110	.079	.485	-.075	250	938	-.253	.040	-.145	-.428	250	1017	-.256	.058	.026	-.532
250	811	.129	.077	.438	-.075	250	939	-.275	.061	-.062	-.589	250	1018	-.254	.054	.036	-.552
250	812	-.039	.081	.327	-.370	250	940	-.275	.045	-.166	-.461	250	1019	-.254	.061	.094	-.523
250	813	.011	.071	.420	-.217	250	941	-.120	.045	-.297	-.013	250	1020	-.224	.052	-.034	-.424
250	814	-.055	.088	.498	-.230	250	942	-.309	.087	-.064	-.768	250	1021	-.152	.072	.151	-.542
250	815	-.139	.058	.150	-.388	250	943	-.311	.114	.131	-.836	250	1022	-.143	.043	.110	-.297
250	816	-.049	.050	.190	-.189	250	944	-.243	.071	.013	-.553	250	1023	-.194	.062	-.017	-.556
250	817	-.015	.052	.225	-.172	250	945	-.222	.081	-.023	-.623	250	1024	-.326	.101	-.089	-.791
250	818	.053	.080	.457	-.210	250	946	-.285	.076	-.084	-.623	250	1025	-.209	.038	-.084	-.360
250	819	.158	.080	.584	-.073	250	947	-.284	.079	-.102	-.662	250	1026	-.197	.044	-.024	-.439
250	820	.117	.082	.471	-.370	250	948	-.278	.077	-.052	-.716	250	1027	-.172	.040	-.019	-.329
250	821	-.028	.063	.340	-.138	250	949	-.309	.097	-.098	-.834	250	1028	-.135	.033	-.000	-.237
250	822	-.045	.051	.170	-.220	250	950	-.130	.069	.127	-.444	260	101	-.318	.103	-.048	-.907
250	901	-.191	.057	.010	-.407	250	951	-.268	.084	-.027	-.780	260	102	-.398	.117	-.007	-.941
250	902	.218	.137	.681	-.180	250	952	-.281	.080	-.068	-.691	260	103	-.390	.092	-.130	-.841
250	903	.317	.160	.861	-.096	250	953	-.305	.095	-.005	-.809	260	104	-.059	.079	.188	-.421
250	904	.171	.142	.681	-.168	250	954	-.195	.063	.145	-.456	260	105	-.292	.107	-.074	-.840
250	905	-.257	.052	.014	-.460	250	955	-.204	.067	-.065	-.605	260	106	-.404	.115	-.022	-.982
250	906	-.193	.077	.125	-.466	250	956	-.254	.048	-.077	-.471	260	107	-.331	.107	.059	-.970
250	907	-.214	.154	.344	-.698	250	957	-.256	.073	.047	-.555	260	108	-.258	.085	.099	-.811
250	908	-.187	.119	.269	-.769	250	958	-.198	.054	.054	-.397	260	109	-.302	.117	.093	-.904
250	909	-.186	.071	.124	-.458	250	959	-.180	.046	-.043	-.354	260	110	-.365	.137	-.029	-.961
250	910	-.382	.106	-.105	-.985	250	960	-.263	.051	-.132	-.528	260	111	-.419	.129	-.004	-1.133
250	911	-.339	.116	.001	-1.103	250	961	-.272	.061	-.138	-.621	260	112	-.268	.087	.079	-.893

WD	TAP	CPMEAN	CPRMS	CPMAX	CPMIN	WD	TAP	CPMEAN	CPRMS	CPMAX	CPMIN	WD	TAP	CPMEAN	CPRMS	CPMAX	CPMIN
260	113	-.277	.098	.050	-.882	260	163	-.221	.077	.091	-.668	260	213	-.101	.057	.231	-.319
260	114	-.390	.147	.029	-.977	260	164	-.233	.086	.057	-.781	260	214	-.140	.046	.088	-.443
260	115	-.418	.122	-.064	-1.156	260	165	-.287	.116	.140	-1.071	260	215	-.123	.025	-.027	-.206
260	116	-.346	.122	.029	-.922	260	166	-.299	.117	.027	-.932	260	216	-.122	.025	-.022	-.211
260	117	-.298	.117	.143	-.857	260	167	-.300	.130	.039	-1.236	260	217	-.138	.028	-.017	-.245
260	118	-.271	.079	-.014	-.689	260	168	-.316	.162	-.044	-1.478	260	218	-.185	.040	-.050	-.335
260	119	-.299	.102	.022	-.709	260	169	-.250	.088	.079	-.799	260	219	-.105	.040	.102	-.261
260	120	-.366	.154	.097	-.922	260	170	-.214	.077	-.006	-.785	260	220	-.149	.058	.031	-.473
260	121	-.555	.191	-.039	-1.392	260	171	-.212	.072	.039	-.614	260	221	-.193	.070	.012	-.560
260	122	-.229	.077	.011	-.629	260	172	-.230	.070	.094	-.602	260	222	-.187	.064	.019	-.732
260	123	-.234	.082	.020	-.652	260	173	-.240	.075	.108	-.780	260	223	-.094	.060	.192	-.342
260	124	-.292	.097	.022	-.738	260	174	-.285	.098	-.009	-.787	260	224	-.128	.053	.079	-.431
260	125	-.198	.188	-.604	-.936	260	175	-.267	.090	-.004	-.884	260	225	-.116	.051	.088	-.330
260	126	-.374	.138	-.044	-.961	260	176	-.266	.092	-.061	-.880	260	301	-.260	.061	-.065	-.535
260	127	-.386	.159	-.017	-1.084	260	177	-.204	.068	-.001	-.668	260	302	-.277	.068	-.094	-.573
260	128	-.457	.195	.097	-1.588	260	178	-.195	.058	-.018	-.547	260	303	-.336	.087	-.130	-.774
260	129	-.478	.200	.042	-1.307	260	179	-.224	.060	-.044	-.592	260	304	-.370	.125	-.061	-.988
260	130	-.327	.113	.003	-.801	260	180	-.247	.069	-.120	-.616	260	305	-.264	.059	-.051	-.543
260	131	-.315	.145	.330	-.818	260	181	-.259	.084	-.025	-.744	260	306	-.257	.074	-.015	-.670
260	132	-.231	.078	.068	-.820	260	182	-.243	.074	-.058	-.775	260	307	-.241	.051	-.094	-.584
260	133	-.215	.075	-.011	-.712	260	183	-.232	.067	-.068	-.737	260	308	-.286	.077	-.092	-.683
260	134	-.248	.106	.132	-.795	260	184	-.180	.061	.018	-.649	260	309	-.278	.061	-.110	-.573
260	135	-.227	.159	.424	-.829	260	185	-.171	.056	.058	-.602	260	310	-.274	.070	-.081	-.606
260	136	-.314	.124	.196	-.850	260	186	-.199	.057	.124	-.538	260	311	-.271	.084	-.010	-.706
260	137	-.362	.144	-.004	-.919	260	187	-.237	.070	-.054	-.721	260	312	-.247	.057	-.050	-.528
260	138	-.397	.169	.095	-1.103	260	188	-.254	.073	-.092	-.709	260	313	-.257	.053	-.108	-.546
260	139	-.406	.143	.040	-1.061	260	189	-.239	.077	-.056	-.659	260	314	-.259	.068	-.041	-.582
260	140	-.436	.139	-.001	-1.057	260	190	-.247	.083	-.051	-.782	260	315	-.257	.074	-.021	-.655
260	141	-.291	.118	.137	-.762	260	191	-.203	.057	-.007	-.477	260	316	-.274	.045	-.112	-.611
260	142	-.291	.129	.120	-.976	260	192	-.226	.064	-.025	-.641	260	317	-.224	.045	-.090	-.454
260	143	-.234	.076	-.008	-.615	260	193	-.222	.060	-.025	-.595	260	318	-.281	.065	-.099	-.577
260	144	-.221	.079	.031	-.624	260	194	-.165	.057	.038	-.650	260	319	-.293	.073	-.103	-.698
260	145	-.240	.101	.196	-.824	260	195	-.166	.056	.047	-.616	260	320	-.264	.077	-.088	-.763
260	146	-.344	.139	.116	-.955	260	196	-.186	.050	.070	-.432	260	321	-.287	.080	-.065	-.722
260	147	-.379	.150	.132	-1.227	260	197	-.230	.067	-.040	-.575	260	322	-.245	.067	-.027	-.608
260	148	-.392	.160	.132	-1.358	260	198	-.125	.030	-.000	-.296	260	323	-.244	.062	-.023	-.586
260	149	-.358	.091	-.011	-.754	260	199	-.132	.031	-.027	-.330	260	324	-.254	.053	-.094	-.528
260	150	-.249	.084	-.051	-.853	260	200	-.154	.041	-.007	-.364	260	325	-.254	.051	-.067	-.510
260	151	-.245	.085	-.024	-.736	260	201	-.185	.044	-.034	-.400	260	326	-.242	.053	-.043	-.528
260	152	-.261	.100	.156	-.812	260	202	-.111	.052	.181	-.284	260	327	-.247	.069	-.086	-.620
260	153	-.289	.116	.061	-.812	260	203	-.176	.059	.004	-.491	260	328	-.231	.072	.000	-.638
260	154	-.355	.131	-.017	-.882	260	204	-.208	.056	-.025	-.548	260	329	-.229	.073	.000	-.611
260	155	-.435	.176	-.038	-1.526	260	205	-.207	.054	-.057	-.493	260	330	-.236	.042	-.129	-.529
260	156	-.283	.145	.248	-.864	260	206	-.160	.061	-.090	-.461	260	331	-.268	.052	-.124	-.509
260	157	-.261	.143	.377	-1.090	260	207	-.205	.063	-.044	-.361	260	332	-.248	.062	-.043	-.549
260	158	-.228	.074	.025	-.567	260	208	-.181	.050	-.016	-.466	260	333	-.237	.050	-.090	-.491
260	159	-.370	.171	-.042	-1.483	260	209	-.121	.027	-.019	-.243	260	334	-.236	.053	-.086	-.742
260	160	-.220	.078	.039	-.628	260	210	-.200	.050	-.043	-.434	260	335	-.215	.043	-.054	-.518
260	161	-.309	.150	-.024	-1.537	260	211	-.000	.079	.318	-.215	260	336	-.210	.041	-.063	-.400
260	162	-.226	.083	.050	-.657	260	212	-.190	.051	-.008	-.546	260	337	-.231	.052	-.075	-.516

WD	TAP	CPMEAN	CPRMS	CPMAX	CPMIN	WD	TAP	CPMEAN	CPRMS	CPMAX	CPMIN	WD	TAP	CPMEAN	CPRMS	CPMAX	CPMIN
260	338	-.247	.073	-.093	-.703	260	388	-.185	.054	.018	-.452	260	516	-.300	.087	-.045	-1.053
260	339	-.265	.087	-.066	-.773	260	389	-.142	.042	.034	-.364	260	517	-.294	.079	-.037	-.781
260	340	-.262	.087	-.050	-.758	260	390	-.153	.046	.044	-.424	260	518	-.356	.131	-.098	-1.094
260	341	-.223	.049	-.059	-.423	260	391	-.206	.047	.077	-.376	260	519	-.327	.084	-.116	-.745
260	342	-.264	.059	-.106	-.902	260	392	-.231	.045	-.100	-.445	260	520	-.306	.084	-.072	-.870
260	343	-.279	.071	-.106	-.865	260	393	-.208	.044	-.066	-.344	260	521	-.309	.097	-.010	-.923
260	344	-.261	.061	-.086	-.579	260	394	-.169	.043	-.019	-.393	260	522	-.317	.090	-.029	-.872
260	345	-.266	.057	-.109	-.687	260	395	-.150	.042	-.006	-.393	260	523	-.330	.093	-.050	-.781
260	346	-.267	.075	-.127	-.735	260	396	-.153	.042	-.001	-.373	260	524	-.360	.106	-.006	-.900
260	347	-.265	.089	-.005	-.918	260	397	-.203	.032	-.110	-.333	260	525	-.343	.107	-.068	-.980
260	348	-.256	.079	-.059	-.909	260	398	-.201	.032	-.083	-.337	260	526	-.312	.098	-.104	-.925
260	349	-.268	.064	-.100	-.589	260	399	-.230	.038	-.101	-.384	260	527	-.298	.087	-.019	-.937
260	350	-.279	.073	-.095	-.767	260	400	-.223	.043	-.031	-.447	260	528	-.290	.099	-.006	-.840
260	351	-.261	.061	-.064	-.392	260	401	-.174	.038	-.024	-.308	260	529	-.298	.110	-.043	-.854
260	352	-.243	.042	-.117	-.434	260	402	-.151	.036	-.020	-.299	260	530	-.294	.075	-.084	-.759
260	353	-.244	.046	-.100	-.483	260	403	-.131	.031	-.020	-.279	260	531	-.312	.081	-.098	-.877
260	354	-.241	.062	-.095	-.838	260	404	-.128	.027	-.020	-.238	260	532	-.312	.080	-.114	-.798
260	355	-.242	.078	-.026	-.826	260	405	-.205	.048	-.085	-.445	260	533	-.303	.069	-.103	-.639
260	356	-.244	.079	-.038	-.725	260	406	-.187	.039	-.076	-.418	260	534	-.338	.087	-.066	-.734
260	357	-.252	.085	-.009	-.787	260	407	-.190	.030	-.089	-.303	260	535	-.313	.083	-.082	-.874
260	358	-.256	.058	-.108	-.823	260	408	-.223	.040	-.033	-.413	260	536	-.301	.073	-.107	-.641
260	359	-.215	.065	-.044	-.398	260	409	-.141	.028	-.020	-.243	260	537	-.333	.102	-.031	-.872
260	360	-.262	.068	-.046	-.636	260	410	-.124	.026	-.016	-.238	260	538	-.296	.086	-.045	-.852
260	361	-.215	.066	-.013	-.603	260	411	-.238	.047	-.098	-.614	260	539	-.290	.103	-.008	-1.004
260	362	-.243	.063	-.071	-.532	260	412	-.224	.042	-.106	-.448	260	540	-.305	.113	-.001	-.863
260	363	-.243	.058	-.073	-.536	260	413	-.127	.026	-.013	-.220	260	541	-.301	.077	-.089	-.741
260	364	-.267	.061	-.102	-.549	260	414	-.169	.030	-.051	-.308	260	542	-.321	.085	-.054	-.720
260	365	-.244	.062	-.044	-.456	260	415	-.169	.033	-.001	-.291	260	543	-.321	.093	-.066	-.983
260	366	-.214	.074	-.055	-.005	260	416	-.226	.049	-.096	-.609	260	544	-.318	.086	-.100	-.822
260	367	-.208	.065	-.038	-.530	260	417	-.164	.045	-.008	-.329	260	545	-.319	.079	-.091	-.757
260	368	-.219	.072	-.027	-.658	260	418	-.131	.028	-.013	-.229	260	546	-.325	.093	-.068	-.933
260	369	-.188	.043	-.052	-.382	260	419	-.126	.024	-.009	-.196	260	547	-.325	.105	-.004	-.822
260	370	-.224	.047	-.071	-.436	260	420	-.124	.027	-.023	-.208	260	548	-.296	.091	-.047	-.928
260	371	-.222	.046	-.120	-.429	260	421	-.126	.025	-.013	-.226	260	549	-.323	.108	-.248	-.784
260	372	-.264	.061	-.092	-.586	260	422	-.123	.025	-.039	-.235	260	550	-.276	.112	-.259	-.743
260	373	-.204	.044	-.022	-.366	260	501	-.327	.085	-.136	-.909	260	551	-.396	.114	-.126	-.945
260	374	-.176	.046	-.029	-.464	260	502	-.248	.065	-.091	-.657	260	552	-.336	.094	-.077	-.920
260	375	-.183	.059	-.022	-.932	260	503	-.150	.073	-.184	-.523	260	553	-.324	.088	-.077	-.777
260	376	-.190	.062	-.041	-.712	260	504	-.406	.108	-.136	-.927	260	554	-.316	.078	-.052	-.655
260	377	-.211	.036	-.092	-.429	260	505	-.275	.083	-.094	-.893	260	555	-.288	.082	-.029	-.780
260	378	-.219	.041	-.080	-.441	260	506	-.301	.098	-.029	-.822	260	556	-.279	.073	-.115	-.880
260	379	-.241	.047	-.118	-.490	260	507	-.283	.079	-.013	-.671	260	557	-.278	.076	-.033	-.823
260	380	-.213	.042	-.022	-.380	260	508	-.294	.084	-.098	-.959	260	558	-.385	.120	-.072	-1.075
260	381	-.183	.049	-.004	-.450	260	509	-.298	.085	-.050	-.808	260	559	-.285	.073	-.077	-.705
260	382	-.163	.044	-.006	-.415	260	510	-.302	.088	-.027	-.790	260	560	-.398	.146	-.120	-1.531
260	383	-.163	.045	-.018	-.429	260	511	-.322	.108	-.009	-.977	260	561	-.285	.082	-.040	-.721
260	384	-.207	.038	-.101	-.452	260	512	-.294	.081	-.086	-.952	260	562	-.362	.113	-.099	-1.331
260	385	-.209	.035	-.094	-.366	260	513	-.304	.090	-.072	-.721	260	563	-.374	.111	-.142	-.993
260	386	-.236	.047	-.130	-.481	260	514	-.300	.088	-.015	-.769	260	564	-.365	.106	-.117	-.970
260	387	-.211	.044	-.045	-.408	260	515	-.305	.104	-.008	-.854	260	565	-.373	.129	-.011	-1.161

WD	TAP	CPMEAN	CPRMS	CPMAX	CPMIN	WD	TAP	CPMEAN	CPRMS	CPMAX	CPMIN	WD	TAP	CPMEAN	CPRMS	CPMAX	CPMIN
260	566	-.317	.092	-.010	-.942	260	616	-.139	.050	-.092	-.371	260	746	.197	.155	.770	-.135
260	567	-.274	.085	-.023	-.763	260	617	-.143	.033	-.002	-.246	260	747	.076	.128	.621	-.229
260	568	-.272	.088	-.047	-.870	260	618	-.154	.030	-.008	-.264	260	748	-.115	.095	.324	-.476
260	569	-.307	.087	-.071	-.882	260	619	-.171	.030	-.068	-.273	260	749	-.211	.195	.509	-.773
260	570	-.379	.105	-.145	-1.023	260	620	-.136	.031	-.006	-.259	260	750	-.280	.149	.326	-.858
260	571	-.380	.108	-.121	-1.172	260	701	.040	.085	.373	-.254	260	751	-.057	.157	.594	-.807
260	572	-.375	.125	-.030	-1.016	260	702	.028	.095	.380	-.293	260	752	.066	.169	.814	-.464
260	573	-.316	.101	.022	-.820	260	703	.184	.136	.665	-.342	260	753	.068	.172	.796	-.612
260	574	-.257	.088	.041	-.655	260	704	.210	.148	.638	-.358	260	754	.069	.168	.690	-.552
260	575	-.215	.066	-.030	-.535	260	705	.043	.104	.427	-.295	260	755	-.028	.169	.549	-.778
260	576	-.219	.060	-.057	-.566	260	706	.000	.084	.301	-.331	260	756	-.317	.122	.290	-.867
260	577	-.376	.116	-.105	-1.212	260	707	.079	.102	.428	-.288	260	757	-.199	.183	.643	-.762
260	578	-.381	.122	-.081	-1.083	260	708	.060	.139	.536	-.436	260	758	.019	.114	.684	-.513
260	579	-.370	.146	.034	-1.162	260	709	.225	.161	.757	-.374	260	759	.044	.128	.485	-.453
260	580	-.242	.098	.058	-.870	260	710	.203	.157	.827	-.449	260	760	-.040	.096	.420	-.433
260	581	-.188	.069	.140	-.607	260	711	-.000	.114	.520	-.497	260	761	-.023	.115	.554	-.502
260	582	-.171	.042	-.023	-.382	260	712	.193	.154	.717	-.277	260	762	-.075	.082	.294	-.319
260	583	-.184	.039	.006	-.437	260	713	.307	.178	.863	-.313	260	763	-.001	.091	.451	-.263
260	584	-.359	.111	-.081	-.966	260	714	.253	.166	.861	-.218	260	764	.093	.098	.614	-.238
260	585	-.369	.119	-.076	-1.043	260	715	.121	.121	.559	-.293	260	765	.121	.107	.608	-.361
260	586	-.306	.134	.039	-1.093	260	716	.219	.167	.841	-.469	260	766	.141	.121	.905	-.161
260	587	-.186	.081	.094	-.550	260	717	.324	.171	1.042	-.241	260	767	.031	.110	.578	-.291
260	588	-.151	.061	.092	-.444	260	718	.098	.149	.613	-.453	260	768	-.063	.099	.522	-.549
260	589	-.159	.037	.051	-.385	260	719	.159	.226	.924	-.853	260	769	.106	.098	.647	-.194
260	590	-.175	.033	-.042	-.318	260	720	.032	.184	.629	-.661	260	770	-.099	.062	.174	-.371
260	591	-.176	.082	.110	-.545	260	721	.071	.125	.588	-.381	260	771	-.030	.066	.248	-.284
260	592	-.148	.047	-.089	-.621	260	722	.147	.163	.748	-.471	260	772	.056	.082	.522	-.367
260	593	-.346	.118	-.073	-1.172	260	723	.203	.183	.929	-.327	260	773	.103	.076	.479	-.093
260	594	-.338	.115	-.030	-1.117	260	724	.228	.189	.809	-.679	260	774	.083	.104	.586	-.341
260	595	-.276	.129	.041	-1.027	260	725	.261	.155	.796	-.236	260	775	-.004	.093	.515	-.298
260	596	-.164	.078	.044	-.585	260	726	.279	.177	.900	-.212	260	776	-.080	.088	.432	-.362
260	597	-.148	.058	.082	-.455	260	727	.274	.185	.907	-.487	260	777	-.101	.057	.184	-.362
260	598	-.149	.033	-.011	-.379	260	728	.142	.145	.669	-.291	260	778	-.042	.061	.215	-.378
260	599	-.179	.035	-.006	-.328	260	729	.106	.121	.537	-.284	260	779	.028	.073	.328	-.244
260	600	-.208	.033	-.101	-.388	260	730	.296	.170	.948	-.103	260	780	.080	.070	.541	-.152
260	601	-.141	.035	-.013	-.311	260	731	.331	.172	1.012	-.158	260	781	.058	.086	.664	-.263
260	602	-.155	.031	.041	-.268	260	732	.082	.158	.614	-.311	260	782	-.015	.087	.510	-.324
260	603	-.343	.127	-.088	-1.286	260	733	.199	.176	.894	-.231	260	783	-.087	.080	.352	-.494
260	604	-.166	.034	-.013	-.291	260	734	.260	.187	.866	-.311	260	784	-.107	.051	.101	-.310
260	605	-.191	.031	-.088	-.293	260	735	.287	.180	.877	-.117	260	785	-.054	.053	.224	-.244
260	606	-.156	.050	.113	-.338	260	736	.322	.174	.886	-.078	260	786	.018	.070	.328	-.222
260	607	-.148	.031	-.025	-.291	260	737	.276	.189	.980	-.165	260	787	.068	.063	.378	-.182
260	608	-.137	.063	.112	-.511	260	738	.233	.191	.884	-.519	260	788	.047	.071	.477	-.218
260	609	-.196	.036	-.063	-.406	260	739	.125	.146	.637	-.263	260	789	-.027	.068	.337	-.343
260	610	-.166	.042	.041	-.335	260	740	.042	.121	.516	-.272	260	790	-.097	.067	.212	-.378
260	611	-.139	.030	-.017	-.253	260	741	.313	.168	.964	-.110	260	791	.043	.068	.385	-.308
260	612	-.311	.123	-.001	-.973	260	742	.258	.167	.875	-.101	260	792	.066	.065	.472	-.222
260	613	-.331	.139	-.028	-1.342	260	743	-.096	.117	.356	-.462	260	793	.069	.068	.423	-.244
260	614	-.200	.114	.065	-.995	260	744	.086	.142	.774	-.256	260	794	.075	.061	.450	-.091
260	615	-.133	.058	.074	-.408	260	745	.236	.173	.912	-.181	260	795	-.033	.067	.220	-.291

WD	TAP	CPMEAN	CPRMS	CPMAX	CPMIN	WD	TAP	CPMEAN	CPRMS	CPMAX	CPMIN	WD	TAP	CPMEAN	CPRMS	CPMAX	CPMIN
260	796	-.003	.080	.288	-.314	260	924	-.279	.065	-.070	-.513	260	1003	-.320	.088	-.068	-.791
260	797	-.198	.055	-.007	-.551	260	925	-.291	.084	-.061	-.698	260	1004	-.383	.106	-.057	-.804
260	798	-.094	.048	.114	-.260	260	926	-.285	.068	-.035	-.685	260	1005	-.208	.075	-.027	-.648
260	799	-.046	.055	.238	-.251	260	927	-.292	.090	-.058	-.726	260	1006	-.199	.117	.232	-.801
260	800	.009	.076	.360	-.339	260	928	-.294	.076	-.095	-.694	260	1007	-.193	.072	.058	-.627
260	801	.074	.070	.469	-.107	260	929	-.301	.108	-.077	-1.208	260	1008	-.220	.054	-.054	-.464
260	802	.058	.069	.376	-.183	260	930	-.316	.096	-.072	-.782	260	1009	-.283	.080	.016	-.455
260	803	-.016	.071	.381	-.249	260	931	-.206	.080	-.147	-.592	260	1010	-.241	.077	.046	-.539
260	804	-.083	.068	.272	-.395	260	932	-.279	.065	-.095	-.581	260	1011	-.109	.057	.151	-.350
260	805	.015	.082	.351	-.212	260	933	-.287	.076	-.068	-.737	260	1012	-.208	.058	-.004	-.497
260	806	-.078	.053	.133	-.260	260	934	-.281	.076	-.056	-.731	260	1013	-.287	.060	-.124	-.514
260	807	-.031	.060	.259	-.246	260	935	-.235	.071	.016	-.558	260	1014	-.283	.069	-.051	-.691
260	808	-.141	.045	.038	-.415	260	936	-.290	.045	-.168	-.445	260	1015	-.291	.062	-.117	-.592
260	809	-.070	.041	.166	-.221	260	937	-.268	.054	-.120	-.472	260	1016	-.285	.072	-.040	-.733
260	810	.072	.064	.457	-.088	260	938	-.267	.054	-.151	-.547	260	1017	-.205	.045	-.005	-.420
260	811	.086	.064	.317	-.106	260	939	-.263	.073	-.084	-.767	260	1018	-.199	.040	.002	-.387
260	812	-.065	.076	.284	-.291	260	940	-.251	.046	-.150	-.450	260	1019	-.212	.051	-.007	-.380
260	813	-.020	.056	.250	-.212	260	941	-.076	.036	-.247	-.024	260	1020	-.182	.045	-.005	-.415
260	814	-.013	.070	.317	-.224	260	942	-.240	.070	-.048	-.638	260	1021	-.132	.058	.098	-.410
260	815	-.113	.051	.227	-.375	260	943	-.266	.099	.104	-.715	260	1022	-.126	.033	.023	-.273
260	816	-.049	.043	.119	-.179	260	944	-.201	.059	.011	-.446	260	1023	-.158	.046	.004	-.420
260	817	-.014	.046	.234	-.156	260	945	-.202	.070	.011	-.517	260	1024	-.236	.079	.014	-.615
260	818	.019	.062	.302	-.192	260	946	-.228	.061	-.074	-.569	260	1025	-.176	.030	-.070	-.294
260	819	.097	.065	.399	-.057	260	947	-.223	.057	-.044	-.510	260	1026	-.167	.042	.051	-.336
260	820	-.067	.068	.340	-.122	260	948	-.213	.056	-.039	-.490	260	1027	-.154	.034	.002	-.278
260	821	-.000	.055	.227	-.151	260	949	-.232	.069	-.004	-.677	260	1028	-.127	.024	.004	-.212
260	822	-.071	.049	.161	-.220	260	950	-.117	.058	.137	-.369	270	101	-.415	.105	-.075	-.917
260	901	-.213	.064	-.013	-.433	260	951	-.218	.063	-.026	-.600	270	102	-.353	.099	-.100	-1.116
260	902	.157	.134	.845	-.193	260	952	-.215	.065	-.028	-.523	270	103	-.467	.090	-.137	-1.050
260	903	.294	.160	.930	-.046	260	953	-.226	.073	-.013	-.679	270	104	-.004	.063	-.218	-.302
260	904	.145	.144	.682	-.162	260	954	-.174	.047	-.038	-.407	270	105	-.251	.062	-.078	-.534
260	905	-.154	.087	.113	-.390	260	955	-.171	.051	-.019	-.532	270	106	-.442	.111	-.036	-1.088
260	906	-.130	.081	.225	-.435	260	956	-.204	.041	-.006	-.391	270	107	-.279	.100	-.012	-.702
260	907	-.164	.148	.413	-.773	260	957	-.206	.050	-.046	-.409	270	108	-.275	.052	-.090	-.553
260	908	-.142	.142	.445	-.743	260	958	-.158	.043	-.011	-.343	270	109	-.218	.112	.060	-.700
260	909	-.189	.072	.091	-.449	260	959	-.152	.034	-.030	-.290	270	110	-.242	.149	.064	-.924
260	910	-.318	.078	-.113	-.904	260	960	-.218	.038	-.112	-.440	270	111	-.490	.151	-.142	-1.207
260	911	-.370	.140	.014	-1.204	260	961	-.244	.053	-.105	-.660	270	112	-.271	.052	-.121	-.503
260	912	.128	.297	.945	-.995	260	962	-.235	.051	-.051	-.488	270	113	-.228	.082	.009	-.581
260	913	.167	.286	.891	-1.093	260	963	-.246	.059	-.112	-.666	270	114	-.270	.191	.195	-.904
260	914	-.010	.103	.346	-.449	260	964	-.240	.048	-.137	-.607	270	115	-.446	.129	.055	-1.146
260	915	-.016	.102	.357	-.397	260	965	-.229	.044	-.114	-.444	270	116	-.295	.133	.037	-1.016
260	916	-.144	.120	.272	-.616	260	966	-.241	.051	-.096	-.602	270	117	-.205	.134	.192	-.753
260	917	-.146	.166	.358	-1.303	260	967	-.140	.039	-.032	-.389	270	118	-.273	.060	-.016	-.560
260	918	-.386	.099	-.102	-.816	260	968	-.219	.040	-.003	-.394	270	119	-.237	.097	.076	-.647
260	919	-.330	.084	-.067	-.712	260	969	-.267	.071	-.119	-.683	270	120	-.159	.159	.259	-.979
260	920	-.329	.082	-.116	-.815	260	970	-.210	.084	-.005	-.772	270	121	-.507	.227	.115	-1.384
260	921	-.351	.094	-.063	-.697	260	971	-.138	.038	-.019	-.382	270	122	-.214	.039	-.089	-.382
260	922	-.280	.131	-.129	-.875	260	1001	.114	.099	-.559	-.180	270	123	-.195	.044	-.043	-.503
260	923	-.276	.058	-.087	-.581	260	1002	.076	.061	.410	-.098	270	124	-.361	.103	-.100	-.819

WD	TAP	CPMEAN	CPRMS	CPMAX	CPMIN	WD	TAP	CPMEAN	CPRMS	CPMAX	CPMIN	WD	TAP	CPMEAN	CPRMS	CPMAX	CPMIN
270	125	.109	.166	.664	-.549	270	175	-.376	.128	-.062	-1.106	270	225	-.094	.056	.112	-.401
270	126	-.299	.157	.057	-.997	270	176	-.364	.118	-.027	-1.010	270	301	-.296	.053	-.134	-.513
270	127	-.237	.143	.195	-.954	270	177	-.266	.071	-.055	-.673	270	302	-.337	.060	-.124	-.588
270	128	-.282	.227	.293	-1.585	270	178	-.215	.051	-.059	-.431	270	303	-.374	.064	-.207	-.669
270	129	-.539	.276	.235	-1.650	270	179	-.207	.064	.027	-.512	270	304	-.282	.093	-.037	-.719
270	130	-.249	.100	.079	-.768	270	180	-.202	.062	-.008	-.469	270	305	-.306	.066	-.152	-.552
270	131	-.179	.142	.623	-.979	270	181	-.251	.073	-.007	-.644	270	306	-.287	.051	-.084	-.561
270	132	-.238	.041	-.104	-.436	270	182	-.276	.082	.111	-.974	270	307	-.290	.045	-.158	-.487
270	133	-.204	.042	-.032	-.427	270	183	-.277	.086	-.028	-.955	270	308	-.339	.057	-.161	-.568
270	134	-.283	.136	.124	-.847	270	184	-.213	.053	-.043	-.536	270	309	-.324	.058	-.165	-.591
270	135	-.042	.160	.499	-.708	270	185	-.181	.042	-.014	-.349	270	310	-.335	.064	-.148	-.626
270	136	-.229	.154	.483	-1.021	270	186	-.171	.049	-.067	-.404	270	311	-.319	.061	-.118	-.653
270	137	-.244	.178	.242	-1.023	270	187	-.183	.051	-.004	-.392	270	312	-.313	.048	-.165	-.517
270	138	-.277	.203	.325	-1.095	270	188	-.209	.064	-.012	-.783	270	313	-.313	.047	-.184	-.506
270	139	-.484	.189	.325	-1.320	270	189	-.245	.094	.067	-.708	270	314	-.335	.064	-.108	-.565
270	140	-.489	.165	.221	-1.274	270	190	-.246	.088	.132	-.886	270	315	-.330	.063	-.134	-.643
270	141	-.193	.121	.254	-.661	270	191	-.167	.049	.057	-.377	270	316	-.323	.058	-.139	-.752
270	142	-.197	.148	.247	-.835	270	192	-.182	.053	.023	-.448	270	317	-.286	.042	-.158	-.494
270	143	-.296	.053	-.097	-.554	270	193	-.193	.052	-.018	-.421	270	318	-.350	.054	-.200	-.572
270	144	-.222	.060	.035	-.501	270	194	-.180	.048	-.011	-.375	270	319	-.364	.069	-.193	-.778
270	145	-.173	.081	.198	-.575	270	195	-.161	.041	.037	-.311	270	320	-.375	.074	-.136	-.674
270	146	-.232	.169	.295	-1.028	270	196	-.163	.050	.064	-.348	270	321	-.411	.086	-.179	-.768
270	147	-.361	.184	.309	-1.327	270	197	-.205	.064	.071	-.597	270	322	-.337	.056	-.113	-.562
270	148	-.386	.177	.265	-1.383	270	198	-.141	.041	.000	-.348	270	323	-.320	.048	-.172	-.506
270	149	-.349	.065	-.172	-.630	270	199	-.139	.043	.028	-.329	270	324	-.325	.053	-.179	-.529
270	150	-.379	.084	-.088	-.855	270	200	-.132	.041	.064	-.265	270	325	-.314	.044	-.155	-.470
270	151	-.314	.081	-.099	-.939	270	201	-.150	.039	.037	-.295	270	326	-.302	.048	-.162	-.489
270	152	-.295	.112	.006	-1.355	270	202	-.134	.044	.048	-.373	270	327	-.263	.044	-.122	-.501
270	153	-.308	.150	.060	-1.250	270	203	-.166	.051	.005	-.535	270	328	-.248	.048	-.088	-.499
270	154	-.338	.153	.092	-1.207	270	204	-.199	.060	.037	-.535	270	329	-.248	.053	-.079	-.549
270	155	-.492	.278	.158	-1.899	270	205	-.202	.058	-.009	-.471	270	330	-.281	.038	-.151	-.437
270	156	-.144	.198	.634	-.791	270	206	-.104	.059	.202	-.284	270	331	-.303	.043	-.172	-.470
270	157	-.103	.213	.594	-.835	270	207	-.176	.071	.215	-.599	270	332	-.337	.055	-.179	-.578
270	158	-.272	.056	-.067	-.510	270	208	-.159	.069	.311	-.572	270	333	-.318	.049	-.129	-.525
270	159	-.615	.181	-.106	-1.507	270	209	-.131	.030	-.030	-.263	270	334	-.310	.053	-.160	-.613
270	160	-.274	.059	-.067	-.517	270	210	-.146	.040	.042	-.366	270	335	-.292	.045	-.122	-.520
270	161	-.611	.279	.285	-1.850	270	211	-.096	.055	.158	-.248	270	336	-.272	.041	-.155	-.446
270	162	-.276	.057	-.051	-.505	270	212	-.187	.066	.096	-.575	270	337	-.285	.044	-.162	-.542
270	163	-.257	.060	.006	-.544	270	213	-.077	.058	.221	-.338	270	338	-.281	.046	-.139	-.601
270	164	-.211	.073	.058	-.712	270	214	-.120	.054	.056	-.373	270	339	-.268	.045	-.120	-.482
270	165	-.226	.090	.110	-1.023	270	215	-.130	.029	-.004	-.241	270	340	-.267	.047	-.131	-.511
270	166	-.281	.105	-.002	-.890	270	216	-.128	.028	-.004	-.220	270	341	-.310	.041	-.174	-.465
270	167	-.455	.189	.130	-1.374	270	217	-.127	.031	.017	-.220	270	342	-.341	.048	-.193	-.528
270	168	-.730	.370	.185	-2.447	270	218	-.137	.033	.007	-.250	270	343	-.382	.065	-.213	-.654
270	169	-.227	.084	-.079	-.529	270	219	-.121	.042	.042	-.241	270	344	-.376	.058	-.194	-.580
270	170	-.296	.063	-.021	-.598	270	220	-.148	.048	-.002	-.394	270	345	-.353	.051	-.205	-.592
270	171	-.267	.058	-.064	-.541	270	221	-.168	.060	.017	-.605	270	346	-.334	.053	-.182	-.585
270	172	-.284	.107	.029	-.843	270	222	-.171	.065	.063	-.728	270	347	-.320	.059	-.136	-.656
270	173	-.193	.076	.082	-.505	270	223	-.062	.060	.193	-.234	270	348	-.328	.064	-.167	-.869
270	174	-.277	.088	.077	-.687	270	224	-.108	.060	.175	-.568	270	349	-.369	.060	-.190	-.609

WD	TAP	CPMEAN	CPRMS	CPMAX	CPMIN	WD	TAP	CPMEAN	CPRMS	CPMAX	CPMIN	WD	TAP	CPMEAN	CPRMS	CPMAX	CPMIN
270	350	-.387	.074	-.183	-.668	270	400	-.278	.065	-.001	-.719	270	528	-.370	.080	-.139	-.720
270	351	-.389	.057	-.218	-.652	270	401	-.199	.040	-.044	-.358	270	529	-.390	.089	-.134	-.931
270	352	-.348	.047	-.197	-.528	270	402	-.174	.038	-.028	-.346	270	530	-.342	.054	-.143	-.567
270	353	-.326	.042	-.190	-.474	270	403	-.140	.032	-.033	-.262	270	531	-.370	.060	-.191	-.598
270	354	-.323	.049	-.200	-.624	270	404	-.143	.029	-.035	-.265	270	532	-.364	.060	-.170	-.694
270	355	-.317	.069	-.122	-1.118	270	405	-.144	.033	-.024	-.285	270	533	-.364	.059	-.203	-.615
270	356	-.341	.070	-.134	-.670	270	406	-.142	.034	-.003	-.331	270	534	-.400	.074	-.194	-1.003
270	357	-.358	.077	-.132	-.743	270	407	-.209	.031	-.113	-.333	270	535	-.392	.063	-.143	-.656
270	358	-.387	.060	-.216	-.635	270	408	-.208	.058	-.011	-.405	270	536	-.386	.061	-.194	-.665
270	359	-.293	.058	-.073	-.577	270	409	-.183	.030	-.013	-.319	270	537	-.391	.070	-.198	-.768
270	360	-.399	.064	-.214	-.654	270	410	-.138	.027	-.040	-.247	270	538	-.394	.068	-.167	-.696
270	361	-.283	.070	-.071	-.680	270	411	-.268	.045	-.092	-.492	270	539	-.414	.085	-.186	-.830
270	362	-.396	.066	-.176	-.661	270	412	-.205	.063	-.010	-.455	270	540	-.409	.090	-.179	-.866
270	363	-.375	.059	-.179	-.614	270	413	-.133	.026	-.040	-.229	270	541	-.383	.060	-.155	-.622
270	364	-.377	.074	-.167	-.715	270	414	-.196	.031	-.081	-.313	270	542	-.389	.066	-.160	-.711
270	365	-.398	.088	-.186	-.771	270	415	-.195	.031	-.081	-.299	270	543	-.380	.067	-.153	-.682
270	366	-.331	.070	-.134	-.940	270	416	-.249	.044	-.086	-.476	270	544	-.379	.064	-.167	-.660
270	367	-.388	.065	-.087	-.698	270	417	-.208	.040	-.026	-.400	270	545	-.388	.065	-.189	-.675
270	368	-.281	.065	-.100	-.626	270	418	-.174	.029	-.050	-.268	270	546	-.410	.069	-.167	-.723
270	369	-.256	.047	-.080	-.544	270	419	-.151	.029	-.024	-.270	270	547	-.410	.078	-.177	-.701
270	370	-.313	.062	-.152	-.631	270	420	-.137	.026	-.026	-.237	270	548	-.407	.075	-.210	-.845
270	371	-.327	.063	-.134	-.621	270	421	-.145	.038	-.030	-.339	270	549	-.479	.118	-.093	-1.092
270	372	-.324	.075	-.060	-.688	270	422	-.145	.043	-.000	-.327	270	550	-.433	.102	-.079	-.869
270	373	-.300	.060	-.115	-.646	270	501	-.362	.056	-.161	-.623	270	551	-.428	.086	-.198	-.902
270	374	-.370	.096	-.120	-1.214	270	502	-.274	.048	-.111	-.496	270	552	-.419	.076	-.184	-.759
270	375	-.321	.084	-.120	-1.303	270	503	-.184	.048	-.061	-.418	270	553	-.422	.079	-.198	-.921
270	376	-.330	.095	-.073	-1.110	270	504	-.459	.089	-.198	-.798	270	554	-.411	.068	-.224	-.694
270	377	-.248	.057	-.050	-.611	270	505	-.284	.048	-.110	-.565	270	555	-.414	.072	-.221	-.743
270	378	-.257	.056	-.060	-.591	270	506	-.351	.073	-.171	-.943	270	556	-.391	.069	-.186	-.722
270	379	-.288	.073	-.045	-.693	270	507	-.312	.053	-.154	-.812	270	557	-.402	.075	-.193	-.766
270	380	-.259	.070	-.006	-.616	270	508	-.311	.051	-.155	-.570	270	558	-.480	.131	-.175	-1.129
270	381	-.383	.142	-.092	-1.187	270	509	-.325	.052	-.144	-.647	270	559	-.424	.073	-.205	-.818
270	382	-.375	.116	-.095	-1.174	270	510	-.330	.056	-.158	-.638	270	560	-.517	.202	-.144	-1.735
270	383	-.375	.122	-.095	-1.327	270	511	-.364	.080	-.094	-.755	270	561	-.422	.078	-.203	-.750
270	384	-.214	.043	-.031	-.426	270	512	-.315	.049	-.161	-.723	270	562	-.462	.129	-.205	-1.237
270	385	-.319	.041	-.045	-.372	270	513	-.333	.050	-.170	-.614	270	563	-.476	.141	-.168	-1.272
270	386	-.239	.069	-.088	-.542	270	514	-.354	.064	-.128	-.725	270	564	-.427	.092	-.140	-.968
270	387	-.208	.059	-.006	-.759	270	515	-.378	.079	-.142	-.987	270	565	-.456	.110	-.165	-1.071
270	388	-.257	.111	-.009	-1.041	270	516	-.332	.050	-.144	-.555	270	566	-.431	.084	-.214	-.837
270	389	-.348	.133	-.068	-1.483	270	517	-.338	.055	-.163	-.815	270	567	-.406	.077	-.118	-.746
270	390	-.339	.119	-.122	-1.362	270	518	-.328	.075	-.123	-.895	270	568	-.419	.089	-.202	-.904
270	391	-.222	.040	-.105	-.482	270	519	-.368	.069	-.165	-.690	270	569	-.402	.078	-.170	-.793
270	392	-.240	.041	-.099	-.457	270	520	-.358	.058	-.163	-.619	270	570	-.453	.097	-.162	-.966
270	393	-.220	.034	-.071	-.362	270	521	-.361	.066	-.175	-.749	270	571	-.469	.103	-.239	-1.005
270	394	-.229	.072	-.029	-.739	270	522	-.398	.087	-.135	-.822	270	572	-.493	.129	-.115	-1.364
270	395	-.309	.120	-.017	-1.171	270	523	-.430	.101	-.175	-.838	270	573	-.466	.103	-.157	-.978
270	396	-.339	.136	-.031	-1.541	270	524	-.491	.128	-.128	-1.419	270	574	-.425	.096	-.100	-.813
270	397	-.221	.038	-.069	-.462	270	525	-.490	.124	-.168	-1.051	270	575	-.346	.079	-.081	-.733
270	398	-.214	.031	-.115	-.358	270	526	-.365	.066	-.142	-.758	270	576	-.323	.072	-.054	-.679
270	399	-.271	.049	-.103	-.628	270	527	-.373	.072	-.139	-.751	270	577	-.489	.120	-.185	-1.262

WD	TAP	CPMEAN	CPRMS	CPMAX	CPMIN	WD	TAP	CPMEAN	CPRMS	CPMAX	CPMIN	WD	TAP	CPMEAN	CPRMS	CPMAX	CPMIN
270	578	-.510	.134	-.204	-1.557	270	708	.163	.138	.645	-.378	270	758	.161	.184	.855	-.453
270	579	-.529	.159	-.115	-1.418	270	709	.250	.146	.822	-.302	270	759	-.068	.116	.425	-.622
270	580	-.395	.104	.060	-.761	270	710	.212	.137	.684	-.261	270	760	.053	.178	.846	-.566
270	581	-.270	.080	.033	-.684	270	711	-.046	.091	.351	-.506	270	761	-.111	.098	.332	-.552
270	582	-.219	.051	.001	-.471	270	712	.392	.165	.829	-.182	270	762	-.030	.146	.584	-.494
270	583	-.226	.049	-.061	-.518	270	713	.427	.158	.940	-.191	270	763	.068	.142	.593	-.325
270	584	-.486	.130	-.145	-1.445	270	714	.291	.146	.772	-.145	270	764	.127	.118	.643	-.196
270	585	-.504	.143	-.175	-1.465	270	715	.071	.097	.447	-.313	270	765	.102	.097	.485	-.388
270	586	-.462	.167	.045	-1.260	270	716	.288	.153	.820	-.198	270	766	.080	.094	.545	-.227
270	587	-.263	.102	.107	-.625	270	717	.458	.169	1.049	-.107	270	767	-.067	.089	.438	-.324
270	588	-.186	.066	.087	-.471	270	718	.228	.156	.720	-.329	270	768	-.166	.091	.329	-.495
270	589	-.184	.039	-.009	-.313	270	719	.393	.193	1.024	-.461	270	769	.058	.090	.469	-.265
270	590	-.193	.038	-.014	-.350	270	720	-.128	.183	.527	-1.106	270	770	-.124	.078	.201	-.414
270	591	-.243	.103	.135	-.687	270	721	.052	.111	.443	-.341	270	771	-.047	.085	.329	-.405
270	592	-.205	.087	.151	-.555	270	722	.409	.168	.965	-.302	270	772	.049	.088	.431	-.265
270	593	-.459	.127	-.143	-1.281	270	723	.433	.173	.943	-.191	270	773	.070	.077	.491	-.144
270	594	-.471	.130	-.179	-1.295	270	724	.385	.161	.829	-.143	270	774	-.029	.116	.550	.505
270	595	-.415	.175	.051	-1.202	270	725	.304	.150	.797	-.282	270	775	-.103	.081	.298	-.426
270	596	-.224	.093	.108	-.538	270	726	.389	.169	.893	-.191	270	776	-.190	.081	.322	-.528
270	597	-.184	.063	.036	-.467	270	727	.217	.180	.738	-.457	270	777	-.119	.067	.144	-.393
270	598	-.173	.036	-.036	-.299	270	728	.121	.125	.660	-.289	270	778	-.066	.078	.358	-.367
270	599	-.201	.035	-.010	-.337	270	729	.024	.113	.429	-.344	270	779	.016	.083	.305	-.316
270	600	-.215	.031	-.115	-.323	270	730	.434	.169	1.042	-.084	270	780	.041	.079	.341	-.222
270	601	-.180	.041	.040	-.396	270	731	.433	.181	.982	-.128	270	781	-.015	.105	.431	-.431
270	602	-.182	.042	.019	-.351	270	732	.295	.206	.894	-.436	270	782	-.102	.086	.234	-.519
270	603	-.457	.137	-.140	-1.125	270	733	.395	.213	1.053	-.308	270	783	-.178	.086	.215	-.585
270	604	-.191	.032	-.038	-.320	270	734	.421	.189	.968	-.197	270	784	-.101	.062	.194	-.360
270	605	-.210	.036	-.088	-.365	270	735	.372	.175	.920	-.142	270	785	-.052	.070	.225	-.300
270	606	-.188	.043	-.009	-.356	270	736	.400	.188	1.014	-.096	270	786	.005	.079	.388	-.300
270	607	-.195	.034	-.080	-.332	270	737	.347	.182	1.026	-.160	270	787	.027	.082	.560	-.189
270	608	-.194	.081	-.090	-.625	270	738	.136	.220	.816	-.876	270	788	-.018	.095	.417	-.398
270	609	-.213	.033	-.099	-.338	270	739	.085	.135	.538	-.294	270	789	-.095	.087	.255	-.412
270	610	-.191	.040	-.041	-.334	270	740	-.022	.112	.411	-.340	270	790	-.184	.085	.367	-.552
270	611	-.172	.038	-.034	-.329	270	741	.419	.184	1.028	-.001	270	791	.037	.071	.423	-.166
270	612	-.443	.149	-.114	-1.355	270	742	.368	.175	.968	-.059	270	792	.028	.069	.376	-.216
270	613	-.459	.152	-.123	-1.444	270	743	.130	.201	.759	-.471	270	793	.032	.068	.329	-.176
270	614	-.277	.156	.132	-1.357	270	744	.291	.206	.977	-.220	270	794	.028	.066	.341	-.155
270	615	-.183	.071	.144	-.542	270	745	.395	.197	1.090	-.091	270	795	-.090	.073	.253	-.410
270	616	-.179	.057	.082	-.448	270	746	.226	.155	.752	-.135	270	796	-.069	.083	.293	-.388
270	617	-.176	.034	.014	-.294	270	747	-.011	.118	.450	-.324	270	797	-.164	.070	.176	-.393
270	618	-.186	.032	-.031	-.296	270	748	-.239	.094	.137	-.570	270	798	-.087	.059	.212	-.316
270	619	-.196	.034	-.062	-.322	270	749	-.023	.265	.873	-.921	270	799	-.057	.060	.269	-.269
270	620	-.171	.037	-.034	-.308	270	750	-.102	.226	.591	-.892	270	800	-.014	.073	.349	-.265
270	701	.065	.089	.361	-.211	270	751	.147	.255	.897	-.764	270	801	.016	.070	.412	-.185
270	702	.058	.092	.420	-.316	270	752	.113	.241	.877	-.665	270	802	-.019	.085	.334	-.304
270	703	.070	.181	.665	-.352	270	753	.029	.201	.974	-.829	270	803	-.104	.083	.293	-.376
270	704	.328	.135	.820	-.336	270	754	-.032	.166	.681	-.629	270	804	-.178	.083	.147	-.484
270	705	.113	.109	.482	-.240	270	755	-.178	.155	.467	-.743	270	805	-.070	.071	.269	-.278
270	706	-.033	.072	.207	-.328	270	756	-.489	.128	.060	-1.079	270	806	-.134	.058	.190	-.450
270	707	.090	.093	.429	-.218	270	757	-.417	.145	.389	-.926	270	807	-.083	.064	.154	-.350

WD	TAP	CPMEAN	CPRMS	CPMAX	CPMIN	WD	TAP	CPMEAN	CPRMS	CPMAX	CPMIN	WD	TAP	CPMEAN	CPRMS	CPMAX	CPMIN
270	808	-.101	.058	.185	-.369	270	936	-.410	.050	-.249	-.577	270	1015	-.367	.063	-.221	-.759
270	809	-.073	.050	.193	-.309	270	937	-.362	.049	-.226	-.586	270	1016	-.364	.066	-.190	-.628
270	810	.034	.061	.351	-.174	270	938	-.327	.043	-.214	-.511	270	1017	-.201	.051	.062	-.592
270	811	.037	.068	.433	-.129	270	939	-.322	.058	-.174	-.616	270	1018	-.190	.048	.084	-.342
270	812	-.179	.074	.202	-.482	270	940	-.350	.048	-.197	-.524	270	1019	-.219	.060	.069	-.602
270	813	-.062	.060	.243	-.246	270	941	-.034	.038	.166	-.072	270	1020	-.250	.058	-.027	-.475
270	814	-.036	.064	.296	-.246	270	942	-.245	.068	.014	-.515	270	1021	-.184	.070	.126	-.510
270	815	-.089	.053	.152	-.278	270	943	-.266	.089	.091	-.780	270	1022	-.146	.033	-.012	-.275
270	816	-.049	.048	.161	-.230	270	944	-.211	.063	.024	-.454	270	1023	-.159	.036	-.020	-.334
270	817	-.020	.055	.212	-.201	270	945	-.286	.096	.045	-.672	270	1024	-.195	.054	-.059	-.510
270	818	.012	.064	.289	-.220	270	946	-.211	.054	.024	-.410	270	1025	-.199	.034	-.062	-.342
270	819	.065	.070	.423	-.122	270	947	-.209	.049	.082	-.433	270	1026	-.189	.038	-.030	-.317
270	820	.004	.073	.365	-.256	270	948	-.191	.051	.052	-.407	270	1027	-.180	.039	-.040	-.369
270	821	-.078	.055	.171	-.236	270	949	-.202	.058	.101	-.480	270	1028	-.151	.039	-.067	-.272
270	822	-.152	.047	.019	-.302	270	950	-.162	.068	.124	-.480	280	101	-.273	.115	-.012	-.741
270	901	-.380	.073	-.130	-.591	270	951	-.196	.053	.108	-.450	280	102	-.178	.107	-.217	-.563
270	902	.119	.128	.719	-.203	270	952	-.186	.046	-.049	-.424	280	103	-.353	.128	.160	-.725
270	903	.348	.167	.909	-.046	270	953	-.201	.061	.014	-.520	280	104	-.051	.075	.295	-.208
270	904	.370	.195	.978	-.113	270	954	-.173	.053	.113	-.361	280	105	-.184	.037	-.050	-.318
270	905	.099	.144	.515	-.341	270	955	-.192	.046	.042	-.382	280	106	-.219	.175	.386	-.731
270	906	-.127	.072	.186	-.334	270	956	-.198	.045	-.005	-.443	280	107	-.087	.080	.165	-.465
270	907	-.255	.138	.310	-.633	270	957	-.216	.054	-.035	-.522	280	108	-.206	.040	-.055	-.363
270	908	-.107	.137	.455	-.685	270	958	-.258	.095	.017	-1.569	280	109	-.030	.087	.277	-.581
270	909	-.107	.083	.159	-.458	270	959	-.234	.050	.024	-.438	280	110	-.026	.095	.284	-.616
270	910	-.371	.060	-.184	-.673	270	960	-.243	.044	-.070	-.492	280	111	-.229	.264	.708	-1.124
270	911	-.347	.175	.301	-1.103	270	961	-.277	.065	-.089	-.768	280	112	-.191	.044	-.039	-.336
270	912	-.181	.301	.836	-.888	270	962	-.257	.055	-.108	-.669	280	113	-.080	.080	.181	-.391
270	913	.397	.191	.959	-.810	270	963	-.203	.051	.049	-.421	280	114	-.023	.127	.348	-.751
270	914	-.087	.081	.263	-.361	270	964	-.217	.042	-.033	-.400	280	115	-.172	.260	.704	-.892
270	915	.093	.110	.465	-.392	270	965	-.261	.061	-.056	-.698	280	116	-.067	.095	.416	-.581
270	916	-.216	.112	.192	-.713	270	966	-.244	.072	.070	-.534	280	117	.020	.130	.853	-.394
270	917	.048	.179	.671	-.770	270	967	-.187	.044	-.087	-.428	280	118	-.189	.055	.048	-.419
270	918	-.391	.080	-.105	-.885	270	968	-.243	.055	-.022	-.508	280	119	-.168	.074	.105	-.499
270	919	-.384	.063	-.182	-.885	270	969	-.278	.089	-.064	-.852	280	120	-.029	.115	.423	-.494
270	920	-.360	.056	-.160	-.831	270	970	-.212	.050	.087	-.557	280	121	-.142	.223	.672	-1.050
270	921	-.341	.080	-.088	-.658	270	971	-.177	.046	.057	-.386	280	122	-.203	.048	-.002	-.446
270	922	-.153	.134	.305	-.687	270	1001	.079	.091	.513	-.201	280	123	-.155	.058	.137	-.517
270	923	-.337	.062	-.144	-.687	270	1002	.033	.067	.372	-.144	280	124	-.289	.107	.080	-.748
270	924	-.344	.058	-.134	-.606	270	1003	-.365	.082	-.104	-.685	280	125	-.222	.170	.853	-.238
270	925	-.374	.084	-.065	-.680	270	1004	-.366	.125	-.004	-.869	280	126	-.079	.110	.320	-.444
270	926	-.331	.048	-.181	-.525	270	1005	-.243	.062	-.065	-.647	280	127	-.026	.114	.338	-.452
270	927	-.368	.082	-.092	-.663	270	1006	-.002	.142	.476	-.598	280	128	-.062	.173	.544	-.687
270	928	-.366	.072	-.189	-.706	270	1007	-.270	.097	.030	-.758	280	129	-.054	.267	.686	-1.066
270	929	-.442	.126	-.178	-1.051	270	1008	-.210	.052	-.027	-.470	280	130	-.079	.100	.396	-.550
270	930	-.412	.074	-.200	-.743	270	1009	-.376	.080	-.089	-.691	280	131	-.040	.137	.805	-.657
270	931	-.148	.075	-.239	-.401	270	1010	-.252	.087	.069	-.476	280	132	-.244	.043	.003	-.387
270	932	-.340	.047	-.165	-.535	270	1011	-.150	.066	.124	-.480	280	133	-.193	.046	.047	-.387
270	933	-.355	.043	-.131	-.654	270	1012	-.186	.054	.097	-.357	280	134	-.298	.126	.061	-.882
270	934	-.325	.057	-.167	-.580	270	1013	-.350	.054	-.156	-.598	280	135	-.141	.141	.672	-.315
270	935	-.218	.057	.044	-.489	270	1014	-.286	.056	-.119	-.512	280	136	-.079	.112	.442	-.541

WD	TAP	CPMEAN	CPRMS	CPMAX	CPMIN	WD	TAP	CPMEAN	CPRMS	CPMAX	CPMIN	WD	TAP	CPMEAN	CPRMS	CPMAX	CPMIN
280	137	-.043	.132	.335	-.613	280	187	-.112	.043	.128	-.347	280	312	-.310	.041	-.184	-.533
280	138	-.049	.145	.363	-.659	280	188	-.122	.037	-.001	-.299	280	313	-.313	.042	-.172	-.504
280	139	-.272	.252	.514	-1.084	280	189	-.102	.078	.207	-.606	280	314	-.301	.042	-.162	-.455
280	140	-.316	.214	.521	-1.119	280	190	-.107	.094	.205	-.692	280	315	-.295	.041	-.162	-.462
280	141	-.043	.106	.319	-.438	280	191	-.107	.049	.171	-.362	280	316	-.301	.039	-.191	-.455
280	142	-.036	.116	.321	-.499	280	192	-.109	.049	.183	-.300	280	317	-.308	.040	-.186	-.477
280	143	-.321	.055	-.157	-.545	280	193	-.124	.044	.114	-.316	280	318	-.332	.042	-.189	-.518
280	144	-.218	.057	.015	-.413	280	194	-.197	.042	-.018	-.451	280	319	-.326	.042	-.198	-.533
280	145	-.113	.074	.261	-.385	280	195	-.162	.038	.064	-.300	280	320	-.315	.047	-.152	-.562
280	146	-.055	.171	.561	-.752	280	196	-.150	.048	.032	-.375	280	321	-.320	.058	-.174	-.685
280	147	-.186	.198	.612	-1.052	280	197	-.120	.055	-.068	-.382	280	322	-.325	.047	-.174	-.598
280	148	-.218	.194	.702	-1.119	280	198	-.121	.027	-.023	-.215	280	323	-.324	.043	-.196	-.501
280	149	-.393	.070	-.185	-.751	280	199	-.123	.026	-.023	-.213	280	324	-.327	.043	-.174	-.506
280	150	-.417	.081	-.190	-.754	280	200	-.129	.030	-.030	-.252	280	325	-.337	.045	-.203	-.593
280	151	-.339	.081	-.031	-.906	280	201	-.125	.029	.004	-.231	280	326	-.335	.076	-.145	-.702
280	152	-.281	.103	-.105	-.956	280	202	-.134	.036	.030	-.311	280	327	-.385	.106	-.154	-.914
280	153	-.269	.150	.162	-.931	280	203	-.138	.035	-.009	-.309	280	328	-.330	.072	-.132	-.733
280	154	-.275	.142	.165	-1.004	280	204	-.150	.040	-.005	-.352	280	329	-.318	.060	-.132	-.821
280	155	-.476	.290	.342	-1.865	280	205	-.154	.045	-.009	-.419	280	330	-.302	.037	-.171	-.435
280	156	-.032	.169	.599	-.533	280	206	-.065	.058	.201	-.263	280	331	-.325	.042	-.203	-.523
280	157	-.016	.177	.669	-.601	280	207	-.090	.069	.199	-.355	280	332	-.339	.054	-.188	-.609
280	158	-.279	.056	-.085	-.533	280	208	-.093	.076	.256	-.417	280	333	-.331	.050	-.203	-.523
280	159	-.492	.197	-.251	-1.449	280	209	-.129	.029	-.032	-.240	280	334	-.341	.056	-.186	-.616
280	160	-.291	.063	-.079	-.563	280	210	-.120	.029	-.032	-.232	280	335	-.357	.061	-.201	-.658
280	161	-.506	.359	-.276	-2.086	280	211	-.126	.039	.045	-.276	280	336	-.341	.051	-.208	-.545
280	162	-.297	.060	-.074	-.533	280	212	-.142	.039	.005	-.378	280	337	-.342	.050	-.206	-.550
280	163	-.254	.057	.003	-.517	280	213	-.058	.061	.233	-.285	280	338	-.333	.052	-.191	-.543
280	164	-.167	.057	.058	-.445	280	214	-.088	.070	.233	-.331	280	339	-.330	.049	-.164	-.501
280	165	-.143	.068	.119	-.481	280	215	-.132	.033	-.027	-.304	280	340	-.324	.045	-.201	-.494
280	166	-.165	.088	.169	-.568	280	216	-.124	.026	-.041	-.208	280	341	-.348	.050	-.225	-.562
280	167	-.338	.207	.200	-1.407	280	217	-.119	.026	-.009	-.204	280	342	-.361	.050	-.230	-.572
280	168	-.555	.309	.471	-2.038	280	218	-.123	.025	-.034	-.201	280	343	-.396	.059	-.228	-.636
280	169	-.143	.074	.131	-.474	280	219	-.130	.031	-.009	-.222	280	344	-.399	.058	-.225	-.694
280	170	-.300	.065	-.100	-.580	280	220	-.136	.032	-.032	-.253	280	345	-.379	.047	-.232	-.592
280	171	-.250	.056	.042	-.457	280	221	-.142	.040	-.019	-.373	280	346	-.350	.049	-.213	-.553
280	172	-.292	.114	.015	-.911	280	222	-.135	.038	-.025	-.383	280	347	-.349	.048	-.196	-.548
280	173	-.106	.053	.104	-.323	280	223	-.051	.060	.184	-.285	280	348	-.359	.052	-.210	-.594
280	174	-.146	.067	.071	-.551	280	224	-.074	.065	.161	-.406	280	349	-.382	.061	-.187	-.612
280	175	-.267	.134	.119	-.851	280	225	-.078	.066	.131	-.506	280	350	-.400	.069	-.175	-.700
280	176	-.279	.130	.267	-.875	280	301	-.290	.044	-.152	-.470	280	351	-.387	.052	-.230	-.609
280	177	-.270	.060	-.088	-.572	280	302	-.342	.052	-.174	-.554	280	352	-.366	.050	-.237	-.600
280	178	-.221	.049	-.066	-.450	280	303	-.398	.061	-.242	-.637	280	353	-.367	.051	-.233	-.626
280	179	-.229	.072	.051	-.664	280	304	-.143	.071	-.056	-.455	280	354	-.367	.054	-.233	-.662
280	180	-.118	.043	.035	-.282	280	305	-.292	.039	-.167	-.574	280	355	-.370	.068	-.201	-.724
280	181	-.139	.050	.011	-.402	280	306	-.278	.038	-.158	-.428	280	356	-.403	.070	-.218	-.664
280	182	-.174	.099	.135	-.726	280	307	-.295	.044	-.164	-.513	280	357	-.432	.080	-.216	-.823
280	183	-.193	.104	.167	-.738	280	308	-.306	.042	-.187	-.561	280	358	-.406	.061	-.199	-.703
280	184	-.230	.044	-.064	-.522	280	309	-.303	.038	-.186	-.501	280	359	-.369	.064	-.209	-.691
280	185	-.182	.038	-.052	-.378	280	310	-.299	.038	-.186	-.436	280	360	-.414	.067	-.197	-.662
280	186	-.178	.051	-.006	-.431	280	311	-.290	.041	-.147	-.509	280	361	-.408	.120	-.180	-1.096

WD	TAP	CPMEAN	CPRMS	CPMAX	CPMIN	WD	TAP	CPMEAN	CPRMS	CPMAX	CPMIN	WD	TAP	CPMEAN	CPRMS	CPMAX	CPMIN
280	362	-.406	.069	-.182	-.693	280	412	-.190	.050	-.038	-.417	280	540	-.383	.074	-.201	-.843
280	363	-.395	.067	-.161	-.609	280	413	-.133	.023	-.028	-.203	280	541	-.373	.057	-.216	-.612
280	364	-.400	.070	-.182	-.803	280	414	-.210	.033	-.102	-.323	280	542	-.377	.061	-.192	-.720
280	365	-.521	.117	-.228	-1.175	280	415	-.208	.034	-.085	-.320	280	543	-.375	.059	-.144	-.624
280	366	-.413	.081	-.233	-.896	280	416	-.243	.046	-.129	-.589	280	544	-.357	.056	-.161	-.552
280	367	-.374	.075	-.185	-.732	280	417	-.218	.036	-.085	-.390	280	545	-.365	.058	-.185	-.576
280	368	-.366	.070	-.157	-.673	280	418	-.187	.029	-.085	-.328	280	546	-.403	.063	-.223	-.677
280	369	-.336	.059	-.150	-.549	280	419	-.171	.036	-.047	-.304	280	547	-.396	.066	-.216	-.694
280	370	-.343	.065	-.147	-.646	280	420	-.126	.024	-.035	-.208	280	548	-.394	.066	-.213	-.680
280	371	-.328	.065	-.140	-.640	280	421	-.104	.040	-.060	-.276	280	549	-.490	.106	-.184	-1.015
280	372	-.338	.078	-.097	-.764	280	422	-.087	.048	-.138	-.274	280	550	-.443	.087	-.151	-.837
280	373	-.403	.085	-.135	-.734	280	501	-.365	.052	-.188	-.589	280	551	-.413	.081	-.147	-.870
280	374	-.498	.119	-.175	-1.210	280	502	-.284	.041	-.157	-.432	280	552	-.401	.072	-.229	-.684
280	375	-.424	.093	-.210	-.818	280	503	-.121	.054	-.052	-.342	280	553	-.397	.077	-.203	-.795
280	376	-.423	.091	-.185	-1.048	280	504	-.447	.071	-.238	-.743	280	554	-.386	.061	-.236	-.736
280	377	-.225	.049	-.031	-.529	280	505	-.278	.038	-.160	-.430	280	555	-.413	.069	-.208	-.833
280	378	-.230	.053	-.046	-.527	280	506	-.297	.045	-.169	-.549	280	556	-.389	.064	-.189	-.663
280	379	-.244	.061	-.041	-.580	280	507	-.312	.044	-.164	-.484	280	557	-.415	.071	-.215	-.790
280	380	-.314	.099	-.010	-.795	280	508	-.294	.040	-.137	-.574	280	558	-.447	.110	-.154	-1.034
280	381	-.543	.167	-.135	-1.270	280	509	-.303	.043	-.174	-.517	280	559	-.437	.075	-.198	-.748
280	382	-.476	.125	-.178	-1.455	280	510	-.309	.042	-.166	-.522	280	560	-.484	.167	-.165	-1.748
280	383	-.467	.123	-.223	-1.521	280	511	-.312	.049	-.183	-.572	280	561	-.453	.078	-.245	-.795
280	384	-.176	.044	-.012	-.413	280	512	-.307	.043	-.166	-.567	280	562	-.440	.108	-.189	-.985
280	385	-.186	.042	-.006	-.398	280	513	-.312	.045	-.152	-.534	280	563	-.431	.106	-.191	-.999
280	386	-.217	.058	-.022	-.537	280	514	-.316	.045	-.166	-.501	280	564	-.408	.075	-.149	-.734
280	387	-.206	.069	-.020	-.610	280	515	-.340	.056	-.185	-.650	280	565	-.434	.087	-.184	-.806
280	388	-.391	.171	-.008	-1.227	280	516	-.312	.043	-.162	-.510	280	566	-.428	.075	-.169	-.745
280	389	-.471	.132	-.216	-1.339	280	517	-.317	.043	-.197	-.636	280	567	-.460	.084	-.236	-.836
280	390	-.456	.134	-.175	-1.220	280	518	-.355	.096	-.124	-.987	280	568	-.464	.090	-.236	-.836
280	391	-.229	.042	-.046	-.422	280	519	-.326	.057	-.119	-.562	280	569	-.405	.068	-.216	-.733
280	392	-.241	.045	-.090	-.489	280	520	-.329	.042	-.207	-.529	280	570	-.443	.095	-.214	-.921
280	393	-.221	.037	-.088	-.352	280	521	-.329	.042	-.214	-.555	280	571	-.447	.094	-.194	-.888
280	394	-.280	.100	-.108	-1.001	280	522	-.334	.072	-.114	-.657	280	572	-.495	.109	-.199	-1.238
280	395	-.382	.132	-.108	-1.615	280	523	-.352	.085	-.143	-.700	280	573	-.472	.088	-.241	-.898
280	396	-.365	.134	-.147	-1.520	280	524	-.448	.130	-.143	-1.053	280	574	-.460	.088	-.214	-.779
280	397	-.204	.034	-.083	-.332	280	525	-.409	.119	-.155	-.823	280	575	-.409	.094	-.147	-.891
280	398	-.224	.035	-.074	-.410	280	526	-.348	.054	-.197	-.631	280	576	-.416	.107	-.164	-.990
280	399	-.242	.048	-.135	-.524	280	527	-.341	.051	-.144	-.569	280	577	-.495	.111	-.229	-1.126
280	400	-.255	.047	-.083	-.536	280	528	-.334	.053	-.201	-.624	280	578	-.511	.129	-.214	-1.464
280	401	-.205	.036	-.049	-.376	280	529	-.340	.060	-.197	-.480	280	579	-.544	.140	-.229	-1.181
280	402	-.189	.036	-.015	-.345	280	530	-.324	.043	-.189	-.507	280	580	-.479	.098	-.078	-.898
280	403	-.135	.025	-.049	-.240	280	531	-.345	.053	-.201	-.581	280	581	-.345	.091	-.038	-.650
280	404	-.134	.025	-.054	-.224	280	532	-.335	.051	-.185	-.540	280	582	-.238	.065	-.040	-.564
280	405	-.122	.031	-.005	-.238	280	533	-.345	.050	-.180	-.533	280	583	-.231	.061	-.016	-.564
280	406	-.117	.029	-.017	-.422	280	534	-.359	.055	-.218	-.579	280	584	-.524	.138	-.209	-1.734
280	407	-.219	.036	-.074	-.347	280	535	-.357	.057	-.177	-.581	280	585	-.537	.129	-.211	-1.387
280	408	-.196	.047	-.050	-.403	280	536	-.360	.053	-.223	-.576	280	586	-.540	.158	-.029	-1.258
280	409	-.193	.029	-.085	-.317	280	537	-.383	.047	-.185	-.689	280	587	-.333	.109	-.059	-.732
280	410	-.126	.027	-.020	-.206	280	538	-.381	.062	-.192	-.658	280	588	-.203	.071	-.161	-.546
280	411	-.259	.048	-.120	-.508	280	539	-.386	.074	-.201	-.749	280	589	-.176	.042	.004	-.368

WD	TAP	CPMEAN	CPRMS	CPMAX	CPMIN	WD	TAP	CPMEAN	CPRMS	CPMAX	CPMIN	WD	TAP	CPMEAN	CPRMS	CPMAX	CPMIN
280	590	-.172	.043	.004	-.355	280	720	-.191	.153	.397	-.812	280	770	-.103	.074	.176	-.403
280	591	-.307	.105	.080	-.707	280	721	-.014	.088	.336	-.336	280	771	-.054	.079	.312	-.339
280	592	-.250	.088	.043	-.652	280	722	.456	.188	.956	-.129	280	772	.032	.086	.390	-.205
280	593	-.512	.116	-.227	-1.117	280	723	.472	.180	.934	-.134	280	773	.059	.080	.458	-.188
280	594	-.504	.123	-.205	-1.189	280	724	.376	.142	.815	-.082	280	774	-.057	.114	.383	-.588
280	595	-.445	.154	.078	-1.110	280	725	.292	.125	.687	-.091	280	775	-.116	.065	.188	-.363
280	596	-.260	.091	.111	-.592	280	726	.361	.162	.898	-.134	280	776	-.204	.064	.070	-.487
280	597	-.200	.061	.092	-.556	280	727	.121	.156	.634	-.527	280	777	-.096	.068	.225	-.450
280	598	-.195	.037	-.042	-.359	280	728	.081	.096	.543	-.267	280	778	-.070	.066	.228	-.299
280	599	-.186	.036	-.027	-.321	280	729	-.015	.083	.287	-.272	280	779	-.043	.070	.200	-.325
280	600	-.226	.034	-.102	-.397	280	730	.464	.161	1.010	-.004	280	780	-.020	.075	.277	-.323
280	601	-.202	.047	-.046	-.445	280	731	.422	.171	.974	-.135	280	781	-.083	.088	.287	-.388
280	602	-.207	.044	-.048	-.422	280	732	.400	.181	1.115	-.082	280	782	-.143	.071	.131	-.388
280	603	-.472	.123	-.180	-1.035	280	733	.460	.179	1.019	-.180	280	783	-.225	.078	.096	-.522
280	604	-.191	.032	.023	-.309	280	734	.413	.162	.926	-.062	280	784	-.086	.063	.178	-.353
280	605	-.196	.034	-.093	-.342	280	735	.404	.143	.887	-.011	280	785	-.073	.058	.115	-.337
280	606	-.201	.035	-.057	-.323	280	736	.438	.172	1.019	-.037	280	786	-.054	.057	.282	-.261
280	607	-.204	.035	-.023	-.327	280	737	.367	.162	.871	-.117	280	787	-.034	.055	.214	-.193
280	608	-.203	.091	-.049	-.744	280	738	.099	.163	.759	-.539	280	788	-.089	.073	.230	-.327
280	609	-.219	.034	-.104	-.359	280	739	.058	.095	.419	-.253	280	789	-.174	.079	.254	-.438
280	610	-.188	.033	-.088	-.304	280	740	-.054	.075	.269	-.292	280	790	-.248	.080	.134	-.548
280	611	-.178	.038	.004	-.316	280	741	.428	.156	.967	-.027	280	791	-.005	.045	.213	-.184
280	612	-.481	.139	-.147	-1.209	280	742	.397	.163	.926	-.018	280	792	-.013	.045	.237	-.151
280	613	-.483	.151	-.053	-1.458	280	743	.228	.171	.885	-.212	280	793	-.003	.046	.281	-.182
280	614	-.271	.146	.070	-1.063	280	744	.405	.185	.960	-.123	280	794	-.010	.048	.305	-.200
280	615	-.176	.071	-.060	-.480	280	745	.454	.173	1.019	-.023	280	795	-.128	.071	.148	-.391
280	616	-.201	.058	-.010	-.452	280	746	.221	.116	.705	-.167	280	796	-.109	.075	.231	-.498
280	617	-.184	.033	-.038	-.314	280	747	-.039	.081	.296	-.383	280	797	-.066	.072	.217	-.355
280	618	-.189	.033	-.081	-.311	280	748	-.261	.075	.034	-.502	280	798	-.080	.065	.181	-.544
280	619	-.196	.034	-.078	-.314	280	749	.136	.224	.849	-.651	280	799	-.068	.052	.131	-.379
280	620	-.184	.035	-.041	-.321	280	750	.010	.187	.700	-.615	280	800	-.036	.048	.229	-.257
280	701	.114	.098	.449	-.239	280	751	.208	.227	.947	-.566	280	801	-.034	.046	.187	-.176
280	702	.056	.088	.338	-.295	280	752	.221	.230	.936	-.635	280	802	-.087	.056	.176	-.317
280	703	-.045	.084	.410	-.300	280	753	.150	.201	.869	-.526	280	803	-.179	.060	.107	-.360
280	704	.372	.146	.761	-.212	280	754	.024	.152	.535	-.517	280	804	-.253	.062	.052	-.470
280	705	.205	.122	.582	-.186	280	755	-.170	.116	.297	-.615	280	805	-.110	.047	.095	-.267
280	706	-.067	.060	.148	-.278	280	756	-.497	.110	-.125	-1.279	280	806	-.144	.042	.100	-.610
280	707	.093	.086	.377	-.190	280	757	-.460	.100	.129	-.798	280	807	-.111	.061	.148	-.393
280	708	.267	.156	.737	-.317	280	758	.246	.161	.898	-.279	280	808	-.067	.063	.169	-.336
280	709	.249	.131	.687	-.239	280	759	-.075	.078	.301	-.450	280	809	-.065	.057	.131	-.420
280	710	.186	.143	.642	-.462	280	760	-.093	.160	.791	-.664	280	810	-.008	.047	.317	-.172
280	711	-.087	.080	.182	-.414	280	761	-.128	.081	.212	-.522	280	811	-.016	.055	.272	-.153
280	712	.497	.169	.968	-.055	280	762	.002	.119	.491	-.363	280	812	-.231	.052	-.017	-.446
280	713	.404	.151	.925	-.073	280	763	.107	.135	.689	-.243	280	813	-.098	.052	.250	-.255
280	714	.227	.127	.642	-.203	280	764	.189	.130	.642	-.209	280	814	-.076	.059	.265	-.260
280	715	.008	.081	.311	-.259	280	765	.149	.115	.936	-.205	280	815	-.054	.059	.217	-.277
280	716	.256	.153	.662	-.327	280	766	.118	.097	.529	-.193	280	816	-.025	.057	.269	-.250
280	717	.444	.174	1.051	-.046	280	767	-.069	.073	.240	-.330	280	817	-.003	.061	.277	-.212
280	718	.281	.154	.747	-.196	280	768	-.163	.073	.296	-.452	280	818	.025	.058	.305	-.200
280	719	.419	.169	.974	-.217	280	769	.101	.112	.578	-.297	280	819	.063	.066	.389	-.098

WD	TAP	CPMEAN	CPRMS	CPMAX	CPMIN	WD	TAP	CPMEAN	CPRMS	CPMAX	CPMIN	WD	TAP	CPMEAN	CPRMS	CPMAX	CPMIN
280	820	.004	.064	.355	-.236	280	948	-.104	.050	.174	-.284	280	1027	-.187	.035	-.048	-.358
280	821	-.100	.050	.098	-.226	280	949	-.099	.061	.421	-.254	280	1028	-.141	.030	-.031	-.247
280	822	-.178	.045	-.005	-.347	280	950	-.189	.081	.114	-.509	290	101	-.122	.064	.162	-.454
280	901	-.415	.051	-.234	-.597	280	951	-.135	.038	.095	-.261	290	102	-.028	.102	.354	-.451
280	902	.120	.099	.493	-.187	280	952	-.147	.039	.042	-.323	290	103	-.109	.142	.466	-.556
280	903	.389	.154	.872	-.100	280	953	-.133	.033	.049	-.286	290	104	.054	.086	.329	-.198
280	904	.475	.185	1.066	.016	280	954	-.154	.047	.093	-.342	290	105	-.144	.046	.048	-.297
280	905	.162	.146	.700	-.194	280	955	-.149	.037	.063	-.284	290	106	.159	.171	.657	-.528
280	906	-.133	.072	.144	-.311	280	956	-.170	.046	.051	-.468	290	107	.015	.078	.267	-.235
280	907	-.285	.114	.210	-.567	280	957	-.237	.080	.044	-.628	290	108	-.156	.049	.038	-.355
280	908	.069	.152	.565	-.477	280	958	-.353	.138	.002	-1.163	290	109	.099	.110	.450	-.239
280	909	.072	.098	.350	-.386	280	959	-.272	.055	.023	-.561	290	110	.125	.113	.448	-.269
280	910	-.353	.052	-.189	-.626	280	960	-.213	.038	-.070	-.356	290	111	.231	.199	.683	-.938
280	911	-.156	.196	.476	-.779	280	961	-.246	.052	-.091	-.486	290	112	-.126	.057	.101	-.356
280	912	-.340	.165	.572	-.848	280	962	-.251	.046	-.110	-.499	290	113	-.073	.102	.411	-.264
280	913	-.413	.179	1.051	-.390	280	963	-.194	.057	-.065	-.554	290	114	.181	.144	.664	-.319
280	914	-.106	.073	.214	-.338	280	964	-.209	.045	-.009	-.496	290	115	.293	.232	.819	-.746
280	915	.146	.102	.468	-.178	280	965	-.224	.046	-.051	-.512	290	116	.147	.159	.641	-.328
280	916	-.231	.102	.060	-1.386	280	966	-.236	.059	.063	-.533	290	117	.257	.209	.845	-.333
280	917	.182	.143	.725	-.482	280	967	-.165	.041	.036	-.402	290	118	-.110	.062	.103	-.335
280	918	.385	.078	-.017	-.640	280	968	-.224	.046	-.033	-.478	290	119	-.181	.093	.142	-.515
280	919	.368	.057	-.196	-.654	280	969	-.236	.054	-.060	-.569	290	120	.160	.144	.600	-.331
280	920	-.351	.052	-.199	-.582	280	970	-.209	.046	.031	-.459	290	121	.204	.198	.705	-.515
280	921	-.215	.087	.068	-.572	280	971	-.157	.040	.036	-.461	290	122	-.158	.074	.130	-.529
280	922	.005	.115	.421	-.524	280	1001	-.109	.097	.535	-.171	290	123	-.091	.084	.313	-.561
280	923	.386	.063	-.192	-.612	280	1002	-.001	.044	.176	-.146	290	124	-.178	.143	.315	-.947
280	924	.315	.045	-.176	-.491	280	1003	-.319	.067	-.111	-.588	290	125	.266	.181	.845	-.235
280	925	-.268	.085	-.063	-.675	280	1004	-.125	.150	-.419	-.704	290	126	.036	.128	.475	-.431
280	926	-.303	.041	-.170	-.460	280	1005	-.278	.064	-.088	-.574	290	127	.114	.143	.566	-.339
280	927	-.274	.086	-.061	-.652	280	1006	-.144	.118	.460	-.272	290	128	.233	.183	.812	-.806
280	928	.322	.044	-.174	-.601	280	1007	-.308	.090	-.013	-.668	290	129	.235	.222	.964	-.675
280	929	-.272	.068	-.060	-.719	280	1008	-.134	.042	.048	-.382	290	130	.122	.162	.763	-.302
280	930	.393	.063	-.224	-.694	280	1009	-.365	.066	-.114	-.633	290	131	.122	.162	.853	-.288
280	931	-.119	.066	-.167	-.329	280	1010	-.160	.072	.127	-.463	290	132	-.222	.061	.080	-.457
280	932	-.317	.038	-.199	-.477	280	1011	-.169	.073	.090	-.505	290	133	-.155	.072	.150	-.364
280	933	.323	.042	-.191	-.477	280	1012	-.104	.047	.107	-.336	290	134	-.215	.154	.448	-.915
280	934	-.265	.038	-.131	-.465	280	1013	-.319	.044	-.203	-.532	290	135	.129	.165	.749	-.288
280	935	-.124	.071	-.174	-.331	280	1014	-.231	.048	-.047	-.501	290	136	.041	.136	.705	-.313
280	936	-.440	.046	-.324	-.580	280	1015	-.326	.042	-.213	-.540	290	137	.058	.129	.492	-.448
280	937	.389	.048	-.247	-.667	280	1016	-.278	.050	-.122	-.542	290	138	.074	.134	.550	-.482
280	938	.357	.048	-.223	-.561	280	1017	-.184	.068	.171	-.510	290	139	.121	.224	.747	-.712
280	939	-.341	.049	-.194	-.561	280	1018	-.159	.049	.201	-.304	290	140	.038	.271	.805	-1.193
280	940	.375	.044	-.249	-.538	280	1019	-.214	.068	.004	-.594	290	141	.067	.125	.744	-.397
280	941	-.003	.027	-.107	-.075	280	1020	-.306	.066	-.065	-.562	290	142	.038	.117	.555	-.306
280	942	-.127	.067	.267	-.384	280	1021	-.176	.070	.051	-.478	290	143	-.311	.063	-.050	-.589
280	943	-.166	.064	.125	-.495	280	1022	-.134	.027	-.033	-.220	290	144	-.188	.069	.101	-.436
280	944	-.152	.048	.081	-.395	280	1023	-.137	.027	-.040	-.237	290	145	-.056	.100	.346	-.306
280	945	-.358	.097	-.033	-.740	280	1024	-.144	.033	-.055	-.446	290	146	.083	.142	.578	-.450
280	946	-.133	.046	.205	-.295	280	1025	-.194	.033	-.082	-.309	290	147	.053	.193	.832	-.545
280	947	-.128	.050	.135	-.302	280	1026	-.193	.033	-.077	-.326	290	148	.032	.184	.744	-.515

WD	TAP	CPMEAN	CPRMS	CPMAX	CPMIN	WD	TAP	CPMEAN	CPRMS	CPMAX	CPMIN	WD	TAP	CPMEAN	CPRMS	CPMAX	CPMIN
290	149	-.414	.082	-.149	-.842	290	199	-.123	.031	-.016	-.237	290	324	-.347	.048	-.220	-.556
290	150	-.445	.084	-.201	-.797	290	200	-.125	.030	-.007	-.221	290	325	-.341	.050	-.193	-.571
290	151	-.350	.101	.134	-.790	290	201	-.110	.028	-.011	-.205	290	326	-.400	.095	-.152	-.835
290	152	-.295	.112	.164	-.756	290	202	-.133	.029	-.022	-.239	290	327	-.455	.119	-.144	-.910
290	153	-.290	.151	.225	-.895	290	203	-.127	.024	-.057	-.230	290	328	-.380	.085	-.105	-.737
290	154	-.247	.146	.298	-.926	290	204	-.124	.025	-.041	-.223	290	329	-.362	.078	-.127	-.798
290	155	-.164	.194	.529	-.994	290	205	-.123	.023	-.048	-.194	290	330	-.311	.042	-.170	-.473
290	156	-.017	.165	.810	-.450	290	206	-.103	.037	-.078	-.267	290	331	-.341	.052	-.192	-.551
290	157	-.034	.175	.760	-.344	290	207	-.106	.043	.112	-.328	290	332	-.357	.063	-.202	-.856
290	158	-.260	.072	.012	-.530	290	208	-.108	.051	.169	-.305	290	333	-.363	.055	-.188	-.656
290	159	-.220	.169	.289	-1.022	290	209	-.128	.034	-.013	-.267	290	334	-.372	.062	-.190	-.644
290	160	-.265	.071	.003	-.514	290	210	-.102	.028	-.003	-.198	290	335	-.382	.066	-.209	-.802
290	161	-.242	.182	.608	-1.087	290	211	-.133	.027	-.033	-.239	290	336	-.367	.056	-.197	-.610
290	162	-.283	.063	-.024	-.552	290	212	-.124	.026	-.040	-.200	290	337	-.353	.056	-.200	-.571
290	163	-.220	.059	.060	-.539	290	213	-.098	.043	.101	-.269	290	338	-.377	.058	-.202	-.627
290	164	-.132	.066	.230	-.378	290	214	-.098	.058	.233	-.288	290	339	-.349	.052	-.188	-.571
290	165	-.116	.061	.227	-.335	290	215	-.156	.044	-.017	-.320	290	340	-.349	.052	-.195	-.539
290	166	-.103	.067	.299	-.445	290	216	-.131	.028	-.017	-.258	290	341	-.366	.055	-.195	-.622
290	167	-.133	.121	.378	-.825	290	217	-.121	.027	-.011	-.205	290	342	-.377	.054	-.222	-.678
290	168	-.192	.175	.280	-1.139	290	218	-.120	.025	-.015	-.209	290	343	-.398	.064	-.224	-.707
290	169	-.126	.063	.258	-.459	290	219	-.129	.027	-.008	-.214	290	344	-.389	.060	-.239	-.615
290	170	-.285	.060	-.084	-.550	290	220	-.124	.025	-.033	-.223	290	345	-.379	.058	-.224	-.639
290	171	-.219	.051	.031	-.471	290	221	-.123	.026	-.015	-.262	290	346	-.360	.053	-.209	-.583
290	172	-.214	.082	.117	-.787	290	222	-.122	.025	-.050	-.295	290	347	-.346	.054	-.188	-.558
290	173	-.093	.045	.093	-.309	290	223	-.094	.043	.147	-.230	290	348	-.356	.056	-.175	-.629
290	174	-.105	.046	.081	-.344	290	224	-.100	.044	.122	-.272	290	349	-.373	.058	-.181	-.646
290	175	-.120	.075	.148	-.557	290	225	-.098	.050	.136	-.295	290	350	-.380	.059	-.193	-.622
290	176	-.127	.074	.165	-.591	290	301	-.285	.041	-.142	-.479	290	351	-.389	.062	-.210	-.699
290	177	-.249	.065	-.002	-.565	290	302	-.375	.053	-.198	-.551	290	352	-.397	.058	-.234	-.742
290	178	-.189	.056	.062	-.431	290	303	-.420	.065	-.217	-.702	290	353	-.385	.063	-.234	-.689
290	179	-.168	.064	.215	-.505	290	304	-.075	.057	-.088	-.288	290	354	-.396	.062	-.224	-.735
290	180	-.106	.036	.074	-.254	290	305	-.294	.042	-.160	-.636	290	355	-.397	.075	-.200	-.770
290	181	-.112	.035	.041	-.268	290	306	-.291	.040	-.162	-.440	290	356	-.430	.081	-.212	-.792
290	182	-.106	.050	.072	-.469	290	307	-.323	.046	-.154	-.542	290	357	-.468	.095	-.227	-1.149
290	183	-.110	.061	.160	-.387	290	308	-.324	.049	-.207	-.577	290	358	-.386	.061	-.234	-.655
290	184	-.211	.037	-.057	-.514	290	309	-.315	.041	-.186	-.530	290	359	-.396	.077	-.169	-.775
290	185	-.170	.032	-.045	-.285	290	310	-.306	.042	-.164	-.520	290	360	-.385	.060	-.217	-.605
290	186	-.140	.043	.041	-.342	290	311	-.292	.040	-.146	-.460	290	361	-.450	.139	-.169	-1.422
290	187	-.100	.039	.172	-.309	290	312	-.338	.047	-.174	-.610	290	362	-.364	.059	-.179	-.639
290	188	-.107	.031	.019	-.215	290	313	-.329	.043	-.193	-.484	290	363	-.371	.062	-.205	-.694
290	189	-.109	.044	.074	-.452	290	314	-.317	.042	-.174	-.474	290	364	-.425	.079	-.195	-.919
290	190	-.109	.056	.084	-.502	290	315	-.299	.039	-.174	-.455	290	365	-.512	.118	-.229	-1.293
290	191	-.098	.044	.130	-.335	290	316	-.318	.039	-.174	-.486	290	366	-.409	.084	-.209	-.840
290	192	-.100	.042	.101	-.342	290	317	-.331	.043	-.188	-.508	290	367	-.415	.083	-.178	-.926
290	193	-.108	.039	.030	-.308	290	318	-.334	.045	-.208	-.515	290	368	-.409	.086	-.186	-.871
290	194	-.179	.038	.003	-.376	290	319	-.319	.040	-.193	-.559	290	369	-.358	.063	-.141	-.643
290	195	-.148	.036	.030	-.258	290	320	-.323	.043	-.188	-.472	290	370	-.330	.056	-.113	-.585
290	196	-.116	.042	.085	-.285	290	321	-.310	.057	-.166	-.595	290	371	-.312	.057	-.067	-.628
290	197	-.118	.042	.030	-.233	290	322	-.329	.049	-.193	-.663	290	372	-.347	.080	-.113	-.694
290	198	-.126	.031	.003	-.223	290	323	-.333	.049	-.176	-.537	290	373	-.422	.091	-.186	-.762

WD	TAP	CPMEAN	CPRMS	CPMAX	CPMIN	WD	TAP	CPMEAN	CPRMS	CPMAX	CPMIN	WD	TAP	CPMEAN	CPRMS	CPMAX	CPMIN
290	374	-.500	.123	-.224	-1.474	290	502	-.285	.041	-.149	-.475	290	552	-.356	.059	-.159	-.635
290	375	-.448	.098	-.242	-.997	290	503	-.044	.058	-.108	-.290	290	553	-.360	.041	-.188	-.692
290	376	-.433	.091	-.221	-.913	290	504	-.433	.071	-.233	-.760	290	554	-.363	.054	-.207	-.701
290	377	-.246	.053	-.067	-.429	290	505	-.288	.037	-.169	-.433	290	555	-.372	.056	-.233	-.666
290	378	-.236	.043	-.037	-.391	290	506	-.286	.036	-.175	-.454	290	556	-.362	.056	-.180	-.582
290	379	-.239	.055	-.034	-.507	290	507	-.308	.044	-.190	-.496	290	557	-.389	.059	-.197	-.628
290	380	-.307	.092	-.031	-.729	290	508	-.290	.042	-.130	-.481	290	558	-.369	.083	-.111	-.901
290	381	-.528	.179	-.014	-1.532	290	509	-.309	.046	-.178	-.679	290	559	-.396	.065	-.230	-.732
290	382	-.478	.127	-.234	-1.393	290	510	-.307	.041	-.185	-.492	290	560	-.390	.106	-.154	-1.191
290	383	-.451	.118	-.209	-1.421	290	511	-.301	.039	-.182	-.463	290	561	-.420	.069	-.223	-.749
290	384	-.196	.036	-.070	-.370	290	512	-.314	.051	-.187	-.544	290	562	-.359	.075	-.119	-1.089
290	385	-.195	.034	-.047	-.315	290	513	-.325	.049	-.175	-.561	290	563	-.369	.079	-.159	-.896
290	386	-.207	.047	-.024	-.421	290	514	-.311	.040	-.178	-.508	290	564	-.352	.068	-.178	-.765
290	387	-.211	.041	-.004	-.676	290	515	-.317	.044	-.185	-.532	290	565	-.402	.087	-.214	-.944
290	388	-.390	.136	-.012	-1.012	290	516	-.308	.045	-.178	-.552	290	566	-.372	.062	-.208	-.592
290	389	-.430	.122	-.128	-1.315	290	517	-.310	.040	-.187	-.477	290	567	-.414	.074	-.203	-.740
290	390	-.404	.115	-.156	-1.358	290	518	-.405	.097	-.199	-.861	290	568	-.421	.082	-.195	-.795
290	391	-.225	.035	-.029	-.364	290	519	-.334	.059	-.132	-.588	290	569	-.347	.060	-.163	-.594
290	392	-.226	.035	-.084	-.367	290	520	-.338	.049	-.202	-.578	290	570	-.380	.078	-.173	-.780
290	393	-.220	.034	-.063	-.374	290	521	-.331	.043	-.182	-.518	290	571	-.398	.080	-.195	-.805
290	394	-.297	.091	-.042	-.876	290	522	-.295	.054	-.118	-.710	290	572	-.409	.099	-.165	-1.026
290	395	-.327	.097	-.156	-1.067	290	523	-.302	.058	-.139	-.609	290	573	-.397	.077	-.223	-.758
290	396	-.323	.100	-.142	-1.674	290	524	-.320	.086	-.048	-.784	290	574	-.408	.073	-.210	-.760
290	397	-.198	.031	-.094	-.314	290	525	-.316	.048	-.149	-.803	290	575	-.401	.087	-.165	-.846
290	398	-.209	.033	-.088	-.376	290	526	-.326	.049	-.178	-.554	290	576	-.406	.089	-.178	-.996
290	399	-.243	.043	-.092	-.425	290	527	-.316	.040	-.174	-.548	290	577	-.431	.101	-.120	-1.280
290	400	-.232	.043	-.065	-.632	290	528	-.318	.043	-.186	-.516	290	578	-.437	.112	-.203	-1.107
290	401	-.215	.031	-.106	-.344	290	529	-.326	.046	-.144	-.509	290	579	-.469	.120	-.225	-1.051
290	402	-.219	.033	-.106	-.425	290	530	-.310	.040	-.174	-.468	290	580	-.415	.084	-.218	-.775
290	403	-.127	.028	-.020	-.230	290	531	-.322	.042	-.186	-.487	290	581	-.437	.070	-.072	-.635
290	404	-.130	.027	-.031	-.233	290	532	-.322	.050	-.164	-.521	290	582	-.277	.072	-.021	-.622
290	405	-.108	.027	-.011	-.206	290	533	-.314	.052	-.162	-.628	290	583	-.287	.081	-.070	-.610
290	406	-.105	.027	-.013	-.251	290	534	-.320	.051	-.169	-.694	290	584	-.438	.108	-.185	-1.388
290	407	-.202	.031	-.088	-.317	290	535	-.331	.051	-.152	-.521	290	585	-.459	.116	-.213	-1.295
290	408	-.193	.035	-.059	-.342	290	536	-.336	.048	-.198	-.526	290	586	-.469	.125	-.102	-1.255
290	409	-.212	.029	-.117	-.321	290	537	-.339	.053	-.200	-.733	290	587	-.347	.077	-.041	-.740
290	410	-.102	.034	-.035	-.206	290	538	-.349	.051	-.186	-.653	290	588	-.239	.062	-.038	-.487
290	411	-.241	.046	-.092	-.598	290	539	-.355	.053	-.200	-.580	290	589	-.200	.041	-.019	-.376
290	412	-.190	.036	-.063	-.361	290	540	-.353	.056	-.208	-.643	290	590	-.195	.041	-.025	-.411
290	413	-.132	.026	-.043	-.220	290	541	-.338	.050	-.198	-.575	290	591	-.335	.077	-.002	-.679
290	414	-.196	.034	-.055	-.332	290	542	-.347	.055	-.208	-.548	290	592	-.288	.073	-.038	-.579
290	415	-.194	.034	-.086	-.347	290	543	-.352	.054	-.198	-.638	290	593	-.419	.092	-.179	-1.129
290	416	-.234	.041	-.127	-.555	290	544	-.345	.059	-.188	-.604	290	594	-.435	.095	-.225	-1.074
290	417	-.210	.030	-.093	-.368	290	545	-.344	.055	-.179	-.640	290	595	-.427	.120	-.108	-1.253
290	418	-.208	.026	-.134	-.306	290	546	-.370	.055	-.234	-.631	290	596	-.297	.078	-.062	-.677
290	419	-.218	.040	-.098	-.371	290	547	-.374	.055	-.217	-.601	290	597	-.220	.054	-.024	-.498
290	420	-.115	.027	-.014	-.218	290	548	-.365	.053	-.198	-.587	290	598	-.194	.034	-.012	-.332
290	421	-.071	.043	-.151	-.225	290	549	-.434	.087	-.180	-.922	290	599	-.184	.031	-.057	-.312
290	422	-.047	.050	-.186	-.197	290	550	-.393	.071	-.161	-.689	290	600	-.212	.034	-.110	-.471
290	501	-.364	.052	-.173	-.556	290	551	-.365	.072	-.161	-.968	290	601	-.197	.037	-.076	-.445

WD	TAP	CPMEAN	CPRMS	CPMAX	CPMIN	WD	TAP	CPMEAN	CPRMS	CPMAX	CPMIN	WD	TAP	CPMEAN	CPRMS	CPMAX	CPMIN
290	602	-.199	.034	-.083	-.358	290	732	.218	.210	.975	-.649	290	782	-.197	.062	.116	-.501
290	603	-.409	.104	-.181	-1.097	290	733	.245	.185	.888	-.306	290	783	-.241	.062	.017	-.503
290	604	-.192	.031	-.062	-.314	290	734	.190	.137	.630	-.217	290	784	-.107	.055	.087	-.484
290	605	-.197	.032	-.073	-.337	290	735	.167	.131	.600	-.192	290	785	-.100	.046	.049	-.288
290	606	-.192	.040	-.036	-.380	290	736	.197	.160	.968	-.224	290	786	-.099	.041	.031	-.312
290	607	-.189	.036	-.050	-.333	290	737	.202	.154	.769	-.224	290	787	-.102	.041	.028	-.274
290	608	-.247	.081	-.020	-.599	290	738	-.078	.167	.488	-.858	290	788	-.180	.058	.094	-.383
290	609	-.208	.037	-.082	-.334	290	739	-.068	.089	.337	-.308	290	789	-.225	.063	.038	-.453
290	610	-.184	.032	-.071	-.356	290	740	-.144	.074	.117	-.354	290	790	-.276	.064	-.028	-.624
290	611	-.181	.029	-.066	-.298	290	741	.185	.145	.788	-.265	290	791	-.089	.041	.053	-.260
290	612	-.400	.117	-.139	-1.330	290	742	.171	.139	.710	-.180	290	792	-.093	.039	.072	-.260
290	613	-.401	.119	-.136	-1.239	290	743	.094	.150	.806	-.352	290	793	-.085	.042	.083	-.218
290	614	-.306	.121	.004	-1.052	290	744	.164	.162	.778	-.254	290	794	-.088	.040	.049	-.263
290	615	-.231	.074	.207	-.484	290	745	.205	.153	.781	-.174	290	795	-.135	.029	.024	-.248
290	616	-.195	.052	.045	-.487	290	746	.054	.111	.502	-.254	290	796	-.130	.031	.026	-.286
290	617	-.186	.033	-.050	-.312	290	747	-.105	.085	.284	-.398	290	797	-.090	.049	.187	-.305
290	618	-.187	.030	-.076	-.293	290	748	-.263	.063	.021	-.560	290	798	-.107	.055	.086	-.634
290	619	-.190	.029	-.078	-.335	290	749	-.008	.174	.755	-.618	290	799	-.103	.047	.048	-.433
290	620	-.179	.030	-.057	-.288	290	750	-.030	.163	.640	-.555	290	800	-.092	.039	.071	-.272
290	701	-.096	.102	.418	-.309	290	751	-.026	.189	.743	-1.066	290	801	-.102	.041	.046	-.330
290	702	-.046	.085	.240	-.388	290	752	-.073	.195	.622	-.725	290	802	-.161	.051	.033	-.364
290	703	.042	.097	.371	-.277	290	753	-.092	.194	.600	-.875	290	803	-.214	.049	.107	-.485
290	704	.088	.180	.725	-.381	290	754	-.122	.154	.352	-.958	290	804	-.273	.055	.003	-.454
290	705	.237	.143	.618	-.334	290	755	-.230	.120	.246	-.739	290	805	-.130	.028	-.030	-.286
290	706	-.121	.054	.078	-.430	290	756	-.434	.094	-.188	-.916	290	806	-.143	.027	-.026	-.260
290	707	.043	.078	.434	-.200	290	757	-.370	.078	.005	-.786	290	807	-.125	.028	.090	-.213
290	708	.335	.164	.771	-.285	290	758	-.005	.140	.600	-.826	290	808	-.079	.050	.161	-.234
290	709	.178	.129	.612	-.279	290	759	-.139	.093	.296	-.510	290	809	-.107	.052	.062	-.473
290	710	.157	.123	.543	-.413	290	760	-.094	.153	.466	-.875	290	810	-.084	.042	.133	-.239
290	711	-.129	.066	.112	-.452	290	761	-.160	.084	.224	-.535	290	811	-.092	.042	.071	-.284
290	712	.410	.199	.917	-.395	290	762	-.061	.094	.414	-1.126	290	812	-.240	.049	-.033	-.421
290	713	.279	.149	.777	-.212	290	763	-.032	.089	.439	-.513	290	813	-.122	.029	.031	-.215
290	714	.132	.118	.522	-.354	290	764	.005	.108	.605	-.320	290	814	-.119	.034	.102	-.265
290	715	-.086	.072	.249	-.358	290	765	.002	.104	.461	-.295	290	815	-.084	.050	.152	-.312
290	716	.180	.163	.687	-.397	290	766	.005	.104	.458	-.357	290	816	-.099	.044	.095	-.293
290	717	.323	.203	1.021	-.196	290	767	-.106	.081	.307	-.390	290	817	-.089	.043	.102	-.319
290	718	.249	.174	.748	-.239	290	768	-.175	.069	.180	-.449	290	818	-.076	.050	.145	-.270
290	719	.263	.156	.840	-.419	290	769	-.030	.101	.579	-.326	290	819	-.060	.057	.346	-.194
290	720	-.196	.124	.308	-.785	290	770	-.102	.056	.144	-.418	290	820	-.092	.070	.280	-.383
290	721	-.107	.085	.296	-.476	290	771	-.093	.053	.130	-.385	290	821	-.143	.049	.120	-.307
290	722	.362	.211	1.007	-.270	290	772	-.081	.040	.234	-.314	290	822	-.198	.043	-.004	-.328
290	723	.322	.184	.899	-.200	290	773	-.054	.065	.243	-.239	290	901	-.384	.049	-.257	-.561
290	724	.235	.145	.678	-.200	290	774	-.111	.095	.274	-.524	290	902	.014	.102	.390	-.264
290	725	.156	.134	.694	-.358	290	775	-.151	.068	.189	-.371	290	903	.175	.133	.654	-.161
290	726	.282	.188	.892	-.279	290	776	-.217	.070	.035	-.301	290	904	.209	.165	.900	-.255
290	727	-.086	.163	.431	-.668	290	777	-.101	.054	.104	-.368	290	905	-.092	.123	.580	-.197
290	728	-.023	.094	.328	-.503	290	778	-.100	.053	.094	-.319	290	906	-.075	.092	.226	-.330
290	729	-.095	.077	.199	-.457	290	779	-.109	.051	.094	-.357	290	907	-.201	.112	.219	-.580
290	730	.232	.173	.900	-.288	290	780	-.111	.053	.090	-.293	290	908	.195	.124	.648	-.247
290	731	.210	.165	.879	-.199	290	781	-.164	.075	.113	-.529	290	909	.120	.101	.405	-.192

WD	TAP	CPMEAN	CPRMS	CPMAX	CPMIN	WD	TAP	CPMEAN	CPRMS	CPMAX	CPMIN	WD	TAP	CPMEAN	CPRMS	CPMAX	CPMIN
290	910	-.334	.051	-.202	-.401	290	960	-.203	.031	-.092	-.330	300	111	.281	.192	.857	-.442
290	911	-.107	.199	.910	-.568	290	961	-.235	.043	-.101	-.476	300	112	-.068	.083	.212	-.377
290	912	-.253	.128	.449	-.733	290	962	-.237	.038	-.122	-.566	300	113	.152	.137	.779	-.267
290	913	-.362	.178	.845	-.187	290	963	-.201	.049	-.057	-.491	300	114	.311	.170	.849	-.197
290	914	-.171	.063	.106	-.371	290	964	-.213	.042	-.007	-.457	300	115	.409	.209	.989	-.288
290	915	-.163	.117	.535	-.197	290	965	-.212	.036	-.076	-.369	300	116	.269	.172	.715	-.272
290	916	-.272	.101	-.001	-.900	290	966	-.229	.046	-.078	-.476	300	117	.334	.209	.944	-.224
290	917	-.305	.188	.858	-.212	290	967	-.159	.038	-.020	-.376	300	118	-.073	.086	.219	-.357
290	918	-.284	.105	.032	-.641	290	968	-.215	.036	-.085	-.376	300	119	-.148	.143	.402	-.615
290	919	-.344	.048	-.192	-.518	290	969	-.217	.038	-.061	-.393	300	120	.264	.183	.920	-.318
290	920	-.329	.055	-.165	-.550	290	970	-.208	.039	.027	-.376	300	121	.229	.181	.806	-.322
290	921	-.172	.095	.101	-.580	290	971	-.165	.039	.047	-.354	300	122	-.107	.095	.210	-.649
290	922	-.069	.121	.606	-.251	290	1001	-.033	.092	.382	-.359	300	123	-.020	.110	.324	-.480
290	923	-.395	.071	-.183	-.723	290	1002	-.084	.037	-.049	-.249	300	124	-.013	.178	.605	-.912
290	924	-.323	.049	-.197	-.558	290	1003	-.285	.072	-.049	-.593	300	125	.291	.195	.913	-.322
290	925	-.357	.097	-.173	-.732	290	1004	-.158	.155	-.540	-.674	300	126	.134	.155	.621	-.377
290	926	-.312	.039	-.188	-.461	290	1005	-.288	.062	-.123	-.699	300	127	.197	.163	.692	-.351
290	927	-.196	.082	-.094	-.503	290	1006	-.188	.136	-.638	-.355	300	128	.282	.209	.838	-.341
290	928	-.319	.041	-.202	-.517	290	1007	-.326	.075	-.039	-.628	300	129	.317	.229	1.056	-.478
290	929	-.223	.063	-.031	-.640	290	1008	-.113	.039	-.067	-.256	300	130	.281	.192	.899	-.232
290	930	-.375	.052	-.245	-.649	290	1009	-.331	.058	-.149	-.581	300	131	.223	.209	.906	-.258
290	931	-.086	.083	-.286	-.301	290	1010	-.136	.060	-.155	-.393	300	132	-.154	.090	.194	-.443
290	932	-.321	.037	-.203	-.454	290	1011	-.210	.064	.040	-.442	300	133	-.067	.117	.359	-.385
290	933	-.306	.043	-.158	-.502	290	1012	-.102	.044	-.142	-.327	300	134	-.058	.202	.623	-.877
290	934	-.243	.041	-.049	-.480	290	1013	-.333	.052	-.197	-.716	300	135	.174	.191	.924	-.302
290	935	-.051	.082	.311	-.330	290	1014	-.253	.048	-.067	-.550	300	136	.179	.191	.880	-.205
290	936	-.419	.044	-.298	-.572	290	1015	-.330	.043	-.215	-.493	300	137	.147	.163	.660	-.221
290	937	-.391	.056	-.258	-.617	290	1016	-.244	.044	-.102	-.507	300	138	.168	.175	.792	-.302
290	938	-.371	.054	-.212	-.598	290	1017	-.189	.054	.042	-.623	300	139	.192	.195	.959	-.376
290	939	-.353	.053	-.172	-.617	290	1018	-.165	.048	-.084	-.310	300	140	.193	.212	.896	-.564
290	940	-.394	.048	-.264	-.568	290	1019	-.224	.054	-.017	-.493	300	141	.202	.186	.966	-.209
290	941	-.081	.021	-.014	-.131	290	1020	-.333	.069	-.043	-.589	300	142	.155	.160	.836	-.188
290	942	-.120	.048	.072	-.494	290	1021	-.229	.073	-.079	-.484	300	143	-.279	.077	.094	-.566
290	943	-.134	.040	.012	-.277	290	1022	-.130	.023	-.053	-.210	300	144	-.123	.104	.289	-.478
290	944	-.120	.032	-.037	-.229	290	1023	-.134	.024	-.058	-.234	300	145	.063	.153	.860	-.258
290	945	-.351	.074	-.125	-.700	290	1024	-.126	.023	-.036	-.207	300	146	.163	.166	.808	-.202
290	946	-.110	.039	.146	-.240	290	1025	-.189	.029	-.080	-.337	300	147	.130	.162	.799	-.318
290	947	-.108	.044	.213	-.238	290	1026	-.188	.030	-.063	-.290	300	148	.063	.150	.790	-.369
290	948	-.104	.042	.072	-.231	290	1027	-.181	.029	-.068	-.317	300	149	-.428	.097	.024	-.833
290	949	-.097	.049	.243	-.286	290	1028	-.137	.029	-.036	-.237	300	150	-.489	.106	-.207	-.976
290	950	-.231	.067	.032	-.483	300	101	-.049	.080	.253	-.345	300	151	-.286	.154	.215	-.822
290	951	-.113	.033	.056	-.268	300	102	.070	.098	.418	-.423	300	152	-.164	.175	.444	-.767
290	952	-.127	.031	-.018	-.286	300	103	.149	.188	.715	-.471	300	153	-.150	.206	.750	-.994
290	953	-.119	.029	.019	-.240	300	104	-.052	.068	.235	-.277	300	154	-.145	.184	.541	-1.101
290	954	-.120	.047	.127	-.252	300	105	-.103	.061	.175	-.348	300	155	-.060	.186	.713	-1.021
290	955	-.136	.033	.046	-.293	300	106	-.214	.150	.657	-.293	300	156	-.034	.174	.700	-.570
290	956	-.178	.043	.021	-.453	300	107	-.038	.087	.372	-.238	300	157	-.028	.166	.741	-.552
290	957	-.239	.062	-.039	-.563	300	108	-.134	.072	.141	-.466	300	158	-.182	.118	.333	-.749
290	958	-.327	.108	-.037	-.824	300	109	-.164	.137	.564	-.363	300	159	-.048	.140	.552	-.765
290	959	-.237	.048	.053	-.515	300	110	.201	.139	.573	-.240	300	160	-.206	.100	.278	-.547

WD	TAP	CPMEAN	CPRMS	CPMAX	CPMIN	WD	TAP	CPMEAN	CPRMS	CPMAX	CPMIN	WD	TAP	CPMEAN	CPRMS	CPMAX	CPMIN
300	141	-.107	.133	.382	-.749	300	211	-.127	.035	-.001	-.378	300	336	-.392	.056	-.231	-.612
300	142	-.233	.093	.235	-.590	300	212	-.112	.029	-.019	-.365	300	337	-.381	.057	-.182	-.588
300	143	-.144	.101	.303	-.477	300	213	-.102	.040	.141	-.237	300	338	-.394	.067	-.204	-.673
300	144	-.030	.119	.482	-.504	300	214	-.118	.049	.187	-.321	300	339	-.365	.055	-.194	-.588
300	145	-.043	.096	.469	-.296	300	215	-.146	.048	-.001	-.332	300	340	-.358	.053	-.211	-.714
300	146	-.036	.086	.474	-.263	300	216	-.115	.031	.004	-.221	300	341	-.385	.056	-.238	-.617
300	147	-.055	.078	.330	-.498	300	217	-.106	.030	.004	-.195	300	342	-.390	.059	-.223	-.690
300	148	-.075	.086	.510	-.555	300	218	-.103	.029	.016	-.225	300	343	-.409	.068	-.221	-.773
300	149	-.066	.089	.469	-.369	300	219	-.120	.031	.002	-.212	300	344	-.408	.065	-.240	-.678
300	170	-.249	.074	.165	-.522	300	220	-.112	.029	.013	-.212	300	345	-.404	.063	-.226	-.685
300	171	-.173	.073	.268	-.381	300	221	-.109	.029	-.003	-.216	300	346	-.381	.056	-.223	-.639
300	172	-.108	.092	.479	-.575	300	222	-.113	.027	-.024	-.232	300	347	-.376	.059	-.182	-.620
300	173	-.050	.065	.359	-.220	300	223	-.094	.041	.097	-.221	300	348	-.387	.061	-.187	-.683
300	174	-.068	.061	.215	-.342	300	224	-.092	.044	.138	-.263	300	349	-.409	.069	-.199	-.700
300	175	-.082	.059	.199	-.316	300	225	-.087	.051	.141	-.260	300	350	-.400	.060	-.215	-.645
300	176	-.100	.057	.148	-.405	300	301	-.303	.045	-.181	-.498	300	351	-.411	.066	-.220	-.747
300	177	-.226	.076	.029	-.620	300	302	-.396	.059	-.206	-.657	300	352	-.408	.068	-.237	-.771
300	178	-.153	.071	.235	-.462	300	303	-.453	.072	-.223	-.768	300	353	-.409	.071	-.223	-.802
300	179	-.104	.070	.211	-.412	300	304	-.106	.060	.063	-.325	300	354	-.418	.069	-.246	-.733
300	180	-.072	.055	.182	-.254	300	305	-.321	.051	-.173	-.551	300	355	-.436	.080	-.218	-.859
300	181	-.085	.048	.098	-.295	300	306	-.306	.042	-.160	-.462	300	356	-.441	.091	-.130	-.874
300	182	-.097	.046	.074	-.302	300	307	-.357	.053	-.209	-.590	300	357	-.500	.106	-.170	-1.048
300	183	-.105	.049	.108	-.354	300	308	-.357	.065	-.198	-.677	300	358	-.422	.067	-.230	-.731
300	184	-.211	.049	-.002	-.390	300	309	-.338	.046	-.190	-.539	300	359	-.481	.119	-.237	-1.220
300	185	-.149	.047	.098	-.318	300	310	-.326	.045	-.153	-.539	300	360	-.422	.066	-.206	-.790
300	186	-.081	.057	.201	-.237	300	311	-.315	.046	-.164	-.542	300	361	-.527	.170	-.223	-1.511
300	187	-.037	.058	.259	-.218	300	312	-.370	.064	-.202	-.667	300	362	-.419	.077	-.208	-.907
300	188	-.076	.043	.170	-.211	300	313	-.354	.053	-.194	-.570	300	363	-.421	.077	-.218	-.826
300	189	-.113	.034	.048	-.295	300	314	-.334	.046	-.194	-.525	300	364	-.455	.085	-.251	-.821
300	190	-.130	.039	.038	-.347	300	315	-.326	.045	-.178	-.565	300	365	-.489	.106	-.215	-1.332
300	191	-.030	.066	.347	-.374	300	316	-.343	.046	-.185	-.525	300	366	-.421	.080	-.234	-.889
300	192	-.034	.070	.505	-.194	300	317	-.352	.048	-.180	-.527	300	367	-.465	.120	-.201	-1.403
300	193	-.033	.065	.299	-.254	300	318	-.362	.052	-.226	-.599	300	368	-.477	.118	-.231	-1.127
300	194	-.167	.049	.125	-.347	300	319	-.354	.049	-.219	-.611	300	369	-.406	.065	-.181	-.813
300	195	-.118	.052	.173	-.315	300	320	-.354	.050	-.168	-.578	300	370	-.346	.066	-.171	-.801
300	196	-.070	.058	.217	-.240	300	321	-.324	.055	-.161	-.614	300	371	-.339	.068	-.151	-.685
300	197	-.086	.046	.153	-.347	300	322	-.382	.069	-.204	-.758	300	372	-.399	.093	-.116	-.992
300	198	-.113	.032	.007	-.254	300	323	-.375	.063	-.226	-.679	300	373	-.460	.102	-.103	-.846
300	199	-.110	.033	.009	-.219	300	324	-.387	.066	-.231	-.676	300	374	-.508	.115	-.259	-1.097
300	200	-.110	.036	.061	-.238	300	325	-.382	.061	-.197	-.698	300	375	-.475	.095	-.264	-.992
300	201	-.097	.033	.041	-.215	300	326	-.485	.116	-.139	-.927	300	376	-.458	.096	-.224	-.886
300	202	-.124	.034	.002	-.272	300	327	-.529	.129	-.231	-1.020	300	377	-.265	.055	-.100	-.515
300	203	-.114	.030	-.012	-.240	300	328	-.420	.094	-.144	-.833	300	378	-.251	.047	-.095	-.472
300	204	-.108	.028	-.009	-.199	300	329	-.412	.084	-.206	-.792	300	379	-.254	.067	-.030	-.603
300	205	-.112	.028	-.005	-.210	300	330	-.347	.045	-.199	-.496	300	380	-.342	.104	-.018	-.881
300	206	-.099	.039	.107	-.231	300	331	-.376	.056	-.211	-.610	300	381	-.514	.168	-.116	-1.441
300	207	-.111	.037	.089	-.242	300	332	-.408	.071	-.223	-.717	300	382	-.508	.128	-.203	-1.574
300	208	-.128	.039	.151	-.274	300	333	-.410	.071	-.236	-.765	300	383	-.494	.125	-.203	-1.406
300	209	-.116	.039	.023	-.277	300	334	-.406	.066	-.223	-.680	300	384	-.208	.042	-.048	-.392
300	210	-.082	.032	.078	-.195	300	335	-.406	.067	-.219	-.751	300	385	-.203	.035	-.023	-.352

WD	TAP	CPMEAN	CPRMS	CPMAX	CPMIN	WD	TAP	CPMEAN	CPRMS	CPMAX	CPMIN	WD	TAP	CPMEAN	CPRMS	CPMAX	CPMIN
300	386	-.216	.051	.033	-.497	300	514	-.333	.044	-.189	-.538	300	564	-.361	.070	-.156	-.669
300	387	-.236	.069	.060	-.786	300	515	-.336	.042	-.223	-.497	300	565	-.430	.098	-.228	-.951
300	388	-.375	.138	.075	-1.378	300	516	-.336	.046	-.206	-.546	300	566	-.394	.065	-.167	-.825
300	389	-.431	.123	-.173	-1.243	300	517	-.321	.044	-.191	-.524	300	567	-.409	.065	-.170	-.679
300	390	-.405	.118	-.161	-1.080	300	518	-.441	.096	-.196	-.929	300	568	-.419	.062	-.250	-.674
300	391	-.230	.043	-.031	-.469	300	519	-.377	.068	-.162	-.719	300	569	-.329	.055	-.157	-.550
300	392	-.230	.038	-.084	-.434	300	520	-.376	.058	-.244	-.637	300	570	-.348	.071	-.147	-.724
300	393	-.225	.042	-.026	-.427	300	521	-.362	.048	-.218	-.533	300	571	-.349	.070	-.162	-.691
300	394	-.274	.092	-.005	-.799	300	522	-.293	.048	-.114	-.524	300	572	-.381	.081	-.165	-.744
300	395	-.377	.140	-.105	-1.391	300	523	-.295	.052	-.136	-.570	300	573	-.378	.074	-.210	-.727
300	396	-.378	.149	-.114	-1.606	300	524	-.302	.058	-.126	-.921	300	574	-.384	.068	-.198	-.787
300	397	-.199	.034	-.055	-.342	300	525	-.314	.047	-.121	-.514	300	575	-.407	.085	-.097	-.890
300	398	-.206	.035	-.044	-.361	300	526	-.340	.046	-.208	-.560	300	576	-.415	.084	-.155	-.827
300	399	-.234	.041	-.098	-.418	300	527	-.348	.046	-.204	-.518	300	577	-.382	.079	-.198	-.948
300	400	-.233	.039	-.094	-.454	300	528	-.344	.045	-.191	-.521	300	578	-.380	.077	-.190	-1.163
300	401	-.245	.032	-.121	-.377	300	529	-.351	.046	-.206	-.518	300	579	-.421	.090	-.150	-.928
300	402	-.268	.043	-.153	-.482	300	530	-.323	.041	-.184	-.489	300	580	-.383	.073	-.195	-.754
300	403	-.116	.031	-.008	-.232	300	531	-.340	.045	-.201	-.604	300	581	-.336	.062	-.049	-.681
300	404	-.120	.031	-.001	-.239	300	532	-.315	.052	-.172	-.592	300	582	-.317	.089	-.117	-.712
300	405	-.085	.036	-.047	-.230	300	533	-.317	.050	-.172	-.548	300	583	-.339	.096	-.082	-.782
300	406	-.088	.037	-.049	-.443	300	534	-.328	.054	-.177	-.680	300	584	-.398	.092	-.205	-.903
300	407	-.200	.033	-.078	-.341	300	535	-.330	.050	-.174	-.660	300	585	-.418	.103	-.228	-.986
300	408	-.193	.032	-.092	-.314	300	536	-.335	.050	-.196	-.562	300	586	-.426	.102	-.167	-.999
300	409	-.244	.032	-.137	-.348	300	537	-.351	.050	-.211	-.536	300	587	-.389	.077	-.046	-.742
300	410	-.086	.036	-.072	-.198	300	538	-.357	.051	-.213	-.621	300	588	-.269	.066	-.022	-.513
300	411	-.234	.038	-.112	-.395	300	539	-.364	.050	-.213	-.582	300	589	-.217	.055	-.039	-.641
300	412	-.193	.030	-.090	-.352	300	40	-.376	.053	-.223	-.621	300	590	-.226	.060	-.074	-.704
300	413	-.122	.029	-.005	-.220	300	41	-.355	.050	-.221	-.582	300	591	-.379	.077	-.034	-.754
300	414	-.197	.032	-.086	-.299	300	542	-.380	.054	-.247	-.682	300	592	-.357	.075	-.110	-.881
300	415	-.192	.032	-.081	-.292	300	543	-.372	.068	-.213	-.719	300	593	-.394	.091	-.187	-1.063
300	416	-.228	.036	-.117	-.407	300	544	-.376	.074	-.194	-.811	300	594	-.404	.094	-.220	-1.034
300	417	-.222	.029	-.103	-.381	300	545	-.378	.066	-.186	-.738	300	595	-.430	.120	-.060	-1.204
300	418	-.237	.030	-.108	-.426	300	546	-.395	.055	-.243	-.611	300	596	-.369	.073	-.057	-.704
300	419	-.269	.045	-.115	-.448	300	547	-.399	.057	-.213	-.680	300	597	-.238	.071	-.045	-.529
300	420	-.098	.028	-.000	-.192	300	48	-.399	.053	-.247	-.663	300	598	-.192	.040	-.053	-.347
300	421	-.065	.048	-.151	-.214	300	549	-.417	.088	-.204	-.970	300	599	-.193	.040	-.015	-.492
300	422	-.027	.054	-.245	-.216	300	550	-.402	.085	-.180	-.867	300	600	-.208	.035	-.086	-.335
300	501	-.372	.054	-.223	-.599	300	551	-.394	.100	-.159	-1.142	300	601	-.202	.032	-.034	-.368
300	502	-.303	.045	-.117	-.490	300	552	-.366	.060	-.206	-.672	300	602	-.200	.033	-.087	-.354
300	503	-.109	.060	-.112	-.524	300	553	-.365	.050	-.230	-.619	300	603	-.400	.103	-.195	-.962
300	504	-.439	.072	-.215	-.719	300	554	-.384	.049	-.244	-.629	300	604	-.192	.035	-.090	-.389
300	505	-.296	.040	-.158	-.446	300	555	-.394	.053	-.252	-.641	300	605	-.202	.032	-.085	-.305
300	506	-.310	.040	-.192	-.462	300	556	-.401	.066	-.225	-.715	300	606	-.191	.036	-.053	-.414
300	507	-.327	.044	-.206	-.512	300	557	-.401	.059	-.232	-.667	300	607	-.198	.034	-.092	-.322
300	508	-.315	.046	-.181	-.615	300	558	-.328	.066	-.139	-.621	300	608	-.355	.086	-.046	-.763
300	509	-.338	.053	-.206	-.644	300	559	-.409	.056	-.237	-.648	300	609	-.203	.035	-.049	-.367
300	510	-.340	.048	-.196	-.546	300	560	-.349	.086	-.130	-.872	300	610	-.191	.029	-.080	-.300
300	511	-.324	.041	-.206	-.548	300	561	-.423	.064	-.221	-.681	300	611	-.196	.031	-.034	-.312
300	512	-.350	.055	-.179	-.558	300	562	-.328	.064	-.137	-.688	300	612	-.411	.110	-.197	-1.220
300	513	-.352	.056	-.191	-.688	300	563	-.329	.064	-.161	-.629	300	613	-.385	.110	-.188	-1.491

WD	TAP	CPMEAN	CPRMS	CPMAX	CPMIN	WD	TAP	CPMEAN	CPRMS	CPMAX	CPMIN	WD	TAP	CPMEAN	CPRMS	CPMAX	CPMIN
300	614	-.370	.105	-.097	-1.379	300	744	.001	.189	.876	-.748	300	794	-.119	.040	.054	-.283
300	615	-.334	.067	-.076	-.602	300	745	.047	.148	.669	-.516	300	795	-.121	.030	.030	-.250
300	616	-.235	.066	-.045	-.469	300	746	-.081	.090	.348	-.346	300	796	-.120	.030	-.017	-.250
300	617	-.195	.036	-.048	-.408	300	747	-.193	.070	.172	-.446	300	797	-.104	.046	.097	-.309
300	618	-.198	.033	-.045	-.445	300	748	-.309	.066	-.058	-.622	300	798	-.148	.052	.044	-.356
300	619	-.203	.030	-.099	-.324	300	749	-.049	.174	.791	-.741	300	799	-.142	.048	.042	-.313
300	620	-.200	.028	-.104	-.310	300	750	-.051	.151	.655	-.752	300	800	-.126	.041	.047	-.264
300	701	-.078	.124	.324	-.714	300	751	-.179	.198	.582	-1.232	300	801	-.129	.039	.010	-.296
300	702	-.179	.084	.076	-.689	300	752	-.207	.154	.425	-1.039	300	802	-.166	.053	.068	-.342
300	703	-.101	.105	.363	-.249	300	753	-.232	.150	.339	-.962	300	803	-.199	.058	.063	-.359
300	704	-.173	.141	.420	-.677	300	754	-.242	.112	.114	-.673	300	804	-.245	.054	.025	-.436
300	705	-.027	.201	.528	-.712	300	755	-.304	.101	.057	-.762	300	805	-.113	.038	.049	-.335
300	706	-.190	.046	-.011	-.435	300	756	-.419	.090	-.214	-.843	300	806	-.130	.032	-.001	-.271
300	707	-.037	.079	.280	-.400	300	757	-.389	.079	-.068	-.859	300	807	-.120	.032	.056	-.249
300	708	.059	.271	.687	-1.071	300	758	-.205	.163	.430	-.955	300	808	-.092	.044	.116	-.259
300	709	.033	.111	.438	-.448	300	759	-.234	.073	.014	-.680	300	809	-.151	.060	.063	-.427
300	710	.013	.108	.342	-.379	300	760	-.232	.182	.348	-1.375	300	810	-.125	.037	.025	-.237
300	711	-.206	.054	.042	-.426	300	761	-.218	.063	.045	-.555	300	811	-.115	.041	.082	-.278
300	712	.085	.291	.823	-.963	300	762	-.208	.190	.327	-1.664	300	812	-.226	.064	.101	-.479
300	713	.105	.131	.557	-.478	300	763	-.145	.108	.359	-.946	300	813	-.108	.031	.049	-.228
300	714	-.021	.105	.351	-.411	300	764	-.125	.072	.214	-.489	300	814	-.107	.036	.063	-.254
300	715	-.174	.060	.099	-.386	300	765	-.127	.060	.302	-.421	300	815	-.087	.042	.144	-.242
300	716	-.019	.123	.530	-.343	300	766	-.129	.060	.183	-.472	300	816	-.145	.041	.118	-.489
300	717	.137	.197	.855	-.350	300	767	-.200	.056	.161	-.446	300	817	-.124	.046	.047	-.313
300	718	.052	.216	.647	-.741	300	768	-.231	.056	.017	-.484	300	818	-.119	.035	-.005	-.237
300	719	.098	.144	.573	-.318	300	769	-.143	.058	.238	-.453	300	819	-.114	.039	.044	-.299
300	720	-.214	.103	.145	-.730	300	770	-.172	.080	.065	-.662	300	820	-.152	.052	.075	-.361
300	721	-.195	.066	.037	-.448	300	771	-.164	.080	.075	-.830	300	821	-.177	.045	.030	-.338
300	722	.136	.235	.724	-.794	300	772	-.135	.047	.072	-.484	300	822	-.224	.044	-.002	-.426
300	723	.154	.183	.713	-.560	300	773	-.123	.044	.053	-.283	300	901	-.395	.050	-.278	-.624
300	724	.071	.146	.539	-.423	300	774	-.234	.089	.072	-.815	300	902	-.095	.087	.323	-.357
300	725	.002	.128	.415	-.421	300	775	-.224	.047	.005	-.400	300	903	.031	.108	.523	-.259
300	726	.200	.195	.818	-.249	300	776	-.258	.054	-.081	-.506	300	904	.038	.191	.755	-.612
300	727	-.234	.136	.274	-.813	300	777	-.163	.064	.024	-.489	300	905	.070	.116	.457	-.221
300	728	-.124	.075	.221	-.432	300	778	-.145	.057	.024	-.448	300	906	-.114	.087	.235	-.342
300	729	-.171	.063	.063	-.497	300	779	-.134	.043	-.007	-.357	300	907	-.250	.101	.140	-.605
300	730	.024	.146	.667	-.404	300	780	-.129	.040	.031	-.288	300	908	.140	.123	.495	-.474
300	731	.040	.153	.729	-.555	300	781	-.216	.043	-.021	-.619	300	909	.076	.104	.434	-.216
300	732	-.029	.275	.866	-1.010	300	782	-.233	.049	-.053	-.494	300	910	-.365	.065	-.213	-.769
300	733	.007	.244	.760	-.897	300	783	-.261	.050	-.057	-.482	300	911	-.186	.183	.865	-.291
300	734	.029	.130	.630	-.511	300	784	-.154	.058	.084	-.400	300	912	-.288	.097	.260	-.744
300	735	.029	.117	.474	-.304	300	785	-.148	.053	.070	-.393	300	913	-.225	.181	.873	-.223
300	736	.003	.133	.546	-.423	300	786	-.132	.040	.027	-.319	300	914	-.250	.054	-.050	-.453
300	737	.085	.146	.692	-.288	300	787	-.124	.040	.103	-.355	300	915	-.113	.128	.559	-.314
300	738	-.217	.134	.286	-.871	300	788	-.177	.057	.065	-.463	300	916	-.389	.117	-.081	-1.090
300	739	-.164	.064	.081	-.367	300	789	-.211	.050	.077	-.434	300	917	-.346	.210	.994	-.362
300	740	-.208	.058	.002	-.406	300	790	-.261	.056	-.033	-.559	300	918	-.197	.083	-.063	-.666
300	741	.029	.128	.623	-.307	300	791	-.139	.036	.027	-.268	300	919	-.375	.055	-.223	-.700
300	742	.022	.119	.502	-.386	300	792	-.133	.041	.041	-.307	300	920	-.340	.058	-.107	-.538
300	743	-.028	.186	.729	-.762	300	793	-.129	.043	.062	-.303	300	921	-.334	.117	.041	-.711

WD	TAP	CPMEAN	CPRMS	CPMAX	CPHIN	WD	TAP	CPMEAN	CPRMS	CPMAX	CPHIN	WD	TAP	CPMEAN	CPRMS	CPMAX	CPHIN
300	922	.151	.165	.766	-.257	300	1001	-.145	.057	.125	-.394	310	123	.051	.094	.389	-.384
300	923	-.417	.073	-.195	-.718	300	1002	-.118	.041	.144	-.270	310	124	.091	.145	.649	-.515
300	924	-.372	.059	-.219	-.649	300	1003	-.271	.061	-.080	-.602	310	125	.284	.164	.826	-.354
300	925	-.230	.200	.672	-.844	300	1004	-.137	.132	.527	-.355	310	126	.221	.127	.679	-.184
300	926	-.370	.053	-.234	-.571	300	1005	-.351	.060	-.166	-.581	310	127	.285	.145	.716	-.183
300	927	-.211	.130	-.231	-.673	300	1006	-.033	.182	-.518	-.547	310	128	.345	.195	1.027	-.176
300	928	-.347	.049	-.216	-.530	300	1007	-.380	.079	-.101	-.754	310	129	.313	.191	.990	-.304
300	929	-.208	.081	-.178	-.538	300	1008	-.044	.061	.435	-.238	310	130	.328	.169	.853	-.134
300	930	-.391	.051	-.259	-.629	300	1009	-.296	.058	-.088	-.534	310	131	.334	.176	1.142	-.148
300	931	.004	.120	.430	-.366	300	1010	-.078	.084	.320	-.331	310	132	-.052	.071	.273	-.283
300	932	-.345	.040	-.225	-.492	300	1011	-.265	.091	.066	-.639	310	133	.049	.098	.457	-.311
300	933	-.330	.048	-.180	-.544	300	1012	-.037	.070	.289	-.265	310	134	.117	.154	.611	-.497
300	934	-.222	.047	-.053	-.386	300	1013	-.379	.059	-.225	-.715	310	135	.291	.159	.820	-.220
300	935	-.110	.093	-.226	-.420	300	1014	-.291	.065	-.107	-.634	310	136	.325	.172	.911	-.144
300	936	-.440	.045	-.320	-.592	300	1015	-.363	.051	-.218	-.623	310	137	.289	.160	.790	-.176
300	937	-.419	.056	-.268	-.754	300	1016	-.248	.056	-.020	-.440	310	138	.314	.183	.827	-.274
300	938	-.390	.059	-.220	-.630	300	1017	-.222	.067	.034	-.686	310	139	.290	.182	.892	-.174
300	939	-.379	.055	-.203	-.592	300	1018	-.187	.063	.112	-.370	310	140	.238	.194	.872	-.234
300	940	-.409	.054	-.225	-.602	300	1019	-.241	.054	-.042	-.527	310	141	.332	.174	1.144	-.118
300	941	-.116	.022	-.037	-.180	300	1020	-.374	.064	-.177	-.647	310	142	.300	.165	.953	-.172
300	942	-.067	.059	.303	-.294	300	1021	-.329	.065	-.042	-.571	310	143	-.198	.069	.092	-.514
300	943	-.079	.048	.158	-.243	300	1022	-.118	.025	-.003	-.201	310	144	-.035	.085	.278	-.372
300	944	-.078	.041	.141	-.229	300	1023	-.125	.030	-.015	-.255	310	145	.182	.129	.606	-.255
300	945	-.396	.082	-.162	-.796	300	1024	-.111	.027	-.012	-.208	310	146	.303	.189	1.109	-.130
300	946	-.033	.064	.264	-.192	300	1025	-.196	.030	-.093	-.306	310	147	.216	.167	.830	-.167
300	947	-.017	.081	.586	-.189	300	1026	-.191	.030	-.047	-.304	310	148	.077	.151	.746	-.274
300	948	-.032	.069	.347	-.220	300	1027	-.195	.027	-.096	-.301	310	149	-.374	.113	-.212	-.845
300	949	-.013	.087	.502	-.206	300	1028	-.137	.033	-.000	-.243	310	150	-.456	.116	-.126	-.945
300	950	-.290	.083	.042	-.613	310	101	.008	.083	.350	-.246	310	151	-.120	.131	.273	-.594
300	951	-.072	.053	.167	-.210	310	102	.076	.093	.424	-.221	310	152	.074	.184	.798	-.669
300	952	-.118	.041	.086	-.303	310	103	.243	.143	.734	-.319	310	153	.098	.207	.796	-.557
300	953	-.094	.038	.077	-.208	310	104	-.040	.112	.575	-.264	310	154	.115	.204	.773	-.514
300	954	-.071	.070	.528	-.257	310	105	-.050	.066	.187	-.250	310	155	.090	.213	1.223	-.612
300	955	-.115	.044	.109	-.233	310	106	.146	.126	.567	-.269	310	156	-.072	.187	.810	-.665
300	956	-.193	.054	.125	-.534	310	107	-.062	.090	.389	-.262	310	157	-.002	.205	.810	-.530
300	957	-.251	.062	-.016	-.583	310	108	-.086	.079	.223	-.365	310	158	-.052	.097	.321	-.562
300	958	-.318	.108	.079	-1.247	310	109	.151	.132	.555	-.372	310	159	.103	.143	.753	-.473
300	959	-.225	.060	.121	-.460	310	110	.213	.139	.759	-.290	310	160	-.117	.090	.196	-.439
300	960	-.208	.035	-.074	-.358	310	111	.206	.144	.835	-.491	310	161	-.026	.131	.568	-.560
300	961	-.237	.044	-.092	-.507	310	112	.002	.083	.364	-.294	310	162	-.136	.084	.228	-.514
300	962	-.239	.038	-.123	-.536	310	113	.189	.126	.601	-.248	310	163	-.021	.098	.406	-.432
300	963	-.194	.058	-.226	-.377	310	114	.324	.173	.888	-.154	310	164	.120	.119	.520	-.240
300	964	-.203	.047	-.005	-.412	310	115	.361	.179	1.010	-.237	310	165	.116	.120	.584	-.256
300	965	-.217	.037	-.088	-.386	310	116	.254	.167	.851	-.388	310	166	.120	.115	.588	-.202
300	966	-.249	.052	-.113	-.571	310	117	.346	.172	.973	-.218	310	167	.053	.118	.790	-.252
300	967	-.165	.052	-.014	-.397	310	118	-.022	.083	.269	-.372	310	168	-.012	.101	.612	-.555
300	968	-.213	.035	-.091	-.387	310	119	-.122	.145	.419	-.683	310	169	-.092	.117	.609	-.233
300	969	-.232	.045	-.064	-.434	310	120	.312	.195	.913	-.366	310	170	-.145	.075	.167	-.411
300	970	-.209	.053	-.083	-.402	310	121	.201	.148	.782	-.278	310	171	-.055	.078	.487	-.286
300	971	-.166	.042	-.000	-.451	310	122	-.052	.082	.295	-.345	310	172	.026	.098	.427	-.435

WD	TAP	CPMEAN	CPRMS	CPMAX	CPMIN	WD	TAP	CPMEAN	CPRMS	CPMAX	CPMIN	WD	TAP	CPMEAN	CPRMS	CPMAX	CPMIN
310	173	.076	.087	.571	-.173	310	223	-.048	.038	.115	-.223	310	348	-.330	.058	-.109	-.553
310	174	-.037	.082	.441	-.245	310	224	-.047	.044	.136	-.192	310	349	-.381	.071	-.192	-.818
310	175	-.018	.068	.304	-.245	310	225	-.049	.048	.231	-.276	310	350	-.361	.059	-.199	-.678
310	176	-.040	.048	.260	-.346	310	301	-.261	.046	-.092	-.473	310	351	-.383	.069	-.211	-.716
310	177	-.166	.074	.171	-.440	310	302	-.335	.057	-.161	-.585	310	352	-.369	.067	-.196	-.777
310	178	-.087	.068	.174	-.315	310	303	-.401	.077	-.178	-.741	310	353	-.371	.064	-.172	-.680
310	179	-.015	.070	.335	-.257	310	304	-.136	.052	-.051	-.344	310	354	-.382	.064	-.213	-.687
310	180	-.021	.062	.340	-.158	310	305	-.292	.057	-.149	-.752	310	355	-.400	.072	-.146	-.917
310	181	-.010	.059	.304	-.259	310	306	-.262	.039	-.124	-.473	310	356	-.381	.089	-.002	-.733
310	182	-.044	.051	.244	-.262	310	307	-.295	.048	-.119	-.617	310	357	-.456	.119	-.121	-1.004
310	183	-.066	.051	.121	-.243	310	308	-.321	.065	-.162	-.651	310	358	-.382	.068	-.194	-.665
310	184	-.178	.046	.087	-.363	310	309	-.298	.046	-.139	-.680	310	359	-.505	.151	-.182	-1.154
310	185	-.090	.051	.205	-.235	310	310	-.289	.044	-.156	-.502	310	360	-.381	.069	-.136	-.670
310	186	-.013	.065	.309	-.170	310	311	-.273	.042	-.151	-.605	310	361	-.502	.186	-.143	-1.650
310	187	.052	.069	.489	-.132	310	312	-.330	.070	-.166	-.704	310	362	-.381	.078	-.177	-.743
310	188	-.011	.052	.248	-.185	310	313	-.309	.051	-.129	-.585	310	363	-.377	.074	-.095	-.711
310	189	-.061	.034	.104	-.214	310	314	-.289	.044	-.156	-.492	310	364	-.388	.075	-.189	-.731
310	190	-.087	.041	.116	-.286	310	315	-.281	.042	-.149	-.465	310	365	-.398	.080	-.201	-.900
310	191	-.090	.087	.474	-.104	310	316	-.295	.046	-.161	-.587	310	366	-.379	.073	-.163	-.742
310	192	.087	.085	.453	-.099	310	317	-.300	.050	-.129	-.502	310	367	-.441	.129	-.209	-1.204
310	193	-.092	.086	.476	-.147	310	318	-.326	.057	-.168	-.673	310	368	-.463	.129	-.196	-1.059
310	194	-.112	.052	.152	-.331	310	319	-.313	.052	-.170	-.975	310	369	-.361	.066	-.155	-.686
310	195	-.032	.068	.290	-.221	310	320	-.308	.055	-.117	-.521	310	370	-.334	.079	-.122	-.679
310	196	.039	.073	.421	-.140	310	321	-.284	.058	-.100	-.656	310	371	-.334	.080	-.081	-.658
310	197	.010	.052	.281	-.214	310	322	-.343	.077	-.141	-.758	310	372	-.386	.095	-.102	-.796
310	198	-.081	.039	.095	-.255	310	323	-.332	.067	-.175	-.646	310	373	-.433	.099	-.181	-.911
310	199	-.081	.039	.074	-.296	310	324	-.333	.061	-.161	-.609	310	374	-.470	.105	-.153	-.977
310	200	-.044	.035	.104	-.230	310	325	-.339	.062	-.175	-.675	310	375	-.433	.081	-.229	-.768
310	201	-.052	.036	.095	-.191	310	326	-.444	.100	-.163	-.894	310	376	-.434	.085	-.206	-.786
310	202	-.064	.036	.099	-.301	310	327	-.461	.112	-.188	-1.015	310	377	-.251	.062	-.020	-.559
310	203	-.054	.030	.062	-.152	310	328	-.373	.089	-.131	-.748	310	378	-.224	.057	-.038	-.530
310	204	-.057	.028	.049	-.163	310	329	-.356	.078	-.119	-.741	310	379	-.248	.094	.067	-.709
310	205	-.059	.031	.055	-.175	310	330	-.298	.045	-.171	-.497	310	380	-.337	.118	.013	-.842
310	206	-.042	.040	.175	-.188	310	331	-.333	.052	-.178	-.504	310	381	-.491	.152	-.107	-1.312
310	207	-.063	.033	.072	-.204	310	332	-.378	.078	-.163	-.716	310	382	-.486	.124	-.204	-1.386
310	208	-.090	.036	.099	-.308	310	333	-.375	.078	-.107	-.731	310	383	-.482	.115	-.145	-1.049
310	209	-.075	.041	.053	-.315	310	334	-.361	.064	-.183	-.583	310	384	-.179	.051	-.002	-.390
310	210	-.051	.040	.115	-.239	310	335	-.360	.057	-.163	-.581	310	385	-.168	.041	-.017	-.344
310	211	-.074	.033	.082	-.192	310	336	-.347	.051	-.181	-.524	310	386	-.188	.066	.087	-.505
310	212	-.045	.030	.036	-.209	310	337	-.343	.055	-.193	-.546	310	387	-.174	.091	.103	-.750
310	213	-.048	.037	.110	-.169	310	338	-.346	.059	-.161	-.716	310	388	-.326	.149	.082	-1.220
310	214	-.087	.044	.143	-.288	310	339	-.315	.047	-.151	-.531	310	389	-.442	.133	-.148	-1.207
310	215	-.080	.050	.075	-.302	310	340	-.307	.047	-.161	-.504	310	390	-.435	.133	-.125	-1.230
310	216	-.064	.031	.054	-.199	310	341	-.339	.051	-.178	-.519	310	391	-.133	.079	.257	-.663
310	217	-.057	.030	.106	-.151	310	342	-.341	.055	-.178	-.585	310	392	-.207	.063	.066	-.493
310	218	-.060	.031	.082	-.165	310	343	-.360	.072	-.171	-.677	310	393	-.136	.072	.180	-.549
310	219	-.053	.032	.087	-.141	310	344	-.369	.068	-.200	-.677	310	394	-.211	.168	.262	-1.434
310	220	-.045	.032	.145	-.146	310	345	-.358	.061	-.173	-.608	310	395	-.426	.165	-.051	-1.450
310	221	-.049	.030	.110	-.190	310	346	-.335	.055	-.183	-.551	310	396	-.403	.151	-.122	-1.379
310	222	-.051	.029	.047	-.230	310	347	-.326	.055	-.144	-.583	310	397	-.159	.036	-.045	-.376

WD	TAP	CPMEAN	CPRMS	CPMAX	CPMIN	WD	TAP	CPMEAN	CPRMS	CPMAX	CPMIN	WD	TAP	CPMEAN	CPRMS	CPMAX	CPMIN
310	398	-.162	.038	-.012	-.400	310	526	-.295	.041	-.189	-.477	310	576	-.340	.064	-.167	-.610
310	399	-.159	.034	-.018	-.423	310	527	-.300	.042	-.175	-.460	310	577	-.275	.061	-.074	-.751
310	400	-.166	.037	-.007	-.352	310	528	-.295	.045	-.159	-.502	310	578	-.285	.065	-.112	-.773
310	401	-.167	.035	-.007	-.350	310	529	-.297	.047	-.156	-.502	310	579	-.324	.086	-.072	-.981
310	402	-.171	.037	-.007	-.363	310	530	-.277	.039	-.175	-.446	310	580	-.288	.063	-.079	-.607
310	403	-.117	.050	.052	-.423	310	531	-.299	.045	-.156	-.502	310	581	-.309	.084	-.017	-.737
310	404	-.107	.054	.063	-.450	310	532	-.271	.057	-.068	-.592	310	582	-.325	.102	-.029	-.840
310	405	-.048	.038	.139	-.224	310	533	-.266	.053	-.122	-.543	310	583	-.316	.095	-.060	-.930
310	406	-.057	.047	.075	-.318	310	534	-.289	.067	-.138	-.559	310	584	-.317	.085	-.129	-.763
310	407	-.157	.031	-.055	-.290	310	535	-.283	.051	-.126	-.585	310	585	-.313	.074	-.124	-.737
310	408	-.152	.033	-.004	-.293	310	536	-.276	.046	-.126	-.643	310	586	-.328	.095	-.122	-.7208
310	409	-.173	.032	-.060	-.368	310	537	-.284	.044	-.152	-.483	310	587	-.289	.069	-.052	-.753
310	410	-.060	.047	.129	-.233	310	538	-.296	.044	-.017	-.543	310	588	-.220	.061	-.060	-.560
310	411	-.153	.033	-.037	-.322	310	539	-.311	.045	-.152	-.485	310	589	-.207	.076	-.014	-.665
310	412	-.152	.032	.003	-.345	310	540	-.320	.052	-.140	-.529	310	590	-.219	.097	-.007	-.808
310	413	-.130	.031	-.010	-.257	310	541	-.302	.051	-.154	-.564	310	591	-.292	.071	-.011	-.647
310	414	-.146	.030	-.024	-.310	310	542	-.338	.060	-.182	-.636	310	592	-.267	.067	-.004	-.567
310	415	-.148	.032	-.024	-.339	310	543	-.343	.082	-.143	-.782	310	593	-.286	.064	-.115	-.733
310	416	-.143	.029	-.024	-.262	310	544	-.341	.085	-.161	-.965	310	594	-.305	.072	-.091	-.999
310	417	-.143	.030	.003	-.245	310	545	-.349	.078	-.159	-.759	310	595	-.340	.098	-.096	-.957
310	418	-.146	.035	.051	-.259	310	546	-.343	.057	-.180	-.592	310	596	-.284	.068	.017	-.555
310	419	-.222	.060	.058	-.447	310	547	-.342	.054	-.205	-.567	310	597	-.187	.058	.058	-.387
310	420	-.083	.032	.044	-.190	310	548	-.355	.058	-.180	-.601	310	598	-.149	.038	.037	-.329
310	421	-.031	.050	.192	-.217	310	549	-.360	.094	-.133	-.814	310	599	-.159	.050	-.007	-.473
310	422	-.015	.058	.312	-.210	310	550	-.356	.093	-.126	-.966	310	600	-.154	.036	-.014	-.322
310	501	-.310	.051	-.154	-.495	310	551	-.359	.118	-.112	-.497	310	601	-.159	.034	-.028	-.305
310	502	-.266	.046	-.136	-.450	310	552	-.323	.061	-.173	-.757	310	602	-.163	.035	-.009	-.314
310	503	-.154	.074	-.049	-.495	310	553	-.319	.050	-.162	-.544	310	603	-.312	.076	-.137	-.870
310	504	-.352	.059	-.186	-.626	310	554	-.328	.047	-.153	-.537	310	604	-.155	.039	-.002	-.390
310	505	-.260	.041	-.108	-.423	310	555	-.342	.056	-.173	-.580	310	605	-.155	.032	-.042	-.298
310	506	-.273	.042	-.156	-.444	310	556	-.368	.066	-.162	-.666	310	606	-.153	.036	-.028	-.305
310	507	-.269	.044	-.152	-.452	310	557	-.346	.058	-.148	-.641	310	607	-.152	.037	-.003	-.345
310	508	-.276	.051	-.096	-.517	310	558	-.257	.058	-.053	-.675	310	608	-.273	.088	.031	-.811
310	509	-.293	.054	-.147	-.566	310	559	-.354	.053	-.176	-.698	310	609	-.152	.035	-.041	-.369
310	510	-.286	.045	-.173	-.548	310	560	-.248	.065	-.060	-.521	310	610	-.155	.033	-.037	-.331
310	511	-.300	.047	-.156	-.474	310	561	-.356	.061	-.185	-.603	310	611	-.155	.030	-.052	-.298
310	512	-.294	.052	-.136	-.518	310	562	-.248	.059	-.085	-.500	310	612	-.325	.101	-.153	-.717
310	513	-.297	.049	-.159	-.564	310	563	-.252	.059	-.053	-.510	310	613	-.330	.086	-.132	-.986
310	514	-.286	.043	-.166	-.466	310	564	-.281	.070	-.137	-.032	310	614	-.310	.099	-.040	-.948
310	515	-.282	.042	-.154	-.491	310	565	-.355	.083	-.133	-.705	310	615	-.255	.067	.012	-.539
310	516	-.287	.048	-.145	-.514	310	566	-.354	.071	-.141	-.689	310	616	-.181	.058	.055	-.385
310	517	-.265	.038	-.159	-.422	310	567	-.346	.057	-.134	-.658	310	617	-.146	.038	.015	-.326
310	518	-.370	.081	-.159	-.750	310	568	-.352	.062	-.174	-.655	310	618	-.147	.034	-.010	-.274
310	519	-.325	.059	-.099	-.576	310	569	-.260	.050	-.107	-.555	310	619	-.155	.032	-.040	-.283
310	520	-.330	.062	-.175	-.674	310	570	-.252	.062	-.093	-.617	310	620	-.154	.029	-.059	-.293
310	521	-.310	.045	-.184	-.486	310	571	-.265	.071	-.060	-.686	310	701	-.210	.098	.147	-.672
310	522	-.246	.053	-.095	-.530	310	572	-.278	.064	-.079	-.617	310	702	-.284	.113	.037	-.732
310	523	-.248	.052	-.093	-.466	310	573	-.280	.054	-.117	-.514	310	703	-.072	.091	.375	-.258
310	524	-.249	.051	-.115	-.578	310	574	-.339	.074	-.170	-.648	310	704	-.321	.137	.401	-.797
310	525	-.270	.047	-.145	-.479	310	575	-.354	.069	-.136	-.629	310	705	-.251	.156	.312	-.763

WD	TAP	CPMEAN	CPRMS	CPMAX	CPMIN	WD	TAP	CPMEAN	CPRMS	CPMAX	CPMIN	WD	TAP	CPMEAN	CPRMS	CPMAX	CPMIN
310	706	-.190	.037	-.046	-.390	310	756	-.360	.100	-.146	-.902	310	806	-.079	.036	.105	-.209
310	707	-.114	.076	.106	-.437	310	757	-.352	.099	.000	-.926	310	807	-.090	.036	.059	-.274
310	708	-.272	.230	.551	-1.060	310	758	-.327	.158	.224	-1.112	310	808	-.056	.037	.103	-.214
310	709	-.066	.096	.187	-.634	310	759	-.209	.054	.036	-.472	310	809	-.159	.068	.023	-.628
310	710	-.081	.090	.223	-.464	310	760	-.360	.232	.295	-1.611	310	810	-.106	.033	.016	-.274
310	711	-.210	.045	-.039	-.417	310	761	-.187	.054	.104	-.452	310	811	-.099	.036	.081	-.247
310	712	-.205	.203	.627	-.900	310	762	-.442	.312	.213	-2.225	310	812	-.197	.045	.071	-.365
310	713	-.050	.145	.375	-.824	310	763	-.280	.205	.162	-1.398	310	813	-.062	.040	.179	-.317
310	714	-.108	.079	.231	-.439	310	764	-.165	.098	.129	-.824	310	814	-.060	.039	.115	-.254
310	715	-.200	.047	-.026	-.392	310	765	-.117	.066	.133	-.667	310	815	-.054	.037	.112	-.197
310	716	-.124	.079	.225	-.607	310	766	-.118	.054	.230	-.417	310	816	-.148	.068	.026	-.566
310	717	-.022	.126	.728	-.497	310	767	-.164	.048	.092	-.342	310	817	-.122	.050	.023	-.350
310	718	-.198	.199	.453	-1.123	310	768	-.189	.048	-.015	-.473	310	818	-.100	.036	.047	-.235
310	719	-.021	.112	.363	-.551	310	769	-.118	.062	.139	-.352	310	819	-.091	.035	.059	-.219
310	720	-.177	.078	.082	-.587	310	770	-.255	.114	.083	-.908	310	820	-.118	.040	.059	-.319
310	721	-.205	.053	.012	-.428	310	771	-.261	.128	.111	-.873	310	821	-.143	.035	.045	-.271
310	722	-.131	.223	.663	-.936	310	772	-.144	.072	.036	-.595	310	822	-.176	.034	.028	-.303
310	723	-.025	.201	.444	-1.031	310	773	-.087	.053	.181	-.457	310	901	-.358	.060	-.214	-.623
310	724	-.079	.125	.307	-.844	310	774	-.202	.083	.069	-.742	310	902	-.109	.070	-.217	-.359
310	725	-.111	.113	.323	-.580	310	775	-.171	.039	-.024	-.349	310	903	-.024	.107	.426	-.434
310	726	-.151	.160	.775	-.263	310	776	-.198	.047	-.050	-.454	310	904	-.131	.158	.707	-.671
310	727	-.283	.111	.139	-.723	310	777	-.189	.074	.018	-.569	310	905	-.066	.112	.441	-.202
310	728	-.136	.053	.121	-.418	310	778	-.191	.082	.006	-.730	310	906	-.152	.064	.224	-.326
310	729	-.164	.050	.155	-.359	310	779	-.139	.066	.034	-.711	310	907	-.292	.083	.033	-.569
310	730	-.083	.098	.429	-.388	310	780	-.108	.044	.043	-.312	310	908	.107	.100	.447	-.176
310	731	-.054	.120	.490	-.504	310	781	-.173	.061	.015	-.513	310	909	.017	.090	.301	-.319
310	732	-.267	.208	.702	-1.013	310	782	-.177	.042	-.022	-.366	310	910	-.349	.082	-.155	-.841
310	733	-.241	.199	.454	-1.078	310	783	-.197	.042	-.057	-.403	310	911	-.271	.176	.946	-.117
310	734	-.067	.147	.374	-.737	310	784	-.162	.067	.041	-.520	310	912	-.263	.076	.212	-.617
310	735	-.058	.126	.327	-.730	310	785	-.158	.066	.060	-.587	310	913	-.120	.135	.589	-.413
310	736	-.064	.112	.510	-.506	310	786	-.123	.043	-.008	-.377	310	914	-.239	.048	-.075	-.467
310	737	.083	.138	.666	-.404	310	787	-.102	.037	.043	-.298	310	915	.029	.138	.507	-.463
310	738	-.209	.115	.193	-.728	310	788	-.149	.051	.071	-.391	310	916	-.363	.104	-.140	-1.122
310	739	-.157	.051	.096	-.334	310	789	-.168	.040	.027	-.316	310	917	-.328	.174	.924	-.445
310	740	-.193	.050	.076	-.402	310	790	-.205	.044	-.017	-.384	310	918	-.231	.084	.046	-.561
310	741	-.050	.107	.395	-.479	310	791	-.117	.036	.015	-.309	310	919	-.338	.062	-.210	-.775
310	742	-.047	.112	.422	-.479	310	792	-.109	.037	.019	-.288	310	920	-.312	.054	-.146	-.518
310	743	-.168	.177	.494	-1.015	310	793	-.109	.037	.050	-.366	310	921	-.359	.086	.027	-.678
310	744	-.162	.161	.564	-.771	310	794	-.106	.037	.095	-.245	310	922	-.304	.167	.940	-.115
310	745	-.080	.151	.533	-.802	310	795	-.078	.033	.035	-.250	310	923	-.339	.060	-.148	-.673
310	746	-.090	.072	.250	-.397	310	796	-.076	.034	.062	-.226	310	924	-.334	.057	-.198	-.600
310	747	-.180	.064	.137	-.424	310	797	-.059	.042	.105	-.288	310	925	-.252	.209	.622	-.800
310	748	-.281	.066	-.099	-.565	310	798	-.154	.058	.062	-.499	310	926	-.325	.051	-.165	-.559
310	749	-.071	.162	.667	-.720	310	799	-.152	.053	.031	-.458	310	927	-.231	.119	.210	-.691
310	750	-.071	.144	.507	-.472	310	800	-.117	.039	.007	-.276	310	928	-.303	.046	-.173	-.551
310	751	-.359	.244	.561	-1.502	310	801	-.107	.035	.036	-.300	310	929	-.203	.087	.122	-.563
310	752	-.202	.134	.324	-1.050	310	802	-.131	.059	.167	-.298	310	930	-.344	.051	-.173	-.605
310	753	-.191	.119	.180	-.818	310	803	-.172	.041	.035	-.343	310	931	-.095	.102	.481	-.252
310	754	-.206	.092	-.126	-.849	310	804	-.211	.049	.071	-.480	310	932	-.304	.042	-.182	-.547
310	755	-.264	.084	-.002	-.662	310	805	-.052	.055	.155	-.317	310	933	-.298	.047	-.102	-.561

WD	TAP	CPMEAN	CPRMS	CPMAX	CPMIN	WD	TAP	CPMEAN	CPRMS	CPMAX	CPMIN	WD	TAP	CPMEAN	CPRMS	CPMAX	CPMIN
310	934	-.175	.047	.022	-.350	310	1013	-.332	.057	-.198	-.662	320	135	.368	.143	.915	.005
310	935	-.137	.076	.196	-.332	310	1014	-.301	.076	-.108	-.683	320	136	.423	.156	.999	.002
310	936	-.374	.043	-.264	-.508	310	1015	-.319	.047	-.163	-.494	320	137	.359	.148	.855	-.077
310	937	-.359	.061	-.201	-.629	310	1016	-.225	.062	-.020	-.450	320	138	.414	.160	.987	-.107
310	938	-.338	.052	-.189	-.566	310	1017	-.140	.081	.293	-.573	320	139	.355	.173	.959	-.186
310	939	-.324	.052	-.141	-.540	310	1018	-.091	.080	.360	-.434	320	140	.262	.163	.906	-.242
310	940	-.347	.054	-.179	-.512	310	1019	-.202	.080	.093	-.855	320	141	.406	.152	.901	-.040
310	941	-.104	.022	.005	-.166	310	1020	-.370	.048	-.142	-.479	320	142	.396	.143	.852	-.093
310	942	.072	.096	.563	-.282	310	1021	-.252	.065	.014	-.531	320	143	-.177	.078	.149	-.440
310	943	.036	.067	.556	-.128	310	1022	-.061	.028	.070	-.167	320	144	.025	.091	.389	-.275
310	944	.026	.055	.342	-.152	310	1023	-.061	.032	.083	-.192	320	145	.258	.120	.701	-.068
310	945	-.323	.075	-.079	-.825	310	1024	-.065	.035	.056	-.204	320	146	.384	.152	.897	-.009
310	946	.087	.084	.521	-.093	310	1025	-.152	.031	-.043	-.391	320	147	.286	.155	.943	-.126
310	947	.125	.107	.678	-.126	310	1026	-.151	.031	-.063	-.381	320	148	.089	.151	.624	-.389
310	948	.103	.090	.519	-.098	310	1027	-.147	.029	-.041	-.315	320	149	-.377	.132	.380	-.767
310	949	.128	.113	.790	-.098	310	1028	-.085	.032	.041	-.234	320	150	-.514	.135	.079	-1.112
310	950	-.229	.070	.012	-.481	320	101	.000	.089	.431	-.262	320	151	-.032	.114	.408	-.858
310	951	.029	.062	.318	-.142	320	102	.028	.090	.368	-.228	320	152	.234	.148	.796	-.516
310	952	-.076	.042	.098	-.273	320	103	.261	.142	.750	-.227	320	153	.292	.173	.913	-.502
310	953	-.002	.059	.484	-.135	320	104	.090	.169	.638	-.336	320	154	.309	.167	.911	-.445
310	954	-.053	.079	.421	-.145	320	105	.040	.072	.193	-.354	320	155	.227	.172	.874	-.458
310	955	-.029	.052	.190	-.177	320	106	.044	.104	.408	-.274	320	156	-.124	.215	.730	-1.187
310	956	-.117	.081	.276	-.642	320	107	.038	.094	.440	-.198	320	157	.014	.249	.778	-.797
310	957	-.205	.083	.049	-.682	320	108	-.087	.095	.682	-.427	320	158	.034	.093	.348	-.271
310	958	-.248	.148	.166	-1.177	320	109	.146	.144	.621	-.398	320	159	.215	.146	.805	-.164
310	959	-.148	.074	.239	-.411	320	110	.173	.154	.831	-.347	320	160	-.079	.085	.266	-.401
310	960	-.168	.040	-.023	-.409	320	111	.102	.132	.645	-.395	320	161	.102	.142	.853	-.324
310	961	-.242	.066	-.053	-.684	320	112	.044	.095	.431	-.292	320	162	-.089	.084	.229	-.372
310	962	-.226	.061	-.092	-.587	320	113	.232	.141	.801	-.163	320	163	.049	.095	.426	-.239
310	963	-.064	.086	.333	-.361	320	114	.334	.158	.918	-.080	320	164	.245	.118	.783	-.129
310	964	-.098	.064	.155	-.259	320	115	.297	.150	.849	-.165	320	165	.274	.132	1.000	-.077
310	965	-.183	.046	-.035	-.406	320	116	.203	.163	.732	-.409	320	166	.278	.135	.788	-.079
310	966	-.243	.077	-.035	-.771	320	117	.380	.153	.907	-.078	320	167	.164	.127	.745	-.166
310	967	-.101	.045	-.115	-.313	320	118	-.001	.112	.375	-.455	320	168	.044	.120	.620	-.279
310	968	-.177	.037	-.026	-.372	320	119	-.160	.167	.488	-.874	320	169	.228	.117	.767	-.120
310	969	-.166	.042	-.063	-.343	320	120	.256	.182	.946	-.672	320	170	-.085	.077	.272	-.331
310	970	-.120	.056	.300	-.301	320	121	.137	.147	.674	-.359	320	171	.030	.090	.370	-.257
310	971	-.100	.047	.150	-.276	320	122	-.001	.095	.479	-.326	320	172	.140	.119	.613	-.269
310	1001	-.125	.057	.098	-.407	320	123	.093	.105	.449	-.237	320	173	.219	.103	.654	-.041
310	1002	-.103	.034	.036	-.214	320	124	.180	.151	.702	-.552	320	174	.169	.104	.579	-.182
310	1003	-.245	.049	-.069	-.459	320	125	.290	.143	.764	-.094	320	175	.064	.091	.495	-.274
310	1004	-.044	.121	.423	-.434	320	126	.249	.135	.693	-.246	320	176	-.031	.084	.430	-.392
310	1005	-.312	.061	-.144	-.575	320	127	.306	.153	.850	-.100	320	177	-.133	.077	.161	-.437
310	1006	-.184	.146	.374	-.688	320	128	.316	.157	.887	-.142	320	178	-.022	.083	.574	-.315
310	1007	-.307	.076	-.033	-.711	320	129	.281	.167	.920	-.200	320	179	.068	.096	.536	-.202
310	1008	.090	.080	.407	-.083	320	130	.377	.154	.943	-.070	320	180	.116	.073	.442	-.072
310	1009	-.252	.059	.041	-.484	320	131	.347	.165	.948	-.102	320	181	.087	.080	.464	-.288
310	1010	.090	.109	.511	-.209	320	132	-.004	.082	.326	-.240	320	182	.008	.068	.325	-.221
310	1011	-.200	.075	.073	-.456	320	133	.124	.101	.596	-.179	320	183	-.054	.062	.243	-.365
310	1012	.097	.084	.496	-.098	320	134	.240	.156	.738	-.363	320	184	-.159	.048	.051	-.406

WD	TAP	CPMEAN	CPRMS	CPMAX	CPMIN	WD	TAP	CPMEAN	CPRMS	CPMAX	CPMIN	WD	TAP	CPMEAN	CPRMS	CPMAX	CPMIN
320	185	-.038	.051	.240	-.245	320	310	-.316	.058	-.157	-.681	320	360	-.395	.089	-.113	-.884
320	186	.094	.079	.608	-.113	320	311	-.314	.050	-.163	-.518	320	361	-.527	.184	-.198	-1.643
320	187	.179	.095	.591	-.091	320	312	-.350	.078	-.117	-.909	320	362	-.395	.088	-.137	-.783
320	188	.075	.075	.572	-.154	320	313	-.326	.057	-.164	-.617	320	363	-.399	.087	-.148	-.820
320	189	-.039	.043	.185	-.214	320	314	-.315	.054	-.136	-.572	320	364	-.400	.083	-.106	-.910
320	190	-.099	.049	.224	-.372	320	315	-.311	.052	-.169	-.558	320	365	-.397	.081	-.111	-.849
320	191	.205	.099	.762	-.030	320	316	-.315	.052	-.164	-.667	320	366	-.406	.078	-.183	-.811
320	192	.193	.102	.631	-.032	320	317	-.318	.050	-.124	-.570	320	367	-.535	.151	-.248	-1.332
320	193	.193	.096	.649	-.025	320	318	-.344	.070	-.167	-.776	320	368	-.497	.135	-.226	-1.034
320	194	-.073	.062	.161	-.315	320	319	-.341	.061	-.159	-.978	320	369	-.390	.069	-.169	-.816
320	195	.030	.072	.440	-.158	320	320	-.341	.075	-.086	-.634	320	370	-.362	.083	-.111	-.816
320	196	.127	.087	.601	-.078	320	321	-.335	.082	-.126	-.871	320	371	-.375	.091	-.094	-.756
320	197	.080	.072	.474	-.152	320	322	-.361	.095	-.046	-.887	320	372	-.428	.099	-.094	-.935
320	198	-.062	.041	.074	-.391	320	323	-.353	.086	-.012	-.714	320	373	-.447	.094	-.203	-1.056
320	199	-.059	.038	.081	-.299	320	324	-.348	.076	-.126	-.852	320	374	-.479	.096	-.188	-.977
320	200	-.048	.038	.148	-.230	320	325	-.354	.076	-.110	-1.056	320	375	-.441	.081	-.171	-.903
320	201	-.059	.047	.150	-.241	320	326	-.432	.107	-.164	-.821	320	376	-.432	.079	-.221	-.828
320	202	-.057	.040	.097	-.280	320	327	-.430	.104	-.166	-1.044	320	377	-.269	.067	-.025	-.590
320	203	-.045	.040	.148	-.198	320	328	-.370	.076	-.159	-.785	320	378	-.251	.073	.013	-.538
320	204	-.048	.037	.118	-.227	320	329	-.355	.076	-.113	-.821	320	379	-.282	.102	.052	-.697
320	205	-.054	.035	.115	-.186	320	330	-.321	.051	-.163	-.554	320	380	-.416	.114	.010	-.863
320	206	-.051	.042	.120	-.211	320	331	-.340	.055	-.159	-.595	320	381	-.523	.140	-.104	-1.215
320	207	-.081	.040	.184	-.237	320	332	-.399	.111	-.075	-.981	320	382	-.490	.105	-.186	-1.180
320	208	-.124	.049	.049	-.338	320	333	-.403	.102	-.096	-.972	320	383	-.492	.109	-.245	-1.153
320	209	-.058	.039	.104	-.299	320	334	-.365	.070	-.159	-.660	320	384	-.264	.061	.015	-.511
320	210	-.068	.053	.126	-.249	320	335	-.378	.069	-.182	-.753	320	385	-.221	.047	.010	-.446
320	211	-.082	.045	.088	-.284	320	336	-.354	.060	-.171	-.590	320	386	-.218	.083	.072	-.687
320	212	-.076	.039	.056	-.214	320	337	-.344	.060	-.115	-.588	320	387	-.193	.117	.199	-.900
320	213	-.062	.042	.088	-.242	320	338	-.359	.062	-.178	-.588	320	388	-.385	.168	.112	-1.466
320	214	-.119	.054	.028	-.368	320	339	-.328	.052	-.163	-.528	320	389	-.512	.141	-.159	-1.188
320	215	-.044	.045	.102	-.352	320	340	-.323	.054	-.135	-.573	320	390	-.506	.127	-.156	-1.366
320	216	-.038	.035	.098	-.217	320	341	-.351	.060	-.190	-.600	320	391	-.136	.120	.424	-.638
320	217	-.036	.034	.100	-.165	320	342	-.352	.062	-.171	-.734	320	392	-.281	.092	.077	-.708
320	218	-.051	.038	.079	-.200	320	343	-.378	.081	-.171	-.849	320	393	-.145	.107	.158	-.724
320	219	-.021	.042	.151	-.154	320	344	-.384	.087	-.135	-1.044	320	394	-.234	.192	.305	-1.146
320	220	-.000	.047	.200	-.121	320	345	-.381	.072	-.137	-.741	320	395	-.519	.164	-.102	-1.309
320	221	-.023	.036	.177	-.123	320	346	-.351	.062	-.171	-.633	320	396	-.508	.155	-.072	-1.295
320	222	-.030	.040	.149	-.147	320	347	-.344	.058	-.166	-.583	320	397	-.236	.074	-.056	-.505
320	223	-.058	.041	.128	-.224	320	348	-.335	.058	-.147	-.557	320	398	-.205	.061	-.045	-.422
320	224	-.054	.044	.126	-.233	320	349	-.396	.077	-.195	-.778	320	399	-.208	.050	-.020	-.408
320	225	-.064	.054	.210	-.268	320	350	-.373	.073	-.160	-.625	320	400	-.191	.042	-.033	-.353
320	301	-.286	.052	-.129	-.641	320	351	-.395	.089	-.104	-.888	320	401	-.180	.037	.056	-.308
320	302	-.352	.056	-.174	-.643	320	352	-.393	.072	-.198	-.665	320	402	-.167	.035	-.047	-.328
320	303	-.434	.087	-.183	-.781	320	353	-.392	.070	-.202	-.705	320	403	-.121	.060	.076	-.436
320	304	-.186	.051	-.104	-.497	320	354	-.393	.061	-.216	-.733	320	404	-.108	.061	.120	-.422
320	305	-.332	.071	-.150	-.751	320	355	-.411	.073	-.209	-.971	320	405	-.059	.051	.147	-.264
320	306	-.298	.048	-.131	-.524	320	356	-.371	.093	-.094	-.830	320	406	-.088	.072	.108	-.401
320	307	-.307	.035	-.148	-.894	320	357	-.470	.116	-.115	-1.086	320	407	-.197	.055	-.010	-.424
320	308	-.361	.079	-.008	-.956	320	358	-.390	.080	-.139	-.842	320	408	-.203	.056	-.013	-.429
320	309	-.320	.055	-.112	-.660	320	359	-.578	.173	-.202	-1.368	320	409	-.198	.039	-.061	-.392

WD	TAP	CPMEAN	CPRMS	CPMAX	CPMIN	WD	TAP	CPMEAN	CPRMS	CPMAX	CPMIN	WD	TAP	CPMEAN	CPRMS	CPMAX	CPMIN
320	410	-.088	.059	-.149	-.276	320	538	-.294	.045	-.158	-.481	320	588	-.273	.061	-.082	-.587
320	411	-.181	.045	-.039	-.372	320	539	-.311	.051	-.145	-.495	320	589	-.349	.099	-.091	-.935
320	412	-.193	.047	-.053	-.397	320	540	-.321	.054	-.115	-.558	320	590	-.363	.127	-.063	-1.136
320	413	-.126	.035	-.029	-.360	320	541	-.306	.050	-.168	-.590	320	591	-.234	.060	-.038	-.536
320	414	-.181	.052	-.041	-.447	320	542	-.347	.063	-.181	-.650	320	592	-.224	.055	-.029	-.485
320	415	-.169	.045	-.007	-.413	320	543	-.383	.102	-.133	-.837	320	593	-.231	.073	-.038	-.632
320	416	-.165	.037	-.038	-.274	320	544	-.386	.100	-.145	-.927	320	594	-.219	.081	-.036	-.680
320	417	-.157	.039	-.077	-.288	320	545	-.379	.088	-.205	-.881	320	595	-.251	.081	-.041	-.745
320	418	-.142	.041	-.063	-.274	320	546	-.361	.057	-.214	-.841	320	596	-.220	.062	-.038	-.504
320	419	-.189	.080	-.096	-.524	320	547	-.355	.059	-.181	-.578	320	597	-.221	.052	-.084	-.603
320	420	-.085	.046	-.159	-.259	320	548	-.370	.070	-.172	-.648	320	598	-.234	.090	-.009	-.589
320	421	-.066	.073	-.276	-.284	320	549	-.352	.095	-.129	-.962	320	599	-.295	.138	-.037	-.940
320	422	-.046	.096	-.274	-.265	320	550	-.346	.091	-.102	-.824	320	600	-.183	.053	-.021	-.382
320	501	-.331	.059	-.146	-.635	320	551	-.355	.126	-.106	-1.213	320	601	-.232	.068	-.065	-.474
320	502	-.308	.052	-.153	-.555	320	552	-.330	.061	-.165	-.820	320	602	-.221	.073	-.037	-.587
320	503	-.311	.095	-.060	-.869	320	553	-.326	.052	-.165	-.564	320	603	-.225	.082	-.009	-.747
320	504	-.368	.062	-.194	-.630	320	554	-.334	.049	-.177	-.543	320	604	-.191	.057	-.025	-.434
320	505	-.291	.055	-.103	-.550	320	555	-.352	.058	-.174	-.593	320	605	-.188	.050	-.039	-.378
320	506	-.303	.046	-.154	-.485	320	556	-.392	.082	-.170	-.822	320	606	-.220	.064	-.060	-.526
320	507	-.290	.046	-.158	-.479	320	557	-.374	.074	-.100	-.758	320	607	-.204	.066	-.043	-.448
320	508	-.308	.062	-.089	-.577	320	558	-.257	.061	-.050	-.559	320	608	-.182	.077	-.078	-.561
320	509	-.321	.062	-.160	-.628	320	559	-.361	.061	-.167	-.823	320	609	-.178	.053	-.026	-.473
320	510	-.319	.056	-.181	-.612	320	560	-.240	.067	-.032	-.566	320	610	-.238	.072	-.018	-.481
320	511	-.330	.058	-.154	-.596	320	561	-.373	.067	-.190	-.661	320	611	-.235	.076	-.065	-.592
320	512	-.314	.063	-.096	-.648	320	562	-.245	.064	-.063	-.718	320	612	-.227	.089	-.053	-.698
320	513	-.325	.060	-.169	-.607	320	563	-.253	.060	-.032	-.720	320	613	-.243	.082	-.001	-.629
320	514	-.301	.042	-.165	-.464	320	564	-.279	.061	-.106	-.620	320	614	-.187	.100	.126	-.780
320	515	-.300	.047	-.142	-.521	320	565	-.345	.072	-.152	-.731	320	615	-.187	.071	.055	-.493
320	516	-.316	.057	-.172	-.628	320	566	-.368	.065	-.163	-.730	320	616	-.157	.053	.069	-.385
320	517	-.281	.043	-.142	-.450	320	567	-.352	.055	-.134	-.544	320	617	-.154	.045	.034	-.345
320	518	-.392	.090	-.162	-.817	320	568	-.366	.064	-.146	-.690	320	618	-.155	.050	.069	-.380
320	519	-.334	.073	-.142	-.644	320	569	-.269	.055	-.063	-.611	320	619	-.175	.045	-.034	-.385
320	520	-.361	.070	-.210	-.972	320	570	-.238	.071	-.029	-.807	320	620	-.197	.052	-.037	-.418
320	521	-.336	.051	-.172	-.541	320	571	-.234	.061	-.001	-.630	320	701	-.366	.105	-.049	-1.123
320	522	-.253	.051	-.085	-.466	320	572	-.245	.052	-.039	-.511	320	702	-.405	.109	-.106	-.878
320	523	-.259	.052	-.076	-.514	320	573	-.282	.051	-.072	-.559	320	703	-.005	.087	-.303	-.339
320	524	-.267	.052	-.108	-.584	320	574	-.368	.068	-.189	-.664	320	704	-.485	.116	-.102	-.981
320	525	-.284	.048	-.121	-.452	320	575	-.344	.062	-.137	-.602	320	705	-.420	.104	-.029	-.842
320	526	-.312	.043	-.197	-.498	320	576	-.346	.061	-.151	-.635	320	706	-.257	.063	-.048	-.657
320	527	-.315	.044	-.188	-.530	320	577	-.221	.070	-.002	-.854	320	707	-.291	.098	-.024	-.810
320	528	-.309	.050	-.105	-.509	320	578	-.226	.063	-.027	-.828	320	708	-.450	.144	.132	-1.440
320	529	-.313	.056	-.126	-.601	320	579	-.239	.058	-.044	-.563	320	709	-.301	.154	.054	-1.036
320	530	-.297	.044	-.163	-.456	320	580	-.274	.050	-.048	-.490	320	710	-.258	.126	.131	-.888
320	531	-.328	.050	-.193	-.578	320	581	-.352	.073	-.137	-.850	320	711	-.266	.058	-.057	-.603
320	532	-.294	.071	-.126	-.754	320	582	-.325	.062	-.177	-.709	320	712	-.426	.124	.223	-1.226
320	533	-.296	.067	-.128	-.728	320	583	-.323	.063	-.165	-.635	320	713	-.312	.189	.163	-.945
320	534	-.311	.069	-.151	-.701	320	584	-.239	.076	-.060	-1.005	320	714	-.258	.102	-.074	-.842
320	535	-.299	.053	-.142	-.518	320	585	-.231	.068	-.072	-.685	320	715	-.272	.061	-.097	-.719
320	536	-.282	.044	-.138	-.486	320	586	-.261	.080	-.060	-.759	320	716	-.323	.126	-.006	-.856
320	537	-.286	.044	-.124	-.532	320	587	-.241	.051	-.010	-.571	320	717	-.246	.140	.152	-.844

WD	TAP	CPMEAN	CPRMS	CPMAX	CPMIN	WD	TAP	CPMEAN	CPRMS	CPMAX	CPMIN	WD	TAP	CPMEAN	CPRMS	CPMAX	CPMIN
320	718	-.534	.225	.207	-1.431	320	768	-.208	.062	-.013	-.548	320	818	-.127	.043	.035	-.337
320	719	-.235	.181	.225	-.897	320	769	-.192	.121	-.111	-.753	320	819	-.103	.043	.195	-.253
320	720	-.257	.103	.033	-.684	320	770	-.384	.134	-.056	-1.015	320	820	-.110	.047	.161	-.306
320	721	-.283	.063	-.081	-.559	320	771	-.404	.148	-.004	-1.435	320	821	-.125	.039	.021	-.253
320	722	-.494	.197	.515	-1.271	320	772	-.309	.151	.072	-1.192	320	822	-.151	.041	-.014	-.267
320	723	-.354	.251	.340	-1.077	320	773	-.178	.118	.154	-.734	320	901	-.374	.062	-.231	-.652
320	724	-.280	.158	.129	-1.027	320	774	-.235	.108	.151	-.774	320	902	-.165	.088	.258	-.568
320	725	-.357	.191	.097	-1.303	320	775	-.177	.057	-.063	-.555	320	903	-.191	.156	.211	-.840
320	726	-.074	.167	.570	-.593	320	776	-.191	.052	-.009	-.452	320	904	-.345	.133	.217	-.944
320	727	-.354	.119	.012	-.857	320	777	-.321	.110	-.078	-.996	320	905	-.012	.106	.288	-.249
320	728	-.193	.046	.010	-.476	320	778	-.318	.120	-.021	-1.235	320	906	-.222	.057	.059	-.471
320	729	-.214	.044	-.002	-.422	320	779	-.292	.138	.025	-.960	320	907	-.361	.078	-.115	-.643
320	730	-.261	.122	.188	-.857	320	780	-.187	.093	.216	-.715	320	908	-.073	.105	.454	-.314
320	731	-.200	.158	.470	-.899	320	781	-.179	.076	.187	-.641	320	909	-.153	.088	.120	-.414
320	732	-.453	.144	.232	-.973	320	782	-.168	.046	.041	-.376	320	910	-.392	.094	-.156	-.806
320	733	-.446	.147	.230	-.984	320	783	-.174	.051	-.020	-.414	320	911	-.335	.151	.945	-.047
320	734	-.329	.210	.183	-1.098	320	784	-.278	.121	-.047	-.975	320	912	-.326	.076	-.031	-.597
320	735	-.331	.197	.204	-.987	320	785	-.292	.122	-.030	-1.034	320	913	-.003	.159	.502	-.813
320	736	-.265	.168	.567	-.950	320	786	-.207	.094	.070	-.658	320	914	-.294	.056	-.050	-.528
320	737	-.031	.196	.607	-.818	320	787	-.154	.065	.089	-.507	320	915	-.169	.167	.475	-.657
320	738	-.226	.130	.158	-.832	320	788	-.166	.056	.103	-.474	320	916	-.418	.124	-.124	-1.165
320	739	-.198	.058	.019	-.628	320	789	-.163	.042	-.021	-.331	320	917	-.334	.206	.949	-.839
320	740	-.229	.057	-.071	-.547	320	790	-.183	.046	-.025	-.381	320	918	-.337	.082	-.048	-.768
320	741	-.227	.147	.246	-.765	320	791	-.172	.069	.088	-.832	320	919	-.357	.058	-.183	-.627
320	742	-.237	.169	.220	-.832	320	792	-.157	.062	.043	-.474	320	920	-.318	.054	-.165	-.612
320	743	-.374	.171	.220	-1.294	320	793	-.144	.082	.147	-.716	320	921	-.399	.086	-.156	-.793
320	744	-.358	.150	.276	-1.165	320	794	-.138	.051	.056	-.363	320	922	-.378	.150	1.059	-.095
320	745	-.298	.184	.297	-1.049	320	795	-.093	.049	.085	-.425	320	923	-.369	.060	-.194	-.649
320	746	-.192	.111	.216	-.707	320	796	-.088	.045	.083	-.346	320	924	-.349	.065	-.187	-.892
320	747	-.233	.074	.091	-.568	320	797	-.078	.044	-.064	-.334	320	925	-.262	.273	.822	-.955
320	748	-.313	.074	-.083	-.644	320	798	-.238	.079	-.010	-.666	320	926	-.343	.062	-.172	-.891
320	749	-.139	.189	.593	-1.114	320	799	-.241	.091	-.041	-.806	320	927	-.279	.121	.258	-.680
320	750	-.156	.171	.448	-.759	320	800	-.178	.075	.059	-.589	320	928	-.328	.058	-.137	-.578
320	751	-.634	.270	.283	-2.000	320	801	-.148	.049	.038	-.406	320	929	-.238	.111	.198	-.617
320	752	-.372	.176	.186	-.974	320	802	-.153	.045	-.075	-.377	320	930	-.349	.055	-.181	-.580
320	753	-.286	.170	.181	-1.248	320	803	-.159	.039	-.010	-.325	320	931	-.156	.099	.533	-.116
320	754	-.247	.107	.097	-.806	320	804	-.181	.045	-.041	-.332	320	932	-.328	.049	-.184	-.536
320	755	-.281	.092	-.009	-.908	320	805	-.009	.079	.316	-.313	320	933	-.321	.052	-.161	-.576
320	756	-.367	.107	-.106	-.910	320	806	-.073	.045	.140	-.225	320	934	-.158	.063	.101	-.413
320	757	-.358	.099	-.095	-.865	320	807	-.099	.048	.071	-.363	320	935	-.186	.062	.099	-.415
320	758	-.522	.190	-.007	-1.542	320	808	-.068	.040	-.114	-.244	320	936	-.382	.049	-.261	-.543
320	759	-.249	.068	-.032	-.654	320	809	-.258	.125	-.010	-1.485	320	937	-.382	.071	-.141	-.712
320	760	-.532	.279	.154	-1.909	320	810	-.146	.048	.013	-.473	320	938	-.353	.058	-.141	-.644
320	761	-.224	.069	.048	-.571	320	811	-.113	.037	-.054	-.246	320	939	-.337	.057	-.146	-.562
320	762	-.686	.371	.272	-2.690	320	812	-.171	.048	-.003	-.334	320	940	-.332	.056	-.125	-.518
320	763	-.514	.272	.156	-1.923	320	813	-.096	.050	.094	-.435	320	941	-.139	.026	-.058	-.269
320	764	-.306	.150	.100	-.908	320	814	-.095	.046	.116	-.377	320	942	-.177	.114	.656	-.167
320	765	-.227	.142	.093	-.949	320	815	-.062	.041	.092	-.208	320	943	.112	.066	.461	-.148
320	766	-.188	.104	.115	-.922	320	816	-.251	.113	-.013	-.964	320	944	-.093	.065	.349	-.102
320	767	-.187	.063	.089	-.555	320	817	-.202	.081	.035	-.728	320	945	-.222	.070	-.034	-.676

WD	TAP	CPMEAN	CPRMS	CPMAX	CPMIN	WD	TAP	CPMEAN	CPRMS	CPMAX	CPMIN	WD	TAP	CPMEAN	CPRMS	CPMAX	CPMIN
3320	946	.200	.105	.744	-.023	320	1025	-.175	.047	-.031	-.424	330	147	-.186	.130	.673	-.199
3320	947	.243	.130	.872	-.072	320	1026	-.198	.043	-.045	-.470	330	148	-.014	.133	.521	-.505
3320	948	.186	.095	.679	-.048	320	1027	-.189	.051	-.040	-.375	330	149	-.313	.186	.537	-.784
3320	949	.253	.141	.937	-.111	320	1028	-.094	.046	.051	-.281	330	150	-.435	.151	.049	-.981
3320	950	-.222	.045	-.088	-.402	330	101	-.021	.093	.307	-.385	330	151	.056	.121	.516	-.434
3320	951	.115	.071	.444	-.158	330	102	-.019	.087	.330	-.332	330	152	.285	.145	.810	-.306
3320	952	-.073	.056	.263	-.346	330	103	.229	.139	.704	-.276	330	153	.335	.155	.830	-.226
3320	953	.073	.066	.489	-.093	330	104	.183	.134	.736	-.292	330	154	.341	.148	.823	-.301
3320	954	.127	.089	.682	-.088	330	105	-.043	.086	.347	-.364	330	155	.202	.149	.828	-.393
3320	955	.042	.058	.319	-.107	330	106	-.034	.095	.423	-.359	330	156	-.284	.181	.544	-.929
3320	956	-.104	.105	.261	-.634	330	107	-.013	.097	.374	-.260	330	157	-.033	.256	.798	-.833
3320	957	.259	.125	.077	-.788	330	108	-.074	.111	.287	-.525	330	158	.089	.105	.521	-.331
3320	958	-.284	.176	.200	-1.308	330	109	.137	.158	.736	-.417	330	159	.228	.140	.773	-.301
3320	959	.133	.083	.342	-.441	330	110	.158	.161	.838	-.532	330	160	-.024	.098	.436	-.361
3320	960	-.201	.057	.000	-.504	330	111	-.022	.129	.471	-.591	330	161	.093	.122	.647	-.299
3320	961	-.335	.094	-.120	-.836	330	112	.086	.112	.473	-.246	330	162	-.033	.099	.425	-.324
3320	962	.319	.085	-.104	-.680	330	113	.254	.149	.773	-.230	330	163	.110	.104	.631	-.191
3320	963	-.002	.092	.376	-.330	330	114	.297	.157	.815	-.136	330	164	.295	.122	.826	-.004
3320	964	.055	.068	.329	-.420	330	115	.198	.138	.692	-.256	330	165	.337	.130	.823	-.020
3320	965	.222	.062	.052	-.504	330	116	.187	.176	.824	-.408	330	166	.328	.129	.822	-.022
3320	966	-.388	.123	-.139	-1.015	330	117	.339	.161	1.112	-.059	330	167	.193	.130	.759	-.164
3320	967	-.065	.045	-.097	-.232	330	118	.004	.120	.386	-.509	330	168	.075	.115	.562	-.306
3320	968	.224	.056	-.050	-.554	330	119	-.082	.215	.895	-.908	330	169	.305	.126	.824	-.147
3320	969	-.149	.045	-.058	-.392	330	120	.130	.214	.704	-.795	330	170	-.055	.085	.415	-.316
3320	970	.083	.063	.269	-.340	330	121	.038	.129	.478	-.486	330	171	.062	.090	.415	-.171
3320	971	.067	.048	.191	-.210	330	122	.055	.115	.489	-.276	330	172	.199	.125	.728	-.212
3320	1001	-.192	.104	.087	-.643	330	123	.152	.130	.667	-.223	330	173	.269	.118	.769	-.014
3320	1002	.137	.052	.075	-.362	330	124	.233	.155	.822	-.435	330	174	.247	.117	.788	-.103
3320	1003	-.308	.056	-.131	-.636	330	125	.287	.155	.810	-.140	330	175	.130	.099	.574	-.142
3320	1004	-.148	.152	-.288	-.693	330	126	.256	.142	.810	-.364	330	176	.003	.086	.340	-.308
3320	1005	-.343	.064	-.181	-.616	330	127	.290	.156	.855	-.136	330	177	-.114	.072	.174	-.373
3320	1006	-.439	.127	.033	-1.048	330	128	.239	.148	.698	-.185	330	178	-.003	.074	.330	-.291
3320	1007	.226	.074	.016	-.665	330	129	.182	.144	.696	-.393	330	179	.115	.097	.494	-.169
3320	1008	.197	.101	.712	-.028	330	130	.360	.154	1.042	-.047	330	180	.179	.093	.605	-.055
3320	1009	-.245	.059	.011	-.480	330	131	.333	.159	.890	-.105	330	181	.166	.112	.646	-.234
3320	1010	.235	.117	.790	-.114	330	132	.041	.100	.437	-.267	330	182	.037	.077	.400	-.209
3320	1011	-.198	.051	-.038	-.409	330	133	.177	.123	.766	-.150	330	183	-.043	.074	.306	-.299
3320	1012	.209	.104	-.756	-.028	330	134	.307	.167	.864	-.311	330	184	-.139	.054	.077	-.434
3320	1013	-.353	.061	-.217	-.638	330	135	.371	.145	.810	-.003	330	185	-.010	.056	.253	-.190
3320	1014	-.367	.082	-.150	-.728	330	136	.413	.157	1.014	.023	330	186	.122	.086	.475	-.135
3320	1015	-.348	.055	-.174	-.595	330	137	.401	.161	.981	.011	330	187	.245	.119	.728	-.012
3320	1016	-.247	.069	.011	-.588	330	138	.397	.162	.974	-.035	330	188	.115	.090	.521	-.176
3320	1017	-.153	.125	.306	-.665	330	139	.287	.148	.934	-.096	330	189	-.053	.048	.140	-.202
3320	1018	-.055	.107	.370	-.478	330	140	.179	.135	.768	-.267	330	190	-.139	.053	.128	-.337
3320	1019	.255	.105	-.068	-.716	330	141	.414	.152	1.189	.056	330	191	.252	.117	.794	-.009
3320	1020	-.411	.075	-.117	-.753	330	142	.405	.158	.983	.042	330	192	.230	.121	.773	-.050
3320	1021	-.184	.070	.048	-.488	330	143	-.131	.094	.299	-.435	330	193	.240	.108	.771	-.071
3320	1022	-.040	.035	.119	-.156	330	144	.075	.106	.516	-.215	330	194	-.044	.062	.298	-.322
3320	1023	-.038	.033	.132	-.149	330	145	.326	.134	.859	-.028	330	195	.071	.083	.453	-.138
3320	1024	-.088	.048	.078	-.308	330	146	.386	.155	.934	-.063	330	196	.148	.094	.690	-.110

WD	TAP	CPMEAN	CPRMS	CPMAX	CPMIN	WD	TAP	CPMEAN	CPRMS	CPMAX	CPMIN	WD	TAP	CPMEAN	CPRMS	CPMAX	CPMIN
330	197	.117	.088	.543	-.200	330	322	-.394	.140	-.028	-1.240	330	372	-.423	.132	-.000	-1.063
330	198	-.060	.048	.102	-.375	330	323	-.376	.123	-.008	-.898	330	373	-.466	.124	-.005	-1.328
330	199	-.051	.044	.102	-.276	330	324	-.387	.105	-.111	-.878	330	374	-.507	.130	-.119	-1.462
330	200	-.032	.036	.102	-.343	330	325	-.422	.112	-.082	-.991	330	375	-.477	.096	-.185	-.906
330	201	-.029	.044	.116	-.175	330	326	-.461	.110	-.183	-.994	330	376	-.463	.088	-.242	-.950
330	202	-.063	.045	.116	-.226	330	327	-.456	.106	-.160	-.916	330	377	-.261	.069	-.065	-.569
330	203	-.036	.040	.114	-.182	330	328	-.428	.095	-.189	-.854	330	378	-.255	.082	.023	-.641
330	204	-.056	.035	.107	-.182	330	329	-.405	.094	-.152	-.954	330	379	-.289	.128	.087	-.911
330	205	-.066	.037	.077	-.216	330	330	-.392	.086	-.150	-.812	330	380	-.393	.152	.182	-1.076
330	206	-.086	.043	.116	-.246	330	331	-.400	.090	-.132	-.926	330	381	-.356	.166	-.062	-1.737
330	207	-.130	.045	.033	-.343	330	332	-.408	.146	-.005	-1.048	330	382	-.549	.136	-.237	-1.449
330	208	-.197	.058	.012	-.518	330	333	-.408	.133	-.085	-.961	330	383	-.923	.113	-.219	-1.217
330	209	-.051	.043	.118	-.349	330	334	-.397	.097	-.018	-.844	330	384	-.313	.059	-.149	-.558
330	210	-.048	.054	.133	-.304	330	335	-.424	.109	-.060	-.996	330	385	-.257	.044	-.080	-.486
330	211	-.125	.055	.047	-.423	330	336	-.393	.080	-.194	-.924	330	386	-.250	.093	.162	-.744
330	212	-.114	.040	.079	-.316	330	337	-.396	.086	-.162	-.837	330	387	-.203	.144	.159	-.911
330	213	-.103	.041	.075	-.416	330	338	-.428	.090	-.157	-.911	330	388	-.384	.207	.100	-1.480
330	214	-.196	.079	.028	-.809	330	339	-.387	.075	-.199	-.787	330	389	-.532	.163	-.093	-1.230
330	215	-.046	.059	.166	-.442	330	340	-.386	.077	-.135	-.732	330	390	-.536	.144	-.185	-1.443
330	216	-.024	.040	.142	-.152	330	341	-.382	.080	-.152	-.757	330	391	-.135	.147	.334	-.895
330	217	-.022	.037	.156	-.131	330	342	-.410	.090	-.189	-.886	330	392	-.300	.094	.138	-.647
330	218	-.033	.035	.168	-.159	330	343	-.412	.127	-.097	-1.093	330	393	-.137	.128	.217	-.652
330	219	-.026	.050	.205	-.152	330	344	-.407	.115	-.005	-.991	330	394	-.256	.232	.402	-1.623
330	220	-.033	.064	.299	-.124	330	345	-.415	.101	-.072	-.929	330	395	-.504	.185	-.093	-1.481
330	221	-.005	.053	.254	-.140	330	346	-.399	.086	-.157	-.876	330	396	-.487	.168	-.063	-1.323
330	222	-.027	.047	.175	-.143	330	347	-.384	.081	-.172	-.857	330	397	-.290	.066	-.110	-.592
330	223	-.090	.038	.079	-.231	330	348	-.392	.081	-.155	-.998	330	398	-.250	.053	-.102	-.491
330	224	-.066	.052	.173	-.297	330	349	-.385	.105	-.098	-.843	330	399	-.233	.042	-.091	-.430
330	225	-.080	.071	.229	-.381	330	350	-.384	.093	-.100	-.816	330	400	-.209	.038	-.086	-.409
330	301	-.320	.067	-.126	-.689	330	351	-.408	.123	-.041	-1.164	330	401	-.185	.034	-.070	-.331
330	302	-.409	.086	-.210	-1.122	330	352	-.422	.101	-.093	-.882	330	402	-.169	.035	-.049	-.430
330	303	-.459	.105	-.180	-.922	330	353	-.439	.101	-.049	-.926	330	403	-.155	.077	.148	-.601
330	304	-.204	.073	-.046	-.473	330	354	-.439	.082	-.105	-.767	330	404	-.138	.089	.127	-.592
330	305	-.372	.099	-.107	-1.012	330	355	-.465	.109	-.173	-1.357	330	405	-.038	.048	.216	-.212
330	306	-.339	.083	-.132	-.883	330	356	-.402	.110	-.097	-.801	330	406	-.054	.077	.155	-.391
330	307	-.367	.090	-.109	-.927	330	357	-.451	.140	-.024	-1.064	330	407	-.230	.048	-.093	-.436
330	308	-.394	.120	-.022	-1.068	330	358	-.399	.107	-.059	-1.004	330	408	-.234	.048	-.117	-.443
330	309	-.372	.086	-.057	-.846	330	359	-.550	.153	-.210	-1.301	330	409	-.204	.033	-.111	-.324
330	310	-.376	.093	-.138	-.839	330	360	-.389	.115	-.015	-.896	330	410	-.081	.072	-.246	-.356
330	311	-.352	.074	-.132	-.775	330	361	-.480	.125	-.175	-1.627	330	411	-.211	.037	-.088	-.386
330	312	-.409	.126	-.045	-1.247	330	362	-.411	.128	-.024	-.984	330	412	-.211	.036	-.092	-.413
330	313	-.375	.084	-.062	-.876	330	363	-.399	.125	-.063	-.928	330	413	-.123	.037	-.019	-.347
330	314	-.379	.086	-.138	-.809	330	364	-.424	.112	-.073	-.943	330	414	-.186	.051	-.041	-.431
330	315	-.361	.084	-.156	-.952	330	365	-.458	.118	-.093	-1.201	330	415	-.186	.041	-.043	-.424
330	316	-.382	.082	-.131	-.834	330	366	-.454	.102	-.175	-1.055	330	416	-.189	.030	-.055	-.308
330	317	-.380	.079	-.165	-.777	330	367	-.500	.126	-.193	-1.207	330	417	-.170	.034	-.002	-.284
330	318	-.385	.102	-.079	-1.045	330	368	-.454	.107	-.191	-1.263	330	418	-.143	.039	.121	-.258
330	319	-.398	.094	-.114	-.927	330	369	-.437	.101	-.013	-.903	330	419	-.204	.084	.101	-.501
330	320	-.400	.097	-.072	-.974	330	370	-.345	.110	-.088	-1.202	330	420	-.069	.050	.121	-.243
330	321	-.423	.140	-.099	-1.215	330	371	-.345	.115	.013	-.834	330	421	-.018	.079	.222	-.234

WD	TAP	CPMEAN	CPRMS	CPMAX	CPMIN	WD	TAP	CPMEAN	CPRMS	CPMAX	CPMIN	WD	TAP	CPMEAN	CPRMS	CPMAX	CPMIN
330	422	-.016	.107	.315	-.259	330	550	-.102	.154	.026	-.806	330	600	-.226	.044	-.087	-.419
330	501	-.346	.073	-.129	-.640	330	551	-.100	.152	.026	-1.041	330	601	-.274	.053	-.143	-.524
330	502	-.333	.063	-.143	-.610	330	552	-.090	.136	.026	-.626	330	602	-.254	.055	-.078	-.562
330	503	-.470	.131	-.129	-1.240	330	553	-.310	.054	-.166	-.519	330	603	-.122	.058	-.064	-.373
330	504	-.407	.083	-.150	-.842	330	554	-.325	.056	-.134	-.526	330	604	-.278	.071	-.092	-.615
330	505	-.335	.081	-.065	-.818	330	555	-.352	.074	-.095	-.599	330	605	-.209	.038	-.045	-.424
330	506	-.255	.067	-.083	-.666	330	556	-.387	.099	-.125	-.791	330	606	-.263	.061	-.099	-.561
330	507	-.318	.055	-.138	-.561	330	557	-.361	.084	-.061	-.688	330	607	-.264	.050	-.126	-.512
330	508	-.340	.090	.028	-.742	330	558	-.295	.079	-.054	-.592	330	608	-.143	.050	.099	-.334
330	509	-.085	.154	.041	-.704	330	559	-.341	.068	-.083	-.585	330	609	-.208	.052	.065	-.421
330	510	-.084	.151	.041	-.665	330	560	-.296	.097	-.024	-.743	330	610	-.247	.050	-.117	-.464
330	511	-.355	.085	-.099	-.712	330	561	-.348	.084	-.118	-.676	330	611	-.282	.060	-.120	-.599
330	512	-.074	.136	-.041	-.745	330	562	-.293	.092	-.015	-.781	330	612	-.125	.060	.085	-.383
330	513	-.344	.080	-.125	-.773	330	563	-.297	.084	-.033	-.649	330	613	-.134	.061	.052	-.376
330	514	-.328	.060	-.141	-.674	330	564	-.294	.067	-.120	-.617	330	614	-.123	.062	.122	-.564
330	515	-.329	.069	-.108	-.647	330	565	-.343	.076	-.115	-.729	330	615	-.138	.037	.064	-.264
330	516	-.350	.074	-.184	-.842	330	566	-.358	.083	-.149	-.759	330	616	-.156	.038	.020	-.348
330	517	-.294	.048	-.134	-.504	330	567	-.334	.077	-.118	-.608	330	617	-.170	.049	.110	-.355
330	518	-.383	.099	-.127	-.932	330	568	-.343	.081	-.075	-.658	330	618	-.165	.055	.113	-.399
330	519	-.331	.075	-.138	-.808	330	569	-.250	.050	-.089	-.495	330	619	-.182	.040	-.017	-.329
330	520	-.390	.091	-.152	-.904	330	570	-.253	.077	.012	-.925	330	620	-.231	.037	-.129	-.394
330	521	-.351	.071	-.088	-.667	330	571	-.253	.066	-.082	-.536	330	701	-.477	.129	-.143	-1.091
330	522	-.287	.075	-.042	-.739	330	572	-.245	.053	-.072	-.524	330	702	-.368	.102	.006	-.940
330	523	-.289	.074	-.037	-.676	330	573	-.281	.057	-.087	-.584	330	703	-.101	.088	.182	-.396
330	524	-.300	.064	-.083	-.676	330	574	-.366	.085	-.190	-.807	330	704	-.508	.116	-.184	-1.010
330	525	-.308	.061	-.102	-.607	330	575	-.065	.161	-.067	-.687	330	705	-.497	.125	-.092	-1.065
330	526	-.323	.052	-.166	-.557	330	576	-.064	.158	.067	-.651	330	706	-.377	.120	-.108	-1.055
330	527	-.322	.055	-.164	-.557	330	577	-.053	.142	.067	-.711	330	707	-.435	.122	-.091	-.983
330	528	-.317	.072	-.080	-.685	330	578	-.201	.053	-.029	-.586	330	708	-.507	.132	-.128	-1.222
330	529	-.320	.080	-.052	-.796	330	579	-.210	.049	-.007	-.502	330	709	-.466	.133	-.035	-1.125
330	530	-.297	.046	-.150	-.466	330	580	-.279	.053	-.027	-.502	330	710	-.400	.123	.033	-.908
330	531	-.328	.056	-.173	-.771	330	581	-.370	.080	-.190	-.944	330	711	-.351	.106	.024	-.883
330	532	-.322	.095	-.071	-.913	330	582	-.305	.060	-.163	-.540	330	712	-.500	.127	-.191	-1.057
330	533	-.317	.092	-.085	-.890	330	583	-.314	.059	-.171	-.596	330	713	-.475	.138	.010	-1.168
330	534	-.302	.068	-.136	-.736	330	584	-.171	.046	-.039	-.447	330	714	-.381	.120	.028	-1.071
330	535	-.289	.052	-.159	-.576	330	585	-.171	.044	-.024	-.406	330	715	-.349	.100	-.015	-.992
330	536	-.088	.155	.039	-.787	330	586	-.185	.038	-.060	-.430	330	716	-.428	.114	-.087	-.938
330	537	-.088	.153	.039	-.808	330	587	-.224	.037	-.053	-.365	330	717	-.416	.124	-.148	-.913
330	538	-.078	.138	.039	-.736	330	588	-.309	.056	-.139	-.574	330	718	-.680	.225	-.159	-1.660
330	539	-.310	.066	-.055	-.641	330	589	-.417	.099	-.202	-.898	330	719	-.465	.160	-.026	-1.123
330	540	-.324	.073	-.061	-.622	330	590	-.424	.101	-.180	-.944	330	720	-.394	.120	-.044	-.951
330	541	-.304	.052	-.127	-.513	330	591	-.212	.036	-.041	-.364	330	721	-.354	.100	.062	-.926
330	542	-.324	.056	-.180	-.685	330	592	-.204	.038	-.026	-.383	330	722	-.537	.147	-.150	-1.317
330	543	-.332	.090	-.113	-.969	330	593	-.134	.041	.022	-.330	330	723	-.549	.172	-.085	-1.357
330	544	-.341	.089	-.085	-.959	330	594	-.139	.042	.007	-.303	330	724	-.491	.145	-.114	-1.134
330	545	-.321	.062	-.145	-.717	330	595	-.176	.053	-.010	-.501	330	725	-.475	.147	-.148	-1.026
330	546	-.340	.061	-.175	-.594	330	596	-.198	.037	-.005	-.414	330	726	-.236	.197	-.459	-.978
330	547	-.334	.071	-.122	-.643	330	597	-.258	.053	-.113	-.730	330	727	-.360	.109	-.056	-1.010
330	548	-.361	.085	-.085	-.745	330	598	-.383	.090	-.152	-.752	330	728	-.282	.088	-.037	-1.024
330	549	-.314	.083	-.086	-.699	330	599	-.450	.143	-.143	-1.213	330	729	-.281	.089	-.001	-1.074

WD	TAP	CPMEAN	CPRMS	CPMAX	CPMIN	WD	TAP	CPMEAN	CPRMS	CPMAX	CPMIN	WD	TAP	CPMEAN	CPRMS	CPMAX	CPMIN
330	730	-.421	.119	-.028	-.907	330	780	-.329	.132	.070	-.941	330	908	.006	.110	.426	-.332
330	731	-.445	.138	-.079	-1.037	330	781	-.227	.103	.243	-.597	330	909	-.279	.071	-.044	-.523
330	732	-.497	.120	-.133	-1.101	330	782	-.172	.069	.070	-.482	330	910	-.331	.073	-.141	-.718
330	733	-.503	.125	-.124	-1.195	330	783	-.175	.066	.009	-.467	330	911	-.269	.137	.881	-.068
330	734	-.524	.166	-.022	-1.284	330	784	-.426	.159	-.085	-1.319	330	912	-.360	.090	-.020	-.701
330	735	-.484	.140	-.065	-1.071	330	785	-.459	.161	-.059	-1.479	330	913	-.163	.143	.321	-.900
330	736	-.448	.139	-.170	-.964	330	786	-.332	.157	.290	-1.191	330	914	-.333	.082	.018	-.752
330	737	-.337	.182	.467	-1.010	330	787	-.209	.110	.188	-.465	330	915	-.321	.154	.404	-.740
330	738	-.338	.137	.134	-.880	330	788	-.161	.076	.266	-.654	330	916	-.372	.128	-.087	-1.557
330	739	-.269	.092	.013	-.704	330	789	-.135	.049	.026	-.371	330	917	-.234	.304	1.033	-1.010
330	740	-.284	.094	.001	-.909	330	790	-.140	.041	.026	-.390	330	918	-.448	.115	-.165	-.926
330	741	-.420	.128	.070	-.852	330	791	-.307	.145	.089	-1.073	330	919	-.321	.054	-.163	-.699
330	742	-.417	.141	-.054	-1.081	330	792	-.200	.091	.092	-.617	330	920	-.356	.064	-.182	-.654
330	743	-.489	.179	-.097	-1.450	330	793	-.180	.119	.282	-.841	330	921	-.480	.096	-.213	-1.020
330	744	-.483	.145	-.040	-1.229	330	794	-.189	.081	.196	-.539	330	922	-.388	.145	.919	-.045
330	745	-.453	.142	.125	-1.037	330	795	-.162	.062	.038	-.442	330	923	-.387	.077	-.163	-.809
330	746	-.370	.134	.026	-1.003	330	796	-.148	.058	.019	-.513	330	924	-.379	.083	-.132	-.784
330	747	-.319	.120	-.017	-1.103	330	797	-.121	.040	.055	-.346	330	925	-.134	.377	.934	-1.002
330	748	-.318	.101	-.051	-.761	330	798	-.389	.132	-.124	-1.093	330	926	-.375	.081	-.161	-.765
330	749	-.272	.152	.415	-.800	330	799	-.403	.143	-.112	-1.143	330	927	-.275	.120	.189	-.762
330	750	-.290	.173	.312	-1.109	330	800	-.287	.115	.260	-1.110	330	928	-.371	.079	-.060	-.685
330	751	-.559	.190	-.169	-1.717	330	801	-.189	.079	.207	-.495	330	929	-.246	.136	.292	-.907
330	752	-.475	.147	-.028	-1.232	330	802	-.156	.055	.116	-.480	330	930	-.338	.063	-.115	-.553
330	753	-.417	.150	.135	-.997	330	803	-.132	.042	.027	-.322	330	931	-.199	.110	.574	-.111
330	754	-.360	.123	.086	-.934	330	804	-.135	.043	.019	-.289	330	932	-.364	.073	-.076	-.750
330	755	-.319	.114	-.010	-.923	330	805	-.032	.083	.404	-.327	330	933	-.373	.074	-.067	-.722
330	756	-.310	.088	-.055	-.901	330	806	-.096	.056	.095	-.355	330	934	-.140	.086	.244	-.572
330	757	-.319	.095	-.021	-.753	330	807	-.156	.055	.057	-.438	330	935	-.237	.070	.063	-.530
330	758	-.536	.173	-.147	-1.308	330	808	-.111	.041	-.067	-.289	330	936	-.365	.062	-.197	-.585
330	759	-.311	.113	-.023	-.858	330	809	-.467	.198	-.046	-1.529	330	937	-.421	.112	-.046	-.892
330	760	-.441	.143	-.113	-1.541	330	810	-.199	.064	-.013	-.520	330	938	-.404	.095	-.154	-1.026
330	761	-.303	.117	-.057	-.887	330	811	-.111	.046	.149	-.292	330	939	-.386	.084	-.151	-.870
330	762	-.471	.156	-.111	-1.659	330	812	-.114	.043	.041	-.244	330	940	-.294	.065	-.052	-.523
330	763	-.473	.167	-.037	-1.662	330	813	-.143	.055	.045	-.452	330	941	-.186	.036	-.101	-.356
330	764	-.457	.146	-.006	-1.116	330	814	-.141	.056	.076	-.424	330	942	-.217	.122	.723	-.119
330	765	-.413	.166	.023	-1.431	330	815	-.088	.042	-.107	-.266	330	943	.152	.089	.594	-.055
330	766	-.336	.137	.040	-1.199	330	816	-.432	.155	-.065	-1.338	330	944	-.143	.080	-.451	-.055
330	767	-.284	.119	.108	-.859	330	817	-.295	.104	.005	-.841	330	945	-.180	.032	-.057	-.335
330	768	-.281	.115	.042	-.857	330	818	-.143	.063	.104	-.513	330	946	.230	.114	.760	-.004
330	769	-.362	.130	.049	-1.022	330	819	-.093	.066	.283	-.282	330	947	.313	.144	1.010	-.016
330	770	-.439	.116	-.116	-.949	330	820	-.115	.057	.142	-.409	330	948	.265	.120	1.180	.001
330	771	-.446	.126	-.066	-1.022	330	821	-.098	.039	.074	-.241	330	949	.289	.145	.992	-.020
330	772	-.467	.173	-.043	-1.557	330	822	-.107	.041	-.033	-.229	330	950	-.237	.041	-.080	-.413
330	773	-.381	.147	.087	-.932	330	901	-.329	.043	-.223	-.558	330	951	-.144	.083	.504	-.055
330	774	-.306	.128	.108	-.932	330	902	-.288	.115	-.032	-.887	330	952	-.075	.057	.157	-.314
330	775	-.241	.102	.042	-.649	330	903	-.416	.137	.068	-.993	330	953	.120	.073	.525	-.105
330	776	-.235	.095	.042	-.807	330	904	-.463	.125	-.077	-1.127	330	954	.150	.103	.665	-.101
330	777	-.475	.138	-.158	-1.173	330	905	-.148	.075	-.209	-.429	330	955	.059	.064	.350	-.114
330	778	-.462	.146	-.111	-1.248	330	906	-.290	.073	-.015	-.615	330	956	-.104	.126	.362	-.784
330	779	-.465	.178	-.022	-1.380	330	907	-.363	.093	-.031	-.827	330	957	-.240	.143	.116	-.779

WD	TAP	CPMEAN	CPRMS	CPMAX	CPMIN	WD	TAP	CPMEAN	CPRMS	CPMAX	CPMIN	WD	TAP	CPMEAN	CPRMS	CPMAX	CPMIN
340	958	-.314	.202	.228	-1.294	340	109	.138	.154	.710	-.612	340	159	.167	.128	.700	-.230
340	959	-.130	.073	.311	-.374	340	110	.119	.154	.666	-.403	340	160	.026	.110	.467	-.315
340	960	-.214	.055	.047	-.812	340	111	-.069	.136	.453	-.589	340	161	.047	.119	.599	-.283
340	961	-.381	.097	-.160	-.910	340	112	.136	.123	.601	-.290	340	162	.014	.111	.432	-.399
340	962	-.340	.085	-.155	-.853	340	113	.285	.159	.802	-.188	340	163	.161	.117	.704	-.127
340	963	-.013	.105	-.422	-.576	340	114	.249	.162	.878	-.168	340	164	.321	.134	.800	-.002
340	964	-.043	.080	-.280	-.455	340	115	.131	.123	.671	-.274	340	165	.320	.140	.864	-.116
340	965	-.249	.067	-.055	-.633	340	116	.156	.171	.797	-.409	340	166	.358	.147	.985	-.011
340	966	-.396	.112	-.167	-.952	340	117	.357	.154	.857	-.099	340	167	.180	.121	.648	-.206
340	967	-.065	.046	-.125	-.247	340	118	-.008	.139	.496	-.536	340	168	.046	.102	.401	-.271
340	968	-.251	.052	-.087	-.454	340	119	-.010	.230	.772	-1.015	340	169	.299	.126	.798	-.006
340	969	-.171	.047	-.004	-.401	340	120	.003	.198	.562	-.743	340	170	-.031	.095	.441	-.423
340	970	-.070	.054	.198	-.235	340	121	.018	.128	.433	-.624	340	171	.110	.099	.494	-.141
340	971	-.058	.054	.178	-.262	340	122	.090	.132	.634	-.361	340	172	.193	.121	.706	-.370
340	1001	-.361	.126	.054	-.977	340	123	.195	.139	.710	-.244	340	173	.264	.114	.750	-.021
340	1002	-.181	.072	-.088	-.673	340	124	.263	.148	.862	-.308	340	174	.236	.135	.819	-.220
340	1003	-.356	.082	-.098	-.733	340	125	.256	.143	.758	-.126	340	175	.129	.115	.617	-.199
340	1004	-.345	.119	-.048	-.899	340	126	.258	.155	.760	-.191	340	176	-.007	.096	.437	-.418
340	1005	-.358	.080	-.138	-.702	340	127	.295	.164	.803	-.302	340	177	-.112	.068	.232	-.355
340	1006	-.496	.120	-.139	-1.101	340	128	.201	.136	.687	-.185	340	178	-.001	.070	.386	-.211
340	1007	-.149	.039	.023	-.359	340	129	.128	.125	.605	-.276	340	179	.096	.090	.605	-.189
340	1008	-.260	.118	.740	-.016	340	130	.354	.152	.878	-.048	340	180	.154	.086	.535	-.040
340	1009	-.235	.060	-.016	-.469	340	131	.305	.163	1.050	-.188	340	181	.142	.104	.639	-.206
340	1010	-.295	.126	.835	-.072	340	132	.097	.114	.519	-.285	340	182	.040	.090	.441	-.269
340	1011	-.214	.043	.003	-.374	340	133	.213	.132	.710	-.127	340	183	-.053	.084	.352	-.314
340	1012	-.243	.113	.794	-.002	340	134	.368	.156	.887	-.223	340	184	-.115	.050	.105	-.394
340	1013	-.374	.074	-.161	-.761	340	135	.393	.165	.915	-.080	340	185	-.003	.052	.215	-.177
340	1014	-.411	.094	-.125	-.846	340	136	.411	.165	1.004	-.043	340	186	.120	.093	.523	-.184
340	1015	-.379	.079	-.161	-.911	340	137	.361	.151	.925	-.052	340	187	.235	.116	.730	-.047
340	1016	-.270	.087	-.024	-.694	340	138	.364	.163	.922	-.157	340	188	.092	.098	.533	-.225
340	1017	-.130	.137	.363	-.919	340	139	.241	.138	.787	-.150	340	189	-.093	.048	.172	-.252
340	1018	-.055	.118	.373	-.620	340	140	.108	.119	.526	-.220	340	190	-.188	.050	.068	-.439
340	1019	-.234	.132	.115	-.819	340	141	.405	.148	1.036	.008	340	191	.232	.111	.758	-.043
340	1020	-.400	.095	-.067	-1.196	340	142	.392	.153	1.002	.050	340	192	.238	.122	.707	-.032
340	1021	-.134	.038	.093	-.257	340	143	-.077	.111	.419	-.446	340	193	.238	.116	.820	-.027
340	1022	-.032	.033	.088	-.148	340	144	.121	.126	.645	-.325	340	194	-.021	.061	.275	-.204
340	1023	-.032	.036	.115	-.133	340	145	.330	.146	.911	-.017	340	195	.064	.070	.392	-.112
340	1024	-.077	.053	-.096	-.308	340	146	.337	.154	.957	-.080	340	196	.133	.091	.537	-.105
340	1025	-.196	.039	-.065	-.364	340	147	.133	.132	.752	-.260	340	197	.089	.096	.595	-.253
340	1026	-.246	.051	-.097	-.493	340	148	-.069	.115	.414	-.465	340	198	-.062	.050	.113	-.601
340	1027	-.240	.041	-.128	-.415	340	149	-.149	.246	.661	-.856	340	199	-.054	.044	.148	-.285
340	1028	-.067	.045	.086	-.260	340	150	-.359	.184	.220	-.993	340	200	-.035	.037	.125	-.239
340	101	-.037	.086	.362	-.379	340	151	-.099	.140	.549	-.529	340	201	-.024	.036	.123	-.193
340	102	-.017	.087	.371	-.294	340	152	.300	.154	.859	-.251	340	202	-.091	.055	.093	-.340
340	103	-.198	.134	.650	-.414	340	153	.341	.166	.869	-.299	340	203	-.049	.044	.120	-.198
340	104	-.220	.133	.696	-.444	340	154	.306	.147	.837	-.221	340	204	-.076	.037	.081	-.209
340	105	-.044	.092	.317	-.341	340	155	-.125	.135	.729	-.433	340	205	-.085	.035	.065	-.218
340	106	-.052	.093	.319	-.390	340	156	-.351	.141	.167	-.836	340	206	-.116	.042	.074	-.294
340	107	-.009	.098	.364	-.303	340	157	-.155	.246	.857	-.856	340	207	-.165	.045	-.004	-.363
340	108	-.061	.125	.465	-.582	340	158	.145	.128	.677	-.248	340	208	-.258	.069	-.043	-.670

WD	TAP	CPMEAN	CPRMS	CPMAX	CPMIN	WD	TAP	CPMEAN	CPRMS	CPMAX	CPMIN	WD	TAP	CPMEAN	CPRMS	CPMAX	CPMIN
340	209	-.046	.047	.141	-.359	340	334	-.378	.117	.090	-.864	340	384	-.313	.056	-.145	-.601
340	210	-.024	.043	.123	-.234	340	335	-.422	.133	.151	-1.047	340	385	-.261	.043	-.107	-.498
340	211	-.176	.068	.034	-.505	340	336	-.449	.108	-.115	-.871	340	386	-.264	.096	-.178	-.808
340	212	-.144	.041	-.015	-.313	340	337	-.484	.118	-.080	-.991	340	387	-.147	.106	.231	-.745
340	213	-.141	.040	-.029	-.334	340	338	-.506	.127	-.171	-1.115	340	388	-.303	.191	-.140	-1.562
340	214	-.246	.083	-.006	-.738	340	339	-.481	.105	-.185	-1.001	340	389	-.482	.173	-.074	-1.199
340	215	-.063	.070	.162	-.528	340	340	-.462	.103	-.203	-.905	340	390	-.434	.156	-.107	-1.337
340	216	-.030	.040	.132	-.178	340	341	-.438	.105	-.100	-.920	340	391	-.102	.110	.316	-.684
340	217	-.026	.033	.134	-.150	340	342	-.437	.127	-.073	-1.125	340	392	-.303	.083	.027	-.617
340	218	-.040	.033	.195	-.150	340	343	-.345	.114	-.061	-.962	340	393	-.107	.105	.302	-.638
340	219	-.061	.047	.220	-.195	340	344	-.337	.119	-.042	-.964	340	394	-.168	.207	.389	-1.690
340	220	-.005	.069	.398	-.153	340	345	-.383	.126	-.003	-1.044	340	395	-.437	.198	-.020	-1.395
340	221	-.002	.056	.225	-.164	340	346	-.458	.121	-.041	-1.320	340	396	-.398	.174	-.020	-1.190
340	222	-.042	.051	.174	-.195	340	347	-.461	.117	-.163	-1.135	340	397	-.301	.061	-.146	-.575
340	223	-.119	.038	.046	-.306	340	348	-.435	.109	-.163	-.974	340	398	-.242	.047	-.082	-.427
340	224	-.082	.056	.190	-.309	340	349	-.334	.095	-.045	-.862	340	399	-.223	.036	-.077	-.456
340	225	-.089	.075	.239	-.358	340	350	-.331	.084	-.101	-.737	340	400	-.195	.034	-.075	-.360
340	301	-.350	.091	-.094	-1.000	340	351	-.359	.127	.052	-1.094	340	401	-.177	.032	-.057	-.312
340	302	-.459	.120	-.191	-1.225	340	352	-.394	.122	-.066	-.890	340	402	-.165	.037	-.038	-.342
340	303	-.476	.104	-.101	-.865	340	353	-.451	.138	-.015	-1.101	340	403	-.171	.084	.060	-.534
340	304	-.148	.076	.126	-.444	340	354	-.467	.119	-.139	-1.166	340	404	-.164	.095	.215	-.587
340	305	-.421	.141	-.078	-1.393	340	355	-.562	.165	-.230	-1.343	340	405	-.030	.042	.131	-.189
340	306	-.431	.118	-.115	-1.048	340	356	-.357	.150	.310	-.922	340	406	-.025	.069	.163	-.372
340	307	-.431	.120	-.072	-.978	340	357	-.371	.153	.207	-1.053	340	407	-.231	.046	-.041	-.433
340	308	-.407	.143	.115	-1.046	340	358	-.343	.119	-.008	-1.056	340	408	-.223	.040	-.098	-.433
340	309	-.416	.114	-.041	-.923	340	359	-.523	.133	-.226	-1.256	340	409	-.199	.034	-.107	-.383
340	310	-.442	.118	-.058	-1.017	340	360	-.327	.114	.033	-.900	340	410	-.069	.074	-.211	-.381
340	311	-.435	.114	-.154	-.955	340	361	-.514	.149	-.113	-1.398	340	411	-.218	.037	-.102	-.408
340	312	-.398	.137	.106	-.973	340	362	-.332	.115	.002	-.886	340	412	-.205	.034	-.102	-.440
340	313	-.406	.115	.029	-1.024	340	363	-.334	.122	.035	-.914	340	413	-.114	.042	.035	-.295
340	314	-.439	.119	-.048	-1.041	340	364	-.399	.142	.138	-.974	340	414	-.181	.041	-.040	-.399
340	315	-.439	.113	-.179	-.954	340	365	-.441	.181	-.049	-1.560	340	415	-.186	.040	-.057	-.341
340	316	-.424	.113	-.063	-.942	340	366	-.461	.140	-.046	-1.171	340	416	-.193	.029	-.076	-.300
340	317	-.420	.109	-.111	-.956	340	367	-.491	.137	-.122	-1.277	340	417	-.174	.030	-.054	-.290
340	318	-.389	.126	-.072	-.942	340	368	-.502	.141	-.185	-1.337	340	418	-.146	.031	.049	-.266
340	319	-.409	.114	-.101	-1.014	340	369	-.371	.142	-.009	-1.072	340	419	-.233	.074	.052	-.533
340	320	-.447	.125	-.072	-1.159	340	370	-.278	.094	-.049	-.795	340	420	-.037	.043	.136	-.230
340	321	-.551	.195	-.145	-1.497	340	371	-.264	.098	-.006	-.798	340	421	-.004	.074	.361	-.272
340	322	-.341	.121	.046	-1.053	340	372	-.325	.137	.138	-.941	340	422	-.033	.091	.343	-.343
340	323	-.345	.120	-.024	-.952	340	373	-.378	.172	-.087	-.957	340	501	-.346	.071	-.154	-.628
340	324	-.410	.133	-.010	-.968	340	374	-.495	.176	-.024	-1.420	340	502	-.351	.072	-.113	-.794
340	325	-.384	.169	.343	-1.000	340	375	-.507	.136	-.089	-1.337	340	503	-.438	.109	-.140	-1.020
340	326	-.507	.125	-.164	-1.014	340	376	-.510	.138	-.177	-1.347	340	504	-.473	.127	-.157	-1.249
340	327	-.501	.124	-.044	-1.071	340	377	-.243	.055	-.084	-.563	340	505	-.338	.081	-.096	-.849
340	328	-.536	.138	-.122	-1.203	340	378	-.226	.066	.047	-.548	340	506	-.354	.088	-.117	-1.100
340	329	-.523	.134	-.183	-1.540	340	379	-.252	.109	.284	-.762	340	507	-.309	.058	-.150	-.563
340	330	-.420	.108	-.120	-1.069	340	380	-.321	.171	.228	-1.148	340	508	-.359	.096	-.071	-.803
340	331	-.449	.122	-.085	-1.071	340	381	-.433	.211	.024	-1.569	340	509	-.360	.077	-.173	-.803
340	332	-.315	.120	-.012	-1.337	340	382	-.528	.157	-.102	-1.952	340	510	-.346	.075	-.152	-.757
340	333	-.318	.118	.083	-.983	340	383	-.524	.160	-.147	-1.514	340	511	-.351	.107	-.043	-.999

WD	TAP	CPMEAN	CPRMS	CPMAX	CPMIN	WD	TAP	CPMEAN	CPRMS	CPMAX	CPMIN	WD	TAP	CPMEAN	CPRMS	CPMAX	CPMIN
340	512	.337	.087	-.050	-.919	340	562	-.334	.087	-.095	-.725	340	612	-.094	.045	.127	-.300
340	513	.327	.067	-.145	-.716	340	563	-.314	.076	-.052	-.592	340	613	-.100	.041	.065	-.423
340	514	.330	.074	-.122	-.778	340	564	-.303	.058	-.139	-.551	340	614	-.116	.053	.095	-.561
340	515	.332	.091	-.030	-.831	340	565	-.330	.076	-.150	-.904	340	615	-.135	.036	.102	-.247
340	516	.339	.070	-.168	-.732	340	566	-.327	.076	-.163	-.793	340	616	-.153	.040	.106	-.300
340	517	.342	.049	-.140	-.545	340	567	-.312	.075	-.125	-.619	340	617	-.172	.044	.054	-.371
340	518	.348	.077	-.168	-.741	340	568	-.308	.081	-.079	-.817	340	618	-.172	.050	.175	-.453
340	519	.344	.080	-.157	-.785	340	569	-.256	.049	-.084	-.487	340	619	-.174	.039	-.022	-.378
340	520	.346	.090	-.110	-.840	340	570	-.292	.079	-.043	-.600	340	620	-.231	.032	-.109	-.385
340	521	.343	.083	-.087	-.820	340	571	-.279	.068	-.079	-.634	340	701	-.423	.108	-.134	-.948
340	522	.345	.088	-.055	-.789	340	572	-.248	.046	-.101	-.511	340	702	-.338	.084	-.077	-.891
340	523	.344	.084	-.085	-.773	340	573	-.280	.056	-.089	-.670	340	703	-.160	.079	-.140	-.469
340	524	.341	.062	-.124	-.644	340	574	-.331	.075	-.171	-.873	340	704	-.499	.124	-.136	-.980
340	525	.341	.055	-.168	-.614	340	575	-.311	.073	-.142	-.783	340	705	-.405	.120	-.118	-1.099
340	526	.340	.055	-.145	-.531	340	576	-.296	.070	-.125	-.658	340	706	-.388	.123	-.026	-1.034
340	527	.343	.072	-.125	-.711	340	577	-.219	.060	-.022	-.455	340	707	-.405	.112	-.029	-1.007
340	528	.341	.088	-.069	-.767	340	578	-.215	.054	-.027	-.453	340	708	-.416	.123	-.147	-.959
340	529	.344	.089	-.037	-.744	340	579	-.220	.051	-.005	-.436	340	709	-.431	.126	-.008	-.975
340	530	.342	.045	-.157	-.545	340	580	-.291	.055	-.091	-.687	340	710	-.397	.111	-.001	-.980
340	531	.343	.055	-.183	-.520	340	581	-.363	.081	-.190	-.863	340	711	-.378	.117	-.029	-.952
340	532	.340	.075	-.097	-.852	340	582	-.314	.065	-.171	-.687	340	712	-.433	.123	-.141	-1.083
340	533	.342	.060	-.108	-.660	340	583	-.308	.067	-.159	-.634	340	713	-.438	.132	-.086	-1.121
340	534	.342	.048	-.136	-.522	340	584	-.162	.044	-.008	-.385	340	714	-.375	.112	-.070	-.902
340	535	.341	.044	-.129	-.506	340	585	-.159	.039	-.021	-.373	340	715	-.386	.122	-.005	-1.133
340	536	.341	.044	-.132	-.438	340	586	-.186	.037	-.063	-.340	340	716	-.414	.123	-.084	-1.144
340	537	.342	.045	-.155	-.464	340	587	-.235	.037	-.067	-.513	340	717	-.393	.109	-.008	-.948
340	538	.342	.058	-.150	-.655	340	588	-.318	.056	-.192	-.615	340	718	-.531	.192	-.093	-1.343
340	539	.342	.069	-.057	-.641	340	589	-.472	.108	-.238	-.943	340	719	-.429	.131	-.031	-1.003
340	540	.340	.076	-.094	-.737	340	590	-.462	.106	-.236	-.979	340	720	-.397	.111	-.099	-.959
340	541	.342	.043	-.162	-.478	340	591	-.226	.038	-.062	-.394	340	721	-.357	.103	-.005	-.791
340	542	.342	.048	-.167	-.555	340	592	-.215	.037	-.066	-.362	340	722	-.403	.105	-.134	-1.251
340	543	.343	.088	-.111	-.772	340	593	-.123	.041	-.044	-.336	340	723	-.422	.118	-.141	-.912
340	544	.343	.075	-.122	-.646	340	594	-.132	.042	-.056	-.293	340	724	-.429	.115	-.127	-.998
340	545	.343	.056	-.167	-.576	340	595	-.168	.041	-.009	-.415	340	725	-.425	.117	-.097	-.966
340	546	.343	.054	-.167	-.592	340	596	-.205	.036	-.028	-.353	340	726	-.384	.125	-.256	-1.023
340	547	.341	.069	-.104	-.625	340	597	-.281	.049	-.127	-.541	340	727	-.361	.107	-.001	-.837
340	548	.341	.083	-.104	-.707	340	598	-.409	.087	-.208	-.849	340	728	-.342	.112	-.096	-.846
340	549	.341	.076	-.120	-.821	340	599	-.539	.145	-.206	-1.582	340	729	-.328	.110	-.049	-.978
340	550	.345	.098	-.077	-.846	340	600	-.232	.042	-.107	-.430	340	730	-.393	.110	-.098	-.888
340	551	.341	.071	-.113	-.718	340	601	-.271	.045	-.153	-.481	340	731	-.412	.109	-.103	-1.167
340	552	.340	.052	-.173	-.592	340	602	-.262	.042	-.155	-.481	340	732	-.386	.095	-.142	-.966
340	553	.342	.047	-.164	-.517	340	603	-.100	.045	-.088	-.274	340	733	-.402	.105	-.114	-1.377
340	554	.340	.054	-.166	-.654	340	604	-.292	.063	-.121	-.648	340	734	-.434	.117	-.116	-1.058
340	555	.343	.071	-.107	-.656	340	605	-.210	.038	-.024	-.391	340	735	-.398	.104	-.121	-.865
340	556	.342	.084	-.120	-.746	340	606	-.262	.050	-.127	-.579	340	736	-.398	.101	-.066	-.920
340	557	.343	.085	-.111	-.709	340	607	-.280	.047	-.152	-.485	340	737	-.417	.127	-.061	-1.054
340	558	.343	.070	-.104	-.629	340	608	-.129	.048	-.093	-.318	340	738	-.385	.113	-.098	-.906
340	559	.342	.071	-.104	-.642	340	609	-.205	.050	-.008	-.498	340	739	-.361	.120	-.043	-.948
340	560	.342	.087	-.084	-.727	340	610	-.249	.050	-.059	-.582	340	740	-.351	.126	-.033	-.901
340	561	.340	.084	-.109	-.734	340	611	-.283	.050	-.160	-.518	340	741	-.396	.098	-.049	-.777

WD	TAP	CPMEAN	CPRMS	CPMAX	CPMIN	WD	TAP	CPMEAN	CPRMS	CPMAX	CPMIN	WD	TAP	CPMEAN	CPRMS	CPMAX	CPMIN
340	742	-.408	.108	-.096	-.991	340	792	-.253	.111	.180	-.850	340	920	-.366	.068	-.141	-.777
340	743	-.398	.128	-.144	-1.451	340	793	-.252	.156	.216	-1.047	340	921	-.495	.099	-.204	-.933
340	744	-.399	.110	-.170	-1.167	340	794	-.223	.092	.096	-.657	340	922	-.376	.156	1.143	-.015
340	745	-.401	.102	-.096	-1.102	340	795	-.212	.063	-.041	-.503	340	923	-.444	.098	-.156	-.959
340	746	-.400	.115	-.010	-1.056	340	796	-.197	.066	-.020	-.736	340	924	-.358	.098	-.005	-.769
340	747	-.366	.118	-.003	-1.098	340	797	-.151	.041	-.018	-.376	340	925	-.048	.391	-.871	-1.111
340	748	-.380	.120	.024	-1.031	340	798	-.474	.163	-.115	-1.143	340	926	-.355	.091	-.058	-.797
340	749	-.361	.127	.070	-.875	340	799	-.496	.160	-.178	-1.410	340	927	-.294	.127	.318	-.766
340	750	-.333	.141	.246	-.778	340	800	-.350	.122	.027	-1.050	340	928	-.386	.100	.007	-.825
340	751	-.486	.138	-.181	-1.298	340	801	-.234	.090	.238	-.669	340	929	-.232	.160	.241	-1.136
340	752	-.431	.106	-.129	-1.022	340	802	-.163	.061	.171	-.541	340	930	-.310	.065	-.111	-.585
340	753	-.428	.120	-.097	-.934	340	803	-.123	.040	.057	-.343	340	931	-.237	.130	.670	-.079
340	754	-.385	.102	-.043	-.841	340	804	-.123	.039	.033	-.262	340	932	-.338	.082	-.096	-.728
340	755	-.381	.125	-.009	-1.070	340	805	-.013	.084	.329	-.334	340	933	-.357	.101	.029	-.835
340	756	-.338	.086	-.043	-.733	340	806	-.169	.079	.103	-.457	340	934	-.113	.098	.231	-.539
340	757	-.361	.111	-.022	-.932	340	807	-.200	.054	.003	-.434	340	935	-.289	.070	.017	-.577
340	758	-.457	.122	-.183	-1.171	340	808	-.141	.035	.024	-.292	340	936	-.339	.058	-.204	-.520
340	759	-.364	.108	-.032	-.868	340	809	-.566	.251	-.145	-1.982	340	937	-.326	.109	-.034	-.998
340	760	-.429	.116	-.127	-1.217	340	810	-.233	.080	-.027	-.680	340	938	-.441	.127	-.082	-1.158
340	761	-.350	.111	-.000	-.855	340	811	-.115	.053	.136	-.311	340	939	-.447	.108	-.159	-1.340
340	762	-.416	.095	-.140	-.950	340	812	-.106	.042	.068	-.276	340	940	-.238	.068	-.003	-.465
340	763	-.423	.099	-.125	-.882	340	813	-.177	.055	.033	-.499	340	941	-.223	.042	-.115	-.444
340	764	-.434	.109	-.120	-1.158	340	814	-.181	.052	.027	-.424	340	942	.236	.127	.842	-.242
340	765	-.432	.138	.020	-1.318	340	815	-.115	.040	.050	-.278	340	943	.150	.093	.635	-.099
340	766	-.379	.116	.005	-.876	340	816	-.465	.168	-.059	-1.626	340	944	.144	.079	.529	-.056
340	767	-.366	.125	.040	-.952	340	817	-.305	.098	.064	-.766	340	945	-.180	.033	-.013	-.308
340	768	-.344	.123	-.048	-1.026	340	818	-.153	.075	.180	-.450	340	946	.236	.118	.776	-.045
340	769	-.395	.101	-.102	-1.060	340	819	-.070	.084	.459	-.443	340	947	.286	.145	1.055	-.018
340	770	-.444	.106	-.193	-.983	340	820	-.106	.076	.187	-.571	340	948	.228	.114	.706	-.022
340	771	-.447	.115	-.167	-1.119	340	821	-.090	.041	.127	-.308	340	949	.296	.159	1.060	-.045
340	772	-.491	.139	.031	-1.169	340	822	-.092	.038	.032	-.220	340	950	-.252	.039	-.111	-.428
340	773	-.443	.124	.017	-.938	340	901	-.360	.053	-.228	-.533	340	951	.139	.087	.527	-.095
340	774	-.384	.120	.043	-.855	340	902	-.381	.114	-.023	-.975	340	952	-.098	.065	.168	-.385
340	775	-.323	.111	-.040	-.805	340	903	-.413	.106	-.115	-.988	340	953	.102	.080	.484	-.258
340	776	-.312	.112	-.014	-.810	340	904	-.400	.104	-.140	-1.011	340	954	.142	.095	.579	-.136
340	777	-.494	.150	-.157	-1.202	340	905	-.215	.058	-.023	-.416	340	955	.057	.058	.302	-.093
340	778	-.512	.159	-.192	-1.560	340	906	-.341	.072	.001	-.624	340	956	-.086	.100	.329	-.755
340	779	-.490	.174	.095	-1.564	340	907	-.360	.088	-.116	-.791	340	957	-.187	.122	.116	-.882
340	780	-.404	.133	.157	-.971	340	908	-.017	.115	.431	-.403	340	958	-.246	.199	.318	-1.127
340	781	-.299	.123	.088	-.855	340	909	-.244	.073	.068	-.516	340	959	-.091	.081	.381	-.383
340	782	-.226	.097	.050	-.640	340	910	-.326	.060	-.143	-.562	340	960	-.198	.049	.064	-.564
340	783	-.214	.083	-.002	-.605	340	911	-.376	.136	-.869	-.043	340	961	-.357	.085	-.149	-.843
340	784	-.461	.149	-.133	-1.331	340	912	-.359	.082	-.085	-.695	340	962	-.323	.066	-.159	-.746
340	785	-.478	.148	-.117	-1.440	340	913	-.195	.153	.341	-1.179	340	963	.000	.108	.565	-.306
340	786	-.398	.152	.086	-1.200	340	914	-.345	.085	-.104	-.833	340	964	-.044	.074	.275	-.439
340	787	-.277	.117	.140	-.783	340	915	-.314	.126	-.197	-.780	340	965	-.226	.058	-.034	-.578
340	788	-.189	.085	.152	-.624	340	916	-.357	.085	-.148	-.854	340	966	-.377	.094	-.195	-.879
340	789	-.146	.053	.040	-.357	340	917	-.055	.365	-.936	-.922	340	967	-.066	.046	-.096	-.264
340	790	-.146	.047	.050	-.345	340	918	-.419	.094	-.127	-.886	340	968	-.225	.044	-.052	-.484
340	791	-.381	.174	.111	-1.219	340	919	-.308	.048	-.198	-.487	340	969	-.149	.045	.027	-.436

WD	TAP	CPMEAN	CPRMS	CPMAX	CPMIN	WD	TAP	CPMEAN	CPRMS	CPMAX	CPMIN	WD	TAP	CPMEAN	CPRMS	CPMAX	CPMIN
3550	970	-.055	.057	.209	-.249	3550	121	-.015	.117	.399	-.490	3550	171	.135	.116	.572	-.184
3550	971	-.062	.054	.175	-.218	3550	122	.154	.146	.799	-.281	3550	172	.210	.119	.733	-.255
3550	1001	-.394	.099	-.026	-.885	3550	123	.211	.147	.742	-.194	3550	173	.247	.110	.700	-.010
3550	1002	-.216	.083	-.103	-.571	3550	124	.257	.151	.881	-.224	3550	174	.172	.143	.828	-.471
3550	1003	-.367	.076	-.181	-.710	3550	125	.231	.149	.708	-.217	3550	175	.081	.104	.520	-.210
3550	1004	-.325	.107	-.020	-.755	3550	126	.254	.154	.808	-.256	3550	176	-.030	.093	.368	-.305
3550	1005	-.341	.071	-.144	-.746	3550	127	.218	.153	.739	-.317	3550	177	-.069	.074	.322	-.307
3550	1006	-.451	.113	-.109	-1.199	3550	128	.133	.120	.608	-.273	3550	178	.007	.068	.379	-.243
3550	1007	-.166	.035	.039	-.280	3550	129	.068	.111	.472	-.223	3550	179	.082	.077	.408	-.236
3550	1008	-.236	.122	-.945	-.029	3550	130	.322	.148	.933	-.064	3550	180	.134	.080	.463	-.058
3550	1009	-.230	.051	-.017	-.482	3550	131	.293	.173	.903	-.232	3550	181	.054	.109	.581	-.355
3550	1010	.301	.139	.893	-.045	3550	132	.155	.135	.647	-.340	3550	182	-.008	.093	.365	-.291
3550	1011	-.226	.041	.003	-.412	3550	133	.300	.152	1.041	-.142	3550	183	-.083	.091	.327	-.438
3550	1012	-.241	.122	-.801	-.014	3550	134	.393	.160	.930	-.020	3550	184	-.076	.045	.097	-.274
3550	1013	-.374	.091	-.097	-.768	3550	135	.384	.161	1.082	-.016	3550	185	.007	.049	.237	-.143
3550	1014	-.422	.096	-.125	-.904	3550	136	.380	.158	.928	-.024	3550	186	.111	.079	.465	-.160
3550	1015	-.379	.091	-.127	-.833	3550	137	.354	.160	.958	-.025	3550	187	.200	.113	.664	-.051
3550	1016	-.287	.096	-.008	-.766	3550	138	.289	.169	.866	-.234	3550	188	.041	.096	.470	-.245
3550	1017	-.104	.101	.336	-.837	3550	139	.178	.126	.652	-.190	3550	189	-.125	.046	.097	-.281
3550	1018	-.050	.096	.403	-.527	3550	140	.054	.102	.424	-.232	3550	190	-.321	.052	-.025	-.419
3550	1019	-.175	.101	.163	-.669	3550	141	.403	.149	.914	-.083	3550	191	.195	.105	.747	-.026
3550	1020	-.378	.126	.053	-.986	3550	142	.354	.149	.843	-.068	3550	192	.191	.106	.644	-.078
3550	1021	-.131	.038	.082	-.256	3550	143	.009	.136	.530	-.398	3550	193	.204	.105	.658	-.062
3550	1022	-.050	.034	.091	-.151	3550	144	.181	.135	.804	-.202	3550	194	.008	.062	.451	-.185
3550	1023	-.060	.037	.123	-.201	3550	145	.361	.148	1.027	-.073	3550	195	.074	.074	.406	-.119
3550	1024	-.063	.048	-.103	-.300	3550	146	.293	.140	.845	-.034	3550	196	.127	.090	.572	-.142
3550	1025	-.185	.038	-.069	-.374	3550	147	.074	.111	.484	-.264	3550	197	.040	.097	.497	-.292
3550	1026	-.244	.045	-.098	-.479	3550	148	-.124	.092	.263	-.480	3550	198	-.056	.051	.106	-.403
3550	1027	-.238	.035	-.122	-.398	3550	149	-.017	.244	.725	-.902	3550	199	-.044	.043	.165	-.274
3550	1028	-.049	.040	.096	-.213	3550	150	-.211	.207	.513	-.828	3550	200	-.033	.035	.122	-.233
3550	101	-.032	.088	.385	-.330	3550	151	.178	.151	.734	-.469	3550	201	-.030	.035	.115	-.183
3550	102	-.011	.086	.435	-.330	3550	152	.314	.160	.993	-.192	3550	202	-.125	.059	.081	-.394
3550	103	.162	.138	.637	-.337	3550	153	.308	.161	.772	-.366	3550	203	-.067	.046	.090	-.299
3550	104	.222	.133	.681	-.258	3550	154	.251	.139	.786	-.285	3550	204	-.089	.039	.056	-.242
3550	105	-.024	.101	.342	-.402	3550	155	.068	.122	.475	-.460	3550	205	-.105	.038	.017	-.283
3550	106	-.064	.079	.240	-.309	3550	156	-.382	.117	.126	-1.080	3550	206	-.143	.043	.026	-.292
3550	107	-.004	.094	.408	-.292	3550	157	-.254	.200	.540	-.762	3550	207	-.198	.047	-.021	-.405
3550	108	-.022	.141	.488	-.568	3550	158	.196	.132	.671	-.138	3550	208	-.299	.070	-.081	-.569
3550	109	.115	.156	.640	-.521	3550	159	.096	.113	.558	-.348	3550	209	-.049	.045	.163	-.312
3550	110	.100	.159	.681	-.446	3550	160	.085	.130	.642	-.298	3550	210	-.021	.036	.116	-.207
3550	111	-.090	.116	.372	-.686	3550	161	.001	.102	.396	-.393	3550	211	-.194	.068	-.022	-.520
3550	112	.170	.143	.908	-.294	3550	162	.067	.130	.536	-.359	3550	212	-.159	.039	.012	-.308
3550	113	.289	.164	.881	-.185	3550	163	.192	.129	.673	-.145	3550	213	-.158	.041	-.017	-.384
3550	114	.209	.142	.865	-.169	3550	164	.142	.139	.829	-.037	3550	214	-.274	.087	-.043	-.763
3550	115	.070	.104	.447	-.228	3550	165	.305	.135	.784	-.134	3550	215	-.064	.063	.139	-.379
3550	116	.132	.173	.685	-.485	3550	166	.283	.133	.788	-.188	3550	216	-.036	.041	.157	-.211
3550	117	.353	.152	.887	-.108	3550	167	.120	.107	.603	-.181	3550	217	-.029	.032	.093	-.135
3550	118	.033	.131	.440	-.424	3550	168	.007	.099	.377	-.276	3550	218	-.041	.033	.143	-.138
3550	119	.131	.225	.810	-.717	3550	169	.268	.122	.752	-.017	3550	219	-.083	.041	.118	-.255
3550	120	-.124	.198	.610	-.814	3550	170	.013	.115	.479	-.298	3550	220	-.006	.070	.332	-.188

WD	TAP	CPMEAN	CPRMS	CPMAX	CPMIN	WD	TAP	CPMEAN	CPRMS	CPMAX	CPMIN	WD	TAP	CPMEAN	CPRMS	CPMAX	CPMIN
3350	221	-.030	.053	.233	-.181	350	346	-.450	.145	-.000	-1.231	350	396	-.266	.143	.175	-1.382
3350	222	-.067	.048	.152	-.204	350	347	-.477	.131	-.059	-1.217	350	397	-.333	.066	-.139	-.690
3350	223	-.142	.040	.053	-.276	350	348	-.460	.142	-.105	-1.253	350	398	-.262	.047	-.089	-.438
3350	224	-.104	.057	.159	-.303	350	349	-.312	.054	-.139	-.574	350	399	-.225	.030	-.120	-.343
3350	225	-.104	.078	.309	-.409	350	350	-.313	.065	-.142	-.805	350	400	-.187	.028	-.098	-.312
3350	301	-.372	.095	-.079	-.840	350	351	-.290	.082	-.046	-1.006	350	401	-.168	.029	-.062	-.300
3350	302	-.468	.129	-.137	-1.151	350	352	-.314	.119	.050	-1.932	350	402	-.162	.038	-.023	-.409
3350	303	-.459	.090	-.202	-.987	350	353	-.409	.177	.009	-1.080	350	403	-.166	.102	.252	-.670
3350	304	-.102	.070	.126	-.404	350	354	-.475	.163	-.008	-1.102	350	404	-.136	.103	.373	-.551
3350	305	-.357	.116	-.000	-.951	350	355	-.710	.234	-.051	-1.818	350	405	-.029	.037	.195	-.212
3350	306	-.490	.115	-.161	-1.047	350	356	-.255	.192	.329	-.989	350	406	-.018	.059	.189	-.325
3350	307	-.402	.117	-.014	-.881	350	357	-.259	.182	.348	-.894	350	407	-.243	.045	-.068	-.474
3350	308	-.327	.103	.089	-.895	350	358	-.273	.070	-.022	-.794	350	408	-.228	.033	-.132	-.389
3350	309	-.373	.133	-.066	-.995	350	359	-.614	.180	-.161	-1.426	350	409	-.183	.033	-.093	-.339
3350	310	-.441	.135	-.055	-1.185	350	360	-.277	.061	-.067	-.655	350	410	-.052	.068	-.220	-.379
3350	311	-.498	.118	-.111	-1.151	350	361	-.567	.189	.061	-1.489	350	411	-.216	.031	-.098	-.332
3350	312	-.321	.099	.032	-.828	350	362	-.271	.068	-.091	-.736	350	412	-.205	.031	-.099	-.324
3350	313	-.363	.129	.037	-.901	350	363	-.260	.074	-.024	-.794	350	413	-.095	.044	.073	-.336
3350	314	-.475	.147	-.027	-1.055	350	364	-.284	.106	.007	-.965	350	414	-.178	.040	-.011	-.333
3350	315	-.498	.114	-.185	-1.033	350	365	-.321	.192	.028	-1.398	350	415	-.182	.035	-.046	-.336
3350	316	-.422	.123	-.031	-.932	350	366	-.367	.179	.050	-1.381	350	416	-.192	.027	-.089	-.286
3350	317	-.385	.132	-.003	-.966	350	367	-.574	.190	.032	-1.480	350	417	-.166	.028	-.053	-.298
3350	318	-.320	.088	-.060	-.778	350	368	-.599	.185	-.207	-2.087	350	418	-.140	.028	-.003	-.248
3350	319	-.372	.127	-.009	-.922	350	369	-.275	.163	.118	-1.011	350	419	-.225	.064	.068	-.531
3350	320	-.417	.166	-.102	-1.036	350	370	-.257	.055	-.061	-.653	350	420	-.028	.042	.192	-.184
3350	321	-.668	.196	-.093	-1.529	350	371	-.230	.056	-.023	-.598	350	421	.039	.064	.375	-.192
3350	322	-.268	.068	-.008	-.862	350	372	-.300	.117	.183	-.777	350	422	-.053	.079	-.586	-.278
3350	323	-.262	.073	-.062	-.766	350	373	-.229	.166	.150	-1.079	350	501	-.335	.058	-.168	-.709
3350	324	-.335	.100	.020	-.802	350	374	-.381	.210	.050	-1.359	350	502	-.355	.069	-.158	-.684
3350	325	-.196	.205	.483	-.156	350	375	-.506	.169	.166	-1.276	350	503	-.391	.071	-.147	-.786
3350	326	-.465	.161	-.011	-1.156	350	376	-.505	.146	-.099	-1.379	350	504	-.465	.130	-.109	-1.142
3350	327	-.435	.150	.029	-1.139	350	377	-.265	.044	-.056	-.492	350	505	-.319	.059	-.149	-.760
3350	328	-.554	.174	-.127	-1.173	350	378	-.236	.047	-.036	-.467	350	506	-.317	.077	-.081	-.708
3350	329	-.555	.149	-.046	-1.287	350	379	-.281	.101	.133	-.832	350	507	-.313	.049	-.161	-.530
3350	330	-.408	.129	-.007	-.934	350	380	-.193	.129	.309	-.734	350	508	-.335	.064	-.131	-.764
3350	331	-.428	.152	-.112	-.997	350	381	-.309	.193	.125	-1.412	350	509	-.336	.059	-.179	-.840
3350	332	-.258	.063	-.022	-.939	350	382	-.453	.188	.035	-1.638	350	510	-.336	.072	-.142	-.928
3350	333	-.238	.068	-.042	-.839	350	383	-.452	.178	.047	-1.414	350	511	-.321	.083	-.056	-.687
3350	334	-.295	.126	.168	-.914	350	384	-.360	.067	-.172	-.600	350	512	-.315	.052	-.165	-.602
3350	335	-.288	.198	.383	-.992	350	385	-.286	.042	-.107	-.464	350	513	-.321	.053	-.191	-.698
3350	336	-.413	.154	-.129	-1.068	350	386	-.300	.079	.067	-.656	350	514	-.322	.070	-.100	-.756
3350	337	-.479	.144	-.005	-1.158	350	387	-.126	.070	.287	-.689	350	515	-.331	.083	-.061	-.744
3350	338	-.517	.181	.046	-1.265	350	388	-.201	.140	.128	-1.233	350	516	-.332	.062	-.165	-.691
3350	339	-.523	.119	.012	-.929	350	389	-.296	.134	.004	-.981	350	517	-.297	.047	-.181	-.433
3350	340	-.501	.114	-.112	-1.136	350	390	-.318	.135	.024	-.981	350	518	-.327	.051	-.165	-.607
3350	341	-.409	.128	-.003	-.917	350	391	-.107	.073	.251	-.717	350	519	-.338	.064	-.177	-.826
3350	342	-.408	.165	-.088	-1.331	350	392	-.298	.068	.053	-.566	350	520	-.326	.068	-.163	-.675
3350	343	-.294	.068	-.115	-.700	350	393	-.100	.065	.178	-.524	350	521	-.356	.083	-.081	-.775
3350	344	-.273	.076	-.066	-.734	350	394	-.110	.130	.299	-1.204	350	522	-.309	.054	-.098	-.579
3350	345	-.349	.142	.012	-1.119	350	395	-.279	.139	.002	-1.028	350	523	-.310	.053	-.156	-.721

WD	TAP	CPMEAN	CPRMS	CPMAX	CPMIN	WD	TAP	CPMEAN	CPRMS	CPMAX	CPMIN	WD	TAP	CPMEAN	CPRMS	CPMAX	CPMIN
350	574	-.308	.043	-.149	-.540	350	574	-.337	.050	-.205	-.606	350	704	-.474	.099	-.187	-.918
350	575	-.323	.047	-.195	-.558	350	575	-.302	.048	-.145	-.553	350	705	-.326	.067	-.144	-.771
350	576	-.399	.050	-.165	-.540	350	576	-.302	.049	-.171	-.701	350	706	-.340	.073	-.115	-.768
350	577	-.301	.053	-.137	-.519	350	577	-.377	.066	-.040	-.546	350	707	-.339	.068	-.150	-.829
350	578	-.295	.064	-.076	-.670	350	578	-.364	.057	-.079	-.495	350	708	-.371	.091	-.149	-.862
350	579	-.292	.058	-.043	-.622	350	579	-.355	.050	-.045	-.441	350	709	-.382	.111	-.166	-1.050
350	580	-.298	.041	-.152	-.498	350	580	-.326	.047	-.198	-.512	350	710	-.361	.086	-.118	-.877
350	581	-.308	.048	-.159	-.625	350	581	-.390	.076	-.220	-.847	350	711	-.352	.080	-.103	-.754
350	582	-.310	.054	-.128	-.658	350	582	-.349	.061	-.186	-.667	350	712	-.373	.100	-.102	-1.188
350	583	-.291	.044	-.163	-.498	350	583	-.334	.057	-.171	-.674	350	713	-.383	.104	-.088	-.932
350	584	-.291	.038	-.180	-.493	350	584	-.191	.049	-.028	-.383	350	714	-.341	.071	-.115	-.732
350	585	-.298	.037	-.180	-.458	350	585	-.189	.040	-.047	-.325	350	715	-.354	.088	-.069	-.969
350	586	-.286	.039	-.161	-.448	350	586	-.221	.043	-.072	-.478	350	716	-.368	.094	-.134	-.882
350	587	-.290	.042	-.180	-.512	350	587	-.276	.040	-.145	-.502	350	717	-.332	.069	-.122	-.716
350	588	-.295	.045	-.170	-.472	350	588	-.376	.062	-.188	-.643	350	718	-.528	.185	-.150	-1.597
350	589	-.297	.054	-.121	-.630	350	589	-.527	.112	-.276	-1.146	350	719	-.361	.090	-.058	-.813
350	590	-.295	.052	-.128	-.594	350	590	-.555	.140	-.256	-1.253	350	720	-.336	.063	-.145	-.762
350	591	-.303	.038	-.161	-.429	350	591	-.254	.039	-.101	-.474	350	721	-.340	.075	-.148	-.730
350	592	-.399	.042	-.182	-.474	350	592	-.237	.038	-.091	-.426	350	722	-.322	.067	-.127	-.661
350	593	-.335	.065	-.114	-.625	350	593	-.132	.040	-.016	-.305	350	723	-.327	.068	-.145	-.686
350	594	-.321	.049	-.154	-.580	350	594	-.133	.040	-.011	-.310	350	724	-.357	.086	-.125	-.817
350	595	-.313	.044	-.213	-.604	350	595	-.177	.046	-.013	-.438	350	725	-.351	.087	-.099	-.872
350	596	-.298	.044	-.170	-.502	350	596	-.219	.036	-.048	-.421	350	726	-.356	.088	-.136	-.792
350	597	-.305	.053	-.149	-.590	350	597	-.314	.056	-.112	-.592	350	727	-.340	.074	-.110	-.799
350	598	-.308	.056	-.128	-.787	350	598	-.476	.092	-.264	-.937	350	728	-.337	.081	-.087	-.858
350	599	-.323	.054	-.165	-.564	350	599	-.643	.163	-.234	-1.412	350	729	-.343	.092	-.011	-.890
350	600	-.346	.075	-.130	-.670	350	600	-.245	.039	-.124	-.443	350	730	-.331	.063	-.154	-.671
350	601	-.320	.051	-.183	-.569	350	601	-.284	.042	-.176	-.477	350	731	-.343	.070	-.096	-.751
350	602	-.301	.036	-.183	-.435	350	602	-.279	.038	-.143	-.435	350	732	-.324	.060	-.117	-.618
350	603	-.304	.040	-.193	-.479	350	603	-.105	.048	-.109	-.292	350	733	-.326	.061	-.140	-.688
350	604	-.304	.044	-.177	-.534	350	604	-.344	.082	-.141	-.743	350	734	-.352	.081	-.050	-.799
350	605	-.314	.057	-.149	-.613	350	605	-.221	.037	-.111	-.368	350	735	-.340	.074	-.136	-.813
350	606	-.310	.058	-.149	-.700	350	606	-.270	.047	-.134	-.552	350	736	-.334	.068	-.168	-.692
350	607	-.324	.068	-.130	-.527	350	607	-.287	.039	-.176	-.471	350	737	-.352	.080	-.106	-.806
350	608	-.313	.045	-.128	-.781	350	608	-.132	.053	-.118	-.338	350	738	-.342	.074	-.068	-.662
350	609	-.302	.050	-.135	-.633	350	609	-.209	.044	-.018	-.404	350	739	-.356	.094	-.078	-.909
350	610	-.328	.061	-.140	-.594	350	610	-.263	.044	-.093	-.426	350	740	-.362	.100	-.143	-.923
350	611	-.297	.054	-.142	-.424	350	611	-.317	.050	-.185	-.562	350	741	-.349	.070	-.131	-.774
350	612	-.328	.058	-.112	-.580	350	612	-.094	.050	-.100	-.319	350	742	-.358	.083	-.150	-.948
350	613	-.321	.050	-.186	-.518	350	613	-.101	.049	-.069	-.389	350	743	-.334	.070	-.140	-.879
350	614	-.303	.041	-.137	-.502	350	614	-.120	.060	-.238	-.491	350	744	-.353	.078	-.154	-1.209
350	615	-.348	.064	-.179	-.737	350	615	-.135	.042	-.081	-.280	350	745	-.348	.074	-.136	-.869
350	616	-.310	.047	-.179	-.563	350	616	-.162	.041	-.049	-.347	350	746	-.359	.083	-.168	-.830
350	617	-.292	.049	-.140	-.599	350	617	-.186	.050	-.215	-.361	350	747	-.371	.104	-.094	-1.086
350	618	-.287	.046	-.150	-.563	350	618	-.181	.053	-.072	-.435	350	748	-.361	.094	-.150	-1.084
350	619	-.282	.038	-.159	-.436	350	619	-.181	.042	-.005	-.359	350	749	-.399	.114	-.009	-.931
350	620	-.330	.073	-.079	-.728	350	620	-.246	.029	-.153	-.363	350	750	-.346	.106	-.135	-.815
350	621	-.308	.053	-.113	-.534	350	621	-.380	.072	-.191	-.909	350	751	-.388	.095	-.164	-1.241
350	622	-.274	.038	-.133	-.441	350	622	-.314	.055	-.113	-.592	350	752	-.362	.075	-.180	-.945
350	623	-.300	.045	-.130	-.507	350	623	-.197	.067	-.046	-.484	350	753	-.362	.081	-.082	-.770

WD	TAP	CPMEAN	CPRMS	CPMAX	CPMIN	WD	TAP	CPMEAN	CPRMS	CPMAX	CPMIN	WD	TAP	CPMEAN	CPRMS	CPMAX	CPMIN
350	754	-.363	.079	-.127	-.954	350	804	-.157	.058	.013	-.605	350	932	-.274	.049	.023	-.574
350	755	-.374	.102	-.054	-.970	350	805	-.007	.076	.362	-.361	350	933	-.348	.091	.056	-.861
350	756	-.333	.069	-.114	-.774	350	806	-.207	.087	-.062	-.584	350	934	-.054	.103	.319	-.476
350	757	-.343	.070	-.136	-.708	350	807	-.238	.056	-.048	-.483	350	935	-.285	.065	.033	-.627
350	758	-.419	.122	-.089	-1.009	350	808	-.175	.039	-.032	-.379	350	936	-.310	.032	-.216	-.454
350	759	-.355	.085	-.038	-.893	350	809	-.565	.220	-.135	-2.131	350	937	-.266	.086	-.058	-.745
350	760	-.374	.104	-.134	-1.038	350	810	-.360	.114	-.020	-.931	350	938	-.420	.160	.047	-1.097
350	761	-.362	.093	-.043	-.881	350	811	-.181	.074	.165	-.501	350	939	-.467	.128	-.122	-1.142
350	762	-.370	.095	-.141	-.981	350	812	-.110	.057	-.109	-.459	350	940	-.136	.085	-.126	-.409
350	763	-.385	.090	-.159	-1.138	350	813	-.207	.052	-.055	-.455	350	941	-.362	.057	-.215	-.558
350	764	-.382	.090	-.125	-1.052	350	814	-.216	.057	-.024	-.485	350	942	-.185	.140	.719	-.240
350	765	-.391	.101	-.136	-1.088	350	815	-.142	.041	-.029	-.295	350	943	.117	.086	.453	-.135
350	766	-.362	.089	-.095	-.957	350	816	-.564	.187	-.156	-1.713	350	944	.114	.079	.440	-.085
350	767	-.368	.093	-.032	-.854	350	817	-.396	.111	.004	-.950	350	945	-.198	.034	-.048	-.421
350	768	-.359	.101	-.112	-.950	350	818	-.256	.088	.109	-.649	350	946	.205	.107	.703	-.039
350	769	-.355	.085	-.119	-.746	350	819	-.142	.099	.292	-.457	350	947	.263	.135	.792	-.057
350	770	-.390	.092	-.140	-1.001	350	820	-.099	.084	.215	-.600	350	948	.217	.111	.707	-.032
350	771	-.393	.088	-.162	-.840	350	821	-.091	.043	.094	-.348	350	949	.283	.148	1.099	-.066
350	772	-.415	.105	-.044	-1.075	350	822	-.095	.042	-.041	-.313	350	950	-.291	.046	-.153	-.519
350	773	-.402	.093	-.025	-1.068	350	901	-.351	.038	-.253	-.500	350	951	-.123	.080	.524	-.080
350	774	-.399	.105	-.028	-1.054	350	902	-.369	.090	-.164	-.920	350	952	-.113	.073	.195	-.483
350	775	-.396	.110	-.088	-1.143	350	903	-.360	.077	-.143	-.961	350	953	.079	.084	.465	-.167
350	776	-.408	.122	-.066	-.895	350	904	-.339	.066	-.161	-.699	350	954	.150	.102	.865	-.142
350	777	-.429	.095	-.193	-1.001	350	905	-.355	.056	-.029	-.478	350	955	.039	.057	.291	-.123
350	778	-.438	.110	-.203	-1.337	350	906	-.335	.055	-.165	-.673	350	956	-.089	.072	.314	-.547
350	779	-.473	.138	-.066	-1.325	350	907	-.336	.057	-.160	-.594	350	957	-.137	.061	.076	-.563
350	780	-.439	.115	-.076	-.957	350	908	-.034	.109	.346	-.385	350	958	-.138	.145	.371	-1.092
350	781	-.391	.103	.040	-.801	350	909	-.203	.063	.167	-.435	350	959	-.034	.086	.392	-.307
350	782	-.335	.100	.052	-.782	350	910	-.321	.045	-.153	-.516	350	960	-.205	.043	.023	-.462
350	783	-.346	.131	-.018	-1.010	350	911	-.179	.123	-.739	-.145	350	961	-.343	.069	-.137	-.794
350	784	-.462	.116	-.179	-1.445	350	912	-.331	.056	-.184	-.594	350	962	-.301	.050	-.158	-.564
350	785	-.489	.122	-.155	-1.325	350	913	-.213	.142	-.223	-.902	350	963	-.048	.076	.466	-.361
350	786	-.488	.133	.028	-1.097	350	914	-.340	.062	-.173	-.865	350	964	-.054	.058	.185	-.412
350	787	-.387	.103	.016	-.748	350	915	-.323	.105	-.353	-.660	350	965	-.217	.046	-.036	-.540
350	788	-.316	.099	.085	-.787	350	916	-.336	.059	-.196	-.670	350	966	-.348	.065	-.197	-.856
350	789	-.217	.072	.037	-.645	350	917	-.167	.353	1.122	-1.049	350	967	-.071	.042	-.100	-.239
350	790	-.207	.072	.025	-.794	350	918	-.363	.067	-.176	-.675	350	968	-.218	.037	-.033	-.372
350	791	-.470	.159	.051	-1.308	350	919	-.305	.042	-.177	-.566	350	969	-.137	.036	.064	-.305
350	792	-.366	.105	.069	-.972	350	920	-.341	.060	-.179	-.635	350	970	-.069	.053	.158	-.256
350	793	-.446	.197	.248	-1.192	350	921	-.462	.096	-.201	-.933	350	971	-.081	.046	.149	-.229
350	794	-.362	.104	-.006	-.790	350	922	-.354	.157	.919	-.003	350	1001	-.357	.080	-.103	-.976
350	795	-.251	.049	-.077	-.428	350	923	-.413	.100	-.103	-.904	350	1002	-.331	.096	.073	-.721
350	796	-.251	.085	-.070	-.821	350	924	-.351	.099	-.110	-.963	350	1003	-.339	.058	-.191	-.829
350	797	-.181	.043	-.013	-.393	350	925	-.174	.342	.979	-1.083	350	1004	-.323	.087	-.038	-.792
350	798	-.512	.144	-.208	-1.119	350	926	-.320	.068	-.106	-.691	350	1005	-.335	.048	-.181	-.560
350	799	-.524	.141	-.234	-1.232	350	927	-.288	.123	-.357	-.704	350	1006	-.418	.093	-.116	-.740
350	800	-.450	.114	-.070	-.891	350	928	-.347	.088	-.007	-.817	350	1007	-.180	.039	.015	-.334
350	801	-.351	.109	.022	-.992	350	929	-.203	.179	.320	-1.097	350	1008	.212	.111	.691	-.108
350	802	-.242	.083	.092	-.649	350	930	-.309	.050	-.158	-.684	350	1009	-.259	.042	-.084	-.399
350	803	-.165	.054	.041	-.372	350	931	-.257	.141	.795	-.062	350	1010	.286	.130	.888	-.048

WD	TAP	CPMEAN	CPRMS	CPMAX	CPMIN	WD	TAP	CPMEAN	CPRMS	CPMAX	CPMIN	WD	TAP	CPMEAN	CPRMS	CPMAX	CPMIN
350	1011	-.261	.048	-.079	-.448	350	1017	-.106	.070	.430	-.595	350	1023	-.069	.037	.093	-.229
350	1012	-.227	.114	-.813	-.024	350	1018	-.087	.065	.308	-.377	350	1024	-.054	.049	-.081	-.452
350	1013	-.343	.071	-.107	-.712	350	1019	-.140	.057	.081	-.600	350	1025	-.200	.041	-.077	-.358
350	1014	-.456	.098	-.190	-.929	350	1020	-.263	.145	.054	-.879	350	1026	-.262	.044	-.062	-.452
350	1015	-.333	.068	-.139	-.610	350	1021	-.134	.045	.119	-.285	350	1027	-.254	.033	-.171	-.385
350	1016	-.283	.119	.124	-.784	350	1022	-.064	.031	.059	-.176	350	1028	-.040	.038	.129	-.176

WD	TAP	CPMEAN	CPRMS	CPMAX	CPMIN	WD	TAP	CPMEAN	CPRMS	CPMAX	CPMIN	WD	TAP	CPMEAN	CPRMS	CPMAX	CPMIN
0	160	.183	.132	.764	-.189	10	160	.263	.146	.880	-.182	58	160	-.430	.215	.250	-1.773
0	161	-.052	.092	.298	-.321	10	161	-.108	.065	.210	-.304	58	161	-.174	.047	-.005	-.446
0	168	-.071	.088	.248	-.360	10	168	-.123	.066	.181	-.290	58	168	-.169	.048	-.005	-.692
0	360	-.281	.036	-.164	-.454	10	360	-.229	.033	-.088	-.349	58	360	-.101	.058	.146	-.319
0	362	-.274	.030	-.164	-.400	10	362	-.230	.030	-.100	-.326	58	362	-.112	.045	.072	-.267
0	378	-.258	.038	-.110	-.403	10	378	-.217	.035	-.069	-.343	58	378	-.080	.060	.198	-.370
0	562	-.329	.041	-.164	-.550	10	562	-.305	.040	-.180	-.488	58	562	-.309	.070	-.087	-.631
0	599	-.700	.200	-.241	-1.514	10	599	-.485	.180	-.188	-1.502	58	599	-.424	.190	-.032	-1.533
0	762	-.343	.070	-.167	-.967	10	762	-.314	.049	-.153	-.696	58	762	-.176	.043	-.051	-.364
0	809	-.448	.122	-.167	-1.174	10	809	-.407	.091	-.200	-1.206	58	809	-.285	.086	-.087	-.786
2	160	.201	.137	.728	-.233	50	160	.297	.249	.377	-1.223	60	160	-.465	.196	.210	-1.438
2	161	-.076	.079	.288	-.300	50	161	-.182	.040	-.047	-.380	60	161	-.167	.042	-.002	-.407
2	168	-.080	.081	.273	-.352	50	168	-.167	.038	-.054	-.349	60	168	-.156	.038	.007	-.377
2	360	-.272	.034	-.172	-.378	50	360	-.109	.062	-.282	-.308	60	360	-.105	.055	.138	-.295
2	362	-.260	.030	-.142	-.374	50	362	-.119	.057	.095	-.319	60	362	-.117	.043	.055	-.301
2	378	-.249	.035	-.121	-.400	50	378	-.096	.067	.220	-.326	60	378	-.074	.057	.181	-.255
2	562	-.321	.042	-.156	-.485	50	562	-.308	.063	-.137	-.579	60	562	-.275	.065	-.105	-.556
2	599	-.660	.193	-.260	-1.675	50	599	-.568	.249	-.098	-1.764	60	599	-.384	.153	-.079	-1.135
2	762	-.335	.052	-.177	-.606	50	762	-.196	.043	-.065	-.346	60	762	-.173	.044	.052	-.399
2	809	-.432	.110	-.172	-1.107	50	809	-.320	.080	-.127	-.694	60	809	-.258	.071	-.075	-1.118
4	160	.191	.133	.717	-.284	52	160	-.335	.244	.343	-1.424	62	160	-.491	.193	.156	-1.652
4	161	-.088	.077	.272	-.364	52	161	-.175	.040	-.049	-.380	62	161	-.169	.043	-.033	-.402
4	168	-.091	.079	.324	-.298	52	168	-.168	.038	-.019	-.350	62	168	-.162	.040	-.014	-.480
4	360	-.261	.034	-.151	-.450	52	360	-.103	.060	.170	-.336	62	360	-.115	.059	.114	-.376
4	362	-.252	.030	-.149	-.362	52	362	-.110	.052	.134	-.291	62	362	-.122	.041	.029	-.289
4	378	-.241	.035	-.094	-.441	52	378	-.089	.064	.190	-.291	62	378	-.072	.060	.183	-.296
4	562	-.320	.041	-.180	-.549	52	562	-.313	.065	-.143	-.654	62	562	-.264	.067	-.078	-.677
4	599	-.611	.197	-.225	-1.421	52	599	-.518	.231	-.099	-1.583	62	599	-.388	.161	-.042	-1.098
4	762	-.332	.061	-.150	-.855	52	762	-.192	.043	-.056	-.405	62	762	-.168	.043	-.031	-.433
4	809	-.432	.104	-.193	-1.032	52	809	-.317	.079	-.147	-.784	62	809	-.253	.074	-.063	-.611
6	160	.227	.143	.817	-.121	54	160	-.371	.239	.405	-1.255	64	160	-.455	.180	.089	-1.547
6	161	-.102	.075	.238	-.322	54	161	-.172	.044	-.043	-.554	64	161	-.170	.045	-.022	-.501
6	168	-.092	.078	.314	-.317	54	168	-.164	.041	-.034	-.431	64	168	-.161	.041	-.045	-.503
6	360	-.254	.034	-.125	-.429	54	360	-.101	.062	.161	-.306	64	360	-.116	.056	.122	-.447
6	362	-.251	.032	-.123	-.363	54	362	-.109	.045	.094	-.288	64	362	-.122	.043	.078	-.272
6	378	-.235	.036	-.087	-.396	54	378	-.078	.065	.321	-.330	64	378	-.065	.058	.189	-.270
6	562	-.323	.043	-.191	-.497	54	562	-.309	.066	-.091	-.676	64	562	-.242	.061	-.057	-.509
6	599	-.611	.219	-.225	-1.797	54	599	-.481	.204	-.120	-1.935	64	599	-.384	.181	-.053	-1.476
6	762	-.331	.050	-.186	-.551	54	762	-.183	.046	-.030	-.418	64	762	-.162	.038	-.030	-.369
6	809	-.435	.108	-.188	-1.301	54	809	-.306	.088	-.123	-.942	64	809	-.245	.069	-.043	-.748
8	160	.242	.133	.739	-.116	56	160	-.411	.218	.315	-1.349	66	160	-.447	.177	.104	-1.535
8	161	-.100	.075	.237	-.327	56	161	-.171	.042	-.028	-.418	66	161	-.162	.038	-.005	-.387
8	168	-.107	.069	.265	-.301	56	168	-.163	.042	-.002	-.443	66	168	-.153	.033	-.026	-.371
8	360	-.240	.033	-.095	-.398	56	360	-.102	.057	.192	-.303	66	360	-.109	.055	.266	-.373
8	362	-.238	.030	-.125	-.345	56	362	-.114	.046	.072	-.294	66	362	-.109	.043	.091	-.255
8	378	-.226	.033	-.116	-.344	56	378	-.074	.061	.228	-.298	66	378	-.063	.053	.153	-.310
8	562	-.311	.039	-.178	-.456	56	562	-.307	.068	-.103	-.649	66	562	-.208	.051	-.048	-.501
8	599	-.568	.201	-.218	-1.527	56	599	-.445	.184	-.079	-1.550	66	599	-.315	.138	-.033	-1.160
8	762	-.321	.050	-.178	-.699	56	762	-.178	.044	-.005	-.465	66	762	-.159	.038	-.037	-.358
8	809	-.415	.097	-.191	-1.192	56	809	-.288	.060	-.119	-1.107	66	809	-.225	.064	-.074	-.543

WD	TAP	CPMEAN	CPRMS	CPMAX	CPMIN	WD	TAP	CPMEAN	CPRMS	CPMAX	CPMIN	WD	TAP	CPMEAN	CPRMS	CPMAX	CPMIN
68	160	-.428	.163	-.000	-1.213	116	160	-.234	.053	-.025	-.489	126	160	-.272	.055	-.057	-.474
68	161	-.160	.035	-.033	-.410	116	161	-.337	.052	-.153	-.614	126	161	-.421	.059	-.175	-.669
68	168	-.154	.036	-.037	-.327	116	168	-.324	.050	-.132	-.601	126	168	-.417	.060	-.156	-.619
68	360	-.105	.056	.113	-.314	116	360	-.183	.191	.626	-1.124	126	360	-.215	.250	.388	-1.501
68	362	-.104	.041	.068	-.269	116	362	-.290	.223	.367	-1.438	126	362	-.544	.296	.218	-2.103
68	378	-.057	.053	.227	-.320	116	378	-.226	.128	.145	-1.007	126	378	-.275	.158	.210	-.973
68	562	-.187	.043	-.029	-.422	116	562	-.170	.066	.130	-.349	126	562	-.205	.076	.134	-.447
68	599	-.283	.134	-.051	-1.192	116	599	-.099	.044	.088	-.315	126	599	-.137	.055	.176	-.528
68	762	-.154	.033	-.045	-.305	116	762	-.387	.082	-.171	-.880	126	762	-.484	.089	-.227	-.954
68	809	-.210	.059	-.071	-.514	116	809	-.192	.065	.057	-.876	126	809	-.253	.067	-.031	-.946
70	160	-.418	.161	-.063	-1.655	118	160	-.228	.049	.030	-.526	128	160	-.236	.060	-.004	-.440
70	161	-.163	.038	-.025	-.363	118	161	-.351	.050	-.184	-.565	128	161	-.420	.058	-.214	-.679
70	168	-.155	.036	-.047	-.438	118	168	-.336	.049	-.179	-.547	128	168	-.410	.063	-.165	-.656
70	360	-.107	.057	.133	-.307	118	360	-.172	.196	.473	-1.104	128	360	-.171	.274	.502	-1.529
70	362	-.101	.044	.080	-.394	118	362	-.310	.235	.437	-1.884	128	362	-.402	.294	.376	-2.082
70	378	-.053	.051	.198	-.258	118	378	-.214	.125	.158	-.909	128	378	-.192	.164	.251	-1.145
70	562	-.175	.041	.000	-.402	118	562	-.170	.047	.164	-.385	128	562	-.182	.077	.157	-.465
70	599	-.268	.129	.019	-1.039	118	599	-.098	.043	.069	-.312	128	599	-.095	.057	.196	-.373
70	762	-.157	.034	-.057	-.279	118	762	-.398	.083	-.172	-.942	128	762	-.487	.092	-.252	-.949
70	809	-.198	.056	-.059	-.603	118	809	-.186	.048	.065	-.615	128	809	-.254	.105	-.039	-1.363
110	160	-.277	.092	-.030	-.894	120	160	-.269	.058	-.070	-.655	130	160	-.251	.048	-.072	-.466
110	161	-.321	.054	-.130	-.688	120	161	-.371	.051	-.178	-.612	130	161	-.405	.055	-.208	-.666
110	168	-.315	.056	-.114	-.663	120	168	-.364	.057	-.117	-.610	130	168	-.400	.057	-.210	-.630
110	360	-.045	.173	.480	-1.277	120	360	-.012	.219	.610	-1.275	130	360	-.109	.217	.503	-1.215
110	362	-.171	.211	.564	-1.121	120	362	-.353	.299	.386	-1.673	130	362	-.383	.261	.401	-1.867
110	378	-.172	.128	.244	-.856	120	378	-.192	.160	.244	-.987	130	378	-.193	.147	.408	-.912
110	562	-.164	.061	.080	-.365	120	562	-.175	.058	.129	-.412	130	562	-.218	.059	.193	-.442
110	599	-.082	.048	.133	-.407	120	599	-.075	.051	.205	-.359	130	599	-.101	.050	.101	-.321
110	762	-.370	.087	-.046	-.803	120	762	-.434	.079	-.225	-.853	130	762	-.450	.094	-.214	-.889
110	809	-.246	.120	.017	-1.105	120	809	-.294	.125	-.025	-1.055	130	809	-.242	.061	-.019	-.881
112	160	-.261	.071	-.071	-.887	122	160	-.263	.053	-.041	-.446	132	160	-.256	.051	-.055	-.550
112	161	-.322	.051	-.151	-.569	122	161	-.395	.058	-.197	-.604	132	161	-.421	.058	-.217	-.661
112	168	-.310	.053	-.103	-.537	122	168	-.401	.056	-.117	-.631	132	168	-.407	.056	-.251	-.649
112	360	-.105	.178	.532	-.948	122	360	-.039	.224	.613	-.958	132	360	-.148	.241	.474	-1.236
112	362	-.234	.200	.287	-1.188	122	362	-.445	.289	.361	-1.683	132	362	-.394	.263	.461	-1.595
112	378	-.202	.127	.130	-.783	122	378	-.184	.169	.254	-.955	132	378	-.176	.135	.268	-.817
112	562	-.167	.062	.198	-.405	122	562	-.206	.061	.086	-.428	132	562	-.224	.066	.149	-.464
112	599	-.095	.044	.080	-.368	122	599	-.109	.053	.112	-.465	132	599	-.113	.053	.110	-.479
112	762	-.378	.089	-.138	-.921	122	762	-.456	.086	-.198	-.928	132	762	-.464	.095	-.230	-.941
112	809	-.215	.082	-.029	-.817	122	809	-.292	.098	-.069	-.982	132	809	-.232	.043	-.066	-.601
114	160	-.242	.058	-.028	-.585	124	160	-.240	.052	-.030	-.429	134	160	-.254	.051	-.075	-.439
114	161	-.326	.051	-.135	-.582	124	161	-.387	.057	-.218	-.637	134	161	-.433	.059	-.283	-.670
114	168	-.317	.053	-.121	-.617	124	168	-.381	.057	-.165	-.603	134	168	-.409	.059	-.191	-.640
114	360	-.162	.175	.511	-1.450	124	360	-.072	.224	.660	-1.075	134	360	-.284	.290	.436	-1.486
114	362	-.273	.210	.331	-1.813	124	362	-.365	.275	.456	-1.681	134	362	-.442	.296	.319	-1.794
114	378	-.216	.124	.162	-.860	124	378	-.167	.143	.258	-.117	134	378	-.206	.128	.241	-.926
114	562	-.164	.070	.173	-.419	124	562	-.195	.069	.083	-.413	134	562	-.210	.075	.207	-.483
114	599	-.097	.046	.101	-.323	124	599	-.092	.058	.125	-.488	134	599	-.103	.058	.167	-.433
114	762	-.385	.085	-.113	-.871	124	762	-.452	.082	-.251	-.890	134	762	-.467	.093	-.210	-.853
114	809	-.205	.079	.046	-.911	124	809	-.250	.087	-.029	-.889	134	809	-.228	.041	-.077	-.694

WD	TAP	CPMEAN	CPRMS	CPMAX	CPMIN	WD	TAP	CPMEAN	CPRMS	CPMAX	CPMIN	WD	TAP	CPMEAN	CPRMS	CPMAX	CPMIN
136	160	-.258	.057	-.011	-.610	146	160	-.346	.083	-.101	-.788	156	160	-.379	.117	-.024	-.836
136	161	-.432	.061	-.257	-.681	146	161	-.448	.083	-.178	-.779	156	161	-.457	.109	-.131	-.922
136	168	-.430	.063	-.244	-.690	146	168	-.415	.077	-.120	-.735	156	168	-.451	.106	-.134	-.895
136	360	-.392	.324	.383	-1.818	146	360	-.635	.292	.061	-2.091	156	360	-.568	.188	-.151	-1.871
136	362	-.570	.321	.264	-1.780	146	362	-.715	.279	-.111	-2.064	156	362	-.573	.150	-.215	-1.436
136	378	-.240	.135	.259	-.876	146	378	-.397	.145	-.025	-1.942	156	378	-.606	.219	-.053	-1.950
136	562	-.185	.090	.175	-.576	146	562	-.144	.130	.377	-.452	156	562	-.039	.135	-.495	-.453
136	599	-.115	.046	.076	-.361	146	599	-.170	.060	.042	-.422	156	599	-.242	.085	-.012	-.644
136	762	-.469	.094	-.249	-1.102	146	762	-.494	.134	-.119	-1.243	156	762	-.547	.187	-.105	-1.579
136	809	-.231	.039	-.060	-.356	146	809	-.195	.056	.160	-.552	156	809	-.311	.120	.314	-1.617
138	160	-.261	.062	-.043	-.569	148	160	-.331	.086	-.052	-.785	158	160	-.376	.115	-.064	-1.004
138	161	-.438	.064	-.253	-.741	148	161	-.452	.089	-.138	-.820	158	161	-.417	.105	-.128	-.802
138	168	-.433	.064	-.244	-.730	148	168	-.426	.087	-.170	-.829	158	168	-.419	.099	-.017	-.826
138	360	-.505	.345	.379	-1.994	148	360	-.733	.302	.090	-2.375	158	360	-.566	.178	-.088	-1.796
138	362	-.649	.333	.188	-2.149	148	362	-.778	.261	-.100	-2.086	158	362	-.552	.145	-.211	-1.506
138	378	-.288	.160	.286	-1.199	148	378	-.421	.160	.010	-1.505	158	378	-.619	.215	-.045	-1.909
138	562	-.165	.087	.243	-.465	148	562	-.128	.130	.643	-.527	158	562	-.068	.131	.584	-.493
138	599	-.122	.048	.063	-.367	148	599	-.181	.062	.133	-.539	158	599	-.239	.087	-.058	-.618
138	762	-.498	.101	-.226	-1.055	148	762	-.513	.143	-.158	-1.596	158	762	-.525	.181	-.099	-1.563
138	809	-.217	.044	-.066	-.398	148	809	-.195	.052	.027	-.499	158	809	-.228	.129	.099	-1.730
140	160	-.306	.085	-.080	-.715	150	160	-.362	.104	-.013	-.962	160	160	-.374	.110	-.010	-.869
140	161	-.431	.068	-.183	-.809	150	161	-.471	.100	-.123	-1.029	160	161	-.421	.100	-.117	-.804
140	168	-.423	.071	-.176	-.823	150	168	-.472	.098	-.184	-1.147	160	168	-.411	.098	-.108	-.953
140	360	-.437	.295	.343	-1.727	150	360	-.612	.213	-.036	-1.979	160	360	-.531	.148	-.106	-1.557
140	362	-.493	.205	.045	-1.421	150	362	-.608	.182	-.135	-2.037	160	362	-.516	.120	-.215	-1.298
140	378	-.321	.138	.097	-1.137	150	378	-.570	.254	.231	-2.371	160	378	-.605	.200	-.074	-1.880
140	562	-.183	.125	.491	-.553	150	562	-.046	.135	.499	-.526	160	562	-.079	.123	.338	-.514
140	599	-.135	.060	.116	-.419	150	599	-.184	.080	.118	-.561	160	599	-.263	.086	.117	-.629
140	762	-.473	.113	-.151	-1.069	150	762	-.537	.150	-.175	-1.309	160	762	-.515	.180	-.087	-1.395
140	809	-.210	.055	.137	-.472	150	809	-.177	.070	.161	-.676	160	809	-.233	.113	.185	-1.602
142	160	-.314	.077	-.069	-.709	152	160	-.369	.108	.066	-1.004	210	160	-.331	.066	-.112	-.627
142	161	-.421	.066	-.187	-.674	152	161	-.472	.105	-.140	-.967	210	161	-.395	.108	-.101	-1.222
142	168	-.416	.073	-.159	-.723	152	168	-.473	.098	-.142	-.851	210	168	-.286	.073	-.108	-.718
142	360	-.432	.265	.201	-1.715	152	360	-.586	.183	-.181	-1.771	210	360	-.343	.094	-.124	-.961
142	362	-.537	.225	.156	-1.545	152	362	-.604	.163	-.183	-1.579	210	362	-.302	.054	-.151	-.577
142	378	-.328	.145	.119	-1.363	152	378	-.620	.245	-.010	-2.291	210	378	-.358	.089	-.161	-.972
142	562	-.180	.131	.519	-.561	152	562	-.033	.124	.402	-.472	210	562	-.094	.208	-.571	-1.514
142	599	-.136	.062	-.039	-.465	152	599	-.201	.086	-.113	-.613	210	599	-.203	.042	-.083	-.458
142	762	-.472	.115	-.148	-1.048	152	762	-.556	.172	-.132	-1.616	210	762	-.169	.062	.127	-.430
142	809	-.206	.058	.133	-.623	152	809	-.170	.067	.192	-.444	210	809	-.116	.036	.073	-.229
144	160	-.332	.086	-.100	-.912	154	160	-.363	.105	.008	-.851	212	160	-.346	.067	-.004	-.764
144	161	-.423	.081	-.128	-.767	154	161	-.473	.117	-.140	-1.064	212	161	-.320	.110	-.091	-1.026
144	168	-.410	.076	-.162	-.740	154	168	-.459	.106	-.117	-.900	212	168	-.290	.083	-.100	-.808
144	360	-.523	.280	.261	-1.969	154	360	-.583	.188	-.134	-1.697	212	360	-.340	.092	-.153	-.874
144	362	-.571	.228	.016	-1.547	154	362	-.588	.160	-.225	-1.381	212	362	-.303	.055	-.126	-.595
144	378	-.348	.140	.036	-1.355	154	378	-.591	.232	-.025	-2.472	212	378	-.355	.086	-.164	-1.043
144	562	-.173	.126	.370	-.564	154	562	-.042	.133	.456	-.534	212	562	-.111	.211	.513	-1.647
144	599	-.156	.067	.065	-.530	154	599	-.235	.094	.011	-.729	212	599	-.209	.044	-.020	-.399
144	762	-.468	.126	-.104	-1.171	154	762	-.531	.174	-.111	-1.586	212	762	-.175	.069	.138	-.455
144	809	-.199	.056	.174	-.553	154	809	-.186	.092	.251	-1.177	212	809	-.118	.040	.112	-.253

WD	TAP	CPMEAN	CPRMS	CPMAX	CPMIN	WD	TAP	CPMEAN	CPRMS	CPMAX	CPMIN	WD	TAP	CPMEAN	CPRMS	CPMAX	CPMIN
214	160	-.337	.070	-.163	-.734	224	160	-.329	.066	-.165	-.600	262	160	-.269	.078	.066	-.691
214	161	-.335	.127	-.103	-1.436	224	161	-.363	.138	-.133	-1.146	262	161	-.486	.225	-.058	-1.789
214	168	-.321	.090	-.117	-.833	224	168	-.358	.108	-.103	-1.166	262	168	-.468	.227	-.067	-2.148
214	360	-.329	.080	-.138	-.746	224	360	-.290	.061	-.144	-.775	262	360	-.341	.067	-.136	-.628
214	362	-.301	.053	-.161	-.552	224	362	-.273	.045	-.157	-.435	262	362	-.335	.059	-.168	-.561
214	378	-.342	.081	-.136	-.845	224	378	-.303	.061	-.162	-.759	262	378	-.269	.043	-.125	-.507
214	562	-.162	.267	-.592	-1.728	224	562	-.432	.346	-.616	-2.174	262	562	-.435	.120	-.137	-1.341
214	599	-.207	.044	-.055	-.394	224	599	-.218	.040	-.086	-.394	262	599	-.218	.040	-.058	-.371
214	762	-.161	.069	.121	-.463	224	762	-.123	.071	.164	-.478	262	762	-.097	.107	.452	-.536
214	809	-.115	.039	.042	-.247	224	809	-.099	.044	.155	-.238	262	809	-.093	.050	.135	-.266
216	160	-.339	.068	-.184	-.674	226	160	-.333	.065	-.180	-.694	264	160	-.271	.075	.002	-.696
216	161	-.337	.135	-.083	-1.144	226	161	-.343	.139	-.127	-1.214	264	161	-.494	.230	-.032	-2.095
216	168	-.329	.110	-.126	-1.016	226	168	-.343	.109	-.125	-1.170	264	168	-.524	.264	-.092	-2.449
216	360	-.316	.080	-.127	-.834	226	360	-.290	.061	-.128	-.728	264	360	-.359	.070	-.175	-.703
216	362	-.294	.048	-.145	-.478	226	362	-.279	.043	-.133	-.480	264	362	-.335	.057	-.143	-.561
216	378	-.335	.078	-.171	-.667	226	378	-.303	.057	-.179	-.626	264	378	-.272	.044	-.136	-.560
216	562	-.206	.284	.611	-2.056	226	562	-.480	.319	-.471	-2.140	264	562	-.449	.128	-.188	-1.375
216	599	-.206	.044	-.076	-.406	226	599	-.222	.040	-.071	-.408	264	599	-.220	.040	-.051	-.360
216	762	-.152	.070	.191	-.456	226	762	-.128	.073	.184	-.434	264	762	-.096	.120	.449	-.546
216	809	-.110	.039	.057	-.240	226	809	-.097	.042	.090	-.241	264	809	-.091	.052	.170	-.297
218	160	-.341	.076	-.142	-.695	228	160	-.337	.073	-.158	-.730	266	160	-.256	.064	.029	-.610
218	161	-.354	.134	-.095	-1.279	228	161	-.381	.152	-.126	-1.401	266	161	-.556	.252	-.094	-1.912
218	168	-.303	.090	-.120	-.961	228	168	-.343	.107	-.130	-.956	266	168	-.624	.315	-.054	-2.528
218	360	-.324	.081	-.126	-.714	228	360	-.285	.058	-.138	-.557	266	360	-.372	.067	-.170	-.672
218	362	-.292	.046	-.155	-.507	228	362	-.273	.044	-.140	-.484	266	362	-.349	.058	-.188	-.581
218	378	-.344	.083	-.157	-1.166	228	378	-.296	.058	-.106	-.652	266	378	-.263	.046	-.107	-.459
218	562	-.259	.290	.539	-1.566	228	562	-.503	.320	-.473	-2.432	266	562	-.461	.139	-.166	-1.331
218	599	-.214	.044	-.050	-.414	228	599	-.219	.039	-.028	-.378	266	599	-.207	.036	-.040	-.329
218	762	-.149	.072	.134	-.413	228	762	-.116	.077	.361	-.448	266	762	-.083	.133	.514	-.610
218	809	-.104	.040	.107	-.262	228	809	-.088	.043	.097	-.217	266	809	-.086	.051	.153	-.312
220	160	-.331	.064	-.159	-.663	230	160	-.333	.066	-.159	-.679	268	160	-.255	.061	-.043	-.585
220	161	-.341	.131	-.126	-1.643	230	161	-.360	.150	-.120	-1.661	268	161	-.655	.284	-.225	-2.241
220	168	-.314	.089	-.106	-.877	230	168	-.331	.104	-.125	-.964	268	168	-.704	.342	-.088	-2.535
220	360	-.317	.075	-.141	-.733	230	360	-.277	.055	-.160	-.577	268	360	-.389	.062	-.194	-.621
220	362	-.286	.047	-.170	-.630	230	362	-.260	.040	-.153	-.402	268	362	-.395	.061	-.217	-.633
220	378	-.333	.072	-.151	-.749	230	378	-.290	.055	-.114	-.528	268	378	-.262	.053	-.107	-.607
220	562	-.322	.338	.716	-2.234	230	562	-.490	.271	-.458	-1.848	268	562	-.468	.141	-.157	-1.630
220	599	-.211	.044	-.085	-.405	230	599	-.211	.038	-.053	-.399	268	599	-.204	.035	-.051	-.349
220	762	-.130	.071	.155	-.436	230	762	-.099	.075	.195	-.329	268	762	-.062	.135	.551	-.502
220	809	-.095	.047	.198	-.253	230	809	-.089	.042	.160	-.249	268	809	-.079	.050	.200	-.288
222	160	-.329	.061	-.146	-.599	260	160	-.276	.083	-.053	-.735	270	160	-.253	.058	-.047	-.509
222	161	-.343	.125	-.053	-1.447	260	161	-.393	.174	-.024	-2.078	270	161	-.611	.269	.194	-1.962
222	168	-.317	.101	-.123	-.819	260	168	-.399	.190	-.059	-2.387	270	168	-.751	.347	.060	-2.379
222	360	-.294	.064	-.124	-.767	260	360	-.330	.065	-.142	-.591	270	360	-.398	.065	-.181	-.621
222	362	-.280	.044	-.150	-.479	260	362	-.318	.061	-.172	-.578	270	362	-.382	.058	-.224	-.610
222	378	-.309	.065	-.158	-.875	260	378	-.282	.042	-.168	-.475	270	378	-.256	.054	-.068	-.558
222	562	-.330	.320	.414	-2.002	260	562	-.447	.129	-.166	-1.786	270	562	-.458	.132	-.184	-1.533
222	599	-.216	.039	-.076	-.461	260	599	-.232	.040	-.038	-.422	270	599	-.199	.034	-.032	-.405
222	762	-.133	.071	.172	-.409	260	762	-.102	.099	.338	-.454	270	762	-.043	.137	.476	-.428
222	809	-.098	.041	.090	-.239	260	809	-.095	.052	.191	-.260	270	809	-.068	.050	.264	-.274

WD	TAP	CPMEAN	CPRMS	CPMAX	CPMIN	WD	TAP	CPMEAN	CPRMS	CPMAX	CPMIN	WD	TAP	CPMEAN	CPRMS	CPMAX	CPMIN
272	160	-.254	.057	-.054	-.507	282	160	-.277	.042	-.035	-.554	310	160	-.120	.085	.245	-.439
272	161	-.647	.284	.251	-1.827	282	161	-.484	.245	.429	-1.697	310	161	-.015	.130	.627	-.448
272	168	-.799	.372	-.042	-2.330	282	168	-.549	.321	.314	-2.121	310	168	-.030	.104	.515	-.465
272	360	-.413	.058	-.226	-.652	282	360	-.403	.061	-.227	-.650	310	360	-.384	.066	-.236	-.695
272	362	-.409	.057	-.247	-.633	282	362	-.386	.055	-.216	-.609	310	362	-.392	.066	-.229	-.654
272	378	-.250	.061	-.057	-.627	282	378	-.226	.055	-.027	-.664	310	378	-.241	.065	-.039	-.599
272	562	-.451	.123	-.160	-1.317	282	562	-.420	.109	-.164	-1.216	310	562	-.260	.060	-.101	-.681
272	599	-.194	.035	-.062	-.342	282	599	-.187	.034	-.039	-.332	310	599	-.166	.043	-.008	-.446
272	762	-.026	.133	.511	-.471	282	762	-.009	.113	.445	-.368	310	762	-.472	.303	.288	-2.568
272	809	-.059	.045	-.192	-.265	282	809	-.066	.057	.115	-.476	310	809	-.159	.061	.036	-.483
274	160	-.260	.055	-.071	-.513	284	160	-.282	.058	-.052	-.538	312	160	-.115	.083	.307	-.640
274	161	-.606	.275	.425	-1.788	284	161	-.441	.245	.460	-1.657	312	161	-.046	.137	.613	-.535
274	168	-.820	.392	.427	-2.657	284	168	-.442	.300	.279	-2.098	312	168	-.018	.118	.509	-.366
274	360	-.419	.060	-.218	-.654	284	360	-.395	.056	-.199	-.679	312	360	-.399	.064	-.226	-.629
274	362	-.397	.059	-.227	-.716	284	362	-.389	.058	-.235	-.638	312	362	-.402	.068	-.216	-.736
274	378	-.244	.058	-.055	-.610	284	378	-.229	.048	-.038	-.510	312	378	-.251	.066	-.049	-.538
274	562	-.459	.129	-.182	-1.067	284	562	-.396	.098	-.136	-.940	312	562	-.259	.061	-.069	-.683
274	599	-.189	.035	-.019	-.303	284	599	-.191	.035	-.024	-.373	312	599	-.176	.062	-.012	-.735
274	762	-.013	.130	.591	-.405	284	762	-.010	.108	.457	-.359	312	762	-.541	.334	.341	-2.420
274	809	-.049	.043	.113	-.299	284	809	-.075	.057	.108	-.532	312	809	-.170	.059	-.029	-.602
276	160	-.266	.057	-.071	-.567	286	160	-.280	.063	-.045	-.557	314	160	-.108	.090	.250	-.556
276	161	-.632	.287	.268	-1.638	286	161	-.357	.212	.447	-1.442	314	161	-.065	.151	.622	-.584
276	168	-.868	.421	.362	-2.655	286	168	-.362	.264	.490	-1.833	314	168	-.007	.116	.520	-.365
276	360	-.419	.061	-.258	-.747	286	360	-.394	.056	-.232	-.638	314	360	-.407	.070	-.186	-.779
276	362	-.414	.059	-.221	-.657	286	362	-.379	.053	-.229	-.601	314	362	-.412	.071	-.244	-.714
276	378	-.234	.056	-.042	-.659	286	378	-.229	.047	-.060	-.471	314	378	-.265	.075	-.035	-.644
276	562	-.465	.130	-.187	-1.412	286	562	-.380	.086	-.147	-.774	314	562	-.251	.059	-.055	-.510
276	599	-.189	.035	-.064	-.355	286	599	-.189	.033	-.050	-.314	314	599	-.181	.068	.019	-.630
276	762	-.007	.128	.590	-.445	286	762	-.025	.102	.461	-.408	314	762	-.613	.354	.173	-3.025
276	809	-.048	.046	.167	-.298	286	809	-.088	.059	.088	-.430	314	809	-.194	.071	-.030	-.691
278	160	-.274	.058	-.061	-.552	288	160	-.277	.070	-.014	-.604	316	160	-.095	.082	.201	-.371
278	161	-.565	.271	.345	-1.843	288	161	-.321	.209	.440	-1.399	316	161	.084	.149	.811	-.399
278	168	-.733	.376	.244	-2.252	288	168	-.268	.227	.348	-1.494	316	168	.006	.132	.608	-.441
278	360	-.420	.059	-.234	-.657	288	360	-.397	.057	-.204	-.605	316	360	-.404	.073	-.164	-.725
278	362	-.392	.056	-.236	-.579	288	362	-.380	.054	-.238	-.575	316	362	-.414	.075	-.187	-.718
278	378	-.220	.052	-.052	-.465	288	378	-.228	.047	-.031	-.457	316	378	-.262	.072	-.036	-.577
278	562	-.448	.129	-.141	-1.157	288	562	-.361	.085	-.146	-.820	316	562	-.252	.059	-.077	-.572
278	599	-.185	.033	-.032	-.326	288	599	-.192	.033	-.048	-.307	316	599	-.226	.102	.000	-.790
278	762	-.003	.124	.465	-.463	288	762	-.043	.094	.455	-.571	316	762	-.655	.364	.149	-2.410
278	809	-.054	.050	.099	-.445	288	809	-.096	.056	.090	-.433	316	809	-.210	.086	-.012	-.942
280	160	-.276	.056	-.094	-.511	290	160	-.269	.071	-.028	-.646	318	160	-.091	.085	.273	-.444
280	161	-.533	.260	.540	-1.937	290	161	-.246	.173	.537	-1.008	318	161	-.088	.146	.667	-.502
280	168	-.590	.333	.360	-2.543	290	168	-.199	.191	.297	-1.873	318	168	.020	.128	.505	-.347
280	360	-.402	.058	-.231	-.663	290	360	-.379	.059	-.228	-.650	318	360	-.401	.074	-.147	-.711
280	362	-.394	.058	-.231	-.624	290	362	-.361	.052	-.230	-.574	318	362	-.417	.077	-.230	-.775
280	378	-.217	.049	-.031	-.470	290	378	-.228	.043	-.053	-.421	318	378	-.261	.073	-.045	-.604
280	562	-.430	.119	-.150	-1.174	290	562	-.351	.077	-.156	-.818	318	562	-.249	.057	-.068	-.512
280	599	-.187	.034	-.053	-.315	290	599	-.187	.034	-.056	-.309	318	599	-.242	.119	-.006	-.1071
280	762	-.007	.109	.547	-.339	290	762	-.051	.092	.396	-.800	318	762	-.658	.346	.064	-2.336
280	809	-.061	.052	.122	-.407	290	809	-.102	.051	.076	-.484	318	809	-.230	.091	-.021	-.711

WD	TAP	CPMEAN	CPRMS	CPMAX	CPMIN	WD	TAP	CPMEAN	CPRMS	CPMAX	CPMIN	WD	TAP	CPMEAN	CPRMS	CPMAX	CPMIN
320	160	-.086	.086	.257	-.417	330	160	-.028	.098	.339	-.317	348	160	.069	.121	.546	-.353
320	161	.118	.152	.778	-.313	330	161	-.082	.126	.667	-.314	348	161	.013	.100	.368	-.353
320	168	-.036	.127	.576	-.462	330	168	-.070	.121	.639	-.264	348	168	.011	.113	.439	-.334
320	360	-.418	.078	-.149	-.733	330	360	-.397	.105	-.085	-.831	348	360	-.304	.075	-.116	-.757
320	362	-.440	.085	-.202	-.878	330	362	-.387	.099	-.113	-.806	348	362	-.293	.064	-.153	-.769
320	378	-.272	.075	-.014	-.632	330	378	-.251	.085	-.054	-.771	348	378	-.241	.053	-.011	-.509
320	562	-.255	.062	-.064	-.742	330	562	-.302	.091	-.064	-.713	348	562	-.325	.066	-.123	-.654
320	599	-.368	.156	-.017	-1.044	330	599	-.457	.146	-.166	-1.202	348	599	-.592	.149	-.242	-1.400
320	762	-.714	.390	.171	-2.730	330	762	-.474	.161	-.120	-1.599	348	762	-.388	.104	-.149	-1.418
322	809	-.275	.130	-.041	-1.261	330	809	-.462	.196	-.102	-1.711	348	809	-.573	.219	-.144	-1.839
322	160	-.078	.088	.402	-.427	340	160	.027	.109	.492	-.268	350	160	.070	.126	.632	-.339
322	161	.114	.149	.754	-.420	340	161	.034	.115	.617	-.322	350	161	-.004	.105	.406	-.472
322	168	-.037	.128	.711	-.345	340	168	.028	.113	.499	-.282	350	168	-.002	.112	.401	-.332
322	360	-.424	.082	-.169	-.720	340	360	-.333	.103	-.051	-.777	350	360	-.287	.055	-.134	-.651
322	362	-.430	.086	-.206	-.868	340	362	-.321	.093	-.147	-.706	350	362	-.288	.050	-.176	-.574
322	378	-.288	.085	-.038	-.607	340	378	-.226	.067	-.026	-.644	350	378	-.247	.046	-.060	-.509
322	562	-.256	.063	-.057	-.611	340	562	-.318	.081	-.096	-.767	350	562	-.326	.061	-.142	-.593
322	599	-.330	.146	-.052	-1.062	340	599	-.507	.135	-.220	-1.168	350	599	-.607	.149	-.241	-1.315
322	762	-.656	.341	.118	-2.580	340	762	-.409	.102	-.117	-1.141	350	762	-.349	.092	-.139	-.958
322	809	-.299	.135	-.033	-1.136	340	809	-.559	.234	-.099	-1.904	350	809	-.555	.199	-.202	-2.202
324	160	-.065	.089	.302	-.372	342	160	.027	.112	.443	-.381	352	160	.109	.136	.829	-.264
324	161	.103	.139	.687	-.476	342	161	.029	.114	.570	-.350	352	161	-.011	.097	.376	-.400
324	168	-.053	.122	.595	-.351	342	168	.013	.106	.450	-.327	352	168	-.017	.103	.397	-.353
324	360	-.419	.090	-.132	-.751	342	360	-.310	.088	-.128	-.789	352	360	-.286	.049	-.126	-.552
324	362	-.418	.098	-.139	-.845	342	362	-.317	.092	-.148	-.776	352	362	-.273	.040	-.158	-.536
324	378	-.275	.084	-.037	-.682	342	378	-.226	.057	-.026	-.561	352	378	-.251	.046	-.015	-.493
324	562	-.264	.070	-.041	-.708	342	562	-.323	.078	-.045	-.678	352	562	-.320	.056	-.158	-.602
324	599	-.366	.137	-.037	-.933	342	599	-.528	.139	-.225	-1.269	352	599	-.628	.154	-.243	-1.293
324	762	-.589	.282	-.078	-2.508	342	762	-.398	.101	-.131	-.864	352	762	-.354	.090	-.135	-.965
324	809	-.343	.150	-.066	-1.384	342	809	-.568	.233	-.155	-2.108	352	809	-.513	.191	-.170	-1.829
326	160	-.055	.089	.320	-.336	344	160	.046	.116	.503	-.370	354	160	.119	.130	.697	-.256
326	161	.112	.136	.626	-.291	344	161	.025	.112	.496	-.372	354	161	-.013	.097	.534	-.367
326	168	-.065	.122	.626	-.333	344	168	.011	.104	.466	-.311	354	168	-.017	.102	.420	-.410
326	360	-.428	.096	-.124	-.843	344	360	-.302	.081	-.098	-.729	354	360	-.284	.041	-.127	-.576
326	362	-.430	.092	-.161	-.838	344	362	-.311	.087	-.158	-.777	354	362	-.280	.037	-.143	-.534
326	378	-.280	.090	-.059	-.693	344	378	-.226	.055	-.015	-.529	354	378	-.254	.040	-.051	-.485
326	562	-.278	.081	-.025	-.718	344	562	-.312	.068	-.107	-.626	354	562	-.321	.048	-.160	-.544
326	599	-.430	.142	-.059	-1.053	344	599	-.538	.139	-.222	-1.443	354	599	-.658	.174	-.247	-1.516
326	762	-.540	.234	-.043	-1.991	344	762	-.388	.094	-.118	-.891	354	762	-.342	.080	-.151	-.892
326	809	-.397	.154	-.086	-1.300	344	809	-.568	.220	-.111	-1.796	354	809	-.504	.165	-.188	-1.621
328	160	-.047	.087	.321	-.333	346	160	.060	.126	.592	-.364	356	160	.146	.132	.578	-.308
328	161	.089	.133	.632	-.338	346	161	.021	.107	.478	-.302	356	161	-.026	.099	.403	-.322
328	168	-.071	.122	.681	-.429	346	168	.007	.107	.452	-.305	356	168	-.034	.105	.446	-.308
328	360	-.398	.103	-.099	-.838	346	360	-.309	.077	-.135	-.661	356	360	-.286	.039	-.170	-.532
328	362	-.393	.093	-.149	-.715	346	362	-.304	.078	-.167	-.723	356	362	-.279	.035	-.180	-.415
328	378	-.253	.086	-.013	-.627	346	378	-.240	.059	-.015	-.589	356	378	-.260	.041	-.061	-.449
328	562	-.285	.087	-.015	-.760	346	562	-.323	.065	-.109	-.701	356	562	-.321	.044	-.187	-.550
328	599	-.421	.138	-.105	-1.176	346	599	-.584	.147	-.245	-1.315	356	599	-.700	.184	-.256	-1.792
328	762	-.496	.184	-.105	-1.762	346	762	-.401	.108	-.146	-.948	356	762	-.338	.076	-.135	-.878
328	809	-.433	.182	-.110	-1.570	346	809	-.581	.230	-.154	-2.249	356	809	-.480	.149	-.182	-1.404

WD	TAP	CPMEAN	CPRMS	CPMAX	CPMIN	WD	TAP	CPMEAN	CPRMS	CPMAX	CPMIN	WD	TAP	CPMEAN	CPRMS	CPMAX	CPMIN
0	2101	-.265	.051	-.098	-.552	0	2153	-.260	.063	.001	-.577	0	2206	-.101	.047	.097	-.392
0	2102	-.302	.074	-.101	-.623	0	2154	-.251	.079	.093	-.553	0	2207	-.099	.032	.042	-.248
0	2103	-.512	.161	-.010	-1.224	0	2155	-.356	.083	-.110	-.720	0	2208	-.334	.089	-.026	-.773
0	2104	-.304	.048	-.165	-.516	0	2156	-.016	.084	.456	-.251	0	2209	-.153	.030	-.057	-.331
0	2105	-.166	.050	.097	-.411	0	2157	-.191	.054	.044	-.517	0	2210	-.155	.025	-.055	-.272
0	2106	-.396	.215	.321	-1.322	0	2158	-.194	.046	.117	-.347	0	2211	.038	.108	.581	-.296
0	2107	.167	.131	.482	-.261	0	2159	-.166	.067	.095	-.362	0	2212	-.339	.075	-.128	-.839
0	2108	-.301	.048	-.158	-.497	0	2160	-.203	.090	.264	-.601	0	2213	-.182	.044	-.048	-.426
0	2109	-.206	.059	.014	-.566	0	2161	-.345	.097	-.028	-1.008	0	2214	-.166	.026	-.081	-.317
0	2110	-.365	.145	.338	-1.012	0	2162	-.216	.032	-.110	-.331	0	2215	-.169	.025	-.083	-.286
0	2111	.124	.112	.591	-.170	0	2163	-.248	.031	-.139	-.403	0	2216	.059	.113	.581	-.340
0	2112	-.295	.044	-.151	-.528	0	2164	-.436	.091	-.166	-.817	0	2217	-.227	.074	.033	-.553
0	2113	-.222	.045	-.072	-.452	0	2165	-.257	.063	-.019	-.531	0	2218	-.153	.056	-.024	-.539
0	2114	-.362	.160	.026	-1.193	0	2166	-.218	.032	-.010	-.395	0	2219	-.136	.040	-.029	-.418
0	2115	-.034	.077	.562	-.254	0	2167	-.577	.145	-.130	-1.211	0	2220	-.041	.064	.243	-.281
0	2116	-.306	.055	-.110	-.642	0	2168	-.432	.106	-.144	-.918	0	2221	-.198	.100	.106	-.648
0	2117	-.168	.057	.045	-.397	0	2170	-.032	.101	.419	-.338	0	2222	-.100	.038	.212	-.296
0	2118	-.159	.115	.140	-.754	0	2171	.073	.126	.654	-.377	0	2223	-.155	.042	-.019	-.485
0	2119	-.046	.060	.288	-.285	0	2172	.090	.133	.593	-.316	0	2224	-.098	.061	.137	-.477
0	2120	-.247	.071	.059	-.487	0	2173	.006	.102	.441	-.297	0	2225	-.144	.031	-.013	-.295
0	2121	-.172	.077	.159	-.373	0	2174	-.199	.045	.001	-.364	0	2226	-.157	.025	-.060	-.260
0	2122	-.123	.099	.236	-.912	0	2175	-.221	.038	-.094	-.391	0	2227	-.179	.026	-.095	-.368
0	2123	.015	.052	.245	-.170	0	2177	-.223	.039	-.055	-.425	0	2228	-.130	.052	.115	-.328
0	2124	-.298	.061	-.141	-.630	0	2178	-.085	.048	.146	-.227	0	2229	-.065	.055	.242	-.310
0	2125	-.274	.063	-.058	-.573	0	2179	-.021	.085	.364	-.321	0	2230	-.162	.042	-.035	-.320
0	2126	-.265	.041	-.137	-.487	0	2180	.047	.104	.453	-.210	0	2231	-.117	.041	.067	-.373
0	2127	-.263	.047	-.132	-.647	0	2181	-.020	.080	.364	-.224	0	2233	-.104	.030	-.010	-.230
0	2128	-.264	.042	-.141	-.440	0	2182	-.195	.028	-.081	-.297	0	2234	-.205	.042	.005	-.400
0	2129	-.209	.091	-.164	-.483	0	2183	-.207	.031	-.048	-.331	0	2235	-.159	.028	-.053	-.255
0	2130	-.259	.037	-.144	-.437	0	2184	-.206	.030	-.100	-.326	0	2236	-.143	.028	-.043	-.255
0	2131	-.252	.031	-.158	-.406	0	2185	-.208	.030	-.090	-.317	0	2237	-.144	.030	-.058	-.273
0	2132	-.277	.062	-.101	-.645	0	2187	-.219	.030	-.116	-.317	0	2238	-.068	.041	.107	-.213
0	2133	-.280	.076	-.023	-.592	0	2188	-.099	.036	.035	-.253	0	2239	-.057	.041	.092	-.250
0	2134	-.241	.034	-.084	-.468	0	2189	-.061	.051	.208	-.267	0	2240	-.032	.029	.085	-.210
0	2136	-.264	.044	-.122	-.514	0	2190	-.039	.061	.257	-.234	0	2241	-.027	.032	.087	-.198
0	2137	-.292	.062	-.058	-.573	0	2191	-.102	.056	.257	-.300	0	2242	-.025	.032	.105	-.135
0	2138	-.230	.031	-.115	-.358	0	2192	-.226	.026	-.128	-.340	0	2243	-.030	.031	.150	-.198
0	2140	-.262	.060	-.106	-.800	0	2193	-.259	.034	-.159	-.410	0	2244	-.073	.037	.085	-.200
0	2141	-.179	.069	.107	-.413	0	2194	-.250	.031	-.107	-.400	0	2245	-.093	.046	.072	-.378
0	2142	-.190	.058	-.047	-.385	0	2195	-.071	.043	.212	-.218	0	2246	-.129	.059	.037	-.537
0	2143	-.243	.075	-.038	-.686	0	2196	-.063	.047	.132	-.199	0	2247	-.053	.042	.085	-.335
0	2144	-.232	.048	-.101	-.585	0	2197	-.042	.065	.295	-.196	0	2248	-.028	.036	.210	-.225
0	2145	-.179	.079	.243	-.468	0	2198	-.049	.074	.302	-.225	0	2249	-.034	.031	.112	-.185
0	2146	-.270	.053	-.055	-.531	0	2199	-.197	.030	-.074	-.303	0	2250	-.031	.027	.110	-.133
0	2147	-.289	.052	-.127	-.930	0	2200	-.255	.041	-.161	-.485	0	2251	-.025	.028	.120	-.123
0	2148	-.331	.067	-.147	-.684	0	2201	-.224	.034	-.085	-.444	0	2252	-.081	.053	.112	-.395
0	2149	-.358	.073	-.048	-.875	0	2202	-.127	.040	-.026	-.322	0	2253	-.086	.052	.130	-.265
0	2150	-.204	.069	-.146	-.471	0	2203	-.230	.081	-.040	-.603	0	2254	.022	.076	.392	-.245
0	2151	-.313	.061	-.110	-.601	0	2204	-.144	.045	-.026	-.473	0	2255	.068	.075	.574	-.110
0	2152	-.294	.060	-.077	-.558	0	2205	-.152	.077	.068	-.532	0	2256	.000	.050	.330	-.128

WD	TAP	CPMEAN	CPRMS	CPMAX	CPMIN	WD	TAP	CPMEAN	CPRMS	CPMAX	CPMIN	WD	TAP	CPMEAN	CPRMS	CPMAX	CPMIN
0	2257	-.051	.036	.085	-.213	10	2144	-.229	.043	-.095	-.474	10	2197	.044	.080	.506	-.174
0	2258	-.032	.026	.082	-.120	10	2145	-.172	.074	.182	-.430	10	2198	.021	.071	.316	-.167
0	2259	-.016	.053	.227	-.278	10	2146	-.241	.071	-.055	-.739	10	2199	-.200	.032	-.068	-.339
0	2260	-.021	.041	.162	-.155	10	2147	-.276	.061	-.032	-.532	10	2200	-.292	.055	-.167	-.553
0	2261	-.001	.050	.290	-.198	10	2148	-.299	.067	-.124	-.640	10	2201	-.242	.055	.080	-.466
0	2262	-.034	.050	.282	-.173	10	2149	-.307	.089	-.114	-.838	10	2202	-.091	.040	.017	-.348
0	2263	-.008	.034	.210	-.115	10	2150	-.097	.121	.363	-.466	10	2203	-.172	.078	.031	-.772
0	2264	-.037	.042	.100	-.268	10	2151	-.288	.061	-.129	-.544	10	2204	-.105	.042	.033	-.391
0	2265	-.003	.042	.260	-.130	10	2152	-.310	.065	-.124	-.606	10	2205	-.120	.071	.090	-.511
10	2101	-.267	.058	-.120	-.565	10	2153	-.286	.059	-.100	-.594	10	2206	-.053	.041	.198	-.268
10	2102	-.327	.074	-.093	-.595	10	2154	-.274	.068	-.030	-.553	10	2207	-.063	.030	.087	-.179
10	2103	-.400	.211	-.107	-1.409	10	2155	-.316	.108	-.119	-.787	10	2208	-.249	.084	.005	-.671
10	2104	-.327	.053	-.136	-.548	10	2156	-.084	.101	.554	-.177	10	2209	-.129	.035	-.028	-.473
10	2105	-.137	.066	.178	-.338	10	2157	-.212	.068	.011	-.621	10	2210	-.141	.030	-.038	-.344
10	2106	-.274	.271	.530	-1.383	10	2158	-.207	.030	-.073	-.317	10	2211	-.052	.092	.485	-.214
10	2107	-.154	.139	.683	-.396	10	2159	-.205	.047	.038	-.392	10	2212	-.283	.076	-.096	-.702
10	2108	-.315	.055	-.131	-.598	10	2160	-.237	.070	.105	-.534	10	2213	-.166	.049	-.038	-.410
10	2109	-.181	.060	.149	-.679	10	2161	-.315	.096	-.126	-.891	10	2214	-.154	.033	-.059	-.318
10	2110	-.306	.170	.402	-1.060	10	2162	-.247	.041	-.109	-.433	10	2215	-.156	.034	-.047	-.313
10	2111	-.100	.102	.575	-.262	10	2163	-.287	.045	-.167	-.476	10	2216	-.064	.104	-.502	-.235
10	2112	-.289	.058	-.091	-.565	10	2164	-.504	.085	-.228	-.920	10	2217	-.176	.072	-.009	-.727
10	2113	-.210	.058	.121	-.662	10	2165	-.289	.073	-.071	-.717	10	2218	-.116	.046	.033	-.362
10	2114	-.312	.142	.097	-1.029	10	2166	-.249	.040	-.080	-.414	10	2219	-.096	.037	.021	-.318
10	2115	-.023	.074	.335	-.229	10	2167	-.636	.151	-.218	-1.443	10	2220	-.021	.062	.292	-.186
10	2116	-.299	.060	-.108	-.626	10	2168	-.503	.112	-.206	-1.120	10	2221	-.163	.079	.061	-.530
10	2117	-.168	.054	-.090	-.391	10	2170	-.011	.099	.547	-.254	10	2222	-.063	.033	.052	-.249
10	2118	-.175	.126	.138	-.843	10	2171	.109	.122	.643	-.606	10	2223	-.121	.042	.010	-.400
10	2119	-.021	.065	.266	-.241	10	2172	.124	.121	.629	-.283	10	2224	-.085	.063	.085	-.558
10	2120	-.255	.076	.138	-.498	10	2173	.063	.109	.602	-.235	10	2225	-.115	.035	.055	-.259
10	2121	-.160	.091	.209	-.398	10	2174	-.181	.046	-.025	-.375	10	2226	-.138	.029	-.032	-.261
10	2122	-.113	.109	.242	-.695	10	2175	-.251	.049	-.126	-.551	10	2227	-.152	.032	-.052	-.421
10	2123	-.028	.051	.264	-.229	10	2177	-.262	.046	-.076	-.430	10	2228	-.108	.039	.065	-.284
10	2124	-.290	.050	-.131	-.555	10	2178	-.036	.053	.187	-.196	10	2229	-.045	.042	.122	-.211
10	2125	-.284	.059	-.086	-.638	10	2179	.053	.085	.402	-.298	10	2230	-.109	.043	.043	-.351
10	2126	-.272	.042	-.141	-.574	10	2180	.120	.100	.609	-.179	10	2231	-.089	.040	.030	-.391
10	2127	-.295	.060	-.129	-.650	10	2181	-.044	.083	.441	-.165	10	2233	-.063	.028	.050	-.147
10	2128	-.289	.040	-.160	-.519	10	2182	-.198	.028	-.080	-.314	10	2234	-.147	.042	.023	-.311
10	2129	-.140	.104	.230	-.534	10	2183	-.243	.045	-.080	-.423	10	2235	-.123	.027	-.022	-.214
10	2130	-.271	.034	-.153	-.403	10	2184	-.239	.039	-.094	-.391	10	2236	-.118	.029	.015	-.211
10	2131	-.284	.036	-.198	-.491	10	2185	-.250	.036	-.106	-.402	10	2237	-.127	.036	.020	-.316
10	2132	-.325	.074	-.093	-.781	10	2187	-.255	.037	-.136	-.393	10	2238	-.043	.040	.140	-.196
10	2133	-.223	.100	-.292	-.553	10	2188	-.058	.040	.108	-.188	10	2239	-.030	.036	.110	-.169
10	2134	-.261	.030	-.155	-.450	10	2189	.005	.061	.351	-.205	10	2240	-.011	.031	.105	-.134
10	2136	-.276	.050	-.139	-.684	10	2190	.069	.077	.393	-.127	10	2241	-.007	.031	.135	-.221
10	2137	-.276	.069	-.023	-.534	10	2191	-.030	.063	.252	-.212	10	2242	-.006	.034	.190	-.172
10	2138	-.249	.033	-.139	-.460	10	2192	-.236	.030	-.134	-.377	10	2243	-.011	.030	.110	-.162
10	2140	-.269	.053	-.105	-.619	10	2193	-.290	.047	-.148	-.515	10	2244	-.044	.037	.090	-.164
10	2141	-.175	.062	-.092	-.405	10	2194	-.283	.041	-.136	-.454	10	2245	-.061	.045	.085	-.289
10	2142	-.181	.068	-.059	-.448	10	2195	-.028	.049	.250	-.179	10	2246	-.076	.057	.068	-.371
10	2143	-.248	.080	-.006	-.763	10	2196	.018	.063	.342	-.174	10	2247	-.028	.034	.157	-.331

WD	TAP	CPMEAN	CPRMS	CPMAX	CPMIN	WD	TAP	CPMEAN	CPRMS	CPMAX	CPMIN	WD	TAP	CPMEAN	CPRMS	CPMAX	CPMIN
10	2248	.000	.039	.247	-.117	20	2133	-.119	.111	-.351	-.504	20	2188	-.031	.038	.136	-.156
10	2249	-.011	.029	.152	-.119	20	2134	-.259	.032	-.173	-.444	20	2189	.042	.058	.245	-.208
10	2250	-.010	.030	.117	-.094	20	2136	-.283	.065	-.109	-.710	20	2190	.106	.076	.433	-.141
10	2251	-.009	.027	.095	-.117	20	2137	-.210	.103	-.289	-.557	20	2191	.028	.072	.350	-.213
10	2252	-.050	.054	.122	-.289	20	2138	-.239	.031	-.106	-.363	20	2192	-.235	.030	-.118	-.376
10	2253	-.054	.050	.122	-.249	20	2140	-.257	.046	-.085	-.545	20	2193	-.319	.054	-.173	-.591
10	2254	.015	.065	.384	-.199	20	2141	-.207	.061	-.052	-.406	20	2194	-.312	.054	-.127	-.806
10	2255	-.061	.069	.429	-.099	20	2142	-.189	.062	-.097	-.466	20	2195	.000	.047	.191	-.120
10	2256	-.001	.034	.185	-.104	20	2143	-.248	.065	-.032	-.652	20	2196	.055	.068	.390	-.139
10	2257	-.023	.028	.090	-.137	20	2144	-.233	.040	-.095	-.402	20	2197	.116	.091	.554	-.084
10	2258	-.019	.024	.115	-.094	20	2145	-.157	.064	-.111	-.346	20	2198	.094	.096	.485	-.137
10	2259	.011	.049	.289	-.164	20	2146	-.209	.080	-.024	-.717	20	2199	-.203	.038	-.008	-.376
10	2260	.010	.042	.167	-.134	20	2147	-.250	.062	-.052	-.606	20	2200	-.325	.067	-.160	-.630
10	2261	.012	.044	.249	-.119	20	2148	-.237	.050	-.120	-.545	20	2201	-.234	.076	.151	-.497
10	2262	.032	.045	.237	-.097	20	2149	-.243	.047	-.098	-.484	20	2202	-.060	.038	.089	-.357
10	2263	-.006	.027	.102	-.109	20	2150	-.070	.120	-.551	-.304	20	2203	-.102	.062	.072	-.485
10	2264	-.030	.036	.092	-.181	20	2151	-.247	.062	-.044	-.581	20	2204	-.063	.038	.079	-.270
10	2265	-.005	.033	.212	-.084	20	2152	-.295	.063	-.142	-.686	20	2205	-.077	.058	.101	-.407
20	2101	-.237	.058	.023	-.542	20	2153	-.268	.050	-.127	-.504	20	2206	-.029	.039	.165	-.175
20	2102	-.324	.073	-.070	-.700	20	2154	-.225	.043	-.047	-.482	20	2207	-.040	.029	.079	-.141
20	2103	-.309	.199	.090	-1.105	20	2155	-.226	.049	-.108	-.620	20	2208	-.188	.076	.022	-.611
20	2104	-.320	.066	-.121	-.660	20	2156	.161	.113	.694	-.142	20	2209	-.104	.040	.011	-.516
20	2105	-.091	.090	.289	-.327	20	2157	-.214	.105	.247	-.768	20	2210	-.125	.037	-.001	-.466
20	2106	-.088	.272	.504	-1.436	20	2158	-.208	.029	-.100	-.326	20	2211	-.044	.079	-.412	-.239
20	2107	-.090	.146	.622	-.957	20	2159	-.199	.031	-.035	-.319	20	2212	-.229	.070	-.063	-.595
20	2108	-.289	.068	-.066	-.583	20	2160	-.201	.039	-.018	-.397	20	2213	-.144	.048	-.006	-.357
20	2109	-.126	.080	.210	-.559	20	2161	-.227	.046	-.103	-.576	20	2214	-.134	.034	-.030	-.284
20	2110	-.117	.201	.445	-1.115	20	2162	-.273	.036	-.154	-.423	20	2215	-.137	.040	-.030	-.450
20	2111	-.058	.094	.540	-.341	20	2163	-.323	.049	-.207	-.632	20	2216	-.057	.085	.554	-.222
20	2112	-.242	.056	-.039	-.478	20	2164	-.512	.098	-.103	-.987	20	2217	-.117	.064	.039	-.545
20	2113	-.148	.075	.227	-.427	20	2165	-.297	.067	-.093	-.625	20	2218	-.076	.041	.067	-.277
20	2114	-.176	.152	.253	-.794	20	2166	-.286	.043	-.120	-.464	20	2219	-.064	.034	.079	-.227
20	2115	-.004	.063	.270	-.269	20	2167	-.653	.169	-.024	-1.507	20	2220	-.007	.059	.298	-.172
20	2116	-.247	.058	-.066	-.499	20	2168	-.529	.113	-.171	-1.436	20	2221	-.110	.063	.136	-.478
20	2117	-.151	.048	.016	-.336	20	2170	-.015	.102	.521	-.389	20	2222	-.032	.034	.105	-.198
20	2118	-.151	.134	.172	-1.057	20	2171	.079	.135	.551	-.538	20	2223	-.089	.043	.048	-.293
20	2119	-.001	.071	.454	-.250	20	2172	.138	.146	.716	-.474	20	2224	-.062	.059	.141	-.459
20	2120	-.214	.067	.109	-.403	20	2173	.080	.120	.640	-.331	20	2225	-.088	.035	.123	-.231
20	2121	-.103	.101	.236	-.351	20	2174	-.151	.056	-.116	-.368	20	2226	-.109	.031	.000	-.226
20	2122	-.083	.112	.267	-.691	20	2175	-.291	.055	-.117	-.555	20	2227	-.131	.038	-.023	-.349
20	2123	-.032	.046	.239	-.169	20	2177	-.294	.043	-.159	-.489	20	2228	-.069	.039	.093	-.286
20	2124	-.278	.048	-.097	-.490	20	2178	-.017	.049	.252	-.168	20	2229	-.014	.038	.216	-.130
20	2125	-.284	.060	-.094	-.902	20	2179	.077	.084	.470	-.389	20	2230	-.070	.038	.063	-.258
20	2126	-.260	.041	-.102	-.468	20	2180	.156	.093	.650	-.229	20	2231	-.056	.043	.075	-.328
20	2127	-.298	.068	-.116	-.614	20	2181	-.081	.093	.631	-.222	20	2233	-.038	.029	.105	-.120
20	2128	-.278	.035	-.188	-.497	20	2182	-.201	.030	-.088	-.341	20	2234	-.085	.042	.125	-.236
20	2129	-.062	.098	.334	-.434	20	2183	-.271	.042	-.156	-.438	20	2235	-.082	.030	.068	-.181
20	2130	-.259	.035	-.159	-.461	20	2184	-.267	.040	-.153	-.443	20	2236	-.093	.031	.008	-.201
20	2131	-.287	.041	-.161	-.509	20	2185	-.289	.039	-.196	-.445	20	2237	-.106	.038	.025	-.233
20	2132	-.312	.070	-.149	-.775	20	2187	-.286	.037	-.179	-.457	20	2238	-.003	.040	.161	-.175

WD	TAP	CPMEAN	CPRMS	CPMAX	CPMIN	WD	TAP	CPMEAN	CPRMS	CPMAX	CPMIN	WD	TAP	CPMEAN	CPRMS	CPMAX	CPMIN
20	2239	-.004	.035	.171	-.120	30	2124	-.270	.049	-.099	-.514	30	2178	-.013	.059	.345	-.213
20	2240	-.002	.031	.156	-.150	30	2125	-.292	.076	-.089	-.616	30	2179	.037	.080	.415	-.285
20	2241	.006	.034	.223	-.085	30	2126	-.244	.040	-.084	-.528	30	2180	.074	.113	.477	-.729
20	2242	.014	.034	.156	-.093	30	2127	-.285	.075	-.075	-.838	30	2181	.009	.106	.453	-.311
20	2243	-.004	.028	.108	-.118	30	2128	-.270	.039	-.167	-.442	30	2182	-.201	.030	-.102	-.330
20	2244	-.006	.035	.105	-.138	30	2129	-.005	.116	-.483	-.357	30	2183	-.256	.044	-.104	-.552
20	2245	-.016	.039	.128	-.268	30	2130	-.251	.034	-.153	-.440	30	2184	-.250	.039	-.096	-.414
20	2246	-.026	.032	.080	-.221	30	2131	-.274	.042	-.163	-.559	30	2185	-.286	.041	-.174	-.458
20	2247	-.019	.030	.100	-.170	30	2132	-.281	.070	-.108	-.860	30	2187	-.283	.039	-.193	-.446
20	2248	.025	.046	.376	-.105	30	2133	-.015	.113	-.423	-.414	30	2188	-.022	.040	.141	-.160
20	2249	.012	.032	.168	-.093	30	2134	-.250	.034	-.139	-.547	30	2189	.043	.057	.284	-.209
20	2250	.001	.030	.120	-.090	30	2136	-.296	.069	-.099	-.725	30	2190	.083	.079	.446	-.315
20	2251	.002	.029	.123	-.135	30	2137	-.166	.120	.357	-.525	30	2191	-.009	.074	.341	-.270
20	2252	-.008	.047	.196	-.241	30	2138	-.231	.028	-.136	-.348	30	2192	-.230	.035	-.078	-.390
20	2253	-.014	.044	.193	-.183	30	2140	-.248	.052	-.080	-.744	30	2193	-.300	.053	-.176	-.600
20	2254	.022	.057	.359	-.143	30	2141	-.204	.066	.165	-.433	30	2194	-.286	.052	-.052	-.658
20	2255	.051	.062	.449	-.080	30	2142	-.205	.051	-.030	-.390	30	2195	.003	.046	.223	-.146
20	2256	.006	.035	.186	-.085	30	2143	-.238	.055	-.059	-.703	30	2196	.050	.065	.451	-.200
20	2257	-.011	.026	.113	-.100	30	2144	-.233	.036	-.138	-.455	30	2197	.093	.091	.580	-.164
20	2258	-.007	.024	.090	-.088	30	2145	-.168	.061	.131	-.330	30	2198	.052	.093	.402	-.202
20	2259	.028	.044	.186	-.226	30	2146	-.219	.082	.049	-.804	30	2199	-.187	.040	-.002	-.357
20	2260	.033	.040	.221	-.103	30	2147	-.258	.067	-.068	-.585	30	2200	-.305	.075	-.153	-.832
20	2261	.038	.043	.286	-.078	30	2148	-.257	.061	-.056	-.607	30	2201	-.245	.060	.012	-.519
20	2262	.032	.041	.201	-.078	30	2149	-.237	.071	-.078	-.766	30	2202	-.055	.032	.056	-.230
20	2263	-.001	.026	.105	-.093	30	2150	-.013	.122	.660	-.412	30	2203	-.077	.060	.080	-.759
20	2264	-.011	.031	.098	-.153	30	2151	-.238	.065	-.027	-.710	30	2204	-.048	.034	.092	-.202
20	2265	.008	.027	.118	-.073	30	2152	-.281	.071	-.136	-.729	30	2205	-.066	.050	.132	-.378
30	2101	-.186	.058	.075	-.376	30	2153	-.253	.058	-.092	-.681	30	2206	-.026	.037	.181	-.183
30	2102	-.327	.070	-.075	-.646	30	2154	-.206	.052	-.064	-.451	30	2207	-.039	.030	.087	-.219
30	2103	-.348	.215	-.148	-1.398	30	2155	-.186	.043	-.044	-.547	30	2208	-.134	.067	.047	-.465
30	2104	-.312	.073	-.046	-.789	30	2156	-.115	.111	.735	-.246	30	2209	-.123	.069	.047	-.660
30	2105	-.029	.092	.290	-.319	30	2157	-.126	.088	.218	-.626	30	2210	-.130	.043	-.000	-.486
30	2106	.152	.169	.770	-.843	30	2158	-.180	.032	-.056	-.297	30	2211	-.004	.070	.303	-.219
30	2107	.071	.184	.691	-.651	30	2159	-.177	.035	-.037	-.304	30	2212	-.190	.066	.009	-.526
30	2108	-.247	.075	.105	-.627	30	2160	-.170	.039	-.016	-.393	30	2213	-.133	.048	.019	-.465
30	2109	-.047	.085	.302	-.319	30	2161	-.191	.040	-.080	-.429	30	2214	-.137	.039	-.016	-.298
30	2110	.084	.134	.689	-.461	30	2162	-.276	.041	-.164	-.458	30	2215	-.146	.046	-.021	-.406
30	2111	.018	.115	.502	-.578	30	2163	-.311	.055	-.150	-.677	30	2216	-.019	.068	.366	-.242
30	2112	-.187	.057	.030	-.407	30	2164	-.470	.105	-.138	-.919	30	2217	-.085	.058	.061	-.505
30	2113	-.075	.078	.236	-.357	30	2165	-.273	.054	-.107	-.554	30	2218	-.057	.039	.075	-.327
30	2114	.002	.112	.411	-.592	30	2166	-.277	.046	-.155	-.533	30	2219	-.052	.032	.068	-.211
30	2115	-.021	.071	.269	-.355	30	2167	-.541	.174	-.030	-1.299	30	2220	-.020	.058	.282	-.294
30	2116	-.202	.051	.003	-.447	30	2168	-.447	.124	-.049	-1.049	30	2221	-.080	.052	.080	-.338
30	2117	-.129	.050	.072	-.324	30	2170	-.059	.085	.511	-.362	30	2222	-.032	.031	.101	-.155
30	2118	-.087	.102	.162	-.725	30	2171	.003	.125	.482	-.434	30	2223	-.049	.035	.056	-.233
30	2119	-.010	.068	.295	-.302	30	2172	.011	.150	.511	-.612	30	2224	-.073	.065	.153	-.529
30	2120	-.194	.071	.226	-.404	30	2173	.005	.143	.581	-.527	30	2225	-.088	.034	.188	-.216
30	2121	-.131	.102	.274	-.367	30	2174	-.137	.073	.148	-.439	30	2226	-.115	.035	-.005	-.271
30	2122	-.081	.098	.255	-.727	30	2175	-.276	.050	-.133	-.580	30	2227	-.139	.052	.009	-.432
30	2123	.008	.060	.364	-.265	30	2177	-.283	.041	-.164	-.472	30	2228	-.051	.037	.081	-.231

WD	TAP	CPMEAN	CPRMS	CPMAX	CPMIN	WD	TAP	CPMEAN	CPRMS	CPMAX	CPMIN	WD	TAP	CPMEAN	CPRMS	CPMAX	CPMIN
30	2229	-.013	.033	.126	-.120	40	2115	-.037	.072	.220	-.531	40	2167	-.401	.139	-.023	-1.146
30	2230	-.055	.038	.057	-.276	40	2116	-.175	.052	.022	-.394	40	2168	-.340	.113	-.062	-.821
30	2231	-.044	.038	.114	-.259	40	2117	-.111	.055	.143	-.298	40	2170	-.045	.094	.521	-.331
30	2233	-.032	.026	.096	-.117	40	2118	-.074	.067	.147	-.507	40	2171	-.068	.098	.504	-.467
30	2234	-.072	.042	.208	-.202	40	2119	-.053	.065	.246	-.339	40	2172	-.112	.142	.465	-.645
30	2235	-.074	.029	.091	-.157	40	2120	-.182	.061	.099	-.404	40	2173	-.090	.111	.499	-.482
30	2236	-.086	.033	.044	-.199	40	2121	-.125	.091	.258	-.353	40	2174	-.147	.070	-.226	-.382
30	2237	-.111	.044	.027	-.375	40	2122	-.076	.089	.253	-.558	40	2175	-.235	.048	-.094	-.462
30	2238	-.002	.034	.139	-.132	40	2123	-.010	.050	.297	-.252	40	2177	-.247	.040	-.106	-.436
30	2239	-.004	.034	.129	-.149	40	2124	-.263	.056	-.086	-.500	40	2178	-.007	.071	.365	-.226
30	2240	-.012	.030	.129	-.159	40	2125	-.296	.083	-.093	-.813	40	2179	-.045	.069	.218	-.277
30	2241	-.006	.034	.173	-.152	40	2126	-.237	.048	-.079	-.613	40	2180	-.075	.111	.431	-.606
30	2242	-.008	.033	.181	-.189	40	2127	-.281	.082	-.050	-.854	40	2181	-.095	.081	.253	-.328
30	2243	-.012	.030	.104	-.107	40	2128	-.267	.045	-.158	-.664	40	2182	-.195	.033	-.082	-.370
30	2244	-.004	.033	.158	-.127	40	2129	-.032	.115	.518	-.291	40	2183	-.216	.049	-.072	-.492
30	2245	-.004	.036	.114	-.172	40	2130	-.236	.035	-.086	-.384	40	2184	-.214	.038	-.103	-.386
30	2246	-.018	.030	.124	-.144	40	2131	-.269	.047	-.151	-.500	40	2185	-.243	.035	-.153	-.398
30	2247	-.028	.030	.094	-.162	40	2132	-.261	.068	-.096	-.948	40	2187	-.239	.033	-.148	-.396
30	2248	-.036	.052	.310	-.140	40	2133	-.011	.116	-.441	-.363	40	2188	-.024	.044	.293	-.203
30	2249	-.001	.031	.114	-.140	40	2134	-.243	.035	-.146	-.389	40	2189	-.003	.062	.300	-.286
30	2250	-.021	.031	.131	-.162	40	2136	-.285	.070	-.110	-.632	40	2190	-.024	.083	.305	-.415
30	2251	-.005	.028	.156	-.107	40	2137	-.164	.120	.292	-.603	40	2191	-.091	.077	.269	-.415
30	2252	-.003	.038	.141	-.219	40	2138	-.223	.029	-.132	-.411	40	2192	-.224	.046	-.046	-.465
30	2253	.001	.041	.146	-.284	40	2140	-.243	.052	-.081	-.577	40	2193	-.272	.059	-.123	-.597
30	2254	.004	.042	.208	-.144	40	2141	-.201	.064	.147	-.471	40	2194	-.244	.054	-.062	-.653
30	2255	.024	.046	.352	-.090	40	2142	-.217	.050	-.043	-.454	40	2195	-.017	.041	.197	-.141
30	2256	.007	.035	.161	-.120	40	2143	-.234	.048	-.074	-.562	40	2196	.008	.063	.398	-.236
30	2257	-.021	.025	.079	-.110	40	2144	-.235	.042	-.104	-.470	40	2197	.038	.091	.788	-.248
30	2258	-.011	.025	.096	-.082	40	2145	-.158	.056	.052	-.311	40	2198	.017	.093	.667	-.205
30	2259	.032	.041	.258	-.423	40	2146	-.247	.087	.143	-.907	40	2199	-.166	.048	.066	-.379
30	2260	.034	.039	.181	-.097	40	2147	-.235	.066	-.050	-.597	40	2200	-.297	.095	-.089	-.808
30	2261	.032	.044	.278	-.097	40	2148	-.211	.060	-.052	-.648	40	2201	-.197	.060	.026	-.472
30	2262	.010	.036	.151	-.102	40	2149	-.225	.088	-.052	-.833	40	2202	-.052	.036	.090	-.274
30	2263	-.010	.028	.089	-.095	40	2150	-.047	.105	.397	-.377	40	2203	-.053	.045	.114	-.408
30	2264	-.018	.029	.089	-.187	40	2151	-.217	.070	-.018	-.619	40	2204	-.045	.036	.114	-.220
30	2265	.001	.024	.109	-.070	40	2152	-.221	.059	-.057	-.677	40	2205	-.055	.045	.147	-.336
40	2101	-.164	.068	.063	-.454	40	2153	-.200	.060	-.067	-.750	40	2206	-.031	.033	.085	-.248
40	2102	-.324	.078	-.052	-.683	40	2154	-.164	.055	.006	-.489	40	2207	-.047	.034	.097	-.239
40	2103	-.453	.241	.116	-1.631	40	2155	-.135	.038	.023	-.336	40	2208	-.101	.043	.050	-.336
40	2104	-.308	.081	-.014	-.589	40	2156	-.043	.103	.543	-.331	40	2209	-.114	.062	.047	-.560
40	2105	.011	.107	.537	-.264	40	2157	-.055	.082	.318	-.448	40	2210	-.129	.050	.047	-.427
40	2106	.166	.150	.730	-.298	40	2158	-.146	.033	-.026	-.270	40	2211	-.057	.056	.162	-.346
40	2107	.038	.162	.540	-.591	40	2159	-.143	.037	.006	-.304	40	2212	-.158	.060	.042	-.408
40	2108	-.237	.087	.171	-.801	40	2160	-.124	.034	.038	-.282	40	2213	-.125	.049	.062	-.351
40	2109	-.018	.086	.470	-.262	40	2161	-.139	.045	.028	-.514	40	2214	-.124	.040	.014	-.391
40	2110	-.150	.121	.739	-.250	40	2162	-.237	.038	-.116	-.399	40	2215	-.136	.050	.011	-.441
40	2111	-.005	.119	.487	-.514	40	2163	-.277	.055	-.101	-.702	40	2216	-.019	.051	.312	-.232
40	2112	-.171	.058	.085	-.476	40	2164	-.389	.094	-.035	-.860	40	2217	-.065	.048	.054	-.353
40	2113	-.051	.063	.287	-.223	40	2165	-.231	.043	-.096	-.450	40	2218	-.051	.035	.100	-.279
40	2114	.044	.087	.436	-.329	40	2166	-.243	.052	-.110	-.672	40	2219	-.048	.031	.059	-.210

WD	TAP	CPMEAN	CPRMS	CPMAX	CPMIN	WD	TAP	CPMEAN	CPRMS	CPMAX	CPMIN	WD	TAP	CPMEAN	CPRMS	CPMAX	CPMIN
40	2220	-.061	.046	.124	-.320	50	2106	-.147	.137	.732	-.263	50	2158	-.107	.029	-.000	-.232
40	2221	-.057	.040	.121	-.272	50	2107	-.049	.122	.424	-.656	50	2159	-.104	.024	.014	-.215
40	2222	-.034	.028	.085	-.179	50	2108	-.186	.079	.111	-.545	50	2160	-.089	.025	.024	-.196
40	2223	-.061	.033	.047	-.224	50	2109	.007	.085	.361	-.214	50	2161	-.092	.032	-.016	-.480
40	2224	-.075	.078	.319	-.565	50	2110	.139	.119	.688	-.157	50	2162	-.171	.035	-.070	-.361
40	2225	-.066	.052	.278	-.200	50	2111	-.008	.106	.530	-.487	50	2163	-.198	.045	-.084	-.483
40	2226	-.102	.035	.021	-.243	50	2112	-.136	.053	.069	-.538	50	2164	-.277	.071	-.027	-.850
40	2227	-.127	.056	.047	-.460	50	2113	-.040	.063	.375	-.188	50	2165	-.169	.037	-.065	-.361
40	2228	-.045	.035	.077	-.271	50	2114	-.038	.068	.363	-.350	50	2166	-.176	.042	-.059	-.532
40	2229	-.012	.033	.155	-.142	50	2115	-.049	.073	.276	-.421	50	2167	-.268	.097	.064	-1.036
40	2230	-.048	.042	.120	-.329	50	2116	-.125	.054	.083	-.390	50	2168	-.230	.085	.040	-.888
40	2231	-.044	.031	.059	-.256	50	2117	-.077	.048	.158	-.242	50	2170	-.019	.076	.434	-.237
40	2233	-.031	.030	.092	-.208	50	2118	-.065	.045	.095	-.261	50	2171	-.077	.066	.315	-.303
40	2234	-.066	.042	.162	-.263	50	2119	-.081	.053	.121	-.298	50	2172	-.170	.105	.296	-.640
40	2235	-.065	.032	.193	-.155	50	2120	-.113	.060	.189	-.317	50	2173	-.101	.080	.320	-.354
40	2236	-.072	.040	.094	-.268	50	2121	-.068	.084	.354	-.277	50	2174	-.132	.053	.200	-.354
40	2237	-.087	.053	.072	-.429	50	2122	-.053	.069	.229	-.303	50	2175	-.175	.039	-.072	-.401
40	2238	-.009	.035	.140	-.145	50	2123	-.011	.049	-.203	-.150	50	2177	-.178	.033	-.091	-.373
40	2239	-.027	.032	.097	-.241	50	2124	-.236	.066	-.016	-.633	50	2178	-.003	.054	.265	-.187
40	2240	-.039	.032	.115	-.203	50	2125	-.300	.097	-.035	-.875	50	2179	-.084	.045	.117	-.246
40	2241	-.014	.037	.178	-.145	50	2126	-.215	.055	-.072	-.508	50	2180	-.157	.075	.143	-.514
40	2242	-.016	.031	.099	-.145	50	2127	-.255	.098	-.005	-1.033	50	2181	-.116	.049	.145	-.253
40	2243	-.032	.031	.110	-.213	50	2128	-.254	.054	-.129	-.548	50	2182	-.148	.030	-.010	-.308
40	2244	-.009	.034	.162	-.162	50	2129	-.042	.128	-.558	-.355	50	2183	-.165	.045	-.046	-.549
40	2245	-.025	.040	.120	-.205	50	2130	-.206	.039	-.089	-.414	50	2184	-.149	.035	-.029	-.325
40	2246	-.039	.032	.089	-.203	50	2131	-.251	.058	-.105	-.522	50	2185	-.169	.027	-.087	-.332
40	2247	-.057	.032	.054	-.220	50	2132	-.242	.073	-.079	-.764	50	2187	-.170	.032	-.078	-.294
40	2248	-.023	.066	.475	-.188	50	2133	-.001	.100	.537	-.280	50	2188	-.008	.044	.181	-.164
40	2249	-.032	.030	.115	-.145	50	2134	-.207	.037	-.091	-.421	50	2189	-.044	.055	.262	-.262
40	2250	-.050	.029	.069	-.178	50	2136	-.258	.075	-.101	-.762	50	2190	-.090	.077	.236	-.518
40	2251	-.030	.028	.137	-.120	50	2137	-.131	.104	-.236	-.512	50	2191	-.128	.062	.160	-.420
40	2252	-.024	.040	.110	-.233	50	2138	-.199	.032	-.115	-.360	50	2192	-.187	.041	-.062	-.392
40	2253	-.022	.040	.117	-.173	50	2140	-.213	.048	-.087	-.647	50	2193	-.229	.062	-.043	-.599
40	2254	-.032	.037	.152	-.155	50	2141	-.164	.061	-.144	-.381	50	2194	-.177	.044	-.052	-.492
40	2255	-.022	.036	.137	-.125	50	2142	-.199	.039	-.030	-.385	50	2195	-.014	.038	.202	-.143
40	2256	-.018	.031	.157	-.112	50	2143	-.197	.036	-.079	-.459	50	2196	.009	.062	.297	-.232
40	2257	-.046	.025	.052	-.125	50	2144	-.217	.047	-.105	-.552	50	2197	.053	.095	.460	-.257
40	2258	-.030	.025	.117	-.107	50	2145	-.121	.051	.114	-.265	50	2198	-.053	.093	.609	-.187
40	2259	-.002	.042	.253	-.251	50	2146	-.209	.065	-.002	-.714	50	2199	-.120	.051	.141	-.311
40	2260	-.002	.037	.145	-.142	50	2147	-.164	.044	-.053	-.449	50	2200	-.284	.098	-.064	-.765
40	2261	-.010	.039	.188	-.127	50	2148	-.140	.041	-.022	-.459	50	2201	-.106	.047	.046	-.343
40	2262	-.031	.032	.092	-.157	50	2149	-.157	.060	-.017	-.635	50	2202	-.052	.038	.104	-.364
40	2263	-.028	.027	.104	-.117	50	2150	-.076	.075	.346	-.349	50	2203	-.036	.031	.067	-.166
40	2264	-.036	.025	.047	-.155	50	2151	-.169	.061	-.026	-.440	50	2204	-.037	.033	.129	-.201
40	2265	-.019	.024	.089	-.107	50	2152	-.149	.044	-.034	-.547	50	2205	-.042	.035	.132	-.222
50	2101	-.142	.074	.184	-.470	50	2153	-.129	.035	-.015	-.351	50	2206	-.025	.035	.150	-.192
50	2102	-.257	.078	.029	-.571	50	2154	-.111	.034	-.022	-.442	50	2207	-.042	.042	.218	-.243
50	2103	-.411	.221	.057	-1.447	50	2155	-.094	.032	.007	-.294	50	2208	-.072	.039	.106	-.260
50	2104	-.263	.084	-.030	-.614	50	2156	-.030	.083	.513	-.241	50	2209	-.071	.051	.087	-.350
50	2105	.030	.115	.483	-.291	50	2157	-.018	.071	.320	-.416	50	2210	-.087	.041	.062	-.378

WD	TAP	CPMEAN	CPRMS	CPMAX	CPMIN	WD	TAP	CPMEAN	CPRMS	CPMAX	CPMIN	WD	TAP	CPMEAN	CPRMS	CPMAX	CPMIN
50	2211	-.061	.042	.120	-.297	50	2262	-.071	.028	.028	-.204	60	2149	-.130	.037	-.027	-.401
50	2212	-.105	.043	.046	-.339	50	2263	-.041	.024	.117	-.127	60	2150	-.103	.048	.171	-.288
50	2213	-.071	.039	.085	-.241	50	2264	-.052	.025	.033	-.147	60	2151	-.145	.044	.041	-.359
50	2214	-.087	.036	.039	-.304	50	2265	-.032	.026	.082	-.103	60	2152	-.120	.029	-.015	-.300
50	2215	-.104	.044	.027	-.385	60	2101	-.129	.074	.238	-.415	60	2153	-.109	.026	-.032	-.298
50	2216	-.040	.032	.141	-.197	60	2102	-.174	.076	.082	-.587	60	2154	-.092	.026	-.008	-.220
50	2217	-.041	.031	.080	-.241	60	2103	-.308	.211	.193	-1.300	60	2155	-.081	.027	.032	-.187
50	2218	-.041	.029	.073	-.201	60	2104	-.170	.081	.154	-.529	60	2156	-.011	.068	.514	-.173
50	2219	-.042	.028	.044	-.159	60	2105	-.078	.132	.653	-.396	60	2157	-.043	.057	.197	-.310
50	2220	-.059	.043	.155	-.225	60	2106	-.140	.135	.688	-.313	60	2158	-.097	.024	-.011	-.199
50	2221	-.035	.030	.092	-.213	60	2107	-.063	.099	.312	-.561	60	2159	-.100	.024	.006	-.183
50	2222	-.030	.031	.101	-.178	60	2108	-.128	.076	.173	-.573	60	2160	-.074	.024	.036	-.159
50	2223	-.058	.039	.132	-.199	60	2109	.051	.106	.486	-.199	60	2161	-.071	.027	.027	-.175
50	2224	.011	.071	.325	-.283	60	2110	.119	.102	.670	-.125	60	2162	-.136	.030	-.048	-.248
50	2225	.009	.065	.326	-.174	60	2111	-.013	.097	.400	-.455	60	2163	-.160	.041	-.060	-.550
50	2226	-.066	.034	.112	-.214	60	2112	-.099	.054	.126	-.503	60	2164	-.208	.053	-.025	-.463
50	2227	-.091	.052	.053	-.359	60	2113	-.020	.064	.384	-.194	60	2165	-.135	.029	-.041	-.319
50	2228	-.037	.028	.065	-.172	60	2114	-.021	.061	.282	-.143	60	2166	-.141	.032	-.042	-.292
50	2229	-.006	.044	.280	-.152	60	2115	-.042	.070	.226	-.403	60	2167	-.205	.071	-.034	-.613
50	2230	-.086	.059	.119	-.411	60	2116	-.107	.055	.117	-.429	60	2168	-.162	.054	-.032	-.456
50	2231	-.038	.025	.092	-.177	60	2117	-.055	.044	.221	-.266	60	2170	-.003	.055	.288	-.246
50	2233	-.029	.025	.062	-.155	60	2118	-.060	.041	.103	-.255	60	2171	-.050	.052	.232	-.220
50	2234	-.060	.034	.092	-.263	60	2119	-.073	.048	.098	-.336	60	2172	-.148	.076	.220	-.437
50	2235	-.026	.037	.154	-.140	60	2120	-.066	.050	.161	-.218	60	2173	-.094	.052	.380	-.267
50	2236	-.038	.033	.102	-.162	60	2121	-.032	.068	.430	-.199	60	2174	-.121	.035	.081	-.305
50	2237	-.064	.049	.082	-.386	60	2122	-.031	.061	.270	-.336	60	2175	-.141	.035	-.025	-.321
50	2238	-.035	.032	.092	-.169	60	2123	-.003	.053	.317	-.215	60	2177	-.151	.031	-.077	-.385
50	2239	-.052	.031	.058	-.271	60	2124	-.212	.069	.005	-.552	60	2178	-.005	.048	.220	-.143
50	2240	-.066	.030	.062	-.192	60	2125	-.300	.109	.022	-.859	60	2179	-.079	.032	.091	-.192
50	2241	-.031	.037	.134	-.229	60	2126	-.184	.056	-.041	-.506	60	2180	-.145	.052	.133	-.352
50	2242	-.035	.031	.092	-.214	60	2127	-.231	.099	-.066	-.924	60	2181	-.099	.033	.098	-.239
50	2243	-.046	.032	.097	-.261	60	2128	-.254	.073	-.111	-.612	60	2182	-.120	.029	-.037	-.300
50	2244	-.035	.033	.082	-.162	60	2129	-.057	.132	-.526	-.427	60	2183	-.126	.034	-.020	-.281
50	2245	-.039	.037	.104	-.221	60	2130	-.185	.045	-.034	-.457	60	2184	-.118	.026	-.042	-.256
50	2246	-.063	.030	.095	-.184	60	2131	-.230	.063	-.069	-.554	60	2185	-.134	.024	-.062	-.272
50	2247	-.099	.036	.021	-.268	60	2132	-.230	.073	-.025	-.687	60	2187	-.129	.028	-.049	-.285
50	2248	-.017	.066	.393	-.167	60	2133	-.026	.110	-.495	-.327	60	2188	-.010	.036	.149	-.141
50	2249	-.048	.029	.077	-.189	60	2134	-.182	.040	-.060	-.401	60	2189	-.063	.035	.080	-.212
50	2250	-.049	.034	.065	-.271	60	2136	-.228	.077	-.071	-.914	60	2190	-.114	.045	.092	-.343
50	2251	-.040	.035	.151	-.147	60	2137	-.081	.098	.389	-.420	60	2191	-.127	.048	.103	-.334
50	2252	-.055	.046	.070	-.268	60	2138	-.170	.036	-.025	-.327	60	2192	-.160	.043	-.049	-.343
50	2253	-.047	.041	.072	-.189	60	2140	-.211	.063	-.069	-.921	60	2193	-.172	.045	-.060	-.394
50	2254	-.055	.031	.092	-.172	60	2141	-.116	.058	-.177	-.315	60	2194	-.132	.035	-.039	-.614
50	2255	-.054	.033	.070	-.174	60	2142	-.170	.038	-.057	-.362	60	2195	-.008	.034	.156	-.106
50	2256	-.030	.034	.166	-.137	60	2143	-.172	.036	-.046	-.347	60	2196	.006	.057	.255	-.350
50	2257	-.066	.025	.028	-.164	60	2144	-.203	.058	-.062	-.531	60	2197	.051	.086	.496	-.212
50	2258	-.040	.026	.067	-.137	60	2145	-.076	.041	.081	-.204	60	2198	.050	.092	.593	-.166
50	2259	-.021	.037	.297	-.206	60	2146	-.156	.041	.001	-.369	60	2199	-.087	.044	.154	-.269
50	2260	-.028	.033	.092	-.221	60	2147	-.130	.032	-.025	-.456	60	2200	-.267	.099	-.055	-1.051
50	2261	-.051	.030	.198	-.162	60	2148	-.112	.027	-.039	-.288	60	2201	-.074	.033	.087	-.313

WD	TAP	CPMEAN	CPRMS	CPMAX	CPMIN	WD	TAP	CPMEAN	CPRMS	CPMAX	CPMIN	WD	TAP	CPMEAN	CPRMS	CPMAX	CPMIN
60	2202	-.059	.041	.071	-.313	60	2253	-.084	.028	.008	-.179	70	2140	-.219	.085	-.032	-.944
60	2203	-.038	.030	.062	-.170	60	2254	-.071	.024	.030	-.167	70	2141	-.094	.053	-.175	-.348
60	2204	-.041	.031	.101	-.198	60	2255	-.085	.026	.023	-.184	70	2142	-.153	.037	-.046	-.454
60	2205	-.037	.033	.145	-.276	60	2256	-.055	.030	.091	-.172	70	2143	-.149	.040	-.038	-.419
60	2206	-.023	.035	.163	-.203	60	2257	-.081	.027	.071	-.204	70	2144	-.204	.076	-.010	-.614
60	2207	-.035	.042	.154	-.203	60	2258	-.052	.030	.132	-.148	70	2145	-.073	.038	.085	-.182
60	2208	-.035	.039	.138	-.168	60	2259	-.023	.050	.324	-.143	70	2146	-.104	.038	.004	-.412
60	2209	-.053	.043	.122	-.352	60	2260	-.058	.032	.066	-.432	70	2147	-.088	.024	-.024	-.240
60	2210	-.071	.036	.050	-.281	60	2261	-.073	.023	.004	-.172	70	2148	-.095	.021	-.019	-.236
60	2211	-.042	.036	.126	-.205	60	2262	-.090	.024	-.021	-.194	70	2149	-.114	.028	-.024	-.231
60	2212	-.057	.035	.078	-.207	60	2263	-.061	.023	.071	-.143	70	2150	-.066	.040	.141	-.196
60	2213	-.051	.032	.071	-.205	60	2264	-.070	.024	.035	-.145	70	2151	-.102	.030	.018	-.273
60	2214	-.074	.032	.039	-.251	60	2265	-.052	.025	.054	-.123	70	2152	-.094	.022	-.017	-.205
60	2215	-.085	.036	.025	-.389	70	2101	-.120	.081	.246	-.456	70	2153	-.099	.022	-.019	-.203
60	2216	-.043	.033	.103	-.239	70	2102	-.139	.077	.115	-.784	70	2154	-.092	.022	-.006	-.189
60	2217	-.041	.032	.092	-.175	70	2103	-.192	.121	.126	-1.004	70	2155	-.084	.021	-.003	-.168
60	2218	-.045	.032	.133	-.210	70	2104	-.124	.066	.117	-.566	70	2156	-.040	.051	.299	-.177
60	2219	-.045	.030	.078	-.166	70	2105	-.063	.111	.567	-.220	70	2157	-.083	.043	.083	-.270
60	2220	-.042	.039	.165	-.193	70	2106	-.132	.136	.606	-.195	70	2158	-.083	.019	-.017	-.140
60	2221	-.040	.028	.092	-.173	70	2107	-.114	.096	.223	-.651	70	2159	-.084	.018	-.017	-.140
60	2222	-.026	.032	.151	-.164	70	2108	-.088	.061	.154	-.520	70	2160	-.076	.019	-.001	-.152
60	2223	-.051	.041	.122	-.212	70	2109	-.057	.097	.475	-.231	70	2161	-.079	.023	.004	-.173
60	2224	.043	.067	.402	-.164	70	2110	.077	.100	.569	-.135	70	2162	-.088	.024	-.008	-.184
60	2225	.022	.056	.422	-.133	70	2111	-.040	.091	.404	-.630	70	2163	-.107	.033	-.010	-.294
60	2226	-.055	.030	.052	-.177	70	2112	-.088	.046	.087	-.483	70	2164	-.161	.045	-.020	-.524
60	2227	-.072	.044	.052	-.311	70	2113	-.020	.062	.324	-.162	70	2165	-.096	.026	-.001	-.229
60	2228	-.047	.024	.047	-.177	70	2114	-.009	.064	.305	-.178	70	2166	-.094	.028	-.008	-.275
60	2229	-.031	.039	.193	-.177	70	2115	-.059	.064	.326	-.389	70	2167	-.155	.055	.020	-.526
60	2230	-.073	.050	.088	-.413	70	2116	-.091	.044	.087	-.438	70	2168	-.118	.042	.029	-.333
60	2231	-.052	.023	.047	-.216	70	2117	-.054	.042	.136	-.286	70	2170	-.016	.042	.176	-.131
60	2233	-.039	.026	.081	-.121	70	2118	-.063	.039	.197	-.192	70	2171	-.058	.036	.120	-.180
60	2234	-.051	.031	.057	-.187	70	2119	-.067	.040	.078	-.289	70	2172	-.134	.054	.066	-.396
60	2235	-.019	.037	.210	-.148	70	2120	-.061	.037	.152	-.190	70	2173	-.081	.028	.104	-.217
60	2236	-.026	.030	.110	-.145	70	2121	-.035	.067	.385	-.169	70	2174	-.093	.028	.104	-.212
60	2237	-.047	.038	.081	-.369	70	2122	-.026	.064	.246	-.300	70	2175	-.104	.028	-.017	-.240
60	2238	-.058	.029	.074	-.165	70	2123	-.018	.042	.204	-.165	70	2177	-.106	.024	-.040	-.189
60	2239	-.077	.027	.032	-.252	70	2124	-.186	.062	.014	-.506	70	2178	.019	.048	.315	-.089
60	2240	-.094	.029	.030	-.240	70	2125	-.282	.097	-.016	-.703	70	2179	-.065	.028	.062	-.168
60	2241	-.047	.038	.159	-.201	70	2126	-.175	.054	-.029	-.476	70	2180	-.141	.051	.066	-.417
60	2242	-.055	.030	.076	-.228	70	2127	-.205	.089	-.099	-.699	70	2181	-.082	.024	.050	-.175
60	2243	-.067	.037	.071	-.281	70	2128	-.259	.075	-.084	-.676	70	2182	-.095	.025	-.010	-.217
60	2244	-.065	.029	.028	-.189	70	2129	.018	.115	-.530	-.311	70	2183	-.097	.033	-.015	-.280
60	2245	-.065	.029	.059	-.267	70	2130	-.180	.054	-.020	-.502	70	2184	-.087	.025	-.019	-.205
60	2246	-.080	.027	.037	-.260	70	2131	-.207	.069	-.055	-.467	70	2185	-.101	.022	-.010	-.169
60	2247	-.121	.034	-.004	-.303	70	2132	-.238	.074	-.032	-.912	70	2187	-.093	.024	-.014	-.200
60	2248	-.002	.062	.285	-.238	70	2133	.005	.097	.408	-.270	70	2188	.020	.044	.240	-.094
60	2249	-.063	.029	.052	-.196	70	2134	-.172	.051	-.018	-.408	70	2189	-.046	.030	.094	-.162
60	2250	-.088	.044	.088	-.493	70	2136	-.238	.079	-.059	-.697	70	2190	-.124	.056	.115	-.400
60	2251	-.041	.047	.358	-.204	70	2137	-.046	.084	.305	-.330	70	2191	-.074	.032	.083	-.232
60	2252	-.110	.047	.023	-.306	70	2138	-.161	.041	-.034	-.369	70	2192	-.091	.028	-.005	-.257

WD	TAP	CPMEAN	CPRMS	CPMAX	CPMIN	WD	TAP	CPMEAN	CPRMS	CPMAX	CPMIN	WD	TAP	CPMEAN	CPRMS	CPMAX	CPMIN
70	2193	-.096	.030	-.019	-.289	70	2244	-.077	.027	.025	-.184	80	2129	-.083	.065	-.225	-.326
70	2194	-.091	.027	.008	-.280	70	2245	-.076	.028	.037	-.182	80	2130	-.150	.033	-.043	-.296
70	2195	.011	.039	.176	-.087	70	2246	-.085	.030	.049	-.254	80	2131	-.153	.041	-.017	-.397
70	2196	-.022	.035	.153	-.153	70	2247	-.123	.040	.049	-.357	80	2132	-.178	.053	.014	-.530
70	2197	-.052	.058	.244	-.311	70	2248	-.027	.065	.356	-.230	80	2133	-.074	.067	.269	-.268
70	2198	-.020	.052	.394	-.125	70	2249	-.074	.031	.065	-.225	80	2134	-.145	.031	-.040	-.296
70	2199	-.067	.031	.054	-.191	70	2250	-.083	.054	.116	-.638	80	2136	-.167	.052	-.019	-.411
70	2200	-.098	.046	.002	-.364	70	2251	-.025	.062	.339	-.213	80	2137	-.086	.055	.220	-.336
70	2201	-.069	.025	.038	-.193	70	2252	-.111	.035	-.009	-.345	80	2138	-.143	.029	-.059	-.305
70	2202	-.077	.044	.047	-.364	70	2253	-.089	.025	.012	-.196	80	2140	-.155	.051	.037	-.505
70	2203	-.056	.031	.092	-.155	70	2254	-.076	.025	.041	-.151	80	2141	-.097	.040	.119	-.226
70	2204	-.057	.034	.101	-.234	70	2255	-.086	.024	.029	-.172	80	2142	-.140	.026	-.045	-.301
70	2205	-.050	.036	.110	-.280	70	2256	-.066	.030	.080	-.160	80	2143	-.135	.030	-.027	-.346
70	2206	-.032	.035	.133	-.239	70	2257	-.086	.033	.080	-.247	80	2144	-.155	.049	-.039	-.467
70	2207	-.036	.037	.165	-.169	70	2258	-.052	.038	.178	-.163	80	2145	-.114	.032	.004	-.203
70	2208	-.040	.036	.113	-.284	70	2259	-.026	.046	.315	-.206	80	2146	-.102	.032	-.001	-.291
70	2209	-.053	.034	.076	-.282	70	2260	-.073	.033	.063	-.266	80	2147	-.099	.027	.004	-.246
70	2210	-.058	.030	.063	-.307	70	2261	-.076	.026	.051	-.177	80	2148	-.107	.023	-.025	-.308
70	2211	-.046	.030	.097	-.207	70	2262	-.091	.022	-.009	-.189	80	2149	-.108	.025	-.018	-.222
70	2212	-.051	.030	.065	-.230	70	2263	-.069	.027	.065	-.139	80	2150	-.074	.038	.180	-.186
70	2213	-.056	.027	.070	-.184	70	2264	-.077	.028	.061	-.175	80	2151	-.105	.027	.011	-.227
70	2214	-.057	.023	.031	-.164	70	2265	-.061	.026	.058	-.139	80	2152	-.106	.024	-.025	-.258
70	2215	-.064	.027	.033	-.184	80	2101	-.148	.051	.089	-.472	80	2153	-.112	.022	-.008	-.203
70	2216	-.068	.041	.090	-.391	80	2102	-.163	.059	.244	-.512	80	2154	-.103	.023	-.006	-.239
70	2217	-.058	.034	.081	-.212	80	2103	-.197	.097	.117	-.870	80	2155	-.098	.021	-.022	-.177
70	2218	-.068	.038	.063	-.293	80	2104	-.144	.044	.014	-.373	80	2156	-.070	.037	.139	-.165
70	2219	-.062	.032	.079	-.273	80	2105	-.053	.072	.307	-.270	80	2157	-.103	.031	.035	-.272
70	2220	-.043	.036	.128	-.203	80	2106	-.014	.093	.513	-.254	80	2158	-.097	.020	-.018	-.163
70	2221	-.057	.033	.067	-.262	80	2107	-.130	.076	.173	-.725	80	2159	-.100	.019	-.003	-.163
70	2222	-.033	.032	.099	-.175	80	2108	-.125	.040	.044	-.378	80	2160	-.093	.022	-.008	-.163
70	2223	-.035	.038	.128	-.169	80	2109	-.033	.063	.309	-.193	80	2161	-.095	.020	-.034	-.167
70	2224	.008	.047	.299	-.153	80	2110	-.019	.092	.525	-.202	80	2162	-.099	.021	-.022	-.167
70	2225	.004	.042	.229	-.129	80	2111	-.083	.072	.312	-.460	80	2163	-.106	.027	-.025	-.317
70	2226	-.040	.024	.058	-.156	80	2112	-.121	.039	.009	-.427	80	2164	-.141	.033	.054	-.267
70	2227	-.053	.034	.085	-.273	80	2113	-.061	.052	.297	-.214	80	2165	-.106	.026	.028	-.277
70	2228	-.057	.029	.053	-.268	80	2114	-.036	.066	.368	-.237	80	2166	-.099	.023	-.015	-.183
70	2229	-.053	.025	.080	-.148	80	2115	-.095	.058	.129	-.444	80	2167	-.140	.042	-.018	-.370
70	2230	-.031	.035	.118	-.199	80	2116	-.128	.040	-.012	-.446	80	2168	-.117	.037	-.011	-.365
70	2231	-.053	.022	.037	-.160	80	2117	-.094	.037	.136	-.277	80	2170	-.063	.036	.137	-.189
70	2233	-.050	.025	.041	-.180	80	2118	-.094	.036	.154	-.228	80	2171	-.090	.030	.070	-.217
70	2234	-.038	.022	.044	-.117	80	2119	-.101	.038	.096	-.385	80	2172	-.146	.044	-.018	-.408
70	2235	-.028	.026	.075	-.108	80	2120	-.106	.029	.018	-.209	80	2173	-.100	.026	.004	-.206
70	2236	-.026	.023	.065	-.093	80	2121	-.096	.042	.194	-.216	80	2174	-.101	.024	.013	-.182
70	2237	-.026	.022	.046	-.115	80	2122	-.072	.048	.157	-.294	80	2175	-.106	.027	-.011	-.225
70	2238	-.075	.028	.056	-.189	80	2123	-.063	.036	.140	-.200	80	2177	-.109	.023	-.030	-.206
70	2239	-.091	.033	.034	-.271	80	2124	-.149	.040	-.019	-.369	80	2178	-.018	.049	.253	-.120
70	2240	-.116	.033	.032	-.364	80	2125	-.189	.055	.028	-.476	80	2179	-.081	.031	.063	-.184
70	2241	-.063	.041	.195	-.208	80	2126	-.145	.033	-.026	-.359	80	2180	-.154	.050	-.030	-.420
70	2242	-.080	.036	.099	-.268	80	2127	-.147	.050	.035	-.753	80	2181	-.095	.023	.011	-.191
70	2243	-.085	.047	.142	-.413	80	2128	-.181	.049	.044	-.430	80	2182	-.097	.022	-.015	-.167

WD	TAP	CPMEAN	CPRMS	CPMAX	CPMIN	WD	TAP	CPMEAN	CPRMS	CPMAX	CPMIN	WD	TAP	CPMEAN	CPRMS	CPMAX	CPMIN
80	2183	-.098	.022	-.027	-.208	80	2235	-.070	.021	.014	-.143	90	2120	-.114	.028	-.016	-.270
80	2184	-.096	.020	-.029	-.169	80	2236	-.066	.022	.031	-.148	90	2121	-.117	.030	.137	-.268
80	2185	-.102	.019	-.034	-.159	80	2237	-.064	.020	.014	-.129	90	2122	-.109	.031	.107	-.266
80	2187	-.097	.020	-.027	-.173	80	2238	-.102	.028	.046	-.217	90	2123	-.097	.025	-.042	-.170
80	2188	-.002	.046	.298	-.122	80	2239	-.123	.032	.129	-.288	90	2124	-.159	.054	-.000	-.652
80	2189	-.069	.030	.038	-.183	80	2240	-.160	.035	-.030	-.323	90	2125	-.164	.045	-.033	-.384
80	2190	-.159	.062	.026	-.468	80	2241	-.096	.043	.134	-.409	90	2126	-.144	.039	-.030	-.373
80	2191	-.085	.024	.001	-.187	80	2242	-.109	.038	.090	-.337	90	2127	-.124	.049	.123	-.398
80	2192	-.095	.022	-.003	-.180	80	2243	-.110	.055	.117	-.418	90	2128	-.138	.044	.061	-.343
80	2193	-.100	.024	-.022	-.189	80	2244	-.105	.026	.014	-.207	90	2129	-.143	.058	.061	-.492
80	2194	-.100	.024	-.027	-.213	80	2245	-.106	.028	.004	-.246	90	2130	-.136	.031	-.026	-.338
80	2195	-.013	.038	.212	-.139	80	2246	-.118	.028	-.011	-.232	90	2131	-.113	.036	.040	-.263
80	2196	-.063	.031	.089	-.178	80	2247	-.178	.057	-.013	-.473	90	2132	-.121	.058	.093	-.415
80	2197	-.120	.047	.033	-.343	80	2248	-.048	.078	.459	-.283	90	2133	-.123	.059	.135	-.475
80	2198	-.077	.025	.084	-.162	80	2249	-.111	.035	.012	-.281	90	2134	-.134	.029	.012	-.373
80	2199	-.090	.023	-.006	-.206	80	2250	-.122	.069	.095	-.486	90	2136	-.110	.049	.100	-.391
80	2200	-.098	.027	-.011	-.231	80	2251	-.042	.080	.469	-.293	90	2137	-.117	.049	.042	-.447
80	2201	-.094	.025	-.008	-.211	80	2252	-.123	.027	-.035	-.303	90	2138	-.134	.027	-.012	-.303
80	2202	-.112	.040	.133	-.406	80	2253	-.113	.025	-.001	-.222	90	2140	-.108	.045	.100	-.364
80	2203	-.098	.036	.026	-.296	80	2254	-.109	.024	-.003	-.187	90	2141	-.112	.040	.030	-.298
80	2204	-.099	.035	.061	-.273	80	2255	-.123	.025	-.006	-.224	90	2142	-.131	.026	-.047	-.240
80	2205	-.087	.038	.077	-.269	80	2256	-.092	.033	.174	-.234	90	2143	-.116	.027	.009	-.230
80	2206	-.081	.033	.052	-.245	80	2257	-.099	.038	.098	-.337	90	2144	-.112	.035	.046	-.270
80	2207	-.087	.030	.033	-.224	80	2258	-.068	.048	.218	-.197	90	2145	-.118	.032	.101	-.240
80	2208	-.092	.031	.033	-.257	80	2259	-.075	.036	.112	-.165	90	2146	-.076	.025	.027	-.181
80	2209	-.096	.031	.031	-.285	80	2260	-.101	.031	.043	-.249	90	2147	-.079	.023	.013	-.192
80	2210	-.096	.028	-.004	-.220	80	2261	-.104	.022	-.015	-.178	90	2148	-.096	.020	-.008	-.192
80	2211	-.093	.027	.008	-.262	80	2262	-.126	.022	-.057	-.200	90	2149	-.104	.025	-.020	-.199
80	2212	-.094	.026	.005	-.187	80	2263	-.085	.033	.063	-.180	90	2150	-.061	.032	.113	-.228
80	2213	-.095	.024	-.004	-.180	80	2264	-.093	.031	.066	-.183	90	2151	-.087	.023	-.008	-.195
80	2214	-.091	.024	-.015	-.187	80	2265	-.073	.033	.105	-.165	90	2152	-.089	.023	.011	-.173
80	2215	-.097	.026	-.011	-.306	90	2101	-.148	.054	.065	-.615	90	2153	-.101	.023	-.015	-.197
80	2216	-.111	.046	.054	-.329	90	2102	-.175	.067	.056	-.501	90	2154	-.095	.022	-.015	-.190
80	2217	-.101	.036	.031	-.303	90	2103	-.196	.116	.266	-1.135	90	2155	-.090	.022	-.025	-.214
80	2218	-.103	.037	.029	-.336	90	2104	-.142	.041	.012	-.357	90	2156	-.066	.028	.098	-.249
80	2219	-.104	.031	.003	-.248	90	2105	-.115	.045	.158	-.366	90	2157	-.086	.023	.004	-.216
80	2220	-.088	.029	.036	-.227	90	2106	-.064	.096	.562	-.475	90	2158	-.079	.021	.027	-.147
80	2221	-.098	.039	.045	-.313	90	2107	-.159	.079	.098	-.741	90	2159	-.086	.021	-.027	-.164
80	2222	-.081	.032	.043	-.231	90	2108	-.137	.046	-.000	-.538	90	2160	-.085	.021	-.015	-.178
80	2223	-.087	.027	.008	-.236	90	2109	-.092	.046	.135	-.305	90	2161	-.086	.022	.006	-.162
80	2224	-.058	.029	.159	-.157	90	2110	-.062	.062	.338	-.238	90	2162	-.068	.023	.027	-.143
80	2225	-.051	.026	.093	-.133	90	2111	-.127	.059	.068	-.557	90	2163	-.067	.024	.027	-.145
80	2226	-.067	.025	.036	-.160	90	2112	-.126	.044	.009	-.415	90	2164	-.084	.027	.004	-.197
80	2227	-.077	.027	.039	-.192	90	2113	-.092	.035	.086	-.335	90	2165	-.076	.031	.046	-.211
80	2228	-.098	.034	.036	-.256	90	2114	-.093	.041	.123	-.282	90	2166	-.063	.025	.020	-.255
80	2229	-.081	.027	.100	-.168	90	2115	-.124	.046	.065	-.604	90	2167	-.082	.031	.082	-.280
80	2230	-.065	.031	.061	-.251	90	2116	-.111	.031	-.012	-.347	90	2168	-.077	.033	.070	-.306
80	2231	-.086	.029	.051	-.217	90	2117	-.095	.031	.070	-.224	90	2170	-.078	.025	.039	-.162
80	2233	-.083	.025	.004	-.160	90	2118	-.103	.029	.021	-.277	90	2171	-.078	.024	.025	-.176
80	2234	-.073	.021	.012	-.160	90	2119	-.116	.030	-.023	-.308	90	2172	-.084	.028	.013	-.244

WD	TAP	CPMEAN	CPRMS	CPMAX	CPMIN	WD	TAP	CPMEAN	CPRMS	CPMAX	CPMIN	WD	TAP	CPMEAN	CPRMS	CPMAX	CPMIN
90	2173	-.074	.026	.053	-.185	90	2225	-.076	.028	.082	-.169	100	2111	-.166	.053	.081	-.506
90	2174	-.069	.029	.030	-.195	90	2226	-.084	.025	.024	-.204	100	2112	-.103	.043	.146	-.293
90	2175	-.067	.032	.044	-.242	90	2227	-.082	.025	.028	-.213	100	2113	-.140	.074	.243	-.487
90	2177	-.069	.025	.070	-.166	90	2228	-.093	.033	-.003	-.228	100	2114	-.128	.044	.206	-.471
90	2178	-.067	.034	.087	-.190	90	2229	-.070	.031	.121	-.184	100	2115	-.152	.040	.039	-.356
90	2179	-.074	.026	.035	-.192	90	2230	-.072	.034	.107	-.289	100	2116	-.109	.035	.049	-.249
90	2180	-.097	.039	.020	-.320	90	2231	-.089	.030	.009	-.255	100	2117	-.141	.054	.072	-.536
90	2181	-.070	.024	.035	-.155	90	2233	-.085	.025	.038	-.187	100	2118	-.130	.041	.106	-.411
90	2182	-.064	.024	.058	-.155	90	2234	-.078	.024	.021	-.184	100	2119	-.139	.035	-.018	-.298
90	2183	-.063	.024	.011	-.169	90	2235	-.082	.023	-.003	-.165	100	2120	-.109	.027	.012	-.210
90	2184	-.060	.023	.038	-.174	90	2236	-.088	.030	.024	-.272	100	2121	-.132	.043	.148	-.374
90	2185	-.062	.020	.011	-.128	90	2237	-.079	.023	-.008	-.199	100	2122	-.132	.035	.173	-.314
90	2187	-.064	.020	.022	-.128	90	2238	-.126	.030	.102	-.360	100	2123	-.132	.028	-.000	-.240
90	2188	-.053	.038	.133	-.146	90	2239	-.143	.034	.048	-.489	100	2124	-.187	.064	-.023	-.799
90	2189	-.064	.027	.119	-.169	90	2240	-.170	.038	.151	-.487	100	2125	-.193	.059	-.005	-.723
90	2190	-.100	.043	.015	-.340	90	2241	-.127	.042	.234	-.616	100	2126	-.144	.037	-.002	-.312
90	2191	-.066	.023	.015	-.158	90	2242	-.147	.035	.024	-.294	100	2127	-.091	.052	.157	-.323
90	2192	-.064	.021	.004	-.158	90	2243	-.173	.067	.028	-.616	100	2128	-.072	.061	.169	-.291
90	2193	-.068	.023	.013	-.173	90	2244	-.128	.024	-.045	-.245	100	2129	-.194	.058	-.011	-.589
90	2194	-.067	.023	.022	-.158	90	2245	-.128	.026	-.033	-.419	100	2130	-.134	.034	-.014	-.326
90	2195	-.054	.035	.112	-.149	90	2246	-.145	.030	-.045	-.399	100	2131	-.063	.040	.111	-.210
90	2196	-.061	.028	.085	-.151	90	2247	-.166	.044	.041	-.426	100	2132	-.012	.077	.280	-.356
90	2197	-.083	.030	.020	-.287	90	2248	-.110	.055	.177	-.594	100	2133	-.164	.076	.039	-.547
90	2198	-.064	.021	.038	-.139	90	2249	-.122	.037	.158	-.279	100	2134	-.138	.043	.002	-.545
90	2199	-.063	.021	.011	-.139	90	2250	-.112	.045	.075	-.416	100	2136	-.064	.058	.227	-.268
90	2200	-.063	.023	.031	-.153	90	2251	-.104	.067	.278	-.350	100	2137	-.129	.044	.093	-.580
90	2201	-.065	.022	.013	-.160	90	2252	-.131	.023	-.042	-.248	100	2138	-.127	.040	.058	-.492
90	2202	-.114	.032	-.024	-.317	90	2253	-.127	.020	-.035	-.204	100	2140	-.093	.042	.104	-.296
90	2203	-.104	.027	-.008	-.225	90	2254	-.128	.026	-.018	-.270	100	2141	-.108	.040	.074	-.570
90	2204	-.104	.028	-.008	-.229	90	2255	-.141	.032	.031	-.260	100	2142	-.110	.040	.067	-.580
90	2205	-.095	.032	.071	-.373	90	2256	-.078	.047	.307	-.213	100	2143	-.103	.036	.096	-.214
90	2206	-.094	.024	-.003	-.213	90	2257	-.091	.036	.099	-.304	100	2144	-.110	.033	.070	-.228
90	2207	-.107	.031	-.019	-.467	90	2258	-.104	.050	.136	-.389	100	2145	-.120	.029	.021	-.228
90	2208	-.104	.029	-.019	-.310	90	2259	-.122	.024	-.008	-.270	100	2146	-.108	.030	.011	-.211
90	2209	-.101	.032	.011	-.296	90	2260	-.119	.022	-.018	-.213	100	2147	-.095	.025	.072	-.185
90	2210	-.104	.035	-.001	-.310	90	2261	-.126	.023	-.042	-.218	100	2148	-.102	.023	-.021	-.246
90	2211	-.106	.026	-.015	-.216	90	2262	-.159	.027	-.038	-.306	100	2149	-.117	.030	.014	-.363
90	2212	-.100	.024	-.003	-.280	90	2263	-.091	.031	.107	-.177	100	2150	-.089	.034	.065	-.300
90	2213	-.099	.025	-.010	-.216	90	2264	-.094	.031	.063	-.223	100	2151	-.125	.034	.035	-.331
90	2214	-.100	.028	.001	-.232	90	2265	-.086	.030	.168	-.184	100	2152	-.100	.025	.023	-.281
90	2215	-.089	.028	.006	-.262	100	2101	-.193	.049	-.018	-.436	100	2153	-.104	.023	-.024	-.206
90	2216	-.107	.031	.006	-.292	100	2102	-.194	.043	-.046	-.411	100	2154	-.098	.026	-.003	-.197
90	2217	-.103	.028	-.004	-.306	100	2103	-.201	.048	.028	-.483	100	2155	-.091	.026	.037	-.202
90	2218	-.108	.027	-.003	-.225	100	2104	-.148	.045	.007	-.346	100	2156	-.073	.040	.060	-.420
90	2219	-.107	.028	-.022	-.329	100	2105	-.190	.047	.033	-.497	100	2157	-.088	.047	.119	-.286
90	2220	-.104	.027	-.029	-.250	100	2106	-.186	.063	.224	-.492	100	2158	-.087	.024	.089	-.160
90	2221	-.098	.036	.036	-.315	100	2107	-.182	.048	.023	-.575	100	2159	-.103	.022	-.010	-.164
90	2222	-.093	.028	.001	-.250	100	2108	-.109	.047	.079	-.289	100	2160	-.085	.023	-.000	-.188
90	2223	-.097	.028	.052	-.287	100	2109	-.179	.062	.016	-.508	100	2161	-.080	.026	.016	-.176
90	2224	-.071	.029	.096	-.165	100	2110	-.150	.073	.173	-.453	100	2162	-.076	.023	.009	-.160

WD	TAP	CPMEAN	CPRMS	CPMAX	CPMIN	WD	TAP	CPMEAN	CPRMS	CPMAX	CPMIN	WD	TAP	CPMEAN	CPRMS	CPMAX	CPMIN
100	2163	-.066	.022	.016	-.164	100	2216	-.102	.029	-.007	-.278	110	2102	-.238	.050	-.108	-.498
100	2164	-.095	.030	.023	-.225	100	2217	-.101	.028	-.009	-.313	110	2103	-.258	.052	-.046	-.477
100	2165	-.085	.037	.065	-.384	100	2218	-.105	.030	-.018	-.304	110	2104	-.197	.046	.012	-.398
100	2166	-.059	.022	.041	-.219	100	2219	-.100	.029	.044	-.304	110	2105	-.251	.055	-.090	-.598
100	2167	-.085	.031	.070	-.221	100	2220	-.103	.033	.000	-.377	110	2106	-.261	.066	-.018	-.605
100	2168	-.080	.032	.114	-.221	100	2221	-.097	.027	-.009	-.251	110	2107	-.238	.053	-.071	-.445
100	2170	-.091	.026	.028	-.206	100	2222	-.095	.029	.009	-.251	110	2108	-.140	.051	.082	-.306
100	2171	-.090	.027	.063	-.209	100	2223	-.098	.033	.053	-.306	110	2109	-.257	.068	.005	-.605
100	2172	-.085	.025	.004	-.185	100	2224	-.077	.027	.117	-.160	110	2110	-.254	.104	.086	-.765
100	2173	-.081	.026	.007	-.206	100	2225	-.084	.028	.018	-.205	110	2111	-.228	.059	-.025	-.466
100	2174	-.081	.031	.014	-.319	100	2226	-.108	.033	.020	-.296	110	2112	-.098	.063	.195	-.282
100	2175	-.079	.034	.035	-.480	100	2227	-.059	.039	.107	-.188	110	2113	-.239	.075	.195	-.653
100	2177	-.071	.024	.021	-.169	100	2228	-.095	.033	-.004	-.275	110	2114	-.238	.125	.209	-.936
100	2178	-.088	.023	-.005	-.174	100	2229	-.078	.032	.284	-.174	110	2115	-.209	.058	.021	-.463
100	2179	-.093	.026	.016	-.190	100	2230	-.086	.037	.105	-.422	110	2116	-.114	.062	.237	-.319
100	2180	-.086	.024	.021	-.188	100	2231	-.091	.030	.013	-.267	110	2117	-.238	.078	.079	-.690
100	2181	-.081	.028	.067	-.202	100	2233	-.091	.026	.066	-.178	110	2118	-.208	.090	.260	-.793
100	2182	-.080	.028	.007	-.206	100	2234	-.077	.022	.064	-.144	110	2119	-.188	.047	-.006	-.410
100	2183	-.078	.029	.018	-.225	100	2235	-.077	.026	.018	-.171	110	2120	-.107	.043	.072	-.238
100	2184	-.064	.022	.016	-.141	100	2236	-.105	.046	.107	-.463	110	2121	-.279	.111	.168	-.962
100	2185	-.062	.019	.014	-.134	100	2237	-.064	.028	.037	-.207	110	2122	-.192	.065	.193	-.711
100	2187	-.074	.022	.003	-.185	100	2238	-.147	.038	.076	-.359	110	2123	-.169	.035	-.050	-.345
100	2188	-.080	.023	.046	-.169	100	2239	-.154	.047	.054	-.432	110	2124	-.227	.088	.063	-.964
100	2189	-.086	.025	.110	-.178	100	2240	-.169	.064	.170	-.478	110	2125	-.239	.082	.021	-.762
100	2190	-.081	.024	.012	-.203	100	2241	-.116	.072	.296	-.623	110	2126	-.163	.056	.010	-.435
100	2191	-.076	.028	.051	-.224	100	2242	-.142	.059	.262	-.580	110	2127	-.051	.083	.284	-.447
100	2192	-.074	.028	.046	-.194	100	2243	-.174	.050	.025	-.442	110	2128	-.055	.091	.337	-.359
100	2193	-.075	.026	.032	-.211	100	2244	-.157	.042	-.009	-.430	110	2129	-.237	.088	.019	-.739
100	2194	-.062	.022	.019	-.166	100	2245	-.131	.036	-.013	-.330	110	2130	-.139	.046	.052	-.415
100	2195	-.074	.025	.025	-.272	100	2246	-.137	.048	-.004	-.599	110	2131	-.013	.055	.237	-.171
100	2196	-.080	.031	.053	-.230	100	2247	-.134	.061	.175	-.609	110	2132	-.076	.125	.506	-.359
100	2197	-.068	.024	.039	-.146	100	2248	-.090	.087	.405	-.853	110	2133	-.258	.128	.142	-.994
100	2198	-.047	.028	.133	-.121	100	2249	-.085	.050	.185	-.301	110	2134	-.137	.049	.082	-.656
100	2199	-.040	.032	.137	-.114	100	2250	-.088	.040	.187	-.282	110	2136	-.084	.116	.550	-.213
100	2200	-.053	.026	.071	-.194	100	2251	-.145	.054	.062	-.422	110	2137	-.217	.138	.214	-1.247
100	2201	-.054	.028	.035	-.146	100	2252	-.160	.041	.006	-.369	110	2138	-.145	.062	.084	-.486
100	2202	-.106	.030	.007	-.306	100	2253	-.116	.034	.049	-.255	110	2140	-.024	.089	.736	-.331
100	2203	-.099	.026	-.007	-.269	100	2254	-.096	.030	.035	-.241	110	2141	-.100	.080	.249	-.612
100	2204	-.103	.031	.003	-.393	100	2255	-.098	.031	.163	-.200	110	2142	-.132	.075	.119	-.857
100	2205	-.097	.029	.021	-.304	100	2256	-.054	.047	.204	-.236	110	2143	-.083	.048	.157	-.269
100	2206	-.097	.030	.007	-.315	100	2257	-.071	.035	.149	-.251	110	2144	-.064	.059	.319	-.351
100	2207	-.116	.045	-.009	-.484	100	2258	-.140	.055	-.078	-.434	110	2145	-.095	.063	.248	-.304
100	2208	-.101	.031	.060	-.301	100	2259	-.161	.047	-.013	-.405	110	2146	-.149	.053	.058	-.339
100	2209	-.102	.035	.028	-.299	100	2260	-.111	.030	.033	-.357	110	2147	-.075	.039	.093	-.241
100	2210	-.127	.040	.057	-.363	100	2261	-.094	.029	.100	-.224	110	2148	-.077	.030	.034	-.168
100	2211	-.105	.028	.014	-.310	100	2262	-.117	.030	.016	-.270	110	2149	-.091	.033	.032	-.231
100	2212	-.098	.026	-.002	-.205	100	2263	-.066	.039	.192	-.166	110	2150	-.067	.051	.145	-.481
100	2213	-.094	.029	.025	-.258	100	2264	-.078	.029	.081	-.185	110	2151	-.142	.049	.077	-.389
100	2214	-.121	.035	.005	-.336	100	2265	-.087	.040	.091	-.305	110	2152	-.080	.037	.060	-.243
100	2215	-.065	.041	.128	-.237	110	2101	-.245	.060	-.088	-.809	110	2153	-.084	.029	.051	-.243

WD	TAP	CPMEAN	CPRMS	CPMAX	CPMIN	WD	TAP	CPMEAN	CPRMS	CPMAX	CPMIN	WD	TAP	CPMEAN	CPRMS	CPMAX	CPMIN
110	2154	-.081	.029	.086	-.172	110	2207	-.151	.059	.006	-.556	110	2258	-.191	.061	.013	-.548
110	2155	-.075	.029	.037	-.191	110	2208	-.087	.033	.041	-.324	110	2259	-.166	.120	.261	-1.410
110	2156	-.017	.079	.192	-.572	110	2209	-.088	.043	.091	-.393	110	2260	-.083	.056	.229	-.344
110	2157	-.057	.097	.848	-.344	110	2210	-.184	.084	.073	-.616	110	2261	-.081	.040	.093	-.218
110	2158	-.047	.044	.255	-.184	110	2211	-.104	.028	.013	-.209	110	2262	-.111	.049	.069	-.392
110	2159	-.093	.033	.131	-.203	110	2212	-.093	.030	.018	-.212	110	2263	-.035	.050	.372	-.154
110	2160	-.074	.028	.020	-.168	110	2213	-.092	.042	.064	-.409	110	2264	-.055	.043	.151	-.191
110	2161	-.045	.030	.045	-.187	110	2214	-.174	.074	.020	-.660	110	2265	-.085	.052	.096	-.723
110	2162	-.058	.033	.056	-.276	110	2215	-.024	.067	.413	-.251	120	2101	-.373	.086	-.130	-1.030
110	2163	-.031	.041	.215	-.184	110	2216	-.123	.037	.004	-.320	120	2102	-.353	.061	-.172	-.751
110	2164	-.100	.061	.089	-.358	110	2217	-.113	.034	-.005	-.517	120	2103	-.369	.051	-.216	-.601
110	2165	-.070	.059	.133	-.325	110	2218	-.128	.039	.002	-.384	120	2104	-.310	.063	-.061	-.520
110	2166	-.039	.038	.128	-.170	110	2219	-.090	.040	.252	-.370	120	2105	-.357	.058	-.199	-.978
110	2167	-.079	.046	.143	-.285	110	2220	-.103	.035	.052	-.271	120	2106	-.370	.063	-.216	-.722
110	2168	-.064	.039	.105	-.307	110	2221	-.116	.037	.002	-.285	120	2107	-.341	.048	-.179	-.576
110	2170	-.098	.043	.058	-.288	110	2222	-.095	.030	.032	-.223	120	2108	-.231	.071	-.050	-.500
110	2171	-.093	.041	.110	-.335	110	2223	-.115	.058	.167	-.333	120	2109	-.353	.057	-.132	-.608
110	2172	-.086	.039	.103	-.304	110	2224	-.064	.034	.091	-.173	120	2110	-.391	.083	-.061	-.885
110	2173	-.083	.036	.039	-.281	110	2225	-.076	.039	.086	-.278	120	2111	-.333	.055	-.103	-.599
110	2174	-.085	.040	.065	-.255	110	2226	-.150	.072	.076	-.633	120	2112	-.188	.068	-.127	-.446
110	2175	-.084	.040	.081	-.368	110	2227	-.037	.078	.428	-.208	120	2113	-.332	.063	-.167	-.784
110	2177	-.046	.033	.086	-.172	110	2228	-.121	.039	-.014	-.349	120	2114	-.367	.095	-.072	-1.020
110	2178	-.101	.044	.025	-.268	110	2229	-.075	.032	.134	-.169	120	2115	-.313	.058	-.034	-.700
110	2179	-.108	.037	.030	-.307	110	2230	-.110	.057	.149	-.519	120	2116	-.158	.078	-.245	-.428
110	2180	-.099	.034	.027	-.243	110	2231	-.122	.042	.064	-.366	120	2117	-.332	.061	-.137	-.774
110	2181	-.101	.036	.013	-.290	110	2233	-.095	.040	.098	-.227	120	2118	-.335	.073	-.105	-.766
110	2182	-.094	.039	.067	-.278	110	2234	-.053	.031	.066	-.162	120	2119	-.294	.049	-.135	-.599
110	2183	-.093	.042	.049	-.377	110	2235	-.058	.034	.134	-.188	120	2120	-.015	.067	-.220	-.204
110	2184	-.056	.027	.048	-.186	110	2236	-.100	.091	.236	-.693	120	2121	-.696	.157	-.258	-1.550
110	2185	-.043	.027	.103	-.129	110	2237	-.019	.049	.287	-.220	120	2122	-.432	.059	-.253	-.675
110	2187	-.056	.030	.052	-.216	110	2238	-.194	.060	-.009	-.667	120	2123	-.312	.048	-.142	-.554
110	2188	-.079	.042	.091	-.331	110	2239	-.238	.076	-.021	-.803	120	2124	-.383	.158	.082	-1.356
110	2189	-.114	.047	.057	-.350	110	2240	-.241	.104	.183	-.761	120	2125	-.432	.171	.045	-1.469
110	2190	-.095	.036	.032	-.265	110	2241	-.099	.108	.494	-.589	120	2126	-.232	.080	.077	-.742
110	2191	-.085	.046	.066	-.462	110	2242	-.150	.095	.341	-.601	120	2127	-.018	.122	.437	-.576
110	2192	-.094	.047	.078	-.304	110	2243	-.221	.088	.149	-.640	120	2128	-.035	.157	.418	-.463
110	2193	-.093	.047	.077	-.330	110	2244	-.210	.091	.147	-.863	120	2129	-.377	.150	.048	-1.427
110	2194	-.023	.044	.119	-.205	110	2245	-.136	.069	.159	-.460	120	2130	-.215	.062	.020	-.599
110	2195	-.054	.047	.149	-.382	110	2246	-.179	.064	.018	-.628	120	2131	-.002	.082	.294	-.209
110	2196	-.112	.074	.144	-.637	110	2247	-.165	.088	.147	-.888	120	2132	-.085	.163	.694	-.557
110	2197	-.046	.038	.151	-.168	110	2248	-.053	.125	.571	-.492	120	2133	-.388	.193	.117	-1.287
110	2198	-.049	.061	.438	-.081	110	2249	-.009	.087	.460	-.213	120	2134	-.206	.078	.060	-.899
110	2199	-.059	.067	.445	-.099	110	2250	-.032	.068	.299	-.266	120	2136	-.067	.147	.627	-.369
110	2200	-.004	.054	.280	-.214	110	2251	-.216	.074	.076	-.815	120	2137	-.368	.260	.139	-1.849
110	2201	-.022	.042	.208	-.141	110	2252	-.218	.082	.154	-.623	120	2138	-.202	.076	.023	-.828
110	2202	-.111	.045	.041	-.524	110	2253	-.119	.066	.198	-.375	120	2140	-.024	.128	.536	-.268
110	2203	-.116	.034	.002	-.363	110	2254	-.086	.054	.188	-.470	120	2141	-.133	.154	.390	-1.311
110	2204	-.122	.041	.036	-.389	110	2255	-.087	.046	.156	-.247	120	2142	-.232	.077	.011	-1.218
110	2205	-.114	.042	.029	-.492	110	2256	-.019	.063	.343	-.264	120	2143	-.077	.098	.393	-.183
110	2206	-.102	.034	.004	-.402	110	2257	-.040	.053	.287	-.203	120	2144	.218	.113	.633	-.128

WD	TAP	CPMEAN	CPRMS	CPMAX	CPMIN	WD	TAP	CPMEAN	CPRMS	CPMAX	CPMIN	WD	TAP	CPMEAN	CPRMS	CPMAX	CPMIN
120	2145	.137	.108	.478	-.278	120	2198	.100	.086	.585	-.114	120	2249	.029	.122	.697	-.302
120	2146	-.236	.073	-.013	-.648	120	2199	.138	.114	.686	-.129	120	2250	-.040	.095	.467	-.333
120	2147	-.124	.048	.067	-.316	120	2200	-.007	.085	.326	-.388	120	2251	-.360	.095	.104	-.952
120	2148	-.107	.036	.047	-.243	120	2201	.027	.056	.243	-.131	120	2252	-.265	.148	.257	-1.019
120	2149	-.120	.042	.017	-.336	120	2202	-.168	.041	.020	-.461	120	2253	-.048	.089	.294	-.613
120	2150	-.111	.073	.230	-.453	120	2203	-.186	.032	-.082	-.354	120	2254	-.098	.107	.259	-1.224
120	2151	-.197	.062	.085	-.433	120	2204	-.189	.037	-.026	-.432	120	2255	-.103	.063	.127	-.375
120	2152	-.136	.045	.112	-.316	120	2205	-.191	.035	-.060	-.332	120	2256	-.001	.082	.412	-.206
120	2153	-.124	.033	-.010	-.260	120	2206	-.156	.034	-.014	-.300	120	2257	-.060	.060	.218	-.240
120	2154	-.105	.037	.090	-.238	120	2207	-.216	.060	-.031	-.672	120	2258	-.294	.065	-.113	-.732
120	2155	-.093	.038	.045	-.243	120	2208	-.137	.036	.038	-.327	120	2259	-.231	.169	.280	-1.260
120	2156	-.157	.168	.250	-.974	120	2209	-.136	.044	.030	-.491	120	2260	-.067	.088	.306	-.561
120	2157	.178	.117	.696	-.113	120	2210	-.289	.105	.011	-.740	120	2261	-.106	.064	.089	-.597
120	2158	-.004	.072	.433	-.185	120	2211	-.160	.035	-.043	-.337	120	2262	-.117	.086	.195	-.566
120	2159	-.086	.053	.177	-.230	120	2212	-.145	.035	-.021	-.317	120	2263	-.021	.071	.392	-.173
120	2160	-.107	.032	.015	-.200	120	2213	-.144	.047	-.006	-.405	120	2264	-.081	.049	.138	-.227
120	2161	-.101	.036	.040	-.230	120	2214	-.247	.086	-.033	-.860	120	2265	-.162	.065	.091	-.574
120	2162	-.094	.039	.085	-.250	120	2215	-.025	.092	.561	-.227	130	2101	-.418	.125	-.153	-1.384
120	2163	-.065	.049	.172	-.351	120	2216	-.217	.032	-.134	-.356	130	2102	-.391	.091	-.138	-.988
120	2164	-.145	.064	.127	-.443	120	2217	-.188	.031	-.065	-.373	130	2103	-.360	.068	-.124	-.725
120	2165	-.104	.067	.097	-.426	120	2218	-.217	.045	-.036	-.528	130	2104	-.232	.077	-.155	-.490
120	2166	-.081	.042	.148	-.214	120	2219	-.149	.041	.035	-.327	130	2105	-.341	.054	-.170	-.642
120	2167	-.114	.050	.087	-.431	120	2220	-.158	.041	.016	-.532	130	2106	-.359	.056	-.182	-.654
120	2168	-.100	.043	.032	-.453	120	2221	-.225	.044	-.107	-.508	130	2107	-.322	.046	-.153	-.522
120	2170	-.141	.052	.090	-.243	120	2222	-.146	.030	.035	-.285	130	2108	-.165	.077	-.204	-.385
120	2171	-.138	.048	.060	-.348	120	2223	-.181	.064	.172	-.452	130	2109	-.331	.051	-.212	-.595
120	2172	-.130	.046	.050	-.356	120	2224	-.107	.040	.101	-.280	130	2110	-.351	.066	-.158	-.952
120	2173	-.133	.043	.045	-.306	120	2225	-.130	.045	.065	-.315	130	2111	-.319	.044	-.195	-.507
120	2174	-.135	.050	.035	-.346	120	2226	-.239	.096	.014	-.882	130	2112	-.205	.062	-.128	-.502
120	2175	-.135	.050	.015	-.383	120	2227	-.002	.094	.448	-.214	130	2113	-.324	.055	-.180	-.766
120	2177	-.070	.043	.115	-.298	120	2228	-.208	.037	-.095	-.458	130	2114	-.345	.075	-.151	-.932
120	2178	-.158	.056	.072	-.528	120	2229	-.112	.036	.086	-.227	130	2115	-.296	.038	-.160	-.451
120	2179	-.168	.053	.007	-.373	120	2230	-.155	.069	.159	-.522	130	2116	-.178	.066	-.089	-.471
120	2180	-.159	.042	-.033	-.431	120	2231	-.213	.051	-.054	-.514	130	2117	-.341	.057	-.156	-.795
120	2181	-.161	.048	.020	-.438	120	2233	-.145	.043	.122	-.344	130	2118	-.333	.068	-.153	-.825
120	2182	-.164	.052	-.013	-.428	120	2234	-.092	.037	.071	-.188	130	2119	-.289	.043	-.143	-.505
120	2183	-.154	.053	.067	-.416	120	2235	-.096	.042	.083	-.250	130	2120	-.053	.061	-.203	-.226
120	2184	-.100	.033	.057	-.217	120	2236	-.063	.123	.319	-1.009	130	2121	-.703	.147	-.204	-1.289
120	2185	-.077	.030	.055	-.212	120	2237	-.079	.058	.190	-.305	130	2122	-.445	.056	-.241	-.698
120	2187	-.088	.036	.057	-.205	120	2238	-.346	.126	-.064	-1.348	130	2123	-.317	.044	-.271	-.537
120	2188	-.118	.049	.091	-.369	120	2239	-.397	.117	-.098	-1.048	130	2124	-.279	.110	-.057	-1.242
120	2189	-.197	.085	.079	-.491	120	2240	-.512	.149	-.157	-1.167	130	2125	-.373	.168	.042	-1.391
120	2190	-.154	.048	.001	-.354	120	2241	-.236	.103	.153	-.724	130	2126	-.198	.063	.025	-.573
120	2191	-.136	.064	.047	-.576	120	2242	-.308	.094	.117	-1.058	130	2127	-.062	.104	.379	-.436
120	2192	-.164	.063	.079	-.493	120	2243	-.370	.113	.179	-1.022	130	2128	-.056	.134	.567	-.290
120	2193	-.165	.058	-.003	-.478	120	2244	-.250	.124	.120	-.911	130	2129	-.331	.153	.189	-1.108
120	2194	-.063	.052	.152	-.293	120	2245	-.136	.099	.203	-.706	130	2130	-.215	.063	.035	-.561
120	2195	-.098	.060	.172	-.405	120	2246	-.226	.096	.086	-.615	130	2131	-.082	.057	.235	-.241
120	2196	-.214	.116	.104	-.787	120	2247	-.293	.114	.019	-1.014	130	2132	-.057	.144	.682	-.251
120	2197	-.068	.053	.145	-.256	120	2248	-.166	.115	.291	-.561	130	2133	-.255	.160	.167	-1.176

WD	TAP	CPMEAN	CPRMS	CPMAX	CPMIN	WD	TAP	CPMEAN	CPRMS	CPMAX	CPMIN	WD	TAP	CPMEAN	CPRMS	CPMAX	CPMIN
130	2134	-.215	.099	.050	-.869	130	2189	-.170	.071	.041	-.531	130	2240	-.469	.145	-.106	-1.233
130	2136	-.055	.104	.489	-.297	130	2190	-.155	.047	.015	-.317	130	2241	-.295	.092	.058	-.903
130	2137	-.170	.112	.262	-1.963	130	2191	-.150	.059	.105	-.431	130	2242	-.388	.108	-.008	-1.341
130	2138	-.171	.061	.091	-.810	130	2192	-.161	.055	-.014	-.429	130	2243	-.438	.116	-.142	-1.251
130	2140	-.107	.068	.340	-.275	130	2193	-.156	.051	-.005	-.394	130	2244	-.269	.116	.210	-.954
130	2141	-.151	.069	.211	-.512	130	2194	-.075	.043	.136	-.310	130	2245	-.159	.085	.371	-.547
130	2142	-.205	.076	.042	-.593	130	2195	-.108	.047	.107	-.446	130	2246	-.221	.074	.002	-.726
130	2143	.142	.101	.434	-.144	130	2196	-.178	.108	.126	-.895	130	2247	-.348	.126	-.039	-.923
130	2144	.146	.096	.533	-.111	130	2197	-.087	.047	.088	-.286	130	2248	-.237	.099	.222	-.657
130	2145	-.016	.085	.416	-.235	130	2198	.027	.078	.442	-.165	130	2249	-.012	.118	.612	-.334
130	2146	-.190	.053	-.007	-.409	130	2199	.054	.095	.531	-.136	130	2250	-.060	.102	.507	-.339
130	2147	-.122	.037	-.002	-.275	130	2200	-.043	.067	.238	-.274	130	2251	-.411	.089	-.070	-.821
130	2148	-.134	.040	.003	-.701	130	2201	-.016	.044	.175	-.235	130	2252	-.349	.121	.133	-.880
130	2149	-.157	.055	.037	-.503	130	2202	-.206	.042	-.036	-.499	130	2253	-.092	.076	.286	-.544
130	2150	-.122	.061	-.074	-.433	130	2203	-.214	.032	-.087	-.444	130	2254	-.105	.074	.166	-.780
130	2151	-.182	.053	-.007	-.500	130	2204	-.225	.039	-.053	-.422	130	2255	-.129	.058	.112	-.347
130	2152	-.137	.037	.010	-.302	130	2205	-.217	.033	-.121	-.393	130	2256	-.049	.080	.394	-.277
130	2153	-.140	.031	-.010	-.317	130	2206	-.192	.036	-.070	-.344	130	2257	-.103	.055	.138	-.295
130	2154	-.125	.039	.000	-.329	130	2207	-.263	.061	-.089	-.647	130	2258	-.342	.069	-.121	-.762
130	2155	-.100	.052	.072	-.401	130	2208	-.175	.034	-.048	-.356	130	2259	-.349	.114	.117	-1.374
130	2156	-.116	.136	.183	-1.117	130	2209	-.170	.045	-.015	-.378	130	2260	-.127	.064	.202	-.326
130	2157	-.058	.122	.602	-.334	130	2210	-.363	.103	-.089	-.912	130	2261	-.112	.046	.048	-.467
130	2158	-.050	.067	.280	-.215	130	2211	-.204	.036	-.031	-.359	130	2262	-.124	.062	.102	-.411
130	2159	-.122	.044	.074	-.260	130	2212	-.180	.033	-.058	-.330	130	2263	-.066	.062	.248	-.213
130	2160	-.109	.038	.027	-.240	130	2213	-.175	.049	-.026	-.473	130	2264	-.118	.045	.138	-.260
130	2161	-.096	.046	.114	-.287	130	2214	-.300	.083	-.077	-.829	130	2265	-.212	.069	.010	-.654
130	2162	-.091	.037	.089	-.225	130	2215	-.014	.102	-.602	-.242	140	2101	-.452	.171	.021	-1.536
130	2163	-.077	.039	.094	-.267	130	2216	-.239	.035	-.128	-.444	140	2102	-.439	.147	-.086	-1.247
130	2164	-.159	.057	.035	-.565	130	2217	-.216	.032	-.123	-.393	140	2103	-.375	.109	-.009	-.853
130	2165	-.136	.049	.114	-.426	130	2218	-.243	.049	-.063	-.475	140	2104	-.121	.129	.563	-.398
130	2166	-.093	.036	.063	-.220	130	2219	-.180	.043	.037	-.364	140	2105	-.347	.072	-.083	-.663
130	2167	-.132	.045	.030	-.359	130	2220	-.201	.046	.003	-.509	140	2106	-.353	.084	-.094	-.989
130	2168	-.120	.041	.065	-.267	130	2221	-.233	.036	-.133	-.429	140	2107	-.321	.066	-.066	-1.096
130	2170	-.163	.050	.035	-.468	130	2222	-.179	.031	-.036	-.283	140	2108	-.075	.095	.375	-.370
130	2171	-.151	.043	.015	-.431	130	2223	-.226	.076	.083	-.572	140	2109	-.308	.046	-.172	-.578
130	2172	-.150	.045	-.007	-.495	130	2224	-.140	.037	.008	-.257	140	2110	-.330	.059	-.168	-.707
130	2173	-.149	.042	.005	-.369	130	2225	-.153	.044	-.043	-.413	140	2111	-.302	.039	-.133	-.482
130	2174	-.158	.060	.005	-.818	130	2226	-.303	.108	-.016	-1.049	140	2112	-.084	.094	.367	-.370
130	2175	-.156	.055	.032	-.490	130	2227	-.035	.085	.466	-.293	140	2113	-.305	.052	-.130	-1.002
130	2177	-.082	.038	.109	-.255	130	2228	-.227	.034	-.134	-.383	140	2114	-.331	.076	-.140	-.984
130	2178	-.176	.053	.012	-.463	130	2229	-.151	.032	.043	-.265	140	2115	-.330	.037	-.168	-.509
130	2179	-.169	.045	-.022	-.357	130	2230	-.222	.081	.039	-.652	140	2116	-.290	.077	.209	-.415
130	2180	-.167	.040	-.040	-.332	130	2231	-.224	.052	.007	-.462	140	2117	-.323	.062	-.116	-.687
130	2181	-.166	.046	-.017	-.372	130	2233	-.184	.045	.117	-.377	140	2118	-.332	.077	-.140	-.885
130	2182	-.164	.048	-.017	-.364	130	2234	-.122	.034	.020	-.254	140	2119	-.285	.047	-.118	-.514
130	2183	-.158	.051	.012	-.426	130	2235	-.125	.042	.040	-.398	140	2120	-.016	.072	.308	-.227
130	2184	-.099	.034	.090	-.225	130	2236	-.110	.097	.356	-.762	140	2121	-.589	.180	-.168	-1.507
130	2185	-.079	.034	.088	-.177	130	2237	-.082	.060	.220	-.508	140	2122	-.432	.077	-.158	-.714
130	2187	-.093	.031	.066	-.211	130	2238	-.366	.130	-.101	-1.339	140	2123	-.303	.060	-.049	-.640
130	2188	-.131	.048	.073	-.475	130	2239	-.349	.093	-.144	-.890	140	2124	-.290	.107	.050	-.883

WD	TAP	CPMEAN	CPRMS	CPMAX	CPMIN	WD	TAP	CPMEAN	CPRMS	CPMAX	CPMIN	WD	TAP	CPMEAN	CPRMS	CPMAX	CPMIN
140	2125	-.452	.258	.164	-2.058	140	2179	-.144	.042	.010	-.296	140	2230	-.276	.106	.035	-.739
140	2126	-.231	.083	.043	-.719	140	2180	-.145	.042	.015	-.356	140	2231	-.254	.060	-.025	-.526
140	2127	-.037	.121	.469	-.405	140	2181	-.133	.046	.051	-.477	140	2233	-.224	.058	.131	-.458
140	2128	-.105	.158	.659	-.229	140	2182	-.142	.053	.010	-.479	140	2234	-.149	.039	.035	-.290
140	2129	-.185	.174	.627	-1.133	140	2183	-.138	.055	.048	-.489	140	2235	-.146	.045	.072	-.342
140	2130	-.208	.072	.026	-.551	140	2184	-.066	.048	.195	-.250	140	2236	-.135	.120	.217	-1.293
140	2131	-.000	.080	.283	-.219	140	2185	-.045	.052	.193	-.191	140	2237	-.094	.060	.137	-.438
140	2132	-.166	.170	.966	-.249	140	2187	-.075	.042	.109	-.208	140	2238	-.693	.344	-.022	-2.758
140	2133	-.078	.152	.669	-.677	140	2188	-.130	.051	.057	-.554	140	2239	-.347	.100	-.095	-.939
140	2134	-.179	.072	.058	-.536	140	2189	-.143	.058	.033	-.503	140	2240	-.302	.086	-.063	-.929
140	2136	-.141	.150	.934	-.249	140	2190	-.141	.045	.055	-.338	140	2241	-.267	.073	-.009	-.801
140	2137	-.059	.132	.491	-.591	140	2191	-.145	.057	.021	-.461	140	2242	-.295	.095	-.043	-.900
140	2138	-.188	.081	.130	-.586	140	2192	-.145	.061	.080	-.598	140	2243	-.339	.112	-.045	-1.004
140	2140	-.044	.117	.592	-.440	140	2193	-.123	.053	.033	-.527	140	2244	-.127	.145	.386	-.804
140	2141	-.021	.111	.585	-.462	140	2194	-.120	.074	.055	-.692	140	2245	-.072	.121	-.563	-.581
140	2142	-.251	.092	.065	-.747	140	2195	-.099	.047	.092	-.520	140	2246	-.258	.058	-.040	-.531
140	2143	-.062	.107	.432	-.304	140	2196	-.137	.073	.072	-.535	140	2247	-.227	.073	.051	-.723
140	2144	.196	.109	.591	-.138	140	2197	-.088	.046	.112	-.257	140	2248	-.253	.077	.233	-.916
140	2145	.100	.102	.495	-.228	140	2198	-.031	.050	.284	-.215	140	2249	-.150	.088	.329	-.583
140	2146	-.150	.057	.133	-.472	140	2199	-.039	.086	.421	-.540	140	2250	-.131	.088	-.303	-.422
140	2147	-.109	.048	.058	-.346	140	2200	-.042	.068	.360	-.279	140	2251	-.336	.082	-.079	-.705
140	2148	-.179	.057	.008	-.612	140	2201	-.076	.069	.163	-.390	140	2252	-.157	.139	.448	-.716
140	2149	-.196	.060	.018	-.472	140	2202	-.234	.046	-.070	-.505	140	2253	-.006	.100	.534	-.370
140	2150	-.164	.077	.046	-.648	140	2203	-.245	.042	-.107	-.485	140	2254	-.157	.054	.111	-.347
140	2151	-.180	.068	.121	-.575	140	2204	-.247	.048	-.073	-.655	140	2255	-.141	.057	.072	-.344
140	2152	-.133	.055	.053	-.427	140	2205	-.245	.040	-.105	-.505	140	2256	-.146	.073	.360	-.477
140	2153	-.174	.046	.003	-.409	140	2206	-.225	.041	-.043	-.431	140	2257	-.166	.055	-.256	-.323
140	2154	-.158	.048	.028	-.321	140	2207	-.311	.066	-.073	-.709	140	2258	-.306	.070	-.095	-.703
140	2155	-.169	.057	.008	-.467	140	2208	-.213	.038	-.060	-.404	140	2259	-.093	.172	.674	-.705
140	2156	-.118	.109	.146	-.622	140	2209	-.209	.052	-.029	-.544	140	2260	-.016	.099	.428	-.344
140	2157	-.092	.121	.322	-.645	140	2210	-.389	.104	-.090	-.898	140	2261	-.136	.042	.040	-.274
140	2158	-.106	.064	.375	-.324	140	2211	-.245	.042	-.090	-.441	140	2262	-.120	.047	.066	-.329
140	2159	-.159	.048	.083	-.376	140	2212	-.219	.037	-.026	-.392	140	2263	-.133	.053	.124	-.326
140	2160	-.156	.041	-.017	-.301	140	2213	-.216	.062	-.014	-.606	140	2264	-.177	.039	.017	-.297
140	2161	-.152	.046	.003	-.351	140	2214	-.334	.084	-.011	-.780	140	2265	-.216	.047	-.022	-.586
140	2162	-.066	.053	.231	-.253	140	2215	-.012	.104	.406	-.279	150	2101	-.504	.178	-.058	-1.591
140	2163	-.094	.052	.126	-.414	140	2216	-.268	.046	-.129	-.439	150	2102	-.506	.181	-.088	-1.474
140	2164	-.149	.053	.020	-.449	140	2217	-.244	.038	-.110	-.429	150	2103	-.420	.151	.001	-1.123
140	2165	-.149	.071	.159	-.818	140	2218	-.260	.052	-.080	-.542	150	2104	-.059	.152	.662	-.603
140	2166	-.071	.044	.141	-.237	140	2219	-.207	.048	.013	-.407	150	2105	-.358	.092	-.098	-.895
140	2167	-.132	.044	.043	-.437	140	2220	-.249	.057	-.063	-.662	150	2106	-.367	.106	-.095	-.912
140	2168	-.131	.052	.076	-.527	140	2221	-.262	.043	-.122	-.525	150	2107	-.351	.086	-.120	-1.214
140	2170	-.145	.044	-.007	-.394	140	2222	-.210	.034	-.070	-.338	150	2108	-.023	.114	.494	-.380
140	2171	-.140	.044	.020	-.391	140	2223	-.292	.088	.136	-.724	150	2109	-.313	.057	-.120	-.774
140	2172	-.131	.042	.068	-.366	140	2224	-.169	.044	-.006	-.345	150	2110	-.338	.066	-.160	-.816
140	2173	-.131	.047	.043	-.359	140	2225	-.188	.054	.095	-.557	150	2111	-.322	.049	-.162	-.551
140	2174	-.137	.058	.033	-.474	140	2226	-.331	.122	.079	-.861	150	2112	-.041	.101	.459	-.395
140	2175	-.128	.053	.056	-.409	140	2227	-.070	.079	.334	-.282	150	2113	-.313	.059	-.162	-.744
140	2177	-.069	.055	.267	-.226	140	2228	-.255	.038	-.108	-.440	150	2114	-.340	.083	-.157	-.964
140	2178	-.151	.044	.000	-.489	140	2229	-.192	.032	-.071	-.318	150	2115	-.302	.044	-.125	-.504

WD	TAP	CPMEAN	CPRMS	CPMAX	CPMIN	WD	TAP	CPMEAN	CPRMS	CPMAX	CPMIN	WD	TAP	CPMEAN	CPRMS	CPMAX	CPMIN
150	2116	-.123	.086	-.284	-.402	150	2168	-.132	.059	-.101	-.447	150	2221	-.285	.047	-.141	-.535
150	2117	-.338	.072	-.150	-.704	150	2170	-.148	.043	-.007	-.357	150	2222	-.243	.032	-.112	-.380
150	2118	-.351	.086	-.142	-.949	150	2171	-.142	.044	.005	-.384	150	2223	-.320	.079	-.149	-.790
150	2119	-.294	.055	-.103	-.610	150	2172	-.136	.046	.038	-.329	150	2224	-.212	.042	-.048	-.414
150	2120	-.013	.073	-.410	-.246	150	2173	-.136	.055	.111	-.440	150	2225	-.242	.044	-.063	-.569
150	2121	-.583	.194	-.006	-1.576	150	2174	-.142	.063	.065	-.404	150	2226	-.355	.112	-.052	-.860
150	2122	-.435	.079	-.160	-.739	150	2175	-.139	.060	.091	-.353	150	2227	-.105	.077	-.208	-.361
150	2123	-.293	.069	-.070	-.571	150	2177	-.037	.075	.332	-.274	150	2228	-.282	.038	-.156	-.610
150	2124	-.350	.126	-.011	-.982	150	2178	-.164	.046	-.038	-.425	150	2229	-.216	.035	-.041	-.350
150	2125	-.661	.350	-.088	-2.051	150	2179	-.161	.052	.018	-.495	150	2230	-.287	.101	-.154	-.888
150	2126	-.268	.085	-.036	-.736	150	2180	-.158	.050	.003	-.497	150	2231	-.276	.087	.109	-.815
150	2127	-.050	.103	.291	-.481	150	2181	-.159	.063	.013	-.462	150	2233	-.240	.071	.128	-.496
150	2128	-.186	.149	.712	-.259	150	2182	-.170	.066	.008	-.575	150	2234	-.174	.036	.008	-.348
150	2129	-.163	.177	.610	-.826	150	2183	-.164	.070	.081	-.528	150	2235	-.164	.065	.203	-.511
150	2130	-.243	.073	-.006	-.533	150	2184	-.053	.048	.196	-.193	150	2236	-.077	.164	.507	-.875
150	2131	-.022	.066	.254	-.246	150	2185	-.013	.059	.252	-.173	150	2237	-.114	.077	.117	-.576
150	2132	-.249	.177	.908	-.251	150	2187	-.039	.054	.316	-.217	150	2238	-.821	.380	.040	-2.745
150	2133	-.005	.175	.672	-.868	150	2188	-.134	.055	.070	-.473	150	2239	-.438	.119	-.087	-1.176
150	2134	-.210	.075	.036	-.660	150	2189	-.177	.077	-.001	-.650	150	2240	-.289	.068	-.109	-.727
150	2136	.177	.144	.816	-.172	150	2190	-.160	.063	.026	-.476	150	2241	-.271	.065	-.031	-.732
150	2137	-.021	.158	.749	-.536	150	2191	-.174	.080	.041	-.544	150	2242	-.282	.077	-.003	-.789
150	2138	-.214	.086	.048	-.672	150	2192	-.162	.071	.068	-.515	150	2243	-.305	.073	-.062	-.797
150	2140	.064	.114	.541	-.429	150	2193	-.117	.055	.055	-.407	150	2244	-.094	.168	.548	-1.041
150	2141	-.038	.118	.554	-.415	150	2194	-.057	.063	.196	-.375	150	2245	-.015	.146	.645	-.558
150	2142	-.266	.101	.058	-.865	150	2195	-.100	.059	.119	-.409	150	2246	-.273	.060	-.018	-.545
150	2143	.048	.111	.427	-.352	150	2196	-.204	.132	.085	-1.048	150	2247	-.246	.059	.037	-.454
150	2144	.174	.105	.583	-.133	150	2197	-.083	.056	.159	-.299	150	2248	-.278	.072	.083	-1.122
150	2145	-.099	.103	.498	-.264	150	2198	.025	.088	.613	-.161	150	2249	-.170	.079	.265	-.410
150	2146	-.145	.073	.126	-.394	150	2199	.071	.113	.911	-.225	150	2250	-.173	.077	.346	-.465
150	2147	-.096	.050	.103	-.344	150	2200	.037	.093	.535	-.208	150	2251	-.328	.070	-.104	-.826
150	2148	-.149	.043	.008	-.316	150	2201	-.007	.076	.336	-.407	150	2252	-.150	.161	.395	-.862
150	2149	-.201	.054	.035	-.452	150	2202	-.255	.043	-.090	-.532	150	2253	-.029	.113	.720	-.374
150	2150	-.146	.068	.103	-.490	150	2203	-.254	.036	-.001	-.449	150	2254	-.173	.054	.174	-.382
150	2151	-.171	.067	.053	-.475	150	2204	-.258	.040	-.109	-.510	150	2255	-.151	.061	.146	-.348
150	2152	-.121	.051	.055	-.457	150	2205	-.265	.044	-.104	-.616	150	2256	-.161	.080	.146	-.722
150	2153	-.153	.040	.000	-.296	150	2206	-.258	.041	-.087	-.471	150	2257	-.190	.049	.190	-.361
150	2154	-.177	.045	-.023	-.342	150	2207	-.343	.064	-.134	-.743	150	2258	-.288	.052	-.158	-.600
150	2155	-.187	.052	-.007	-.445	150	2208	-.253	.042	-.082	-.537	150	2259	-.012	.154	.624	-.634
150	2156	-.085	.121	.221	-.834	150	2209	-.255	.053	-.043	-.557	150	2260	-.045	.101	.538	-.293
150	2157	.018	.144	.731	-.585	150	2210	-.404	.095	-.075	-.869	150	2261	-.145	.046	.091	-.283
150	2158	-.057	.078	.299	-.244	150	2211	-.281	.040	-.158	-.488	150	2262	-.116	.054	.159	-.309
150	2159	-.137	.054	.113	-.319	150	2212	-.251	.037	-.112	-.498	150	2263	-.143	.060	.122	-.332
150	2160	-.171	.039	-.023	-.364	150	2213	-.239	.049	-.028	-.596	150	2264	-.200	.035	-.033	-.327
150	2161	-.171	.043	-.035	-.362	150	2214	-.353	.089	.041	-.788	150	2265	-.237	.039	-.072	-.472
150	2162	-.033	.062	.246	-.178	150	2215	-.063	.084	.277	-.338	160	2101	-.326	.110	-.066	-1.018
150	2163	-.044	.062	.246	-.296	150	2216	-.277	.039	-.161	-.476	160	2102	-.333	.115	-.063	-1.013
150	2164	-.155	.050	.015	-.374	150	2217	-.256	.036	-.129	-.426	160	2103	-.289	.089	-.023	-.769
150	2165	-.167	.095	.179	-.827	150	2218	-.271	.043	-.085	-.547	160	2104	-.051	.114	.515	-.447
150	2166	-.039	.049	.144	-.198	150	2219	-.235	.045	-.166	-.402	160	2105	-.273	.069	-.082	-.651
150	2167	-.127	.046	.065	-.374	150	2220	-.286	.053	-.104	-.591	160	2106	-.279	.079	-.018	-.707

WD	TAP	CPMEAN	CPRMS	CPMAX	CPMIN	WD	TAP	CPMEAN	CPRMS	CPMAX	CPMIN	WD	TAP	CPMEAN	CPRMS	CPMAX	CPMIN
160	2107	-.248	.053	-.084	-.509	160	2159	-.049	.054	.220	-.222	160	2212	-.204	.037	-.019	-.390
160	2108	-.022	.098	-.351	-.407	160	2160	-.094	.034	.062	-.265	160	2213	-.177	.049	-.070	-.381
160	2109	-.245	.050	-.099	-.599	160	2161	-.098	.039	.064	-.328	160	2214	-.280	.104	.227	-.955
160	2110	-.265	.071	-.118	-.781	160	2162	-.010	.066	.384	-.179	160	2215	-.021	.091	.539	-.270
160	2111	-.236	.035	-.111	-.428	160	2163	-.007	.058	.199	-.272	160	2216	-.226	.037	-.101	-.620
160	2112	-.043	.093	-.361	-.291	160	2164	-.096	.041	.062	-.275	160	2217	-.210	.038	.025	-.381
160	2113	-.254	.060	-.099	-.973	160	2165	-.155	.104	.218	-.667	160	2218	-.224	.046	-.015	-.575
160	2114	-.273	.085	-.037	-.930	160	2166	-.006	.049	.220	-.207	160	2219	-.193	.053	.178	-.399
160	2115	-.225	.037	-.118	-.383	160	2167	-.090	.037	.035	-.258	160	2220	-.218	.036	-.078	-.435
160	2116	-.113	.083	-.411	-.411	160	2168	-.098	.060	.091	-.445	160	2221	-.235	.041	-.111	-.491
160	2117	-.279	.066	-.106	-.793	160	2170	-.124	.038	-.001	-.299	160	2222	-.198	.037	.011	-.381
160	2118	-.262	.065	-.063	-.658	160	2171	-.124	.046	.033	-.366	160	2223	-.232	.078	.314	-.458
160	2119	-.228	.043	-.042	-.423	160	2172	-.110	.047	.040	-.328	160	2224	-.186	.039	-.045	-.359
160	2120	-.087	.055	.205	-.274	160	2173	-.111	.052	.062	-.448	160	2225	-.211	.054	.068	-.421
160	2121	-.364	.124	.081	-1.165	160	2174	-.135	.061	.047	-.534	160	2226	-.256	.103	.140	-.809
160	2122	-.255	.051	-.022	-.537	160	2175	-.131	.056	.042	-.395	160	2227	-.096	.069	.267	-.292
160	2123	-.221	.045	-.061	-.456	160	2177	-.023	.080	.463	-.239	160	2228	-.231	.036	-.096	-.421
160	2124	-.209	.070	-.003	-.622	160	2178	-.152	.044	-.034	-.345	160	2229	-.163	.036	.033	-.287
160	2125	-.309	.158	.015	-1.347	160	2179	-.161	.054	.030	-.433	160	2230	-.152	.111	.448	-.675
160	2126	-.161	.052	.041	-.433	160	2180	-.157	.054	-.003	-.594	160	2231	-.238	.065	-.004	-.712
160	2127	-.083	.069	.226	-.317	160	2181	-.160	.059	.018	-.421	160	2233	-.118	.114	.374	-.396
160	2128	-.006	.109	.463	-.288	160	2182	-.176	.067	-.003	-.494	160	2234	-.155	.037	.033	-.329
160	2129	-.157	.117	.273	-.632	160	2183	-.168	.062	.004	-.594	160	2235	-.071	.070	.247	-.322
160	2130	-.167	.077	.067	-.613	160	2184	-.032	.043	.211	-.174	160	2236	-.059	.116	.513	-.486
160	2131	-.050	.046	.141	-.201	160	2185	-.028	.059	.333	-.120	160	2237	-.100	.080	.115	-.451
160	2132	-.092	.145	1.041	-.466	160	2187	-.007	.054	.241	-.195	160	2238	-.565	.272	-.056	-1.892
160	2133	-.048	.131	.704	-.587	160	2188	-.120	.045	.067	-.301	160	2239	-.299	.092	-.051	-.888
160	2134	-.129	.097	.178	-.707	160	2189	-.213	.087	.035	-.573	160	2240	-.234	.075	-.036	-.938
160	2136	-.041	.112	.558	-.319	160	2190	-.172	.058	.028	-.423	160	2241	-.224	.078	-.014	-.891
160	2137	-.054	.109	.439	-.762	160	2191	-.183	.061	.011	-.524	160	2242	-.256	.085	-.036	-.804
160	2138	-.089	.084	.221	-.705	160	2192	-.189	.075	.009	-.556	160	2243	-.319	.122	-.014	-1.176
160	2140	-.015	.077	.477	-.255	160	2193	-.103	.055	.086	-.436	160	2244	-.147	.158	.523	-.839
160	2141	-.040	.084	.354	-.499	160	2194	-.018	.071	.246	-.685	160	2245	-.036	.122	.490	-.553
160	2142	-.066	.060	.223	-.516	160	2195	-.072	.049	.128	-.280	160	2246	-.196	.051	.023	-.434
160	2143	-.033	.047	.151	-.198	160	2196	-.222	.124	.070	-1.005	160	2247	-.169	.060	.066	-.362
160	2144	-.019	.065	.417	-.203	160	2197	-.069	.053	.215	-.268	160	2248	-.210	.076	.083	-.853
160	2145	-.060	.060	.252	-.542	160	2198	-.046	.076	.438	-.254	160	2249	-.114	.074	.215	-.337
160	2146	-.084	.069	.155	-.378	160	2199	.084	.116	.643	-.524	160	2250	-.102	.112	.582	-.394
160	2147	-.042	.044	.146	-.270	160	2200	.076	.092	.745	-.362	160	2251	-.322	.096	-.049	-1.079
160	2148	-.065	.037	.110	-.196	160	2201	-.023	.053	.316	-.176	160	2252	-.189	.142	.394	-.821
160	2149	-.096	.037	.074	-.289	160	2202	-.219	.049	-.066	-.669	160	2253	-.020	.113	.615	-.526
160	2150	-.118	.062	.088	-.373	160	2203	-.212	.035	-.094	-.413	160	2254	-.126	.061	.140	-.411
160	2151	-.103	.063	.100	-.405	160	2204	-.219	.047	-.002	-.596	160	2255	-.097	.061	.202	-.344
160	2152	-.062	.043	.129	-.217	160	2205	-.215	.034	-.097	-.505	160	2256	-.106	.073	.242	-.434
160	2153	-.079	.038	.062	-.222	160	2206	-.209	.049	-.035	-.460	160	2257	-.131	.060	.235	-.287
160	2154	-.094	.034	.042	-.292	160	2207	-.270	.055	-.059	-.653	160	2258	-.275	.074	-.044	-.764
160	2155	-.111	.040	.059	-.342	160	2208	-.211	.040	-.052	-.416	160	2259	-.066	.143	.530	-.906
160	2156	-.066	.123	.280	-.674	160	2209	-.225	.058	-.059	-.587	160	2260	-.028	.081	.421	-.369
160	2157	.067	.095	.653	-.515	160	2210	-.320	.104	.089	-.718	160	2261	-.107	.048	.140	-.255
160	2158	.025	.073	.367	-.157	160	2211	-.218	.034	-.090	-.374	160	2262	-.077	.056	.197	-.230

WD	TAP	CPMEAN	CPRMS	CPMAX	CPMIN	WD	TAP	CPMEAN	CPRMS	CPMAX	CPMIN	WD	TAP	CPMEAN	CPRMS	CPMAX	CPMIN
160	2263	-.098	.055	.173	-.270	170	2150	-.120	.060	.107	-.419	170	2203	-.204	.035	-.067	-.454
160	2264	-.150	.038	.073	-.257	170	2151	-.068	.051	.142	-.417	170	2204	-.209	.043	-.030	-.454
160	2265	-.184	.047	.066	-.421	170	2152	-.047	.043	.102	-.245	170	2205	-.205	.039	-.044	-.472
170	2101	-.280	.084	-.054	-.846	170	2153	-.069	.039	.130	-.219	170	2206	-.209	.046	-.066	-.433
170	2102	-.270	.062	-.111	-.598	170	2154	-.086	.039	.081	-.492	170	2207	-.260	.053	-.060	-.630
170	2103	-.242	.055	-.086	-.573	170	2155	-.088	.041	.036	-.342	170	2208	-.217	.042	-.085	-.424
170	2104	-.115	.091	-.424	-.399	170	2156	-.039	.062	.203	-.426	170	2209	-.234	.062	-.053	-.674
170	2105	-.238	.061	-.098	-.677	170	2157	.033	.082	.436	-.384	170	2210	-.356	.114	-.010	-.813
170	2106	-.232	.047	-.095	-.485	170	2158	.042	.075	.454	-.180	170	2211	-.218	.034	-.101	-.392
170	2107	-.217	.034	-.118	-.366	170	2159	-.015	.061	.281	-.227	170	2212	-.202	.036	-.005	-.474
170	2108	-.120	.094	-.292	-.401	170	2160	-.066	.038	.142	-.205	170	2213	-.181	.047	-.023	-.413
170	2109	-.252	.056	-.107	-.596	170	2161	-.085	.037	.097	-.276	170	2214	-.310	.116	.151	-.884
170	2110	-.239	.055	-.091	-.651	170	2162	-.007	.072	.360	-.215	170	2215	-.017	.088	-.487	-.289
170	2111	-.217	.032	-.116	-.440	170	2163	-.059	.060	.166	-.370	170	2216	-.214	.036	-.124	-.397
170	2112	-.142	.085	-.308	-.345	170	2164	-.110	.039	.039	-.278	170	2217	-.205	.038	-.058	-.406
170	2113	-.252	.062	-.095	-.712	170	2165	-.243	.108	.060	-.917	170	2218	-.210	.046	.059	-.445
170	2114	-.242	.061	-.072	-.607	170	2166	-.030	.054	.165	-.255	170	2219	-.196	.048	-.302	-.495
170	2115	-.210	.036	-.084	-.401	170	2167	-.118	.037	.011	-.290	170	2220	-.216	.034	-.101	-.358
170	2116	-.111	.089	-.368	-.336	170	2168	-.154	.065	.086	-.520	170	2221	-.215	.036	-.122	-.394
170	2117	-.260	.070	-.079	-.800	170	2170	-.143	.039	-.036	-.335	170	2222	-.198	.036	-.019	-.461
170	2118	-.225	.057	-.035	-.681	170	2171	-.152	.042	-.004	-.344	170	2223	-.241	.068	-.236	-.481
170	2119	-.196	.041	-.040	-.394	170	2172	-.135	.043	-.008	-.313	170	2224	-.192	.033	-.042	-.353
170	2120	-.127	.047	-.164	-.297	170	2173	-.150	.055	.043	-.398	170	2225	-.225	.053	.198	-.462
170	2121	-.327	.090	-.130	-.864	170	2174	-.174	.056	.015	-.492	170	2226	-.288	.136	.200	-.833
170	2122	-.236	.045	-.081	-.508	170	2175	-.172	.053	.029	-.419	170	2227	-.071	.085	.365	-.319
170	2123	-.193	.040	-.044	-.364	170	2177	-.051	.085	.417	-.236	170	2228	-.214	.035	-.115	-.389
170	2124	-.248	.064	-.054	-.630	170	2178	-.175	.046	-.039	-.541	170	2229	-.162	.029	-.004	-.280
170	2125	-.258	.061	-.091	-.651	170	2179	-.191	.055	-.034	-.482	170	2230	-.154	.097	.331	-.569
170	2126	-.154	.049	.069	-.341	170	2180	-.187	.050	-.046	-.407	170	2231	-.223	.063	.042	-.661
170	2127	-.174	.074	.102	-.709	170	2181	-.188	.058	.022	-.482	170	2233	-.116	.120	.430	-.515
170	2128	-.149	.054	.127	-.334	170	2182	-.214	.059	-.053	-.504	170	2234	-.156	.038	-.016	-.324
170	2129	-.222	.067	.099	-.712	170	2183	-.205	.057	-.036	-.464	170	2235	-.071	.065	.205	-.275
170	2130	-.053	.054	.171	-.355	170	2184	-.051	.043	.155	-.186	170	2236	-.099	.098	.637	-.161
170	2131	-.125	.074	.141	-.434	170	2185	-.039	.068	.332	-.147	170	2237	-.151	.083	.137	-.615
170	2132	-.111	.056	.218	-.431	170	2187	-.036	.061	.288	-.277	170	2238	-.440	.162	-.103	-1.405
170	2133	-.181	.058	.104	-.427	170	2188	-.139	.044	.020	-.387	170	2239	-.294	.071	-.096	-.668
170	2134	-.008	.062	.287	-.211	170	2189	-.218	.075	-.048	-.600	170	2240	-.238	.058	-.067	-.552
170	2136	-.125	.048	.180	-.355	170	2190	-.189	.053	-.042	-.490	170	2241	-.228	.061	-.042	-.940
170	2137	-.188	.057	.048	-.668	170	2191	-.196	.051	-.057	-.415	170	2242	-.258	.073	-.071	-.709
170	2138	-.064	.081	.447	-.378	170	2192	-.244	.084	-.014	-.646	170	2243	-.294	.097	.055	-.915
170	2140	-.110	.053	.408	-.301	170	2193	-.145	.070	.032	-.525	170	2244	-.224	.113	.110	-.755
170	2141	-.192	.066	.136	-.790	170	2194	-.085	.089	.187	-.681	170	2245	-.080	.091	.438	-.375
170	2142	-.035	.070	.299	-.257	170	2195	-.075	.046	.121	-.287	170	2246	-.177	.045	.059	-.319
170	2143	-.122	.091	.102	-.656	170	2196	-.209	.095	.036	-.710	170	2247	-.179	.046	.042	-.467
170	2144	-.087	.054	.255	-.391	170	2197	-.087	.051	.254	-.291	170	2248	-.223	.054	-.052	-.610
170	2145	-.139	.075	.267	-.358	170	2198	-.011	.072	.332	-.316	170	2249	-.122	.066	.178	-.389
170	2146	-.049	.059	.156	-.297	170	2199	-.015	.117	.469	-.472	170	2250	-.116	.095	.377	-.430
170	2147	-.033	.045	.161	-.229	170	2200	.014	.094	.371	-.364	170	2251	-.299	.085	-.069	-.897
170	2148	-.057	.036	.213	-.234	170	2201	.004	.056	.270	-.234	170	2252	-.244	.129	.249	-.961
170	2149	-.089	.041	.062	-.349	170	2202	-.212	.044	-.071	-.536	170	2253	.003	.077	.355	-.217

WD	TAP	CPMEAN	CPRMS	CPMAX	CPMIN	WD	TAP	CPMEAN	CPRMS	CPMAX	CPMIN	WD	TAP	CPMEAN	CPRMS	CPMAX	CPMIN
170	2254	-.106	.041	.142	-.256	180	2141	-.183	.048	.010	-.455	180	2194	-.147	.116	.114	-.934
170	2255	-.101	.056	.207	-.263	180	2142	-.035	.072	.285	-.462	180	2195	-.091	.043	.072	-.404
170	2256	-.109	.070	.268	-.554	180	2143	-.201	.121	.095	-.901	180	2196	-.180	.075	.040	-.662
170	2257	-.131	.053	.195	-.275	180	2144	-.143	.061	.135	-.534	180	2197	-.110	.043	.119	-.288
170	2258	-.265	.066	-.071	-.741	180	2145	-.160	.065	.235	-.401	180	2198	-.063	.061	.251	-.430
170	2259	-.229	.133	.190	-.879	180	2146	-.067	.058	.247	-.322	180	2199	-.091	.104	.502	-.788
170	2260	-.001	.069	.377	-.268	180	2147	-.065	.039	.130	-.265	180	2200	-.052	.074	.261	-.328
170	2261	-.086	.041	.086	-.219	180	2148	-.074	.030	.038	-.193	180	2201	-.054	.052	.314	-.297
170	2262	-.089	.042	.103	-.249	180	2149	-.093	.034	.023	-.251	180	2202	-.213	.047	-.076	-.523
170	2263	-.097	.053	.110	-.232	180	2150	-.123	.060	.078	-.379	180	2203	-.202	.039	-.063	-.446
170	2264	-.146	.034	.021	-.261	180	2151	-.081	.047	.097	-.365	180	2204	-.204	.045	-.007	-.423
170	2265	-.190	.042	.001	-.426	180	2152	-.073	.041	.071	-.284	180	2205	-.202	.038	-.023	-.383
180	2101	-.260	.081	.029	-.697	180	2153	-.083	.035	.038	-.241	180	2206	-.219	.047	-.007	-.541
180	2102	-.253	.061	-.072	-.570	180	2154	-.091	.032	.035	-.270	180	2207	-.265	.055	-.021	-.593
180	2103	-.205	.041	-.034	-.478	180	2155	-.098	.033	.038	-.293	180	2208	-.228	.048	-.044	-.502
180	2104	-.126	.068	.238	-.375	180	2156	-.081	.049	.185	-.432	180	2209	-.256	.062	-.060	-.604
180	2105	-.245	.042	-.084	-.728	180	2157	-.023	.062	.364	-.410	180	2210	-.388	.131	-.040	-.939
180	2106	-.208	.041	-.063	-.514	180	2158	-.002	.062	.321	-.203	180	2211	-.231	.040	-.088	-.402
180	2107	-.195	.031	-.086	-.333	180	2159	-.029	.044	.197	-.155	180	2212	-.213	.044	-.039	-.481
180	2108	-.143	.060	.104	-.335	180	2160	-.069	.033	.078	-.215	180	2213	-.209	.058	.010	-.432
180	2109	-.229	.048	-.067	-.518	180	2161	-.092	.030	.035	-.229	180	2214	-.328	.115	.114	-.883
180	2110	-.213	.036	-.096	-.403	180	2162	-.043	.097	.471	-.355	180	2215	-.039	.099	.400	-.358
180	2111	-.204	.029	-.131	-.429	180	2163	-.107	.064	.147	-.479	180	2216	-.202	.037	-.074	-.441
180	2112	-.157	.041	-.114	-.396	180	2164	-.123	.040	.014	-.291	180	2217	-.200	.044	-.025	-.453
180	2113	-.220	.048	-.081	-.737	180	2165	-.305	.123	.245	-.972	180	2218	-.204	.043	.030	-.407
180	2114	-.212	.042	-.084	-.460	180	2166	-.074	.052	.191	-.265	180	2219	-.204	.048	-.086	-.418
180	2115	-.197	.032	-.098	-.335	180	2167	-.141	.036	-.022	-.265	180	2220	-.217	.037	-.083	-.474
180	2116	-.128	.068	.118	-.347	180	2168	-.178	.066	.026	-.548	180	2221	-.208	.033	-.109	-.458
180	2117	-.218	.048	-.065	-.481	180	2170	-.155	.040	-.031	-.391	180	2222	-.205	.036	-.007	-.444
180	2118	-.198	.044	-.034	-.486	180	2171	-.168	.041	-.029	-.372	180	2223	-.258	.063	.254	-.597
180	2119	-.181	.036	-.025	-.319	180	2172	-.171	.046	-.029	-.398	180	2224	-.190	.034	-.028	-.351
180	2120	-.142	.042	-.038	-.295	180	2173	-.181	.054	-.015	-.420	180	2225	-.216	.046	-.001	-.385
180	2121	-.260	.064	-.105	-.716	180	2174	-.193	.061	-.008	-.577	180	2226	-.330	.141	.102	-1.178
180	2122	-.211	.036	-.089	-.385	180	2175	-.197	.057	-.027	-.484	180	2227	-.063	.096	.353	-.459
180	2123	-.181	.032	-.058	-.333	180	2177	-.030	.096	.450	-.262	180	2228	-.210	.031	-.112	-.361
180	2124	-.251	.081	.020	-.915	180	2178	-.191	.045	-.060	-.389	180	2229	-.192	.031	-.080	-.331
180	2125	-.240	.068	.001	-.725	180	2179	-.197	.046	-.070	-.434	180	2230	-.236	.070	-.072	-.545
180	2126	-.139	.061	.370	-.401	180	2180	-.201	.046	-.086	-.427	180	2231	-.200	.046	-.033	-.442
180	2127	-.206	.094	.128	-.962	180	2181	-.210	.051	-.031	-.443	180	2233	-.216	.059	.195	-.523
180	2128	-.158	.049	-.153	-.338	180	2182	-.235	.053	-.039	-.567	180	2234	-.162	.036	-.021	-.311
180	2129	-.218	.062	-.039	-.605	180	2183	-.225	.055	.035	-.465	180	2235	-.132	.052	.100	-.297
180	2130	-.077	.063	.203	-.302	180	2184	-.091	.044	.123	-.225	180	2236	-.017	.095	.397	-.720
180	2131	-.221	.083	.062	-.591	180	2185	-.007	.064	.275	-.149	180	2237	-.115	.090	.144	-.592
180	2132	-.152	.059	.189	-.591	180	2187	-.079	.081	.240	-.355	180	2238	-.392	.134	-.085	-1.148
180	2133	-.187	.046	-.013	-.422	180	2188	-.157	.046	-.009	-.404	180	2239	-.278	.065	-.073	-.806
180	2134	-.023	.075	.318	-.356	180	2189	-.205	.058	-.046	-.462	180	2240	-.222	.044	-.100	-.464
180	2136	-.151	.051	.114	-.589	180	2190	-.192	.045	-.025	-.414	180	2241	-.215	.039	-.100	-.402
180	2137	-.184	.040	-.016	-.422	180	2191	-.197	.050	-.019	-.418	180	2242	-.211	.051	.016	-.629
180	2138	-.005	.086	.327	-.469	180	2192	-.274	.076	-.060	-.716	180	2243	-.222	.057	-.021	-.631
180	2140	-.135	.060	.130	-.387	180	2193	-.205	.072	-.031	-.596	180	2244	-.207	.080	.109	-.592

WD	TAP	CPMEAN	CPRMS	CPHAX	CPHIN	WD	TAP	CPMEAN	CPRMS	CPHAX	CPHIN	WD	TAP	CPMEAN	CPRMS	CPHAX	CPHIN
180	2245	-.121	.062	.188	-.309	190	2130	.077	.101	.513	-.275	190	2184	-.055	.041	.190	-.203
180	2246	-.181	.041	.043	-.373	190	2131	-.185	.118	.172	-.651	190	2185	-.026	.042	.158	-.176
180	2247	-.198	.035	-.058	-.351	190	2132	-.109	.055	.197	-.434	190	2187	-.043	.055	.301	-.308
180	2248	-.213	.037	-.063	-.388	190	2133	-.177	.058	.119	-.485	190	2188	-.103	.040	.039	-.319
180	2249	-.165	.049	.102	-.405	190	2134	-.061	.081	.398	-.331	190	2189	-.113	.041	.018	-.370
180	2250	-.164	.060	.252	-.341	190	2136	-.116	.047	.059	-.476	190	2190	-.117	.037	.002	-.267
180	2251	-.225	.050	.001	-.639	190	2137	-.156	.042	.008	-.354	190	2191	-.126	.040	.009	-.328
180	2252	-.196	.090	.134	-.681	190	2138	-.029	.074	.439	-.195	190	2192	-.196	.080	-.018	-.3598
180	2253	-.056	.063	.195	-.240	190	2140	-.116	.045	.031	-.529	190	2193	-.150	.066	.137	-.353
180	2254	-.133	.033	.023	-.245	190	2141	-.158	.048	.013	-.379	190	2194	-.106	.082	.107	-.760
180	2255	-.147	.037	.026	-.287	190	2142	-.002	.064	.317	-.199	190	2195	-.083	.043	.075	-.415
180	2256	-.145	.049	.092	-.417	190	2143	-.137	.096	.209	-.922	190	2196	-.098	.050	.059	-.445
180	2257	-.166	.037	.043	-.294	190	2144	-.086	.048	.093	-.433	190	2197	-.084	.033	.064	-.260
180	2258	-.208	.037	-.021	-.481	190	2145	-.132	.043	.027	-.307	190	2198	-.077	.038	.160	-.265
180	2259	-.163	.091	.154	-.560	190	2146	-.048	.036	.100	-.300	190	2199	-.103	.063	.260	-.650
180	2260	-.044	.056	.166	-.220	190	2147	-.053	.037	.081	-.251	190	2200	-.052	.048	.171	-.255
180	2261	-.117	.033	.038	-.250	190	2148	-.061	.036	.046	-.211	190	2201	-.054	.034	.126	-.246
180	2262	-.133	.034	.033	-.243	190	2149	-.078	.040	.029	-.359	190	2202	-.197	.042	-.041	-.445
180	2263	-.155	.042	.021	-.297	190	2150	-.062	.036	.079	-.389	190	2203	-.176	.032	-.073	-.356
180	2264	-.170	.028	-.038	-.262	190	2151	-.052	.036	.088	-.279	190	2204	-.183	.036	-.050	-.354
180	2265	-.186	.026	-.095	-.351	190	2152	-.048	.031	.072	-.230	190	2205	-.178	.034	-.055	-.445
190	2101	-.245	.114	-.153	-.907	190	2153	-.044	.027	.053	-.158	190	2206	-.207	.046	-.030	-.427
190	2102	-.229	.075	-.006	-.888	190	2154	-.050	.031	.086	-.174	190	2207	-.252	.052	-.116	-.570
190	2103	-.178	.042	-.031	-.448	190	2155	-.072	.039	.137	-.375	190	2208	-.208	.047	-.032	-.575
190	2104	-.070	.069	.324	-.356	190	2156	-.057	.038	.065	-.326	190	2209	-.247	.068	-.011	-.716
190	2105	-.227	.069	-.059	-.741	190	2157	-.036	.035	.170	-.218	190	2210	-.322	.129	.075	-.995
190	2106	-.197	.055	-.022	-.517	190	2158	-.025	.030	.174	-.134	190	2211	-.206	.038	-.064	-.386
190	2107	-.175	.035	-.045	-.434	190	2159	-.025	.029	.100	-.104	190	2212	-.192	.040	-.020	-.349
190	2108	-.098	.071	-.213	-.372	190	2160	-.045	.028	.118	-.139	190	2213	-.185	.057	.128	-.376
190	2109	-.231	.066	-.073	-.603	190	2161	-.066	.035	.100	-.398	190	2214	-.248	.134	.201	-.801
190	2110	-.200	.046	-.038	-.586	190	2162	-.032	.063	.296	-.331	190	2215	-.058	.095	.404	-.447
190	2111	-.191	.039	-.082	-.497	190	2163	-.070	.045	.118	-.389	190	2216	-.178	.029	-.064	-.338
190	2112	-.151	.069	.116	-.480	190	2164	-.093	.039	.055	-.333	190	2217	-.176	.035	-.034	-.383
190	2113	-.196	.057	-.033	-.520	190	2165	-.191	.106	.165	-.744	190	2218	-.185	.041	-.002	-.522
190	2114	-.179	.046	-.015	-.462	190	2166	-.063	.039	.126	-.192	190	2219	-.185	.047	-.119	-.399
190	2115	-.170	.036	-.015	-.358	190	2167	-.101	.038	.015	-.412	190	2220	-.199	.038	-.071	-.390
190	2116	-.138	.055	-.084	-.386	190	2168	-.124	.057	.041	-.436	190	2221	-.178	.028	-.075	-.370
190	2117	-.170	.041	-.052	-.485	190	2170	-.103	.034	-.003	-.249	190	2222	-.190	.037	-.050	-.406
190	2118	-.160	.040	-.031	-.421	190	2171	-.113	.034	-.006	-.258	190	2223	-.234	.091	.475	-.575
190	2119	-.147	.035	-.003	-.294	190	2172	-.120	.042	.006	-.338	190	2224	-.156	.032	-.023	-.258
190	2120	-.103	.036	-.036	-.273	190	2173	-.141	.051	-.018	-.394	190	2225	-.151	.046	.039	-.393
190	2121	-.221	.067	-.052	-.513	190	2174	-.173	.066	-.020	-.620	190	2226	-.196	.131	.179	-.692
190	2122	-.175	.037	-.082	-.361	190	2175	-.177	.072	.058	-.681	190	2227	-.057	.062	.256	-.337
190	2123	-.150	.033	-.015	-.271	190	2177	-.009	.080	.378	-.251	190	2228	-.174	.027	-.084	-.303
190	2124	-.247	.139	-.262	-1.020	190	2178	-.128	.043	-.017	-.401	190	2229	-.164	.027	-.062	-.287
190	2125	-.218	.079	.061	-.649	190	2179	-.132	.045	.015	-.370	190	2230	-.216	.089	.230	-.687
190	2126	-.016	.119	.550	-.356	190	2180	-.125	.035	.001	-.263	190	2231	-.182	.040	-.057	-.455
190	2127	-.170	.165	.331	-1.273	190	2181	-.134	.042	-.011	-.321	190	2233	-.191	.063	.235	-.528
190	2128	-.115	.047	.098	-.280	190	2182	-.171	.052	-.006	-.522	190	2234	-.131	.031	.008	-.355
190	2129	-.211	.067	.015	-.658	190	2183	-.173	.059	.032	-.625	190	2235	-.124	.037	.129	-.359

WD	TAP	CPMEAN	CPRMS	CPMAX	CPMIN	WD	TAP	CPMEAN	CPRMS	CPMAX	CPMIN	WD	TAP	CPMEAN	CPRMS	CPMAX	CPMIN
190	2236	-.076	.098	.232	-.600	200	2121	-.236	.075	-.039	-.810	200	2174	-.167	.081	.001	-.631
190	2237	-.071	.054	.112	-.521	200	2122	-.175	.037	-.043	-.303	200	2175	-.167	.089	.147	-.776
190	2238	-.436	.177	.119	-1.237	200	2123	-.145	.038	-.001	-.352	200	2177	-.012	.069	.448	-.224
190	2239	-.298	.067	-.108	-.740	200	2124	-.174	.139	.362	-.970	200	2178	-.088	.030	.004	-.236
190	2240	-.221	.039	-.093	-.451	200	2125	-.180	.074	.193	-.495	200	2179	-.086	.036	.009	-.447
190	2241	-.215	.041	-.084	-.400	200	2126	-.098	.121	.594	-.389	200	2180	-.086	.032	.030	-.224
190	2242	-.197	.035	-.050	-.410	200	2127	-.013	.154	.492	-.987	200	2181	-.097	.035	.020	-.539
190	2243	-.194	.043	-.048	-.537	200	2128	-.077	.049	.151	-.257	200	2182	-.152	.062	.006	-.560
190	2244	-.135	.091	.131	-.656	200	2129	-.193	.061	.010	-.502	200	2183	-.148	.084	.095	-.743
190	2245	-.072	.076	.399	-.489	200	2130	-.092	.088	.559	-.201	200	2184	-.027	.041	.184	-.172
190	2246	-.177	.047	.129	-.369	200	2131	-.050	.116	.362	-.509	200	2185	-.018	.036	.186	-.156
190	2247	-.202	.038	-.077	-.383	200	2132	-.080	.048	.163	-.333	200	2187	-.010	.046	.260	-.170
190	2248	-.231	.045	-.077	-.487	200	2133	-.164	.055	.401	-.465	200	2188	-.075	.031	.046	-.206
190	2249	-.143	.039	.030	-.378	200	2134	-.070	.071	.448	-.161	200	2189	-.078	.035	.032	-.248
190	2250	-.139	.054	.143	-.463	200	2136	-.078	.039	.107	-.333	200	2190	-.077	.030	.026	-.199
190	2251	-.198	.040	-.072	-.441	200	2137	-.131	.040	-.009	-.504	200	2191	-.095	.033	.032	-.266
190	2252	-.132	.083	.109	-.658	200	2138	-.033	.065	.429	-.263	200	2192	-.138	.059	-.011	-.642
190	2253	-.024	.069	.355	-.255	200	2140	-.078	.041	.086	-.328	200	2193	-.095	.058	.128	-.426
190	2254	-.110	.037	.056	-.226	200	2141	-.132	.048	.045	-.467	200	2194	-.048	.042	.161	-.461
190	2255	-.134	.037	.032	-.267	200	2142	-.009	.063	.302	-.208	200	2195	-.066	.034	.060	-.248
190	2256	-.159	.055	.080	-.562	200	2143	-.055	.070	.241	-.638	200	2196	-.080	.043	.032	-.399
190	2257	-.142	.037	.107	-.277	200	2144	-.057	.036	.088	-.212	200	2197	-.064	.030	.035	-.206
190	2258	-.179	.038	.063	-.388	200	2145	-.104	.041	.124	-.342	200	2198	-.052	.034	.186	-.149
190	2259	-.108	.081	.138	-.472	200	2146	-.048	.040	.133	-.374	200	2199	-.049	.059	.271	-.252
190	2260	-.005	.063	.404	-.176	200	2147	-.053	.037	.105	-.339	200	2200	-.017	.049	.283	-.142
190	2261	-.095	.034	.037	-.207	200	2148	-.067	.040	.086	-.370	200	2201	-.035	.029	.085	-.135
190	2262	-.114	.033	.034	-.238	200	2149	-.077	.046	.056	-.337	200	2202	-.214	.054	-.011	-.645
190	2263	-.146	.045	.022	-.357	200	2150	-.055	.034	.065	-.374	200	2203	-.190	.037	-.073	-.371
190	2264	-.146	.028	-.034	-.274	200	2151	-.043	.031	.072	-.179	200	2204	-.204	.043	-.064	-.410
190	2265	-.161	.028	-.045	-.306	200	2152	-.038	.029	.105	-.144	200	2205	-.183	.041	-.036	-.472
200	2101	-.204	.119	-.135	-.769	200	2153	-.040	.028	.091	-.194	200	2206	-.214	.053	-.048	-.674
200	2102	-.196	.061	-.011	-.544	200	2154	-.043	.030	.079	-.205	200	2207	-.281	.074	-.112	-.739
200	2103	-.167	.039	-.018	-.352	200	2155	-.050	.040	.110	-.283	200	2208	-.227	.057	.069	-.626
200	2104	-.053	.068	-.383	-.328	200	2156	-.053	.039	.048	-.370	200	2209	-.295	.095	-.073	-.869
200	2105	-.196	.054	-.043	-.727	200	2157	-.026	.030	.161	-.111	200	2210	-.324	.171	-.021	-1.803
200	2106	-.194	.060	-.027	-.569	200	2158	-.019	.030	.227	-.097	200	2211	-.219	.045	-.108	-.406
200	2107	-.166	.038	-.057	-.521	200	2159	-.022	.027	.102	-.111	200	2212	-.199	.043	-.004	-.530
200	2108	-.080	.068	.168	-.312	200	2160	-.031	.029	.079	-.191	200	2213	-.157	.073	.276	-.440
200	2109	-.224	.067	.107	-.794	200	2161	-.048	.036	.074	-.335	200	2214	-.124	.138	.468	-.656
200	2110	-.205	.053	-.043	-.553	200	2162	-.011	.052	.354	-.201	200	2215	-.072	.085	.274	-.677
200	2111	-.187	.040	-.053	-.537	200	2163	-.037	.037	.157	-.252	200	2216	-.188	.034	-.059	-.390
200	2112	-.124	.068	-.226	-.400	200	2164	-.076	.031	.058	-.245	200	2217	-.188	.042	.023	-.433
200	2113	-.196	.062	-.011	-.574	200	2165	-.136	.086	.173	-.689	200	2218	-.200	.048	.014	-.498
200	2114	-.170	.044	-.039	-.437	200	2166	-.034	.043	.195	-.259	200	2219	-.206	.054	.081	-.576
200	2115	-.164	.037	-.027	-.342	200	2167	-.075	.031	.039	-.335	200	2220	-.205	.038	-.085	-.369
200	2116	-.102	.061	-.200	-.382	200	2168	-.088	.038	.046	-.304	200	2221	-.177	.032	-.080	-.397
200	2117	-.173	.050	-.022	-.567	200	2170	-.082	.033	.018	-.398	200	2222	-.203	.046	-.013	-.544
200	2118	-.165	.048	-.004	-.593	200	2171	-.084	.030	.051	-.229	200	2223	-.219	.109	-.283	-.638
200	2119	-.144	.039	.017	-.307	200	2172	-.091	.037	.020	-.332	200	2224	-.160	.030	-.046	-.275
200	2120	-.073	.035	.105	-.201	200	2173	-.114	.049	.048	-.440	200	2225	-.125	.049	.157	-.283

WD	TAP	CPMEAN	CPRMS	CPMAX	CPMIN	WD	TAP	CPMEAN	CPRMS	CPMAX	CPMIN	WD	TAP	CPMEAN	CPRMS	CPMAX	CPMIN
200	2226	-.071	.105	.378	-.518	210	2112	-.112	.065	-.124	-.392	210	2164	-.079	.034	.074	-.292
200	2227	-.071	.068	-.152	-.513	210	2113	-.177	.054	-.036	-.597	210	2165	-.205	.130	.222	-1.110
200	2228	-.170	.027	-.093	-.344	210	2114	-.171	.050	-.033	-.445	210	2166	-.009	.059	.340	-.251
200	2229	-.158	.028	-.062	-.285	210	2115	-.152	.036	.004	-.297	210	2167	-.075	.034	.076	-.275
200	2230	-.199	.091	-.193	-.632	210	2116	-.041	.058	.163	-.299	210	2168	-.101	.046	.039	-.355
200	2231	-.180	.042	-.062	-.311	210	2117	-.168	.048	-.022	-.422	210	2170	-.074	.032	.032	-.320
200	2233	-.158	.087	.271	-.472	210	2118	-.167	.047	-.040	-.516	210	2171	-.084	.037	.051	-.292
200	2234	-.134	.031	.011	-.220	210	2119	-.142	.041	.011	-.327	210	2172	-.090	.042	.039	-.400
200	2235	-.093	.050	.149	-.220	210	2120	-.071	.032	.071	-.179	210	2173	-.131	.067	.043	-.662
200	2236	-.014	.086	.329	-.443	210	2121	-.241	.077	-.075	-.439	210	2174	-.227	.115	.025	-.979
200	2237	-.094	.065	.089	-.533	210	2122	-.176	.039	-.052	-.403	210	2175	-.235	.150	.172	-1.288
200	2238	-.426	.176	.205	-1.426	210	2123	-.144	.041	.052	-.338	210	2177	.017	.090	.498	-.315
200	2239	-.297	.067	.028	-1.060	210	2124	-.177	.113	.265	-.713	210	2178	-.081	.032	.034	-.334
200	2240	-.227	.046	-.086	-.470	210	2125	-.170	.056	.073	-.482	210	2179	-.081	.034	.032	-.313
200	2241	-.220	.048	-.038	-.472	210	2126	-.091	.112	.609	-.405	210	2180	-.081	.034	.055	-.273
200	2242	-.192	.040	-.008	-.501	210	2127	-.032	.136	.531	-.771	210	2181	-.096	.041	.109	-.428
200	2243	-.182	.040	-.035	-.426	210	2128	-.068	.042	.122	-.204	210	2182	-.201	.092	.008	-.674
200	2244	-.101	.088	.222	-.666	210	2129	-.165	.048	.025	-.424	210	2183	.187	.135	.114	-1.089
200	2245	-.034	.077	.324	-.305	210	2130	-.077	.081	.457	-.352	210	2184	.014	.064	.450	-.187
200	2246	-.172	.051	-.123	-.394	210	2131	-.050	.103	.323	-.468	210	2185	.002	.052	.303	-.114
200	2247	-.209	.042	-.081	-.489	210	2132	-.075	.040	.092	-.246	210	2187	.020	.058	.505	-.130
200	2248	-.241	.055	-.091	-.533	210	2133	-.141	.046	-.006	-.394	210	2188	-.074	.033	.026	-.221
200	2249	-.151	.042	.045	-.409	210	2134	-.060	.068	.376	-.133	210	2189	-.075	.035	.063	-.258
200	2250	-.114	.062	.198	-.319	210	2136	-.069	.036	-.080	-.204	210	2190	-.077	.032	.049	-.276
200	2251	-.192	.049	-.021	-.487	210	2137	-.126	.039	-.010	-.373	210	2191	-.094	.042	.044	-.317
200	2252	-.099	.080	.137	-.391	210	2138	-.036	.057	.362	-.172	210	2192	-.151	.086	.033	-1.016
200	2253	-.004	.073	.339	-.290	210	2140	-.067	.041	.087	-.255	210	2193	-.104	.088	.142	-.709
200	2254	-.115	.036	.052	-.256	210	2141	-.129	.046	.045	-.401	210	2194	-.029	.051	.248	-.381
200	2255	-.129	.036	.067	-.327	210	2142	-.004	.051	.253	-.220	210	2195	-.067	.040	.081	-.365
200	2256	-.148	.055	.096	-.386	210	2143	-.032	.060	.175	-.510	210	2196	-.078	.050	.054	-.452
200	2257	-.120	.049	.237	-.273	210	2144	-.046	.033	.140	-.158	210	2197	-.067	.035	.106	-.272
200	2258	-.165	.054	.072	-.443	210	2145	-.076	.035	.076	-.224	210	2198	-.055	.037	.200	-.166
200	2259	-.081	.084	.290	-.523	210	2146	-.058	.043	.123	-.498	210	2199	-.036	.065	.305	-.249
200	2260	-.017	.062	.361	-.193	210	2147	-.061	.048	.097	-.325	210	2200	-.029	.050	.218	-.166
200	2261	-.090	.033	.052	-.200	210	2148	-.067	.046	.123	-.332	210	2201	-.026	.034	.136	-.120
200	2262	-.105	.035	.045	-.234	210	2149	-.072	.054	.137	-.451	210	2202	-.231	.067	-.022	-.652
200	2263	-.133	.038	.021	-.319	210	2150	-.065	.043	.095	-.322	210	2203	-.197	.047	-.054	-.647
200	2264	-.127	.039	.239	-.251	210	2151	-.047	.032	.086	-.219	210	2204	-.207	.053	-.070	-.532
200	2265	-.147	.041	.096	-.426	210	2152	-.037	.033	.109	-.217	210	2205	-.184	.047	-.054	-.551
210	21101	-.216	.094	.066	-.731	210	2153	-.033	.030	.208	-.236	210	2206	-.222	.068	.052	-.862
210	21102	-.181	.054	-.052	-.699	210	2154	-.034	.033	.100	-.205	210	2207	-.296	.087	-.109	-.812
210	21103	-.162	.037	-.033	-.394	210	2155	-.031	.044	.210	-.266	210	2208	-.237	.066	.024	-.695
210	21104	-.057	.064	.357	-.306	210	2156	-.058	.053	.097	-.449	210	2209	-.330	.121	-.024	-1.025
210	21105	-.181	.050	-.038	-.646	210	2157	-.026	.033	.236	-.125	210	2210	-.381	.219	-.118	-1.528
210	21106	-.177	.051	-.006	-.556	210	2158	-.017	.031	.102	-.125	210	2211	-.218	.048	-.088	-.496
210	21107	-.154	.034	-.045	-.301	210	2159	-.016	.026	.086	-.132	210	2212	-.214	.051	-.036	-.521
210	21108	-.083	.065	.168	-.375	210	2160	-.024	.034	.140	-.257	210	2213	-.118	.079	.283	-.342
210	21109	-.204	.055	-.054	-.489	210	2161	-.026	.035	.137	-.266	210	2214	-.029	.154	.711	-.855
210	21110	-.190	.043	-.059	-.408	210	2162	-.022	.069	.414	-.139	210	2215	-.092	.119	.420	-1.020
210	21111	-.166	.030	-.066	-.334	210	2163	-.021	.052	.283	-.214	210	2216	-.179	.040	-.047	-.549

WD	TAP	CPMEAN	CPRMS	CPMAX	CPMIN	WD	TAP	CPMEAN	CPRMS	CPMAX	CPMIN	WD	TAP	CPMEAN	CPRMS	CPMAX	CPMIN
210	2217	-.187	.057	.099	-.587	220	2103	-.144	.034	-.031	-.336	220	2155	-.038	.062	.196	-.366
210	2218	-.198	.062	.088	-.592	220	2104	-.070	.059	-.242	-.283	220	2156	-.045	.047	.129	-.389
210	2219	-.203	.066	.131	-.505	220	2105	-.158	.040	-.017	-.391	220	2157	-.032	.034	.143	-.190
210	2220	-.200	.040	-.081	-.386	220	2106	-.149	.044	-.008	-.388	220	2158	-.005	.040	.315	-.110
210	2221	-.173	.038	-.027	-.413	220	2107	-.144	.030	-.024	-.329	220	2159	.005	.039	.299	-.094
210	2222	-.197	.055	.065	-.426	220	2108	-.105	.066	-.194	-.340	220	2160	.001	.044	.343	-.171
210	2223	-.205	.111	.349	-.848	220	2109	-.173	.054	-.003	-.492	220	2161	-.043	.051	.122	-.266
210	2224	-.153	.030	-.024	-.288	220	2110	-.155	.038	-.042	-.407	220	2162	.049	.100	.638	-.152
210	2225	-.101	.052	.206	-.302	220	2111	-.150	.030	-.051	-.311	220	2163	.009	.072	.396	-.208
210	2226	-.005	.091	.383	-.475	220	2112	-.088	.063	-.123	-.384	220	2164	-.097	.038	.045	-.324
210	2227	-.113	.104	.138	-.883	220	2113	-.158	.049	-.015	-.425	220	2165	-.301	.140	.062	-1.091
210	2228	-.160	.029	-.077	-.350	220	2114	-.153	.048	-.019	-.496	220	2166	-.019	.073	.426	-.286
210	2229	-.154	.035	-.009	-.314	220	2115	-.136	.031	-.040	-.313	220	2167	-.097	.039	.038	-.269
210	2230	-.210	.090	.211	-.694	220	2116	-.013	.055	-.235	-.191	220	2168	-.129	.053	.013	-.506
210	2231	-.168	.041	-.065	-.459	220	2117	-.163	.049	-.031	-.411	220	2170	-.093	.039	.048	-.280
210	2233	-.169	.091	.272	-.607	220	2118	-.152	.045	.013	-.480	220	2171	-.104	.049	.043	-.564
210	2234	-.127	.032	.003	-.275	220	2119	-.131	.039	.022	-.315	220	2172	-.117	.052	.029	-.482
210	2235	-.080	.050	.252	-.322	220	2120	-.052	.036	-.118	-.171	220	2173	-.170	.084	.045	-.719
210	2236	-.026	.070	.380	-.287	220	2121	-.246	.073	-.061	-.606	220	2174	-.288	.141	.020	-1.117
210	2237	-.096	.071	.144	-.388	220	2122	-.161	.036	.088	-.299	220	2175	-.281	.158	.157	-1.408
210	2238	-.463	.182	.080	-.222	220	2123	-.129	.039	.010	-.425	220	2177	-.063	.122	.757	-.269
210	2239	-.291	.063	-.002	-.728	220	2124	-.207	.112	.123	-.932	220	2178	-.094	.034	.050	-.255
210	2240	-.223	.047	-.087	-.542	220	2125	-.175	.055	.020	-.510	220	2179	-.098	.042	.015	-.466
210	2241	-.214	.050	-.075	-.469	220	2126	-.121	.124	.689	-.297	220	2180	-.098	.037	.015	-.375
210	2242	-.190	.051	-.007	-.424	220	2127	-.060	.128	.428	-.934	220	2181	-.129	.051	.015	-.364
210	2243	-.172	.045	.046	-.440	220	2128	-.066	.039	.118	-.198	220	2182	-.275	.120	-.001	-1.166
210	2244	-.101	.085	.247	-.580	220	2129	-.148	.043	.020	-.345	220	2183	-.261	.163	.185	-1.122
210	2245	-.034	.077	.363	-.295	220	2130	-.102	.086	.517	-.194	220	2184	.050	.080	.488	-.241
210	2246	-.162	.050	.131	-.338	220	2131	-.041	.101	.348	-.402	220	2185	.032	.074	.492	-.209
210	2247	-.204	.043	-.058	-.462	220	2132	-.064	.036	.100	-.200	220	2187	.058	.087	.597	-.128
210	2248	-.232	.054	-.041	-.568	220	2133	-.132	.035	-.019	-.329	220	2188	-.091	.036	.015	-.268
210	2249	-.145	.042	.046	-.302	220	2134	-.076	.067	.421	-.242	220	2189	-.088	.040	.022	-.541
210	2250	-.114	.062	.262	-.350	220	2136	-.063	.034	.107	-.189	220	2190	-.094	.037	.036	-.246
210	2251	-.175	.051	.008	-.401	220	2137	-.123	.036	.004	-.329	220	2191	-.112	.042	.020	-.445
210	2252	-.098	.083	.165	-.493	220	2138	-.056	.061	.331	-.255	220	2192	-.222	.126	.038	-1.049
210	2253	-.000	.066	.472	-.174	220	2140	-.049	.040	.139	-.253	220	2193	-.147	.141	.264	-1.287
210	2254	-.106	.038	.046	-.271	220	2141	-.133	.041	.020	-.329	220	2194	-.039	.093	.245	-.879
210	2255	-.125	.035	.046	-.295	220	2142	-.028	.057	.258	-.187	220	2195	-.083	.044	.054	-.473
210	2256	-.151	.055	.051	-.704	220	2143	-.003	.063	.334	-.355	220	2196	-.091	.054	.052	-.457
210	2257	-.092	.056	.347	-.336	220	2144	-.022	.039	.217	-.148	220	2197	-.080	.038	.040	-.252
210	2258	-.138	.045	.160	-.600	220	2145	-.081	.035	.038	-.248	220	2198	-.083	.034	.075	-.193
210	2259	-.100	.086	.148	-.588	220	2146	-.069	.054	.124	-.485	220	2199	-.111	.065	.188	-.432
210	2260	-.004	.053	.315	-.152	220	2147	-.075	.059	.199	-.594	220	2200	-.049	.056	.236	-.234
210	2261	-.074	.039	.141	-.217	220	2148	-.081	.061	.134	-.389	220	2201	-.031	.037	.177	-.148
210	2262	-.107	.033	.027	-.225	220	2149	-.087	.075	.120	-.629	220	2202	-.199	.058	-.046	-.491
210	2263	-.128	.036	.017	-.280	220	2150	-.078	.040	.064	-.320	220	2203	-.182	.054	-.044	-.632
210	2264	-.113	.040	.167	-.275	220	2151	-.051	.033	.103	-.178	220	2204	-.194	.060	-.015	-.561
210	2265	-.139	.055	.163	-.520	220	2152	-.036	.037	.257	-.231	220	2205	-.173	.057	-.007	-.536
220	2101	-.184	.070	.024	-.606	220	2153	-.021	.039	.220	-.199	220	2206	-.207	.067	-.014	-.550
220	2102	-.153	.046	-.022	-.372	220	2154	-.020	.038	.138	-.238	220	2207	-.247	.070	-.055	-.702

WD	TAP	CPMEAN	CPRMS	CPMAX	CPMIN	WD	TAP	CPMEAN	CPRMS	CPMAX	CPMIN	WD	TAP	CPMEAN	CPRMS	CPMAX	CPMIN
220	2208	-.236	.062	-.073	-.670	220	2259	-.152	.086	.216	-.569	230	2146	-.086	.051	.059	-.413
220	2209	-.354	.113	.025	-1.215	220	2260	-.021	.061	.319	-.163	230	2147	-.097	.068	.142	-.584
220	2210	-.466	.245	.183	-2.218	220	2261	-.036	.048	.216	-.156	230	2148	-.114	.074	.196	-.407
220	2211	-.197	.044	-.069	-.393	220	2262	-.093	.035	.050	-.257	230	2149	-.118	.102	.268	-.717
220	2212	-.204	.046	-.028	-.427	220	2263	-.130	.036	.031	-.278	230	2150	-.098	.041	.039	-.418
220	2213	-.123	.072	.358	-.418	220	2264	-.104	.042	.244	-.276	230	2151	-.073	.036	.102	-.229
220	2214	.007	.148	.597	-.604	220	2265	-.149	.060	.106	-.489	230	2152	-.047	.045	.244	-.220
220	2215	-.123	.128	.442	-1.117	230	2101	-.147	.063	.077	-.547	230	2153	-.014	.053	.282	-.240
220	2216	-.168	.049	.020	-.402	230	2102	-.129	.046	.026	-.423	230	2154	-.006	.052	.210	-.218
220	2217	-.187	.066	.152	-.588	230	2103	-.116	.031	.006	-.288	230	2155	-.080	.070	.138	-.411
220	2218	-.174	.069	.149	-.604	230	2104	-.059	.051	.177	-.268	230	2156	-.056	.039	.095	-.265
220	2219	-.182	.064	.174	-.543	230	2105	-.140	.042	.014	-.372	230	2157	-.041	.035	.097	-.180
220	2220	-.183	.038	-.057	-.364	230	2106	-.122	.036	-.008	-.307	230	2158	-.009	.052	.380	-.153
220	2221	-.160	.044	.054	-.473	230	2107	-.118	.028	-.025	-.314	230	2159	.028	.049	.302	-.123
220	2222	-.186	.061	.077	-.536	230	2108	-.089	.062	.192	-.334	230	2160	.025	.057	.389	-.139
220	2223	-.196	.096	.299	-.650	230	2109	-.145	.054	-.008	-.423	230	2161	-.067	.065	.214	-.454
220	2224	-.151	.029	-.021	-.261	230	2110	-.123	.035	-.012	-.399	230	2162	-.044	.075	.632	-.213
220	2225	-.099	.047	.127	-.269	230	2111	-.119	.026	.006	-.216	230	2163	-.011	.066	.268	-.314
220	2226	.018	.074	.362	-.310	230	2112	-.056	.066	.217	-.285	230	2164	-.114	.035	.000	-.265
220	2227	-.140	.116	.151	-.725	230	2113	-.127	.041	.014	-.461	230	2165	-.271	.116	.086	-.904
220	2228	-.147	.034	-.053	-.430	230	2114	-.126	.043	-.008	-.507	230	2166	-.010	.067	.267	-.333
220	2229	-.143	.038	-.017	-.314	230	2115	-.108	.027	-.005	-.228	230	2167	-.112	.037	.054	-.339
220	2230	-.201	.090	.264	-.653	230	2116	-.037	.070	.361	-.174	230	2168	-.150	.051	.003	-.447
220	2231	-.150	.041	-.058	-.554	230	2117	-.147	.054	.017	-.414	230	2170	-.105	.034	-.002	-.348
220	2233	-.153	.093	.290	-.555	230	2118	-.131	.043	.006	-.383	230	2171	-.112	.035	-.000	-.386
220	2234	-.131	.030	-.005	-.230	230	2119	-.106	.033	.026	-.228	230	2172	-.124	.043	-.006	-.530
220	2235	-.092	.046	.132	-.233	230	2120	-.025	.039	.168	-.150	230	2173	-.177	.073	-.040	-.753
220	2236	.002	.045	.521	-.192	230	2121	-.243	.075	-.023	-.692	230	2174	-.315	.123	-.020	-.960
220	2237	-.100	.072	.094	-.595	230	2122	-.141	.039	-.021	-.325	230	2175	-.298	.183	.270	-1.293
220	2238	-.341	.208	.103	-1.435	230	2123	-.102	.034	.043	-.263	230	2177	-.015	.101	.729	-.256
220	2239	-.300	.071	.036	-.691	230	2124	-.213	.099	.103	-.792	230	2178	-.109	.031	.032	-.278
220	2240	-.239	.056	.007	-.566	230	2125	-.158	.057	.063	-.450	230	2179	-.113	.037	.000	-.346
220	2241	-.217	.057	-.029	-.540	230	2126	-.095	.134	.643	-.445	230	2180	-.115	.035	.003	-.332
220	2242	-.190	.050	-.007	-.446	230	2127	-.084	.100	.339	-.652	230	2181	-.147	.045	-.027	-.434
220	2243	-.163	.046	-.012	-.458	230	2128	-.079	.036	.081	-.199	230	2182	-.302	.111	-.024	-1.012
220	2244	-.080	.095	.230	-.691	230	2129	-.131	.039	-.010	-.323	230	2183	-.257	.165	.268	-.933
220	2245	-.009	.083	.394	-.317	230	2130	-.105	.095	.621	-.319	230	2184	.030	.062	.304	-.262
220	2246	-.133	.054	.199	-.358	230	2131	-.035	.084	.399	-.361	230	2185	.007	.059	.278	-.161
220	2247	-.202	.041	-.038	-.348	230	2132	-.053	.035	.179	-.161	230	2187	.037	.067	.557	-.142
220	2248	-.255	.059	-.084	-.504	230	2133	-.117	.030	-.014	-.239	230	2188	-.110	.038	-.003	-.383
220	2249	-.158	.043	.050	-.329	230	2134	-.105	.075	.439	-.114	230	2189	-.099	.033	.021	-.258
220	2250	-.129	.051	.185	-.398	230	2136	-.043	.035	.139	-.143	230	2190	-.101	.033	.025	-.282
220	2251	-.164	.049	-.002	-.420	230	2137	-.112	.035	.012	-.254	230	2191	-.130	.040	.014	-.445
220	2252	-.100	.110	.295	-.358	230	2138	-.116	.077	.565	-.485	230	2192	-.270	.103	-.016	-.928
220	2253	-.042	.088	.490	-.258	230	2140	-.016	.047	.188	-.185	230	2193	-.127	.119	.293	-.782
220	2254	-.075	.047	.134	-.247	230	2141	-.124	.036	.046	-.276	230	2194	-.021	.089	.440	-.688
220	2255	-.118	.039	.058	-.266	230	2142	.093	.065	.341	-.163	230	2195	-.097	.037	.001	-.302
220	2256	-.148	.056	.010	-.600	230	2143	.082	.068	.524	-.224	230	2196	-.096	.035	.012	-.289
220	2257	-.093	.051	.180	-.326	230	2144	.002	.042	.201	-.117	230	2197	-.097	.033	.012	-.225
220	2258	-.153	.062	.062	-.432	230	2145	-.086	.044	.151	-.274	230	2198	-.110	.033	.041	-.251

WD	TAP	CPMEAN	CPRMS	CPMAX	CPMIN	WD	TAP	CPMEAN	CPRMS	CPMAX	CPMIN	WD	TAP	CPMEAN	CPRMS	CPMAX	CPMIN
230	2199	-.175	.067	.087	-.565	230	2250	-.138	.047	.107	-.457	240	2136	-.062	.033	.139	-.183
230	2200	-.085	.070	.227	-.317	230	2251	-.156	.045	.002	-.457	240	2137	-.127	.035	.000	-.267
230	2201	-.057	.040	.129	-.218	230	2252	-.053	.124	.309	-.691	240	2138	.119	.068	.406	-.138
230	2202	-.185	.059	-.008	-.489	230	2253	.105	.103	.550	-.241	240	2140	-.024	.045	.211	-.171
230	2203	-.174	.066	-.012	-.765	230	2254	-.038	.055	.248	-.225	240	2141	-.139	.037	.000	-.300
230	2204	-.176	.062	-.019	-.592	230	2255	-.110	.042	.090	-.281	240	2142	.079	.059	.310	-.115
230	2205	-.176	.072	-.001	-.655	230	2256	-.165	.070	.067	-.891	240	2143	.084	.063	.366	-.202
230	2206	-.180	.058	-.023	-.576	230	2257	-.104	.041	.135	-.313	240	2144	-.012	.045	.259	-.130
230	2207	-.199	.058	-.065	-.627	230	2258	-.160	.052	.009	-.432	240	2145	-.105	.041	.041	-.290
230	2208	-.227	.061	-.034	-.612	230	2259	-.158	.089	.253	-.657	240	2146	-.109	.052	.069	-.430
230	2209	-.335	.102	-.012	-.937	230	2260	.083	.079	.448	-.172	240	2147	-.128	.073	.095	-.606
230	2210	-.434	.189	-.146	-1.354	230	2261	.015	.064	.443	-.153	240	2148	-.148	.082	.147	-.522
230	2211	-.186	.042	-.052	-.388	230	2262	-.084	.043	.118	-.262	240	2149	-.164	.122	.169	-.147
230	2212	-.198	.045	-.069	-.425	230	2263	-.146	.046	.035	-.385	240	2150	-.107	.039	.010	-.323
230	2213	-.150	.057	.131	-.370	230	2264	-.110	.034	.016	-.237	240	2151	-.096	.037	.098	-.249
230	2214	.002	.121	.631	-.517	230	2265	-.146	.046	.042	-.418	240	2152	-.074	.046	.190	-.290
230	2215	-.147	.118	.273	-.818	240	2101	-.135	.057	.052	-.426	240	2153	-.033	.055	.254	-.366
230	2216	-.156	.060	.034	-.449	240	2102	-.128	.044	.045	-.344	240	2154	-.033	.055	.278	-.254
230	2217	-.165	.078	.260	-.623	240	2103	-.115	.033	-.007	-.293	240	2155	-.105	.083	.171	-.494
230	2218	-.167	.075	.159	-.640	240	2104	-.076	.052	-.122	-.326	240	2156	-.083	.033	.048	-.235
230	2219	-.181	.062	-.212	-.506	240	2105	-.142	.046	-.011	-.450	240	2157	-.076	.033	.076	-.204
230	2220	-.165	.033	-.047	-.317	240	2106	-.125	.037	-.014	-.328	240	2158	.050	.047	.254	-.185
230	2221	-.152	.055	.181	-.445	240	2107	-.125	.032	.007	-.293	240	2159	.007	.050	.273	-.221
230	2222	-.179	.059	.087	-.548	240	2108	-.102	.056	.183	-.344	240	2160	-.024	.070	.414	-.164
230	2223	-.194	.065	.148	-.449	240	2109	-.141	.049	-.011	-.469	240	2161	-.074	.091	.349	-.423
230	2224	-.148	.026	-.043	-.256	240	2110	-.126	.033	-.014	-.302	240	2162	-.013	.070	.342	-.304
230	2225	-.114	.041	-.058	-.288	240	2111	-.125	.027	-.021	-.269	240	2163	-.044	.073	.290	-.465
230	2226	-.015	.064	.341	-.202	240	2112	-.069	.065	-.169	-.251	240	2164	-.153	.037	.014	-.356
230	2227	-.154	.100	.095	-.740	240	2113	-.143	.051	-.007	-.494	240	2165	-.364	.136	.036	-.1259
230	2228	-.129	.032	.023	-.332	240	2114	-.134	.047	-.012	-.424	240	2166	-.028	.075	.255	-.472
230	2229	-.138	.037	.005	-.306	240	2115	-.116	.030	-.002	-.262	240	2167	-.155	.037	-.033	-.290
230	2230	-.185	.059	.160	-.508	240	2116	-.035	.074	.422	-.286	240	2168	-.204	.058	-.031	-.534
230	2231	-.134	.047	-.019	-.513	240	2117	-.144	.053	.021	-.457	240	2170	-.151	.036	-.040	-.363
230	2233	-.158	.072	.264	-.429	240	2118	-.137	.046	.024	-.441	240	2171	-.157	.037	-.033	-.340
230	2234	-.125	.026	.016	-.225	240	2119	-.117	.038	.033	-.309	240	2172	-.170	.045	-.012	-.435
230	2235	-.109	.038	.086	-.232	240	2120	-.028	.040	.132	-.162	240	2173	-.227	.069	-.057	-.644
230	2236	-.022	.059	.246	-.369	240	2121	-.249	.078	-.007	-.673	240	2174	-.389	.130	-.085	-.1413
230	2237	-.084	.061	.093	-.522	240	2122	-.143	.037	.040	-.340	240	2175	-.385	.197	.307	-.1449
230	2238	-.074	.250	.074	-1.798	240	2123	-.110	.034	.049	-.227	240	2177	-.010	.121	.587	-.387
230	2239	-.322	.079	-.060	-.747	240	2124	-.226	.106	.122	-.806	240	2178	-.155	.033	-.066	-.344
230	2240	-.244	.061	-.026	-.536	240	2125	-.162	.060	.031	-.506	240	2179	-.159	.037	-.040	-.487
230	2241	-.225	.065	-.021	-.613	240	2126	-.074	.131	.704	-.283	240	2180	-.161	.037	-.033	-.411
230	2242	-.210	.060	-.025	-.499	240	2127	-.098	.087	.277	-.584	240	2181	-.203	.048	-.083	-.461
230	2243	-.157	.044	-.026	-.508	240	2128	-.091	.033	.042	-.215	240	2182	-.388	.126	-.121	-.271
230	2244	-.071	.104	.246	-.566	240	2129	-.140	.042	.007	-.361	240	2183	-.354	.191	.463	-.1378
230	2245	-.018	.085	.387	-.306	240	2130	-.099	.102	.540	-.234	240	2184	.004	.064	.315	-.263
230	2246	-.119	.060	.376	-.327	240	2131	-.047	.080	.289	-.373	240	2185	-.024	.057	.290	-.200
230	2247	-.203	.046	-.016	-.406	240	2132	-.073	.031	.045	-.166	240	2187	-.006	.064	.378	-.195
230	2248	-.268	.062	-.077	-.664	240	2133	-.126	.035	-.002	-.295	240	2188	-.150	.036	-.044	-.381
230	2249	-.173	.044	-.021	-.427	240	2134	.105	.080	.523	-.309	240	2189	-.146	.033	-.028	-.337

WD	TAP	CPMEAN	CPRMS	CPMAX	CPMIN	WD	TAP	CPMEAN	CPRMS	CPMAX	CPMIN	WD	TAP	CPMEAN	CPRMS	CPMAX	CPMIN
240	2190	-.151	.032	-.056	-.318	240	2241	-.233	.064	-.002	-.655	250	2126	-.003	.111	.580	-.473
240	2191	-.184	.041	-.058	-.486	240	2242	-.211	.054	-.034	-.579	250	2127	-.117	.066	.149	-.588
240	2192	-.354	.124	-.063	-1.066	240	2243	-.169	.047	-.010	-.417	250	2128	-.099	.032	.024	-.224
240	2193	-.204	.137	.157	-1.074	240	2244	-.095	.111	.249	-.739	250	2129	-.129	.044	.033	-.324
240	2194	-.052	.095	.478	-.532	240	2245	-.010	.085	.339	-.314	250	2130	.022	.085	.483	-.255
240	2195	-.138	.038	-.035	-.506	240	2246	-.126	.041	.219	-.383	250	2131	-.076	.078	.218	-.359
240	2196	-.147	.044	-.035	-.430	240	2247	-.217	.042	-.073	-.407	250	2132	-.076	.031	.044	-.204
240	2197	-.144	.036	-.005	-.346	240	2248	-.280	.057	-.071	-.545	250	2133	-.114	.033	.010	-.259
240	2198	-.159	.034	-.007	-.286	240	2249	-.192	.042	-.036	-.395	250	2134	-.071	.077	.557	-.204
240	2199	-.250	.066	-.047	-.571	240	2250	-.155	.041	-.000	-.420	250	2136	-.075	.033	.086	-.217
240	2200	-.141	.065	.241	-.330	240	2251	-.162	.041	-.029	-.447	250	2137	-.121	.034	-.007	-.250
240	2201	-.093	.033	.041	-.214	240	2252	-.095	.135	.342	-.675	250	2138	-.105	.077	.457	-.204
240	2202	-.217	.074	.018	-.537	240	2253	-.118	.104	.563	-.243	250	2140	-.033	.046	.179	-.187
240	2203	-.208	.077	-.024	-.657	240	2254	-.035	.053	.209	-.275	250	2141	-.125	.036	.005	-.287
240	2204	-.211	.075	.018	-.806	240	2255	-.127	.042	.047	-.373	250	2142	.063	.067	.353	-.236
240	2205	-.204	.073	-.035	-.674	240	2256	-.197	.077	.027	-.776	250	2143	.052	.071	.312	-.195
240	2206	-.199	.054	-.010	-.527	240	2257	-.125	.035	.010	-.302	250	2144	-.019	.047	.190	-.188
240	2207	-.183	.043	-.056	-.474	240	2258	-.159	.044	-.009	-.456	250	2145	-.094	.048	.160	-.343
240	2208	-.219	.057	-.047	-.595	240	2259	-.178	.090	.185	-.754	250	2146	-.106	.045	.016	-.428
240	2209	-.327	.100	-.054	-.852	240	2260	-.097	.084	.563	-.157	250	2147	-.140	.064	.026	-.550
240	2210	-.496	.204	-.081	-1.760	240	2261	-.012	.059	.295	-.184	250	2148	-.168	.076	.068	-.512
240	2211	-.180	.037	-.010	-.351	240	2262	-.100	.042	.067	-.270	250	2149	-.206	.142	.113	-.947
240	2212	-.202	.041	-.049	-.453	240	2263	-.180	.050	-.027	-.405	250	2150	-.092	.032	.049	-.235
240	2213	-.177	.048	-.009	-.374	240	2264	-.122	.031	-.013	-.233	250	2151	-.093	.033	.066	-.242
240	2214	-.029	.111	.548	-.418	240	2265	-.150	.044	-.024	-.442	250	2152	-.092	.043	.099	-.249
240	2215	-.209	.126	.332	-.794	250	2101	-.118	.051	.065	-.384	250	2153	-.060	.048	.164	-.280
240	2216	-.170	.069	.123	-.465	250	2102	-.113	.049	.109	-.343	250	2154	-.039	.060	.254	-.270
240	2217	-.177	.104	.311	-.646	250	2103	-.107	.038	.005	-.340	250	2155	-.065	.073	.195	-.521
240	2218	-.194	.084	.232	-.597	250	2104	-.083	.051	.165	-.282	250	2156	-.086	.028	.040	-.179
240	2219	-.199	.069	.120	-.773	250	2105	-.133	.056	.026	-.473	250	2157	-.088	.029	.031	-.207
240	2220	-.166	.030	-.058	-.309	250	2106	-.110	.036	.024	-.340	250	2158	-.075	.043	.171	-.209
240	2221	-.162	.067	.165	-.502	250	2107	-.108	.035	.007	-.598	250	2159	-.016	.050	.204	-.207
240	2222	-.198	.063	.165	-.518	250	2108	-.102	.050	.128	-.350	250	2160	-.026	.070	.341	-.237
240	2223	-.190	.051	-.132	-.386	250	2109	-.128	.047	-.003	-.484	250	2161	-.032	.095	.390	-.285
240	2224	-.172	.025	-.075	-.270	250	2110	-.119	.036	-.002	-.343	250	2162	-.014	.065	.392	-.263
240	2225	-.145	.036	-.022	-.312	250	2111	-.116	.034	.017	-.271	250	2163	-.075	.062	.235	-.331
240	2226	-.002	.069	.381	-.216	250	2112	-.076	.058	.186	-.241	250	2164	-.150	.040	-.019	-.345
240	2227	-.209	.099	-.069	-.778	250	2113	-.135	.056	.035	-.442	250	2165	-.320	.112	-.014	-1.041
240	2228	-.139	.040	-.007	-.351	250	2114	-.126	.050	.026	-.493	250	2166	-.063	.066	.207	-.566
240	2229	-.154	.044	.032	-.356	250	2115	-.113	.043	.042	-.368	250	2167	-.153	.042	.143	-.378
240	2230	-.204	.054	-.074	-.501	250	2116	-.004	.079	.309	-.231	250	2168	-.194	.057	-.042	-.575
240	2231	-.135	.045	-.034	-.589	250	2117	-.164	.069	.028	-.456	250	2170	-.145	.037	-.014	-.312
240	2233	-.175	.057	.106	-.454	250	2118	-.122	.053	.054	-.456	250	2171	-.149	.036	-.002	-.312
240	2234	-.158	.025	-.076	-.277	250	2119	-.106	.052	.137	-.343	250	2172	-.153	.038	-.005	-.324
240	2235	-.150	.033	.008	-.277	250	2120	-.031	.046	.179	-.169	250	2173	-.207	.057	.007	-.789
240	2236	-.048	.063	.298	-.270	250	2121	-.201	.085	.119	-.565	250	2174	-.351	.119	-.049	-.940
240	2237	-.124	.074	.273	-.616	250	2122	-.110	.065	.260	-.375	250	2175	-.280	.184	.451	-1.102
240	2238	-.726	.246	-.035	-1.665	250	2123	-.096	.050	.114	-.575	250	2177	-.073	.088	.458	-.322
240	2239	-.336	.079	-.059	-.788	250	2124	-.178	.090	.123	-.490	250	2178	-.151	.037	-.047	-.373
240	2240	-.248	.061	-.029	-.655	250	2125	-.145	.068	.091	-.575	250	2179	-.151	.038	-.024	-.369

WD	TAP	CPMEAN	CPRMS	CPMAX	CPMIN	WD	TAP	CPMEAN	CPRMS	CPMAX	CPMIN	WD	TAP	CPMEAN	CPRMS	CPMAX	CPMIN
250	2180	-.150	.035	-.024	-.338	250	2231	-.123	.040	.024	-.552	260	2117	-.129	.063	.075	-.542
250	2181	-.181	.047	-.014	-.397	250	2233	-.160	.053	.235	-.360	260	2118	-.109	.050	.091	-.372
250	2182	-.363	.117	-.049	-.951	250	2234	-.146	.027	-.044	-.270	260	2119	-.151	.085	.089	-.591
250	2183	-.283	.207	.460	-1.205	250	2235	-.144	.029	-.035	-.258	260	2120	-.033	.038	.154	-.216
250	2184	-.010	.057	.253	-.219	250	2236	-.023	.068	.339	-.253	260	2121	-.107	.082	.124	-.633
250	2185	-.050	.049	.210	-.197	250	2237	-.139	.083	.152	-.532	260	2122	-.058	.084	.243	-.290
250	2187	-.021	.051	.191	-.224	250	2238	-.460	.229	-.025	-2.043	260	2123	-.017	.090	.094	-.633
250	2188	-.139	.034	-.024	-.288	250	2239	-.252	.073	.072	-.676	260	2124	-.017	.083	.189	-.472
250	2189	-.134	.032	-.038	-.295	250	2240	-.202	.050	.016	-.477	260	2125	-.011	.072	.061	-.442
250	2190	-.136	.031	-.011	-.277	250	2241	-.191	.050	-.006	-.382	260	2126	-.007	.068	.201	-.414
250	2191	-.172	.042	-.024	-.378	250	2242	-.178	.051	.043	-.523	260	2127	-.136	.067	.098	-.674
250	2192	-.329	.113	-.075	-1.335	250	2243	-.141	.040	.016	-.401	260	2128	-.102	.037	.035	-.335
250	2193	-.186	.113	.308	-.914	250	2244	-.082	.101	.240	-.664	260	2129	-.126	.049	.019	-.439
250	2194	-.070	.072	.373	-.349	250	2245	-.051	.079	.259	-.426	260	2130	-.008	.065	.333	-.353
250	2195	-.132	.036	-.008	-.323	250	2246	-.128	.055	.257	-.302	260	2131	-.129	.063	.070	-.390
250	2196	-.130	.035	-.001	-.325	250	2247	-.186	.038	-.002	-.353	260	2132	-.091	.029	.010	-.253
250	2197	-.132	.034	-.003	-.284	250	2248	-.222	.050	-.059	-.440	260	2133	-.111	.036	.008	-.344
250	2198	-.155	.036	-.029	-.357	250	2249	-.164	.038	-.025	-.372	260	2134	-.045	.072	.361	-.244
250	2199	-.234	.066	-.059	-.626	250	2250	-.129	.037	.024	-.363	260	2136	-.080	.029	.017	-.186
250	2200	-.144	.057	.205	-.293	250	2251	-.132	.034	.065	-.263	260	2137	-.109	.033	-.006	-.244
250	2201	-.097	.030	.015	-.219	250	2252	-.077	.117	.327	-.644	260	2138	-.082	.078	.427	-.190
250	2202	-.182	.063	-.077	-.580	250	2253	-.049	.105	.458	-.435	260	2140	-.049	.042	.136	-.200
250	2203	-.211	.077	-.027	-.708	250	2254	-.059	.062	.198	-.363	260	2141	-.118	.036	-.004	-.311
250	2204	-.199	.067	-.020	-.651	250	2255	-.119	.039	.053	-.282	260	2142	-.033	.069	.345	-.181
250	2205	-.191	.071	-.051	-.766	250	2256	-.168	.062	.058	-.576	260	2143	-.027	.092	.306	-.541
250	2206	-.182	.056	-.015	-.536	250	2257	-.110	.030	.028	-.316	260	2144	-.046	.040	.181	-.253
250	2207	-.168	.055	-.013	-.685	250	2258	-.125	.033	-.008	-.333	260	2145	-.097	.042	.042	-.298
250	2208	-.192	.054	-.036	-.901	250	2259	-.109	.094	.164	-.671	260	2146	-.112	.034	.030	-.331
250	2209	-.209	.073	-.018	-.651	250	2260	-.071	.086	.478	-.593	260	2147	-.143	.052	.030	-.534
250	2210	-.362	.191	-.006	-1.491	250	2261	-.007	.058	.223	-.190	260	2148	-.169	.069	.077	-.614
250	2211	-.154	.038	-.040	-.412	250	2262	-.092	.039	.075	-.210	260	2149	-.183	.112	.120	-.822
250	2212	-.178	.041	-.015	-.458	250	2263	-.157	.044	.024	-.372	260	2150	-.103	.031	.040	-.256
250	2213	-.166	.042	.008	-.359	250	2264	-.107	.026	.075	-.222	260	2151	-.105	.032	.040	-.239
250	2214	-.040	.094	.396	-.428	250	2265	-.115	.031	-.006	-.324	260	2152	-.113	.039	.285	-.315
250	2215	-.202	.110	.210	-.727	260	2101	-.120	.063	.138	-.470	260	2153	-.084	.043	.153	-.256
250	2216	-.153	.059	.104	-.534	260	2102	-.113	.060	.066	-.484	260	2154	-.058	.057	.238	-.263
250	2217	-.133	.098	.398	-.486	260	2103	-.101	.041	.022	-.290	260	2155	-.075	.065	.240	-.378
250	2218	-.160	.085	.230	-.589	260	2104	-.079	.049	.117	-.363	260	2156	-.096	.029	.011	-.197
250	2219	-.173	.065	.070	-.465	260	2105	-.139	.064	.024	-.553	260	2157	-.101	.028	.009	-.206
250	2220	-.146	.030	.077	-.300	260	2106	-.107	.041	.040	-.351	260	2158	-.094	.038	.129	-.215
250	2221	-.149	.061	.116	-.433	260	2107	-.111	.047	.033	-.458	260	2159	-.050	.043	.309	-.171
250	2222	-.162	.066	.093	-.499	260	2108	-.099	.048	.091	-.332	260	2160	-.010	.067	.283	-.400
250	2223	-.168	.050	.187	-.385	260	2109	-.132	.055	.015	-.493	260	2161	-.044	.074	.320	-.409
250	2224	-.153	.029	.008	-.284	260	2110	-.114	.036	-.002	-.300	260	2162	-.036	.057	.257	-.206
250	2225	-.142	.037	.019	-.316	260	2111	-.113	.041	.008	-.351	260	2163	-.093	.054	.148	-.345
250	2226	-.007	.075	.346	-.229	260	2112	-.095	.054	.278	-.286	260	2164	-.147	.041	.018	-.341
250	2227	-.188	.096	.167	-.637	260	2113	-.125	.046	.061	-.339	260	2165	-.058	.090	.063	-.570
250	2228	-.131	.038	-.001	-.418	260	2114	-.122	.044	.052	-.386	260	2166	-.071	.063	.261	-.376
250	2229	-.142	.047	.135	-.314	260	2115	-.135	.054	.001	-.444	260	2167	-.054	.073	.021	-.437
250	2230	-.165	.060	.138	-.392	260	2116	-.021	.065	.208	-.221	260	2168	-.048	.069	.231	-.461

WD	TAP	CPMEAN	CPRMS	CPMAX	CPMIN	WD	TAP	CPMEAN	CPRMS	CPMAX	CPMIN	WD	TAP	CPMEAN	CPRMS	CPMAX	CPMIN
260	2170	-.139	.036	.002	-.369	260	2222	-.139	.046	.106	-.353	270	2108	-.114	.054	.078	-.387
260	2171	-.140	.036	.006	-.279	260	2223	-.153	.041	.109	-.327	270	2109	-.204	.086	.031	-.692
260	2172	-.146	.036	.011	-.319	260	2224	-.143	.025	-.004	-.261	270	2110	-.174	.047	-.033	-.451
260	2173	-.187	.051	-.029	-.815	260	2225	-.138	.031	.001	-.275	270	2111	-.204	.066	-.045	-.576
260	2174	-.310	.094	-.005	-.716	260	2226	-.028	.067	.491	-.211	270	2112	-.099	.064	.181	-.468
260	2175	-.231	.173	.476	-1.190	260	2227	-.179	.083	.106	-.689	270	2113	-.153	.078	.053	-.485
260	2177	-.099	.066	.533	-.350	260	2228	-.112	.027	.038	-.367	270	2114	-.165	.053	.043	-.424
260	2178	-.134	.030	-.041	-.303	260	2229	-.136	.032	-.004	-.257	270	2115	-.245	.083	-.006	-.677
260	2179	-.136	.033	-.029	-.253	260	2230	-.153	.043	-.040	-.306	270	2116	-.061	.064	.211	-.321
260	2180	-.141	.031	-.012	-.277	260	2231	-.106	.027	-.016	-.228	270	2117	-.115	.074	.110	-.630
260	2181	-.169	.041	.014	-.357	260	2233	-.146	.039	.077	-.314	270	2118	-.129	.067	.100	-.397
260	2182	-.325	.105	-.057	-.881	260	2234	-.133	.024	-.040	-.262	270	2119	-.249	.115	.090	-.985
260	2183	-.251	.182	.431	-1.438	260	2235	-.137	.025	-.036	-.226	270	2120	-.049	.043	.174	-.210
260	2184	-.027	.056	.219	-.212	260	2236	-.045	.054	-.245	-.209	270	2121	-.092	.067	.149	-.478
260	2185	-.060	.040	.173	-.177	260	2237	-.138	.069	.077	-.557	270	2122	-.114	.073	.171	-.431
260	2187	-.041	.046	.213	-.168	260	2238	-.290	.167	.006	-1.033	270	2123	-.105	.122	.341	-.781
260	2188	-.130	.028	-.046	-.270	260	2239	-.180	.068	-.006	-.550	270	2124	-.177	.078	.068	-.569
260	2189	-.129	.029	-.027	-.374	260	2240	-.155	.040	-.018	-.440	270	2125	-.147	.070	.066	-.525
260	2190	-.136	.030	-.027	-.270	260	2241	-.155	.042	.006	-.409	270	2126	-.000	.092	.353	-.488
260	2191	-.164	.039	-.004	-.346	260	2242	-.145	.040	.113	-.409	270	2127	-.255	.153	.046	-1.260
260	2192	-.274	.090	-.046	-.780	260	2243	-.121	.034	.006	-.394	270	2128	-.171	.077	.014	-.542
260	2193	-.060	.088	.139	-.553	260	2244	-.062	.069	.184	-.389	270	2129	-.163	.071	.024	-.699
260	2194	-.084	.062	.300	-.325	260	2245	-.084	.087	.208	-.521	270	2130	-.071	.072	.287	-.338
260	2195	-.133	.032	-.037	-.339	260	2246	-.114	.045	.094	-.284	270	2131	-.214	.095	.016	-.672
260	2196	-.126	.028	-.027	-.297	260	2247	-.025	.096	.099	-.638	270	2132	-.129	.044	-.024	-.362
260	2197	-.129	.032	-.025	-.314	260	2248	-.025	.087	.201	-.445	270	2133	-.150	.057	-.003	-.869
260	2198	-.150	.033	-.034	-.341	260	2249	-.019	.075	.064	-.501	270	2134	-.066	.107	.430	-.621
260	2199	-.207	.061	-.032	-.542	260	2250	-.014	.070	.172	-.343	270	2136	-.114	.035	.031	-.308
260	2200	-.143	.045	.127	-.295	260	2251	-.112	.028	.008	-.284	270	2137	-.131	.038	.009	-.271
260	2201	-.107	.028	.012	-.203	260	2252	-.036	.077	.250	-.362	270	2138	-.018	.122	.434	-.596
260	2202	-.150	.043	.019	-.501	260	2253	-.055	.116	.455	-.460	270	2140	-.100	.047	-.093	-.394
260	2203	-.165	.046	.016	-.424	260	2254	-.077	.048	.133	-.260	270	2141	-.129	.046	-.003	-.407
260	2204	-.159	.045	.028	-.452	260	2255	-.116	.033	.018	-.270	270	2142	-.020	.086	.383	-.303
260	2205	-.160	.049	.037	-.447	260	2256	-.147	.047	-.001	-.423	270	2143	-.126	.086	.214	-.572
260	2206	-.059	.087	.093	-.558	260	2257	-.101	.026	-.004	-.238	270	2144	-.095	.048	.067	-.379
260	2207	-.058	.083	.113	-.510	260	2258	-.100	.022	-.016	-.177	270	2145	-.090	.044	-.070	-.277
260	2208	-.054	.072	.012	-.413	260	2259	-.049	.071	.301	-.633	270	2146	-.174	.038	-.023	-.547
260	2209	-.048	.066	.127	-.408	260	2260	-.035	.099	.299	-.426	270	2147	-.206	.047	-.040	-.509
260	2210	-.221	.115	-.009	-1.204	260	2261	-.039	.053	.191	-.199	270	2148	-.234	.072	-.000	-.691
260	2211	-.147	.037	.060	-.420	260	2262	-.100	.034	.023	-.221	270	2149	-.235	.116	.052	-.948
260	2212	-.162	.039	-.007	-.401	260	2263	-.131	.035	-.033	-.316	270	2150	-.166	.032	-.040	-.337
260	2213	-.151	.032	-.034	-.360	260	2264	-.099	.023	-.009	-.184	270	2151	-.170	.033	-.058	-.350
260	2214	-.062	.076	.289	-.339	260	2265	-.099	.022	-.001	-.201	270	2152	-.191	.043	.097	-.377
260	2215	-.173	.078	.111	-.687	270	2101	-.200	.045	.016	-.544	270	2153	-.163	.051	.065	-.347
260	2216	-.130	.047	.097	-.390	270	2102	-.204	.083	.068	-.621	270	2154	-.123	.069	.149	-.404
260	2217	-.133	.064	.176	-.385	270	2103	-.193	.087	.171	-.699	270	2155	-.121	.084	.222	-.517
260	2218	-.135	.054	.194	-.431	270	2104	-.148	.062	.075	-.397	270	2156	-.156	.032	-.048	-.285
260	2219	-.140	.049	.217	-.413	270	2105	-.206	.074	.029	-.586	270	2157	-.153	.032	-.018	-.270
260	2220	-.135	.031	.222	-.281	270	2106	-.169	.062	.102	-.483	270	2158	-.138	.055	.204	-.287
260	2221	-.125	.047	.093	-.401	270	2107	-.193	.092	.243	-.938	270	2159	-.091	.062	.249	-.267

WD	TAP	CPMEAN	CPRMS	CPMAX	CPMIN	WD	TAP	CPMEAN	CPRMS	CPMAX	CPMIN	WD	TAP	CPMEAN	CPRMS	CPMAX	CPMIN
270	2160	-.075	.068	.287	-.342	270	2213	-.213	.047	-.009	-.549	270	2244	-.128	.033	-.017	-.262
270	2161	-.098	.078	.354	-.534	270	2214	-.144	.074	-.205	-.415	270	2245	-.118	.025	-.002	-.198
270	2162	-.079	.067	.259	-.322	270	2215	-.196	.072	.127	-.537	280	2101	-.189	.068	-.019	-.599
270	2163	-.155	.059	.144	-.404	270	2216	-.165	.066	.069	-.532	280	2102	-.200	.099	.114	-.750
270	2164	-.186	.046	-.010	-.399	270	2217	-.146	.090	.456	-.581	280	2103	-.180	.086	.204	-.579
270	2165	-.376	.121	.075	-.951	270	2218	-.160	.084	.563	-.447	280	2104	-.133	.049	.087	-.599
270	2166	-.119	.067	.347	-.420	270	2219	-.171	.088	.483	-.471	280	2105	-.161	.063	.050	-.462
270	2167	-.198	.053	-.005	-.651	270	2220	-.162	.075	.298	-.440	280	2106	-.161	.061	.116	-.428
270	2168	-.244	.058	-.008	-.517	270	2221	-.162	.058	.135	-.457	280	2107	-.198	.085	.109	-.594
270	2170	-.184	.044	-.038	-.462	270	2222	-.164	.070	.451	-.559	280	2108	-.112	.040	.062	-.325
270	2171	-.183	.039	-.033	-.377	270	2223	-.212	.091	.020	-.900	280	2109	-.143	.049	.055	-.352
270	2172	-.192	.044	-.023	-.399	270	2224	-.184	.052	.123	-.440	280	2110	-.175	.047	-.030	-.374
270	2173	-.245	.062	-.038	-.796	270	2225	-.185	.047	.070	-.360	280	2111	-.211	.074	.101	-.565
270	2174	-.417	.121	-.113	-.971	270	2226	-.107	.062	.168	-.337	280	2112	-.104	.038	.043	-.252
270	2175	-.250	.180	.267	-1.225	270	2227	-.206	.076	.001	-.600	280	2113	-.122	.048	.019	-.491
270	2177	-.147	.057	.217	-.362	270	2228	-.152	.043	.047	-.412	280	2114	-.161	.051	.036	-.399
270	2178	-.174	.028	-.080	-.315	270	2229	-.154	.040	.078	-.332	280	2115	-.194	.083	.092	-.704
270	2179	-.178	.033	-.040	-.327	270	2230	-.173	.055	.214	-.427	280	2116	-.095	.041	.082	-.279
270	2180	-.183	.037	-.050	-.327	270	2231	-.151	.034	-.043	-.291	280	2117	-.106	.044	.050	-.406
270	2181	-.212	.050	-.000	-.482	270	2233	-.156	.048	.060	-.538	280	2118	-.132	.053	.048	-.364
270	2182	-.381	.121	-.098	-.891	270	2234	-.174	.040	.006	-.365	280	2119	-.150	.088	.119	-.596
270	2183	-.282	.170	.184	-1.001	270	2235	-.174	.035	-.025	-.301	280	2120	-.072	.039	.079	-.223
270	2184	-.061	.066	.215	-.274	270	2236	-.115	.050	.142	-.267	280	2121	-.111	.057	.116	-.399
270	2185	-.108	.039	.045	-.252	270	2237	-.192	.064	-.035	-.571	280	2122	-.151	.068	.131	-.640
270	2187	-.086	.054	.271	-.277	270	2238	-.236	.092	-.035	-1.009	280	2123	-.039	.079	.289	-.560
270	2188	-.168	.024	-.067	-.279	270	2239	-.190	.066	-.020	-.819	280	2124	-.175	.072	.077	-.604
270	2189	-.172	.028	-.075	-.316	270	2240	-.174	.044	-.025	-.455	280	2125	-.161	.066	.023	-.469
270	2190	-.184	.032	-.072	-.369	270	2241	-.179	.048	-.001	-.391	280	2126	-.067	.107	.565	-.316
270	2191	-.214	.043	-.055	-.394	270	2242	-.169	.043	-.002	-.406	280	2127	-.238	.110	.053	-.991
270	2192	-.288	.080	-.050	-.642	270	2243	-.153	.037	-.028	-.404	280	2128	-.211	.084	-.021	-.608
270	2193	-.250	.087	.047	-.896	270	2244	-.142	.071	.163	-.404	280	2129	-.140	.056	.043	-.433
270	2194	-.150	.066	.317	-.459	270	2245	-.211	.092	.147	-.883	280	2130	-.090	.068	.165	-.501
270	2195	-.172	.027	-.053	-.338	270	2246	-.159	.060	.227	-.517	280	2131	-.233	.094	-.025	-.616
270	2196	-.174	.031	-.062	-.345	270	2247	-.181	.036	-.002	-.301	280	2132	-.157	.066	-.021	-.555
270	2197	-.174	.030	-.082	-.350	270	2248	-.197	.043	-.079	-.466	280	2133	-.140	.044	-.023	-.391
270	2198	-.190	.037	-.021	-.340	270	2249	-.154	.034	-.052	-.365	280	2134	-.134	.086	.370	-.506
270	2199	-.242	.063	-.094	-.569	270	2250	-.142	.036	-.035	-.401	280	2136	-.110	.034	-.006	-.306
270	2200	-.189	.046	.030	-.450	270	2251	-.140	.031	-.002	-.288	280	2137	-.117	.034	-.021	-.267
270	2201	-.165	.030	-.062	-.262	270	2252	-.128	.058	.168	-.432	280	2138	-.120	.091	.370	-.438
270	2202	-.204	.058	.069	-.768	270	2253	-.195	.064	.204	-.574	280	2140	-.099	.036	.019	-.257
270	2203	-.212	.065	.179	-.749	270	2254	-.146	.054	.068	-.360	280	2141	-.107	.038	-.011	-.362
270	2204	-.206	.040	.086	-.656	270	2255	-.132	.034	-.006	-.298	280	2142	-.062	.083	.275	-.404
270	2205	-.201	.061	.132	-.523	270	2256	-.138	.031	-.010	-.283	280	2143	-.102	.058	.069	-.626
270	2206	-.199	.081	.437	-.571	270	2257	-.130	.033	-.020	-.296	280	2144	-.086	.049	.076	-.337
270	2207	-.205	.063	.089	-.644	270	2258	-.129	.030	-.010	-.226	280	2145	-.066	.038	.091	-.211
270	2208	-.271	.107	.020	-.975	270	2259	-.124	.048	.145	-.352	280	2146	-.210	.047	-.030	-.520
270	2209	-.228	.061	-.016	-.656	270	2260	-.182	.073	.080	-.718	280	2147	-.249	.058	.022	-.646
270	2210	-.240	.081	-.040	-.764	270	2261	-.109	.061	.140	-.388	280	2148	-.299	.067	-.050	-.599
270	2211	-.155	.117	.571	-.569	270	2262	-.128	.036	-.019	-.249	280	2149	-.326	.114	-.059	-1.103
270	2212	-.233	.116	.237	-1.129	270	2263	-.133	.028	-.046	-.229	280	2150	-.200	.035	-.070	-.391

WD	TAP	CPMEAN	CPRMS	CPMAX	CPMIN	WD	TAP	CPMEAN	CPRMS	CPMAX	CPMIN	WD	TAP	CPMEAN	CPRMS	CPMAX	CPMIN
280	2151	-.199	.036	-.018	-.344	280	2204	-.217	.048	.094	-.529	280	2255	-.124	.031	.049	-.237
280	2152	-.211	.050	-.093	-.458	280	2205	-.228	.061	.072	-.601	280	2256	-.139	.031	-.024	-.234
280	2153	-.178	.063	.133	-.384	280	2206	-.209	.057	.106	-.481	280	2257	-.140	.032	-.004	-.272
280	2154	-.139	.080	.200	-.434	280	2207	-.195	.049	.147	-.582	280	2258	-.130	.027	-.037	-.229
280	2155	-.215	.108	.348	-.584	280	2208	-.294	.109	.053	-1.031	280	2259	-.115	.043	.080	-.267
280	2156	-.190	.034	-.080	-.344	280	2209	-.238	.071	-.034	-.659	280	2260	-.132	.063	.172	-.538
280	2157	-.176	.032	-.015	-.315	280	2210	-.217	.058	-.013	-.727	280	2261	-.107	.045	.085	-.265
280	2158	-.111	.047	.170	-.280	280	2211	-.090	.124	.612	-.493	280	2262	-.127	.031	.001	-.231
280	2159	-.040	.082	.336	-.265	280	2212	-.268	.129	.137	-1.130	280	2263	-.143	.026	-.045	-.231
280	2160	-.077	.061	.242	-.292	280	2213	-.210	.051	-.010	-.512	280	2264	-.141	.032	-.032	-.288
280	2161	-.181	.094	.242	-.710	280	2214	-.169	.059	.144	-.416	280	2265	-.126	.026	-.032	-.229
280	2162	-.086	.086	.264	-.344	280	2215	-.206	.053	-.008	-.493	290	2101	-.163	.056	.037	-.732
280	2163	-.178	.069	.294	-.413	280	2216	-.185	.066	.217	-.430	290	2102	-.161	.060	.015	-.451
280	2164	-.211	.049	-.033	-.468	280	2217	-.191	.076	.222	-.688	290	2103	-.163	.060	.093	-.529
280	2165	-.423	.168	.160	-1.207	280	2218	-.189	.066	.325	-.432	290	2104	-.135	.039	.015	-.407
280	2166	-.146	.084	.294	-.432	280	2219	-.199	.059	.282	-.597	290	2105	-.141	.042	-.005	-.517
280	2167	-.234	.065	.012	-.814	280	2220	-.121	.079	.296	-.437	290	2106	-.158	.042	.012	-.407
280	2168	-.294	.076	-.038	-.868	280	2221	-.210	.066	.057	-.548	290	2107	-.167	.050	-.042	-.370
280	2170	-.202	.044	-.062	-.376	280	2222	-.177	.064	.234	-.529	290	2108	-.127	.031	-.010	-.306
280	2171	-.208	.045	-.055	-.413	280	2223	-.224	.073	-.046	-.852	290	2109	-.133	.031	-.017	-.274
280	2172	-.221	.052	-.075	-.577	280	2224	-.168	.055	.084	-.584	290	2110	-.164	.041	-.032	-.453
280	2173	-.293	.077	-.070	-.747	280	2225	-.166	.048	.057	-.362	290	2111	-.157	.054	-.196	-.431
280	2174	-.524	.171	-.040	-1.341	280	2226	-.127	.062	.246	-.428	290	2112	-.120	.030	-.012	-.223
280	2175	-.332	.212	.323	-1.299	280	2227	-.224	.069	.047	-.671	290	2113	-.129	.032	-.015	-.257
280	2177	-.143	.068	.118	-.394	280	2228	-.194	.045	-.035	-.456	290	2114	-.192	.064	-.017	-.556
280	2178	-.188	.029	-.075	-.300	280	2229	-.167	.055	.223	-.339	290	2115	-.131	.067	-.186	-.478
280	2179	-.193	.036	-.065	-.399	280	2230	-.192	.048	.031	-.568	290	2116	-.117	.032	-.010	-.247
280	2180	-.202	.037	-.087	-.433	280	2231	-.180	.035	-.050	-.298	290	2117	-.124	.034	.002	-.269
280	2181	-.243	.055	-.067	-.601	280	2233	-.171	.034	-.062	-.293	290	2118	-.185	.078	.086	-.590
280	2182	-.467	.155	-.055	-1.256	280	2234	-.163	.036	-.027	-.323	290	2119	-.088	.072	.269	-.338
280	2183	-.346	.197	-.232	-1.323	280	2235	-.165	.034	-.012	-.308	290	2120	-.117	.034	-.005	-.265
280	2184	-.064	.081	.214	-.324	280	2236	-.134	.046	.187	-.288	290	2121	-.138	.041	.012	-.355
280	2185	-.128	.046	.084	-.309	280	2237	-.229	.065	-.048	-.566	290	2122	-.189	.089	.189	-.647
280	2187	-.093	.069	.193	-.305	280	2238	-.192	.064	-.017	-.546	290	2123	-.040	.077	.299	-.377
280	2188	-.185	.031	-.099	-.331	280	2239	-.157	.042	.003	-.487	290	2124	-.156	.065	.010	-.598
280	2189	-.180	.031	-.083	-.321	280	2240	-.153	.035	-.045	-.448	290	2125	-.146	.052	.071	-.448
280	2190	-.185	.031	-.073	-.372	280	2241	-.158	.035	-.017	-.295	290	2126	-.007	.119	.602	-.272
280	2191	-.228	.044	-.087	-.394	280	2242	-.146	.031	-.032	-.313	290	2127	-.156	.058	-.039	-.517
280	2192	-.340	.096	-.087	-.845	280	2243	-.144	.030	-.027	-.298	290	2128	-.176	.060	-.029	-.571
280	2193	-.270	.088	.091	-.735	280	2244	-.143	.038	-.034	-.283	290	2129	-.129	.041	-.003	-.358
280	2194	-.195	.066	.222	-.628	280	2245	-.163	.038	-.043	-.364	290	2130	-.137	.059	-.206	-.348
280	2195	-.179	.033	-.068	-.343	280	2246	-.155	.036	.159	-.316	290	2131	-.169	.061	-.042	-.487
280	2196	-.175	.030	-.075	-.288	280	2247	-.145	.030	.014	-.257	290	2132	-.146	.049	-.039	-.453
280	2197	-.181	.033	-.005	-.319	280	2248	-.163	.031	-.030	-.349	290	2133	-.128	.030	-.029	-.269
280	2198	-.194	.038	-.022	-.367	280	2249	-.148	.028	-.017	-.288	290	2134	-.183	.053	.022	-.483
280	2199	-.276	.071	-.039	-.430	280	2250	-.143	.029	-.020	-.341	290	2136	-.126	.030	.015	-.277
280	2200	-.176	.072	-.094	-.375	280	2251	-.140	.027	-.014	-.298	290	2137	-.128	.028	-.032	-.247
280	2201	-.191	.032	-.042	-.336	280	2252	-.128	.034	-.017	-.293	290	2138	-.168	.055	-.098	-.429
280	2202	-.215	.046	.007	-.519	280	2253	-.151	.044	.065	-.405	290	2140	-.122	.030	-.027	-.279
280	2203	-.223	.049	.091	-.486	280	2254	-.133	.037	.052	-.262	290	2141	-.126	.031	-.015	-.289

WD	TAP	CPMEAN	CPRMS	CPMAX	CPMIN	WD	TAP	CPMEAN	CPRMS	CPMAX	CPMIN	WD	TAP	CPMEAN	CPRMS	CPMAX	CPMIN
290	2142	-.136	.053	.084	-.424	290	2195	-.177	.027	-.083	-.323	290	2246	-.133	.024	-.054	-.249
290	2143	-.135	.039	.004	-.436	290	2196	-.178	.028	-.079	-.326	290	2247	-.124	.027	-.031	-.246
290	2144	-.123	.031	.014	-.289	290	2197	-.177	.030	-.081	-.319	290	2248	-.146	.030	-.043	-.369
290	2145	-.122	.030	-.004	-.239	290	2198	-.195	.034	-.047	-.323	290	2249	-.135	.029	-.023	-.264
290	2146	-.247	.057	.094	-.784	290	2199	-.254	.066	-.076	-.609	290	2250	-.139	.033	-.018	-.300
290	2147	-.298	.071	.034	-.806	290	2200	-.176	.079	-.333	-.386	290	2251	-.136	.032	-.023	-.264
290	2148	-.355	.081	-.078	-.776	290	2201	-.217	.037	-.003	-.416	290	2252	-.129	.026	-.023	-.290
290	2149	-.401	.132	-.090	-1.179	290	2202	-.205	.040	-.062	-.445	290	2253	-.126	.025	-.033	-.249
290	2150	-.234	.039	-.118	-.530	290	2203	-.246	.070	-.003	-.660	290	2254	-.133	.024	-.054	-.226
290	2151	-.229	.037	-.085	-.428	290	2204	-.221	.045	-.047	-.423	290	2255	-.120	.027	-.003	-.210
290	2152	-.195	.067	.153	-.582	290	2205	-.185	.094	.307	-.503	290	2256	-.154	.032	-.041	-.272
290	2153	-.160	.072	.255	-.401	290	2206	-.208	.048	.093	-.522	290	2257	-.152	.032	-.054	-.292
290	2154	-.130	.075	.220	-.580	290	2207	-.201	.041	.147	-.629	290	2258	-.128	.024	-.023	-.228
290	2155	-.166	.125	.320	-.550	290	2208	-.294	.084	.159	-.803	290	2259	-.107	.027	-.055	-.210
290	2156	-.222	.038	-.113	-.446	290	2209	-.236	.055	-.001	-.643	290	2260	-.112	.028	-.005	-.213
290	2157	-.209	.034	-.060	-.329	290	2210	-.215	.042	-.079	-.505	290	2261	-.127	.024	-.051	-.213
290	2158	-.149	.065	.136	-.321	290	2211	-.116	.092	.353	-.430	290	2262	-.123	.024	-.033	-.208
290	2159	-.070	.089	.459	-.252	290	2212	-.278	.095	.137	-.864	290	2263	-.149	.028	-.054	-.267
290	2160	-.092	.065	.148	-.552	290	2213	-.217	.044	-.047	-.539	290	2264	-.151	.032	-.025	-.292
290	2161	-.151	.112	.195	-.866	290	2214	-.193	.039	-.025	-.447	290	2265	-.123	.025	-.036	-.218
290	2162	-.131	.073	.320	-.374	290	2215	-.209	.040	-.076	-.447	300	2101	-.153	.048	-.000	-.643
290	2163	-.190	.071	.163	-.451	290	2216	-.088	.113	.527	-.488	300	2102	-.153	.055	-.121	-.614
290	2164	-.220	.059	-.058	-.789	290	2217	-.231	.105	.377	-.622	300	2103	-.153	.053	-.136	-.546
290	2165	-.374	.131	.089	-.980	290	2218	-.202	.060	.207	-.503	300	2104	-.137	.037	-.034	-.415
290	2166	-.165	.088	.285	-.534	290	2219	-.222	.047	.074	-.527	300	2105	-.138	.040	-.039	-.364
290	2167	-.244	.069	-.058	-.709	290	2220	-.123	.062	.273	-.306	300	2106	-.156	.045	-.007	-.393
290	2168	-.285	.077	-.075	-.856	290	2221	-.227	.100	.341	-.631	300	2107	-.140	.050	-.165	-.328
290	2170	-.206	.041	-.003	-.403	290	2222	-.202	.047	.159	-.447	300	2108	-.127	.031	-.010	-.267
290	2171	-.215	.041	-.068	-.391	290	2223	-.229	.050	-.083	-.629	300	2109	-.133	.033	-.044	-.384
290	2172	-.230	.052	-.040	-.488	290	2224	-.175	.044	-.023	-.353	300	2110	-.180	.058	-.027	-.546
290	2173	-.274	.069	-.056	-.766	290	2225	-.165	.033	-.046	-.333	300	2111	-.127	.058	-.233	-.328
290	2174	-.433	.146	-.135	-1.290	290	2226	-.161	.035	-.010	-.287	300	2112	-.127	.029	-.010	-.284
290	2175	-.326	.171	.133	-1.392	290	2227	-.208	.049	-.069	-.551	300	2113	-.128	.032	-.031	-.291
290	2177	-.179	.064	.174	-.413	290	2228	-.237	.040	-.102	-.433	300	2114	-.219	.087	-.092	-.784
290	2178	-.191	.026	-.075	-.299	290	2229	-.197	.041	-.080	-.326	300	2115	-.090	.065	-.219	-.352
290	2179	-.194	.034	-.011	-.354	290	2230	-.204	.039	-.102	-.308	300	2116	-.129	.032	-.017	-.257
290	2180	-.205	.037	-.043	-.384	290	2231	-.206	.029	-.102	-.326	300	2117	-.123	.034	-.012	-.306
290	2181	-.239	.055	-.063	-.630	290	2233	-.183	.027	-.028	-.308	300	2118	-.202	.095	-.102	-.736
290	2182	-.393	.124	-.123	-1.072	290	2234	-.169	.034	-.051	-.351	300	2119	-.050	.082	-.316	-.347
290	2183	-.317	.154	.076	-1.238	290	2235	-.162	.025	-.074	-.261	300	2120	-.124	.037	-.015	-.267
290	2184	-.125	.070	.173	-.367	290	2236	-.158	.030	.118	-.254	300	2121	-.144	.041	-.039	-.296
290	2185	-.159	.043	.013	-.316	290	2237	-.191	.045	-.074	-.585	300	2122	-.187	.095	-.216	-.823
290	2187	-.133	.061	-.210	-.374	290	2238	-.150	.038	-.049	-.405	300	2123	-.060	.094	-.277	-.498
290	2188	-.180	.024	-.093	-.294	290	2239	-.137	.028	-.003	-.331	300	2124	-.146	.051	-.073	-.563
290	2189	-.184	.028	-.098	-.323	290	2240	-.127	.025	-.036	-.233	300	2125	-.141	.044	-.010	-.439
290	2190	-.184	.031	-.098	-.355	290	2241	-.137	.033	-.002	-.287	300	2126	-.108	.063	-.304	-.318
290	2191	-.218	.044	-.069	-.483	290	2242	-.126	.033	-.007	-.233	300	2127	-.148	.045	-.017	-.371
290	2192	-.319	.097	-.062	-.849	290	2243	-.133	.032	-.005	-.308	300	2128	-.147	.036	-.048	-.432
290	2193	-.245	.083	-.071	-.880	290	2244	-.130	.031	-.008	-.259	300	2129	-.133	.038	-.034	-.330
290	2194	-.197	.085	.292	-.612	290	2245	-.135	.027	-.038	-.256	300	2130	-.178	.060	-.097	-.498

WD	TAP	CPMEAN	CPRMS	CPMAX	CPMIN	WD	TAP	CPMEAN	CPRMS	CPMAX	CPMIN	WD	TAP	CPMEAN	CPRMS	CPMAX	CPMIN
300	2131	-.154	.035	-.039	-.342	300	2185	-.179	.037	-.048	-.377	300	2237	-.178	.030	-.074	-.313
300	2132	-.138	.031	-.044	-.323	300	2187	-.168	.051	-.084	-.307	300	2238	-.117	.035	-.040	-.387
300	2133	-.132	.029	-.014	-.282	300	2188	-.180	.032	-.036	-.310	300	2239	-.101	.032	.043	-.272
300	2134	-.186	.072	-.066	-.544	300	2189	-.197	.036	-.050	-.326	300	2240	-.098	.033	.045	-.293
300	2136	-.137	.031	-.041	-.306	300	2190	-.215	.051	-.005	-.504	300	2241	-.104	.043	.106	-.305
300	2137	-.138	.032	-.036	-.294	300	2191	-.226	.051	-.002	-.610	300	2242	-.100	.044	.088	-.293
300	2138	-.177	.087	.265	-.626	300	2192	-.290	.093	-.033	-.906	300	2243	-.118	.036	.020	-.280
300	2140	-.135	.036	.015	-.308	300	2193	-.249	.075	-.003	-.701	300	2244	-.118	.032	.055	-.265
300	2141	-.137	.036	-.014	-.376	300	2194	-.217	.064	.125	-.528	300	2245	-.119	.028	-.023	-.270
300	2142	-.140	.081	.189	-.736	300	2195	-.175	.033	.010	-.312	300	2246	-.112	.028	-.006	-.211
300	2143	-.142	.055	.037	-.770	300	2196	-.182	.037	-.027	-.300	300	2247	-.102	.033	.017	-.229
300	2144	-.132	.045	.017	-.478	300	2197	-.202	.042	-.079	-.466	300	2248	-.126	.037	.015	-.526
300	2145	-.123	.033	.012	-.273	300	2198	-.206	.042	-.091	-.370	300	2249	-.109	.035	.106	-.214
300	2146	-.259	.040	-.071	-.490	300	2199	-.244	.066	-.062	-.627	300	2250	-.124	.037	.007	-.277
300	2147	-.320	.058	-.066	-.603	300	2200	-.205	.060	-.096	-.374	300	2251	-.120	.035	-.003	-.277
300	2148	-.374	.081	-.099	-.765	300	2201	-.245	.031	-.125	-.360	300	2252	-.112	.030	.015	-.267
300	2149	-.368	.115	-.084	-1.282	300	2202	-.197	.050	-.021	-.420	300	2253	-.107	.031	.007	-.234
300	2150	-.246	.033	-.135	-.404	300	2203	-.216	.078	.092	-.747	300	2254	-.103	.032	.060	-.209
300	2151	-.242	.030	-.128	-.399	300	2204	-.213	.060	.080	-.569	300	2255	-.085	.040	.152	-.211
300	2152	-.243	.064	.108	-.682	300	2205	-.142	.110	.394	-.567	300	2256	-.129	.039	.043	-.280
300	2153	-.213	.061	.155	-.500	300	2206	-.206	.078	.130	-.610	300	2257	-.135	.038	.017	-.275
300	2154	-.255	.147	.165	-.913	300	2207	-.206	.050	.032	-.612	300	2258	-.114	.030	-.013	-.204
300	2155	-.062	.092	.404	-.421	300	2208	-.335	.114	.188	-.874	300	2259	-.100	.030	.025	-.219
300	2156	-.233	.031	-.130	-.340	300	2209	-.270	.068	-.045	-.617	300	2260	-.107	.027	-.016	-.234
300	2157	-.236	.029	-.128	-.357	300	2210	-.225	.050	.007	-.473	300	2261	-.109	.027	-.000	-.206
300	2158	-.220	.057	.113	-.394	300	2211	-.062	.134	.587	-.454	300	2262	-.101	.029	-.027	-.214
300	2159	-.162	.067	.135	-.389	300	2212	-.323	.148	.500	-.985	300	2263	-.125	.032	-.013	-.242
300	2160	-.223	.143	.071	-1.009	300	2213	-.242	.049	-.060	-.509	300	2264	-.138	.039	-.006	-.305
300	2161	-.048	.086	.367	-.517	300	2214	-.208	.040	-.057	-.391	300	2265	-.109	.030	.035	-.216
300	2162	-.161	.060	.199	-.364	300	2215	-.210	.037	-.086	-.377	310	2101	-.109	.039	.047	-.357
300	2163	-.222	.055	.111	-.495	300	2216	-.073	.114	.531	-.420	310	2102	-.108	.048	.075	-.397
300	2164	-.267	.075	-.039	-.667	300	2217	-.154	.141	.361	-.591	310	2103	-.122	.057	.125	-.501
300	2165	-.292	.072	-.091	-.810	300	2218	-.164	.090	.257	-.483	310	2104	-.104	.035	.018	-.272
300	2166	-.202	.069	-.197	-.545	300	2219	-.199	.065	.253	-.507	310	2105	-.098	.038	.030	-.310
300	2167	-.261	.060	-.047	-.679	300	2220	-.091	.087	.382	-.374	310	2106	-.125	.050	.037	-.537
300	2168	-.278	.055	-.123	-.733	300	2221	-.157	.129	.463	-.499	310	2107	-.083	.049	.226	-.334
300	2170	-.207	.050	.059	-.438	300	2222	-.178	.066	.200	-.435	310	2108	-.097	.032	.007	-.331
300	2171	-.217	.054	.108	-.399	300	2223	-.286	.087	-.091	-.812	310	2109	-.094	.030	.028	-.298
300	2172	-.237	.064	.106	-.576	300	2224	-.169	.058	.154	-.362	310	2110	-.138	.052	-.000	-.478
300	2173	-.266	.056	-.003	-.741	300	2225	-.179	.037	-.044	-.321	310	2111	-.063	.048	.174	-.251
300	2174	-.318	.080	-.084	-.825	300	2226	-.183	.034	-.011	-.389	310	2112	-.094	.029	-.010	-.211
300	2175	-.303	.094	.022	-.938	300	2227	-.205	.041	-.069	-.458	310	2113	-.089	.028	.028	-.201
300	2177	-.220	.048	-.025	-.473	300	2228	-.229	.050	-.023	-.514	310	2114	-.155	.076	.059	-.553
300	2178	-.192	.038	.037	-.335	300	2229	-.173	.055	.137	-.333	310	2115	-.041	.053	.243	-.272
300	2179	-.208	.049	.138	-.362	300	2230	-.223	.042	-.097	-.524	310	2116	-.098	.031	-.005	-.223
300	2180	-.223	.059	-.089	-.551	300	2231	-.192	.040	-.023	-.354	310	2117	-.092	.029	.016	-.206
300	2181	-.245	.051	-.005	-.446	300	2233	-.190	.034	-.044	-.331	310	2118	-.134	.076	.132	-.572
300	2182	-.323	.101	-.067	-.815	300	2234	-.187	.052	-.086	-.496	310	2119	-.012	.072	.342	-.251
300	2183	-.289	.126	.020	-1.147	300	2235	-.170	.030	-.067	-.295	310	2120	-.101	.035	.087	-.230
300	2184	-.148	.058	.072	-.346	300	2236	-.169	.026	-.041	-.280	310	2121	-.105	.035	.139	-.234

WD	TAP	CPMEAN	CPRMS	CPMAX	CPMIN	WD	TAP	CPMEAN	CPRMS	CPMAX	CPMIN	WD	TAP	CPMEAN	CPRMS	CPMAX	CPMIN
310	2122	-.111	.070	.252	-.449	310	2175	-.226	.075	.053	-.781	310	2227	-.160	.033	-.059	-.371
310	2123	-.048	.069	.262	-.350	310	2177	-.183	.049	.024	-.450	310	2228	-.152	.047	-.035	-.322
310	2124	-.103	.043	.040	-.331	310	2178	-.120	.055	.194	-.282	310	2229	-.100	.061	-.243	-.309
310	2125	-.102	.039	.056	-.341	310	2179	-.105	.079	.328	-.301	310	2230	-.183	.048	-.069	-.512
310	2126	-.087	.050	.174	-.348	310	2180	-.106	.090	.355	-.412	310	2231	-.131	.037	-.010	-.302
310	2127	-.107	.041	.016	-.378	310	2181	-.154	.063	.185	-.393	310	2233	-.152	.034	-.037	-.319
310	2128	-.102	.031	.004	-.277	310	2182	-.195	.068	.015	-.620	310	2234	-.136	.039	-.040	-.423
310	2129	-.094	.033	.011	-.267	310	2183	-.203	.099	.082	-1.154	310	2235	-.124	.030	-.000	-.275
310	2130	-.116	.051	.160	-.338	310	2184	-.143	.071	.059	-.570	310	2236	-.126	.025	-.027	-.230
310	2131	-.114	.032	-.012	-.289	310	2185	-.148	.040	.048	-.490	310	2237	-.133	.028	-.027	-.307
310	2132	-.096	.029	-.002	-.310	310	2187	-.144	.043	.020	-.413	310	2238	-.055	.029	.054	-.289
310	2133	-.097	.028	-.010	-.253	310	2188	-.132	.034	.038	-.249	310	2239	-.043	.032	.089	-.193
310	2134	-.130	.068	-.200	-.442	310	2189	-.130	.045	.136	-.310	310	2240	-.038	.033	.092	-.183
310	2136	-.097	.027	-.005	-.282	310	2190	-.135	.055	.172	-.324	310	2241	-.042	.043	.146	-.282
310	2137	-.105	.032	-.015	-.277	310	2191	-.159	.045	-.008	-.689	310	2242	-.039	.043	.158	-.324
310	2138	-.124	.075	.189	-.497	310	2192	-.171	.064	.034	-.609	310	2243	-.058	.029	.072	-.171
310	2140	-.093	.033	.004	-.284	310	2193	-.166	.059	.079	-.510	310	2244	-.058	.029	.069	-.195
310	2141	-.102	.035	.040	-.263	310	2194	-.160	.057	.151	-.355	310	2245	-.057	.027	.042	-.238
310	2142	-.099	.069	.203	-.492	310	2195	-.124	.036	.104	-.226	310	2246	-.052	.031	.074	-.178
310	2143	-.087	.048	.072	-.381	310	2196	-.127	.039	.281	-.261	310	2247	-.040	.036	.099	-.282
310	2144	-.081	.040	.034	-.304	310	2197	-.142	.036	-.027	-.340	310	2248	-.062	.036	.054	-.250
310	2145	-.080	.043	.204	-.361	310	2198	-.140	.040	.036	-.282	310	2249	-.045	.035	.097	-.168
310	2146	-.198	.039	-.069	-.455	310	2199	-.163	.056	.045	-.450	310	2250	-.061	.033	.052	-.215
310	2147	-.238	.051	-.004	-.620	310	2200	-.142	.051	.083	-.315	310	2251	-.059	.030	.084	-.178
310	2148	-.268	.058	-.060	-.565	310	2201	-.178	.032	.008	-.319	310	2252	-.045	.031	.072	-.200
310	2149	-.287	.097	-.021	-.955	310	2202	-.142	.045	.031	-.411	310	2253	-.045	.036	.111	-.181
310	2150	-.184	.031	-.091	-.378	310	2203	-.158	.055	.099	-.434	310	2254	-.013	.051	.233	-.163
310	2151	-.182	.030	.048	-.321	310	2204	-.150	.047	.048	-.373	310	2255	-.024	.063	.334	-.136
310	2152	-.182	.050	.029	-.452	310	2205	-.123	.075	.174	-.499	310	2256	-.036	.044	.181	-.171
310	2153	-.160	.058	.134	-.433	310	2206	-.161	.062	.097	-.525	310	2257	-.071	.043	.101	-.282
310	2154	-.188	.113	.132	-.687	310	2207	-.151	.046	.052	-.572	310	2258	-.057	.030	.059	-.154
310	2155	-.087	.083	.288	-.507	310	2208	-.277	.098	.186	-.757	310	2259	-.043	.028	.074	-.139
310	2156	-.175	.029	-.079	-.416	310	2209	-.215	.058	-.001	-.560	310	2260	-.044	.030	.047	-.188
310	2157	-.172	.030	-.043	-.270	310	2210	-.173	.045	-.023	-.380	310	2261	-.042	.028	.099	-.136
310	2158	-.154	.049	.070	-.299	310	2211	-.001	.137	.513	-.371	310	2262	-.031	.033	.109	-.129
310	2159	-.117	.056	.166	-.290	310	2212	-.262	.138	.239	-1.166	310	2263	-.044	.031	.101	-.139
310	2160	-.167	.112	.087	-.661	310	2213	-.184	.044	-.034	-.385	310	2264	-.058	.032	.042	-.205
310	2161	-.042	.087	.300	-.531	310	2214	-.161	.037	-.008	-.329	310	2265	-.048	.028	.134	-.148
310	2162	-.147	.046	.168	-.383	310	2215	-.158	.033	-.037	-.366	320	2101	-.123	.042	.033	-.338
310	2163	-.181	.053	.079	-.812	310	2216	-.061	.075	.274	-.406	320	2102	-.124	.053	.047	-.562
310	2164	-.220	.078	.015	-.872	310	2217	-.136	.111	.410	-.680	320	2103	-.154	.070	.062	-.545
310	2165	-.233	.064	-.036	-.587	310	2218	-.132	.077	.272	-.483	320	2104	-.119	.040	.018	-.295
310	2166	-.165	.058	.118	-.481	310	2219	-.155	.060	.195	-.434	320	2105	-.112	.045	.035	-.492
310	2167	-.218	.063	-.016	-.670	310	2220	-.071	.079	.464	-.289	320	2106	-.160	.063	.040	-.601
310	2168	-.217	.051	-.043	-.622	310	2221	-.111	.081	.312	-.525	320	2107	-.057	.068	.346	-.475
310	2170	-.126	.071	.312	-.390	310	2222	-.131	.056	.141	-.345	320	2108	-.113	.033	-.004	-.249
310	2171	-.114	.091	.542	-.335	310	2223	-.200	.062	-.076	-.705	320	2109	-.102	.031	-.008	-.278
310	2172	-.130	.077	.218	-.548	310	2224	-.102	.057	.167	-.366	320	2110	-.167	.073	-.182	-.632
310	2173	-.184	.050	.046	-.366	310	2225	-.132	.038	.040	-.344	320	2111	-.034	.057	-.276	-.237
310	2174	-.222	.060	-.007	-.630	310	2226	-.141	.028	-.037	-.277	320	2112	-.115	.032	-.006	-.235

WD	TAP	CPMEAN	CPRMS	CPMAX	CPMIN	WD	TAP	CPMEAN	CPRMS	CPMAX	CPMIN	WD	TAP	CPMEAN	CPRMS	CPMAX	CPMIN
320	2113	-.103	.028	.009	-.268	320	2165	-.252	.068	-.063	-.618	320	2218	-.165	.065	.113	-.515
320	2114	-.160	.083	.134	-.606	320	2166	-.210	.058	-.049	-.708	320	2219	-.173	.057	.056	-.400
320	2115	-.021	.064	.324	-.179	320	2167	-.335	.145	-.035	-1.092	320	2220	-.097	.081	.258	-.331
320	2116	-.125	.034	-.015	-.302	320	2168	-.267	.087	-.019	-.999	320	2221	-.118	.055	.125	-.395
320	2117	-.104	.030	.002	-.230	320	2170	-.071	.110	.381	-.300	320	2222	-.148	.046	.125	-.329
320	2118	-.117	.059	.132	-.507	320	2171	-.043	.121	.538	-.351	320	2223	-.213	.055	-.054	-.732
320	2119	-.019	.073	.334	-.222	320	2172	-.117	.120	.406	-.647	320	2224	-.125	.044	-.142	-.412
320	2120	-.122	.037	.122	-.292	320	2173	-.190	.067	.113	-.483	320	2225	-.183	.044	-.026	-.344
320	2121	-.115	.034	.028	-.283	320	2174	-.244	.053	-.046	-.515	320	2226	-.152	.026	-.057	-.251
320	2122	-.089	.054	.269	-.362	320	2175	-.229	.049	-.075	-.559	320	2227	-.157	.025	-.084	-.294
320	2123	-.067	.046	.216	-.398	320	2177	-.213	.052	-.034	-.447	320	2228	-.121	.059	.057	-.395
320	2124	-.122	.045	.059	-.340	320	2178	-.059	.085	.421	-.241	320	2229	-.021	.087	.370	-.316
320	2125	-.116	.042	.023	-.357	320	2179	-.010	.108	.511	-.327	320	2230	-.195	.041	-.051	-.445
320	2126	-.111	.049	.182	-.314	320	2180	-.012	.114	.506	-.400	320	2231	-.112	.058	.196	-.344
320	2127	-.121	.039	.009	-.362	320	2181	-.122	.074	.230	-.351	320	2233	-.172	.050	-.021	-.422
320	2128	-.116	.030	-.010	-.242	320	2182	-.221	.046	-.029	-.412	320	2234	-.169	.071	-.067	-.518
320	2129	-.111	.038	.009	-.321	320	2183	-.219	.061	-.014	-1.001	320	2235	-.163	.037	-.004	-.301
320	2130	-.127	.056	.158	-.451	320	2184	-.219	.069	-.056	-.813	320	2236	-.136	.026	-.036	-.233
320	2131	-.123	.029	-.037	-.251	320	2185	-.194	.043	-.071	-.431	320	2237	-.137	.026	-.024	-.241
320	2132	-.110	.029	-.010	-.222	320	2187	-.203	.055	.058	-.507	320	2238	-.041	.032	.110	-.243
320	2133	-.123	.037	-.001	-.345	320	2188	-.078	.063	.280	-.238	320	2239	-.034	.032	.110	-.198
320	2134	-.136	.052	-.117	-.427	320	2189	-.048	.083	.328	-.262	320	2240	-.018	.035	.112	-.188
320	2136	-.114	.029	-.010	-.220	320	2190	-.040	.088	.394	-.355	320	2241	-.026	.041	.191	-.215
320	2137	-.133	.035	-.032	-.447	320	2191	-.126	.059	.115	-.324	320	2242	-.028	.038	.148	-.284
320	2138	-.123	.063	.141	-.497	320	2192	-.189	.050	.103	-.369	320	2243	-.033	.034	.115	-.203
320	2140	-.113	.037	.030	-.285	320	2193	-.194	.067	.057	-.471	320	2244	-.048	.027	.065	-.180
320	2141	-.117	.036	.033	-.316	320	2194	-.187	.065	.196	-.419	320	2245	-.046	.029	.072	-.185
320	2142	-.110	.057	.194	-.454	320	2195	-.072	.062	.194	-.216	320	2246	-.052	.033	.090	-.175
320	2143	-.097	.049	.066	-.376	320	2196	-.080	.053	.180	-.255	320	2247	-.032	.036	.158	-.195
320	2144	-.096	.046	.059	-.305	320	2197	-.110	.049	.094	-.317	320	2248	-.050	.040	.092	-.268
320	2145	-.078	.051	.169	-.283	320	2198	-.121	.043	.049	-.271	320	2249	-.034	.035	.112	-.188
320	2146	-.212	.058	.071	-.478	320	2199	-.166	.056	.094	-.405	320	2250	-.041	.036	.085	-.205
320	2147	-.241	.074	.071	-.662	320	2200	-.174	.080	.106	-.565	320	2251	-.039	.030	.087	-.190
320	2148	-.237	.066	.083	-.652	320	2201	-.154	.048	.020	-.345	320	2252	-.030	.035	.133	-.155
320	2149	-.285	.093	.027	-.887	320	2202	-.154	.044	.020	-.336	320	2253	-.028	.037	.128	-.160
320	2150	-.164	.084	.213	-.554	320	2203	-.176	.053	.134	-.426	320	2254	-.058	.071	.519	-.173
320	2151	-.166	.062	.149	-.444	320	2204	-.153	.040	.034	-.405	320	2255	-.103	.076	.481	-.087
320	2152	-.140	.049	.140	-.349	320	2205	-.157	.072	.182	-.703	320	2256	-.025	.060	.264	-.140
320	2153	-.108	.062	.347	-.305	320	2206	-.178	.054	.049	-.465	320	2257	-.046	.042	.095	-.261
320	2154	-.086	.064	.396	-.293	320	2207	-.166	.046	.037	-.570	320	2258	-.036	.031	.085	-.152
320	2155	-.172	.068	.086	-.493	320	2208	-.311	.095	.082	-.717	320	2259	-.023	.031	.138	-.127
320	2156	-.125	.097	.232	-.669	320	2209	-.222	.052	.142	-.498	320	2260	-.021	.031	.128	-.140
320	2157	-.130	.058	.113	-.403	320	2210	-.172	.039	.020	-.412	320	2261	-.004	.038	.218	-.102
320	2158	-.097	.049	.113	-.251	320	2211	-.016	.157	.709	-.457	320	2262	-.029	.051	.312	-.115
320	2159	-.067	.053	.245	-.232	320	2212	-.322	.137	.168	-.966	320	2263	-.004	.038	.183	-.122
320	2160	-.084	.052	.210	-.405	320	2213	-.226	.048	-.068	-.498	320	2264	-.031	.028	.130	-.170
320	2161	-.163	.073	.162	-.620	320	2214	-.168	.035	-.011	-.343	320	2265	-.033	.030	.133	-.165
320	2162	-.210	.054	-.024	-.518	320	2215	-.162	.031	-.030	-.276	330	2101	-.163	.041	-.044	-.359
320	2163	-.221	.080	-.024	-1.140	320	2216	-.077	.072	.335	-.302	330	2102	-.177	.075	-.001	-.742
320	2164	-.316	.127	.149	-.879	320	2217	-.181	.087	.177	-.601	330	2103	-.282	.137	.044	-.941

WD	TAP	CPMEAN	CPRMS	CPMAX	CPMIN	WD	TAP	CPMEAN	CPRMS	CPMAX	CPMIN	WD	TAP	CPMEAN	CPRMS	CPMAX	CPMIN
330	2104	-.157	.038	-.001	-.389	330	2156	-.051	.081	.361	-.376	330	2209	-.203	.038	-.082	-.424
330	2105	-.129	.041	.001	-.352	330	2157	-.113	.054	.166	-.367	330	2210	-.171	.030	-.052	-.354
330	2106	-.231	.100	.046	-.797	330	2158	-.093	.050	.140	-.211	330	2211	-.067	.121	.447	-.415
330	2107	-.011	.117	.505	-.494	330	2159	-.070	.058	.219	-.232	330	2212	-.372	.105	.026	-1.083
330	2108	-.151	.035	-.049	-.302	330	2160	-.090	.052	.224	-.244	330	2213	-.226	.043	-.087	-.495
330	2109	-.123	.031	-.020	-.307	330	2161	-.189	.054	-.038	-.501	330	2214	-.171	.031	-.056	-.330
330	2110	-.219	.106	.179	-.638	330	2162	-.193	.030	-.088	-.333	330	2215	-.170	.026	-.080	-.260
330	2111	-.046	.094	.529	-.259	330	2163	-.197	.032	-.098	-.760	330	2216	-.072	.086	.347	-.373
330	2112	-.153	.033	-.037	-.292	330	2164	-.357	.152	.046	-1.123	330	2217	-.208	.080	.108	-.726
330	2113	-.130	.028	-.034	-.257	330	2165	-.246	.072	-.021	-.724	330	2218	-.174	.057	.145	-.480
330	2114	-.197	.105	.098	-.801	330	2166	-.187	.028	-.101	-.347	330	2219	-.181	.050	.058	-.420
330	2115	-.051	.093	.441	-.198	330	2167	-.419	.183	-.101	-1.428	330	2220	-.109	.068	.255	-.307
330	2116	-.162	.033	-.060	-.302	330	2168	-.306	.098	-.009	-.775	330	2221	-.123	.057	.136	-.483
330	2117	-.129	.030	-.001	-.247	330	2170	-.062	.110	.459	-.359	330	2222	-.153	.047	.094	-.330
330	2118	-.135	.064	.141	-.432	330	2171	-.010	.137	.567	-.566	330	2223	-.203	.049	-.075	-.598
330	2119	-.050	.068	.328	-.231	330	2172	-.054	.133	.514	-.643	330	2224	-.119	.071	.155	-.415
330	2120	-.157	.040	.015	-.380	330	2173	-.167	.087	.212	-.513	330	2225	-.183	.039	-.050	-.363
330	2121	-.145	.042	.150	-.378	330	2174	-.215	.044	-.071	-.455	330	2226	-.159	.023	-.075	-.253
330	2122	-.116	.047	.174	-.373	330	2175	-.204	.037	-.091	-.379	330	2227	-.160	.024	-.062	-.258
330	2123	-.071	.037	.067	-.382	330	2177	-.196	.042	-.074	-.395	330	2228	-.101	.062	.126	-.303
330	2124	-.158	.048	.020	-.385	330	2178	-.065	.072	.342	-.227	330	2229	-.084	.094	.449	-.298
330	2125	-.154	.047	-.025	-.477	330	2179	-.029	.109	.519	-.295	330	2230	-.187	.039	-.055	-.464
330	2126	-.142	.038	.001	-.363	330	2180	-.013	.113	.634	-.383	330	2231	-.091	.065	-.228	-.395
330	2127	-.153	.039	-.011	-.371	330	2181	-.103	.073	.250	-.347	330	2233	-.163	.049	-.013	-.482
330	2128	-.146	.031	-.056	-.316	330	2182	-.192	.029	-.091	-.331	330	2234	-.173	.075	.153	-.410
330	2129	-.148	.046	.020	-.340	330	2183	-.189	.029	-.100	-.316	330	2235	-.165	.033	-.020	-.281
330	2130	-.149	.032	.022	-.274	330	2184	-.183	.026	-.106	-.286	330	2236	-.140	.026	-.038	-.238
330	2131	-.145	.026	-.056	-.281	330	2185	-.183	.025	-.113	-.272	330	2237	-.140	.025	-.052	-.231
330	2132	-.146	.029	-.063	-.262	330	2187	-.192	.028	-.103	-.349	330	2238	-.040	.032	.086	-.159
330	2133	-.172	.044	-.046	-.408	330	2188	-.079	.059	.227	-.220	330	2239	-.032	.033	.119	-.137
330	2134	-.149	.033	.001	-.359	330	2189	-.046	.079	.422	-.248	330	2240	-.021	.033	.116	-.124
330	2136	-.154	.030	-.068	-.283	330	2190	-.014	.096	.483	-.394	330	2241	-.027	.038	.161	-.169
330	2137	-.170	.041	-.058	-.347	330	2191	-.108	.059	.136	-.377	330	2242	-.032	.034	.139	-.221
330	2138	-.146	.036	-.034	-.394	330	2192	-.193	.032	-.045	-.338	330	2243	-.035	.033	.173	-.204
330	2140	-.154	.039	-.044	-.385	330	2193	-.206	.037	-.021	-.379	330	2244	-.050	.029	.059	-.196
330	2141	-.151	.040	.013	-.427	330	2194	-.204	.034	-.040	-.450	330	2245	-.050	.033	.067	-.181
330	2142	-.141	.043	.091	-.311	330	2195	-.069	.057	.225	-.188	330	2246	-.060	.035	.062	-.229
330	2143	-.144	.044	-.009	-.410	330	2196	-.063	.043	.258	-.279	330	2247	-.032	.038	.111	-.199
330	2144	-.142	.044	.015	-.369	330	2197	-.093	.058	.297	-.375	330	2248	-.039	.037	.141	-.224
330	2145	-.100	.058	.185	-.275	330	2198	-.099	.056	.197	-.244	330	2249	-.041	.033	.121	-.142
330	2146	-.200	.045	-.002	-.516	330	2199	-.173	.035	-.002	-.333	330	2250	-.042	.032	.139	-.238
330	2147	-.217	.064	.005	-.686	330	2200	-.213	.049	.026	-.351	330	2251	-.036	.029	.139	-.199
330	2148	-.243	.074	.020	-.837	330	2201	-.176	.040	-.012	-.389	330	2252	-.033	.034	.099	-.219
330	2149	-.264	.090	-.002	-1.024	330	2202	-.153	.042	.014	-.326	330	2253	-.035	.037	.096	-.184
330	2150	-.145	.073	.197	-.494	330	2203	-.185	.056	-.021	-.560	330	2254	-.050	.076	.434	-.154
330	2151	-.183	.060	.051	-.484	330	2204	-.162	.040	-.024	-.434	330	2255	.123	.081	.545	-.070
330	2152	-.147	.047	.051	-.364	330	2205	-.164	.074	.108	-.642	330	2256	.049	.068	.372	-.119
330	2153	-.118	.059	.195	-.335	330	2206	-.173	.048	.054	-.387	330	2257	-.021	.045	.148	-.194
330	2154	-.090	.071	.267	-.290	330	2207	-.156	.036	.035	-.436	330	2258	-.031	.032	.089	-.211
330	2155	-.215	.056	-.028	-.547	330	2208	-.326	.088	-.077	-.701	330	2259	-.029	.031	.109	-.112

WD	TAP	CPMEAN	CPRMS	CPMAX	CPMIN	WD	TAP	CPMEAN	CPRMS	CPMAX	CPMIN	WD	TAP	CPMEAN	CPRMS	CPMAX	CPMIN
330	2260	-.021	.034	.101	-.112	340	2147	-.232	.060	-.014	-.580	340	2200	-.226	.042	-.097	-.450
330	2261	.015	.048	.245	-.127	340	2148	-.248	.067	-.055	-.656	340	2201	-.184	.034	-.042	-.378
330	2262	.055	.058	.394	-.100	340	2149	-.258	.081	-.054	-.831	340	2202	-.155	.042	-.027	-.426
330	2263	.024	.048	.230	-.109	340	2150	-.160	.066	.291	-.417	340	2203	-.223	.074	-.042	-.709
330	2264	-.020	.037	.134	-.236	340	2151	-.212	.055	.015	-.501	340	2204	-.169	.041	-.013	-.366
330	2265	-.014	.045	.285	-.184	340	2152	-.173	.048	.032	-.390	340	2205	-.175	.085	.126	-.633
340	2101	-.203	.048	-.055	-.429	340	2153	-.138	.053	.200	-.417	340	2206	-.173	.057	-.006	-.448
340	2102	-.196	.072	-.019	-.584	340	2154	-.129	.068	.281	-.331	340	2207	-.140	.034	-.034	-.356
340	2103	-.419	.142	-.056	-1.149	340	2155	-.233	.061	-.056	-.560	340	2208	-.367	.092	-.054	-.921
340	2104	-.194	.041	-.085	-.417	340	2156	-.042	.073	.364	-.319	340	2209	-.191	.039	-.066	-.464
340	2105	-.142	.037	-.014	-.419	340	2157	-.133	.052	.133	-.400	340	2210	-.174	.029	-.061	-.354
340	2106	-.408	.149	.141	-1.079	340	2158	-.111	.049	.190	-.240	340	2211	-.058	.119	.446	-.412
340	2107	.128	.132	.626	-.354	340	2159	-.084	.064	.335	-.236	340	2212	-.375	.092	-.018	-.971
340	2108	-.191	.034	-.089	-.351	340	2160	-.114	.053	.158	-.299	340	2213	-.204	.042	-.054	-.443
340	2109	-.154	.036	-.043	-.380	340	2161	-.210	.058	-.050	-.597	340	2214	-.175	.029	-.080	-.325
340	2110	-.354	.117	.114	-.933	340	2162	-.193	.027	-.098	-.292	340	2215	-.177	.026	-.087	-.270
340	2111	-.102	.107	-.646	-.225	340	2163	-.207	.027	-.122	-.314	340	2216	-.025	.104	.501	-.392
340	2112	-.194	.032	-.094	-.332	340	2164	-.318	.115	-.057	-1.644	340	2217	-.242	.086	-.057	-.741
340	2113	-.159	.030	-.041	-.286	340	2165	-.242	.065	-.029	-.504	340	2218	-.188	.067	-.008	-.575
340	2114	-.298	.120	.059	-.785	340	2166	-.194	.026	-.126	-.431	340	2219	-.181	.047	-.037	-.484
340	2115	.071	.100	.493	-.373	340	2167	-.434	.164	.143	-1.376	340	2220	-.088	.064	.335	-.316
340	2116	-.209	.037	-.099	-.550	340	2168	-.353	.110	.052	-.867	340	2221	-.139	.076	.107	-.517
340	2117	-.139	.043	.059	-.283	340	2170	-.093	.087	.313	-.358	340	2222	-.160	.046	-.086	-.390
340	2118	-.139	.087	.105	-.679	340	2171	-.023	.134	.594	-.577	340	2223	-.194	.049	-.051	-.512
340	2119	-.071	.067	.376	-.402	340	2172	-.026	.116	.566	-.356	340	2224	-.108	.064	-.095	-.376
340	2120	-.166	.046	.148	-.346	340	2173	-.097	.102	.330	-.415	340	2225	-.167	.035	-.045	-.327
340	2121	-.139	.059	.381	-.334	340	2174	-.224	.047	-.029	-.484	340	2226	-.166	.023	-.078	-.243
340	2122	-.123	.068	.148	-.548	340	2175	-.212	.035	-.103	-.403	340	2227	-.181	.028	-.081	-.330
340	2123	-.035	.047	-.170	-.351	340	2177	-.204	.038	-.076	-.403	340	2228	-.106	.068	.150	-.347
340	2124	-.204	.046	-.029	-.439	340	2178	-.107	.049	.283	-.285	340	2229	-.022	.096	-.450	-.281
340	2125	-.198	.056	-.004	-.480	340	2179	-.074	.083	.423	-.317	340	2230	-.190	.040	-.056	-.403
340	2126	-.192	.042	-.031	-.516	340	2180	-.047	.083	.487	-.253	340	2231	-.101	.059	-.221	-.540
340	2127	-.183	.038	-.068	-.385	340	2181	-.099	.070	.210	-.272	340	2233	-.147	.044	-.020	-.500
340	2128	-.179	.033	-.060	-.334	340	2182	-.190	.026	-.103	-.307	340	2234	-.194	.068	-.092	-.431
340	2129	-.177	.055	-.049	-.647	340	2183	-.189	.026	-.108	-.295	340	2235	-.169	.031	-.005	-.389
340	2130	-.176	.035	-.034	-.346	340	2184	-.183	.024	-.090	-.265	340	2236	-.147	.025	-.068	-.338
340	2131	-.174	.027	-.094	-.293	340	2185	-.185	.025	-.111	-.275	340	2237	-.148	.027	-.061	-.320
340	2132	-.183	.031	-.072	-.320	340	2187	-.197	.028	-.104	-.318	340	2238	-.058	.037	-.084	-.188
340	2133	-.216	.048	-.070	-.436	340	2188	-.102	.047	.191	-.229	340	2239	-.050	.038	.125	-.185
340	2134	-.173	.030	-.065	-.303	340	2189	-.063	.071	.335	-.241	340	2240	-.038	.033	.092	-.177
340	2136	-.188	.031	-.099	-.334	340	2190	-.047	.074	.364	-.243	340	2241	-.036	.038	.191	-.180
340	2137	-.213	.045	-.082	-.499	340	2191	-.118	.054	.273	-.263	340	2242	-.037	.033	.117	-.157
340	2138	-.169	.033	-.051	-.351	340	2192	-.197	.026	-.092	-.306	340	2243	-.044	.033	.117	-.248
340	2140	-.190	.043	-.077	-.427	340	2193	-.211	.030	-.115	-.356	340	2244	-.062	.035	.066	-.203
340	2141	-.161	.044	.039	-.322	340	2194	-.207	.028	-.128	-.352	340	2245	-.068	.045	.087	-.284
340	2142	-.160	.042	-.049	-.417	340	2195	-.090	.047	.196	-.195	340	2246	-.090	.048	.087	-.457
340	2143	-.180	.045	-.056	-.445	340	2196	-.078	.057	.208	-.253	340	2247	-.058	.047	.148	-.274
340	2144	-.183	.044	-.061	-.383	340	2197	-.092	.050	.187	-.289	340	2248	-.040	.034	.102	-.182
340	2145	-.112	.072	-.202	-.280	340	2198	-.098	.056	.203	-.258	340	2249	-.052	.033	.115	-.175
340	2146	-.216	.045	-.056	-.565	340	2199	-.175	.034	-.001	-.318	340	2250	-.044	.029	.092	-.157

WD	TAP	CPMEAN	CPRMS	CPMAX	CPMIN	WD	TAP	CPMEAN	CPRMS	CPMAX	CPMIN	WD	TAP	CPMEAN	CPRMS	CPMAX	CPMIN
340	2251	-.039	.030	.130	-.190	350	2137	-.264	.054	-.127	-.657	350	2191	-.129	.046	.094	-.262
340	2252	-.058	.046	.094	-.279	350	2138	-.195	.033	-.022	-.341	350	2192	-.223	.027	-.067	-.352
340	2253	-.057	.045	.117	-.236	350	2140	-.220	.045	-.101	-.424	350	2193	-.239	.035	-.009	-.432
340	2254	.040	.081	.447	-.328	350	2141	-.174	.055	-.057	-.381	350	2194	-.240	.032	-.058	-.404
340	2255	.112	.086	.579	-.127	350	2142	-.180	.045	-.017	-.369	350	2195	-.099	.038	.094	-.203
340	2256	.058	.073	.412	-.157	350	2143	-.208	.049	-.055	-.461	350	2196	-.089	.046	.125	-.241
340	2257	-.040	.053	.170	-.231	350	2144	-.204	.043	-.082	-.473	350	2197	-.094	.047	.163	-.271
340	2258	-.028	.035	.127	-.162	350	2145	-.150	.073	-.217	-.369	350	2198	-.097	.056	.311	-.276
340	2259	-.034	.041	.135	-.241	350	2146	-.242	.050	-.021	-.881	350	2199	-.195	.029	-.074	-.286
340	2260	-.034	.036	.117	-.147	350	2147	-.272	.073	-.087	-.952	350	2200	-.251	.044	-.018	-.540
340	2261	-.004	.056	.320	-.157	350	2148	-.283	.067	-.031	-.648	350	2201	-.205	.036	-.053	-.407
340	2262	.061	.045	.412	-.111	350	2149	-.319	.095	-.101	-1.202	350	2202	-.156	.043	-.041	-.443
340	2263	.029	.049	.231	-.142	350	2150	-.179	.066	.147	-.381	350	2203	-.246	.078	.014	-.602
340	2264	-.016	.039	.158	-.205	350	2151	-.235	.062	.047	-.459	350	2204	-.168	.044	-.022	-.442
340	2265	.001	.048	.234	-.177	350	2152	-.199	.058	.105	-.502	350	2205	-.163	.089	.085	-.925
350	2101	-.234	.047	-.079	-.496	350	2153	-.167	.064	.188	-.444	350	2206	-.145	.053	.026	-.345
350	2102	-.234	.073	-.041	-.532	350	2154	-.136	.086	-.275	-.376	350	2207	-.128	.033	-.015	-.293
350	2103	-.493	.135	-.139	-1.053	350	2155	-.281	.070	-.031	-.714	350	2208	-.378	.086	-.124	-.739
350	2104	-.239	.038	-.118	-.415	350	2156	-.040	.069	-.399	-.223	350	2209	-.173	.033	-.074	-.369
350	2105	-.157	.039	-.012	-.446	350	2157	-.137	.054	.093	-.369	350	2210	-.171	.024	-.074	-.257
350	2106	-.443	.172	-.069	-1.177	350	2158	-.114	.058	.125	-.315	350	2211	-.014	.113	.399	-.383
350	2107	-.163	.128	.695	-.211	350	2159	-.078	.077	.266	-.327	350	2212	-.375	.080	-.150	-.770
350	2108	-.241	.036	-.122	-.434	350	2160	-.108	.080	.290	-.356	350	2213	-.196	.041	-.079	-.414
350	2109	-.203	.062	-.034	-.528	350	2161	-.257	.083	-.025	-.813	350	2214	-.175	.026	-.079	-.307
350	2110	-.370	.124	.069	-1.410	350	2162	-.218	.027	-.121	-.322	350	2215	-.181	.025	-.093	-.274
350	2111	.107	.102	.535	-.254	350	2163	-.235	.028	-.145	-.354	350	2216	-.021	.114	.413	-.333
350	2112	-.248	.034	-.151	-.446	350	2164	-.365	.093	-.053	-.835	350	2217	-.261	.080	-.054	-.668
350	2113	-.192	.035	-.077	-.422	350	2165	-.258	.057	-.077	-.541	350	2218	-.187	.062	-.015	-.557
350	2114	-.372	.147	.055	-1.127	350	2166	-.222	.029	-.100	-.352	350	2219	-.179	.049	-.048	-.469
350	2115	-.044	.086	.530	-.221	350	2167	-.501	.149	.151	-1.212	350	2220	-.068	.066	.192	-.271
350	2116	-.260	.045	-.130	-.551	350	2168	-.422	.113	-.062	-.962	350	2221	-.192	.108	.083	-.770
350	2117	-.154	.050	.069	-.336	350	2170	-.086	.085	.278	-.332	350	2222	-.139	.043	-.018	-.295
350	2118	-.148	.104	.170	-.803	350	2171	-.012	.127	.460	-.565	350	2223	-.176	.044	-.048	-.426
350	2119	-.067	.057	.194	-.383	350	2172	-.019	.124	.667	-.332	350	2224	-.104	.062	-.208	-.390
350	2120	-.216	.053	.062	-.386	350	2173	-.041	.097	.375	-.395	350	2225	-.157	.030	-.029	-.278
350	2121	-.158	.074	.194	-.348	350	2174	-.221	.046	-.072	-.410	350	2226	-.171	.023	-.084	-.262
350	2122	-.119	.084	.127	-.767	350	2175	-.229	.031	-.128	-.359	350	2227	-.187	.026	-.097	-.370
350	2123	-.002	.048	.182	-.134	350	2177	-.226	.036	-.089	-.366	350	2228	-.120	.067	.149	-.325
350	2124	-.260	.055	-.072	-.616	350	2178	-.113	.045	.093	-.245	350	2229	-.050	.058	-.473	-.290
350	2125	-.245	.064	-.007	-.640	350	2179	-.071	.075	.273	-.371	350	2230	-.190	.041	-.079	-.408
350	2126	-.234	.042	-.113	-.417	350	2180	-.026	.089	.407	-.225	350	2231	-.113	.057	-.240	-.426
350	2127	-.226	.038	-.079	-.386	350	2181	-.077	.070	.244	-.303	350	2233	-.135	.035	-.042	-.413
350	2128	-.215	.036	-.115	-.379	350	2182	-.204	.028	-.123	-.318	350	2234	-.227	.052	-.044	-.453
350	2129	-.220	.046	-.038	-.525	350	2183	-.210	.029	-.118	-.315	350	2235	-.172	.029	-.052	-.303
350	2130	-.220	.039	-.067	-.393	350	2184	-.211	.026	-.110	-.321	350	2236	-.154	.035	-.064	-.232
350	2131	-.211	.027	-.127	-.333	350	2185	-.212	.027	-.134	-.324	350	2237	-.152	.027	-.064	-.290
350	2132	-.217	.035	-.110	-.422	350	2187	-.221	.028	-.143	-.326	350	2238	-.075	.042	.107	-.288
350	2133	-.260	.056	-.026	-.568	350	2188	-.118	.033	.016	-.238	350	2239	-.067	.039	.092	-.212
350	2134	-.207	.034	-.079	-.506	350	2189	-.097	.047	.206	-.276	350	2240	-.042	.032	.099	-.175
350	2136	-.223	.034	-.113	-.374	350	2190	-.071	.057	.363	-.231	350	2241	-.040	.033	.114	-.202

WD	TAP	CPMEAN	CPRMS	CPMAX	CPMIN	WD	TAP	CPMEAN	CPRMS	CPMAX	CPMIN	WD	TAP	CPMEAN	CPRMS	CPMAX	CPMIN
350	2242	-.033	.032	.102	-.175	350	2250	-.034	.029	.074	-.157	350	2258	-.034	.033	.124	-.144
350	2243	-.038	.036	.122	-.290	350	2251	-.031	.028	.099	-.129	350	2259	-.026	.052	.207	-.383
350	2244	-.079	.036	.081	-.220	350	2252	-.081	.052	.079	-.278	350	2260	-.028	.044	.184	-.192
350	2245	-.091	.049	.117	-.380	350	2253	-.087	.051	.079	-.275	350	2261	.004	.059	.282	-.192
350	2246	-.128	.053	.056	-.443	350	2254	.022	.079	.513	-.401	350	2262	.049	.061	.418	-.117
350	2247	-.080	.053	.087	-.350	350	2255	.077	.079	.571	-.154	350	2263	.009	.045	.235	-.117
350	2248	-.039	.034	.107	-.207	350	2256	.024	.067	.430	-.139	350	2264	-.025	.044	.117	-.242
350	2249	-.045	.034	.114	-.235	350	2257	-.048	.048	.174	-.202	350	2265	.001	.042	.290	-.177

WD	TAP	CPMEAN	CPRMS	CPMAX	CPMIN	WD	TAP	CPMEAN	CPRMS	CPMAX	CPMIN	WD	TAP	CPMEAN	CPRMS	CPMAX	CPMIN
0	2101	-.251	.055	-.059	-.620	0	2153	-.181	.028	-.097	-.339	0	2206	-.147	.040	-.009	-.341
0	2102	-.275	.078	-.028	-.580	0	2154	-.159	.026	-.056	-.299	0	2207	-.112	.030	-.072	-.274
0	2103	-.475	.132	-.082	-1.052	0	2155	-.153	.026	-.044	-.256	0	2208	-.266	.071	-.095	-.717
0	2104	-.250	.046	-.127	-.441	0	2156	-.028	.075	.353	-.239	0	2209	-.163	.039	-.046	-.555
0	2105	-.211	.053	-.056	-.542	0	2157	-.111	.070	.113	-.598	0	2210	-.140	.031	-.018	-.327
0	2106	-.523	.168	.009	-1.432	0	2158	-.151	.030	-.044	-.258	0	2211	-.029	.094	.472	-.241
0	2107	-.158	.140	.650	-.265	0	2159	-.160	.025	-.078	-.251	0	2212	-.270	.064	-.118	-.648
0	2108	-.259	.047	-.113	-.486	0	2160	-.150	.024	-.056	-.239	0	2213	-.188	.042	-.065	-.422
0	2109	-.243	.072	-.059	-.693	0	2161	-.149	.026	-.068	-.289	0	2214	-.150	.033	-.037	-.353
0	2110	-.457	.121	-.005	-1.059	0	2162	-.168	.032	-.068	-.413	0	2215	-.147	.028	-.053	-.288
0	2111	-.096	.116	.620	-.242	0	2163	-.182	.036	-.073	-.418	0	2216	-.002	.130	.598	-.325
0	2112	-.258	.041	-.136	-.561	0	2164	-.296	.091	.001	-.886	0	2217	-.244	.068	-.104	-.641
0	2113	-.200	.047	-.028	-.462	0	2165	-.178	.053	-.025	-.470	0	2218	-.220	.052	-.074	-.518
0	2114	-.450	.149	-.012	-1.188	0	2166	-.173	.032	-.074	-.418	0	2219	-.195	.044	-.090	-.413
0	2115	-.024	.088	-.378	-.310	0	2167	-.356	.151	.056	-1.126	0	2220	-.107	.047	.219	-.276
0	2116	-.258	.041	-.139	-.528	0	2168	-.328	.098	.034	-.993	0	2221	-.224	.052	-.097	-.783
0	2117	-.169	.043	.019	-.416	0	2170	-.054	.097	.495	-.301	0	2222	-.177	.041	-.037	-.413
0	2118	-.263	.116	.007	-.911	0	2171	.036	.142	.526	-.415	0	2223	-.158	.033	-.030	-.346
0	2119	-.097	.066	.338	-.340	0	2172	.066	.130	.617	-.301	0	2224	-.239	.079	-.053	-.590
0	2120	-.211	.034	-.092	-.425	0	2173	.057	.092	.484	-.284	0	2225	-.142	.028	-.055	-.271
0	2121	-.190	.046	.073	-.350	0	2174	.001	.077	.403	-.220	0	2226	-.136	.022	-.048	-.234
0	2122	-.188	.093	.073	-.617	0	2175	-.170	.036	-.035	-.358	0	2227	-.147	.028	-.035	-.303
0	2123	-.021	.048	-.225	-.193	0	2177	-.166	.033	-.063	-.327	0	2228	-.175	.030	-.092	-.305
0	2124	-.272	.063	-.089	-.683	0	2178	-.052	.053	.189	-.230	0	2229	-.155	.027	-.040	-.249
0	2125	-.254	.068	-.037	-.603	0	2179	-.024	.075	.343	-.242	0	2230	-.118	.026	-.035	-.291
0	2126	-.225	.039	-.068	-.416	0	2180	-.001	.088	.396	-.282	0	2231	-.160	.037	-.048	-.387
0	2127	-.245	.043	-.066	-.453	0	2181	-.037	.053	.165	-.249	0	2233	-.101	.028	.009	-.202
0	2128	-.239	.038	-.094	-.392	0	2182	-.114	.029	.029	-.218	0	2234	-.105	.032	.036	-.222
0	2129	-.269	.064	-.010	-.669	0	2183	-.161	.031	-.051	-.275	0	2235	-.113	.022	-.020	-.195
0	2130	-.217	.034	-.103	-.420	0	2184	-.164	.028	-.058	-.260	0	2236	-.110	.025	.038	-.219
0	2131	-.237	.034	-.141	-.390	0	2185	-.165	.027	-.083	-.281	0	2237	-.111	.029	.004	-.283
0	2132	-.261	.045	-.155	-.615	0	2187	-.174	.032	-.072	-.334	0	2238	-.099	.036	.038	-.247
0	2133	-.275	.050	-.132	-.545	0	2188	-.060	.035	.061	-.178	0	2239	-.108	.028	-.003	-.266
0	2134	-.205	.029	-.082	-.343	0	2189	-.045	.046	.196	-.195	0	2240	-.131	.028	-.050	-.291
0	2136	-.250	.045	-.127	-.465	0	2190	-.078	.037	.093	-.239	0	2241	-.116	.034	.048	-.261
0	2137	-.235	.063	-.035	-.592	0	2191	-.129	.031	-.013	-.255	0	2242	-.107	.025	-.002	-.254
0	2138	-.200	.033	-.099	-.392	0	2192	-.181	.028	-.086	-.281	0	2243	-.129	.026	-.043	-.237
0	2140	-.218	.056	-.068	-.542	0	2193	-.207	.039	-.099	-.468	0	2244	-.093	.031	.068	-.247
0	2141	-.153	.053	-.059	-.390	0	2194	-.186	.039	-.025	-.455	0	2245	-.094	.034	.046	-.242
0	2142	-.185	.034	-.031	-.336	0	2195	-.052	.038	.126	-.160	0	2246	-.126	.031	-.016	-.296
0	2143	-.177	.025	-.080	-.311	0	2196	-.058	.040	.170	-.169	0	2247	-.184	.058	-.025	-.485
0	2144	-.191	.030	-.087	-.334	0	2197	-.087	.033	.031	-.220	0	2248	-.124	.032	-.021	-.256
0	2145	-.182	.030	-.068	-.277	0	2198	-.062	.050	.191	-.227	0	2249	-.111	.023	-.020	-.237
0	2146	-.104	.063	.136	-.330	0	2199	-.083	.041	.082	-.204	0	2250	-.131	.026	-.050	-.237
0	2147	-.152	.038	-.039	-.294	0	2200	-.149	.047	.010	-.362	0	2251	-.114	.022	-.020	-.190
0	2148	-.163	.026	-.049	-.313	0	2201	-.087	.045	.135	-.241	0	2252	-.104	.035	.002	-.298
0	2149	-.163	.026	-.042	-.296	0	2202	-.204	.051	-.039	-.481	0	2253	-.103	.037	.021	-.244
0	2150	-.130	.057	-.129	-.339	0	2203	-.256	.084	-.076	-.699	0	2254	-.141	.028	-.023	-.254
0	2151	-.227	.064	-.013	-.515	0	2204	-.198	.048	-.060	-.471	0	2255	-.119	.025	-.025	-.254
0	2152	-.212	.044	-.104	-.408	0	2205	-.228	.072	-.013	-.585	0	2256	-.111	.027	-.018	-.229

WD	TAP	CPMEAN	CPRMS	CPMAX	CPMIN	WD	TAP	CPMEAN	CPRMS	CPMAX	CPMIN	WD	TAP	CPMEAN	CPRMS	CPMAX	CPMIN
0	2257	-.141	.032	-.045	-.313	10	2144	-.185	.028	-.095	-.315	10	2197	-.084	.039	.080	-.300
0	2258	-.109	.024	-.030	-.212	10	2145	-.182	.031	-.031	-.329	10	2198	-.086	.044	.174	-.226
0	2259	-.041	.041	-.188	-.156	10	2146	-.109	.071	-.209	-.425	10	2199	-.098	.045	.205	-.258
0	2260	-.065	.029	-.041	-.175	10	2147	-.142	.038	-.042	-.287	10	2200	-.154	.040	.009	-.499
0	2261	-.093	.023	-.008	-.192	10	2148	-.150	.026	-.040	-.278	10	2201	-.104	.041	.114	-.271
0	2262	-.090	.023	-.006	-.183	10	2149	-.148	.027	-.063	-.246	10	2202	-.183	.051	-.059	-.544
0	2263	-.093	.024	.009	-.183	10	2150	-.126	.066	.136	-.349	10	2203	-.215	.076	-.014	-.633
0	2264	-.146	.050	.075	-.369	10	2151	-.213	.062	-.006	-.553	10	2204	-.174	.045	-.054	-.510
0	2265	-.063	.041	.134	-.190	10	2152	-.206	.045	-.086	-.425	10	2205	-.195	.057	-.038	-.508
10	2101	-.260	.058	-.075	-.536	10	2153	-.175	.030	-.082	-.324	10	2206	-.127	.038	-.062	-.314
10	2102	-.303	.079	-.019	-.602	10	2154	-.144	.024	-.068	-.251	10	2207	-.103	.029	-.000	-.269
10	2103	-.503	.151	-.073	-1.365	10	2155	-.138	.022	-.063	-.223	10	2208	-.229	.059	-.056	-.620
10	2104	-.280	.046	-.130	-.464	10	2156	-.031	.082	.451	-.175	10	2209	-.157	.039	-.032	-.497
10	2105	-.194	.044	.006	-.484	10	2157	-.093	.058	.175	-.493	10	2210	-.138	.041	-.032	-.392
10	2106	-.519	.210	.230	-1.627	10	2158	-.139	.030	-.036	-.278	10	2211	-.047	.074	.311	-.329
10	2107	-.157	.138	.727	-.270	10	2159	-.149	.025	-.056	-.260	10	2212	-.234	.050	-.108	-.589
10	2108	-.282	.047	-.139	-.690	10	2160	-.138	.023	-.056	-.223	10	2213	-.178	.043	-.054	-.461
10	2109	-.231	.061	-.005	-.620	10	2161	-.138	.025	-.066	-.244	10	2214	-.139	.035	-.034	-.343
10	2110	-.457	.145	.214	-1.074	10	2162	-.159	.027	-.066	-.271	10	2215	-.141	.034	-.043	-.320
10	2111	-.101	.115	-.654	-.254	10	2163	-.175	.035	-.066	-.599	10	2216	-.034	.110	.418	-.331
10	2112	-.264	.044	-.150	-.606	10	2164	-.265	.079	.122	-.759	10	2217	-.204	.054	-.074	-.557
10	2113	-.210	.053	-.037	-.563	10	2165	-.173	.059	.003	-.665	10	2218	-.197	.045	-.090	-.461
10	2114	-.402	.130	.015	-1.128	10	2166	-.161	.031	-.063	-.410	10	2219	-.169	.037	-.072	-.369
10	2115	-.008	.077	.451	-.265	10	2167	-.311	.140	.037	-1.111	10	2220	-.109	.044	-.143	-.273
10	2116	-.264	.041	-.154	-.516	10	2168	-.294	.102	.008	-.923	10	2221	-.194	.044	-.094	-.499
10	2117	-.174	.044	-.008	-.385	10	2170	-.084	.070	.339	-.274	10	2222	-.157	.036	-.029	-.376
10	2118	-.291	.123	.017	-1.119	10	2171	-.053	.119	.550	-.498	10	2223	-.142	.031	-.023	-.309
10	2119	-.074	.067	.293	-.274	10	2172	-.026	.142	.552	-.624	10	2224	-.235	.072	-.036	-.566
10	2120	-.226	.034	-.082	-.403	10	2173	.031	.106	.463	-.283	10	2225	-.130	.026	-.048	-.242
10	2121	-.200	.046	.047	-.346	10	2174	-.025	.073	.353	-.267	10	2226	-.119	.025	-.031	-.223
10	2122	-.213	.107	.080	-1.060	10	2175	-.159	.034	-.061	-.297	10	2227	-.133	.031	-.010	-.372
10	2123	-.006	.054	.227	-.161	10	2177	-.157	.033	-.031	-.333	10	2228	-.154	.029	-.057	-.296
10	2124	-.276	.057	-.114	-.773	10	2178	-.044	.055	.310	-.207	10	2229	-.135	.028	-.027	-.258
10	2125	-.247	.068	-.069	-.593	10	2179	-.046	.058	.170	-.336	10	2230	-.099	.025	-.005	-.199
10	2126	-.236	.038	-.098	-.417	10	2180	-.032	.077	.298	-.336	10	2231	-.142	.036	-.031	-.419
10	2127	-.254	.048	-.073	-.489	10	2181	-.034	.060	.248	-.230	10	2233	-.087	.026	-.021	-.246
10	2128	-.253	.041	-.064	-.466	10	2182	-.107	.033	-.060	-.221	10	2234	-.093	.032	.044	-.242
10	2129	-.249	.067	-.006	-.575	10	2183	-.153	.028	-.054	-.308	10	2235	-.096	.024	.009	-.178
10	2130	-.228	.033	-.100	-.389	10	2184	-.148	.025	-.067	-.255	10	2236	-.087	.025	.004	-.171
10	2131	-.254	.037	-.159	-.482	10	2185	-.146	.026	-.056	-.244	10	2237	-.088	.027	.004	-.251
10	2132	-.264	.046	-.143	-.493	10	2187	-.162	.024	-.085	-.269	10	2238	-.089	.037	.028	-.343
10	2133	-.284	.052	-.062	-.595	10	2188	-.048	.036	.141	-.166	10	2239	-.094	.026	.025	-.220
10	2134	-.214	.030	-.127	-.421	10	2189	-.048	.044	.138	-.195	10	2240	-.107	.027	.023	-.220
10	2135	-.254	.044	-.116	-.507	10	2190	-.086	.049	.100	-.356	10	2241	-.094	.032	.077	-.244
10	2137	-.250	.063	-.060	-.518	10	2191	-.113	.034	.029	-.271	10	2242	-.099	.027	.028	-.246
10	2138	-.196	.029	-.100	-.340	10	2192	-.168	.029	-.070	-.280	10	2243	-.119	.024	-.029	-.218
10	2140	-.235	.055	-.073	-.590	10	2193	-.195	.034	-.095	-.461	10	2244	-.080	.030	.030	-.192
10	2141	-.140	.062	.090	-.396	10	2194	-.178	.036	-.043	-.347	10	2245	-.084	.031	.028	-.211
10	2142	-.165	.042	-.053	-.310	10	2195	-.043	.037	.109	-.164	10	2246	-.110	.026	-.022	-.239
10	2143	-.178	.030	-.086	-.370	10	2196	-.051	.045	.183	-.191	10	2247	-.156	.047	-.020	-.414

WD	TAP	CPMEAN	CPRMS	CPMAX	CPMIN	WD	TAP	CPMEAN	CPRMS	CPMAX	CPMIN	WD	TAP	CPMEAN	CPRMS	CPMAX	CPMIN
10	2248	-.103	.033	-.030	-.242	20	2133	-.237	.060	-.061	-.454	20	2188	-.028	.041	.174	-.160
10	2249	-.103	.024	-.010	-.216	20	2134	-.208	.029	-.108	-.317	20	2189	-.056	.046	.206	-.273
10	2250	-.126	.026	-.048	-.242	20	2136	-.234	.043	-.103	-.506	20	2190	-.104	.056	.065	-.407
10	2251	-.104	.022	-.008	-.202	20	2137	-.242	.058	-.023	-.584	20	2191	-.107	.030	.025	-.246
10	2252	-.087	.034	-.032	-.270	20	2138	-.187	.025	-.099	-.306	20	2192	-.155	.026	-.066	-.266
10	2253	-.087	.032	-.035	-.199	20	2140	-.229	.053	-.090	-.335	20	2193	-.175	.030	-.087	-.315
10	2254	-.116	.025	-.029	-.211	20	2141	-.150	.062	-.072	-.333	20	2194	-.167	.031	-.008	-.315
10	2255	-.099	.024	-.013	-.204	20	2142	-.156	.047	-.039	-.299	20	2195	-.035	.036	.286	-.139
10	2256	-.097	.024	-.009	-.223	20	2143	-.172	.037	-.065	-.445	20	2196	-.064	.043	.161	-.204
10	2257	-.127	.026	-.050	-.239	20	2144	-.176	.029	-.094	-.379	20	2197	-.108	.049	.048	-.436
10	2258	-.101	.022	-.029	-.199	20	2145	-.172	.030	-.046	-.336	20	2198	-.097	.034	.154	-.224
10	2259	-.026	.050	.302	.161	20	2146	-.118	.062	.145	-.434	20	2199	-.118	.035	.081	-.264
10	2260	-.058	.027	.030	-.168	20	2147	-.129	.034	-.020	-.301	20	2200	-.147	.034	-.021	-.304
10	2261	-.078	.022	.025	-.154	20	2148	-.133	.026	-.005	-.247	20	2201	-.117	.034	.065	-.235
10	2262	-.075	.022	.006	-.152	20	2149	-.133	.026	-.046	-.233	20	2202	-.154	.041	-.001	-.445
10	2263	-.086	.026	.013	-.192	20	2150	-.110	.063	.113	-.299	20	2203	-.167	.056	-.015	-.542
10	2264	-.142	.042	.002	-.381	20	2151	-.186	.059	-.024	-.447	20	2204	-.136	.037	-.019	-.411
10	2265	-.065	.031	.139	-.173	20	2152	-.175	.040	-.031	-.358	20	2205	-.164	.053	-.013	-.600
20	2101	-.243	.055	-.076	-.510	20	2153	-.157	.029	-.053	-.281	20	2206	-.105	.032	.034	-.327
20	2102	-.288	.074	-.074	-.596	20	2154	-.127	.023	-.019	-.210	20	2207	-.102	.033	-.005	-.306
20	2103	-.388	.183	-.048	-.091	20	2155	-.123	.023	-.049	-.224	20	2208	-.198	.057	-.055	-.589
20	2104	-.292	.048	-.162	-.513	20	2156	-.026	.061	.291	-.188	20	2209	-.161	.056	-.004	-.805
20	2105	-.149	.057	.135	-.328	20	2157	-.102	.044	.081	-.386	20	2210	-.142	.047	.043	-.473
20	2106	-.316	.307	.511	-1.433	20	2158	-.130	.026	-.014	-.233	20	2211	-.074	.075	.235	-.556
20	2107	-.151	.140	.707	-.308	20	2159	-.130	.024	-.055	-.240	20	2212	-.209	.045	-.084	-.431
20	2108	-.285	.047	-.137	-.506	20	2160	-.117	.021	-.046	-.190	20	2213	-.164	.041	-.035	-.442
20	2109	-.213	.056	-.033	-.535	20	2161	-.116	.026	-.024	-.281	20	2214	-.133	.034	-.026	-.289
20	2110	-.405	.165	.198	-1.131	20	2162	-.146	.025	-.055	-.265	20	2215	-.137	.035	-.035	-.315
20	2111	-.077	.113	.525	-.252	20	2163	-.165	.031	-.058	-.443	20	2216	-.049	.084	.571	-.338
20	21112	-.254	.049	-.123	-.843	20	2164	-.236	.067	-.035	-.718	20	2217	-.168	.048	-.055	-.547
20	21113	-.211	.057	-.042	-.760	20	2165	-.172	.056	.015	-.465	20	2218	-.162	.040	-.059	-.413
20	21114	-.365	.110	-.024	-.866	20	2166	-.152	.028	-.057	-.291	20	2219	-.139	.031	-.035	-.369
20	21115	-.019	.072	-.372	-.270	20	2167	-.256	.110	.058	-1.222	20	2220	-.108	.055	-.094	-.440
20	21116	-.255	.044	-.144	-.407	20	2168	-.234	.091	.056	-.648	20	2221	-.170	.039	-.059	-.424
20	21117	-.179	.049	-.022	-.416	20	2170	-.069	.073	.293	-.274	20	2222	-.133	.035	-.019	-.338
20	21118	-.312	.122	.025	-1.043	20	2171	-.089	.073	.407	-.420	20	2223	-.124	.030	-.013	-.271
20	21119	-.050	.066	.268	-.258	20	2172	-.101	.093	.491	-.516	20	2224	-.210	.074	-.035	-.750
20	21120	-.219	.038	-.078	-.398	20	2173	-.045	.088	.452	-.279	20	2225	-.116	.026	-.042	-.237
20	21121	-.192	.054	.111	-.362	20	2174	-.054	.070	.380	-.254	20	2226	-.105	.027	-.014	-.223
20	21122	-.249	.129	.135	-1.019	20	2175	-.156	.036	-.042	-.331	20	2227	-.126	.044	-.004	-.360
20	21123	-.001	.047	-.248	-.132	20	2177	-.148	.031	-.053	-.322	20	2228	-.138	.029	-.033	-.356
20	21124	-.249	.060	-.078	-.461	20	2178	-.016	.063	.344	-.192	20	2229	-.112	.027	-.016	-.212
20	21125	-.222	.060	-.016	-.492	20	2179	-.041	.054	.218	-.260	20	2230	-.084	.025	-.038	-.193
20	21126	-.217	.038	-.087	-.400	20	2180	-.071	.079	.243	-.409	20	2231	-.131	.033	-.035	-.318
20	21127	-.245	.057	-.094	-.582	20	2181	-.042	.063	.275	-.217	20	2233	-.078	.023	.012	-.164
20	21128	-.245	.041	-.146	-.472	20	2182	-.103	.034	.104	-.210	20	2234	-.095	.032	.050	-.266
20	21129	-.182	.080	-.108	-.461	20	2183	-.147	.031	-.040	-.313	20	2235	-.088	.023	.003	-.179
20	21130	-.221	.030	-.123	-.400	20	2184	-.143	.026	-.062	-.269	20	2236	-.075	.025	.036	-.244
20	21131	-.241	.041	-.128	-.443	20	2185	-.138	.023	-.057	-.246	20	2237	-.074	.025	.010	-.169
20	21132	-.255	.050	-.121	-.596	20	2187	-.151	.023	-.064	-.271	20	2238	-.077	.037	.055	-.358

WD	TAP	CPMEAN	CPRMS	CPMAX	CPMIN	WD	TAP	CPMEAN	CPRMS	CPMAX	CPMIN	WD	TAP	CPMEAN	CPRMS	CPMAX	CPMIN
20	2239	-.074	.028	.048	-.169	30	2124	-.212	.047	-.043	-.516	30	2178	-.012	.071	.354	-.367
20	2240	-.080	.029	.045	-.181	30	2125	-.197	.043	-.025	-.478	30	2179	-.069	.048	.133	-.365
20	2241	-.072	.029	.059	-.207	30	2126	-.191	.036	-.038	-.427	30	2180	-.109	.078	.158	-.507
20	2242	-.084	.025	.015	-.219	30	2127	-.237	.067	-.068	-.858	30	2181	-.043	.049	.230	-.238
20	2243	-.105	.024	-.023	-.209	30	2128	-.215	.034	-.126	-.440	30	2182	-.103	.032	.033	-.206
20	2244	-.063	.028	-.055	-.174	30	2129	-.082	.086	-.234	-.335	30	2183	-.137	.029	-.048	-.281
20	2245	-.071	.031	-.059	-.223	30	2130	-.195	.030	-.090	-.322	30	2184	-.139	.025	-.057	-.267
20	2246	-.087	.026	-.007	-.176	30	2131	-.224	.040	-.126	-.416	30	2185	-.131	.022	-.059	-.227
20	2247	-.109	.031	-.028	-.240	30	2132	-.247	.060	-.099	-.550	30	2187	-.139	.023	-.070	-.242
20	2248	-.079	.034	-.097	-.235	30	2133	-.153	.079	-.187	-.476	30	2188	-.026	.048	.290	-.185
20	2249	-.098	.025	-.023	-.261	30	2134	-.189	.026	-.117	-.360	30	2189	-.071	.041	.098	-.245
20	2250	-.117	.025	-.037	-.219	30	2136	-.203	.041	-.094	-.476	30	2190	-.132	.070	.029	-.408
20	2251	-.094	.022	-.004	-.181	30	2137	-.200	.058	-.098	-.505	30	2191	-.108	.025	-.010	-.216
20	2252	-.069	.034	-.038	-.226	30	2138	-.174	.022	-.101	-.288	30	2192	-.137	.023	-.066	-.267
20	2253	-.069	.032	.031	-.174	30	2140	-.192	.035	-.088	-.400	30	2193	-.151	.026	-.071	-.288
20	2254	-.085	.024	.007	-.176	30	2141	-.175	.054	-.109	-.396	30	2194	-.142	.027	-.028	-.309
20	2255	-.075	.024	.015	-.157	30	2142	-.164	.041	-.031	-.311	30	2195	-.036	.038	.195	-.165
20	2256	-.084	.024	-.007	-.195	30	2143	-.170	.034	-.066	-.351	30	2196	-.079	.038	.087	-.220
20	2257	-.112	.022	-.040	-.221	30	2144	-.177	.028	-.086	-.299	30	2197	-.122	.051	.018	-.441
20	2258	-.093	.022	-.016	-.179	30	2145	-.173	.032	-.028	-.317	30	2198	-.103	.027	.065	-.189
20	2259	-.016	.047	.274	-.136	30	2146	-.106	.041	.065	-.274	30	2199	-.116	.028	.089	-.212
20	2260	-.047	.030	.052	-.160	30	2147	-.116	.029	.027	-.252	30	2200	-.126	.026	-.039	-.249
20	2261	-.060	.023	.059	-.148	30	2148	-.110	.024	-.025	-.195	30	2201	-.114	.028	.014	-.209
20	2262	-.062	.022	.031	-.143	30	2149	-.109	.027	-.019	-.240	30	2202	-.142	.042	-.024	-.430
20	2263	-.077	.026	.017	-.193	30	2150	-.089	.044	.081	-.227	30	2203	-.136	.050	-.003	-.528
20	2264	-.126	.037	-.023	-.362	30	2151	-.141	.041	-.023	-.371	30	2204	-.121	.031	-.010	-.349
20	2265	-.063	.028	-.090	-.148	30	2152	-.132	.031	-.032	-.310	30	2205	-.148	.045	.003	-.488
30	2101	-.197	.049	-.030	-.483	30	2153	-.115	.023	-.032	-.240	30	2206	-.097	.030	.038	-.231
30	2102	-.281	.072	-.036	-.594	30	2154	-.103	.025	.006	-.229	30	2207	-.120	.038	.005	-.326
30	2103	-.250	.163	-.254	-1.179	30	2155	-.097	.024	.020	-.190	30	2208	-.167	.047	-.050	-.501
30	2104	-.272	.049	-.119	-.465	30	2156	-.059	.043	.131	-.213	30	2209	-.183	.073	.014	-.771
30	2105	-.107	.072	.238	-.340	30	2157	-.104	.030	.008	-.254	30	2210	-.142	.054	.058	-.494
30	2106	-.080	.288	.528	-1.753	30	2158	-.111	.022	-.034	-.206	30	2211	-.131	.070	-.255	-.609
30	2107	-.117	.158	.718	-.405	30	2159	-.103	.021	-.032	-.193	30	2212	-.205	.053	-.090	-.585
30	2108	-.249	.047	-.090	-.456	30	2160	-.095	.021	-.005	-.170	30	2213	-.171	.047	-.017	-.391
30	2109	-.157	.061	-.234	-.552	30	2161	-.094	.023	-.019	-.206	30	2214	-.130	.036	.025	-.324
30	2110	-.229	.205	.486	-1.250	30	2162	-.136	.024	-.064	-.265	30	2215	-.133	.038	-.017	-.346
30	2111	-.021	.107	.546	-.480	30	2163	-.141	.029	-.041	-.324	30	2216	-.056	.077	-.332	-.309
30	2112	-.211	.044	-.097	-.572	30	2164	-.224	.079	-.008	-.679	30	2217	-.145	.040	-.033	-.439
30	2113	-.174	.057	.055	-.554	30	2165	-.141	.042	-.012	-.419	30	2218	-.142	.039	-.044	-.386
30	2114	-.259	.111	.352	-.802	30	2166	-.137	.027	-.052	-.315	30	2219	-.127	.030	-.035	-.280
30	2115	-.055	.061	-.216	-.380	30	2167	-.213	.079	.011	-.842	30	2220	-.140	.057	.082	-.492
30	2116	-.220	.046	-.094	-.634	30	2168	-.170	.062	.036	-.523	30	2221	-.162	.039	-.059	-.386
30	2117	-.168	.044	-.027	-.507	30	2170	-.040	.090	.567	-.306	30	2222	-.123	.035	.012	-.333
30	2118	-.242	.110	.008	-.931	30	2171	-.100	.049	.137	-.310	30	2223	-.125	.033	-.030	-.342
30	2119	-.046	.065	-.325	-.271	30	2172	-.143	.072	.264	-.550	30	2224	-.207	.081	-.018	-.943
30	2120	-.200	.035	-.076	-.405	30	2173	-.087	.061	.255	-.317	30	2225	-.115	.026	-.037	-.223
30	2121	-.180	.051	.165	-.398	30	2174	-.087	.055	.201	-.326	30	2226	-.112	.030	-.011	-.240
30	2122	-.200	.102	.075	-.840	30	2175	-.144	.035	-.034	-.335	30	2227	-.129	.043	-.004	-.445
30	2123	-.001	.046	.305	-.235	30	2177	-.131	.030	-.046	-.306	30	2228	-.131	.031	-.034	-.354

WD	TAP	CPMEAN	CPRMS	CPMAX	CPMIN	WD	TAP	CPMEAN	CPRMS	CPMAX	CPMIN	WD	TAP	CPMEAN	CPRMS	CPMAX	CPMIN
30	2229	-.102	.026	.005	-.212	40	2115	-.064	.063	.231	-.492	40	2167	-.185	.070	.124	-.649
30	2230	-.079	.022	.005	-.158	40	2116	-.174	.044	-.001	-.382	40	2168	-.140	.051	.041	-.505
30	2231	-.123	.035	-.016	-.406	40	2117	-.139	.038	-.019	-.312	40	2170	-.030	.085	.425	-.308
30	2233	-.076	.022	.003	-.174	40	2118	-.153	.074	.049	-.582	40	2171	-.100	.046	.102	-.486
30	2234	-.106	.035	.062	-.303	40	2119	-.048	.061	.303	-.293	40	2172	-.157	.061	.152	-.493
30	2235	-.091	.025	.008	-.188	40	2120	-.163	.040	.002	-.335	40	2173	-.096	.040	.358	-.329
30	2236	-.081	.027	.008	-.205	40	2121	-.151	.052	.250	-.300	40	2174	-.093	.041	.159	-.353
30	2237	-.079	.029	.038	-.209	40	2122	-.159	.083	.208	-.690	40	2175	-.122	.034	-.033	-.305
30	2238	-.050	.039	.083	-.268	40	2123	-.019	.045	.339	-.220	40	2177	-.117	.030	-.019	-.272
30	2239	-.056	.031	.073	-.200	40	2124	-.204	.043	-.057	-.379	40	2178	-.006	.073	.462	-.249
30	2240	-.065	.028	.050	-.195	40	2125	-.209	.058	-.075	-.564	40	2179	-.090	.040	.069	-.275
30	2241	-.065	.028	.045	-.198	40	2126	-.189	.038	-.066	-.431	40	2180	-.152	.068	.048	-.486
30	2242	-.077	.026	.029	-.212	40	2127	-.234	.064	-.047	-.707	40	2181	-.087	.035	.102	-.232
30	2243	-.096	.025	.015	-.181	40	2128	-.214	.035	-.115	-.407	40	2182	-.103	.029	.076	-.199
30	2244	-.045	.030	.062	-.163	40	2129	.012	.100	.423	-.323	40	2183	-.121	.031	-.031	-.360
30	2245	-.052	.033	.059	-.205	40	2130	-.190	.030	-.089	-.300	40	2184	-.117	.028	-.035	-.285
30	2246	-.063	.027	.024	-.167	40	2131	-.224	.045	-.101	-.485	40	2185	-.108	.020	-.045	-.190
30	2247	-.083	.027	.026	-.235	40	2132	-.241	.065	-.082	-.613	40	2187	-.117	.023	-.052	-.248
30	2248	-.068	.038	.168	-.263	40	2133	-.046	.098	.346	-.377	40	2188	-.113	.054	.282	-.184
30	2249	-.092	.025	-.016	-.214	40	2134	-.182	.029	-.094	-.337	40	2189	-.095	.037	.073	-.244
30	2250	-.111	.024	-.013	-.242	40	2136	-.224	.057	-.094	-.833	40	2190	-.161	.066	.016	-.461
30	2251	-.089	.024	.052	-.207	40	2137	-.159	.083	.201	-.466	40	2191	-.103	.022	.009	-.181
30	2252	-.051	.030	.052	-.214	40	2138	-.173	.025	-.094	-.300	40	2192	-.112	.021	-.047	-.258
30	2253	-.052	.030	.064	-.172	40	2140	-.190	.041	-.073	-.576	40	2193	-.112	.025	-.033	-.298
30	2254	-.064	.026	.024	-.167	40	2141	-.165	.047	-.088	-.326	40	2194	-.117	.027	-.005	-.308
30	2255	-.062	.025	.062	-.179	40	2142	-.166	.032	-.005	-.314	40	2195	-.030	.044	.284	-.156
30	2256	-.081	.027	-.029	-.198	40	2143	-.167	.029	-.073	-.365	40	2196	-.094	.030	.059	-.232
30	2257	-.105	.023	-.025	-.209	40	2144	-.176	.031	-.071	-.369	40	2197	-.139	.045	-.019	-.445
30	2258	-.084	.020	-.009	-.170	40	2145	-.156	.040	.029	-.282	40	2198	-.105	.023	-.026	-.216
30	2259	-.017	.041	.251	-.132	40	2146	-.112	.033	.150	-.275	40	2199	-.106	.021	-.042	-.181
30	2260	-.037	.029	.059	-.153	40	2147	-.112	.030	.024	-.270	40	2200	-.110	.023	-.047	-.209
30	2261	-.045	.023	.042	-.139	40	2148	-.100	.025	-.016	-.208	40	2201	-.108	.022	-.028	-.202
30	2262	-.052	.023	.043	-.130	40	2149	-.095	.029	.007	-.239	40	2202	-.139	.047	-.038	-.526
30	2263	-.080	.027	.031	-.160	40	2150	-.098	.038	.102	-.241	40	2203	-.115	.035	-.010	-.359
30	2264	-.103	.031	-.006	-.333	40	2151	-.120	.029	-.038	-.339	40	2204	-.113	.032	-.012	-.327
30	2265	-.061	.024	.038	-.135	40	2152	-.110	.026	-.012	-.341	40	2205	-.130	.039	-.008	-.424
40	2101	-.156	.053	.056	-.393	40	2153	-.100	.022	-.023	-.189	40	2206	-.098	.030	.018	-.253
40	2102	-.275	.071	-.064	-.580	40	2154	-.090	.025	.031	-.199	40	2207	-.117	.034	-.001	-.373
40	2103	-.313	.223	.154	-1.534	40	2155	-.087	.023	-.004	-.166	40	2208	-.161	.048	-.047	-.417
40	2104	-.272	.064	-.073	-.562	40	2156	-.080	.036	.083	-.305	40	2209	-.171	.074	-.010	-.713
40	2105	-.028	.091	.327	-.260	40	2157	-.104	.031	.019	-.341	40	2210	-.128	.055	.036	-.545
40	2106	.133	.167	.766	-.676	40	2158	-.099	.020	-.033	-.178	40	2211	-.146	.056	-.048	-.477
40	2107	.087	.171	.671	-.585	40	2159	-.092	.021	.005	-.206	40	2212	-.190	.048	-.054	-.503
40	2108	-.226	.063	-.003	-.604	40	2160	-.084	.024	.005	-.194	40	2213	-.153	.048	-.017	-.410
40	2109	-.077	.074	.271	-.305	40	2161	-.086	.023	.033	-.189	40	2214	-.110	.035	.009	-.336
40	2110	.028	.153	.656	-.601	40	2162	-.116	.024	-.047	-.351	40	2215	-.122	.041	-.010	-.431
40	2111	.015	.123	.535	-.482	40	2163	-.126	.031	-.040	-.329	40	2216	-.089	.058	-.217	-.304
40	2112	-.166	.043	-.005	-.396	40	2164	-.200	.065	.055	-.373	40	2217	-.130	.039	-.040	-.380
40	2113	-.109	.051	.102	-.265	40	2165	-.124	.040	.012	-.346	40	2218	-.130	.037	-.045	-.433
40	2114	-.086	.102	.289	-.494	40	2166	-.121	.028	-.038	-.262	40	2219	-.123	.029	-.047	-.267

WD	TAP	CPMEAN	CPRMS	CPMAX	CPMIN	WD	TAP	CPNEAN	CPRMS	CPMAX	CPMIN	WD	TAP	CPMEAN	CPRMS	CPMAX	CPMIN
40	2220	-.158	.053	-.015	-.489	50	2106	.164	.148	.714	-.360	50	2158	-.084	.019	-.012	-.143
40	2221	-.140	.036	-.028	-.378	50	2107	-.004	.151	.497	-.694	50	2159	-.076	.020	-.012	-.145
40	2222	-.118	.034	-.002	-.271	50	2108	-.177	.074	.107	-.505	50	2160	-.071	.023	-.012	-.159
40	2223	-.123	.033	-.022	-.258	50	2109	-.015	.079	.310	-.249	50	2161	-.066	.023	-.026	-.133
40	2224	-.213	.078	-.059	-.732	50	2110	-.109	.119	.601	-.332	50	2162	-.092	.019	-.035	-.175
40	2225	-.116	.030	-.038	-.247	50	2111	-.005	.118	.506	-.470	50	2163	-.104	.023	-.037	-.234
40	2226	-.107	.030	.001	-.247	50	2112	-.112	.048	.146	-.348	50	2164	-.175	.052	-.030	-.557
40	2227	-.127	.044	.003	-.396	50	2113	-.060	.045	.208	-.212	50	2165	-.099	.024	-.005	-.271
40	2228	-.121	.031	-.002	-.304	50	2114	-.007	.068	.365	-.313	50	2166	-.101	.024	-.039	-.279
40	2229	-.096	.025	.001	-.240	50	2115	-.051	.067	.298	-.336	50	2167	-.165	.058	-.042	-.660
40	2230	-.081	.023	.003	-.183	50	2116	-.113	.039	.008	-.380	50	2168	-.113	.039	.040	-.409
40	2231	-.118	.034	-.024	-.333	50	2117	-.093	.037	.049	-.274	50	2170	-.017	.061	.264	-.206
40	2233	-.077	.021	.006	-.163	50	2118	-.098	.045	.070	-.323	50	2171	-.082	.041	.218	-.246
40	2234	-.104	.029	.045	-.235	50	2119	-.082	.045	.139	-.293	50	2172	-.147	.059	.068	-.538
40	2235	-.088	.024	.006	-.205	50	2120	-.101	.041	.079	-.270	50	2173	-.083	.033	.098	-.260
40	2236	-.078	.027	.033	-.198	50	2121	-.077	.070	.354	-.221	50	2174	-.081	.033	.098	-.222
40	2237	-.072	.025	.023	-.171	50	2122	-.081	.059	.185	-.450	50	2175	-.100	.024	-.033	-.217
40	2238	-.039	.033	.082	-.178	50	2123	-.021	.042	.208	-.189	50	2177	-.095	.022	-.023	-.201
40	2239	-.059	.032	.065	-.208	50	2124	-.187	.044	-.043	-.415	50	2178	-.006	.059	.325	-.194
40	2240	-.072	.030	.052	-.217	50	2125	-.229	.078	-.041	-.840	50	2179	-.085	.032	.063	-.229
40	2241	-.071	.031	.084	-.190	50	2126	-.169	.041	-.046	-.369	50	2180	-.150	.059	.016	-.536
40	2242	-.080	.028	.023	-.222	50	2127	-.222	.077	.001	-.752	50	2181	-.082	.027	.101	-.194
40	2243	-.099	.027	-.004	-.210	50	2128	-.210	.044	-.101	-.452	50	2182	-.091	.024	.031	-.194
40	2244	-.044	.031	.055	-.166	50	2129	-.057	.113	.541	-.394	50	2183	-.101	.028	-.026	-.388
40	2245	-.049	.034	.072	-.200	50	2130	-.172	.033	-.046	-.396	50	2184	-.096	.023	-.037	-.215
40	2246	-.061	.026	.033	-.166	50	2131	-.214	.050	-.080	-.463	50	2185	-.090	.016	-.042	-.163
40	2247	-.085	.027	.018	-.308	50	2132	-.207	.060	-.050	-.611	50	2187	-.097	.017	-.032	-.172
40	2248	-.064	.050	.307	-.210	50	2133	-.010	.092	.492	-.281	50	2188	-.007	.044	.219	-.156
40	2249	-.103	.027	-.014	-.254	50	2134	-.172	.034	-.064	-.346	50	2189	-.090	.028	-.032	-.193
40	2250	-.115	.027	-.024	-.222	50	2136	-.230	.068	-.080	-.437	50	2190	-.164	.056	-.035	-.411
40	2251	-.090	.027	.089	-.190	50	2137	-.106	.091	.335	-.459	50	2191	-.089	.020	-.012	-.211
40	2252	-.058	.039	.077	-.296	50	2138	-.172	.029	-.092	-.323	50	2192	-.094	.020	-.028	-.172
40	2253	-.051	.029	.050	-.208	50	2140	-.201	.050	-.089	-.671	50	2193	-.093	.023	-.014	-.220
40	2254	-.062	.026	.043	-.161	50	2141	-.143	.049	.151	-.355	50	2194	-.098	.023	-.028	-.202
40	2255	-.062	.027	.069	-.181	50	2142	-.177	.034	-.027	-.313	50	2195	-.020	.036	.148	-.119
40	2256	-.090	.028	.001	-.178	50	2143	-.165	.029	-.084	-.316	50	2196	-.085	.025	-.020	-.211
40	2257	-.107	.024	-.002	-.247	50	2144	-.200	.055	-.040	-.526	50	2197	-.129	.040	-.037	-.387
40	2258	-.089	.021	-.014	-.156	50	2145	-.102	.042	.136	-.239	50	2198	-.084	.020	-.004	-.170
40	2259	-.026	.039	.371	-.129	50	2146	-.100	.030	-.005	-.367	50	2199	-.088	.021	-.016	-.188
40	2260	-.041	.029	.084	-.161	50	2147	-.092	.025	.012	-.210	50	2200	-.087	.021	-.028	-.199
40	2261	-.047	.024	.079	-.127	50	2148	-.088	.025	-.005	-.206	50	2201	-.092	.020	-.010	-.202
40	2262	-.056	.023	.087	-.134	50	2149	-.086	.027	.019	-.201	50	2202	-.129	.048	-.021	-.618
40	2263	-.089	.027	.020	-.174	50	2150	-.089	.030	.045	-.194	50	2203	-.095	.030	-.019	-.577
40	2264	-.096	.025	-.024	-.291	50	2151	-.100	.026	-.009	-.224	50	2204	-.099	.030	-.007	-.289
40	2265	-.069	.022	.025	-.173	50	2152	-.092	.022	-.016	-.196	50	2205	-.104	.031	.027	-.325
50	2101	-.107	.066	.139	-.376	50	2153	-.085	.023	-.007	-.175	50	2206	-.090	.029	-.025	-.259
50	2102	-.231	.078	.125	-.623	50	2154	-.074	.025	.028	-.182	50	2207	-.102	.035	-.012	-.305
50	2103	-.362	.220	.176	-1.560	50	2155	-.071	.024	.047	-.152	50	2208	-.137	.043	-.010	-.396
50	2104	-.249	.085	.017	-.611	50	2156	-.068	.033	.147	-.180	50	2209	-.132	.063	.041	-.483
50	2105	.018	.096	.448	-.258	50	2157	-.088	.027	.007	-.203	50	2210	-.107	.048	.032	-.394

WD	TAP	CPMEAN	CPRMS	CPMAX	CPMIN	WD	TAP	CPMEAN	CPRMS	CPMAX	CPMIN	WD	TAP	CPMEAN	CPRMS	CPMAX	CPMIN
50	2211	-.120	.046	.027	-.474	50	2262	-.057	.021	.017	-.131	60	2149	-.074	.021	-.003	-.177
50	2212	-.145	.041	-.039	-.366	50	2263	-.085	.024	.029	-.167	60	2150	-.071	.025	-.044	-.184
50	2213	-.118	.041	-.005	-.316	50	2264	-.090	.023	-.026	-.232	60	2151	-.078	.022	-.010	-.154
50	2214	-.093	.034	.016	-.273	50	2265	-.069	.022	.044	-.177	60	2152	-.074	.020	-.003	-.145
50	2215	-.104	.041	.034	-.403	60	2101	-.064	.069	.184	-.327	60	2153	-.074	.019	-.009	-.136
50	2216	-.089	.038	-.093	-.314	60	2102	-.157	.085	.114	-.571	60	2154	-.068	.020	-.000	-.188
50	2217	-.111	.035	-.028	-.382	60	2103	-.270	.208	.168	-1.462	60	2155	-.066	.020	-.000	-.147
50	2218	-.111	.036	-.016	-.332	60	2104	-.177	.091	.195	-.666	60	2156	-.064	.023	.041	-.138
50	2219	-.110	.029	-.037	-.298	60	2105	.072	.116	.543	-.216	60	2157	-.074	.024	.011	-.197
50	2220	-.133	.048	-.002	-.398	60	2106	.142	.130	.650	-.155	60	2158	-.068	.018	-.003	-.126
50	2221	-.109	.029	-.030	-.270	60	2107	-.039	.107	.356	-.565	60	2159	-.066	.018	-.005	-.129
50	2222	-.103	.032	-.000	-.282	60	2108	-.118	.081	.200	-.522	60	2160	-.064	.020	-.009	-.147
50	2223	-.104	.032	-.010	-.295	60	2109	-.022	.078	.453	-.189	60	2161	-.067	.020	-.000	-.152
50	2224	-.174	.044	-.048	-.472	60	2110	.116	.109	.620	-.137	60	2162	-.078	.017	-.023	-.158
50	2225	-.093	.025	-.026	-.218	60	2111	.019	.104	.541	-.436	60	2163	-.087	.022	-.021	-.193
50	2226	-.087	.026	.010	-.208	60	2112	-.077	.046	.136	-.307	60	2164	-.148	.044	-.023	-.385
50	2227	-.108	.037	.017	-.399	60	2113	-.021	.051	.290	-.169	60	2165	-.081	.021	-.014	-.200
50	2228	-.099	.027	.032	-.307	60	2114	-.014	.062	.444	-.225	60	2166	-.086	.022	-.019	-.191
50	2229	-.079	.023	.017	-.193	60	2115	-.042	.071	.252	-.307	60	2167	-.130	.048	.029	-.440
50	2230	-.072	.023	.020	-.164	60	2116	-.073	.038	.087	-.305	60	2168	-.091	.030	.029	-.277
50	2231	-.098	.031	-.002	-.360	60	2117	-.061	.030	.053	-.250	60	2170	-.013	.049	.228	-.163
50	2232	-.067	.023	.029	-.191	60	2118	-.069	.035	.057	-.232	60	2171	-.065	.034	.132	-.200
50	2233	-.086	.026	.051	-.198	60	2119	-.075	.042	.075	-.280	60	2172	-.128	.054	.100	-.396
50	2234	-.070	.023	.012	-.145	60	2120	-.041	.043	.123	-.182	60	2173	-.048	.028	.091	-.170
50	2235	-.064	.022	.012	-.145	60	2121	-.029	.065	.326	-.173	60	2174	-.069	.025	.064	-.197
50	2236	-.063	.022	.007	-.179	60	2122	-.035	.056	.227	-.366	60	2175	-.084	.022	-.023	-.190
50	2237	-.041	.032	.104	-.179	60	2123	-.011	.053	.206	-.144	60	2177	-.081	.019	-.002	-.149
50	2238	-.058	.030	.056	-.201	60	2124	-.173	.053	.005	-.501	60	2178	-.001	.048	.235	-.156
50	2239	-.073	.028	.046	-.206	60	2125	-.254	.088	-.024	-.673	60	2179	-.073	.027	.045	-.190
50	2240	-.064	.032	.114	-.189	60	2126	-.148	.043	-.011	-.402	60	2180	-.129	.045	-.010	-.431
50	2241	-.077	.027	.087	-.206	60	2127	-.197	.080	-.059	-.621	60	2181	-.070	.023	.084	-.172
50	2242	-.089	.027	.041	-.201	60	2128	-.247	.067	-.106	-.657	60	2182	-.077	.021	.025	-.156
50	2243	-.044	.030	.068	-.147	60	2129	-.060	.117	.534	-.241	60	2183	-.082	.022	-.021	-.241
50	2244	-.054	.036	.073	-.305	60	2130	-.157	.040	-.012	-.357	60	2184	-.080	.022	-.021	-.212
50	2245	-.063	.029	.049	-.510	60	2131	-.209	.061	-.067	-.531	60	2185	-.078	.016	-.024	-.131
50	2246	-.083	.025	-.005	-.235	60	2132	-.208	.069	-.058	-.838	60	2187	-.079	.016	-.028	-.147
50	2247	-.047	.054	.281	-.225	60	2133	-.026	.091	.466	-.291	60	2188	-.020	.037	.122	-.127
50	2248	-.094	.027	.003	-.242	60	2134	-.157	.039	-.047	-.354	60	2189	-.078	.023	.014	-.162
50	2249	-.104	.026	.051	-.237	60	2136	-.231	.076	-.069	-.813	60	2190	-.128	.039	-.035	-.330
50	2250	-.085	.030	.078	-.213	60	2137	-.054	.087	.313	-.388	60	2191	-.075	.019	-.001	-.165
50	2251	-.064	.035	.058	-.227	60	2138	-.157	.036	-.051	-.341	60	2192	-.074	.017	-.021	-.151
50	2252	-.058	.031	.058	-.191	60	2140	-.202	.063	-.054	-.619	60	2193	-.072	.018	-.000	-.188
50	2253	-.062	.024	.034	-.157	60	2141	-.104	.051	-.177	-.341	60	2194	-.077	.020	.001	-.151
50	2254	-.043	.024	.012	-.186	60	2142	-.162	.037	-.072	-.347	60	2195	-.025	.029	.166	-.111
50	2255	-.084	.025	.024	-.179	60	2143	-.141	.028	-.039	-.284	60	2196	-.068	.022	.050	-.174
50	2256	-.099	.022	-.026	-.201	60	2144	-.189	.063	-.012	-.614	60	2197	-.099	.030	-.021	-.270
50	2257	-.084	.023	.020	-.201	60	2145	-.054	.038	.105	-.163	60	2198	-.067	.019	-.017	-.142
50	2258	-.030	.036	.191	-.118	60	2146	-.074	.024	.018	-.266	60	2199	-.067	.018	-.006	-.124
50	2259	-.045	.028	.068	-.232	60	2147	-.073	.021	-.000	-.156	60	2200	-.067	.018	-.010	-.133
50	2260	-.048	.022	.027	-.123	60	2148	-.072	.020	.011	-.158	60	2201	-.073	.019	-.001	-.144

WD	TAP	CPMEAN	CPRMS	CPMAX	CPMIN	WD	TAP	CPMEAN	CPRMS	CPMAX	CPMIN	WD	TAP	CPMEAN	CPRMS	CPMAX	CPMIN
60	2202	-.124	.047	-.006	-.426	60	2253	-.076	.031	.007	-.305	70	2140	-.225	.084	-.080	-.773
60	2203	-.089	.029	.039	-.241	60	2254	-.045	.028	.083	-.178	70	2141	-.079	.043	-.138	-.290
60	2204	-.090	.030	.021	-.245	60	2255	-.058	.024	.057	-.154	70	2142	-.158	.041	-.036	-.354
60	2205	-.086	.028	.019	-.252	60	2256	-.072	.023	.045	-.178	70	2143	-.128	.030	-.002	-.280
60	2206	-.080	.028	.028	-.207	60	2257	-.079	.021	.028	-.182	70	2144	-.176	.059	.017	-.636
60	2207	-.087	.030	.005	-.216	60	2258	-.048	.024	.059	-.144	70	2145	-.042	.039	.147	-.199
60	2208	-.108	.040	.017	-.355	60	2259	-.015	.051	.296	-.308	70	2146	-.055	.026	.040	-.273
60	2209	-.105	.055	.039	-.523	60	2260	-.066	.040	.042	-.341	70	2147	-.058	.023	.019	-.229
60	2210	-.090	.043	.039	-.402	60	2261	-.055	.026	.033	-.163	70	2148	-.065	.022	.008	-.224
60	2211	-.106	.041	.028	-.361	60	2262	-.056	.022	.035	-.137	70	2149	-.068	.022	.010	-.187
60	2212	-.112	.037	.003	-.332	60	2263	-.066	.023	.059	-.154	70	2150	-.054	.025	.100	-.173
60	2213	-.093	.034	.012	-.288	60	2264	-.073	.020	.014	-.220	70	2151	-.064	.025	.019	-.175
60	2214	-.081	.030	.021	-.263	60	2265	-.062	.021	.040	-.149	70	2152	-.063	.022	.040	-.168
60	2215	-.090	.036	.037	-.297	70	2101	-.043	.084	.316	-.443	70	2153	-.065	.019	-.002	-.148
60	2216	-.085	.033	.070	-.261	70	2102	-.121	.098	.220	-1.102	70	2154	-.063	.020	.010	-.141
60	2217	-.097	.034	-.008	-.323	70	2103	-.128	.106	.213	-.949	70	2155	-.061	.020	.026	-.127
60	2218	-.101	.034	-.008	-.285	70	2104	-.106	.091	.225	-.786	70	2156	-.053	.023	.038	-.145
60	2219	-.102	.033	-.013	-.319	70	2105	-.109	.129	.675	-.281	70	2157	-.066	.023	.026	-.199
60	2220	-.114	.037	-.019	-.308	70	2106	-.118	.136	.630	-.176	70	2158	-.055	.018	.012	-.120
60	2221	-.087	.026	-.028	-.241	70	2107	-.093	.100	.277	-.718	70	2159	-.056	.018	.003	-.117
60	2222	-.082	.028	-.004	-.243	70	2108	-.054	.078	.330	-.681	70	2160	-.055	.018	.005	-.113
60	2223	-.085	.028	-.012	-.196	70	2109	-.052	.092	.476	-.160	70	2161	-.060	.020	.031	-.134
60	2224	-.145	.046	-.019	-.346	70	2110	-.057	.093	.490	-.130	70	2162	-.059	.018	-.004	-.122
60	2225	-.073	.022	-.007	-.173	70	2111	-.035	.087	.382	-.539	70	2163	-.071	.023	-.004	-.194
60	2226	-.072	.021	-.005	-.159	70	2112	-.055	.052	.209	-.462	70	2164	-.116	.037	.010	-.319
60	2227	-.087	.031	.019	-.305	70	2113	-.008	.059	.399	-.176	70	2165	-.065	.023	.024	-.182
60	2228	-.081	.025	.014	-.258	70	2114	-.009	.057	.280	-.240	70	2166	-.063	.022	.014	-.163
60	2229	-.069	.024	.028	-.163	70	2115	-.049	.053	.257	-.301	70	2167	-.111	.044	.035	-.456
60	2230	-.063	.023	.024	-.170	70	2116	-.050	.033	.069	-.249	70	2168	-.074	.030	.015	-.240
60	2231	-.077	.027	.007	-.267	70	2117	-.047	.034	.156	-.178	70	2170	-.014	.042	.256	-.189
60	2233	-.057	.020	.031	-.147	70	2118	-.052	.033	.106	-.224	70	2171	-.060	.029	.126	-.168
60	2234	-.070	.026	.052	-.220	70	2119	-.060	.037	.083	-.308	70	2172	-.123	.049	.024	-.521
60	2235	-.064	.019	.014	-.137	70	2120	-.037	.039	.167	-.217	70	2173	-.063	.023	.049	-.168
60	2236	-.060	.018	.002	-.125	70	2121	-.020	.071	.291	-.164	70	2174	-.059	.021	.038	-.178
60	2237	-.057	.021	.026	-.189	70	2122	-.022	.062	.259	-.279	70	2175	-.062	.022	.015	-.148
60	2238	-.056	.029	.064	-.178	70	2123	-.003	.048	.250	-.279	70	2177	-.063	.019	-.002	-.129
60	2239	-.064	.029	.057	-.182	70	2124	-.170	.053	-.020	-.539	70	2178	-.011	.046	.358	-.092
60	2240	-.074	.027	.047	-.215	70	2125	-.291	.103	-.003	-.768	70	2179	-.062	.026	-.052	-.164
60	2241	-.053	.032	.109	-.189	70	2126	-.167	.049	-.029	-.478	70	2180	-.135	.048	-.011	-.402
60	2242	-.067	.026	.052	-.187	70	2127	-.194	.086	-.044	-.697	70	2181	-.061	.021	.015	-.143
60	2243	-.081	.027	.052	-.258	70	2128	-.309	.075	-.141	-.693	70	2182	-.055	.019	.005	-.124
60	2244	-.066	.032	.068	-.272	70	2129	-.058	.106	.529	-.235	70	2183	-.058	.020	.005	-.129
60	2245	-.067	.034	.052	-.277	70	2130	-.176	.052	-.013	-.450	70	2184	-.056	.018	.012	-.140
60	2246	-.067	.029	.059	-.241	70	2131	-.209	.073	-.064	-.542	70	2185	-.061	.016	-.006	-.122
60	2247	-.079	.028	.009	-.237	70	2132	-.253	.079	-.059	-.839	70	2187	-.060	.017	.000	-.108
60	2248	-.015	.053	.305	-.204	70	2133	-.025	.086	.408	-.304	70	2188	-.010	.046	.288	-.095
60	2249	-.077	.027	.094	-.211	70	2134	-.171	.053	-.034	-.475	70	2189	-.063	.027	.048	-.172
60	2250	-.089	.029	.042	-.267	70	2136	-.267	.090	-.077	-.793	70	2190	-.135	.051	-.011	-.552
60	2251	-.066	.040	.234	-.199	70	2137	-.025	.070	.334	-.297	70	2191	-.059	.018	.010	-.131
60	2252	-.089	.032	.009	-.201	70	2138	-.157	.037	-.054	-.343	70	2192	-.055	.019	.025	-.117

WD	TAP	CPMEAN	CPRMS	CPMAX	CPMIN	WD	TAP	CPMEAN	CPRMS	CPMAX	CPMIN	WD	TAP	CPMEAN	CPRMS	CPMAX	CPMIN
70	2193	-.053	.019	.010	-.129	70	2244	-.075	.024	.010	-.188	80	2129	-.032	.071	.312	-.321
70	2194	-.055	.018	.021	-.122	70	2245	-.071	.031	.056	-.320	80	2130	-.149	.037	-.028	-.344
70	2195	-.007	.033	.152	-.099	70	2246	-.070	.031	.089	-.337	80	2131	-.166	.048	-.048	-.420
70	2196	-.056	.024	.053	-.151	70	2247	-.079	.035	.084	-.289	80	2132	-.194	.056	-.030	-.546
70	2197	-.100	.040	-.002	-.305	70	2248	-.031	.056	.446	-.203	80	2133	-.028	.068	-.319	-.239
70	2198	-.052	.018	.021	-.115	70	2249	-.071	.030	.044	-.198	80	2134	-.144	.036	-.028	-.390
70	2199	-.048	.018	.030	-.106	70	2250	-.085	.036	.056	-.387	80	2136	-.195	.054	-.048	-.617
70	2200	-.048	.018	.019	-.167	70	2251	-.049	.060	.525	-.172	80	2137	-.050	.063	-.287	-.312
70	2201	-.052	.018	.016	-.142	70	2252	-.097	.033	-.004	-.325	80	2138	-.143	.030	-.057	-.351
70	2202	-.110	.050	.050	-.439	70	2253	-.082	.028	.046	-.164	80	2140	-.175	.051	-.039	-.500
70	2203	-.079	.030	.057	-.289	70	2254	-.067	.030	.135	-.164	80	2141	-.085	.038	-.099	-.246
70	2204	-.082	.031	.048	-.210	70	2255	-.057	.028	.068	-.181	80	2142	-.140	.028	-.046	-.285
70	2205	-.074	.033	.064	-.253	70	2256	-.063	.027	.075	-.174	80	2143	-.131	.027	-.020	-.252
70	2206	-.067	.031	.053	-.197	70	2257	-.069	.024	.065	-.200	80	2144	-.169	.055	-.031	-.459
70	2207	-.070	.030	.048	-.199	70	2258	-.057	.031	.190	-.150	80	2145	-.067	.035	-.069	-.185
70	2208	-.078	.033	.041	-.285	70	2259	-.006	.048	.257	-.129	80	2146	-.086	.026	-.006	-.227
70	2209	-.087	.044	.025	-.462	70	2260	-.089	.055	.087	-.368	80	2147	-.083	.026	-.001	-.224
70	2210	-.084	.038	.021	-.382	70	2261	-.055	.030	.070	-.169	80	2148	-.089	.026	-.008	-.227
70	2211	-.076	.034	.057	-.237	70	2262	-.054	.024	.039	-.117	80	2149	-.089	.027	-.001	-.241
70	2212	-.076	.028	.053	-.224	70	2263	-.059	.024	.070	-.131	80	2150	-.073	.029	-.111	-.178
70	2213	-.075	.026	.023	-.208	70	2264	-.061	.025	.070	-.181	80	2151	-.090	.024	-.015	-.211
70	2214	-.078	.028	.023	-.226	70	2265	-.058	.023	.070	-.124	80	2152	-.086	.022	-.006	-.169
70	2215	-.090	.036	.019	-.337	80	2101	-.089	.062	.193	-.386	80	2153	-.089	.020	-.024	-.194
70	2216	-.082	.038	.136	-.269	80	2102	-.133	.076	.269	-.675	80	2154	-.081	.022	.017	-.297
70	2217	-.084	.035	.021	-.455	80	2103	-.145	.090	.133	-1.005	80	2155	-.077	.022	.006	-.166
70	2218	-.083	.032	.039	-.237	80	2104	-.110	.069	.154	-.700	80	2156	-.074	.024	.066	-.155
70	2219	-.090	.033	.030	-.258	80	2105	-.011	.078	.395	-.298	80	2157	-.088	.023	-.003	-.194
70	2220	-.076	.027	.010	-.201	80	2106	-.012	.100	.535	-.195	80	2158	-.080	.019	-.008	-.159
70	2221	-.076	.028	.012	-.231	80	2107	-.106	.076	.165	-.675	80	2159	-.080	.019	-.010	-.145
70	2222	-.063	.027	.032	-.149	80	2108	-.082	.056	.115	-.347	80	2160	-.078	.021	-.008	-.143
70	2223	-.068	.028	.039	-.240	80	2109	-.009	.072	.360	-.156	80	2161	-.076	.021	-.015	-.150
70	2224	-.077	.028	.025	-.199	80	2110	-.023	.089	.583	-.207	80	2162	-.085	.019	-.015	-.169
70	2225	-.044	.021	.013	-.136	80	2111	-.071	.068	.195	-.395	80	2163	-.090	.023	-.010	-.211
70	2226	-.069	.021	-.004	-.145	80	2112	-.078	.047	.099	-.429	80	2164	-.117	.029	-.029	-.250
70	2227	-.079	.031	.025	-.279	80	2113	-.014	.060	.335	-.156	80	2165	-.095	.026	-.010	-.250
70	2228	-.069	.026	.036	-.208	80	2114	-.010	.071	.427	-.172	80	2166	-.086	.022	-.010	-.198
70	2229	-.061	.025	.058	-.155	80	2115	-.070	.055	.163	-.340	80	2167	-.114	.030	-.031	-.329
70	2230	-.059	.025	.051	-.164	80	2116	-.074	.037	.071	-.301	80	2168	-.099	.028	-.008	-.264
70	2231	-.043	.025	.034	-.193	80	2117	-.055	.037	.152	-.186	80	2170	-.070	.033	.090	-.169
70	2233	-.051	.021	.027	-.129	80	2118	-.059	.040	.131	-.202	80	2171	-.095	.024	-.022	-.208
70	2234	-.058	.020	.008	-.141	80	2119	-.071	.039	.119	-.262	80	2172	-.131	.038	-.024	-.397
70	2235	-.062	.020	.005	-.150	80	2120	-.063	.035	.099	-.181	80	2173	-.096	.023	-.024	-.224
70	2236	-.065	.020	.010	-.131	80	2121	-.058	.049	.223	-.184	80	2174	-.090	.023	-.008	-.269
70	2237	-.056	.019	.017	-.131	80	2122	-.049	.054	.236	-.209	80	2175	-.088	.023	-.013	-.227
70	2238	-.065	.029	.082	-.179	80	2123	-.038	.041	.168	-.156	80	2177	-.089	.021	-.010	-.178
70	2239	-.073	.031	.106	-.229	80	2124	-.150	.046	.069	-.392	80	2178	-.039	.047	.206	-.159
70	2240	-.082	.030	.034	-.255	80	2125	-.217	.085	.298	-.670	80	2179	-.094	.029	-.020	-.220
70	2241	-.055	.039	.139	-.200	80	2126	-.143	.033	-.034	-.289	80	2180	-.162	.050	-.055	-.604
70	2242	-.066	.034	.101	-.243	80	2127	-.149	.052	.051	-.539	80	2181	-.093	.022	-.022	-.183
70	2243	-.079	.035	.080	-.397	80	2128	-.236	.066	.021	-.794	80	2182	-.084	.020	.008	-.155

WD	TAP	CPMEAN	CPRMS	CPMAX	CPMIN	WD	TAP	CPMEAN	CPRMS	CPMAX	CPMIN	WD	TAP	CPMEAN	CPRMS	CPMAX	CPMIN
80	2183	-.082	.021	-.008	-.162	80	2235	-.101	.021	-.025	-.200	90	2120	-.082	.028	.076	-.164
80	2184	-.082	.020	-.030	-.169	80	2236	-.099	.021	-.022	-.191	90	2121	-.096	.035	.130	-.283
80	2185	-.084	.018	-.019	-.144	80	2237	-.092	.018	-.034	-.164	90	2122	-.096	.026	.214	-.198
80	2187	-.085	.017	-.030	-.139	80	2238	-.078	.032	.074	-.217	90	2123	-.097	.023	.004	-.173
80	2188	-.026	.048	.168	-.144	80	2239	-.089	.035	.067	-.301	90	2124	-.129	.048	.121	-.337
80	2189	-.037	.028	.034	-.198	80	2240	-.110	.034	.023	-.311	90	2125	.0139	.080	.245	-.598
80	2190	-.177	.056	-.060	-.430	80	2241	-.068	.043	.148	-.253	90	2126	-.129	.035	-.026	-.344
80	2191	-.090	.020	-.028	-.180	80	2242	-.087	.040	.079	-.306	90	2127	-.106	.044	.094	-.494
80	2192	-.085	.021	-.014	-.164	80	2243	-.095	.046	.177	-.380	90	2128	-.115	.066	.137	-.439
80	2193	-.083	.020	-.022	-.152	80	2244	-.087	.027	.014	-.198	90	2129	-.061	.070	.408	-.347
80	2194	-.086	.021	-.010	-.166	80	2245	-.083	.028	.004	-.195	90	2130	-.124	.028	-.035	-.340
80	2195	-.039	.035	.211	-.171	80	2246	-.088	.032	.083	-.248	90	2131	-.107	.028	-.003	-.231
80	2196	-.083	.027	-.061	-.178	80	2247	-.125	.048	.004	-.428	90	2132	-.108	.062	.209	-.525
80	2197	-.137	.041	-.007	-.371	80	2248	-.027	.080	.530	-.279	90	2133	-.071	.048	.110	-.340
80	2198	-.088	.020	-.007	-.162	80	2249	-.096	.037	.057	-.287	90	2134	-.120	.030	-.026	-.369
80	2199	-.082	.021	-.095	-.157	80	2250	-.123	.060	.052	-.597	90	2136	-.120	.041	.033	-.301
80	2200	-.082	.020	-.014	-.198	80	2251	-.059	.071	.494	-.282	90	2137	-.087	.035	.067	-.238
80	2201	-.086	.022	-.016	-.169	80	2252	-.111	.032	-.008	-.316	90	2138	-.120	.028	-.026	-.426
80	2202	-.142	.049	.045	-.641	80	2253	-.095	.025	-.006	-.251	90	2140	-.123	.033	.074	-.263
80	2203	-.117	.035	.029	-.296	80	2254	-.081	.027	.033	-.198	90	2141	-.094	.026	.015	-.186
80	2204	-.116	.035	.034	-.264	80	2255	-.079	.031	.074	-.193	90	2142	-.116	.025	-.004	-.274
80	2205	-.107	.038	.040	-.323	80	2256	-.083	.031	.079	-.174	90	2143	-.112	.024	-.024	-.191
80	2206	-.100	.033	.029	-.278	80	2257	-.094	.031	.074	-.265	90	2144	-.123	.029	.022	-.283
80	2207	-.103	.030	.061	-.225	80	2258	-.077	.040	.228	-.212	90	2145	-.087	.032	.054	-.173
80	2208	-.114	.033	-.013	-.310	80	2259	-.048	.040	.151	-.318	90	2146	-.073	.023	.001	-.230
80	2209	-.121	.035	-.025	-.325	80	2260	-.083	.037	.047	-.296	90	2147	-.074	.021	-.024	-.159
80	2210	-.121	.031	-.007	-.478	80	2261	-.072	.029	.023	-.181	90	2148	-.084	.020	-.003	-.159
80	2211	-.111	.031	.043	-.257	80	2262	-.071	.029	.127	-.150	90	2149	-.091	.025	-.008	-.184
80	2212	-.109	.027	.002	-.266	80	2263	-.075	.031	.079	-.150	90	2150	-.068	.025	.049	-.150
80	2213	-.110	.022	-.016	-.205	80	2264	-.082	.029	.105	-.219	90	2151	-.081	.022	.019	-.161
80	2214	-.115	.025	-.025	-.248	80	2265	-.080	.029	.117	-.195	90	2152	-.080	.021	-.001	-.168
80	2215	-.120	.031	-.028	-.346	90	2101	-.098	.075	.284	-.451	90	2153	-.088	.020	-.013	-.166
80	2216	-.121	.046	.061	-.373	90	2102	-.120	.069	.178	-.550	90	2154	-.080	.021	.008	-.177
80	2217	-.118	.036	.020	-.357	90	2103	-.110	.052	.119	-.399	90	2155	-.076	.022	.015	-.159
80	2218	-.121	.038	.013	-.344	90	2104	-.076	.070	.390	-.677	90	2156	-.073	.021	.061	-.150
80	2219	-.125	.035	.047	-.355	90	2105	-.075	.082	.404	-.496	90	2157	-.080	.019	.008	-.148
80	2220	-.107	.027	.011	-.246	90	2106	-.083	.054	.379	-.333	90	2158	-.073	.020	.019	-.139
80	2221	-.113	.034	.004	-.366	90	2107	-.114	.041	.038	-.358	90	2159	-.075	.021	.008	-.145
80	2222	-.099	.029	.025	-.198	90	2108	-.080	.046	.137	-.338	90	2160	-.073	.021	.029	-.155
80	2223	-.103	.025	-.006	-.214	90	2109	-.077	.061	.142	-.473	90	2161	-.075	.022	.006	-.148
80	2224	-.099	.023	-.028	-.216	90	2110	-.085	.040	.225	-.270	90	2162	-.068	.020	.001	-.129
80	2225	-.100	.020	-.030	-.179	90	2111	-.112	.035	.013	-.326	90	2163	-.071	.022	.038	-.159
80	2226	-.100	.020	-.032	-.270	90	2112	-.085	.033	.058	-.304	90	2164	-.099	.025	.019	-.329
80	2227	-.103	.025	-.018	-.246	90	2113	-.076	.040	.069	-.308	90	2165	-.095	.030	.006	-.271
80	2228	-.103	.034	.047	-.349	90	2114	-.084	.035	.121	-.252	90	2166	-.067	.031	.003	-.138
80	2229	-.090	.027	-.035	-.193	90	2115	-.105	.035	.038	-.455	90	2167	-.095	.026	-.003	-.203
80	2230	-.089	.024	-.015	-.195	90	2116	-.084	.028	.065	-.188	90	2168	-.094	.028	.001	-.253
80	2231	-.092	.033	.115	-.255	90	2117	-.079	.036	.110	-.256	90	2170	-.093	.025	.015	-.187
80	2233	-.086	.022	-.009	-.167	90	2118	-.085	.027	.035	-.186	90	2171	-.094	.024	.015	-.210
80	2234	-.088	.021	-.010	-.167	90	2119	-.103	.031	.006	-.315	90	2172	-.100	.024	-.029	-.226

WD	TAP	CPMEAN	CPRMS	CPMAX	CPMIN	WD	TAP	CPMEAN	CPRMS	CPMAX	CPMIN	WD	TAP	CPMEAN	CPRMS	CPMAX	CPMIN
90	2173	-.092	.027	.015	-.287	90	2225	-.100	.020	-.040	-.187	100	2111	-.142	.035	.013	-.460
90	2174	-.080	.025	.008	-.260	90	2226	-.100	.019	-.040	-.172	100	2112	-.083	.039	.137	-.309
90	2175	-.074	.027	.043	-.194	90	2227	-.097	.023	-.007	-.196	100	2113	-.159	.055	.043	-.497
90	2177	-.078	.022	-.004	-.180	90	2228	-.095	.026	-.009	-.234	100	2114	-.134	.042	.034	-.385
90	2178	-.082	.040	.113	-.187	90	2229	-.090	.021	-.007	-.187	100	2115	-.142	.036	.002	-.396
90	2179	-.090	.027	-.063	-.180	90	2230	-.092	.019	-.023	-.177	100	2116	-.092	.029	.038	-.186
90	2180	-.118	.037	-.015	-.324	90	2231	-.090	.023	-.009	-.170	100	2117	-.146	.043	.009	-.513
90	2181	-.083	.023	-.017	-.177	90	2233	-.089	.020	-.019	-.158	100	2118	-.124	.036	-.010	-.483
90	2182	-.070	.022	.013	-.223	90	2234	-.091	.020	-.007	-.168	100	2119	-.135	.039	.029	-.577
90	2183	-.069	.023	.022	-.157	90	2235	-.106	.020	-.037	-.177	100	2120	-.070	.034	.102	-.168
90	2184	-.064	.020	.001	-.133	90	2236	-.103	.021	-.040	-.208	100	2121	-.148	.057	.098	-.442
90	2185	-.065	.019	-.005	-.131	90	2237	-.093	.019	-.035	-.175	100	2122	-.123	.028	.029	-.255
90	2187	-.071	.018	-.008	-.160	90	2238	-.100	.025	.038	-.402	100	2123	-.120	.026	-.005	-.229
90	2188	-.068	.047	.196	-.189	90	2239	-.098	.026	.017	-.208	100	2124	-.139	.045	.077	-.417
90	2189	-.080	.027	.046	-.169	90	2240	-.110	.026	-.019	-.241	100	2125	-.179	.106	.194	-.703
90	2190	-.123	.044	-.035	-.406	90	2241	-.082	.030	.036	-.196	100	2126	-.125	.032	.018	-.261
90	2191	-.079	.021	-.017	-.158	90	2242	-.092	.027	.057	-.236	100	2127	-.079	.047	.171	-.460
90	2192	-.070	.022	.019	-.160	90	2243	-.103	.035	.034	-.274	100	2128	-.042	.087	.274	-.440
90	2193	-.069	.021	.001	-.152	90	2244	-.114	.023	-.049	-.255	100	2129	-.021	.087	.404	-.390
90	2194	-.071	.020	.001	-.145	90	2245	-.100	.024	.005	-.206	100	2130	-.125	.031	-.035	-.415
90	2195	-.073	.031	.077	-.196	90	2246	-.092	.025	.024	-.198	100	2131	-.075	.037	.059	-.243
90	2196	-.076	.026	.055	-.176	90	2247	-.110	.034	.008	-.312	100	2132	-.020	.089	.400	-.591
90	2197	-.096	.029	-.006	-.342	90	2248	-.058	.047	.237	-.179	100	2133	-.029	.073	.386	-.419
90	2198	-.073	.019	-.008	-.142	90	2249	-.094	.025	-.014	-.191	100	2134	-.124	.032	-.014	-.291
90	2199	-.068	.020	.003	-.149	90	2250	-.117	.054	.026	-.572	100	2136	-.035	.064	.292	-.433
90	2200	-.068	.022	.014	-.145	90	2251	-.062	.052	.329	-.234	100	2137	-.057	.050	.137	-.376
90	2201	-.071	.020	.010	-.163	90	2252	-.112	.020	-.037	-.201	100	2138	-.122	.036	-.007	-.380
90	2202	-.111	.030	-.015	-.382	90	2253	-.102	.019	-.028	-.191	100	2140	-.074	.053	.150	-.419
90	2203	-.102	.025	-.015	-.234	90	2254	-.089	.019	.012	-.153	100	2141	-.064	.036	.075	-.250
90	2204	-.105	.027	-.013	-.277	90	2255	-.089	.021	-.019	-.165	100	2142	-.117	.038	.015	-.630
90	2205	-.098	.030	.012	-.391	90	2256	-.088	.022	.015	-.170	100	2143	-.090	.031	.073	-.192
90	2206	-.094	.024	-.023	-.198	90	2257	-.104	.031	.019	-.246	100	2144	-.084	.037	.094	-.275
90	2207	-.102	.020	-.037	-.189	90	2258	-.077	.032	.112	-.163	100	2145	-.070	.038	.133	-.192
90	2208	-.108	.024	-.028	-.221	90	2259	-.105	.024	-.007	-.208	100	2146	-.090	.027	.003	-.250
90	2209	-.114	.026	-.028	-.261	90	2260	-.094	.021	-.002	-.191	100	2147	-.079	.022	.017	-.173
90	2210	-.114	.029	-.026	-.295	90	2261	-.089	.020	-.007	-.168	100	2148	-.082	.024	.012	-.201
90	2211	-.105	.022	-.003	-.227	90	2262	-.087	.020	-.007	-.142	100	2149	-.095	.027	.012	-.194
90	2212	-.103	.020	-.039	-.187	90	2263	-.085	.022	.017	-.149	100	2150	-.089	.027	-.006	-.215
90	2213	-.107	.019	-.042	-.189	90	2264	-.094	.027	.026	-.374	100	2151	-.085	.022	-.006	-.171
90	2214	-.109	.025	-.015	-.277	90	2265	-.083	.026	.124	-.163	100	2152	-.079	.021	-.003	-.182
90	2215	-.101	.025	-.006	-.332	100	2101	-.139	.103	.320	-.582	100	2153	-.082	.020	-.013	-.152
90	2216	-.108	.034	.046	-.297	100	2102	-.153	.099	.345	-.600	100	2154	-.082	.023	.003	-.187
90	2217	-.103	.026	.001	-.306	100	2103	-.132	.054	.157	-.476	100	2155	-.081	.027	.022	-.189
90	2218	-.107	.026	-.033	-.227	100	2104	-.010	.088	.402	-.428	100	2156	-.074	.022	-.001	-.159
90	2219	-.105	.023	-.033	-.239	100	2105	-.149	.141	.384	-.927	100	2157	-.073	.025	.050	-.196
90	2220	-.103	.020	-.035	-.201	100	2106	-.104	.056	.253	-.499	100	2158	-.055	.030	.124	-.145
90	2221	-.099	.028	-.008	-.265	100	2107	-.139	.035	.013	-.355	100	2159	-.070	.025	.064	-.148
90	2222	-.092	.021	-.013	-.174	100	2108	-.055	.061	.349	-.287	100	2160	-.074	.023	.015	-.171
90	2223	-.098	.019	-.030	-.178	100	2109	-.173	.086	.137	-.584	100	2161	-.070	.025	.038	-.201
90	2224	-.099	.020	-.035	-.183	100	2110	-.122	.041	.096	-.312	100	2162	-.097	.030	-.006	-.231

WD	TAP	CPMEAN	CPRMS	CPMAX	CPMIN	WD	TAP	CPMEAN	CPRMS	CPMAX	CPMIN	WD	TAP	CPMEAN	CPRMS	CPMAX	CPMIN
100	2163	-.089	.030	.003	-.194	100	2216	-.092	.022	-.014	-.193	110	2102	-.189	.150	.352	-.851
100	2164	-.122	.038	.091	-.352	100	2217	-.091	.024	-.005	-.190	110	2103	-.142	.059	.188	-.447
100	2165	-.103	.036	.026	-.361	100	2218	-.094	.021	-.027	-.215	110	2104	-.087	.116	.640	-.292
100	2166	-.074	.028	.007	-.166	100	2219	-.095	.020	-.023	-.197	110	2105	-.172	.201	.521	-1.205
100	2167	-.109	.031	.045	-.289	100	2220	-.100	.023	-.002	-.302	110	2106	-.096	.057	.229	-.326
100	2168	-.097	.034	.038	-.273	100	2221	-.088	.022	-.007	-.186	110	2107	-.148	.034	.010	-.299
100	2170	-.112	.027	-.008	-.273	100	2222	-.088	.022	-.009	-.202	110	2108	-.023	.097	.441	-.283
100	2171	-.111	.031	.040	-.287	100	2223	-.100	.025	-.032	-.247	110	2109	-.224	.140	.258	-1.093
100	2172	-.105	.028	.019	-.245	100	2224	-.092	.024	-.005	-.220	110	2110	-.126	.044	.089	-.465
100	2173	-.093	.029	.040	-.213	100	2225	-.109	.027	-.014	-.228	110	2111	-.157	.037	.003	-.427
100	2174	-.090	.030	.043	-.331	100	2226	-.127	.028	-.031	-.295	110	2112	-.078	.054	.163	-.308
100	2175	-.091	.031	.024	-.210	100	2227	-.067	.042	.230	-.211	110	2113	-.208	.089	.131	-.646
100	2177	-.085	.025	.029	-.229	100	2228	-.083	.023	.007	-.165	110	2114	-.148	.051	.019	-.454
100	2178	-.110	.023	-.029	-.236	100	2229	-.085	.020	.000	-.163	110	2115	-.165	.048	-.006	-.424
100	2179	-.112	.026	-.006	-.240	100	2230	-.101	.025	-.041	-.201	110	2116	-.085	.034	.147	-.212
100	2180	-.106	.023	-.020	-.196	100	2231	-.081	.022	-.007	-.192	110	2117	-.160	.054	-.002	-.456
100	2181	-.095	.025	-.001	-.210	100	2233	-.093	.022	-.026	-.177	110	2118	-.134	.046	.067	-.427
100	2182	-.091	.032	.006	-.245	100	2234	-.079	.023	-.007	-.173	110	2119	-.170	.075	.012	-.726
100	2183	-.089	.032	.008	-.254	100	2235	-.096	.026	-.014	-.266	110	2120	-.045	.042	.124	-.201
100	2184	-.074	.026	.048	-.161	100	2236	-.135	.041	-.043	-.369	110	2121	-.182	.083	.158	-.666
100	2185	-.072	.022	-.014	-.156	100	2237	-.070	.030	.158	-.199	110	2122	-.125	.043	.204	-.296
100	2187	-.104	.032	-.005	-.220	100	2238	-.127	.045	.103	-.468	110	2123	-.116	.032	.000	-.283
100	2188	-.108	.024	-.032	-.227	100	2239	-.115	.035	.223	-.249	110	2124	-.151	.053	.071	-.388
100	2189	-.113	.030	.027	-.265	100	2240	-.109	.029	.089	-.249	110	2125	-.184	.152	.281	-.975
100	2190	-.100	.023	-.014	-.193	100	2241	-.096	.030	.082	-.235	110	2126	-.129	.041	.016	-.338
100	2191	-.087	.024	-.009	-.186	100	2242	-.105	.026	.041	-.228	110	2127	-.047	.058	.185	-.342
100	2192	-.093	.042	.014	-.292	100	2243	-.114	.030	.108	-.237	110	2128	.034	.105	.453	-.486
100	2193	-.090	.035	.010	-.282	100	2244	-.135	.036	.053	-.321	110	2129	-.071	.124	.663	-.488
100	2194	-.096	.035	.016	-.372	100	2245	-.092	.035	.058	-.295	110	2130	-.122	.036	.014	-.276
100	2195	-.102	.028	.002	-.290	100	2246	-.091	.034	.120	-.384	110	2131	-.044	.048	.167	-.196
100	2196	-.102	.031	.016	-.356	100	2247	-.091	.032	.091	-.278	110	2132	.037	.125	.487	-.495
100	2197	-.091	.025	.005	-.197	100	2248	-.093	.033	.098	-.223	110	2133	.028	.102	.526	-.555
100	2198	-.076	.023	.014	-.161	100	2249	-.086	.029	.094	-.194	110	2134	-.120	.037	.030	-.404
100	2199	-.093	.034	.007	-.247	100	2250	-.086	.031	.063	-.271	110	2136	-.009	.096	.437	-.625
100	2200	-.075	.024	.011	-.159	100	2251	-.094	.031	.118	-.218	110	2137	-.020	.068	.290	-.356
100	2201	-.082	.024	.002	-.184	100	2252	-.128	.031	-.007	-.321	110	2138	-.119	.046	.035	-.502
100	2202	-.098	.025	.063	-.277	100	2253	-.094	.032	.031	-.216	110	2140	-.040	.075	.332	-.607
100	2203	-.092	.023	.016	-.252	100	2254	-.090	.026	.015	-.192	110	2141	-.030	.053	.240	-.251
100	2204	-.093	.025	-.009	-.283	100	2255	-.087	.025	.053	-.199	110	2142	-.114	.051	.048	-.543
100	2205	-.090	.024	.009	-.263	100	2256	-.086	.022	.000	-.201	110	2143	-.061	.040	.144	-.168
100	2206	-.091	.025	-.036	-.281	100	2257	-.075	.030	.074	-.194	110	2144	-.041	.059	.348	-.310
100	2207	-.102	.024	-.020	-.252	100	2258	-.082	.028	.036	-.256	110	2145	-.037	.049	.197	-.212
100	2208	-.104	.027	-.034	-.299	100	2259	-.090	.046	.168	-.268	110	2146	-.083	.034	.045	-.277
100	2209	-.115	.030	-.009	-.292	100	2260	-.070	.034	.106	-.386	110	2147	-.065	.027	.031	-.159
100	2210	-.140	.035	-.011	-.404	100	2261	-.083	.024	.039	-.168	110	2148	-.067	.025	.045	-.178
100	2211	-.104	.022	-.002	-.215	100	2262	-.081	.021	.000	-.165	110	2149	-.078	.029	.042	-.201
100	2212	-.101	.025	-.023	-.265	100	2263	-.081	.021	-.002	-.151	110	2150	-.098	.036	.021	-.284
100	2213	-.113	.026	-.007	-.234	100	2264	-.076	.027	.019	-.187	110	2151	-.076	.027	.049	-.208
100	2214	-.136	.035	.023	-.315	100	2265	-.075	.028	.077	-.189	110	2152	-.069	.024	.033	-.178
100	2215	-.076	.038	.091	-.211	110	2101	-.179	.133	.386	-1.265	110	2153	-.065	.026	.047	-.173

WD	TAP	CPMEAN	CPRMS	CPMAX	CPMIN	WD	TAP	CPMEAN	CPRMS	CPMAX	CPMIN	WD	TAP	CPMEAN	CPRMS	CPMAX	CPMIN
110	2154	-.069	.027	.063	-.187	110	2207	-.133	.038	-.028	-.365	110	2258	-.102	.051	.103	-.404
110	2155	-.069	.028	.040	-.185	110	2208	-.104	.027	.035	-.261	110	2259	-.033	.062	.263	-.306
110	2156	-.063	.029	.061	-.162	110	2209	-.115	.033	.008	-.306	110	2260	-.027	.062	.232	-.388
110	2157	-.047	.037	.156	-.182	110	2210	-.200	.062	.058	-.722	110	2261	-.077	.027	.046	-.170
110	2158	-.021	.046	.244	-.134	110	2211	-.109	.025	-.026	-.239	110	2262	-.077	.029	.053	-.196
110	2159	-.042	.037	.172	-.152	110	2212	-.104	.024	-.015	-.214	110	2263	-.075	.024	.014	-.170
110	2160	-.059	.027	.070	-.164	110	2213	-.123	.041	-.001	-.379	110	2264	-.063	.039	.129	-.249
110	2161	-.059	.029	.033	-.173	110	2214	-.197	.059	-.055	-.505	110	2265	-.107	.064	.050	-.455
110	2162	-.122	.044	.042	-.303	110	2215	-.026	.063	-.338	-.205	120	2101	-.230	.100	.141	-.819
110	2163	-.099	.033	-.004	-.259	110	2216	-.106	.027	-.024	-.259	120	2102	-.263	.136	.143	-.844
110	2164	-.155	.061	.042	-.488	110	2217	-.102	.025	.001	-.193	120	2103	-.175	.059	.019	-.436
110	2165	-.115	.051	.084	-.504	110	2218	-.104	.028	-.003	-.245	120	2104	-.170	.167	.819	-.521
110	2166	-.070	.029	.064	-.180	110	2219	-.095	.024	-.073	-.214	120	2105	-.169	.195	.388	-1.278
110	2167	-.130	.049	.056	-.460	110	2220	-.103	.026	-.006	-.225	120	2106	-.098	.050	.152	-.436
110	2168	-.099	.037	.019	-.298	110	2221	-.109	.033	.008	-.272	120	2107	-.160	.032	-.003	-.310
110	2170	-.134	.047	.028	-.414	110	2222	-.097	.025	.006	-.196	120	2108	-.053	.135	.787	-.285
110	2171	-.138	.051	.021	-.562	110	2223	-.122	.041	.082	-.376	120	2109	-.230	.167	.361	-.880
110	2172	-.120	.040	.047	-.314	110	2224	-.081	.026	.028	-.166	120	2110	-.134	.042	-.037	-.612
110	2173	-.097	.033	.086	-.263	110	2225	-.117	.043	.048	-.397	120	2111	-.171	.034	-.071	-.398
110	2174	-.095	.038	.021	-.356	110	2226	-.182	.051	-.026	-.416	120	2112	-.079	.041	.215	-.344
110	2175	-.094	.036	.038	-.266	110	2227	-.003	.070	.393	-.177	120	2113	-.210	.096	.168	-.695
110	2177	-.084	.031	.047	-.231	110	2228	-.099	.026	.031	-.215	120	2114	-.157	.047	-.019	-.395
110	2178	-.118	.034	.008	-.298	110	2229	-.088	.020	-.007	-.158	120	2115	-.196	.062	-.012	-.704
110	2179	-.135	.042	.047	-.338	110	2230	-.112	.041	-.062	-.311	120	2116	-.092	.036	.105	-.298
110	2180	-.121	.033	.033	-.259	110	2231	-.099	.026	-.005	-.263	120	2117	-.162	.053	-.003	-.456
110	2181	-.105	.032	.012	-.240	110	2233	-.108	.033	.058	-.242	120	2118	-.139	.042	.001	-.416
110	2182	-.104	.037	.003	-.319	110	2234	-.069	.025	.017	-.153	120	2119	-.192	.091	-.024	-1.071
110	2183	-.106	.039	.014	-.284	110	2235	-.081	.029	-.072	-.215	120	2120	-.055	.047	.211	-.193
110	2184	-.084	.028	.008	-.175	110	2236	-.206	.078	-.002	-.668	120	2121	-.151	.078	.195	-.553
110	2185	-.079	.025	.010	-.153	110	2237	-.029	.048	.180	-.151	120	2122	-.126	.039	.222	-.287
110	2187	-.123	.041	.039	-.315	110	2238	-.144	.057	.038	-.548	120	2123	-.126	.035	.044	-.344
110	2188	-.121	.043	.006	-.446	110	2239	-.125	.047	.117	-.371	120	2124	-.154	.057	.060	-.438
110	2189	-.131	.044	-.017	-.343	110	2240	-.114	.042	.093	-.285	120	2125	-.162	.122	.260	-.877
110	2190	-.115	.032	-.017	-.263	110	2241	-.093	.043	.160	-.275	120	2126	-.127	.042	.044	-.267
110	2191	-.095	.031	.030	-.245	110	2242	-.117	.040	.067	-.316	120	2127	-.041	.066	.269	-.339
110	2192	-.118	.057	.069	-.440	110	2243	-.128	.031	.036	-.313	120	2128	.014	.115	.544	-.404
110	2193	-.094	.041	.031	-.294	110	2244	-.149	.052	.096	-.397	120	2129	-.072	.166	.699	-.596
110	2194	-.109	.041	.021	-.291	110	2245	-.086	.048	.115	-.304	120	2130	-.124	.039	.206	-.285
110	2195	-.116	.051	.003	-.494	110	2246	-.077	.046	.259	-.517	120	2131	-.059	.043	.150	-.177
110	2196	-.119	.055	.044	-.562	110	2247	-.070	.049	.261	-.313	120	2132	-.013	.115	.562	-.499
110	2197	-.098	.041	.058	-.347	110	2248	-.086	.044	.225	-.280	120	2133	-.030	.120	.602	-.438
110	2198	-.073	.033	.055	-.254	110	2249	-.085	.039	.160	-.299	120	2134	-.127	.048	.037	-.445
110	2199	-.094	.041	.096	-.268	110	2250	-.083	.039	.127	-.194	120	2136	-.040	.079	.296	-.393
110	2200	-.069	.032	.103	-.171	110	2251	-.116	.038	.127	-.359	120	2137	-.032	.071	.334	-.483
110	2201	-.062	.034	.132	-.193	110	2252	-.121	.060	.156	-.419	120	2138	-.122	.053	.046	-.564
110	2202	-.106	.030	-.015	-.322	110	2253	-.074	.055	.194	-.364	120	2140	-.068	.064	.267	-.458
110	2203	-.102	.028	.017	-.365	110	2254	-.086	.030	.070	-.189	120	2141	-.047	.054	.269	-.303
110	2204	-.102	.029	.012	-.272	110	2255	-.088	.030	.034	-.239	120	2142	-.101	.050	.053	-.639
110	2205	-.101	.030	.008	-.340	110	2256	-.085	.028	.120	-.261	120	2143	-.074	.038	.080	-.205
110	2206	-.100	.031	.015	-.286	110	2257	-.066	.047	.175	-.208	120	2144	-.062	.049	.224	-.264

WD	TAP	CPMEAN	CPRMS	CPMAX	CPMIN	WD	TAP	CPMEAN	CPRMS	CPMAX	CPMIN	WD	TAP	CPMEAN	CPRMS	CPMAX	CPMIN
120	2145	-.058	.053	.258	-.187	120	2198	-.084	.037	.091	-.228	120	2249	-.032	.070	.373	-.250
120	2146	-.074	.032	.082	-.225	120	2199	-.078	.037	.102	-.263	120	2250	-.050	.061	.295	-.224
120	2147	-.064	.028	.085	-.162	120	2200	-.061	.033	.124	-.174	120	2251	-.110	.045	.130	-.443
120	2148	-.067	.027	.032	-.155	120	2201	-.064	.033	.100	-.188	120	2252	-.165	.051	.074	-.558
120	2149	-.078	.030	.071	-.198	120	2202	-.123	.034	.026	-.332	120	2253	-.109	.046	.243	-.370
120	2150	-.093	.035	.080	-.251	120	2203	-.128	.028	-.036	-.286	120	2254	-.088	.033	.036	-.224
120	2151	-.072	.028	.048	-.189	120	2204	-.130	.032	-.009	-.272	120	2255	-.086	.032	.055	-.207
120	2152	-.067	.026	.044	-.162	120	2205	-.132	.033	-.007	-.288	120	2256	-.082	.030	.064	-.219
120	2153	-.070	.025	.016	-.191	120	2206	-.117	.032	-.001	-.257	120	2257	-.045	.056	.304	-.200
120	2154	-.067	.029	.085	-.187	120	2207	-.167	.046	-.058	-.479	120	2258	-.070	.049	.125	-.285
120	2155	-.064	.029	.053	-.157	120	2208	-.115	.030	-.018	-.274	120	2259	-.069	.074	.377	-.344
120	2156	-.063	.027	.037	-.166	120	2209	-.138	.037	-.007	-.388	120	2260	-.051	.059	.333	-.412
120	2157	-.054	.037	.242	-.216	120	2210	-.268	.083	-.005	-.822	120	2261	-.073	.031	.057	-.195
120	2158	-.033	.040	.258	-.123	120	2211	-.133	.029	-.025	-.297	120	2262	-.070	.029	.064	-.179
120	2159	-.047	.032	.144	-.139	120	2212	-.119	.029	-.006	-.277	120	2263	-.072	.029	.080	-.167
120	2160	-.061	.030	.105	-.182	120	2213	-.156	.050	-.021	-.437	120	2264	-.067	.037	.146	-.179
120	2161	-.061	.028	.048	-.168	120	2214	-.230	.062	-.043	-.695	120	2265	-.066	.054	.163	-.516
120	2162	-.107	.040	.041	-.292	120	2215	-.004	.082	-.434	-.194	130	2101	-.323	.107	.148	-1.015
120	2163	-.081	.035	.053	-.210	120	2216	-.152	.029	-.041	-.330	130	2102	-.351	.132	.050	-1.018
120	2164	-.184	.071	.089	-.556	120	2217	-.131	.028	-.034	-.252	130	2103	-.248	.070	.005	-.702
120	2165	-.114	.055	.053	-.435	120	2218	-.137	.036	-.034	-.435	130	2104	-.019	.147	.609	-.372
120	2166	-.064	.031	.062	-.165	120	2219	-.110	.032	-.057	-.230	130	2105	-.323	.165	.291	-1.141
120	2167	-.146	.060	.082	-.620	120	2220	-.124	.033	-.012	-.319	130	2106	-.210	.068	-.015	-.835
120	2168	-.099	.035	.067	-.276	120	2221	-.158	.034	-.032	-.346	130	2107	-.233	.047	-.027	-.505
120	2170	-.159	.061	.060	-.547	120	2222	-.111	.024	-.001	-.214	130	2108	-.092	.095	.412	-.404
120	2171	-.135	.067	.124	-.561	120	2223	-.151	.058	.140	-.482	130	2109	-.300	.106	-.266	-.897
120	2172	-.135	.051	.094	-.367	120	2224	-.081	.030	.062	-.203	130	2110	-.229	.065	-.047	-.680
120	2173	-.102	.035	.057	-.248	120	2225	-.128	.046	.036	-.365	130	2111	-.234	.044	-.081	-.545
120	2174	-.091	.038	.076	-.253	120	2226	-.241	.077	.012	-.756	130	2112	-.140	.059	.247	-.350
120	2175	-.092	.040	.071	-.283	120	2227	-.006	.081	.443	-.257	130	2113	-.276	.066	-.108	-.781
120	2177	-.081	.034	.067	-.221	120	2228	-.140	.028	-.044	-.268	130	2114	-.261	.064	-.059	-.653
120	2178	-.144	.049	.082	-.440	120	2229	-.100	.023	.007	-.181	130	2115	-.251	.051	-.098	-.628
120	2179	-.151	.054	.032	-.392	120	2230	-.137	.058	.269	-.521	130	2116	-.105	.072	-.175	-.315
120	2180	-.135	.039	.009	-.283	120	2231	-.128	.031	-.016	-.290	130	2117	-.319	.068	-.108	-.845
120	2181	-.109	.033	.046	-.216	120	2233	-.130	.039	.088	-.278	130	2118	-.255	.050	-.061	-.515
120	2182	-.094	.037	.057	-.251	120	2234	-.068	.027	.019	-.155	130	2119	-.248	.042	-.106	-.614
120	2183	-.096	.040	.048	-.276	120	2235	-.081	.030	.057	-.169	130	2120	-.110	.057	.156	-.283
120	2184	-.080	.030	.013	-.194	120	2236	-.215	.093	.064	-.900	130	2121	-.387	.131	-.042	-.914
120	2185	-.083	.026	.017	-.165	120	2237	-.037	.062	.323	-.217	130	2122	-.276	.051	-.140	-.542
120	2187	-.110	.037	.022	-.272	120	2238	-.138	.049	.069	-.459	130	2123	-.244	.033	-.125	-.419
120	2188	-.145	.052	.055	-.537	120	2239	-.121	.057	.168	-.549	130	2124	-.182	.068	.126	-.525
120	2189	-.149	.055	.064	-.413	120	2240	-.092	.053	.125	-.318	130	2125	-.228	.103	.141	-1.126
120	2190	-.130	.041	.080	-.335	120	2241	-.045	.065	.274	-.299	130	2126	-.145	.057	.121	-.542
120	2191	-.096	.032	.028	-.201	120	2242	-.075	.057	.177	-.478	130	2127	-.075	.089	.449	-.291
120	2192	-.099	.050	.060	-.359	120	2243	-.123	.046	.123	-.351	130	2128	-.037	.092	.429	-.352
120	2193	-.079	.040	.051	-.262	120	2244	-.160	.045	.055	-.426	130	2129	-.108	.123	.432	-.737
120	2194	-.079	.037	.055	-.286	120	2245	-.100	.050	.205	-.323	130	2130	-.149	.052	.069	-.404
120	2195	-.133	.062	.040	-.551	120	2246	-.075	.053	.220	-.228	130	2131	-.072	.063	.242	-.212
120	2196	-.119	.055	.131	-.620	120	2247	-.042	.068	.330	-.405	130	2132	-.013	.116	.552	-.515
120	2197	-.107	.042	.031	-.497	120	2248	-.033	.072	.498	-.273	130	2133	-.089	.089	.311	-.567

WD	TAP	CPMEAN	CPRMS	CPHAX	CPHIN	WD	TAP	CPMEAN	CPRMS	CPHAX	CPHIN	WD	TAP	CPMEAN	CPRMS	CPHAX	CPHIN
130	2134	-.149	.055	.035	-.456	130	2189	-.216	.062	-.044	-.531	130	2240	-.260	.076	.088	-.634
130	2135	-.060	.093	.466	-.357	130	2190	-.210	.045	-.071	-.421	130	2241	-.228	.074	.145	-.556
130	2137	-.093	.070	.210	-.488	130	2191	-.168	.033	-.035	-.286	130	2242	-.299	.087	.029	-.789
130	2138	-.143	.058	.146	-.488	130	2192	-.134	.028	-.030	-.294	130	2243	-.257	.068	-.002	-.691
130	2140	-.036	.073	.397	-.443	130	2193	-.124	.030	-.007	-.220	130	2244	-.221	.085	.171	-.559
130	2141	-.100	.048	.220	-.421	130	2194	-.094	.031	.039	-.216	130	2245	-.111	.072	.179	-.540
130	2142	-.119	.066	.121	-.434	130	2195	-.201	.081	.056	-.648	130	2246	-.161	.050	.192	-.333
130	2143	.071	.092	.395	-.207	130	2196	-.147	.056	.014	-.572	130	2247	-.159	.064	.285	-.362
130	2144	.040	.082	.338	-.270	130	2197	-.151	.050	.061	-.394	130	2248	-.215	.077	.210	-.750
130	2145	-.114	.081	.258	-.365	130	2198	-.108	.075	.166	-.543	130	2249	-.160	.065	.270	-.388
130	2146	-.157	.040	-.030	-.410	130	2199	-.063	.074	.317	-.179	130	2250	-.188	.076	.205	-.491
130	2147	-.122	.032	.015	-.282	130	2200	-.087	.044	.151	-.245	130	2251	-.217	.056	-.002	-.533
130	2148	-.134	.030	-.020	-.355	130	2201	-.252	.164	.669	-.184	130	2252	-.280	.091	.055	-.564
130	2149	-.151	.042	.010	-.385	130	2202	-.209	.041	-.005	-.448	130	2253	-.125	.063	.246	-.310
130	2150	-.136	.037	.033	-.280	130	2203	-.202	.032	-.064	-.377	130	2254	-.166	.043	.057	-.331
130	2151	-.146	.033	-.013	-.267	130	2204	-.205	.036	-.086	-.377	130	2255	-.154	.039	-.007	-.284
130	2152	-.135	.030	-.002	-.300	130	2205	-.203	.035	-.074	-.428	130	2256	-.161	.033	-.041	-.276
130	2153	-.134	.029	-.030	-.242	130	2206	-.212	.040	-.044	-.396	130	2257	-.117	.076	.371	-.315
130	2154	-.126	.034	.010	-.260	130	2207	-.279	.065	-.047	-.690	130	2258	-.194	.075	-.002	-.517
130	2155	-.115	.039	.010	-.307	130	2208	-.194	.037	-.044	-.382	130	2259	-.280	.051	.019	-.512
130	2156	-.554	.102	-.055	-.802	130	2209	-.221	.043	-.079	-.470	130	2260	-.156	.042	.135	-.287
130	2157	-.330	.188	.830	-.165	130	2210	-.389	.083	-.135	-.927	130	2261	-.206	.049	.389	-.020
130	2158	-.009	.057	.235	-.215	130	2211	-.225	.042	-.086	-.475	130	2262	.353	.054	.710	-.197
130	2159	-.119	.030	.023	-.260	130	2212	-.201	.044	-.064	-.658	130	2263	.244	.058	.534	-.055
130	2160	-.108	.036	.033	-.247	130	2213	-.254	.059	-.069	-.560	130	2264	.254	.090	.536	-.054
130	2161	-.105	.036	.018	-.237	130	2214	-.331	.062	-.154	-.614	130	2265	-.403	.064	-.183	-.662
130	2162	-.109	.033	.120	-.237	130	2215	-.051	.098	.396	-.284	140	2101	-.445	.183	.002	-1.408
130	2163	-.091	.032	-.050	-.212	130	2216	-.217	.033	-.120	-.396	140	2102	-.438	.166	.005	-1.373
130	2164	-.254	.070	-.030	-.700	130	2217	-.210	.033	-.088	-.350	140	2103	-.295	.105	.015	-1.158
130	2165	-.184	.039	.028	-.302	130	2218	-.220	.040	-.015	-.416	140	2104	.005	.170	.670	-.542
130	2166	-.083	.029	.031	-.194	130	2219	-.190	.042	-.085	-.377	140	2105	-.422	.188	.024	-2.192
130	2167	-.204	.057	-.017	-.532	130	2220	-.189	.037	-.037	-.404	140	2106	-.291	.105	.084	-.878
130	2168	-.151	.044	-.043	-.440	130	2221	-.217	.035	-.113	-.372	140	2107	-.269	.074	-.047	-.599
130	2170	-.255	.066	-.062	-.625	130	2222	-.204	.033	-.059	-.340	140	2108	-.000	.125	-.643	-.312
130	2171	-.241	.072	-.030	-.625	130	2223	-.256	.057	-.095	-.506	140	2109	-.320	.101	-.067	-1.099
130	2172	-.200	.051	-.008	-.507	130	2224	-.185	.042	-.003	-.352	140	2110	-.328	.117	-.008	-1.104
130	2173	-.147	.040	-.007	-.347	130	2225	-.230	.058	-.056	-.680	140	2111	-.270	.065	-.013	-.666
130	2174	-.139	.040	.003	-.312	130	2226	-.340	.090	-.147	-.908	140	2112	-.064	.096	.398	-.302
130	2175	-.134	.041	.040	-.347	130	2227	-.071	.076	.402	-.328	140	2113	-.296	.069	-.117	-.901
130	2177	-.119	.039	.075	-.272	130	2228	-.206	.031	-.093	-.341	140	2114	-.327	.105	-.052	-1.185
130	2178	-.254	.055	-.070	-.532	130	2229	-.211	.039	-.093	-.354	140	2115	-.272	.058	-.082	-.582
130	2179	-.237	.039	-.072	-.332	130	2230	-.242	.088	-.109	-.900	140	2116	-.127	.074	-.470	-.337
130	2180	-.219	.048	-.060	-.457	130	2231	-.201	.028	-.111	-.302	140	2117	-.359	.088	-.112	-.923
130	2181	-.167	.030	-.067	-.292	130	2233	-.128	.116	.378	-.522	140	2118	-.326	.083	-.023	-.710
130	2182	-.144	.031	-.042	-.265	130	2234	-.133	.169	.647	-.339	140	2119	-.281	.058	-.119	-.592
130	2183	-.141	.036	-.030	-.385	130	2235	-.192	.043	-.031	-.447	140	2120	-.052	.074	.242	-.349
130	2184	-.102	.031	.066	-.211	130	2236	-.195	.115	.057	-.810	140	2121	-.480	.198	.225	-1.477
130	2185	-.096	.033	.127	-.191	130	2237	-.099	.052	.135	-.279	140	2122	-.312	.070	-.069	-.733
130	2187	-.113	.029	.034	-.242	130	2238	-.297	.097	.050	-.729	140	2123	-.269	.049	-.102	-.577
130	2188	-.256	.070	.002	-.726	130	2239	-.248	.071	.000	-.613	140	2124	-.317	.135	.111	-1.069

WD	TAP	CPMEAN	CPRMS	CPMAX	CPMIN	WD	TAP	CPMEAN	CPRMS	CPMAX	CPMIN	WD	TAP	CPMEAN	CPRMS	CPMAX	CPMIN
140	21125	-.505	.317	.250	-1.984	140	2179	-.249	.052	-.079	-.499	140	2230	-.304	.092	.012	-.946
140	21126	-.274	.098	.039	-.656	140	2180	-.234	.042	-.099	-.468	140	2231	-.243	.047	-.126	-.536
140	21127	-.072	.119	.391	-.488	140	2181	-.195	.034	-.067	-.328	140	2233	-.196	.050	-.004	-.416
140	21128	.093	.140	.759	-.324	140	2182	-.182	.049	-.046	-.549	140	2234	-.166	.047	.116	-.323
140	21129	.058	.197	.685	-.822	140	2183	-.183	.055	-.006	-.571	140	2235	-.092	.066	.204	-.318
140	21130	-.232	.081	-.088	-.520	140	2184	-.070	.063	.242	-.262	140	2236	-.210	.096	-.019	-1.029
140	21131	-.030	.071	.259	-.243	140	2185	-.058	.059	.235	-.169	140	2237	-.117	.050	.181	-.310
140	21132	.210	.173	.942	-.245	140	2187	-.081	.049	.193	-.191	140	2238	-.484	.204	.048	-1.444
140	21133	.015	.176	.754	-.814	140	2188	-.262	.075	.026	-.663	140	2239	-.318	.093	.066	-.803
140	21134	-.193	.071	.089	-.532	140	2189	-.225	.074	-.009	-.552	140	2240	-.253	.068	.066	-.738
140	21136	.130	.157	.707	-.349	140	2190	-.205	.046	-.056	-.409	140	2241	-.249	.067	.061	-.590
140	21137	.012	.137	.596	-.433	140	2191	-.180	.037	-.036	-.333	140	2242	-.304	.094	-.037	-.925
140	21138	-.199	.077	.037	-.545	140	2192	-.158	.038	.045	-.331	140	2243	-.282	.069	-.053	-.754
140	2140	.045	.110	.579	-.339	140	2193	-.129	.037	.036	-.280	140	2244	-.117	.137	.438	-.749
140	2141	.017	.100	.460	-.359	140	2194	-.091	.048	.109	-.274	140	2245	-.018	.120	.565	-.414
140	2142	-.208	.088	.086	-.666	140	2195	-.196	.074	.109	-.545	140	2246	-.167	.052	.113	-.442
140	2143	-.046	.077	.257	-.293	140	2196	-.147	.086	.087	-.569	140	2247	-.189	.055	.103	-.383
140	2144	.072	.104	.524	-.275	140	2197	-.107	.068	.269	-.392	140	2248	-.242	.076	.326	-.572
140	2145	.019	.117	.411	-.318	140	2198	-.016	.074	.298	-.272	140	2249	-.174	.063	.183	-.398
140	2146	-.186	.053	.004	-.451	140	2199	.151	.085	.451	-.110	140	2250	-.196	.059	.199	-.409
140	2147	-.123	.053	.064	-.358	140	2200	.051	.087	.530	-.210	140	2251	-.270	.049	-.001	-.479
140	2148	-.161	.046	-.016	-.511	140	2201	.383	.133	.770	-.198	140	2252	-.156	.121	.357	-.705
140	2149	-.194	.057	.034	-.466	140	2202	-.226	.041	-.078	-.405	140	2253	-.043	.092	.318	-.341
140	2150	-.190	.065	.014	-.551	140	2203	-.222	.033	-.073	-.365	140	2254	-.115	.085	.181	-.331
140	2151	-.163	.053	.031	-.426	140	2204	-.229	.041	-.073	-.429	140	2255	-.202	.060	.038	-.486
140	2152	-.137	.049	.064	-.325	140	2205	-.230	.038	-.114	-.454	140	2256	-.175	.043	.009	-.494
140	2153	-.157	.036	-.024	-.315	140	2206	-.218	.037	-.078	-.459	140	2257	-.198	.052	.103	-.385
140	2154	-.164	.044	-.009	-.355	140	2207	-.305	.049	-.112	-.709	140	2258	-.358	.076	-.081	-.598
140	2155	-.165	.053	-.006	-.413	140	2208	-.217	.041	-.056	-.473	140	2259	-.171	.155	.536	-.572
140	2156	-.636	.168	-.026	-.091	140	2209	-.240	.052	-.036	-.468	140	2260	-.113	.080	.243	-.463
140	2157	.451	.244	1.051	-.192	140	2210	-.411	.099	-.134	-.864	140	2261	.212	.078	.471	-.250
140	2158	-.036	.086	.468	-.230	140	2211	-.254	.041	-.119	-.468	140	2262	.368	.059	1.053	.155
140	2159	-.146	.041	.087	-.323	140	2212	-.222	.041	-.068	-.454	140	2263	.263	.058	.521	-.043
140	2160	-.156	.040	-.011	-.335	140	2213	-.252	.056	-.065	-.626	140	2264	.233	.112	-.612	-.102
140	2161	-.159	.051	.004	-.408	140	2214	-.318	.066	-.144	-.700	140	2265	-.433	.047	-.198	-.608
140	2162	-.072	.062	.451	-.212	140	2215	-.033	.105	.443	-.289	150	2101	-.449	.165	-.098	-1.387
140	2163	-.075	.055	-.217	-.363	140	2216	-.250	.040	-.137	-.456	150	2102	-.492	.180	-.041	-1.731
140	2164	-.252	.066	-.044	-.775	140	2217	-.222	.033	-.085	-.402	150	2103	-.308	.138	.083	-1.231
140	2165	-.208	.058	-.006	-.629	140	2218	-.232	.045	-.095	-.527	150	2104	.101	.187	.781	-.625
140	2166	-.071	.044	.119	-.289	140	2219	-.203	.041	.016	-.400	150	2105	-.497	.229	.132	-2.450
140	2167	-.196	.049	.006	-.478	140	2220	-.267	.050	-.132	-.586	150	2106	-.261	.099	-.021	-.795
140	2168	-.200	.056	-.001	-.463	140	2221	-.241	.039	-.134	-.449	150	2107	-.256	.082	-.009	-.672
140	2170	-.237	.058	-.009	-.684	140	2222	-.210	.030	-.097	-.341	150	2108	-.028	.144	.637	-.459
140	2171	-.234	.057	-.036	-.599	140	2223	-.284	.075	.109	-.660	150	2109	-.368	.144	.026	-1.233
140	2172	-.197	.047	-.029	-.496	140	2224	-.196	.043	.008	-.336	150	2110	-.310	.126	.068	-1.016
140	2173	-.183	.046	-.036	-.383	140	2225	-.230	.066	.051	-.484	150	2111	-.261	.079	-.006	-.758
140	2174	-.178	.047	-.016	-.380	140	2226	-.327	.101	-.081	-1.016	150	2112	-.057	.096	.365	-.390
140	2175	-.176	.044	-.024	-.365	140	2227	-.066	.081	-.277	-.357	150	2113	-.299	.084	-.038	-.922
140	2177	-.112	.058	-.237	-.257	140	2228	-.240	.033	-.120	-.362	150	2114	-.308	.106	-.085	-.865
140	2178	-.262	.056	-.114	-.659	140	2229	-.206	.031	-.089	-.359	150	2115	-.252	.060	-.051	-.533

WD	TAP	CPMEAN	CPRMS	CPMAX	CPMIN	WD	TAP	CPMEAN	CPRMS	CPMAX	CPMIN	WD	TAP	CPMEAN	CPRMS	CPMAX	CPMIN
150	2116	-.141	.075	-.268	-.343	150	2168	-.207	.069	-.061	-.498	150	2221	-.271	.039	-.161	-.481
150	2117	-.360	.081	-.113	-.805	150	2170	-.237	.047	-.087	-.448	150	2222	-.231	.028	-.132	-.336
150	2118	-.304	.075	-.078	-1.119	150	2171	-.234	.046	-.082	-.513	150	2223	-.283	.052	-.034	-.604
150	2119	-.273	.058	-.073	-.558	150	2172	-.210	.046	-.021	-.393	150	2224	-.228	.039	-.051	-.412
150	2120	-.074	.070	.271	-.340	150	2173	-.192	.053	.041	-.395	150	2225	-.265	.065	-.023	-.496
150	2121	-.440	.181	.192	-1.520	150	2174	-.182	.056	.061	-.463	150	2226	-.307	.076	-.088	-1.018
150	2122	-.292	.065	-.063	-.748	150	2175	-.169	.054	.039	-.378	150	2227	-.095	.064	-.325	-.342
150	2123	-.253	.047	-.068	-.521	150	2177	-.082	.073	.280	-.323	150	2228	-.266	.032	-.158	-.397
150	2124	-.340	.115	-.043	-.865	150	2178	-.246	.044	-.117	-.476	150	2229	-.222	.027	-.119	-.327
150	2125	-.534	.252	.174	-1.928	150	2179	-.263	.057	-.039	-.556	150	2230	-.322	.091	-.090	-.849
150	2126	-.249	.076	-.041	-.639	150	2180	-.242	.043	-.089	-.413	150	2231	-.275	.045	-.127	-.503
150	2127	-.116	.093	.259	-.432	150	2181	-.200	.037	-.074	-.358	150	2233	-.218	.047	-.072	-.428
150	2128	-.070	.111	.521	-.320	150	2182	-.181	.043	-.011	-.488	150	2234	-.170	.058	-.229	-.355
150	2129	-.051	.179	.494	-.840	150	2183	-.176	.052	-.039	-.508	150	2235	-.118	.066	.138	-.462
150	2130	-.227	.061	-.021	-.486	150	2184	-.058	.057	.200	-.228	150	2236	-.226	.089	.008	-.774
150	2131	-.054	.055	.150	-.229	150	2185	-.020	.066	.264	-.171	150	2237	-.136	.041	.047	-.342
150	2132	.217	.164	.828	-.424	150	2187	-.061	.054	.187	-.193	150	2238	-.436	.199	.107	-1.444
150	2133	.065	.173	.847	-.781	150	2188	-.261	.063	-.024	-.559	150	2239	-.346	.090	-.007	-.781
150	2134	-.210	.070	-.016	-.701	150	2189	-.240	.079	-.003	-.685	150	2240	-.305	.069	-.108	-.623
150	2136	.134	.151	.719	-.249	150	2190	-.215	.045	-.071	-.400	150	2241	-.284	.065	-.015	-.662
150	2137	.027	.149	.721	-.573	150	2191	-.182	.036	-.048	-.326	150	2242	-.320	.087	-.054	-.820
150	2138	-.204	.074	.083	-.511	150	2192	-.170	.039	-.031	-.471	150	2243	-.298	.064	-.106	-.805
150	2140	.018	.095	.588	-.315	150	2193	-.135	.040	.004	-.262	150	2244	-.076	.134	.520	-.641
150	2141	.003	.111	.640	-.602	150	2194	-.071	.057	.241	-.240	150	2245	-.026	.121	.525	-.529
150	2142	-.216	.087	.056	-.832	150	2195	-.243	.072	.001	-.547	150	2246	-.190	.063	.102	-.506
150	2143	-.043	.081	.315	-.343	150	2196	-.174	.121	.205	-.687	150	2247	-.229	.049	-.040	-.537
150	2144	-.046	.097	.481	-.265	150	2197	-.097	.087	.293	-.333	150	2248	-.293	.073	-.064	-.701
150	2145	-.025	.110	.458	-.368	150	2198	-.031	.060	.244	-.257	150	2249	-.203	.063	.105	-.420
150	2146	-.215	.066	.009	-.619	150	2199	-.203	.095	.504	-.105	150	2250	-.229	.051	.076	-.381
150	2147	-.135	.053	-.056	-.363	150	2200	.094	.086	.711	-.129	150	2251	-.307	.044	-.075	-.519
150	2148	-.158	.038	-.006	-.481	150	2201	.420	.129	.792	-.068	150	2252	-.106	.105	.507	-.612
150	2149	-.205	.053	-.024	-.488	150	2202	-.248	.046	-.088	-.721	150	2253	-.058	.086	.461	-.433
150	2150	-.191	.064	-.001	-.523	150	2203	-.244	.033	-.129	-.437	150	2254	-.122	.086	.107	-.360
150	2151	-.185	.056	-.001	-.468	150	2204	-.244	.036	-.112	-.451	150	2255	-.250	.066	-.001	-.558
150	2152	-.156	.053	-.009	-.370	150	2205	-.247	.034	-.134	-.410	150	2256	-.202	.044	-.051	-.558
150	2153	-.163	.035	-.036	-.302	150	2206	-.238	.037	-.125	-.419	150	2257	-.245	.043	-.077	-.394
150	2154	-.179	.040	-.001	-.338	150	2207	-.318	.065	-.149	-.729	150	2258	-.446	.064	-.192	-.683
150	2155	-.182	.051	-.024	-.463	150	2208	-.246	.045	-.093	-.648	150	2259	-.123	.140	.484	-.522
150	2156	-.672	.178	-.031	-1.143	150	2209	-.268	.058	-.056	-.788	150	2260	-.113	.085	.442	-.423
150	2157	.534	.243	1.113	-.154	150	2210	-.386	.087	-.144	-.756	150	2261	-.193	.103	.629	-.353
150	2158	-.042	.090	.425	-.230	150	2211	-.278	.048	-.137	-.564	150	2262	-.360	.064	.788	-.154
150	2159	-.136	.041	-.079	-.292	150	2212	-.245	.041	-.080	-.525	150	2263	-.251	.062	.580	.045
150	2160	-.165	.034	-.041	-.287	150	2213	-.269	.055	-.105	-.547	150	2264	-.225	.116	.619	-.129
150	2161	-.174	.044	-.034	-.378	150	2214	-.321	.058	-.102	-.667	150	2265	-.477	.047	-.308	-.667
150	2162	-.043	.069	-.292	-.212	150	2215	-.080	.084	.323	-.368	160	2101	-.253	.089	.013	-.874
150	2163	-.044	.060	-.199	-.255	150	2216	-.265	.036	-.164	-.591	160	2102	-.293	.107	.029	-.931
150	2164	-.240	.054	-.044	-.451	150	2217	-.237	.031	-.125	-.390	160	2103	-.240	.096	.095	-.750
150	2165	-.226	.080	-.082	-.824	150	2218	-.243	.038	-.090	-.481	160	2104	-.008	.131	.601	-.465
150	2166	-.057	.047	-.153	-.225	150	2219	-.219	.037	-.031	-.373	160	2105	-.348	.147	.090	-1.186
150	2167	-.200	.046	-.024	-.466	150	2220	-.287	.048	-.137	-.739	160	2106	-.200	.064	-.011	-.531

WD	TAP	CPMEAN	CPRMS	CPMAX	CPMIN	WD	TAP	CPMEAN	CPRMS	CPMAX	CPMIN	WD	TAP	CPMEAN	CPRMS	CPMAX	CPMIN
160	2107	-.196	.055	-.000	-.436	160	2159	-.044	.050	.243	-.221	160	2212	-.175	.034	-.039	-.394
160	2108	-.000	.119	.621	-.330	160	2160	-.090	.034	.049	-.233	160	2213	-.180	.052	.085	-.473
160	2109	-.321	.123	.016	-.928	160	2161	-.098	.037	.024	-.269	160	2214	-.279	.067	.100	-.851
160	2110	-.205	.072	.011	-.576	160	2162	-.046	.065	.207	-.235	160	2215	-.063	.076	.371	-.282
160	2111	-.192	.046	-.041	-.423	160	2163	-.108	.046	.047	-.381	160	2216	-.209	.028	-.115	-.502
160	2112	-.062	.088	.452	-.303	160	2164	-.136	.044	.035	-.313	160	2217	-.183	.026	-.052	-.327
160	2113	-.258	.085	.036	-.764	160	2165	-.190	.087	.040	-.736	160	2218	-.195	.037	.044	-.374
160	2114	-.205	.068	.011	-.637	160	2166	-.077	.042	.154	-.251	160	2219	-.157	.038	.116	-.296
160	2115	-.182	.041	-.052	-.411	160	2167	-.129	.039	-.004	-.311	160	2220	-.194	.038	-.003	-.484
160	2116	-.123	.065	-.260	-.332	160	2168	-.156	.063	.051	-.455	160	2221	-.224	.036	-.141	-.403
160	2117	-.234	.056	-.070	-.678	160	2170	-.147	.036	-.004	-.308	160	2222	-.162	.026	-.045	-.294
160	2118	-.183	.052	-.000	-.569	160	2171	-.149	.043	.021	-.430	160	2223	-.195	.059	.132	-.457
160	2119	-.172	.034	-.048	-.375	160	2172	-.134	.038	.005	-.320	160	2224	-.141	.029	-.039	-.235
160	2120	-.093	.046	.162	-.233	160	2173	-.130	.047	.051	-.336	160	2225	-.179	.052	.001	-.461
160	2121	-.258	.080	.068	-.707	160	2174	-.138	.051	.049	-.356	160	2226	-.254	.043	-.054	-.801
160	2122	-.187	.037	-.027	-.404	160	2175	-.141	.049	.021	-.322	160	2227	-.057	.045	.289	-.300
160	2123	-.161	.030	-.032	-.328	160	2177	-.028	.078	.406	-.253	160	2228	-.217	.031	-.115	-.338
160	2124	-.187	.053	-.047	-.443	160	2178	-.160	.040	-.059	-.359	160	2229	-.150	.024	-.049	-.243
160	2125	-.212	.066	-.011	-.714	160	2179	-.159	.042	-.038	-.347	160	2230	-.199	.057	-.029	-.581
160	2126	-.159	.042	.018	-.357	160	2180	-.153	.035	-.020	-.285	160	2231	-.205	.054	-.018	-.527
160	2127	-.131	.047	.074	-.332	160	2181	-.152	.046	-.015	-.407	160	2233	-.170	.031	-.007	-.357
160	2128	-.067	.076	.334	-.310	160	2182	-.180	.064	-.008	-.420	160	2234	-.129	.030	.064	-.347
160	2129	-.113	.094	.406	-.581	160	2183	-.180	.061	.010	-.404	160	2235	-.155	.042	.017	-.361
160	2130	-.133	.072	.090	-.470	160	2184	-.076	.042	.085	-.211	160	2236	-.200	.097	.228	-.688
160	2131	-.080	.040	.120	-.258	160	2185	-.021	.061	.286	-.184	160	2237	-.109	.053	.289	-.312
160	2132	-.013	.110	.705	-.583	160	2187	-.091	.047	.163	-.291	160	2238	-.322	.140	.168	-1.057
160	2133	-.042	.109	.517	-.407	160	2188	-.150	.046	.082	-.464	160	2239	-.223	.080	.133	-.617
160	2134	-.058	.071	.178	-.678	160	2189	-.160	.056	.008	-.383	160	2240	-.165	.057	.154	-.411
160	2136	-.038	.085	.461	-.416	160	2190	-.145	.040	.017	-.305	160	2241	-.149	.057	.400	-.401
160	2137	-.083	.091	.300	-.513	160	2191	-.149	.058	.064	-.486	160	2242	-.127	.066	.197	-.418
160	2138	-.005	.073	.303	-.362	160	2192	-.235	.096	.024	-.746	160	2243	-.205	.047	.015	-.463
160	2140	-.052	.062	.330	-.357	160	2193	-.163	.072	.047	-.462	160	2244	-.155	.097	.199	-.860
160	2141	-.076	.067	.533	-.371	160	2194	-.150	.079	.035	-.759	160	2245	-.029	.097	.471	-.503
160	2142	-.052	.058	.255	-.237	160	2195	-.124	.051	.051	-.484	160	2246	-.128	.059	.216	-.423
160	2143	-.062	.048	.115	-.407	160	2196	-.150	.077	.100	-.578	160	2247	-.122	.054	.225	-.413
160	2144	-.062	.046	.179	-.224	160	2197	-.103	.047	.123	-.303	160	2248	-.138	.058	.249	-.297
160	2145	-.091	.056	.214	-.487	160	2198	-.078	.048	.156	-.303	160	2249	-.091	.070	.384	-.312
160	2146	-.083	.043	.083	-.308	160	2199	-.126	.068	.134	-.459	160	2250	-.140	.054	.256	-.305
160	2147	-.062	.039	.143	-.246	160	2200	-.069	.050	.235	-.271	160	2251	-.229	.051	-.061	-.652
160	2148	-.077	.033	.097	-.228	160	2201	-.049	.054	.246	-.240	160	2252	-.133	.075	.216	-.624
160	2149	-.105	.039	.042	-.290	160	2202	-.195	.040	-.074	-.571	160	2253	-.030	.076	.369	-.619
160	2150	-.122	.053	.051	-.368	160	2203	-.191	.026	-.090	-.323	160	2254	-.142	.034	.008	-.267
160	2151	-.083	.044	.092	-.308	160	2204	-.197	.032	-.012	-.524	160	2255	-.140	.032	-.009	-.276
160	2152	-.073	.038	.134	-.228	160	2205	-.198	.027	-.115	-.356	160	2256	-.145	.031	-.040	-.295
160	2153	-.084	.035	.069	-.214	160	2206	-.173	.029	-.043	-.298	160	2257	-.173	.027	-.021	-.307
160	2154	-.100	.034	.037	-.258	160	2207	-.225	.046	-.097	-.562	160	2258	-.191	.027	-.073	-.314
160	2155	-.106	.042	.065	-.404	160	2208	-.178	.036	-.061	-.415	160	2259	-.102	.082	.284	-.425
160	2156	-.056	.042	.175	-.317	160	2209	-.191	.050	-.027	-.587	160	2260	-.044	.072	.313	-.328
160	2157	-.012	.062	.335	-.256	160	2210	-.311	.079	-.041	-.728	160	2261	-.144	.033	.036	-.274
160	2158	.006	.062	.305	-.148	160	2211	-.192	.033	-.086	-.399	160	2262	-.131	.033	-.016	-.250

WD	TAP	CPMEAN	CPRMS	CPMAX	CPMIN	WD	TAP	CPMEAN	CPRMS	CPMAX	CPMIN	WD	TAP	CPMEAN	CPRMS	CPMAX	CPMIN
160	2263	-.128	.030	-.017	-.252	170	2150	-.140	.057	.054	-.492	170	2203	-.196	.033	-.102	-.388
160	2264	-.156	.027	-.007	-.243	170	2151	-.077	.041	.099	-.346	170	2204	-.205	.039	-.077	-.537
160	2265	-.179	.030	-.044	-.383	170	2152	-.067	.039	.080	-.229	170	2205	-.202	.029	-.098	-.374
170	2101	-.234	.091	-.028	-.746	170	2153	-.080	.038	.068	-.243	170	2206	-.167	.036	-.059	-.381
170	2102	-.230	.063	-.042	-.697	170	2154	-.103	.041	.071	-.276	170	2207	-.212	.048	-.031	-.503
170	2103	-.188	.047	-.044	-.509	170	2155	-.111	.045	.052	-.408	170	2208	-.171	.037	-.020	-.335
170	2104	-.107	.082	-.323	-.391	170	2156	-.061	.046	.174	-.273	170	2209	-.185	.051	.024	-.590
170	2105	-.244	.075	-.009	-.853	170	2157	.010	.074	.490	-.191	170	2210	-.321	.091	-.003	-.809
170	2106	-.187	.043	-.019	-.493	170	2158	.037	.077	.441	-.186	170	2211	-.179	.031	-.086	-.330
170	2107	-.178	.033	-.048	-.300	170	2159	-.018	.058	.247	-.205	170	2212	-.160	.035	.001	-.314
170	2108	-.125	.088	-.232	-.602	170	2160	-.075	.043	.123	-.276	170	2213	-.157	.045	.148	-.358
170	2109	-.225	.061	-.026	-.634	170	2161	-.103	.037	.097	-.250	170	2214	-.297	.095	.100	-.802
170	2110	-.186	.041	-.040	-.381	170	2162	-.019	.092	.417	-.431	170	2215	-.034	.091	-.443	-.312
170	2111	-.179	.032	-.082	-.321	170	2163	-.118	.048	.094	-.426	170	2216	-.214	.031	-.123	-.408
170	2112	-.157	.081	-.290	-.569	170	2164	-.136	.042	.007	-.384	170	2217	-.184	.030	.001	-.392
170	2113	-.212	.055	-.045	-.525	170	2165	-.247	.091	.130	-.803	170	2218	-.193	.041	-.008	-.404
170	2114	-.182	.040	-.048	-.395	170	2166	-.076	.041	.102	-.231	170	2219	-.149	.045	.204	-.289
170	2115	-.174	.032	-.042	-.321	170	2167	-.139	.035	-.005	-.342	170	2220	-.181	.036	-.054	-.397
170	2116	-.129	.076	-.181	-.404	170	2168	-.186	.063	-.012	-.471	170	2221	-.226	.037	-.132	-.535
170	2117	-.207	.052	-.068	-.488	170	2170	-.156	.033	-.042	-.320	170	2222	-.157	.033	.054	-.282
170	2118	-.177	.036	-.037	-.393	170	2171	-.154	.035	-.000	-.365	170	2223	-.175	.063	.326	-.484
170	2119	-.164	.030	-.037	-.263	170	2172	-.149	.033	-.014	-.313	170	2224	-.138	.031	.003	-.263
170	2120	-.119	.044	-.118	-.286	170	2173	-.167	.051	-.014	-.393	170	2225	-.158	.041	.001	-.333
170	2121	-.251	.066	-.075	-.602	170	2174	-.166	.046	.007	-.356	170	2226	-.251	.068	-.006	-.613
170	2122	-.194	.035	-.070	-.349	170	2175	-.171	.046	-.012	-.339	170	2227	-.029	.081	.444	-.243
170	2123	-.161	.030	-.049	-.284	170	2177	.004	.088	-.419	-.326	170	2228	-.222	.035	-.101	-.381
170	2124	-.259	.076	.004	-.704	170	2178	-.164	.036	-.068	-.377	170	2229	-.144	.025	-.045	-.245
170	2125	-.247	.067	.009	-.676	170	2179	-.167	.036	-.047	-.415	170	2230	-.174	.045	-.006	-.430
170	2126	-.127	.054	.172	-.339	170	2180	-.165	.034	-.045	-.342	170	2231	-.192	.059	-.006	-.437
170	2127	-.185	.087	.181	-.758	170	2181	-.182	.042	-.052	-.351	170	2233	-.154	.031	-.038	-.379
170	2128	-.158	.043	.011	-.307	170	2182	-.204	.049	-.009	-.485	170	2234	-.126	.026	-.026	-.235
170	2129	-.209	.061	.083	-.535	170	2183	-.194	.047	-.049	-.393	170	2235	-.142	.032	-.006	-.320
170	2130	-.042	.067	.311	-.335	170	2184	-.080	.041	.130	-.199	170	2236	-.170	.110	.356	-.649
170	2131	-.198	.092	.079	-.586	170	2185	-.002	.044	.362	-.183	170	2237	-.082	.062	.261	-.391
170	2132	-.129	.049	-.197	-.402	170	2187	-.090	.064	-.176	-.316	170	2238	-.354	.128	.025	-.963
170	2133	-.182	.047	-.005	-.432	170	2188	-.153	.039	-.026	-.339	170	2239	-.239	.076	.042	-.654
170	2134	-.024	.076	.306	-.325	170	2189	-.171	.045	-.017	-.399	170	2240	-.181	.049	.018	-.462
170	2136	-.136	.044	.097	-.451	170	2190	-.158	.037	-.052	-.298	170	2241	-.158	.051	.113	-.415
170	2137	-.185	.044	.046	-.346	170	2191	-.182	.050	-.024	-.385	170	2242	-.137	.064	.183	-.513
170	2138	-.065	.082	.374	-.263	170	2192	-.242	.079	-.033	-.703	170	2243	-.208	.054	.025	-.557
170	2140	-.130	.049	.151	-.493	170	2193	-.188	.063	-.005	-.532	170	2244	-.175	.091	.110	-.564
170	2141	-.188	.056	.130	-.393	170	2194	-.160	.088	.008	-.977	170	2245	-.054	.075	.254	-.328
170	2142	-.040	.070	.239	-.284	170	2195	-.119	.046	.024	-.484	170	2246	-.112	.066	.247	-.313
170	2143	-.169	.102	.134	-.780	170	2196	-.173	.066	.015	-.588	170	2247	-.112	.052	.159	-.359
170	2144	-.110	.052	.132	-.297	170	2197	-.118	.042	.029	-.282	170	2248	-.155	.044	.074	-.306
170	2145	-.159	.058	.196	-.365	170	2198	-.094	.047	.105	-.268	170	2249	-.066	.070	.339	-.255
170	2146	-.062	.050	.141	-.285	170	2199	-.136	.082	.298	-.519	170	2250	-.117	.065	.322	-.328
170	2147	-.054	.042	.170	-.210	170	2200	-.078	.067	.337	-.358	170	2251	-.113	.063	.047	-.644
170	2148	-.077	.036	.090	-.276	170	2201	-.039	.062	-.300	-.277	170	2252	-.138	.093	.120	-.615
170	2149	-.109	.040	.045	-.316	170	2202	-.197	.048	-.049	-.579	170	2253	.002	.080	.320	-.235

WD	TAP	CPMEAN	CPRMS	CPMAX	CPMIN	WD	TAP	CPMEAN	CPRMS	CPMAX	CPMIN	WD	TAP	CPMEAN	CPRMS	CPMAX	CPMIN
170	22254	-.138	.033	-.011	-.279	180	2141	-.195	.043	-.060	-.388	180	2194	-.204	.093	-.013	-1.023
170	22255	-.136	.032	-.028	-.306	180	2142	-.020	.067	-.325	-.276	180	2195	-.127	.045	-.037	-.502
170	22256	-.136	.033	-.004	-.313	180	2143	-.192	.111	-.052	-.898	180	2196	-.167	.061	-.058	-.615
170	22257	-.177	.028	-.070	-.289	180	2144	-.132	.047	.033	-.390	180	2197	-.127	.039	.046	-.328
170	22258	-.195	.028	-.111	-.401	180	2145	-.165	.046	.069	-.404	180	2198	-.114	.044	.074	-.307
170	22259	-.129	.084	.225	-.732	180	2146	-.081	.048	.085	-.355	180	2199	-.165	.082	.271	-.576
170	22260	-.035	.065	.376	-.260	180	2147	-.078	.038	.078	-.244	180	2200	-.102	.063	.182	-.330
170	22261	-.137	.034	-.050	-.289	180	2148	-.093	.034	.036	-.338	180	2201	-.083	.056	.140	-.360
170	22262	-.121	.034	-.006	-.267	180	2149	-.113	.036	.019	-.268	180	2202	-.203	.057	-.069	-.624
170	22263	-.116	.031	-.030	-.252	180	2150	-.144	.052	.040	-.369	180	2203	-.191	.033	-.050	-.431
170	22264	-.147	.027	-.014	-.243	180	2151	-.088	.039	.078	-.261	180	2204	-.203	.040	-.075	-.438
170	22265	-.170	.029	-.033	-.303	180	2152	-.088	.037	.057	-.329	180	2205	-.193	.028	-.103	-.353
180	2101	-.206	.063	.146	-.747	180	2153	-.097	.034	.050	-.225	180	2206	-.156	.039	.074	-.296
180	2102	-.207	.050	-.030	-.545	180	2154	-.106	.038	.104	-.272	180	2207	-.210	.056	-.034	-.555
180	2103	-.175	.035	-.053	-.381	180	2155	-.114	.037	.007	-.324	180	2208	-.167	.037	-.013	-.326
180	2104	-.120	.061	-.281	-.306	180	2156	-.101	.045	.101	-.334	180	2209	-.177	.055	.044	-.528
180	2105	-.209	.047	-.086	-.473	180	2157	-.032	.065	.294	-.256	180	2210	-.324	.111	-.021	-.826
180	2106	-.177	.032	-.079	-.381	180	2158	-.013	.071	.424	-.200	180	2211	-.175	.031	-.048	-.326
180	2107	-.170	.027	-.077	-.316	180	2159	-.020	.052	.327	-.192	180	2212	-.155	.038	.012	-.316
180	2108	-.153	.060	.181	-.469	180	2160	-.079	.034	.078	-.216	180	2213	-.151	.053	.078	-.374
180	2109	-.195	.042	-.083	-.559	180	2161	-.108	.033	.024	-.261	180	2214	-.287	.108	.241	-1.078
180	2110	-.177	.030	-.088	-.355	180	2162	-.070	.102	.419	-.501	180	2215	-.032	.103	-.496	-.323
180	2111	-.176	.026	-.102	-.320	180	2163	-.147	.056	.057	-.425	180	2216	-.210	.033	-.096	-.404
180	2112	-.176	.063	-.137	-.511	180	2164	-.130	.038	-.021	-.287	180	2217	-.175	.031	-.018	-.367
180	2113	-.190	.040	-.072	-.457	180	2165	-.292	.109	.033	-1.432	180	2218	-.187	.050	.053	-.484
180	2114	-.178	.033	-.070	-.376	180	2166	-.096	.046	.149	-.252	180	2219	-.137	.053	.285	-.353
180	2115	-.168	.025	-.077	-.269	180	2167	-.142	.031	-.037	-.268	180	2220	-.177	.039	-.009	-.429
180	2116	-.149	.067	.114	-.418	180	2168	-.192	.063	-.011	-.590	180	2221	-.212	.032	-.124	-.374
180	2117	-.192	.040	-.065	-.453	180	2170	-.153	.033	-.065	-.329	180	2222	-.149	.033	.021	-.316
180	2118	-.169	.031	-.056	-.323	180	2171	-.160	.033	-.070	-.350	180	2223	-.176	.068	.175	-.452
180	2119	-.162	.027	-.060	-.276	180	2172	-.155	.034	-.044	-.294	180	2224	-.134	.032	.021	-.289
180	2120	-.130	.035	-.023	-.297	180	2173	-.172	.047	-.007	-.451	180	2225	-.161	.044	-.068	-.360
180	2121	-.234	.061	-.093	-.576	180	2174	-.178	.044	-.023	-.359	180	2226	-.239	.067	-.037	-.637
180	2122	-.186	.034	-.083	-.355	180	2175	-.176	.041	-.026	-.357	180	2227	-.010	.087	.532	-.236
180	2123	-.158	.031	-.021	-.306	180	2177	-.020	.101	.504	-.261	180	2228	-.200	.027	-.107	-.309
180	2124	-.291	.099	-.030	-.850	180	2178	-.163	.033	-.070	-.317	180	2229	-.141	.026	-.020	-.248
180	2125	-.265	.082	-.035	-.745	180	2179	-.170	.033	-.049	-.409	180	2230	-.174	.045	-.005	-.413
180	2126	-.100	.087	.392	-.429	180	2180	-.165	.032	-.056	-.383	180	2231	-.199	.047	-.009	-.438
180	2127	-.265	.127	.118	-1.154	180	2181	-.186	.035	-.091	-.369	180	2233	-.153	.029	-.015	-.326
180	2128	-.169	.047	.142	-.320	180	2182	-.201	.038	-.049	-.359	180	2234	-.123	.030	-.003	-.270
180	2129	-.230	.058	-.065	-.608	180	2183	-.192	.040	-.070	-.376	180	2235	-.148	.039	.002	-.336
180	2130	-.019	.095	.416	-.262	180	2184	-.097	.044	.138	-.250	180	2236	-.194	.091	.201	-1.072
180	2131	-.284	.106	.072	-.696	180	2185	-.015	.068	.264	-.206	180	2237	-.070	.058	-.204	-.290
180	2132	-.160	.057	.114	-.555	180	2187	-.132	.083	.218	-.445	180	2238	-.278	.087	-.073	-.717
180	2133	-.205	.043	-.058	-.406	180	2188	-.157	.039	-.027	-.401	180	2239	-.201	.048	-.042	-.503
180	2134	-.049	.097	-.520	-.355	180	2189	-.173	.040	-.069	-.466	180	2240	-.172	.041	-.002	-.457
180	2135	-.147	.045	-.002	-.580	180	2190	-.162	.034	-.023	-.321	180	2241	-.149	.042	.089	-.328
180	2136	-.192	.037	-.044	-.374	180	2191	-.180	.044	-.011	-.433	180	2242	-.146	.055	.116	-.516
180	2137	-.023	.097	.515	-.467	180	2192	-.247	.063	-.069	-.677	180	2243	-.216	.059	.046	-.632
180	2140	-.144	.048	.051	-.441	180	2193	-.214	.060	-.026	-.484	180	2244	-.178	.075	.051	-.579

WD	TAP	CPMEAN	CPRMS	CPMAX	CPMIN	WD	TAP	CPMEAN	CPRMS	CPMAX	CPMIN	WD	TAP	CPMEAN	CPRMS	CPMAX	CPMIN
180	2245	-.096	.056	.157	-.268	190	2130	-.091	.102	.770	-.245	190	2184	-.065	.035	.092	-.194
180	2246	-.127	.041	.075	-.273	190	2131	-.214	.139	.181	-.736	190	2185	-.043	.044	.134	-.185
180	2247	-.114	.040	.109	-.270	190	2132	-.128	.050	.164	-.618	190	2187	-.063	.061	.211	-.286
180	2248	-.146	.037	.102	-.297	190	2133	-.195	.044	-.047	-.487	190	2188	-.117	.053	-.004	-.530
180	2249	-.076	.054	.194	-.243	190	2134	-.064	.084	.492	-.247	190	2189	-.123	.055	-.000	-.376
180	2250	-.104	.069	.289	-.353	190	2136	-.125	.043	.050	-.463	190	2190	-.109	.038	-.004	-.314
180	2251	-.250	.063	-.037	-.630	190	2137	-.170	.038	-.052	-.389	190	2191	-.097	.033	.044	-.215
180	2252	-.146	.081	-.070	-.567	190	2138	-.020	.074	-.452	-.412	190	2192	-.138	.062	.007	-.758
180	2253	-.037	.076	-.502	-.224	190	2140	-.130	.042	-.005	-.441	190	2193	-.127	.052	.061	-.387
180	2254	-.137	.028	-.027	-.333	190	2141	-.172	.042	-.036	-.463	190	2194	-.115	.067	.024	-.627
180	2255	-.132	.027	-.039	-.248	190	2142	-.002	.072	.519	-.230	190	2195	-.109	.057	.035	-.451
180	2256	-.134	.029	-.035	-.287	190	2143	-.139	.090	.104	-.736	190	2196	-.108	.064	.028	-.662
180	2257	-.166	.028	-.039	-.302	190	2144	-.094	.039	.052	-.311	190	2197	-.085	.042	.033	-.336
180	2258	-.190	.030	-.059	-.353	190	2145	-.138	.038	.014	-.306	190	2198	-.068	.033	.079	-.215
180	2259	-.124	.082	.121	-.498	190	2146	-.064	.036	.099	-.248	190	2199	-.088	.044	.141	-.301
180	2260	-.045	.065	-.344	-.259	190	2147	-.067	.040	.065	-.353	190	2200	-.072	.033	.077	-.237
180	2261	-.137	.026	-.020	-.256	190	2148	-.072	.034	.090	-.252	190	2201	-.080	.032	.064	-.244
180	2262	-.131	.028	-.042	-.239	190	2149	-.090	.035	.032	-.297	190	2202	-.151	.045	-.004	-.448
180	2263	-.119	.027	-.008	-.214	190	2150	-.079	.036	.050	-.279	190	2203	-.142	.026	-.040	-.281
180	2264	-.141	.025	-.022	-.239	190	2151	-.072	.038	.047	-.349	190	2204	-.160	.036	-.026	-.374
180	2265	-.167	.029	-.064	-.353	190	2152	-.059	.034	.099	-.232	190	2205	-.143	.023	-.029	-.255
190	2101	-.171	.086	.146	-.621	190	2153	-.058	.034	.081	-.180	190	2206	-.112	.031	.039	-.275
190	2102	-.170	.056	-.024	-.527	190	2154	-.068	.031	.095	-.207	190	2207	-.170	.060	.055	-.499
190	2103	-.150	.037	-.023	-.307	190	2155	-.089	.037	.070	-.324	190	2208	-.120	.037	.011	-.330
190	2104	-.089	.065	-.297	-.367	190	2156	-.075	.030	.018	-.225	190	2209	-.121	.046	.070	-.347
190	2105	-.179	.053	-.027	-.518	190	2157	-.059	.032	.117	-.257	190	2210	-.210	.111	.130	-.763
190	2106	-.169	.054	-.013	-.576	190	2158	-.034	.039	.173	-.187	190	2211	-.127	.029	-.035	-.273
190	2107	-.149	.033	-.018	-.367	190	2159	-.029	.034	.160	-.128	190	2212	-.108	.033	.070	-.273
190	2108	-.129	.066	-.241	-.365	190	2160	-.057	.027	.074	-.149	190	2213	-.098	.046	.143	-.459
190	2109	-.188	.056	-.036	-.534	190	2161	-.080	.033	.059	-.320	190	2214	-.201	.127	.347	-.991
190	2110	-.167	.042	-.038	-.614	190	2162	-.059	.065	.259	-.306	190	2215	-.002	.099	.534	-.314
190	2111	-.161	.031	-.070	-.318	190	2163	-.090	.044	.077	-.308	190	2216	-.159	.025	-.090	-.259
190	2112	-.163	.062	-.077	-.461	190	2164	-.095	.040	.043	-.342	190	2217	-.132	.028	-.018	-.277
190	2113	-.168	.043	-.010	-.403	190	2165	-.176	.089	.101	-.774	190	2218	-.145	.043	.163	-.413
190	2114	-.150	.035	-.018	-.365	190	2166	-.067	.039	.143	-.248	190	2219	-.088	.047	.158	-.321
190	2115	-.145	.030	-.038	-.276	190	2167	-.096	.038	.027	-.295	190	2220	-.130	.036	-.002	-.341
190	2116	-.137	.060	-.101	-.327	190	2168	-.108	.047	.032	-.349	190	2221	-.157	.028	-.077	-.277
190	2117	-.165	.044	-.024	-.358	190	2170	-.110	.040	.000	-.288	190	2222	-.108	.026	.018	-.215
190	2118	-.139	.032	-.047	-.298	190	2171	-.119	.046	.014	-.371	190	2223	-.154	.075	.314	-.554
190	2119	-.132	.031	-.001	-.267	190	2172	-.098	.036	.036	-.304	190	2224	-.086	.028	.066	-.183
190	2120	-.094	.034	-.086	-.298	190	2173	-.100	.038	.032	-.286	190	2225	-.102	.038	.048	-.296
190	2121	-.209	.063	-.050	-.614	190	2174	-.107	.040	.014	-.315	190	2226	-.160	.052	.004	-.496
190	2122	-.156	.038	-.235	-.338	190	2175	-.105	.038	.018	-.335	190	2227	-.005	.069	.372	-.212
190	2123	-.128	.033	-.013	-.265	190	2177	-.016	.073	.399	-.326	190	2228	-.148	.023	-.059	-.238
190	2124	-.247	.149	.337	-.985	190	2178	-.127	.046	-.009	-.425	190	2229	-.100	.023	-.015	-.194
190	2125	-.218	.073	.097	-.716	190	2179	-.120	.042	-.016	-.306	190	2230	-.165	.056	-.004	-.492
190	2126	-.046	.124	.681	-.312	190	2180	-.115	.037	-.016	-.293	190	2231	-.151	.028	-.019	-.301
190	2127	-.172	.177	.335	-1.285	190	2181	-.111	.031	-.004	-.239	190	2233	-.127	.030	.069	-.264
190	2128	-.130	.042	-.035	-.365	190	2182	-.112	.036	.016	-.275	190	2234	-.077	.026	.030	-.173
190	2129	-.211	.052	-.072	-.525	190	2183	-.114	.040	.014	-.362	190	2235	-.088	.032	.048	-.226

WD	TAP	CPMEAN	CPRMS	CPMAX	CPMIN	WD	TAP	CPMEAN	CPRMS	CPMAX	CPMIN	WD	TAP	CPMEAN	CPRMS	CPMAX	CPMIN
190	2236	-.138	.064	.111	-.608	200	2121	-.212	.066	-.000	-.565	200	2174	-.091	.043	.051	-.591
190	2237	-.064	.039	.139	-.201	200	2122	-.159	.037	-.030	-.336	200	2175	-.092	.041	.100	-.400
190	2238	-.263	.103	.111	-.783	200	2123	-.124	.036	-.004	-.303	200	2177	-.034	.063	.422	-.258
190	2239	-.175	.050	.004	-.613	200	2124	-.197	.135	.294	-.850	200	2178	-.113	.046	.003	-.407
190	2240	-.142	.032	.009	-.322	200	2125	-.203	.065	.110	-.595	200	2179	-.094	.035	.017	-.312
190	2241	-.135	.033	.032	-.361	200	2126	-.096	.116	.680	-.446	200	2180	-.087	.030	.017	-.228
190	2242	-.129	.033	.067	-.298	200	2127	-.053	.169	.645	-.862	200	2181	-.085	.027	.019	-.216
190	2243	-.158	.035	-.029	-.496	200	2128	-.105	.046	.177	-.340	200	2182	-.096	.036	.065	-.475
190	2244	-.136	.084	.132	-.731	200	2129	-.216	.052	-.083	-.531	200	2183	-.094	.042	.089	-.454
190	2245	-.053	.048	.351	-.294	200	2130	-.111	.100	.719	-.173	200	2184	-.058	.032	.128	-.197
190	2246	-.107	.039	.146	-.224	200	2131	-.089	.130	.367	-.641	200	2185	-.044	.032	.153	-.131
190	2247	-.104	.034	.109	-.359	200	2132	-.110	.044	.184	-.301	200	2187	-.047	.041	.201	-.190
190	2248	-.135	.029	.055	-.261	200	2133	-.195	.046	-.058	-.467	200	2188	-.103	.051	.062	-.443
190	2249	-.089	.035	.065	-.205	200	2134	-.065	.076	.611	-.145	200	2189	-.081	.037	.048	-.293
190	2250	-.104	.039	.134	-.224	200	2136	-.104	.035	.039	-.462	200	2190	-.077	.033	.037	-.247
190	2251	-.173	.035	-.038	-.394	200	2137	-.159	.036	-.007	-.432	200	2191	-.074	.027	.035	-.197
190	2252	-.124	.093	.148	-.622	200	2138	-.025	.066	.351	-.200	200	2192	-.096	.043	.023	-.334
190	2253	-.007	.076	.493	-.210	200	2140	-.112	.039	.023	-.299	200	2193	-.084	.037	.061	-.351
190	2254	-.118	.029	.011	-.245	200	2141	-.172	.042	-.042	-.391	200	2194	-.067	.035	.205	-.295
190	2255	-.112	.027	-.006	-.245	200	2142	-.007	.068	.285	-.352	200	2195	-.078	.043	.085	-.304
190	2256	-.103	.024	-.015	-.219	200	2143	-.093	.072	.187	-.577	200	2196	-.064	.036	.053	-.345
190	2257	-.121	.028	-.041	-.224	200	2144	-.080	.039	.063	-.473	200	2197	-.060	.029	.039	-.249
190	2258	-.151	.029	-.029	-.345	200	2145	-.124	.038	.070	-.389	200	2198	-.055	.027	.062	-.161
190	2259	-.101	.076	.334	-.545	200	2146	-.061	.033	.096	-.305	200	2199	-.057	.032	.094	-.252
190	2260	-.006	.067	.439	-.168	200	2147	-.067	.040	.044	-.354	200	2200	-.051	.027	.155	-.149
190	2261	-.119	.031	-.022	-.275	200	2148	-.075	.035	.089	-.321	200	2201	-.060	.025	.048	-.147
190	2262	-.107	.026	-.003	-.224	200	2149	-.087	.035	.091	-.294	200	2202	-.130	.039	.005	-.525
190	2263	-.093	.022	-.017	-.173	200	2150	-.061	.028	.051	-.193	200	2203	-.128	.025	-.006	-.290
190	2264	-.111	.024	-.011	-.217	200	2151	-.059	.029	.054	-.268	200	2204	-.137	.034	-.004	-.356
190	2265	-.151	.036	-.054	-.401	200	2152	-.053	.031	.119	-.198	200	2205	-.129	.022	-.049	-.245
200	2101	-.144	.079	.250	-.607	200	2153	-.053	.029	.142	-.177	200	2206	-.097	.031	.112	-.231
200	2102	-.145	.042	.027	-.790	200	2154	-.045	.027	.079	-.167	200	2207	-.144	.050	.096	-.434
200	2103	-.144	.038	.034	-.334	200	2155	-.080	.039	.044	-.340	200	2208	-.106	.033	.010	-.500
200	2104	-.071	.041	.478	-.297	200	2156	-.038	.028	.042	-.265	200	2209	-.110	.042	.083	-.611
200	2105	-.162	.044	-.046	-.471	200	2157	-.056	.025	.070	-.130	200	2210	-.159	.060	.078	-.650
200	2106	-.167	.058	-.021	-.607	200	2158	-.044	.027	.056	-.135	200	2211	-.114	.028	-.011	-.277
200	2107	-.140	.035	-.028	-.444	200	2159	-.039	.028	.112	-.139	200	2212	-.097	.036	.196	-.254
200	2108	-.120	.066	.218	-.356	200	2160	-.058	.027	.054	-.158	200	2213	-.093	.042	.185	-.288
200	2109	-.195	.059	-.044	-.579	200	2161	-.073	.032	.063	-.247	200	2214	-.163	.095	.235	-.747
200	2110	-.174	.047	-.023	-.478	200	2162	-.045	.046	.228	-.293	200	2215	-.031	.079	.467	-.825
200	2111	-.154	.032	-.062	-.303	200	2163	-.062	.031	.072	-.193	200	2216	-.140	.025	-.065	-.274
200	2112	-.162	.064	-.064	-.503	200	2164	-.087	.038	.054	-.323	200	2217	-.113	.028	.078	-.215
200	2113	-.167	.048	-.030	-.685	200	2165	-.119	.065	.086	-.717	200	2218	-.125	.045	.255	-.418
200	2114	-.152	.040	-.030	-.457	200	2166	-.052	.034	.194	-.186	200	2219	-.078	.046	.235	-.254
200	2115	-.144	.035	-.032	-.329	200	2167	-.076	.033	.047	-.207	200	2220	-.113	.030	.014	-.304
200	2116	-.096	.067	-.142	-.308	200	2168	-.079	.037	.051	-.321	200	2221	-.142	.027	-.070	-.268
200	2117	-.166	.049	-.028	-.430	200	2170	-.093	.043	.024	-.349	200	2222	-.095	.026	.055	-.220
200	2118	-.139	.039	-.009	-.333	200	2171	-.089	.039	.026	-.314	200	2223	-.121	.060	.230	-.368
200	2119	-.128	.036	-.005	-.264	200	2172	-.076	.034	.040	-.303	200	2224	-.082	.027	.017	-.172
200	2120	-.082	.032	.094	-.186	200	2173	-.080	.035	.045	-.396	200	2225	-.093	.033	.026	-.251

WD	TAP	CPMEAN	CPRMS	CPMAX	CPMIN	WD	TAP	CPMEAN	CPRMS	CPMAX	CPMIN	WD	TAP	CPMEAN	CPRMS	CPMAX	CPMIN
200	2226	-.135	.045	.057	-.410	210	2112	-.134	.065	-.222	-.378	210	2164	-.069	.033	.056	-.193
200	2227	-.032	.049	-.283	-.273	210	2113	-.160	.046	-.014	-.433	210	2165	-.112	.068	.136	-.618
200	2228	-.135	.023	-.035	-.285	210	2114	-.146	.041	-.010	-.462	210	2166	-.048	.035	.141	-.229
200	2229	-.093	.023	-.011	-.169	210	2115	-.133	.031	-.021	-.251	210	2167	-.068	.041	.091	-.373
200	2230	-.140	.050	.148	-.441	210	2116	-.052	.062	.190	-.269	210	2168	-.075	.048	.118	-.449
200	2231	-.137	.030	.035	-.280	210	2117	-.163	.054	.016	-.351	210	2170	-.071	.035	.044	-.244
200	2233	-.114	.029	-.001	-.283	210	2118	-.135	.038	.003	-.409	210	2171	-.072	.037	.091	-.322
200	2234	-.069	.026	.062	-.181	210	2119	-.123	.037	.012	-.319	210	2172	-.071	.039	.073	-.309
200	2235	-.079	.029	.028	-.239	210	2120	-.078	.028	-.062	-.174	210	2173	-.080	.043	.064	-.442
200	2236	-.114	.055	.132	-.545	210	2121	-.199	.058	-.043	-.440	210	2174	-.098	.056	.073	-.553
200	2237	-.064	.032	.079	-.191	210	2122	-.148	.032	-.036	-.275	210	2175	-.102	.063	.153	-.531
200	2238	-.288	.122	.394	-.810	210	2123	-.116	.032	.032	-.238	210	2177	-.025	.075	.414	-.302
200	2239	-.174	.050	.009	-.535	210	2124	-.208	.105	.159	-.628	210	2178	-.084	.038	.022	-.269
200	2240	-.139	.035	-.001	-.326	210	2125	-.184	.053	-.010	-.453	210	2179	-.073	.032	.027	-.280
200	2241	-.133	.035	.016	-.334	210	2126	-.091	.108	.621	-.323	210	2180	-.069	.029	.018	-.184
200	2242	-.128	.033	-.015	-.344	210	2127	-.100	.152	.391	-.957	210	2181	-.074	.036	.064	-.293
200	2243	-.151	.034	-.018	-.441	210	2128	-.102	.035	-.065	-.352	210	2182	-.098	.055	.038	-.533
200	2244	-.109	.076	.153	-.581	210	2129	-.174	.038	-.041	-.372	210	2183	-.102	.070	.205	-.796
200	2245	-.021	.077	.461	-.316	210	2130	-.089	.082	.532	-.234	210	2184	-.049	.046	.254	-.331
200	2246	-.099	.040	.124	-.234	210	2131	-.118	.110	.249	-.534	210	2185	-.037	.040	.273	-.201
200	2247	-.098	.036	.187	-.275	210	2132	-.104	.034	-.027	-.255	210	2187	-.032	.049	.241	-.190
200	2248	-.132	.029	.050	-.266	210	2133	-.167	.035	-.074	-.321	210	2188	-.067	.036	.030	-.270
200	2249	-.084	.032	.059	-.249	210	2134	-.058	.072	-.424	-.299	210	2189	-.060	.032	.062	-.209
200	2250	-.101	.038	.146	-.251	210	2136	-.100	.029	-.005	-.262	210	2190	-.061	.028	.062	-.196
200	2251	-.167	.031	-.071	-.340	210	2137	-.149	.034	-.045	-.317	210	2191	-.061	.030	.073	-.207
200	2252	-.084	.072	.156	-.795	210	2138	-.030	.063	.301	-.168	210	2192	-.086	.050	.071	-.368
200	2253	-.010	.074	.502	-.206	210	2140	-.095	.035	-.056	-.284	210	2193	-.073	.046	.071	-.431
200	2254	-.108	.027	-.003	-.232	210	2141	-.160	.040	-.052	-.350	210	2194	-.059	.032	.086	-.364
200	2255	-.105	.025	-.011	-.237	210	2142	-.014	.055	.282	-.216	210	2195	-.054	.032	.054	-.281
200	2256	-.096	.024	-.035	-.232	210	2143	-.070	.056	.185	-.418	210	2196	-.049	.030	.052	-.179
200	2257	-.116	.024	-.011	-.213	210	2144	-.068	.030	-.093	-.180	210	2197	-.048	.027	.045	-.181
200	2258	-.145	.026	-.071	-.321	210	2145	-.113	.030	-.022	-.238	210	2198	-.047	.028	.086	-.168
200	2259	-.059	.064	.199	-.350	210	2146	-.062	.038	.064	-.338	210	2199	-.051	.031	.169	-.227
200	2260	-.001	.059	.271	-.150	210	2147	-.066	.039	.058	-.367	210	2200	-.040	.035	.201	-.205
200	2261	-.109	.026	-.003	-.230	210	2148	-.076	.041	.040	-.376	210	2201	-.049	.028	.115	-.157
200	2262	-.097	.027	.023	-.206	210	2149	-.084	.038	.047	-.413	210	2202	-.137	.059	.034	-.516
200	2263	-.084	.022	.023	-.157	210	2150	-.062	.033	.073	-.300	210	2203	-.120	.031	-.014	-.364
200	2264	-.104	.024	-.011	-.198	210	2151	-.054	.031	.078	-.236	210	2204	-.130	.047	-.006	-.535
200	2265	-.144	.037	-.044	-.340	210	2152	-.052	.026	.087	-.162	210	2205	-.113	.023	-.014	-.264
210	2101	-.130	.059	.181	-.532	210	2153	-.053	.026	.071	-.162	210	2206	-.075	.039	.134	-.201
210	2102	-.137	.037	.049	-.321	210	2154	-.062	.026	.031	-.184	210	2207	-.105	.047	.186	-.350
210	2103	-.138	.037	.012	-.334	210	2155	-.063	.031	.127	-.216	210	2208	-.101	.043	.034	-.527
210	2104	-.095	.054	.231	-.306	210	2156	-.061	.033	.040	-.360	210	2209	-.102	.048	.165	-.485
210	2105	-.146	.038	-.032	-.350	210	2157	-.048	.027	.067	-.133	210	2210	-.138	.059	.210	-.555
210	2106	-.147	.045	-.017	-.402	210	2158	-.039	.027	.136	-.120	210	2211	-.098	.029	-.011	-.253
210	2107	-.133	.031	-.032	-.284	210	2159	-.038	.027	.220	-.120	210	2212	-.075	.045	.199	-.246
210	2108	-.136	.054	-.106	-.361	210	2160	-.053	.028	.047	-.244	210	2213	-.074	.054	.243	-.337
210	2109	-.164	.046	-.049	-.437	210	2161	-.057	.033	.060	-.302	210	2214	-.113	.074	.291	-.644
210	2110	-.153	.037	-.065	-.383	210	2162	-.039	.045	.300	-.209	210	2215	-.056	.056	.306	-.490
210	2111	-.144	.031	-.054	-.321	210	2163	-.054	.033	.162	-.382	210	2216	-.133	.031	-.055	-.505

WD	TAP	CPMEAN	CPRMS	CPMAX	CPMIN	WD	TAP	CPMEAN	CPRMS	CPMAX	CPMIN	WD	TAP	CPMEAN	CPRMS	CPMAX	CPMIN
210	22117	-.095	.034	.180	-.229	220	21103	-.152	.042	-.020	-.400	220	21155	-.061	.049	.091	-.372
210	22118	-.100	.040	.260	-.592	220	21104	-.111	.042	-.144	-.328	220	21156	-.072	.041	.100	-.369
210	22119	-.059	.057	.308	-.220	220	21105	-.134	.036	-.032	-.312	220	21157	-.057	.032	.110	-.188
210	22120	-.099	.029	.004	-.227	220	21106	-.136	.036	-.018	-.400	220	21158	-.035	.032	.152	-.137
210	22121	-.126	.026	-.055	-.309	220	21107	-.139	.032	-.036	-.328	220	21159	-.021	.037	.251	-.144
210	22122	-.080	.036	.097	-.272	220	21108	-.167	.056	-.086	-.423	220	21160	-.040	.039	.115	-.320
210	22123	-.074	.077	.314	-.290	220	21109	-.150	.040	-.006	-.353	220	21161	-.064	.044	.086	-.325
210	22124	-.077	.028	.047	-.203	220	21110	-.142	.035	-.039	-.386	220	21162	-.027	.071	.657	-.252
210	22125	-.078	.031	.089	-.193	220	21111	-.136	.029	-.043	-.286	220	21163	-.053	.047	.218	-.254
210	22126	-.093	.052	.144	-.303	220	21112	-.138	.061	-.112	-.448	220	21164	-.067	.041	.129	-.327
210	22127	-.039	.041	.163	-.370	220	21113	-.151	.048	-.016	-.351	220	21165	-.147	.094	.178	-.611
210	22128	-.119	.023	-.025	-.278	220	21114	-.143	.046	-.025	-.432	220	21166	-.044	.056	.305	-.265
210	22129	-.081	.024	.037	-.195	220	21115	-.127	.032	-.016	-.265	220	21167	-.067	.046	.086	-.355
210	22130	-.109	.046	.115	-.336	220	21116	-.023	.064	-.338	-.296	220	21168	-.089	.057	.117	-.477
210	22131	-.121	.027	.004	-.294	220	21117	-.164	.053	-.011	-.492	220	21170	-.063	.034	.129	-.268
210	22132	-.092	.032	.046	-.297	220	21118	-.143	.044	-.002	-.427	220	21171	-.066	.039	.075	-.259
210	22133	-.065	.023	.064	-.136	220	21119	-.122	.038	.052	-.286	220	21172	-.065	.046	.124	-.313
210	22134	-.072	.024	.059	-.216	220	21120	-.067	.032	-.048	-.175	220	21173	-.084	.049	.115	-.454
210	22135	-.084	.056	.133	-.620	220	21121	-.225	.067	-.050	-.608	220	21174	-.129	.074	.051	-.700
210	22136	-.053	.031	.099	-.168	220	21122	-.151	.039	-.036	-.298	220	21175	-.129	.099	.122	-.853
210	22137	-.297	.104	.059	-1.045	220	21123	-.113	.037	.017	-.252	220	21177	-.008	.116	.699	-.336
210	22138	-.176	.050	-.007	-.450	220	21124	-.273	.112	.102	-.934	220	21178	-.071	.032	.030	-.205
210	22139	-.141	.042	-.023	-.439	220	21125	-.206	.056	.003	-.425	220	21179	-.062	.031	.058	-.188
210	22140	-.130	.035	-.009	-.345	220	21126	-.108	.129	.704	-.291	220	21180	-.061	.029	.060	-.172
210	22141	-.119	.035	-.005	-.421	220	21127	-.116	.133	.445	-.638	220	21181	-.070	.036	.079	-.294
210	22142	-.139	.036	-.046	-.464	220	21128	-.118	.031	-.021	-.291	220	21182	-.122	.075	.051	-.759
210	22143	-.110	.068	.177	-.533	220	21129	-.181	.040	-.069	-.416	220	21183	-.125	.116	.145	-.935
210	22144	-.026	.049	.301	-.232	220	21130	-.107	.101	.709	-.270	220	21184	-.037	.057	.312	-.449
210	22145	-.089	.038	.085	-.205	220	21131	-.102	.105	.352	-.474	220	21185	-.031	.058	.291	-.222
210	22146	-.080	.036	.172	-.244	220	21132	-.107	.034	.052	-.245	220	21187	-.016	.067	.358	-.263
210	22147	-.125	.030	.004	-.253	220	21133	-.175	.036	-.066	-.312	220	21188	-.055	.029	.047	-.233
210	22148	-.071	.034	.089	-.205	220	21134	-.083	.083	.463	-.228	220	21189	-.046	.031	.112	-.146
210	22149	-.089	.036	.131	-.232	220	21136	-.104	.030	.012	-.215	220	21190	-.047	.032	.095	-.217
210	22150	-.145	.031	-.051	-.363	220	21137	-.171	.037	-.043	-.363	220	21191	-.059	.034	.038	-.238
210	22151	-.079	.062	.138	-.561	220	21138	-.059	.067	-.329	-.261	220	21192	-.087	.051	.100	-.328
210	22152	-.016	.056	.349	-.186	220	21140	-.081	.036	.130	-.224	220	21193	-.069	.061	.103	-.541
210	22153	-.105	.024	-.009	-.195	220	21141	-.171	.037	-.062	-.337	220	21194	-.056	.053	.245	-.456
210	22154	-.096	.023	.004	-.312	220	21142	-.011	.067	.304	-.265	220	21195	-.041	.031	.141	-.171
210	22155	-.090	.022	-.003	-.175	220	21143	-.017	.067	.317	-.412	220	21196	-.040	.031	.056	-.169
210	22156	-.104	.022	.018	-.202	220	21144	-.055	.036	.124	-.158	220	21197	-.040	.028	.066	-.153
210	22157	-.129	.027	-.039	-.267	220	21145	-.117	.038	.086	-.322	220	21198	-.042	.030	.141	-.134
210	22158	-.063	.038	.105	-.425	220	21146	-.080	.051	.084	-.400	220	21199	-.059	.037	.183	-.307
210	22159	-.015	.053	.365	-.147	220	21147	-.090	.050	.082	-.456	220	22000	-.034	.037	.210	-.197
210	22160	-.104	.022	-.028	-.232	220	21148	-.099	.046	.060	-.311	220	22001	-.049	.031	.125	-.167
210	22161	-.088	.024	.032	-.184	220	21149	-.106	.054	.030	-.400	220	22002	-.140	.060	-.013	-.599
210	22162	-.078	.023	.011	-.154	220	21150	-.079	.042	.056	-.343	220	22003	-.121	.031	-.033	-.288
210	22163	-.084	.029	.115	-.189	220	21151	-.064	.033	.049	-.224	220	22004	-.142	.062	-.049	-.633
210	22164	-.126	.031	.003	-.340	220	21152	-.098	.033	.084	-.193	220	22005	-.111	.024	-.022	-.222
220	2101	-.158	.054	.095	-.502	220	21153	-.054	.032	.110	-.217	220	22006	-.064	.038	.174	-.305
220	2102	-.130	.037	.012	-.335	220	21154	-.065	.033	.110	-.214	220	22007	-.075	.044	.135	-.286

WD	TAP	CPMEAN	CPRMS	CPMAX	CPMIN	WD	TAP	CPMEAN	CPRMS	CPMAX	CPMIN	WD	TAP	CPMEAN	CPRMS	CPMAX	CPMIN
220	2208	-.104	.057	.059	-.870	220	2259	-.117	.076	.169	-.528	230	2146	-.094	.051	.138	-.426
220	2209	-.116	.067	.089	-.587	220	2260	-.049	.086	.524	-.144	230	2147	-.102	.052	.071	-.474
220	2210	-.133	.084	.178	-.937	220	2261	-.116	.032	-.005	-.307	230	2148	-.120	.049	.080	-.356
220	2211	-.090	.029	.026	-.243	220	2262	-.082	.026	.048	-.188	230	2149	-.119	.059	.085	-.454
220	2212	-.052	.047	.197	-.203	220	2263	-.061	.026	.058	-.144	230	2150	-.095	.043	.067	-.345
220	2213	-.040	.065	.291	-.277	220	2264	-.050	.026	.148	-.166	230	2151	-.074	.053	.062	-.265
220	2214	-.067	.084	.443	-.461	220	2265	-.113	.032	-.005	-.287	230	2152	-.065	.033	.099	-.220
220	2215	-.066	.065	.385	-.562	230	2101	-.158	.048	.053	-.480	230	2153	-.058	.034	.113	-.192
220	2216	-.134	.032	-.047	-.341	230	2102	-.128	.043	.053	-.348	230	2154	-.065	.037	.122	-.227
220	2217	-.089	.032	.061	-.217	230	2103	-.148	.043	-.018	-.432	230	2155	-.081	.061	.108	-.370
220	2218	-.106	.078	.220	-.585	230	2104	-.131	.042	.055	-.384	230	2156	-.084	.042	.071	-.255
220	2219	-.035	.063	.443	-.178	230	2105	-.124	.035	-.008	-.430	230	2157	-.066	.032	.076	-.190
220	2220	-.088	.030	-.024	-.231	230	2106	-.129	.032	-.024	-.314	230	2158	-.037	.037	.122	-.162
220	2221	-.130	.030	-.047	-.279	230	2107	-.132	.032	-.038	-.446	230	2159	-.013	.040	.263	-.148
220	2222	-.069	.032	.114	-.270	230	2108	-.164	.055	.210	-.471	230	2160	-.030	.044	.152	-.192
220	2223	-.030	.076	.431	-.316	230	2109	-.138	.036	.055	-.455	230	2161	-.082	.057	.104	-.359
220	2224	-.072	.026	.020	-.183	230	2110	-.131	.034	-.020	-.396	230	2162	-.011	.072	.464	-.208
220	2225	-.067	.032	.063	-.265	230	2111	-.128	.027	-.034	-.277	230	2163	-.061	.054	.277	-.310
220	2226	-.059	.062	.383	-.321	230	2112	-.133	.057	.137	-.444	230	2164	-.076	.044	.074	-.354
220	2227	-.040	.040	.128	-.328	230	2113	-.141	.044	-.033	-.409	230	2165	-.186	.108	.136	-.321
220	2228	-.126	.031	-.001	-.319	230	2114	-.133	.045	-.020	-.469	230	2166	-.054	.057	.255	-.333
220	2229	-.071	.025	.012	-.173	230	2115	-.118	.029	-.018	-.284	230	2167	-.076	.045	.064	-.375
220	2230	-.075	.045	.143	-.273	230	2116	-.010	.075	.333	-.245	230	2168	-.097	.048	.108	-.361
220	2231	-.117	.044	.179	-.389	230	2117	-.146	.045	-.008	-.371	230	2170	-.072	.037	.076	-.241
220	2233	-.059	.040	.162	-.183	230	2118	-.138	.043	-.002	-.380	230	2171	-.075	.038	.039	-.308
220	2234	-.055	.024	.089	-.144	230	2119	-.111	.034	.062	-.282	230	2172	-.082	.045	.048	-.310
220	2235	-.058	.028	.114	-.224	230	2120	-.053	.035	-.116	-.175	230	2173	-.096	.051	.050	-.252
220	2236	-.062	.045	.182	-.280	230	2121	-.235	.068	-.038	-.615	230	2174	-.144	.074	.048	-.715
220	2237	-.047	.031	.109	-.311	230	2122	-.139	.036	-.027	-.312	230	2175	-.142	.082	.113	-.759
220	2238	-.429	.165	-.022	-1.465	230	2123	-.105	.036	.074	-.252	230	2177	-.001	.105	.538	-.310
220	2239	-.232	.079	-.020	-.661	230	2124	-.262	.091	.090	-.931	230	2178	-.077	.033	.037	-.232
220	2240	-.161	.052	.033	-.569	230	2125	-.204	.061	-.018	-.496	230	2179	-.076	.031	.030	-.232
220	2241	-.143	.043	.012	-.452	230	2126	-.062	.128	.814	-.564	230	2180	-.077	.034	.046	-.252
220	2242	-.124	.046	.014	-.370	230	2127	-.152	.107	-.274	-.715	230	2181	-.087	.038	.048	-.252
220	2243	-.139	.041	.002	-.387	230	2128	-.132	.031	-.038	-.264	230	2182	-.140	.079	.013	-.627
220	2244	-.094	.086	.223	-.508	230	2129	-.174	.036	-.054	-.359	230	2183	-.136	.108	.168	-.833
220	2245	-.006	.074	.366	-.241	230	2130	-.084	.103	.573	-.223	230	2184	-.036	.057	.294	-.229
220	2246	-.073	.048	.169	-.246	230	2131	-.112	.090	.226	-.560	230	2185	-.035	.061	.337	-.188
220	2247	-.074	.042	.092	-.282	230	2132	-.107	.030	.092	-.318	230	2187	-.018	.067	.452	-.161
220	2248	-.139	.037	-.018	-.343	230	2133	-.162	.031	-.043	-.277	230	2188	-.067	.030	.034	-.220
220	2249	-.047	.045	.131	-.331	230	2134	-.089	.078	.445	-.270	230	2189	-.062	.033	.061	-.294
220	2250	-.080	.036	-.070	-.229	230	2136	-.100	.034	.064	-.255	230	2190	-.059	.031	.047	-.186
220	2251	-.152	.038	-.069	-.350	230	2137	-.160	.033	-.072	-.339	230	2191	-.068	.036	.142	-.278
220	2252	-.069	.091	.240	-.506	230	2138	-.112	.075	.452	-.250	230	2192	-.113	.064	.045	-.509
220	2253	-.080	.088	.621	-.124	230	2140	-.067	.037	.101	-.184	230	2193	-.081	.071	.111	-.645
220	2254	-.115	.030	-.010	-.273	230	2141	-.170	.036	-.047	-.364	230	2194	-.066	.065	.176	-.233
220	2255	-.095	.026	-.001	-.200	230	2142	-.056	.070	.340	-.175	230	2195	-.053	.039	.052	-.240
220	2256	-.083	.026	-.026	-.192	230	2143	-.033	.071	.307	-.273	230	2196	-.057	.037	.088	-.292
220	2257	-.100	.024	-.013	-.209	230	2144	-.050	.040	.157	-.178	230	2197	-.053	.029	.047	-.143
220	2258	-.120	.038	-.039	-.268	230	2145	-.137	.038	-.028	-.292	230	2198	-.055	.029	.083	-.206

WD	TAP	CPMEAN	CPRMS	CPMAX	CPMIN	WD	TAP	CPMEAN	CPRMS	CPMAX	CPMIN	WD	TAP	CPMEAN	CPRMS	CPMAX	CPMIN
230	2199	-.077	.043	.126	-.389	230	2250	-.071	.039	.112	-.234	240	2136	-.118	.031	.063	-.229
230	2200	-.036	.042	.172	-.342	230	2251	-.140	.035	-.046	-.356	240	2137	-.175	.031	-.071	-.301
230	2201	-.061	.035	.074	-.272	230	2252	-.021	.100	.329	-.528	240	2138	-.120	.073	.465	-.115
230	2202	-.143	.046	-.005	-.364	230	2253	.121	.094	.582	-.103	240	2140	-.049	.044	.138	-.193
230	2203	-.117	.029	-.032	-.267	230	2254	-.127	.032	-.020	-.260	240	2141	-.186	.038	-.071	-.331
230	2204	-.149	.058	-.009	-.523	230	2255	-.099	.026	.002	-.220	240	2142	.045	.067	.382	-.262
230	2205	-.108	.024	-.002	-.226	230	2256	-.082	.024	.016	-.189	240	2143	.045	.066	.286	-.232
230	2206	-.068	.032	.063	-.213	230	2257	-.097	.023	-.003	-.186	240	2144	-.056	.041	.130	-.194
230	2207	-.077	.044	.129	-.344	230	2258	-.107	.025	-.024	-.249	240	2145	-.158	.036	-.022	-.320
230	2208	-.115	.054	.065	-.602	230	2259	-.132	.080	.138	-.630	240	2146	-.094	.050	.086	-.428
230	2209	-.124	.064	.063	-.514	230	2260	-.117	.100	.703	-.165	240	2147	-.105	.056	.074	-.418
230	2210	-.138	.082	.126	-.595	230	2261	-.127	.032	-.029	-.272	240	2148	-.126	.055	.123	-.407
230	2211	-.095	.030	.002	-.319	230	2262	-.092	.029	.040	-.237	240	2149	-.139	.055	.048	-.537
230	2212	-.051	.043	.214	-.161	230	2263	-.063	.026	.040	-.144	240	2150	-.087	.037	.074	-.344
230	2213	-.037	.063	.296	-.249	230	2264	-.077	.022	.019	-.182	240	2151	-.083	.037	.051	-.330
230	2214	-.032	.093	.524	-.358	230	2265	-.100	.027	.026	-.337	240	2152	-.075	.038	.076	-.232
230	2215	-.076	.071	.276	-.550	240	2101	-.163	.044	.010	-.393	240	2153	-.066	.039	.244	-.204
230	2216	-.125	.029	.018	-.290	240	2102	-.139	.047	.023	-.372	240	2154	-.089	.040	.086	-.262
230	2217	-.088	.030	.147	-.222	240	2103	-.154	.045	.033	-.524	240	2155	-.122	.058	.079	-.421
230	2218	-.108	.066	.233	-.482	240	2104	-.145	.053	.035	-.496	240	2156	-.060	.035	.079	-.262
230	2219	-.037	.052	.271	-.236	240	2105	-.137	.039	-.009	-.379	240	2157	-.075	.032	.079	-.194
230	2220	-.094	.029	-.007	-.269	240	2106	-.138	.031	-.025	-.321	240	2158	-.057	.038	.212	-.187
230	2221	-.138	.034	-.037	-.326	240	2107	-.147	.036	-.029	-.340	240	2159	-.023	.046	.310	-.148
230	2222	-.072	.031	.065	-.267	240	2108	-.182	.055	.097	-.561	240	2160	-.046	.049	.151	-.236
230	2223	-.019	.047	.373	-.177	240	2109	-.153	.040	.063	-.351	240	2161	-.111	.062	.149	-.395
230	2224	-.078	.026	.018	-.186	240	2110	-.144	.040	-.009	-.423	240	2162	-.016	.081	.527	-.232
230	2225	-.068	.031	.052	-.229	240	2111	-.141	.032	-.016	-.335	240	2163	-.079	.053	.242	-.281
230	2226	-.054	.050	.207	-.356	240	2112	-.149	.061	-.155	-.356	240	2164	-.108	.041	.065	-.346
230	2227	-.058	.040	.100	-.399	240	2113	-.148	.046	-.009	-.386	240	2165	-.228	.119	.167	-.925
230	2228	-.124	.036	.059	-.294	240	2114	-.145	.054	.063	-.430	240	2166	-.061	.054	.246	-.268
230	2229	-.071	.023	.031	-.151	240	2115	-.123	.034	.074	-.303	240	2167	-.111	.047	.069	-.488
230	2230	-.061	.041	.143	-.303	240	2116	-.009	.079	.329	-.287	240	2168	-.134	.057	.088	-.537
230	2231	-.105	.054	.226	-.373	240	2117	-.152	.052	.010	-.397	240	2170	-.099	.034	.030	-.276
230	2232	-.048	.039	.167	-.234	240	2118	-.146	.052	.065	-.489	240	2171	-.108	.036	.016	-.313
230	2233	-.059	.025	.071	-.167	240	2119	-.119	.042	.127	-.315	240	2172	-.119	.046	.020	-.404
230	2234	-.061	.029	.105	-.167	240	2120	-.056	.038	-.122	-.204	240	2173	-.140	.056	.044	-.565
230	2235	-.062	.035	.114	-.213	240	2121	-.242	.074	-.041	-.597	240	2174	-.182	.075	.018	-.607
230	2236	-.053	.032	.121	-.229	240	2122	-.147	.039	-.009	-.324	240	2175	-.184	.083	.076	-.654
230	2237	-.451	.169	.035	-1.162	240	2123	-.112	.041	.033	-.315	240	2177	.002	.115	.467	-.262
230	2238	-.247	.090	-.020	-.740	240	2124	-.267	.110	.115	-.906	240	2178	-.104	.028	-.022	-.225
230	2239	-.168	.054	-.034	-.468	240	2125	-.205	.063	.005	-.487	240	2179	-.107	.028	-.012	-.318
230	2240	-.144	.043	-.017	-.435	240	2126	-.001	.127	.610	-.413	240	2180	-.108	.029	-.017	-.260
230	2241	-.123	.048	.012	-.411	240	2127	-.173	.098	-.212	-.689	240	2181	-.132	.044	.017	-.407
230	2242	-.128	.040	.033	-.322	240	2128	-.154	.030	-.057	-.303	240	2182	-.181	.071	-.036	-.768
230	2243	-.068	.087	.198	-.597	240	2129	-.177	.038	-.052	-.404	240	2183	-.177	.097	.093	-.834
230	2244	-.017	.073	.472	-.241	240	2130	-.047	.100	.518	-.243	240	2184	-.044	.058	.347	-.238
230	2245	-.082	.047	.169	-.249	240	2131	-.126	.083	.122	-.446	240	2185	-.027	.064	.276	-.167
230	2246	-.075	.044	.178	-.222	240	2132	-.130	.030	.033	-.269	240	2187	-.019	.075	.363	-.192
230	2247	-.142	.037	-.015	-.308	240	2133	-.172	.034	-.073	-.344	240	2188	-.103	.025	-.028	-.213
230	2248	-.036	.049	.226	-.182	240	2134	.080	.082	.566	-.193	240	2189	-.101	.028	-.005	-.227

WD	TAP	CPMEAN	CPRMS	CPMAX	CPMIN	WD	TAP	CPMEAN	CPRMS	CPMAX	CPMIN	WD	TAP	CPMEAN	CPRMS	CPMAX	CPMIN
240	2190	-.102	.026	-.017	-.204	240	2241	-.153	.048	.003	-.538	250	2126	-.060	.105	.550	-.382
240	2191	-.117	.035	-.004	-.279	240	2242	-.130	.045	.003	-.379	250	2127	-.188	.067	.073	-.587
240	2192	-.177	.079	.025	-.681	240	2243	-.127	.038	.007	-.289	250	2128	-.159	.032	-.067	-.303
240	2193	-.148	.079	.086	-.516	240	2244	-.060	.085	.208	-.441	250	2129	-.178	.048	-.018	-.461
240	2194	-.133	.108	.123	-1.213	240	2245	-.011	.072	.304	-.263	250	2130	-.006	.090	.478	-.289
240	2195	-.089	.038	.013	-.213	240	2246	-.102	.043	.099	-.326	250	2131	-.188	.086	.114	-.492
240	2196	-.101	.027	-.012	-.215	240	2247	-.086	.047	.150	-.270	250	2132	-.138	.030	-.025	-.251
240	2197	-.095	.026	-.003	-.205	240	2248	-.154	.037	-.043	-.379	250	2133	-.163	.035	-.039	-.349
240	2198	-.094	.029	.002	-.235	240	2249	-.055	.044	.217	-.200	250	2134	-.066	.080	.408	-.207
240	2199	-.143	.052	.061	-.608	240	2250	-.077	.037	.102	-.236	250	2135	-.133	.033	-.005	-.265
240	2200	-.092	.044	.146	-.254	240	2251	-.130	.032	-.043	-.328	250	2136	-.174	.034	-.065	-.338
240	2201	-.086	.032	.050	-.208	240	2252	-.005	.099	.343	-.376	250	2137	-.112	.081	.541	-.328
240	2202	-.123	.038	.002	-.391	240	2253	.114	.087	.579	-.174	250	2138	-.076	.047	.126	-.233
240	2203	-.112	.029	.027	-.286	240	2254	-.145	.033	-.041	-.326	250	2139	-.184	.039	-.065	-.345
240	2204	-.126	.044	.068	-.433	240	2255	-.117	.025	-.034	-.234	250	2140	.029	.074	.282	-.233
240	2205	-.105	.023	.036	-.195	240	2256	-.097	.024	-.007	-.200	250	2141	-.029	.096	.357	-.230
240	2206	-.088	.029	.041	-.259	240	2257	-.099	.023	-.024	-.195	250	2142	-.069	.047	.149	-.232
240	2207	-.088	.036	.084	-.229	240	2258	-.100	.022	-.022	-.229	250	2143	-.166	.040	-.022	-.348
240	2208	-.126	.048	.004	-.414	240	2259	-.141	.086	.159	-.533	250	2144	-.092	.037	.018	-.422
240	2209	-.142	.070	.043	-.526	240	2260	-.138	.105	.591	-.123	250	2145	-.113	.050	.066	-.417
240	2210	-.142	.074	.184	-.514	240	2261	-.147	.032	-.034	-.292	250	2146	-.139	.051	.035	-.507
240	2211	-.109	.032	.018	-.334	240	2262	-.107	.029	.036	-.217	250	2147	-.151	.059	.021	-.672
240	2212	-.066	.045	.260	-.302	240	2263	-.074	.026	.036	-.164	250	2148	-.083	.030	.054	-.242
240	2213	-.052	.058	.262	-.309	240	2264	-.084	.021	.005	-.154	250	2149	-.086	.032	.028	-.289
240	2214	-.047	.099	.465	-.556	240	2265	-.096	.023	-.022	-.232	250	2150	-.085	.036	.075	-.251
240	2215	-.096	.077	.253	-.770	250	2101	-.158	.041	.014	-.410	250	2151	-.076	.039	.163	-.194
240	2216	-.114	.027	.011	-.345	250	2102	-.160	.053	.028	-.464	250	2152	-.094	.044	.163	-.284
240	2217	-.095	.033	.249	-.324	250	2103	-.170	.058	.042	-.508	250	2153	-.127	.061	.134	-.452
240	2218	-.109	.053	.321	-.359	250	2104	-.167	.053	.054	-.492	250	2154	-.078	.027	.018	-.180
240	2219	-.067	.044	-.205	-.263	250	2105	-.152	.041	.005	-.319	250	2155	-.080	.028	.021	-.180
240	2220	-.109	.025	-.001	-.227	250	2106	-.146	.040	.003	-.391	250	2156	-.066	.036	.125	-.164
240	2221	-.119	.028	-.012	-.313	250	2107	-.150	.045	.012	-.436	250	2157	-.032	.047	.189	-.194
240	2222	-.089	.029	.052	-.252	250	2108	-.183	.057	.028	-.457	250	2158	-.045	.056	.227	-.332
240	2223	-.052	.055	.253	-.256	250	2109	-.166	.045	-.030	-.452	250	2159	-.107	.079	.260	-.431
240	2224	-.095	.026	-.017	-.215	250	2110	-.153	.048	-.032	-.459	250	2160	-.034	.072	.600	-.261
240	2225	-.086	.028	.036	-.210	250	2111	-.144	.044	-.021	-.405	250	2161	-.091	.041	.120	-.308
240	2226	-.078	.038	.097	-.222	250	2112	-.147	.065	.133	-.426	250	2162	-.116	.043	.042	-.362
240	2227	-.081	.037	.053	-.328	250	2113	-.154	.059	.042	-.426	250	2163	-.194	.099	.118	-.662
240	2228	-.106	.039	.063	-.253	250	2114	-.148	.069	.028	-.562	250	2164	-.080	.046	.249	-.413
240	2229	-.085	.023	-.007	-.174	250	2115	-.127	.053	.073	-.473	250	2165	-.121	.046	.009	-.381
240	2230	-.079	.033	.133	-.224	250	2116	-.019	.093	.327	-.291	250	2166	-.143	.055	.047	-.507
240	2231	-.076	.051	.188	-.314	250	2117	-.145	.069	.047	-.520	250	2167	-.106	.032	.002	-.244
240	2232	-.070	.031	.135	-.169	250	2118	-.134	.066	.075	-.475	250	2168	-.113	.033	-.005	-.341
240	2233	-.076	.024	.019	-.159	250	2119	-.114	.069	.131	-.741	250	2169	-.117	.037	.033	-.313
240	2234	-.085	.027	.070	-.186	250	2120	-.063	.044	.163	-.182	250	2170	-.134	.044	.047	-.381
240	2235	-.095	.031	.063	-.234	250	2121	-.208	.083	.128	-.606	250	2171	-.166	.040	.042	-.616
240	2236	-.071	.028	-.056	-.260	250	2122	-.123	.067	.245	-.342	250	2172	-.168	.079	.286	-.618
240	2237	-.371	.176	-.077	-1.173	250	2123	-.104	.050	.138	-.391	250	2173	-.036	.100	.496	-.325
240	2238	-.236	.094	-.024	-.719	250	2124	-.212	.083	.005	-.785	250	2174	-.106	.026	-.001	-.204
240	2239	-.172	.058	-.007	-.690	250	2125	-.187	.064	-.002	-.569	250	2175	-.109	.025	-.027	-.218

WD	TAP	CPMEAN	CPRMS	CPMAX	CPMIN	WD	TAP	CPMEAN	CPRMS	CPMAX	CPMIN	WD	TAP	CPMEAN	CPRMS	CPMAX	CPMIN
250	2180	-.109	.026	-.036	-.216	250	2231	-.065	.034	.138	-.195	260	2117	-.121	.074	.119	-.513
250	2181	-.125	.034	-.018	-.306	250	2233	-.079	.025	.045	-.158	260	2118	-.112	.064	.170	-.420
250	2182	-.165	.057	-.029	-.682	250	2234	-.083	.022	.008	-.155	260	2119	-.139	.093	.151	-.651
250	2183	-.167	.078	-.052	-.651	250	2235	-.083	.023	.006	-.175	260	2120	-.062	.041	.105	-.236
250	2184	-.055	.052	.203	-.235	250	2236	-.085	.027	.037	-.197	260	2121	-.110	.086	.165	-.765
250	2185	-.043	.061	.300	-.188	250	2237	-.074	.028	.062	-.195	260	2122	-.077	.084	.263	-.394
250	2187	-.043	.058	.335	-.209	250	2238	-.216	.098	-.028	-1.013	260	2123	-.083	.079	.317	-.676
250	2188	-.100	.025	-.019	-.205	250	2239	-.189	.077	.015	-.715	260	2124	-.174	.056	.056	-.450
250	2189	-.107	.026	-.031	-.218	250	2240	-.133	.048	.013	-.458	260	2125	-.147	.048	-.017	-.483
250	2190	-.108	.024	-.036	-.221	250	2241	-.135	.050	.030	-.439	260	2126	-.074	.068	.258	-.308
250	2191	-.121	.033	-.022	-.283	250	2242	-.112	.039	.018	-.375	260	2127	-.187	.066	.023	-.753
250	2192	-.172	.056	-.001	-.593	250	2243	-.109	.035	.011	-.343	260	2128	-.139	.042	-.026	-.417
250	2193	-.145	.059	.134	-.556	250	2244	-.057	.081	.257	-.580	260	2129	-.150	.049	-.000	-.583
250	2194	-.117	.065	.212	-.661	250	2245	-.012	.071	.291	-.302	260	2130	-.040	.075	.352	-.289
250	2195	-.094	.026	-.001	-.239	250	2246	-.100	.041	.130	-.282	260	2131	-.201	.077	-.126	-.690
250	2196	-.101	.028	-.019	-.225	250	2247	-.081	.046	.121	-.251	260	2132	-.133	.032	-.003	-.296
250	2197	-.097	.028	-.010	-.276	250	2248	-.137	.038	-.019	-.351	260	2133	-.145	.037	-.040	-.424
250	2198	-.111	.031	-.022	-.293	250	2249	-.068	.043	.196	-.234	260	2134	-.021	.084	.338	-.341
250	2199	-.153	.045	-.026	-.464	250	2250	-.085	.031	.128	-.231	260	2136	-.122	.031	-.009	-.236
250	2200	-.109	.036	.161	-.272	250	2251	-.106	.026	-.021	-.221	260	2137	-.152	.033	-.052	-.289
250	2201	-.088	.027	.025	-.177	250	2252	-.007	.089	.353	-.578	260	2138	-.071	.094	.485	-.401
250	2202	-.105	.029	.048	-.376	250	2253	-.091	.102	.570	-.334	260	2140	-.088	.046	.184	-.245
250	2203	-.101	.026	.032	-.288	250	2254	-.139	.033	-.033	-.268	260	2141	-.165	.039	-.035	-.378
250	2204	-.105	.028	.029	-.297	250	2255	-.114	.027	-.024	-.246	260	2142	-.026	.075	.352	-.275
250	2205	-.100	.026	.034	-.251	250	2256	-.098	.022	-.011	-.209	260	2143	-.063	.118	.390	-.819
250	2206	-.099	.026	.096	-.214	250	2257	-.091	.022	-.006	-.221	260	2144	-.082	.044	.123	-.294
250	2207	-.094	.036	.133	-.357	250	2258	-.091	.020	-.014	-.170	260	2145	-.134	.048	.004	-.348
250	2208	-.116	.046	.034	-.431	250	2259	-.076	.084	.184	-.458	260	2146	-.092	.032	.037	-.289
250	2209	-.127	.067	.106	-.658	250	2260	-.097	.110	.643	-.700	260	2147	-.119	.045	.014	-.478
250	2210	-.130	.058	.080	-.547	250	2261	-.136	.033	-.033	-.278	260	2148	-.142	.049	.011	-.478
250	2211	-.110	.036	.022	-.459	250	2262	-.105	.027	.003	-.214	260	2149	-.154	.055	.044	-.448
250	2212	-.074	.051	.210	-.221	250	2263	-.079	.023	.018	-.165	260	2150	-.086	.026	.037	-.192
250	2213	-.054	.063	.413	-.239	250	2264	-.081	.019	-.016	-.165	260	2151	-.088	.028	.028	-.216
250	2214	-.069	.065	.501	-.320	250	2265	-.084	.020	-.021	-.163	260	2152	-.091	.033	.082	-.239
250	2215	-.106	.048	.210	-.478	260	2101	-.154	.039	-.010	-.376	260	2153	-.088	.035	.120	-.218
250	2216	-.102	.024	-.024	-.299	260	2102	-.159	.054	.009	-.683	260	2154	-.092	.042	.193	-.275
250	2217	-.093	.036	.154	-.262	260	2103	-.167	.064	.051	-.567	260	2155	-.109	.051	.151	-.360
250	2218	-.101	.034	.119	-.265	260	2104	-.154	.043	-.012	-.390	260	2156	-.082	.025	.030	-.199
250	2219	-.088	.035	.244	-.258	260	2105	-.146	.038	-.007	-.301	260	2157	-.080	.028	.042	-.183
250	2220	-.103	.026	.006	-.304	260	2106	-.137	.044	.022	-.359	260	2158	-.080	.033	.094	-.192
250	2221	-.100	.024	.011	-.258	260	2107	-.136	.056	.130	-.522	260	2159	-.055	.039	.160	-.228
250	2222	-.097	.027	.064	-.297	260	2108	-.159	.041	-.019	-.357	260	2160	-.044	.057	.243	-.268
250	2223	-.079	.040	.217	-.283	260	2109	-.152	.043	-.014	-.334	260	2161	-.089	.067	.191	-.393
250	2224	-.093	.023	-.001	-.207	260	2110	-.134	.040	.002	-.303	260	2162	-.057	.048	.253	-.242
250	2225	-.086	.027	.033	-.231	260	2111	-.143	.048	-.012	-.420	260	2163	-.098	.041	.078	-.282
250	2226	-.081	.032	.052	-.209	260	2112	-.146	.055	.098	-.366	260	2164	-.116	.038	.021	-.410
250	2227	-.084	.030	.013	-.309	260	2113	-.148	.052	.016	-.436	260	2165	-.157	.063	.056	-.658
250	2228	-.080	.031	.096	-.192	260	2114	-.137	.059	.039	-.588	260	2166	-.083	.038	.117	-.301
250	2229	-.090	.022	-.014	-.155	260	2115	-.149	.065	.058	-.539	260	2167	-.116	.036	.035	-.325
250	2230	-.086	.027	.077	-.231	260	2116	-.063	.084	.352	-.287	260	2168	-.133	.049	.082	-.398

WD	TAP	CPMEAN	CPRMS	CPMAX	CPMIN	WD	TAP	CPMEAN	CPRMS	CPMAX	CPMIN	WD	TAP	CPMEAN	CPRMS	CPMAX	CPMIN
260	2170	-.105	.031	.070	-.239	260	2222	-.092	.023	-.005	-.200	270	2108	-.128	.048	.057	-.404
260	2171	-.111	.030	-.003	-.301	260	2223	-.081	.031	.150	-.184	270	2109	-.130	.043	.014	-.361
260	2172	-.109	.031	.026	-.268	260	2224	-.089	.024	.008	-.195	270	2110	-.133	.040	-.006	-.293
260	2173	-.122	.036	.101	-.301	260	2225	-.081	.026	.043	-.236	270	2111	-.167	.056	-.015	-.411
260	2174	-.157	.061	.059	-.750	260	2226	-.078	.028	.077	-.214	270	2112	-.097	.064	.191	-.404
260	2175	-.144	.080	.326	-.568	260	2227	-.085	.027	.052	-.302	270	2113	-.105	.055	.064	-.576
260	2177	-.079	.060	.321	-.308	260	2228	-.041	.029	.062	-.167	270	2114	-.114	.049	.062	-.307
260	2178	-.101	.024	-.019	-.213	260	2229	-.087	.020	-.019	-.172	270	2115	-.190	.070	-.026	-.539
260	2179	-.105	.023	-.019	-.225	260	2230	-.082	.022	-.004	-.260	270	2116	-.041	.067	.254	-.377
260	2180	-.107	.024	-.002	-.249	260	2231	-.059	.027	.042	-.146	270	2117	-.069	.058	.105	-.444
260	2181	-.116	.030	-.028	-.258	260	2233	-.084	.020	.011	-.148	270	2118	-.081	.050	.087	-.336
260	2182	-.160	.055	-.003	-.483	260	2234	-.082	.021	-.009	-.150	270	2119	-.154	.096	.150	-.704
260	2183	-.152	.080	.262	-.627	260	2235	-.082	.021	.013	-.160	270	2120	-.047	.037	.127	-.243
260	2184	-.057	.045	.182	-.214	260	2236	-.080	.024	.082	-.170	270	2121	-.066	.047	.184	-.345
260	2185	-.054	.046	.157	-.188	260	2237	-.079	.023	.030	-.158	270	2122	-.076	.059	.265	-.345
260	2187	-.060	.042	.272	-.195	260	2238	-.164	.073	.035	-.649	270	2123	-.034	.087	.288	-.790
260	2188	-.098	.022	-.029	-.207	260	2239	-.122	.056	.025	-.561	270	2124	-.146	.054	.037	-.467
260	2189	-.100	.025	-.017	-.218	260	2240	-.108	.038	.013	-.439	270	2125	-.121	.050	.026	-.413
260	2190	-.101	.024	-.008	-.186	260	2241	-.105	.038	.060	-.282	270	2126	-.024	.080	.308	-.279
260	2191	-.114	.028	-.017	-.255	260	2242	-.097	.034	.003	-.304	270	2127	-.192	.101	.014	-.802
260	2192	-.162	.054	-.022	-.579	260	2243	-.088	.027	.006	-.229	270	2128	-.136	.062	-.006	-.535
260	2193	-.135	.051	.127	-.398	260	2244	-.047	.067	.179	-.360	270	2129	-.122	.049	.035	-.433
260	2194	-.109	.060	.189	-.808	260	2245	-.081	.092	.235	-.597	270	2130	-.059	.068	.191	-.307
260	2195	-.094	.023	-.001	-.193	260	2246	-.093	.038	.172	-.417	270	2131	-.203	.080	-.001	-.605
260	2196	-.099	.024	-.006	-.193	260	2247	-.089	.034	-.123	-.277	270	2132	-.116	.039	-.005	-.546
260	2197	-.100	.024	-.001	-.239	260	2248	-.119	.033	-.021	-.290	270	2133	-.116	.037	-.008	-.379
260	2198	-.108	.029	-.005	-.264	260	2249	-.082	.029	.069	-.170	270	2134	-.026	.090	.304	-.433
260	2199	-.143	.039	-.012	-.392	260	2250	-.082	.024	.030	-.172	270	2136	-.100	.034	.028	-.257
260	2200	-.106	.031	.062	-.220	260	2251	-.085	.022	-.009	-.182	270	2137	-.118	.034	.010	-.259
260	2201	-.090	.027	.036	-.190	260	2252	-.032	.076	.292	-.402	270	2138	-.008	.106	.426	-.447
260	2202	-.094	.025	.013	-.202	260	2253	-.034	.127	.448	-.505	270	2140	-.084	.043	.064	-.277
260	2203	-.098	.025	.008	-.218	260	2254	-.115	.035	-.004	-.358	270	2141	-.127	.039	.014	-.279
260	2204	-.097	.028	.013	-.234	260	2255	-.102	.024	-.021	-.241	270	2142	-.014	.079	.292	-.282
260	2205	-.096	.028	.006	-.218	260	2256	-.089	.022	-.016	-.167	270	2143	-.106	.087	.257	-.591
260	2206	-.093	.023	.013	-.172	260	2257	-.075	.020	-.008	-.158	270	2144	-.081	.043	.057	-.309
260	2207	-.095	.027	.034	-.276	260	2258	-.075	.020	-.009	-.141	270	2145	-.088	.038	.051	-.229
260	2208	-.107	.038	.057	-.359	260	2259	-.055	.067	.196	-.373	270	2146	-.093	.030	.057	-.277
260	2209	-.113	.053	.103	-.584	260	2260	-.073	.122	.365	-.981	270	2147	-.117	.037	.023	-.318
260	2210	-.120	.054	.055	-.466	260	2261	-.118	.033	-.019	-.253	270	2148	-.139	.046	.005	-.421
260	2211	-.096	.028	.036	-.271	260	2262	-.098	.025	-.021	-.202	270	2149	-.142	.062	.080	-.540
260	2212	-.085	.039	.140	-.241	260	2263	-.079	.020	-.011	-.150	270	2150	-.084	.026	.007	-.220
260	2213	-.068	.053	.277	-.267	260	2264	-.070	.019	.030	-.138	270	2151	-.087	.025	.048	-.174
260	2214	-.071	.049	.323	-.262	260	2265	-.071	.018	.008	-.141	270	2152	-.094	.028	.053	-.210
260	2215	-.113	.050	.034	-.456	270	2101	-.145	.046	-.020	-.383	270	2153	-.084	.035	.092	-.233
260	2216	-.087	.026	.052	-.274	270	2102	-.161	.073	.055	-.874	270	2154	-.079	.048	.163	-.291
260	2217	-.083	.031	.087	-.170	270	2103	-.153	.083	.177	-.571	270	2155	-.080	.052	.190	-.403
260	2218	-.087	.029	.073	-.223	270	2104	-.132	.044	.051	-.481	270	2156	-.079	.025	.055	-.162
260	2219	-.086	.029	.108	-.253	270	2105	-.132	.045	.069	-.354	270	2157	-.080	.025	.035	-.188
260	2220	-.094	.023	-.002	-.227	270	2106	-.119	.053	.098	-.379	270	2158	-.081	.031	.085	-.199
260	2221	-.080	.027	.043	-.202	270	2107	-.145	.075	.177	-.682	270	2159	-.058	.036	.179	-.174

WD	TAP	CPMEAN	CPRMS	CPMAX	CPMIN	WD	TAP	CPMEAN	CPRMS	CPMAX	CPMIN	WD	TAP	CPMEAN	CPRMS	CPMAX	CPMIN
270	2160	-.055	.046	.229	-.263	270	2213	-.085	.029	.042	-.213	270	2264	-.067	.023	.008	-.166
270	2161	-.070	.054	.237	-.275	270	2214	-.079	.036	.173	-.206	270	2265	-.060	.020	.008	-.122
270	2162	-.058	.040	.117	-.190	270	2215	-.098	.031	-.005	-.369	280	2101	-.198	.075	.064	-.603
270	2163	-.103	.039	.094	-.356	270	2216	-.084	.033	.113	-.211	280	2102	-.224	.117	.226	-.991
270	2164	-.103	.032	.016	-.284	270	2217	-.087	.038	.100	-.329	280	2103	-.200	.091	.221	-.657
270	2165	-.141	.053	.106	-.433	270	2218	-.086	.032	.131	-.200	280	2104	-.168	.055	.032	-.433
270	2166	-.075	.045	.167	-.327	270	2219	-.092	.026	.093	-.224	280	2105	-.179	.065	.096	-.509
270	2167	-.104	.030	.025	-.263	270	2220	-.080	.023	.006	-.155	280	2106	-.179	.064	.123	-.489
270	2168	-.112	.038	.046	-.309	270	2221	-.093	.036	.102	-.244	280	2107	-.210	.086	.103	-.762
270	2170	-.102	.029	.021	-.254	270	2222	-.088	.027	-.033	-.329	280	2108	-.145	.042	.030	-.312
270	2171	-.110	.030	-.004	-.302	270	2223	-.092	.020	-.012	-.177	280	2109	-.162	.043	-.007	-.487
270	2172	-.102	.031	.025	-.254	270	2224	-.085	.021	-.012	-.159	280	2110	-.186	.049	-.032	-.391
270	2173	-.104	.033	.053	-.309	270	2225	-.078	.021	-.008	-.185	280	2111	-.228	.080	.162	-.573
270	2174	-.137	.058	.119	-.504	270	2226	-.076	.024	.034	-.166	280	2112	-.074	.070	.221	-.302
270	2175	-.096	.081	.286	-.426	270	2227	-.085	.023	.022	-.197	280	2113	-.132	.045	.020	-.470
270	2177	-.089	.035	.037	-.286	270	2228	-.087	.033	.065	-.223	280	2114	-.168	.055	.039	-.440
270	2178	-.098	.022	-.011	-.231	270	2229	-.086	.020	-.013	-.188	280	2115	-.214	.091	.170	-.632
270	2179	-.101	.023	-.027	-.233	270	2230	-.083	.020	-.015	-.152	280	2116	-.112	.047	.133	-.312
270	2180	-.099	.023	-.014	-.229	270	2231	-.090	.025	.060	-.192	280	2117	-.113	.041	.025	-.298
270	2181	-.102	.025	.032	-.201	270	2233	-.083	.018	-.018	-.136	280	2118	-.152	.059	.054	-.462
270	2182	-.149	.051	.009	-.400	270	2234	-.079	.019	-.020	-.136	280	2119	-.167	.092	.155	-.644
270	2183	-.113	.083	.275	-.510	270	2235	-.078	.018	.006	-.143	280	2120	-.096	.038	.022	-.239
270	2184	-.048	.042	.182	-.168	270	2236	-.076	.024	.070	-.178	280	2121	-.130	.042	-.012	-.310
270	2185	-.068	.030	.082	-.168	270	2237	-.080	.022	.029	-.197	280	2122	-.181	.075	.202	-.576
270	2187	-.060	.035	.113	-.162	270	2238	-.144	.057	.018	-.561	280	2123	-.033	.083	.320	-.457
270	2188	-.095	.019	-.025	-.168	270	2239	-.110	.037	.086	-.310	280	2124	-.220	.078	.032	-.716
270	2189	-.100	.021	-.032	-.191	270	2240	-.095	.028	.025	-.237	280	2125	-.192	.069	.003	-.568
270	2190	-.098	.019	-.028	-.202	270	2241	-.093	.031	.072	-.332	280	2126	-.036	.115	.472	-.283
270	2191	-.106	.023	-.034	-.209	270	2242	-.080	.031	.091	-.310	280	2127	-.298	.134	-.025	-1.279
270	2192	-.148	.041	-.039	-.387	270	2243	-.075	.028	.084	-.266	280	2128	-.252	.097	-.052	-.676
270	2193	-.114	.040	.071	-.380	270	2244	-.093	.047	.206	-.367	280	2129	-.172	.061	.000	-.514
270	2194	-.086	.048	.251	-.276	270	2245	-.135	.061	.105	-.627	280	2130	-.111	.080	.219	-.492
270	2195	-.095	.022	-.025	-.191	270	2246	-.114	.040	.039	-.308	280	2131	-.283	.103	-.002	-.721
270	2196	-.096	.022	-.014	-.204	270	2247	-.092	.030	-.022	-.268	280	2132	-.196	.078	-.022	-.703
270	2197	-.093	.021	-.008	-.166	270	2248	-.099	.028	-.011	-.211	280	2133	-.178	.053	-.010	-.467
270	2198	-.103	.023	-.003	-.217	270	2249	-.080	.024	-.001	-.235	280	2134	-.156	.105	-.276	-.799
270	2199	-.135	.035	-.028	-.354	270	2250	-.076	.029	.034	-.346	280	2136	-.151	.038	-.017	-.342
270	2200	-.100	.027	-.028	-.206	270	2251	-.074	.025	.011	-.282	280	2137	-.157	.037	.015	-.362
270	2201	-.090	.024	.012	-.177	270	2252	-.081	.042	.129	-.372	280	2138	-.139	.112	.285	-.647
270	2202	-.095	.025	.012	-.242	270	2253	-.120	.051	.190	-.374	280	2140	-.131	.042	.113	-.332
270	2203	-.100	.028	.012	-.293	270	2254	-.113	.035	-.004	-.268	280	2141	-.142	.038	-.002	-.386
270	2204	-.099	.025	.006	-.240	270	2255	-.085	.025	-.004	-.185	280	2142	-.076	.092	.298	-.379
270	2205	-.100	.031	.102	-.209	270	2256	-.071	.021	.015	-.152	280	2143	-.126	.133	.410	-.683
270	2206	-.092	.024	.028	-.242	270	2257	-.064	.024	-.015	-.150	280	2144	-.098	.106	.504	-.411
270	2207	-.087	.021	.039	-.193	270	2258	-.063	.022	-.001	-.164	280	2145	-.107	.082	.375	-.334
270	2208	-.099	.029	.028	-.284	270	2259	-.078	.035	.093	-.221	280	2146	-.151	.033	-.009	-.324
270	2209	-.096	.032	.037	-.338	270	2260	-.116	.042	.140	-.447	280	2147	-.184	.044	.018	-.468
270	2210	-.100	.036	.042	-.427	270	2261	-.105	.036	.018	-.275	280	2148	-.226	.055	-.009	-.491
270	2211	-.081	.029	.064	-.269	270	2262	-.075	.025	.034	-.176	280	2149	-.229	.086	.008	-.703
270	2212	-.087	.032	.073	-.240	270	2263	-.065	.021	.018	-.152	280	2150	-.142	.026	-.037	-.254

WD	TAP	CPMEAN	CPRMS	CPMAX	CPMIN	WD	TAP	CPMEAN	CPRMS	CPMAX	CPMIN	WD	TAP	CPMEAN	CPRMS	CPMAX	CPMIN
280	2151	-.142	.027	.011	-.256	280	2204	-.148	.031	-.017	-.299	280	2255	-.115	.030	.011	-.220
280	2152	-.148	.032	.070	-.291	280	2205	-.156	.036	-.080	-.306	280	2256	-.115	.030	-.001	-.220
280	2153	-.137	.040	.108	-.269	280	2206	-.139	.027	-.107	-.243	280	2257	-.138	.035	-.020	-.264
280	2154	-.088	.076	.305	-.384	280	2207	-.137	.023	-.007	-.253	280	2258	-.122	.026	-.017	-.218
280	2155	-.130	.086	.228	-.483	280	2208	-.149	.030	-.017	-.311	280	2259	-.131	.029	-.022	-.236
280	2156	-.130	.025	-.044	-.204	280	2209	-.140	.029	-.049	-.445	280	2260	-.154	.033	-.043	-.285
280	2157	-.133	.025	-.039	-.214	280	2210	-.139	.032	-.015	-.375	280	2261	-.157	.039	-.014	-.339
280	2158	-.135	.033	-.053	-.226	280	2211	-.125	.032	-.073	-.341	280	2262	-.104	.027	-.037	-.223
280	2159	-.079	.051	.160	-.202	280	2212	-.134	.033	-.054	-.294	280	2263	-.109	.026	-.030	-.205
280	2160	-.079	.057	.233	-.591	280	2213	-.131	.029	-.012	-.321	280	2264	-.145	.040	-.050	-.344
280	2161	-.126	.078	.190	-.436	280	2214	-.127	.033	-.229	-.314	280	2265	-.110	.023	-.025	-.189
280	2162	-.103	.041	.108	-.259	280	2215	-.142	.031	-.027	-.450	290	2101	-.193	.059	.002	-.499
280	2163	-.147	.039	.028	-.304	280	2216	-.129	.054	.238	-.272	290	2102	-.202	.069	.040	-.622
280	2164	-.142	.036	.030	-.321	280	2217	-.152	.041	.268	-.440	290	2103	-.190	.059	.077	-.422
280	2165	-.157	.051	.023	-.434	280	2218	-.151	.032	-.012	-.302	290	2104	-.163	.036	.048	-.328
280	2166	-.123	.044	.075	-.302	280	2219	-.144	.028	-.005	-.292	290	2105	-.174	.046	.012	-.470
280	2167	-.148	.042	.045	-.324	280	2220	-.129	.025	.034	-.285	290	2106	-.190	.045	.021	-.487
280	2168	-.152	.047	.178	-.371	280	2221	-.153	.034	.093	-.336	290	2107	-.195	.051	.115	-.448
280	2170	-.141	.035	-.019	-.349	280	2222	-.143	.026	-.044	-.258	290	2108	-.154	.033	-.034	-.282
280	2171	-.147	.037	-.042	-.379	280	2223	-.137	.022	-.051	-.231	290	2109	-.165	.035	-.053	-.330
280	2172	-.139	.040	.063	-.454	280	2224	-.131	.022	-.032	-.224	290	2110	-.207	.047	-.041	-.439
280	2173	-.140	.043	.083	-.361	280	2225	-.125	.022	-.027	-.215	290	2111	-.187	.059	.127	-.436
280	2174	-.161	.057	.105	-.463	280	2226	-.124	.025	.014	-.249	290	2112	-.142	.033	-.029	-.304
280	2175	-.154	.059	.175	-.536	280	2227	-.140	.023	-.009	-.269	290	2113	-.146	.033	-.029	-.260
280	2177	-.137	.038	-.035	-.351	280	2228	-.151	.026	-.011	-.272	290	2114	-.224	.077	-.024	-.684
280	2178	-.134	.025	-.039	-.291	280	2229	-.146	.022	-.040	-.231	290	2115	-.135	.071	-.190	-.583
280	2179	-.138	.025	-.032	-.256	280	2230	-.139	.022	-.063	-.218	290	2116	-.130	.033	-.007	-.246
280	2180	-.140	.027	-.049	-.246	280	2231	-.149	.021	-.050	-.223	290	2117	-.135	.036	.048	-.272
280	2181	-.145	.028	-.029	-.264	280	2233	-.136	.021	-.068	-.223	290	2118	-.203	.084	.067	-.634
280	2183	-.172	.047	.004	-.424	280	2234	-.133	.019	-.061	-.189	290	2119	-.094	.078	.272	-.494
280	2183	-.166	.057	.060	-.553	280	2235	-.130	.020	-.058	-.210	290	2120	-.128	.037	-.010	-.270
280	2184	-.100	.052	.100	-.258	280	2236	-.106	.055	.148	-.280	290	2121	-.153	.043	-.005	-.309
280	2185	-.117	.033	.017	-.224	280	2237	-.132	.026	-.030	-.326	290	2122	-.202	.093	.176	-.641
280	2187	-.107	.038	.085	-.226	280	2238	-.178	.058	-.007	-.319	290	2123	-.043	.079	.419	-.362
280	2188	-.140	.022	-.068	-.253	280	2239	-.154	.036	-.011	-.347	290	2124	-.207	.073	-.000	-.687
280	2189	-.145	.020	-.090	-.219	280	2240	-.135	.033	-.007	-.272	290	2125	-.185	.055	.021	-.511
280	2190	-.147	.021	-.075	-.233	280	2241	-.137	.035	.017	-.303	290	2126	-.019	.117	.547	-.306
280	2191	-.156	.025	-.075	-.260	280	2242	-.134	.034	.004	-.295	290	2127	-.233	.090	.041	-.918
280	2192	-.190	.043	-.078	-.394	280	2243	-.129	.031	-.025	-.352	290	2128	-.222	.074	-.044	-.617
280	2193	-.153	.037	.050	-.371	280	2244	-.134	.034	-.022	-.287	290	2129	-.162	.046	-.029	-.431
280	2194	-.134	.050	.221	-.353	280	2245	-.146	.032	-.032	-.380	290	2130	-.160	.066	-.123	-.468
280	2195	-.118	.056	.153	-.229	280	2246	-.154	.030	-.058	-.323	290	2131	-.230	.075	-.070	-.651
280	2196	-.133	.021	-.044	-.209	280	2247	-.132	.030	-.009	-.352	290	2132	-.191	.057	-.070	-.566
280	2197	-.132	.023	-.051	-.246	280	2248	-.144	.032	-.032	-.316	290	2133	-.168	.037	-.075	-.340
280	2198	-.141	.025	-.051	-.248	280	2249	-.128	.027	-.027	-.224	290	2134	-.209	.067	.111	-.456
280	2199	-.159	.034	-.041	-.348	280	2250	-.134	.036	-.027	-.336	290	2136	-.153	.032	-.048	-.325
280	2200	-.137	.028	-.054	-.238	280	2251	-.123	.029	-.027	-.231	290	2137	-.159	.033	-.053	-.354
280	2201	-.133	.027	-.034	-.233	280	2252	-.130	.030	-.022	-.241	290	2138	-.197	.071	.125	-.612
280	2202	-.148	.030	.000	-.348	280	2253	-.140	.030	-.053	-.295	290	2140	-.143	.035	-.036	-.330
280	2203	-.151	.034	.056	-.338	280	2254	-.159	.032	-.050	-.310	290	2141	-.143	.032	-.051	-.335

WD	TAP	CPMEAN	CPRMS	CPMAX	CPMIN	WD	TAP	CPMEAN	CPRMS	CPMAX	CPMIN	WD	TAP	CPMEAN	CPRMS	CPMAX	CPMIN
290	2142	-.146	.068	.178	-.417	290	2195	-.109	.031	.041	-.214	290	2246	-.143	.027	-.058	-.268
290	2143	-.154	.052	.004	-.541	290	2196	-.112	.035	.088	-.274	290	2247	-.135	.037	-.010	-.381
290	2144	-.146	.045	-.009	-.382	290	2197	-.121	.026	.019	-.257	290	2248	-.156	.036	-.038	-.313
290	2145	-.130	.031	-.013	-.282	290	2198	-.124	.025	-.007	-.217	290	2249	-.149	.035	-.008	-.283
290	2146	-.172	.034	-.050	-.365	290	2199	-.152	.041	-.009	-.372	290	2250	-.176	.057	-.028	-.464
290	2147	-.204	.045	-.048	-.485	290	2200	-.115	.040	.081	-.224	290	2251	-.145	.038	-.023	-.326
290	2148	-.238	.051	-.067	-.436	290	2201	-.151	.026	-.067	-.262	290	2252	-.125	.030	-.008	-.311
290	2149	-.259	.088	-.013	-.793	290	2202	-.121	.041	.084	-.324	290	2253	-.128	.028	-.043	-.250
290	2150	-.161	.030	-.070	-.282	290	2203	-.139	.068	.148	-.536	290	2254	-.140	.026	-.053	-.265
290	2152	-.154	.029	-.031	-.312	290	2204	-.130	.045	.065	-.338	290	2255	-.129	.029	-.020	-.278
290	2152	-.141	.035	.023	-.270	290	2205	-.072	.079	.301	-.558	290	2256	-.143	.031	-.021	-.263
290	2153	-.117	.048	.121	-.287	290	2206	-.107	.046	.139	-.384	290	2257	-.176	.037	-.036	-.313
290	2154	-.103	.069	.118	-.534	290	2207	-.125	.030	.086	-.224	290	2258	-.128	.028	.005	-.232
290	2155	-.100	.090	.253	-.397	290	2208	-.191	.077	.050	-.720	290	2259	-.124	.029	.010	-.263
290	2156	-.152	.026	-.055	-.263	290	2209	-.164	.037	-.036	-.346	290	2260	-.126	.030	-.033	-.242
290	2157	-.144	.023	-.055	-.214	290	2210	-.147	.027	-.028	-.393	290	2261	-.126	.026	-.005	-.270
290	2158	-.128	.031	.013	-.231	290	2211	-.060	.076	.565	-.236	290	2262	-.120	.025	-.021	-.215
290	2159	-.085	.043	.175	-.238	290	2212	-.173	.081	.129	-.684	290	2263	-.134	.029	-.033	-.255
290	2160	-.083	.059	.113	-.500	290	2213	-.139	.029	.093	-.319	290	2264	-.181	.045	-.021	-.394
290	2161	-.089	.074	.275	-.385	290	2214	-.133	.026	-.091	-.219	290	2265	-.107	.026	.020	-.205
290	2162	-.138	.037	-.062	-.280	290	2215	-.142	.025	-.062	-.233	300	2101	-.190	.057	.035	-.516
290	2163	-.159	.037	-.006	-.375	290	2216	-.013	.101	.520	-.305	300	2102	-.188	.057	.081	-.514
290	2164	-.151	.036	.011	-.375	290	2217	-.097	.100	.384	-.622	300	2103	-.184	.053	.083	-.465
290	2165	-.155	.044	.018	-.456	290	2218	-.103	.058	.170	-.343	300	2104	-.162	.037	-.012	-.356
290	2166	-.149	.041	.048	-.341	290	2219	-.123	.049	.103	-.429	300	2105	-.177	.044	-.038	-.387
290	2167	-.152	.036	.013	-.339	290	2220	-.060	.061	.305	-.214	300	2106	-.192	.045	-.036	-.538
290	2168	-.155	.040	.062	-.378	290	2221	-.096	.103	.472	-.427	300	2107	-.180	.051	.151	-.383
290	2170	-.135	.029	-.040	-.356	290	2222	-.121	.051	.141	-.326	300	2108	-.161	.033	-.058	-.298
290	2171	-.138	.029	-.038	-.307	290	2223	-.192	.056	-.069	-.563	300	2109	-.170	.036	-.050	-.429
290	2172	-.143	.031	-.011	-.314	290	2224	-.125	.030	-.005	-.284	300	2110	-.226	.063	-.084	-.606
290	2173	-.142	.038	.072	-.353	290	2225	-.123	.023	-.026	-.215	300	2111	-.164	.058	-.173	-.353
290	2174	-.138	.049	.065	-.466	290	2226	-.122	.021	-.041	-.220	300	2112	-.149	.035	-.009	-.295
290	2175	-.162	.050	.113	-.422	290	2227	-.126	.023	-.048	-.250	300	2113	-.152	.038	-.019	-.351
290	2177	-.154	.041	.035	-.512	290	2228	-.163	.035	-.061	-.336	300	2114	-.264	.094	.049	-.902
290	2178	-.127	.024	-.033	-.204	290	2229	-.133	.030	-.027	-.258	300	2115	-.119	.071	.260	-.363
290	2179	-.131	.024	-.013	-.270	290	2230	-.133	.025	-.021	-.255	300	2116	-.138	.037	.005	-.336
290	2180	-.140	.027	-.043	-.319	290	2231	-.129	.029	-.021	-.245	300	2117	-.136	.038	.003	-.317
290	2181	-.147	.027	-.040	-.287	290	2233	-.117	.024	-.021	-.207	300	2118	-.229	.102	.105	-.732
290	2182	-.161	.033	-.058	-.417	290	2234	-.121	.033	.040	-.298	300	2119	-.069	.090	.403	-.438
290	2183	-.163	.042	.018	-.480	290	2235	-.115	.022	-.038	-.184	300	2120	-.127	.038	.010	-.273
290	2184	-.138	.041	.069	-.248	290	2236	-.114	.020	-.026	-.192	300	2121	-.151	.047	.032	-.395
290	2185	-.142	.029	-.024	-.238	290	2237	-.120	.019	-.046	-.192	300	2122	-.197	.098	.212	-.805
290	2187	-.134	.031	-.041	-.226	290	2238	-.163	.043	-.036	-.417	300	2123	-.062	.104	.313	-.492
290	2188	-.120	.026	-.014	-.210	290	2239	-.140	.028	-.021	-.265	300	2124	-.179	.052	.003	-.417
290	2189	-.123	.024	-.038	-.226	290	2240	-.132	.034	-.000	-.250	300	2125	-.168	.044	-.031	-.441
290	2190	-.131	.023	-.059	-.243	290	2241	-.150	.041	.053	-.323	300	2126	-.128	.068	.253	-.424
290	2191	-.136	.026	-.043	-.260	290	2242	-.138	.040	.037	-.293	300	2127	-.190	.057	-.021	-.623
290	2192	-.162	.045	-.040	-.448	290	2243	-.141	.036	.022	-.316	300	2128	-.176	.041	-.058	-.385
290	2193	-.140	.038	.047	-.341	290	2244	-.141	.033	-.012	-.295	300	2129	-.166	.041	-.041	-.421
290	2194	-.133	.043	.160	-.324	290	2245	-.140	.028	-.053	-.250	300	2130	-.192	.070	.209	-.514

WD	TAP	CPMEAN	CPRMS	CPMAX	CPMIN	WD	TAP	CPMEAN	CPRMS	CPMAX	CPMIN	WD	TAP	CPMEAN	CPRMS	CPMAX	CPMIN
300	2131	-.192	.043	-.065	-.443	300	2185	-.143	.027	-.031	-.225	300	2237	-.123	.027	-.027	-.311
300	2132	-.171	.034	-.042	-.334	300	2187	-.124	.041	-.058	-.247	300	2238	-.146	.040	-.027	-.438
300	2133	-.170	.033	-.053	-.366	300	2188	-.129	.039	-.014	-.316	300	2239	-.140	.033	-.014	-.352
300	2134	-.218	.092	-.197	-.615	300	2189	-.143	.038	-.005	-.331	300	2240	-.139	.039	-.016	-.356
300	2136	-.159	.035	-.038	-.395	300	2190	-.150	.032	-.048	-.295	300	2241	-.155	.050	.073	-.489
300	2137	-.164	.035	-.040	-.363	300	2191	-.143	.033	-.017	-.268	300	2242	-.140	.042	.057	-.301
300	2138	-.190	.103	-.141	-.678	300	2192	-.202	.072	-.031	-.594	300	2243	-.136	.037	.006	-.298
300	2140	-.153	.042	-.018	-.392	300	2193	-.134	.051	.094	-.387	300	2244	-.140	.034	-.004	-.314
300	2141	-.153	.037	-.038	-.404	300	2194	-.119	.060	.225	-.278	300	2245	-.139	.032	-.024	-.293
300	2142	-.140	.092	-.185	-.603	300	2195	-.099	.046	.125	-.309	300	2246	-.142	.029	.006	-.268
300	2143	-.155	.063	-.131	-.532	300	2196	-.116	.059	.211	-.395	300	2247	-.150	.050	-.014	-.402
300	2144	-.149	.052	-.040	-.525	300	2197	-.124	.038	.034	-.285	300	2248	-.175	.046	-.021	-.352
300	2145	-.133	.036	-.016	-.362	300	2198	-.126	.032	.005	-.259	300	2249	-.159	.045	-.022	-.342
300	2146	-.185	.033	-.080	-.363	300	2199	-.156	.048	.002	-.465	300	2250	-.167	.058	-.032	-.611
300	2147	-.220	.041	-.058	-.500	300	2200	-.116	.050	.108	-.288	300	2251	-.133	.038	-.004	-.308
300	2148	-.243	.060	-.073	-.527	300	2201	-.161	.027	-.043	-.261	300	2252	-.121	.034	-.006	-.303
300	2149	-.269	.095	-.028	-.695	300	2202	-.116	.050	.086	-.391	300	2253	-.121	.032	-.024	-.245
300	2150	-.185	.030	-.097	-.323	300	2203	-.120	.060	.197	-.403	300	2254	-.143	.029	-.062	-.303
300	2151	-.173	.027	-.080	-.282	300	2204	-.121	.055	.089	-.400	300	2255	-.143	.035	-.011	-.273
300	2152	-.177	.039	-.011	-.323	300	2205	-.073	.091	.408	-.328	300	2256	-.150	.035	-.032	-.319
300	2153	-.164	.051	-.185	-.414	300	2206	-.084	.067	.204	-.386	300	2257	-.184	.044	-.027	-.375
300	2154	-.234	.139	-.129	-.896	300	2207	-.104	.048	.103	-.273	300	2258	-.124	.027	-.027	-.220
300	2155	-.021	.093	-.399	-.365	300	2208	-.176	.096	.134	-.738	300	2259	-.111	.033	-.055	-.248
300	2156	-.164	.030	-.063	-.373	300	2209	-.171	.064	.072	-.482	300	2260	-.113	.034	-.021	-.240
300	2157	-.159	.026	-.048	-.272	300	2210	-.151	.043	.050	-.343	300	2261	-.124	.029	-.014	-.248
300	2158	-.155	.037	-.008	-.260	300	2211	-.043	.130	.640	-.321	300	2262	-.122	.029	-.004	-.222
300	2159	-.134	.052	-.131	-.314	300	2212	-.158	.145	.276	-.959	300	2263	-.127	.032	-.050	-.281
300	2160	-.216	.131	-.131	-.771	300	2213	-.121	.049	.144	-.302	300	2264	-.179	.056	-.027	-.489
300	2161	-.002	.097	-.416	-.294	300	2214	-.128	.033	.007	-.288	300	2265	-.094	.035	.146	-.202
300	2162	-.121	.048	-.062	-.257	300	2215	-.144	.029	-.038	-.266	310	2101	-.129	.051	.048	-.520
300	2163	-.176	.047	-.038	-.552	300	2216	-.033	.100	.417	-.307	310	2102	-.128	.054	.096	-.557
300	2164	-.181	.045	-.031	-.473	300	2217	-.070	.118	.503	-.506	310	2103	-.137	.050	.096	-.580
300	2165	-.179	.036	-.058	-.331	300	2218	-.074	.085	.331	-.415	310	2104	-.111	.035	.045	-.362
300	2166	-.146	.057	-.084	-.520	300	2219	-.104	.059	.213	-.372	310	2105	-.126	.043	.041	-.369
300	2167	-.190	.052	-.055	-.584	300	2220	-.012	.093	.410	-.374	310	2106	-.144	.045	.006	-.454
300	2168	-.186	.037	-.043	-.417	300	2221	-.111	.102	.463	-.422	310	2107	-.115	.048	.196	-.323
300	2170	-.149	.036	-.038	-.289	300	2222	-.088	.073	.228	-.314	310	2108	-.110	.028	-.010	-.218
300	2171	-.153	.049	-.102	-.338	300	2223	-.230	.089	-.048	-.820	310	2109	-.115	.030	-.012	-.337
300	2172	-.141	.052	-.129	-.360	300	2224	-.120	.041	-.048	-.362	310	2110	-.167	.055	-.021	-.495
300	2173	-.148	.044	-.050	-.346	300	2225	-.121	.035	-.042	-.273	310	2111	-.091	.050	.196	-.238
300	2174	-.178	.045	-.028	-.412	300	2226	-.122	.028	-.009	-.245	310	2112	-.100	.029	-.004	-.220
300	2175	-.187	.046	-.055	-.510	300	2227	-.141	.032	-.029	-.321	310	2113	-.099	.028	-.003	-.211
300	2177	-.172	.031	-.024	-.323	300	2228	-.153	.040	-.027	-.446	310	2114	-.192	.082	.016	-.769
300	2178	-.143	.037	-.038	-.289	300	2229	-.126	.037	.062	-.281	310	2115	-.065	.056	.279	-.314
300	2179	-.159	.039	-.008	-.358	300	2230	-.132	.032	-.004	-.288	310	2116	-.094	.031	.045	-.213
300	2180	-.149	.035	-.003	-.274	300	2231	-.124	.033	-.034	-.263	310	2117	-.092	.033	.066	-.213
300	2181	-.152	.036	-.018	-.336	300	2233	-.105	.035	.062	-.204	310	2118	-.147	.075	.068	-.566
300	2182	-.190	.064	-.033	-.486	300	2234	-.112	.044	.144	-.359	310	2119	-.028	.075	.407	-.270
300	2183	-.170	.071	-.114	-.515	300	2235	-.104	.031	.078	-.199	310	2120	-.086	.033	.034	-.211
300	2184	-.138	.056	-.074	-.453	300	2236	-.110	.025	.009	-.184	310	2121	-.103	.037	.036	-.270

WD	TAP	CPMEAN	CPRMS	CPMAX	CPMIN	WD	TAP	CPMEAN	CPRMS	CPMAX	CPMIN	WD	TAP	CPMEAN	CPRMS	CPMAX	CPMIN
310	2122	-.126	.077	.224	-.632	310	2175	-.145	.043	.024	-.351	310	2227	-.104	.029	.006	-.269
310	2123	-.042	.078	.288	-.511	310	2177	-.134	.030	-.027	-.333	310	2228	-.102	.027	.006	-.353
310	2124	-.127	.046	.032	-.373	310	2178	-.090	.039	.059	-.212	310	2229	-.092	.027	.013	-.200
310	2125	-.121	.043	.045	-.623	310	2179	-.108	.045	.071	-.277	310	2230	-.094	.028	.004	-.248
310	2126	-.095	.055	.132	-.433	310	2180	-.094	.045	.115	-.268	310	2231	-.094	.026	-.006	-.186
310	2127	-.134	.051	.004	-.531	310	2181	-.085	.040	.085	-.226	310	2233	-.078	.025	.025	-.200
310	2128	-.121	.035	-.021	-.300	310	2182	-.124	.045	.052	-.456	310	2234	-.082	.030	.058	-.212
310	2129	-.115	.036	.032	-.321	310	2183	-.129	.061	.122	-.467	310	2235	-.075	.026	.032	-.171
310	2130	-.128	.063	.162	-.383	310	2184	-.116	.052	.061	-.368	310	2236	-.077	.023	.017	-.183
310	2131	-.140	.039	-.026	-.351	310	2185	-.116	.026	.029	-.214	310	2237	-.092	.029	-.004	-.310
310	2132	-.115	.031	-.007	-.296	310	2187	-.097	.031	.027	-.207	310	2238	-.088	.033	.032	-.286
310	2133	-.120	.030	-.000	-.264	310	2188	-.090	.036	.070	-.245	310	2239	-.087	.028	.037	-.214
310	2134	-.143	.080	.192	-.481	310	2189	-.101	.038	.018	-.293	310	2240	-.097	.032	.053	-.257
310	2136	-.114	.032	-.011	-.497	310	2190	-.100	.031	.013	-.209	310	2241	-.117	.042	.065	-.266
310	2137	-.119	.033	-.019	-.298	310	2191	-.098	.031	.009	-.291	310	2242	-.094	.033	.053	-.264
310	2138	-.139	.089	.247	-.591	310	2192	-.114	.050	.049	-.415	310	2243	-.092	.030	.022	-.243
310	2140	-.109	.043	.039	-.378	310	2193	-.093	.044	.087	-.275	310	2244	-.084	.029	.006	-.243
310	2141	-.112	.035	-.000	-.325	310	2194	-.101	.042	.131	-.234	310	2245	-.080	.029	.015	-.210
310	2142	-.098	.074	.194	-.449	310	2195	-.075	.035	.113	-.234	310	2246	-.088	.027	.003	-.214
310	2143	-.106	.063	.089	-.451	310	2196	-.093	.043	.081	-.281	310	2247	-.115	.046	.027	-.609
310	2144	-.097	.045	.045	-.537	310	2197	-.090	.031	.076	-.214	310	2248	-.124	.038	-.016	-.389
310	2145	-.090	.033	-.024	-.203	310	2198	-.085	.028	.040	-.200	310	2249	-.108	.035	.029	-.300
310	2146	-.134	.029	-.031	-.317	310	2199	-.110	.047	.058	-.352	310	2250	-.109	.040	.006	-.349
310	2147	-.169	.036	-.050	-.386	310	2200	-.077	.042	.095	-.209	310	2251	-.087	.028	.015	-.262
310	2148	-.194	.053	-.041	-.567	310	2201	-.113	.025	-.003	-.218	310	2252	-.045	.028	.053	-.284
310	2149	-.207	.080	-.015	-.713	310	2202	-.086	.038	.086	-.331	310	2253	-.043	.026	.029	-.166
310	2150	-.129	.030	-.038	-.300	310	2203	-.104	.048	.063	-.474	310	2254	-.093	.023	-.006	-.186
310	2151	-.124	.026	-.022	-.228	310	2204	-.093	.040	.058	-.263	310	2255	-.104	.031	-.002	-.231
310	2152	-.133	.032	.082	-.254	310	2205	-.080	.050	.215	-.263	310	2256	-.101	.028	.013	-.202
310	2153	-.118	.042	.147	-.235	310	2206	-.076	.042	.131	-.243	310	2257	-.121	.039	.001	-.300
310	2154	-.147	.088	.113	-.542	310	2207	-.077	.035	.092	-.200	310	2258	-.079	.027	.037	-.210
310	2155	-.022	.070	.331	-.256	310	2208	-.145	.080	.074	-.642	310	2259	-.062	.025	.046	-.186
310	2156	-.124	.029	-.013	-.277	310	2209	-.126	.055	.108	-.481	310	2260	-.064	.025	.027	-.157
310	2157	-.116	.026	.006	-.226	310	2210	-.112	.039	.067	-.352	310	2261	-.079	.023	.041	-.155
310	2158	-.111	.033	.027	-.224	310	2211	-.028	.099	.611	-.243	310	2262	-.086	.026	.013	-.221
310	2159	-.088	.042	.110	-.203	310	2212	-.101	.127	.502	-.651	310	2263	-.081	.026	.027	-.186
310	2160	-.127	.091	.133	-.572	310	2213	-.070	.048	.231	-.250	310	2264	-.097	.038	.037	-.284
310	2161	-.006	.079	.377	-.386	310	2214	-.086	.034	.067	-.252	310	2265	-.030	.047	.197	-.133
310	2162	-.105	.036	.057	-.268	310	2215	-.105	.024	-.016	-.216	320	2101	-.124	.049	.056	-.382
310	2163	-.139	.036	-.024	-.307	310	2216	-.042	.062	-.387	-.286	320	2102	-.127	.052	.063	-.424
310	2164	-.154	.066	.066	-.806	310	2217	-.100	.074	.319	-.456	320	2103	-.148	.058	.114	-.536
310	2165	-.139	.039	.010	-.363	310	2218	-.086	.056	.244	-.370	320	2104	-.111	.036	.021	-.253
310	2166	-.128	.044	.042	-.381	310	2219	-.083	.044	.194	-.252	320	2105	-.124	.045	.009	-.428
310	2167	-.181	.084	.110	-.804	310	2220	-.016	.067	.446	-.225	320	2106	-.163	.059	.025	-.529
310	2168	-.176	.057	.038	-.516	310	2221	-.119	.057	.346	-.429	320	2107	-.090	.066	.311	-.534
310	2170	-.078	.047	.180	-.289	310	2222	-.081	.052	.167	-.293	320	2108	-.107	.028	-.010	-.239
310	2171	-.084	.065	.259	-.372	310	2223	-.166	.066	-.028	-.558	320	2109	-.118	.033	-.012	-.284
310	2172	-.045	.077	.307	-.242	310	2224	-.087	.036	.036	-.275	320	2110	-.179	.069	-.014	-.361
310	2173	-.049	.063	.305	-.291	310	2225	-.081	.030	.034	-.214	320	2111	-.048	.058	-.381	-.250
310	2174	-.109	.047	.266	-.319	310	2226	-.088	.025	.006	-.193	320	2112	-.102	.028	-.007	-.199

WD	TAP	CPMEAN	CPRMS	CPMAX	CPMIN	WD	TAP	CPMEAN	CPRMS	CPMAX	CPMIN	WD	TAP	CPMEAN	CPRMS	CPMAX	CPMIN
320	21113	-.102	.029	.009	-.215	320	2165	-.155	.050	.061	-.456	320	2218	-.120	.049	.129	-.369
320	21114	-.186	.080	.051	-.643	320	2166	-.156	.054	.082	-.415	320	2219	-.107	.036	.103	-.251
320	21115	-.049	.063	.390	-.279	320	2167	-.248	.120	.118	-.861	320	2220	-.035	.052	.263	-.181
320	21116	-.103	.029	-.010	-.197	320	2168	-.254	.106	.118	-.730	320	2221	-.151	.050	.043	-.466
320	21117	-.097	.031	.016	-.244	320	2170	-.058	.052	.291	-.261	320	2222	-.113	.042	.103	-.309
320	21118	-.130	.064	.103	-.548	320	2171	-.100	.094	.355	-.787	320	2223	-.148	.044	-.033	-.554
320	21119	-.043	.070	.315	-.353	320	2172	.026	.091	.418	-.306	320	2224	-.097	.033	.032	-.295
320	2120	-.100	.034	.007	-.227	320	2173	.039	.099	.504	-.214	320	2225	-.093	.028	.026	-.205
320	2121	-.108	.035	.047	-.253	320	2174	-.038	.085	.485	-.240	320	2226	-.103	.022	-.004	-.200
320	2122	-.102	.057	.213	-.414	320	2175	-.173	.051	.054	-.425	320	2227	-.111	.025	-.014	-.239
320	2123	-.082	.064	.234	-.375	320	2177	-.158	.039	.004	-.337	320	2228	-.114	.026	-.031	-.290
320	2124	-.127	.048	.065	-.449	320	2178	-.072	.035	.413	-.188	320	2229	-.101	.022	-.018	-.200
320	2125	-.127	.050	.061	-.421	320	2179	-.110	.063	.139	-.408	320	2230	-.103	.026	-.009	-.271
320	2126	-.117	.055	.236	-.377	320	2180	-.049	.054	.215	-.221	320	2231	-.101	.024	-.023	-.202
320	2127	-.135	.049	-.005	-.520	320	2181	-.040	.056	.286	-.207	320	2233	-.090	.024	-.013	-.212
320	2128	-.121	.031	-.024	-.288	320	2182	-.110	.033	-.058	-.249	320	2234	-.092	.025	.021	-.202
320	2129	-.119	.037	-.007	-.323	320	2183	-.182	.047	-.003	-.520	320	2235	-.088	.026	-.031	-.273
320	2130	-.132	.063	.149	-.424	320	2184	-.180	.041	-.010	-.410	320	2236	-.090	.022	-.004	-.200
320	2131	-.135	.037	-.024	-.393	320	2185	-.153	.028	-.061	-.269	320	2237	-.103	.024	-.033	-.261
320	2132	-.114	.031	-.012	-.325	320	2187	-.135	.030	-.043	-.248	320	2238	-.071	.031	-.055	-.222
320	2133	-.119	.034	-.007	-.286	320	2188	-.080	.031	-.034	-.225	320	2239	-.078	.029	.053	-.197
320	2134	-.137	.075	-.173	-.520	320	2189	-.095	.038	.043	-.262	320	2240	-.092	.030	.006	-.207
320	2136	-.109	.031	-.010	-.370	320	2190	-.095	.032	-.018	-.239	320	2241	-.109	.043	.072	-.376
320	2137	-.121	.036	-.003	-.377	320	2191	-.107	.028	-.015	-.239	320	2242	-.091	.032	.028	-.219
320	2138	-.129	.088	.283	-.583	320	2192	-.112	.040	.055	-.262	320	2243	-.097	.029	.013	-.278
320	2140	-.105	.035	.021	-.360	320	2193	-.112	.061	.080	-.368	320	2244	-.069	.028	.028	-.224
320	2141	-.116	.038	-.003	-.330	320	2194	-.117	.035	.057	-.276	320	2245	-.066	.028	.040	-.185
320	2142	-.110	.075	.189	-.524	320	2195	-.067	.030	.094	-.165	320	2246	-.080	.026	.004	-.214
320	2143	-.110	.047	.047	-.460	320	2196	-.065	.032	.076	-.188	320	2247	-.114	.047	.016	-.400
320	2144	-.100	.038	.006	-.290	320	2197	-.062	.037	.106	-.172	320	2248	-.107	.037	.008	-.327
320	2145	-.098	.043	.054	-.240	320	2198	-.049	.039	.129	-.179	320	2249	-.096	.030	.023	-.266
320	2146	-.144	.033	-.009	-.394	320	2199	-.079	.032	.036	-.184	320	2250	-.107	.031	.006	-.288
320	2147	-.144	.035	-.058	-.470	320	2200	-.098	.037	.045	-.269	320	2251	-.096	.028	.031	-.209
320	2148	-.198	.045	-.053	-.451	320	2201	-.107	.028	-.005	-.205	320	2252	-.052	.028	.060	-.224
320	2149	-.228	.079	-.055	-.716	320	2202	-.099	.033	-.043	-.267	320	2253	-.045	.027	.065	-.138
320	2150	-.139	.029	-.018	-.245	320	2203	-.126	.052	.108	-.303	320	2254	-.088	.025	-.001	-.190
320	2151	-.135	.025	-.020	-.259	320	2204	-.104	.037	.076	-.387	320	2255	-.099	.028	-.011	-.207
320	2152	-.126	.026	-.002	-.216	320	2205	-.096	.050	.177	-.369	320	2256	-.096	.027	.006	-.251
320	2153	-.104	.040	.184	-.214	320	2206	-.082	.036	.140	-.272	320	2257	-.127	.037	-.023	-.300
320	2154	-.098	.051	.186	-.335	320	2207	-.083	.029	.029	-.179	320	2258	-.078	.030	.048	-.173
320	2155	-.094	.059	.146	-.377	320	2208	-.178	.090	.087	-.788	320	2259	-.045	.027	.062	-.124
320	2156	-.106	.054	.061	-.380	320	2209	-.122	.049	.032	-.531	320	2260	-.046	.027	.053	-.153
320	2157	-.114	.036	.006	-.311	320	2210	-.115	.036	.055	-.357	320	2261	-.075	.023	.018	-.153
320	2158	-.104	.025	.013	-.190	320	2211	-.020	.092	.545	-.207	320	2262	-.083	.025	.026	-.173
320	2159	-.077	.039	.096	-.169	320	2212	-.182	.120	.346	-.894	320	2263	-.083	.028	.013	-.173
320	2160	-.080	.052	.111	-.434	320	2213	-.088	.044	.119	-.281	320	2264	-.089	.042	.104	-.276
320	2161	-.078	.061	.160	-.595	320	2214	-.098	.032	.087	-.209	320	2265	-.016	.053	.278	-.121
320	2162	-.145	.034	-.008	-.290	320	2215	-.115	.023	-.036	-.214	330	2101	-.147	.049	.052	-.400
320	2163	-.142	.042	.051	-.382	320	2216	-.028	.068	.279	-.343	330	2102	-.156	.063	.046	-.704
320	2164	-.161	.079	.080	-.702	320	2217	-.143	.055	.175	-.612	330	2103	-.217	.093	.011	-.731

WD	TAP	CPMEAN	CPRMS	CPMAX	CPMIN	WD	TAP	CPMEAN	CPRMS	CPMAX	CPMIN	WD	TAP	CPMEAN	CPRMS	CPMAX	CPMIN
330	2104	-.141	.043	.041	-.318	330	2156	-.056	.037	-.146	-.176	330	2209	-.110	.031	.039	-.275
330	2105	-.146	.046	.004	-.416	330	2157	-.155	.042	-.025	-.393	330	2210	-.113	.025	-.022	-.260
330	2106	-.240	.088	.025	-.715	330	2158	-.121	.021	-.046	-.199	330	2211	-.035	.083	.408	-.189
330	2107	-.060	.097	.427	-.425	330	2159	-.115	.025	-.016	-.199	330	2212	-.254	.083	.093	-.710
330	2108	-.135	.032	-.046	-.274	330	2160	-.101	.035	-.035	-.233	330	2213	-.120	.043	.050	-.395
330	2109	-.134	.033	-.018	-.295	330	2161	-.112	.029	-.009	-.317	330	2214	-.120	.026	.016	-.255
330	2110	-.267	.102	.016	-.818	330	2162	-.168	.039	-.048	-.382	330	2215	-.128	.023	-.054	-.235
330	2111	-.023	.083	.349	-.311	330	2163	-.129	.060	.098	-.389	330	2216	-.009	.090	.385	-.337
330	2112	-.141	.031	-.044	-.263	330	2164	-.171	.068	.028	-.588	330	2217	-.194	.056	-.013	-.522
330	2113	-.130	.028	-.032	-.254	330	2165	-.151	.042	-.040	-.403	330	2218	-.156	.049	.039	-.384
330	2114	-.222	.103	.064	-1.017	330	2166	-.172	.048	-.013	-.626	330	2219	-.133	.038	.032	-.352
330	2115	-.020	.083	-.418	-.304	330	2167	-.261	.103	.047	-.768	330	2220	-.040	.048	.159	-.198
330	2116	-.146	.032	-.055	-.288	330	2168	-.299	.097	.100	-.731	330	2221	-.176	.054	-.022	-.481
330	2117	-.126	.031	-.014	-.261	330	2170	-.029	.060	.325	-.194	330	2222	-.130	.039	.014	-.418
330	2118	-.140	.061	.050	-.626	330	2171	-.071	.110	.387	-.532	330	2223	-.144	.033	-.049	-.395
330	2119	-.068	.059	.285	-.277	330	2172	.037	.285	.561	-.203	330	2224	-.106	.036	.014	-.411
330	2120	-.148	.035	-.037	-.313	330	2173	.090	.114	.705	-.171	330	2225	-.093	.024	.013	-.229
330	2121	-.146	.031	.014	-.274	330	2174	.046	.106	.600	-.233	330	2226	-.113	.021	-.042	-.202
330	2122	-.119	.052	.203	-.457	330	2175	-.170	.066	.109	-.384	330	2227	-.127	.024	-.042	-.305
330	2123	-.088	.038	.046	-.322	330	2177	-.170	.039	-.039	-.333	330	2228	-.122	.025	-.042	-.303
330	2124	-.152	.059	.034	-.512	330	2178	-.057	.036	.186	-.166	330	2229	-.107	.023	-.021	-.217
330	2125	-.150	.051	.009	-.546	330	2179	-.094	.065	.170	-.504	330	2230	-.101	.025	-.016	-.214
330	2126	-.129	.043	.039	-.439	330	2180	-.041	.046	.260	-.261	330	2231	-.107	.024	-.028	-.202
330	2127	-.144	.050	.011	-.524	330	2181	-.024	.055	.248	-.196	330	2233	-.089	.024	.003	-.193
330	2128	-.137	.030	-.039	-.304	330	2182	-.099	.032	.047	-.220	330	2234	-.087	.025	.013	-.224
330	2129	-.148	.045	-.007	-.478	330	2183	-.192	.040	-.078	-.419	330	2235	-.085	.022	.020	-.179
330	2130	-.133	.033	.004	-.274	330	2184	-.187	.036	-.083	-.425	330	2236	-.091	.025	-.058	-.174
330	2131	-.131	.025	-.057	-.261	330	2185	-.174	.029	-.092	-.309	330	2237	-.116	.026	-.009	-.238
330	2132	-.134	.028	-.039	-.245	330	2187	-.157	.037	.016	-.366	330	2238	-.064	.029	.073	-.188
330	2133	-.152	.040	-.034	-.407	330	2188	-.076	.030	.055	-.196	330	2239	-.077	.026	.018	-.179
330	2134	-.134	.035	-.089	-.350	330	2189	-.091	.039	.059	-.266	330	2240	-.101	.028	.027	-.234
330	2136	-.134	.029	-.034	-.304	330	2190	-.097	.032	.016	-.248	330	2241	-.103	.037	.058	-.267
330	2137	-.143	.037	.023	-.425	330	2191	-.117	.026	-.007	-.255	330	2242	-.090	.027	.008	-.224
330	2138	-.134	.039	-.089	-.395	330	2192	-.140	.030	-.040	-.287	330	2243	-.109	.028	.010	-.313
330	2140	-.130	.032	-.037	-.274	330	2193	-.176	.046	-.050	-.433	330	2244	-.063	.027	.039	-.186
330	2141	-.140	.040	.025	-.398	330	2194	-.123	.036	-.002	-.298	330	2245	-.062	.027	.061	-.171
330	2142	-.129	.041	-.078	-.357	330	2195	-.054	.030	.134	-.144	330	2246	-.085	.028	.032	-.210
330	2143	-.123	.033	-.011	-.333	330	2196	-.060	.032	.087	-.260	330	2247	-.121	.051	.030	-.442
330	2144	-.128	.037	-.002	-.314	330	2197	-.054	.037	.132	-.160	330	2248	-.102	.034	.013	-.322
330	2145	-.127	.039	-.026	-.326	330	2198	-.026	.047	.231	-.137	330	2249	-.098	.027	-.001	-.253
330	2146	-.130	.029	-.004	-.289	330	2199	-.070	.031	.057	-.174	330	2250	-.115	.029	-.018	-.267
330	2147	-.134	.021	-.074	-.273	330	2200	-.096	.031	.026	-.264	330	2251	-.101	.024	-.016	-.183
330	2148	-.149	.025	-.062	-.317	330	2201	-.079	.029	.030	-.178	330	2252	-.048	.025	.044	-.150
330	2149	-.156	.034	-.041	-.359	330	2202	-.126	.037	.021	-.327	330	2253	-.043	.025	.063	-.128
330	2150	-.122	.029	-.019	-.247	330	2203	-.178	.064	.019	-.567	330	2254	-.101	.028	-.006	-.226
330	2151	-.141	.032	-.041	-.389	330	2204	-.131	.040	.007	-.305	330	2255	-.106	.026	-.003	-.219
330	2152	-.135	.021	-.060	-.240	330	2205	-.118	.063	.116	-.493	330	2256	-.103	.025	-.006	-.207
330	2153	-.127	.024	.005	-.217	330	2206	-.097	.037	.016	-.303	330	2257	-.150	.045	-.013	-.425
330	2154	-.108	.038	.135	-.254	330	2207	-.085	.026	.014	-.189	330	2258	-.090	.029	.073	-.207
330	2155	-.119	.031	-.020	-.324	330	2208	-.243	.095	.014	-.692	330	2259	-.038	.027	.087	-.124

WD	TAP	CPMEAN	CPRMS	CPMAX	CPMIN	WD	TAP	CPMEAN	CPRMS	CPMAX	CPMIN	WD	TAP	CPMEAN	CPRMS	CPMAX	CPMIN
330	2260	-.042	.025	.061	-.126	340	2147	-.145	.026	-.062	-.246	340	2200	-.108	.035	.032	-.282
330	2261	-.078	.024	-.013	-.167	340	2148	-.144	.023	-.010	-.241	340	2201	-.078	.030	.045	-.192
330	2262	-.084	.024	-.001	-.164	340	2149	-.141	.025	-.024	-.248	340	2202	-.162	.045	-.026	-.431
330	2263	-.080	.026	.010	-.179	340	2150	-.121	.035	-.049	-.248	340	2203	-.254	.083	-.067	-.673
330	2264	-.081	.046	.135	-.246	340	2151	-.162	.040	-.067	-.399	340	2204	-.177	.048	-.003	-.431
330	2265	-.034	.057	.353	-.112	340	2152	-.153	.025	-.074	-.314	340	2205	-.182	.086	.094	-.565
440	21101	-.202	.056	-.020	-.522	340	2153	-.146	.025	-.060	-.274	340	2206	-.122	.043	.124	-.323
440	21102	-.199	.074	.036	-.676	340	2154	-.139	.029	-.027	-.305	340	2207	-.091	.028	-.020	-.212
440	21103	-.356	.145	.003	-1.020	340	2155	-.131	.025	-.010	-.321	340	2208	-.314	.095	-.031	-.776
440	21104	-.183	.043	-.043	-.415	340	2156	-.043	.046	-.188	-.163	340	2209	-.129	.032	-.019	-.316
440	21105	-.180	.045	-.032	-.385	340	2157	-.179	.048	-.008	-.406	340	2210	-.123	.025	-.042	-.240
440	21106	-.411	.142	-.101	-1.229	340	2158	-.141	.023	-.065	-.269	340	2211	-.064	.093	-.586	-.189
440	21107	-.056	.135	.631	-.362	340	2159	-.136	.021	-.053	-.218	340	2212	-.289	.080	-.061	-.730
440	21108	-.174	.034	-.039	-.313	340	2160	-.130	.023	-.032	-.211	340	2213	-.156	.048	-.010	-.380
440	21109	-.165	.037	-.057	-.371	340	2161	-.127	.023	-.046	-.201	340	2214	-.133	.027	-.056	-.272
440	21110	-.386	.120	-.043	-1.011	340	2162	-.180	.037	-.083	-.347	340	2215	-.138	.026	-.044	-.235
440	21111	-.061	.114	-.673	-.399	340	2163	-.156	.053	.086	-.359	340	2216	-.000	.109	-.572	-.438
440	21112	-.187	.031	-.099	-.346	340	2164	-.228	.077	-.065	-.757	340	2217	-.252	.071	-.084	-.705
440	21113	-.159	.033	-.041	-.348	340	2165	-.164	.042	-.050	-.394	340	2218	-.206	.056	-.042	-.489
440	21114	-.310	.124	.029	-1.206	340	2166	-.176	.040	-.033	-.431	340	2219	-.168	.040	-.038	-.367
440	21115	-.042	.102	.645	-.341	340	2167	-.307	.121	-.039	-.891	340	2220	-.058	.058	-.213	-.215
440	21116	-.192	.034	-.080	-.392	340	2168	-.295	.091	.039	-.906	340	2221	-.211	.060	-.028	-.664
440	21117	-.144	.034	-.011	-.292	340	2170	-.024	.084	.482	-.168	340	2222	-.157	.043	-.006	-.351
440	21118	-.178	.080	.059	-.585	340	2171	.024	.131	.560	-.588	340	2223	-.152	.032	-.072	-.400
440	21119	-.085	.072	-.506	-.378	340	2172	.059	.096	.555	-.159	340	2224	-.139	.056	-.009	-.558
440	21120	-.162	.034	-.046	-.341	340	2173	.060	.098	.696	-.189	340	2225	-.108	.027	-.011	-.257
440	21121	-.160	.038	.103	-.329	340	2174	.032	.095	.539	-.236	340	2226	-.120	.022	-.040	-.203
440	21122	-.152	.058	.157	-.557	340	2175	-.168	.052	.140	-.408	340	2227	-.136	.025	-.060	-.293
440	21123	-.071	.040	.115	-.353	340	2177	-.174	.040	-.053	-.413	340	2228	-.149	.027	-.047	-.288
440	21124	-.190	.060	-.008	-.715	340	2178	-.035	.049	.251	-.166	340	2229	-.133	.030	-.033	-.288
440	21125	-.191	.052	.006	-.436	340	2179	-.042	.065	.249	-.432	340	2230	-.110	.028	-.009	-.279
440	21126	-.153	.042	-.010	-.413	340	2180	-.030	.050	.263	-.286	340	2231	-.128	.029	-.033	-.291
440	21127	-.172	.043	-.013	-.373	340	2181	-.044	.048	.235	-.180	340	2233	-.084	.026	-.004	-.228
440	21128	-.169	.033	-.043	-.294	340	2182	-.102	.032	.030	-.208	340	2234	-.092	.029	-.030	-.203
440	21129	-.195	.057	-.010	-.560	340	2183	-.176	.036	-.067	-.354	340	2235	-.091	.022	-.004	-.169
440	21130	-.151	.030	-.057	-.334	340	2184	-.176	.032	-.095	-.417	340	2236	-.106	.026	-.067	-.194
440	21131	-.162	.033	-.043	-.346	340	2185	-.178	.031	-.095	-.360	340	2237	-.122	.030	-.004	-.291
440	21132	-.176	.030	-.087	-.332	340	2187	-.176	.030	-.067	-.311	340	2238	-.081	.032	-.023	-.230
440	21133	-.193	.043	-.083	-.439	340	2188	-.059	.040	.128	-.215	340	2239	-.096	.030	.001	-.208
440	21134	-.151	.027	-.055	-.276	340	2189	-.067	.044	.149	-.238	340	2240	-.115	.030	-.001	-.242
440	21136	-.182	.035	-.067	-.373	340	2190	-.098	.035	.015	-.229	340	2241	-.106	.030	-.001	-.325
440	21137	-.155	.042	-.044	-.476	340	2191	-.123	.026	-.033	-.219	340	2242	-.097	.027	-.016	-.215
440	21138	-.155	.028	-.069	-.301	340	2192	-.154	.026	-.065	-.284	340	2243	-.123	.029	-.045	-.323
440	21140	-.189	.043	-.067	-.404	340	2193	-.188	.042	-.050	-.371	340	2244	-.077	.030	.060	-.189
440	21141	-.156	.045	-.043	-.329	340	2194	-.146	.044	.050	-.346	340	2245	-.076	.032	.030	-.174
440	21142	-.150	.029	-.020	-.292	340	2195	-.043	.036	.151	-.176	340	2246	-.109	.032	.006	-.245
440	21143	-.153	.030	-.072	-.375	340	2196	-.061	.032	.066	-.196	340	2247	-.153	.057	.045	-.459
440	21144	-.165	.037	-.046	-.305	340	2197	-.071	.032	.082	-.210	340	2248	-.107	.032	.060	-.269
440	21145	-.139	.047	-.027	-.298	340	2198	-.035	.045	.211	-.178	340	2249	-.104	.026	.021	-.208
440	21146	-.131	.038	.030	-.298	340	2199	-.073	.033	.080	-.171	340	2250	-.127	.030	-.026	-.276

WD	TAP	CPMEAN	CPRMS	CPMAX	CPMIN	WD	TAP	CPMEAN	CPRMS	CPMAX	CPMIN	WD	TAP	CPMEAN	CPRMS	CPMAX	CPMIN
340	22251	-.112	.024	-.018	-.196	350	2137	-.212	.050	-.016	-.468	350	2191	-.127	.029	-.007	-.246
340	22252	-.064	.030	-.038	-.184	350	2138	-.177	.026	-.069	-.331	350	2192	-.174	.028	-.078	-.285
340	22253	-.069	.031	-.035	-.220	350	2140	-.200	.045	-.065	-.440	350	2193	-.211	.040	-.088	-.457
340	22254	-.130	.028	-.043	-.220	350	2141	-.151	.042	-.014	-.297	350	2194	-.174	.040	-.009	-.386
340	22255	-.125	.027	-.045	-.235	350	2142	-.170	.025	-.072	-.308	350	2195	-.038	.038	.172	-.140
340	22256	-.113	.027	-.026	-.218	350	2143	-.166	.023	-.062	-.426	350	2196	-.063	.035	.151	-.193
340	22257	-.159	.045	-.004	-.366	350	2144	-.170	.033	-.041	-.422	350	2197	-.077	.032	.067	-.218
340	22258	-.110	.027	-.004	-.245	350	2145	-.150	.035	.046	-.248	350	2198	-.046	.046	.246	-.163
340	22259	-.049	.028	.113	-.162	350	2146	-.117	.054	-.071	-.309	350	2199	-.078	.036	.110	-.218
340	22260	-.054	.028	-.047	-.142	350	2147	-.158	.030	-.037	-.292	350	2200	-.132	.043	.057	-.342
340	22261	-.095	.024	-.001	-.189	350	2148	-.160	.024	-.025	-.257	350	2201	-.076	.036	.083	-.193
340	22262	-.091	.026	-.001	-.189	350	2149	-.157	.025	-.053	-.260	350	2202	-.195	.049	-.053	-.555
340	22263	-.085	.025	.030	-.162	350	2150	-.119	.044	-.046	-.292	350	2203	-.287	.086	-.096	-.702
340	22264	-.094	.049	.128	-.301	350	2151	-.199	.055	-.076	-.527	350	2204	-.198	.047	-.071	-.443
340	22265	.001	.062	-.335	-.155	350	2152	-.182	.034	-.098	-.403	350	2205	-.213	.081	.092	-.578
350	22101	-.223	.052	-.072	-.447	350	2153	-.165	.024	-.098	-.285	350	2206	-.148	.042	.057	-.337
350	22102	-.228	.069	-.032	-.739	350	2154	-.153	.023	-.051	-.253	350	2207	-.108	.030	.044	-.289
350	22103	-.440	.128	-.090	-1.041	350	2155	-.148	.025	-.060	-.248	350	2208	-.296	.084	-.085	-.838
350	22104	-.215	.039	-.072	-.422	350	2156	-.002	.065	.353	-.199	350	2209	-.150	.030	-.046	-.303
350	22105	-.200	.050	-.021	-.542	350	2157	-.165	.064	-.050	-.454	350	2210	-.136	.026	.050	-.340
350	22106	-.486	.141	-.113	-1.173	350	2158	-.154	.026	-.062	-.269	350	2211	-.027	.104	.503	-.250
350	22107	-.129	.133	-.728	-.273	350	2159	-.154	.022	-.081	-.243	350	2212	-.299	.081	-.110	-.895
350	22108	-.216	.038	-.106	-.422	350	2160	-.143	.022	-.048	-.384	350	2213	-.184	.050	-.037	-.454
350	22109	-.214	.062	-.058	-.665	350	2161	-.144	.023	-.067	-.224	350	2214	-.149	.032	-.046	-.638
350	22110	-.434	.120	-.113	-1.076	350	2162	-.179	.033	-.079	-.363	350	2215	-.148	.027	-.044	-.353
350	22111	-.090	.116	-.538	-.264	350	2163	-.179	.043	-.013	-.445	350	2216	.001	.123	.519	-.386
350	22112	-.219	.032	-.118	-.373	350	2164	-.281	.080	-.027	-.635	350	2217	-.269	.069	-.112	-.622
350	22113	-.175	.038	-.018	-.378	350	2165	-.181	.050	-.027	-.459	350	2218	-.231	.054	-.062	-.475
350	22114	-.400	.149	-.004	-1.106	350	2166	-.177	.034	-.060	-.420	350	2219	-.195	.043	-.071	-.422
350	22115	.031	.096	-.450	-.299	350	2167	-.369	.123	-.067	-1.032	350	2220	-.084	.062	.191	-.252
350	22116	-.226	.035	-.132	-.401	350	2168	-.304	.085	-.088	-.807	350	2221	-.231	.055	-.028	-.613
350	22117	-.154	.039	-.042	-.306	350	2170	-.013	.097	.403	-.248	350	2222	-.185	.044	-.055	-.381
350	22118	-.196	.090	.047	-.753	350	2171	.087	.126	.628	-.429	350	2223	-.164	.032	-.057	-.353
350	22119	-.109	.061	-.397	-.299	350	2172	.103	.113	.548	-.227	350	2224	-.205	.080	-.011	-.728
350	22120	-.174	.031	-.046	-.287	350	2173	.063	.097	.574	-.177	350	2225	-.130	.025	-.043	-.266
350	22121	-.169	.039	.047	-.327	350	2174	.011	.076	.370	-.222	350	2226	-.131	.022	-.055	-.215
350	22122	-.164	.072	.056	-.617	350	2175	-.176	.043	.067	-.356	350	2227	-.145	.027	-.043	-.285
350	22123	-.039	.044	-.204	-.202	350	2177	-.169	.036	-.034	-.354	350	2228	-.173	.029	-.086	-.353
350	22124	-.230	.059	-.055	-.570	350	2178	-.035	.054	.226	-.217	350	2229	-.155	.030	-.055	-.273
350	22125	-.221	.059	-.032	-.528	350	2179	-.000	.074	.280	-.262	350	2230	-.120	.025	-.018	-.244
350	22126	-.191	.039	-.016	-.392	350	2180	-.001	.062	.288	-.192	350	2231	-.154	.034	-.040	-.443
350	22127	-.203	.039	-.074	-.380	350	2181	-.045	.046	.203	-.177	350	2233	-.092	.030	.016	-.210
350	22128	-.201	.033	-.058	-.350	350	2182	-.110	.031	-.039	-.208	350	2234	-.104	.031	-.045	-.205
350	22129	-.236	.063	-.004	-.663	350	2183	-.176	.036	-.044	-.386	350	2235	-.110	.021	-.023	-.227
350	22130	-.181	.028	-.074	-.315	350	2184	-.173	.032	-.064	-.317	350	2236	-.117	.023	-.026	-.193
350	22131	-.196	.032	-.102	-.389	350	2185	-.176	.030	-.092	-.317	350	2237	-.124	.030	-.028	-.317
350	22132	-.221	.035	-.123	-.466	350	2187	-.178	.031	-.101	-.333	350	2238	-.097	.034	-.050	-.232
350	22133	-.233	.042	-.127	-.489	350	2188	-.055	.036	.106	-.186	350	2239	-.109	.029	-.001	-.232
350	22134	-.177	.025	-.102	-.310	350	2189	-.056	.042	.140	-.211	350	2240	-.132	.029	-.023	-.254
350	22136	-.211	.035	-.109	-.392	350	2190	-.091	.036	.055	-.234	350	2241	-.120	.033	-.018	-.356

WD	TAP	CPMEAN	CPRMS	CPMAX	CPMIN	WD	TAP	CPMEAN	CPRMS	CPMAX	CPMIN	WD	TAP	CPMEAN	CPRMS	CPMAX	CPMIN
350	2242	-.105	.023	-.013	-.215	350	2250	-.130	.027	-.045	-.273	350	2258	-.113	.025	-.033	-.222
350	2243	-.129	.027	-.030	-.249	350	2251	-.114	.022	-.030	-.200	350	2259	-.047	.037	.132	-.149
350	2244	-.093	.029	.025	-.193	350	2252	-.094	.034	.021	-.266	350	2260	-.066	.027	.040	-.186
350	2245	-.093	.032	.008	-.227	350	2253	-.095	.035	.021	-.227	350	2261	-.100	.025	-.006	-.186
350	2246	-.128	.033	-.006	-.254	350	2254	-.147	.029	-.057	-.249	350	2262	-.092	.023	.004	-.174
350	2247	-.186	.064	-.028	-.463	350	2255	-.131	.028	-.038	-.264	350	2263	-.098	.026	.028	-.179
350	2248	-.121	.030	-.013	-.276	350	2256	-.112	.026	.021	-.217	350	2264	-.119	.052	.105	-.344
350	2249	-.110	.023	-.038	-.237	350	2257	-.149	.040	-.045	-.370	350	2265	-.020	.070	.326	-.171