

TR 7  
CC  
GER-84/85-33  
copy 2

C. E. A. A. 1984

WIND-TUNNEL STUDY OF  
LEXINGTON FINANCIAL CENTER,  
LEXINGTON, KENTUCKY

by

J. A. Peterka\* and J. E. Cermak\*



Engineering Sciences

**FLUID MECHANICS AND  
WIND ENGINEERING PROGRAM**

Branch Library

**COLLEGE OF ENGINEERING**

**COLORADO STATE UNIVERSITY  
FORT COLLINS, COLORADO**

CER84-85 JAP-JEC 33

WIND-TUNNEL STUDY OF  
LEXINGTON FINANCIAL CENTER,  
LEXINGTON, KENTUCKY

by

J. A. Peterka\* and J. E. Cermak\*

for

Webb Companies  
Suite 1700, Vine Center  
333 West Vine  
Lexington, Kentucky 40507

through

Johnson/Romanowitz/Architects  
222 East Vine Street  
Lexington, Kentucky 40507

Fluid Mechanics and Wind Engineering Program  
Fluid Dynamics and Diffusion Laboratory  
Department of Civil Engineering  
Colorado State University  
Fort Collins, Colorado 80523

CSU Project 2-96180

February 1985

\*Professor, Fluid Mechanics and  
Wind Engineering Program

## TABLE OF CONTENTS

<u>Chapter</u>		<u>Page</u>
	LIST OF FIGURES . . . . .	ii
	LIST OF TABLES . . . . .	iii
	LIST OF SYMBOLS . . . . .	iv
1	INTRODUCTION . . . . .	1
	1.1 General . . . . .	1
	1.2 The Wind-Tunnel Test . . . . .	2
2	EXPERIMENTAL CONFIGURATION . . . . .	5
	2.1 Wind Tunnel . . . . .	5
	2.2 Model . . . . .	5
3	INSTRUMENTATION AND DATA ACQUISITION . . . . .	8
	3.1 Flow Visualization . . . . .	8
	3.2 Pressures . . . . .	8
	3.3 Velocity . . . . .	10
4	RESULTS . . . . .	12
	4.1 Flow Visualization . . . . .	12
	4.2 Velocity . . . . .	12
	4.3 Pressures . . . . .	15
5	DISCUSSION . . . . .	20
	5.1 Flow Visualization . . . . .	20
	5.2 Pedestrian Winds . . . . .	21
	5.3 Wind Loads . . . . .	22
	REFERENCES . . . . .	24
	FIGURES . . . . .	25
	TABLES . . . . .	63
	APPENDIX A . . . . .	81

LIST OF FIGURES

<u>Figure</u>		<u>Page</u>
1	Fluid Dynamics and Diffusion Laboratory . . . . .	26
2	Wind-Tunnel Configuration . . . . .	27
3	Pressure Tap Locations . . . . .	28
4	Building Location and Pedestrian Wind Velocity Measuring Positions . . . . .	32
5	Completed Model in Wind Tunnel . . . . .	34
6	Data Sampling Time Verification . . . . .	36
7	Mean Velocity and Turbulence Profiles Approaching the Model . . . . .	37
8	Mean Velocities and Turbulence Intensities at Pedestrian Locations . . . . .	38
9	Wind Velocity Probabilities for Pedestrian Locations . . . . .	50
10	Peak Pressure Contours on the Building for Cladding Loads . . . . .	55



LIST OF TABLES

<u>Table</u>		<u>Page</u>
1	Pedestrian Wind Velocities and Turbulence Intensities . . . . .	64
2	Annual Percentage Frequencies of Wind Direction and Speed . . . . .	73
3	Summary of Wind Effects on People . . . . .	74
4	Data Configurations . . . . .	75
5	Selection of Wind Speeds and Reference Dynamic Pressure . . . . .	76
6	Maximum Pressure Coefficients and Loads . . . . .	77

## LIST OF SYMBOLS

<u>Symbol</u>	<u>Definition</u>
U	Local mean velocity
D	Characteristic dimension (building height, width, etc.)
$\nu, \rho$	Kinematic viscosity and density of approach flow
$\frac{UD}{\nu}$	Reynolds number
E	Mean voltage
A, B, n	Constants
$U_{rms}$	Root-mean-square of fluctuating velocity
$E_{rms}$	Root-mean-square of fluctuating voltage
$U_{\infty}$	Reference mean velocity outside the boundary layer
Z	Height above surface
$\delta$	Height of boundary layer
$T_u$	Turbulence intensity $\frac{U_{rms}}{U_{\infty}}$ or $\frac{U_{rms}}{U}$
$C_{p_{mean}}$	Mean pressure coefficient, $\frac{(p-p_{\infty})_{mean}}{0.5 \rho U_{\infty}^2}$
$C_{p_{rms}}$	Root-mean-square pressure coefficient, $\frac{((p-p_{\infty})-(p-p_{\infty})_{mean})_{rms}}{0.5 \rho U_{\infty}^2}$
$C_{p_{max}}$	Peak maximum pressure coefficient, $\frac{(p-p_{\infty})_{max}}{0.5 \rho U_{\infty}^2}$
$C_{p_{min}}$	Peak minimum pressure coefficient, $\frac{(p-p_{\infty})_{min}}{0.5 \rho U_{\infty}^2}$
$( )_{min}$	Minimum value during data record
$( )_{max}$	Maximum value during data record

SymbolDefinition

$p$  Fluctuating pressure at a pressure tap on the structure

$p_{\infty}$  Static pressure in the wind tunnel above the model

## 1. INTRODUCTION

### 1.1 General

A significant characteristic of modern building design is lighter cladding and more flexible frames. These features produce an increased vulnerability of glass and cladding to wind damage and result in larger deflections of the building frame. In addition, increased use of pedestrian plazas at the base of the buildings has brought about a need to consider the effects of wind and gustiness in the design of these areas.

The building geometry itself may increase or decrease wind loading on the structure. Wind forces may be modified by nearby structures which can produce beneficial shielding or adverse increases in loading. Overestimating loads results in uneconomical design; underestimating may result in cladding or window failures. Tall structures have historically produced unpleasant wind and turbulence conditions at their bases. The intensity and frequency of objectionable winds in pedestrian areas is influenced both by the structure shape and by the shape and position of adjacent structures.

Techniques have been developed for wind-tunnel modeling of proposed structures which allow the prediction of wind pressures on cladding and windows, overall structural loading, and also wind velocities and gusts in pedestrian areas adjacent to the building. Information on sidewalk-level gustiness allows plaza areas to be protected by design changes before the structure is constructed. Accurate knowledge of the intensity and distribution of the pressures on the structure permits adequate but economical selection of cladding strength to meet selected maximum design winds and overall wind loads for the design of the frame for flexural control.

Modeling of the aerodynamic loading on a structure requires special consideration of flow conditions in order to guarantee similitude between model and prototype. A detailed discussion of the similarity requirements and their wind-tunnel implementation can be found in references (1), (2), and (3). In general, the requirements are that the model and prototype be geometrically similar, that the approach mean velocity at the building site have a vertical profile shape similar to the full-scale flow, that the turbulence characteristics of the flows be similar, and that the Reynolds number for the model and prototype be equal.

These criteria are satisfied by constructing a scale model of the structure and its surroundings and performing the wind tests in a wind tunnel specifically designed to model atmospheric boundary-layer flows. Reynolds number similarity requires that the quantity  $UD/\nu$  be similar for model and prototype. Since  $\nu$ , the kinematic viscosity of air, is identical for both, Reynolds numbers cannot be made precisely equal with reasonable wind velocities. To accomplish this the air velocity in the wind tunnel would have to be as large as the model scale factor times the prototype wind velocity, a velocity which would introduce unacceptable compressibility effects. However, for sufficiently high Reynolds numbers ( $>2 \times 10^4$ ) the pressure coefficient at any location on the structure will be essentially constant for a large range of Reynolds numbers. Typical values encountered are  $10^7$ - $10^8$  for the full-scale and  $10^5$ - $10^6$  for the wind-tunnel model. In this range acceptable flow similarity is achieved without precise Reynolds number equality.

## 1.2 The Wind-Tunnel Test

The wind-engineering study is performed on a building or building group modeled at scales ranging from 1:150 to 1:400. The building model



is constructed of clear plastic fastened together with screws. The structure is modeled in detail to provide accurate flow patterns in the wind passing over the building surfaces. The building under test is often located in a surrounding where nearby buildings or terrain may provide beneficial shielding or adverse wind loading. To achieve similarity in wind effects the area surrounding the test building is also modeled. A flow visualization study is first made (smoke is used to make the air currents visible) to define overall flow patterns and identify regions where local flow features might cause difficulties in building curtain-wall design or produce pedestrian discomfort.

The test model, equipped with pressure taps (200 to 600 or more), is exposed to an appropriately modeled atmospheric wind in the wind tunnel and the fluctuating pressure at each tap measured electronically. The model, and the modeled area, are rotated 10 or 15 degrees and another set of data recorded for each pressure tap. Normally, 24 or 36 sets of data (360 degrees of turning) are taken; however, when flow visualization or recorded data indicate high pressure regions of small azimuthal extent, data is obtained in smaller azimuthal steps.

Data are recorded, analyzed and processed by an on-line computerized data-acquisition system. Pressure coefficients of several types are calculated by the computer for each reading on each piezometer tap and are printed in tabular form as computer readout. Using wind data applicable to the building site, representative wind velocities are selected for combination with measured pressures on the building model. Integration of test data with wind data results in prediction of peak local wind pressures for design of glass or cladding and may include overall forces and moments on the structure (by floor if

desired) for design of the structural frame. Pressure contours are drawn on the developed building surfaces showing the intensity and distribution of peak wind loads on the building. These results may be used to divide the building into zones where lighter or heavier cladding or glass may be desirable.

Based on the visualization (smoke) tests and on a knowledge of heavy pedestrian use areas, a dozen or more locations may be chosen at the base of the building where wind velocities can be measured to determine the relative comfort or discomfort of pedestrians in plaza areas, near building entrances, near building corners, or on sidewalks. Usually a reference pedestrian position is also tested to determine whether the wind environment in the building area is better or worse than the environment a block or so away in an undisturbed area.

The following pages discuss in greater detail the procedures followed and the equipment and data collecting and processing methods used. In addition, the data presentation format is explained and the implications of the data are discussed.

## 2. EXPERIMENTAL CONFIGURATION

### 2.1 Wind Tunnel

Wind-engineering studies are performed in the Fluid Dynamics and Diffusion Laboratory at Colorado State University (Figure 1). Three large wind tunnels are available for wind loading studies depending on the detailed requirements of the study. The wind tunnel used for this investigation is shown in Figure 2. All tunnels have a flexible roof adjustable in height to maintain a zero pressure gradient along the test section. The mean velocity can be adjusted continuously in each tunnel to the maximum velocity available.

### 2.2 Model

In order to obtain an accurate assessment of local pressures using piezometer taps, models are constructed to the largest scale that does not produce significant blockage in the wind-tunnel test section. The models are constructed of 1/2-in. thick Lucite plastic and fastened together with metal screws. Significant variations in the building surface, such as mullions, are machined into the plastic surface. Piezometer taps (1/16 in. diameter) are drilled normal to the exterior vertical surfaces in rows at several or more elevations between the bottom and top of the building. Similarly, taps are placed in the roof and on any sloping, protruding, or otherwise distinctive features of the building that might need investigation.

Pressure tap locations are chosen so that the entire surface of the building can be investigated for pressure loading and at the same time permit critical examination of areas where experience has shown that maximum wind effects may be expected to occur. Locations of the pressure taps for this study are shown in Figure 3. Dimensions are

given both for full-scale building (in ft) and for model (in in.). The pressure tap numbers are shown adjacent to the taps.

The pressure tests are sometimes made in two stages. In the first stage measurements are made on the initial distribution of pressure taps. If it becomes apparent from the data that the loading on the building is being influenced by some unsuspected geometry of the building or adjacent structures, additional pressure taps are installed in the critical areas. The locations of the taps are selected so that the maximum loading can be detected and the area over which this loading is acting can be defined. Any added taps are also shown in Figure 3.

A circular area 750 to 2000 ft in radius depending on model scale and characteristics of the surrounding buildings and terrain is modeled in detail. Structures within the modeled region are made from styrofoam and cut to the individual building geometries. They are mounted on the turntable in their proper locations. Significant terrain features are included as needed. The model is mounted on a turntable (Figure 2) near the downwind end of the test section. Any buildings or terrain features which do not fit on the turntable are placed on removable pieces which are placed upwind of the turntable for appropriate wind directions. A plan view of the building and its surroundings is shown in Figure 4. The turntable is calibrated to indicate azimuthal orientation to 0.1 degree.

The region upstream from the modeled area is covered with a randomized roughness constructed using various sized cubes placed on the floor of the wind tunnel. Different roughness sizes may be used for different wind directions. Spires are installed at the test-section entrance to provide a thicker boundary layer than would otherwise be

available. The thicker boundary layer permits a somewhat larger scale model than would otherwise be possible. The spires are approximately triangularly shaped pieces of 1/2-in. thick plywood 6 in. wide at the base and 1 in. wide at the top, extending from the floor to the top of the test section. They are placed so that the broad side intercepts the flow. A barrier approximately 8 in. high is placed on the test-section floor downstream of the spires to aid in development of the boundary-layer flow.

The distribution of the roughness cubes and the spires in the roughened area was designed to provide a boundary-layer thickness of approximately 4 ft, a velocity profile power-law exponent similar to that expected to occur in the region approaching the modeled area for each wind direction (a number of wind directions may have the same approach roughness). A photograph of the completed model in the wind tunnel is shown in Figure 5. The wind-tunnel ceiling is adjusted after placement of the model to obtain a zero pressure gradient along the test section.



### 3. INSTRUMENTATION AND DATA ACQUISITION

#### 3.1 Flow Visualization

Making the air flow visible in the vicinity of the model is helpful (a) in understanding and interpreting mean and fluctuating pressures, (b) in defining zones of separated flow and reattachment and zones of vortex formation where pressure coefficients may be expected to be high and (c) in indicating areas where pedestrian discomfort may be a problem. Titanium tetrachloride smoke is released from sources on and near the model to make the flow lines visible to the eye and to make it possible to obtain motion picture records of the tests. Conclusions obtained from these smoke studies are discussed in Sections 4.1 and 5.1.

#### 3.2 Pressures

Mean and fluctuating pressures are measured at each of the pressure taps on the model structure. Data are obtained for 24 or 36 wind directions, rotating the entire model assembly at a complete circle. Seventy-six pieces of 1/16 in. I.D. plastic tubing are used to connect 76 pressure ports at a time to an 80 tap pressure switch mounted inside the model. The switch was designed and fabricated in the Fluid Dynamics and Diffusion Laboratory to minimize the attenuation of pressure fluctuations across the switch. Each of the 76 measurement ports is directed in turn by the switch to one of four pressure transducers mounted close to the switch. The four pressure input taps not used for transmitting building surface pressures are connected to a common tube leading outside the wind tunnel. This arrangement provides both a means of performing in-place calibration of the transducers and, by connecting this tube to a pitot tube mounted inside the wind tunnel, a means of automatically monitoring the tunnel speed. The switch is operated by

means of a shaft projecting through the floor of the wind tunnel. A computer-controlled stepping motor steps the switch into each of the 20 required positions. The computer keeps track of switch position but a digital readout of position is provided at the wind tunnel.

The pressure transducers used are setra differential transducers (Model 237) with a 0.10 psid range. Reference pressures are obtained by connecting the reference sides of the four transducers, using plastic tubing, to the static side of a pitot-static tube mounted in the wind tunnel free stream above the model building. In this way the transducer measures the instantaneous difference between the local pressures on the surface of the building and the static pressure in the free stream above the model.

Output from the pressure transducers is fed to an on-line data acquisition system consisting of a Hewlett-Packard 21 MX computer, disk unit, card reader, printer, Digi-Data digital tape drive and a Preston Scientific analog-to-digital converter. The data are processed immediately into pressure coefficient form as described in Section 4.3 and stored for printout or further analysis.

All four transducers are recorded simultaneously for 16 seconds at a 250 sample-per-second rate. The results of an experiment to determine the length of record required to obtain stable mean and rms (root-mean-square) pressures and to determine the overall accuracy of the pressure data acquisition system is shown in Figure 6. A typical pressure port record was integrated for a number of different time periods to obtain the data shown. Examination of a large number of pressure taps showed that the overall accuracy for a 16-second period is, in pressure coefficient form, 0.03 for mean pressures, 0.1 for peak pressures, and 0.01 for rms pressures. Pressure coefficients are defined in Section 4.3.

### 3.3 Velocity

Mean velocity and turbulence intensity profiles are measured upstream of the model to determine that an approach boundary-layer flow appropriate to the site has been established. Tests are made at one wind velocity in the tunnel. This velocity is well above that required to produce Reynolds number similarity between the model and the prototype as discussed in Section 1.1.

In addition, mean velocity and turbulence intensity measurements are made 5 to 7 ft (prototype) above the surface at a dozen or more locations on and near the building for 16 wind directions. The measurement locations are shown on Figure 4. The surface measurements are indicative of the wind environment to which a pedestrian at the measurement location would be subjected. The locations are chosen to determine the degree of pedestrian comfort or discomfort at the building corners where relatively severe conditions frequently are found, near building entrances and on adjacent sidewalks where pedestrian traffic is heavy, and in open plaza areas. In most studies a reference pedestrian position, located about a block away, is also tested. These data are helpful in evaluating the degree of pedestrian comfort or discomfort in the proposed plaza area in terms of the undisturbed environment in the immediate vicinity.

Measurements are made with a single hot-wire anemometer mounted with its axis vertical. The instrumentation used is a Thermo Systems constant temperature anemometer (Model 1050) with a 0.001 in. diameter platinum film sensing element 0.020 in. long. Output is directed to the on-line data acquisition system for analysis.

Calibration of the hot-wire anemometer is performed by comparing output with the pitot-static tube in the wind tunnel. The calibration

data are fit to a variable exponent King's Law relationship of the form

$$E^2 = A + BU^n$$

where  $E$  is the hot-wire output voltage,  $U$  the velocity and  $A$ ,  $B$ , and  $n$  are coefficients selected to fit the data. The above relationship was used to determine the mean velocity at measurement points using the measured mean voltage. The fluctuating velocity in the form  $U_{\text{rms}}$  (root-mean-square velocity) was obtained from

$$U_{\text{rms}} = \frac{2 E E_{\text{rms}}}{B n U^{n-1}}$$

where  $E_{\text{rms}}$  is the root-mean-square voltage output from the anemometer. For interpretation all turbulence measurements for pedestrian winds were divided by the mean velocity outside the boundary-layer  $U_{\infty}$ . Turbulence intensity in velocity profile measurements used the local mean velocity.

## 4. RESULTS

### 4.1 Flow Visualization

A film is included as part of this report showing the characteristics of flow about the structure using smoke to make the flow visible. A listing of the contents of the film is shown in Table 1. Several features can be noted from the visualization. As with all large structures, wind approaching the building is deflected down to the plaza level, up over the structure and around the sides. A description of the smoke test results emphasizing flow patterns of concern relative to possible high-wind load areas and pedestrian comfort is given in Section 5.1.

### 4.2 Velocity

Velocity and turbulence profiles are shown in Figure 7. Profiles were taken upstream from the model which are characteristic of the boundary layer approaching the model and sometimes at the building site with building removed. The boundary-layer thickness,  $\delta$ , is shown in Figure 7. The corresponding prototype value of  $\delta$  for this study is also shown in the figure. This value was established as a reasonable height for this study. The mean velocity profile approaching the modeled area has the form

$$\frac{U}{U_{\infty}} = \left(\frac{z}{\delta}\right)^n .$$

The exponent  $n$  for the approach flow established for this study is shown in Figure 7.

Profiles of longitudinal turbulence intensity in the flow approaching the modeled area are shown in Figure 7. The turbulence intensities are appropriate for the approach mean velocity profile selected. For the velocity profiles, turbulence intensity is defined



as the root-mean-square about the mean of the longitudinal velocity fluctuations divided by the local mean velocity  $U$ ,

$$Tu = \frac{U_{rms}}{U} .$$

Velocity data obtained at each of the pedestrian measurement locations shown in Figure 4 are listed in Table 2 as mean velocity  $U/U_\infty$ , turbulence intensity  $U_{rms}/U_\infty$ , and largest effective gust

$$U_{pk} = \frac{U + 3U_{rms}}{U_\infty} .$$

These data are plotted in polar form in Figure 8. Measurements were taken 5 to 7 ft above the ground surface. A site map is superimposed on the polar plots to aid in visualization of the effects of the nearby structures on the velocity and turbulence magnitudes. An analysis of these wind data is given in Section 5.2.

To enable a quantitative assessment of the wind environment, the wind-tunnel data were combined with wind frequency and direction information obtained at the local airport. Table 3 shows wind frequency by direction and magnitude obtained from summaries published by the National Weather Service. These data, usually obtained at an elevation of about 30-40 ft, were converted to velocities at the reference velocity height for the wind-tunnel measurements and combined with the wind-tunnel data to obtain cumulative probability distributions (percent time a given velocity is exceeded) for wind velocity at each measuring location. The percentage times were summed by wind direction to obtain a percent time exceeded at each measuring position independent of wind direction (but accounting for the fact that the wind blows from different directions with varying frequency). These results are plotted in Figure 9.

The overall indications of pedestrian wind comfort are best described by Figure 9, in particular the percent time exceeded plots which show the effective gust (mean plus  $3\sigma$ ). The mean velocity percent time exceeded plots are useful, but may present too severe a comparison to acceptance criteria because of conservative assumptions about anticipated urban turbulence intensities which were incorporated into the acceptance criteria.

Interpretation of Figure 9 is aided by a description of the effects of wind of various magnitudes on people. The earliest quantitative description of wind effects was established by Sir Francis Beaufort in 1806 for use at sea and is still in use today. Several recent investigators have added to the knowledge of wind effects on pedestrians. These investigations along with suggested criteria for acceptance have been summarized by Penwarden and Wise (4) and Melbourne (5). The Beaufort scale (from ref. 4), based on mean velocity only, is reproduced as Table 4 including qualitative descriptions of wind effects. Table 4 suggests that mean wind speeds below 12 mph are of minor concern and that mean speeds above 24 mph are definitely inconvenient. Quantitative criteria for acceptance from reference 5 are superimposed as dashed lines on Figure 9. The peak gust curves shown in Figure 9 are the percent of time during which a short gust of the stated magnitude could occur (say about one of these gusts per hour). Implications of the data plotted in Figure 9 are presented in Section 5.2.

Because some pedestrian wind measuring positions are purposely chosen at sites where the smoke tests showed large velocities of small spacial extent, the general wind environment about the structure may be less severe than one might infer from a strict analysis of Table 2 and Figure 9.

### 4.3 Pressures

For each of the pressure taps examined at each wind direction, the data record is analyzed to obtain four separate pressure coefficients. The first is the mean pressure coefficient

$$C_{p_{\text{mean}}} = \frac{(p-p_{\infty})_{\text{mean}}}{0.5 \rho U_{\infty}^2}$$

where the symbols are as defined in the List of Symbols. It represents the mean of the instantaneous pressure difference between the building pressure tap and the static pressure in the wind tunnel above the building model, nondimensionalized by the dynamic pressure

$$0.5 \rho U_{\infty}^2$$

at the reference velocity position. This relationship produces a dimensionless coefficient which indicates that the mean pressure difference between building and ambient wind at a given point on the structure is some fraction less or some fraction greater than the undisturbed wind dynamic pressure near the upper edge of the boundary layer. Using the measured coefficient, prototype mean pressure values for any wind velocity may be calculated.

The magnitude of the fluctuating pressure is obtained by the rms pressure coefficient

$$C_{p_{\text{rms}}} = \frac{\left( (p-p_{\infty}) - (p-p_{\infty})_{\text{mean}} \right)_{\text{rms}}}{0.5 \rho U_{\infty}^2}$$

in which the numerator is the root-mean-square of the instantaneous pressure difference about the mean.

If the pressure fluctuations followed a Gaussian probability distribution, no additional data would be required to predict the frequency with which any given pressure level would be observed.

However, the pressure fluctuations do not, in general, follow a Gaussian probability distribution so that additional information is required to show the extreme values of pressure expected. The peak maximum and peak minimum pressure coefficients are used to determine these values:

$$C_{p_{\max}} = \frac{(p-p_{\infty})_{\max}}{0.5 \rho U_{\infty}^2}$$

$$C_{p_{\min}} = \frac{(p-p_{\infty})_{\min}}{0.5 \rho U_{\infty}^2}$$

The values of  $p-p_{\infty}$  which were digitized at 250 samples per second for 16 seconds, representing about one hour of time in the full-scale, are examined individually by the computer to obtain the most positive and most negative values during the 16-second period. These are converted to  $C_{p_{\max}}$  and  $C_{p_{\min}}$  by nondimensionalizing with the free stream dynamic pressure.

The four pressure coefficients are calculated by the on-line data acquisition system computer and tabulated along with the approach wind azimuth in degrees from true north. The list of coefficients is included as Appendix A. The pressure tap code numbers used in the appendix are explained in Figure 3.

In order to limit the inherent variability of the largest peak pressures and to ensure that the 10-degree increments in approach wind direction did not miss a large peak pressure occurring within a 10-degree sector, a limited number of pressure taps with large pressures were examined at 2-degree azimuthal increments near the pressure peak. This data appears as a separate configuration. The 2-degree azimuthal increment data which coincided with the 10-degree data represented a repeat measurement. These two peak pressure measurements were averaged

together to obtain a more representative value than either data point represented alone [Refs. 6,7]. In addition, the remaining 2-degree resolution data were examined and compared with the 10-degree resolution to determine whether a more critical condition existed.

To determine the largest peak loads acting at any point on the structure for cladding design purposes, the pressure coefficients for all wind directions were searched to obtain, at each pressure tap, the largest peak positive and peak negative pressure coefficients. Table 6 lists the larger values and associated wind directions. Included in Section 5.3 is an analysis of the coefficients of Table 6 including the maximum values obtained and where they occurred on the building.

The pressure coefficients of Table 6 can be converted to full-scale loads by multiplication by a suitable reference pressure selected for the field site. This reference pressure is represented in the equations for pressure coefficients by the  $0.5 \rho U_{\infty}^2$  denominator. This value is the dynamic pressure associated with an hourly mean wind at the reference velocity measurement position at the edge of the boundary layer. In general, the method of arriving at a design reference pressure for a particular site involves selection of a design wind velocity, translation of the velocity to an hourly mean wind at the reference velocity location and conversion to a reference pressure. Selection of the design velocity can be made from statistical analysis of extreme wind data or selected from wind maps contained in the proposed wind loading code ANSI A58.1 of the American National Standards Institute (8). The calculation of reference pressure for this study is shown in Table 5. The factor used in Table 5 to reduce gust winds to hourly mean winds is given in reference (9).



The reference pressure associated with the design hourly mean velocity at the reference velocity location can be used directly with the peak-pressure coefficients to obtain peak local design wind loads for cladding design. Local, instantaneous peak loads on the full-scale building suitable for cladding design were computed by multiplying the reference pressure of Table 5 by the peak coefficients of Table 6 and are listed as peak pressures in that table. The maximum psf loads given at each tap location are the largest peak positive and peak negative values found in the tests. For ease in visualizing the loads on the structure, contours of equal peak pressures for cladding load shown in Table 6 have been plotted on developed elevation views of the structure, Figure 10. If a data point which is taken in the basic model configuration is retaken in a 2-degree data configuration, the data are averaged in preparing Figure 10. For control of water infiltration from outside to inside, the largest positive (inward acting) pressure at each tap location is tabulated in Table 6.

For glass design pressures, a glass load factor is used to account for the different duration between measured peak pressures and the one minute loading commonly used in glass design charts. The design pressure used for glass is normally less than the peak pressures used for cladding design because of the static fatigue property of glass which can withstand higher pressures for short duration loads than for long duration loads. Recent research (10) indicates that the period of application of the peak pressures reported herein is about 5-10 seconds or less. If a glass design is based on these peak-pressure values, then a glass strength associated with this duration load should be used. Because glass design charts are normally based on some alternate load

duration--usually one minute--then some reduction in peak loads should be made. An estimate of a load reduction factor can be obtained from an empirical relation of glass strength as a function of load duration. Current glass selection charts showing glass strength as a function of load duration (11) and older references (12) indicate the following load reduction factors:

	ref. 11	ref. 12
annealed float	0.80	0.81
heat strengthened	0.94	
tempered	0.97	0.98

Loadings appropriate for glass design can be computed by multiplying the peak-pressure loads of Table 6 by these load factors.

## 5. DISCUSSION

### 5.1 Flow Visualization

Flow patterns identified with smoke showed that the largest peak cladding pressures would most likely be found near vertical corners of the building due to flow separation or at three-dimensional corners where the vertical corners intersect the roof due to vortex formation.

Wind flow separation occurs when wind blowing horizontally along a face of the building is unable due to inertia to turn a sharp corner and continues past the corner separating from the surface. Elevated local peak negative (outward acting) pressures are often found on the downwind side of the point of separation.

Vortex wind flow occurs when separated flow rolls up into a tornado-like structure. Flow separation at a three-dimensional corner sometimes provides the triggering mechanism to produce a vortex flow. Vortices were observed for critical wind directions originating at the intersection of the vertical corners and the roof. The vortex structure was positioned at times on the roof and at times on the vertical side. Elevated peak negative pressures are often found under the vortex flow near the three-dimensional corner.

Wind speeds in pedestrian areas appeared to be largest on the top deck of the adjacent garage and under the two bridges connecting the tower to the garage and the tower to the building to the northwest. Relatively high wind speeds were evident for several wind directions at these locations. Because the ambient winds in the Lexington area are not large on the average, the high winds observed with smoke may not translate into pedestrian wind problem areas. Pedestrian winds are discussed quantitatively in the next section.

## 5.2 Pedestrian Winds

Figure 4 shows the 18 locations selected for investigation of pedestrian wind comfort. Locations 1-5 were tested in the pre-construction configuration without the tower or garage in place to provide a basis of comparison for winds with the tower in place. All 18 locations were tested with the tower in place.

Table 2 and Figure 8 show the measured velocities as a percentage of the wind speed  $U_{\infty}$  at 1000 ft near the top of the atmospheric boundary layer. The largest mean and peak percentages, summarized on two pages of Table 2 for existing site and built configuration, were measured at locations 7 and 11. Relatively large values of both mean and gust percentages were measured at both sites for several wind directions.

Velocity data of Table 2 integrated with local wind data listed in Table 3 are shown in Figure 9. Figure 9 shows comparisons of both mean and gust velocities with acceptance criteria. For reasons discussed in Section 4.2, the comparison of gusts to comfort criteria is more meaningful than the mean data. On the basis of the gust data of Figure 9, the windiest locations are predicted to be location 1 in the pre-construction Configuration C and locations 1, 7, 11 and 17 in the built Configuration A. All of these locations exceed the comfort level for walking only about 10 percent of the time, and do not exceed the unacceptable level for any percent of time calculated.

Of the five locations measured in both configurations, location 1 remained at about the same level of windiness while locations 2-5 decreased in windiness with the inclusion of the Lexington Financial Center.

The windiest locations about the base of the Lexington Financial Center, locations 7, 11 and 17, are predicted to be about as windy as location 1 in the pre-construction configuration. None of these locations should pose significant problems for pedestrians. Remedial action of these locations should not be necessary.

### 5.3 Pressures

Table 6 shows the largest peak pressure coefficients and corresponding loads measured on the Lexington Financial Center building for each pressure tap location. Data configurations are listed in Table 4. The summary page of Table 6 shows that the largest peak pressure measured at any tap on the building was -72 psf at tap 956 located near a corner where a vortex was observed in flow visualization. The largest pressures on the curtainwall were -59 psf at tap locations 304 and 377. These tap locations are near a three-dimensional corner and near a building corner where flow visualization showed a potential for elevated pressures.

Figure 10 shows peak negative and peak positive pressure distributions over the building surface. Most of the surface area of the building had peak negative pressures ranging from about -20 to -40 psf with areas of limited extent ranging up to higher values. Peak positive pressures ranged up to about +28 psf with most areas of the building surface less than +20 psf.

Curtainwall loads shown on Figure 10 are external pressures. Internal pressures on buildings are often small (perhaps  $\pm 5$  psf) on buildings where windows are sealed and the internal pressure is governed primarily by infiltration and a central air supply system. For a building where significant areas of the curtainwall can be opened, then

larger internal pressures should be considered. Typical openings which increase net load across the curtainwall during high wind events include operable windows and operable doors onto balconies.

Frame loads were not calculated as part of this report. Frame loads at distributed locations on the building form the content of an accompanying report.

## REFERENCES

1. Cermak, J. E., "Laboratory Simulation of the Atmospheric Boundary Layer," AIAA Jl., Vol. 9, September 1971.
2. Cermak, J. E., "Applications of Fluid Mechanics to Wind Engineering," A Freeman Scholar Lecture, ASME Jl. of Fluids Engineering, Vol. 97, No. 1, March 1975.
3. Cermak, J. E., "Aerodynamics of Buildings," Annual Review of Fluid Mechanics, Vol. 8, 1976, pp. 75-106.
4. Penwarden, A. D., and Wise, A. F. E., "Wind Environment Around Buildings," Building Research Establishment Report, HMSO, 1975.
5. Melbourne, W. H., "Criteria for Environmental Wind Conditions," Jl. Industrial Aerodynamics, Vol. 3, pp. 241-247, 1978.
6. Peterka, J. A., and Cermak, J. E., "Wind Pressures on Buildings--Probability Densities," Jl. Structural Div., ASCE, Vol. 101, pp. 1255-1267, 1975.
7. Peterka, J. A., "Selection of Local Peak Pressure Coefficients for Wind-Tunnel Studies of Buildings," Proceedings of the Sixth International Conference on Wind Engineering, Gold Coast, Australia, March 1983.
8. American National Standards Institute, "American National Standard Building Code Requirements for Minimum Design Loads in Buildings and Other Structures," ANSI Standard A58.1, 1982.
9. Hollister, S. C., "The Engineering Interpretation of Weather Bureau Records for Wind Loading on Structures," Building Science Series 30--Wind Loads on Buildings and Structures, National Bureau of Standards, pp. 151-164, 1970.
10. Peterka, J. A., and Cermak, J. E., "Peak-Pressure Duration in Separated Regions on a Structure," U.S.-Japan Research Seminar on Wind Effects on Structures, Kyoto, Japan, 9-13 September 1974; Report CEP74-75JAP-JEC8, Fluid Mechanics Program, Colorado State University, September 1974.
11. PPG Glass Thickness Recommendations to Meet Architects' Specified 1-Minute Wind Load, Pittsburgh Plate Glass Industries, April 1979.
12. Shand, E. B., "Glass Engineering Handbook," Second Edition, McGraw-Hill, New York, P. 51, 1958.

FIGURES



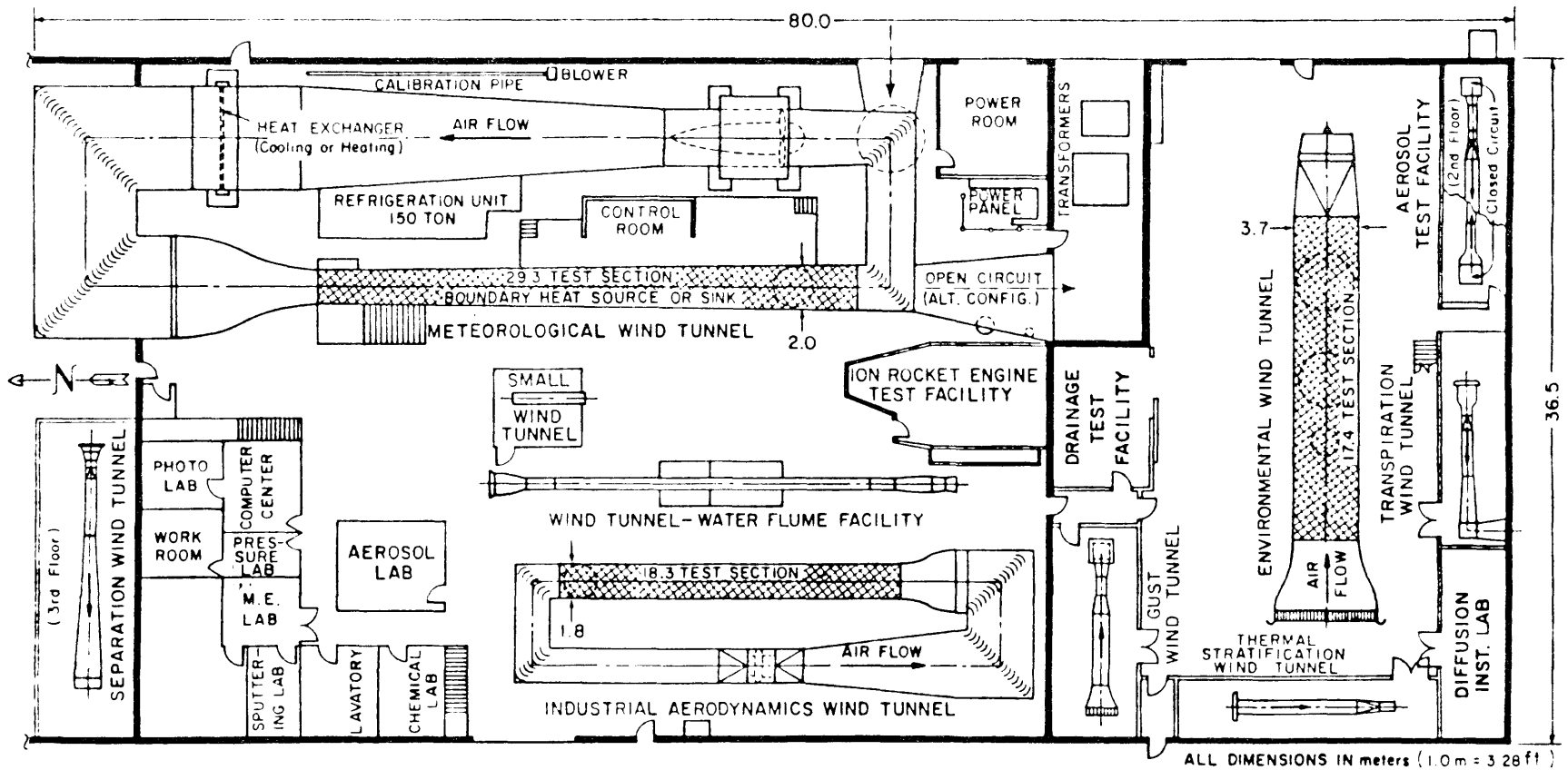


Figure 1. Fluid Dynamics and Diffusion Laboratory, Colorado State University

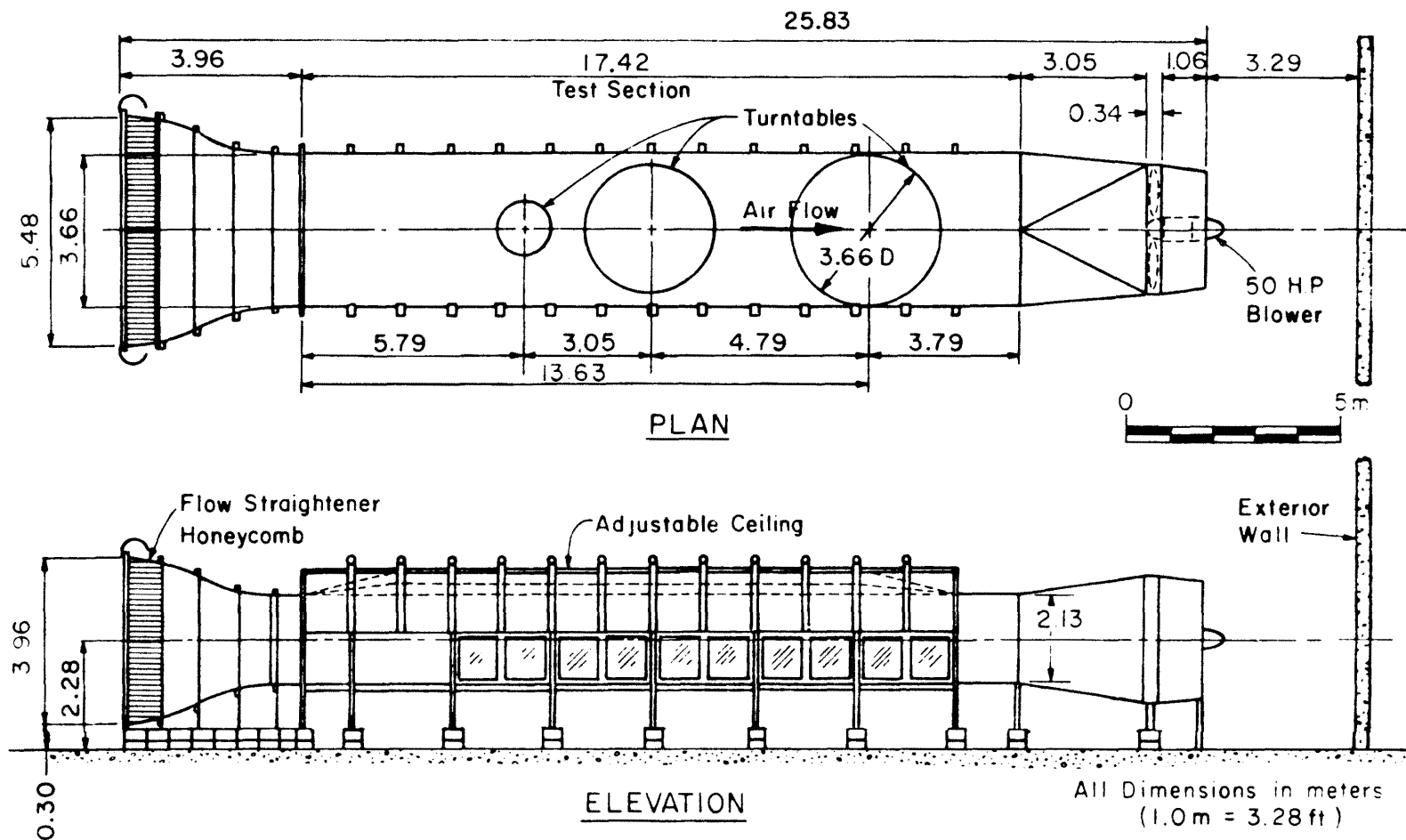
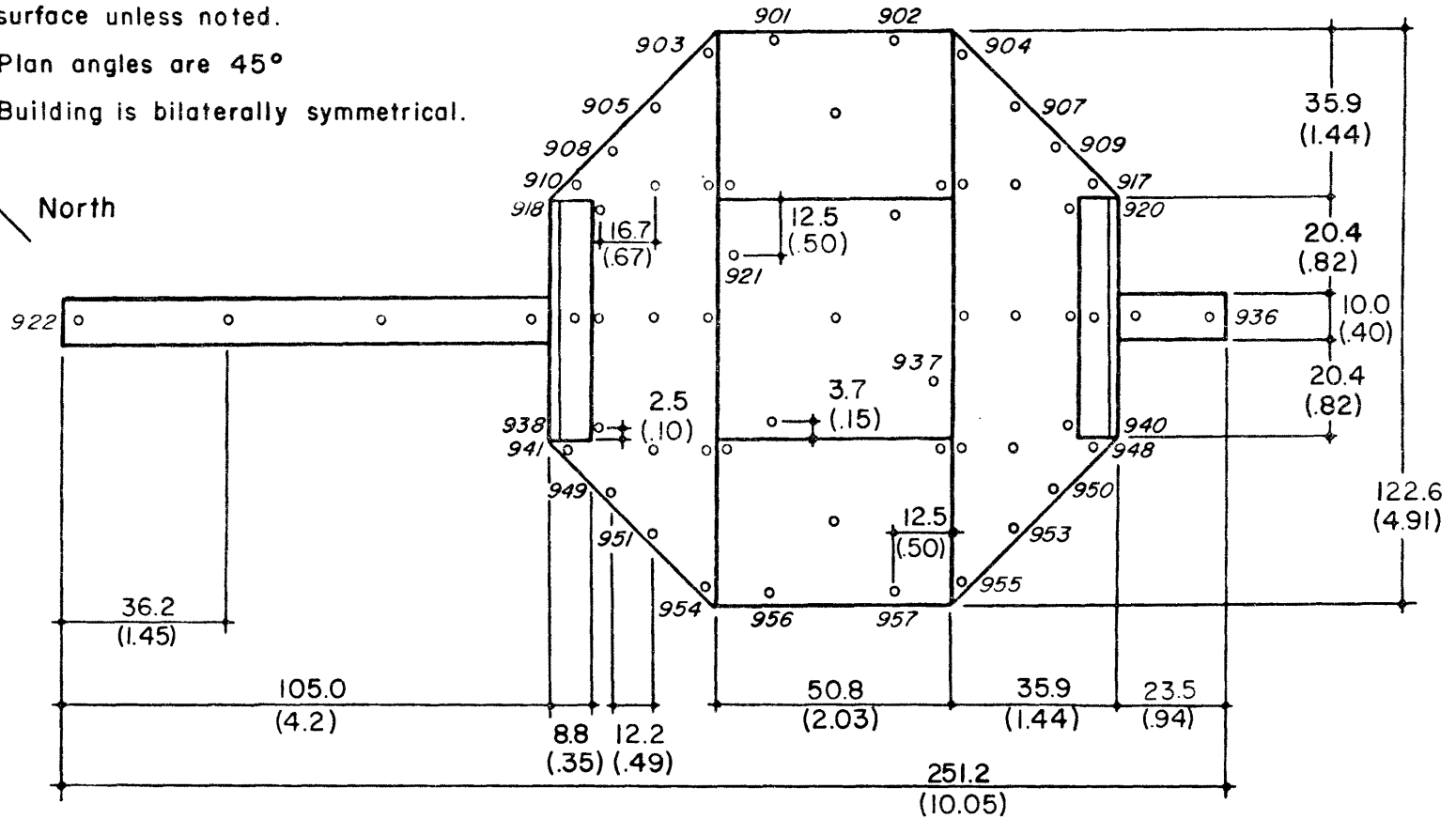
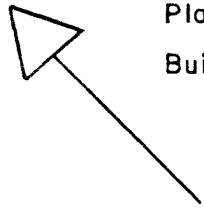


Figure 2. Wind-Tunnel Configuration -- Environmental Wind Tunnel, Fluid Dynamics and Diffusion Laboratory, Colorado State University

NOTE: Taps are located 2.5 (.10) from edge or on the centerline of the surface unless noted.

Plan angles are 45°

Building is bilaterally symmetrical.



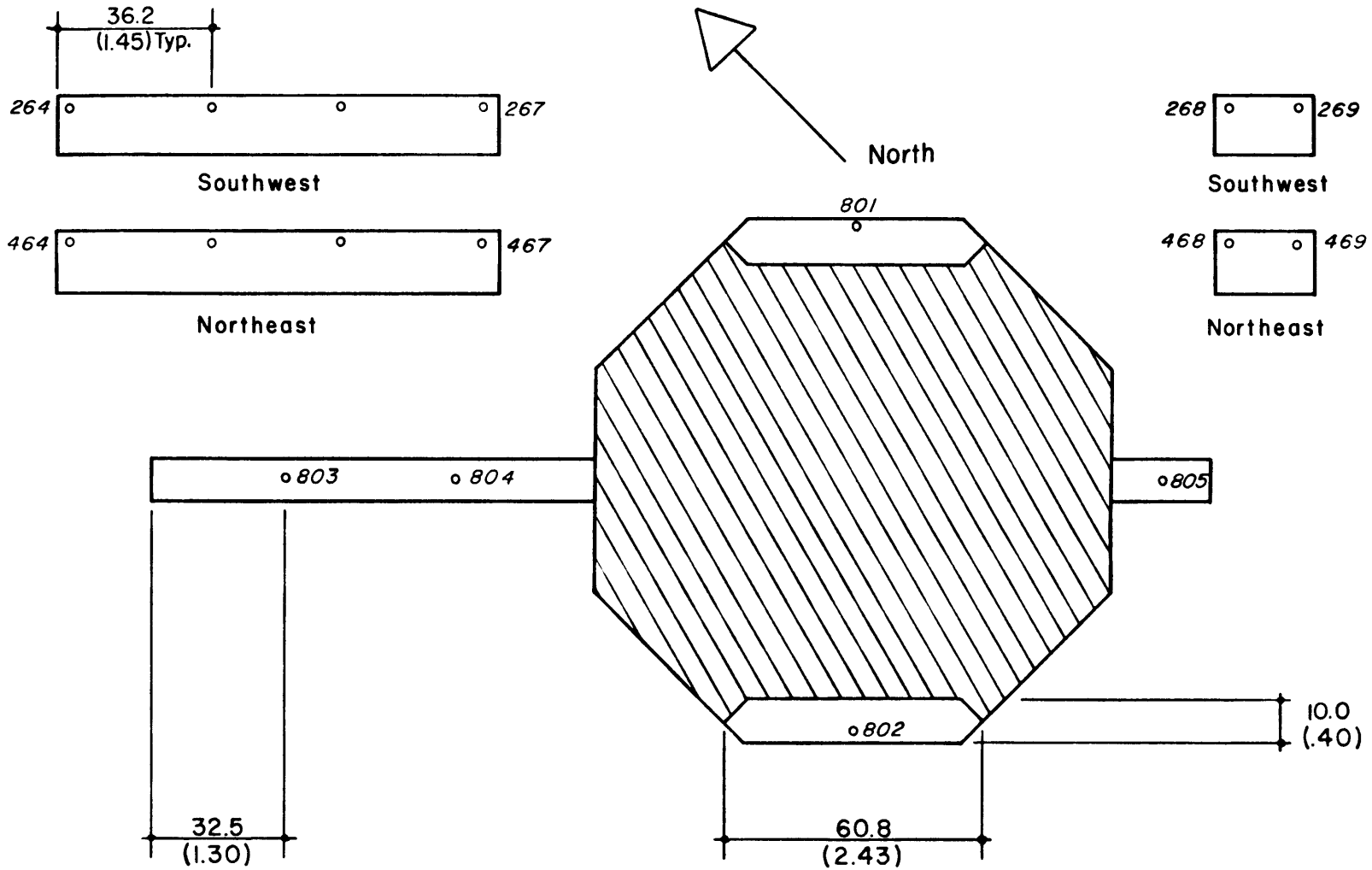
Total taps = 400

Model scale = 1:300

Dimensions in full scale feet  
and (model inches).

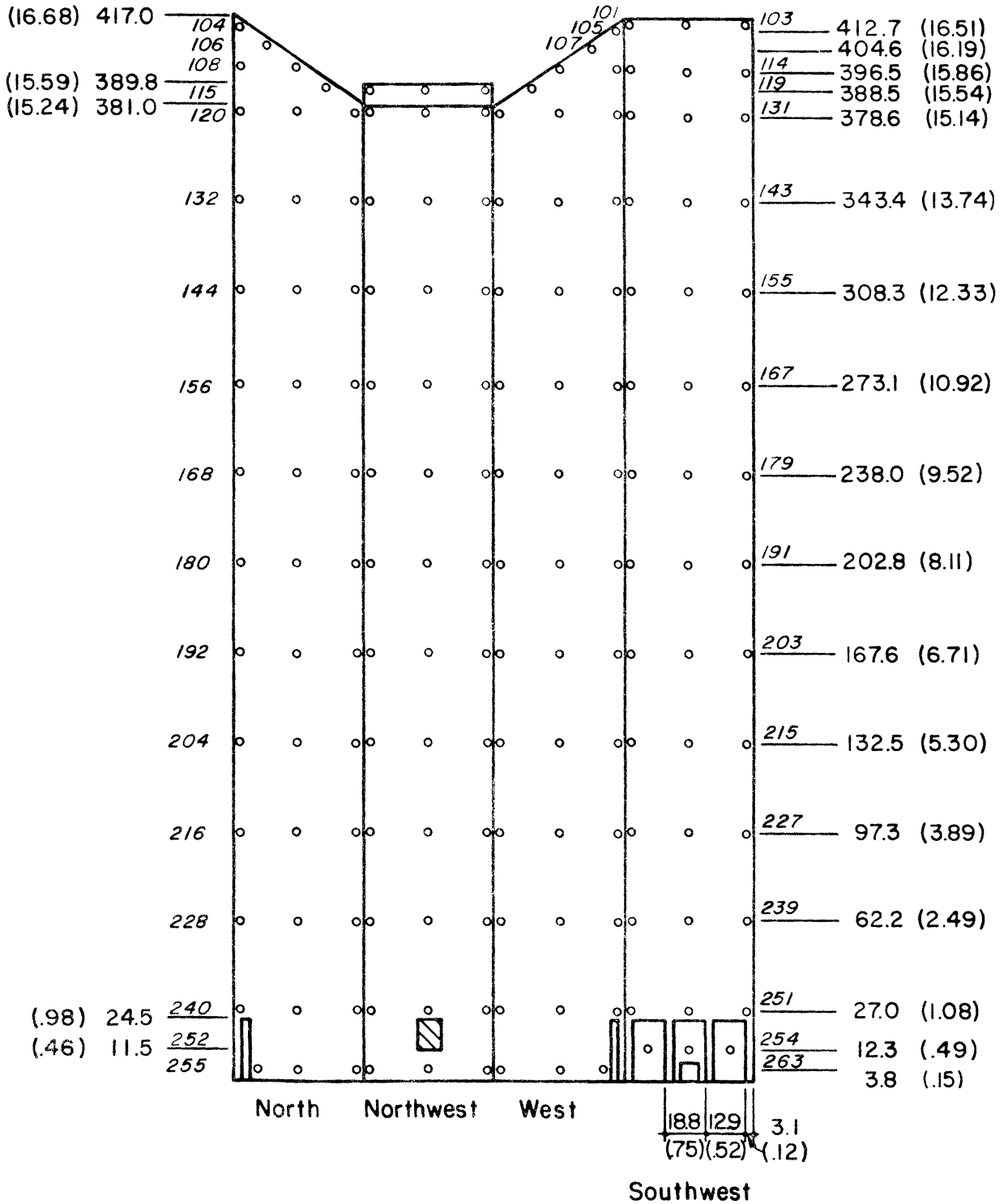
Roof

Figure 3a. Pressure Tap Locations



**Soffit and Bridge Elevations**

Figure 3b. Pressure Tap Locations



NOTE: Taps are located 2.5(.10) from the edge or on the centerline of the surface unless noted.

Figure 3c. Pressure Tap Locations

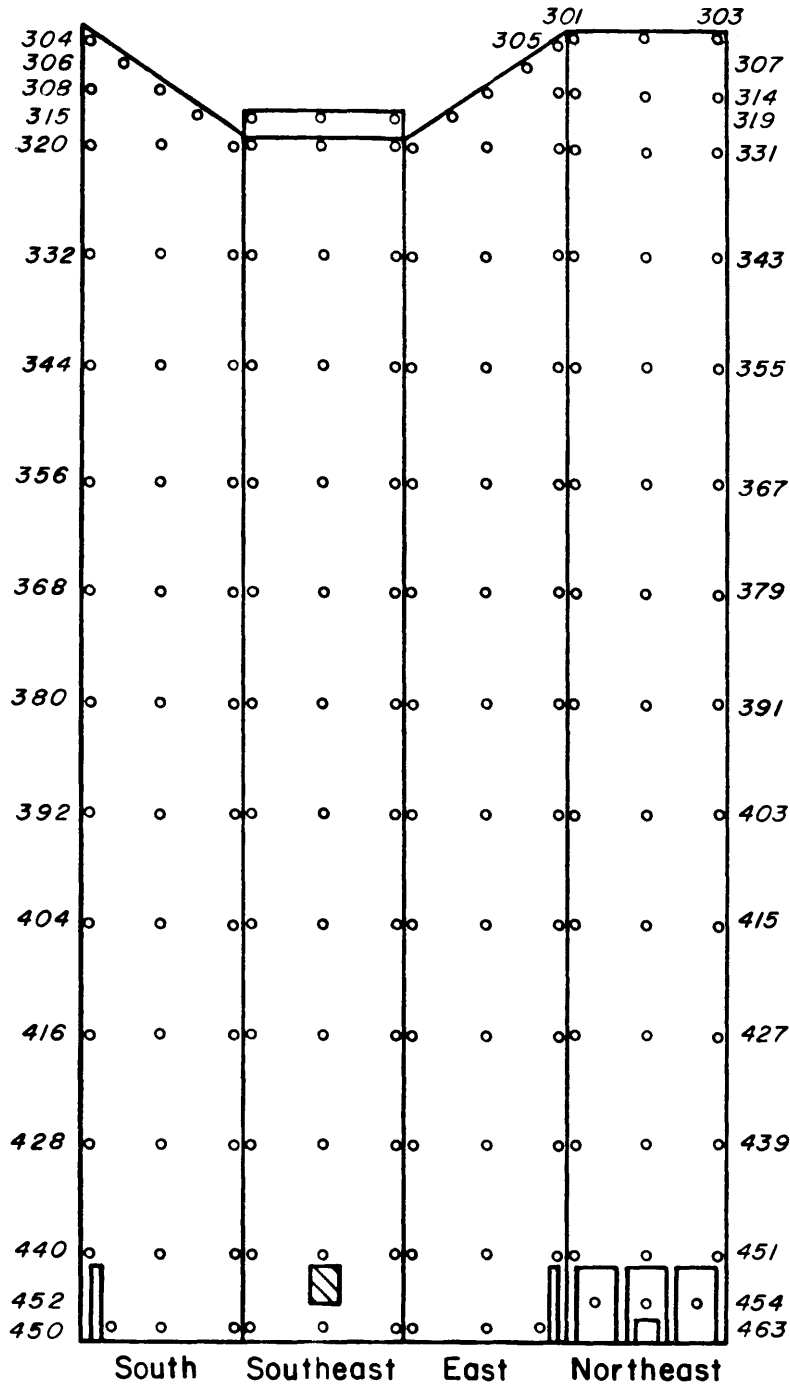


Figure 3d. Pressure Tap Locations

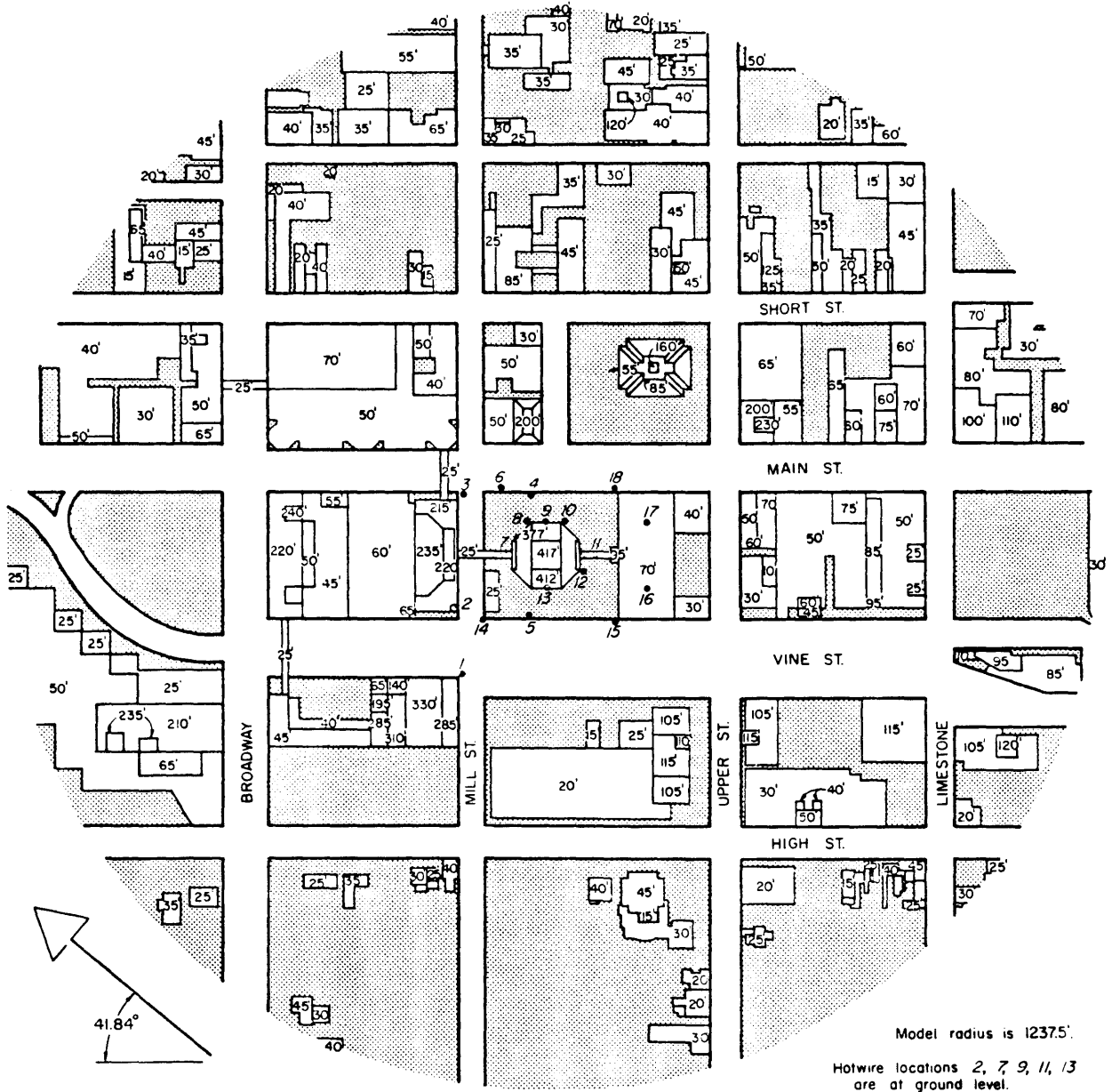


Figure 4a. Building Location and Pedestrian Wind Velocity Measuring Positions

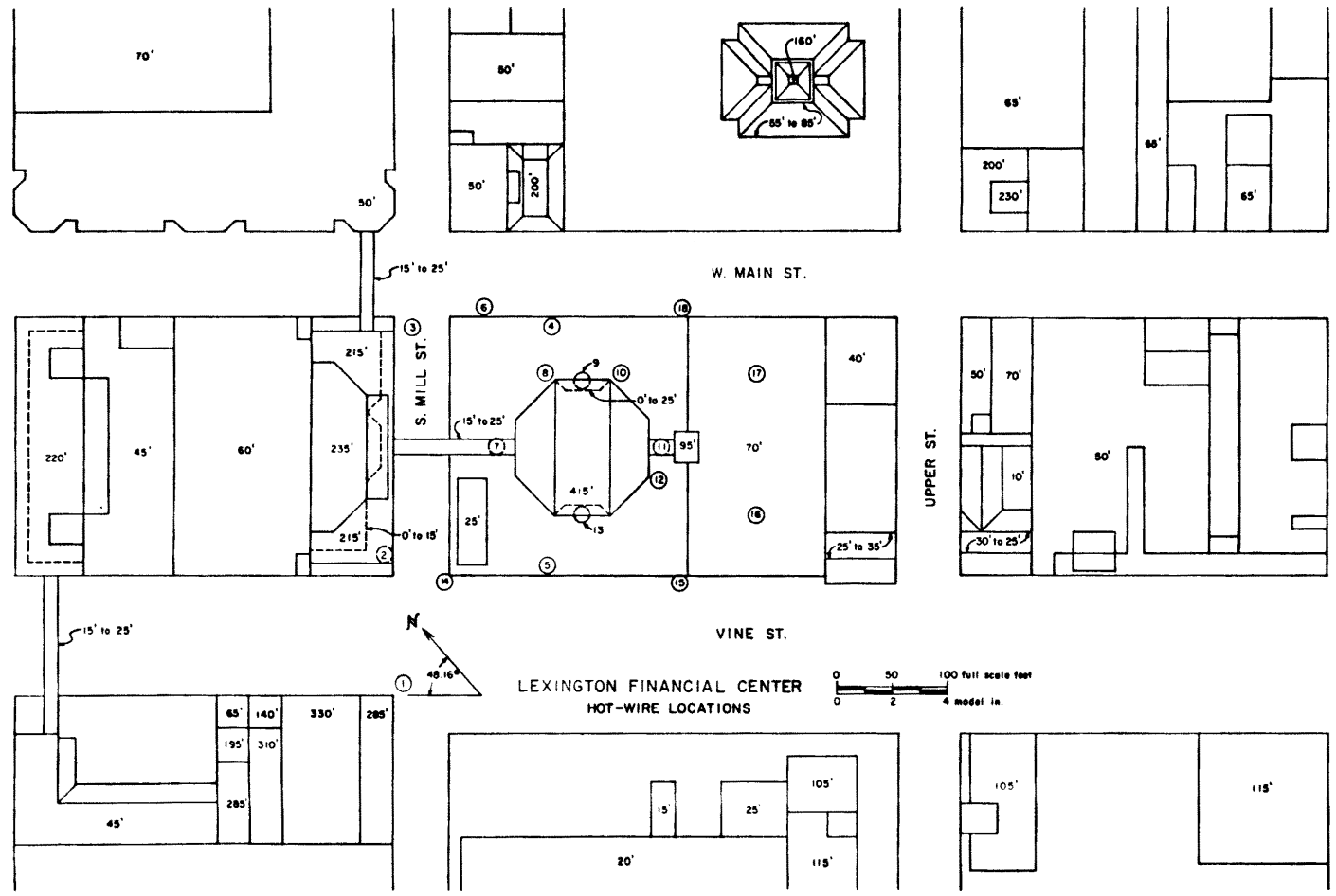


Figure 4b. Building Location and Pedestrian Wind Velocity Measuring Positions



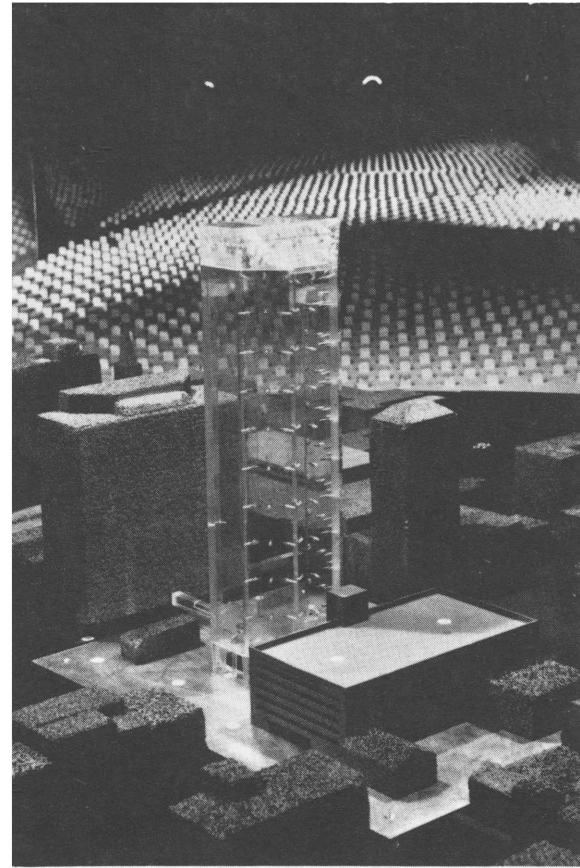
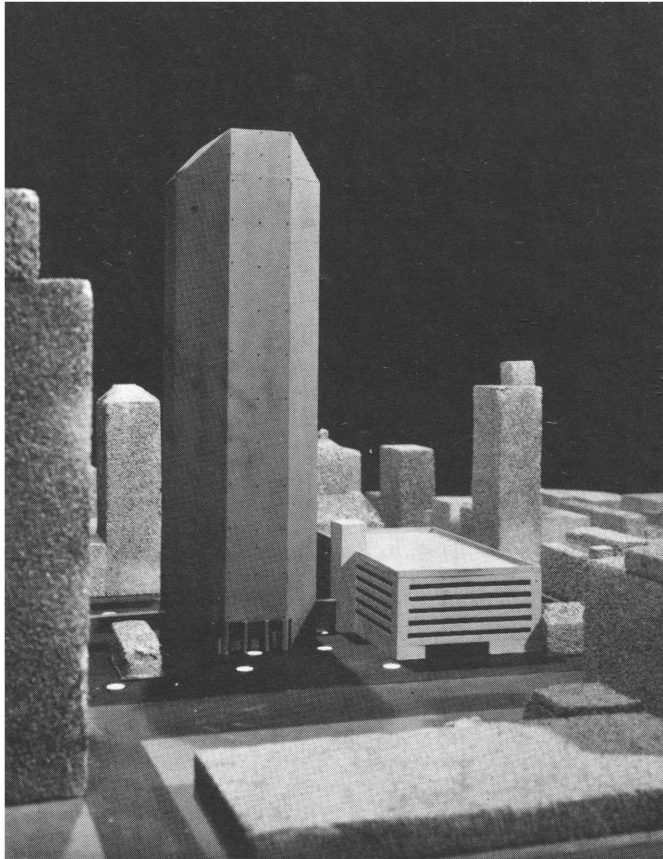


Figure 5a. Completed Model in Wind Tunnel

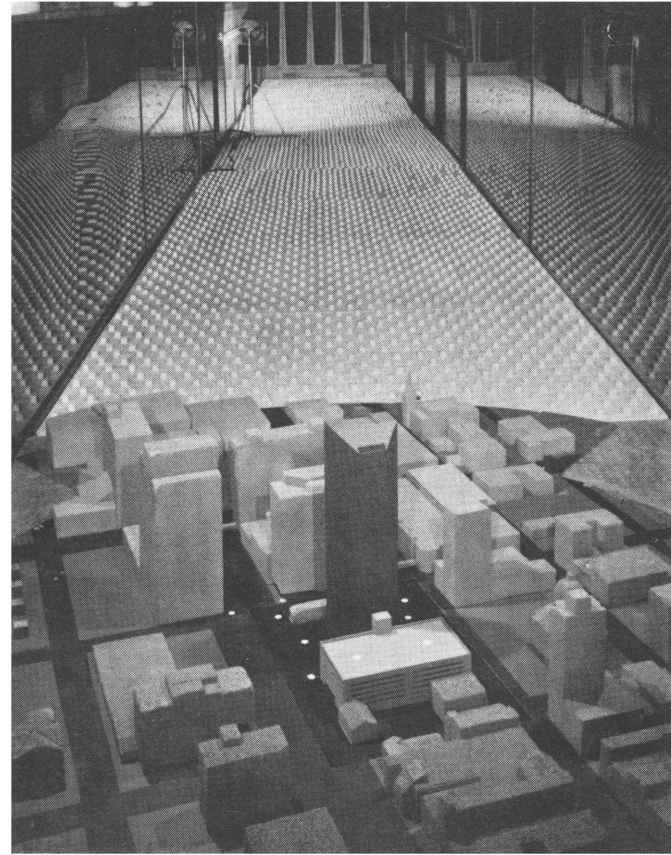
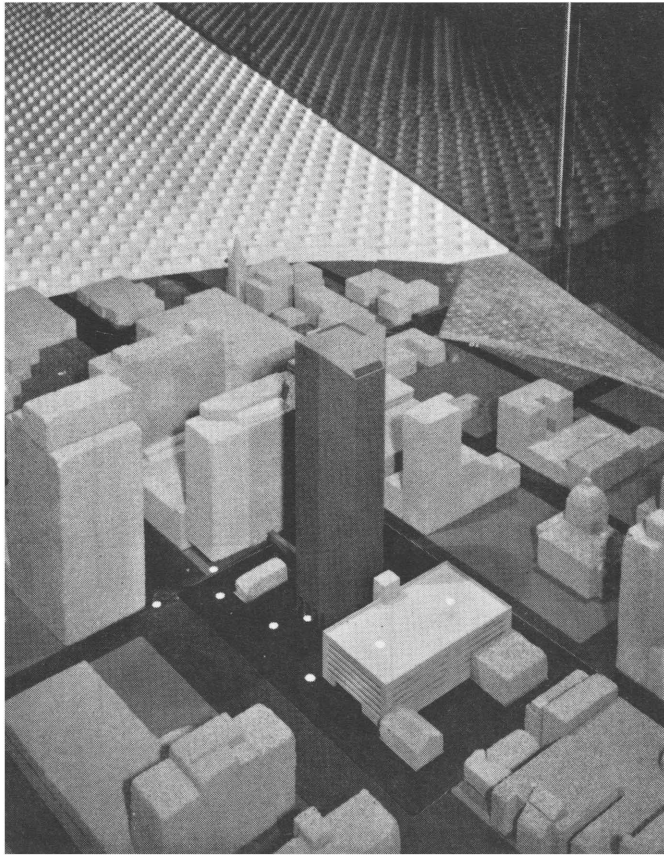


Figure 5b. Completed Model in Wind Tunnel

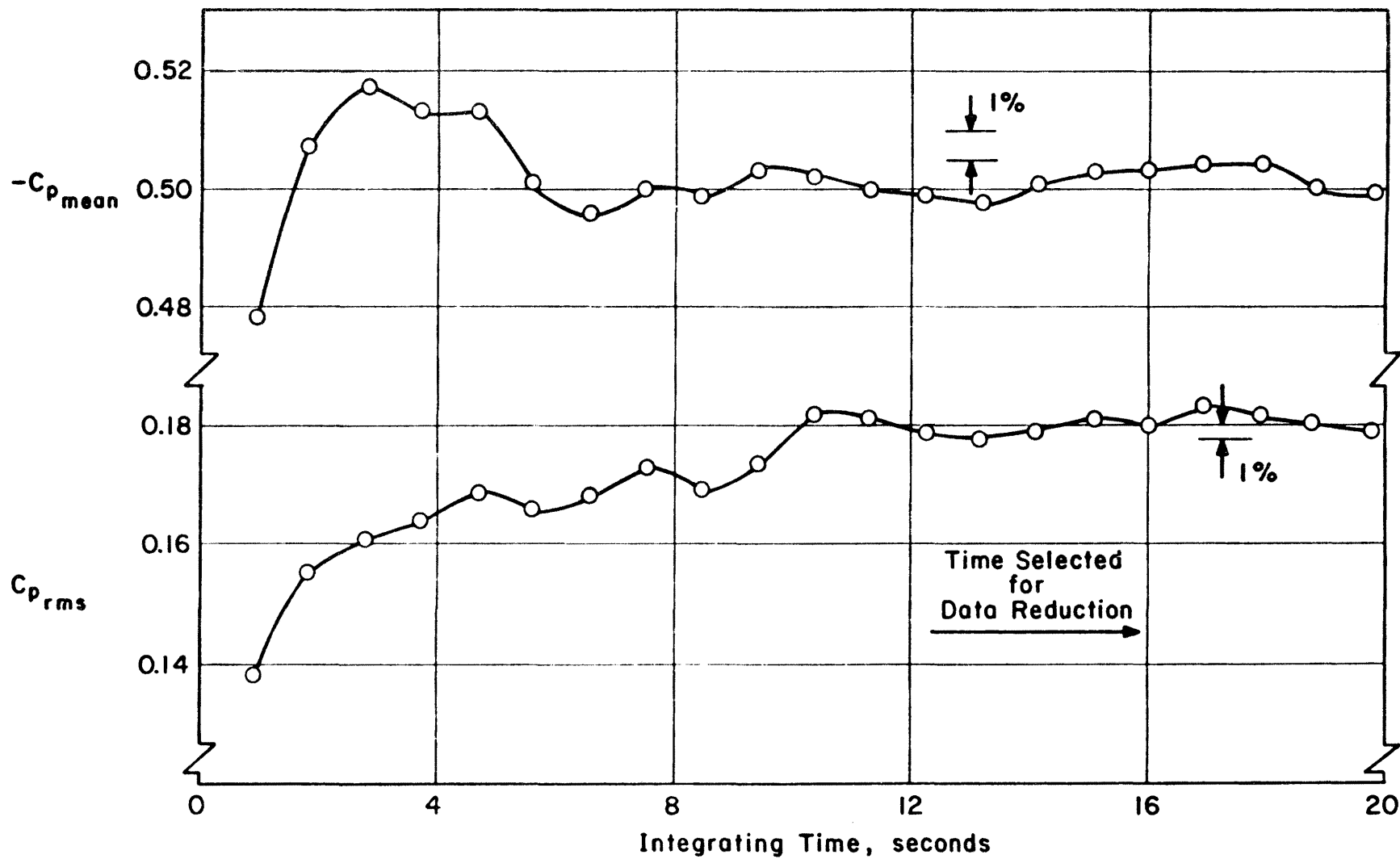


Figure 6. Data Sampling Time Verification

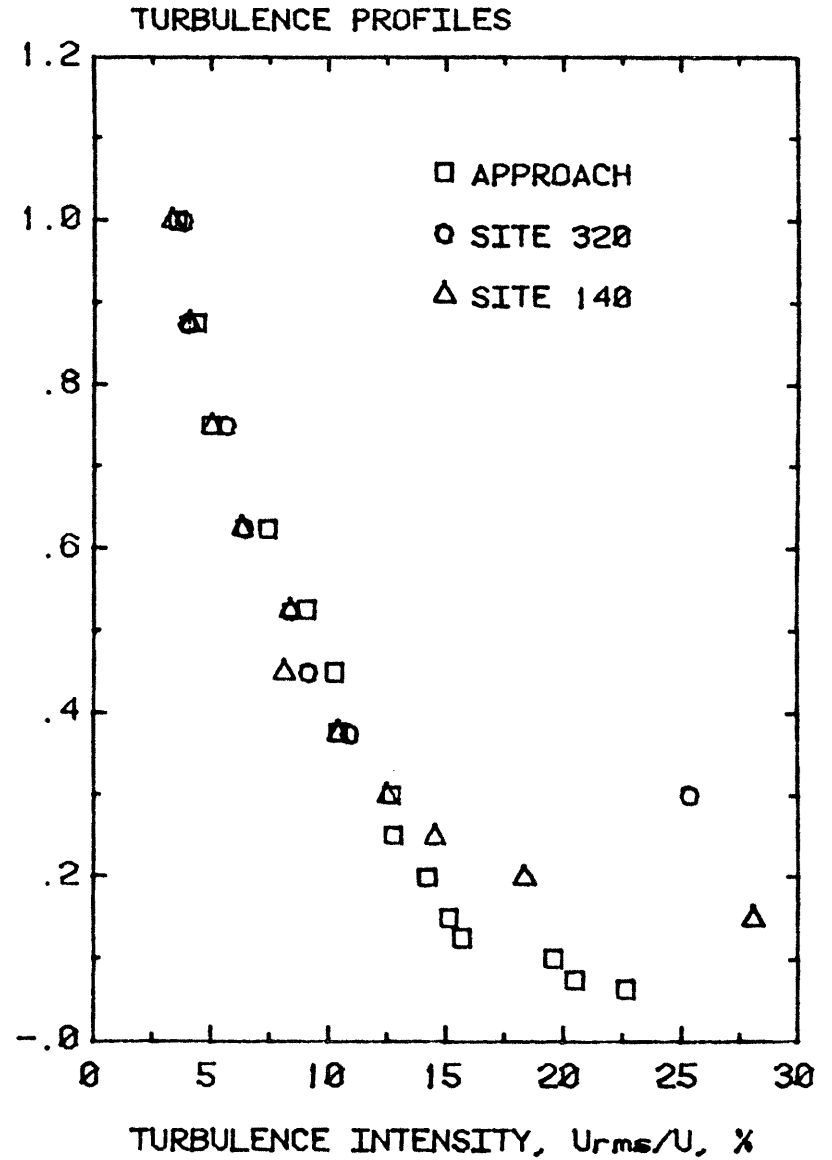
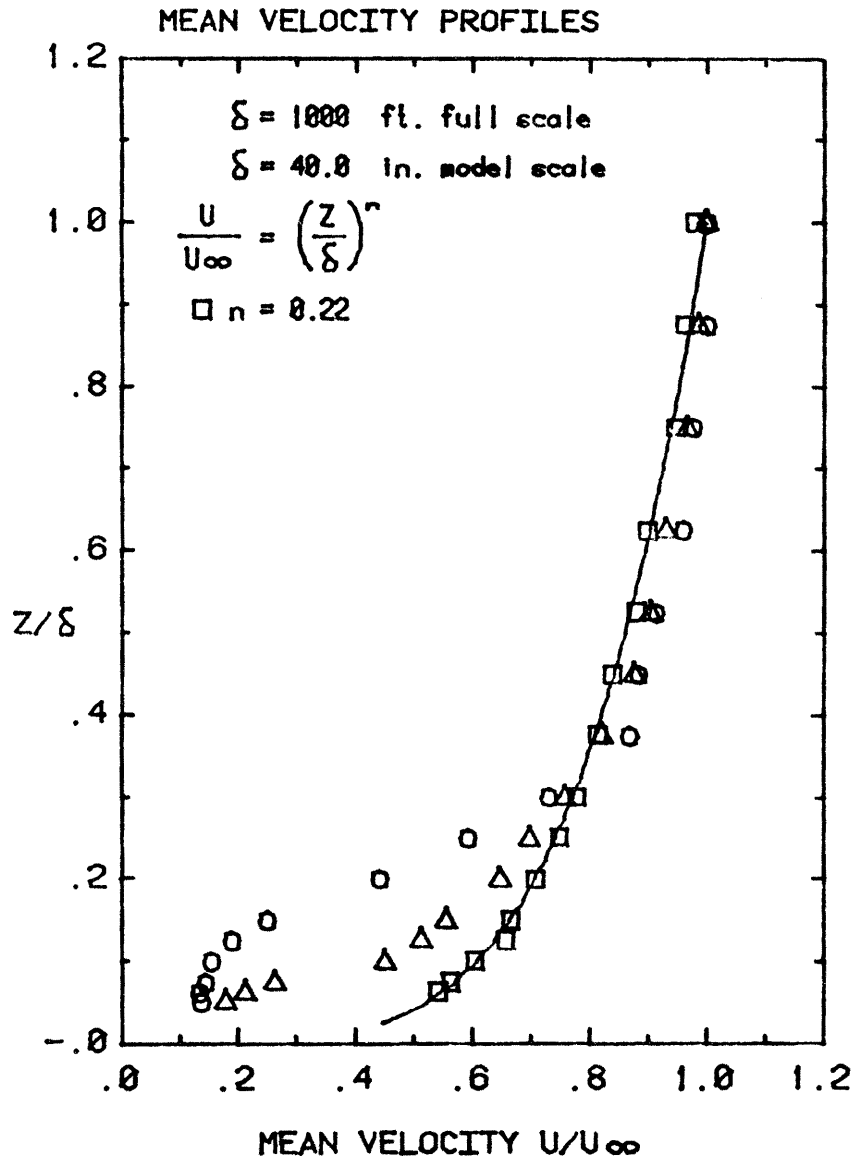


Figure 7. Mean Velocity and Turbulence Profiles Approaching the Model

CONFIGURATION A -- Lexington Financial Center in Place

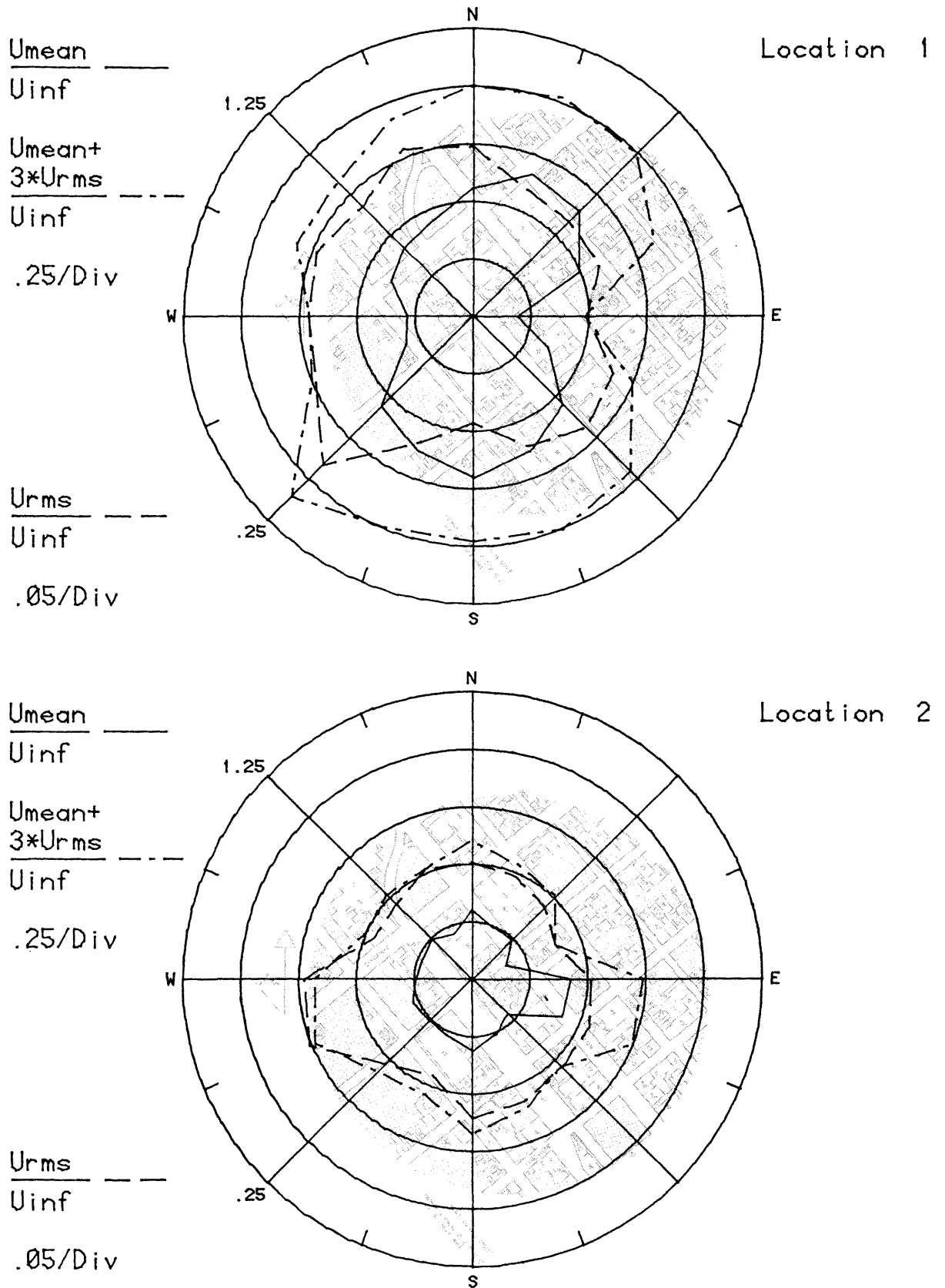


Figure 8a. Mean Velocities and Turbulence Intensities at Pedestrian Locations 1 and 2

CONFIGURATION C -- Existing Configuration

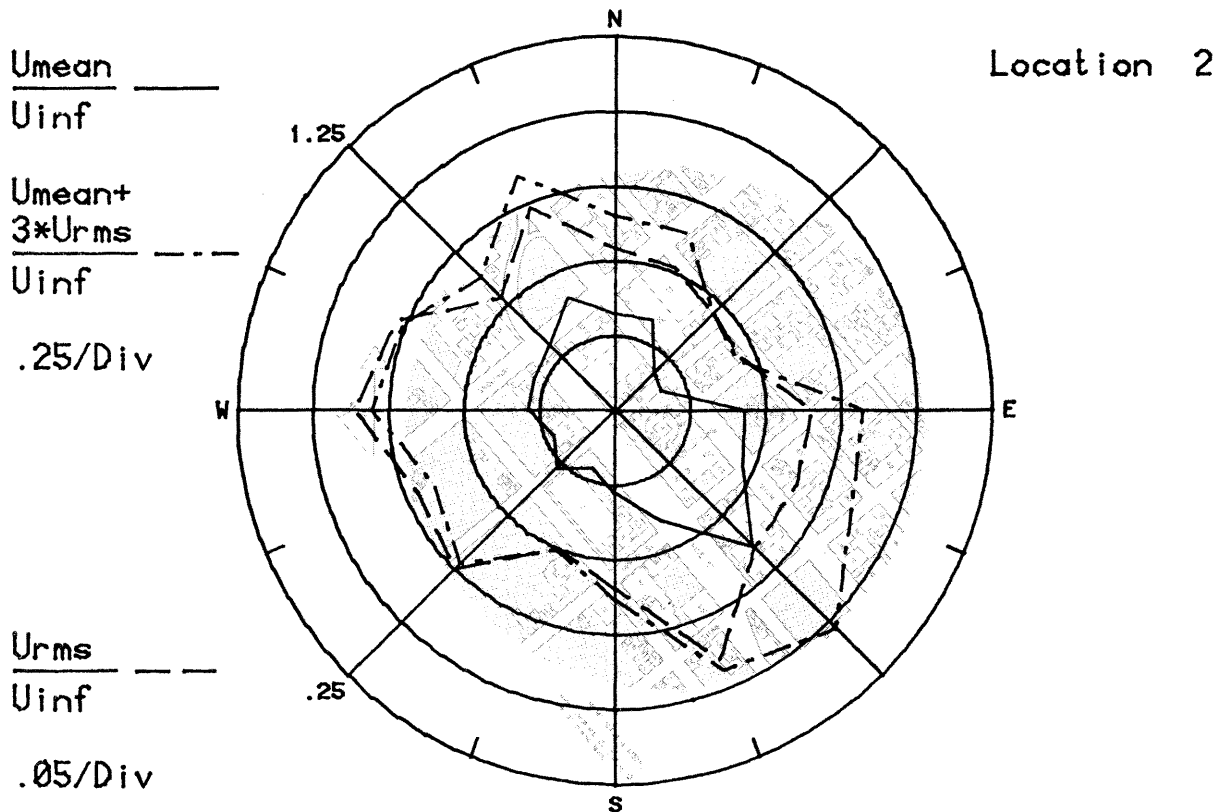
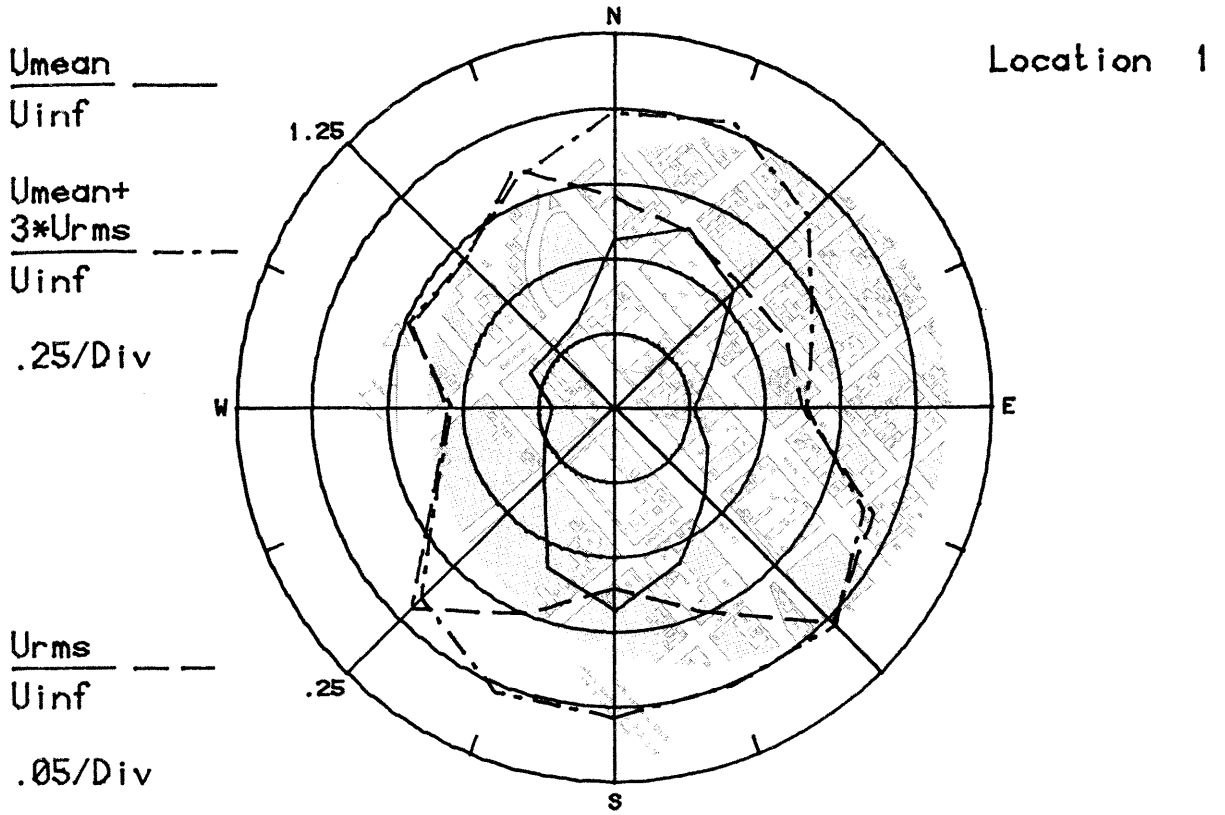


Figure 8b. Mean Velocities and Turbulence Intensities at Pedestrian Locations 1 and 2

CONFIGURATION A -- Lexington Financial Center in Place

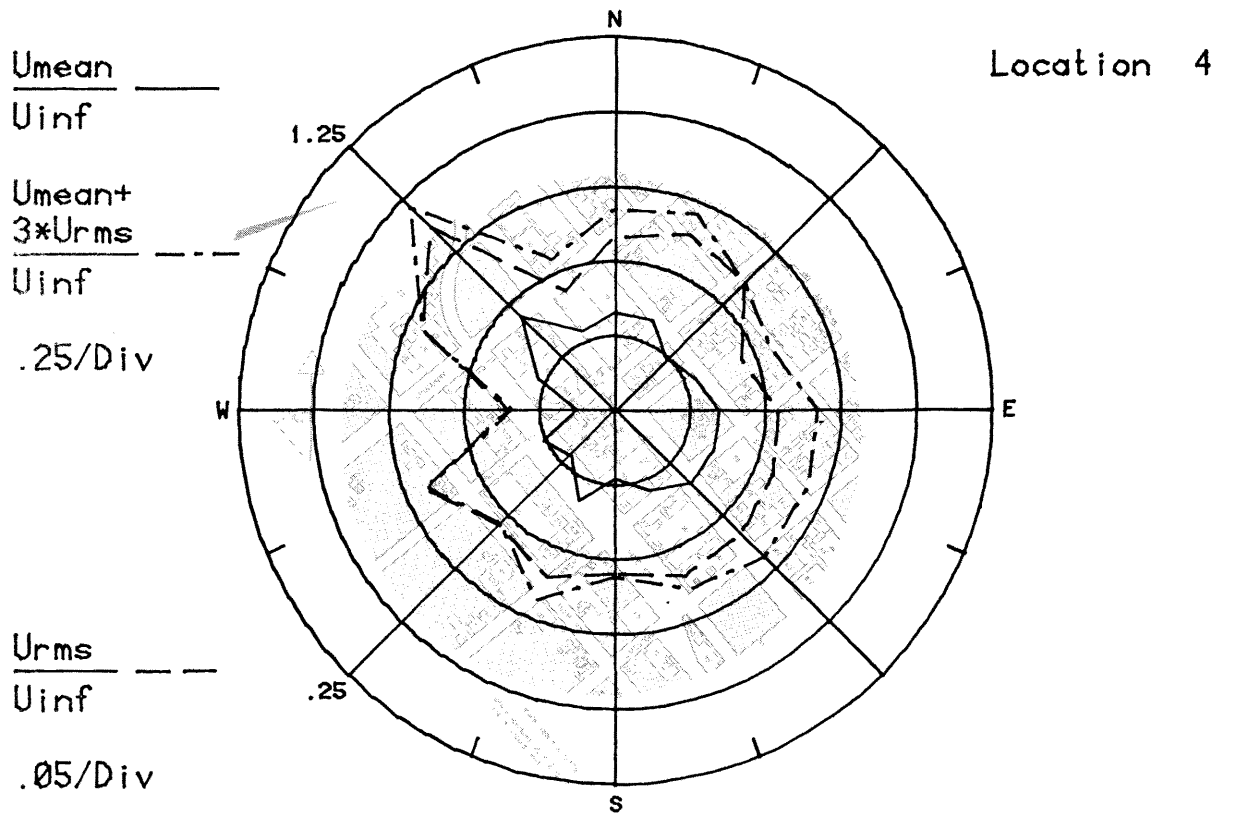
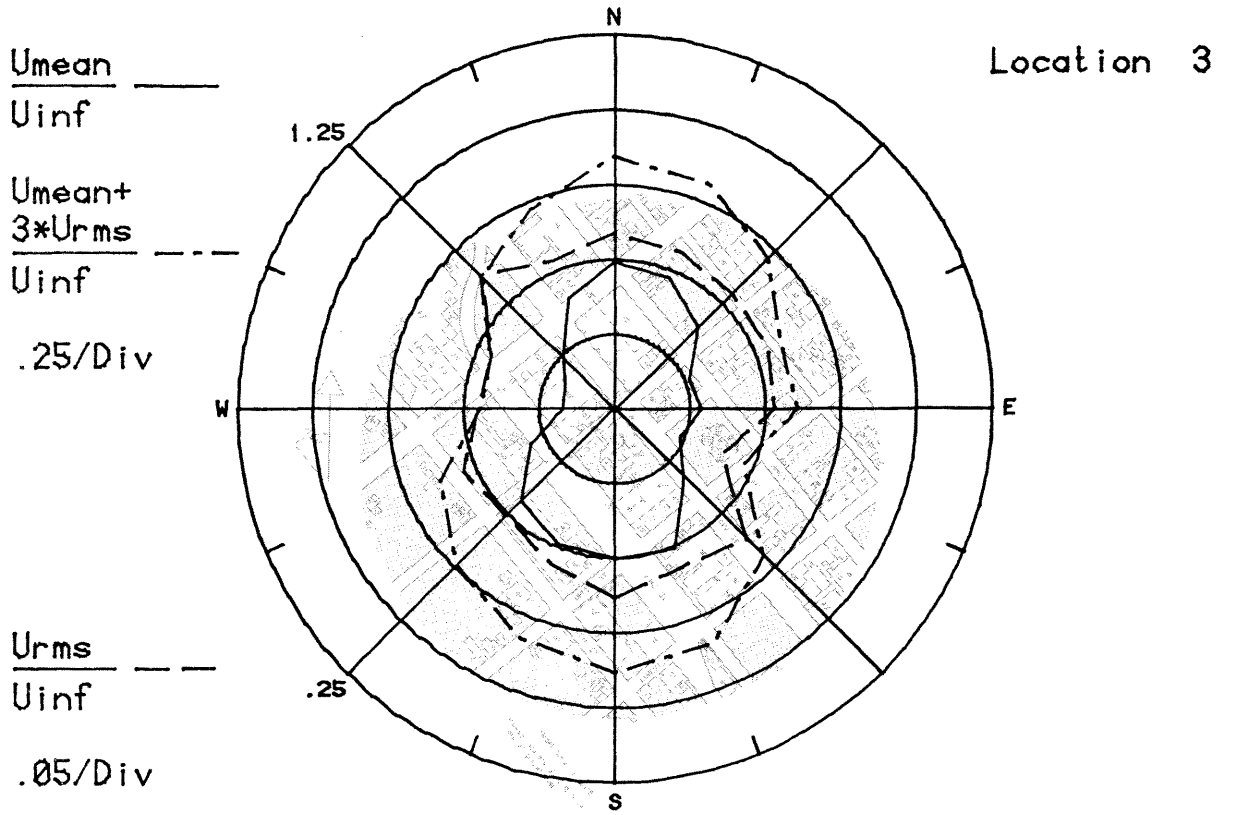


Figure 8c. Mean Velocities and Turbulence Intensities at Pedestrian Locations 3 and 4

CONFIGURATION C -- Existing Configuration

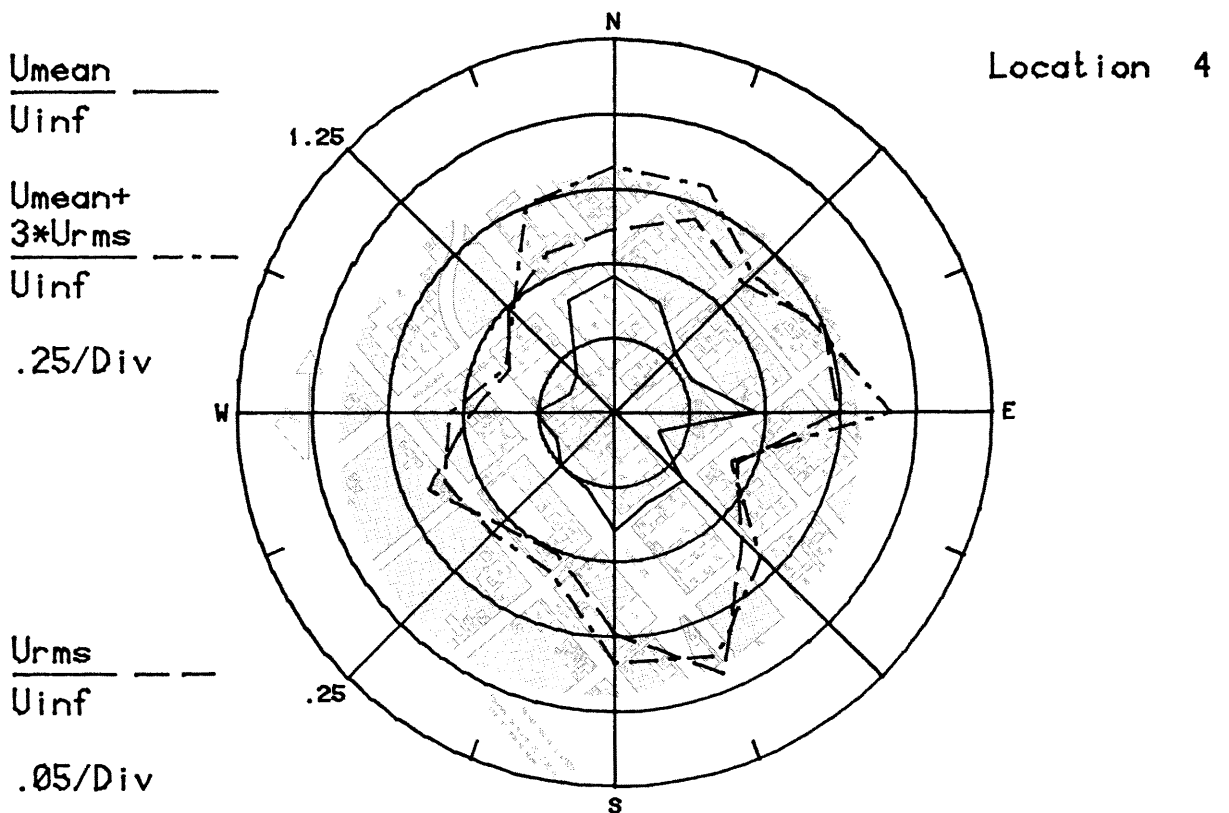
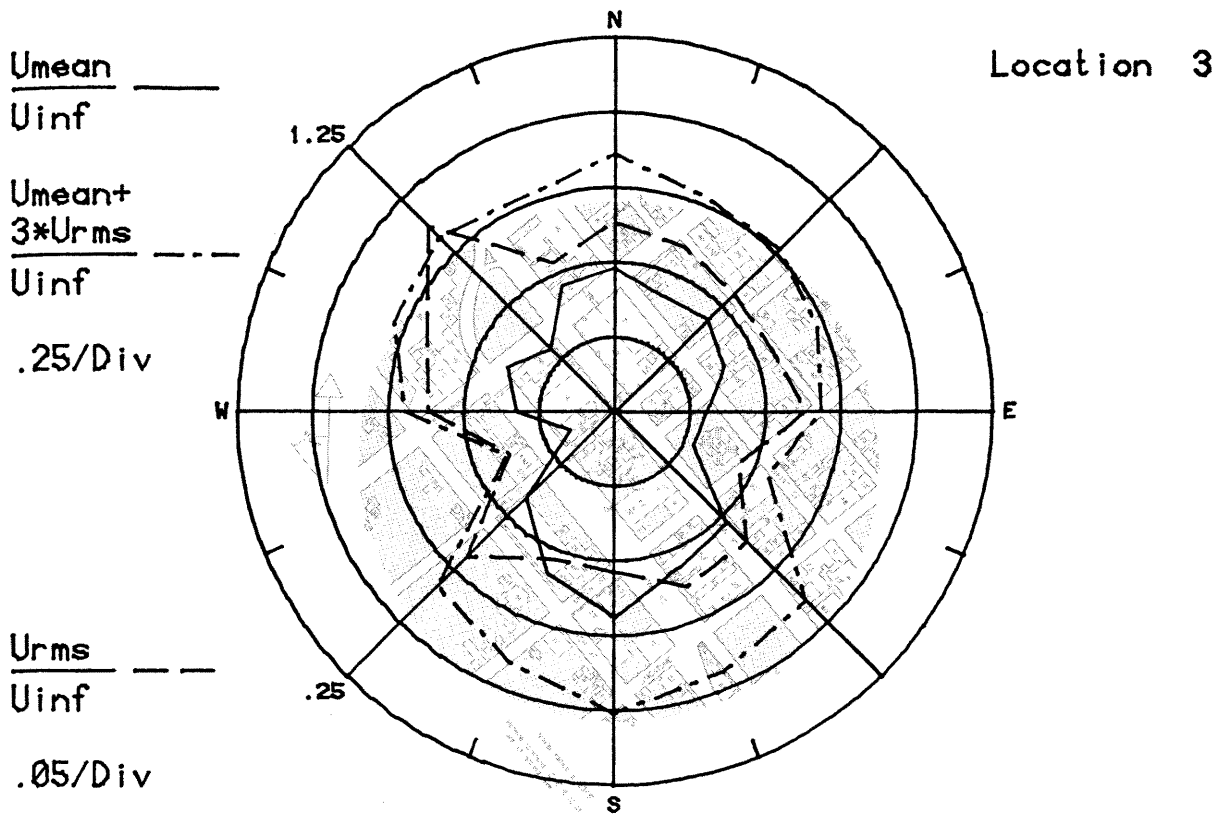


Figure 8d. Mean Velocities and Turbulence Intensities at Pedestrian Locations 3 and 4



CONFIGURATION A -- Lexington Financial Center in Place

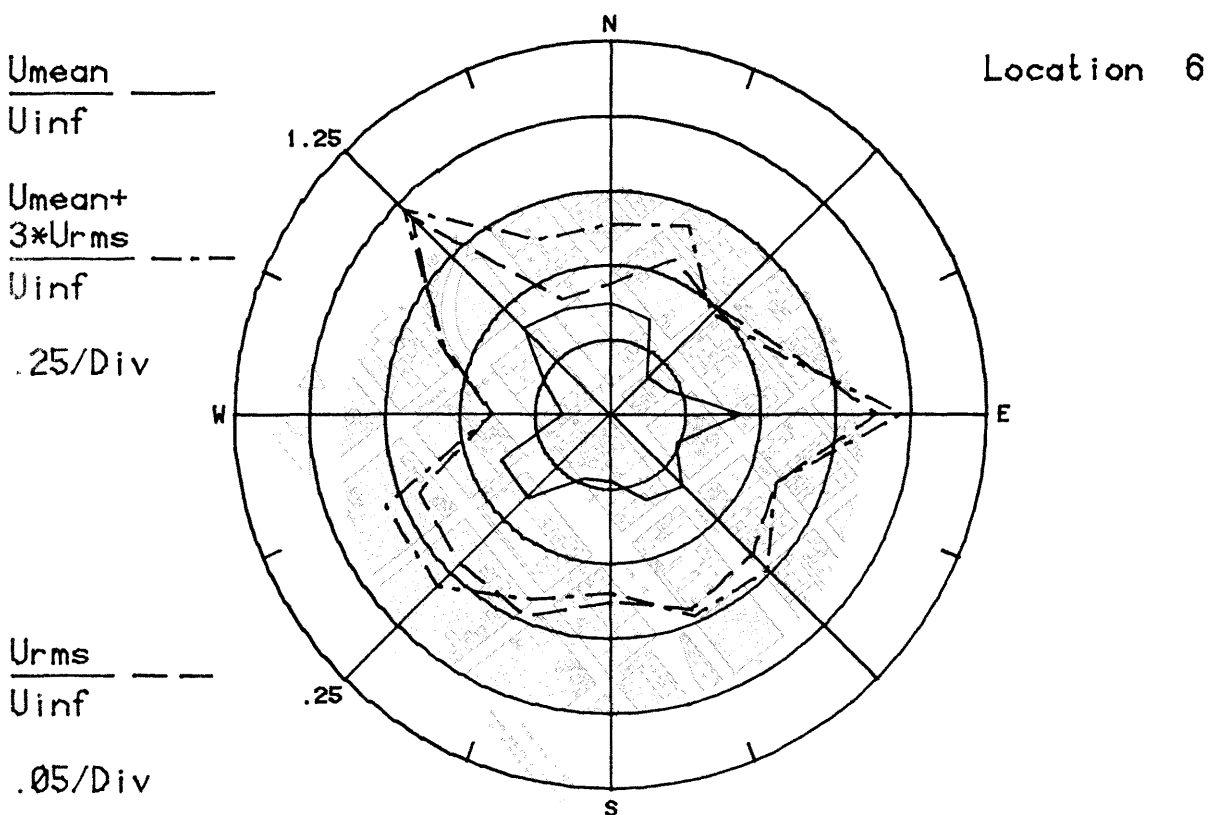
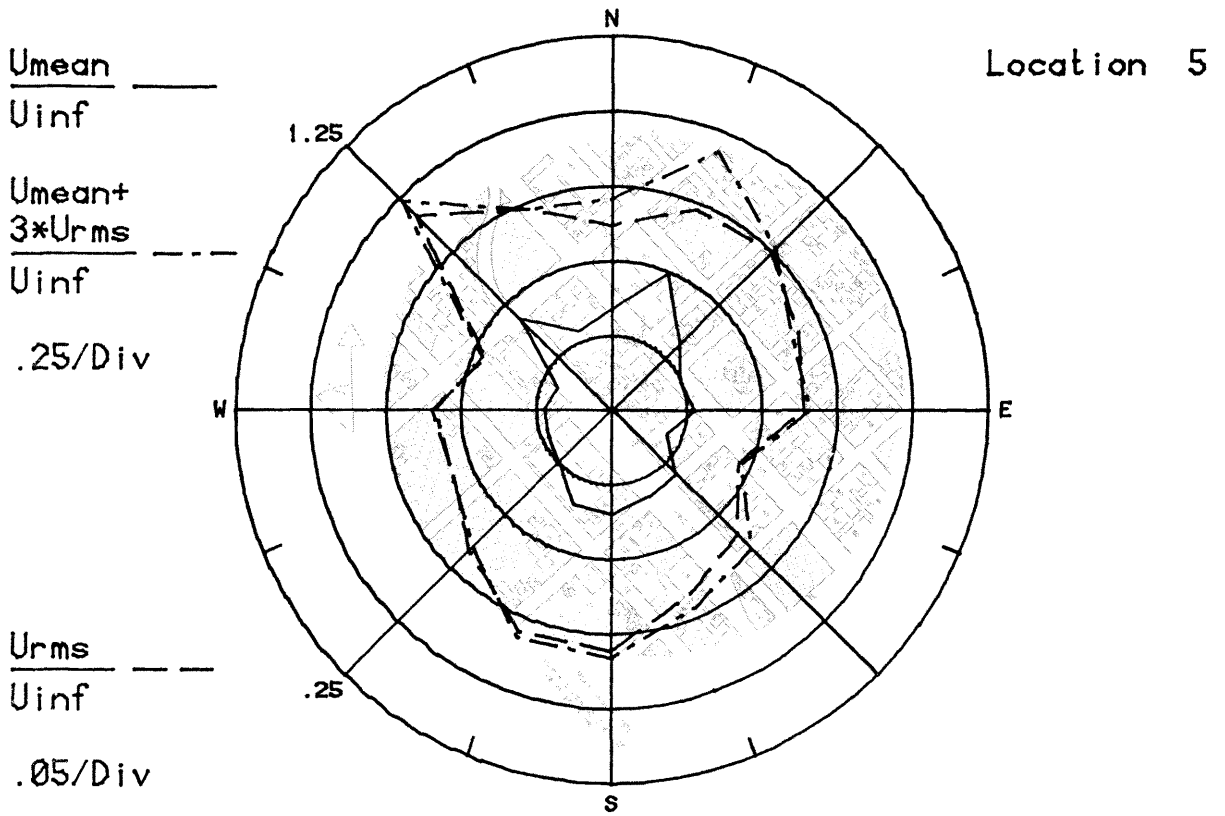


Figure 8e. Mean Velocities and Turbulence Intensities at Pedestrian Locations 5 and 6

CONFIGURATION C -- Existing Configuration

Location 5

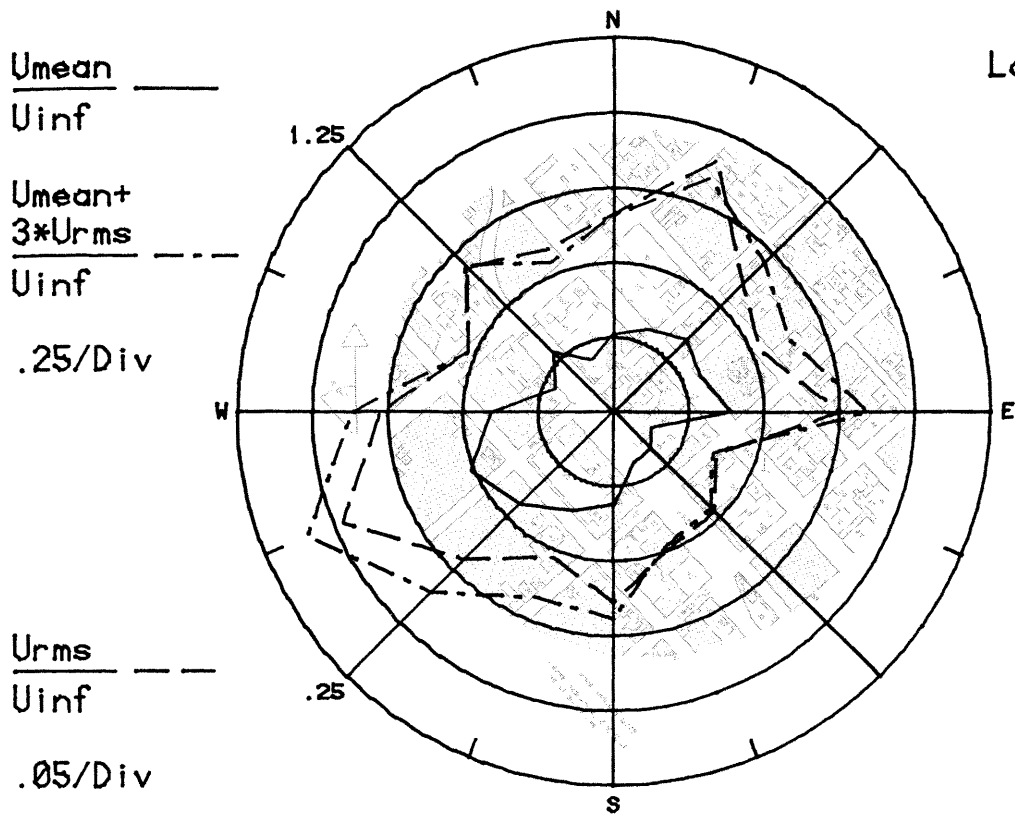


Figure 8f. Mean Velocities and Turbulence Intensities at Pedestrian Location 5

CONFIGURATION A -- Lexington Financial Center in Place

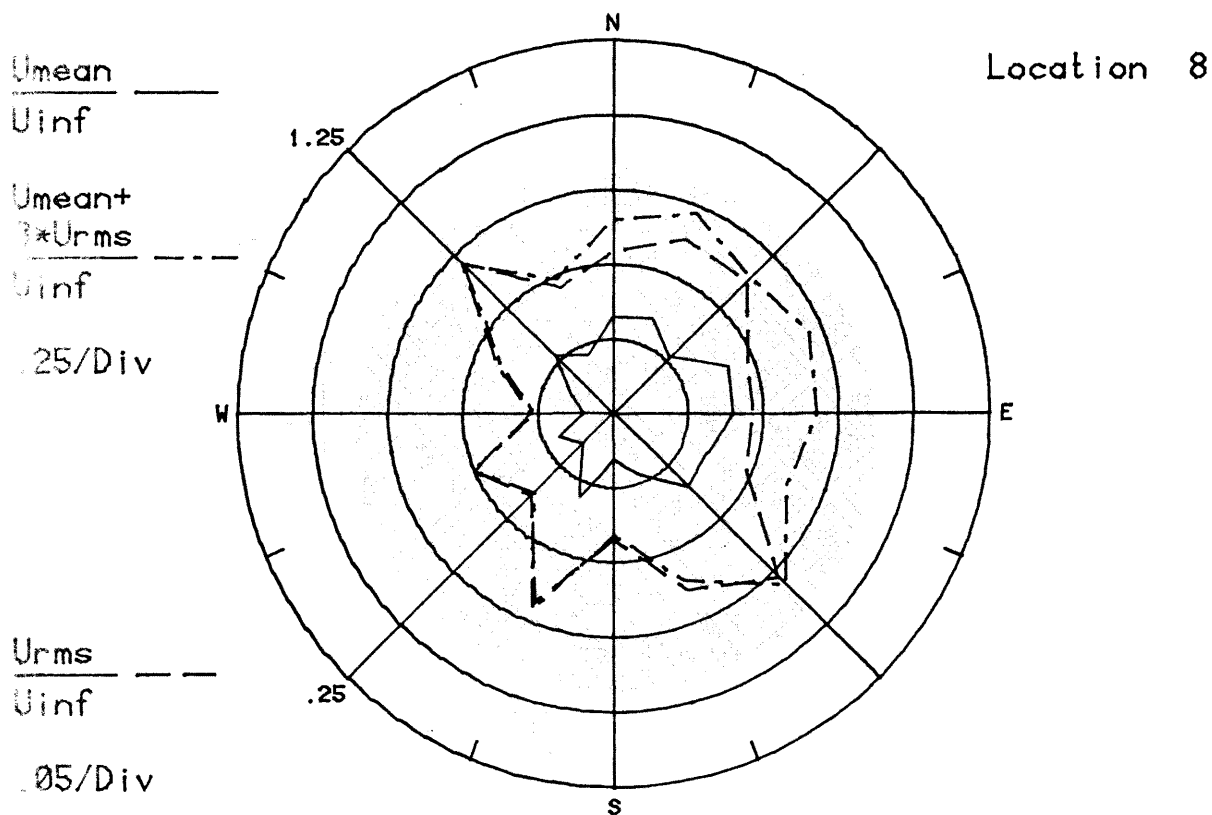
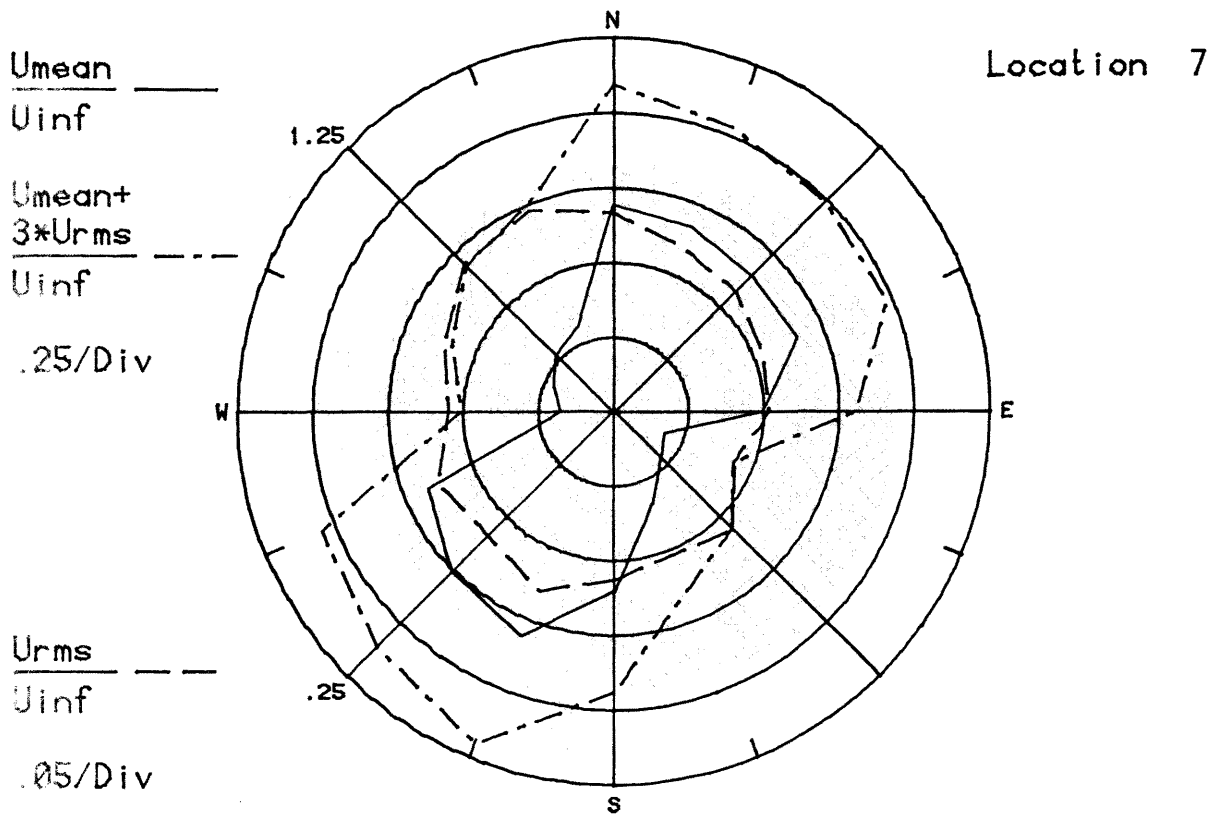


Figure 8g. Mean Velocities and Turbulence Intensities at Pedestrian Locations 7 and 8

CONFIGURATION A -- Lexington Financial Center in Place

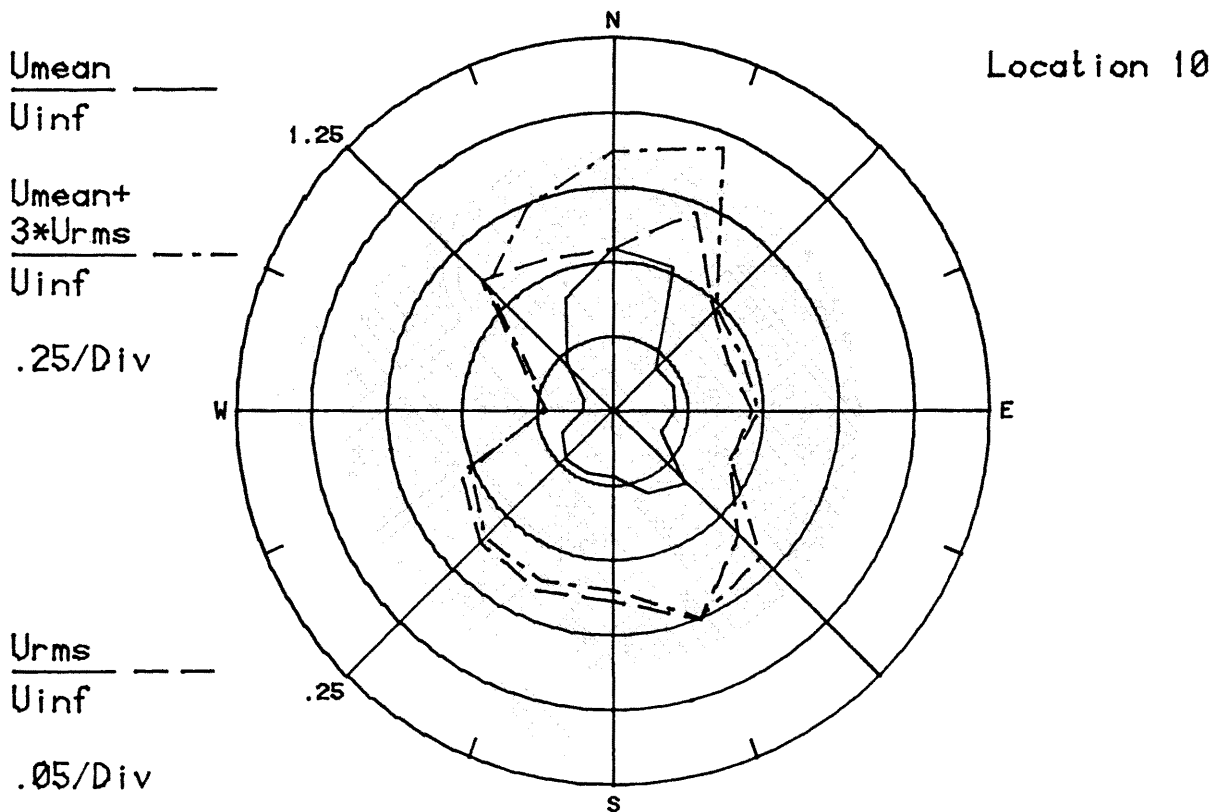
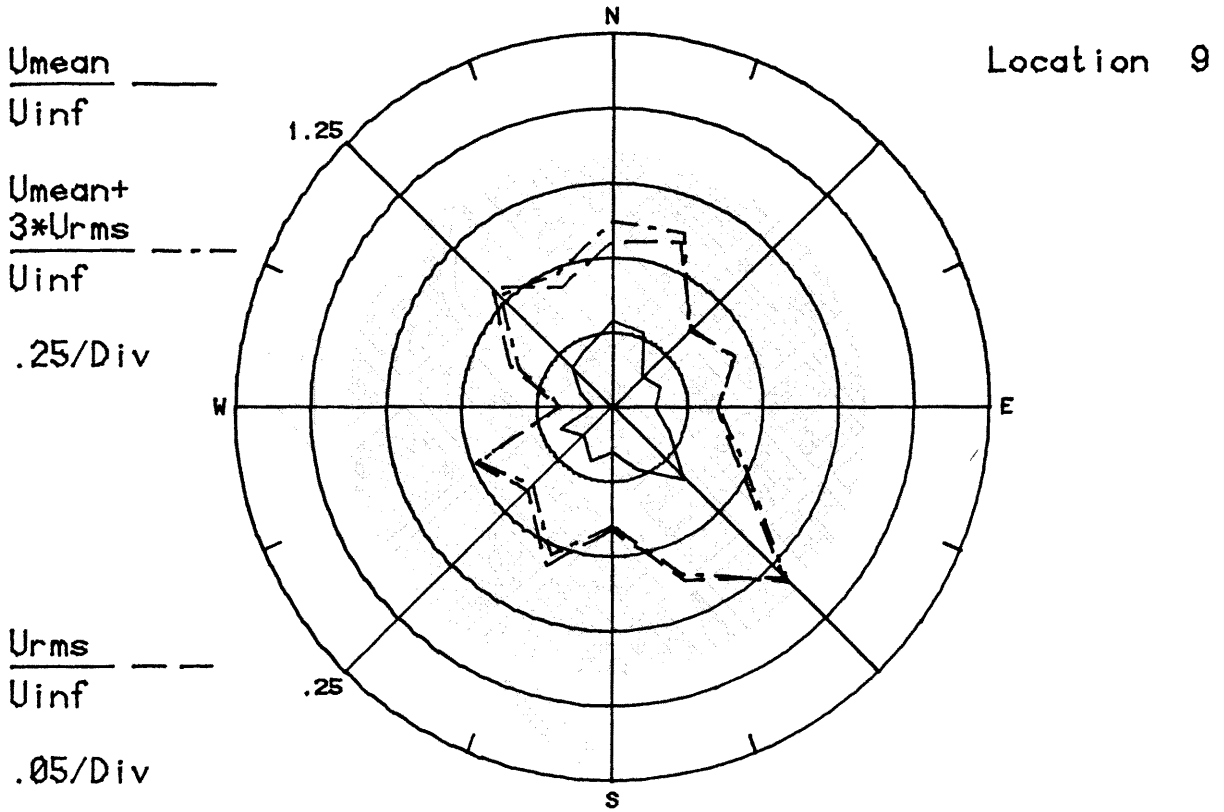


Figure 8h. Mean Velocities and Turbulence Intensities at Pedestrian Locations 9 and 10

CONFIGURATION A -- Lexington Financial Center in Place

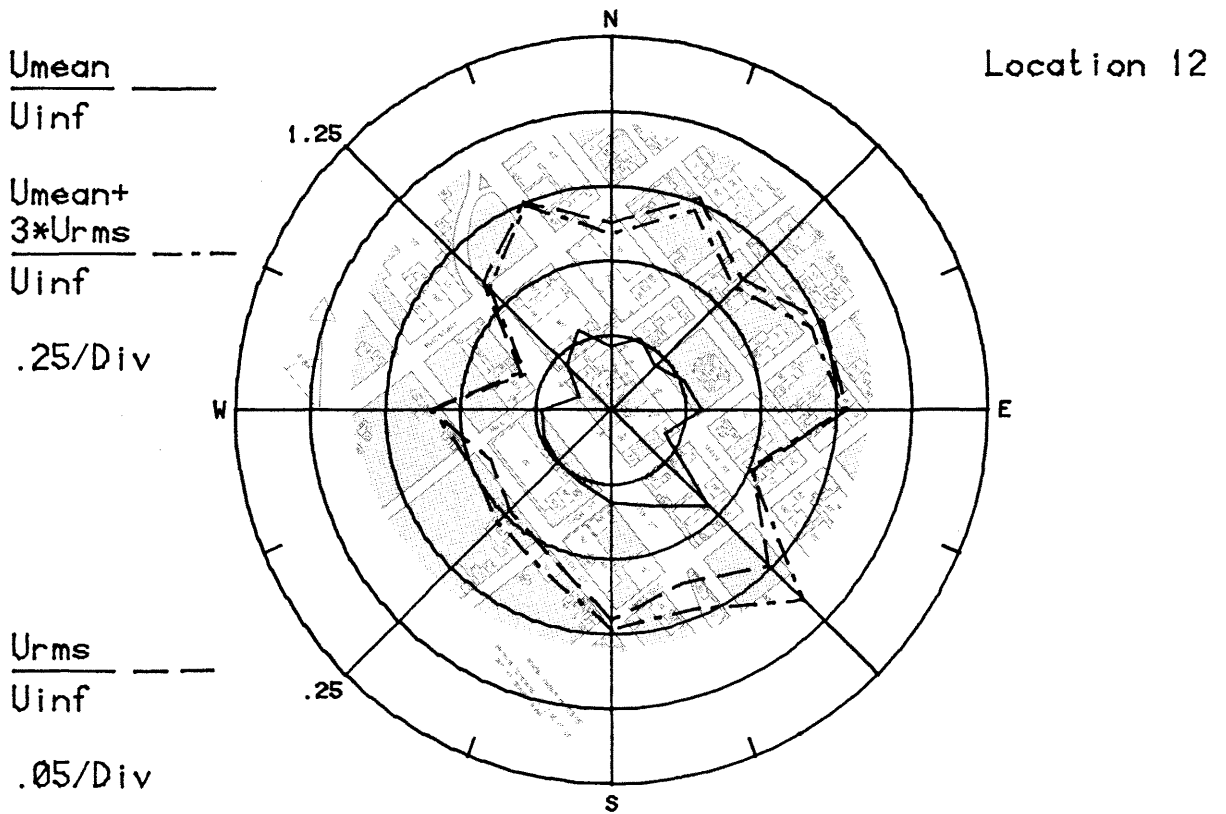
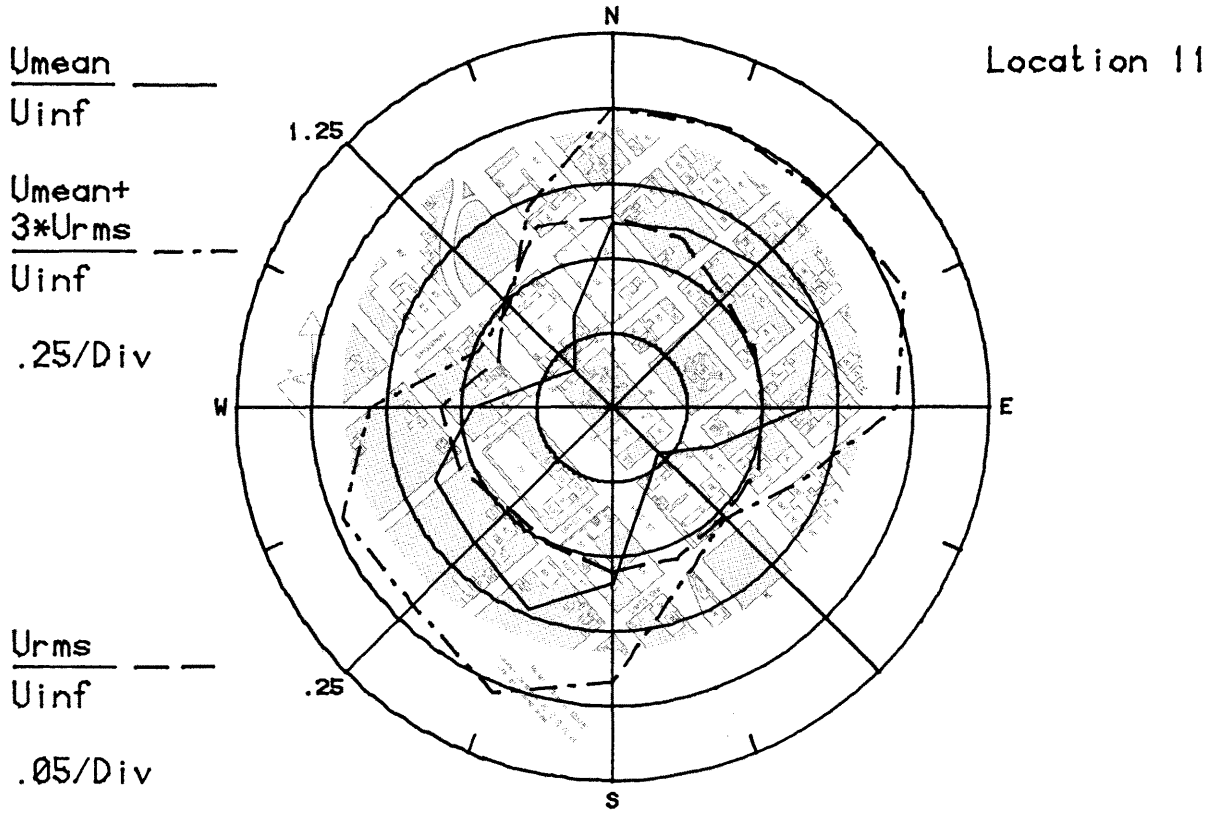


Figure 8i. Mean Velocities and Turbulence Intensities at Pedestrian Locations 11 and 12

CONFIGURATION A -- Lexington Financial Center in Place

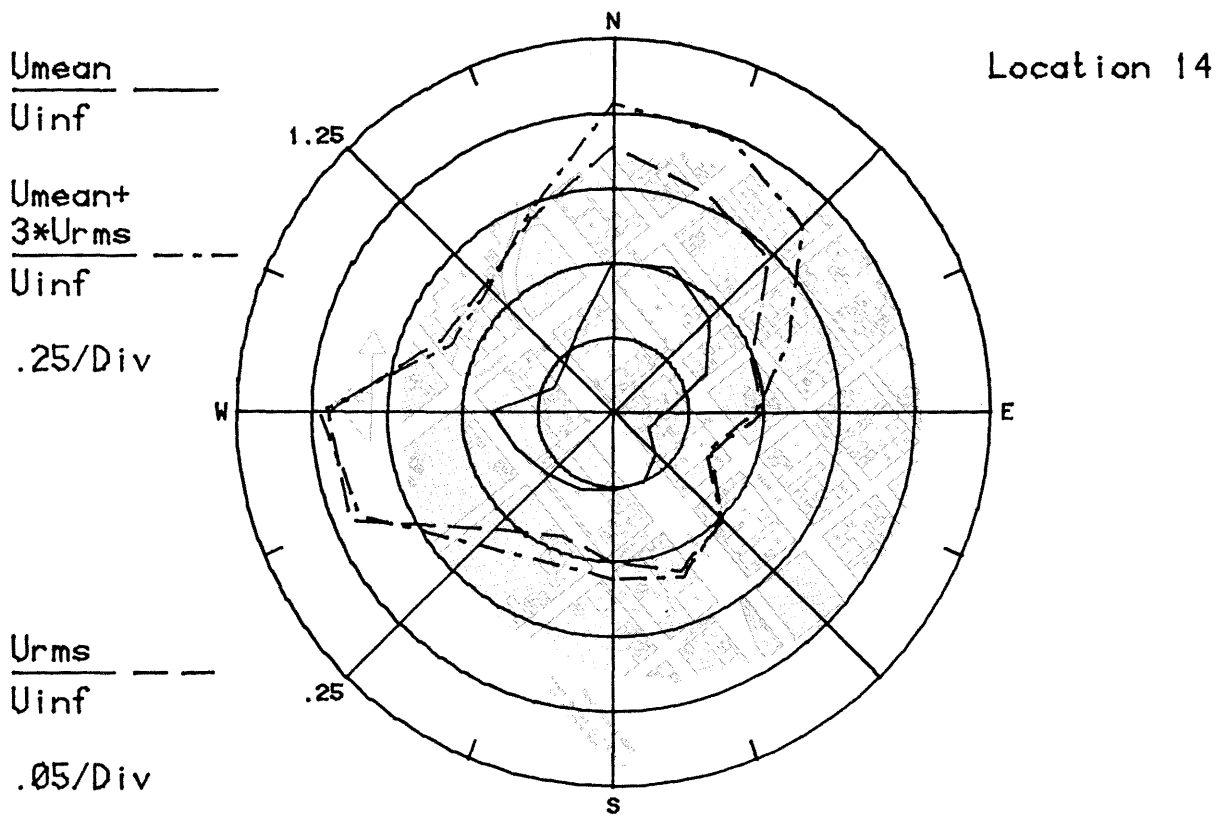
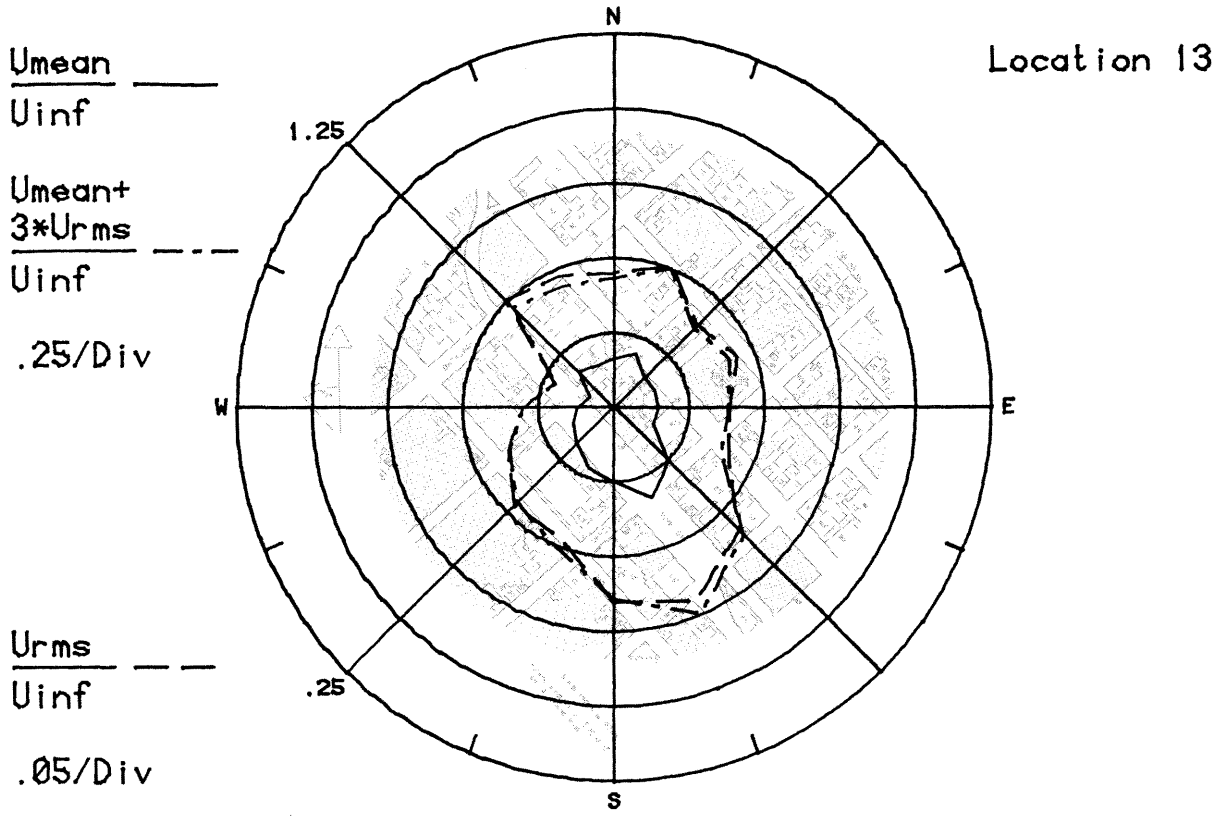


Figure 8j. Mean Velocities and Turbulence Intensities at Pedestrian Locations 13 and 14

CONFIGURATION A -- Lexington Financial Center in Place

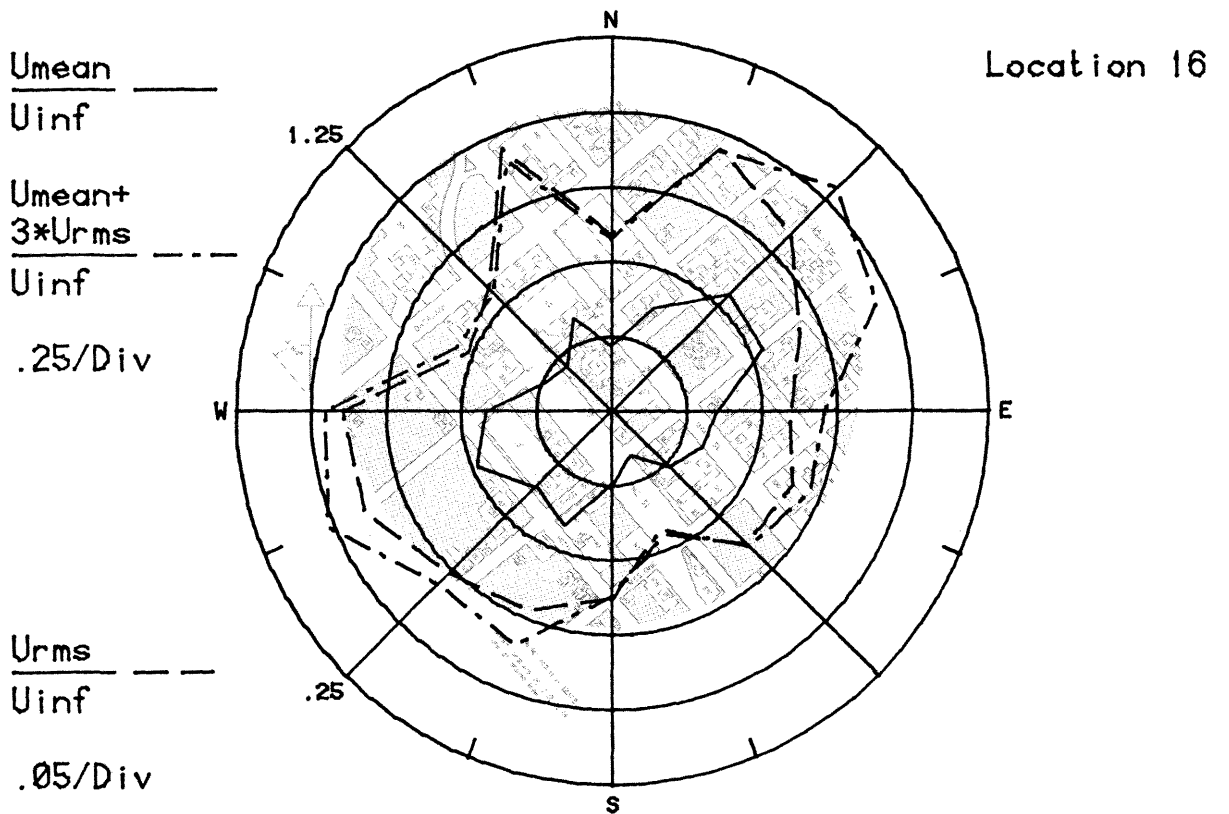
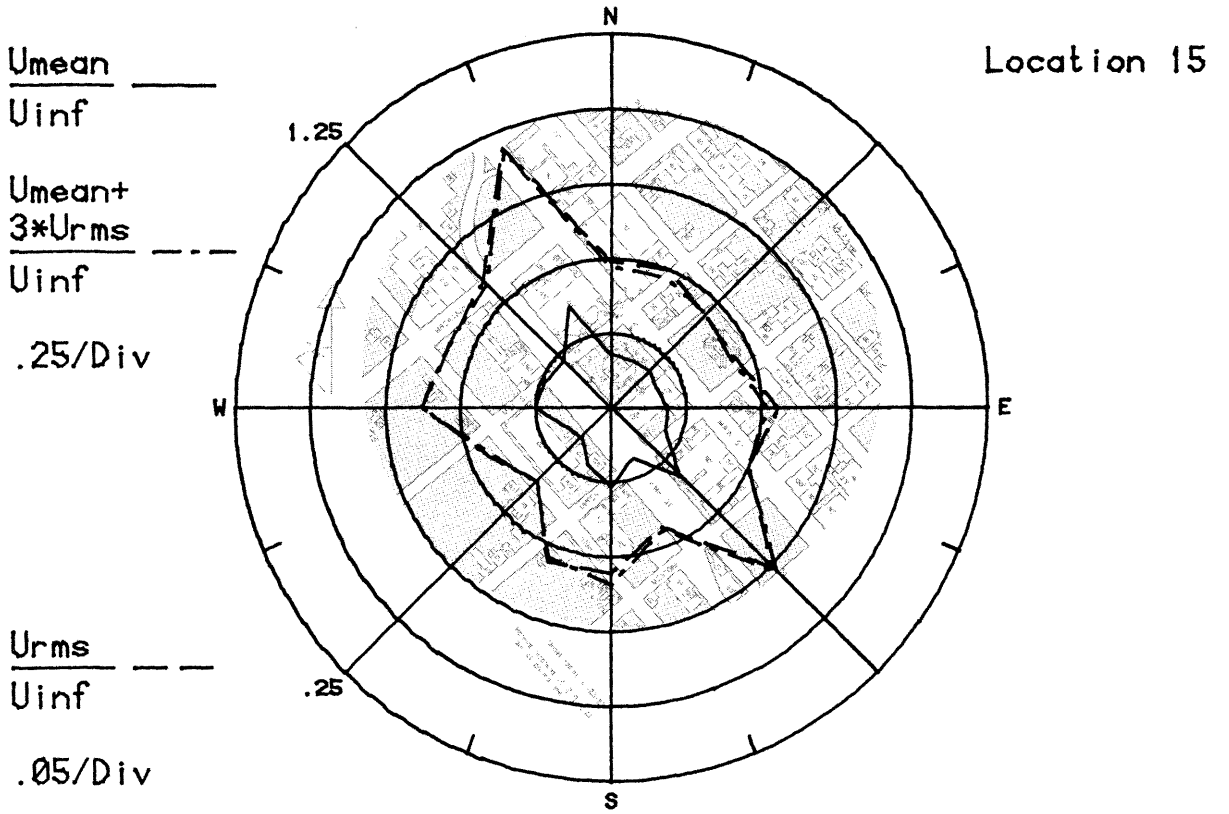


Figure 8k. Mean Velocities and Turbulence Intensities at Pedestrian Locations 15 and 16

CONFIGURATION A -- Lexington Financial Center in Place

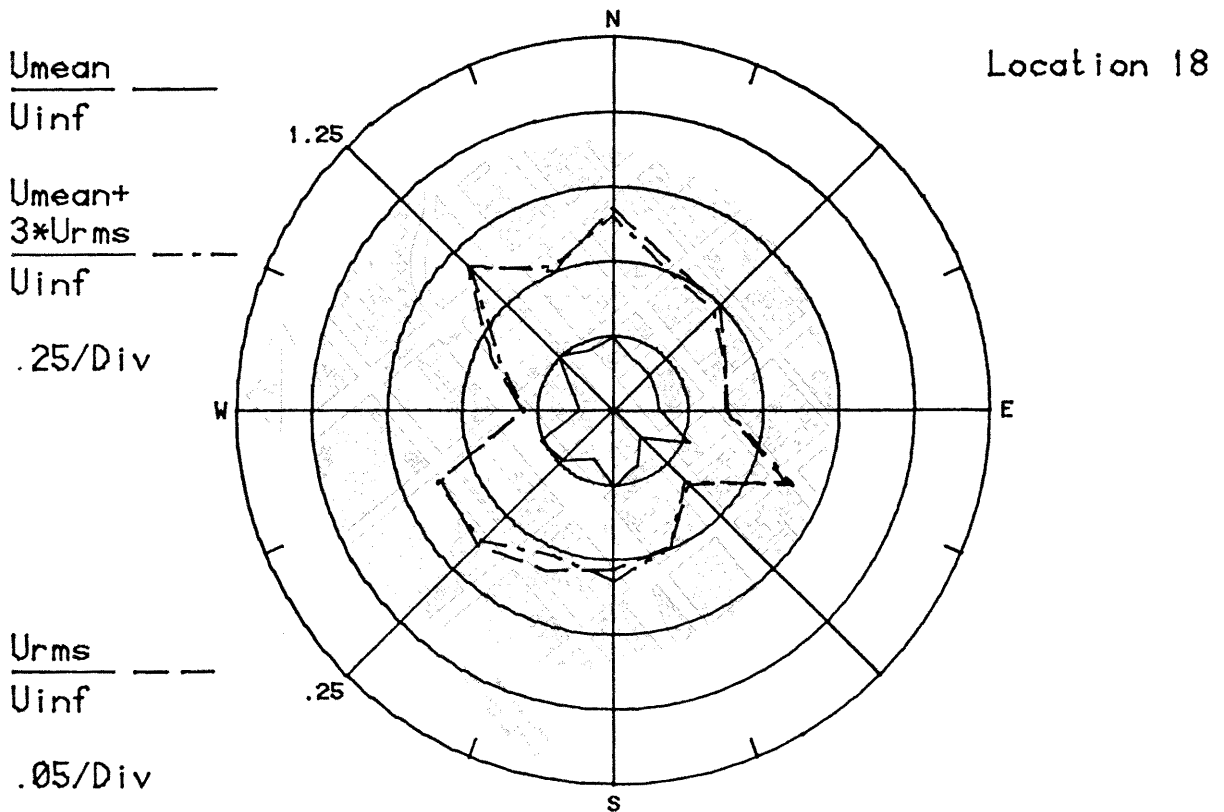
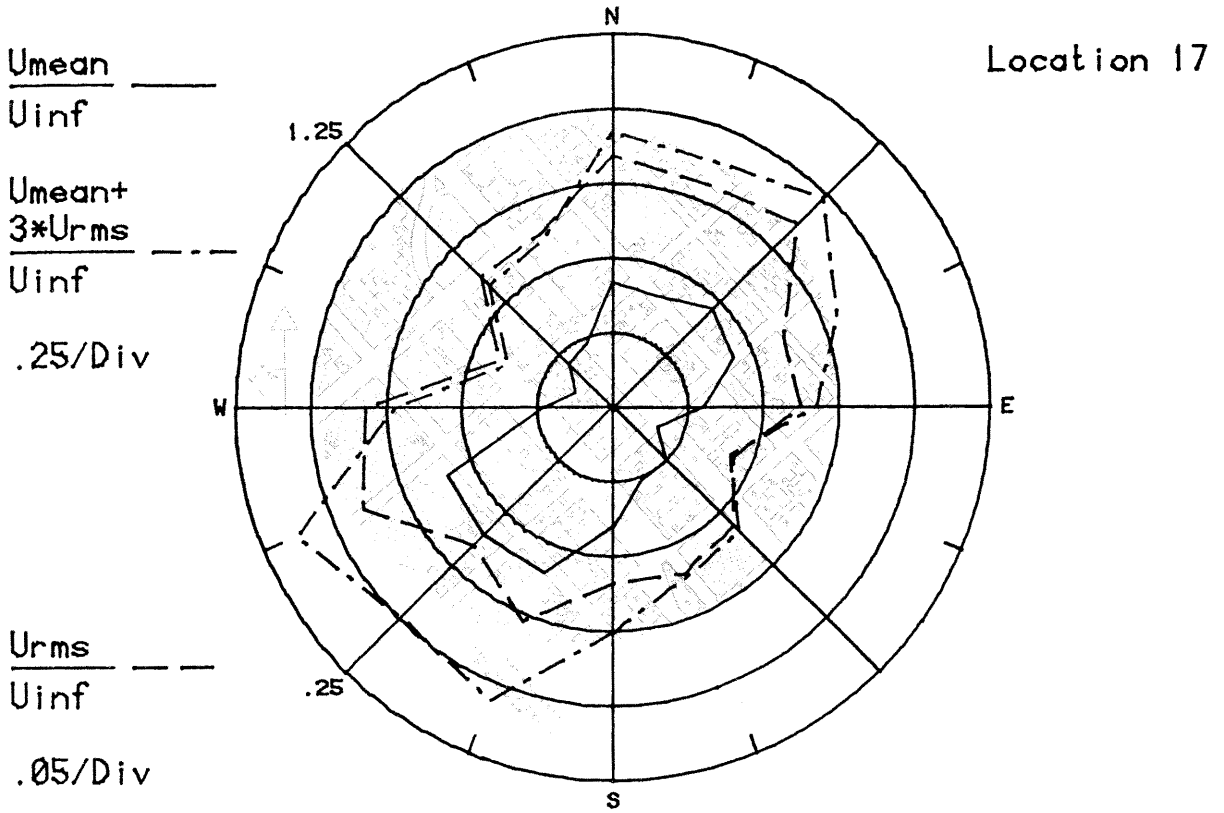


Figure 81. Mean Velocities and Turbulence Intensities at Pedestrian Locations 17 and 18



CONFIGURATION A

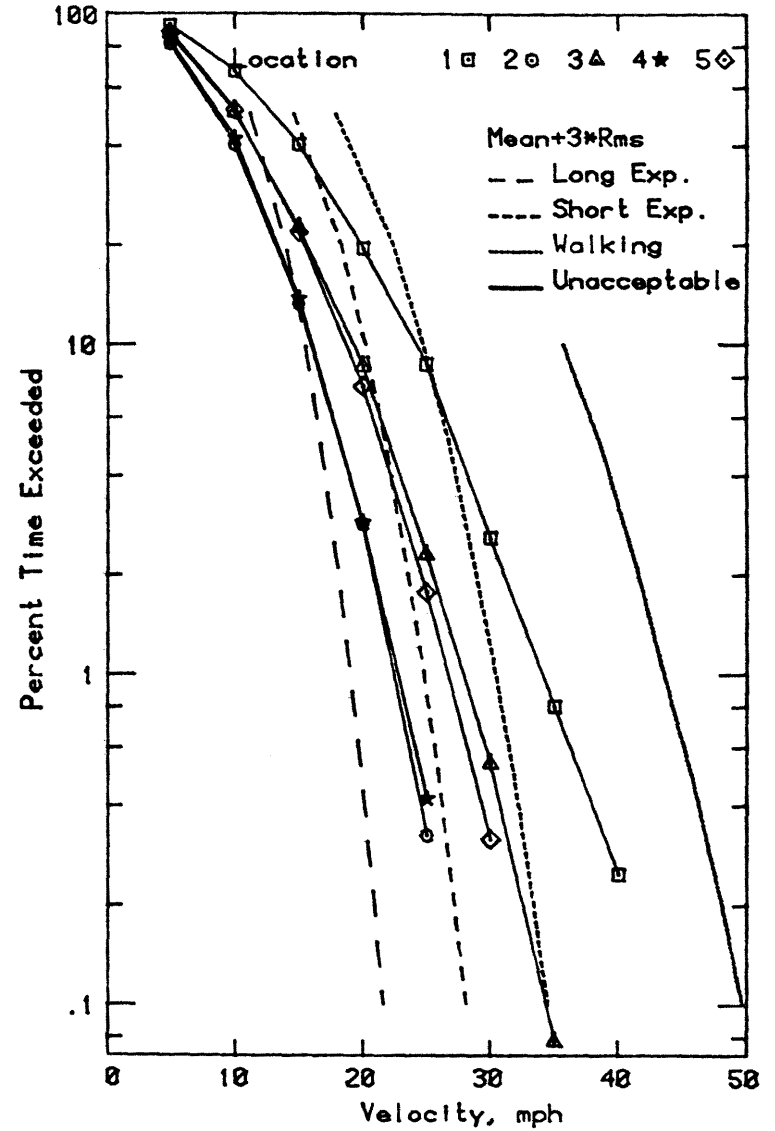
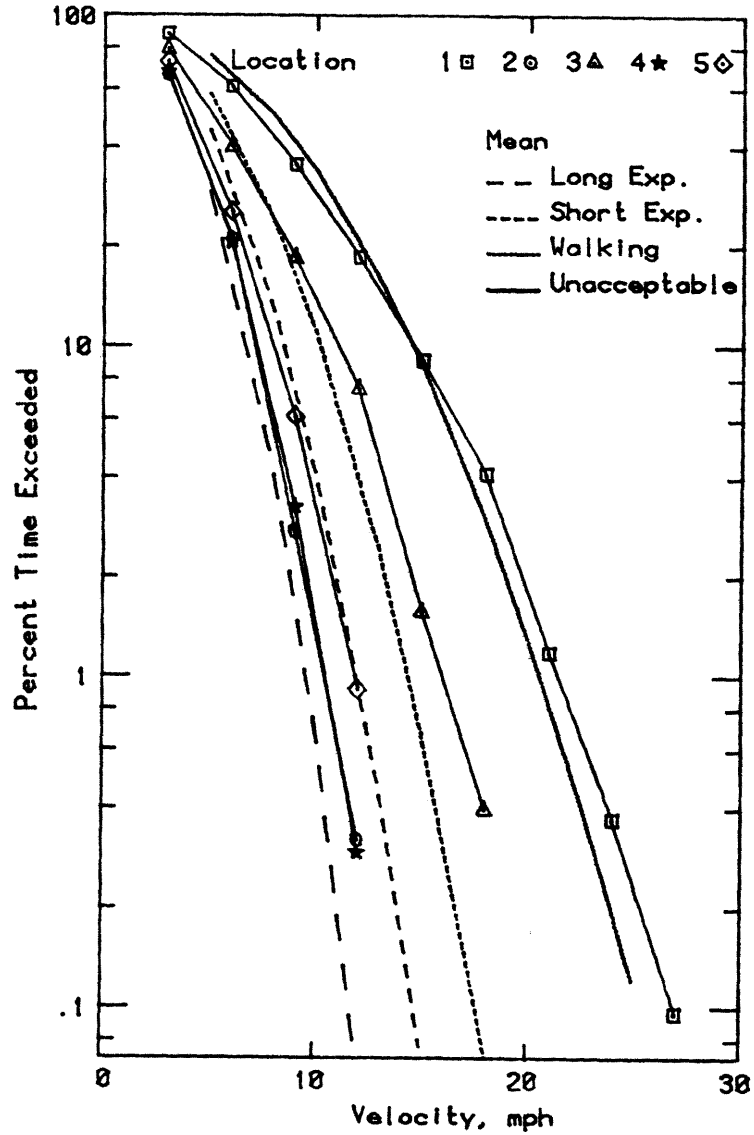


Figure 9a. Wind Velocity Probabilities for Pedestrian Locations

CONFIGURATION C

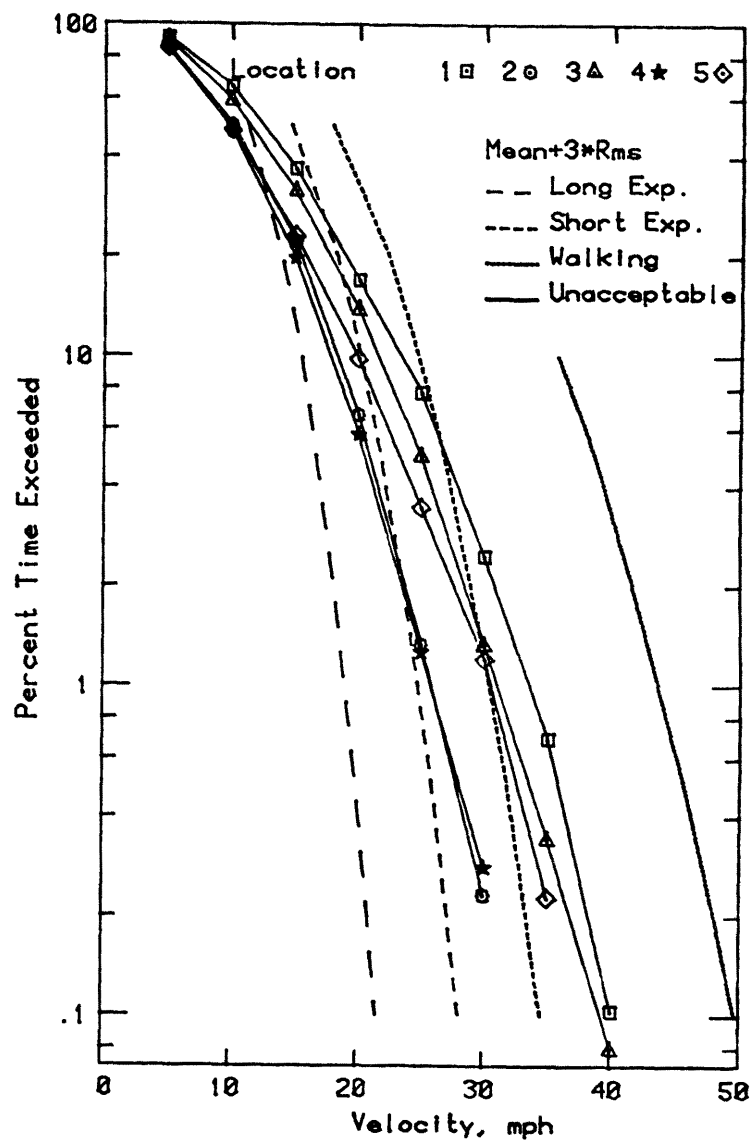
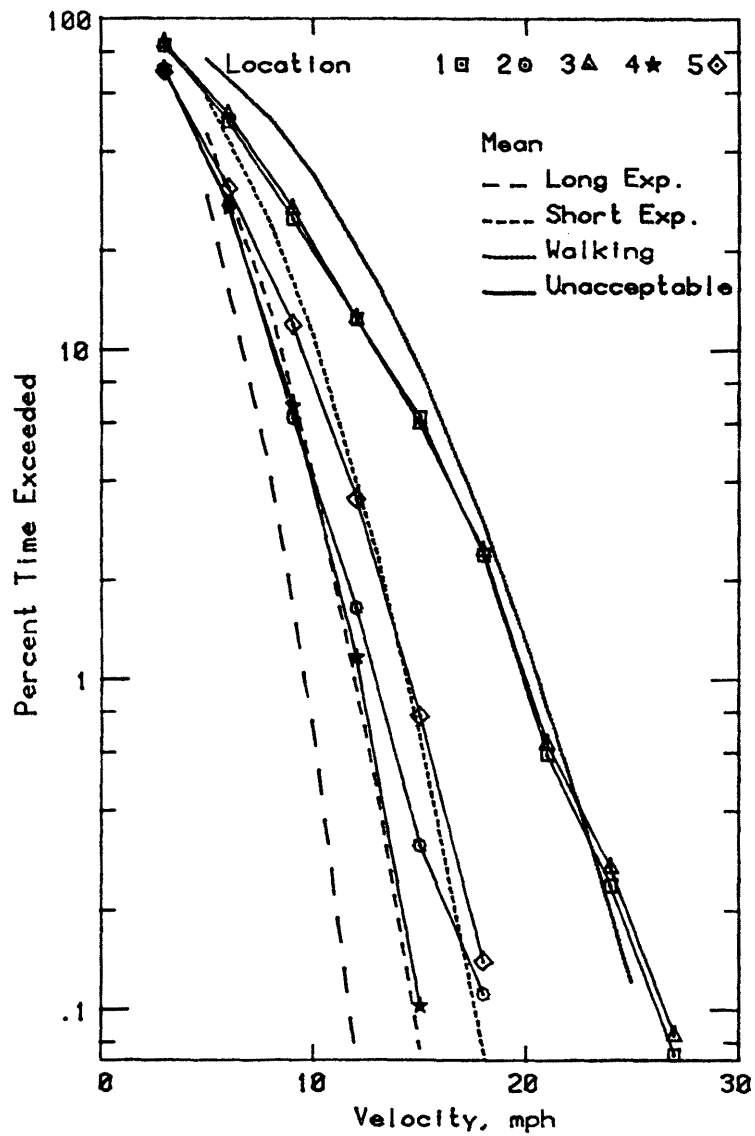


Figure 9b. Wind Velocity Probabilities for Pedestrian Locations

CONFIGURATION A

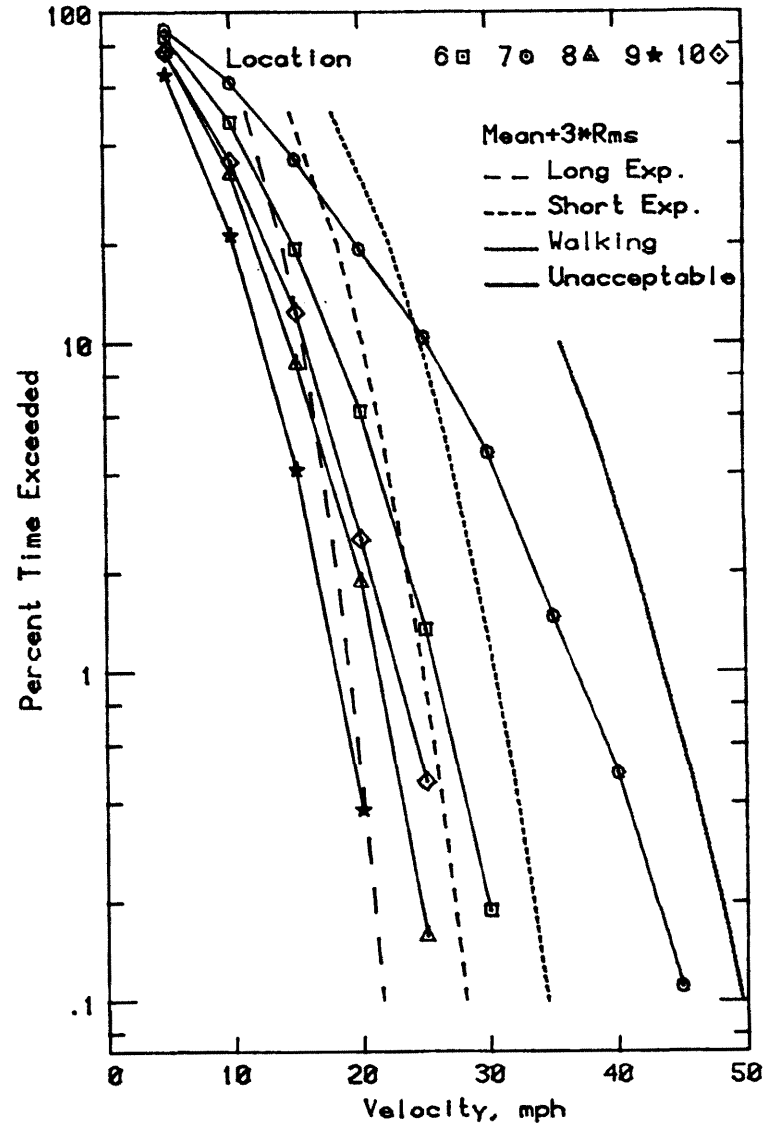
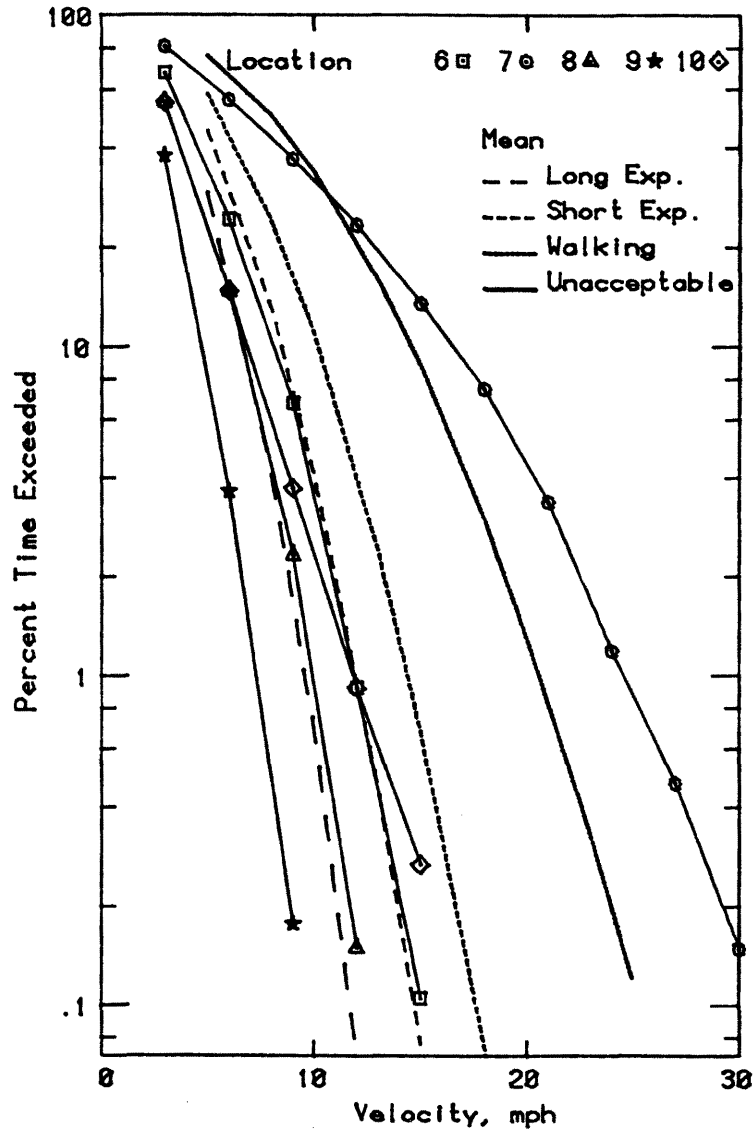


Figure 9c. Wind Velocity Probabilities for Pedestrian Locations

CONFIGURATION A

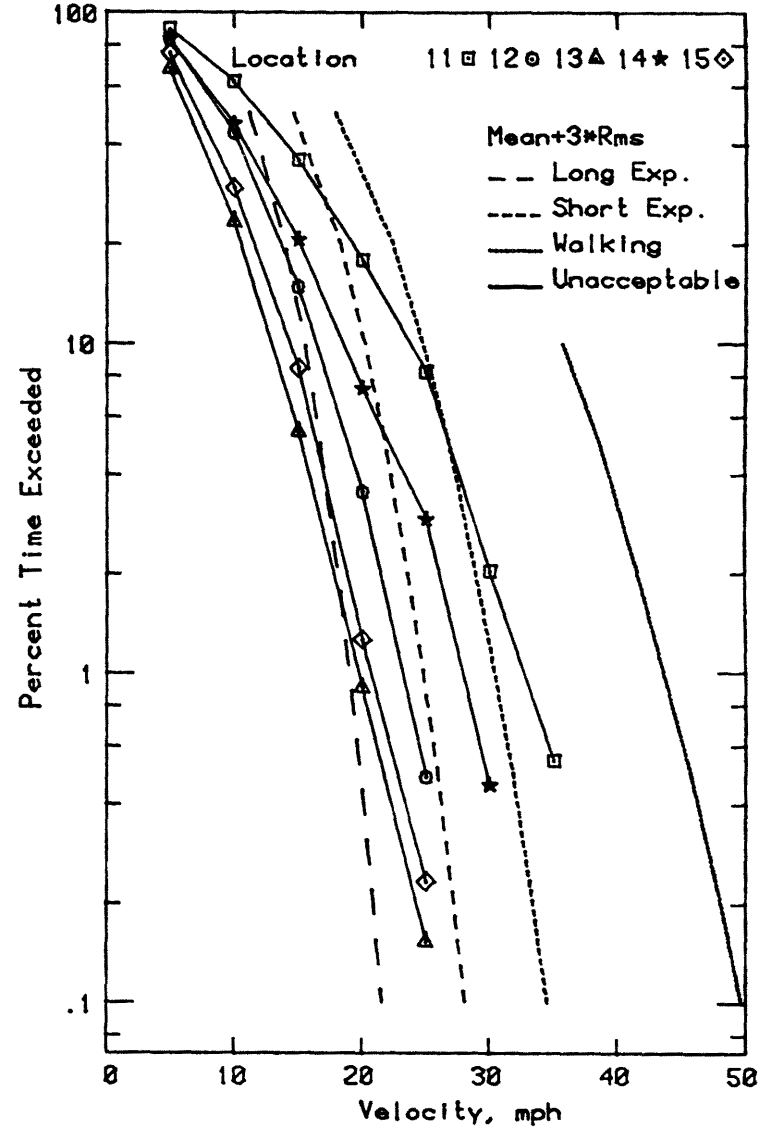
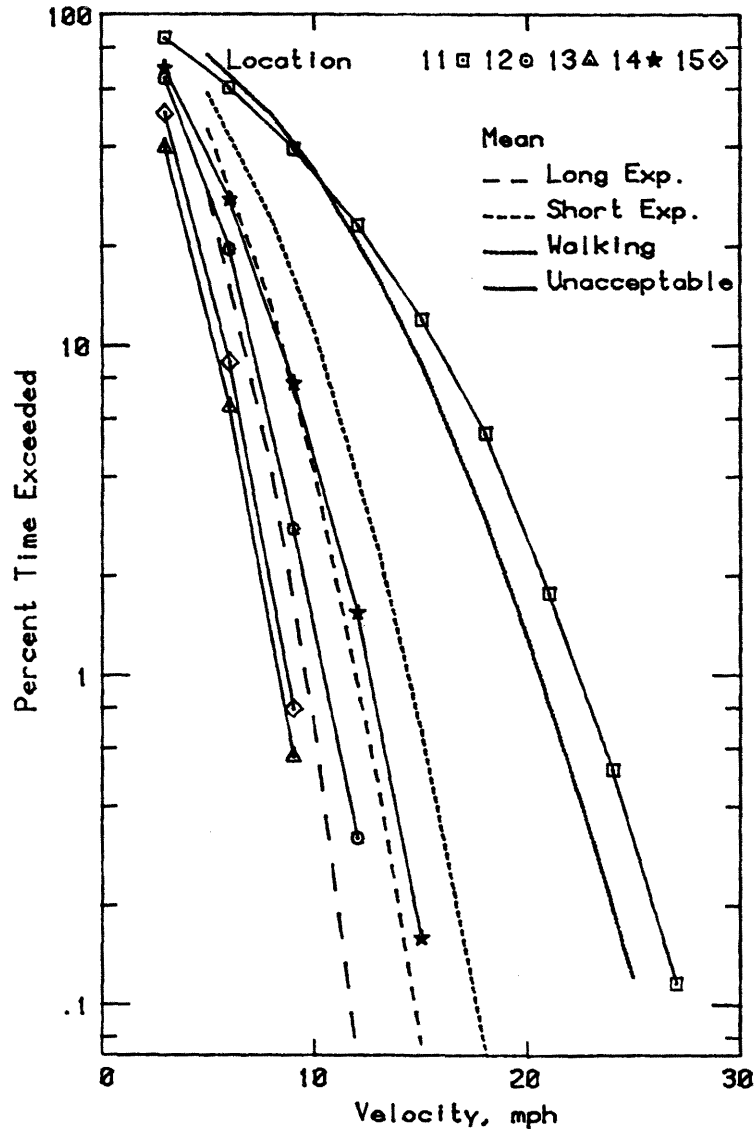


Figure 9d. Wind Velocity Probabilities for Pedestrian Locations

CONFIGURATION A

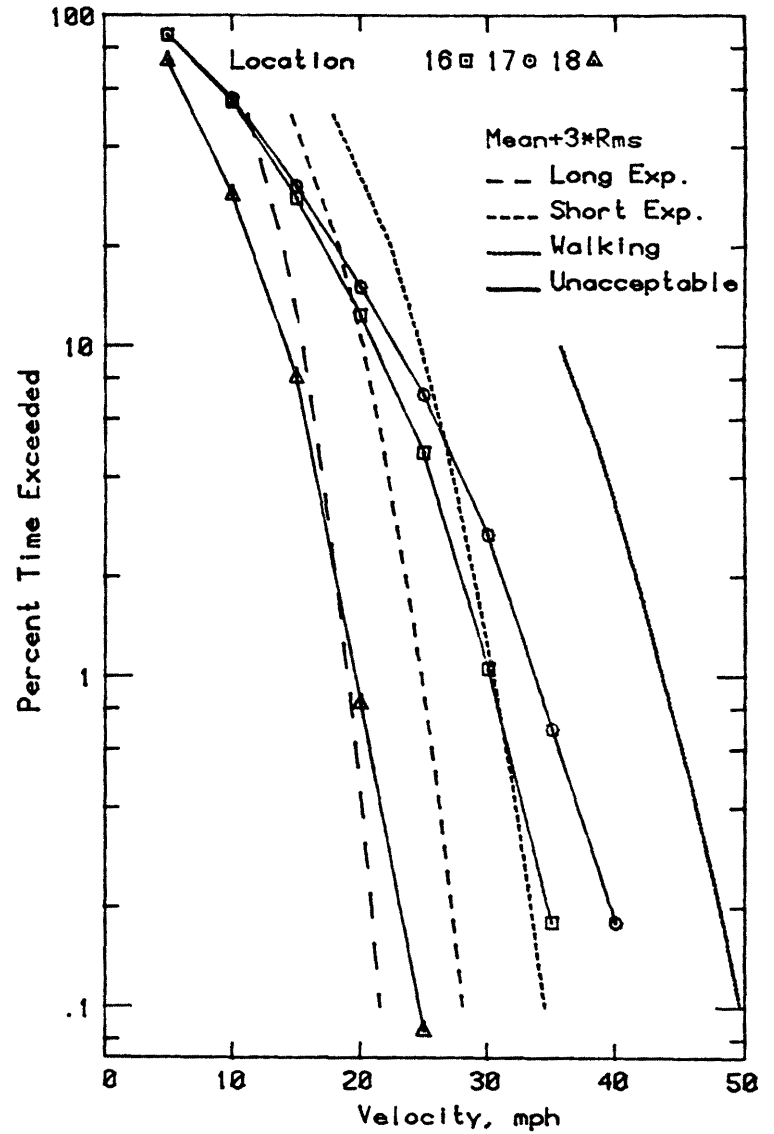
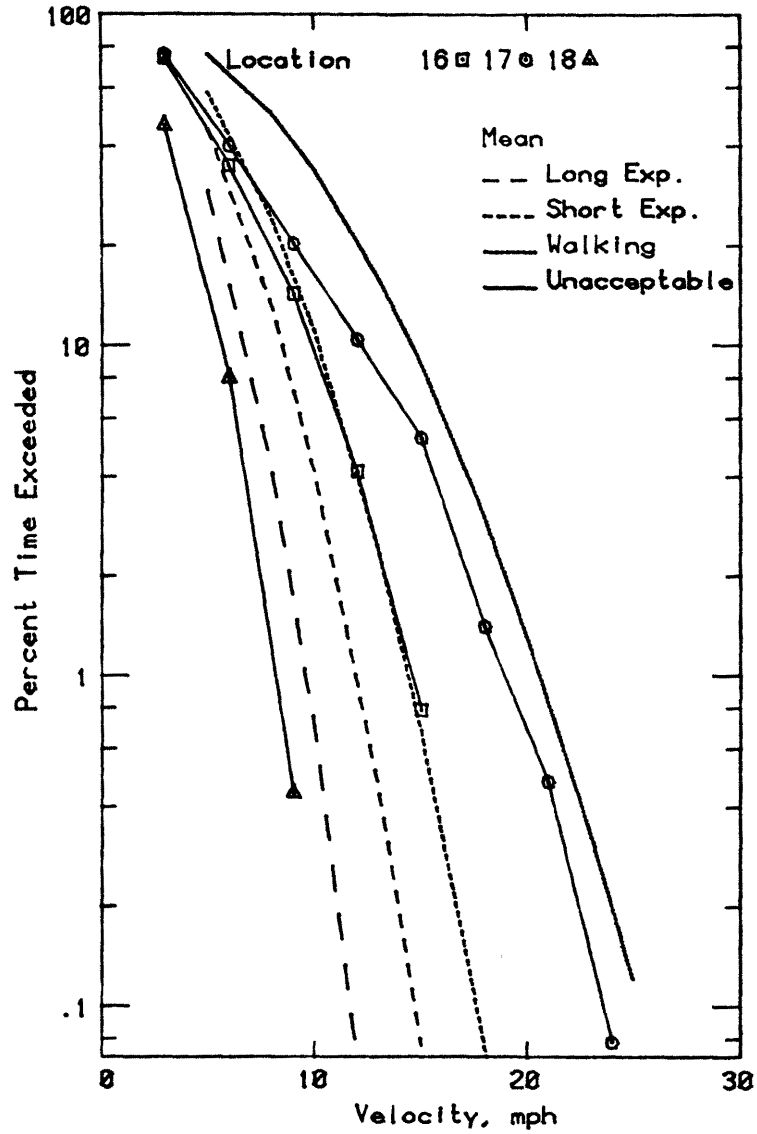
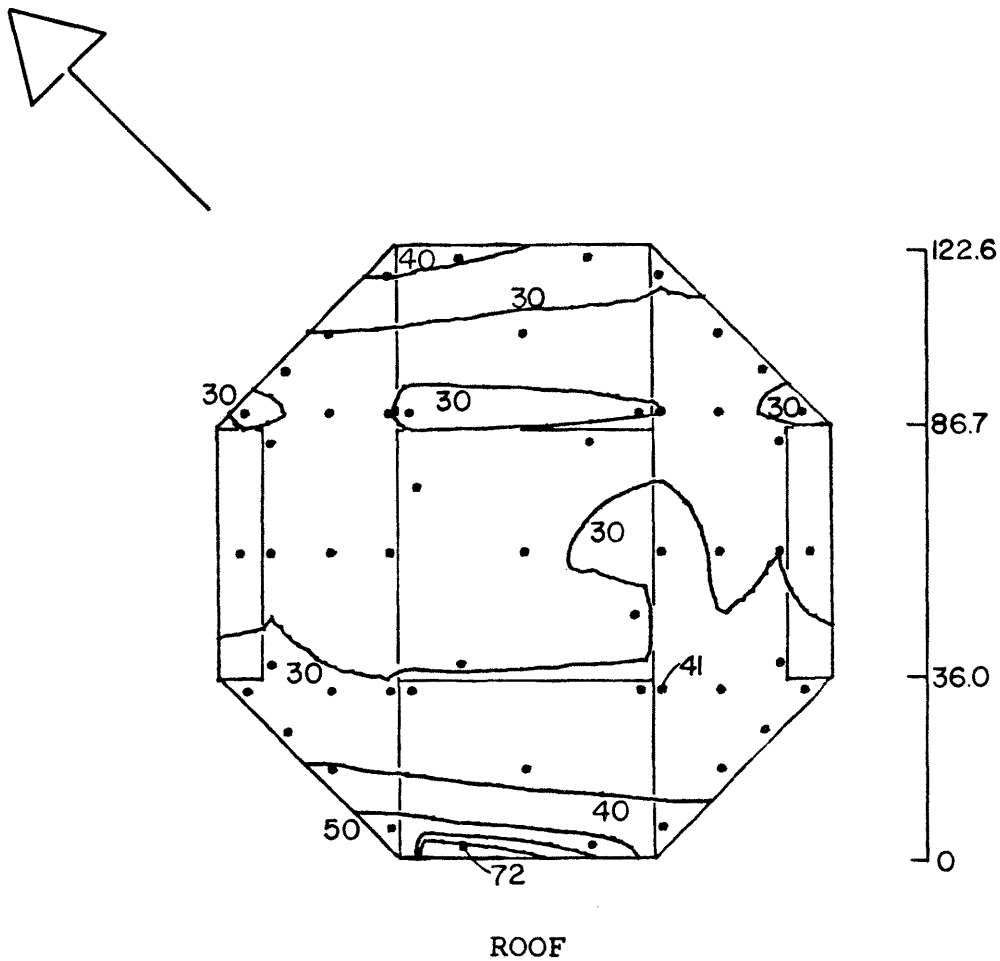
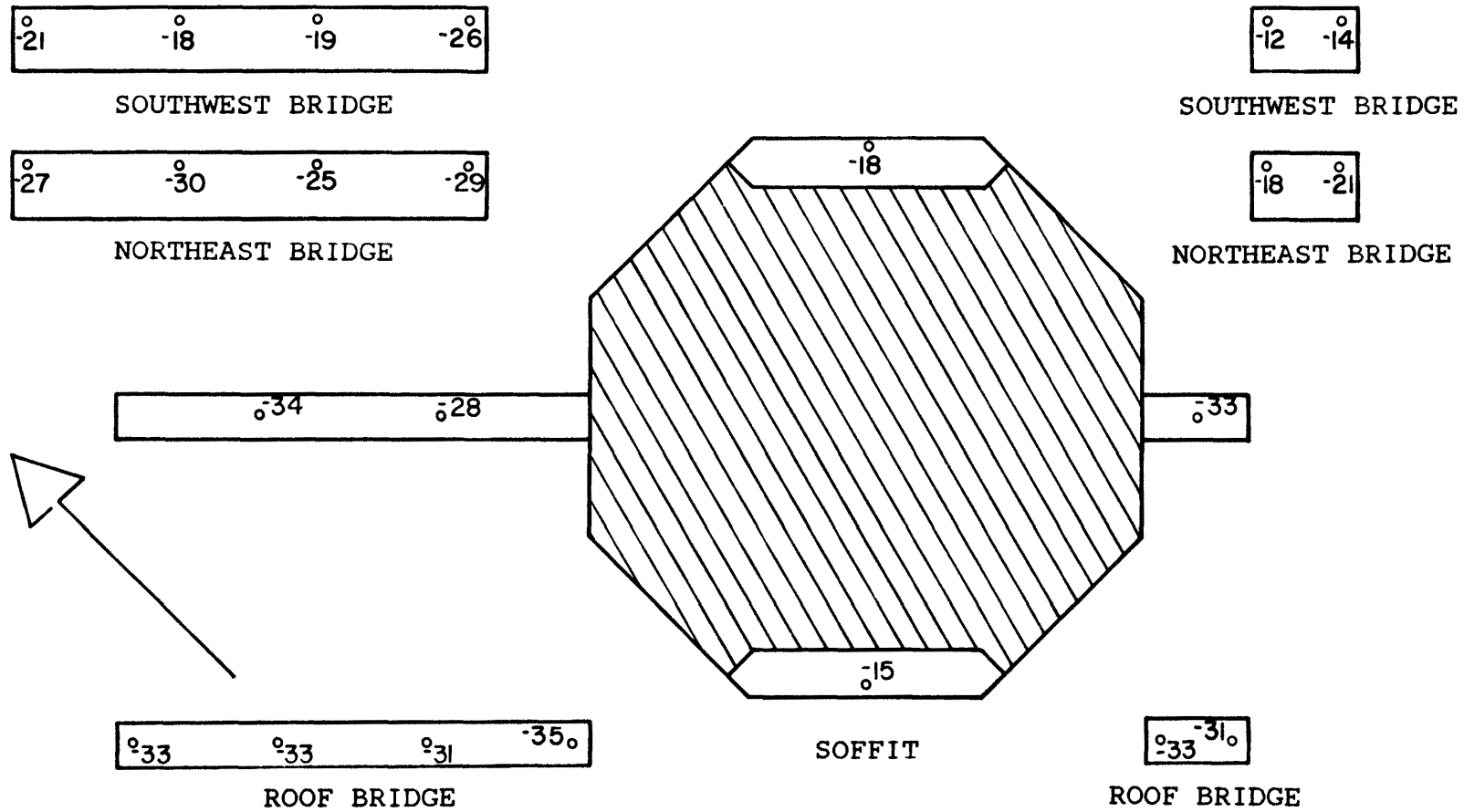


Figure 9e. Wind Velocity Probabilities for Pedestrian Locations



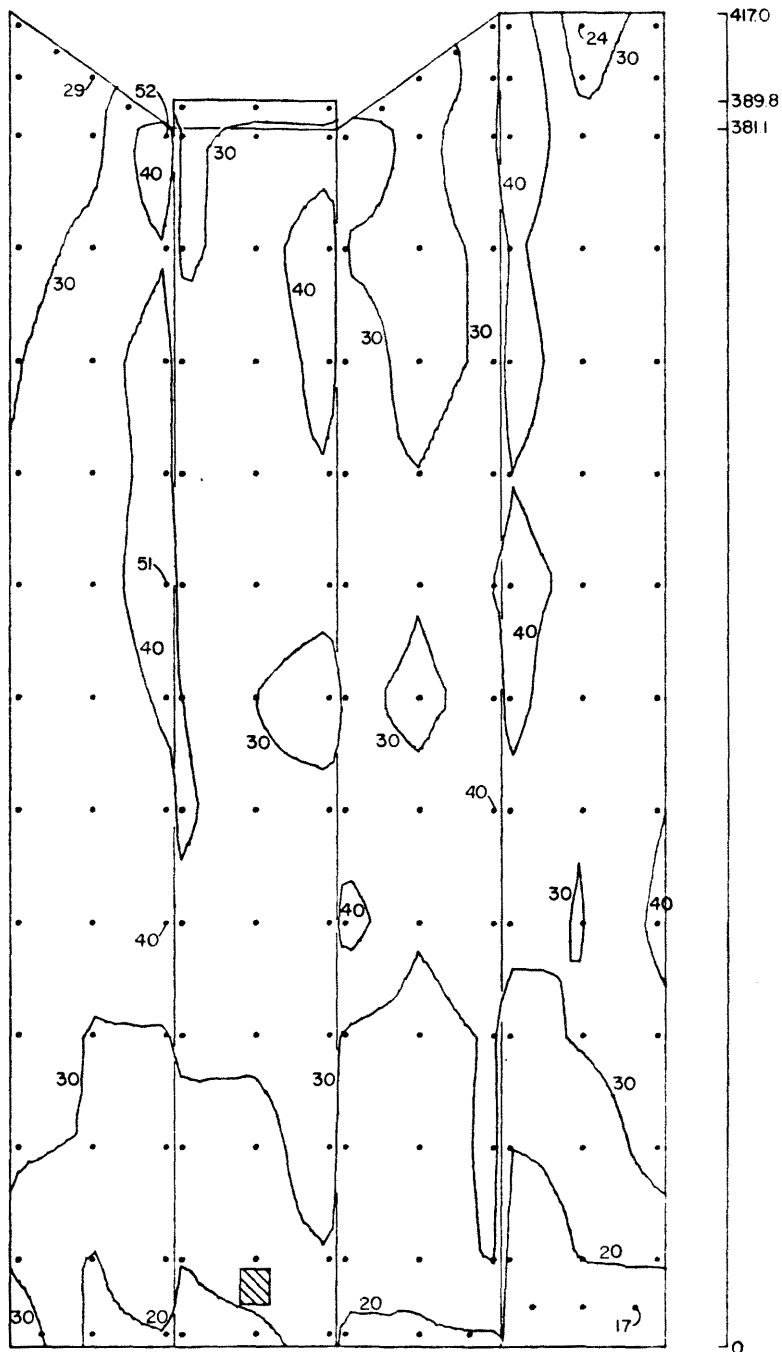
PEAK NEGATIVE CLADDING LOADS (PSF)  
 FOR 100-YEAR RECURRENCE WIND WITH WIND  
 DIRECTIONALITY  
 NEGATIVE LOADS ACT OUTWARD  
 AVERAGE OF CONFIGURATIONS A & B

Figure 10a. Peak Pressure Contours on the Building  
 for Cladding Loads



PEAK NEGATIVE CLADDING LOADS (PSF)  
 FOR 100-YEAR RECURRENCE WIND WITH WIND  
 DIRECTIONALITY  
 NEGATIVE LOADS ACT OUTWARD  
 AVERAGE OF CONFIGURATIONS A & B

Figure 10b. Peak Pressure Contours on the Building for Cladding Loads

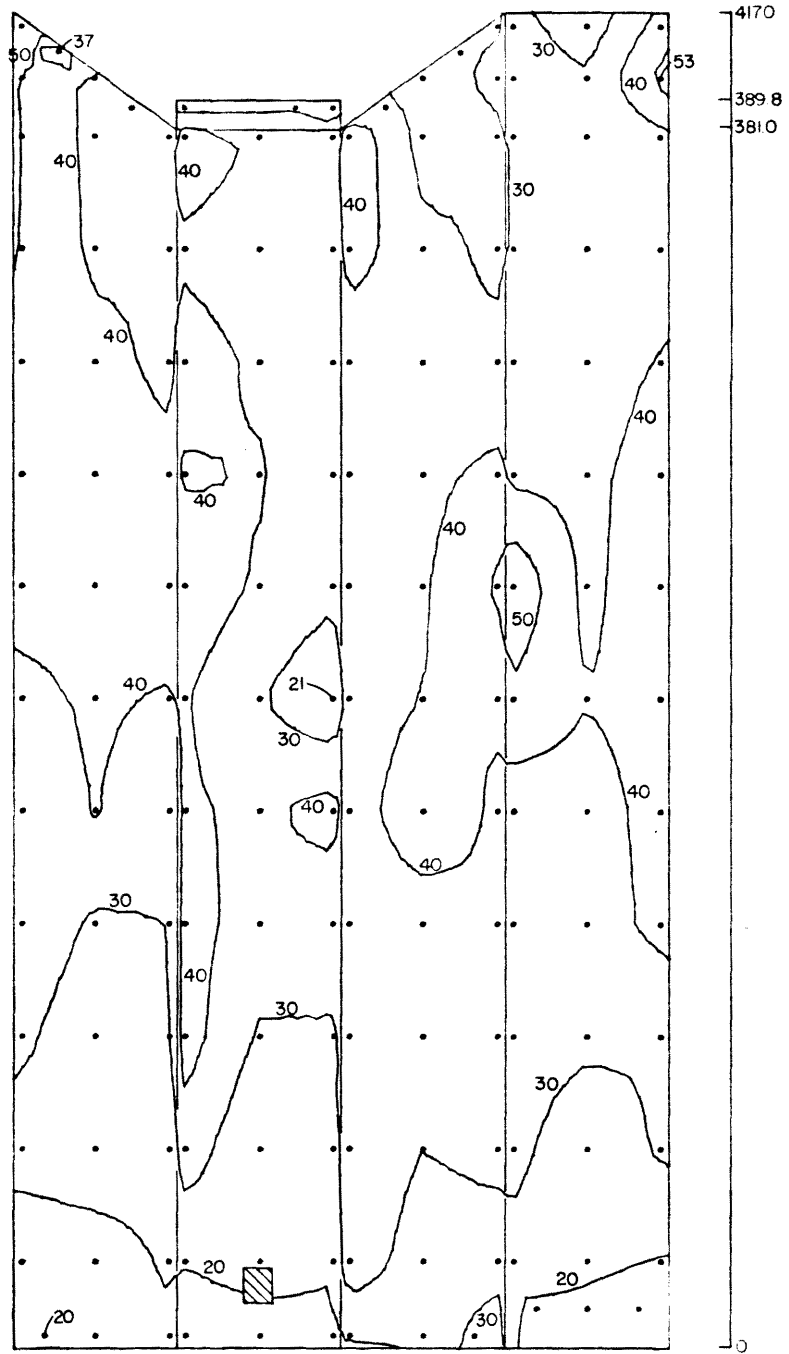


NORTH    NORTHWEST    WEST    SOUTHWEST

PEAK NEGATIVE CLADDING LOADS (PSF)  
 FOR 100-YEAR RECURRENCE WIND WITH WIND  
 DIRECTIONALITY  
 NEGATIVE LOADS ACT OUTWARD  
 AVERAGE OF CONFIGURATIONS A & B

Figure 10c. Peak Pressure Contours on the Building  
 for Cladding Loads

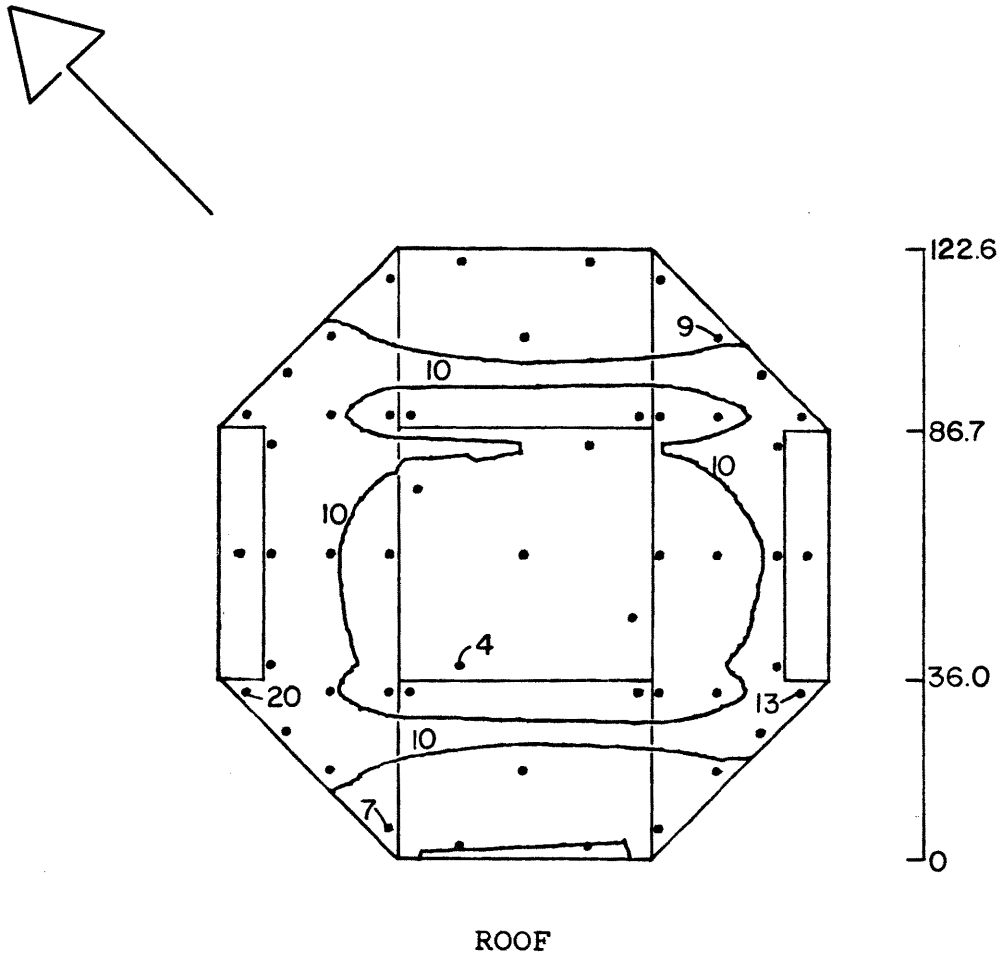




SOUTH      SOUTHEAST      EAST      NORTHEAST

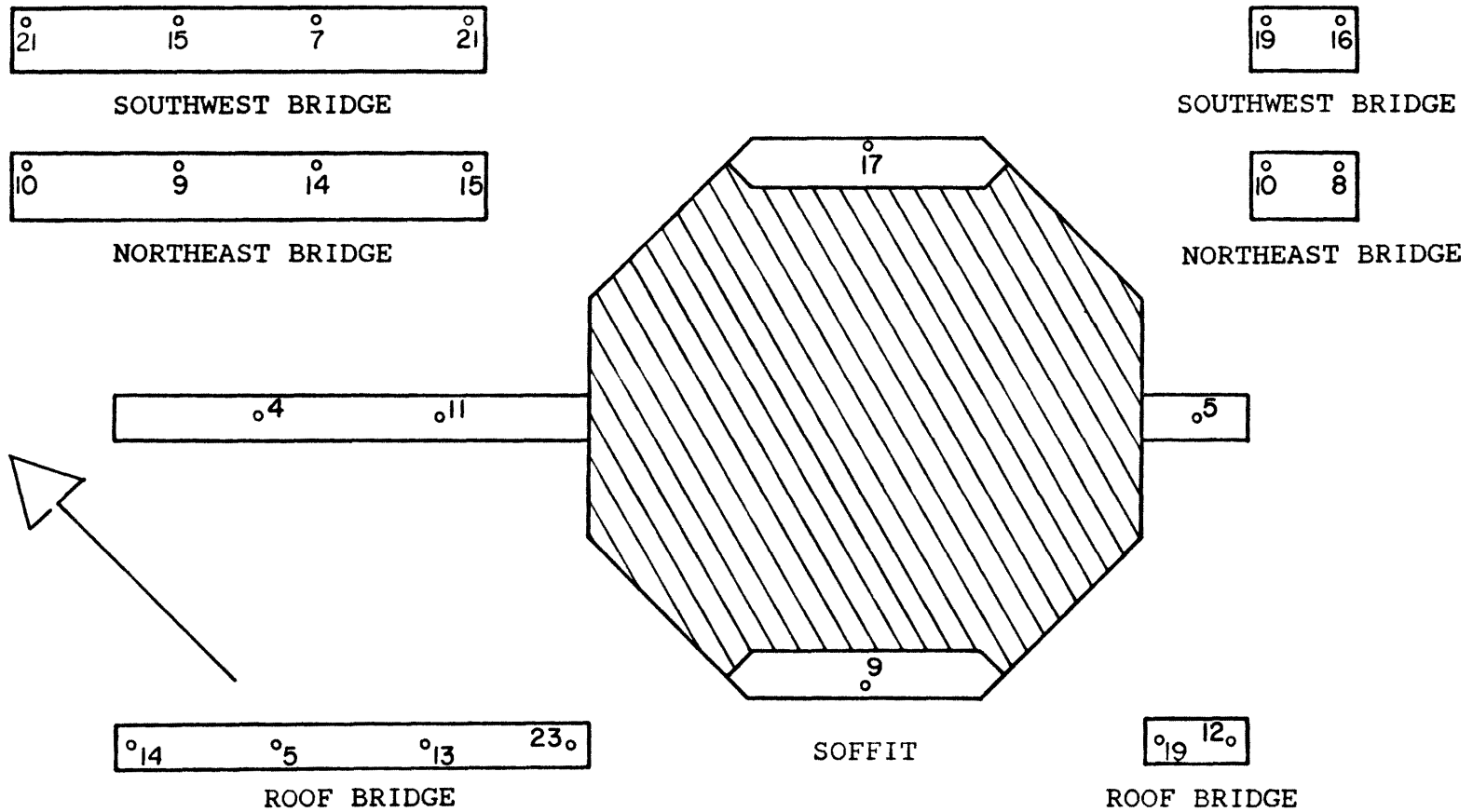
PEAK NEGATIVE CLADDING LOADS (PSF)  
FOR 100-YEAR RECURRENCE WIND WITH WIND  
DIRECTIONALITY  
NEGATIVE LOADS ACT OUTWARD  
AVERAGE OF CONFIGURATIONS A & B

Figure 10d. Peak Pressure Contours on the Building  
for Cladding Loads



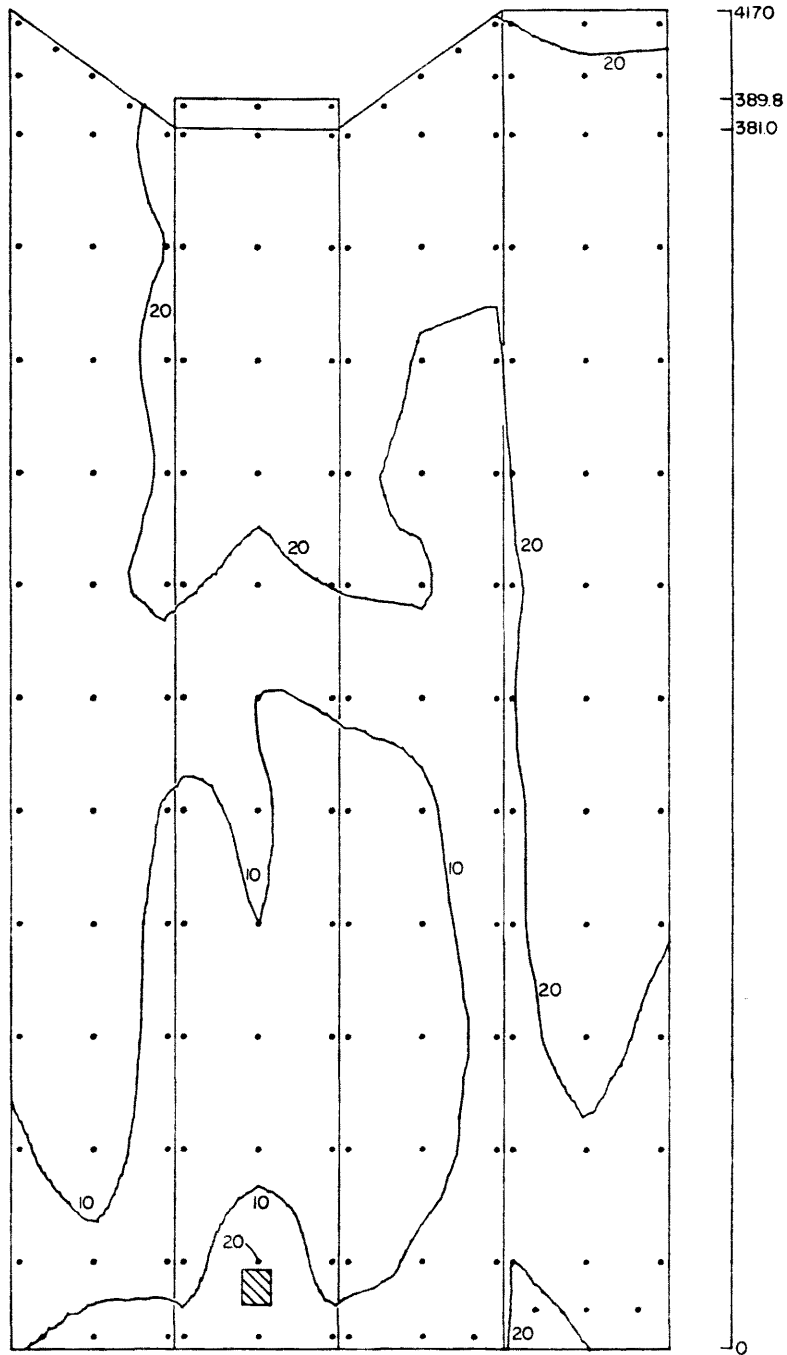
PEAK POSITIVE CLADDING LOADS (PSF)  
 FOR 100-YEAR RECURRENCE WIND WITH WIND  
 DIRECTIONALITY  
 POSITIVE LOADS ACT INWARDS  
 AVERAGE OF CONFIGURATIONS A & B

Figure 10e. Peak Pressure Contours on the Building  
 for Cladding Loads



PEAK POSITIVE CLADDING LOADS (PSF)  
 FOR 100-YEAR RECURRENCE WIND WITH WIND  
 DIRECTIONALITY  
 POSITIVE LOADS ACT INWARDS  
 AVERAGE OF CONFIGURATIONS A & B

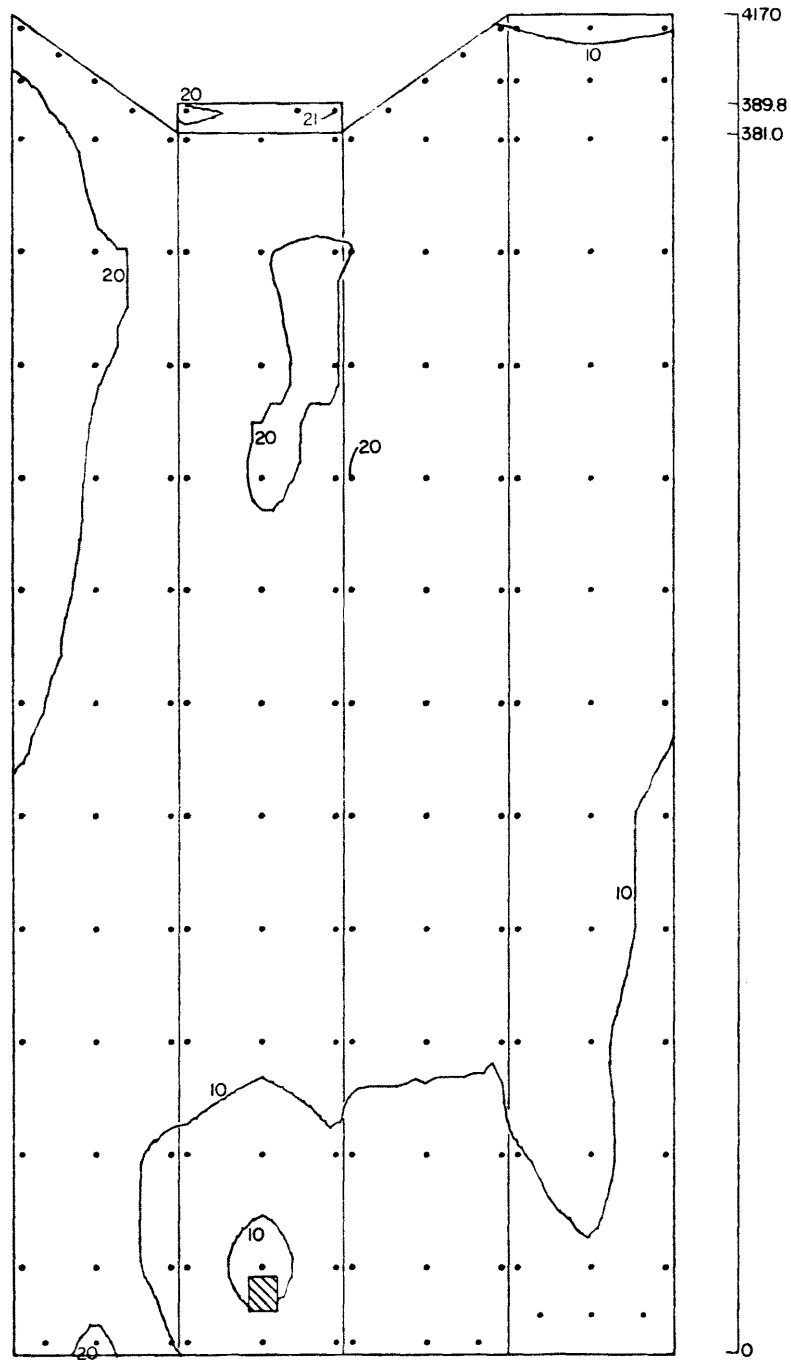
Figure 10f. Peak Pressure Contours on the Building for Cladding Loads



NORTH      NORTHWEST      WEST      SOUTHWEST

PEAK POSITIVE CLADDING LOADS (PSF)  
 FOR 100-YEAR RECURRENCE WIND WITH WIND  
 DIRECTIONALITY  
 POSITIVE LOADS ACT INWARDS  
 AVERAGE OF CONFIGURATIONS A & B

Figure 10g. Peak Pressure Contours on the Building  
 for Cladding Loads



SOUTH SOUTHEAST EAST NORTHEAST

PEAK POSITIVE CLADDING LOADS (PSF)  
 FOR 100-YEAR RECURRENCE WIND WITH WIND  
 DIRECTIONALITY  
 POSITIVE LOADS ACT INWARDS  
 AVERAGE OF CONFIGURATIONS A & B

Figure 10h. Peak Pressure Contours on the Building  
 for Cladding Loads

TABLES

TABLE 1 -- PEDESTRIAN WIND VELOCITIES AND TURBULENCE INTENSITIES  
LEXINGTON FINANCIAL CENTER

LOCATION 1				LOCATION 2			
WIND AZIMUTH	U/UR (PERCENT)	URMS/UR (PERCENT)	U+3*URMS/UR (PERCENT)	WIND AZIMUTH	U/UR (PERCENT)	URMS/UR (PERCENT)	U+3*URMS/UR (PERCENT)
0.00	55.7	14.8	99.9	0.00	29.6	10.1	99.9
22.50	66.4	12.0	102.3	22.50	24.5	9.7	100.0
45.00	64.7	11.7	99.7	45.00	24.4	8.9	100.0
67.50	49.1	11.8	84.6	67.50	15.4	7.8	100.0
90.00	19.7	9.8	48.1	90.00	42.6	10.3	100.0
112.50	35.0	13.1	74.2	112.50	41.6	10.9	100.0
135.00	54.7	13.7	95.8	135.00	21.3	10.9	100.0
157.50	63.5	12.3	100.3	157.50	25.9	11.6	100.0
180.00	70.0	9.7	99.9	180.00	25.9	12.1	100.0
202.50	53.0	11.9	99.2	202.50	27.9	9.1	100.0
225.00	55.9	18.3	110.9	225.00	25.9	10.5	100.0
247.50	11.0	14.7	75.1	247.50	24.9	15.2	100.0
270.00	38.1	14.2	70.8	270.00	24.2	14.5	100.0
292.50	38.5	14.6	82.2	292.50	24.2	9.1	100.0
315.00	41.9	15.4	82.2	315.00	23.3	9.2	100.0
337.50	45.0	15.7	92.1	337.50	21.0	10.3	100.0

LOCATION 3				LOCATION 4			
WIND AZIMUTH	U/UR (PERCENT)	URMS/UR (PERCENT)	U+3*URMS/UR (PERCENT)	WIND AZIMUTH	U/UR (PERCENT)	URMS/UR (PERCENT)	U+3*URMS/UR (PERCENT)
0.00	49.2	11.7	84.4	0.00	32.5	11.6	87.3
22.50	47.3	11.3	81.2	22.50	32.0	12.7	90.9
45.00	39.0	10.9	71.8	45.00	24.5	12.1	85.0
67.50	28.5	11.0	59.4	67.50	24.5	9.0	85.6
90.00	28.9	10.6	60.7	90.00	24.5	10.8	85.6
112.50	33.2	7.7	46.3	112.50	34.1	11.3	85.6
135.00	32.4	12.3	69.3	135.00	34.1	11.7	85.6
157.50	50.6	11.5	85.1	157.50	34.1	12.0	85.6
180.00	50.0	12.2	88.0	180.00	34.1	11.0	85.6
202.50	49.1	11.3	82.9	202.50	32.0	12.1	85.6
225.00	43.9	10.1	74.3	225.00	31.1	10.9	85.6
247.50	30.0	10.9	62.7	247.50	26.6	13.7	85.6
270.00	17.3	9.0	44.2	270.00	24.7	7.1	85.6
292.50	17.9	8.9	44.5	292.50	24.9	13.8	85.6
315.00	24.3	12.6	52.1	315.00	24.6	17.2	85.6
337.50	40.2	10.7	72.3	337.50	28.8	8.6	85.6

TABLE 1 -- PEDESTRIAN WIND VELOCITIES AND TURBULENCE INTENSITIES  
LEXINGTON FINANCIAL CENTER

LOCATION 5

WIND AZIMUTH	U/UR (PERCENT)	URMS/UR (PERCENT)	U+3*URMS/UR (PERCENT)
0.00	33.7	12.3	70.8
22.50	49.5	14.6	93.2
45.00	31.8	15.0	76.9
67.50	24.7	13.4	65.0
90.00	27.7	12.8	66.0
112.50	19.6	9.1	46.8
135.00	30.5	11.8	65.9
157.50	31.4	13.4	71.5
180.00	34.8	16.1	83.1
202.50	34.1	16.0	82.2
225.00	24.9	13.4	65.1
247.50	22.9	11.4	57.0
270.00	22.6	12.0	58.4
292.50	19.2	9.0	46.3
315.00	43.5	18.3	98.5
337.50	28.8	14.5	72.4

LOCATION 6

WIND AZIMUTH	U/UR (PERCENT)	URMS/UR (PERCENT)	U+3*URMS/UR (PERCENT)
0.00	37.5	8.7	63.7
22.50	34.6	11.2	68.2
45.00	17.6	10.0	47.7
67.50	21.0	12.0	57.1
90.00	43.6	17.7	96.7
112.50	23.6	11.9	59.3
135.00	33.7	13.3	73.5
157.50	30.6	14.1	72.8
180.00	22.2	12.6	60.0
202.50	25.2	14.6	66.9
225.00	32.0	14.1	81.4
247.50	39.5	13.8	80.9
270.00	15.6	7.9	39.2
292.50	23.0	12.3	59.8
315.00	41.1	18.6	97.0
337.50	38.2	8.3	63.2

LOCATION 7

WIND AZIMUTH	U/UR (PERCENT)	URMS/UR (PERCENT)	U+3*URMS/UR (PERCENT)
0.00	62.3	13.3	109.2
22.50	67.2	11.9	103.0
45.00	45.0	11.5	99.4
67.50	66.3	10.7	98.4
90.00	49.3	10.3	80.2
112.50	17.8	8.6	43.6
135.00	21.9	11.2	55.9
157.50	33.1	10.4	64.2
180.00	60.1	11.3	94.0
202.50	81.0	13.0	120.1
225.00	74.2	11.7	111.4
247.50	67.0	12.6	104.8
270.00	17.7	10.9	50.5
292.50	21.7	12.1	58.1
315.00	37.0	13.9	68.8
337.50	30.8	14.6	74.5

LOCATION 8

WIND AZIMUTH	U/UR (PERCENT)	URMS/UR (PERCENT)	U+3*URMS/UR (PERCENT)
0.00	32.3	10.8	64.7
22.50	34.5	12.6	70.3
45.00	26.8	12.6	64.5
67.50	41.7	9.7	70.7
90.00	39.9	9.3	67.9
112.50	33.7	9.5	62.2
135.00	34.3	15.5	81.0
157.50	22.2	12.8	60.7
180.00	15.6	8.5	41.0
202.50	29.9	13.7	70.9
225.00	14.2	7.7	37.4
247.50	19.8	10.1	50.1
270.00	9.8	5.4	26.0
292.50	15.0	8.3	40.0
315.00	27.5	14.2	70.2
337.50	21.3	9.1	48.6



TABLE 1 -- PEDESTRIAN WIND VELOCITIES AND TURBULENCE INTENSITIES  
LEXINGTON FINANCIAL CENTER

LOCATION 9

WIND AZIMUTH	U/UR (PERCENT)	URMS/UR (PERCENT)	U+3*URMS/UR (PERCENT)
0.00	28.8	11.0	41.9
22.50	26.9	11.9	62.6
45.00	13.9	7.4	35.1
67.50	17.3	8.7	43.6
90.00	14.2	6.9	34.9
112.50	20.4	8.9	47.0
135.00	34.1	16.1	82.5
157.50	22.7	12.6	60.4
180.00	15.2	8.2	39.9
202.50	19.1	11.4	53.5
225.00	13.4	7.9	37.1
247.50	18.8	9.8	48.2
270.00	6.3	3.6	17.0
292.50	11.4	7.4	33.5
315.00	18.8	11.3	52.6
337.50	21.8	8.7	47.9

LOCATION 10

WIND AZIMUTH	U/UR (PERCENT)	URMS/UR (PERCENT)	U+3*URMS/UR (PERCENT)
0.00	54.4	10.8	83.9
22.50	52.0	14.4	95.2
45.00	30.0	9.5	48.4
67.50	31.7	8.3	46.6
90.00	20.6	9.3	48.4
112.50	17.2	8.4	42.3
135.00	34.1	11.7	69.2
157.50	29.6	15.1	74.9
180.00	32.0	12.7	60.2
202.50	22.5	13.0	61.5
225.00	22.6	12.5	59.9
247.50	18.7	10.9	51.5
270.00	9.9	4.4	23.0
292.50	10.8	6.1	28.8
315.00	21.8	12.5	58.8
337.50	40.9	11.0	74.1

LOCATION 11

WIND AZIMUTH	U/UR (PERCENT)	URMS/UR (PERCENT)	U+3*URMS/UR (PERCENT)
0.00	61.7	12.8	100.0
22.50	64.4	12.2	100.9
45.00	67.9	10.5	99.4
67.50	73.9	10.3	104.7
90.00	64.3	9.9	94.2
112.50	34.9	10.5	66.3
135.00	21.4	10.4	52.5
157.50	29.4	11.0	62.3
180.00	59.0	11.0	92.0
202.50	73.0	10.1	103.4
225.00	64.7	9.7	93.8
247.50	64.2	11.0	97.1
270.00	46.0	11.4	80.3
292.50	23.7	8.2	48.4
315.00	17.7	10.1	48.0
337.50	33.3	13.1	71.6

LOCATION 12

WIND AZIMUTH	U/UR (PERCENT)	URMS/UR (PERCENT)	U+3*URMS/UR (PERCENT)
0.00	21.4	12.5	58.9
22.50	26.0	15.4	73.2
45.00	30.9	12.3	57.8
67.50	26.0	15.3	51.9
90.00	30.2	15.7	57.4
112.50	19.4	10.3	50.1
135.00	45.6	14.8	90.1
157.50	34.5	12.6	73.2
180.00	31.0	14.1	66.2
202.50	26.7	10.6	58.5
225.00	25.0	9.5	51.5
247.50	24.1	8.7	50.1
270.00	23.1	12.0	59.9
292.50	11.1	6.5	21.0
315.00	21.1	12.0	51.0
337.50	28.7	15.1	73.9

TABLE 1 -- PEDESTRIAN WIND VELOCITIES AND TURBULENCE INTENSITIES  
LEXINGTON FINANCIAL CENTER

LOCATION 13

WIND AZIMUTH	U/UR (PERCENT)	URMS/UR (PERCENT)	U+3*URMS/UR (PERCENT)
0.00	16.3	9.0	43.2
22.50	19.5	10.2	50.0
45.00	14.3	7.8	37.7
67.50	14.9	8.8	41.4
90.00	14.9	7.6	37.8
112.50	13.9	8.0	38.5
135.00	20.5	11.7	60.6
157.50	32.5	14.0	74.5
180.00	35.0	13.1	64.2
202.50	23.2	9.4	50.5
225.00	17.5	9.3	45.4
247.50	14.8	7.6	37.6
270.00	12.0	6.0	30.0
292.50	9.4	4.2	20.9
315.00	16.9	10.1	47.3
337.50	15.2	9.5	43.8

LOCATION 14

WIND AZIMUTH	U/UR (PERCENT)	URMS/UR (PERCENT)	U+3*URMS/UR (PERCENT)
0.00	50.0	17.8	103.3
22.50	52.2	15.9	99.9
45.00	44.8	14.5	88.4
67.50	33.3	9.9	63.0
90.00	16.9	10.0	46.9
112.50	12.6	7.7	33.6
135.00	20.1	10.3	50.9
157.50	25.1	11.5	59.5
180.00	25.7	10.0	55.8
202.50	27.7	8.9	54.6
225.00	28.7	11.1	62.9
247.50	34.0	18.9	90.7
270.00	40.8	18.9	97.5
292.50	21.3	12.4	58.4
315.00	22.5	12.0	58.4
337.50	30.3	14.1	72.5

LOCATION 15

WIND AZIMUTH	U/UR (PERCENT)	URMS/UR (PERCENT)	U+3*URMS/UR (PERCENT)
0.00	18.0	9.8	47.3
22.50	17.3	9.9	47.1
45.00	17.9	8.8	44.4
67.50	16.5	8.8	43.0
90.00	18.7	11.1	52.1
112.50	19.4	9.9	49.1
135.00	32.7	15.1	78.1
157.50	18.3	8.7	44.3
180.00	25.9	11.1	59.3
202.50	20.9	11.1	54.4
225.00	14.0	6.9	34.8
247.50	16.2	8.7	42.2
270.00	10.5	10.0	35.9
292.50	23.3	11.5	57.7
315.00	22.2	12.0	58.2
337.50	36.3	18.8	92.7

LOCATION 16

WIND AZIMUTH	U/UR (PERCENT)	URMS/UR (PERCENT)	U+3*URMS/UR (PERCENT)
0.00	22.0	11.8	57.6
22.50	37.3	19.0	94.3
45.00	55.2	16.8	105.7
67.50	34.6	13.5	75.2
90.00	34.9	11.9	70.6
112.50	32.1	13.0	71.0
135.00	26.3	12.6	64.1
157.50	16.0	8.9	42.8
180.00	24.4	12.5	62.0
202.50	41.3	14.4	84.4
225.00	35.9	15.3	81.4
247.50	48.7	17.8	102.1
270.00	41.7	17.9	95.4
292.50	24.5	10.3	55.4
315.00	20.9	11.5	55.4
337.50	33.6	19.0	90.5

TABLE 1 -- PEDESTRIAN WIND VELOCITIES AND TURBULENCE INTENSITIES  
 LEXINGTON FINANCIAL CENTER

LOCATION 17

WIND AZIMUTH	U/UR (PERCENT)	URMS/UR (PERCENT)	U+3*URMS/UR (PERCENT)
0.00	41.8	16.8	92.3
22.50	40.0	16.1	88.5
45.00	46.6	17.3	98.5
67.50	43.4	12.3	80.3
90.00	39.7	12.5	67.3
112.50	16.1	8.6	42.0
135.00	25.4	11.3	59.3
157.50	25.7	12.1	62.0
180.00	40.0	11.8	75.5
202.50	59.7	15.5	106.2
225.00	60.3	13.0	99.5
247.50	59.4	17.9	113.1
270.00	23.0	16.4	72.0
292.50	13.1	8.1	37.6
315.00	20.8	12.4	57.9
337.50	22.7	12.5	60.3

LOCATION 18

WIND AZIMUTH	U/UR (PERCENT)	URMS/UR (PERCENT)	U+3*URMS/UR (PERCENT)
0.00	24.4	13.5	65.0
22.50	18.2	10.6	49.9
45.00	17.2	10.0	47.2
67.50	15.7	9.1	40.0
90.00	15.6	7.5	38.6
112.50	27.4	12.5	64.8
135.00	12.5	7.0	33.3
157.50	20.0	9.9	45.8
180.00	25.1	10.6	52.0
202.50	17.6	11.6	52.4
225.00	23.6	12.7	61.8
247.50	26.2	12.4	63.3
270.00	11.1	6.0	29.1
292.50	14.1	8.7	40.3
315.00	25.9	13.7	67.0
337.50	21.8	10.1	52.0

TABLE 1 -- PEDESTRIAN WIND VELOCITIES AND TURBULENCE INTENSITIES  
 LEXINGTON FINANCIAL CENTER

\*\* GREATEST VALUES \*\*

U <sub>MEAN</sub> /U <sub>INF</sub> (PERCENT)					U <sub>RMS</sub> /U <sub>INF</sub> (PERCENT)					U <sub>MEAN+3*RMS</sub> /U <sub>INF</sub> (PERCENT)				
LOC	AZ	MEAN	RMS	M+3RMS	LOC	AZ	MEAN	RMS	M+3RMS	LOC	AZ	MEAN	RMS	M + 3RMS
7	202.5	81.0	13.0	120.1	16	22.5	37.3	19.0	94.2	7	202.5	81.0	13.0	120.1
7	225.0	76.2	11.7	111.4	16	337.5	33.6	19.0	90.5	17	247.5	59.4	17.9	113.1
11	67.5	73.9	10.3	104.7	14	247.5	34.0	18.9	90.7	7	225.0	76.2	11.7	111.4
11	202.5	73.0	10.1	103.4	14	270.0	40.8	18.9	97.5	1	225.0	55.9	18.3	110.9
1	180.0	70.0	9.3	97.9	15	337.5	36.3	18.8	92.7	7	0.0	69.3	13.3	109.2
7	0.0	69.3	13.3	109.2	6	315.0	41.1	18.6	97.0	17	202.5	59.7	15.5	106.2
11	45.0	67.9	10.5	99.4	5	315.0	43.5	18.3	98.5	16	45.0	55.2	16.8	105.7
7	22.5	67.2	11.9	103.0	1	225.0	55.9	18.3	110.9	7	247.5	67.0	12.6	104.8
7	247.5	67.0	12.6	104.8	16	270.0	41.7	17.9	95.4	11	67.5	73.9	10.3	104.7
1	22.5	66.4	12.0	102.3	17	247.5	59.4	17.9	113.1	11	202.5	73.0	10.1	103.4

TABLE 1 -- PEDESTRIAN WIND VELOCITIES AND TURBULENCE INTENSITIES  
EXISTING CONFIGURATION

LOCATION 1				LOCATION 2			
WIND AZIMUTH	U/UR (PERCENT)	URMS/UR (PERCENT)	U+3*URMS/UR (PERCENT)	WIND AZIMUTH	U/UR (PERCENT)	URMS/UR (PERCENT)	U+3*URMS/UR (PERCENT)
0.00	56.5	14.1	98.6	0.00	32.5	10.8	65.0
22.50	64.9	12.8	103.2	22.50	18.3	10.3	63.7
45.00	49.8	11.7	90.8	45.00	16.6	9.2	46.1
67.50	34.0	11.3	71.0	67.50	16.6	9.1	43.7
90.00	26.4	12.1	63.7	90.00	45.5	13.0	82.0
112.50	33.4	19.5	89.1	112.50	45.5	13.0	84.6
135.00	41.9	20.4	103.2	135.00	36.4	13.0	103.4
157.50	56.3	14.7	100.5	157.50	39.9	18.0	93.3
180.00	67.4	12.1	103.6	180.00	37.6	11.9	63.4
202.50	58.0	14.9	102.8	202.50	37.7	10.0	50.8
225.00	33.2	19.0	90.1	225.00	37.7	15.0	72.5
247.50	24.7	12.7	63.0	247.50	37.6	14.2	64.9
270.00	20.6	11.0	53.6	270.00	39.9	17.2	80.7
292.50	30.4	14.5	73.9	292.50	38.8	15.6	65.6
315.00	28.4	13.9	70.2	315.00	40.7	10.6	62.7
337.50	31.6	17.2	83.3	337.50	40.7	14.6	84.6

LOCATION 3				LOCATION 4			
WIND AZIMUTH	U/UR (PERCENT)	URMS/UR (PERCENT)	U+3*URMS/UR (PERCENT)	WIND AZIMUTH	U/UR (PERCENT)	URMS/UR (PERCENT)	U+3*URMS/UR (PERCENT)
0.00	47.9	12.6	85.8	0.00	45.5	12.2	82.2
22.50	41.9	11.9	77.6	22.50	39.6	14.0	91.2
45.00	43.6	11.1	77.0	45.00	33.6	12.1	65.0
67.50	39.1	11.2	72.6	67.50	39.1	15.0	73.2
90.00	30.6	12.7	68.6	90.00	47.0	14.8	91.6
112.50	38.0	8.9	54.7	112.50	15.1	9.8	41.0
135.00	52.6	12.4	89.7	135.00	32.2	12.0	69.1
157.50	56.3	12.6	94.1	157.50	31.1	18.9	89.3
180.00	60.5	10.8	100.8	180.00	39.2	14.8	82.6
202.50	56.7	10.7	90.7	202.50	39.1	14.1	82.1
225.00	41.4	13.8	82.8	225.00	36.6	10.1	65.1
247.50	15.9	7.4	38.2	247.50	21.0	10.6	56.9
270.00	32.5	12.4	69.6	270.00	24.1	13.4	61.1
292.50	38.6	13.4	78.9	292.50	24.1	9.4	54.5
315.00	39.7	17.4	82.0	315.00	16.1	7.5	48.6
337.50	45.6	10.7	77.8	337.50	17.6	9.9	47.2

TABLE 1 -- PEDESTRIAN WIND VELOCITIES AND TURBULENCE INTENSITIES  
EXISTING CONFIGURATION

LOCATION 5

WIND AZIMUTH	U/UR (PERCENT)	URMS/UR (PERCENT)	U+3*URMS/UR (PERCENT)
0.00	26.0	13.2	65.6
2.5	26.0	18.1	84.1
45.00	34.3	12.2	70.9
67.50	31.3	10.6	63.1
90.00	39.4	15.0	84.6
112.50	13.5	7.4	35.6
135.00	17.4	9.4	45.7
157.50	18.1	9.8	47.6
180.00	34.0	12.8	69.3
202.50	34.5	10.6	67.2
225.00	43.4	14.0	85.4
247.50	51.6	19.4	109.8
270.00	40.3	15.4	86.6
292.50	29.9	10.4	52.1
315.00	18.4	13.7	69.5
337.50	19.1	11.7	54.3

TABLE 1 -- PEDESTRIAN WIND VELOCITIES AND TURBULENCE INTENSITIES  
EXISTING CONFIGURATION

\*\* GREATEST VALUES \*\*

U <sub>MEAN</sub> /U <sub>INF</sub> (PERCENT)					U <sub>RMS</sub> /U <sub>INF</sub> (PERCENT)					U <sub>MEAN</sub> +3*U <sub>RMS</sub> /U <sub>INF</sub> (PERCENT)				
LOC	AZ	MEAN	RMS	M+3RMS	LOC	AZ	MEAN	RMS	M+3RMS	LOC	AZ	MEAN	RMS	M+3RMS
3	180.0	68.5	10.8	100.8	1	135.0	41.9	20.4	103.2	5	247.5	51.6	19.4	109.8
1	180.0	67.4	12.1	103.6	5	247.5	51.6	19.4	109.8	1	180.0	67.4	12.1	103.6
1	22.5	64.9	12.8	103.2	1	225.0	33.2	19.0	90.1	2	135.0	64.4	13.0	103.4
2	135.0	64.4	13.0	103.4	4	157.5	31.5	18.9	88.2	1	135.0	41.9	20.4	103.2
3	202.5	58.7	10.7	90.7	1	112.5	33.4	18.5	89.1	1	22.5	64.9	12.8	103.2
1	202.5	58.0	14.9	102.8	5	22.5	29.8	18.1	84.1	1	202.5	58.0	14.9	102.8
1	0.0	56.5	14.1	98.6	2	157.5	39.9	18.0	93.8	3	180.0	68.5	10.8	100.8
1	157.5	56.3	14.7	100.5	3	315.0	29.7	17.4	82.0	1	157.5	56.3	14.7	100.5
3	157.5	56.3	12.6	94.1	1	337.5	31.6	17.2	83.3	1	0.0	56.5	14.1	98.6
1	45.0	55.8	11.7	90.8	2	270.0	29.1	17.2	80.7	3	157.5	56.3	12.6	94.1

TABLE 2

PERCENTAGE FREQUENCY OF WIND DIRECTION AND SPEED  
 LEXINGTON, KENTUCKY BLU GRASS FIELD (1965-1974)

SEASON : NO. OF OBS. = 29216 HT. OF MEAS. = 23. FT.

VELOCITY LEVELS IN MPH

DIRECTION	0- 3	4- 7	8-12	13-18	19-24	25-31	32 +	TOTAL
N	.50	2.40	1.90	.60	0.00	0.00	0.00	5.30
NNE	.30	1.80	1.40	.40	0.00	0.00	0.00	3.80
NE	.30	2.40	2.00	.50	0.00	0.00	0.00	5.20
ENE	.30	2.20	1.90	.60	0.00	0.00	0.00	5.00
E	.30	1.60	1.90	.60	0.00	0.00	0.00	4.40
ESE	.20	1.60	2.00	.40	0.00	0.00	0.00	4.40
SSE	.30	2.10	2.10	.40	0.00	0.00	0.00	4.90
SSE	.30	2.30	2.70	.80	.10	0.00	0.00	6.20
SSW	.70	5.50	5.50	3.20	.40	.10	0.00	15.60
SSW	.40	3.00	3.00	2.70	.40	0.00	0.00	9.50
SW	.30	2.10	2.80	2.40	.30	.10	0.00	8.00
WSW	.20	1.80	2.40	1.90	.20	0.00	0.00	6.70
W	.40	2.10	2.50	2.10	.20	0.00	0.00	7.30
WNW	.40	1.50	1.70	1.20	0.00	0.00	0.00	4.80
W	.00	1.50	1.30	.60	0.00	0.00	0.00	3.60
W	.00	.80	.80	.80	0.00	0.00	0.00	3.00
CALM	.50	.00	.00	.00	.00	.00	.00	2.50
TOTAL	2.90	22.00	26.00	18.00	1.00	2.00	2.00	73.90

PROJECT 6100



TABLE 3  
SUMMARY OF WIND EFFECTS ON PEOPLE

	<u>Beaufort number</u>	<u>Speed (mph)</u>	<u>Effects</u>
Calm, light air	0, 1	0- 3	Calm, no noticeable wind
Light breeze	2	4- 7	Wind felt on face
Gentle breeze	3	8-12	Wind extends light flag Hair is disturbed Clothing flaps
Moderate breeze	4	13-18	Raises dust, dry soil and loose paper Hair disarranged
Fresh breeze	5	19-24	Force of wind felt on body Drifting snow becomes airborne Limit of agreeable wind on land
Strong breeze	6	25-31	Umbrellas used with difficulty Hair blown straight Difficult to walk steadily Wind noise on ears unpleasant Windborne snow above head height (blizzard)
Near gale	7	32-38	Inconvenience felt when walking
Gale	8	39-46	Generally impedes progress Great difficulty with balance in gusts
Strong gale	9	47-54	People blown over by gusts

Note: Table from Reference 4, p. 40.

TABLE 4

## Data Configurations

Configuration A:

- Geometry - Lexington Financial Center in place.
- Pressures - Data measured for 36 wind directions, in 10-degree increments from 0, for all tap locations on Lexington Financial Center.
- Velocities - Pedestrian winds measured for 16 wind directions, in 22.5-degree increments from 0, for locations 1-18.

Configuration B:

- Geometry - Lexington Financial Center in place (same as Configuration A).
- Pressures - Data measured in 2-degree increments to both sides of selected wind directions for selected taps on Lexington Financial Center where large pressure peaks were observed in Configuration A. Taps were selected to obtain the largest peak pressures on the structure.

Configuration C:

- Geometry - Lexington Financial Center out, original block in place.
- Velocities - Pedestrian winds measured for 16 wind directions, in 22.5-degree increments from 0, for locations 1-5.

- Configuration M: - Data configuration: average of Configurations A, B for peak pressures, same as Configuration A for mean pressures.

TABLE 5

SELECTION OF WIND SPEEDS  
AND  
REFERENCE DYNAMIC PRESSURE

1. Basic wind speeds from fastest mile winds measured at Louisville, KY (1950-1979)\*:

Largest 100-year fastest mile at 10 m = 69 mph for west winds.

Mean hourly wind speed at 30 ft =  $\frac{69}{1.27} = 54.3$  mph.

Mean hourly gradient wind speed =  $54.3 \left(\frac{960}{32.8}\right)^{.17} = 97$  mph (use 102 mph\*\*).

Reference velocity at reference velocity height of 1000 ft =  $102 \left(\frac{1000}{1200}\right)$   
= 98 mph

Reference Pressure =  $(0.00256)(98^2) = 25$  psf.

2. Loads including directional effects for Louisville\*:

Wind Direction	100 yr. Fastest Mile, mph 30 ft.	Mean Hourly Gradient Wind Speed (ws) mph**	Load Ratio <sub>2</sub> (ws/max ws) <sup>2</sup>
N	56	85	0.69
NE	43	80	0.62
E	47	80	0.62
SE	60	90	0.78
S	59	89	0.76
SW	70	102	1.00
W	68	100	0.96
NW	69	101	0.98

3. To convert 100-year to 50-year loads, divide by 1.14.

---

\* National Climatic Center, Asheville, North Carolina. Extreme data by wind direction at Lexington were not available in the time frame available for this study. Louisville data should be adequate for Lexington.

\*\* Gradient wind speeds were increased by 5 mph to account for possible differences in wind speed between Lexington and Louisville.

TABLE 6A. PEAK CLADDING LOADS FOR : LEXINGTON FINANCIAL CENTER  
 AVERAGE OF CONFIGURATIONS A AND B 100-YEAR RECURRENCE INTERVAL

TAP	AZI-MUTH	PRESS COEFF	NEGATIVE PEAK PSF	POSITIVE PEAK PSF	TAP	AZI-MUTH	PRESS COEFF	NEGATIVE PEAK PSF	POSITIVE PEAK PSF	TAP	AZI-MUTH	PRESS COEFF	NEGATIVE PEAK PSF	POSITIVE PEAK PSF
101	310	-1.97	-48.4	20.4	149	260	-1.85	-44.4	23.3	197	250	-1.49	-35.6	6.6
102	320	-1.98	-24.1	14.0	150	330	-1.45	-35.5	19.8	198	140	-1.76	-34.4	5.6
103	150	-1.79	-34.9	16.7	151	190	-1.40	-26.6	19.0	199	180	-1.72	-32.6	9.0
104	220	-1.96	-24.0	10.9	152	210	-1.27	-31.9	17.8	200	130	-2.07	-40.5	14.3
105	190	-1.82	-34.6	20.9	153	310	-1.50	-44.2	23.3	201	330	-1.53	-37.5	19.3
106	240	-1.05	-26.4	12.5	154	310	-1.46	-33.9	21.1	202	150	-1.56	-30.4	11.1
107	300	-1.48	-28.1	20.3	155	150	-1.39	-31.1	20.9	203	140	-2.01	-39.2	23.0
108	90	-1.72	-26.7	16.5	156	150	-1.61	-31.3	16.1	204	140	-1.79	-34.9	12.4
109	280	-1.22	-29.3	17.3	157	140	-1.81	-34.3	16.9	205	220	-1.33	-33.2	16.5
110	190	-1.24	-23.6	21.3	158	280	-1.83	-44.0	23.4	206	220	-1.58	-39.6	12.4
111	210	-1.37	-34.2	26.1	159	250	-1.37	-33.9	23.4	207	230	-1.51	-37.7	8.9
112	310	-2.14	-52.4	26.3	160	250	-1.60	-38.2	25.0	208	250	-1.45	-34.9	10.0
113	310	-1.10	-27.0	24.4	161	250	-1.65	-36.9	25.0	209	210	-1.34	-33.5	9.4
114	150	-1.99	-38.7	23.6	162	300	-1.85	-39.9	25.5	210	140	-2.31	-45.0	6.4
115	280	-1.53	-36.7	18.2	163	350	-1.76	-33.3	17.4	211	130	-1.59	-31.1	8.3
116	240	-1.05	-26.3	25.9	164	200	-1.90	-34.8	21.2	212	130	-1.98	-33.8	12.3
117	240	-1.10	-27.6	19.7	165	320	-1.64	-33.0	21.1	213	330	-1.38	-33.5	19.3
118	310	-1.15	-25.8	28.1	166	330	-1.48	-33.3	22.5	214	150	-1.51	-32.9	23.6
119	190	-1.46	-27.8	21.6	167	330	-1.52	-33.7	21.1	215	150	-2.18	-42.4	21.0
120	260	-1.00	-24.1	17.9	168	160	-1.75	-33.3	15.6	216	210	-1.35	-33.8	11.9
121	270	-1.09	-26.2	17.5	169	290	-1.34	-33.4	18.5	217	220	-1.19	-33.7	14.2
122	390	-2.14	-51.1	22.0	170	220	-2.02	-46.6	22.9	218	230	-1.17	-32.9	7.9
123	240	-1.14	-28.5	24.4	171	180	-1.84	-34.4	21.4	219	240	-1.30	-32.5	7.6
124	250	-1.38	-33.1	23.5	172	250	-1.63	-33.9	18.0	220	210	-1.30	-32.2	7.0
125	250	-1.39	-33.4	23.4	173	250	-1.52	-33.4	20.7	221	190	-1.81	-34.4	5.5
126	240	-2.26	-38.9	24.4	174	130	-2.00	-38.8	20.9	222	140	-1.47	-33.8	5.5
127	270	-1.11	-26.5	26.5	175	0	-1.79	-30.9	22.2	223	130	-1.36	-32.6	8.9
128	270	-1.55	-33.8	24.0	176	210	-1.62	-40.6	10.9	224	250	-1.29	-31.1	10.9
129	310	-1.94	-47.6	26.7	177	320	-1.72	-42.2	19.1	225	20	-1.44	-34.9	18.4
130	310	-1.41	-34.6	27.2	178	310	-1.60	-33.9	25.5	226	10	-1.84	-34.1	23.0
131	150	-1.60	-31.1	25.9	179	330	-1.34	-33.9	23.1	227	150	-1.89	-36.7	19.3
132	240	-1.05	-26.3	17.2	180	170	-1.76	-34.8	14.8	228	210	-1.24	-30.9	9.5
133	280	-1.38	-33.3	18.8	181	300	-1.32	-33.9	17.4	229	230	-1.20	-32.9	13.2
134	290	-1.65	-39.7	19.9	182	280	-1.78	-42.7	16.7	230	200	-1.23	-33.3	6.7
135	290	-1.17	-28.1	24.7	183	180	-2.12	-40.7	12.7	231	210	-1.07	-26.8	4.7
136	250	-1.45	-34.8	26.9	184	250	-1.25	-30.4	10.0	232	240	-1.04	-35.4	5.2
137	250	-2.04	-48.9	24.8	185	220	-1.82	-30.0	10.8	233	210	-1.45	-36.4	7.6
138	390	-1.67	-38.8	26.3	186	140	-1.65	-33.3	11.1	234	10	-1.36	-32.5	5.8
139	190	-1.24	-27.3	23.6	187	130	-1.42	-33.9	11.9	235	140	-1.33	-32.0	9.8
140	210	-1.27	-31.1	22.4	188	190	-1.76	-33.4	10.7	236	250	-1.39	-33.3	12.6
141	300	-1.69	-41.5	26.6	189	310	-1.79	-34.3	19.9	237	0	-1.17	-30.1	15.6
142	310	-1.42	-34.4	26.0	190	330	-1.32	-32.4	22.2	238	10	-1.23	-32.1	19.3
143	320	-1.40	-34.3	27.3	191	340	-2.02	-34.9	22.8	239	140	-1.82	-35.5	16.3
144	260	-1.24	-29.8	16.1	192	140	-1.79	-34.1	13.0	240	210	-1.12	-32.8	7.6
145	280	-1.56	-37.3	17.7	193	220	-1.42	-30.5	18.8	241	200	-1.00	-19.0	9.7
146	380	-1.83	-44.0	21.8	194	230	-1.45	-30.5	18.8	242	230	-1.19	-29.8	6.5
147	240	-1.35	-33.7	26.0	195	250	-1.76	-36.9	8.8	243	250	-1.34	-26.1	5.1
148	250	-1.39	-33.3	23.5	196	250	-1.39	-34.4	11.1	244	210	-1.09	-27.2	20.3

NEGATIVE PRESSURES ACT OUTWARD, POSITIVE PRESSURES ACT INWARD.

TABLE 6A. PEAK CLADDING LOADS FOR : LEXINGTON FINANCIAL CENTER  
 AVERAGE OF CONFIGURATIONS A AND B 100-YEAR RECURRENCE INTERVAL

TAP	AZI-MUTH	PRESS COEFF	NEGATIVE PEAK	POSITIVE PEAK	TAP	AZI-MUTH	PRESS COEFF	NEGATIVE PEAK	POSITIVE PEAK	TAP	AZI-MUTH	PRESS COEFF	NEGATIVE PEAK	POSITIVE PEAK
			-----	PSF				-----	PSF				-----	PSF
245	250	-1.23	-29.5	5.7	324	220	-1.55	-38.8	16.0	372	210	-1.57	-39.1	19.3
246	0	-1.57	-27.1	6.7	325	270	-1.45	-34.8	17.1	373	310	-1.34	-32.8	19.1
247	260	-0.89	-21.4	11.4	326	180	-2.55	-48.6	17.4	374	310	-1.44	-33.9	19.0
248	250	-1.32	-31.7	12.5	327	220	-1.05	-26.3	16.4	375	320	-1.59	-33.9	19.0
249	240	0.81	-16.6	20.2	328	220	-1.15	-29.1	16.9	376	300	-2.12	-51.8	14.3
250	10	-1.19	-20.5	15.8	329	140	-1.58	-30.7	15.1	377	300	-2.42	-51.3	15.8
251	50	-1.34	-20.7	14.6	330	330	-1.24	-30.4	16.0	378	300	-1.52	-37.3	14.9
252	250	0.91	-14.9	21.8	331	330	-1.53	-37.5	15.6	379	320	-1.96	-48.1	15.3
253	240	0.73	-16.7	18.3	332	270	-2.07	-49.7	25.3	380	280	-1.57	-37.6	20.9
254	10	-1.00	-17.2	15.9	333	270	-1.59	-38.1	20.6	381	230	-1.70	-41.1	18.7
255	240	-1.22	-30.4	10.2	334	280	-1.64	-39.3	19.7	382	280	-1.83	-39.9	17.7
256	210	-0.71	-17.8	11.5	335	220	-1.52	-38.1	19.2	383	220	-1.64	-41.0	18.2
257	220	-0.79	-19.6	14.1	336	220	-1.40	-35.0	19.9	384	220	-1.23	-30.9	18.1
258	240	-0.65	-16.1	13.5	337	220	-1.19	-29.9	20.1	385	330	-1.88	-41.1	14.1
259	240	-0.69	-17.2	16.6	338	320	-1.85	-45.4	20.0	386	320	-1.43	-35.0	13.7
260	250	-1.13	-27.1	12.9	339	180	-1.72	-32.7	16.5	387	300	-1.65	-40.4	13.8
261	40	-1.13	-17.4	14.5	340	220	-1.14	-28.4	16.5	388	300	-1.79	-41.1	14.0
262	260	-0.82	-19.7	12.1	341	320	-1.24	-30.9	16.2	389	310	-1.94	-47.6	14.4
263	250	-0.82	-19.6	10.2	342	330	-1.45	-35.8	18.0	390	310	-1.66	-40.6	15.0
264	250	-0.84	-20.1	20.1	343	330	-1.46	-35.8	15.9	391	150	-2.23	-50.5	11.1
265	250	-0.74	-17.8	14.9	344	270	-1.80	-46.3	24.8	392	300	-1.37	-33.5	19.1
266	0	-1.05	-18.2	6.9	345	270	-1.80	-43.2	20.4	393	320	-1.65	-40.8	17.7
267	320	-1.04	-35.6	20.2	346	320	-1.54	-37.7	19.4	394	330	-1.38	-33.8	16.6
268	210	0.74	-11.7	18.4	347	210	-1.78	-44.6	19.5	395	220	-1.66	-41.5	17.7
269	240	0.61	-13.8	15.3	348	210	-1.54	-38.4	19.8	396	230	-1.52	-38.4	17.0
301	130	-1.73	-33.7	10.1	349	290	-1.31	-31.5	20.5	397	330	-1.81	-44.9	17.6
302	220	-1.00	-24.9	7.9	350	310	-1.33	-32.6	19.3	398	180	-1.85	-44.1	14.0
303	320	-1.80	-44.1	9.7	351	180	-1.72	-32.7	16.0	399	310	-1.93	-47.4	13.8
304	270	-2.46	-59.1	10.5	352	330	-1.30	-31.8	15.4	400	310	-1.57	-38.8	12.5
305	20	-1.70	-39.4	10.5	353	130	-1.93	-37.6	16.5	401	220	-1.39	-34.7	14.0
306	270	-1.54	-37.0	12.8	354	330	-1.45	-35.5	17.2	402	310	-1.46	-34.8	12.5
307	20	-1.48	-25.5	13.0	355	330	-1.66	-40.6	15.2	403	150	-2.23	-43.5	8.4
308	280	-2.06	-49.4	21.6	356	280	-2.02	-48.5	25.0	404	300	-1.55	-33.8	19.4
309	280	-1.56	-37.4	13.2	357	280	-1.88	-45.2	19.5	405	310	-1.17	-33.6	14.6
310	180	-1.45	-37.5	14.4	358	320	-1.75	-42.8	18.7	406	320	-1.23	-33.2	15.7
311	20	-1.83	-31.6	15.1	359	220	-1.56	-38.9	18.5	407	210	-1.74	-43.3	14.9
312	130	-1.89	-36.9	14.6	360	220	-1.64	-41.1	20.6	408	250	-1.51	-34.3	16.9
313	330	-1.28	-31.4	15.1	361	230	-1.28	-31.9	19.5	409	330	-1.34	-33.9	17.1
314	320	-2.16	-52.9	14.8	362	320	-1.42	-34.8	19.8	410	330	-1.40	-34.4	11.9
315	280	-1.50	-36.0	14.9	363	310	-1.53	-37.4	15.5	411	330	-1.41	-34.7	12.1
316	210	-1.09	-27.2	22.5	364	310	-1.75	-42.9	15.5	412	190	-2.06	-34.5	12.2
317	220	-1.18	-29.4	16.3	365	130	-1.94	-37.7	15.9	413	190	-1.82	-33.7	13.4
318	240	-1.03	-25.8	20.9	366	320	-1.53	-37.4	16.0	414	190	-1.78	-33.9	13.3
319	260	-1.60	-38.5	16.4	367	330	-1.84	-45.2	16.2	415	300	-1.77	-43.3	8.0
320	270	-2.09	-50.2	24.2	368	280	-1.82	-43.8	22.3	416	300	-1.32	-33.2	19.5
321	280	-1.54	-36.9	18.7	369	330	-1.80	-44.1	19.1	417	320	-1.91	-32.2	15.3
322	280	-1.50	-35.9	17.2	370	290	-1.93	-46.3	18.1	418	90	-1.75	-32.7	15.2
323	210	-1.85	-46.3	17.5	371	300	-1.89	-46.3	17.9	419	220	-1.78	-44.6	16.0

NEGATIVE PRESSURES ACT OUTWARD, POSITIVE PRESSURES ACT INWARD.

TABLE 6A. PEAK CLADDING LOADS FOR : LEXINGTON FINANCIAL CENTER  
 AVERAGE OF CONFIGURATIONS A AND B 100-YEAR RECURRENCE INTERVAL

TAP	AZI-MUTH	PRESS COEFF	NEGATIVE PEAK	POSITIVE PEAK	TAP	AZI-MUTH	PRESS COEFF	NEGATIVE PEAK	POSITIVE PEAK	TAP	AZI-MUTH	PRESS COEFF	NEGATIVE PEAK	POSITIVE PEAK
			-----	PSF				-----	PSF				-----	PSF
420	220	-1.16	-29.0	13.2	458	230	-.48	-12.0	8.8	921	220	-1.07	-26.9	5.3
421	220	-1.71	-29.5	14.9	459	240	-.60	-15.0	6.0	922	230	-1.28	-26.1	13.1
422	330	-1.67	-41.0	12.8	460	220	-.72	-18.0	8.1	923	210	-1.30	-26.6	14.4
423	230	-1.32	-32.9	11.3	461	210	-.86	-21.4	7.2	924	240	-1.31	-26.4	13.5
424	210	-1.37	-34.2	10.3	462	220	-.85	-21.3	8.4	925	240	-1.38	-26.4	13.3
425	130	-1.75	-34.0	13.4	463	210	-1.31	-32.7	8.2	926	240	-1.05	-26.3	12.7
426	180	-1.70	-32.4	11.2	464	230	-1.06	-26.4	10.0	927	240	-1.15	-26.8	15.4
427	180	-1.62	-30.7	6.9	465	220	-1.20	-29.9	8.4	928	230	-1.07	-26.7	11.4
428	310	-1.01	-24.8	15.3	466	250	-1.03	-24.7	13.9	929	180	-1.36	-26.8	12.7
429	330	-1.08	-26.4	12.6	467	320	-1.17	-28.8	14.2	930	280	-1.08	-26.0	1.8
430	10	-1.32	-22.8	8.5	468	220	-.70	-17.4	9.2	931	260	-1.62	-26.9	7.9
431	220	-1.44	-36.0	7.9	469	210	-.82	-20.6	7.5	932	280	-1.16	-26.9	7.1
432	220	-.82	-20.6	3.3	801	20	-1.01	-17.4	16.3	933	210	-1.20	-26.0	11.0
433	20	-1.34	-23.0	9.1	802	200	-.78	-14.9	9.0	934	220	-1.05	-26.3	12.6
434	210	-1.54	-38.5	6.3	803	230	-1.33	-33.4	3.3	935	210	-1.31	-26.8	19.0
435	220	-1.21	-30.1	7.8	804	230	-1.12	-27.9	10.1	936	210	-1.21	-26.0	11.5
436	200	-1.78	-33.8	9.5	805	210	-1.28	-32.1	4.1	937	240	-1.28	-26.4	7.8
437	230	-1.32	-33.0	9.8	901	20	-2.65	-45.7	2.4	938	230	-1.25	-26.5	15.8
438	210	-.94	-23.6	12.4	902	90	-2.49	-38.7	.6	939	290	-1.16	-26.9	13.7
439	180	-1.65	-31.3	5.7	903	20	-2.31	-39.9	4.7	940	210	-1.31	-26.7	11.4
440	250	-.64	-12.8	15.3	904	90	-1.98	-30.7	5.0	941	260	-1.45	-26.4	10.4
441	70	-.98	-15.2	14.7	905	220	-1.20	-29.9	12.2	942	260	-1.29	-26.8	11.4
442	50	-1.39	-21.6	6.9	906	20	-1.54	-26.6	1.1	943	250	-1.30	-26.2	12.1
443	240	-.84	-21.0	3.6	907	20	-1.72	-29.6	9.4	944	300	-1.47	-26.0	.6
444	210	-1.02	-25.4	16.0	908	230	-1.05	-26.2	15.5	945	250	-1.43	-26.3	.8
445	220	-.84	-21.0	2.7	909	20	-1.64	-28.3	12.5	946	270	-1.72	-26.3	2.6
446	210	-1.49	-37.2	3.4	910	280	-1.55	-37.2	19.0	947	280	-1.36	-26.6	3.6
447	210	-.99	-24.7	6.4	911	220	-.92	-23.0	13.2	948	320	-1.31	-26.1	13.0
448	230	-.94	-23.5	7.0	912	210	-1.12	-28.1	1.3	949	260	-1.49	-26.8	16.4
449	240	-1.08	-27.0	8.5	913	330	-1.55	-37.9	1.4	950	210	-1.47	-26.8	12.0
450	210	-.98	-22.1	9.5	914	280	-1.29	-31.0	.9	951	250	-1.71	-26.6	2.6
451	210	-.78	-19.6	6.4	915	270	-1.28	-30.8	1.7	952	260	-1.47	-26.3	.2
452	240	-.73	-18.5	9.1	916	280	-1.07	-25.8	8.1	953	210	-1.40	-26.1	9.1
453	220	-.72	-18.1	8.9	917	180	-1.87	-35.5	13.2	954	260	-2.24	-26.9	6.2
454	210	-.66	-16.5	6.8	918	240	-.97	-24.3	14.9	955	280	-1.84	-26.1	3.2
455	70	-1.28	-19.9	15.8	919	310	-1.06	-25.9	9.6	956	260	-3.00	-26.1	1.1
456	210	-.90	-13.4	22.6	920	230	-.99	-24.7	12.5	957	190	-2.89	-26.9	.5
457	20	-1.05	-18.2	10.3										

NEGATIVE PRESSURES ACT OUTWARD, POSITIVE PRESSURES ACT INWARD.

TABLE 6A. PEAK LOADS FOR : LEXINGTON FINANCIAL CENTER  
 LARGEST VALUES OF CLADDING LOAD 100-YEAR REFERENCE PRESSURE

\* \* 15 GREATEST PRESSURE MAGNITUDES \* \*

TAP	AZI- MUTH	PRESS COEFF	NEGATIVE PEAK ----- PSF	POSITIVE PEAK -----
956	280	-3.00	-71.9	1.1
377	300	-2.42	-59.3	15.8
304	270	-2.46	-59.1	10.5
957	190	-2.89	-54.9	- .5
954	260	-2.24	-53.9	6.2
314	320	-2.16	-52.9	14.8
112	310	-2.14	-52.4	26.3
376	300	-2.12	-51.8	14.5
122	290	-2.14	-51.5	22.0
170	220	-2.02	-50.6	21.9
320	270	-2.09	-50.2	24.2
332	270	-2.07	-49.7	25.3
308	280	-2.06	-49.4	21.6
137	250	-2.04	-48.9	24.8
326	180	-2.56	-48.6	17.4

APPENDIX A  
PRESSURE DATA

Note: Pressure coefficients are defined in Section 4.3.  
Pressure tap designation is explained in Figure 3.



WD	TAP	CPMEAN	CPRMS	CPMAX	CPMIN	WD	TAP	CPMEAN	CPRMS	CPMAX	CPMIN	WD	TAP	CPMEAN	CPRMS	CPMAX	CPMIN
0	101	-.399	.081	-.171	-.826	0	151	-.484	.159	-.171	-1.281	0	201	-.485	.144	-.092	-1.540
0	102	-.396	.083	-.090	-.914	0	152	-.461	.122	-.105	-1.096	0	202	-.490	.133	-.018	-1.224
0	103	-.396	.089	-.128	-1.071	0	153	-.425	.098	-.139	-.961	0	203	-.485	.131	-.113	-1.220
0	104	.113	.121	.524	-.269	0	154	-.404	.085	-.105	-.873	0	204	.198	.111	.720	-.128
0	105	-.434	.087	-.192	-.785	0	155	-.420	.104	-.158	-1.154	0	205	.327	.131	.803	-.011
0	106	.224	.134	.726	-.167	0	156	.246	.125	.726	-.123	0	206	-.109	.074	.205	-.342
0	107	-.480	.131	-.119	-.948	0	157	.502	.141	.965	-.121	0	207	-.727	.154	-.315	-1.427
0	108	.312	.129	.837	-.110	0	158	.350	.140	.843	-.158	0	208	-.300	.067	-.025	-.783
0	109	.240	.135	.653	-.203	0	159	.059	.171	.540	-.551	0	209	-.415	.088	-.182	-.754
0	110	-.519	.188	-.058	-1.187	0	160	.087	.093	.399	-.211	0	210	-.528	.130	-.221	-1.209
0	111	-.387	.089	-.119	-.764	0	161	-.209	.082	.013	-.744	0	211	-.527	.133	-.207	-1.236
0	112	-.403	.099	-.137	-1.028	0	162	-.492	.176	-.188	-1.849	0	212	-.580	.164	-.014	-1.450
0	113	-.371	.069	-.185	-.817	0	163	-.481	.148	-.165	-1.407	0	213	-.519	.159	-.092	-1.618
0	114	-.384	.077	-.176	-.957	0	164	-.470	.129	-.045	-1.511	0	214	-.524	.138	-.122	-1.242
0	115	.278	.143	.728	-.224	0	165	-.436	.113	-.089	-1.124	0	215	-.539	.142	-.128	-1.233
0	116	-.319	.136	.426	-.814	0	166	-.425	.098	-.188	-.899	0	216	.153	.100	.585	-.122
0	117	.158	.151	.530	-.510	0	167	-.441	.120	-.160	-1.810	0	217	.237	.124	.767	-.038
0	118	-.112	.122	.294	-.571	0	168	.243	.124	.643	-.231	0	218	-.157	.074	.283	-.383
0	119	-.521	.215	-.094	-1.300	0	169	.481	.139	.931	-.077	0	219	-.746	.151	-.381	-1.515
0	120	.317	.126	.694	-.235	0	170	.237	.132	.650	-.234	0	220	-.331	.073	-.108	-.837
0	121	.515	.157	.983	-.038	0	171	-.118	.171	.429	-.724	0	221	-.434	.087	-.182	-.801
0	122	.350	.143	.783	-.119	0	172	-.017	.082	.289	-.286	0	222	-.544	.125	-.223	-1.492
0	123	.008	.189	.530	-.535	0	173	-.263	.081	.017	-.691	0	223	-.552	.128	-.189	-1.146
0	124	.047	.105	.410	-.315	0	174	-.482	.149	-.222	-1.543	0	224	-.532	.130	-.180	-1.327
0	125	-.098	.092	-.199	-.512	0	175	-.489	.145	-.010	-1.791	0	225	-.529	.140	-.163	-1.356
0	126	-.508	.245	-.174	-1.969	0	176	-.474	.141	-.017	-1.329	0	226	-.515	.123	-.168	-1.131
0	127	-.447	.125	-.110	-.910	0	177	-.445	.127	-.056	-1.106	0	227	-.527	.147	-.123	-1.249
0	128	-.393	.084	-.099	-.798	0	178	-.436	.111	-.102	-1.168	0	228	.108	.085	.500	-.133
0	129	-.377	.079	-.140	-.719	0	179	-.455	.116	-.217	-1.281	0	229	-.188	.102	.643	-.156
0	130	-.374	.066	-.165	-.771	0	180	.240	.116	.675	-.098	0	230	-.131	.070	.202	-.408
0	131	-.389	.078	-.181	-.892	0	181	.431	.146	.977	-.040	0	231	-.670	.149	-.287	-1.493
0	132	.264	.124	.739	-.206	0	182	.100	.108	.441	-.254	0	232	-.300	.050	-.102	-.588
0	133	.570	.141	1.087	-.101	0	183	-.370	.136	.166	-.882	0	233	-.427	.084	-.178	-.829
0	134	.461	.154	.894	-.158	0	184	-.136	.055	.058	-.436	0	234	-.582	.137	-.291	-1.270
0	135	.178	.184	.764	-.535	0	185	-.303	.043	-.182	-.475	0	235	-.546	.125	-.116	-1.097
0	136	.190	.110	.590	-.128	0	186	-.473	.124	-.209	-1.457	0	236	-.492	.114	-.144	-.979
0	137	-.141	.095	.108	-.585	0	187	-.490	.136	-.212	-1.184	0	237	-.490	.112	-.180	-1.166
0	138	-.449	.144	-.149	-1.366	0	188	-.513	.150	-.054	-1.544	0	238	-.457	.104	-.111	-.950
0	139	-.486	.166	-.149	-1.484	0	189	-.470	.128	-.074	-1.044	0	239	-.459	.128	-.137	-1.432
0	140	-.441	.108	-.092	-.989	0	190	-.461	.130	-.016	-1.224	0	240	-.011	.057	.275	-.187
0	141	-.408	.093	-.117	-.821	0	191	-.465	.131	-.151	-1.236	0	241	-.090	.079	.489	-.147
0	142	-.389	.075	-.084	-.834	0	192	.217	.112	.623	-.081	0	242	-.064	.070	.299	-.284
0	143	-.413	.085	-.190	-.928	0	193	.378	.144	1.091	-.020	0	243	-.378	.096	-.085	-.931
0	144	.260	.127	.691	-.102	0	194	-.038	.080	.259	-.327	0	244	-.408	.130	-.071	-1.100
0	145	.533	.141	.931	-.118	0	195	-.609	.146	-.182	-1.260	0	245	-.476	.092	-.175	-.834
0	146	.413	.139	.885	-.029	0	196	-.240	.053	-.025	-.473	0	246	-.626	.167	-.275	-1.574
0	147	.162	.179	.813	-.379	0	197	-.375	.084	-.162	-.842	0	247	-.460	.095	-.149	-.870
0	148	.170	.102	.514	-.176	0	198	-.478	.120	-.171	-1.396	0	248	-.432	.087	-.189	-1.029
0	149	-.184	.093	.045	-.648	0	199	-.519	.132	-.126	-1.141	0	249	-.433	.088	-.182	-.877
0	150	-.480	.167	-.197	-1.313	0	200	-.548	.160	-.086	-1.398	0	250	-.427	.110	-.106	-1.040

WD	TAP	CPMEAN	CPRMS	CPMAX	CPMIN	WD	TAP	CPMEAN	CPRMS	CPMAX	CPMIN	WD	TAP	CPMEAN	CPRMS	CPMAX	CPMIN
0	251	-.364	.116	-.069	-1.052	0	332	-.389	.065	-.213	-.686	0	382	-.512	.105	-.202	-.962
0	252	-.373	.086	-.097	-.725	0	333	-.372	.048	-.228	-.599	0	383	-.557	.121	-.267	-1.183
0	253	-.393	.090	-.156	-.947	0	334	-.391	.057	-.215	-.788	0	384	-.537	.108	-.302	-1.309
0	254	-.343	.075	-.092	-.687	0	335	-.409	.070	-.242	-.802	0	385	-.529	.078	-.330	-.801
0	255	-.072	.069	-.453	-.135	0	336	-.386	.055	-.224	-.650	0	386	-.571	.118	-.154	-1.139
0	256	-.141	.086	-.569	-.071	0	337	-.399	.066	-.202	-.776	0	387	-.539	.108	-.242	-1.098
0	257	-.011	.075	-.389	-.258	0	338	-.416	.086	-.055	-1.196	0	388	-.523	.098	-.240	-1.084
0	258	-.169	.067	-.142	-.305	0	339	-.389	.058	-.200	-.734	0	389	-.359	.065	-.143	-.675
0	259	-.309	.068	-.028	-.576	0	340	-.375	.055	-.220	-.608	0	390	-.074	.060	.189	-.247
0	260	-.446	.078	-.197	-.825	0	341	-.258	.050	-.049	-.739	0	391	-.186	.157	.365	-.744
0	261	-.492	.096	-.253	-.882	0	342	-.017	.073	-.320	-.211	0	392	-.489	.110	-.168	-1.164
0	262	-.406	.080	-.175	-.808	0	343	-.197	.172	-.428	-.912	0	393	-.469	.092	-.176	-.840
0	263	-.374	.085	-.154	-.867	0	344	-.397	.074	-.224	-.836	0	394	-.521	.109	-.249	-1.056
0	264	-.250	.057	-.042	-.371	0	345	-.386	.055	-.217	-.757	0	395	-.559	.117	-.251	-1.131
0	265	-.306	.084	-.001	-.758	0	346	-.404	.061	-.206	-.672	0	396	-.588	.135	-.251	-1.326
0	266	-.397	.104	-.142	-1.053	0	347	-.427	.075	-.195	-1.177	0	397	-.590	.120	-.256	-1.109
0	267	-.420	.082	-.185	-.777	0	348	-.404	.060	-.217	-.663	0	398	-.609	.137	-.203	-1.298
0	268	-.313	.074	-.119	-.642	0	349	-.416	.069	-.186	-.665	0	399	-.586	.118	-.203	-1.071
0	269	-.308	.067	-.076	-.604	0	350	-.443	.079	-.186	-.937	0	400	-.575	.108	-.310	-1.157
0	301	-.282	.053	-.115	-.508	0	351	-.404	.059	-.231	-.676	0	401	-.390	.071	-.187	-.715
0	302	-.187	.068	-.100	-.430	0	352	-.390	.059	-.211	-.703	0	402	-.087	.058	.153	-.291
0	303	-.295	.145	-.275	-.874	0	353	-.269	.047	-.076	-.546	0	403	-.180	.154	.316	-.825
0	304	-.374	.072	-.143	-.810	0	354	-.009	.071	-.230	-.262	0	404	-.490	.106	-.176	-.898
0	305	-.421	.064	-.228	-.661	0	355	-.208	.160	-.293	-.811	0	405	-.474	.094	-.165	-.818
0	306	-.365	.066	-.169	-.701	0	356	-.414	.082	-.217	-1.103	0	406	-.501	.097	-.126	-.953
0	307	-.414	.067	-.177	-.763	0	357	-.404	.065	-.175	-.764	0	407	-.501	.096	-.216	-.966
0	308	-.378	.073	-.173	-.812	0	358	-.432	.074	-.193	-.845	0	408	-.557	.115	-.236	-1.102
0	309	-.370	.066	-.162	-.728	0	359	-.475	.105	-.231	-1.175	0	409	-.584	.113	-.302	-1.276
0	310	-.423	.064	-.253	-.652	0	360	-.439	.077	-.202	-.885	0	410	-.582	.118	-.209	-1.260
0	311	-.403	.060	-.242	-.752	0	361	-.438	.073	-.206	-.775	0	411	-.581	.108	-.293	-1.100
0	312	-.267	.048	-.080	-.486	0	362	-.467	.088	-.217	-.899	0	412	-.590	.112	-.278	-1.069
0	313	-.025	.078	-.264	-.255	0	363	-.428	.070	-.229	-.912	0	413	-.399	.070	-.176	-.728
0	314	-.114	.168	-.535	-.823	0	364	-.423	.071	-.226	-.872	0	414	-.100	.057	.294	-.286
0	315	-.368	.062	-.191	-.659	0	365	-.279	.050	-.087	-.519	0	415	-.148	.161	.400	-.801
0	316	-.406	.077	-.180	-.803	0	366	-.016	.069	-.306	-.222	0	416	-.463	.102	-.183	-.920
0	317	-.418	.078	-.222	-.845	0	367	-.222	.166	-.417	-.782	0	417	-.432	.109	-.157	-.873
0	318	-.424	.064	-.231	-.714	0	368	-.434	.090	-.177	-.903	0	418	-.456	.120	-.119	-.959
0	319	-.422	.066	-.240	-.801	0	369	-.430	.071	-.204	-.719	0	419	-.433	.090	-.170	-.814
0	320	-.378	.061	-.220	-.688	0	370	-.465	.087	-.229	-.827	0	420	-.481	.097	-.229	-.900
0	321	-.365	.053	-.197	-.601	0	371	-.527	.123	-.177	-1.103	0	421	-.585	.135	-.258	-1.254
0	322	-.374	.058	-.182	-.606	0	372	-.493	.099	-.267	-1.011	0	422	-.552	.118	-.205	-1.056
0	323	-.398	.045	-.215	-.701	0	373	-.481	.087	-.208	-.912	0	423	-.600	.131	-.214	-1.287
0	324	-.406	.064	-.191	-.801	0	374	-.519	.106	-.215	-1.407	0	424	-.598	.118	-.349	-1.158
0	325	-.409	.064	-.211	-.734	0	375	-.486	.090	-.253	-.928	0	425	-.391	.070	-.171	-.728
0	326	-.435	.078	-.157	-.976	0	376	-.465	.087	-.253	-1.007	0	426	-.114	.048	.089	-.310
0	327	-.408	.059	-.202	-.659	0	377	-.311	.057	-.159	-.561	0	427	-.151	.140	.294	-.726
0	328	-.392	.056	-.228	-.739	0	378	-.036	.067	-.246	-.244	0	428	-.372	.085	-.117	-.781
0	329	-.257	.043	-.133	-.464	0	379	-.188	.167	-.342	-.953	0	429	-.352	.104	-.122	-.779
0	330	-.032	.074	-.309	-.231	0	380	-.451	.097	-.164	-.988	0	430	-.424	.145	-.108	-1.178
0	331	-.155	.174	-.490	-.794	0	381	-.449	.081	-.188	-.802	0	431	-.409	.110	-.052	-.884

WD	TAP	CPMEAN	CPRMS	CPMAX	CPMIN	WD	TAP	CPMEAN	CPRMS	CPMAX	CPMIN	WD	TAP	CPMEAN	CPRMS	CPMAX	CPMIN
0	432	-.375	.084	-.078	-.726	0	908	-.479	.133	-.134	-1.035	10	101	-.375	.066	-.185	-.757
0	433	-.606	.133	-.117	-1.322	0	909	-.465	.080	-.232	-.918	10	102	-.367	.072	-.149	-.748
0	434	-.366	.082	-.150	-.839	0	910	-.443	.141	-.031	-1.011	10	103	-.360	.073	-.147	-.868
0	435	-.465	.143	-.085	-1.032	0	911	-.148	.163	-.196	-.979	10	104	-.181	.133	-.577	-.292
0	436	-.659	.149	-.322	-1.599	0	912	-.405	.063	-.157	-.707	10	105	-.379	.073	-.178	-.721
0	437	-.412	.075	-.212	-.709	0	913	-.879	.165	-.285	-1.465	10	106	-.182	.123	-.586	-.308
0	438	-.123	.041	-.082	-.250	0	914	-.386	.071	-.067	-.693	10	107	-.382	.091	-.067	-.952
0	439	-.134	.114	-.259	-.679	0	915	-.503	.118	-.181	-1.146	10	108	-.442	.145	-.958	-.017
0	440	-.300	.068	-.124	-.726	0	916	-.465	.088	-.223	-.836	10	109	-.155	.124	-.602	-.349
0	441	-.270	.060	-.106	-.619	0	917	-.478	.081	-.237	-.831	10	110	-.387	.092	-.122	-.889
0	442	-.279	.076	-.048	-.707	0	918	-.304	.247	-.359	-1.111	10	111	-.357	.078	-.108	-.734
0	443	-.285	.072	-.045	-.728	0	919	-.598	.110	-.221	-1.036	10	112	-.349	.067	-.147	-.623
0	444	-.340	.098	-.085	-.930	0	920	-.473	.078	-.242	-.819	10	113	-.349	.062	-.167	-.775
0	445	-.226	.072	-.052	-.658	0	921	-.681	.115	-.308	-1.154	10	114	-.360	.060	-.194	-.689
0	446	-.196	.067	-.071	-.561	0	922	-.312	.080	-.110	-.723	10	115	-.178	.126	-.564	-.201
0	447	-.287	.069	-.057	-.688	0	923	-.374	.099	-.072	-.951	10	116	-.473	.135	-.047	-.997
0	448	-.305	.066	-.143	-.723	0	924	-.546	.133	-.131	-1.182	10	117	-.083	.149	-.493	-.664
0	449	-.234	.039	-.089	-.475	0	925	-.475	.161	-.065	-1.109	10	118	-.137	.128	-.223	-.684
0	450	-.093	.040	-.147	-.217	0	926	-.051	.127	-.305	-.730	10	119	-.370	.087	-.065	-1.322
0	451	-.143	.074	.141	-.528	0	927	-.031	.070	.218	-.244	10	120	-.453	.152	-.918	-.017
0	452	-.093	.039	.115	-.284	0	928	-.121	.058	.107	-.291	10	121	-.526	.156	1.015	-.021
0	453	-.094	.044	.127	-.240	0	929	-.371	.054	-.181	-.581	10	122	-.201	.132	-.623	-.190
0	454	-.072	.057	.252	-.289	0	930	-.645	.109	-.315	-1.008	10	123	-.316	.168	-.484	-.966
0	455	-.268	.062	-.071	-.535	0	931	-.531	.114	-.201	-1.213	10	124	-.075	.089	-.221	-.367
0	456	-.267	.063	-.096	-.556	0	932	-.475	.077	-.231	-.791	10	125	-.135	.069	-.212	-.451
0	457	-.292	.107	-.038	-.886	0	933	-.423	.076	-.213	-.871	10	126	-.359	.065	-.176	-.851
0	458	-.273	.066	-.075	-.568	0	934	-.397	.064	-.176	-.653	10	127	-.377	.083	-.185	-1.281
0	459	-.223	.055	-.022	-.472	0	935	-.374	.091	-.141	-.851	10	128	-.371	.077	-.169	-.759
0	460	-.037	.072	.333	-.305	0	936	-.427	.119	-.125	-.978	10	129	-.358	.062	-.190	-.716
0	461	-.067	.079	.366	-.349	0	937	-.408	.088	-.056	-.701	10	130	-.356	.056	-.194	-.634
0	462	-.268	.060	-.055	-.642	0	938	-.227	.059	-.013	-.422	10	131	-.361	.057	-.212	-.648
0	463	-.205	.046	-.017	-.412	0	939	-.573	.082	-.300	-.885	10	132	-.415	.145	-.884	-.022
0	464	-.261	.079	-.022	-.540	0	940	-.409	.075	-.127	-.814	10	133	-.576	.152	1.008	-.085
0	465	-.157	.109	.285	-.551	0	941	-.582	.162	-.192	-1.275	10	134	-.304	.141	-.734	-.176
0	466	.021	.115	.447	-.388	0	942	-.186	.048	-.023	-.348	10	135	-.138	.190	-.477	-.895
0	467	.144	.111	.721	-.137	0	943	-.329	.046	-.176	-.524	10	136	-.076	.086	-.339	-.187
0	468	-.030	.066	.331	-.273	0	944	-.496	.075	-.261	-.874	10	137	-.171	.055	-.010	-.396
0	469	-.098	.068	.189	-.300	0	945	-.524	.141	-.178	-1.342	10	138	-.371	.057	-.183	-.671
0	801	-.418	.096	-.107	-.883	0	946	-.429	.094	-.171	-.909	10	139	-.379	.065	-.185	-.963
0	802	-.085	.042	-.135	-.208	0	947	-.406	.084	-.188	-.853	10	140	-.393	.074	-.174	-.907
0	803	-.378	.098	-.076	-.785	0	948	-.413	.086	-.146	-.921	10	141	-.378	.062	-.165	-.671
0	804	-.532	.162	-.095	-1.218	0	949	-.312	.075	-.093	-.627	10	142	-.381	.052	-.170	-.619
0	805	-.513	.128	-.154	-1.060	0	950	-.401	.076	-.195	-.785	10	143	-.387	.061	-.230	-.895
0	901	-1.306	.368	-.312	-2.355	0	951	-.296	.058	-.090	-.506	10	144	-.419	.148	-.932	-.083
0	902	-.615	.112	-.276	-1.019	0	952	-.507	.097	-.166	-.904	10	145	-.528	.147	-.989	-.140
0	903	-.975	.228	-.161	-1.693	0	953	-.406	.073	-.178	-.870	10	146	-.273	.140	-.803	-.177
0	904	-.426	.068	-.125	-.704	0	954	-.353	.047	-.187	-.551	10	147	-.137	.175	-.403	-.741
0	905	-.606	.140	-.060	-1.132	0	955	-.398	.079	-.146	-.798	10	148	-.057	.087	-.472	-.186
0	906	-.442	.084	-.204	-.835	0	956	-.498	.100	-.193	-.933	10	149	-.212	.055	-.011	-.541
0	907	-.450	.074	-.225	-.760	0	957	-.424	.088	-.042	-.856	10	150	-.382	.061	-.214	-.704

WD	TAP	CPMEAN	CPRMS	CPMAX	CPMIN	WD	TAP	CPMEAN	CPRMS	CPMAX	CPMIN	WD	TAP	CPMEAN	CPRMS	CPMAX	CPMIN
10	151	-.398	.067	-.182	-.734	10	201	-.462	.110	-.086	-1.072	10	251	-.417	.130	-.103	-1.142
10	152	-.409	.088	-.186	-1.164	10	202	-.450	.095	-.113	-.862	10	252	-.400	.077	-.222	-.769
10	153	-.393	.076	-.184	-.909	10	203	-.496	.112	-.154	-1.206	10	253	-.411	.091	-.215	-.938
10	154	-.381	.063	-.219	-.810	10	204	-.223	.112	.667	-.077	10	254	-.394	.092	-.189	-1.000
10	155	-.399	.068	-.237	-1.212	10	205	-.341	.132	.854	-.019	10	255	.093	.073	.438	-.103
10	156	.386	.143	.936	-.023	10	206	-.080	.081	.336	-.329	10	256	.171	.096	.665	-.053
10	157	.505	.145	.975	-.092	10	207	-.701	.141	-.257	-1.263	10	257	.022	.077	.407	-.212
10	158	.202	.140	.642	-.189	10	208	-.290	.063	.022	-.538	10	258	-.124	.071	.217	-.400
10	159	-.240	.176	.285	-1.015	10	209	-.396	.079	-.179	-.795	10	259	-.286	.062	-.053	-.551
10	160	-.005	.078	.228	-.251	10	210	-.474	.114	-.230	-1.042	10	260	-.452	.086	-.181	-.867
10	161	-.239	.052	-.060	-.660	10	211	-.506	.129	-.149	-1.074	10	261	-.533	.109	-.262	-.981
10	162	-.406	.079	-.223	-1.205	10	212	-.519	.160	-.075	-1.643	10	262	-.410	.079	-.143	-.786
10	163	-.405	.086	-.214	-1.042	10	213	-.483	.133	-.176	-1.555	10	263	-.380	.071	-.155	-.663
10	164	-.424	.098	-.147	-1.079	10	214	-.491	.121	-.172	-1.371	10	264	-.256	.062	-.065	-.646
10	165	-.407	.079	-.216	-.962	10	215	-.529	.130	-.174	-1.292	10	265	-.277	.066	-.005	-.619
10	166	-.402	.068	-.173	-.812	10	216	.181	.107	.620	-.095	10	266	-.364	.092	-.041	-.865
10	167	-.414	.070	-.205	-.796	10	217	.269	.120	.822	-.006	10	267	-.394	.078	-.163	-.743
10	168	.360	.140	.844	-.099	10	218	-.115	.076	-.237	-.323	10	268	-.334	.087	-.109	-.649
10	169	.453	.144	1.090	-.062	10	219	-.709	.146	-.280	-1.283	10	269	-.337	.087	-.108	-.800
10	170	.120	.115	.538	-.207	10	220	-.289	.058	-.077	-.590	10	301	-.296	.065	-.058	-.654
10	171	-.365	.161	.191	-1.118	10	221	-.415	.083	-.194	-.919	10	302	-.114	.091	.145	-.467
10	172	-.088	.062	-.186	-.290	10	222	-.509	.115	-.237	-1.033	10	303	-.024	.144	.374	-.651
10	173	-.273	.055	-.083	-.623	10	223	-.529	.128	-.201	-1.112	10	304	-.359	.065	-.154	-.667
10	174	-.410	.076	-.202	-.969	10	224	-.536	.142	-.015	-1.365	10	305	-.523	.091	-.242	-.996
10	175	-.425	.091	-.212	-1.180	10	225	-.511	.138	-.117	-1.320	10	306	-.355	.065	-.170	-.728
10	176	-.435	.117	-.115	-1.539	10	226	-.511	.125	-.153	-1.841	10	307	-.525	.106	-.256	-1.162
10	177	-.420	.085	-.182	-.952	10	227	-.532	.153	-.058	-1.161	10	308	-.357	.062	-.166	-.784
10	178	-.419	.079	-.179	-1.130	10	228	-.136	.090	.509	-.115	10	309	-.376	.068	-.166	-.757
10	179	-.431	.076	-.244	-.950	10	229	.229	.111	.717	-.034	10	310	-.518	.101	-.206	-1.097
10	180	.318	.127	.828	-.131	10	230	-.073	.076	-.226	-.326	10	311	-.497	.109	-.269	-1.691
10	181	.419	.148	.948	-.055	10	231	-.622	.134	-.170	-1.275	10	312	-.263	.067	-.042	-.564
10	182	.020	.095	.354	-.276	10	232	-.265	.044	-.110	-.430	10	313	.137	.095	.435	-.150
10	183	-.538	.125	-.057	-.973	10	233	-.433	.078	-.234	-.746	10	314	.200	.179	.705	-.683
10	184	-.184	.041	-.046	-.350	10	234	-.537	.120	-.283	-1.365	10	315	-.383	.068	-.159	-.710
10	185	-.304	.029	-.224	-.431	10	235	-.550	.123	-.136	-1.120	10	316	-.459	.086	-.208	-.795
10	186	-.407	.075	-.239	-.903	10	236	-.505	.120	-.158	-1.130	10	317	-.465	.083	-.125	-.795
10	187	-.430	.084	-.215	-.959	10	237	-.509	.121	-.158	-1.099	10	318	-.468	.078	-.184	-.820
10	188	-.454	.114	-.172	-1.269	10	238	-.492	.118	-.153	-1.230	10	319	-.505	.106	-.181	-1.214
10	189	-.423	.090	-.174	-1.112	10	239	-.506	.156	-.068	-1.452	10	320	-.359	.057	-.204	-.874
10	190	-.436	.086	-.170	-1.195	10	240	-.002	.063	.307	-.196	10	321	-.360	.055	-.179	-.622
10	191	-.458	.089	-.224	-1.004	10	241	-.110	.085	.502	-.094	10	322	-.404	.068	-.166	-.690
10	192	.285	.122	.755	-.068	10	242	-.028	.085	.373	-.288	10	323	-.458	.092	-.197	-.852
10	193	.372	.139	1.067	-.010	10	243	-.316	.099	.165	-.834	10	324	-.441	.077	-.202	-.888
10	194	-.072	.081	-.318	-.444	10	244	-.338	.121	-.015	-.893	10	325	-.458	.093	-.089	-.901
10	195	-.633	.131	-.253	-1.404	10	245	-.451	.092	-.198	-.931	10	326	-.518	.128	-.100	-1.254
10	196	-.254	.052	-.086	-.572	10	246	-.598	.170	-.269	-1.559	10	327	-.484	.102	-.181	-1.101
10	197	-.373	.071	-.181	-.685	10	247	-.499	.106	-.172	-.914	10	328	-.474	.105	-.249	-1.187
10	198	-.437	.096	-.190	-1.179	10	248	-.451	.105	-.167	-.997	10	329	-.238	.066	-.022	-.555
10	199	-.444	.104	-.212	-1.002	10	249	-.466	.101	-.146	-.900	10	330	.144	.098	.444	-.289
10	200	-.501	.139	-.206	-1.562	10	250	-.475	.123	-.191	-1.189	10	331	.169	.177	.676	-.438

WD	TAP	CPMEAN	CPRMS	CPMAX	CPMIN	WD	TAP	CPMEAN	CPRMS	CPMAX	CPMIN	WD	TAP	CPMEAN	CPRMS	CPMAX	CPMIN
10	332	-.372	.055	-.211	-.694	10	382	-.590	.136	-.271	-1.384	10	432	-.388	.098	-.132	-.812
10	333	-.386	.051	-.211	-.584	10	383	-.645	.155	-.263	-1.507	10	433	-.665	.149	-.264	-1.325
10	334	-.428	.075	-.134	-.768	10	384	-.600	.110	-.317	-1.077	10	434	-.359	.079	-.137	-.751
10	335	-.477	.103	-.161	-1.097	10	385	-.598	.083	-.388	-.912	10	435	-.437	.195	-.007	-1.184
10	336	-.427	.084	-.087	-1.092	10	386	-.649	.129	-.261	-1.155	10	436	-.747	.180	-.313	-1.775
10	337	-.436	.095	-.098	-.915	10	387	-.659	.131	-.196	-1.233	10	437	-.433	.082	-.221	-.836
10	338	-.505	.131	-.085	-1.322	10	388	-.622	.128	-.270	-1.364	10	438	-.105	.041	-.070	-.238
10	339	-.480	.112	-.206	-1.205	10	389	-.390	.081	-.129	-.693	10	439	-.111	.113	-.282	-.697
10	340	-.459	.110	-.240	-1.205	10	390	-.017	.071	-.272	-.223	10	440	-.336	.078	-.118	-.739
10	341	-.242	.075	-.049	-.777	10	391	-.026	.145	-.448	-.838	10	441	-.295	.084	-.045	-.758
10	342	.144	.088	.420	-.127	10	392	-.488	.092	-.221	-.981	10	442	-.312	.106	-.019	-1.090
10	343	.124	.172	.591	-.563	10	393	-.520	.110	-.192	-1.266	10	443	-.298	.096	-.014	-.800
10	344	-.403	.064	-.212	-.802	10	394	-.572	.128	-.118	-1.420	10	444	-.365	.108	-.099	-1.007
10	345	-.414	.057	-.230	-.643	10	395	-.610	.145	-.259	-1.224	10	445	-.251	.093	-.082	-.866
10	346	-.466	.080	-.234	-.811	10	396	-.621	.138	-.198	-1.384	10	446	-.194	.065	-.124	-.476
10	347	-.499	.105	-.221	-1.135	10	397	-.624	.135	-.236	-1.299	10	447	-.279	.076	-.009	-.767
10	348	-.457	.086	-.189	-1.067	10	398	-.636	.147	-.174	-1.351	10	448	-.303	.065	-.118	-.650
10	349	-.470	.100	-.102	-1.067	10	399	-.676	.135	-.245	-1.308	10	449	-.219	.045	-.043	-.450
10	350	-.522	.125	-.118	-1.252	10	400	-.665	.123	-.359	-1.398	10	450	-.057	.047	-.127	-.172
10	351	-.499	.124	-.246	-1.331	10	401	-.420	.081	-.181	-.753	10	451	-.122	.080	-.176	-.600
10	352	-.480	.120	-.253	-1.101	10	402	-.069	.061	-.232	-.277	10	452	-.068	.042	-.141	-.191
10	353	-.272	.079	-.068	-.691	10	403	-.081	.136	-.408	-.740	10	453	-.070	.045	-.160	-.205
10	354	.106	.092	.470	-.173	10	404	-.493	.101	-.223	-.996	10	454	-.060	.064	-.395	-.264
10	355	.066	.181	.703	-.622	10	405	-.500	.105	-.190	-.961	10	455	-.278	.071	-.061	-.633
10	356	-.417	.068	-.223	-.912	10	406	-.545	.110	-.232	-.996	10	456	-.296	.090	-.111	-.772
10	357	-.426	.065	-.214	-.736	10	407	-.542	.113	-.239	-.994	10	457	-.327	.128	-.057	-.984
10	358	-.493	.091	-.225	-.921	10	408	-.596	.130	-.227	-1.275	10	458	-.292	.081	-.113	-.694
10	359	-.519	.124	-.232	-1.359	10	409	-.625	.134	-.265	-1.224	10	459	-.221	.060	-.043	-.556
10	360	-.490	.097	-.198	-.969	10	410	-.620	.133	-.178	-1.369	10	460	-.051	.089	-.376	-.353
10	361	-.493	.110	-.161	-1.448	10	411	-.643	.137	-.107	-1.248	10	461	-.088	.076	-.381	-.341
10	362	-.546	.132	-.136	-1.430	10	412	-.652	.122	-.303	-1.507	10	462	-.254	.062	-.047	-.709
10	363	-.534	.130	-.253	-1.227	10	413	-.429	.076	-.185	-.762	10	463	-.205	.049	-.026	-.457
10	364	-.529	.144	-.239	-1.329	10	414	-.101	.057	-.165	-.270	10	464	-.190	.076	-.155	-.456
10	365	-.282	.073	-.093	-.656	10	415	-.105	.139	-.463	-.611	10	465	-.028	.101	-.425	-.330
10	366	.063	.095	.427	-.239	10	416	-.491	.115	-.138	-.905	10	466	.054	.138	.667	-.429
10	367	.042	.174	.641	-.618	10	417	-.461	.119	-.134	-.916	10	467	.214	.127	.820	-.084
10	368	-.446	.085	-.228	-1.160	10	418	-.481	.133	-.116	-.994	10	468	-.013	.075	.347	-.185
10	369	-.476	.087	-.207	-.962	10	419	-.464	.104	-.154	-.838	10	469	-.093	.070	.191	-.375
10	370	-.534	.112	-.239	-1.108	10	420	-.502	.109	-.205	-.947	10	801	-.431	.100	-.152	-.904
10	371	-.591	.144	-.218	-1.350	10	421	-.654	.148	-.281	-1.340	10	802	-.052	.052	-.257	-.196
10	372	-.544	.115	-.237	-1.190	10	422	-.561	.140	-.219	-1.284	10	803	-.385	.115	-.063	-1.058
10	373	-.536	.117	-.218	-1.083	10	423	-.666	.162	-.098	-1.482	10	804	-.483	.157	-.115	-1.277
10	374	-.597	.135	-.187	-1.211	10	424	-.672	.144	-.337	-1.565	10	805	-.539	.160	-.164	-1.252
10	375	-.600	.141	-.271	-1.343	10	425	-.427	.074	-.221	-.807	10	901	-.941	.359	-.313	-2.549
10	376	-.591	.137	-.303	-1.281	10	426	-.110	.046	-.110	-.264	10	902	-.619	.120	-.296	-1.154
10	377	-.346	.083	-.120	-.686	10	427	-.123	.132	-.313	-.659	10	903	-.915	.234	-.406	-1.969
10	378	.023	.082	.327	-.214	10	428	-.415	.106	-.092	-.864	10	904	-.538	.097	-.231	-1.045
10	379	.009	.165	.511	-.620	10	429	-.403	.134	-.050	-.989	10	905	-.722	.134	-.301	-1.341
10	380	-.472	.088	-.225	-.890	10	430	-.490	.205	-.118	-1.323	10	906	-.632	.132	-.248	-1.172
10	381	-.519	.103	-.218	-.967	10	431	-.439	.145	-.083	-.911	10	907	-.531	.111	-.273	-1.188

WD	TAP	CPMEAN	CPRMS	CPMAX	CPMIN	WD	TAP	CPMEAN	CPRMS	CPMAX	CPMIN	WD	TAP	CPMEAN	CPRMS	CPMAX	CPMIN
10	908	-.634	.120	-.215	-1.186	20	101	-.344	.058	-.176	-.644	20	151	-.365	.052	-.202	-.833
10	909	-.589	.099	-.250	-1.003	20	102	-.332	.057	-.130	-.614	20	152	-.380	.056	-.243	-.732
10	910	-.589	.133	-.125	-1.304	20	103	-.333	.062	-.124	-.911	20	153	-.367	.054	-.218	-.752
10	911	-.430	.204	.139	-1.133	20	104	-.147	.128	-.632	-.372	20	154	-.352	.047	-.232	-.560
10	912	-.432	.090	-.206	-.943	20	105	-.351	.063	-.158	-.623	20	155	-.385	.053	-.220	-.656
10	913	-.746	.148	-.340	-1.416	20	106	-.082	.115	-.448	-.266	20	156	-.446	.155	-.878	-.014
10	914	-.499	.109	-.176	-.982	20	107	-.353	.068	-.158	-.653	20	157	-.473	.136	-.926	-.018
10	915	-.529	.107	-.180	-1.112	20	108	-.473	.151	-.921	-.020	20	158	-.053	.120	-.468	-.326
10	916	-.534	.091	-.173	-.990	20	109	-.043	.111	-.539	-.406	20	159	-.487	.164	-.073	-1.124
10	917	-.536	.110	-.166	-1.072	20	110	-.345	.063	-.171	-.657	20	160	-.103	.070	-.108	-.532
10	918	-.559	.167	-.177	-1.152	20	111	-.342	.062	-.148	-.621	20	161	-.269	.045	-.119	-.445
10	919	-.544	.093	-.175	-.983	20	112	-.330	.055	-.117	-.558	20	162	-.372	.053	-.154	-.757
10	920	-.517	.090	-.225	-1.032	20	113	-.326	.045	-.176	-.506	20	163	-.384	.057	-.207	-.734
10	921	-.679	.107	-.253	-1.016	20	114	-.340	.048	-.196	-.565	20	164	-.391	.067	-.218	-.897
10	922	-.284	.089	-.070	-.894	20	115	-.038	.115	-.467	-.329	20	165	-.380	.057	-.227	-.709
10	923	-.351	.107	-.072	-1.105	20	116	-.606	.124	-.110	-1.026	20	166	-.382	.054	-.216	-.796
10	924	-.507	.132	-.140	-1.166	20	117	-.091	.179	-.410	-.804	20	167	-.401	.058	-.243	-.713
10	925	-.423	.166	.008	-1.187	20	118	-.112	.134	-.238	-.630	20	168	-.407	.154	-.903	-.083
10	926	-.198	.131	.224	-.760	20	119	-.340	.056	-.162	-.619	20	169	-.436	.147	-.942	-.082
10	927	-.091	.078	.236	-.574	20	120	-.557	.156	1.039	-.057	20	170	-.005	.106	-.394	-.323
10	928	-.159	.053	-.038	-.445	20	121	-.453	.140	-.923	-.030	20	171	-.546	.136	-.094	-1.156
10	929	-.369	.051	-.192	-.544	20	122	-.029	.114	-.557	-.381	20	172	-.156	.061	-.016	-.787
10	930	-.559	.103	-.253	-.917	20	123	-.575	.138	-.087	-1.152	20	173	-.293	.046	-.117	-.585
10	931	-.563	.117	-.221	-1.143	20	124	-.198	.078	.141	-.583	20	174	-.379	.061	-.161	-.745
10	932	-.524	.090	-.296	-.930	20	125	-.183	.055	.003	-.429	20	175	-.392	.071	-.211	-.915
10	933	-.490	.097	-.200	-.902	20	126	-.335	.045	-.191	-.534	20	176	-.411	.084	-.181	-1.073
10	934	-.438	.071	-.215	-.880	20	127	-.334	.052	-.173	-.551	20	177	-.393	.069	-.174	-1.007
10	935	-.418	.117	-.120	-1.168	20	128	-.347	.057	-.121	-.784	20	178	-.406	.068	-.147	-.947
10	936	-.467	.129	-.147	-.994	20	129	-.337	.048	-.194	-.537	20	179	-.434	.071	-.207	-.906
10	937	-.306	.107	-.066	-.654	20	130	-.337	.045	-.196	-.513	20	180	-.360	.138	-.855	-.004
10	938	-.242	.046	-.058	-.459	20	131	-.345	.048	-.210	-.603	20	181	-.393	.132	-.890	-.027
10	939	-.536	.080	-.195	-.858	20	132	-.550	.151	-.998	-.139	20	182	-.056	.088	-.319	-.379
10	940	-.461	.086	-.230	-.849	20	133	-.534	.141	-.982	-.112	20	183	-.622	.124	-.301	-1.222
10	941	-.446	.082	-.207	-.950	20	134	-.111	.121	-.505	-.284	20	184	-.210	.039	-.077	-.393
10	942	-.225	.043	-.053	-.416	20	135	-.446	.165	.202	-1.137	20	185	-.295	.026	-.236	-.435
10	943	-.345	.047	-.181	-.546	20	136	-.032	.069	-.182	-.501	20	186	-.384	.061	-.225	-.664
10	944	-.506	.080	-.218	-.833	20	137	-.215	.042	-.063	-.463	20	187	-.385	.070	-.182	-.879
10	945	-.558	.145	-.138	-1.214	20	138	-.343	.045	-.225	-.544	20	188	-.407	.090	-.214	-1.222
10	946	-.505	.136	-.142	-1.165	20	139	-.353	.048	-.214	-.544	20	189	-.406	.080	-.160	-.968
10	947	-.453	.113	-.111	-1.102	20	140	-.353	.051	-.212	-.603	20	190	-.414	.071	-.175	-.856
10	948	-.465	.096	-.181	-.899	20	141	-.357	.046	-.214	-.531	20	191	-.448	.078	-.229	-.881
10	949	-.316	.054	-.142	-.548	20	142	-.354	.044	-.202	-.553	20	192	-.272	.117	-.714	-.068
10	950	-.441	.100	-.150	-.945	20	143	-.360	.047	-.204	-.583	20	193	-.361	.133	-.848	-.034
10	951	-.304	.047	-.128	-.505	20	144	-.493	.156	-.933	-.048	20	194	-.082	.092	-.288	-.312
10	952	-.464	.088	-.101	-.979	20	145	-.527	.139	1.025	-.142	20	195	-.643	.128	-.205	-1.177
10	953	-.401	.084	-.162	-.894	20	146	-.075	.123	-.520	-.296	20	196	-.248	.053	-.039	-.554
10	954	-.359	.049	-.170	-.580	20	147	-.458	.171	-.121	-1.160	20	197	-.329	.056	-.171	-.623
10	955	-.386	.075	-.164	-.744	20	148	-.059	.077	-.167	-.489	20	198	-.387	.071	-.153	-.836
10	956	-.464	.095	-.163	-.866	20	149	-.244	.043	-.094	-.447	20	199	-.399	.084	-.209	-.982
10	957	-.388	.074	-.133	-.788	20	150	-.361	.048	-.232	-.624	20	200	-.439	.120	-.119	-1.484

WD	TAP	CPMEAN	CPRMS	CPMAX	CPMIN	WD	TAP	CPMEAN	CPRMS	CPMAX	CPMIN	WD	TAP	CPMEAN	CPRMS	CPMAX	CPMIN
20	201	-.419	.098	-.184	-1.045	20	251	-.412	.120	-.149	-1.102	20	332	-.377	.053	-.175	-.687
20	202	-.441	.084	-.200	-.897	20	252	-.384	.065	-.213	-.728	20	333	-.377	.054	-.229	-.635
20	203	-.476	.088	-.173	-.955	20	253	-.406	.081	-.182	-.747	20	334	-.407	.080	-.114	-.851
20	204	.220	.115	.647	-.187	20	254	-.385	.082	-.168	-.780	20	335	-.445	.112	-.161	-1.154
20	205	.317	.133	.810	-.032	20	255	.087	.077	.589	-.085	20	336	-.401	.092	-.132	-.824
20	206	-.069	.084	.268	-.382	20	256	.173	.088	.601	-.040	20	337	-.429	.112	-.047	-.952
20	207	-.682	.141	.075	-1.396	20	257	.057	.079	.473	-.144	20	338	-.489	.156	.097	-1.158
20	208	-.263	.061	-.043	-.550	20	258	-.086	.075	.253	-.411	20	339	-.758	.207	-.134	-1.499
20	209	-.351	.067	-.180	-.648	20	259	-.267	.058	-.080	-.506	20	340	-.833	.228	-.274	-1.569
20	210	-.412	.090	-.202	-.912	20	260	-.419	.074	-.180	-.759	20	341	-.358	.110	.016	-.743
20	211	-.433	.110	-.173	-1.327	20	261	-.504	.094	-.258	-.995	20	342	.216	.110	.581	-.102
20	212	-.468	.148	.035	-1.730	20	262	-.395	.067	-.217	-.693	20	343	.364	.175	.917	-.204
20	213	-.438	.114	-.137	-1.127	20	263	-.361	.060	-.144	-.768	20	344	-.408	.062	-.238	-.746
20	214	-.455	.099	-.075	-1.020	20	264	-.243	.078	-.042	-.644	20	345	-.402	.063	-.238	-.703
20	215	-.503	.111	-.122	-.982	20	265	-.260	.064	-.021	-.661	20	346	-.443	.091	-.172	-.930
20	216	.185	.111	.692	-.081	20	266	-.338	.082	-.103	-.787	20	347	-.468	.123	-.195	-1.230
20	217	.276	.112	.687	-.034	20	267	-.367	.071	-.110	-.702	20	348	-.431	.101	-.065	-1.194
20	218	-.093	.084	.389	-.368	20	268	-.317	.080	-.133	-.614	20	349	-.448	.114	-.027	-1.060
20	219	-.659	.145	-.200	-1.376	20	269	-.332	.079	-.128	-.690	20	350	-.513	.157	-.131	-1.308
20	220	-.263	.054	-.070	-.485	20	301	-.299	.079	-.029	-.671	20	351	-.760	.226	-.213	-1.745
20	221	-.375	.073	-.169	-.720	20	302	-.093	.095	.299	-.449	20	352	-.854	.233	-.286	-1.715
20	222	-.434	.094	-.247	-.982	20	303	-.067	.142	.512	-.458	20	353	-.378	.122	.019	-.743
20	223	-.476	.119	-.202	-1.083	20	304	-.346	.060	-.144	-.642	20	354	.187	.107	.535	-.175
20	224	-.492	.151	.045	-1.341	20	305	-.742	.181	-.305	-1.704	20	355	.311	.181	.858	-.259
20	225	-.445	.119	-.057	-1.442	20	306	-.345	.060	-.157	-.642	20	356	-.426	.081	-.222	-.928
20	226	-.450	.110	-.085	-1.189	20	307	-.821	.174	-.283	-1.477	20	357	-.435	.072	-.195	-.794
20	227	-.534	.146	-.137	-1.236	20	308	-.339	.054	-.182	-.590	20	358	-.467	.096	-.218	-1.016
20	228	.115	.087	.513	-.135	20	309	-.365	.064	-.157	-.635	20	359	-.504	.144	-.102	-1.355
20	229	.196	.093	.766	-.052	20	310	-.689	.152	-.217	-1.421	20	360	-.468	.114	-.125	-1.012
20	230	-.056	.084	.390	-.288	20	311	-.930	.235	-.350	-1.834	20	361	-.483	.118	-.134	-1.119
20	231	-.549	.126	-.194	-1.236	20	312	-.360	.103	-.031	-.738	20	362	-.536	.160	-.024	-1.408
20	232	-.238	.044	-.054	-.414	20	313	.219	.111	.618	-.132	20	363	-.766	.212	-.181	-1.619
20	233	-.392	.073	-.222	-.754	20	314	.393	.162	.856	-.193	20	364	-.824	.231	-.268	-1.747
20	234	-.482	.104	-.251	-1.279	20	315	-.366	.067	-.110	-.696	20	365	-.370	.111	-.061	-.809
20	235	-.498	.104	-.255	-1.325	20	316	-.440	.095	-.161	-.875	20	366	.155	.111	.597	-.147
20	236	-.472	.108	-.144	-1.170	20	317	-.457	.090	-.092	-.873	20	367	.262	.169	.763	-.395
20	237	-.467	.109	-.135	-1.106	20	318	-.478	.096	-.173	-.844	20	368	-.454	.088	-.161	-.923
20	238	-.439	.096	-.203	-.858	20	319	-.582	.132	-.220	-1.212	20	369	-.466	.088	-.186	-.960
20	239	-.488	.139	-.142	-1.184	20	320	-.352	.050	-.211	-.590	20	370	-.521	.114	-.252	-1.053
20	240	.008	.056	.272	-.139	20	321	-.356	.055	-.177	-.572	20	371	-.561	.151	-.195	-1.317
20	241	.139	.089	.492	-.132	20	322	-.397	.074	-.155	-.687	20	372	-.510	.122	-.191	-1.212
20	242	.006	.083	.378	-.236	20	323	-.437	.101	-.157	-.889	20	373	-.539	.127	-.136	-1.196
20	243	-.264	.106	-.090	-.653	20	324	-.433	.092	-.137	-1.140	20	374	-.563	.164	-.081	-1.328
20	244	-.340	.122	-.002	-.905	20	325	-.461	.104	-.058	-.978	20	375	-.749	.214	-.168	-1.592
20	245	-.425	.080	-.208	-.719	20	326	-.487	.132	-.106	-1.187	20	376	-.852	.202	-.354	-1.610
20	246	-.529	.134	-.262	-1.239	20	327	-.709	.180	-.143	-1.371	20	377	-.403	.105	-.084	-.823
20	247	-.465	.090	-.187	-.887	20	328	-.861	.207	-.323	-1.522	20	378	.100	.099	.476	-.150
20	248	-.429	.089	-.151	-1.014	20	329	-.346	.103	-.013	-.707	20	379	.217	.162	.760	-.329
20	249	-.434	.095	-.203	-.962	20	330	.237	.118	.609	-.161	20	380	-.474	.089	-.221	-.912
20	250	-.447	.116	-.184	-.981	20	331	.398	.158	.815	-.105	20	381	-.517	.103	-.257	-1.055

WD	TAP	CPMEAN	CPRMS	CPMAX	CPMIN	WD	TAP	CPMEAN	CPRMS	CPMAX	CPMIN	WD	TAP	CPMEAN	CPRMS	CPMAX	CPMIN
20	382	-.546	.127	-.216	-1.333	20	432	-.330	.075	-.085	-.665	20	908	-.773	.125	-.375	-1.464
20	383	-.582	.142	-.233	-1.262	20	433	-.683	.157	-.252	-1.335	20	909	-.660	.139	-.210	-1.640
20	384	-.554	.110	-.264	-.978	20	434	-.327	.066	-.005	-.776	20	910	-.729	.140	-.071	-1.262
20	385	-.600	.084	-.397	-.909	20	435	-.337	.180	.082	-1.373	20	911	-.702	.186	-.108	-1.311
20	386	-.572	.153	-.210	-1.278	20	436	-.679	.187	-.165	-1.552	20	912	-.554	.137	-.220	-1.297
20	387	-.763	.200	-.104	-1.578	20	437	-.369	.098	-.094	-.767	20	913	-.756	.136	-.361	-1.276
20	388	-.838	.182	-.364	-1.794	20	438	-.086	.043	.094	-.221	20	914	-.662	.144	-.268	-1.225
20	389	-.454	.095	-.135	-.798	20	439	-.102	.106	.261	-.567	20	915	-.668	.141	-.157	-1.390
20	390	-.001	.075	.332	-.219	20	440	-.334	.071	-.106	-.694	20	916	-.616	.105	-.247	-1.105
20	391	-.086	.145	.650	-.477	20	441	-.304	.079	-.052	-.633	20	917	-.583	.127	-.235	-1.237
20	392	-.490	.091	-.226	-1.053	20	442	-.303	.100	-.078	-.797	20	918	-.728	.138	-.094	-1.288
20	393	-.525	.113	-.233	-1.071	20	443	-.313	.098	-.066	-.821	20	919	-.558	.094	-.235	-.901
20	394	-.557	.132	-.202	-1.260	20	444	-.369	.111	-.080	-.844	20	920	-.571	.110	-.240	-1.112
20	395	-.574	.132	-.250	-1.191	20	445	-.267	.101	.068	-.905	20	921	-.671	.097	-.308	-1.014
20	396	-.578	.138	-.222	-1.331	20	446	-.186	.060	.108	-.463	20	922	-.268	.099	-.005	-.859
20	397	-.605	.138	-.193	-1.182	20	447	-.244	.077	.042	-.550	20	923	-.355	.117	-.064	-.918
20	398	-.564	.156	-.193	-1.285	20	448	-.296	.074	-.068	-.661	20	924	-.483	.121	-.101	-1.033
20	399	-.695	.193	-.039	-1.454	20	449	-.205	.051	.066	-.386	20	925	-.409	.145	-.126	-.969
20	400	-.795	.175	-.348	-1.778	20	450	-.055	.043	.153	-.188	20	926	-.397	.129	.037	-.899
20	401	-.464	.097	-.188	-.831	20	451	-.110	.074	.209	-.484	20	927	-.222	.122	-.051	-.920
20	402	-.069	.057	.188	-.259	20	452	-.062	.040	.162	-.212	20	928	-.221	.074	-.040	-.624
20	403	-.063	.120	.350	-.671	20	453	-.066	.044	.157	-.216	20	929	-.380	.056	-.209	-.653
20	404	-.479	.097	-.155	-1.071	20	454	-.052	.060	.268	-.299	20	930	-.498	.112	-.169	-.967
20	405	-.492	.109	-.224	-1.013	20	455	-.286	.068	-.099	-.614	20	931	-.601	.132	-.251	-1.107
20	406	-.528	.122	-.219	-1.125	20	456	-.289	.079	-.071	-.687	20	932	-.558	.099	-.319	-.987
20	407	-.543	.120	-.233	-1.129	20	457	-.309	.109	-.078	-1.053	20	933	-.494	.099	-.135	-.972
20	408	-.557	.130	-.193	-1.196	20	458	-.291	.072	-.094	-.644	20	934	-.447	.076	-.145	-.797
20	409	-.613	.145	-.219	-1.289	20	459	-.240	.065	-.045	-.588	20	935	-.409	.112	-.150	-.926
20	410	-.530	.142	-.188	-1.236	20	460	-.084	.084	.228	-.445	20	936	-.473	.134	-.166	-1.178
20	411	-.670	.185	-.075	-1.536	20	461	-.101	.064	.211	-.393	20	937	-.221	.107	-.101	-.602
20	412	-.751	.156	-.377	-1.618	20	462	-.239	.071	.021	-.654	20	938	-.238	.041	-.076	-.379
20	413	-.451	.092	-.157	-.773	20	463	-.200	.049	.075	-.423	20	939	-.560	.095	-.276	-.907
20	414	-.108	.048	.101	-.302	20	464	-.147	.092	.381	-.532	20	940	-.438	.094	-.182	-.852
20	415	-.128	.130	.281	-.895	20	465	-.013	.109	.436	-.318	20	941	-.378	.070	-.108	-.648
20	416	-.444	.099	-.135	-.909	20	466	.090	.131	.804	-.526	20	942	-.239	.039	-.101	-.379
20	417	-.453	.106	-.137	-.944	20	467	.200	.129	.696	-.149	20	943	-.369	.054	-.184	-.558
20	418	-.512	.138	-.130	-1.042	20	468	-.036	.064	.300	-.234	20	944	-.567	.112	-.283	-1.049
20	419	-.463	.105	-.188	-.929	20	469	-.062	.068	.239	-.315	20	945	-.556	.142	-.108	-1.309
20	420	-.485	.108	-.115	-1.125	20	801	-.405	.092	-.213	-1.011	20	946	-.531	.152	-.172	-1.507
20	421	-.671	.159	-.215	-1.712	20	802	-.055	.048	-.170	-.241	20	947	-.495	.125	-.133	-1.270
20	422	-.456	.121	-.121	-1.158	20	803	-.391	.122	-.078	-.977	20	948	-.425	.104	-.138	-.926
20	423	-.592	.211	-.032	-1.418	20	804	-.462	.157	-.078	-1.151	20	949	-.319	.042	-.189	-.491
20	424	-.714	.162	-.219	-1.606	20	805	-.558	.139	-.201	-1.093	20	950	-.433	.107	-.138	-1.091
20	425	-.411	.089	-.144	-.762	20	901	-1.063	.336	-.385	-2.649	20	951	-.301	.040	-.165	-.440
20	426	-.101	.046	.129	-.235	20	902	-.752	.131	-.332	-1.308	20	952	-.419	.076	-.201	-.711
20	427	-.121	.122	.280	-.633	20	903	-1.113	.288	-.531	-2.314	20	953	-.430	.101	-.155	-.880
20	428	-.416	.096	-.132	-.865	20	904	-.696	.126	-.278	-1.503	20	954	-.347	.046	-.184	-.510
20	429	-.397	.117	-.104	-.809	20	905	-.899	.162	-.458	-1.635	20	955	-.399	.080	-.160	-.774
20	430	-.469	.148	-.099	-1.035	20	906	-.817	.181	-.282	-1.542	20	956	-.396	.079	-.173	-.780
20	431	-.385	.118	-.115	-1.030	20	907	-.736	.156	-.285	-1.716	20	957	-.341	.058	-.155	-.610



WD	TAP	CPMEAN	CPRMS	CPMAX	CPMIN	WD	TAP	CPMEAN	CPRMS	CPMAX	CPMIN	WD	TAP	CPMEAN	CPRMS	CPMAX	CPMIN
30	101	-.330	.053	-.156	-.532	30	151	-.365	.045	-.213	-.595	30	201	-.424	.083	-.222	-.982
30	102	-.319	.048	-.124	-.501	30	152	-.368	.047	-.217	-.686	30	202	-.437	.071	-.233	-.754
30	103	-.328	.050	-.138	-.596	30	153	-.368	.044	-.240	-.652	30	203	-.498	.089	-.262	-.967
30	104	-.082	.117	-.505	-.399	30	154	-.369	.040	-.238	-.549	30	204	.143	.117	.677	-.260
30	105	-.350	.055	-.165	-.555	30	155	-.387	.046	-.208	-.654	30	205	.273	.149	.845	-.238
30	106	-.014	.099	-.314	-.332	30	156	.491	.148	.922	-.039	30	206	-.129	.082	.301	-.459
30	107	-.350	.062	-.135	-.627	30	157	.375	.129	.812	-.034	30	207	-.729	.155	-.202	-1.333
30	108	-.438	.153	.950	-.129	30	158	-.161	.107	.240	-.505	30	208	-.276	.201	-.057	-.587
30	109	-.058	.093	.350	-.435	30	159	-.758	.158	-.181	-1.457	30	209	-.354	.059	-.103	-.680
30	110	-.351	.062	-.151	-.774	30	160	-.315	.165	-.000	-1.132	30	210	-.430	.110	-.135	-1.096
30	111	-.333	.057	-.151	-.623	30	161	-.312	.046	-.158	-.579	30	211	-.413	.093	-.166	-1.168
30	112	-.330	.048	-.187	-.526	30	162	-.380	.052	-.236	-.793	30	212	-.455	.129	-.121	-1.378
30	113	-.329	.042	-.210	-.519	30	163	-.382	.053	-.203	-.672	30	213	-.433	.097	-.141	-1.447
30	114	-.330	.046	-.190	-.593	30	164	-.391	.062	-.238	-1.054	30	214	-.452	.081	-.175	-.835
30	115	-.089	.091	-.210	-.449	30	165	-.382	.052	-.224	-.798	30	215	-.522	.114	-.222	-1.128
30	116	-.694	.111	-.325	-1.151	30	166	-.387	.047	-.222	-.585	30	216	.116	.106	.505	-.233
30	117	-.509	.197	-.178	-1.164	30	167	-.411	.055	-.233	-.629	30	217	.197	.129	.780	-.206
30	118	-.079	.132	.347	-.535	30	168	.497	.155	.924	-.053	30	218	-.145	.076	.172	-.555
30	119	-.351	.058	-.183	-.643	30	169	.367	.128	.810	-.014	30	219	-.639	.143	-.220	-1.166
30	120	.522	.155	1.042	-.027	30	170	-.182	.096	.222	-.501	30	220	-.273	.246	-.083	-.441
30	121	.351	.127	.749	-.041	30	171	-.743	.146	-.329	-1.397	30	221	-.374	.066	-.197	-.736
30	122	-.178	.092	.151	-.553	30	172	-.323	.145	-.069	-1.095	30	222	-.426	.088	-.197	-.850
30	123	-.813	.160	-.420	-1.618	30	173	-.328	.048	-.206	-.569	30	223	-.450	.099	-.171	-.964
30	124	-.414	.137	-.115	-1.006	30	174	-.322	.060	-.203	-.816	30	224	-.477	.129	-.143	-1.654
30	125	-.259	.061	-.056	-.523	30	175	-.388	.062	-.217	-.809	30	225	-.443	.101	-.001	-1.350
30	126	-.344	.044	-.205	-.567	30	176	-.405	.077	-.190	-1.070	30	226	-.443	.090	-.122	-.960
30	127	-.341	.049	-.160	-.587	30	177	-.397	.062	-.226	-.764	30	227	-.520	.132	-.176	-1.567
30	128	-.345	.048	-.167	-.575	30	178	-.408	.059	-.224	-.752	30	228	.112	.095	.539	-.183
30	129	-.337	.042	-.212	-.580	30	179	-.448	.066	-.222	-.803	30	229	.137	.106	.610	-.193
30	130	-.331	.037	-.212	-.465	30	180	.354	.159	.832	-.053	30	230	-.108	.073	.284	-.370
30	131	-.343	.042	-.205	-.521	30	181	.328	.136	.805	-.096	30	231	-.537	.127	-.131	-1.090
30	132	.585	.148	.997	-.014	30	182	-.174	.080	.130	-.489	30	232	-.245	.042	-.101	-.405
30	133	.432	.130	.868	-.016	30	183	-.766	.149	-.374	-1.443	30	233	-.381	.063	-.202	-.677
30	134	-.166	.103	.239	-.492	30	184	-.295	.071	-.130	-.745	30	234	-.473	.098	-.209	-1.029
30	135	-.750	.159	-.196	-1.406	30	185	-.319	.027	-.256	-.425	30	235	-.490	.096	-.252	-1.137
30	136	-.300	.191	-.059	-1.135	30	186	-.380	.057	-.242	-.962	30	236	-.463	.087	-.105	-.906
30	137	-.269	.041	-.149	-.799	30	187	-.387	.065	-.249	-.938	30	237	-.449	.092	-.127	-1.029
30	138	-.352	.039	-.223	-.600	30	188	-.415	.078	-.238	-1.412	30	238	-.428	.085	-.193	-.958
30	139	-.348	.043	-.226	-.560	30	189	-.407	.068	-.242	-.871	30	239	-.472	.131	-.155	-1.357
30	140	-.353	.042	-.226	-.551	30	190	-.420	.061	-.233	-.763	30	240	.038	.063	.407	-.153
30	141	-.345	.041	-.223	-.575	30	191	-.469	.072	-.273	-.774	30	241	.068	.076	.442	-.160
30	142	-.348	.039	-.199	-.480	30	192	-.220	.127	.807	-.150	30	242	-.058	.072	.268	-.280
30	143	-.362	.041	-.242	-.565	30	193	-.292	.147	.784	-.108	30	243	-.294	.104	-.100	-.738
30	144	.546	.149	1.036	-.073	30	194	-.153	.081	.225	-.499	30	244	-.333	.097	-.075	-.797
30	145	.414	.129	.896	-.048	30	195	-.722	.160	-.332	-1.443	30	245	-.413	.072	-.134	-.745
30	146	-.186	.104	.178	-.583	30	196	-.277	.048	-.119	-.566	30	246	-.529	.124	-.268	-1.218
30	147	-.768	.156	-.087	-1.443	30	197	-.334	.049	-.159	-.654	30	247	-.437	.074	-.209	-.828
30	148	-.288	.176	-.034	-1.118	30	198	-.382	.067	-.222	-.931	30	248	-.413	.076	-.183	-.778
30	149	-.297	.043	-.178	-.599	30	199	-.394	.070	-.182	-.774	30	249	-.412	.080	-.183	-.800
30	150	-.367	.044	-.224	-.652	30	200	-.436	.107	-.175	-1.190	30	250	-.427	.095	-.207	-1.026

WD	TAP	CPMEAN	CPRMS	CPMAX	CPMIN	WD	TAP	CPMEAN	CPRMS	CPMAX	CPMIN	WD	TAP	CPMEAN	CPRMS	CPMAX	CPMIN
30	251	-.383	.110	-.065	-1.066	30	332	-.377	.046	-.217	-.656	30	382	-.504	.090	-.292	-.970
30	252	-.370	.054	-.214	-.615	30	333	-.365	.038	-.235	-.587	30	383	-.503	.083	-.298	-.903
30	253	-.382	.067	-.200	-.710	30	334	-.389	.044	-.262	-.578	30	384	-.498	.074	-.289	-.785
30	254	-.354	.065	-.138	-.644	30	335	-.404	.054	-.242	-.861	30	385	-.520	.061	-.372	-.854
30	255	.078	.069	.405	-.129	30	336	-.370	.043	-.249	-.575	30	386	-.391	.079	-.180	-.863
30	256	.094	.081	.662	-.079	30	337	-.371	.045	-.222	-.623	30	387	-.471	.242	-.057	-1.278
30	257	-.024	.071	.289	-.247	30	338	-.322	.044	-.204	-.719	30	388	-.796	.182	-.082	-1.513
30	258	-.140	.074	.268	-.363	30	339	-.398	.212	-.019	-1.267	30	389	-.330	.116	.126	-.767
30	259	-.268	.052	-.079	-.523	30	340	-.866	.173	-.332	-1.467	30	390	.079	.092	.503	-.216
30	260	-.397	.058	-.209	-.670	30	341	-.234	.109	-.218	-.539	30	391	.218	.137	.722	-.271
30	261	-.492	.084	-.278	-.892	30	342	-.368	.126	.751	-.016	30	392	-.494	.080	-.285	-.912
30	262	-.393	.060	-.231	-.729	30	343	-.533	.155	1.025	-.098	30	393	-.498	.094	-.254	-.950
30	263	-.361	.054	-.188	-.620	30	344	-.415	.188	-.246	-.842	30	394	-.509	.096	-.274	-1.055
30	264	-.252	.076	-.070	-.609	30	345	-.390	.042	-.267	-.582	30	395	-.515	.103	-.222	-1.129
30	265	-.257	.057	-.114	-.576	30	346	-.412	.049	-.260	-.666	30	396	-.517	.096	-.240	-1.017
30	266	-.338	.067	-.138	-.725	30	347	-.418	.050	-.253	-.698	30	397	-.528	.091	-.278	-1.100
30	267	-.354	.057	-.162	-.604	30	348	-.399	.049	-.255	-.867	30	398	-.427	.098	-.137	-1.024
30	268	-.308	.070	-.135	-.573	30	349	-.390	.047	-.262	-.710	30	399	-.445	.216	.142	-1.292
30	269	-.310	.070	-.143	-.625	30	350	-.338	.046	-.198	-.692	30	400	-.663	.198	.343	-1.435
30	301	-.213	.080	.051	-.508	30	351	-.430	.231	-.025	-1.340	30	401	-.362	.115	.173	-.792
30	302	.027	.106	.468	-.325	30	352	-.875	.181	-.324	-1.607	30	402	-.043	.059	.220	-.254
30	303	.198	.129	.623	-.402	30	353	-.260	.117	-.167	-.637	30	403	-.035	.123	.425	-.620
30	304	-.338	.054	-.157	-.622	30	354	-.344	.127	.831	-.045	30	404	-.464	.088	-.204	-.859
30	305	-.946	.186	-.413	-1.670	30	355	-.538	.149	.982	.014	30	405	-.487	.100	-.158	-1.097
30	306	-.310	.057	-.163	-.562	30	356	-.441	.073	-.221	-.877	30	406	-.494	.098	-.238	-.970
30	307	-.710	.156	-.267	-1.240	30	357	-.430	.056	-.283	-.826	30	407	-.473	.093	-.198	-.914
30	308	-.339	.048	-.183	-.533	30	358	-.437	.058	-.283	-.717	30	408	-.477	.101	-.162	-1.059
30	309	-.350	.055	-.170	-.758	30	359	-.441	.066	-.253	-.972	30	409	-.545	.115	-.256	-1.207
30	310	-.497	.107	-.253	-1.051	30	360	-.425	.057	-.267	-.749	30	410	-.396	.090	-.164	-.957
30	311	-.947	.170	-.465	-1.515	30	361	-.424	.055	-.281	-.815	30	411	-.363	.189	.159	-1.162
30	312	-.237	.102	.215	-.591	30	362	-.378	.064	-.203	-.842	30	412	-.548	.167	.057	-1.220
30	313	.370	.129	.729	-.127	30	363	-.461	.244	-.023	-1.340	30	413	-.312	.112	.213	-.702
30	314	.536	.150	.932	-.053	30	364	-.886	.174	-.354	-1.527	30	414	-.074	.061	.159	-.316
30	315	-.377	.057	-.174	-.645	30	365	-.239	.112	-.217	-.619	30	415	-.124	.133	.287	-.667
30	316	-.461	.071	-.213	-.778	30	366	-.296	.124	.678	-.096	30	416	-.433	.095	-.137	-.852
30	317	-.456	.065	-.235	-.722	30	367	-.436	.149	.914	-.210	30	417	-.417	.109	-.091	-.970
30	318	-.472	.078	-.224	-.778	30	368	-.468	.082	-.255	-.961	30	418	-.451	.110	-.169	-.943
30	319	-.443	.073	-.213	-.837	30	369	-.463	.074	-.251	-.952	30	419	-.402	.081	-.117	-.778
30	320	-.357	.046	-.222	-.564	30	370	-.466	.075	-.274	-.879	30	420	-.376	.075	-.173	-.738
30	321	-.362	.047	-.213	-.569	30	371	-.474	.077	-.240	-1.036	30	421	-.594	.115	-.327	-1.088
30	322	-.394	.053	-.206	-.625	30	372	-.458	.068	-.242	-.765	30	422	-.335	.071	-.111	-.792
30	323	-.435	.065	-.231	-.724	30	373	-.467	.070	-.260	-.813	30	423	-.271	.166	.142	-1.225
30	324	-.418	.059	-.217	-.679	30	374	-.388	.070	-.198	-.877	30	424	-.459	.181	.177	-1.354
30	325	-.417	.056	-.217	-.645	30	375	-.475	.258	-.002	-1.388	30	425	-.237	.109	.118	-.617
30	326	-.377	.049	-.188	-.632	30	376	-.835	.172	-.262	-1.552	30	426	-.051	.059	.222	-.346
30	327	-.380	.168	-.082	-1.219	30	377	-.376	.112	.121	-.605	30	427	-.097	.135	-.255	-.737
30	328	-.887	.155	-.424	-1.485	30	378	-.222	.117	.706	-.080	30	428	-.376	.081	-.145	-.803
30	329	-.225	.107	.329	-.645	30	379	-.376	.147	.900	-.160	30	429	-.340	.110	-.075	-.819
30	330	-.374	.137	.769	-.078	30	380	-.485	.084	-.254	-.992	30	430	-.391	.137	-.075	-.918
30	331	.510	.158	1.008	-.001	30	381	-.488	.089	-.253	-.986	30	431	-.345	.091	-.110	-.744

WD	TAP	CPMEAN	CPRMS	CPMAX	CPMIN	WD	TAP	CPMEAN	CPRMS	CPMAX	CPMIN	WD	TAP	CPMEAN	CPRMS	CPMAX	CPMIN
30	432	-.288	.056	-.101	-.605	30	908	-.798	.114	-.488	-1.322	40	101	-.351	.067	-.129	-.717
30	433	-.541	.133	-.174	-1.140	30	909	-.619	.108	-.283	-1.087	40	102	-.340	.058	-.120	-.624
30	434	-.242	.061	-.006	-.522	30	910	-.777	.115	-.396	-1.283	40	103	-.360	.070	-.134	-.789
30	435	-.133	.110	.154	-.963	30	911	-.801	.142	-.179	-1.267	40	104	-.086	.120	-.248	-.667
30	436	-.319	.165	.312	-.944	30	912	-.699	.139	-.248	-1.260	40	105	-.367	.073	-.114	-.780
30	437	-.158	.100	.187	-.544	30	913	-.677	.110	-.317	-1.191	40	106	-.106	.083	-.214	-.425
30	438	-.027	.048	.189	-.315	30	914	-.787	.153	-.262	-1.407	40	107	-.385	.083	-.098	-.819
30	439	-.036	.097	.286	-.379	30	915	-.662	.113	-.211	-1.055	40	108	-.287	.152	.718	-.265
30	440	-.309	.069	-.091	-.628	30	916	-.621	.102	-.309	-1.063	40	109	-.170	.075	.164	-.450
30	441	-.276	.063	-.070	-.612	30	917	-.582	.107	-.250	-1.161	40	110	-.386	.088	-.089	-.785
30	442	-.283	.073	-.101	-.892	30	918	-.766	.114	-.311	-1.322	40	111	-.365	.073	-.095	-.751
30	443	-.291	.073	-.072	-.645	30	919	-.592	.091	-.292	-.899	40	112	-.361	.062	-.181	-.645
30	444	-.326	.091	-.127	-.753	30	920	-.578	.106	-.295	-1.060	40	113	-.349	.058	-.186	-.692
30	445	-.262	.100	-.018	-.859	30	921	-.637	.099	-.339	-1.009	40	114	-.351	.060	-.123	-.674
30	446	-.113	.064	.154	-.308	30	922	-.262	.105	-.008	-.736	40	115	-.207	.073	.101	-.498
30	447	-.101	.092	.227	-.508	30	923	-.387	.121	-.073	-.934	40	116	-.695	.098	-.326	-1.069
30	448	-.163	.109	.213	-.603	30	924	-.461	.110	-.124	-1.014	40	117	-.693	.128	-.138	-1.313
30	449	-.081	.069	.177	-.294	30	925	-.377	.113	-.015	-1.077	40	118	-.369	.153	.169	-.965
30	450	-.002	.042	.170	-.160	30	926	-.622	.143	-.136	-1.109	40	119	-.377	.091	-.118	-.974
30	451	-.026	.064	.253	-.454	30	927	-.550	.171	-.078	-1.142	40	120	-.377	.161	.847	-.520
30	452	-.003	.046	.194	-.145	30	928	-.415	.152	-.038	-1.016	40	121	.196	.105	.560	-.163
30	453	-.010	.042	.166	-.157	30	929	-.446	.111	-.187	-.983	40	122	-.362	.088	-.043	-.665
30	454	.007	.056	.331	-.273	30	930	-.475	.120	-.101	-.953	40	123	-.977	.231	-.412	-1.826
30	455	-.278	.063	-.075	-.614	30	931	-.560	.109	-.224	-1.098	40	124	-.680	.161	-.224	-1.268
30	456	-.272	.061	-.117	-.530	30	932	-.497	.067	-.258	-.749	40	125	-.417	.105	-.111	-.979
30	457	-.298	.085	-.089	-.826	30	933	-.477	.071	-.213	-.741	40	126	-.403	.080	-.123	-.819
30	458	-.283	.063	-.098	-.532	30	934	-.445	.057	-.253	-.630	40	127	-.375	.077	-.095	-.789
30	459	-.246	.061	-.054	-.527	30	935	-.360	.092	-.167	-.778	40	128	-.381	.074	-.163	-.819
30	460	-.130	.065	.194	-.390	30	936	-.385	.106	-.165	-.860	40	129	-.364	.059	-.188	-.640
30	461	-.068	.052	.269	-.263	30	937	-.232	.136	-.141	-.616	40	130	-.355	.047	-.224	-.554
30	462	-.097	.091	.272	-.487	30	938	-.243	.061	-.069	-.612	40	131	-.361	.052	-.199	-.593
30	463	-.122	.077	.177	-.381	30	939	-.436	.113	-.038	-.895	40	132	.420	.164	.858	-.150
30	464	-.059	.093	.409	-.388	30	940	-.454	.073	-.231	-.787	40	133	.266	.112	.596	-.071
30	465	.045	.112	.540	-.229	30	941	-.296	.064	-.099	-.569	40	134	-.350	.088	-.053	-.674
30	466	.020	.107	.534	-.326	30	942	-.251	.052	-.081	-.596	40	135	-.867	.162	-.317	-1.652
30	467	-.117	.113	.645	-.158	30	943	-.344	.060	-.126	-.610	40	136	-.704	.210	-.059	-1.298
30	468	-.029	.061	.295	-.280	30	944	-.538	.115	-.208	-.981	40	137	-.410	.122	.008	-1.110
30	469	-.012	.055	.218	-.262	30	945	-.437	.125	-.040	-1.027	40	138	-.409	.080	-.120	-.812
30	801	-.382	.074	-.212	-.748	30	946	-.494	.125	-.087	-1.110	40	139	-.385	.070	-.093	-.728
30	802	-.000	.044	-.218	-.117	30	947	-.412	.085	-.138	-.774	40	140	-.395	.076	-.193	-.977
30	803	-.404	.113	-.080	-.925	30	948	-.420	.066	-.147	-.700	40	141	-.371	.053	-.215	-.602
30	804	-.408	.136	-.079	-1.062	30	949	-.318	.042	-.154	-.471	40	142	-.368	.047	-.220	-.642
30	805	-.504	.121	-.229	-1.089	30	950	-.375	.064	-.169	-.659	40	143	-.369	.045	-.222	-.587
30	901	-.806	.169	-.349	-1.816	30	951	-.299	.042	-.070	-.481	40	144	.432	.160	.896	-.193
30	902	-.754	.229	-.292	-1.826	30	952	-.318	.057	-.068	-.548	40	145	.259	.107	.602	-.044
30	903	-.899	.161	-.487	-1.825	30	953	-.369	.066	-.171	-.640	40	146	-.370	.087	-.055	-.706
30	904	-.716	.124	-.366	-1.601	30	954	-.324	.045	-.146	-.500	40	147	-.856	.166	-.287	-1.444
30	905	-.844	.136	-.433	-1.612	30	955	-.375	.067	-.150	-.719	40	148	-.726	.221	-.138	-1.350
30	906	-.791	.130	-.304	-1.299	30	956	-.330	.054	-.136	-.604	40	149	-.437	.131	-.138	-1.043
30	907	-.664	.126	-.234	-1.234	30	957	-.307	.044	-.116	-.474	40	150	-.426	.088	-.145	-.864

WD	TAP	CPMEAN	CPRMS	CPMAX	CPMIN	WD	TAP	CPMEAN	CPRMS	CPMAX	CPMIN	WD	TAP	CPMEAN	CPRMS	CPMAX	CPMIN
40	151	-.402	.077	-.183	-.779	40	201	-.425	.099	-.182	-1.016	40	251	-.319	.072	-.073	-.700
40	152	-.404	.075	-.199	-.946	40	202	-.443	.079	-.191	-.911	40	252	-.308	.046	-.172	-.584
40	153	-.398	.060	-.206	-.701	40	203	-.493	.090	-.240	-.976	40	253	-.320	.054	-.168	-.560
40	154	-.379	.049	-.248	-.573	40	204	-.081	.126	-.525	-.600	40	254	-.310	.053	-.092	-.589
40	155	-.387	.050	-.158	-.600	40	205	-.093	.153	-.731	-.432	40	255	-.032	.084	.355	-.345
40	156	.424	.156	.893	-.135	40	206	-.200	.110	-.198	-.647	40	256	-.004	.073	.317	-.328
40	157	.258	.116	.614	-.092	40	207	-.724	.170	-.316	-1.488	40	257	-.086	.059	.220	-.260
40	158	-.347	.092	-.002	-.756	40	208	-.300	.058	-.137	-.676	40	258	-.190	.068	.112	-.461
40	159	-.883	.163	-.385	-1.799	40	209	-.356	.069	-.128	-.750	40	259	-.291	.053	.007	-.544
40	160	-.631	.232	-.119	-1.400	40	210	-.420	.106	-.200	-1.028	40	260	-.364	.060	-.189	-.648
40	161	-.435	.129	-.080	-1.052	40	211	-.435	.120	-.168	-1.222	40	261	-.405	.079	-.139	-1.125
40	162	-.438	.089	-.138	-1.022	40	212	-.461	.140	-.157	-1.209	40	262	-.358	.062	-.139	-.657
40	163	-.418	.080	-.211	-.834	40	213	-.429	.106	-.124	-1.083	40	263	-.348	.060	-.172	-.671
40	164	-.419	.083	-.229	-1.033	40	214	-.429	.080	-.166	-.978	40	264	-.311	.070	-.100	-.690
40	165	-.403	.068	-.234	-.768	40	215	-.484	.102	-.079	-.938	40	265	-.277	.048	-.145	-.493
40	166	-.391	.052	-.232	-.663	40	216	-.012	.106	-.480	-.479	40	266	-.227	.061	-.154	-.923
40	167	-.411	.052	-.176	-.706	40	217	-.063	.146	-.566	-.385	40	267	-.351	.055	-.189	-.585
40	168	-.369	.163	.893	-.456	40	218	-.199	.107	-.234	-.734	40	268	-.310	.065	-.075	-.589
40	169	-.230	.118	.772	-.209	40	219	-.612	.153	-.104	-1.236	40	269	-.326	.067	-.142	-.598
40	170	-.351	.094	.034	-.685	40	220	-.284	.053	-.117	-.708	40	301	-.055	.095	.308	-.403
40	171	-.917	.174	-.422	-1.741	40	221	-.355	.066	-.182	-.714	40	302	-.143	.104	.510	-.238
40	172	-.590	.224	-.140	-1.402	40	222	-.419	.108	-.198	-1.010	40	303	-.196	.118	.566	-.245
40	173	-.409	.103	-.142	-1.072	40	223	-.430	.109	-.173	-1.151	40	304	-.342	.075	-.137	-.846
40	174	-.436	.090	-.170	-.878	40	224	-.437	.113	-.007	-1.194	40	305	-.698	.154	-.297	-1.036
40	175	-.418	.082	-.204	-.875	40	225	-.401	.089	-.149	-1.149	40	306	-.374	.073	-.129	-.821
40	176	-.441	.089	-.238	-1.066	40	226	-.402	.086	-.132	-.865	40	307	-.412	.139	-.098	-.950
40	177	-.425	.078	-.229	-.921	40	227	-.428	.109	-.116	-1.241	40	308	-.364	.066	-.128	-.740
40	178	-.428	.067	-.206	-.770	40	228	-.019	.095	-.357	-.546	40	309	-.378	.065	-.148	-.643
40	179	-.447	.070	-.234	-.763	40	229	-.008	.111	-.582	-.354	40	310	-.359	.063	-.128	-.697
40	180	.265	.186	.770	-.754	40	230	-.177	.097	-.175	-.544	40	311	-.658	.163	.008	-1.352
40	181	.223	.146	.829	-.209	40	231	-.496	.135	-.064	-1.071	40	312	-.025	.064	.401	-.344
40	182	-.306	.094	.011	-.662	40	232	-.258	.050	-.071	-.529	40	313	-.487	.139	.857	-.003
40	183	-.948	.169	-.495	-1.573	40	233	-.360	.065	-.213	-.714	40	314	-.504	.142	.941	-.053
40	184	-.406	.125	-.195	-.918	40	234	-.439	.106	-.198	-.993	40	315	-.399	.062	-.191	-.663
40	185	-.361	.042	-.267	-.535	40	235	-.434	.098	-.144	-.991	40	316	-.471	.088	-.143	-.884
40	186	-.408	.077	-.224	-.858	40	236	-.390	.088	-.007	-.969	40	317	-.444	.071	-.159	-.760
40	187	-.417	.088	-.215	-1.106	40	237	-.381	.082	-.127	-.719	40	318	-.505	.078	-.274	-.794
40	188	-.453	.103	-.242	-1.104	40	238	-.380	.082	-.158	-.766	40	319	-.384	.066	-.180	-.634
40	189	-.443	.086	-.245	-.902	40	239	-.381	.106	-.054	-.927	40	320	-.361	.053	-.189	-.582
40	190	-.443	.072	-.265	-.837	40	240	-.025	.079	-.376	-.321	40	321	-.372	.055	-.200	-.679
40	191	-.477	.084	-.220	-.907	40	241	-.013	.075	-.327	-.288	40	322	-.411	.065	-.157	-.688
40	192	.112	.138	.574	-.326	40	242	-.119	.075	-.327	-.399	40	323	-.451	.085	-.189	-.898
40	193	.157	.160	.724	-.294	40	243	-.304	.083	-.030	-.641	40	324	-.432	.066	-.238	-.832
40	194	-.270	.108	.113	-.728	40	244	-.326	.096	-.038	-.884	40	325	-.432	.063	-.236	-.688
40	195	-.882	.206	-.383	-1.632	40	245	-.384	.068	-.134	-.686	40	326	-.347	.050	-.182	-.573
40	196	-.314	.063	-.130	-.815	40	246	-.471	.116	-.229	-1.551	40	327	-.144	.069	.200	-.573
40	197	-.369	.070	-.164	-.773	40	247	-.377	.067	-.172	-.747	40	328	-.566	.176	.234	-1.140
40	198	-.411	.089	-.182	-.960	40	248	-.349	.066	-.160	-.792	40	329	-.070	.124	.458	-.376
40	199	-.422	.109	-.200	-1.247	40	249	-.345	.064	-.170	-.676	40	330	.516	.142	.921	-.074
40	200	-.458	.133	-.090	-1.520	40	250	-.335	.069	-.146	-.764	40	331	.545	.147	.970	.031

WD	TAP	CPMEAN	CPRMS	CPMAX	CPMIN	WD	TAP	CPMEAN	CPRMS	CPMAX	CPMIN	WD	TAP	CPMEAN	CPRMS	CPMAX	CPMIN
40	332	-.381	.052	-.170	-.636	40	382	-.510	.107	-.224	-1.469	40	432	-.280	.064	-.062	-.554
40	333	-.375	.045	-.231	-.559	40	383	-.513	.105	-.268	-1.077	40	433	-.474	.141	-.017	-1.126
40	334	-.394	.048	-.254	-.604	40	384	-.509	.077	-.284	-.842	40	434	-.172	.067	.210	-.480
40	335	-.413	.059	-.231	-.713	40	385	-.511	.064	-.355	-.768	40	435	-.006	.074	.321	-.400
40	336	-.386	.047	-.250	-.604	40	386	-.304	.055	-.136	-.528	40	436	-.020	.109	.453	-.471
40	337	-.366	.044	-.211	-.532	40	387	-.133	.127	.252	-.969	40	437	.026	.097	.477	-.320
40	338	-.285	.039	-.155	-.405	40	388	-.453	.223	.256	-1.196	40	438	.035	.065	.304	-.469
40	339	-.086	.073	.159	-.451	40	389	-.087	.149	.489	-.512	40	439	-.008	.081	.370	-.466
40	340	-.506	.181	.110	-1.171	40	390	.195	.116	.823	-.138	40	440	-.283	.066	-.093	-.570
40	341	-.062	.127	.528	-.329	40	391	.287	.138	.747	-.082	40	441	-.293	.074	-.076	-.674
40	342	.494	.143	.974	.069	40	392	-.301	.091	-.226	-1.182	40	442	-.300	.090	-.050	-.814
40	343	.567	.147	.995	.131	40	393	-.524	.107	-.241	-1.276	40	443	-.293	.070	-.074	-.589
40	344	-.405	.055	-.192	-.679	40	394	-.543	.123	-.266	-1.720	40	444	-.322	.083	-.135	-.877
40	345	-.386	.049	-.251	-.640	40	395	-.546	.122	-.217	-1.162	40	445	-.245	.095	.051	-.646
40	346	-.403	.052	-.253	-.615	40	396	-.548	.107	-.252	-1.126	40	446	-.056	.064	.221	-.258
40	347	-.423	.059	-.141	-.945	40	397	-.554	.103	-.277	-1.164	40	447	.035	.076	.347	-.232
40	348	-.396	.042	-.247	-.572	40	398	-.342	.074	-.075	-.667	40	448	.046	.089	.382	-.343
40	349	-.382	.045	-.249	-.565	40	399	-.177	.138	.274	-.942	40	449	.049	.076	.432	-.232
40	350	-.283	.040	-.127	-.418	40	400	-.419	.224	.404	-1.140	40	450	.053	.058	.318	-.185
40	351	-.111	.085	.143	-.730	40	401	-.142	.160	.498	-.651	40	451	.019	.049	.212	-.235
40	352	-.510	.184	.026	-1.206	40	402	.033	.089	.469	-.230	40	452	.049	.065	.474	-.190
40	353	.045	.127	.459	-.530	40	403	.056	.114	.460	-.539	40	453	.060	.052	.361	-.143
40	354	.491	.139	.946	.010	40	404	-.489	.111	-.138	-1.126	40	454	.037	.045	.254	-.180
40	355	.551	.150	.974	.063	40	405	-.493	.113	-.187	-1.135	40	455	-.276	.063	-.001	-.811
40	356	-.436	.068	-.210	-.775	40	406	-.513	.118	-.156	-1.007	40	456	-.286	.065	-.114	-.660
40	357	-.411	.057	-.253	-.798	40	407	-.488	.110	-.174	-1.028	40	457	-.287	.066	-.091	-.499
40	358	-.432	.062	-.260	-.709	40	408	-.512	.125	-.136	-1.070	40	458	-.292	.066	-.109	-.627
40	359	-.442	.062	-.224	-.862	40	409	-.581	.131	-.250	-1.238	40	459	-.253	.062	.013	-.521
40	360	-.422	.055	-.237	-.643	40	410	-.344	.082	-.058	-.712	40	460	-.140	.065	.179	-.388
40	361	-.398	.052	-.240	-.656	40	411	-.157	.125	.370	-.770	40	461	-.026	.059	.243	-.197
40	362	-.308	.045	-.109	-.501	40	412	-.279	.201	.525	-.960	40	462	.042	.075	.384	-.244
40	363	-.100	.089	.145	-.737	40	413	-.133	.137	.509	-.519	40	463	.045	.093	.481	-.249
40	364	-.506	.192	.145	-1.158	40	414	-.008	.086	.505	-.403	40	464	.020	.086	.418	-.217
40	365	.046	.134	.443	-.395	40	415	-.053	.135	.312	-.754	40	465	.012	.094	.531	-.230
40	366	.433	.138	.901	-.004	40	416	-.419	.107	-.118	-.967	40	466	-.010	.084	.399	-.363
40	367	.511	.153	1.045	.085	40	417	-.443	.124	-.062	-1.077	40	467	.029	.100	.596	-.301
40	368	-.468	.093	-.182	-.906	40	418	-.456	.126	-.118	-1.045	40	468	.049	.081	.428	-.188
40	369	-.459	.077	-.226	-1.140	40	419	-.407	.085	-.114	-.918	40	469	.023	.068	.341	-.222
40	370	-.469	.078	-.251	-1.059	40	420	-.383	.100	-.109	-.880	40	801	-.320	.059	-.166	-.693
40	371	-.472	.075	-.265	-.872	40	421	-.575	.136	-.223	-1.258	40	802	.066	.054	.329	-.071
40	372	-.452	.064	-.269	-.837	40	422	-.282	.075	-.011	-.653	40	803	-.378	.102	-.130	-.779
40	373	-.445	.067	-.221	-.824	40	423	-.077	.095	.346	-.602	40	804	-.408	.125	-.106	-.924
40	374	-.322	.054	-.116	-.556	40	424	-.150	.146	.330	-.790	40	805	-.523	.119	-.171	-1.039
40	375	-.124	.098	.168	-.922	40	425	-.051	.112	.432	-.405	40	901	-.661	.093	-.346	-1.155
40	376	-.509	.207	.191	-1.208	40	426	.009	.080	.342	-.315	40	902	-.591	.089	-.321	-1.142
40	377	.015	.144	.562	-.384	40	427	-.048	.116	.448	-.646	40	903	-.788	.134	-.456	-1.444
40	378	.350	.134	.747	-.008	40	428	-.327	.084	-.091	-.844	40	904	-.652	.115	-.311	-1.312
40	379	.452	.146	.985	.001	40	429	-.366	.117	-.017	-.967	40	905	-.812	.135	-.383	-1.356
40	380	-.491	.099	-.269	-1.085	40	430	-.411	.132	-.057	-.946	40	906	-.693	.101	-.373	-1.171
40	381	-.491	.096	-.253	-1.536	40	431	-.355	.093	-.065	-.707	40	907	-.634	.117	-.205	-1.176

WD	TAP	CPMEAN	CPRMS	CPMAX	CPMIN	WD	TAP	CPMEAN	CPRMS	CPMAX	CPMIN	WD	TAP	CPMEAN	CPRMS	CPMAX	CPMIN
40	908	-.774	.114	-.399	-1.271	50	101	-.368	.093	-.097	-.746	50	151	-.448	.097	-.126	-1.048
40	909	-.437	.118	-.177	-1.114	50	102	-.358	.084	-.092	-.721	50	152	-.464	.115	-.208	-1.160
40	910	-.764	.114	-.426	-1.284	50	103	-.387	.098	-.104	-.906	50	153	-.433	.087	-.197	-.862
40	911	-.801	.124	-.357	-1.268	50	104	-.301	.138	-.270	-.967	50	154	-.390	.063	-.185	-.711
40	912	-.763	.133	-.184	-1.199	50	105	-.408	.104	-.108	-.795	50	155	-.404	.068	-.197	-.788
40	913	-.702	.133	-.207	-1.372	50	106	-.160	.071	-.064	-.434	50	156	-.126	.193	-.748	-.566
40	914	-.728	.159	-.163	-1.402	50	107	-.421	.106	-.113	-1.270	50	157	-.127	.094	-.440	-.190
40	915	-.645	.123	-.150	-1.241	50	108	-.034	.178	-.457	-.653	50	158	-.321	.101	-.064	-.727
40	916	-.626	.121	-.168	-1.186	50	109	-.231	.066	-.018	-.522	50	159	-.631	.185	-.218	-1.479
40	917	-.634	.128	-.243	-1.107	50	110	-.431	.107	-.018	-1.006	50	160	-.647	.171	-.183	-1.387
40	918	-.776	.117	-.432	-1.240	50	111	-.418	.115	-.108	-1.040	50	161	-.562	.149	-.016	-1.240
40	919	-.577	.081	-.257	-.983	50	112	-.393	.095	-.097	-.920	50	162	-.501	.132	-.103	-1.043
40	920	-.650	.139	-.250	-1.249	50	113	-.366	.077	-.128	-.823	50	163	-.482	.120	-.103	-1.151
40	921	-.628	.112	-.243	-1.006	50	114	-.373	.087	-.146	-1.008	50	164	-.496	.126	-.179	-1.371
40	922	-.290	.088	-.042	-.763	50	115	-.249	.068	-.018	-.542	50	165	-.453	.096	-.236	-.981
40	923	-.374	.098	-.137	-.889	50	116	-.568	.089	-.271	-.899	50	166	-.411	.072	-.174	-.763
40	924	-.401	.091	-.133	-.906	50	117	-.578	.113	-.273	-1.058	50	167	-.437	.084	-.213	-1.038
40	925	-.335	.111	-.024	-.803	50	118	-.549	.133	-.138	-1.236	50	168	-.110	.200	-.750	-.649
40	926	-.709	.109	-.317	-1.142	50	119	-.454	.110	-.038	-.965	50	169	-.112	.105	-.484	-.176
40	927	-.717	.125	-.179	-1.195	50	120	-.099	.171	-.625	-.499	50	170	-.360	.107	-.025	-.844
40	928	-.613	.129	-.165	-1.058	50	121	-.076	.094	-.421	-.239	50	171	-.706	.187	-.291	-1.547
40	929	-.535	.126	-.175	-.990	50	122	-.307	.080	-.076	-.811	50	172	-.679	.172	-.165	-1.336
40	930	-.539	.119	-.123	-.899	50	123	-.567	.160	-.284	-1.564	50	173	-.559	.168	-.110	-1.373
40	931	-.544	.113	-.084	-.973	50	124	-.574	.124	-.201	-1.191	50	174	-.528	.146	-.114	-1.114
40	932	-.545	.090	-.208	-.895	50	125	-.536	.134	-.020	-1.094	50	175	-.497	.128	-.190	-1.178
40	933	-.467	.077	-.193	-1.011	50	126	-.469	.117	-.076	-1.162	50	176	-.520	.157	-.185	-1.481
40	934	-.443	.067	-.225	-.842	50	127	-.422	.096	-.090	-.967	50	177	-.474	.106	-.160	-1.091
40	935	-.367	.098	-.153	-.852	50	128	-.431	.111	-.151	-1.198	50	178	-.459	.095	-.199	-1.045
40	936	-.390	.098	-.109	-.870	50	129	-.409	.085	-.131	-.809	50	179	-.458	.098	-.202	-1.068
40	937	-.420	.117	-.050	-.845	50	130	-.378	.070	-.183	-.793	50	180	-.019	.218	-.667	-.827
40	938	-.447	.125	-.109	-.881	50	131	-.378	.075	-.131	-1.022	50	181	-.080	.108	-.599	-.202
40	939	-.366	.119	-.062	-.765	50	132	-.142	.178	-.701	-.479	50	182	-.372	.104	-.057	-.885
40	940	-.482	.083	-.176	-.850	50	133	-.156	.099	-.455	-.219	50	183	-.802	.203	-.320	-1.713
40	941	-.402	.109	-.066	-1.000	50	134	-.282	.091	-.047	-.759	50	184	-.639	.159	-.255	-1.167
40	942	-.381	.105	-.034	-.870	50	135	-.501	.136	-.232	-1.173	50	185	-.527	.111	-.252	-.857
40	943	-.354	.092	-.077	-.774	50	136	-.544	.146	-.235	-1.209	50	186	-.520	.145	-.185	-1.090
40	944	-.410	.094	-.071	-.840	50	137	-.540	.143	-.052	-1.277	50	187	-.517	.144	-.172	-1.138
40	945	-.392	.096	-.062	-.971	50	138	-.458	.112	-.058	-.974	50	188	-.535	.166	-.172	-1.330
40	946	-.417	.122	-.031	-.943	50	139	-.429	.089	-.110	-.936	50	189	-.506	.130	-.205	-1.211
40	947	-.438	.105	-.014	-.835	50	140	-.460	.107	-.192	-1.062	50	190	-.472	.102	-.167	-1.055
40	948	-.478	.099	-.130	-1.044	50	141	-.411	.081	-.180	-.818	50	191	-.475	.097	-.199	-.848
40	949	-.365	.083	-.084	-.818	50	142	-.371	.062	-.179	-.674	50	192	-.060	.202	-.505	-.718
40	950	-.427	.090	-.063	-.952	50	143	-.393	.068	-.174	-.777	50	193	-.002	.108	-.602	-.297
40	951	-.341	.072	-.116	-.637	50	144	-.164	.173	-.684	-.511	50	194	-.369	.116	-.005	-.781
40	952	-.283	.073	-.041	-.587	50	145	-.147	.095	-.493	-.149	50	195	-.824	.202	-.237	-1.678
40	953	-.383	.080	-.096	-.774	50	146	-.289	.087	-.082	-.681	50	196	-.508	.197	-.129	-1.308
40	954	-.334	.064	-.092	-.645	50	147	-.556	.170	-.266	-1.490	50	197	-.445	.142	-.069	-1.133
40	955	-.371	.083	-.096	-.710	50	148	-.600	.172	-.215	-1.421	50	198	-.491	.139	-.113	-1.169
40	956	-.331	.057	-.118	-.652	50	149	-.550	.143	-.142	-1.240	50	199	-.505	.160	-.151	-1.445
40	957	-.302	.061	-.031	-.536	50	150	-.462	.115	-.025	-1.050	50	200	-.529	.192	-.051	-1.736

WD	TAP	CPMEAN	CPRMS	CPMAX	CPMIN	WD	TAP	CPMEAN	CPRMS	CPMAX	CPMIN	WD	TAP	CPMEAN	CPRMS	CPMAX	CPMIN
50	201	-.491	.150	-.134	-1.604	50	251	-.295	.076	-.061	-1.336	50	332	-.406	.083	-.179	-1.061
50	202	-.460	.106	-.024	-1.034	50	252	-.287	.053	-.133	-.514	50	333	-.403	.069	-.174	-.737
50	203	-.508	.123	-.116	-1.238	50	253	-.291	.057	-.161	-.606	50	334	-.428	.085	-.172	-.888
50	204	-.125	.181	.407	-.878	50	254	-.272	.047	-.140	-.488	50	335	-.461	.100	-.195	-1.075
50	205	-.019	.112	.528	-.407	50	255	-.072	.089	.337	-.381	50	336	-.422	.074	-.222	-.861
50	206	-.336	.127	.133	-.797	50	256	-.010	.074	.315	-.279	50	337	-.398	.068	-.197	-.757
50	207	-.770	.182	-.239	-1.559	50	257	-.098	.052	.152	-.289	50	338	-.238	.052	-.048	-.447
50	208	-.414	.164	-.131	-1.252	50	258	-.222	.077	.069	-.701	50	339	-.076	.080	.341	-.170
50	209	-.394	.112	-.080	-.922	50	259	-.266	.052	-.092	-.488	50	340	-.136	.184	.537	-.919
50	210	-.456	.150	-.136	-1.211	50	260	-.346	.070	-.140	-.625	50	341	.306	.139	.717	-.165
50	211	-.472	.164	-.104	-1.480	50	261	-.368	.079	-.185	-.786	50	342	.566	.136	1.093	.128
50	212	-.486	.175	-.037	-1.256	50	262	-.323	.060	-.137	-.658	50	343	.419	.158	.902	-.068
50	213	-.429	.135	-.098	-1.303	50	263	-.307	.061	-.163	-.822	50	344	-.434	.086	-.228	-.937
50	214	-.421	.105	-.037	-1.055	50	264	-.282	.063	-.090	-.590	50	345	-.421	.070	-.239	-.871
50	215	-.492	.125	-.057	-1.153	50	265	-.237	.047	-.091	-.495	50	346	-.434	.089	-.098	-1.058
50	216	-.133	.154	.371	-.783	50	266	-.303	.072	-.091	-.745	50	347	-.460	.096	-.203	-1.113
50	217	-.038	.096	.451	-.416	50	267	-.324	.062	-.163	-.649	50	348	-.427	.072	-.237	-.992
50	218	-.295	.121	-.230	-.772	50	268	-.339	.067	-.151	-.633	50	349	-.410	.071	-.216	-.814
50	219	-.683	.181	-.140	-1.575	50	269	-.356	.079	-.151	-.763	50	350	-.232	.053	-.059	-.591
50	220	-.331	.114	-.116	-1.037	50	301	.066	.104	.469	-.294	50	351	.046	.082	.320	-.235
50	221	-.364	.096	-.118	-.916	50	302	.151	.117	.490	-.271	50	352	-.114	.172	.400	-.737
50	222	-.436	.134	-.178	-1.155	50	303	.131	.109	.481	-.273	50	353	.282	.134	.788	-.086
50	223	-.425	.133	-.015	-1.064	50	304	-.388	.101	-.075	-.953	50	354	.560	.139	1.112	.135
50	224	-.417	.146	-.019	-1.445	50	305	-.486	.127	-.017	-.987	50	355	.418	.141	.959	-.098
50	225	-.380	.109	-.007	-.981	50	306	-.387	.094	-.073	-.838	50	356	-.458	.095	-.219	-.963
50	226	-.373	.095	-.080	-.824	50	307	-.202	.065	-.008	-.474	50	357	-.430	.078	-.194	-.894
50	227	-.431	.119	-.092	-1.037	50	308	-.391	.108	-.066	-1.066	50	358	-.451	.093	-.205	-.944
50	228	-.118	.116	-.265	-.656	50	309	-.403	.099	-.053	-1.030	50	359	-.479	.100	-.219	-1.131
50	229	-.048	.067	.377	-.310	50	310	-.258	.068	.010	-.526	50	360	-.455	.086	-.230	-.890
50	230	-.243	.092	.140	-.592	50	311	-.264	.175	.352	-.890	50	361	-.430	.081	-.221	-.874
50	231	-.551	.138	-.137	-1.182	50	312	-.242	.136	.755	-.186	50	362	-.262	.058	-.068	-.547
50	232	-.280	.083	-.083	-.881	50	313	.534	.139	.942	.042	50	363	.052	.080	.311	-.210
50	233	-.332	.072	-.071	-.701	50	314	-.364	.142	.764	-.091	50	364	-.110	.176	.495	-.718
50	234	-.397	.109	-.159	-1.061	50	315	-.423	.094	-.080	-.951	50	365	.282	.124	.737	-.258
50	235	-.405	.104	-.130	-1.021	50	316	-.513	.115	-.051	-.987	50	366	.506	.146	1.000	.087
50	236	-.376	.102	-.040	-.921	50	317	-.487	.102	-.172	-1.192	50	367	.410	.143	.945	-.004
50	237	-.341	.083	-.078	-.883	50	318	-.531	.089	-.215	-.913	50	368	-.506	.115	-.191	-1.072
50	238	-.326	.081	-.078	-1.109	50	319	-.291	.066	-.044	-.532	50	369	-.476	.097	-.237	-1.093
50	239	-.351	.108	-.099	-.978	50	320	-.397	.091	-.141	-1.021	50	370	-.482	.103	-.198	-1.083
50	240	-.063	.092	.225	-.490	50	321	-.405	.088	-.111	-.942	50	371	-.512	.120	-.155	-1.198
50	241	-.043	.052	.142	-.315	50	322	-.442	.095	-.057	-.919	50	372	-.500	.100	-.205	-1.008
50	242	-.168	.054	.097	-.403	50	323	-.503	.123	-.058	-1.244	50	373	-.459	.092	-.194	-.926
50	243	-.316	.086	-.073	-.893	50	324	-.478	.092	-.235	-1.034	50	374	-.272	.065	-.057	-.593
50	244	-.257	.101	-.107	-.737	50	325	-.461	.078	-.199	-.805	50	375	-.038	.080	.404	-.262
50	245	-.356	.073	-.182	-.666	50	326	-.309	.059	-.102	-.557	50	376	-.082	.179	.425	-.721
50	246	-.450	.129	-.168	-1.161	50	327	-.000	.078	.303	-.323	50	377	.282	.136	.854	-.102
50	247	-.353	.066	-.104	-.632	50	328	-.164	.171	.350	-.863	50	378	.463	.147	.959	.016
50	248	-.318	.065	-.133	-.599	50	329	.290	.132	.809	-.109	50	379	.368	.140	.822	-.032
50	249	-.316	.064	-.144	-.632	50	330	.573	.156	1.023	-.060	50	380	-.560	.132	-.221	-1.186
50	250	-.307	.071	-.116	-.917	50	331	.457	.140	.872	-.060	50	381	-.523	.127	-.205	-1.503

WD	TAP	CPMEAN	CPRMS	CPMAX	CPMIN	WD	TAP	CPMEAN	CPRMS	CPMAX	CPMIN	WD	TAP	CPMEAN	CPRMS	CPMAX	CPMIN
50	382	-.531	.128	-.173	-1.369	50	432	-.290	.066	-.085	-.692	50	908	-.634	.102	-.245	-1.089
50	383	-.554	.120	-.241	-1.280	50	433	-.589	.166	-.099	-1.290	50	909	-.629	.109	-.282	-1.059
50	384	-.540	.120	-.285	-1.220	50	434	-.185	.064	-.057	-.499	50	910	-.647	.110	-.286	-1.045
50	385	-.551	.081	-.372	-.932	50	435	-.037	.070	.323	-.306	50	911	-.648	.107	-.349	-1.107
50	386	-.259	.063	-.066	-.493	50	436	.074	.103	.452	-.285	50	912	-.642	.113	-.191	-1.255
50	387	-.037	.084	.315	-.212	50	437	.115	.105	.615	-.273	50	913	-.664	.116	-.201	-1.156
50	388	-.052	.178	.453	-.861	50	438	.112	.092	.499	-.179	50	914	-.653	.122	-.217	-1.406
50	389	.269	.144	.766	-.234	50	439	-.002	.065	.238	-.516	50	915	-.622	.112	-.240	-1.017
50	390	.364	.142	.857	-.022	50	440	-.268	.062	-.019	-.657	50	916	-.618	.114	-.169	-1.166
50	391	.238	.130	.688	-.203	50	441	-.313	.085	-.106	-.763	50	917	-.638	.119	-.255	-1.117
50	392	-.548	.143	-.189	-1.682	50	442	-.346	.132	-.082	-1.394	50	918	-.646	.117	-.311	-1.084
50	393	-.534	.131	-.185	-1.352	50	443	-.325	.093	-.082	-.659	50	919	-.585	.083	-.333	-.906
50	394	-.563	.145	-.169	-1.852	50	444	-.360	.103	-.094	-1.005	50	920	-.665	.130	-.309	-1.190
50	395	-.586	.140	-.183	-1.341	50	445	-.298	.103	.031	-.827	50	921	-.601	.099	-.276	-1.014
50	396	-.593	.131	-.147	-1.198	50	446	-.057	.058	.179	-.292	50	922	-.265	.072	-.040	-.576
50	397	-.623	.153	-.285	-1.341	50	447	-.055	.064	.370	-.134	50	923	-.283	.072	-.110	-.667
50	398	-.303	.076	-.031	-.618	50	448	.079	.070	.396	-.212	50	924	-.334	.095	-.068	-.785
50	399	.022	.092	.357	-.419	50	449	.099	.070	.393	-.099	50	925	-.294	.131	-.131	-.881
50	400	.024	.188	.523	-.669	50	450	.103	.060	.349	-.136	50	926	-.585	.105	-.248	-1.087
50	401	.221	.181	.884	-.403	50	451	.049	.050	.259	-.151	50	927	-.608	.116	-.248	-1.035
50	402	.233	.143	.755	-.131	50	452	.099	.062	.408	-.066	50	928	-.618	.111	-.145	-1.098
50	403	.123	.097	.540	-.238	50	453	.090	.061	.443	-.075	50	929	-.592	.119	-.145	-1.131
50	404	-.534	.146	-.176	-1.312	50	454	.069	.050	.311	-.101	50	930	-.560	.101	-.150	-.902
50	405	-.522	.134	-.073	-1.242	50	455	-.263	.075	-.010	-.885	50	931	-.561	.111	-.083	-1.004
50	406	-.539	.140	-.118	-1.113	50	456	-.292	.076	-.073	-.664	50	932	-.572	.091	-.209	-.954
50	407	-.523	.128	-.109	-1.153	50	457	-.280	.072	-.042	-.593	50	933	-.508	.097	-.227	-.993
50	408	-.580	.136	-.160	-1.171	50	458	-.302	.069	-.101	-.565	50	934	-.485	.090	-.184	-.939
50	409	-.656	.142	-.292	-1.644	50	459	-.255	.059	-.054	-.506	50	935	-.450	.126	-.115	-.993
50	410	-.308	.077	-.084	-.640	50	460	-.145	.067	.134	-.525	50	936	-.456	.122	-.012	-.977
50	411	-.002	.104	.349	-.430	50	461	-.009	.050	.224	-.198	50	937	-.511	.119	-.065	-1.007
50	412	.046	.175	.607	-.611	50	462	-.089	.065	.363	-.080	50	938	-.549	.112	-.122	-1.000
50	413	.163	.183	.755	-.345	50	463	.077	.079	.431	-.318	50	939	-.438	.104	-.079	-.812
50	414	.169	.128	.694	-.258	50	464	.060	.076	.463	-.136	50	940	-.510	.112	-.120	-.990
50	415	.034	.086	.478	-.401	50	465	-.014	.059	.261	-.301	50	941	-.554	.139	-.029	-1.226
50	416	-.451	.143	-.055	-1.278	50	466	.010	.081	.348	-.332	50	942	-.482	.121	-.054	-.933
50	417	-.493	.138	-.122	-1.022	50	467	.007	.087	.401	-.289	50	943	-.454	.124	-.024	-.961
50	418	-.485	.143	-.140	-1.111	50	468	.099	.082	.453	-.214	50	944	-.435	.114	.038	-.878
50	419	-.428	.113	-.035	-.883	50	469	.034	.070	.343	-.250	50	945	-.431	.115	.054	-.885
50	420	-.449	.138	-.147	-1.001	50	801	-.290	.059	-.156	-.612	50	946	-.415	.118	.073	-1.044
50	421	-.706	.162	-.189	-1.651	50	802	.107	.057	.367	-.035	50	947	-.457	.125	.081	-1.000
50	422	-.285	.077	.005	-.743	50	803	-.265	.092	-.071	-.638	50	948	-.529	.135	-.120	-1.029
50	423	.007	.088	.375	-.323	50	804	-.417	.123	-.104	-.938	50	949	-.487	.124	-.093	-1.061
50	424	.039	.135	.438	-.447	50	805	-.551	.126	-.165	-1.087	50	950	-.478	.129	-.093	-.979
50	425	.109	.152	.862	-.358	50	901	-.598	.083	-.332	-.981	50	951	-.425	.109	-.067	-.942
50	426	.132	.116	.627	-.224	50	902	-.576	.085	-.323	-1.040	50	952	-.329	.087	.006	-.701
50	427	.006	.083	.283	-.584	50	903	-.622	.100	-.351	-1.225	50	953	-.421	.114	-.013	-.916
50	428	-.346	.118	-.033	-1.010	50	904	-.610	.093	-.321	-1.080	50	954	-.385	.101	-.001	-.848
50	429	-.415	.132	-.085	-.973	50	905	-.628	.093	-.346	-1.054	50	955	-.371	.099	-.023	-.831
50	430	-.445	.162	-.113	-1.234	50	906	-.638	.094	-.184	-1.015	50	956	-.342	.075	-.088	-.631
50	431	-.386	.099	-.059	-.772	50	907	-.612	.099	-.291	-1.084	50	957	-.333	.075	-.076	-.597



WD	TAP	CPMEAN	CPRMS	CPMAX	CPMIN	WD	TAP	CPMEAN	CPRMS	CPMAX	CPMIN	WD	TAP	CPMEAN	CPRMS	CPMAX	CPMIN
60	101	-.351	.095	-.051	-.991	60	151	-.401	.073	-.197	-.875	60	201	-.451	.126	-.078	-1.071
60	102	-.336	.084	-.083	-.856	60	152	-.410	.093	-.210	-1.119	60	202	-.463	.120	-.080	-.997
60	103	-.354	.098	-.058	-.813	60	153	-.387	.070	-.169	-.793	60	203	-.525	.142	-.109	-1.129
60	104	-.525	.115	-.103	-1.085	60	154	-.380	.064	-.160	-.633	60	204	-.328	.156	-.208	-.979
60	105	-.355	.094	-.040	-.736	60	155	-.425	.090	-.183	-.882	60	205	-.066	.063	-.232	-.355
60	106	-.233	.088	-.027	-.747	60	156	-.203	.183	.344	-1.021	60	206	-.354	.090	-.045	-.709
60	107	-.366	.086	-.063	-.750	60	157	-.024	.077	.287	-.293	60	207	-.631	.167	-.243	-1.405
60	108	-.398	.156	.239	-.950	60	158	-.272	.073	-.055	-.724	60	208	-.549	.165	-.114	-1.176
60	109	-.288	.063	-.110	-.617	60	159	-.426	.097	-.163	-1.014	60	209	-.451	.159	.031	-1.187
60	110	-.384	.085	-.047	-.806	60	160	-.442	.111	-.210	-1.274	60	210	-.453	.153	-.049	-1.220
60	111	-.360	.086	-.128	-.795	60	161	-.479	.122	-.174	-1.133	60	211	-.449	.159	-.069	-1.222
60	112	-.350	.083	-.124	-.824	60	162	-.433	.104	-.153	-1.322	60	212	-.479	.197	-.020	-1.521
60	113	-.348	.087	-.130	-.765	60	163	-.420	.093	-.220	-.994	60	213	-.410	.134	-.038	-1.151
60	114	-.375	.104	-.090	-1.074	60	164	-.441	.117	-.208	-1.439	60	214	-.408	.115	-.053	-.903
60	115	-.312	.070	-.096	-.653	60	165	-.409	.078	-.121	-.955	60	215	-.502	.130	-.134	-1.077
60	116	-.483	.087	-.184	-.806	60	166	-.399	.073	-.165	-.797	60	216	-.288	.142	.125	-1.048
60	117	-.450	.085	-.171	-.824	60	167	-.443	.104	-.153	-.955	60	217	-.061	.060	-.266	-.370
60	118	-.481	.108	-.155	-1.015	60	168	-.223	.182	.529	-.923	60	218	-.346	.090	-.009	-.852
60	119	-.399	.085	-.121	-.711	60	169	-.003	.073	.342	-.297	60	219	-.634	.160	-.265	-1.414
60	120	-.284	.168	.284	-.928	60	170	-.310	.086	-.044	-.722	60	220	-.466	.170	-.105	-1.173
60	121	-.042	.069	.309	-.299	60	171	-.475	.134	-.165	-1.236	60	221	-.373	.123	-.069	-.981
60	122	-.301	.052	-.128	-.509	60	172	-.503	.139	-.210	-1.338	60	222	-.381	.128	-.036	-1.071
60	123	-.424	.077	-.160	-.840	60	173	-.507	.154	-.028	-1.331	60	223	-.370	.124	-.078	-1.017
60	124	-.435	.081	-.173	-.892	60	174	-.472	.134	-.085	-1.423	60	224	-.392	.159	.017	-1.393
60	125	-.465	.108	-.175	-1.331	60	175	-.455	.110	-.174	-1.188	60	225	-.347	.110	-.002	-.962
60	126	-.413	.084	-.148	-.736	60	176	-.490	.133	-.217	-1.297	60	226	-.357	.099	-.028	-.834
60	127	-.365	.067	-.117	-.691	60	177	-.436	.099	-.167	-.905	60	227	-.448	.130	.038	-.941
60	128	-.372	.077	-.169	-.815	60	178	-.423	.082	-.192	-.752	60	228	-.236	.132	.144	-.851
60	129	-.359	.070	-.151	-.700	60	179	-.477	.116	-.103	-1.083	60	229	-.054	.054	.191	-.283
60	130	-.355	.074	-.166	-.702	60	180	-.283	.162	.397	-.930	60	230	-.282	.081	.005	-.726
60	131	-.378	.092	-.112	-.856	60	181	-.039	.069	.269	-.300	60	231	-.580	.142	-.224	-1.421
60	132	-.213	.181	.352	-.894	60	182	-.334	.086	-.055	-.770	60	232	-.354	.055	-.059	-.995
60	133	-.031	.073	.316	-.216	60	183	-.541	.150	-.205	-1.486	60	233	-.313	.093	-.082	-.825
60	134	-.251	.047	-.092	-.479	60	184	-.566	.133	-.256	-1.184	60	234	-.353	.116	-.122	-1.157
60	135	-.379	.062	-.178	-.594	60	185	-.550	.079	-.283	-.899	60	235	-.349	.101	-.106	-1.353
60	136	-.386	.068	-.142	-.865	60	186	-.514	.140	-.154	-1.312	60	236	-.352	.114	-.033	-.896
60	137	-.421	.087	-.160	-1.011	60	187	-.483	.133	-.091	-1.149	60	237	-.324	.091	-.045	-.754
60	138	-.395	.074	-.178	-.808	60	188	-.534	.167	-.167	-1.684	60	238	-.310	.086	-.078	-.761
60	139	-.380	.066	-.187	-.707	60	189	-.467	.110	-.172	-1.414	60	239	-.362	.121	-.007	-1.101
60	140	-.383	.079	-.178	-.928	60	190	-.455	.102	-.163	-.961	60	240	-.125	.094	.184	-.646
60	141	-.360	.064	-.191	-.693	60	191	-.509	.128	-.154	-1.100	60	241	-.046	.051	.151	-.233
60	142	-.358	.062	-.174	-.669	60	192	-.303	.142	.174	-.810	60	242	-.177	.061	-.031	-.464
60	143	-.397	.086	-.160	-.850	60	193	-.063	.060	.252	-.294	60	243	-.386	.116	-.151	-.976
60	144	-.177	.163	.337	-.811	60	194	-.369	.091	-.060	-.805	60	244	-.272	.112	.021	-1.028
60	145	-.024	.075	.342	-.224	60	195	-.606	.171	-.158	-1.811	60	245	-.327	.083	-.075	-.768
60	146	-.262	.058	-.053	-.651	60	196	-.602	.163	-.069	-1.546	60	246	-.384	.124	-.153	-1.289
60	147	-.403	.077	-.206	-.877	60	197	-.534	.170	-.103	-1.374	60	247	-.306	.068	-.106	-.709
60	148	-.411	.080	-.197	-1.037	60	198	-.508	.161	-.025	-1.298	60	248	-.294	.070	-.120	-.688
60	149	-.433	.095	-.206	-1.064	60	199	-.498	.157	-.114	-1.590	60	249	-.288	.066	-.118	-.577
60	150	-.407	.082	-.117	-.982	60	200	-.535	.200	-.069	-1.657	60	250	-.275	.069	-.073	-.747

WD	TAP	CPMEAN	CPRMS	CPMAX	CPMIN	WD	TAP	CPMEAN	CPRMS	CPMAX	CPMIN	WD	TAP	CPMEAN	CPRMS	CPMAX	CPMIN
60	251	-.275	.075	.035	-.651	60	332	-.441	.127	-.139	-1.394	60	382	-.543	.141	-.125	-1.122
60	252	-.256	.047	-.108	-.474	60	333	-.399	.100	-.072	-1.033	60	383	-.570	.149	-.152	-1.138
60	253	-.263	.058	-.035	-.542	60	334	-.438	.109	-.081	-.946	60	384	-.654	.143	-.263	-1.315
60	254	-.256	.052	-.085	-.523	60	335	-.494	.142	-.126	-1.186	60	385	-.680	.121	-.352	-1.140
60	255	-.135	.080	.172	-.493	60	336	-.542	.159	-.191	-1.155	60	386	-.260	.082	-.038	-.553
60	256	-.032	.063	.167	-.321	60	337	-.533	.173	-.194	-1.587	60	387	.127	.085	.473	-.118
60	257	-.114	.051	.083	-.313	60	338	-.227	.094	.029	-.585	60	388	.171	.149	.641	-.330
60	258	-.262	.087	-.097	-.830	60	339	.207	.105	.581	-.103	60	389	.394	.138	.842	-.033
60	259	-.248	.056	-.052	-.474	60	340	.234	.183	.838	-.772	60	390	.445	.132	.969	-.018
60	260	-.291	.062	-.104	-.577	60	341	.495	.145	.894	-.007	60	391	.140	.105	.478	-.245
60	261	-.336	.088	-.130	-.872	60	342	.563	.154	1.160	.069	60	392	-.545	.148	-.210	-1.444
60	262	-.301	.066	-.127	-.672	60	343	.257	.128	.701	-.175	60	393	-.525	.141	-.187	-1.254
60	263	-.288	.079	-.111	-.910	60	344	-.458	.124	-.171	-1.157	60	394	-.560	.144	-.145	-1.739
60	264	-.232	.059	-.051	-.531	60	345	-.419	.108	-.093	-1.038	60	395	-.566	.147	-.147	-1.379
60	265	-.207	.047	-.085	-.576	60	346	-.454	.121	-.068	-1.109	60	396	-.684	.157	-.272	-1.357
60	266	-.293	.085	-.051	-.884	60	347	-.512	.149	-.077	-1.289	60	397	-.730	.177	-.301	-1.602
60	267	-.290	.063	-.125	-.560	60	348	-.572	.171	-.202	-1.398	60	398	-.298	.077	-.024	-.611
60	268	-.326	.077	-.111	-.756	60	349	-.526	.171	-.207	-1.421	60	399	-.103	.085	.382	-.131
60	269	-.330	.082	-.146	-.717	60	350	-.219	.096	.037	-.643	60	400	.165	.142	.681	-.384
60	301	.174	.123	.646	-.302	60	351	.180	.104	.564	-.161	60	401	.370	.139	.857	-.047
60	302	.168	.109	.498	-.232	60	352	.214	.170	.829	-.444	60	402	.360	.131	.813	-.009
60	303	-.037	.095	.349	-.360	60	353	.459	.149	.868	-.008	60	403	.084	.090	.422	-.259
60	304	-.368	.107	-.020	-.909	60	354	.533	.145	.968	.122	60	404	-.537	.149	-.082	-1.522
60	305	-.185	.148	-.761	-.284	60	355	.247	.124	.740	-.198	60	405	-.540	.142	-.163	-1.245
60	306	-.385	.118	-.038	-1.186	60	356	-.486	.135	-.127	-1.184	60	406	-.570	.149	-.007	-1.337
60	307	-.118	.082	-.122	-.518	60	357	-.436	.114	-.093	-1.195	60	407	-.562	.143	-.096	-1.091
60	308	-.393	.119	-.108	-.943	60	358	-.471	.125	-.077	-1.136	60	408	-.645	.151	-.145	-1.357
60	309	-.393	.113	-.054	-.880	60	359	-.518	.150	-.056	-1.202	60	409	-.703	.155	-.339	-1.413
60	310	-.161	.080	.101	-.500	60	360	-.589	.169	-.177	-1.430	60	410	-.292	.069	-.064	-.694
60	311	.104	.173	.381	-.488	60	361	-.569	.180	-.223	-1.545	60	411	.081	.076	.357	-.149
60	312	.421	.140	.856	-.094	60	362	-.254	.099	.014	-.705	60	412	.152	.118	.574	-.357
60	313	.511	.148	.973	-.063	60	363	.174	.100	.526	-.145	60	413	.308	.127	.764	-.073
60	314	.190	.118	.590	-.317	60	364	.220	.171	.781	-.403	60	414	.346	.135	.855	-.000
60	315	-.424	.123	.002	-.970	60	365	.467	.139	1.005	.106	60	415	.050	.079	.436	-.254
60	316	-.504	.144	.221	-1.117	60	366	.527	.139	1.032	.122	60	416	-.467	.146	-.060	-1.279
60	317	-.585	.119	-.137	-1.072	60	367	.239	.125	.715	-.157	60	417	-.505	.160	-.094	-1.301
60	318	-.579	.100	-.302	-1.078	60	368	-.515	.156	-.123	-1.679	60	418	-.525	.141	-.123	-1.118
60	319	-.201	.075	-.020	-.473	60	369	-.479	.119	-.127	-1.042	60	419	-.472	.110	-.127	-.986
60	320	-.409	.127	-.097	-1.308	60	370	-.486	.126	-.050	-1.015	60	420	-.508	.160	-.131	-1.154
60	321	-.395	.112	-.058	-.905	60	371	-.548	.147	-.047	-1.243	60	421	-.782	.182	-.359	-1.732
60	322	-.438	.119	.000	-.937	60	372	-.619	.170	-.223	-1.341	60	422	-.282	.070	-.029	-.571
60	323	-.517	.144	.011	-1.094	60	373	-.616	.180	-.225	-1.634	60	423	.096	.076	.489	-.094
60	324	-.598	.133	-.245	-1.186	60	374	-.269	.095	.026	-.661	60	424	.139	.104	.619	-.200
60	325	-.577	.142	-.254	-1.270	60	375	.155	.093	.469	-.102	60	425	.268	.111	.673	-.162
60	326	-.286	.081	-.029	-.633	60	376	.180	.159	.685	-.447	60	426	.263	.114	.723	-.049
60	327	.127	.096	.446	-.198	60	377	.405	.141	.863	.060	60	427	.030	.069	.310	-.259
60	328	.182	.171	.730	-.403	60	378	.495	.132	.911	.117	60	428	-.361	.135	.091	-1.356
60	329	.451	.146	.910	-.034	60	379	.215	.119	.660	-.189	60	429	-.428	.153	.020	-1.042
60	330	.572	.145	1.031	.110	60	380	-.556	.159	-.088	-1.403	60	430	-.523	.182	-.098	-1.200
60	331	.246	.124	.653	-.216	60	381	-.515	.134	-.120	-1.216	60	431	-.413	.111	-.049	-.768

WD	TAP	CPMEAN	CPRMS	CPMAX	CPMIN	WD	TAP	CPMEAN	CPRMS	CPMAX	CPMIN	WD	TAP	CPMEAN	CPRMS	CPMAX	CPMIN
60	432	-.278	.064	-.112	-.679	60	908	-.589	.114	-.209	-1.130	70	101	-.304	.072	-.101	-.797
60	433	-.705	.167	-.233	-1.422	60	909	-.827	.103	-.333	-1.029	70	102	-.290	.060	-.099	-.597
60	434	-.187	.055	.006	-.492	60	910	-.604	.125	-.211	-1.275	70	103	-.301	.060	-.135	-.629
60	435	.084	.063	.378	-.122	60	911	-.576	.114	-.193	-1.068	70	104	-.686	.150	-.256	-1.319
60	436	.112	.091	.440	-.285	60	912	-.583	.113	-.151	-1.080	70	105	-.308	.069	-.101	-.685
60	437	.226	.098	.594	-.063	60	913	-.635	.126	-.260	-1.243	70	106	-.493	.152	-.117	-1.011
60	438	.214	.104	.650	-.065	60	914	-.638	.120	-.232	-1.176	70	107	-.312	.065	-.092	-.593
60	439	.014	.060	.284	-.223	60	915	-.655	.128	-.204	-1.273	70	108	-.671	.134	-.148	-1.215
60	440	-.264	.079	-.034	-.714	60	916	-.669	.122	-.296	-1.340	70	109	-.346	.070	-.132	-.782
60	441	-.306	.095	-.034	-.787	60	917	-.627	.111	-.296	-1.177	70	110	-.325	.056	-.121	-.550
60	442	-.383	.174	-.046	-1.325	60	918	-.604	.130	-.200	-1.109	70	111	-.309	.060	-.105	-.721
60	443	-.327	.095	-.072	-.787	60	919	-.566	.096	-.165	-.939	70	112	-.309	.060	-.123	-.737
60	444	-.328	.099	-.027	-.818	60	920	-.651	.120	-.277	-1.121	70	113	-.293	.052	-.139	-.620
60	445	-.311	.101	-.037	-.919	60	921	-.554	.097	-.144	-.942	70	114	-.302	.062	-.123	-.678
60	446	-.041	.050	.178	-.211	60	922	-.189	.070	.026	-.552	70	115	-.358	.064	-.153	-.640
60	447	.090	.057	.414	-.060	60	923	-.247	.072	.021	-.638	70	116	-.424	.075	-.193	-.669
60	448	.118	.068	.400	-.138	60	924	-.349	.115	-.051	-.925	70	117	-.380	.063	-.180	-.723
60	449	.145	.073	.548	-.103	60	925	-.344	.120	-.009	-.881	70	118	-.401	.077	-.180	-.719
60	450	.159	.075	.612	-.011	60	926	-.468	.085	-.156	-.825	70	119	-.335	.054	-.110	-.582
60	451	.072	.052	.412	-.072	60	927	-.483	.099	-.125	-.930	70	120	-.644	.159	-.079	-1.184
60	452	.122	.065	.513	-.027	60	928	-.538	.111	-.146	-1.023	70	121	-.159	.070	.011	-.647
60	453	.113	.065	.539	-.070	60	929	-.542	.115	-.132	-.953	70	122	-.306	.046	-.153	-.557
60	454	.083	.057	.381	-.079	60	930	-.543	.109	-.035	-.921	70	123	-.373	.057	-.184	-.606
60	455	-.270	.094	-.011	-.964	60	931	-.551	.108	-.171	-.906	70	124	-.376	.058	-.126	-.629
60	456	-.290	.082	-.037	-.665	60	932	-.568	.093	-.274	-.903	70	125	-.396	.068	-.166	-.730
60	457	-.274	.078	-.037	-.653	60	933	-.595	.119	-.206	-1.277	70	126	-.359	.055	-.168	-.602
60	458	-.286	.075	-.027	-.615	60	934	-.550	.099	-.242	-.955	70	127	-.323	.049	-.153	-.550
60	459	-.233	.058	-.082	-.495	60	935	-.442	.130	-.121	-1.161	70	128	-.311	.050	-.123	-.523
60	460	-.134	.066	.102	-.518	60	936	-.464	.126	-.180	-1.033	70	129	-.314	.052	-.146	-.779
60	461	.015	.052	.284	-.136	60	937	-.453	.108	-.030	-.992	70	130	-.307	.050	-.162	-.548
60	462	.130	.067	.426	-.060	60	938	-.477	.097	-.112	-.867	70	131	-.321	.060	-.117	-.696
60	463	.094	.087	.527	-.200	60	939	-.406	.101	-.043	-.771	70	132	-.577	.155	-.132	-1.238
60	464	.067	.070	.366	-.166	60	940	-.502	.117	-.116	-.933	70	133	-.110	.094	.106	-.712
60	465	.009	.064	.375	-.306	60	941	-.484	.115	-.077	-1.207	70	134	-.265	.034	-.146	-.398
60	466	.072	.077	.429	-.196	60	942	-.438	.110	-.032	-.851	70	135	-.331	.041	-.204	-.510
60	467	.062	.085	.486	-.261	60	943	-.429	.121	-.052	-.992	70	136	-.339	.043	-.198	-.517
60	468	.162	.093	.579	-.097	60	944	-.412	.105	.021	-.878	70	137	-.358	.054	-.186	-.717
60	469	.070	.079	.417	-.169	60	945	-.414	.110	-.077	-.894	70	138	-.340	.044	-.198	-.492
60	801	-.266	.063	-.076	-.632	60	946	-.398	.114	-.035	-.972	70	139	-.328	.039	-.211	-.499
60	802	.143	.065	.582	-.009	60	947	-.412	.119	-.011	-.854	70	140	-.330	.042	-.162	-.519
60	803	-.224	.085	-.035	-.620	60	948	-.505	.155	.110	-1.145	70	141	-.315	.042	-.184	-.586
60	804	-.431	.141	-.097	-1.183	60	949	-.447	.115	-.036	-.974	70	142	-.322	.046	-.161	-.530
60	805	-.566	.138	-.237	-1.109	60	950	-.421	.128	-.069	-.974	70	143	-.328	.057	-.120	-.703
60	901	-.549	.091	-.223	-1.115	60	951	-.387	.100	-.052	-.827	70	144	-.535	.157	-.013	-1.134
60	902	-.580	.090	-.254	-1.227	60	952	-.296	.082	.016	-.598	70	145	-.116	.099	.128	-.699
60	903	-.574	.095	-.285	-1.234	60	953	-.395	.116	.066	-.909	70	146	-.267	.038	-.150	-.416
60	904	-.629	.113	-.250	-1.215	60	954	-.353	.096	.011	-.690	70	147	-.334	.042	-.200	-.485
60	905	-.578	.111	-.174	-1.151	60	955	-.345	.095	-.001	-.786	70	148	-.341	.046	-.173	-.521
60	906	-.602	.094	-.273	-1.070	60	956	-.307	.075	-.073	-.704	70	149	-.354	.049	-.202	-.674
60	907	-.629	.118	-.299	-1.215	60	957	-.316	.082	-.068	-.757	70	150	-.338	.045	-.218	-.510

WD	TAP	CPMEAN	CPRMS	CPMAX	CPMIN	WD	TAP	CPMEAN	CPRMS	CPMAX	CPMIN	WD	TAP	CPMEAN	CPRMS	CPMAX	CPMIN
70	151	-.340	.043	-.220	-.690	70	201	-.403	.090	-.126	-.988	70	251	-.251	.085	-.003	-.784
70	152	-.342	.049	-.177	-.665	70	202	-.412	.098	-.157	-1.043	70	252	-.220	.054	-.010	-.429
70	153	-.338	.045	-.170	-.612	70	203	-.441	.113	-.124	-1.017	70	253	-.222	.064	-.015	-.657
70	154	-.325	.047	-.152	-.596	70	204	-.460	.173	-.076	-1.244	70	254	-.225	.060	-.017	-.511
70	155	-.340	.062	-.184	-.667	70	205	-.110	.083	-.199	-.763	70	255	-.203	.085	.129	-.600
70	156	-.522	.165	-.063	-1.154	70	206	-.334	.095	-.042	-.721	70	256	-.077	.072	.197	-.415
70	157	-.114	.098	-.103	-.813	70	207	-.515	.129	-.193	-1.106	70	257	-.150	.050	.049	-.342
70	158	-.267	.041	-.109	-.432	70	208	-.510	.137	-.128	-1.159	70	258	-.293	.080	-.048	-.664
70	159	-.343	.051	-.209	-.621	70	209	-.476	.150	-.021	-1.580	70	259	-.259	.066	-.073	-.655
70	160	-.346	.053	-.193	-.721	70	210	-.442	.149	-.090	-1.413	70	260	-.270	.075	-.057	-.593
70	161	-.370	.060	-.218	-.904	70	211	-.447	.143	-.016	-1.255	70	261	-.277	.084	-.064	-.690
70	162	-.360	.055	-.209	-.737	70	212	-.447	.160	-.019	-1.279	70	262	-.281	.085	-.071	-.760
70	163	-.351	.050	-.193	-.617	70	213	-.397	.112	-.028	-.890	70	263	-.278	.088	-.002	-.727
70	164	-.368	.062	-.200	-.851	70	214	-.397	.106	-.075	-.923	70	264	-.215	.059	-.040	-.503
70	165	-.359	.053	-.189	-.642	70	215	-.430	.117	-.144	-.994	70	265	-.214	.052	-.088	-.537
70	166	-.355	.055	-.198	-.908	70	216	-.403	.161	-.063	-1.128	70	266	-.300	.085	-.070	-.849
70	167	-.363	.068	-.179	-.703	70	217	-.108	.072	-.203	-.476	70	267	-.288	.065	-.113	-.667
70	168	-.519	.166	-.056	-1.068	70	218	-.347	.094	-.057	-.749	70	268	-.334	.077	-.115	-.616
70	169	-.108	.091	-.149	-.692	70	219	-.534	.128	-.173	-1.237	70	269	-.348	.089	-.142	-.789
70	170	-.287	.053	-.113	-.546	70	220	-.511	.141	-.031	-1.417	70	301	.236	.121	.639	-.182
70	171	-.368	.066	-.173	-.696	70	221	-.424	.149	-.010	-1.188	70	302	.142	.104	.473	-.214
70	172	-.377	.073	-.154	-.767	70	222	-.411	.143	-.094	-1.313	70	303	-.075	.082	.178	-.406
70	173	-.393	.082	-.200	-.967	70	223	-.388	.142	-.006	-1.025	70	304	-.325	.069	-.130	-.700
70	174	-.380	.078	-.198	-1.184	70	224	-.401	.166	-.025	-1.318	70	305	.038	.128	.425	-.481
70	175	-.375	.070	-.211	-.872	70	225	-.336	.108	-.044	-.913	70	306	-.340	.074	-.032	-.643
70	176	-.392	.082	-.204	-.931	70	226	-.350	.098	-.009	-.897	70	307	-.039	.092	.304	-.383
70	177	-.381	.066	-.193	-.974	70	227	-.416	.115	-.085	-.963	70	308	-.332	.078	-.107	-.730
70	178	-.370	.063	-.211	-.888	70	228	-.332	.148	-.061	-1.080	70	309	-.355	.085	-.041	-.796
70	179	-.389	.087	-.161	-.826	70	229	-.099	.054	-.070	-.304	70	310	-.091	.081	.233	-.367
70	180	-.505	.172	-.005	-1.140	70	230	-.318	.086	-.090	-.803	70	311	.401	.146	.847	-.150
70	181	-.133	.093	-.144	-.740	70	231	-.555	.140	-.229	-1.292	70	312	.538	.144	.936	.066
70	182	-.296	.070	-.107	-.762	70	232	-.430	.142	-.050	-1.132	70	313	.466	.134	.888	.066
70	183	-.410	.087	-.209	-.834	70	233	-.346	.121	-.120	-.986	70	314	-.015	.095	.377	-.342
70	184	-.412	.090	-.231	-.907	70	234	-.369	.115	-.078	-.970	70	315	-.354	.089	-.041	-1.170
70	185	-.440	.061	-.293	-.714	70	235	-.351	.112	-.022	-.866	70	316	-.229	.159	.363	-.735
70	186	-.420	.111	-.182	-1.152	70	236	-.331	.121	-.071	-1.123	70	317	-.635	.138	-.014	-1.109
70	187	-.419	.106	-.211	-1.293	70	237	-.293	.091	-.057	-.822	70	318	-.682	.091	-.335	-1.022
70	188	-.422	.096	-.169	-1.043	70	238	-.289	.081	-.031	-.960	70	319	-.132	.080	.123	-.456
70	189	-.407	.083	-.206	-.861	70	239	-.352	.112	-.038	-.913	70	320	-.341	.068	-.125	-.703
70	190	-.387	.073	-.193	-.830	70	240	-.215	.116	-.112	-.798	70	321	-.347	.076	-.103	-1.031
70	191	-.403	.095	-.142	-1.083	70	241	-.087	.053	-.075	-.299	70	322	-.355	.071	-.087	-.824
70	192	-.487	.166	-.003	-1.217	70	242	-.224	.065	-.017	-.596	70	323	-.323	.081	-.091	-.700
70	193	-.126	.087	-.165	-.714	70	243	-.429	.120	-.158	-1.090	70	324	-.562	.156	-.100	-1.102
70	194	-.326	.081	-.015	-.741	70	244	-.299	.111	-.044	-.779	70	325	-.871	.166	-.392	-1.453
70	195	-.456	.117	-.200	-1.119	70	245	-.295	.084	-.009	-.652	70	326	-.298	.087	-.023	-.611
70	196	-.469	.124	-.140	-1.146	70	246	-.347	.130	-.080	-1.113	70	327	.264	.116	.593	-.098
70	197	-.483	.140	-.017	-1.264	70	247	-.281	.080	-.071	-.720	70	328	.448	.157	.993	-.071
70	198	-.458	.140	-.088	-1.324	70	248	-.293	.087	-.102	-.958	70	329	.569	.149	.972	.110
70	199	-.445	.126	-.149	-1.092	70	249	-.269	.082	-.022	-.666	70	330	.499	.143	.902	.069
70	200	-.457	.146	-.093	-1.678	70	250	-.245	.074	-.031	-.655	70	331	.030	.107	.509	-.404

WD	TAP	CPMEAN	CPRMS	CPMAX	CPMIN	WD	TAP	CPMEAN	CPRMS	CPMAX	CPMIN	WD	TAP	CPMEAN	CPRMS	CPMAX	CPMIN
70	332	-.360	.069	-.157	-.798	70	382	-.440	.115	-.053	-1.047	70	432	-.253	.062	-.055	-.624
70	333	-.340	.061	-.139	-.641	70	383	-.417	.121	-.121	-1.108	70	433	-.673	.168	-.268	-1.360
70	334	-.347	.066	-.134	-.771	70	384	-.690	.202	-.121	-1.261	70	434	-.164	.059	-.052	-.449
70	335	-.332	.088	-.091	-.867	70	385	-.849	.114	-.517	-1.191	70	435	.107	.071	.506	-.101
70	336	-.607	.229	-.066	-1.351	70	386	-.237	.080	.073	-.501	70	436	.145	.097	.556	-.175
70	337	-.854	.156	-.349	-1.374	70	387	.234	.111	.591	-.065	70	437	.220	.093	.633	-.101
70	338	-.267	.084	.060	-.529	70	388	.371	.148	.905	-.135	70	438	.215	.096	.800	.012
70	339	.327	.122	.767	-.032	70	389	.450	.139	.930	.109	70	439	-.016	.077	.353	-.316
70	340	.492	.162	1.027	-.084	70	390	.434	.129	.923	-.082	70	440	-.271	.092	-.007	-.727
70	341	.583	.155	1.045	.073	70	391	.008	.102	.417	-.318	70	441	-.327	.097	-.053	-.982
70	342	.512	.137	.907	.121	70	392	-.452	.119	-.144	-1.171	70	442	-.378	.161	-.046	-1.125
70	343	.037	.109	.426	-.326	70	393	-.448	.117	-.133	-1.099	70	443	-.343	.105	-.060	-.662
70	344	-.373	.079	-.145	-1.128	70	394	-.469	.121	-.126	-1.042	70	444	-.333	.117	-.019	-.920
70	345	-.355	.075	-.099	-.821	70	395	-.444	.137	-.094	-1.096	70	445	-.303	.102	-.060	-.951
70	346	-.375	.084	-.136	-.860	70	396	-.617	.204	-.072	-1.327	70	446	-.023	.049	.210	-.179
70	347	-.375	.116	-.095	-1.029	70	397	-.817	.182	-.262	-1.551	70	447	.109	.060	.382	-.034
70	348	-.620	.234	-.044	-1.302	70	398	-.264	.090	.093	-.585	70	448	.127	.065	.454	-.089
70	349	-.838	.166	-.238	-1.503	70	399	.185	.101	.577	-.090	70	449	.173	.070	.530	-.012
70	350	-.263	.090	.158	-.599	70	400	.090	.140	.808	-.121	70	450	.169	.072	.559	.002
70	351	.301	.112	.761	-.041	70	401	.415	.128	.905	.041	70	451	.051	.055	.306	-.158
70	352	.494	.150	.916	-.044	70	402	.375	.121	.808	-.030	70	452	.145	.068	.511	-.022
70	353	.572	.140	1.043	.155	70	403	-.011	.098	.399	-.325	70	453	.135	.079	.530	-.027
70	354	.495	.136	.860	.132	70	404	-.447	.122	-.121	-1.094	70	454	.087	.060	.380	-.070
70	355	.013	.111	.421	-.402	70	405	-.431	.124	-.133	-1.042	70	455	-.295	.126	-.062	-1.283
70	356	-.383	.094	-.182	-1.251	70	406	-.472	.119	-.040	-1.105	70	456	-.306	.097	-.062	-.793
70	357	-.370	.085	-.145	-.980	70	407	-.437	.123	-.058	-1.246	70	457	-.278	.086	-.074	-.748
70	358	-.383	.088	-.097	-.874	70	408	-.593	.196	-.140	-1.343	70	458	-.301	.077	-.093	-.578
70	359	-.389	.122	-.115	-1.036	70	409	-.780	.180	-.307	-1.637	70	459	-.235	.061	-.062	-.464
70	360	-.637	.241	-.074	-1.491	70	410	-.261	.075	-.015	-1.558	70	460	-.110	.064	.119	-.605
70	361	-.845	.179	-.245	-1.526	70	411	.144	.087	.555	-.110	70	461	.048	.055	.344	-.129
70	362	-.281	.096	.049	-.596	70	412	.266	.129	.783	-.192	70	462	.153	.074	.523	-.031
70	363	.287	.110	.715	.014	70	413	.354	.131	.865	.039	70	463	.133	.091	.480	-.189
70	364	.420	.152	.860	-.099	70	414	.355	.122	.826	.016	70	464	.060	.075	.576	-.197
70	365	.522	.137	.921	-.102	70	415	-.008	.097	.437	-.382	70	465	.036	.070	.325	-.192
70	366	.468	.128	.930	.056	70	416	-.426	.130	-.036	-1.173	70	466	.108	.090	.538	-.144
70	367	.033	.113	.423	-.330	70	417	-.425	.128	-.110	-1.282	70	467	.050	.093	.444	-.270
70	368	-.403	.102	-.157	-1.045	70	418	-.456	.135	-.128	-1.173	70	468	.182	.093	.596	-.092
70	369	-.383	.091	-.141	-.899	70	419	-.379	.103	-.067	-.852	70	469	.081	.070	.338	-.142
70	370	-.405	.101	-.113	-1.133	70	420	-.420	.156	-.097	-1.151	70	801	-.228	.063	-.014	-.491
70	371	-.398	.121	-.034	-1.019	70	421	-.785	.194	-.332	-1.712	70	802	.151	.068	.472	-.019
70	372	-.640	.241	-.037	-1.350	70	422	-.243	.072	.082	-.547	70	803	-.260	.100	-.041	-.724
70	373	-.866	.191	-.270	-1.658	70	423	.132	.084	.467	-.085	70	804	-.456	.130	-.050	-1.158
70	374	-.271	.099	.074	-.619	70	424	.216	.115	.661	-.101	70	805	-.564	.135	-.191	-1.104
70	375	.251	.110	.638	-.048	70	425	.327	.116	.736	-.019	70	901	-.540	.090	-.276	-.946
70	376	.404	.154	.877	-.122	70	426	.314	.111	.724	.005	70	902	-.615	.107	-.267	-1.222
70	377	.506	.137	.921	.090	70	427	-.009	.085	.368	-.342	70	903	-.600	.122	-.242	-1.303
70	378	.447	.134	.870	.067	70	428	-.374	.148	.031	-1.553	70	904	-.817	.150	-.388	-1.401
70	379	.017	.105	.426	-.296	70	429	-.415	.145	.117	-.987	70	905	-.549	.118	-.233	-1.141
70	380	-.450	.121	-.185	-1.521	70	430	-.421	.167	-.050	-1.188	70	906	-.651	.115	-.237	-1.180
70	381	-.416	.105	-.106	-.941	70	431	-.378	.107	-.091	-.781	70	907	-.812	.137	-.384	-1.329

WD	TAP	CPMEAN	CPRMS	CPMAX	CPMIN	WD	TAP	CPMEAN	CPRMS	CPMAX	CPMIN	WD	TAP	CPMEAN	CPRMS	CPMAX	CPMIN
70	908	-.547	.113	-.142	-1.131	80	101	-.276	.054	-.100	-.548	80	151	-.313	.038	-.158	-.463
70	909	-.762	.116	-.423	-1.208	80	102	-.284	.054	-.106	-.564	80	152	-.318	.041	-.162	-.511
70	910	-.558	.118	-.207	-1.017	80	103	-.286	.052	-.113	-.491	80	153	-.315	.044	-.172	-.521
70	911	-.541	.109	-.137	-1.029	80	104	-.778	.183	-.229	-1.501	80	154	-.310	.040	-.201	-.509
70	912	-.585	.113	-.182	-1.001	80	105	-.280	.053	-.111	-.552	80	155	-.310	.042	-.183	-.484
70	913	-.683	.147	-.107	-1.212	80	106	-.729	.154	-.208	-1.315	80	156	-.763	.161	-.316	-1.647
70	914	-.607	.121	-.233	-1.082	80	107	-.285	.054	-.113	-.507	80	157	-.471	.249	-.027	-1.308
70	915	-.656	.148	-.175	-1.141	80	108	-.867	.174	-.355	-1.605	80	158	-.314	.073	-.114	-.897
70	916	-.778	.131	-.320	-1.218	80	109	-.546	.127	-.152	-1.087	80	159	-.352	.062	-.146	-.755
70	917	-.739	.109	-.341	-1.239	80	110	-.292	.051	-.138	-.514	80	160	-.341	.058	-.160	-.750
70	918	-.540	.122	-.134	-1.077	80	111	-.283	.045	-.131	-.484	80	161	-.354	.059	-.151	-.784
70	919	-.601	.104	-.254	-.978	80	112	-.279	.045	-.122	-.521	80	162	-.343	.054	-.151	-.801
70	920	-.738	.120	-.263	-1.218	80	113	-.281	.041	-.161	-.464	80	163	-.332	.045	-.162	-.605
70	921	-.523	.097	-.125	-.933	80	114	-.283	.050	-.124	-.475	80	164	-.336	.051	-.112	-.582
70	922	-.206	.085	-.049	-.557	80	115	-.429	.097	-.172	-.935	80	165	-.332	.048	-.158	-.674
70	923	-.278	.091	-.042	-.734	80	116	-.413	.076	-.201	-.706	80	166	-.327	.047	-.192	-.592
70	924	-.401	.122	-.052	-.957	80	117	-.389	.068	-.167	-.695	80	167	-.329	.053	-.160	-.647
70	925	-.358	.118	-.026	-.912	80	118	-.378	.070	-.030	-.781	80	168	-.757	.172	-.254	-1.521
70	926	-.407	.067	-.096	-.677	80	119	-.308	.052	-.109	-.518	80	169	-.398	.219	-.005	-1.156
70	927	-.438	.076	-.162	-.722	80	120	-.846	.133	-.439	-1.555	80	170	-.320	.066	-.073	-.722
70	928	-.478	.096	-.127	-.860	80	121	-.515	.208	-.070	-1.146	80	171	-.365	.066	-.204	-.706
70	929	-.480	.115	-.035	-.922	80	122	-.344	.067	-.106	-.715	80	172	-.353	.063	-.153	-.814
70	930	-.467	.119	-.016	-.879	80	123	-.365	.064	-.163	-.767	80	173	-.378	.073	-.158	-.922
70	931	-.415	.104	-.154	-.837	80	124	-.358	.062	-.165	-.684	80	174	-.363	.065	-.183	-.902
70	932	-.493	.114	-.194	-.821	80	125	-.370	.066	-.170	-.711	80	175	-.351	.054	-.181	-.580
70	933	-.616	.125	-.170	-1.081	80	126	-.326	.052	-.140	-.507	80	176	-.366	.065	-.153	-.773
70	934	-.620	.113	-.225	-1.017	80	127	-.295	.044	-.152	-.523	80	177	-.345	.057	-.123	-.835
70	935	-.420	.144	-.104	-1.037	80	128	-.293	.040	-.138	-.437	80	178	-.347	.057	-.179	-.732
70	936	-.495	.137	-.152	-1.028	80	129	-.292	.040	-.129	-.466	80	179	-.346	.071	-.139	-.927
70	937	-.407	.087	-.108	-.727	80	130	-.288	.038	-.161	-.487	80	180	-.744	.177	-.243	-1.737
70	938	-.405	.072	-.168	-.835	80	131	-.296	.049	-.145	-.568	80	181	-.327	.196	-.042	-1.126
70	939	-.270	.114	-.183	-.596	80	132	-.835	.143	-.342	-1.447	80	182	-.329	.071	-.133	-.881
70	940	-.316	.108	-.014	-.807	80	133	-.549	.244	-.034	-1.254	80	183	-.393	.077	-.210	-.823
70	941	-.406	.080	-.118	-.823	80	134	-.308	.075	-.072	-.795	80	184	-.394	.068	-.231	-.715
70	942	-.399	.087	-.030	-.807	80	135	-.333	.059	-.127	-.632	80	185	-.399	.049	-.262	-.697
70	943	-.425	.134	-.021	-.987	80	136	-.315	.054	-.113	-.650	80	186	-.385	.076	-.217	-.843
70	944	-.351	.096	-.030	-.773	80	137	-.354	.065	-.147	-.813	80	187	-.374	.068	-.174	-.904
70	945	-.432	.094	-.102	-.842	80	138	-.321	.046	-.183	-.564	80	188	-.390	.077	-.201	-.785
70	946	-.296	.066	-.101	-.629	80	139	-.302	.038	-.174	-.453	80	189	-.362	.064	-.172	-.720
70	947	-.274	.078	-.060	-.639	80	140	-.299	.038	-.158	-.464	80	190	-.349	.068	-.183	-.762
70	948	-.295	.081	-.043	-.806	80	141	-.303	.038	-.158	-.480	80	191	-.359	.081	-.195	-1.059
70	949	-.373	.073	-.108	-.728	80	142	-.303	.039	-.174	-.468	80	192	-.682	.179	-.023	-1.339
70	950	-.282	.067	-.048	-.634	80	143	-.315	.043	-.181	-.525	80	193	-.264	.159	-.061	-1.263
70	951	-.330	.069	-.019	-.697	80	144	-.811	.154	-.328	-1.390	80	194	-.339	.085	-.139	-.807
70	952	-.267	.060	-.060	-.525	80	145	-.519	.238	-.068	-1.260	80	195	-.437	.110	-.143	-.924
70	953	-.288	.060	-.029	-.615	80	146	-.316	.073	-.105	-.943	80	196	-.432	.103	-.112	-.832
70	954	-.329	.078	-.084	-.661	80	147	-.340	.063	-.061	-.688	80	197	-.436	.115	-.042	-1.130
70	955	-.285	.052	-.067	-.554	80	148	-.321	.055	-.110	-.757	80	198	-.432	.116	-.105	-1.218
70	956	-.264	.051	-.038	-.484	80	149	-.339	.059	-.156	-.711	80	199	-.415	.096	-.161	-.935
70	957	-.294	.052	-.140	-.508	80	150	-.325	.047	-.172	-.596	80	200	-.429	.109	-.091	-1.110

WD	TAP	CPMEAN	CPRMS	CPMAX	CPMIN	WD	TAP	CPMEAN	CPRMS	CPMAX	CPMIN	WD	TAP	CPMEAN	CPRMS	CPMAX	CPMIN
80	201	-.392	.077	-.163	-.745	80	251	-.311	.080	-.071	-.770	80	332	-.312	.045	-.160	-.512
80	202	-.366	.079	-.125	-.942	80	252	-.217	.076	.055	-.559	80	333	-.297	.041	-.178	-.528
80	203	-.378	.102	-.116	-1.155	80	253	-.242	.072	.041	-.652	80	334	-.301	.044	-.171	-.478
80	204	-.662	.194	-.022	-1.815	80	254	-.265	.069	-.040	-.607	80	335	-.228	.037	-.101	-.388
80	205	-.197	.106	.095	-.942	80	255	-.247	.081	.050	-.676	80	336	-.131	.115	.099	-.800
80	206	-.353	.090	.084	-.765	80	256	-.128	.066	.112	-.438	80	337	-.632	.149	-.081	-1.123
80	207	-.487	.115	-.161	-.942	80	257	-.171	.045	-.010	-.334	80	338	-.014	.109	.473	-.307
80	208	-.489	.121	-.154	-1.061	80	258	-.298	.080	-.109	-.742	80	339	.474	.137	.820	.077
80	209	-.480	.141	-.023	-1.258	80	259	-.232	.058	-.047	-.514	80	340	.576	.142	1.062	.162
80	210	-.463	.137	-.029	-1.115	80	260	-.221	.069	-.074	-.505	80	341	.536	.152	.926	-.090
80	211	-.450	.131	-.069	-1.070	80	261	-.214	.073	-.011	-.510	80	342	.353	.117	.729	.000
80	212	-.440	.120	-.031	-1.144	80	262	-.196	.071	.022	-.531	80	343	-.220	.083	.142	-.509
80	213	-.397	.094	-.055	-1.016	80	263	-.196	.095	.095	-1.001	80	344	-.325	.046	-.169	-.614
80	214	-.374	.089	-.116	-.967	80	264	-.219	.060	.014	-.503	80	345	-.313	.043	-.176	-.557
80	215	-.388	.123	-.064	-1.323	80	265	-.226	.056	-.025	-.693	80	346	-.309	.044	-.162	-.502
80	216	-.549	.192	.012	-1.326	80	266	-.272	.075	-.071	-.739	80	347	-.237	.039	-.116	-.445
80	217	-.167	.072	.133	-.516	80	267	-.270	.066	-.047	-.556	80	348	-.169	.134	.089	-1.012
80	218	-.358	.084	-.051	-.691	80	268	-.357	.068	-.163	-.623	80	349	-.632	.157	-.148	-1.288
80	219	-.529	.118	-.197	-1.218	80	269	-.401	.083	-.175	-.740	80	350	-.014	.108	.332	-.372
80	220	-.504	.123	-.049	-1.189	80	301	-.190	.124	.651	-.334	80	351	.463	.129	.859	.108
80	221	-.459	.133	-.024	-1.025	80	302	-.023	.095	.322	-.318	80	352	.573	.149	.996	.135
80	222	-.449	.139	.039	-1.027	80	303	-.213	.069	.009	-.530	80	353	.509	.147	1.065	-.139
80	223	-.443	.124	-.069	-1.074	80	304	-.299	.057	-.113	-.577	80	354	.345	.117	.663	.023
80	224	-.410	.124	-.028	-1.143	80	305	-.163	.128	-.527	-.239	80	355	-.217	.090	.087	-.525
80	225	-.374	.100	-.011	-.913	80	306	-.308	.063	-.117	-.737	80	356	-.326	.054	-.130	-.601
80	226	-.340	.085	.017	-.946	80	307	-.074	.105	.374	-.262	80	357	-.319	.050	-.173	-.596
80	227	-.353	.099	-.042	-.877	80	308	-.306	.063	-.065	-.701	80	358	-.317	.052	-.141	-.658
80	228	-.439	.143	.062	-.989	80	309	-.315	.059	-.074	-.557	80	359	-.249	.046	-.068	-.468
80	229	-.149	.054	.041	-.403	80	310	-.054	.100	.394	-.295	80	360	-.193	.131	.105	-1.078
80	230	-.335	.083	-.097	-.685	80	311	.517	.150	.974	.011	80	361	-.638	.165	-.009	-1.256
80	231	-.527	.136	-.187	-1.178	80	312	.496	.148	.942	-.025	80	362	-.026	.115	.430	-.372
80	232	-.484	.140	-.137	-1.316	80	313	.334	.118	.654	-.045	80	363	.447	.131	.862	.101
80	233	-.385	.112	-.049	-.811	80	314	-.223	.075	.081	-.568	80	364	.532	.149	.999	.112
80	234	-.399	.132	.012	-.927	80	315	-.303	.057	-.131	-.555	80	365	.488	.154	1.026	-.016
80	235	-.337	.112	-.014	-.830	80	316	-.019	.112	.361	-.404	80	366	.335	.114	.741	-.025
80	236	-.313	.121	-.088	-1.046	80	317	-.295	.195	.318	-.857	80	367	-.217	.094	.131	-.637
80	237	-.299	.094	-.052	-.844	80	318	-.578	.112	-.126	-1.107	80	368	-.344	.075	-.144	-1.085
80	238	-.299	.082	-.026	-.690	80	319	-.021	.101	.361	-.347	80	369	-.330	.063	-.173	-.715
80	239	-.333	.088	-.085	-.799	80	320	-.312	.053	-.160	-.631	80	370	-.332	.061	-.173	-.747
80	240	-.265	.104	.098	-.782	80	321	-.299	.050	-.131	-.708	80	371	-.268	.052	-.112	-.601
80	241	-.131	.050	.074	-.343	80	322	-.302	.045	-.151	-.478	80	372	-.219	.157	.078	-1.208
80	242	-.246	.057	-.064	-.531	80	323	-.185	.049	-.025	-.408	80	373	-.646	.163	-.057	-1.384
80	243	-.434	.118	-.111	-1.159	80	324	-.250	.113	-.045	-.875	80	374	-.055	.111	.487	-.429
80	244	-.290	.099	-.009	-.740	80	325	-.654	.154	-.108	-1.400	80	375	.392	.132	.880	.019
80	245	-.240	.083	.041	-.857	80	326	-.053	.104	.300	-.428	80	376	.485	.143	.878	.094
80	246	-.249	.101	.003	-.834	80	327	.407	.133	.857	-.032	80	377	.459	.154	1.017	-.025
80	247	-.235	.085	-.007	-.657	80	328	.551	.151	1.089	.045	80	378	.334	.111	.816	.030
80	248	-.225	.081	.010	-.718	80	329	.534	.144	.924	-.095	80	379	-.199	.097	.204	-.530
80	249	-.241	.085	.112	-.763	80	330	.366	.122	.735	-.027	80	380	-.370	.092	-.164	-1.037
80	250	-.267	.085	-.033	-.709	80	331	-.189	.075	.108	-.458	80	381	-.350	.076	-.121	-.777

WD	TAP	CPMEAN	CPRMS	CPMAX	CPMIN	WD	TAP	CPMEAN	CPRMS	CPMAX	CPMIN	WD	TAP	CPMEAN	CPRMS	CPMAX	CPMIN
80	382	-.348	.078	-.151	-.745	80	432	-.216	.057	-.007	-.535	80	908	-.558	.112	-.118	-1.064
80	383	-.278	.054	-.096	-.507	80	433	-.502	.152	-.038	-1.207	80	909	-.735	.110	-.344	-1.435
80	384	-.254	.155	.032	-.978	80	434	-.117	.054	.158	-.370	80	910	-.515	.105	-.202	-.938
80	385	-.671	.124	-.341	-1.078	80	435	.091	.059	.399	-.141	80	911	-.554	.094	-.151	-.964
80	386	-.049	.101	.288	-.346	80	436	.130	.082	.514	-.205	80	912	-.602	.099	-.205	-.973
80	387	-.341	.129	.889	-.040	80	437	.182	.084	.568	-.113	80	913	-.671	.138	-.132	-1.162
80	388	.440	.131	.880	.065	80	438	.179	.093	.552	-.104	80	914	-.646	.103	-.291	-1.034
80	389	.415	.139	.931	.016	80	439	-.078	.088	.361	-.391	80	915	-.545	.145	-.149	-1.020
80	390	.327	.111	.759	.027	80	440	-.309	.071	-.125	-.620	80	916	-.692	.169	-.082	-1.226
80	391	-.184	.101	.248	-.531	80	441	-.330	.078	-.094	-.752	80	917	-.678	.122	-.301	-1.218
80	392	-.391	.114	-.078	-1.210	80	442	-.358	.105	-.134	-.863	80	918	-.511	.100	-.183	-.950
80	393	-.369	.098	-.089	-.926	80	443	-.335	.066	-.158	-.724	80	919	-.596	.091	-.256	-.907
80	394	-.354	.085	-.127	-.837	80	444	-.265	.118	-.097	-.903	80	920	-.662	.121	-.237	-1.204
80	395	-.301	.070	-.111	-.696	80	445	-.239	.090	.073	-.696	80	921	-.405	.156	.201	-.825
80	396	-.293	.167	.023	-1.163	80	446	-.009	.050	.215	-.174	80	922	-.200	.102	.121	-.598
80	397	-.639	.151	-.138	-1.500	80	447	.103	.057	.363	-.064	80	923	-.294	.094	-.009	-.777
80	398	-.098	.110	.304	-.453	80	448	.121	.062	.375	-.090	80	924	-.385	.119	-.016	-.983
80	399	.264	.113	.681	-.049	80	449	.144	.070	.439	-.033	80	925	-.347	.111	-.065	-1.101
80	400	.376	.138	.795	-.058	80	450	.143	.066	.493	-.014	80	926	-.401	.064	-.178	-.686
80	401	.379	.145	.820	-.154	80	451	.018	.057	.257	-.271	80	927	-.425	.066	-.186	-.650
80	402	.301	.119	.786	-.105	80	452	.132	.071	.587	-.073	80	928	-.453	.089	-.122	-.858
80	403	-.174	.106	.199	-.569	80	453	.110	.070	.441	-.042	80	929	-.519	.119	-.101	-1.025
80	404	-.398	.132	.005	-1.442	80	454	.071	.059	.295	-.101	80	930	-.426	.106	-.061	-.773
80	405	-.369	.102	-.100	-1.016	80	455	-.282	.078	-.075	-.757	80	931	-.332	.072	-.169	-.783
80	406	-.369	.110	-.082	-1.005	80	456	-.292	.063	-.108	-.535	80	932	-.251	.099	-.074	-.674
80	407	-.313	.080	-.116	-.824	80	457	-.323	.079	-.101	-.672	80	933	-.376	.168	.081	-1.030
80	408	-.296	.164	.038	-1.007	80	458	-.322	.067	-.130	-.597	80	934	-.466	.133	-.023	-.909
80	409	-.613	.153	-.038	-1.393	80	459	-.254	.061	-.045	-.498	80	935	-.374	.160	.059	-.965
80	410	-.149	.099	.250	-.442	80	460	-.093	.063	.217	-.559	80	936	-.511	.136	-.012	-1.048
80	411	.177	.104	.688	-.138	80	461	.052	.054	.316	-.094	80	937	-.499	.081	-.169	-.810
80	412	.275	.116	.784	-.131	80	462	.152	.068	.436	-.054	80	938	-.366	.065	-.155	-.633
80	413	.321	.128	.864	-.100	80	463	.143	.086	.505	-.208	80	939	-.168	.122	.223	-.547
80	414	.258	.121	.661	-.091	80	464	.097	.091	.559	-.139	80	940	-.177	.045	-.017	-.471
80	415	-.131	.111	.389	-.527	80	465	.073	.082	.511	-.220	80	941	-.355	.067	-.137	-.748
80	416	-.373	.115	-.069	-1.011	80	466	.108	.092	.512	-.140	80	942	-.399	.087	-.111	-.741
80	417	-.356	.104	-.100	-1.051	80	467	.018	.094	.539	-.289	80	943	-.470	.124	-.139	-1.124
80	418	-.361	.104	-.087	-1.206	80	468	.172	.085	.528	-.070	80	944	-.442	.109	-.061	-.905
80	419	-.314	.071	-.123	-.620	80	469	.092	.073	.393	-.166	80	945	-.535	.115	-.185	-1.080
80	420	-.296	.117	-.080	-1.031	80	801	-.235	.065	-.022	-.586	80	946	-.298	.053	-.129	-.540
80	421	-.566	.147	-.165	-1.217	80	802	-.136	.062	-.420	-.021	80	947	-.191	.042	-.056	-.465
80	422	-.164	.076	.197	-.428	80	803	-.297	.103	-.005	-.751	80	948	-.295	.068	-.071	-.576
80	423	.109	.072	.471	-.111	80	804	-.414	.122	-.104	-1.093	80	949	-.333	.071	-.122	-.669
80	424	.180	.094	.597	-.198	80	805	-.600	.122	-.292	-1.111	80	950	-.239	.040	-.115	-.401
80	425	.258	.116	.705	-.127	80	901	-.642	.105	-.306	-1.021	80	951	-.339	.075	-.068	-.727
80	426	.220	.113	.658	-.049	80	902	-.845	.215	-.358	-1.958	80	952	-.320	.063	-.068	-.596
80	427	-.100	.095	.370	-.509	80	903	-.628	.111	-.291	-1.213	80	953	-.266	.042	-.117	-.438
80	428	-.333	.091	.028	-.818	80	904	-.859	.183	-.396	-1.747	80	954	-.324	.064	-.119	-.764
80	429	-.339	.083	-.134	-.745	80	905	-.607	.143	-.207	-1.400	80	955	-.286	.041	-.144	-.443
80	430	-.327	.084	-.080	-1.094	80	906	-.771	.146	-.326	-1.404	80	956	-.267	.046	-.066	-.528
80	431	-.304	.061	-.132	-.582	80	907	-.818	.140	-.437	-1.414	80	957	-.307	.055	-.144	-.574



WD	TAP	CPMEAN	CPRMS	CPMAX	CPMIN	WD	TAP	CPMEAN	CPRMS	CPMAX	CPMIN	WD	TAP	CPMEAN	CPRMS	CPMAX	CPMIN
90	101	-.282	.074	-.085	-.781	90	151	-.332	.064	-.101	-.705	90	201	-.396	.121	.001	-1.049
90	102	-.293	.074	-.078	-.857	90	152	-.334	.070	-.122	-.739	90	202	-.382	.138	-.059	-1.195
90	103	-.288	.067	-.062	-.629	90	153	-.345	.086	-.115	-1.241	90	203	-.425	.164	-.045	-1.631
90	104	-.494	.118	-.194	-1.390	90	154	-.331	.079	-.151	-.798	90	204	-.723	.194	-.032	-1.631
90	105	-.286	.074	-.074	-.799	90	155	-.327	.074	-.110	-.685	90	205	-.386	.188	.021	-1.199
90	106	-.532	.139	-.105	-1.147	90	156	-.578	.187	-.151	-1.311	90	206	-.412	.111	-.110	-.912
90	107	-.281	.066	-.087	-.569	90	157	-.581	.172	-.169	-1.327	90	207	-.544	.147	-.149	-1.202
90	108	-.531	.166	-.214	-1.720	90	158	-.461	.144	-.049	-1.153	90	208	-.500	.129	-.030	-1.093
90	109	-.531	.131	-.154	-1.272	90	159	-.419	.119	-.052	-1.022	90	209	-.475	.143	.081	-1.290
90	110	-.302	.069	-.058	-.660	90	160	-.392	.111	-.033	-.899	90	210	-.464	.154	-.025	-1.225
90	111	-.279	.057	-.042	-.614	90	161	-.433	.144	-.085	-1.284	90	211	-.432	.141	-.054	-1.259
90	112	-.287	.065	-.109	-.734	90	162	-.398	.106	-.140	-.960	90	212	-.381	.133	.067	-1.089
90	113	-.281	.059	-.082	-.585	90	163	-.359	.076	-.015	-.685	90	213	-.369	.124	.120	-1.084
90	114	-.277	.063	-.036	-.560	90	164	-.371	.093	-.142	-.918	90	214	-.391	.147	.215	-1.115
90	115	-.483	.123	-.042	-1.171	90	165	-.362	.091	-.081	-.890	90	215	-.412	.155	.052	-1.409
90	116	-.411	.086	-.071	-.756	90	166	-.360	.094	-.110	-1.051	90	216	-.583	.186	-.039	-1.390
90	117	-.395	.092	-.051	-.792	90	167	-.366	.113	-.124	-1.462	90	217	-.228	.095	-.054	-.857
90	118	-.402	.099	-.087	-.743	90	168	-.662	.176	-.287	-1.395	90	218	-.385	.097	-.030	-.921
90	119	-.318	.073	-.047	-.645	90	169	-.605	.183	-.092	-1.349	90	219	-.539	.155	-.141	-1.544
90	120	-.513	.172	-.190	-1.477	90	170	-.463	.143	-.067	-1.105	90	220	-.481	.145	-.085	-1.233
90	121	-.525	.146	-.143	-1.252	90	171	-.442	.119	-.081	-.958	90	221	-.401	.133	-.032	-1.129
90	122	-.462	.138	-.013	-1.125	90	172	-.422	.133	-.088	-1.616	90	222	-.390	.134	-.030	-1.000
90	123	-.398	.102	-.013	-1.109	90	173	-.477	.159	-.052	-1.476	90	223	-.343	.127	-.003	-1.080
90	124	-.381	.090	-.082	-.841	90	174	-.420	.123	-.013	-1.135	90	224	-.280	.113	.090	-.934
90	125	-.407	.105	-.103	-.944	90	175	-.371	.096	-.056	-.920	90	225	-.309	.116	.085	-1.301
90	126	-.347	.076	-.103	-.678	90	176	-.386	.094	-.113	-.899	90	226	-.332	.121	-.023	-1.072
90	127	-.296	.056	-.116	-.654	90	177	-.392	.106	-.108	-.983	90	227	-.373	.141	.003	-1.301
90	128	-.294	.058	-.125	-.638	90	178	-.373	.106	-.085	-1.239	90	228	-.420	.131	.003	-.934
90	129	-.295	.060	-.138	-.658	90	179	-.393	.140	-.010	-1.221	90	229	-.156	.051	-.069	-.600
90	130	-.286	.056	-.103	-.504	90	180	-.698	.170	-.262	-1.424	90	230	-.313	.077	-.065	-.674
90	131	-.288	.065	-.085	-.578	90	181	-.586	.188	-.061	-1.157	90	231	-.525	.152	-.139	-1.296
90	132	-.514	.178	-.154	-1.441	90	182	-.466	.152	-.003	-1.078	90	232	-.347	.128	-.006	-.908
90	133	-.527	.160	-.074	-1.261	90	183	-.474	.132	-.112	-1.235	90	233	-.247	.090	-.037	-.658
90	134	-.437	.150	.002	-1.075	90	184	-.464	.121	-.169	-.943	90	234	-.266	.109	.085	-.812
90	135	-.380	.111	.016	-.921	90	185	-.496	.094	-.264	-.848	90	235	-.208	.089	.031	-.761
90	136	-.358	.096	-.020	-.877	90	186	-.467	.137	-.134	-1.281	90	236	-.205	.073	.127	-.588
90	137	-.397	.115	-.009	-1.035	90	187	-.425	.113	-.110	-1.034	90	237	-.254	.093	.050	-.794
90	138	-.347	.080	-.087	-.736	90	188	-.406	.111	-.163	-1.047	90	238	-.260	.087	.006	-.728
90	139	-.304	.058	-.105	-.544	90	189	-.396	.108	-.079	-1.133	90	239	-.281	.097	.078	-.810
90	140	-.308	.057	-.123	-.587	90	190	-.393	.129	-.021	-1.354	90	240	-.215	.081	.146	-.600
90	141	-.316	.070	-.096	-.837	90	191	-.409	.148	-.003	-1.255	90	241	-.118	.048	-.092	-.310
90	142	-.306	.057	-.153	-.646	90	192	-.731	.184	-.233	-1.593	90	242	-.192	.049	-.037	-.420
90	143	-.315	.068	-.024	-.814	90	193	-.480	.194	-.059	-1.303	90	243	-.329	.091	-.093	-.957
90	144	-.547	.183	-.160	-1.248	90	194	-.463	.135	-.063	-.970	90	244	-.230	.075	.008	-.684
90	145	-.563	.175	-.088	-1.381	90	195	-.507	.143	-.156	-1.146	90	245	-.182	.061	.052	-.532
90	146	-.482	.150	-.095	-1.234	90	196	-.481	.130	-.076	-.976	90	246	-.169	.059	.059	-.516
90	147	-.388	.113	-.029	-.931	90	197	-.489	.157	-.081	-1.471	90	247	-.153	.053	.008	-.455
90	148	-.372	.106	-.056	-.904	90	198	-.480	.155	-.099	-1.288	90	248	-.161	.053	-.013	-.511
90	149	-.417	.123	.019	-1.076	90	199	-.442	.129	-.116	-1.025	90	249	-.203	.076	-.015	-.590
90	150	-.371	.094	-.085	-.895	90	200	-.420	.128	.027	-1.100	90	250	-.227	.069	-.023	-.688

WD	TAP	CPMEAN	CPRMS	CPMAX	CPMIN	WD	TAP	CPMEAN	CPRMS	CPMAX	CPMIN	WD	TAP	CPMEAN	CPRMS	CPMAX	CPMIN
90	251	-.231	.069	-.032	-.597	90	332	-.317	.075	-.151	-.856	90	382	-.377	.132	-.102	-1.146
90	252	-.182	.063	-.006	-.959	90	333	-.306	.063	-.131	-.671	90	383	-.274	.081	-.104	-.714
90	253	-.201	.057	-.044	-.483	90	334	-.296	.058	-.144	-.581	90	384	-.090	.061	-.085	-.511
90	254	-.202	.053	-.039	-.546	90	335	-.170	.049	-.009	-.360	90	385	-.441	.097	-.145	-.747
90	255	-.214	.071	.099	-.525	90	336	-.052	.074	.327	-.212	90	386	.123	.094	.440	-.169
90	256	-.114	.055	.085	-.322	90	337	-.246	.168	.354	-.798	90	387	.418	.135	.815	.074
90	257	-.144	.043	.001	-.347	90	338	-.235	.122	.647	-.214	90	388	.400	.136	.782	.034
90	258	-.227	.063	.031	-.551	90	339	.573	.140	1.019	.174	90	389	.257	.154	.800	-.241
90	259	-.175	.047	.059	-.420	90	340	.526	.151	.901	-.095	90	390	.168	.098	.530	-.093
90	260	-.159	.048	.003	-.375	90	341	.331	.162	.795	-.297	90	391	-.294	.088	-.040	-.625
90	261	-.159	.054	.031	-.408	90	342	.255	.101	.580	-.086	90	392	-.442	.169	-.023	-1.609
90	262	-.133	.049	.034	-.338	90	343	-.201	.104	.078	-.614	90	393	-.407	.148	-.095	-1.272
90	263	-.139	.047	-.001	-.483	90	344	-.343	.089	-.134	-1.029	90	394	-.404	.143	-.104	-1.248
90	264	-.212	.069	-.040	-.669	90	345	-.329	.071	-.120	-.741	90	395	-.290	.092	-.089	-.772
90	265	-.195	.049	-.040	-.563	90	346	-.322	.071	-.152	-.769	90	396	-.118	.069	.072	-.738
90	266	-.213	.060	-.038	-.540	90	347	-.187	.052	-.004	-.422	90	397	-.441	.147	.315	-1.196
90	267	-.207	.057	-.032	-.454	90	348	-.023	.076	.343	-.283	90	398	.043	.107	.463	-.287
90	268	-.305	.058	-.136	-.550	90	349	-.257	.170	.265	-.803	90	399	.315	.138	.891	-.098
90	269	-.328	.067	-.146	-.583	90	350	-.232	.117	.683	-.148	90	400	.329	.138	.746	-.069
90	301	-.122	.130	.467	-.410	90	351	.536	.144	.946	.119	90	401	.190	.157	.699	-.506
90	302	-.044	.091	.221	-.444	90	352	.494	.143	.934	-.076	90	402	.133	.100	.539	-.138
90	303	-.230	.070	-.047	-.502	90	353	.340	.158	.854	-.177	90	403	-.286	.095	.159	-.647
90	304	-.300	.070	-.056	-.644	90	354	.213	.101	.533	-.070	90	404	-.444	.178	.164	-1.536
90	305	-.234	.133	-.676	-.158	90	355	-.222	.103	.044	-.691	90	405	-.424	.154	-.118	-1.288
90	306	-.303	.076	-.086	-.667	90	356	-.372	.116	-.063	-.949	90	406	-.408	.145	-.093	-.964
90	307	-.183	.124	-.665	-.246	90	357	-.355	.109	-.120	-1.146	90	407	-.310	.091	-.080	-.736
90	308	-.294	.079	-.056	-.912	90	358	-.336	.089	-.075	-.794	90	408	-.159	.067	.025	-.683
90	309	-.316	.094	-.045	-.944	90	359	-.214	.064	.021	-.616	90	409	-.467	.143	.007	-1.049
90	310	.182	.117	.584	-.189	90	360	-.004	.078	.247	-.328	90	410	-.032	.110	.440	-.446
90	311	.491	.146	.937	.074	90	361	-.311	.167	.311	-.835	90	411	.191	.122	.777	-.095
90	312	.370	.157	.786	-.198	90	362	.187	.121	.635	-.171	90	412	.206	.113	.612	-.118
90	313	.221	.101	.570	-.101	90	363	.504	.134	.909	.096	90	413	.128	.127	.588	-.381
90	314	-.200	.083	-.041	-.579	90	364	.491	.148	.962	-.009	90	414	.101	.088	.449	-.174
90	315	-.297	.077	-.092	-.685	90	365	.285	.163	.765	-.271	90	415	-.275	.093	.126	-.754
90	316	-.010	.122	.356	-.543	90	366	.207	.096	.558	-.063	90	416	-.396	.135	.188	-1.013
90	317	.077	.151	.480	-.752	90	367	-.236	.101	.060	-.703	90	417	-.398	.124	.009	-.951
90	318	-.415	.126	.054	-.910	90	368	-.399	.134	.051	-1.296	90	418	-.421	.146	-.120	-1.754
90	319	-.174	.116	.685	-.196	90	369	-.385	.131	-.104	-1.264	90	419	-.319	.084	-.098	-.696
90	320	-.299	.069	-.095	-.658	90	370	-.353	.106	-.027	-.901	90	420	-.183	.056	-.011	-.564
90	321	-.298	.069	-.119	-.662	90	371	-.249	.074	.005	-.618	90	421	-.416	.133	.201	-.926
90	322	-.290	.065	-.113	-.658	90	372	-.046	.071	.265	-.431	90	422	-.104	.083	.320	-.386
90	323	-.114	.054	.095	-.408	90	373	-.357	.151	.249	-.945	90	423	.072	.082	.494	-.209
90	324	-.059	.082	.298	-.448	90	374	.143	.109	.560	-.219	90	424	.119	.080	.468	-.173
90	325	-.360	.131	.110	-.917	90	375	.472	.139	.978	.142	90	425	.107	.096	.473	-.313
90	326	.155	.116	.541	-.203	90	376	.428	.132	.898	.051	90	426	.084	.082	.468	-.225
90	327	.517	.136	.919	.122	90	377	.286	.150	.811	-.426	90	427	-.213	.094	.213	-.579
90	328	.538	.143	.942	-.077	90	378	-.184	.096	.526	-.086	90	428	-.296	.098	.029	-.697
90	329	.348	.170	.816	-.347	90	379	-.262	.091	.030	-.673	90	429	-.343	.102	-.041	-.841
90	330	.249	.104	.597	-.122	90	380	-.434	.164	-.045	-1.342	90	430	-.370	.108	-.107	-1.072
90	331	-.168	.087	.090	-.581	90	381	-.399	.140	-.091	-1.285	90	431	-.308	.073	-.098	-.596

WD	TAP	CPMEAN	CPRMS	CPMAX	CPMIN	WD	TAP	CPMEAN	CPRMS	CPMAX	CPMIN	WD	TAP	CPMEAN	CPRMS	CPMAX	CPMIN
90	432	-.187	.052	-.032	-.485	90	908	-.521	.119	-.141	-1.172	100	101	-.352	.106	-.052	-.871
90	433	-.317	.105	-.008	-.773	90	909	-.603	.118	-.076	-1.178	100	102	-.345	.087	-.076	-.815
90	434	-.093	.061	-.178	-.445	90	910	-.527	.126	-.141	-1.174	100	103	-.333	.080	-.022	-.661
90	435	.038	.060	.298	-.195	90	911	-.511	.096	-.139	-.912	100	104	-.351	.077	-.116	-.737
90	436	.064	.062	.315	-.206	90	912	-.515	.110	-.094	-1.096	100	105	-.331	.098	-.052	-.853
90	437	.085	.075	.463	-.282	90	913	-.516	.124	-.159	-1.089	100	106	-.338	.077	-.125	-.695
90	438	.077	.064	.381	-.195	90	914	-.676	.132	-.217	-1.147	100	107	-.329	.093	-.090	-.885
90	439	-.133	.080	.185	-.442	90	915	-.387	.099	-.152	-.948	100	108	-.326	.070	-.146	-.632
90	440	-.231	.060	-.018	-.506	90	916	-.430	.192	-.083	-1.119	100	109	-.337	.072	-.130	-.731
90	441	-.276	.070	-.072	-.751	90	917	-.537	.123	-.100	-1.181	100	110	-.326	.090	-.067	-.748
90	442	-.333	.103	-.112	-.810	90	918	-.484	.099	-.086	-1.036	100	111	-.331	.084	-.072	-.708
90	443	-.294	.068	-.119	-.593	90	919	-.618	.104	-.188	-1.022	100	112	-.359	.100	-.119	-1.072
90	444	-.188	.115	.204	-.671	90	920	-.536	.143	.068	-1.094	100	113	-.331	.083	-.065	-.719
90	445	-.164	.068	.065	-.593	90	921	-.263	.170	.190	-.734	100	114	-.346	.092	-.067	-.813
90	446	-.026	.050	.157	-.244	90	922	-.161	.109	.217	-.648	100	115	-.342	.072	-.096	-.724
90	447	.048	.046	.223	-.117	90	923	-.264	.097	.059	-.732	100	116	-.344	.067	-.161	-.657
90	448	.068	.052	.272	-.133	90	924	-.288	.093	-.046	-.823	100	117	-.335	.072	-.045	-.773
90	449	.091	.058	.402	-.138	90	925	-.256	.082	-.050	-.669	100	118	-.335	.080	-.092	-.856
90	450	.105	.064	.430	-.133	90	926	-.415	.082	-.184	-.743	100	119	-.309	.080	-.012	-.744
90	451	-.007	.066	.284	-.362	90	927	-.436	.093	-.111	-.913	100	120	-.320	.072	-.092	-.757
90	452	.093	.059	.336	-.096	90	928	-.487	.120	-.143	-1.015	100	121	-.330	.075	-.101	-.804
90	453	.085	.071	.572	-.124	90	929	-.525	.135	-.075	-1.219	100	122	-.367	.094	-.150	-1.242
90	454	.045	.061	.341	-.131	90	930	-.484	.101	-.132	-.972	100	123	-.334	.072	-.054	-.740
90	455	-.206	.051	-.018	-.537	90	931	-.309	.049	-.150	-.475	100	124	-.334	.068	-.141	-.695
90	456	-.229	.051	-.063	-.468	90	932	-.125	.044	.013	-.422	100	125	-.326	.071	-.056	-.688
90	457	-.272	.064	-.074	-.591	90	933	-.078	.093	.159	-.592	100	126	-.310	.068	-.101	-.713
90	458	-.258	.057	-.081	-.532	90	934	-.192	.123	.229	-.695	100	127	-.318	.068	-.099	-.755
90	459	-.234	.053	-.041	-.511	90	935	-.223	.152	.210	-.844	100	128	-.348	.084	-.114	-.789
90	460	-.070	.065	.223	-.409	90	936	-.378	.129	.135	-.778	100	129	-.385	.105	-.123	-.925
90	461	.043	.065	.341	-.140	90	937	-.493	.080	-.181	-.795	100	130	-.332	.084	-.096	-.755
90	462	.113	.068	.428	-.089	90	938	-.403	.093	-.060	-.773	100	131	-.336	.094	-.067	-.862
90	463	.077	.072	.381	-.181	90	939	-.225	.119	-.201	-.592	100	132	-.318	.079	-.119	-.905
90	464	.135	.101	.620	-.166	90	940	-.180	.046	-.007	-.373	100	133	-.336	.087	-.139	-1.331
90	465	.082	.092	.468	-.310	90	941	-.414	.108	-.073	-.970	100	134	-.372	.104	-.023	-1.061
90	466	.082	.093	.498	-.186	90	942	-.423	.120	-.033	-1.041	100	135	-.330	.084	-.096	-.938
90	467	-.010	.078	.433	-.251	90	943	-.499	.171	-.055	-1.414	100	136	-.333	.073	-.152	-.838
90	468	.114	.079	.411	-.119	90	944	-.503	.141	-.126	-1.147	100	137	-.347	.081	-.112	-.865
90	469	.069	.082	.483	-.234	90	945	-.492	.096	-.208	-.981	100	138	-.337	.072	-.157	-.688
90	801	-.207	.053	-.081	-.483	90	946	-.285	.048	-.144	-.480	100	139	-.350	.080	-.159	-.807
90	802	.096	.059	.428	-.046	90	947	-.173	.039	-.022	-.321	100	140	-.378	.100	-.114	-.927
90	803	-.296	.104	-.041	-.775	90	948	-.385	.087	-.120	-.794	100	141	-.393	.119	-.116	-.934
90	804	-.312	.119	-.027	-.978	90	949	-.393	.109	-.097	-1.007	100	142	-.391	.106	-.086	-1.000
90	805	-.546	.112	-.237	-1.044	90	950	-.230	.045	-.076	-.485	100	143	-.424	.121	-.068	-.894
90	901	-.584	.128	-.234	-1.258	90	951	-.365	.100	-.088	-.864	100	144	-.348	.097	-.102	-1.039
90	902	-.851	.334	-.187	-2.494	90	952	-.398	.082	-.139	-.726	100	145	-.374	.102	-.045	-.985
90	903	-.512	.111	-.166	-1.122	90	953	-.258	.050	-.095	-.525	100	146	-.403	.125	-.009	-1.071
90	904	-.849	.239	-.327	-1.979	90	954	-.330	.078	-.090	-.759	100	147	-.358	.094	-.102	-.858
90	905	-.533	.117	-.130	-1.111	90	955	-.305	.051	-.092	-.508	100	148	-.360	.089	-.108	-.930
90	906	-.617	.151	-.139	-1.185	90	956	-.315	.075	-.020	-.747	100	149	-.406	.120	-.156	-1.062
90	907	-.704	.141	-.228	-1.252	90	957	-.378	.090	-.127	-.789	100	150	-.362	.083	-.133	-.772

WD	TAP	CPMEAN	CPRMS	CPMAX	CPMIN	WD	TAP	CPMEAN	CPRMS	CPMAX	CPMIN	WD	TAP	CPMEAN	CPRMS	CPMAX	CPMIN
100	151	-.367	.086	-.147	-.851	100	201	-.293	.148	.063	-1.255	100	251	-.135	.035	-.018	-.333
100	152	-.402	.118	-.106	-1.025	100	202	-.302	.158	.149	-1.162	100	252	-.117	.033	-.022	-.322
100	153	-.447	.150	-.106	-1.317	100	203	-.347	.179	.127	-1.324	100	253	-.119	.029	-.015	-.279
100	154	-.433	.145	-.084	-1.295	100	204	-.620	.171	-.165	-1.459	100	254	-.124	.029	-.022	-.230
100	155	-.484	.170	-.027	-1.161	100	205	-.424	.173	-.043	-1.189	100	255	-.171	.061	.048	-.443
100	156	-.394	.111	-.122	-1.046	100	206	-.392	.137	-.088	-1.074	100	256	-.109	.055	.087	-.357
100	157	-.424	.122	-.061	-1.071	100	207	-.470	.158	-.026	-1.103	100	257	-.099	.039	.036	-.450
100	158	-.443	.136	-.029	-1.105	100	208	-.418	.150	.019	-1.289	100	258	-.138	.052	.029	-.331
100	159	-.406	.122	-.074	-1.252	100	209	-.337	.131	-.012	-.941	100	259	-.113	.046	.125	-.317
100	160	-.398	.114	-.099	-1.005	100	210	-.278	.113	.020	-.870	100	260	-.111	.034	.006	-.261
100	161	-.448	.148	-.063	-1.277	100	211	-.255	.119	.041	-.888	100	261	-.118	.040	.022	-.378
100	162	-.389	.101	-.059	-.944	100	212	-.205	.095	.087	-.864	100	262	-.101	.035	.010	-.277
100	163	-.377	.096	-.102	-.867	100	213	-.221	.109	.050	-1.005	100	263	-.100	.030	.013	-.272
100	164	-.435	.136	-.099	-1.096	100	214	-.232	.120	.043	-.897	100	264	-.196	.078	-.025	-.641
100	165	-.474	.169	-.084	-1.179	100	215	-.264	.137	.098	-.994	100	265	-.161	.044	-.034	-.416
100	166	-.464	.173	-.038	-1.148	100	216	-.552	.177	-.123	-1.516	100	266	-.154	.044	-.013	-.428
100	167	-.501	.204	-.145	-1.655	100	217	-.249	.124	-.012	-1.377	100	267	-.151	.040	-.017	-.318
100	168	-.487	.141	-.074	-1.247	100	218	-.309	.099	-.041	-.749	100	268	-.193	.045	-.059	-.391
100	169	-.491	.138	-.093	-1.120	100	219	-.402	.142	-.096	-1.129	100	269	-.207	.052	-.064	-.504
100	170	-.506	.163	.091	-1.150	100	220	-.309	.122	-.012	-1.167	100	301	-.027	.148	.487	-.659
100	171	-.446	.145	.039	-1.186	100	221	-.221	.094	.043	-.738	100	302	-.071	.072	.151	-.324
100	172	-.436	.146	-.041	-1.215	100	222	-.202	.086	.001	-.751	100	303	-.210	.059	.003	-.443
100	173	-.491	.166	-.077	-1.338	100	223	-.177	.077	.003	-.897	100	304	-.391	.104	-.065	-.818
100	174	-.415	.129	-.025	-1.166	100	224	-.153	.065	.064	-.931	100	305	-.245	.124	-.608	-.256
100	175	-.358	.100	-.052	-.894	100	225	-.170	.069	.027	-.726	100	306	-.446	.133	-.006	-1.070
100	176	-.401	.150	.007	-1.304	100	226	-.169	.072	.057	-.787	100	307	-.274	.122	.667	-.118
100	177	-.440	.183	.030	-1.444	100	227	-.204	.089	.049	-.763	100	308	-.369	.111	.037	-.852
100	178	-.438	.192	.036	-1.372	100	228	-.362	.141	.017	-1.142	100	309	-.536	.201	-.038	-1.236
100	179	-.479	.216	.195	-1.446	100	229	-.150	.071	.055	-.698	100	310	-.313	.123	.783	-.106
100	180	-.556	.143	-.204	-1.369	100	230	-.218	.064	-.057	-.607	100	311	.417	.137	.847	-.047
100	181	-.540	.148	-.113	-1.161	100	231	-.320	.114	-.027	-.866	100	312	.102	.169	.583	-.497
100	182	-.496	.161	.032	-1.084	100	232	-.202	.077	.001	-.707	100	313	.135	.085	.435	-.131
100	183	-.492	.151	-.052	-1.306	100	233	-.148	.056	.043	-.466	100	314	-.161	.050	.019	-.365
100	184	-.476	.141	-.090	-1.078	100	234	-.150	.060	.003	-.569	100	315	-.646	.300	-.008	-1.541
100	185	-.516	.108	-.234	-.886	100	235	-.131	.045	-.001	-.394	100	316	-.018	.116	.335	-.570
100	186	-.429	.134	-.015	-1.059	100	236	-.127	.040	.003	-.410	100	317	.211	.123	.599	-.363
100	187	-.341	.116	-.039	-.963	100	237	-.143	.050	.006	-.490	100	318	-.286	.133	.374	-.768
100	188	-.335	.129	-.061	-1.202	100	238	-.144	.047	.015	-.513	100	319	.307	.125	.719	-.106
100	189	-.374	.178	.016	-1.337	100	239	-.155	.057	.022	-.413	100	320	-.351	.093	.030	-.779
100	190	-.375	.183	.072	-1.136	100	240	-.194	.076	.020	-.700	100	321	-.465	.158	-.004	-1.220
100	191	-.420	.198	.114	-1.375	100	241	-.113	.050	.066	-.410	100	322	-.735	.417	-.061	-2.200
100	192	-.608	.143	-.240	-1.278	100	242	-.130	.041	.003	-.310	100	323	-.179	.130	.189	-.570
100	193	-.512	.158	-.101	-1.191	100	243	-.196	.069	-.008	-.581	100	324	.056	.094	.360	-.286
100	194	-.456	.150	-.012	-1.032	100	244	-.159	.053	-.001	-.410	100	325	-.077	.181	.646	-.713
100	195	-.488	.158	-.017	-1.092	100	245	-.129	.041	.055	-.340	100	326	.336	.137	.753	-.113
100	196	-.469	.158	-.028	-1.247	100	246	-.121	.040	.015	-.343	100	327	.548	.148	1.033	-.169
100	197	-.449	.175	.054	-1.474	100	247	-.110	.035	.001	-.272	100	328	.424	.144	.849	-.020
100	198	-.405	.147	-.019	-1.169	100	248	-.114	.032	.017	-.272	100	329	.069	.164	.737	-.556
100	199	-.299	.123	.041	-1.070	100	249	-.129	.042	.017	-.434	100	330	.149	.087	.465	-.186
100	200	-.273	.128	.180	-1.045	100	250	-.131	.036	.029	-.324	100	331	-.134	.050	.044	-.329

WD	TAP	CPMEAN	CPRMS	CPMAX	CPMIN	WD	TAP	CPMEAN	CPRMS	CPMAX	CPMIN	WD	TAP	CPMEAN	CPRMS	CPMAX	CPMIN
100	332	-.474	.161	.012	-1.250	100	382	-.618	.243	-.060	-1.836	100	432	-.132	.047	.064	-.334
100	333	-.620	.257	-.029	-1.561	100	383	-.381	.139	.012	-.944	100	433	-.184	.109	.205	-.646
100	334	-.599	.256	-.120	-1.523	100	384	-.111	.069	.217	-.391	100	434	-.029	.067	.274	-.312
100	335	-.259	.143	.083	-.722	100	385	-.385	.113	.044	-.745	100	435	.037	.071	.429	-.229
100	336	-.128	.106	.476	-.252	100	386	.080	.099	.454	-.294	100	436	.035	.073	.614	-.193
100	337	.053	.197	.587	-.618	100	387	.347	.148	.794	-.083	100	437	-.004	.075	.343	-.441
100	338	.414	.134	.865	-.024	100	388	.331	.155	.821	-.146	100	438	-.007	.052	.245	-.224
100	339	.595	.153	1.056	.014	100	389	.153	.148	.605	-.414	100	439	-.176	.075	.159	-.596
100	340	.393	.134	.847	-.015	100	390	.091	.093	.436	-.276	100	440	-.143	.040	.005	-.341
100	341	.063	.160	.590	-.661	100	391	-.290	.082	-.031	-.619	100	441	-.165	.042	-.019	-.462
100	342	.161	.083	.445	-.150	100	392	-.377	.207	.244	-1.852	100	442	-.205	.075	-.052	-.638
100	343	-.158	.053	.012	-.417	100	393	-.464	.201	.019	-1.503	100	443	-.185	.049	-.043	-.419
100	344	-.521	.197	-.099	-1.361	100	394	-.514	.216	.014	-1.600	100	444	-.115	.073	.183	-.431
100	345	-.616	.235	-.004	-1.488	100	395	-.354	.126	.035	-.935	100	445	-.102	.058	.107	-.388
100	346	-.585	.225	-.110	-1.471	100	396	-.124	.070	.177	-.547	100	446	-.024	.044	.159	-.203
100	347	-.265	.126	.086	-.712	100	397	-.370	.181	.296	-1.140	100	447	.022	.043	.229	-.141
100	348	-.100	.113	.524	-.272	100	398	.022	.091	.375	-.299	100	448	.020	.050	.226	-.176
100	349	-.007	.208	.734	-.879	100	399	.259	.144	.805	-.157	100	449	.014	.060	.238	-.234
100	350	.382	.150	.921	-.191	100	400	.245	.145	.760	-.218	100	450	.015	.057	.236	-.281
100	351	.578	.142	1.029	.051	100	401	.111	.144	.567	-.452	100	451	-.063	.066	.224	-.500
100	352	.391	.143	.905	-.207	100	402	-.053	.085	.427	-.326	100	452	.027	.054	.288	-.122
100	353	.068	.171	.559	-.671	100	403	-.306	.082	.005	-.702	100	453	.023	.062	.276	-.145
100	354	.132	.083	.434	-.203	100	404	-.292	.157	.111	-1.279	100	454	.007	.060	.355	-.160
100	355	-.181	.064	.005	-.484	100	405	-.378	.168	.152	-1.201	100	455	-.138	.038	-.002	-.305
100	356	-.538	.219	.076	-1.534	100	406	-.456	.174	-.049	-1.512	100	456	-.147	.037	.017	-.338
100	357	-.610	.245	.044	-1.481	100	407	-.293	.103	.039	-.894	100	457	-.169	.044	-.050	-.412
100	358	-.633	.250	-.069	-1.732	100	408	-.116	.069	.188	-.479	100	458	-.166	.041	-.050	-.376
100	359	-.328	.134	.143	-.851	100	409	-.335	.163	.089	-1.016	100	459	-.151	.041	-.024	-.329
100	360	-.019	.107	.436	-.295	100	410	-.005	.086	.397	-.265	100	460	-.046	.049	.176	-.245
100	361	-.120	.218	.584	-1.005	100	411	.185	.129	.695	-.202	100	461	.028	.050	.224	-.112
100	362	.283	.153	.805	-.339	100	412	.171	.141	.783	-.225	100	462	.075	.068	.407	-.095
100	363	.520	.164	.999	-.034	100	413	.039	.131	.519	-.486	100	463	.051	.060	.352	-.143
100	364	.380	.145	.870	-.210	100	414	.014	.074	.310	-.254	100	464	.104	.084	.448	-.123
100	365	.075	.163	.637	-.685	100	415	-.310	.088	-.013	-.741	100	465	.018	.081	.332	-.347
100	366	.121	.082	.429	-.293	100	416	-.217	.104	.053	-.784	100	466	.021	.074	.448	-.210
100	367	-.208	.079	.021	-.546	100	417	-.282	.124	.017	-.977	100	467	-.046	.065	.253	-.284
100	368	-.476	.224	.143	-1.446	100	418	-.367	.137	.046	-1.198	100	468	-.063	.061	.407	-.139
100	369	-.591	.250	.083	-1.432	100	419	-.256	.083	.037	-.610	100	469	-.027	.073	.214	-.292
100	370	-.647	.248	-.072	-1.691	100	420	-.118	.049	.136	-.360	100	801	-.133	.030	-.043	-.319
100	371	-.368	.154	.134	-.899	100	421	-.267	.155	.161	-.953	100	802	.031	.057	.340	-.102
100	372	-.060	.096	.397	-.357	100	422	-.014	.086	.456	-.313	100	803	-.236	.088	-.024	-.709
100	373	-.271	.222	.538	-.980	100	423	.107	.120	.600	-.225	100	804	-.193	.092	-.013	-.754
100	374	.159	.145	.748	-.253	100	424	.088	.106	.653	-.205	100	805	-.325	.084	-.111	-.697
100	375	.415	.165	.902	-.087	100	425	.003	.103	.405	-.543	100	901	-.465	.101	-.166	-.963
100	376	.371	.151	.937	-.436	100	426	-.012	.060	.262	-.272	100	902	-.939	.384	-.200	-2.450
100	377	.105	.153	.681	-.664	100	427	-.262	.087	.133	-.624	100	903	-.388	.082	-.140	-.892
100	378	.105	.085	.436	-.233	100	428	-.163	.062	.031	-.598	100	904	-.725	.220	-.093	-1.727
100	379	-.246	.079	-.018	-.553	100	429	-.216	.079	-.007	-.672	100	905	-.370	.080	-.154	-.729
100	380	-.421	.215	.173	-1.483	100	430	-.269	.103	-.043	-.905	100	906	-.440	.125	.074	-.885
100	381	-.499	.228	.118	-1.757	100	431	-.208	.060	-.062	-.584	100	907	-.541	.139	.051	-1.061

APPENDIX A -- PRESSURE DATA ; CONFIGURATION M : LEXINGTON FINANCIAL CENTER

WD	TAP	CPMEAN	CPRMS	CPMAX	CPMIN	WD	TAP	CPMEAN	CPRMS	CPMAX	CPMIN	WD	TAP	CPMEAN	CPRMS	CPMAX	CPMIN
100	908	-.358	.075	-.134	-.698	110	101	-.320	.102	-.007	-.752	110	151	-.361	.105	-.096	-.781
100	909	-.447	.130	-.085	-.957	110	102	-.320	.089	-.047	-.663	110	152	-.392	.129	-.098	-1.232
100	910	-.376	.082	-.136	-.788	110	103	-.312	.081	-.058	-.712	110	153	-.404	.143	-.096	-1.254
100	911	-.370	.086	-.140	-.772	110	104	-.295	.073	-.105	-.808	110	154	-.375	.121	-.080	-.923
100	912	-.390	.114	-.050	-1.034	110	105	-.299	.091	-.064	-.676	110	155	-.390	.126	-.023	-1.000
100	913	-.350	.099	-.041	-.784	110	106	-.313	.079	-.116	-.772	110	156	-.443	.134	-.103	-1.121
100	914	-.716	.160	-.104	-1.391	110	107	-.310	.077	-.066	-.643	110	157	-.471	.135	-.098	-.952
100	915	-.292	.062	-.068	-.619	110	108	-.285	.063	-.094	-.576	110	158	-.491	.166	-.002	-1.408
100	916	-.129	.158	.288	-.748	110	109	-.302	.071	-.123	-.714	110	159	-.441	.148	-.040	-1.651
100	917	-.392	.135	.043	-.958	110	110	-.316	.081	-.038	-.750	110	160	-.427	.128	-.017	-.941
100	918	-.386	.080	-.151	-.828	110	111	-.322	.082	-.074	-.634	110	161	-.450	.140	-.033	-1.209
100	919	-.629	.119	-.202	-1.047	110	112	-.338	.091	-.094	-.781	110	162	-.374	.109	-.038	-.835
100	920	-.304	.219	.331	-1.095	110	113	-.310	.077	-.094	-.654	110	163	-.344	.108	-.028	-.842
100	921	-.149	.186	.343	-.704	110	114	-.313	.073	-.107	-.612	110	164	-.411	.148	-.083	-1.099
100	922	-.075	.112	.434	-.533	110	115	-.312	.070	-.127	-.654	110	165	-.423	.170	.089	-1.410
100	923	-.204	.079	.064	-.693	110	116	-.304	.060	-.101	-.587	110	166	-.418	.160	.050	-1.320
100	924	-.191	.061	.020	-.531	110	117	-.308	.067	-.076	-.750	110	167	-.388	.146	-.028	-1.067
100	925	-.174	.053	.023	-.627	110	118	-.300	.072	-.047	-.659	110	168	-.520	.135	-.101	-1.133
100	926	-.363	.072	-.112	-.647	110	119	-.305	.069	-.054	-.743	110	169	-.503	.152	-.035	-1.126
100	927	-.377	.085	-.142	-.736	110	120	-.279	.060	-.103	-.716	110	170	-.480	.175	.158	-1.153
100	928	-.371	.107	-.023	-.880	110	121	-.294	.061	-.138	-.647	110	171	-.476	.177	.043	-1.306
100	929	-.442	.141	-.000	-1.321	110	122	-.335	.080	-.087	-.739	110	172	-.451	.156	.080	-1.194
100	930	-.531	.101	-.174	-.876	110	123	-.310	.065	-.110	-.654	110	173	-.431	.175	.005	-1.315
100	931	-.304	.054	-.131	-.570	110	124	-.295	.056	-.061	-.712	110	174	-.347	.128	.057	-.966
100	932	-.084	.044	.121	-.223	110	125	-.304	.067	-.001	-.719	110	175	-.301	.110	.037	-.980
100	933	-.016	.071	.261	-.258	110	126	-.304	.068	.035	-.856	110	176	-.348	.161	.039	-1.329
100	934	-.010	.110	.396	-.475	110	127	-.310	.071	-.056	-.656	110	177	-.397	.197	.028	-1.450
100	935	-.132	.098	.259	-.523	110	128	-.334	.081	-.118	-.872	110	178	-.385	.179	.021	-1.333
100	936	-.249	.087	.159	-.546	110	129	-.358	.098	-.116	-1.132	110	179	-.378	.175	-.047	-1.130
100	937	-.480	.084	-.196	-.740	110	130	-.336	.079	-.107	-.770	110	180	-.542	.152	-.112	-1.417
100	938	-.334	.087	-.078	-.902	110	131	-.332	.076	-.136	-.874	110	181	-.467	.166	-.022	-1.250
100	939	-.276	.108	.239	-.619	110	132	-.295	.071	-.041	-.634	110	182	-.387	.164	.023	-1.126
100	940	-.199	.064	.065	-.405	110	133	-.314	.073	-.098	-.721	110	183	-.405	.165	.105	-1.046
100	941	-.350	.095	.054	-.920	110	134	-.358	.091	-.098	-.836	110	184	-.364	.139	-.075	-1.084
100	942	-.351	.108	-.031	-.927	110	135	-.335	.077	-.147	-.783	110	185	-.367	.107	-.113	-.841
100	943	-.389	.116	-.038	-.905	110	136	-.325	.069	-.145	-.805	110	186	-.280	.109	.048	-.839
100	944	-.519	.174	-.067	-1.364	110	137	-.348	.085	-.136	-.843	110	187	-.226	.089	.017	-.861
100	945	-.429	.073	-.200	-.702	110	138	-.332	.074	-.094	-.850	110	188	-.279	.136	.088	-1.044
100	946	-.258	.046	-.111	-.445	110	139	-.329	.080	-.116	-.716	110	189	-.325	.178	.125	-1.244
100	947	-.153	.050	-.092	-.317	110	140	-.361	.101	-.123	-.812	110	190	-.321	.161	.147	-1.015
100	948	-.687	.266	-.085	-1.612	110	141	-.382	.111	-.076	-.914	110	191	-.345	.170	.039	-1.456
100	949	-.344	.101	-.036	-.908	110	142	-.362	.105	-.092	-.842	110	192	-.535	.178	-.102	-1.394
100	950	-.285	.097	-.003	-.565	110	143	-.373	.106	-.053	-.903	110	193	-.359	.150	.004	-1.101
100	951	-.355	.100	-.064	-.889	110	144	-.351	.101	-.087	-.880	110	194	-.280	.125	.121	-.985
100	952	-.435	.088	-.126	-.749	110	145	-.383	.118	-.087	-1.112	110	195	-.304	.133	.026	-1.002
100	953	-.303	.074	-.059	-.544	110	146	-.425	.132	-.026	-1.272	110	196	-.262	.125	.026	-.903
100	954	-.351	.089	-.083	-.759	110	147	-.400	.110	-.128	-1.000	110	197	-.257	.137	.074	-1.174
100	955	-.299	.051	-.109	-.463	110	148	-.377	.092	-.126	-.867	110	198	-.200	.094	.068	-.698
100	956	-.367	.087	-.071	-.811	110	149	-.403	.110	-.103	-.923	110	199	-.175	.071	.088	-.579
100	957	-.426	.092	-.171	-.773	110	150	-.363	.081	-.121	-.743	110	200	-.210	.101	.141	-.877

WD	TAP	CPMEAN	CPRMS	CPMAX	CPMIN	WD	TAP	CPMEAN	CPRMS	CPMAX	CPMIN	WD	TAP	CPMEAN	CPRMS	CPMAX	CPMIN
110	201	-.252	.152	.187	-1.321	110	251	-.107	.034	.002	-.419	110	332	-.345	.092	-.006	-.855
110	202	-.250	.122	.121	-.896	110	252	-.080	.027	.053	-.170	110	333	-.564	.233	-.015	-1.363
110	203	-.273	.130	.055	-.969	110	253	-.086	.030	.021	-.201	110	334	-.791	.177	-.159	-1.629
110	204	-.425	.160	-.069	-1.117	110	254	-.093	.032	.028	-.270	110	335	-.243	.105	.206	-.609
110	205	-.269	.118	.059	-1.119	110	255	-.126	.051	.042	-.545	110	336	.276	.118	.761	-.130
110	206	-.207	.092	.059	-.786	110	256	-.125	.049	.016	-.378	110	337	.421	.176	.933	-.401
110	207	-.233	.113	.015	-.791	110	257	-.099	.048	.065	-.359	110	338	.551	.152	.996	-.051
110	208	-.184	.090	.057	-.718	110	258	-.081	.044	.105	-.308	110	339	.547	.153	1.066	-.013
110	209	-.183	.085	.037	-.656	110	259	-.058	.035	.107	-.203	110	340	.203	.132	.678	-.266
110	210	-.174	.106	.149	-.844	110	260	-.060	.030	.072	-.187	110	341	-.304	.172	.206	-1.157
110	211	-.144	.061	.066	-.586	110	261	-.071	.040	.070	-.277	110	342	-.006	.082	.287	-.617
110	212	-.171	.080	.057	-.615	110	262	-.076	.031	.032	-.289	110	343	-.199	.053	-.050	-.478
110	213	-.209	.111	.112	-.870	110	263	-.077	.033	.023	-.319	110	344	-.388	.132	.049	-1.181
110	214	-.207	.104	.103	-.817	110	264	-.118	.059	.046	-.492	110	345	-.537	.242	.012	-1.265
110	215	-.211	.100	.061	-.804	110	265	-.098	.038	.041	-.258	110	346	-.760	.178	-.226	-1.645
110	216	-.344	.137	-.022	-1.207	110	266	-.100	.037	.032	-.267	110	347	-.238	.109	.147	-.684
110	217	-.213	.095	.105	-.828	110	267	-.087	.038	.035	-.273	110	348	.244	.143	.713	-.267
110	218	-.158	.068	.059	-.485	110	268	-.141	.035	.057	-.282	110	349	.329	.214	.893	-1.071
110	219	-.173	.078	.037	-.573	110	269	-.152	.039	.014	-.305	110	350	.470	.181	.985	-.478
110	220	-.148	.066	.013	-.553	110	301	-.401	.165	.107	-1.087	110	351	.479	.168	.932	-.043
110	221	-.137	.062	.068	-.617	110	302	-.152	.057	.053	-.358	110	352	.149	.158	.671	-.368
110	222	-.121	.051	.026	-.529	110	303	-.208	.055	-.017	-.496	110	353	-.299	.213	.383	-1.039
110	223	-.116	.045	.037	-.379	110	304	-.379	.088	-.132	-.683	110	354	-.019	.096	.280	-.615
110	224	-.130	.058	.023	-.573	110	305	-.141	.108	.513	-.281	110	355	-.236	.077	-.045	-.595
110	225	-.158	.072	.039	-.555	110	306	-.478	.113	-.076	-.814	110	356	-.366	.135	.232	-1.176
110	226	-.175	.082	.065	-.685	110	307	-.327	.127	-.766	-.329	110	357	-.434	.257	.108	-1.375
110	227	-.196	.103	.070	-.967	110	308	-.290	.069	-.108	-.593	110	358	-.799	.229	-.093	-1.970
110	228	-.277	.108	-.047	-1.058	110	309	-.581	.164	-.058	-1.033	110	359	-.272	.134	.216	-.862
110	229	-.166	.074	.021	-.678	110	310	.384	.127	.768	-.153	110	360	.128	.157	.800	-.478
110	230	-.126	.050	.011	-.447	110	311	.230	.123	.601	-.148	110	361	.169	.253	.891	-.913
110	231	-.139	.061	.039	-.617	110	312	-.283	.169	.267	-1.042	110	362	.304	.190	.937	-.258
110	232	-.118	.048	.021	-.375	110	313	.007	.066	.281	-.238	110	363	.367	.186	.887	-.210
110	233	-.106	.045	.039	-.331	110	314	-.188	.050	-.047	-.419	110	364	.111	.180	.626	-.693
110	234	-.093	.039	.039	-.317	110	315	-.676	.235	-.078	-1.566	110	365	-.282	.231	.385	-1.281
110	235	-.091	.034	.021	-.343	110	316	.050	.105	.421	-.313	110	366	-.037	.109	.326	-.682
110	236	-.108	.045	.025	-.371	110	317	.273	.144	.649	-.406	110	367	-.275	.094	.021	-.656
110	237	-.113	.050	.060	-.385	110	318	-.020	.222	.879	-.550	110	368	-.340	.134	.085	-.986
110	238	-.136	.064	.032	-.727	110	319	.394	.144	.784	-.263	110	369	-.320	.211	.076	-1.389
110	239	-.189	.100	.028	-.752	110	320	-.311	.068	-.123	-.613	110	370	-.693	.244	-.011	-1.687
110	240	-.176	.069	.014	-.561	110	321	-.292	.085	-.047	-.645	110	371	-.280	.150	.287	-.931
110	241	-.134	.052	.039	-.412	110	322	-1.083	.263	-.263	-2.026	110	372	.037	.147	.598	-.373
110	242	-.109	.049	.046	-.461	110	323	-.120	.088	.310	-.412	110	373	.033	.237	.802	-1.009
110	243	-.108	.044	.058	-.366	110	324	.200	.109	.547	-.187	110	374	.147	.157	.692	-.313
110	244	-.102	.040	.058	-.331	110	325	.254	.157	.673	-.473	110	375	.208	.168	.754	-.194
110	245	-.076	.031	.030	-.226	110	326	.454	.146	.895	.021	110	376	.081	.187	.724	-.503
110	246	-.072	.032	.049	-.189	110	327	.539	.153	.980	.032	110	377	-.195	.236	.438	-1.057
110	247	-.077	.029	.035	-.245	110	328	.226	.128	.694	-.205	110	378	-.048	.116	.337	-.645
110	248	-.088	.034	.016	-.284	110	329	-.309	.174	.342	-1.295	110	379	-.301	.093	.001	-.720
110	249	-.087	.036	.060	-.298	110	330	-.018	.066	.215	-.304	110	380	-.278	.113	.076	-.826
110	250	-.101	.037	.025	-.326	110	331	-.173	.043	-.022	-.340	110	381	-.257	.158	.053	-1.135

WD	TAP	CPMEAN	CPRMS	CPMAX	CPMIN	WD	TAP	CPMEAN	CPRMS	CPMAX	CPMIN	WD	TAP	CPMEAN	CPRMS	CPMAX	CPMIN
110	382	-.579	.223	.122	-1.581	110	432	-.075	.040	.098	-.266	110	908	-.319	.072	-.129	-.690
110	383	-.254	.138	.255	-.761	110	433	-.070	.093	.235	-.519	110	909	-.207	.156	-.404	-.900
110	384	-.028	.097	.356	-.403	110	434	-.001	.052	.256	-.219	110	910	-.345	.074	-.167	-.722
110	385	-.063	.128	.235	-.658	110	435	.028	.059	.393	-.202	110	911	-.323	.093	-.022	-.872
110	386	.048	.098	.488	-.363	110	436	.020	.091	.545	-.266	110	912	-.374	.128	-.080	-.981
110	387	.114	.117	.618	-.217	110	437	-.030	.099	.384	-.562	110	913	-.334	.075	-.105	-.686
110	388	.050	.159	.584	-.452	110	438	-.035	.055	.256	-.219	110	914	-.857	.172	-.326	-1.697
110	389	-.126	.231	.600	-1.119	110	439	-.170	.059	.022	-.436	110	915	-.268	.068	.030	-.476
110	390	-.051	.110	.383	-.504	110	440	-.104	.029	-.004	-.209	110	916	.037	.088	.310	-.439
110	391	-.325	.089	-.011	-.654	110	441	-.119	.036	.027	-.250	110	917	-.190	.155	.381	-.834
110	392	-.211	.084	.047	-.638	110	442	-.157	.047	-.018	-.387	110	918	-.327	.068	-.126	-.617
110	393	-.199	.111	.114	-.844	110	443	-.137	.036	-.018	-.399	110	919	-.577	.157	-.165	-1.051
110	394	-.422	.183	.181	-1.433	110	444	-.059	.058	.270	-.266	110	920	.133	.192	.535	-.669
110	395	-.211	.122	.407	-.595	110	445	-.045	.053	.152	-.292	110	921	-.205	.167	.336	-.591
110	396	-.028	.097	.468	-.452	110	446	-.012	.039	.138	-.202	110	922	-.029	.075	.314	-.309
110	397	-.086	.164	.405	-.824	110	447	.006	.039	.173	-.165	110	923	-.117	.056	.058	-.393
110	398	.020	.091	.376	-.376	110	448	-.011	.057	.410	-.200	110	924	-.130	.057	.056	-.471
110	399	.100	.110	.519	-.248	110	449	-.030	.066	.353	-.235	110	925	-.111	.041	.025	-.311
110	400	.053	.151	.604	-.441	110	450	-.026	.043	.192	-.167	110	926	-.310	.062	-.009	-.643
110	401	-.064	.189	.618	-1.083	110	451	-.086	.038	.140	-.325	110	927	-.316	.073	-.031	-.838
110	402	-.045	.103	.363	-.624	110	452	-.026	.046	.292	-.162	110	928	-.323	.085	-.061	-.849
110	403	-.295	.090	-.011	-.656	110	453	-.030	.043	.230	-.153	110	929	-.405	.116	-.139	-.951
110	404	-.182	.072	.022	-.555	110	454	-.051	.035	.112	-.169	110	930	-.549	.129	-.165	-.994
110	405	-.160	.089	.139	-.772	110	455	-.080	.038	.117	-.214	110	931	-.268	.072	-.046	-.478
110	406	-.313	.123	.103	-.907	110	456	-.092	.041	.147	-.235	110	932	-.014	.059	.195	-.467
110	407	-.161	.107	.372	-.725	110	457	-.115	.037	.058	-.257	110	933	.117	.074	.354	-.195
110	408	-.015	.099	.602	-.450	110	458	-.116	.037	.046	-.264	110	934	.110	.110	.528	-.297
110	409	-.070	.158	.466	-.819	110	459	-.109	.037	.069	-.250	110	935	-.065	.071	.307	-.342
110	410	.026	.083	.338	-.389	110	460	-.022	.046	.169	-.250	110	936	-.145	.073	.210	-.383
110	411	.093	.102	.598	-.199	110	461	.022	.046	.400	-.103	110	937	-.473	.103	-.175	-.835
110	412	.054	.134	.676	-.380	110	462	.053	.055	.348	-.084	110	938	-.311	.076	-.013	-.649
110	413	-.040	.152	.562	-.622	110	463	.030	.051	.296	-.250	110	939	-.384	.091	-.025	-.704
110	414	-.040	.088	.407	-.345	110	464	.061	.073	.568	-.147	110	940	-.095	.065	.176	-.315
110	415	-.252	.086	-.004	-.694	110	465	-.003	.071	.279	-.300	110	941	-.312	.079	-.064	-.736
110	416	-.157	.065	.045	-.468	110	466	-.010	.066	.436	-.255	110	942	-.327	.088	-.082	-.748
110	417	-.130	.079	.132	-.562	110	467	-.070	.038	.121	-.246	110	943	-.364	.110	-.050	-.971
110	418	-.256	.103	.213	-.642	110	468	.032	.051	.269	-.317	110	944	-.452	.153	-.089	-1.398
110	419	-.129	.098	.289	-.468	110	469	-.045	.055	.189	-.234	110	945	-.431	.090	-.173	-.852
110	420	-.027	.077	.381	-.349	110	801	-.101	.028	-.002	-.217	110	946	-.221	.051	-.038	-.419
110	421	-.080	.136	.454	-.698	110	802	-.025	.040	.291	-.133	110	947	-.061	.057	.161	-.251
110	422	.022	.073	.457	-.253	110	803	-.145	.061	.029	-.520	110	948	-.614	.227	-.029	-1.426
110	423	.090	.106	.730	-.150	110	804	-.119	.061	.049	-.473	110	949	-.327	.081	-.096	-.753
110	424	.055	.120	.594	-.309	110	805	-.215	.060	-.014	-.504	110	950	-.170	.075	.074	-.442
110	425	-.028	.125	.504	-.592	110	901	-.493	.114	-.123	-.914	110	951	-.336	.084	-.087	-.782
110	426	-.035	.074	.252	-.394	110	902	-.772	.239	-.148	-1.679	110	952	-.452	.111	-.072	-1.002
110	427	-.202	.067	.020	-.510	110	903	-.309	.072	-.129	-.654	110	953	-.202	.061	-.011	-.455
110	428	-.133	.046	.046	-.375	110	904	-.532	.215	.055	-1.399	110	954	-.326	.083	-.067	-.652
110	429	-.130	.048	-.043	-.427	110	905	-.328	.079	-.118	-.756	110	955	-.243	.048	-.101	-.448
110	430	-.223	.064	-.001	-.500	110	906	-.336	.062	-.095	-.758	110	956	-.352	.102	-.011	-.843
110	431	-.155	.043	.013	-.377	110	907	-.269	.182	.289	-1.118	110	957	-.434	.112	-.101	-.885



WD	TAP	CPMEAN	CPRMS	CPMAX	CPMIN	WD	TAP	CPMEAN	CPRMS	CPMAX	CPMIN	WD	TAP	CPMEAN	CPRMS	CPMAX	CPMIN
120	101	-.265	.074	-.011	-.763	120	151	-.345	.077	-.105	-.728	120	201	-.493	.170	.059	-1.715
120	102	-.264	.070	-.013	-.749	120	152	-.332	.096	-.043	-1.162	120	202	-.495	.159	.036	-1.318
120	103	-.270	.061	-.015	-.550	120	153	-.356	.115	-.045	-1.352	120	203	-.473	.159	.126	-1.077
120	104	-.291	.083	-.047	-.609	120	154	-.312	.093	-.052	-.842	120	204	-.224	.119	.041	-1.048
120	105	-.272	.072	-.033	-.722	120	155	-.295	.092	-.020	-.925	120	205	-.199	.103	.086	-.880
120	106	-.299	.078	-.083	-.649	120	156	-.445	.133	-.015	-.987	120	206	-.192	.107	.158	-.907
120	107	-.277	.063	-.008	-.588	120	157	-.450	.148	.019	-1.238	120	207	-.180	.090	.095	-.613
120	108	-.285	.064	-.076	-.566	120	158	-.484	.172	.083	-1.483	120	208	-.157	.086	.196	-.610
120	109	-.294	.074	-.097	-.652	120	159	-.454	.146	-.045	-1.313	120	209	-.170	.086	.117	-.891
120	110	-.299	.061	-.015	-.692	120	160	-.413	.122	-.057	-.983	120	210	-.189	.147	.281	-1.162
120	111	-.265	.059	-.090	-.726	120	161	-.392	.116	-.106	-1.052	120	211	-.324	.176	.234	-1.165
120	112	-.274	.067	-.081	-.668	120	162	-.380	.111	-.061	-.978	120	212	-.403	.178	.097	-1.827
120	113	-.258	.057	-.065	-.566	120	163	-.361	.100	.049	-.888	120	213	-.439	.178	.025	-1.167
120	114	-.249	.059	-.045	-.579	120	164	-.377	.120	-.009	-1.045	120	214	-.510	.178	.036	-1.500
120	115	-.307	.074	-.119	-.731	120	165	-.399	.152	-.041	-1.511	120	215	-.540	.171	-.053	-1.520
120	116	-.300	.061	-.045	-.613	120	166	-.339	.118	.014	-1.093	120	216	-.182	.084	.032	-.716
120	117	-.313	.064	-.036	-.595	120	167	-.319	.119	.058	-.1038	120	217	-.174	.078	.041	-.556
120	118	-.311	.062	-.101	-.552	120	168	-.474	.169	.001	-1.518	120	218	-.170	.079	.131	-.640
120	119	-.296	.058	-.083	-.611	120	169	-.479	.191	-.015	-1.431	120	219	-.147	.067	.099	-.455
120	120	-.286	.065	-.051	-.577	120	170	-.462	.196	.175	-1.405	120	220	-.122	.060	.113	-.617
120	121	-.296	.068	-.106	-.758	120	171	-.438	.175	.125	-1.295	120	221	-.132	.089	.173	-.682
120	122	-.318	.078	-.085	-1.010	120	172	-.421	.150	-.018	-1.258	120	222	-.113	.090	.146	-.929
120	123	-.302	.067	-.079	-.681	120	173	-.370	.130	.005	-1.153	120	223	-.196	.143	.196	-1.039
120	124	-.306	.060	-.054	-.570	120	174	-.402	.133	.037	-1.189	120	224	-.253	.134	.115	-.884
120	125	-.314	.066	-.113	-.631	120	175	-.398	.131	-.045	-1.003	120	225	-.234	.132	.089	-.842
120	126	-.306	.058	-.063	-.699	120	176	-.441	.167	.235	-1.566	120	226	-.376	.203	.115	-1.316
120	127	-.299	.058	-.132	-.636	120	177	-.464	.177	.008	-1.628	120	227	-.542	.179	-.092	-1.406
120	128	-.290	.064	-.122	-.731	120	178	-.406	.153	.021	-1.460	120	228	-.166	.068	-.002	-.486
120	129	-.306	.071	-.104	-.736	120	179	-.374	.146	.079	-.971	120	229	-.149	.058	.025	-.479
120	130	-.279	.063	-.097	-.629	120	180	-.425	.187	.083	-1.541	120	230	-.128	.054	.039	-.592
120	131	-.265	.056	-.104	-.529	120	181	-.392	.184	.058	-1.169	120	231	-.120	.052	.048	-.507
120	132	-.325	.088	-.094	-.797	120	182	-.370	.195	.207	-1.373	120	232	-.098	.043	.058	-.305
120	133	-.353	.091	-.113	-.837	120	183	-.327	.157	.101	-.992	120	233	-.101	.066	.112	-.517
120	134	-.370	.112	-.126	-1.340	120	184	-.323	.136	-.083	-1.073	120	234	-.075	.047	.110	-.365
120	135	-.357	.098	-.144	-.946	120	185	-.314	.066	-.103	-.615	120	235	-.088	.067	.110	-.566
120	136	-.339	.075	-.147	-.713	120	186	-.351	.137	-.004	-1.095	120	236	-.144	.090	.115	-.706
120	137	-.341	.078	-.070	-.837	120	187	-.418	.146	.007	-.976	120	237	-.111	.070	.093	-.526
120	138	-.338	.075	-.051	-.842	120	188	-.487	.156	.072	-1.205	120	238	-.098	.084	.127	-.645
120	139	-.311	.069	-.122	-.697	120	189	-.510	.170	.016	-1.369	120	239	-.483	.230	.003	-1.497
120	140	-.311	.075	-.021	-.674	120	190	-.472	.153	.059	-1.102	120	240	-.139	.052	-.013	-.358
120	141	-.336	.091	-.110	-1.109	120	191	-.444	.155	.021	-1.050	120	241	-.118	.042	.013	-.312
120	142	-.301	.079	-.075	-.813	120	192	-.320	.160	.023	-1.306	120	242	-.129	.058	.041	-.550
120	143	-.290	.076	-.064	-.898	120	193	-.279	.148	.083	-1.116	120	243	-.109	.045	.029	-.341
120	144	-.392	.111	-.121	-.950	120	194	-.247	.146	.220	-1.210	120	244	-.086	.042	.053	-.358
120	145	-.403	.116	-.066	-.895	120	195	-.225	.129	.122	-.873	120	245	-.061	.035	.070	-.241
120	146	-.451	.150	-.110	-1.329	120	196	-.203	.115	.310	-.961	120	246	-.057	.032	.065	-.246
120	147	-.418	.125	-.128	-1.215	120	197	-.227	.125	.189	-1.024	120	247	-.061	.034	.070	-.208
120	148	-.393	.095	-.146	-1.162	120	198	-.260	.160	.263	-1.131	120	248	-.070	.043	.055	-.303
120	149	-.387	.092	-.110	-.826	120	199	-.416	.162	.027	-1.136	120	249	-.065	.036	.072	-.206
120	150	-.363	.091	-.110	-.914	120	200	-.489	.176	.054	-1.544	120	250	-.056	.036	.065	-.232

WD	TAP	CPMEAN	CPRMS	CPMAX	CPMIN	WD	TAP	CPMEAN	CPRMS	CPMAX	CPMIN	WD	TAP	CPMEAN	CPRMS	CPMAX	CPMIN
120	251	-.122	.054	.041	-.403	120	332	-.233	.062	-.049	-.535	120	382	-.445	.202	.170	-1.356
120	252	-.048	.029	.079	-.144	120	333	-.155	.132	-.125	-.782	120	383	.009	.120	.372	-.508
120	253	-.054	.027	.084	-.161	120	334	-.509	.138	-.061	-.992	120	384	.281	.153	.827	-.114
120	254	-.071	.031	.051	-.210	120	335	.029	.093	.358	-.305	120	385	.261	.107	.596	-.029
120	255	-.119	.044	.010	-.360	120	336	.474	.125	.880	.100	120	386	.126	.154	.637	-.528
120	256	-.113	.044	.034	-.395	120	337	.591	.148	1.015	-.098	120	387	.080	.090	.552	-.212
120	257	-.118	.063	.077	-.488	120	338	.560	.163	1.024	-.307	120	388	-.230	.135	.307	-.662
120	258	-.085	.046	.082	-.315	120	339	.425	.126	.834	-.039	120	389	-.575	.215	.164	-1.289
120	259	-.046	.042	.148	-.244	120	340	-.115	.107	.276	-.456	120	390	-.279	.196	.231	-1.079
120	260	-.045	.035	.089	-.203	120	341	-.718	.156	-.162	-1.310	120	391	-.333	.121	-.015	-.924
120	261	-.048	.034	.124	-.184	120	342	-.309	.202	-.170	-1.182	120	392	-.334	.107	.052	-.718
120	262	-.058	.031	.044	-.218	120	343	-.275	.065	-.082	-.602	120	393	-.114	.071	.151	-.497
120	263	-.058	.032	.048	-.191	120	344	-.240	.072	-.026	-.591	120	394	-.353	.185	.198	-1.182
120	264	-.107	.057	.078	-.339	120	345	-.162	.142	.115	-.822	120	395	.005	.133	.435	-.553
120	265	-.087	.043	.047	-.243	120	346	-.545	.166	.071	-1.344	120	396	.229	.162	.798	-.250
120	266	-.082	.040	.035	-.250	120	347	.032	.099	.374	-.336	120	397	.198	.147	.818	-.311
120	267	-.062	.037	.063	-.193	120	348	.449	.119	.843	-.016	120	398	.051	.136	.596	-.512
120	268	-.061	.042	.106	-.238	120	349	.535	.153	1.052	-.029	120	399	.049	.073	.375	-.239
120	269	-.065	.044	.108	-.229	120	350	.536	.169	.988	-.103	120	400	-.203	.125	.292	-.680
120	301	-.764	.214	-.180	-1.640	120	351	.370	.134	.800	-.110	120	401	-.471	.217	.323	-1.491
120	302	-.217	.049	-.045	-.422	120	352	-.155	.122	-.424	-.527	120	402	-.243	.182	.227	-1.124
120	303	-.239	.059	-.031	-.452	120	353	-.752	.183	-.034	-1.425	120	403	-.262	.110	.014	-1.146
120	304	-.273	.077	-.067	-.684	120	354	-.311	.205	-.085	-1.276	120	404	-.343	.107	-.020	-.821
120	305	-.043	.101	.385	-.377	120	355	-.312	.087	-.087	-.760	120	405	-.106	.065	.126	-.474
120	306	-.223	.115	.118	-.630	120	356	-.252	.096	-.030	-.632	120	406	-.290	.158	.166	-1.083
120	307	-.300	.117	.665	-.058	120	357	-.138	.107	.163	-.714	120	407	.027	.120	.500	-.438
120	308	-.190	.049	-.015	-.465	120	358	-.564	.185	.069	-1.537	120	408	.220	.149	.858	-.185
120	309	-.232	.147	.195	-.732	120	359	.020	.102	.355	-.357	120	409	.184	.141	.852	-.586
120	310	-.395	.123	.740	-.013	120	360	.404	.143	.905	-.105	120	410	.050	.118	.487	-.438
120	311	-.034	.104	.308	-.402	120	361	.490	.171	.999	-.082	120	411	.042	.065	.572	-.246
120	312	-.725	.169	-.187	-1.333	120	362	.432	.178	1.015	-.348	120	412	-.159	.100	.379	-.586
120	313	-.137	.063	-.050	-.501	120	363	-.284	.139	.777	-.190	120	413	-.396	.183	.511	-1.358
120	314	-.232	.057	-.049	-.576	120	364	-.205	.137	.461	-.728	120	414	-.198	.150	.180	-1.025
120	315	-.203	.167	.249	-.899	120	365	-.724	.205	.014	-1.580	120	415	-.186	.083	.030	-.685
120	316	.108	.116	.489	-.411	120	366	-.358	.234	.122	-1.306	120	416	-.334	.100	-.082	-.839
120	317	.222	.172	.837	-.325	120	367	-.348	.100	-.023	-.799	120	417	-.074	.053	.139	-.340
120	318	.551	.232	1.070	-.427	120	368	-.277	.118	.065	-.845	120	418	-.242	.143	.204	-.900
120	319	.435	.134	.841	-.076	120	369	-.121	.090	.108	-.802	120	419	.014	.109	.540	-.347
120	320	-.209	.050	-.072	-.449	120	370	-.511	.203	.287	-1.322	120	420	.156	.112	.677	-.138
120	321	-.082	.066	.145	-.316	120	371	-.001	.122	.362	-.481	120	421	.191	.127	.764	-.147
120	322	-.647	.223	-.009	-1.652	120	372	.349	.164	.896	-.197	120	422	.075	.106	.538	-.409
120	323	.107	.089	.421	-.228	120	373	.360	.180	.981	-.272	120	423	.037	.059	.366	-.194
120	324	.346	.118	.683	-.070	120	374	.255	.180	.871	-.485	120	424	-.144	.084	.228	-.479
120	325	.456	.141	.875	.041	120	375	.156	.124	.667	-.284	120	425	-.343	.151	.117	-1.111
120	326	.507	.150	.891	-.075	120	376	-.225	.140	.312	-.710	120	426	-.173	.122	.183	-.931
120	327	.460	.127	.841	-.029	120	377	-.686	.227	.122	-1.539	120	427	-.157	.066	.020	-.579
120	328	-.040	.101	.321	-.350	120	378	-.337	.237	.195	-1.296	120	428	-.187	.071	.039	-.505
120	329	-.704	.165	-.203	-1.498	120	379	-.353	.112	-.057	-.850	120	429	-.057	.043	.131	-.259
120	330	-.205	.129	.059	-.761	120	380	-.312	.117	.087	-.687	120	430	-.171	.084	.096	-.579
120	331	-.230	.052	-.063	-.499	120	381	-.109	.076	.129	-.607	120	431	-.100	.054	.150	-.385

WD	TAP	CPMEAN	CPRMS	CPMAX	CPMIN	WD	TAP	CPMEAN	CPRMS	CPMAX	CPMIN	WD	TAP	CPMEAN	CPRMS	CPMAX	CPMIN
120	432	-.027	.045	.172	-.247	120	908	-.307	.071	-.095	-.624	130	101	-.287	.103	.064	-.794
120	433	.058	.070	.401	-.257	120	909	-.103	.153	-.572	-.656	130	102	-.291	.092	-.015	-.753
120	434	.020	.059	.259	-.233	120	910	-.319	.068	-.134	-.628	130	103	-.285	.095	-.012	-1.152
120	435	.010	.048	.247	-.150	120	911	-.293	.077	-.048	-.757	130	104	-.303	.095	-.002	-.844
120	436	-.100	.065	.243	-.382	120	912	-.307	.084	-.087	-.970	130	105	-.274	.091	.139	-.871
120	437	-.278	.141	.162	-1.021	120	913	-.340	.076	-.063	-.695	130	106	-.298	.095	.016	-.912
120	438	-.087	.061	.108	-.513	120	914	-.654	.178	-.184	-1.272	130	107	-.292	.072	.057	-.762
120	439	-.130	.053	.037	-.425	120	915	-.123	.072	.083	-.424	130	108	-.297	.091	.044	-.875
120	440	-.080	.033	.048	-.257	120	916	-.129	.090	.406	-.168	130	109	-.307	.088	-.074	-.934
120	441	-.060	.035	.072	-.210	120	917	-.072	.188	-.626	-.528	130	110	-.304	.071	-.020	-.703
120	442	-.102	.044	.044	-.347	120	918	-.298	.061	-.076	-.568	130	111	-.292	.082	-.025	-.839
120	443	-.083	.037	.089	-.228	120	919	-.375	.097	-.150	-.937	130	112	-.292	.090	-.043	-.835
120	444	-.074	.093	.553	-.176	120	920	-.264	.108	-.548	-.250	130	113	-.276	.079	-.038	-.885
120	445	-.040	.043	.110	-.269	120	921	-.385	.084	-.141	-.874	130	114	-.271	.076	-.025	-.891
120	446	-.033	.039	.127	-.210	120	922	-.045	.068	.304	-.335	130	115	-.321	.091	.032	-.796
120	447	-.017	.039	.117	-.167	120	923	-.111	.059	.102	-.378	130	116	-.320	.083	-.065	-.814
120	448	-.052	.051	.190	-.292	120	924	-.109	.045	.032	-.296	130	117	-.328	.077	-.090	-.721
120	449	-.124	.091	.200	-.995	120	925	-.100	.043	-.039	-.392	130	118	-.324	.075	-.003	-.644
120	450	-.043	.038	.167	-.217	120	926	-.309	.059	-.128	-.557	130	119	-.308	.068	-.115	-.830
120	451	-.080	.033	.060	-.233	120	927	-.309	.060	-.087	-.642	130	120	-.312	.102	.053	-.782
120	452	-.053	.040	.131	-.198	120	928	-.297	.061	-.094	-.624	130	121	-.304	.087	-.004	-.816
120	453	-.043	.035	.134	-.155	120	929	-.320	.067	-.081	-.761	130	122	-.326	.095	.059	-.821
120	454	-.056	.032	.138	-.146	120	930	-.396	.097	-.128	-.924	130	123	-.329	.084	-.038	-.873
120	455	-.005	.042	.188	-.150	120	931	-.161	.060	.020	-.440	130	124	-.318	.069	-.025	-.649
120	456	.024	.059	.264	-.122	120	932	.079	.069	.289	-.141	130	125	-.332	.074	-.063	-.660
120	457	-.008	.059	.295	-.212	120	933	.220	.096	.469	-.195	130	126	-.320	.080	-.099	-.851
120	458	-.027	.056	.288	-.231	120	934	.149	.136	.645	-.362	130	127	-.305	.069	-.072	-.746
120	459	-.039	.045	.235	-.181	120	935	-.118	.125	.764	-.154	130	128	-.298	.075	-.065	-.819
120	460	-.009	.039	.205	-.146	120	936	-.037	.075	.323	-.236	130	129	-.304	.089	-.005	-.853
120	461	.002	.040	.164	-.200	120	937	-.351	.079	-.130	-.692	130	130	-.290	.075	-.022	-.685
120	462	.043	.049	.252	-.089	120	938	-.319	.063	-.077	-.622	130	131	-.282	.077	-.054	-.803
120	463	.020	.042	.408	-.115	120	939	-.362	.088	-.122	-.853	130	132	-.366	.125	.003	-.889
120	464	.077	.068	.367	-.168	120	940	-.053	.089	.349	-.241	130	133	-.344	.112	.021	-.950
120	465	-.011	.062	.260	-.281	120	941	-.317	.068	-.043	-.669	130	134	-.370	.124	-.045	-1.250
120	466	-.054	.050	.154	-.243	120	942	-.299	.064	-.086	-.643	130	135	-.351	.102	-.059	-.932
120	467	-.069	.037	.101	-.197	120	943	-.308	.071	-.050	-.811	130	136	-.343	.081	-.081	-.830
120	468	-.051	.077	.191	-.503	120	944	-.354	.086	.020	-.804	130	137	-.349	.084	-.099	-.903
120	469	-.053	.033	.162	-.240	120	945	-.399	.129	-.135	-1.046	130	138	-.362	.097	-.097	-.880
120	801	-.061	.029	.052	-.198	120	946	-.150	.067	.036	-.467	130	139	-.345	.096	-.074	-1.050
120	802	-.043	.034	.150	-.187	120	947	-.048	.071	.301	-.184	130	140	-.331	.098	-.086	-.950
120	803	-.132	.060	.065	-.429	120	948	-.146	.162	.299	-.982	130	141	-.342	.119	.021	-1.504
120	804	-.087	.051	.053	-.374	120	949	-.317	.072	-.132	-.723	130	142	-.319	.098	-.017	-.951
120	805	-.083	.055	.119	-.283	120	950	-.038	.075	.281	-.184	130	143	-.302	.085	-.018	-.836
120	901	-.427	.111	-.094	-.828	120	951	-.320	.083	-.072	-.847	130	144	-.402	.143	.231	-1.117
120	902	-.476	.126	-.104	-1.152	120	952	-.378	.107	-.076	-.899	130	145	-.377	.137	.086	-1.244
120	903	-.305	.085	-.072	-.802	120	953	-.024	.064	.198	-.274	130	146	-.409	.149	-.015	-1.250
120	904	-.139	.147	-.259	-.843	120	954	-.298	.080	.018	-.719	130	147	-.377	.119	-.061	-1.030
120	905	-.307	.079	-.095	-.708	120	955	-.143	.054	.043	-.321	130	148	-.358	.092	-.066	-.809
120	906	-.406	.089	-.117	-.811	120	956	-.317	.092	.027	-.732	130	149	-.366	.092	-.022	-.800
120	907	.039	.158	.463	-.549	120	957	-.375	.098	-.065	-.838	130	150	-.427	.139	-.022	-1.101

WD	TAP	CPMEAN	CPRMS	CPMAX	CPMIN	WD	TAP	CPMEAN	CPRMS	CPMAX	CPMIN	WD	TAP	CPMEAN	CPRMS	CPMAX	CPMIN
130	151	-.373	.107	.137	-.995	130	201	-.559	.206	.233	-1.597	130	251	-.185	.078	.052	-.560
130	152	-.369	.127	.072	-1.147	130	202	-.536	.177	.118	-1.264	130	252	-.044	.034	.109	-.181
130	153	-.377	.145	.015	-1.434	130	203	-.512	.192	.088	-1.323	130	253	-.052	.036	.095	-.184
130	154	-.328	.119	-.006	-1.046	130	204	-.279	.167	.226	-1.147	130	254	-.082	.039	.078	-.257
130	155	-.317	.115	-.001	-.979	130	205	-.274	.164	.073	-1.044	130	255	-.136	.074	.059	-.624
130	156	-.409	.182	.210	-1.177	130	206	-.294	.213	.242	-1.811	130	256	-.125	.086	.093	-.583
130	157	-.380	.148	.061	-1.007	130	207	-.264	.171	.293	-1.068	130	257	-.124	.097	.152	-.709
130	158	-.413	.182	.109	-1.662	130	208	-.171	.149	.514	-.870	130	258	-.093	.073	.281	-.486
130	159	-.379	.138	.081	-1.057	130	209	-.235	.182	.482	-1.136	130	259	-.061	.071	.209	-.322
130	160	-.352	.116	.047	-.949	130	210	-.343	.238	.327	-2.132	130	260	-.049	.070	.235	-.364
130	161	-.381	.115	.015	-.938	130	211	-.455	.207	.163	-1.593	130	261	-.060	.050	.135	-.312
130	162	-.451	.171	.084	-1.595	130	212	-.566	.210	.203	-1.975	130	262	-.071	.052	.178	-.350
130	163	-.389	.129	.074	-1.066	130	213	-.560	.195	.196	-1.433	130	263	-.075	.056	.183	-.379
130	164	-.390	.154	.153	-1.232	130	214	-.595	.189	.019	-1.465	130	264	-.109	.114	.463	-.776
130	165	-.407	.176	.169	-2.016	130	215	-.585	.182	-.017	-1.233	130	265	-.105	.078	.146	-.459
130	166	-.367	.157	.081	-1.267	130	216	-.240	.146	.142	-.945	130	266	-.093	.065	.166	-.390
130	167	-.328	.143	.123	-1.092	130	217	-.211	.135	.109	-.875	130	267	-.039	.058	.239	-.292
130	168	-.401	.185	.137	-1.474	130	218	-.243	.160	.115	-1.246	130	268	-.027	.057	.145	-.312
130	169	-.385	.174	.155	-1.267	130	219	-.220	.134	.215	-1.053	130	269	-.039	.062	.223	-.412
130	170	-.409	.207	.171	-1.890	130	220	-.137	.115	.361	-.852	130	301	-.865	.302	-.111	-1.730
130	171	-.367	.158	.160	-.917	130	221	-.178	.154	.305	-1.084	130	302	-.333	.090	-.068	-.734
130	172	-.350	.155	.212	-1.246	130	222	-.182	.170	.284	-1.332	130	303	-.276	.078	.100	-.598
130	173	-.388	.151	.111	-.963	130	223	-.327	.191	.194	-1.361	130	304	-.169	.078	.073	-.573
130	174	-.515	.217	.043	-1.996	130	224	-.410	.195	.157	-1.547	130	305	-.103	.111	.256	-.485
130	175	-.449	.156	.017	-1.232	130	225	-.354	.163	.128	-1.109	130	306	-.008	.098	.300	-.433
130	176	-.434	.168	.109	-1.342	130	226	-.323	.204	.152	-1.373	130	307	-.193	.104	.522	-.149
130	177	-.471	.208	.252	-1.993	130	227	-.654	.196	-.074	-1.599	130	308	-.140	.061	.086	-.456
130	178	-.412	.185	.178	-1.651	130	228	-.188	.136	.097	-.957	130	309	-.059	.105	.408	-.421
130	179	-.386	.167	.088	-1.122	130	229	-.186	.117	.071	-.966	130	310	-.302	.115	.662	-.054
130	180	-.372	.189	.139	-1.177	130	230	-.194	.122	.088	-1.031	130	311	-.211	.128	.256	-.639
130	181	-.360	.173	.153	-1.149	130	231	-.156	.100	.157	-.652	130	312	-.777	.277	-.054	-1.891
130	182	-.404	.238	.132	-1.572	130	232	-.122	.086	.266	-.514	130	313	-.385	.146	.109	-.948
130	183	-.342	.170	.199	-1.271	130	233	-.132	.120	.390	-.874	130	314	-.283	.085	.170	-.734
130	184	-.303	.143	.192	-1.210	130	234	-.107	.103	.300	-.931	130	315	.112	.119	.436	-.524
130	185	-.355	.099	-.078	-.688	130	235	-.119	.109	.195	-.688	130	316	.172	.126	.665	-.236
130	186	-.521	.230	.163	-1.413	130	236	-.244	.165	.145	-.950	130	317	.157	.146	.717	-.392
130	187	-.470	.174	.201	-1.422	130	237	-.157	.197	.181	-.581	130	318	.543	.200	1.046	-.249
130	188	-.505	.203	.129	-1.577	130	238	-.143	.120	.154	-.793	130	319	-.388	.117	.785	-.009
130	189	-.551	.218	.183	-1.611	130	239	-.657	.257	-.072	-1.752	130	320	-.165	.063	.023	-.592
130	190	-.478	.191	.118	-1.489	130	240	-.139	.093	.093	-.605	130	321	-.071	.074	.334	-.208
130	191	-.455	.209	.111	-1.095	130	241	-.120	.081	.102	-.564	130	322	-.235	.193	.322	-1.158
130	192	-.321	.174	.163	-1.242	130	242	-.151	.091	.100	-.905	130	323	-.273	.113	.615	-.136
130	193	-.314	.173	.118	-1.298	130	243	-.105	.075	.131	-.429	130	324	.422	.133	.821	-.020
130	194	-.354	.231	.284	-1.840	130	244	-.096	.086	.297	-.545	130	325	.458	.137	.844	-.059
130	195	-.285	.185	.422	-1.366	130	245	-.074	.078	.197	-.569	130	326	.399	.146	.866	-.127
130	196	-.245	.180	.478	-1.005	130	246	-.083	.075	.176	-.755	130	327	.315	.116	.665	-.056
130	197	-.327	.183	.341	-1.037	130	247	-.075	.053	.119	-.443	130	328	-.199	.121	.238	-.585
130	198	-.447	.238	.289	-1.642	130	248	-.101	.072	.154	-.460	130	329	-.664	.250	-.047	-1.401
130	199	-.487	.189	.163	-1.525	130	249	-.074	.049	.135	-.312	130	330	-.538	.197	.012	-1.208
130	200	-.542	.208	.088	-2.075	130	250	-.053	.041	.083	-.319	130	331	-.319	.098	.071	-.755

WD	TAP	CPMEAN	CPRMS	CPMAX	CPMIN	WD	TAP	CPMEAN	CPRMS	CPMAX	CPMIN	WD	TAP	CPMEAN	CPRMS	CPMAX	CPMIN
130	332	-.198	.075	.071	-.644	130	382	-.305	.184	.311	-1.047	130	432	-.007	.036	.131	-.178
130	333	-.038	.077	.275	-.394	130	383	-.143	.105	.475	-.198	130	433	-.088	.070	.465	-.166
130	334	-.247	.154	.325	-.857	130	384	.465	.130	.803	-.108	130	434	-.027	.069	.318	-.287
130	335	.229	.114	.640	-.238	130	385	.441	.114	.724	-.101	130	435	-.000	.051	.261	-.166
130	336	.558	.132	.971	-.102	130	386	.202	.158	.697	-.443	130	436	-.209	.090	.066	-.637
130	337	.568	.154	1.032	.084	130	387	.147	.097	.495	-.164	130	437	-.494	.217	-.038	-1.627
130	338	.387	.168	.853	-.202	130	388	-.260	.140	.157	-.702	130	438	-.203	.127	.104	-.829
130	339	.271	.113	.642	-.102	130	389	-.621	.258	-.014	-1.426	130	439	-.168	.101	.166	-.684
130	340	-.208	.122	.152	-.598	130	390	-.569	.242	.038	-1.395	130	440	-.094	.041	.069	-.283
130	341	-.633	.221	-.036	-1.381	130	391	-.390	.187	.178	-1.190	130	441	-.052	.036	.074	-.192
130	342	-.607	.214	-.072	-1.382	130	392	-.325	.134	.173	-.866	130	442	-.082	.045	.071	-.280
130	343	-.404	.147	.077	-1.169	130	393	-.050	.074	.243	-.378	130	443	-.056	.039	.081	-.273
130	344	-.218	.089	.095	-.622	130	394	-.304	.175	.344	-1.138	130	444	-.259	.127	.819	-.062
130	345	-.018	.084	.431	-.339	130	395	.116	.107	.537	-.205	130	445	-.065	.044	.093	-.245
130	346	-.274	.161	.212	-.881	130	396	.424	.128	.855	-.056	130	446	-.067	.044	.104	-.271
130	347	.224	.114	.713	-.141	130	397	.398	.140	.904	-.074	130	447	-.048	.041	.097	-.230
130	348	.547	.145	.936	.123	130	398	.171	.162	.717	-.472	130	448	-.111	.056	.064	-.347
130	349	.544	.155	.996	.068	130	399	.112	.083	.506	-.153	130	449	-.272	.129	.057	-1.052
130	350	.358	.175	.831	-.323	130	400	-.255	.127	.162	-.747	130	450	-.069	.055	.116	-.454
130	351	.240	.107	.716	-.079	130	401	-.568	.248	.002	-1.489	130	451	-.078	.062	.178	-.402
130	352	-.249	.128	.139	-.725	130	402	-.503	.230	.097	-1.451	130	452	-.103	.052	.059	-.402
130	353	-.644	.237	.049	-1.929	130	403	-.356	.199	.157	-1.332	130	453	-.065	.045	.081	-.259
130	354	-.596	.223	.164	-1.318	130	404	-.365	.121	.065	-.870	130	454	-.073	.044	.066	-.259
130	355	-.422	.164	.148	-1.088	130	405	-.055	.065	.200	-.344	130	455	.006	.045	.209	-.121
130	356	-.214	.102	.058	-.633	130	406	-.290	.169	.272	-1.066	130	456	.064	.056	.344	-.128
130	357	.009	.084	.307	-.334	130	407	.096	.100	.490	-.223	130	457	.071	.068	.351	-.138
130	358	-.294	.165	.235	-1.010	130	408	.352	.125	.762	-.027	130	458	.068	.088	.451	-.264
130	359	.189	.111	.557	-.155	130	409	.334	.132	.875	-.133	130	459	.010	.055	.209	-.216
130	360	.527	.132	.936	.098	130	410	.110	.147	.549	-.394	130	460	.026	.055	.297	-.166
130	361	.520	.146	.991	.070	130	411	-.088	.076	.412	-.153	130	461	.022	.049	.285	-.147
130	362	.327	.178	.856	-.357	130	412	-.229	.113	.092	-.731	130	462	.072	.063	.344	-.097
130	363	.213	.107	.615	-.082	130	413	-.562	.232	.038	-1.556	130	463	.032	.054	.283	-.140
130	364	-.282	.141	.208	-.691	130	414	-.443	.215	.072	-1.431	130	464	.059	.125	.514	-.400
130	365	-.663	.262	.137	-1.932	130	415	-.275	.172	.218	-1.059	130	465	-.071	.090	.306	-.495
130	366	-.590	.221	.123	-1.396	130	416	-.368	.120	.065	-.765	130	466	-.108	.073	.225	-.506
130	367	-.414	.176	.157	-1.205	130	417	-.044	.053	.209	-.256	130	467	-.089	.070	.127	-.513
130	368	-.249	.124	.079	-.764	130	418	-.243	.163	.292	-.951	130	468	-.132	.092	.110	-.532
130	369	-.012	.081	.268	-.309	130	419	.068	.095	.549	-.250	130	469	-.071	.038	.047	-.297
130	370	-.280	.174	.212	-.893	130	420	.233	.092	.648	-.032	130	801	-.057	.036	.070	-.203
130	371	.175	.110	.541	-.162	130	421	.249	.119	.693	-.101	130	802	-.054	.043	.102	-.238
130	372	.490	.128	.991	.107	130	422	.105	.127	.657	-.495	130	803	-.123	.084	.167	-.586
130	373	.458	.147	.959	-.088	130	423	-.060	.073	.331	-.167	130	804	-.102	.075	.119	-.452
130	374	.259	.166	.791	-.339	130	424	-.230	.106	.307	-.679	130	805	-.005	.063	.207	-.247
130	375	.176	.097	.518	-.137	130	425	-.522	.227	.066	-1.746	130	901	-.344	.093	.048	-.735
130	376	-.290	.132	.111	-.753	130	426	-.393	.195	.055	-1.266	130	902	-.480	.124	-.145	-1.084
130	377	-.629	.254	.065	-1.543	130	427	-.229	.138	.150	-1.031	130	903	-.304	.090	-.053	-.705
130	378	-.591	.239	.118	-1.431	130	428	-.251	.090	.017	-.694	130	904	-.088	.098	.216	-.518
130	379	-.406	.188	.281	-1.212	130	429	-.036	.045	.133	-.219	130	905	-.315	.090	-.004	-.961
130	380	-.292	.136	.210	-.730	130	430	-.115	.106	.237	-.544	130	906	-.417	.105	-.102	-.972
130	381	-.031	.080	.293	-.328	130	431	-.029	.071	.237	-.342	130	907	.132	.125	.483	-.387

WD	TAP	CPMEAN	CPRMS	CPMAX	CPMIN	WD	TAP	CPMEAN	CPRMS	CPMAX	CPMIN	WD	TAP	CPMEAN	CPRMS	CPMAX	CPMIN
130	908	-.325	.085	.011	-.788	140	101	-.356	.118	.059	-1.052	140	151	-.449	.114	-.144	-.898
130	909	-.318	.140	-.644	-.242	140	102	-.443	.136	-.010	-1.032	140	152	-.441	.119	-.050	-1.086
130	910	-.340	.087	-.044	-.866	140	103	-.475	.181	-.087	-1.717	140	153	-.489	.138	-.041	-1.086
130	911	-.299	.078	-.024	-.823	140	104	-.289	.129	.055	-1.136	140	154	-.481	.145	-.084	-1.319
130	912	-.316	.085	-.031	-1.024	140	105	-.340	.113	-.015	-.879	140	155	-.451	.132	-.100	-1.063
130	913	-.364	.087	-.073	-.761	140	106	-.308	.111	-.004	-1.070	140	156	-.396	.205	.199	-1.319
130	914	-.542	.172	-.160	-1.257	140	107	-.343	.110	-.027	-.971	140	157	-.383	.187	.117	-1.808
130	915	-.157	.079	.085	-.485	140	108	-.309	.120	.010	-1.185	140	158	-.435	.191	-.034	-1.726
130	916	.131	.093	.415	-.222	140	109	-.342	.103	-.067	-.957	140	159	-.423	.148	.021	-1.525
130	917	.243	.177	.663	-.633	140	110	-.355	.106	-.036	-.985	140	160	-.405	.115	.060	-.905
130	918	-.323	.076	-.123	-.696	140	111	-.345	.101	-.033	-.935	140	161	-.489	.124	-.084	-1.074
130	919	-.373	.104	-.164	-.903	140	112	-.391	.121	.163	-.953	140	162	-.585	.172	-.089	-1.346
130	920	.272	.103	.571	-.031	140	113	-.445	.147	.050	-1.167	140	163	-.517	.135	.028	-1.031
130	921	-.387	.092	-.092	-.811	140	114	-.443	.199	-.047	-1.864	140	164	-.512	.136	-.036	-1.049
130	922	-.041	.108	.361	-.576	140	115	-.355	.100	.045	-.874	140	165	-.546	.153	.055	-1.344
130	923	-.138	.106	.231	-.700	140	116	-.362	.098	-.029	-.845	140	166	-.551	.158	-.094	-1.269
130	924	-.146	.087	.231	-.572	140	117	-.379	.103	-.060	-.863	140	167	-.504	.162	.124	-1.262
130	925	-.119	.090	.280	-.730	140	118	-.374	.105	-.017	-.960	140	168	-.376	.216	.357	-1.678
130	926	-.336	.079	-.026	-.705	140	119	-.372	.103	-.024	-.915	140	169	-.363	.212	.149	-1.511
130	927	-.337	.079	-.092	-.775	140	120	-.360	.131	-.040	-1.201	140	170	-.399	.223	.169	-2.101
130	928	-.313	.070	-.074	-.705	140	121	-.361	.116	-.022	-.876	140	171	-.389	.157	.213	-1.262
130	929	-.328	.082	-.087	-.736	140	122	-.399	.120	.064	-.996	140	172	-.405	.141	.126	-1.088
130	930	-.391	.118	-.135	-.980	140	123	-.385	.105	.019	-.917	140	173	-.520	.143	.012	-1.223
130	931	-.153	.068	.048	-.434	140	124	-.370	.092	.021	-.802	140	174	-.611	.187	-.055	-1.643
130	932	.111	.074	.301	-.154	140	125	-.376	.094	-.013	-.777	140	175	-.559	.147	-.128	-1.312
130	933	.236	.123	.562	-.195	140	126	-.405	.116	-.011	-1.124	140	176	-.572	.169	-.009	-1.483
130	934	.153	.129	.583	-.259	140	127	-.372	.100	-.038	-.919	140	177	-.593	.179	.021	-1.319
130	935	.329	.142	.975	-.035	140	128	-.381	.114	-.081	-1.079	140	178	-.628	.181	-.052	-1.426
130	936	.099	.119	.592	-.163	140	129	-.433	.135	-.022	-1.262	140	179	-.602	.163	-.178	-1.241
130	937	-.348	.102	-.134	-.902	140	130	-.443	.147	-.078	-1.311	140	180	-.335	.190	.158	-1.527
130	938	-.342	.074	-.084	-.781	140	131	-.416	.146	-.110	-1.187	140	181	-.316	.182	.188	-1.429
130	939	-.399	.126	-.084	-.951	140	132	-.438	.174	-.002	-1.178	140	182	-.364	.243	.247	-2.012
130	940	-.175	.106	.517	-.154	140	133	-.421	.156	-.063	-1.420	140	183	-.331	.153	.149	-.982
130	941	-.347	.081	-.024	-.823	140	134	-.454	.148	-.130	-1.205	140	184	-.394	.134	.185	-.930
130	942	-.314	.073	-.110	-.847	140	135	-.430	.118	-.132	-1.032	140	185	-.519	.093	-.115	-.794
130	943	-.319	.081	-.026	-.784	140	136	-.388	.092	-.085	-.777	140	186	-.642	.188	-.106	-1.652
130	944	-.366	.095	-.093	-.852	140	137	-.414	.101	-.105	-.870	140	187	-.584	.155	-.141	-1.299
130	945	-.416	.161	-.145	-1.065	140	138	-.461	.132	-.114	-1.045	140	188	-.613	.171	-.023	-1.543
130	946	-.123	.073	-.070	-.410	140	139	-.423	.109	-.112	-.982	140	189	-.629	.169	-.092	-1.436
130	947	.104	.081	.394	-.178	140	140	-.423	.118	-.083	-.939	140	190	-.670	.159	-.135	-1.275
130	948	.118	.132	.524	-.528	140	141	-.456	.146	-.040	-1.336	140	191	-.643	.160	-.153	-1.301
130	949	-.332	.075	-.067	-.827	140	142	-.440	.128	-.105	-1.182	140	192	-.296	.183	.214	-1.786
130	950	.167	.085	.443	-.118	140	143	-.414	.117	-.100	-1.106	140	193	-.276	.190	.122	-1.319
130	951	-.306	.078	-.077	-.697	140	144	-.426	.192	.149	-1.488	140	194	-.296	.211	.308	-1.769
130	952	-.358	.101	-.118	-.910	140	145	-.422	.176	.098	-1.447	140	195	-.277	.174	.457	-1.078
130	953	.103	.078	.369	-.192	140	146	-.454	.166	-.030	-1.669	140	196	-.336	.166	.569	-1.020
130	954	-.300	.087	.042	-.790	140	147	-.436	.123	-.062	-1.118	140	197	-.470	.161	-.003	-1.091
130	955	-.087	.069	.107	-.472	140	148	-.408	.106	-.020	-.994	140	198	-.536	.209	.109	-1.762
130	956	-.324	.098	-.058	-.752	140	149	-.454	.116	-.112	-.937	140	199	-.607	.186	-.025	-1.447
130	957	-.363	.106	-.083	-.996	140	150	-.515	.153	-.098	-1.310	140	200	-.629	.192	.057	-1.442

WD	TAP	CPMEAN	CPRMS	CPMAX	CPMIN	WD	TAP	CPMEAN	CPRMS	CPMAX	CPMIN	WD	TAP	CPMEAN	CPRMS	CPMAX	CPMIN
140	201	-.634	.184	-.057	-1.308	140	251	-.186	.078	.048	-.598	140	332	-.232	.083	.010	-.658
140	202	-.686	.172	-.110	-1.337	140	252	-.046	.038	.109	-.190	140	333	.145	.086	.428	-.190
140	203	-.710	.168	-.079	-2.008	140	253	-.056	.041	.088	-.244	140	334	.018	.160	.494	-.533
140	204	-.311	.196	.265	-1.791	140	254	-.097	.042	.043	-.282	140	335	.429	.133	.842	-.033
140	205	-.258	.169	.178	-1.219	140	255	-.024	.070	.201	-.424	140	336	.605	.143	1.021	.099
140	206	-.253	.208	.348	-2.005	140	256	-.017	.060	.274	-.365	140	337	.484	.142	.921	.099
140	207	-.194	.149	.274	-.946	140	257	-.022	.075	.227	-.584	140	338	.147	.168	.826	-.538
140	208	-.251	.151	.247	-.944	140	258	.004	.055	.326	-.341	140	339	.191	.096	.526	-.149
140	209	-.364	.164	.078	-1.299	140	259	.021	.058	.267	-.254	140	340	-.191	.127	.135	-.781
140	210	-.391	.224	.216	-2.307	140	260	-.007	.052	.253	-.233	140	341	-.440	.195	.121	-1.226
140	211	-.553	.196	.017	-1.304	140	261	-.046	.078	.253	-.648	140	342	-.459	.190	.012	-1.385
140	212	-.629	.193	-.048	-1.518	140	262	-.093	.058	.135	-.466	140	343	-.472	.187	.023	-1.408
140	213	-.567	.193	-.061	-1.237	140	263	-.088	.056	.076	-.381	140	344	-.266	.094	.150	-.670
140	214	-.659	.189	-.086	-1.491	140	264	.063	.104	.544	-.468	140	345	.116	.085	.418	-.152
140	215	-.726	.181	-.186	-1.851	140	265	-.034	.081	.302	-.421	140	346	-.022	.172	.521	-.710
140	216	-.234	.172	.200	-1.485	140	266	-.034	.063	.249	-.350	140	347	.399	.127	.844	-.039
140	217	-.190	.145	.145	-1.118	140	267	.000	.046	.207	-.229	140	348	.599	.139	1.014	.189
140	218	-.180	.161	.256	-1.246	140	268	-.034	.066	.122	-.369	140	349	.473	.136	.941	.040
140	219	-.135	.111	.388	-.772	140	269	-.037	.063	.171	-.454	140	350	.095	.180	.671	-.516
140	220	-.147	.107	.279	-.691	140	301	-.453	.238	-.058	-1.697	140	351	.141	.100	.445	-.179
140	221	-.211	.129	.192	-.870	140	302	-.398	.161	.010	-1.015	140	352	-.221	.133	.189	-.622
140	222	-.237	.172	.227	-1.469	140	303	-.300	.127	.121	-.969	140	353	-.460	.220	.005	-1.279
140	223	-.387	.193	.176	-1.212	140	304	-.158	.098	.117	-.663	140	354	-.490	.226	.000	-1.311
140	224	-.491	.185	-.006	-1.220	140	305	-.106	.114	.185	-.581	140	355	-.485	.210	.185	-1.684
140	225	-.374	.155	-.013	-1.086	140	306	.098	.094	.444	-.560	140	356	-.294	.095	-.020	-.654
140	226	-.451	.245	.029	-1.286	140	307	.141	.105	.458	-.472	140	357	.077	.079	.332	-.182
140	227	-.695	.186	-.233	-1.586	140	308	-.166	.103	.094	-.733	140	358	-.059	.176	.517	-.700
140	228	-.140	.114	.211	-.782	140	309	.192	.105	.514	-.226	140	359	.337	.128	.745	-.080
140	229	-.115	.105	.121	-.692	140	310	-.218	.110	.555	-.170	140	360	.520	.144	.975	-.162
140	230	-.091	.091	.234	-.711	140	311	-.144	.119	.169	-.690	140	361	.435	.137	.842	-.064
140	231	-.075	.072	.241	-.605	140	312	-.417	.232	-.017	-1.824	140	362	.090	.174	.602	-.666
140	232	-.072	.063	.208	-.407	140	313	-.398	.185	.071	-1.179	140	363	.148	.100	.512	-.166
140	233	-.118	.086	.114	-.648	140	314	-.335	.131	.076	-.938	140	364	-.226	.144	.182	-.721
140	234	-.129	.109	.206	-.768	140	315	-.250	.116	.562	-.263	140	365	-.468	.240	.076	-1.560
140	235	-.180	.119	.102	-1.126	140	316	.295	.189	.958	-.215	140	366	-.472	.231	.196	-1.507
140	236	-.347	.159	.013	-1.086	140	317	.133	.139	.660	-.329	140	367	-.442	.219	.341	-1.728
140	237	-.217	.092	.017	-.739	140	318	.345	.213	.987	-.195	140	368	-.346	.112	.021	-.804
140	238	-.144	.100	.064	-.822	140	319	.279	.117	.642	-.097	140	369	.049	.085	.344	-.223
140	239	-.562	.263	-.051	-1.822	140	320	-.183	.090	.090	-.606	140	370	-.079	.179	.477	-.758
140	240	-.034	.074	.258	-.374	140	321	.165	.093	.462	-.158	140	371	.296	.129	.719	-.124
140	241	-.035	.068	.211	-.525	140	322	.099	.176	.580	-.570	140	372	.506	.142	.927	-.141
140	242	-.053	.085	.180	-1.522	140	323	.379	.131	.817	-.106	140	373	.419	.133	.844	-.023
140	243	-.027	.058	.251	-.645	140	324	.426	.136	.812	-.024	140	374	.099	.183	.768	-.645
140	244	-.038	.054	.262	-.511	140	325	.415	.136	.835	.017	140	375	.131	.097	.482	-.193
140	245	-.045	.055	.246	-.315	140	326	-.003	.178	.516	-.664	140	376	-.207	.150	.194	-.772
140	246	-.074	.070	.102	-.532	140	327	-.212	.098	.560	-.083	140	377	-.427	.251	.134	-1.620
140	247	-.109	.065	.060	-.508	140	328	-.149	.115	.176	-.597	140	378	-.464	.238	.164	-1.389
140	248	-.123	.064	.060	-.518	140	329	-.430	.216	-.024	-1.576	140	379	-.397	.214	.197	-1.457
140	249	-.095	.051	.060	-.419	140	330	-.418	.194	-.010	-1.276	140	380	-.392	.103	-.007	-.746
140	250	-.060	.045	.090	-.263	140	331	-.379	.142	.019	-1.094	140	381	.030	.082	.364	-.230

WD	TAP	CPMEAN	CPRMS	CPMAX	CPMIN	WD	TAP	CPMEAN	CPRMS	CPMAX	CPMIN	WD	TAP	CPMEAN	CPRMS	CPMAX	CPMIN
140	382	-.121	.187	.537	-.809	140	432	.002	.039	.157	-.204	140	908	-.381	.113	-.046	-.932
140	383	.263	.123	.662	-.094	140	433	.064	.076	.350	-.185	140	909	.210	.121	.564	-.404
140	384	.475	.127	.885	.119	140	434	.004	.089	.321	-.377	140	910	-.382	.107	-.008	-.932
140	385	.383	.107	.689	.106	140	435	.002	.050	.238	-.180	140	911	-.349	.107	.019	-1.001
140	386	.071	.172	.702	-.428	140	436	-.172	.074	.050	-.539	140	912	-.385	.120	-.022	-1.077
140	387	.120	.092	.457	-.214	140	437	-.379	.158	-.021	-1.053	140	913	-.410	.109	-.064	-.874
140	388	-.187	.131	.137	-.700	140	438	-.190	.128	.134	-.851	140	914	-.608	.233	-.145	-1.567
140	389	-.420	.233	.032	-1.375	140	439	-.121	.102	.181	-.665	140	915	-.202	.104	.086	-.559
140	390	-.411	.216	.122	-1.452	140	440	-.100	.046	.029	-.292	140	916	.119	.095	.410	-.199
140	391	-.354	.212	.323	-1.877	140	441	-.034	.038	.117	-.209	140	917	.248	.156	.674	-.553
140	392	-.390	.097	-.031	-.707	140	442	-.061	.046	.091	-.268	140	918	-.362	.100	-.081	-.843
140	393	.002	.085	.349	-.250	140	443	-.043	.042	.100	-.275	140	919	-.463	.163	-.147	-1.153
140	394	-.119	.190	.473	-.754	140	444	.259	.134	.823	-.047	140	920	.271	.119	.639	-.147
140	395	.224	.133	.641	-.140	140	445	-.051	.047	.100	-.285	140	921	-.452	.117	-.036	-1.137
140	396	.411	.130	.873	.059	140	446	-.060	.042	.086	-.242	140	922	.076	.099	.483	-.442
140	397	.316	.134	.741	-.088	140	447	-.034	.039	.105	-.213	140	923	-.088	.094	.231	-.659
140	398	.080	.174	.653	-.542	140	448	-.083	.047	.079	-.285	140	924	-.093	.068	.125	-.478
140	399	.107	.088	.416	-.189	140	449	-.212	.120	.072	-.877	140	925	-.050	.051	.256	-.362
140	400	-.187	.123	.158	-.729	140	450	-.043	.067	.145	-.492	140	926	-.369	.105	.005	-.990
140	401	-.383	.224	.083	-1.677	140	451	-.033	.063	.172	-.522	140	927	-.387	.102	-.020	-.999
140	402	-.414	.203	.061	-1.256	140	452	-.062	.051	.072	-.392	140	928	.364	.099	-.095	-.913
140	403	-.334	.196	.219	-1.395	140	453	-.029	.043	.141	-.435	140	929	-.413	.122	-.124	-1.162
140	404	-.419	.105	-.103	-.830	140	454	-.015	.045	.164	-.244	140	930	-.484	.160	-.147	-1.124
140	405	-.026	.074	.324	-.342	140	455	.019	.048	.238	-.154	140	931	-.197	.088	.046	-.542
140	406	-.157	.190	.549	-.925	140	456	.086	.057	.419	-.090	140	932	.102	.083	.363	-.122
140	407	.133	.117	.623	-.203	140	457	.082	.064	.317	-.126	140	933	.235	.123	.562	-.286
140	408	.319	.134	.869	-.013	140	458	.101	.086	.426	-.256	140	934	.149	.128	.603	-.281
140	409	.300	.142	.833	-.158	140	459	.031	.053	.241	-.164	140	935	.338	.151	.923	-.011
140	410	.061	.171	.612	-.650	140	460	.061	.071	.333	-.133	140	936	.113	.107	.513	-.139
140	411	.083	.081	.358	-.144	140	461	.047	.057	.345	-.142	140	937	-.415	.123	-.137	-.967
140	412	-.179	.104	.115	-.655	140	462	.097	.060	.431	-.092	140	938	-.374	.089	-.106	-.914
140	413	-.393	.204	.005	-1.472	140	463	.052	.051	.267	-.104	140	939	-.457	.143	-.144	-1.295
140	414	-.394	.178	.088	-1.184	140	464	-.088	.104	.413	-.698	140	940	.241	.118	.587	-.193
140	415	-.337	.212	.245	-1.427	140	465	-.073	.073	.144	-.617	140	941	-.397	.108	.055	-.980
140	416	-.393	.117	-.029	-.812	140	466	-.063	.053	.098	-.451	140	942	-.361	.094	-.064	-.777
140	417	-.032	.069	.288	-.275	140	467	-.026	.048	.255	-.237	140	943	-.349	.106	-.064	-.845
140	418	-.154	.168	.441	-.914	140	468	-.102	.092	.127	-.526	140	944	-.449	.125	-.093	-1.146
140	419	.070	.105	.518	-.232	140	469	-.063	.048	.098	-.332	140	945	-.507	.176	-.177	-1.416
140	420	.195	.092	.623	-.054	140	801	-.055	.037	.096	-.231	140	946	-.157	.085	.131	-.528
140	421	.220	.125	.659	-.169	140	802	-.029	.042	.126	-.313	140	947	-.112	.095	.440	-.145
140	422	.056	.155	.628	-.545	140	803	-.101	.084	.122	-.591	140	948	-.236	.141	.624	-.266
140	423	.056	.076	.365	-.167	140	804	-.035	.055	.156	-.457	140	949	-.360	.094	.000	-.888
140	424	-.189	.090	.191	-.648	140	805	.006	.059	.211	-.261	140	950	.223	.113	.617	-.210
140	425	-.402	.188	.017	-1.371	140	901	-.350	.121	.125	-.840	140	951	-.347	.099	.000	-1.051
140	426	-.329	.151	.212	-.934	140	902	-.477	.160	.125	-1.203	140	952	-.451	.126	-.084	-.984
140	427	-.255	.160	.174	-1.086	140	903	-.316	.128	.137	-1.661	140	953	-.133	.096	.442	-.432
140	428	-.252	.104	.036	-.684	140	904	-.118	.101	.153	-.523	140	954	-.343	.105	-.021	-.876
140	429	-.031	.047	.233	-.206	140	905	-.363	.123	.039	-1.241	140	955	-.104	.094	.162	-.621
140	430	-.107	.112	.231	-.541	140	906	-.457	.144	.045	-1.256	140	956	-.399	.110	.005	-1.056
140	431	-.007	.072	.300	-.290	140	907	.116	.112	.435	-.292	140	957	-.507	.129	-.181	-1.051



WD	TAP	CPMEAN	CPRMS	CPMAX	CPMIN	WD	TAP	CPMEAN	CPRMS	CPMAX	CPMIN	WD	TAP	CPMEAN	CPRMS	CPMAX	CPMIN
150	101	-.329	.075	-.076	-.685	150	151	-.458	.134	-.000	-1.138	150	201	-.549	.156	-.090	-1.246
150	102	-.370	.100	-.114	-.834	150	152	-.502	.147	-.046	-1.040	150	202	-.495	.257	-.023	-1.561
150	103	-1.004	.267	-.274	-1.790	150	153	-.535	.177	-.002	-1.236	150	203	-.886	.195	-.306	-1.697
150	104	-.313	.107	.034	-.883	150	154	-.768	.220	-.078	-1.612	150	204	-.275	.164	.168	-1.674
150	105	-.371	.098	-.051	-.865	150	155	-.810	.216	-.253	-1.690	150	205	-.227	.131	.224	-.990
150	106	-.340	.094	.012	-.811	150	156	-.454	.212	-.052	-1.605	150	206	-.232	.137	.238	-1.226
150	107	-.371	.102	-.015	-1.063	150	157	-.432	.159	-.000	-1.592	150	207	-.235	.137	.456	-1.189
150	108	-.344	.098	-.003	-.969	150	158	-.439	.122	-.012	-1.434	150	208	-.338	.156	.102	-.946
150	109	-.365	.088	-.058	-.874	150	159	-.472	.126	-.098	-1.318	150	209	-.422	.155	.050	-.906
150	110	-.383	.103	-.110	-.958	150	160	-.465	.114	-.105	-.921	150	210	-.438	.168	.059	-1.313
150	111	-.375	.097	-.080	-.944	150	161	-.512	.133	-.002	-1.382	150	211	-.623	.186	-.043	-1.512
150	112	-.347	.081	-.011	-.818	150	162	-.557	.179	-.059	-1.418	150	212	-.651	.182	-.150	-1.483
150	113	-.425	.165	-.076	-1.097	150	163	-.501	.144	-.069	-1.204	150	213	-.482	.127	-.097	-1.037
150	114	-1.009	.276	-.240	-1.986	150	164	-.541	.160	-.103	-1.163	150	214	-.526	.240	-.030	-1.507
150	115	-.393	.087	-.092	-.919	150	165	-.570	.181	.004	-1.309	150	215	-.884	.211	-.221	-2.176
150	116	-.413	.085	-.143	-.843	150	166	-.768	.226	-.155	-1.639	150	216	-.255	.156	.222	-1.133
150	117	-.394	.083	-.128	-.764	150	167	-.827	.193	-.258	-1.660	150	217	-.196	.121	.126	-.914
150	118	-.370	.086	-.076	-.769	150	168	-.375	.199	.207	-1.555	150	218	-.155	.110	.284	-.848
150	119	-.380	.099	-.033	-.973	150	169	-.361	.151	.148	-1.327	150	219	-.142	.088	.137	-.598
150	120	-.389	.110	-.085	-1.095	150	170	-.424	.135	.114	-1.443	150	220	-.187	.106	.137	-.707
150	121	-.395	.100	-.094	-.926	150	171	-.470	.143	.121	-1.104	150	221	-.247	.122	.102	-.747
150	122	-.400	.095	-.125	-.962	150	172	-.495	.130	-.027	-1.309	150	222	-.209	.121	.162	-.770
150	123	-.389	.086	-.128	-.755	150	173	-.526	.140	-.062	-1.313	150	223	-.435	.207	.146	-1.360
150	124	-.385	.078	-.141	-.721	150	174	-.589	.175	-.094	-1.471	150	224	-.609	.192	-.143	-1.414
150	125	-.381	.086	-.030	-.787	150	175	-.561	.151	-.112	-1.186	150	225	-.389	.108	-.105	-.849
150	126	-.399	.104	-.020	-1.169	150	176	-.591	.151	-.141	-1.183	150	226	-.301	.163	.012	-1.090
150	127	-.373	.093	.016	-.935	150	177	-.562	.175	-.103	-1.250	150	227	-.743	.219	-.214	-1.881
150	128	-.389	.104	.014	-1.261	150	178	-.802	.230	-.084	-1.669	150	228	-.162	.105	.114	-.694
150	129	-.389	.114	.039	-.870	150	179	-.871	.192	-.301	-1.491	150	229	-.113	.094	.147	-.635
150	130	-.649	.219	-.062	-1.396	150	180	-.316	.161	.180	-1.090	150	230	-.087	.077	.132	-.711
150	131	-.858	.210	-.195	-1.596	150	181	-.305	.145	.170	-1.384	150	231	-.076	.053	.102	-.320
150	132	-.458	.150	-.112	-1.124	150	182	-.367	.141	.219	-1.391	150	232	-.090	.056	.114	-.393
150	133	-.461	.129	-.141	-1.070	150	183	-.420	.157	.082	-1.084	150	233	-.159	.092	.102	-.612
150	134	-.440	.109	-.098	-1.102	150	184	-.519	.130	-.014	-1.075	150	234	-.106	.072	.123	-.694
150	135	-.437	.102	-.121	-1.142	150	185	-.571	.088	-.324	-.892	150	235	-.167	.114	.125	-.755
150	136	-.390	.088	-.107	-.832	150	186	-.606	.156	-.099	-1.396	150	236	-.443	.177	-.058	-1.261
150	137	-.410	.102	-.103	-.868	150	187	-.587	.142	-.166	-1.289	150	237	-.282	.093	-.021	-.656
150	138	-.425	.126	-.105	-1.212	150	188	-.623	.150	-.144	-1.191	150	238	-.108	.067	.114	-.621
150	139	-.399	.107	-.103	-.872	150	189	-.558	.156	-.164	-1.184	150	239	-.579	.229	-.072	-1.761
150	140	-.438	.127	-.087	-1.113	150	190	-.741	.222	-.101	-1.487	150	240	-.050	.074	.201	-.487
150	141	-.462	.169	.016	-1.371	150	191	-.873	.178	-.402	-1.670	150	241	-.033	.062	.163	-.630
150	142	-.709	.215	-.055	-1.434	150	192	-.290	.157	.115	-1.197	150	242	-.045	.056	.151	-.371
150	143	-.792	.190	-.157	-1.423	150	193	-.289	.136	.197	-1.082	150	243	-.035	.045	.135	-.209
150	144	-.490	.189	-.082	-1.373	150	194	-.302	.150	.445	-1.119	150	244	-.050	.048	.097	-.273
150	145	-.472	.163	-.103	-1.462	150	195	-.340	.159	.394	-1.267	150	245	-.046	.050	.130	-.310
150	146	-.453	.116	-.080	-1.142	150	196	-.502	.164	.037	-1.322	150	246	-.062	.050	.123	-.393
150	147	-.467	.114	-.098	-1.026	150	197	-.568	.152	-.090	-1.206	150	247	-.108	.057	.081	-.357
150	148	-.426	.101	-.144	-.871	150	198	-.602	.157	-.094	-1.420	150	248	-.154	.065	.029	-.508
150	149	-.442	.115	-.084	-.933	150	199	-.609	.162	-.186	-1.572	150	249	-.097	.045	.081	-.287
150	150	-.484	.145	-.055	-1.202	150	200	-.642	.163	-.135	-1.656	150	250	-.031	.044	.132	-.254

WD	TAP	CPMEAN	CPRMS	CPMAX	CPMIN	WD	TAP	CPMEAN	CPRMS	CPMAX	CPMIN	WD	TAP	CPMEAN	CPRMS	CPMAX	CPMIN
150	251	-.181	.081	.097	-.630	150	332	-.359	.110	.089	-.769	150	382	.203	.171	.813	-.419
150	252	-.028	.034	.132	-.153	150	333	.222	.098	.526	-.065	150	383	.412	.132	.881	.010
150	253	-.033	.036	.118	-.188	150	334	.327	.167	.879	-.264	150	384	.446	.131	.930	.066
150	254	-.073	.044	.076	-.268	150	335	.545	.145	.938	.044	150	385	.262	.086	.499	.026
150	255	-.011	.052	.154	-.263	150	336	.590	.150	1.011	.093	150	386	-.249	.163	.329	-.887
150	256	-.010	.066	.248	-.470	150	337	.313	.128	.698	-.074	150	387	-.026	.084	.360	-.286
150	257	-.026	.061	.262	-.433	150	338	-.223	.164	.293	-.957	150	388	-.199	.126	.073	-.999
150	258	-.004	.054	.250	-.256	150	339	.042	.087	.331	-.282	150	389	-.325	.184	.104	-1.253
150	259	.009	.058	.269	-.242	150	340	-.250	.097	.032	-.661	150	390	-.338	.173	.028	-1.179
150	260	-.020	.047	.205	-.174	150	341	-.427	.148	-.070	-1.080	150	391	-.389	.235	.199	-2.331
150	261	-.030	.055	.208	-.454	150	342	-.468	.161	-.132	-1.332	150	392	-.392	.101	.024	-.768
150	262	-.100	.051	.043	-.371	150	343	-.496	.167	-.029	-1.649	150	393	-.112	.088	.472	-.147
150	263	-.098	.053	.066	-.353	150	344	-.364	.113	.001	-.731	150	394	.188	.161	.681	-.420
150	264	.143	.111	.619	-.114	150	345	.205	.092	.604	-.091	150	395	.358	.144	.856	-.030
150	265	-.006	.079	.285	-.340	150	346	.273	.171	.728	-.442	150	396	.398	.134	.872	.010
150	266	-.015	.048	.207	-.297	150	347	.514	.140	.960	.134	150	397	.169	.122	.618	-.221
150	267	-.003	.047	.211	-.146	150	348	.569	.135	.958	.155	150	398	-.232	.172	.320	-.909
150	268	-.093	.096	.148	-.551	150	349	-.274	.127	.698	-.123	150	399	-.002	.079	.423	-.398
150	269	-.056	.055	.149	-.381	150	350	-.252	.169	.290	-.940	150	400	-.182	.110	.122	-.723
150	301	-.362	.124	-.036	-1.308	150	351	.015	.087	.308	-.291	150	401	-.271	.153	.075	-1.044
150	302	-.362	.129	-.065	-1.138	150	352	-.277	.112	.012	-.816	150	402	-.339	.194	.082	-1.410
150	303	-.315	.111	-.044	-.944	150	353	-.458	.177	-.013	-1.291	150	403	-.356	.219	.210	-2.329
150	304	-.216	.100	.155	-.577	150	354	-.506	.199	-.020	-1.511	150	404	-.373	.115	-.005	-.804
150	305	-.188	.093	.064	-.726	150	355	-.518	.214	-.246	-1.867	150	405	.094	.089	.511	-.169
150	306	-.153	.102	.601	-.203	150	356	-.367	.099	.051	-.834	150	406	.148	.159	.594	-.425
150	307	-.009	.094	.259	-.412	150	357	.180	.098	.513	-.139	150	407	.295	.130	.712	-.068
150	308	-.281	.109	.093	-.627	150	358	.256	.165	.891	-.440	150	408	.321	.124	.793	-.001
150	309	.274	.111	.635	-.094	150	359	.457	.142	.891	-.050	150	409	.110	.112	.573	-.254
150	310	-.071	.109	.374	-.484	150	360	.505	.148	1.059	-.102	150	410	-.236	.180	.333	-.898
150	311	-.183	.074	.030	-.729	150	361	-.266	.127	.639	-.107	150	411	-.027	.069	.327	-.313
150	312	-.344	.109	-.049	-1.254	150	362	-.256	.174	.251	-1.061	150	412	-.187	.093	.120	-.607
150	313	-.360	.123	-.024	-1.168	150	363	.014	.094	.329	-.433	150	413	-.288	.149	.039	-1.100
150	314	-.352	.113	-.090	-.989	150	364	-.288	.128	.988	-.889	150	414	-.341	.158	.042	-1.309
150	315	.336	.120	.691	-.013	150	365	-.442	.195	.044	-1.415	150	415	-.333	.191	.264	-1.526
150	316	.537	.199	1.006	-.113	150	366	-.452	.189	.038	-1.470	150	416	-.324	.113	.104	-.802
150	317	.130	.162	.725	-.341	150	367	-.501	.224	-.054	-1.759	150	417	-.078	.083	.434	-.153
150	318	.138	.139	.771	-.346	150	368	-.413	.110	-.047	-.834	150	418	.135	.142	.674	-.551
150	319	-.115	.119	.435	-.466	150	369	.159	.100	.572	-.109	150	419	.204	.127	.820	-.131
150	320	-.307	.110	.084	-.708	150	370	.238	.176	.781	-.281	150	420	.180	.099	.580	-.055
150	321	.263	.107	.655	-.070	150	371	.448	.140	.898	.010	150	421	.044	.098	.549	-.207
150	322	.353	.155	.739	-.348	150	372	.476	.135	.955	-.104	150	422	-.242	.161	.439	-.820
150	323	.457	.132	.900	-.019	150	373	.260	.126	.749	-.102	150	423	-.045	.064	.340	-.351
150	324	.402	.135	.782	-.017	150	374	-.249	.173	.389	-.999	150	424	-.207	.076	.075	-.521
150	325	.289	.124	.630	-.104	150	375	.009	.083	.267	-.334	150	425	-.329	.138	-.018	-.988
150	326	-.159	.191	.363	-.887	150	376	-.238	.124	.067	-.749	150	426	-.335	.137	.115	-1.059
150	327	-.075	.084	.331	-.178	150	377	-.380	.200	.031	-1.355	150	427	-.300	.157	.177	-1.144
150	328	-.202	.083	.016	-.695	150	378	-.413	.210	.038	-.715	150	428	-.188	.082	.068	-.549
150	329	-.358	.104	-.054	-.873	150	379	-.458	.264	.221	-1.910	150	429	.029	.055	.312	-.153
150	330	-.379	.119	-.122	-1.118	150	380	-.412	.105	-.061	-.742	150	430	.063	.075	.331	-.431
150	331	-.396	.129	-.083	-1.109	150	381	.145	.090	.540	-.162	150	431	.091	.071	.395	-.170

WD	TAP	CPMEAN	CPRMS	CPMAX	CPMIN	WD	TAP	CPMEAN	CPRMS	CPMAX	CPMIN	WD	TAP	CPMEAN	CPRMS	CPMAX	CPMIN
150	432	.007	.039	.155	-.191	150	908	-.393	.091	-.120	-.973	160	101	-.312	.067	-.091	-.557
150	433	-.055	.074	.245	-.350	150	909	-.161	.093	-.453	-.163	160	102	-.276	.049	-.106	-.463
150	434	-.169	.112	.151	-.668	150	910	-.393	.082	-.098	-.756	160	103	-.848	.232	-.212	-1.681
150	435	-.053	.045	.160	-.262	150	911	-.368	.079	-.075	-.745	160	104	-.344	.097	-.048	-.788
150	436	-.183	.070	.039	-.514	150	912	-.401	.106	-.102	-1.014	160	105	-.380	.090	-.138	-.761
150	437	-.344	.134	.015	-1.023	150	913	-.455	.109	-.145	-.931	160	106	-.358	.078	-.013	-.766
150	438	-.238	.116	.127	-.910	150	914	-.535	.196	-.183	-1.345	160	107	-.388	.094	-.115	-.804
150	439	-.174	.114	.179	-.774	150	915	-.216	.089	-.041	-.503	160	108	-.373	.088	-.153	-.909
150	440	-.072	.046	.115	-.267	150	916	-.097	.085	-.370	-.201	160	109	-.389	.076	-.169	-.842
150	441	-.015	.037	.106	-.158	150	917	-.104	.134	-.586	-.365	160	110	-.387	.086	-.171	-.822
150	442	-.030	.043	.113	-.260	150	918	-.390	.077	-.102	-.841	160	111	-.364	.080	-.158	-.721
150	443	-.023	.043	.155	-.283	150	919	-.498	.140	-.217	-1.097	160	112	-.309	.059	-.138	-.604
150	444	-.206	.115	.808	-.034	150	920	-.178	.116	-.565	-.199	160	113	-.190	.076	-.008	-.656
150	445	-.056	.041	.108	-.224	150	921	-.471	.109	-.188	-.936	160	114	-.769	.188	-.118	-1.385
150	446	-.075	.047	.087	-.293	150	922	-.092	.119	-.670	-.392	160	115	-.382	.068	-.162	-.750
150	447	-.028	.040	.134	-.184	150	923	-.115	.083	-.132	-.508	160	116	-.389	.074	-.129	-.768
150	448	-.096	.043	.070	-.338	150	924	-.093	.055	-.118	-.297	160	117	-.392	.077	-.187	-.992
150	449	-.225	.105	.053	-.793	150	925	-.063	.045	-.080	-.231	160	118	-.374	.072	-.129	-.826
150	450	-.071	.065	.127	-.442	150	926	-.383	.084	-.108	-.782	160	119	-.396	.087	-.160	-.809
150	451	-.048	.069	.193	-.504	150	927	-.383	.077	-.131	-.768	160	120	-.389	.088	-.158	-.981
150	452	-.079	.049	.084	-.359	150	928	-.381	.079	-.102	-.732	160	121	-.381	.077	-.145	-.732
150	453	-.050	.046	.129	-.317	150	929	-.409	.097	-.151	-.936	160	122	-.405	.078	-.142	-.882
150	454	-.043	.044	.158	-.264	150	930	-.491	.133	-.210	-1.043	160	123	-.395	.073	-.050	-.766
150	455	.052	.053	.305	-.108	150	931	-.218	.081	-.004	-.505	160	124	-.386	.070	-.158	-.761
150	456	.098	.059	.369	-.058	150	932	.086	.077	-.295	-.117	160	125	-.386	.077	-.147	-.773
150	457	.053	.050	.293	-.094	150	933	.213	.129	-.554	-.390	160	126	-.416	.086	-.180	-.835
150	458	.051	.059	.336	-.144	150	934	.129	.131	-.567	-.333	160	127	-.379	.079	-.147	-.737
150	459	-.008	.058	.200	-.236	150	935	.294	.142	-.925	-.035	160	128	-.371	.070	-.145	-.701
150	460	.042	.084	.366	-.208	150	936	.060	.103	-.550	-.212	160	129	-.305	.056	-.102	-.535
150	461	.041	.069	.371	-.174	150	937	-.435	.108	-.206	-.966	160	130	-.272	.156	-.053	-1.116
150	462	.071	.061	.378	-.098	150	938	-.373	.079	-.028	-.755	160	131	-.781	.177	-.214	-1.414
150	463	.028	.049	.250	-.129	150	939	-.484	.137	-.186	-1.132	160	132	-.465	.138	-.178	-1.351
150	464	-.157	.100	.350	-.611	150	940	-.227	.106	-.377	-.181	160	133	-.456	.114	-.153	-1.064
150	465	-.094	.061	.142	-.365	150	941	-.389	.093	-.090	-.842	160	134	-.447	.101	-.187	-.968
150	466	-.077	.048	.121	-.285	150	942	-.360	.084	-.057	-.786	160	135	-.451	.104	-.124	-1.071
150	467	-.057	.048	.140	-.340	150	943	-.380	.090	-.079	-.915	160	136	-.404	.082	-.185	-.770
150	468	-.023	.053	.138	-.325	150	944	-.439	.099	-.086	-.888	160	137	-.407	.083	-.169	-1.006
150	469	-.039	.048	.103	-.269	150	945	-.624	.171	-.237	-1.254	160	138	-.432	.094	-.060	-1.033
150	801	-.034	.040	.137	-.207	150	946	-.195	.081	-.090	-.525	160	139	-.401	.083	-.109	-.770
150	802	-.046	.041	.130	-.240	150	947	-.104	.090	-.364	-.165	160	140	-.388	.080	-.149	-.764
150	803	-.157	.087	.102	-.525	150	948	.236	.178	-.668	-.501	160	141	-.326	.064	-.138	-.660
150	804	-.043	.048	.149	-.251	150	949	-.370	.086	-.043	-.747	160	142	-.370	.216	.050	-1.406
150	805	-.032	.066	.179	-.324	150	950	-.197	.139	-.597	-.310	160	143	-.801	.171	-.155	-1.444
150	901	-.364	.124	.028	-.872	150	951	-.360	.087	-.104	-.829	160	144	-.521	.181	-.164	-1.437
150	902	-.427	.135	.001	-.973	150	952	-.494	.118	-.053	-1.116	160	145	-.479	.137	-.152	-1.226
150	903	-.339	.103	-.010	-.808	150	953	-.125	.120	-.410	-.450	160	146	-.464	.103	-.148	-.996
150	904	-.142	.076	.115	-.445	150	954	-.382	.097	-.077	-.848	160	147	-.480	.111	-.168	-1.335
150	905	-.373	.101	.081	-.902	150	955	-.150	.099	-.120	-.551	160	148	-.437	.095	-.168	-.957
150	906	-.474	.132	-.053	-.967	150	956	-.387	.091	-.116	-.822	160	149	-.443	.095	-.139	-.880
150	907	.073	.084	.361	-.313	150	957	-.622	.146	-.223	-1.196	160	150	-.467	.108	-.084	-1.321

WD	TAP	CPNEAN	CPRMS	CPMAX	CPMIN	WD	TAP	CPNEAN	CPRMS	CPMAX	CPMIN	WD	TAP	CPNEAN	CPRMS	CPMAX	CPMIN
160	151	-.428	.095	-.091	-.953	160	201	-.435	.098	-.166	-.871	160	251	-.089	.087	.144	-.514
160	152	-.424	.100	-.143	-.837	160	202	-.313	.191	-.023	-1.269	160	252	.008	.041	.182	-.145
160	153	-.352	.078	-.093	-.707	160	203	-.674	.194	-.086	-1.607	160	253	.011	.048	.215	-.152
160	154	-.444	.251	-.068	-1.233	160	204	-.278	.148	.163	-1.087	160	254	-.034	.057	.180	-.257
160	155	-.769	.176	-.236	-1.403	160	205	-.222	.110	.147	-.853	160	255	-.036	.050	.133	-.358
160	156	-.497	.204	-.005	-1.608	160	206	-.283	.144	.310	-.869	160	256	-.037	.059	.161	-.530
160	157	-.443	.139	-.041	-1.287	160	207	-.307	.145	.154	-.934	160	257	-.037	.057	.182	-.363
160	158	-.469	.111	-.084	-1.078	160	208	-.438	.164	.078	-1.143	160	258	-.038	.048	.184	-.321
160	159	-.514	.122	-.118	-1.144	160	209	-.505	.165	.050	-1.249	160	259	-.030	.047	.184	-.189
160	160	-.480	.113	-.155	-1.085	160	210	-.410	.166	.054	-.982	160	260	-.046	.052	.121	-.300
160	161	-.471	.107	-.182	-.939	160	211	-.541	.200	-.052	-1.403	160	261	-.008	.051	.262	-.260
160	162	-.495	.123	-.052	-1.148	160	212	-.670	.173	-.240	-1.523	160	262	-.092	.060	.093	-.420
160	163	-.478	.113	-.170	-1.005	160	213	-.425	.109	-.126	-.987	160	263	-.100	.056	.083	-.436
160	164	-.484	.117	-.111	-1.080	160	214	-.233	.150	.056	-1.007	160	264	.162	.120	.737	-.136
160	165	-.387	.099	-.066	-.948	160	215	-.618	.219	.092	-1.634	160	265	.015	.080	.319	-.293
160	166	-.443	.265	.052	-1.394	160	216	-.246	.131	.138	-1.220	160	266	.008	.055	.225	-.193
160	167	-.814	.178	-.282	-1.381	160	217	-.170	.101	.103	-.760	160	267	-.002	.051	.241	-.157
160	168	-.439	.225	.143	-1.747	160	218	-.169	.103	.212	-.618	160	268	-.035	.112	.301	-.555
160	169	-.403	.131	.005	-1.246	160	219	-.170	.108	.158	-.724	160	269	-.044	.058	.189	-.467
160	170	-.475	.124	.232	-.937	160	220	-.281	.139	.112	-.909	160	301	-.359	.089	-.117	-.804
160	171	-.554	.144	-.009	-1.176	160	221	-.367	.151	.050	-1.027	160	302	-.348	.104	-.054	-1.090
160	172	-.518	.124	-.207	-1.167	160	222	-.244	.115	.032	-.813	160	303	-.355	.103	-.024	-.922
160	173	-.527	.132	-.157	-1.390	160	223	-.351	.193	.054	-1.127	160	304	-.031	.095	-.339	-.357
160	174	-.563	.136	-.186	-1.292	160	224	-.581	.182	-.114	-1.399	160	305	-.337	.097	-.038	-.813
160	175	-.547	.126	-.175	-1.353	160	225	-.332	.105	.015	-.772	160	306	-.257	.118	.613	-.165
160	176	-.551	.137	-.100	-1.258	160	226	-.165	.121	.079	-1.162	160	307	-.253	.122	.076	-.722
160	177	-.411	.103	-.145	-.882	160	227	-.441	.205	.135	-1.359	160	308	-.059	.102	.325	-.400
160	178	-.425	.242	.002	-1.403	160	228	-.148	.090	.104	-1.113	160	309	-.346	.123	.683	-.047
160	179	-.824	.190	-.252	-1.506	160	229	-.102	.071	.198	-.434	160	310	-.219	.156	.169	-.761
160	180	-.336	.179	.118	-1.456	160	230	-.094	.068	.133	-.645	160	311	-.266	.061	-.090	-.623
160	181	-.342	.128	.089	-1.226	160	231	-.085	.064	.142	-.436	160	312	-.354	.082	-.128	-1.174
160	182	-.451	.128	.068	-.926	160	232	-.130	.067	.067	-.427	160	313	-.350	.088	-.131	-1.047
160	183	-.505	.135	-.039	-1.307	160	233	-.249	.117	.022	-.943	160	314	-.373	.096	-.149	-.967
160	184	-.550	.122	-.175	-1.200	160	234	-.152	.071	.147	-.474	160	315	.393	.129	.776	-.038
160	185	-.561	.080	-.309	-.931	160	235	-.154	.102	.123	-.683	160	316	.514	.260	1.182	-.586
160	186	-.574	.120	-.186	-1.074	160	236	-.392	.159	.043	-1.303	160	317	.141	.191	.690	-.496
160	187	-.573	.116	-.220	-1.100	160	237	-.211	.085	.041	-.582	160	318	.041	.117	.414	-.348
160	188	-.580	.125	-.128	-1.058	160	238	-.072	.068	.121	-.474	160	319	-.169	.163	.248	-.917
160	189	-.429	.098	-.137	-.976	160	239	-.287	.167	.398	-1.404	160	320	-.102	.104	.266	-.437
160	190	-.405	.242	.045	-1.441	160	240	-.065	.061	.149	-.434	160	321	.395	.125	.881	-.015
160	191	-.774	.204	-.026	-1.625	160	241	-.049	.051	.140	-.333	160	322	.482	.139	.903	-.039
160	192	-.277	.146	.161	-1.272	160	242	-.059	.048	.116	-.570	160	323	.427	.149	.863	-.081
160	193	-.282	.120	.223	-.945	160	243	-.061	.043	.123	-.210	160	324	.324	.127	.733	-.099
160	194	-.386	.136	.156	-.891	160	244	-.089	.053	.069	-.427	160	325	.121	.108	.522	-.215
160	195	-.432	.160	.092	-1.378	160	245	-.114	.060	.064	-.462	160	326	-.684	.230	.076	-1.664
160	196	-.514	.145	.056	-1.216	160	246	-.067	.043	.149	-.260	160	327	-.101	.073	.214	-.405
160	197	-.551	.135	-.077	-1.289	160	247	-.099	.058	.090	-.474	160	328	-.269	.064	-.072	-.577
160	198	-.537	.141	-.035	-1.343	160	248	-.156	.066	.022	-.502	160	329	-.372	.088	-.140	-.772
160	199	-.591	.147	-.160	-1.365	160	249	-.078	.050	.095	-.286	160	330	-.380	.087	-.090	-.818
160	200	-.624	.146	-.188	-1.352	160	250	.012	.052	.205	-.248	160	331	-.412	.101	-.167	-1.022

WD	TAP	CPMEAN	CPRMS	CPMAX	CPMIN	WD	TAP	CPMEAN	CPRMS	CPMAX	CPMIN	WD	TAP	CPMEAN	CPRMS	CPMAX	CPMIN
160	332	-.211	.102	.200	-.527	160	382	.359	.160	.897	-.181	160	432	-.016	.039	.131	-.197
160	333	.377	.122	.751	-.024	160	383	.460	.155	.936	-.009	160	433	-.118	.069	.143	-.354
160	334	.537	.147	.933	-.031	160	384	.351	.132	.801	-.012	160	434	-.250	.118	.112	-.707
160	335	.569	.159	1.010	.064	160	385	.034	.074	.250	-.146	160	435	-.091	.056	.071	-.439
160	336	.481	.138	.858	.064	160	386	-.541	.176	.007	-1.135	160	436	-.182	.064	.026	-.536
160	337	.075	.113	.475	-.285	160	387	-.143	.130	.144	-.951	160	437	-.313	.138	-.019	-1.044
160	338	-.562	.153	-.081	-1.269	160	388	-.245	.118	.052	-.760	160	438	-.229	.111	.050	-.743
160	339	-.175	.135	-.107	-.756	160	389	-.331	.177	.063	-1.207	160	439	-.166	.098	.107	-.669
160	340	-.323	.088	-.078	-.700	160	390	-.357	.186	.075	-1.371	160	440	-.020	.052	.209	-.313
160	341	-.440	.128	-.090	-1.069	160	391	-.385	.249	.207	-1.989	160	441	-.024	.043	.211	-.178
160	342	-.472	.141	-.174	-1.424	160	392	-.193	.125	.216	-.584	160	442	-.005	.045	.143	-.270
160	343	-.491	.156	-.146	-1.472	160	393	.210	.116	.610	-.094	160	443	-.012	.045	.150	-.228
160	344	-.208	.112	-.171	-.611	160	394	.327	.154	.864	-.267	160	444	-.135	.103	.598	-.126
160	345	.366	.122	.757	-.028	160	395	.338	.143	.934	-.045	160	445	-.103	.045	.019	-.325
160	346	.509	.153	1.023	-.126	160	396	.303	.125	.702	-.049	160	446	-.124	.060	.071	-.429
160	347	.570	.151	1.028	-.079	160	397	.005	.117	.574	-.337	160	447	-.063	.042	.086	-.266
160	348	.475	.138	.911	-.033	160	398	-.494	.184	.158	-1.243	160	448	-.102	.040	.033	-.294
160	349	.036	.112	.421	-.321	160	399	-.126	.120	.169	-.897	160	449	-.197	.092	.021	-.679
160	350	-.625	.159	-.044	-1.254	160	400	-.204	.099	.048	-.708	160	450	-.088	.058	.135	-.382
160	351	-.221	.155	-.095	-1.038	160	401	-.275	.162	.072	-1.439	160	451	-.074	.061	.173	-.451
160	352	-.371	.111	-.073	-.845	160	402	-.289	.166	.068	-1.711	160	452	-.086	.042	.064	-.282
160	353	-.503	.163	-.158	-1.369	160	403	-.321	.209	.234	-1.968	160	453	-.073	.042	.102	-.313
160	354	-.508	.177	-.075	-1.491	160	404	-.163	.115	.207	-.530	160	454	-.062	.044	.088	-.266
160	355	-.556	.201	.014	-1.750	160	405	.152	.104	.529	-.105	160	455	.095	.066	.387	-.090
160	356	-.203	.118	.327	-.523	160	406	.222	.144	.720	-.272	160	456	.130	.074	.513	-.031
160	357	.330	.118	.789	-.082	160	407	.266	.141	.785	-.224	160	457	.071	.054	.370	-.149
160	358	.485	.145	.966	-.061	160	408	.206	.126	.806	-.085	160	458	-.036	.050	.256	-.211
160	359	.540	.150	.975	.044	160	409	-.035	.113	.518	-.407	160	459	-.065	.052	.128	-.259
160	360	.438	.130	.929	-.033	160	410	-.405	.176	.120	-1.173	160	460	-.029	.067	.254	-.228
160	361	.009	.119	.405	-.390	160	411	-.110	.097	.149	-.890	160	461	-.019	.066	.297	-.235
160	362	-.599	.174	-.098	-1.328	160	412	-.185	.086	.032	-.652	160	462	-.012	.065	.280	-.178
160	363	-.216	.148	-.118	-.946	160	413	-.248	.130	.079	-1.191	160	463	-.008	.046	.157	-.135
160	364	-.365	.131	-.054	-.886	160	414	-.300	.134	.057	-1.189	160	464	-.196	.099	.093	-.752
160	365	-.487	.189	-.033	-1.323	160	415	-.319	.191	.230	-1.428	160	465	-.116	.064	.134	-.516
160	366	-.513	.198	-.041	-1.470	160	416	-.156	.121	.363	-.596	160	466	-.099	.049	.062	-.303
160	367	-.550	.247	.005	-1.824	160	417	.091	.088	.502	-.139	160	467	-.083	.049	.074	-.298
160	368	-.213	.119	.175	-.611	160	418	.124	.114	.666	-.206	160	468	-.073	.055	.119	-.262
160	369	.284	.124	.741	-.100	160	419	.155	.112	.594	-.170	160	469	-.086	.052	.070	-.309
160	370	.429	.151	.918	-.137	160	420	.111	.093	.554	-.103	160	801	-.011	.049	.198	-.199
160	371	.490	.151	.941	.072	160	421	-.069	.108	.354	-.413	160	802	-.061	.039	.079	-.232
160	372	.389	.133	.856	-.028	160	422	-.353	.162	.246	-1.084	160	803	-.183	.087	.079	-.584
160	373	.021	.115	.428	-.328	160	423	-.103	.083	.201	-.566	160	804	-.051	.051	.165	-.286
160	374	-.580	.183	-.018	-1.249	160	424	-.198	.081	.067	-.553	160	805	-.154	.087	.169	-.601
160	375	-.178	.141	-.136	-.852	160	425	-.294	.132	.050	-.971	160	901	-.390	.105	-.010	-.833
160	376	-.314	.139	-.015	-.896	160	426	-.283	.119	.050	-.907	160	902	-.456	.119	-.035	-1.031
160	377	-.423	.200	.086	-1.410	160	427	-.264	.142	.143	-1.177	160	903	-.369	.094	-.090	-.836
160	378	-.463	.220	.051	-1.523	160	428	-.094	.081	.164	-.456	160	904	-.213	.060	-.012	-.436
160	379	-.475	.250	.095	-2.043	160	429	.040	.055	.292	-.173	160	905	-.403	.089	-.090	-.907
160	380	-.202	.127	.281	-.567	160	430	.050	.060	.328	-.185	160	906	-.507	.123	-.213	-1.002
160	381	.266	.121	.697	-.052	160	431	.057	.064	.332	-.157	160	907	-.055	.071	.158	-.313

WD	TAP	CPMEAN	CPRMS	CPMAX	CPMIN	WD	TAP	CPMEAN	CPRMS	CPMAX	CPMIN	WD	TAP	CPMEAN	CPRMS	CPMAX	CPMIN
160	908	-.416	.085	-.163	-.822	170	101	-.278	.050	-.053	-.483	170	151	-.424	.093	-.153	-.978
160	909	.017	.084	-.276	-.254	170	102	-.228	.056	-.023	-.422	170	152	-.400	.086	-.160	-.837
160	910	-.415	.077	-.122	-.752	170	103	-.515	.170	-.005	-1.087	170	153	-.284	.069	-.062	-.656
160	911	-.386	.073	-.079	-.768	170	104	-.396	.088	-.071	-.891	170	154	-.067	.090	.199	-.661
160	912	-.403	.089	-.138	-.870	170	105	-.377	.064	-.122	-.720	170	155	-.444	.184	.135	-1.212
160	913	-.454	.094	-.129	-.977	170	106	-.381	.070	-.127	-.672	170	156	-.523	.168	-.135	-1.376
160	914	-.530	.153	-.245	-1.102	170	107	-.379	.066	-.210	-.778	170	157	-.457	.120	-.107	-.976
160	915	-.239	.068	-.047	-.490	170	108	-.395	.070	-.174	-.871	170	158	-.473	.108	-.149	-.969
160	916	-.027	.076	.261	-.246	170	109	-.385	.071	-.131	-.731	170	159	-.527	.140	-.176	-1.301
160	917	-.194	.143	-.194	-.893	170	110	-.397	.068	-.165	-.745	170	160	-.466	.116	-.142	-1.164
160	918	-.414	.072	-.152	-.748	170	111	-.369	.058	-.210	-.666	170	161	-.461	.116	-.139	-1.143
160	919	-.504	.108	-.216	-.995	170	112	-.274	.049	-.131	-.539	170	162	-.503	.133	-.032	-1.212
160	920	.014	.094	.360	-.343	170	113	-.048	.061	.202	-.337	170	163	-.462	.115	-.089	-1.232
160	921	-.500	.097	-.221	-.919	170	114	-.399	.185	.328	-1.110	170	164	-.442	.114	-.139	-.914
160	922	.073	.124	.604	-.543	170	115	-.387	.071	-.170	-1.089	170	165	-.302	.081	-.007	-.585
160	923	-.129	.084	.132	-.578	170	116	-.377	.065	-.057	-.688	170	166	-.078	.095	.188	-.594
160	924	-.123	.061	.074	-.426	170	117	-.391	.066	-.170	-.778	170	167	-.451	.192	.183	-1.129
160	925	-.093	.052	.093	-.389	170	118	-.387	.057	-.192	-.805	170	168	-.509	.210	-.034	-1.545
160	926	-.398	.074	-.124	-.813	170	119	-.387	.063	-.228	-.830	170	169	-.448	.140	.066	-1.225
160	927	-.392	.074	-.002	-.723	170	120	-.408	.080	-.156	-.837	170	170	-.490	.132	-.089	-1.145
160	928	-.378	.071	-.126	-.880	170	121	-.390	.070	-.181	-.817	170	171	-.581	.168	-.091	-1.532
160	929	-.416	.079	-.103	-.806	170	122	-.386	.071	-.183	-.805	170	172	-.519	.135	-.112	-1.184
160	930	-.518	.113	-.274	-1.006	170	123	-.381	.061	-.163	-.695	170	173	-.521	.140	-.103	-1.292
160	931	-.257	.066	-.080	-.578	170	124	-.378	.059	-.152	-.738	170	174	-.575	.146	-.149	-1.394
160	932	.047	.070	.291	-.197	170	125	-.388	.056	-.213	-.688	170	175	-.527	.130	-.046	-1.036
160	933	.181	.108	.494	-.239	170	126	-.405	.070	-.165	-.862	170	176	-.520	.140	-.133	-1.152
160	934	.112	.136	.575	-.359	170	127	-.377	.056	-.199	-.641	170	177	-.343	.094	-.057	-.775
160	935	.231	.144	.872	-.101	170	128	-.367	.052	-.199	-.558	170	178	-.088	.097	.204	-.832
160	936	-.016	.091	.525	-.301	170	129	-.264	.044	-.120	-.418	170	179	-.439	.196	.190	-1.138
160	937	-.501	.104	-.195	-.920	170	130	-.045	.068	.166	-.535	170	180	-.422	.211	.069	-1.760
160	938	-.394	.075	-.155	-.907	170	131	-.407	.179	.153	-.961	170	181	-.406	.144	.085	-1.317
160	939	-.539	.122	-.155	-1.080	170	132	-.441	.104	-.147	-.999	170	182	-.514	.147	-.034	-1.086
160	940	-.222	.107	.546	-.175	170	133	-.422	.089	-.204	-1.137	170	183	-.620	.188	-.114	-1.728
160	941	-.406	.084	-.182	-.896	170	134	-.410	.076	-.208	-.814	170	184	-.559	.130	-.136	-1.203
160	942	-.388	.095	-.094	-.862	170	135	-.417	.083	-.201	-.986	170	185	-.565	.098	-.299	-.889
160	943	-.412	.123	-.085	-1.249	170	136	-.396	.068	-.217	-.785	170	186	-.614	.139	-.190	-1.266
160	944	-.435	.088	-.119	-.779	170	137	-.398	.068	-.219	-.880	170	187	-.603	.131	-.201	-1.125
160	945	-.777	.171	-.321	-1.444	170	138	-.416	.082	-.197	-.941	170	188	-.588	.134	-.165	-1.157
160	946	-.243	.071	-.026	-.534	170	139	-.377	.067	-.179	-.781	170	189	-.373	.092	-.036	-.744
160	947	.091	.085	.421	-.266	170	140	-.370	.062	-.163	-.616	170	190	-.091	.085	.261	-.610
160	948	.005	.196	.682	-.734	170	141	-.272	.053	-.102	-.537	170	191	-.429	.207	.143	-1.132
160	949	-.400	.083	-.111	-.858	170	142	-.057	.079	.144	-.567	170	192	-.329	.164	.163	-1.206
160	950	.035	.173	.554	-.568	170	143	-.435	.170	.176	-1.296	170	193	-.365	.138	.145	-.922
160	951	-.415	.103	-.140	-.884	170	144	-.495	.131	-.206	-1.102	170	194	-.486	.159	.092	-1.125
160	952	-.503	.100	-.228	-.905	170	145	-.464	.111	-.167	-.951	170	195	-.573	.210	.241	-1.842
160	953	-.021	.161	.480	-.639	170	146	-.457	.094	-.112	-.978	170	196	-.558	.163	.136	-1.275
160	954	-.421	.099	-.107	-.786	170	147	-.466	.109	-.208	-1.148	170	197	-.591	.160	-.054	-1.483
160	955	-.266	.174	-.152	-1.005	170	148	-.426	.084	-.181	-.871	170	198	-.565	.152	-.045	-1.219
160	956	-.542	.124	-.145	-1.014	170	149	-.430	.092	-.187	-.848	170	199	-.608	.136	-.141	-1.277
160	957	-.626	.153	-.227	-1.449	170	150	-.454	.112	-.137	-1.367	170	200	-.627	.129	-.259	-1.471

WD	TAP	CPMEAN	CPRMS	CPMAX	CPMIN	WD	TAP	CPMEAN	CPRMS	CPMAX	CPMIN	WD	TAP	CPMEAN	CPRMS	CPMAX	CPMIN
170	201	-.378	.097	-.092	-.877	170	251	.010	.074	.221	-.359	170	332	.096	.123	.521	-.310
170	202	-.086	.088	.279	-.500	170	252	.057	.046	.228	-.104	170	333	.512	.141	.954	.099
170	203	-.391	.216	.250	-1.422	170	253	.068	.043	.235	-.093	170	334	.584	.149	1.036	.067
170	204	-.227	.117	.257	-.920	170	254	.068	.059	.377	-.149	170	335	.501	.175	.988	-.133
170	205	-.291	.133	.257	-.862	170	255	-.076	.068	.153	-.435	170	336	.329	.122	.721	-.103
170	206	-.363	.142	.087	-.875	170	256	-.080	.070	.198	-.602	170	337	-.199	.095	.151	-.546
170	207	-.447	.164	.167	-1.395	170	257	-.088	.061	.146	-.378	170	338	-.905	.165	-.360	-1.629
170	208	-.525	.160	-.071	-1.179	170	258	-.089	.056	.134	-.295	170	339	-.626	.236	.017	-1.381
170	209	-.574	.159	.016	-1.279	170	259	-.097	.054	.117	-.314	170	340	-.408	.094	-.122	-.889
170	210	-.526	.158	.060	-1.159	170	260	-.136	.073	.108	-.633	170	341	-.484	.130	-.122	-1.200
170	211	-.560	.179	.083	-1.313	170	261	-.035	.054	.252	-.222	170	342	-.465	.127	-.129	-1.049
170	212	-.639	.147	-.185	-1.483	170	262	-.115	.075	.195	-.453	170	343	-.476	.116	-.182	-1.100
170	213	-.372	.094	.025	-.790	170	263	-.143	.070	.139	-.505	170	344	.080	.114	.536	-.301
170	214	-.079	.080	.230	-.525	170	264	.226	.125	.730	-.201	170	345	.514	.139	.916	.122
170	215	-.350	.211	.306	-1.230	170	265	.036	.107	.473	-.423	170	346	.528	.150	.985	.053
170	216	-.180	.092	.339	-.808	170	266	.010	.060	.274	-.235	170	347	.480	.167	.976	-.221
170	217	-.197	.101	.172	-.744	170	267	.020	.063	.393	-.181	170	348	.308	.120	.665	-.062
170	218	-.246	.113	.085	-.703	170	268	.091	.094	.406	-.290	170	349	-.230	.099	.168	-.566
170	219	-.274	.118	.270	-.773	170	269	-.041	.089	.294	-.347	170	350	-.892	.161	-.377	-1.629
170	220	-.466	.171	.031	-1.132	170	301	-.396	.076	-.153	-.743	170	351	-.717	.237	-.080	-1.639
170	221	-.547	.150	-.078	-1.058	170	302	-.403	.082	-.149	-.821	170	352	-.479	.134	-.078	-1.045
170	222	-.404	.139	-.040	-1.056	170	303	-.396	.089	-.101	-.796	170	353	-.512	.146	-.002	-1.240
170	223	-.464	.232	-.074	-1.203	170	304	.085	.105	-.478	-.294	170	354	-.495	.138	-.097	-1.160
170	224	-.665	.178	-.159	-1.406	170	305	-.447	.080	-.194	-.750	170	355	-.516	.160	-.154	-1.650
170	225	-.343	.104	-.034	-.758	170	306	.273	.129	-.673	-.190	170	356	.088	.123	.605	-.329
170	226	-.058	.073	.275	-.409	170	307	-.530	.118	-.181	-.902	170	357	.501	.126	.937	.136
170	227	-.291	.178	.266	-.951	170	308	.185	.113	.541	-.174	170	358	.521	.149	.976	.081
170	228	-.132	.064	.129	-.494	170	309	.328	.130	.693	-.108	170	359	.436	.164	.879	-.179
170	229	-.135	.063	.077	-.394	170	310	-.603	.170	-.103	-1.204	170	360	.286	.122	.688	-.110
170	230	-.146	.080	.169	-.491	170	311	-.351	.063	-.178	-.634	170	361	-.240	.107	.108	-.670
170	231	-.155	.079	.103	-.557	170	312	-.399	.073	-.194	-.832	170	362	-.893	.187	-.196	-1.629
170	232	-.237	.095	.063	-.713	170	313	-.405	.077	-.174	-.836	170	363	-.714	.250	-.014	-1.431
170	233	-.525	.174	-.093	-1.300	170	314	-.412	.088	-.126	-.861	170	364	-.494	.144	-.051	-1.215
170	234	-.275	.084	-.008	-.694	170	315	.376	.138	.786	-.122	170	365	-.554	.165	-.067	-1.243
170	235	-.190	.129	.143	-.758	170	316	-.061	.267	.968	-.748	170	366	-.524	.175	-.064	-1.512
170	236	-.539	.195	.021	-1.319	170	317	-.170	.189	.650	-.582	170	367	-.579	.207	-.122	-1.701
170	237	-.241	.110	.117	-.628	170	318	-.073	.117	.471	-.521	170	368	.067	.120	.442	-.377
170	238	-.004	.066	.285	-.293	170	319	-.617	.219	-.015	-1.447	170	369	.463	.128	.865	.051
170	239	-.151	.150	.228	-.925	170	320	.155	.120	.548	-.251	170	370	.515	.143	.955	.099
170	240	-.104	.059	.162	-.380	170	321	.516	.144	.920	.076	170	371	.405	.160	.907	-.232
170	241	-.105	.057	.089	-.364	170	322	.489	.146	.902	.033	170	372	.255	.120	.645	-.094
170	242	-.114	.057	.073	-.437	170	323	.277	.155	.730	-.344	170	373	-.247	.113	.182	-.601
170	243	-.123	.060	.103	-.411	170	324	.193	.114	.514	-.192	170	374	-.871	.195	-.207	-1.574
170	244	-.185	.082	.129	-.727	170	325	-.108	.095	-.328	-.455	170	375	-.620	.251	-.030	-1.565
170	245	-.266	.097	.047	-.817	170	326	-1.150	.281	-.250	-2.110	170	376	-.482	.162	.094	-1.089
170	246	-.121	.050	.094	-.347	170	327	-.318	.079	-.063	-.655	170	377	-.522	.198	.005	-1.533
170	247	-.090	.065	.139	-.439	170	328	-.364	.064	-.133	-.700	170	378	-.545	.208	.078	-1.342
170	248	-.188	.083	.115	-.545	170	329	-.422	.091	-.153	-.936	170	379	-.577	.251	.060	-1.800
170	249	-.062	.055	.195	-.246	170	330	-.432	.096	-.187	-1.043	170	380	.070	.127	.525	-.368
170	250	.080	.055	.308	-.137	170	331	-.436	.092	-.212	-.923	170	381	.419	.131	.872	.037

WD	TAP	CPMEAN	CPRMS	CPMAX	CPMIN	WD	TAP	CPMEAN	CPRMS	CPMAX	CPMIN	WD	TAP	CPMEAN	CPRMS	CPMAX	CPMIN
170	382	.429	.150	.930	-.025	170	432	-.064	.047	-.108	-.293	170	908	-.402	.074	-.160	-.819
170	383	.340	.173	.826	-.398	170	433	-.253	.075	-.004	-.701	170	909	-.188	.079	-.089	-.487
170	384	.234	.108	.653	-.099	170	434	-.403	.131	-.058	-1.000	170	910	-.398	.076	-.074	-1.016
170	385	-.191	.061	-.020	-.384	170	435	-.220	.102	-.018	-.870	170	911	-.408	.082	-.171	-.898
170	386	-.822	.189	-.249	-1.516	170	436	-.160	.072	.141	-.504	170	912	-.446	.099	-.144	-.918
170	387	-.555	.264	-.033	-1.476	170	437	-.186	.095	.086	-.898	170	913	-.507	.124	-.119	-1.189
170	388	-.389	.158	.030	-1.062	170	438	-.190	.092	.101	-.635	170	914	-.542	.093	-.200	-1.031
170	389	-.468	.198	.023	-1.246	170	439	-.189	.103	.118	-.827	170	915	-.305	.051	-.085	-.489
170	390	-.452	.208	.088	-1.512	170	440	.066	.055	.279	-.146	170	916	-.094	.059	-.133	-.276
170	391	-.480	.280	.091	-2.165	170	441	.091	.052	.314	-.127	170	917	-.664	.233	-.015	-1.610
170	392	.062	.119	.500	-.290	170	442	.008	.054	.205	-.258	170	918	-.387	.072	-.123	-.782
170	393	.364	.128	.774	-.012	170	443	-.043	.060	.191	-.291	170	919	-.563	.090	-.285	-1.013
170	394	.395	.147	.828	-.083	170	444	.037	.093	.449	-.248	170	920	-.124	.074	-.120	-.439
170	395	.319	.170	.849	-.382	170	445	-.210	.060	-.018	-.462	170	921	-.495	.103	-.061	-.837
170	396	.190	.116	.642	-.135	170	446	-.265	.100	-.020	-1.010	170	922	-.004	.155	.669	-.670
170	397	-.222	.112	.279	-.625	170	447	-.148	.066	.070	-.576	170	923	-.211	.110	.083	-.768
170	398	-.791	.206	-.004	-1.644	170	448	-.124	.046	.077	-.315	170	924	-.211	.081	.024	-.574
170	399	-.433	.233	.057	-1.347	170	449	-.153	.070	.065	-.516	170	925	-.180	.075	.053	-.578
170	400	-.291	.141	.093	-.999	170	450	-.137	.060	.079	-.447	170	926	-.399	.061	-.150	-.628
170	401	-.350	.189	.070	-1.336	170	451	-.124	.075	.115	-.481	170	927	-.403	.069	-.159	-.734
170	402	-.322	.178	.165	-1.066	170	452	-.106	.045	.079	-.289	170	928	-.415	.088	-.171	-.894
170	403	-.366	.254	.186	-1.955	170	453	-.107	.043	.084	-.284	170	929	-.490	.107	-.198	-.990
170	404	.035	.118	.675	-.378	170	454	-.095	.048	.067	-.312	170	930	-.667	.125	-.230	-1.086
170	405	.306	.123	.743	-.007	170	455	.204	.083	.573	-.025	170	931	-.357	.063	-.145	-.563
170	406	.342	.142	.826	-.076	170	456	.219	.089	.618	-.009	170	932	-.054	.059	.135	-.241
170	407	.212	.167	.761	-.486	170	457	.136	.074	.542	-.065	170	933	.060	.082	.336	-.219
170	408	.142	.109	.561	-.130	170	458	.034	.077	.357	-.267	170	934	.058	.133	.485	-.352
170	409	-.231	.102	.174	-.603	170	459	-.168	.053	.015	-.414	170	935	.104	.117	.594	-.416
170	410	-.705	.201	-.096	-1.527	170	460	-.144	.054	.077	-.443	170	936	-.223	.099	.079	-.561
170	411	-.377	.219	.068	-1.199	170	461	-.159	.069	.127	-.471	170	937	-.657	.124	-.330	-1.033
170	412	-.222	.120	.158	-.936	170	462	-.091	.051	.115	-.258	170	938	-.414	.065	-.214	-.785
170	413	-.353	.144	.122	-1.633	170	463	-.080	.049	.212	-.353	170	939	-.641	.133	-.232	-1.120
170	414	-.248	.145	.151	-1.077	170	464	-.311	.110	-.009	-.808	170	940	-.130	.192	.553	-.879
170	415	-.271	.199	.248	-1.496	170	465	-.199	.072	.004	-.506	170	941	-.427	.069	-.225	-.762
170	416	.005	.107	.484	-.360	170	466	-.184	.064	.039	-.476	170	942	-.419	.082	-.136	-.894
170	417	.235	.107	.646	-.027	170	467	-.168	.060	-.025	-.462	170	943	-.453	.124	-.185	-1.067
170	418	.191	.125	.799	-.130	170	468	-.213	.055	-.006	-.423	170	944	-.422	.081	-.178	-.713
170	419	.144	.148	.594	-.339	170	469	-.248	.060	-.038	-.513	170	945	-.949	.170	-.416	-1.561
170	420	.037	.075	.363	-.171	170	801	-.076	.049	.271	-.088	170	946	-.333	.060	-.126	-.534
170	421	-.251	.084	.052	-.587	170	802	-.103	.042	.065	-.246	170	947	.004	.093	.247	-.498
170	422	-.575	.179	-.096	-1.345	170	803	-.319	.104	-.019	-.789	170	948	-.274	.155	.358	-.801
170	423	-.296	.158	.043	-1.194	170	804	-.096	.064	-.134	-.527	170	949	-.410	.069	-.232	-.751
170	424	-.187	.102	.179	-.825	170	805	-.359	.099	-.062	-.928	170	950	-.271	.154	.254	-.871
170	425	-.207	.115	.129	-.837	170	901	-.434	.100	-.077	-.878	170	951	-.403	.071	-.213	-.742
170	426	-.190	.107	.131	-.846	170	902	-.513	.111	-.084	-.909	170	952	-.413	.061	-.159	-.687
170	427	-.219	.133	.115	-1.216	170	903	-.392	.090	-.060	-.873	170	953	-.369	.164	-.143	-1.013
170	428	.036	.087	.357	-.286	170	904	-.312	.050	-.123	-.494	170	954	-.387	.060	-.211	-.647
170	429	.115	.070	.395	-.094	170	905	-.411	.082	-.173	-.914	170	955	-.727	.209	.061	-1.806
170	430	.100	.073	.426	-.127	170	906	-.547	.122	-.171	-1.149	170	956	-.627	.111	-.312	-1.013
170	431	.033	.095	.400	-.315	170	907	-.245	.065	.010	-.469	170	957	-1.215	.286	-.351	-2.048



WD	TAP	CPMEAN	CPRMS	CPMAX	CPMIN	WD	TAP	CPMEAN	CPRMS	CPMAX	CPMIN	WD	TAP	CPMEAN	CPRMS	CPMAX	CPMIN
180	101	-.310	.071	-.088	-.622	180	151	-.526	.133	-.185	-1.121	180	201	-.347	.103	.085	-.769
180	102	-.188	.077	-.082	-.541	180	152	-.528	.142	-.178	-1.338	180	202	-.020	.087	.331	-.333
180	103	-.227	.155	-.278	-.740	180	153	-.311	.088	-.027	-.784	180	203	-.108	.189	.572	-.793
180	104	-.395	.101	-.088	-.963	180	154	-.051	.084	.348	-.238	180	204	-.329	.164	.217	-1.291
180	105	-.488	.099	-.149	-.970	180	155	-.106	.181	.451	-.814	180	205	-.387	.176	.152	-1.273
180	106	-.386	.085	-.137	-.814	180	156	-.498	.139	-.165	-1.329	180	206	-.449	.182	.315	-1.052
180	107	-.488	.097	-.250	-.958	180	157	-.482	.117	-.117	-.981	180	207	-.472	.201	.065	-1.615
180	108	-.405	.084	-.142	-.920	180	158	-.531	.136	-.153	-1.251	180	208	-.559	.202	-.027	-1.365
180	109	-.402	.089	-.088	-1.132	180	159	-.581	.170	-.149	-1.367	180	209	-.650	.193	-.094	-1.352
180	110	-.482	.098	-.219	-.965	180	160	-.519	.141	-.094	-1.157	180	210	-.457	.164	.136	-1.155
180	111	-.479	.104	-.221	-1.371	180	161	-.541	.149	-.087	-1.484	180	211	-.436	.253	.192	-1.280
180	112	-.291	.066	-.099	-.613	180	162	-.588	.166	-.117	-1.470	180	212	-.722	.218	-.094	-1.946
180	113	-.053	.086	.323	-.198	180	163	-.592	.154	-.110	-1.267	180	213	-.309	.126	.248	-.780
180	114	-.024	.173	.558	-.604	180	164	-.574	.151	-.160	-1.269	180	214	.018	.088	.422	-.253
180	115	-.389	.079	-.056	-.785	180	165	-.330	.094	-.037	-.659	180	215	-.099	.186	.534	-.708
180	116	-.437	.092	-.049	-.893	180	166	-.036	.083	.396	-.222	180	216	-.245	.119	.134	-.936
180	117	-.460	.091	-.162	-.837	180	167	-.130	.187	.601	-.793	180	217	-.267	.132	.163	-.985
180	118	-.457	.085	-.119	-.852	180	168	-.505	.166	-.027	-1.555	180	218	-.284	.132	.116	-.916
180	119	-.488	.102	-.180	-.940	180	169	-.490	.138	-.059	-1.159	180	219	-.319	.150	.096	-.990
180	120	-.410	.082	-.178	-.850	180	170	-.560	.173	-.112	-1.605	180	220	-.442	.200	-.009	-1.182
180	121	-.390	.072	-.171	-.780	180	171	-.643	.200	-.137	-1.836	180	221	-.652	.212	-.139	-1.807
180	122	-.408	.078	-.126	-.726	180	172	-.571	.171	-.066	-1.242	180	222	-.381	.132	-.016	-.999
180	123	-.434	.089	-.178	-.882	180	173	-.578	.158	-.101	-1.166	180	223	-.283	.224	.176	-1.296
180	124	-.454	.089	-.198	-.909	180	174	-.602	.164	-.103	-1.255	180	224	-.553	.223	.238	-1.513
180	125	-.476	.095	-.185	-.992	180	175	-.666	.167	-.178	-1.491	180	225	-.248	.127	.143	-.821
180	126	-.531	.130	-.130	-1.331	180	176	-.652	.170	-.135	-1.589	180	226	-.034	.083	.427	-.365
180	127	-.474	.097	-.232	-1.263	180	177	-.349	.100	-.069	-.704	180	227	-.078	.164	.458	-.667
180	128	-.455	.083	-.234	-.965	180	178	-.031	.085	.325	-.272	180	228	-.170	.080	.143	-.651
180	129	-.264	.064	-.051	-.546	180	179	-.119	.187	.492	-.855	180	229	-.174	.083	.096	-.670
180	130	-.076	.088	.364	-.239	180	180	-.474	.174	-.016	-1.441	180	230	-.196	.096	.122	-.977
180	131	-.050	.185	.501	-.688	180	181	-.495	.166	-.053	-1.310	180	231	-.201	.092	.077	-.719
180	132	-.462	.102	-.169	-.927	180	182	-.577	.192	-.023	-1.610	180	232	-.285	.122	.075	-.823
180	133	-.424	.082	-.209	-.843	180	183	-.617	.190	-.085	-2.118	180	233	-.574	.186	-.161	-1.591
180	134	-.458	.093	-.173	-.900	180	184	-.605	.153	-.103	-1.249	180	234	-.281	.103	.011	-.651
180	135	-.480	.125	-.137	-1.288	180	185	-.624	.108	-.241	-1.952	180	235	-.122	.129	.167	-.774
180	136	-.443	.092	-.164	-.884	180	186	-.620	.165	-.078	-1.238	180	236	-.401	.232	.231	-1.220
180	137	-.468	.101	-.085	-1.216	180	187	-.685	.175	-.110	-1.309	180	237	-.144	.129	.306	-.606
180	138	-.523	.135	-.110	-1.306	180	188	-.705	.151	-.261	-1.258	180	238	-.030	.066	.306	-.277
180	139	-.492	.110	-.223	-1.369	180	189	-.372	.099	-.000	-.784	180	239	-.047	.127	.373	-.559
180	140	-.468	.105	-.221	-1.042	180	190	-.025	.083	.339	-.373	180	240	-.124	.055	.219	-.424
180	141	-.281	.074	-.072	-.654	180	191	-.121	.185	.467	-.822	180	241	-.136	.066	.072	-.554
180	142	-.057	.078	.320	-.206	180	192	-.396	.171	.123	-1.367	180	242	-.139	.061	.075	-.426
180	143	-.099	.175	.558	-.704	180	193	-.471	.182	-.031	-1.571	180	243	-.159	.073	.096	-.507
180	144	-.512	.129	-.165	-1.290	180	194	-.525	.186	-.002	-1.392	180	244	-.237	.097	.098	-.828
180	145	-.475	.100	-.171	-.963	180	195	-.575	.216	-.022	-1.993	180	245	-.355	.124	-.053	-.941
180	146	-.504	.110	-.112	-1.015	180	196	-.600	.190	-.020	-1.454	180	246	-.142	.060	.160	-.414
180	147	-.541	.143	-.146	-1.393	180	197	-.626	.185	.009	-1.432	180	247	-.055	.075	.295	-.377
180	148	-.483	.120	-.112	-1.278	180	198	-.533	.190	.004	-1.251	180	248	-.146	.100	.280	-.580
180	149	-.499	.118	-.151	-1.164	180	199	-.612	.218	-.040	-1.718	180	249	-.004	.078	.297	-.369
180	150	-.555	.144	.062	-1.194	180	200	-.712	.180	-.217	-1.588	180	250	.115	.056	.356	-.084

WD	TAP	CPMEAN	CPRMS	CPMAX	CPMIN	WD	TAP	CPMEAN	CPRMS	CPMAX	CPMIN	WD	TAP	CPMEAN	CPRMS	CPMAX	CPMIN
180	251	.076	.070	.328	-.251	180	332	.323	.128	.715	-.099	180	382	.358	.152	.886	-.157
180	252	.095	.058	.389	-.076	180	333	.580	.154	1.083	-.099	180	383	.089	.194	.640	-.646
180	253	.116	.059	.354	-.053	180	334	.459	.159	.889	-.070	180	384	.109	.099	.414	-.154
180	254	.103	.060	.366	-.102	180	335	.167	.188	.747	-.549	180	385	-.263	.074	-.077	-.474
180	255	-.110	.073	.169	-.776	180	336	.203	.114	.628	-.207	180	386	-.675	.236	-.114	-1.497
180	256	-.121	.069	.172	-.641	180	337	-.204	.122	.165	-.670	180	387	-.663	.225	-.096	-1.508
180	257	-.106	.062	.162	-.414	180	338	-.602	.254	-.166	-1.649	180	388	-.558	.207	.065	-1.456
180	258	-.126	.060	.084	-.410	180	339	-.597	.229	-.113	-1.722	180	389	-.515	.206	.079	-1.583
180	259	-.158	.059	.032	-.421	180	340	-.505	.153	-.118	-1.115	180	390	-.502	.229	.052	-1.933
180	260	-.227	.086	.004	-.603	180	341	-.471	.127	-.065	-1.033	180	391	-.494	.237	.176	-1.874
180	261	-.045	.055	.231	-.251	180	342	-.460	.116	-.173	-1.006	180	392	-.235	.125	.685	-.216
180	262	-.044	.092	.276	-.450	180	343	-.500	.138	-.224	-1.320	180	393	.423	.149	.930	.070
180	263	-.110	.109	.441	-.618	180	344	.323	.127	.752	-.122	180	394	.299	.145	.875	-.191
180	264	.165	.108	.720	-.106	180	345	.555	.139	1.030	-.123	180	395	.071	.190	.606	-.641
180	265	.078	.107	.608	-.279	180	346	.446	.149	.900	-.018	180	396	.063	.104	.543	-.234
180	266	.016	.078	.334	-.240	180	347	.159	.191	.718	-.768	180	397	-.313	.135	.054	-.761
180	267	.029	.077	.415	-.268	180	348	.177	.111	.570	-.180	180	398	-.699	.254	-.091	-1.847
180	268	.146	.102	.666	-.333	180	349	-.236	.119	.132	-.650	180	399	-.639	.230	.056	-1.813
180	269	-.040	.124	.415	-.431	180	350	-.628	.227	-.168	-1.494	180	400	-.504	.222	.185	-1.329
180	301	-.422	.098	-.122	-.855	180	351	-.641	.224	-.046	-1.721	180	401	-.491	.232	.235	-1.519
180	302	-.415	.113	-.024	-1.028	180	352	-.591	.195	-.037	-1.357	180	402	-.441	.220	.208	-1.535
180	303	-.406	.113	-.035	-1.044	180	353	-.536	.168	-.106	-1.353	180	403	-.444	.236	.293	-2.041
180	304	-.135	.121	.551	-.280	180	354	-.521	.151	-.141	-1.323	180	404	-.153	.121	.586	-.213
180	305	-.468	.115	-.086	-.882	180	355	-.539	.161	-.081	-1.547	180	405	.335	.136	.767	-.107
180	306	-.231	.129	.594	-.172	180	356	.329	.129	.711	-.113	180	406	.206	.138	.672	-.204
180	307	-.523	.164	-.045	-1.042	180	357	.538	.138	.979	.176	180	407	.011	.184	.631	-.702
180	308	.355	.132	.786	-.095	180	358	.418	.155	.905	-.032	180	408	.017	.092	.321	-.297
180	309	-.233	.136	.663	-.250	180	359	.150	.192	.678	-.622	180	409	-.310	.120	.056	-.829
180	310	-.595	.235	-.013	-1.446	180	360	.157	.114	.537	-.217	180	410	-.690	.243	-.048	-1.743
180	311	-.419	.123	-.013	-1.058	180	361	-.270	.130	.105	-.768	180	411	-.548	.210	-.007	-1.460
180	312	-.428	.125	-.063	-1.051	180	362	-.680	.258	-.069	-1.554	180	412	-.398	.198	.239	-1.300
180	313	-.411	.099	-.131	-.896	180	363	-.669	.233	-.041	-1.487	180	413	-.397	.206	.192	-1.784
180	314	-.420	.103	-.134	-1.087	180	364	-.580	.195	.061	-1.443	180	414	-.379	.211	.167	-1.485
180	315	-.276	.138	.647	-.156	180	365	-.547	.196	.114	-1.531	180	415	-.377	.242	.375	-1.897
180	316	-.377	.146	.302	-.855	180	366	-.535	.178	-.057	-1.665	180	416	.108	.105	.522	-.202
180	317	-.146	.164	.544	-.699	180	367	-.549	.189	.081	-1.445	180	417	.247	.124	.697	-.080
180	318	-.143	.132	.227	-.654	180	368	.283	.128	.683	-.111	180	418	.169	.122	.645	-.245
180	319	-.634	.299	.028	-1.603	180	369	.513	.138	.974	-.091	180	419	-.034	.149	.506	-.573
180	320	.377	.127	.822	-.120	180	370	.377	.144	.866	-.034	180	420	-.045	.065	.280	-.268
180	321	.538	.145	.982	-.085	180	371	.121	.191	.697	-.545	180	421	-.322	.099	-.003	-.795
180	322	.339	.147	.820	-.166	180	372	.123	.116	.565	-.210	180	422	-.584	.218	-.023	-1.691
180	323	-.046	.198	.565	-.741	180	373	-.284	.140	.100	-.774	180	423	-.469	.187	.074	-1.408
180	324	.023	.114	.403	-.341	180	374	-.682	.250	-.111	-1.665	180	424	-.324	.169	.138	-1.074
180	325	-.154	.116	.197	-.510	180	375	-.684	.242	.028	-1.790	180	425	-.358	.183	.103	-1.318
180	326	-.706	.362	-.037	-2.558	180	376	-.592	.220	.063	-1.429	180	426	-.313	.173	.165	-1.703
180	327	-.496	.160	-.070	-1.322	180	377	-.561	.211	.070	-1.633	180	427	-.288	.170	.138	-1.617
180	328	-.411	.104	-.070	-.814	180	378	-.522	.203	.021	-1.489	180	428	.066	.079	.433	-.170
180	329	-.412	.112	-.138	-.932	180	379	-.554	.211	-.095	-1.780	180	429	.129	.085	.533	-.235
180	330	-.412	.100	-.070	-.964	180	380	.252	.131	.799	-.164	180	430	.075	.081	.447	-.201
180	331	-.433	.099	-.191	-1.117	180	381	.446	.145	.954	-.016	180	431	-.040	.116	.418	-.493

WD	TAP	CPMEAN	CPRMS	CPMAX	CPMIN	WD	TAP	CPMEAN	CPRMS	CPMAX	CPMIN	WD	TAP	CPMEAN	CPRMS	CPMAX	CPMIN
180	432	-.115	.050	-.174	-.311	180	908	-.433	.102	-.149	-.917	190	101	-.309	.076	-.035	-.612
180	433	-.320	.092	-.084	-.770	180	909	-.300	.103	-.022	-.662	190	102	-.141	.090	-.136	-.459
180	434	-.485	.190	-.027	-1.639	180	910	-.441	.100	-.142	-.933	190	103	-.028	.146	-.548	-.592
180	435	-.350	.145	.105	-.974	180	911	-.416	.099	-.114	-.927	190	104	-.385	.082	-.153	-.923
180	436	-.244	.112	.179	-.861	180	912	-.461	.115	-.114	-1.053	190	105	-.609	.139	-.292	-1.822
180	437	-.275	.135	.028	-1.048	180	913	-.552	.160	-.121	-1.350	190	106	-.378	.080	-.126	-.862
180	438	-.230	.105	.048	-1.191	180	914	-.530	.094	-.241	-1.051	190	107	-.684	.157	-.349	-1.418
180	439	-.205	.111	.143	-1.648	180	915	-.343	.050	-.174	-.540	190	108	-.382	.070	-.171	-.849
180	440	.098	.062	.404	-.170	180	916	-.187	.054	-.000	-.368	190	109	-.394	.078	-.146	-.819
180	441	.112	.062	.409	-.065	180	917	-.645	.268	-.130	-1.868	190	110	-.662	.142	-.285	-1.241
180	442	.010	.061	.268	-.271	180	918	-.428	.093	-.032	-.813	190	111	-.681	.186	-.315	-1.718
180	443	-.084	.066	.165	-.357	180	919	-.598	.088	-.186	-.915	190	112	-.328	.094	-.040	-.767
180	444	-.035	.090	.430	-.438	180	920	-.229	.069	.066	-.459	190	113	-.170	.099	.528	-.117
180	445	-.264	.066	-.086	-.553	180	921	-.366	.118	.049	-.801	190	114	.279	.167	.735	-.463
180	446	-.361	.134	-.060	-1.148	180	922	-.209	.189	.473	-.904	190	115	-.411	.081	-.130	-.749
180	447	-.209	.075	.048	-.617	180	923	-.281	.135	.131	-1.032	190	116	-.473	.107	-.146	-.891
180	448	-.168	.064	.038	-.486	180	924	-.279	.101	.077	-.782	190	117	-.497	.102	-.164	-1.087
180	449	-.190	.077	.038	-.773	180	925	-.258	.100	.010	-.745	190	118	-.510	.104	-.150	-.950
180	450	-.176	.071	.057	-.596	180	926	-.447	.081	-.137	-.873	190	119	-.602	.136	-.076	-1.464
180	451	-.149	.074	.095	-.660	180	927	-.484	.101	-.172	-.929	190	120	-.391	.067	-.186	-.842
180	452	-.139	.045	.009	-.395	180	928	-.519	.124	-.172	-1.071	190	121	-.376	.065	-.184	-.830
180	453	-.141	.054	.060	-.416	180	929	-.602	.173	-.160	-1.358	190	122	-.421	.087	-.184	-.817
180	454	-.129	.049	.083	-.409	180	930	-.664	.119	-.295	-1.025	190	123	-.460	.109	-.155	-.923
180	455	.229	.101	.624	-.086	180	931	-.403	.058	-.190	-.643	190	124	-.462	.095	-.171	-.867
180	456	.239	.102	.684	-.029	180	932	-.124	.047	.026	-.281	190	125	-.494	.115	-.096	-1.031
180	457	.119	.080	.466	-.161	180	933	-.028	.070	.238	-.274	190	126	-.544	.146	-.048	-1.184
180	458	-.009	.082	.296	-.440	180	934	-.050	.124	.365	-.596	190	127	-.662	.149	-.234	-1.396
180	459	-.233	.058	-.046	-.500	180	935	-.009	.122	.500	-.457	190	128	-.691	.182	-.310	-1.385
180	460	-.204	.059	.007	-.448	180	936	-.298	.107	.085	-.668	190	129	-.317	.099	-.047	-.756
180	461	-.225	.072	-.022	-.622	180	937	-.728	.123	-.218	-1.121	190	130	-.183	.102	.595	-.112
180	462	-.154	.051	.048	-.395	180	938	-.523	.097	-.272	-.857	190	131	.257	.170	.773	-.412
180	463	-.139	.056	.079	-.866	180	939	-.585	.106	-.179	-.969	190	132	-.437	.084	-.225	-1.015
180	464	-.313	.110	-.048	-.774	180	940	-.356	.238	-.356	-.971	190	133	-.412	.069	-.220	-.752
180	465	-.246	.083	-.033	-.617	180	941	-.528	.107	-.167	-.999	190	134	-.439	.093	-.193	-.826
180	466	-.250	.081	-.037	-.848	180	942	-.535	.122	-.224	-1.065	190	135	-.476	.126	-.148	-1.204
180	467	-.232	.084	.067	-.693	180	943	-.558	.140	-.174	-1.263	190	136	-.456	.104	-.128	-1.108
180	468	-.276	.059	-.099	-.532	180	944	-.429	.091	-.133	-.821	190	137	-.479	.121	-.080	-1.063
180	469	-.322	.069	-.140	-.614	180	945	-.879	.166	-.354	-1.445	190	138	-.546	.162	-.067	-1.216
180	801	-.122	.059	.387	-.069	180	946	-.379	.067	-.126	-.870	190	139	-.686	.170	-.265	-1.439
180	802	-.147	.051	.011	-.490	180	947	-.186	.175	-.198	-.961	190	140	-.691	.193	-.236	-1.486
180	803	-.347	.118	-.033	-.858	180	948	-.469	.144	.106	-1.084	190	141	-.332	.109	-.002	-.795
180	804	-.183	.104	.077	-.700	180	949	-.534	.100	-.249	-.971	190	142	-.175	.093	.494	-.141
180	805	-.448	.115	-.138	-1.069	180	950	-.522	.131	.001	-1.141	190	143	.211	.172	.786	-.505
180	901	-.423	.102	-.038	-.909	180	951	-.530	.117	-.230	-1.276	190	144	-.463	.099	-.192	-.984
180	902	-.511	.116	-.004	-1.019	180	952	-.482	.095	-.146	-.940	190	145	-.454	.092	-.192	-1.181
180	903	-.401	.094	-.126	-.878	180	953	-.654	.136	-.117	-1.201	190	146	-.485	.109	-.162	-1.064
180	904	-.387	.060	-.204	-.637	180	954	-.511	.099	-.232	-.875	190	147	-.513	.145	-.157	-1.318
180	905	-.411	.100	-.126	-.950	180	955	-1.063	.265	-.275	-1.895	190	148	-.476	.118	-.180	-1.130
180	906	-.526	.112	-.172	-1.076	180	956	-.672	.138	-.263	-1.182	190	149	-.511	.138	-.103	-1.206
180	907	-.336	.089	-.018	-.701	180	957	-1.361	.430	-.324	-2.674	190	150	-.551	.170	-.084	-1.811

WD	TAP	CPMEAN	CPRMS	CPMAX	CPMIN	WD	TAP	CPMEAN	CPRMS	CPMAX	CPMIN	WD	TAP	CPMEAN	CPRMS	CPMAX	CPMIN
190	151	-.729	.189	-.237	-1.400	190	201	-.265	.119	.186	-.629	190	251	.162	.074	.552	-.118
190	152	-.750	.199	-.267	-1.674	190	202	.154	.104	.528	-.187	190	252	.152	.066	.502	-.010
190	153	-.363	.113	-.050	-.763	190	203	.168	.181	.896	-.535	190	253	.182	.066	.535	-.007
190	154	.172	.099	.498	-.112	190	204	-.421	.174	.113	-1.297	190	254	.156	.065	.547	-.017
190	155	.217	.184	.763	-.468	190	205	-.473	.185	.043	-1.545	190	255	-.152	.092	.101	-.786
190	156	-.504	.122	-.198	-1.112	190	206	-.532	.192	.032	-1.457	190	256	-.154	.096	.059	-.739
190	157	-.472	.103	-.214	-1.064	190	207	-.562	.185	.008	-1.451	190	257	-.153	.078	.049	-.590
190	158	-.517	.136	-.146	-1.146	190	208	-.649	.201	-.120	-1.480	190	258	-.192	.086	.068	-.621
190	159	-.536	.175	-.082	-1.449	190	209	-.666	.212	-.142	-1.605	190	259	-.215	.078	.037	-.548
190	160	-.491	.140	-.151	-1.126	190	210	-.463	.116	-.073	-.948	190	260	-.272	.101	.007	-.812
190	161	-.503	.139	-.153	-1.286	190	211	-.238	.176	.137	-1.234	190	261	-.090	.058	.196	-.279
190	162	-.513	.160	-.023	-1.252	190	212	-.687	.235	-.102	-1.806	190	262	-.036	.073	.439	-.243
190	163	-.726	.203	-.116	-1.564	190	213	-.196	.128	.249	-.649	190	263	-.040	.088	.372	-.418
190	164	-.792	.189	-.294	-1.665	190	214	-.157	.098	.508	-.189	190	264	.209	.120	.812	-.114
190	165	-.350	.102	-.020	-.703	190	215	.130	.170	.778	-.524	190	265	.136	.104	.699	-.194
190	166	.153	.099	.564	-.112	190	216	-.317	.161	.097	-1.679	190	266	-.009	.074	.361	-.306
190	167	.199	.188	.740	-.398	190	217	-.380	.169	.068	-1.042	190	267	.054	.092	.452	-.307
190	168	-.514	.138	-.173	-1.430	190	218	-.385	.175	.077	-1.245	190	268	.213	.116	.693	-.189
190	169	-.502	.125	-.169	-1.222	190	219	-.374	.162	.088	-1.073	190	269	.163	.135	.750	-.385
190	170	-.533	.161	-.041	-1.692	190	220	-.555	.205	-.039	-1.344	190	301	-.393	.081	-.150	-.844
190	171	-.572	.183	-.041	-1.578	190	221	-.742	.233	-.216	-1.813	190	302	-.216	.378	.089	-.109
190	172	-.535	.158	-.098	-1.238	190	222	-.383	.107	-.093	-.830	190	303	-.381	.098	-.152	-1.139
190	173	-.550	.159	-.071	-1.153	190	223	-.123	.090	.146	-1.000	190	304	-.147	.134	.551	-.334
190	174	-.515	.166	-.107	-1.222	190	224	-.476	.214	.137	-1.348	190	305	-.392	.088	-.075	-.790
190	175	-.672	.228	-.034	-1.512	190	225	-.086	.121	.344	-.609	190	306	.163	.126	.555	-.304
190	176	-.831	.194	-.299	-1.521	190	226	.160	.095	.521	-.189	190	307	-.410	.118	-.091	-1.074
190	177	-.354	.101	-.011	-.740	190	227	.143	.135	.670	-.439	190	308	.461	.142	.918	-.006
190	178	.145	.090	.473	-.144	190	228	-.220	.113	.181	-.970	190	309	.130	.122	.481	-.220
190	179	.193	.177	.697	-.452	190	229	-.239	.130	.101	-.819	190	310	-.404	.136	-.055	-1.210
190	180	-.532	.152	-.137	-1.222	190	230	-.260	.134	.044	-.998	190	311	-.381	.099	-.093	-.878
190	181	-.542	.166	-.098	-1.478	190	231	-.237	.106	.070	-.762	190	312	-.376	.082	-.139	-.978
190	182	-.576	.179	-.087	-1.485	190	232	-.315	.132	.014	-.885	190	313	-.377	.070	-.116	-.767
190	183	-.602	.174	-.117	-1.621	190	233	-.753	.226	-.246	-1.784	190	314	-.392	.084	-.175	-1.087
190	184	-.586	.156	-.160	-1.163	190	234	-.327	.098	-.003	-.703	190	315	.147	.125	.612	-.311
190	185	-.567	.139	-.269	-1.073	190	235	-.051	.074	.174	-.534	190	316	-.499	.127	-.091	-.990
190	186	-.484	.138	-.120	-1.011	190	236	-.226	.170	.236	-1.015	190	317	-.093	.144	.483	-.672
190	187	-.597	.244	-.006	-1.440	190	237	.042	.101	.434	-.298	190	318	-.135	.129	.224	-.665
190	188	-.831	.190	-.314	-1.757	190	238	.163	.091	.495	-.128	190	319	-.399	.138	.029	-1.480
190	189	-.343	.106	.010	-.676	190	239	.119	.099	.559	-.446	190	320	.496	.143	.943	.047
190	190	-.142	.087	.483	-.091	190	240	-.173	.084	.111	-.803	190	321	.501	.147	.891	.011
190	191	-.190	.174	.700	-.477	190	241	-.213	.109	.026	-.708	190	322	.171	.125	.669	-.198
190	192	-.505	.168	.014	-1.437	190	242	-.195	.099	.108	-.670	190	323	-.404	.147	.192	-.965
190	193	-.564	.194	.054	-1.549	190	243	-.219	.105	.056	-.732	190	324	-.095	.085	.249	-.418
190	194	-.609	.190	-.075	-1.379	190	244	-.274	.113	.040	-.748	190	325	-.150	.078	.124	-.636
190	195	-.625	.194	-.053	-1.451	190	245	-.383	.117	-.078	-1.124	190	326	-.397	.120	-.106	-1.456
190	196	-.606	.184	-.082	-1.344	190	246	-.145	.065	.127	-.385	190	327	-.394	.110	-.152	-1.153
190	197	-.640	.202	-.080	-1.696	190	247	-.009	.061	.269	-.213	190	328	-.399	.096	-.146	-.958
190	198	-.430	.139	-.093	-1.131	190	248	-.029	.118	.427	-.411	190	329	-.386	.077	-.164	-.899
190	199	-.413	.248	.032	-1.368	190	249	.103	.080	.422	-.123	190	330	-.386	.072	-.202	-.747
190	200	-.779	.213	-.164	-1.667	190	250	.183	.073	.620	-.121	190	331	-.401	.074	-.225	-.835

WD	TAP	CPMEAN	CPRMS	CPMAX	CPMIN	WD	TAP	CPMEAN	CPRMS	CPMAX	CPMIN	WD	TAP	CPMEAN	CPRMS	CPMAX	CPMIN
190	332	.469	.141	.862	.063	190	382	.159	.151	.688	-.313	190	432	-.157	.063	.060	-.531
190	333	.577	.143	.984	.118	190	383	-.219	.196	.470	-.832	190	433	-.301	.085	-.075	-.652
190	334	.254	.138	.669	-.177	190	384	-.017	.089	.261	-.346	190	434	-.401	.173	-.049	-1.462
190	335	-.196	.186	.376	-.910	190	385	-.282	.068	-.105	-.483	190	435	-.354	.136	.115	-1.044
190	336	.053	.089	.440	-.243	190	386	-.530	.195	-.135	-1.408	190	436	-.292	.122	.081	-1.184
190	337	-.194	.065	.011	-.466	190	387	-.550	.190	-.087	-1.423	190	437	-.305	.133	.122	-1.284
190	338	-.409	.095	-.157	-.917	190	388	-.596	.212	-.012	-1.682	190	438	-.270	.114	.065	-.864
190	339	-.424	.107	-.196	-1.185	190	389	-.544	.202	-.018	-1.783	190	439	-.253	.126	.079	-1.101
190	340	-.447	.106	-.214	-1.017	190	390	-.508	.188	-.034	-1.576	190	440	-.123	.069	.385	-.377
190	341	-.416	.092	-.152	-1.053	190	391	-.518	.160	-.071	-1.625	190	441	-.128	.067	.381	-.109
190	342	-.434	.085	-.204	-1.039	190	392	-.317	.121	.875	-.103	190	442	.034	.064	.276	-.334
190	343	-.453	.095	-.227	-.973	190	393	.359	.138	.927	-.018	190	443	-.089	.079	.145	-.424
190	344	.444	.141	1.077	.046	190	394	.119	.154	.590	-.355	190	444	-.117	.130	.267	-.693
190	345	.557	.150	1.072	.161	190	395	-.264	.207	.477	-.931	190	445	-.284	.078	-.080	-.719
190	346	.235	.138	.798	-.214	190	396	-.046	.099	.279	-.672	190	446	-.337	.137	-.049	-1.391
190	347	-.161	.190	.463	-.782	190	397	-.320	.120	.009	-.767	190	447	-.272	.084	-.009	-.636
190	348	.050	.085	.331	-.267	190	398	-.547	.220	-.027	-1.803	190	448	-.228	.079	.017	-.605
190	349	-.246	.083	.009	-.639	190	399	-.588	.212	-.083	-1.601	190	449	-.235	.082	.032	-.721
190	350	-.444	.120	-.161	-1.260	190	400	-.590	.227	-.144	-1.923	190	450	-.218	.091	.001	-.778
190	351	-.463	.135	-.133	-1.465	190	401	-.525	.206	.160	-1.459	190	451	-.197	.100	.108	-1.023
190	352	-.486	.139	-.207	-1.302	190	402	-.488	.205	.122	-1.709	190	452	-.177	.059	.022	-.436
190	353	-.474	.128	-.163	-1.311	190	403	-.479	.177	.067	-1.844	190	453	-.179	.068	.020	-.650
190	354	-.469	.119	-.195	-1.288	190	404	-.248	.130	.767	-.177	190	454	-.161	.064	-.002	-.538
190	355	-.495	.124	-.216	-1.214	190	405	.258	.137	.729	-.119	190	455	.170	.102	.597	-.199
190	356	.457	.140	.930	.060	190	406	.044	.151	.707	-.398	190	456	.207	.092	.530	-.056
190	357	.525	.144	1.017	.101	190	407	-.241	.213	.542	-1.099	190	457	.134	.086	.454	-.090
190	358	.254	.140	.838	-.260	190	408	-.101	.096	.252	-.841	190	458	-.001	.086	.276	-.341
190	359	-.192	.190	.559	-.904	190	409	-.335	.115	-.015	-.823	190	459	-.245	.058	-.061	-.522
190	360	.024	.094	.357	-.276	190	410	-.570	.217	.000	-1.538	190	460	-.250	.065	-.044	-.531
190	361	-.261	.092	-.032	-.639	190	411	-.560	.216	-.036	-1.651	190	461	-.270	.087	-.021	-.778
190	362	-.470	.153	-.147	-1.354	190	412	-.515	.215	.167	-2.064	190	462	-.222	.072	.013	-.636
190	363	-.507	.168	-.179	-1.444	190	413	-.473	.210	.086	-1.871	190	463	-.212	.089	.001	-.885
190	364	-.553	.186	-.053	-1.610	190	414	-.417	.186	.066	-1.783	190	464	-.412	.135	-.048	-.993
190	365	-.526	.165	-.154	-1.398	190	415	-.436	.196	.266	-1.810	190	465	-.317	.099	-.069	-.748
190	366	-.493	.138	-.085	-1.442	190	416	.160	.103	.619	-.222	190	466	-.325	.101	-.076	-.784
190	367	-.498	.133	-.122	-1.396	190	417	.122	.096	.515	-.162	190	467	-.300	.104	.009	-.688
190	368	.430	.131	.833	.069	190	418	-.036	.138	.585	-.382	190	468	-.313	.061	-.142	-.607
190	369	.499	.145	1.005	.065	190	419	-.257	.186	.558	-1.027	190	469	-.338	.062	-.184	-.562
190	370	.217	.141	.670	-.230	190	420	-.144	.074	.178	-.582	190	801	-.168	.070	.621	-.010
190	371	-.201	.191	.453	-.957	190	421	-.338	.105	-.060	-.769	190	802	-.183	.074	-.078	-.737
190	372	-.009	.093	.341	-.294	190	422	-.573	.236	-.067	-1.671	190	803	-.441	.146	-.109	-1.243
190	373	-.290	.112	.030	-.858	190	423	-.463	.181	.201	-1.250	190	804	-.233	.111	.059	-.883
190	374	-.520	.194	-.087	-1.571	190	424	-.398	.179	.217	-1.141	190	805	-.539	.126	-.194	-1.293
190	375	-.546	.199	-.089	-1.538	190	425	-.411	.194	.060	-1.562	190	901	-.397	.088	-.132	-.799
190	376	-.568	.207	-.046	-1.803	190	426	-.331	.147	.100	-1.134	190	902	-.450	.097	-.177	-.853
190	377	-.524	.183	-.043	-1.918	190	427	-.334	.162	.233	-1.130	190	903	-.404	.091	-.141	-1.014
190	378	-.511	.153	-.009	-1.534	190	428	-.096	.080	.468	-.353	190	904	-.371	.056	-.178	-.599
190	379	-.511	.135	-.198	-1.344	190	429	-.071	.066	.376	-.211	190	905	-.438	.108	-.081	-1.002
190	380	-.395	.134	.907	-.069	190	430	-.042	.076	.278	-.294	190	906	-.477	.096	-.169	-.921
190	381	.464	.137	.985	.028	190	431	-.225	.132	.345	-.795	190	907	-.330	.070	-.118	-.759

WD	TAP	CPMEAN	CPRMS	CPMAX	CPMIN	WD	TAP	CPMEAN	CPRMS	CPMAX	CPMIN	WD	TAP	CPMEAN	CPRMS	CPMAX	CPMIN
190	908	-.461	.114	-.120	-.984	200	101	-.277	.071	-.020	-.548	200	151	-.571	.255	-.074	-1.276
190	909	-.294	.071	-.081	-.673	200	102	-.051	.097	.278	-.405	200	152	-.858	.156	-.367	-1.655
190	910	-.491	.113	-.178	-1.076	200	103	-.124	.129	.574	-.367	200	153	-.308	.101	.044	-.638
190	911	-.514	.139	-.171	-1.086	200	104	-.367	.057	-.174	-.651	200	154	.314	.110	.668	-.005
190	912	-.591	.181	-.118	-1.415	200	105	-.842	.194	-.342	-1.701	200	155	.455	.145	.918	-1.136
190	913	-.596	.166	-.175	-1.445	200	106	-.370	.058	-.179	-.658	200	156	-.414	.065	-.174	-.924
190	914	-.556	.091	-.250	-.882	200	107	-.803	.162	-.358	-1.479	200	157	-.405	.054	-.229	-.822
190	915	-.371	.051	-.201	-.574	200	108	-.362	.049	-.183	-.714	200	158	-.408	.064	-.211	-.869
190	916	-.216	.044	-.006	-.384	200	109	-.379	.061	-.145	-.781	200	159	-.417	.071	-.215	-.901
190	917	-.465	.112	-.100	-1.161	200	110	-.641	.145	-.248	-1.222	200	160	-.409	.067	-.138	-.797
190	918	-.467	.101	-.133	-.870	200	111	-.922	.165	-.481	-1.567	200	161	-.411	.068	-.227	-.810
190	919	-.564	.088	-.227	-.863	200	112	-.324	.079	-.044	-.608	200	162	-.363	.077	-.152	-.974
190	920	-.239	.055	-.032	-.497	200	113	.292	.115	.663	-.132	200	163	-.467	.237	-.072	-1.339
190	921	-.242	.116	.174	-.670	200	114	.458	.148	.932	-.311	200	164	-.821	.176	-.313	-1.898
190	922	-.309	.212	.195	-1.229	200	115	-.378	.059	-.203	-.687	200	165	-.240	.107	.137	-.588
190	923	-.373	.169	.026	-1.067	200	116	-.440	.068	-.185	-.691	200	166	.286	.115	.627	-.040
190	924	-.353	.123	.008	-1.065	200	117	-.456	.071	-.129	-.707	200	167	.462	.152	.875	-.090
190	925	-.341	.142	.029	-1.123	200	118	-.478	.079	-.214	-.873	200	168	-.443	.088	-.197	-1.010
190	926	-.493	.096	-.175	-.858	200	119	-.533	.117	-.241	-1.009	200	169	-.430	.079	-.243	-.885
190	927	-.533	.108	-.218	-1.062	200	120	-.370	.045	-.235	-.613	200	170	-.437	.082	-.163	-1.355
190	928	-.576	.137	-.171	-1.252	200	121	-.369	.051	-.219	-.595	200	171	-.459	.098	-.245	-1.058
190	929	-.619	.155	-.168	-1.201	200	122	-.387	.052	-.196	-.732	200	172	-.428	.076	-.206	-.835
190	930	-.561	.112	-.114	-.999	200	123	-.417	.070	-.196	-.707	200	173	-.420	.080	-.199	-.865
190	931	-.393	.048	-.207	-.599	200	124	-.430	.062	-.226	-.803	200	174	-.346	.074	-.136	-.837
190	932	-.156	.044	-.026	-.340	200	125	-.446	.075	-.185	-.814	200	175	-.420	.238	.010	-1.330
190	933	-.091	.082	.142	-.687	200	126	-.437	.085	-.170	-1.119	200	176	-.765	.181	-.236	-1.566
190	934	-.200	.125	.237	-.734	200	127	-.614	.200	-.156	-1.293	200	177	-.223	.108	.134	-.581
190	935	-.136	.175	.554	-.957	200	128	-.885	.141	-.463	-1.593	200	178	-.302	.120	.709	-.068
190	936	-.338	.155	.139	-.810	200	129	-.302	.078	-.006	-.577	200	179	.417	.146	.920	-1.127
190	937	-.725	.104	-.381	-1.129	200	130	.311	.120	.697	-.089	200	180	-.465	.104	-.156	-1.142
190	938	-.578	.104	-.232	-.961	200	131	.477	.146	.995	-.123	200	181	-.458	.089	-.193	-1.076
190	939	-.538	.084	-.255	-.842	200	132	-.376	.042	-.261	-.604	200	182	-.469	.109	-.181	-1.348
190	940	-.638	.157	.137	-1.172	200	133	-.372	.041	-.237	-.517	200	183	-.489	.116	-.204	-1.228
190	941	-.616	.133	-.198	-1.135	200	134	-.393	.054	-.248	-.725	200	184	-.457	.086	-.257	-.980
190	942	-.632	.113	-.276	-1.151	200	135	-.408	.062	-.246	-.940	200	185	-.460	.087	-.290	-.855
190	943	-.648	.147	-.244	-1.383	200	136	-.398	.059	-.174	-.669	200	186	-.312	.072	-.128	-.756
190	944	-.563	.132	-.173	-1.181	200	137	-.405	.065	-.176	-.783	200	187	-.281	.182	.104	-1.188
190	945	-.796	.134	-.324	-1.321	200	138	-.385	.092	-.127	-.978	200	188	-.709	.188	-.122	-1.367
190	946	-.438	.091	-.218	-.868	200	139	-.574	.234	-.026	-1.258	200	189	-.174	.115	.233	-.589
190	947	-.474	.207	.046	-1.334	200	140	-.878	.136	-.396	-1.381	200	190	.289	.114	.709	-.009
190	948	-.614	.134	-.102	-1.209	200	141	-.314	.083	-.004	-.811	200	191	.410	.140	.876	-.159
190	949	-.625	.126	-.196	-1.214	200	142	.300	.120	.641	-.063	200	192	-.505	.128	-.157	-1.148
190	950	-.690	.121	-.140	-1.542	200	143	.481	.154	.945	-.122	200	193	-.487	.118	-.193	-1.268
190	951	-.654	.122	-.351	-1.127	200	144	-.402	.055	-.256	-.753	200	194	-.516	.141	-.204	-1.407
190	952	-.722	.172	-.307	-1.315	200	145	-.391	.047	-.265	-.833	200	195	-.520	.133	-.142	-1.254
190	953	-.819	.136	-.070	-1.438	200	146	-.402	.052	-.224	-.694	200	196	-.509	.132	-.124	-1.370
190	954	-.618	.116	-.295	-1.291	200	147	-.412	.065	-.222	-.928	200	197	-.492	.136	-.140	-1.117
190	955	-1.086	.311	-.336	-2.064	200	148	-.396	.057	-.229	-.878	200	198	-.322	.083	-.044	-.632
190	956	-.778	.155	-.368	-1.484	200	149	-.404	.064	-.204	-.803	200	199	-.196	.136	.180	-1.070
190	957	-1.139	.433	-.289	-2.888	200	150	-.377	.082	-.174	-.931	200	200	-.591	.189	-.084	-1.438

WD	TAP	CPMEAN	CPRMS	CPMAX	CPMIN	WD	TAP	CPMEAN	CPRMS	CPMAX	CPMIN	WD	TAP	CPMEAN	CPRMS	CPMAX	CPMIN
200	201	-.126	.115	.286	-.505	200	251	.210	.089	.593	-.002	200	332	.544	.146	.986	.102
200	202	.293	.114	.736	-.000	200	252	.162	.074	.464	-.002	200	333	.471	.139	.905	.070
200	203	.382	.144	.942	-.126	200	253	.191	.085	.583	-.003	200	334	-.027	.127	.570	-.466
200	204	-.518	.162	.020	-1.722	200	254	.209	.085	.684	.038	200	335	-.600	.166	.027	-1.296
200	205	-.524	.148	-.064	-1.283	200	255	.309	.171	.157	-1.141	200	336	-.104	.098	.183	-.905
200	206	-.529	.141	-.080	-1.239	200	256	-.346	.123	.057	-.835	200	337	-.255	.038	-.108	-.421
200	207	-.554	.137	-.157	-1.075	200	257	-.310	.114	.031	-.680	200	338	-.371	.042	-.244	-.574
200	208	-.558	.143	-.179	-1.376	200	258	-.341	.114	.019	-.739	200	339	-.368	.044	-.244	-.705
200	209	-.527	.149	-.122	-1.308	200	259	-.392	.087	-.081	-.690	200	340	-.382	.049	-.244	-.656
200	210	-.324	.088	-.035	-.731	200	260	-.420	.115	-.091	-1.097	200	341	-.379	.044	-.237	-.667
200	211	-.155	.107	.102	-.835	200	261	-.140	.050	.071	-.303	200	342	-.377	.038	-.256	-.541
200	212	-.547	.202	.109	-1.292	200	262	-.022	.083	.281	-.341	200	343	-.380	.042	-.185	-.600
200	213	-.071	.112	.324	-.425	200	263	-.111	.084	.302	-.481	200	344	.538	.147	1.014	-.041
200	214	.288	.107	.703	-.000	200	264	.194	.122	.708	-.172	200	345	.485	.145	.975	.042
200	215	.344	.126	.884	-.146	200	265	.102	.105	.573	-.320	200	346	-.013	.129	.452	-.469
200	216	-.496	.165	-.040	-1.363	200	266	-.053	.078	.282	-.327	200	347	-.553	.165	-.041	-1.313
200	217	-.500	.145	-.000	-1.192	200	267	.062	.099	.499	-.332	200	348	-.110	.103	.159	-.767
200	218	-.537	.143	-.140	-1.217	200	268	.263	.122	.707	-.044	200	349	-.279	.041	-.146	-.469
200	219	-.536	.153	-.038	-1.299	200	269	.181	.122	.684	-.268	200	350	-.390	.048	-.247	-.579
200	220	-.582	.148	-.166	-1.294	200	301	-.366	.051	-.140	-.633	200	351	-.392	.052	-.238	-.816
200	221	-.580	.153	-.224	-1.409	200	302	-.359	.054	-.140	-.769	200	352	-.404	.058	-.236	-.919
200	222	-.333	.082	-.004	-.651	200	303	-.360	.059	-.142	-.737	200	353	-.400	.052	-.259	-.745
200	223	-.107	.075	.135	-.312	200	304	.132	.126	.500	-.314	200	354	-.392	.048	-.231	-.623
200	224	-.413	.183	.155	-1.348	200	305	-.382	.055	-.188	-.631	200	355	-.399	.052	-.233	-.779
200	225	-.016	.100	.394	-.348	200	306	.053	.117	.430	-.301	200	356	.521	.137	.924	.099
200	226	.260	.104	.749	-.093	200	307	-.384	.061	-.212	-.753	200	357	.422	.131	.853	.065
200	227	.303	.115	.752	-.015	200	308	.489	.142	.871	-.057	200	358	-.029	.137	.482	-.449
200	228	-.408	.173	.076	-1.235	200	309	.014	.108	.432	-.344	200	359	-.577	.174	.214	-1.244
200	229	-.444	.152	.031	-1.127	200	310	-.387	.064	-.167	-.737	200	360	-.139	.114	.154	-.916
200	230	-.421	.160	-.060	-1.228	200	311	-.374	.060	-.154	-.674	200	361	-.290	.050	-.137	-.559
200	231	-.444	.141	-.032	-1.008	200	312	-.371	.054	-.149	-.651	200	362	-.395	.061	-.229	-.733
200	232	-.486	.148	-.072	-1.090	200	313	-.359	.044	-.199	-.534	200	363	-.402	.069	-.231	-.834
200	233	-.668	.194	-.252	-1.576	200	314	-.365	.048	-.206	-.658	200	364	-.416	.074	-.229	-1.228
200	234	-.330	.088	-.041	-.832	200	315	-.014	.104	.355	-.378	200	365	-.414	.070	-.231	-1.045
200	235	-.068	.066	.225	-.458	200	316	-.650	.120	-.240	-1.115	200	366	-.416	.065	-.245	-.816
200	236	-.301	.173	.265	-1.080	200	317	-.241	.218	.323	-1.004	200	367	-.417	.073	-.215	-.958
200	237	.011	.093	.412	-.294	200	318	-.083	.138	.305	-.601	200	368	.470	.141	.991	.060
200	238	.232	.097	.656	-.006	200	319	-.365	.055	-.201	-.601	200	369	.414	.132	.867	.021
200	239	-.258	.110	.695	-.051	200	320	.550	.153	1.000	-.023	200	370	-.058	.139	.425	-.435
200	240	-.290	.129	.073	-1.176	200	321	.406	.139	.916	-.032	200	371	-.593	.178	-.045	-1.196
200	241	-.370	.128	-.009	-.998	200	322	-.058	.116	.301	-.400	200	372	-.159	.114	.124	-.965
200	242	-.371	.158	.061	-1.352	200	323	-.679	.142	-.070	-1.474	200	373	-.300	.059	-.089	-.582
200	243	-.363	.127	-.108	-.814	200	324	-.259	.092	-.023	-.909	200	374	-.413	.078	-.229	-.969
200	244	-.429	.152	-.041	-1.127	200	325	-.220	.056	-.041	-.500	200	375	-.421	.089	-.224	-1.033
200	245	-.545	.126	-.210	-1.265	200	326	-.369	.046	-.210	-.565	200	376	-.462	.109	-.194	-1.352
200	246	-.216	.062	.038	-.449	200	327	-.363	.050	-.224	-.631	200	377	-.447	.099	-.206	-1.247
200	247	-.031	.063	.202	-.264	200	328	-.376	.051	-.219	-.676	200	378	-.435	.078	-.233	-.928
200	248	-.127	.126	.408	-.591	200	329	-.364	.044	-.235	-.545	200	379	-.430	.076	-.187	-.805
200	249	.078	.079	.415	-.172	200	330	-.368	.040	-.235	-.534	200	380	.445	.140	.998	.049
200	250	.208	.086	.614	-.070	200	331	-.371	.043	-.231	-.583	200	381	.351	.133	.858	-.025

WD	TAP	CPMEAN	CPRMS	CPMAX	CPMIN	WD	TAP	CPMEAN	CPRMS	CPMAX	CPMIN	WD	TAP	CPMEAN	CPRMS	CPMAX	CPMIN
200	382	-.075	.124	.452	-.421	200	432	-.196	.057	-.022	-.448	200	908	-.418	.084	-.175	-.775
200	383	-.593	.178	.046	-1.341	200	433	-.292	.076	-.095	-.677	200	909	-.312	.040	-.187	-.498
200	384	-.181	.116	.100	-.909	200	434	-.324	.109	-.124	-1.032	200	910	-.428	.072	-.210	-.821
200	385	-.300	.042	-.194	-.472	200	435	-.346	.118	-.088	-1.030	200	911	-.477	.103	-.141	-.892
200	386	-.435	.100	-.218	-.954	200	436	-.383	.129	-.141	-1.777	200	912	-.558	.134	-.191	-1.300
200	387	-.467	.125	-.221	-1.075	200	437	-.351	.113	-.055	-.968	200	913	-.527	.122	-.198	-1.256
200	388	-.481	.135	-.200	-1.832	200	438	-.321	.104	-.015	-.874	200	914	-.607	.112	-.285	-1.096
200	389	-.470	.125	-.187	-1.185	200	439	-.346	.121	.042	-1.082	200	915	-.390	.056	-.210	-.615
200	390	-.458	.105	-.185	-1.061	200	440	-.187	.095	.558	-.183	200	916	-.240	.040	-.093	-.527
200	391	-.458	.094	-.149	-1.028	200	441	.181	.086	.510	-.034	200	917	-.406	.072	-.167	-.745
200	392	-.413	.135	.929	-.084	200	442	.047	.065	.290	-.154	200	918	-.441	.067	-.193	-.740
200	393	.314	.134	.721	-.046	200	443	-.199	.091	.080	-.637	200	919	-.559	.111	-.063	-.949
200	394	-.112	.127	.324	-.503	200	444	-.292	.149	.125	-.947	200	920	-.237	.046	-.042	-.643
200	395	-.600	.181	.109	-1.348	200	445	-.321	.094	-.057	-.781	200	921	-.244	.130	.202	-.656
200	396	-.207	.139	.143	-.848	200	446	-.337	.126	.002	-1.084	200	922	-.506	.242	.102	-1.487
200	397	-.336	.087	-.097	-.763	200	447	-.325	.100	-.041	-.720	200	923	-.488	.206	-.023	-1.257
200	398	-.450	.128	-.122	-1.077	200	448	-.328	.095	-.062	-1.124	200	924	-.602	.162	-.097	-1.308
200	399	-.473	.145	-.048	-1.476	200	449	-.299	.087	.023	-.784	200	925	-.554	.175	-.111	-1.559
200	400	-.506	.168	-.039	-1.642	200	450	-.261	.101	.172	-.975	200	926	-.474	.063	-.253	-.763
200	401	-.474	.138	-.129	-1.267	200	451	-.276	.115	.054	-.938	200	927	-.500	.072	-.290	-.819
200	402	-.438	.110	-.066	-1.084	200	452	-.219	.067	.156	-.512	200	928	-.533	.101	-.216	-.935
200	403	-.454	.102	-.112	-1.130	200	453	-.225	.094	.122	-.689	200	929	-.615	.134	-.183	-1.311
200	404	.343	.130	.885	-.066	200	454	-.222	.085	.040	-.734	200	930	-.487	.115	-.056	-.970
200	405	.240	.114	.737	-.086	200	455	.223	.120	.809	-.244	200	931	-.410	.061	-.229	-.809
200	406	-.140	.108	.297	-.501	200	456	.231	.106	.643	-.076	200	932	-.283	.101	-.084	-.729
200	407	-.588	.174	.192	-1.353	200	457	.110	.081	.404	-.091	200	933	-.331	.168	.078	-1.121
200	408	-.238	.147	.169	-.960	200	458	-.038	.072	.253	-.337	200	934	-.444	.134	.031	-1.057
200	409	-.337	.088	-.100	-.797	200	459	-.275	.063	-.076	-.497	200	935	-.384	.225	.145	-1.418
200	410	-.452	.143	-.104	-1.391	200	460	-.308	.083	-.038	-.722	200	936	-.550	.161	-.050	-1.273
200	411	-.451	.151	-.023	-1.310	200	461	-.311	.097	-.055	-.786	200	937	-.675	.094	-.362	-.995
200	412	-.464	.157	.163	-1.375	200	462	-.289	.083	-.064	-.694	200	938	-.596	.100	-.294	-1.008
200	413	-.432	.142	.075	-1.389	200	463	-.297	.095	-.027	-1.091	200	939	-.613	.099	-.265	-.963
200	414	-.420	.110	-.032	-1.353	200	464	-.546	.134	-.170	-1.128	200	940	-.770	.119	-.276	-1.287
200	415	-.452	.120	-.021	-1.438	200	465	-.442	.101	-.154	-1.052	200	941	-.601	.112	-.283	-1.101
200	416	.267	.128	.772	-.160	200	466	-.469	.107	-.173	-.975	200	942	-.646	.099	-.306	-1.180
200	417	.198	.098	.553	-.113	200	467	-.460	.107	-.116	-.806	200	943	-.670	.104	-.156	-1.040
200	418	-.154	.089	.270	-.537	200	468	-.363	.070	-.182	-.621	200	944	-.776	.144	-.301	-1.341
200	419	-.523	.149	.140	-1.180	200	469	-.396	.078	-.200	-.719	200	945	-.731	.109	-.371	-1.135
200	420	-.240	.100	-.044	-.783	200	801	-.206	.079	.616	-.038	200	946	-.629	.146	-.246	-1.185
200	421	-.305	.078	-.118	-.777	200	802	-.233	.086	.216	-.783	200	947	-.777	.163	-.168	-1.302
200	422	-.389	.124	-.138	-1.232	200	803	-.581	.142	-.189	-1.194	200	948	-.761	.116	-.404	-1.218
200	423	-.392	.130	-.061	-1.272	200	804	-.354	.131	.003	-1.143	200	949	-.668	.140	-.273	-1.357
200	424	-.396	.136	.113	-1.184	200	805	-.621	.143	-.242	-1.261	200	950	-.805	.110	-.440	-1.481
200	425	-.371	.120	.070	-1.091	200	901	-.350	.052	-.174	-.622	200	951	-.695	.126	-.277	-1.228
200	426	-.372	.109	.002	-1.061	200	902	-.389	.067	-.158	-.676	200	952	-.832	.146	-.425	-1.390
200	427	-.426	.132	-.022	-1.122	200	903	-.416	.074	-.173	-.956	200	953	-.885	.144	-.468	-1.679
200	428	.211	.108	.626	-.344	200	904	-.372	.046	-.178	-.540	200	954	-.696	.110	-.361	-1.187
200	429	.163	.085	.520	-.088	200	905	-.433	.087	-.162	-.833	200	955	-.925	.169	-.550	-2.118
200	430	-.071	.060	.177	-.285	200	906	-.414	.076	-.166	-.755	200	956	-.731	.114	-.342	-1.302
200	431	-.466	.142	-.005	-1.084	200	907	-.339	.043	-.175	-.512	200	957	-.885	.197	-.384	-2.235



WD	TAP	CPMEAN	CPRMS	CPMAX	CPMIN	WD	TAP	CPMEAN	CPRMS	CPMAX	CPMIN	WD	TAP	CPMEAN	CPRMS	CPMAX	CPMIN
210	101	-.140	.082	.148	-.474	210	151	-.208	.122	-.025	-.872	210	201	.009	.115	.417	-.334
210	102	.072	.108	.442	-.251	210	152	-.657	.161	-.167	-1.275	210	202	.338	.118	.779	-.059
210	103	.196	.127	.589	-.196	210	153	-.086	.117	.385	-.486	210	203	.406	.137	.894	.026
210	104	-.356	.071	-.135	-.780	210	154	.445	.128	.873	.100	210	204	-.494	.135	-.096	-1.149
210	105	-.814	.168	-.367	-1.384	210	155	.554	.144	1.004	.109	210	205	-.486	.130	-.171	-1.255
210	106	-.343	.059	-.147	-.622	210	156	-.407	.065	-.217	-.942	210	206	-.501	.141	-.111	-1.412
210	107	-.596	.145	-.180	-1.074	210	157	-.392	.048	-.262	-.719	210	207	-.537	.148	-.146	-1.253
210	108	-.351	.059	-.167	-.731	210	158	-.393	.050	-.221	-.646	210	208	-.532	.132	-.197	-1.350
210	109	-.355	.053	-.178	-.613	210	159	-.399	.058	-.248	-.694	210	209	-.534	.141	-.193	-1.339
210	110	-.414	.082	-.176	-.853	210	160	-.384	.048	-.235	-.590	210	210	-.286	.074	-.065	-.548
210	111	-.804	.140	-.294	-1.368	210	161	-.376	.047	-.257	-.823	210	211	-.067	.081	.211	-.467
210	112	-.134	.096	-.295	-.517	210	162	-.303	.043	-.140	-.515	210	212	-.365	.180	.331	-1.063
210	113	.416	.133	.810	-.015	210	163	-.174	.116	-.048	-.750	210	213	.018	.116	.485	-.290
210	114	.521	.143	.944	-.079	210	164	-.595	.172	-.117	-1.336	210	214	.313	.118	.785	.039
210	115	-.376	.054	-.185	-.633	210	165	-.041	.118	.421	-.445	210	215	.325	.125	.841	.004
210	116	-.442	.070	-.209	-.746	210	166	.413	.132	.792	.032	210	216	-.445	.150	-.087	-1.350
210	117	-.417	.063	-.198	-.657	210	167	.532	.138	.948	.159	210	217	-.440	.127	-.040	-.911
210	118	-.466	.079	-.189	-.735	210	168	-.433	.081	-.162	-.970	210	218	-.463	.131	-.005	-1.063
210	119	-.410	.070	-.158	-.693	210	169	-.407	.065	-.235	-.841	210	219	-.472	.137	-.036	-1.028
210	120	-.345	.043	-.189	-.599	210	170	-.414	.077	-.223	-1.013	210	220	-.578	.136	-.182	-1.304
210	121	-.355	.042	-.220	-.508	210	171	-.424	.077	-.239	-1.119	210	221	-.572	.141	-.149	-1.187
210	122	-.382	.049	-.229	-.581	210	172	-.405	.068	-.221	-.730	210	222	-.311	.081	-.038	-.626
210	123	-.418	.064	-.231	-.766	210	173	-.400	.065	-.208	-.818	210	223	-.055	.075	.196	-.586
210	124	-.402	.058	-.202	-.646	210	174	-.291	.052	-.113	-.554	210	224	-.283	.176	.275	-1.071
210	125	-.409	.057	-.193	-.617	210	175	-.143	.107	.141	-.852	210	225	.055	.116	.492	-.335
210	126	-.361	.046	-.198	-.541	210	176	-.559	.175	.080	-1.623	210	226	.259	.101	.696	-.001
210	127	-.289	.126	-.033	-.978	210	177	-.011	.113	.396	-.384	210	227	.267	.116	.703	-.029
210	128	-.718	.158	-.138	-1.551	210	178	.377	.127	.851	.068	210	228	-.391	.149	.051	-1.237
210	129	-.102	.104	.252	-.457	210	179	.487	.133	.923	.143	210	229	-.354	.126	-.022	-.978
210	130	.438	.137	.854	.038	210	180	-.456	.093	-.192	-1.033	210	230	-.372	.136	-.073	-.887
210	131	.537	.149	1.004	.092	210	181	-.448	.088	-.242	-1.171	210	231	-.374	.121	-.069	-1.071
210	132	-.366	.043	-.198	-.541	210	182	-.444	.096	-.212	-1.173	210	232	-.456	.128	-.132	-.968
210	133	-.359	.038	-.240	-.548	210	183	-.469	.109	-.224	-1.195	210	233	-.646	.183	-.272	-1.455
210	134	-.371	.042	-.231	-.548	210	184	-.435	.085	-.239	-.869	210	234	-.316	.077	-.069	-.660
210	135	-.386	.047	-.243	-.575	210	185	-.426	.070	-.279	-.718	210	235	-.048	.069	.191	-.335
210	136	-.369	.042	-.234	-.577	210	186	-.262	.061	-.100	-.654	210	236	-.174	.166	.382	-.728
210	137	-.363	.041	-.238	-.526	210	187	-.109	.099	.132	-.723	210	237	.053	.109	.457	-.274
210	138	-.306	.035	-.193	-.428	210	188	-.476	.176	.185	-1.094	210	238	.204	.089	.607	-.603
210	139	-.223	.141	.061	-1.067	210	189	.010	.113	.399	-.328	210	239	.206	.103	.635	-.146
210	140	-.709	.158	-.185	-1.273	210	190	.393	.123	.925	.052	210	240	-.304	.103	-.036	-1.123
210	141	-.089	.117	.386	-.508	210	191	.442	.139	.911	.017	210	241	-.326	.111	-.076	-.758
210	142	.444	.131	.873	.095	210	192	-.487	.113	-.122	-1.100	210	242	-.328	.136	-.013	-.924
210	143	.547	.153	1.093	.082	210	193	-.479	.114	-.224	-1.109	210	243	-.318	.095	-.066	-.695
210	144	-.378	.047	-.244	-.624	210	194	-.493	.133	-.186	-1.346	210	244	-.411	.139	-.087	-1.090
210	145	-.373	.040	-.260	-.563	210	195	-.514	.138	-.113	-1.319	210	245	-.523	.111	-.244	-1.167
210	146	-.382	.044	-.255	-.556	210	196	-.494	.120	-.195	-1.061	210	246	-.200	.059	.067	-.405
210	147	-.385	.047	-.260	-.649	210	197	-.486	.134	-.182	-1.138	210	247	-.017	.069	.249	-.284
210	148	-.386	.042	-.260	-.551	210	198	-.280	.077	-.016	-.582	210	248	-.034	.133	.352	-.569
210	149	-.377	.045	-.235	-.551	210	199	-.087	.088	.152	-.756	210	249	.082	.089	.436	-.160
210	150	-.300	.038	-.149	-.450	210	200	-.439	.189	.227	-1.092	210	250	.185	.072	.588	-.001

WD	TAP	CPMEAN	CPRMS	CPMAX	CPMIN	WD	TAP	CPMEAN	CPRMS	CPMAX	CPMIN	WD	TAP	CPMEAN	CPRMS	CPMAX	CPMIN
210	251	.159	.070	.467	-.006	210	332	.525	.152	1.010	-.002	210	382	-.308	.109	.218	-.788
210	252	.140	.071	.530	-.043	210	333	.345	.126	.726	-.027	210	383	-.804	.147	-.385	-1.477
210	253	.152	.070	.502	-.038	210	334	-.282	.094	.057	-.651	210	384	-.515	.217	-.091	-1.176
210	254	.157	.067	.497	-.008	210	335	-.835	.147	-.335	-1.277	210	385	-.366	.061	-.234	-.586
210	255	-.309	.123	-.022	-1.032	210	336	-.481	.226	-.009	-1.130	210	386	-.442	.086	-.221	-.950
210	256	-.287	.097	-.099	-.714	210	337	-.311	.058	-.149	-.845	210	387	-.434	.084	-.221	-.871
210	257	-.284	.097	-.066	-.679	210	338	-.379	.050	-.233	-.707	210	388	-.459	.099	-.187	-1.044
210	258	-.302	.094	-.101	-.644	210	339	-.361	.047	-.215	-.601	210	389	-.446	.089	-.219	-1.124
210	259	-.324	.078	-.078	-.651	210	340	-.389	.057	-.240	-.766	210	390	-.438	.078	-.210	-.882
210	260	-.361	.086	-.146	-.861	210	341	-.369	.047	-.231	-.723	210	391	-.443	.075	-.151	-.804
210	261	-.132	.047	.079	-.305	210	342	-.353	.038	-.227	-.515	210	392	.314	.150	.779	-.140
210	262	-.009	.084	.282	-.363	210	343	-.362	.040	-.243	-.529	210	393	.206	.113	.573	-.163
210	263	-.072	.098	.380	-.422	210	344	.500	.153	.990	-.066	210	394	-.306	.105	.046	-.642
210	264	.178	.117	.805	.153	210	345	.341	.125	.724	.023	210	395	-.822	.158	-.349	-1.501
210	265	.109	.117	.593	-.312	210	346	-.285	.095	.110	-.646	210	396	-.498	.224	-.044	-1.405
210	266	-.048	.073	.256	-.303	210	347	-.857	.151	-.346	-1.783	210	397	-.392	.091	-.149	-.988
210	267	.062	.099	.443	-.312	210	348	-.528	.249	-.004	-1.226	210	398	-.454	.103	-.147	-.907
210	268	.216	.109	.737	-.065	210	349	-.344	.066	-.126	-.969	210	399	-.457	.106	-.198	-1.035
210	269	.100	.108	.574	-.298	210	350	-.389	.053	-.071	-.669	210	400	-.475	.120	-.214	-1.172
210	301	-.334	.054	-.086	-.549	210	351	-.373	.054	-.183	-.710	210	401	-.453	.102	-.165	-1.064
210	302	-.331	.052	-.120	-.592	210	352	-.386	.057	-.234	-.694	210	402	-.427	.084	-.167	-.927
210	303	-.348	.045	-.102	-.845	210	353	-.374	.049	-.208	-.843	210	403	-.469	.097	-.185	-.889
210	304	.038	.119	.355	-.685	210	354	-.371	.043	-.245	-.577	210	404	.270	.159	.786	-.409
210	305	-.359	.057	-.151	-.658	210	355	-.379	.043	-.227	-.566	210	405	.182	.119	.551	-.113
210	306	-.029	.100	.287	-.377	210	356	.465	.164	1.002	-.149	210	406	-.291	.106	.111	-.716
210	307	-.381	.069	-.154	-.694	210	357	.305	.128	.718	-.025	210	407	-.794	.164	-.349	-1.743
210	308	.436	.154	.864	-.366	210	358	-.287	.108	.138	-.612	210	408	-.448	.193	-.050	-1.196
210	309	-.098	.088	.183	-.405	210	359	-.840	.155	-.371	-1.396	210	409	-.406	.093	-.149	-.916
210	310	-.372	.071	-.124	-.694	210	360	-.504	.242	-.046	-1.441	210	410	-.474	.117	-.156	-.943
210	311	-.356	.066	-.142	-.741	210	361	-.345	.069	-.192	-.953	210	411	-.462	.118	-.133	-.896
210	312	-.341	.053	-.169	-.581	210	362	-.411	.064	-.135	-.671	210	412	-.478	.128	-.089	-1.149
210	313	-.338	.045	-.194	-.542	210	363	-.396	.062	-.202	-.740	210	413	-.472	.125	-.169	-1.120
210	314	-.348	.052	-.160	-.651	210	364	-.408	.066	-.238	-.960	210	414	-.457	.098	-.142	-1.010
210	315	-.132	.085	-.208	-.441	210	365	-.408	.064	-.176	-1.302	210	415	-.445	.104	-.095	-.992
210	316	.685	.094	-.396	-1.089	210	366	-.388	.051	-.188	-.642	210	416	.192	.162	.779	-.613
210	317	-.634	.151	-.004	-1.119	210	367	-.397	.056	-.195	-.655	210	417	.143	.117	.611	-.133
210	318	-.171	.140	.249	-.649	210	368	.444	.159	.894	-.080	210	418	-.259	.097	.075	-.640
210	319	-.368	.069	-.140	-.694	210	369	.293	.127	.736	-.110	210	419	-.755	.178	-.257	-1.510
210	320	.490	.162	.970	-.106	210	370	-.292	.103	.057	-.678	210	420	-.356	.116	-.106	-.992
210	321	-.292	.126	.633	-.158	210	371	-.861	.167	-.179	-1.524	210	421	-.390	.089	-.172	-.737
210	322	-.266	.092	-.066	-.653	210	372	-.530	.250	-.085	-1.565	210	422	-.488	.145	-.147	-.974
210	323	-.963	.238	-.396	-1.854	210	373	-.366	.075	-.163	-.898	210	423	-.482	.140	-.122	-1.111
210	324	-.559	.156	-.147	-1.334	210	374	-.410	.071	-.140	-.827	210	424	-.470	.134	-.174	-1.368
210	325	-.331	.069	-.133	-.683	210	375	-.413	.073	-.190	-.976	210	425	-.471	.118	-.143	-1.209
210	326	-.373	.053	-.183	-.762	210	376	-.422	.084	-.208	-.882	210	426	-.408	.114	-.067	-1.072
210	327	-.364	.058	-.199	-.750	210	377	-.411	.076	-.211	-.841	210	427	-.407	.111	-.020	-.930
210	328	-.377	.067	-.210	-.796	210	378	-.406	.065	-.227	-.756	210	428	.151	.120	.611	-.323
210	329	-.353	.048	-.176	-.540	210	379	-.426	.071	-.114	-.878	210	429	.116	.090	.504	-.119
210	330	-.348	.042	-.212	-.511	210	380	.399	.154	.834	-.206	210	430	-.142	.075	-.092	-.446
210	331	-.349	.045	-.181	-.558	210	381	.247	.124	.713	-.085	210	431	-.643	.159	-.219	-1.271

WD	TAP	CPMEAN	CPRMS	CPMAX	CPMIN	WD	TAP	CPMEAN	CPRMS	CPMAX	CPMIN	WD	TAP	CPMEAN	CPRMS	CPMAX	CPMIN
210	432	-.270	.057	-.081	-.565	210	908	-.410	.076	-.157	-.817	220	101	-.010	.095	.303	-.402
210	433	-.372	.097	-.164	-.769	210	909	-.317	.056	-.115	-.656	220	102	.141	.113	.493	-.190
210	434	-.478	.174	-.110	-1.539	210	910	-.427	.074	-.178	-.739	220	103	.190	.116	.668	-.210
210	435	-.427	.132	-.067	-1.074	210	911	-.420	.085	-.026	-.764	220	104	-.363	.090	-.084	-.959
210	436	-.438	.140	-.011	-1.193	210	912	-.476	.137	-.026	-1.123	220	105	-.619	.141	-.139	-1.342
210	437	-.426	.123	-.072	-1.017	210	913	-.408	.096	-.065	-.826	220	106	-.357	.078	-.095	-.820
210	438	-.342	.106	-.039	-.944	210	914	-.485	.101	-.051	-1.044	220	107	-.323	.113	-.013	-.811
210	439	-.338	.099	-.077	-.790	210	915	-.360	.066	-.115	-.670	220	108	-.342	.070	-.146	-.760
210	440	.117	.082	.480	-.214	210	916	-.302	.073	-.075	-.650	220	109	-.361	.072	-.073	-.727
210	441	.121	.075	.466	-.105	210	917	-.329	.064	-.093	-.585	220	110	-.324	.064	-.097	-.577
210	442	-.010	.067	.276	-.273	210	918	-.442	.070	-.179	-.701	220	111	-.551	.159	.062	-1.196
210	443	-.258	.090	.118	-.643	210	919	-.390	.116	.231	-.811	220	112	.075	.112	.522	-.294
210	444	-.367	.129	-.034	-1.017	210	920	-.310	.093	-.063	-.799	220	113	.499	.145	.911	.029
210	445	-.390	.111	-.107	-.825	210	921	-.370	.128	.154	-1.046	220	114	.439	.153	.945	-.048
210	446	-.478	.206	-.055	-1.487	210	922	-.493	.196	.023	-1.086	220	115	-.372	.070	-.119	-.652
210	447	-.385	.116	-.001	-.987	210	923	-.537	.196	-.093	-1.302	220	116	-.452	.097	-.090	-.882
210	448	-.346	.106	-.054	-.904	210	924	-.530	.140	-.163	-1.118	220	117	-.421	.079	-.132	-.842
210	449	-.313	.107	-.025	-.844	210	925	-.479	.139	-.105	-1.323	220	118	-.487	.091	-.216	-.789
210	450	-.270	.094	-.028	-.882	210	926	-.442	.066	-.196	-.683	220	119	-.343	.069	-.113	-.597
210	451	-.294	.099	-.006	-.783	210	927	-.474	.080	-.172	-.776	220	120	-.344	.058	-.172	-.670
210	452	-.240	.073	-.025	-.572	210	928	-.513	.092	-.063	-.846	220	121	-.352	.055	-.128	-.579
210	453	-.236	.080	-.066	-.641	210	929	-.546	.110	-.126	-.969	220	122	-.386	.069	-.146	-.714
210	454	-.251	.079	-.002	-.662	210	930	-.521	.118	-.103	-.929	220	123	-.431	.087	-.062	-.975
210	455	.161	.120	.632	-.193	210	931	-.482	.098	-.127	-.940	220	124	-.421	.071	-.205	-.900
210	456	.160	.093	.902	-.086	210	932	-.513	.117	-.134	-.901	220	125	-.419	.070	-.208	-.694
210	457	.061	.074	.348	-.117	210	933	-.643	.140	-.142	-1.203	220	126	-.333	.053	-.168	-.519
210	458	-.092	.076	.288	-.401	210	934	-.656	.117	-.116	-1.022	220	127	-.115	.067	-.117	-.524
210	459	-.291	.070	-.074	-.565	210	935	-.444	.179	.025	-1.314	220	128	-.429	.166	.106	-1.013
210	460	-.345	.094	-.086	-.702	210	936	-.546	.144	-.193	-1.213	220	129	.119	.119	.708	-.254
210	461	-.359	.105	-.100	-.856	210	937	-.608	.104	-.211	-.972	220	130	.538	.139	.973	.129
210	462	-.343	.098	-.091	-.818	210	938	-.590	.120	-.223	-1.088	220	131	.523	.154	1.029	.042
210	463	-.330	.121	-.004	-1.309	210	939	-.581	.091	-.236	-.901	220	132	-.366	.055	-.214	-.705
210	464	-.525	.119	-.238	-1.033	210	940	-.734	.109	-.389	-1.309	220	133	-.360	.049	-.210	-.575
210	465	-.427	.091	-.189	-1.051	210	941	-.589	.123	-.177	-1.095	220	134	-.371	.057	-.194	-.619
210	466	-.450	.096	-.203	-.835	210	942	-.598	.113	-.138	-1.031	220	135	-.394	.060	-.219	-.747
210	467	-.445	.101	-.105	-.816	210	943	-.628	.112	-.041	-1.077	220	136	-.366	.054	-.199	-.599
210	468	-.402	.083	-.180	-.696	210	944	-.762	.154	-.184	-1.391	220	137	-.369	.054	-.201	-.632
210	469	-.434	.095	-.167	-.823	210	945	-.681	.120	-.282	-1.150	220	138	-.268	.041	-.113	-.446
210	801	-.178	.071	-.455	-.012	210	946	-.712	.127	-.135	-1.143	220	139	-.054	.066	.157	-.413
210	802	-.238	.072	-.017	-.538	210	947	-.790	.119	-.284	-1.297	220	140	-.394	.165	.232	-1.207
210	803	-.568	.131	-.204	-1.143	210	948	-.744	.101	-.430	-1.203	220	141	.126	.121	.571	-.252
210	804	-.335	.122	-.059	-1.004	210	949	-.603	.111	-.236	-1.126	220	142	.543	.139	1.038	.115
210	805	-.612	.140	-.255	-1.282	210	950	-.797	.108	-.471	-1.472	220	143	.503	.154	1.063	.101
210	901	-.310	.054	-.118	-.588	210	951	-.600	.117	-.197	-1.140	220	144	-.390	.059	-.213	-.695
210	902	-.334	.052	-.160	-.555	210	952	-.690	.114	-.380	-1.186	220	145	-.382	.050	-.220	-.704
210	903	-.385	.083	-.109	-.725	210	953	-.834	.118	-.505	-1.405	220	146	-.382	.057	-.206	-.666
210	904	-.346	.052	-.134	-.585	210	954	-.648	.124	-.289	-1.241	220	147	-.399	.064	-.226	-1.013
210	905	-.383	.072	-.118	-.683	210	955	-.807	.148	-.390	-1.643	220	148	-.369	.056	-.215	-.735
210	906	-.323	.064	-.088	-.562	210	956	-.598	.092	-.293	-1.051	220	149	-.367	.049	-.211	-.542
210	907	-.331	.056	-.148	-.587	210	957	-.705	.114	-.351	-1.309	220	150	-.259	.041	-.116	-.408

WD	TAP	CPMEAN	CPRMS	CPMAX	CPMIN	WD	TAP	CPMEAN	CPRMS	CPMAX	CPMIN	WD	TAP	CPMEAN	CPRMS	CPMAX	CPMIN
220	151	-.065	.064	.150	-.419	220	201	.140	.113	.607	-.197	220	251	.169	.079	.553	-.007
220	152	-.382	.171	.218	-1.125	220	202	.390	.127	.810	-.090	220	252	.149	.071	.540	-.019
220	153	.121	.118	.538	-.235	220	203	.341	.136	.920	-.024	220	253	.165	.080	.540	-.019
220	154	.521	.138	.937	.085	220	204	-.461	.133	-.129	-1.360	220	254	.161	.074	.526	-.007
220	155	.464	.147	.886	.020	220	205	-.437	.118	-.066	-1.327	220	255	-.307	.069	-.146	-.804
220	156	-.395	.063	-.190	-.787	220	206	-.455	.136	-.063	-1.583	220	256	-.293	.058	-.123	-.614
220	157	-.390	.062	-.217	-.962	220	207	-.512	.148	-.002	-1.351	220	257	-.305	.061	-.109	-.786
220	158	-.391	.067	-.054	-1.336	220	208	-.495	.135	-.173	-1.254	220	258	-.333	.063	-.139	-.589
220	159	-.403	.076	-.204	-1.031	220	209	-.479	.126	-.188	-1.156	220	259	-.333	.060	-.105	-.619
220	160	-.383	.067	-.213	-.895	220	210	-.238	.075	-.004	-.639	220	260	-.369	.079	-.128	-.835
220	161	-.375	.057	-.220	-.646	220	211	-.013	.068	-.258	-.247	220	261	-.131	.041	.053	-.267
220	162	-.268	.045	-.134	-.460	220	212	-.216	.173	.344	-1.044	220	262	-.029	.070	.326	-.276
220	163	-.038	.069	.184	-.430	220	213	.145	.110	.587	-.221	220	263	-.063	.082	.391	-.369
220	164	-.346	.170	.310	-.969	220	214	.363	.125	.867	-.004	220	264	.145	.107	.650	-.137
220	165	.154	.116	.612	-.251	220	215	.290	.131	.825	-.107	220	265	.114	.107	.594	-.287
220	166	.492	.143	.922	-.038	220	216	-.433	.128	-.096	-1.346	220	266	-.068	.065	.177	-.271
220	167	.481	.144	1.002	.070	220	217	-.408	.111	-.044	-1.187	220	267	.081	.098	.528	-.254
220	168	-.432	.079	-.188	-.854	220	218	-.415	.118	-.059	-1.064	220	268	.176	.097	.718	-.090
220	169	-.400	.075	-.199	-.879	220	219	-.481	.138	-.017	-1.224	220	269	.103	.099	.505	-.283
220	170	-.415	.092	-.199	-2.025	220	220	-.545	.139	-.169	-1.270	220	301	-.360	.090	-.089	-.774
220	171	-.434	.098	-.226	-1.242	220	221	-.514	.135	-.169	-1.230	220	302	-.349	.083	-.107	-.997
220	172	-.402	.084	-.213	-1.305	220	222	-.269	.077	-.037	-.602	220	303	-.367	.102	-.073	-.958
220	173	-.398	.079	-.195	-.912	220	223	-.016	.063	.250	-.239	220	304	-.129	.128	.250	-.662
220	174	-.258	.052	-.065	-.475	220	224	-.171	.157	.345	-.774	220	305	-.376	.098	-.059	-.985
220	175	-.025	.068	.193	-.282	220	225	.119	.111	.641	-.223	220	306	-.115	.087	.161	-.435
220	176	-.321	.171	.236	-.928	220	226	.320	.119	.760	-.023	220	307	-.404	.113	-.025	-.970
220	177	.138	.118	.502	-.193	220	227	.243	.120	.704	-.044	220	308	.224	.167	.669	-.428
220	178	.485	.137	.881	.108	220	228	-.378	.101	-.121	-1.008	220	309	-.182	.080	.129	-.544
220	179	.439	.139	.893	.049	220	229	-.363	.091	-.135	-.925	220	310	-.417	.110	-.066	-1.004
220	180	-.448	.091	-.202	-1.112	220	230	-.354	.088	-.091	-.747	220	311	-.403	.113	-.041	-1.220
220	181	-.434	.100	-.224	-1.128	220	231	-.372	.093	-.058	-.791	220	312	-.375	.092	-.085	-.835
220	182	-.437	.107	-.184	-1.446	220	232	-.472	.113	-.109	-.964	220	313	-.354	.077	-.116	-.833
220	183	-.468	.124	-.184	-1.178	220	233	-.591	.171	-.237	-1.423	220	314	-.349	.076	-.135	-.883
220	184	-.426	.093	-.234	-.906	220	234	-.292	.078	-.077	-.691	220	315	-.216	.079	-.072	-.478
220	185	-.421	.077	-.267	-.817	220	235	-.013	.064	.231	-.225	220	316	-.647	.104	-.303	-1.038
220	186	-.230	.061	-.057	-.600	220	236	-.119	.135	.347	-.635	220	317	-.677	.128	-.285	-1.177
220	187	-.016	.070	.234	-.333	220	237	.093	.099	.477	-.176	220	318	-.488	.146	-.189	-.931
220	188	-.279	.162	.230	-.838	220	238	.227	.097	.635	-.009	220	319	-.427	.118	-.055	-.956
220	189	.119	.117	.565	-.221	220	239	.176	.093	.572	-.086	220	320	.315	.173	.739	-.421
220	190	.438	.124	.856	.096	220	240	-.316	.065	-.098	-.642	220	321	.174	.101	.496	-.157
220	191	.400	.135	.856	.020	220	241	-.311	.066	-.146	-.730	220	322	-.358	.107	-.059	-.769
220	192	-.473	.118	-.160	-1.309	220	242	-.327	.088	-.123	-.899	220	323	-.830	.268	-.301	-1.827
220	193	-.459	.125	-.077	-1.219	220	243	-.334	.072	-.121	-.668	220	324	-.697	.142	-.223	-1.552
220	194	-.444	.117	-.125	-1.213	220	244	-.394	.120	-.049	-.981	220	325	-.500	.126	-.030	-1.259
220	195	-.486	.138	-.013	-1.425	220	245	-.503	.115	-.200	-1.115	220	326	-.431	.112	-.034	-.976
220	196	-.453	.117	-.208	-1.324	220	246	-.192	.049	-.007	-.376	220	327	-.400	.103	-.037	-1.054
220	197	-.439	.112	-.195	-1.173	220	247	-.015	.060	.268	-.176	220	328	-.409	.114	-.062	-1.163
220	198	-.245	.070	-.039	-.580	220	248	-.012	.115	.414	-.510	220	329	-.389	.088	-.166	-.890
220	199	-.011	.070	.245	-.344	220	249	.125	.087	.489	-.139	220	330	-.361	.070	-.160	-.872
220	200	-.241	.169	.385	-.926	220	250	.192	.084	.553	-.014	220	331	-.356	.070	-.119	-.867

WD	TAP	CPMEAN	CPRMS	CPMAX	CPMIN	WD	TAP	CPMEAN	CPRMS	CPMAX	CPMIN	WD	TAP	CPMEAN	CPRMS	CPMAX	CPMIN
220	332	.327	.175	.914	-.269	220	382	-.413	.100	-.004	-.803	220	432	-.281	.057	-.077	-.825
220	333	.224	.108	-.632	-.085	220	383	-.845	.186	-.364	-1.640	220	433	-.460	.096	-.139	-.813
220	334	-.347	.110	-.016	-.715	220	384	-.729	.163	-.306	-1.234	220	434	-.638	.187	-.158	-1.539
220	335	-.748	.216	-.267	-1.525	220	385	-.551	.099	-.306	-.833	220	435	-.473	.168	-.082	-1.206
220	336	-.705	.180	-.196	-1.402	220	386	-.528	.110	-.270	-.971	220	436	-.399	.140	-.049	-1.277
220	337	-.496	.144	-.014	-1.195	220	387	-.522	.111	-.223	-1.036	220	437	-.432	.137	-.051	-1.039
220	338	-.441	.111	-.094	-.963	220	388	-.532	.124	-.245	-1.194	220	438	-.349	.084	-.120	-.691
220	339	-.413	.095	-.087	-.933	220	389	-.531	.114	-.263	-1.196	220	439	-.347	.076	-.115	-.703
220	340	-.434	.113	-.160	-1.138	220	390	-.489	.098	-.186	-.982	220	440	-.106	.089	.532	-.170
220	341	-.408	.086	-.180	-.931	220	391	-.467	.091	-.123	-.959	220	441	-.112	.070	.587	-.058
220	342	-.383	.060	-.173	-.663	220	392	-.182	.168	-.683	-.612	220	442	-.038	.052	.213	-.225
220	343	-.373	.059	-.086	-.723	220	393	-.099	.100	-.544	-.218	220	443	-.282	.089	.004	-.782
220	344	-.332	.174	.858	-.323	220	394	-.414	.094	-.137	-.770	220	444	-.328	.109	.049	-.794
220	345	-.199	.113	.581	-.153	220	395	-.846	.184	-.419	-1.660	220	445	-.374	.111	-.027	-.839
220	346	-.366	.114	.071	-.739	220	396	-.692	.185	-.198	-1.331	220	446	-.406	.180	-.065	-1.279
220	347	-.755	.208	-.210	-1.465	220	397	-.565	.140	-.150	-1.192	220	447	-.322	.102	-.058	-.789
220	348	-.711	.194	-.196	-1.472	220	398	-.565	.123	-.245	-1.189	220	448	-.300	.091	-.037	-.851
220	349	-.528	.152	-.053	-1.186	220	399	-.542	.121	-.204	-1.101	220	449	-.297	.088	-.015	-.777
220	350	-.460	.114	-.127	-.974	220	400	-.560	.126	-.238	-1.149	220	450	-.306	.075	-.065	-.741
220	351	-.437	.102	-.176	-.912	220	401	-.515	.122	-.236	-1.390	220	451	-.300	.057	-.142	-.539
220	352	-.471	.123	-.109	-1.080	220	402	-.503	.107	-.186	-1.032	220	452	-.287	.066	-.046	-.546
220	353	-.435	.092	-.178	-.801	220	403	-.483	.101	-.213	-.962	220	453	-.300	.065	-.056	-.725
220	354	-.395	.059	-.178	-.626	220	404	-.125	.162	-.600	-.651	220	454	-.290	.055	-.101	-.520
220	355	-.383	.062	-.201	-.674	220	405	-.060	.093	-.463	-.155	220	455	.083	.096	.439	-.237
220	356	.322	.164	.782	-.298	220	406	-.390	.090	-.021	-.806	220	456	.130	.076	.463	-.103
220	357	.177	.102	.498	-.139	220	407	-.832	.192	-.378	-1.636	220	457	.016	.051	.239	-.134
220	358	-.368	.114	-.007	-.757	220	408	-.627	.190	-.191	-1.356	220	458	-.122	.060	.082	-.432
220	359	-.805	.224	-.263	-1.555	220	409	-.519	.119	-.225	-1.153	220	459	-.257	.065	-.027	-.537
220	360	-.753	.202	-.250	-1.643	220	410	-.560	.124	-.175	-1.133	220	460	-.323	.079	-.053	-.720
220	361	-.521	.151	-.065	-1.129	220	411	-.556	.128	-.247	-1.113	220	461	-.323	.080	-.063	-.770
220	362	-.493	.117	-.109	-1.050	220	412	-.558	.126	-.164	-1.239	220	462	-.309	.084	-.087	-.853
220	363	-.470	.107	-.088	-1.147	220	413	-.557	.130	-.159	-1.225	220	463	-.285	.091	-.073	-1.194
220	364	-.473	.130	-.132	-1.272	220	414	-.493	.109	-.153	-1.095	220	464	-.518	.111	-.266	-.941
220	365	-.452	.094	-.136	-.921	220	415	-.457	.110	-.052	-1.104	220	465	-.418	.074	-.218	-1.197
220	366	-.421	.071	-.190	-.686	220	416	-.058	.141	.629	-.430	220	466	-.448	.085	-.246	-.840
220	367	-.407	.067	-.157	-.720	220	417	-.048	.080	.429	-.225	220	467	-.437	.074	-.230	-.820
220	368	.271	.169	.826	-.353	220	418	-.366	.082	-.087	-.673	220	468	-.349	.075	-.101	-.698
220	369	.144	.106	.546	-.160	220	419	-.873	.201	-.396	-1.784	220	469	-.357	.083	-.101	-.684
220	370	-.398	.111	-.056	-.789	220	420	-.452	.147	-.175	-1.160	220	801	.191	.085	.528	-.036
220	371	-.789	.219	-.319	-1.816	220	421	-.481	.091	-.184	-.885	220	802	-.285	.063	-.019	-.557
220	372	-.746	.195	-.233	-1.516	220	422	-.577	.139	-.218	-1.165	220	803	-.548	.114	-.240	-1.217
220	373	-.524	.143	-.136	-1.165	220	423	-.585	.157	-.044	-1.300	220	804	-.331	.103	-.114	-.874
220	374	-.513	.117	-.190	-.983	220	424	-.518	.134	-.073	-1.170	220	805	-.538	.136	-.070	-1.174
220	375	-.469	.108	-.187	-.995	220	425	-.519	.124	-.073	-1.234	220	901	-.317	.079	-.002	-.692
220	376	-.520	.136	-.176	-1.193	220	426	-.423	.114	-.030	-.887	220	902	-.322	.078	-.059	-.661
220	377	-.479	.099	-.236	-1.085	220	427	-.392	.095	-.087	-.822	220	903	-.357	.097	-.051	-.772
220	378	-.459	.085	-.231	-.900	220	428	-.059	.115	.520	-.365	220	904	-.357	.086	-.077	-.875
220	379	-.455	.088	-.194	-.921	220	429	-.071	.066	.408	-.115	220	905	-.397	.106	-.001	-1.197
220	380	.216	.168	.731	-.395	220	430	-.211	.058	-.006	-.425	220	906	-.309	.086	-.013	-.631
220	381	.105	.101	.512	-.192	220	431	-.715	.178	-.268	-1.439	220	907	-.375	.096	-.008	-.910

WD	TAP	CPMEAN	CPRMS	CPMAX	CPMIN	WD	TAP	CPMEAN	CPRMS	CPMAX	CPMIN	WD	TAP	CPMEAN	CPRMS	CPMAX	CPMIN
220	908	-.443	.115	-.081	-.928	230	101	.119	.105	.475	-.290	230	151	.042	.074	.347	-.196
220	909	-.406	.113	-.022	-1.039	230	102	.212	.112	.537	-.267	230	152	-.114	.158	.361	-.790
220	910	-.472	.110	-.111	-.986	230	103	.153	.114	.553	-.303	230	153	.302	.137	.742	-.140
220	911	-.429	.105	-.014	-.919	230	104	-.346	.090	-.076	-.726	230	154	.543	.144	.985	.123
220	912	-.433	.126	-.050	-.972	230	105	-.411	.122	-.055	-1.013	230	155	.414	.143	.808	-.040
220	913	-.426	.109	-.003	-.861	230	106	-.343	.086	-.092	-.754	230	156	-.394	.079	-.196	-1.013
220	914	-.400	.104	.027	-.769	230	107	-.169	.071	-.057	-.577	230	157	-.369	.056	-.161	-.692
220	915	-.394	.109	.043	-.868	230	108	-.337	.079	-.101	-.827	230	158	-.378	.071	-.184	-.859
220	916	-.424	.111	-.009	-.916	230	109	-.351	.082	-.053	-.710	230	159	-.386	.078	-.105	-.887
220	917	-.472	.135	-.002	-1.051	230	110	-.224	.065	.089	-.485	230	160	-.382	.062	-.191	-.853
220	918	-.446	.091	-.149	-.811	230	111	-.235	.168	.363	-.930	230	161	-.368	.060	-.203	-.685
220	919	-.372	.132	.130	-.790	230	112	.275	.131	.682	-.175	230	162	-.225	.047	-.049	-.450
220	920	-.505	.118	-.079	-.953	230	113	.533	.149	.976	.099	230	163	.046	.075	.302	-.189
220	921	-.472	.120	-.002	-1.074	230	114	.367	.139	.762	-.104	230	164	-.113	.164	.619	-.820
220	922	-.467	.188	-.037	-1.153	230	115	-.383	.088	-.032	-.786	230	165	.309	.135	.815	-.072
220	923	-.467	.181	-.107	-1.170	230	116	-.453	.106	.066	-.905	230	166	.525	.147	1.022	.139
220	924	-.543	.113	-.261	-.983	230	117	-.424	.089	-.152	-.811	230	167	.395	.140	.854	-.019
220	925	-.505	.132	-.177	-1.247	230	118	-.470	.090	-.150	-.822	230	168	-.403	.084	-.187	-1.081
220	926	-.460	.082	-.182	-.818	230	119	-.255	.067	-.048	-.538	230	169	-.390	.073	-.173	-.927
220	927	-.475	.095	-.182	-.857	230	120	-.347	.067	-.140	-.857	230	170	-.397	.077	-.166	-.904
220	928	-.524	.118	-.079	-1.014	230	121	-.347	.064	-.122	-.669	230	171	-.410	.087	-.145	-.922
220	929	-.553	.124	-.009	-1.011	230	122	-.380	.079	-.120	-.763	230	172	-.393	.068	-.196	-.841
220	930	-.555	.114	-.089	-.930	230	123	-.432	.105	-.016	-1.100	230	173	-.382	.068	-.212	-.920
220	931	-.555	.118	-.176	-1.096	230	124	-.423	.079	-.170	-.880	230	174	-.218	.051	-.066	-.536
220	932	-.628	.101	-.326	-.959	230	125	-.412	.071	-.172	-.719	230	175	.041	.073	.309	-.189
220	933	-.646	.119	-.152	-1.150	230	126	-.277	.052	-.092	-.460	230	176	-.123	.157	.426	-.734
220	934	-.652	.111	-.304	-1.052	230	127	.007	.075	.264	-.251	230	177	-.278	.125	.675	-.079
220	935	-.415	.139	-.069	-.962	230	128	-.146	.166	.415	-.770	230	178	.506	.132	1.024	.090
220	936	-.454	.131	-.117	-1.087	230	129	.325	.129	.755	-.117	230	179	.359	.132	.826	-.017
220	937	-.578	.110	-.233	-.978	230	130	.581	.145	1.088	-.082	230	180	-.432	.099	-.180	-1.227
220	938	-.615	.149	-.171	-1.196	230	131	.447	.140	.824	-.012	230	181	-.413	.087	-.159	-1.078
220	939	-.553	.088	-.137	-.868	230	132	-.353	.060	-.168	-.790	230	182	-.408	.088	-.161	-1.041
220	940	-.713	.129	-.354	-1.249	230	133	-.344	.054	-.189	-.613	230	183	-.433	.099	-.168	-1.224
220	941	-.627	.136	-.176	-1.144	230	134	-.360	.065	-.161	-.777	230	184	-.420	.073	-.255	-.762
220	942	-.594	.122	-.103	-1.103	230	135	-.389	.082	-.184	-.946	230	185	-.405	.056	-.262	-.728
220	943	-.594	.122	-.110	-1.030	230	136	-.367	.058	-.209	-.627	230	186	-.192	.052	-.052	-.405
220	944	-.684	.153	-.192	-1.278	230	137	-.362	.058	-.170	-.724	230	187	.047	.077	.328	-.184
220	945	-.690	.139	-.256	-1.262	230	138	-.211	.045	-.051	-.381	230	188	-.116	.157	.428	-.639
220	946	-.710	.143	-.293	-1.311	230	139	-.058	.087	.427	-.207	230	189	.266	.128	.662	-.114
220	947	-.735	.136	-.300	-1.284	230	140	-.110	.164	.461	-.777	230	190	.439	.141	1.167	.073
220	948	-.690	.119	-.360	-1.219	230	141	.303	.127	.705	-.127	230	191	.309	.127	.715	-.032
220	949	-.586	.119	-.166	-1.095	230	142	.594	.141	1.020	.139	230	192	-.441	.095	-.214	-1.251
220	950	-.704	.121	-.355	-1.195	230	143	.450	.140	.968	-.063	230	193	-.420	.091	-.123	-.987
220	951	-.574	.119	-.233	-1.114	230	144	-.365	.060	-.114	-.976	230	194	-.433	.117	-.125	-1.452
220	952	-.615	.103	-.274	-1.097	230	145	-.361	.054	-.163	-.671	230	195	-.457	.128	-.159	-1.119
220	953	-.724	.133	-.300	-1.311	230	146	-.365	.061	-.184	-.773	230	196	-.452	.117	-.214	-1.033
220	954	-.581	.110	-.293	-1.265	230	147	-.382	.068	-.198	-.808	230	197	-.450	.127	-.177	-1.265
220	955	-.682	.124	-.346	-1.255	230	148	-.368	.057	-.177	-.794	230	198	-.208	.064	-.007	-.616
220	956	-.564	.092	-.327	-1.167	230	149	-.352	.063	-.182	-.811	230	199	.028	.075	.360	-.211
220	957	-.630	.091	-.329	-1.020	230	150	-.208	.043	-.066	-.431	230	200	-.101	.162	.571	-.601

WD	TAP	CPMEAN	CPRMS	CPMAX	CPMIN	WD	TAP	CPMEAN	CPRMS	CPMAX	CPMIN	WD	TAP	CPMEAN	CPRMS	CPMAX	CPMIN
230	201	.239	.133	.676	-.180	230	251	.185	.080	.538	-.009	230	332	.100	.174	.659	-.498
230	202	.432	.134	.901	-.068	230	252	.165	.079	.524	-.028	230	333	.147	.092	.487	-.168
230	203	.295	.127	.744	-.064	230	253	.172	.080	.524	-.023	230	334	-.218	.071	-.007	-.777
230	204	-.441	.116	-.061	-1.224	230	254	.164	.074	.505	-.016	230	335	-.389	.097	-.161	-1.329
230	205	-.418	.107	-.105	-1.065	230	255	-.339	.085	-.121	-.990	230	336	-.437	.121	-.165	-1.116
230	206	-.448	.120	-.127	-1.078	230	256	-.326	.062	-.174	-.606	230	337	-.470	.128	-.079	-1.170
230	207	-.475	.128	-.093	-1.506	230	257	-.333	.065	-.169	-.704	230	338	-.399	.097	-.043	-.946
230	208	-.492	.129	-.171	-1.229	230	258	-.342	.064	-.179	-.632	230	339	-.380	.082	-.093	-1.010
230	209	-.459	.125	-.202	-1.260	230	259	-.358	.062	-.165	-.608	230	340	-.432	.104	-.097	-.872
230	210	-.224	.070	-.023	-.514	230	260	-.371	.082	-.102	-.745	230	341	-.383	.078	-.143	-.869
230	211	.027	.078	.316	-.191	230	261	-.129	.046	.147	-.311	230	342	-.334	.059	-.094	-.858
230	212	-.110	.165	.414	-.855	230	262	-.025	.078	.310	-.263	230	343	-.340	.055	-.165	-.560
230	213	.217	.121	.642	-.148	230	263	-.047	.090	.409	-.433	230	344	.110	.161	.629	-.574
230	214	.381	.138	.944	-.025	230	264	.128	.106	.666	-.145	230	345	.136	.093	.439	-.142
230	215	.240	.122	.762	-.116	230	265	.077	.110	.577	-.312	230	346	-.235	.073	-.004	-.622
230	216	-.426	.122	-.109	-1.158	230	266	-.077	.070	.188	-.324	230	347	-.412	.100	-.190	-1.042
230	217	-.396	.104	-.152	-1.042	230	267	.074	.100	.546	-.316	230	348	-.445	.126	-.126	-1.536
230	218	-.436	.115	-.125	-1.172	230	268	.192	.100	.685	-.082	230	349	-.469	.123	-.043	-1.210
230	219	-.470	.131	-.045	-1.067	230	269	.091	.104	.522	-.306	230	350	-.421	.096	-.044	-.952
230	220	-.515	.115	-.227	-1.115	230	301	-.336	.095	-.075	-1.046	230	351	-.408	.087	-.140	-1.219
230	221	-.496	.133	-.234	-1.247	230	302	-.317	.075	-.082	-.677	230	352	-.453	.113	-.165	-1.150
230	222	-.249	.072	.046	-.601	230	303	-.335	.085	-.100	-.856	230	353	-.404	.080	-.147	-.810
230	223	.001	.072	.314	-.230	230	304	-.293	.137	.251	-.761	230	354	-.357	.055	-.172	-.629
230	224	-.083	.155	.435	-.565	230	305	-.373	.101	-.077	-.874	230	355	-.357	.057	-.142	-.661
230	225	.180	.116	.627	-.160	230	306	-.128	.075	-.109	-.464	230	356	.106	.168	.659	-.636
230	226	.315	.121	.920	-.040	230	307	-.364	.103	-.045	-.921	230	357	.112	.092	.439	-.167
230	227	-.215	.111	-.637	-.117	230	308	-.029	.166	.426	-.661	230	358	-.260	.078	-.034	-.668
230	228	-.392	.109	-.131	-1.124	230	309	-.187	.071	-.072	-.552	230	359	-.465	.124	-.195	-1.136
230	229	-.366	.090	-.153	-1.196	230	310	-.391	.102	-.011	-.989	230	360	-.476	.122	-.167	-1.336
230	230	-.391	.094	-.095	-.848	230	311	-.386	.109	-.061	-.844	230	361	-.494	.124	-.096	-1.276
230	231	-.385	.099	-.083	-.815	230	312	-.352	.087	-.079	-.924	230	362	-.448	.098	-.151	-.991
230	232	-.463	.107	-.162	-1.036	230	313	-.324	.066	-.120	-.605	230	363	-.431	.082	-.117	-.874
230	233	-.556	.146	-.280	-1.381	230	314	-.334	.069	-.136	-.736	230	364	-.503	.118	-.105	-1.175
230	234	-.269	.048	-.071	-.630	230	315	-.216	.068	-.009	-.489	230	365	-.431	.086	-.181	-.812
230	235	-.011	.064	.313	-.203	230	316	-.475	.087	-.197	-.899	230	366	-.382	.073	-.121	-.684
230	236	-.092	.146	.387	-.652	230	317	-.476	.102	-.190	-.978	230	367	-.375	.064	-.105	-.670
230	237	.125	.105	.560	-.215	230	318	-.485	.121	-.072	-.980	230	368	.081	.163	.659	-.620
230	238	.259	.107	.771	-.028	230	319	-.399	.102	-.016	-.942	230	369	.093	.088	.423	-.190
230	239	.174	.100	.608	-.059	230	320	.074	.176	.636	-.577	230	370	-.293	.078	-.032	-.753
230	240	-.338	.069	-.138	-.752	230	321	-.097	.088	.355	-.235	230	371	-.524	.140	-.160	-1.719
230	241	-.342	.071	-.169	-.666	230	322	-.247	.061	-.052	-.546	230	372	-.535	.122	-.199	-1.226
230	242	-.399	.117	-.119	-1.191	230	323	-.448	.102	-.215	-1.313	230	373	-.519	.122	-.119	-1.223
230	243	-.372	.075	-.129	-.709	230	324	-.474	.108	-.190	-1.037	230	374	-.485	.097	-.167	-1.049
230	244	-.404	.125	-.009	-1.031	230	325	-.485	.132	.081	-1.066	230	375	-.493	.095	-.225	-.973
230	245	-.510	.116	-.184	-1.122	230	326	-.414	.101	-.034	-.894	230	376	-.528	.120	-.167	-1.152
230	246	-.192	.050	-.009	-.436	230	327	-.367	.087	-.079	-.851	230	377	-.481	.101	-.124	-.962
230	247	.019	.062	.330	-.203	230	328	-.398	.105	-.052	-1.089	230	378	-.424	.083	-.064	-.776
230	248	.008	.113	.500	-.500	230	329	-.362	.076	-.118	-.874	230	379	-.395	.078	-.149	-.815
230	249	.126	.082	.466	-.148	230	330	-.334	.060	-.136	-.763	230	380	.056	.158	.496	-.597
230	250	.184	.080	.553	-.001	230	331	-.348	.064	-.149	-.935	230	381	.067	.087	.400	-.206

WD	TAP	CPMEAN	CPRMS	CPMAX	CPMIN	WD	TAP	CPMEAN	CPRMS	CPMAX	CPMIN	WD	TAP	CPMEAN	CPRMS	CPMAX	CPMIN
230	382	-.330	.077	-.117	-.707	230	432	-.308	.072	-.076	-.682	230	908	-.450	.130	.018	-1.049
230	383	-.559	.119	-.214	-1.118	230	433	-.451	.085	-.185	-.768	230	909	-.471	.136	.014	-1.093
230	384	-.593	.117	-.342	-1.185	230	434	-.593	.164	-.105	-1.490	230	910	-.474	.124	-.103	-1.051
230	385	-.553	.069	-.349	-.784	230	435	-.465	.159	-.054	-1.132	230	911	-.419	.110	.121	-.863
230	386	-.534	.097	-.225	-1.082	230	436	-.424	.135	-.064	-1.146	230	912	-.415	.109	.039	-.853
230	387	-.533	.102	-.250	-1.037	230	437	-.485	.136	-.095	-1.322	230	913	-.432	.106	.058	-.849
230	388	-.554	.120	-.245	-1.169	230	438	-.366	.085	-.140	-.782	230	914	-.420	.104	-.007	-.828
230	389	-.497	.094	-.160	-.903	230	439	-.367	.078	-.154	-.751	230	915	-.436	.118	-.021	-1.081
230	390	-.457	.095	-.068	-.909	230	440	-.089	.096	.501	-.412	230	916	-.462	.120	.113	-.980
230	391	-.437	.080	-.174	-.864	230	441	-.089	.067	.376	-.090	230	917	-.527	.147	.021	-1.167
230	392	.025	.169	.618	-.698	230	442	-.051	.049	.125	-.237	230	918	-.458	.107	-.054	-.957
230	393	-.039	.078	.329	-.189	230	443	-.296	.091	-.053	-.775	230	919	-.439	.097	.146	-.813
230	394	-.354	.072	-.142	-.703	230	444	-.365	.120	.056	-.869	230	920	-.487	.116	-.000	-.987
230	395	-.599	.118	-.313	-1.358	230	445	-.361	.117	.018	-.756	230	921	-.481	.115	-.052	-.983
230	396	-.613	.117	-.306	-1.524	230	446	-.412	.179	-.000	-1.326	230	922	-.434	.184	-.043	-1.284
230	397	-.548	.117	-.201	-1.075	230	447	-.305	.100	-.055	-.758	230	923	-.413	.185	.014	-1.164
230	398	-.549	.111	-.171	-1.223	230	448	-.307	.086	-.010	-.940	230	924	-.610	.128	-.236	-1.185
230	399	-.548	.113	-.216	-1.519	230	449	-.381	.108	-.076	-.929	230	925	-.535	.156	-.146	-1.291
230	400	-.544	.117	-.259	-1.266	230	450	-.331	.069	-.133	-.663	230	926	-.460	.088	-.123	-.801
230	401	-.524	.113	-.097	-1.210	230	451	-.339	.065	-.157	-.727	230	927	-.472	.097	-.163	-.870
230	402	-.476	.098	-.091	-.999	230	452	-.317	.066	-.117	-.621	230	928	-.517	.116	-.064	-1.068
230	403	-.454	.084	-.124	-.813	230	453	-.326	.061	-.114	-.547	230	929	-.522	.115	-.078	-1.030
230	404	.004	.165	.647	-.586	230	454	-.330	.059	-.161	-.545	230	930	-.513	.094	-.101	-.844
230	405	.030	.080	.360	-.194	230	455	.065	.098	.492	-.287	230	931	-.527	.102	-.181	-.955
230	406	-.339	.069	-.140	-.620	230	456	.122	.075	.440	-.121	230	932	-.545	.091	-.209	-.858
230	407	-.632	.133	-.342	-1.255	230	457	.016	.052	.227	-.138	230	933	-.498	.105	-.194	-.918
230	408	-.597	.111	-.281	-1.286	230	458	-.136	.064	-.082	-.481	230	934	-.494	.095	-.204	-.959
230	409	-.543	.106	-.232	-1.073	230	459	-.264	.068	-.027	-.533	230	935	-.438	.148	-.052	-1.125
230	410	-.555	.111	-.250	-1.129	230	460	-.331	.082	-.064	-.671	230	936	-.452	.131	-.061	-1.098
230	411	-.548	.113	-.275	-1.284	230	461	-.326	.079	-.034	-.645	230	937	-.522	.093	-.211	-.883
230	412	-.550	.115	-.187	-1.142	230	462	-.318	.088	-.060	-.808	230	938	-.591	.136	-.236	-1.250
230	413	-.554	.114	-.192	-1.167	230	463	-.307	.077	-.041	-.713	230	939	-.525	.084	-.248	-.817
230	414	-.475	.098	-.149	-.934	230	464	-.487	.104	-.256	-1.056	230	940	-.562	.115	-.211	-1.213
230	415	-.441	.091	-.095	-.909	230	465	-.383	.065	-.222	-.714	230	941	-.586	.134	-.236	-1.203
230	416	.027	.163	.533	-.586	230	466	-.454	.081	-.243	-.797	230	942	-.559	.115	-.130	-1.042
230	417	-.041	.072	.293	-.165	230	467	-.426	.070	-.227	-.765	230	943	-.546	.108	-.167	-1.095
230	418	-.337	.074	-.097	-.611	230	468	-.334	.084	-.048	-.645	230	944	-.569	.120	-.232	-1.125
230	419	-.681	.159	-.346	-1.544	230	469	-.353	.088	-.132	-.736	230	945	-.576	.120	-.229	-1.206
230	420	-.501	.126	-.189	-1.059	230	801	.202	.081	.587	-.005	230	946	-.542	.103	-.197	-1.002
230	421	-.480	.085	-.238	-.793	230	802	-.317	.063	-.119	-.580	230	947	-.559	.111	-.233	-1.065
230	422	-.568	.119	-.138	-1.183	230	803	-.520	.117	-.238	-1.334	230	948	-.558	.109	-.216	-1.050
230	423	-.558	.132	-.014	-1.315	230	804	-.364	.129	-.131	-1.117	230	949	-.555	.110	-.172	-1.106
230	424	-.487	.129	-.043	-1.324	230	805	-.543	.147	-.136	-1.274	230	950	-.546	.106	-.136	-1.067
230	425	-.518	.116	-.121	-1.068	230	901	-.316	.078	-.011	-.781	230	951	-.535	.102	-.192	-.946
230	426	-.431	.103	-.119	-.919	230	902	-.325	.081	-.000	-.806	230	952	-.545	.095	-.284	-1.118
230	427	-.407	.089	-.105	-.801	230	903	-.355	.105	-.049	-.791	230	953	-.537	.097	-.279	-1.046
230	428	.038	.133	.509	-.614	230	904	-.371	.104	.042	-.802	230	954	-.524	.091	-.272	-1.208
230	429	.067	.068	.355	-.140	230	905	-.392	.118	.063	-.993	230	955	-.523	.091	-.231	-1.026
230	430	-.201	.051	-.005	-.436	230	906	-.335	.084	-.028	-.686	230	956	-.516	.093	-.255	-1.048
230	431	-.662	.145	-.294	-1.284	230	907	-.396	.115	-.030	-.930	230	957	-.531	.081	-.301	-.900



WD	TAP	CPMEAN	CPRMS	CPMAX	CPMIN	WD	TAP	CPMEAN	CPRMS	CPMAX	CPMIN	WD	TAP	CPMEAN	CPRMS	CPMAX	CPMIN
240	101	.210	.119	.583	-.242	240	151	.117	.087	.478	-.180	240	201	.284	.136	.780	-.180
240	102	.215	.116	.539	-.196	240	152	.094	.159	.713	-.427	240	202	.466	.136	.926	-.062
240	103	.077	.096	.387	-.219	240	153	.402	.153	.933	-.152	240	203	.228	.104	.602	-.084
240	104	-.330	.095	-.074	-.776	240	154	.980	.136	1.045	-.203	240	204	-.432	.110	-.025	-1.112
240	105	-.172	.143	.235	-.737	240	155	.281	.113	.636	-.080	240	205	-.407	.098	-.159	-.964
240	106	-.344	.101	.002	-1.054	240	156	-.397	.094	-.126	-1.069	240	206	-.413	.110	-.048	-1.158
240	107	-.086	.086	.251	-.483	240	157	-.361	.079	-.150	-.927	240	207	-.454	.126	-.059	-1.194
240	108	-.339	.098	-.044	-.918	240	158	-.377	.092	-.080	-1.064	240	208	-.457	.118	-.171	-1.053
240	109	-.348	.100	-.016	-.806	240	159	-.393	.103	-.098	-.994	240	209	-.431	.100	-.210	-.978
240	110	-.122	.077	.108	-.437	240	160	-.386	.088	-.080	-1.097	240	210	-.219	.062	-.018	-.561
240	111	.088	.171	.702	-.465	240	161	-.365	.072	-.171	-.906	240	211	-.011	.081	.333	-.303
240	112	.416	.150	.854	-.090	240	162	-.215	.058	-.000	-.616	240	212	-.072	.156	.502	-.613
240	113	.564	.143	.976	.095	240	163	.078	.079	.350	-.215	240	213	.233	.137	.773	-.182
240	114	.212	.117	.654	-.173	240	164	.002	.156	.590	-.542	240	214	.400	.137	.880	-.055
240	115	-.370	.108	.085	-.785	240	165	.361	.136	.846	-.119	240	215	.202	.105	.579	-.112
240	116	-.436	.125	.097	-1.052	240	166	.532	.134	.930	.119	240	216	-.423	.108	-.150	-1.089
240	117	-.467	.116	-.159	-1.105	240	167	.302	.112	.697	-.091	240	217	-.412	.099	-.128	-.884
240	118	-.482	.094	-.147	-.886	240	168	-.409	.092	-.138	-1.309	240	218	-.422	.112	-.107	-.971
240	119	-.169	.073	-.039	-.453	240	169	-.377	.081	-.115	-1.113	240	219	-.456	.129	-.005	-1.299
240	120	-.361	.095	-.044	-.889	240	170	-.385	.087	-.117	-.987	240	220	-.474	.123	-.112	-1.060
240	121	-.343	.088	-.044	-.801	240	171	-.404	.105	-.054	-1.148	240	221	-.467	.113	-.235	-1.149
240	122	-.379	.103	-.050	-1.057	240	172	-.389	.088	-.164	-1.113	240	222	-.247	.065	-.027	-.554
240	123	-.437	.130	-.028	-1.142	240	173	-.374	.069	-.164	-.931	240	223	-.003	.081	.324	-.257
240	124	-.449	.110	-.103	-.985	240	174	-.224	.058	-.026	-.600	240	224	-.078	.161	.388	-.793
240	125	-.433	.093	-.161	-1.114	240	175	-.041	.087	.368	-.199	240	225	.201	.132	.736	-.180
240	126	-.229	.062	-.023	-.638	240	176	-.055	.162	.436	-1.013	240	226	.329	.129	.861	-.029
240	127	.131	.093	.435	-.209	240	177	.326	.135	.765	-.087	240	227	.193	.098	.577	-.093
240	128	.140	.175	.668	-.605	240	178	.511	.141	1.005	-.126	240	228	-.410	.105	-.146	-.946
240	129	.460	.149	.850	-.044	240	179	.262	.108	.671	-.122	240	229	-.383	.088	-.136	-.865
240	130	.587	.144	.979	-.164	240	180	-.421	.093	-.136	-.987	240	230	-.403	.101	-.153	-.913
240	131	.282	.113	.638	-.126	240	181	-.391	.085	-.164	-.873	240	231	-.414	.097	-.067	-.884
240	132	-.378	.092	-.133	-1.050	240	182	-.395	.098	-.136	-1.022	240	232	-.485	.112	-.170	-1.038
240	133	-.349	.075	-.103	-.732	240	183	-.410	.106	-.148	-.985	240	233	-.533	.138	-.245	-1.338
240	134	-.362	.095	-.080	-.930	240	184	-.400	.080	-.189	-1.005	240	234	-.273	.065	-.014	-.552
240	135	-.409	.115	-.021	-1.066	240	185	-.381	.050	-.269	-.586	240	235	-.019	.071	.301	-.290
240	136	-.385	.098	-.113	-1.087	240	186	-.190	.044	-.055	-.424	240	236	-.082	.155	.503	-.728
240	137	-.373	.087	-.175	-.994	240	187	-.038	.081	.326	-.264	240	237	.172	.123	.625	-.175
240	138	-.182	.067	.062	-.543	240	188	-.099	.158	.399	-1.037	240	238	.267	.113	.755	-.011
240	139	.164	.093	.440	-.138	240	189	.289	.138	.789	-.102	240	239	-.178	.094	-.582	-.064
240	140	.122	.169	.666	-.536	240	190	.466	.136	.905	-.087	240	240	-.352	.074	-.127	-.730
240	141	.449	.149	1.064	.000	240	191	.247	.107	.661	-.050	240	241	-.352	.070	-.199	-.740
240	142	.575	.142	.979	-.102	240	192	-.435	.102	-.150	-.925	240	242	-.395	.098	-.184	-.956
240	143	.288	.120	.692	-.098	240	193	-.404	.084	-.146	-.903	240	243	-.383	.075	-.156	-.713
240	144	-.382	.090	-.117	-1.090	240	194	-.402	.103	-.109	-1.071	240	244	-.393	.117	-.098	-1.038
240	145	-.355	.075	-.101	-.910	240	195	-.445	.125	-.080	-1.167	240	245	-.493	.122	-.180	-1.110
240	146	-.379	.085	-.073	-.966	240	196	-.418	.096	-.150	-1.021	240	246	-.209	.058	.010	-.511
240	147	-.401	.119	-.054	-1.346	240	197	-.409	.088	-.139	-1.074	240	247	-.007	.074	.455	-.374
240	148	-.376	.094	-.070	-1.153	240	198	-.212	.058	-.039	-.524	240	248	-.023	.130	.428	-.519
240	149	-.360	.077	-.164	-1.011	240	199	-.018	.084	.342	-.330	240	249	.143	.107	.808	-.132
240	150	-.190	.057	.009	-.544	240	200	-.085	.154	.545	-.953	240	250	.222	.093	.630	-.011

WD	TAP	CPMEAN	CPRMS	CPMAX	CPMIN	WD	TAP	CPMEAN	CPRMS	CPMAX	CPMIN	WD	TAP	CPMEAN	CPRMS	CPMAX	CPMIN
240	251	.180	.080	.517	-.033	240	332	-.183	.172	.389	-1.006	240	382	-.301	.065	-.061	-.604
240	252	.163	.086	.611	-.038	240	333	-.051	.067	.295	-.186	240	383	-.449	.091	-.113	-.883
240	253	.185	.095	.734	-.031	240	334	-.208	.042	-.064	-.378	240	384	-.474	.096	-.192	-.988
240	254	.164	.076	.529	-.028	240	335	-.307	.055	-.123	-.532	240	385	-.476	.062	-.306	-.782
240	255	-.341	.086	-.120	-1.218	240	336	-.326	.059	-.155	-.678	240	386	-.455	.089	-.124	-.858
240	256	-.341	.067	-.160	-.682	240	337	-.362	.083	-.143	-1.159	240	387	-.472	.091	-.216	-.903
240	257	-.342	.072	-.165	-.740	240	338	-.365	.063	-.157	-.660	240	388	-.498	.115	-.142	-1.020
240	258	-.361	.067	-.177	-.646	240	339	-.326	.054	-.164	-.663	240	389	-.442	.099	-.109	-.946
240	259	-.352	.074	-.136	-.689	240	340	-.342	.062	-.139	-.703	240	390	-.385	.087	-.060	-.789
240	260	-.383	.091	-.120	-.949	240	341	-.323	.054	-.166	-.663	240	391	-.390	.078	-.109	-.702
240	261	-.148	.053	-.058	-.386	240	342	-.310	.048	-.128	-.627	240	392	-.135	.151	.337	-.807
240	262	-.026	.088	.361	-.341	240	343	-.341	.069	-.148	-.693	240	393	-.009	.063	.276	-.174
240	263	-.078	.100	.605	-.605	240	344	-.163	.161	.387	-.823	240	394	-.333	.062	-.116	-.617
240	264	.095	.136	.666	-.534	240	345	-.045	.068	.291	-.157	240	395	-.509	.103	-.241	-.941
240	265	.009	.151	.573	-.577	240	346	-.220	.050	-.045	-.450	240	396	-.516	.104	-.234	-1.024
240	266	-.115	.079	.165	-.453	240	347	-.314	.060	-.132	-.663	240	397	-.523	.104	-.225	-1.044
240	267	.035	.114	.807	-.353	240	348	-.332	.063	-.137	-.654	240	398	-.509	.106	-.245	-1.060
240	268	.181	.096	.559	-.102	240	349	-.370	.082	-.018	-.860	240	399	-.511	.093	-.245	-.950
240	269	.115	.113	.613	-.285	240	350	-.348	.068	-.105	-1.130	240	400	-.497	.109	-.093	-1.046
240	301	-.306	.080	-.067	-.879	240	351	-.338	.058	-.167	-.640	240	401	-.460	.106	-.037	-.937
240	302	-.297	.071	-.053	-.615	240	352	-.374	.078	-.132	-.819	240	402	-.401	.090	-.046	-.825
240	303	-.308	.084	-.069	-.663	240	353	-.333	.059	-.169	-.663	240	403	-.397	.084	-.093	-.870
240	304	-.451	.108	-.017	-1.121	240	354	-.316	.053	-.112	-.608	240	404	-.130	.160	.419	-.809
240	305	-.322	.080	-.015	-.694	240	355	-.341	.065	-.098	-.791	240	405	-.019	.059	.211	-.243
240	306	-.198	.091	-.033	-.665	240	356	-.136	.160	.380	-.908	240	406	-.325	.059	-.111	-.541
240	307	-.323	.076	-.119	-.742	240	357	-.035	.067	.325	-.178	240	407	-.524	.096	-.299	-1.156
240	308	-.352	.152	.335	-.879	240	358	-.220	.050	-.045	-.421	240	408	-.536	.098	-.297	-.993
240	309	-.250	.066	-.024	-.500	240	359	-.337	.069	-.098	-.624	240	409	-.531	.112	-.245	-1.107
240	310	-.333	.077	-.107	-.660	240	360	-.364	.082	-.125	-.970	240	410	-.523	.095	-.270	-.923
240	311	-.320	.072	-.103	-.791	240	361	-.392	.090	-.128	-.936	240	411	-.510	.104	-.071	-.959
240	312	-.306	.062	-.112	-.695	240	362	-.367	.075	-.084	-.753	240	412	-.483	.107	-.006	-1.073
240	313	-.302	.065	-.123	-.701	240	363	-.368	.065	-.139	-.707	240	413	-.458	.103	-.057	-.885
240	314	-.316	.082	-.073	-.877	240	364	-.415	.103	-.174	-.968	240	414	-.407	.098	.005	-.780
240	315	-.267	.068	-.055	-.566	240	365	-.353	.071	-.105	-.650	240	415	-.405	.088	-.116	-.749
240	316	-.424	.083	-.125	-.780	240	366	-.322	.061	-.038	-.560	240	416	-.091	.145	.372	-.639
240	317	-.380	.076	-.132	-.775	240	367	-.360	.073	-.160	-.794	240	417	-.007	.057	.245	-.167
240	318	-.408	.100	-.085	-1.030	240	368	-.135	.160	.332	-.812	240	418	-.303	.066	-.118	-.601
240	319	-.344	.077	-.091	-.726	240	369	-.027	.065	.236	-.174	240	419	-.565	.123	-.292	-1.176
240	320	-.227	.160	.326	-.789	240	370	-.258	.064	-.029	-.565	240	420	-.491	.101	-.207	-.892
240	321	-.022	.065	.254	-.247	240	371	-.384	.086	-.139	-.764	240	421	-.466	.091	-.147	-.836
240	322	-.258	.050	-.085	-.486	240	372	-.404	.090	-.130	-.981	240	422	-.521	.113	-.145	-1.109
240	323	-.368	.067	-.103	-.635	240	373	-.438	.097	-.169	-1.235	240	423	-.511	.122	-.090	-1.040
240	324	-.368	.070	-.128	-.769	240	374	-.414	.087	-.075	-.972	240	424	-.439	.127	-.059	-1.183
240	325	-.390	.099	-.119	-.974	240	375	-.421	.085	-.192	-.899	240	425	-.467	.126	-.054	-.985
240	326	-.352	.077	-.143	-.696	240	376	-.465	.121	-.080	-1.357	240	426	-.387	.093	-.057	-.909
240	327	-.319	.065	-.128	-.728	240	377	-.396	.087	-.087	-.773	240	427	-.392	.087	-.144	-.855
240	328	-.327	.061	-.116	-.620	240	378	-.352	.075	-.073	-.663	240	428	-.010	.128	.465	-.468
240	329	-.306	.052	-.082	-.523	240	379	-.369	.077	-.112	-.933	240	429	-.057	.063	.349	-.130
240	330	-.303	.055	-.164	-.597	240	380	-.127	.160	.472	-.846	240	430	-.203	.054	-.012	-.454
240	331	-.325	.071	-.107	-.672	240	381	.008	.063	.268	-.199	240	431	-.586	.125	-.274	-1.207

WD	TAP	CPMEAN	CPRMS	CPMAX	CPMIN	WD	TAP	CPMEAN	CPRMS	CPMAX	CPMIN	WD	TAP	CPMEAN	CPRMS	CPMAX	CPMIN
240	432	-.301	.088	-.080	-.763	240	908	-.384	.121	-.027	-.915	250	101	.275	.142	.667	-.462
240	433	-.409	.090	-.109	-.706	240	909	-.404	.115	-.042	-.894	250	102	.198	.108	.573	-.240
240	434	-.530	.163	-.090	-1.176	240	910	-.448	.128	-.023	-1.053	250	103	-.004	.083	.374	-.322
240	435	-.427	.150	.016	-1.181	240	911	-.384	.111	.006	-.885	250	104	-.305	.072	-.082	-.647
240	436	-.385	.138	.005	-1.261	240	912	-.376	.108	.036	-.800	250	105	-.000	.147	-.459	-.622
240	437	-.422	.142	-.038	-1.207	240	913	-.395	.106	.020	-.804	250	106	-.320	.084	-.063	-.803
240	438	-.374	.086	-.149	-.756	240	914	-.383	.099	.036	-.793	250	107	-.056	.107	-.317	-.498
240	439	-.369	.080	-.146	-.772	240	915	-.384	.106	.020	-.848	250	108	-.328	.097	-.063	-.915
240	440	.085	.098	.512	-.253	240	916	-.396	.103	-.047	-.908	250	109	-.333	.094	-.070	-.904
240	441	.090	.064	.486	-.099	240	917	-.448	.122	-.003	-.983	250	110	-.097	.097	-.291	-.466
240	442	-.042	.052	.196	-.246	240	918	-.440	.118	-.031	-.971	250	111	.285	.187	.834	-.814
240	443	-.288	.094	-.028	-.841	240	919	-.393	.097	-.142	-.824	250	112	.506	.154	1.022	-.004
240	444	-.337	.124	.085	-.973	240	920	-.414	.098	-.068	-.803	250	113	.522	.133	.914	.072
240	445	-.353	.120	.009	-.753	240	921	-.436	.106	-.014	-.992	250	114	.077	.087	.532	-.185
240	446	-.389	.183	.028	-1.266	240	922	-.337	.203	-.263	-1.174	250	115	-.359	.109	-.006	-.949
240	447	-.301	.104	.024	-.838	240	923	-.358	.145	-.045	-.988	250	116	-.248	.176	.266	-.956
240	448	-.309	.094	.057	-.827	240	924	-.570	.122	-.217	-1.214	250	117	-.548	.176	.040	-1.128
240	449	-.381	.119	-.064	-1.082	240	925	-.503	.141	-.185	-1.382	250	118	-.624	.135	-.134	-1.075
240	450	-.343	.077	-.128	-.775	240	926	-.486	.106	-.138	-1.051	250	119	-.150	.103	-.216	-.574
240	451	-.342	.065	-.146	-.711	240	927	-.500	.118	-.108	-1.146	250	120	-.332	.093	-.096	-.867
240	452	-.328	.072	-.106	-.732	240	928	-.503	.115	-.084	-1.032	250	121	-.341	.101	-.025	-.851
240	453	-.327	.063	-.123	-.706	240	929	-.487	.113	-.084	-.995	250	122	-.388	.112	.005	-.885
240	454	-.323	.056	-.142	-.662	240	930	-.472	.093	-.101	-.836	250	123	-.349	.133	.042	-1.087
240	455	.038	.099	.432	-.390	240	931	-.476	.102	-.035	-.903	250	124	-.536	.197	-.074	-1.380
240	456	.113	.069	.380	-.132	240	932	-.476	.088	-.181	-.812	250	125	-.708	.192	-.128	-1.391
240	457	.004	.052	.236	-.168	240	933	-.397	.086	-.126	-.808	250	126	-.276	.119	.373	-.678
240	458	-.142	.063	.052	-.437	240	934	-.395	.081	-.145	-.823	250	127	.168	.126	.612	-.327
240	459	-.271	.082	.016	-.600	240	935	-.411	.154	-.028	-1.195	250	128	.306	.194	.864	-.611
240	460	-.320	.084	-.045	-.666	240	936	-.443	.148	-.017	-1.017	250	129	.548	.161	1.113	-.098
240	461	-.330	.094	-.047	-.732	240	937	-.490	.096	-.140	-.978	250	130	.570	.143	.964	-.033
240	462	-.312	.088	-.064	-.737	240	938	-.575	.120	-.183	-1.097	250	131	.140	.091	.518	-.148
240	463	-.319	.085	.007	-.921	240	939	-.495	.085	-.229	-.955	250	132	-.362	.107	-.063	-.814
240	464	-.448	.104	-.184	-1.053	240	940	-.532	.131	-.204	-1.106	250	133	-.362	.106	-.073	-.954
240	465	-.376	.073	-.177	-.800	240	941	-.575	.122	-.238	-1.085	250	134	-.389	.114	-.070	-.849
240	466	-.430	.080	-.215	-.966	240	942	-.557	.118	-.185	-1.138	250	135	-.373	.138	.042	-1.172
240	467	-.430	.078	-.231	-.739	240	943	-.541	.114	-.194	-1.231	250	136	-.556	.231	-.058	-1.449
240	468	-.318	.091	-.043	-.676	240	944	-.548	.116	-.222	-1.156	250	137	-.730	.260	-.025	-2.039
240	469	-.346	.093	-.130	-.770	240	945	-.553	.134	-.178	-1.354	250	138	-.345	.137	.143	-.824
240	801	-.199	.090	.651	-.029	240	946	-.510	.111	-.062	-.941	250	139	-.112	.117	.580	-.299
240	802	-.318	.067	-.122	-.576	240	947	-.524	.119	-.161	-1.162	250	140	.163	.216	.932	-.718
240	803	-.488	.116	-.165	-.997	240	948	-.540	.116	-.168	-.977	250	141	.447	.182	1.010	-.203
240	804	-.362	.140	-.096	-1.052	240	949	-.543	.106	-.228	-1.054	250	142	.539	.160	1.051	-.044
240	805	-.526	.155	-.091	-1.143	240	950	-.534	.116	-.204	-1.004	250	143	.159	.097	.571	-.318
240	901	-.290	.076	-.057	-.615	240	951	-.535	.105	-.274	-.994	250	144	-.374	.116	-.086	-1.012
240	902	-.293	.074	-.048	-.594	240	952	-.526	.100	-.245	-1.249	250	145	-.382	.123	-.014	-1.040
240	903	-.320	.097	.016	-.860	240	953	-.509	.108	-.161	-1.030	250	146	-.426	.140	.025	-1.019
240	904	-.326	.094	.030	-.797	240	954	-.529	.100	-.271	-1.232	250	147	-.424	.171	.041	-1.393
240	905	-.365	.111	.016	-.896	240	955	-.487	.101	-.228	-1.117	250	148	-.562	.241	.169	-1.388
240	906	-.304	.080	-.023	-.604	240	956	-.517	.093	-.262	-1.213	250	149	-.631	.240	.058	-1.748
240	907	-.360	.104	.046	-.774	240	957	-.502	.095	-.192	-.987	250	150	-.353	.130	.123	-.792

WD	TAP	CPMEAN	CPRMS	CPMAX	CPMIN	WD	TAP	CPMEAN	CPRMS	CPMAX	CPMIN	WD	TAP	CPMEAN	CPRMS	CPMAX	CPMIN
250	151	-.015	.105	.352	-.381	250	201	.025	.169	.624	-.523	250	251	.203	.095	.608	-.077
250	152	-.072	.222	.531	-1.073	250	202	.346	.172	.923	-.230	250	252	.148	.106	.909	-.228
250	153	.311	.178	.965	-.374	250	203	.251	.130	.724	-.414	250	253	.172	.117	.675	-.101
250	154	.516	.164	.979	-.149	250	204	-.395	.127	-.116	-1.297	250	254	.182	.097	.663	-.098
250	155	.207	.103	.812	-.256	250	205	-.357	.100	-.094	-.829	250	255	-.293	.072	-.115	-.833
250	156	-.394	.126	-.058	-.954	250	206	-.360	.122	-.048	-1.524	250	256	-.286	.062	-.139	-.644
250	157	-.389	.134	.007	-1.008	250	207	-.410	.160	-.032	-1.322	250	257	-.283	.058	-.137	-.565
250	158	-.430	.160	.040	-1.147	250	208	-.428	.145	-.060	-1.453	250	258	-.291	.064	-.129	-.634
250	159	-.446	.187	.030	-1.372	250	209	-.399	.133	-.125	-1.297	250	259	-.311	.072	-.120	-.675
250	160	-.528	.221	.074	-1.600	250	210	-.269	.078	-.030	-.697	250	260	-.384	.124	-.082	-1.130
250	161	-.566	.221	-.093	-1.646	250	211	-.156	.093	.133	-.741	250	261	-.207	.054	.002	-.479
250	162	-.366	.131	.021	-.943	250	212	-.450	.235	.315	-1.465	250	262	-.133	.119	.201	-.778
250	163	-.089	.095	.306	-.441	250	213	.028	.172	.585	-.516	250	263	-.228	.113	.258	-.816
250	164	-.274	.228	.478	-1.256	250	214	.315	.171	.937	-.225	250	264	-.204	.140	.642	-.840
250	165	.196	.180	.754	-.451	250	215	.236	.132	.753	-.564	250	265	-.242	.116	.420	-.743
250	166	.485	.177	1.019	-.225	250	216	-.372	.110	-.114	-.838	250	266	-.181	.084	.127	-.543
250	167	.258	.105	.782	-.216	250	217	-.334	.092	-.110	-.759	250	267	-.116	.107	.497	-.484
250	168	-.382	.128	.048	-1.066	250	218	-.364	.114	-.096	-.947	250	268	.168	.089	.549	-.089
250	169	-.371	.124	-.033	-1.196	250	219	-.392	.147	-.041	-1.179	250	269	.127	.107	.596	-.223
250	170	-.416	.153	-.040	-1.193	250	220	-.408	.131	-.123	-1.002	250	301	-.312	.085	-.059	-.831
250	171	-.437	.175	.093	-1.272	250	221	-.400	.128	-.148	-1.222	250	302	-.297	.069	-.059	-.660
250	172	-.494	.200	-.039	-1.630	250	222	-.273	.074	-.066	-.761	250	303	-.289	.068	-.055	-.571
250	173	-.510	.198	-.091	-1.518	250	223	-.149	.084	.235	-.732	250	304	-.607	.139	-.215	-1.350
250	174	-.345	.116	-.030	-.831	250	224	-.375	.213	.359	-1.295	250	305	-.314	.086	-.096	-1.006
250	175	-.137	.094	.169	-.581	250	225	.025	.153	.600	-.496	250	306	-.373	.129	-.025	-.806
250	176	-.395	.214	.334	-1.402	250	226	.284	.142	.876	-.182	250	307	-.293	.066	-.100	-.649
250	177	.090	.168	.675	-.444	250	227	.213	.124	.763	-.218	250	308	-.575	.138	-.004	-1.202
250	178	.409	.181	1.070	-.246	250	228	-.335	.093	-.120	-.800	250	309	-.304	.066	-.014	-.640
250	179	.243	.120	.775	-.274	250	229	-.313	.081	-.106	-.768	250	310	-.299	.060	-.100	-.553
250	180	-.372	.127	-.070	-1.089	250	230	-.349	.093	-.125	-.761	250	311	-.302	.061	-.125	-.660
250	181	-.352	.109	-.075	-.973	250	231	-.372	.112	-.096	-.998	250	312	-.317	.075	-.096	-.794
250	182	-.387	.138	-.030	-1.142	250	232	-.429	.133	-.129	-1.077	250	313	-.301	.066	-.105	-.594
250	183	-.405	.146	-.069	-1.165	250	233	-.461	.150	-.165	-1.312	250	314	-.312	.078	-.045	-.701
250	184	-.456	.148	-.141	-1.249	250	234	-.300	.086	-.022	-.795	250	315	-.321	.069	-.052	-.555
250	185	-.445	.095	-.243	-.822	250	235	-.132	.087	.194	-.524	250	316	-.407	.083	-.086	-.667
250	186	-.290	.087	-.023	-.720	250	236	-.324	.225	.392	-1.386	250	317	-.356	.070	-.127	-.667
250	187	-.152	.092	.145	-.554	250	237	.043	.146	.646	-.577	250	318	-.372	.081	-.014	-.760
250	188	-.429	.208	.297	-1.276	250	238	.261	.135	.751	-.254	250	319	-.313	.063	-.086	-.640
250	189	.038	.165	.619	-.545	250	239	.210	.116	.679	-.163	250	320	-.510	.159	-.004	-1.330
250	190	.370	.177	.864	-.411	250	240	-.303	.071	-.127	-.670	250	321	-.107	.049	-.089	-.314
250	191	.266	.117	.876	-.191	250	241	-.298	.062	-.139	-.699	250	322	-.283	.049	-.098	-.464
250	192	-.391	.135	-.062	-1.068	250	242	-.312	.069	-.132	-.697	250	323	-.351	.062	-.134	-.592
250	193	-.348	.102	-.087	-.897	250	243	-.318	.072	-.125	-.835	250	324	-.352	.064	-.112	-.708
250	194	-.360	.124	-.057	-1.145	250	244	-.354	.103	-.108	-.953	250	325	-.353	.080	-.112	-.899
250	195	-.392	.157	-.024	-1.760	250	245	-.438	.143	-.180	-1.230	250	326	-.321	.061	-.093	-.565
250	196	-.406	.143	-.076	-1.392	250	246	-.258	.071	-.065	-.560	250	327	-.291	.047	-.141	-.473
250	197	-.433	.154	-.091	-1.485	250	247	-.128	.112	.258	-.745	250	328	-.297	.050	-.123	-.512
250	198	-.296	.094	.011	-.718	250	248	-.194	.202	.407	-1.321	250	329	-.308	.062	-.137	-.681
250	199	-.162	.098	.213	-.657	250	249	.066	.132	.605	-.455	250	330	-.305	.058	-.107	-.624
250	200	-.460	.217	.140	-1.356	250	250	.205	.105	.620	-.072	250	331	-.320	.076	-.086	-.792

WD	TAP	CPMEAN	CPRMS	CPMAX	CPMIN	WD	TAP	CPMEAN	CPRMS	CPMAX	CPMIN	WD	TAP	CPMEAN	CPRMS	CPMAX	CPMIN
250	332	-.399	.173	.137	-1.188	250	382	-.220	.074	-.023	-.616	250	432	-.232	.064	-.048	-.562
250	333	-.038	.053	-.166	-.225	250	383	-.342	.134	-.071	-1.000	250	433	-.205	.052	-.038	-.441
250	334	-.240	.043	-.096	-.514	250	384	-.363	.115	-.107	-1.076	250	434	-.191	.071	-.005	-.939
250	335	-.309	.054	-.141	-.662	250	385	-.373	.071	-.206	-.655	250	435	-.202	.068	-.024	-.724
250	336	-.308	.054	-.143	-.651	250	386	-.357	.106	-.024	-.898	250	436	-.202	.057	-.029	-.607
250	337	-.327	.061	-.150	-.826	250	387	-.327	.089	-.077	-.734	250	437	-.192	.053	-.009	-.562
250	338	-.312	.053	-.150	-.571	250	388	-.358	.107	-.136	-.878	250	438	-.230	.063	-.052	-.629
250	339	-.301	.045	-.155	-.592	250	389	-.315	.066	-.114	-.637	250	439	-.286	.071	-.117	-.593
250	340	-.303	.045	-.157	-.524	250	390	-.303	.062	-.068	-.616	250	440	.107	.100	.636	-.324
250	341	-.304	.052	-.164	-.694	250	391	-.341	.090	-.105	-.691	250	441	.108	.074	.438	-.112
250	342	-.326	.057	-.145	-.732	250	392	-.031	.162	.558	-.707	250	442	-.014	.057	.288	-.174
250	343	-.357	.092	-.106	-.868	250	393	-.009	.068	.272	-.364	250	443	-.244	.088	.019	-.762
250	344	-.296	.175	.282	-.986	250	394	-.254	.099	-.013	-.623	250	444	-.291	.081	-.050	-.741
250	345	-.020	.054	.181	-.270	250	395	-.363	.149	-.089	-1.187	250	445	-.229	.066	-.012	-.541
250	346	-.237	.050	-.090	-.716	250	396	-.403	.149	-.067	-1.095	250	446	-.184	.063	.036	-.931
250	347	-.310	.059	-.115	-.836	250	397	-.420	.155	.001	-1.092	250	447	-.183	.056	-.017	-.617
250	348	-.317	.065	-.134	-.794	250	398	-.380	.131	.001	-1.055	250	448	-.184	.052	-.014	-.548
250	349	-.341	.077	-.166	-.868	250	399	-.350	.106	-.075	-.901	250	449	-.190	.061	-.005	-.610
250	350	-.326	.063	-.164	-.704	250	400	-.351	.117	-.082	-1.063	250	450	-.211	.056	-.017	-.486
250	351	-.316	.048	-.141	-.554	250	401	-.296	.076	-.053	-.657	250	451	-.269	.065	-.103	-.607
250	352	-.329	.049	-.173	-.660	250	402	-.292	.065	-.096	-.578	250	452	-.186	.050	-.024	-.388
250	353	-.334	.060	-.175	-.741	250	403	-.334	.087	-.096	-.693	250	453	-.203	.055	.021	-.505
250	354	-.333	.070	-.143	-.713	250	404	-.021	.158	.590	-.592	250	454	-.231	.059	-.083	-.541
250	355	-.369	.099	-.044	-.808	250	405	-.002	.066	.304	-.450	250	455	-.074	.096	.441	-.288
250	356	-.185	.168	.435	-.845	250	406	-.298	.089	-.053	-.655	250	456	.116	.075	.526	-.095
250	357	-.008	.062	.217	-.411	250	407	-.471	.162	-.089	-1.322	250	457	.035	.061	.376	-.141
250	358	-.221	.054	-.060	-.589	250	408	-.460	.143	-.035	-1.514	250	458	-.105	.066	.131	-.395
250	359	-.314	.074	-.101	-.864	250	409	-.408	.127	-.071	-.984	250	459	-.207	.055	-.002	-.481
250	360	-.326	.086	-.087	-1.108	250	410	-.379	.128	-.035	-1.031	250	460	-.203	.052	-.041	-.426
250	361	-.357	.100	-.094	-1.111	250	411	-.323	.098	-.086	-.878	250	461	-.174	.054	-.019	-.400
250	362	-.337	.087	-.030	-1.009	250	412	-.310	.120	-.039	-1.007	250	462	-.175	.045	-.000	-.491
250	363	-.324	.065	-.113	-.769	250	413	-.254	.065	-.019	-.749	250	463	-.175	.051	-.002	-.667
250	364	-.330	.061	-.120	-.755	250	414	-.264	.058	-.089	-.510	250	464	-.384	.129	-.064	-1.098
250	365	-.330	.061	-.138	-.674	250	415	-.323	.090	-.086	-.898	250	465	-.313	.073	-.105	-.730
250	366	-.335	.074	-.078	-.746	250	416	-.005	.153	.667	-.592	250	466	-.378	.094	-.098	-1.031
250	367	-.365	.101	-.097	-1.044	250	417	-.021	.062	.297	-.215	250	467	-.346	.084	-.128	-.775
250	368	-.093	.165	.379	-.695	250	418	-.291	.082	-.068	-.668	250	468	-.289	.067	-.102	-.520
250	369	-.005	.062	.280	-.302	250	419	-.551	.165	-.174	-1.412	250	469	-.271	.062	-.106	-.507
250	370	-.221	.068	-.046	-.642	250	420	-.418	.127	-.107	-1.027	250	801	-.152	.097	.601	-.164
250	371	-.320	.089	-.090	-.882	250	421	-.287	.089	-.068	-.675	250	802	-.204	.055	-.036	-.567
250	372	-.335	.115	-.018	-.981	250	422	-.249	.082	-.004	-.625	250	803	-.309	.095	-.063	-.932
250	373	-.365	.108	.000	-1.004	250	423	-.258	.085	-.017	-.718	250	804	-.379	.139	-.106	-1.139
250	374	-.334	.090	-.120	-1.028	250	424	-.229	.073	-.048	-.765	250	805	-.445	.114	-.143	-.922
250	375	-.329	.072	-.120	-.854	250	425	-.213	.058	-.045	-.638	250	901	-.273	.059	-.058	-.550
250	376	-.341	.084	-.138	-1.071	250	426	-.223	.056	-.062	-.624	250	902	-.261	.064	-.038	-.604
250	377	-.320	.065	-.124	-.683	250	427	-.308	.079	-.119	-.912	250	903	-.278	.056	-.073	-.608
250	378	-.327	.068	-.104	-.718	250	428	-.036	.129	.562	-.505	250	904	-.313	.091	.027	-.739
250	379	-.351	.094	-.074	-.792	250	429	-.060	.063	.321	-.148	250	905	-.306	.073	-.044	-.671
250	380	-.036	.158	.534	-.738	250	430	-.182	.057	-.007	-.457	250	906	-.245	.061	.004	-.523
250	381	-.002	.068	.231	-.383	250	431	-.548	.152	-.126	-1.220	250	907	-.307	.074	-.070	-.676

WD	TAP	CPMEAN	CPRMS	CPMAX	CPMIN	WD	TAP	CPMEAN	CPRMS	CPMAX	CPMIN	WD	TAP	CPMEAN	CPRMS	CPMAX	CPMIN
260	908	-.292	.079	-.039	-.989	260	101	.286	.163	.850	-.403	260	151	-.118	.114	.492	-.463
260	909	-.335	.084	-.056	-.704	260	102	.134	.117	.582	-.374	260	152	-.181	.189	.412	-.930
260	910	-.319	.098	-.007	-.868	260	103	-.129	.082	.344	-.499	260	153	-.044	.170	.568	-.973
260	911	-.254	.073	-.007	-.739	260	104	-.316	.091	-.067	-.814	260	154	-.106	.235	.886	-.497
260	912	-.279	.057	-.077	-.713	260	105	-.168	.188	-.759	-.733	260	155	-.028	.197	.577	-.757
260	913	-.387	.091	-.093	-.746	260	106	-.340	.098	-.061	-.853	260	156	-.369	.124	-.051	-.934
260	914	-.333	.099	-.034	-.813	260	107	-.139	.167	-.777	-.651	260	157	-.399	.123	-.055	-1.010
260	915	-.349	.113	-.058	-1.000	260	108	-.346	.114	-.074	-.996	260	158	-.504	.157	-.161	-1.399
260	916	-.340	.090	-.007	-.755	260	109	-.355	.107	-.058	-.989	260	159	-.338	.094	-.053	-.854
260	917	-.379	.094	-.057	-.854	260	110	-.119	.171	-.657	-.512	260	160	-.255	.143	.230	-.916
260	918	-.287	.123	-.114	-.842	260	111	.441	.239	1.043	-1.055	260	161	-.383	.205	.211	-1.263
260	919	-.245	.139	-.314	-.669	260	112	.478	.221	1.095	-.560	260	162	-.255	.129	.271	-.711
260	920	-.353	.074	-.082	-.683	260	113	.417	.175	.909	-.297	260	163	-.169	.085	.320	-.458
260	921	-.343	.102	-.117	-.774	260	114	-.109	.099	.355	-.696	260	164	-.301	.206	.244	-1.319
260	922	-.149	.097	-.264	-.884	260	115	-.392	.121	-.111	-1.511	260	165	-.137	.136	.467	-.674
260	923	-.338	.088	-.073	-.732	260	116	-.034	.125	.371	-.442	260	166	-.003	.204	.736	-.621
260	924	-.447	.128	-.017	-1.022	260	117	-.052	.150	.346	-.923	260	167	-.036	.203	.667	-.723
260	925	-.407	.125	-.155	-1.058	260	118	-.303	.179	.203	-.939	260	168	-.318	.099	-.019	-.879
260	926	-.530	.168	.091	-1.074	260	119	-.090	.182	.743	-.587	260	169	-.315	.100	.011	-.851
260	927	-.489	.185	-.032	-1.161	260	120	-.363	.120	-.021	-1.005	260	170	-.457	.143	-.046	-1.307
260	928	-.387	.141	-.036	-.922	260	121	-.373	.117	-.086	-.994	260	171	-.325	.093	.032	-.801
260	929	-.340	.114	-.066	-.898	260	122	-.406	.134	-.097	-1.239	260	172	-.255	.120	.202	-.893
260	930	-.414	.127	-.054	-.875	260	123	-.231	.115	.071	-.828	260	173	-.346	.164	.253	-1.348
260	931	-.420	.107	-.021	-.877	260	124	-.122	.152	.284	-.957	260	174	-.248	.102	.126	-.695
260	932	-.416	.086	-.083	-.788	260	125	-.450	.235	.346	-1.382	260	175	-.189	.085	.195	-.619
260	933	-.375	.084	-.107	-.764	260	126	-.039	.183	.660	-.650	260	176	-.318	.208	.172	-1.424
260	934	-.382	.075	-.079	-.734	260	127	-.226	.203	1.040	-.478	260	177	-.171	.125	.416	-.776
260	935	-.355	.110	-.110	-.891	260	128	.342	.265	.952	-1.023	260	178	-.025	.178	.800	-.633
260	936	-.344	.101	-.078	-.932	260	129	.426	.252	1.113	-.510	260	179	-.061	.191	.619	-.633
260	937	-.472	.097	-.124	-.783	260	130	.407	.193	.857	-.251	260	180	-.264	.075	-.048	-.686
260	938	-.701	.154	-.075	-1.220	260	131	-.055	.121	.482	-.674	260	181	-.259	.080	-.021	-.732
260	939	-.541	.119	-.160	-1.120	260	132	-.399	.131	.046	-.944	260	182	-.352	.121	-.014	-.983
260	940	-.524	.130	-.124	-1.101	260	133	-.414	.128	-.042	-.996	260	183	-.273	.076	-.045	-.619
260	941	-.737	.150	-.165	-1.294	260	134	-.434	.129	-.126	-1.096	260	184	-.248	.072	-.054	-.637
260	942	-.689	.167	-.055	-1.275	260	135	-.299	.091	-.057	-.689	260	185	-.299	.071	-.133	-.668
260	943	-.570	.177	-.071	-1.301	260	136	-.192	.157	.391	-1.103	260	186	-.222	.071	.027	-.511
260	944	-.567	.144	-.142	-1.252	260	137	-.545	.308	.450	-1.561	260	187	-.178	.083	.130	-.520
260	945	-.650	.170	-.085	-1.431	260	138	-.189	.200	.616	-.753	260	188	-.294	.178	.146	-1.122
260	946	-.522	.127	-.051	-1.110	260	139	.038	.160	.754	-.499	260	189	-.169	.113	.191	-.610
260	947	-.515	.127	-.041	-1.024	260	140	.020	.238	.750	-.857	260	190	-.062	.151	.735	-.486
260	948	-.513	.130	-.138	-1.231	260	141	.176	.234	.986	-.905	260	191	-.070	.166	.533	-.740
260	949	-.743	.135	-.328	-1.373	260	142	.238	.326	.925	-.456	260	192	-.227	.058	-.063	-.531
260	950	-.510	.115	-.114	-1.072	260	143	-.042	.160	.499	-.720	260	193	-.229	.066	-.012	-.587
260	951	-.800	.148	-.114	-1.709	260	144	-.413	.133	-.014	-1.240	260	194	-.259	.089	-.021	-.718
260	952	-.613	.120	-.210	-1.270	260	145	-.442	.134	-.095	-1.111	260	195	-.234	.069	-.015	-.661
260	953	-.534	.127	-.090	-1.045	260	146	-.489	.151	-.131	-1.337	260	196	-.230	.078	-.003	-.875
260	954	-.734	.160	-.307	-1.536	260	147	-.327	.096	-.021	-.801	260	197	-.254	.084	.033	-.664
260	955	-.561	.135	-.176	-1.369	260	148	-.238	.175	.327	-1.362	260	198	-.222	.067	.054	-.544
260	956	-.594	.123	-.219	-1.341	260	149	-.453	.266	.356	-1.848	260	199	-.201	.080	.078	-.589
260	957	-.541	.112	-.196	-1.214	260	150	-.240	.161	.366	-.677	260	200	-.293	.162	.065	-1.237

WD	TAP	CPMEAN	CPRMS	CPMAX	CPMIN	WD	TAP	CPMEAN	CPRMS	CPMAX	CPMIN	WD	TAP	CPMEAN	CPRMS	CPMAX	CPMIN
260	201	-.187	.095	.202	-.603	260	251	-.064	.156	.605	-.729	260	332	-.567	.277	.213	-1.506
260	202	-.071	.136	.575	-.466	260	252	-.009	.113	.422	-.318	260	333	-.167	.085	.083	-.682
260	203	-.071	.156	.632	-.421	260	253	-.008	.138	.560	-.411	260	334	-.309	.074	-.113	-.637
260	204	-.203	.043	-.063	-.488	260	254	-.056	.126	.474	-.437	260	335	-.361	.098	-.120	-.896
260	205	-.201	.042	-.032	-.450	260	255	-.189	.029	-.093	-.306	260	336	-.388	.109	-.046	-.892
260	206	-.220	.061	-.039	-.551	260	256	-.182	.024	-.098	-.276	260	337	-.413	.124	-.048	-.952
260	207	-.217	.055	-.036	-.562	260	257	-.186	.027	-.057	-.295	260	338	-.367	.101	-.127	-.835
260	208	-.227	.066	-.052	-.868	260	258	-.186	.028	-.053	-.304	260	339	-.335	.075	-.160	-.835
260	209	-.236	.063	-.041	-.542	260	259	-.192	.036	-.069	-.375	260	340	-.320	.061	-.167	-.574
260	210	-.213	.055	-.012	-.488	260	260	-.208	.058	-.057	-.712	260	341	-.341	.081	-.158	-.885
260	211	-.226	.077	-.020	-.792	260	261	-.187	.049	.076	-.430	260	342	-.334	.077	-.101	-.695
260	212	-.324	.158	.103	-1.217	260	262	-.210	.088	.085	-.819	260	343	-.362	.105	-.040	-.827
260	213	-.196	.099	.321	-.578	260	263	-.239	.098	.282	-.788	260	344	-.344	.257	.305	-1.364
260	214	-.080	.134	.535	-.502	260	264	-.193	.043	-.017	-.619	260	345	-.162	.105	.141	-.875
260	215	-.067	.154	.625	-.587	260	265	-.204	.043	-.041	-.458	260	346	-.329	.092	-.101	-.729
260	216	-.198	.036	-.072	-.367	260	266	-.180	.042	.037	-.336	260	347	-.422	.137	-.117	-1.097
260	217	-.191	.032	-.077	-.338	260	267	-.185	.040	-.014	-.349	260	348	-.427	.148	-.081	-1.149
260	218	-.206	.044	-.039	-.466	260	268	.085	.085	.436	-.122	260	349	-.445	.147	-.047	-1.250
260	219	-.215	.056	-.054	-.776	260	269	-.092	.098	.562	-.330	260	350	-.390	.128	-.090	-.910
260	220	-.216	.052	-.068	-.639	260	301	-.278	.077	-.086	-.892	260	351	-.345	.089	-.111	-.830
260	221	-.220	.053	-.048	-.580	260	302	-.276	.071	-.082	-.709	260	352	-.332	.068	-.154	-.642
260	222	-.217	.047	-.048	-.517	260	303	-.282	.072	-.057	-.601	260	353	-.347	.088	-.115	-.843
260	223	-.222	.074	.060	-.774	260	304	-.838	.218	-.119	-1.922	260	354	-.355	.094	-.044	-.855
260	224	-.319	.173	.109	-1.082	260	305	-.285	.070	-.093	-.707	260	355	-.383	.120	-.024	-1.033
260	225	-.187	.103	.306	-.579	260	306	-.537	.166	-.129	-1.072	260	356	-.218	.209	.305	-1.126
260	226	-.069	.142	.617	-.658	260	307	-.301	.075	-.079	-.788	260	357	-.150	.116	.195	-.761
260	227	-.025	.160	.579	-.655	260	308	-.847	.218	-.073	-1.902	260	358	-.328	.105	-.053	-.725
260	228	-.187	.030	-.083	-.428	260	309	-.390	.090	-.127	-.833	260	359	-.483	.174	-.053	-1.218
260	229	-.188	.027	-.098	-.283	260	310	-.290	.071	-.075	-.696	260	360	-.450	.174	.020	-1.234
260	230	-.196	.034	-.067	-.449	260	311	-.299	.071	-.084	-.883	260	361	-.396	.157	.040	-1.085
260	231	-.205	.043	-.064	-.482	260	312	-.304	.080	-.136	-.777	260	362	-.384	.132	-.097	-.910
260	232	-.206	.051	-.093	-.912	260	313	-.295	.067	-.093	-.754	260	363	-.320	.089	-.129	-.862
260	233	-.211	.045	-.067	-.463	260	314	-.308	.084	-.082	-.682	260	364	-.324	.075	-.085	-.642
260	234	-.210	.050	-.026	-.553	260	315	-.348	.071	-.075	-.617	260	365	-.338	.093	-.079	-.960
260	235	-.207	.073	.023	-.741	260	316	-.420	.100	-.106	-.779	260	366	-.347	.105	-.051	-1.124
260	236	-.302	.188	.294	-1.275	260	317	-.390	.097	-.118	-.835	260	367	-.377	.124	.036	-1.088
260	237	-.162	.115	.306	-.696	260	318	-.412	.129	-.014	-.930	260	368	-.159	.190	.510	-1.015
260	238	-.024	.133	.496	-.425	260	319	-.286	.085	-.043	-1.605	260	369	-.154	.117	.321	-.597
260	239	-.016	.151	.536	-.691	260	320	-.779	.268	.128	-1.708	260	370	-.334	.113	.010	-.951
260	240	-.182	.025	-.102	-.299	260	321	-.230	.076	-.078	-.772	260	371	-.461	.176	-.067	-1.231
260	241	-.180	.025	-.083	-.273	260	322	-.314	.067	-.129	-.577	260	372	-.387	.166	-.024	-1.492
260	242	-.188	.028	-.100	-.328	260	323	-.380	.096	-.095	-.961	260	373	-.337	.134	.045	-1.044
260	243	-.194	.033	-.074	-.389	260	324	-.409	.102	-.120	-.786	260	374	-.313	.114	-.003	-.852
260	244	-.193	.042	-.017	-.444	260	325	-.397	.130	-.120	-1.303	260	375	-.286	.081	-.083	-.743
260	245	-.212	.050	-.024	-.537	260	326	-.323	.083	-.095	-.709	260	376	-.295	.072	-.074	-.604
260	246	-.204	.050	-.017	-.370	260	327	-.301	.070	-.111	-.655	260	377	-.303	.088	-.063	-.926
260	247	-.212	.107	.104	-.890	260	328	-.310	.063	-.149	-.788	260	378	-.320	.105	-.099	-.866
260	248	-.260	.163	.239	-1.052	260	329	-.327	.079	-.142	-.806	260	379	-.346	.109	-.095	-1.211
260	249	-.118	.127	.315	-.615	260	330	-.306	.065	-.149	-.736	260	380	-.135	.144	.485	-.612
260	250	-.031	.144	.486	-.311	260	331	-.334	.093	-.066	-.784	260	381	-.140	.101	.268	-.604

WD	TAP	CPMEAN	CPRMS	CPMAX	CPMIN	WD	TAP	CPMEAN	CPRMS	CPMAX	CPMIN	WD	TAP	CPMEAN	CPRMS	CPMAX	CPMIN
260	382	-.301	.093	-.010	-.827	260	432	-.235	.047	-.078	-.489	260	908	-.267	.066	-.066	-.528
260	383	-.414	.163	-.043	-1.181	260	433	-.193	.035	-.063	-.353	260	909	-.285	.067	-.059	-.588
260	384	-.333	.108	-.074	-.842	260	434	-.184	.035	-.063	-.355	260	910	-.478	.146	-.133	-1.231
260	385	-.278	.042	-.184	-.500	260	435	-.183	.033	-.016	-.327	260	911	-.174	.048	-.082	-.496
260	386	-.249	.070	-.028	-.668	260	436	-.194	.034	-.096	-.341	260	912	-.260	.040	-.087	-.435
260	387	-.236	.058	-.057	-.545	260	437	-.183	.029	-.089	-.287	260	913	-.428	.081	-.190	-.735
260	388	-.254	.055	-.121	-.608	260	438	-.168	.025	-.096	-.264	260	914	-.564	.129	-.119	-1.052
260	389	-.249	.059	-.074	-.650	260	439	-.176	.026	-.082	-.367	260	915	-.511	.143	-.064	-1.158
260	390	-.267	.081	-.065	-.875	260	440	-.024	.117	.464	-.412	260	916	-.386	.113	-.065	-.837
260	391	-.290	.088	-.045	-.779	260	441	-.041	.100	.471	-.595	260	917	-.305	.072	-.072	-.728
260	392	-.122	.127	.383	-.663	260	442	-.031	.057	.275	-.292	260	918	-.156	.063	-.106	-.513
260	393	-.149	.094	.276	-.527	260	443	-.179	.085	-.106	-.569	260	919	-.097	.100	-.398	-.425
260	394	-.287	.084	-.022	-.750	260	444	-.248	.052	-.089	-.492	260	920	-.345	.084	-.088	-.677
260	395	-.412	.148	-.068	-1.324	260	445	-.231	.048	-.054	-.466	260	921	-.343	.074	-.075	-.661
260	396	-.332	.126	.053	-.985	260	446	-.199	.032	-.089	-.334	260	922	-.175	.040	.220	-.304
260	397	-.249	.091	-.015	-.960	260	447	-.191	.029	-.111	-.292	260	923	-.204	.041	.023	-.411
260	398	-.242	.079	-.045	-.880	260	448	-.192	.028	-.096	-.294	260	924	-.223	.066	.111	-.645
260	399	-.217	.055	-.059	-.590	260	449	-.179	.027	-.089	-.266	260	925	-.212	.045	.074	-.585
260	400	-.235	.054	-.106	-.572	260	450	-.170	.025	-.082	-.259	260	926	-.028	.158	.461	-.738
260	401	-.231	.048	-.086	-.616	260	451	-.172	.025	-.092	-.339	260	927	-.085	.109	.183	-.650
260	402	-.216	.055	-.065	-.538	260	452	-.170	.023	-.059	-.238	260	928	-.128	.062	.122	-.487
260	403	-.255	.080	-.039	-.775	260	453	-.167	.024	-.071	-.249	260	929	-.226	.042	-.065	-.441
260	404	-.104	.128	.374	-.532	260	454	-.168	.023	-.092	-.249	260	930	-.148	.076	.074	-.485
260	405	-.136	.100	.472	-.518	260	455	.008	.103	.445	-.412	260	931	-.718	.253	-.146	-1.620
260	406	-.299	.080	-.034	-.739	260	456	.034	.093	.447	-.365	260	932	-.371	.068	-.171	-.724
260	407	-.436	.136	-.099	-1.319	260	457	.011	.061	.421	-.247	260	933	-.419	.099	-.138	-.835
260	408	-.344	.127	-.032	-1.130	260	458	-.069	.081	.346	-.442	260	934	-.388	.089	-.124	-.806
260	409	-.230	.068	-.045	-.860	260	459	-.176	.042	.014	-.353	260	935	-.263	.055	-.112	-.549
260	410	-.212	.055	-.036	-.692	260	460	-.198	.035	-.094	-.344	260	936	-.258	.054	-.083	-.515
260	411	-.205	.049	-.061	-.552	260	461	-.180	.030	-.073	-.306	260	937	-.128	.104	.243	-.547
260	412	-.212	.042	-.083	-.429	260	462	-.188	.029	-.085	-.294	260	938	-.258	.207	.203	-1.174
260	413	-.203	.039	-.090	-.369	260	463	-.187	.028	-.096	-.282	260	939	-.522	.085	-.259	-.860
260	414	-.200	.039	-.081	-.451	260	464	-.182	.044	-.046	-.651	260	940	-.483	.107	-.148	-.846
260	415	-.207	.047	-.039	-.545	260	465	-.190	.032	-.079	-.409	260	941	-.459	.221	.316	-1.446
260	416	-.084	.137	.419	-.574	260	466	-.194	.041	-.088	-.461	260	942	-.218	.178	.132	-1.285
260	417	-.098	.100	.263	-.514	260	467	-.192	.035	-.077	-.422	260	943	-.271	.072	-.028	-.860
260	418	-.310	.074	-.077	-.679	260	468	-.242	.041	-.127	-.449	260	944	-.517	.092	-.192	-.939
260	419	-.533	.170	-.152	-1.440	260	469	-.236	.037	-.133	-.412	260	945	-.497	.172	-.065	-1.285
260	420	-.285	.075	-.050	-.826	260	801	-.017	.130	-.530	-.533	260	946	-.642	.210	-.108	-1.472
260	421	-.204	.041	-.059	-.380	260	802	-.168	.023	-.093	-.242	260	947	-.519	.122	-.108	-1.027
260	422	-.191	.038	-.052	-.349	260	803	-.201	.033	-.101	-.416	260	948	-.493	.111	-.129	-1.073
260	423	-.191	.037	-.070	-.353	260	804	-.217	.057	-.105	-.691	260	949	-.590	.228	-.210	-1.493
260	424	-.193	.037	-.082	-.372	260	805	-.383	.091	-.122	-.992	260	950	-.533	.123	-.120	-.977
260	425	-.185	.032	-.094	-.311	260	901	-.272	.063	-.071	-.646	260	951	-.719	.241	-.093	-1.551
260	426	-.181	.030	-.092	-.416	260	902	-.260	.056	-.081	-.499	260	952	-.715	.267	-.039	-1.469
260	427	-.184	.031	-.096	-.386	260	903	-.266	.050	-.122	-.503	260	953	-.644	.137	-.182	-1.142
260	428	-.034	.117	.501	-.532	260	904	-.340	.091	-.046	-.819	260	954	-1.035	.308	.032	-2.244
260	429	-.037	.094	.315	-.572	260	905	-.296	.064	-.114	-.686	260	955	-.729	.157	-.208	-1.429
260	430	-.182	.052	.007	-.395	260	906	-.271	.055	-.112	-.526	260	956	-1.225	.361	-.280	-2.602
260	431	-.433	.132	-.075	-.922	260	907	-.360	.086	-.105	-.707	260	957	-.794	.172	-.237	-1.414



WD	TAP	CPMEAN	CPRMS	CPMAX	CPMIN	WD	TAP	CPMEAN	CPRMS	CPMAX	CPMIN	WD	TAP	CPMEAN	CPRMS	CPMAX	CPMIN
270	101	.162	.145	.635	-.854	270	151	.123	.164	.658	-.265	270	201	-.247	.124	.158	-.803
270	102	-.001	.109	.442	-.528	270	152	-.040	.146	.442	-.619	270	202	-.184	.101	.265	-.599
270	103	-.300	.104	.116	-.750	270	153	-.216	.260	.500	-1.308	270	203	-.240	.112	.274	-.702
270	104	-.322	.084	-.090	-.958	270	154	-.100	.172	.709	-.589	270	204	-.229	.074	-.035	-.572
270	105	-.337	.158	-.070	-.464	270	155	-.310	.222	.449	-1.048	270	205	-.205	.076	.030	-.639
270	106	-.372	.117	-.070	-1.049	270	156	-.371	.156	.151	-1.062	270	206	-.279	.117	.068	-.776
270	107	.354	.168	.848	-.387	270	157	-.472	.168	-.001	-1.250	270	207	-.233	.087	.034	-.747
270	108	-.347	.108	-.029	-.933	270	158	-.632	.220	-.157	-1.593	270	208	-.217	.068	.007	-.563
270	109	-.384	.125	-.025	-.890	270	159	-.287	.107	.100	-.695	270	209	-.226	.072	-.017	-.617
270	110	-.358	.165	.886	-.342	270	160	-.010	.119	.433	-.472	270	210	-.215	.070	.025	-.610
270	111	.509	.206	1.086	-.373	270	161	-.028	.194	.596	-.812	270	211	-.168	.076	.131	-.446
270	112	.366	.232	1.015	-.831	270	162	-.045	.153	.668	-.566	270	212	-.150	.093	.234	-.700
270	113	-.227	.155	.680	-.367	270	163	-.011	.105	.378	-.345	270	213	-.171	.099	.153	-.729
270	114	-.342	.115	.211	-.931	270	164	-.177	.120	.238	-.848	270	214	-.138	.085	.294	-1.108
270	115	-.450	.178	-.047	-1.203	270	165	-.316	.256	.592	-1.287	270	215	-.178	.087	.220	-.543
270	116	.140	.112	.524	-.380	270	166	-.178	.169	.725	-.651	270	216	-.206	.052	-.020	-.477
270	117	.169	.119	.592	-.423	270	167	-.300	.229	.695	-.995	270	217	-.204	.053	-.042	-.430
270	118	-.107	.120	.401	-.541	270	168	-.313	.120	.034	-1.110	270	218	-.229	.070	-.044	-.614
270	119	-.360	.170	.825	-.310	270	169	-.388	.145	.112	-1.067	270	219	-.218	.056	-.056	-.554
270	120	-.367	.105	-.086	-.906	270	170	-.662	.227	-.185	-1.517	270	220	-.216	.047	-.089	-.475
270	121	-.410	.141	-.097	-1.092	270	171	-.320	.107	.135	-.823	270	221	-.226	.055	-.056	-.495
270	122	-.467	.205	-.104	-1.404	270	172	-.042	.119	.449	-.483	270	222	-.212	.053	-.044	-.507
270	123	-.112	.103	.123	-.548	270	173	-.016	.155	.640	-.681	270	223	-.171	.065	.196	-.392
270	124	-.101	.097	.417	-.593	270	174	-.019	.122	.656	-.522	270	224	-.137	.083	.234	-.726
270	125	-.097	.179	.476	-.874	270	175	-.084	.083	.307	-.407	270	225	-.128	.080	.160	-.522
270	126	.319	.170	.850	-.430	270	176	-.237	.113	.254	-.945	270	226	-.102	.072	.153	-.404
270	127	.478	.211	1.106	-.274	270	177	-.341	.196	.187	-1.044	270	227	-.133	.074	.274	-.446
270	128	.434	.217	1.002	-.358	270	178	-.233	.133	.693	-.635	270	228	-.188	.035	-.063	-.340
270	129	.187	.289	.943	-.944	270	179	-.304	.186	.477	-.862	270	229	-.197	.037	-.081	-.359
270	130	.204	.169	.680	-.385	270	180	-.298	.101	-.035	-.890	270	230	-.206	.043	-.067	-.503
270	131	-.322	.126	.390	-.722	270	181	-.300	.126	-.034	-.881	270	231	-.202	.040	-.074	-.449
270	132	-.415	.148	.066	-1.076	270	182	-.566	.199	-.015	-1.402	270	232	-.199	.040	-.036	-.394
270	133	-.432	.144	-.045	-1.099	270	183	-.295	.095	.075	-.623	270	233	-.217	.052	-.065	-.522
270	134	-.414	.154	-.122	-1.259	270	184	-.111	.077	.153	-.356	270	234	-.191	.042	-.036	-.385
270	135	-.208	.102	.150	-.636	270	185	-.080	.053	.090	-.345	270	235	-.164	.054	.096	-.693
270	136	-.070	.117	.422	-.521	270	186	-.098	.097	.299	-.486	270	236	-.163	.091	.269	-.626
270	137	-.014	.243	.687	-1.024	270	187	-.128	.076	.151	-.439	270	237	-.131	.071	.198	-.468
270	138	.240	.211	.855	-.457	270	188	-.228	.088	.045	-.673	270	238	-.095	.069	.155	-.522
270	139	.301	.203	.963	-.176	270	189	-.329	.166	.312	-.996	270	239	-.099	.075	.279	-.480
270	140	.163	.188	.753	-.478	270	190	-.227	.111	.382	-.610	270	240	-.180	.027	-.100	-.347
270	141	-.037	.275	.778	-1.035	270	191	-.290	.142	.348	-.787	270	241	-.177	.031	-.077	-.465
270	142	-.046	.175	.792	-.518	270	192	-.268	.087	-.053	-.657	270	242	-.178	.033	-.063	-.397
270	143	-.329	.180	.380	-.966	270	193	-.228	.105	.059	-.700	270	243	-.184	.032	-.074	-.342
270	144	-.409	.161	-.075	-1.097	270	194	-.380	.171	.036	-1.135	270	244	-.141	.055	.208	-.366
270	145	-.472	.160	-.022	-1.239	270	195	-.250	.107	.066	-.646	270	245	-.170	.041	-.008	-.423
270	146	-.508	.186	-.127	-1.494	270	196	-.186	.086	.137	-.536	270	246	-.157	.042	.049	-.491
270	147	-.253	.113	.109	-.674	270	197	-.192	.088	.167	-.547	270	247	-.152	.058	.106	-.387
270	148	.041	.124	.408	-.417	270	198	-.189	.086	.209	-.610	270	248	-.160	.078	.182	-.610
270	149	.014	.217	.548	-1.032	270	199	-.164	.076	.110	-.498	270	249	-.121	.071	.338	-.389
270	150	.162	.183	.677	-.366	270	200	-.189	.092	.207	-.556	270	250	-.069	.084	.373	-.413

WD	TAP	CPMEAN	CPRMS	CPMAX	CPMIN	WD	TAP	CPMEAN	CPRMS	CPMAX	CPMIN	WD	TAP	CPMEAN	CPRMS	CPMAX	CPMIN
270	251	-.063	.088	.343	-.520	270	332	-.833	.304	.081	-2.071	270	382	-.320	.097	-.049	-.822
270	252	-.074	.065	.222	-.299	270	333	-.336	.222	.101	-1.588	270	383	-.373	.132	-.096	-1.178
270	253	-.064	.080	.395	-.356	270	334	-.373	.114	-.111	-1.116	270	384	-.307	.090	-.116	-.766
270	254	-.061	.069	.250	-.416	270	335	-.432	.136	-.136	-1.109	270	385	-.272	.042	-.161	-.453
270	255	-.167	.028	-.046	-.254	270	336	-.434	.132	-.098	-1.194	270	386	-.271	.079	-.074	-.677
270	256	-.156	.030	-.028	-.276	270	337	-.397	.113	-.053	-.903	270	387	-.252	.063	-.026	-.810
270	257	-.155	.037	-.001	-.340	270	338	-.373	.108	-.066	-.952	270	388	-.269	.078	-.019	-.701
270	258	-.158	.034	-.010	-.378	270	339	-.348	.090	-.131	-.948	270	389	-.297	.111	-.041	-1.164
270	259	-.159	.034	-.013	-.292	270	340	-.343	.084	-.109	-.731	270	390	-.311	.122	-.076	-1.275
270	260	-.156	.044	-.044	-.356	270	341	-.358	.093	-.125	-1.006	270	391	-.329	.114	-.032	-1.184
270	261	-.122	.056	.186	-.302	270	342	-.345	.096	-.044	-.924	270	392	-.309	.122	.176	-.741
270	262	-.136	.048	.293	-.368	270	343	-.370	.124	-.024	-1.278	270	393	-.245	.098	.061	-.721
270	263	-.153	.073	.196	-.477	270	344	-.657	.311	.185	-1.930	270	394	-.270	.074	-.030	-.721
270	264	-.155	.032	-.040	-.269	270	345	-.310	.203	.110	-1.799	270	395	-.313	.099	-.041	-.841
270	265	-.182	.037	-.006	-.357	270	346	-.390	.119	-.085	-1.155	270	396	-.266	.076	-.019	-.688
270	266	-.170	.047	.034	-.419	270	347	-.458	.142	-.094	-1.049	270	397	-.239	.066	-.032	-.622
270	267	-.161	.052	.059	-.513	270	348	-.434	.143	.012	-1.110	270	398	-.226	.061	-.057	-.630
270	268	-.012	.069	.308	-.213	270	349	-.418	.135	-.035	-1.024	270	399	-.222	.052	-.034	-.462
270	269	-.006	.084	.418	-.278	270	350	-.386	.116	-.063	-1.006	270	400	-.250	.074	-.041	-.881
270	301	-.307	.079	-.084	-.807	270	351	-.343	.090	-.126	-.802	270	401	-.266	.090	-.043	-1.014
270	302	-.304	.074	-.104	-.659	270	352	-.331	.086	.001	-.731	270	402	-.287	.106	-.019	-1.071
270	303	-.298	.071	-.082	-.704	270	353	-.346	.119	.064	-1.074	270	403	-.318	.105	-.070	-.830
270	304	-1.052	.293	-.205	-2.463	270	354	-.337	.120	-.004	-1.042	270	404	-.250	.103	.107	-.737
270	305	-.319	.077	-.057	-.724	270	355	-.383	.143	.017	-1.094	270	405	-.202	.082	-.052	-.668
270	306	-.777	.240	-.205	-1.541	270	356	-.531	.288	.275	-1.520	270	406	-.244	.065	-.039	-.564
270	307	-.321	.078	-.087	-.756	270	357	-.302	.190	.137	-1.350	270	407	-.283	.078	-.050	-.715
270	308	-1.038	.251	-.174	-1.968	270	358	-.381	.119	-.049	-1.001	270	408	-.245	.068	-.063	-.810
270	309	-.539	.150	-.131	-1.402	270	359	-.499	.167	-.108	-1.343	270	409	-.214	.051	-.072	-.517
270	310	-.337	.085	-.073	-.709	270	360	-.446	.153	-.015	-1.255	270	410	-.208	.050	-.003	-.504
270	311	-.329	.076	-.134	-.691	270	361	-.402	.141	-.024	-1.148	270	411	-.206	.046	-.050	-.446
270	312	-.319	.075	-.136	-.827	270	362	-.370	.123	-.049	-1.064	270	412	-.221	.058	-.054	-.593
270	313	-.307	.065	-.120	-.577	270	363	-.321	.091	-.081	-.849	270	413	-.224	.064	-.059	-.646
270	314	-.318	.081	-.055	-.742	270	364	-.316	.090	-.060	-.783	270	414	-.228	.075	-.012	-.703
270	315	-.425	.114	-.113	-1.152	270	365	-.346	.132	-.044	-1.169	270	415	-.277	.097	-.052	-.894
270	316	-.446	.105	-.138	-.845	270	366	-.318	.127	-.010	-1.028	270	416	-.189	.087	.223	-.599
270	317	-.419	.105	-.127	-.894	270	367	-.346	.139	.144	-1.139	270	417	-.155	.067	.123	-.577
270	318	-.340	.104	-.061	-.923	270	368	-.443	.244	.316	-1.602	270	418	-.224	.057	.116	-.537
270	319	-.331	.092	-.098	-.811	270	369	-.311	.174	.180	-1.300	270	419	-.301	.094	-.006	-.916
270	320	-1.036	.263	-.218	-2.091	270	370	-.365	.116	.028	-.865	270	420	-.226	.051	-.057	-.513
270	321	-.440	.233	-.024	-1.505	270	371	-.473	.167	-.015	-1.166	270	421	-.194	.039	-.070	-.331
270	322	-.397	.109	-.089	-.874	270	372	-.366	.143	.012	-1.064	270	422	-.194	.040	-.065	-.427
270	323	-.488	.164	-.145	-1.190	270	373	-.320	.112	.005	-.858	270	423	-.195	.040	-.068	-.387
270	324	-.466	.142	-.145	-.979	270	374	-.330	.116	-.042	-.981	270	424	-.194	.038	-.091	-.395
270	325	-.419	.147	-.055	-1.451	270	375	-.291	.083	-.051	-.815	270	425	-.193	.038	-.084	-.416
270	326	-.348	.115	-.053	-.948	270	376	-.298	.088	-.056	-.828	270	426	-.196	.047	-.056	-.522
270	327	-.336	.089	-.120	-.937	270	377	-.320	.130	-.040	-1.293	270	427	-.219	.062	-.065	-.744
270	328	-.345	.077	-.100	-.688	270	378	-.327	.138	.039	-1.191	270	428	-.129	.078	.277	-.531
270	329	-.348	.075	-.136	-.847	270	379	-.325	.130	.008	-1.110	270	429	-.107	.062	.177	-.533
270	330	-.325	.068	-.116	-.644	270	380	-.391	.174	.199	-1.176	270	430	-.169	.046	-.031	-.447
270	331	-.336	.087	-.082	-.713	270	381	-.289	.128	.241	-.870	270	431	-.270	.089	-.035	-.744

WD	TAP	CPMEAN	CPRMS	CPMAX	CPMIN	WD	TAP	CPMEAN	CPRMS	CPMAX	CPMIN	WD	TAP	CPMEAN	CPRMS	CPMAX	CPMIN
270	432	-.202	.041	-.058	-.391	270	908	-.245	.068	-.044	-.585	280	101	-.092	.145	.335	-.827
270	433	-.192	.034	-.077	-.323	270	909	-.388	.099	-.103	-.809	280	102	-.116	.081	.242	-.375
270	434	-.189	.035	-.072	-.384	270	910	-.558	.179	-.067	-1.452	280	103	-.344	.117	-.063	-.857
270	435	-.185	.032	-.098	-.341	270	911	-.140	.045	-.004	-.448	280	104	-.406	.101	-.097	-.823
270	436	-.189	.032	-.086	-.437	270	912	-.283	.047	-.051	-.498	280	105	-.307	.117	-.674	-.145
270	437	-.182	.029	-.093	-.302	270	913	-.428	.077	-.190	-.788	280	106	-.521	.118	-.140	-.953
270	438	-.182	.031	-.081	-.311	270	914	-.599	.134	-.138	-1.190	280	107	-.396	.131	-.774	-.095
270	439	-.190	.040	-.091	-.430	270	915	-.512	.123	-.140	-1.284	280	108	-.417	.108	-.029	-.934
270	440	-.075	.073	-.303	-.327	270	916	-.490	.121	-.134	-1.015	280	109	-.651	.156	-.136	-1.219
270	441	-.057	.070	.282	-.341	270	917	-.338	.104	-.042	-.809	280	110	-.432	.133	.883	-.172
270	442	-.075	.055	.233	-.508	270	918	-.160	.060	.069	-.361	280	111	-.424	.144	.908	-.145
270	443	-.138	.057	.143	-.484	270	919	-.022	.109	.358	-.359	280	112	.011	.197	.613	-.800
270	444	-.220	.048	-.084	-.503	270	920	-.333	.088	-.035	-.668	280	113	-.090	.099	.583	-.238
270	445	-.205	.040	-.065	-.451	270	921	-.465	.085	-.158	-.754	280	114	-.346	.114	-.047	-.741
270	446	-.193	.033	-.081	-.327	270	922	-.163	.033	-.017	-.287	280	115	-.808	.243	-.088	-1.528
270	447	-.185	.027	-.091	-.399	270	923	-.187	.036	.002	-.354	280	116	-.092	.104	.387	-.302
270	448	-.184	.026	-.088	-.280	270	924	-.175	.048	.141	-.474	280	117	-.258	.107	.588	-.297
270	449	-.178	.024	-.084	-.290	270	925	-.152	.056	.217	-.463	280	118	-.100	.123	.526	-.554
270	450	-.177	.027	-.091	-.313	270	926	-.107	.107	.434	-.440	280	119	-.424	.140	.840	-.197
270	451	-.180	.028	-.044	-.337	270	927	.041	.081	.316	-.363	280	120	-.367	.084	-.102	-.716
270	452	-.175	.024	-.093	-.271	270	928	-.066	.053	.106	-.377	280	121	-.490	.125	-.163	-1.057
270	453	-.174	.024	-.086	-.276	270	929	-.270	.048	-.049	-.474	280	122	-1.011	.336	-.131	-2.045
270	454	-.176	.027	-.074	-.273	270	930	-.350	.117	-.003	-.789	280	123	-.205	.110	.167	-.550
270	455	-.060	.072	.261	-.419	270	931	-.721	.176	-.292	-1.560	280	124	-.150	.088	.408	-.156
270	456	-.047	.062	.237	-.440	270	932	-.518	.131	-.218	-.945	280	125	.096	.164	.585	-.661
270	457	-.044	.060	.347	-.222	270	933	-.392	.090	-.081	-.763	280	126	.453	.142	.927	-.071
270	458	-.079	.064	.293	-.402	270	934	-.371	.093	-.014	-.733	280	127	.604	.164	1.084	-.056
270	459	-.165	.036	-.042	-.302	270	935	-.231	.047	-.109	-.507	280	128	.407	.146	.833	-.111
270	460	-.187	.032	-.027	-.313	270	936	-.239	.052	-.069	-.498	280	129	-.111	.216	.567	-1.110
270	461	-.181	.030	-.077	-.351	270	937	-.031	.092	.288	-.381	280	130	-.088	.099	.576	-.343
270	462	-.180	.028	-.074	-.292	270	938	-.001	.124	.320	-.550	280	131	-.351	.115	.007	-.839
270	463	-.184	.027	-.107	-.304	270	939	-.635	.112	-.229	-1.004	280	132	-.415	.131	-.031	-1.028
270	464	-.169	.032	-.063	-.328	270	940	-.474	.101	-.107	-.900	280	133	-.700	.203	-.122	-1.385
270	465	-.183	.033	-.088	-.335	270	941	-.253	.162	.417	-.864	280	134	-.730	.218	-.172	-1.410
270	466	-.202	.041	-.070	-.380	270	942	-.023	.079	.225	-.428	280	135	-.298	.116	.080	-.645
270	467	-.188	.050	-.020	-.484	270	943	-.265	.053	-.019	-.704	280	136	.167	.102	.567	-.159
270	468	-.221	.040	-.081	-.384	270	944	-.656	.119	-.236	-1.115	280	137	.259	.197	.881	-.709
270	469	-.218	.034	-.112	-.353	270	945	-.362	.065	-.130	-.640	280	138	.473	.149	1.070	-.177
270	801	-.088	.072	.241	-.372	270	946	-.892	.226	-.267	-1.722	280	139	.543	.154	.983	.019
270	802	-.176	.024	-.070	-.252	270	947	-.541	.134	-.200	-1.115	280	140	.257	.153	.738	-.272
270	803	-.183	.033	-.091	-.429	270	948	-.485	.098	-.193	-.836	280	141	-.193	.207	.583	-1.153
270	804	-.198	.051	-.067	-.562	270	949	-.333	.189	.441	-1.089	280	142	-.003	.100	.465	-.478
270	805	-.321	.085	-.124	-.779	270	950	-.562	.109	-.222	-1.048	280	143	-.394	.130	.041	-.986
270	901	-.323	.072	-.096	-.651	270	951	-.455	.202	.453	-1.201	280	144	-.429	.160	.170	-1.106
270	902	-.297	.068	-.061	-.630	270	952	-.356	.072	-.141	-.934	280	145	-.659	.205	-.031	-1.556
270	903	-.279	.049	-.103	-.494	270	953	-.730	.137	-.257	-1.306	280	146	-.764	.222	-.176	-1.835
270	904	-.365	.091	-.062	-.763	270	954	-.792	.269	-.213	-1.824	280	147	-.296	.111	.087	-.691
270	905	-.278	.064	-.039	-.553	270	955	-.911	.204	-.107	-1.663	280	148	-.175	.117	.530	-.269
270	906	-.391	.094	-.094	-.711	270	956	-1.747	.458	-.063	-2.986	280	149	.254	.206	.919	-.555
270	907	-.411	.114	-.083	-.980	270	957	-1.000	.199	-.226	-1.765	280	150	.379	.161	.989	-.135

WD	TAP	CPMEAN	CPRMS	CPMAX	CPMIN	WD	TAP	CPMEAN	CPRMS	CPMAX	CPMIN	WD	TAP	CPMEAN	CPRMS	CPMAX	CPMIN
280	151	.343	.138	.792	-.102	280	201	-.375	.150	.036	-1.021	280	251	-.109	.052	.150	-.390
280	152	.050	.156	.617	-.448	280	202	-.215	.084	.040	-.588	280	252	-.113	.037	.097	-.241
280	153	-.345	.235	.354	-1.378	280	203	-.322	.095	.153	-.701	280	253	-.111	.042	.083	-.264
280	154	-.111	.118	.322	-.628	280	204	-.220	.097	.121	-.697	280	254	-.097	.045	.128	-.276
280	155	-.446	.150	.304	-1.004	280	205	-.173	.086	.137	-.658	280	255	-.155	.028	-.034	-.264
280	156	-.402	.150	.004	-1.087	280	206	-.253	.130	.094	-.877	280	256	-.143	.032	.055	-.255
280	157	-.561	.202	-.070	-1.422	280	207	-.214	.087	.117	-.564	280	257	-.139	.037	.014	-.407
280	158	-.836	.248	-.213	-1.835	280	208	-.215	.074	.011	-.534	280	258	-.137	.036	.043	-.298
280	159	-.335	.115	.068	-.822	280	209	-.223	.080	-.021	-.631	280	259	-.135	.032	.021	-.274
280	160	.116	.123	.536	-.250	280	210	-.212	.071	-.004	-.510	280	260	-.130	.043	.081	-.359
280	161	.249	.194	.834	-.483	280	211	-.180	.071	.139	-.449	280	261	-.104	.045	.138	-.269
280	162	.268	.160	.903	-.172	280	212	-.180	.089	.157	-.557	280	262	-.102	.053	.226	-.293
280	163	.174	.108	.539	-.135	280	213	-.241	.122	.142	-.814	280	263	-.118	.050	.178	-.493
280	164	-.151	.141	.317	-.548	280	214	-.160	.075	.209	-.505	280	264	-.153	.025	-.045	-.247
280	165	-.492	.259	.200	-1.493	280	215	-.246	.080	.036	-.627	280	265	-.195	.029	-.096	-.328
280	166	-.214	.129	.294	-.864	280	216	-.188	.060	-.000	-.494	280	266	-.193	.044	-.019	-.469
280	167	-.471	.165	.310	-1.090	280	217	-.181	.061	.033	-.501	280	267	-.166	.059	.013	-.579
280	168	-.369	.124	-.019	-1.032	280	218	-.206	.066	.056	-.550	280	268	-.069	.050	.189	-.210
280	169	-.465	.189	-.045	-1.311	280	219	-.211	.059	.006	-.555	280	269	-.062	.058	.276	-.321
280	170	-.811	.224	-.199	-1.770	280	220	-.217	.047	-.088	-.444	280	301	-.358	.096	-.053	-1.044
280	171	-.356	.110	-.019	-.898	280	221	-.230	.061	-.079	-.744	280	302	-.358	.089	-.044	-.893
280	172	.067	.122	.518	-.333	280	222	-.217	.054	-.041	-.444	280	303	-.350	.083	-.116	-.817
280	173	.171	.179	.781	-.476	280	223	-.190	.062	-.088	-.485	280	304	-.687	.229	-.243	-1.845
280	174	.182	.170	.799	-.308	280	224	-.162	.073	.207	-.436	280	305	-.340	.083	-.100	-.779
280	175	.059	.110	.516	-.317	280	225	-.176	.083	.190	-.519	280	306	-.706	.219	-.233	-1.531
280	176	-.254	.109	.137	-.702	280	226	-.137	.062	.071	-.476	280	307	-.337	.073	-.139	-.697
280	177	-.528	.208	.177	-1.385	280	227	-.169	.057	.043	-.402	280	308	-.737	.225	-.238	-2.058
280	178	-.276	.119	.225	-.912	280	228	-.178	.044	-.036	-.381	280	309	-.713	.199	-.179	-1.560
280	179	-.468	.145	.262	-.995	280	229	-.173	.042	-.010	-.388	280	310	-.351	.072	-.150	-.720
280	180	-.361	.125	-.045	-1.004	280	230	-.192	.046	.031	-.407	280	311	-.354	.075	-.168	-.754
280	181	-.315	.170	.144	-1.186	280	231	-.199	.042	-.049	-.388	280	312	-.377	.089	-.168	-.835
280	182	-.723	.239	-.001	-1.777	280	232	-.197	.035	-.088	-.464	280	313	-.368	.084	-.146	-.794
280	183	-.324	.106	.085	-.748	280	233	-.212	.044	-.072	-.481	280	314	-.386	.097	-.116	-.756
280	184	-.072	.070	.202	-.311	280	234	-.200	.037	-.055	-.374	280	315	-.644	.199	-.067	-1.502
280	185	-.015	.054	.216	-.268	280	235	-.180	.046	.045	-.376	280	316	-.468	.116	-.166	-1.026
280	186	-.021	.098	.367	-.329	280	236	-.162	.061	.152	-.409	280	317	-.447	.112	-.141	-.902
280	187	-.054	.093	.365	-.374	280	237	-.153	.057	.083	-.369	280	318	-.401	.109	-.064	-.853
280	188	-.245	.084	.036	-.622	280	238	-.125	.053	.121	-.369	280	319	-.373	.085	-.152	-.821
280	189	-.528	.182	.072	-1.332	280	239	-.126	.048	.097	-.376	280	320	-.691	.222	-.220	-1.675
280	190	-.273	.098	.112	-.809	280	240	-.170	.032	-.038	-.329	280	321	-.709	.221	-.132	-1.538
280	191	-.410	.115	.011	-.924	280	241	-.164	.032	-.024	-.279	280	322	-.597	.199	-.046	-1.497
280	192	-.292	.118	.112	-.807	280	242	-.160	.031	-.053	-.398	280	323	-.513	.154	.055	-1.202
280	193	-.183	.120	.175	-.760	280	243	-.167	.035	-.026	-.409	280	324	-.448	.121	-.028	-.932
280	194	-.394	.195	.139	-1.190	280	244	-.106	.057	.204	-.329	280	325	-.408	.118	-.123	-.956
280	195	-.247	.120	.171	-.773	280	245	-.153	.035	-.024	-.426	280	326	-.382	.099	-.094	-.828
280	196	-.182	.087	.117	-.512	280	246	-.143	.036	-.014	-.333	280	327	-.351	.070	-.168	-.706
280	197	-.191	.097	.135	-.557	280	247	-.141	.045	.076	-.450	280	328	-.356	.070	-.170	-.736
280	198	-.175	.084	.099	-.478	280	248	-.152	.048	.035	-.497	280	329	-.382	.090	-.166	-.911
280	199	-.155	.083	.166	-.498	280	249	-.138	.044	.081	-.329	280	330	-.359	.085	-.152	-.781
280	200	-.222	.096	.106	-.600	280	250	-.115	.046	.128	-.395	280	331	-.382	.103	-.026	-.902

WD	TAP	CPMEAN	CPRMS	CPMAX	CPMIN	WD	TAP	CPMEAN	CPRMS	CPMAX	CPMIN	WD	TAP	CPMEAN	CPRMS	CPMAX	CPMIN
280	332	-.668	.213	-.152	-1.567	280	382	-.359	.145	.021	-1.635	280	432	-.180	.035	-.001	-.411
280	333	-.687	.232	-.064	-1.481	280	383	-.389	.162	-.018	-1.234	280	433	-.180	.031	-.079	-.335
280	334	-.599	.245	-.258	-1.637	280	384	-.329	.106	-.058	-.872	280	434	-.183	.034	-.088	-.312
280	335	-.516	.181	-.019	-1.191	280	385	-.302	.059	-.165	-.620	280	435	-.184	.030	-.060	-.338
280	336	-.438	.145	-.028	-1.092	280	386	-.279	.083	-.063	-.850	280	436	-.183	.029	-.091	-.291
280	337	-.424	.149	-.076	-1.139	280	387	-.286	.084	-.089	-.808	280	437	-.178	.028	-.079	-.295
280	338	-.381	.108	-.060	-.918	280	388	-.350	.112	-.038	-.919	280	438	-.175	.031	-.065	-.307
280	339	-.349	.072	-.146	-.697	280	389	-.382	.139	-.063	-1.256	280	439	-.184	.044	-.048	-.474
280	340	-.349	.087	-.155	-.999	280	390	-.406	.145	-.018	-1.075	280	440	-.110	.045	-.180	-.286
280	341	-.377	.111	-.141	-1.080	280	391	-.456	.152	-.089	-1.196	280	441	-.097	.042	-.095	-.312
280	342	-.360	.100	-.077	-.895	280	392	-.472	.144	-.112	-1.343	280	442	-.098	.042	-.077	-.321
280	343	-.380	.115	-.021	-.936	280	393	-.345	.124	-.024	-1.022	280	443	-.132	.038	-.027	-.378
280	344	-.762	.243	-.039	-1.788	280	394	-.303	.102	-.042	-1.158	280	444	-.204	.043	-.060	-.474
280	345	-.694	.288	.098	-1.653	280	395	-.320	.115	-.020	-1.055	280	445	-.189	.032	-.069	-.342
280	346	-.554	.257	.112	-1.509	280	396	-.290	.104	-.045	-.823	280	446	-.186	.030	-.081	-.335
280	347	-.521	.208	.032	-1.320	280	397	-.259	.092	-.002	-.808	280	447	-.179	.025	-.098	-.260
280	348	-.465	.178	-.020	-1.235	280	398	-.231	.067	-.020	-.614	280	448	-.180	.025	-.095	-.281
280	349	-.443	.164	-.046	-1.228	280	399	-.247	.072	-.027	-.665	280	449	-.177	.024	-.093	-.269
280	350	-.400	.121	-.077	-1.165	280	400	-.287	.094	-.002	-.955	280	450	-.176	.025	-.093	-.307
280	351	-.347	.079	-.141	-1.005	280	401	-.285	.103	-.020	-.913	280	451	-.175	.030	-.060	-.302
280	352	-.364	.104	-.080	-1.043	280	402	-.311	.136	-.018	-.968	280	452	-.172	.024	-.072	-.251
280	353	-.404	.145	-.050	-1.427	280	403	-.462	.164	-.063	-1.281	280	453	-.169	.025	-.081	-.248
280	354	-.363	.126	-.036	-1.041	280	404	-.365	.127	-.024	-1.022	280	454	-.173	.028	-.069	-.293
280	355	-.390	.131	-.030	-1.012	280	405	-.243	.086	-.053	-.734	280	455	-.106	.042	-.062	-.340
280	356	-.782	.264	-.020	-2.021	280	406	-.246	.066	-.025	-.694	280	456	-.088	.041	-.112	-.244
280	357	-.589	.300	.117	-1.882	280	407	-.282	.086	-.051	-.868	280	457	-.082	.045	-.166	-.220
280	358	-.491	.242	.192	-1.475	280	408	-.248	.080	-.031	-1.082	280	458	-.101	.045	-.126	-.288
280	359	-.498	.211	.078	-1.274	280	409	-.215	.060	-.065	-.567	280	459	-.164	.031	-.018	-.312
280	360	-.462	.204	.110	-1.393	280	410	-.201	.050	-.011	-.466	280	460	-.178	.028	-.079	-.274
280	361	-.410	.161	.005	-1.217	280	411	-.204	.051	-.042	-.502	280	461	-.174	.027	-.086	-.269
280	362	-.378	.128	-.016	-.902	280	412	-.229	.068	-.056	-.770	280	462	-.172	.025	-.083	-.291
280	363	-.337	.087	-.093	-.776	280	413	-.217	.062	-.036	-.672	280	463	-.178	.025	-.093	-.305
280	364	-.364	.120	-.075	-1.078	280	414	-.208	.078	-.005	-.750	280	464	-.155	.028	-.056	-.280
280	365	-.418	.162	-.048	-1.302	280	415	-.307	.136	.053	-1.198	280	465	-.188	.031	-.097	-.261
280	366	-.377	.145	-.041	-1.322	280	416	-.236	.079	.062	-.629	280	466	-.193	.044	-.056	-.504
280	367	-.384	.137	-.066	-1.059	280	417	-.170	.055	-.033	-.486	280	467	-.174	.064	-.020	-.683
280	368	-.720	.249	.016	-1.824	280	418	-.202	.050	-.031	-.560	280	468	-.193	.031	-.106	-.368
280	369	-.513	.247	.096	-1.448	280	419	-.252	.068	-.054	-.721	280	469	-.200	.027	-.115	-.302
280	370	-.427	.198	.162	-1.283	280	420	-.199	.042	-.045	-.457	280	801	-.123	.042	-.105	-.280
280	371	-.450	.195	.050	-1.393	280	421	-.185	.040	-.071	-.442	280	802	-.171	.024	-.067	-.252
280	372	-.403	.190	.089	-1.400	280	422	-.185	.040	-.074	-.366	280	803	-.176	.028	-.082	-.352
280	373	-.365	.148	-.005	-1.066	280	423	-.182	.035	-.067	-.361	280	804	-.173	.047	-.036	-.476
280	374	-.320	.116	-.009	-.943	280	424	-.191	.039	-.043	-.413	280	805	-.258	.063	-.097	-.598
280	375	-.322	.093	-.077	-.815	280	425	-.181	.037	-.032	-.474	280	901	-.433	.102	-.141	-.854
280	376	-.368	.129	-.077	-1.048	280	426	-.181	.043	-.046	-.543	280	902	-.368	.091	-.059	-.823
280	377	-.414	.158	-.004	-1.375	280	427	-.216	.071	-.003	-.797	280	903	-.310	.051	-.124	-.528
280	378	-.394	.146	-.034	-1.290	280	428	-.141	.052	.046	-.477	280	904	-.351	.086	-.106	-.699
280	379	-.388	.141	-.009	-1.034	280	429	-.127	.047	.081	-.399	280	905	-.337	.066	-.108	-.584
280	380	-.582	.195	.109	-1.556	280	430	-.155	.040	.027	-.441	280	906	-.473	.107	-.136	-.909
280	381	-.429	.165	.002	-1.279	280	431	-.199	.049	.015	-.503	280	907	-.384	.101	-.101	-.888

WD	TAP	CPMEAN	CPRMS	CPMAX	CPMIN	WD	TAP	CPMEAN	CPRMS	CPMAX	CPMIN	WD	TAP	CPMEAN	CPRMS	CPMAX	CPMIN
280	908	-.307	.070	-.074	-.625	290	101	-.449	.191	.141	-1.674	290	151	.329	.121	.706	-.068
280	909	-.411	.109	-.145	-.947	290	102	-.143	.057	-.079	-.372	290	152	-.134	.101	.443	-.462
280	910	-.771	.199	-.217	-1.548	290	103	-.236	.054	-.083	-.445	290	153	-.632	.201	.136	-1.371
280	911	-.140	.049	-.042	-.298	290	104	-.392	.073	-.167	-.725	290	154	-.197	.129	.173	-.979
280	912	-.322	.053	-.127	-.535	290	105	-.209	.110	-.613	-.187	290	155	-.320	.084	-.027	-.753
280	913	-.484	.093	-.231	-.911	290	106	-.503	.098	-.113	-.856	290	156	-.392	.109	-.137	-.908
280	914	-.547	.158	-.171	-1.292	290	107	-.413	.130	-.832	-.128	290	157	-.594	.230	-.075	-1.332
280	915	-.474	.141	-.171	-1.193	290	108	-.323	.070	-.140	-.650	290	158	-.877	.175	-.253	-1.479
280	916	-.437	.119	-.127	-1.074	290	109	-.615	.138	-.133	-1.001	290	159	-.308	.087	-.083	-.663
280	917	-.453	.131	-.075	-1.102	290	110	-.465	.133	.834	-.018	290	160	-.198	.110	.562	-.148
280	918	-.203	.059	.030	-.384	290	111	-.221	.125	.656	-.187	290	161	.369	.149	.841	-.263
280	919	-.261	.137	.257	-.732	290	112	-.391	.190	.290	-1.145	290	162	.372	.164	.931	-.164
280	920	-.415	.107	-.085	-.906	290	113	-.022	.072	.226	-.244	290	163	-.239	.116	.649	-.162
280	921	-.569	.092	-.230	-.917	290	114	-.240	.056	-.031	-.483	290	164	-.239	.091	.344	-.595
280	922	-.172	.032	-.033	-.293	290	115	-.726	.207	-.113	-1.446	290	165	-.662	.179	.014	-1.360
280	923	-.194	.031	-.050	-.321	290	116	.137	.109	.473	-.287	290	166	-.299	.167	.124	-1.034
280	924	-.164	.048	.095	-.330	290	117	.327	.125	.701	-.241	290	167	-.375	.097	-.052	-.812
280	925	-.113	.045	.222	-.316	290	118	.230	.247	.963	-.363	290	168	-.420	.113	-.137	-.886
280	926	.136	.099	.444	-.262	290	119	-.493	.144	-.900	-.160	290	169	-.495	.209	-.045	-1.357
280	927	.053	.075	.290	-.202	290	120	-.297	.050	-.149	-.533	290	170	-.854	.202	-.164	-1.628
280	928	-.056	.059	.149	-.251	290	121	-.307	.072	-.097	-.739	290	171	-.349	.092	.021	-.782
280	929	-.319	.050	-.134	-.494	290	122	-1.206	.260	-.348	-2.144	290	172	-.110	.102	.527	-.231
280	930	-.628	.117	-.230	-1.083	290	123	-.121	.088	.242	-.402	290	173	.260	.156	.770	-.228
280	931	-.672	.203	-.189	-1.568	290	124	-.249	.106	.606	-.092	290	174	.276	.170	.768	-.253
280	932	-.598	.138	-.171	-1.161	290	125	.344	.147	.830	-.271	290	175	.165	.132	.816	-.237
280	933	-.459	.129	-.082	-1.004	290	126	.536	.147	1.017	-.015	290	176	-.253	.087	.099	-.618
280	934	-.410	.112	-.025	-.915	290	127	.538	.148	.992	.073	290	177	-.645	.178	-.004	-1.538
280	935	-.207	.041	.010	-.470	290	128	.171	.133	.656	-.223	290	178	-.360	.157	-.004	-1.037
280	936	-.207	.042	.001	-.521	290	129	-.529	.228	.281	-1.425	290	179	-.413	.094	-.015	-.796
280	937	-.016	.105	.325	-.486	290	130	-.029	.078	.265	-.296	290	180	-.410	.113	-.091	-.959
280	938	-.067	.150	.501	-.516	290	131	-.229	.053	-.043	-.481	290	181	-.330	.164	.085	-1.103
280	939	-.750	.123	-.283	-1.143	290	132	-.311	.059	-.140	-.585	290	182	-.757	.214	.035	-1.584
280	940	-.506	.129	-.155	-.992	290	133	-.532	.214	-.036	-1.299	290	183	-.354	.099	-.033	-.734
280	941	-.232	.139	.424	-.820	290	134	-.922	.174	-.357	-1.654	290	184	-.058	.067	.217	-.349
280	942	-.023	.079	.264	-.347	290	135	-.278	.095	.057	-.621	290	185	.011	.062	.235	-.166
280	943	-.298	.055	-.109	-.550	290	136	.281	.119	.658	-.115	290	186	.005	.095	.354	-.318
280	944	-.792	.129	-.372	-1.371	290	137	.473	.161	.913	-.266	290	187	-.015	.092	.412	-.291
280	945	-.404	.091	-.127	-.731	290	138	.551	.156	.968	-.006	290	188	-.233	.088	.096	-.548
280	946	-.741	.202	-.164	-1.507	290	139	.453	.138	.884	-.036	290	189	-.657	.185	-.016	-1.327
280	947	-.664	.164	-.090	-1.358	290	140	-.030	.126	.457	-.354	290	190	-.267	.089	-.020	-.765
280	948	-.558	.149	-.194	-1.274	290	141	-.533	.206	.217	-1.200	290	191	-.403	.080	-.157	-.718
280	949	-.273	.133	-.238	-.920	290	142	-.077	.092	.264	-.746	290	192	-.355	.119	.000	-.835
280	950	-.613	.133	-.217	-1.185	290	143	-.261	.065	.014	-.556	290	193	-.193	.110	.125	-.716
280	951	-.355	.151	.341	-.910	290	144	-.382	.096	-.121	-.902	290	194	-.477	.211	.121	-1.309
280	952	-.416	.066	-.188	-.612	290	145	-.624	.237	-.050	-1.401	290	195	-.263	.110	.096	-.651
280	953	-.672	.163	-.248	-1.351	290	146	-.868	.159	-.343	-1.529	290	196	-.169	.081	.092	-.660
280	954	-.707	.197	-.051	-1.369	290	147	-.269	.086	-.166	-.574	290	197	-.183	.083	.105	-.609
280	955	-.771	.266	-.258	-1.840	290	148	.264	.110	.631	-.139	290	198	-.179	.082	.112	-.528
280	956	-1.708	.346	-.412	-2.996	290	149	.444	.158	.931	-.132	290	199	-.157	.084	.195	-.481
280	957	-.934	.202	-.318	-1.510	290	150	.472	.158	1.063	-.054	290	200	-.201	.105	.251	-.700

WD	TAP	CPMEAN	CPRMS	CPMAX	CPMIN	WD	TAP	CPMEAN	CPRMS	CPMAX	CPMIN	WD	TAP	CPMEAN	CPRMS	CPMAX	CPMIN
290	201	-.412	.160	.114	-1.173	290	251	-.130	.032	-.055	-.257	290	332	-.378	.080	-.167	-.805
290	202	-.207	.064	-.002	-.519	290	252	-.134	.027	-.026	-.229	290	333	-.384	.095	-.051	-.995
290	203	-.351	.078	-.074	-.803	290	253	-.130	.026	-.003	-.229	290	334	-.434	.122	-.071	-1.332
290	204	-.247	.106	-.054	-.786	290	254	-.127	.027	-.026	-.231	290	335	-.400	.095	-.035	-1.027
290	205	-.165	.086	.137	-.515	290	255	-.138	.031	.017	-.248	290	336	-.377	.075	-.118	-.791
290	206	-.254	.121	.190	-.806	290	256	-.121	.038	.055	-.243	290	337	-.376	.079	-.181	-.877
290	207	-.213	.087	.067	-.580	290	257	-.125	.041	.100	-.380	290	338	-.366	.066	-.161	-.663
290	208	-.209	.071	-.002	-.506	290	258	-.124	.040	.097	-.326	290	339	-.336	.057	-.143	-.701
290	209	-.221	.081	-.004	-.604	290	259	-.124	.037	.050	-.307	290	340	-.357	.067	-.179	-.740
290	210	-.209	.073	-.004	-.613	290	260	-.117	.044	.083	-.333	290	341	-.364	.076	-.174	-.807
290	211	-.180	.077	.119	-.470	290	261	-.099	.045	.104	-.326	290	342	-.349	.069	-.155	-.801
290	212	-.188	.095	.170	-.624	290	262	-.104	.047	.104	-.252	290	343	-.345	.070	-.136	-.726
290	213	-.265	.118	.094	-.732	290	263	-.125	.039	.140	-.283	290	344	-.425	.119	-.132	-1.325
290	214	-.181	.064	.043	-.461	290	264	-.155	.025	-.047	-.237	290	345	-.446	.128	-.036	-1.238
290	215	-.272	.069	-.065	-.564	290	265	-.193	.028	-.107	-.357	290	346	-.497	.161	-.004	-1.461
290	216	-.193	.072	.014	-.562	290	266	-.194	.045	-.018	-.485	290	347	-.455	.127	.012	-1.127
290	217	-.170	.066	.065	-.515	290	267	-.168	.072	.025	-.647	290	348	-.417	.105	.018	-.986
290	218	-.211	.079	.027	-.647	290	268	-.093	.036	.143	-.181	290	349	-.418	.098	-.143	-1.311
290	219	-.210	.062	-.027	-.477	290	269	-.089	.042	.142	-.241	290	350	-.388	.075	-.162	-.744
290	220	-.215	.050	-.063	-.434	290	301	-.340	.090	-.075	-.883	290	351	-.379	.072	-.196	-.749
290	221	-.227	.059	-.051	-.539	290	302	-.335	.078	-.060	-.764	290	352	-.395	.093	-.132	-.933
290	222	-.212	.056	-.033	-.465	290	303	-.341	.065	-.149	-.607	290	353	-.405	.111	-.146	-1.175
290	223	-.181	.065	.108	-.432	290	304	-.371	.076	-.178	-.777	290	354	-.376	.093	-.111	-.922
290	224	-.171	.076	.147	-.415	290	305	-.322	.078	-.075	-.753	290	355	-.373	.088	-.127	-.808
290	225	-.186	.077	.071	-.522	290	306	-.380	.084	-.205	-.948	290	356	-.497	.132	-.100	-1.181
290	226	-.166	.053	.114	-.380	290	307	-.319	.063	-.113	-.641	290	357	-.516	.144	-.084	-1.193
290	227	-.196	.047	-.030	-.486	290	308	-.362	.077	-.181	-.888	290	358	-.563	.199	.105	-1.657
290	228	-.169	.047	-.004	-.444	290	309	-.384	.076	-.174	-.818	290	359	-.509	.169	.018	-1.471
290	229	-.164	.049	-.010	-.378	290	310	-.323	.059	-.091	-.625	290	360	-.465	.132	.032	-1.061
290	230	-.182	.050	-.002	-.448	290	311	-.329	.060	-.147	-.589	290	361	-.446	.107	-.143	-.910
290	231	-.190	.047	-.022	-.401	290	312	-.337	.074	-.129	-.762	290	362	-.408	.088	-.123	-.833
290	232	-.191	.039	-.071	-.404	290	313	-.322	.060	-.154	-.549	290	363	-.407	.095	-.164	-1.031
290	233	-.212	.044	-.085	-.522	290	314	-.318	.063	-.136	-.645	290	364	-.442	.127	-.132	-1.213
290	234	-.199	.048	-.066	-.392	290	315	-.393	.081	-.183	-.924	290	365	-.459	.134	-.095	-1.350
290	235	-.186	.048	.083	-.396	290	316	-.363	.066	-.176	-.618	290	366	-.430	.118	-.095	-1.033
290	236	-.165	.055	.083	-.371	290	317	-.358	.070	-.163	-.802	290	367	-.438	.121	-.118	-.892
290	237	-.166	.054	.118	-.387	290	318	-.352	.071	-.055	-.751	290	368	-.557	.138	-.214	-1.375
290	238	-.145	.040	.033	-.307	290	319	-.329	.060	-.158	-.616	290	369	-.542	.131	-.152	-1.161
290	239	-.152	.036	-.021	-.316	290	320	-.351	.058	-.172	-.632	290	370	-.562	.173	-.000	-1.930
290	240	-.155	.033	-.024	-.323	290	321	-.372	.076	-.149	-.818	290	371	-.526	.166	-.016	-1.400
290	241	-.147	.031	-.007	-.260	290	322	-.423	.104	-.100	-1.197	290	372	-.468	.135	-.020	-1.382
290	242	-.147	.033	-.037	-.342	290	323	-.374	.069	-.149	-.782	290	373	-.442	.115	-.007	-1.013
290	243	-.151	.035	-.033	-.389	290	324	-.348	.063	-.138	-.740	290	374	-.389	.100	-.091	-.947
290	244	-.084	.065	-.274	-.307	290	325	-.349	.069	-.080	-.710	290	375	-.429	.109	-.109	-1.077
290	245	-.143	.032	-.030	-.316	290	326	-.334	.059	-.116	-.683	290	376	-.484	.141	-.118	-1.634
290	246	-.137	.033	-.021	-.326	290	327	-.320	.052	-.154	-.547	290	377	-.518	.153	-.139	-1.263
290	247	-.144	.035	-.003	-.368	290	328	-.329	.057	-.170	-.576	290	378	-.493	.126	-.121	-1.031
290	248	-.152	.033	-.004	-.361	290	329	-.353	.066	-.161	-.764	290	379	-.500	.146	-.143	-1.134
290	249	-.150	.032	-.033	-.300	290	330	-.327	.058	-.179	-.556	290	380	-.553	.128	-.249	-1.319
290	250	-.133	.029	.031	-.276	290	331	-.311	.059	-.143	-.574	290	381	-.502	.119	-.095	-1.259

WD	TAP	CPMEAN	CPRMS	CPMAX	CPMIN	WD	TAP	CPMEAN	CPRMS	CPMAX	CPMIN	WD	TAP	CPMEAN	CPRMS	CPMAX	CPMIN
290	382	-.443	.125	-.009	-1.188	290	432	-.168	.024	-.078	-.257	290	908	-.193	.076	-.120	-.438
290	383	-.469	.125	-.032	-1.154	290	433	-.165	.024	-.076	-.259	290	909	-.356	.078	-.125	-.877
290	384	-.412	.099	-.125	-1.039	290	434	-.168	.030	-.055	-.322	290	910	-.623	.189	-.021	-1.495
290	385	-.350	.056	-.194	-.512	290	435	-.164	.026	-.071	-.313	290	911	-.049	.062	-.180	-.290
290	386	-.327	.086	-.038	-.719	290	436	-.170	.027	-.071	-.386	290	912	-.286	.051	-.127	-.514
290	387	-.373	.117	-.101	-.925	290	437	-.165	.028	-.050	-.313	290	913	-.479	.090	-.213	-.940
290	388	-.455	.131	-.078	-1.412	290	438	-.165	.031	-.052	-.365	290	914	-.437	.116	-.097	-1.206
290	389	-.484	.138	-.043	-1.286	290	439	-.182	.053	-.033	-.571	290	915	-.371	.084	-.100	-.783
290	390	-.515	.139	-.045	-1.303	290	440	-.131	.032	.028	-.318	290	916	-.348	.074	-.143	-.785
290	391	-.542	.140	-.201	-1.137	290	441	-.122	.031	.028	-.240	290	917	-.376	.084	-.066	-.910
290	392	-.553	.143	-.225	-1.159	290	442	-.117	.031	.030	-.311	290	918	-.091	.069	-.152	-.288
290	393	-.390	.125	-.103	-1.026	290	443	-.139	.029	.011	-.285	290	919	-.415	.107	-.045	-.863
290	394	-.334	.092	-.081	-.803	290	444	-.167	.029	-.055	-.487	290	920	-.356	.074	-.075	-.764
290	395	-.359	.105	-.112	-.897	290	445	-.166	.026	-.069	-.287	290	921	-.544	.091	-.239	-.870
290	396	-.289	.084	-.030	-.659	290	446	-.159	.022	-.069	-.245	290	922	-.173	.031	-.061	-.300
290	397	-.239	.066	-.032	-.608	290	447	-.160	.022	-.076	-.280	290	923	-.202	.033	-.068	-.363
290	398	-.234	.073	-.066	-.781	290	448	-.163	.022	-.083	-.336	290	924	-.167	.054	-.164	-.359
290	399	-.229	.108	-.038	-.839	290	449	-.163	.023	-.045	-.250	290	925	-.104	.074	-.211	-.363
290	400	-.340	.127	-.013	-.974	290	450	-.159	.027	-.050	-.332	290	926	.192	.114	.551	-.239
290	401	-.334	.128	-.032	-.959	290	451	-.162	.034	-.033	-.346	290	927	.133	.084	.410	-.101
290	402	-.400	.179	-.010	-1.194	290	452	-.157	.023	-.071	-.250	290	928	.012	.072	.255	-.220
290	403	-.562	.178	-.172	-1.370	290	453	-.155	.025	-.048	-.254	290	929	-.269	.060	-.052	-.448
290	404	-.418	.122	-.123	-.968	290	454	-.152	.028	-.050	-.273	290	930	-.631	.101	-.291	-.956
290	405	-.233	.062	-.072	-.568	290	455	-.122	.029	-.013	-.226	290	931	-.432	.102	-.184	-.968
290	406	-.239	.053	-.090	-.534	290	456	-.111	.031	-.001	-.212	290	932	-.385	.071	-.115	-.738
290	407	-.277	.067	-.076	-.596	290	457	-.107	.032	-.058	-.198	290	933	-.355	.077	-.040	-.698
290	408	-.217	.052	-.034	-.554	290	458	-.120	.031	-.051	-.242	290	934	-.344	.063	-.146	-.747
290	409	-.191	.044	-.047	-.461	290	459	-.152	.024	-.064	-.233	290	935	-.180	.029	-.092	-.337
290	410	-.185	.048	-.041	-.592	290	460	-.160	.023	-.092	-.238	290	936	-.185	.028	-.088	-.326
290	411	-.208	.068	-.032	-.656	290	461	-.157	.024	-.073	-.250	290	937	-.161	.031	-.316	-.578
290	412	-.232	.082	-.018	-.772	290	462	-.156	.021	-.083	-.231	290	938	-.280	.122	-.614	-.509
290	413	-.220	.082	-.038	-.845	290	463	-.163	.022	-.041	-.264	290	939	-.684	.124	-.314	-1.162
290	414	-.231	.110	-.007	-.821	290	464	-.152	.028	-.048	-.271	290	940	-.407	.083	-.195	-.846
290	415	-.386	.168	-.064	-1.275	290	465	-.189	.033	-.054	-.354	290	941	.000	.150	.568	-.606
290	416	-.256	.076	-.063	-.710	290	466	-.192	.052	-.046	-.445	290	942	.093	.081	.325	-.159
290	417	-.186	.043	-.043	-.436	290	467	-.176	.085	.173	-.782	290	943	-.257	.059	-.012	-.475
290	418	-.202	.037	-.038	-.430	290	468	-.169	.025	-.050	-.254	290	944	-.810	.137	-.369	-1.256
290	419	-.237	.044	-.107	-.454	290	469	-.170	.021	-.093	-.239	290	945	-.354	.086	-.140	-.716
290	420	-.186	.030	-.092	-.421	290	801	-.142	.029	-.025	-.269	290	946	-.422	.120	-.163	-1.063
290	421	-.170	.032	-.007	-.305	290	802	-.152	.023	-.066	-.241	290	947	-.439	.120	-.163	-.938
290	422	-.171	.035	-.056	-.421	290	803	-.179	.029	-.083	-.344	290	948	-.422	.092	-.213	-.824
290	423	-.171	.037	-.063	-.412	290	804	-.169	.047	-.023	-.463	290	949	-.030	.154	.463	-.605
290	424	-.185	.047	-.076	-.496	290	805	-.210	.042	-.107	-.390	290	950	-.405	.089	-.204	-.928
290	425	-.176	.041	-.043	-.400	290	901	-.451	.102	-.102	-.831	290	951	-.103	.163	-.453	-.914
290	426	-.177	.049	-.019	-.480	290	902	-.370	.092	-.054	-.786	290	952	-.354	.047	-.102	-.571
290	427	-.234	.095	-.049	-.785	290	903	-.252	.043	-.090	-.408	290	953	-.395	.088	-.160	-.882
290	428	-.166	.045	-.036	-.423	290	904	-.340	.082	-.083	-.734	290	954	-.370	.185	-.150	-1.071
290	429	-.150	.033	-.017	-.308	290	905	-.250	.059	-.007	-.438	290	955	-.364	.076	-.158	-.887
290	430	-.162	.028	-.011	-.299	290	906	-.489	.115	-.056	-.961	290	956	-1.064	.306	-.186	-2.046
290	431	-.186	.034	-.038	-.428	290	907	-.345	.074	-.125	-.648	290	957	-.604	.105	-.223	-1.167



WD	TAP	CPMEAN	CPRMS	CPMAX	CPMIN	WD	TAP	CPMEAN	CPRMS	CPMAX	CPMIN	WD	TAP	CPMEAN	CPRMS	CPMAX	CPMIN
300	101	-.946	.240	-.173	-1.836	300	151	-.309	.116	.770	-.079	300	201	-.551	.192	-.026	-1.400
300	102	-.246	.046	-.067	-.424	300	152	-.374	.086	.067	-.620	300	202	-.215	.060	-.028	-.608
300	103	-.297	.050	-.135	-.483	300	153	-.869	.153	-.347	-1.740	300	203	-.410	.091	-.114	-.753
300	104	-.377	.078	-.153	-.725	300	154	-.545	.225	-.045	-1.301	300	204	-.328	.152	-.126	-.853
300	105	.017	.106	.343	-.355	300	155	-.362	.081	-.140	-.932	300	205	-.198	.116	.144	-.679
300	106	-.331	.127	.040	-.759	300	156	-.330	.081	-.070	-.741	300	206	-.379	.158	.068	-1.127
300	107	.310	.120	.687	-.238	300	157	-.261	.172	.190	-1.146	300	207	-.273	.093	-.003	-.599
300	108	-.267	.046	-.112	-.496	300	158	-.682	.191	-.067	-1.412	300	208	-.218	.061	-.014	-.473
300	109	-.318	.176	.155	-.914	300	159	-.075	.120	.481	-.472	300	209	-.214	.069	-.025	-.602
300	110	-.415	.122	.821	-.067	300	160	.338	.135	.786	-.054	300	210	-.186	.064	.135	-.590
300	111	-.105	.117	.350	-.557	300	161	.475	.150	.934	-.067	300	211	-.109	.087	.275	-.386
300	112	-.872	.186	-.285	-1.630	300	162	.409	.165	.895	-.306	300	212	-.120	.107	.351	-.539
300	113	-.184	.063	-.009	-.725	300	163	.252	.124	.697	-.122	300	213	-.301	.142	.162	-.813
300	114	-.297	.048	-.146	-.476	300	164	-.320	.086	-.008	-.677	300	214	-.176	.057	-.026	-.448
300	115	-.285	.201	-.247	-1.053	300	165	-.859	.170	-.324	-1.542	300	215	-.382	.085	-.128	-.731
300	116	.163	.114	.738	-.292	300	166	-.577	.223	-.088	-1.344	300	216	-.279	.117	.039	-.691
300	117	.319	.165	.806	-.242	300	167	-.391	.091	-.115	-.885	300	217	-.222	.088	.110	-.611
300	118	.576	.188	1.006	-.231	300	168	-.380	.109	-.054	-.889	300	218	-.310	.104	-.048	-.715
300	119	.459	.136	.839	-.029	300	169	-.248	.150	.265	-1.130	300	219	-.245	.071	.019	-.635
300	120	-.275	.049	-.121	-.469	300	170	-.678	.215	.167	-1.610	300	220	-.234	.052	-.085	-.466
300	121	-.126	.075	.153	-.409	300	171	-.152	.116	.290	-.607	300	221	-.253	.077	-.036	-.782
300	122	-.797	.269	.074	-1.894	300	172	.241	.125	.615	-.120	300	222	-.204	.067	.066	-.504
300	123	.115	.102	.413	-.281	300	173	.345	.143	.843	-.026	300	223	-.113	.091	.282	-.379
300	124	.391	.121	.783	-.013	300	174	.290	.154	.795	-.167	300	224	-.101	.101	.302	-.444
300	125	.504	.139	.864	.049	300	175	.185	.116	.907	-.117	300	225	-.168	.104	.124	-.639
300	126	.541	.144	.927	.060	300	176	-.306	.089	.031	-.645	300	226	-.148	.061	.065	-.503
300	127	.422	.138	.902	-.027	300	177	-.809	.178	-.327	-1.706	300	227	-.283	.068	-.073	-.596
300	128	-.130	.105	.310	-.462	300	178	-.457	.193	-.070	-1.219	300	228	-.230	.072	-.015	-.660
300	129	-.905	.191	-.070	-1.944	300	179	-.423	.100	-.167	-.881	300	229	-.203	.052	-.012	-.444
300	130	-.237	.122	-.067	-.907	300	180	-.404	.127	-.004	-.993	300	230	-.236	.062	-.081	-.519
300	131	-.290	.048	-.148	-.534	300	181	-.222	.145	.213	-1.216	300	231	-.227	.050	-.095	-.486
300	132	-.293	.049	-.146	-.557	300	182	-.605	.220	.110	-1.549	300	232	-.185	.044	-.048	-.385
300	133	-.183	.125	-.105	-.833	300	183	-.204	.109	.186	-.617	300	233	-.252	.077	-.045	-.615
300	134	-.626	.166	-.135	-1.201	300	184	-.054	.077	.324	-.259	300	234	-.193	.060	.041	-.446
300	135	-.008	.108	.435	-.402	300	185	.160	.076	.442	-.034	300	235	-.133	.085	.199	-.423
300	136	.450	.131	.842	.013	300	186	.135	.106	.480	-.248	300	236	-.116	.088	.189	-.489
300	137	.587	.147	.994	.063	300	187	.105	.096	.486	-.165	300	237	-.144	.083	.116	-.535
300	138	.544	.169	1.073	-.245	300	188	-.244	.091	.106	-.582	300	238	-.133	.052	.086	-.383
300	139	.370	.119	.734	.002	300	189	-.782	.187	-.174	-1.523	300	239	-.187	.054	-.003	-.413
300	140	-.218	.089	-.146	-.507	300	190	-.307	.113	-.028	-1.007	300	240	-.121	.048	.063	-.334
300	141	-.877	.156	-.334	-1.695	300	191	-.423	.097	-.177	-.875	300	241	-.059	.065	.206	-.296
300	142	-.453	.234	-.017	-1.399	300	192	-.377	.129	-.007	-1.011	300	242	-.081	.065	.154	-.603
300	143	-.320	.059	-.131	-.657	300	193	-.194	.132	.264	-.806	300	243	-.075	.056	.119	-.331
300	144	-.318	.061	-.131	-.618	300	194	-.489	.203	.082	-1.242	300	244	-.130	.129	.625	-.231
300	145	-.228	.158	-.124	-1.203	300	195	-.250	.108	.124	-.659	300	245	-.094	.059	.142	-.341
300	146	-.655	.173	-.015	-1.419	300	196	-.124	.061	.148	-.384	300	246	-.089	.056	.140	-.334
300	147	-.031	.109	.413	-.406	300	197	-.091	.069	.179	-.372	300	247	-.125	.052	.081	-.411
300	148	.407	.131	.822	-.033	300	198	-.084	.064	.155	-.319	300	248	-.148	.050	.180	-.566
300	149	.545	.156	1.027	-.033	300	199	-.029	.083	.280	-.292	300	249	-.153	.049	.058	-.331
300	150	.475	.171	1.143	-.115	300	200	-.169	.100	.282	-.575	300	250	-.123	.036	.013	-.263

WD	TAP	CPMEAN	CPRMS	CPMAX	CPMIN	WD	TAP	CPMEAN	CPRMS	CPMAX	CPMIN	WD	TAP	CPMEAN	CPRMS	CPMAX	CPMIN
300	251	-.124	.039	.051	-.280	300	332	-.375	.065	-.157	-.798	300	382	-.568	.149	-.043	-1.379
300	252	-.126	.038	.023	-.277	300	333	-.373	.059	-.196	-.675	300	383	-.537	.148	-.179	-1.531
300	253	-.123	.034	.041	-.238	300	334	-.408	.073	-.191	-.850	300	384	-.490	.115	-.154	-1.210
300	254	-.122	.034	.013	-.256	300	335	-.392	.062	-.218	-.813	300	385	-.461	.062	-.244	-.701
300	255	-.034	.072	.274	-.217	300	336	-.376	.062	-.194	-.655	300	386	-.462	.120	-.138	-1.125
300	256	.012	.083	.367	-.224	300	337	-.379	.065	-.187	-.675	300	387	-.521	.163	-.145	-1.650
300	257	.033	.087	.403	-.341	300	338	-.370	.066	-.171	-.755	300	388	-.568	.182	-.049	-1.695
300	258	.000	.092	.339	-.505	300	339	-.363	.056	-.203	-.653	300	389	-.608	.190	.016	-1.468
300	259	.040	.076	.292	-.324	300	340	-.375	.061	-.200	-.614	300	390	-.570	.162	.010	-1.536
300	260	.012	.074	.374	-.249	300	341	-.388	.068	-.205	-.951	300	391	-.559	.158	-.132	-1.616
300	261	.007	.086	.381	-.437	300	342	-.371	.064	-.188	-.929	300	392	-.591	.137	-.242	-1.368
300	262	.036	.075	.238	-.242	300	343	-.360	.057	-.160	-.652	300	393	-.566	.138	-.206	-1.208
300	263	.086	.065	.196	-.357	300	344	-.409	.081	-.076	-.902	300	394	-.503	.138	-.125	-1.226
300	264	.123	.039	.047	-.269	300	345	-.394	.077	-.151	-.808	300	395	-.520	.146	-.080	-1.350
300	265	.201	.044	.060	-.429	300	346	-.435	.094	-.183	-1.342	300	396	-.444	.132	-.098	-1.083
300	266	.196	.087	.074	-.689	300	347	-.409	.075	-.183	-.826	300	397	-.373	.117	-.017	-.926
300	267	.161	.142	.213	-.900	300	348	-.410	.077	-.172	-.888	300	398	-.373	.132	.019	-1.071
300	268	.098	.034	.037	-.201	300	349	-.407	.082	-.174	-.991	300	399	-.458	.178	-.022	-1.271
300	269	.095	.041	.187	-.226	300	350	-.416	.084	-.186	-1.051	300	400	-.518	.196	.151	-1.565
300	301	.371	.087	-.062	-.845	300	351	-.401	.073	-.190	-.982	300	401	-.510	.199	.066	-1.235
300	302	.344	.068	-.142	-.727	300	352	-.407	.079	-.160	-.920	300	402	-.529	.196	-.017	-1.415
300	303	.371	.059	-.176	-.750	300	353	-.410	.090	-.055	-1.216	300	403	-.620	.188	-.069	-1.529
300	304	.345	.065	-.162	-.649	300	354	-.393	.076	-.165	-.856	300	404	-.618	.171	-.221	-1.554
300	305	.356	.073	-.103	-.741	300	355	-.382	.076	-.151	-1.003	300	405	-.435	.148	-.060	-1.141
300	306	.378	.069	-.205	-.732	300	356	-.444	.102	-.177	-.881	300	406	-.367	.116	-.073	-.941
300	307	.355	.065	-.160	-.705	300	357	-.442	.101	-.121	-.948	300	407	-.405	.132	-.080	-1.024
300	308	.352	.063	-.148	-.630	300	358	-.485	.138	-.160	-1.556	300	408	-.309	.099	-.089	-.883
300	309	.378	.070	-.187	-.721	300	359	-.454	.113	-.202	-1.191	300	409	-.256	.084	.088	-.659
300	310	.357	.060	-.185	-.718	300	360	-.436	.096	-.188	-.872	300	410	-.267	.109	.041	-1.128
300	311	.356	.062	-.128	-.653	300	361	-.444	.095	-.183	-1.287	300	411	-.310	.139	.075	-.962
300	312	.363	.071	-.155	-.718	300	362	-.463	.109	-.174	-1.232	300	412	-.368	.155	-.017	-1.157
300	313	.356	.060	-.166	-.807	300	363	-.447	.107	-.190	-1.060	300	413	-.346	.159	-.147	-1.222
300	314	.348	.058	-.182	-.730	300	364	-.457	.124	-.147	-1.466	300	414	-.346	.182	.034	-1.089
300	315	.370	.066	-.189	-.664	300	365	-.490	.144	-.110	-1.411	300	415	-.577	.201	-.049	-1.767
300	316	.356	.059	-.137	-.614	300	366	-.429	.108	-.133	-1.032	300	416	-.466	.140	-.073	-1.325
300	317	.369	.065	-.142	-.712	300	367	-.412	.104	-.156	-1.172	300	417	-.262	.095	-.044	-.748
300	318	.374	.063	-.173	-.703	300	368	-.519	.138	-.147	-1.191	300	418	-.247	.070	-.067	-.562
300	319	.357	.056	-.157	-.671	300	369	-.510	.140	-.115	-1.257	300	419	-.293	.099	-.003	-.843
300	320	.354	.056	-.166	-.655	300	370	-.526	.150	-.112	-1.390	300	420	-.209	.055	-.024	-.479
300	321	.365	.060	-.176	-.626	300	371	-.500	.154	-.170	-1.891	300	421	-.185	.052	-.004	-.439
300	322	.387	.069	-.178	-.845	300	372	-.484	.125	-.092	-1.078	300	422	-.198	.072	.001	-.650
300	323	.370	.063	-.173	-.739	300	373	-.469	.110	-.181	-1.090	300	423	-.217	.091	.032	-.704
300	324	.366	.060	-.142	-.682	300	374	-.487	.125	-.060	-1.209	300	424	-.251	.112	.052	-.796
300	325	.364	.058	-.173	-.666	300	375	-.503	.146	-.149	-1.289	300	425	-.225	.092	.026	-.858
300	326	.361	.057	-.187	-.630	300	376	-.541	.170	-.165	-2.115	300	426	-.228	.106	.052	-.815
300	327	.358	.053	-.187	-.569	300	377	-.570	.204	-.121	-2.421	300	427	-.388	.164	.005	-1.192
300	328	.360	.062	-.173	-.675	300	378	-.510	.145	-.128	-1.523	300	428	-.254	.087	-.038	-.649
300	329	.367	.063	-.187	-.913	300	379	-.475	.145	-.149	-1.140	300	429	-.166	.059	-.021	-.569
300	330	.347	.057	-.187	-.583	300	380	-.559	.145	-.159	-1.080	300	430	-.166	.046	-.021	-.410
300	331	.350	.054	-.173	-.565	300	381	-.561	.142	-.087	-1.159	300	431	-.186	.054	-.035	-.490

WD	TAP	CPMEAN	CPRMS	CPMAX	CPMIN	WD	TAP	CPMEAN	CPRMS	CPMAX	CPMIN	WD	TAP	CPMEAN	CPRMS	CPMAX	CPMIN
300	432	-.152	.041	-.016	-.346	300	908	.031	.081	.312	-.219	310	101	-1.087	.282	-.358	-1.974
300	433	-.158	.039	.014	-.325	300	909	-.380	.072	-.184	-.763	310	102	-.377	.088	-.144	-.831
300	434	-.175	.053	.029	-.481	300	910	-.142	.175	.351	-.919	310	103	-.341	.070	-.139	-.696
300	435	-.168	.053	.019	-.495	300	911	-.050	.073	.325	-.237	310	104	-.253	.082	-.029	-.866
300	436	-.187	.064	-.026	-.533	300	912	-.240	.069	.011	-.559	310	105	-.175	.100	.190	-.514
300	437	-.183	.057	-.012	-.524	300	913	-.473	.119	-.198	-1.080	310	106	-.088	.114	.261	-.599
300	438	-.197	.062	-.031	-.647	300	914	-.446	.092	-.083	-.850	310	107	-.192	.103	.509	-.174
300	439	-.275	.099	-.019	-.810	300	915	-.378	.074	-.125	-.818	310	108	-.208	.064	-.022	-.854
300	440	-.147	.049	.010	-.396	300	916	-.373	.068	-.119	-.960	310	109	-.013	.129	.332	-.576
300	441	-.120	.037	.012	-.325	300	917	-.388	.071	-.163	-.781	310	110	-.314	.116	.645	-.056
300	442	-.115	.034	.045	-.249	300	918	-.061	.090	.381	-.219	310	111	-.317	.116	.098	-.723
300	443	-.124	.034	.003	-.261	300	919	-.465	.095	-.167	-.858	310	112	-1.018	.252	-.261	-2.140
300	444	-.137	.041	-.007	-.308	300	920	-.376	.065	-.167	-.825	310	113	-.442	.149	-.128	-1.100
300	445	-.135	.033	.019	-.256	300	921	-.446	.088	-.165	-.814	310	114	-.336	.074	-.088	-.700
300	446	-.149	.040	.045	-.412	300	922	-.157	.043	.026	-.358	310	115	.036	.139	.390	-.564
300	447	-.160	.043	-.024	-.545	300	923	-.190	.051	.028	-.398	310	116	.236	.123	.825	-.183
300	448	-.155	.042	.007	-.336	300	924	-.071	.095	.323	-.398	310	117	.256	.155	.790	-.215
300	449	-.142	.042	.003	-.332	300	925	.120	.147	.702	-.263	310	118	.599	.176	1.149	.027
300	450	-.126	.055	.085	-.408	300	926	.226	.120	.602	-.223	310	119	.409	.119	.827	.015
300	451	-.150	.056	.021	-.531	300	927	.238	.097	.516	-.100	310	120	-.226	.057	-.045	-.532
300	452	-.103	.045	.081	-.225	300	928	.095	.081	.316	-.198	310	121	-.032	.080	.312	-.247
300	453	-.113	.044	.093	-.272	300	929	-.191	.064	.007	-.463	310	122	-.351	.252	.422	-1.236
300	454	-.109	.054	.119	-.332	300	930	-.500	.113	-.209	-1.016	310	123	.297	.116	.687	-.061
300	455	-.124	.042	.010	-.417	300	931	-.395	.064	-.176	-.677	310	124	.467	.122	.808	.029
300	456	-.111	.034	.019	-.244	300	932	-.363	.050	-.211	-.574	310	125	.517	.142	.953	-.093
300	457	-.097	.037	.090	-.234	300	933	-.359	.062	-.177	-.693	310	126	.451	.143	.853	-.074
300	458	-.107	.036	.057	-.239	300	934	-.348	.055	-.168	-.704	310	127	.283	.112	.643	-.040
300	459	-.121	.036	.052	-.223	300	935	-.139	.038	-.003	-.306	310	128	-.275	.104	.128	-.620
300	460	-.131	.039	.085	-.251	300	936	-.148	.039	-.001	-.324	310	129	-.899	.212	-.238	-1.664
300	461	-.136	.045	.085	-.450	300	937	-.460	.073	.008	-.740	310	130	-.688	.199	-.132	-1.411
300	462	-.141	.038	.029	-.336	300	938	.321	.109	.644	-.074	310	131	-.365	.097	-.019	-.900
300	463	-.154	.048	.017	-.412	300	939	-.488	.114	-.229	-1.099	310	132	-.276	.074	-.059	-.670
300	464	-.113	.040	.056	-.251	300	940	-.365	.069	-.156	-.665	310	133	-.006	.079	-.330	-.337
300	465	-.187	.047	-.040	-.470	300	941	-.232	.179	.731	-.402	310	134	-.337	.187	.335	-1.174
300	466	-.175	.068	.087	-.565	300	942	.143	.091	.465	-.156	310	135	.194	.118	.657	-.203
300	467	-.167	.161	.248	-1.110	300	943	-.207	.070	-.008	-.461	310	136	.542	.142	1.011	.070
300	468	-.129	.037	.078	-.253	300	944	-.772	.157	-.308	-1.470	310	137	.557	.148	1.011	.089
300	469	-.135	.032	-.006	-.253	300	945	-.418	.077	-.124	-.747	310	138	.384	.168	.859	-.309
300	801	-.123	.037	.065	-.269	300	946	-.388	.100	-.110	-1.016	310	139	.235	.109	.624	-.111
300	802	-.104	.043	.063	-.238	300	947	-.376	.086	-.146	-.813	310	140	-.293	.106	.066	-.742
300	803	-.166	.045	-.022	-.345	300	948	-.372	.070	-.182	-.834	310	141	-.773	.211	-.185	-1.441
300	804	-.152	.100	.159	-.655	300	949	-.206	.157	.671	-.525	310	142	-.740	.205	-.085	-1.422
300	805	-.149	.048	.002	-.352	300	950	-.370	.071	-.177	-.834	310	143	-.472	.144	.122	-1.180
300	901	-.449	.099	-.171	-.850	300	951	-.131	.153	.506	-.441	310	144	-.316	.093	-.034	-.828
300	902	-.391	.090	-.076	-.799	300	952	-.464	.079	-.218	-.760	310	145	-.046	.091	.383	-.588
300	903	-.176	.053	-.003	-.406	300	953	-.390	.083	-.180	-.779	310	146	-.412	.200	.390	-1.119
300	904	-.370	.087	-.097	-.788	300	954	-.089	.115	.252	-.816	310	147	.153	.126	.653	-.269
300	905	-.067	.073	-.243	-.283	300	955	-.366	.073	-.154	-.700	310	148	.505	.134	.919	.059
300	906	-.467	.116	-.097	-.999	300	956	-.578	.138	-.159	-1.470	310	149	.519	.157	1.033	-.115
300	907	-.380	.076	-.122	-.804	300	957	-.464	.108	-.158	-.834	310	150	.371	.172	.970	-.311

WD	TAP	CPMEAN	CPRMS	CPMAX	CPMIN	WD	TAP	CPMEAN	CPRMS	CPMAX	CPMIN	WD	TAP	CPMEAN	CPRMS	CPMAX	CPMIN
310	151	.222	.108	.705	-.127	310	201	-.701	.191	.058	-1.516	310	251	-.125	.041	.026	-.299
310	152	-.327	.113	.101	-.721	310	202	-.241	.079	.033	-.697	310	252	-.123	.047	.055	-.330
310	153	-.787	.220	-.192	-1.804	310	203	-.404	.115	-.075	-.980	310	253	-.115	.041	.052	-.255
310	154	-.731	.203	-.111	-1.464	310	204	-.293	.148	.183	-.943	310	254	-.115	.039	.028	-.246
310	155	-.480	.167	.024	-1.147	310	205	-.154	.114	.204	-.850	310	255	-.004	.077	.415	-.291
310	156	-.345	.116	.024	-.947	310	206	-.304	.173	.204	-1.083	310	256	.045	.086	.427	-.291
310	157	-.079	.109	.402	-.751	310	207	-.323	.107	.078	-.638	310	257	.066	.103	.574	-.270
310	158	-.429	.230	.493	-1.182	310	208	-.190	.067	.010	-.553	310	258	.041	.101	.550	-.433
310	159	.076	.134	.509	-.413	310	209	-.181	.508	.021	-.558	310	259	.028	.091	.449	-.320
310	160	.428	.134	.849	-.057	310	210	-.182	.074	.103	-.476	310	260	.057	.088	.526	-.202
310	161	.483	.149	1.021	-.099	310	211	-.130	.091	.313	-.503	310	261	.065	.100	.552	-.246
310	162	.331	.176	.840	-.404	310	212	-.178	.124	.240	-.597	310	262	.012	.079	.495	-.282
310	163	.200	.117	.553	-.167	310	213	-.391	.160	.106	-1.057	310	263	-.035	.076	.329	-.287
310	164	-.358	.113	-.022	-.774	310	214	-.202	.078	.046	-.492	310	264	-.087	.042	.066	-.302
310	165	-.833	.211	-.232	-1.573	310	215	-.374	.106	-.109	-.880	310	265	-.175	.050	.031	-.455
310	166	-.716	.215	-.064	-1.371	310	216	-.249	.126	.128	-.709	310	266	-.161	.081	.129	-.544
310	167	-.488	.164	-.029	-1.385	310	217	-.182	.094	.137	-.579	310	267	-.165	.158	.235	-.375
310	168	-.372	.131	.066	-.958	310	218	-.262	.118	.115	-.770	310	268	-.085	.040	.083	-.195
310	169	-.128	.128	.337	-.851	310	219	-.230	.381	.019	-.636	310	269	-.083	.049	.134	-.299
310	170	-.466	.238	.351	-1.159	310	220	-.207	.059	-.056	-.549	310	301	-.387	.101	-.105	-.902
310	171	-.025	.130	.521	-1.423	310	221	-.204	.070	.042	-.779	310	302	-.386	.086	-.144	-.897
310	172	.248	.133	.735	-.218	310	222	-.195	.071	.115	-.515	310	303	-.383	.077	-.153	-.780
310	173	.377	.154	.828	-.260	310	223	-.124	.099	.359	-.462	310	304	-.363	.085	-.100	-.885
310	174	.271	.172	.854	-.549	310	224	-.126	.125	.338	-.541	310	305	-.363	.090	-.089	-.841
310	175	.167	.116	.607	-.297	310	225	-.241	.141	.201	-.726	310	306	-.366	.089	-.101	-.818
310	176	-.347	.106	.052	-.793	310	226	-.175	.080	.112	-.551	310	307	-.366	.082	-.141	-.929
310	177	-.857	.211	-.306	-1.606	310	227	-.305	.080	-.073	-.832	310	308	-.356	.086	-.074	-.859
310	178	-.585	.213	-.022	-1.601	310	228	-.211	.079	-.019	-.563	310	309	-.365	.086	-.098	-.834
310	179	-.435	.148	.029	-1.063	310	229	-.179	.060	.074	-.467	310	310	-.369	.080	-.171	-.904
310	180	-.362	.130	.092	-.961	310	230	-.207	.071	.002	-.587	310	311	-.372	.084	-.096	-.897
310	181	-.143	.140	.381	-.819	310	231	-.192	.056	-.046	-.457	310	312	-.395	.098	-.128	-.940
310	182	-.416	.227	.409	-1.159	310	232	-.162	.053	.019	-.484	310	313	-.377	.089	-.168	-1.058
310	183	-.111	.118	.395	-.474	310	233	-.197	.081	.052	-.748	310	314	-.357	.086	-.144	-1.216
310	184	.092	.076	.354	-.193	310	234	-.169	.062	.115	-.476	310	315	-.373	.087	-.119	-.981
310	185	.196	.072	.393	-.023	310	235	-.124	.090	.293	-.414	310	316	-.370	.087	-.155	-.979
310	186	.149	.124	.484	-.617	310	236	-.114	.115	.504	-.498	310	317	-.401	.088	-.177	-1.008
310	187	-.095	.093	.386	-.273	310	237	-.172	.107	.247	-.534	310	318	-.385	.076	-.177	-.776
310	188	-.303	.094	.055	-.706	310	238	-.147	.066	.069	-.448	310	319	-.380	.081	-.141	-.931
310	189	-.854	.196	-.191	-1.787	310	239	-.217	.064	.028	-.493	310	320	-.378	.095	-.083	-.893
310	190	-.381	.162	.010	-1.171	310	240	-.104	.053	.105	-.351	310	321	-.372	.092	-.101	-.956
310	191	-.424	.132	-.072	-.948	310	241	-.033	.068	.252	-.294	310	322	-.388	.097	-.126	-.920
310	192	-.346	.145	.163	-1.114	310	242	-.040	.068	.228	-.363	310	323	-.377	.089	-.087	-.918
310	193	-.148	.129	.279	-.736	310	243	-.041	.059	.209	-.330	310	324	-.374	.071	-.150	-.762
310	194	-.361	.205	.290	-1.069	310	244	-.180	.147	.800	-.411	310	325	-.383	.077	-.162	-.855
310	195	-.188	.115	.258	-.599	310	245	-.042	.066	.192	-.392	310	326	-.400	.092	-.157	-.884
310	196	-.089	.061	.165	-.312	310	246	-.036	.063	.211	-.296	310	327	-.372	.073	-.121	-.762
310	197	-.088	.072	.233	-.362	310	247	-.082	.066	.273	-.344	310	328	-.382	.083	-.019	-.864
310	198	-.080	.082	.174	-.467	310	248	-.139	.056	.069	-.433	310	329	-.405	.103	-.083	-1.123
310	199	-.054	.080	.304	-.291	310	249	-.163	.057	.048	-.443	310	330	-.378	.091	-.153	-1.159
310	200	-.249	.108	.121	-.645	310	250	-.116	.044	.033	-.299	310	331	-.366	.089	-.166	-1.157

WD	TAP	CPMEAN	CPRMS	CPMAX	CPMIN	WD	TAP	CPMEAN	CPRMS	CPMAX	CPMIN	WD	TAP	CPMEAN	CPRMS	CPMAX	CPMIN
310	332	-.426	.116	-.010	-.972	310	382	-.541	.202	-.072	-1.519	310	432	-.143	.044	-.010	-.343
310	333	-.383	.103	-.044	-.995	310	383	-.495	.172	-.085	-1.505	310	433	-.146	.048	-.018	-.400
310	334	-.410	.128	-.119	-1.378	310	384	-.445	.121	-.150	-.984	310	434	-.170	.071	.047	-.556
310	335	-.387	.099	-.110	-.970	310	385	-.453	.075	-.253	-.707	310	435	-.171	.066	.035	-.714
310	336	-.364	.076	-.135	-.719	310	386	-.480	.158	-.103	-1.349	310	436	-.190	.076	.051	-.634
310	337	-.391	.079	-.153	-.742	310	387	-.521	.201	-.036	-1.552	310	437	-.172	.058	-.003	-.575
310	338	-.429	.124	-.177	-1.107	310	388	-.564	.201	-.034	-1.425	310	438	-.181	.065	-.015	-.591
310	339	-.391	.085	-.153	-.828	310	389	-.556	.203	-.023	-1.941	310	439	-.258	.104	.004	-.745
310	340	-.410	.097	-.029	-.970	310	390	-.539	.212	-.071	-1.655	310	440	-.170	.061	.028	-.464
310	341	-.424	.110	-.028	-1.107	310	391	-.600	.191	-.141	-1.686	310	441	-.132	.051	.047	-.492
310	342	-.398	.093	-.088	-1.123	310	392	-.526	.174	-.088	-1.358	310	442	-.115	.043	.037	-.329
310	343	-.381	.082	-.187	-1.336	310	393	-.540	.187	-.099	-1.391	310	443	-.112	.041	.058	-.277
310	344	-.441	.140	-.008	-1.098	310	394	-.506	.168	-.058	-1.199	310	444	-.117	.046	.044	-.298
310	345	-.407	.127	-.040	-1.294	310	395	-.459	.175	-.023	-1.456	310	445	-.120	.040	.039	-.298
310	346	-.449	.148	-.109	-1.379	310	396	-.370	.137	-.053	-1.076	310	446	-.129	.048	.047	-.402
310	347	-.409	.111	-.070	-.965	310	397	-.378	.134	-.018	-1.293	310	447	-.140	.046	.013	-.393
310	348	-.392	.083	-.116	-.876	310	398	-.394	.165	-.004	-1.288	310	448	-.144	.051	.047	-.518
310	349	-.419	.098	-.146	-.832	310	399	-.469	.201	.091	-1.935	310	449	-.124	.046	.030	-.336
310	350	-.460	.145	-.162	-1.329	310	400	-.509	.205	.011	-1.570	310	450	-.106	.058	.077	-.471
310	351	-.442	.126	-.114	-1.164	310	401	-.455	.199	.089	-1.364	310	451	-.135	.061	.051	-.537
310	352	-.460	.140	-.098	-1.230	310	402	-.443	.225	.122	-1.463	310	452	-.089	.046	.106	-.239
310	353	-.475	.149	-.104	-1.471	310	403	-.611	.211	-.094	-1.628	310	453	-.093	.052	.129	-.310
310	354	-.453	.132	-.109	-1.205	310	404	-.545	.206	-.135	-1.458	310	454	-.089	.062	.174	-.357
310	355	-.430	.127	-.141	-1.093	310	405	-.441	.157	-.021	-1.165	310	455	-.132	.063	.080	-.589
310	356	-.454	.146	-.021	-1.123	310	406	-.350	.130	.049	-.951	310	456	-.106	.043	.035	-.417
310	357	-.429	.140	-.054	-1.132	310	407	-.358	.139	.046	-1.040	310	457	-.084	.043	.101	-.365
310	358	-.486	.171	-.001	-1.475	310	408	-.281	.099	-.025	-.790	310	458	-.083	.043	.077	-.216
310	359	-.434	.138	-.098	-1.288	310	409	-.262	.100	.020	-.790	310	459	-.085	.044	.155	-.253
310	360	-.411	.104	-.159	-.983	310	410	-.285	.146	.067	-1.228	310	460	-.105	.045	.139	-.272
310	361	-.457	.126	-.139	-1.098	310	411	-.331	.162	.046	-1.080	310	461	-.116	.054	.101	-.754
310	362	-.514	.178	-.139	-1.386	310	412	-.382	.183	.017	-1.360	310	462	-.120	.046	.063	-.402
310	363	-.484	.167	-.022	-1.528	310	413	-.348	.164	.078	-1.042	310	463	-.137	.054	.065	-.497
310	364	-.516	.182	.008	-1.750	310	414	-.329	.192	.062	-1.300	310	464	-.090	.048	.087	-.306
310	365	-.530	.185	-.049	-1.436	310	415	-.524	.220	-.067	-1.637	310	465	-.185	.055	-.010	-.479
310	366	-.519	.172	-.029	-1.416	310	416	-.421	.141	-.101	-1.228	310	466	-.162	.081	.108	-.618
310	367	-.495	.169	-.052	-1.400	310	417	-.291	.105	-.001	-.709	310	467	-.162	.185	.296	-1.161
310	368	-.475	.173	.019	-1.542	310	418	-.243	.083	.011	-.593	310	468	-.110	.045	.080	-.243
310	369	-.456	.158	-.001	-1.251	310	419	-.262	.091	.006	-.703	310	469	-.120	.038	.051	-.254
310	370	-.500	.200	-.052	-1.507	310	420	-.200	.056	-.001	-.434	310	801	-.110	.043	.066	-.276
310	371	-.469	.172	-.107	-1.672	310	421	-.190	.070	.055	-.544	310	802	-.085	.051	.127	-.287
310	372	-.450	.122	-.141	-1.191	310	422	-.204	.097	.044	-.823	310	803	-.141	.050	.002	-.474
310	373	-.484	.141	-.159	-1.340	310	423	-.230	.114	.053	-.904	310	804	-.100	.111	.341	-.709
310	374	-.510	.183	-.109	-1.439	310	424	-.271	.133	.035	-.991	310	805	-.124	.053	.047	-.374
310	375	-.522	.196	-.022	-1.553	310	425	-.234	.100	-.017	-.804	310	901	-.435	.100	-.194	-.937
310	376	-.570	.210	-.018	-1.569	310	426	-.216	.115	.056	-.913	310	902	-.405	.096	-.059	-.884
310	377	-.558	.200	-.015	-1.601	310	427	-.375	.166	.044	-1.059	310	903	-.101	.062	-.096	-.361
310	378	-.564	.195	-.054	-1.489	310	428	-.289	.105	.011	-1.012	310	904	-.377	.091	-.055	-.893
310	379	-.562	.193	-.008	-1.599	310	429	-.205	.082	.013	-.570	310	905	-.071	.083	.331	-.240
310	380	-.516	.189	-.047	-1.406	310	430	-.175	.064	-.002	-.551	310	906	-.438	.101	-.188	-.984
310	381	-.514	.178	-.066	-1.338	310	431	-.176	.060	-.017	-.483	310	907	-.385	.084	-.140	-.927

WD	TAP	CPMEAN	CPRMS	CPMAX	CPMIN	WD	TAP	CPMEAN	CPRMS	CPMAX	CPMIN	WD	TAP	CPMEAN	CPRMS	CPMAX	CPMIN
310	908	.170	.092	.454	-.238	320	101	-.527	.218	-.167	-1.902	320	151	.118	.124	.474	-.395
310	909	-.393	.082	-.133	-.925	320	102	-.466	.120	-.077	-.983	320	152	-.253	.111	.076	-.732
310	910	.145	.133	.506	-.446	320	103	-.364	.101	-.022	-.899	320	153	-.524	.194	-.142	-1.401
310	911	.118	.089	.388	-.188	320	104	-.234	.131	.054	-.826	320	154	-.534	.174	-.060	-1.397
310	912	-.194	.071	.009	-.519	320	105	-.154	.113	.110	-.782	320	155	-.499	.169	-.036	-1.228
310	913	-.441	.124	-.204	-1.260	320	106	.057	.106	.387	-.495	320	156	-.334	.130	.219	-.891
310	914	-.439	.095	-.131	-.989	320	107	.103	.109	.394	-.398	320	157	.021	.121	.481	-.580
310	915	-.380	.075	-.048	-.767	320	108	-.240	.134	.089	-.812	320	158	-.115	.245	.647	-1.141
310	916	-.369	.070	-.102	-.684	320	109	.162	.117	.539	-.438	320	159	.172	.167	.731	-.418
310	917	-.413	.092	-.173	-1.087	320	110	.223	.122	.549	-.361	320	160	.305	.185	.900	-.299
310	918	.190	.107	.525	-.180	320	111	-.183	.106	.071	-.761	320	161	.268	.183	.841	-.362
310	919	-.436	.094	-.222	-1.057	320	112	-.497	.213	-.156	-1.523	320	162	.059	.263	.781	-1.097
310	920	-.388	.075	-.122	-.899	320	113	-.460	.133	-.112	-1.019	320	163	.102	.134	.600	-.399
310	921	-.415	.091	-.194	-.990	320	114	-.379	.103	.089	-.839	320	164	-.316	.129	.027	-.971
310	922	-.126	.049	.095	-.340	320	115	.241	.128	.586	-.749	320	165	-.605	.206	-.168	-1.640
310	923	-.172	.054	.079	-.428	320	116	.378	.178	.957	-.128	320	166	-.570	.189	-.104	-1.450
310	924	-.045	.101	.444	-.381	320	117	.258	.140	.789	-.163	320	167	-.510	.192	.111	-1.354
310	925	.185	.162	.909	-.277	320	118	.406	.187	1.077	-.211	320	168	-.338	.142	.193	-.884
310	926	.217	.130	.705	-.319	320	119	.280	.133	.639	-.352	320	169	-.012	.128	.502	-.732
310	927	.264	.107	.567	-.058	320	120	-.253	.117	.068	-.809	320	170	-.133	.246	.729	-1.017
310	928	.130	.087	.389	-.169	320	121	.145	.104	.482	-.230	320	171	.061	.154	.724	-.404
310	929	-.157	.063	.079	-.432	320	122	.062	.203	.694	-.648	320	172	.170	.149	.687	-.296
310	930	-.432	.088	-.220	-.802	320	123	.448	.140	.847	-.020	320	173	.149	.173	.668	-.439
310	931	-.384	.070	-.158	-.693	320	124	.478	.141	.957	-.091	320	174	.025	.240	.692	-1.003
310	932	-.369	.060	-.196	-.740	320	125	.471	.142	.902	-.082	320	175	.042	.142	.584	-.535
310	933	-.384	.079	-.164	-.926	320	126	.224	.186	.733	-.754	320	176	-.325	.124	.064	-.797
310	934	-.374	.071	-.095	-.744	320	127	.197	.103	.539	-.322	320	177	-.703	.235	-.090	-1.717
310	935	-.128	.047	.055	-.302	320	128	-.176	.100	.073	-.703	320	178	-.534	.194	-.051	-1.282
310	936	-.135	.046	.001	-.392	320	129	-.439	.167	-.103	-1.269	320	179	-.445	.170	.015	-1.329
310	937	-.470	.092	-.203	-.835	320	130	-.465	.154	-.073	-1.227	320	180	-.287	.152	.270	-1.024
310	938	.302	.109	.603	-.108	320	131	-.423	.126	.075	-1.029	320	181	-.020	.138	.675	-.999
310	939	-.440	.098	-.164	-.928	320	132	-.285	.105	.096	-.761	320	182	-.125	.208	.488	-.830
310	940	-.375	.087	-.162	-.882	320	133	-.097	.099	.461	-.292	320	183	-.022	.120	.468	-.467
310	941	.342	.148	.834	-.395	320	134	-.026	.211	.609	-.881	320	184	.030	.086	.408	-.199
310	942	.143	.088	.439	-.173	320	135	.353	.157	.847	-.442	320	185	.032	.081	.259	-.201
310	943	-.208	.069	.034	-.476	320	136	.547	.191	1.096	-.324	320	186	-.065	.193	.459	-.805
310	944	-.705	.155	-.210	-1.393	320	137	.479	.156	1.004	-.128	320	187	-.014	.120	.449	-.579
310	945	-.429	.091	-.099	-.788	320	138	.123	.189	.830	-.752	320	188	-.299	.110	.094	-.840
310	946	-.361	.082	-.134	-.738	320	139	.155	.108	.486	-.264	320	189	-.707	.220	-.206	-1.589
310	947	-.352	.083	-.112	-.821	320	140	-.191	.108	.165	-.664	320	190	-.402	.174	-.038	-1.092
310	948	-.387	.095	-.131	-.930	320	141	-.453	.159	-.140	-1.380	320	191	-.368	.137	-.043	-.998
310	949	-.277	.112	-.665	-.174	320	142	-.494	.165	-.130	-1.371	320	192	-.212	.144	.214	-.789
310	950	-.365	.089	-.079	-.854	320	143	-.491	.162	-.025	-1.399	320	193	-.042	.114	.344	-.554
310	951	.174	.109	.515	-.317	320	144	-.319	.113	.083	-.882	320	194	-.118	.150	.312	-1.046
310	952	-.460	.101	-.162	-.961	320	145	-.059	.115	.483	-.444	320	195	-.087	.106	.255	-.531
310	953	-.360	.083	-.096	-.866	320	146	-.068	.229	.614	-1.144	320	196	-.083	.064	.248	-.345
310	954	-.083	.085	-.185	-.563	320	147	.301	.161	1.061	-.292	320	197	-.104	.083	.236	-.531
310	955	-.374	.090	-.129	-.724	320	148	.460	.179	.954	-.130	320	198	-.157	.127	.184	-.867
310	956	-.588	.118	-.224	-1.063	320	149	.388	.186	.942	-.264	320	199	-.118	.095	.298	-.613
310	957	-.357	.079	-.098	-.693	320	150	.081	.236	.764	-.722	320	200	-.273	.119	.211	-.650

WD	TAP	CPMEAN	CPRMS	CPMAX	CPMIN	WD	TAP	CPMEAN	CPRMS	CPMAX	CPMIN	WD	TAP	CPMEAN	CPRMS	CPMAX	CPMIN
320	201	-.594	.201	.051	-1.419	320	251	-.127	.040	.026	-.302	320	332	-.424	.130	-.005	-1.018
320	202	-.277	.117	-.013	-.915	320	252	-.113	.045	.058	-.353	320	333	-.392	.119	-.025	-1.108
320	203	-.334	.111	-.057	-1.000	320	253	-.110	.045	.024	-.305	320	334	-.420	.139	-.075	-1.382
320	204	-.169	.138	.264	-.764	320	254	-.109	.040	.038	-.256	320	335	-.370	.097	-.142	-1.042
320	205	-.065	.117	.326	-.572	320	255	-.057	.060	.202	-.269	320	336	-.375	.081	-.149	-.739
320	206	-.136	.133	.287	-.760	320	256	-.011	.077	.299	-.198	320	337	-.401	.106	-.108	-.894
320	207	-.136	.095	.211	-.643	320	257	.000	.096	.413	-.351	320	338	-.477	.157	-.099	-1.853
320	208	-.145	.059	.081	-.457	320	258	.001	.092	.458	-.232	320	339	-.433	.121	-.120	-.973
320	209	-.178	.062	.083	-.522	320	259	.004	.125	.676	-.546	320	340	-.455	.146	-.032	-1.076
320	210	-.219	.090	.110	-.769	320	260	.055	.102	.516	-.211	320	341	-.510	.178	-.006	-1.258
320	211	-.174	.083	.264	-.499	320	261	.076	.109	.591	-.269	320	342	-.524	.170	-.079	-1.268
320	212	-.245	.125	.287	-.675	320	262	.022	.084	.384	-.247	320	343	-.502	.171	-.150	-1.313
320	213	-.444	.173	.202	-1.334	320	263	-.014	.081	.396	-.264	320	344	-.451	.154	-.022	-1.534
320	214	-.239	.086	.007	-.705	320	264	-.077	.039	.147	-.241	320	345	-.417	.141	-.017	-1.500
320	215	-.314	.094	-.073	-.849	320	265	-.146	.055	.027	-.404	320	346	-.444	.168	-.111	-1.541
320	216	-.140	.107	.232	-.767	320	266	-.127	.076	.127	-.598	320	347	-.390	.107	-.090	-1.163
320	217	-.095	.098	.307	-.441	320	267	-.118	.137	.294	-1.044	320	348	-.371	.090	-.111	-.787
320	218	-.165	.115	.321	-.680	320	268	-.075	.038	.110	-.226	320	349	-.430	.128	-.106	-.981
320	219	-.180	.083	.104	-.597	320	269	-.065	.060	.316	-.271	320	350	-.497	.172	-.054	-1.318
320	220	-.162	.051	.056	-.460	320	301	-.388	.116	.008	-.903	320	351	-.468	.149	-.115	-1.151
320	221	-.189	.059	.007	-.629	320	302	-.489	.132	-.106	-.984	320	352	-.505	.159	-.056	-1.213
320	222	-.200	.092	.179	-.572	320	303	-.589	.249	-.176	-1.799	320	353	-.545	.190	-.024	-1.461
320	223	-.179	.079	.248	-.501	320	304	-.348	.101	-.050	-.946	320	354	-.575	.193	-.054	-1.381
320	224	-.230	.113	.374	-.638	320	305	-.380	.109	-.061	-.966	320	355	-.582	.201	-.145	-1.634
320	225	-.335	.134	.181	-.831	320	306	-.343	.093	-.097	-.865	320	356	-.452	.167	-.006	-1.224
320	226	-.224	.077	.050	-.573	320	307	-.366	.110	-.102	-.950	320	357	-.430	.161	-.027	-1.522
320	227	-.261	.076	-.061	-.672	320	308	-.356	.102	-.007	-.953	320	358	-.446	.172	-.079	-1.746
320	228	-.139	.079	.142	-.522	320	309	-.362	.096	-.090	-.863	320	359	-.394	.125	-.104	-1.206
320	229	-.125	.066	.330	-.404	320	310	-.383	.108	-.108	-1.110	320	360	-.409	.110	-.138	-1.042
320	230	-.145	.060	.067	-.442	320	311	-.395	.109	-.104	-1.193	320	361	-.468	.150	-.008	-1.190
320	231	-.167	.066	.029	-.575	320	312	-.421	.117	-.038	-1.072	320	362	-.532	.196	-.084	-1.422
320	232	-.122	.043	.053	-.346	320	313	-.520	.156	-.162	-1.242	320	363	-.507	.182	-.031	-1.354
320	233	-.147	.051	.029	-.580	320	314	-.620	.297	-.144	-2.161	320	364	-.518	.185	.037	-1.377
320	234	-.155	.050	.041	-.351	320	315	-.369	.099	-.106	-.820	320	365	-.519	.196	.001	-1.427
320	235	-.151	.059	.214	-.418	320	316	-.382	.096	-.079	-.892	320	366	-.560	.207	-.017	-1.527
320	236	-.199	.081	.231	-.479	320	317	-.385	.093	-.160	-.968	320	367	-.651	.218	-.145	-1.641
320	237	-.262	.089	.091	-.599	320	318	-.366	.092	-.079	-.847	320	368	-.438	.171	-.112	-1.261
320	238	-.184	.056	.060	-.445	320	319	-.397	.115	-.081	-1.038	320	369	-.399	.153	.001	-1.131
320	239	-.196	.057	-.037	-.450	320	320	-.381	.108	-.070	-1.119	320	370	-.457	.205	-.040	-1.664
320	240	-.115	.045	.067	-.307	320	321	-.360	.094	-.075	-.784	320	371	-.407	.139	-.118	-1.035
320	241	-.069	.060	.193	-.281	320	322	-.386	.104	-.061	-1.000	320	372	-.410	.130	-.084	-1.008
320	242	-.064	.060	.234	-.372	320	323	-.364	.085	-.144	-.762	320	373	-.483	.168	-.075	-1.181
320	243	-.064	.062	.171	-.295	320	324	-.369	.079	-.142	-.847	320	374	-.514	.196	.007	-1.438
320	244	-.115	.154	.828	-.225	320	325	-.384	.091	-.014	-.959	320	375	-.526	.204	.064	-1.586
320	245	-.024	.062	.234	-.244	320	326	-.406	.121	-.108	-1.135	320	376	-.539	.196	-.047	-1.627
320	246	-.027	.071	.275	-.481	320	327	-.381	.108	-.079	-.989	320	377	-.512	.188	-.024	-1.370
320	247	-.045	.063	.214	-.278	320	328	-.399	.110	-.050	-.953	320	378	-.507	.231	.017	-1.475
320	248	-.117	.049	.050	-.343	320	329	-.462	.136	-.016	-.984	320	379	-.708	.227	-.054	-1.962
320	249	-.168	.054	.060	-.532	320	330	-.534	.180	-.090	-1.211	320	380	-.413	.168	-.047	-1.393
320	250	-.120	.044	.053	-.310	320	331	-.526	.201	-.120	-1.492	320	381	-.407	.173	-.024	-1.491

WD	TAP	CPMEAN	CPRMS	CPMAX	CPMIN	WD	TAP	CPMEAN	CPRMS	CPMAX	CPMIN	WD	TAP	CPMEAN	CPRMS	CPMAX	CPMIN
320	382	-.439	.197	-.030	-1.511	320	432	-.132	.042	.015	-.329	320	908	-.266	.110	-.609	-.228
320	383	-.387	.134	-.079	-.985	320	433	-.135	.043	.022	-.407	320	909	-.382	.107	-.106	-1.114
320	384	-.366	.101	-.139	-.878	320	434	-.150	.057	.099	-.489	320	910	.319	.124	.662	-.274
320	385	-.439	.093	-.212	-.764	320	435	-.156	.054	.050	-.496	320	911	.160	.092	.540	-.207
320	386	-.451	.159	-.090	-1.430	320	436	-.175	.057	-.023	-.494	320	912	-.191	.085	-.049	-.602
320	387	-.490	.190	.031	-1.508	320	437	-.158	.047	-.018	-.418	320	913	-.508	.160	-.200	-1.273
320	388	-.531	.193	-.002	-1.481	320	438	-.143	.056	.052	-.536	320	914	-.433	.098	-.108	-.885
320	389	-.426	.146	-.083	-1.003	320	439	-.184	.087	.076	-.698	320	915	-.383	.090	-.076	-1.040
320	390	-.373	.208	.031	-1.495	320	440	-.156	.051	.029	-.456	320	916	-.357	.083	-.100	-.849
320	391	-.637	.207	-.007	-1.501	320	441	-.137	.044	.043	-.378	320	917	-.407	.106	-.179	-.978
320	392	-.415	.165	-.025	-1.323	320	442	-.108	.043	.149	-.331	320	918	-.282	.115	.608	-.156
320	393	-.408	.165	-.023	-1.653	320	443	-.103	.037	.057	-.277	320	919	-.421	.095	-.144	-.892
320	394	-.405	.175	-.018	-1.188	320	444	-.121	.046	.026	-.331	320	920	-.385	.086	-.128	-.882
320	395	-.349	.137	-.032	-1.096	320	445	-.112	.036	.036	-.335	320	921	-.397	.079	-.167	-.824
320	396	-.292	.097	.028	-.916	320	446	-.123	.039	.015	-.322	320	922	-.107	.047	.099	-.436
320	397	-.347	.137	.037	-1.054	320	447	-.127	.038	.022	-.284	320	923	-.131	.057	.139	-.340
320	398	-.348	.146	.008	-1.352	320	448	-.131	.039	.024	-.458	320	924	-.023	.097	.510	-.275
320	399	-.394	.157	.015	-1.268	320	449	-.122	.036	.059	-.371	320	925	-.023	.134	.163	-.323
320	400	-.454	.177	.013	-1.265	320	450	-.107	.042	.036	-.388	320	926	.256	.128	.804	-.335
320	401	-.360	.121	-.047	-1.065	320	451	-.129	.047	.045	-.404	320	927	.286	.118	.599	-.207
320	402	-.249	.143	.044	-1.065	320	452	-.100	.039	.097	-.228	320	928	.154	.089	.466	-.252
320	403	-.521	.219	.051	-1.722	320	453	-.105	.042	.078	-.319	320	929	-.141	.060	.108	-.413
320	404	-.391	.153	.017	-1.098	320	454	-.105	.048	.170	-.329	320	930	-.437	.107	-.198	-1.043
320	405	-.344	.136	-.012	-1.163	320	455	-.140	.060	.102	-.491	320	931	-.376	.075	-.161	-.673
320	406	-.307	.124	.062	-1.234	320	456	-.114	.047	.050	-.359	320	932	-.366	.063	-.150	-.778
320	407	-.291	.111	-.041	-1.016	320	457	-.079	.048	.125	-.376	320	933	-.389	.087	-.161	-.865
320	408	-.228	.073	-.014	-.600	320	458	-.077	.047	.229	-.256	320	934	-.383	.089	-.151	-.922
320	409	-.242	.084	-.023	-.722	320	459	-.090	.040	.186	-.218	320	935	-.120	.043	.019	-.312
320	410	-.229	.091	.086	-.965	320	460	-.104	.037	.102	-.230	320	936	-.132	.044	-.008	-.339
320	411	-.292	.128	.022	-1.170	320	461	-.115	.045	.146	-.327	320	937	-.453	.094	-.161	-.810
320	412	-.345	.145	.004	-1.190	320	462	-.116	.039	.033	-.319	320	938	-.307	.113	.629	-.129
320	413	-.271	.091	-.041	-.842	320	463	-.123	.040	.033	-.310	320	939	-.417	.093	-.161	-.846
320	414	-.189	.099	.046	-.838	320	464	-.083	.048	.140	-.294	320	940	-.392	.088	-.177	-1.011
320	415	-.351	.178	.149	-1.210	320	465	-.146	.051	.007	-.403	320	941	.351	.134	.787	-.225
320	416	-.333	.131	-.047	-.972	320	466	-.127	.069	.149	-.558	320	942	.150	.094	.442	-.189
320	417	-.271	.110	.039	-.907	320	467	-.119	.143	.289	-1.174	320	943	-.167	.081	-.081	-.513
320	418	-.243	.090	.037	-.729	320	468	-.112	.038	.057	-.242	320	944	-.527	.150	-.209	-1.187
320	419	-.236	.084	.033	-.720	320	469	-.114	.034	.081	-.237	320	945	-.449	.102	-.020	-.881
320	420	-.183	.050	-.054	-.393	320	801	-.109	.045	.070	-.402	320	946	-.358	.083	-.082	-.808
320	421	-.176	.056	.010	-.495	320	802	-.101	.042	.072	-.247	320	947	-.352	.082	-.051	-.875
320	422	-.178	.068	.048	-.566	320	803	-.112	.050	.067	-.378	320	948	-.408	.112	-.096	-1.310
320	423	-.208	.086	.024	-.780	320	804	-.071	.099	.413	-.534	320	949	-.245	.109	.558	-.152
320	424	-.246	.097	.012	-.853	320	805	-.121	.057	.062	-.517	320	950	-.371	.096	-.140	-.928
320	425	-.192	.062	.003	-.536	320	901	-.513	.124	-.195	-1.096	320	951	-.183	.096	-.435	-.250
320	426	-.154	.069	.038	-.529	320	902	-.416	.106	-.040	-.851	320	952	-.453	.105	-.091	-.856
320	427	-.234	.124	-.095	-.828	320	903	-.085	.087	.194	-.500	320	953	-.354	.090	-.099	-.863
320	428	-.234	.094	-.004	-.795	320	904	-.363	.106	-.039	-1.197	320	954	-.083	.085	-.171	-.404
320	429	-.194	.071	-.002	-.510	320	905	-.154	.097	.466	-.251	320	955	-.363	.093	-.065	-.837
320	430	-.168	.056	.033	-.571	320	906	-.460	.109	-.044	-.989	320	956	-.540	.125	-.207	-1.000
320	431	-.161	.053	-.011	-.515	320	907	-.368	.099	-.030	-1.021	320	957	-.391	.098	-.082	-.880



WD	TAP	CPMEAN	CPRMS	CPMAX	CPMIN	WD	TAP	CPMEAN	CPRMS	CPMAX	CPMIN	WD	TAP	CPMEAN	CPRMS	CPMAX	CPMIN
330	101	-.377	.086	-.187	-.928	330	151	-.066	.105	.336	-.772	330	201	-.615	.196	.187	-1.529
330	102	-.394	.087	-.134	-.976	330	152	-.296	.089	-.031	-.813	330	202	-.422	.180	.023	-1.194
330	103	-.392	.101	-.086	-1.041	330	153	-.443	.132	-.176	-1.484	330	203	-.391	.159	.037	-1.245
330	104	-.206	.100	.151	-.575	330	154	-.448	.129	-.139	-1.074	330	204	.012	.131	.492	-.448
330	105	-.222	.087	.038	-.839	330	155	-.485	.153	-.050	-1.239	330	205	.114	.121	.674	-.302
330	106	-.171	.100	.458	-.221	330	156	-.277	.110	.275	-.723	330	206	-.057	.084	.264	-.491
330	107	-.049	.119	.325	-.653	330	157	.233	.134	.690	-.220	330	207	-.239	.160	.130	-.949
330	108	-.261	.110	.107	-.639	330	158	.316	.199	.850	-.623	330	208	-.144	.058	.098	-.430
330	109	.305	.116	.706	-.196	330	159	.357	.182	.960	-.546	330	209	-.255	.071	-.023	-.555
330	110	-.008	.141	.387	-.618	330	160	.331	.166	.815	-.253	330	210	-.422	.140	-.025	-.985
330	111	-.210	.062	-.040	-.706	330	161	-.053	.153	.557	-.518	330	211	-.263	.100	.068	-.773
330	112	-.363	.097	-.173	-1.521	330	162	-.408	.252	.597	-1.297	330	212	-.347	.108	.212	-.769
330	113	-.371	.080	-.164	-.786	330	163	-.110	.132	.289	-1.090	330	213	-.526	.170	.050	-1.376
330	114	-.394	.102	-.095	-1.052	330	164	-.354	.111	-.040	-.967	330	214	-.324	.123	-.016	-.965
330	115	.368	.120	.743	-.136	330	165	-.519	.163	-.190	-1.265	330	215	-.284	.121	.175	-.864
330	116	.537	.187	1.058	-.283	330	166	-.528	.171	-.015	-1.484	330	216	.013	.102	.433	-.389
330	117	.268	.165	.780	-.269	330	167	-.521	.187	.068	-1.516	330	217	.068	.104	.524	-.257
330	118	.242	.135	.812	-.233	330	168	-.231	.128	.136	-.711	330	218	-.129	.085	.230	-.480
330	119	-.074	.148	.495	-1.050	330	169	.237	.150	.762	-.276	330	219	-.305	.158	.146	-1.210
330	120	-.285	.092	.059	-.602	330	170	.249	.184	.892	-.497	330	220	-.159	.068	.082	-.582
330	121	.275	.110	.624	-.196	330	171	.268	.179	.866	-.704	330	221	-.250	.064	.009	-.578
330	122	.394	.158	.899	-.568	330	172	.164	.136	.657	-.243	330	222	-.358	.097	-.089	-.833
330	123	.493	.147	.989	-.006	330	173	-.069	.141	.548	-.595	330	223	-.252	.079	.164	-.764
330	124	.471	.135	.865	-.001	330	174	-.428	.246	.445	-1.262	330	224	-.299	.079	.124	-.638
330	125	.334	.139	.805	-.368	330	175	-.159	.155	.303	-.972	330	225	-.439	.127	-.063	-.945
330	126	-.166	.214	.404	-1.110	330	176	-.381	.121	-.071	-.846	330	226	-.278	.090	-.017	-.737
330	127	-.053	.090	.353	-.226	330	177	-.602	.186	-.174	-1.497	330	227	-.224	.089	.036	-.643
330	128	-.205	.059	-.021	-.632	330	178	-.550	.183	-.053	-1.328	330	228	.002	.086	.366	-.358
330	129	-.359	.084	-.143	-1.048	330	179	-.536	.189	.038	-1.339	330	229	.005	.095	.386	-.343
330	130	-.379	.082	-.168	-.873	330	180	-.134	.146	.357	-.665	330	230	-.138	.064	.091	-.372
330	131	-.399	.095	-.152	-1.038	330	181	.207	.140	.701	-.292	330	231	-.275	.117	.064	-.892
330	132	-.317	.096	.109	-.726	330	182	.183	.145	.683	-.423	330	232	-.150	.069	.088	-.504
330	133	.248	.110	.628	-.228	330	183	.099	.135	.517	-.942	330	233	-.185	.061	.052	-.497
330	134	.345	.175	.814	-.400	330	184	.036	.080	.330	-.218	330	234	-.239	.075	-.015	-.657
330	135	.538	.154	1.007	-.074	330	185	-.143	.065	.082	-.323	330	235	-.181	.067	.153	-.506
330	136	.562	.158	1.064	-.178	330	186	-.439	.218	.248	-1.174	330	236	-.215	.062	.060	-.600
330	137	.274	.143	.716	-.315	330	187	-.190	.154	.314	-.942	330	237	-.277	.091	-.012	-.821
330	138	-.294	.203	.587	-1.123	330	188	-.378	.124	-.173	-.828	330	238	-.198	.060	-.017	-.523
330	139	-.016	.092	.371	-.520	330	189	-.631	.173	-.123	-1.465	330	239	-.181	.062	.009	-.605
330	140	-.244	.070	-.031	-.641	330	190	-.516	.186	-.052	-1.322	330	240	-.051	.072	.311	-.351
330	141	-.380	.093	-.152	-1.050	330	191	-.493	.185	-.007	-1.397	330	241	-.061	.072	.259	-.322
330	142	-.404	.107	-.139	-1.276	330	192	-.018	.141	.499	-.589	330	242	-.116	.049	.105	-.327
330	143	-.440	.114	-.041	-1.293	330	193	.174	.131	.644	-.259	330	243	-.167	.081	.084	-.636
330	144	-.321	.105	.073	-.832	330	194	.026	.094	.364	-.289	330	244	-.086	.099	.503	-.418
330	145	.238	.119	.597	-.213	330	195	-.073	.139	.335	-.646	330	245	-.120	.068	.153	-.439
330	146	.338	.191	.890	-.548	330	196	-.084	.063	.162	-.343	330	246	-.146	.077	.177	-.422
330	147	.495	.165	.950	-.146	330	197	-.220	.089	.059	-.571	330	247	-.110	.077	.261	-.391
330	148	.461	.163	.960	-.176	330	198	-.416	.178	.200	-1.008	330	248	-.138	.062	.134	-.410
330	149	-.160	.167	.725	-.450	330	199	-.239	.150	.280	-1.062	330	249	-.168	.058	.014	-.478
330	150	-.405	.250	.422	-1.449	330	200	-.359	.127	.223	-.805	330	250	-.144	.056	.098	-.406

WD	TAP	CPMEAN	CPRMS	CPMAX	CPMIN	WD	TAP	CPMEAN	CPRMS	CPMAX	CPMIN	WD	TAP	CPMEAN	CPRMS	CPMAX	CPMIN
330	251	-.144	.058	.096	-.590	330	332	-.396	.102	-.010	-.944	330	382	-.470	.166	-.065	-1.436
330	252	-.132	.045	.048	-.300	330	333	-.379	.087	-.118	-.990	330	383	-.441	.119	-.083	-1.182
330	253	-.125	.050	.060	-.288	330	334	-.416	.116	-.168	-1.233	330	384	-.406	.102	-.186	-1.001
330	254	-.123	.046	.119	-.303	330	335	-.375	.078	-.145	-.899	330	385	-.461	.091	-.220	-.857
330	255	-.040	.065	.208	-.346	330	336	-.357	.068	-.163	-.766	330	386	-.509	.144	-.103	-1.267
330	256	-.022	.063	.256	-.240	330	337	-.359	.080	-.127	-.755	330	387	-.455	.146	-.141	-1.184
330	257	-.075	.050	.146	-.279	330	338	-.392	.102	-.150	-1.060	330	388	-.447	.149	-.099	-1.202
330	258	-.104	.061	.239	-.358	330	339	-.370	.093	-.075	-1.035	330	389	-.369	.099	-.061	-.849
330	259	-.100	.060	.242	-.322	330	340	-.416	.116	-.028	-.931	330	390	-.240	.088	-.014	-.813
330	260	-.090	.096	.338	-.420	330	341	-.414	.152	-.040	-1.069	330	391	-.718	.232	-.038	-1.701
330	261	-.060	.119	.530	-.327	330	342	-.690	.196	-.127	-1.448	330	392	-.438	.174	.080	-1.305
330	262	-.056	.098	.390	-.276	330	343	-.764	.184	-.202	-1.462	330	393	-.382	.167	-.014	-1.171
330	263	-.075	.074	.230	-.329	330	344	-.463	.140	-.088	-1.228	330	394	-.362	.144	-.000	-1.381
330	264	-.100	.041	.061	-.439	330	345	-.433	.125	-.109	-1.262	330	395	-.362	.118	-.027	-1.054
330	265	-.129	.055	.064	-.374	330	346	-.448	.143	-.070	-1.237	330	396	-.390	.126	-.063	-1.164
330	266	-.138	.067	.129	-.590	330	347	-.407	.093	-.143	-.919	330	397	-.475	.163	-.099	-1.809
330	267	-.118	.081	.230	-.794	330	348	-.378	.078	-.102	-1.045	330	398	-.512	.162	-.020	-1.375
330	268	-.076	.059	.171	-.275	330	349	-.388	.096	-.143	-.878	330	399	-.496	.159	.006	-1.258
330	269	-.083	.052	.388	-.255	330	350	-.421	.130	-.097	-1.224	330	400	-.469	.146	-.141	-1.366
330	301	-.343	.071	-.053	-.646	330	351	-.402	.111	-.118	-.972	330	401	-.370	.097	-.135	-.873
330	302	-.383	.103	-.136	-.823	330	352	-.413	.128	-.022	-1.299	330	402	-.197	.068	.029	-.672
330	303	-1.004	.270	-.299	-1.784	330	353	-.434	.157	-.026	-1.139	330	403	-.497	.209	.138	-1.330
330	304	-.361	.094	-.071	-.831	330	354	-.649	.228	-.109	-1.450	330	404	-.317	.148	.098	-1.090
330	305	-.364	.085	-.077	-.782	330	355	-.803	.185	-.269	-1.659	330	405	-.270	.136	.103	-1.034
330	306	-.363	.087	-.123	-.956	330	356	-.503	.170	-.045	-1.597	330	406	-.272	.124	.076	-.960
330	307	-.367	.087	-.116	-.879	330	357	-.467	.148	-.118	-1.159	330	407	-.256	.090	.015	-.790
330	308	-.369	.085	-.105	-.782	330	358	-.480	.156	-.157	-1.311	330	408	-.326	.106	.051	-.900
330	309	-.367	.082	-.134	-.944	330	359	-.421	.114	-.102	-1.082	330	409	-.442	.144	-.074	-1.343
330	310	-.370	.086	-.129	-.807	330	360	-.386	.086	-.111	-.896	330	410	-.467	.153	-.061	-1.404
330	311	-.362	.094	-.053	-1.087	330	361	-.401	.114	-.090	-1.072	330	411	-.508	.169	-.041	-1.415
330	312	-.347	.076	-.050	-.710	330	362	-.432	.136	-.083	-1.180	330	412	-.504	.155	-.119	-1.357
330	313	-.467	.158	-.118	-1.281	330	363	-.403	.113	-.047	-.990	330	413	-.374	.094	-.128	-.779
330	314	-.946	.243	-.204	-1.771	330	364	-.400	.121	-.086	-.972	330	414	-.174	.055	.011	-.490
330	315	-.369	.076	-.181	-.931	330	365	-.391	.130	-.063	-1.040	330	415	-.311	.160	.197	-1.041
330	316	-.374	.075	-.150	-.680	330	366	-.492	.233	-.072	-1.258	330	416	-.236	.112	.078	-1.061
330	317	-.381	.077	-.188	-.786	330	367	-.841	.217	-.099	-1.844	330	417	-.217	.100	.047	-.763
330	318	-.369	.083	-.109	-.868	330	368	-.521	.186	-.001	-1.320	330	418	-.228	.100	.078	-.855
330	319	-.360	.084	-.111	-.854	330	369	-.501	.182	-.040	-1.800	330	419	-.212	.081	.091	-.665
330	320	-.374	.090	-.062	-1.042	330	370	-.480	.169	-.083	-1.459	330	420	-.235	.075	.004	-.665
330	321	-.363	.075	-.089	-.883	330	371	-.440	.125	-.127	-1.242	330	421	-.339	.115	-.005	-.938
330	322	-.382	.083	-.084	-.895	330	372	-.406	.098	-.154	-.935	330	422	-.333	.131	.031	-1.672
330	323	-.363	.072	-.132	-.694	330	373	-.407	.112	-.072	-1.105	330	423	-.463	.163	-.045	-1.332
330	324	-.370	.072	-.197	-.739	330	374	-.467	.166	-.061	-1.349	330	424	-.494	.167	-.048	-1.375
330	325	-.363	.080	-.152	-.753	330	375	-.422	.133	-.063	-1.116	330	425	-.337	.089	-.076	-.762
330	326	-.372	.089	-.143	-.983	330	376	-.419	.132	-.127	-1.024	330	426	-.151	.046	.018	-.412
330	327	-.358	.086	-.086	-.859	330	377	-.365	.111	-.125	-.956	330	427	-.196	.108	.266	-.675
330	328	-.386	.099	-.098	-.877	330	378	-.340	.168	-.051	-1.295	330	428	-.190	.083	.016	-.911
330	329	-.384	.106	-.080	-1.014	330	379	-.853	.237	-.088	-1.862	330	429	-.184	.075	.077	-1.077
330	330	-.630	.197	-.147	-1.242	330	380	-.518	.195	.062	-1.445	330	430	-.190	.078	.068	-.623
330	331	-.825	.199	-.177	-1.529	330	381	-.495	.184	.013	-1.700	330	431	-.162	.051	.044	-.459

WD	TAP	CPMEAN	CPRMS	CPMAX	CPMIN	WD	TAP	CPMEAN	CPRMS	CPMAX	CPMIN	WD	TAP	CPMEAN	CPRMS	CPMAX	CPMIN
330	432	-.136	.053	.073	-.424	330	908	.266	.139	.633	-.280	340	101	-.388	.059	-.220	-.851
330	433	-.197	.078	.075	-.677	330	909	-.368	.085	-.137	-.848	340	102	-.385	.067	-.156	-.796
330	434	-.208	.107	.099	-.814	330	910	-.324	.150	-.774	-.333	340	103	-.392	.082	-.159	-.904
330	435	-.263	.107	.063	-.805	330	911	-.149	.094	.447	-.186	340	104	-.043	.092	.338	-.367
330	436	-.370	.132	-.036	-.977	330	912	-.243	.068	.017	-.474	340	105	-.399	.081	-.152	-.689
330	437	-.260	.076	-.033	-.613	330	913	-.717	.185	-.236	-1.547	340	106	.259	.115	.630	-.165
330	438	-.120	.039	.023	-.289	330	914	-.413	.087	-.142	-.887	340	107	-.317	.133	.136	-.769
330	439	-.126	.072	.122	-.441	330	915	-.365	.076	-.063	-.765	340	108	-.079	.103	.255	-.431
330	440	-.154	.055	.006	-.455	330	916	-.356	.075	-.116	-.746	340	109	.368	.124	.724	-.085
330	441	-.147	.049	.039	-.433	330	917	-.382	.092	-.139	-.870	340	110	-.291	.177	.248	-.821
330	442	-.128	.053	.089	-.478	330	918	-.277	.108	-.587	-.100	340	111	-.283	.047	-.078	-.479
330	443	-.099	.041	.056	-.273	330	919	-.434	.105	-.181	-1.003	340	112	-.369	.058	-.202	-.609
330	444	-.088	.049	.129	-.308	330	920	-.369	.083	-.174	-.812	340	113	-.373	.057	-.193	-.623
330	445	-.089	.040	.077	-.242	330	921	-.405	.079	-.191	-.807	340	114	-.385	.071	-.188	-.840
330	446	-.115	.054	.058	-.424	330	922	-.111	.057	-.216	-.317	340	115	.386	.137	.825	-.008
330	447	-.171	.062	.056	-.504	330	923	-.133	.059	.174	-.359	340	116	.526	.247	1.108	-.451
330	448	-.182	.055	-.041	-.467	330	924	-.113	.078	.295	-.417	340	117	.202	.172	.669	-.341
330	449	-.148	.039	.006	-.315	330	925	-.088	.111	.685	-.473	340	118	.083	.120	.564	-.300
330	450	-.090	.039	.068	-.230	330	926	.232	.132	.634	-.181	340	119	-.241	.194	.253	-1.055
330	451	-.100	.049	.106	-.296	330	927	.271	.119	.629	-.214	340	120	-.125	.098	.212	-.465
330	452	-.090	.039	.063	-.266	330	928	.128	.089	.412	-.132	340	121	.411	.120	.756	.034
330	453	-.088	.039	.065	-.214	330	929	-.153	.061	.062	-.398	340	122	.502	.153	.959	.068
330	454	-.073	.054	.170	-.261	330	930	-.417	.082	-.193	-.891	340	123	.463	.153	.939	-.124
330	455	-.126	.052	.106	-.400	330	931	-.378	.064	-.157	-.669	340	124	.345	.131	.829	-.120
330	456	-.106	.051	.146	-.450	330	932	-.356	.056	-.173	-.616	340	125	.141	.108	.532	-.191
330	457	-.086	.065	.198	-.377	330	933	-.385	.074	-.174	-.893	340	126	-.458	.263	.172	-1.680
330	458	-.070	.058	.226	-.237	330	934	-.370	.078	-.148	-.962	340	127	-.128	.077	.267	-.353
330	459	-.059	.047	.203	-.216	330	935	-.103	.050	.071	-.297	340	128	-.281	.049	-.083	-.549
330	460	-.051	.051	.330	-.188	330	936	-.122	.049	.035	-.409	340	129	-.366	.060	-.186	-.700
330	461	-.081	.065	.198	-.514	330	937	-.459	.090	-.189	-.875	340	130	-.381	.059	-.213	-.805
330	462	-.157	.063	.013	-.455	330	938	.211	.120	.560	-.146	340	131	-.402	.068	-.207	-1.132
330	463	-.142	.053	.039	-.540	330	939	-.405	.078	-.214	-.795	340	132	-.206	.095	.141	-.533
330	464	-.125	.046	.035	-.401	330	940	-.368	.067	-.166	-.694	340	133	.390	.124	.765	-.062
330	465	-.151	.047	.021	-.365	330	941	.181	.149	.631	-.402	340	134	.546	.145	1.071	-.165
330	466	-.131	.062	.139	-.479	330	942	-.123	.089	.382	-.253	340	135	.584	.148	1.060	.095
330	467	-.071	.087	.329	-.723	330	943	-.145	.070	.087	-.463	340	136	.465	.139	.941	.027
330	468	-.052	.042	.115	-.193	330	944	-.425	.110	-.219	-1.146	340	137	.041	.124	.552	-.346
330	469	-.081	.037	.073	-.237	330	945	-.428	.089	-.087	-.831	340	138	-.654	.181	.294	-1.505
330	801	-.125	.047	.073	-.281	330	946	-.365	.069	-.100	-.688	340	139	-.193	.145	.269	-.988
330	802	-.087	.040	.131	-.247	330	947	-.351	.066	-.127	-.712	340	140	-.299	.060	-.076	-.664
330	803	-.119	.048	.063	-.507	330	948	-.390	.080	-.201	-.924	340	141	-.381	.068	-.202	-.799
330	804	-.134	.070	.323	-.504	330	949	-.158	.098	.470	-.221	340	142	-.402	.079	-.200	-1.104
330	805	-.105	.069	.099	-.437	330	950	-.365	.077	-.148	-.880	340	143	-.424	.094	-.177	-1.211
330	901	-.548	.116	-.202	-1.064	330	951	.107	.084	.393	-.153	340	144	-.183	.101	.166	-.483
330	902	-.396	.085	-.097	-.747	330	952	-.422	.091	-.177	-1.005	340	145	.399	.118	.780	.041
330	903	-.099	.084	-.143	-.573	330	953	-.368	.078	-.146	-.786	340	146	.544	.146	.981	.103
330	904	-.364	.085	-.105	-.795	330	954	-.090	.067	-.120	-.408	340	147	.541	.149	1.053	.027
330	905	-.163	.122	-.497	-.382	330	955	-.349	.081	-.071	-.709	340	148	.431	.138	.845	-.124
330	906	-.460	.102	-.054	-.945	330	956	-.425	.097	-.180	-.862	340	149	-.053	.130	.460	-.492
330	907	-.361	.085	-.114	-.928	330	957	-.396	.089	-.057	-.873	340	150	-.771	.207	.038	-1.690

WD	TAP	CPMEAN	CPRMS	CPMAX	CPMIN	WD	TAP	CPMEAN	CPRMS	CPMAX	CPMIN	WD	TAP	CPMEAN	CPRMS	CPMAX	CPMIN
340	151	-.273	.203	-.307	-1.394	340	201	-.576	.214	-.020	-1.598	340	251	-.238	.094	-.002	-.668
340	152	-.344	.089	-.022	-.840	340	202	-.513	.193	-.068	-1.331	340	252	-.195	.057	-.081	-.379
340	153	-.428	.108	-.191	-1.201	340	203	-.501	.230	-.288	-1.779	340	253	-.191	.065	.083	-.475
340	154	-.444	.111	-.024	-1.245	340	204	-.115	.106	.542	-.265	340	254	-.181	.056	.021	-.441
340	155	-.468	.136	-.105	-1.461	340	205	-.297	.129	.743	-.124	340	255	.044	.064	.363	-.348
340	156	-.138	.105	.258	-.520	340	206	-.072	.086	.261	-.457	340	256	.055	.078	.374	-.162
340	157	.408	.122	.872	-.101	340	207	-.506	.192	.059	-1.474	340	257	-.110	.050	.143	-.279
340	158	.491	.139	.891	-.061	340	208	-.180	.078	.129	-.534	340	258	-.202	.062	.010	-.666
340	159	.483	.146	.933	-.047	340	209	-.371	.091	-.090	-.706	340	259	-.191	.057	.019	-.472
340	160	.318	.139	.817	-.082	340	210	-.591	.151	-.156	-1.216	340	260	-.228	.071	.026	-.570
340	161	-.121	.126	.381	-.550	340	211	-.452	.173	-.037	-1.216	340	261	-.214	.090	.704	-.499
340	162	-.768	.203	.078	-1.616	340	212	-.403	.130	-.036	-1.014	340	262	-.207	.098	.358	-.563
340	163	-.318	.235	.221	-1.398	340	213	-.533	.195	-.086	-1.503	340	263	-.185	.094	.250	-.613
340	164	-.394	.109	-.075	-.905	340	214	-.436	.166	.073	-1.134	340	264	-.170	.071	.118	-.591
340	165	-.496	.150	-.136	-1.164	340	215	-.364	.189	.132	-1.401	340	265	-.199	.069	.149	-.504
340	166	-.519	.159	-.115	-1.301	340	216	-.102	.094	.657	-.274	340	266	-.225	.082	.041	-.819
340	167	-.540	.180	-.057	-1.672	340	217	-.207	.116	.773	-.371	340	267	-.233	.077	.050	-.588
340	168	-.085	.113	.386	-.448	340	218	-.173	.084	.132	-.600	340	268	-.110	.088	.263	-.362
340	169	.392	.117	.731	-.045	340	219	-.547	.166	-.011	-1.329	340	269	-.125	.076	.296	-.396
340	170	.435	.136	.889	-.094	340	220	-.235	.093	-.052	-.575	340	301	-.321	.050	-.156	-.557
340	171	.393	.158	.951	-.427	340	221	-.336	.088	-.061	-.740	340	302	-.298	.051	-.092	-.589
340	172	.220	.115	.636	-.129	340	222	-.465	.139	-.135	-1.222	340	303	-.382	.221	-.269	-1.607
340	173	-.209	.122	.344	-.564	340	223	-.370	.117	-.009	-.853	340	304	-.384	.074	-.130	-.792
340	174	-.779	.217	.309	-1.556	340	224	-.322	.097	-.069	-.742	340	305	-.369	.067	-.174	-.627
340	175	-.384	.259	.210	-1.412	340	225	-.391	.145	-.033	-1.124	340	306	-.376	.062	-.176	-.782
340	176	-.430	.137	.159	-1.106	340	226	-.322	.122	.062	-1.197	340	307	-.375	.066	-.170	-.686
340	177	-.549	.176	-.101	-1.688	340	227	-.288	.134	.067	-1.045	340	308	-.383	.067	-.145	-.866
340	178	-.561	.177	-.038	-1.380	340	228	.082	.079	.556	-.262	340	309	-.382	.065	-.213	-.752
340	179	-.581	.212	.034	-1.718	340	229	-.114	.101	.658	-.298	340	310	-.370	.061	-.172	-.684
340	180	.003	.114	.439	-.430	340	230	-.177	.067	.055	-.475	340	311	-.379	.062	-.145	-.675
340	181	.392	.131	.884	-.068	340	231	-.488	.153	-.055	-1.228	340	312	-.326	.050	-.154	-.550
340	182	.298	.116	.706	-.041	340	232	-.251	.081	-.041	-.570	340	313	-.236	.084	-.049	-.791
340	183	.171	.148	.612	-.525	340	233	-.272	.076	-.041	-.618	340	314	-.844	.174	-.258	-1.437
340	184	.049	.074	.306	-.190	340	234	-.343	.101	-.076	-1.040	340	315	-.385	.055	-.215	-.707
340	185	-.266	.057	-.086	-.452	340	235	-.280	.088	.007	-.787	340	316	-.388	.060	-.217	-.668
340	186	-.784	.175	-.099	-1.392	340	236	-.263	.081	-.002	-.627	340	317	-.397	.062	-.233	-.779
340	187	-.454	.265	.222	-1.404	340	237	-.293	.090	-.019	-.866	340	318	-.384	.070	-.183	-.768
340	188	-.442	.135	.091	-1.093	340	238	-.250	.083	.062	-.778	340	319	-.378	.064	-.190	-.655
340	189	-.611	.196	-.135	-1.460	340	239	-.263	.099	.017	-.899	340	320	-.382	.064	-.215	-.788
340	190	-.581	.191	-.009	-1.383	340	240	.011	.065	.437	-.177	340	321	-.383	.058	-.210	-.888
340	191	-.582	.221	.050	-2.022	340	241	-.043	.079	.439	-.289	340	322	-.387	.066	-.129	-.786
340	192	.097	.109	.496	-.314	340	242	-.145	.056	.062	-.360	340	323	-.377	.056	-.217	-.605
340	193	.357	.132	.951	-.009	340	243	-.339	.104	-.091	-.890	340	324	-.379	.058	-.179	-.648
340	194	.085	.088	.456	-.172	340	244	-.223	.077	.169	-.620	340	325	-.379	.060	-.190	-.634
340	195	-.193	.180	.236	-.960	340	245	-.241	.076	.072	-.635	340	326	-.384	.068	-.181	-.750
340	196	-.105	.064	.141	-.362	340	246	-.278	.098	.060	-.735	340	327	-.370	.063	-.183	-.625
340	197	-.347	.093	-.036	-.767	340	247	-.235	.082	.119	-.646	340	328	-.377	.062	-.199	-.623
340	198	-.698	.177	-.029	-1.333	340	248	-.241	.084	.074	-.599	340	329	-.330	.054	-.160	-.600
340	199	-.483	.229	.111	-1.365	340	249	-.246	.079	.062	-.544	340	330	-.351	.175	-.002	-1.036
340	200	-.433	.138	.297	-.982	340	250	-.247	.088	.024	-.718	340	331	-.805	.156	-.299	-1.378

WD	TAP	CPMEAN	CPRMS	CPMAX	CPMIN	WD	TAP	CPMEAN	CPRMS	CPMAX	CPMIN	WD	TAP	CPMEAN	CPRMS	CPMAX	CPMIN
340	332	-.414	.083	-.129	-.911	340	382	-.496	.139	-.017	-1.350	340	432	-.227	.101	.099	-.749
340	333	-.400	.064	-.201	-.693	340	383	-.499	.116	-.203	-1.094	340	433	-.365	.140	.013	-1.008
340	334	-.418	.093	-.210	-1.391	340	384	-.489	.106	-.203	-1.089	340	434	-.314	.135	.192	-1.165
340	335	-.396	.067	-.156	-.995	340	385	-.499	.084	-.291	-.826	340	435	-.373	.131	.070	-.956
340	336	-.376	.056	-.199	-.732	340	386	-.559	.146	-.233	-1.231	340	436	-.559	.168	-.143	-1.467
340	337	-.375	.063	-.217	-.732	340	387	-.491	.121	-.221	-.997	340	437	-.380	.088	-.124	-.761
340	338	-.401	.074	-.183	-.850	340	388	-.483	.120	-.192	-1.044	340	438	-.127	.038	.018	-.262
340	339	-.378	.064	-.201	-.770	340	389	-.383	.086	-.156	-.743	340	439	-.150	.088	.170	-.497
340	340	-.390	.067	-.179	-.716	340	390	-.199	.060	-.008	-.590	340	440	-.227	.077	.030	-.690
340	341	-.344	.062	-.158	-.686	340	391	-.658	.203	-.098	-1.364	340	441	-.200	.068	.021	-.573
340	342	-.437	.214	-.041	-1.168	340	392	-.470	.202	.069	-1.535	340	442	-.172	.081	.123	-.916
340	343	-.799	.149	-.311	-1.458	340	393	-.444	.173	.013	-1.267	340	443	-.138	.064	.158	-.367
340	344	-.435	.113	-.069	-1.111	340	394	-.436	.124	-.089	-1.184	340	444	-.130	.089	.132	-.578
340	345	-.431	.097	-.203	-1.000	340	395	-.460	.114	-.149	-1.368	340	445	-.094	.062	.154	-.350
340	346	-.441	.109	-.184	-1.191	340	396	-.524	.140	-.206	-1.143	340	446	-.165	.077	.132	-.766
340	347	-.408	.071	-.189	-.964	340	397	-.564	.155	-.181	-1.541	340	447	-.242	.075	-.029	-.687
340	348	-.389	.063	-.207	-.750	340	398	-.593	.152	-.201	-1.224	340	448	-.243	.065	-.048	-.592
340	349	-.393	.068	-.223	-.775	340	399	-.578	.145	-.226	-1.256	340	449	-.193	.047	-.032	-.369
340	350	-.408	.084	-.196	-.927	340	400	-.549	.142	-.185	-1.200	340	450	-.088	.039	.089	-.227
340	351	-.383	.067	-.138	-.711	340	401	-.415	.094	-.131	-.788	340	451	-.108	.059	.158	-.374
340	352	-.404	.073	-.157	-.718	340	402	-.171	.057	.064	-.394	340	452	-.075	.043	.106	-.219
340	353	-.339	.064	-.118	-.789	340	403	-.522	.172	.006	-1.112	340	453	-.077	.045	.094	-.229
340	354	-.431	.223	-.006	-1.138	340	404	-.366	.189	.134	-1.195	340	454	-.037	.060	.211	-.224
340	355	-.797	.151	-.226	-1.623	340	405	-.336	.145	.179	-1.101	340	455	-.174	.065	.208	-.476
340	356	-.511	.170	-.102	-1.667	340	406	-.375	.141	.058	-1.204	340	456	-.160	.077	.196	-.775
340	357	-.465	.126	-.122	-1.143	340	407	-.381	.108	-.050	-.894	340	457	-.156	.120	.287	-.640
340	358	-.473	.126	-.194	-1.502	340	408	-.477	.132	-.127	-1.368	340	458	-.114	.092	.455	-.398
340	359	-.455	.101	-.138	-.980	340	409	-.576	.153	-.140	-1.283	340	459	-.067	.075	.346	-.293
340	360	-.414	.074	-.131	-.902	340	410	-.587	.149	-.046	-1.242	340	460	-.009	.063	.363	-.215
340	361	-.406	.081	-.175	-.890	340	411	-.594	.149	-.224	-1.454	340	461	-.073	.095	.227	-.649
340	362	-.436	.089	-.207	-1.044	340	412	-.582	.146	-.188	-1.375	340	462	-.244	.079	.006	-.721
340	363	-.399	.080	-.196	-.899	340	413	-.421	.098	-.158	-.828	340	463	-.184	.063	.051	-.450
340	364	-.396	.077	-.138	-.782	340	414	-.164	.053	.022	-.347	340	464	-.222	.061	-.035	-.502
340	365	-.339	.064	-.138	-.637	340	415	-.362	.146	.159	-.968	340	465	-.241	.060	-.037	-.518
340	366	-.322	.170	-.040	-1.205	340	416	-.282	.136	.080	-.923	340	466	-.135	.071	.285	-.542
340	367	-.774	.181	-.182	-1.515	340	417	-.275	.117	.060	-1.024	340	467	.005	.119	.459	-.422
340	368	-.552	.203	-.039	-1.913	340	418	-.347	.138	.118	-1.159	340	468	-.018	.054	.290	-.196
340	369	-.518	.171	-.118	-1.345	340	419	-.318	.107	.154	-.860	340	469	-.110	.048	.058	-.265
340	370	-.494	.135	-.058	-1.573	340	420	-.369	.105	-.005	-.815	340	801	-.185	.068	.136	-.432
340	371	-.483	.110	-.171	-.987	340	421	-.542	.142	-.127	-1.175	340	802	-.081	.038	.086	-.215
340	372	-.455	.103	-.189	-1.113	340	422	-.494	.138	-.071	-1.289	340	803	-.187	.064	.037	-.558
340	373	-.460	.108	-.207	-1.056	340	423	-.630	.187	-.181	-1.548	340	804	-.281	.113	.031	-.844
340	374	-.496	.120	-.230	-1.193	340	424	-.619	.174	-.146	-1.510	340	805	-.203	.131	-.198	-.671
340	375	-.447	.100	-.180	-.929	340	425	-.412	.089	-.124	-.806	340	901	-.573	.131	-.213	-1.379
340	376	-.431	.104	-.157	-1.062	340	426	-.149	.040	.018	-.274	340	902	-.517	.107	-.143	-.872
340	377	-.354	.068	-.143	-.649	340	427	-.220	.112	.227	-.754	340	903	-.195	.143	-.168	-1.091
340	378	-.229	.096	-.004	-.982	340	428	-.239	.091	.047	-.790	340	904	-.370	.068	-.173	-.833
340	379	-.780	.203	-.189	-1.679	340	429	-.245	.082	.009	-.699	340	905	-.002	.173	-.449	-.838
340	380	-.536	.212	.045	-1.987	340	430	-.291	.110	.030	-.747	340	906	-.477	.083	-.182	-.822
340	381	-.505	.173	.034	-1.368	340	431	-.245	.086	.002	-.619	340	907	-.379	.067	-.191	-.744

WD	TAP	CPMEAN	CPRMS	CPMAX	CPMIN	WD	TAP	CPNEAN	CPRMS	CPMAX	CPMIN	WD	TAP	CPMEAN	CPRMS	CPMAX	CPMIN
340	908	.062	.177	.522	-.716	350	101	-.416	.064	-.216	-.800	350	151	-.718	.263	.015	-1.542
340	909	-.381	.066	-.191	-.643	350	102	-.408	.070	-.186	-.738	350	152	-.449	.129	-.050	-1.243
340	910	.078	.191	.600	-.576	350	103	-.417	.092	-.145	-.857	350	153	-.459	.114	-.133	-1.137
340	911	.102	.089	-.384	-.223	350	104	-.058	.113	-.505	-.330	350	154	-.437	.106	-.156	-1.037
340	912	-.293	.070	-.099	-.558	350	105	-.462	.074	-.241	-.752	350	155	-.453	.119	-.145	-1.130
340	913	-.804	.176	-.336	-1.473	350	106	-.250	.126	-.654	-.136	350	156	-.104	.113	.521	-.265
340	914	-.422	.073	-.154	-.700	350	107	-.539	.119	-.161	-.939	350	157	.489	.130	.864	.105
340	915	-.379	.072	-.145	-.824	350	108	.129	.115	-.551	-.298	350	158	.489	.145	.973	.080
340	916	-.371	.066	-.162	-.800	350	109	.315	.137	.825	-.083	350	159	.310	.173	.808	-.388
340	917	-.393	.069	-.183	-.735	350	110	-.609	.121	-.077	-1.188	350	160	-.186	.115	.545	-.172
340	918	-.243	.114	-.616	-.266	350	111	-.365	.057	-.127	-.668	350	161	-.288	.118	.117	-.700
340	919	-.503	.105	-.220	-1.012	350	112	-.404	.071	-.236	-.937	350	162	-.891	.229	-.200	-1.498
340	920	-.378	.064	-.190	-.749	350	113	-.396	.059	-.218	-.759	350	163	-.716	.278	-.094	-1.757
340	921	-.459	.099	-.229	-.910	350	114	-.411	.068	-.211	-.770	350	164	-.492	.153	-.024	-1.324
340	922	-.132	.100	.377	-.426	350	115	-.370	.138	.814	-.056	350	165	-.478	.126	-.089	-1.077
340	923	-.246	.071	.129	-.510	350	116	-.023	.261	1.008	-.734	350	166	-.460	.130	-.066	-1.091
340	924	-.265	.105	.057	-.735	350	117	-.204	.176	.802	-.508	350	167	-.484	.154	-.115	-1.519
340	925	-.287	.119	.033	-1.035	350	118	-.059	.122	.339	-.544	350	168	-.088	.109	.452	-.318
340	926	.145	.128	.519	-.331	350	119	-.660	.227	.033	-1.526	350	169	.473	.134	.947	.029
340	927	.186	.097	.498	-.176	350	120	-.098	.114	.524	-.307	350	170	.396	.140	.838	-.015
340	928	.050	.086	.291	-.220	350	121	.513	.137	.907	-.065	350	171	.177	.179	.794	-.501
340	929	-.218	.066	-.020	-.505	350	122	.472	.147	.973	-.019	350	172	-.087	.102	.461	-.304
340	930	-.475	.099	-.220	-.907	350	123	.292	.168	.795	-.526	350	173	-.342	.122	-.064	-.718
340	931	-.401	.064	-.158	-.671	350	124	.191	.119	.599	-.191	350	174	-.821	.253	-.179	-1.694
340	932	-.381	.050	-.219	-.564	350	125	-.108	.092	-.248	-.398	350	175	-.692	.255	-.024	-1.667
340	933	-.388	.063	-.224	-.731	350	126	-1.139	.321	-.223	-2.255	350	176	-.504	.163	-.043	-1.340
340	934	-.379	.060	-.190	-.692	350	127	-.317	.077	-.033	-.629	350	177	-.506	.145	-.078	-1.100
340	935	-.147	.083	.124	-.501	350	128	-.361	.054	-.097	-.672	350	178	-.487	.162	-.010	-1.197
340	936	-.177	.081	-.067	-.494	350	129	-.397	.064	-.218	-.887	350	179	-.511	.188	-.091	-1.630
340	937	-.479	.079	-.215	-.805	350	130	-.404	.064	-.232	-.930	350	180	-.154	.106	.515	-.152
340	938	-.028	.095	-.324	-.299	350	131	-.416	.068	-.232	-.891	350	181	.424	.133	.917	-.070
340	939	-.454	.084	-.226	-.834	350	132	-.031	.116	.407	-.307	350	182	.193	.116	.605	-.184
340	940	-.390	.056	-.201	-.625	350	133	.511	.144	.923	-.072	350	183	-.154	.182	.497	-.776
340	941	-.166	.166	.405	-.832	350	134	.549	.154	.976	-.054	350	184	-.076	.069	.226	-.317
340	942	-.026	.074	.321	-.228	350	135	.449	.165	.903	-.095	350	185	-.363	.058	-.177	-.593
340	943	-.205	.060	-.040	-.435	350	136	.308	.127	.711	-.108	350	186	-.744	.228	-.199	-1.534
340	944	-.448	.094	-.235	-.941	350	137	-.205	.110	-.243	-.565	350	187	-.643	.221	-.039	-1.446
340	945	-.451	.085	-.065	-.912	350	138	-.915	.212	-.296	-1.672	350	188	-.498	.154	-.082	-1.229
340	946	-.388	.067	-.132	-.652	350	139	-.600	.237	-.056	-1.393	350	189	-.521	.173	-.050	-1.494
340	947	-.380	.058	-.183	-.659	350	140	-.367	.076	-.108	-.738	350	190	-.486	.175	-.025	-1.331
340	948	-.396	.066	-.240	-.826	350	141	-.413	.084	-.166	-1.065	350	191	-.489	.191	-.059	-1.758
340	949	-.009	.083	-.265	-.293	350	142	-.416	.080	-.200	-.910	350	192	.181	.105	.649	-.145
340	950	-.387	.064	-.120	-.875	350	143	-.436	.097	-.209	-1.220	350	193	.405	.137	.966	-.018
340	951	-.051	.075	-.181	-.262	350	144	-.054	.115	.450	-.390	350	194	-.000	.078	.246	-.331
340	952	-.440	.089	-.199	-.941	350	145	.511	.134	.915	-.107	350	195	-.507	.181	.129	-1.328
340	953	-.382	.067	-.183	-.817	350	146	.508	.148	.942	-.020	350	196	-.199	.068	.029	-.473
340	954	-.195	.056	-.019	-.411	350	147	.400	.168	.915	-.441	350	197	-.428	.116	-.123	-.962
340	955	-.385	.072	-.116	-.743	350	148	-.269	.122	.755	-.149	350	198	-.638	.217	-.145	-1.808
340	956	-.446	.092	-.222	-.878	350	149	-.260	.112	-.151	-.642	350	199	-.624	.204	.047	-1.424
340	957	-.414	.083	-.164	-.810	350	150	-.872	.202	-.253	-1.535	350	200	-.480	.174	.045	-1.331

WD	TAP	CPMEAN	CPRMS	CPMAX	CPMIN	WD	TAP	CPMEAN	CPRMS	CPMAX	CPMIN	WD	TAP	CPMEAN	CPRMS	CPMAX	CPMIN
350	201	-.462	.166	-.007	-1.625	350	251	-.318	.096	-.070	-1.101	350	332	-.413	.083	-.210	-1.105
350	202	-.454	.172	-.029	-1.299	350	252	-.323	.045	-.082	-.682	350	333	-.402	.060	-.183	-.878
350	203	-.449	.184	-.029	-1.496	350	253	-.312	.069	-.075	-.658	350	334	-.399	.063	-.226	-.909
350	204	-.175	.101	.511	-.129	350	254	-.298	.068	-.132	-.665	350	335	-.392	.054	-.195	-.717
350	205	.328	.139	.857	-.073	350	255	.069	.042	-.359	-.105	350	336	-.375	.051	-.217	-.642
350	206	-.106	.069	-.149	-.367	350	256	.135	.085	.588	-.075	350	337	-.386	.053	-.242	-.637
350	207	-.680	.169	-.127	-1.514	350	257	-.040	.063	.223	-.270	350	338	-.393	.058	-.220	-.671
350	208	-.263	.071	-.012	-.555	350	258	-.215	.072	-.004	-.613	350	339	-.383	.049	-.238	-.564
350	209	-.402	.108	-.129	-.795	350	259	-.280	.073	-.065	-.613	350	340	-.379	.049	-.220	-.594
350	210	-.553	.183	-.141	-1.457	350	260	-.374	.073	-.141	-.684	350	341	-.307	.043	-.167	-.453
350	211	-.551	.157	-.134	-1.186	350	261	-.387	.080	-.158	-.758	350	342	-.120	.084	-.089	-.813
350	212	-.447	.156	-.056	-1.227	350	262	-.363	.081	-.129	-.732	350	343	-.539	.167	-.025	-1.147
350	213	-.431	.154	-.003	-1.254	350	263	-.338	.094	-.115	-.970	350	344	-.435	.101	-.180	-.999
350	214	-.411	.145	.040	-1.093	350	264	-.233	.055	-.004	-.627	350	345	-.407	.074	-.222	-1.096
350	215	-.417	.170	.029	-1.396	350	265	-.290	.085	-.027	-.635	350	346	-.414	.074	-.194	-1.137
350	216	-.145	.092	.443	-1.132	350	266	-.376	.092	-.103	-.889	350	347	-.397	.055	-.240	-.744
350	217	.257	.122	.810	-.039	350	267	-.372	.081	-.134	-.720	350	348	-.387	.051	-.251	-.645
350	218	-.176	.072	-.099	-.498	350	268	-.277	.073	-.055	-.529	350	349	-.391	.055	-.203	-.698
350	219	-.701	.155	-.317	-1.405	350	269	-.277	.072	-.009	-.646	350	350	-.405	.057	-.242	-.691
350	220	-.321	.079	-.080	-.912	350	301	-.305	.045	-.138	-.469	350	351	-.387	.057	-.212	-.606
350	221	-.374	.084	-.129	-.788	350	302	-.265	.053	-.065	-.449	350	352	-.384	.052	-.210	-.576
350	222	-.463	.131	-.181	-1.220	350	303	-.597	.176	-.086	-1.225	350	353	-.308	.046	-.136	-.539
350	223	-.438	.108	-.091	-.946	350	304	-.402	.071	-.168	-.781	350	354	-.131	.097	-.151	-.751
350	224	-.417	.118	-.034	-.951	350	305	-.390	.057	-.226	-.660	350	355	-.531	.158	-.031	-1.259
350	225	-.389	.115	-.044	-1.013	350	306	-.390	.059	-.158	-.617	350	356	-.455	.121	-.159	-1.176
350	226	-.374	.112	-.027	-.935	350	307	-.385	.053	-.224	-.655	350	357	-.430	.091	-.185	-.930
350	227	-.405	.138	.021	-1.232	350	308	-.396	.060	-.244	-.687	350	358	-.421	.088	-.146	-1.183
350	228	-.082	.073	.428	-.105	350	309	-.394	.055	-.222	-.621	350	359	-.417	.074	-.169	-.958
350	229	-.185	.102	.652	-.144	350	310	-.388	.058	-.224	-.714	350	360	-.402	.064	-.219	-.788
350	230	-.159	.062	.190	-.377	350	311	-.382	.052	-.206	-.603	350	361	-.411	.066	-.224	-.841
350	231	-.664	.156	-.277	-1.511	350	312	-.307	.046	-.172	-.533	350	362	-.429	.073	-.194	-.744
350	232	-.302	.062	-.117	-.594	350	313	-.103	.064	.119	-.342	350	363	-.400	.061	-.215	-.661
350	233	-.360	.073	-.163	-.737	350	314	-.512	.176	.180	-1.077	350	364	-.397	.066	-.205	-.716
350	234	-.440	.101	-.196	-.954	350	315	-.395	.056	-.213	-.844	350	365	-.304	.051	-.139	-.622
350	235	-.425	.095	-.075	-1.070	350	316	-.402	.056	-.197	-.642	350	366	-.127	.076	-.091	-.624
350	236	-.397	.102	-.041	-.854	350	317	-.399	.062	-.183	-.694	350	367	-.511	.171	-.032	-1.232
350	237	-.380	.098	-.113	-1.047	350	318	-.396	.058	-.235	-.630	350	368	-.489	.155	-.141	-1.602
350	238	-.375	.092	-.120	-.754	350	319	-.395	.056	-.199	-.619	350	369	-.429	.104	-.173	-1.075
350	239	-.380	.113	-.015	-1.171	350	320	-.403	.062	-.208	-.710	350	370	-.441	.090	-.185	-1.147
350	240	-.009	.055	.271	-.191	350	321	-.394	.054	-.206	-.651	350	371	-.442	.090	-.238	-.981
350	241	.113	.082	.481	-.125	350	322	-.395	.051	-.222	-.605	350	372	-.441	.085	-.171	-.882
350	242	-.095	.058	.154	-.453	350	323	-.397	.054	-.224	-.719	350	373	-.437	.091	-.226	-1.315
350	243	-.443	.115	-.125	-1.085	350	324	-.397	.053	-.244	-.776	350	374	-.470	.095	-.247	-1.045
350	244	-.393	.108	-.041	-.897	350	325	-.400	.057	-.204	-.621	350	375	-.421	.076	-.201	-.735
350	245	-.409	.087	-.172	-.756	350	326	-.400	.055	-.226	-.626	350	376	-.419	.081	-.192	-.801
350	246	-.456	.126	-.156	-1.204	350	327	-.390	.053	-.222	-.585	350	377	-.312	.061	-.166	-.638
350	247	-.376	.082	-.072	-.711	350	328	-.379	.051	-.195	-.630	350	378	-.123	.059	-.101	-.511
350	248	-.363	.082	-.079	-.773	350	329	-.295	.043	-.131	-.462	350	379	-.440	.172	-.096	-1.089
350	249	-.362	.081	-.129	-.768	350	330	-.097	.070	-.121	-.546	350	380	-.479	.156	-.123	-1.320
350	250	-.337	.083	-.115	-.780	350	331	-.520	.166	.069	-1.134	350	381	-.441	.113	-.141	-1.418

WD	TAP	CPMEAN	CPRMS	CPMAX	CPMIN	WD	TAP	CPMEAN	CPRMS	CPMAX	CPMIN	WD	TAP	CPMEAN	CPRMS	CPMAX	CPMIN
350	382	-.466	.100	-.166	-.944	350	432	-.395	.090	-.080	-.784	350	908	-.241	.166	-.402	-.756
350	383	-.479	.103	-.239	-1.044	350	433	-.557	.149	-.189	-1.248	350	909	-.412	.054	-.203	-.717
350	384	-.480	.096	-.248	-1.113	350	434	-.366	.074	-.144	-.710	350	910	-.244	.165	-.344	-.967
350	385	-.496	.076	-.324	-.778	350	435	-.499	.134	-.058	-1.181	350	911	-.005	.096	-.263	-.803
350	386	-.526	.117	-.257	-1.167	350	436	-.644	.163	-.256	-1.436	350	912	-.414	.070	-.154	-.652
350	387	-.490	.109	-.243	-1.028	350	437	-.399	.079	-.177	-.762	350	913	-1.016	.156	-.490	-1.574
350	388	-.464	.109	-.198	-.895	350	438	-.134	.039	-.004	-.301	350	914	-.426	.057	-.193	-.687
350	389	-.344	.069	-.133	-.817	350	439	-.172	.099	-.208	-.589	350	915	-.422	.081	-.226	-.949
350	390	-.120	.054	.069	-.308	350	440	-.270	.065	-.075	-.544	350	916	-.419	.070	-.172	-.785
350	391	-.397	.161	.261	-1.075	350	441	-.271	.066	-.030	-.579	350	917	-.425	.059	-.264	-.653
350	392	-.420	.138	-.004	-1.194	350	442	-.273	.077	-.025	-.617	350	918	-.116	.202	-.562	-1.066
350	393	-.421	.107	-.065	-1.066	350	443	-.264	.082	-.008	-.639	350	919	-.689	.139	-.306	-1.230
350	394	-.460	.100	-.196	-.918	350	444	-.306	.101	.082	-.867	350	920	-.410	.058	-.261	-.637
350	395	-.503	.115	-.149	-1.237	350	445	-.201	.075	.037	-.655	350	921	-.678	.134	-.280	-1.111
350	396	-.523	.129	-.133	-1.201	350	446	-.221	.068	.061	-.489	350	922	-.294	.080	-.119	-.576
350	397	-.540	.131	-.250	-1.379	350	447	-.305	.067	-.094	-.710	350	923	-.341	.082	-.104	-.749
350	398	-.582	.139	-.187	-1.586	350	448	-.304	.061	-.132	-.670	350	924	-.470	.130	-.027	-1.005
350	399	-.541	.121	-.257	-1.138	350	449	-.244	.040	-.111	-.413	350	925	-.479	.140	-.135	-1.094
350	400	-.519	.111	-.245	-1.149	350	450	-.102	.034	-.108	-.206	350	926	.040	.131	.499	-.505
350	401	-.382	.083	-.162	-.740	350	451	-.161	.061	.073	-.582	350	927	-.050	.087	.341	-.334
350	402	-.125	.056	.159	-.342	350	452	-.097	.037	.087	-.220	350	928	-.058	.071	-.173	-.360
350	403	-.332	.158	.315	-.907	350	453	-.101	.039	.070	-.234	350	929	-.353	.070	-.097	-.602
350	404	-.392	.125	-.022	-1.113	350	454	-.067	.057	.153	-.244	350	930	-.686	.122	-.311	-1.127
350	405	-.408	.105	-.072	-.810	350	455	-.255	.069	-.046	-.670	350	931	-.495	.094	-.262	-1.044
350	406	-.443	.098	-.160	-.821	350	456	-.267	.074	-.001	-.551	350	932	-.428	.065	-.267	-.714
350	407	-.442	.097	-.090	-.889	350	457	-.282	.087	-.013	-.724	350	933	-.399	.060	-.214	-.681
350	408	-.530	.121	-.203	-1.091	350	458	-.262	.070	.082	-.513	350	934	-.394	.054	-.142	-.632
350	409	-.581	.136	-.113	-1.395	350	459	-.206	.064	.068	-.482	350	935	-.330	.094	-.090	-.700
350	410	-.557	.123	-.205	-1.158	350	460	-.023	.069	.296	-.337	350	936	-.377	.117	-.044	-1.024
350	411	-.559	.122	-.212	-1.264	350	461	-.064	.077	.370	-.348	350	937	-.533	.086	-.241	-.847
350	412	-.548	.115	-.279	-1.190	350	462	-.291	.064	-.082	-.651	350	938	-.132	.074	-.137	-.418
350	413	-.401	.079	-.155	-.675	350	463	-.220	.052	-.039	-.505	350	939	-.583	.096	-.299	-.904
350	414	-.129	.053	.085	-.295	350	464	-.308	.063	-.112	-.625	350	940	-.408	.060	-.207	-.709
350	415	-.258	.146	.261	-.796	350	465	-.274	.081	.053	-.696	350	941	-.562	.177	.020	-1.267
350	416	-.375	.111	-.021	-.760	350	466	-.044	.101	.369	-.458	350	942	-.110	.065	-.112	-.310
350	417	-.402	.102	-.092	-.763	350	467	-.119	.102	.606	-.187	350	943	-.309	.055	-.115	-.530
350	418	-.434	.113	-.043	-.976	350	468	-.017	.062	.253	-.247	350	944	-.548	.089	-.258	-1.232
350	419	-.400	.088	-.131	-.731	350	469	-.121	.067	.348	-.325	350	945	-.529	.109	-.058	-1.136
350	420	-.442	.089	-.212	-.848	350	801	-.336	.076	-.138	-.725	350	946	-.450	.084	-.164	-.850
350	421	-.579	.131	-.257	-1.341	350	802	-.102	.036	-.073	-.220	350	947	-.418	.070	-.181	-.915
350	422	-.534	.122	-.248	-1.086	350	803	-.312	.080	-.080	-.729	350	948	-.413	.066	-.193	-.761
350	423	-.594	.148	-.279	-1.622	350	804	-.495	.140	-.055	-1.163	350	949	-.232	.083	-.038	-.565
350	424	-.572	.136	-.270	-1.188	350	805	-.479	.141	-.051	-1.125	350	950	-.405	.061	-.220	-.754
350	425	-.394	.079	-.120	-.836	350	901	-1.112	.311	-.300	-2.124	350	951	-.223	.064	-.003	-.469
350	426	-.134	.046	.054	-.277	350	902	-.640	.106	-.284	-.992	350	952	-.554	.113	-.148	-1.109
350	427	-.205	.125	-.215	-.796	350	903	-.651	.230	.015	-1.569	350	953	-.411	.064	-.213	-.749
350	428	-.332	.084	-.092	-.705	350	904	-.398	.059	-.228	-.777	350	954	-.313	.049	-.145	-.519
350	429	-.329	.087	-.051	-.739	350	905	-.349	.176	.295	-1.123	350	955	-.415	.075	-.191	-.877
350	430	-.428	.135	-.051	-1.007	350	906	-.454	.065	-.207	-.766	350	956	-.544	.111	-.228	-.977
350	431	-.401	.105	-.094	-.834	350	907	-.404	.053	-.200	-.597	350	957	-.450	.093	-.116	-.899