

TA7

CG

CER-84/85-31

copy 2

Handwritten notes in the top right corner, including "A.E. Cermak" and other illegible scribbles.

WIND-TUNNEL STUDY OF  
COCA-COLA OFFICE COMPLEX EXPANSION, ATLANTA

by

J. A. Peterka\* and J. E. Cermak\*



**FLUID MECHANICS AND  
WIND ENGINEERING PROGRAM**

**COLLEGE OF ENGINEERING**

**COLORADO STATE UNIVERSITY**

**FORT COLLINS, COLORADO**

Engineering Sciences

Jan 24 1985

Branch Library

CER 84-85 JAP-JEC 31

WIND-TUNNEL STUDY OF  
COCA-COLA OFFICE COMPLEX EXPANSION, ATLANTA

by

J. A. Peterka\* and J. E. Cermak\*

for

Heery & Heery  
Architects & Engineers, Inc.  
880 West Peachtree St., N.W.  
Atlanta, GA 30367

Fluid Mechanics and Wind Engineering Program  
Fluid Dynamics and Diffusion Laboratory  
Department of Civil Engineering  
Colorado State University  
Fort Collins, Colorado 80523

CSU Project 2-96040

January 1985

\*Professor, Fluid Mechanics and  
Wind Engineering Program

## TABLE OF CONTENTS

<u>Chapter</u>		<u>Page</u>
	LIST OF FIGURES . . . . .	ii
	LIST OF TABLES . . . . .	iii
	LIST OF SYMBOLS . . . . .	iv
1	INTRODUCTION . . . . .	1
	1.1 General . . . . .	1
	1.2 The Wind-Tunnel Test . . . . .	2
2	EXPERIMENTAL CONFIGURATION . . . . .	5
	2.1 Wind Tunnel . . . . .	5
	2.2 Model . . . . .	5
3	INSTRUMENTATION AND DATA ACQUISITION . . . . .	8
	3.1 Flow Visualization . . . . .	8
	3.2 Pressures . . . . .	8
	3.3 Velocity . . . . .	10
4	RESULTS . . . . .	12
	4.1 Flow Visualization . . . . .	12
	4.2 Velocity . . . . .	12
	4.3 Pressures . . . . .	14
	4.4 Forces and Moments . . . . .	18
5	DISCUSSION . . . . .	21
	5.1 Flow Visualization . . . . .	21
	5.2 Pedestrian Winds . . . . .	22
	5.3 Wind Loads . . . . .	23
	REFERENCES . . . . .	25
	FIGURES . . . . .	26
	TABLES . . . . .	103
	APPENDIX A . . . . .	159

## LIST OF FIGURES

<u>Figure</u>		<u>Page</u>
1	Fluid Dynamics and Diffusion Laboratory . . . . .	27
2	Wind-Tunnel Configuration . . . . .	28
3	Pressure Tap Locations . . . . .	29
4	Building Location and Pedestrian Wind Velocity Measuring Positions . . . . .	44
5	Completed Model in Wind Tunnel . . . . .	46
6	Data Sampling Time Verification . . . . .	48
7	Mean Velocity and Turbulence Profiles Approaching the Model . . . . .	49
8	Mean Velocities and Turbulence Intensities at Pedestrian Locations . . . . .	50
9	Wind Velocity Probabilities for Pedestrian Locations . . . . .	61
10	Peak Pressure Contours on the Building for Cladding Loads . . . . .	66
11	Peak Cladding Pressure Zones . . . . .	96
12	Coordinate System for Forces and Moments . . . . .	100
13	Load, Shear, and Moment Diagrams for Selected Wind Directions . . . . .	101



LIST OF TABLES

<u>Table</u>		<u>Page</u>
1	Data Configurations . . . . .	104
2	Pedestrian Wind Velocities and Turbulence Intensities . . . . .	105
3	Annual Percentage Frequencies of Wind Direction and Speed . . . . .	112
4	Summary of Wind Effects on People . . . . .	113
5	Calculation of Reference Pressure . . . . .	114
6	Maximum Pressure Coefficients and Loads in PSF . . . . .	115
7	Loads, Shears, and Moments for Each Wind Direction . . . . .	121

## LIST OF SYMBOLS

<u>Symbol</u>	<u>Definition</u>
U	Local mean velocity
D	Characteristic dimension (building height, width, etc.)
$\nu, \rho$	Kinematic viscosity and density of approach flow
$\frac{UD}{\nu}$	Reynolds number
E	Mean voltage
A, B, n	Constants
$U_{rms}$	Root-mean-square of fluctuating velocity
$E_{rms}$	Root-mean-square of fluctuating voltage
$U_{\infty}$	Reference mean velocity outside the boundary layer
X, Y	Horizontal coordinates
Z	Height above surface
$\delta$	Height of boundary layer
$T_u$	Turbulence intensity $\frac{U_{rms}}{U_{\infty}}$ or $\frac{U_{rms}}{U}$
$C_{p_{mean}}$	Mean pressure coefficient, $\frac{(p-p_{\infty})_{mean}}{0.5 \rho U_{\infty}^2}$
$C_{p_{rms}}$	Root-mean-square pressure coefficient, $\frac{((p-p_{\infty})-(p-p_{\infty})_{mean})_{rms}}{0.5 \rho U_{\infty}^2}$
$C_{p_{max}}$	Peak maximum pressure coefficient, $\frac{(p-p_{\infty})_{max}}{0.5 \rho U_{\infty}^2}$
$C_{p_{min}}$	Peak minimum pressure coefficient, $\frac{(p-p_{\infty})_{min}}{0.5 \rho U_{\infty}^2}$
$( )_{min}$	Minimum value during data record
$( )_{max}$	Maximum value during data record

<u>Symbol</u>	<u>Definition</u>
$p$	Fluctuating pressure at a pressure tap on the structure
$p_{\infty}$	Static pressure in the wind tunnel above the model
$F_x, F_y$	Forces in X, Y direction
$A_R$	Reference Area
$CF_X$	Force coefficient, X direction, $\frac{F_x}{A_R 0.5 \rho U_{\infty}^2}$
$CF_Y$	Force coefficient, Y direction, $\frac{F_y}{A_R 0.5 \rho U_{\infty}^2}$

## 1. INTRODUCTION

### 1.1 General

A significant characteristic of modern building design is lighter cladding and more flexible frames. These features produce an increased vulnerability of glass and cladding to wind damage and result in larger deflections of the building frame. In addition, increased use of pedestrian plazas at the base of the buildings has brought about a need to consider the effects of wind and gustiness in the design of these areas.

The building geometry itself may increase or decrease wind loading on the structure. Wind forces may be modified by nearby structures which can produce beneficial shielding or adverse increases in loading. Overestimating loads results in uneconomical design; underestimating may result in cladding or window failures. Tall structures have historically produced unpleasant wind and turbulence conditions at their bases. The intensity and frequency of objectionable winds in pedestrian areas is influenced both by the structure shape and by the shape and position of adjacent structures.

Techniques have been developed for wind-tunnel modeling of proposed structures which allow the prediction of wind pressures on cladding and windows, overall structural loading, and also wind velocities and gusts in pedestrian areas adjacent to the building. Information on sidewalk-level gustiness allows plaza areas to be protected by design changes before the structure is constructed. Accurate knowledge of the intensity and distribution of the pressures on the structure permits adequate but economical selection of cladding strength to meet selected maximum design winds and overall wind loads for the design of the frame for flexural control.



Modeling of the aerodynamic loading on a structure requires special consideration of flow conditions in order to guarantee similitude between model and prototype. A detailed discussion of the similarity requirements and their wind-tunnel implementation can be found in references (1), (2), and (3). In general, the requirements are that the model and prototype be geometrically similar, that the approach mean velocity at the building site have a vertical profile shape similar to the full-scale flow, that the turbulence characteristics of the flows be similar, and that the Reynolds number for the model and prototype be equal.

These criteria are satisfied by constructing a scale model of the structure and its surroundings and performing the wind tests in a wind tunnel specifically designed to model atmospheric boundary-layer flows. Reynolds number similarity requires that the quantity  $UD/\nu$  be similar for model and prototype. Since  $\nu$ , the kinematic viscosity of air, is identical for both, Reynolds numbers cannot be made precisely equal with reasonable wind velocities. To accomplish this the air velocity in the wind tunnel would have to be as large as the model scale factor times the prototype wind velocity, a velocity which would introduce unacceptable compressibility effects. However, for sufficiently high Reynolds numbers ( $>2 \times 10^4$ ) the pressure coefficient at any location on the structure will be essentially constant for a large range of Reynolds numbers. Typical values encountered are  $10^7$ - $10^8$  for the full-scale and  $10^5$ - $10^6$  for the wind-tunnel model. In this range acceptable flow similarity is achieved without precise Reynolds number equality.

## 1.2 The Wind-Tunnel Test

The wind-engineering study is performed on a building or building group modeled at scales ranging from 1:150 to 1:400. The building model

is constructed of clear plastic fastened together with screws. The structure is modeled in detail to provide accurate flow patterns in the wind passing over the building surfaces. The building under test is often located in a surrounding where nearby buildings or terrain may provide beneficial shielding or adverse wind loading. To achieve similarity in wind effects the area surrounding the test building is also modeled. A flow visualization study is first made (smoke is used to make the air currents visible) to define overall flow patterns and identify regions where local flow features might cause difficulties in building curtain-wall design or produce pedestrian discomfort.

The test model, equipped with pressure taps (200 to 600 or more), is exposed to an appropriately modeled atmospheric wind in the wind tunnel and the fluctuating pressure at each tap measured electronically. The model, and the modeled area, are rotated 10 or 15 degrees and another set of data recorded for each pressure tap. Normally, 24 or 36 sets of data (360 degrees of turning) are taken; however, when flow visualization or recorded data indicate high pressure regions of small azimuthal extent, data is obtained in smaller azimuthal steps.

Data are recorded, analyzed and processed by an on-line computerized data-acquisition system. Pressure coefficients of several types are calculated by the computer for each reading on each piezometer tap and are printed in tabular form as computer readout. Using wind data applicable to the building site, representative wind velocities are selected for combination with measured pressures on the building model. Integration of test data with wind data results in prediction of peak local wind pressures for design of glass or cladding and may include overall forces and moments on the structure (by floor if

desired) for design of the structural frame. Pressure contours are drawn on the developed building surfaces showing the intensity and distribution of peak wind loads on the building. These results may be used to divide the building into zones where lighter or heavier cladding or glass may be desirable.

Based on the visualization (smoke) tests and on a knowledge of heavy pedestrian use areas, a dozen or more locations may be chosen at the base of the building where wind velocities can be measured to determine the relative comfort or discomfort of pedestrians in plaza areas, near building entrances, near building corners, or on sidewalks. Usually a reference pedestrian position is also tested to determine whether the wind environment in the building area is better or worse than the environment a block or so away in an undisturbed area.

The following pages discuss in greater detail the procedures followed and the equipment and data collecting and processing methods used. In addition, the data presentation format is explained and the implications of the data are discussed.

## 2. EXPERIMENTAL CONFIGURATION

### 2.1 Wind Tunnel

Wind-engineering studies are performed in the Fluid Dynamics and Diffusion Laboratory at Colorado State University (Figure 1). Three large wind tunnels are available for wind loading studies depending on the detailed requirements of the study. The wind tunnel used for this investigation is shown in Figure 2. All tunnels have a flexible roof adjustable in height to maintain a zero pressure gradient along the test section. The mean velocity can be adjusted continuously in each tunnel to the maximum velocity available.

### 2.2 Model

In order to obtain an accurate assessment of local pressures using piezometer taps, models are constructed to the largest scale that does not produce significant blockage in the wind-tunnel test section. The models are constructed of 1/2-in. thick Lucite plastic and fastened together with metal screws. Significant variations in the building surface, such as mullions, are machined into the plastic surface. Piezometer taps (1/16 in. diameter) are drilled normal to the exterior vertical surfaces in rows at several or more elevations between the bottom and top of the building. Similarly, taps are placed in the roof and on any sloping, protruding, or otherwise distinctive features of the building that might need investigation.

Pressure tap locations are chosen so that the entire surface of the building can be investigated for pressure loading and at the same time permit critical examination of areas where experience has shown that maximum wind effects may be expected to occur. Locations of the pressure taps for this study are shown in Figure 3. Dimensions are



given both for full-scale building (in ft) and for model (in in.). The pressure tap numbers are shown adjacent to the taps.

The pressure tests are sometimes made in two stages. In the first stage measurements are made on the initial distribution of pressure taps. If it becomes apparent from the data that the loading on the building is being influenced by some unsuspected geometry of the building or adjacent structures, additional pressure taps are installed in the critical areas. The locations of the taps are selected so that the maximum loading can be detected and the area over which this loading is acting can be defined. Any added taps are also shown in Figure 3.

A circular area 750 to 2000 ft in radius depending on model scale and characteristics of the surrounding buildings and terrain is modeled in detail. Structures within the modeled region are made from styrofoam and cut to the individual building geometries. They are mounted on the turntable in their proper locations. Significant terrain features are included as needed. The model is mounted on a turntable (Figure 2) near the downwind end of the test section. Any buildings or terrain features which do not fit on the turntable are placed on removable pieces which are placed upwind of the turntable for appropriate wind directions. A plan view of the building and its surroundings is shown in Figure 4. The turntable is calibrated to indicate azimuthal orientation to 0.1 degree.

The region upstream from the modeled area is covered with a randomized roughness constructed using various sized cubes placed on the floor of the wind tunnel. Different roughness sizes may be used for different wind directions. Spires are installed at the test-section entrance to provide a thicker boundary layer than would otherwise be

available. The thicker boundary layer permits a somewhat larger scale model than would otherwise be possible. The spires are approximately triangularly shaped pieces of 1/2-in. thick plywood 6 in. wide at the base and 1 in. wide at the top, extending from the floor to the top of the test section. They are placed so that the broad side intercepts the flow. A barrier approximately 8 in. high is placed on the test-section floor downstream of the spires to aid in development of the boundary-layer flow.

The distribution of the roughness cubes and the spires in the roughened area was designed to provide a boundary-layer thickness of approximately 4 ft, a velocity profile power-law exponent similar to that expected to occur in the region approaching the modeled area for each wind direction (a number of wind directions may have the same approach roughness). A photograph of the completed model in the wind tunnel is shown in Figure 5. The wind-tunnel ceiling is adjusted after placement of the model to obtain a zero pressure gradient along the test section.

### 3. INSTRUMENTATION AND DATA ACQUISITION

#### 3.1 Flow Visualization

Making the air flow visible in the vicinity of the model is helpful (a) in understanding and interpreting mean and fluctuating pressures, (b) in defining zones of separated flow and reattachment and zones of vortex formation where pressure coefficients may be expected to be high and (c) in indicating areas where pedestrian discomfort may be a problem. Titanium tetrachloride smoke is released from sources on and near the model to make the flow lines visible to the eye and to make it possible to obtain motion picture records of the tests. Conclusions obtained from these smoke studies are discussed in Sections 4.1 and 5.1.

#### 3.2 Pressures

Mean and fluctuating pressures are measured at each of the pressure taps on the model structure. Data are obtained for 24 or 36 wind directions, rotating the entire model assembly at a complete circle. Seventy-six pieces of 1/16 in. I.D. plastic tubing are used to connect 76 pressure ports at a time to an 80 tap pressure switch mounted inside the model. The switch was designed and fabricated in the Fluid Dynamics and Diffusion Laboratory to minimize the attenuation of pressure fluctuations across the switch. Each of the 76 measurement ports is directed in turn by the switch to one of four pressure transducers mounted close to the switch. The four pressure input taps not used for transmitting building surface pressures are connected to a common tube leading outside the wind tunnel. This arrangement provides both a means of performing in-place calibration of the transducers and, by connecting this tube to a pitot tube mounted inside the wind tunnel, a means of automatically monitoring the tunnel speed. The switch is operated by

means of a shaft projecting through the floor of the wind tunnel. A computer-controlled stepping motor steps the switch into each of the 20 required positions. The computer keeps track of switch position but a digital readout of position is provided at the wind tunnel.

The pressure transducers used are setra differential transducers (Model 237) with a 0.10 psid range. Reference pressures are obtained by connecting the reference sides of the four transducers, using plastic tubing, to the static side of a pitot-static tube mounted in the wind tunnel free stream above the model building. In this way the transducer measures the instantaneous difference between the local pressures on the surface of the building and the static pressure in the free stream above the model.

Output from the pressure transducers is fed to an on-line data acquisition system consisting of a Hewlett-Packard 21 MX computer, disk unit, card reader, printer, Digi-Data digital tape drive and a Preston Scientific analog-to-digital converter. The data are processed immediately into pressure coefficient form as described in Section 4.3 and stored for printout or further analysis.

All four transducers are recorded simultaneously for 16 seconds at a 250 sample-per-second rate. The results of an experiment to determine the length of record required to obtain stable mean and rms (root-mean-square) pressures and to determine the overall accuracy of the pressure data acquisition system is shown in Figure 6. A typical pressure port record was integrated for a number of different time periods to obtain the data shown. Examination of a large number of pressure taps showed that the overall accuracy for a 16-second period is, in pressure coefficient form, 0.03 for mean pressures, 0.1 for peak pressures, and 0.01 for rms pressures. Pressure coefficients are defined in Section 4.3.



### 3.3 Velocity

Mean velocity and turbulence intensity profiles are measured upstream of the model to determine that an approach boundary-layer flow appropriate to the site has been established. Tests are made at one wind velocity in the tunnel. This velocity is well above that required to produce Reynolds number similarity between the model and the prototype as discussed in Section 1.1.

In addition, mean velocity and turbulence intensity measurements are made 5 to 7 ft (prototype) above the surface at a dozen or more locations on and near the building for 16 wind directions. The measurement locations are shown on Figure 4. The surface measurements are indicative of the wind environment to which a pedestrian at the measurement location would be subjected. The locations are chosen to determine the degree of pedestrian comfort or discomfort at the building corners where relatively severe conditions frequently are found, near building entrances and on adjacent sidewalks where pedestrian traffic is heavy, and in open plaza areas. In most studies a reference pedestrian position, located about a block away, is also tested. These data are helpful in evaluating the degree of pedestrian comfort or discomfort in the proposed plaza area in terms of the undisturbed environment in the immediate vicinity.

Measurements are made with a single hot-wire anemometer mounted with its axis vertical. The instrumentation used is a Thermo Systems constant temperature anemometer (Model 1050) with a 0.001 in. diameter platinum film sensing element 0.020 in. long. Output is directed to the on-line data acquisition system for analysis.

Calibration of the hot-wire anemometer is performed by comparing output with the pitot-static tube in the wind tunnel. The calibration

data are fit to a variable exponent King's Law relationship of the form

$$E^2 = A + BU^n$$

where  $E$  is the hot-wire output voltage,  $U$  the velocity and  $A$ ,  $B$ , and  $n$  are coefficients selected to fit the data. The above relationship was used to determine the mean velocity at measurement points using the measured mean voltage. The fluctuating velocity in the form  $U_{\text{rms}}$  (root-mean-square velocity) was obtained from

$$U_{\text{rms}} = \frac{2 E E_{\text{rms}}}{B n U^{n-1}}$$

where  $E_{\text{rms}}$  is the root-mean-square voltage output from the anemometer. For interpretation all turbulence measurements for pedestrian winds were divided by the mean velocity outside the boundary-layer  $U_{\infty}$ . Turbulence intensity in velocity profile measurements used the local mean velocity.

## 4. RESULTS

### 4.1 Flow Visualization

A film is included as part of this report showing the characteristics of flow about the structure using smoke to make the flow visible. A listing of the contents of the film is shown in Table 1. Several features can be noted from the visualization. As with all large structures, wind approaching the building is deflected down to the plaza level, up over the structure and around the sides. A description of the smoke test results emphasizing flow patterns of concern relative to possible high-wind load areas and pedestrian comfort is given in Section 5.1.

### 4.2 Velocity

Velocity and turbulence profiles are shown in Figure 7. Profiles were taken upstream from the model which are characteristic of the boundary layer approaching the model and sometimes at the building site with building removed. The boundary-layer thickness,  $\delta$ , is shown in Figure 7. The corresponding prototype value of  $\delta$  for this study is also shown in the figure. This value was established as a reasonable height for this study. The mean velocity profile approaching the modeled area has the form

$$\frac{U}{U_{\infty}} = \left(\frac{z}{\delta}\right)^n .$$

The exponent  $n$  for the approach flow established for this study is shown in Figure 7.

Profiles of longitudinal turbulence intensity in the flow approaching the modeled area are shown in Figure 7. The turbulence intensities are appropriate for the approach mean velocity profile selected. For the velocity profiles, turbulence intensity is defined

as the root-mean-square about the mean of the longitudinal velocity fluctuations divided by the local mean velocity  $U$ ,

$$Tu = \frac{U_{rms}}{U} .$$

Velocity data obtained at each of the pedestrian measurement locations shown in Figure 4 are listed in Table 2 as mean velocity  $U/U_{\infty}$ , turbulence intensity  $U_{rms}/U_{\infty}$ , and largest effective gust

$$U_{pk} = \frac{U + 3U_{rms}}{U_{\infty}} .$$

These data are plotted in polar form in Figure 8. Measurements were taken 5 to 7 ft above the ground surface. A site map is superimposed on the polar plots to aid in visualization of the effects of the nearby structures on the velocity and turbulence magnitudes. An analysis of these wind data is given in Section 5.2.

To enable a quantitative assessment of the wind environment, the wind-tunnel data were combined with wind frequency and direction information obtained at the local airport. Table 3 shows wind frequency by direction and magnitude obtained from summaries published by the National Weather Service. These data, usually obtained at an elevation of about 30-40 ft, were converted to velocities at the reference velocity height for the wind-tunnel measurements and combined with the wind-tunnel data to obtain cumulative probability distributions (percent time a given velocity is exceeded) for wind velocity at each measuring location. The percentage times were summed by wind direction to obtain a percent time exceeded at each measuring position independent of wind direction (but accounting for the fact that the wind blows from different directions with varying frequency). These results are plotted in Figure 9.



Interpretation of Figure 9 is aided by a description of the effects of wind of various magnitudes on people. The earliest quantitative description of wind effects was established by Sir Francis Beaufort in 1806 for use at sea and is still in use today. Several recent investigators have added to the knowledge of wind effects on pedestrians. These investigations along with suggested criteria for acceptance have been summarized by Penwarden and Wise (4) and Melbourne (5). The Beaufort scale (from ref. 4), based on mean velocity only, is reproduced as Table 4 including qualitative descriptions of wind effects. Table 4 suggests that mean wind speeds below 12 mph are of minor concern and that mean speeds above 24 mph are definitely inconvenient. Quantitative criteria for acceptance from reference 5 are superimposed as dashed lines on Figure 9. The peak gust curves shown in Figure 9 are the percent of time during which a short gust of the stated magnitude could occur (say about one of these gusts per hour). Implications of the data plotted in Figure 9 are presented in Section 5.2.

Because some pedestrian wind measuring positions are purposely chosen at sites where the smoke tests showed large velocities of small spacial extent, the general wind environment about the structure may be less severe than one might infer from a strict analysis of Table 2 and Figure 9.

#### 4.3 Pressures

For each of the pressure taps examined at each wind direction, the data record is analyzed to obtain four separate pressure coefficients. The first is the mean pressure coefficient

$$C_{p_{\text{mean}}} = \frac{(p-p_{\infty})_{\text{mean}}}{0.5 \rho U_{\infty}^2}$$

where the symbols are as defined in the List of Symbols. It represents the mean of the instantaneous pressure difference between the building pressure tap and the static pressure in the wind tunnel above the building model, nondimensionalized by the dynamic pressure

$$0.5 \rho U_{\infty}^2$$

at the reference velocity position. This relationship produces a dimensionless coefficient which indicates that the mean pressure difference between building and ambient wind at a given point on the structure is some fraction less or some fraction greater than the undisturbed wind dynamic pressure near the upper edge of the boundary layer. Using the measured coefficient, prototype mean pressure values for any wind velocity may be calculated.

The magnitude of the fluctuating pressure is obtained by the rms pressure coefficient

$$C_{p_{rms}} = \frac{\left( (p-p_{\infty}) - (p-p_{\infty})_{\text{mean}} \right)_{rms}}{0.5 \rho U_{\infty}^2}$$

in which the numerator is the root-mean-square of the instantaneous pressure difference about the mean.

If the pressure fluctuations followed a Gaussian probability distribution, no additional data would be required to predict the frequency with which any given pressure level would be observed. However, the pressure fluctuations do not, in general, follow a Gaussian probability distribution so that additional information is required to show the extreme values of pressure expected. The peak maximum and peak minimum pressure coefficients are used to determine these values:

$$C_{p_{\max}} = \frac{(p-p_{\infty})_{\max}}{0.5 \rho U_{\infty}^2}$$

$$C_{p_{\min}} = \frac{(p-p_{\infty})_{\min}}{0.5 \rho U_{\infty}^2}$$

The values of  $p-p_{\infty}$  which were digitized at 250 samples per second for 16 seconds, representing about one hour of time in the full-scale, are examined individually by the computer to obtain the most positive and most negative values during the 16-second period. These are converted to  $C_{p_{\max}}$  and  $C_{p_{\min}}$  by nondimensionalizing with the free stream dynamic pressure.

The four pressure coefficients are calculated by the on-line data acquisition system computer and tabulated along with the approach wind azimuth in degrees from true north. The list of coefficients is included as Appendix A. The pressure tap code numbers used in the appendix are explained in Figure 3.

To determine the largest peak loads acting at any point on the structure for cladding design purposes, the pressure coefficients for all wind directions were searched to obtain, at each pressure tap, the largest peak positive and peak negative pressure coefficients. Table 6 lists the larger values and associated wind directions. Included in Section 5.3 is an analysis of the coefficients of Table 6 including the maximum values obtained and where they occurred on the building.

The pressure coefficients of Table 6 can be converted to full-scale loads by multiplication by a suitable reference pressure selected for the field site. This reference pressure is represented in the equations for pressure coefficients by the  $0.5 \rho U_{\infty}^2$  denominator. This value is

the dynamic pressure associated with an hourly mean wind at the reference velocity measurement position at the edge of the boundary layer. In general, the method of arriving at a design reference pressure for a particular site involves selection of a design wind velocity, translation of the velocity to an hourly mean wind at the reference velocity location and conversion to a reference pressure. Selection of the design velocity can be made from statistical analysis of extreme wind data or selected from wind maps contained in the proposed wind loading code ANSI A58.1 of the American National Standards Institute (6). The calculation of reference pressure for this study is shown in Table 5. The factor used in Table 5 to reduce gust winds to hourly mean winds is given in reference (7).

The reference pressure associated with the design hourly mean velocity at the reference velocity location can be used directly with the peak-pressure coefficients to obtain peak local design wind loads for cladding design. Local, instantaneous peak loads on the full-scale building suitable for cladding design were computed by multiplying the reference pressure of Table 5 by the peak coefficients of Table 6 and are listed as peak pressures in that table. The maximum psf loads given at each tap location are the largest peak positive and peak negative values found in the tests. For ease in visualizing the loads on the structure, contours of equal peak pressures for cladding load shown in Table 6 have been plotted on developed elevation views of the structure, Figure 10. If a data point which is taken in the basic model configuration is retaken in a resolution configuration, the data are averaged in preparing Figure 10. For control of water infiltration from outside to inside, the largest positive (inward acting) pressure at each tap location is tabulated in Table 6.

For glass design pressures, a glass load factor is used to account for the different duration between measured peak pressures and the one minute loading commonly used in glass design charts. The design pressure used for glass is normally less than the peak pressures used for cladding design because of the static fatigue property of glass which can withstand higher pressures for short duration loads than for long duration loads. Recent research (8) indicates that the period of application of the peak pressures reported herein is about 5-10 seconds or less. If a glass design is based on these peak-pressure values, then a glass strength associated with this duration load should be used. Because glass design charts are normally based on some alternate load duration--usually one minute--then some reduction in peak loads should be made. An estimate of a load reduction factor can be obtained from an empirical relation of glass strength as a function of load duration. Current glass selection charts showing glass strength as a function of load duration (9) and older references (10) indicate the following load reduction factors:

	ref. 9	ref. 10
annealed float	0.80	0.81
heat strengthened	0.94	
tempered	0.97	0.98

Loadings appropriate for glass design can be computed by multiplying the peak-pressure loads of Table 6 by these load factors.

#### 4.4 Forces and Moments

Force coefficients in the horizontal X and Y directions and moment coefficients about the X, Y, and Z axes with the origin at ground level at the base of the building with Z axis vertical may be computed for all wind directions tested by integration of mean pressures

on the building. Overall forces and moments acting on the full-scale building due to wind loading which are useful in designing the structural framing of the proposed building may be obtained from use of these coefficients.

Force coefficients were computed for each floor for each wind direction using the equations shown below.

$$CF_X = \frac{F_X}{A_R 0.5 \rho U_\infty^2} \quad CF_Y = \frac{F_Y}{A_R 0.5 \rho U_\infty^2}$$

Terms and symbols used in the equations are defined in the List of Symbols and the axes are defined for the building in Figure 12. Force coefficients  $CF_X$  and  $CF_Y$  were computed for the horizontal forces acting along the X and Y axes using the mean pressure coefficient at each pressure tap.  $A_R$  represents a constant reference area for nondimensionalization of the forces and moments.

The total forces acting on the full-scale building for each floor and wind direction were computed by multiplying the above coefficients by the appropriate full-scale reference area, by the reference pressure of Table 5, and by a gust load factor selected for an appropriate wind gust duration. The gust load factor, shown in Table 5, was selected to increase the loads from an hourly mean load to that of a gust whose duration would be sufficient for its effect to be fully felt by the structure. A table of gust load factors for various gust durations is incorporated in Table 5 so that force and moment data of Table 7 may be adjusted to a different load duration if desired.

The forces obtained at each floor were used to obtain load, shear, and moment diagrams for the building for each wind direction. The shear diagram, in kips, was obtained by algebraic sum of all forces in each

coordinate direction acting above the floor of interest. The load diagram, in psf, was obtained by dividing the shear values by their contributing areas (listed in Table 7). The moment diagram, in 1000 ft-kips, was obtained by integration of the shear values so that the moment due to forces acting above the floor level of interest was calculated. The sign of the moment was established by the right-hand rule about an X', Y' axis through the floor of interest. Moments about the Z axis were calculated by considering the displacement of forces in the X and Y directions from the Z axis shown in Figure 12. Eccentricities were computed such that the product of the Y force and X eccentricity minus the product of the X force and Y eccentricity equaled the Z moment. Load, shear, and moment diagrams are shown in Figure 13 for several wind directions.

## 5. DISCUSSION

### 5.1 Flow Visualization

Flow patterns identified with smoke showed that largest pressures would most likely be found near corners of the tower. These pressures are due to flow separation phenomena. Flow separation occurs when the wind is unable to turn a sharp corner on the building and separates from the surface. Elevated negative (outward acting) pressures are often found under the separated flow near the point of separation. High velocity and large curvature in the separated flow contribute to the local elevated pressures. Flow visualization showed high velocity flow separation at the building corners at all elevations along the corners. Elevated pressures may thus be found anywhere along the corners.

The tower had the effect of deflecting higher velocity winds from upper elevations on the tower down to ground level. These high winds at ground level impinged on the Employee Center (EC) and Central Receiving Facility (CRF) for some wind directions. For this reason, wind pressures on these two smaller structures may be higher than those which would exist on these structures if they were not in the immediate vicinity of the Office Tower.

Winds in pedestrian areas at ground level were largest near corners of the new and existing towers. These winds were due to the downward deflection of higher velocity winds from near the tops of the towers. Wind speeds in covered walk areas at the base of the new tower and on the covered walk between the two towers were low except for isolated areas for critical wind directions. Winds on the covered walks at the corners of the building appeared high for some wind directions due to the deflected winds explained above. At location 20 (see Figure 4), a



high velocity was observed for a narrow range of westerly wind directions due to wind flow channeled between the new tower and the building immediately east of location 20.

## 5.2 Pedestrian Winds

Figure 4 shows the 21 locations selected for investigation of pedestrian wind comfort. Locations 1 and 4 were selected as comparison locations whose winds should be only slightly modified by the new tower. Locations 8, 9, 11, 14, 18, 19 and 20 were positioned under building overhangs.

Table 2 and Figure 8 show that the largest mean velocities were measured at locations 20, 4, 3 and 7 with values of 70 to 81 percent of  $U_{\infty}$ , the velocity at gradient height of 1200 ft. These velocities can be compared to 40 to 45 percent which might be found in an open-country environment. The largest gust velocities, represented by the mean plus 3 rms as discussed in Section 4.2, were measured at locations 10, 20, 12 and 5 with values of 115 to 131 percent of  $U_{\infty}$ . Values above about 120 percent are rather large in comparison to values of 80 to 90 percent in an open-country environment.

Velocity data of Table 2 integrated with local wind data listed in Table 3 are shown in Figure 9. Based on the data of this figure, the windiest pedestrian locations for mean winds should be 4 and 10, both of which exceed the acceptable limit for mean winds. Gust winds for both locations were within the acceptable level. Because the mean wind acceptance criteria for locations 4 and 10 were calculated for an urban location with turbulence larger than that found at 4 and 10, the mean winds at 4 and 10 are actually marginally acceptable. These two locations will, however, not be comfortable. These two locations probably

have winds similar to those measured in the present pre-construction geometry.

Winds at locations 7 and 9 are predicted to become uncomfortable for walking for low percentage of time, but should not be objectionable. It would be difficult to decrease winds at these two locations. The high winds at location 20 do not cause an objectionable environment on the whole, but may be quite uncomfortable when high winds approach from the critical westerly direction. A porous screen on the north side of the covered walk on the east one-third of the walkway would eliminate this wind condition on the covered walk.

Wind speeds at the other pedestrian positions about the tower were sufficiently low that no problems should arise from high winds that should require amelioration.

### 5.3 Wind Loads

Table 6 shows the largest peak pressure coefficients and corresponding loads measured on the building complex for each pressure tap location. Data configurations are identified in Table 1. Data identified as Configuration A in Table 6 and Appendix A represent data obtained at all pressure tap locations for 36 wind directions. Configuration B represents data obtained at selected taps at 2-degree azimuthal increments near azimuths where large pressure peaks were observed in Configuration A to ensure that the largest peaks were obtained.

The largest peak pressures obtained on the Tower were -50 to -60 psf on the Tower and CRF roofs. The largest pressures on the Tower cladding ranged up to -48 psf and were located near the corners of the tower. Largest pressures on the EC and CRF sides were -32 and -39 psf respectively. The highest pressures on the EC and CRF were higher than

would be expected on buildings of their heights in an environment away from tall structures for reasons discussed in Section 5.1.

Figure 10 shows the distribution of peak negative and peak positive pressures over the surface of Office Tower, EC and CRF. Most of the area of the three buildings had peak negative pressures less than -30 psf with higher pressures restricted to limited areas. Typical peak positive pressures were less than +20 psf with largest values extending up to 25 psf.

The wind pressures shown in Table 6 and Figure 10 represent external pressures. Internal pressures on buildings are controlled by the air handling system in combination with infiltration through the curtainwall and any openings in the curtainwall associated with operable doors or windows which are left open during a wind storm. Figure 11 shows pressure zones which are rectangular pressure areas which account for both internal and external pressures. Internal pressures were assumed to be controlled primarily by infiltration and the air handling system. Values of  $\pm 5$  psf were allotted for internal pressures.

Figure 13 shows frame pressure, shear and moment distributions plotted from Table 7 for the largest base shears in the x and y coordinate directions on the new tower. The coordinate system is shown in Figure 12. For wind direction 190 where the x shear reached its maximum, the y shear remained at a similar magnitude. As shown on the summary page of Table 7, the torsional moments were moderate but tended to be largest simultaneously with large base shears.

## REFERENCES

1. Cermak, J. E., "Laboratory Simulation of the Atmospheric Boundary Layer," AIAA Jl., Vol. 9, September 1971.
2. Cermak, J. E., "Applications of Fluid Mechanics to Wind Engineering," A Freeman Scholar Lecture, ASME Jl. of Fluids Engineering, Vol. 97, No. 1, March 1975.
3. Cermak, J. E., "Aerodynamics of Buildings," Annual Review of Fluid Mechanics, Vol. 8, 1976, pp. 75-106.
4. Penwarden, A. D., and Wise, A. F. E., "Wind Environment Around Buildings," Building Research Establishment Report, HMSO, 1975.
5. Melbourne, W. H., "Criteria for Environmental Wind Conditions," Jl. Industrial Aerodynamics, Vol. 3, pp. 241-247, 1978.
6. American National Standards Institute, "American National Standard Building Code Requirements for Minimum Design Loads in Buildings and Other Structures," ANSI Standard A58.1, 1982.
7. Hollister, S. C., "The Engineering Interpretation of Weather Bureau Records for Wind Loading on Structures," Building Science Series 30--Wind Loads on Buildings and Structures, National Bureau of Standards, pp. 151-164, 1970.
8. Peterka, J. A., and Cermak, J. E., "Peak-Pressure Duration in Separated Regions on a Structure," U.S.-Japan Research Seminar on Wind Effects on Structures, Kyoto, Japan, 9-13 September 1974; Report CEP74-75JAP-JEC8, Fluid Mechanics Program, Colorado State University, September 1974.
9. PPG Glass Thickness Recommendations to Meet Architects' Specified 1-Minute Wind Load, Pittsburgh Plate Glass Industries, April 1979.
10. Shand, E. B., "Glass Engineering Handbook," Second Edition, McGraw-Hill, New York, P. 51, 1958.

**FIGURES**

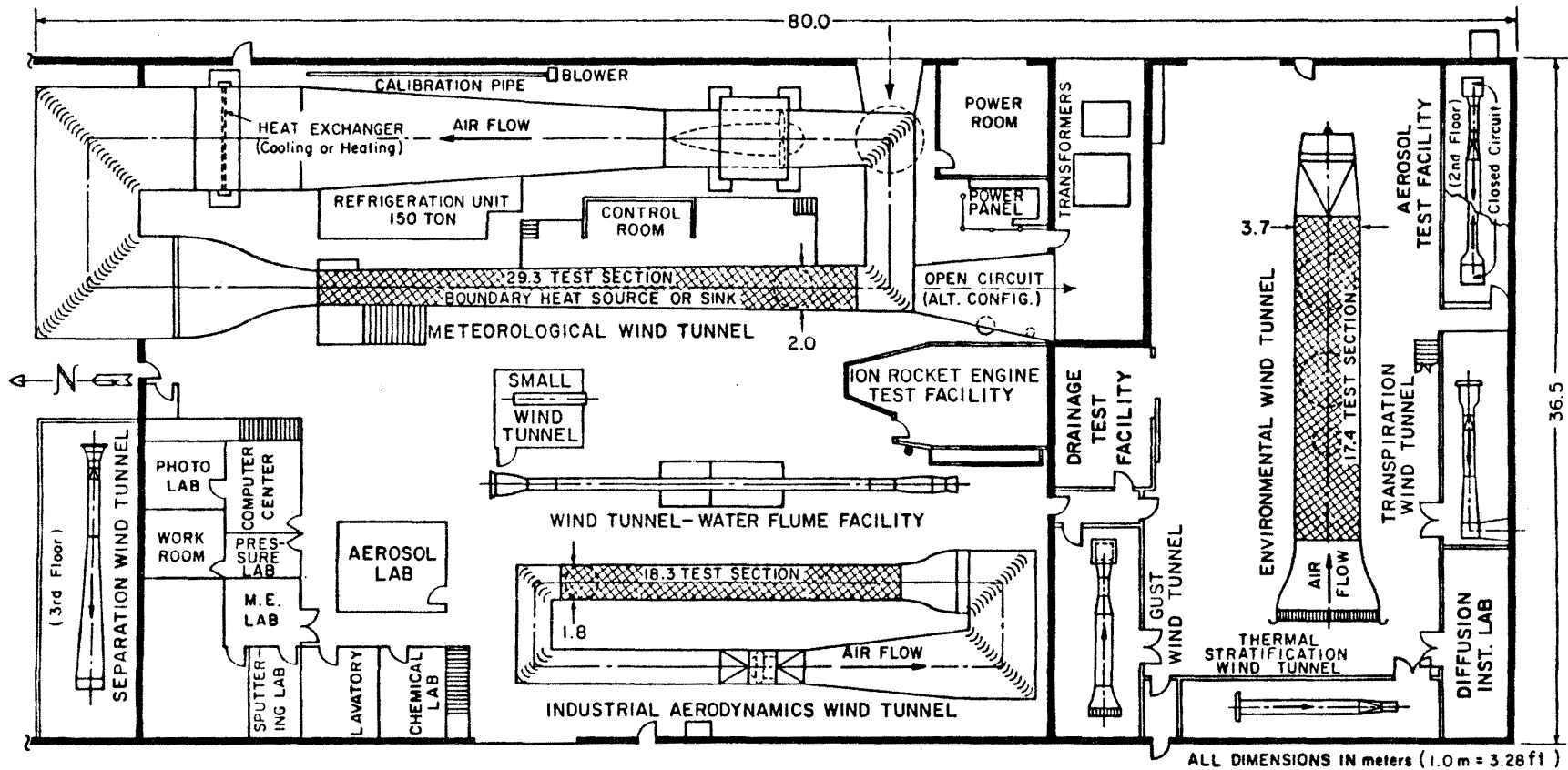
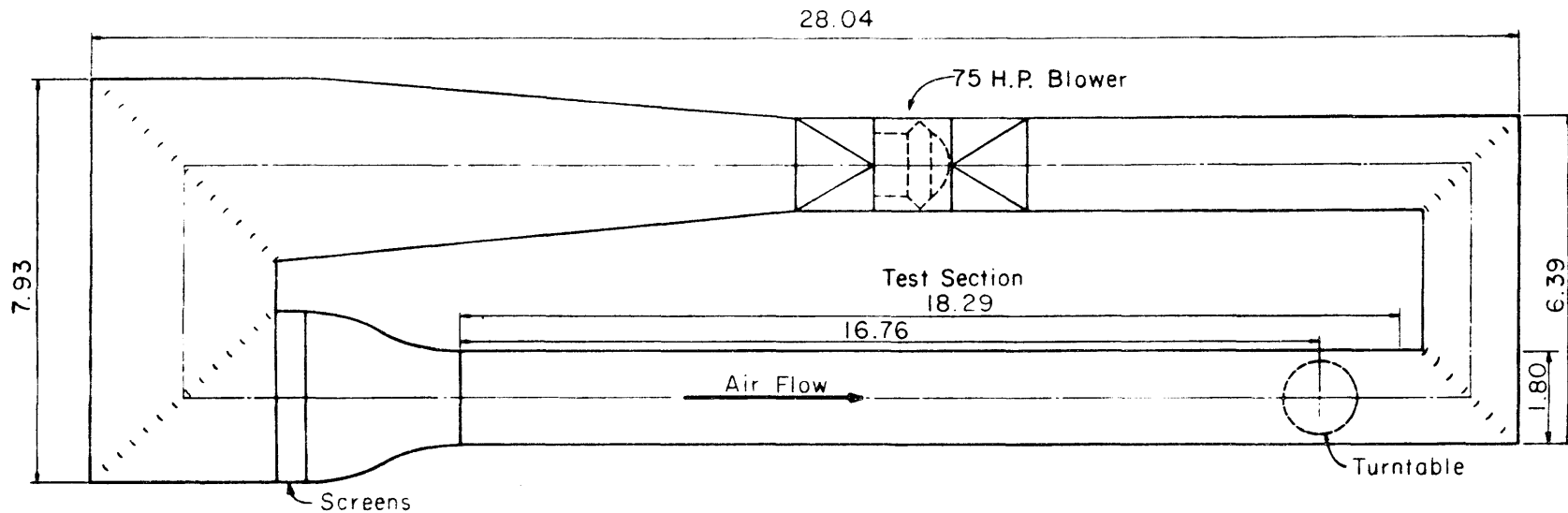
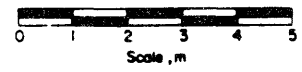


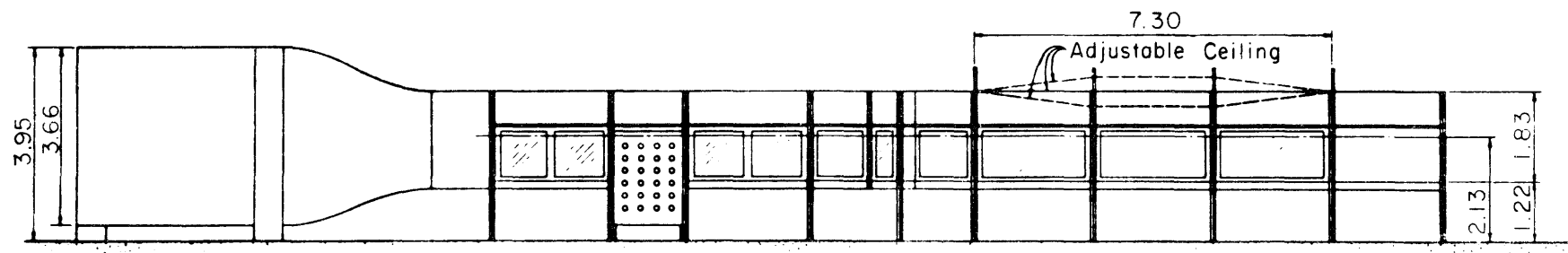
Figure 1. FLUID DYNAMICS AND DIFFUSION LABORATORY  
ENGINEERING RESEARCH CENTER  
COLORADO STATE UNIVERSITY



PLAN



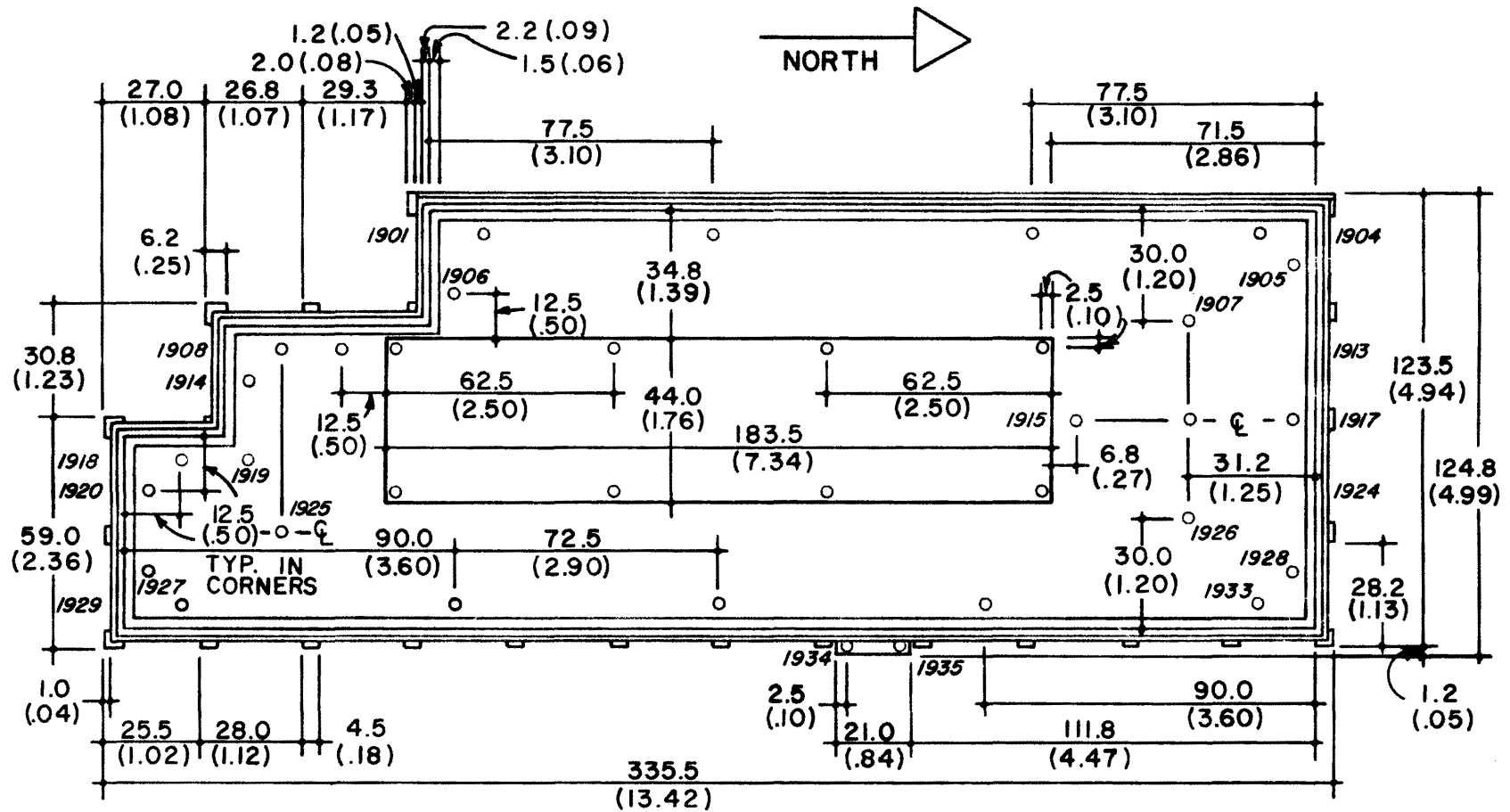
28



ELEVATION

All Dimensions in meters  
(1.0m = 3.28ft)

Figure 2. Industrial Aerodynamics Wind Tunnel, Fluid Dynamics and Diffusion Laboratory, Colorado State University



29

ROOF

Total taps = 396  
 Model scale = 1/300  
 Dimensions in full scale feet and (model inches).

NOTE :  
 Parapet is 2.5 (.10) wide.  
 Taps are 5.0 (.15) from inside of parapet or on centerline of surface unless noted.

Figure 3a. Pressure Tap Locations



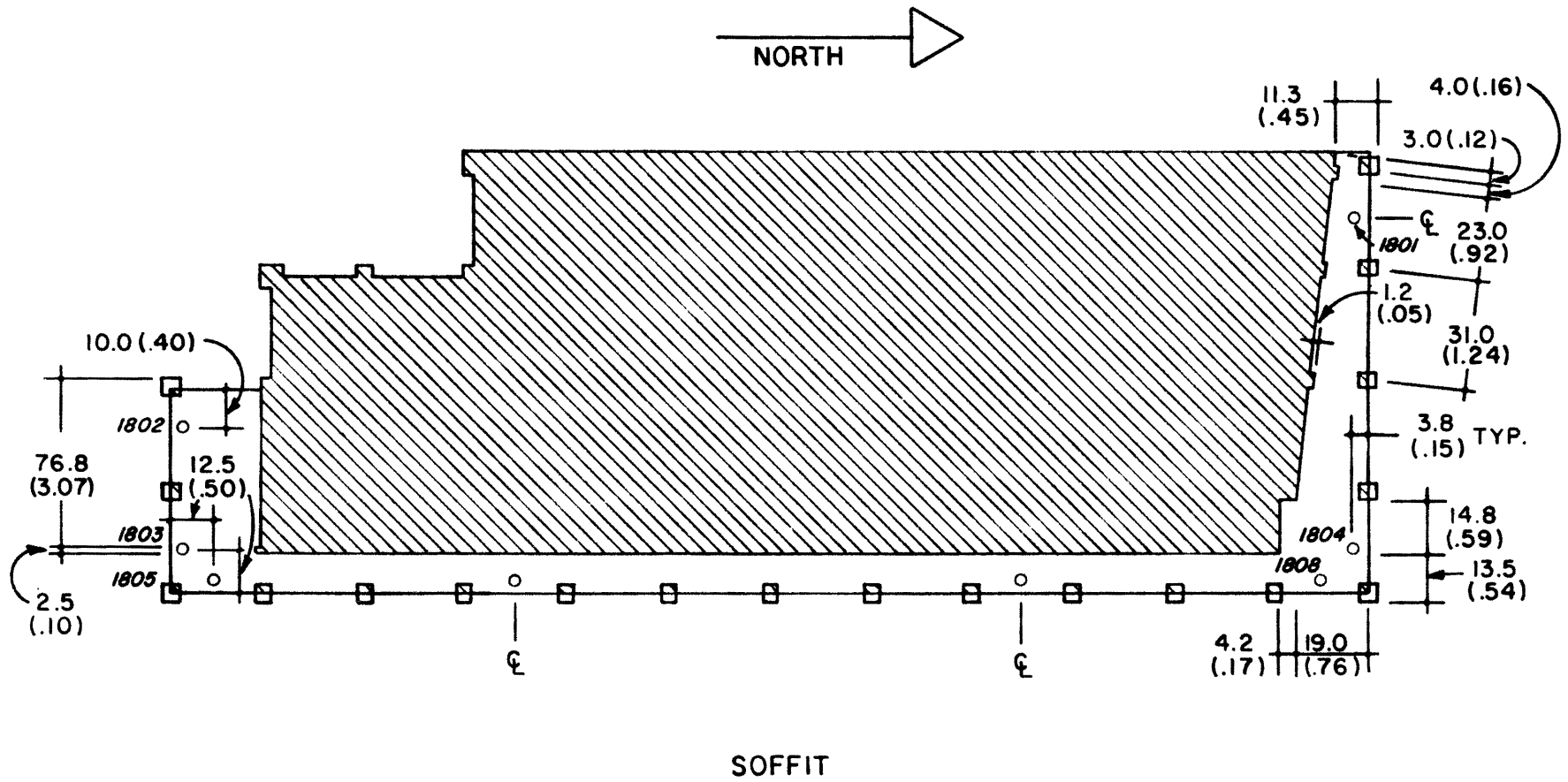
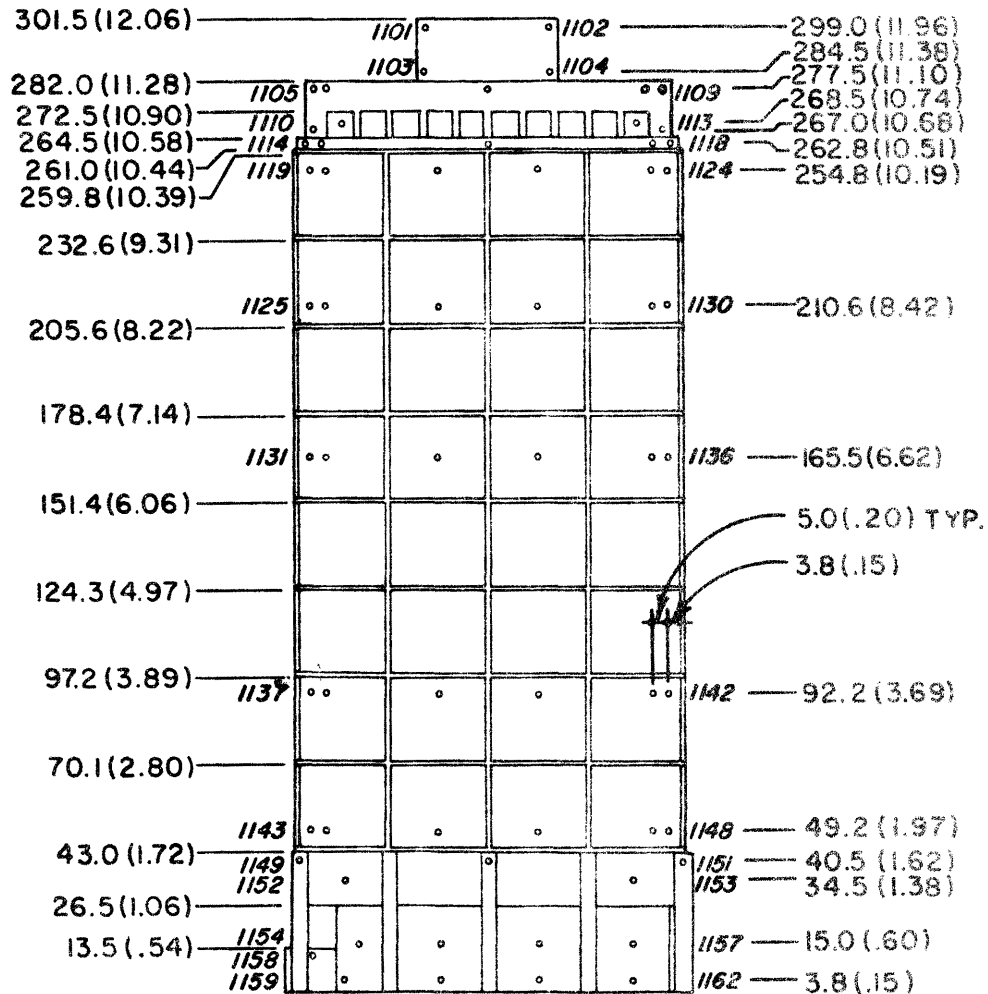


Figure 3b. Pressure Tap Locations



Note:

All taps are located 2.5 (.10) or 7.5 (.30) from nearest edge or on the centerline of that surface unless noted otherwise.

Figure 3c. Pressure Tap Locations

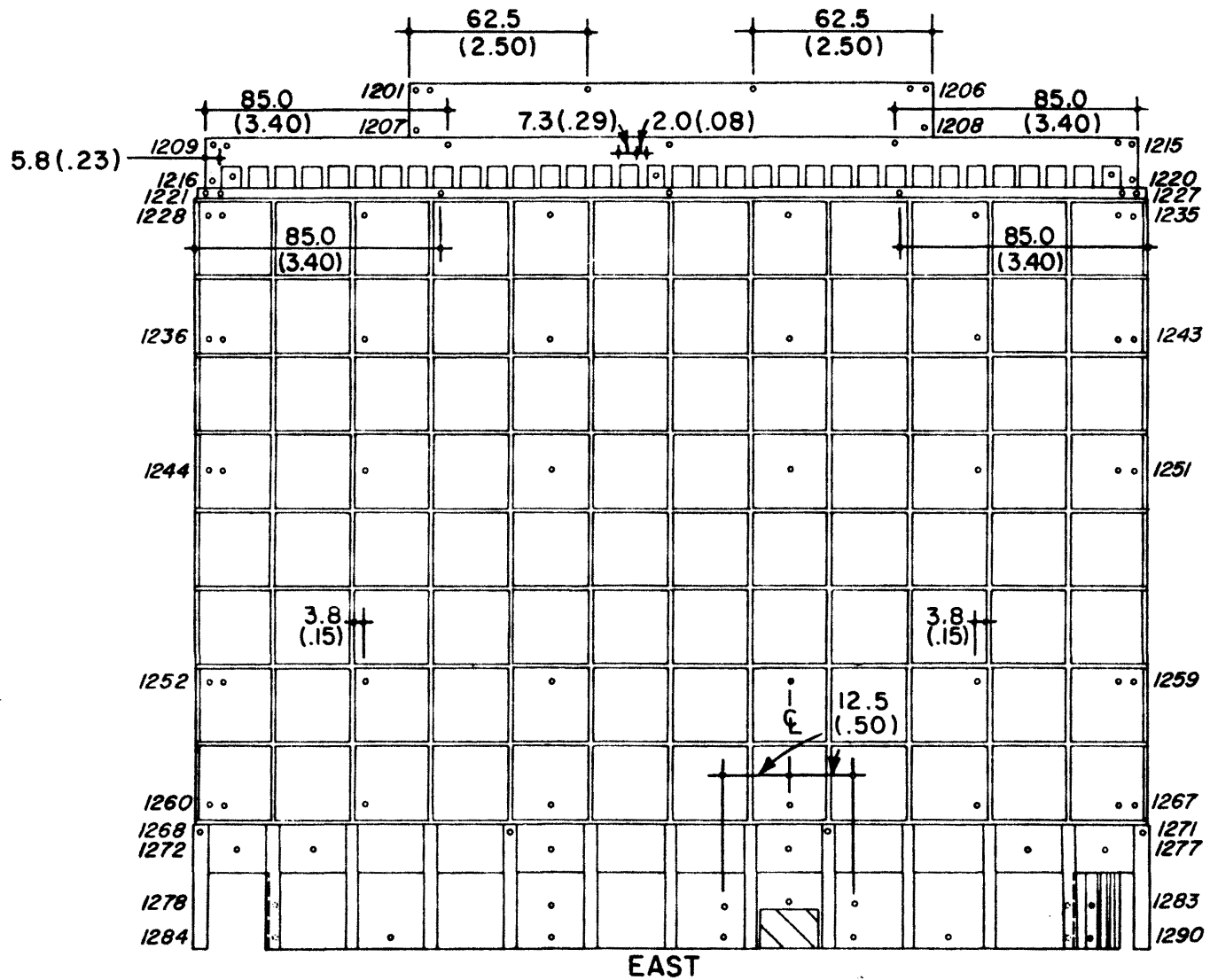
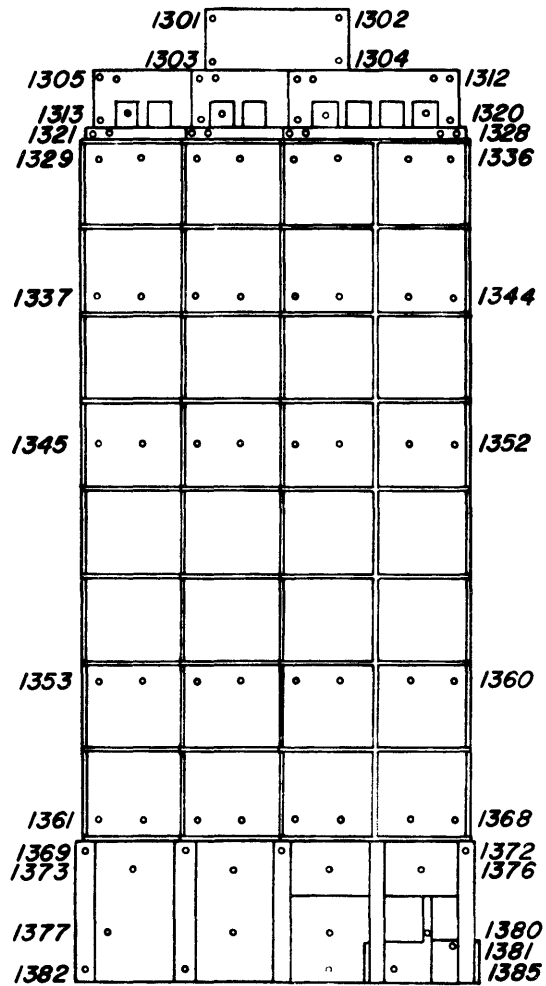


Figure 3d. Pressure Tap Locations



SOUTH

Figure 3e. Pressure Tap Locations

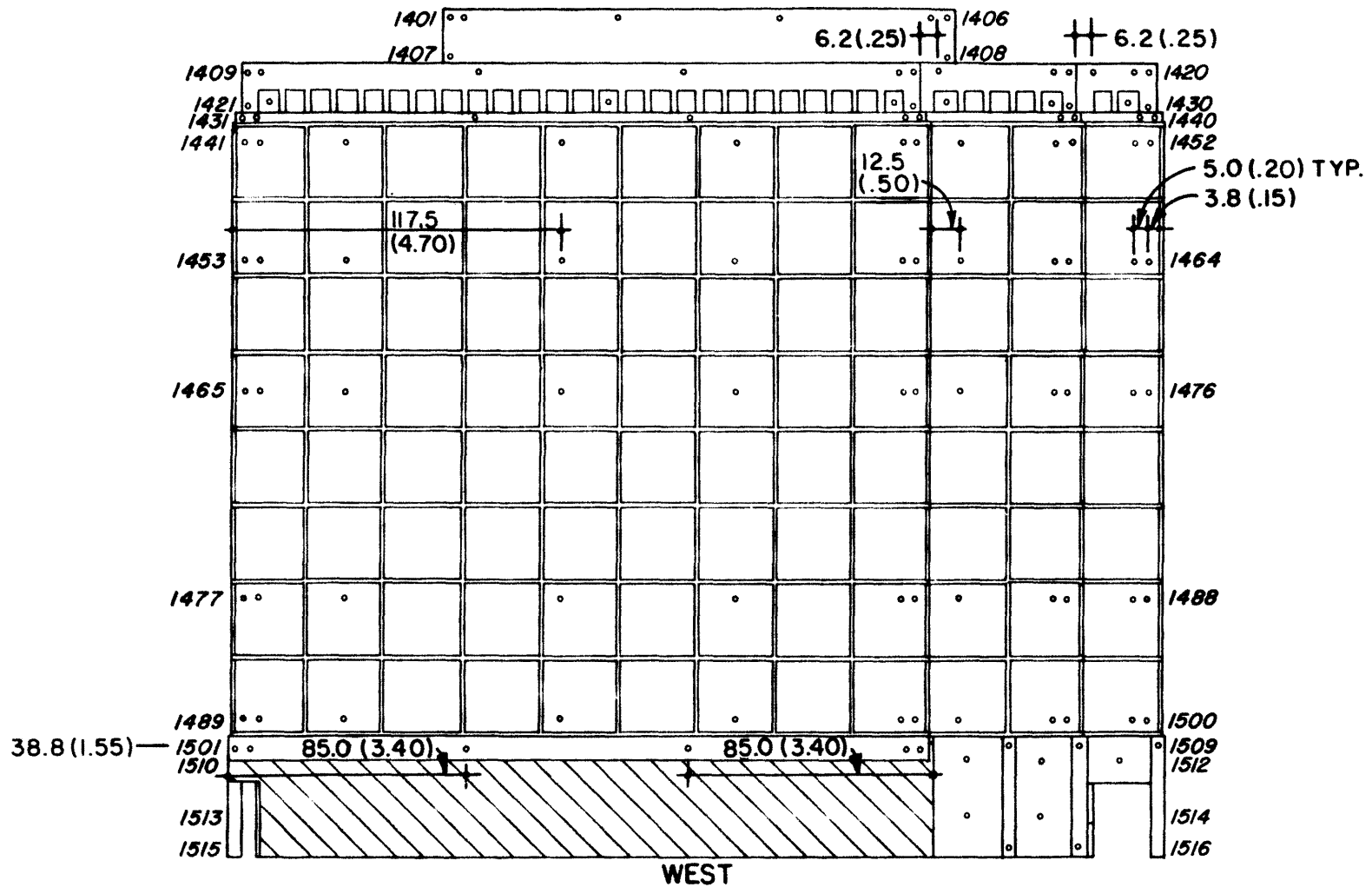


Figure 3f. Pressure Tap Locations

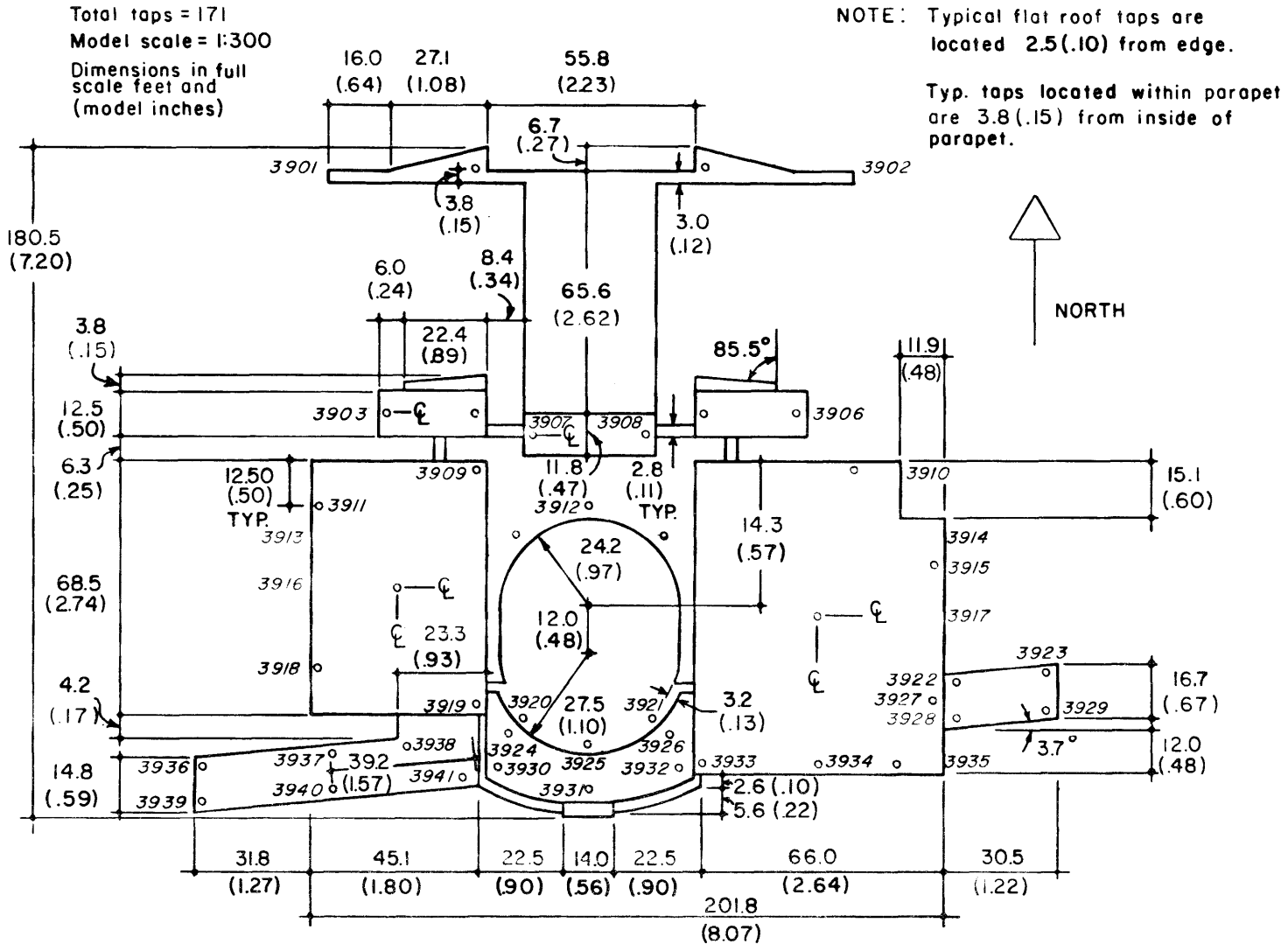


Figure 3g. Pressure Tap Locations

Note: Taps are located 2.5 (.10) from the edge or on the surface centerline unless noted.  
 Additional dimensions located on East elevation.

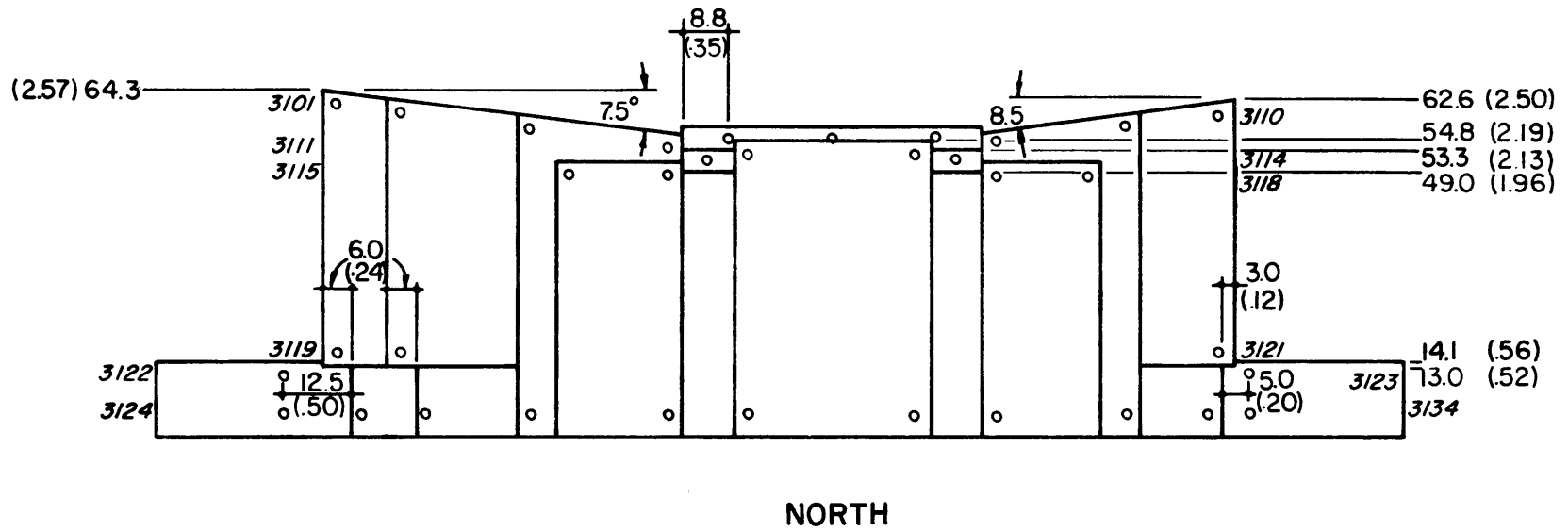


Figure 3h. Pressure Tap Locations

Note: Darkened taps • are numbered and dimensioned in another view.

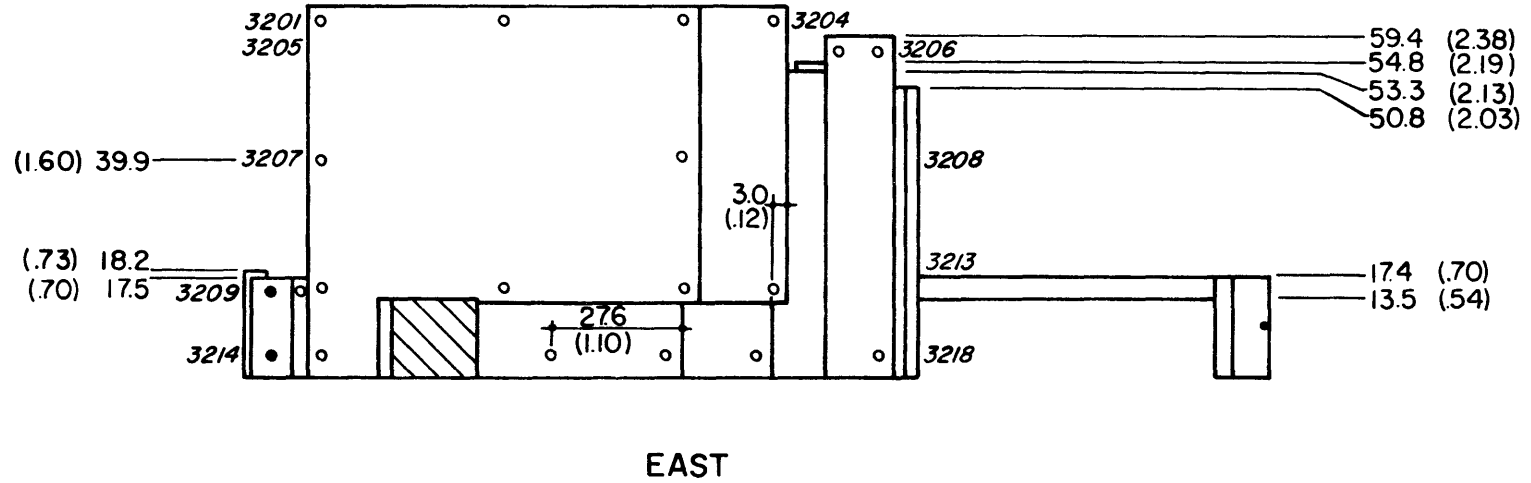


Figure 3i. Pressure Tap Locations



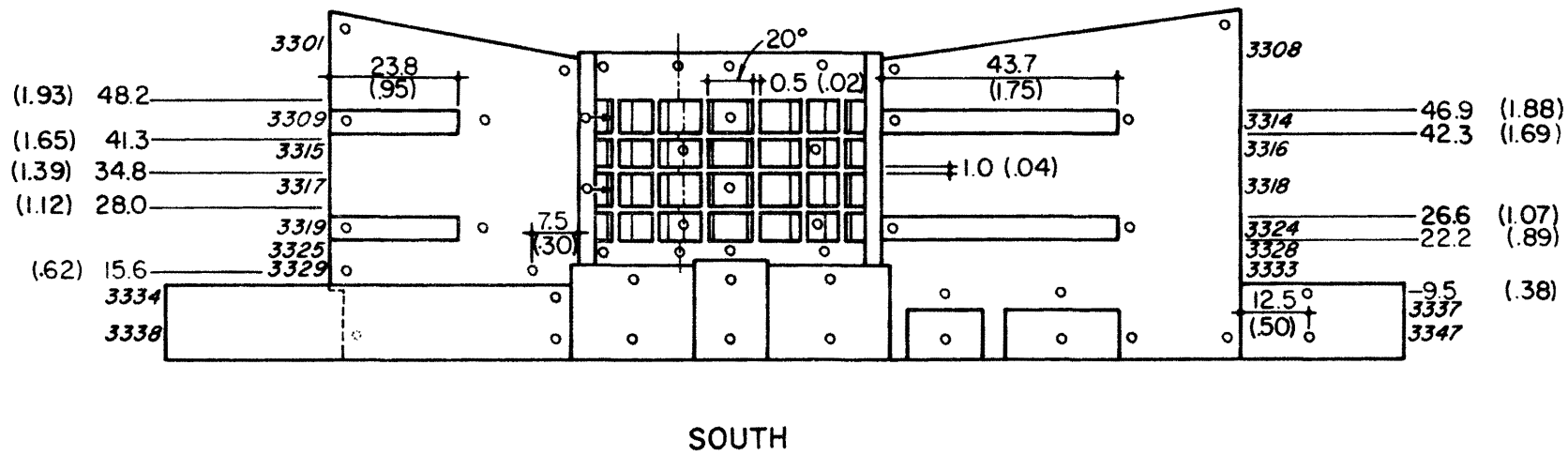


Figure 3j. Pressure Tap Locations

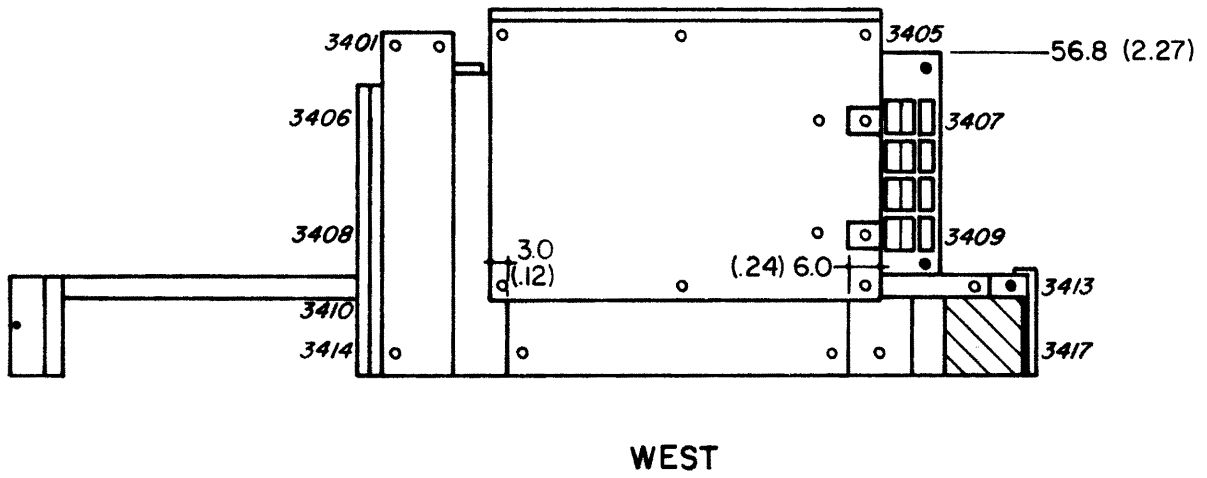
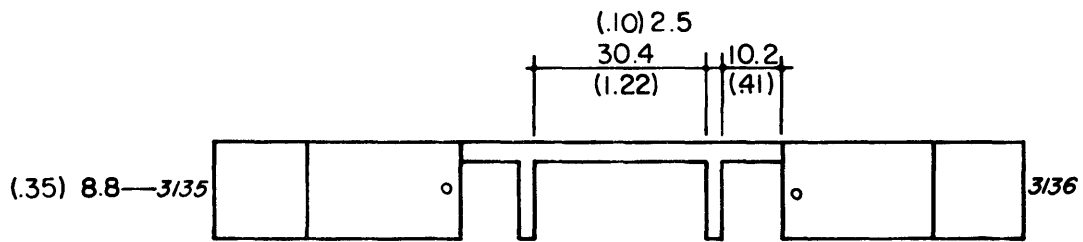
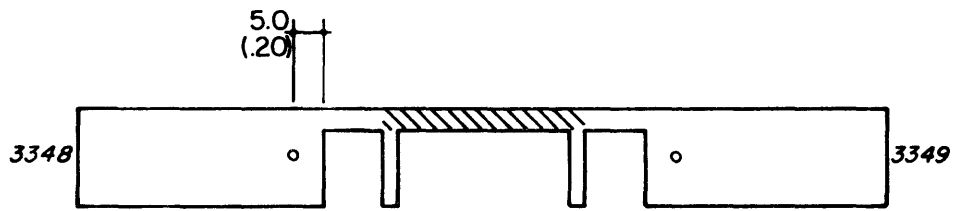


Figure 3k. Pressure Tap Locations



NORTH PORTE COCHERE



SOUTH PORTE COCHERE

Figure 31. Pressure Tap Locations

Total taps = 65  
 Model scale = 1/300  
 Dimensions in full scale feet and (model inches).  
 Taps are 2.5 (.10) from edges unless noted otherwise.  
 \* = 3.8 (.15)

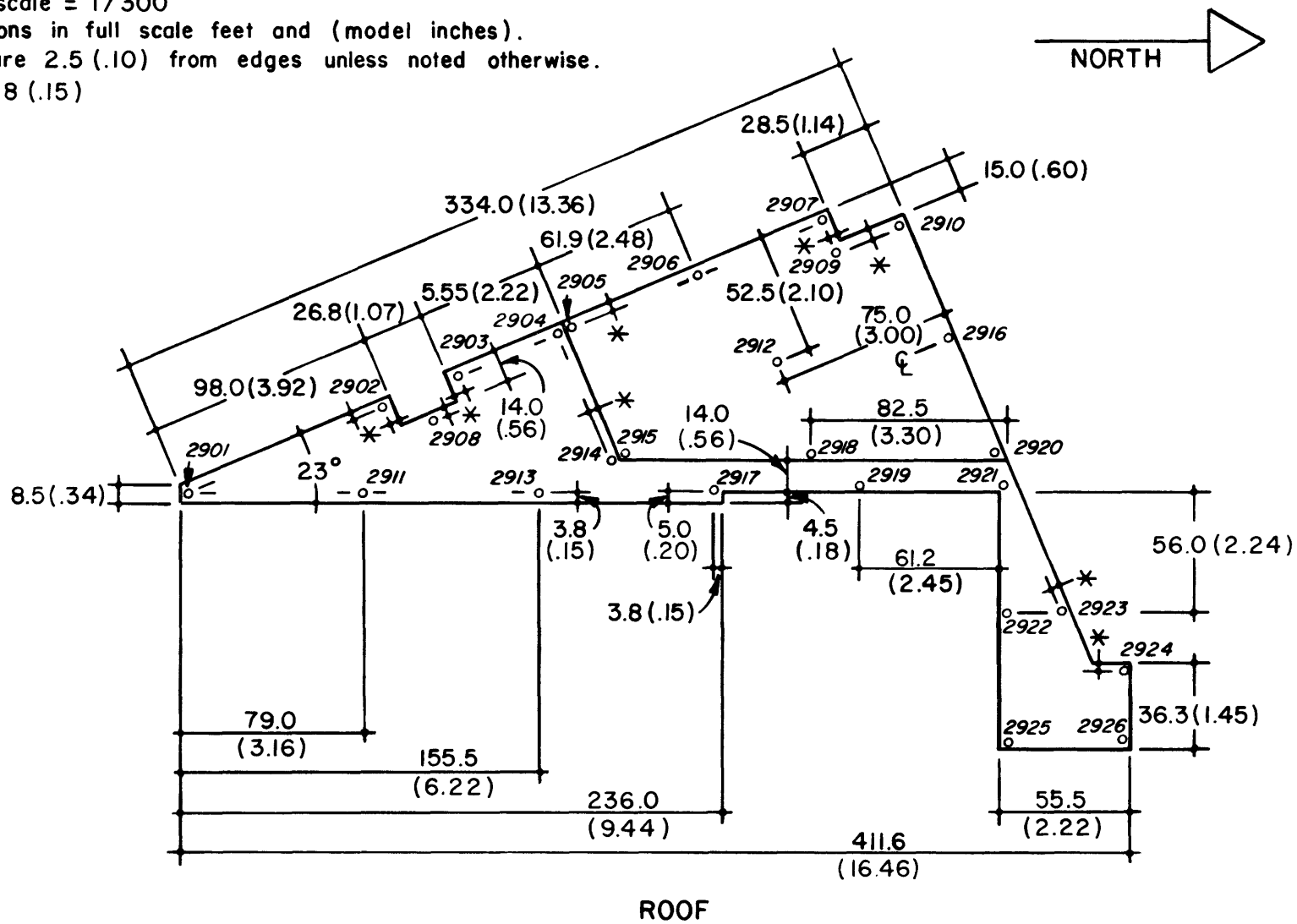
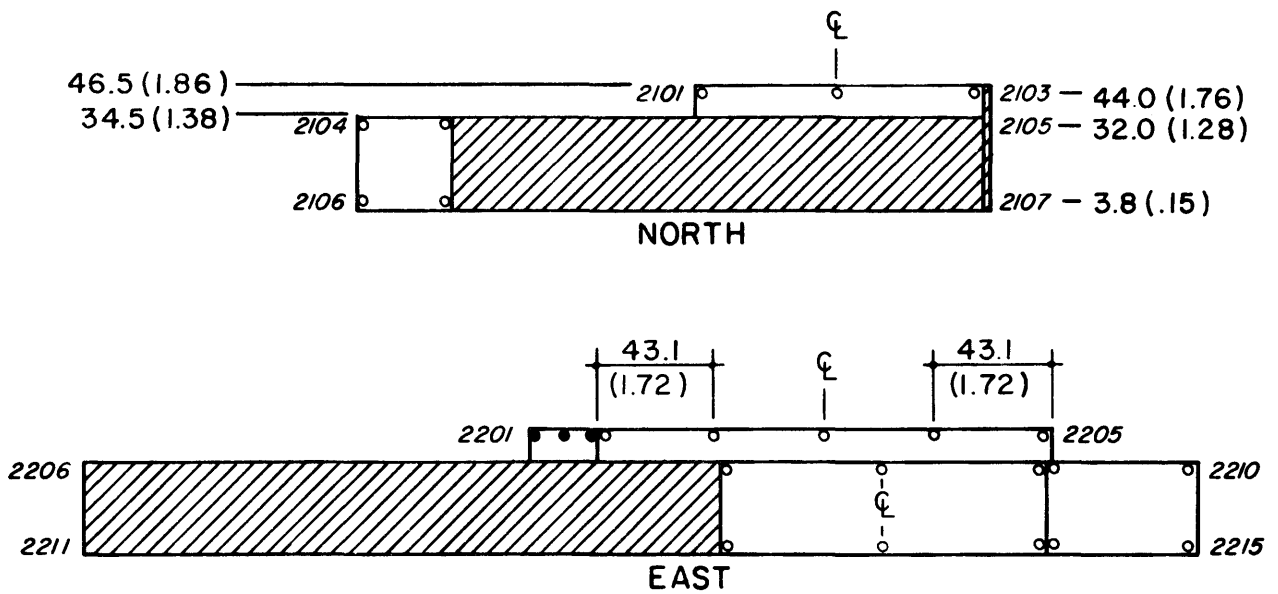


Figure 3m. Pressure Tap Locations

**Note :**

Taps are 2.5 (.10) from edges or on the centerline of the surface unless noted otherwise.

● Darkened taps are detailed in another view.

Figure 3n. Pressure Tap Locations

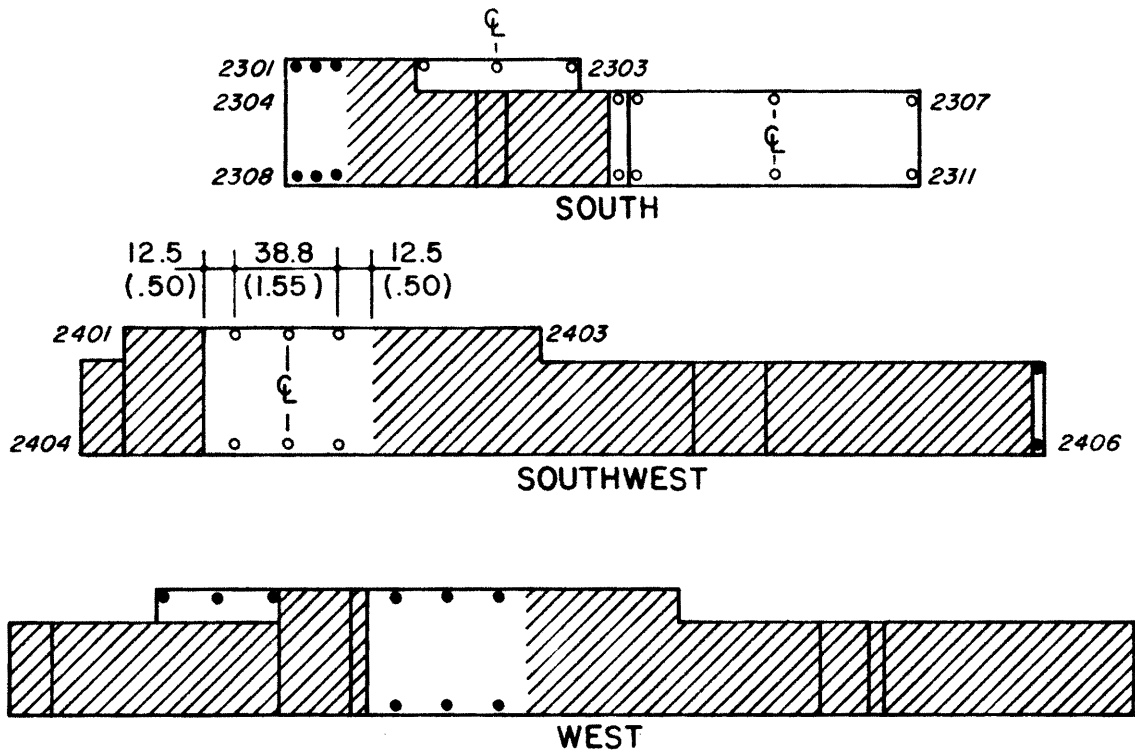


Figure 30. Pressure Tap Locations

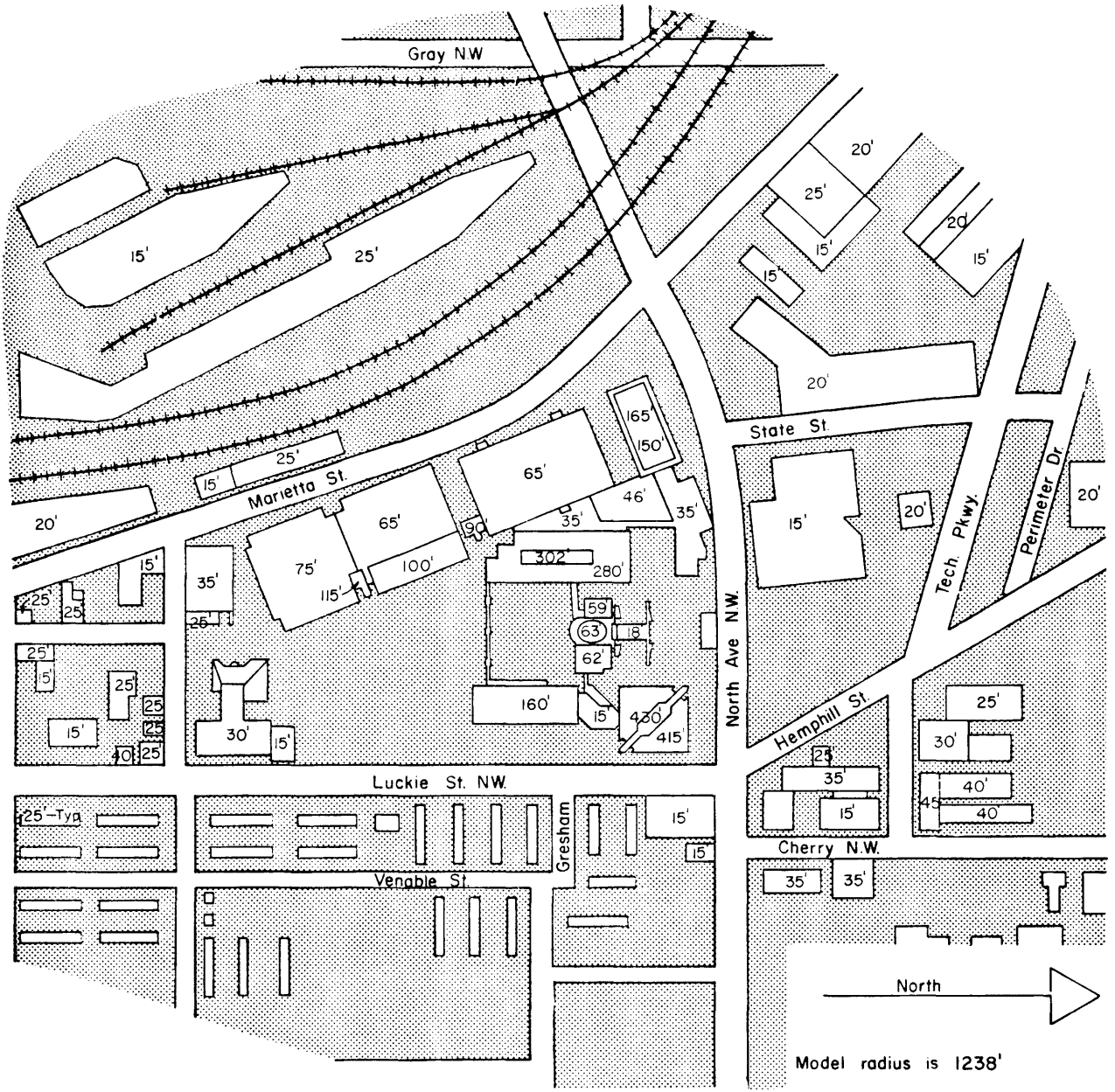


Figure 4a. Building Location and Pedestrian Wind Velocity Measuring Positions

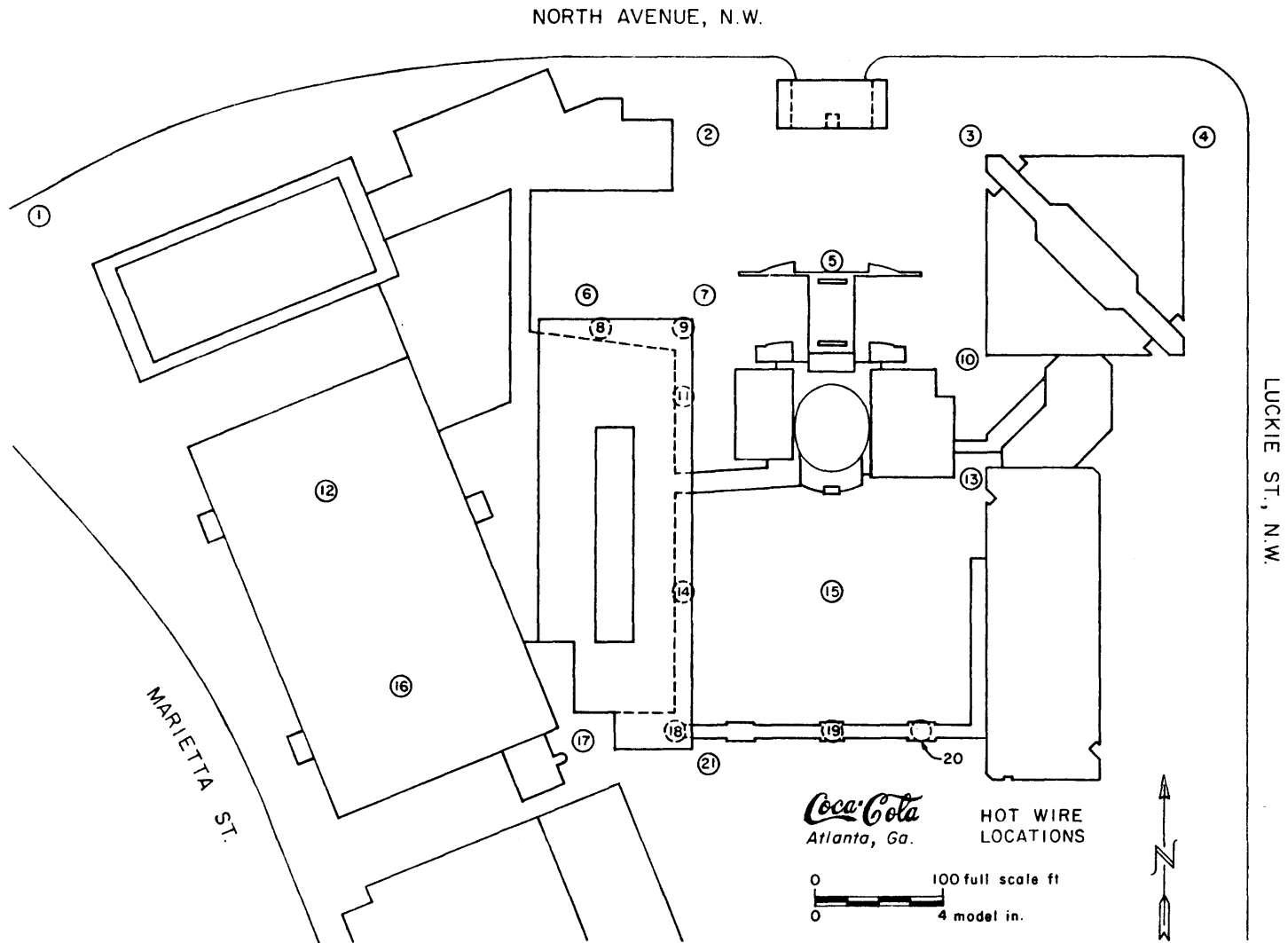


Figure 4b. Building Location and Pedestrian Wind Velocity Measuring Positions



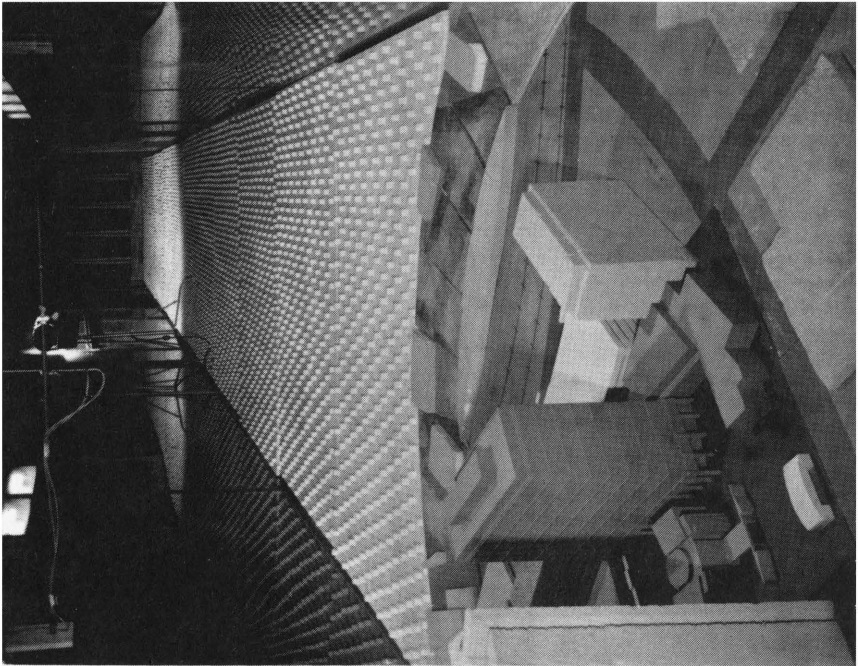
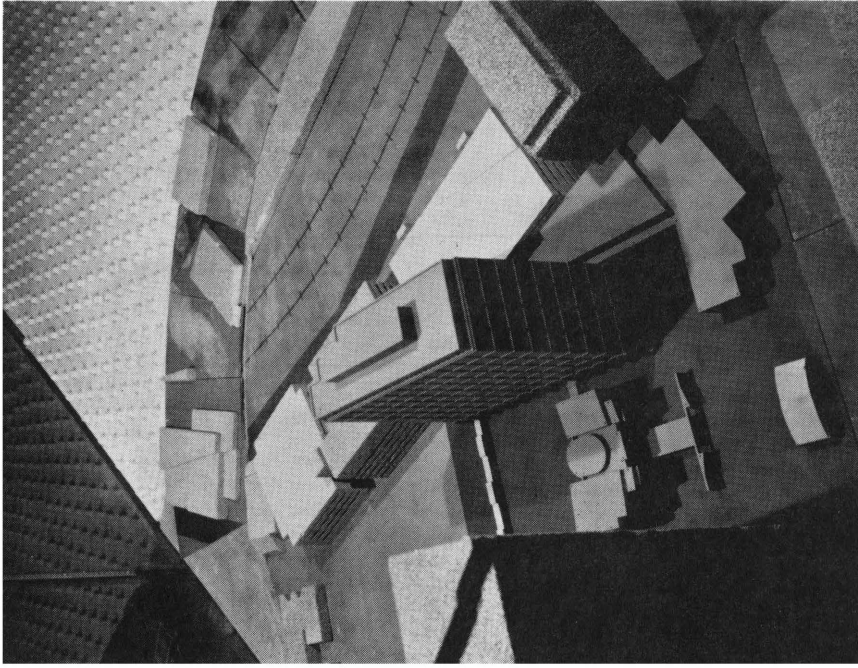


Figure 5. Completed Model in Wind Tunnel

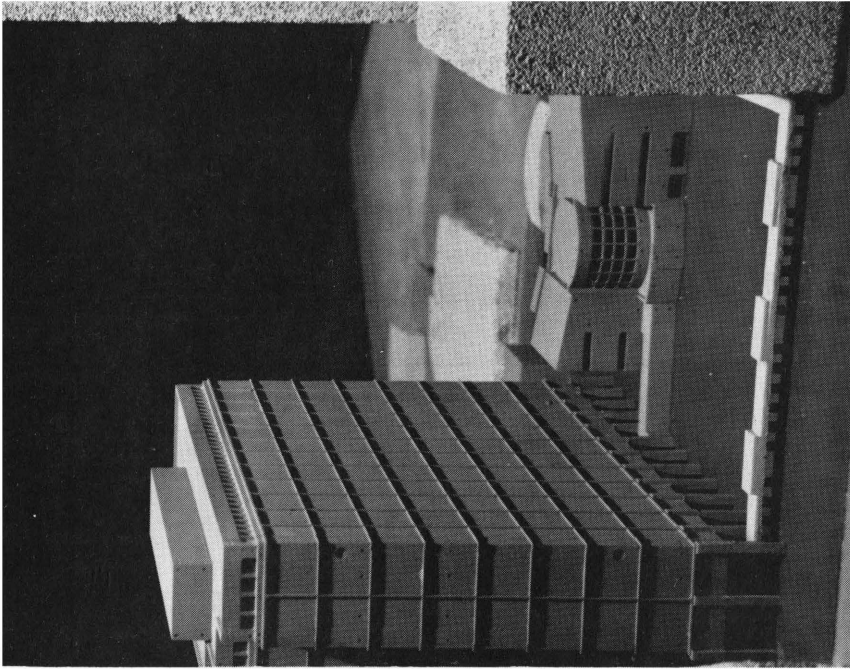
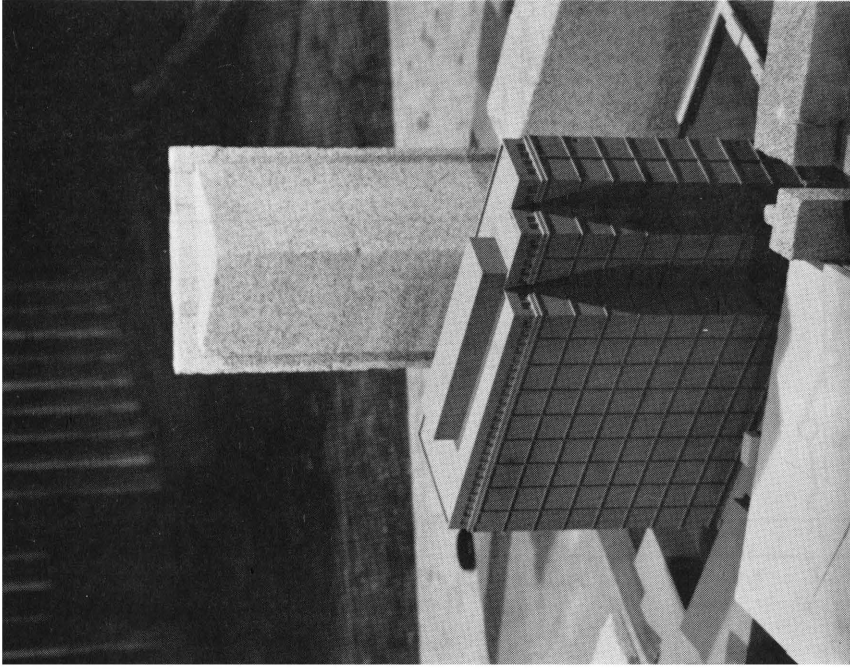


Figure 5. Completed Model in Wind Tunnel

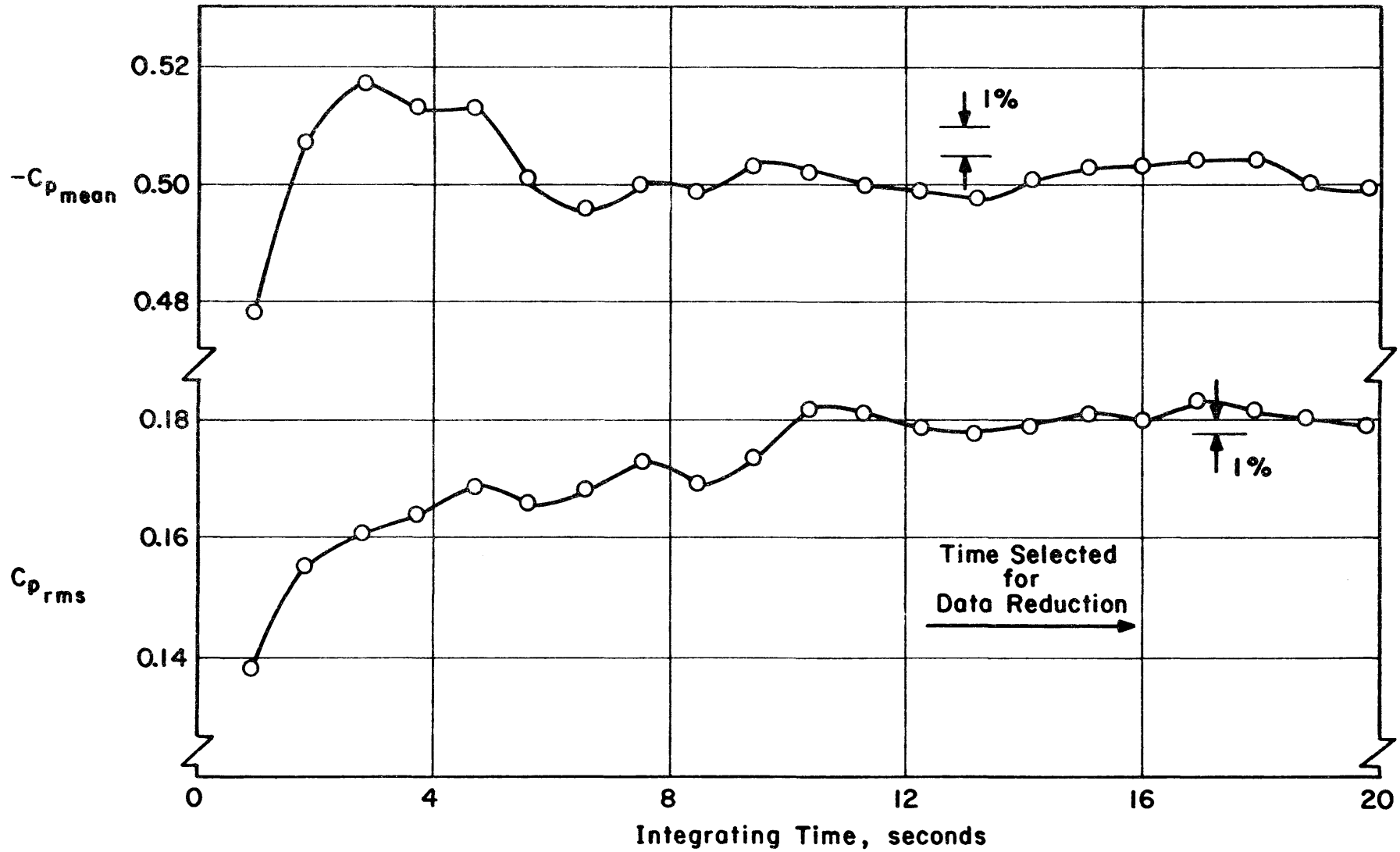


Figure 6. Data Sampling Time Verification

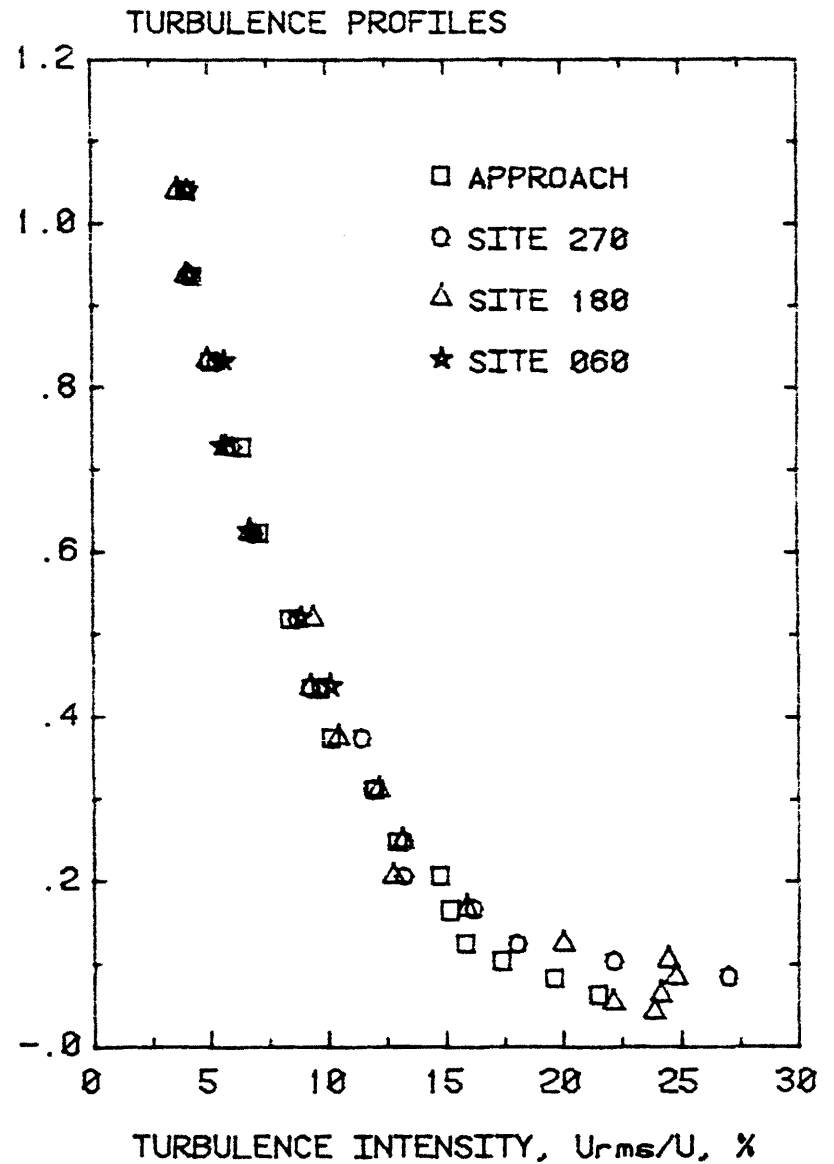
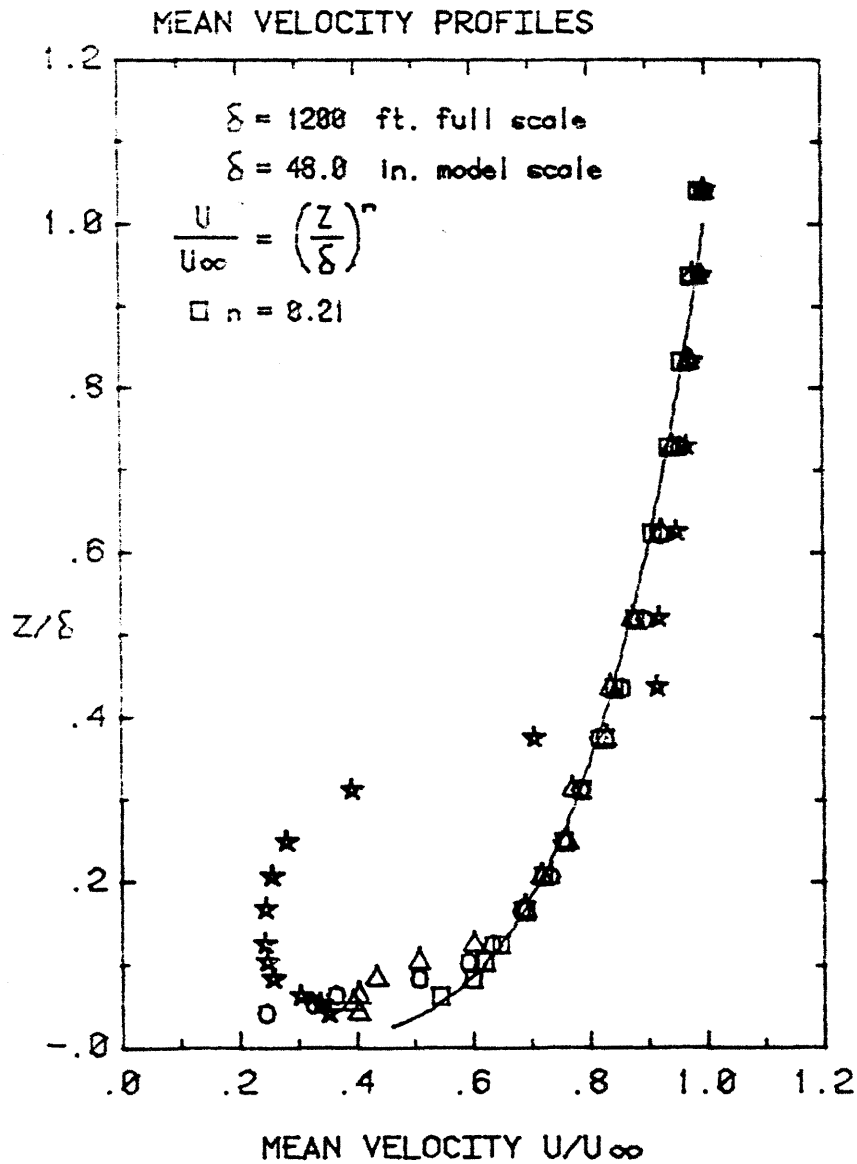


Figure 7. Mean Velocity and Turbulence Profiles Approaching the Model

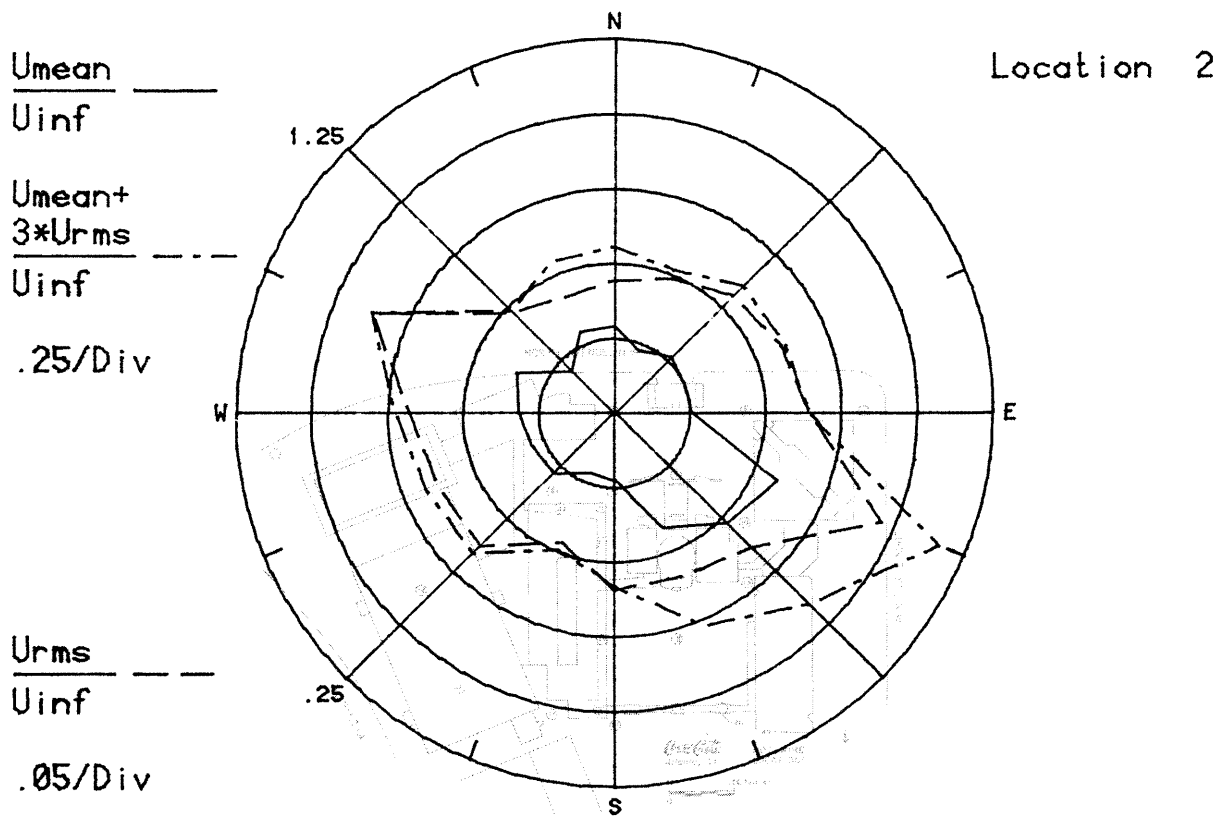
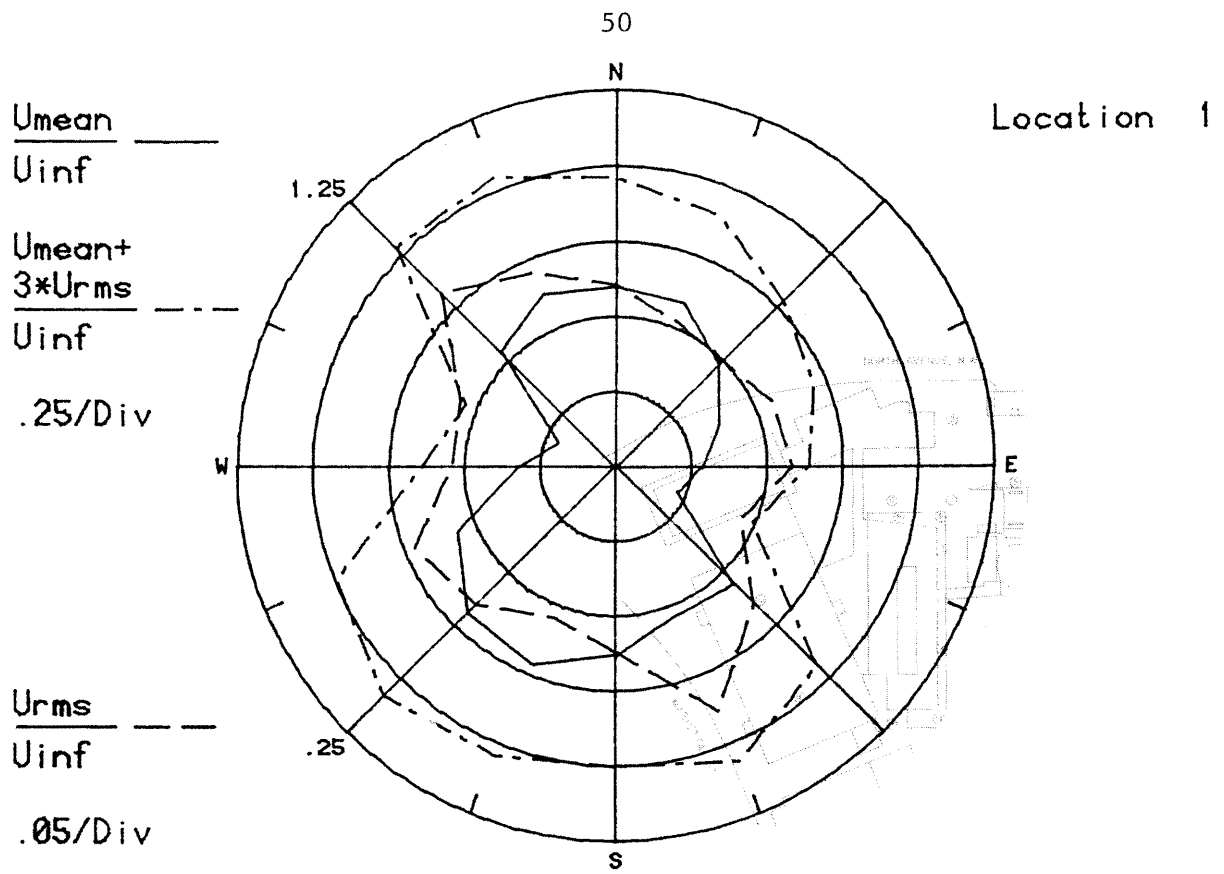


Figure 8a. Mean Velocities and Turbulence Intensities at Pedestrian Locations 1 and 2

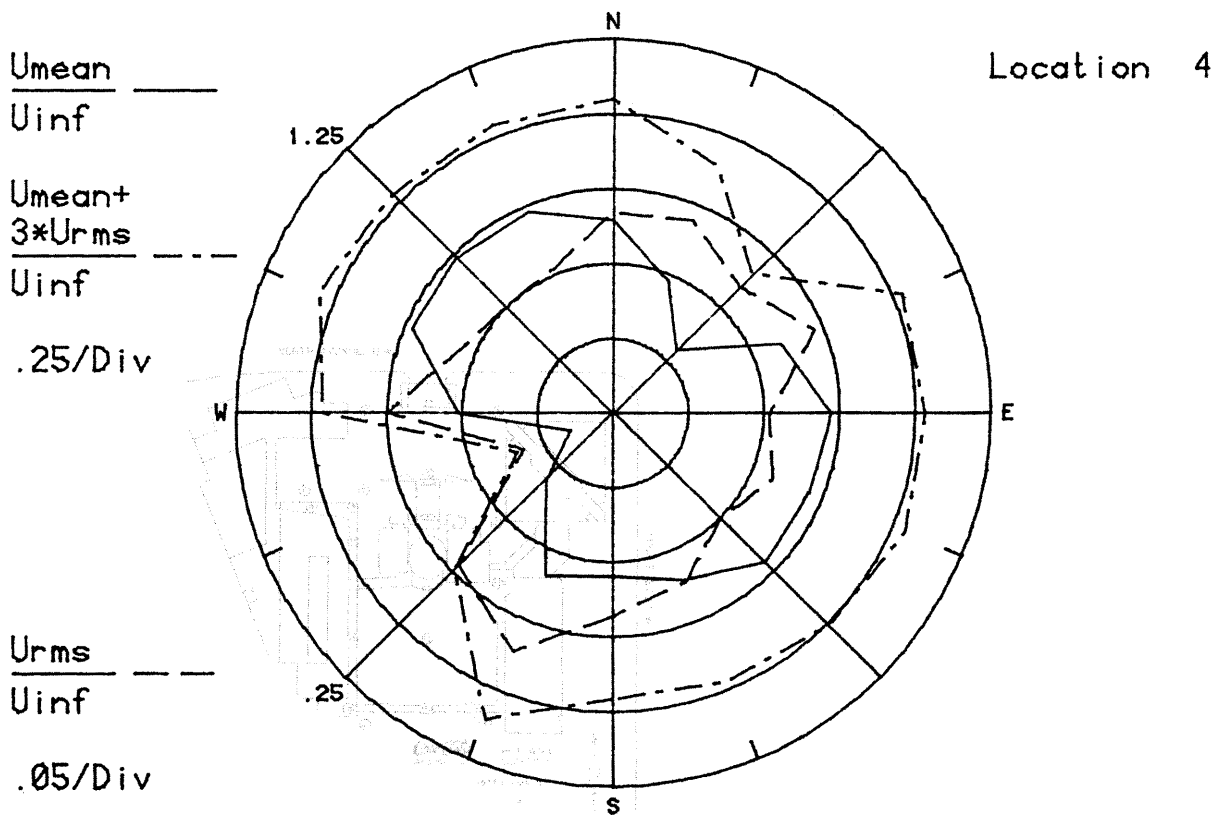
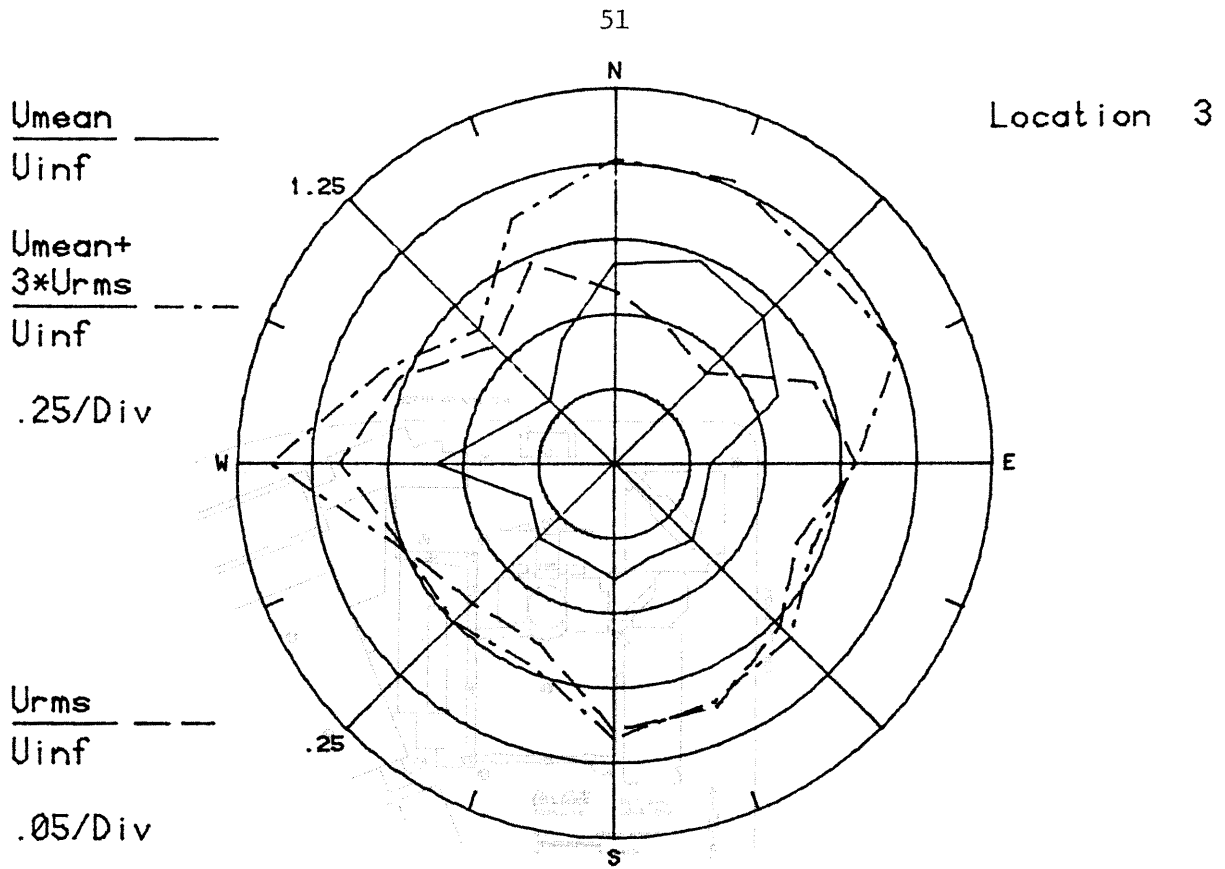


Figure 8b. Mean Velocities and Turbulence Intensities at Pedestrian Locations 3 and 4

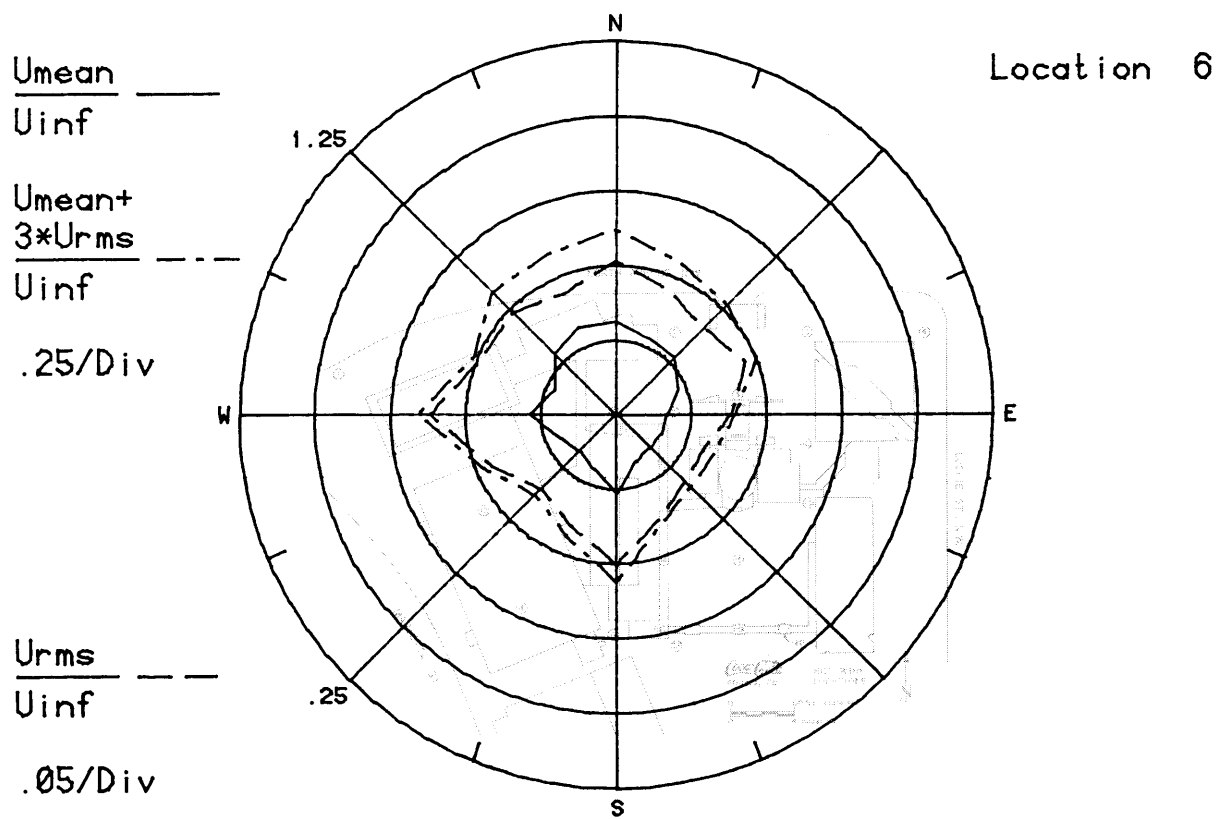
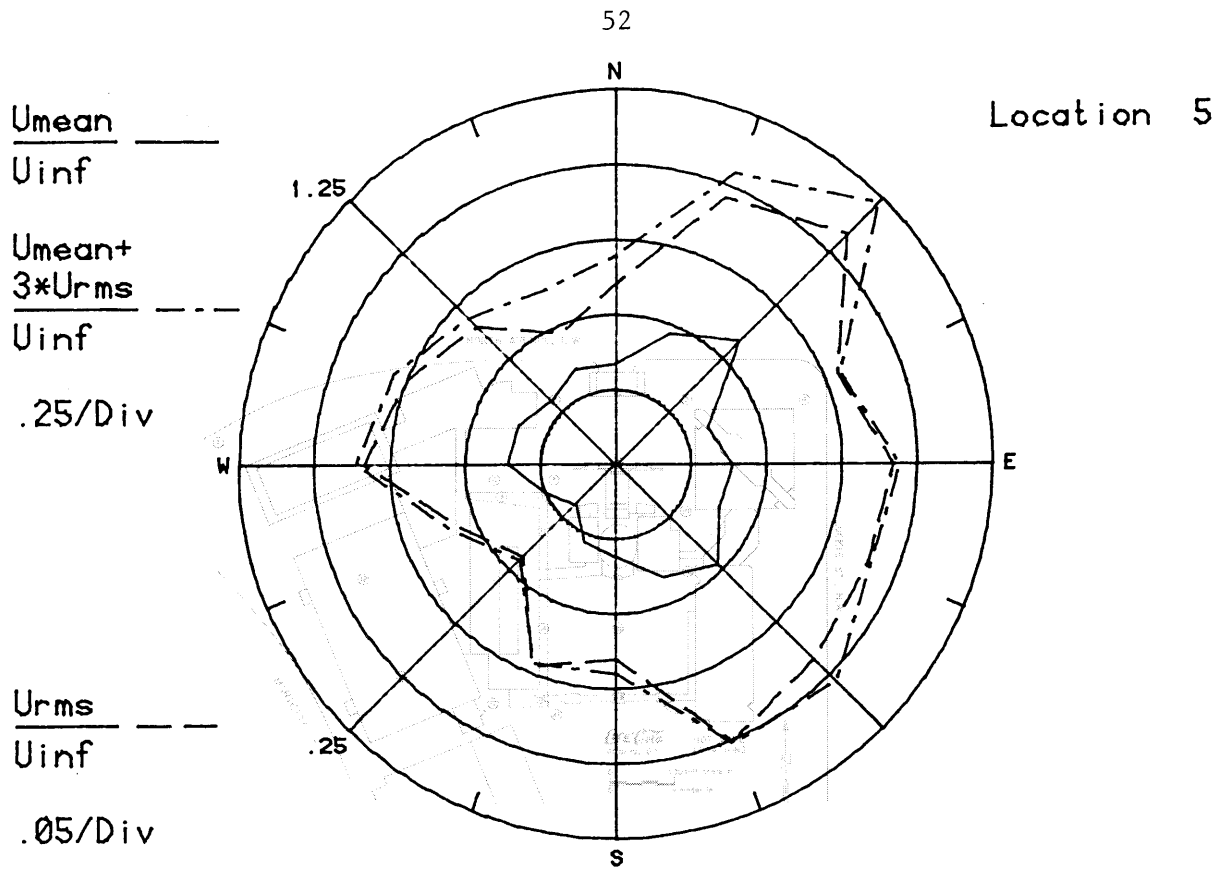


Figure 8c. Mean Velocities and Turbulence Intensities at Pedestrian Locations 5 and 6

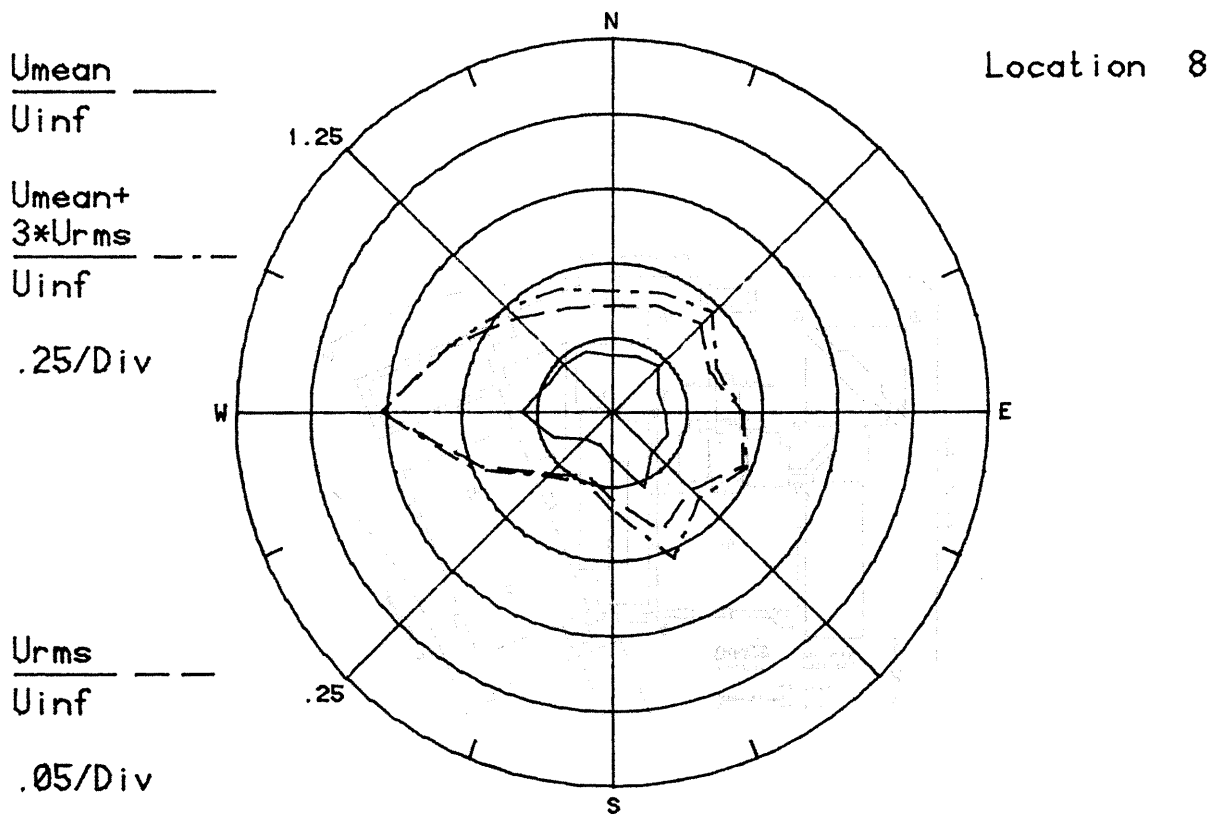
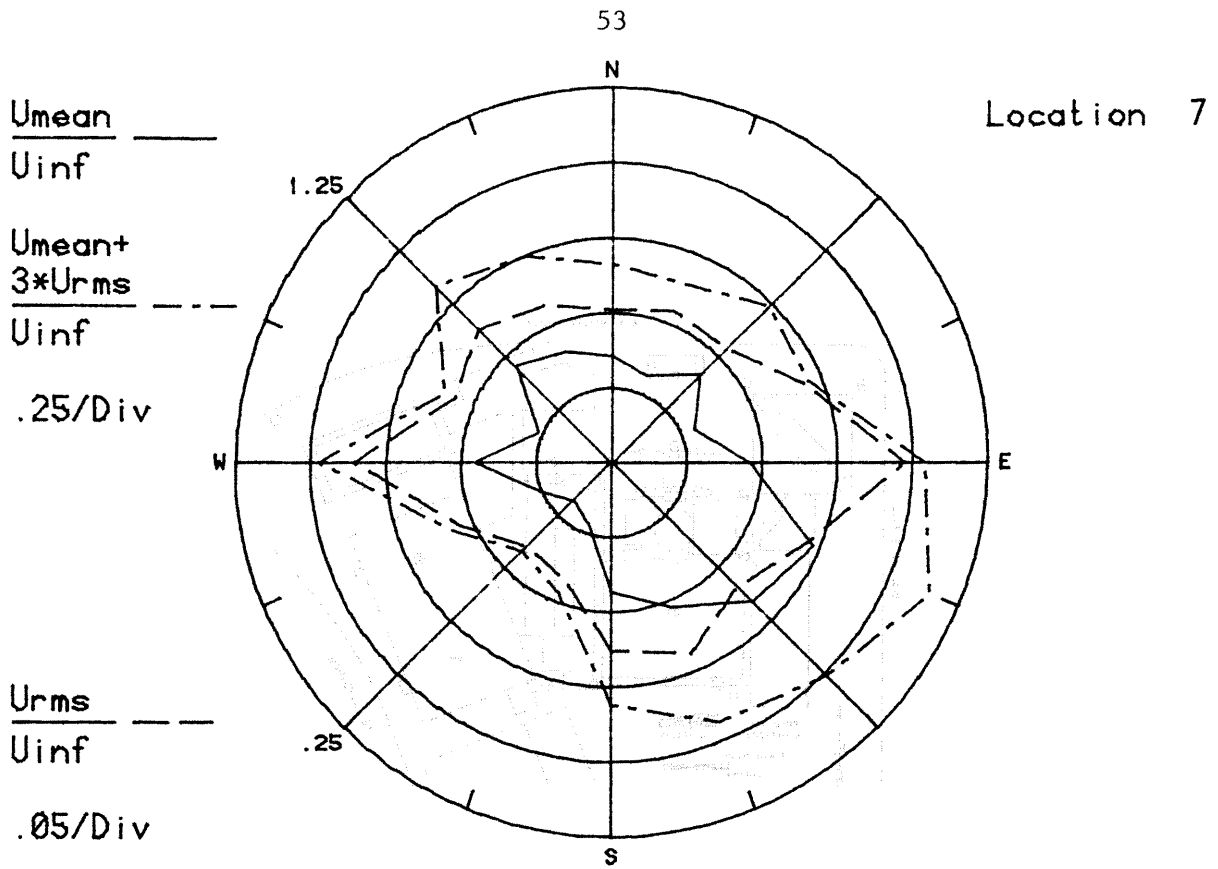


Figure 8d. Mean Velocities and Turbulence Intensities at Pedestrian Locations 7 and 8



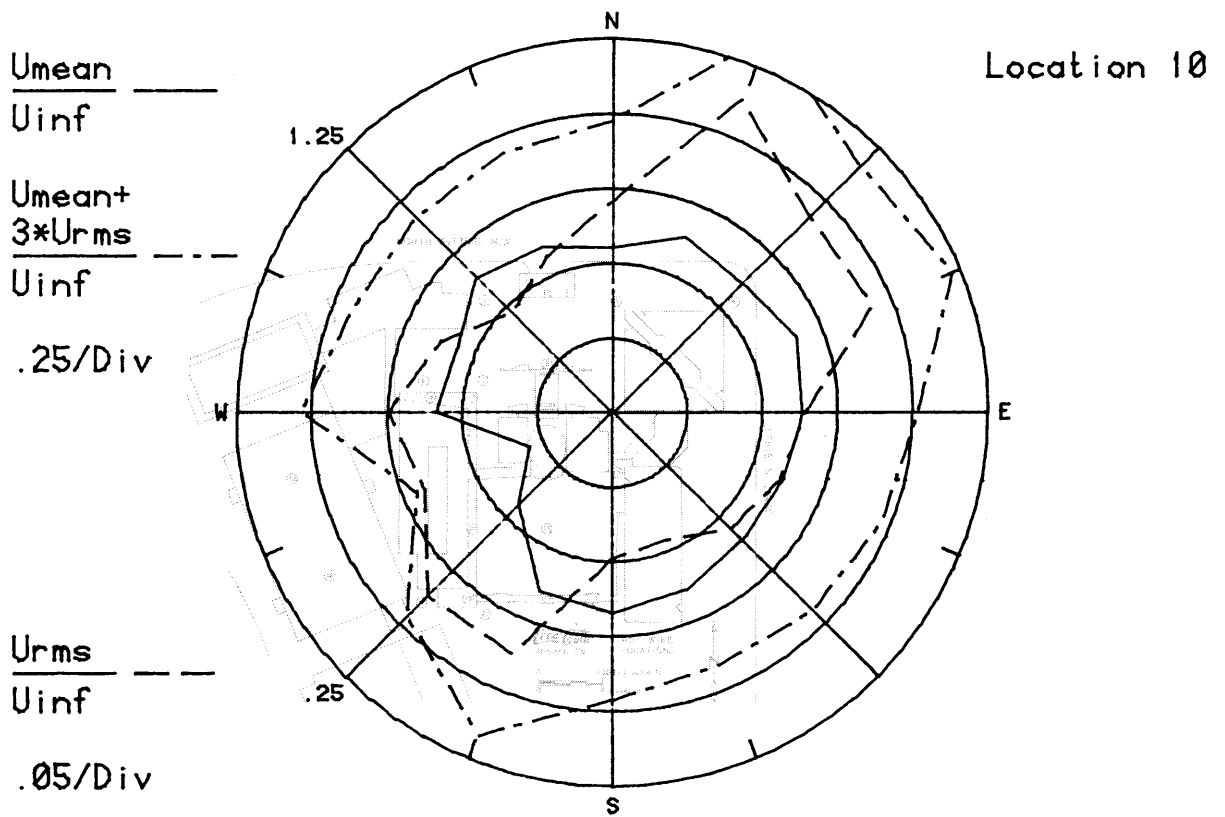
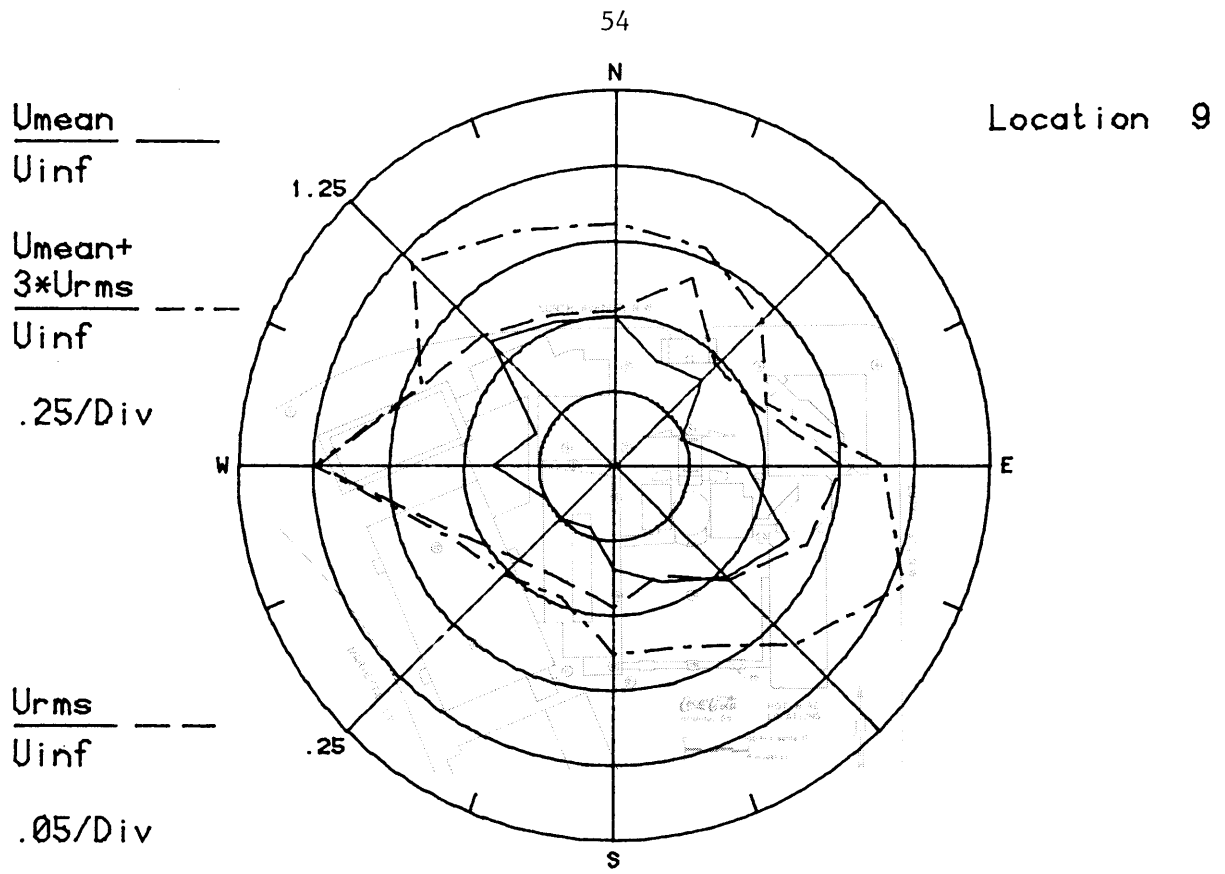


Figure 8e. Mean Velocities and Turbulence Intensities at Pedestrian Locations 9 and 10

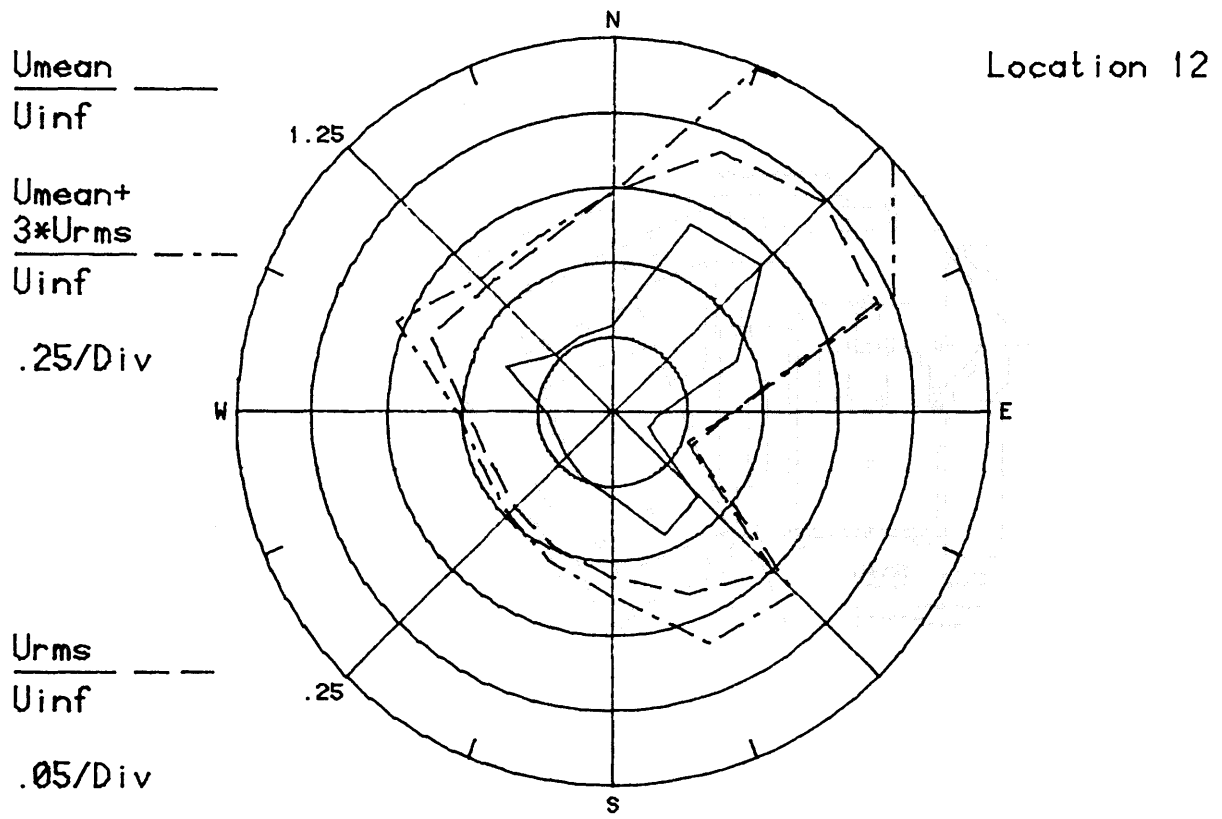
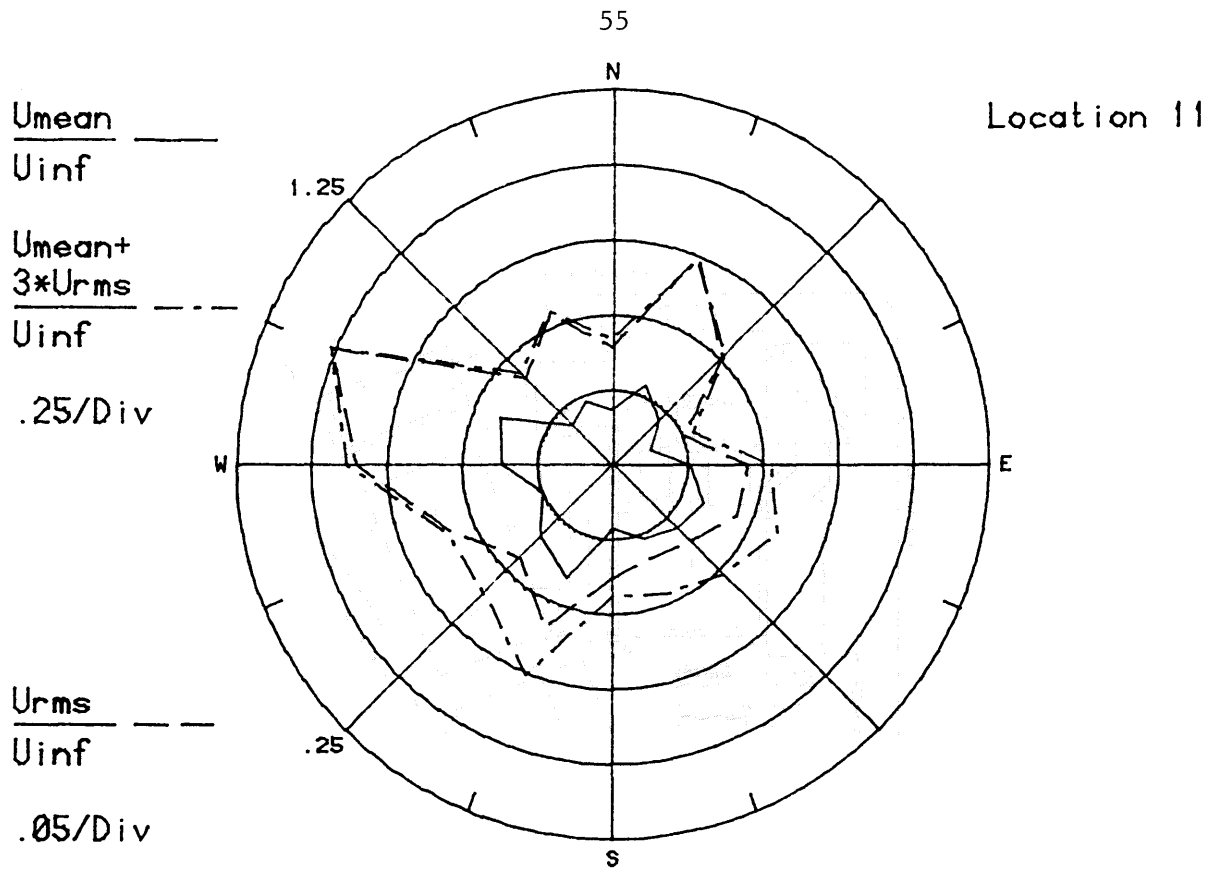


Figure 8f. Mean Velocities and Turbulence Intensities at Pedestrian Locations 11 and 12

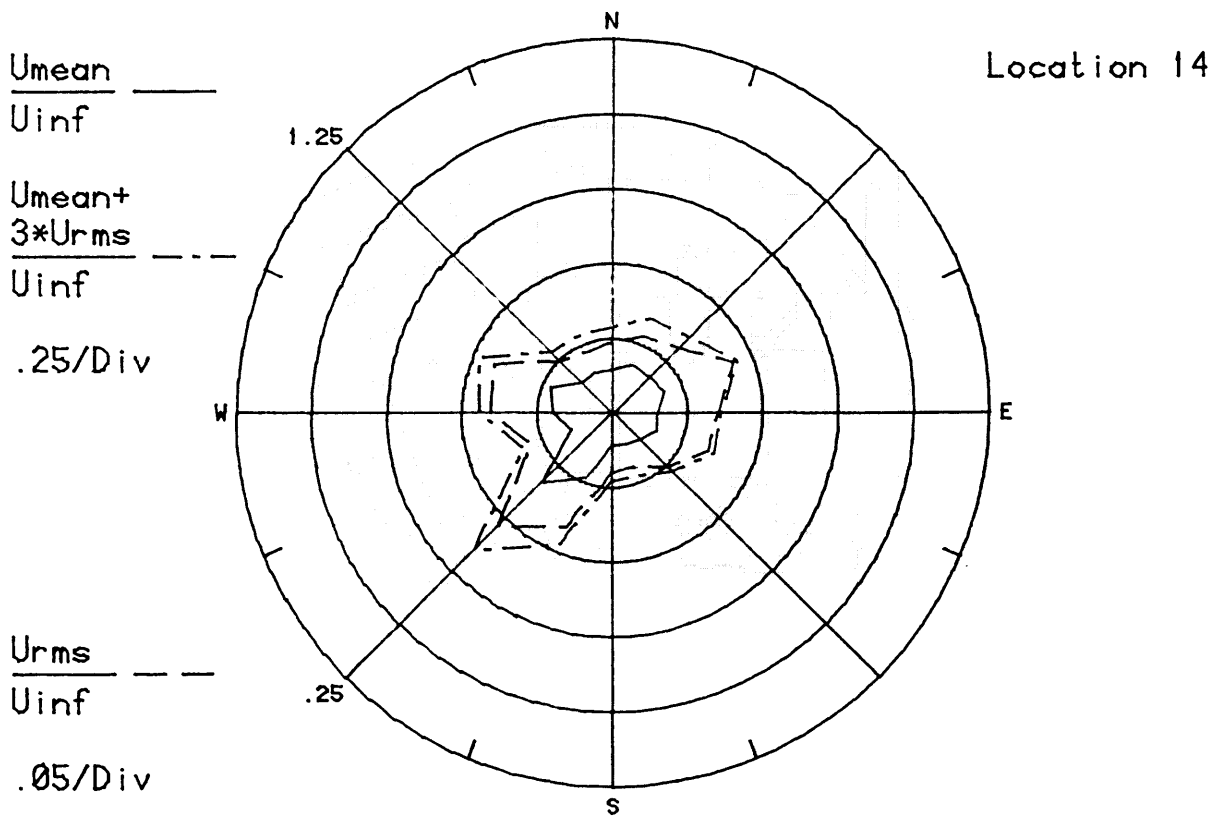
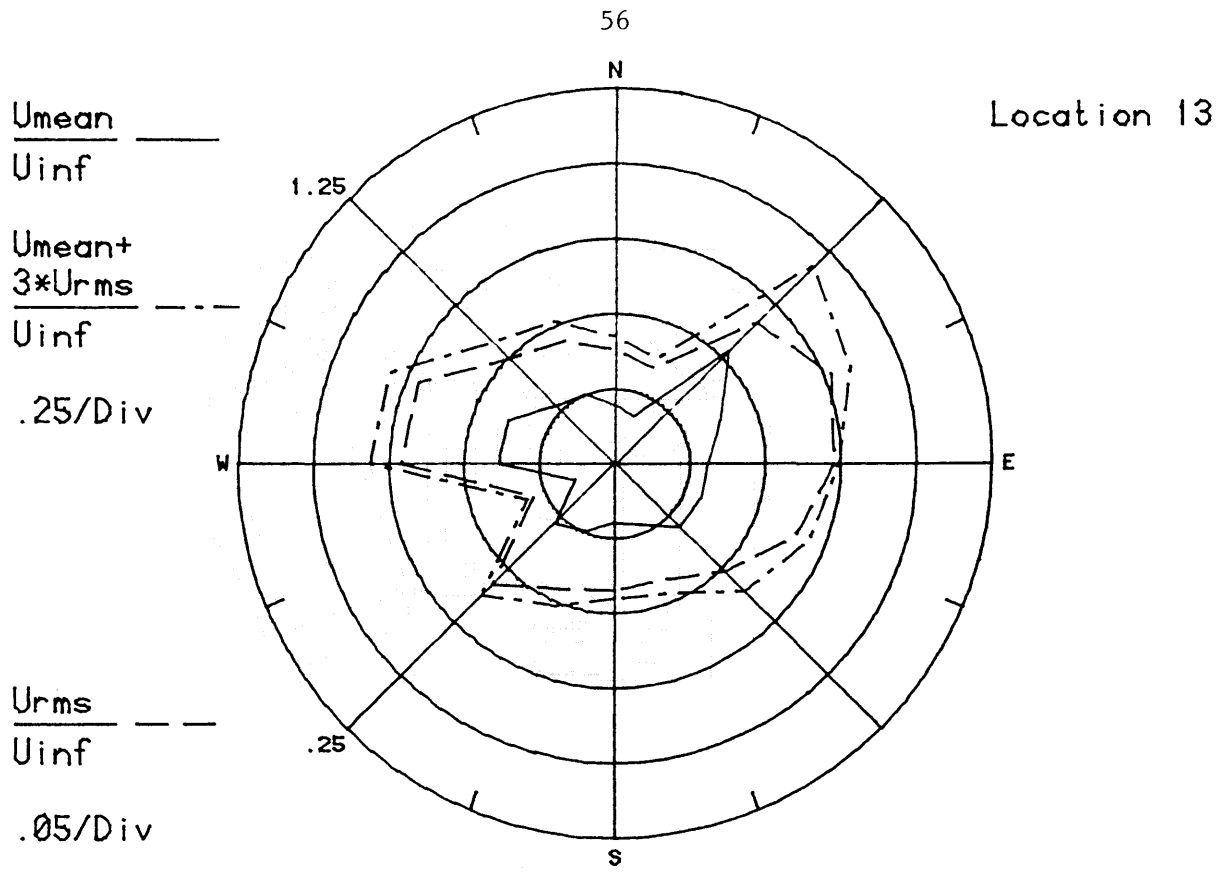


Figure 8g. Mean Velocities and Turbulence Intensities at Pedestrian Locations 13 and 14

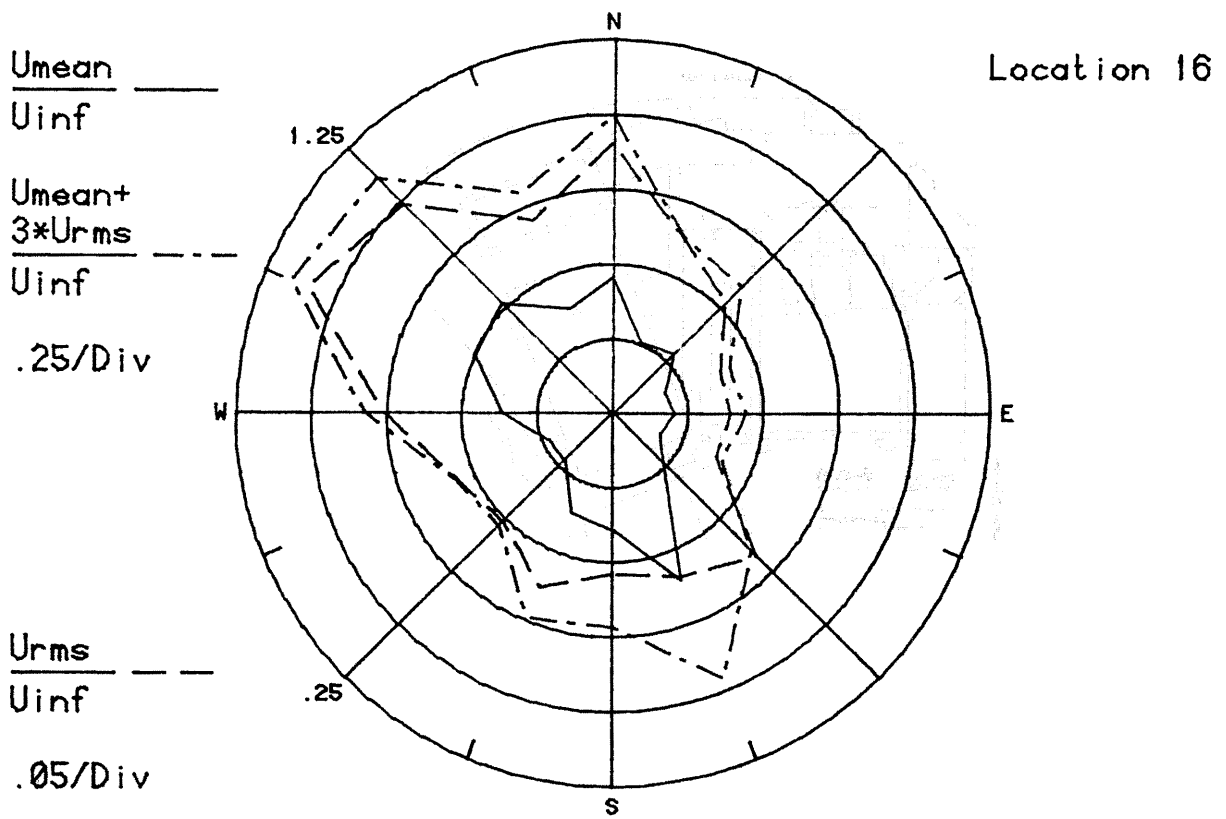
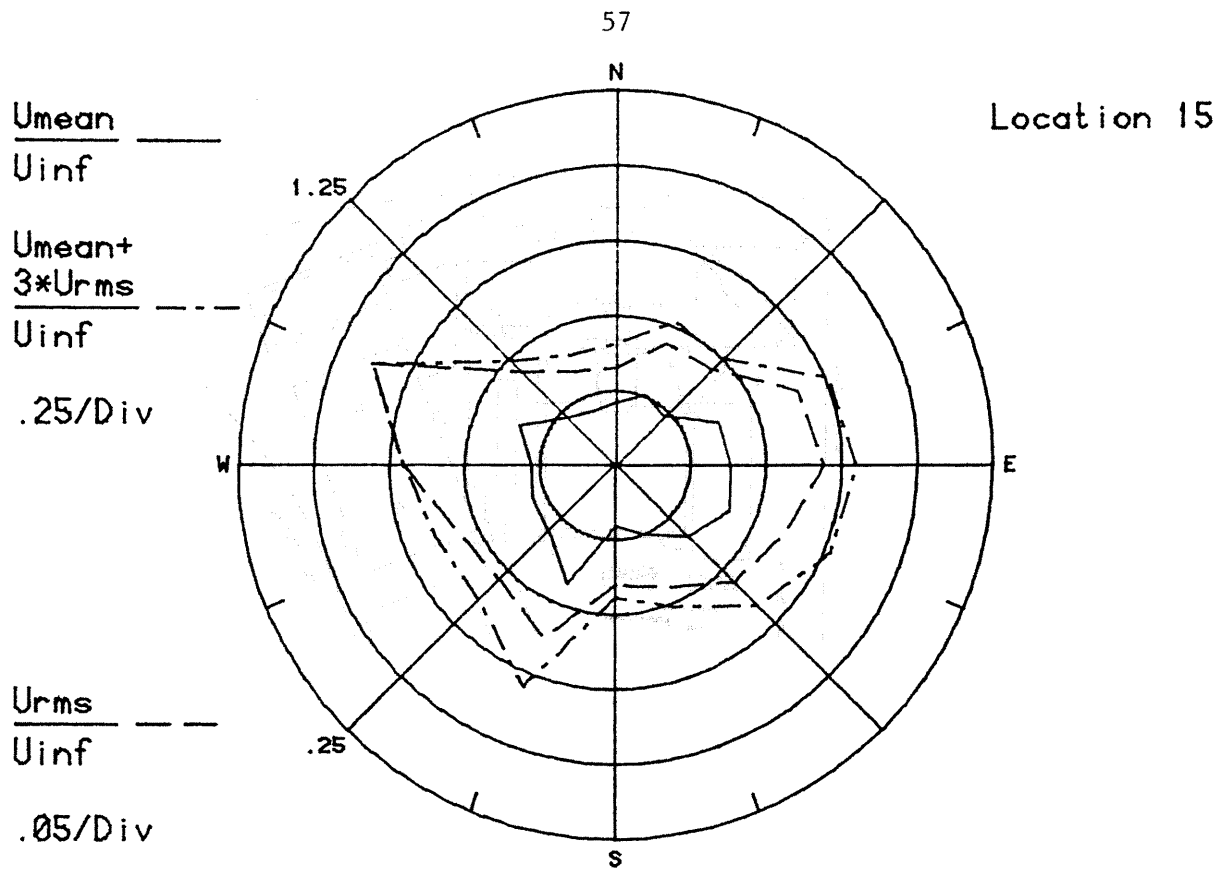


Figure 8h. Mean Velocities and Turbulence Intensities at Pedestrian Locations 15 and 16

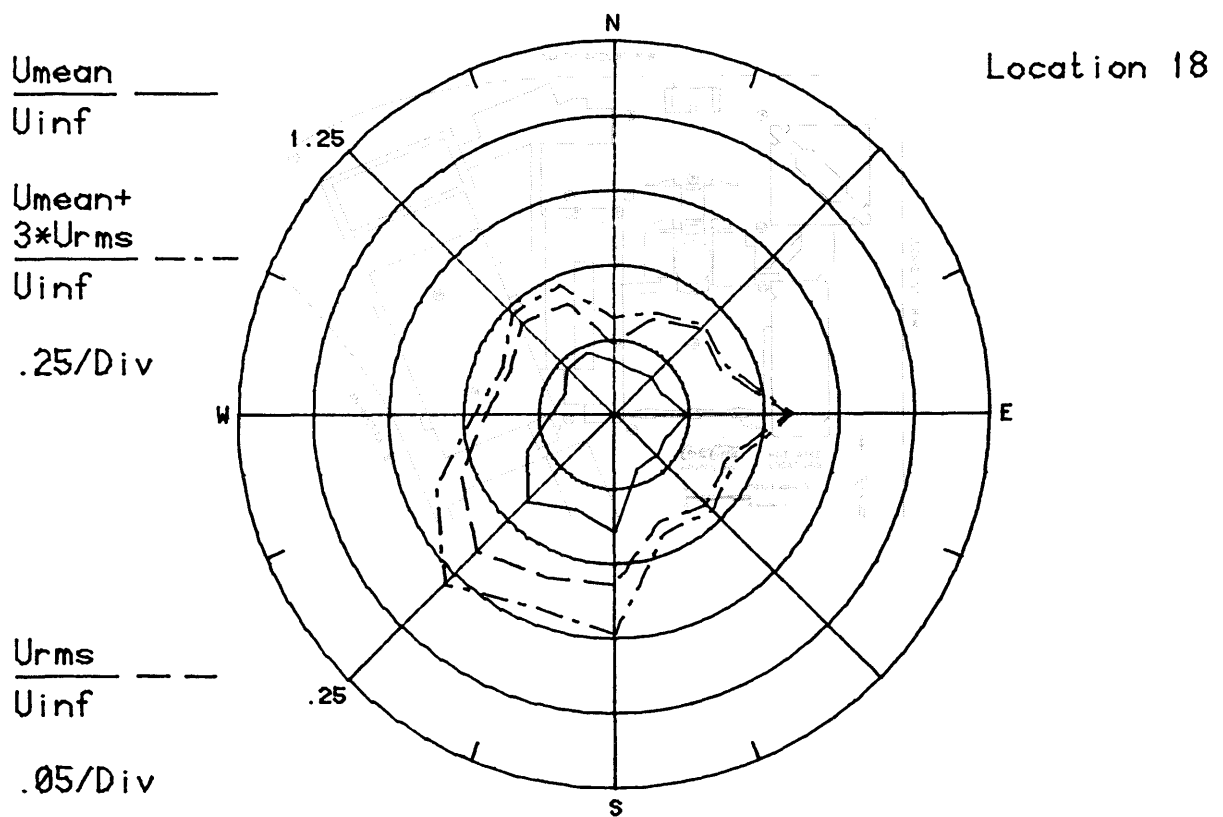
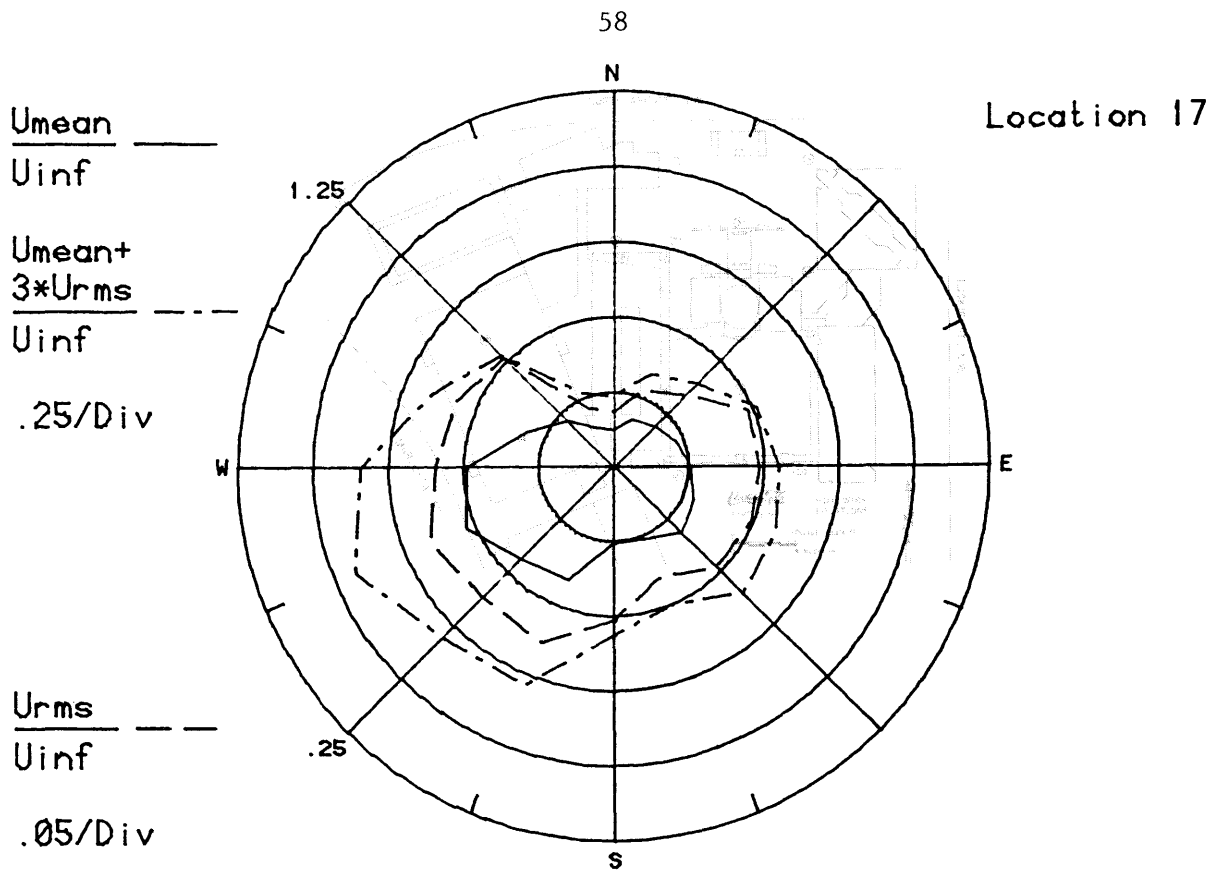
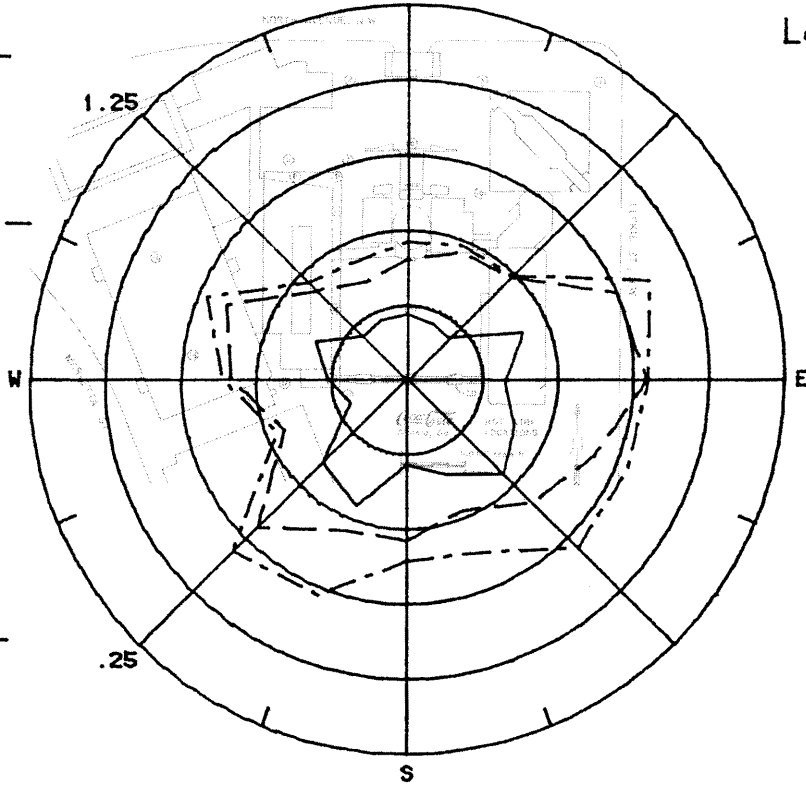


Figure 8i. Mean Velocities and Turbulence Intensities at Pedestrian Locations 17 and 18

$\frac{U_{mean}}{U_{inf}}$  ———  
 $U_{inf}$

Location 19

$\frac{U_{mean} + 3 \cdot U_{rms}}{U_{inf}}$  - - - -  
.25/Div

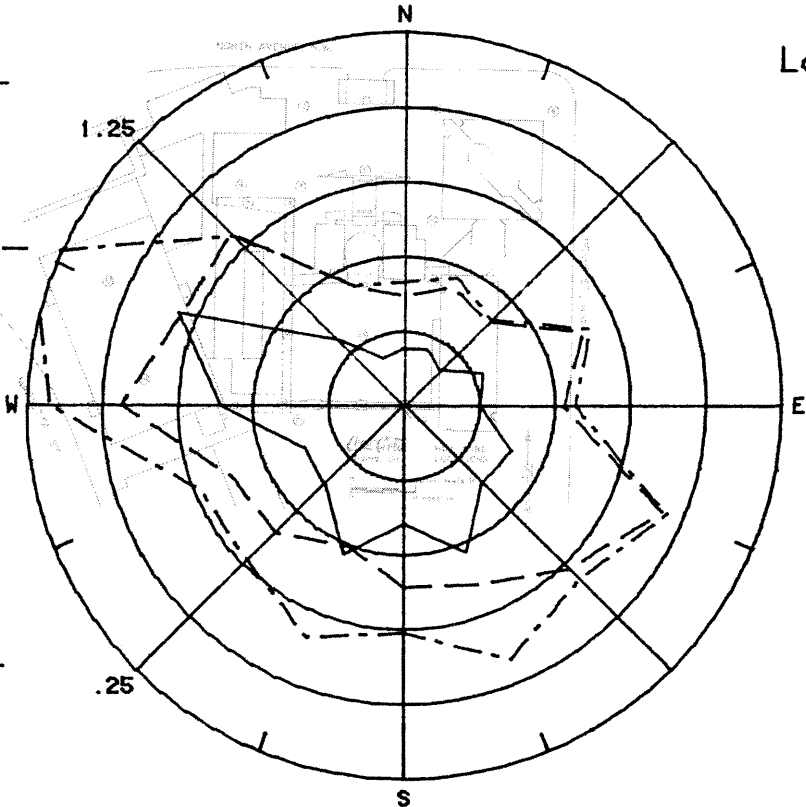


$\frac{U_{rms}}{U_{inf}}$  - - - -  
.05/Div

$\frac{U_{mean}}{U_{inf}}$  ———  
 $U_{inf}$

Location 20

$\frac{U_{mean} + 3 \cdot U_{rms}}{U_{inf}}$  - - - -  
.25/Div



$\frac{U_{rms}}{U_{inf}}$  - - - -  
.05/Div

Figure 8j. Mean Velocities and Turbulence Intensities at Pedestrian Locations 19 and 20

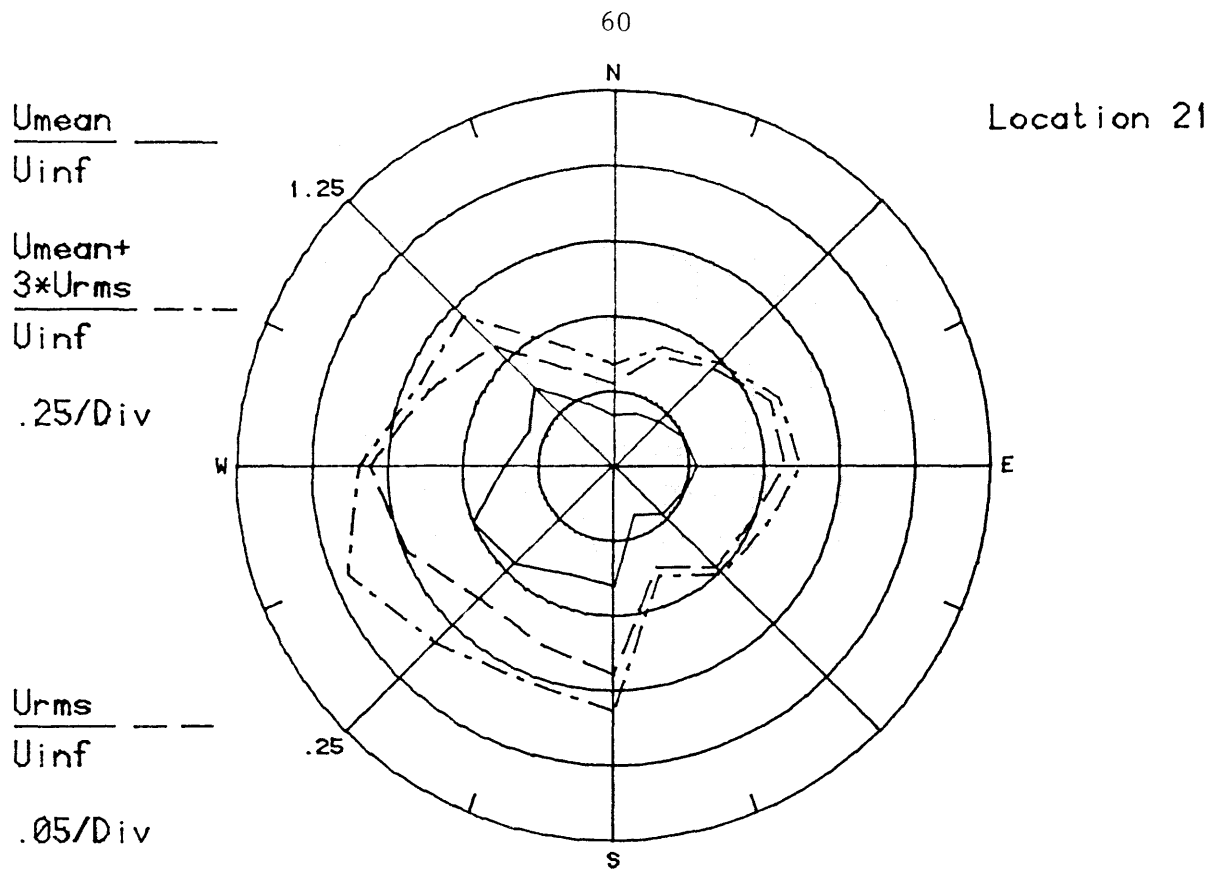


Figure 8k. Mean Velocities and Turbulence Intensities at Pedestrian Location 21

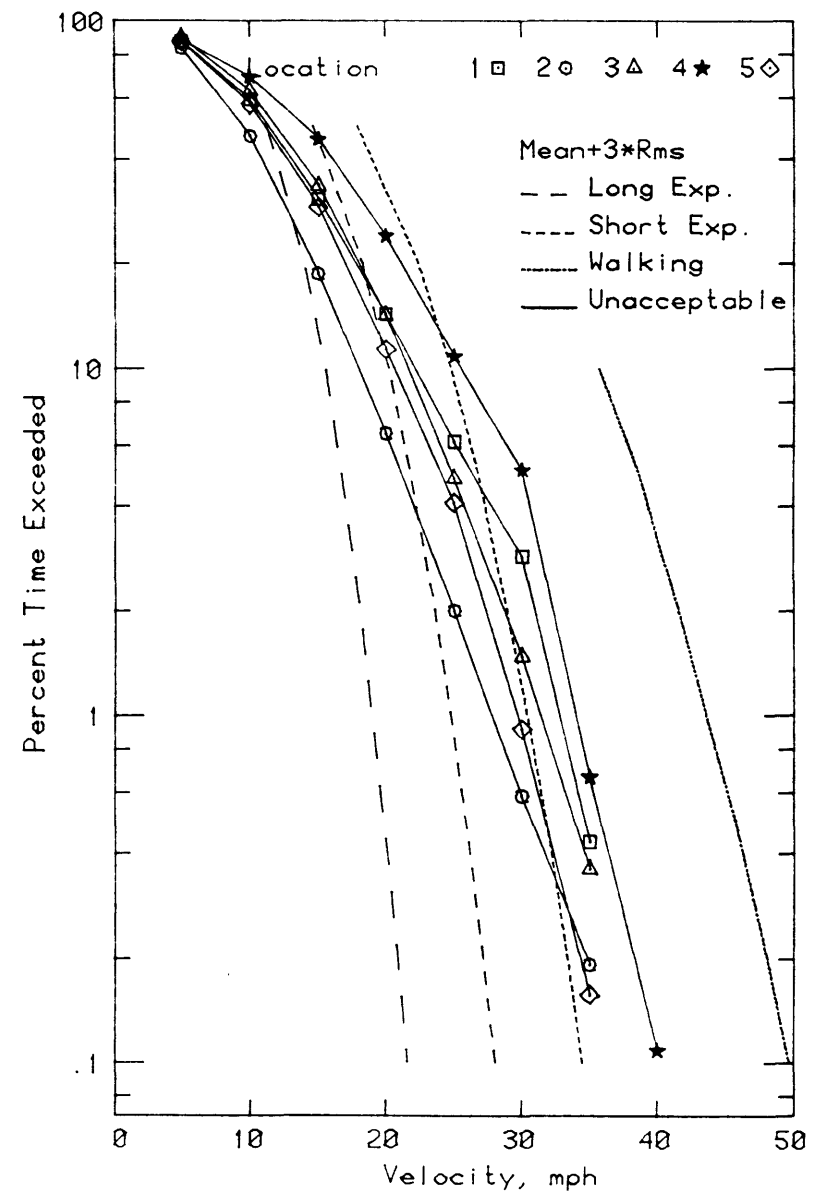
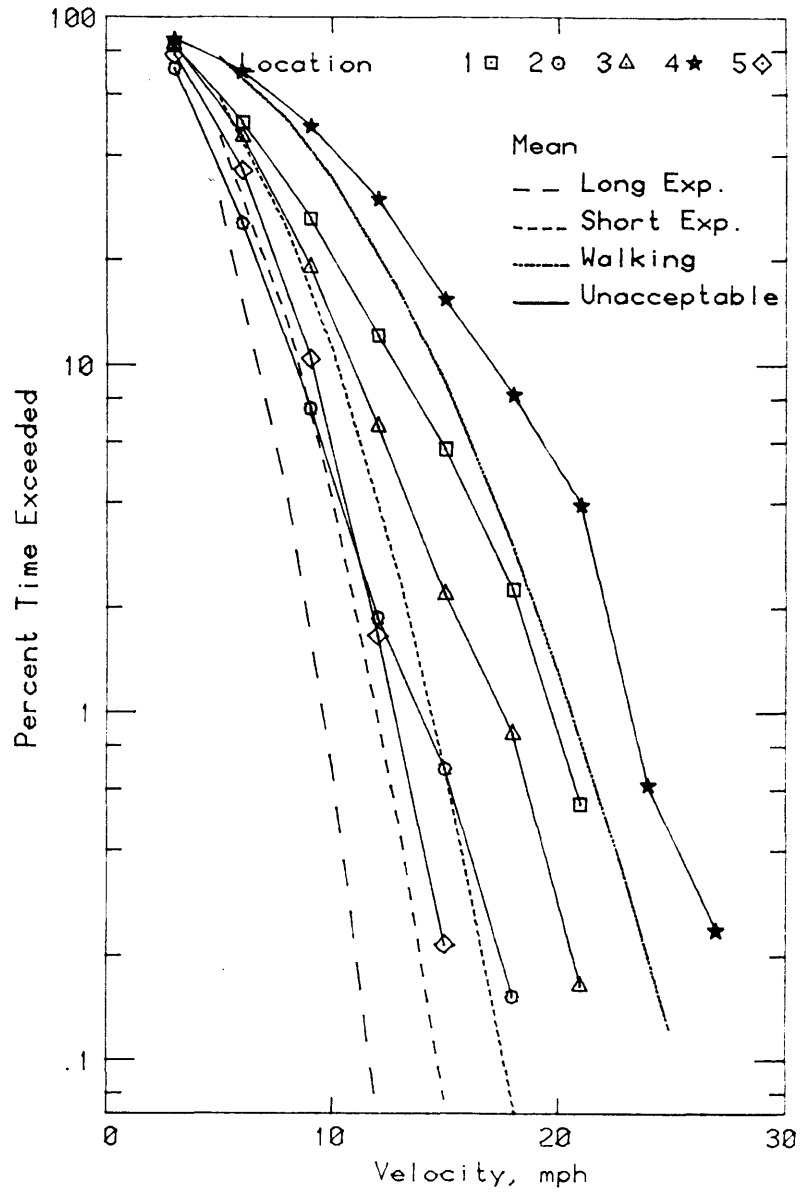


Figure 9a. Wind Velocity Probabilities for Pedestrian Locations



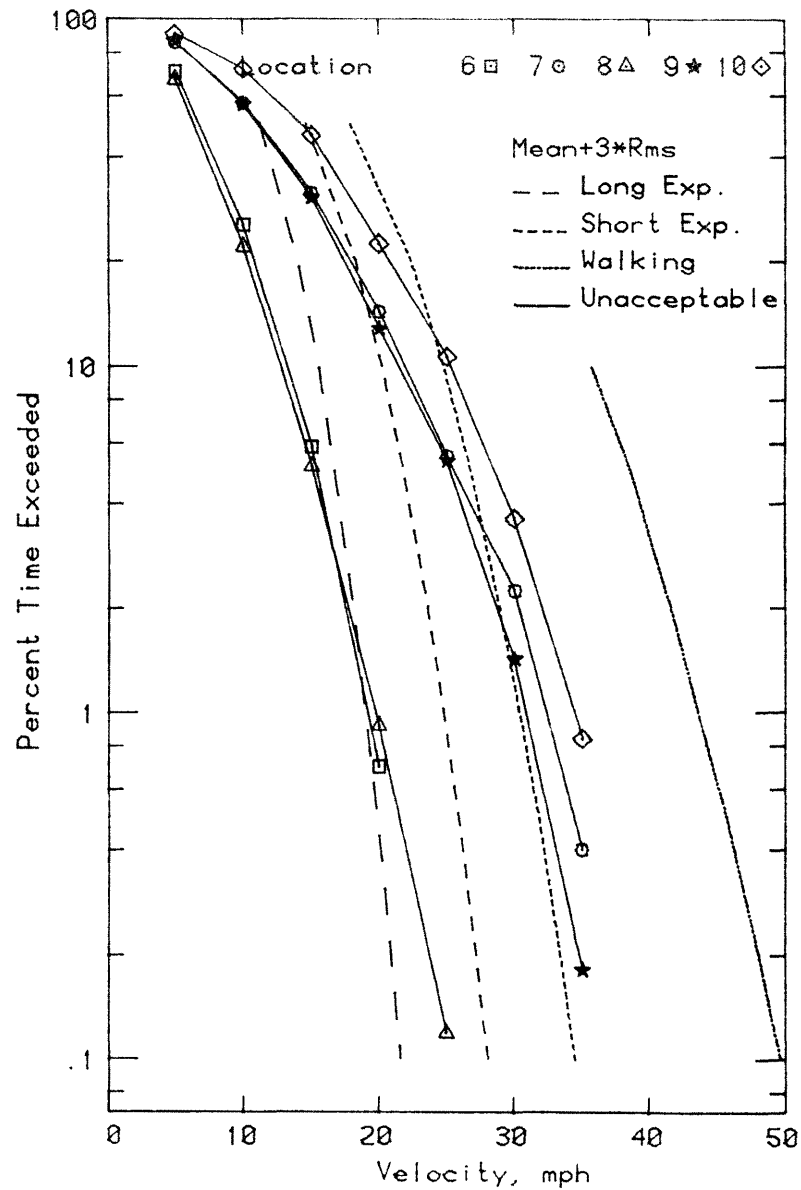
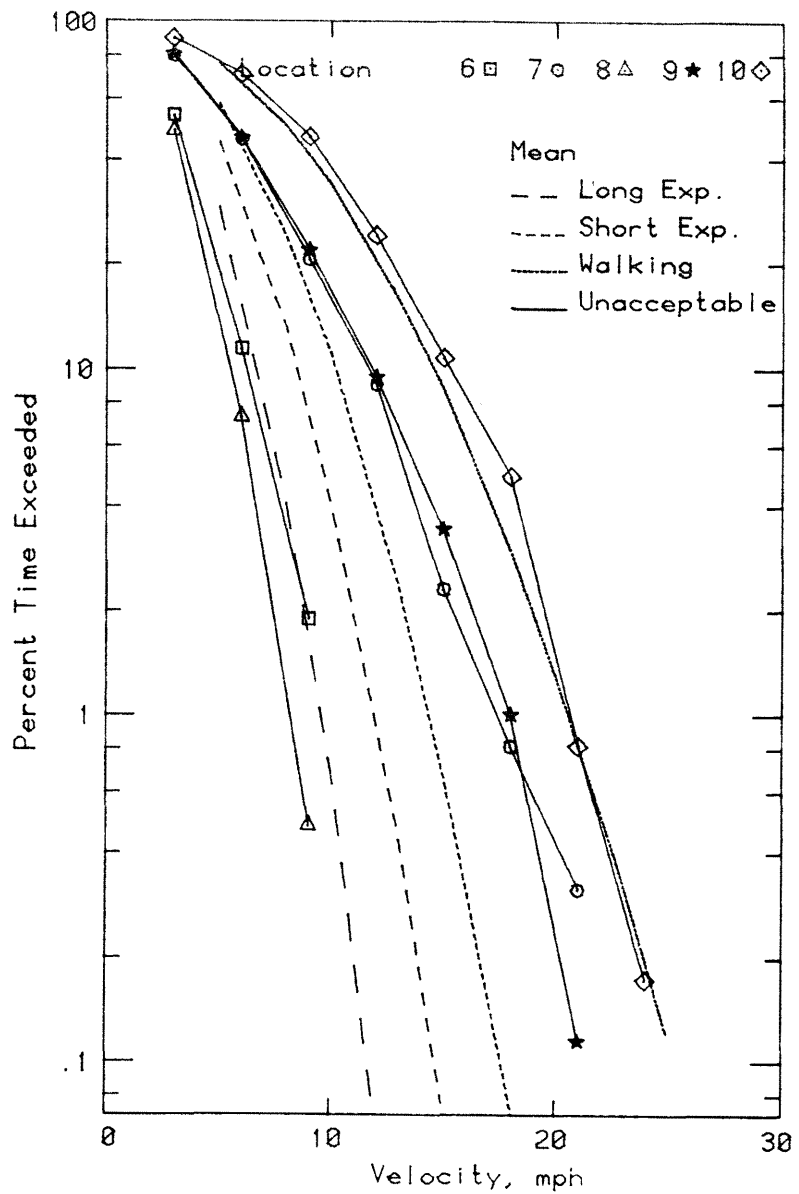


Figure 9b. Wind Velocity Probabilities for Pedestrian Locations

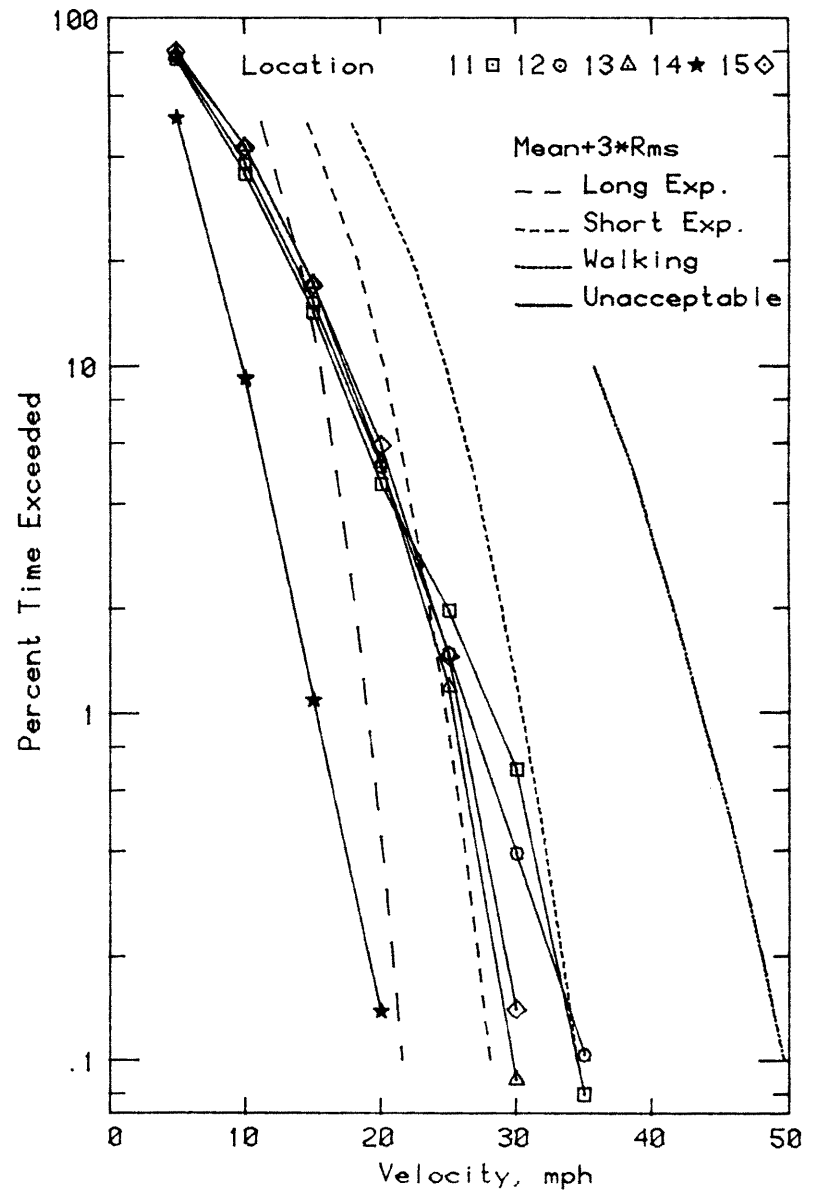
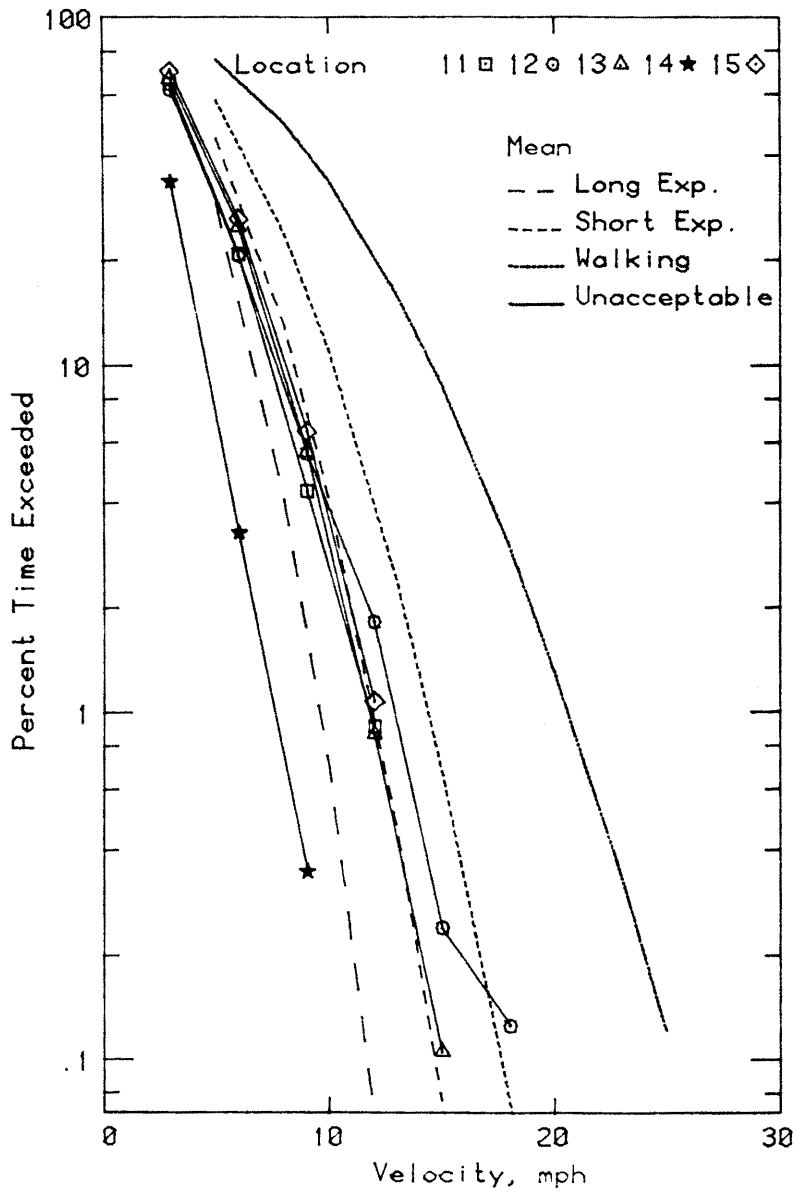


Figure 9c. Wind Velocity Probabilities for Pedestrian Locations

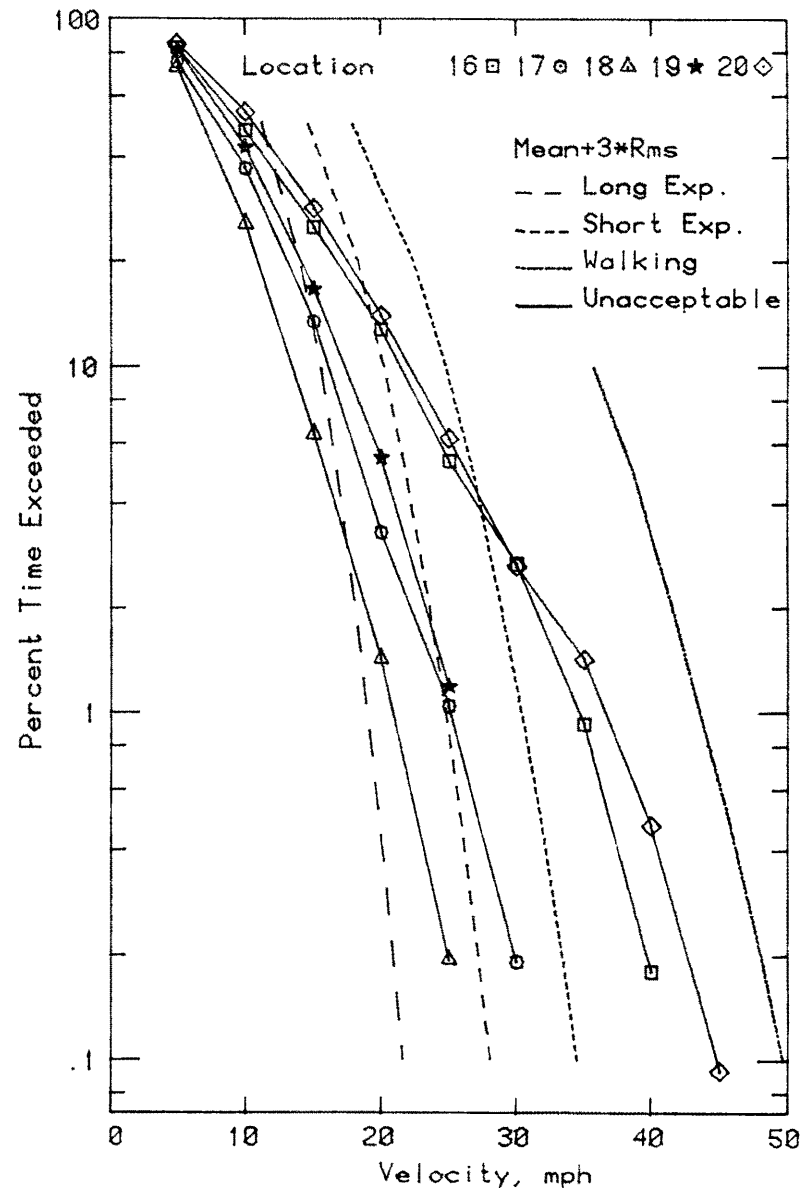
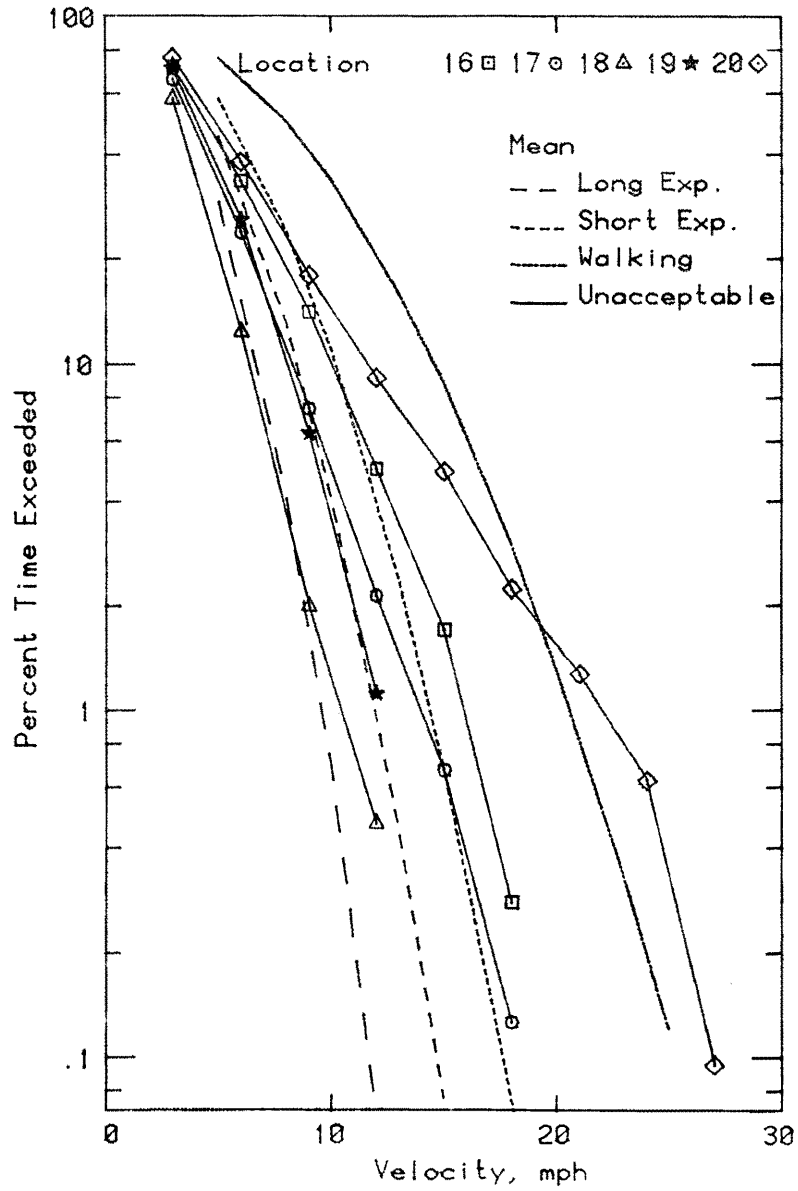


Figure 9d. Wind Velocity Probabilities for Pedestrian Locations

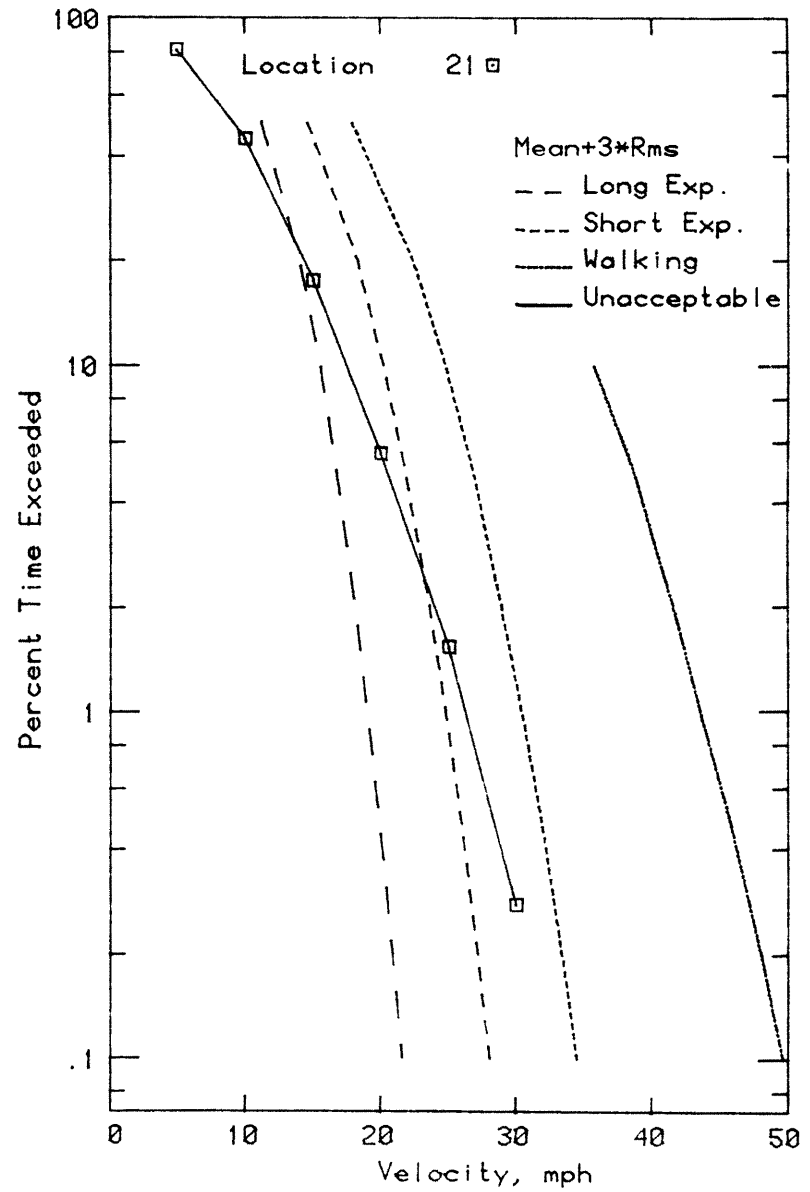
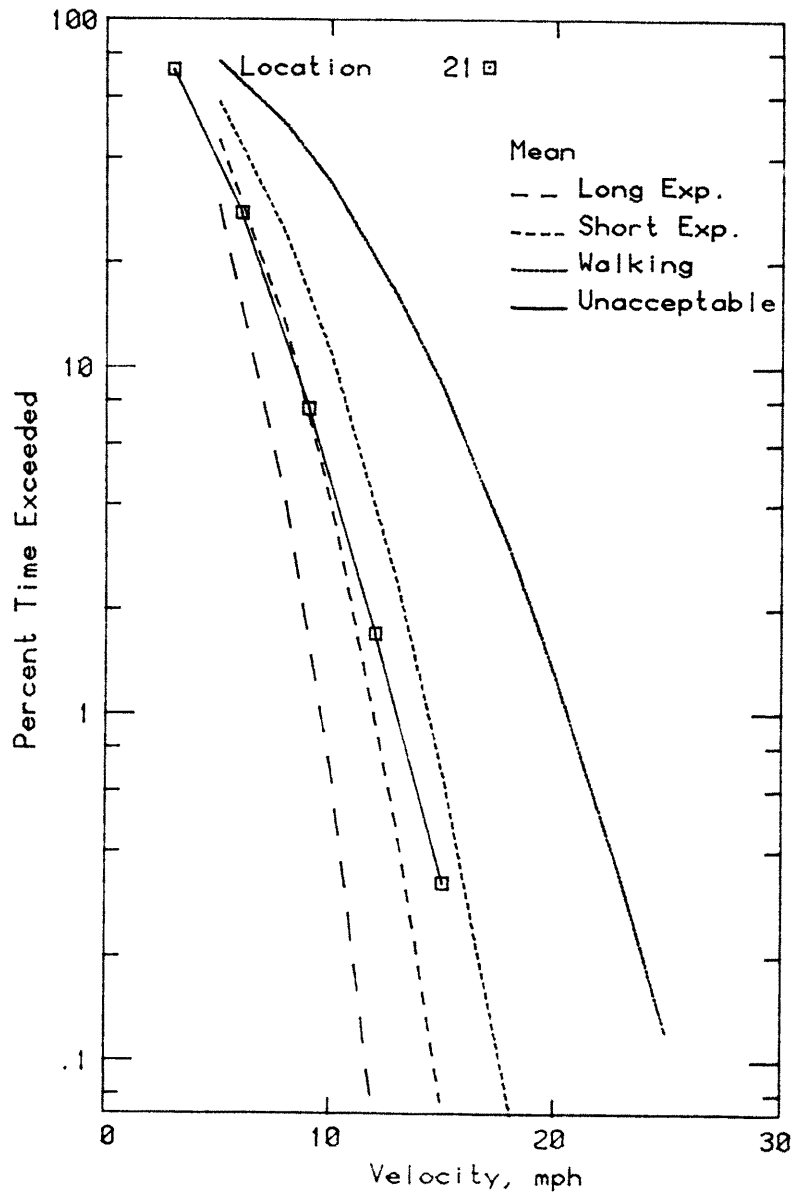
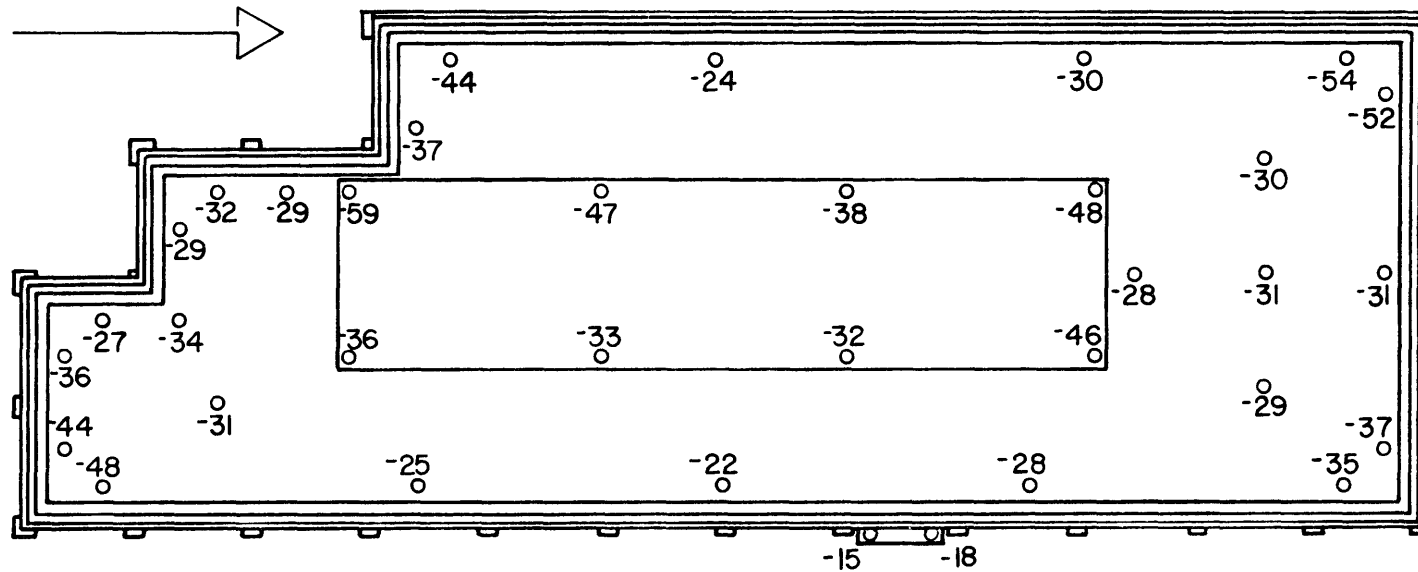
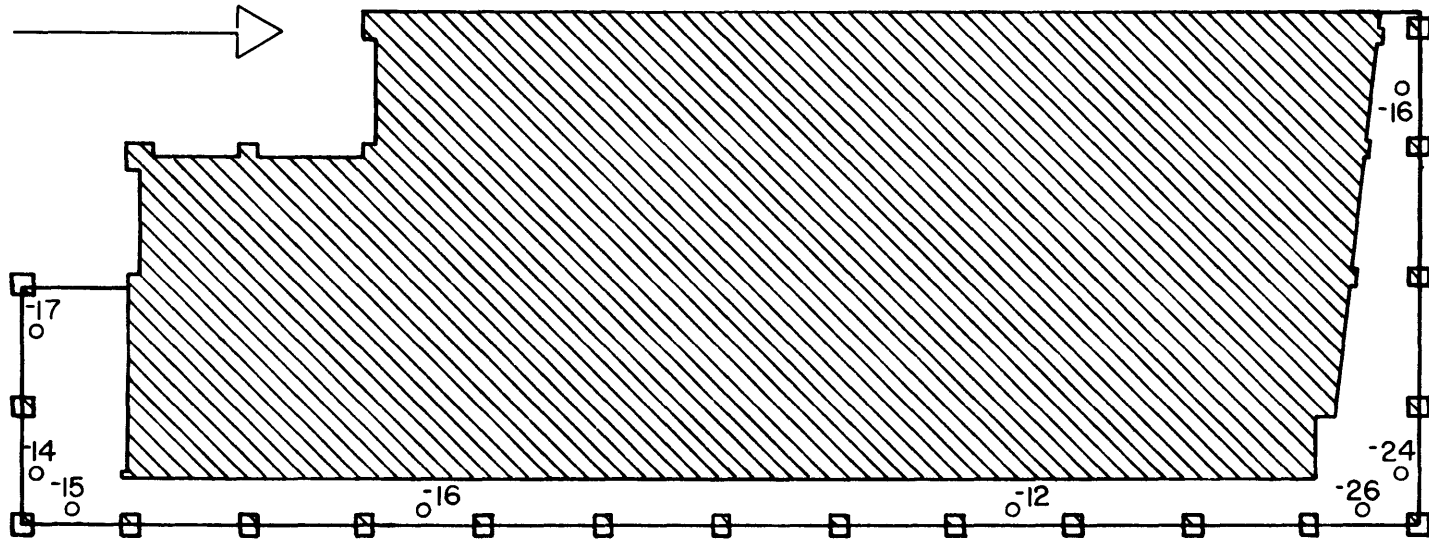


Figure 9e. Wind Velocity Probabilities for Pedestrian Locations



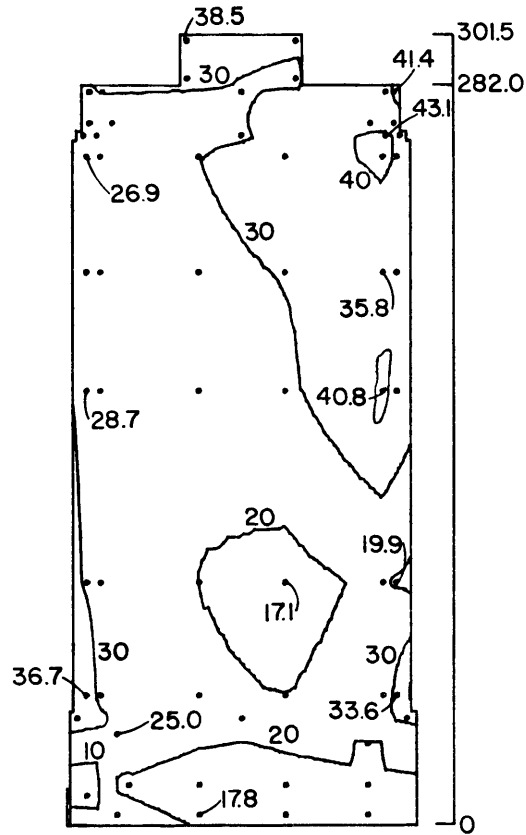
U.S.A. OFFICE BUILDING  
 ROOF VIEW  
 PEAK NEGATIVE CLADDING LOADS (PSF)  
 FOR 100 YEAR RECURRENCE WIND  
 WITH WIND DIRECTIONALITY  
 NEGATIVE LOADS ACT OUTWARDS  
 AVERAGE OF CONFIGURATIONS A & B

Figure 10a. Peak Pressure Contours on the Building for Cladding Loads



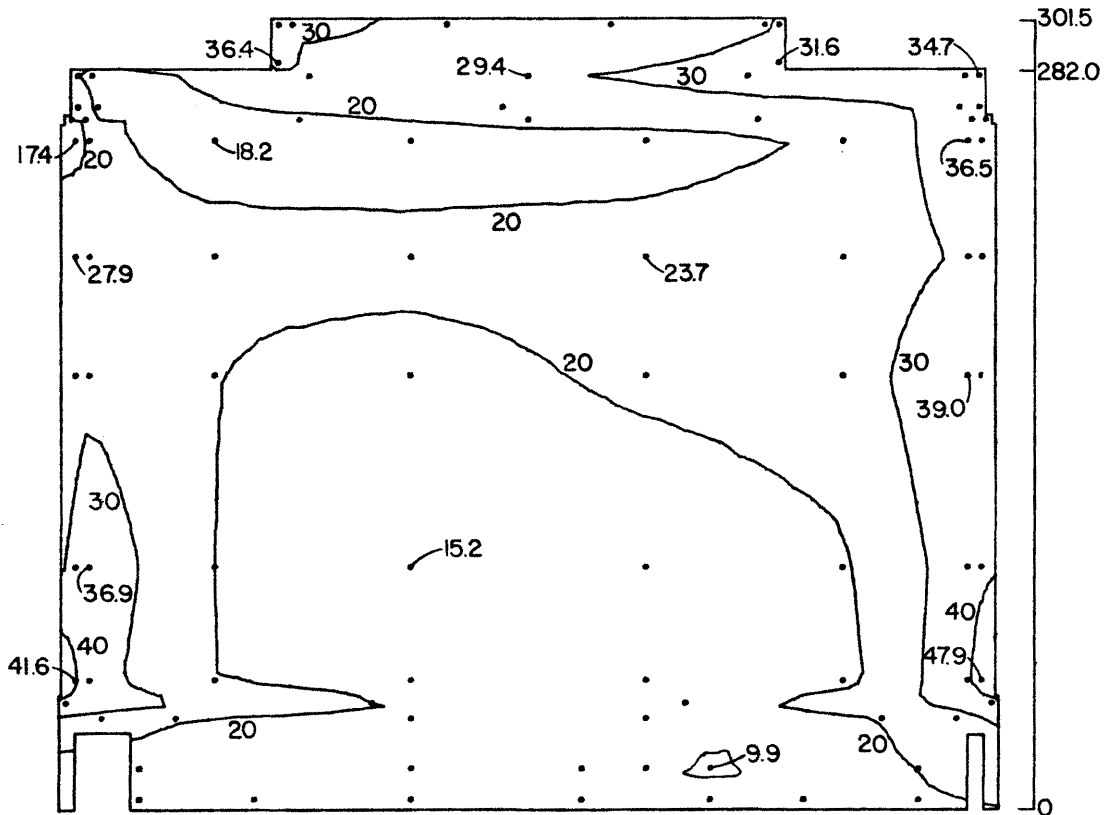
U.S.A. OFFICE BUILDING  
 SOFFIT VIEW  
 PEAK NEGATIVE CLADDING LOADS (PSF)  
 FOR 100 YEAR RECURRENCE WIND  
 WITH WIND DIRECTIONALITY  
 NEGATIVE LOADS ACT OUTWARDS  
 AVERAGE OF CONFIGURATIONS A & B

Figure 10b. Peak Pressure Contours on the Building for Cladding Loads



U.S.A. OFFICE BUILDING  
 NORTH ELEVATION  
 PEAK NEGATIVE CLADDING LOADS (PSF)  
 FOR 100 YEAR RECURRENCE WIND  
 WITH WIND DIRECTIONALITY  
 NEGATIVE LOADS ACT OUTWARDS  
 AVERAGE OF CONFIGURATIONS A & B

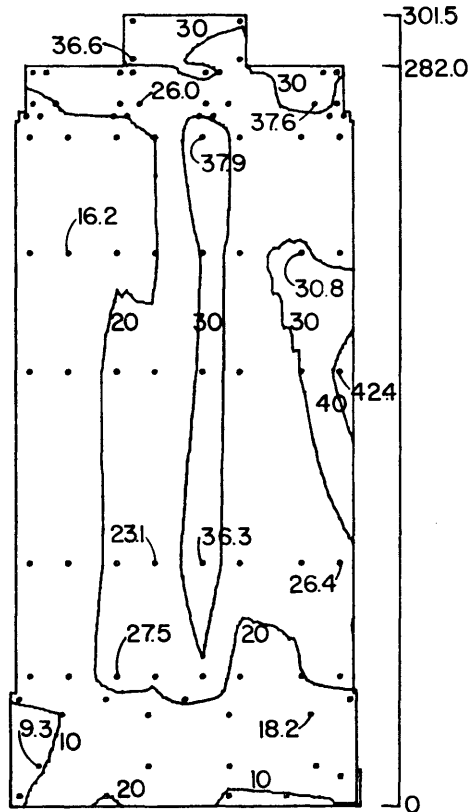
Figure 10c. Peak Pressure Contours on the Building for Cladding Loads



U.S.A. OFFICE BUILDING  
 EAST ELEVATION  
 PEAK NEGATIVE CLADDING LOADS (PSF)  
 FOR 100 YEAR RECURRENCE WIND  
 WITH WIND DIRECTIONALITY  
 NEGATIVE LOADS ACT OUTWARDS  
 AVERAGE OF CONFIGURATIONS A & B

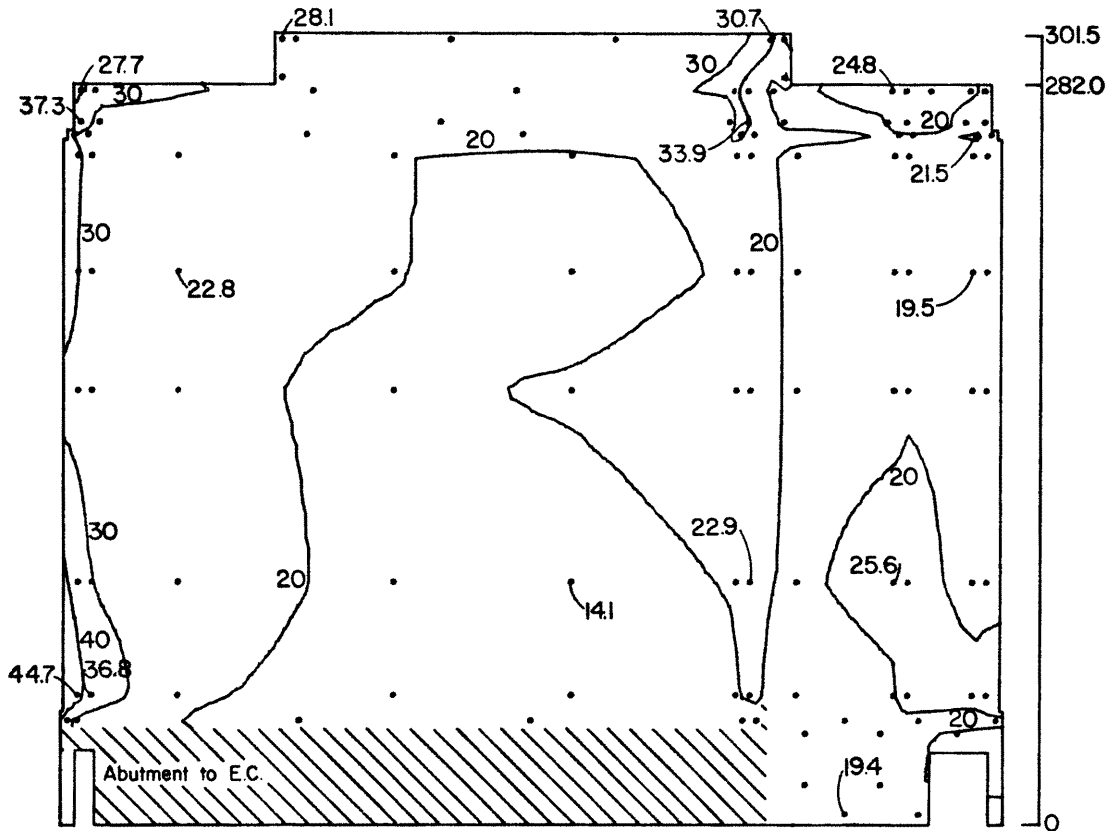
Figure 10d. Peak Pressure Contours on the Building for Cladding Loads





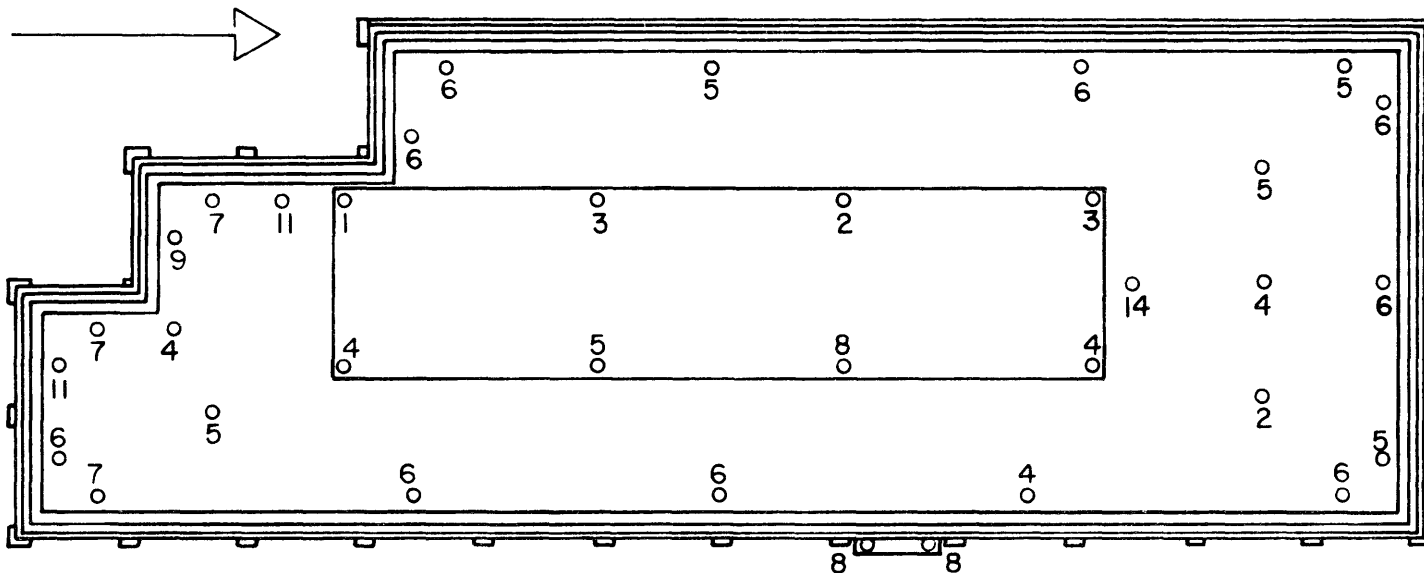
U.S.A. OFFICE BUILDING  
 SOUTH ELEVATION  
 PEAK NEGATIVE CLADDING LOADS (PSF)  
 FOR 100 YEAR RECURRENCE WIND  
 WITH WIND DIRECTIONALITY  
 NEGATIVE LOADS ACT OUTWARDS  
 AVERAGE OF CONFIGURATIONS A & B

Figure 10e. Peak Pressure Contours on the Building for Cladding Loads



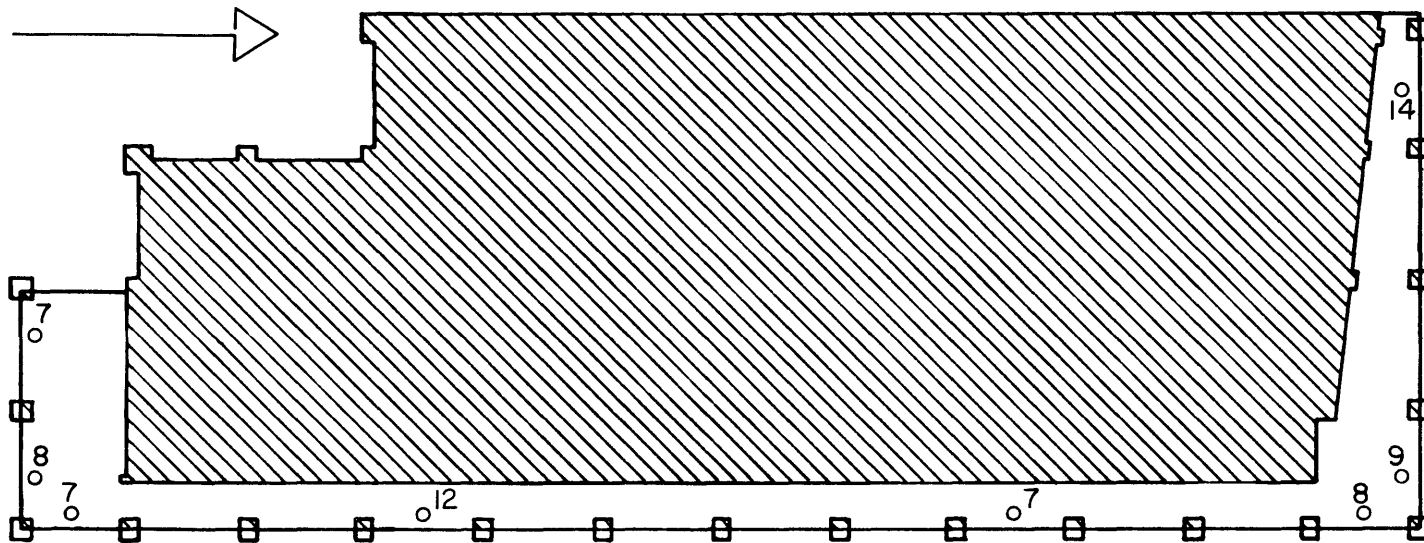
U.S.A. OFFICE BUILDING  
 WEST ELEVATION  
 PEAK NEGATIVE CLADDING LOADS (PSF)  
 FOR 100 YEAR RECURRENCE WIND  
 WITH WIND DIRECTIONALITY  
 NEGATIVE LOADS ACT OUTWARDS  
 AVERAGE OF CONFIGURATIONS A & B

Figure 10f. Peak Pressure Contours on the Building for Cladding Loads



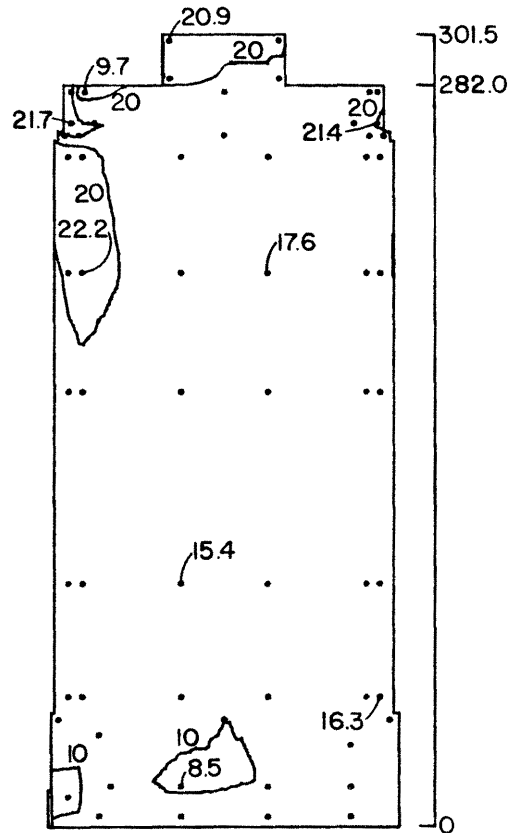
U.S.A. OFFICE BUILDING  
 ROOF VIEW  
 PEAK POSITIVE CLADDING LOADS (PSF)  
 FOR 100 YEAR RECURRENCE WIND  
 WITH WIND DIRECTIONALITY  
 POSITIVE LOADS ACT INWARDS  
 AVERAGE OF CONFIGURATIONS A & B

Figure 10g. Peak Pressure Contours on the Building for Cladding Loads



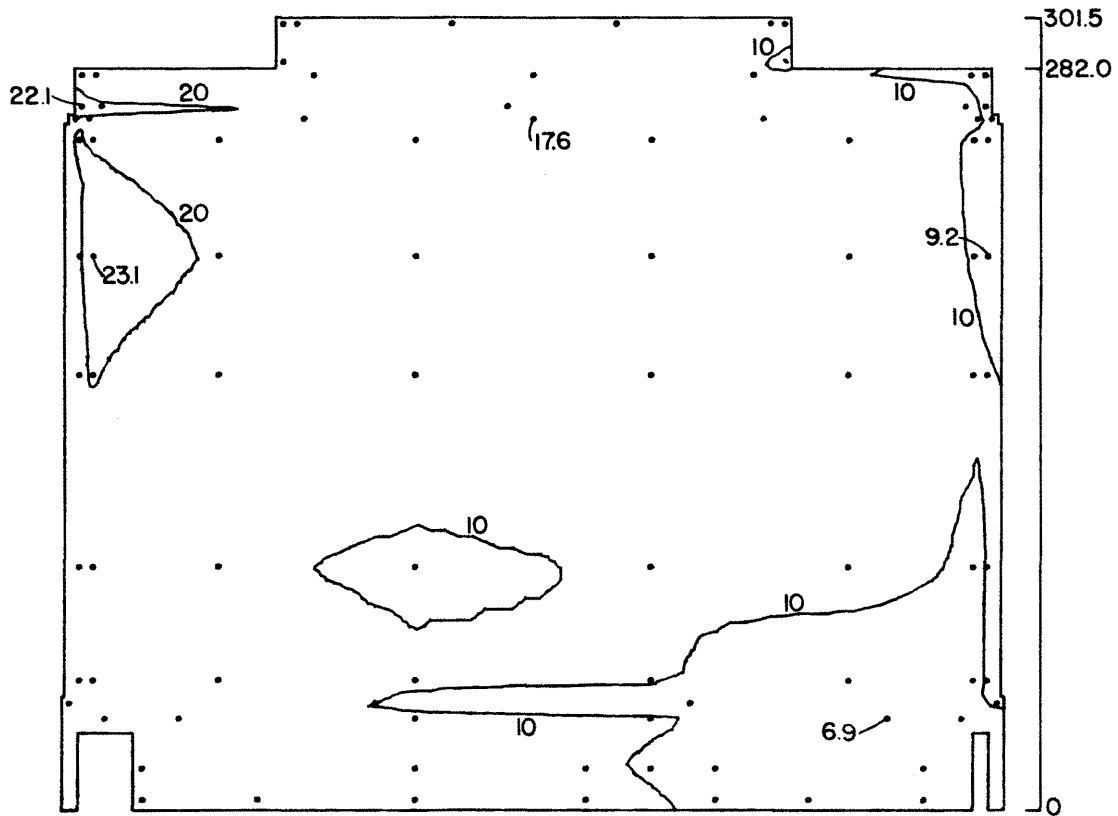
U.S.A. OFFICE BUILDING  
 SOFFIT VIEW  
 PEAK POSITIVE CLADDING LOADS (PSF)  
 FOR 100 YEAR RECURRENCE WIND  
 WITH WIND DIRECTIONALITY  
 POSITIVE LOADS ACT INWARDS  
 AVERAGE OF CONFIGURATIONS A & B

Figure 10h. Peak Pressure Contours on the Building for Cladding Loads



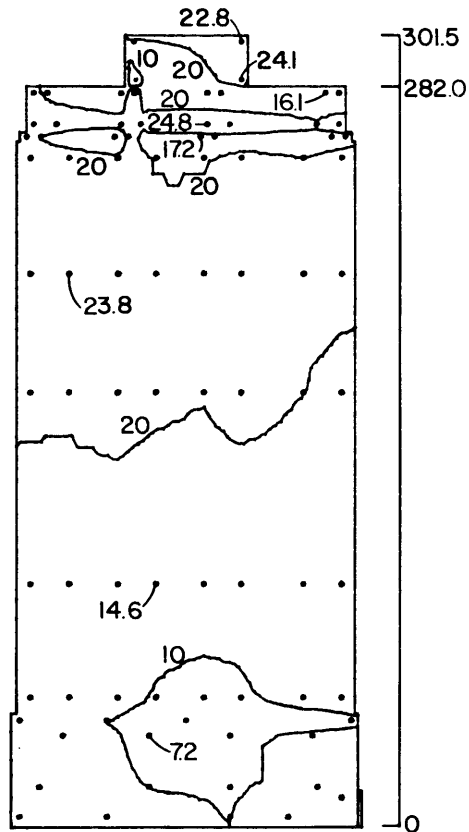
U.S.A. OFFICE BUILDING  
 NORTH ELEVATION  
 PEAK POSITIVE CLADDING LOADS (PSF)  
 FOR 100 YEAR RECURRENCE WIND  
 WITH WIND DIRECTIONALITY  
 POSITIVE LOADS ACT INWARDS  
 AVERAGE OF CONFIGURATIONS A & B

Figure 10i. Peak Pressure Contours on the Building for Cladding Loads



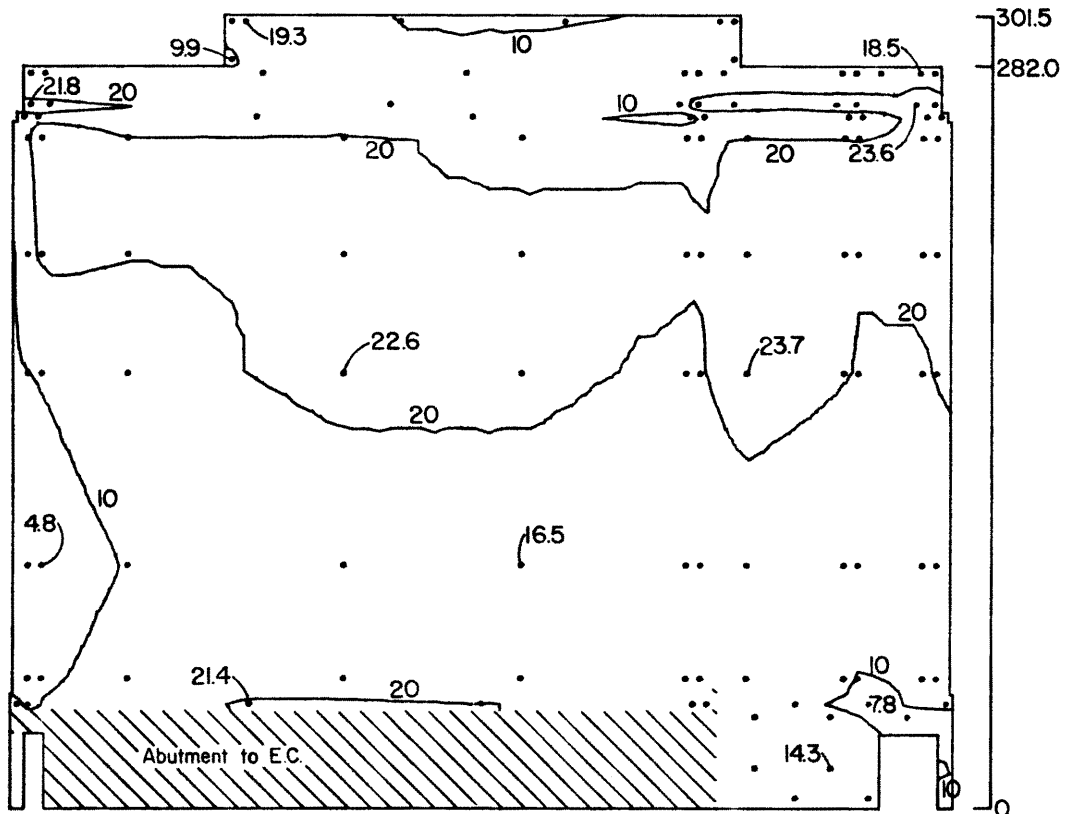
U.S.A. OFFICE BUILDING  
 EAST ELEVATION  
 PEAK POSITIVE CLADDING LOADS (PSF)  
 FOR 100 YEAR RECURRENCE WIND  
 WITH WIND DIRECTIONALITY  
 POSITIVE LOADS ACT INWARDS  
 AVERAGE OF CONFIGURATIONS A & B

Figure 10j. Peak Pressure Contours on the Building for Cladding Loads



U.S.A. OFFICE BUILDING  
 SOUTH ELEVATION  
 PEAK POSITIVE CLADDING LOADS (PSF)  
 FOR 100 YEAR RECURRENCE WIND  
 WITH WIND DIRECTIONALITY  
 POSITIVE LOADS ACT INWARDS  
 AVERAGE OF CONFIGURATIONS A & B

Figure 10k. Peak Pressure Contours on the Building for Cladding Loads



U.S.A. OFFICE BUILDING  
 WEST ELEVATION  
 PEAK POSITIVE CLADDING LOADS (PSF)  
 FOR 100 YEAR RECURRENCE WIND  
 WITH WIND DIRECTIONALITY  
 POSITIVE LOADS ACT INWARDS  
 AVERAGE OF CONFIGURATIONS A & B

Figure 101. Peak Pressure Contours on the Building for Cladding Loads



CENTRAL RECEIVING FACILITY  
 ROOF VIEW  
 PEAK NEGATIVE CLADDING LOADS (PSF)  
 FOR 100 YEAR RECURRENCE WIND  
 WITH WIND DIRECTIONALITY  
 NEGATIVE LOADS ACT OUTWARDS  
 AVERAGE OF CONFIGURATIONS A & B

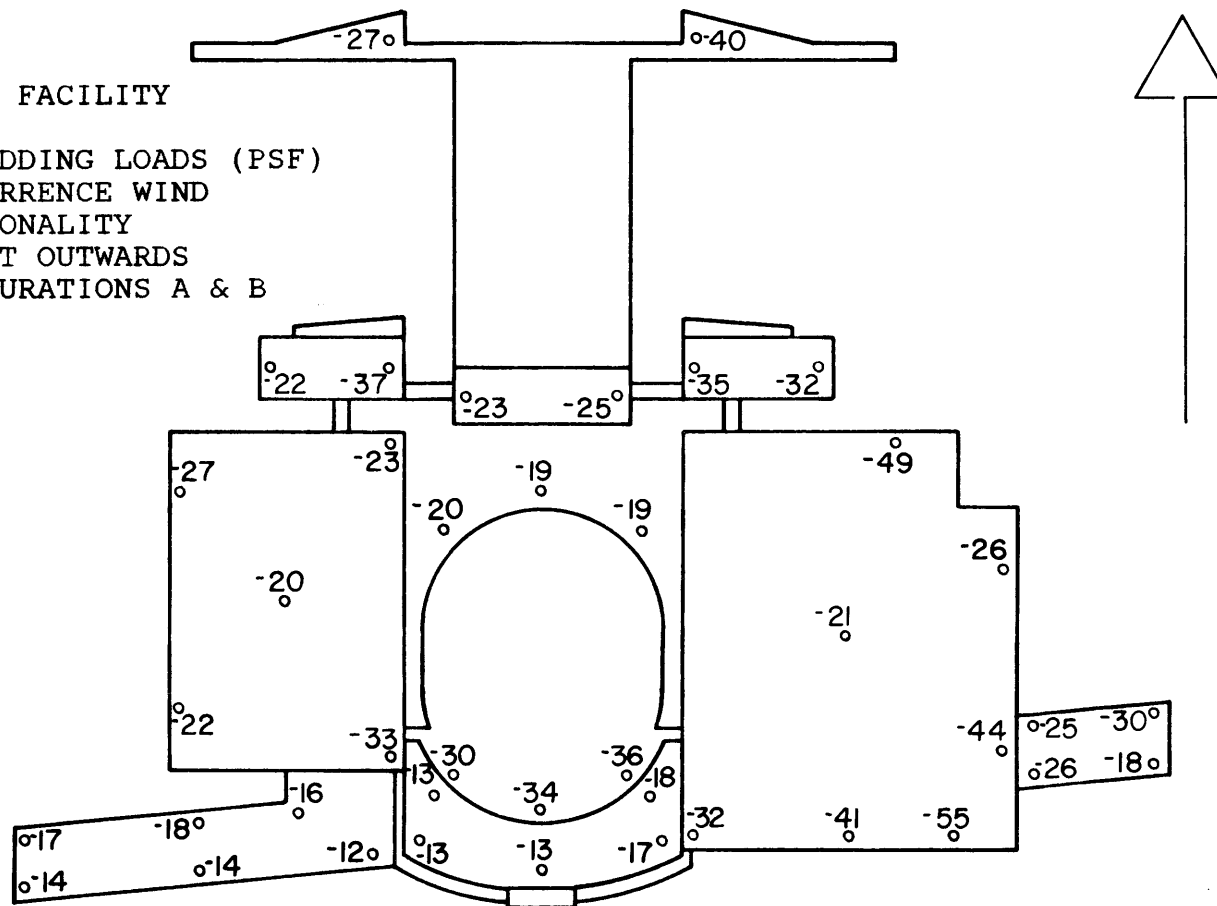
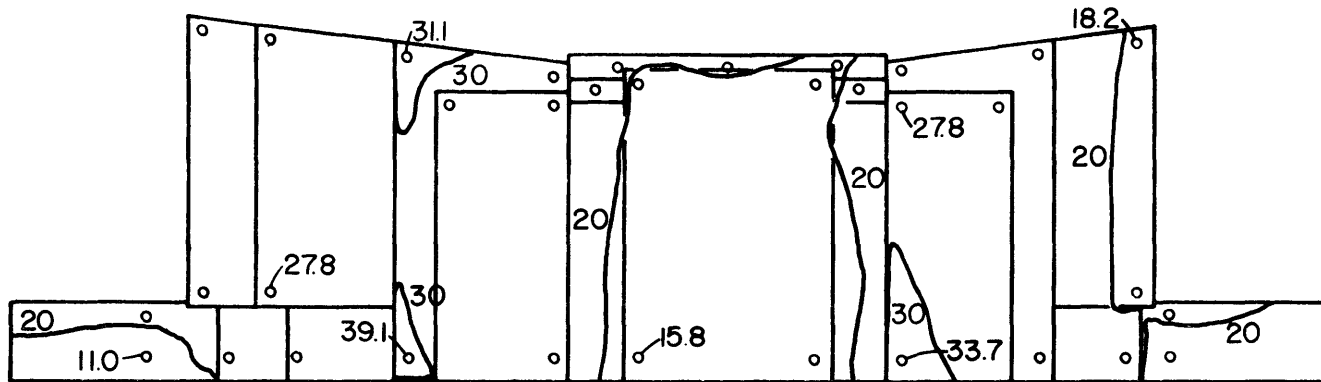
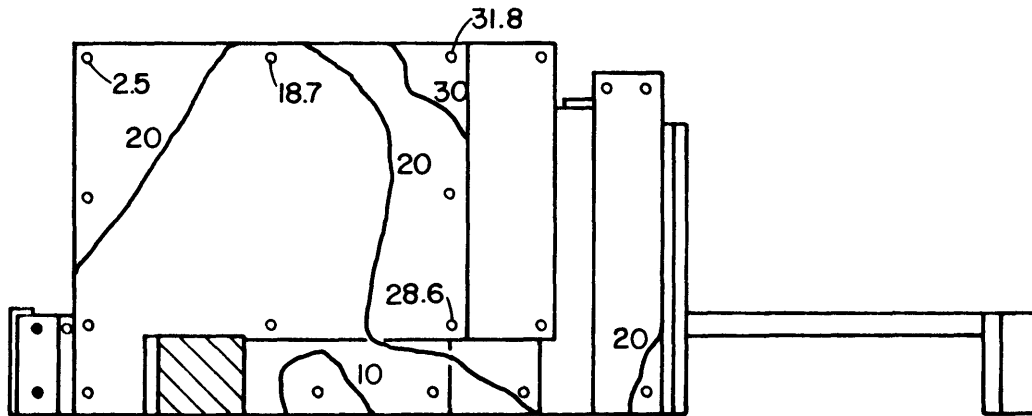


Figure 10m. Peak Pressure Contours on the Building for Cladding Loads



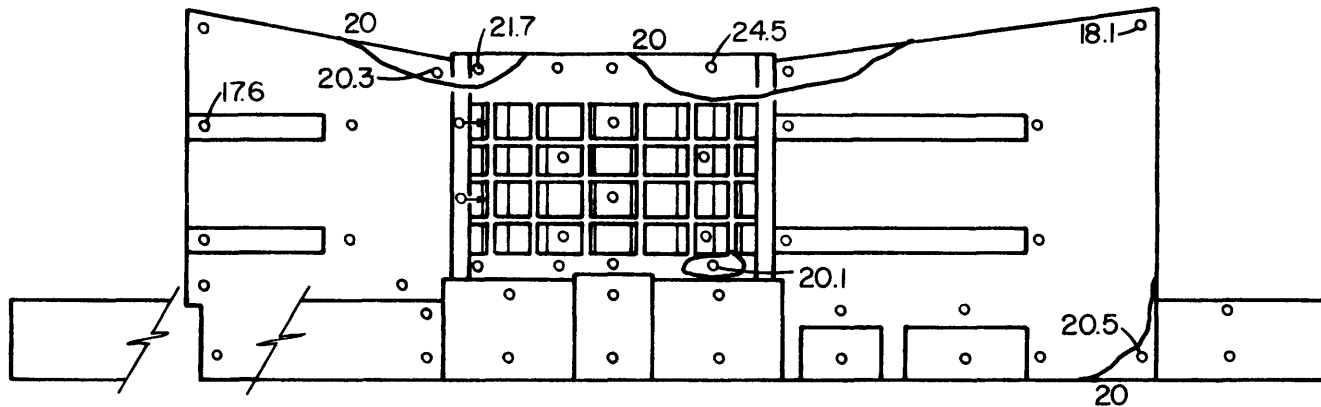
CENTRAL RECEIVING FACILITY  
 NORTH ELEVATION  
 PEAK NEGATIVE CLADDING LOADS (PSF)  
 FOR 100 YEAR RECURRENCE WIND  
 WITH WIND DIRECTIONALITY  
 NEGATIVE LOADS ACT OUTWARDS  
 AVERAGE OF CONFIGURATIONS A & B

Figure 10n. Peak Pressure Contours on the Building for Cladding Loads



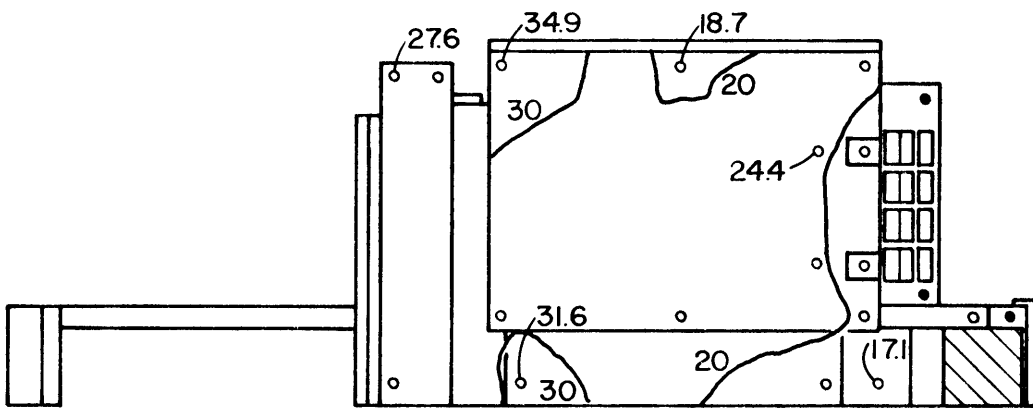
CENTRAL RECEIVING FACILITY  
 EAST ELEVATION  
 PEAK NEGATIVE CLADDING LOADS (PSF)  
 FOR 100 YEAR RECURRENCE WIND  
 WITH WIND DIRECTIONALITY  
 NEGATIVE LOADS ACT OUTWARDS  
 AVERAGE OF CONFIGURATIONS A & B

Figure 10o. Peak Pressure Contours on the Building for Cladding Loads



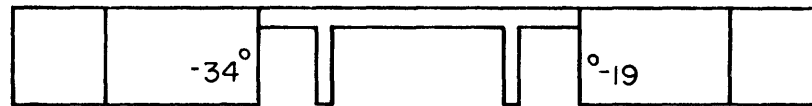
CENTRAL RECEIVING FACILITY  
 SOUTH ELEVATION  
 PEAK NEGATIVE CLADDING LOADS (PSF)  
 FOR 100 YEAR RECURRENCE WIND  
 WITH WIND DIRECTIONALITY  
 NEGATIVE LOADS ACT OUTWARDS  
 AVERAGE OF CONFIGURATIONS A & B

Figure 10p. Peak Pressure Contours on the Building for Cladding Loads

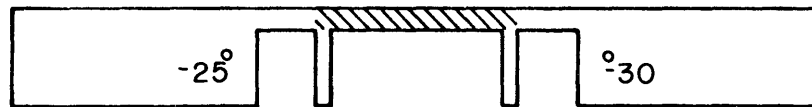


CENTRAL RECEIVING FACILITY  
 WEST ELEVATION  
 PEAK NEGATIVE CLADDING LOADS (PSF)  
 FOR 100 YEAR RECURRENCE WIND  
 WITH WIND DIRECTIONALITY  
 NEGATIVE LOADS ACT OUTWARDS  
 AVERAGE OF CONFIGURATIONS A & B

Figure 10q. Peak Pressure Contours on the Building for Cladding Loads



NORTH ELEVATION



SOUTH ELEVATION

CENTRAL RECEIVING FACILITY  
 PORTE COCHERE  
 PEAK NEGATIVE CLADDING LOADS (PSF)  
 FOR 100 YEAR RECURRENCE WIND  
 WITH WIND DIRECTIONALITY  
 NEGATIVE LOADS ACT OUTWARDS  
 AVERAGE OF CONFIGURATIONS A & B

Figure 10r. Peak Pressure Contours on the Building for Cladding Loads

CENTRAL RECEIVING FACILITY  
 ROOF VIEW  
 PEAK POSITIVE CLADDING LOADS (PSF)  
 FOR 100 YEAR RECURRENCE WIND  
 WITH WIND DIRECTIONALITY  
 POSITIVE LOADS ACT INWARDS  
 AVERAGE OF CONFIGURATIONS A & B

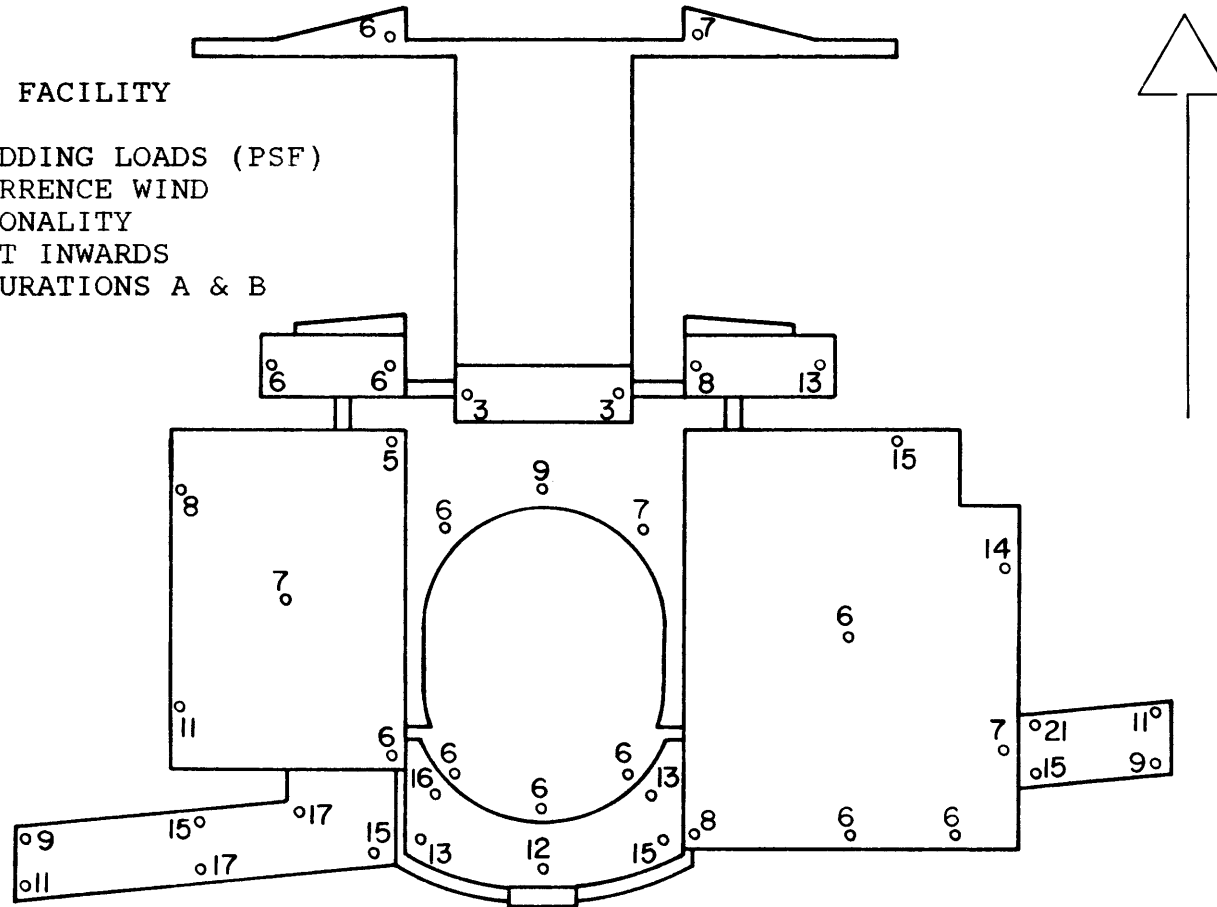
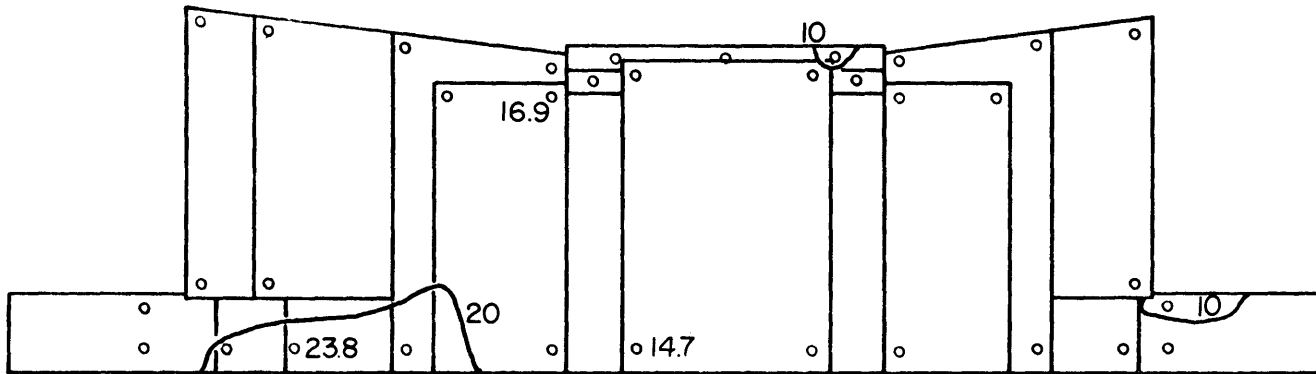


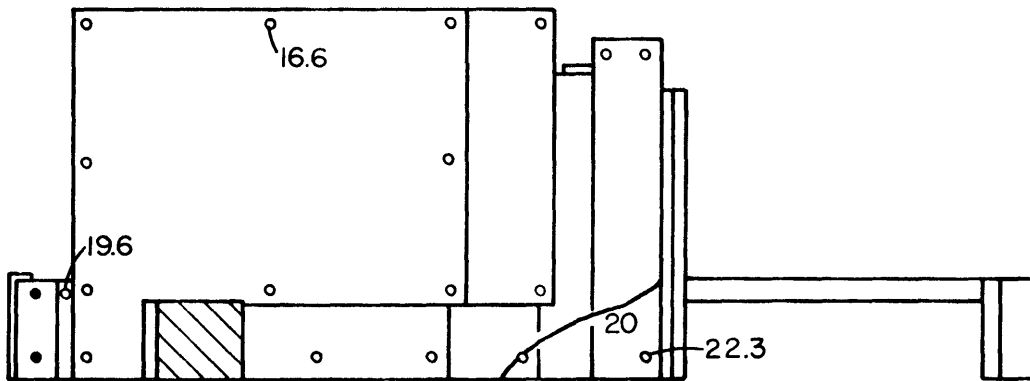
Figure 10s. Peak Pressure Contours on the Building for Cladding Loads



CENTRAL RECEIVING FACILITY  
 NORTH ELEVATION  
 PEAK POSITIVE CLADDING LOADS (PSF)  
 FOR 100 YEAR RECURRENCE WIND  
 WITH WIND DIRECTIONALITY  
 POSITIVE LOADS ACT INWARDS  
 AVERAGE OF CONFIGURATIONS A & B

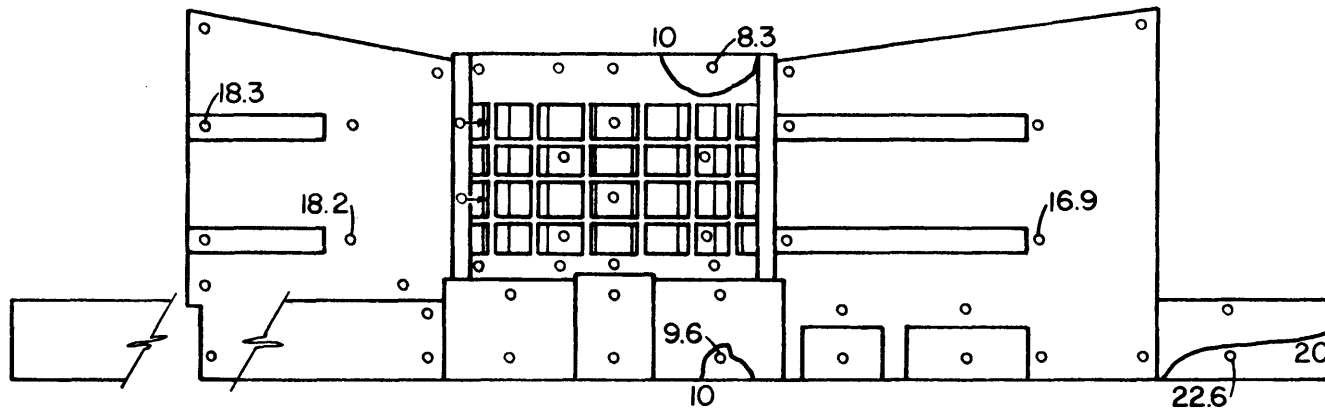
Figure 10t. Peak Pressure Contours on the Building for Cladding Loads





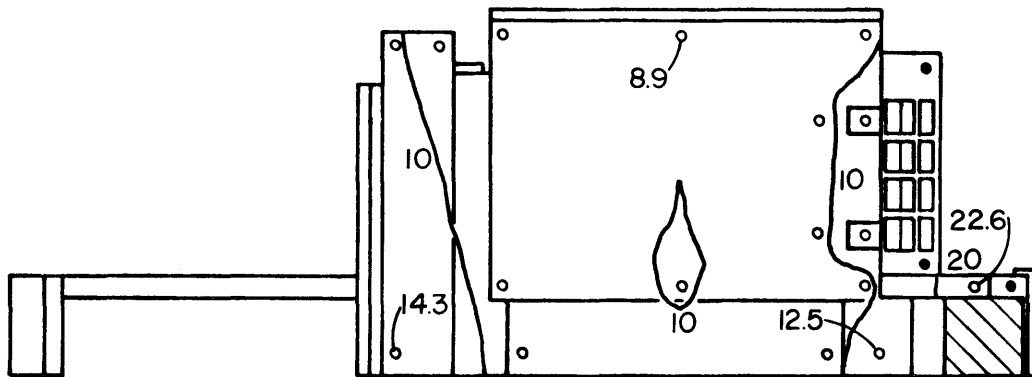
CENTRAL RECEIVING FACILITY  
 EAST ELEVATION  
 PEAK POSITIVE CLADDING LOADS (PSF)  
 FOR 100 YEAR RECURRENCE WIND  
 WITH WIND DIRECTIONALITY  
 POSITIVE LOADS ACT INWARDS  
 AVERAGE OF CONFIGURATIONS A & B

Figure 10u. Peak Pressure Contours on the Building for Cladding Loads



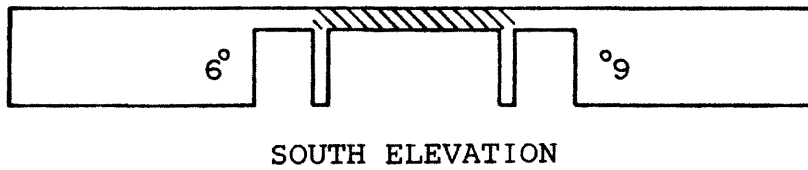
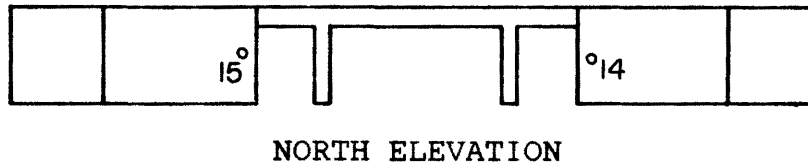
CENTRAL RECEIVING FACILITY  
 SOUTH ELEVATION  
 PEAK POSITIVE CLADDING LOADS (PSF)  
 FOR 100 YEAR RECURRENCE WIND  
 WITH WIND DIRECTIONALITY  
 POSITIVE LOADS ACT INWARDS  
 AVERAGE OF CONFIGURATIONS A & B

Figure 10v. Peak Pressure Contours on the Building for Cladding Loads



CENTRAL RECEIVING FACILITY  
 WEST ELEVATION  
 PEAK POSITIVE CLADDING LOADS (PSF)  
 FOR 100 YEAR RECURRENCE WIND  
 WITH WIND DIRECTIONALITY  
 POSITIVE LOADS ACT INWARDS  
 AVERAGE OF CONFIGURATIONS A & B

Figure 10w. Peak Pressure Contours on the Building for Cladding Loads



CENTRAL RECEIVING FACILITY  
 PORTE COCHERE  
 PEAK POSITIVE CLADDING LOADS (PSF)  
 FOR 100 YEAR RECURRENCE WIND  
 WITH WIND DIRECTIONALITY  
 POSITIVE LOADS ACT INWARDS  
 AVERAGE OF CONFIGURATIONS A & B

Figure 10x. Peak Pressure Contours on the Building for Cladding Loads

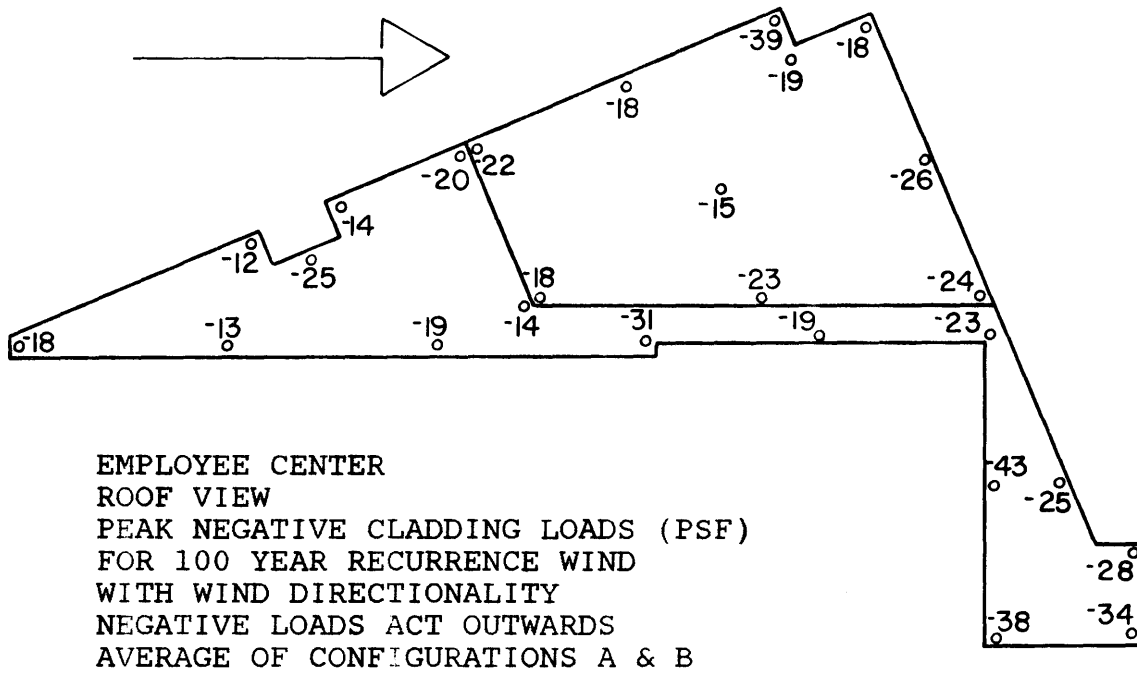
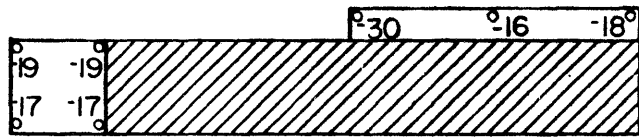
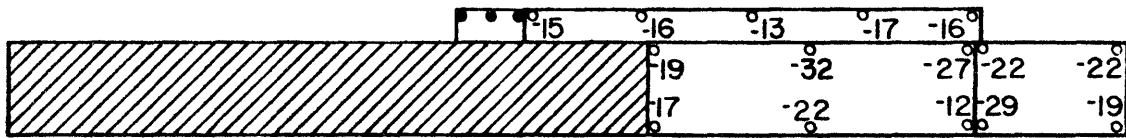


Figure 10y. Peak Pressure Contours on the Building for Cladding Loads



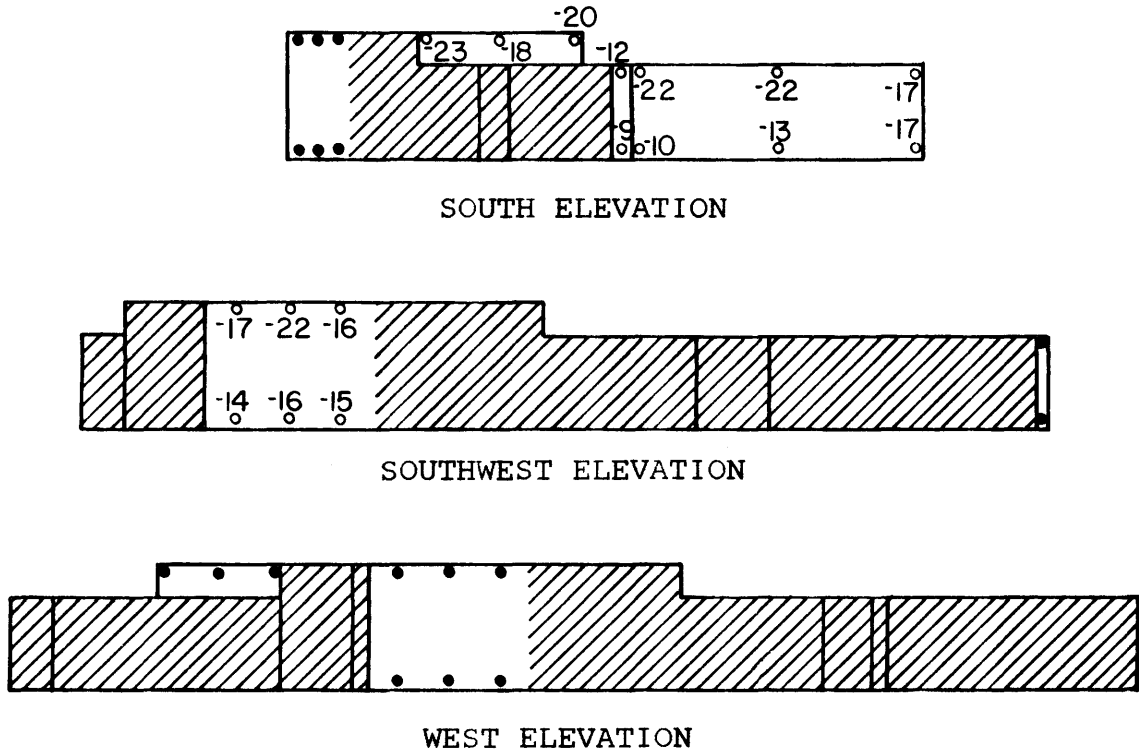
NORTH ELEVATION



EAST ELEVATION

EMPLOYEE CENTER  
 PEAK NEGATIVE CLADDING LOADS (PSF)  
 FOR 100 YEAR RECURRENCE WIND  
 WITH WIND DIRECTIONALITY  
 NEGATIVE LOADS ACT OUTWARDS  
 AVERAGE OF CONFIGURATIONS A & B

Figure 10z. Peak Pressure Contours on the Building for Cladding Loads



EMPLOYEE CENTER  
 PEAK NEGATIVE CLADDING LOADS (PSF)  
 FOR 100 YEAR RECURRENCE WIND  
 WITH WIND DIRECTIONALITY  
 NEGATIVE LOADS ACT OUTWARDS  
 AVERAGE OF CONFIGURATIONS A & B

Figure 10aa. Peak Pressure Contours on the Building for Cladding Loads

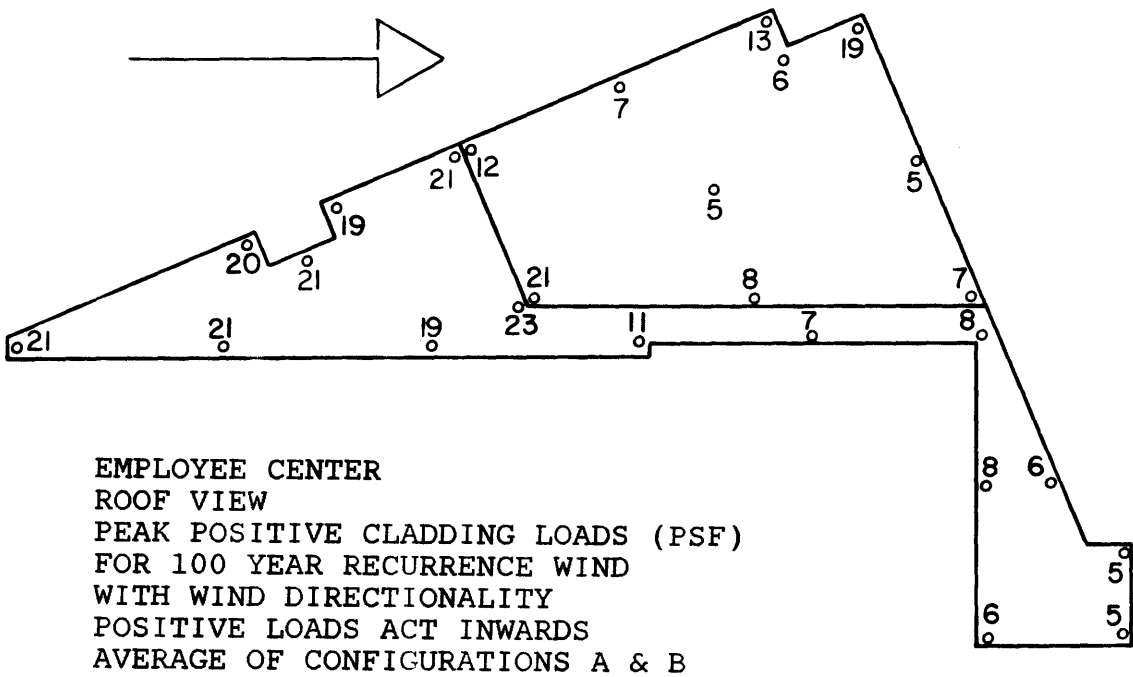
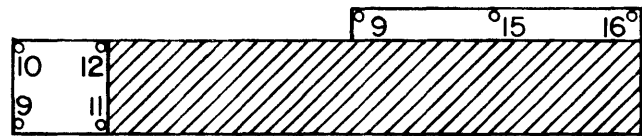
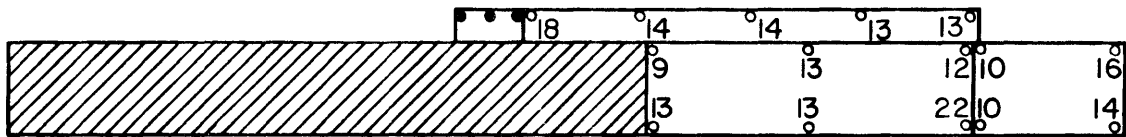


Figure 10bb. Peak Pressure Contours on the Building for Cladding Loads





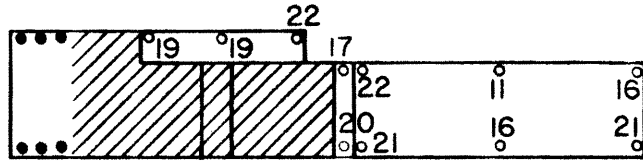
NORTH ELEVATION



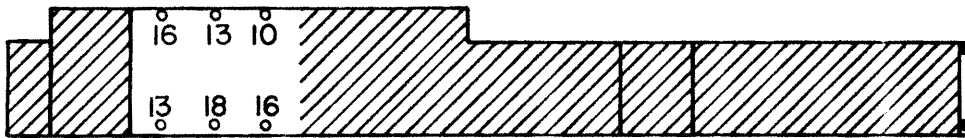
EAST ELEVATION

EMPLOYEE CENTER  
 PEAK POSITIVE CLADDING LOADS (PSF)  
 FOR 100 YEAR RECURRENCE WIND  
 WITH WIND DIRECTIONALITY  
 POSITIVE LOADS ACT INWARDS  
 AVERAGE OF CONFIGURATIONS A & B

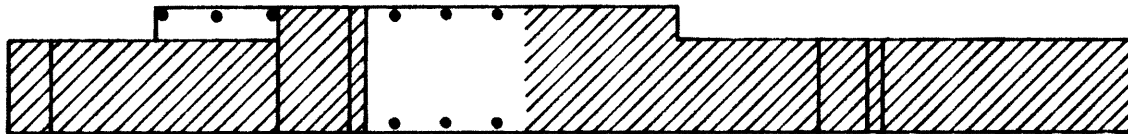
Figure 10cc. Peak Pressure Contours on the Building for Cladding Loads



SOUTH ELEVATION



SOUTHWEST ELEVATION



WEST ELEVATION

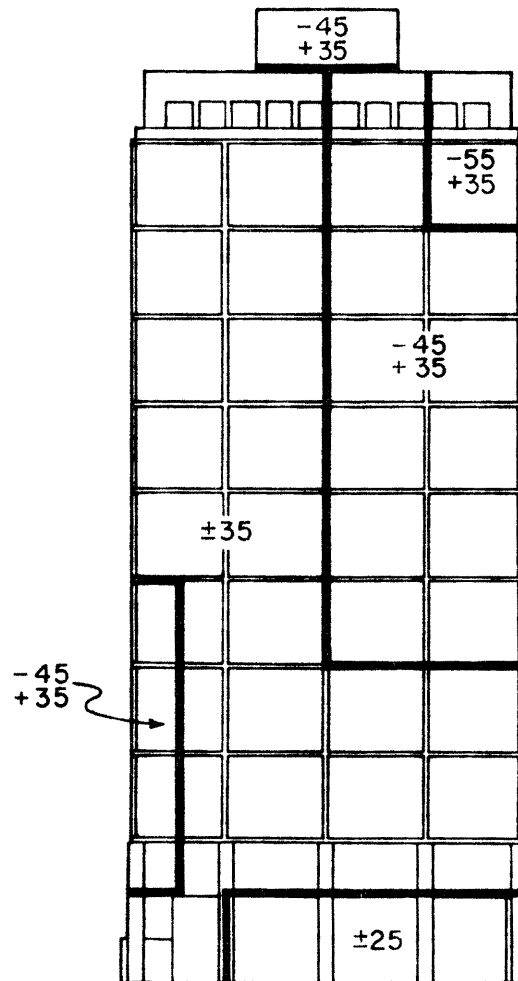
EMPLOYEE CENTER  
 PEAK POSITIVE CLADDING LOADS (PSF)  
 FOR 100 YEAR RECURRENCE WIND  
 WITH WIND DIRECTIONALITY  
 POSITIVE LOADS ACT INWARDS  
 AVERAGE OF CONFIGURATIONS A & B

Figure 10dd. Peak Pressure Contours on the Building for Cladding Loads

Note: Heavy line indicates pressure zone boundary. Values are for 100-year winds (for 50-year winds, divide by 1.17). Pressures include  $\pm 5$  psf internal pressure.

Pressures for Employee Center: +25, -35 psf

Pressures for Central Receiving Facility: +25, -45

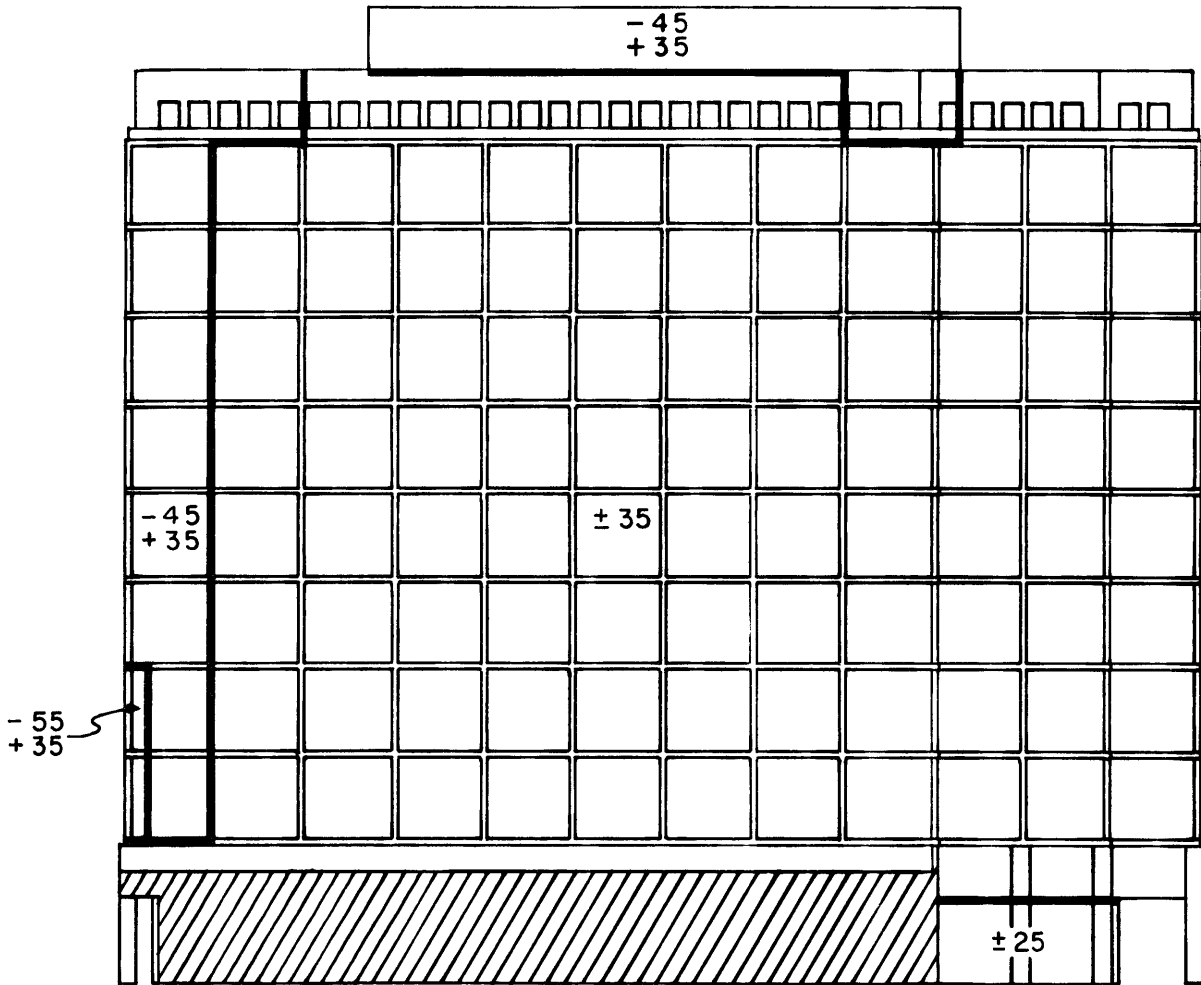


U.S.A. OFFICE BUILDING  
North Elevation

Peak Cladding Pressure Zones, psf

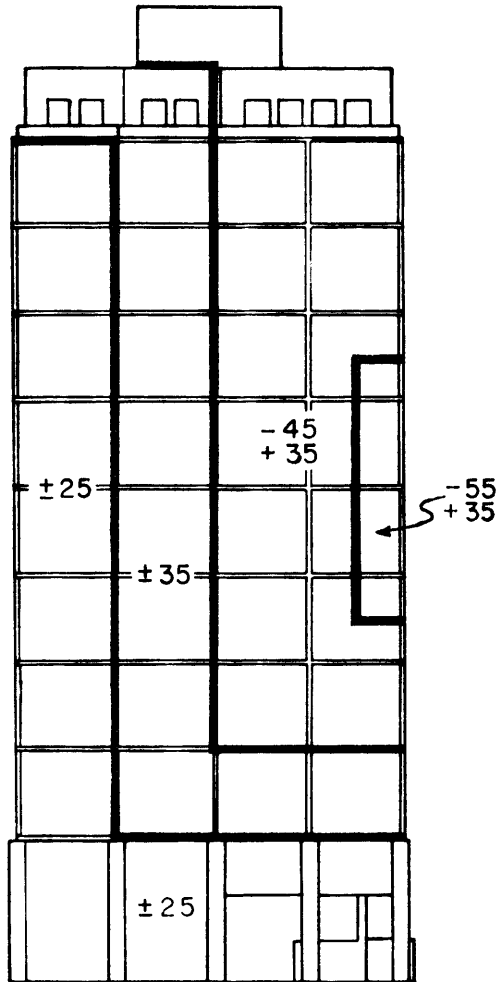
December, 1984

Figure 11a. Peak Cladding Pressure Zones



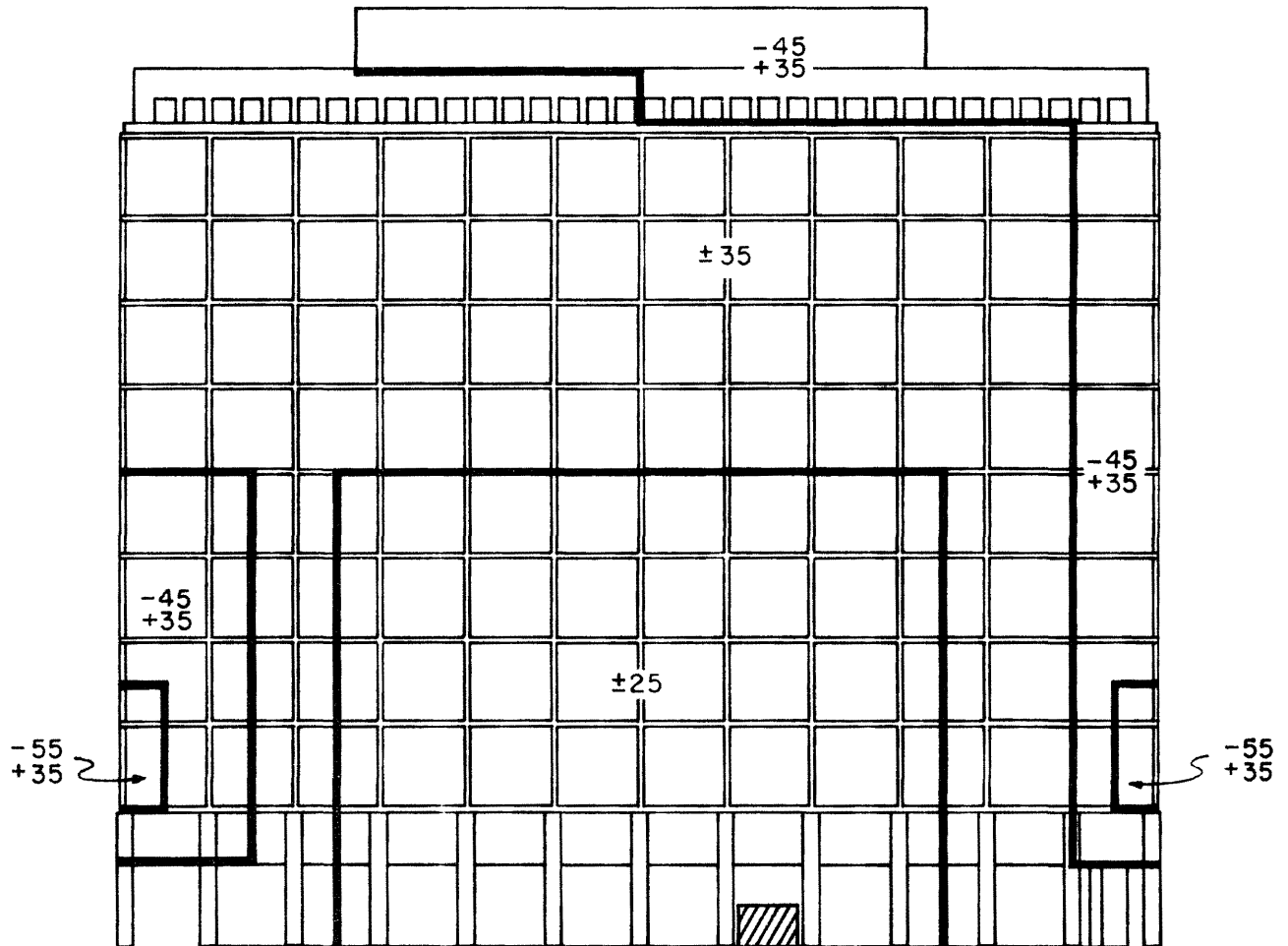
U.S.A. OFFICE BUILDING  
 West Elevation  
 Peak Cladding Pressure Zones, psf  
 December, 1984

Figure 11b. Peak Cladding Pressure Zones



U.S.A. OFFICE BUILDING  
South Elevation  
Peak Cladding Pressure Zones, psf  
December, 1984

Figure 11c. Peak Cladding Pressure Zones



U.S.A. OFFICE BUILDING  
 East Elevation  
 Peak Cladding Pressure Zones, psf  
 December, 1984

Figure 11d. Peak Cladding Pressure Zones

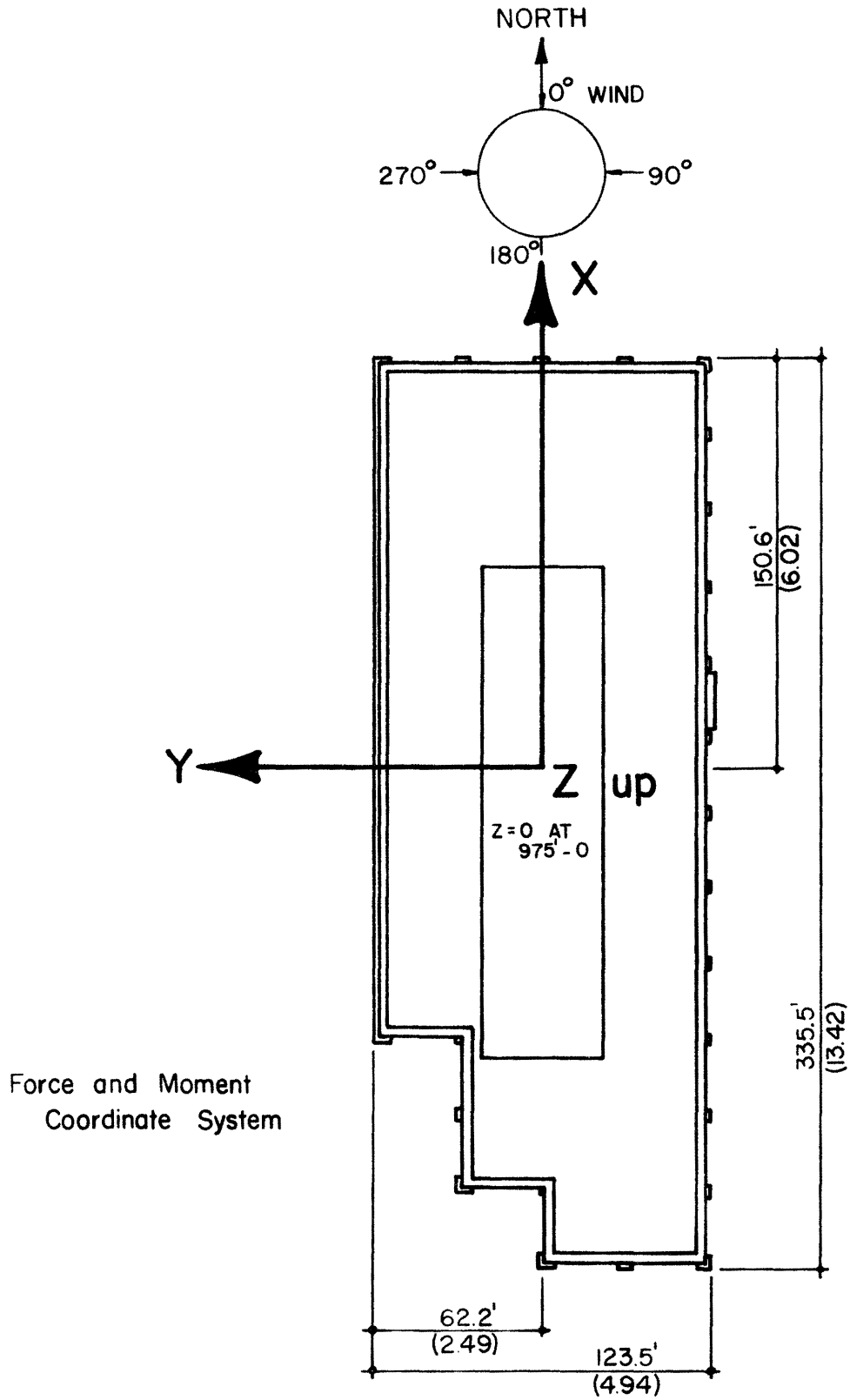


Figure 12. Coordinate System for Forces and Moments

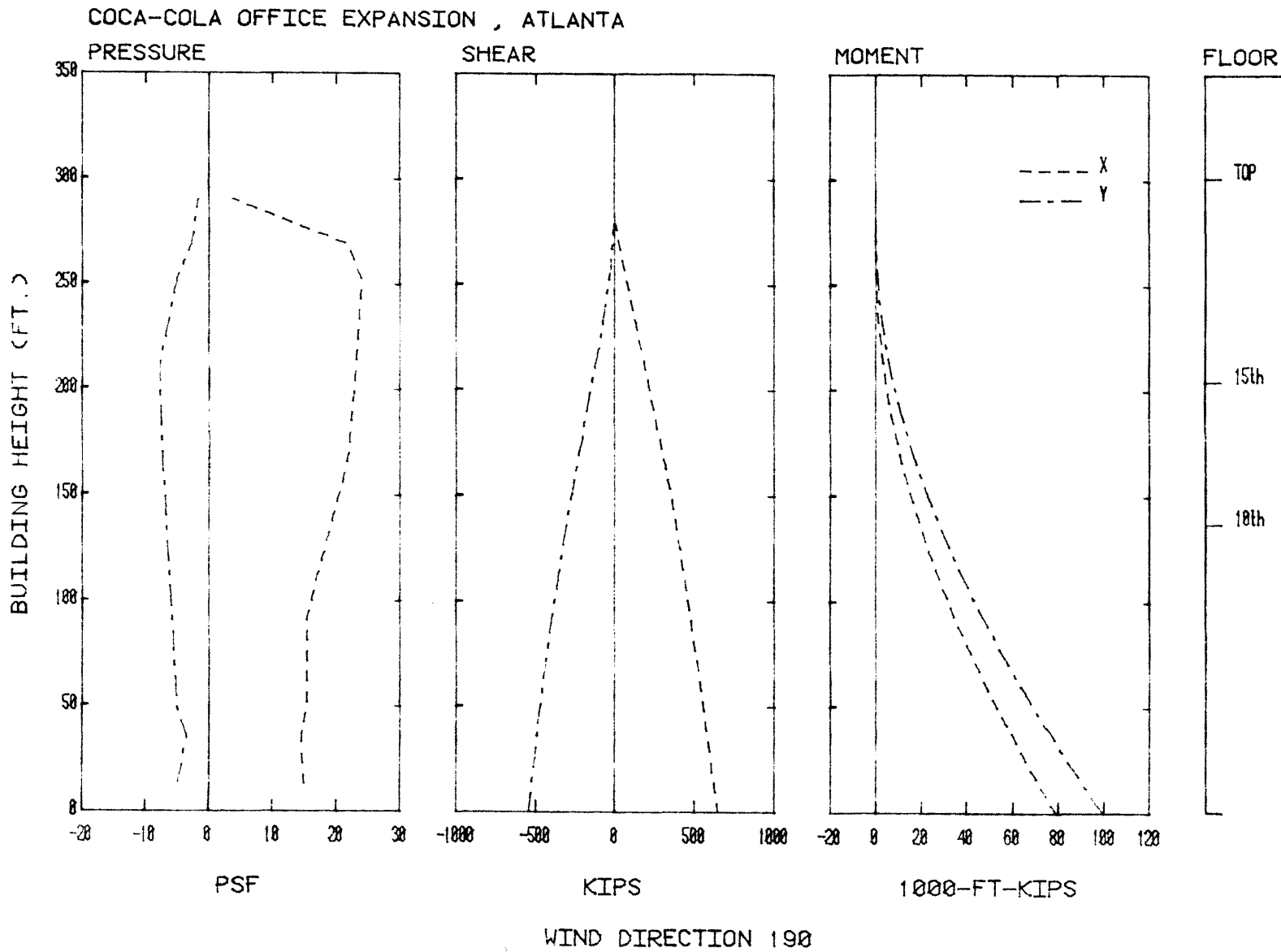


Figure 13. Load, Shear, and Moment Diagrams for Selected Wind Directions



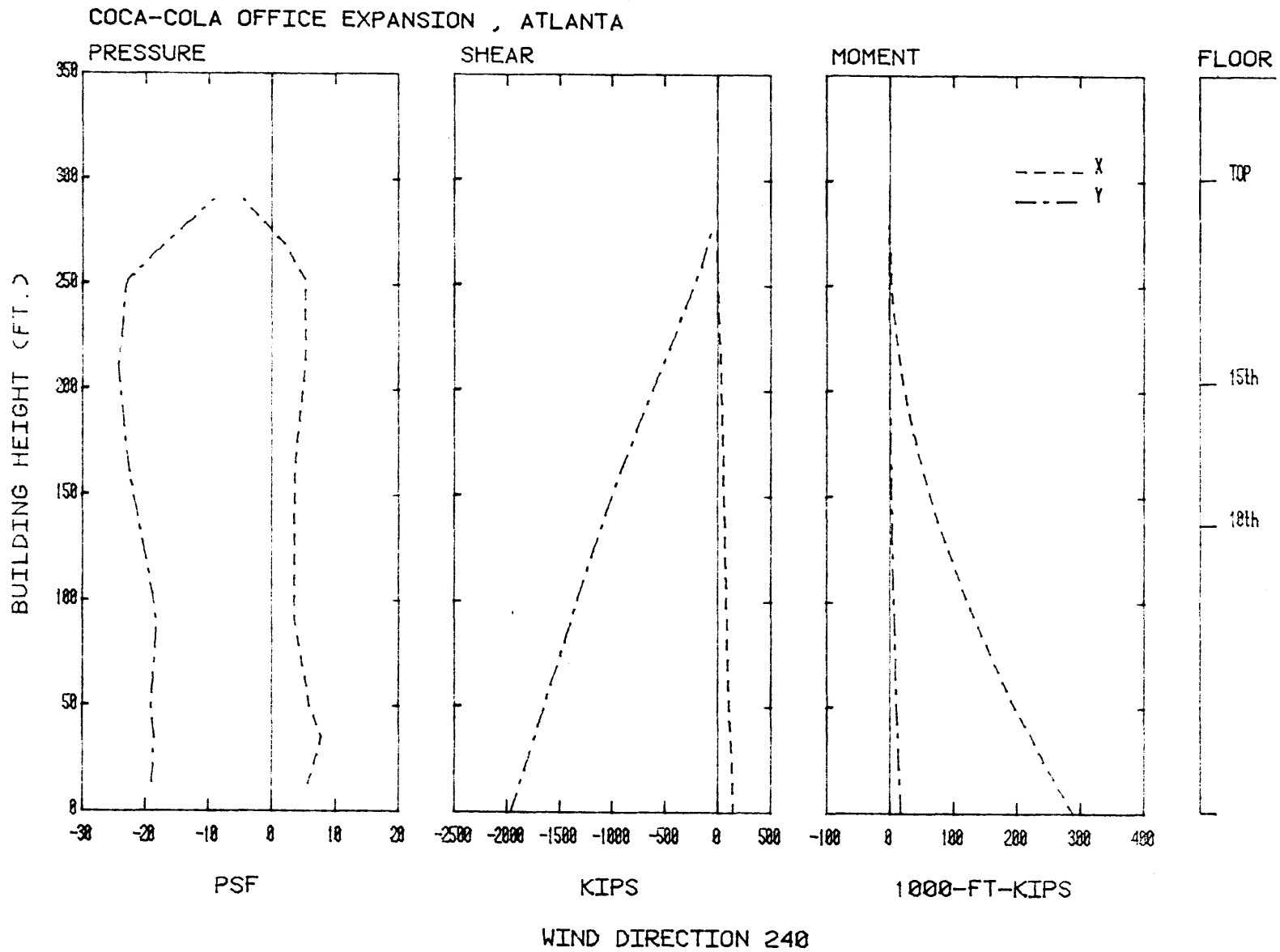


Figure 13. Load, Shear, and Moment Diagrams for Selected Wind Directions

TABLES

TABLE 1  
Data Configurations

Configuration A:

- Geometry - USA-Office Building, Employee Center, and Central Reception Facility in place.
- Pressures - Data measured for 36 wind directions, in 10-degree increments from 0, for all tap locations on Coca-Cola Office Expansion, Atlanta, Georgia.
- Velocities - Pedestrian winds measured for 26 wind directions, in 22.5-degree increments from 0, for locations 1-21 (Figure 4).

Configuration B:

- Geometry - USA-Office Building, Employee Center, and Central Reception Facility in place (same as Configuration A).
- Pressures - Data measured in 2-degree increments to both sides of selected wind directions for selected taps on the Coca-Cola Office Expansion where large pressure peaks were observed in Configuration A. Taps were selected to obtain the largest peak pressures on the structures.

Configuration M:

Data configuration: average of Configurations A, B for peak pressures, same as Configuration A for mean pressures.

TABLE 2--PEDESTRIAN WIND VELOCITIES AND TURBULENCE INTENSITIES  
COCA-COLA OFFICE EXPANSION, ATLANTA

LOCATION 1				LOCATION 2			
WIND AZIMUTH	UMEAN/UINF (PERCENT)	URMS/UINF (PERCENT)	UMEAN+3*URMS/UINF (PERCENT)	WIND AZIMUTH	UMEAN/UINF (PERCENT)	URMS/UINF (PERCENT)	UMEAN+3*URMS/UINF (PERCENT)
0.00	5.59	12.1	96.92	0.00	29.0	8.8	35.4
5.00	5.59	10.4	89.1	22.50	22.6	9.7	31.7
10.00	4.68	9.9	78.1	45.00	26.8	11.1	60.0
15.00	3.77	11.2	70.0	67.50	25.4	11.9	61.0
20.00	2.86	11.7	63.3	90.00	25.7	12.9	64.5
25.00	1.95	9.0	48.2	112.50	58.4	19.1	115.8
30.00	1.04	12.3	93.3	135.00	52.2	12.8	90.5
35.00	0.13	17.6	106.3	157.50	41.4	11.9	77.0
40.00	0.22	12.4	100.0	180.00	22.5	11.9	58.1
45.00	0.31	10.9	104.0	202.50	21.4	9.3	49.4
50.00	0.40	13.9	109.4	225.00	28.5	12.6	66.3
55.00	0.49	14.4	109.9	247.50	29.4	12.7	67.3
60.00	0.58	10.8	106.6	270.00	31.8	13.6	82.5
65.00	0.67	11.1	106.6	292.50	35.1	17.3	87.2
70.00	0.76	16.4	108.4	315.00	19.7	9.4	47.9
75.00	0.85	14.0	104.2	337.50	29.2	8.4	34.4
80.00	0.94						
85.00							
90.00							
95.00							
100.00							
105.00							
110.00							
115.00							
120.00							
125.00							
130.00							
135.00							
140.00							
145.00							
150.00							
155.00							
160.00							
165.00							
170.00							
175.00							
180.00							
185.00							
190.00							
195.00							
200.00							
205.00							
210.00							
215.00							
220.00							
225.00							
230.00							
235.00							
240.00							
245.00							
250.00							
255.00							
260.00							
265.00							
270.00							
275.00							
280.00							
285.00							
290.00							
295.00							
300.00							
305.00							
310.00							
315.00							
320.00							
325.00							
330.00							
335.00							
340.00							
345.00							
350.00							
355.00							
360.00							

LOCATION 3				LOCATION 4			
WIND AZIMUTH	UMEAN/UINF (PERCENT)	URMS/UINF (PERCENT)	UMEAN+3*URMS/UINF (PERCENT)	WIND AZIMUTH	UMEAN/UINF (PERCENT)	URMS/UINF (PERCENT)	UMEAN+3*URMS/UINF (PERCENT)
0.00	6.6	11.5	101.4	0.00	64.6	13.4	104.8
5.00	7.3	9.5	100.1	22.50	48.0	13.9	89.6
10.00	6.9	8.5	99.4	45.00	29.9	11.9	65.6
15.00	5.8	14.3	101.0	67.50	60.3	14.4	102.6
20.00	3.1	16.0	79.9	90.00	72.3	10.4	103.4
25.00	1.7	13.1	70.0	112.50	69.8	11.5	104.0
30.00	0.8	15.4	82.3	135.00	70.6	10.0	100.7
35.00	0.1	17.6	88.2	157.50	60.4	12.3	97.3
40.00	0.2	17.8	99.9	180.00	34.8	13.6	95.6
45.00	0.3	13.0	77.7	202.50	58.8	17.2	110.5
50.00	0.4	13.2	77.7	225.00	30.9	14.5	74.3
55.00	0.5	13.3	77.7	247.50	15.0	6.3	34.0
60.00	0.6	13.3	77.7	270.00	51.3	15.0	96.2
65.00	0.7	13.3	77.7	292.50	32.3	10.0	66.0
70.00	0.8	11.1	64.4	315.00	73.4	9.9	103.1
75.00	0.9	14.5	88.6	337.50	72.8	10.4	103.9
80.00							
85.00							
90.00							
95.00							
100.00							
105.00							
110.00							
115.00							
120.00							
125.00							
130.00							
135.00							
140.00							
145.00							
150.00							
155.00							
160.00							
165.00							
170.00							
175.00							
180.00							
185.00							
190.00							
195.00							
200.00							
205.00							
210.00							
215.00							
220.00							
225.00							
230.00							
235.00							
240.00							
245.00							
250.00							
255.00							
260.00							
265.00							
270.00							
275.00							
280.00							
285.00							
290.00							
295.00							
300.00							
305.00							
310.00							
315.00							
320.00							
325.00							
330.00							
335.00							
340.00							
345.00							
350.00							
355.00							
360.00							

TABLE 2--PEDESTRIAN WIND VELOCITIES AND TURBULENCE INTENSITIES  
COCA-COLA OFFICE EXPANSION, ATLANTA

LOCATION 5

WIND AZIMUTH	U <sub>MEAN</sub> /U <sub>INF</sub> (PERCENT)	U <sub>RMS</sub> /U <sub>INF</sub> (PERCENT)	U <sub>MEAN</sub> +3*U <sub>RMS</sub> /U <sub>INF</sub> (PERCENT)
0.00	3.3	12.0	69.4
22.50	4.3	13.2	104.6
45.00	4.9	21.7	123.1
67.50	5.9	15.5	80.6
90.00	6.9	9.4	34.1
112.50	7.4	11.1	45.6
135.00	8.4	11.1	45.6
157.50	9.4	20.0	100.0
180.00	11.1	13.0	70.0
202.50	11.1	14.6	71.7
225.00	11.1	8.7	45.6
247.50	11.1	11.1	58.3
270.00	11.1	16.7	88.3
292.50	11.1	14.6	73.3
315.00	11.1	9.4	60.0
337.50	11.1	9.4	63.7

LOCATION 6

WIND AZIMUTH	U <sub>MEAN</sub> /U <sub>INF</sub> (PERCENT)	U <sub>RMS</sub> /U <sub>INF</sub> (PERCENT)	U <sub>MEAN</sub> +3*U <sub>RMS</sub> /U <sub>INF</sub> (PERCENT)
0.00	31.1	10.2	61.9
22.50	27.9	9.1	55.1
45.00	27.5	8.2	52.2
67.50	22.4	9.3	50.3
90.00	16.5	7.6	44.8
112.50	16.1	6.2	44.5
135.00	15.3	6.4	44.5
157.50	16.7	7.6	44.5
180.00	26.1	10.0	56.1
202.50	19.7	8.0	49.9
225.00	17.1	7.0	44.4
247.50	20.4	9.0	51.1
270.00	20.9	12.3	55.9
292.50	21.0	9.7	50.0
315.00	29.1	9.6	60.0
337.50	31.8	8.8	60.2

LOCATION 7

WIND AZIMUTH	U <sub>MEAN</sub> /U <sub>INF</sub> (PERCENT)	U <sub>RMS</sub> /U <sub>INF</sub> (PERCENT)	U <sub>MEAN</sub> +3*U <sub>RMS</sub> /U <sub>INF</sub> (PERCENT)
0.00	3.3	10.2	65.2
22.50	4.3	10.9	74.3
45.00	4.9	10.0	74.0
67.50	5.9	13.0	80.0
90.00	6.9	10.4	73.3
112.50	7.4	11.4	76.6
135.00	8.4	11.1	76.6
157.50	9.4	10.0	76.6
180.00	11.1	9.3	76.6
202.50	11.1	8.6	76.6
225.00	11.1	7.7	76.6
247.50	11.1	10.9	81.1
270.00	11.1	17.1	99.9
292.50	11.1	11.1	76.6
315.00	11.1	8.3	76.6
337.50	11.1	11.4	74.3

LOCATION 8

WIND AZIMUTH	U <sub>MEAN</sub> /U <sub>INF</sub> (PERCENT)	U <sub>RMS</sub> /U <sub>INF</sub> (PERCENT)	U <sub>MEAN</sub> +3*U <sub>RMS</sub> /U <sub>INF</sub> (PERCENT)
0.00	19.2	7.1	40.5
22.50	20.2	7.7	43.4
45.00	22.2	8.4	47.3
67.50	16.7	7.0	37.3
90.00	17.9	8.6	43.8
112.50	20.2	9.4	48.4
135.00	18.5	7.3	40.6
157.50	26.8	8.6	52.6
180.00	15.3	5.8	32.7
202.50	11.6	4.5	25.3
225.00	12.7	5.0	30.0
247.50	21.3	9.9	49.7
270.00	30.4	10.4	66.5
292.50	23.6	11.0	50.4
315.00	22.6	8.9	49.9
337.50	21.9	7.5	44.6

TABLE 2--PEDESTRIAN WIND VELOCITIES AND TURBULENCE INTENSITIES  
COCA-COLA OFFICE EXPANSION, ATLANTA

LOCATION 9

WIND AZIMUTH	U <sub>MEAN</sub> /U <sub>INF</sub> (PERCENT)	U <sub>RMS</sub> /U <sub>INF</sub> (PERCENT)	U <sub>MEAN</sub> +3*U <sub>RMS</sub> /U <sub>INF</sub> (PERCENT)
0.00	49.7	10.3	80.8
22.50	37.9	13.8	78.6
45.00	40.8	9.3	69.4
67.50	23.6	10.4	34.7
90.00	44.2	15.1	69.6
112.50	63.0	13.8	104.4
135.00	52.3	10.8	84.6
157.50	41.3	7.9	65.2
180.00	34.6	9.3	62.9
202.50	22.1	8.4	47.3
225.00	24.9	8.9	51.6
247.50	26.0	11.8	60.5
270.00	40.5	19.7	99.7
292.50	28.1	13.8	63.3
315.00	38.6	12.3	95.5
337.50	52.1	10.9	84.7

LOCATION 10

WIND AZIMUTH	U <sub>MEAN</sub> /U <sub>INF</sub> (PERCENT)	U <sub>RMS</sub> /U <sub>INF</sub> (PERCENT)	U <sub>MEAN</sub> +3*U <sub>RMS</sub> /U <sub>INF</sub> (PERCENT)
0.00	55.1	14.1	97.3
22.50	63.4	22.6	131.3
45.00	61.0	18.6	116.7
67.50	66.5	18.7	122.8
90.00	63.1	12.8	101.3
112.50	60.7	12.0	96.6
135.00	63.7	11.1	93.9
157.50	63.9	9.2	91.7
180.00	63.8	9.8	96.1
202.50	64.3	17.4	116.8
225.00	44.6	17.4	96.7
247.50	53.3	13.5	70.1
270.00	44.4	14.9	103.2
292.50	53.6	12.3	92.6
315.00	59.9	9.4	92.9
337.50	59.9	11.3	93.8

LOCATION 11

WIND AZIMUTH	U <sub>MEAN</sub> /U <sub>INF</sub> (PERCENT)	U <sub>RMS</sub> /U <sub>INF</sub> (PERCENT)	U <sub>MEAN</sub> +3*U <sub>RMS</sub> /U <sub>INF</sub> (PERCENT)
0.00	18.4	7.8	41.9
22.50	20.7	14.3	73.5
45.00	21.8	10.3	52.7
67.50	13.3	5.1	28.6
90.00	25.7	9.0	52.6
112.50	32.7	8.9	59.4
135.00	29.7	7.7	51.1
157.50	26.4	6.5	46.9
180.00	21.4	7.7	44.0
202.50	40.7	11.8	76.0
225.00	34.5	8.8	60.8
247.50	24.8	11.6	59.7
270.00	37.2	17.1	88.5
292.50	40.6	20.2	101.3
315.00	18.8	8.2	43.2
337.50	22.7	10.9	55.3

LOCATION 12

WIND AZIMUTH	U <sub>MEAN</sub> /U <sub>INF</sub> (PERCENT)	U <sub>RMS</sub> /U <sub>INF</sub> (PERCENT)	U <sub>MEAN</sub> +3*U <sub>RMS</sub> /U <sub>INF</sub> (PERCENT)
0.00	28.8	14.6	72.7
22.50	37.3	18.8	123.8
45.00	69.3	19.8	128.8
67.50	44.9	19.0	101.0
90.00	16.4	8.0	40.3
112.50	12.6	5.4	28.7
135.00	40.0	15.2	83.5
157.50	44.2	13.2	83.8
180.00	28.6	11.1	61.8
202.50	9.9	9.9	54.2
225.00	9.2	9.2	49.1
247.50	24.6	8.9	47.2
270.00	27.7	9.9	51.7
292.50	13.1	13.1	76.0
315.00	11.8	11.8	62.4
337.50	27.2	12.1	63.5

TABLE 2--PEDESTRIAN WIND VELOCITIES AND TURBULENCE INTENSITIES  
 COCA-COLA OFFICE EXPANSION, ATLANTA

LOCATION 13

WIND AZIMUTH	UMEAN/UINF (PERCENT)	URMS/UINF (PERCENT)	UMEAN+3*URMS/UINF (PERCENT)
0.00	19.7	7.6	42.3
22.50	17.2	6.9	37.6
45.00	53.3	13.3	93.1
67.50	37.7	15.6	84.4
90.00	30.6	14.6	74.3
112.50	30.5	12.9	69.2
135.00	29.7	10.2	60.4
157.50	21.8	8.4	47.1
180.00	19.7	8.0	45.1
202.50	24.1	7.7	51.2
225.00	28.1	11.4	62.3
247.50	14.0	5.8	31.3
270.00	38.7	14.2	81.2
292.50	37.9	14.1	80.2
315.00	27.3	9.9	56.9
337.50	24.9	8.8	51.3

LOCATION 14

WIND AZIMUTH	UMEAN/UINF (PERCENT)	URMS/UINF (PERCENT)	UMEAN+3*URMS/UINF (PERCENT)
0.00	14.5	4.7	28.6
22.50	17.4	5.5	34.0
45.00	17.4	6.2	35.8
67.50	18.8	8.7	45.0
90.00	15.0	7.0	36.1
112.50	15.8	6.8	36.1
135.00	12.5	5.1	27.8
157.50	11.1	3.8	22.6
180.00	19.7	4.0	27.7
202.50	23.2	8.2	47.9
225.00	32.8	10.8	65.1
247.50	14.4	5.8	31.7
270.00	29.2	8.1	44.3
292.50	22.3	8.4	47.6
315.00	14.3	4.9	28.9
337.50	14.7	4.4	27.9

LOCATION 15

WIND AZIMUTH	UMEAN/UINF (PERCENT)	URMS/UINF (PERCENT)	UMEAN+3*URMS/UINF (PERCENT)
0.00	20.9	6.5	40.3
22.50	25.9	8.8	51.6
45.00	23.1	9.0	50.0
67.50	36.9	13.0	76.0
90.00	33.3	13.7	79.6
112.50	40.5	12.0	76.6
135.00	33.4	11.0	66.5
157.50	24.7	8.9	51.4
180.00	20.5	8.0	44.5
202.50	42.7	12.5	80.3
225.00	31.3	10.9	64.1
247.50	30.0	11.4	64.3
270.00	28.8	14.1	70.6
292.50	34.9	17.5	87.4
315.00	22.5	8.7	48.7
337.50	19.4	6.7	39.6

LOCATION 16

WIND AZIMUTH	UMEAN/UINF (PERCENT)	URMS/UINF (PERCENT)	UMEAN+3*URMS/UINF (PERCENT)
0.00	45.4	18.0	93.4
22.50	25.4	12.5	62.8
45.00	28.6	10.5	60.2
67.50	19.7	7.7	41.7
90.00	29.8	7.8	44.3
112.50	17.0	7.4	39.2
135.00	24.3	13.6	65.0
157.50	60.3	11.8	95.8
180.00	39.3	10.8	71.6
202.50	36.2	12.6	74.0
225.00	22.4	10.3	53.3
247.50	23.1	11.3	57.0
270.00	36.9	15.2	82.5
292.50	49.7	21.9	115.3
315.00	51.8	19.6	110.7
337.50	37.7	13.9	79.4

TABLE 2--PEDESTRIAN WIND VELOCITIES AND TURBULENCE INTENSITIES  
 COCA-COLA OFFICE EXPANSION, ATLANTA

LOCATION 17

WIND AZIMUTH	UMEAN/UINF (PERCENT)	URMS/UINF (PERCENT)	UMEAN+3*URMS/UINF (PERCENT)
0.00	12.3	3.6	23.2
22.50	16.8	5.5	33.3
45.00	18.9	6.7	39.1
67.50	22.4	9.9	51.4
90.00	26.0	14.7	67.7
112.50	28.6	19.9	78.0
135.00	31.3	26.6	91.9
157.50	28.0	26.0	60.1
180.00	25.6	20.0	49.9
202.50	40.7	12.3	78.8
225.00	43.7	10.3	84.0
247.50	33.3	11.3	64.0
270.00	46.6	11.0	84.0
292.50	30.0	10.9	64.0
315.00	21.8	10.3	52.7
337.50	13.9	4.2	26.4

LOCATION 18

WIND AZIMUTH	UMEAN/UINF (PERCENT)	URMS/UINF (PERCENT)	UMEAN+3*URMS/UINF (PERCENT)
0.00	17.9	4.8	32.2
22.50	18.1	6.9	36.7
45.00	17.9	9.1	42.2
67.50	17.7	11.8	41.0
90.00	24.8	11.6	59.7
112.50	18.9	13.6	43.0
135.00	19.6	13.6	43.7
157.50	19.6	11.4	43.0
180.00	39.3	11.4	73.4
202.50	34.3	11.8	63.7
225.00	41.1	12.9	73.9
247.50	30.9	11.0	64.0
270.00	20.8	9.5	46.3
292.50	17.6	7.4	39.9
315.00	21.7	8.6	47.5
337.50	22.4	8.0	46.4

LOCATION 19

WIND AZIMUTH	UMEAN/UINF (PERCENT)	URMS/UINF (PERCENT)	UMEAN+3*URMS/UINF (PERCENT)
0.00	22.0	8.0	45.9
22.50	20.7	9.2	49.3
45.00	20.0	9.7	49.0
67.50	41.5	15.1	86.8
90.00	32.1	15.9	79.8
112.50	38.7	13.3	78.6
135.00	44.5	11.7	79.3
157.50	34.1	9.9	62.5
180.00	28.4	10.7	60.6
202.50	45.2	10.9	77.9
225.00	39.5	13.9	81.9
247.50	20.1	8.8	46.4
270.00	36.2	11.7	61.1
292.50	33.1	13.0	72.1
315.00	20.7	8.4	46.0
337.50	21.6	7.1	42.9

LOCATION 20

WIND AZIMUTH	UMEAN/UINF (PERCENT)	URMS/UINF (PERCENT)	UMEAN+3*URMS/UINF (PERCENT)
0.00	19.1	7.7	41.2
22.50	20.6	8.5	46.2
45.00	17.0	7.9	40.0
67.50	28.3	12.8	66.8
90.00	24.9	10.5	56.8
112.50	38.8	18.5	94.3
135.00	35.8	15.4	82.0
157.50	53.0	12.9	91.8
180.00	39.7	12.2	76.2
202.50	53.6	10.1	83.9
225.00	37.3	12.1	73.4
247.50	36.1	13.4	73.3
270.00	61.2	18.7	117.4
292.50	81.3	19.9	129.1
315.00	31.3	8.0	60.0
337.50	17.5	8.6	43.3



TABLE 2--PEDESTRIAN WIND VELOCITIES AND TURBULENCE INTENSITIES  
 COCA-COLA OFFICE EXPANSION, ATLANTA

LOCATION 21

WIND AZIMUTH	UMEAN/UINF (PERCENT)	URMS/UINF (PERCENT)	UMEAN+3*URMS/UINF (PERCENT)
0.00	17.1	5.5	33.7
22.50	19.0	7.9	42.6
45.00	21.0	9.2	48.7
67.50	25.4	11.3	59.4
90.00	27.9	11.4	62.0
112.50	34.8	9.8	54.3
135.00	22.4	9.6	51.1
157.50	17.5	7.4	39.7
180.00	40.0	13.9	81.8
202.50	39.0	12.9	77.6
225.00	46.1	14.9	83.6
247.50	50.5	14.9	85.1
270.00	35.0	16.2	64.3
292.50	30.0	13.2	59.7
315.00	28.0	11.2	55.5
337.50	28.5	8.9	43.1

TABLE 2--PEDESTRIAN WIND VELOCITIES AND TURBULENCE INTENSITIES  
 COCA-COLA OFFICE EXPANSION, ATLANTA

\* \* GREATEST VALUES \* \*

U <sub>MEAN</sub> /U <sub>INF</sub> (PERCENT)					U <sub>RMS</sub> /U <sub>INF</sub> (PERCENT)					U <sub>MEAN+3RMS</sub> /U <sub>INF</sub> (PERCENT)				
LOC	AZ	MEAN	RMS	M+3RMS	LOC	AZ	MEAN	RMS	M+3RMS	LOC	AZ	MEAN	RMS	M+3RMS
20	292.5	81.3	15.9	129.1	10	22.5	63.4	22.6	131.3	10	22.5	63.4	22.6	131.3
4	315.0	73.3	9.9	103.1	16	292.5	49.7	21.9	115.3	20	292.5	81.3	15.9	129.1
3	22.5	73.2	9.6	102.1	5	45.0	57.9	21.7	123.1	12	45.0	69.3	19.6	128.6
4	337.5	72.8	10.4	103.9	11	292.5	40.6	20.2	101.3	12	22.5	67.5	18.8	123.8
7	112.5	72.6	14.0	114.6	5	157.5	40.6	20.1	100.9	5	45.0	57.9	21.7	123.1
4	90.0	72.3	10.4	103.4	12	45.0	69.3	19.8	128.8	10	67.5	66.5	18.7	122.8
4	292.5	72.3	10.9	105.1	9	270.0	40.5	19.7	99.7	20	270.0	81.2	18.7	117.4
1	202.5	71.5	10.9	104.2	16	315.0	51.8	19.6	110.7	10	202.5	64.5	17.4	116.8
4	135.0	70.6	10.0	100.7	7	90.0	45.8	19.5	104.3	10	45.0	61.0	18.6	116.7
4	112.5	69.8	11.5	104.2	5	22.5	47.1	19.2	104.6	2	112.5	58.4	19.1	115.8

TABLE 3

PERCENTAGE FREQUENCY OF WIND DIRECTION AND SPEED							
HARTSFIELD ATLANTA INTERNATIONAL AIRPORT (1965-1974)							
SEASON :	NO. OF OBS. = 29215			HT. OF MEAS. = 20. FT.			
VELOCITY LEVELS IN MPH							
DIRECTION	0- 3	4- 7	8-12	13-18	19-24	25 +	TOTAL
N	.20	1.90	1.30	.40	0.00	0.00	4.00
NNE	.20	.50	.30	0.00	0.00	0.00	1.10
NE	.10	.80	.80	.20	0.00	0.00	1.90
ENE	.20	1.60	2.10	.70	0.00	0.00	4.70
E	.40	3.40	5.80	2.60	.20	0.00	12.50
ESE	.40	2.30	2.70	.80	0.00	0.00	6.20
SE	.40	2.00	1.50	.40	0.00	0.00	4.40
SSE	.40	1.90	1.10	.30	0.00	0.00	3.70
S	.70	2.70	1.90	.60	.10	0.00	5.90
SSW	.40	1.70	1.20	.40	0.00	0.00	3.70
SW	.40	2.50	1.80	.70	0.00	0.00	5.40
WSW	.40	2.50	1.90	.60	.10	0.00	5.50
W	.40	3.40	4.00	1.20	.10	0.00	9.00
WNW	.30	2.80	4.00	1.70	.10	0.00	9.00
W	.30	3.30	4.50	2.10	.20	0.00	10.50
WNW	.30	2.30	3.20	1.70	.10	0.00	7.60
ALL	5.10	9.00	9.00	9.00	0.90	0.00	55.10
TOT	10.70	33.50	36.30	14.40	1.00	.10	100.00

TABLE 4  
SUMMARY OF WIND EFFECTS ON PEOPLE

	<u>Beaufort number</u>	<u>Speed (mph)</u>	<u>Effects</u>
Calm, light air	0,1	0-3	Calm, no noticeable wind
Light breeze	2	4-7	Wind felt on face
Gentle breeze	3	8-12	Wind extends light flag Hair is disurbed Clothing flaps
Moderate breeze	4	13-18	Raises dust, dry soil and loose paper Hair disarranged
Fresh breeze	5	19-24	Force of wind felt on body Drifting snow becomes airborne Limit of agreeable wind on land
Strong breeze	6	25-31	Umbrellas used with difficulty Hair blown straight Difficult to walk steadily Wind noise on ears unpleasant Windborne snow above head height (blizzard)
Near gale	7	32-38	Inconvenience felt when walking
Gale	8	39-46	Generally impedes progress Great difficulty with balance in gusts
Strong gale	9	47-54	People blown over by gusts

Note: Table from Reference 4, p. 40.

TABLE 5  
SELECTION OF WIND SPEEDS AND  
REFERENCE DYNAMIC PRESSURE

1. Basic wind speeds from fastest mile winds measured at Atlanta Airport (1935-1976)\*:

Largest 100-year fastest mile at 10m = 67 mph for west winds.

Mean hourly wind speed at 10m =  $\frac{67}{1.26} = 53.2$  mph.

Mean hourly gradient wind speed =  $53.2 \left(\frac{960}{33}\right)^{.17} = 94$  mph.

Reference pressure at site of gradient height of 1200 ft =  $(0.00256)(94^2) = 23$  psf.

2. Loads including directional effects for Atlanta\*:

Wind Direction	100-yr Fastest Mile, mph 10m	Mean Hourly Gradient Wind Speed (ws) mph	Load Ratio $(ws/94)^2$
N	59	83	.78
NE	60	85	.82
E	60	85	.82
SE	66	93	.98
S	66	93	.98
SW	67	94	1.00
W	65	92	.96
NW	63	87	.86

3. Factor to convert 100-year winds to 50-year winds:

$$\frac{U_{100}}{U_{50}} = 1.08 \quad \left(\frac{U_{100}}{U_{50}}\right)^2 = 1.08^2 = 1.17$$

Divide 100-year winds by 1.17 to obtain 50-year winds.

4. Gust load factors to convert hourly mean integrated load to mean load for various gust durations (see Section 4.4):

Duration (sec)	Gust Load Factor
10-15	$1.40^2 = 1.96$
30	$1.32^2 = 1.74^{**}$
45	$1.28^2 = 1.64$

\*Data obtained from National Climatic Center, Ashville, North Carolina.  
\*\*Thirty second factor was used in Table 7.

TABLE 6A. PEAK LOADS FOR : COCA-COLA OFFICE EXPANSION , ATLANTA  
 AVERAGE OF CONFIGURATIONS A AND B 100-YEAR RECURRENCE INTERVAL

TAP	AZI-MUTH	PRESS COEFF	NEGATIVE PEAK	POSITIVE PEAK	TAP	AZI-MUTH	PRESS COEFF	NEGATIVE PEAK	POSITIVE PEAK	TAP	AZI-MUTH	PRESS COEFF	NEGATIVE PEAK	POSITIVE PEAK
			PSF	PSF				PSF	PSF				PSF	PSF
1101	280	-1.75	-38.5	20.9	1149	260	-1.55	-34.1	16.1	1235	50	-1.92	-36.1	8.2
1102	280	-1.57	-34.7	20.6	1150	260	-1.05	-23.3	10.2	1236	170	-1.24	-27.9	19.5
1103	270	-1.58	-34.8	20.1	1151	270	-1.41	-31.1	11.6	1237	130	-1.03	-21.6	23.1
1104	280	-1.13	-25.0	19.7	1152	270	-1.13	-25.0	14.2	1238	180	-0.97	-21.8	19.7
1105	120	-1.27	-28.7	21.4	1153	270	-0.87	-19.2	10.7	1239	190	-1.05	-23.8	19.2
1106	270	-1.39	-30.7	9.7	1154	270	-0.83	-18.3	11.9	1240	350	-1.32	-23.7	18.6
1107	270	-1.33	-29.3	16.3	1155	270	-0.58	-12.8	8.5	1241	0	-1.37	-24.6	16.5
1108	270	-1.61	-35.6	10.9	1156	270	-0.69	-15.3	10.4	1242	50	-1.66	-31.3	9.8
1109	270	-1.88	-41.5	13.7	1157	270	-0.77	-16.9	13.2	1243	50	-1.80	-34.0	9.2
1110	260	-1.10	-24.3	21.7	1158	200	-0.46	-10.5	6.7	1244	170	-1.16	-26.2	18.6
1111	260	-1.02	-22.6	20.6	1159	270	-1.10	-24.2	12.1	1245	170	-1.24	-27.9	20.3
1112	280	-1.70	-37.5	16.1	1160	270	-0.81	-17.9	15.8	1246	190	-0.90	-20.3	16.4
1113	280	-1.55	-34.2	21.4	1161	280	-0.69	-15.1	14.0	1247	210	-0.69	-15.9	13.8
1114	270	-1.06	-23.4	19.5	1162	270	-0.75	-16.5	12.3	1248	330	-1.13	-22.3	14.3
1115	270	-1.04	-23.0	20.1	1201	120	-1.54	-34.7	14.2	1249	350	-1.38	-24.7	13.9
1116	280	-1.30	-28.7	14.0	1202	120	-1.50	-33.9	14.9	1250	50	-2.07	-39.0	10.8
1117	280	-1.95	-43.1	15.5	1203	150	-1.18	-26.6	16.1	1251	60	-1.71	-32.2	10.5
1118	280	-1.67	-36.9	14.8	1204	70	-1.31	-24.8	13.6	1252	190	-1.47	-33.1	16.4
1119	270	-1.22	-26.9	21.5	1205	330	-1.50	-29.7	16.2	1253	160	-1.64	-36.9	17.0
1120	90	-1.12	-21.1	21.0	1206	330	-1.56	-30.8	12.2	1254	210	-0.86	-19.7	11.0
1121	270	-1.36	-30.1	16.7	1207	150	-1.62	-36.4	11.7	1255	240	-0.66	-15.2	9.1
1122	280	-1.66	-36.7	16.3	1208	290	-1.43	-31.6	9.9	1256	320	-0.62	-12.2	10.6
1123	280	-1.88	-41.5	18.4	1209	160	-0.92	-20.7	17.4	1257	310	-0.96	-18.9	13.1
1124	280	-1.80	-39.8	19.2	1210	160	-0.76	-17.0	14.9	1258	280	-1.60	-35.3	9.2
1125	270	-1.17	-25.7	20.9	1211	200	-1.10	-24.8	15.9	1259	300	-1.87	-37.0	10.3
1126	100	-1.32	-24.9	22.2	1212	320	-1.49	-29.4	13.1	1260	200	-1.85	-41.6	14.4
1127	270	-1.23	-27.1	17.0	1213	280	-1.46	-32.3	12.2	1261	190	-1.50	-33.8	13.1
1128	280	-1.39	-30.7	17.6	1214	50	-1.72	-32.4	8.2	1262	210	-0.87	-20.1	13.9
1129	290	-1.62	-35.8	18.4	1215	50	-1.84	-34.7	8.0	1263	230	-0.68	-15.6	10.9
1130	280	-1.61	-35.6	19.3	1216	160	-1.29	-29.1	22.1	1264	320	-0.60	-11.9	10.9
1131	270	-1.30	-28.7	18.5	1217	120	-0.95	-16.6	21.3	1265	280	-0.76	-16.7	5.5
1132	270	-1.24	-27.3	19.0	1218	320	-1.37	-27.1	18.9	1266	320	-1.92	-38.0	8.3
1133	280	-1.01	-22.3	16.0	1219	50	-1.62	-30.5	14.6	1267	330	-2.42	-47.9	10.6
1134	270	-1.26	-27.9	16.8	1220	50	-1.75	-33.0	18.3	1268	190	-1.67	-37.7	13.4
1135	270	-1.85	-40.8	16.8	1221	130	-0.85	-19.1	19.1	1269	220	-0.92	-21.2	9.7
1136	280	-1.72	-37.9	16.4	1222	170	-0.92	-20.6	19.3	1270	170	-0.66	-14.9	5.2
1137	270	-1.32	-29.1	16.2	1223	80	-0.98	-17.6	18.5	1271	320	-1.78	-35.1	10.6
1138	90	-1.39	-26.3	17.0	1224	330	-1.18	-23.2	17.6	1272	210	-1.11	-25.5	12.4
1139	270	-0.90	-20.0	15.4	1225	350	-1.28	-23.0	16.4	1273	210	-0.88	-20.2	13.4
1140	270	-0.77	-17.1	15.1	1226	50	-1.72	-32.5	11.2	1274	220	-0.71	-16.2	11.2
1141	160	-0.97	-21.8	14.7	1227	40	-1.83	-34.4	9.3	1275	220	-0.48	-11.0	11.0
1142	160	-0.88	-19.9	15.4	1228	130	-0.89	-17.4	20.1	1276	310	-1.02	-20.2	6.9
1143	270	-1.66	-36.7	16.8	1229	170	-0.93	-21.1	19.8	1277	290	-1.24	-27.3	8.0
1144	260	-1.19	-26.4	16.4	1230	180	-0.81	-18.2	17.7	1278	40	-0.83	-15.6	11.4
1145	270	-0.99	-21.8	12.1	1231	90	1.01	-14.7	19.0	1279	220	-0.66	-15.2	11.4
1146	280	-0.90	-19.9	12.1	1232	90	-0.98	-16.8	18.5	1280	50	-0.61	-11.5	11.4
1147	270	-1.11	-24.4	12.3	1233	350	-1.19	-21.3	17.5	1281	280	-0.66	-14.6	9.2
1148	160	-1.49	-33.6	16.3	1234	50	-1.93	-36.5	9.2	1282	320	-0.50	-9.9	6.7

NEGATIVE PRESSURES ACT OUTWARD, POSITIVE PRESSURES ACT INWARD.

TABLE 6A. PEAK LOADS FOR : COCA-COLA OFFICE EXPANSION , ATLANTA  
 AVERAGE OF PEAK CONFIGURATIONS A AND B 100-YEAR RECURRENCE INTERVAL

TAP	AZI-MUTH	PRESS COEFF	NEGATIVE PEAK		POSITIVE PEAK		TAP	AZI-MUTH	PRESS COEFF	NEGATIVE PEAK		POSITIVE PEAK		TAP	AZI-MUTH	PRESS COEFF	NEGATIVE PEAK		POSITIVE PEAK	
			PSF	PSF	PSF	PSF				PSF	PSF	PSF	PSF							
1283	280	-.92	-20.3	7.3	1341	240	-1.33	-30.6	21.6	1404	280	-1.05	-23.2	9.7						
1284	40	-.72	-13.6	11.7	1342	230	-1.29	-29.7	22.1	1405	270	-1.39	-30.7	11.8						
1285	210	-.73	-16.7	14.2	1343	80	-1.64	-30.8	21.7	1406	150	-.82	-18.4	11.1						
1286	220	-.62	-14.2	10.9	1344	90	-1.50	-28.4	22.2	1407	140	-1.10	-24.7	9.9						
1287	110	-.76	-11.8	14.4	1345	210	-.91	-15.7	20.9	1408	150	-1.45	-32.6	16.1						
1288	310	-.62	-12.3	7.6	1346	230	-.91	-15.9	20.9	1409	330	-1.40	-27.7	14.3						
1289	310	-.85	-16.9	8.1	1347	210	-.98	-22.2	22.6	1410	330	-1.78	-35.3	14.8						
1290	280	-.87	-19.2	6.2	1348	220	-.93	-20.8	21.5	1411	0	-1.43	-25.6	12.9						
1301	230	-1.58	-36.4	19.4	1349	230	-1.38	-31.6	20.5	1412	140	-1.06	-23.9	11.1						
1302	100	-1.68	-31.6	22.8	1350	240	-1.24	-29.0	22.9	1413	20	-1.77	-31.8	14.8						
1303	200	-1.62	-36.6	8.6	1351	90	-1.59	-30.1	20.2	1414	40	-1.52	-28.7	14.7						
1304	150	-1.07	-24.9	24.1	1352	100	-2.25	-42.4	18.9	1415	150	-.78	-17.5	12.1						
1305	270	-1.08	-23.7	20.8	1353	230	-.78	-14.2	17.9	1416	150	-1.10	-24.8	13.4						
1306	150	-1.09	-24.6	19.7	1354	200	-.78	-14.2	17.6	1417	160	-1.09	-24.6	16.6						
1307	70	-1.18	-22.3	17.5	1355	150	-.99	-22.4	15.6	1418	290	-.94	-20.8	10.9						
1308	150	-1.00	-22.4	20.2	1356	150	-1.02	-23.1	14.6	1419	280	-1.01	-22.4	18.5						
1309	240	-1.49	-34.4	15.0	1357	240	-1.58	-36.3	15.5	1420	100	-.98	-18.5	17.3						
1310	250	-1.35	-39.7	15.4	1358	260	-1.10	-24.3	12.8	1421	330	-1.89	-37.3	21.8						
1311	120	-1.37	-30.8	16.1	1359	80	-1.15	-21.7	14.8	1422	340	-1.45	-26.0	21.5						
1312	120	-1.36	-30.6	15.8	1360	70	-1.40	-26.4	16.0	1423	30	-1.09	-20.6	18.3						
1313	190	-.98	-17.4	22.1	1361	210	-.62	-10.8	14.2	1424	190	-1.09	-24.6	16.8						
1314	210	-.95	-19.7	21.8	1362	220	-.69	-11.5	15.9	1425	200	-1.50	-33.9	20.6						
1315	240	-1.29	-29.8	21.5	1363	290	-1.24	-27.5	14.3	1426	200	-.91	-15.9	20.6						
1316	120	-1.15	-26.0	20.4	1364	140	-.90	-20.4	9.3	1427	290	1.00	-19.0	22.1						
1317	190	1.10	-18.5	24.8	1365	290	-1.32	-29.2	7.0	1428	190	-1.32	-29.7	21.0						
1318	170	1.04	-20.2	23.4	1366	240	-.68	-15.7	9.2	1429	240	1.03	-16.8	23.6						
1319	250	-1.70	-37.6	21.2	1367	70	-1.05	-19.8	13.4	1430	260	1.01	-17.0	22.3						
1320	120	-1.30	-29.4	22.3	1368	60	-1.53	-28.9	14.8	1431	330	-1.50	-29.6	18.8						
1321	210	-.94	-18.8	21.6	1369	180	-.66	-11.3	14.9	1432	130	-1.21	-27.2	19.1						
1322	30	-1.06	-19.9	19.7	1370	310	-.80	-15.7	9.8	1433	0	-1.22	-22.0	17.0						
1323	260	-.87	-19.3	16.2	1371	120	-.97	-22.0	3.3	1434	20	-1.38	-24.8	18.2						
1324	170	-.91	-20.1	20.5	1372	240	-.50	-11.6	7.9	1435	330	-1.58	-31.2	3.6						
1325	240	-1.36	-31.3	17.2	1373	240	-.71	-10.1	16.3	1436	180	-1.19	-26.9	18.1						
1326	240	-1.24	-28.5	18.5	1374	280	-.70	-15.5	7.2	1437	70	-.99	-18.7	16.4						
1327	120	-1.16	-26.2	18.3	1375	270	-.67	-14.9	9.1	1438	150	-.80	-17.9	16.2						
1328	120	-1.19	-26.9	18.7	1376	70	-.97	-18.2	11.6	1439	250	1.02	-21.5	22.6						
1329	200	-.99	-17.6	22.4	1377	210	-.72	-9.3	16.6	1440	250	-.99	-16.1	21.9						
1330	200	-.96	-16.6	21.6	1378	280	-.84	-18.5	9.8	1441	330	-1.57	-31.1	19.7						
1331	220	-.91	-17.1	21.0	1379	240	-.51	-11.6	9.5	1442	340	-1.60	-28.6	22.8						
1332	190	-.89	-19.6	20.0	1380	240	-.57	-13.1	11.5	1443	340	-1.15	-20.7	20.3						
1333	240	-1.65	-37.9	19.9	1381	30	-.59	-11.1	10.3	1444	290	-.94	-20.4	20.7						
1334	240	-1.20	-27.5	21.0	1382	210	-.87	-9.0	19.9	1445	290	-.86	-18.0	19.1						
1335	120	-1.11	-25.0	20.3	1383	280	-.92	-20.4	13.8	1446	40	-1.25	-23.6	19.3						
1336	120	-1.26	-28.4	21.3	1384	190	-.44	-9.6	10.0	1447	180	-1.14	-25.7	19.5						
1337	190	-.94	-18.2	21.2	1385	180	-.67	-10.0	15.1	1448	230	-.89	-15.7	20.4						
1338	220	1.03	-16.2	23.8	1401	300	-1.42	-28.1	15.1	1449	230	-.89	-17.0	20.4						
1339	210	-.97	-19.2	22.3	1402	10	-1.49	-26.7	19.3	1450	230	-.87	-15.8	20.1						
1340	210	-.90	-19.5	20.7	1403	210	-1.00	-23.0	9.9	1451	230	-.94	-16.0	21.7						

NEGATIVE PRESSURES ACT OUTWARD, POSITIVE PRESSURES ACT INWARD.

TABLE 6A. PEAK LOADS FOR : COCA-COLA OFFICE EXPANSION , ATLANTA  
 AVERAGE OF CONFIGURATIONS A AND B 100-YEAR RECURRENCE INTERVAL

TAP	AZI-MUTH	PRESS COEFF	NEGATIVE PEAK	POSITIVE PEAK	TAP	AZI-MUTH	PRESS COEFF	NEGATIVE PEAK	POSITIVE PEAK	TAP	AZI-MUTH	PRESS COEFF	NEGATIVE PEAK	POSITIVE PEAK
			-----	-----				-----	-----				-----	-----
			PSF	PSF				PSF	PSF				PSF	PSF
1452	240	1.03	-16.4	23.8	1500	160	-1.23	-27.8	15.6	1924	40	-2.42	-45.7	4.0
1453	340	-1.71	-30.7	15.9	1501	350	-1.90	-34.0	12.5	1925	220	-1.32	-30.4	4.8
1454	290	-1.01	-21.6	22.4	1502	0	-1.46	-26.2	9.8	1926	120	-1.26	-28.4	1.3
1455	350	-1.27	-22.8	20.3	1503	290	.97	-13.3	21.4	1927	150	-1.91	-43.1	5.9
1456	270	.94	-20.7	20.8	1504	280	.92	-13.1	20.2	1928	40	-1.96	-36.9	4.9
1457	260	.97	-13.9	21.4	1505	270	.82	-15.8	18.1	1929	150	-2.12	-47.7	6.7
1458	200	-.94	-21.4	21.5	1506	280	.77	-16.6	17.0	1930	70	-1.29	-24.3	5.7
1459	190	-1.41	-31.8	20.0	1507	140	-.82	-18.5	11.8	1931	120	-1.98	-22.0	5.5
1460	240	.99	-14.7	22.7	1508	150	-.65	-14.7	17.8	1932	130	-1.21	-27.9	3.8
1461	230	.94	-17.5	21.7	1509	120	-.75	-17.0	13.2	1933	30	-1.85	-34.9	5.1
1462	220	.90	-16.1	20.7	1510	230	.73	-11.9	16.9	1934	120	-.63	-14.3	7.9
1463	240	.94	-19.5	21.5	1511	150	-.78	-17.5	12.3	1935	310	-.90	-17.9	7.9
1464	260	1.01	-17.4	22.4	1512	130	-.96	-21.6	7.2	2101	150	-1.30	-29.2	9.0
1465	0	-1.45	-26.1	10.0	1513	230	.72	-10.9	16.6	2102	150	-.70	-15.8	14.3
1466	350	-1.45	-26.0	10.7	1514	140	-.74	-16.7	14.3	2103	210	-.75	-17.2	15.3
1467	350	-1.26	-22.6	17.0	1515	130	-.86	-19.4	18.1	2104	130	-.80	-18.1	9.8
1468	280	1.03	-17.7	22.6	1516	140	-.69	-15.6	12.9	2105	120	-.84	-18.9	11.2
1469	260	.98	-21.6	21.7	1801	270	-.70	-15.5	13.1	2106	120	-.75	-17.0	8.5
1470	180	-1.20	-27.1	18.9	1802	240	-.71	-16.3	6.3	2107	250	-.73	-16.2	10.3
1471	180	-1.34	-30.2	19.5	1803	230	-.57	-13.2	7.3	2201	280	-.78	-14.9	17.1
1472	220	1.03	-15.7	23.7	1804	270	-1.06	-23.4	8.2	2202	0	-.88	-15.8	13.8
1473	230	.89	-16.7	20.5	1805	210	-.64	-14.6	8.0	2203	50	-.73	-12.9	13.7
1474	230	.86	-16.8	19.7	1806	220	-.70	-16.0	12.0	2204	130	-.74	-16.8	13.0
1475	230	.84	-17.8	19.3	1807	320	-.61	-12.0	6.9	2205	120	-.69	-15.7	12.3
1476	210	.89	-18.8	20.5	1808	270	-1.17	-25.9	7.5	2206	280	-.86	-19.0	8.5
1477	340	-1.99	-35.7	3.2	1901	280	-1.97	-43.6	5.4	2207	270	-1.44	-31.7	12.3
1478	340	-1.63	-29.3	4.8	1902	290	-1.04	-23.4	4.8	2208	260	-1.20	-26.6	11.2
1479	350	-1.42	-25.4	10.7	1903	280	-1.34	-29.6	5.0	2209	120	-.97	-21.8	9.4
1480	10	-.94	-17.0	14.1	1904	320	-2.72	-53.9	5.0	2210	90	-1.12	-21.1	15.7
1481	270	-.75	-14.1	16.5	1905	320	-2.61	-51.6	5.3	2211	270	-.73	-16.1	12.6
1482	170	-.93	-21.1	16.4	1906	270	-1.64	-36.3	5.2	2212	270	-1.00	-22.0	13.0
1483	170	-1.02	-22.9	16.7	1907	330	-1.50	-29.7	4.4	2213	280	-.98	-12.0	21.7
1484	150	-.79	-17.9	15.9	1908	230	-1.37	-31.4	4.4	2214	120	-1.28	-28.8	9.8
1485	140	-1.13	-25.6	14.9	1909	80	-1.52	-28.6	10.2	2215	260	-.85	-18.9	13.9
1486	150	-1.11	-25.0	15.6	1910	200	-2.58	-58.2	9.9	2301	10	-1.26	-22.6	18.1
1487	290	-.74	-16.3	15.7	1911	220	-2.02	-46.4	8.5	2302	240	-.80	-17.6	18.5
1488	210	.65	-14.8	15.1	1912	280	-1.71	-37.8	8.0	2303	270	.96	-19.6	21.1
1489	350	-2.49	-44.7	5.8	1913	290	-2.16	-47.7	8.7	2304	220	.73	-11.6	16.8
1490	10	-2.05	-36.8	8.4	1914	330	-1.26	-29.0	6.6	2305	280	.99	-21.8	21.8
1491	0	-1.22	-21.9	13.9	1915	270	-1.25	-27.6	13.1	2306	210	-.92	-21.2	11.0
1492	260	.77	-15.1	17.1	1916	330	-1.55	-30.7	5.6	2307	240	-.71	-16.4	15.9
1493	270	.78	-9.6	17.3	1917	270	-1.39	-30.7	5.2	2308	230	.87	-8.1	19.9
1494	160	-.79	-17.4	17.4	1918	230	-1.16	-26.7	6.3	2309	280	.92	-9.6	20.2
1495	180	-1.04	-23.5	14.4	1919	230	-1.45	-33.4	3.7	2310	280	.73	-12.2	16.0
1496	240	.61	-11.9	14.1	1920	220	-1.53	-35.1	10.3	2311	120	.91	-16.3	20.5
1497	140	-.78	-17.6	11.8	1921	120	-1.58	-35.6	3.5	2401	30	-.88	-16.6	15.1
1498	150	-1.37	-30.8	9.7	1922	70	-1.74	-32.9	4.3	2402	30	-1.13	-21.3	12.5
1499	150	-1.02	-23.0	10.9	1923	130	-1.38	-31.1	8.0	2403	80	-.83	-15.6	9.1

NEGATIVE PRESSURES ACT OUTWARD, POSITIVE PRESSURES ACT INWARD.



TABLE 6A. PEAK LOADS FOR : COCA-COLA OFFICE EXPANSION , ATLANTA  
 AVERAGE OF CONFIGURATIONS A AND B 100-YEAR RECURRENCE INTERVAL

TAP	AZI-MUTH	PRESS COEFF	NEGATIVE PEAK	POSITIVE PEAK	TAP	AZI-MUTH	PRESS COEFF	NEGATIVE PEAK	POSITIVE PEAK	TAP	AZI-MUTH	PRESS COEFF	NEGATIVE PEAK	POSITIVE PEAK
			PSF	PSF				PSF	PSF				PSF	PSF
2404	30	-.74	-13.9	12.5	3120	190	-1.23	-27.8	17.3	3314	200	.70	-15.3	15.7
2405	190	.79	-16.0	17.8	3121	270	-.81	-17.9	13.4	3315	200	-.74	-16.6	15.7
2406	220	.68	-14.4	15.5	3122	40	-1.12	-21.0	16.4	3316	210	-.73	-16.7	13.9
2901	210	.87	-17.8	20.1	3123	190	-.92	-20.7	9.5	3317	120	.76	-11.1	17.2
2902	290	.88	-11.8	19.5	3124	190	.73	-11.0	16.5	3318	60	-.85	-16.0	15.0
2903	290	.83	-13.1	18.3	3125	50	-1.13	-21.3	20.9	3319	120	.78	-16.7	17.5
2904	290	-.92	-19.5	20.0	3126	270	1.08	-23.8	23.8	3320	120	.81	-12.6	18.2
2905	240	-.94	-21.5	11.2	3127	180	-1.74	-39.1	22.7	3321	70	-.80	-15.1	14.8
2906	160	-.80	-18.0	6.5	3128	40	-1.47	-27.7	14.5	3322	170	.77	-16.6	17.4
2907	50	-2.02	-38.1	13.0	3129	170	-.70	-15.8	14.7	3323	280	-.78	-17.3	13.9
2908	0	-1.35	-24.2	30.8	3130	30	.77	-12.1	14.5	3324	200	.75	-15.7	16.9
2909	230	-.81	-18.7	5.8	3131	270	-1.73	-38.2	12.2	3325	120	.70	-14.7	15.7
2910	70	.98	-18.0	18.5	3132	90	-1.19	-22.4	12.1	3326	210	-.62	-14.2	12.7
2911	280	-.92	-12.9	20.3	3133	270	-.95	-21.0	14.1	3327	220	-.80	-13.0	12.8
2912	280	-.66	-14.6	4.2	3134	80	.60	-10.6	11.1	3328	210	-.87	-20.1	13.9
2913	20	-1.02	-18.3	18.2	3135	120	-1.48	-33.3	14.5	3329	120	.73	-13.7	16.5
2914	290	1.03	-14.0	22.7	3136	290	-.84	-18.6	13.8	3330	120	.79	-11.8	17.8
2915	290	.93	-18.0	20.6	3201	220	-1.09	-25.0	12.4	3331	130	.59	-12.5	13.3
2916	310	-1.29	-25.6	4.9	3202	260	-.85	-18.7	16.6	3332	250	-.61	-13.6	12.7
2917	350	-1.73	-31.0	10.8	3203	260	-1.44	-31.8	14.7	3333	220	-.63	-14.4	12.3
2918	50	-1.21	-22.7	7.6	3204	50	-1.18	-22.2	16.4	3334	120	-.67	-14.9	15.0
2919	120	-.81	-18.1	7.0	3205	30	-1.13	-21.4	16.7	3335	260	-.56	-12.3	12.1
2920	90	-1.26	-23.7	6.8	3206	30	-1.16	-21.9	14.6	3336	280	-.64	-14.2	14.2
2921	120	-.98	-22.2	7.5	3207	230	-1.01	-23.1	14.2	3337	270	-.75	-16.7	15.1
2922	220	-1.83	-42.2	7.4	3208	270	-1.26	-27.7	15.6	3338	200	-.66	-14.9	10.5
2923	220	-1.09	-25.0	5.7	3209	190	-.87	-13.1	19.6	3339	110	.80	-11.0	15.1
2924	210	-1.18	-27.1	4.5	3210	210	-.80	-18.4	10.7	3340	120	.58	-12.8	13.0
2925	120	-1.38	-37.9	5.2	3211	120	-.67	-15.3	15.1	3341	150	.59	-12.3	13.3
2926	90	-1.80	-33.9	4.7	3212	270	-1.30	-28.6	16.2	3342	280	-.56	-12.4	9.6
3101	60	-1.49	-28.0	17.0	3213	310	-1.18	-23.3	15.0	3343	270	-.61	-13.5	12.4
3102	140	-1.08	-24.4	15.7	3214	50	-.73	-13.8	11.0	3344	210	-.67	-15.1	15.4
3103	130	-1.38	-31.1	15.7	3215	180	.66	-9.0	15.0	3345	260	-.75	-16.6	15.2
3104	130	-1.10	-24.8	14.6	3216	170	.86	-12.3	19.4	3346	280	-.93	-20.5	15.1
3105	30	-1.32	-25.0	10.7	3217	20	-1.12	-20.1	20.0	3347	210	.98	-11.6	22.6
3106	30	-1.11	-20.9	13.4	3218	270	1.01	-19.3	22.3	3348	280	-1.09	-24.1	5.8
3107	30	-.98	-18.5	7.1	3301	130	-.78	-14.4	17.7	3349	30	-1.57	-29.6	8.7
3108	280	-1.18	-26.2	14.4	3302	270	-.92	-20.3	13.6	3401	280	-1.25	-27.6	10.0
3109	100	-1.11	-21.0	12.5	3303	70	-1.15	-21.7	13.5	3402	100	-1.11	-20.9	7.0
3110	120	-.81	-18.2	15.3	3304	210	-.77	-17.4	11.3	3403	310	-1.76	-34.9	4.5
3111	270	-1.02	-22.5	13.8	3305	260	-.68	-15.1	10.4	3404	330	-.95	-18.7	8.9
3112	260	-.84	-18.5	14.0	3306	210	-1.06	-24.5	8.3	3405	200	-.95	-21.5	7.8
3113	60	-.92	-17.4	14.3	3307	280	-.99	-21.9	11.1	3406	170	-1.08	-24.4	6.6
3114	270	-1.05	-23.1	13.5	3308	280	-.82	-18.1	17.3	3407	120	-.76	-15.3	17.1
3115	170	-1.07	-24.2	15.8	3309	120	.81	-17.6	18.3	3408	160	-.94	-21.1	6.4
3116	50	-1.27	-24.0	16.9	3310	150	.76	-16.6	17.2	3409	120	.86	-12.6	19.4
3117	270	-1.26	-27.8	14.6	3311	120	.71	-12.9	16.0	3410	320	-1.05	-20.7	.8
3118	290	-.95	-21.0	14.5	3312	210	-.74	-17.0	13.9	3411	200	-.90	-20.2	10.1
3119	200	-1.17	-26.3	16.2	3313	260	-.86	-19.1	14.4	3412	160	-.88	-19.9	8.2

NEGATIVE PRESSURES ACT OUTWARD, POSITIVE PRESSURES ACT INWARD.

TABLE 6A. PEAK LOADS FOR : COCA-COLA OFFICE EXPANSION , ATLANTA  
 AVERAGE OF CONFIGURATIONS A AND B 100-YEAR RECURRENCE INTERVAL

TAP	AZI-MUTH	PRESS COEFF	NEGATIVE PEAK	POSITIVE PEAK	TAP	AZI-MUTH	PRESS COEFF	NEGATIVE PEAK	POSITIVE PEAK	TAP	AZI-MUTH	PRESS COEFF	NEGATIVE PEAK	POSITIVE PEAK
			PSF	PSF				PSF	PSF				PSF	PSF
3413	120	1.00	-12.6	22.6	3912	30	-1.01	-19.0	8.2	3927	190	-1.93	-43.5	6.3
3414	270	-1.09	-24.2	14.3	3913	30	-1.04	-19.6	5.6	3928	230	-1.11	-25.5	14.2
3415	320	-1.60	-31.6	5.9	3914	30	-1.98	-18.8	6.6	3929	280	-1.78	-17.3	8.9
3416	210	-1.72	-16.8	9.3	3915	40	-1.37	-18.8	13.6	3930	70	-1.68	-12.8	11.1
3417	200	-1.76	-17.7	12.5	3916	200	-1.85	-19.1	13.6	3931	210	-1.68	-12.8	11.1
3901	270	-1.21	-26.7	6.0	3917	50	-1.11	-21.0	10.0	3932	210	-1.74	-17.0	14.7
3902	30	-2.10	-39.5	9.5	3918	290	-1.97	-21.4	10.0	3933	120	-1.40	-31.5	7.8
3903	100	-1.16	-21.8	5.3	3919	200	-1.43	-32.3	5.9	3934	210	-1.95	-44.8	5.7
3904	280	-1.65	-36.3	5.5	3920	200	-1.33	-39.9	5.5	3935	210	-2.22	-51.1	4.3
3905	30	-1.82	-34.3	7.1	3921	190	-1.59	-35.9	5.5	3936	280	-1.75	-16.6	8.2
3906	180	-1.42	-32.0	12.3	3922	310	-1.23	-24.3	20.9	3937	280	-1.79	-17.3	14.2
3907	30	-1.18	-32.2	2.5	3923	290	-1.35	-29.7	10.3	3938	130	-1.72	-15.8	10.2
3908	270	-1.13	-29.0	2.8	3924	160	-1.71	-18.8	15.1	3939	150	-1.71	-13.3	16.2
3909	280	-1.01	-22.3	4.4	3925	210	-1.48	-34.0	5.6	3940	120	-1.74	-13.6	16.7
3910	270	-2.22	-49.0	13.8	3926	210	-1.76	-17.6	12.5	3941	100	.77	-12.0	14.5
3911	310	-1.36	-26.9	8.0										

NEGATIVE PRESSURES ACT OUTWARD, POSITIVE PRESSURES ACT INWARD.

TABLE 6A. PEAK LOADS FOR : COCA-COLA OFFICE EXPANSION , ATLANTA  
 LARGEST VALUES OF CLADDING LOAD 100-YEAR REFERENCE PRESSURE

\* \* 15 GREATEST PRESSURE MAGNITUDES \* \*

TAP	AZI- MUTH	PRESS COEFF	NEGATIVE PEAK -----	POSITIVE PEAK PSF -----
1910	200	-2.58	-58.2	.9
1904	320	-2.72	-53.9	5.0
1905	320	-2.61	-51.6	5.3
3935	210	-2.22	-51.1	4.3
3910	270	-2.22	-49.0	13.8
1267	330	-2.42	-47.9	10.6
1929	150	-2.12	-47.7	6.7
1913	290	-2.16	-47.7	2.7
1911	220	-2.02	-46.4	2.5
1924	40	-2.42	-45.7	4.0
3934	210	-1.95	-44.8	5.7
1489	350	-2.49	-44.7	5.8
1901	280	-1.97	-43.6	5.3
3927	190	-1.93	-43.5	6.3
1927	150	-1.91	-43.1	5.9

TABLE 7. BASE SHEAR AND MOMENT SUMMARY : COCA-COLA OFFICE EXPANSION , ATLANTA  
 CONFIGURATION M REFERENCE PRESSURE 23.0 GUST FACTOR 1.32

AZIMUTH	SHEAR (KIPS)		MOMENT (1000-FT-KIPS)			ECCEN (FT)	
	X	Y	X	Y	Z	X	Y
0	-413.7	241.2	-32.8	-60.4	4.2	4	7
10	-454.4	334.1	-49.0	-66.4	-1.1	-1	22
20	-495.5	375.5	-55.2	-72.4	-1.6	-1	9
30	-543.3	381.3	-55.4	-79.1	-1.8	-1	11
40	-560.0	326.3	-48.0	-81.7	-1.9	-1	12
50	-548.3	259.2	-36.5	-79.4	-2.0	-1	14
60	-505.5	449.4	-72.4	-52.5	-2.2	-1	23
70	-457.7	712.1	-119.4	-20.6	-1.6	-1	21
80	-353.3	811.9	-137.0	-10.2	-1.4	-1	18
90	555.5	766.0	-132.0	4.4	-1.5	-1	16
100	445.5	1017.0	-163.0	4.5	-1.5	-1	11
110	366.3	1301.2	-202.6	5.0	-1.6	-1	11
120	222.6	1671.1	-254.4	1.1	-1.8	-1	11
130	100.4	1699.0	-252.9	1.1	-1.8	-1	11
140	154.4	1559.9	-229.9	1.1	-1.7	-1	11
150	292.2	1422.1	-214.1	1.1	-1.7	-1	10
160	456.6	1066.0	-160.1	1.1	-1.5	-1	19
170	522.1	536.3	-84.5	1.1	-1.2	-1	24
180	598.8	335.3	-79.0	1.1	-1.2	-1	13
190	649.9	345.8	79.0	1.1	-1.4	-1	21
200	636.6	-1007.0	147.7	1.1	-1.5	-1	25
210	559.3	-1464.3	217.7	1.1	-1.7	-1	17
220	408.8	-1721.7	257.3	1.1	-1.7	-1	14
230	264.2	-1887.1	280.3	1.1	-1.7	-1	10
240	149.1	-1961.5	288.9	1.1	-1.7	-1	12
250	127.9	-1859.7	276.6	1.1	-1.7	-1	12
260	172.6	-1823.4	275.5	1.1	-1.7	-1	11
270	313.3	-1849.3	284.0	1.1	-1.7	-1	11
280	438.0	-1905.3	292.6	1.1	-1.7	-1	11
290	71.1	-1981.1	291.1	1.1	-1.7	-1	17
300	231.1	-1344.4	211.1	1.1	-1.7	-1	18
310	544.7	-1154.4	175.7	1.1	-1.7	-1	24
320	684.4	875.5	133.7	1.1	-1.7	-1	28
330	577.7	581.1	88.1	1.1	-1.7	-1	19
340	476.4	200.8	34.1	1.1	-1.7	-1	4
350	41.9	64.3	4.9	1.1	-1.7	-1	12

TABLE 7. COCA-COLA OFFICE EXPANSION, ATLANTA  
 PROJECT 6040 CONFIGURATION #  
 SCALE = 300 REF. PRESSURE = 23.0  
 GUST FACTOR = 1.32 STANDARD FLOOR HEIGHT = 13.48  
 NUMBER OF SIDES = 4 NO. OF FLOORS = 20

SIDE	ANGLE	Z-AXIS	SFACT
1	0.0	2.450	1.0
2	90.0	6.020	1.0
3	180.0	2.490	1.0
4	270.0	7.400	1.0

FLOOR #	LABEL	HEIGHT-FT	WIND AZIMUTH	LOAD FACTOR
1	STRT	26.50	0	.78
2	2ND	16.50	10	.78
3	3RD	13.48	20	.78
4	4TH	13.48	30	.82
5	5TH	13.48	40	.82
6	6TH	13.48	50	.82
7	7TH	13.48	60	.82
8	8TH	13.48	70	.82
9	9TH	13.48	80	.82
10	10TH	13.48	90	.82
11	11TH	13.48	100	.82
12	12TH	13.48	110	.82
13	13TH	13.48	120	.98
14	14TH	13.48	130	.98
15	15TH	13.48	140	.98
16	16TH	13.48	150	.98
17	17TH	13.48	160	.98
18	18TH	13.48	170	.98
19	19TH	20.75	180	.98
20	MECH	22.00	190	.98
			200	.98
			210	1.00
			220	1.00
			230	1.00
			240	1.00
			250	.96
			260	.96
			270	.96
			280	.96
			290	.96
			300	.86
			310	.86
			320	.86
			330	.86
			340	.78
			350	.78

TABLE 7. SHEAR AND MOMENT DIAGRAMS : COCA-COLA OFFICE EXPANSION , ATLANTA  
 WIND DIRECTION 0 CONFIGURATION M REFERENCE PRESSURE 23.0 PSF

FLOOR	HEIGHT	FORCE (KIPS)		AREA (SQ FT)		PRESSURE (PSF)		ECCEN (FT)		SHEAR (KIPS)		MOMENT (1000-FT-KIPS)		
		X	Y	X	Y	X	Y	X	Y	X	Y	X	Y	Z
STRT	0.00									-413.7	241.2	-32.8	-60.4	4.2
2ND	26.50	-34.9	21.0	3290	8891	-10.6	2.4	44	74	-378.8	220.1	-26.6	-49.9	.6
3RD	43.00	-15.4	8.7	2038	5536	-7.5	1.6	49	86	-363.4	211.4	-23.1	-43.8	-1.1
4TH	56.48	-16.9	9.8	1624	4496	-10.4	2.2	27	47	-346.5	201.6	-20.3	-39.0	-2.2
5TH	69.96	-17.3	12.2	1624	4496	-10.7	2.7	23	33	-329.2	185.4	-17.7	-34.5	-3.0
6TH	83.44	-17.8	14.5	1624	4496	-10.9	3.2	18	22	-311.5	174.9	-15.2	-30.1	-3.7
7TH	96.92	-18.2	16.9	1624	4496	-11.2	3.8	13	14	-293.3	158.0	-13.0	-26.1	-4.2
8TH	110.40	-19.1	16.6	1624	4496	-11.7	3.7	7	9	-274.2	141.4	-10.9	-22.2	-4.4
9TH	123.88	-20.0	15.8	1624	4496	-12.3	3.5	2	3	-254.2	125.6	-9.1	-18.7	-4.5
10TH	137.36	-20.9	15.0	1624	4496	-12.9	3.3	-2	-3	-233.3	110.6	-7.6	-15.4	-4.5
11TH	150.84	-21.9	14.2	1624	4496	-13.5	3.2	-6	-9	-211.4	96.4	-6.2	-12.4	-4.2
12TH	164.32	-22.8	13.4	1624	4496	-14.1	3.0	-9	-15	-188.6	83.0	-4.9	-9.7	-3.7
13TH	177.80	-23.7	12.3	1624	4496	-14.6	2.7	-10	-19	-164.9	70.7	-3.9	-7.3	-3.2
14TH	191.28	-24.3	10.6	1624	4496	-14.9	2.4	-8	-19	-140.6	60.1	-3.0	-5.3	-2.6
15TH	204.76	-24.9	8.9	1624	4496	-15.3	2.0	-7	-19	-115.8	51.2	-2.3	-3.5	-2.1
16TH	218.24	-25.4	7.4	1624	4496	-15.6	1.7	-6	-19	-90.3	43.7	-1.6	-2.1	-1.6
17TH	231.72	-25.0	7.9	1624	4496	-15.4	1.7	-5	-17	-65.4	35.8	-1.1	-1.1	-1.1
18TH	245.20	-24.6	8.3	1624	4496	-15.1	1.8	-5	-15	-40.8	27.6	-.7	-.4	-.7
19TH	258.68	-24.1	8.7	1624	4496	-14.8	1.9	-5	-13	-16.7	18.9	-.4	.0	-.4
MECH	272.43	-25.0	11.0	2387	6807	-10.5	1.6	-5	-12	8.3	7.9	-.1	.1	.0
TOP	301.50	8.3	7.9	1150	4417	7.3	1.8	1	-1	0.0	0.0	0.0	0.0	0.0

TABLE 7. SHEAR AND MOMENT DIAGRAMS ;  
WIND DIRECTION 10

COCA-COLA OFFICE EXPANSION , ATLANTA  
REFERENCE PRESSURE 23.0 PSF

GUST FACTOR 1.32

FLOOR	HEIGHT	FORCE (KIPS)		AREA (SQ FT)		PRESSURE (PSF)		ECCEN (FT)		SHEAR (KIPS)		MOMENT (1000-FT-KIPS)		
		X	Y	X	Y	X	Y	X	Y	X	Y	X	Y	Z
STRT	0.00	-37.7	27.1	3290	8891	-11.5	3.0	33	47	-454.7	334.1	-49.0	-66.4	-1.7
2ND	26.50	-18.3	16.5	2038	5536	-9.0	3.0	41	46	-416.9	307.1	-40.5	-54.9	-4.3
3RD	43.00	-19.1	12.3	1624	4496	-11.7	2.7	16	25	-398.7	290.6	-35.6	-48.2	-5.8
4TH	56.48	-19.5	14.3	1624	4496	-12.0	3.2	13	18	-379.6	278.3	-31.8	-42.9	-6.5
5TH	69.96	-19.9	16.3	1624	4496	-12.2	3.6	10	12	-360.1	264.0	-28.1	-37.9	-7.1
6TH	83.44	-20.3	18.3	1624	4496	-12.5	4.1	7	8	-340.3	247.7	-24.7	-33.2	-7.5
7TH	96.92	-21.1	18.4	1624	4496	-13.0	4.1	3	3	-320.0	229.4	-21.4	-28.8	-7.8
8TH	110.40	-22.0	18.0	1624	4496	-13.5	4.0	-1	-1	-299.9	211.0	-18.5	-24.6	-7.9
9TH	123.88	-22.9	17.7	1624	4496	-14.1	3.9	-4	-5	-276.9	193.0	-15.7	-20.7	-7.8
10TH	137.36	-23.8	17.3	1624	4496	-14.7	3.9	-7	-9	-254.0	175.4	-13.3	-17.1	-7.7
11TH	150.84	-24.7	17.0	1624	4496	-15.2	3.8	-9	-14	-230.2	158.0	-11.0	-13.9	-7.3
12TH	164.32	-25.5	16.5	1624	4496	-15.7	3.7	-11	-17	-205.5	141.0	-9.0	-10.9	-6.8
13TH	177.80	-25.9	15.8	1624	4496	-16.0	3.5	-12	-19	-180.0	124.5	-7.2	-8.3	-6.2
14TH	191.28	-25.4	15.1	1624	4496	-16.2	3.4	-12	-22	-154.1	108.7	-5.6	-6.1	-5.5
15TH	204.76	-26.7	14.4	1624	4496	-16.5	3.2	-13	-24	-127.7	93.6	-4.3	-4.2	-4.8
16TH	218.24	-26.3	14.4	1624	4496	-16.2	3.2	-13	-24	-101.0	79.2	-3.1	-2.6	-3.9
17TH	231.72	-26.0	14.4	1624	4496	-16.0	3.2	-14	-25	-74.6	64.8	-2.1	-1.5	-3.1
18TH	245.20	-25.6	14.5	1624	4496	-15.7	3.2	-15	-26	-48.7	50.4	-1.4	-.6	-2.2
19TH	258.68	-27.5	16.7	2387	6807	-11.5	2.4	-21	-35	-23.1	35.9	-.8	-.1	-1.4
MECH	279.43	4.4	19.3	1150	4417	3.8	4.4	-3	1	4.4	19.3	-.2	.0	-.1
TOP	301.50									0.0	0.0	0.0	0.0	0.0

TABLE 7. SHEAR AND MOMENT DIAGRAMS ;  
WIND DIRECTION 20

COCA-COLA OFFICE EXPANSION , ATLANTA  
REFERENCE PRESSURE 23.0 PSF

GUST FACTOR 1.32

FLOOR	HEIGHT	FORCE (KIPS)		AREA (SQ FT)		PRESSURE (PSF)		ECCEN (FT)		SHEAR (KIPS)		MOMENT (1000-FT-KIPS)		
		X	Y	X	Y	X	Y	X	Y	X	Y	X	Y	Z
STRT	0.00	-41.2	33.5	3290	8891	-12.5	3.8	25	31	-495.5	375.9	-55.2	-72.4	-6.9
2ND	28.50	-21.3	21.1	2038	5536	-10.4	3.8	31	31	-454.4	342.4	-45.6	-59.8	-9.0
3RD	43.00	-21.6	14.6	1624	4496	-13.3	3.2	10	15	-433.1	321.3	-40.2	-52.5	-10.3
4TH	56.48	-21.8	15.4	1624	4496	-13.4	3.4	7	9	-411.5	306.7	-35.9	-46.8	-10.8
5TH	69.96	-22.1	16.2	1624	4496	-13.6	3.6	3	5	-389.7	291.3	-31.9	-41.4	-11.1
6TH	83.44	-22.4	17.1	1624	4496	-13.8	3.8	0	0	-367.5	275.1	-28.1	-38.8	-11.2
7TH	96.92	-23.1	17.6	1624	4496	-14.2	3.9	-3	-3	-345.1	258.0	-24.5	-31.5	-11.2
8TH	110.40	-23.8	18.0	1624	4496	-14.6	4.0	-5	-7	-322.1	240.5	-21.1	-27.0	-11.1
9TH	123.88	-24.5	18.4	1624	4496	-15.1	4.1	-7	-10	-298.3	222.5	-18.0	-22.8	-10.9
10TH	137.36	-25.2	18.8	1624	4496	-15.5	4.2	-9	-12	-273.8	204.1	-15.1	-19.0	-10.5
11TH	150.84	-25.9	19.2	1624	4496	-16.0	4.3	-11	-15	-248.6	185.3	-12.5	-15.5	-10.0
12TH	164.32	-26.6	19.5	1624	4496	-16.4	4.3	-13	-18	-222.7	166.0	-10.1	-12.3	-9.4
13TH	177.80	-27.1	19.4	1624	4496	-16.7	4.3	-15	-20	-196.1	146.6	-8.0	-9.5	-8.7
14TH	191.28	-27.7	19.3	1624	4496	-17.1	4.3	-16	-23	-169.0	127.2	-6.2	-7.0	-7.9
15TH	204.76	-28.2	19.2	1624	4496	-17.4	4.3	-17	-26	-141.3	107.9	-4.6	-4.9	-6.9
16TH	218.24	-27.9	18.4	1624	4496	-17.2	4.1	-19	-28	-113.0	88.7	-3.3	-3.2	-5.9
17TH	231.72	-27.6	17.7	1624	4496	-17.0	3.9	-20	-31	-85.1	70.3	-2.2	-1.9	-4.7
18TH	245.20	-27.2	16.9	1624	4496	-16.8	3.8	-21	-34	-57.6	52.6	-1.4	-1.3	-3.5
19TH	258.68	-31.1	16.7	2387	6807	-13.0	2.5	-26	-48	-30.4	35.7	-.8	-.3	-2.2
MECH	279.43	.7	19.0	1150	4417	.6	4.3	-16	1	.7	19.0	-.2	.0	-.3
TOP	301.50									0.0	0.0	0.0	0.0	0.0



TABLE 7. SHEAR AND MOMENT DIAGRAMS :  
WIND DIRECTION 30

COCA-COLA OFFICE EXPANSION, ATLANTA  
CONFIGURATION M  
REFERENCE PRESSURE 23.0 PSF

GUST FACTOR 1.32

FLOOR	HEIGHT	FORCE (KIPS)		AREA (SQ FT)		PRESSURE (PSF)		ECCEN (FT)		SHEAR (KIPS)		MOMENT (1000-FT-KIPS)		
		X	Y	X	Y	X	Y	X	Y	X	Y	X	Y	Z
STP1	0.00	-46.8	37.9	3080	8891	-14.2	4.3	23	28	-543.2	381.3	-55.4	-78.1	-8.7
2ND	26.50	-24.5	24.8	2038	5536	-12.0	4.5	29	27	-496.4	343.4	-45.8	-65.4	-10.9
3RD	43.00	-23.9	15.7	1624	4496	-14.7	3.5	6	12	-471.9	318.6	-40.4	-57.4	-12.2
4TH	56.46	-24.3	15.8	1624	4496	-14.9	3.5	5	7	-448.0	302.9	-36.2	-51.2	-12.6
5TH	69.96	-24.7	16.0	1624	4496	-15.1	3.6	1	2	-423.7	287.1	-32.2	-45.3	-12.9
6TH	83.44	-24.9	16.2	1624	4496	-15.3	3.6	-2	-4	-399.2	271.1	-28.4	-39.8	-12.9
7TH	96.92	-25.4	16.7	1624	4496	-15.7	3.7	-4	-7	-374.3	254.9	-24.9	-34.5	-12.8
8TH	110.40	-26.0	17.1	1624	4496	-16.0	3.8	-6	-9	-348.8	238.2	-21.6	-29.7	-12.6
9TH	123.88	-26.6	17.6	1624	4496	-16.3	3.9	-8	-12	-322.9	221.1	-18.5	-25.1	-12.2
10TH	137.36	-27.1	18.1	1624	4496	-16.7	4.0	-10	-15	-296.3	203.4	-15.6	-21.0	-11.8
11TH	150.84	-27.7	18.6	1624	4496	-17.0	4.1	-11	-17	-269.2	185.3	-13.0	-17.2	-11.2
12TH	164.32	-28.2	18.8	1624	4496	-17.4	4.2	-13	-20	-241.5	166.7	-10.6	-13.7	-10.5
13TH	177.80	-28.8	18.5	1624	4496	-17.7	4.1	-15	-23	-213.2	148.0	-8.5	-10.7	-9.7
14TH	191.28	-29.3	18.3	1624	4496	-18.0	4.1	-17	-26	-184.5	129.4	-6.6	-8.0	-8.8
15TH	204.76	-29.7	18.0	1624	4496	-18.3	4.0	-18	-29	-155.2	111.1	-5.0	-5.7	-7.7
16TH	218.24	-29.4	17.5	1624	4496	-18.1	3.9	-19	-33	-125.5	93.1	-3.6	-3.8	-6.5
17TH	231.72	-29.0	16.9	1624	4496	-17.9	3.6	-21	-35	-96.1	75.6	-2.5	-2.3	-5.0
18TH	245.20	-29.7	16.4	1624	4496	-17.7	3.6	-22	-38	-67.1	58.7	-1.6	-1.2	-3.8
19TH	258.68	-34.0	20.8	2387	6607	-14.3	3.1	-25	-40	-38.4	42.3	-.9	-.5	-2.3
MECH	279.43	-4.3	21.5	1150	4417	-3.8	4.9	-20	-4	-4.3	21.5	-.2	-.0	-.5
TOP	301.50									0.0	0.0	0.0	0.0	0.0

TABLE 7. SHEAR AND MOMENT DIAGRAMS :  
WIND DIRECTION 40

COCA-COLA OFFICE EXPANSION, ATLANTA  
CONFIGURATION M  
REFERENCE PRESSURE 23.0 PSF

GUST FACTOR 1.32

FLOOR	HEIGHT	FORCE (KIPS)		AREA (SQ FT)		PRESSURE (PSF)		ECCEN (FT)		SHEAR (KIPS)		MOMENT (1000-FT-KIPS)		
		X	Y	X	Y	X	Y	X	Y	X	Y	X	Y	Z
STRT	0.00									-560.0	326.3	-48.0	-81.7	-9.3
2ND	26.50	-47.9	32.7	3290	8691	-14.6	3.7	24	35	-512.1	293.5	-39.8	-67.5	-11.7
3RD	43.00	-25.2	22.4	2038	5538	-12.4	4.1	27	30	-486.9	271.1	-35.2	-59.2	-13.1
4TH	56.48	-24.7	14.3	1624	4496	-15.2	3.2	9	16	-462.2	256.8	-31.6	-52.8	-13.6
5TH	69.96	-25.0	14.5	1624	4496	-15.4	3.2	6	10	-437.2	242.3	-28.3	-46.8	-13.9
6TH	83.44	-25.4	14.7	1624	4496	-15.6	3.3	2	4	-411.9	227.6	-25.1	-41.1	-14.0
7TH	96.92	-25.7	14.9	1624	4496	-15.6	3.3	-1	-2	-386.2	213.7	-22.1	-35.7	-13.9
8TH	110.40	-26.3	14.6	1624	4496	-16.2	3.2	-4	-7	-359.9	198.1	-19.3	-30.6	-13.7
9TH	123.88	-27.0	14.2	1624	4496	-16.6	3.2	-7	-12	-332.9	183.9	-16.8	-26.0	-13.3
10TH	137.36	-27.6	13.9	1624	4496	-17.0	3.1	-9	-18	-305.3	170.0	-14.4	-21.7	-12.7
11TH	150.84	-28.3	13.5	1624	4496	-17.4	3.0	-11	-23	-277.0	156.5	-12.2	-17.7	-11.9
12TH	164.32	-28.9	13.2	1624	4496	-17.8	2.9	-13	-28	-248.1	143.3	-10.2	-14.2	-10.9
13TH	177.80	-29.4	13.1	1624	4496	-18.1	2.9	-14	-32	-218.6	130.2	-8.3	-11.1	-9.8
14TH	191.28	-29.7	13.4	1624	4496	-18.3	3.0	-15	-34	-188.9	116.9	-6.7	-8.3	-8.6
15TH	204.76	-30.0	13.6	1624	4496	-18.4	3.0	-17	-36	-159.0	103.2	-5.2	-6.0	-7.3
16TH	218.24	-30.2	13.9	1624	4496	-18.6	3.1	-18	-39	-128.8	89.4	-3.9	-4.0	-5.9
17TH	231.72	-29.6	13.5	1624	4496	-18.2	3.0	-18	-40	-99.3	75.9	-2.8	-2.5	-4.4
18TH	245.20	-28.9	13.1	1624	4496	-17.8	2.9	-18	-41	-70.3	62.8	-1.8	-1.4	-3.0
19TH	258.68	-28.3	12.8	1624	4496	-17.4	2.8	-19	-42	-42.0	50.0	-1.1	-.6	-1.6
MECH	279.43	-34.6	24.4	2387	6807	-14.5	3.6	-18	-25	-7.4	25.6	-.3	-.1	-.3
TOP	301.50	-7.4	25.6	1150	4417	-6.4	5.8	-11	-3	0.0	0.0	0.0	0.0	0.0

COCA-COLA OFFICE EXPANSION, ATLANTA															
GUST FACTOR 1.32															
TABLE 7. SHEAR AND MOMENT DIAGRAMS :															
WIND DIRECTION 50 CONFIGURATION N REFERENCE PRESSURE 23.0 PSF															
FLOOR	HEIGHT	FORCE (KIPS)		AREA (SQ FT)		PRESSURE (PSF)		ECCEN (FT)		SHEAR (KIPS)		MOMENT (1000-FT-KIPS)			
		X	Y	X	Y	X	Y	X	Y	X	Y	X	Y	Z	
START	0.00														
1ST	26.50	-46.0	32.3	3290	8891	-14.0	3.6	21	29	-548.9	259.2	-36.5	-79.4	-20.6	
2ND	53.00	-25.8	20.3	2038	5500	-12.6	3.7	20	25	-502.9	226.9	-30.0	-65.5	-22.6	
3RD	79.50	-25.2	11.9	1624	4496	-15.5	2.6	3	7	-477.1	206.6	-26.4	-57.4	-23.7	
4TH	106.00	-25.4	11.5	1624	4496	-15.6	2.6	0	1	-452.0	194.7	-23.7	-51.1	-23.9	
5TH	132.50	-25.6	11.1	1624	4496	-15.8	2.5	-2	-5	-426.6	183.3	-21.2	-45.2	-23.9	
6TH	159.00	-25.8	10.6	1624	4496	-15.9	2.4	-4	-11	-400.9	172.2	-18.8	-39.6	-23.7	
7TH	185.50	-25.3	10.6	1624	4496	-16.2	2.3	-8	-19	-375.1	161.6	-16.5	-34.4	-23.4	
8TH	212.00	-25.9	10.5	1624	4496	-16.5	2.3	-11	-27	-348.8	151.0	-14.4	-29.5	-22.8	
9TH	238.50	-27.4	10.5	1624	4496	-16.9	2.3	-14	-35	-321.9	140.5	-12.5	-25.0	-22.0	
10TH	265.00	-28.0	10.5	1624	4496	-17.2	2.3	-16	-43	-294.5	129.9	-10.6	-20.8	-20.9	
11TH	291.50	-28.5	10.5	1624	4496	-17.5	2.3	-19	-51	-266.5	119.4	-9.0	-17.1	-19.5	
12TH	318.00	-28.8	10.6	1624	4496	-17.7	2.4	-21	-57	-238.0	108.9	-7.4	-13.7	-17.9	
13TH	344.50	-28.8	11.0	1624	4496	-17.7	2.4	-23	-60	-209.2	98.3	-6.0	-10.6	-16.0	
14TH	371.00	-28.8	11.3	1624	4496	-17.7	2.5	-25	-64	-180.4	87.3	-4.8	-8.0	-14.0	
15TH	397.50	-29.7	11.5	1624	4496	-17.7	2.6	-27	-68	-151.7	76.1	-3.7	-5.8	-11.9	
16TH	424.00	-29.7	11.5	1624	4496	-17.7	2.6	-27	-68	-123.0	64.5	-2.7	-3.9	-9.6	
17TH	450.50	-28.0	10.9	1624	4496	-17.3	2.4	-27	-70	-95.0	53.7	-1.9	-2.5	-7.4	
18TH	477.00	-27.4	10.2	1624	4496	-16.8	2.3	-27	-72	-67.6	43.5	-1.3	-1.4	-5.1	
19TH	503.50	-25.7	9.5	1624	4496	-16.4	2.1	-27	-75	-40.9	34.0	-.8	-.6	-2.9	
MECH	530.00	-31.3	15.1	2387	6807	-15.1	2.2	-32	-86	-9.6	18.8	-.2	-.1	-.3	
TOP	556.50	-3.6	18.8	1150	4417	-8.0	4.3	-14	-7	0.0	0.0	0.0	0.0	0.0	

TABLE 7. SHEAR AND MOMENT DIAGRAMS :														
WIND DIRECTION 60		COCA-COLA OFFICE EXPANSION, ATLANTA								GUST FACTOR 1.32				
		CONFIGURATION M				REFERENCE PRESSURE 23.0 PSF								
FLOOR	HEIGHT	FORCE (KIPS)		AREA (SQ FT)		PRESSURE (PSF)		ECCEN (FT)		SHEAR (KIPS)		MOMENT (1000-F1-KIPS)		
		X	Y	X	Y	X	Y	X	Y	X	Y	X	Y	Z
STRT	0.00									-385.3	449.4	-72.4	-52.5	-22.3
2ND	26.50	-35.2	35.9	5200	8891	-10.7	4.0	10	10	-350.1	413.5	-61.0	-42.7	-23.0
3RD	43.00	-19.0	19.1	2038	5536	-9.3	3.5	4	4	-331.1	394.4	-54.3	-37.1	-23.2
4TH	56.48	-19.1	15.1	1624	4496	-11.7	3.4	-1	-2	-312.0	379.3	-49.1	-32.8	-23.1
5TH	69.96	-19.5	14.4	1624	4496	-12.0	3.2	3	4	-292.5	365.0	-44.1	-28.7	-23.2
6TH	83.44	-20.0	13.6	1624	4496	-12.3	3.0	7	10	-272.5	351.2	-39.2	-24.9	-23.5
7TH	96.92	-20.4	12.9	1624	4496	-12.6	2.9	10	16	-252.1	338.4	-34.6	-21.4	-24.0
8TH	110.40	-20.6	14.4	1624	4496	-12.7	3.2	5	7	-231.5	324.0	-30.1	-18.1	-24.2
9TH	123.88	-20.8	16.3	1624	4496	-12.8	3.6	-3	-4	-210.7	307.6	-25.9	-15.1	-24.1
10TH	137.36	-20.9	18.2	1624	4496	-12.9	4.1	-11	-13	-189.8	289.4	-21.8	-12.4	-23.6
11TH	150.84	-21.1	20.2	1624	4496	-13.0	4.5	-19	-20	-168.7	269.3	-18.1	-10.0	-22.8
12TH	164.32	-21.3	22.1	1624	4496	-13.1	4.9	-27	-26	-147.4	247.2	-14.6	-7.9	-21.7
13TH	177.80	-20.9	24.2	1624	4496	-12.9	5.4	-36	-31	-126.5	223.0	-11.4	-6.0	-20.2
14TH	191.28	-19.8	26.7	1624	4496	-12.2	5.9	-48	-35	-106.7	196.3	-8.6	-4.5	-18.2
15TH	204.76	-19.7	29.2	1624	4496	-11.5	6.5	-59	-38	-88.0	167.1	-6.1	-3.1	-15.8
16TH	218.24	-17.6	31.5	1624	4496	-10.9	7.0	-69	-39	-70.4	135.6	-4.1	-2.1	-12.9
17TH	231.72	-17.3	31.8	1624	4496	-10.7	7.1	-71	-39	-53.0	103.8	-2.5	-1.2	-10.0
18TH	245.20	-17.1	32.2	1624	4496	-10.5	7.2	-73	-39	-36.0	71.6	-1.3	-.6	-7.0
19TH	258.68	-16.8	32.6	1624	4496	-10.3	7.2	-74	-38	-19.2	39.0	-.6	-.3	-3.9
MECH	279.43	-15.7	31.9	2387	6807	-8.6	4.7	-86	-42	-3.5	7.2	-.1	-.0	-.5
TOP	301.50	-3.5	7.2	1150	4417	-3.1	1.6	-56	-27	0.0	0.0	0.0	0.0	0.0

TABLE 7. SHEAR AND MOMENT DIAGRAMS :  
WIND DIRECTION 76 CONFIGURATION M

COCA-COLA OFFICE EXPANSION, ATLANTA  
REFERENCE PRESSURE 23.0 PSF

GUST FACTOR 1.32

FLOOR	HEIGHT	FORCE (KIPS)		AREA (SQ FT)		PRESSURE (PSF)		ECCEN (FT)		SHEAR (KIPS)		MOMENT (1000-FT-KIPS)		
		X	Y	X	Y	X	Y	X	Y	X	Y	X	Y	Z
STRT	0.00	-19.4	57.4	3290	8691	-5.6	6.5	4	1	-157.7	712.1	-118.4	-20.8	-16.0
2ND	26.50	-8.1	29.4	2038	5536	-4.0	5.3	-7	-2	-139.2	654.7	-100.3	-16.9	-16.3
3RD	43.00	-8.1	24.9	1624	4496	-5.0	5.5	1	0	-131.1	625.3	-89.7	-14.6	-16.1
4TH	56.48	-8.2	22.1	1624	4496	-5.0	4.9	10	4	-123.0	600.5	-81.4	-12.9	-16.1
5TH	69.96	-8.2	19.4	1624	4496	-5.0	4.3	20	9	-114.8	578.3	-73.5	-11.3	-16.4
6TH	83.44	-8.2	16.6	1624	4496	-5.1	3.7	33	16	-106.6	559.0	-65.8	-9.8	-16.8
7TH	96.92	-8.3	19.2	1624	4496	-5.1	4.3	24	10	-99.4	542.4	-59.4	-8.4	-17.5
8TH	110.40	-8.3	22.7	1624	4496	-5.1	5.1	13	5	-90.1	523.2	-51.2	-7.2	-18.0
9TH	123.88	-8.4	26.2	1624	4496	-5.2	5.8	5	1	-81.8	500.5	-44.3	-6.0	-18.4
10TH	137.36	-8.5	29.8	1624	4496	-5.2	6.6	-2	-1	-73.4	474.3	-37.8	-5.0	-18.5
11TH	150.84	-8.5	33.3	1624	4496	-5.3	7.4	-8	-2	-64.9	444.5	-31.6	-4.0	-18.4
12TH	164.32	-8.2	36.9	1624	4496	-5.1	8.2	-15	-3	-56.3	411.2	-25.8	-3.2	-18.1
13TH	177.80	-7.4	40.5	1624	4496	-4.5	9.0	-26	-5	-48.1	374.3	-20.5	-2.5	-17.6
14TH	191.28	-6.5	44.1	1624	4496	-4.0	9.8	-35	-5	-40.7	333.9	-15.7	-1.9	-16.5
15TH	204.76	-5.7	47.6	1624	4496	-3.5	10.6	-42	-5	-34.2	289.8	-11.5	-1.4	-14.9
16TH	218.24	-5.8	50.1	1624	4496	-3.6	11.1	-46	-5	-29.5	242.2	-7.9	-1.0	-12.9
17TH	231.72	-5.9	52.6	1624	4496	-3.6	11.7	-50	-6	-22.7	192.2	-5.0	-.6	-10.6
18TH	245.20	-6.0	55.0	1624	4496	-3.7	12.2	-53	-6	-16.8	139.6	-2.8	-.4	-7.9
19TH	258.68	-7.2	66.5	2387	6607	-3.0	9.8	-59	-6	-10.8	84.6	-1.3	-.2	-4.9
MECH	279.43	-3.6	18.1	1150	4417	-3.1	4.1	-52	-10	-3.6	18.1	-.2	-.0	-1.0
TOP	301.50									0.0	0.0	0.0	0.0	0.0

TABLE 7. SHEAR AND MOMENT DIAGRAMS  
WIND DIRECTION 80

COCA-COLA OFFICE EXPANSION, ATLANTA  
CONFIGURATION M  
REFERENCE PRESSURE 23.0 PSF

GUST FACTOR 1.32

FLOOR	HEIGHT	FORCE (KIPS)		AREA (SQ FT)		PRESSURE (PSF)		ECCEN (FT)		SHEAR (KIPS)		MOMENT (1000-FT-KIPS)		
		X	Y	X	Y	X	Y	X	Y	X	Y	X	Y	Z
STRT	0.00									-53.5	811.9	-137.0	-10.2	-14.5
2ND	26.50	-3.9	60.0	3290	8891	-1.2	6.7	-6	0	-49.6	752.0	-116.3	-8.9	-14.1
3RD	43.00	-1.8	31.9	2038	5536	-1.4	5.8	-18	0	-49.8	720.1	-104.1	-8.1	-13.5
4TH	56.48	-1.6	27.9	1624	4496	-1.4	6.2	-6	0	-48.2	692.2	-94.6	-7.4	-13.3
5TH	69.96	-1.5	25.6	1624	4496	-1.3	5.7	0	0	-47.7	666.5	-85.5	-6.8	-13.3
6TH	83.44	-1.3	23.4	1624	4496	-1.2	5.2	8	0	-47.4	643.1	-76.6	-6.1	-13.5
7TH	96.92	-1.2	21.1	1624	4496	-1.1	4.7	17	0	-47.2	622.0	-68.1	-5.5	-13.9
8TH	110.40	-1.0	18.8	1624	4496	-1.0	4.2	26	0	-46.5	598.6	-59.9	-4.8	-14.2
9TH	123.88	-1.1	20.6	1624	4496	-1.1	4.6	13	0	-46.5	598.6	-59.9	-4.8	-14.2
10TH	137.36	-1.6	29.8	1624	4496	-1.0	6.6	7	0	-45.4	572.0	-52.0	-4.2	-14.4
11TH	150.84	-1.6	29.8	1624	4496	-1.0	6.6	2	0	-43.9	542.2	-44.5	-3.6	-14.4
12TH	164.32	-2.1	33.0	1624	4496	-1.3	7.3	-2	0	-41.8	509.2	-37.4	-3.0	-14.4
13TH	177.80	-2.6	36.1	1624	4496	-1.6	8.0	-5	0	-39.2	473.1	-30.8	-2.5	-14.2
14TH	191.28	-3.1	39.7	1624	4496	-1.9	8.8	-10	-1	-36.1	433.4	-24.7	-2.0	-13.8
15TH	204.76	-3.8	43.9	1624	4496	-2.3	9.8	-18	-2	-32.4	389.5	-19.1	-1.5	-13.0
16TH	218.24	-4.4	48.0	1624	4496	-2.7	10.7	-24	-2	-27.9	341.5	-14.2	-1.1	-11.9
17TH	231.72	-5.0	52.1	1624	4496	-3.1	11.6	-29	-3	-22.9	289.4	-9.9	-.8	-10.4
18TH	245.20	-4.8	55.9	1624	4496	-3.0	12.4	-31	-3	-18.1	233.6	-6.4	-.5	-8.6
19TH	258.68	-4.6	59.6	1624	4496	-2.9	13.3	-32	-3	-13.5	174.0	-3.7	-.3	-6.7
MECH	279.43	-4.4	63.4	1624	4496	-2.7	14.1	-34	-2	-9.0	110.6	-1.7	-.1	-4.5
TOP	301.50	-6.7	83.1	2367	6807	-2.8	12.2	-43	-3	-2.3	27.5	-.3	-.0	-.9
		-2.3	27.5	1150	4417	-2.0	6.2	-33	-1	0.0	0.0	0.0	0.0	0.0

TABLE 7. SHEAR AND MOMENT DIAGRAMS : COCA-COLA OFFICE EXPANSION , ATLANTA  
 WIND DIRECTION 90 CONFIGURATION M REFERENCE PRESSURE 23.0 PSF

GUST FACTOR 1.32

FLOOR	HEIGHT	FORCE (KIPS)		AREA (SQ FT)		PRESSURE (PSF)		ECCEN (FT)		SHEAR (KIPS)		MOMENT (1000-FT-KIPS)		
		X	Y	X	Y	X	Y	X	Y	X	Y	X	Y	Z
STRT	0.00	16.4	53.9	3290	8891	5.6	6.1	-26	9	55.2	766.0	-132.0	-1.4	-27.5
2ND	26.50	11.3	33.2	2038	5536	5.6	6.0	-38	13	36.9	712.0	-112.4	-1.6	-26.0
3RD	43.00	8.6	25.8	1624	4496	5.3	5.7	-27	9	25.5	678.9	-100.9	-2.1	-24.5
4TH	56.48	7.9	23.6	1624	4496	4.9	5.2	-30	10	16.9	653.1	-91.9	-2.4	-23.8
5TH	69.96	7.3	21.3	1624	4496	4.5	4.7	-32	11	9.0	629.5	-83.3	-2.6	-23.0
6TH	83.44	6.6	19.1	1624	4496	4.1	4.2	-35	12	1.7	608.2	-75.0	-2.7	-22.2
7TH	96.92	5.0	20.8	1624	4496	3.4	4.6	-35	9	-4.9	589.1	-66.9	-2.7	-21.5
8TH	110.40	4.5	23.3	1624	4496	2.8	5.2	-34	7	-10.5	568.3	-59.1	-2.6	-20.7
9TH	123.88	3.5	25.7	1624	4496	2.1	5.7	-32	4	-15.0	545.1	-51.6	-2.4	-19.9
10TH	137.36	2.4	28.2	1624	4496	1.5	6.3	-31	3	-18.5	519.4	-44.4	-2.2	-19.0
11TH	150.84	1.3	30.6	1624	4496	.8	6.8	-30	1	-20.9	491.2	-37.6	-1.9	-18.1
12TH	164.32	.2	34.0	1624	4496	.1	7.6	-31	0	-22.2	460.6	-31.2	-1.6	-17.2
13TH	177.80	-1.0	38.9	1624	4496	-.6	8.6	-34	-1	-22.4	426.6	-25.2	-1.3	-16.2
14TH	191.28	-2.3	43.7	1624	4496	-1.4	9.7	-37	-2	-21.4	387.7	-19.7	-1.0	-14.8
15TH	204.76	-3.4	48.6	1624	4496	-2.1	10.8	-38	-3	-19.1	344.0	-14.8	-.7	-13.2
16TH	218.24	-3.4	53.5	1624	4496	-2.1	11.9	-38	-2	-15.7	295.4	-10.5	-.5	-11.4
17TH	231.72	-3.4	58.3	1624	4496	-2.1	13.0	-38	-2	-12.2	242.0	-6.8	-.3	-9.3
18TH	245.20	-3.4	63.2	1624	4496	-2.1	14.1	-39	-2	-8.8	183.6	-4.0	-.2	-7.0
19TH	258.68	-4.7	88.6	2387	6807	-2.0	13.0	-41	-2	-5.4	120.4	-1.9	-.1	-4.6
MECH	279.43	-.8	31.7	1150	4417	-.7	7.2	-31	-1	-.8	31.7	-.4	-.9	-1.9
TOP	301.50									0.0	0.0	0.0	0.0	0.0

TABLE 7. SHEAR AND MOMENT DIAGRAMS : COCA-COLA OFFICE EXPANSION , ATLANTA  
 WIND DIRECTION 100 CONFIGURATION M REFERENCE PRESSURE 23.0 PSF

GUST FACTOR 1.32

FLOOR	HEIGHT	FORCE (KIPS)		AREA (SQ FT)		PRESSURE (PSF)		ECCEN (FT)		SHEAR (KIPS)		MOMENT (1000-FT-KIPS)		
		X	Y	X	Y	X	Y	X	Y	X	Y	X	Y	Z
STRT	0.00									45.5	1017.0	-163.6	-4.5	-58.1
2ND	26.50	23.4	81.9	3290	8891	7.1	9.2	-55	16	22.0	935.1	-137.8	-5.4	-53.3
3RD	43.00	14.3	51.3	2038	5536	7.0	9.3	-53	15	7.8	883.8	-122.8	-5.6	-50.3
4TH	56.48	10.3	40.5	1624	4496	6.4	9.0	-53	13	-2.6	843.3	-111.1	-5.6	-48.0
5TH	69.96	9.1	39.0	1624	4496	5.6	8.7	-57	13	-11.6	804.3	-100.0	-5.5	-45.7
6TH	83.44	7.8	37.5	1624	4496	4.8	8.3	-62	13	-19.4	766.9	-89.4	-5.3	-43.3
7TH	96.92	6.5	36.0	1624	4496	4.0	8.0	-67	12	-25.9	730.9	-79.3	-5.0	-40.8
8TH	110.40	5.2	36.1	1624	4496	3.2	8.0	-69	10	-31.1	694.8	-69.7	-4.6	-38.2
9TH	123.88	3.8	36.5	1624	4496	2.4	8.1	-71	7	-35.0	658.3	-60.6	-4.2	-35.6
10TH	137.36	2.5	36.9	1624	4496	1.5	8.2	-73	5	-37.5	621.4	-52.0	-3.7	-32.9
11TH	150.84	1.2	37.3	1624	4496	.7	8.3	-74	2	-38.6	584.0	-43.9	-3.2	-30.1
12TH	164.32	-.2	37.7	1624	4496	-.1	8.4	-75	-0	-38.4	546.3	-36.2	-2.7	-27.3
13TH	177.80	-1.5	40.8	1624	4496	-.9	9.1	-72	-3	-36.9	505.5	-29.2	-2.2	-24.4
14TH	191.28	-2.6	47.6	1624	4496	-1.6	10.6	-64	-4	-34.3	457.9	-22.7	-1.7	-21.3
15TH	204.76	-3.8	54.4	1624	4496	-2.4	12.1	-58	-4	-30.5	403.5	-16.9	-1.3	-18.2
16TH	218.24	-4.9	61.0	1624	4496	-3.0	13.6	-53	-4	-25.6	342.5	-11.8	-.9	-14.9
17TH	231.72	-5.1	65.2	1624	4496	-3.1	14.5	-50	-4	-20.5	277.3	-7.6	-.6	-11.7
18TH	245.20	-5.2	69.4	1624	4496	-3.2	15.4	-47	-4	-15.2	207.9	-4.4	-.3	-8.4
19TH	258.68	-5.4	73.7	1624	4496	-3.3	16.4	-44	-3	-9.8	134.2	-2.1	-.2	-5.2
MECH	279.43	-7.2	102.4	2387	6807	-3.0	15.0	-42	-3	-2.6	31.8	-.4	-.0	-.9
TOP	301.50	-2.6	31.8	1150	4417	-2.3	7.2	-27	-2	0.0	0.0	0.0	0.0	0.0



TABLE 7. SHEAR AND MOMENT DIAGRAMS  
WIND DIRECTION 110

COCA-COLA OFFICE EXPANSION, ATLANTA  
CONFIGURATION M  
REFERENCE PRESSURE 23.0 PSF

GUST FACTOR 1.32

FLOOR	HEIGHT	FORCE (KIPS)		AREA (SQ FT)		PRESSURE (PSF)		ECCEN (FT)		SHEAR (KIPS)		MOMENT (1000-FT-KIPS)		
		X	Y	X	Y	X	Y	X	Y	X	Y	X	Y	Z
STRT	0.00									36.3	1361.2	-202.6	-5.0	-69.1
2ND	26.50	22.3	101.3	3290	8891	6.8	11.4	-56	10	13.9	1199.9	-169.5	-5.7	-63.0
3RD	43.00	14.4	65.1	2038	5536	7.0	11.8	-51	11	- .5	1134.8	-150.2	-5.8	-59.5
4TH	56.48	9.6	52.9	1624	4496	5.9	11.8	-49	9	-10.1	1081.9	-135.3	-5.7	-56.8
5TH	69.96	8.1	52.0	1624	4496	5.0	11.6	-54	8	-18.2	1029.9	-121.0	-5.5	-53.9
6TH	83.44	6.5	51.0	1624	4496	4.0	11.3	-59	8	-24.7	979.0	-107.5	-5.2	-50.9
7TH	96.92	5.0	50.0	1624	4496	3.1	11.1	-64	6	-29.7	928.9	-94.6	-4.9	-47.7
8TH	110.40	3.8	51.0	1624	4496	2.3	11.4	-65	5	-33.5	877.9	-82.5	-4.5	-44.4
9TH	123.68	2.6	52.4	1624	4496	1.6	11.7	-66	3	-36.0	825.5	-71.0	-4.0	-40.9
10TH	137.36	1.4	53.8	1624	4496	.8	12.0	-66	2	-37.4	771.7	-60.2	-3.5	-37.4
11TH	150.84	.2	55.2	1624	4496	.1	12.3	-66	0	-37.6	716.5	-50.2	-3.0	-33.7
12TH	164.32	-1.0	56.6	1624	4496	-.6	12.6	-67	-1	-36.6	660.0	-40.9	-2.5	-29.9
13TH	177.80	-2.0	60.0	1624	4496	-1.2	13.3	-64	-2	-34.5	600.0	-32.4	-2.0	-26.1
14TH	191.28	-2.8	66.2	1624	4496	-1.7	14.7	-57	-2	-31.8	533.8	-24.8	-1.6	-22.3
15TH	204.76	-3.5	72.4	1624	4496	-2.2	16.1	-52	-3	-28.3	461.4	-18.1	-1.2	-18.6
16TH	218.24	-4.2	78.4	1624	4496	-2.6	17.4	-47	-3	-24.0	383.0	-12.4	-.8	-14.9
17TH	231.72	-4.6	81.0	1624	4496	-2.9	18.0	-44	-3	-19.4	302.0	-7.8	-.5	-11.3
18TH	245.20	-5.1	83.5	1624	4496	-3.1	18.6	-41	-2	-14.3	218.5	-4.2	-.3	-7.9
19TH	258.68	-5.5	86.1	1624	4496	-3.4	19.2	-38	-2	-9.8	132.3	-1.9	-.1	-4.6
MECH	279.43	-7.2	108.6	2387	6807	-3.0	16.0	-39	-3	-1.6	23.8	-.3	-.0	-.4
TOP	301.50	-1.6	23.8	1150	4417	-1.4	5.4	-17	-1	0.0	0.0	0.0	0.0	0.0

TABLE 7. SHEAR AND MOMENT DIAGRAMS :  
WIND DIRECTION 120

COCA-COLA OFFICE EXPANSION, ATLANTA  
CONFIGURATION M  
REFERENCE PRESSURE 23.0 PSF

GUST FACTOR 1.32

FLOOR	HEIGHT	FORCE (KIPS)		AREA (SQ FT)		PRESSURE (PSF)		ECCEN (FT)		SHEAR (KIPS)		MOMENT (1000-FT-KIPS)		
		X	Y	X	Y	X	Y	X	Y	X	Y	X	Y	Z
STRT	0.00									72.6	1671.1	-254.4	.1	-83.1
2ND	26.50	27.2	126.2	3290	8691	8.3	14.2	-58	13	45.5	1544.9	-211.8	-1.5	-75.4
3RD	43.00	17.2	83.9	2038	5536	8.5	15.2	-50	10	28.2	1461.0	-187.0	-2.1	-71.1
4TH	56.48	12.5	69.4	1624	4496	7.7	15.4	-48	9	15.7	1391.5	-167.8	-2.4	-67.6
5TH	69.96	10.3	68.6	1624	4496	6.4	15.3	-52	8	5.4	1323.0	-149.5	-2.5	-64.0
6TH	83.44	8.2	67.7	1624	4496	5.0	15.1	-55	7	-2.8	1255.3	-132.1	-2.6	-60.2
7TH	96.92	4.7	69.3	1624	4496	2.9	15.4	-58	4	-8.8	1188.5	-115.6	-2.5	-56.2
8TH	110.40	3.6	72.4	1624	4496	2.2	16.1	-58	3	-13.5	1119.2	-100.1	-2.3	-52.2
9TH	123.88	2.4	75.5	1624	4496	1.5	16.8	-57	2	-17.0	1046.8	-85.5	-2.1	-48.0
10TH	137.36	1.3	78.5	1624	4496	.8	17.5	-56	1	-19.4	971.3	-71.9	-1.9	-43.7
11TH	150.84	.2	81.6	1624	4496	.1	18.2	-55	0	-20.7	892.8	-59.3	-1.6	-39.3
12TH	164.32	- .8	85.3	1624	4496	- .5	19.0	-53	-1	-20.9	811.2	-47.8	-1.3	-34.9
13TH	177.80	-1.5	89.8	1624	4496	-1.0	20.0	-49	-1	-20.1	725.9	-37.4	-1.1	-30.4
14TH	191.28	-2.3	94.3	1624	4496	-1.4	21.0	-46	-1	-18.5	636.1	-28.3	- .8	-26.0
15TH	204.76	-3.0	98.6	1624	4496	-1.8	21.9	-43	-1	-16.3	541.9	-20.3	- .6	-21.6
16TH	218.24	-3.0	99.7	1624	4496	-1.9	22.2	-41	-1	-13.3	443.3	-13.7	- .4	-17.4
17TH	231.72	-3.1	100.8	1624	4496	-1.9	22.4	-39	-1	-10.3	343.6	-8.4	- .2	-13.3
18TH	245.20	-3.1	101.9	1624	4496	-1.9	22.7	-37	-1	-7.2	242.9	-4.4	- .1	-9.4
19TH	258.68	-5.4	123.2	2387	6807	-2.3	18.1	-42	-2	-4.1	141.0	-1.8	- .0	-5.6
MECH	279.43	1.3	17.8	1150	4417	1.2	4.0	-20	2	1.3	17.8	- .2	.0	- .4
TOP	301.50									0.0	0.0	0.0	0.0	0.0

TABLE 7. SHEAR AND MOMENT DIAGRAMS 1														
WIND DIRECTION 130														
COCA-COLA OFFICE EXPANSION, ATLANTA														
CONFIGURATION M														
REFERENCE PRESSURE 23.0 PSF														
GUST FACTOR 1.32														
FLOOR	HEIGHT	FORCE (KIPS)		AREA (SQ FT)		PRESSURE (PSF)		ECCEN (FT)		SHEAR (KIPS)		MOMENT (1000-FT-KIPS)		
		X	Y	X	Y	X	Y	X	Y	X	Y	X	Y	Z
STRT	0.00									108.4	1693.0	-252.9	8.1	-78.2
2ND	26.50	26.0	129.8	3290	8891	7.9	14.6	-59	12	82.4	1563.2	-209.7	5.6	-70.2
3RD	43.00	17.9	86.1	2038	5536	8.8	15.6	-49	10	64.4	1477.0	-184.7	4.4	-65.8
4TH	56.48	12.7	71.6	1624	4496	7.8	15.9	-48	9	51.7	1405.4	-165.2	3.6	-62.3
5TH	69.96	10.5	71.6	1624	4496	6.5	15.9	-50	7	41.2	1333.8	-146.8	2.9	-58.6
6TH	83.44	8.3	71.5	1624	4496	5.1	15.9	-52	6	32.9	1262.3	-129.3	2.4	-54.8
7TH	96.92	6.2	71.5	1624	4496	3.8	15.9	-54	5	26.7	1190.9	-112.7	2.0	-50.9
8TH	110.40	5.0	73.9	1624	4496	3.1	16.4	-53	4	21.7	1116.9	-97.2	1.7	-47.0
9TH	123.88	4.1	76.9	1624	4496	2.5	17.1	-51	3	17.6	1040.1	-82.6	1.4	-43.1
10TH	137.36	3.2	79.8	1624	4496	1.9	17.8	-49	2	14.5	960.3	-69.2	1.2	-39.2
11TH	150.84	2.2	82.7	1624	4496	1.4	18.4	-48	1	12.3	877.5	-56.8	1.1	-35.2
12TH	164.32	1.3	85.7	1624	4496	.8	19.1	-46	1	11.0	791.8	-45.5	.9	-31.3
13TH	177.80	.8	88.7	1624	4496	.5	19.7	-44	0	10.2	703.1	-35.5	.8	-27.3
14TH	191.28	.8	92.0	1624	4496	.5	20.5	-42	0	9.4	611.1	-26.6	.6	-23.5
15TH	204.76	.9	95.2	1624	4496	.6	21.2	-39	0	8.5	515.9	-19.0	.5	-19.8
16TH	218.24	1.0	98.1	1624	4496	.6	21.8	-37	0	7.5	417.8	-12.7	.4	-16.1
17TH	231.72	1.0	97.3	1624	4496	.6	21.6	-37	0	6.5	320.5	-7.7	.3	-12.5
18TH	245.20	1.1	96.4	1624	4496	.7	21.4	-36	0	5.4	224.2	-4.1	.2	-9.1
19TH	258.68	1.1	95.5	1624	4496	.7	21.2	-35	0	4.3	128.6	-1.7	.2	-5.7
MECH	279.43	-1.6	112.5	2387	6807	-1.3	16.5	-46	-0	5.0	16.2	-.2	.1	-1.5
TOP	301.50	5.0	16.2	1150	4417	4.3	3.7	-31	9	0.0	0.0	0.0	0.0	0.0

TABLE 7. SHEAR AND MOMENT DIAGRAMS  
WIND DIRECTION 140

COCA-COLA OFFICE EXPANSION, ATLANTA  
CONFIGURATION M  
REFERENCE PRESSURE 23.0 PSF

GUST FACTOR 1.32

FLOOR	HEIGHT	FORCE (KIPS)		AREA (SQ FT)		PRESSURE (PSF)		ECCEN (FT)		SHEAR (KIPS)		MOMENT (1000-FT-KIPS)		
		X	Y	X	Y	X	Y	X	Y	X	Y	X	Y	Z
STRT	0.00	25.9	111.4	3290	8891	7.9	12.5	-68	16	154.8	1559.9	-233.2	18.0	-73.3
2ND	26.50	18.5	78.6	2038	5536	9.1	14.2	-54	13	129.0	1448.6	-193.4	14.2	-65.4
3RD	43.00	12.5	66.4	1624	4496	7.7	14.8	-53	10	110.4	1370.0	-170.1	12.3	-60.9
4TH	56.48	10.9	67.2	1624	4496	6.7	14.9	-53	9	97.9	1303.6	-152.1	10.9	-57.2
5TH	69.96	9.3	68.0	1624	4496	5.7	15.1	-53	7	87.0	1236.4	-135.0	9.6	-53.6
6TH	83.44	7.7	68.8	1624	4496	4.7	15.3	-53	6	77.7	1168.3	-118.8	8.5	-49.9
7TH	96.92	6.5	70.9	1624	4496	4.0	15.8	-52	5	70.1	1099.5	-103.5	7.5	-46.2
8TH	110.40	5.4	73.1	1624	4496	3.3	16.3	-50	4	63.8	1028.6	-89.2	6.6	-42.5
9TH	123.88	4.4	75.4	1624	4496	2.7	16.8	-48	3	58.2	955.5	-75.8	5.8	-38.9
10TH	137.36	3.3	77.7	1624	4496	2.0	17.3	-46	2	53.8	880.1	-63.4	5.0	-35.2
11TH	150.84	2.2	79.9	1624	4496	1.4	17.8	-44	1	50.5	802.4	-52.1	4.3	-31.7
12TH	164.32	2.1	82.2	1624	4496	1.3	18.3	-42	1	48.3	722.4	-41.8	3.7	-28.1
13TH	177.80	3.3	84.4	1624	4496	2.0	18.8	-40	2	46.2	640.2	-32.6	3.0	-24.6
14TH	191.28	4.6	86.7	1624	4496	2.8	19.3	-38	2	42.9	555.8	-24.6	2.4	-21.2
15TH	204.76	5.7	88.6	1624	4496	3.5	19.7	-36	2	38.4	469.2	-17.6	1.9	-17.9
16TH	218.24	5.7	87.1	1624	4496	3.5	19.4	-35	2	32.7	380.5	-11.9	1.4	-14.7
17TH	231.72	5.6	85.7	1624	4496	3.5	19.1	-34	2	27.0	293.4	-7.4	1.0	-11.6
18TH	245.20	5.6	84.2	1624	4496	3.4	18.7	-33	2	21.4	207.7	-4.0	.7	-8.6
19TH	258.68	4.4	101.0	2387	6807	1.8	14.8	-49	2	15.8	123.5	-1.8	.4	-5.8
MECH	279.43	11.5	22.5	1150	4417	10.0	5.1	-31	16	11.5	22.5	-.2	.1	-.9
TOP	301.50									0.0	0.0	0.0	0.0	0.0

TABLE 7. SHEAR AND MOMENT DIAGRAMS :  
WIND DIRECTION 150

COCA-COLA OFFICE EXPANSION , ATLANTA  
CONFIGURATION M  
REFERENCE PRESSURE 23.0 PSF

GUST FACTOR 1.32

FLOOR	HEIGHT	FORCE (KIPS)		AREA (SQ FT)		PRESSURE (PSF)		ECCEN (FT)		SHEAR (KIPS)		MOMENT (1000-FT-KIPS)		
		X	Y	X	Y	X	Y	X	Y	X	Y	X	Y	Z
STRT	0.00	29.4	91.2	3290	8891	8.9	10.3	-75	24	292.2	1422.1	-214.1	41.8	-74.0
2ND	26.50	20.9	70.7	2038	5536	10.3	12.8	-61	18	262.8	1330.9	-177.6	34.5	-66.5
3RD	43.00	17.1	58.2	1624	4496	10.5	12.9	-63	18	241.9	1260.2	-156.2	30.3	-61.8
4TH	56.48	15.8	60.9	1624	4496	9.8	13.6	-62	16	224.8	1202.0	-139.6	27.1	-57.9
5TH	69.96	14.6	63.7	1624	4496	9.0	14.2	-61	14	209.0	1141.1	-123.8	24.2	-53.8
6TH	83.44	13.4	66.4	1624	4496	8.2	14.8	-60	12	194.4	1077.4	-108.9	21.5	-49.7
7TH	96.92	12.5	68.2	1624	4496	7.7	15.2	-58	11	181.0	1011.0	-94.8	19.0	-45.6
8TH	110.40	11.7	69.8	1624	4496	7.2	15.5	-55	9	168.5	942.9	-81.6	16.6	-41.5
9TH	123.88	10.9	71.4	1624	4496	6.7	15.9	-52	8	156.8	873.1	-69.4	14.4	-37.6
10TH	137.36	10.1	73.1	1624	4496	6.2	16.3	-49	7	145.9	801.6	-58.1	12.4	-33.8
11TH	150.84	9.3	74.7	1624	4496	5.7	16.6	-46	6	135.8	728.6	-47.8	10.5	-30.1
12TH	164.32	9.6	75.9	1624	4496	5.9	16.9	-43	5	126.5	653.9	-38.5	8.7	-26.6
13TH	177.80	11.3	76.6	1624	4496	7.0	17.0	-40	6	116.9	578.0	-30.2	7.1	-23.3
14TH	191.28	13.1	77.2	1624	4496	8.1	17.2	-37	6	105.6	501.4	-22.9	5.6	-20.1
15TH	204.76	14.7	77.7	1624	4496	9.0	17.3	-35	7	92.5	424.2	-16.7	4.2	-17.1
16TH	218.24	14.3	75.9	1624	4496	8.8	16.9	-34	6	77.8	346.4	-11.5	3.1	-14.4
17TH	231.72	13.9	74.2	1624	4496	8.6	16.5	-34	6	63.5	270.5	-7.3	2.1	-11.6
18TH	245.20	13.6	72.4	1624	4496	8.3	16.1	-34	6	49.6	196.3	-4.2	1.4	-8.0
19TH	258.68	16.1	90.7	2387	6807	6.7	13.3	-51	9	36.0	123.9	-2.0	.8	-6.4
MECH	279.43	20.0	33.2	1150	4417	17.4	7.5	-37	22	20.0	33.2	-.4	.2	-1.7
TOP	301.50									0.0	0.0	0.0	0.0	0.0

TABLE 7. SHEAR AND MOMENT DIAGRAMS :  
WIND DIRECTION 160

COCA-COLA OFFICE EXPANSION , ATLANTA  
CONFIGURATION M  
REFERENCE PRESSURE 23.0 PSF

GUST FACTOR 1.32

FLOOR	HEIGHT	FORCE (KIPS)		AREA (SQ FT)		PRESSURE (PSF)		ECCEN (FT)		SHEAR (KIPS)		MOMENT (1000-FT-KIPS)		
		X	Y	X	Y	X	Y	X	Y	X	Y	X	Y	Z
STRT	0.00	37.5	66.0	3290	8891	11.4	7.4	-72	41	456.3	1080.3	100.1	67.8	-54.9
2ND	26.50	26.7	51.6	2038	5536	13.1	9.3	-57	29	418.8	994.3	-132.9	56.2	-48.6
3RD	43.00	22.7	42.3	1624	4496	14.0	9.4	-63	34	392.1	942.7	-116.9	49.5	-44.9
4TH	56.48	22.2	45.3	1624	4496	13.6	10.1	-60	30	369.3	900.5	-104.5	44.4	-41.4
5TH	69.96	21.6	48.3	1624	4496	13.3	10.7	-57	26	347.2	855.2	-92.7	39.6	-38.0
6TH	83.44	21.1	51.3	1624	4496	13.0	11.4	-54	22	325.6	806.9	-81.5	35.1	-34.7
7TH	96.92	20.6	52.6	1624	4496	12.7	11.7	-51	20	304.5	755.6	-70.9	30.8	-31.4
8TH	110.40	20.1	53.6	1624	4496	12.4	11.9	-48	18	283.9	703.0	-61.1	26.8	-28.3
9TH	123.88	19.7	54.7	1624	4496	12.1	12.2	-44	16	263.8	649.3	-52.0	23.1	-25.4
10TH	137.36	19.2	55.7	1624	4496	11.8	12.4	-41	14	244.1	594.7	-43.6	19.7	-22.7
11TH	150.84	18.8	56.7	1624	4496	11.6	12.6	-38	13	224.9	539.0	-35.9	16.6	-20.1
12TH	164.32	19.0	56.9	1624	4496	11.7	12.7	-35	12	206.1	482.3	-29.1	13.7	-17.7
13TH	177.80	20.2	56.0	1624	4496	12.4	12.5	-77	12	187.1	425.3	-22.9	11.0	-15.5
14TH	191.28	21.3	55.1	1624	4496	13.1	12.3	-31	12	167.0	369.3	-17.6	8.6	-13.4
15TH	204.76	22.4	54.2	1624	4496	13.8	12.1	-28	12	145.6	314.2	-13.0	6.5	-11.4
16TH	218.24	22.4	53.7	1624	4496	13.8	12.0	-27	11	123.2	259.9	-9.1	4.7	-9.6
17TH	231.72	22.4	53.2	1624	4496	13.8	11.8	-26	11	100.7	206.2	-6.0	3.2	-7.9
18TH	245.20	22.4	52.7	1624	4496	13.8	11.7	-25	11	78.3	153.0	-3.6	2.0	-6.2
19TH	258.68	32.2	62.6	2387	6807	13.5	9.2	-35	18	55.8	100.3	-1.8	1.1	-4.7
MECH	279.43	23.7	37.7	1150	4417	20.6	8.5	-37	23	23.7	37.7	-1.4	.3	-1.9
TOP	301.50									0.0	0.0	0.0	0.0	0.0

TABLE 7. SHEAR AND MOMENT DIAGRAMS :  
WIND DIRECTION 170

COCA-COLA OFFICE EXPANSION, ATLANTA  
CONFIGURATION M  
REFERENCE PRESSURE 23.0 PSF

GUST FACTOR 1.32

FLOOR	HEIGHT	FORCE (KIPS)		AREA (SQ FT)		PRESSURE (PSF)		ECCEN (FT)		SHEAR (KIPS)		MOMENT (1000-FT-KIPS)		
		X	Y	X	Y	X	Y	X	Y	X	Y	X	Y	Z
STRT	0.00									521.9	536.3	-84.5	78.2	-25.3
2ND	26.50	43.8	28.8	3290	8891	13.3	3.2	-36	55	478.1	507.5	-70.7	64.9	-21.9
3RD	43.00	23.7	24.3	2038	5536	14.1	4.4	-35	42	449.4	483.2	-62.5	57.3	-19.9
4TH	56.48	23.4	19.8	1624	4496	14.4	4.4	-40	47	426.0	463.5	-56.1	51.4	-18.0
5TH	69.96	22.6	20.6	1624	4496	13.9	4.6	-39	43	403.4	442.9	-50.0	45.8	-16.2
6TH	83.44	21.8	21.4	1624	4496	13.4	4.8	-38	39	381.6	421.4	-44.2	40.5	-14.5
7TH	96.92	20.9	22.3	1624	4496	12.9	5.0	-37	35	360.6	399.2	-38.7	35.5	-13.0
8TH	110.40	21.6	23.7	1624	4496	13.3	5.3	-34	31	339.1	375.5	-33.4	30.8	-11.5
9TH	123.88	22.5	25.2	1624	4496	13.9	5.6	-30	27	316.5	350.2	-28.5	26.4	-10.1
10TH	137.36	23.4	26.8	1624	4496	14.4	6.0	-27	24	293.1	323.5	-24.0	22.3	-8.8
11TH	150.84	24.3	28.3	1624	4496	15.0	6.3	-24	21	268.8	295.2	-19.8	18.5	-7.7
12TH	164.32	25.2	29.8	1624	4496	15.5	6.6	-21	18	243.5	265.3	-16.1	15.0	-6.6
13TH	177.80	25.9	30.8	1624	4496	16.0	6.8	-19	16	217.6	234.6	-12.7	11.9	-5.6
14TH	191.28	26.3	30.9	1624	4496	16.2	6.9	-17	15	191.3	203.6	-9.7	9.1	-4.7
15TH	204.76	26.7	31.1	1624	4496	16.4	6.9	-15	13	164.6	172.6	-7.2	6.7	-3.8
16TH	218.24	27.0	31.1	1624	4496	16.6	6.9	-13	12	137.6	141.5	-5.1	4.7	-3.1
17TH	231.72	27.4	30.1	1624	4496	16.8	6.7	-11	10	110.2	111.4	-3.4	3.0	-2.5
18TH	245.20	27.7	29.0	1624	4496	17.0	6.5	-9	9	82.6	82.4	-2.1	1.7	-2.0
19TH	258.68	28.0	28.0	1624	4496	17.2	6.2	-7	7	54.6	54.4	-1.2	.8	-1.6
MECH	279.43	42.8	26.9	2387	6807	17.9	4.0	-4	6	11.7	27.4	-.3	.1	-1.2
TOP	301.50	11.7	27.4	1150	4417	10.2	6.2	-37	16	0.0	0.0	0.0	0.0	0.0

TABLE 7. SHEAR AND MOMENT DIAGRAMS :  
WIND DIRECTION 180

COCA-COLA OFFICE EXPANSION, ATLANTA  
CONFIGURATION M  
REFERENCE PRESSURE 23.0 PSF

GUST FACTOR 1.32

FLOOR	HEIGHT	FORCE (KIPS)		AREA (SQ FT)		PRESSURE (PSF)		ECCEN (FT)		SHEAR (KIPS)		MOMENT (1000-FT-KIPS)		
		X	Y	X	Y	X	Y	X	Y	X	Y	X	Y	Z
STRT	0.00									598.0	-35.3	-1.8	90.3	8.0
2ND	26.50	47.6	-19.6	3290	8891	14.5	-2.2	3	8	550.4	-15.7	-1.5	75.1	8.5
3RD	43.00	28.0	-2.0	2038	5536	13.7	-1.4	2	31	522.4	-13.7	-1.7	66.2	9.3
4TH	43.00	24.2	-3.5	1624	4496	14.9	-1.8	3	19	496.3	-10.2	-1.9	59.3	9.8
4TH	56.48	24.3	-3.3	1624	4496	15.0	-1.7	2	11	474.0	-6.9	-2.0	52.8	10.1
5TH	69.96	24.4	-3.1	1624	4496	15.0	-1.7	0	4	449.6	-3.8	-2.1	46.6	10.2
6TH	83.44	24.5	-2.9	1624	4496	15.1	-1.6	-0	-4	425.1	-1.9	-2.1	40.7	10.1
7TH	96.92	25.6	-2.7	1624	4496	15.8	-1.6	-1	-10	399.4	1.8	-2.1	35.1	9.8
8TH	110.40	27.0	-2.5	1624	4496	16.6	-1.6	-2	-17	372.5	4.4	-2.1	29.9	9.4
9TH	123.88	28.3	-2.3	1624	4496	17.4	-1.5	-2	-22	344.1	6.7	-2.0	25.1	8.7
10TH	137.36	29.7	-2.2	1624	4496	18.3	-1.5	-2	-27	314.4	8.9	-1.9	20.6	7.9
11TH	150.84	31.0	-2.0	1624	4496	19.1	-1.4	-2	-32	283.4	10.9	-1.7	16.6	6.9
12TH	164.32	32.0	-1.8	1624	4496	19.7	-1.4	-2	-34	251.4	12.6	-1.6	13.0	5.8
13TH	177.80	32.4	-1.6	1624	4496	19.9	-1.4	-2	-34	219.1	14.2	-1.4	9.8	4.7
14TH	191.28	32.8	-1.4	1624	4496	20.2	-1.3	-1	-33	186.3	15.6	-1.2	7.1	3.7
15TH	204.76	33.2	-1.1	1624	4496	20.4	-1.2	-1	-32	153.1	16.7	-1.0	4.8	2.6
16TH	218.24	33.3	-1.1	1624	4496	20.5	-1.0	-0	-29	119.8	16.8	-1.8	3.0	1.6
17TH	231.72	33.5	.8	1624	4496	20.6	.2	1	-26	86.3	16.0	-1.5	1.6	.8
18TH	245.20	33.7	1.8	1624	4496	20.7	.4	1	-23	52.6	14.2	-1.3	.6	-.0
19TH	258.68	48.4	5.6	2387	6807	20.3	.8	1	-10	4.3	8.6	-1.1	.0	-1.5
MECH	279.43	4.3	8.6	1150	4417	3.7	2.0	-44	22	0.0	0.0	0.0	0.0	0.0
TOP	301.50													



TABLE 7. SHEAR AND MOMENT DIAGRAMS :														
COCA-COLA OFFICE EXPANSION , ATLANTA														
WIND DIRECTION 190 CONFIGURATION M REFERENCE PRESSURE 23.0 PSF GUST FACTOR 1.32														
FLOOR	HEIGHT	FORCE (KIPS)		AREA (SQ FT)		PRESSURE (PSF)		ECCEN (FT)		SHEAR (KIPS)		MOMENT (1000-FT-KIPS)		
		X	Y	X	Y	X	Y	X	Y	X	Y	X	Y	Z
STRT	0.00									649.9	-545.8	79.0	99.8	34.5
2ND	26.50	49.3	-43.0	3290	8891	15.0	-4.8	-7	-7	600.7	-502.8	65.1	83.3	33.9
3RD	43.00	29.5	-19.5	2038	5536	14.5	-3.5	1	1	571.2	-483.3	57.0	73.6	33.9
4TH	56.48	24.9	-22.7	1624	4496	15.3	-5.0	-16	-17	546.2	-460.6	50.6	66.1	33.1
5TH	69.96	23.0	-23.7	1624	4496	15.4	-5.3	-20	-21	521.3	-436.9	44.6	58.9	32.1
6TH	83.44	23.0	-24.8	1624	4496	15.4	-5.5	-25	-25	496.3	-412.0	38.9	52.0	30.9
7TH	96.92	25.0	-25.9	1624	4496	15.4	-5.8	-29	-28	471.2	-386.1	33.5	45.5	29.4
8TH	110.40	26.6	-27.0	1624	4496	16.4	-6.0	-32	-32	444.6	-359.1	28.5	39.3	27.7
9TH	123.88	28.6	-28.2	1624	4496	17.6	-6.3	-34	-34	416.0	-330.9	23.8	33.5	25.7
10TH	137.36	30.5	-29.3	1624	4496	18.8	-6.5	-36	-37	385.6	-301.6	19.5	28.1	23.6
11TH	150.84	32.4	-30.5	1624	4496	19.9	-6.8	-37	-39	353.2	-271.1	15.7	23.1	21.2
12TH	164.32	34.3	-31.6	1624	4496	21.1	-7.0	-38	-42	318.9	-239.4	12.2	18.6	18.5
13TH	177.80	35.7	-32.6	1624	4496	22.0	-7.3	-38	-42	283.2	-206.8	9.2	14.6	15.8
14TH	191.28	36.3	-33.4	1624	4496	22.4	-7.4	-37	-40	246.9	-173.4	6.7	11.0	13.1
15TH	204.76	37.0	-34.2	1624	4496	22.8	-7.6	-35	-38	209.9	-139.2	4.6	7.9	10.4
16TH	218.24	37.6	-34.6	1624	4496	23.2	-7.7	-34	-37	172.3	-104.6	2.9	5.3	7.9
17TH	231.72	38.1	-30.6	1624	4496	23.5	-6.8	-30	-37	134.2	-74.0	1.7	3.3	5.6
18TH	245.20	38.5	-26.5	1624	4496	23.7	-5.9	-25	-36	95.6	-47.5	.9	1.7	3.5
19TH	258.68	39.0	-22.5	1624	4496	24.0	-5.0	-20	-35	56.6	-25.0	.4	.7	1.7
MECH	279.43	52.1	-18.2	2387	6807	21.8	-2.7	-10	-29	4.5	-6.8	.1	.0	.0
TOP	301.50	4.5	-6.9	1150	4417	3.9	-1.5	-2	-1	0.0	0.0	0.0	0.0	0.0

TABLE 7. SHEAR AND MOMENT DIAGRAMS : COCA-COLA OFFICE EXPANSION , ATLANTA  
 WIND DIRECTION 200 CONFIGURATION M REFERENCE PRESSURE 23.0 PSF

FLOOR	HEIGHT	FORCE (KIPS)		AREA (SQ FT)		PRESSURE (PSF)		ECCEN (FT)		SHEAR (KIPS)		MOMENT (1000-FT-KIPS)		
		X	Y	X	Y	X	Y	X	Y	X	Y	X	Y	Z
STRT	0.00	44.9	-72.3	3290	8891	13.6	-8.1	-24	-15	636.2	-1007.0	147.7	99.5	54.9
2ND	26.59	29.5	-43.7	2038	5536	14.0	-7.9	-25	-16	591.3	-934.7	122.0	83.2	52.5
3RD	43.00	23.6	-43.6	1624	4496	14.5	-9.7	-41	-22	562.8	-891.0	106.9	73.7	51.0
4TH	56.48	23.4	-44.5	1624	4496	14.4	-9.9	-42	-22	539.3	-847.4	95.2	66.2	48.6
5TH	69.96	23.2	-45.5	1624	4496	14.3	-10.1	-42	-22	515.9	-802.8	84.1	59.1	46.3
6TH	83.44	23.0	-46.4	1624	4496	14.2	-10.3	-43	-21	492.7	-757.4	73.6	52.3	43.8
7TH	96.92	24.9	-48.2	1624	4496	15.3	-10.7	-44	-23	469.7	-711.0	63.7	45.9	41.3
8TH	110.40	27.2	-50.1	1624	4496	16.8	-11.1	-44	-24	444.7	-662.8	54.4	39.7	38.7
9TH	123.88	29.5	-52.0	1624	4496	18.2	-11.6	-45	-25	417.5	-612.7	45.8	33.9	35.8
10TH	137.36	31.8	-53.9	1624	4496	19.6	-12.0	-45	-26	388.0	-560.8	37.9	28.4	32.7
11TH	150.84	34.1	-55.8	1624	4496	21.0	-12.4	-45	-28	356.2	-506.9	30.7	23.4	29.5
12TH	164.32	35.8	-57.6	1624	4496	22.0	-12.8	-44	-28	322.1	-451.1	24.2	18.9	26.0
13TH	177.80	36.6	-59.1	1624	4496	22.5	-13.1	-43	-26	286.3	-393.5	18.5	14.8	22.5
14TH	191.28	37.5	-60.6	1624	4496	23.1	-13.5	-41	-25	249.7	-334.4	13.6	11.1	19.0
15TH	204.76	38.3	-61.7	1624	4496	23.6	-13.7	-39	-24	212.2	-273.7	9.5	8.0	15.5
16TH	218.24	38.5	-56.6	1624	4496	23.7	-12.6	-38	-26	174.0	-212.0	6.3	5.4	12.2
17TH	231.72	38.8	-51.6	1624	4496	23.9	-11.5	-36	-27	135.4	-155.4	3.8	3.3	9.0
18TH	245.20	39.0	-46.5	1624	4496	24.0	-10.3	-34	-29	96.7	-103.9	2.0	1.8	6.1
19TH	258.68	39.9	-40.5	2387	6807	21.3	-8.0	-27	-34	57.6	-57.4	1.0	.7	3.4
MECH	279.43	6.8	-16.9	1150	4417	5.9	-3.8	-26	-11	6.8	-16.9	.2	.1	.5
TOP	301.50									0.0	0.0	0.0	0.0	0.0

TABLE 7. SHEAR AND MOMENT DIAGRAMS :															
WIND DIRECTION 210		CONFIGURATION M		COCA-COLA OFFICE EXPANSION , ATLANTA						REFERENCE PRESSURE 23.0 PSF			GUST FACTOR 1.32		
FLOOR	HEIGHT	FORCE (KIPS)		AREA (SQ FT)		PRESSURE (PSF)		ECCEN (FT)		SHEAR (KIPS)		MOMENT (1000-FT-KIPS)			
		X	Y	X	Y	X	Y	X	Y	X	Y	X	Y	Z	
STRT	0.00	39.4	-104.2	3290	8691	11.7	-11.7	-38	-14	559.3	-1464.3	217.2	88.1	72.9	
2ND	26.50	25.1	-67.7	2038	5536	12.3	-12.2	-45	-17	520.9	-1360.1	179.8	73.8	68.3	
3RD	43.00	19.5	-62.8	1624	4496	12.0	-14.0	-51	-16	495.8	-1292.4	157.9	65.4	64.8	
4TH	56.48	19.6	-63.4	1624	4496	12.0	-14.1	-50	-15	476.3	-1229.7	140.9	58.9	61.3	
5TH	69.96	19.6	-64.1	1624	4496	12.1	-14.3	-48	-15	456.8	-1166.3	124.7	52.6	57.9	
6TH	83.44	19.7	-64.7	1624	4496	12.1	-14.4	-47	-14	437.2	-1102.2	109.4	46.6	54.5	
7TH	96.92	21.5	-67.3	1624	4496	13.3	-15.0	-46	-15	417.5	-1037.5	95.0	40.8	51.2	
8TH	110.40	23.7	-70.2	1624	4496	14.6	-15.6	-46	-15	395.9	-970.2	81.5	35.3	47.8	
9TH	123.88	25.9	-73.2	1624	4496	16.0	-16.3	-45	-16	372.2	-899.9	68.9	30.1	44.2	
10TH	137.36	29.1	-76.1	1624	4496	17.3	-16.9	-45	-17	346.3	-826.8	57.2	25.3	40.5	
11TH	150.84	30.3	-79.0	1624	4496	18.7	-17.6	-44	-17	318.2	-750.7	46.6	20.8	36.7	
12TH	164.32	32.0	-81.9	1624	4496	19.7	-18.2	-43	-17	287.8	-671.7	37.0	16.7	32.6	
13TH	177.80	32.9	-84.9	1624	4496	20.3	-18.9	-41	-16	255.9	-589.7	28.5	13.1	28.6	
14TH	191.28	33.9	-87.8	1624	4496	20.9	-19.5	-39	-15	222.9	-504.8	21.1	9.8	24.5	
15TH	204.76	31.8	-90.1	1624	4496	21.4	-20.0	-38	-15	189.0	-417.0	14.9	7.1	20.6	
16TH	218.24	34.9	-83.9	1624	4496	21.5	-18.7	-39	-16	154.3	-327.0	9.9	4.7	16.7	
17TH	231.72	35.0	-77.7	1624	4496	21.5	-17.3	-40	-18	119.4	-243.1	6.1	2.9	12.9	
18TH	245.20	35.1	-71.5	1624	4496	21.6	-15.9	-41	-20	84.4	-165.4	3.3	1.5	9.1	
19TH	258.68	43.9	-66.1	2387	6807	18.4	-9.7	-43	-29	49.3	-93.9	1.6	.6	5.5	
MECH	279.43	5.4	-27.8	1150	4417	4.7	-6.3	-49	-9	5.4	-27.8	.3	.1	1.4	
TOP	301.50									0.0	0.0	0.0	0.0	0.0	

TABLE 7. SHEAR AND MOMENT DIAGRAMS  
WIND DIRECTION 220

COCA-COLA OFFICE EXPANSION, ATLANTA  
REFERENCE PRESSURE 23.0 PSF

GUST FACTOR 1.32

FLOOR	HEIGHT	FORCE (KIPS)		AREA (SQ. FT)		PRESSURE (PSF)		ECCEN (FT)		SHEAR (KIPS)		MOMENT (1000-FT-KIPS)		
		X	Y	X	Y	X	Y	X	Y	X	Y	X	Y	Z
STRT	0.00									408.6	-1721.7	257.3	63.3	77.6
2ND	26.50	30.8	-130.2	3290	8691	9.4	-14.6	-43	-10	377.8	-1591.5	213.4	52.9	71.7
3RD	43.00	20.3	-83.0	2038	5536	10.0	-15.0	-47	-11	357.5	-1508.5	187.9	46.8	67.6
4TH	56.48	14.4	-70.8	1624	4496	8.9	-15.8	-50	-10	343.1	-1437.7	168.0	42.1	63.9
5TH	69.96	14.3	-71.8	1624	4496	8.8	-16.0	-49	-10	328.8	-1365.9	149.1	37.6	60.2
6TH	83.44	14.2	-72.7	1624	4496	8.7	-16.2	-48	-9	314.6	-1293.2	131.2	33.2	56.6
7TH	96.92	14.1	-73.6	1624	4496	8.7	-16.4	-47	-9	300.6	-1219.6	114.3	29.1	53.0
8TH	110.40	15.3	-76.6	1624	4496	9.4	-17.0	-46	-9	285.2	-1143.0	98.3	25.1	49.3
9TH	123.88	16.8	-79.9	1624	4496	10.4	-17.8	-45	-10	269.4	-1063.1	83.5	21.4	45.5
10TH	137.36	18.3	-83.2	1624	4496	11.3	-18.5	-44	-10	253.1	-979.8	69.7	17.9	41.6
11TH	150.84	19.8	-86.6	1624	4496	12.2	-19.3	-43	-10	236.3	-893.3	57.1	14.7	37.7
12TH	164.32	21.3	-89.9	1624	4496	13.1	-20.0	-42	-10	219.1	-803.4	45.6	11.7	33.7
13TH	177.80	22.8	-93.4	1624	4496	14.0	-20.8	-41	-10	201.3	-710.0	35.4	9.0	29.6
14TH	191.28	24.5	-97.2	1624	4496	15.1	-21.6	-38	-10	186.3	-612.8	26.5	6.7	25.6
15TH	204.76	26.1	-101.0	1624	4496	16.1	-22.5	-36	-9	161.8	-511.9	18.9	4.7	21.7
16TH	218.24	27.6	-104.1	1624	4496	17.0	-23.2	-34	-9	135.7	-407.7	12.7	3.0	17.9
17TH	231.72	27.0	-98.8	1624	4496	16.6	-22.0	-36	-10	108.1	-308.9	7.9	1.8	14.1
18TH	245.20	26.5	-93.6	1624	4496	16.3	-20.8	-38	-11	81.1	-215.4	4.4	.9	10.2
19TH	258.68	25.9	-88.3	1624	4496	16.0	-19.6	-40	-12	54.6	-127.1	2.1	.3	6.4
MECH	279.43	28.7	-92.1	2387	6807	12.0	-13.5	-45	-14	-.1	-34.9	4	-.0	1.8
TOP	301.50	-.1	-34.9	1150	4417	-.1	-7.9	-52	0	0.0	0.0	0.0	0.0	0.0

TABLE 7. SHEAR AND MOMENT DIAGRAMS :  
WIND DIRECTION 230°

COCA-COLA OFFICE EXPANSION, ATLANTA  
CONFIGURATION M  
REFERENCE PRESSURE 23.0 PSF

GUST FACTOR 1.32

FLOOR	HEIGHT	FORCE (KIPS)		AREA (SQ FT)		PRESSURE (PSF)		ECCEN (FT)		SHEAR (KIPS)		MOMENT (1000-FT-KIPS)		
		X	Y	X	Y	X	Y	X	Y	X	Y	X	Y	Z
STRT	0.00									264.2	-1887.1	280.3	38.4	72.7
2ND	26.50	24.9	-152.2	3290	8891	7.6	-17.1	-40	-7	239.3	-1734.9	232.3	31.7	66.4
3RD	43.00	17.3	-93.2	2038	5536	8.5	-16.8	-38	-7	222.0	-1641.7	204.5	27.9	62.8
4TH	56.48	11.2	-81.3	1624	4496	6.9	-16.1	-41	-6	210.8	-1560.5	182.9	25.0	59.3
5TH	69.96	10.5	-80.5	1624	4496	6.4	-17.9	-41	-5	200.4	-1479.9	162.4	22.2	56.0
6TH	83.44	2.7	-79.8	1624	4496	6.0	-17.8	-41	-5	190.7	-1400.1	143.0	19.6	52.7
7TH	96.92	8.9	-79.1	1624	4496	5.5	-17.6	-41	-5	181.8	-1321.1	124.7	17.0	49.4
8TH	110.40	9.5	-82.2	1624	4496	5.9	-18.3	-40	-5	172.3	-1238.8	107.4	14.7	46.1
9TH	123.88	10.4	-86.1	1624	4496	6.4	-19.1	-39	-5	161.8	-1152.8	91.3	12.4	42.7
10TH	137.36	11.3	-89.9	1624	4496	7.0	-20.0	-38	-5	150.5	-1062.9	76.4	10.3	39.3
11TH	150.84	12.2	-93.8	1624	4496	7.5	-20.9	-37	-5	138.3	-969.1	62.7	8.4	35.7
12TH	164.32	13.1	-97.6	1624	4496	8.1	-21.7	-36	-5	125.2	-871.5	50.3	6.6	32.1
13TH	177.80	14.1	-101.0	1624	4496	8.7	-22.5	-36	-5	111.1	-770.5	39.2	5.0	28.5
14TH	191.28	15.3	-103.6	1624	4496	9.4	-23.0	-34	-5	95.8	-667.0	29.5	3.6	24.8
15TH	204.76	16.5	-106.2	1624	4496	10.1	-23.6	-33	-5	79.4	-560.8	21.2	2.4	21.2
16TH	218.24	17.5	-108.3	1624	4496	10.8	-24.1	-32	-5	61.9	-452.5	14.4	1.5	17.6
17TH	231.72	17.4	-105.1	1624	4496	10.7	-23.4	-34	-6	44.4	-347.3	9.0	.7	13.9
18TH	245.20	17.3	-101.9	1624	4496	10.7	-22.7	-36	-6	27.1	-245.4	5.0	.3	10.1
19TH	258.68	17.2	-98.7	1624	4496	10.6	-22.0	-38	-7	9.9	-146.6	2.4	.0	6.3
MECH	279.43	14.2	-107.2	2387	6807	6.0	-15.7	-40	-5	-4.3	-39.4	.4	-1.0	1.9
TOP	301.50	-4.3	-39.4	1150	4417	-3.8	-8.9	-48	5	0.0	0.0	0.0	0.0	0.0

TABLE 7. SHEAR AND MOMENT DIAGRAMS :  
WIND DIRECTION 240

COCA-COLA OFFICE EXPANSION, ATLANTA  
CONFIGURATION M REFERENCE PRESSURE 23.0 PSF

GUST FACTOR 1.32

FLOOR	HEIGHT	FORCE (KIPS)		AREA (SQ FT)		PRESSURE (PSF)		ECCEN (FT)		SHEAR (KIPS)		MOMENT (1000-FT-KIPS)		
		X	Y	X	Y	X	Y	X	Y	X	Y	X	Y	Z
STRT	0.00	16.9	-167.9	3290	8891	5.7	-18.9	-30	-3	149.1	-1961.5	288.9	18.3	57.9
2ND	26.50	15.8	-103.2	2038	5536	7.7	-18.6	-25	-4	130.3	-1793.7	239.2	14.6	52.7
3RD	43.00	3.6	-85.7	1624	4496	5.9	-19.1	-30	-3	114.5	-1690.4	210.4	12.6	50.1
4TH	56.48	8.3	-84.3	1624	4496	5.1	-18.8	-30	-3	104.9	-1604.8	188.2	11.1	47.5
5TH	69.96	7.0	-83.0	1624	4496	4.3	-18.5	-30	-3	96.5	-1520.5	167.1	9.8	44.9
6TH	83.44	5.7	-81.6	1624	4496	3.5	-18.2	-30	-2	89.5	-1437.5	147.2	8.5	42.3
7TH	96.92	5.5	-84.6	1624	4496	3.4	-18.8	-30	-2	83.9	-1355.9	128.4	7.3	39.9
8TH	110.40	5.6	-88.5	1624	4496	3.5	-19.7	-29	-2	78.3	-1271.3	110.7	6.3	37.3
9TH	123.88	5.7	-92.3	1624	4496	3.5	-20.5	-29	-2	72.7	-1182.8	94.1	5.2	34.7
10TH	137.36	5.8	-96.1	1624	4496	3.6	-21.4	-29	-2	67.0	-1090.5	78.8	4.3	32.0
11TH	150.84	5.9	-100.0	1624	4496	3.6	-22.2	-28	-2	61.2	-994.4	64.8	3.4	29.2
12TH	164.32	6.2	-103.1	1624	4496	3.8	-22.9	-28	-2	55.4	-894.4	52.0	2.6	26.4
13TH	177.80	7.0	-105.1	1624	4496	4.3	-23.4	-27	-2	49.1	-791.3	40.7	1.9	23.5
14TH	191.28	7.8	-107.1	1624	4496	4.8	-23.8	-27	-2	42.1	-686.2	30.7	1.3	20.6
15TH	204.76	8.6	-108.8	1624	4496	5.3	-24.2	-27	-2	34.2	-579.1	22.2	.8	17.7
16TH	218.24	8.6	-106.8	1624	4496	5.3	-23.8	-28	-2	25.7	-470.3	15.1	.4	14.8
17TH	231.72	8.6	-104.8	1624	4496	5.3	-23.3	-29	-2	17.1	-363.5	9.5	.1	11.8
18TH	245.20	8.6	-102.7	1624	4496	5.3	-22.8	-30	-3	8.5	-258.8	5.3	-.1	8.7
19TH	258.68	5.1	-115.4	2387	6807	2.1	-16.9	-33	-1	-.0	-156.1	2.3	-.1	5.5
MECH	279.43	-5.1	-40.7	1150	4417	-4.4	-9.2	-42	5	-5.1	-40.7	.4	-.1	1.7
TOP	301.50									0.0	0.0	0.0	0.0	0.0

TABLE 7. SHEAR AND MOMENT DIAGRAMS :  
WIND DIRECTION 250

COCA-COLA OFFICE EXPANSION , ATLANTA  
CONFIGURATION M  
REFERENCE PRESSURE 23.0 PSF

GUST FACTOR 1.32

FLOOR	HEIGHT	FORCE (KIPS)		AREA (SQ FT)		PRESSURE (PSF)		ECCEN (FT)		SHEAR (KIPS)		MOMENT (1000-FT-KIPS)		
		X	Y	X	Y	X	Y	X	Y	X	Y	X	Y	Z
STRT	0.00									127.9	-1859.7	276.7	14.5	41.1
2ND	26.50	15.4	-157.1	3290	8891	4.7	-17.7	-25	-2	112.5	-1702.5	229.5	11.3	37.1
3RD	43.00	16.1	-95.7	2038	5536	7.9	-17.3	-18	-3	96.4	-1606.8	202.2	9.6	35.3
4TH	56.48	9.4	-80.0	1624	4496	5.8	-17.8	-24	-3	87.0	-1526.9	181.1	8.4	33.4
5TH	69.96	8.1	-78.4	1624	4496	5.0	-17.4	-24	-2	78.9	-1448.5	161.0	7.3	31.5
6TH	83.44	6.8	-76.7	1624	4496	4.2	-17.1	-24	-2	72.1	-1371.8	142.0	6.2	29.7
7TH	96.92	5.5	-75.1	1624	4496	3.4	-16.7	-24	-2	66.5	-1296.7	124.0	5.3	27.9
8TH	110.40	5.3	-78.2	1624	4496	3.3	-17.4	-23	-2	61.2	-1218.5	107.1	4.4	26.0
9TH	123.88	5.4	-82.1	1624	4496	3.3	-18.3	-23	-1	55.8	-1136.3	91.2	3.7	24.2
10TH	137.36	5.4	-86.1	1624	4496	3.3	-19.1	-22	-1	50.4	-1050.3	76.5	2.9	22.3
11TH	150.84	5.4	-90.0	1624	4496	3.3	-20.0	-21	-1	45.1	-960.3	62.9	2.3	20.3
12TH	164.32	5.4	-93.9	1624	4496	3.3	-20.9	-21	-1	40.4	-866.3	50.6	1.7	18.4
13TH	177.80	5.5	-97.5	1624	4496	3.4	-21.7	-20	-1	34.1	-768.8	39.6	1.2	16.4
14TH	191.28	5.9	-100.4	1624	4496	3.6	-22.3	-20	-1	28.2	-668.5	29.9	.8	14.4
15TH	204.76	6.3	-103.3	1624	4496	3.9	-23.0	-19	-1	22.0	-565.2	21.6	.5	12.4
16TH	218.24	6.5	-105.9	1624	4496	4.0	-23.6	-19	-1	15.4	-459.3	14.7	.2	10.4
17TH	231.72	5.9	-104.2	1624	4496	3.6	-23.2	-20	-1	9.5	-355.1	9.2	.1	8.3
18TH	245.20	5.3	-102.6	1624	4496	3.3	-22.8	-20	-1	4.2	-252.5	5.1	-.0	6.2
19TH	258.68	4.7	-100.9	1624	4496	2.9	-22.4	-21	-1	-.5	-151.6	2.4	-.1	4.1
MECH	279.43	2.1	-115.1	2387	6807	.9	-16.9	-24	-0	-2.6	-36.5	.4	-.0	1.3
TOP	301.50	-2.6	-36.5	1150	4417	-2.3	-8.3	-36	3	0.0	0.0	0.0	0.0	0.0

TABLE 7 SHEAR AND MOMENT DIAGRAMS  
WIND DIRECTION 280

COCA-COLA OFFICE EXPANSION, ATLANTA  
CONFIGURATION M REFERENCE PRESSURE 23.0 PSF

GUST FACTOR 1.32

FLOOR	HEIGHT	FORCE (KIPS)		AREA (SQ FT)		PRESSURE (PSF)		ECCEN (FT)		SHEAR (KIPS)		MOMENT (1000-FT-KIPS)		
		X	Y	X	Y	X	Y	X	Y	X	Y	X	Y	Z
STRT	0.00									172.6	-1823.4	275.3	22.1	22.4
2ND	26.50	15.7	-146.2	3290	8891	4.8	-16.4	-16	-2	157.0	-1677.2	228.9	17.7	20.1
3RD	43.00	18.2	-88.9	2038	5536	8.9	-16.1	-9	-2	138.8	-1588.3	202.0	15.2	19.3
4TH	56.48	11.3	-76.3	1624	4496	7.0	-17.0	-13	-2	127.5	-1512.0	181.1	13.5	18.3
5TH	69.96	10.0	-74.5	1624	4496	6.1	-16.6	-13	-2	117.5	-1437.6	161.2	11.8	17.3
6TH	83.44	8.6	-72.7	1624	4496	5.3	-16.2	-14	-2	108.8	-1364.9	142.3	10.3	16.2
7TH	96.92	7.3	-70.9	1624	4496	4.5	-15.8	-15	-2	101.6	-1294.0	124.4	8.9	15.2
8TH	110.40	7.2	-74.7	1624	4496	4.5	-16.6	-14	-1	94.3	-1219.3	107.5	7.5	14.1
9TH	123.88	7.4	-79.5	1624	4496	4.6	-17.7	-14	-1	86.9	-1139.9	91.6	6.3	13.0
10TH	137.36	7.6	-84.3	1624	4496	4.7	-18.7	-13	-1	79.2	-1055.6	76.8	5.2	11.9
11TH	150.84	7.8	-89.1	1624	4496	4.8	-19.8	-13	-1	71.4	-966.6	63.1	4.2	10.7
12TH	164.32	8.0	-93.8	1624	4496	5.0	-20.9	-12	-1	63.3	-872.7	50.7	3.3	9.5
13TH	177.80	8.3	-97.9	1624	4496	5.1	-21.8	-12	-1	55.1	-774.9	39.6	2.5	8.4
14TH	191.28	8.6	-100.8	1624	4496	5.3	-22.4	-11	-1	46.5	-674.1	29.9	1.8	7.2
15TH	204.76	8.8	-103.7	1624	4496	5.4	-23.1	-10	-1	37.7	-570.4	21.5	1.2	6.2
16TH	218.24	9.0	-106.3	1624	4496	5.5	-23.7	-10	-1	28.7	-464.1	14.5	.8	5.1
17TH	231.72	8.2	-106.0	1624	4496	5.0	-23.6	-10	-1	20.5	-358.1	9.0	.4	4.1
18TH	245.20	7.3	-105.6	1624	4496	4.5	-23.5	-9	-1	13.2	-252.5	4.8	.2	3.1
19TH	258.68	6.5	-105.2	1624	4496	4.0	-23.4	-9	-1	6.7	-147.3	2.2	.1	2.1
MECH	272.13	5.9	-118.2	2387	6807	2.5	-17.4	-12	-1	.8	-29.1	.3	.0	.7
TOP	301.50	.8	-29.1	1150	4417	.7	-6.6	-26	-1	0.0	0.0	0.0	0.0	0.0



TABLE 7. SHEAR AND MOMENT DIAGRAMS :														
COCA-COLA OFFICE EXPANSION , ATLANTA														
WIND DIRECTION 270 CONFIGURATION M REFERENCE PRESSURE 23.0 PSF GUST FACTOR 1.32														
FLOOR	HEIGHT	FORCE (KIPS)		AREA (SQ FT)		PRESSURE (PSF)		ECCEN (FT)		SHEAR (KIPS)		MOMENT (1000-FT-KIPS)		
		X	Y	X	Y	X	Y	X	Y	X	Y	Z		
STRT	0.00									313.7	-1849.3	284.0	43.2	6.9
2ND	26.50	27.1	-132.1	3290	8691	8.2	-14.9	-7	-2	286.6	-1717.3	236.7	35.2	5.9
3RD	43.00	25.7	-84.6	2038	5536	12.6	-15.3	0	0	260.9	-1632.6	209.1	30.7	5.9
4TH	56.48	16.6	-75.0	1624	4496	11.5	-16.7	-4	-1	242.3	-1557.6	187.6	27.3	5.6
5TH	69.96	16.8	-73.7	1624	4496	10.4	-16.4	-6	-1	225.5	-1483.9	167.1	24.2	5.2
6TH	83.44	15.0	-72.4	1624	4496	9.3	-16.1	-8	-2	210.4	-1411.5	147.6	21.2	4.6
7TH	96.92	13.2	-71.1	1624	4496	8.2	-15.8	-10	-2	197.2	-1340.3	129.0	18.5	3.8
8TH	110.40	13.2	-75.4	1624	4496	8.1	-16.8	-9	-2	184.0	-1264.9	111.5	15.9	3.1
9TH	123.88	13.5	-80.6	1624	4496	8.3	-17.9	-8	-1	170.6	-1184.3	95.0	13.5	2.4
10TH	137.36	13.7	-85.9	1624	4496	8.4	-19.1	-7	-1	156.8	-1098.4	79.6	11.3	1.8
11TH	150.84	14.0	-91.1	1624	4496	8.6	-20.3	-6	-1	142.9	-1007.3	65.4	9.3	1.3
12TH	164.32	14.2	-96.4	1624	4496	8.8	-21.4	-5	-1	128.6	-911.0	52.5	7.5	.7
13TH	177.80	14.6	-101.3	1624	4496	9.0	-22.5	-4	-1	114.0	-809.7	40.9	5.8	.3
14TH	191.28	15.2	-105.8	1624	4496	9.3	-23.5	-2	-0	98.8	-703.9	30.7	4.4	.1
15TH	204.76	15.7	-110.3	1624	4496	9.7	-24.5	-1	-0	83.1	-593.6	21.9	3.2	-0
16TH	218.24	16.2	-114.3	1624	4496	10.0	-25.4	0	0	66.9	-479.4	14.7	2.2	-0
17TH	231.72	15.5	-112.3	1624	4496	9.5	-25.0	0	0	51.4	-367.1	9.0	1.4	.0
18TH	245.20	14.8	-110.2	1624	4496	9.1	-24.5	0	0	36.6	-256.9	4.8	.8	.1
19TH	258.68	14.1	-108.2	1624	4496	8.7	-24.1	0	0	22.5	-148.6	2.0	.4	.1
MECH	279.43	15.2	-125.0	2387	6807	6.4	-18.4	1	0	7.3	-23.7	.3	.1	.2
TOP	301.50	7.3	-23.7	1150	4417	6.3	-5.4	-8	-2	0.0	0.0	0.0	0.0	0.0

TABLE 7. SHEAR AND MOMENT DIAGRAMS 1  
WIND DIRECTION 280

COCA-COLA OFFICE EXPANSION, ATLANTA  
CONFIGURATION M  
REFERENCE PRESSURE 23.0 PSF

GUST FACTOR 1.32

FLOOR	HEIGHT	FORCE (KIPS)		AREA (SQ FT)		PRESSURE (PSF)		ECCEN (FT)		SHEAR (KIPS)		MOMENT (1000-FT-KIPS)		
		X	Y	X	Y	X	Y	X	Y	X	Y	X	Y	Z
STRT	0.00	5.9	-133.5	3290	8891	1.8	-15.0	3	0	138.0	-1905.3	292.6	21.9	-15.4
2ND	26.50	10.5	-87.3	2038	5536	5.2	-15.8	11	1	132.1	-1771.8	243.9	18.3	-15.0
3RD	43.00	6.0	-76.2	1624	4496	3.7	-17.0	4	0	121.6	-1684.5	215.4	16.2	-14.0
4TH	56.48	5.0	-76.1	1624	4496	3.1	-16.9	3	0	115.6	-1608.2	193.2	14.6	-13.7
5TH	69.96	4.0	-76.0	1624	4496	2.5	-16.9	1	0	110.5	-1532.1	172.0	13.1	-13.4
6TH	83.44	3.0	-75.8	1624	4496	1.8	-16.9	-0	-0	106.5	-1456.2	151.9	11.6	-13.3
7TH	96.92	3.7	-79.7	1624	4496	2.3	-17.7	1	0	103.6	-1380.4	132.7	10.2	-13.4
8TH	110.40	4.8	-84.3	1624	4496	3.0	-18.8	3	0	99.8	-1300.6	114.7	8.9	-13.3
9TH	123.88	5.9	-88.9	1624	4496	3.6	-19.8	5	0	95.0	-1216.3	97.7	7.5	-13.0
10TH	137.36	7.0	-93.5	1624	4496	4.3	-20.8	6	0	89.1	-1127.4	81.9	6.3	-12.6
11TH	150.84	8.1	-98.1	1624	4496	5.0	-21.8	8	1	82.1	-1033.9	67.3	5.2	-12.0
12TH	164.32	9.0	-103.0	1624	4496	5.5	-22.9	9	1	73.9	-935.7	54.1	4.1	-11.2
13TH	177.80	9.4	-108.2	1624	4496	5.8	-24.1	10	1	65.0	-832.7	42.1	3.2	-10.3
14TH	191.28	9.9	-113.4	1624	4496	6.1	-25.2	11	1	55.6	-724.5	31.6	2.4	-9.2
15TH	204.76	10.3	-118.0	1624	4496	6.3	-26.3	11	1	45.7	-611.1	22.6	1.7	-8.0
16TH	218.24	9.1	-115.4	1624	4496	5.6	-25.7	12	1	35.4	-493.1	15.2	1.1	-6.7
17TH	231.72	8.0	-112.7	1624	4496	4.9	-25.1	13	1	26.3	-377.7	9.3	.7	-5.3
18TH	245.20	6.8	-110.1	1624	4496	4.2	-24.5	14	1	18.3	-265.0	5.0	.4	-3.8
19TH	258.68	7.5	-128.4	2387	6807	3.1	-18.9	15	1	11.5	-154.9	2.2	.2	-2.3
MECH	279.43	4.0	-26.4	1150	4417	3.5	-6.0	14	2	4.0	-26.4	.3	.0	-.4
TOP	301.50									0.0	0.0	0.0	0.0	0.0

TABLE 7. SHEAR AND MOMENT DIAGRAMS :														
WIND DIRECTION 290		CONFIGURATION M		COCA-COLA OFFICE EXPANSION, ATLANTA				REFERENCE PRESSURE 23.0 PSF			GUST FACTOR 1.32			
FLOOR	HEIGHT	FORCE (KIPS)		AREA (SQ FT)		PRESSURE (PSF)		ECCEN (FT)		SHEAR (KIPS)		MOMENT (1000-FT-KIPS)		
		X	Y	X	Y	X	Y	X	Y	X	Y	X	Y	Z
STRT	0.00	-3.7	-129.1	3290	8891	-1.1	-14.5	9	-0	-71.1	-1881.2	291.7	-11.9	-32.1
2ND	26.50	.6	-87.8	2038	5536	.3	-15.9	14	0	-67.4	-1752.1	243.6	-10.0	-30.9
3RD	43.00	-1.9	-75.9	1624	4496	-1.2	-16.9	10	-0	-67.9	-1664.3	215.4	-8.9	-29.6
4TH	56.48	-2.6	-75.3	1624	4496	-1.6	-16.8	10	-0	-66.0	-1588.4	193.5	-8.0	-28.9
5TH	69.96	-3.2	-74.8	1624	4496	-2.0	-16.6	10	-0	-63.5	-1513.1	172.6	-7.1	-28.1
6TH	83.44	-3.9	-74.2	1624	4496	-2.4	-16.5	11	-1	-60.2	-1438.3	152.7	-6.3	-27.4
7TH	96.92	-3.8	-77.2	1624	4496	-2.4	-17.2	12	-1	-56.4	-1364.2	133.8	-5.5	-26.6
8TH	110.40	-3.6	-80.9	1624	4496	-2.2	-18.0	14	-1	-52.5	-1286.9	115.9	-4.8	-25.6
9TH	123.88	-3.4	-84.7	1624	4496	-2.1	-18.8	16	-1	-48.9	-1206.0	99.1	-4.1	-24.5
10TH	137.36	-3.2	-88.4	1624	4496	-2.0	-19.7	17	-1	-45.5	-1121.3	83.5	-3.5	-23.1
11TH	150.84	-3.0	-92.1	1624	4496	-1.8	-20.5	19	-1	-42.3	-1033.0	68.9	-2.9	-21.6
12TH	164.32	-3.2	-97.3	1624	4496	-1.9	-21.6	19	-1	-39.3	-940.9	55.6	-2.3	-19.9
13TH	177.80	-3.9	-104.8	1624	4496	-2.4	-23.3	19	-1	-36.2	-843.6	43.6	-1.8	-18.0
14TH	191.28	-4.6	-112.3	1624	4496	-2.8	-25.0	19	-1	-32.3	-738.8	32.9	-1.3	-16.0
15TH	204.76	-5.3	-118.9	1624	4496	-3.3	-26.5	19	-1	-27.7	-626.5	23.7	-.9	-13.9
16TH	218.24	-5.7	-115.7	1624	4496	-3.5	-25.7	20	-1	-22.3	-507.6	16.1	-.6	-11.6
17TH	231.72	-6.1	-112.6	1624	4496	-3.8	-25.0	22	-1	-16.6	-391.8	10.0	-.3	-9.2
18TH	245.20	-6.5	-109.4	1624	4496	-4.0	-24.3	24	-1	-10.5	-279.3	5.5	-.2	-6.8
19TH	258.68	-3.1	-136.4	2387	6807	-1.3	-20.0	26	-1	-4.0	-169.9	2.5	-.1	-4.2
MECH	279.43	-.8	-33.5	1150	4417	-.7	-7.6	18	-0	-.8	-33.5	.4	-.0	-.6
TOP	301.50									0.0	0.0	0.0	0.0	0.0

TABLE 7. SHEAR AND MOMENT DIAGRAMS :  
WIND DIRECTION 300

COCA-COLA OFFICE EXPANSION, ATLANTA  
CONFIGURATION M  
REFERENCE PRESSURE 23.0 PSF

GUST FACTOR 1.32

FLOOR	HEIGHT	FORCE (KIPS)		AREA (SQ FT)		PRESSURE (PSF)		ECCEN (FT)		SHEAR (KIPS)		MOMENT (1000-FT-KIPS)		
		X	Y	X	Y	X	Y	X	Y	X	Y	X	Y	Z
STRT	0.00									-251.3	-1344.8	211.1	-43.5	-25.7
2ND	26.50	-11.9	-94.8	3290	8891	-3.6	-10.7	5	-1	-239.4	-1250.0	176.7	-37.0	-25.3
3RD	43.00	-6.5	-65.9	2038	5536	-3.2	-11.9	10	-1	-232.9	-1184.2	156.6	-33.1	-24.6
4TH	56.48	-7.6	-53.1	1624	4496	-4.7	-11.8	12	-2	-225.3	-1131.1	141.0	-30.1	-23.9
5TH	69.96	-7.4	-53.2	1624	4496	-4.6	-11.8	13	-2	-217.8	-1077.9	126.1	-27.1	-23.2
6TH	83.44	-7.3	-53.3	1624	4496	-4.5	-11.9	14	-2	-210.6	-1024.6	111.9	-24.2	-22.5
7TH	96.92	-7.1	-53.4	1624	4496	-4.4	-11.9	15	-2	-203.4	-971.2	98.5	-21.4	-21.6
8TH	110.40	-8.1	-54.6	1624	4496	-5.0	-12.1	16	-2	-195.3	-916.6	85.8	-18.7	-20.7
9TH	123.88	-9.3	-56.0	1624	4496	-5.7	-12.4	17	-3	-186.0	-860.6	73.8	-16.1	-19.8
10TH	137.36	-10.5	-57.3	1624	4496	-6.5	-12.8	18	-3	-175.5	-803.3	62.6	-13.7	-18.7
11TH	150.84	-11.7	-58.7	1624	4496	-7.2	-13.1	19	-4	-163.7	-744.6	52.1	-11.4	-17.5
12TH	164.32	-12.9	-60.1	1624	4496	-7.9	-13.4	20	-4	-150.8	-684.6	42.5	-9.3	-16.2
13TH	177.80	-14.2	-63.6	1624	4496	-8.7	-14.2	21	-5	-136.6	-620.9	33.7	-7.4	-14.8
14TH	191.28	-15.6	-70.3	1624	4496	-9.6	-15.6	21	-5	-121.1	-556.6	25.8	-5.6	-13.3
15TH	204.76	-17.0	-77.0	1624	4496	-10.4	-17.1	21	-5	-104.1	-473.6	18.9	-4.1	-11.6
16TH	218.24	-18.3	-83.2	1624	4496	-11.2	-18.5	21	-5	-85.9	-390.5	13.1	-2.8	-9.7
17TH	231.72	-18.4	-82.7	1624	4496	-11.4	-18.4	22	-5	-67.4	-307.7	8.4	-1.8	-7.8
18TH	245.20	-18.6	-82.3	1624	4496	-11.5	-18.3	24	-5	-48.8	-225.4	4.8	-1.0	-5.7
19TH	258.68	-18.8	-81.9	1624	4496	-11.6	-18.2	25	-6	-29.9	-143.5	2.3	-.5	-3.5
MECH	279.43	-22.5	-105.9	2387	6807	-9.4	-15.6	28	-6	-7.5	-37.6	.4	-.1	-.5
TOP	301.50	-7.5	-37.6	1150	4417	-6.5	-6.5	12	-2	0.0	0.0	0.0	0.0	0.0

TABLE 7. SHEAR AND MOMENT DIAGRAMS :  
WIND DIRECTION 310

COCA-COLA OFFICE EXPANSION, ATLANTA  
CONFIGURATION H  
REFERENCE PRESSURE 23.0 PSF

GUST FACTOR 1.32

FLOOR	HEIGHT	FORCE (KIPS)		AREA (SQ FT)		PRESSURE (PSF)		ECCEN (FT)		SHEAR (KIPS)		MOMENT (1000-FT-KIPS)		
		X	Y	X	Y	X	Y	X	Y	X	Y	X	Y	Z
START	0.00	-34.7	-91.8	3290	8691	-10.5	-10.3	17	-6	-547.9	-1154.5	175.7	-84.5	-34.4
2ND	26.50	-19.0	-62.0	2038	5536	-9.3	-11.2	19	-6	-513.2	-1061.7	146.3	-70.4	-32.6
3RD	43.00	-23.1	-51.5	1624	4496	-14.2	-11.5	20	-9	-494.2	-1000.7	129.3	-62.1	-31.3
4TH	56.48	-23.8	-50.6	1624	4496	-14.7	-11.3	19	-9	-471.1	-949.2	116.1	-55.6	-30.0
5TH	69.96	-24.5	-49.7	1624	4496	-15.1	-11.1	19	-9	-447.3	-898.6	103.7	-49.4	-28.8
6TH	83.44	-25.2	-48.8	1624	4496	-15.5	-10.9	18	-10	-422.8	-848.9	91.9	-43.6	-27.7
7TH	96.92	-25.9	-48.8	1624	4496	-16.0	-10.9	20	-11	-397.5	-800.0	80.8	-38.0	-26.5
8TH	110.40	-26.6	-49.0	1624	4496	-16.4	-10.9	22	-12	-371.6	-751.2	70.3	-32.9	-25.3
9TH	123.88	-27.3	-49.1	1624	4496	-16.8	-10.9	24	-13	-345.0	-702.2	60.5	-28.0	-23.9
10TH	137.36	-28.0	-49.3	1624	4496	-17.2	-11.0	25	-14	-317.7	-653.1	51.4	-23.6	-22.4
11TH	150.84	-28.7	-49.4	1624	4496	-17.7	-11.0	27	-16	-289.7	-603.8	42.9	-19.5	-20.7
12TH	164.32	-29.2	-51.4	1624	4496	-18.0	-11.4	28	-16	-261.0	-554.4	35.1	-15.8	-18.9
13TH	177.80	-29.6	-56.0	1624	4496	-18.2	-12.5	28	-15	-231.8	-503.0	28.0	-12.4	-17.0
14TH	191.28	-29.9	-60.7	1624	4496	-18.4	-13.5	28	-14	-202.2	-446.9	21.6	-9.5	-15.1
15TH	204.76	-30.2	-65.0	1624	4496	-18.6	-14.4	27	-13	-172.3	-386.3	16.0	-7.0	-13.0
16TH	218.24	-30.0	-65.2	1624	4496	-18.4	-14.5	29	-13	-142.1	-321.3	11.2	-4.9	-10.8
17TH	231.72	-29.7	-65.4	1624	4496	-18.3	-14.6	30	-14	-112.2	-256.1	7.3	-3.1	-8.5
18TH	245.20	-29.5	-65.7	1624	4496	-18.1	-14.6	31	-14	-82.5	-190.7	4.3	-1.9	-6.2
19TH	258.68	-35.6	-83.2	2387	6807	-14.9	-12.2	33	-14	-53.0	-125.0	2.2	-.9	-3.7
MECH	279.43	-17.4	-41.8	1150	4417	-15.1	-9.5	11	-4	-17.4	-41.8	.5	-.2	-.5
TOP	301.50									0.0	0.0	0.0	0.0	0.0

TABLE 7. SHEAR AND MOMENT DIAGRAMS : COCA-COLA OFFICE EXPANSION , ATLANTA  
 WIND DIRECTION 320 CONFIGURATION M REFERENCE PRESSURE 23.0 PSF

GUST FACTOR 1.32

FLOOR	HEIGHT	FORCE (KIPS)		AREA (SQ FT)		PRESSURE (PSF)		ECCEN (FT)		SHEAR (KIPS)		MOMENT (1000-FT-KIPS)		
		X	Y	X	Y	X	Y	X	Y	X	Y	X	Y	Z
STRT	0.00									-584.4	-875.6	133.7	-90.5	-35.5
2ND	26.50	-38.4	-63.6	3290	8891	-11.7	-7.2	16	-10	-545.9	-812.0	111.3	-75.5	-34.1
3RD	43.00	-20.9	-43.2	2038	5536	-10.2	-7.8	15	-7	-525.1	-768.8	98.3	-66.7	-33.3
4TH	56.48	-23.4	-42.1	1624	4496	-14.4	-9.4	26	-15	-501.6	-726.7	88.2	-59.8	-31.9
5TH	69.96	-24.3	-40.7	1624	4496	-15.0	-9.0	26	-15	-477.3	-686.0	78.7	-53.2	-30.5
6TH	83.44	-25.2	-39.2	1624	4496	-15.5	-8.7	25	-16	-452.1	-646.8	69.7	-46.9	-29.1
7TH	96.92	-26.1	-37.8	1624	4496	-16.1	-8.4	24	-17	-426.0	-609.0	61.2	-41.0	-27.7
8TH	110.40	-27.0	-37.8	1624	4496	-16.6	-8.4	26	-18	-399.0	-571.2	53.3	-35.4	-26.3
9TH	123.88	-27.9	-36.0	1624	4496	-17.2	-8.4	28	-21	-371.1	-533.2	45.9	-30.3	-24.6
10TH	137.36	-28.8	-38.2	1624	4496	-17.8	-8.5	30	-23	-342.3	-495.1	38.9	-25.4	-22.9
11TH	150.84	-23.8	-38.4	1624	4496	-18.3	-8.5	32	-25	-312.5	-456.7	32.5	-21.0	-20.9
12TH	164.32	-30.7	-38.5	1624	4496	-18.9	-8.6	34	-27	-281.8	-418.2	26.6	-17.0	-18.8
13TH	177.80	-31.4	-40.0	1624	4496	-19.3	-8.9	34	-27	-250.4	-378.2	21.2	-13.4	-16.6
14TH	191.28	-31.8	-43.2	1624	4496	-19.6	-9.6	33	-24	-210.6	-335.0	16.4	-10.3	-14.3
15TH	204.76	-32.2	-46.4	1624	4496	-19.8	-10.3	32	-22	-186.3	-288.6	12.2	-7.6	-12.2
16TH	218.24	-32.6	-49.3	1624	4496	-20.1	-11.0	31	-20	-153.7	-239.3	8.7	-5.3	-10.0
17TH	231.72	-32.4	-48.2	1624	4496	-19.9	-10.7	31	-21	-121.3	-191.0	5.8	-3.4	-7.8
18TH	245.20	-32.2	-47.2	1624	4496	-19.8	-10.5	32	-22	-89.1	-143.9	3.5	-2.0	-5.6
19TH	258.68	-32.0	-46.1	1624	4496	-19.7	-10.2	32	-22	-57.1	-97.8	1.9	-1.0	-3.4
MECH	279.43	-39.0	-57.0	2387	6807	-15.9	-8.4	32	-22	-19.1	-40.8	.5	-.2	-.8
TOP	301.50	-19.1	-40.8	1150	4417	-16.6	-9.2	15	-7	0.0	0.0	0.0	0.0	0.0

TABLE 7. SHEAR AND MOMENT DIAGRAMS :														
COCA-COLA OFFICE EXPANSION , ATLANTA														
WIND DIRECTION 330 CONFIGURATION A REFERENCE PRESSURE 23.0 PSF GUST FACTOR 1.32														
FLOOR	HEIGHT	FORCE (KIPS)		AREA (SQ FT)		PRESSURE (PSF)		ECCEN (FT)		SHEAR (KIPS)		MOMENT (1000-FT-KIPS)		
		X	Y	X	Y	X	Y	X	Y	X	Y	X	Y	Z
STRT	0.00	-40.5	-41.2	3290	8891	-12.3	-4.6	0	0	-577.9	-581.9	88.1	-89.8	-22.5
2ND	26.50	-20.1	-28.5	2038	5536	-9.9	-5.1	-3	2	-537.4	-540.6	73.3	-75.0	-22.5
3RD	43.00	-21.8	-30.7	1624	4496	-13.4	-6.8	19	-14	-517.3	-512.1	64.6	-66.3	-22.6
4TH	56.48	-22.8	-28.7	1624	4496	-14.0	-6.4	20	-16	-495.5	-481.4	57.9	-59.5	-21.7
5TH	69.96	-23.8	-26.7	1624	4496	-14.7	-5.9	21	-19	-472.7	-452.7	51.6	-53.0	-20.8
6TH	83.44	-24.8	-24.6	1624	4496	-15.3	-5.5	21	-22	-448.8	-426.1	45.7	-46.8	-19.8
7TH	96.92	-25.0	-24.8	1624	4496	-16.0	-5.5	22	-23	-424.0	-401.4	40.1	-40.9	-18.7
8TH	110.40	-27.1	-25.4	1624	4496	-16.7	-5.6	23	-25	-398.0	-376.6	34.8	-35.3	-17.6
9TH	123.88	-28.2	-25.9	1624	4496	-17.4	-5.8	24	-27	-371.0	-351.2	29.9	-30.2	-16.3
10TH	137.36	-29.3	-26.5	1624	4496	-18.0	-5.9	25	-28	-342.8	-325.3	25.4	-25.3	-14.9
11TH	150.84	-30.4	-27.1	1624	4496	-18.7	-6.0	26	-29	-313.5	-298.8	21.2	-20.9	-13.4
12TH	164.32	-31.4	-27.9	1624	4496	-19.3	-6.2	26	-29	-283.1	-271.7	17.3	-16.9	-11.8
13TH	177.80	-32.2	-29.2	1624	4496	-19.8	-6.5	24	-26	-251.7	-243.8	13.8	-13.3	-10.2
14TH	191.28	-33.0	-30.5	1624	4496	-20.3	-6.8	22	-24	-219.5	-214.6	10.8	-10.1	-8.6
15TH	204.76	-33.7	-31.6	1624	4496	-20.8	-7.0	21	-22	-186.4	-184.1	8.1	-7.4	-7.2
16TH	218.24	-33.3	-30.5	1624	4496	-20.5	-6.8	21	-23	-152.7	-152.5	5.8	-5.1	-5.8
17TH	231.72	-32.9	-29.5	1624	4496	-20.3	-6.6	21	-24	-119.4	-122.0	4.0	-3.3	-4.4
18TH	245.20	-32.5	-28.5	1624	4496	-20.0	-6.3	21	-24	-86.4	-92.5	2.5	-1.9	-3.0
19TH	258.68	-36.6	-27.3	2387	6807	-15.3	-4.0	13	-17	-54.0	-64.0	1.4	-.9	-1.6
MECH	279.43	-17.4	-36.7	1150	4417	-15.1	-8.3	13	-6	-17.4	-36.7	.4	-.2	-.6
TOP	301.50									0.0	0.0	0.0	0.0	0.0

TABLE 7. SHEAR AND MOMENT DIAGRAMS :

COCA-COLA OFFICE EXPANSION, ATLANTA  
 WIND DIRECTION 340 CONFIGURATION N REFERENCE PRESSURE 23.0 PSF

GUST FACTOR 1.32

FLOOR	HEIGHT	FORCE (KIPS)		AREA (SQ FT)		PRESSURE (PSF)		ECCEN (FT)		SHEAR (KIPS)		MOMENT (1000-FT-KIPS)		
		X	Y	X	Y	X	Y	X	Y	X	Y	X	Y	Z
STRT	0.00									-476.4	-208.8	34.3	-71.9	-5.3
2ND	26.50	-36.6	-8.2	3290	8891	-11.1	-1.9	-9	42	-439.8	-200.6	28.9	-59.8	-6.9
3RD	43.00	-15.7	-10.4	2038	5536	-7.7	-1.9	-20	31	-424.1	-190.3	25.7	-52.7	-7.6
4TH	56.48	-18.1	-13.0	1624	4496	-11.1	-2.9	1	-2	-406.0	-177.2	23.2	-47.1	-7.5
5TH	69.96	-19.0	-11.0	1624	4496	-11.7	-2.4	2	-4	-387.0	-166.2	20.9	-41.7	-7.4
6TH	83.44	-19.9	-8.9	1624	4496	-12.3	-2.0	3	-6	-367.1	-157.3	18.7	-36.7	-7.3
7TH	96.92	-20.9	-6.9	1624	4496	-12.9	-1.5	3	-8	-346.2	-150.4	16.6	-31.8	-7.1
8TH	110.40	-21.9	-7.0	1624	4496	-13.5	-1.6	4	-12	-324.2	-143.4	14.7	-27.3	-6.8
9TH	123.88	-23.0	-7.5	1624	4496	-14.2	-1.7	5	-16	-301.2	-135.9	12.8	-23.1	-6.3
10TH	137.36	-24.1	-8.0	1624	4496	-14.8	-1.8	7	-20	-277.2	-127.9	11.0	-19.2	-5.8
11TH	150.84	-25.1	-8.5	1624	4496	-15.5	-1.9	8	-23	-252.0	-119.4	9.3	-15.6	-5.2
12TH	164.32	-26.2	-9.0	1624	4496	-16.1	-2.0	9	-26	-225.8	-110.3	7.8	-12.4	-4.4
13TH	177.80	-27.1	-9.6	1624	4496	-16.7	-2.1	9	-26	-198.7	-100.7	6.4	-9.6	-3.6
14TH	191.28	-27.7	-10.4	1624	4496	-17.0	-2.3	8	-21	-171.0	-90.3	5.1	-7.1	-2.9
15TH	204.76	-28.3	-11.2	1624	4496	-17.4	-2.5	7	-17	-142.7	-79.0	3.9	-5.0	-2.4
16TH	218.24	-28.8	-11.9	1624	4496	-17.7	-2.7	6	-14	-113.9	-67.1	2.9	-3.2	-1.9
17TH	231.72	-28.4	-11.4	1624	4496	-17.5	-2.5	5	-14	-85.6	-55.7	2.1	-1.9	-1.5
18TH	245.20	-27.9	-10.9	1624	4496	-17.2	-2.4	5	-14	-57.6	-44.8	1.4	-.9	-1.0
19TH	258.68	-27.5	-10.3	1624	4496	-16.9	-2.3	5	-14	-30.2	-34.4	.9	-.3	-.6
MECH	279.43	-29.4	-8.7	2387	6807	-12.3	-1.3	2	-7	-.7	-25.7	.3	-.0	-.4
TOP	301.50	-.7	-25.7	1150	4417	-.6	-5.8	15	-0	0.0	0.0	0.0	0.0	0.0



TABLE 7. SHEAR AND MOMENT DIAGRAMS : COCA-COLA OFFICE EXPANSION , ATLANTA  
 WIND DIRECTION 350 CONFIGURATION M REFERENCE PRESSURE 23.0 PSF

FLOOR	HEIGHT	FORCE (KIPS)		AREA (SQ FT)		PRESSURE (PSF)		ECCEN (FT)		SHEAR (KIPS)		MOMENT (1000-FT-KIPS)		
		X	Y	X	Y	X	Y	X	Y	X	Y	X	Y	Z
STRT	0.00	-34.7	17.1	3290	8891	-10.6	1.9	36	73	-419.6	64.3	-4.9	-62.0	5.3
2ND	26.50	-14.6	2.6	2038	5536	-7.2	.5	16	91	-384.9	47.2	-3.4	-51.3	2.1
3RD	43.00	-16.7	.7	1624	4496	-10.3	.2	2	43	-370.2	44.7	-2.7	-45.1	.7
4TH	56.48	-17.1	2.8	1624	4496	-10.6	.6	6	36	-353.6	44.0	-2.1	-40.2	.0
5TH	69.96	-17.6	4.9	1624	4496	-10.8	1.1	8	28	-336.4	41.2	-1.5	-35.6	-.6
6TH	83.44	-18.1	6.9	1624	4496	-11.1	1.5	8	22	-318.8	36.3	-1.0	-31.2	-1.1
7TH	96.92	-19.1	6.7	1624	4496	-11.7	1.5	5	14	-300.7	29.4	-.5	-27.0	-1.6
8TH	110.40	-20.1	6.1	1624	4496	-12.4	1.4	2	7	-281.6	22.7	-.2	-23.1	-1.3
9TH	123.88	-21.1	5.5	1624	4496	-13.0	1.2	0	0	-261.5	16.5	.1	-19.4	-2.1
10TH	137.36	-22.2	4.9	1624	4496	-13.7	1.1	-1	-6	-240.4	11.0	.3	-16.0	-2.1
11TH	150.84	-23.2	4.3	1624	4496	-14.3	1.0	-2	-13	-218.2	6.1	.4	-12.9	-1.9
12TH	164.32	-24.1	3.3	1624	4496	-14.9	.7	-2	-15	-195.0	1.8	.5	-10.1	-1.6
13TH	177.80	-24.8	1.7	1624	4496	-15.3	.4	-1	-13	-170.8	-1.5	.5	-7.7	-1.2
14TH	191.28	-25.5	.2	1624	4496	-15.7	.0	-0	-11	-146.0	-3.3	.4	-5.5	-.9
15TH	204.76	-26.0	-1.2	1624	4496	-16.0	-.3	0	-9	-120.6	-3.4	.4	-3.7	-.6
16TH	218.24	-25.8	-.1	1624	4496	-15.9	-.0	0	-6	-94.5	-2.3	.3	-2.3	-.4
17TH	231.72	-25.5	1.0	1624	4496	-15.7	.2	-0	-4	-68.8	-2.2	.3	-1.2	-.3
18TH	245.20	-25.2	2.0	1624	4496	-15.5	.4	-0	-2	-43.3	-3.1	.3	-.4	-.1
19TH	258.68	-25.9	2.6	2387	6807	-10.8	.4	-0	-2	-18.2	-5.1	.2	-.0	-.1
MECH	279.43	7.7	-7.8	1150	4417	6.7	-1.8	3	3	7.7	-7.8	.1	.1	-.0
TOP	301.50									0.0	0.0	0.0	0.0	0.0

APPENDIX A  
PRESSURE DATA

Note: Pressure coefficients are defined in Section 4.3.  
Pressure tap designation is explained in Figure 3.

WD	TAP	CPMEAN	CPRMS	CPMAX	CPMIN	WD	TAP	CPMEAN	CPRMS	CPMAX	CPMIN	WD	TAP	CPMEAN	CPRMS	CPMAX	CPMIN
0	1101	-.621	.153	.278	-1.447	0	1151	-.182	.090	.219	-.578	0	1239	-.185	.072	.086	-.574
0	1102	-.631	.149	.296	-1.207	0	1152	-.182	.076	.596	-.056	0	1240	-.350	.164	.105	-1.025
0	1103	-.615	.123	-.131	-1.182	0	1153	.176	.076	.552	-.054	0	1241	-.595	.162	.063	-1.372
0	1104	-.621	.111	-.230	-1.065	0	1154	.112	.056	.337	-.043	0	1242	-.608	.103	-.328	-1.142
0	1105	-.597	.113	-.204	-1.038	0	1155	.151	.050	.332	.029	0	1243	-.607	.114	-.332	-1.147
0	1106	.059	.102	.413	-.316	0	1156	.185	.071	.511	.041	0	1244	-.184	.029	-.075	-.332
0	1107	.112	.118	.509	-.312	0	1157	-.218	.080	.678	.039	0	1245	-.184	.031	-.038	-.293
0	1108	.041	.115	.338	-.298	0	1158	-.190	.049	.020	-.332	0	1246	-.151	.044	.107	-.360
0	1109	-.066	.103	.335	-.483	0	1159	.136	.076	.604	-.047	0	1247	-.177	.047	.020	-.391
0	1110	.044	.137	.527	-.504	0	1160	.294	.111	.791	.061	0	1248	-.229	.104	.031	-.827
0	1111	.248	.149	.758	-.188	0	1161	.244	.092	.649	.045	0	1249	-.554	.179	.013	-1.136
0	1112	.201	.150	.618	-.232	0	1162	.215	.084	.685	-.032	0	1250	-.691	.143	-.298	-1.401
0	1113	-.043	.118	.502	-.506	0	1201	-.230	.059	-.050	-.505	0	1251	-.696	.130	-.280	-1.292
0	1114	-.118	.146	.597	-.675	0	1202	-.217	.070	-.033	-.540	0	1252	-.186	.044	-.049	-.485
0	1115	.061	.161	.700	-.555	0	1203	-.221	.097	.098	-.734	0	1253	-.186	.042	-.040	-.414
0	1116	.192	.149	.666	-.500	0	1204	-.220	.133	.220	-.857	0	1254	-.202	.048	-.029	-.439
0	1117	.007	.148	.575	-.506	0	1205	.517	.157	.263	-1.214	0	1255	-.216	.043	-.031	-.356
0	1118	-.139	.137	.417	-.750	0	1206	-.545	.146	.141	-1.115	0	1256	-.190	.047	.027	-.335
0	1119	.118	.124	.593	-.202	0	1207	-.226	.055	-.047	-.482	0	1257	-.226	.112	.087	.746
0	1120	.245	.134	.735	-.127	0	1208	-.528	.122	.346	-.924	0	1258	-.758	.205	-.144	-1.804
0	1121	.359	.139	.867	-.069	0	1209	-.172	.044	-.013	-.482	0	1259	-.750	.192	-.206	-1.779
0	1122	.353	.155	.863	-.104	0	1210	-.180	.044	-.008	-.452	0	1260	-.212	.051	-.052	-.398
0	1123	.208	.138	.687	-.172	0	1211	-.198	.064	.079	-.679	0	1261	-.209	.047	-.047	-.405
0	1124	.076	.119	.313	-.387	0	1212	-.253	.100	.082	-.856	0	1262	-.232	.053	-.068	-.483
0	1125	.106	.132	.584	-.387	0	1213	-.484	.164	.105	-1.145	0	1263	-.241	.048	-.063	-.485
0	1126	.223	.129	.723	-.227	0	1214	-.614	.108	-.326	-1.152	0	1264	-.213	.043	-.049	-.368
0	1127	.406	.149	.869	-.079	0	1215	-.615	.106	-.379	-1.124	0	1265	-.315	.072	-.061	-.598
0	1128	.415	.142	.933	-.015	0	1216	-.186	.040	-.043	-.372	0	1266	-.604	.296	.147	-1.885
0	1129	.197	.123	.573	-.173	0	1217	-.180	.044	-.020	-.454	0	1267	-.781	.286	.007	-2.116
0	1130	.061	.112	.644	-.257	0	1218	-.241	.100	-.273	-.636	0	1268	-.222	.048	-.061	-.478
0	1131	.085	.123	.638	-.289	0	1219	-.627	.119	-.289	-1.202	0	1269	-.255	.052	-.098	-.513
0	1132	.227	.124	.816	-.154	0	1220	-.628	.120	-.330	-1.172	0	1270	-.268	.049	-.102	-.483
0	1133	.377	.126	.894	.075	0	1221	-.190	.044	-.008	-.443	0	1271	-.557	.244	-.089	-1.608
0	1134	.378	.133	.853	.047	0	1222	-.188	.048	-.022	-.523	0	1272	-.216	.044	-.091	-.476
0	1135	.147	.102	.709	-.120	0	1223	-.217	.073	.061	-.652	0	1273	-.228	.044	-.059	-.418
0	1136	.024	.108	.491	-.292	0	1224	-.275	.109	.130	-.788	0	1274	-.243	.049	-.091	-.529
0	1137	.068	.113	.640	-.445	0	1225	-.495	.156	-.006	-.1204	0	1275	-.224	.044	-.033	-.393
0	1138	.164	.117	.649	-.390	0	1226	-.624	.117	-.289	-1.177	0	1276	-.224	.082	-.124	-.460
0	1139	.266	.121	.860	-.063	0	1227	-.615	.120	-.323	-1.204	0	1277	-.166	.136	-.213	-.891
0	1140	.259	.120	.747	-.152	0	1228	-.173	.037	-.054	-.362	0	1278	-.234	.054	-.079	-.474
0	1141	.081	.099	.471	-.253	0	1229	-.165	.039	-.004	-.337	0	1279	-.233	.035	-.123	-.342
0	1142	-.059	.102	.386	-.470	0	1230	-.144	.062	.118	-.436	0	1280	-.259	.041	-.126	-.411
0	1143	.090	.102	.647	-.230	0	1231	-.180	.072	.144	-.498	0	1281	-.249	.049	-.116	-.474
0	1144	.179	.084	.603	-.072	0	1232	-.308	.117	.215	-.777	0	1282	-.153	.044	.041	-.315
0	1145	.242	.099	.663	.013	0	1233	-.543	.140	-.045	-1.103	0	1283	-.320	.074	.006	-.688
0	1146	.222	.092	.599	-.026	0	1234	-.621	.137	-.277	-1.435	0	1284	-.255	.048	-.056	-.455
0	1147	.051	.067	.358	-.141	0	1235	-.597	.117	-.326	-1.197	0	1285	-.232	.036	-.112	-.347
0	1148	-.095	.077	.230	-.324	0	1236	-.183	.031	-.077	-.332	0	1286	-.232	.036	-.116	-.372
0	1149	.012	.121	.450	-.434	0	1237	-.182	.034	-.066	-.395	0	1287	-.252	.038	-.144	-.418
0	1150	.147	.085	.457	-.157	0	1238	-.150	.053	.040	-.395	0	1288	-.132	.050	.121	-.340

WD	TAP	CPMEAN	CPRMS	CPMAX	CPMIN	WD	TAP	CPMEAN	CPRMS	CPMAX	CPMIN	WD	TAP	CPMEAN	CPRMS	CPMAX	CPMIN
0	1289	-.174	.048	.036	-.335	0	1349	-.186	.026	-.090	-.292	0	1414	-.247	.102	.064	-.867
0	1290	-.308	.079	.006	-.624	0	1350	-.181	.026	-.107	-.283	0	1415	-.234	.064	-.004	-.615
0	1301	-.261	.059	-.083	-.618	0	1351	-.188	.031	-.095	-.353	0	1416	-.210	.069	-.094	-.595
0	1302	-.253	.060	-.079	-.631	0	1352	-.187	.029	-.098	-.353	0	1417	-.210	.068	.030	-.624
0	1303	-.262	.059	-.086	-.548	0	1353	-.206	.031	-.079	-.333	0	1418	-.198	.053	.053	-.452
0	1304	-.254	.065	-.026	-.874	0	1354	-.209	.032	-.107	-.333	0	1419	-.199	.055	.051	-.463
0	1305	-.254	.065	-.046	-.525	0	1355	-.181	.027	-.097	-.278	0	1420	-.203	.057	.001	-.583
0	1306	-.225	.059	-.039	-.490	0	1356	-.181	.025	-.104	-.278	0	1421	-.595	.099	-.167	-.953
0	1307	-.205	.053	-.021	-.557	0	1357	-.171	.024	-.084	-.255	0	1422	-.571	.095	-.280	-.953
0	1308	-.207	.054	-.026	-.456	0	1358	-.163	.025	-.067	-.257	0	1423	-.403	.165	-.216	-1.075
0	1309	-.195	.041	-.037	-.430	0	1359	-.167	.030	-.067	-.320	0	1424	-.226	.097	.094	-.722
0	1310	-.193	.040	-.056	-.456	0	1360	-.172	.032	-.051	-.327	0	1425	-.237	.085	.030	-.910
0	1311	-.187	.041	-.051	-.393	0	1361	-.203	.027	-.113	-.366	0	1426	-.239	.061	-.004	-.506
0	1312	-.189	.044	-.044	-.389	0	1362	-.200	.028	-.116	-.360	0	1427	-.210	.065	.076	-.590
0	1313	-.231	.057	-.035	-.509	0	1363	-.176	.023	-.086	-.264	0	1428	-.213	.062	.003	-.561
0	1314	-.197	.044	-.051	-.419	0	1364	-.175	.026	-.093	-.281	0	1429	-.194	.051	.012	-.455
0	1315	-.197	.039	-.058	-.359	0	1365	-.160	.024	-.062	-.236	0	1430	-.194	.046	-.035	-.447
0	1316	-.191	.039	-.081	-.363	0	1366	-.152	.025	-.051	-.248	0	1431	-.561	.095	-.198	-.962
0	1317	-.239	.062	-.079	-.574	0	1367	-.160	.027	-.058	-.278	0	1432	-.595	.104	-.239	-1.070
0	1318	-.205	.049	-.005	-.574	0	1368	-.169	.029	-.072	-.290	0	1433	-.595	.144	.024	-1.224
0	1319	-.202	.042	-.058	-.379	0	1369	-.200	.028	-.115	-.321	0	1434	-.346	.146	-.175	-1.150
0	1320	-.189	.041	-.037	-.352	0	1370	-.185	.025	-.112	-.366	0	1435	-.631	.090	-.334	-1.107
0	1321	-.238	.061	-.069	-.555	0	1371	-.174	.024	-.091	-.271	0	1436	-.241	.072	.060	-.626
0	1322	-.234	.056	-.049	-.490	0	1372	-.191	.023	-.135	-.276	0	1437	-.218	.067	.021	-.563
0	1323	-.209	.050	-.072	-.428	0	1373	-.196	.021	-.123	-.269	0	1438	-.211	.062	.021	-.547
0	1324	-.207	.048	-.029	-.468	0	1374	-.175	.021	-.073	-.255	0	1439	-.196	.046	-.001	-.409
0	1325	-.200	.043	-.065	-.480	0	1375	-.153	.024	-.043	-.237	0	1440	-.195	.044	-.051	-.414
0	1326	-.197	.039	-.081	-.380	0	1376	-.160	.025	-.064	-.262	0	1441	-.552	.095	-.287	-.998
0	1327	-.191	.039	-.067	-.355	0	1377	-.190	.022	-.100	-.285	0	1442	-.568	.095	-.287	-1.156
0	1328	-.190	.041	-.062	-.373	0	1378	-.166	.021	-.098	-.242	0	1443	-.589	.105	-.287	-1.118
0	1329	-.222	.052	-.081	-.436	0	1379	-.157	.022	-.073	-.260	0	1444	-.453	.143	.153	-1.002
0	1330	-.219	.050	-.042	-.461	0	1380	-.194	.040	-.071	-.341	0	1445	-.306	.131	.182	-.880
0	1331	-.202	.044	-.054	-.393	0	1381	-.277	.043	-.124	-.443	0	1446	-.225	.080	-.026	-.638
0	1332	-.192	.042	-.028	-.380	0	1382	-.194	.022	-.135	-.274	0	1447	-.326	.074	-.024	-.717
0	1333	-.193	.036	-.074	-.352	0	1383	-.195	.025	-.121	-.315	0	1448	-.229	.053	.012	-.479
0	1334	-.187	.033	-.055	-.313	0	1384	-.158	.022	-.048	-.219	0	1449	-.210	.060	-.089	-.529
0	1335	-.187	.036	-.062	-.371	0	1385	-.166	.023	-.073	-.267	0	1450	-.211	.059	-.017	-.464
0	1336	-.187	.037	-.030	-.348	0	1401	-.587	.135	-.006	-1.147	0	1451	-.198	.045	.012	-.404
0	1337	-.220	.054	-.074	-.844	0	1402	-.578	.140	-.001	-1.336	0	1452	-.201	.044	-.024	-.459
0	1338	-.213	.045	-.069	-.403	0	1403	-.386	.129	.030	-.953	0	1453	-.549	.112	-.245	-1.183
0	1339	-.200	.040	-.058	-.397	0	1404	-.240	.077	.001	-.599	0	1454	-.535	.097	-.207	-1.123
0	1340	-.193	.037	-.069	-.385	0	1405	-.212	.070	-.075	-.572	0	1455	-.576	.124	-.214	-1.231
0	1341	-.206	.035	-.072	-.429	0	1406	-.230	.052	-.060	-.491	0	1456	-.487	.130	.077	-1.154
0	1342	-.202	.033	-.088	-.355	0	1407	-.391	.107	-.015	-1.120	0	1457	-.319	.101	.110	-.697
0	1343	-.196	.031	-.107	-.313	0	1408	-.581	.053	-.058	-.438	0	1458	-.253	.079	.062	-.601
0	1344	-.196	.035	-.065	-.371	0	1409	-.236	.085	-.334	-1.073	0	1459	-.247	.071	-.012	-.620
0	1345	-.209	.040	-.088	-.394	0	1410	-.595	.090	-.321	-.978	0	1460	-.235	.048	-.075	-.469
0	1346	-.206	.038	-.088	-.359	0	1411	-.595	.158	.046	-1.426	0	1461	-.224	.054	.072	-.457
0	1347	-.193	.032	-.074	-.366	0	1412	-.356	.179	.223	-1.218	0	1462	-.226	.054	-.060	-.517
0	1348	-.191	.029	-.069	-.320	0	1413	-.355	.127	.110	-1.340	0	1463	-.217	.037	-.089	-.483

WD	TAP	CPMEAN	CPRMS	CPMAX	CPMIN	WD	TAP	CPMEAN	CPRMS	CPMAX	CPMIN	WD	TAP	CPMEAN	CPRMS	CPMAX	CPMIN
0	1464	-.199	.037	-.057	-.401	0	1514	-.200	.027	-.104	-.335	0	2105	.144	.072	.443	-.080
0	1465	-.572	.130	-.272	-1.455	0	1515	-.199	.029	-.116	-.333	0	2106	.099	.048	.337	-.025
0	1466	-.573	.119	-.200	-1.137	0	1516	-.200	.026	-.127	-.305	0	2107	.139	.063	.439	-.037
0	1467	-.587	.132	-.231	-1.214	0	1801	.225	.092	.676	.016	0	2201	-.426	.087	-.157	-.833
0	1468	-.481	.134	.014	-.986	0	1802	-.173	.022	-.097	-.255	0	2202	-.366	.113	-.036	-.878
0	1469	-.341	.096	.009	-.803	0	1803	-.190	.028	-.104	-.312	0	2203	-.121	.123	.545	-.367
0	1470	-.260	.062	-.067	-.498	0	1804	-.063	.062	.237	-.267	0	2204	-.041	.066	.272	-.365
0	1471	-.264	.068	-.082	-.611	0	1805	-.204	.031	-.117	-.319	0	2205	-.130	.089	.617	-.114
0	1472	-.235	.035	-.111	-.373	0	1806	-.239	.040	-.101	-.396	0	2206	-.404	.144	.096	-1.033
0	1473	-.245	.046	-.065	-.474	0	1807	-.181	.044	-.039	-.324	0	2207	.059	.069	.332	-.160
0	1474	-.243	.046	-.005	-.481	0	1808	-.191	.098	.223	-.595	0	2208	.106	.055	.388	-.039
0	1475	-.223	.029	-.120	-.330	0	1901	-.174	.080	.294	-.545	0	2209	.076	.046	.250	-.085
0	1476	-.226	.030	-.123	-.349	0	1902	-.263	.111	.146	-.903	0	2210	.000	.065	.608	-.242
0	1477	-.693	.171	-.279	-1.488	0	1903	-.573	.134	-.005	-1.131	0	2211	.235	.082	.530	-.019
0	1478	-.690	.155	-.317	-1.476	0	1904	-.588	.094	-.320	-.957	0	2212	.152	.061	.398	-.008
0	1479	-.636	.152	-.245	-1.236	0	1905	-.588	.089	-.311	-1.027	0	2213	.207	.071	.533	.009
0	1480	-.427	.115	-.055	-.928	0	1906	-.178	.091	.287	-.682	0	2214	.071	.043	.247	-.089
0	1481	-.311	.077	-.024	-.485	0	1907	-.630	.096	-.317	-1.044	0	2215	.025	.059	.299	-.277
0	1482	-.247	.036	-.041	-.406	0	1908	-.215	.069	-.062	-.652	0	2301	-.422	.138	-.098	-1.055
0	1483	-.242	.034	-.120	-.411	0	1909	-.246	.058	-.023	-.527	0	2302	-.384	.090	-.155	-.983
0	1484	-.247	.030	-.161	-.397	0	1910	-.232	.056	.012	-.569	0	2303	-.381	.076	-.158	-.838
0	1485	-.227	.037	-.070	-.395	0	1911	-.246	.084	-.089	-.727	0	2304	-.184	.025	-.091	-.296
0	1486	-.228	.037	-.046	-.380	0	1912	-.367	.112	-.009	-.889	0	2305	.147	.053	.351	.009
0	1487	-.218	.027	-.067	-.303	0	1913	-.577	.137	-.014	-1.178	0	2306	.110	.054	.330	-.074
0	1488	-.218	.026	-.053	-.337	0	1914	-.201	.062	-.080	-.581	0	2307	.067	.042	.240	-.058
0	1489	-.845	.268	-.267	-2.365	0	1915	-.605	.108	.207	-1.056	0	2308	-.185	.022	-.112	-.267
0	1490	-.828	.238	-.231	-1.981	0	1916	-.617	.093	-.321	-.958	0	2309	.204	.067	.525	-.023
0	1491	-.558	.136	-.243	-1.221	0	1917	-.585	.080	-.342	-.903	0	2310	.086	.059	.340	-.112
0	1492	-.362	.089	-.036	-.681	0	1918	-.156	.060	.062	-.417	0	2311	.062	.044	.297	-.079
0	1493	-.245	.054	-.139	-.488	0	1919	-.191	.062	.052	-.513	0	2401	-.367	.053	-.158	-.622
0	1494	-.180	.044	-.044	-.513	0	1920	-.130	.071	.207	-.394	0	2402	-.434	.069	-.203	-.812
0	1495	-.185	.036	-.056	-.386	0	1921	-.237	.058	-.034	-.563	0	2403	-.410	.055	-.241	-.657
0	1496	-.201	.026	-.118	-.319	0	1922	-.261	.084	-.039	-.757	0	2404	-.381	.037	-.274	-.548
0	1497	-.193	.035	-.039	-.331	0	1923	-.364	.114	-.043	-.942	0	2405	-.392	.042	-.255	-.560
0	1498	-.196	.039	-.044	-.354	0	1924	-.564	.136	-.050	-1.226	0	2406	-.374	.052	-.214	-.579
0	1499	-.193	.025	-.100	-.280	0	1925	-.198	.057	.030	-.497	0	2901	-.177	.038	-.070	-.480
0	1500	-.186	.025	-.104	-.303	0	1926	-.652	.101	-.372	-1.245	0	2902	-.332	.054	-.167	-.565
0	1501	-.752	.227	-.097	-1.839	0	1927	-.140	.067	-.178	-.390	0	2903	.118	.123	.682	-.237
0	1502	-.429	.209	-.180	-1.462	0	1928	-.595	.101	-.335	-1.087	0	2904	-.431	.112	-.102	-1.038
0	1503	-.314	.077	-.116	-.624	0	1929	-.163	.058	-.040	-.465	0	2905	-.286	.066	-.010	-.478
0	1504	-.195	.063	.090	-.467	0	1930	-.220	.063	-.023	-.476	0	2906	-.096	.052	-.135	-.307
0	1505	-.164	.045	.011	-.402	0	1931	-.256	.092	-.073	-.703	0	2907	-.354	.044	-.215	-.541
0	1506	-.148	.049	-.125	-.359	0	1932	-.504	.146	-.137	-1.238	0	2908	-.347	.158	-.019	-1.346
0	1507	-.205	.030	-.090	-.359	0	1933	-.597	.095	-.341	-1.216	0	2909	-.259	.049	-.104	-.447
0	1508	-.199	.029	-.102	-.317	0	1934	-.242	.043	-.084	-.391	0	2910	-.261	.126	-.282	-.736
0	1509	-.185	.025	-.100	-.278	0	1935	-.343	.067	-.160	-.591	0	2911	-.225	.049	-.032	-.439
0	1510	-.195	.025	-.118	-.305	0	2101	.106	.072	.390	-.336	0	2912	-.192	.044	-.046	-.369
0	1511	-.198	.029	-.100	-.319	0	2102	.095	.065	.417	-.099	0	2913	-.313	.075	-.102	-.845
0	1512	-.197	.027	-.104	-.319	0	2103	.128	.095	.525	-.189	0	2914	-.362	.073	-.164	-.654
0	1513	-.192	.025	-.111	-.289	0	2104	.141	.072	.466	-.034	0	2915	-.420	.090	-.109	-.734

WD	TAP	CPMEAN	CPRMS	CPMAX	CPMIN	WD	TAP	CPMEAN	CPRMS	CPMAX	CPMIN	WD	TAP	CPMEAN	CPRMS	CPMAX	CPMTN
0	2916	-.163	.094	-.086	-.775	0	3204	-.346	.094	-.023	-.957	0	3336	-.238	.040	-.072	-.398
0	2917	-.777	.196	-.140	-1.554	0	3205	-.317	.109	-.073	-.709	0	3337	-.257	.054	-.065	-.509
0	2918	-.296	.121	-.000	-.874	0	3206	-.367	.089	-.071	-.732	0	3338	-.132	.044	-.058	-.329
0	2919	-.067	.080	.193	-.476	0	3207	-.233	.052	-.002	-.443	0	3339	-.236	.036	-.112	-.344
0	2920	.012	.078	.272	-.466	0	3208	-.495	.159	-.155	-1.450	0	3340	-.239	.035	-.104	-.351
0	2921	.102	.057	.325	-.123	0	3209	-.240	.039	-.068	-.368	0	3341	-.232	.035	-.100	-.366
0	2922	.109	.051	.308	-.049	0	3210	-.238	.044	-.101	-.387	0	3342	-.233	.039	-.102	-.408
0	2923	.100	.049	.287	-.032	0	3211	-.254	.065	-.061	-.591	0	3343	-.232	.037	-.109	-.361
0	2924	-.001	.066	.234	-.312	0	3212	-.377	.119	-.048	-1.216	0	3344	-.238	.038	-.114	-.388
0	2925	-.069	.042	.243	-.087	0	3213	-.323	.117	-.113	-.863	0	3345	-.242	.043	-.050	-.396
0	2926	-.030	.059	.173	-.326	0	3214	-.218	.048	-.028	-.425	0	3346	-.239	.045	-.095	-.413
0	3101	-.024	.191	.591	-.621	0	3215	-.254	.042	-.114	-.416	0	3347	-.232	.048	-.053	-.393
0	3102	.029	.145	.716	-.392	0	3216	-.256	.076	-.001	-.587	0	3348	-.019	.050	.204	-.211
0	3103	.077	.136	.877	-.366	0	3217	-.270	.107	.077	-.718	0	3349	-.142	.106	.174	-.894
0	3104	-.053	.113	.401	-.516	0	3218	-.109	.073	.183	-.487	0	3401	-.231	.099	.136	-.556
0	3105	-.352	.070	-.134	-.673	0	3301	-.237	.042	-.112	-.377	0	3402	-.196	.117	-.108	-.613
0	3106	-.372	.083	-.186	-.702	0	3302	-.224	.040	-.082	-.372	0	3403	-.471	.095	-.203	-.957
0	3107	-.345	.073	-.068	-.631	0	3303	-.238	.043	-.079	-.423	0	3404	-.290	.065	-.092	-.588
0	3108	-.024	.115	.523	-.357	0	3304	-.228	.041	-.068	-.409	0	3405	-.220	.042	-.077	-.392
0	3109	.098	.111	.521	-.387	0	3305	-.229	.041	-.098	-.370	0	3406	-.211	.041	-.077	-.383
0	3110	.094	.106	.587	-.342	0	3306	-.239	.042	-.102	-.384	0	3407	-.238	.040	-.117	-.393
0	3111	-.096	.151	.434	-.718	0	3307	-.243	.045	-.090	-.430	0	3408	-.206	.036	-.086	-.360
0	3112	.021	.114	.707	-.305	0	3308	-.241	.050	-.019	-.430	0	3409	-.252	.042	-.114	-.435
0	3113	.039	.119	.472	-.286	0	3309	-.232	.042	-.100	-.381	0	3410	-.443	.071	-.181	-.757
0	3114	-.186	.195	.432	-.765	0	3310	-.225	.040	-.082	-.372	0	3411	-.205	.060	-.030	-.536
0	3115	.106	.151	.653	-.274	0	3311	-.218	.038	-.084	-.347	0	3412	-.177	.046	-.021	-.371
0	3116	.119	.150	.627	-.474	0	3312	-.225	.039	-.091	-.384	0	3413	-.231	.036	-.117	-.368
0	3117	.081	.123	.575	-.246	0	3313	-.228	.041	-.116	-.409	0	3414	-.029	.122	.527	-.603
0	3118	.127	.130	.671	-.209	0	3314	-.242	.045	-.079	-.451	0	3415	-.367	.115	-.035	-.904
0	3119	-.163	.174	.409	-.697	0	3315	-.215	.037	-.093	-.342	0	3416	-.129	.051	-.039	-.302
0	3120	-.135	.108	.324	-.565	0	3316	-.227	.038	-.112	-.361	0	3417	-.125	.063	.179	-.314
0	3121	-.038	.098	.406	-.439	0	3317	-.220	.040	-.084	-.356	0	3901	-.014	.061	.167	-.413
0	3122	-.236	.075	.078	-.575	0	3318	-.216	.037	-.098	-.365	0	3902	-.443	.205	-.003	-1.286
0	3123	-.063	.101	.411	-.382	0	3319	-.238	.040	-.105	-.368	0	3903	-.354	.100	-.016	-.708
0	3124	-.224	.083	.171	-.537	0	3320	-.229	.039	-.114	-.407	0	3904	-.340	.094	-.080	-1.025
0	3125	-.161	.110	.317	-.587	0	3321	-.220	.038	-.082	-.363	0	3905	-.488	.141	-.052	-1.144
0	3126	-.103	.081	.303	-.394	0	3322	-.222	.037	-.091	-.358	0	3906	-.362	.083	-.101	-.701
0	3127	-.046	.078	.366	-.263	0	3323	-.242	.042	-.109	-.444	0	3907	-.422	.106	-.115	-.917
0	3128	-.043	.125	.540	-.472	0	3324	-.241	.047	-.086	-.446	0	3908	-.383	.087	-.105	-.746
0	3129	.095	.072	.505	-.319	0	3325	-.222	.037	-.086	-.363	0	3909	-.390	.089	-.115	-.753
0	3130	.098	.081	.437	-.310	0	3326	-.234	.040	-.112	-.377	0	3910	-.649	.182	-.102	-1.350
0	3131	.075	.089	.556	-.279	0	3327	-.330	.037	-.116	-.384	0	3911	-.439	.123	-.080	-1.018
0	3132	.089	.077	.364	-.232	0	3328	-.227	.037	-.105	-.356	0	3912	-.364	.076	-.124	-.694
0	3133	-.053	.118	.646	-.326	0	3329	-.284	.046	-.129	-.485	0	3913	-.351	.077	-.096	-.671
0	3134	-.107	.076	.268	-.303	0	3330	-.227	.038	-.096	-.381	0	3914	-.340	.069	-.103	-.605
0	3135	.157	.079	.505	-.122	0	3331	-.224	.037	-.105	-.356	0	3915	-.390	.105	-.084	-.901
0	3136	.130	.064	.352	-.408	0	3332	-.223	.037	-.048	-.364	0	3916	-.326	.076	-.077	-.659
0	3201	-.231	.056	-.028	-.537	0	3333	-.230	.034	-.125	-.344	0	3917	-.283	.072	-.038	-.614
0	3202	-.282	.071	-.012	-.692	0	3334	-.227	.035	-.098	-.349	0	3918	-.277	.077	-.035	-.603
0	3203	-.487	.143	-.103	-1.047	0	3335	-.232	.036	-.109	-.400	0	3919	-.272	.064	-.047	-.605

WD	TAP	CPMEAN	CPRMS	CPMAX	CPMIN	WD	TAP	CPMEAN	CPRMS	CPMAX	CPMIN	WD	TAP	CPMEAN	CPRMS	CPMAX	CPMIN
0	3920	-.271	.065	-.047	-.518	10	1129	.151	.110	.516	-.191	10	1217	-.191	.053	.198	-.433
0	3921	-.256	.056	-.035	-.535	10	1130	.019	.091	.377	-.282	10	1218	-.222	.071	.030	-.527
0	3922	-.284	.074	-.042	-.678	10	1131	.176	.138	.699	-.234	10	1219	-.682	.141	-.098	-1.259
0	3923	-.326	.086	-.070	-.800	10	1132	.303	.139	.808	-.065	10	1220	-.726	.145	-.325	-1.615
0	3924	-.224	.038	-.091	-.370	10	1133	.392	.138	.874	.024	10	1221	-.206	.048	.111	-.507
0	3925	-.353	.059	-.075	-.570	10	1134	.340	.128	.824	.017	10	1222	-.195	.050	.145	-.424
0	3926	-.233	.039	-.096	-.380	10	1135	.131	.103	.610	-.129	10	1223	-.217	.064	.120	-.500
0	3927	-.290	.064	-.105	-.653	10	1136	-.005	.085	.316	-.264	10	1224	-.258	.071	.026	-.640
0	3928	-.258	.059	-.077	-.516	10	1137	.141	.134	.703	-.339	10	1225	-.356	.133	.044	-1.071
0	3929	-.306	.077	-.044	-.661	10	1138	.209	.130	.758	-.357	10	1226	-.684	.135	-.257	-1.225
0	3930	-.230	.036	-.103	-.359	10	1139	.276	.117	.710	-.124	10	1227	-.703	.150	-.059	-1.383
0	3931	-.239	.033	-.130	-.359	10	1140	.241	.112	.703	-.099	10	1228	-.191	.044	.021	-.419
0	3932	-.230	.039	-.073	-.356	10	1141	.061	.098	.471	-.277	10	1229	-.176	.049	.091	-.418
0	3933	-.254	.050	-.041	-.492	10	1142	-.071	.087	.288	-.494	10	1230	-.141	.066	.202	-.477
0	3934	-.286	.065	-.041	-.564	10	1143	.134	.105	.651	-.243	10	1231	-.180	.063	.088	-.431
0	3935	-.276	.056	-.047	-.510	10	1144	.215	.102	.767	-.010	10	1232	-.223	.086	.074	-.663
0	3936	-.312	.050	-.154	-.529	10	1145	.239	.081	.614	.022	10	1233	-.417	.150	.023	-1.067
0	3937	-.260	.043	-.139	-.502	10	1146	.226	.084	.610	.024	10	1234	-.714	.161	-.089	-1.369
0	3938	-.234	.037	-.107	-.371	10	1147	.077	.069	.409	-.172	10	1235	-.705	.159	-.307	-1.340
0	3939	-.281	.047	-.137	-.487	10	1148	-.066	.067	.240	-.295	10	1236	-.199	.035	-.094	-.335
0	3940	-.252	.039	-.122	-.423	10	1149	.075	.121	.621	-.309	10	1237	-.195	.040	.030	-.355
0	3941	-.235	.037	-.112	-.354	10	1150	.155	.091	.566	-.072	10	1238	-.154	.056	.166	-.479
10	1101	-.492	.202	-.671	-1.154	10	1151	-.143	.082	.190	-.471	10	1239	-.180	.063	.124	-.553
10	1102	-.574	.164	-.334	-1.325	10	1152	.184	.080	.537	-.079	10	1240	-.231	.105	.053	-1.016
10	1103	-.534	.136	-.223	-1.150	10	1153	.191	.082	.487	-.024	10	1241	-.450	.182	.039	-1.232
10	1104	-.587	.101	-.072	-1.111	10	1154	.122	.070	.397	-.083	10	1242	-.604	.118	-.252	-1.112
10	1105	-.568	.112	-.044	-1.090	10	1155	.156	.047	.383	.048	10	1243	-.595	.122	-.192	-1.328
10	1106	.059	.105	-.418	-.262	10	1156	.199	.068	.464	.028	10	1244	-.198	.033	-.091	-.374
10	1107	.182	.132	-.576	-.262	10	1157	.225	.087	.586	-.012	10	1245	-.197	.035	-.057	-.321
10	1108	-.011	.097	.364	-.310	10	1158	-.162	.063	.100	-.348	10	1246	-.157	.046	.092	-.316
10	1109	-.098	.087	.346	-.446	10	1159	.149	.081	.552	-.049	10	1247	-.183	.047	.037	-.416
10	1110	.175	.167	.705	-.364	10	1160	.268	.111	.759	.007	10	1248	-.203	.076	.009	-.665
10	1111	.289	.151	.840	-.187	10	1161	.271	.097	.710	.068	10	1249	-.386	.185	.120	-1.074
10	1112	.138	.125	.587	-.255	10	1162	.233	.086	.602	.023	10	1250	-.636	.159	-.044	-1.362
10	1113	-.080	.102	.309	-.394	10	1201	-.256	.070	.007	-.612	10	1251	-.616	.148	-.136	-1.352
10	1114	-.040	.168	.480	-.706	10	1202	-.250	.074	-.009	-.532	10	1252	-.207	.048	-.044	-.400
10	1115	.119	.167	.660	-.414	10	1203	-.248	.091	.090	-.663	10	1253	-.208	.052	-.018	-.442
10	1116	.176	.139	.662	-.235	10	1204	-.246	.087	.143	-.637	10	1254	-.197	.054	.002	-.481
10	1117	-.037	.135	.487	-.533	10	1205	-.384	.160	.138	-.920	10	1255	-.217	.046	-.028	-.412
10	1118	-.167	.117	.227	-.537	10	1206	-.404	.176	.306	-.998	10	1256	-.196	.046	.028	-.350
10	1119	.209	.137	.728	-.171	10	1207	-.272	.065	-.016	-.546	10	1257	-.267	.087	.145	-.667
10	1120	.324	.148	.808	-.082	10	1208	-.389	.181	.439	-.819	10	1258	-.266	.191	.071	-1.454
10	1121	.390	.142	.933	-.069	10	1209	-.186	.051	.085	-.364	10	1259	-.589	.189	.012	-1.461
10	1122	.309	.138	.810	-.114	10	1210	-.195	.048	.044	-.383	10	1260	-.217	.058	-.046	-.490
10	1123	.147	.102	.530	-.210	10	1211	-.210	.056	.108	-.511	10	1261	-.211	.053	-.034	-.492
10	1124	.021	.097	.380	-.280	10	1212	-.244	.062	-.004	-.619	10	1262	-.223	.056	-.009	-.589
10	1125	.218	.144	.901	-.244	10	1213	-.329	.113	.037	-.929	10	1263	-.245	.052	-.076	-.612
10	1126	.302	.150	.846	-.178	10	1214	-.723	.131	-.406	-1.321	10	1264	-.215	.042	-.078	-.389
10	1127	.405	.147	.947	-.017	10	1215	-.701	.136	-.344	-1.362	10	1265	-.298	.068	-.060	-.568
10	1128	.367	.138	.856	-.022	10	1216	-.204	.043	-.002	-.353	10	1266	-.444	.281	.184	-1.587

WD	TAP	CPMEAN	CPRMS	CPMAX	CPMIN	WD	TAP	CPMEAN	CPRMS	CPMAX	CPMIN	WD	TAP	CPMEAN	CPRMS	CPMAX	CPMIN
10	1267	-.593	.306	.290	-1.605	10	1327	-.215	.044	-.053	-.418	10	1377	-.213	.031	-.118	-.341
10	1268	-.3218	.0533	-.0555	-.478	10	1328	-.216	.045	-.065	-.394	10	1378	-.176	.028	-.081	-.292
10	1269	-.3254	.057	-.060	-.524	10	1329	-.250	.068	-.012	-.635	10	1379	-.167	.032	-.015	-.288
10	1270	-.293	.050	-.117	-.508	10	1330	-.241	.060	-.016	-.504	10	1380	-.207	.048	-.054	-.419
10	1271	-.475	.292	.283	-1.645	10	1331	-.234	.056	-.022	-.663	10	1381	-.296	.046	-.137	-.474
10	1272	-.210	.051	-.023	-.407	10	1332	-.221	.048	-.067	-.581	10	1382	-.213	.028	-.099	-.306
10	1273	-.222	.052	-.030	-.605	10	1333	-.216	.042	-.098	-.418	10	1383	-.221	.036	-.109	-.361
10	1274	-.350	.053	-.062	-.499	10	1334	-.216	.042	-.095	-.406	10	1384	-.171	.031	-.038	-.272
10	1275	-.229	.043	-.060	-.436	10	1335	-.212	.041	-.051	-.357	10	1385	-.175	.031	-.051	-.308
10	1276	-.126	.087	.202	-.416	10	1336	-.210	.040	-.091	-.364	10	1401	-.573	.143	.069	-1.148
10	1277	-.098	.134	.313	-.386	10	1337	-.248	.056	-.074	-.497	10	1402	-.554	.143	.110	-1.486
10	1278	-.251	.062	-.099	-.508	10	1338	-.244	.051	-.077	-.516	10	1403	-.477	.133	.149	-1.093
10	1279	-.238	.038	-.106	-.389	10	1339	-.231	.048	-.093	-.448	10	1404	-.341	.095	.043	-.901
10	1280	-.276	.044	-.138	-.474	10	1340	-.233	.046	-.072	-.434	10	1405	-.270	.093	.091	-.916
10	1281	-.271	.052	-.113	-.536	10	1341	-.233	.041	-.107	-.387	10	1406	-.279	.067	-.013	-.614
10	1282	-.140	.052	.085	-.317	10	1342	-.225	.038	-.107	-.376	10	1407	-.543	.109	.020	-.919
10	1283	-.307	.089	.150	-.616	10	1343	-.226	.040	-.095	-.387	10	1408	-.277	.071	-.072	-.610
10	1284	-.349	.062	-.085	-.508	10	1344	-.217	.039	-.088	-.383	10	1409	-.503	.090	-.239	-1.034
10	1285	-.230	.042	-.055	-.373	10	1345	-.246	.047	-.088	-.450	10	1410	-.511	.089	-.255	-.878
10	1286	-.234	.037	-.094	-.419	10	1346	-.247	.050	-.079	-.427	10	1411	-.566	.131	-.038	-1.271
10	1287	-.275	.043	-.152	-.455	10	1347	-.223	.038	-.067	-.607	10	1412	-.439	.165	.093	-1.154
10	1288	-.117	.059	.129	-.336	10	1348	-.216	.034	-.107	-.334	10	1413	-.333	.153	.066	-1.179
10	1289	-.157	.057	.060	-.331	10	1349	-.212	.034	-.114	-.401	10	1414	-.311	.125	.072	-.813
10	1290	-.290	.089	.193	-.614	10	1350	-.212	.037	-.112	-.376	10	1415	-.251	.068	.025	-.752
10	1301	-.324	.081	-.126	-.804	10	1351	-.210	.036	-.079	-.399	10	1416	-.262	.091	.118	-.691
10	1302	-.303	.079	-.054	-.698	10	1352	-.213	.037	-.086	-.362	10	1417	-.263	.089	.002	-.732
10	1303	-.311	.076	-.105	-.667	10	1353	-.241	.041	-.079	-.406	10	1418	-.228	.053	.005	-.434
10	1304	-.307	.091	-.003	-.926	10	1354	-.233	.042	-.126	-.408	10	1419	-.232	.062	.027	-.635
10	1305	-.259	.077	-.026	-.618	10	1355	-.204	.032	-.112	-.313	10	1420	-.223	.058	.023	-.546
10	1306	-.259	.075	-.026	-.637	10	1356	-.220	.035	-.114	-.343	10	1421	-.483	.096	-.205	-.906
10	1307	-.248	.068	-.035	-.536	10	1357	-.198	.032	-.058	-.315	10	1422	-.473	.093	-.196	-.840
10	1308	-.236	.066	-.017	-.557	10	1358	-.196	.038	-.060	-.345	10	1423	-.475	.151	.183	-1.097
10	1309	-.216	.047	-.059	-.485	10	1359	-.219	.050	-.044	-.481	10	1424	-.286	.116	.163	-.817
10	1310	-.222	.046	-.084	-.429	10	1360	-.222	.056	-.077	-.570	10	1425	-.304	.129	.037	-.946
10	1311	-.212	.047	-.045	-.418	10	1361	-.218	.033	-.128	-.350	10	1426	-.261	.066	.068	-.569
10	1312	-.213	.049	-.066	-.467	10	1362	-.225	.034	-.130	-.343	10	1427	-.250	.081	.106	-.770
10	1313	-.257	.068	-.045	-.543	10	1363	-.198	.036	-.077	-.352	10	1428	-.261	.087	.020	-.793
10	1314	-.233	.057	-.028	-.462	10	1364	-.215	.036	-.109	-.366	10	1429	-.224	.058	.001	-.705
10	1315	-.220	.044	-.089	-.488	10	1365	-.186	.036	-.016	-.350	10	1430	-.234	.058	-.061	-.535
10	1316	-.217	.044	-.070	-.469	10	1366	-.174	.037	-.039	-.350	10	1431	-.456	.086	-.187	-.883
10	1317	-.268	.079	-.012	-.800	10	1367	-.194	.044	-.063	-.399	10	1432	-.480	.094	-.212	-.933
10	1318	-.248	.066	-.014	-.611	10	1368	-.204	.050	-.084	-.516	10	1433	-.545	.121	.063	-1.170
10	1319	-.230	.049	-.091	-.455	10	1369	-.220	.038	-.103	-.342	10	1434	-.433	.145	.149	-1.034
10	1320	-.214	.045	-.063	-.394	10	1370	-.213	.033	-.118	-.334	10	1435	-.640	.114	-.361	-1.163
10	1321	-.282	.094	-.080	-.891	10	1371	-.212	.036	-.109	-.377	10	1436	-.305	.108	-.025	-.845
10	1322	-.269	.079	-.026	-.679	10	1372	-.211	.028	-.109	-.348	10	1437	-.258	.080	.036	-.781
10	1323	-.245	.070	-.052	-.515	10	1373	-.221	.029	-.127	-.313	10	1438	-.257	.078	-.018	-.673
10	1324	-.240	.062	-.026	-.492	10	1374	-.197	.028	-.081	-.343	10	1439	-.232	.054	-.020	-.576
10	1325	-.232	.051	-.065	-.457	10	1375	-.171	.035	-.042	-.393	10	1440	-.231	.051	-.052	-.506
10	1326	-.223	.048	-.084	-.415	10	1376	-.180	.039	-.065	-.423	10	1441	-.441	.088	-.208	-.833



WD	TAP	CPMEAN	CPRMS	CPMAX	CPMIN	WD	TAP	CPMEAN	CPRMS	CPMAX	CPMIN	WD	TAP	CPMEAN	CPRMS	CPMAX	CPMIN
10	1442	-.439	.077	-.181	-.745	10	1492	-.388	.073	-.154	-.686	10	1918	-.204	.072	.073	-.449
10	1443	-.499	.096	-.205	-1.048	10	1493	-.267	.056	-.054	-.513	10	1919	-.252	.075	.025	-.547
10	1444	-.484	.112	.041	-.982	10	1494	-.226	.056	-.033	-.555	10	1920	-.178	.082	.156	-.522
10	1445	-.369	.126	.142	-.901	10	1495	-.239	.067	-.089	-.623	10	1921	-.294	.073	-.037	-.580
10	1446	-.287	.103	.057	-.854	10	1496	-.224	.038	-.112	-.357	10	1922	-.312	.085	-.049	-.674
10	1447	-.286	.105	-.022	-.770	10	1497	-.241	.047	-.042	-.411	10	1923	-.416	.119	-.009	-1.158
10	1448	-.241	.060	.011	-.473	10	1498	-.245	.048	-.049	-.415	10	1924	-.501	.113	-.047	-1.202
10	1449	-.249	.069	.014	-.554	10	1499	-.226	.037	-.129	-.397	10	1925	-.262	.071	-.001	-.520
10	1450	-.257	.076	.026	-.629	10	1500	-.223	.034	-.138	-.348	10	1926	-.644	.137	-.320	-1.310
10	1451	-.231	.049	-.010	-.430	10	1501	-.653	.190	-.063	-1.718	10	1927	-.177	.070	.121	-.485
10	1452	-.232	.048	-.044	-.444	10	1502	-.395	.189	.181	-1.168	10	1928	-.624	.124	-.350	-1.122
10	1453	-.432	.094	-.180	-1.048	10	1503	-.368	.077	-.133	-.739	10	1929	-.202	.059	.018	-.495
10	1454	-.441	.084	-.178	-.827	10	1504	-.250	.079	.034	-.543	10	1930	-.266	.065	-.031	-.518
10	1455	-.466	.085	-.185	-.990	10	1505	-.218	.061	-.014	-.504	10	1931	-.291	.075	-.035	-.562
10	1456	-.488	.097	-.049	-.926	10	1506	-.211	.073	-.034	-.529	10	1932	-.455	.106	-.070	-.913
10	1457	-.366	.083	.016	-.729	10	1507	-.239	.043	-.133	-.404	10	1933	-.638	.134	-.306	-1.178
10	1458	-.315	.084	-.010	-.686	10	1508	-.240	.040	-.129	-.376	10	1934	-.255	.044	-.112	-.443
10	1459	-.315	.088	-.053	-.736	10	1509	-.231	.036	-.143	-.385	10	1935	-.379	.076	-.169	-.697
10	1460	-.247	.048	-.092	-.430	10	1510	-.228	.034	-.126	-.348	10	2101	.098	.073	.403	-.252
10	1461	-.264	.057	-.101	-.554	10	1511	-.249	.041	-.145	-.399	10	2102	.116	.061	.464	-.063
10	1462	-.264	.058	-.073	-.547	10	1512	-.231	.036	-.143	-.404	10	2103	.186	.087	.549	-.072
10	1463	-.236	.038	-.104	-.379	10	1513	-.225	.031	-.119	-.336	10	2104	.157	.079	.549	-.105
10	1464	-.233	.043	-.120	-.418	10	1514	-.237	.041	-.119	-.385	10	2105	.133	.065	.415	-.111
10	1465	-.469	.093	-.224	-.866	10	1515	-.246	.046	-.138	-.413	10	2106	.104	.049	.362	-.063
10	1466	-.465	.095	-.197	-.808	10	1516	-.242	.044	-.133	-.404	10	2107	.163	.073	.564	-.009
10	1467	-.495	.098	-.214	-.921	10	1801	-.212	.082	-.564	-.001	10	2201	-.455	.091	-.201	-.786
10	1468	-.476	.101	-.094	-.957	10	1802	-.187	.030	-.060	-.335	10	2202	-.306	.105	.034	-.747
10	1469	-.375	.079	-.089	-.672	10	1803	-.192	.033	.001	-.355	10	2203	-.145	.125	.590	-.301
10	1470	-.292	.070	-.063	-.552	10	1804	-.042	.072	-.271	-.296	10	2204	-.009	.068	.333	-.347
10	1471	-.325	.084	-.075	-.715	10	1805	-.205	.035	-.092	-.351	10	2205	.130	.092	.549	-.250
10	1472	-.250	.042	-.111	-.408	10	1806	-.237	.043	-.081	-.413	10	2206	-.339	.139	.272	-.971
10	1473	-.261	.049	-.108	-.535	10	1807	-.160	.050	.046	-.316	10	2207	.086	.074	.447	-.267
10	1474	-.256	.046	-.053	-.425	10	1808	-.132	.125	.229	-.546	10	2208	.118	.054	.364	-.041
10	1475	-.235	.034	-.017	-.401	10	1901	-.244	.110	.190	-.899	10	2209	.093	.042	.258	-.077
10	1476	-.233	.033	-.120	-.394	10	1902	-.353	.120	.082	-.917	10	2210	.033	.086	.384	-.296
10	1477	-.554	.129	-.238	-1.168	10	1903	-.569	.123	-.063	-1.032	10	2211	.252	.092	.602	-.013
10	1478	-.527	.116	-.204	-1.331	10	1904	-.583	.111	-.315	-1.324	10	2212	.165	.063	.420	-.002
10	1479	-.547	.121	-.262	-1.029	10	1905	-.566	.091	-.306	-.963	10	2213	.204	.074	.542	.030
10	1480	-.491	.109	-.132	-.945	10	1906	-.267	.125	-.282	-.931	10	2214	.089	.044	.300	-.039
10	1481	-.350	.075	-.001	-.787	10	1907	-.603	.098	-.350	-1.172	10	2215	.067	.065	.328	-.304
10	1482	-.253	.047	-.089	-.492	10	1908	-.286	.091	-.059	-.738	10	2301	-.510	.145	-.153	-1.261
10	1483	-.249	.044	-.101	-.626	10	1909	-.303	.075	-.051	-.727	10	2302	-.421	.090	-.190	-.785
10	1484	-.245	.036	-.149	-.415	10	1910	-.276	.068	-.026	-.676	10	2303	-.423	.072	-.228	-.702
10	1485	-.248	.043	-.087	-.430	10	1911	-.313	.101	.094	-.901	10	2304	-.210	.039	-.103	-.354
10	1486	-.249	.044	-.101	-.420	10	1912	-.410	.104	.064	-1.096	10	2305	.139	.053	.347	-.010
10	1487	-.224	.030	-.113	-.339	10	1913	-.560	.143	.009	-1.237	10	2306	.117	.055	.340	-.077
10	1488	-.228	.028	-.135	-.374	10	1914	-.263	.083	-.220	-.681	10	2307	.081	.042	.257	-.048
10	1489	-.690	.203	-.214	-2.227	10	1915	-.525	.099	-.102	-.853	10	2308	-.204	.027	-.119	-.321
10	1490	-.639	.188	-.149	-2.052	10	1916	-.625	.122	-.327	-1.191	10	2309	.220	.080	.622	.039
10	1491	-.520	.117	-.214	-1.002	10	1917	-.577	.101	-.311	-1.136	10	2310	.099	.053	.290	-.221

WD	TAP	CPMEAN	CPRMS	CPMAX	CPMIN	WD	TAP	CPMEAN	CPRMS	CPMAX	CPMIN	WD	TAP	CPMEAN	CPRMS	CPMAX	CPMIN
10	2311	.083	.044	.250	-.074	10	3118	.096	.116	.513	-.315	10	3314	-.276	.050	-.030	-.477
10	2401	-.414	.052	-.250	-.629	10	3119	-.310	.178	.293	-1.077	10	3315	-.246	.040	-.114	-.393
10	2402	-.458	.068	-.254	-.816	10	3120	-.140	.093	.394	-.400	10	3316	-.252	.040	-.111	-.421
10	2403	-.436	.053	-.283	-.752	10	3121	-.050	.099	.478	-.467	10	3317	-.235	.037	-.109	-.377
10	2404	-.399	.043	-.264	-.636	10	3122	-.274	.074	.084	-.564	10	3318	-.244	.043	-.093	-.412
10	2405	-.411	.047	-.193	-.636	10	3123	-.050	.101	.399	-.555	10	3319	-.272	.044	-.123	-.472
10	2406	-.392	.050	-.233	-.584	10	3124	-.260	.079	.302	-.528	10	3320	-.249	.039	-.095	-.396
10	2901	-.216	.053	-.063	-.507	10	3125	-.192	.107	.534	-.528	10	3321	-.249	.042	-.095	-.400
10	2902	-.346	.059	-.155	-.660	10	3126	-.128	.096	.470	-.509	10	3322	-.252	.043	-.111	-.400
10	2903	-.132	.129	.792	-.279	10	3127	-.028	.103	.651	-.284	10	3323	-.261	.047	-.107	-.461
10	2904	-.493	.128	-.046	-1.085	10	3128	-.060	.184	.719	-.533	10	3324	-.263	.047	-.104	-.472
10	2905	-.301	.082	-.002	-.623	10	3129	.112	.094	.537	-.275	10	3325	-.243	.040	-.123	-.407
10	2906	-.074	.049	-.102	-.237	10	3130	.145	.107	.629	-.203	10	3326	-.260	.040	-.086	-.403
10	2907	-.374	.048	-.237	-.621	10	3131	.077	.092	.580	-.291	10	3327	-.261	.043	-.111	-.421
10	2908	-.403	.148	-.048	-1.172	10	3132	.075	.094	.423	-.329	10	3328	-.258	.041	-.114	-.407
10	2909	-.236	.049	-.019	-.420	10	3133	-.022	.144	.482	-.500	10	3329	-.309	.052	-.128	-.602
10	2910	-.200	.153	.345	-.849	10	3134	-.097	.075	.290	-.301	10	3330	-.245	.039	-.125	-.382
10	2911	-.282	.068	-.065	-.602	10	3135	.181	.091	.531	-.112	10	3331	-.244	.039	-.118	-.368
10	2912	-.162	.047	-.017	-.356	10	3136	.129	.068	.398	-.177	10	3332	-.241	.042	-.080	-.401
10	2913	-.358	.081	-.114	-.949	10	3201	-.253	.054	-.068	-.538	10	3333	-.258	.041	-.116	-.389
10	2914	-.409	.077	-.218	-.733	10	3202	-.307	.070	-.071	-.626	10	3334	-.249	.039	-.116	-.389
10	2915	-.439	.082	-.148	-.771	10	3203	-.538	.149	-.175	-1.239	10	3335	-.263	.043	-.104	-.400
10	2916	-.089	.082	-.180	-.502	10	3204	-.466	.145	-.113	-1.099	10	3336	-.272	.051	-.089	-.442
10	2917	-.725	.174	-.284	-1.473	10	3205	-.412	.109	-.035	-.868	10	3337	-.280	.053	-.089	-.454
10	2918	-.302	.122	.114	-.876	10	3206	-.407	.088	-.082	-.829	10	3338	-.133	.048	-.068	-.477
10	2919	-.040	.076	.236	-.470	10	3207	-.263	.055	-.040	-.512	10	3339	-.260	.037	-.084	-.397
10	2920	.001	.084	.260	-.366	10	3208	-.570	.178	-.130	-1.254	10	3340	-.254	.039	-.089	-.419
10	2921	.095	.057	.318	-.230	10	3209	-.272	.044	-.135	-.417	10	3341	-.257	.041	-.137	-.412
10	2922	.122	.053	.309	-.038	10	3210	-.264	.049	-.078	-.438	10	3342	-.263	.043	-.102	-.417
10	2923	.101	.047	.275	-.094	10	3211	-.280	.064	-.025	-.585	10	3343	-.265	.043	-.112	-.417
10	2924	.012	.058	.212	-.286	10	3212	-.373	.094	-.137	-.879	10	3344	-.266	.048	-.089	-.434
10	2925	.072	.044	.238	-.110	10	3213	-.392	.128	-.000	-.952	10	3345	-.270	.049	-.114	-.442
10	2926	-.028	.065	.199	-.497	10	3214	-.257	.055	-.028	-.483	10	3346	-.265	.050	-.067	-.452
10	3101	-.082	.211	.652	-.848	10	3215	-.289	.046	-.149	-.468	10	3347	-.258	.049	-.062	-.444
10	3102	.043	.139	.609	-.436	10	3216	-.280	.067	-.051	-.566	10	3348	-.005	.050	-.193	-.177
10	3103	.123	.144	.707	-.310	10	3217	-.353	.135	.093	-.871	10	3349	-.278	.184	-.146	-1.290
10	3104	-.048	.132	.479	-.481	10	3218	-.127	.087	.352	-.465	10	3401	-.264	.115	-.132	-.700
10	3105	-.410	.082	-.030	-.777	10	3301	-.238	.040	-.100	-.417	10	3402	-.221	.132	-.143	-.662
10	3106	-.428	.086	-.079	-.799	10	3302	-.237	.039	-.093	-.386	10	3403	-.221	.106	-.133	-.964
10	3107	-.393	.077	-.146	-.680	10	3303	-.246	.041	-.114	-.384	10	3404	-.273	.065	-.059	-.547
10	3108	-.049	.128	.508	-.481	10	3304	-.249	.043	-.086	-.414	10	3405	-.214	.042	-.081	-.345
10	3109	.062	.121	.577	-.358	10	3305	-.240	.044	-.100	-.454	10	3406	-.222	.042	-.089	-.369
10	3110	.083	.116	.536	-.323	10	3306	-.241	.048	-.079	-.465	10	3407	-.259	.043	-.122	-.592
10	3111	-.116	.169	.432	-.702	10	3307	-.271	.048	-.094	-.479	10	3408	-.197	.042	-.014	-.334
10	3112	.043	.135	.591	-.320	10	3308	-.266	.053	-.104	-.472	10	3409	-.267	.043	-.092	-.632
10	3113	.030	.120	.501	-.358	10	3309	-.244	.045	-.116	-.405	10	3410	-.453	.078	-.191	-.742
10	3114	-.226	.207	.375	-.917	10	3310	-.239	.042	-.077	-.414	10	3411	-.202	.066	-.023	-.552
10	3115	.152	.167	.883	-.294	10	3311	-.232	.039	-.093	-.407	10	3412	-.184	.050	-.023	-.411
10	3116	.176	.159	.774	-.460	10	3312	-.251	.042	-.102	-.403	10	3413	-.242	.039	-.112	-.429
10	3117	.089	.136	.703	-.348	10	3313	-.268	.047	-.084	-.472	10	3414	-.000	.152	.531	-.667

WD	TAP	CPMEAN	CPRMS	CPMAX	CPMIN	WD	TAP	CPMEAN	CPRMS	CPMAX	CPMIN	WD	TAP	CPMEAN	CPRMS	CPMAX	CPMIN
10	3415	-.358	.111	-.027	-.840	20	1107	-.252	.128	.721	-.143	20	1157	.212	.086	.559	.019
10	3416	-.125	.053	.076	-.324	20	1108	-.053	.088	.318	-.350	20	1158	-.140	.070	.190	-.326
10	3417	-.119	.065	.158	-.327	20	1109	-.126	.074	.120	-.380	20	1159	.157	.076	.602	-.049
10	3901	-.025	.071	.171	-.384	20	1110	-.312	.188	.917	-.242	20	1160	.249	.090	.737	.028
10	3902	-.330	.205	-.036	-1.350	20	1111	.328	.160	.991	-.216	20	1161	.237	.095	.657	.030
10	3903	-.388	.111	-.007	-.965	20	1112	-.078	.108	.482	-.309	20	1162	.229	.081	.671	.037
10	3904	-.415	.135	-.104	-1.044	20	1113	-.118	.088	.194	-.431	20	1201	-.305	.088	.145	-.635
10	3905	-.448	.126	-.135	-1.308	20	1114	.040	.176	.643	-.493	20	1202	-.291	.094	.244	-.702
10	3906	-.429	.088	-.154	-.877	20	1115	.193	.174	.744	-.322	20	1203	-.292	.105	.101	-.898
10	3907	-.483	.106	-.114	-.903	20	1116	.161	.133	.682	-.226	20	1204	-.268	.084	.048	-.674
10	3908	-.456	.096	-.194	-.958	20	1117	-.078	.121	.330	-.484	20	1205	-.347	.171	.212	-.905
10	3909	-.478	.100	-.135	-.936	20	1118	-.193	.100	.187	-.592	20	1206	-.354	.198	.351	-1.029
10	3910	-.654	.177	-.154	-1.605	20	1119	.318	.153	.871	-.124	20	1207	-.324	.079	.032	-.635
10	3911	-.492	.138	-.114	-1.140	20	1120	.373	.151	.830	-.073	20	1208	-.340	.205	.480	-1.283
10	3912	-.437	.088	-.106	-.763	20	1121	.369	.131	.841	.030	20	1209	-.205	.066	.129	-.531
10	3913	-.396	.079	-.133	-.761	20	1122	.287	.126	.715	-.050	20	1210	-.214	.074	.106	-.549
10	3914	-.407	.077	-.092	-.744	20	1123	-.087	.088	.328	-.205	20	1211	-.223	.073	.187	-.492
10	3915	-.416	.108	-.092	-.981	20	1124	-.010	.086	.307	-.253	20	1212	-.261	.056	-.004	-.471
10	3916	-.357	.082	-.071	-.754	20	1125	.305	.163	.827	-.177	20	1213	-.302	.061	-.028	-.628
10	3917	-.318	.077	-.003	-.623	20	1126	.388	.158	.968	-.055	20	1214	-.704	.158	-.042	-1.503
10	3918	-.308	.086	-.087	-.953	20	1127	.383	.129	.815	.037	20	1215	-.714	.137	-.005	-1.332
10	3919	-.264	.052	-.019	-.550	20	1128	.314	.131	.795	-.005	20	1216	-.233	.061	-.004	-.524
10	3920	-.285	.061	-.047	-.536	20	1129	.090	.092	.444	-.203	20	1217	-.202	.073	.171	-.473
10	3921	-.280	.057	-.047	-.547	20	1130	-.019	.084	.294	-.274	20	1218	-.255	.069	.090	-.529
10	3922	-.322	.074	-.097	-.901	20	1131	.254	.160	.873	-.173	20	1219	-.614	.169	.143	-1.196
10	3923	-.358	.092	-.010	-.943	20	1132	.353	.145	.889	-.048	20	1220	-.693	.148	-.079	-1.468
10	3924	-.251	.040	-.125	-.370	20	1133	.378	.119	.774	.074	20	1221	-.230	.064	.078	-.485
10	3925	-.278	.059	-.050	-.597	20	1134	.293	.104	.700	.017	20	1222	-.214	.070	.251	-.512
10	3926	-.254	.042	-.097	-.400	20	1135	.070	.085	.411	-.200	20	1223	-.224	.084	.157	-.566
10	3927	-.272	.067	-.036	-.600	20	1136	-.051	.073	.317	-.288	20	1224	-.282	.070	.025	-.624
10	3928	-.289	.059	-.073	-.637	20	1137	.208	.145	.739	-.364	20	1225	-.310	.075	.085	-.769
10	3929	-.329	.073	-.078	-.661	20	1138	.255	.149	.783	-.383	20	1226	-.598	.174	.046	-1.161
10	3930	-.261	.042	-.116	-.415	20	1139	.252	.107	.744	-.076	20	1227	-.680	.147	.007	-1.228
10	3931	-.253	.040	-.094	-.373	20	1140	.211	.109	.649	-.182	20	1228	-.218	.061	.034	-.469
10	3932	-.263	.043	-.118	-.391	20	1141	-.027	.082	.368	-.337	20	1229	-.197	.064	.117	-.435
10	3933	-.283	.060	-.082	-.551	20	1142	-.093	.075	.208	-.438	20	1230	-.147	.084	.344	-.418
10	3934	-.276	.057	-.071	-.571	20	1143	.170	.110	.670	-.207	20	1231	-.187	.072	.291	-.404
10	3935	-.271	.056	-.064	-.583	20	1144	.232	.106	.827	-.078	20	1232	-.210	.068	.078	-.801
10	3936	-.317	.056	-.167	-.604	20	1145	.241	.087	.587	.035	20	1233	-.328	.086	-.018	-.787
10	3937	-.288	.043	-.147	-.447	20	1146	.210	.082	.527	-.005	20	1234	-.665	.165	-.023	-1.489
10	3938	-.253	.040	-.139	-.404	20	1147	-.067	.068	.370	-.122	20	1235	-.669	.169	.136	-1.653
10	3939	-.306	.053	-.134	-.539	20	1148	-.065	.071	.310	-.362	20	1236	-.230	.047	-.046	-.427
10	3940	-.271	.045	-.132	-.492	20	1149	.136	.125	.668	-.343	20	1237	-.218	.050	.044	-.446
10	3941	-.251	.038	-.099	-.562	20	1150	-.143	.081	.501	-.106	20	1238	-.163	.071	.240	-.342
20	1101	-.401	.238	.793	-1.136	20	1151	-.147	.086	.167	-.521	20	1239	-.197	.060	.071	-.386
20	1102	-.524	.149	.314	-1.193	20	1152	.207	.090	.582	-.066	20	1240	-.206	.069	.039	-.644
20	1103	-.459	.149	.429	-.905	20	1153	.170	.073	.418	-.025	20	1241	-.292	.129	.067	-.974
20	1104	-.530	.104	-.157	-.935	20	1154	.142	.080	.470	-.070	20	1242	-.579	.136	.113	-1.161
20	1105	-.509	.118	.023	-1.214	20	1155	.161	.049	.340	.041	20	1243	-.585	.137	.071	-1.138
20	1106	.060	.098	.452	-.285	20	1156	.184	.072	.495	.012	20	1244	-.231	.040	-.086	-.392

WD	TAP	CPMEAN	CPRMS	CPMAX	CPMIN	WD	TAP	CPMEAN	CPRMS	CPMAX	CPMIN	WD	TAP	CPMEAN	CPRMS	CPMAX	CPMIN
20	1245	-.231	.040	-.076	-.386	20	1305	-.297	.086	-.020	-.827	20	1355	-.254	.034	-.147	-.376
20	1246	-.177	.057	-.208	-.339	20	1306	-.289	.077	-.022	-.679	20	1356	-.255	.033	-.152	-.386
20	1247	-.205	.050	-.005	-.358	20	1307	-.290	.078	-.025	-.685	20	1357	-.239	.039	-.044	-.491
20	1248	-.205	.054	-.016	-.509	20	1308	-.280	.075	-.066	-.680	20	1358	-.246	.047	-.086	-.432
20	1249	-.287	.124	-.100	-.955	20	1309	-.263	.061	-.097	-.654	20	1359	-.279	.061	-.121	-.601
20	1250	-.576	.177	-.186	-1.290	20	1310	-.262	.059	-.106	-.563	20	1360	-.292	.067	-.114	-.669
20	1251	-.581	.151	-.113	-1.277	20	1311	-.253	.056	-.059	-.507	20	1361	-.270	.036	-.168	-.416
20	1252	-.246	.051	-.067	-.467	20	1312	-.253	.056	-.076	-.505	20	1362	-.267	.035	-.161	-.414
20	1253	-.345	.053	-.053	-.441	20	1313	-.296	.073	-.036	-.573	20	1363	-.244	.039	-.110	-.444
20	1254	-.212	.055	-.012	-.448	20	1314	-.271	.061	-.073	-.533	20	1364	-.255	.037	-.131	-.439
20	1255	-.234	.048	-.064	-.425	20	1315	-.268	.054	-.104	-.510	20	1365	-.230	.042	-.072	-.442
20	1256	-.214	.043	-.030	-.377	20	1316	-.260	.055	-.048	-.491	20	1366	-.228	.049	-.025	-.531
20	1257	-.284	.069	.012	-.654	20	1317	-.307	.082	-.069	-.729	20	1367	-.250	.066	-.110	-.968
20	1258	-.469	.212	.299	-1.346	20	1318	-.288	.070	-.085	-.661	20	1368	-.263	.070	-.070	-.751
20	1259	-.501	.186	.331	-1.462	20	1319	-.273	.057	-.104	-.563	20	1369	-.269	.038	-.137	-.378
20	1260	-.242	.064	-.016	-.592	20	1320	-.260	.056	-.078	-.491	20	1370	-.264	.038	-.149	-.420
20	1261	-.333	.062	-.049	-.680	20	1321	-.337	.098	-.036	-.787	20	1371	-.258	.040	-.093	-.401
20	1262	-.243	.056	-.021	-.641	20	1322	-.306	.087	-.043	-.841	20	1372	-.259	.040	-.162	-.433
20	1263	-.258	.051	-.069	-.444	20	1323	-.288	.078	-.031	-.713	20	1373	-.260	.026	-.181	-.337
20	1264	-.241	.043	-.060	-.372	20	1324	-.286	.068	-.086	-.684	20	1374	-.229	.030	-.130	-.353
20	1265	-.291	.063	-.013	-.555	20	1325	-.275	.058	-.117	-.521	20	1375	-.215	.043	-.045	-.445
20	1266	-.286	.245	.278	-1.117	20	1326	-.272	.057	-.089	-.510	20	1376	-.231	.057	-.091	-.670
20	1267	-.420	.284	.343	-1.843	20	1327	-.260	.054	-.082	-.528	20	1377	-.253	.033	-.151	-.360
20	1268	-.247	.068	-.060	-.594	20	1328	-.262	.052	-.098	-.559	20	1378	-.212	.033	-.093	-.388
20	1269	-.281	.061	-.104	-.661	20	1329	-.290	.069	-.065	-.643	20	1379	-.200	.036	-.020	-.385
20	1270	-.322	.052	-.141	-.664	20	1330	-.274	.057	-.077	-.512	20	1380	-.228	.050	-.092	-.344
20	1271	-.298	.240	.329	-1.559	20	1331	-.277	.058	-.075	-.597	20	1381	-.228	.052	-.132	-.563
20	1272	-.229	.060	.003	-.620	20	1332	-.255	.053	-.082	-.475	20	1382	-.257	.030	-.137	-.353
20	1273	-.249	.065	-.037	-.728	20	1333	-.261	.052	-.107	-.531	20	1383	-.266	.040	-.128	-.397
20	1274	-.270	.058	-.092	-.552	20	1334	-.260	.051	-.114	-.465	20	1384	-.206	.035	-.050	-.325
20	1275	-.251	.043	-.057	-.437	20	1335	-.254	.051	-.077	-.468	20	1385	-.208	.039	-.082	-.358
20	1276	-.087	.090	.303	-.497	20	1336	-.252	.051	-.112	-.460	20	1401	-.502	.150	-.058	-1.145
20	1277	-.039	.123	.336	-.663	20	1337	-.288	.055	-.098	-.531	20	1402	-.477	.144	-.020	-1.145
20	1278	-.261	.073	-.064	-.689	20	1338	-.279	.056	-.046	-.521	20	1403	-.471	.132	-.013	-1.028
20	1279	-.257	.042	-.087	-.467	20	1339	-.272	.049	-.138	-.526	20	1404	-.403	.105	-.045	-.835
20	1280	-.299	.049	-.145	-.485	20	1340	-.268	.049	-.112	-.521	20	1405	-.325	.106	-.016	-1.213
20	1281	-.313	.066	-.150	-.661	20	1341	-.273	.051	-.143	-.675	20	1406	-.327	.076	-.074	-.771
20	1282	-.133	.056	-.128	-.277	20	1342	-.274	.048	-.135	-.484	20	1407	-.502	.127	-.015	-1.291
20	1283	-.297	.103	-.280	-.583	20	1343	-.267	.049	-.107	-.505	20	1408	-.317	.081	-.088	-.717
20	1284	-.264	.071	-.025	-.640	20	1344	-.261	.047	-.112	-.577	20	1409	-.411	.071	-.208	-.758
20	1285	-.249	.049	-.057	-.467	20	1345	-.276	.046	-.140	-.472	20	1410	-.419	.076	-.201	-.785
20	1286	-.259	.042	-.023	-.467	20	1346	-.277	.045	-.124	-.486	20	1411	-.470	.113	-.097	-1.253
20	1287	-.301	.053	-.159	-.585	20	1347	-.255	.034	-.133	-.383	20	1412	-.479	.154	-.028	-1.328
20	1288	-.101	.063	-.151	-.263	20	1348	-.259	.038	-.128	-.383	20	1413	-.405	.147	-.031	-1.771
20	1289	-.138	.060	-.118	-.307	20	1349	-.255	.045	-.140	-.507	20	1414	-.375	.134	-.017	-1.287
20	1290	-.277	.104	-.336	-.613	20	1350	-.254	.040	-.119	-.425	20	1415	-.305	.074	-.008	-.585
20	1301	-.361	.087	-.101	-1.025	20	1351	-.255	.042	-.135	-.400	20	1416	-.319	.100	-.004	-.869
20	1302	-.355	.090	-.111	-.822	20	1352	-.250	.039	-.135	-.414	20	1417	-.325	.106	-.012	-.853
20	1303	-.353	.085	-.108	-.895	20	1353	-.290	.042	-.173	-.491	20	1418	-.265	.063	-.070	-.535
20	1304	-.356	.093	-.087	-.841	20	1354	-.289	.040	-.156	-.428	20	1419	-.264	.062	-.079	-.590

WD	TAP	CPMEAN	CPRMS	CPMAX	CPMIN	WD	TAP	CPMEAN	CPRMS	CPMAX	CPMIN	WD	TAP	CPMEAN	CPRMS	CPMAX	CPMIN
20	1420	-.275	.067	-.022	-.594	20	1470	-.361	.071	-.070	-.663	20	1804	.000	.091	.315	-.326
20	1421	-.378	.073	-.160	-.667	20	1471	-.392	.090	-.120	-.820	20	1805	-.243	.045	-.109	-.488
20	1422	-.394	.081	-.165	-.694	20	1472	-.279	.039	-.159	-.404	20	1806	-.256	.050	-.085	-.558
20	1423	-.468	.124	.119	-1.107	20	1473	-.296	.044	-.056	-.478	20	1807	-.150	.051	.092	-.328
20	1424	-.399	.123	-.030	-1.316	20	1474	-.307	.046	-.136	-.529	20	1808	-.072	.130	.284	-.457
20	1425	-.294	.142	-.023	-1.226	20	1475	-.262	.036	-.149	-.433	20	1901	-.314	.119	.106	-1.038
20	1426	-.294	.069	-.045	-.640	20	1476	-.263	.035	-.147	-.414	20	1902	-.392	.125	.103	-.909
20	1427	-.296	.084	-.021	-.812	20	1477	-.455	.086	-.224	-.805	20	1903	-.493	.125	.123	-.944
20	1428	-.313	.091	-.026	-.849	20	1478	-.462	.088	-.229	-.872	20	1904	-.525	.113	-.227	-1.185
20	1429	-.269	.063	-.045	-.527	20	1479	-.479	.099	-.243	-1.130	20	1905	-.514	.092	-.218	-.944
20	1430	-.274	.063	-.088	-.590	20	1480	-.451	.090	-.195	-.906	20	1906	-.323	.140	-.208	-1.015
20	1431	-.387	.074	-.149	-.681	20	1481	-.377	.052	-.075	-.625	20	1907	-.527	.100	-.234	-1.329
20	1432	-.380	.070	-.142	-.635	20	1482	-.296	.051	-.152	-.719	20	1908	-.321	.095	-.019	-.801
20	1433	-.466	.096	-.051	-.867	20	1483	-.292	.051	-.149	-.550	20	1909	-.351	.091	-.061	-.872
20	1434	-.466	.136	-.029	-1.380	20	1484	-.279	.037	-.176	-.421	20	1910	-.316	.075	-.077	-.808
20	1435	-.566	.123	-.260	-1.192	20	1485	-.292	.039	-.154	-.442	20	1911	-.365	.103	.035	-.907
20	1436	-.385	.118	-.060	-.976	20	1486	-.285	.038	-.147	-.442	20	1912	-.426	.116	.044	-.948
20	1437	-.313	.086	-.014	-.678	20	1487	-.260	.031	-.161	-.411	20	1913	-.504	.142	.148	-1.392
20	1438	-.310	.088	-.045	-.824	20	1488	-.264	.031	-.168	-.373	20	1914	-.303	.096	.111	-.776
20	1439	-.269	.062	-.006	-.560	20	1489	-.607	.152	-.226	-1.122	20	1915	-.477	.114	-.265	-.879
20	1440	-.275	.063	-.101	-.574	20	1490	-.545	.137	-.219	-1.425	20	1916	-.564	.125	-.259	-1.428
20	1441	-.356	.070	-.131	-.712	20	1491	-.443	.092	-.200	-.945	20	1917	-.508	.099	-.234	-1.079
20	1442	-.371	.069	-.154	-.778	20	1492	-.420	.067	-.219	-.685	20	1918	-.247	.090	.118	-.594
20	1443	-.405	.073	-.190	-.690	20	1493	-.304	.048	-.077	-.512	20	1919	-.292	.088	.049	-.645
20	1444	-.441	.092	-.135	-.862	20	1494	-.295	.058	-.141	-.589	20	1920	-.221	.098	.162	-.622
20	1445	-.394	.103	-.015	-.826	20	1495	-.298	.066	-.134	-.594	20	1921	-.340	.081	-.082	-.760
20	1446	-.392	.110	-.081	-1.014	20	1496	-.273	.033	-.157	-.377	20	1922	-.360	.095	-.011	-1.116
20	1447	-.395	.120	-.003	-1.039	20	1497	-.290	.037	-.141	-.407	20	1923	-.437	.130	-.036	-.898
20	1448	-.296	.057	-.065	-.490	20	1498	-.288	.045	-.160	-.472	20	1924	-.483	.142	-.128	-1.649
20	1449	-.293	.075	-.036	-.654	20	1499	-.276	.037	-.167	-.414	20	1925	-.307	.076	-.004	-.691
20	1450	-.307	.079	-.060	-.608	20	1500	-.276	.035	-.171	-.416	20	1926	-.572	.135	-.259	-1.224
20	1451	-.264	.054	-.104	-.476	20	1501	-.614	.162	-.059	-1.432	20	1927	-.204	.087	.263	-.613
20	1452	-.267	.054	-.089	-.493	20	1502	-.360	.168	.235	-1.112	20	1928	-.538	.123	-.273	-1.332
20	1453	-.366	.074	-.166	-.673	20	1503	-.368	.065	-.157	-.603	20	1929	-.238	.077	.155	-.852
20	1454	-.376	.067	-.180	-.635	20	1504	-.309	.071	-.015	-.577	20	1930	-.304	.066	-.038	-.633
20	1455	-.408	.072	-.176	-.707	20	1505	-.285	.062	-.076	-.538	20	1931	-.338	.066	-.080	-.666
20	1456	-.438	.082	-.147	-.925	20	1506	-.291	.068	-.073	-.584	20	1932	-.463	.093	-.121	-.897
20	1457	-.418	.071	-.173	-.690	20	1507	-.295	.046	-.160	-.503	20	1933	-.524	.126	-.179	-1.244
20	1458	-.406	.083	-.140	-.757	20	1508	-.295	.039	-.153	-.454	20	1934	-.281	.048	-.100	-.499
20	1459	-.398	.087	-.048	-.805	20	1509	-.281	.040	-.167	-.461	20	1935	-.436	.083	-.217	-.848
20	1460	-.296	.049	-.108	-.490	20	1510	-.265	.033	-.174	-.377	20	2101	.073	.071	.370	-.250
20	1461	-.311	.061	-.123	-.671	20	1511	-.296	.042	-.162	-.442	20	2102	.108	.064	.409	-.160
20	1462	-.315	.061	-.152	-.611	20	1512	-.281	.042	-.171	-.496	20	2103	.227	.088	.679	-.012
20	1463	-.266	.042	-.130	-.416	20	1513	-.261	.031	-.167	-.384	20	2104	.148	.092	.507	-.220
20	1464	-.265	.043	-.119	-.463	20	1514	-.292	.041	-.169	-.454	20	2105	.140	.067	.518	-.038
20	1465	-.408	.062	-.238	-.659	20	1515	-.292	.045	-.174	-.519	20	2106	.117	.066	.358	-.140
20	1466	-.406	.071	-.183	-.735	20	1516	-.282	.037	-.167	-.430	20	2107	.154	.071	.453	-.019
20	1467	-.446	.083	-.195	-.906	20	1801	-.214	.086	-.589	-.000	20	2201	-.453	.080	-.238	-.792
20	1468	-.469	.085	-.152	-.796	20	1802	-.220	.040	-.068	-.593	20	2202	-.266	.094	-.021	-.702
20	1469	-.408	.075	-.101	-1.204	20	1803	-.227	.045	-.018	-.433	20	2203	-.170	.125	.684	-.274

WD	TAP	CPMEAN	CPRMS	CPMAX	CPMIN	WD	TAP	CPMEAN	CPRMS	CPMAX	CPMIN	WD	TAP	CPMEAN	CPRMS	CPMAX	CPMIN
20	2204	.015	.069	.334	-.218	20	2922	.103	.061	.321	-.213	20	33210	-.309	.054	-.079	-.533
20	2205	.103	.081	.494	-.262	20	2923	.076	.047	.285	-.099	20	33211	-.328	.062	-.127	-.612
20	2206	-.307	.119	.244	-.758	20	2924	-.005	.054	.183	-.289	20	33212	-.436	.103	-.164	-1.043
20	2207	.106	.084	.555	-.165	20	2925	-.066	.056	.279	-.251	20	33213	-.543	.138	-.185	-1.054
20	2208	.097	.052	.397	-.036	20	2926	-.045	.077	.229	-.505	20	33214	-.304	.057	-.101	-.581
20	2209	.097	.046	.312	-.038	20	3101	-.266	.251	.601	-.981	20	33215	-.329	.046	-.214	-.465
20	2210	.083	.100	.516	-.298	20	3102	-.009	.113	.513	-.599	20	33216	-.338	.063	-.134	-.625
20	2211	.231	.086	.698	-.012	20	3103	-.128	.145	.644	-.408	20	33217	-.571	.130	-.130	-1.122
20	2212	.180	.066	.436	.027	20	3104	-.032	.145	.761	-.496	20	33218	-.288	.132	-.112	-.756
20	2213	.198	.078	.552	-.025	20	3105	-.488	.112	.002	-.951	20	3301	-.257	.040	-.125	-.397
20	2214	.102	.044	.284	-.035	20	3106	-.527	.100	.002	-.932	20	3302	-.273	.041	-.120	-.425
20	2215	.096	.067	.363	-.246	20	3107	-.476	.093	-.055	-.826	20	3303	-.277	.039	-.153	-.472
20	2301	-.479	.137	-.157	-1.028	20	3108	-.015	.168	.630	-.464	20	3304	-.288	.046	-.137	-.519
20	2302	-.420	.085	-.191	-.748	20	3109	.053	.118	.499	-.382	20	3305	-.298	.050	-.127	-.529
20	2303	-.436	.073	-.234	-.752	20	3110	.097	.135	.570	-.451	20	3306	-.301	.054	-.106	-.512
20	2304	-.256	.037	-.140	-.359	20	3111	-.067	.176	.461	-.915	20	3307	-.317	.057	-.122	-.654
20	2305	.122	.049	.332	-.001	20	3112	.096	.152	.664	-.344	20	3308	-.315	.063	-.078	-.608
20	2306	.112	.056	.349	-.080	20	3113	.043	.132	.496	-.430	20	3309	-.270	.043	-.118	-.444
20	2307	.086	.045	.272	-.068	20	3114	-.252	.248	.432	-1.249	20	3310	-.270	.042	-.120	-.428
20	2308	-.247	.029	-.150	-.347	20	3115	.175	.150	.738	-.406	20	3311	-.275	.041	-.139	-.444
20	2309	.216	.078	.546	-.001	20	3116	.253	.185	.933	-.523	20	3312	-.296	.047	-.132	-.475
20	2310	.117	.058	.339	-.116	20	3117	.087	.144	.582	-.354	20	3313	-.313	.053	-.115	-.503
20	2311	.089	.045	.253	-.045	20	3118	-.102	.123	.611	-.268	20	3314	-.321	.056	-.151	-.559
20	2401	-.449	.057	-.256	-.688	20	3119	-.472	.157	.214	-1.035	20	3315	-.273	.040	-.137	-.425
20	2402	-.508	.080	-.325	-.959	20	3120	-.138	.104	.320	-.663	20	3316	-.281	.044	-.097	-.460
20	2403	-.492	.065	-.268	-.781	20	3121	-.055	.114	.513	-.540	20	3317	-.271	.041	-.118	-.446
20	2404	-.442	.053	-.299	-.649	20	3122	-.321	.067	-.060	-.576	20	3318	-.289	.042	-.115	-.456
20	2405	-.469	.057	-.270	-.702	20	3123	-.063	.100	.329	-.337	20	3319	-.311	.049	-.160	-.571
20	2406	-.433	.058	-.257	-.711	20	3124	-.315	.072	.031	-.595	20	3320	-.286	.045	-.073	-.510
20	2901	-.286	.059	-.145	-.576	20	3125	-.226	.131	.472	-.686	20	3321	-.282	.043	-.125	-.442
20	2902	-.359	.056	-.172	-.568	20	3126	-.190	.122	.489	-.729	20	3322	-.290	.045	-.122	-.453
20	2903	.057	.132	.706	-.313	20	3127	-.037	.110	.410	-.382	20	3323	-.297	.046	-.151	-.482
20	2904	-.461	.114	-.160	-1.081	20	3128	.096	.208	.778	-.559	20	3324	-.321	.054	-.137	-.538
20	2905	-.296	.083	.061	-.593	20	3129	.149	.129	.742	-.399	20	3325	-.277	.044	-.106	-.425
20	2906	-.073	.053	.132	-.296	20	3130	.173	.124	.575	-.253	20	3326	-.294	.043	-.130	-.460
20	2907	-.432	.070	-.230	-.984	20	3131	.065	.106	.468	-.314	20	3327	-.292	.043	-.141	-.505
20	2908	-.430	.117	-.094	-1.108	20	3132	-.039	.092	.458	-.282	20	3328	-.285	.045	-.127	-.430
20	2909	-.233	.053	.039	-.461	20	3133	-.009	.133	.508	-.526	20	3329	-.335	.056	-.167	-.566
20	2910	-.075	.179	.526	-.875	20	3134	-.102	.082	.334	-.306	20	3330	-.274	.040	-.144	-.432
20	2911	-.336	.064	-.114	-.656	20	3135	.191	.106	.708	-.132	20	3331	-.277	.043	-.099	-.453
20	2912	-.136	.049	.037	-.323	20	3136	.124	.081	.650	-.323	20	3332	-.284	.045	-.128	-.450
20	2913	-.365	.074	-.145	-1.018	20	3201	-.331	.070	-.127	-.705	20	3333	-.285	.043	-.120	-.458
20	2914	-.420	.071	-.209	-.782	20	3202	-.360	.080	-.095	-.688	20	3334	-.281	.044	-.130	-.432
20	2915	-.437	.081	-.204	-.792	20	3203	-.604	.161	-.113	-1.221	20	3335	-.292	.048	-.099	-.465
20	2916	-.063	.086	-.244	-.503	20	3204	-.598	.139	-.062	-1.216	20	3336	-.303	.049	-.117	-.497
20	2917	-.632	.146	-.233	-1.390	20	3205	-.528	.110	-.198	-1.060	20	3337	-.319	.050	-.127	-.505
20	2918	-.333	.135	.074	-.948	20	3206	-.530	.061	-.106	-.989	20	3338	-.144	.056	-.115	-.346
20	2919	-.022	.075	.253	-.306	20	3207	-.315	.113	-.134	-.595	20	3339	-.299	.042	-.134	-.480
20	2920	-.016	.078	.224	-.330	20	3208	-.568	.163	-.144	-1.464	20	3340	-.295	.043	-.112	-.442
20	2921	.060	.069	.416	-.264	20	3209	-.295	.047	-.122	-.535	20	3341	-.293	.042	-.152	-.490

WD	TAP	CPMEAN	CPRMS	CPMAX	CPMIN	WD	TAP	CPMEAN	CPRMS	CPMAX	CPMIN	WD	TAP	CPMEAN	CPRMS	CPMAX	CPMIN
20	3342	-.303	.047	-.160	-.482	20	3926	-.290	.046	-.153	-.492	30	1135	.008	.064	.263	-.168
20	3343	-.305	.048	-.139	-.485	20	3927	-.345	.071	-.138	-.771	30	1136	-.096	.054	.261	-.301
20	3344	-.304	.048	-.132	-.460	20	3928	-.332	.064	-.053	-.577	30	1137	.286	.152	.791	-.347
20	3345	-.309	.050	-.134	-.515	20	3929	-.357	.069	-.098	-.706	30	1138	.326	.148	.867	-.509
20	3346	-.303	.051	-.119	-.525	20	3930	-.286	.041	-.141	-.501	30	1139	.251	.111	.761	-.154
20	3347	-.312	.049	-.142	-.520	20	3931	-.296	.044	-.103	-.484	30	1140	.183	.088	.533	-.260
20	3348	-.005	.055	.216	-.248	20	3932	-.291	.044	-.127	-.501	30	1141	-.027	.060	.268	-.241
20	3349	-.494	.205	.035	-1.264	20	3933	-.341	.088	-.037	-.696	30	1142	-.123	.052	.146	-.352
20	33401	-.317	.115	.070	-.805	20	3934	-.330	.077	-.083	-.816	30	1143	.242	.121	.754	-.092
20	33402	-.286	.139	.123	-.719	20	3935	-.320	.067	-.128	-.698	30	1144	.271	.109	.673	-.032
20	33403	-.572	.119	-.070	-1.085	20	3936	-.375	.065	-.170	-.654	30	1145	.222	.080	.629	-.033
20	33404	-.264	.065	.071	-.545	20	3937	-.321	.054	-.170	-.611	30	1146	.180	.075	.519	-.048
20	33405	-.239	.040	-.113	-.361	20	3938	-.290	.044	-.144	-.462	30	1147	.040	.062	.302	-.131
20	33406	-.238	.043	-.094	-.409	20	3939	-.352	.060	-.195	-.611	30	1148	-.091	.057	.139	-.297
20	33407	-.289	.045	-.139	-.480	20	3940	-.306	.047	-.165	-.518	30	1149	.195	.140	.703	-.317
20	33408	-.207	.039	-.060	-.345	20	3941	-.283	.041	-.149	-.520	30	1150	.123	.073	.507	-.099
20	33409	-.303	.048	-.152	-.525	30	1101	-.111	.368	.981	-.993	30	1151	-.167	.075	.093	-.453
20	33410	-.481	.078	-.249	-.705	30	1102	-.434	.158	.201	-.947	30	1152	.216	.100	.604	-.094
20	33411	-.209	.063	.007	-.518	30	1103	-.283	.255	.827	-.905	30	1153	.160	.070	.506	-.041
20	33412	-.209	.053	.014	-.430	30	1104	-.460	.101	-.112	-.888	30	1154	.181	.094	.526	-.061
20	33413	-.289	.039	-.170	-.447	30	1105	-.422	.117	.091	-1.023	30	1155	.179	.062	.399	-.019
20	33414	-.061	.147	-.473	-.636	30	1106	.000	.087	.275	-.300	30	1156	.197	.066	.458	.023
20	33415	-.348	.108	-.003	-.946	30	1107	-.269	.128	.817	-.169	30	1157	.211	.078	.510	-.003
20	33416	-.136	.057	.221	-.329	30	1108	-.100	.066	.166	-.353	30	1158	-.106	.066	.203	-.309
20	33417	-.121	.074	.332	-.334	30	1109	-.174	.058	.049	-.436	30	1159	.151	.077	.522	-.052
20	33401	-.046	.072	.173	-.397	30	1110	.446	.176	1.151	-.176	30	1160	.246	.089	.624	.046
20	33402	-.734	.303	.001	-1.929	30	1111	.400	.170	1.091	-.121	30	1161	.209	.076	.476	.016
20	33403	-.438	.127	.026	-.950	30	1112	.001	.087	.311	-.282	30	1162	.215	.080	.574	.021
20	33404	-.547	.201	-.115	-1.436	30	1113	-.183	.060	.100	-.432	30	1201	-.290	.119	.155	-.679
20	33405	-.575	.155	.017	-1.329	30	1114	.202	.194	.914	-.517	30	1202	-.257	.129	.273	-.739
20	33406	-.545	.119	.040	-1.138	30	1115	.259	.170	.958	-.261	30	1203	-.251	.133	.364	-.645
20	33407	-.571	.111	-.210	-1.005	30	1116	.100	.096	.392	-.208	30	1204	-.238	.107	.317	-.684
20	33408	-.564	.112	-.229	-.954	30	1117	-.120	.094	.201	-.445	30	1205	-.260	.182	.271	-.945
20	33409	-.587	.125	-.243	-1.186	30	1118	-.228	.073	.088	-.461	30	1206	-.249	.236	.465	-.876
20	33410	-.768	.226	-.050	-1.787	30	1119	.419	.160	1.073	-.001	30	1207	-.313	.105	.264	-.679
20	33411	-.509	.153	-.088	-1.093	30	1120	.423	.143	.916	-.004	30	1208	-.321	.215	.468	-1.179
20	33412	-.504	.099	-.172	-.923	30	1121	.331	.112	.702	-.050	30	1209	-.228	.088	.197	-.619
20	33413	-.476	.085	-.127	-.842	30	1122	.231	.104	.631	-.059	30	1210	-.225	.095	.232	-.739
20	33414	-.484	.093	-.129	-.926	30	1123	.012	.072	.307	-.238	30	1211	-.207	.103	.190	-.837
20	33415	-.459	.118	-.146	-1.002	30	1124	-.083	.062	.192	-.257	30	1212	-.238	.094	.278	-.869
20	33416	-.370	.083	-.153	-.716	30	1125	.414	.156	1.008	-.098	30	1213	-.298	.078	.139	-.608
20	33417	-.383	.102	-.069	-.847	30	1126	.437	.152	.846	-.050	30	1214	-.571	.199	.361	-1.172
20	33418	-.317	.080	-.081	-.790	30	1127	.352	.119	.823	-.012	30	1215	-.596	.152	.426	-1.105
20	33419	-.277	.047	-.060	-.575	30	1128	.261	.099	.569	-.018	30	1216	-.245	.081	.084	-.707
20	33420	-.316	.063	-.119	-.690	30	1129	.009	.065	.281	-.221	30	1217	-.203	.102	.216	-.538
20	33421	-.331	.068	-.029	-.704	30	1130	-.083	.055	.201	-.311	30	1218	-.240	.093	.248	-.541
20	33422	-.356	.068	-.086	-.756	30	1131	.369	.156	.926	-.087	30	1219	-.462	.248	.352	-1.285
20	33423	-.399	.091	-.110	-.847	30	1132	.369	.142	.876	-.013	30	1220	-.607	.167	.285	-1.358
20	33424	-.279	.041	-.122	-.418	30	1133	.336	.103	.830	.067	30	1221	-.255	.081	.105	-.635
20	33425	-.308	.060	-.081	-.618	30	1134	.250	.092	.659	.028	30	1222	-.233	.087	.153	-.684

WD	TAP	CPMEAN	CPRMS	CPMAX	CPMIN	WD	TAP	CPMEAN	CPRMS	CPMAX	CPMIN	WD	TAP	CPMEAN	CPRMS	CPMAX	CPMIN
30	1223	-.210	.105	.211	-.719	30	1273	-.259	.069	-.005	-.702	30	1333	-.296	.059	-.140	-.576
30	1224	-.271	.099	.199	-.545	30	1274	-.272	.053	-.069	-.503	30	1334	-.289	.058	-.129	-.513
30	1225	-.308	.081	.086	-.638	30	1275	-.251	.049	-.104	-.468	30	1335	-.280	.059	-.100	-.564
30	1226	-.420	.222	.414	-1.096	30	1276	-.051	.079	.256	-.319	30	1336	-.289	.065	-.100	-.637
30	1227	-.563	.211	.410	-1.177	30	1277	-.019	.113	.397	-.459	30	1337	-.307	.052	-.079	-.541
30	1228	-.234	.070	.014	-.767	30	1278	-.272	.071	-.097	-.621	30	1338	-.291	.044	-.145	-.492
30	1229	-.227	.086	.132	-.635	30	1279	-.275	.046	-.115	-.456	30	1339	-.301	.052	-.164	-.515
30	1230	-.148	.104	.431	-.527	30	1280	-.287	.051	-.129	-.523	30	1340	-.289	.047	-.159	-.543
30	1231	-.190	.094	.234	-.554	30	1281	-.315	.069	-.150	-.584	30	1341	-.311	.048	-.180	-.498
30	1232	-.213	.077	.213	-.568	30	1282	-.100	.060	.130	-.261	30	1342	-.301	.054	-.152	-.616
30	1233	-.340	.085	.058	-.672	30	1283	-.279	.105	.388	-.626	30	1343	-.295	.056	-.124	-.564
30	1234	-.522	.231	.264	-1.325	30	1284	-.276	.074	-.099	-.656	30	1344	-.289	.056	-.110	-.536
30	1235	-.530	.180	.264	-1.191	30	1285	-.264	.049	-.099	-.468	30	1345	-.295	.041	-.129	-.489
30	1236	-.251	.058	-.016	-.557	30	1286	-.277	.049	-.118	-.459	30	1346	-.292	.040	-.161	-.421
30	1237	-.237	.062	.095	-.513	30	1287	-.303	.058	-.145	-.556	30	1347	-.281	.040	-.147	-.440
30	1238	-.173	.080	.144	-.464	30	1288	-.078	.065	-.274	-.252	30	1348	-.282	.041	-.175	-.452
30	1239	-.199	.071	.102	-.501	30	1289	-.116	.055	.100	-.308	30	1349	-.291	.045	-.168	-.492
30	1240	-.214	.065	.084	-.474	30	1290	-.246	.107	.330	-.667	30	1350	-.291	.043	-.157	-.482
30	1241	-.297	.097	.019	-.781	30	1301	-.355	.079	-.132	-1.101	30	1351	-.291	.047	-.157	-.489
30	1242	-.480	.169	.280	-1.040	30	1302	-.389	.103	-.073	-.814	30	1352	-.279	.044	-.150	-.474
30	1243	-.495	.158	.313	-1.209	30	1303	-.343	.078	-.120	-.762	30	1353	-.311	.036	-.185	-.466
30	1244	-.257	.044	-.120	-.448	30	1304	-.394	.107	-.092	-.938	30	1354	-.297	.034	-.166	-.417
30	1245	-.249	.044	-.083	-.487	30	1305	-.316	.088	-.059	-.755	30	1355	-.280	.034	-.166	-.407
30	1246	-.187	.061	.132	-.411	30	1306	-.307	.079	-.041	-.746	30	1356	-.280	.035	-.168	-.410
30	1247	-.217	.058	-.011	-.428	30	1307	-.310	.076	-.094	-.660	30	1357	-.282	.039	-.150	-.489
30	1248	-.216	.052	-.009	-.398	30	1308	-.294	.070	-.097	-.779	30	1358	-.280	.043	-.107	-.480
30	1249	-.286	.085	-.036	-.660	30	1309	-.299	.070	-.127	-.875	30	1359	-.299	.051	-.133	-.644
30	1250	-.474	.190	.367	-1.233	30	1310	-.297	.066	-.101	-.604	30	1360	-.315	.064	-.161	-.759
30	1251	-.487	.148	.236	-1.074	30	1311	-.301	.072	-.052	-.692	30	1361	-.292	.032	-.180	-.412
30	1252	-.277	.050	-.099	-.533	30	1312	-.288	.065	-.073	-.641	30	1362	-.283	.029	-.190	-.398
30	1253	-.272	.051	-.048	-.456	30	1313	-.306	.068	-.087	-.613	30	1363	-.282	.038	-.126	-.459
30	1254	-.227	.059	-.036	-.470	30	1314	-.287	.061	-.071	-.557	30	1364	-.273	.037	-.173	-.445
30	1255	-.245	.051	-.057	-.428	30	1315	-.288	.059	-.087	-.569	30	1365	-.264	.042	-.082	-.429
30	1256	-.209	.046	-.046	-.377	30	1316	-.287	.065	-.080	-.599	30	1366	-.263	.046	-.094	-.546
30	1257	-.293	.065	-.032	-.577	30	1317	-.328	.081	-.092	-.825	30	1367	-.291	.067	-.093	-.618
30	1258	-.373	.207	.488	-1.201	30	1318	-.305	.071	-.113	-.882	30	1368	-.310	.078	-.058	-.911
30	1259	-.374	.181	.546	-1.101	30	1319	-.308	.065	-.127	-.753	30	1369	-.295	.029	-.184	-.405
30	1260	-.263	.065	-.067	-.537	30	1320	-.292	.067	-.085	-.643	30	1370	-.292	.032	-.174	-.414
30	1261	-.249	.065	-.001	-.549	30	1321	-.340	.087	-.092	-.924	30	1371	-.282	.038	-.131	-.432
30	1262	-.254	.067	-.025	-.577	30	1322	-.330	.087	-.078	-1.057	30	1372	-.295	.040	-.186	-.460
30	1263	-.270	.059	-.083	-.500	30	1323	-.305	.068	-.085	-.653	30	1373	-.284	.026	-.207	-.368
30	1264	-.240	.049	-.067	-.486	30	1324	-.311	.061	-.150	-.594	30	1374	-.260	.032	-.163	-.423
30	1265	-.277	.064	-.048	-.498	30	1325	-.303	.064	-.129	-.731	30	1375	-.247	.046	-.094	-.448
30	1266	-.179	.213	.362	-.990	30	1326	-.298	.062	-.131	-.675	30	1376	-.261	.060	-.078	-.598
30	1267	-.255	.243	.564	-1.187	30	1327	-.293	.069	-.103	-.651	30	1377	-.282	.029	-.197	-.386
30	1268	-.270	.069	-.027	-.644	30	1328	-.290	.066	-.040	-.740	30	1378	-.248	.036	-.115	-.379
30	1269	-.300	.063	-.108	-.653	30	1329	-.306	.065	-.077	-.888	30	1379	-.235	.037	-.092	-.375
30	1270	-.340	.061	-.155	-.637	30	1330	-.295	.057	-.103	-.548	30	1380	-.256	.047	-.112	-.452
30	1271	-.163	.209	.423	-.973	30	1331	-.296	.051	-.134	-.532	30	1381	-.329	.063	-.166	-.589
30	1272	-.248	.064	-.002	-.544	30	1332	-.287	.053	-.124	-.492	30	1382	-.285	.032	-.156	-.391



WD	TAP	CPMEAN	CPRMS	CPMAX	CPMIN	WD	TAP	CPMEAN	CPRMS	CPMAX	CPMIN	WD	TAP	CPMEAN	CPRMS	CPMAX	CPMIN
30	1383	-.288	.036	-.133	-.437	30	1448	-.298	.056	-.117	-.514	30	1498	-.309	.035	-.199	-.454
30	1384	-.233	.034	-.052	-.356	30	1449	-.309	.068	-.105	-.623	30	1499	-.294	.036	-.178	-.470
30	1385	-.236	.039	-.096	-.370	30	1450	-.322	.075	-.112	-.703	30	1500	-.296	.036	-.185	-.447
30	1401	-.470	.152	-.003	-1.314	30	1451	-.282	.052	-.114	-.541	30	1501	-.579	.134	-.041	-1.178
30	1402	-.428	.126	-.048	-1.126	30	1452	-.283	.053	-.109	-.505	30	1502	-.312	.160	-.298	-.891
30	1403	-.447	.121	-.059	-.878	30	1453	-.337	.057	-.187	-.608	30	1503	-.366	.064	-.174	-.592
30	1404	-.399	.087	-.145	-.812	30	1454	-.342	.054	-.203	-.608	30	1504	-.334	.059	-.073	-.692
30	1405	-.326	.089	-.066	-.906	30	1455	-.362	.060	-.208	-.698	30	1505	-.311	.053	-.108	-.613
30	1406	-.329	.070	-.098	-.749	30	1456	-.399	.064	-.211	-.647	30	1506	-.318	.051	-.148	-.468
30	1407	-.441	.122	-.006	-1.129	30	1457	-.411	.058	-.249	-.736	30	1507	-.306	.036	-.190	-.468
30	1408	-.332	.078	-.113	-.758	30	1458	-.399	.079	-.134	-.787	30	1508	-.303	.032	-.190	-.424
30	1409	-.362	.057	-.157	-.669	30	1459	-.421	.078	-.213	-.850	30	1509	-.299	.037	-.206	-.484
30	1410	-.373	.060	-.200	-.660	30	1460	-.305	.042	-.158	-.459	30	1510	-.278	.027	-.192	-.368
30	1411	-.400	.081	-.109	-.831	30	1461	-.319	.051	-.155	-.592	30	1511	-.314	.037	-.220	-.470
30	1412	-.447	.118	-.041	-1.086	30	1462	-.316	.053	-.134	-.565	30	1512	-.297	.039	-.190	-.447
30	1413	-.407	.141	-.031	-1.545	30	1463	-.289	.048	-.150	-.565	30	1513	-.276	.027	-.192	-.407
30	1414	-.405	.137	-.000	-1.402	30	1464	-.291	.049	-.158	-.650	30	1514	-.308	.034	-.211	-.431
30	1415	-.315	.067	-.113	-.569	30	1465	-.349	.056	-.179	-.604	30	1515	-.298	.034	-.195	-.454
30	1416	-.329	.096	-.035	-.981	30	1466	-.397	.066	-.218	-.604	30	1516	-.301	.032	-.199	-.431
30	1417	-.325	.098	-.043	-.910	30	1467	-.413	.071	-.247	-.683	30	1801	-.205	.082	-.522	-.016
30	1418	-.281	.061	-.068	-.687	30	1468	-.434	.082	-.232	-.881	30	1802	-.239	.043	-.068	-.453
30	1419	-.383	.069	-.006	-.664	30	1469	-.390	.054	-.228	-.751	30	1803	-.245	.047	-.118	-.423
30	1420	-.297	.069	-.093	-.787	30	1470	-.373	.063	-.208	-.623	30	1804	-.019	.088	-.372	-.397
30	1421	-.359	.055	-.211	-.555	30	1471	-.395	.075	-.191	-.700	30	1805	-.260	.049	-.098	-.523
30	1422	-.360	.059	-.164	-.605	30	1472	-.298	.039	-.162	-.473	30	1806	-.275	.053	-.109	-.495
30	1423	-.429	.106	-.070	-1.090	30	1473	-.313	.040	-.182	-.486	30	1807	-.117	.051	-.116	-.270
30	1424	-.377	.112	-.076	-.985	30	1474	-.318	.043	-.191	-.500	30	1808	-.003	.092	.313	-.330
30	1425	-.392	.131	-.023	-1.464	30	1475	-.279	.035	-.150	-.416	30	1901	-.326	.114	.092	-.851
30	1426	-.307	.067	-.091	-.594	30	1476	-.288	.039	-.165	-.435	30	1902	-.390	.123	.104	-1.012
30	1427	-.311	.079	-.025	-.728	30	1477	-.425	.078	-.211	-.823	30	1903	-.435	.127	-.277	-1.051
30	1428	-.328	.089	-.091	-.815	30	1478	-.394	.070	-.167	-.751	30	1904	-.479	.110	-.207	-1.096
30	1429	-.285	.060	-.059	-.614	30	1479	-.418	.071	-.203	-.784	30	1905	-.466	.092	-.203	-.976
30	1430	-.284	.057	-.120	-.541	30	1480	-.436	.082	-.232	-.859	30	1906	-.331	.133	-.145	-.982
30	1431	-.341	.054	-.168	-.573	30	1481	-.356	.054	-.148	-.640	30	1907	-.500	.113	-.151	-1.077
30	1432	-.354	.054	-.186	-.544	30	1482	-.315	.048	-.177	-.616	30	1908	-.291	.105	-.274	-.678
30	1433	-.384	.066	-.184	-.753	30	1483	-.325	.054	-.148	-.693	30	1909	-.344	.081	-.004	-.713
30	1434	-.432	.110	-.116	-1.188	30	1484	-.296	.031	-.187	-.418	30	1910	-.319	.070	-.081	-.824
30	1435	-.544	.129	-.225	-1.168	30	1485	-.306	.034	-.189	-.420	30	1911	-.361	.093	-.009	-.833
30	1436	-.391	.110	-.095	-1.026	30	1486	-.305	.031	-.203	-.432	30	1912	-.406	.104	-.029	-.835
30	1437	-.322	.083	-.107	-.735	30	1487	-.287	.033	-.196	-.420	30	1913	-.460	.133	.079	-1.108
30	1438	-.331	.088	-.116	-.790	30	1488	-.290	.035	-.170	-.428	30	1914	-.275	.098	-.194	-.642
30	1439	-.287	.059	-.029	-.569	30	1489	-.561	.159	-.202	-1.373	30	1915	-.404	.125	-.120	-.743
30	1440	-.294	.061	-.111	-.658	30	1490	-.454	.110	-.160	-1.103	30	1916	-.529	.119	-.172	-1.111
30	1441	-.327	.050	-.170	-.551	30	1491	-.411	.078	-.203	-.740	30	1917	-.498	.120	-.241	-1.288
30	1442	-.329	.047	-.175	-.519	30	1492	-.407	.066	-.220	-.801	30	1918	-.215	.105	-.334	-.665
30	1443	-.364	.054	-.218	-.596	30	1493	-.313	.044	-.109	-.457	30	1919	-.259	.094	-.127	-.869
30	1444	-.384	.068	-.198	-.787	30	1494	-.319	.046	-.192	-.545	30	1920	-.185	.120	-.546	-.669
30	1445	-.390	.087	-.148	-.951	30	1495	-.317	.051	-.190	-.620	30	1921	-.365	.099	-.035	-.851
30	1446	-.403	.111	-.082	-.960	30	1496	-.287	.029	-.190	-.391	30	1922	-.370	.112	-.060	-.922
30	1447	-.409	.118	-.088	-1.147	30	1497	-.309	.033	-.218	-.417	30	1923	-.438	.125	-.050	-1.164

WD	TAP	CPMEAN	CPRMS	CPMAX	CPMIN	WD	TAP	CPMEAN	CPRMS	CPMAX	CPMIN	WD	TAP	CPMEAN	CPRMS	CPMAX	CPMIN
30	1924	-.472	.143	-.038	-1.499	30	2406	-.426	.075	-.181	-.764	30	3124	-.256	.082	.174	-.581
30	1925	-.286	.096	-.165	-.766	30	2901	-.316	.048	-.185	-.541	30	3125	-.207	.121	.347	-.635
30	1926	-.559	.153	-.211	-1.369	30	2902	-.341	.047	-.207	-.548	30	3126	-.242	.163	.533	-.994
30	1927	-.177	.124	-.313	-.701	30	2903	-.019	.137	-.484	-.365	30	3127	-.093	.124	.347	-.626
30	1928	-.509	.141	-.193	-1.387	30	2904	-.422	.096	-.164	-.867	30	3128	.047	.190	.770	-1.127
30	1929	-.234	.125	.354	-.884	30	2905	-.287	.072	-.052	-.589	30	3129	.183	.159	.777	-.531
30	1930	-.277	.090	.217	-.706	30	2906	-.076	.058	-.165	-.329	30	3130	.183	.136	.768	-.234
30	1931	-.280	.091	.181	-.699	30	2907	-.493	.148	-.232	-1.543	30	3131	.078	.109	.647	-.294
30	1932	-.435	.101	.114	-.805	30	2908	-.398	.090	-.188	-1.232	30	3132	.026	.086	.416	-.299
30	1933	-.555	.193	-.196	-1.853	30	2909	-.221	.063	-.007	-.494	30	3133	-.040	.121	.423	-.398
30	1934	-.275	.058	-.061	-.544	30	2910	-.013	.173	-.581	-.755	30	3134	-.090	.089	.295	-.343
30	1935	-.448	.093	-.172	-.824	30	2911	-.352	.055	-.173	-.687	30	3135	.248	.127	.767	-.348
30	2101	.007	.081	.313	-.387	30	2912	-.140	.056	-.087	-.373	30	3136	.139	.103	.577	-.328
30	2102	.055	.074	.394	-.261	30	2913	-.355	.057	-.178	-.626	30	3201	-.300	.111	.158	-.742
30	2103	.227	.117	.800	-.110	30	2914	-.402	.070	-.227	-.694	30	3202	-.236	.170	.514	-.676
30	2104	.037	.106	.421	-.395	30	2915	-.402	.069	-.224	-.709	30	3203	-.385	.158	.399	-1.016
30	2105	.104	.068	.440	-.161	30	2916	-.061	.089	-.262	-.582	30	3204	-.466	.148	.212	-1.131
30	2106	.076	.081	.394	-.327	30	2917	-.584	.124	-.271	-1.236	30	3205	-.559	.138	.089	-1.134
30	2107	.125	.075	.481	-.052	30	2918	-.393	.168	-.038	-1.066	30	3206	-.561	.140	-.196	-1.161
30	2201	-.406	.071	-.227	-.711	30	2919	-.038	.081	.272	-.448	30	3207	-.300	.079	.143	-.647
30	2202	-.272	.098	-.052	-.781	30	2920	-.062	.081	.184	-.592	30	3208	-.361	.115	.077	-.939
30	2203	.146	.124	.661	-.295	30	2921	.007	.071	.333	-.261	30	3209	-.287	.049	-.120	-.472
30	2204	.045	.093	.430	-.202	30	2922	.076	.070	.362	-.229	30	3210	-.310	.059	-.080	-.564
30	2205	.053	.075	.430	-.254	30	2923	-.054	.045	.287	-.205	30	3211	-.303	.084	-.091	-.659
30	2206	-.281	.100	.085	-.670	30	2924	-.035	.068	.170	-.400	30	3212	-.355	.104	-.091	-.825
30	2207	.144	.087	.496	-.190	30	2925	-.001	.077	.255	-.452	30	3213	-.448	.143	-.014	-1.035
30	2208	.081	.051	.321	-.054	30	2926	-.072	.092	.248	-.553	30	3214	-.310	.059	-.085	-.609
30	2209	.102	.058	.377	-.081	30	3101	-.315	.186	.398	-.868	30	3215	-.295	.068	-.085	-.477
30	2210	.123	.107	.647	-.256	30	3102	-.077	.148	.403	-.740	30	3216	-.289	.088	-.041	-.654
30	2211	.247	.092	.593	-.038	30	3103	-.015	.178	.593	-.680	30	3217	-.394	.125	-.027	-.933
30	2212	.195	.076	.637	-.010	30	3104	-.019	.196	.775	-.863	30	3218	-.362	.141	-.043	-.873
30	2213	.196	.073	.549	-.019	30	3105	-.532	.143	-.094	-1.324	30	3301	-.259	.041	-.118	-.430
30	2214	.108	.048	.317	-.021	30	3106	-.505	.130	-.089	-1.110	30	3302	-.289	.048	-.109	-.470
30	2215	.125	.077	.528	-.121	30	3107	-.460	.109	-.142	-.980	30	3303	-.302	.050	-.146	-.519
30	2301	-.425	.099	-.177	-.915	30	3108	.005	.175	.682	-.486	30	3304	-.295	.057	-.129	-.691
30	2302	-.377	.068	-.189	-.675	30	3109	.060	.118	.561	-.396	30	3305	-.294	.057	-.141	-.598
30	2303	-.410	.062	-.229	-.692	30	3110	.121	.146	.598	-.414	30	3306	-.303	.060	-.118	-.584
30	2304	-.290	.039	-.169	-.392	30	3111	-.009	.168	.604	-.740	30	3307	-.301	.064	-.115	-.735
30	2305	.108	.052	.353	-.035	30	3112	.142	.149	.744	-.377	30	3308	-.330	.070	-.111	-.654
30	2306	.078	.055	.313	-.095	30	3113	.068	.151	.746	-.424	30	3309	-.287	.049	-.129	-.467
30	2307	.067	.047	.229	-.136	30	3114	-.156	.251	.718	-1.124	30	3310	-.287	.048	-.146	-.491
30	2308	-.271	.028	-.155	-.378	30	3115	.088	.159	.616	-.597	30	3311	-.287	.045	-.143	-.498
30	2309	.213	.074	.497	-.034	30	3116	.261	.186	.898	-.707	30	3312	-.286	.049	-.090	-.493
30	2310	.090	.057	.363	-.093	30	3117	.123	.171	.730	-.284	30	3313	-.294	.052	-.109	-.582
30	2311	.071	.047	.293	-.117	30	3118	.098	.126	.594	-.331	30	3314	-.304	.054	-.120	-.495
30	2401	-.428	.079	-.217	-.882	30	3119	-.370	.118	.038	-.893	30	3315	-.284	.050	-.134	-.514
30	2402	-.467	.101	-.224	-1.129	30	3120	-.172	.138	.223	-.759	30	3316	-.287	.051	-.123	-.521
30	2403	-.458	.092	-.224	-.826	30	3121	-.069	.108	.604	-.521	30	3317	-.283	.048	-.120	-.479
30	2404	-.408	.068	-.189	-.738	30	3122	-.294	.088	.013	-.771	30	3318	-.294	.050	-.129	-.479
30	2405	-.427	.074	-.198	-.850	30	3123	-.051	.093	.345	-.289	30	3319	-.312	.058	-.143	-.568

WD	TAP	CPMEAN	CPRMS	CPMAX	CPMIN	WD	TAP	CPMEAN	CPRMS	CPMAX	CPMIN	WD	TAP	CPMEAN	CPRMS	CPMAX	CPMIN
30	3320	-.293	.048	-.150	-.493	30	3904	-.530	.197	-.161	-1.588	40	1113	-.207	.054	.012	-.399
30	3321	-.299	.054	-.109	-.505	30	3905	-.614	.188	-.079	-1.820	40	1114	.242	.211	1.035	-.415
30	3322	-.287	.047	-.132	-.449	30	3906	-.598	.152	-.152	-1.309	40	1115	.288	.181	1.065	-.306
30	3323	-.307	.050	-.150	-.491	30	3907	-.583	.142	-.180	-1.176	40	1116	-.065	.091	.421	-.225
30	3324	-.303	.052	-.116	-.493	30	3908	-.548	.140	-.142	-1.152	40	1117	-.153	.086	.123	-.468
30	3325	-.292	.048	-.134	-.493	30	3909	-.560	.139	-.192	-1.174	40	1118	-.248	.062	-.015	-.424
30	3326	-.296	.049	-.155	-.502	30	3910	-.598	.210	.004	-1.574	40	1119	.464	.166	1.139	-.033
30	3327	-.287	.049	-.141	-.498	30	3911	-.473	.161	-.076	-1.204	40	1120	.448	.149	.982	-.029
30	3328	-.289	.051	-.143	-.526	30	3912	-.526	.127	-.097	-1.005	40	1121	.304	.108	.689	-.003
30	3329	-.360	.067	-.161	-.690	30	3913	-.479	.104	-.100	-1.041	40	1122	-.208	.093	.511	-.029
30	3330	-.285	.048	-.146	-.456	30	3914	-.518	.125	-.076	-.979	40	1123	-.021	.064	.220	-.235
30	3331	-.291	.047	-.123	-.459	30	3915	-.589	.147	-.097	-1.349	40	1124	-.118	.052	.107	-.272
30	3332	-.297	.049	-.152	-.504	30	3916	-.343	.077	-.078	-.749	40	1125	.435	.176	1.107	-.126
30	3333	-.286	.049	-.113	-.507	30	3917	-.345	.109	-.088	-.773	40	1126	.483	.155	1.130	-.031
30	3334	-.299	.051	-.162	-.498	30	3918	-.306	.082	-.095	-.882	40	1127	.361	.107	.715	-.046
30	3335	-.291	.047	-.157	-.458	30	3919	-.292	.052	-.097	-.517	40	1128	-.233	.095	.592	-.081
30	3336	-.299	.049	-.110	-.486	30	3920	-.317	.072	-.071	-.688	40	1129	-.017	.059	.245	-.234
30	3337	-.298	.051	-.133	-.567	30	3921	-.342	.092	-.062	-.818	40	1130	-.118	.047	.074	-.291
30	3338	-.137	.053	-.093	-.336	30	3922	-.236	.132	-.654	-.692	40	1131	-.388	.157	.983	-.076
30	3339	-.301	.053	-.143	-.509	30	3923	-.348	.077	-.028	-.979	40	1132	.456	.142	1.006	.060
30	3340	-.309	.052	-.135	-.534	30	3924	-.299	.053	-.109	-.479	40	1133	.362	.105	.696	.074
30	3341	-.312	.052	-.155	-.519	30	3925	-.310	.071	-.078	-.766	40	1134	.224	.082	.507	-.025
30	3342	-.297	.050	-.105	-.511	30	3926	-.314	.053	-.133	-.522	40	1135	-.011	.056	.204	-.171
30	3343	-.290	.047	-.148	-.476	30	3927	-.368	.107	-.019	-.992	40	1136	-.116	.047	.079	-.257
30	3344	-.295	.044	-.158	-.466	30	3928	-.281	.109	-.296	-.607	40	1137	.334	.141	.861	-.141
30	3345	-.306	.049	-.145	-.479	30	3929	-.327	.069	-.078	-.711	40	1138	.365	.136	.902	-.264
30	3346	-.308	.051	-.135	-.827	30	3930	-.286	.049	-.152	-.507	40	1139	.275	.100	.671	-.106
30	3347	-.306	.049	-.153	-.496	30	3931	-.304	.053	-.131	-.514	40	1140	.177	.073	.502	-.097
30	3348	-.016	.060	.221	-.361	30	3932	-.294	.051	-.152	-.469	40	1141	-.040	.053	.245	-.210
30	3349	-.638	.226	.013	-1.572	30	3933	-.329	.086	-.023	-.924	40	1142	-.134	.049	.169	-.328
30	3401	-.320	.127	.088	-.857	30	3934	-.319	.085	-.041	-.887	40	1143	.276	.136	.891	-.141
30	3402	-.340	.137	-.053	-.707	30	3935	-.341	.085	-.060	-.787	40	1144	.295	.123	.835	-.058
30	3403	-.353	.122	-.131	-1.081	30	3936	-.406	.075	-.213	-.747	40	1145	.254	.089	.613	-.050
30	3404	-.243	.057	-.030	-.451	30	3937	-.333	.060	-.165	-.547	40	1146	.192	.073	.497	-.014
30	3405	-.247	.041	-.104	-.415	30	3938	-.304	.048	-.150	-.524	40	1147	.029	.057	.285	-.143
30	3406	-.230	.043	-.060	-.376	30	3939	-.353	.067	-.175	-.642	40	1148	-.103	.051	.093	-.266
30	3407	-.287	.049	-.123	-.514	30	3940	-.308	.056	-.138	-.534	40	1149	.234	.135	.747	-.273
30	3408	-.204	.044	-.019	-.342	30	3941	-.291	.048	-.165	-.479	40	1150	.142	.073	.435	-.132
30	3409	-.323	.059	-.145	-.589	40	1101	-.032	.386	1.109	-.955	40	1151	-.194	.074	.035	-.516
30	3410	-.457	.074	-.246	-.698	40	1102	-.370	.164	.276	-.940	40	1152	.255	.099	.701	-.067
30	3411	-.187	.057	.008	-.486	40	1103	-.057	.374	1.063	-.960	40	1153	.189	.075	.522	-.011
30	3412	-.204	.053	-.009	-.428	40	1104	-.395	.099	-.041	-.935	40	1154	.194	.099	.533	-.061
30	3413	-.305	.050	-.143	-.494	40	1105	-.391	.113	.029	-1.004	40	1155	.220	.072	.412	.049
30	3414	-.065	.135	.521	-.534	40	1106	-.016	.073	.232	-.262	40	1156	.211	.067	.464	.049
30	3415	-.320	.103	.058	-.845	40	1107	-.299	.137	.867	-.098	40	1157	.222	.084	.576	.017
30	3416	-.125	.057	.115	-.328	40	1108	-.126	.058	.112	-.336	40	1158	-.117	.060	.140	-.299
30	3417	-.106	.078	.188	-.318	40	1109	-.196	.054	.040	-.433	40	1159	.182	.083	.588	-.061
30	3901	-.064	.076	.188	-.386	40	1110	-.492	.172	1.112	-.128	40	1160	.260	.097	.819	.005
30	3902	-.836	.290	-.042	-2.096	40	1111	-.459	.169	1.072	-.195	40	1161	.230	.082	.560	.049
30	3903	-.411	.125	-.045	-1.000	40	1112	-.036	.079	.271	-.251	40	1162	.241	.088	.604	.014

WD	TAP	CPMEAN	CFRMS	CPMAX	CPMIN	WD	TAP	CPMEAN	CFRMS	CPMAX	CPMIN	WD	TAP	CPMEAN	CFRMS	CPMAX	CPMIN
40	1201	-.274	.110	.278	-.755	40	1251	-.467	.138	-.188	-1.213	40	1311	-.295	.069	-.137	-.917
40	1202	-.238	.114	.294	-.764	40	1252	-.292	.056	-.103	-.589	40	1312	-.303	.073	-.098	-.755
40	1203	-.214	.117	.358	-.625	40	1253	-.279	.057	-.028	-.478	40	1313	-.310	.057	-.130	-.655
40	1204	-.211	.125	.339	-.774	40	1254	-.235	.068	-.083	-.528	40	1314	-.299	.050	-.135	-.611
40	1205	-.161	.171	.445	-.981	40	1255	-.262	.066	-.039	-.516	40	1315	-.296	.056	-.123	-.615
40	1206	-.170	.238	.436	-1.047	40	1256	-.223	.053	-.031	-.438	40	1316	-.304	.065	-.056	-.680
40	1207	-.271	.096	.207	-.578	40	1257	-.303	.067	-.075	-.582	40	1317	-.331	.068	-.151	-.652
40	1208	-.243	.231	.523	-1.122	40	1258	-.266	.184	-.295	-.830	40	1318	-.319	.055	-.154	-.669
40	1209	-.253	.088	.287	-.691	40	1259	-.305	.154	-.199	-.981	40	1319	-.312	.059	-.135	-.722
40	1210	-.247	.095	.280	-.635	40	1260	-.273	.070	-.039	-.601	40	1320	-.300	.064	-.119	-.618
40	1211	-.228	.102	.149	-.738	40	1261	-.265	.072	-.004	-.646	40	1321	-.331	.077	-.119	-.894
40	1212	-.247	.107	.259	-1.009	40	1262	-.270	.084	-.048	-.716	40	1322	-.319	.063	-.133	-.646
40	1213	-.298	.106	.254	-.661	40	1263	-.285	.068	-.030	-.589	40	1323	-.317	.061	-.121	-.601
40	1214	-.468	.255	.238	-1.399	40	1264	-.242	.052	-.049	-.462	40	1324	-.310	.055	-.141	-.648
40	1215	-.578	.233	.353	-1.724	40	1265	-.292	.072	-.063	-.530	40	1325	-.304	.055	-.071	-.653
40	1216	-.264	.075	.304	-.583	40	1266	-.115	.183	-.439	-.919	40	1326	-.309	.056	-.118	-.630
40	1217	-.229	.094	.219	-.583	40	1267	-.204	.185	-.489	-1.035	40	1327	-.296	.062	-.111	-.781
40	1218	-.258	.103	.245	-.590	40	1268	-.281	.078	-.023	-.568	40	1328	-.304	.063	-.150	-.681
40	1219	-.296	.289	.393	-1.303	40	1269	-.329	.068	-.110	-.620	40	1329	-.313	.056	-.118	-.658
40	1220	-.583	.224	.424	-1.414	40	1270	-.368	.069	-.181	-.669	40	1330	-.306	.046	-.120	-.488
40	1221	-.263	.073	.276	-.571	40	1271	-.156	.180	-.562	-.889	40	1331	-.302	.047	-.173	-.685
40	1222	-.249	.082	.123	-.663	40	1272	-.258	.075	-.013	-.768	40	1332	-.287	.041	-.167	-.478
40	1223	-.229	.099	.257	-.705	40	1273	-.275	.086	-.004	-.735	40	1333	-.306	.053	-.167	-.651
40	1224	-.285	.107	.106	-.670	40	1274	-.293	.065	-.089	-.570	40	1334	-.291	.048	-.139	-.562
40	1225	-.333	.121	.073	-.854	40	1275	-.267	.055	-.070	-.473	40	1335	-.290	.057	-.125	-.648
40	1226	-.304	.217	.363	-1.247	40	1276	-.025	.086	-.364	-.348	40	1336	-.292	.056	-.120	-.620
40	1227	-.459	.256	.492	-1.825	40	1277	-.020	.116	-.421	-.457	40	1337	-.322	.045	-.181	-.492
40	1228	-.249	.073	.174	-.574	40	1278	-.310	.098	-.084	-.827	40	1338	-.315	.043	-.188	-.537
40	1229	-.232	.084	.220	-.671	40	1279	-.291	.055	-.072	-.476	40	1339	-.312	.043	-.197	-.525
40	1230	-.179	.102	.224	-.555	40	1280	-.330	.061	-.143	-.565	40	1340	-.302	.041	-.178	-.469
40	1231	-.214	.100	.193	-.607	40	1281	-.360	.073	-.167	-.721	40	1341	-.314	.047	-.187	-.582
40	1232	-.259	.110	.247	-.691	40	1282	-.098	.054	-.090	-.261	40	1342	-.317	.047	-.178	-.523
40	1233	-.423	.132	-.018	-.981	40	1283	-.303	.091	-.234	-.636	40	1343	-.301	.048	-.146	-.548
40	1234	-.422	.263	.476	-1.277	40	1284	-.300	.095	-.042	-.723	40	1344	-.300	.051	-.150	-.609
40	1235	-.477	.198	.432	-1.369	40	1285	-.291	.065	-.096	-.556	40	1345	-.323	.041	-.155	-.509
40	1236	-.259	.063	.057	-.508	40	1286	-.293	.058	-.096	-.523	40	1346	-.307	.037	-.162	-.444
40	1237	-.247	.072	.116	-.552	40	1287	-.329	.061	-.162	-.613	40	1347	-.302	.034	-.190	-.462
40	1238	-.178	.089	.210	-.576	40	1288	-.071	.044	-.215	-.261	40	1348	-.290	.033	-.171	-.406
40	1239	-.223	.079	.153	-.675	40	1289	-.104	.060	-.149	-.325	40	1349	-.303	.046	-.190	-.637
40	1240	-.250	.080	.200	-.522	40	1290	-.276	.093	-.180	-.662	40	1350	-.304	.043	-.164	-.483
40	1241	-.382	.117	-.040	-.854	40	1301	-.315	.061	-.089	-.583	40	1351	-.303	.045	-.157	-.555
40	1242	-.458	.208	.353	-1.169	40	1302	-.397	.100	-.066	-1.138	40	1352	-.293	.045	-.137	-.493
40	1243	-.483	.180	.334	-1.458	40	1303	-.284	.061	-.035	-.687	40	1353	-.299	.035	-.181	-.469
40	1244	-.274	.053	-.016	-.473	40	1304	-.397	.111	-.007	-.968	40	1354	-.296	.033	-.183	-.409
40	1245	-.265	.059	.109	-.527	40	1305	-.323	.075	-.096	-.789	40	1355	-.281	.034	-.155	-.432
40	1246	-.195	.072	.205	-.468	40	1306	-.312	.064	-.075	-.632	40	1356	-.284	.033	-.150	-.416
40	1247	-.234	.058	.034	-.516	40	1307	-.306	.058	-.096	-.646	40	1357	-.274	.041	-.143	-.451
40	1248	-.243	.058	-.036	-.483	40	1308	-.299	.055	-.102	-.525	40	1358	-.285	.047	-.060	-.495
40	1249	-.350	.104	-.016	-.740	40	1309	-.302	.063	-.133	-.594	40	1359	-.318	.062	-.125	-.613
40	1250	-.449	.191	.399	-1.082	40	1310	-.301	.059	-.119	-.778	40	1360	-.329	.072	-.113	-.935

WD	TAP	CPMEAN	CPRMS	CPMAX	CPMIN	WD	TAP	CPMEAN	CPRMS	CPMAX	CPMIN	WD	TAP	CPMEAN	CPRMS	CPMAX	CPMIN
40	1361	-.285	.027	-.185	-.395	40	1426	-.317	.054	-.141	-.634	40	1476	-.311	.038	-.186	-.463
40	1362	-.283	.030	-.174	-.378	40	1427	-.321	.062	-.113	-.680	40	1477	-.382	.056	-.218	-.625
40	1363	-.279	.039	-.118	-.467	40	1428	-.326	.069	-.143	-.870	40	1478	-.394	.056	-.203	-.607
40	1364	-.285	.041	-.139	-.469	40	1429	-.300	.051	-.129	-.574	40	1479	-.403	.057	-.257	-.615
40	1365	-.289	.047	-.046	-.620	40	1430	-.304	.054	-.097	-.597	40	1480	-.414	.063	-.259	-.750
40	1366	-.286	.052	-.078	-.606	40	1431	-.351	.041	-.208	-.493	40	1481	-.333	.038	-.196	-.500
40	1367	-.289	.074	-.062	-.627	40	1432	-.361	.043	-.189	-.539	40	1482	-.328	.044	-.191	-.558
40	1368	-.310	.082	-.106	-.814	40	1433	-.395	.060	-.229	-.657	40	1483	-.327	.047	-.137	-.600
40	1369	-.297	.030	-.189	-.390	40	1434	-.434	.118	-.078	-1.051	40	1484	-.307	.032	-.203	-.401
40	1370	-.294	.032	-.141	-.429	40	1435	-.599	.149	-.081	-1.188	40	1485	-.313	.028	-.222	-.419
40	1371	-.281	.039	-.107	-.434	40	1436	-.389	.103	-.134	-.919	40	1486	-.320	.030	-.198	-.443
40	1372	-.302	.050	-.192	-.512	40	1437	-.327	.066	-.108	-.641	40	1487	-.300	.035	-.159	-.431
40	1373	-.278	.024	-.208	-.354	40	1438	-.330	.073	-.104	-.715	40	1488	-.299	.036	-.186	-.419
40	1374	-.259	.035	-.146	-.409	40	1439	-.311	.054	-.152	-.750	40	1489	-.620	.155	-.260	-1.326
40	1375	-.237	.053	-.050	-.500	40	1440	-.302	.052	-.139	-.697	40	1490	-.445	.100	-.117	-.919
40	1376	-.255	.065	-.002	-.651	40	1441	-.337	.037	-.215	-.528	40	1491	-.406	.063	-.215	-.710
40	1377	-.280	.025	-.203	-.359	40	1442	-.344	.041	-.222	-.490	40	1492	-.374	.050	-.247	-.652
40	1378	-.227	.037	-.091	-.352	40	1443	-.358	.040	-.240	-.530	40	1493	-.315	.039	-.070	-.455
40	1379	-.218	.045	-.030	-.375	40	1444	-.390	.061	-.157	-.937	40	1494	-.331	.045	-.205	-.560
40	1380	-.254	.065	-.040	-.635	40	1445	-.397	.092	-.083	-.910	40	1495	-.341	.047	-.202	-.592
40	1381	-.347	.066	-.150	-.589	40	1446	-.385	.093	-.074	-1.250	40	1496	-.287	.027	-.184	-.402
40	1382	-.268	.030	-.134	-.365	40	1447	-.398	.101	-.129	-.880	40	1497	-.307	.032	-.212	-.444
40	1383	-.284	.037	-.139	-.521	40	1448	-.308	.049	-.142	-.536	40	1498	-.317	.035	-.195	-.465
40	1384	-.223	.042	-.022	-.409	40	1449	-.320	.058	-.078	-.705	40	1499	-.301	.040	-.181	-.476
40	1385	-.220	.048	-.022	-.372	40	1450	-.321	.062	-.142	-.789	40	1500	-.302	.038	-.188	-.446
40	1401	-.513	.178	-.044	-1.311	40	1451	-.297	.043	-.169	-.502	40	1501	-.611	.121	-.239	-1.035
40	1402	-.517	.188	-.108	-1.181	40	1452	-.300	.046	-.139	-.512	40	1502	-.261	.166	-.299	-.796
40	1403	-.444	.080	-.171	-.745	40	1453	-.336	.042	-.200	-.482	40	1503	-.355	.054	-.193	-.611
40	1404	-.377	.061	-.203	-.671	40	1454	-.339	.041	-.220	-.524	40	1504	-.328	.040	-.163	-.529
40	1405	-.323	.092	-.125	-1.348	40	1455	-.353	.044	-.232	-.539	40	1505	-.334	.044	-.170	-.499
40	1406	-.337	.072	-.164	-.773	40	1456	-.399	.053	-.267	-.683	40	1506	-.325	.039	-.160	-.474
40	1407	-.501	.170	-.099	-1.181	40	1457	-.406	.052	-.237	-.629	40	1507	-.303	.033	-.212	-.446
40	1408	-.340	.080	-.143	-.748	40	1458	-.398	.067	-.237	-.904	40	1508	-.311	.032	-.202	-.432
40	1409	-.360	.048	-.180	-.636	40	1459	-.393	.072	-.218	-.799	40	1509	-.307	.042	-.195	-.455
40	1410	-.368	.054	-.148	-.592	40	1460	-.315	.039	-.196	-.492	40	1510	-.274	.026	-.186	-.376
40	1411	-.395	.071	-.159	-1.039	40	1461	-.328	.043	-.208	-.514	40	1511	-.309	.035	-.186	-.448
40	1412	-.460	.125	-.097	-1.144	40	1462	-.330	.045	-.193	-.487	40	1512	-.309	.046	-.177	-.543
40	1413	-.424	.146	-.125	-1.366	40	1463	-.311	.041	-.200	-.485	40	1513	-.270	.023	-.195	-.358
40	1414	-.394	.130	-.030	-1.521	40	1464	-.300	.039	-.171	-.471	40	1514	-.315	.034	-.212	-.458
40	1415	-.315	.056	-.152	-.655	40	1465	-.345	.043	-.215	-.512	40	1515	-.292	.033	-.200	-.467
40	1416	-.327	.076	-.083	-.717	40	1466	-.344	.047	-.200	-.568	40	1516	-.298	.030	-.191	-.432
40	1417	-.334	.081	-.099	-.903	40	1467	-.365	.051	-.237	-.553	40	1801	-.220	.086	-.592	-.019
40	1418	-.301	.051	-.095	-.551	40	1468	-.401	.057	-.249	-.882	40	1802	-.234	.045	-.077	-.559
40	1419	-.304	.060	-.132	-.671	40	1469	-.371	.046	-.230	-.605	40	1803	-.248	.058	-.043	-.655
40	1420	-.306	.058	-.129	-.572	40	1470	-.374	.057	-.210	-.647	40	1804	-.003	.092	-.400	-.422
40	1421	-.361	.045	-.231	-.562	40	1471	-.390	.063	-.218	-.703	40	1805	-.263	.053	-.102	-.511
40	1422	-.356	.043	-.224	-.525	40	1472	-.317	.036	-.215	-.446	40	1806	-.287	.062	-.071	-.558
40	1423	-.419	.093	-.134	-1.088	40	1473	-.315	.033	-.215	-.463	40	1807	-.117	.052	-.167	-.276
40	1424	-.376	.107	-.026	-1.153	40	1474	-.324	.037	-.183	-.485	40	1808	-.025	.095	-.302	-.370
40	1425	-.404	.134	-.078	-1.244	40	1475	-.301	.037	-.205	-.485	40	1901	-.311	.103	.126	-.862

WD	TAP	CPMEAN	CPRMS	CPMAX	CPMIN	WD	TAP	CPMEAN	CPRMS	CPMAX	CPMIN	WD	TAP	CPMEAN	CPRMS	CPMAX	CPMIN
40	1902	-.337	.118	.257	-.811	40	2210	.185	.101	.746	-.141	40	3102	-.319	.144	.229	-.943
40	1903	-.334	.170	.209	-.843	40	2211	.243	.081	.614	-.028	40	3103	-.245	.139	.302	-.592
40	1904	-.446	.102	-.062	-1.116	40	2212	.220	.084	.601	.004	40	3104	-.231	.270	.544	-.941
40	1905	-.445	.092	-.164	-1.041	40	2213	.238	.080	.667	-.030	40	3105	-.397	.127	-.026	-.994
40	1906	-.342	.099	-.018	-.816	40	2214	.115	.054	.396	-.023	40	3106	-.394	.110	-.061	-.928
40	1907	-.547	.130	-.196	-1.132	40	2215	.154	.088	.528	-.086	40	3107	-.378	.107	-.045	-.859
40	1908	-.211	.102	.213	-.551	40	2301	-.403	.080	-.173	-.883	40	3108	.031	.165	.694	-.446
40	1909	-.293	.070	-.078	-.523	40	2302	-.398	.057	-.185	-.676	40	3109	.092	.146	.525	-.467
40	1910	-.289	.062	-.078	-.695	40	2303	-.398	.063	-.185	-.685	40	3110	.120	.171	.601	-.428
40	1911	-.314	.072	-.036	-.802	40	2304	-.287	.028	-.187	-.377	40	3111	-.107	.206	.547	-.854
40	1912	-.369	.082	-.029	-.939	40	2305	.107	.053	.446	-.023	40	3112	.017	.149	.551	-.403
40	1913	-.508	.179	.006	-1.330	40	2306	.076	.054	.319	-.088	40	3113	.096	.176	.599	-.505
40	1914	-.214	.098	.453	-.546	40	2307	-.063	.048	-.282	-.129	40	3114	-.056	.243	.639	-1.111
40	1915	-.233	.196	.437	-.740	40	2308	-.266	.027	-.146	-.363	40	3115	-.268	.168	.340	-.714
40	1916	-.609	.159	-.036	-1.216	40	2309	.220	.087	.658	-.027	40	3116	-.114	.307	.616	-1.054
40	1917	-.549	.128	-.196	-1.035	40	2310	.094	.056	.396	-.081	40	3117	-.150	.194	.775	-.591
40	1918	-.193	.077	.209	-.519	40	2311	-.075	.046	-.256	-.112	40	3118	.130	.170	.765	-.446
40	1919	-.202	.090	.195	-.548	40	2401	-.372	.077	-.168	-.784	40	3119	-.361	.156	.088	-.984
40	1920	-.164	.098	.264	-.461	40	2402	-.413	.096	-.177	-.916	40	3120	-.312	.135	.271	-.834
40	1921	-.315	.103	.108	-1.013	40	2403	-.403	.082	-.163	-.731	40	3121	-.107	.112	.623	-.251
40	1922	-.279	.105	.195	-.905	40	2404	-.366	.061	-.187	-.642	40	3122	-.267	.206	.371	-1.115
40	1923	-.407	.137	-.065	-1.136	40	2405	-.388	.075	-.158	-.690	40	3123	-.011	.104	.464	-.289
40	1924	-.588	.281	-.035	-2.422	40	2406	-.359	.068	-.130	-.692	40	3124	-.009	.182	.580	-.579
40	1925	-.230	.089	.252	-.571	40	2901	-.332	.045	-.209	-.543	40	3125	-.355	.154	.183	-.823
40	1926	-.604	.174	-.050	-1.193	40	2902	-.340	.038	-.233	-.497	40	3126	-.314	.132	.283	-1.016
40	1927	-.177	.096	.282	-.638	40	2903	-.097	.119	-.427	-.434	40	3127	-.261	.137	.233	-.733
40	1928	-.716	.258	-.194	-1.957	40	2904	-.422	.080	-.214	-.797	40	3128	-.373	.275	.407	-1.467
40	1929	-.211	.100	.252	-.763	40	2905	-.323	.061	-.064	-.591	40	3129	.111	.147	.597	-.322
40	1930	-.226	.100	.234	-.708	40	2906	-.056	.065	-.183	-.313	40	3130	.119	.172	.760	-.377
40	1931	-.245	.099	.292	-.632	40	2907	-.500	.198	-.132	-1.712	40	3131	.042	.094	.493	-.326
40	1932	-.394	.119	.203	-.803	40	2908	-.369	.053	-.231	-.908	40	3132	.065	.084	.388	-.406
40	1933	-.642	.229	-.136	-1.831	40	2909	-.176	.068	.142	-.461	40	3133	.072	.115	.646	-.377
40	1934	-.280	.060	-.086	-.532	40	2910	.116	.130	.751	-.458	40	3134	-.062	.098	.395	-.287
40	1935	-.457	.092	-.211	-.904	40	2911	-.336	.041	-.195	-.545	40	3135	.125	.212	.743	-.792
40	2101	-.055	.087	.209	-.478	40	2912	-.134	.054	-.079	-.398	40	3136	.110	.124	.670	-.286
40	2102	.017	.073	.277	-.274	40	2913	-.347	.054	-.197	-.795	40	3201	-.063	.121	.354	-.498
40	2103	.182	.109	.664	-.192	40	2914	-.393	.056	-.226	-.637	40	3202	-.053	.148	.435	-.529
40	2104	.017	.120	.417	-.406	40	2915	-.387	.061	-.192	-.666	40	3203	-.302	.092	.087	-.589
40	2105	.122	.071	.555	-.069	40	2916	-.041	.084	-.251	-.695	40	3204	-.368	.128	-.245	-.940
40	2106	.061	.073	.451	-.340	40	2917	-.518	.109	-.243	-.995	40	3205	-.399	.093	-.018	-.971
40	2107	.138	.076	.505	-.049	40	2918	-.478	.173	-.013	-1.141	40	3206	-.395	.087	-.096	-.841
40	2201	-.404	.059	-.216	-.710	40	2919	-.037	.078	-.294	-.458	40	3207	-.077	.123	.428	-.451
40	2202	-.326	.096	-.059	-.729	40	2920	-.078	.078	.304	-.449	40	3208	-.243	.099	-.269	-.617
40	2203	.164	.134	.720	-.420	40	2921	-.026	.066	.241	-.325	40	3209	-.325	.047	-.189	-.538
40	2204	.095	.114	.688	-.238	40	2922	.076	.071	.321	-.475	40	3210	-.269	.072	.027	-.481
40	2205	.027	.065	.328	-.219	40	2923	-.050	.043	.219	-.091	40	3211	-.033	.156	.585	-.560
40	2206	-.396	.078	.035	-.577	40	2924	-.132	.102	.159	-.763	40	3212	-.244	.100	.068	-.577
40	2207	.183	.095	.650	-.166	40	2925	-.044	.091	.194	-.577	40	3213	-.313	.122	.061	-.785
40	2208	.075	.050	.280	-.083	40	2926	-.135	.102	.168	-.616	40	3214	-.319	.103	.084	-.728
40	2209	.125	.067	.410	-.047	40	3101	-.359	.115	.089	-.768	40	3215	.038	.142	.356	-.365

WD	TAP	CPMEAN	CPRMS	CPMAX	CPMIN	WD	TAP	CPMEAN	CPRMS	CPMAX	CPMIN	WD	TAP	CPMEAN	CPRMS	CPMAX	CPMIN
40	3216	-.168	.091	.127	-.463	40	3348	-.047	.069	-.186	-.444	40	3932	-.330	.053	-.182	-.571
40	3217	-.310	.141	.223	-.813	40	3349	-.623	.165	-.158	-1.407	40	3933	-.343	.084	-.071	-.719
40	3218	-.303	.153	.228	-1.023	40	33401	-.247	.112	-.154	-.707	40	3934	-.379	.087	-.092	-.810
40	3301	-.296	.050	-.125	-.512	40	33402	-.256	.130	-.121	-.848	40	3935	-.404	.102	-.147	-.931
40	3302	-.322	.055	-.171	-.873	40	33403	-.494	.128	-.178	-1.076	40	3936	-.414	.079	-.165	-.805
40	3303	-.333	.062	-.155	-.803	40	3404	-.261	.066	-.032	-.506	40	3937	-.344	.059	-.183	-.627
40	3304	-.340	.056	-.167	-.659	40	3405	-.270	.052	-.109	-.462	40	3938	-.333	.052	-.163	-.539
40	3305	-.346	.068	-.141	-.659	40	3406	-.252	.049	-.075	-.451	40	3939	-.374	.071	-.200	-.680
40	3306	-.343	.070	-.150	-.680	40	3407	-.324	.054	-.135	-.537	40	3940	-.338	.061	-.123	-.622
40	3307	-.349	.068	-.150	-.908	40	3408	-.198	.040	-.067	-.320	40	3941	-.330	.053	-.125	-.539
40	3308	-.350	.065	-.185	-.724	40	33409	-.355	.059	-.185	-.564	50	1101	-.127	.275	.999	-1.150
40	3309	-.312	.059	-.115	-.612	40	33410	-.370	.072	-.198	-.630	50	1102	-.244	.159	.333	-.842
40	3310	-.310	.053	-.153	-.617	40	33411	-.157	.052	-.063	-.371	50	1103	-.053	.243	.897	-.863
40	3311	-.329	.052	-.169	-.886	40	33412	-.195	.055	-.013	-.385	50	1104	-.304	.082	.017	-.700
40	3312	-.330	.060	-.153	-.649	40	3413	-.327	.050	-.160	-.509	50	1105	-.304	.106	.110	-.888
40	3313	-.343	.058	-.176	-.862	40	3414	-.038	.133	.427	-.559	50	1106	-.022	.083	.303	-.292
40	3314	-.351	.055	-.169	-.661	40	33415	-.308	.114	.201	-.780	50	1107	-.212	.142	.758	-.410
40	3315	-.329	.054	-.143	-.584	40	33416	-.112	.056	.118	-.291	50	1108	-.133	.051	.077	-.326
40	3316	-.318	.055	-.160	-.610	40	33417	-.081	.084	.352	-.346	50	1109	-.197	.045	-.018	-.371
40	3317	-.313	.054	-.164	-.673	40	33901	-.098	.091	.191	-.607	50	1110	-.402	.190	.997	-.487
40	3318	-.320	.051	-.134	-.519	40	33902	-.732	.229	-.136	-1.743	50	1111	-.379	.176	.915	-.440
40	3319	-.346	.061	-.164	-.673	40	33903	-.327	.125	-.101	-.898	50	1112	-.055	.067	.289	-.278
40	3320	-.318	.053	-.136	-.626	40	33904	-.392	.127	-.011	-1.029	50	1113	-.221	.043	.006	-.408
40	3321	-.324	.055	-.178	-.624	40	33905	-.477	.139	-.106	-1.196	50	1114	-.145	.244	.792	-.921
40	3322	-.321	.051	-.169	-.526	40	33906	-.423	.102	-.080	-.896	50	1115	.211	.206	.827	-.823
40	3323	-.323	.051	-.150	-.425	40	33907	-.391	.126	-.042	-1.003	50	1116	-.033	.082	.361	-.442
40	3324	-.344	.053	-.190	-.445	40	33908	-.391	.111	-.011	-.865	50	1117	-.161	.072	.043	-.468
40	3325	-.325	.051	-.181	-.647	40	33909	-.399	.122	-.044	-1.015	50	1118	-.249	.057	-.062	-.503
40	3326	-.327	.053	-.160	-.600	40	33910	-.423	.115	-.058	-1.254	50	1119	-.381	.183	1.008	-.438
40	3327	-.318	.054	-.150	-.526	40	33911	-.411	.145	-.032	-1.264	50	1120	-.418	.166	1.115	-.208
40	3328	-.322	.052	-.134	-.535	40	33912	-.388	.104	-.030	-.832	50	1121	-.285	.108	.686	-.043
40	3329	-.384	.068	-.196	-.692	40	33913	-.380	.109	-.023	-.815	50	1122	-.175	.080	.523	-.120
40	3330	-.322	.055	-.169	-.526	40	33914	-.373	.111	-.074	-.894	50	1123	-.059	.051	.212	-.220
40	3331	-.310	.049	-.169	-.528	40	33915	-.431	.138	-.044	-1.366	50	1124	-.138	.040	.054	-.273
40	3332	-.321	.050	-.162	-.508	40	33916	-.341	.096	-.051	-.981	50	1125	-.409	.159	.983	-.371
40	3333	-.312	.046	-.171	-.552	40	33917	-.374	.123	-.039	-.875	50	1126	-.448	.159	1.175	-.482
40	3334	-.311	.052	-.146	-.540	40	33918	-.311	.093	-.044	-.768	50	1127	-.336	.113	.744	-.042
40	3335	-.311	.048	-.162	-.468	40	33919	-.326	.079	-.006	-.680	50	1128	-.190	.080	.467	-.028
40	3336	-.335	.049	-.203	-.559	40	33920	-.340	.084	-.023	-.794	50	1129	-.051	.047	.177	-.293
40	3337	-.377	.064	-.185	-.614	40	33921	-.319	.095	.072	-.749	50	1130	-.139	.035	.021	-.256
40	3338	-.174	.059	-.071	-.394	40	33922	-.178	.180	.815	-.393	50	1131	-.399	.143	.932	-.051
40	3339	-.319	.049	-.178	-.509	40	33923	-.300	.113	.093	-.946	50	1132	-.447	.139	.955	.037
40	3340	-.326	.051	-.183	-.594	40	33924	-.328	.054	-.172	-.535	50	1133	-.336	.096	.667	.079
40	3341	-.322	.051	-.163	-.511	40	33925	-.337	.088	-.041	-.884	50	1134	-.205	.075	.469	-.033
40	3342	-.329	.046	-.153	-.516	40	33926	-.339	.053	-.158	-.573	50	1135	-.036	.042	.116	-.177
40	3343	-.323	.045	-.180	-.511	40	33927	-.411	.104	-.061	-.902	50	1136	-.131	.038	.028	-.256
40	3344	-.338	.049	-.165	-.531	40	33928	-.460	.157	.580	-.417	50	1137	-.354	.135	.816	-.070
40	3345	-.337	.051	-.185	-.584	40	33929	-.307	.089	-.079	-.663	50	1138	-.406	.141	.879	-.021
40	3346	-.350	.061	-.178	-.609	40	33930	-.320	.055	-.132	-.542	50	1139	-.281	.096	.576	-.003
40	3347	-.371	.061	-.198	-.609	40	33931	-.326	.052	-.145	-.643	50	1140	-.181	.068	.414	-.042

WD	TAP	CPMEAN	CPRMS	CPMAX	CPMIN	WD	TAP	CPMEAN	CPRMS	CPMAX	CPMIN	WD	TAP	CPMEAN	CPRMS	CPMAX	CPMIN
50	1141	-.049	.045	.125	-.207	50	1229	-.135	.163	.519	-.691	50	1279	-.266	.066	-.024	-.504
50	1142	-.142	.041	.028	-.312	50	1230	-.110	.147	.527	-.736	50	1280	-.336	.070	-.089	-.612
50	1143	.318	.132	.790	-.058	50	1231	-.176	.097	.400	-.554	50	1281	-.325	.070	-.126	-.594
50	1144	.320	.123	.867	.009	50	1232	-.252	.083	.046	-.642	50	1282	-.107	.058	.088	-.331
50	1145	.268	.093	.641	-.025	50	1233	-.435	.134	.012	-.959	50	1283	-.285	.089	-.174	-.711
50	1146	.201	.078	.555	-.005	50	1234	-.635	.354	.426	-1.933	50	1284	-.233	.082	-.011	-.658
50	1147	.031	.053	.249	-.105	50	1235	-.693	.277	.130	-1.916	50	1285	-.249	.070	-.095	-.529
50	1148	-.098	.043	.086	-.249	50	1236	-.190	.134	.458	-.673	50	1286	-.266	.066	-.018	-.582
50	1149	.236	.145	.853	-.316	50	1237	-.156	.147	.518	-.645	50	1287	-.266	.068	-.128	-.624
50	1150	.147	.080	.500	-.116	50	1238	-.107	.153	.681	-.920	50	1288	-.082	.061	.167	-.278
50	1151	-.185	.062	.039	-.535	50	1239	-.165	.095	.299	-.525	50	1289	-.110	.059	.102	-.299
50	1152	.254	.106	.751	-.107	50	1240	-.246	.073	.058	-.541	50	1290	-.263	.089	.151	-.688
50	1153	.189	.081	.565	-.009	50	1241	-.408	.116	.101	-.872	50	1301	-.317	.063	-.092	-.775
50	1154	.172	.096	.639	-.089	50	1242	-.617	.265	.251	-1.661	50	1302	-.353	.077	-.001	-.864
50	1155	.200	.072	.453	.019	50	1243	-.677	.249	.134	-1.804	50	1303	-.398	.062	-.075	-.652
50	1156	.215	.080	.549	.023	50	1244	-.234	.092	.232	-.589	50	1304	-.339	.079	-.036	-.719
50	1157	.237	.086	.701	-.003	50	1245	-.214	.095	.262	-.583	50	1305	-.310	.064	-.140	-.713
50	1158	-.142	.059	.115	-.349	50	1246	-.141	.122	.458	-.573	50	1306	-.298	.058	-.108	-.713
50	1159	.158	.085	.533	-.066	50	1247	-.173	.084	.319	-.437	50	1307	-.300	.054	-.140	-.617
50	1160	.261	.099	.836	.014	50	1248	-.201	.069	.118	-.419	50	1308	-.298	.052	-.094	-.536
50	1161	.231	.083	.588	.042	50	1249	-.368	.108	.063	-.758	50	1309	-.317	.075	-.089	-.815
50	1162	.243	.093	.650	.023	50	1250	-.615	.242	.197	-2.069	50	1310	-.315	.079	-.131	-.801
50	1201	.270	.095	.446	-.704	50	1251	-.659	.206	-.062	-1.512	50	1311	-.313	.088	-.068	-.854
50	1202	.256	.096	.320	-.762	50	1252	-.284	.066	.056	-.631	50	1312	-.314	.087	-.082	-.938
50	1203	.228	.092	.347	-.669	50	1253	-.274	.067	.033	-.645	50	1313	-.293	.049	-.140	-.536
50	1204	.232	.089	.115	-.803	50	1254	-.218	.080	.107	-.590	50	1314	-.292	.049	-.129	-.719
50	1205	.188	.118	.262	-.819	50	1255	-.234	.074	.049	-.539	50	1315	-.305	.063	-.103	-.652
50	1206	.247	.217	.366	-1.394	50	1256	-.183	.079	.220	-.419	50	1316	-.311	.071	-.075	-.715
50	1207	.277	.073	.177	-.554	50	1257	-.288	.095	.054	-.700	50	1317	-.313	.058	-.152	-.671
50	1208	.233	.180	.228	-1.017	50	1258	-.380	.173	.229	-1.260	50	1318	-.300	.048	-.120	-.566
50	1209	.175	.143	.587	-.695	50	1259	-.391	.146	.093	-1.244	50	1319	-.320	.072	-.108	-.885
50	1210	.164	.150	.456	-.571	50	1260	-.267	.060	.017	-.309	50	1320	-.311	.073	-.101	-.743
50	1211	.204	.090	.291	-.658	50	1261	-.248	.066	.024	-.753	50	1321	-.312	.063	-.136	-.713
50	1212	.249	.080	.076	-.720	50	1262	-.229	.075	.056	-.619	50	1322	-.300	.053	-.127	-.629
50	1213	.293	.095	.087	-.764	50	1263	-.260	.076	.049	-.564	50	1323	-.302	.052	-.140	-.633
50	1214	.632	.322	.184	-1.719	50	1264	-.219	.058	.054	-.414	50	1324	-.304	.049	-.137	-.521
50	1215	.714	.287	.299	-1.838	50	1265	-.261	.084	.008	-.598	50	1325	-.314	.066	-.105	-.671
50	1216	.198	.140	.396	-.679	50	1266	-.182	.169	.321	-.778	50	1326	-.312	.063	-.107	-.629
50	1217	.149	.165	.612	-.552	50	1267	-.297	.173	-.234	-1.433	50	1327	-.315	.074	-.109	-.783
50	1218	.235	.082	.177	-.600	50	1268	-.297	.071	-.038	-.633	50	1328	-.318	.075	-.100	-.760
50	1219	.469	.337	.239	-1.615	50	1269	-.308	.076	-.048	-.679	50	1329	-.295	.045	-.149	-.513
50	1220	.730	.286	.251	-1.749	50	1270	-.336	.073	-.084	-.615	50	1330	-.289	.041	-.170	-.482
50	1221	.221	.147	.488	-.660	50	1271	-.228	.148	.252	-.737	50	1331	-.297	.043	-.181	-.514
50	1222	.198	.153	.757	-.812	50	1272	-.242	.070	.017	-.515	50	1332	-.295	.045	-.144	-.468
50	1223	.195	.111	.437	-.713	50	1273	-.236	.077	.026	-.691	50	1333	-.303	.060	-.123	-.650
50	1224	.249	.079	.138	-.596	50	1274	-.273	.076	-.020	-.594	50	1334	-.303	.061	-.049	-.697
50	1225	.338	.097	.060	-.748	50	1275	-.240	.054	-.066	-.430	50	1335	-.311	.069	-.098	-.674
50	1226	.497	.298	.203	-1.723	50	1276	-.046	.077	.264	-.366	50	1336	-.306	.067	-.084	-.690
50	1227	.623	.309	.341	-1.624	50	1277	-.036	.116	.351	-.449	50	1337	-.317	.043	-.189	-.503
50	1228	.177	.146	.458	-.833	50	1278	-.249	.084	-.020	-.633	50	1338	-.307	.041	-.163	-.534



WD	TAP	CPMEAN	CPRMS	CPMAX	CPMIN	WD	TAP	CPMEAN	CPRMS	CPMAX	CPMIN	WD	TAP	CPMEAN	CPRMS	CPMAX	CPMIN
50	13339	-.308	.042	-.149	-.520	50	1404	-.327	.048	-.203	-.590	50	1454	-.314	.036	-.207	-.454
50	13440	-.311	.041	-.193	-.562	50	1405	-.307	.065	-.130	-.842	50	1455	-.328	.035	-.217	-.480
50	13441	-.323	.062	-.135	-.665	50	1406	-.306	.051	-.162	-.685	50	1456	-.369	.044	-.229	-.533
50	13442	-.325	.059	-.088	-.636	50	1407	-.531	.122	-.139	-1.101	50	1457	-.363	.047	-.198	-.569
50	13443	-.315	.064	-.133	-.653	50	1408	-.307	.056	-.141	-.576	50	1458	-.349	.054	-.190	-.622
50	13444	-.311	.063	-.042	-.795	50	1409	-.330	.045	-.185	-.513	50	1459	-.357	.059	-.178	-.682
50	13445	-.302	.040	-.179	-.492	50	1410	-.332	.050	-.148	-.529	50	1460	-.300	.037	-.183	-.452
50	13446	-.303	.036	-.189	-.445	50	1411	-.356	.066	-.139	-.644	50	1461	-.307	.036	-.198	-.444
50	13447	-.302	.034	-.193	-.429	50	1412	-.414	.118	-.117	-.997	50	1462	-.302	.036	-.198	-.490
50	13448	-.300	.038	-.168	-.447	50	1413	-.385	.126	-.139	-1.350	50	1463	-.300	.041	-.164	-.461
50	13449	-.329	.070	-.116	-.695	50	1414	-.372	.108	-.157	-1.061	50	1464	-.301	.045	-.157	-.465
50	13450	-.317	.059	-.133	-.615	50	1415	-.292	.047	-.137	-.495	50	1465	-.321	.038	-.157	-.461
50	13451	-.316	.064	-.095	-.681	50	1416	-.299	.055	-.128	-.694	50	1466	-.320	.038	-.186	-.442
50	13452	-.310	.061	-.078	-.826	50	1417	-.297	.057	-.121	-.789	50	1467	-.333	.038	-.207	-.507
50	13453	-.267	.038	-.119	-.422	50	1418	-.287	.047	-.128	-.524	50	1468	-.352	.038	-.245	-.531
50	13454	-.268	.034	-.144	-.403	50	1419	-.295	.054	-.071	-.626	50	1469	-.332	.032	-.214	-.449
50	13455	-.271	.034	-.161	-.405	50	1420	-.300	.061	-.092	-.603	50	1470	-.324	.044	-.205	-.552
50	13456	-.270	.039	-.116	-.454	50	1421	-.338	.045	-.189	-.492	50	1471	-.337	.047	-.212	-.574
50	13457	-.282	.055	-.102	-.566	50	1422	-.331	.043	-.175	-.497	50	1472	-.294	.032	-.188	-.435
50	13458	-.308	.058	-.126	-.590	50	1423	-.384	.104	-.031	-.961	50	1473	-.301	.034	-.190	-.430
50	13459	-.324	.069	-.158	-.793	50	1424	-.339	.084	-.094	-.938	50	1474	-.293	.035	-.188	-.416
50	13460	-.322	.074	-.114	-.921	50	1425	-.357	.107	-.131	-1.020	50	1475	-.300	.039	-.181	-.500
50	13461	-.261	.029	-.103	-.368	50	1426	-.288	.044	-.128	-.594	50	1476	-.303	.042	-.171	-.524
50	13462	-.256	.029	-.133	-.357	50	1427	-.295	.052	-.126	-.617	50	1477	-.352	.051	-.186	-.526
50	13463	-.262	.041	-.037	-.405	50	1428	-.300	.051	-.101	-.694	50	1478	-.355	.050	-.193	-.567
50	13464	-.256	.041	-.116	-.438	50	1429	-.287	.044	-.152	-.552	50	1479	-.368	.049	-.195	-.588
50	13465	-.255	.052	-.032	-.485	50	1430	-.296	.053	-.098	-.524	50	1480	-.357	.041	-.236	-.560
50	13466	-.271	.058	-.016	-.517	50	1431	-.325	.039	-.180	-.463	50	1481	-.298	.033	-.174	-.408
50	13467	-.316	.073	-.067	-.760	50	1432	-.329	.044	-.144	-.511	50	1482	-.276	.034	-.166	-.428
50	13468	-.321	.080	-.102	-.825	50	1433	-.361	.060	-.173	-.669	50	1483	-.281	.044	-.157	-.519
50	13469	-.269	.026	-.176	-.355	50	1434	-.397	.118	-.058	-1.056	50	1484	-.264	.031	-.102	-.361
50	13470	-.261	.034	-.095	-.441	50	1435	-.583	.187	-.135	-1.226	50	1485	-.281	.034	-.159	-.394
50	13471	-.257	.042	-.070	-.423	50	1436	-.354	.081	-.160	-.970	50	1486	-.285	.030	-.154	-.394
50	13472	-.312	.043	-.198	-.478	50	1437	-.297	.052	-.135	-.655	50	1487	-.291	.039	-.174	-.452
50	13473	-.258	.025	-.184	-.356	50	1438	-.301	.056	-.139	-.791	50	1488	-.288	.038	-.135	-.437
50	13474	-.244	.037	-.068	-.402	50	1439	-.293	.051	-.141	-.576	50	1489	-.282	.038	-.232	-1.313
50	13475	-.250	.049	-.049	-.464	50	1440	-.298	.053	-.148	-.547	50	1490	-.395	.092	-.138	-.871
50	13476	-.305	.071	-.116	-.700	50	1441	-.318	.037	-.182	-.472	50	1491	-.372	.054	-.219	-.605
50	13477	-.255	.027	-.136	-.342	50	1442	-.321	.037	-.203	-.447	50	1492	-.324	.039	-.195	-.536
50	13478	-.223	.039	-.036	-.363	50	1443	-.334	.039	-.194	-.497	50	1493	-.288	.029	-.159	-.382
50	13479	-.205	.045	-.150	-.375	50	1444	-.360	.064	-.164	-.707	50	1494	-.313	.037	-.189	-.489
50	13480	-.243	.054	-.028	-.485	50	1445	-.363	.091	-.103	-.954	50	1495	-.323	.039	-.217	-.494
50	13481	-.339	.066	-.147	-.562	50	1446	-.332	.067	-.146	-.707	50	1496	-.358	.028	-.166	-.350
50	13482	-.249	.032	-.100	-.354	50	1447	-.347	.078	-.117	-.794	50	1497	-.278	.033	-.178	-.429
50	13483	-.246	.047	-.218	-.413	50	1448	-.284	.039	-.178	-.444	50	1498	-.282	.036	-.187	-.464
50	13484	-.196	.053	-.104	-.349	50	1449	-.284	.041	-.174	-.524	50	1499	-.268	.038	-.157	-.420
50	13485	-.220	.044	-.035	-.471	50	1450	-.291	.044	-.133	-.574	50	1500	-.270	.039	-.133	-.443
50	1401	-.533	.125	-.094	-1.154	50	1451	-.285	.042	-.126	-.452	50	1501	-.584	.110	-.245	-1.019
50	1402	-.545	.128	-.087	-1.041	50	1452	-.288	.046	-.147	-.591	50	1502	-.254	.171	-.473	-.859
50	1403	-.366	.060	-.169	-.669	50	1453	-.313	.036	-.195	-.440	50	1503	-.325	.048	-.120	-.554

WD	TAP	CPMEAN	CPRMS	CPMAX	CPMIN	WD	TAP	CPMEAN	CPRMS	CPMAX	CPMIN	WD	TAP	CPMEAN	CPRMS	CPMAX	CPMIN
50	1504	-.313	.033	-.210	-.464	50	1930	-.253	.082	.042	-.592	50	2906	-.034	.072	.241	-.326
50	1505	-.312	.032	-.229	-.438	50	1931	-.216	.071	.181	-.537	50	2907	-.511	.250	-.045	-2.019
50	1506	-.318	.034	-.222	-.452	50	1932	-.294	.105	.036	-.752	50	2908	-.327	.038	-.180	-.607
50	1507	-.274	.034	-.178	-.454	50	1933	-.788	.254	.014	-1.668	50	2909	-.138	.085	-.200	-.515
50	1508	-.276	.032	-.185	-.403	50	1934	-.271	.062	-.018	-.514	50	2910	-.159	.132	-.774	-.229
50	1509	-.278	.042	-.145	-.475	50	1935	-.453	.095	-.136	-.912	50	2911	-.313	.032	-.214	-.471
50	1510	-.256	.025	-.168	-.345	50	2101	-.062	.092	.311	-.498	50	2912	-.125	.051	-.127	-.348
50	1511	-.275	.033	-.173	-.410	50	2102	-.024	.081	.241	-.488	50	2913	-.333	.053	-.127	-.663
50	1512	-.275	.044	-.138	-.440	50	2103	-.191	.133	.810	-.270	50	2914	-.370	.053	-.210	-.617
50	1513	-.249	.025	-.166	-.368	50	2104	-.021	.117	.350	-.462	50	2915	-.372	.053	-.234	-.595
50	1514	-.278	.034	-.175	-.464	50	2105	-.126	.081	.595	-.081	50	2916	-.049	.071	-.164	-.382
50	1515	-.266	.034	-.147	-.478	50	2106	.044	.080	.343	-.437	50	2917	-.502	.093	-.236	-.980
50	1516	-.274	.032	-.166	-.401	50	2107	.150	.088	.549	-.074	50	2918	-.501	.164	-.004	-1.205
50	1801	-.229	.088	.696	-.026	50	2201	-.379	.055	-.190	.711	50	2919	-.028	.081	-.280	-.384
50	1802	-.228	.051	-.009	-.463	50	2202	-.295	.089	-.028	-.697	50	2920	-.098	.077	.161	-.646
50	1803	-.253	.068	-.009	-.576	50	2203	.196	.136	.728	-.406	50	2921	-.033	.069	.246	-.314
50	1804	-.041	.094	.437	-.438	50	2204	.087	.120	.631	-.263	50	2922	.052	.074	.294	-.423
50	1805	-.246	.053	-.064	-.486	50	2205	-.017	.071	.447	-.270	50	2923	-.037	.045	.302	-.144
50	1806	-.264	.073	-.025	-.544	50	2206	-.272	.071	-.011	-.527	50	2924	-.196	.102	-.098	-.689
50	1807	-.121	.055	.079	-.305	50	2207	.198	.105	.636	-.108	50	2925	-.095	.095	.148	-.556
50	1808	-.088	.091	.246	-.460	50	2208	.073	.051	.309	-.067	50	2926	-.209	.109	-.074	-.885
50	1901	-.266	.083	.223	-.647	50	2209	.122	.067	.491	-.071	50	3101	-.498	.120	-.032	-1.113
50	1902	-.280	.101	.152	-.695	50	2210	.205	.110	.614	-.134	50	3102	-.416	.101	-.115	-.892
50	1903	-.271	.147	.271	-.819	50	2211	.261	.097	.667	-.023	50	3103	-.358	.086	-.018	-.659
50	1904	-.384	.096	-.003	-1.128	50	2212	.215	.092	.689	-.018	50	3104	-.456	.126	.025	-1.184
50	1905	-.387	.084	-.115	-.884	50	2213	.231	.097	.667	-.013	50	3105	-.335	.107	.150	-.912
50	1906	-.302	.072	-.044	-.642	50	2214	.097	.053	.348	-.044	50	3106	-.343	.107	-.031	-.796
50	1907	-.552	.148	-.100	-1.327	50	2215	.158	.095	.705	-.090	50	3107	-.334	.123	.145	-.834
50	1908	-.245	.088	.168	-.535	50	2301	-.376	.073	-.148	.713	50	3108	-.131	.153	.490	-.551
50	1909	-.297	.071	-.056	-.725	50	2302	-.357	.049	-.186	-.576	50	3109	.043	.153	.476	-.544
50	1910	-.282	.055	-.046	-.562	50	2303	-.380	.057	-.201	-.612	50	3110	-.065	.148	.545	-.367
50	1911	-.278	.061	-.074	-.560	50	2304	-.267	.027	-.177	-.377	50	3111	-.353	.121	.169	-.860
50	1912	-.301	.071	-.010	-.711	50	2305	.101	.055	.386	-.029	50	3112	-.223	.106	.188	-.613
50	1913	-.520	.164	-.030	-1.162	50	2306	.061	.055	.287	-.150	50	3113	-.118	.171	.433	-.705
50	1914	-.263	.077	.186	-.555	50	2307	.039	.049	.239	-.237	50	3114	-.272	.178	.400	-.981
50	1915	-.106	.171	.692	-.654	50	2308	-.245	.030	-.116	-.353	50	3115	-.371	.091	-.046	-.755
50	1916	-.587	.178	.070	-1.249	50	2309	.230	.088	.797	-.010	50	3116	-.444	.154	.262	-1.273
50	1917	-.547	.133	-.070	-1.064	50	2310	.073	.060	.333	-.191	50	3117	-.045	.190	.651	-.653
50	1918	-.261	.074	.134	-.640	50	2311	-.062	.050	-.258	-.083	50	3118	-.049	.184	.770	-.617
50	1919	-.280	.081	.070	-.805	50	2401	-.317	.075	-.092	-.771	50	3119	-.545	.137	-.181	-1.145
50	1920	-.247	.079	.193	-.663	50	2402	-.334	.086	-.128	-1.008	50	3120	-.421	.113	-.044	-.963
50	1921	-.291	.083	.099	-.780	50	2403	-.327	.076	-.109	-.636	50	3121	-.115	.118	.637	-.442
50	1922	-.245	.087	.228	-.752	50	2404	-.311	.069	-.056	-.629	50	3122	-.012	.212	.516	-.983
50	1923	-.272	.101	.125	-.704	50	2405	-.325	.068	-.141	-.605	50	3123	-.015	.104	.449	-.306
50	1924	-.548	.332	.213	-2.168	50	2406	-.302	.071	-.001	-.620	50	3124	-.219	.146	.720	-.553
50	1925	-.284	.082	.093	-.704	50	2901	-.314	.034	-.195	-.486	50	3125	-.532	.124	-.166	-1.128
50	1926	-.574	.239	.067	-1.334	50	2902	-.316	.034	-.212	-.474	50	3126	-.365	.097	-.007	-.786
50	1927	-.256	.077	.074	-.674	50	2903	-.151	.094	-.258	-.374	50	3127	-.244	.124	.122	-.762
50	1928	-.884	.243	-.079	-1.913	50	2904	-.395	.071	-.171	-.781	50	3128	-.409	.186	.076	-1.257
50	1929	-.273	.075	.133	-.672	50	2905	-.318	.057	-.120	-.554	50	3129	-.059	.101	.357	-.368

WD	TAP	CPMEAN	CPRMS	CPMAX	CPMIN	WD	TAP	CPMEAN	CPRMS	CPMAX	CPMIN	WD	TAP	CPMEAN	CPRMS	CPMAX	CPMIN
50	3130	.033	.150	.587	-.501	50	3326	-.335	.059	-.143	-.610	50	3910	-.428	.114	-.034	-1.137
50	3131	-.062	.103	.326	-.408	50	3327	-.342	.060	-.190	-.577	50	3911	-.455	.173	.122	-1.167
50	3132	.037	.100	.409	-.427	50	3328	-.341	.056	-.183	-.589	50	3912	-.438	.110	.018	-.825
50	3133	.105	.092	.573	-.168	50	3329	-.379	.069	-.127	-.664	50	3913	-.429	.115	.058	-.816
50	3134	-.068	.099	.411	-.361	50	3330	-.331	.060	-.071	-.605	50	3914	-.411	.107	-.051	-.851
50	3135	-.192	.195	.525	-.846	50	3331	-.330	.057	-.122	-.617	50	3915	-.432	.131	-.091	-1.208
50	3136	.115	.154	.731	-.339	50	3332	-.336	.058	-.146	-.595	50	3916	-.424	.133	-.091	-.939
50	3201	-.013	.124	.516	-.387	50	3333	-.325	.049	-.162	-.503	50	3917	-.420	.121	-.004	-1.113
50	3202	.068	.135	.504	-.463	50	3334	-.323	.058	-.124	-.577	50	3918	-.281	.109	.103	-.854
50	3203	-.293	.103	.197	-.632	50	3335	-.312	.044	-.162	-.460	50	3919	-.279	.090	.089	-.593
50	3204	.489	.156	.169	-1.178	50	3336	-.325	.048	-.191	-.472	50	3920	-.297	.086	.075	-.704
50	3205	.388	.079	-.078	-.698	50	3337	-.369	.059	-.211	-.698	50	3921	-.331	.092	.113	-.718
50	3206	-.378	.094	.046	-.803	50	3338	-.199	.056	-.043	-.404	50	3922	-.306	.164	1.110	-.379
50	3207	-.023	.122	.476	-.411	50	3339	-.337	.057	-.130	-.550	50	3923	-.167	.123	-.284	-.778
50	3208	-.226	.099	.152	-.575	50	3340	-.332	.059	-.145	-.640	50	3924	-.336	.059	-.139	-.593
50	3209	-.328	.045	-.202	-.520	50	3341	-.323	.052	-.160	-.532	50	3925	-.327	.087	-.077	-.844
50	3210	-.221	.073	.110	-.463	50	3342	-.323	.049	-.176	-.535	50	3926	-.337	.056	-.175	-.569
50	3211	.197	.121	.587	-.225	50	3343	-.322	.044	-.191	-.494	50	3927	-.427	.161	-.075	-1.680
50	3212	-.202	.084	.155	-.558	50	3344	-.322	.050	-.193	-.530	50	3928	-.148	.141	.735	-.258
50	3213	-.354	.138	.215	-.738	50	3345	-.335	.052	-.176	-.592	50	3929	-.195	.085	-.132	-.654
50	3214	.291	.115	.233	-.734	50	3346	-.333	.061	-.145	-.605	50	3930	-.345	.064	-.177	-.600
50	3215	-.236	.094	.534	-.117	50	3347	-.352	.058	-.153	-.585	50	3931	-.336	.058	-.181	-.613
50	3216	-.107	.070	.221	-.386	50	3348	-.161	.101	.078	-.735	50	3932	-.337	.058	-.170	-.612
50	3217	-.383	.172	.342	-.846	50	3349	-.388	.153	.123	-.946	50	3933	-.355	.082	-.111	-.783
50	3218	-.168	.174	.531	-.967	50	3401	-.218	.118	.088	-.821	50	3934	-.399	.103	-.082	-.916
50	3201	.307	.060	-.094	-.715	50	3402	-.195	.117	.138	-.743	50	3935	-.433	.134	-.127	-1.184
50	3202	-.342	.074	-.115	-.941	50	3403	-.427	.139	.012	-1.085	50	3936	-.419	.086	-.140	-.808
50	3203	-.366	.095	-.145	-1.070	50	3404	-.259	.082	.018	-.582	50	3937	-.349	.060	-.135	-.577
50	3204	-.355	.078	-.162	-.864	50	3405	-.267	.058	-.048	-.499	50	3938	-.334	.057	-.160	-.555
50	3205	-.351	.069	-.166	-.764	50	3406	-.257	.060	-.035	-.482	50	3939	-.363	.077	-.120	-.708
50	3206	-.335	.072	-.101	-.727	50	3407	-.326	.061	-.118	-.600	50	3940	-.367	.069	-.105	-.653
50	3207	-.355	.068	-.165	-.934	50	3408	-.197	.043	-.046	-.371	50	3941	-.349	.063	-.078	-.622
50	3208	-.339	.064	-.159	-.633	50	3409	-.365	.066	-.148	-.635	60	1101	-.293	.143	.541	-1.009
50	3209	-.315	.068	-.080	-.689	50	3410	-.302	.058	-.167	-.512	60	1102	-.291	.113	.199	-.842
50	3210	-.319	.063	-.127	-.762	50	3411	-.152	.054	-.040	-.401	60	1103	-.281	.112	.270	-.925
50	3211	-.334	.066	-.120	-.685	50	3412	-.198	.053	-.004	-.435	60	1104	-.283	.088	.016	-.916
50	3212	-.343	.068	-.129	-.694	50	3413	-.339	.063	-.073	-.602	60	1105	-.274	.094	.071	-.819
50	3213	-.347	.059	-.171	-.652	50	3414	-.107	.095	.475	-.291	60	1106	-.055	.113	.353	-.546
50	3214	-.332	.057	-.166	-.629	50	3415	-.289	.125	.211	-.793	60	1107	-.122	.143	.467	-.498
50	3215	-.342	.064	-.162	-.633	50	3416	-.121	.053	.128	-.273	60	1108	-.108	.078	.220	-.450
50	3216	-.333	.057	-.152	-.601	50	3417	-.087	.086	.302	-.346	60	1109	-.163	.067	.130	-.510
50	3217	-.327	.058	-.150	-.561	50	3901	-.255	.120	-.071	-.853	60	1110	-.172	.187	.635	-.766
50	3218	-.335	.061	-.117	-.622	50	3902	-.474	.151	-.015	-1.534	60	1111	-.111	.189	.641	-.631
50	3219	-.355	.066	-.122	-.596	50	3903	-.333	.144	.056	-.961	60	1112	-.057	.102	.414	-.537
50	3220	-.330	.059	-.124	-.610	50	3904	-.323	.112	.030	-.756	60	1113	-.183	.072	.254	-.647
50	3221	-.338	.060	-.120	-.608	50	3905	-.448	.120	-.025	-1.134	60	1114	-.236	.176	.515	-.748
50	3222	-.327	.053	-.185	-.547	50	3906	-.387	.081	-.070	-.759	60	1115	-.206	.186	.740	-.755
50	3223	-.324	.052	-.157	-.510	50	3907	-.344	.131	-.118	-.889	60	1116	-.080	.173	.447	-.753
50	3224	-.329	.056	-.173	-.549	50	3908	-.338	.100	-.020	-.754	60	1117	-.170	.109	.229	-.686
50	3225	-.323	.058	-.143	-.563	50	3909	-.339	.119	.006	-.897	60	1118	-.220	.080	.082	-.684

WD	TAP	CPMEAN	CPRMS	CPMAX	CPMIN	WD	TAP	CPMEAN	CPRMS	CPMAX	CPMIN	WD	TAP	CPMEAN	CPRMS	CPMAX	CPMIN
60	1119	-.068	.165	.625	-.567	60	1207	-.393	.188	.321	-1.303	60	1257	-.087	.129	.586	-.507
60	1120	-.026	.183	.761	-.461	60	1208	-.298	.087	-.005	-.879	60	1258	-.285	.233	.332	-1.277
60	1121	.094	.185	.607	-.427	60	1209	-.008	.139	.458	-.540	60	1259	-.321	.224	.239	-1.230
60	1122	.097	.127	.513	-.363	60	1210	-.059	.165	.656	-.481	60	1260	-.207	.063	-.008	-.575
60	1123	-.058	.080	.270	-.466	60	1211	-.031	.165	.591	-.495	60	1261	-.191	.057	.015	-.442
60	1124	-.119	.061	.144	-.427	60	1212	-.223	.098	.316	-.581	60	1262	-.167	.049	.031	-.419
60	1125	-.043	.216	.749	-.714	60	1213	-.264	.058	.002	-.505	60	1263	-.168	.054	.113	-.384
60	1126	-.001	.223	.758	-.649	60	1214	-.357	.149	.058	-1.263	60	1264	-.173	.060	.108	-.395
60	1127	.109	.191	.698	-.610	60	1215	-.356	.160	-.002	-1.475	60	1265	-.148	.088	.139	-.482
60	1128	-.102	.145	.522	-.581	60	1216	-.039	.136	.456	-.633	60	1266	-.219	.170	.209	-1.060
60	1129	-.057	.087	.235	-.516	60	1217	-.118	.193	.770	-.626	60	1267	-.314	.205	.253	-1.456
60	1130	-.114	.063	.173	-.422	60	1218	-.148	.138	.526	-.642	60	1268	-.249	.091	.062	-.720
60	1131	.059	.171	.678	-.464	60	1219	-.343	.135	.035	-1.117	60	1269	-.185	.055	-.013	-.435
60	1132	.110	.181	.790	-.328	60	1220	-.362	.158	.068	-1.326	60	1270	-.231	.070	-.025	-.512
60	1133	.188	.163	.788	-.376	60	1221	-.074	.165	.421	-.747	60	1271	-.256	.155	-.188	-1.039
60	1134	.153	.111	.570	-.390	60	1222	.032	.201	.717	-.875	60	1272	-.186	.052	-.001	-.482
60	1135	-.041	.044	.223	-.369	60	1223	.045	.234	.775	-.928	60	1273	-.165	.051	.003	-.377
60	1136	-.111	.051	.113	-.369	60	1224	-.194	.147	.619	-.658	60	1274	-.183	.068	-.015	-.654
60	1137	.114	.146	.781	-.468	60	1225	-.291	.072	-.014	-.691	60	1275	-.181	.057	-.013	-.444
60	1138	.189	.153	.804	-.349	60	1226	-.368	.146	.005	-1.021	60	1276	-.099	.076	.118	-.598
60	1139	.200	.114	.586	-.278	60	1227	-.371	.154	-.009	-1.391	60	1277	-.120	.120	.260	-.699
60	1140	.137	.079	.455	-.197	60	1228	.007	.133	.533	-.602	60	1278	-.172	.047	-.006	-.426
60	1141	-.044	.049	.147	-.243	60	1229	.140	.164	.623	-.463	60	1279	-.181	.060	-.011	-.416
60	1142	-.120	.041	.058	-.310	60	1230	.216	.219	.868	-.770	60	1280	-.237	.071	-.008	-.517
60	1143	.161	.134	.740	-.232	60	1231	-.095	.199	.917	-.398	60	1281	-.221	.079	.183	-.575
60	1144	.181	.126	.735	-.268	60	1232	-.200	.084	.196	-.567	60	1282	-.107	.056	.080	-.300
60	1145	.185	.097	.634	-.115	60	1233	-.240	.080	.100	-.605	60	1283	-.227	.099	.052	-.824
60	1146	.150	.083	.496	-.089	60	1234	-.344	.162	.114	-1.226	60	1284	-.137	.055	.127	-.491
60	1147	.011	.057	.225	-.174	60	1235	-.349	.168	.120	-1.281	60	1285	-.122	.059	.202	-.328
60	1148	-.087	.043	.145	-.259	60	1236	-.052	.133	.482	-.544	60	1286	-.158	.061	.094	-.388
60	1149	.096	.150	.726	-.528	60	1237	.050	.156	.658	-.500	60	1287	-.219	.062	.008	-.496
60	1150	.105	.081	.432	-.167	60	1238	.205	.208	.863	-.591	60	1288	-.092	.056	.125	-.302
60	1151	-.164	.063	.074	-.477	60	1239	-.041	.184	.868	-.463	60	1289	-.109	.062	.087	-.328
60	1152	.164	.104	.636	-.167	60	1240	-.150	.088	.361	-.451	60	1290	-.226	.099	.045	-.841
60	1153	.119	.080	.457	-.137	60	1241	-.238	.112	.342	-.819	60	1301	-.325	.130	.013	-.977
60	1154	.100	.084	.469	-.146	60	1242	-.364	.204	.196	-1.526	60	1302	-.402	.177	.083	-1.328
60	1155	.142	.062	.348	-.003	60	1243	-.350	.213	.177	-1.591	60	1303	-.298	.129	.009	-1.032
60	1156	.155	.075	.548	-.067	60	1244	-.159	.111	.351	-.595	60	1304	-.377	.156	.087	-1.199
60	1157	.164	.085	.516	-.094	60	1245	-.108	.124	.319	-.467	60	1305	-.262	.069	-.017	-.705
60	1158	-.121	.054	.067	-.296	60	1246	-.007	.160	.861	-.447	60	1306	-.261	.068	-.061	-.624
60	1159	.084	.077	.512	-.132	60	1247	-.100	.113	.561	-.447	60	1307	-.307	.110	-.028	-.933
60	1160	.194	.097	.634	-.064	60	1248	-.098	.079	.283	-.349	60	1308	-.300	.100	-.031	-.984
60	1161	.165	.078	.487	-.053	60	1249	-.143	.106	.395	-.547	60	1309	-.356	.137	-.001	-1.201
60	1162	.185	.096	.596	-.091	60	1250	-.325	.254	.197	-1.482	60	1310	-.339	.118	-.042	-.984
60	1201	-.325	.276	.512	-1.749	60	1251	-.379	.246	.158	-1.709	60	1311	-.335	.099	-.058	-.970
60	1202	-.303	.261	.789	-1.356	60	1252	-.295	.108	.064	-.883	60	1312	-.330	.095	-.042	-1.042
60	1203	-.311	.202	.507	-1.070	60	1253	-.299	.102	.029	-.787	60	1313	-.260	.055	-.061	-.672
60	1204	-.309	.144	.244	-1.049	60	1254	-.287	.100	.066	-.789	60	1314	-.292	.082	-.040	-.612
60	1205	-.295	.093	.112	-.772	60	1255	-.187	.072	.048	-.566	60	1315	-.317	.090	-.058	-1.106
60	1206	-.298	.099	.140	-.935	60	1256	-.104	.098	.407	-.433	60	1316	-.311	.080	-.051	-.836

WD	TAP	CPMEAN	CPRMS	CPMAX	CPMIN	WD	TAP	CPMEAN	CPRMS	CPMAX	CPMIN	WD	TAP	CPMEAN	CPRMS	CPMAX	CPMIN
60	1317	-.266	.055	-.081	-.557	60	1367	-.246	.116	.183	-.870	60	1432	-.282	.058	-.092	-.516
60	1318	-.300	.087	-.040	-.774	60	1368	-.285	.157	.160	-1.534	60	1433	-.310	.070	-.131	-.681
60	1319	-.342	.118	-.019	-1.012	60	1369	-.225	.030	-.005	-.305	60	1434	-.291	.061	-.104	-.740
60	1320	-.309	.080	-.072	-.742	60	1370	-.218	.036	-.059	-.338	60	1435	-.331	.116	-.001	-.980
60	1321	-.276	.044	-.040	-.767	60	1371	-.252	.052	-.077	-.486	60	1436	-.283	.054	-.111	-.580
60	1322	-.269	.058	-.054	-.601	60	1372	-.263	.081	-.074	-.558	60	1437	-.282	.072	-.011	-.678
60	1323	-.300	.081	-.017	-.753	60	1373	-.223	.023	-.131	-.313	60	1438	-.290	.072	-.092	-.713
60	1324	-.293	.079	-.078	-.733	60	1374	-.222	.038	-.054	-.347	60	1439	-.300	.079	-.065	-.694
60	1325	-.339	.105	-.034	-1.074	60	1375	-.195	.074	.130	-.474	60	1440	-.305	.077	-.067	-.642
60	1326	-.335	.099	-.058	-1.108	60	1376	-.232	.113	.185	-.702	60	1441	-.267	.048	-.124	-.466
60	1327	-.310	.082	-.055	-.777	60	1377	-.212	.028	-.061	-.306	60	1442	-.271	.050	-.111	-.454
60	1328	-.306	.077	-.048	-.696	60	1378	-.186	.049	.057	-.354	60	1443	-.278	.047	-.129	-.488
60	1329	-.256	.046	-.062	-.514	60	1379	-.194	.057	.035	-.429	60	1444	-.283	.052	-.115	-.573
60	1330	-.249	.043	-.090	-.412	60	1380	-.203	.075	.175	-.487	60	1445	-.268	.047	-.138	-.568
60	1331	-.283	.066	-.073	-.851	60	1381	-.213	.059	.011	-.486	60	1446	-.271	.047	-.134	-.525
60	1332	-.273	.058	-.097	-.560	60	1382	-.203	.039	-.018	-.299	60	1447	-.269	.045	-.115	-.532
60	1333	-.340	.102	-.111	-.803	60	1383	-.204	.044	.350	-.368	60	1448	-.250	.046	-.121	-.451
60	1334	-.312	.079	-.028	-.687	60	1384	-.188	.060	.132	-.404	60	1449	-.262	.049	-.104	-.565
60	1335	-.295	.071	-.078	-.678	60	1385	-.187	.082	.250	-.463	60	1450	-.264	.051	-.044	-.514
60	1336	-.291	.071	-.060	-.683	60	1401	-.325	.087	-.102	-.862	60	1451	-.270	.053	-.090	-.495
60	1337	-.265	.037	-.136	-.444	60	1402	-.324	.081	-.076	-.848	60	1452	-.273	.053	-.053	-.527
60	1338	-.256	.037	-.136	-.416	60	1403	-.299	.057	-.143	-.729	60	1453	-.261	.041	-.112	-.430
60	1339	-.278	.047	-.141	-.465	60	1404	-.294	.050	-.161	-.511	60	1454	-.266	.040	-.114	-.420
60	1340	-.281	.047	-.153	-.500	60	1405	-.282	.067	-.082	-.647	60	1455	-.271	.039	-.155	-.398
60	1341	-.339	.094	-.119	-.851	60	1406	-.295	.062	-.134	-.564	60	1456	-.285	.035	-.182	-.417
60	1342	-.319	.080	-.081	-.810	60	1407	-.315	.072	-.081	-.630	60	1457	-.275	.035	-.167	-.413
60	1343	-.315	.080	-.062	-.722	60	1408	-.291	.068	-.102	-.660	60	1458	-.283	.042	-.163	-.488
60	1344	-.293	.068	-.081	-.720	60	1409	-.283	.062	-.104	-.539	60	1459	-.281	.042	-.155	-.427
60	1345	-.251	.029	-.143	-.365	60	1410	-.281	.065	-.081	-.699	60	1460	-.263	.035	-.158	-.391
60	1346	-.248	.030	-.148	-.363	60	1411	-.316	.080	-.127	-.813	60	1461	-.269	.036	-.158	-.432
60	1347	-.285	.060	-.115	-.794	60	1412	-.293	.067	-.120	-.861	60	1462	-.271	.038	-.138	-.430
60	1348	-.270	.045	-.127	-.514	60	1413	-.284	.060	-.083	-.623	60	1463	-.283	.050	-.136	-.476
60	1349	-.346	.110	-.081	-1.025	60	1414	-.284	.063	-.122	-.617	60	1464	-.281	.052	-.108	-.595
60	1350	-.331	.092	-.051	-.796	60	1415	-.270	.058	-.095	-.507	60	1465	-.265	.037	-.092	-.466
60	1351	-.342	.107	-.072	-.923	60	1416	-.273	.075	-.070	-.671	60	1466	-.267	.038	-.150	-.480
60	1352	-.330	.100	-.020	-1.312	60	1417	-.278	.077	-.028	-.651	60	1467	-.276	.033	-.158	-.398
60	1353	-.224	.031	-.053	-.335	60	1418	-.303	.091	-.044	-.726	60	1468	-.281	.031	-.180	-.396
60	1354	-.232	.027	-.132	-.328	60	1419	-.294	.092	-.001	-.740	60	1469	-.271	.028	-.172	-.381
60	1355	-.249	.044	-.067	-.502	60	1420	-.298	.085	-.031	-.839	60	1470	-.268	.032	-.170	-.471
60	1356	-.259	.043	-.104	-.484	60	1421	-.281	.059	-.081	-.573	60	1471	-.271	.035	-.165	-.466
60	1357	-.262	.072	-.003	-.669	60	1422	-.280	.057	-.072	-.509	60	1472	-.248	.027	-.146	-.349
60	1358	-.271	.085	.114	-.620	60	1423	-.301	.081	-.097	-.698	60	1473	-.260	.030	-.143	-.371
60	1359	-.320	.127	-.213	-1.088	60	1424	-.269	.052	-.120	-.562	60	1474	-.265	.034	-.158	-.413
60	1360	-.350	.155	-.042	-1.203	60	1425	-.275	.056	-.099	-.625	60	1475	-.294	.064	-.129	-.757
60	1361	-.214	.034	-.055	-.303	60	1426	-.265	.059	-.086	-.623	60	1476	-.295	.059	-.126	-.546
60	1362	-.223	.026	-.134	-.321	60	1427	-.271	.066	-.074	-.564	60	1477	-.291	.040	-.153	-.432
60	1363	-.220	.045	-.007	-.430	60	1428	-.278	.063	-.086	-.589	60	1478	-.297	.042	-.170	-.456
60	1364	-.249	.044	-.055	-.446	60	1429	-.282	.072	-.042	-.566	60	1479	-.304	.040	-.163	-.447
60	1365	-.219	.055	-.023	-.490	60	1430	-.296	.078	-.081	-.669	60	1480	-.297	.033	-.182	-.430
60	1366	-.209	.076	.162	-.532	60	1431	-.278	.054	-.095	-.541	60	1481	-.259	.029	-.136	-.357

WD	TAP	CPMEAN	CPRMS	CPMAX	CPMIN	WD	TAP	CPMEAN	CPRMS	CPMAX	CPMIN	WD	TAP	CPMEAN	CPRMS	CPMAX	CPMIN
60	1482	-.262	.032	-.172	-.442	60	1908	-.291	.127	.101	-.947	60	2301	-.302	.052	-.154	-.551
60	1483	-.261	.033	-.141	-.471	60	1909	-.288	.122	.089	-1.142	60	2302	-.297	.040	-.159	-.511
60	1484	-.237	.026	-.134	-.325	60	1910	-.295	.104	-.017	-.905	60	2303	-.299	.040	-.176	-.489
60	1485	-.248	.028	-.133	-.374	60	1911	-.283	.076	.003	-.872	60	2304	-.299	.030	-.068	-.303
60	1486	-.253	.030	-.150	-.410	60	1912	-.271	.065	.105	-.872	60	2305	-.298	.059	-.328	-.248
60	1487	-.271	.042	-.158	-.514	60	1913	-.280	.085	-.003	-.833	60	2306	-.292	.061	-.259	-.327
60	1488	-.275	.044	-.138	-.490	60	1914	-.329	.140	.121	-.963	60	2307	-.291	.053	-.187	-.224
60	1489	-.435	.119	-.143	-1.108	60	1915	-.274	.099	.121	-.658	60	2308	-.291	.033	-.033	-.300
60	1490	-.348	.086	-.087	-.764	60	1916	-.334	.117	-.015	-.927	60	2309	-.290	.085	-.572	-.166
60	1491	-.306	.048	-.177	-.587	60	1917	-.312	.099	-.011	-.788	60	2310	-.290	.054	-.237	-.217
60	1492	-.281	.033	-.177	-.415	60	1918	-.358	.166	.153	-1.186	60	2311	-.290	.048	-.187	-.240
60	1493	-.253	.026	-.150	-.342	60	1919	-.367	.151	.078	-1.040	60	2401	-.274	.062	-.116	-.604
60	1494	-.273	.031	-.171	-.388	60	1920	-.353	.151	.144	-1.331	60	2402	-.292	.072	-.116	-.630
60	1495	-.277	.036	-.155	-.469	60	1921	-.443	.189	.185	-1.324	60	2403	-.288	.070	-.123	-.683
60	1496	-.227	.024	-.132	-.328	60	1922	-.348	.133	.139	-1.320	60	2404	-.266	.056	-.068	-.568
60	1497	-.249	.029	-.155	-.425	60	1923	-.307	.103	.035	-1.247	60	2405	-.281	.057	-.102	-.675
60	1498	-.247	.031	-.141	-.402	60	1924	-.287	.091	.136	-1.056	60	2406	-.271	.060	-.027	-.613
60	1499	-.264	.045	-.132	-.476	60	1925	-.400	.151	-.028	-.099	60	2901	-.269	.029	-.186	-.390
60	1500	-.266	.043	-.137	-.506	60	1926	-.334	.109	-.020	-.854	60	2902	-.260	.027	-.164	-.366
60	1501	-.474	.113	-.153	-1.099	60	1927	-.396	.135	.041	-.945	60	2903	-.257	.060	-.256	-.311
60	1502	-.217	.126	-.353	-.608	60	1928	-.333	.108	.012	-.977	60	2904	-.320	.055	-.172	-.631
60	1503	-.270	.037	-.158	-.471	60	1929	-.389	.127	.119	-1.192	60	2905	-.264	.046	-.109	-.443
60	1504	-.262	.027	-.176	-.372	60	1930	-.393	.126	.300	-.858	60	2906	-.244	.075	-.264	-.347
60	1505	-.270	.031	-.169	-.411	60	1931	-.342	.123	.221	-.962	60	2907	-.254	.272	-.030	-1.854
60	1506	-.275	.030	-.181	-.407	60	1932	-.301	.095	-.013	-.747	60	2908	-.266	.033	-.138	-.462
60	1507	-.243	.032	-.155	-.411	60	1933	-.344	.130	-.016	-.301	60	2909	-.260	.081	-.280	-.357
60	1508	-.245	.029	-.158	-.368	60	1934	-.181	.058	.169	-.373	60	2910	-.205	.132	-.840	-.275
60	1509	-.268	.046	-.146	-.506	60	1935	-.277	.096	.046	-.718	60	2911	-.263	.027	-.179	-.376
60	1510	-.226	.026	-.137	-.321	60	2101	-.067	.086	.227	-.491	60	2912	-.125	.051	-.095	-.342
60	1511	-.243	.029	-.146	-.354	60	2102	-.097	.089	.244	-.568	60	2913	-.276	.039	-.135	-.522
60	1512	-.266	.049	-.109	-.495	60	2103	-.204	.143	.800	-.846	60	2914	-.299	.040	-.155	-.450
60	1513	-.220	.025	-.137	-.326	60	2104	-.129	.105	.261	-.322	60	2915	-.299	.045	-.181	-.518
60	1514	-.246	.029	-.167	-.375	60	2105	-.101	.083	.523	-.210	60	2916	-.097	.080	-.141	-.522
60	1515	-.240	.036	-.139	-.441	60	2106	-.014	.092	.276	-.525	60	2917	-.400	.076	-.215	-.727
60	1516	-.243	.030	-.125	-.368	60	2107	-.111	.088	.502	-.140	60	2918	-.471	.144	-.056	-1.085
60	1801	-.163	.088	.673	-.076	60	2201	-.310	.043	-.174	-.472	60	2919	-.038	.092	-.360	-.597
60	1802	-.200	.061	.001	-.624	60	2202	-.253	.079	-.061	-.604	60	2920	-.105	.075	-.163	-.583
60	1803	-.212	.074	.070	-.627	60	2203	-.164	.139	.679	-.260	60	2921	-.051	.072	-.276	-.361
60	1804	-.059	.105	.342	-.550	60	2204	-.028	.116	.576	-.328	60	2922	-.001	.081	-.288	-.561
60	1805	-.195	.059	.024	-.429	60	2205	-.009	.082	.477	-.263	60	2923	-.020	.044	-.268	-.184
60	1806	-.139	.056	.058	-.374	60	2206	-.222	.062	.009	-.484	60	2924	-.285	.122	-.054	-.946
60	1807	-.110	.052	.082	-.327	60	2207	-.127	.110	.615	-.162	60	2925	-.194	.111	-.121	-.688
60	1808	-.086	.097	.211	-.511	60	2208	-.029	.050	.348	-.162	60	2926	-.309	.122	-.011	-.929
60	1901	-.274	.077	.064	-.677	60	2209	.098	.080	.499	-.121	60	3101	-.459	.163	-.077	-1.486
60	1902	-.263	.062	.066	-.549	60	2210	.227	.115	.747	-.157	60	3102	-.400	.117	-.124	-.968
60	1903	-.264	.092	.076	-.672	60	2211	.203	.096	.624	-.047	60	3103	-.332	.095	-.037	-.780
60	1904	-.300	.107	.060	-.934	60	2212	.152	.089	.518	-.107	60	3104	-.309	.081	-.082	-.725
60	1905	-.298	.099	.009	-1.049	60	2213	.158	.095	.607	-.114	60	3105	-.291	.086	-.041	-.747
60	1906	-.287	.070	-.068	-.715	60	2214	.062	.061	.412	-.114	60	3106	-.276	.089	.038	-.875
60	1907	-.326	.114	.057	-1.031	60	2215	.155	.102	.737	-.116	60	3107	-.209	.088	.149	-.655

WD	TAP	CPMEAN	CPRMS	CPMAX	CPMIN	WD	TAP	CPMEAN	CPRMS	CPMAX	CPMIN	WD	TAP	CPMEAN	CPRMS	CPMAX	CPMIN
60	3108	-.221	.090	.225	-.520	60	3304	-.315	.073	-.118	-.681	60	3405	-.222	.065	-.004	-.482
60	3109	-.142	.135	.346	-.657	60	3305	-.311	.071	-.111	-.688	60	3406	-.197	.054	-.020	-.400
60	3110	-.052	.090	.287	-.641	60	3306	-.282	.068	-.026	-.632	60	3407	-.288	.064	-.032	-.570
60	3111	-.291	.075	-.073	-.624	60	3307	-.296	.066	-.072	-.685	60	3408	-.172	.043	-.024	-.336
60	3112	-.259	.064	-.026	-.525	60	3308	-.257	.054	-.071	-.586	60	3409	-.313	.068	-.060	-.610
60	3113	-.260	.116	-.183	-.920	60	3309	-.286	.066	-.002	-.576	60	3410	-.154	.058	-.001	-.368
60	3114	-.286	.102	-.088	-.785	60	3310	-.284	.062	-.109	-.681	60	3411	-.133	.054	.060	-.372
60	3115	-.305	.085	-.059	-.868	60	3311	-.273	.053	-.092	-.527	60	3412	-.180	.050	.015	-.332
60	3116	-.301	.084	-.061	-.743	60	3312	-.298	.067	-.097	-.725	60	3413	-.277	.069	.092	-.572
60	3117	-.204	.104	-.249	-.842	60	3313	-.278	.052	-.144	-.611	60	3414	-.009	.091	.405	-.327
60	3118	-.140	.132	-.400	-.608	60	3314	-.250	.050	-.113	-.644	60	3415	-.164	.117	.265	-.642
60	3119	-.480	.179	-.042	-1.079	60	3315	-.294	.064	-.083	-.690	60	3416	-.127	.050	.062	-.317
60	3120	-.418	.111	-.162	-.883	60	3316	-.281	.053	-.125	-.586	60	3417	-.128	.069	.145	-.352
60	3121	.043	.091	.431	-.336	60	3317	-.279	.053	-.088	-.532	60	3901	-.334	.120	.022	-.917
60	3122	.105	.165	.755	-.707	60	3318	-.297	.063	-.113	-.846	60	3902	-.299	.116	.082	-.872
60	3123	-.051	.082	.346	-.265	60	3319	-.309	.070	-.016	-.632	60	3903	-.267	.140	.136	-.874
60	3124	-.231	.162	.826	-.435	60	3320	-.278	.055	-.099	-.511	60	3904	-.229	.098	.143	-.611
60	3125	-.476	.161	-.023	-1.062	60	3321	-.283	.052	-.106	-.516	60	3905	-.327	.099	-.001	-.791
60	3126	-.356	.090	-.125	-.790	60	3322	-.279	.050	-.113	-.490	60	3906	-.335	.108	.037	-.911
60	3127	-.264	.093	-.002	-.911	60	3323	-.266	.048	-.099	-.618	60	3907	-.258	.088	.063	-.689
60	3128	-.286	.115	.079	-.750	60	3324	-.250	.057	-.069	-.523	60	3908	-.283	.076	.020	-.625
60	3129	-.187	.072	.114	-.468	60	3325	-.277	.052	-.083	-.527	60	3909	-.232	.111	.107	-.677
60	3130	-.129	.125	.315	-.563	60	3326	-.290	.052	-.139	-.576	60	3910	-.391	.145	-.032	-1.103
60	3131	-.147	.107	.218	-.485	60	3327	-.292	.052	-.127	-.548	60	3911	-.209	.159	.141	-.921
60	3132	-.125	.134	.277	-.707	60	3328	-.273	.049	-.137	-.476	60	3912	-.264	.084	.077	-.576
60	3133	-.017	.076	.362	-.215	60	3329	-.330	.076	-.065	-.713	60	3913	-.212	.087	.159	-.694
60	3134	-.087	.084	.282	-.343	60	3330	-.276	.058	-.050	-.476	60	3914	-.273	.085	.070	-.680
60	3135	-.183	.143	.380	-.790	60	3331	-.260	.047	-.055	-.460	60	3915	-.391	.165	-.004	-1.290
60	3136	-.035	.131	.525	-.677	60	3332	-.281	.045	-.137	-.480	60	3916	-.180	.091	.119	-.684
60	3201	-.042	.133	.656	-.447	60	3333	-.277	.046	-.137	-.469	60	3917	-.396	.137	.063	-.916
60	3202	-.140	.159	.814	-.395	60	3334	-.258	.048	-.060	-.488	60	3918	-.205	.102	.150	-.788
60	3203	-.140	.135	.352	-.621	60	3335	-.238	.039	-.102	-.427	60	3919	-.260	.079	.051	-.774
60	3204	-.299	.228	.367	-.972	60	3336	-.244	.045	-.070	-.447	60	3920	-.288	.086	.051	-.656
60	3205	-.373	.100	.015	-.764	60	3337	-.300	.058	-.140	-.595	60	3921	-.292	.081	.032	-.682
60	3206	-.357	.131	.206	-.966	60	3338	-.197	.052	-.025	-.385	60	3922	-.250	.190	.904	-.337
60	3207	-.038	.108	.365	-.352	60	3339	-.265	.051	-.070	-.467	60	3923	-.077	.131	.349	-.647
60	3208	-.052	.108	.346	-.461	60	3340	-.263	.049	-.062	-.510	60	3924	-.281	.052	-.089	-.493
60	3209	-.257	.042	-.127	-.485	60	3341	-.269	.045	-.117	-.472	60	3925	-.310	.087	-.032	-.892
60	3210	-.170	.066	.121	-.352	60	3342	-.266	.042	-.137	-.437	60	3926	-.282	.050	-.110	-.469
60	3211	-.198	.152	.755	-.241	60	3343	-.258	.041	-.147	-.492	60	3927	-.490	.251	-.056	-1.760
60	3212	-.106	.084	.292	-.464	60	3344	-.236	.042	-.082	-.432	60	3928	-.097	.144	.755	-.387
60	3213	-.169	.151	.449	-.672	60	3345	-.249	.050	-.090	-.442	60	3929	-.138	.097	.235	-.488
60	3214	-.236	.090	.275	-.513	60	3346	-.253	.056	-.100	-.615	60	3930	-.294	.056	-.067	-.588
60	3215	-.227	.132	.547	-.188	60	3347	-.276	.050	-.082	-.617	60	3931	-.286	.044	-.146	-.468
60	3216	-.013	.082	.310	-.253	60	3348	-.273	.113	.005	-.980	60	3932	-.280	.051	-.096	-.569
60	3217	-.146	.194	.620	-.814	60	3349	-.089	.111	.270	-.605	60	3933	-.310	.084	-.046	-.835
60	3218	-.045	.159	.603	-.441	60	3401	-.143	.095	.141	-.564	60	3934	-.332	.101	-.027	-.850
60	3301	-.285	.065	-.088	-.581	60	3402	-.146	.086	.092	-.610	60	3935	-.341	.118	-.070	-.961
60	3302	-.282	.059	-.125	-.686	60	3403	-.210	.137	.143	-.893	60	3936	-.294	.105	.132	-.675
60	3303	-.287	.069	-.069	-.911	60	3404	-.165	.076	.062	-.642	60	3937	-.350	.085	.017	-.900

WD	TAP	CPMEAN	CPRMS	CPMAX	CPMIN	WD	TAP	CPMEAN	CPRMS	CPMAX	CPMIN	WD	TAP	CPMEAN	CPRMS	CPMAX	CPMIN
60	3938	-.293	.057	-.010	-.635	70	1147	-.086	.064	.216	-.338	70	1235	-.189	.072	.153	-.424
60	3939	-.235	.077	-.092	-.550	70	1148	-.141	.056	.195	-.375	70	1236	-.101	.119	.429	-.447
60	3940	-.328	.077	-.092	-.720	70	1149	-.059	.112	.422	-.570	70	1237	-.022	.136	.634	-.389
60	3941	-.286	.063	-.045	-.562	70	1150	-.032	.082	.336	-.324	70	1238	.171	.209	.801	-.340
70	1101	-.331	.117	.004	-.961	70	1151	-.215	.067	.018	-.584	70	1239	.206	.213	.927	-.258
70	1102	-.281	.085	.031	-.708	70	1152	-.000	.110	.422	-.638	70	1240	.060	.148	.766	-.342
70	1103	-.308	.099	.017	-.762	70	1153	-.014	.082	.298	-.277	70	1241	-.031	.126	.560	-.414
70	1104	-.249	.058	-.029	-.551	70	1154	.032	.084	.431	-.167	70	1242	-.153	.111	.404	-.574
70	1105	-.244	.068	.087	-.690	70	1155	.034	.054	.248	-.142	70	1243	-.170	.103	.316	-.588
70	1106	-.208	.091	.233	-.597	70	1156	.030	.081	.521	-.167	70	1244	-.205	.096	.174	-.574
70	1107	-.247	.084	.187	-.660	70	1157	.031	.090	.374	-.209	70	1245	-.165	.095	.348	-.488
70	1108	-.190	.075	.103	-.606	70	1158	-.052	.059	.191	-.222	70	1246	-.022	.144	.529	-.454
70	1109	-.207	.069	.068	-.551	70	1159	.002	.067	.275	-.241	70	1247	.002	.135	.558	-.423
70	1110	-.250	.088	.261	-.634	70	1160	.036	.083	.381	-.229	70	1248	.001	.109	.558	-.315
70	1111	-.260	.094	.235	-1.191	70	1161	.035	.083	.335	-.216	70	1249	.027	.141	.658	-.397
70	1112	-.193	.102	.222	-.671	70	1162	.033	.085	.397	-.204	70	1250	-.058	.128	.472	-.544
70	1113	-.226	.071	.092	-.662	70	1201	-.230	.315	.711	-1.516	70	1251	-.117	.095	.259	-.583
70	1114	-.275	.083	.222	-.762	70	1202	-.193	.296	.699	-1.237	70	1252	-.247	.105	.111	-.865
70	1115	-.266	.090	.161	-.753	70	1203	-.253	.296	.850	-1.190	70	1253	-.239	.091	.085	-.751
70	1116	-.240	.117	.259	-.734	70	1204	-.295	.274	.708	-1.313	70	1254	-.232	.076	-.027	-.588
70	1117	-.230	.091	.133	-.857	70	1205	-.323	.209	.392	-1.320	70	1255	-.203	.086	.111	-.579
70	1118	-.250	.081	.068	-.646	70	1206	-.331	.207	.404	-1.388	70	1256	-.083	.115	.563	-.527
70	1119	-.235	.093	.317	-.644	70	1207	-.429	.209	.234	-1.246	70	1257	-.037	.150	.693	-.492
70	1120	-.235	.097	.275	-.959	70	1208	-.344	.164	.153	-1.086	70	1258	-.104	.101	.348	-.867
70	1121	-.197	.111	.298	-.637	70	1209	.016	.126	.436	-.523	70	1259	-.117	.099	.269	-.688
70	1122	-.166	.105	.326	-.627	70	1210	.071	.161	.546	-.495	70	1260	-.153	.065	.064	-.495
70	1123	-.180	.084	.171	-.553	70	1211	.163	.162	.845	-.454	70	1261	-.139	.064	.064	-.448
70	1124	-.194	.068	.059	-.500	70	1212	.019	.148	.520	-.370	70	1262	-.100	.052	.143	-.364
70	1125	-.245	.104	.263	-.790	70	1213	-.168	.103	.288	-.484	70	1263	-.097	.055	.122	-.283
70	1126	-.257	.111	.249	-.722	70	1214	-.221	.070	.039	-.616	70	1264	-.079	.069	.225	-.283
70	1127	-.331	.143	.385	-.742	70	1215	-.234	.068	.051	-.579	70	1265	-.058	.070	.183	-.416
70	1128	-.185	.145	.371	-.703	70	1216	-.030	.124	.369	-.593	70	1266	-.084	.086	.185	-.513
70	1129	-.198	.098	.118	-.740	70	1217	.145	.165	.641	-.375	70	1267	-.103	.094	.239	-.565
70	1130	-.212	.079	.102	-.668	70	1218	.186	.191	.887	-.461	70	1268	-.203	.097	.097	-.732
70	1131	-.232	.128	.264	-1.396	70	1219	-.214	.083	.244	-.581	70	1269	-.110	.055	.115	-.290
70	1132	-.221	.123	.322	-.686	70	1220	-.244	.078	.165	-.554	70	1270	-.112	.064	.174	-.350
70	1133	-.158	.127	.318	-.547	70	1221	-.014	.129	.397	-.544	70	1271	-.112	.098	.437	-.593
70	1134	-.122	.113	.292	-.449	70	1222	.090	.167	.622	-.581	70	1272	-.116	.052	.083	-.381
70	1135	-.154	.076	.167	-.484	70	1223	.282	.205	.938	-.570	70	1273	-.095	.054	.120	-.402
70	1136	-.181	.060	.023	-.421	70	1224	.128	.200	.748	-.498	70	1274	-.092	.060	.134	-.278
70	1137	-.151	.144	.367	-1.003	70	1225	-.183	.136	.348	-.670	70	1275	-.099	.060	.167	-.311
70	1138	-.133	.143	.629	-1.051	70	1226	-.258	.082	.155	-.621	70	1276	-.079	.063	.176	-.311
70	1139	-.059	.112	.385	-.510	70	1227	-.268	.086	.130	-.756	70	1277	-.075	.071	.339	-.416
70	1140	-.051	.095	.374	-.405	70	1228	-.007	.134	.515	-.535	70	1278	-.111	.050	.078	-.318
70	1141	-.111	.066	.146	-.326	70	1229	.115	.165	.723	-.401	70	1279	-.077	.058	.174	-.246
70	1142	-.155	.055	.106	-.377	70	1230	.345	.207	.941	-.379	70	1280	-.079	.066	.246	-.301
70	1143	-.061	.155	.399	-1.305	70	1231	.305	.215	.980	-.275	70	1281	-.083	.083	.374	-.383
70	1144	-.058	.145	.448	-.945	70	1232	.080	.166	.757	-.435	70	1282	-.055	.055	.139	-.262
70	1145	-.003	.104	.415	-.384	70	1233	-.090	.107	.534	-.377	70	1283	-.106	.085	.141	-.574
70	1146	.003	.093	.388	-.270	70	1234	-.159	.080	.285	-.500	70	1284	-.077	.071	.257	-.558



WD	TAP	CPMEAN	CFRMS	CFMAX	CPMIN	WD	TAP	CPMEAN	CFRMS	CPMAX	CPMIN	WD	TAP	CPMEAN	CFRMS	CFMAX	CPMIN
70	1285	-.042	.084	.430	-.241	70	1345	-.239	.035	-.043	-.422	70	1410	-.256	.064	-.101	-.591
70	1286	-.064	.070	.269	-.241	70	1346	-.236	.033	-.122	-.358	70	1411	-.262	.058	-.110	-.559
70	1287	-.074	.070	.197	-.285	70	1347	-.298	.084	-.076	-.794	70	1412	-.255	.061	-.053	-.613
70	1288	-.036	.057	.239	-.218	70	1348	-.298	.069	-.126	-.627	70	1413	-.265	.080	-.051	-.755
70	1289	-.046	.060	.313	-.225	70	1349	-.368	.135	-.025	-1.100	70	1414	-.267	.078	-.030	-.792
70	1290	-.083	.089	.143	-.464	70	1350	-.368	.121	-.014	-1.150	70	1415	-.259	.070	-.046	-.629
70	1301	-.339	.153	.121	-1.310	70	1351	-.382	.137	-.032	-1.350	70	1416	-.264	.079	-.067	-.689
70	1302	-.449	.184	.029	-1.574	70	1352	-.399	.153	.027	-1.635	70	1417	-.274	.081	-.035	-.748
70	1303	-.353	.169	.061	-1.278	70	1353	-.195	.046	-.051	-.335	70	1418	-.313	.088	-.026	-.737
70	1304	-.398	.148	.052	-1.088	70	1354	-.223	.034	-.105	-.383	70	1419	-.291	.087	-.020	-.728
70	1305	-.261	.084	-.019	-.733	70	1355	-.229	.062	-.087	-.535	70	1420	-.298	.093	-.023	-.821
70	1306	-.264	.080	-.007	-.781	70	1356	-.265	.061	-.060	-.670	70	1421	-.260	.060	-.085	-.634
70	1307	-.319	.119	-.056	-1.180	70	1357	-.221	.090	.409	-.661	70	1422	-.262	.060	-.088	-.666
70	1308	-.314	.113	-.006	-1.031	70	1358	-.228	.132	.191	-.840	70	1423	-.254	.054	-.074	-.490
70	1309	-.370	.146	-.010	-1.109	70	1359	-.280	.157	.202	-1.148	70	1424	-.259	.067	-.021	-.643
70	1310	-.375	.143	-.014	-1.178	70	1360	-.314	.169	.204	-1.400	70	1425	-.269	.069	-.059	-.740
70	1311	-.344	.098	-.113	-1.132	70	1361	-.168	.049	.230	-.337	70	1426	-.264	.067	-.065	-.602
70	1312	-.343	.094	-.062	-.784	70	1362	-.208	.032	-.007	-.335	70	1427	-.264	.070	-.055	-.609
70	1313	-.254	.062	-.046	-.704	70	1363	-.170	.066	-.138	-.425	70	1428	-.273	.068	-.081	-.616
70	1314	-.300	.089	-.051	-.772	70	1364	-.231	.058	-.021	-.466	70	1429	-.282	.070	-.082	-.602
70	1315	-.351	.115	-.036	-.990	70	1365	-.160	.074	.159	-.491	70	1430	-.291	.073	-.065	-.689
70	1316	-.331	.089	-.067	-1.063	70	1366	-.147	.115	.264	-.643	70	1431	-.257	.060	-.104	-.673
70	1317	-.265	.070	-.017	-.708	70	1367	-.203	.157	.289	-1.051	70	1432	-.279	.069	-.099	-.671
70	1318	-.305	.098	-.005	-1.004	70	1368	-.247	.173	.273	-1.219	70	1433	-.257	.054	-.120	-.611
70	1319	-.367	.133	-.022	-1.265	70	1369	-.179	.051	.115	-.294	70	1434	-.255	.060	-.083	-.584
70	1320	-.317	.082	-.083	-.740	70	1370	-.176	.047	.077	-.352	70	1435	-.261	.074	-.018	-.657
70	1321	-.282	.086	-.042	-.958	70	1371	-.233	.067	.025	-.596	70	1436	-.270	.062	-.099	-.604
70	1322	-.276	.076	-.056	-.814	70	1372	-.221	.104	.041	-.589	70	1437	-.274	.075	-.060	-.991
70	1323	-.309	.088	-.078	-.724	70	1373	-.196	.025	-.088	-.305	70	1438	-.283	.073	-.053	-.707
70	1324	-.308	.084	-.062	-.807	70	1374	-.186	.053	.045	-.463	70	1439	-.304	.078	-.088	-.719
70	1325	-.359	.117	-.000	-.067	70	1375	-.140	.107	.198	-.760	70	1440	-.314	.079	-.099	-.721
70	1326	-.361	.117	-.041	-.989	70	1376	-.171	.141	.253	-.966	70	1441	-.252	.059	-.099	-.897
70	1327	-.325	.083	-.108	-.790	70	1377	-.173	.040	.108	-.273	70	1442	-.249	.052	-.104	-.476
70	1328	-.323	.084	-.073	-.856	70	1378	-.146	.078	.176	-.393	70	1443	-.252	.045	-.126	-.522
70	1329	-.247	.057	-.073	-.544	70	1379	-.152	.082	.329	-.417	70	1444	-.240	.044	-.097	-.433
70	1330	-.241	.050	-.078	-.443	70	1380	-.150	.093	.212	-.463	70	1445	-.248	.049	-.065	-.488
70	1331	-.303	.078	-.076	-.736	70	1381	-.077	.065	.166	-.266	70	1446	-.253	.051	-.101	-.472
70	1332	-.288	.070	-.078	-.638	70	1382	-.158	.052	.158	-.298	70	1447	-.253	.052	-.060	-.547
70	1333	-.367	.126	-.025	-1.005	70	1383	-.172	.057	.309	-.406	70	1448	-.237	.049	-.090	-.429
70	1334	-.340	.098	-.057	-.923	70	1384	-.147	.085	.244	-.510	70	1449	-.257	.056	-.076	-.630
70	1335	-.333	.090	-.069	-.914	70	1385	-.149	.105	.329	-.426	70	1450	-.259	.054	-.100	-.512
70	1336	-.321	.082	-.108	-.787	70	1401	-.316	.085	-.103	-.809	70	1451	-.285	.064	-.023	-.657
70	1337	-.257	.042	-.117	-.448	70	1402	-.302	.074	-.106	-.697	70	1452	-.281	.061	-.090	-.524
70	1338	-.252	.039	-.135	-.471	70	1403	-.280	.066	-.115	-.648	70	1453	-.246	.051	-.088	-.512
70	1339	-.310	.073	-.108	-.891	70	1404	-.284	.056	-.117	-.504	70	1454	-.244	.048	-.110	-.543
70	1340	-.309	.066	-.131	-.594	70	1405	-.279	.082	-.053	-.846	70	1455	-.240	.041	-.112	-.429
70	1341	-.383	.130	-.007	-1.184	70	1406	-.283	.069	-.108	-.597	70	1456	-.247	.036	-.127	-.415
70	1342	-.357	.109	-.009	-.842	70	1407	-.313	.086	-.072	-.876	70	1457	-.249	.037	-.139	-.393
70	1343	-.358	.109	.016	-1.010	70	1408	-.287	.076	-.067	-.673	70	1458	-.259	.040	-.141	-.473
70	1344	-.350	.112	.012	-1.081	70	1409	-.261	.061	-.113	-.634	70	1459	-.261	.045	-.129	-.432

WD	TAP	CPMEAN	CPRMS	CPMAX	CPMIN	WD	TAP	CPMEAN	CPRMS	CPMAX	CPMIN	WD	TAP	CPMEAN	CPRMS	CPMAX	CPMIN
70	1460	-.243	.038	-.117	-.398	70	1510	-.216	.030	-.081	-.342	70	2101	-.071	.085	.254	-.450
70	1461	-.269	.042	-.129	-.449	70	1511	-.229	.032	-.122	-.346	70	2102	-.159	.108	.206	-.717
70	1462	-.278	.047	-.134	-.487	70	1512	-.265	.060	-.101	-.605	70	2103	.247	.131	.734	-.206
70	1463	-.307	.067	-.122	-.696	70	1513	-.213	.031	-.085	-.323	70	2104	-.198	.097	.258	-.610
70	1464	-.303	.073	-.124	-.750	70	1514	-.235	.034	-.124	-.392	70	2105	.072	.092	.595	-.352
70	1465	-.258	.050	-.112	-.848	70	1515	-.243	.048	-.111	-.493	70	2106	-.065	.102	.395	-.636
70	1466	-.253	.046	-.110	-.829	70	1516	-.236	.037	-.101	-.468	70	2107	-.079	.100	.512	-.201
70	1467	-.260	.041	-.107	-.439	70	1801	-.022	.088	.512	-.291	70	2201	-.277	.045	-.132	-.476
70	1468	-.264	.032	-.175	-.378	70	1802	-.163	.080	.115	-.610	70	2202	-.274	.066	-.027	-.547
70	1469	-.255	.031	-.122	-.393	70	1803	-.155	.091	.259	-.498	70	2203	-.038	.133	.524	-.667
70	1470	-.257	.037	-.141	-.420	70	1804	-.031	.074	.365	-.475	70	2204	-.039	.112	.524	-.366
70	1471	-.265	.039	-.136	-.499	70	1805	-.141	.067	.115	-.434	70	2205	.047	.134	.567	-.285
70	1472	-.243	.030	-.151	-.439	70	1806	-.052	.065	.229	-.218	70	2206	-.251	.064	.037	-.536
70	1473	-.258	.039	-.129	-.429	70	1807	-.051	.059	.229	-.238	70	2207	-.004	.102	.493	-.340
70	1474	-.266	.041	-.122	-.490	70	1808	-.039	.057	.161	-.289	70	2208	-.041	.080	.321	-.765
70	1475	-.309	.071	-.120	-.768	70	1901	-.291	.104	.095	-1.011	70	2209	.049	.089	.424	-.233
70	1476	-.312	.078	-.093	-.669	70	1902	-.274	.087	.081	-.731	70	2210	.209	.124	.834	-.163
70	1477	-.275	.044	-.141	-.446	70	1903	-.241	.071	.038	-.697	70	2211	.050	.101	.490	-.199
70	1478	-.264	.044	-.139	-.449	70	1904	-.230	.083	.030	-.740	70	2212	.024	.091	.443	-.254
70	1479	-.267	.039	-.132	-.434	70	1905	-.238	.080	.051	-.680	70	2213	-.001	.088	.333	-.419
70	1480	-.265	.030	-.175	-.371	70	1906	-.296	.090	-.056	-.907	70	2214	-.003	.059	.258	-.202
70	1481	-.339	.028	-.139	-.532	70	1907	-.240	.070	.088	-.623	70	2215	-.116	.105	.504	-.146
70	1482	-.255	.041	-.129	-.461	70	1908	-.337	.153	.059	-1.067	70	2301	-.272	.050	-.151	-.516
70	1483	-.266	.046	-.129	-.519	70	1909	-.340	.156	.061	-1.243	70	2302	-.270	.043	-.139	-.506
70	1484	-.238	.030	-.122	-.412	70	1910	-.313	.119	.048	-.977	70	2303	-.277	.044	-.131	-.470
70	1485	-.245	.036	-.139	-.420	70	1911	-.286	.090	.133	-.844	70	2304	-.174	.046	.096	-.291
70	1486	-.247	.037	-.139	-.485	70	1912	-.277	.093	.054	-1.157	70	2305	-.046	.113	.391	-.794
70	1487	-.264	.051	-.107	-.587	70	1913	-.293	.090	.008	-.866	70	2306	-.112	.084	.154	-.574
70	1488	-.267	.052	-.129	-.647	70	1914	-.346	.133	.117	-.950	70	2307	-.109	.063	.076	-.707
70	1489	-.381	.095	-.137	-.924	70	1915	-.288	.082	.016	-.575	70	2308	-.166	.035	-.018	-.267
70	1490	-.313	.075	-.105	-.761	70	1916	-.263	.079	.011	-.735	70	2309	.009	.088	.413	-.390
70	1491	-.278	.044	-.144	-.509	70	1917	-.275	.096	.018	-.812	70	2310	-.089	.057	.197	-.296
70	1492	-.259	.034	-.153	-.400	70	1918	-.381	.162	.095	-1.202	70	2311	-.087	.052	.115	-.419
70	1493	-.233	.029	-.144	-.335	70	1919	-.395	.148	.138	-1.243	70	2401	-.332	.069	-.144	-.610
70	1494	-.267	.037	-.159	-.417	70	1920	-.367	.142	.122	-1.099	70	2402	-.381	.086	-.187	-.823
70	1495	-.283	.047	-.152	-.500	70	1921	-.581	.211	.041	-1.609	70	2403	-.404	.091	-.122	-.789
70	1496	-.216	.029	-.115	-.323	70	1922	-.557	.212	.090	-1.744	70	2404	-.317	.066	-.083	-.613
70	1497	-.235	.037	-.115	-.488	70	1923	-.440	.190	.424	-1.306	70	2405	-.339	.062	-.153	-.596
70	1498	-.244	.041	-.124	-.447	70	1924	-.347	.136	.109	-1.080	70	2406	-.303	.073	-.011	-.627
70	1499	-.264	.058	-.120	-.578	70	1925	-.409	.140	.065	-1.345	70	2901	-.267	.036	-.166	-.481
70	1500	-.265	.055	-.069	-.555	70	1926	-.308	.092	-.000	-.920	70	2902	-.248	.031	-.163	-.352
70	1501	-.416	.099	-.143	-.935	70	1927	-.409	.134	-.045	-1.119	70	2903	-.140	.067	-.280	-.364
70	1502	-.239	.105	-.157	-.559	70	1928	-.317	.117	-.007	-1.074	70	2904	-.276	.045	-.142	-.504
70	1503	-.250	.036	-.143	-.385	70	1929	-.408	.134	-.043	-1.460	70	2905	-.243	.045	-.061	-.426
70	1504	-.242	.030	-.156	-.349	70	1930	-.437	.147	-.022	-1.288	70	2906	-.121	.069	-.171	-.357
70	1505	-.264	.034	-.170	-.394	70	1931	-.407	.174	.202	-1.152	70	2907	-.478	.217	-.073	-1.712
70	1506	-.266	.035	-.159	-.397	70	1932	-.380	.150	.127	-1.280	70	2908	-.266	.040	-.128	-.626
70	1507	-.244	.042	-.136	-.463	70	1933	-.344	.146	-.030	-1.785	70	2909	-.092	.087	-.257	-.419
70	1508	-.241	.035	-.136	-.415	70	1934	-.068	.075	.340	-.282	70	2910	-.291	.150	-.982	-.154
70	1509	-.264	.056	-.127	-.610	70	1935	-.096	.087	.379	-.426	70	2911	-.244	.029	-.161	-.359

WD	TAP	CPMEAN	CPRMS	CPMAX	CPMIN	WD	TAP	CPMEAN	CPRMS	CPMAX	CPMIN	WD	TAP	CPMEAN	CPRMS	CPMAX	CPMIN
70	2912	-.170	.055	.047	-.462	70	3136	-.109	.116	.389	-.640	70	3332	-.255	.061	-.068	-.541
70	2913	-.258	.040	-.147	-.478	70	3201	-.089	.107	.379	-.392	70	3333	-.221	.046	-.085	-.464
70	2914	-.275	.041	-.159	-.440	70	3202	.093	.174	.879	-.399	70	3334	-.160	.059	-.164	-.358
70	2915	-.270	.041	-.163	-.633	70	3203	.010	.134	.517	-.480	70	3335	-.183	.047	-.036	-.379
70	2916	-.139	.104	-.257	-.874	70	3204	-.041	.175	.553	-.765	70	3336	-.174	.047	-.050	-.405
70	2917	-.343	.076	-.149	-.819	70	3205	-.309	.103	.237	-.751	70	3337	-.185	.064	-.045	-.440
70	2918	-.340	.108	-.011	-.886	70	3206	-.257	.138	.379	-.807	70	3338	-.086	.074	-.235	-.384
70	2919	-.130	.093	.178	-.648	70	3207	-.076	.085	.280	-.380	70	3339	-.180	.061	.156	-.357
70	2920	-.157	.101	.123	-.800	70	3208	.044	.115	.503	-.342	70	3340	-.205	.062	.080	-.450
70	2921	-.056	.090	.218	-.538	70	3209	-.209	.045	-.064	-.378	70	3341	-.247	.056	.002	-.556
70	2922	-.108	.093	.149	-.815	70	3210	-.118	.060	.185	-.339	70	3342	-.223	.049	-.084	-.437
70	2923	-.097	.046	.087	-.285	70	3211	-.084	.153	.647	-.306	70	3343	-.199	.045	-.058	-.369
70	2924	-.340	.161	.109	-1.106	70	3212	-.047	.101	.346	-.374	70	3344	-.175	.045	-.003	-.352
70	2925	-.294	.123	.055	-.839	70	3213	-.086	.129	.475	-.561	70	3345	-.157	.054	.070	-.463
70	2926	-.433	.167	.018	-1.287	70	3214	-.162	.076	.146	-.471	70	3346	-.152	.069	.058	-.827
70	3101	-.280	.100	-.035	-.790	70	3215	-.157	.134	.570	-.177	70	3347	-.180	.065	.083	-.488
70	3102	-.304	.084	-.083	-.888	70	3216	-.002	.104	.389	-.306	70	3348	-.169	.092	.131	-.672
70	3103	-.275	.113	.020	-1.299	70	3217	-.030	.151	.516	-.607	70	3349	-.071	.105	.328	-.483
70	3104	-.242	.088	.039	-.654	70	3218	-.026	.139	.552	-.459	70	33401	-.133	.079	.271	-.529
70	3105	-.251	.086	.161	-.751	70	3301	-.287	.100	.051	-.762	70	33402	-.140	.079	.189	-.546
70	3106	-.232	.081	.122	-.600	70	3302	-.257	.069	-.031	-.626	70	33403	-.120	.086	.236	-.501
70	3107	-.208	.077	.158	-.505	70	3303	-.249	.071	-.013	-1.153	70	33404	-.110	.082	.315	-.392
70	3108	-.212	.062	.003	-.483	70	3304	-.288	.085	-.020	-.809	70	33405	-.155	.089	.295	-.492
70	3109	-.237	.116	.113	-.950	70	3305	-.282	.075	-.045	-.751	70	33406	-.125	.087	.164	-.488
70	3110	-.152	.075	.070	-.445	70	3306	-.259	.067	-.038	-.645	70	33407	-.224	.100	.139	-.756
70	3111	-.255	.081	.029	-.641	70	3307	-.279	.074	-.071	-.923	70	33408	-.045	.067	.187	-.243
70	3112	-.206	.056	-.026	-.433	70	3308	-.199	.061	-.003	-.593	70	33409	-.168	.104	.182	-.637
70	3113	-.224	.068	.043	-.567	70	3309	-.271	.129	-.119	-.932	70	33410	-.046	.033	.042	-.170
70	3114	-.253	.073	.075	-.658	70	3310	-.261	.086	-.005	-.767	70	33411	-.037	.067	.333	-.235
70	3115	-.233	.091	.015	-.832	70	3311	-.243	.069	-.002	-.607	70	33412	-.042	.086	.434	-.266
70	3116	-.215	.079	.058	-.756	70	3312	-.293	.076	-.048	-.633	70	33413	-.119	.099	.320	-.410
70	3117	-.204	.064	.125	-.464	70	3313	-.245	.059	-.043	-.539	70	33414	-.048	.071	.414	-.286
70	3118	-.205	.085	.187	-.847	70	3314	-.192	.051	-.050	-.586	70	33415	-.041	.067	.270	-.369
70	3119	-.266	.131	.101	-1.051	70	3315	-.285	.086	.011	-.729	70	33416	-.023	.086	.399	-.203
70	3120	-.321	.104	-.073	-.819	70	3316	-.241	.062	.032	-.570	70	33417	-.058	.077	.270	-.240
70	3121	-.076	.093	.369	-.488	70	3317	-.205	.066	-.065	-.438	70	33901	-.220	.088	.002	-.728
70	3122	-.047	.178	.800	-.598	70	3318	-.284	.071	-.095	-.624	70	33902	-.273	.136	.106	-.930
70	3123	-.027	.074	.386	-.241	70	3319	-.230	.117	.164	-.729	70	33903	-.268	.110	.080	-.742
70	3124	-.116	.170	.817	-.337	70	3320	-.252	.088	.039	-.624	70	33904	-.237	.068	.049	-.561
70	3125	-.260	.122	.187	-.971	70	3321	-.257	.073	.025	-.802	70	33905	-.280	.109	.042	-.838
70	3126	-.283	.086	-.055	-.765	70	3322	-.225	.054	-.057	-.447	70	33906	-.302	.128	.063	-1.440
70	3127	-.187	.097	.142	-.916	70	3323	-.204	.049	-.020	-.443	70	33907	-.245	.080	.097	-.692
70	3128	-.193	.097	.043	-.696	70	3324	-.166	.051	-.020	-.384	70	33908	-.244	.078	.058	-.616
70	3129	-.144	.055	.065	-.471	70	3325	-.250	.074	-.005	-.685	70	33909	-.243	.083	.195	-.582
70	3130	-.132	.072	.151	-.438	70	3326	-.247	.063	-.013	-.537	70	33910	-.310	.116	.020	-.895
70	3131	-.177	.058	.166	-.368	70	3327	-.256	.064	-.088	-.671	70	33911	-.209	.144	.149	-.969
70	3132	-.243	.119	.161	-.899	70	3328	-.224	.051	-.050	-.485	70	33912	-.237	.081	.087	-.585
70	3133	-.065	.081	.221	-.474	70	3329	-.164	.124	.307	-.625	70	33913	-.223	.077	.123	-.601
70	3134	-.037	.081	.343	-.258	70	3330	-.162	.075	.091	-.443	70	33914	-.237	.075	-.070	-.933
70	3135	-.216	.145	.308	-.844	70	3331	-.212	.057	.034	-.483	70	33915	-.300	.110	-.004	-.919

WD	TAP	CPMEAN	CPRMS	CPMAX	CPMIN	WD	TAP	CPMEAN	CPRMS	CPMAX	CPMIN	WD	TAP	CPMEAN	CPRMS	CPMAX	CPMIN
70	3916	-.210	.102	.269	-.604	80	1125	-.303	.094	.088	-1.304	80	1213	-.008	.163	.557	-.512
70	3917	-.282	.099	.013	-.859	80	1126	-.317	.098	.088	-.792	80	1214	-.148	.114	.317	-.734
70	3918	-.187	.143	.297	-.953	80	1127	-.300	.109	.143	-.840	80	1215	-.180	.108	.266	-.587
70	3919	-.249	.081	.123	-.766	80	1128	-.260	.096	.115	-.803	80	1216	-.004	.157	.485	-.468
70	3920	-.280	.100	.293	-.728	80	1129	-.219	.068	-.046	-.710	80	1217	.180	.193	.778	-.359
70	3921	-.270	.092	.070	-1.086	80	1130	-.325	.060	-.021	-.488	80	1218	-.262	.204	1.002	-.303
70	3922	-.137	.171	.754	-.487	80	1131	-.352	.113	-.002	-1.106	80	1219	-.088	.141	.529	-.545
70	3923	-.119	.122	.362	-.608	80	1132	-.348	.110	-.016	-1.094	80	1220	-.191	.109	.389	-.755
70	3924	-.259	.080	.073	-.678	80	1133	-.298	.115	.120	-.763	80	1221	-.004	.159	.566	-.622
70	3925	-.281	.079	.075	-.814	80	1134	-.224	.088	.194	-.618	80	1222	-.127	.194	.713	-.575
70	3926	-.226	.053	-.056	-.520	80	1135	-.194	.052	.039	-.412	80	1223	.248	.203	.979	-.361
70	3927	-.316	.140	-.013	-.977	80	1136	-.205	.047	-.016	-.460	80	1224	.223	.209	.934	-.340
70	3928	-.038	.126	.575	-.457	80	1137	-.309	.150	.109	-1.120	80	1225	-.081	.207	.820	-.482
70	3929	-.122	.083	.238	-.458	80	1138	-.302	.161	.210	-1.138	80	1226	-.176	.145	.392	-.713
70	3930	-.265	.076	-.063	-.678	80	1139	-.185	.097	.215	-.571	80	1227	-.225	.116	.296	-.661
70	3931	-.237	.053	-.007	-.442	80	1140	-.136	.069	.141	-.451	80	1228	.019	.156	.576	-.431
70	3932	-.204	.056	.061	-.484	80	1141	-.166	.047	.044	-.336	80	1229	.128	.175	.640	-.425
70	3933	-.292	.087	.101	-.676	80	1142	-.191	.042	.044	-.352	80	1230	.280	.202	.904	-.459
70	3934	-.177	.097	-.028	-.862	80	1143	-.220	.178	.319	-1.656	80	1231	.269	.219	.981	-.354
70	3935	-.299	.115	-.028	-.816	80	1144	-.187	.159	.227	-1.244	80	1232	.237	.208	.974	-.356
70	3936	-.099	.091	.353	-.465	80	1145	-.115	.075	.180	-.449	80	1233	.130	.184	.729	-.319
70	3937	-.221	.142	.224	-.784	80	1146	-.101	.068	.268	-.333	80	1234	-.081	.118	.480	-.384
70	3938	-.264	.100	.131	-.839	80	1147	-.151	.053	.048	-.359	80	1235	-.121	.110	.401	-.552
70	3939	-.064	.077	.442	-.384	80	1148	-.184	.050	.088	-.470	80	1236	-.080	.132	.608	-.522
70	3940	-.154	.088	.371	-.523	80	1149	-.172	.119	.294	-.849	80	1237	-.007	.149	.816	-.435
70	3941	-.162	.075	.139	-.415	80	1150	-.125	.068	.127	-.666	80	1238	.120	.168	.771	-.363
80	1101	-.385	.168	.175	-1.408	80	1151	-.219	.051	-.005	-.474	80	1239	.148	.176	1.004	-.289
80	1102	-.318	.147	.030	-1.104	80	1152	-.145	.118	.294	-.953	80	1240	.144	.170	.988	-.226
80	1103	-.350	.142	.159	-.944	80	1153	-.096	.061	.118	-.273	80	1241	-.109	.167	.876	-.382
80	1104	-.283	.116	.003	-1.014	80	1154	-.098	.077	.280	-.412	80	1242	-.084	.136	.482	-.631
80	1105	-.275	.124	.120	-.995	80	1155	-.074	.055	.168	-.257	80	1243	-.130	.128	.464	-.552
80	1106	-.285	.132	.194	-.937	80	1156	-.079	.065	.193	-.279	80	1244	-.167	.107	.340	-.575
80	1107	-.331	.118	.129	-1.194	80	1157	-.073	.069	.218	-.305	80	1245	-.128	.100	.389	-.456
80	1108	-.220	.087	.099	-.746	80	1158	-.009	.071	.291	-.163	80	1246	-.038	.110	.596	-.333
80	1109	-.222	.076	.023	-.808	80	1159	-.102	.071	.122	-.569	80	1247	-.016	.101	.714	-.279
80	1110	-.318	.109	.309	-.977	80	1160	-.082	.075	.407	-.407	80	1248	.053	.114	.630	-.235
80	1111	-.311	.111	.143	-1.131	80	1161	-.079	.063	.207	-.259	80	1249	.102	.130	.667	-.235
80	1112	-.206	.083	.106	-.658	80	1162	-.062	.071	.341	-.268	80	1250	-.015	.127	.384	-.445
80	1113	-.219	.066	.060	-.704	80	1201	-.129	.251	.636	-1.442	80	1251	-.084	.118	.555	-.569
80	1114	-.310	.100	.148	-.868	80	1202	-.109	.261	.755	-1.204	80	1252	-.190	.096	.134	-.637
80	1115	-.321	.110	.092	-.944	80	1203	-.177	.239	.855	-.911	80	1253	-.176	.092	.162	-.672
80	1116	-.280	.120	.307	-.843	80	1204	-.195	.260	.690	-1.209	80	1254	-.161	.062	.032	-.445
80	1117	-.226	.078	.058	-.734	80	1205	-.225	.271	.764	-1.174	80	1255	-.140	.063	.099	-.553
80	1118	-.224	.072	-.000	-.637	80	1206	-.294	.282	.608	-1.370	80	1256	-.066	.099	.550	-.501
80	1119	-.295	.093	.164	-.868	80	1207	-.386	.158	.107	-1.050	80	1257	-.012	.160	.639	-.469
80	1120	-.299	.095	.166	-.942	80	1208	-.392	.206	.287	-1.344	80	1258	-.100	.136	.424	-.662
80	1121	-.296	.121	.192	-.887	80	1209	-.015	.144	.545	-.431	80	1259	-.127	.125	.300	-.842
80	1122	-.244	.099	.125	-.737	80	1210	.101	.173	.713	-.403	80	1260	-.128	.072	.167	-.506
80	1123	-.198	.067	-.106	-.561	80	1211	.156	.162	.750	-.352	80	1261	-.110	.064	.165	-.436
80	1124	-.212	.064	-.005	-.552	80	1212	.113	.167	.694	-.440	80	1262	-.053	.056	.195	-.426

WD	TAP	CPMEAN	CPRMS	CPMAX	CPMIN	WD	TAP	CPMEAN	CPRMS	CPMAX	CPMIN	WD	TAP	CPMEAN	CPRMS	CPMAX	CPMIN
80	1263	-.038	.065	.256	-.235	80	1323	-.331	.091	-.065	-.777	80	1373	-.192	.026	-.025	-.285
80	1264	-.044	.065	.251	-.245	80	1324	-.328	.090	-.095	-.766	80	1374	-.182	.062	-.053	-.365
80	1265	-.033	.069	.291	-.268	80	1325	-.417	.147	-.056	-1.080	80	1375	-.099	.113	.357	-.639
80	1266	-.084	.060	.197	-.335	80	1326	-.397	.128	-.034	-.996	80	1376	-.133	.129	.366	-.710
80	1267	-.104	.068	.202	-.408	80	1327	-.421	.110	-.105	-.994	80	1377	-.140	.063	.213	-.281
80	1268	-.168	.094	.190	-.723	80	1328	-.413	.108	-.024	-.973	80	1378	-.099	.093	.320	-.340
80	1269	-.059	.061	.181	-.403	80	1329	-.244	.052	-.059	-.482	80	1379	-.096	.114	.370	-.347
80	1270	-.083	.070	.232	-.368	80	1330	-.244	.047	-.082	-.410	80	1380	-.125	.114	.247	-.413
80	1271	-.145	.081	.211	-.541	80	1331	-.317	.085	-.101	-.784	80	1381	-.025	.073	.280	-.204
80	1272	-.084	.057	.235	-.363	80	1332	-.304	.071	-.040	-.619	80	1382	-.149	.055	.105	-.301
80	1273	-.060	.060	.183	-.398	80	1333	-.399	.147	-.007	-1.108	80	1383	-.148	.064	.288	-.406
80	1274	-.040	.066	.293	-.240	80	1334	-.392	.119	-.021	-1.038	80	1384	-.111	.105	.412	-.388
80	1275	-.050	.068	.317	-.298	80	1335	-.422	.119	-.070	-1.054	80	1385	-.101	.136	.366	-.429
80	1276	-.084	.055	.148	-.366	80	1336	-.400	.101	-.080	-.945	80	1401	-.309	.107	-.034	-1.020
80	1277	-.092	.056	.167	-.419	80	1337	-.263	.057	-.007	-.491	80	1402	-.293	.095	-.062	-.807
80	1278	-.085	.058	.114	-.480	80	1338	-.262	.045	-.114	-.475	80	1403	-.254	.053	-.103	-.555
80	1279	-.022	.072	.265	-.188	80	1339	-.346	.092	-.091	-.803	80	1404	-.261	.045	-.131	-.491
80	1280	-.029	.071	.267	-.212	80	1340	-.344	.081	-.105	-.724	80	1405	-.250	.059	-.026	-.677
80	1281	-.022	.083	.359	-.275	80	1341	-.382	.146	-.127	-1.156	80	1406	-.263	.061	-.103	-.647
80	1282	-.007	.069	.303	-.162	80	1342	-.396	.150	-.010	-1.103	80	1407	-.289	.098	-.041	-1.123
80	1283	-.097	.054	.088	-.466	80	1343	-.464	.169	.034	-1.636	80	1408	-.275	.065	-.094	-.685
80	1284	-.057	.067	.211	-.443	80	1344	-.471	.157	-.007	-1.498	80	1409	-.249	.065	-.066	-.759
80	1285	-.008	.073	.396	-.223	80	1345	-.228	.050	-.007	-.456	80	1410	-.255	.071	-.076	-.802
80	1286	-.012	.076	.370	-.179	80	1346	-.238	.040	-.073	-.468	80	1411	-.238	.058	-.080	-.534
80	1287	-.030	.078	.340	-.240	80	1347	-.290	.082	-.007	-.654	80	1412	-.241	.053	-.080	-.465
80	1288	-.004	.079	.398	-.197	80	1348	-.332	.085	-.124	-.819	80	1413	-.246	.054	-.080	-.736
80	1289	-.005	.069	.303	-.155	80	1349	-.315	.122	.023	-1.012	80	1414	-.245	.055	-.057	-.605
80	1290	-.055	.060	.244	-.366	80	1350	-.322	.155	.123	-.963	80	1415	-.254	.057	-.071	-.610
80	1301	-.329	.144	.033	-1.115	80	1351	-.389	.200	.095	-1.503	80	1416	-.272	.072	-.066	-.640
80	1302	-.470	.181	-.051	-1.444	80	1352	-.447	.213	.102	-1.666	80	1417	-.284	.077	-.046	-.681
80	1303	-.363	.163	-.035	-1.328	80	1353	-.159	.071	-.239	-.356	80	1418	-.321	.085	-.073	-.722
80	1304	-.403	.132	-.018	-1.006	80	1354	-.227	.040	-.059	-.403	80	1419	-.317	.094	-.057	-.825
80	1305	-.257	.072	-.021	-.589	80	1355	-.213	.081	-.114	-.645	80	1420	-.325	.097	-.002	-.793
80	1306	-.249	.062	-.058	-.584	80	1356	-.281	.069	.032	-.691	80	1421	-.248	.065	-.083	-.674
80	1307	-.337	.120	-.053	-1.155	80	1357	-.174	.085	.279	-.759	80	1422	-.240	.056	-.046	-.596
80	1308	-.334	.108	-.039	-.957	80	1358	-.149	.110	.369	-.815	80	1423	-.236	.049	-.025	-.447
80	1309	-.408	.163	.014	-1.396	80	1359	-.167	.139	.344	-1.149	80	1424	-.252	.052	-.089	-.495
80	1310	-.407	.148	.014	-1.405	80	1360	-.199	.159	.225	-1.003	80	1425	-.255	.052	-.087	-.596
80	1311	-.416	.112	-.090	-.939	80	1361	-.147	.058	-.209	-.287	80	1426	-.259	.051	-.073	-.511
80	1312	-.409	.113	-.137	-1.020	80	1362	-.212	.034	-.063	-.370	80	1427	-.274	.062	-.018	-.633
80	1313	-.253	.054	-.081	-.512	80	1363	-.146	.077	.183	-.410	80	1428	-.294	.066	-.101	-.571
80	1314	-.324	.090	.016	-.751	80	1364	-.231	.061	.030	-.566	80	1429	-.305	.076	-.086	-.733
80	1315	-.385	.121	-.016	-.934	80	1365	-.129	.080	.321	-.387	80	1430	-.327	.089	-.092	-.704
80	1316	-.416	.108	-.095	-1.004	80	1366	-.079	.114	.411	-.566	80	1431	-.248	.062	-.087	-.571
80	1317	-.263	.061	-.025	-.649	80	1367	-.132	.131	.339	-.894	80	1432	-.250	.063	-.057	-.605
80	1318	-.336	.106	-.023	-1.066	80	1368	-.161	.143	.260	-1.296	80	1433	-.241	.054	-.110	-.534
80	1319	-.398	.154	-.030	-1.264	80	1369	-.135	.069	.236	-.305	80	1434	-.246	.048	-.073	-.541
80	1320	-.392	.100	-.111	-.862	80	1370	-.149	.056	.142	-.315	80	1435	-.321	.146	-.190	-1.036
80	1321	-.271	.061	-.090	-.563	80	1371	-.218	.086	.094	-.669	80	1436	-.265	.049	-.110	-.516
80	1322	-.277	.062	-.114	-.709	80	1372	-.153	.091	.094	-.415	80	1437	-.296	.070	-.039	-.665

WD	TAP	CPMEAN	CPRMS	CPMAX	CPMIN	WD	TAP	CPMEAN	CPRMS	CPMAX	CPMIN	WD	TAP	CPMEAN	CPRMS	CPMAX	CPMIN
80	1438	-.303	.073	-.115	-.754	80	1488	-.261	.054	-.042	-.526	80	1914	-.350	.124	.041	-1.010
80	1439	-.329	.085	-.108	-.839	80	1489	-.324	.068	-.183	-.683	80	1915	-.321	.142	.190	-1.147
80	1440	-.337	.088	-.048	-.853	80	1490	-.288	.057	-.115	-.683	80	1916	-.307	.144	.192	-1.950
80	1441	-.346	.060	-.099	-.621	80	1491	-.256	.036	-.134	-.423	80	1917	-.302	.156	.275	-1.062
80	1442	-.249	.060	-.053	-.587	80	1492	-.244	.029	-.147	-.382	80	1918	-.391	.149	.009	-1.035
80	1443	-.232	.043	-.103	-.456	80	1493	-.218	.026	-.103	-.312	80	1919	-.400	.145	.085	-1.268
80	1444	-.233	.044	-.103	-.511	80	1494	-.238	.034	-.123	-.403	80	1920	-.392	.141	.126	-1.174
80	1445	-.234	.038	-.105	-.422	80	1495	-.259	.046	-.146	-.510	80	1921	-.438	.223	-.073	-1.736
80	1446	-.245	.042	-.115	-.456	80	1496	-.211	.030	-.097	-.369	80	1922	-.652	.197	-.176	-1.496
80	1447	-.249	.042	-.096	-.475	80	1497	-.234	.040	-.088	-.475	80	1923	-.593	.201	-.016	-1.537
80	1448	-.237	.044	-.037	-.487	80	1498	-.241	.043	-.090	-.457	80	1924	-.471	.183	.060	-1.460
80	1449	-.272	.057	-.100	-.533	80	1499	-.258	.052	-.093	-.498	80	1925	-.439	.136	-.054	-1.099
80	1450	-.276	.054	-.120	-.511	80	1500	-.261	.054	-.104	-.524	80	1926	-.383	.155	-.053	-1.297
80	1451	-.298	.066	-.098	-.606	80	1501	-.335	.067	-.162	-.707	80	1927	-.415	.117	-.052	-1.046
80	1452	-.312	.072	-.069	-.632	80	1502	-.241	.070	-.053	-.487	80	1928	-.386	.167	-.259	-1.451
80	1453	-.247	.056	-.096	-.547	80	1503	-.231	.029	-.125	-.355	80	1929	-.434	.123	-.137	-1.158
80	1454	-.238	.049	-.076	-.598	80	1504	-.218	.024	-.134	-.299	80	1930	-.416	.125	.057	-1.994
80	1455	-.237	.042	-.122	-.443	80	1505	-.239	.032	-.132	-.373	80	1931	-.405	.151	.181	-1.976
80	1456	-.231	.031	-.096	-.341	80	1506	-.236	.031	-.125	-.359	80	1932	-.403	.147	.167	-1.106
80	1457	-.240	.031	-.142	-.414	80	1507	-.242	.048	-.116	-.515	80	1933	-.405	.168	.225	-1.536
80	1458	-.256	.038	-.130	-.419	80	1508	-.235	.038	-.053	-.503	80	1934	-.019	.079	.394	-1.275
80	1459	-.260	.041	-.130	-.428	80	1509	-.270	.056	-.083	-.538	80	1935	-.033	.076	.333	-1.278
80	1460	-.262	.045	-.113	-.518	80	1510	-.217	.031	-.100	-.327	80	2101	-.129	.098	.265	-.616
80	1461	-.299	.060	-.137	-.603	80	1511	-.227	.036	-.111	-.399	80	2102	-.153	.112	.311	-.606
80	1462	-.310	.063	-.142	-.696	80	1512	-.274	.064	-.090	-.816	80	2103	-.171	.138	.747	-.231
80	1463	-.347	.084	-.100	-.737	80	1513	-.212	.036	-.051	-.445	80	2104	-.201	.108	.234	-.766
80	1464	-.348	.090	-.103	-.799	80	1514	-.230	.036	-.127	-.420	80	2105	-.031	.100	.495	-.306
80	1465	-.249	.050	-.117	-.662	80	1515	-.239	.055	-.060	-.709	80	2106	-.079	.104	.374	-.766
80	1466	-.242	.044	-.093	-.511	80	1516	-.232	.038	-.109	-.471	80	2107	-.049	.108	.543	-.412
80	1467	-.239	.032	-.147	-.382	80	1801	-.077	.073	.323	-.277	80	2201	-.251	.034	-.151	-.412
80	1468	-.243	.028	-.161	-.363	80	1802	-.110	.093	.177	-.396	80	2202	-.258	.047	-.098	-.480
80	1469	-.241	.027	-.151	-.334	80	1803	-.127	.088	.152	-.389	80	2203	-.141	.088	.292	-.473
80	1470	-.251	.039	-.147	-.457	80	1804	-.104	.076	.182	-.530	80	2204	-.100	.089	.367	-.408
80	1471	-.263	.047	-.134	-.552	80	1805	-.101	.066	.156	-.346	80	2205	-.037	.136	.655	-.330
80	1472	-.250	.038	-.134	-.416	80	1806	-.014	.065	.273	-.204	80	2206	-.247	.047	-.095	-.478
80	1473	-.276	.050	-.134	-.501	80	1807	-.010	.067	.302	-.184	80	2207	-.086	.081	.362	-.408
80	1474	-.281	.050	-.122	-.533	80	1808	-.088	.055	.092	-.415	80	2208	-.087	.081	.209	-.717
80	1475	-.340	.082	-.105	-.841	80	1901	-.274	.082	-.070	-.715	80	2209	-.039	.086	.345	-.359
80	1476	-.327	.078	-.137	-.720	80	1902	-.261	.078	-.032	-.112	80	2210	-.158	.149	.785	-.420
80	1477	-.351	.038	-.144	-.598	80	1903	-.253	.097	.096	-.872	80	2211	-.059	.072	.280	-.306
80	1478	-.252	.037	-.151	-.455	80	1904	-.190	.106	.268	-.605	80	2212	-.062	.077	.359	-.253
80	1479	-.257	.032	-.154	-.443	80	1905	-.211	.105	.281	-.681	80	2213	-.075	.069	.195	-.388
80	1480	-.248	.029	-.156	-.389	80	1906	-.267	.068	-.073	-.724	80	2214	-.065	.065	.215	-.278
80	1481	-.221	.026	-.132	-.331	80	1907	-.237	.110	.233	-.824	80	2215	-.077	.116	.660	-.437
80	1482	-.250	.049	-.127	-.540	80	1908	-.333	.138	.131	-1.005	80	2301	-.251	.039	-.134	-.528
80	1483	-.266	.061	-.125	-.603	80	1909	-.348	.146	.131	-1.517	80	2302	-.243	.031	-.146	-.357
80	1484	-.239	.038	-.110	-.433	80	1910	-.303	.101	-.039	-.955	80	2303	-.254	.031	-.151	-.379
80	1485	-.238	.042	-.120	-.472	80	1911	-.277	.069	-.048	-.697	80	2304	-.123	.073	.292	-.271
80	1486	-.244	.047	-.120	-.538	80	1912	-.277	.083	-.034	-1.042	80	2305	-.104	.099	.184	-1.154
80	1487	-.270	.057	-.079	-.560	80	1913	-.303	.115	.009	-.934	80	2306	-.151	.072	.104	-.841

WD	TAP	CPMEAN	CPRMS	CPMAX	CPMIN	WD	TAP	CPMEAN	CPRMS	CPMAX	CPMIN	WD	TAP	CPMEAN	CPRMS	CPMAX	CPMIN
80	2307	-.172	.065	.006	-.605	80	3114	-.205	.058	-.005	-.539	80	3310	-.197	.099	.082	-.670
80	2308	-.142	.045	.064	-.259	80	3115	-.222	.085	-.000	-.699	80	3311	-.174	.074	.195	-.520
80	2309	-.059	.066	.256	-.321	80	3116	-.205	.069	-.005	-.608	80	3312	-.240	.086	.005	-.628
80	2310	-.128	.050	.128	-.403	80	3117	-.190	.056	-.007	-.508	80	3313	-.181	.063	-.005	-.551
80	2311	-.145	.059	.133	-.574	80	3118	-.196	.070	.036	-.582	80	3314	-.138	.050	.045	-.382
80	2401	-.272	.058	-.110	-.543	80	3119	-.140	.102	.154	-.614	80	3315	-.204	.087	.023	-.588
80	2402	-.303	.061	-.136	-.572	80	3120	-.276	.084	-.073	-.793	80	3316	-.182	.065	-.007	-.464
80	2403	-.304	.069	-.076	-.527	80	3121	-.188	.086	.151	-.599	80	3317	-.149	.076	.180	-.495
80	2404	-.254	.049	-.076	-.459	80	3122	.036	.135	.559	-.374	80	3318	-.213	.089	.000	-.715
80	2405	-.270	.050	-.136	-.519	80	3123	.043	.094	.504	-.191	80	3319	-.165	.151	.532	-.886
80	2406	-.237	.056	-.000	-.495	80	3124	.073	.141	.604	-.274	80	3320	-.178	.108	.202	-.666
80	2901	-.244	.034	-.146	-.432	80	3125	-.162	.102	.160	-.575	80	3321	-.182	.078	.047	-.544
80	2902	-.228	.024	-.149	-.318	80	3126	-.242	.072	-.052	-.630	80	3322	-.153	.053	.038	-.377
80	2903	-.140	.059	-.171	-.301	80	3127	-.178	.104	-.058	-.785	80	3323	-.136	.053	.073	-.405
80	2904	-.255	.039	-.141	-.483	80	3128	-.159	.083	.043	-.685	80	3324	-.102	.051	.101	-.323
80	2905	-.240	.041	-.117	-.441	80	3129	-.130	.047	.143	-.372	80	3325	-.180	.079	.033	-.778
80	2906	-.146	.059	-.093	-.386	80	3130	-.131	.056	.179	-.358	80	3326	-.173	.070	.030	-.574
80	2907	-.318	.126	-.064	-1.494	80	3131	-.180	.055	.046	-.611	80	3327	-.194	.071	-.019	-.577
80	2908	-.244	.032	-.141	-.567	80	3132	-.260	.110	.019	-.856	80	3328	-.159	.058	.035	-.394
80	2909	-.103	.068	.309	-.296	80	3133	-.149	.084	.191	-.613	80	3329	-.099	.134	.399	-.598
80	2910	-.177	.153	-.739	-.458	80	3134	-.048	.100	.597	-.207	80	3330	-.090	.080	.265	-.398
80	2911	-.222	.023	-.146	-.323	80	3135	-.253	.142	.162	-.964	80	3331	-.142	.070	.122	-.525
80	2912	-.200	.044	-.040	-.424	80	3136	-.142	.082	.235	-.548	80	3332	-.177	.064	-.012	-.400
80	2913	-.237	.032	-.134	-.400	80	3201	-.100	.093	.279	-.415	80	3333	-.164	.057	-.019	-.462
80	2914	-.253	.033	-.158	-.391	80	3202	.030	.138	.611	-.350	80	3334	-.095	.065	.218	-.337
80	2915	-.251	.035	-.149	-.420	80	3203	.034	.132	.427	-.465	80	3335	-.117	.052	.063	-.403
80	2916	-.178	.103	-.190	-.751	80	3204	.046	.147	.482	-.475	80	3336	-.108	.050	.071	-.450
80	2917	-.299	.056	-.153	-.616	80	3205	-.245	.090	.284	-.611	80	3337	-.086	.067	.190	-.324
80	2918	-.286	.070	-.074	-.799	80	3206	-.180	.139	.492	-.705	80	3338	-.009	.092	.386	-.314
80	2919	-.185	.069	.200	-.579	80	3207	-.047	.073	.296	-.312	80	3339	-.110	.074	.414	-.324
80	2920	-.248	.141	.139	-.969	80	3208	-.065	.123	.539	-.348	80	3340	-.128	.060	.111	-.435
80	2921	-.077	.084	.214	-.408	80	3209	-.141	.046	-.005	-.346	80	3341	-.174	.061	.006	-.458
80	2922	-.151	.068	.081	-.470	80	3210	-.055	.058	.227	-.291	80	3342	-.152	.048	-.012	-.425
80	2923	-.137	.054	.062	-.412	80	3211	-.050	.129	.597	-.241	80	3343	-.121	.048	.046	-.309
80	2924	-.359	.192	.074	-1.223	80	3212	.000	.103	.420	-.293	80	3344	-.106	.047	.104	-.377
80	2925	-.288	.117	.049	-.846	80	3213	-.024	.124	.485	-.384	80	3345	-.094	.052	.127	-.347
80	2926	-.418	.210	.219	-1.685	80	3214	-.078	.070	.289	-.362	80	3346	-.083	.063	.129	-.488
80	3101	-.210	.089	-.067	-.702	80	3215	-.092	.101	.394	-.148	80	3347	-.077	.073	.310	-.375
80	3102	-.257	.071	-.097	-.748	80	3216	.019	.098	.366	-.227	80	3348	-.106	.056	.114	-.400
80	3103	-.268	.102	-.008	-.781	80	3217	.003	.124	.516	-.368	80	3349	-.030	.094	.295	-.463
80	3104	-.224	.077	-.002	-.662	80	3218	.003	.123	.518	-.382	80	3401	-.167	.075	.224	-.713
80	3105	-.213	.063	.110	-.551	80	3301	-.231	.110	.061	-.712	80	3402	-.171	.073	.280	-.584
80	3106	-.206	.068	.069	-.580	80	3302	-.198	.071	.000	-.759	80	3403	-.128	.069	.228	-.431
80	3107	-.188	.066	-.105	-.489	80	3303	-.195	.071	.059	-.511	80	3404	-.088	.086	.383	-.475
80	3108	-.194	.056	-.031	-.503	80	3304	-.221	.079	-.009	-.640	80	3405	-.123	.084	.355	-.442
80	3109	-.204	.086	-.096	-.601	80	3305	-.226	.077	-.019	-.661	80	3406	-.111	.108	.348	-.558
80	3110	-.177	.074	.038	-.511	80	3306	-.214	.072	-.033	-.607	80	3407	-.181	.113	.305	-.810
80	3111	-.231	.078	.010	-.708	80	3307	-.221	.077	-.009	-.616	80	3408	.009	.075	.337	-.211
80	3112	-.193	.051	-.046	-.575	80	3308	-.161	.066	.082	-.539	80	3409	-.086	.114	.399	-.649
80	3113	-.197	.049	-.043	-.429	80	3309	-.225	.132	.202	-.795	80	3410	-.057	.027	.042	-.134

WD	TAP	CPMEAN	CPRMS	CPMAX	CPMIN	WD	TAP	CPMEAN	CPRMS	CPMAX	CPMIN	WD	TAP	CPMEAN	CPRMS	CPMAX	CPMIN
80	3411	.013	.084	.535	-.276	90	1103	-.395	.136	.044	-1.020	90	1153	-.195	.045	.011	-.371
80	3412	.015	.088	.415	-.191	90	1104	-.354	.141	-.031	-1.168	90	1154	-.224	.065	.150	-.602
80	3413	-.044	.097	.383	-.329	90	1105	-.373	.168	-.003	-1.289	90	1155	-.223	.045	-.084	-.364
80	3414	-.021	.088	.492	-.337	90	1106	-.329	.129	-.147	-1.046	90	1156	-.191	.058	.032	-.419
80	3415	-.022	.068	.315	-.193	90	1107	-.345	.103	-.035	-1.514	90	1157	-.174	.059	.208	-.331
80	3416	.053	.097	.492	-.166	90	1108	-.282	.120	.131	-1.060	90	1158	-.049	.081	.356	-.260
80	3417	.007	.100	.540	-.206	90	1109	-.285	.116	.021	-.857	90	1159	-.220	.071	-.033	-.827
80	3901	-.175	.065	.036	-.483	90	1110	-.340	.093	-.026	-1.030	90	1160	-.212	.054	.039	-.447
80	3902	-.284	.143	.127	-.974	90	1111	-.347	.100	-.005	-.833	90	1161	-.203	.056	-.005	-.394
80	3903	-.194	.083	.139	-.590	90	1112	-.277	.102	.056	-.777	90	1162	-.174	.057	.095	-.359
80	3904	-.197	.060	.292	-.428	90	1113	-.287	.117	-.019	-1.126	90	1201	-.111	.254	.680	-.987
80	3905	-.243	.085	.032	-.812	90	1114	-.344	.092	-.035	-.960	90	1202	-.058	.253	.728	-.899
80	3906	-.263	.108	-.065	-.969	90	1115	-.352	.094	-.019	-.824	90	1203	-.126	.230	.638	-.957
80	3907	-.213	.069	-.004	-.650	90	1116	-.347	.113	.121	-1.126	90	1204	-.127	.225	.721	-.839
80	3908	-.217	.069	.075	-.688	90	1117	-.292	.110	-.014	-.829	90	1205	-.176	.216	.861	-.832
80	3909	-.199	.071	.046	-.574	90	1118	-.286	.109	.025	-.938	90	1206	-.199	.208	.645	-.936
80	3910	-.262	.087	-.040	-.834	90	1119	-.319	.086	.018	-.836	90	1207	-.353	.151	.310	-1.124
80	3911	-.141	.120	.418	-.838	90	1120	-.328	.093	.070	-1.121	90	1208	-.357	.149	.836	-1.011
80	3912	-.212	.069	.027	-.638	90	1121	-.351	.123	.079	-1.020	90	1209	-.082	.156	.577	-.409
80	3913	-.193	.071	.289	-.564	90	1122	-.297	.104	.079	-.765	90	1210	.161	.177	.710	-.493
80	3914	-.213	.063	.032	-.481	90	1123	-.274	.102	-.053	-.772	90	1211	.153	.167	.796	-.377
80	3915	-.265	.096	-.011	-.688	90	1124	-.278	.103	-.005	-.824	90	1212	.103	.176	.628	-.435
80	3916	-.181	.095	.325	-.686	90	1125	-.325	.082	-.066	-.723	90	1213	-.034	.176	.645	-.433
80	3917	-.269	.099	.046	-1.065	90	1126	-.337	.092	-.071	-.943	90	1214	-.089	.130	.394	-.586
80	3918	-.119	.121	.416	-.764	90	1127	-.341	.100	-.056	-.965	90	1215	-.124	.120	.273	-.576
80	3919	-.194	.079	.315	-.588	90	1128	-.309	.090	.033	-.797	90	1216	-.063	.159	.638	-.470
80	3920	-.252	.111	.118	-.984	90	1129	-.286	.090	.033	-.602	90	1217	.255	.212	.930	-.384
80	3921	-.236	.094	-.018	-.912	90	1130	-.276	.093	-.004	-.708	90	1218	.217	.207	.907	-.342
80	3922	-.081	.147	.783	-.343	90	1131	-.361	.098	-.079	-.862	90	1219	.007	.176	.775	-.676
80	3923	-.075	.087	.313	-.445	90	1132	-.342	.101	-.014	-.879	90	1220	-.144	.120	.440	-.588
80	3924	-.185	.088	.239	-.557	90	1133	-.331	.098	.044	-.837	90	1221	-.086	.168	.696	-.523
80	3925	-.238	.081	.006	-.714	90	1134	-.284	.080	-.026	-.668	90	1222	.177	.193	.726	-.495
80	3926	-.152	.057	.048	-.393	90	1135	-.256	.067	-.056	-.607	90	1223	.257	.197	.861	-.493
80	3927	-.350	.161	-.018	-1.108	90	1136	-.271	.082	-.035	-.684	90	1224	.188	.207	.898	-.474
80	3928	-.028	.107	.499	-.357	90	1137	-.340	.121	-.073	-1.083	90	1225	.108	.209	.863	-.463
80	3929	-.085	.062	.196	-.333	90	1138	-.331	.123	-.040	-1.394	90	1226	-.076	.156	.591	-.704
80	3930	-.198	.079	.191	-.586	90	1139	-.284	.093	.007	-.757	90	1227	-.170	.126	.301	-.816
80	3931	-.175	.061	-.007	-.475	90	1140	-.241	.069	-.005	-.630	90	1228	-.096	.171	.703	-.426
80	3932	-.138	.061	-.091	-.400	90	1141	-.237	.054	-.028	-.544	90	1229	.250	.194	.792	-.361
80	3933	-.245	.088	-.017	-.799	90	1142	-.240	.047	-.084	-.483	90	1230	.297	.208	.886	-.412
80	3934	-.245	.095	-.021	-.776	90	1143	-.320	.146	-.058	-1.887	90	1231	.236	.208	1.009	-.384
80	3935	-.276	.119	.056	-.958	90	1144	-.299	.111	.059	-.941	90	1232	.181	.217	.981	-.356
80	3936	-.013	.085	.331	-.266	90	1145	-.230	.073	.089	-.562	90	1233	-.148	.225	.928	-.423
80	3937	-.110	.141	.462	-.692	90	1146	-.226	.063	.056	-.670	90	1234	-.036	.147	.489	-.542
80	3938	-.196	.113	.202	-.755	90	1147	-.213	.052	-.000	-.443	90	1235	-.101	.120	.437	-.433
80	3939	-.014	.082	.444	-.244	90	1148	-.217	.045	-.009	-.408	90	1236	-.006	.162	.624	-.474
80	3940	-.074	.093	.346	-.390	90	1149	-.305	.115	.129	-1.226	90	1237	-.086	.172	.765	-.421
80	3941	-.074	.092	.336	-.433	90	1150	-.241	.076	-.021	-.670	90	1238	.128	.175	.731	-.330
90	1101	-.418	.149	-.014	-1.123	90	1151	-.223	.044	-.004	-.459	90	1239	.094	.143	.693	-.212
90	1102	-.382	.172	.009	-1.285	90	1152	-.272	.104	.122	-.968	90	1240	.048	.152	.777	-.333



WD	TAP	CPMEAN	CPRMS	CPMAX	CPMIN	WD	TAP	CPMEAN	CPRMS	CPMAX	CPMIN	WD	TAP	CPMEAN	CPRMS	CPMAX	CPMIN
90	1241	-.075	.178	.851	-.426	90	1301	-.330	.140	.074	-1.184	90	1351	-.257	.204	.204	-1.594
90	1242	-.055	.151	.485	-.579	90	1302	-.489	.189	.183	-1.499	90	1352	-.440	.272	.201	-1.728
90	1243	-.125	.131	.475	-.574	90	1303	-.361	.158	.058	-1.235	90	1353	-.137	.093	.318	-.424
90	1244	-.061	.135	.485	-.493	90	1304	-.411	.130	.051	-1.005	90	1354	-.254	.063	.218	-.491
90	1245	-.032	.122	.471	-.409	90	1305	-.234	.080	.053	-.792	90	1355	-.236	.104	.188	-.770
90	1246	-.029	.101	.394	-.460	90	1306	-.241	.069	.021	-.555	90	1356	-.352	.081	-.124	-.787
90	1247	-.044	.089	.411	-.270	90	1307	-.358	.128	-.010	-1.012	90	1357	-.162	.063	-.113	-.422
90	1248	-.046	.094	.393	-.301	90	1308	-.357	.123	.104	-1.058	90	1358	-.052	.079	.260	-.549
90	1249	-.004	.160	.739	-.398	90	1309	-.409	.157	.042	-1.223	90	1359	-.023	.109	.421	-.594
90	1250	-.068	.151	.548	-.454	90	1310	-.398	.147	-.033	-1.242	90	1360	-.002	.140	.497	-.836
90	1251	-.115	.120	.274	-.531	90	1311	-.510	.134	-.146	-1.123	90	1361	-.116	.062	.274	-.331
90	1252	-.047	.142	.446	-.631	90	1312	-.488	.131	-.142	-1.402	90	1362	-.244	.038	-.119	-.401
90	1253	-.079	.111	.372	-.587	90	1313	-.265	.054	-.007	-.529	90	1363	-.069	.110	.423	-.380
90	1254	-.105	.081	.279	-.538	90	1314	-.340	.099	.042	-.894	90	1364	-.244	.077	.002	-.661
90	1255	-.097	.062	.127	-.366	90	1315	-.398	.126	-.083	-1.003	90	1365	-.108	.065	.162	-.422
90	1256	-.103	.065	.272	-.384	90	1316	-.468	.125	-.028	-1.031	90	1366	.007	.086	.486	-.291
90	1257	-.151	.118	.511	-.626	90	1317	-.276	.062	-.100	-.615	90	1367	.065	.101	.523	-.387
90	1258	-.211	.160	.441	-.742	90	1318	-.341	.110	-.003	-.894	90	1368	.035	.121	.490	-.601
90	1259	-.214	.138	.234	-.829	90	1319	-.417	.171	-.067	-1.242	90	1369	-.089	.080	.347	-.299
90	1260	-.067	.117	.397	-.696	90	1320	-.478	.120	-.091	-1.223	90	1370	-.116	.066	.296	-.346
90	1261	-.040	.102	.386	-.403	90	1321	-.273	.059	-.091	-.629	90	1371	-.363	.115	-.022	-.807
90	1262	-.058	.071	.163	-.426	90	1322	-.276	.061	-.033	-.608	90	1372	-.056	.080	-.273	-.218
90	1263	-.028	.059	.232	-.410	90	1323	-.329	.095	-.028	-.870	90	1373	-.214	.029	-.092	-.325
90	1264	-.042	.063	.227	-.289	90	1324	-.353	.101	-.023	-.917	90	1374	-.109	.063	.145	-.419
90	1265	-.092	.064	.213	-.289	90	1325	-.403	.145	.039	-1.094	90	1375	.029	.083	.453	-.280
90	1266	-.175	.070	.141	-.422	90	1326	-.423	.138	.118	-.980	90	1376	.065	.110	.442	-.428
90	1267	-.193	.067	.188	-.442	90	1327	-.494	.134	-.149	-1.238	90	1377	-.102	.075	.332	-.305
90	1268	-.074	.118	.372	-.584	90	1328	-.486	.124	-.145	-.952	90	1378	.003	.084	.510	-.300
90	1269	-.048	.066	.190	-.580	90	1329	-.263	.056	-.040	-.524	90	1379	.003	.081	.503	-.291
90	1270	-.087	.080	.190	-.398	90	1330	-.253	.045	-.091	-.412	90	1380	.042	.097	.525	-.354
90	1271	-.256	.082	.155	-.617	90	1331	-.351	.095	-.100	-.764	90	1381	.004	.073	.356	-.229
90	1272	-.014	.082	.334	-.415	90	1332	-.326	.079	-.098	-.708	90	1382	-.166	.049	.166	-.323
90	1273	-.034	.074	.246	-.522	90	1333	-.386	.151	.013	-1.182	90	1383	-.123	.068	.277	-.346
90	1274	-.025	.064	.246	-.301	90	1334	-.435	.143	.113	-1.264	90	1384	.017	.086	.394	-.321
90	1275	-.031	.066	.223	-.503	90	1335	-.491	.147	-.080	-1.157	90	1385	-.058	.121	.485	-.428
90	1276	-.133	.056	.139	-.426	90	1336	-.483	.124	-.094	-1.073	90	1401	-.295	.089	-.073	-.715
90	1277	-.169	.059	.086	-.487	90	1337	-.300	.064	-.056	-.596	90	1402	-.269	.071	-.077	-.594
90	1278	-.082	.116	.269	-.524	90	1338	-.303	.059	-.119	-.577	90	1403	-.250	.047	-.082	-.491
90	1279	-.009	.072	.290	-.235	90	1339	-.346	.086	-.149	-.861	90	1404	-.247	.039	-.128	-.404
90	1280	-.011	.068	.353	-.245	90	1340	-.341	.081	-.087	-.724	90	1405	-.263	.064	-.060	-.762
90	1281	-.028	.078	.276	-.352	90	1341	-.369	.131	.016	-.998	90	1406	-.263	.055	-.110	-.589
90	1282	-.035	.077	.323	-.301	90	1342	-.388	.177	-.003	-1.175	90	1407	-.286	.079	-.034	-.712
90	1283	-.174	.048	.016	-.522	90	1343	-.456	.198	.058	-1.480	90	1408	-.272	.063	-.060	-.614
90	1284	-.084	.110	.223	-.570	90	1344	-.548	.203	.076	-1.503	90	1409	-.256	.074	-.055	-.644
90	1285	-.013	.065	.397	-.208	90	1345	-.224	.064	-.059	-.477	90	1410	-.255	.077	-.057	-.669
90	1286	-.004	.070	.313	-.191	90	1346	-.239	.057	-.035	-.480	90	1411	-.242	.051	-.078	-.482
90	1287	-.007	.074	.358	-.217	90	1347	-.325	.086	-.047	-.957	90	1412	-.234	.048	-.085	-.657
90	1288	-.024	.093	.404	-.256	90	1348	-.344	.081	-.105	-.724	90	1413	-.240	.053	-.032	-.491
90	1289	-.047	.082	.339	-.291	90	1349	-.287	.087	-.063	-.901	90	1414	-.248	.056	-.048	-.529
90	1290	-.137	.061	.241	-.359	90	1350	-.245	.132	.065	-.991	90	1415	-.257	.055	-.044	-.498

WD	TAP	CPMEAN	CPRMS	CPMAX	CPMIN	WD	TAP	CPMEAN	CPRMS	CPMAX	CPMIN	WD	TAP	CPMEAN	CPRMS	CPMAX	CPMIN
90	1416	-.275	.073	-.030	-.648	90	1466	-.245	.041	-.116	-.428	90	1516	-.265	.048	-.119	-.518
90	1417	-.292	.082	-.025	-.687	90	1467	-.241	.032	-.145	-.404	90	1801	-.174	.061	-.122	-.343
90	1418	-.340	.085	-.069	-.721	90	1468	-.226	.029	-.138	-.353	90	1802	-.042	.086	.333	-.449
90	1419	-.344	.100	-.039	-.833	90	1469	-.221	.028	-.133	-.346	90	1803	-.028	.077	.322	-.364
90	1420	-.349	.103	-.062	-.890	90	1470	-.244	.050	-.099	-.513	90	1804	-.221	.072	.048	-.653
90	1421	-.262	.078	-.041	-.689	90	1471	-.261	.060	-.089	-.614	90	1805	-.029	.066	.217	-.399
90	1422	-.253	.066	-.028	-.691	90	1472	-.262	.051	-.087	-.486	90	1806	-.006	.063	.240	-.206
90	1423	-.236	.044	-.094	-.402	90	1473	-.334	.073	-.157	-.771	90	1807	-.024	.075	.364	-.241
90	1424	-.248	.051	-.016	-.648	90	1474	-.331	.067	-.162	-.672	90	1808	-.191	.054	-.014	-.577
90	1425	-.256	.049	-.100	-.487	90	1475	-.347	.082	-.157	-.754	90	1901	-.270	.079	-.003	-.761
90	1426	-.270	.056	-.078	-.488	90	1476	-.346	.078	-.164	-.745	90	1902	-.269	.076	-.065	-.809
90	1427	-.277	.063	-.028	-.561	90	1477	-.251	.034	-.140	-.442	90	1903	-.284	.100	-.026	-1.024
90	1428	-.306	.073	-.089	-.568	90	1478	-.254	.038	-.145	-.447	90	1904	-.257	.110	.152	-.855
90	1429	-.306	.074	-.077	-.667	90	1479	-.243	.032	-.159	-.392	90	1905	-.265	.108	.063	-.858
90	1430	-.327	.092	-.021	-.726	90	1480	-.220	.028	-.101	-.343	90	1906	-.257	.061	-.095	-.682
90	1431	-.267	.085	-.078	-.780	90	1481	-.206	.026	-.128	-.324	90	1907	-.294	.115	.092	-.832
90	1432	-.257	.070	-.073	-.778	90	1482	-.269	.068	-.104	-.653	90	1908	-.338	.140	.115	-.921
90	1433	-.245	.051	-.080	-.488	90	1483	-.293	.080	-.089	-.667	90	1909	-.329	.132	.138	-.956
90	1434	-.242	.046	-.098	-.539	90	1484	-.269	.050	-.070	-.534	90	1910	-.300	.098	.021	-.853
90	1435	-.363	.139	.027	-1.086	90	1485	-.265	.065	-.094	-.587	90	1911	-.269	.058	-.042	-.535
90	1436	-.262	.046	-.130	-.472	90	1486	-.270	.072	-.092	-.682	90	1912	-.239	.072	-.072	-.563
90	1437	-.305	.076	-.060	-.742	90	1487	-.305	.061	-.106	-.571	90	1913	-.304	.105	.005	-.794
90	1438	-.319	.083	-.082	-.673	90	1488	-.290	.056	-.087	-.638	90	1914	-.369	.128	.045	-.883
90	1439	-.328	.085	-.098	-.739	90	1489	-.276	.055	-.110	-.601	90	1915	-.370	.135	.029	-.985
90	1440	-.338	.090	-.098	-.767	90	1490	-.263	.051	-.118	-.561	90	1916	-.366	.138	-.022	-1.088
90	1441	-.249	.060	-.087	-.557	90	1491	-.241	.035	-.118	-.389	90	1917	-.339	.137	.113	-1.013
90	1442	-.245	.057	-.053	-.493	90	1492	-.221	.027	-.101	-.341	90	1918	-.444	.149	.026	-1.177
90	1443	-.239	.048	-.107	-.450	90	1493	-.207	.027	-.096	-.304	90	1919	-.437	.144	.008	-1.143
90	1444	-.228	.037	-.101	-.399	90	1494	-.228	.043	-.063	-.397	90	1920	-.430	.138	-.038	-1.017
90	1445	-.224	.034	-.114	-.352	90	1495	-.229	.050	-.063	-.613	90	1921	-.707	.235	-.033	-1.647
90	1446	-.246	.042	-.094	-.452	90	1496	-.233	.040	-.093	-.434	90	1922	-.652	.205	-.159	-1.515
90	1447	-.247	.042	-.112	-.436	90	1497	-.259	.050	-.102	-.594	90	1923	-.627	.205	-.102	-1.467
90	1448	-.239	.043	-.060	-.462	90	1498	-.264	.054	-.112	-.518	90	1924	-.535	.186	-.035	-1.465
90	1449	-.284	.057	-.082	-.488	90	1499	-.337	.077	-.109	-.801	90	1925	-.449	.133	-.072	-.974
90	1450	-.296	.062	-.063	-.566	90	1500	-.347	.078	-.146	-.773	90	1926	-.384	.132	-.022	-1.081
90	1451	-.308	.072	-.099	-.701	90	1501	-.273	.052	-.135	-.518	90	1927	-.455	.113	-.092	-1.042
90	1452	-.322	.074	-.099	-.832	90	1502	-.237	.045	-.061	-.502	90	1928	-.375	.131	-.035	-1.385
90	1453	-.249	.049	-.096	-.580	90	1503	-.221	.028	-.140	-.339	90	1929	-.436	.110	-.100	-1.090
90	1454	-.240	.046	-.084	-.537	90	1504	-.208	.026	-.133	-.325	90	1930	-.391	.112	-.017	-.905
90	1455	-.237	.036	-.128	-.408	90	1505	-.220	.039	-.095	-.367	90	1931	-.367	.128	.093	-1.045
90	1456	-.231	.029	-.147	-.331	90	1506	-.218	.038	-.058	-.358	90	1932	-.380	.121	.098	-.867
90	1457	-.228	.032	-.135	-.387	90	1507	-.281	.056	-.051	-.515	90	1933	-.379	.125	-.007	-1.142
90	1458	-.258	.045	-.118	-.454	90	1508	-.275	.049	-.093	-.504	90	1934	-.042	.084	.416	-.486
90	1459	-.271	.050	-.067	-.563	90	1509	-.338	.068	-.153	-.620	90	1935	-.023	.073	.376	-.206
90	1460	-.306	.068	-.118	-.609	90	1510	-.242	.040	-.072	-.425	90	2101	-.205	.077	.131	-.710
90	1461	-.322	.075	-.130	-.684	90	1511	-.253	.043	-.128	-.471	90	2102	-.155	.076	.155	-.451
90	1462	-.333	.074	-.150	-.711	90	1512	-.369	.088	-.061	-.692	90	2103	-.044	.101	.433	-.376
90	1463	-.341	.076	-.145	-.803	90	1513	-.247	.040	-.114	-.457	90	2104	-.211	.113	.337	-.721
90	1464	-.332	.084	-.036	-.759	90	1514	-.261	.044	-.123	-.522	90	2105	-.115	.121	.438	-.584
90	1465	-.250	.044	-.111	-.423	90	1515	-.277	.054	-.126	-.615	90	2106	-.150	.110	.342	-.688

WD	TAP	CPMEAN	CPRMS	CPMAX	CPMIN	WD	TAP	CPMEAN	CPRMS	CPMAX	CPMIN	WD	TAP	CPMEAN	CPRMS	CPMAX	CPMIN
90	2107	-.068	.126	-.503	-.533	90	2918	-.256	.054	-.101	-.526	90	3206	-.171	.110	.312	-.546
90	2201	-.236	.032	-.151	-.391	90	2919	-.237	.053	-.009	-.502	90	3207	-.014	.075	.339	-.544
90	2202	-.244	.035	-.118	-.425	90	2920	-.274	.116	-.023	-1.258	90	3208	-.035	.128	.522	-.319
90	2203	-.207	.062	-.148	-.451	90	2921	-.200	.151	-.020	-.710	90	3209	-.083	.055	.103	-.366
90	2204	-.199	.076	-.184	-.550	90	2922	-.215	.070	-.020	-.652	90	3210	-.018	.060	.210	-.361
90	2205	-.124	.110	-.424	-.659	90	2923	-.215	.066	-.002	-.661	90	3211	-.065	.120	.601	-.233
90	2206	-.233	.042	-.069	-.412	90	2924	-.327	.148	-.107	-1.241	90	3212	-.002	.101	.427	-.270
90	2207	-.195	.064	-.170	-.376	90	2925	-.299	.117	-.008	-1.098	90	3213	-.032	.123	.344	-.366
90	2208	-.162	.069	.085	-.557	90	2926	-.354	.204	-.141	-1.797	90	3214	-.023	.065	.253	-.302
90	2209	-.184	.110	.206	-.814	90	3101	-.198	.112	-.092	-.852	90	3215	-.085	.094	.347	-.123
90	2210	-.073	.178	.603	-1.118	90	3102	-.279	.086	-.011	-.855	90	3216	-.037	.092	.422	-.254
90	2211	-.156	.059	.129	-.296	90	3103	-.279	.093	-.027	-.848	90	3217	-.003	.120	.609	-.432
90	2212	-.164	.067	.172	-.374	90	3104	-.256	.073	-.053	-.679	90	3218	-.062	.116	.352	-.388
90	2213	-.134	.078	.223	-.499	90	3105	-.194	.084	-.151	-.552	90	3301	-.032	.137	.424	-.354
90	2214	-.152	.095	.208	-.857	90	3106	-.198	.093	.063	-.681	90	3302	-.090	.085	.204	-.395
90	2215	-.099	.137	.539	-.582	90	3107	-.191	.077	.039	-.557	90	3303	-.101	.087	.256	-.500
90	2301	-.235	.031	-.143	-.367	90	3108	-.243	.084	-.040	-1.002	90	3304	-.139	.100	.214	-.531
90	2302	-.232	.029	-.148	-.421	90	3109	-.270	.098	.060	-.764	90	3305	-.178	.083	.190	-.729
90	2303	-.233	.028	-.150	-.392	90	3110	-.269	.092	.040	-.622	90	3306	-.144	.072	.181	-.425
90	2304	-.028	.079	.325	-.243	90	3111	-.218	.060	-.028	-.521	90	3307	-.152	.094	.165	-.635
90	2305	-.171	.070	.076	-.662	90	3112	-.226	.057	-.057	-.631	90	3308	-.079	.068	.141	-.528
90	2306	-.198	.058	.030	-.531	90	3113	-.239	.065	-.061	-.554	90	3309	-.040	.143	.466	-.811
90	2307	-.217	.086	.240	-.733	90	3114	-.235	.068	-.037	-.590	90	3310	-.032	.118	.525	-.601
90	2308	-.117	.051	.147	-.279	90	3115	-.247	.073	-.018	-.795	90	3311	-.044	.098	.363	-.402
90	2309	-.138	.081	.342	-.421	90	3116	-.230	.064	-.033	-.604	90	3312	-.153	.084	.148	-.559
90	2310	-.174	.055	.064	-.362	90	3117	-.254	.076	-.017	-.611	90	3313	-.109	.080	.193	-.601
90	2311	-.144	.130	.498	-.674	90	3118	-.275	.097	-.018	-1.004	90	3314	-.076	.058	.162	-.322
90	2401	-.221	.041	-.104	-.448	90	3119	-.139	.097	-.138	-.502	90	3315	-.078	.119	.391	-.577
90	2402	-.220	.039	-.060	-.443	90	3120	-.231	.077	-.027	-.605	90	3316	-.076	.077	.211	-.563
90	2403	-.223	.045	-.077	-.545	90	3121	-.233	.085	.027	-.726	90	3317	-.016	.104	.436	-.395
90	2404	-.209	.033	-.094	-.357	90	3122	-.040	.109	.456	-.395	90	3318	-.132	.090	.169	-.636
90	2405	-.212	.035	-.070	-.355	90	3123	-.031	.109	.467	-.392	90	3319	-.015	.118	.389	-.524
90	2406	-.206	.035	-.097	-.426	90	3124	-.062	.117	.551	-.254	90	3320	-.037	.121	.686	-.364
90	2901	-.235	.043	-.108	-.432	90	3125	-.145	.093	.196	-.550	90	3321	-.072	.093	.335	-.470
90	2902	-.207	.023	-.137	-.313	90	3126	-.213	.074	.094	-.554	90	3322	-.050	.075	.249	-.301
90	2903	-.190	.037	-.056	-.296	90	3127	-.214	.090	.034	-.776	90	3323	-.065	.063	.176	-.313
90	2904	-.230	.031	-.142	-.371	90	3128	-.199	.081	.077	-.592	90	3324	-.033	.050	.183	-.304
90	2905	-.228	.030	-.144	-.393	90	3129	-.165	.055	.072	-.414	90	3325	-.025	.097	.333	-.446
90	2906	-.190	.043	-.028	-.403	90	3130	-.170	.071	.406	-.583	90	3326	-.073	.082	.293	-.376
90	2907	-.234	.072	-.060	-1.101	90	3131	-.205	.075	.036	-.733	90	3327	-.103	.082	.167	-.486
90	2908	-.218	.026	-.125	-.400	90	3132	-.248	.125	.086	-1.185	90	3328	-.064	.072	.223	-.336
90	2909	-.165	.052	.081	-.354	90	3133	-.223	.080	-.014	-.690	90	3329	-.009	.122	.536	-.572
90	2910	-.089	.118	.574	-.572	90	3134	-.006	.097	.548	-.304	90	3330	-.031	.115	.590	-.271
90	2911	-.209	.026	-.135	-.323	90	3135	-.325	.155	.173	-1.398	90	3331	-.031	.076	.366	-.336
90	2912	-.232	.039	-.086	-.519	90	3136	-.224	.084	.188	-.728	90	3332	-.095	.063	.147	-.421
90	2913	-.220	.029	-.127	-.335	90	3201	-.064	.071	.227	-.321	90	3333	-.087	.057	.099	-.278
90	2914	-.229	.028	-.130	-.335	90	3202	.020	.109	.489	-.345	90	3334	-.003	.092	.382	-.278
90	2915	-.240	.036	-.147	-.458	90	3203	.028	.119	.570	-.410	90	3335	-.038	.063	.242	-.219
90	2916	-.210	.080	-.105	-.681	90	3204	-.018	.146	.551	-.419	90	3336	-.042	.058	.248	-.315
90	2917	-.262	.046	-.159	-.572	90	3205	-.224	.098	.267	-.588	90	3337	-.015	.066	.246	-.217

WD	TAP	CPMEAN	CPRMS	CPMAX	CPMIN	WD	TAP	CPMEAN	CPRMS	CPMAX	CPMIN	WD	TAP	CPMEAN	CPRMS	CPMAX	CPMIN
90	33338	.018	.081	.407	-.240	90	39222	-.045	.126	.567	-.458	100	1131	-.299	.066	-.046	-.873
90	33339	-.040	.096	.538	-.288	90	39223	-.041	.075	.272	-.355	100	1132	-.298	.065	-.107	-.719
90	33340	-.014	.084	.493	-.270	90	39224	-.022	.097	.405	-.413	100	1133	-.293	.058	-.091	-.824
90	33341	-.089	.064	.153	-.406	90	39225	-.247	.110	.023	-.900	100	1134	-.296	.051	-.102	-.596
90	33342	-.073	.054	.130	-.320	90	39226	-.050	.074	.249	-.370	100	1135	-.321	.070	-.063	-.701
90	33343	-.046	.058	.208	-.298	90	39227	-.209	.178	.170	-1.088	100	1136	-.328	.070	-.086	-.726
90	33344	-.029	.052	.186	-.225	90	39228	-.019	.099	.415	-.543	100	1137	-.295	.064	-.132	-.726
90	33345	-.025	.049	.173	-.210	90	39229	-.055	.080	.218	-.508	100	1138	-.292	.049	-.070	-.608
90	33346	-.013	.059	.201	-.416	90	39230	-.071	.095	.296	-.446	100	1139	-.296	.047	-.044	-.494
90	33347	-.007	.071	.279	-.220	90	39231	-.067	.068	.183	-.403	100	1140	-.296	.045	-.144	-.513
90	33348	-.127	.066	.148	-.341	90	39232	-.037	.082	.358	-.253	100	1141	-.303	.058	-.155	-.659
90	33349	-.071	.090	.352	-.356	90	39233	-.230	.122	.076	-.986	100	1142	-.306	.061	-.137	-.557
90	3401	-.209	.080	.106	-.661	90	39234	-.181	.097	.134	-.686	100	1143	-.286	.049	-.155	-.710
90	3402	-.232	.088	.095	-.668	90	39235	-.194	.147	.122	-1.102	100	1144	-.286	.045	-.151	-.524
90	3403	-.178	.075	.094	-.562	90	39236	-.031	.075	.415	-.315	100	1145	-.291	.043	-.130	-.538
90	3404	-.081	.092	.472	-.466	90	39237	.013	.101	.563	-.612	100	1146	-.297	.053	-.095	-.664
90	3405	-.066	.117	.344	-.665	90	39238	-.022	.132	.455	-.627	100	1147	-.281	.056	-.088	-.466
90	3406	-.085	.121	.311	-.862	90	39239	-.043	.073	.296	-.361	100	1148	-.280	.066	-.032	-.548
90	3407	-.007	.124	.518	-.517	90	39240	-.002	.113	.535	-.464	100	1149	-.296	.059	-.123	-.784
90	3408	-.062	.107	.244	-.488	90	3941	-.022	.099	.493	-.230	100	1150	-.305	.051	-.088	-.673
90	3409	.058	.120	.591	-.461	100	1101	-.417	.134	.001	-1.075	100	1151	-.268	.043	-.019	-.485
90	3410	-.145	.031	-.044	-.232	100	1102	-.385	.148	-.010	-1.152	100	1152	-.299	.050	-.137	-.594
90	3411	-.042	.088	.523	-.295	100	1103	-.393	.124	-.031	-.927	100	1153	-.264	.045	-.100	-.476
90	3412	-.020	.110	.429	-.539	100	1104	-.391	.129	-.064	-1.128	100	1154	-.280	.036	-.153	-.402
90	3413	-.032	.099	.520	-.280	100	1105	-.380	.146	-.043	-1.163	100	1155	-.283	.029	-.187	-.377
90	3414	-.120	.122	.553	-.471	100	1106	-.330	.100	-.040	-1.050	100	1156	-.287	.038	-.162	-.455
90	3415	-.121	.070	.281	-.320	100	1107	-.328	.083	-.063	-.804	100	1157	-.255	.049	.033	-.407
90	3416	-.061	.108	.392	-.383	100	1108	-.319	.108	-.084	-1.073	100	1158	-.069	.090	.032	-.334
90	3417	-.051	.091	.467	-.252	100	1109	-.333	.121	-.022	-.985	100	1159	-.278	.042	-.123	-.508
90	3901	-.249	.093	-.008	-.814	100	1110	-.321	.070	-.114	-.705	100	1160	-.278	.038	-.153	-.423
90	3902	-.360	.155	.057	-1.156	100	1111	-.315	.067	-.082	-.693	100	1161	-.283	.041	-.160	-.462
90	3903	-.223	.092	.084	-.679	100	1112	-.314	.094	-.052	-.857	100	1162	-.262	.045	-.027	-.414
90	3904	-.221	.071	.023	-.572	100	1113	-.326	.111	-.033	-.996	100	1201	-.241	.296	.751	-1.395
90	3905	-.195	.069	.056	-.553	100	1114	-.316	.067	-.119	-.665	100	1202	-.252	.282	.756	-.980
90	3906	-.211	.093	.070	-.679	100	1115	-.319	.074	-.091	-.707	100	1203	-.232	.226	.675	-1.068
90	3907	-.231	.077	.020	-.579	100	1116	-.323	.087	-.034	-.899	100	1204	-.168	.220	.663	-.843
90	3908	-.213	.070	.018	-.581	100	1117	-.321	.099	-.010	-.908	100	1205	-.187	.210	.524	-.854
90	3909	-.220	.083	.042	-.731	100	1118	-.325	.106	-.059	-.848	100	1206	-.223	.206	.526	-.961
90	3910	-.207	.086	.118	-.722	100	1119	-.301	.068	-.033	-.760	100	1207	-.509	.155	.352	-1.110
90	3911	-.158	.122	.422	-.855	100	1120	-.307	.069	-.066	-.811	100	1208	-.389	.140	.160	-.961
90	3912	-.199	.082	.084	-.565	100	1121	-.306	.074	-.047	-.684	100	1209	.147	.138	.610	-.342
90	3913	-.187	.081	.077	-.600	100	1122	-.297	.069	-.040	-.584	100	1210	.241	.145	.721	-.448
90	3914	-.178	.085	.172	-.496	100	1123	-.317	.093	-.050	-.749	100	1211	.161	.135	.645	-.277
90	3915	-.206	.119	.075	-.836	100	1124	-.321	.099	-.015	-.814	100	1212	.110	.142	.589	-.413
90	3916	-.177	.093	.244	-.638	100	1125	-.294	.062	-.098	-.811	100	1213	.043	.154	.584	-.430
90	3917	-.172	.105	.137	-.617	100	1126	-.302	.078	-.047	-1.321	100	1214	-.091	.127	.403	-.553
90	3918	-.075	.135	.491	-1.050	100	1127	-.304	.066	-.000	-.931	100	1215	-.131	.112	.306	-.504
90	3919	-.201	.113	.153	-.926	100	1128	-.303	.059	-.091	-.719	100	1216	-.135	.145	.631	-.397
90	3920	-.291	.144	.194	-1.031	100	1129	-.324	.078	-.079	-.671	100	1217	.321	.162	.840	-.228
90	3921	-.198	.096	.120	-.638	100	1130	-.320	.077	-.058	-.757	100	1218	.268	.160	.833	-.214

WD	TAP	CPMEAN	CPRMS	CPMAX	CPMIN	WD	TAP	CPMEAN	CPRMS	CPMAX	CPMIN	WD	TAP	CPMEAN	CPRMS	CPMAX	CPMIN
100	1219	.011	.168	.526	-.474	100	1269	.018	.083	.346	-.373	100	1329	-.313	.059	-.124	-.595
100	1220	-.133	.114	.294	-.483	100	1270	-.142	.104	.190	-.617	100	1330	-.309	.055	-.110	-.541
100	1221	.123	.151	.659	-.583	100	1271	-.322	.060	-.142	-.628	100	1331	-.362	.101	-.061	-.909
100	1222	.235	.160	.833	-.348	100	1272	.122	.089	.511	-.359	100	1332	-.332	.075	-.014	-.672
100	1223	.292	.173	.888	-.212	100	1273	.085	.086	.362	-.305	100	1333	-.359	.134	-.038	-1.057
100	1224	.233	.186	.805	-.650	100	1274	.095	.076	.344	-.305	100	1334	-.333	.156	-.010	-1.008
100	1225	.135	.193	.868	-.402	100	1275	.020	.081	.367	-.235	100	1335	-.356	.158	-.010	-1.143
100	1226	-.059	.148	.445	-.541	100	1276	-.148	.061	.088	-.356	100	1336	-.301	.143	-.117	-1.181
100	1227	-.161	.119	.285	-.618	100	1277	-.194	.064	.058	-.507	100	1337	-.301	.048	-.157	-.544
100	1228	.207	.159	.710	-.423	100	1278	.070	.092	.379	-.354	100	1338	-.304	.049	-.147	-.509
100	1229	.301	.172	.835	-.247	100	1279	.093	.076	.388	-.163	100	1339	-.340	.093	-.101	-.884
100	1230	.382	.181	.935	-.311	100	1280	.125	.087	.606	-.077	100	1340	-.316	.071	-.070	-.679
100	1231	.323	.171	.939	-.335	100	1281	-.026	.100	.423	-.421	100	1341	-.342	.129	-.069	-.895
100	1232	.215	.183	.854	-.323	100	1282	-.072	.090	.323	-.359	100	1342	-.333	.194	.053	-1.188
100	1233	.129	.199	.849	-.409	100	1283	-.229	.036	-.073	-.373	100	1343	-.333	.226	.058	-1.580
100	1234	-.051	.150	.485	-.588	100	1284	.076	.085	.404	-.352	100	1344	-.637	.195	.116	-1.477
100	1235	-.113	.123	.328	-.563	100	1285	.131	.096	.518	-.133	100	1345	-.309	.045	-.166	-.546
100	1236	.165	.175	.712	-.462	100	1286	.094	.091	.534	-.147	100	1346	-.296	.038	-.138	-.448
100	1237	.261	.177	.754	-.304	100	1287	.136	.096	.495	-.152	100	1347	-.325	.068	-.168	-.758
100	1238	.297	.172	.819	-.188	100	1288	-.081	.092	.374	-.438	100	1348	-.307	.060	-.117	-.763
100	1239	.235	.153	.763	-.177	100	1289	-.062	.086	.430	-.298	100	1349	-.262	.077	-.077	-.845
100	1240	.077	.156	.724	-.251	100	1290	-.195	.051	.139	-.349	100	1350	-.209	.117	.081	-1.029
100	1241	.008	.160	.705	-.407	100	1301	-.407	.146	.020	-1.052	100	1351	-.314	.245	.135	-1.451
100	1242	-.109	.142	.519	-.467	100	1302	-.538	.194	-.026	-1.676	100	1352	-.600	.297	.251	-2.250
100	1243	-.153	.126	.487	-.525	100	1303	-.404	.143	.048	-1.087	100	1353	-.230	.097	.326	-.465
100	1244	.133	.179	.691	-.409	100	1304	-.494	.120	-.115	-1.080	100	1354	-.307	.054	-.037	-.478
100	1245	.194	.173	.763	-.293	100	1305	-.321	.078	-.032	-.806	100	1355	-.339	.075	-.026	-.698
100	1246	.155	.141	.631	-.430	100	1306	-.319	.074	-.061	-.696	100	1356	-.326	.058	-.182	-.621
100	1247	.037	.103	.437	-.228	100	1307	-.377	.128	.004	-1.055	100	1357	-.182	.046	-.044	-.413
100	1248	-.081	.083	.383	-.326	100	1308	-.372	.117	.095	-.948	100	1358	-.054	.058	.175	-.320
100	1249	-.149	.112	.434	-.531	100	1309	-.382	.135	.065	-1.008	100	1359	-.021	.084	.296	-.488
100	1250	-.198	.125	.574	-.554	100	1310	-.392	.132	.104	-1.045	100	1360	-.044	.179	.434	-.838
100	1251	-.240	.095	.259	-.523	100	1311	-.599	.151	-.168	-1.231	100	1361	-.164	.066	-.382	-.336
100	1252	.186	.175	.753	-.512	100	1312	-.591	.144	-.191	-1.385	100	1362	-.300	.041	-.136	-.460
100	1253	.182	.168	.786	-.412	100	1313	-.305	.060	-.096	-.866	100	1363	-.052	.130	-.525	-.455
100	1254	.060	.100	.400	-.414	100	1314	-.347	.098	.069	-.875	100	1364	-.282	.090	-.005	-.597
100	1255	.016	.086	.276	-.328	100	1315	-.400	.133	-.041	-.875	100	1365	-.150	.047	.060	-.350
100	1256	-.047	.055	.151	-.328	100	1316	-.573	.133	-.145	-1.115	100	1366	-.006	.067	.375	-.229
100	1257	-.167	.070	.193	-.605	100	1317	-.317	.068	-.119	-.631	100	1367	.082	.081	.420	-.266
100	1258	-.280	.085	.267	-.861	100	1318	-.348	.115	.083	-.917	100	1368	.076	.130	.513	-.525
100	1259	-.279	.073	.309	-.633	100	1319	-.584	.140	-.027	-1.224	100	1369	-.116	.073	.166	-.318
100	1260	.167	.113	.655	-.549	100	1320	-.587	.142	-.184	-1.155	100	1370	-.109	.076	.316	-.390
100	1261	.161	.112	.653	-.296	100	1321	-.318	.066	-.103	-.622	100	1371	-.464	.090	-.145	-.834
100	1262	.046	.086	.320	-.540	100	1322	-.315	.064	-.056	-.652	100	1372	-.073	.077	-.343	-.188
100	1263	.083	.077	.351	-.231	100	1323	-.367	.108	-.029	-.906	100	1373	-.261	.029	-.154	-.371
100	1264	.011	.071	.293	-.301	100	1324	-.379	.107	.115	-.810	100	1374	-.100	.051	.137	-.326
100	1265	-.104	.059	.088	-.366	100	1325	-.383	.130	.023	-1.059	100	1375	-.035	.068	.345	-.223
100	1266	-.226	.051	-.026	-.438	100	1326	-.396	.135	.063	-1.141	100	1376	-.102	.074	.446	-.186
100	1267	-.242	.044	-.080	-.421	100	1327	-.587	.142	-.098	-1.164	100	1377	-.143	.078	.251	-.351
100	1268	.115	.118	.634	-.394	100	1328	-.614	.148	-.180	-1.129	100	1378	.022	.068	.357	-.158

WD	TAP	CPMEAN	CPRMS	CPMAX	CPMIN	WD	TAP	CPMEAN	CPRMS	CPMAX	CPMIN	WD	TAP	CPMEAN	CPRMS	CPMAX	CPMIN
100	1379	-.016	.068	.229	-.229	100	1444	-.253	.038	-.144	-.550	100	1494	-.260	.044	-.096	-.438
100	1380	.001	.140	.381	-.446	100	1445	-.265	.037	-.126	-.443	100	1495	-.269	.050	-.103	-.494
100	1381	.098	.090	.395	-.107	100	1446	-.279	.043	-.121	-.454	100	1496	-.278	.042	-.147	-.436
100	1382	-.211	.054	.153	-.365	100	1447	-.288	.044	-.105	-.484	100	1497	-.312	.051	-.143	-.543
100	1383	-.168	.064	.144	-.376	100	1448	-.299	.049	-.133	-.486	100	1498	-.337	.063	-.133	-.659
100	1384	-.005	.068	.309	-.191	100	1449	-.286	.056	-.124	-.530	100	1499	-.399	.072	-.215	-.706
100	1385	.027	.110	.508	-.358	100	1450	-.299	.066	-.099	-.672	100	1500	-.401	.071	-.196	-.787
100	1401	-.309	.087	-.101	-.768	100	1451	-.323	.075	-.087	-.733	100	1501	-.261	.036	-.133	-.501
100	1402	-.294	.067	-.112	-.782	100	1452	-.327	.074	-.061	-.697	100	1502	-.244	.033	-.110	-.361
100	1403	-.284	.051	-.132	-.575	100	1453	-.273	.046	-.133	-.489	100	1503	-.241	.025	-.131	-.305
100	1404	-.288	.042	-.158	-.452	100	1454	-.265	.039	-.140	-.414	100	1504	-.246	.028	-.159	-.329
100	1405	-.324	.069	-.098	-.611	100	1455	-.251	.036	-.124	-.385	100	1505	-.254	.038	-.122	-.424
100	1406	-.334	.063	-.148	-.603	100	1456	-.253	.032	-.160	-.380	100	1506	-.257	.040	-.136	-.475
100	1407	-.307	.071	-.126	-.719	100	1457	-.269	.033	-.155	-.423	100	1507	-.337	.056	-.133	-.636
100	1408	-.330	.065	-.128	-.628	100	1458	-.288	.039	-.186	-.501	100	1508	-.332	.051	-.145	-.573
100	1409	-.288	.073	-.073	-.674	100	1459	-.292	.040	-.165	-.464	100	1509	-.392	.064	-.224	-.680
100	1410	-.277	.071	-.085	-.603	100	1460	-.305	.046	-.160	-.593	100	1510	-.292	.040	-.166	-.452
100	1411	-.273	.059	-.098	-.671	100	1461	-.290	.049	-.133	-.556	100	1511	-.310	.043	-.152	-.498
100	1412	-.280	.054	-.096	-.617	100	1462	-.301	.055	-.133	-.631	100	1512	-.427	.075	-.198	-.729
100	1413	-.288	.058	-.126	-.525	100	1463	-.316	.063	-.121	-.767	100	1513	-.305	.042	-.163	-.478
100	1414	-.291	.057	-.073	-.496	100	1464	-.325	.074	-.120	-.777	100	1514	-.320	.043	-.180	-.492
100	1415	-.312	.058	-.107	-.603	100	1465	-.269	.041	-.140	-.455	100	1515	-.345	.056	-.138	-.622
100	1416	-.320	.077	-.034	-.692	100	1466	-.249	.036	-.133	-.445	100	1516	-.318	.045	-.159	-.494
100	1417	-.329	.084	-.071	-.799	100	1467	-.238	.029	-.133	-.346	100	1801	-.258	.046	-.067	-.396
100	1418	-.379	.091	-.062	-.813	100	1468	-.246	.027	-.160	-.341	100	1802	-.028	.071	.283	-.233
100	1419	-.363	.094	-.066	-.726	100	1469	-.258	.028	-.172	-.365	100	1803	-.025	.065	.251	-.233
100	1420	-.366	.102	-.027	-.982	100	1470	-.292	.038	-.174	-.455	100	1804	-.273	.045	-.116	-.602
100	1421	-.289	.074	-.075	-.651	100	1471	-.300	.039	-.172	-.513	100	1805	.017	.075	.292	-.320
100	1422	-.275	.065	-.073	-.726	100	1472	-.303	.043	-.172	-.518	100	1806	.112	.088	.444	-.145
100	1423	-.263	.044	-.087	-.484	100	1473	-.308	.052	-.165	-.663	100	1807	-.056	.085	.268	-.302
100	1424	-.277	.047	-.066	-.434	100	1474	-.308	.052	-.169	-.588	100	1808	-.218	.040	-.058	-.374
100	1425	-.295	.052	-.057	-.489	100	1475	-.311	.053	-.157	-.590	100	1901	-.308	.074	-.074	-.825
100	1426	-.310	.058	-.103	-.543	100	1476	-.312	.056	-.162	-.646	100	1902	-.309	.082	-.097	-.850
100	1427	-.290	.063	-.082	-.651	100	1477	-.259	.036	-.131	-.414	100	1903	-.323	.111	.071	-.1214
100	1428	-.308	.071	-.078	-.788	100	1478	-.249	.032	-.128	-.382	100	1904	-.296	.118	.146	-.1043
100	1429	-.339	.079	-.101	-.706	100	1479	-.241	.028	-.143	-.334	100	1905	-.295	.099	.039	-.786
100	1430	-.348	.089	-.075	-.788	100	1480	-.248	.028	-.162	-.344	100	1906	-.301	.059	-.078	-.587
100	1431	-.294	.078	-.087	-.733	100	1481	-.262	.033	-.148	-.402	100	1907	-.317	.108	.032	-.967
100	1432	-.287	.072	-.121	-.749	100	1482	-.329	.070	-.119	-.704	100	1908	-.407	.134	.128	-1.068
100	1433	-.267	.054	-.114	-.719	100	1483	-.339	.073	-.128	-.774	100	1909	-.383	.120	-.016	-.933
100	1434	-.271	.044	-.121	-.445	100	1484	-.318	.046	-.157	-.515	100	1910	-.375	.111	-.020	-.876
100	1435	-.360	.118	-.037	-1.085	100	1485	-.338	.042	-.160	-.699	100	1911	-.310	.064	-.106	-.582
100	1436	-.304	.051	-.119	-.514	100	1486	-.338	.063	-.184	-.634	100	1912	-.307	.065	-.087	-.630
100	1437	-.312	.072	-.078	-.687	100	1487	-.283	.055	-.128	-.629	100	1913	-.346	.103	.007	-.854
100	1438	-.321	.076	-.105	-.658	100	1488	-.268	.051	-.128	-.549	100	1914	-.441	.136	.027	-1.068
100	1439	-.347	.092	-.048	-.754	100	1489	-.252	.036	-.083	-.414	100	1915	-.384	.122	-.028	-.903
100	1440	-.364	.096	-.066	-.760	100	1490	-.247	.034	-.097	-.370	100	1916	-.372	.120	-.046	-1.164
100	1441	-.273	.060	-.085	-.532	100	1491	-.242	.027	-.140	-.339	100	1917	-.353	.124	.006	-1.130
100	1442	-.268	.055	-.096	-.530	100	1492	-.248	.026	-.143	-.327	100	1918	-.477	.143	.022	-1.098
100	1443	-.249	.049	-.098	-.436	100	1493	-.252	.027	-.136	-.336	100	1919	-.493	.131	-.081	-1.047

WD	TAP	CPMEAN	CPRMS	CPMAX	CPMIN	WD	TAP	CPMEAN	CPRMS	CPMAX	CPMIN	WD	TAP	CPMEAN	CPRMS	CPMAX	CPMIN
100	1920	-.520	.139	-.060	-1.169	100	2402	-.220	.027	-.111	-.306	100	3120	-.250	.081	.001	-.650
100	1921	-.705	.246	-.087	-1.764	100	2403	-.232	.028	-.094	-.328	100	3121	-.268	.086	.023	-.644
100	1922	-.695	.189	-.211	-1.585	100	2404	-.225	.024	-.140	-.299	100	3122	-.048	.100	.570	-.307
100	1923	-.654	.188	-.145	-1.349	100	2405	-.231	.023	-.147	-.314	100	3123	-.164	.123	.381	-.637
100	1924	-.543	.160	-.127	-1.279	100	2406	-.229	.025	-.110	-.305	100	3124	-.051	.098	.476	-.300
100	1925	-.515	.117	-.120	-1.054	100	2901	-.269	.045	-.124	-.392	100	3125	-.147	.098	.183	-.543
100	1926	-.408	.126	-.046	-1.047	100	2902	-.249	.025	-.166	-.345	100	3126	-.205	.071	.023	-.493
100	1927	-.546	.127	-.243	-1.049	100	2903	-.245	.025	-.078	-.323	100	3127	-.234	.089	.027	-.792
100	1928	-.409	.130	-.021	-1.063	100	2904	-.247	.023	-.161	-.353	100	3128	-.222	.090	.113	-.885
100	1929	-.527	.119	-.220	-1.120	100	2905	-.257	.028	-.166	-.367	100	3129	-.189	.069	.149	-.431
100	1930	-.505	.115	-.110	-.949	100	2906	-.267	.031	-.115	-.394	100	3130	-.189	.071	.044	-.450
100	1931	-.441	.112	-.058	-.903	100	2907	-.268	.043	-.129	-.471	100	3131	-.225	.080	.011	-.794
100	1932	-.403	.110	-.000	-.958	100	2908	-.253	.026	-.175	-.350	100	3132	-.253	.112	-.058	-1.021
100	1933	-.402	.135	-.046	-1.197	100	2909	-.241	.035	-.008	-.343	100	3133	-.247	.072	-.039	-.661
100	1934	-.103	.135	.260	-.680	100	2910	-.248	.056	.033	-.629	100	3134	-.047	.102	.517	-.398
100	1935	-.002	.091	.358	-.236	100	2911	-.248	.027	-.163	-.331	100	3135	-.401	.195	.176	-1.233
100	2101	-.282	.059	-.095	-.670	100	2912	-.257	.030	-.149	-.486	100	3136	-.267	.093	.062	-.696
100	2102	-.250	.042	-.057	-.420	100	2913	-.248	.027	-.161	-.352	100	3201	-.049	.074	.202	-.360
100	2103	-.221	.053	.055	-.379	100	2914	-.250	.025	-.168	-.348	100	3202	.039	.100	.441	-.376
100	2104	-.302	.089	.254	-.693	100	2915	-.254	.026	-.168	-.415	100	3203	-.011	.113	.469	-.377
100	2105	-.291	.108	.191	-.866	100	2916	-.283	.051	-.100	-.648	100	3204	-.027	.148	.527	-.450
100	2106	-.289	.083	.065	-.646	100	2917	-.247	.031	-.083	-.478	100	3205	-.196	.118	.364	-.672
100	2107	-.272	.093	.307	-.663	100	2918	-.273	.034	-.149	-.607	100	3206	-.186	.114	.375	-.611
100	2201	-.248	.025	-.175	-.340	100	2919	-.293	.044	-.115	-.583	100	3207	.001	.078	.347	-.331
100	2202	-.254	.028	-.127	-.384	100	2920	-.314	.076	-.132	-.925	100	3208	.019	.106	.453	-.274
100	2203	-.272	.037	-.066	-.522	100	2921	-.293	.065	-.042	-.879	100	3209	-.038	.073	.214	-.367
100	2204	-.290	.052	.053	-.578	100	2922	-.333	.090	-.032	-.774	100	3210	.008	.074	.261	-.305
100	2205	-.264	.084	.348	-.646	100	2923	-.269	.067	-.032	-.551	100	3211	.040	.102	.469	-.247
100	2206	-.249	.042	-.105	-.447	100	2924	-.287	.072	-.030	-.784	100	3212	.011	.103	.413	-.269
100	2207	-.286	.049	.048	-.522	100	2925	-.435	.208	.052	-1.721	100	3213	-.053	.122	.603	-.412
100	2208	-.190	.072	.125	-.534	100	2926	-.335	.095	.004	-1.075	100	3214	.011	.081	.281	-.312
100	2209	-.231	.173	.266	-.976	100	3101	-.216	.117	.111	-.801	100	3215	.066	.069	.268	-.086
100	2210	-.254	.093	.300	-.597	100	3102	-.318	.111	-.025	-1.087	100	3216	.043	.085	.394	-.180
100	2211	-.234	.053	-.006	-.386	100	3103	-.313	.104	-.023	-.915	100	3217	-.008	.102	.406	-.377
100	2212	-.283	.061	.048	-.527	100	3104	-.278	.097	.003	-.898	100	3218	-.129	.112	.329	-.433
100	2213	-.111	.102	.312	-.420	100	3105	-.147	.087	.175	-.579	100	3301	.199	.138	.896	-.335
100	2214	-.149	.166	.312	-1.250	100	3106	-.201	.113	.180	-.684	100	3302	.017	.090	.352	-.379
100	2215	-.232	.073	.189	-.818	100	3107	-.208	.080	.082	-.541	100	3303	.001	.103	.537	-.351
100	2301	-.251	.024	-.174	-.335	100	3108	-.302	.112	.030	-.940	100	3304	-.026	.098	.380	-.393
100	2302	-.251	.024	-.159	-.330	100	3109	-.283	.113	.018	-1.112	100	3305	-.126	.091	.230	-.614
100	2303	-.252	.025	-.169	-.364	100	3110	-.295	.120	-.018	-.754	100	3306	-.097	.071	.172	-.421
100	2304	-.031	.079	.341	-.268	100	3111	-.229	.062	-.042	-.469	100	3307	-.105	.116	.372	-.843
100	2305	-.199	.061	.039	-.714	100	3112	-.266	.069	-.008	-.672	100	3308	-.027	.058	.174	-.229
100	2306	-.263	.053	-.050	-.555	100	3113	-.260	.067	-.042	-.543	100	3309	-.172	.133	.708	-.428
100	2307	-.135	.135	.413	-.584	100	3114	-.239	.044	-.001	-.527	100	3310	.181	.128	.720	-.250
100	2308	-.141	.048	.073	-.270	100	3115	-.285	.090	-.006	-.926	100	3311	-.137	.123	.725	-.243
100	2309	-.103	.108	.406	-.340	100	3116	-.263	.091	-.023	-.825	100	3312	-.060	.104	.371	-.485
100	2310	-.234	.061	.010	-.499	100	3117	-.282	.089	.001	-.897	100	3313	-.030	.095	.319	-.710
100	2311	.094	.203	.838	-.603	100	3118	-.288	.109	.030	-.940	100	3314	-.075	.083	.176	-.426
100	2401	-.220	.029	-.113	-.328	100	3119	-.184	.102	.135	-.583	100	3315	.046	.131	.504	-.466

WD	TAP	CPMEAN	CPRMS	CPMAX	CPMIN	WD	TAP	CPMEAN	CPRMS	CPMAX	CPMIN	WD	TAP	CPMEAN	CPRMS	CPMAX	CPMIN
100	3316	.039	.079	.432	-.307	100	3417	.105	.113	.526	-.414	110	1109	-.338	.107	-.041	-.919
100	3317	.216	.113	.736	-.098	100	3901	-.276	.117	.163	-.903	110	1110	-.316	.056	-.150	-.584
100	3318	-.009	.098	.366	-.389	100	3902	-.431	.185	.057	-1.221	110	1111	-.313	.059	-.136	-.598
100	3319	.171	.120	.661	-.199	100	3903	-.181	.079	.070	-1.163	110	1112	-.326	.090	-.097	-.922
100	3320	.241	.116	.734	-.110	100	3904	-.232	.076	.032	-.622	110	1113	-.331	.094	-.083	-.856
100	3321	.035	.111	.519	-.562	100	3905	-.187	.078	.134	-.545	110	1114	-.305	.056	-.125	-.705
100	3322	.058	.077	.376	-.351	100	3906	-.183	.092	.137	-.708	110	1115	-.324	.062	-.157	-.600
100	3323	.001	.081	.406	-.351	100	3907	-.216	.078	.132	-.603	110	1116	-.332	.072	-.125	-.908
100	3324	-.001	.057	.209	-.257	100	3908	-.195	.074	.091	-.529	110	1117	-.342	.088	-.104	-.882
100	3325	.140	.096	.605	-.182	100	3909	-.189	.070	.175	-.572	110	1118	-.335	.086	-.092	-.807
100	3326	.046	.095	.519	-.375	100	3910	-.202	.085	.091	-.524	110	1119	-.291	.050	-.115	-.570
100	3327	.014	.075	.333	-.239	100	3911	-.094	.106	.323	-.712	110	1120	-.296	.053	-.129	-.565
100	3328	.073	.077	.490	-.232	100	3912	-.169	.090	.170	-.648	110	1121	-.302	.054	-.136	-.579
100	3329	.158	.132	.662	-.305	100	3913	-.166	.084	.189	-.471	110	1122	-.310	.057	-.141	-.642
100	3330	.234	.129	.751	-.203	100	3914	-.142	.091	.239	-.648	110	1123	-.323	.077	-.073	-.710
100	3331	.118	.098	.563	-.180	100	3915	-.196	.134	.244	-.825	110	1124	-.334	.088	-.022	-.936
100	3332	.029	.083	.389	-.244	100	3916	-.171	.090	.094	-.569	110	1125	-.293	.056	-.134	-.747
100	3333	.005	.082	.352	-.407	100	3917	-.131	.102	.199	-.674	110	1126	-.296	.057	-.094	-.707
100	3334	.197	.114	.633	-.192	100	3918	-.031	.153	.559	-.758	110	1127	-.302	.051	-.115	-.622
100	3335	.055	.069	.483	-.199	100	3919	-.324	.176	.168	-1.201	110	1128	-.315	.052	-.103	-.549
100	3336	.052	.055	.317	-.152	100	3920	-.380	.176	.139	-1.297	110	1129	-.332	.063	-.136	-.631
100	3337	.094	.076	.456	-.210	100	3921	-.262	.143	.161	-.891	110	1130	-.339	.076	-.178	-.816
100	3338	.063	.088	.413	-.177	100	3922	-.011	.117	.533	-.383	110	1131	-.281	.049	-.129	-.708
100	3339	.194	.111	.655	-.159	100	3923	-.004	.078	.273	-.436	110	1132	-.283	.047	-.131	-.624
100	3340	.109	.082	.433	-.144	100	3924	-.129	.114	.664	-.321	110	1133	-.297	.044	-.063	-.598
100	3341	-.006	.071	.264	-.326	100	3925	-.335	.148	.091	-1.130	110	1134	-.305	.041	-.190	-.500
100	3342	.006	.057	.251	-.195	100	3926	-.075	.081	.452	-.264	110	1135	-.320	.058	-.194	-.725
100	3343	.055	.066	.382	-.175	100	3927	-.148	.139	.216	-.825	110	1136	-.340	.069	-.164	-.690
100	3344	.070	.063	.362	-.104	100	3928	-.011	.091	.392	-.305	110	1137	-.395	.042	-.161	-.482
100	3345	.026	.050	.211	-.182	100	3929	-.044	.100	.297	-.493	110	1138	-.301	.044	-.166	-.496
100	3346	.052	.058	.385	-.192	100	3930	-.097	.090	.487	-.240	110	1139	-.305	.038	-.187	-.503
100	3347	.107	.089	.491	-.112	100	3931	.065	.073	.374	-.187	110	1140	-.315	.041	-.190	-.484
100	3348	-.130	.076	.231	-.356	100	3932	.101	.094	.545	-.200	110	1141	-.318	.064	-.122	-.886
100	3349	-.090	.095	.292	-.543	100	3933	-.284	.164	.117	-1.276	110	1142	-.330	.064	-.131	-.598
100	3401	-.205	.081	.169	-.584	100	3934	-.183	.110	.161	-.743	110	1143	-.306	.040	-.199	-.503
100	3402	-.244	.093	.072	-1.107	100	3935	-.172	.140	.165	-1.049	110	1144	-.303	.045	-.138	-.528
100	3403	-.202	.079	.079	-.572	100	3936	-.023	.098	.340	-.417	110	1145	-.315	.039	-.150	-.482
100	3404	-.093	.087	.317	-.502	100	3937	.126	.119	.632	-.515	110	1146	-.324	.041	-.199	-.540
100	3405	-.166	.239	.414	-1.069	100	3938	.222	.122	.700	-.134	110	1147	-.306	.044	-.145	-.605
100	3406	-.224	.185	.297	-.971	100	3939	-.077	.107	.319	-.464	110	1148	-.305	.062	-.047	-.816
100	3407	.218	.140	.814	-.318	100	3940	.073	.173	.665	-.679	110	1149	-.305	.044	-.171	-.514
100	3408	-.234	.142	.320	-.786	100	3941	.208	.108	.768	-.164	110	1150	-.336	.050	-.215	-.575
100	3409	.252	.135	.778	-.170	110	1101	-.449	.139	-.066	-1.220	110	1151	-.305	.064	-.014	-.708
100	3410	-.192	.039	-.065	-.314	110	1102	-.417	.140	-.076	-1.225	110	1152	-.311	.049	-.171	-.589
100	3411	-.092	.089	.249	-.399	110	1103	-.438	.120	-.052	-.945	110	1153	-.304	.037	-.149	-.495
100	3412	-.202	.151	.337	-.737	110	1104	-.400	.116	-.107	-1.121	110	1154	-.320	.039	-.191	-.573
100	3413	-.223	.117	.751	-.061	110	1105	-.395	.129	-.057	-1.066	110	1155	-.315	.029	-.230	-.407
100	3414	-.242	.092	.214	-.588	110	1106	-.333	.086	-.108	-.863	110	1156	-.322	.040	-.221	-.599
100	3415	-.165	.060	.072	-.381	110	1107	-.329	.069	-.101	-.714	110	1157	-.299	.035	-.103	-.456
100	3416	-.146	.109	.335	-.522	110	1108	-.340	.099	-.048	-1.234	110	1158	-.088	.092	.227	-.380



WD	TAP	CPMEAN	CPRMS	CPMAX	CPMIN	WD	TAP	CPMEAN	CPRMS	CPMAX	CPMIN	WD	TAP	CPMEAN	CPRMS	CPMAX	CPMIN
110	1159	-.318	.038	-.202	-.467	110	1247	.179	.099	.550	-.134	110	1307	-.361	.096	-.023	-.879
110	1160	-.314	.042	-.195	-.488	110	1248	-.025	.092	.374	-.280	110	1308	-.366	.093	-.030	-.797
110	1161	-.317	.038	-.211	-.493	110	1249	-.104	.085	.359	-.374	110	1309	-.325	.093	-.117	-.935
110	1162	-.302	.040	-.128	-.534	110	1250	-.240	.065	.294	-.729	110	1310	-.316	.103	-.028	-.874
110	1201	-.534	.288	.491	-1.367	110	1251	-.267	.054	.104	-.497	110	1311	-.727	.160	-.131	-1.312
110	1202	-.515	.267	.622	-1.369	110	1252	.260	.141	.750	-.419	110	1312	-.736	.142	-.266	-1.225
110	1203	-.387	.197	.484	-.966	110	1253	.285	.142	.816	-.240	110	1313	-.327	.062	-.002	-.734
110	1204	-.281	.215	.559	-.912	110	1254	.155	.093	.465	-.198	110	1314	-.365	.075	-.033	-.793
110	1205	-.252	.237	.575	-1.038	110	1255	.098	.081	.371	-.184	110	1315	-.317	.138	.005	-.900
110	1206	-.293	.233	.570	-1.083	110	1256	-.002	.058	.207	-.346	110	1316	-.667	.176	.080	-1.258
110	1207	-.660	.142	-.110	-1.181	110	1257	-.135	.053	.056	-.379	110	1317	-.324	.067	-.086	-.636
110	1208	-.491	.157	.237	-1.303	110	1258	-.286	.064	-.125	-.724	110	1318	-.362	.082	-.121	-1.068
110	1209	.154	.142	.655	-.321	110	1259	-.295	.051	-.153	-.593	110	1319	-.333	.086	.035	-1.122
110	1210	.204	.135	.730	-.511	110	1260	.209	.109	.611	-.097	110	1320	-.713	.148	-.245	-1.340
110	1211	.099	.120	.645	-.297	110	1261	.196	.096	.599	-.202	110	1321	-.365	.075	.045	-.720
110	1212	.078	.127	.594	-.311	110	1262	.137	.080	.472	-.132	110	1322	-.370	.072	-.096	-.764
110	1213	-.063	.129	.566	-.396	110	1263	.147	.068	.418	-.094	110	1323	-.374	.079	-.131	-.858
110	1214	-.105	.109	.434	-.539	110	1264	-.078	.076	.374	-.118	110	1324	-.375	.074	-.131	-.733
110	1215	-.142	.095	.272	-.466	110	1265	-.076	.057	.216	-.245	110	1325	-.346	.093	-.024	-.935
110	1216	.179	.162	.756	-.386	110	1266	-.226	.040	-.097	-.435	110	1326	-.349	.100	-.113	-.940
110	1217	.313	.150	.945	-.314	110	1267	-.248	.040	-.123	-.426	110	1327	-.662	.153	-.118	-1.283
110	1218	.261	.145	.753	-.194	110	1268	.142	.108	.712	-.261	110	1328	-.690	.149	-.221	-1.264
110	1219	.018	.135	.652	-.499	110	1269	.098	.080	.359	-.108	110	1329	-.356	.057	-.076	-.696
110	1220	-.140	.092	.240	-.457	110	1270	-.204	.117	.237	-.644	110	1330	-.353	.054	-.203	-.668
110	1221	.103	.159	.587	-.539	110	1271	-.343	.059	-.165	-.630	110	1331	-.370	.080	-.075	-.823
110	1222	.227	.162	1.025	-.246	110	1272	.153	.080	.503	-.061	110	1332	-.352	.056	-.170	-.677
110	1223	.234	.142	.744	-.182	110	1273	.164	.083	.505	-.071	110	1333	-.322	.100	-.069	-.999
110	1224	.219	.152	.819	-.248	110	1274	.165	.076	.493	-.047	110	1334	-.336	.167	-.024	-1.062
110	1225	.185	.158	.716	-.379	110	1275	-.066	.083	.390	-.134	110	1335	-.604	.195	.070	-1.189
110	1226	-.048	.120	.362	-.480	110	1276	-.136	.056	.096	-.292	110	1336	-.618	.143	-.029	-1.480
110	1227	-.159	.096	.219	-.536	110	1277	-.190	.055	.042	-.386	110	1337	-.343	.044	-.142	-.564
110	1228	.253	.142	.770	-.274	110	1278	.097	.067	.381	-.155	110	1338	-.350	.047	-.210	-.536
110	1229	.345	.154	.808	-.271	110	1279	.164	.083	.470	-.043	110	1339	-.356	.078	-.186	-.909
110	1230	.363	.150	.870	-.075	110	1280	.178	.091	.548	-.054	110	1340	-.339	.052	-.198	-.562
110	1231	.367	.139	.854	-.079	110	1281	-.007	.114	.444	-.407	110	1341	-.283	.090	-.052	-.917
110	1232	.296	.149	.863	-.267	110	1282	-.098	.102	.289	-.353	110	1342	-.283	.174	.006	-1.064
110	1233	.203	.153	.774	-.304	110	1283	-.259	.035	-.144	-.379	110	1343	-.547	.254	.145	-1.480
110	1234	-.028	.123	.479	-.443	110	1284	.142	.078	.587	-.238	110	1344	-.653	.167	-.019	-1.421
110	1235	-.116	.095	.301	-.479	110	1285	.217	.103	.686	-.028	110	1345	-.343	.039	-.231	-.550
110	1236	.268	.155	.793	-.269	110	1286	.189	.085	.576	-.043	110	1346	-.340	.039	-.228	-.517
110	1237	.356	.169	.892	-.358	110	1287	.244	.108	.761	-.045	110	1347	-.334	.052	-.203	-.656
110	1238	.392	.148	.922	-.030	110	1288	-.084	.109	.359	-.402	110	1348	-.323	.042	-.158	-.597
110	1239	.318	.135	.791	-.056	110	1289	-.068	.089	.270	-.327	110	1349	-.256	.046	-.120	-.663
110	1240	.196	.133	.802	-.199	110	1290	-.224	.047	-.017	-.365	110	1350	-.187	.112	.112	-.881
110	1241	.101	.142	.758	-.316	110	1301	-.396	.117	-.152	-.968	110	1351	-.356	.275	.185	-1.360
110	1242	-.123	.113	.442	-.471	110	1302	-.586	.173	-.019	-1.450	110	1352	-.606	.244	.240	-1.836
110	1243	-.176	.087	.251	-.471	110	1303	-.287	.169	-.318	-1.057	110	1353	-.286	.078	-.159	-.503
110	1244	.262	.158	.795	-.332	110	1304	-.568	.115	-.171	-1.096	110	1354	-.353	.045	-.189	-.538
110	1245	.336	.147	.788	-.136	110	1305	-.307	.087	.066	-.603	110	1355	-.369	.062	-.151	-.707
110	1246	.280	.127	.760	-.150	110	1306	-.306	.084	.122	-.627	110	1356	-.342	.050	-.177	-.590

WD	TAP	CPMEAN	CPRMS	CPMAX	CPMIN	WD	TAP	CPMEAN	CPRMS	CPMAX	CPMIN	WD	TAP	CPMEAN	CPRMS	CPMAX	CPMIN
110	1357	-.198	.040	-.059	-.372	110	1422	-.292	.072	-.065	-.839	110	1472	-.349	.040	-.237	-.506
110	1358	-.075	.060	-.152	-.360	110	1423	-.304	.046	-.134	-.525	110	1473	-.327	.041	-.218	-.496
110	1359	-.011	.104	.335	-.524	110	1424	-.305	.048	-.114	-.497	110	1474	-.336	.046	-.174	-.538
110	1360	-.186	.177	.443	-1.067	110	1425	-.315	.053	-.142	-.624	110	1475	-.325	.045	-.174	-.616
110	1361	-.191	.065	.136	-.437	110	1426	-.359	.059	-.162	-.589	110	1476	-.331	.048	-.181	-.655
110	1362	-.342	.038	-.205	-.517	110	1427	-.348	.065	-.079	-.636	110	1477	-.269	.035	-.132	-.428
110	1363	-.055	.122	-.436	-.419	110	1428	-.343	.060	-.137	-.640	110	1478	-.270	.034	-.149	-.408
110	1364	-.309	.093	-.036	-.682	110	1429	-.360	.067	-.147	-.721	110	1479	-.273	.027	-.171	-.369
110	1365	-.173	.041	.086	-.311	110	1430	-.369	.070	-.162	-.776	110	1480	-.289	.025	-.211	-.372
110	1366	-.018	.062	.298	-.264	110	1431	-.320	.083	-.120	-.834	110	1481	-.292	.033	-.189	-.484
110	1367	.045	.088	.507	-.383	110	1432	-.308	.078	-.100	-.896	110	1482	-.373	.063	-.157	-.714
110	1368	-.053	.159	.406	-.672	110	1433	-.311	.055	-.127	-.596	110	1483	-.373	.064	-.186	-.687
110	1369	-.140	.074	.183	-.359	110	1434	-.313	.045	-.176	-.525	110	1484	-.363	.044	-.242	-.560
110	1370	-.100	.071	.282	-.281	110	1435	-.403	.118	-.037	-.950	110	1485	-.371	.059	-.189	-.721
110	1371	-.498	.101	-.182	-.855	110	1436	-.328	.050	-.151	-.534	110	1486	-.382	.059	-.228	-.680
110	1372	-.025	.106	.257	-.403	110	1437	-.362	.068	-.141	-.636	110	1487	-.304	.042	-.189	-.516
110	1373	-.293	.028	-.184	-.389	110	1438	-.363	.066	-.114	-.649	110	1488	-.285	.044	-.091	-.465
110	1374	-.121	.053	.105	-.396	110	1439	-.375	.069	-.148	-.684	110	1489	-.277	.036	-.121	-.480
110	1375	.008	.056	.227	-.189	110	1440	-.373	.080	-.148	-.813	110	1490	-.278	.030	-.154	-.389
110	1376	.075	.079	.381	-.219	110	1441	-.294	.061	-.067	-.679	110	1491	-.283	.027	-.206	-.411
110	1377	-.165	.075	.197	-.428	110	1442	-.285	.053	-.102	-.555	110	1492	-.290	.026	-.208	-.406
110	1378	-.005	.064	.369	-.233	110	1443	-.299	.048	-.102	-.478	110	1493	-.282	.026	-.206	-.374
110	1379	-.054	.067	.280	-.265	110	1444	-.299	.040	-.185	-.492	110	1494	-.234	.042	-.082	-.437
110	1380	-.111	.151	.428	-.504	110	1445	-.303	.037	-.190	-.451	110	1495	-.295	.061	-.131	-.701
110	1381	-.143	.087	.476	-.068	110	1446	-.315	.041	-.194	-.453	110	1496	-.317	.041	-.157	-.493
110	1382	-.230	.056	.043	-.387	110	1447	-.324	.042	-.190	-.529	110	1497	-.352	.053	-.180	-.603
110	1383	-.205	.057	.107	-.387	110	1448	-.350	.050	-.174	-.560	110	1498	-.377	.066	-.194	-.713
110	1384	-.053	.069	.314	-.249	110	1449	-.338	.055	-.130	-.550	110	1499	-.421	.060	-.262	-.762
110	1385	-.067	.122	-.546	-.389	110	1450	-.339	.055	-.145	-.545	110	1500	-.422	.065	-.234	-.793
110	1401	-.349	.088	-.120	-.960	110	1451	-.340	.061	-.101	-.721	110	1501	-.285	.035	-.119	-.526
110	1402	-.334	.075	-.108	-.753	110	1452	-.352	.066	-.167	-.726	110	1502	-.271	.027	-.145	-.386
110	1403	-.318	.053	-.167	-.534	110	1453	-.283	.040	-.123	-.460	110	1503	-.280	.026	-.180	-.362
110	1404	-.329	.042	-.199	-.608	110	1454	-.278	.039	-.164	-.455	110	1504	-.282	.029	-.182	-.388
110	1405	-.351	.063	-.144	-.629	110	1455	-.279	.035	-.147	-.599	110	1505	-.283	.038	-.145	-.479
110	1406	-.364	.060	-.187	-.636	110	1456	-.295	.030	-.193	-.457	110	1506	-.283	.037	-.164	-.439
110	1407	-.344	.072	-.134	-.751	110	1457	-.306	.029	-.203	-.413	110	1507	-.371	.057	-.178	-.638
110	1408	-.369	.076	-.181	-.768	110	1458	-.329	.037	-.176	-.460	110	1508	-.369	.050	-.217	-.577
110	1409	-.303	.077	-.095	-.871	110	1459	-.333	.037	-.171	-.457	110	1509	-.407	.056	-.222	-.673
110	1410	-.304	.081	-.081	-1.067	110	1460	-.352	.044	-.203	-.506	110	1510	-.319	.039	-.194	-.479
110	1411	-.309	.063	-.127	-.776	110	1461	-.311	.045	-.171	-.506	110	1511	-.341	.041	-.220	-.517
110	1412	-.315	.049	-.084	-.693	110	1462	-.308	.046	-.147	-.504	110	1512	-.439	.072	-.157	-.767
110	1413	-.316	.059	-.120	-.772	110	1463	-.333	.052	-.152	-.626	110	1513	-.333	.040	-.208	-.510
110	1414	-.321	.059	-.111	-.758	110	1464	-.321	.053	-.144	-.624	110	1514	-.349	.042	-.192	-.496
110	1415	-.370	.064	-.174	-.733	110	1465	-.275	.034	-.149	-.426	110	1515	-.376	.052	-.224	-.638
110	1416	-.362	.075	-.111	-.804	110	1466	-.269	.029	-.167	-.440	110	1516	-.351	.044	-.206	-.570
110	1417	-.368	.075	-.088	-.719	110	1467	-.265	.027	-.169	-.360	110	1801	-.304	.039	-.151	-.534
110	1418	-.393	.077	-.178	-.728	110	1468	-.293	.025	-.208	-.391	110	1802	-.059	.065	-.250	-.221
110	1419	-.372	.075	-.132	-.774	110	1469	-.301	.029	-.193	-.413	110	1803	-.006	.069	-.271	-.227
110	1420	-.381	.076	-.118	-.723	110	1470	-.330	.034	-.228	-.474	110	1804	-.305	.042	-.186	-.534
110	1421	-.310	.075	-.104	-.825	110	1471	-.341	.038	-.179	-.479	110	1805	-.032	.092	-.229	-.463

WD	TAP	CPMEAN	CPRMS	CPMAX	CPMIN	WD	TAP	CPMEAN	CPRMS	CPMAX	CPMIN	WD	TAP	CPMEAN	CPRMS	CPMAX	CPMIN
110	1806	.181	.079	.551	-.005	110	2206	-.280	.043	-.142	-.564	110	2924	-.306	.066	-.067	-.613
110	1807	-.060	.089	.347	-.279	110	2207	-.321	.045	-.178	-.579	110	2925	-.441	.216	-.057	-1.906
110	1808	-.239	.037	-.097	-.389	110	2208	-.191	.068	-.155	-.391	110	2926	-.328	.089	-.034	-.736
110	1901	-.322	.062	-.079	-.612	110	2209	-.207	.176	.184	-1.131	110	3101	-.235	.112	-.102	-.908
110	1902	-.334	.072	-.081	-.750	110	2210	-.268	.060	-.029	-.557	110	3102	-.277	.116	-.011	-1.255
110	1903	-.354	.111	.041	-1.037	110	2211	-.259	.046	-.041	-.415	110	3103	-.374	.116	-.018	-1.038
110	1904	-.325	.123	.110	-.970	110	2212	-.327	.058	-.130	-.666	110	3104	-.331	.116	-.015	-1.144
110	1905	-.324	.107	.044	-.864	110	2213	-.084	.102	.415	-.381	110	3105	-.154	.092	.173	-.644
110	1906	-.335	.058	-.122	-.685	110	2214	-.057	.154	.415	-.918	110	3106	-.219	.123	.182	-.818
110	1907	-.353	.111	-.010	-1.071	110	2215	-.253	.055	-.017	-.450	110	3107	-.219	.089	.110	-.649
110	1908	-.336	.123	.029	-.775	110	2301	-.288	.024	-.211	-.374	110	3108	-.282	.096	-.071	-1.095
110	1909	-.336	.106	-.126	-.770	110	2302	-.289	.024	-.211	-.367	110	3109	-.285	.074	-.056	-.791
110	1910	-.403	.109	-.072	-1.043	110	2303	-.297	.025	-.216	-.411	110	3110	-.258	.090	-.040	-.688
110	1911	-.345	.069	-.099	-.848	110	2304	-.043	.083	.304	-.262	110	3111	-.273	.069	-.059	-.635
110	1912	-.345	.068	-.118	-.625	110	2305	-.201	.056	-.070	-.386	110	3112	-.300	.074	-.080	-.979
110	1913	-.375	.100	-.086	-1.090	110	2306	-.303	.056	-.095	-.573	110	3113	-.277	.066	-.090	-.635
110	1914	-.460	.140	-.042	-1.053	110	2307	-.053	.176	.610	-.479	110	3114	-.253	.058	-.037	-.529
110	1915	-.411	.122	-.072	-1.273	110	2308	-.161	.048	.048	-.326	110	3115	-.321	.096	-.030	-1.160
110	1916	-.410	.119	-.067	-1.005	110	2309	-.072	.110	.423	-.372	110	3116	-.302	.098	-.047	-1.146
110	1917	-.379	.125	-.019	-1.076	110	2310	-.243	.054	.036	-.349	110	3117	-.287	.085	-.025	-.770
110	1918	-.440	.142	.032	-.959	110	2311	-.216	.178	.862	-.399	110	3118	-.268	.075	-.061	-.668
110	1919	-.535	.115	-.152	-1.007	110	2401	-.223	.035	-.088	-.372	110	3119	-.192	.108	-.227	-.653
110	1920	-.592	.141	-.171	-1.237	110	2402	-.241	.031	-.119	-.328	110	3120	-.264	.079	-.018	-.632
110	1921	-.703	.207	-.079	-1.776	110	2403	-.260	.025	-.134	-.338	110	3121	-.253	.078	.009	-.642
110	1922	-.669	.179	-.200	-1.430	110	2404	-.231	.028	-.136	-.340	110	3122	-.042	.101	.513	-.249
110	1923	-.664	.183	-.189	-1.418	110	2405	-.232	.031	-.078	-.343	110	3123	-.174	.136	.291	-.806
110	1924	-.564	.152	-.139	-1.245	110	2406	-.244	.026	-.152	-.329	110	3124	-.060	.104	.652	-.191
110	1925	-.670	.139	-.313	-1.147	110	2901	-.231	.040	-.111	-.422	110	3125	-.150	.100	.264	-.536
110	1926	-.443	.134	-.035	-1.064	110	2902	-.271	.038	-.171	-.511	110	3126	-.211	.071	.031	-.500
110	1927	-.726	.157	-.327	-1.333	110	2903	-.271	.027	-.137	-.371	110	3127	-.276	.099	.074	-.799
110	1928	-.482	.155	-.090	-1.156	110	2904	-.279	.025	-.202	-.374	110	3128	-.253	.085	.096	-.680
110	1929	-.717	.161	-.253	-1.333	110	2905	-.287	.026	-.205	-.391	110	3129	-.219	.076	.139	-.526
110	1930	-.608	.107	-.260	-.947	110	2906	-.302	.029	-.205	-.424	110	3130	-.214	.072	.161	-.490
110	1931	-.537	.114	-.092	-.887	110	2907	-.320	.051	-.171	-.374	110	3131	-.249	.080	.067	-.868
110	1932	-.490	.106	-.005	-1.069	110	2908	-.274	.024	-.195	-.354	110	3132	-.247	.090	.040	-.714
110	1933	-.478	.145	-.119	-1.368	110	2909	-.277	.036	-.128	-.405	110	3133	-.256	.072	-.037	-.570
110	1934	-.134	.138	.241	-.661	110	2910	-.278	.035	-.132	-.511	110	3134	-.053	.107	.387	-.430
110	1935	-.004	.088	.340	-.243	110	2911	-.276	.028	-.181	-.381	110	3135	-.517	.187	.034	-1.274
110	2101	-.278	.056	-.116	-.711	110	2912	-.283	.027	-.154	-.391	110	3136	-.284	.078	-.055	-.719
110	2102	-.266	.039	-.099	-.412	110	2913	-.374	.024	-.202	-.357	110	3201	-.042	.077	.231	-.350
110	2103	-.268	.040	-.019	-.422	110	2914	-.288	.026	-.202	-.381	110	3202	.008	.121	.450	-.432
110	2104	-.328	.070	-.139	-.620	110	2915	-.288	.027	-.214	-.391	110	3203	.032	.121	.578	-.313
110	2105	-.343	.079	-.048	-.791	110	2916	-.305	.044	-.147	-.779	110	3204	.014	.163	.558	-.459
110	2106	-.312	.069	-.116	-.596	110	2917	-.265	.029	-.161	-.357	110	3205	-.215	.142	.387	-.770
110	2107	-.307	.048	-.010	-.668	110	2918	-.301	.033	-.212	-.445	110	3206	-.189	.132	.520	-.627
110	2201	-.289	.026	-.212	-.371	110	2919	-.318	.043	-.200	-.581	110	3207	-.011	.085	.382	-.285
110	2202	-.280	.025	-.205	-.366	110	2920	-.325	.076	-.072	-.880	110	3208	.013	.107	.394	-.273
110	2203	-.300	.033	-.147	-.436	110	2921	-.310	.065	-.113	-.777	110	3209	.001	.078	.325	-.331
110	2204	-.339	.058	-.123	-.736	110	2922	-.350	.092	-.116	-.808	110	3210	.022	.088	.390	-.309
110	2205	-.303	.074	.172	-.600	110	2923	-.298	.058	-.072	-.596	110	3211	.039	.113	.633	-.261

WD	TAP	CPMEAN	CPRMS	CPMAX	CPMIN	WD	TAP	CPMEAN	CPRMS	CPMAX	CPMIN	WD	TAP	CPMEAN	CPRMS	CPMAX	CPMIN
110	3212	.013	.104	.525	-.280	110	3344	.107	.060	.367	-.058	110	3928	-.010	.105	.497	-.376
110	3213	-.038	.125	.506	-.372	110	3345	.049	.051	.278	-.104	110	3929	-.045	.102	.261	-.543
110	3214	-.013	.092	.288	-.452	110	3346	.072	.056	.314	-.096	110	3930	.162	.092	.555	-.129
110	3215	.084	.085	.356	-.089	110	3347	.154	.079	.532	-.160	110	3931	.123	.072	.430	-.195
110	3216	.083	.098	.628	-.165	110	3348	-.163	.081	.123	-.480	110	3932	.159	.091	.608	-.102
110	3217	.025	.113	.486	-.383	110	3349	-.103	.103	.286	-.574	110	3933	-.316	.180	.138	-1.293
110	3218	-.165	.112	.301	-.518	110	3401	-.223	.077	.096	-.713	110	3934	-.219	.111	.167	-.721
110	3301	.292	.142	.746	-.139	110	3402	-.258	.084	.110	-.646	110	3935	-.189	.144	.189	-1.089
110	3302	.097	.104	.486	-.201	110	3403	-.195	.063	.051	-.476	110	3936	.000	.104	.344	-.345
110	3303	.040	.101	.419	-.255	110	3404	-.094	.082	.311	-.412	110	3937	.182	.117	.639	-.157
110	3304	.037	.098	.443	-.350	110	3405	-.274	.203	.404	-.826	110	3938	.265	.114	.817	-.020
110	3305	-.049	.098	.339	-.511	110	3406	-.275	.174	.230	-.910	110	3939	-.070	.117	.453	-.475
110	3306	-.082	.075	.206	-.487	110	3407	-.320	.130	.830	-.081	110	3940	.117	.162	.660	-.412
110	3307	-.041	.125	.344	-.770	110	3408	-.282	.141	.203	-.768	110	3941	.258	.110	.721	-.040
110	3308	-.021	.059	.202	-.222	110	3409	-.297	.128	.924	-.045	120	1101	-.448	.138	-.025	-1.038
110	3309	.216	.126	.751	-.146	110	3410	-.193	.030	-.098	-.312	120	1102	-.406	.134	-.096	-1.237
110	3310	.253	.120	.850	-.049	110	3411	-.091	.085	.207	-.361	120	1103	-.448	.120	-.117	-1.003
110	3311	.208	.116	.663	-.153	110	3412	-.223	.137	.390	-.753	120	1104	-.394	.107	-.167	-.984
110	3312	.009	.103	.445	-.558	110	3413	-.279	.110	.777	-.007	120	1105	-.389	.122	-.098	-1.272
110	3313	-.021	.099	.363	-.454	110	3414	-.261	.079	.255	-.643	120	1106	-.330	.079	-.115	-.832
110	3314	-.073	.096	.244	-.475	110	3415	-.165	.055	.013	-.349	120	1107	-.317	.056	-.150	-.574
110	3315	.126	.127	.701	-.366	110	3416	-.170	.106	.273	-.531	120	1108	-.324	.087	-.084	-.960
110	3316	.090	.083	.438	-.203	110	3417	-.131	.119	.565	-.338	120	1109	-.328	.095	-.035	-.951
110	3317	.258	.116	.864	-.045	110	3901	-.283	.109	.051	-.971	120	1110	-.306	.050	-.161	-.616
110	3318	.051	.099	.486	-.376	110	3902	-.488	.197	.008	-1.386	120	1111	-.303	.049	-.131	-.548
110	3319	.180	.121	.722	-.104	110	3903	-.184	.064	.069	-.648	120	1112	-.314	.071	-.096	-.775
110	3320	.299	.123	.801	-.007	110	3904	-.228	.070	.059	-.523	120	1113	-.333	.089	-.065	-.974
110	3321	.100	.109	.576	-.364	110	3905	-.204	.083	.208	-.552	120	1114	-.297	.050	-.157	-.590
110	3322	.106	.080	.488	-.132	110	3906	-.187	.110	.266	-1.058	120	1115	-.311	.054	-.140	-.553
110	3323	.032	.084	.483	-.319	110	3907	-.219	.068	.071	-.645	120	1116	-.322	.057	-.150	-.621
110	3324	.021	.061	.315	-.229	110	3908	-.204	.081	.151	-.620	120	1117	-.329	.077	-.119	-.773
110	3325	.189	.098	.661	-.082	110	3909	-.186	.065	.100	-.552	120	1118	-.327	.081	-.115	-.885
110	3326	.104	.085	.462	-.307	110	3910	-.217	.087	.112	-.600	120	1119	-.282	.042	-.140	-.468
110	3327	.081	.081	.467	-.274	110	3911	-.099	.098	.302	-.550	120	1120	-.285	.043	-.140	-.485
110	3328	.126	.082	.682	-.213	110	3912	-.176	.091	.172	-.617	120	1121	-.293	.044	-.140	-.539
110	3329	.194	.123	.858	-.131	110	3913	-.165	.088	.297	-.514	120	1122	-.294	.043	-.154	-.501
110	3330	.295	.118	.784	-.011	110	3914	-.156	.096	.244	-.605	120	1123	-.316	.066	-.154	-.611
110	3331	.197	.093	.611	-.073	110	3915	-.193	.134	.216	-.906	120	1124	-.324	.070	-.117	-.754
110	3332	.095	.083	.454	-.296	110	3916	-.143	.077	.158	-.579	120	1125	-.274	.043	-.126	-.581
110	3333	.052	.089	.405	-.423	110	3917	-.148	.106	.192	-.636	120	1126	-.280	.043	-.147	-.550
110	3334	.253	.114	.727	-.021	110	3918	-.065	.141	.538	-.795	120	1127	-.288	.039	-.168	-.497
110	3335	.115	.077	.479	-.089	110	3919	-.391	.166	.225	-1.132	120	1128	-.298	.039	-.196	-.485
110	3336	.081	.057	.301	-.122	110	3920	-.424	.161	.182	-1.279	120	1129	-.322	.056	-.164	-.645
110	3337	.124	.077	.512	-.114	110	3921	-.312	.163	.189	-1.019	120	1130	-.330	.060	-.196	-.677
110	3338	.095	.091	.555	-.157	110	3922	-.023	.133	.577	-.388	120	1131	-.279	.039	-.154	-.471
110	3339	.246	.106	.799	-.007	110	3923	-.015	.085	.261	-.369	120	1132	-.281	.039	-.157	-.487
110	3340	.193	.088	.568	-.124	110	3924	-.192	.116	.757	-.177	120	1133	-.295	.035	-.180	-.485
110	3341	.050	.073	.403	-.226	110	3925	-.386	.162	.066	-1.166	120	1134	-.303	.037	-.196	-.464
110	3342	.057	.058	.410	-.172	110	3926	-.118	.081	.466	-.297	120	1135	-.316	.050	-.180	-.635
110	3343	.113	.077	.502	-.147	110	3927	-.159	.145	.334	-.899	120	1136	-.330	.056	-.182	-.616

WD	TAP	CPMEAN	CPRMS	CPMAX	CPMIN	WD	TAP	CPMEAN	CPRMS	CPMAX	CPMIN	WD	TAP	CPMEAN	CPRMS	CPMAX	CPMIN
120	1137	-.300	.039	-.175	-.424	120	1225	.133	.131	.636	-.270	120	1275	.078	.077	.406	-.141
120	1138	-.299	.037	-.168	-.478	120	1226	-.069	.097	.317	-.412	120	1276	-.136	.053	.086	-.312
120	1139	-.322	.036	-.196	-.455	120	1227	-.182	.080	.145	-.505	120	1277	-.178	.048	-.010	-.368
120	1140	-.327	.035	-.220	-.499	120	1228	.312	.154	.853	-.139	120	1278	.105	.071	.506	-.139
120	1141	-.330	.055	-.175	-.682	120	1229	.396	.153	.864	-.045	120	1279	.192	.082	.506	-.002
120	1142	-.344	.066	-.166	-.713	120	1230	.313	.132	.758	-.081	120	1280	.182	.083	.490	-.019
120	1143	-.310	.039	-.192	-.469	120	1231	.311	.121	.788	-.065	120	1281	-.003	.097	.408	-.281
120	1144	-.309	.039	-.178	-.485	120	1232	.247	.128	.730	-.193	120	1282	-.090	.089	.223	-.342
120	1145	-.336	.041	-.210	-.673	120	1233	.219	.133	.690	-.317	120	1283	-.269	.031	-.143	-.412
120	1146	-.349	.046	-.220	-.656	120	1234	-.045	.095	.389	-.377	120	1284	.132	.064	.520	-.043
120	1147	-.322	.046	-.079	-.769	120	1235	-.129	.069	.216	-.401	120	1285	.218	.091	.520	.016
120	1148	-.318	.057	-.149	-.760	120	1236	.325	.158	.816	-.188	120	1286	.183	.076	.443	-.031
120	1149	-.324	.043	-.218	-.516	120	1237	.400	.151	1.005	-.049	120	1287	.231	.098	.623	-.004
120	1150	-.344	.040	-.243	-.523	120	1238	.351	.122	.874	.035	120	1288	-.105	.095	.303	-.379
120	1151	-.306	.052	-.018	-.570	120	1239	.317	.116	.851	-.005	120	1289	-.069	.072	.270	-.265
120	1152	-.313	.039	-.189	-.476	120	1240	.211	.112	.753	-.123	120	1290	-.229	.040	-.026	-.358
120	1153	-.325	.035	-.231	-.493	120	1241	-.151	.116	.632	-.228	120	1301	-.319	.133	.261	-.813
120	1154	-.335	.037	-.226	-.537	120	1242	-.105	.078	.327	-.386	120	1302	-.563	.178	.030	-1.333
120	1155	-.335	.031	-.261	-.470	120	1243	-.159	.070	.138	-.442	120	1303	-.106	.147	.360	-.714
120	1156	-.339	.036	-.240	-.477	120	1244	.308	.151	.825	-.065	120	1304	-.517	.105	.138	-.913
120	1157	-.329	.036	-.217	-.493	120	1245	.363	.142	.841	-.032	120	1305	-.278	.084	.053	-.569
120	1158	-.085	.088	-.226	-.356	120	1246	.296	.114	.727	-.002	120	1306	-.293	.091	.111	-.663
120	1159	-.342	.040	-.219	-.551	120	1247	.236	.095	.614	-.012	120	1307	-.359	.064	-.097	-.612
120	1160	-.329	.041	-.205	-.514	120	1248	.119	.077	.420	-.192	120	1308	-.370	.076	-.011	-.668
120	1161	-.334	.039	-.217	-.530	120	1249	.001	.075	.259	-.272	120	1309	-.291	.050	-.097	-.712
120	1162	-.314	.036	-.184	-.442	120	1250	-.205	.052	.090	-.505	120	1310	-.263	.061	-.053	-.793
120	1201	-.636	.251	.466	-1.538	120	1251	-.244	.041	-.051	-.404	120	1311	-.570	.264	.159	-1.365
120	1202	-.595	.222	.490	-1.503	120	1252	.256	.124	.728	-.164	120	1312	-.712	.151	.060	-1.356
120	1203	-.476	.152	.229	-.918	120	1253	.249	.126	.679	-.232	120	1313	-.345	.066	.009	-.615
120	1204	-.398	.182	.508	-.901	120	1254	.179	.091	.487	-.076	120	1314	-.384	.059	-.199	-.705
120	1205	-.339	.234	.525	-1.144	120	1255	.133	.069	.364	-.092	120	1315	-.216	.083	.011	-.716
120	1206	-.390	.240	.459	-1.216	120	1256	.042	.058	.322	-.225	120	1316	-.429	.294	.374	-1.153
120	1207	-.702	.136	-.233	-1.249	120	1257	-.120	.052	-.060	-.368	120	1317	-.327	.068	-.033	-.619
120	1208	-.535	.158	.205	-1.132	120	1258	-.279	.045	-.108	-.585	120	1318	-.378	.055	-.081	-.629
120	1209	.194	.141	.767	-.305	120	1259	-.290	.045	-.164	-.512	120	1319	-.325	.046	-.157	-.592
120	1210	.205	.131	.660	-.186	120	1260	.184	.085	.511	-.162	120	1320	-.645	.177	.265	-1.303
120	1211	.034	.096	.589	-.240	120	1261	.195	.093	.553	-.090	120	1321	-.388	.075	-.132	-.834
120	1212	.010	.102	.361	-.314	120	1262	.148	.083	.618	-.059	120	1322	-.400	.075	-.146	-.898
120	1213	.015	.109	.511	-.552	120	1263	.172	.073	.485	-.008	120	1323	-.396	.057	-.211	-.696
120	1214	-.129	.082	.189	-.473	120	1264	-.097	.075	.485	-.087	120	1324	-.389	.058	-.201	-.692
120	1215	-.172	.074	.189	-.447	120	1265	-.069	.058	.137	-.255	120	1325	-.341	.056	-.131	-.650
120	1216	-.248	.187	.883	-.328	120	1266	-.223	.036	-.094	-.358	120	1326	-.296	.064	-.117	-.673
120	1217	.314	.150	.946	-.116	120	1267	-.243	.034	-.115	-.389	120	1327	-.496	.243	.194	-1.164
120	1218	-.204	.123	.711	-.184	120	1268	.128	.091	.506	-.279	120	1328	-.530	.207	-.233	-1.194
120	1219	-.018	.105	.371	-.400	120	1269	.145	.071	.431	-.055	120	1329	-.383	.056	-.207	-.650
120	1220	-.159	.076	.203	-.393	120	1270	-.189	.107	.153	-.554	120	1330	-.389	.051	-.226	-.652
120	1221	.171	.167	.769	-.349	120	1271	-.337	.051	-.195	-.590	120	1331	-.390	.057	-.210	-.630
120	1222	.218	.158	.744	-.312	120	1272	.153	.076	.548	-.111	120	1332	-.381	.046	-.219	-.603
120	1223	.169	.119	.560	-.221	120	1273	.165	.085	.586	-.050	120	1333	-.277	.056	-.128	-.944
120	1224	.158	.117	.578	-.195	120	1274	.187	.082	.473	-.024	120	1334	-.162	.118	.087	-.803

WD	TAP	CPMEAN	CPRMS	CPMAX	CPMIN	WD	TAP	CPMEAN	CPRMS	CPMAX	CPMIN	WD	TAP	CPMEAN	CPRMS	CPMAX	CPMIN
120	1335	-.314	.276	.266	-1.111	120	1385	-.094	.127	-.530	-.426	120	1450	-.362	.044	-.205	-.520
120	1336	-.520	.201	-.219	-1.262	120	1401	-.365	.088	-.111	-1.029	120	1451	-.360	.044	-.202	-.566
120	1337	-.380	.042	-.246	-.536	120	1402	-.353	.079	-.139	-.900	120	1452	-.364	.047	-.226	-.588
120	1338	-.378	.041	-.244	-.513	120	1403	-.341	.051	-.200	-.533	120	1453	-.280	.039	-.151	-.450
120	1339	-.383	.055	-.212	-.657	120	1404	-.339	.045	-.207	-.677	120	1454	-.276	.037	-.122	-.462
120	1340	-.376	.042	-.202	-.534	120	1405	-.380	.068	-.187	-.704	120	1455	-.289	.037	-.161	-.472
120	1341	-.266	.057	-.034	-.674	120	1406	-.381	.054	-.241	-.624	120	1456	-.311	.032	-.214	-.440
120	1342	-.198	.140	.094	-.960	120	1407	-.354	.078	-.120	-.764	120	1457	-.321	.028	-.234	-.430
120	1343	-.331	.281	.303	-1.329	120	1408	-.404	.095	-.202	-1.060	120	1458	-.349	.033	-.253	-.459
120	1344	-.486	.209	.301	-1.229	120	1409	-.304	.072	-.102	-.849	120	1459	-.368	.036	-.243	-.493
120	1345	-.378	.041	-.274	-.557	120	1410	-.304	.085	-.074	-1.232	120	1460	-.377	.038	-.260	-.513
120	1346	-.376	.039	-.237	-.511	120	1411	-.320	.063	-.115	-.643	120	1461	-.341	.044	-.197	-.481
120	1347	-.366	.041	-.242	-.569	120	1412	-.325	.045	-.177	-.597	120	1462	-.347	.043	-.173	-.506
120	1348	-.362	.038	-.249	-.513	120	1413	-.325	.063	-.154	-.700	120	1463	-.354	.041	-.224	-.566
120	1349	-.261	.043	-.112	-.640	120	1414	-.330	.062	-.140	-.766	120	1464	-.344	.044	-.202	-.666
120	1350	-.138	.082	-.120	-.742	120	1415	-.400	.063	-.170	-.702	120	1465	-.269	.034	-.139	-.467
120	1351	-.235	.259	.305	-1.255	120	1416	-.395	.066	-.177	-.776	120	1466	-.260	.032	-.149	-.426
120	1352	-.407	.235	.423	-1.482	120	1417	-.405	.071	-.175	-.734	120	1467	-.279	.029	-.175	-.396
120	1353	-.263	.097	-.194	-.631	120	1418	-.396	.060	-.191	-.705	120	1468	-.313	.030	-.202	-.421
120	1354	-.380	.048	-.128	-.601	120	1419	-.397	.056	-.223	-.661	120	1469	-.314	.030	-.212	-.498
120	1355	-.404	.062	-.098	-.733	120	1420	-.402	.057	-.175	-.640	120	1470	-.367	.038	-.251	-.503
120	1356	-.397	.055	-.219	-.664	120	1421	-.294	.064	-.127	-.831	120	1471	-.377	.037	-.265	-.535
120	1357	-.202	.041	-.006	-.406	120	1422	-.298	.072	-.074	-.991	120	1472	-.381	.039	-.275	-.523
120	1358	-.074	.061	.219	-.323	120	1423	-.320	.048	-.111	-.643	120	1473	-.371	.039	-.246	-.532
120	1359	-.018	.122	.423	-.624	120	1424	-.313	.048	-.147	-.526	120	1474	-.371	.042	-.253	-.525
120	1360	-.167	.187	.523	-.731	120	1425	-.323	.050	-.141	-.650	120	1475	-.361	.041	-.234	-.557
120	1361	-.144	.065	-.090	-.372	120	1426	-.401	.055	-.196	-.679	120	1476	-.361	.041	-.243	-.523
120	1362	-.345	.036	-.223	-.492	120	1427	-.389	.056	-.205	-.615	120	1477	-.269	.044	-.100	-.489
120	1363	-.050	.127	.463	-.529	120	1428	-.397	.067	-.205	-.792	120	1478	-.264	.040	-.098	-.401
120	1364	-.322	.095	-.022	-.735	120	1429	-.392	.053	-.237	-.669	120	1479	-.288	.029	-.173	-.379
120	1365	-.183	.044	-.022	-.316	120	1430	-.402	.059	-.218	-.682	120	1480	-.319	.027	-.241	-.433
120	1366	-.025	.060	.231	-.205	120	1431	-.313	.078	-.092	-.950	120	1481	-.296	.032	-.188	-.433
120	1367	-.035	.096	.419	-.427	120	1432	-.312	.078	-.083	-.989	120	1482	-.393	.066	-.217	-.739
120	1368	-.061	.167	.447	-.719	120	1433	-.325	.057	-.152	-.730	120	1483	-.423	.074	-.234	-.770
120	1369	-.117	.079	.226	-.340	120	1434	-.323	.043	-.179	-.629	120	1484	-.391	.045	-.241	-.610
120	1370	-.125	.076	.337	-.337	120	1435	-.410	.123	-.021	-1.071	120	1485	-.398	.058	-.246	-.712
120	1371	-.519	.091	-.244	-.974	120	1436	-.326	.044	-.168	-.533	120	1486	-.411	.060	-.217	-.744
120	1372	-.026	.133	.289	-.423	120	1437	-.405	.055	-.209	-.615	120	1487	-.321	.042	-.168	-.537
120	1373	-.288	.029	-.189	-.403	120	1438	-.407	.059	-.209	-.675	120	1488	-.302	.047	-.156	-.508
120	1374	-.126	.049	.075	-.319	120	1439	-.396	.054	-.232	-.647	120	1489	-.284	.033	-.112	-.400
120	1375	.008	.062	.271	-.198	120	1440	-.381	.048	-.230	-.604	120	1490	-.288	.032	-.117	-.428
120	1376	-.038	.089	.467	-.321	120	1441	-.286	.055	-.122	-.656	120	1491	-.297	.026	-.205	-.396
120	1377	-.170	.068	.175	-.369	120	1442	-.279	.050	-.115	-.627	120	1492	-.307	.024	-.224	-.394
120	1378	-.010	.064	.230	-.209	120	1443	-.289	.048	-.136	-.530	120	1493	-.297	.026	-.224	-.411
120	1379	-.070	.069	.300	-.303	120	1444	-.314	.041	-.173	-.519	120	1494	-.302	.043	-.153	-.515
120	1380	-.161	.143	.358	-.519	120	1445	-.320	.033	-.202	-.466	120	1495	-.328	.054	-.162	-.645
120	1381	-.161	.088	.458	-.061	120	1446	-.335	.040	-.152	-.480	120	1496	-.333	.039	-.213	-.490
120	1382	-.201	.075	.132	-.401	120	1447	-.343	.043	-.200	-.512	120	1497	-.370	.050	-.174	-.633
120	1383	-.203	.059	.168	-.419	120	1448	-.397	.051	-.248	-.612	120	1498	-.388	.066	-.217	-1.125
120	1384	-.064	.072	.216	-.282	120	1449	-.373	.047	-.214	-.666	120	1499	-.458	.062	-.254	-.765

WD	TAP	CPMEAN	CPRMS	CPMAX	CPMIN	WD	TAP	CPMEAN	CPRMS	CPMAX	CPMIN	WD	TAP	CPMEAN	CPRMS	CPMAX	CPMIN
120	1500	-.448	.065	-.294	-.834	120	1926	-.455	.132	-.011	-1.261	120	2902	-.304	.026	-.230	-.394
120	1501	-.292	.032	-.169	-.469	120	1927	-.826	.140	-.212	-1.382	120	2903	-.294	.025	-.216	-.377
120	1502	-.284	.028	-.160	-.418	120	1928	-.482	.156	-.043	-1.247	120	2904	-.309	.024	-.225	-.406
120	1503	-.300	.024	-.227	-.377	120	1929	-.833	.145	-.387	-1.429	120	2905	-.312	.024	-.240	-.401
120	1504	-.296	.026	-.206	-.384	120	1930	-.643	.095	-.239	-.967	120	2906	-.326	.031	-.230	-.490
120	1505	-.307	.038	-.199	-.490	120	1931	-.586	.103	-.202	-.976	120	2907	-.324	.056	-.211	-.610
120	1506	-.299	.034	-.178	-.421	120	1932	-.533	.103	-.075	-1.012	120	2908	-.293	.023	-.216	-.394
120	1507	-.385	.054	-.227	-.663	120	1933	-.476	.150	-.133	-1.378	120	2909	-.313	.034	-.196	-.442
120	1508	-.372	.046	-.227	-.589	120	1934	-.111	.119	.284	-.634	120	2910	-.307	.029	-.201	-.411
120	1509	-.435	.058	-.261	-.753	120	1935	-.023	.081	.352	-.180	120	2911	-.297	.026	-.208	-.382
120	1510	-.339	.035	-.181	-.527	120	2101	-.314	.069	-.148	-.752	120	2912	-.314	.029	-.223	-.420
120	1511	-.348	.038	-.224	-.559	120	2102	-.295	.041	-.083	-.473	120	2913	-.300	.025	-.201	-.389
120	1512	-.475	.071	-.204	-.744	120	2103	-.305	.034	-.146	-.605	120	2914	-.315	.026	-.242	-.403
120	1513	-.331	.036	-.197	-.483	120	2104	-.374	.078	-.133	-.690	120	2915	-.313	.025	-.228	-.398
120	1514	-.357	.040	-.222	-.534	120	2105	-.383	.087	-.155	-.834	120	2916	-.338	.049	-.216	-.682
120	1515	-.388	.054	-.243	-.672	120	2106	-.382	.075	-.143	-.755	120	2917	-.298	.033	-.175	-.415
120	1516	-.362	.043	-.229	-.555	120	2107	-.343	.079	-.081	-.680	120	2918	-.312	.030	-.220	-.447
120	1801	-.318	.037	-.210	-.581	120	2201	-.308	.024	-.235	-.403	120	2919	-.340	.049	-.199	-.805
120	1802	-.062	.065	-.229	-.233	120	2202	-.304	.026	-.228	-.454	120	2920	-.344	.071	-.131	-.875
120	1803	-.007	.074	-.326	-.259	120	2203	-.319	.029	-.228	-.444	120	2921	-.348	.077	-.170	-.983
120	1804	-.307	.035	-.187	-.449	120	2204	-.351	.053	-.192	-.634	120	2922	-.409	.104	-.045	-.957
120	1805	-.032	.107	-.245	-.370	120	2205	-.335	.077	-.160	-.694	120	2923	-.331	.062	-.057	-.651
120	1806	-.206	.078	-.533	-.002	120	2206	-.291	.035	-.192	-.572	120	2924	-.328	.071	-.057	-.629
120	1807	-.062	.083	.306	-.263	120	2207	-.329	.043	-.216	-.557	120	2925	-.395	.187	-.106	-1.682
120	1808	-.252	.034	-.124	-.426	120	2208	-.203	.072	.121	-.456	120	2926	-.353	.095	-.009	-.863
120	1901	-.345	.062	-.139	-.615	120	2209	-.148	.147	.355	-.666	120	3101	-.242	.121	-.207	-.861
120	1902	-.341	.064	-.146	-.674	120	2210	-.292	.061	-.083	-.564	120	3102	-.426	.112	-.046	-1.046
120	1903	-.369	.110	-.030	-1.008	120	2211	-.262	.043	-.088	-.386	120	3103	-.426	.118	-.039	-1.141
120	1904	-.337	.122	-.102	-1.075	120	2212	-.329	.054	-.163	-.634	120	3104	-.382	.109	-.087	-1.091
120	1905	-.339	.110	-.089	-.926	120	2213	-.081	.096	.299	-.300	120	3105	-.180	.080	.148	-.424
120	1906	-.367	.067	-.191	-.706	120	2214	-.054	.138	.435	-1.278	120	3106	-.234	.108	.139	-.601
120	1907	-.357	.105	-.009	-1.045	120	2215	-.274	.055	-.097	-.453	120	3107	-.238	.074	.084	-.510
120	1908	-.187	.111	.152	-.649	120	2301	-.314	.025	-.238	-.419	120	3108	-.280	.057	-.125	-.620
120	1909	-.206	.123	.150	-.649	120	2302	-.319	.027	-.234	-.412	120	3109	-.274	.065	-.082	-.733
120	1910	-.434	.124	-.079	-1.161	120	2303	-.319	.026	-.253	-.421	120	3110	-.259	.070	-.095	-.807
120	1911	-.358	.065	-.130	-.710	120	2304	-.102	.084	.333	-.331	120	3111	-.305	.057	-.132	-.556
120	1912	-.358	.073	-.123	-.662	120	2305	-.221	.059	.147	-.492	120	3112	-.318	.057	-.103	-.587
120	1913	-.383	.094	-.095	-.845	120	2306	-.326	.049	-.107	-.570	120	3113	-.303	.056	-.094	-.517
120	1914	-.347	.096	-.043	-.872	120	2307	-.008	.181	.704	-.441	120	3114	-.265	.050	-.096	-.541
120	1915	-.407	.114	-.007	-.954	120	2308	-.174	.044	.033	-.326	120	3115	-.397	.090	-.077	-.752
120	1916	-.406	.120	-.018	-.988	120	2309	-.069	.105	-.379	-.324	120	3116	-.350	.077	-.067	-.826
120	1917	-.395	.132	.009	-1.099	120	2310	-.248	.050	-.011	-.461	120	3117	-.281	.054	-.072	-.582
120	1918	-.383	.171	.155	-1.145	120	2311	-.248	.170	.909	-.297	120	3118	-.266	.050	-.079	-.548
120	1919	-.423	.117	-.118	-.935	120	2401	-.222	.052	-.026	-.380	120	3119	-.207	.112	.210	-.621
120	1920	-.592	.117	-.137	-1.056	120	2402	-.241	.040	-.006	-.370	120	3120	-.293	.077	-.032	-.634
120	1921	-.661	.181	-.196	-1.580	120	2403	-.272	.030	-.153	-.378	120	3121	-.265	.054	-.048	-.469
120	1922	-.604	.146	-.157	-1.250	120	2404	-.226	.033	-.090	-.336	120	3122	-.037	.100	.464	-.208
120	1923	-.593	.160	-.109	-1.304	120	2405	-.211	.038	-.036	-.343	120	3123	-.182	.122	.218	-.735
120	1924	-.547	.154	-.096	-1.271	120	2406	-.222	.035	-.034	-.319	120	3124	-.055	.103	.551	-.177
120	1925	-.747	.121	-.380	-1.143	120	2901	-.311	.041	-.177	-.560	120	3125	-.156	.098	.302	-.441

WD	TAP	CPMEAN	CPRMS	CPMAX	CPMIN	WD	TAP	CPMEAN	CPRMS	CPMAX	CPMIN	WD	TAP	CPMEAN	CPRMS	CPMAX	CPMIN
120	3126	-.233	.073	-.009	-.690	120	3322	.136	.079	.489	-.069	120	3906	-.207	.102	.339	-.816
120	3127	-.335	.099	-.012	-1.049	120	3323	.055	.073	.451	-.297	120	3907	-.232	.056	.030	-.450
120	3128	-.302	.085	.122	-.941	120	3324	.032	.057	.256	-.215	120	3908	-.241	.068	.061	-.477
120	3129	-.256	.072	.050	-.527	120	3325	.201	.098	.696	-.022	120	3909	-.189	.051	.064	-.469
120	3130	-.247	.062	.002	-.472	120	3326	.144	.082	.564	-.167	120	3910	-.229	.086	.078	-.461
120	3131	-.251	.070	-.000	-.649	120	3327	.115	.079	.505	-.252	120	3911	-.130	.076	.198	-.426
120	3132	-.247	.060	-.041	-.532	120	3328	.147	.082	.477	-.151	120	3912	-.180	.082	.200	-.594
120	3133	-.252	.053	-.089	-.572	120	3329	.189	.115	.731	-.151	120	3913	-.174	.076	.207	-.532
120	3134	-.055	.096	-.354	-.390	120	3330	.280	.115	.790	-.000	120	3914	-.181	.086	.231	-.546
120	3135	-.596	.182	-.106	-1.478	120	3331	.185	.084	.576	-.104	120	3915	-.160	.128	.253	-.783
120	3136	-.308	.067	-.103	-.576	120	3332	.122	.082	.435	-.169	120	3916	-.129	.075	.140	-.512
120	3201	-.060	.077	.239	-.338	120	3333	.086	.082	.449	-.285	120	3917	-.133	.099	.178	-.608
120	3202	.013	.118	.428	-.374	120	3334	.238	.106	.665	-.029	120	3918	-.046	.118	.358	-.637
120	3203	.032	.125	.571	-.526	120	3335	.127	.069	.437	-.113	120	3919	-.397	.149	.155	-1.151
120	3204	-.006	.164	.548	-.582	120	3336	.101	.053	.451	-.106	120	3920	-.434	.153	.066	-1.026
120	3205	-.249	.134	.337	-.769	120	3337	.134	.079	.529	-.103	120	3921	-.338	.168	.095	-1.134
120	3206	-.231	.129	.349	-.786	120	3338	.087	.084	.415	-.176	120	3922	-.012	.125	.594	-.424
120	3207	-.005	.095	.349	-.328	120	3339	.232	.090	.622	-.033	120	3923	-.008	.095	.353	-.328
120	3208	.022	.121	.610	-.321	120	3340	.187	.083	.577	-.032	120	3924	-.191	.102	.614	-.051
120	3209	.051	.085	.606	-.350	120	3341	.085	.071	.433	-.144	120	3925	-.418	.148	.049	-1.050
120	3210	.015	.087	.402	-.290	120	3342	.083	.060	.397	-.106	120	3926	-.125	.080	.475	-.125
120	3211	.031	.117	.670	-.268	120	3343	.126	.070	.483	-.063	120	3927	-.153	.116	.236	-.821
120	3212	-.023	.118	.543	-.337	120	3344	.129	.062	.400	-.055	120	3928	-.000	.108	.360	-.297
120	3213	-.052	.130	.606	-.428	120	3345	.056	.047	.233	-.116	120	3929	-.050	.105	.277	-.472
120	3214	-.002	.089	.258	-.501	120	3346	.077	.055	.289	-.083	120	3930	.175	.090	.530	-.092
120	3215	-.063	.082	.315	-.104	120	3347	.154	.076	.511	-.047	120	3931	.134	.073	.457	-.066
120	3216	.072	.094	.609	-.215	120	3348	-.182	.087	.248	-.417	120	3932	.171	.091	.654	-.061
120	3217	.026	.102	.428	-.285	120	3349	-.135	.085	.385	-.535	120	3933	-.370	.206	.118	-1.399
120	3218	-.201	.104	.355	-.459	120	3401	-.239	.054	-.043	-.460	120	3934	-.208	.114	.138	-.759
120	3301	.275	.133	.717	-.088	120	3402	-.258	.055	-.101	-.563	120	3935	-.193	.129	.145	-.948
120	3302	.091	.104	.604	-.233	120	3403	-.206	.050	.049	-.417	120	3936	.004	.095	.362	-.343
120	3303	.041	.096	.486	-.255	120	3404	-.106	.068	.198	-.437	120	3937	.155	.109	.630	-.227
120	3304	-.063	.100	.501	-.323	120	3405	-.290	.153	.261	-.798	120	3938	.253	.101	.643	-.020
120	3305	-.020	.099	.425	-.374	120	3406	-.309	.153	.246	-.831	120	3939	-.051	.106	.339	-.530
120	3306	-.064	.072	.239	-.356	120	3407	-.277	.124	.759	-.070	120	3940	.107	.137	.739	-.376
120	3307	.001	.115	.392	-.750	120	3408	-.272	.131	.190	-.743	120	3941	-.239	.094	.585	-.037
120	3308	-.013	.059	.206	-.219	120	3409	-.303	.112	.860	-.013	130	1101	-.418	.135	-.012	-1.076
120	3309	.168	.121	.811	-.160	120	3410	-.200	.026	-.086	-.279	130	1102	-.363	.106	-.088	-.880
120	3310	.251	.114	.658	-.026	120	3411	-.099	.087	.213	-.422	130	1103	-.414	.106	-.053	-.810
120	3311	.200	.118	.710	-.080	120	3412	-.209	.127	.312	-.686	130	1104	-.339	.074	-.142	-.766
120	3312	.076	.108	.496	-.365	120	3413	-.254	.111	1.002	.001	130	1105	-.340	.090	-.056	-.927
120	3313	.061	.095	.489	-.558	120	3414	-.261	.057	.160	-.568	130	1106	-.302	.065	-.063	-.647
120	3314	-.052	.092	.225	-.462	120	3415	-.171	.049	.033	-.381	130	1107	-.288	.048	-.140	-.545
120	3315	.156	.121	.658	-.471	120	3416	-.171	.101	.200	-.495	130	1108	-.298	.078	-.067	-.992
120	3316	.124	.080	.526	-.090	120	3417	-.106	.124	.557	-.331	130	1109	-.295	.080	-.007	-.903
120	3317	.260	.107	.764	-.007	120	3901	-.324	.097	.013	-.778	130	1110	-.283	.045	-.147	-.463
120	3318	.103	.096	.564	-.219	120	3902	-.578	.192	-.055	-1.458	130	1111	-.283	.043	-.149	-.514
120	3319	.194	.122	.776	-.144	120	3903	-.192	.047	-.002	-.441	130	1112	-.292	.060	-.079	-.619
120	3320	.283	.110	.809	.011	120	3904	-.235	.047	-.051	-.412	130	1113	-.295	.069	-.026	-1.327
120	3321	.128	.103	.545	-.269	120	3905	-.239	.076	.083	-.508	130	1114	-.278	.043	-.140	-.454



WD	TAP	CPMEAN	CPRMS	CPMAX	CPMIN	WD	TAP	CPMEAN	CPRMS	CPMAX	CPMIN	WD	TAP	CPMEAN	CPRMS	CPMAX	CPMIN
130	1115	-.284	.045	-.128	-.491	130	1203	-.458	.143	.270	-.841	130	1253	.249	.123	.756	-.104
130	1116	-.292	.048	-.147	-.484	130	1204	-.435	.153	.384	-.886	130	1254	.165	.079	.450	-.074
130	1117	-.298	.061	-.130	-1.155	130	1205	-.388	.210	.349	-1.001	130	1255	.146	.065	.404	-.049
130	1118	-.304	.064	-.105	-.764	130	1206	-.426	.218	.315	-1.226	130	1256	.061	.061	.278	-.225
130	1119	-.254	.036	-.135	-.393	130	1207	-.701	.144	-.054	-1.249	130	1257	-.094	.053	-.097	-.328
130	1120	-.262	.039	-.098	-.421	130	1208	-.524	.153	.149	-1.101	130	1258	-.249	.040	-.099	-.440
130	1121	-.270	.037	-.147	-.438	130	1209	.233	.154	.771	-.189	130	1259	-.262	.037	-.143	-.442
130	1122	-.274	.039	-.121	-.510	130	1210	.186	.127	.593	-.152	130	1260	.188	.095	.607	-.058
130	1123	-.283	.045	-.109	-.577	130	1211	-.006	.080	.333	-.269	130	1261	.185	.083	.582	-.053
130	1124	-.281	.048	-.112	-.556	130	1212	-.043	.079	.254	-.323	130	1262	.148	.075	.459	-.060
130	1125	-.252	.037	-.133	-.438	130	1213	-.047	.079	.267	-.376	130	1263	.167	.065	.383	-.008
130	1126	-.254	.038	-.123	-.449	130	1214	-.161	.065	.103	-.437	130	1264	-.081	.066	.335	-.076
130	1127	-.266	.034	-.167	-.460	130	1215	-.199	.059	.055	-.405	130	1265	-.071	.054	.161	-.236
130	1128	-.273	.033	-.176	-.425	130	1216	.353	.188	.981	-.237	130	1266	-.208	.033	-.090	-.321
130	1129	-.289	.035	-.171	-.425	130	1217	.316	.153	.831	-.139	130	1267	-.232	.029	-.113	-.362
130	1130	-.297	.041	-.160	-.512	130	1218	.115	.103	.504	-.196	130	1268	.146	.090	.527	-.223
130	1131	-.250	.036	-.122	-.425	130	1219	-.067	.081	.288	-.348	130	1269	.134	.066	.381	-.088
130	1132	-.253	.033	-.136	-.397	130	1220	-.196	.058	.012	-.458	130	1270	-.191	.099	.194	-.515
130	1133	-.260	.031	-.162	-.428	130	1221	.233	.189	.849	-.456	130	1271	-.303	.041	-.179	-.479
130	1134	-.277	.031	-.185	-.414	130	1222	.234	.158	.767	-.259	130	1272	.168	.070	.523	-.015
130	1135	-.291	.043	-.153	-.519	130	1223	.107	.110	.486	-.241	130	1273	.167	.075	.594	-.044
130	1136	-.306	.050	-.181	-.537	130	1224	.068	.107	.514	-.212	130	1274	.162	.070	.495	-.012
130	1137	-.278	.036	-.162	-.425	130	1225	.039	.105	.653	-.314	130	1275	-.078	.071	.351	-.092
130	1138	-.286	.037	-.178	-.444	130	1226	-.132	.076	.203	-.426	130	1276	-.131	.050	.054	-.284
130	1139	-.296	.034	-.209	-.458	130	1227	-.214	.054	.042	-.424	130	1277	-.177	.043	.079	-.344
130	1140	-.303	.031	-.176	-.442	130	1228	.371	.164	.890	-.075	130	1278	.107	.065	.413	-.161
130	1141	-.303	.045	-.127	-.530	130	1229	.374	.144	.877	-.031	130	1279	.169	.068	.427	-.001
130	1142	-.314	.057	-.157	-.579	130	1230	.237	.126	.632	-.182	130	1280	.179	.073	.434	-.001
130	1143	-.286	.033	-.181	-.437	130	1231	.247	.107	.644	-.063	130	1281	-.012	.087	.365	-.282
130	1144	-.288	.033	-.181	-.430	130	1232	.196	.107	.614	-.123	130	1282	-.099	.080	.296	-.319
130	1145	-.303	.034	-.218	-.446	130	1233	.160	.103	.618	-.257	130	1283	-.250	.030	-.152	-.385
130	1146	-.320	.037	-.223	-.528	130	1234	-.074	.070	.238	-.298	130	1284	.108	.058	.376	-.273
130	1147	-.301	.036	-.136	-.715	130	1235	-.144	.054	.117	-.351	130	1285	.201	.084	.630	-.017
130	1148	-.293	.040	-.136	-.514	130	1236	.366	.161	.849	-.118	130	1286	.168	.068	.447	-.015
130	1149	-.304	.038	-.176	-.493	130	1237	.376	.147	1.027	-.079	130	1287	.198	.075	.466	-.005
130	1150	-.320	.039	-.206	-.528	130	1238	.271	.111	.755	-.054	130	1288	-.107	.081	.207	-.328
130	1151	-.285	.039	-.001	-.456	130	1239	.271	.098	.589	-.013	130	1289	-.086	.068	.228	-.282
130	1152	-.291	.036	-.197	-.446	130	1240	.198	.095	.675	-.066	130	1290	-.221	.036	-.058	-.355
130	1153	-.304	.031	-.217	-.425	130	1241	-.139	.094	.589	-.241	130	1301	-.170	.135	.316	-.679
130	1154	-.306	.031	-.222	-.439	130	1242	-.107	.065	.231	-.442	130	1302	-.419	.234	.620	-1.111
130	1155	-.311	.024	-.247	-.395	130	1243	-.159	.055	.071	-.360	130	1303	-.017	.105	.351	-.594
130	1156	-.314	.030	-.238	-.439	130	1244	.313	.143	.821	-.177	130	1304	-.374	.153	.429	-.897
130	1157	-.292	.032	-.192	-.434	130	1245	.341	.135	.899	-.095	130	1305	-.332	.085	-.011	-.693
130	1158	-.100	.080	-.221	-.326	130	1246	.225	.104	.596	-.123	130	1306	-.361	.088	-.044	-1.027
130	1159	-.303	.033	-.208	-.450	130	1247	.220	.077	.525	-.017	130	1307	-.390	.059	-.208	-.693
130	1160	-.307	.036	-.199	-.464	130	1248	.148	.081	.632	-.131	130	1308	-.404	.063	-.178	-.691
130	1161	-.307	.032	-.217	-.441	130	1249	-.050	.079	.388	-.218	130	1309	-.261	.049	-.053	-.443
130	1162	-.287	.033	-.174	-.434	130	1250	-.166	.048	.059	-.472	130	1310	-.216	.055	.056	-.482
130	1201	-.584	.276	.482	-1.443	130	1251	-.198	.039	-.005	-.371	130	1311	-.213	.240	.344	-1.197
130	1202	-.546	.247	.482	-1.254	130	1252	.228	.122	.710	-.145	130	1312	-.442	.290	.404	-1.176

WD	TAP	CPMEAN	CPRMS	CPMAX	CPMIN	WD	TAP	CPMEAN	CPRMS	CPMAX	CPMIN	WD	TAP	CPMEAN	CPRMS	CPMAX	CPMIN
130	1313	-.388	.061	-.197	-.714	130	1363	-.025	.128	-.488	-.394	130	1428	-.393	.054	-.190	-.731
130	1314	-.403	.051	-.229	-.617	130	1364	-.305	.100	-.033	-.739	130	1429	-.400	.049	-.253	-.602
130	1315	-.149	.065	.146	-.345	130	1365	-.168	.047	.064	-.313	130	1430	-.431	.056	-.262	-.664
130	1316	-.057	.277	.499	-1.050	130	1366	.004	.071	.337	-.168	130	1431	-.318	.066	-.110	-.872
130	1317	-.380	.069	-.157	-.735	130	1367	.054	.080	.346	-.462	130	1432	-.319	.074	-.101	-1.206
130	1318	-.400	.057	-.225	-.686	130	1368	.012	.159	.588	-.634	130	1433	-.347	.052	-.163	-.621
130	1319	-.296	.047	-.079	-.440	130	1369	-.171	.091	.262	-.450	130	1434	-.335	.041	-.154	-.636
130	1320	-.307	.298	-.705	-1.095	130	1370	-.136	.079	.431	-.476	130	1435	-.392	.116	-.024	-.850
130	1321	-.390	.066	-.127	-.714	130	1371	-.512	.086	-.214	-.895	130	1436	-.365	.046	-.204	-.538
130	1322	-.397	.065	-.153	-.807	130	1372	.002	.125	.340	-.319	130	1437	-.394	.052	-.199	-.596
130	1323	-.405	.057	-.241	-.696	130	1373	-.231	.039	-.049	-.355	130	1438	-.402	.051	-.242	-.596
130	1324	-.419	.051	-.284	-.669	130	1374	-.114	.053	.118	-.342	130	1439	-.415	.051	-.231	-.619
130	1325	-.310	.058	-.106	-.531	130	1375	.017	.062	.342	-.140	130	1440	-.394	.046	-.255	-.594
130	1326	-.254	.064	-.031	-.560	130	1376	.073	.087	.422	-.273	130	1441	-.293	.052	-.134	-.800
130	1327	-.124	.242	.504	-.940	130	1377	-.203	.050	.116	-.351	130	1442	-.290	.048	-.085	-.670
130	1328	-.208	.271	.648	-1.129	130	1378	-.002	.063	.264	-.147	130	1443	-.304	.046	-.157	-.594
130	1329	-.390	.055	-.215	-.763	130	1379	-.059	.072	.301	-.264	130	1444	-.336	.039	-.159	-.527
130	1330	-.394	.052	-.227	-.669	130	1380	-.083	.156	.466	-.459	130	1445	-.333	.036	-.235	-.484
130	1331	-.410	.053	-.233	-.741	130	1381	-.128	.068	.405	-.054	130	1446	-.353	.040	-.215	-.549
130	1332	-.403	.044	-.273	-.587	130	1382	-.143	.082	.248	-.355	130	1447	-.358	.042	-.204	-.560
130	1333	-.238	.045	-.036	-.376	130	1383	-.223	.055	.161	-.415	130	1448	-.401	.045	-.248	-.558
130	1334	-.066	.092	.316	-.574	130	1384	-.071	.063	.244	-.268	130	1449	-.378	.045	-.239	-.558
130	1335	-.010	.191	.404	-.794	130	1385	-.056	.144	.365	-.444	130	1450	-.378	.045	-.224	-.591
130	1336	-.193	.268	.567	-1.067	130	1401	-.363	.083	-.127	-.726	130	1451	-.386	.041	-.255	-.550
130	1337	-.385	.042	-.257	-.566	130	1402	-.351	.076	-.140	-.776	130	1452	-.386	.040	-.246	-.524
130	1338	-.387	.040	-.273	-.548	130	1403	-.344	.050	-.163	-.551	130	1453	-.283	.041	-.120	-.503
130	1339	-.398	.048	-.248	-.708	130	1404	-.381	.057	-.219	-.747	130	1454	-.292	.040	-.132	-.539
130	1340	-.386	.037	-.273	-.527	130	1405	-.399	.063	-.208	-.655	130	1455	-.328	.041	-.186	-.539
130	1341	-.232	.047	-.049	-.492	130	1406	-.396	.051	-.217	-.617	130	1456	-.348	.035	-.224	-.474
130	1342	-.081	.091	.209	-.524	130	1407	-.360	.077	-.141	-.933	130	1457	-.342	.032	-.246	-.486
130	1343	-.045	.229	.562	-1.020	130	1408	-.441	.098	-.231	-1.070	130	1458	-.373	.036	-.246	-.541
130	1344	-.193	.261	.602	-.971	130	1409	-.309	.077	-.078	-1.011	130	1459	-.380	.038	-.258	-.515
130	1345	-.400	.045	-.287	-.629	130	1410	-.310	.076	-.069	-.958	130	1460	-.403	.039	-.289	-.570
130	1346	-.391	.042	-.236	-.529	130	1411	-.338	.063	-.119	-.783	130	1461	-.379	.041	-.215	-.570
130	1347	-.388	.041	-.278	-.562	130	1412	-.332	.051	-.143	-.762	130	1462	-.375	.040	-.246	-.522
130	1348	-.390	.039	-.282	-.578	130	1413	-.344	.057	-.154	-.648	130	1463	-.385	.040	-.246	-.539
130	1349	-.246	.044	-.026	-.510	130	1414	-.344	.056	-.123	-.619	130	1464	-.371	.038	-.236	-.531
130	1350	-.079	.085	.239	-.545	130	1415	-.418	.056	-.249	-.724	130	1465	-.261	.035	-.098	-.412
130	1351	-.067	.209	.381	-1.092	130	1416	-.389	.053	-.226	-.614	130	1466	-.256	.034	-.094	-.379
130	1352	-.178	.246	.683	-.871	130	1417	-.387	.053	-.132	-.731	130	1467	-.286	.032	-.139	-.424
130	1353	-.183	.115	-.222	-.513	130	1418	-.425	.057	-.224	-.630	130	1468	-.344	.034	-.241	-.477
130	1354	-.360	.062	-.101	-.629	130	1419	-.427	.054	-.222	-.709	130	1469	-.339	.035	-.224	-.553
130	1355	-.435	.065	-.215	-.776	130	1420	-.422	.054	-.264	-.706	130	1470	-.396	.041	-.229	-.605
130	1356	-.435	.061	-.268	-.718	130	1421	-.301	.063	-.083	-.758	130	1471	-.392	.041	-.246	-.553
130	1357	-.186	.043	-.020	-.352	130	1422	-.313	.066	-.080	-.738	130	1472	-.398	.041	-.284	-.534
130	1358	-.045	.065	.313	-.282	130	1423	-.336	.046	-.094	-.558	130	1473	-.397	.039	-.282	-.539
130	1359	-.027	.123	.376	-.711	130	1424	-.344	.051	-.168	-.572	130	1474	-.395	.039	-.267	-.536
130	1360	-.055	.183	.630	-.776	130	1425	-.345	.050	-.161	-.532	130	1475	-.398	.039	-.286	-.543
130	1361	-.150	.090	.257	-.378	130	1426	-.404	.053	-.244	-.704	130	1476	-.399	.040	-.286	-.591
130	1362	-.274	.080	.083	-.508	130	1427	-.391	.053	-.202	-.565	130	1477	-.251	.055	-.048	-.465

WD	TAP	CPMEAN	CPRMS	CPMAX	CPMIN	WD	TAP	CPMEAN	CPRMS	CPMAX	CPMIN	WD	TAP	CPMEAN	CPRMS	CPMAX	CPMIN
130	1478	-.255	.054	-.055	-.484	130	1904	-.331	.105	.042	-.892	130	2212	-.292	.043	-.151	-.497
130	1479	-.294	.034	-.110	-.441	130	1905	-.351	.117	.006	-.897	130	2213	-.119	.083	.354	-.400
130	1480	-.342	.031	-.243	-.474	130	1906	-.406	.057	-.214	-.774	130	2214	-.063	.121	.406	-.679
130	1481	-.326	.029	-.220	-.439	130	1907	-.347	.103	.004	-.762	130	2215	-.272	.058	-.074	-.681
130	1482	-.386	.076	-.205	-.805	130	1908	-.146	.105	.182	-.518	130	2301	-.327	.029	-.244	-.431
130	1483	-.415	.084	-.213	-.781	130	1909	-.051	.110	.353	-.444	130	2302	-.323	.028	-.249	-.440
130	1484	-.406	.055	-.184	-.689	130	1910	-.500	.132	-.161	-1.336	130	2303	-.337	.031	-.251	-.460
130	1485	-.433	.071	-.236	-.927	130	1911	-.386	.059	-.129	-.655	130	2304	-.198	.069	-.173	-.368
130	1486	-.447	.072	-.205	-.824	130	1912	-.376	.072	-.138	-.776	130	2305	-.221	.044	-.040	-.380
130	1487	-.346	.045	-.134	-.541	130	1913	-.377	.094	-.120	-.968	130	2306	-.302	.041	-.169	-.509
130	1488	-.310	.048	-.167	-.515	130	1914	-.320	.090	-.063	-.771	130	2307	-.022	.158	.644	-.504
130	1489	-.287	.046	-.063	-.503	130	1915	-.379	.104	.024	-.842	130	2308	-.175	.041	.032	-.305
130	1490	-.284	.039	-.101	-.427	130	1916	-.385	.112	-.019	-.911	130	2309	-.093	.090	.331	-.298
130	1491	-.306	.031	-.205	-.436	130	1917	-.408	.134	.024	-.998	130	2310	-.238	.039	.025	-.387
130	1492	-.326	.024	-.255	-.417	130	1918	-.446	.164	.065	-1.119	130	2311	-.171	.164	.879	-.322
130	1493	-.309	.025	-.234	-.405	130	1919	-.296	.102	-.074	-.742	130	2401	-.193	.060	.110	-.404
130	1494	-.332	.043	-.183	-.501	130	1920	-.602	.104	-.193	-1.121	130	2402	-.205	.045	-.004	-.366
130	1495	-.347	.057	-.185	-.726	130	1921	-.596	.164	-.134	-1.361	130	2403	-.245	.035	-.101	-.370
130	1496	-.321	.061	-.081	-.526	130	1922	-.601	.144	-.182	-1.226	130	2404	-.172	.040	.003	-.298
130	1497	-.410	.064	-.220	-.756	130	1923	-.546	.142	-.154	-1.379	130	2405	-.142	.045	.030	-.285
130	1498	-.443	.083	-.215	-1.106	130	1924	-.490	.150	-.072	-1.151	130	2406	-.169	.041	-.006	-.300
130	1499	-.489	.065	-.299	-.812	130	1925	-.708	.129	-.223	-1.249	130	2901	-.330	.039	-.188	-.499
130	1500	-.479	.070	-.283	-.828	130	1926	-.438	.127	-.024	-1.190	130	2902	-.317	.027	-.241	-.415
130	1501	-.294	.037	-.139	-.436	130	1927	-.845	.141	-.250	-1.450	130	2903	-.317	.032	-.231	-.446
130	1502	-.286	.034	-.155	-.420	130	1928	-.467	.153	-.003	-1.199	130	2904	-.327	.029	-.250	-.492
130	1503	-.321	.026	-.241	-.417	130	1929	-.882	.163	-.458	-1.823	130	2905	-.330	.027	-.255	-.432
130	1504	-.307	.026	-.234	-.420	130	1930	-.576	.092	-.246	-.938	130	2906	-.349	.036	-.243	-.555
130	1505	-.329	.037	-.222	-.556	130	1931	-.537	.093	-.176	-.933	130	2907	-.419	.073	-.246	-.715
130	1506	-.323	.037	-.195	-.494	130	1932	-.503	.101	-.113	-1.205	130	2908	-.311	.029	-.226	-.437
130	1507	-.427	.073	-.220	-.777	130	1933	-.446	.135	-.125	-1.419	130	2909	-.329	.040	-.178	-.478
130	1508	-.411	.055	-.229	-.619	130	1934	-.112	.112	.306	-.519	130	2910	-.310	.029	-.212	-.437
130	1509	-.443	.062	-.246	-.707	130	1935	-.011	.076	.341	-.191	130	2911	-.309	.026	-.238	-.420
130	1510	-.298	.069	-.065	-.498	130	2101	-.304	.067	-.122	-.877	130	2912	-.327	.035	-.226	-.483
130	1511	-.407	.073	-.232	-.684	130	2102	-.305	.038	-.154	-.461	130	2913	-.315	.024	-.241	-.410
130	1512	-.475	.075	-.218	-.960	130	2103	-.302	.030	-.091	-.439	130	2914	-.332	.029	-.248	-.466
130	1513	-.280	.055	-.046	-.461	130	2104	-.347	.074	-.137	-.802	130	2915	-.338	.028	-.258	-.463
130	1514	-.409	.074	-.227	-.672	130	2105	-.370	.085	-.086	-.807	130	2916	-.323	.038	-.221	-.635
130	1515	-.396	.101	-.079	-.860	130	2106	-.341	.080	-.110	-.712	130	2917	-.300	.039	-.134	-.451
130	1516	-.382	.046	-.236	-.575	130	2107	-.347	.083	-.047	-.705	130	2918	-.308	.030	-.205	-.475
130	1801	-.296	.031	-.169	-.402	130	2201	-.324	.029	-.236	-.434	130	2919	-.326	.039	-.202	-.533
130	1802	-.063	.062	-.227	-.261	130	2202	-.307	.028	-.217	-.412	130	2920	-.322	.065	-.113	-.698
130	1803	.019	.070	-.269	-.300	130	2203	-.316	.031	-.197	-.454	130	2921	-.329	.071	-.139	-.746
130	1804	-.284	.032	-.174	-.443	130	2204	-.340	.051	-.197	-.744	130	2922	-.384	.098	-.120	-1.140
130	1805	-.031	.102	-.216	-.413	130	2205	-.323	.072	-.139	-.681	130	2923	-.322	.059	-.093	-.599
130	1806	-.180	.071	-.464	-.011	130	2206	-.291	.033	-.173	-.521	130	2924	-.321	.079	-.006	-.722
130	1807	-.087	.069	-.183	-.264	130	2207	-.305	.035	-.202	-.473	130	2925	-.318	.150	.151	-1.305
130	1808	-.239	.029	-.145	-.346	130	2208	-.207	.059	.102	-.383	130	2926	-.321	.097	.025	-1.111
130	1901	-.379	.061	-.161	-.584	130	2209	-.135	.107	.284	-.703	130	3101	-.187	.112	.189	-.848
130	1902	-.349	.064	-.090	-.760	130	2210	-.293	.059	-.115	-.560	130	3102	-.450	.107	-.154	-1.050
130	1903	-.359	.092	-.063	-.817	130	2211	-.258	.034	-.108	-.408	130	3103	-.481	.118	-.188	-1.381

WD	TAP	CPMEAN	CPRMS	CPMAX	CPMIN	WD	TAP	CPMEAN	CPRMS	CPMAX	CPMIN	WD	TAP	CPMEAN	CPRMS	CPMAX	CPMIN
130	3104	-.416	.112	-.101	-1.100	130	3218	-.161	.109	.294	-.422	130	3401	-.246	.054	-.045	-.513
130	3105	-.180	.070	.072	-.402	130	3301	.212	.114	.785	-.096	130	3402	-.251	.051	-.106	-.502
130	3106	-.201	.081	.152	-.563	130	3302	.113	.093	.516	-.148	130	3403	-.208	.051	.035	-.471
130	3107	-.218	.056	-.043	-.452	130	3303	.040	.089	.601	-.179	130	3404	-.118	.068	.122	-.469
130	3108	-.269	.052	-.135	-.635	130	3304	.090	.092	.494	-.245	130	3405	-.322	.145	.224	-.820
130	3109	-.262	.053	-.019	-.486	130	3305	.023	.093	.421	-.335	130	3406	-.311	.138	.124	-.842
130	3110	-.248	.051	-.106	-.564	130	3306	-.040	.068	.211	-.269	130	3407	-.242	.110	.738	-.076
130	3111	-.325	.060	-.118	-.613	130	3307	.036	.102	.500	-.695	130	3408	-.300	.123	.088	-.748
130	3112	-.325	.055	.166	-.760	130	3308	-.002	.052	.227	-.162	130	3409	-.240	.102	.657	-.134
130	3113	-.314	.056	-.132	-.642	130	3309	.132	.111	.563	-.174	130	3410	-.200	.023	-.106	-.281
130	3114	-.267	.046	-.091	-.524	130	3310	.234	.107	.679	-.063	130	3411	-.119	.086	.163	-.487
130	3115	-.409	.091	-.151	-.811	130	3311	.191	.111	.660	-.101	130	3412	-.239	.130	.327	-.819
130	3116	-.359	.080	-.144	-.811	130	3312	.105	.098	.579	-.245	130	3413	-.227	.086	.629	-.020
130	3117	-.284	.045	-.106	-.488	130	3313	.078	.088	.568	-.328	130	3414	-.250	.050	-.086	-.517
130	3118	-.262	.047	-.115	-.565	130	3314	-.023	.082	.239	-.422	130	3415	-.173	.044	-.018	-.337
130	3119	-.164	.107	.241	-.604	130	3315	.154	.103	.636	-.276	130	3416	-.186	.099	.284	-.525
130	3120	-.285	.074	-.076	-.630	130	3316	.123	.075	.482	-.139	130	3417	-.061	.135	.502	-.444
130	3121	-.256	.048	-.108	-.541	130	3317	.238	.100	.714	-.020	130	3901	-.348	.098	-.010	-.791
130	3122	-.052	.099	.501	-.250	130	3318	.128	.085	.494	-.099	130	3902	-.617	.176	-.101	-1.448
130	3123	-.202	.120	.193	-.645	130	3319	.123	.109	.591	-.134	130	3903	-.191	.041	-.010	-.368
130	3124	-.081	.101	.539	-.154	130	3320	.261	.097	.709	-.006	130	3904	-.225	.038	-.032	-.354
130	3125	-.121	.094	.255	-.469	130	3321	.148	.091	.575	-.191	130	3905	-.268	.081	-.001	-.620
130	3126	-.225	.068	-.026	-.570	130	3322	.153	.078	.542	-.032	130	3906	-.210	.101	-.211	-.882
130	3127	-.345	.090	-.106	-.921	130	3323	.072	.076	.468	-.233	130	3907	-.235	.044	-.053	-.404
130	3128	-.330	.077	.015	-.724	130	3324	.049	.052	.277	-.174	130	3908	-.255	.060	.107	-.450
130	3129	-.283	.060	.065	-.515	130	3325	.195	.090	.657	-.008	130	3909	-.179	.043	.055	-.402
130	3130	-.248	.062	-.046	-.510	130	3326	.146	.077	.530	-.146	130	3910	-.206	.073	.062	-.478
130	3131	-.238	.060	-.012	-.592	130	3327	.128	.070	.440	-.075	130	3911	-.129	.062	.088	-.416
130	3132	-.237	.053	-.050	-.481	130	3328	.160	.081	.560	-.058	130	3912	-.205	.069	.124	-.627
130	3133	-.246	.047	-.120	-.452	130	3329	.146	.110	.580	-.200	130	3913	-.158	.062	.115	-.399
130	3134	-.070	.084	-.233	-.341	130	3330	.248	.102	.655	-.005	130	3914	-.184	.078	.117	-.524
130	3135	-.623	.178	-.223	-1.377	130	3331	.189	.081	.589	-.011	130	3915	-.102	.105	.244	-.550
130	3136	-.336	.068	-.147	-.664	130	3332	.130	.073	.480	-.094	130	3916	-.114	.073	.136	-.483
130	3201	-.023	.068	.250	-.257	130	3333	.099	.073	.438	-.340	130	3917	-.085	.081	.206	-.531
130	3202	.007	.098	.452	-.298	130	3334	.216	.090	.657	-.032	130	3918	-.080	.120	.285	-.639
130	3203	.039	.119	.548	-.597	130	3335	.130	.061	.445	-.110	130	3919	-.337	.137	.182	-.891
130	3204	-.018	.155	.525	-.570	130	3336	.102	.046	.378	-.076	130	3920	-.398	.126	.148	-.911
130	3205	-.274	.136	.387	-.832	130	3337	.114	.061	.436	-.086	130	3921	-.343	.151	.175	-.983
130	3206	-.273	.133	.343	-.733	130	3338	.064	.074	.416	-.195	130	3922	-.000	.111	.477	-.325
130	3207	.006	.079	.265	-.262	130	3339	.216	.082	.538	-.005	130	3923	-.011	.084	.393	-.320
130	3208	.035	.117	.691	-.250	130	3340	.190	.071	.464	-.002	130	3924	-.188	.093	.609	-.094
130	3209	.066	.065	.320	-.185	130	3341	.095	.066	.444	-.127	130	3925	-.398	.148	.196	-1.141
130	3210	.019	.073	.286	-.207	130	3342	.097	.050	.327	-.066	130	3926	-.158	.079	.525	-.053
130	3211	.050	.115	.508	-.255	130	3343	.125	.061	.447	-.048	130	3927	-.108	.107	.211	-.827
130	3212	.058	.114	.611	-.312	130	3344	.116	.051	.454	-.013	130	3928	-.017	.096	.427	-.344
130	3213	-.002	.137	.506	-.338	130	3345	.067	.044	.241	-.068	130	3929	-.039	.089	.256	-.378
130	3214	.023	.073	.262	-.305	130	3346	.073	.049	.259	-.066	130	3930	-.170	.079	.525	-.037
130	3215	.091	.073	.331	-.080	130	3347	.143	.069	.520	-.056	130	3931	.149	.064	.515	-.025
130	3216	.076	.087	.473	-.236	130	3348	-.173	.088	.190	-.421	130	3932	.160	.080	.525	-.049
130	3217	.038	.098	.405	-.321	130	3349	-.138	.077	.185	-.426	130	3933	-.323	.204	.173	-1.383

WD	TAP	CPMEAN	CPRMS	CPMAX	CPMIN	WD	TAP	CPMEAN	CPRMS	CPMAX	CPMIN	WD	TAP	CPMEAN	CPRMS	CPMAX	CPMIN
130	3934	-.187	.113	.203	-.721	140	1143	-.251	.035	-.134	-.367	140	1231	.172	.084	.493	-.046
130	3935	-.155	.105	.160	-.925	140	1144	-.256	.032	-.141	-.416	140	1232	.127	.088	.475	-.193
130	3936	-.010	.088	.343	-.259	140	1145	-.277	.031	-.186	-.433	140	1233	.093	.094	.459	-.220
130	3937	.124	.092	.444	-.165	140	1146	-.281	.028	-.193	-.414	140	1234	-.101	.056	.130	-.341
130	3938	.218	.100	.718	-.013	140	1147	-.271	.033	-.159	-.447	140	1235	-.143	.058	.080	-.362
130	3939	-.059	.103	.452	-.375	140	1148	-.278	.047	-.133	-.619	140	1236	.379	.139	.864	-.032
130	3940	.042	.114	.515	-.378	140	1149	-.268	.032	-.088	-.381	140	1237	.366	.130	.804	-.045
130	3941	.238	.097	.606	-.028	140	1150	-.289	.032	-.193	-.421	140	1238	.182	.098	.605	-.106
140	1101	-.375	.110	-.065	-.938	140	1151	-.268	.042	-.104	-.612	140	1239	.206	.079	.498	-.010
140	1102	-.331	.080	-.126	-.794	140	1152	-.263	.031	-.162	-.402	140	1240	.135	.083	.605	-.124
140	1103	-.369	.090	-.056	-.771	140	1153	-.267	.026	-.182	-.373	140	1241	.080	.082	.416	-.257
140	1104	-.316	.062	-.171	-.669	140	1154	-.276	.026	-.189	-.376	140	1242	-.124	.050	.084	-.314
140	1105	-.315	.065	-.112	-.659	140	1155	-.273	.019	-.210	-.341	140	1243	-.164	.041	.068	-.391
140	1106	-.277	.061	-.028	-.505	140	1156	-.275	.027	-.196	-.376	140	1244	.324	.130	.811	-.149
140	1107	-.262	.052	-.070	-.463	140	1157	-.262	.024	-.171	-.359	140	1245	.320	.120	.763	-.051
140	1108	-.280	.056	-.082	-.631	140	1158	-.134	.060	-.108	-.346	140	1246	.157	.085	.530	-.112
140	1109	-.289	.061	-.049	-.738	140	1159	-.279	.032	-.194	-.461	140	1247	.176	.072	.453	-.014
140	1110	-.241	.045	-.084	-.433	140	1160	-.270	.028	-.184	-.364	140	1248	.110	.065	.497	-.058
140	1111	-.249	.043	-.105	-.419	140	1161	-.277	.029	-.182	-.415	140	1249	.049	.067	.373	-.175
140	1112	-.280	.053	-.019	-.596	140	1162	-.259	.025	-.180	-.394	140	1250	-.137	.043	.059	-.298
140	1113	-.289	.052	-.086	-.540	140	1201	-.305	.388	.578	-1.475	140	1251	-.214	.037	-.041	-.351
140	1114	-.248	.045	-.093	-.529	140	1202	-.330	.309	.427	-1.192	140	1252	.216	.107	.620	-.282
140	1115	-.258	.043	-.047	-.426	140	1203	-.440	.149	.251	-.968	140	1253	.222	.099	.723	-.138
140	1116	-.274	.047	-.102	-.412	140	1204	-.406	.127	.365	-.883	140	1254	.123	.076	.426	-.133
140	1117	-.294	.053	-.119	-.605	140	1205	-.355	.163	.331	-.974	140	1255	.134	.058	.366	-.033
140	1118	-.300	.054	-.016	-.510	140	1206	-.390	.176	.283	-1.343	140	1256	.056	.052	.279	-.115
140	1119	-.224	.038	-.091	-.405	140	1207	-.675	.190	.114	-1.464	140	1257	-.075	.049	.116	-.250
140	1120	-.228	.037	-.093	-.368	140	1208	-.441	.130	.050	-.965	140	1258	-.212	.036	-.094	-.385
140	1121	-.245	.037	-.107	-.414	140	1209	.218	.138	.681	-.311	140	1259	-.221	.033	-.065	-.395
140	1122	-.262	.036	-.135	-.400	140	1210	.143	.118	.576	-.215	140	1260	.182	.086	.641	-.124
140	1123	-.275	.044	-.107	-.442	140	1211	-.015	.071	.249	-.245	140	1261	.194	.084	.542	-.154
140	1124	-.286	.046	-.112	-.508	140	1212	-.083	.068	.203	-.318	140	1262	.121	.070	.533	-.053
140	1125	-.225	.039	-.091	-.368	140	1213	-.079	.067	.329	-.451	140	1263	.147	.058	.403	-.006
140	1126	-.230	.038	-.107	-.393	140	1214	-.185	.055	-.018	-.389	140	1264	.046	.048	.245	-.083
140	1127	-.253	.036	-.139	-.374	140	1215	-.212	.052	-.007	-.446	140	1265	-.085	.052	-.151	-.225
140	1128	-.276	.035	-.167	-.449	140	1216	.396	.163	.871	-.325	140	1266	-.192	.029	-.078	-.294
140	1129	-.293	.040	-.167	-.472	140	1217	.312	.148	.855	-.144	140	1267	-.208	.029	-.113	-.330
140	1130	-.297	.041	-.158	-.484	140	1218	.040	.084	.354	-.202	140	1268	.160	.082	.529	-.202
140	1131	-.206	.036	-.071	-.351	140	1219	-.106	.067	.205	-.332	140	1269	.110	.059	.368	-.039
140	1132	-.209	.036	-.020	-.335	140	1220	-.204	.046	-.037	-.391	140	1270	-.230	.084	.109	-.612
140	1133	-.240	.034	-.134	-.372	140	1221	.262	.170	.843	-.300	140	1271	-.273	.036	-.152	-.440
140	1134	-.263	.033	-.167	-.398	140	1222	.223	.139	.690	-.245	140	1272	.171	.047	.485	-.028
140	1135	-.307	.044	-.188	-.500	140	1223	-.049	.098	.551	-.241	140	1273	.155	.066	.501	-.037
140	1136	-.315	.051	-.162	-.561	140	1224	-.011	.085	.409	-.270	140	1274	.136	.052	.332	-.010
140	1137	-.235	.038	-.118	-.379	140	1225	-.029	.091	.354	-.378	140	1275	.043	.053	.258	-.122
140	1138	-.244	.037	-.127	-.409	140	1226	-.155	.064	.082	-.423	140	1276	-.143	.040	.018	-.275
140	1139	-.256	.031	-.151	-.386	140	1227	-.216	.048	-.007	-.423	140	1277	-.172	.039	-.021	-.296
140	1140	-.268	.032	-.172	-.447	140	1228	.373	.140	.855	-.099	140	1278	.113	.060	.405	-.182
140	1141	-.293	.053	-.141	-.657	140	1229	.337	.129	.847	-.051	140	1279	.143	.063	.398	-.004
140	1142	-.321	.072	-.102	-.619	140	1230	.134	.098	.688	-.275	140	1280	.127	.061	.345	-.019

WD	TAP	CPMEAN	CPRMS	CPMAX	CPMIN	WD	TAP	CPMEAN	CPRMS	CPMAX	CPMIN	WD	TAP	CPMEAN	CPRMS	CPMAX	CPMIN
140	1281	-.066	.066	.242	-.326	140	1341	-.184	.062	.074	-.399	140	1406	-.420	.053	-.291	-.763
140	1282	-.139	.059	.105	-.319	140	1342	.054	.113	.455	-.357	140	1407	-.346	.067	-.174	-1.093
140	1283	-.236	.026	-.140	-.324	140	1343	.163	.145	.658	-.598	140	1408	-.551	.116	-.298	-1.067
140	1284	.112	.055	.373	-.209	140	1344	.124	.247	.919	-.707	140	1409	-.308	.054	-.097	-.718
140	1285	.174	.076	.513	-.001	140	1345	-.402	.053	-.192	-.658	140	1410	-.305	.064	-.014	-.657
140	1286	.142	.059	.396	-.003	140	1346	-.392	.049	-.236	-.609	140	1411	-.337	.049	-.174	-.644
140	1287	.154	.068	.469	-.002	140	1347	-.429	.056	-.224	-.733	140	1412	-.358	.073	-.140	-1.060
140	1288	-.150	.066	.148	-.369	140	1348	-.419	.048	-.271	-.682	140	1413	-.365	.057	-.156	-.689
140	1289	-.116	.050	.201	-.278	140	1349	-.205	.056	.030	-.397	140	1414	-.364	.060	-.147	-.644
140	1290	-.217	.030	-.092	-.310	140	1350	-.005	.094	.420	-.441	140	1415	-.398	.050	-.219	-.597
140	1301	-.118	.071	.260	-.520	140	1351	-.108	.149	.653	-.651	140	1416	-.385	.059	-.167	-.826
140	1302	-.032	.357	.864	-1.073	140	1352	-.194	.235	.615	-.953	140	1417	-.394	.064	-.138	-.849
140	1303	-.048	.070	.306	-.296	140	1353	-.040	.098	.494	-.404	140	1418	-.440	.055	-.277	-.738
140	1304	-.005	.305	.892	-.710	140	1354	-.233	.066	.119	-.502	140	1419	-.442	.056	-.277	-.664
140	1305	-.378	.078	-.029	-.743	140	1355	-.445	.094	.189	-.765	140	1420	-.434	.052	-.282	-.660
140	1306	-.384	.073	-.115	-.806	140	1356	-.499	.073	-.306	-.833	140	1421	-.314	.060	-.075	-.662
140	1307	-.402	.069	-.078	-.687	140	1357	-.159	.052	.091	-.339	140	1422	-.309	.057	-.064	-.646
140	1308	-.438	.069	-.210	-.801	140	1358	.016	.081	.373	-.210	140	1423	-.334	.050	-.142	-.595
140	1309	-.208	.058	.011	-.422	140	1359	.088	.109	.511	-.437	140	1424	-.353	.052	-.156	-.543
140	1310	-.141	.069	.125	-.424	140	1360	.077	.195	.646	-.682	140	1425	-.352	.056	-.184	-.606
140	1311	-.005	.143	.455	-.968	140	1361	-.242	.057	.214	-.406	140	1426	-.385	.052	-.187	-.610
140	1312	-.024	.243	.539	-.922	140	1362	-.161	.066	.147	-.350	140	1427	-.380	.052	-.181	-.581
140	1313	-.371	.058	-.168	-.773	140	1363	-.010	.130	.525	-.376	140	1428	-.385	.053	-.174	-.849
140	1314	-.423	.051	-.247	-.657	140	1364	-.274	.110	.042	-.903	140	1429	-.419	.047	-.285	-.651
140	1315	-.059	.094	.308	-.364	140	1365	-.150	.052	.100	-.301	140	1430	-.437	.052	-.280	-.648
140	1316	-.201	.186	.736	-.722	140	1366	.041	.074	.357	-.187	140	1431	-.318	.062	-.091	-.795
140	1317	-.385	.070	-.127	-.745	140	1367	.084	.097	.595	-.299	140	1432	-.324	.063	-.102	-.689
140	1318	-.412	.059	-.231	-.843	140	1368	.071	.146	.658	-.462	140	1433	-.336	.049	-.163	-.552
140	1319	-.251	.057	-.017	-.436	140	1369	-.305	.048	-.062	-.470	140	1434	-.346	.050	-.172	-.595
140	1320	.080	.305	.883	-.917	140	1370	-.126	.077	.253	-.341	140	1435	-.359	.099	.004	-.871
140	1321	-.378	.068	-.110	-.722	140	1371	-.486	.093	-.153	-.874	140	1436	-.363	.054	-.210	-.718
140	1322	-.381	.063	-.157	-.803	140	1372	-.058	.101	.322	-.237	140	1437	-.385	.050	-.138	-.579
140	1323	-.417	.057	-.178	-.682	140	1373	-.188	.043	.070	-.304	140	1438	-.393	.048	-.212	-.637
140	1324	-.419	.050	-.265	-.631	140	1374	-.089	.049	.159	-.302	140	1439	-.431	.051	-.291	-.635
140	1325	-.280	.073	-.040	-.586	140	1375	.055	.066	.404	-.107	140	1440	-.416	.046	-.255	-.644
140	1326	-.188	.085	.142	-.514	140	1376	.115	.079	.514	-.205	140	1441	-.303	.052	-.097	-.644
140	1327	.112	.178	.644	-.880	140	1377	-.194	.036	-.017	-.297	140	1442	-.301	.051	-.104	-.642
140	1328	.124	.234	.781	-.751	140	1378	-.032	.058	.310	-.137	140	1443	-.307	.041	-.172	-.536
140	1329	-.379	.059	-.203	-.686	140	1379	-.024	.064	.251	-.258	140	1444	-.337	.045	-.127	-.637
140	1330	-.372	.050	-.185	-.600	140	1380	-.040	.175	.509	-.470	140	1445	-.346	.044	-.140	-.532
140	1331	-.421	.053	-.254	-.733	140	1381	-.088	.056	.329	-.042	140	1446	-.353	.047	-.172	-.568
140	1332	-.416	.044	-.280	-.656	140	1382	-.156	.044	.072	-.292	140	1447	-.355	.048	-.190	-.637
140	1333	-.181	.058	.084	-.367	140	1383	-.193	.058	.054	-.512	140	1448	-.377	.049	-.137	-.552
140	1334	.038	.108	.413	-.269	140	1384	-.009	.071	.383	-.192	140	1449	-.376	.045	-.154	-.552
140	1335	.174	.150	.644	-.670	140	1385	-.032	.121	.372	-.444	140	1450	-.382	.049	-.120	-.602
140	1336	.181	.245	.809	-.812	140	1401	-.352	.072	-.090	-.720	140	1451	-.401	.041	-.256	-.588
140	1337	-.393	.051	-.236	-.716	140	1402	-.347	.070	-.175	-.789	140	1452	-.388	.040	-.275	-.562
140	1338	-.382	.048	-.196	-.626	140	1403	-.364	.057	-.199	-.693	140	1453	-.286	.046	-.130	-.488
140	1339	-.422	.055	-.271	-.758	140	1404	-.403	.049	-.259	-.806	140	1454	-.294	.049	-.085	-.514
140	1340	-.413	.048	-.271	-.605	140	1405	-.421	.054	-.247	-.689	140	1455	-.330	.046	-.151	-.554

WD	TAP	CPMEAN	CPRMS	CPMAX	CPMIN	WD	TAP	CPMEAN	CPRMS	CPMAX	CPMIN	WD	TAP	CPMEAN	CPRMS	CPMAX	CPMIN
140	1456	-.354	.036	-.259	-.523	140	1506	-.322	.038	-.220	-.501	140	1932	-.429	.091	-.103	-.882
140	1457	-.347	.036	-.230	-.471	140	1507	-.354	.073	-.140	-.822	140	1933	-.453	.144	-.045	-1.416
140	1458	-.371	.043	-.151	-.526	140	1508	-.406	.055	-.240	-.634	140	1934	-.159	.092	.138	-.578
140	1459	-.375	.041	-.235	-.516	140	1509	-.440	.067	-.238	-.722	140	1935	-.029	.055	.198	-.173
140	1460	-.394	.048	-.237	-.616	140	1510	-.179	.051	-.062	-.322	140	2101	-.292	.049	-.161	-.697
140	1461	-.381	.047	-.201	-.578	140	1511	-.498	.063	-.329	-.731	140	2102	-.274	.026	-.179	-.396
140	1462	-.388	.047	-.144	-.590	140	1512	-.485	.086	-.199	-.845	140	2103	-.270	.023	-.210	-.382
140	1463	-.404	.042	-.278	-.628	140	1513	-.195	.046	-.027	-.327	140	2104	-.325	.066	-.154	-.647
140	1464	-.399	.038	-.259	-.587	140	1514	-.470	.065	-.247	-.743	140	2105	-.332	.069	-.147	-.668
140	1465	-.259	.040	-.092	-.454	140	1515	-.130	.066	-.085	-.622	140	2106	-.301	.060	-.123	-.556
140	1466	-.258	.043	-.075	-.447	140	1516	-.338	.054	-.189	-.694	140	2107	-.310	.071	-.101	-.624
140	1467	-.280	.035	-.128	-.397	140	1801	-.267	.026	-.152	-.394	140	2201	-.318	.035	-.227	-.459
140	1468	-.334	.032	-.218	-.478	140	1802	-.044	.060	.219	-.194	140	2202	-.273	.027	-.178	-.382
140	1469	-.337	.032	-.235	-.452	140	1803	-.035	.060	-.253	-.180	140	2203	-.276	.026	-.198	-.396
140	1470	-.402	.048	-.268	-.700	140	1804	-.256	.029	-.148	-.364	140	2204	-.296	.038	-.120	-.459
140	1471	-.401	.049	-.254	-.748	140	1805	.017	.089	.308	-.369	140	2205	-.285	.045	-.001	-.513
140	1472	-.376	.046	-.223	-.562	140	1806	-.152	.063	.380	-.008	140	2206	-.255	.034	-.123	-.418
140	1473	-.388	.051	-.199	-.659	140	1807	-.110	.061	-.125	-.282	140	2207	-.276	.030	-.164	-.479
140	1474	-.382	.047	-.128	-.655	140	1808	-.223	.026	-.137	-.329	140	2208	-.215	.045	-.016	-.367
140	1475	-.414	.045	-.273	-.593	140	1901	-.410	.068	-.127	-.828	140	2209	-.154	.089	.163	-.649
140	1476	-.411	.043	-.297	-.633	140	1902	-.360	.069	-.088	-.689	140	2210	-.270	.052	-.127	-.539
140	1477	-.218	.062	-.082	-.459	140	1903	-.332	.064	-.001	-.682	140	2211	-.234	.029	-.096	-.324
140	1478	-.228	.059	-.047	-.385	140	1904	-.319	.100	.032	-.948	140	2212	-.268	.034	-.147	-.416
140	1479	-.283	.033	-.147	-.426	140	1905	-.334	.107	.055	-.826	140	2213	-.131	.059	.188	-.304
140	1480	-.326	.032	-.228	-.478	140	1906	-.417	.058	-.237	-.709	140	2214	-.091	.099	.366	-.649
140	1481	-.320	.029	-.230	-.466	140	1907	-.325	.080	-.036	-.696	140	2215	-.259	.048	-.100	-.472
140	1482	-.358	.053	-.159	-.769	140	1908	-.086	.100	.246	-.407	140	2301	-.332	.033	-.244	-.467
140	1483	-.372	.054	-.185	-.662	140	1909	-.057	.094	.422	-.315	140	2302	-.321	.032	-.234	-.501
140	1484	-.359	.061	-.085	-.636	140	1910	-.465	.104	-.159	-1.072	140	2303	-.343	.040	-.244	-.518
140	1485	-.502	.089	-.290	-1.134	140	1911	-.375	.048	-.208	-.560	140	2304	-.229	.036	-.081	-.331
140	1486	-.517	.085	-.299	-.977	140	1912	-.362	.056	-.180	-.599	140	2305	-.216	.037	.009	-.375
140	1487	-.364	.049	-.209	-.559	140	1913	-.370	.088	-.091	-.895	140	2306	-.275	.033	-.149	-.416
140	1488	-.316	.052	-.139	-.628	140	1914	-.282	.096	.012	-.673	140	2307	-.054	.130	.482	-.435
140	1489	-.264	.040	-.081	-.392	140	1915	-.343	.079	-.043	-.803	140	2308	-.156	.038	.009	-.278
140	1490	-.236	.047	-.046	-.364	140	1916	-.363	.093	-.072	-.739	140	2309	-.117	.069	.298	-.275
140	1491	-.272	.032	-.116	-.373	140	1917	-.396	.131	.113	-.964	140	2310	-.229	.032	-.100	-.389
140	1492	-.318	.030	-.237	-.428	140	1918	-.528	.134	.031	-.961	140	2311	-.090	.132	.572	-.265
140	1493	-.306	.028	-.218	-.428	140	1919	-.213	.106	.038	-.787	140	2401	-.143	.054	.167	-.297
140	1494	-.342	.052	-.208	-.554	140	1920	-.582	.095	-.306	-1.032	140	2402	-.145	.054	.099	-.392
140	1495	-.361	.050	-.215	-.554	140	1921	-.477	.138	-.157	-1.291	140	2403	-.168	.046	.023	-.324
140	1496	-.173	.056	-.032	-.371	140	1922	-.559	.116	-.221	-1.236	140	2404	-.041	.065	.203	-.234
140	1497	-.458	.065	-.220	-.782	140	1923	-.530	.119	-.098	-1.080	140	2405	-.004	.073	.291	-.195
140	1498	-.539	.104	-.252	-1.185	140	1924	-.489	.139	-.090	-1.171	140	2406	-.010	.080	.383	-.224
140	1499	-.506	.073	-.299	-.799	140	1925	-.464	.219	-.097	-1.099	140	2901	-.326	.045	-.210	-.486
140	1500	-.508	.075	-.306	-.836	140	1926	-.412	.107	-.036	-.858	140	2902	-.304	.029	-.212	-.418
140	1501	-.243	.041	-.034	-.378	140	1927	-.875	.167	-.341	-1.507	140	2903	-.308	.035	-.220	-.464
140	1502	-.246	.037	-.017	-.361	140	1928	-.471	.150	.118	-1.142	140	2904	-.321	.032	-.224	-.452
140	1503	-.309	.032	-.194	-.473	140	1929	-.926	.226	-.360	-1.834	140	2905	-.330	.032	-.241	-.447
140	1504	-.297	.026	-.206	-.403	140	1930	-.454	.102	-.127	-.833	140	2906	-.337	.039	-.232	-.498
140	1505	-.320	.046	-.210	-.617	140	1931	-.478	.091	-.188	-.851	140	2907	-.433	.080	-.227	-.995

WD	TAP	CPMEAN	CPRMS	CPMAX	CPMIN	WD	TAP	CPMEAN	CPRMS	CPMAX	CPMIN	WD	TAP	CPMEAN	CPRMS	CPMAX	CPMIN
140	2908	-.306	.033	-.210	-.450	140	3132	-.234	.054	-.041	-.463	140	3328	.154	.072	.515	-.044
140	2909	-.317	.040	-.125	-.486	140	3133	-.239	.044	-.104	-.429	140	3329	.089	.111	.677	-.208
140	2910	-.279	.025	-.193	-.372	140	3134	-.091	.076	.267	-.380	140	3330	.199	.080	.558	-.023
140	2911	-.300	.027	-.207	-.411	140	3135	-.602	.147	-.257	-1.435	140	3331	.188	.080	.584	-.041
140	2912	-.297	.040	-.147	-.544	140	3136	-.316	.061	-.158	-.702	140	3332	.133	.068	.485	-.033
140	2913	-.308	.028	-.222	-.418	140	3201	-.014	.055	.141	-.225	140	3333	.104	.082	.411	-.244
140	2914	-.335	.034	-.198	-.498	140	3202	.006	.073	.284	-.357	140	3334	.210	.085	.608	-.041
140	2915	-.320	.035	-.198	-.455	140	3203	-.057	.112	.560	-.308	140	3335	.123	.056	.396	-.101
140	2916	-.287	.029	-.212	-.496	140	3204	-.015	.142	.597	-.545	140	3336	.101	.047	.332	-.023
140	2917	-.237	.045	-.050	-.355	140	3205	-.262	.119	.320	-.741	140	3337	.094	.053	.460	-.097
140	2918	-.273	.028	-.171	-.421	140	3206	-.243	.114	.339	-.684	140	3338	.027	.068	.271	-.237
140	2919	-.292	.038	-.176	-.486	140	3207	.022	.061	.245	-.184	140	3339	.197	.075	.519	.031
140	2920	-.304	.044	-.193	-.537	140	3208	.039	.107	.570	-.230	140	3340	.163	.068	.501	.006
140	2921	-.323	.054	-.198	-.573	140	3209	.069	.059	.313	-.160	140	3341	.130	.061	.463	-.035
140	2922	-.322	.059	-.178	-.595	140	3210	.034	.059	.231	-.162	140	3342	.113	.049	.427	-.053
140	2923	-.384	.043	-.101	-.556	140	3211	.032	.084	.451	-.179	140	3343	.129	.054	.412	-.038
140	2924	-.291	.066	-.035	-.564	140	3212	-.053	.104	.471	-.254	140	3344	.108	.047	.332	-.017
140	2925	-.343	.161	-.133	-1.304	140	3213	-.007	.113	.480	-.366	140	3345	.053	.036	.192	-.084
140	2926	-.280	.071	.028	-.578	140	3214	.027	.056	.202	-.196	140	3346	.061	.036	.200	-.071
140	3101	-.150	.101	.213	-.741	140	3215	.075	.061	.361	-.063	140	3347	.119	.053	.389	-.005
140	3102	-.413	.099	-.116	-1.084	140	3216	.078	.079	.411	-.151	140	3348	-.152	.076	.177	-.416
140	3103	-.442	.104	-.170	-1.956	140	3217	.040	.094	.418	-.327	140	3349	-.145	.064	.225	-.403
140	3104	-.404	.101	-.155	-1.091	140	3218	-.144	.106	.318	-.377	140	3401	-.247	.059	-.031	-.620
140	3105	-.176	.057	.136	-.366	140	3301	.150	.089	.456	-.075	140	3402	-.255	.060	-.056	-.640
140	3106	-.164	.051	.032	-.506	140	3302	.082	.082	.503	-.137	140	3403	-.209	.047	-.069	-.516
140	3107	-.171	.049	-.061	-.375	140	3303	.052	.082	.396	-.146	140	3404	-.136	.071	.174	-.600
140	3108	-.253	.053	-.121	-.686	140	3304	.112	.088	.439	-.189	140	3405	-.350	.121	.096	-.780
140	3109	-.243	.047	-.084	-.501	140	3305	.058	.091	.456	-.241	140	3406	-.365	.119	.085	-.914
140	3110	-.245	.051	-.108	-.544	140	3306	-.011	.065	.370	-.222	140	3407	-.192	.094	-.690	-.071
140	3111	-.293	.046	-.157	-.484	140	3307	.059	.090	.406	-.383	140	3408	-.338	.095	-.052	-.713
140	3112	-.295	.046	-.164	-.504	140	3308	.009	.044	.170	-.168	140	3409	-.196	.101	.672	-.109
140	3113	-.301	.052	-.104	-.601	140	3309	.063	.087	.518	-.187	140	3410	-.200	.022	-.135	-.281
140	3114	-.257	.046	-.097	-.504	140	3310	.209	.092	.641	-.037	140	3411	-.171	.075	.143	-.505
140	3115	-.397	.083	-.145	-.826	140	3311	.170	.086	.570	-.046	140	3412	-.274	.108	.328	-.729
140	3116	-.338	.067	-.143	-.681	140	3312	.128	.089	.618	-.144	140	3413	-.199	.072	.509	-.021
140	3117	-.259	.045	-.131	-.467	140	3313	.095	.087	.599	-.277	140	3414	-.239	.043	-.092	-.449
140	3118	-.249	.044	-.111	-.443	140	3314	-.006	.069	.239	-.303	140	3415	-.187	.040	-.033	-.360
140	3119	-.135	.094	-.230	-.623	140	3315	.188	.094	.698	-.089	140	3416	-.225	.088	.120	-.513
140	3120	-.257	.071	-.015	-.571	140	3316	.131	.067	.434	-.051	140	3417	-.009	.127	.419	-.403
140	3121	-.247	.045	-.128	-.426	140	3317	.209	.090	.672	-.006	140	3901	-.299	.077	-.015	-.727
140	3122	-.047	.075	.412	-.138	140	3318	.142	.077	.458	-.139	140	3902	-.598	.148	-.145	-1.289
140	3123	-.266	.121	.119	-.751	140	3319	.076	.084	.408	-.153	140	3903	-.178	.036	-.017	-.395
140	3124	-.083	.082	.483	-.131	140	3320	.218	.089	.596	-.008	140	3904	-.199	.039	.065	-.358
140	3125	-.068	.088	.294	-.366	140	3321	.166	.089	.656	-.132	140	3905	-.246	.053	.002	-.542
140	3126	-.222	.077	-.083	-.591	140	3322	.146	.074	.641	-.056	140	3906	-.201	.084	.181	-.859
140	3127	-.331	.088	-.101	-.940	140	3323	.078	.078	.420	-.210	140	3907	-.204	.040	.014	-.378
140	3128	-.320	.069	-.123	-.787	140	3324	.037	.048	.256	-.194	140	3908	-.241	.050	.051	-.414
140	3129	-.269	.051	.005	-.453	140	3325	.199	.083	.565	-.027	140	3909	-.158	.045	.038	-.424
140	3130	-.227	.057	-.044	-.453	140	3326	.146	.068	.444	-.025	140	3910	-.183	.065	.113	-.409
140	3131	-.226	.053	-.007	-.596	140	3327	.139	.065	.422	-.037	140	3911	-.140	.051	.043	-.395



WD	TAP	CPMEAN	CPRMS	CPMAX	CPMIN	WD	TAP	CPMEAN	CPRMS	CPMAX	CPMIN	WD	TAP	CPMEAN	CPRMS	CPMAX	CPMIN
140	3912	-.158	.050	.070	-.383	150	1121	-.321	.056	-.134	-.517	150	1209	.024	.192	.471	-.864
140	3913	-.156	.060	.133	-.385	150	1122	-.340	.047	-.169	-.527	150	1210	.029	.098	.354	-.632
140	3914	-.171	.066	.126	-.542	150	1123	-.342	.050	-.186	-.550	150	1211	-.057	.064	.181	-.242
140	3915	-.049	.088	.283	-.562	150	1124	-.332	.050	-.153	-.534	150	1212	-.128	.055	.134	-.308
140	3916	-.116	.084	.242	-.620	150	1125	-.330	.075	-.061	-.649	150	1213	-.130	.055	.108	-.304
140	3917	-.055	.064	.164	-.305	150	1126	-.343	.078	-.096	-.658	150	1214	-.222	.047	-.058	-.472
140	3918	-.182	.136	.191	-.777	150	1127	-.372	.071	-.109	-.644	150	1215	-.240	.049	-.067	-.436
140	3919	-.313	.131	.164	-.888	150	1128	-.381	.055	-.173	-.646	150	1216	.176	.257	.835	-1.274
140	3920	-.337	.114	.186	-.881	150	1129	-.368	.062	-.190	-.595	150	1217	.215	.123	.657	-.463
140	3921	-.296	.131	.230	-.791	150	1130	-.353	.053	-.180	-.552	150	1218	-.017	.066	.247	-.276
140	3922	.003	.085	.459	-.300	150	1131	-.284	.078	-.011	-.734	150	1219	-.174	.057	.070	-.377
140	3923	.009	.068	.283	-.237	150	1132	-.291	.081	-.088	-.682	150	1220	-.268	.049	-.069	-.502
140	3924	.189	.086	.597	-.097	150	1133	-.309	.055	-.133	-.588	150	1221	-.187	.165	.648	-.447
140	3925	-.354	.141	.213	-.949	150	1134	-.356	.053	-.166	-.566	150	1222	.148	.125	.543	-.333
140	3926	-.163	.077	.554	-.024	150	1135	-.363	.060	-.199	-.611	150	1223	-.028	.073	.297	-.265
140	3927	-.057	.070	.155	-.385	150	1136	-.357	.061	-.199	-.611	150	1224	-.087	.065	.225	-.292
140	3928	-.006	.072	.239	-.233	150	1137	-.221	.072	-.072	-.597	150	1225	-.113	.069	.161	-.317
140	3929	-.012	.069	.210	-.339	150	1138	-.213	.065	-.008	-.578	150	1226	-.225	.056	-.026	-.420
140	3930	.171	.072	.501	-.017	150	1139	-.289	.056	-.055	-.578	150	1227	-.280	.051	-.094	-.456
140	3931	.146	.060	.429	-.005	150	1140	-.354	.063	-.164	-.590	150	1228	-.274	.170	.846	-.377
140	3932	.138	.065	.503	-.027	150	1141	-.472	.098	-.225	-.799	150	1229	.253	.136	.676	-.362
140	3933	-.236	.176	.276	-1.215	150	1142	-.480	.095	-.234	-.882	150	1230	.032	.077	.357	-.242
140	3934	-.154	.098	.242	-.654	150	1143	-.333	.051	-.065	-.465	150	1231	.091	.069	.327	-.119
140	3935	-.103	.084	.147	-.489	150	1144	-.255	.051	-.074	-.423	150	1232	.040	.068	.307	-.160
140	3936	-.059	.076	.292	-.273	150	1145	-.286	.044	-.164	-.465	150	1233	.011	.072	.297	-.229
140	3937	.079	.069	.396	-.145	150	1146	-.303	.048	-.157	-.531	150	1234	-.178	.047	.015	-.338
140	3938	.195	.082	.572	-.038	150	1147	-.376	.125	-.067	-1.004	150	1235	-.192	.051	.030	-.357
140	3939	-.129	.083	.223	-.503	150	1148	-.565	.201	-.036	-1.452	150	1236	.279	.171	.764	-.490
140	3940	-.004	.087	.320	-.324	150	1149	-.285	.047	-.150	-.449	150	1237	.276	.132	.689	-.475
140	3941	-.197	.077	.588	-.017	150	1150	-.293	.043	-.152	-.458	150	1238	.094	.084	.441	-.138
150	1101	-.408	.079	-.146	-.698	150	1151	-.350	.134	-.055	-1.139	150	1239	.119	.067	.441	-.051
150	1102	-.389	.077	-.160	-.752	150	1152	-.270	.046	-.114	-.458	150	1240	.069	.062	.350	-.097
150	1103	-.409	.076	-.162	-.670	150	1153	-.261	.042	-.118	-.486	150	1241	.011	.065	.384	-.169
150	1104	-.364	.066	-.175	-.686	150	1154	-.280	.032	-.192	-.402	150	1242	-.199	.050	.077	-.388
150	1105	-.381	.078	-.191	-.847	150	1155	-.289	.032	-.211	-.414	150	1243	-.252	.049	-.033	-.402
150	1106	-.347	.059	-.146	-.560	150	1156	-.284	.035	-.190	-.393	150	1244	.262	.151	.773	-.388
150	1107	-.398	.066	-.040	-.540	150	1157	-.259	.035	-.148	-.397	150	1245	.271	.123	.664	-.276
150	1108	-.324	.050	-.165	-.543	150	1158	-.182	.048	-.013	-.362	150	1246	.094	.081	.505	-.188
150	1109	-.338	.053	-.181	-.597	150	1159	-.275	.032	-.178	-.379	150	1247	.127	.058	.392	-.022
150	1110	-.290	.063	-.068	-.517	150	1160	-.272	.034	-.146	-.404	150	1248	.063	.054	.291	-.092
150	1111	-.324	.059	-.120	-.564	150	1161	-.286	.035	-.176	-.425	150	1249	-.002	.054	.335	-.172
150	1112	-.332	.051	-.132	-.536	150	1162	-.253	.032	-.155	-.362	150	1250	-.198	.047	-.012	-.357
150	1113	-.345	.056	-.162	-.581	150	1201	-.090	.154	.532	-1.149	150	1251	-.235	.042	-.057	-.384
150	1114	-.314	.059	-.122	-.520	150	1202	-.074	.224	.475	-1.055	150	1252	.193	.106	.670	-.255
150	1115	-.327	.064	-.099	-.560	150	1203	-.423	.194	.190	-1.181	150	1253	.191	.094	.632	-.239
150	1116	-.359	.056	-.160	-.555	150	1204	-.414	.129	.195	-.850	150	1254	.112	.072	.431	-.102
150	1117	-.336	.052	-.087	-.546	150	1205	-.354	.100	.040	-.752	150	1255	.104	.052	.294	-.065
150	1118	-.333	.055	-.174	-.583	150	1206	-.348	.094	.093	-.748	150	1256	.029	.046	.214	-.095
150	1119	-.293	.060	-.106	-.555	150	1207	-.354	.279	-.323	-1.616	150	1257	-.080	.043	-.074	-.229
150	1120	-.315	.059	-.106	-.524	150	1208	-.408	.085	-.035	-.841	150	1258	-.202	.047	-.051	-.426

WD	TAP	CPMEAN	CPRMS	CPMAX	CPMIN	WD	TAP	CPMEAN	CPRMS	CPMAX	CPMIN	WD	TAP	CPMEAN	CPRMS	CPMAX	CPMIN
1500	1259	-.216	.053	.024	-.437	1500	1319	-.192	.074	.111	-.447	1500	1369	-.260	.035	-.123	-.500
1500	1260	.170	.090	.527	-.227	1500	1320	-.366	.183	.966	-.466	1500	1370	-.097	.093	-.393	-.348
1500	1261	.174	.076	.501	-.156	1500	1321	-.300	.140	.457	-.716	1500	1371	-.415	.099	-.073	-.924
1500	1262	.100	.059	.364	-.111	1500	1322	-.322	.133	.359	-.744	1500	1372	.119	.092	.349	-.182
1500	1263	.117	.050	.335	-.015	1500	1323	-.413	.101	.258	-.777	1500	1373	-.198	.035	-.020	-.299
1500	1264	.019	.044	.225	-.104	1500	1324	-.454	.083	.192	-.894	1500	1374	-.064	.050	.139	-.253
1500	1265	-.117	.039	.015	-.252	1500	1325	-.240	.087	.077	-.553	1500	1375	.065	.062	.333	-.101
1500	1266	-.196	.035	-.067	-.307	1500	1326	-.117	.103	.244	-.488	1500	1376	-.126	.072	.476	-.149
1500	1267	-.206	.037	-.054	-.344	1500	1327	.263	.158	.723	-.283	1500	1377	-.187	.037	-.004	-.295
1500	1268	.147	.087	.485	-.303	1500	1328	.277	.165	.793	-.322	1500	1378	-.043	.055	.270	-.124
1500	1269	.069	.049	.237	-.092	1500	1329	-.336	.097	.049	-.675	1500	1379	-.012	.058	.210	-.202
1500	1270	-.286	.069	-.079	-.638	1500	1330	-.404	.076	-.111	-.738	1500	1380	.002	.148	.458	-.379
1500	1271	-.290	.052	-.086	-.538	1500	1331	-.454	.087	-.222	-.747	1500	1381	.061	.050	.255	-.057
1500	1272	.155	.060	.467	-.200	1500	1332	-.483	.061	-.243	-.731	1500	1382	-.130	.044	.063	-.269
1500	1273	.146	.056	.438	-.072	1500	1333	-.127	.077	.178	-.351	1500	1383	-.166	.061	.123	-.361
1500	1274	.134	.060	.406	-.015	1500	1334	.166	.123	.544	-.177	1500	1384	-.002	.064	.236	-.195
1500	1275	.007	.046	.200	-.122	1500	1335	.292	.146	.768	-.127	1500	1385	.017	.113	.351	-.373
1500	1276	-.164	.039	-.040	-.307	1500	1336	.371	.173	.944	-.456	1500	1401	-.383	.066	-.200	-.744
1500	1277	-.178	.043	.017	-.314	1500	1337	-.415	.074	-.076	-.703	1500	1402	-.375	.064	-.188	-.830
1500	1278	.107	.055	.321	-.140	1500	1338	-.413	.066	-.203	-.719	1500	1403	-.403	.061	-.226	-.672
1500	1279	.115	.052	.403	-.044	1500	1339	-.482	.081	-.039	-.851	1500	1404	-.472	.070	-.255	-.750
1500	1280	.107	.054	.378	-.024	1500	1340	-.493	.064	-.283	-.750	1500	1405	-.532	.089	-.269	-.852
1500	1281	-.109	.053	-.097	-.321	1500	1341	-.116	.079	.190	-.360	1500	1406	-.537	.082	-.293	-.818
1500	1282	-.179	.044	-.015	-.319	1500	1342	.157	.124	.570	-.181	1500	1407	-.389	.064	-.213	-.741
1500	1283	-.243	.032	-.147	-.364	1500	1343	.300	.147	.852	-.391	1500	1408	-.729	.146	-.334	-1.445
1500	1284	.105	.054	.344	-.225	1500	1344	.320	.198	.986	-.508	1500	1409	-.336	.055	-.161	-.567
1500	1285	.139	.072	.559	-.003	1500	1345	-.441	.071	-.043	-.698	1500	1410	-.333	.060	-.112	-.589
1500	1286	.121	.053	.412	-.008	1500	1346	-.454	.068	-.233	-.705	1500	1411	-.350	.071	-.103	-.672
1500	1287	.137	.057	.438	-.010	1500	1347	-.466	.085	-.044	-.717	1500	1412	-.353	.078	-.071	-.661
1500	1288	-.182	.050	-.008	-.440	1500	1348	-.512	.074	-.294	-.879	1500	1413	-.469	.097	-.161	-.914
1500	1289	-.156	.040	-.004	-.291	1500	1349	-.164	.079	.199	-.393	1500	1414	-.482	.101	-.217	-1.004
1500	1290	-.240	.032	-.113	-.385	1500	1350	.109	.117	.594	-.226	1500	1415	-.461	.078	-.197	-.775
1500	1301	-.120	.084	.333	-.475	1500	1351	.239	.136	.676	-.351	1500	1416	-.510	.124	-.190	-1.100
1500	1302	.359	.169	.992	-.901	1500	1352	.071	.224	.783	-.806	1500	1417	-.505	.111	-.206	-.986
1500	1303	-.111	.067	.174	-.395	1500	1353	-.025	.111	.366	-.334	1500	1418	-.507	.075	-.289	-.831
1500	1304	.436	.197	1.069	-.456	1500	1354	-.266	.060	.035	-.454	1500	1419	-.506	.067	-.295	-.809
1500	1305	.347	.141	.190	-.913	1500	1355	-.391	.151	-.232	-.994	1500	1420	-.492	.060	-.311	-.813
1500	1306	-.373	.140	.333	-1.091	1500	1356	-.555	.100	-.250	-1.025	1500	1421	-.336	.057	-.165	-.582
1500	1307	-.350	.178	.418	-.871	1500	1357	-.134	.059	.107	-.311	1500	1422	-.332	.062	-.145	-.641
1500	1308	-.459	.139	.202	-.995	1500	1358	.044	.082	.479	-.135	1500	1423	-.338	.088	-.033	-.735
1500	1309	-.148	.071	.141	-.358	1500	1359	.155	.106	.655	-.224	1500	1424	-.413	.083	-.168	-.824
1500	1310	-.071	.084	.251	-.398	1500	1360	.174	.149	.709	-.379	1500	1425	-.428	.093	-.188	-.987
1500	1311	.097	.138	.591	-.402	1500	1361	-.257	.042	-.010	-.398	1500	1426	-.399	.074	-.157	-.679
1500	1312	-.149	.166	.661	-.721	1500	1362	-.192	.064	.183	-.346	1500	1427	-.423	.084	-.159	-.845
1500	1313	-.303	.127	.326	-.683	1500	1363	-.020	.132	.502	-.393	1500	1428	-.451	.089	-.204	-.930
1500	1314	-.447	.088	.312	-.770	1500	1364	-.242	.106	.051	-.715	1500	1429	-.474	.060	-.293	-.746
1500	1315	.041	.115	.441	-.292	1500	1365	-.116	.052	.150	-.252	1500	1430	-.484	.058	-.313	-.717
1500	1316	.309	.148	.807	-.334	1500	1366	.060	.066	.338	-.123	1500	1431	-.348	.062	-.145	-.587
1500	1317	-.281	.145	.422	-.819	1500	1367	.142	.089	.497	-.120	1500	1432	-.350	.066	-.165	-.670
1500	1318	-.397	.097	.190	-.737	1500	1368	.131	.123	.624	-.268	1500	1433	-.359	.100	-.065	-.905

WD	TAP	CPMEAN	CPRMS	CPMAX	CPMIN	WD	TAP	CPMEAN	CPRMS	CPMAX	CPMIN	WD	TAP	CPMEAN	CPRMS	CPMAX	CPMIN
150	1434	-.342	.085	-.139	-.706	150	1484	-.372	.067	-.155	-.795	150	1910	-.550	.113	-.178	-1.070
150	1435	-.394	.075	-.103	-.710	150	1485	-.592	.120	-.324	-1.127	150	1911	-.438	.061	-.251	-.730
150	1436	-.434	.087	-.217	-.986	150	1486	-.587	.112	-.298	-1.111	150	1912	-.379	.057	-.188	-.606
150	1437	-.426	.071	-.188	-.820	150	1487	-.382	.066	-.205	-.647	150	1913	-.382	.078	-.130	-.713
150	1438	-.432	.076	-.213	-.795	150	1488	-.327	.063	-.105	-.609	150	1914	-.266	.111	-.100	-.797
150	1439	-.484	.063	-.318	-.739	150	1489	-.223	.068	-.105	-.434	150	1915	-.387	.074	-.195	-.710
150	1440	-.486	.064	-.298	-.712	150	1490	-.131	.081	.375	-.329	150	1916	-.380	.068	-.156	-.730
150	1441	-.341	.053	-.163	-.542	150	1491	-.181	.047	.037	-.329	150	1917	-.368	.084	-.050	-.777
150	1442	-.327	.055	-.159	-.582	150	1492	-.328	.044	-.191	-.552	150	1918	-.592	.108	-.142	-1.021
150	1443	-.330	.064	-.103	-.656	150	1493	-.296	.033	-.193	-.424	150	1919	-.196	.140	.127	-.887
150	1444	-.322	.071	-.078	-.623	150	1494	-.341	.065	-.194	-.721	150	1920	-.640	.097	-.334	-1.028
150	1445	-.345	.058	-.123	-.596	150	1495	-.397	.078	-.217	-.735	150	1921	-.485	.117	-.133	-1.252
150	1446	-.395	.076	-.197	-.822	150	1496	-.188	.051	-.019	-.358	150	1922	-.475	.094	-.232	-.933
150	1447	-.410	.087	-.165	-.874	150	1497	-.414	.068	-.194	-.700	150	1923	-.554	.112	-.237	-1.125
150	1448	-.420	.071	-.212	-.697	150	1498	-.530	.131	-.215	-1.368	150	1924	-.479	.119	-.111	-.981
150	1449	-.395	.058	-.124	-.680	150	1499	-.497	.089	-.262	-1.018	150	1925	-.119	.114	-.100	-.915
150	1450	-.415	.064	-.162	-.697	150	1500	-.510	.097	-.168	-1.025	150	1926	-.397	.080	-.110	-.823
150	1451	-.468	.056	-.300	-.711	150	1501	-.151	.058	.062	-.346	150	1927	-.986	.186	-.424	-1.911
150	1452	-.471	.057	-.305	-.726	150	1502	-.147	.058	.115	-.339	150	1928	-.380	.113	-.034	-.949
150	1453	-.342	.050	-.170	-.533	150	1503	-.308	.038	-.196	-.452	150	1929	-1.072	.232	-.445	-2.116
150	1454	-.365	.061	-.170	-.597	150	1504	-.307	.035	-.206	-.463	150	1930	-.451	.080	-.149	-.832
150	1455	-.365	.063	-.153	-.659	150	1505	-.301	.049	-.168	-.533	150	1931	-.447	.095	-.125	-.875
150	1456	-.330	.046	-.179	-.562	150	1506	-.329	.044	-.232	-.515	150	1932	-.416	.082	-.182	-.828
150	1457	-.337	.041	-.179	-.566	150	1507	-.274	.052	-.084	-.648	150	1933	-.380	.096	-.125	-1.100
150	1458	-.399	.066	-.089	-.745	150	1508	-.364	.054	-.156	-.651	150	1934	-.214	.075	.103	-.560
150	1459	-.406	.066	-.167	-.837	150	1509	-.411	.075	-.152	-.695	150	1935	-.063	.045	.169	-.233
150	1460	-.416	.069	-.203	-.652	150	1510	-.186	.049	-.069	-.332	150	2101	-.369	.103	-.160	-1.297
150	1461	-.424	.075	-.122	-.778	150	1511	-.466	.072	-.257	-.777	150	2102	-.307	.054	-.150	-.701
150	1462	-.417	.074	-.143	-.699	150	1512	-.460	.087	-.187	-.801	150	2103	-.324	.073	-.184	-.667
150	1463	-.471	.060	-.246	-.740	150	1513	-.206	.040	-.015	-.330	150	2104	-.338	.069	-.142	-.625
150	1464	-.465	.058	-.307	-.690	150	1514	-.371	.075	-.152	-.700	150	2105	-.337	.070	-.150	-.650
150	1465	-.301	.046	-.103	-.448	150	1515	-.112	.055	-.118	-.278	150	2106	-.321	.067	-.126	-.609
150	1466	-.284	.044	-.077	-.424	150	1516	-.292	.048	-.140	-.475	150	2107	-.291	.068	-.069	-.611
150	1467	-.277	.037	-.148	-.426	150	1801	-.260	.039	-.130	-.400	150	2201	-.303	.046	-.160	-.536
150	1468	-.328	.036	-.224	-.471	150	1802	-.032	.056	.224	-.199	150	2202	-.237	.038	-.118	-.404
150	1469	-.362	.047	-.234	-.535	150	1803	-.034	.045	.236	-.220	150	2203	-.256	.039	-.145	-.521
150	1470	-.430	.062	-.238	-.718	150	1804	-.262	.039	-.123	-.381	150	2204	-.269	.062	-.077	-.692
150	1471	-.441	.064	-.234	-.897	150	1905	.046	.070	.259	-.414	150	2205	-.283	.074	-.030	-.567
150	1472	-.411	.061	-.222	-.695	150	1806	-.139	.058	.382	-.010	150	2206	-.247	.061	-.023	-.631
150	1473	-.429	.074	-.120	-.740	150	1807	-.159	.044	-.000	-.311	150	2207	-.278	.050	-.131	-.531
150	1474	-.429	.076	-.132	-.821	150	1808	-.237	.033	-.135	-.378	150	2208	-.190	.059	.084	-.565
150	1475	-.475	.058	-.286	-.728	150	1901	-.508	.118	-.073	-.975	150	2209	-.152	.107	-.152	-.784
150	1476	-.481	.061	-.298	-.733	150	1902	-.330	.117	-.035	-.744	150	2210	-.285	.051	-.133	-.514
150	1477	-.315	.059	-.027	-.566	150	1903	-.395	.085	-.036	-.760	150	2211	-.216	.041	-.074	-.382
150	1478	-.254	.054	-.020	-.478	150	1904	-.334	.092	.056	-.688	150	2212	-.266	.046	-.143	-.558
150	1479	-.187	.051	-.010	-.436	150	1905	-.336	.095	.077	-.752	150	2213	-.103	.064	.177	-.372
150	1480	-.312	.054	-.067	-.521	150	1906	-.570	.099	-.306	-.947	150	2214	-.116	.095	.174	-.694
150	1481	-.350	.042	-.238	-.550	150	1907	-.362	.068	-.066	-.670	150	2215	-.273	.048	-.106	-.483
150	1482	-.398	.052	-.255	-.642	150	1908	-.089	.118	.282	-.516	150	2301	-.340	.037	-.216	-.483
150	1483	-.411	.055	-.248	-.716	150	1909	.079	.094	.453	-.301	150	2302	-.340	.041	-.208	-.529

WD	TAP	CPMEAN	CPRMS	CPMAX	CPMIN	WD	TAP	CPMEAN	CPRMS	CPMAX	CPMIN	WD	TAP	CPMEAN	CPRMS	CPMAX	CPMIN
1500	2303	-.379	.080	-.189	-.868	1500	3110	-.226	.038	-.098	-.397	1500	3306	-.000	.069	.311	-.249
1500	2304	-.226	.033	-.086	-.351	1500	3111	-.269	.038	-.139	-.437	1500	3307	.079	.084	.419	-.284
1500	2305	-.190	.049	.056	-.422	1500	3112	-.266	.041	-.129	-.463	1500	3308	.027	.042	.216	-.138
1500	2306	-.289	.060	.027	-.551	1500	3113	-.255	.040	-.105	-.466	1500	3309	.014	.075	.450	-.154
1500	2307	-.029	.149	.492	-.578	1500	3114	-.239	.041	-.107	-.461	1500	3310	.196	.094	.764	-.079
1500	2308	-.129	.040	.171	-.526	1500	3115	-.263	.068	-.129	-.649	1500	3311	.158	.083	.648	-.069
1500	2309	-.099	.067	.198	-.514	1500	3116	-.205	.059	-.132	-.555	1500	3312	.132	.091	.544	-.145
1500	2310	-.234	.046	-.034	-.471	1500	3117	-.234	.040	-.103	-.466	1500	3313	.120	.095	.563	-.178
1500	2311	.040	.129	.505	-.427	1500	3118	-.224	.036	-.093	-.379	1500	3314	.014	.074	.391	-.338
1500	2401	.048	.122	.669	-.309	1500	3119	-.121	.087	-.175	-.499	1500	3315	.157	.087	.665	-.249
1500	2402	-.085	.092	.294	-.385	1500	3120	-.236	.067	-.012	-.572	1500	3316	.134	.073	.481	-.041
1500	2403	-.151	.079	.117	-.480	1500	3121	-.220	.036	-.100	-.413	1500	3317	.213	.093	.637	-.008
1500	2404	.162	.086	.492	-.074	1500	3122	-.053	.063	-.419	-.124	1500	3318	.143	.081	.622	-.128
1500	2405	.210	.097	.571	-.047	1500	3123	-.103	.103	-.057	-.812	1500	3319	.043	.084	.434	-.151
1500	2406	.212	.104	.635	-.082	1500	3124	-.069	.066	.388	-.127	1500	3320	.193	.084	.627	-.015
1500	2901	-.347	.059	-.226	-.655	1500	3125	-.057	.086	.455	-.309	1500	3321	.156	.079	.580	-.093
1500	2902	-.321	.037	-.194	-.470	1500	3126	-.180	.060	.068	-.406	1500	3322	.149	.074	.530	-.039
1500	2903	-.326	.041	-.162	-.511	1500	3127	-.299	.073	-.091	-.865	1500	3323	.092	.080	.618	-.164
1500	2904	-.324	.034	-.228	-.470	1500	3128	-.287	.059	-.083	-.649	1500	3324	.045	.053	.365	-.206
1500	2905	-.340	.042	-.214	-.592	1500	3129	-.251	.041	-.083	-.427	1500	3325	.167	.077	.511	-.022
1500	2906	-.472	.061	-.233	-.648	1500	3130	-.220	.048	-.009	-.386	1500	3326	.134	.067	.474	-.046
1500	2907	-.420	.095	-.055	-.880	1500	3131	-.208	.04	-.067	-.577	1500	3327	.133	.063	.436	-.020
1500	2908	-.328	.040	-.223	-.516	1500	3132	-.212	.045	-.001	-.365	1500	3328	.139	.070	.504	-.022
1500	2909	-.284	.062	-.001	-.609	1500	3133	-.218	.035	-.074	-.367	1500	3329	.041	.096	.411	-.243
1500	2910	-.296	.055	-.179	-.560	1500	3134	-.123	.064	-.111	-.377	1500	3330	.189	.075	.521	-.003
1500	2911	-.312	.036	-.211	-.465	1500	3135	-.566	.138	-.192	-.364	1500	3331	.165	.072	.580	-.050
1500	2912	-.233	.063	-.062	-.509	1500	3136	-.263	.053	-.124	-.527	1500	3332	.145	.068	.448	-.161
1500	2913	-.308	.035	-.187	-.455	1500	3201	-.006	.053	.145	-.269	1500	3333	.105	.062	.396	-.114
1500	2914	-.340	.049	-.174	-.616	1500	3202	-.018	.053	.270	-.168	1500	3334	.184	.075	.516	-.004
1500	2915	-.303	.047	-.126	-.504	1500	3203	.037	.097	.599	-.277	1500	3335	.111	.056	.436	-.034
1500	2916	-.307	.063	-.121	-.809	1500	3204	.009	.132	.559	-.423	1500	3336	.089	.042	.287	-.025
1500	2917	-.139	.071	-.126	-.357	1500	3205	-.185	.124	.563	-.588	1500	3337	.079	.049	.317	-.060
1500	2918	-.255	.036	-.143	-.416	1500	3206	-.177	.128	.397	-.593	1500	3338	-.018	.064	.241	-.263
1500	2919	-.291	.065	-.101	-.687	1500	3207	.019	.055	.242	-.242	1500	3339	.162	.064	.469	.000
1500	2920	-.304	.066	-.035	-.619	1500	3208	.023	.094	.506	-.199	1500	3340	.161	.062	.477	.000
1500	2921	-.310	.064	-.089	-.631	1500	3209	.084	.065	.450	-.180	1500	3341	.123	.066	.589	-.038
1500	2922	-.352	.092	-.023	-.699	1500	3210	.043	.047	.191	-.254	1500	3342	.107	.050	.358	-.027
1500	2923	-.309	.070	-.082	-.582	1500	3211	.033	.061	.333	-.144	1500	3343	.126	.060	.437	-.050
1500	2924	-.291	.062	-.089	-.526	1500	3212	.046	.092	.448	-.209	1500	3344	.102	.046	.363	-.015
1500	2925	-.305	.162	-.160	-.314	1500	3213	-.003	.108	.470	-.329	1500	3345	.055	.039	.246	-.081
1500	2926	-.298	.087	-.065	-.755	1500	3214	.031	.045	.184	-.177	1500	3346	.058	.032	.196	-.040
1500	3101	-.124	.093	-.156	-.584	1500	3215	.079	.051	.264	-.034	1500	3347	.103	.046	.327	-.020
1500	3102	-.178	.084	-.123	-.684	1500	3216	.080	.078	.488	-.114	1500	3348	-.170	.054	.097	-.375
1500	3103	-.419	.098	-.178	-.944	1500	3217	.039	.080	.448	-.197	1500	3349	-.143	.055	.137	-.319
1500	3104	-.355	.083	-.120	-.810	1500	3218	-.134	.106	.332	-.360	1500	3401	-.236	.049	-.074	-.532
1500	3105	-.146	.059	.157	-.324	1500	3301	.112	.084	.471	-.114	1500	3402	-.245	.056	-.116	-.595
1500	3106	-.159	.061	.042	-.430	1500	3302	.081	.080	.396	-.175	1500	3403	-.208	.044	-.072	-.473
1500	3107	-.172	.067	-.046	-.430	1500	3303	.023	.072	.386	-.180	1500	3404	-.179	.068	-.023	-.550
1500	3108	-.234	.042	-.081	-.697	1500	3304	.080	.081	.485	-.157	1500	3405	-.414	.099	-.012	-.830
1500	3109	-.223	.041	-.098	-.461	1500	3305	.051	.091	.415	-.282	1500	3406	-.409	.113	-.045	-.922

WD	TAP	CPMEAN	CPRMS	CPMAX	CPMIN	WD	TAP	CPMEAN	CPRMS	CPMAX	CPMIN	WD	TAP	CPMEAN	CPRMS	CPMAX	CPMIN
150	3407	.155	.092	.675	-.098	150	3940	-.055	.077	.251	-.443	160	1149	-.319	.046	-.179	-.556
150	3408	-.392	.095	-.165	-.891	150	3941	-.159	.066	-.457	-.015	160	1150	-.340	.048	-.127	-.542
150	3409	-.170	.106	.609	-.124	160	1101	-.456	.064	-.283	-.853	160	1151	-.370	.128	-.075	-.883
150	3410	-.202	.020	-.137	-.251	160	1102	-.487	.085	-.208	-.905	160	1152	-.316	.045	-.160	-.549
150	3411	-.215	.073	.011	-.519	160	1103	-.427	.063	-.248	-.751	160	1153	-.249	.046	-.096	-.477
150	3412	-.332	.098	-.046	-.826	160	1104	-.489	.072	-.254	-.729	160	1154	-.290	.031	-.194	-.409
150	3413	-.165	.067	.477	-.015	160	1105	-.473	.086	-.191	-.815	160	1155	-.297	.023	-.222	-.370
150	3414	-.221	.039	-.091	-.405	160	1106	-.326	.039	-.198	-.475	160	1156	-.287	.032	-.166	-.384
150	3415	-.187	.037	-.055	-.314	160	1107	-.311	.036	-.139	-.449	160	1157	-.249	.039	-.061	-.370
150	3416	-.269	.068	.041	-.502	160	1108	-.332	.042	-.203	-.498	160	1158	-.224	.047	-.068	-.381
150	3417	-.074	.121	.340	-.438	160	1109	-.338	.046	-.194	-.550	160	1159	-.290	.031	-.189	-.409
150	3901	-.241	.064	.077	-.529	160	1110	-.315	.038	-.205	-.463	160	1160	-.290	.030	-.175	-.400
150	3902	-.565	.143	-.139	-1.186	160	1111	-.328	.037	-.208	-.501	160	1161	-.295	.035	-.175	-.435
150	3903	-.177	.041	-.034	-.329	160	1112	-.338	.041	-.203	-.506	160	1162	-.243	.037	-.115	-.386
150	3904	-.195	.044	.005	-.394	160	1113	-.334	.045	-.177	-.584	160	1201	-.040	.115	.439	-.515
150	3905	-.216	.050	.021	-.406	160	1114	-.319	.036	-.179	-.444	160	1202	-.011	.062	.272	-.529
150	3906	-.163	.084	.142	-.798	160	1115	-.326	.035	-.217	-.496	160	1203	-.184	.131	.084	-1.033
150	3907	-.189	.041	-.017	-.370	160	1116	-.337	.035	-.224	-.553	160	1204	-.346	.147	.157	-.945
150	3908	-.202	.048	.108	-.457	160	1117	-.337	.042	-.215	-.567	160	1205	-.347	.095	.012	-.637
150	3909	-.168	.058	.194	-.555	160	1118	-.341	.046	-.182	-.543	160	1206	-.353	.078	-.022	-.671
150	3910	-.157	.058	.084	-.341	160	1119	-.316	.035	-.182	-.456	160	1207	-.012	.202	.503	-.922
150	3911	-.165	.050	.014	-.418	160	1120	-.318	.034	-.177	-.446	160	1208	-.418	.058	-.222	-.625
150	3912	-.144	.050	.130	-.351	160	1121	-.329	.032	-.189	-.472	160	1209	-.281	.195	.337	-.918
150	3913	-.151	.060	.084	-.428	160	1122	-.340	.036	-.224	-.501	160	1210	-.152	.225	.307	-.756
150	3914	-.134	.070	.127	-.413	160	1123	-.341	.044	-.203	-.543	160	1211	-.069	.048	.098	-.209
150	3915	-.051	.099	.324	-.637	160	1124	-.343	.046	-.189	-.527	160	1212	-.126	.040	.024	-.289
150	3916	-.165	.095	.091	-.637	160	1125	-.358	.046	-.179	-.550	160	1213	-.162	.039	.065	-.303
150	3917	-.041	.069	.209	-.322	160	1126	-.363	.049	-.222	-.690	160	1214	-.221	.033	-.089	-.363
150	3918	-.271	.117	.053	-.848	160	1127	-.377	.048	-.212	-.617	160	1215	-.249	.032	-.100	-.388
150	3919	-.353	.115	.026	-.913	160	1128	-.366	.042	-.236	-.530	160	1216	-.253	.248	.507	-1.290
150	3920	-.355	.119	.113	-.973	160	1129	-.351	.040	-.172	-.508	160	1217	-.032	.225	.401	-.738
150	3921	-.297	.119	.144	-.795	160	1130	-.347	.042	-.215	-.487	160	1218	-.053	.049	.121	-.220
150	3922	-.023	.063	.396	-.231	160	1131	-.339	.053	-.101	-.582	160	1219	-.207	.040	.024	-.331
150	3923	.025	.052	.238	-.149	160	1132	-.329	.048	-.163	-.669	160	1220	-.282	.032	-.137	-.425
150	3924	-.171	.075	.490	-.012	160	1133	-.353	.042	-.113	-.513	160	1221	-.102	.196	.447	-.726
150	3925	-.365	.133	.247	-.860	160	1134	-.364	.042	-.177	-.520	160	1222	-.062	.179	.413	-.710
150	3926	-.149	.068	.514	-.027	160	1135	-.377	.047	-.236	-.613	160	1223	-.060	.051	.150	-.278
150	3927	-.040	.077	.173	-.601	160	1136	-.366	.046	-.229	-.565	160	1224	-.114	.051	.102	-.271
150	3928	-.015	.053	.230	-.226	160	1137	-.295	.056	-.075	-.587	160	1225	-.158	.049	.054	-.317
150	3929	-.005	.062	.182	-.324	160	1138	-.294	.054	-.110	-.764	160	1226	-.245	.037	-.100	-.425
150	3930	.152	.071	.478	-.022	160	1139	-.326	.045	-.110	-.501	160	1227	-.300	.034	-.179	-.427
150	3931	.150	.063	.429	-.009	160	1140	-.368	.052	-.158	-.620	160	1228	-.055	.199	.542	-.627
150	3932	-.150	.068	.521	-.029	160	1141	-.502	.095	-.286	-.968	160	1229	-.021	.214	.463	-.641
150	3933	-.213	.157	.347	-1.025	160	1142	-.510	.093	-.257	-.883	160	1230	-.029	.050	.150	-.209
150	3934	-.128	.098	.254	-.524	160	1143	-.302	.043	-.163	-.549	160	1231	-.048	.052	.259	-.105
150	3935	-.083	.097	.190	-.591	160	1144	-.309	.041	-.179	-.478	160	1232	-.011	.051	.213	-.181
150	3936	-.114	.056	.099	-.329	160	1145	-.312	.041	-.137	-.470	160	1233	-.033	.056	.194	-.220
150	3937	.024	.063	.300	-.210	160	1146	-.316	.044	-.125	-.546	160	1234	-.215	.033	-.057	-.326
150	3938	-.140	.071	.622	-.025	160	1147	-.400	.134	-.018	-.906	160	1235	-.212	.035	-.081	-.343
150	3939	-.194	.068	.059	-.418	160	1148	-.617	.190	-.141	-1.489	160	1236	-.047	.233	.648	-.809

WD	TAP	CPMEAN	CPRMS	CPMAX	CPMIN	WD	TAP	CPMEAN	CPRMS	CPMAX	CPMIN	WD	TAP	CPMEAN	CPRMS	CPMAX	CPMIN
160	1237	.037	.207	.581	-.669	160	1287	.129	.059	.439	-.018	160	1347	-.267	.157	-.422	-.742
160	1238	.021	.054	.249	-.285	160	1288	-.225	.047	-.057	-.405	160	1348	-.382	.098	-.031	-.800
160	1239	.069	.054	.279	-.128	160	1289	-.188	.037	-.073	-.320	160	1349	-.010	.105	-.473	-.282
160	1240	.007	.051	.240	-.169	160	1290	-.248	.033	-.133	-.380	160	1350	.222	.121	.744	-.046
160	1241	-.037	.055	.203	-.204	160	1301	-.098	.167	.567	-.686	160	1351	.324	.143	.798	-.057
160	1242	-.243	.035	-.098	-.360	160	1302	.370	.155	1.010	-.432	160	1352	.207	.193	.810	-.475
160	1243	-.281	.033	-.160	-.404	160	1303	-.164	.091	.187	-.619	160	1353	.011	.110	.548	-.417
160	1244	.041	.198	.622	-.807	160	1304	.365	.206	.940	-.514	160	1354	-.185	.060	.076	-.541
160	1245	.078	.201	.680	-.604	160	1305	-.174	.181	.555	-.712	160	1355	-.247	.129	.293	-.761
160	1246	.033	.057	.291	-.135	160	1306	-.206	.152	.406	-.749	160	1356	-.362	.122	.004	-.894
160	1247	.079	.048	.266	-.059	160	1307	-.019	.248	.774	-.872	160	1357	-.048	.061	.228	-.340
160	1248	-.012	.042	.202	-.094	160	1308	-.154	.244	.770	-.784	160	1358	.099	.080	.487	-.186
160	1249	-.057	.043	.151	-.188	160	1309	-.011	.094	.327	-.276	160	1359	.172	.104	.585	-.167
160	1250	-.246	.035	-.085	-.417	160	1310	-.060	.099	.383	-.220	160	1360	.233	.124	.665	-.202
160	1251	-.231	.033	-.077	-.349	160	1311	.224	.127	.714	-.181	160	1361	-.178	.060	.261	-.342
160	1252	.128	.135	.677	-.523	160	1312	.256	.126	.702	-.071	160	1362	-.088	.071	.212	-.305
160	1253	.153	.107	.534	-.385	160	1313	-.113	.161	.560	-.567	160	1363	-.075	.117	.632	-.254
160	1254	.062	.057	.329	-.096	160	1314	-.205	.204	.616	-.748	160	1364	-.139	.103	.223	-.595
160	1255	.089	.049	.266	-.052	160	1315	-.194	.136	.725	-.190	160	1365	-.048	.046	.109	-.218
160	1256	-.011	.039	.137	-.151	160	1316	-.360	.140	.898	-.064	160	1366	.086	.056	.328	-.078
160	1257	-.105	.038	-.077	-.225	160	1317	-.080	.177	.635	-.556	160	1367	.144	.067	.532	-.083
160	1258	-.241	.039	-.085	-.385	160	1318	-.128	.241	.802	-.740	160	1368	.163	.084	.609	-.158
160	1259	-.259	.041	-.045	-.415	160	1319	-.034	.100	.357	-.327	160	1369	-.214	.056	.096	-.486
160	1260	.140	.089	.504	-.290	160	1320	.400	.156	.989	-.029	160	1370	-.027	.084	.343	-.267
160	1261	.143	.071	.497	-.181	160	1321	.126	.168	.662	-.630	160	1371	-.232	.112	.024	-.657
160	1262	.078	.050	.266	-.121	160	1322	-.165	.166	.639	-.647	160	1372	-.131	.055	.316	-.031
160	1263	.093	.046	.271	-.027	160	1323	-.133	.223	.683	-.691	160	1373	-.110	.049	.217	-.221
160	1264	-.007	.039	.139	-.121	160	1324	-.270	.175	.653	-.737	160	1374	-.017	.048	.169	-.171
160	1265	-.151	.040	-.029	-.290	160	1325	-.075	.107	.310	-.433	160	1375	.084	.046	.327	-.063
160	1266	-.227	.038	-.091	-.343	160	1326	.028	.118	.485	-.363	160	1376	.128	.060	.392	-.120
160	1267	-.247	.037	-.031	-.422	160	1327	.294	.158	.812	-.137	160	1377	-.097	.048	.141	-.226
160	1268	.121	.087	.571	-.223	160	1328	.290	.147	.829	-.148	160	1378	.061	.044	.304	-.077
160	1269	.058	.046	.273	-.117	160	1329	-.187	.128	.595	-.602	160	1379	.027	.039	.208	-.102
160	1270	.324	.049	-.036	-.639	160	1330	-.298	.074	.153	-.578	160	1380	.085	.091	.482	-.270
160	1271	.321	.045	-.184	-.486	160	1331	-.165	.218	.629	-.718	160	1381	.031	.041	.236	-.082
160	1272	.138	.056	.366	-.105	160	1332	-.395	.080	-.109	-.723	160	1382	-.070	.047	.226	-.205
160	1273	.130	.056	.403	-.020	160	1333	.031	.102	.431	-.246	160	1383	-.085	.064	.224	-.276
160	1274	.095	.050	.299	-.038	160	1334	.285	.137	.798	-.134	160	1384	-.045	.048	.261	-.113
160	1275	-.018	.039	.153	-.135	160	1335	.423	.139	.894	-.027	160	1385	.070	.065	.337	-.198
160	1276	.191	.042	-.018	-.343	160	1336	.396	.135	.896	-.202	160	1401	-.391	.052	-.211	-.567
160	1277	.197	.045	.017	-.359	160	1337	.307	.110	.319	-.807	160	1402	-.358	.047	-.200	-.558
160	1278	.113	.053	.338	-.110	160	1338	-.340	.070	-.003	-.719	160	1403	-.364	.051	-.187	-.561
160	1279	.106	.049	.303	-.018	160	1339	-.288	.184	.534	-.754	160	1404	-.462	.079	-.253	-.771
160	1280	.076	.050	.266	-.064	160	1340	-.390	.089	.039	-.755	160	1405	-.491	.104	-.196	-.910
160	1281	-.154	.048	-.001	-.364	160	1341	.057	.112	.449	-.210	160	1406	-.510	.090	-.253	-.794
160	1282	-.221	.042	-.057	-.371	160	1342	.280	.132	.698	-.060	160	1407	-.391	.053	-.226	-.581
160	1283	-.256	.031	-.158	-.371	160	1343	.410	.146	.857	-.062	160	1408	-.709	.162	-.316	-.1328
160	1284	.086	.046	.255	-.119	160	1344	.396	.142	.964	-.078	160	1409	-.338	.044	-.196	-.497
160	1285	.120	.053	.384	-.027	160	1345	.341	.096	-.249	-.681	160	1410	-.339	.051	-.160	-.576
160	1286	.098	.049	.296	-.048	160	1346	-.377	.078	-.038	-.679	160	1411	-.300	.072	-.058	-.624

WD	TAP	CPMEAN	CPRMS	CPMAX	CPMIN	WD	TAP	CPMEAN	CPRMS	CPMAX	CPMIN	WD	TAP	CPMEAN	CPRMS	CPMAX	CPMIN
160	1412	-.333	.081	-.088	-.687	160	1462	-.357	.066	-.143	-.714	160	1512	-.246	.102	.078	-.623
160	1413	-.486	.102	-.244	-.993	160	1463	-.375	.085	-.047	-.618	160	1513	-.106	.052	.122	-.241
160	1414	-.511	.107	-.208	-1.024	160	1464	-.345	.084	-.077	-.614	160	1514	-.267	.070	-.050	-.535
160	1415	-.368	.083	-.097	-.724	160	1465	-.310	.034	-.208	-.469	160	1515	-.040	.056	.243	-.209
160	1416	-.419	.109	-.140	-1.013	160	1466	-.299	.034	-.165	-.445	160	1516	-.204	.054	.034	-.397
160	1417	-.481	.124	-.190	-1.092	160	1467	-.258	.037	-.069	-.400	160	1801	-.255	.042	-.077	-.409
160	1418	-.370	.093	-.106	-.753	160	1468	-.279	.039	-.148	-.448	160	1802	.009	.038	.208	-.124
160	1419	-.382	.072	-.167	-.665	160	1469	-.346	.054	-.184	-.589	160	1803	.048	.039	.227	-.079
160	1420	-.365	.076	-.119	-.665	160	1470	-.418	.077	-.244	-.860	160	1804	-.292	.036	-.187	-.451
160	1421	-.337	.050	-.183	-.572	160	1471	-.428	.087	-.218	-.940	160	1805	.054	.045	.239	-.131
160	1422	-.323	.062	-.122	-.588	160	1472	-.338	.066	-.153	-.654	160	1806	.120	.048	.348	-.017
160	1423	-.289	.079	-.031	-.604	160	1473	-.343	.070	-.119	-.729	160	1807	-.201	.043	-.066	-.357
160	1424	-.443	.089	-.192	-.848	160	1474	-.355	.075	-.153	-.824	160	1808	-.248	.031	-.138	-.357
160	1425	-.503	.118	-.196	-1.249	160	1475	-.358	.096	-.047	-.649	160	1901	-.428	.108	-.120	-.841
160	1426	-.273	.078	.105	-.631	160	1476	-.360	.085	-.064	-.673	160	1902	-.160	.068	.080	-.370
160	1427	-.360	.075	-.176	-.719	160	1477	-.337	.061	-.093	-.613	160	1903	-.256	.088	-.044	-.657
160	1428	-.437	.104	-.183	-1.115	160	1478	-.267	.059	-.071	-.534	160	1904	-.280	.083	.046	-.654
160	1429	-.363	.068	-.140	-.721	160	1479	-.193	.062	-.010	-.443	160	1905	-.263	.100	.135	-.647
160	1430	-.354	.083	-.036	-.633	160	1480	-.254	.044	-.064	-.450	160	1906	-.554	.116	-.249	-1.059
160	1431	-.332	.054	-.169	-.604	160	1481	-.284	.042	-.114	-.453	160	1907	-.328	.069	-.104	-.646
160	1432	-.328	.062	-.138	-.615	160	1482	-.406	.080	-.213	-.865	160	1908	-.197	.097	.199	-.618
160	1433	-.289	.085	-.015	-.699	160	1483	-.418	.090	-.222	-.983	160	1909	-.038	.130	.387	-.565
160	1434	-.302	.070	-.065	-.613	160	1484	-.288	.065	-.083	-.642	160	1910	-.494	.110	-.167	-1.075
160	1435	-.337	.077	.016	-.694	160	1485	-.420	.100	-.196	-1.021	160	1911	-.357	.056	-.189	-.549
160	1436	-.484	.107	-.219	-.871	160	1486	-.427	.100	-.194	-.952	160	1912	-.321	.045	-.168	-.515
160	1437	-.380	.069	-.162	-.685	160	1487	-.266	.081	-.004	-.609	160	1913	-.369	.064	-.147	-.654
160	1438	-.387	.067	-.196	-.674	160	1488	-.233	.073	.039	-.534	160	1914	-.296	.098	.160	-.710
160	1439	-.362	.075	-.122	-.656	160	1489	-.195	.067	.171	-.367	160	1915	-.468	.068	-.272	-.744
160	1440	-.352	.085	-.042	-.647	160	1490	-.103	.084	.329	-.306	160	1916	-.339	.079	-.035	-.669
160	1441	-.316	.048	-.169	-.538	160	1491	-.148	.054	.104	-.326	160	1917	-.271	.077	.091	-.517
160	1442	-.310	.058	-.056	-.536	160	1492	-.237	.036	-.110	-.390	160	1918	-.491	.095	-.189	-.919
160	1443	-.278	.075	-.015	-.633	160	1493	-.227	.029	-.134	-.352	160	1919	-.368	.132	.098	-.795
160	1444	-.267	.067	-.070	-.599	160	1494	-.388	.092	-.181	-.791	160	1920	-.502	.098	-.157	-.951
160	1445	-.315	.060	-.122	-.631	160	1495	-.447	.076	-.227	-.763	160	1921	-.421	.127	-.058	-1.068
160	1446	-.441	.098	-.196	-.880	160	1496	-.097	.058	.155	-.272	160	1922	-.377	.091	-.079	-.678
160	1447	-.469	.108	-.160	-.911	160	1497	-.295	.071	-.034	-.591	160	1923	-.360	.096	-.139	-.861
160	1448	-.328	.063	-.122	-.642	160	1498	-.416	.116	-.090	-1.206	160	1924	-.434	.095	-.144	-.869
160	1449	-.359	.067	-.191	-.755	160	1499	-.323	.099	.031	-.817	160	1925	-.173	.130	.116	-.696
160	1450	-.350	.063	-.141	-.702	160	1500	-.330	.123	-.025	-1.231	160	1926	-.353	.067	-.159	-.786
160	1451	-.358	.076	-.119	-.606	160	1501	-.156	.055	.085	-.351	160	1927	-.621	.160	-.265	-1.240
160	1452	-.371	.077	.015	-.654	160	1502	-.155	.060	-.092	-.334	160	1928	-.257	.081	-.057	-.588
160	1453	-.314	.039	-.196	-.520	160	1503	-.233	.040	-.104	-.411	160	1929	-.871	.265	-.270	-2.065
160	1454	-.298	.044	-.170	-.508	160	1504	-.245	.029	-.143	-.358	160	1930	-.371	.064	-.175	-.685
160	1455	-.263	.045	-.124	-.481	160	1505	-.350	.078	-.122	-.621	160	1931	-.333	.070	-.130	-.685
160	1456	-.273	.040	-.131	-.465	160	1506	-.353	.065	-.192	-.735	160	1932	-.378	.063	-.142	-.677
160	1457	-.328	.051	-.150	-.563	160	1507	-.189	.059	-.048	-.616	160	1933	-.276	.060	-.113	-.618
160	1458	-.378	.078	-.153	-.820	160	1508	-.256	.056	-.050	-.528	160	1934	-.260	.077	-.051	-.599
160	1459	-.392	.080	-.177	-.834	160	1509	-.235	.097	.131	-.579	160	1935	-.097	.039	-.062	-.231
160	1460	-.322	.063	-.110	-.628	160	1510	-.098	.056	-.201	-.246	160	2101	-.350	.095	-.152	-1.033
160	1461	-.339	.062	-.117	-.640	160	1511	-.325	.070	-.043	-.621	160	2102	-.368	.063	-.164	-.688

WD	TAP	CPMEAN	CPRMS	CPMAX	CPMIN	WD	TAP	CPMEAN	CPRMS	CPMAX	CPMIN	WD	TAP	CPMEAN	CPRMS	CPMAX	CPMIN
160	2103	-.352	.061	-.186	-.654	160	2914	-.256	.056	-.086	-.540	160	3202	.039	.070	.420	-.292
160	2104	-.343	.057	-.115	-.564	160	2915	-.244	.047	-.096	-.463	160	3203	.086	.139	.652	-.275
160	2105	-.342	.067	-.091	-.601	160	2916	-.311	.065	-.033	-.591	160	3204	.052	.168	.690	-.485
160	2106	-.334	.060	-.137	-.586	160	2917	-.159	.066	-.169	-.344	160	3205	-.096	.172	.732	-.537
160	2107	-.259	.069	-.054	-.502	160	2918	-.359	.043	-.111	-.472	160	3206	-.104	.166	.571	-.490
160	2201	-.238	.044	-.103	-.451	160	2919	-.383	.076	-.035	-.742	160	3207	.039	.049	.239	-.121
160	2202	-.231	.039	-.108	-.395	160	2920	-.262	.057	-.035	-.480	160	3208	.039	.099	.456	-.390
160	2203	-.259	.048	-.120	-.499	160	2921	-.305	.082	.018	-.776	160	3209	.123	.074	.489	-.132
160	2204	-.262	.071	-.074	-.684	160	2922	-.304	.106	.144	-.815	160	3210	.046	.047	.246	-.190
160	2205	-.262	.081	-.147	-.652	160	2923	-.251	.084	.122	-.582	160	3211	.057	.062	.335	-.130
160	2206	-.221	.051	-.045	-.451	160	2924	-.263	.063	-.026	-.494	160	3212	.049	.094	.458	-.273
160	2207	-.277	.064	-.113	-.902	160	2925	-.291	.139	-.233	-.970	160	3213	-.012	.102	.404	-.311
160	2208	-.188	.081	.108	-.642	160	2926	-.299	.077	-.069	-.839	160	3214	.047	.044	.189	-.166
160	2209	-.154	.099	-.190	-.667	160	3101	-.152	.111	-.200	-.762	160	3215	.102	.064	.360	-.026
160	2210	-.269	.043	-.077	-.426	160	3102	-.375	.088	-.141	-.964	160	3216	.128	.107	.594	-.071
160	2211	-.208	.041	-.028	-.353	160	3103	-.459	.102	-.181	-.959	160	3217	.080	.099	.531	-.176
160	2212	-.272	.044	-.099	-.468	160	3104	-.371	.086	-.138	-.802	160	3218	-.116	.130	.503	-.399
160	2213	-.128	.062	-.149	-.356	160	3105	-.164	.049	.142	-.428	160	3301	.065	.082	.458	-.167
160	2214	-.124	.091	-.220	-.798	160	3106	-.225	.063	.015	-.466	160	3302	.057	.079	.412	-.160
160	2215	-.254	.042	-.061	-.399	160	3107	-.202	.081	-.065	-.502	160	3303	-.026	.066	.341	-.235
160	2301	-.285	.039	-.170	-.448	160	3108	-.245	.045	-.140	-.735	160	3304	.047	.086	.414	-.214
160	2302	-.273	.043	-.128	-.493	160	3109	-.228	.040	-.056	-.409	160	3305	.047	.089	.426	-.258
160	2303	-.276	.072	-.098	-.677	160	3110	-.229	.038	-.118	-.378	160	3306	-.013	.074	.362	-.225
160	2304	-.144	.044	-.084	-.276	160	3111	-.293	.051	-.151	-.523	160	3307	.082	.083	.471	-.350
160	2305	-.186	.078	.087	-.746	160	3112	-.303	.054	-.144	-.683	160	3308	.043	.052	.325	-.129
160	2306	-.274	.078	.107	-.872	160	3113	-.276	.046	-.109	-.535	160	3309	-.011	.075	.409	-.298
160	2307	-.058	.140	.442	-.507	160	3114	-.250	.043	-.128	-.452	160	3310	.155	.085	.643	-.040
160	2308	-.056	.049	.287	-.172	160	3115	-.408	.081	-.161	-.812	160	3311	.123	.080	.622	-.059
160	2309	-.117	.069	.247	-.382	160	3116	-.323	.062	-.130	-.678	160	3312	.130	.093	.615	-.228
160	2310	-.232	.047	-.039	-.409	160	3117	-.249	.043	-.104	-.452	160	3313	.136	.089	.597	-.094
160	2311	-.086	.138	.343	-.719	160	3118	-.236	.036	-.111	-.461	160	3314	.068	.083	.671	-.251
160	2401	-.128	.129	.627	-.253	160	3119	-.106	.103	.245	-.551	160	3315	.149	.083	.568	-.139
160	2402	-.034	.104	.361	-.552	160	3120	-.265	.075	-.002	-.885	160	3316	.140	.077	.559	-.043
160	2403	-.083	.080	.218	-.384	160	3121	-.238	.039	-.106	-.402	160	3317	.180	.084	.529	-.015
160	2404	.178	.078	.499	-.054	160	3122	-.083	.068	-.404	-.092	160	3318	.149	.087	.667	-.132
160	2405	.209	.085	.543	-.044	160	3123	-.399	.092	-.130	-.747	160	3319	-.003	.076	.534	-.218
160	2406	-.213	.097	-.656	-.026	160	3124	-.101	.079	.618	-.090	160	3320	.167	.077	.515	-.031
160	2901	-.379	.072	-.205	-.749	160	3125	-.032	.102	.428	-.371	160	3321	.147	.083	.629	-.080
160	2902	-.270	.038	-.042	-.390	160	3126	-.179	.076	.089	-.685	160	3322	.174	.083	.585	-.022
160	2903	-.260	.036	-.149	-.404	160	3127	-.363	.118	-.113	-1.300	160	3323	.129	.085	.615	-.111
160	2904	-.252	.034	-.159	-.400	160	3128	-.322	.068	-.118	-.709	160	3324	.075	.067	.472	-.150
160	2905	-.274	.038	-.179	-.424	160	3129	-.270	.049	-.073	-.580	160	3325	.150	.071	.662	-.017
160	2906	-.347	.065	-.183	-.798	160	3130	-.265	.052	-.094	-.456	160	3326	.124	.066	.559	-.038
160	2907	-.294	.211	-.484	-.880	160	3131	-.339	.045	-.050	-.448	160	3327	.132	.073	.666	-.036
160	2908	-.260	.033	-.157	-.421	160	3132	-.207	.050	-.018	-.409	160	3328	.149	.076	.545	-.033
160	2909	-.218	.101	-.217	-.591	160	3133	-.240	.042	-.118	-.411	160	3329	-.003	.095	.497	-.364
160	2910	-.329	.053	-.169	-.540	160	3134	-.146	.054	-.039	-.423	160	3330	.138	.059	.383	-.019
160	2911	-.256	.029	-.147	-.375	160	3135	-.475	.120	-.210	-1.023	160	3331	.139	.064	.482	-.050
160	2912	-.223	.086	-.069	-.523	160	3136	-.326	.070	-.127	-.697	160	3332	.134	.072	.561	-.045
160	2913	-.239	.036	-.125	-.378	160	3201	.008	.055	.163	-.271	160	3333	.119	.071	.494	-.204



WD	TAP	CPMEAN	CPRMS	CPMAX	CPMIN	WD	TAP	CPMEAN	CPRMS	CPMAX	CPMIN	WD	TAP	CPMEAN	CPRMS	CPMAX	CPMIN
160	3334	.153	.067	.426	-.031	160	3918	-.342	.099	-.043	-.854	170	1127	-.284	.026	-.185	-.388
160	3335	.119	.058	.355	-.005	160	3919	-.408	.110	.016	-.926	170	1128	-.285	.025	-.199	-.399
160	3336	.109	.052	.430	-.016	160	3920	-.400	.122	.092	-.954	170	1129	-.285	.027	-.211	-.409
160	3337	.086	.053	.420	-.046	160	3921	-.340	.129	.209	-.835	170	1130	-.287	.027	-.213	-.411
160	3338	-.064	.068	.195	-.343	160	3922	.037	.066	.309	-.264	170	1131	-.284	.027	-.176	-.441
160	3339	.138	.065	.453	-.011	160	3923	.049	.048	.247	-.119	170	1132	-.288	.027	-.211	-.443
160	3340	.140	.056	.385	-.006	160	3924	.156	.077	.706	-.010	170	1133	-.289	.026	-.202	-.450
160	3341	.114	.053	.375	-.026	160	3925	-.406	.142	.109	-.978	170	1134	-.294	.025	-.216	-.383
160	3342	.119	.056	.365	-.024	160	3926	-.150	.077	.518	-.110	170	1135	-.292	.029	-.206	-.441
160	3343	.123	.058	.398	-.034	160	3927	-.316	.173	.106	-1.143	170	1136	-.291	.028	-.197	-.397
160	3344	.114	.055	.443	-.014	160	3928	.039	.056	.254	-.245	170	1137	-.285	.033	-.120	-.416
160	3345	.074	.049	.305	-.134	160	3929	.032	.058	.204	-.231	170	1138	-.289	.036	-.104	-.420
160	3346	.082	.041	.312	-.026	160	3930	.141	.069	.514	-.024	170	1139	-.296	.034	-.171	-.430
160	3347	.096	.047	.408	-.024	160	3931	.130	.063	.449	-.033	170	1140	-.306	.042	-.146	-.476
160	3348	-.182	.055	.079	-.463	160	3932	.135	.067	.533	-.057	170	1141	-.327	.057	-.155	-.588
160	3349	-.147	.058	.189	-.328	160	3933	-.211	.134	.168	-.903	170	1142	-.328	.056	-.144	-.685
160	3401	-.244	.045	-.102	-.480	160	3934	-.270	.114	.088	-.863	170	1143	-.298	.041	-.171	-.506
160	3402	-.258	.051	-.102	-.556	160	3935	-.323	.173	.164	-1.113	170	1144	-.296	.043	-.188	-.481
160	3403	-.220	.037	-.088	-.414	160	3936	-.148	.053	.041	-.318	170	1145	-.298	.039	-.148	-.453
160	3404	-.227	.066	-.049	-.639	160	3937	-.028	.058	.182	-.305	170	1146	-.292	.047	-.102	-.541
160	3405	-.447	.081	-.247	-.797	160	3938	-.113	.065	.418	-.079	170	1147	-.337	.084	-.099	-.734
160	3406	-.450	.107	-.144	-.945	160	3939	-.222	.066	-.009	-.493	170	1148	-.374	.106	-.071	-.864
160	3407	-.128	.093	-.553	-.187	160	3940	-.104	.077	.210	-.423	170	1149	-.306	.049	-.113	-.532
160	3408	-.420	.099	-.221	-.936	160	3941	.125	.064	.488	-.077	170	1150	-.323	.056	-.095	-.678
160	3409	-.115	.103	-.654	-.237	170	1101	-.296	.055	-.126	-.604	170	1151	-.330	.087	-.057	-.669
160	3410	-.225	.018	-.177	-.284	170	1102	-.343	.066	-.212	-.715	170	1152	-.318	.049	-.204	-.592
160	3411	-.271	.066	-.074	-.533	170	1103	-.283	.051	-.130	-.553	170	1153	-.271	.062	-.019	-.491
160	3412	-.374	.085	-.167	-.883	170	1104	-.347	.059	-.213	-.618	170	1154	-.262	.032	-.147	-.370
160	3413	.131	.065	-.438	-.074	170	1105	-.357	.066	-.205	-.732	170	1155	-.272	.025	-.193	-.370
160	3414	-.241	.045	-.044	-.451	170	1106	-.280	.029	-.186	-.395	170	1156	-.264	.031	-.143	-.384
160	3415	-.212	.038	-.079	-.395	170	1107	-.273	.028	-.165	-.369	170	1157	-.234	.039	-.101	-.379
160	3416	-.312	.062	-.072	-.624	170	1108	-.280	.028	-.198	-.393	170	1158	-.236	.042	-.076	-.361
160	3417	-.148	.128	-.287	-.523	170	1109	-.281	.032	-.172	-.428	170	1159	-.265	.039	-.131	-.473
160	3901	-.233	.064	-.082	-.501	170	1110	-.281	.027	-.186	-.383	170	1160	-.272	.035	-.140	-.418
160	3902	-.470	.117	-.184	-1.059	170	1111	-.277	.026	-.200	-.404	170	1161	-.263	.035	-.117	-.441
160	3903	-.204	.042	-.060	-.414	170	1112	-.282	.030	-.195	-.421	170	1162	-.239	.045	-.097	-.425
160	3904	-.212	.048	-.041	-.424	170	1113	-.278	.029	-.182	-.400	170	1201	-.089	.155	.342	-.828
160	3905	-.282	.051	-.110	-.526	170	1114	-.280	.029	-.195	-.395	170	1202	-.085	.099	.257	-.497
160	3906	-.226	.165	-.211	-1.123	170	1115	-.284	.029	-.193	-.400	170	1203	-.085	.047	.086	-.596
160	3907	-.222	.043	-.048	-.393	170	1116	-.282	.026	-.198	-.400	170	1204	-.149	.082	.022	-.612
160	3908	-.231	.062	-.021	-.493	170	1117	-.284	.030	-.193	-.414	170	1205	-.211	.066	-.056	-.515
160	3909	-.200	.060	-.022	-.533	170	1118	-.279	.030	-.184	-.446	170	1206	-.236	.060	-.074	-.467
160	3910	-.268	.064	-.041	-.658	170	1119	-.277	.026	-.205	-.383	170	1207	-.019	.149	-.518	-.573
160	3911	-.202	.052	-.053	-.488	170	1120	-.277	.027	-.188	-.379	170	1208	-.256	.055	-.132	-.481
160	3912	-.197	.058	.059	-.488	170	1121	-.277	.024	-.198	-.376	170	1209	-.366	.093	-.047	-.727
160	3913	-.194	.070	.038	-.469	170	1122	-.281	.025	-.193	-.381	170	1210	-.371	.103	.155	-.745
160	3914	-.143	.077	.142	-.417	170	1123	-.276	.027	-.195	-.395	170	1211	-.066	.058	.116	-.433
160	3915	-.108	.123	.261	-.714	170	1124	-.282	.030	-.191	-.402	170	1212	-.089	.033	.061	-.309
160	3916	-.240	.087	.088	-.676	170	1125	-.284	.027	-.195	-.383	170	1213	-.138	.029	-.017	-.277
160	3917	-.060	.071	.185	-.400	170	1126	-.284	.028	-.191	-.411	170	1214	-.199	.026	-.093	-.295

WD	TAP	CPMEAN	CPRMS	CPMAX	CPMIN	WD	TAP	CPMEAN	CPRMS	CPMAX	CPMIN	WD	TAP	CPMEAN	CPRMS	CPMAX	CPMIN
170	1215	-.221	.025	-.132	-.345	170	1265	-.175	.036	-.056	-.326	170	1325	.114	.130	.673	-.207
170	1216	-.381	.108	.109	-1.076	170	1266	-.218	.038	-.027	-.383	170	1326	.190	.129	.687	-.186
170	1217	-.343	.129	.199	-.736	170	1267	-.238	.036	-.026	-.406	170	1327	.313	.140	.796	-.074
170	1218	-.055	.040	.109	-.339	170	1268	.039	.099	.349	-.591	170	1328	.229	.134	.696	-.169
170	1219	-.198	.028	-.093	-.309	170	1269	.022	.043	.172	-.151	170	1329	-.073	.149	.612	-.433
170	1220	-.252	.025	-.144	-.371	170	1270	-.320	.076	.031	-.662	170	1330	-.261	.073	.020	-.515
170	1221	-.350	.122	.199	-.800	170	1271	-.294	.054	.064	-.607	170	1331	-.246	.205	.888	-.351
170	1222	-.308	.137	.149	-.915	170	1272	.091	.062	.347	-.390	170	1332	-.148	.143	.409	-.608
170	1223	-.064	.058	.114	-.433	170	1273	.079	.047	.280	-.118	170	1333	.232	.121	.715	-.074
170	1224	-.099	.042	.034	-.304	170	1274	.064	.047	.296	-.086	170	1334	.408	.141	.878	.008
170	1225	-.147	.042	.008	-.375	170	1275	-.044	.043	.167	-.171	170	1335	.444	.145	.901	.048
170	1226	-.224	.029	-.125	-.373	170	1276	-.198	.043	-.008	-.360	170	1336	.352	.129	.824	-.048
170	1227	-.262	.024	-.175	-.352	170	1277	-.180	.058	.080	-.353	170	1337	-.144	.134	.621	-.610
170	1228	-.282	.124	.273	-.773	170	1278	.061	.054	.273	-.171	170	1338	-.272	.080	.218	-.578
170	1229	-.317	.119	.170	-.934	170	1279	.058	.040	.241	-.042	170	1339	-.146	.199	.796	-.559
170	1230	-.081	.094	.197	-.630	170	1280	.037	.044	.292	-.088	170	1340	-.145	.140	.463	-.589
170	1231	.003	.047	.190	-.318	170	1281	-.099	.103	.130	-.386	170	1341	.268	.136	.734	-.120
170	1232	-.048	.036	.091	-.180	170	1282	-.216	.044	-.022	-.374	170	1342	.379	.131	.943	-.050
170	1233	-.074	.042	.084	-.233	170	1283	-.234	.033	-.093	-.360	170	1343	.445	.154	.964	.029
170	1234	-.212	.026	-.123	-.302	170	1284	.043	.062	.236	-.220	170	1344	.331	.116	.691	-.025
170	1235	-.138	.120	.018	-.345	170	1285	.077	.045	.255	-.045	170	1345	-.121	.161	.701	-.533
170	1236	-.284	.151	.360	-1.239	170	1286	.064	.043	.225	-.049	170	1346	-.255	.088	.136	-.664
170	1237	-.244	.173	.387	-.968	170	1287	.067	.044	.262	-.040	170	1347	.107	.197	.834	-.557
170	1238	-.049	.120	.192	-.674	170	1288	-.226	.046	-.070	-.393	170	1348	-.133	.126	.376	-.559
170	1239	.024	.052	.190	-.362	170	1289	-.193	.037	-.054	-.333	170	1349	.206	.126	.652	-.158
170	1240	-.034	.037	.114	-.194	170	1290	-.229	.034	-.029	-.335	170	1350	.349	.131	.780	-.029
170	1241	-.082	.038	.091	-.235	170	1301	-.105	.210	.720	-.732	170	1351	.367	.146	.897	-.018
170	1242	-.231	.026	-.123	-.345	170	1302	-.047	.215	.720	-.598	170	1352	.306	.122	.803	-.039
170	1243	-.250	.025	-.141	-.341	170	1303	-.257	.101	.381	-.756	170	1353	-.036	.144	.521	-.564
170	1244	-.229	.190	.440	-1.161	170	1304	-.110	.179	.632	-.623	170	1354	-.149	.083	.232	-.524
170	1245	-.243	.211	.413	-1.239	170	1305	.002	.189	.730	-.563	170	1355	.036	.147	.591	-.545
170	1246	-.022	.095	.282	-.649	170	1306	-.094	.155	.665	-.546	170	1356	-.075	.120	.346	-.624
170	1247	-.038	.048	.206	-.388	170	1307	.255	.169	.744	-.326	170	1357	.044	.086	.409	-.188
170	1248	-.038	.034	.128	-.146	170	1308	.226	.224	.895	-.516	170	1358	.100	.095	.526	-.200
170	1249	-.092	.037	.087	-.208	170	1309	.147	.103	.497	-.156	170	1359	.112	.101	.642	-.228
170	1250	-.232	.026	-.139	-.330	170	1310	.202	.111	.644	-.114	170	1360	.125	.129	.605	-.302
170	1251	-.254	.025	-.139	-.358	170	1311	.257	.119	.637	-.082	170	1361	.017	.118	.610	-.323
170	1252	-.070	.195	.462	-.826	170	1312	.243	.112	.669	-.086	170	1362	.003	.078	.379	-.251
170	1253	-.041	.187	.349	-1.026	170	1313	-.097	.138	.569	-.446	170	1363	.054	.096	.512	-.242
170	1254	.018	.054	.317	-.294	170	1314	.205	.213	.839	-.525	170	1364	-.016	.081	.351	-.340
170	1255	.046	.040	.229	-.137	170	1315	.337	.135	.867	-.072	170	1365	.052	.051	.239	-.097
170	1256	-.046	.035	.096	-.171	170	1316	.397	.142	.888	-.056	170	1366	.102	.048	.344	-.034
170	1257	-.137	.034	.080	-.268	170	1317	-.030	.174	.792	-.458	170	1367	.125	.050	.358	-.043
170	1258	-.243	.030	-.093	-.370	170	1318	.273	.212	1.039	-.400	170	1368	.126	.051	.374	-.041
170	1259	-.260	.030	-.105	-.376	170	1319	.157	.112	.548	-.165	170	1369	-.018	.108	.564	-.289
170	1260	.034	.123	.455	-1.040	170	1320	.315	.132	.788	-.072	170	1370	.040	.090	.436	-.208
170	1261	.053	.101	.342	-.609	170	1321	-.086	.177	.609	-.551	170	1371	-.008	.062	.143	-.284
170	1262	.045	.046	.236	-.158	170	1322	-.177	.145	.613	-.584	170	1372	.066	.044	.308	-.057
170	1263	.056	.041	.259	-.065	170	1323	.152	.192	.720	-.477	170	1373	.039	.065	.326	-.121
170	1264	-.044	.040	.181	-.208	170	1324	.123	.223	.911	-.489	170	1374	.035	.054	.321	-.144

WD	TAP	CPMEAN	CPRMS	CPMAX	CPMIN	WD	TAP	CPMEAN	CPRMS	CPMAX	CPMIN	WD	TAP	CPMEAN	CPRMS	CPMAX	CPMIN
170	1375	.068	.037	.225	-.045	170	1440	-.117	.097	.211	-.467	170	1490	-.153	.049	.117	-.288
170	1376	.077	.043	.253	-.073	170	1441	-.245	.030	-.143	-.390	170	1491	-.138	.036	.004	-.276
170	1377	.051	.074	.468	-.135	170	1442	-.222	.033	-.116	-.369	170	1492	-.125	.036	.047	-.269
170	1378	.080	.047	.289	-.045	170	1443	-.171	.034	-.053	-.358	170	1493	-.131	.037	.007	-.274
170	1379	.073	.036	.227	-.038	170	1444	-.183	.041	-.008	-.372	170	1494	-.289	.069	-.068	-.774
170	1380	.073	.049	.272	-.095	170	1445	-.253	.050	-.080	-.446	170	1495	-.335	.099	-.130	-.900
170	1381	-.005	.041	.151	-.124	170	1446	-.463	.105	-.168	-.968	170	1496	-.031	.066	.314	-.302
170	1382	.050	.070	.418	-.142	170	1447	-.521	.122	-.236	-1.034	170	1497	-.137	.071	.100	-.449
170	1383	.096	.093	.429	-.142	170	1448	-.274	.063	-.051	-.525	170	1498	-.224	.114	.104	-.916
170	1384	.114	.067	.427	-.029	170	1449	-.249	.054	-.077	-.475	170	1499	-.066	.082	.221	-.500
170	1385	.113	.061	.413	-.091	170	1450	-.254	.053	-.106	-.470	170	1500	-.107	.133	.309	-.783
170	1401	-.274	.039	-.155	-.436	170	1451	-.121	.099	.332	.415	170	1501	-.165	.043	.016	-.363
170	1402	-.251	.038	-.116	-.441	170	1452	-.093	.104	.265	.453	170	1502	-.168	.043	-.000	-.333
170	1403	-.231	.045	-.096	-.410	170	1453	-.246	.026	-.142	-.403	170	1503	-.126	.037	.002	-.254
170	1404	-.289	.045	-.155	-.482	170	1454	-.222	.029	-.108	-.379	170	1504	-.147	.039	.014	-.286
170	1405	-.336	.079	-.101	-.735	170	1455	-.180	.038	-.013	-.358	170	1505	-.280	.066	-.095	-.549
170	1406	-.365	.088	-.150	-.756	170	1456	-.192	.042	-.001	-.362	170	1506	-.282	.069	-.047	-.653
170	1407	-.351	.039	-.146	-.421	170	1457	-.272	.054	-.099	-.556	170	1507	-.076	.069	.151	-.409
170	1408	-.395	.115	-.134	-1.004	170	1458	-.430	.100	-.195	-.860	170	1508	-.115	.066	.097	-.449
170	1409	-.263	.034	-.152	-.376	170	1459	-.494	.132	-.154	-1.088	170	1509	-.023	.070	.195	-.300
170	1410	-.258	.046	-.128	-.448	170	1460	-.273	.064	-.029	-.542	170	1510	-.005	.061	.260	-.202
170	1411	-.188	.048	-.062	-.424	170	1461	-.258	.055	-.077	-.504	170	1511	-.100	.073	.172	-.544
170	1412	-.241	.062	-.069	-.627	170	1462	-.281	.068	-.077	-.597	170	1512	-.018	.072	.195	-.384
170	1413	-.472	.110	-.161	-.948	170	1463	-.118	.120	.303	-.542	170	1513	.030	.063	.309	-.128
170	1414	-.533	.128	-.184	-1.097	170	1464	-.092	.124	.338	-.473	170	1514	-.077	.084	.216	-.428
170	1415	-.264	.059	-.017	-.722	170	1465	-.247	.027	-.156	-.355	170	1515	-.002	.083	.286	-.328
170	1416	-.293	.080	-.105	-.848	170	1466	-.222	.029	-.068	-.334	170	1516	-.078	.075	.283	-.446
170	1417	-.305	.087	-.105	-.729	170	1467	-.160	.039	-.027	-.307	170	1801	-.236	.042	-.106	-.390
170	1418	-.183	.076	-.103	-.756	170	1468	-.176	.045	-.001	-.384	170	1802	.062	.035	.206	-.046
170	1419	-.219	.070	.087	-.482	170	1469	-.253	.058	-.075	-.499	170	1803	.055	.032	.179	-.044
170	1420	-.224	.091	.067	-.586	170	1470	-.454	.106	-.142	-.911	170	1804	-.273	.039	-.147	-.505
170	1421	-.257	.030	-.168	-.392	170	1471	-.504	.122	-.180	-.990	170	1805	.050	.038	.225	-.117
170	1422	-.227	.039	-.114	-.453	170	1472	-.261	.073	-.160	-.551	170	1806	.063	.041	.213	-.047
170	1423	-.199	.049	-.028	-.442	170	1473	-.270	.078	-.013	-.671	170	1807	-.195	.047	-.040	-.340
170	1424	-.426	.095	-.159	-.819	170	1474	-.261	.071	-.044	-.657	170	1808	-.228	.038	-.023	-.405
170	1425	-.519	.135	-.195	-1.176	170	1475	-.112	.119	.282	-.520	170	1901	-.372	.076	-.114	-.731
170	1426	-.218	.068	-.187	-.453	170	1476	-.101	.117	.332	-.458	170	1902	-.172	.045	.014	-.396
170	1427	-.270	.057	-.089	-.537	170	1477	-.256	.038	-.120	-.420	170	1903	-.149	.037	.014	-.323
170	1428	-.333	.102	-.114	-.912	170	1478	-.226	.042	-.039	-.420	170	1904	-.104	.046	.044	-.336
170	1429	-.183	.089	.197	-.485	170	1479	-.150	.042	.002	-.338	170	1905	-.039	.067	.193	-.307
170	1430	-.193	.096	-.119	-.661	170	1480	-.134	.049	.062	-.336	170	1906	-.379	.073	-.116	-.661
170	1431	-.256	.033	-.155	-.408	170	1481	-.166	.049	.021	-.358	170	1907	-.175	.050	.023	-.462
170	1432	-.236	.033	-.134	-.408	170	1482	-.221	.212	.028	-.935	170	1908	-.248	.085	.166	-.653
170	1433	-.183	.045	-.060	-.514	170	1483	-.405	.135	-.128	-1.016	170	1909	-.233	.110	.225	-.669
170	1434	-.225	.046	-.076	-.455	170	1484	-.172	.070	.066	-.518	170	1910	-.406	.128	-.075	-1.196
170	1435	-.192	.065	-.065	-.430	170	1485	-.237	.089	.095	-.872	170	1911	-.237	.041	-.112	-.396
170	1436	-.522	.114	-.250	-1.000	170	1486	-.248	.091	.045	-.750	170	1912	-.197	.037	-.091	-.359
170	1437	-.177	.150	.008	-.717	170	1487	-.072	.083	.169	-.389	170	1913	-.272	.039	-.148	-.414
170	1438	-.263	.054	-.103	-.473	170	1488	-.051	.076	.186	-.326	170	1914	-.273	.080	.133	-.634
170	1439	-.147	.091	.184	-.480	170	1489	-.189	.054	.138	-.331	170	1915	-.336	.050	-.203	-.547

WD	TAP	CPMEAN	CPRMS	CPMAX	CPMIN	WD	TAP	CPMEAN	CPRMS	CPMAX	CPMIN	WD	TAP	CPMEAN	CPRMS	CPMAX	CPMIN
170	1916	-.202	.066	.069	-.478	170	2309	-.154	.049	.042	-.342	170	3116	-.379	.075	-.195	-.783
170	1917	-.139	.071	.195	-.398	170	2310	-.192	.045	.001	-.337	170	3117	-.272	.056	-.127	-.602
170	1918	-.368	.085	-.007	-.783	170	2311	-.199	.116	.252	-.724	170	3118	-.262	.041	-.115	-.457
170	1919	-.368	.082	-.066	-.717	170	2401	.089	.114	.622	-.328	170	3119	-.075	.134	.349	-.776
170	1920	-.351	.073	-.075	-.737	170	2402	.028	.094	.419	-.427	170	3120	-.368	.125	-.034	-1.021
170	1921	-.249	.095	-.002	-.836	170	2403	.010	.069	.361	-.253	170	3121	-.255	.044	-.113	-.478
170	1922	-.262	.074	-.068	-.549	170	2404	.189	.077	.557	-.009	170	3122	-.168	.102	-.716	-.042
170	1923	-.231	.057	-.073	-.556	170	2405	.210	.080	.523	-.011	170	3123	-.415	.089	-.176	-.796
170	1924	-.274	.051	-.142	-.494	170	2406	.202	.082	.553	-.012	170	3124	-.194	.121	.684	-.074
170	1925	-.330	.094	-.043	-.799	170	2901	-.277	.064	-.071	-.602	170	3125	-.033	.114	.541	-.365
170	1926	-.230	.066	-.045	-.545	170	2902	-.070	.085	-.398	-.275	170	3126	-.274	.124	.149	-1.014
170	1927	-.388	.080	-.174	-.893	170	2903	-.157	.038	-.021	-.289	170	3127	-.562	.216	-.183	-1.636
170	1928	-.135	.064	-.083	-.382	170	2904	-.148	.038	-.001	-.297	170	3128	-.365	.078	-.093	-.694
170	1929	-.396	.081	-.112	-.735	170	2905	-.173	.037	-.067	-.292	170	3129	-.328	.072	-.038	-.701
170	1930	-.208	.071	-.035	-.446	170	2906	-.241	.060	-.011	-.541	170	3130	-.275	.062	-.047	-.527
170	1931	-.194	.051	-.019	-.391	170	2907	-.245	.183	-.544	-.723	170	3131	-.251	.061	-.035	-.580
170	1932	-.225	.047	-.108	-.473	170	2908	-.157	.039	-.004	-.287	170	3132	-.205	.049	-.038	-.423
170	1933	-.177	.039	-.050	-.352	170	2909	-.249	.111	-.188	-.667	170	3133	-.257	.046	-.108	-.440
170	1934	-.258	.073	-.000	-.553	170	2910	-.318	.049	-.171	-.566	170	3134	-.171	.049	-.030	-.435
170	1935	-.419	.041	-.081	-.824	170	2911	-.156	.038	-.013	-.289	170	3135	-.397	.103	-.179	-.973
170	2101	-.320	.084	-.098	-.856	170	2912	-.139	.063	-.062	-.505	170	3136	-.395	.083	-.169	-.746
170	2102	-.346	.056	-.159	-.609	170	2913	-.135	.036	-.001	-.265	170	3201	-.000	.062	.236	-.488
170	2103	-.325	.050	-.180	-.583	170	2914	-.136	.034	-.001	-.260	170	3202	.021	.117	.432	-.413
170	2104	-.286	.045	-.144	-.516	170	2915	-.159	.038	-.035	-.340	170	3203	.061	.162	.632	-.569
170	2105	-.281	.046	-.151	-.512	170	2916	-.294	.059	-.084	-.522	170	3204	.044	.195	.728	-.517
170	2106	-.277	.042	-.137	-.457	170	2917	-.170	.039	-.028	-.335	170	3205	-.187	.232	.740	-.704
170	2107	-.243	.044	-.074	-.432	170	2918	-.214	.038	-.055	-.401	170	3206	-.240	.196	.648	-.788
170	2201	-.183	.034	-.062	-.345	170	2919	-.225	.061	-.079	-.655	170	3207	.070	.065	.340	-.309
170	2202	-.217	.040	-.069	-.420	170	2920	-.252	.049	-.064	-.481	170	3208	.104	.132	.645	-.420
170	2203	-.237	.051	-.004	-.476	170	2921	-.290	.061	-.045	-.600	170	3209	.096	.067	.442	-.086
170	2204	-.224	.059	.011	-.580	170	2922	-.287	.077	-.011	-.752	170	3210	.073	.057	.280	-.173
170	2205	-.240	.059	.001	-.546	170	2923	-.244	.056	-.050	-.478	170	3211	.137	.086	.541	-.064
170	2206	-.214	.047	-.055	-.408	170	2924	-.248	.039	-.091	-.425	170	3212	.134	.120	.688	-.230
170	2207	-.223	.063	.030	-.692	170	2925	-.321	.121	-.032	-1.026	170	3213	.032	.122	.620	-.341
170	2208	-.193	.065	.130	-.883	170	2926	-.269	.057	-.110	-.534	170	3214	.073	.054	.330	-.127
170	2209	-.179	.083	-.132	-.684	170	3101	-.165	.103	-.179	-.634	170	3215	.208	.096	.468	-.007
170	2210	-.230	.038	-.086	-.493	170	3102	-.387	.095	-.116	-1.023	170	3216	.238	.143	.863	-.096
170	2211	-.217	.045	-.045	-.379	170	3103	-.508	.145	-.237	-1.309	170	3217	.144	.113	.713	-.136
170	2212	-.228	.044	-.013	-.432	170	3104	-.418	.094	-.148	-.820	170	3218	.002	.174	.682	-.443
170	2213	-.157	.050	.093	-.319	170	3105	-.230	.070	-.076	-.452	170	3301	-.022	.081	.399	-.229
170	2214	-.145	.086	.315	-.579	170	3106	-.282	.053	-.134	-.534	170	3302	-.001	.080	.330	-.257
170	2215	-.207	.039	-.008	-.350	170	3107	-.247	.060	-.047	-.522	170	3303	-.082	.060	.237	-.260
170	2301	-.160	.043	-.016	-.308	170	3108	-.262	.047	-.122	-.517	170	3304	-.028	.077	.304	-.286
170	2302	-.141	.051	.068	-.345	170	3109	-.241	.046	-.079	-.449	170	3305	-.016	.091	.461	-.312
170	2303	-.134	.048	.061	-.294	170	3110	-.241	.043	-.110	-.424	170	3306	-.067	.084	.256	-.355
170	2304	-.019	.079	.431	-.151	170	3111	-.353	.065	-.188	-.638	170	3307	.046	.092	.464	-.223
170	2305	-.190	.063	.097	-.560	170	3112	-.333	.063	-.144	-.674	170	3308	.049	.071	.351	-.305
170	2306	-.216	.070	.187	-.589	170	3113	-.308	.055	-.137	-.633	170	3309	-.072	.071	.309	-.334
170	2307	-.192	.121	.291	-.683	170	3114	-.283	.047	-.110	-.483	170	3310	.094	.079	.520	-.117
170	2308	.056	.067	.329	-.105	170	3115	-.460	.093	-.214	-1.072	170	3311	.081	.086	.418	-.143

WD	TAP	CPMEAN	CPRMS	CPMAX	CPMIN	WD	TAP	CPMEAN	CPRMS	CPMAX	CPMIN	WD	TAP	CPMEAN	CPRMS	CPMAX	CPMIN
170	3312	.083	.094	.570	-.200	170	3413	-.069	.059	-.331	-.139	180	1105	-.225	.034	-.118	-.387
170	3313	.094	.091	.639	-.127	170	3414	-.225	.051	-.057	-.524	180	1106	-.267	.029	-.191	-.374
170	3314	.089	.095	.603	-.265	170	3415	-.228	.043	-.070	-.447	180	1107	-.263	.029	-.175	-.383
170	3315	.081	.083	.501	-.188	170	3416	-.320	.056	-.162	-.557	180	1108	-.264	.027	-.177	-.385
170	3316	.080	.082	.546	-.293	170	3417	-.200	.119	-.175	-.555	180	1109	-.262	.028	-.168	-.362
170	3317	.104	.076	.487	-.096	170	3901	-.286	.065	-.054	-.560	180	1110	-.271	.028	-.184	-.371
170	3318	.106	.080	.577	-.124	170	3902	-.469	.119	-.111	-1.029	180	1111	-.271	.028	-.177	-.369
170	3319	-.051	.067	.244	-.279	170	3903	-.227	.042	-.070	-.419	180	1112	-.269	.028	-.159	-.385
170	3320	.089	.070	.515	-.084	170	3904	-.241	.043	-.092	-.515	180	1113	-.261	.027	-.173	-.362
170	3321	.075	.071	.530	-.253	170	3905	-.315	.063	-.131	-.588	180	1114	-.274	.029	-.193	-.376
170	3322	.120	.084	.772	-.074	170	3906	-.334	.134	-.000	-1.231	180	1115	-.269	.030	-.184	-.426
170	3323	.100	.079	.582	-.093	170	3907	-.257	.044	-.112	-.419	180	1116	-.272	.027	-.191	-.360
170	3324	.070	.066	.556	-.191	170	3908	-.280	.060	-.017	-.554	180	1117	-.271	.029	-.173	-.392
170	3325	.104	.073	.408	-.062	170	3909	-.245	.055	-.078	-.557	180	1118	-.264	.027	-.179	-.355
170	3326	.074	.063	.397	-.122	170	3910	-.284	.085	-.058	-.702	180	1119	-.267	.027	-.177	-.417
170	3327	.088	.071	.544	-.098	170	3911	-.231	.051	-.068	-.486	180	1120	-.263	.027	-.191	-.360
170	3328	.114	.085	.615	-.172	170	3912	-.245	.055	-.025	-.462	180	1121	-.269	.027	-.184	-.360
170	3329	-.082	.079	.258	-.312	170	3913	-.249	.057	-.073	-.457	180	1122	-.267	.027	-.173	-.344
170	3330	.089	.066	.442	-.089	170	3914	-.202	.077	-.166	-.482	180	1123	-.267	.026	-.191	-.358
170	3331	.101	.062	.347	-.120	170	3915	-.269	.133	-.239	-.856	180	1124	-.265	.028	-.177	-.365
170	3332	.087	.061	.421	-.109	170	3916	-.291	.076	-.066	-.745	180	1125	-.266	.027	-.170	-.374
170	3333	.090	.072	.544	-.155	170	3917	-.132	.080	-.237	-.506	180	1126	-.263	.030	-.173	-.378
170	3334	.094	.060	.399	-.112	170	3918	-.375	.095	-.124	-.873	180	1127	-.271	.028	-.169	-.366
170	3335	.103	.062	.427	-.039	170	3919	-.431	.109	-.129	-1.359	180	1128	-.272	.028	-.185	-.398
170	3336	.112	.067	.583	-.047	170	3920	-.433	.111	-.078	-.917	180	1129	-.273	.027	-.192	-.370
170	3337	.077	.051	.318	-.103	170	3921	-.440	.114	-.063	-1.076	180	1130	-.268	.025	-.192	-.363
170	3338	-.114	.071	.124	-.427	170	3922	-.057	.082	-.362	-.436	180	1131	-.264	.026	-.173	-.363
170	3339	.092	.058	.361	-.052	170	3923	.036	.072	-.280	-.329	180	1132	-.260	.026	-.178	-.366
170	3340	.088	.056	.349	-.095	170	3924	.088	.063	-.406	-.097	180	1133	-.260	.025	-.185	-.350
170	3341	.082	.058	.390	-.067	170	3925	-.467	.126	-.044	-1.014	180	1134	-.266	.025	-.176	-.368
170	3342	.086	.056	.390	-.039	170	3926	-.095	.080	-.524	-.252	180	1135	-.263	.025	-.173	-.361
170	3343	.101	.060	.512	-.049	170	3927	-.238	.224	-.239	-1.400	180	1136	-.265	.025	-.185	-.352
170	3344	.096	.054	.346	-.054	170	3928	.075	.061	-.314	-.242	180	1137	-.279	.030	-.185	-.423
170	3345	.089	.054	.372	-.077	170	3929	.060	.055	-.266	-.184	180	1138	-.281	.030	-.178	-.400
170	3346	.089	.053	.341	-.169	170	3930	.092	.067	-.536	-.107	180	1139	-.276	.028	-.176	-.398
170	3347	.092	.052	.430	-.042	170	3931	.092	.062	-.349	-.060	180	1140	-.270	.029	-.164	-.402
170	3348	-.210	.062	.004	-.516	170	3932	-.095	.079	-.522	-.136	180	1141	-.256	.039	-.102	-.583
170	3349	-.121	.068	.145	-.391	170	3933	-.278	.128	-.178	-.843	180	1142	-.254	.038	-.116	-.521
170	3401	-.257	.047	-.073	-.415	170	3934	-.284	.125	-.145	-.980	180	1143	-.290	.033	-.189	-.412
170	3402	-.270	.052	-.116	-.486	170	3935	-.309	.214	-.171	-1.154	180	1144	-.291	.034	-.183	-.434
170	3403	-.232	.042	-.094	-.450	170	3936	-.167	.052	-.014	-.389	180	1145	-.290	.035	-.153	-.446
170	3404	-.262	.063	-.095	-.595	170	3937	-.081	.052	-.119	-.333	180	1146	-.267	.039	-.086	-.391
170	3405	-.468	.080	-.278	-.852	170	3938	-.053	.056	-.390	-.098	180	1147	-.242	.056	-.047	-.551
170	3406	-.450	.093	-.202	-1.083	170	3939	-.247	.064	-.052	-.537	180	1148	-.250	.044	-.041	-.746
170	3407	-.045	.090	-.320	-.233	170	3940	-.138	.073	-.173	-.463	180	1149	-.305	.042	-.192	-.499
170	3408	-.446	.092	-.234	-.859	170	3941	-.068	.064	-.410	-.131	180	1150	-.293	.044	-.141	-.492
170	3409	-.044	.085	-.407	-.200	180	1101	-.231	.037	-.115	-.497	180	1151	-.245	.045	-.057	-.592
170	3410	-.232	.022	-.174	-.329	180	1102	-.231	.034	-.131	-.401	180	1152	-.296	.042	-.132	-.473
170	3411	-.273	.066	-.088	-.641	180	1103	-.232	.039	-.106	-.426	180	1153	-.229	.042	-.086	-.462
170	3412	-.383	.078	-.117	-.744	180	1104	-.226	.030	-.138	-.325	180	1154	-.270	.036	-.143	-.430

WD	TAP	CPMEAN	CPRMS	CPMAX	CPMIN	WD	TAP	CPMEAN	CPRMS	CPMAX	CPMIN	WD	TAP	CPMEAN	CPRMS	CPMAX	CPMIN
180	1155	-.263	.023	-.190	-.344	180	1243	-.246	.028	-.143	-.401	180	1303	-.374	.164	.081	-1.034
180	1156	-.248	.030	-.122	-.351	180	1244	-.370	.121	.073	-.964	180	1304	-.241	.076	.142	-.627
180	1157	-.224	.035	-.084	-.362	180	1245	-.374	.123	.076	-1.231	180	1305	.175	.193	.924	-.336
180	1158	-.236	.041	-.091	-.392	180	1246	-.282	.153	.294	-.879	180	1306	.093	.191	.748	-.389
180	1159	-.265	.038	-.100	-.414	180	1247	-.064	.096	.209	-.698	180	1307	.241	.121	.752	-.126
180	1160	-.260	.037	-.122	-.407	180	1248	-.065	.044	.105	-.285	180	1308	.237	.145	.836	-.194
180	1161	-.251	.034	-.109	-.369	180	1249	-.113	.042	.061	-.310	180	1309	.236	.110	.666	-.093
180	1162	-.225	.033	-.091	-.349	180	1250	-.228	.027	-.137	-.333	180	1310	.258	.110	.617	-.080
180	1201	-.276	.094	.204	-.727	180	1251	-.247	.025	-.165	-.350	180	1311	.196	.111	.684	-.103
180	1202	-.237	.085	.218	-.541	180	1252	-.418	.214	.121	-1.406	180	1312	.153	.102	.486	-.145
180	1203	-.154	.066	.076	-.470	180	1253	-.420	.230	.206	-1.639	180	1313	.140	.192	.880	-.373
180	1204	-.130	.044	.094	-.364	180	1254	-.055	.103	.294	-.543	180	1314	.361	.147	.903	-.231
180	1205	-.173	.037	-.039	-.341	180	1255	-.021	.051	.271	-.133	180	1315	.364	.141	.887	-.017
180	1206	-.189	.034	-.074	-.352	180	1256	-.085	.036	.089	-.232	180	1316	.349	.140	.903	-.145
180	1207	-.247	.080	-.002	-.746	180	1257	-.164	.034	-.031	-.310	180	1317	.217	.217	1.052	-.378
180	1208	-.189	.031	-.085	-.316	180	1258	-.245	.028	-.156	-.347	180	1318	.346	.163	1.003	-.266
180	1209	-.345	.074	-.099	-.725	180	1259	-.261	.027	-.170	-.347	180	1319	.286	.136	.819	-.073
180	1210	-.341	.074	-.122	-.750	180	1260	-.237	.220	.193	-1.351	180	1320	.202	.115	.647	-.161
180	1211	-.220	.119	.094	-.921	180	1261	-.155	.197	.324	-1.443	180	1321	.128	.214	.784	-.508
180	1212	-.117	.065	.085	-.622	180	1262	-.018	.057	.216	-.382	180	1322	.022	.209	.731	-.648
180	1213	-.138	.040	.027	-.398	180	1263	-.016	.041	.190	-.151	180	1323	.173	.150	.675	-.275
180	1214	-.212	.038	-.081	-.580	180	1264	-.083	.040	.096	-.308	180	1324	.213	.168	.867	-.360
180	1215	-.234	.036	-.145	-.385	180	1265	-.198	.037	-.063	-.359	180	1325	.234	.125	.654	-.131
180	1216	-.343	.077	-.120	-.720	180	1266	-.225	.040	.063	-.384	180	1326	.270	.146	.820	-.192
180	1217	-.342	.072	-.010	-.672	180	1267	-.247	.037	-.010	-.428	180	1327	.231	.135	.726	-.190
180	1218	-.100	.068	.197	-.437	180	1268	-.158	.180	.273	-1.109	180	1328	.136	.126	.586	-.222
180	1219	-.209	.032	-.099	-.350	180	1269	-.038	.042	.140	-.202	180	1329	.178	.204	.976	-.346
180	1220	-.251	.029	-.150	-.419	180	1270	-.322	.069	.038	-.603	180	1330	-.137	.121	.497	-.491
180	1221	-.345	.080	-.074	-.709	180	1271	-.281	.052	.027	-.458	180	1331	.334	.135	.903	-.050
180	1222	-.340	.080	-.065	-.748	180	1272	.001	.086	.257	-.682	180	1332	.174	.180	.813	-.360
180	1223	-.218	.114	.147	-.730	180	1273	.033	.047	.255	-.156	180	1333	.358	.130	.766	-.007
180	1224	-.126	.066	.092	-.465	180	1274	.009	.041	.172	-.128	180	1334	.435	.137	.878	.070
180	1225	-.152	.050	.059	-.437	180	1275	-.084	.045	.140	-.211	180	1335	.413	.134	.890	.060
180	1226	-.227	.033	-.099	-.463	180	1276	-.213	.040	-.036	-.366	180	1336	.258	.112	.787	-.098
180	1227	-.259	.031	-.168	-.419	180	1277	-.204	.050	.017	-.366	180	1337	.058	.181	.759	-.489
180	1228	-.312	.075	-.083	-.681	180	1278	-.036	.059	.160	-.262	180	1338	-.145	.109	.609	-.479
180	1229	-.330	.077	-.095	-.652	180	1279	-.006	.036	.170	-.096	180	1339	.344	.130	.792	-.124
180	1230	-.271	.109	.076	-.808	180	1280	-.001	.043	.206	-.130	180	1340	.157	.161	.771	-.325
180	1231	-.128	.098	.147	-.536	180	1281	-.171	.054	.050	-.366	180	1341	.400	.129	.882	.063
180	1232	-.096	.057	.131	-.355	180	1282	-.226	.039	-.082	-.368	180	1342	.441	.138	.981	.067
180	1233	-.115	.049	.082	-.414	180	1283	-.237	.035	-.091	-.361	180	1343	.413	.135	.960	.063
180	1234	-.219	.029	-.115	-.350	180	1284	-.044	.063	.140	-.320	180	1344	.231	.107	.696	-.098
180	1235	-.236	.027	-.125	-.343	180	1285	.014	.039	.193	-.130	180	1345	.093	.175	.693	-.421
180	1236	-.338	.089	-.053	-.773	180	1286	.009	.034	.144	-.087	180	1346	-.107	.112	.352	-.538
180	1237	-.328	.095	.011	-.854	180	1287	-.020	.043	.227	-.119	180	1347	.318	.132	.782	-.119
180	1238	-.271	.145	.154	-.967	180	1288	-.231	.042	-.047	-.386	180	1348	.175	.162	.808	-.360
180	1239	-.141	.124	.156	-.799	180	1289	-.214	.037	-.091	-.354	180	1349	.352	.119	.724	.032
180	1240	-.090	.066	.181	-.507	180	1290	-.233	.036	-.070	-.356	180	1350	.415	.125	.836	.133
180	1241	-.117	.053	.062	-.378	180	1301	-.150	.252	.861	-1.039	180	1351	.358	.120	.766	.037
180	1242	-.231	.030	-.115	-.387	180	1302	-.187	.129	.477	-.582	180	1352	.194	.097	.546	-.192

WD	TAP	CPMEAN	CPRMS	CPMAX	CPMIN	WD	TAP	CPMEAN	CPRMS	CPMAX	CPMIN	WD	TAP	CPMEAN	CPRMS	CPMAX	CPMIN
180	1353	.027	.158	.684	-.510	180	1418	-.085	.066	.141	-.345	180	1468	-.075	.044	.107	-.253
180	1354	-.027	.101	.443	-.386	180	1419	-.068	.113	.266	-.429	180	1469	-.143	.062	.039	-.414
180	1355	.238	.118	.691	-.190	180	1420	-.260	.106	.150	-.626	180	1470	-.451	.124	-.145	-1.204
180	1356	.125	.107	.633	-.311	180	1421	-.252	.026	-.142	-.361	180	1471	-.536	.146	-.145	-1.340
180	1357	.157	.090	.686	-.129	180	1422	-.212	.025	-.130	-.309	180	1472	-.134	.091	.265	-.479
180	1358	.133	.090	.567	-.190	180	1423	-.136	.032	-.017	-.300	180	1473	-.124	.082	.159	-.510
180	1359	.157	.099	.546	-.222	180	1424	-.482	.115	-.160	-.897	180	1474	-.120	.085	.183	-.705
180	1360	.041	.104	.450	-.374	180	1425	-.576	.149	-.231	-1.241	180	1475	.164	.120	.582	-.193
180	1361	.130	.122	.584	-.276	180	1426	-.072	.117	.483	-.402	180	1476	.166	.109	.536	-.157
180	1362	.071	.095	.600	-.234	180	1427	-.180	.067	.184	-.429	180	1477	-.213	.033	-.073	-.349
180	1363	.095	.088	.441	-.229	180	1428	-.258	.141	.094	-.879	180	1478	-.174	.031	-.054	-.304
180	1364	.098	.071	.324	-.164	180	1429	.043	.111	.451	-.352	180	1479	-.083	.036	.037	-.234
180	1365	.105	.048	.313	-.131	180	1430	-.051	.135	.377	-.676	180	1480	-.044	.037	.109	-.189
180	1366	.119	.048	.310	-.059	180	1431	-.254	.026	-.164	-.350	180	1481	-.082	.044	.097	-.258
180	1367	.135	.053	.362	-.014	180	1432	-.228	.026	-.153	-.334	180	1482	-.309	.114	-.025	-.767
180	1368	.082	.050	.324	-.133	180	1433	-.147	.033	-.019	-.304	180	1483	-.392	.142	.018	-.976
180	1369	.110	.109	.661	-.362	180	1434	-.159	.039	-.006	-.300	180	1484	-.047	.085	.294	-.381
180	1370	.048	.078	.294	-.223	180	1435	-.131	.038	-.058	-.298	180	1485	-.105	.083	.188	-.441
180	1371	.015	.042	.147	-.156	180	1436	-.608	.150	-.243	-1.194	180	1486	-.070	.079	.234	-.426
180	1372	-.017	.034	.113	-.129	180	1437	-.196	.060	.012	-.445	180	1487	.071	.056	.287	-.145
180	1373	.103	.059	.379	-.057	180	1438	-.200	.064	.080	-.497	180	1488	.086	.060	.368	-.184
180	1374	.082	.051	.285	-.094	180	1439	.027	.104	.449	-.338	180	1489	-.182	.036	-.011	-.328
180	1375	.072	.037	.234	-.044	180	1440	.060	.107	.476	-.289	180	1490	-.150	.032	.023	-.251
180	1376	.049	.043	.216	-.113	180	1441	-.226	.023	-.153	-.307	180	1491	-.089	.030	.015	-.208
180	1377	.147	.076	.468	-.071	180	1442	-.201	.025	-.114	-.311	180	1492	-.033	.037	.099	-.145
180	1378	.134	.059	.383	-.005	180	1443	-.137	.027	-.028	-.261	180	1493	-.040	.038	.087	-.222
180	1379	.106	.040	.257	-.046	180	1444	-.102	.035	.019	-.239	180	1494	-.230	.100	.044	-.690
180	1380	.002	.050	.188	-.153	180	1445	-.156	.046	.001	-.363	180	1495	-.311	.130	-.019	-1.043
180	1381	-.045	.037	.136	-.149	180	1446	-.532	.119	-.205	-1.022	180	1496	.039	.072	.430	-.212
180	1382	.138	.079	.590	-.069	180	1447	-.596	.132	-.216	-1.142	180	1497	-.052	.078	.246	-.454
180	1383	.166	.072	.510	-.018	180	1448	-.193	.083	.311	-.503	180	1498	-.109	.108	.167	-.806
180	1384	.164	.065	.432	.021	180	1449	-.175	.067	.049	-.429	180	1499	-.083	.055	.302	-.212
180	1385	.176	.073	.671	-.028	180	1450	-.170	.067	.080	-.436	180	1500	.086	.067	.253	-.301
180	1401	-.184	.032	-.075	-.437	180	1451	.103	.108	.575	-.275	180	1501	-.134	.034	-.005	-.275
180	1402	-.166	.032	-.059	-.352	180	1452	.134	.111	.630	-.220	180	1502	-.150	.031	-.007	-.280
180	1403	-.138	.031	-.006	-.255	180	1453	-.231	.025	-.153	-.325	180	1503	-.055	.033	.109	-.189
180	1404	-.212	.041	-.087	-.415	180	1454	-.202	.027	-.097	-.369	180	1504	-.048	.037	.072	-.170
180	1405	-.285	.078	-.004	-.645	180	1455	-.131	.033	.008	-.342	180	1505	-.225	.091	-.044	-.701
180	1406	-.261	.078	-.019	-.743	180	1456	-.104	.043	.056	-.340	180	1506	-.228	.090	-.007	-.655
180	1407	-.192	.024	-.087	-.284	180	1457	-.158	.058	.037	-.395	180	1507	-.026	.078	.356	-.296
180	1408	-.354	.101	-.055	-1.049	180	1458	-.467	.117	-.138	-.937	180	1508	-.008	.081	.272	-.399
180	1409	-.230	.024	-.162	-.359	180	1459	-.572	.157	-.208	-1.408	180	1509	.032	.060	.237	-.268
180	1410	-.209	.025	-.128	-.327	180	1460	-.174	.085	.205	-.539	180	1510	.073	.064	.319	-.226
180	1411	-.139	.024	-.065	-.268	180	1461	-.137	.077	.200	-.421	180	1511	.027	.071	.307	-.254
180	1412	-.148	.034	-.031	-.325	180	1462	-.164	.090	.183	-.561	180	1512	.085	.056	.295	-.147
180	1413	-.517	.126	-.175	-1.006	180	1463	-.167	.125	.567	-.222	180	1513	.123	.068	.400	-.080
180	1414	-.555	.140	-.227	-1.124	180	1464	-.183	.131	.567	-.233	180	1514	.088	.069	.337	-.184
180	1415	-.164	.086	.284	-.592	180	1465	-.224	.026	-.133	-.345	180	1515	.115	.068	.342	-.131
180	1416	-.359	.109	.001	-.771	180	1466	-.196	.028	-.095	-.292	180	1516	.068	.096	.430	-.429
180	1417	-.385	.128	-.076	-.970	180	1467	-.104	.035	.032	-.246	180	1801	-.227	.037	-.075	-.351

WD	TAP	CPMEAN	CPRMS	CPMAX	CPMIN	WD	TAP	CPMEAN	CPRMS	CPMAX	CPMIN	WD	TAP	CPMEAN	CPRMS	CPMAX	CPMIN
180	1802	.101	.040	.262	-.025	180	2202	-.157	.031	-.058	-.281	180	2920	-.268	.047	-.111	-.502
180	1803	-.053	.032	-.186	-.048	180	2203	-.232	.059	-.014	-.422	180	2921	-.296	.062	-.075	-.631
180	1804	-.267	.036	-.131	-.437	180	2204	-.232	.059	-.015	-.417	180	2922	-.266	.075	-.009	-.772
180	1805	.028	.046	.204	-.208	180	2205	-.262	.045	-.106	-.468	180	2923	-.230	.058	-.046	-.539
180	1806	.017	.038	.165	-.123	180	2206	-.211	.044	-.041	-.369	180	2924	-.231	.037	-.111	-.454
180	1807	-.203	.042	-.002	-.338	180	2207	-.218	.081	.175	-.857	180	2925	-.258	.058	-.088	-.752
180	1808	-.228	.038	.012	-.395	180	2208	-.174	.081	.103	-.757	180	2926	-.238	.040	-.106	-.483
180	1901	-.394	.053	-.094	-.783	180	2209	-.219	.054	-.054	-.679	180	3101	-.266	.094	-.098	-.626
180	1902	-.182	.051	-.025	-.450	180	2210	-.218	.035	-.092	-.364	180	3102	-.341	.063	-.148	-.645
180	1903	-.178	.034	-.055	-.315	180	2211	-.210	.041	-.067	-.344	180	3103	-.454	.090	-.224	-1.026
180	1904	-.157	.036	-.002	-.312	180	2212	-.193	.045	.010	-.349	180	3104	-.397	.085	-.167	-.802
180	1905	-.105	.057	-.158	-.271	180	2213	-.139	.072	.127	-.361	180	3105	-.304	.047	-.089	-.482
180	1906	-.401	.115	-.126	-1.116	180	2214	-.197	.065	.263	-.719	180	3106	-.298	.049	-.167	-.532
180	1907	-.152	.035	-.018	-.429	180	2215	-.206	.031	-.069	-.304	180	3107	-.272	.044	-.046	-.496
180	1908	-.378	.117	-.096	-.988	180	2301	-.071	.037	.082	-.192	180	3108	-.264	.041	-.144	-.434
180	1909	-.381	.131	-.000	-.948	180	2302	-.035	.050	.217	-.178	180	3109	-.241	.039	-.105	-.461
180	1910	-.493	.152	-.134	-1.327	180	2303	-.025	.064	.322	-.176	180	3110	-.236	.035	-.136	-.372
180	1911	-.216	.047	-.076	-.505	180	2304	-.137	.086	.541	-.092	180	3111	-.361	.059	-.191	-.592
180	1912	-.156	.037	-.046	-.407	180	2305	-.145	.097	.282	-.092	180	3112	-.335	.053	-.196	-.563
180	1913	-.203	.031	-.110	-.395	180	2306	-.217	.059	.144	-.502	180	3113	-.304	.054	-.165	-.523
180	1914	-.382	.105	-.067	-.795	180	2307	-.227	.066	.286	-.502	180	3114	-.277	.047	-.117	-.492
180	1915	-.241	.033	-.156	-.420	180	2308	-.172	.084	.577	-.061	180	3115	-.443	.074	-.237	-.773
180	1916	-.141	.040	.002	-.312	180	2309	-.131	.072	.184	-.366	180	3116	-.367	.069	-.175	-.689
180	1917	-.108	.041	-.071	-.282	180	2310	-.202	.044	-.011	-.362	180	3117	-.280	.051	-.125	-.608
180	1918	-.387	.104	-.064	-.992	180	2311	-.220	.057	.017	-.614	180	3118	-.262	.040	-.148	-.492
180	1919	-.402	.110	-.041	-.926	180	2401	-.067	.091	.549	-.228	180	3119	-.102	.137	-.320	-.846
180	1920	-.390	.121	-.106	-1.059	180	2402	-.079	.082	.468	-.428	180	3120	-.482	.126	-.148	-1.185
180	1921	-.306	.084	-.051	-.884	180	2403	.050	.058	.315	-.116	180	3121	-.250	.041	-.120	-.408
180	1922	-.181	.047	-.028	-.436	180	2404	.198	.075	.498	.015	180	3122	-.256	.115	-.681	-.041
180	1923	-.156	.037	-.034	-.450	180	2405	.235	.081	.553	.041	180	3123	-.384	.070	-.191	-.697
180	1924	-.203	.030	-.117	-.340	180	2406	.211	.083	.627	-.021	180	3124	-.292	.122	-.719	-.034
180	1925	-.332	.093	-.034	-.696	180	2901	-.208	.112	.200	-.789	180	3125	-.085	.112	-.624	-.301
180	1926	-.157	.031	-.037	-.308	180	2902	-.033	.068	.396	-.152	180	3126	-.390	.118	-.024	-.954
180	1927	-.362	.079	-.158	-.714	180	2903	-.063	.034	.059	-.189	180	3127	-.729	.225	-.208	-1.736
180	1928	-.096	.064	-.156	-.301	180	2904	-.064	.031	.054	-.191	180	3128	-.385	.084	-.134	-.902
180	1929	-.345	.068	-.158	-.593	180	2905	-.090	.031	.015	-.220	180	3129	-.333	.066	-.113	-.616
180	1930	-.232	.072	-.067	-.570	180	2906	-.172	.056	.001	-.415	180	3130	-.274	.063	-.053	-.537
180	1931	-.137	.050	-.065	-.343	180	2907	-.256	.124	.421	-.815	180	3131	-.254	.051	-.056	-.495
180	1932	-.158	.041	-.016	-.359	180	2908	-.074	.037	.088	-.233	180	3132	-.206	.044	-.036	-.389
180	1933	-.147	.039	-.048	-.316	180	2909	-.291	.103	.120	-.801	180	3133	-.248	.042	-.122	-.437
180	1934	-.258	.071	-.027	-.575	180	2910	-.306	.053	-.165	-.687	180	3134	-.193	.044	-.036	-.382
180	1935	-.139	.039	-.017	-.266	180	2911	-.054	.037	.093	-.179	180	3135	-.324	.071	-.142	-.866
180	2101	-.307	.072	-.094	-.713	180	2912	-.087	.047	.120	-.325	180	3136	-.328	.057	-.162	-.632
180	2102	-.333	.050	-.177	-.524	180	2913	-.056	.032	.069	-.169	180	3201	-.065	.068	-.195	-.392
180	2103	-.324	.051	-.191	-.670	180	2914	-.065	.038	.098	-.191	180	3202	-.135	.102	-.328	-.444
180	2104	-.243	.042	-.123	-.564	180	2915	-.130	.049	.001	-.393	180	3203	-.155	.161	-.416	-.679
180	2105	-.234	.034	-.133	-.388	180	2916	-.293	.053	-.109	-.495	180	3204	-.166	.185	-.607	-.635
180	2106	-.245	.038	-.148	-.490	180	2917	-.146	.030	-.050	-.257	180	3205	-.353	.117	-.409	-.675
180	2107	-.225	.032	-.109	-.354	180	2918	-.194	.040	-.053	-.337	180	3206	-.370	.131	-.423	-.686
180	2201	-.171	.052	-.036	-.458	180	2919	-.238	.065	-.004	-.492	180	3207	-.060	.075	-.409	-.284



WD	TAP	CPMEAN	CPRMS	CPMAX	CPMIN	WD	TAP	CPMEAN	CPRMS	CPMAX	CPMIN	WD	TAP	CPMEAN	CPRMS	CPMAX	CPMIN
180	3208	.027	.139	.495	-.518	180	3340	.024	.046	.328	-.122	180	3924	.030	.056	.298	-.112
180	3209	.087	.076	.488	-.175	180	3341	.016	.052	.204	-.155	180	3925	-.511	.115	-.248	-1.076
180	3210	.063	.066	.390	-.229	180	3342	.044	.050	.378	-.077	180	3926	.016	.076	.360	-.257
180	3211	.210	.097	.665	-.036	180	3343	.072	.060	.473	-.069	180	3927	-.604	.264	.003	-1.661
180	3212	.215	.128	.720	-.234	180	3344	.085	.065	.411	-.110	180	3928	.060	.073	.333	-.276
180	3213	.117	.129	.561	-.301	180	3345	.073	.069	.416	-.195	180	3929	.041	.062	.293	-.169
180	3214	.093	.070	.448	-.105	180	3346	.046	.084	.340	-.901	180	3930	.026	.050	.300	-.128
180	3215	.311	.100	.665	.061	180	3347	.078	.059	.323	-.130	180	3931	.024	.048	.275	-.113
180	3216	.330	.135	.831	-.054	180	3348	-.213	.052	.011	-.499	180	3932	.010	.068	.333	-.240
180	3217	.205	.116	.623	-.126	180	3349	-.104	.075	.222	-.396	180	3933	-.378	.107	-.051	-.859
180	3218	.153	.138	.709	-.363	180	3401	-.253	.043	-.096	-.429	180	3934	-.404	.107	-.024	-1.184
180	3301	-.099	.076	.290	-.351	180	3402	-.245	.043	-.105	-.449	180	3935	-.494	.192	-.027	-1.426
180	3302	-.044	.072	.300	-.265	180	3403	-.240	.039	-.110	-.418	180	3936	-.188	.050	-.004	-.366
180	3303	-.139	.061	.204	-.318	180	3404	-.273	.058	-.105	-.647	180	3937	-.118	.053	.094	-.341
180	3304	-.111	.084	.325	-.379	180	3405	-.460	.077	-.237	-.811	180	3938	-.015	.048	.255	-.160
180	3305	-.059	.084	.426	-.328	180	3406	-.433	.085	-.190	-.826	180	3939	-.248	.061	-.047	-.497
180	3306	-.083	.093	.316	-.391	180	3407	-.036	.081	-.272	-.338	180	3940	-.171	.065	.034	-.509
180	3307	-.012	.086	.428	-.328	180	3408	-.404	.077	-.228	-.774	180	3941	-.014	.054	.335	-.230
180	3308	-.012	.118	.431	-.499	180	3409	-.033	.096	-.426	-.368	190	1101	-.359	.100	-.187	-.961
180	3309	-.115	.076	.293	-.349	180	3410	-.235	.020	-.180	-.307	190	1102	-.292	.064	-.075	-.664
180	3310	.019	.068	.365	-.161	180	3411	-.274	.063	-.092	-.554	190	1103	-.355	.087	-.189	-.824
180	3311	.015	.073	.379	-.215	180	3412	-.367	.074	-.182	-.723	190	1104	-.283	.051	-.114	-.535
180	3312	.027	.089	.517	-.316	180	3413	-.010	.056	-.222	-.228	190	1105	-.283	.058	-.115	-.678
180	3313	.022	.080	.384	-.159	180	3414	-.214	.046	-.044	-.399	190	1106	-.296	.033	-.201	-.460
180	3314	.071	.117	.485	-.384	180	3415	-.221	.036	-.092	-.353	190	1107	-.288	.033	-.184	-.449
180	3315	-.014	.083	.459	-.295	180	3416	-.321	.057	-.150	-.542	190	1108	-.291	.033	-.180	-.411
180	3316	.038	.087	.492	-.255	180	3417	-.245	.096	-.174	-.559	190	1109	-.294	.034	-.198	-.418
180	3317	.039	.063	.496	-.154	180	3901	-.273	.047	-.087	-.499	190	1110	-.297	.036	-.187	-.458
180	3318	.038	.073	.426	-.173	180	3902	-.388	.091	-.114	-.908	190	1111	-.297	.034	-.182	-.439
180	3319	-.084	.080	.349	-.300	180	3903	-.238	.039	-.059	-.402	190	1112	-.298	.035	-.189	-.439
180	3320	.016	.062	.361	-.154	180	3904	-.250	.037	-.124	-.414	190	1113	-.302	.033	-.180	-.435
180	3321	-.004	.067	.255	-.236	180	3905	-.327	.047	-.196	-.527	190	1114	-.300	.037	-.201	-.472
180	3322	.056	.077	.501	-.171	180	3906	-.361	.090	-.033	-1.421	190	1115	-.299	.034	-.184	-.437
180	3323	.046	.069	.400	-.131	180	3907	-.266	.040	-.133	-.445	190	1116	-.299	.032	-.191	-.425
180	3324	.054	.084	.412	-.218	180	3908	-.298	.043	-.176	-.476	190	1117	-.294	.032	-.184	-.444
180	3325	.038	.061	.396	-.126	180	3909	-.247	.043	-.062	-.457	190	1118	-.295	.031	-.196	-.414
180	3326	.008	.055	.300	-.166	180	3910	-.353	.067	-.150	-.673	190	1119	-.289	.033	-.170	-.418
180	3327	.018	.053	.283	-.129	180	3911	-.251	.052	-.093	-.543	190	1120	-.298	.035	-.187	-.439
180	3328	.039	.078	.466	-.206	180	3912	-.279	.043	-.143	-.569	190	1121	-.302	.032	-.219	-.444
180	3329	-.121	.079	.255	-.357	180	3913	-.275	.046	-.128	-.509	190	1122	-.299	.034	-.208	-.439
180	3330	.019	.053	.234	-.131	180	3914	-.261	.055	-.045	-.459	190	1123	-.303	.034	-.201	-.435
180	3331	.015	.056	.316	-.211	180	3915	-.335	.107	-.033	-.890	190	1124	-.295	.030	-.194	-.402
180	3332	.017	.059	.387	-.258	180	3916	-.311	.064	-.105	-.650	190	1125	-.292	.034	-.194	-.428
180	3333	.034	.058	.457	-.192	180	3917	-.226	.067	-.007	-.543	190	1126	-.296	.033	-.194	-.421
180	3334	.027	.051	.269	-.136	180	3918	-.402	.084	-.133	-.845	190	1127	-.295	.032	-.190	-.420
180	3335	.069	.061	.370	-.096	180	3919	-.455	.111	-.126	-.974	190	1128	-.293	.031	-.209	-.432
180	3336	.073	.062	.340	-.142	180	3920	-.485	.110	-.186	-1.088	190	1129	-.293	.028	-.213	-.438
180	3337	.066	.064	.333	-.107	180	3921	-.506	.110	-.248	-1.083	190	1130	-.303	.030	-.220	-.399
180	3338	-.159	.075	.129	-.474	180	3922	-.044	.086	.331	-.445	190	1131	-.286	.029	-.192	-.399
180	3339	.027	.049	.227	-.112	180	3923	-.019	.096	.293	-.502	190	1132	-.287	.028	-.190	-.411

WD	TAP	CPMEAN	CPRMS	CPMAX	CPMIN	WD	TAP	CPMEAN	CPRMS	CPMAX	CPMIN	WD	TAP	CPMEAN	CPRMS	CPMAX	CPMIN
190	1133	-.286	.027	-.195	-.376	190	1221	-.325	.062	-.131	-.574	190	1271	-.299	.043	-.018	-.474
190	1134	-.286	.026	-.181	-.385	190	1222	-.340	.058	-.161	-.565	190	1272	-.077	.129	.311	-1.018
190	1135	-.288	.027	-.209	-.390	190	1223	-.335	.084	.033	-.710	190	1273	-.037	.070	.219	-.344
190	1136	-.286	.027	-.209	-.385	190	1224	-.220	.080	.107	-.627	190	1274	-.034	.043	.186	-.212
190	1137	-.305	.030	-.222	-.425	190	1225	-.186	.060	-.020	-.528	190	1275	-.080	.071	.226	-.279
190	1138	-.302	.030	-.195	-.404	190	1226	-.251	.042	-.110	-.634	190	1276	-.254	.044	-.006	-.462
190	1139	-.304	.031	-.213	-.443	190	1227	-.277	.037	-.170	-.482	190	1277	-.241	.041	.008	-.409
190	1140	-.292	.027	-.176	-.397	190	1228	-.324	.060	-.091	-.539	190	1278	-.073	.043	.091	-.224
190	1141	-.277	.033	-.132	-.380	190	1229	-.337	.056	-.139	-.623	190	1279	-.034	.038	.147	-.156
190	1142	-.274	.031	-.134	-.371	190	1230	-.342	.073	-.050	-.754	190	1280	-.016	.057	.311	-.170
190	1143	-.314	.041	-.183	-.564	190	1231	-.250	.079	.084	-.595	190	1281	-.153	.067	.105	-.346
190	1144	-.326	.042	-.222	-.529	190	1232	-.154	.057	.056	-.426	190	1282	-.229	.047	-.082	-.395
190	1145	-.307	.037	-.183	-.462	190	1233	-.158	.053	.063	-.408	190	1283	-.262	.030	-.112	-.358
190	1146	-.294	.035	-.185	-.404	190	1234	-.241	.035	-.138	-.542	190	1284	-.084	.045	.096	-.307
190	1147	-.280	.041	-.109	-.450	190	1235	-.270	.031	-.174	-.422	190	1285	-.050	.048	.103	-.393
190	1148	-.276	.040	-.134	-.494	190	1236	-.346	.070	-.158	-.816	190	1286	-.030	.040	.133	-.159
190	1149	-.334	.043	-.211	-.506	190	1237	-.350	.068	-.133	-.592	190	1287	.010	.052	.265	-.147
190	1150	-.306	.041	-.190	-.589	190	1238	-.380	.085	-.114	-.733	190	1288	-.238	.048	-.045	-.425
190	1151	-.267	.044	-.055	-.524	190	1239	-.347	.140	.040	-1.054	190	1289	-.246	.036	-.129	-.409
190	1152	-.331	.043	-.197	-.524	190	1240	-.183	.108	.112	-.719	190	1290	-.261	.031	-.143	-.367
190	1153	-.273	.037	-.142	-.410	190	1241	-.169	.080	.073	-.615	190	1301	-.193	.337	.842	-1.236
190	1154	-.280	.027	-.187	-.375	190	1242	-.249	.043	-.064	-.521	190	1302	-.276	.111	.236	-.669
190	1155	-.282	.022	-.217	-.343	190	1243	-.263	.035	-.077	-.412	190	1303	-.551	.196	.164	-1.400
190	1156	-.274	.028	-.162	-.362	190	1244	-.411	.086	-.168	-.726	190	1304	-.294	.067	-.037	-.616
190	1157	-.255	.032	-.139	-.357	190	1245	-.433	.090	-.186	-.763	190	1305	.235	.148	.907	-.363
190	1158	-.243	.046	-.123	-.398	190	1246	-.428	.109	-.082	-.902	190	1306	.196	.166	.872	-.301
190	1159	-.279	.029	-.176	-.380	190	1247	-.222	.117	.089	-.663	190	1307	.196	.109	.590	-.155
190	1160	-.284	.032	-.162	-.424	190	1248	-.108	.062	.151	-.436	190	1308	.194	.115	.648	-.125
190	1161	-.271	.031	-.146	-.369	190	1249	-.137	.051	.126	-.314	190	1309	.263	.116	.632	-.081
190	1162	-.261	.033	-.137	-.369	190	1250	-.249	.030	-.119	-.386	190	1310	.264	.117	.683	-.111
190	1201	-.382	.095	-.047	-.802	190	1251	-.277	.025	-.186	-.379	190	1311	.118	.096	.474	-.151
190	1202	-.377	.100	.019	-.856	190	1252	-.549	.167	-.061	-1.467	190	1312	.046	.093	.412	-.294
190	1203	-.254	.078	.015	-.560	190	1253	-.550	.157	.050	-1.411	190	1313	.334	.187	.979	-.252
190	1204	-.209	.060	-.008	-.569	190	1254	-.174	.144	.276	-.700	190	1314	.364	.149	.893	-.151
190	1205	-.240	.046	-.084	-.451	190	1255	-.042	.059	.228	-.288	190	1315	.369	.145	.953	-.044
190	1206	-.270	.046	-.121	-.468	190	1256	-.133	.043	.094	-.270	190	1316	.282	.130	.771	-.167
190	1207	-.357	.081	-.082	-.671	190	1257	-.193	.034	-.052	-.325	190	1317	.401	.189	1.099	-.389
190	1208	-.250	.044	-.068	-.421	190	1258	-.263	.029	-.138	-.381	190	1318	.288	.139	.819	-.120
190	1209	-.332	.063	-.151	-.588	190	1259	-.280	.026	-.196	-.376	190	1319	.365	.156	.940	-.139
190	1210	-.345	.063	-.128	-.606	190	1260	-.498	.272	.163	-1.818	190	1320	.107	.097	.500	-.227
190	1211	-.334	.116	.031	-1.033	190	1261	-.344	.225	.165	-1.499	190	1321	.226	.193	.879	-.451
190	1212	-.210	.091	-.052	-.625	190	1262	-.079	.064	.311	-.388	190	1322	.157	.212	.875	-.530
190	1213	-.176	.058	-.015	-.537	190	1263	-.032	.045	.200	-.173	190	1323	.132	.129	.609	-.236
190	1214	-.257	.051	-.121	-.495	190	1264	-.106	.056	.126	-.325	190	1324	.203	.149	.748	-.279
190	1215	-.261	.042	-.133	-.458	190	1265	-.233	.043	-.092	-.436	190	1325	.278	.134	.765	-.119
190	1216	-.330	.061	-.154	-.622	190	1266	-.256	.032	-.108	-.365	190	1326	.290	.139	.744	-.124
190	1217	-.343	.063	-.147	-.680	190	1267	-.273	.033	-.133	-.420	190	1327	.133	.117	.607	-.212
190	1218	-.214	.084	.075	-.599	190	1268	-.363	.205	.087	-1.673	190	1328	.040	.102	.394	-.342
190	1219	-.231	.040	-.112	-.419	190	1269	-.083	.047	.119	-.274	190	1329	.308	.180	.849	-.314
190	1220	-.271	.032	-.163	-.440	190	1270	-.314	.084	.188	-.624	190	1330	.068	.165	.712	-.358

WD	TAP	CPMEAN	CPRMS	CPMAX	CPMIN	WD	TAP	CPMEAN	CPRMS	CPMAX	CPMIN	WD	TAP	CPMEAN	CPRMS	CPMAX	CPMIN
190	1331	.369	.130	.810	-.027	190	1381	-.043	.055	.273	-.204	190	1446	-.486	.143	-.006	-.984
190	1332	.373	.144	.888	-.098	190	1382	.199	.076	.601	-.013	190	1447	-.527	.142	-.083	-1.071
190	1333	.414	.131	.881	-.036	190	1383	.186	.088	.612	-.072	190	1448	-.036	.129	.670	-.403
190	1334	.417	.146	.932	-.008	190	1384	.133	.062	.444	-.049	190	1449	-.071	.104	.288	-.451
190	1335	.348	.137	.763	-.059	190	1385	.105	.060	.432	-.072	190	1450	-.061	.095	.314	-.437
190	1336	.153	.097	.487	-.122	190	1401	-.213	.061	-.036	-.561	190	1451	.268	.135	.718	-.083
190	1337	.253	.180	.941	-.382	190	1402	-.188	.066	-.038	-.603	190	1452	.243	.121	.754	-.148
190	1338	.055	.163	.684	-.368	190	1403	-.113	.047	-.042	-.487	190	1453	-.238	.027	-.153	-.335
190	1339	.339	.124	.821	-.050	190	1404	-.207	.046	-.015	-.383	190	1454	-.195	.027	-.076	-.297
190	1340	.367	.156	.911	-.189	190	1405	-.314	.096	-.022	-.772	190	1455	-.102	.038	.076	-.239
190	1341	.419	.150	.956	-.155	190	1406	-.221	.093	-.094	-.628	190	1456	-.032	.045	.199	-.225
190	1342	.423	.126	.814	-.085	190	1407	-.239	.050	-.071	-.512	190	1457	-.049	.058	.179	-.307
190	1343	.326	.118	.712	-.050	190	1408	-.419	.173	.372	-.973	190	1458	-.384	.140	.023	-.932
190	1344	.102	.090	.477	-.205	190	1409	-.239	.024	-.142	-.326	190	1459	-.516	.182	-.040	-1.411
190	1345	.213	.151	.818	-.324	190	1410	-.222	.027	-.126	-.337	190	1460	.015	.130	.569	-.432
190	1346	.084	.151	.626	-.426	190	1411	-.141	.027	.004	-.226	190	1461	.021	.099	.420	-.338
190	1347	.326	.116	.749	-.062	190	1412	-.132	.032	.051	-.276	190	1462	.008	.102	.415	-.408
190	1348	.353	.144	.923	-.105	190	1413	-.525	.123	-.155	-1.041	190	1463	.312	.124	.884	-.124
190	1349	.381	.132	.909	-.068	190	1414	-.563	.132	-.178	-1.162	190	1464	.331	.120	.867	-.026
190	1350	.372	.128	.821	-.036	190	1415	-.087	.132	.535	-.458	190	1465	-.228	.026	-.121	-.328
190	1351	.281	.115	.688	-.078	190	1416	-.319	.149	.113	-.873	190	1466	-.186	.030	-.042	-.295
190	1352	.068	.095	.494	-.228	190	1417	-.423	.130	.197	-.946	190	1467	-.074	.037	.095	-.213
190	1353	.143	.140	.668	-.279	190	1418	-.037	.081	.317	-.328	190	1468	-.002	.048	.165	-.201
190	1354	.085	.116	.552	-.233	190	1419	-.055	.103	.403	-.412	190	1469	-.024	.061	.172	-.230
190	1355	.176	.113	.668	-.189	190	1420	-.161	.141	.324	-.642	190	1470	-.376	.134	.009	-.884
190	1356	.124	.100	.647	-.161	190	1421	-.277	.031	-.187	-.389	190	1471	-.439	.155	.040	-1.122
190	1357	.121	.103	.570	-.224	190	1422	-.227	.027	-.128	-.330	190	1472	.025	.113	.432	-.504
190	1358	.051	.086	.459	-.293	190	1423	-.113	.036	.024	-.235	190	1473	.016	.095	.504	-.323
190	1359	.118	.110	.610	-.268	190	1424	-.480	.147	-.067	-1.091	190	1474	.042	.099	.521	-.381
190	1360	-.043	.124	.405	-.651	190	1425	-.584	.157	-.087	-1.261	190	1475	.301	.130	.702	-.032
190	1361	.114	.098	.466	-.224	190	1426	-.071	.163	.860	-.383	190	1476	.300	.122	.795	-.059
190	1362	.101	.089	.484	-.245	190	1427	-.077	.083	.224	-.408	190	1477	-.216	.030	-.052	-.321
190	1363	.160	.058	.357	-.066	190	1428	-.175	.153	.335	-1.318	190	1478	-.172	.028	-.059	-.268
190	1364	.142	.056	.415	-.008	190	1429	-.203	.128	.752	-.337	190	1479	-.065	.033	.088	-.194
190	1365	.060	.060	.264	-.273	190	1430	-.094	.156	.619	-.587	190	1480	.006	.044	.177	-.143
190	1366	.059	.043	.252	-.085	190	1431	-.286	.033	-.185	-.433	190	1481	-.007	.054	.220	-.194
190	1367	.076	.064	.292	-.085	190	1432	-.246	.030	-.146	-.360	190	1482	-.208	.112	.090	-.636
190	1368	.008	.071	.252	-.245	190	1433	-.153	.038	.038	-.326	190	1483	-.229	.115	.071	-.836
190	1369	.107	.091	.542	-.197	190	1434	-.131	.040	.035	-.319	190	1484	.073	.087	.483	-.307
190	1370	.038	.058	.259	-.220	190	1435	-.194	.067	.047	-.505	190	1485	.043	.080	.307	-.412
190	1371	-.059	.055	.118	-.249	190	1436	-.542	.150	-.160	-1.146	190	1486	.045	.083	.369	-.268
190	1372	-.087	.038	.020	-.256	190	1437	-.115	.085	.197	-.430	190	1487	.090	.058	.408	-.126
190	1373	.131	.057	.357	-.004	190	1438	-.098	.083	.235	-.460	190	1488	-.103	.069	.468	-.131
190	1374	.118	.049	.311	-.024	190	1439	-.127	.118	.551	-.242	190	1489	-.200	.031	-.085	-.299
190	1375	.031	.043	.181	-.140	190	1440	-.183	.110	.581	-.167	190	1490	-.159	.028	-.056	-.256
190	1376	.017	.039	.175	-.208	190	1441	-.245	.027	-.158	-.344	190	1491	-.071	.028	.037	-.165
190	1377	.168	.067	.494	-.006	190	1442	-.205	.028	-.094	-.323	190	1492	.007	.039	.155	-.114
190	1378	.177	.068	.437	-.008	190	1443	-.115	.030	.033	-.217	190	1493	.019	.046	.213	-.174
190	1379	.067	.056	.275	-.231	190	1444	-.047	.043	.138	-.187	190	1494	-.115	.088	.178	-.680
190	1380	-.065	.044	.102	-.253	190	1445	-.067	.046	.097	-.251	190	1495	-.167	.118	.176	-.819

WD	TAP	CPMEAN	CPRMS	CPMAX	CPMIN	WD	TAP	CPMEAN	CPRMS	CPMAX	CPMIN	WD	TAP	CPMEAN	CPRMS	CPMAX	CPMIN
190	1496	.085	.079	.472	-.197	190	1922	-.242	.053	-.083	-.450	190	2404	.217	.077	.556	.027
190	1497	.037	.094	.324	-.347	190	1923	-.191	.042	-.076	-.363	190	2405	.242	.090	.790	.031
190	1498	.046	.113	.308	-.518	190	1924	-.272	.044	-.118	-.517	190	2406	.214	.086	.599	.051
190	1499	.097	.043	.289	-.049	190	1925	-.340	.097	-.010	-.676	190	2901	-.067	.121	.380	-.561
190	1500	.095	.040	.287	-.035	190	1926	-.167	.044	-.004	-.427	190	2902	-.090	.073	.424	-.097
190	1501	-.142	.031	-.014	-.255	190	1927	-.426	.084	-.179	-.769	190	2903	-.023	.034	.117	-.131
190	1502	-.162	.028	-.056	-.275	190	1928	-.081	.061	-.216	-.268	190	2904	-.011	.045	.306	-.126
190	1503	-.017	.038	.146	-.127	190	1929	-.404	.077	-.162	-.743	190	2905	-.052	.034	.076	-.283
190	1504	-.007	.048	.206	-.130	190	1930	-.300	.077	-.069	-.626	190	2906	-.139	.052	.055	-.358
190	1505	-.108	.100	.169	-.523	190	1931	-.193	.061	.143	-.483	190	2907	-.270	.091	.296	-.725
190	1506	-.148	.101	.155	-.599	190	1932	-.170	.049	.029	-.452	190	2908	-.039	.035	-.079	-.177
190	1507	.091	.076	.366	-.278	190	1933	-.142	.043	.041	-.302	190	2909	-.303	.080	-.015	-.703
190	1508	.053	.084	.285	-.306	190	1934	-.232	.091	.131	-.618	190	2910	-.297	.052	-.170	-.546
190	1509	-.030	.062	.141	-.403	190	1935	-.139	.057	.150	-.321	190	2911	-.003	.048	.216	-.129
190	1510	.123	.063	.514	-.035	190	2101	-.322	.081	-.131	-.855	190	2912	-.071	.048	.187	-.322
190	1511	.079	.073	.345	-.241	190	2102	-.337	.050	-.192	-.570	190	2913	-.013	.040	.158	-.129
190	1512	.079	.042	.319	-.083	190	2103	-.327	.054	-.141	-.703	190	2914	-.021	.047	.170	-.165
190	1513	.155	.056	.396	-.016	190	2104	-.272	.051	-.133	-.713	190	2915	-.160	.064	-.021	-.505
190	1514	.139	.061	.551	-.074	190	2105	-.248	.038	-.134	-.428	190	2916	-.303	.049	-.114	-.484
190	1515	.143	.059	.393	-.153	190	2106	-.263	.053	-.134	-.592	190	2917	-.156	.028	-.066	-.262
190	1516	.125	.090	.530	-.303	190	2107	-.234	.035	-.088	-.373	190	2918	-.204	.034	-.097	-.394
190	1801	-.261	.034	-.137	-.387	190	2201	-.201	.063	-.020	-.493	190	2919	-.243	.051	-.059	-.551
190	1802	.058	.055	.264	-.142	190	2202	-.157	.031	-.052	-.264	190	2920	-.284	.048	-.129	-.457
190	1803	.027	.044	.223	-.155	190	2203	-.276	.049	-.083	-.520	190	2921	-.303	.067	-.047	-.614
190	1804	-.288	.035	-.155	-.458	190	2204	-.302	.047	-.117	-.481	190	2922	-.275	.108	-.009	-1.005
190	1805	-.024	.056	.156	-.309	190	2205	-.293	.045	-.136	-.469	190	2923	-.234	.075	-.042	-.703
190	1806	-.053	.045	.155	-.210	190	2206	-.259	.037	-.102	-.373	190	2924	-.243	.048	-.083	-.541
190	1807	-.215	.049	-.034	-.421	190	2207	-.301	.058	-.032	-.631	190	2925	-.261	.042	-.043	-.507
190	1808	-.258	.031	-.116	-.360	190	2208	-.130	.074	.098	-.599	190	2926	-.254	.040	-.126	-.469
190	1901	-.490	.108	-.154	-1.159	190	2209	-.255	.036	-.068	-.459	190	3101	-.343	.081	-.060	-.770
190	1902	-.262	.077	-.051	-.610	190	2210	-.253	.047	-.102	-.493	190	3102	-.345	.065	-.158	-.667
190	1903	-.240	.045	-.076	-.402	190	2211	-.254	.033	-.138	-.356	190	3103	-.387	.065	-.201	-.665
190	1904	-.207	.044	-.074	-.382	190	2212	-.248	.047	-.097	-.450	190	3104	-.341	.067	-.184	-.825
190	1905	-.174	.066	-.069	-.419	190	2213	-.084	.072	-.192	-.332	190	3105	-.329	.044	-.194	-.528
190	1906	-.496	.107	-.110	-.874	190	2214	-.250	.033	-.150	-.418	190	3106	-.339	.057	-.189	-.653
190	1907	-.248	.079	-.049	-.557	190	2215	-.243	.034	-.102	-.418	190	3107	-.312	.051	-.177	-.579
190	1908	-.512	.128	-.072	-1.139	190	2301	-.006	.045	.210	-.157	190	3108	-.286	.048	-.170	-.564
190	1909	-.522	.144	-.035	-1.034	190	2302	.051	.074	.435	-.114	190	3109	-.275	.043	-.158	-.469
190	1910	-.702	.225	-.202	-1.985	190	2303	.023	.073	.350	-.145	190	3110	-.279	.043	-.169	-.467
190	1911	-.290	.081	-.090	-.726	190	2304	.163	.076	.483	-.063	190	3111	-.314	.047	-.167	-.517
190	1912	-.233	.077	-.037	-.683	190	2305	-.070	.108	.324	-.428	190	3112	-.307	.042	-.194	-.485
190	1913	-.264	.053	-.112	-.546	190	2306	-.253	.070	.046	-.527	190	3113	-.290	.040	-.153	-.509
190	1914	-.519	.119	-.135	-.986	190	2307	-.260	.052	.135	-.474	190	3114	-.294	.042	-.170	-.600
190	1915	-.324	.062	-.161	-.648	190	2308	-.182	.070	.515	-.027	190	3115	-.387	.069	-.206	-.732
190	1916	-.208	.075	.051	-.605	190	2309	-.091	.075	.176	-.329	190	3116	-.322	.050	-.194	-.603
190	1917	-.150	.070	.124	-.425	190	2310	-.212	.050	-.015	-.423	190	3117	-.283	.040	-.155	-.483
190	1918	-.483	.110	-.138	-.942	190	2311	-.256	.035	-.121	-.474	190	3118	-.279	.034	-.146	-.421
190	1919	-.517	.120	-.170	-1.022	190	2401	.057	.073	.435	-.179	190	3119	-.218	.180	-.290	-.994
190	1920	-.496	.114	-.135	-.993	190	2402	.118	.081	.459	-.143	190	3120	-.470	.112	-.201	-1.234
190	1921	-.417	.096	-.158	-.995	190	2403	.063	.054	.275	-.070	190	3121	-.293	.044	-.151	-.447

WD	TAP	CPMEAN	CPRMS	CPMAX	CPMIN	WD	TAP	CPMEAN	CPRMS	CPMAX	CPMIN	WD	TAP	CPMEAN	CPRMS	CPMAX	CPMIN
190	3122	.239	.095	.729	-.191	190	3318	-.014	.082	.381	-.230	190	3902	-.376	.065	-.190	-.707
190	3123	-.413	.074	-.220	-.921	190	3319	-.167	.054	.155	-.352	190	3903	-.277	.042	-.125	-.507
190	3124	.278	.115	.732	-.139	190	3320	-.049	.059	.226	-.235	190	3904	-.283	.043	-.141	-.486
190	3125	.052	.123	.574	-.375	190	3321	-.065	.077	.221	-.413	190	3905	-.287	.041	-.166	-.518
190	3126	-.087	.107	-.101	-.909	190	3322	.063	.106	.353	-.239	190	3906	-.288	.052	-.165	-.514
190	3127	-.367	.201	-.203	-1.329	190	3323	.033	.079	.389	-.150	190	3907	-.281	.033	-.134	-.514
190	3128	-.057	.076	-.057	-.773	190	3324	.076	.104	.489	-.251	190	3908	-.285	.035	-.163	-.414
190	3129	-.315	.056	-.115	-.617	190	3325	-.013	.064	.308	-.185	190	3909	-.299	.060	-.132	-.598
190	3130	-.282	.049	-.110	-.481	190	3326	-.046	.069	.207	-.300	190	3910	-.363	.063	-.177	-.635
190	3131	-.264	.037	-.119	-.443	190	3327	.001	.068	.332	-.197	190	3911	-.291	.052	-.144	-.622
190	3132	-.256	.048	-.096	-.464	190	3328	.020	.101	.494	-.282	190	3912	-.313	.045	-.180	-.498
190	3133	-.286	.043	-.146	-.440	190	3329	-.218	.061	.107	-.428	190	3913	-.308	.046	-.146	-.581
190	3134	-.239	.041	-.089	-.407	190	3330	-.025	.054	.219	-.171	190	3914	-.305	.049	-.156	-.610
190	3135	-.237	.052	-.166	-.705	190	3331	-.049	.069	.320	-.392	190	3915	-.427	.102	-.084	-.894
190	3136	-.261	.046	-.100	-.465	190	3332	-.038	.074	.315	-.327	190	3916	-.352	.064	-.168	-.696
190	3201	-.084	.088	-.268	-.500	190	3333	.016	.073	.449	-.277	190	3917	-.266	.055	-.091	-.548
190	3202	-.215	.090	.115	-.579	190	3334	-.013	.057	.264	-.275	190	3918	-.451	.088	-.189	-.928
190	3203	-.259	.102	.278	-.638	190	3335	.078	.073	.442	-.159	190	3919	-.549	.149	-.237	-1.403
190	3204	-.322	.115	.272	-.662	190	3336	.087	.086	.610	-.193	190	3920	-.575	.133	-.215	-1.145
190	3205	-.363	.067	-.089	-.619	190	3337	.091	.072	.449	-.246	190	3921	-.614	.143	-.237	-1.595
190	3206	-.370	.078	.041	-.676	190	3338	-.266	.084	.036	-.571	190	3922	-.056	.081	-.361	-.345
190	3207	-.063	.094	.516	-.452	190	3339	-.017	.052	.230	-.183	190	3923	-.007	.095	-.234	-.404
190	3208	-.108	.148	.425	-.608	190	3340	-.031	.049	.650	-.201	190	3924	-.004	.063	-.277	-.187
190	3209	.109	.097	.868	-.196	190	3341	-.038	.055	.243	-.264	190	3925	-.612	.135	-.302	-1.234
190	3210	.082	.074	.473	-.318	190	3342	.009	.055	.328	-.168	190	3926	-.018	.093	-.353	-.287
190	3211	.200	.092	.557	-.091	190	3343	.085	.074	.462	-.090	190	3927	-.710	.253	-.052	-1.928
190	3212	.186	.135	.657	-.361	190	3344	.098	.079	.444	-.211	190	3928	.069	.078	.404	-.402
190	3213	.143	.129	.666	-.444	190	3345	.096	.083	.447	-.246	190	3929	.042	.065	.279	-.199
190	3214	.102	.065	.382	-.093	190	3346	.076	.094	.366	-.637	190	3930	.018	.064	.313	-.165
190	3215	.305	.088	.583	-.022	190	3347	.096	.067	.346	-.115	190	3931	-.004	.058	.307	-.260
190	3216	.292	.122	.755	-.150	190	3348	-.234	.043	-.082	-.392	190	3932	-.030	.082	-.298	-.323
190	3217	.212	.132	.670	-.345	190	3349	-.125	.096	.278	-.493	190	3933	-.448	.104	-.099	-.921
190	3218	.115	.148	.632	-.533	190	3401	-.286	.042	-.151	-.518	190	3934	-.511	.117	-.189	-1.124
190	3301	-.157	.065	.228	-.385	190	3402	-.289	.049	-.163	-.589	190	3935	-.669	.215	-.011	-1.684
190	3302	-.043	.070	.296	-.279	190	3403	-.287	.049	-.120	-.490	190	3936	-.173	.058	-.059	-.367
190	3303	-.187	.066	.139	-.430	190	3404	-.351	.077	-.130	-.763	190	3937	-.169	.041	-.019	-.501
190	3304	-.191	.091	.200	-.580	190	3405	-.467	.079	-.292	-.865	190	3938	-.067	.046	-.190	-.203
190	3305	-.096	.098	.376	-.517	190	3406	-.425	.073	-.196	-.904	190	3939	-.223	.074	-.002	-.531
190	3306	-.098	.105	.271	-.439	190	3407	-.097	.078	-.391	-.334	190	3940	-.186	.061	.008	-.473
190	3307	-.023	.099	.404	-.349	190	3408	-.401	.055	-.266	-.682	190	3941	-.092	.064	-.152	-.327
190	3308	.017	.145	.548	-.615	190	3409	-.151	.084	.424	-.405	200	1101	-.467	.106	-.199	-.982
190	3309	-.173	.066	.313	-.387	190	3410	-.280	.025	-.208	-.359	200	1102	-.399	.078	-.112	-.767
190	3310	-.023	.072	.372	-.270	190	3411	-.365	.072	-.148	-.737	200	1103	-.477	.107	-.174	-.936
190	3311	-.003	.081	.336	-.228	190	3412	-.394	.069	-.215	-.752	200	1104	-.383	.068	-.162	-.622
190	3312	.005	.099	.456	-.392	190	3413	-.081	.063	-.167	-.307	200	1105	-.376	.078	-.109	-.710
190	3313	-.003	.083	.440	-.230	190	3414	-.257	.043	-.123	-.405	200	1106	-.323	.037	-.174	-.460
190	3314	.095	.134	.628	-.441	190	3415	-.272	.046	-.108	-.475	200	1107	-.316	.043	-.186	-.493
190	3315	-.083	.096	.343	-.430	190	3416	-.381	.064	-.206	-.664	200	1108	-.315	.034	-.197	-.465
190	3316	.023	.108	.616	-.528	190	3417	-.355	.078	-.115	-.672	200	1109	-.314	.035	-.206	-.453
190	3317	.017	.074	.355	-.209	190	3901	-.261	.040	-.108	-.470	200	1110	-.319	.042	-.206	-.532

WD	TAP	CPMEAN	CPRMS	CPMAX	CPMIN	WD	TAP	CPMEAN	CPRMS	CPMAX	CPMIN	WD	TAP	CPMEAN	CPRMS	CPMAX	CPMIN
200	1111	-.322	.041	-.197	-.502	200	1161	-.287	.029	-.186	-.398	200	1249	-.200	.056	.031	-.404
200	1112	-.314	.034	-.216	-.435	200	1162	-.281	.032	-.138	-.417	200	1250	-.277	.037	-.118	-.506
200	1113	-.320	.035	-.204	-.460	200	1201	-.453	.099	-.170	-.940	200	1251	-.301	.028	-.204	-.416
200	1114	-.321	.042	-.204	-.518	200	1202	-.449	.096	-.114	-.884	200	1252	-.529	.115	-.202	-1.078
200	1115	-.321	.041	-.190	-.553	200	1203	-.336	.080	-.091	-.678	200	1253	-.538	.135	-.088	-1.604
200	1116	-.317	.034	-.223	-.451	200	1204	-.293	.069	-.080	-.659	200	1254	-.364	.131	.180	-.829
200	1117	-.323	.036	-.190	-.456	200	1205	-.323	.056	-.184	-.546	200	1255	-.141	.081	.140	-.541
200	1118	-.317	.034	-.211	-.447	200	1206	-.355	.055	-.191	-.620	200	1256	-.174	.041	.005	-.355
200	1119	-.320	.039	-.202	-.493	200	1207	-.421	.088	-.189	-.805	200	1257	-.211	.043	-.041	-.409
200	1120	-.325	.041	-.209	-.599	200	1208	-.330	.041	-.089	-.555	200	1258	-.283	.035	-.111	-.464
200	1121	-.319	.032	-.216	-.444	200	1209	-.352	.058	-.177	-.583	200	1259	-.299	.031	-.188	-.409
200	1122	-.313	.028	-.206	-.414	200	1210	-.357	.058	-.179	-.569	200	1260	-.631	.228	-.046	-1.845
200	1123	-.311	.032	-.206	-.430	200	1211	-.367	.102	-.135	-1.102	200	1261	-.573	.207	.070	-1.325
200	1124	-.307	.029	-.218	-.419	200	1212	-.288	.110	-.004	-.961	200	1262	-.222	.129	.152	-.876
200	1125	-.313	.033	-.197	-.435	200	1213	-.220	.070	-.031	-.641	200	1263	-.098	.059	.184	-.362
200	1126	-.322	.033	-.211	-.451	200	1214	-.278	.056	-.124	-.627	200	1264	-.116	.079	.252	-.383
200	1127	-.318	.030	-.212	-.429	200	1215	-.292	.051	-.158	-.548	200	1265	-.264	.047	-.097	-.429
200	1128	-.315	.030	-.219	-.439	200	1216	-.357	.054	-.177	-.585	200	1266	-.285	.033	-.143	-.432
200	1129	-.318	.030	-.207	-.422	200	1217	-.354	.054	-.168	-.546	200	1267	-.296	.035	-.162	-.427
200	1130	-.315	.033	-.221	-.462	200	1218	-.291	.088	-.043	-.803	200	1268	-.497	.203	-.048	-1.448
200	1131	-.319	.034	-.221	-.441	200	1219	-.256	.051	-.096	-.555	200	1269	-.137	.074	.194	-.648
200	1132	-.326	.034	-.196	-.476	200	1220	-.291	.042	-.156	-.652	200	1270	-.276	.102	-.117	-.636
200	1133	-.319	.032	-.219	-.448	200	1221	-.339	.054	-.182	-.592	200	1271	-.343	.043	-.171	-.529
200	1134	-.321	.028	-.240	-.441	200	1222	-.355	.052	-.182	-.520	200	1272	-.283	.177	.136	-1.120
200	1135	-.317	.029	-.233	-.418	200	1223	-.373	.065	-.179	-.624	200	1273	-.220	.108	.082	-.743
200	1136	-.313	.029	-.231	-.441	200	1224	-.291	.080	-.045	-.736	200	1274	-.090	.056	.154	-.348
200	1137	-.332	.036	-.219	-.487	200	1225	-.237	.069	-.019	-.548	200	1275	-.043	.088	.363	-.288
200	1138	-.329	.036	-.224	-.483	200	1226	-.272	.048	-.145	-.527	200	1276	-.304	.043	-.146	-.481
200	1139	-.326	.033	-.224	-.453	200	1227	-.299	.043	-.182	-.520	200	1277	-.285	.034	-.171	-.425
200	1140	-.317	.028	-.207	-.416	200	1228	-.340	.052	-.179	-.543	200	1278	-.143	.057	.022	-.425
200	1141	-.313	.029	-.207	-.420	200	1229	-.361	.051	-.184	-.556	200	1279	-.082	.052	.187	-.292
200	1142	-.305	.029	-.196	-.416	200	1230	-.370	.063	-.158	-.624	200	1280	-.027	.081	.461	-.171
200	1143	-.360	.057	-.237	-.698	200	1231	-.323	.062	-.149	-.601	200	1281	-.113	.084	-.198	-.522
200	1144	-.356	.050	-.219	-.621	200	1232	-.233	.064	-.029	-.515	200	1282	-.232	.047	-.074	-.416
200	1145	-.332	.035	-.207	-.471	200	1233	-.215	.056	-.010	-.485	200	1283	-.287	.028	-.190	-.385
200	1146	-.323	.033	-.221	-.485	200	1234	-.274	.043	-.133	-.483	200	1284	-.148	.051	-.009	-.413
200	1147	-.312	.032	-.173	-.487	200	1235	-.295	.037	-.181	-.451	200	1285	-.181	.073	.017	-.522
200	1148	-.317	.040	-.180	-.584	200	1236	-.380	.062	-.179	-.631	200	1286	-.083	.049	.131	-.248
200	1149	-.347	.052	-.189	-.642	200	1237	-.386	.058	-.193	-.604	200	1287	-.012	.064	.428	-.202
200	1150	-.315	.032	-.200	-.464	200	1238	-.411	.069	-.221	-.814	200	1288	-.246	.051	-.044	-.513
200	1151	-.306	.042	-.173	-.610	200	1239	-.427	.099	-.082	-.921	200	1289	-.289	.033	-.164	-.409
200	1152	-.347	.045	-.210	-.536	200	1240	-.297	.112	.036	-.791	200	1290	-.284	.029	-.190	-.388
200	1153	-.302	.028	-.179	-.410	200	1241	-.249	.085	-.034	-.710	200	1301	-.180	.301	.652	-1.388
200	1154	-.295	.026	-.202	-.414	200	1242	-.295	.057	-.047	-.557	200	1302	-.322	.115	.118	-.778
200	1155	-.294	.021	-.223	-.353	200	1243	-.300	.045	-.149	-.497	200	1303	-.610	.177	.129	-1.624
200	1156	-.281	.031	-.150	-.394	200	1244	-.419	.070	-.214	-.699	200	1304	-.351	.070	-.091	-.627
200	1157	-.277	.035	-.150	-.392	200	1245	-.435	.075	-.233	-.726	200	1305	.184	.134	.735	-.252
200	1158	-.261	.045	-.090	-.465	200	1246	-.443	.082	-.212	-.877	200	1306	.172	.138	.617	-.243
200	1159	-.293	.030	-.198	-.414	200	1247	-.327	.097	-.067	-.678	200	1307	.190	.119	.640	-.176
200	1160	-.297	.031	-.179	-.389	200	1248	-.187	.069	.056	-.469	200	1308	.118	.110	.543	-.227

WD	TAP	CPMEAN	CPRMS	CPMAX	CPMIN	WD	TAP	CPMEAN	CPRMS	CPMAX	CPMIN	WD	TAP	CPMEAN	CPRMS	CPMAX	CPMIN
200	1309	.204	.133	.601	-.535	200	1359	-.021	.083	.416	-.284	200	1424	-.344	.185	.361	-1.003
200	1310	.216	.129	.594	-.555	200	1360	-.194	.095	.198	-.572	200	1425	-.502	.216	.129	-1.503
200	1311	.018	.097	.384	-.280	200	1361	.186	.095	.576	-.136	200	1426	.120	.155	.912	-.397
200	1312	-.056	.081	.266	-.327	200	1362	.191	.091	.597	-.108	200	1427	.059	.123	.534	-.463
200	1313	.332	.166	.960	-.209	200	1363	.091	.065	.337	-.106	200	1428	-.085	.166	.655	-.807
200	1314	.330	.141	.842	-.139	200	1364	.121	.054	.370	-.048	200	1429	.287	.146	.792	-.113
200	1315	.351	.152	.904	-.181	200	1365	-.084	.082	.143	-.419	200	1430	.254	.179	.817	-.540
200	1316	.167	.118	.534	-.176	200	1366	-.022	.055	.126	-.342	200	1431	-.305	.034	-.169	-.442
200	1317	.344	.161	.923	-.178	200	1367	-.032	.045	.191	-.203	200	1432	-.263	.036	-.137	-.424
200	1318	.338	.155	.812	-.072	200	1368	-.127	.066	.147	-.372	200	1433	-.152	.051	.048	-.319
200	1319	.354	.177	.890	-.486	200	1369	.161	.077	.487	-.161	200	1434	-.109	.055	.091	-.374
200	1320	.008	.088	.340	-.313	200	1370	.028	.059	.265	-.138	200	1435	-.326	.086	-.043	-.668
200	1321	.119	.182	.691	-.447	200	1371	-.195	.074	.001	-.498	200	1436	-.383	.153	.014	-1.060
200	1322	.151	.197	.814	-.456	200	1372	-.217	.059	-.081	-.377	200	1437	-.008	.116	.408	-.700
200	1323	.154	.133	.705	-.299	200	1373	.189	.082	.589	-.006	200	1438	.019	.110	.390	-.381
200	1324	.201	.131	.674	-.147	200	1374	.074	.049	.295	-.070	200	1439	.216	.130	.655	-.196
200	1325	.285	.144	.748	-.226	200	1375	-.080	.052	.074	-.320	200	1440	-.244	.143	.732	-.180
200	1326	.259	.143	.808	-.168	200	1376	-.041	.037	.072	-.227	200	1441	-.246	.026	-.130	-.344
200	1327	.027	.106	.435	-.324	200	1377	.208	.086	.571	-.031	200	1442	-.202	.030	-.039	-.310
200	1328	-.069	.085	.268	-.363	200	1378	.127	.070	.404	-.081	200	1443	-.092	.042	.119	-.228
200	1329	.355	.146	.994	-.101	200	1379	-.055	.063	.149	-.279	200	1444	.001	.054	.199	-.198
200	1330	.242	.162	.959	-.333	200	1380	-.154	.044	.050	-.544	200	1445	.001	.055	.283	-.194
200	1331	.344	.132	.930	-.024	200	1381	-.032	.062	.213	-.227	200	1446	-.337	.141	.119	-.866
200	1332	.381	.149	.868	-.015	200	1382	.253	.099	.710	-.019	200	1447	-.351	.138	.148	-.944
200	1333	.371	.156	.801	-.623	200	1383	.133	.075	.493	-.081	200	1448	.162	.147	.872	-.344
200	1334	.344	.133	.899	-.087	200	1384	.064	.064	.359	-.124	200	1449	.059	.140	.575	-.427
200	1335	.245	.121	.667	-.096	200	1385	.006	.056	.236	-.190	200	1450	.053	.119	.630	-.376
200	1336	.028	.082	.351	-.226	200	1401	-.338	.111	-.032	-.743	200	1451	.357	.141	.792	-.115
200	1337	.334	.154	.896	-.382	200	1402	-.318	.126	-.018	-.708	200	1452	.341	.137	.758	-.057
200	1338	.245	.172	.896	-.321	200	1403	-.163	.120	.078	-.675	200	1453	-.240	.027	-.115	-.337
200	1339	.386	.132	.873	-.096	200	1404	-.164	.104	.201	-.524	200	1454	-.193	.032	-.057	-.340
200	1340	.415	.138	.889	-.066	200	1405	-.332	.093	-.047	-.843	200	1455	-.076	.046	.108	-.284
200	1341	.320	.176	.861	-.312	200	1406	-.164	.094	-.146	-.577	200	1456	.020	.053	.255	-.163
200	1342	.321	.152	.806	-.314	200	1407	-.357	.080	-.155	-.663	200	1457	.031	.068	.313	-.332
200	1343	.199	.116	.646	-.106	200	1408	-.392	.237	-.630	-.939	200	1458	-.264	.155	.251	-.956
200	1344	-.024	.079	.265	-.263	200	1409	-.254	.027	-.164	-.376	200	1459	-.327	.183	.231	-1.222
200	1345	.284	.133	.808	-.191	200	1410	-.239	.029	-.125	-.349	200	1460	.198	.146	.763	-.226
200	1346	.242	.143	.773	-.217	200	1411	-.144	.037	-.027	-.280	200	1461	.182	.123	.683	-.236
200	1347	.347	.123	.762	-.052	200	1412	-.129	.040	.023	-.257	200	1462	.157	.120	.567	-.330
200	1348	.361	.134	.894	-.047	200	1413	-.494	.155	.039	-1.033	200	1463	.410	.134	.882	-.047
200	1349	.275	.176	.868	-.451	200	1414	-.533	.136	-.007	-1.031	200	1464	.371	.141	.863	-.010
200	1350	.263	.136	.817	-.442	200	1415	-.094	.118	.513	-.419	200	1465	-.245	.029	-.127	-.337
200	1351	.150	.116	.657	-.138	200	1416	-.149	.147	.272	-.752	200	1466	-.192	.032	-.054	-.289
200	1352	-.072	.074	.308	-.309	200	1417	-.287	.173	.274	-.873	200	1467	-.049	.043	.149	-.216
200	1353	.217	.123	.785	-.347	200	1418	-.011	.086	.333	-.276	200	1468	.050	.052	.313	-.105
200	1354	.168	.103	.783	-.140	200	1419	.059	.090	.422	-.438	200	1469	.058	.068	.364	-.209
200	1355	.115	.103	.560	-.136	200	1420	.072	.159	.495	-.467	200	1470	-.231	.160	.352	-.964
200	1356	.088	.088	.514	-.173	200	1421	-.288	.031	-.189	-.401	200	1471	-.249	.160	.282	-1.237
200	1357	-.015	.132	.460	-.491	200	1422	-.228	.033	-.105	-.358	200	1472	-.233	.138	.222	-.282
200	1358	-.028	.087	.342	-.764	200	1423	-.088	.050	.114	-.273	200	1473	.158	.117	.688	-.228

WD	TAP	CPMEAN	CPRMS	CPMAX	CPMIN	WD	TAP	CPMEAN	CPRMS	CPMAX	CPMIN	WD	TAP	CPMEAN	CPRMS	CPMAX	CPMIN
200	1474	.163	.112	.575	-.185	200	1808	-.284	.027	-.179	-.374	200	2208	-.140	.080	.123	-.772
200	1475	.335	.128	.749	-.011	200	1901	-.581	.122	-.172	-1.132	200	2209	-.261	.056	.019	-.617
200	1476	.356	.135	.795	-.001	200	1902	-.390	.079	-.113	-.726	200	2210	-.263	.061	-.063	-.576
200	1477	-.238	.031	-.078	-.352	200	1903	-.309	.070	-.108	-.639	200	2211	-.273	.033	-.145	-.400
200	1478	-.185	.034	-.003	-.286	200	1904	-.276	.060	-.096	-.590	200	2212	-.285	.041	-.147	-.468
200	1479	-.047	.040	.118	-.161	200	1905	-.256	.078	.028	-.583	200	2213	-.108	.087	.319	-.400
200	1480	.050	.046	.282	-.069	200	1906	-.593	.114	-.252	-1.090	200	2214	-.250	.037	-.040	-.398
200	1481	.062	.057	.280	-.156	200	1907	-.347	.072	-.111	-.712	200	2215	-.228	.053	.035	-.607
200	1482	-.102	.121	.311	-.577	200	1908	-.620	.128	-.179	-1.079	200	2301	.049	.053	.232	-.095
200	1483	-.114	.124	.277	-.746	200	1909	-.553	.135	-.067	-1.166	200	2302	.151	.083	.424	-.054
200	1484	.136	.075	.480	-.197	200	1910	-1.064	.339	-.339	-2.583	200	2303	.108	.079	.480	-.083
200	1485	.102	.075	.497	-.323	200	1911	-.478	.144	-.163	-1.455	200	2304	.211	.093	.631	-.013
200	1486	.104	.076	.504	-.291	200	1912	-.386	.114	-.108	-.792	200	2305	-.047	.109	.314	-.513
200	1487	.073	.091	.519	-.325	200	1913	-.378	.079	-.148	-.804	200	2306	-.282	.094	.141	-.771
200	1488	.105	.118	.589	-.349	200	1914	-.610	.117	-.140	-1.097	200	2307	-.265	.070	.191	-.528
200	1489	-.230	.025	-.137	-.335	200	1915	-.433	.080	-.229	-.847	200	2308	-.250	.098	.653	-.040
200	1490	-.182	.027	-.052	-.267	200	1916	-.330	.085	.028	-.710	200	2309	-.114	.084	.203	-.427
200	1491	-.070	.031	.059	-.168	200	1917	-.261	.080	-.088	-.541	200	2310	-.231	.061	-.083	-.473
200	1492	.059	.045	.234	-.069	200	1918	-.568	.113	-.227	-1.065	200	2311	-.261	.041	-.045	-.432
200	1493	.077	.054	.280	-.083	200	1919	-.584	.114	-.234	-1.068	200	2401	.063	.073	.424	-.213
200	1494	-.021	.102	.273	-.410	200	1920	-.576	.119	-.227	-1.070	200	2402	.113	.070	.554	-.071
200	1495	-.060	.109	.291	-.530	200	1921	-.544	.130	-.236	-1.120	200	2403	.056	.054	.403	-.076
200	1496	.178	.079	.474	-.109	200	1922	-.303	.058	-.129	-.555	200	2404	.209	.073	.470	.030
200	1497	.139	.067	.462	-.174	200	1923	-.273	.055	-.113	-.555	200	2405	.220	.071	.506	.020
200	1498	.127	.070	.432	-.329	200	1924	-.354	.055	-.184	-.580	200	2406	.215	.082	.543	-.028
200	1499	.094	.048	.291	-.047	200	1925	-.356	.096	-.008	-.792	200	2901	.123	.133	.567	-.393
200	1500	.072	.048	.254	-.098	200	1926	-.242	.066	-.008	-.532	200	2902	.121	.072	.437	-.058
200	1501	-.144	.030	.027	-.243	200	1927	-.497	.080	-.256	-.799	200	2903	.008	.035	.123	-.099
200	1502	-.177	.026	-.072	-.266	200	1928	-.154	.074	-.192	-.423	200	2904	-.058	.054	.340	-.092
200	1503	.032	.046	.222	-.100	200	1929	-.470	.089	-.196	-.840	200	2905	-.087	.065	.060	-.506
200	1504	.072	.049	.233	-.095	200	1930	-.372	.079	-.115	-.653	200	2906	-.123	.058	.068	-.369
200	1505	.004	.106	.319	-.475	200	1931	-.256	.081	-.049	-.653	200	2907	-.283	.073	.220	-.632
200	1506	-.033	.126	.344	-.553	200	1932	-.235	.065	-.006	-.525	200	2908	-.032	.047	-.176	-.231
200	1507	.170	.076	.497	-.056	200	1933	-.194	.067	.157	-.513	200	2909	-.356	.078	-.087	-.697
200	1508	.098	.060	.340	-.296	200	1934	-.186	.103	.188	-.556	200	2910	-.353	.058	-.162	-.690
200	1509	-.124	.079	.113	-.456	200	1935	-.122	.063	-.102	-.304	200	2911	-.073	.049	-.239	-.094
200	1510	.191	.084	.552	-.014	200	2101	-.378	.089	-.181	-.917	200	2912	-.082	.049	.113	-.272
200	1511	.173	.078	.434	-.146	200	2102	-.379	.050	-.241	-.625	200	2913	.039	.043	.196	-.092
200	1512	.036	.044	.196	-.146	200	2103	-.359	.058	-.200	-.661	200	2914	-.022	.055	-.273	-.108
200	1513	.202	.092	.629	-.023	200	2104	-.266	.067	-.085	-.694	200	2915	-.218	.072	-.019	-.550
200	1514	.206	.082	.578	-.017	200	2105	-.230	.045	-.072	-.449	200	2916	-.353	.055	-.147	-.547
200	1515	.193	.082	.594	-.007	200	2106	-.248	.061	-.092	-.649	200	2917	-.170	.026	-.058	-.253
200	1516	.161	.070	.421	-.213	200	2107	-.213	.043	-.017	-.449	200	2918	-.225	.028	-.116	-.403
200	1801	-.276	.033	-.138	-.389	200	2201	-.251	.082	-.101	-.651	200	2919	-.274	.033	-.157	-.523
200	1802	-.067	.060	.142	-.307	200	2202	-.155	.032	-.012	-.270	200	2920	-.324	.053	-.162	-.555
200	1803	-.077	.059	-.115	-.303	200	2203	-.284	.034	-.169	-.408	200	2921	-.309	.070	-.051	-.690
200	1804	-.298	.034	-.154	-.430	200	2204	-.335	.042	-.198	-.519	200	2922	-.251	.125	.111	-1.001
200	1805	-.144	.074	-.085	-.467	200	2205	-.327	.046	-.159	-.514	200	2923	-.210	.088	-.065	-.716
200	1806	-.135	.051	-.080	-.408	200	2206	-.282	.037	-.125	-.388	200	2924	-.221	.057	-.029	-.540
200	1807	-.216	.050	-.052	-.396	200	2207	-.331	.054	-.121	-.721	200	2925	-.257	.056	-.011	-.549



WD	TAP	CPMEAN	CPRMS	CPMAX	CPMIN	WD	TAP	CPMEAN	CPRMS	CPMAX	CPMIN	WD	TAP	CPMEAN	CPRMS	CPMAX	CPMIN
200	2926	-.237	.051	-.082	-.572	200	3214	.074	.071	.330	-.325	200	3346	.147	.091	.532	-.244
200	3101	-.325	.066	-.134	-.666	200	3215	.166	.085	.445	-.097	200	3347	.144	.087	.631	-.069
200	3102	-.362	.062	-.154	-.675	200	3216	.116	.151	.615	-.381	200	3348	-.276	.046	-.087	-.464
200	3103	-.350	.057	-.195	-.611	200	3217	.039	.166	.591	-.487	200	3349	-.202	.097	.111	-.472
200	3104	-.323	.042	-.185	-.719	200	3218	-.072	.162	.461	-.542	200	3401	-.337	.042	-.208	-.501
200	3105	-.347	.047	-.222	-.581	200	3301	-.212	.047	.052	-.367	200	3402	-.335	.039	-.218	-.530
200	3106	-.427	.085	-.214	-.870	200	3302	-.043	.065	.293	-.634	200	3403	-.347	.055	-.192	-.605
200	3107	-.379	.066	-.214	-.650	200	3303	-.283	.070	.123	-.530	200	3404	-.430	.074	-.170	-.728
200	3108	-.356	.062	-.200	-.624	200	3304	-.321	.097	-.007	-.710	200	3405	-.462	.064	-.304	-.953
200	3109	-.332	.046	-.202	-.622	200	3305	-.181	.095	.227	-.520	200	3406	-.452	.062	-.292	-.806
200	3110	-.334	.041	-.215	-.518	200	3306	-.181	.128	.329	-.750	200	3407	-.159	.075	-.223	-.457
200	3111	-.306	.035	-.200	-.434	200	3307	-.098	.099	.387	-.454	200	3408	-.424	.050	-.290	-.710
200	3112	-.321	.040	-.178	-.506	200	3308	-.115	.130	.589	-.494	200	3409	-.234	.064	-.078	-.495
200	3113	-.315	.038	-.193	-.458	200	3309	-.206	.051	.130	-.381	200	3410	-.328	.023	-.269	-.422
200	3114	-.319	.040	-.186	-.506	200	3310	-.038	.068	.340	-.310	200	3411	-.428	.069	-.213	-.898
200	3115	-.343	.053	-.190	-.638	200	3311	-.023	.085	.314	-.329	200	3412	-.425	.061	-.259	-.769
200	3116	-.319	.042	-.198	-.523	200	3312	-.058	.098	.437	-.558	200	3413	-.165	.062	-.091	-.497
200	3117	-.323	.044	-.171	-.614	200	3313	-.075	.088	.255	-.423	200	3414	-.313	.040	-.122	-.474
200	3118	-.328	.046	-.188	-.597	200	3314	-.209	.117	.698	-.123	200	3415	-.327	.051	-.117	-.515
200	3119	-.433	.173	-.142	-1.169	200	3315	-.213	.110	.265	-.736	200	3416	-.436	.063	-.244	-.715
200	3120	-.431	.086	-.199	-1.048	200	3316	-.070	.120	.356	-.561	200	3417	-.428	.067	-.226	-.758
200	3121	-.337	.040	-.219	-.499	200	3317	-.024	.083	.333	-.305	200	3901	-.299	.050	-.104	-.528
200	3122	-.117	.118	-.552	-.287	200	3318	-.034	.080	.357	-.454	200	3902	-.384	.066	-.148	-.823
200	3123	-.437	.067	-.239	-.737	200	3319	-.216	.047	.102	-.426	200	3903	-.326	.044	-.113	-.507
200	3124	-.134	.135	.629	-.270	200	3320	-.085	.056	.232	-.289	200	3904	-.326	.049	-.170	-.538
200	3125	-.151	.147	.395	-.600	200	3321	-.157	.087	.213	-.499	200	3905	-.298	.036	-.174	-.466
200	3126	-.353	.064	-.029	-.641	200	3322	-.070	.127	.508	-.369	200	3906	-.287	.045	-.125	-.502
200	3127	-.351	.077	-.183	-1.079	200	3323	-.014	.087	.404	-.338	200	3907	-.321	.041	-.187	-.457
200	3128	-.336	.056	-.152	-.619	200	3324	-.187	.109	.750	-.166	200	3908	-.286	.037	-.158	-.454
200	3129	-.303	.035	-.178	-.431	200	3325	-.018	.070	.440	-.319	200	3909	-.389	.091	-.161	-.808
200	3130	-.397	.035	-.183	-.410	200	3326	-.124	.082	.236	-.551	200	3910	-.331	.050	-.169	-.537
200	3131	-.309	.039	-.177	-.465	200	3327	-.050	.074	.364	-.303	200	3911	-.344	.055	-.168	-.760
200	3132	-.320	.045	-.121	-.525	200	3328	-.043	.132	.421	-.724	200	3912	-.357	.055	-.173	-.637
200	3133	-.334	.041	-.205	-.479	200	3329	-.279	.045	-.041	-.473	200	3913	-.368	.059	-.178	-.642
200	3134	-.374	.038	-.145	-.470	200	3330	-.050	.056	.248	-.246	200	3914	-.337	.053	-.180	-.555
200	3135	-.366	.063	-.190	-.695	200	3331	-.129	.067	.175	-.364	200	3915	-.416	.104	-.103	-.834
200	3136	-.290	.043	-.150	-.462	200	3332	-.114	.080	.271	-.494	200	3916	-.451	.071	-.214	-.849
200	3201	-.214	.129	.303	-.899	200	3333	-.003	.084	.331	-.291	200	3917	-.263	.053	-.067	-.473
200	3202	-.196	.085	.079	-.554	200	3334	-.047	.063	.222	-.251	200	3918	-.500	.089	-.240	-.938
200	3203	-.292	.069	.060	-.599	200	3335	.112	.081	.492	-.104	200	3919	-.627	.143	-.300	-1.433
200	3204	-.368	.076	.188	-.679	200	3336	.149	.085	.626	-.064	200	3920	-.636	.137	-.262	-1.327
200	3205	-.338	.064	-.055	-.655	200	3337	-.129	.091	.598	-.183	200	3921	-.814	.160	-.353	-1.503
200	3206	-.319	.075	-.044	-.640	200	3338	-.340	.069	-.066	-.659	200	3922	-.059	.086	-.363	-.334
200	3207	-.070	.166	.629	-.768	200	3339	-.063	.053	.162	-.261	200	3923	-.023	.079	-.301	-.425
200	3208	-.255	.115	.229	-.728	200	3340	-.093	.048	.121	-.244	200	3924	-.019	.071	-.310	-.276
200	3209	-.189	.123	.725	-.130	200	3341	-.125	.064	.131	-.337	200	3925	-.686	.134	-.363	-1.503
200	3210	.030	.094	.354	-.556	200	3342	-.014	.066	.332	-.193	200	3926	-.135	.120	-.392	-.683
200	3211	.098	.107	.544	-.272	200	3343	.130	.084	.552	-.099	200	3927	-.150	.236	-.038	-1.530
200	3212	-.006	.176	.569	-.606	200	3344	.159	.089	.623	-.064	200	3928	-.016	.108	-.325	-.651
200	3213	-.018	.140	.477	-.705	200	3345	.154	.091	.562	-.087	200	3929	.021	.078	-.238	-.421

WD	TAP	CPMEAN	CPRMS	CPMAX	CPMIN	WD	TAP	CPMEAN	CPRMS	CPMAX	CPMIN	WD	TAP	CPMEAN	CPRMS	CPMAX	CPMIN
200	3930	-.005	.067	.378	-.207	210	1139	-.324	.041	-.176	-.523	210	1227	-.307	.046	-.159	-.494
200	3931	-.046	.067	.191	-.406	210	1140	-.302	.037	-.183	-.456	210	1228	-.369	.045	-.233	-.566
200	3932	-.108	.102	.270	-.500	210	1141	-.292	.033	-.162	-.423	210	1229	-.383	.050	-.240	-.599
200	3933	-.553	.112	-.182	-1.085	210	1142	-.292	.035	-.165	-.468	210	1230	-.400	.054	-.233	-.619
200	3934	-.646	.147	-.256	-1.448	210	1143	-.368	.063	-.202	-.777	210	1231	-.369	.060	-.189	-.640
200	3935	-.945	.272	-.271	-2.158	210	1144	-.356	.058	-.174	-.631	210	1232	-.278	.063	-.036	-.514
200	3936	-.145	.068	-.073	-.434	210	1145	-.302	.037	-.176	-.479	210	1233	-.271	.058	-.050	-.549
200	3937	-.220	.038	-.036	-.381	210	1146	-.295	.032	-.190	-.423	210	1234	-.285	.042	-.150	-.463
200	3938	-.108	.048	.164	-.327	210	1147	-.285	.031	-.186	-.489	210	1235	-.301	.039	-.183	-.463
200	3939	-.175	.085	.172	-.573	210	1148	-.286	.032	-.176	-.416	210	1236	-.406	.050	-.252	-.586
200	3940	-.197	.061	-.036	-.517	210	1149	-.350	.053	-.153	-.666	210	1237	-.409	.056	-.224	-.661
200	3941	-.166	.067	.116	-.533	210	1150	-.295	.032	-.141	-.440	210	1238	-.429	.058	-.271	-.694
210	1101	-.433	.104	-.151	-.942	210	1151	-.291	.033	-.181	-.440	210	1239	-.456	.077	-.187	-.737
210	1102	-.412	.072	-.197	-.777	210	1152	-.326	.050	-.141	-.589	210	1240	-.396	.091	-.089	-.905
210	1103	-.430	.099	-.160	-.879	210	1153	-.291	.031	-.194	-.431	210	1241	-.349	.086	-.008	-.761
210	1104	-.411	.060	-.252	-.685	210	1154	-.289	.025	-.199	-.367	210	1242	-.339	.056	-.155	-.582
210	1105	-.403	.065	-.204	-.677	210	1155	-.286	.022	-.217	-.349	210	1243	-.335	.049	-.124	-.600
210	1106	-.318	.042	-.163	-.481	210	1156	-.282	.027	-.206	-.378	210	1244	-.425	.061	-.243	-.661
210	1107	-.317	.044	-.170	-.507	210	1157	-.287	.030	-.185	-.408	210	1245	-.428	.058	-.278	-.707
210	1108	-.315	.047	-.146	-.542	210	1158	-.236	.040	-.084	-.406	210	1246	-.439	.069	-.250	-.821
210	1109	-.318	.051	-.174	-.597	210	1159	-.291	.028	-.178	-.392	210	1247	-.402	.069	-.164	-.693
210	1110	-.320	.046	-.195	-.551	210	1160	-.293	.030	-.194	-.408	210	1248	-.267	.063	-.041	-.495
210	1111	-.315	.043	-.184	-.551	210	1161	-.282	.029	-.188	-.399	210	1249	-.243	.054	-.013	-.530
210	1112	-.321	.042	-.184	-.588	210	1162	-.288	.032	-.181	-.401	210	1250	-.293	.040	-.106	-.439
210	1113	-.322	.044	-.172	-.518	210	1201	-.540	.110	-.238	-.972	210	1251	-.313	.033	-.184	-.451
210	1114	-.321	.047	-.190	-.525	210	1202	-.533	.110	-.252	-.981	210	1252	-.467	.079	-.276	-.826
210	1115	-.322	.044	-.160	-.560	210	1203	-.391	.078	-.185	-.944	210	1253	-.467	.084	-.246	-.879
210	1116	-.328	.042	-.218	-.544	210	1204	-.346	.062	-.187	-.635	210	1254	-.461	.083	-.069	-.856
210	1117	-.318	.040	-.197	-.460	210	1205	-.350	.056	-.152	-.637	210	1255	-.279	.084	-.032	-.588
210	1118	-.314	.040	-.184	-.472	210	1206	-.366	.061	-.155	-.572	210	1256	-.184	.042	-.011	-.316
210	1119	-.314	.039	-.197	-.497	210	1207	-.481	.104	-.155	-1.055	210	1257	-.198	.047	-.020	-.372
210	1120	-.316	.041	-.172	-.479	210	1208	-.353	.059	-.164	-.647	210	1258	-.288	.043	-.102	-.435
210	1121	-.309	.031	-.218	-.449	210	1209	-.381	.051	-.192	-.619	210	1259	-.303	.043	-.097	-.458
210	1122	-.307	.034	-.193	-.456	210	1210	-.388	.055	-.233	-.614	210	1260	-.575	.156	-.279	-1.310
210	1123	-.311	.035	-.172	-.451	210	1211	-.394	.100	-.148	-1.000	210	1261	-.569	.162	-.029	-1.431
210	1124	-.305	.034	-.197	-.435	210	1212	-.328	.102	-.022	-1.176	210	1262	-.415	.108	-.074	-.872
210	1125	-.333	.039	-.200	-.488	210	1213	-.261	.066	-.043	-.944	210	1263	-.202	.090	-.094	-.588
210	1126	-.330	.039	-.202	-.470	210	1214	-.285	.051	-.089	-.521	210	1264	-.088	.082	-.364	-.372
210	1127	-.331	.040	-.228	-.519	210	1215	-.297	.048	-.110	-.496	210	1265	-.247	.050	-.041	-.428
210	1128	-.325	.037	-.228	-.498	210	1216	-.371	.048	-.217	-.566	210	1266	-.287	.035	-.158	-.428
210	1129	-.325	.037	-.223	-.482	210	1217	-.378	.050	-.203	-.552	210	1267	-.305	.037	-.169	-.439
210	1130	-.323	.037	-.209	-.465	210	1218	-.319	.077	-.069	-.714	210	1268	-.564	.160	-.195	-1.280
210	1131	-.340	.040	-.235	-.505	210	1219	-.275	.051	-.110	-.503	210	1269	-.253	.140	-.145	-.879
210	1132	-.341	.042	-.235	-.512	210	1220	-.302	.044	-.166	-.480	210	1270	-.197	.097	-.222	-.556
210	1133	-.337	.038	-.242	-.493	210	1221	-.377	.049	-.220	-.547	210	1271	-.328	.044	-.148	-.518
210	1134	-.323	.034	-.225	-.479	210	1222	-.373	.048	-.229	-.568	210	1272	-.499	.150	-.009	-1.110
210	1135	-.308	.036	-.195	-.454	210	1223	-.395	.057	-.222	-.651	210	1273	-.420	.109	-.050	-.879
210	1136	-.310	.034	-.197	-.468	210	1224	-.324	.072	-.103	-.600	210	1274	-.165	.080	-.106	-.544
210	1137	-.370	.056	-.223	-.780	210	1225	-.272	.067	-.062	-.614	210	1275	-.011	.089	-.369	-.330
210	1138	-.375	.055	-.242	-.673	210	1226	-.294	.050	-.138	-.547	210	1276	-.294	.042	-.139	-.474

WD	TAP	CPMEAN	CPRMS	CPMAX	CPMIN	WD	TAP	CPMEAN	CPRMS	CPMAX	CPMIN	WD	TAP	CPMEAN	CPRMS	CPMAX	CPMIN
210	1277	-.282	.034	-.167	-.409	210	1337	.330	.127	.779	-.025	210	1402	-.414	.100	.166	-.763
210	1278	-.259	.069	-.067	-.500	210	1338	.355	.145	.960	-.064	210	1403	-.354	.195	.146	-1.001
210	1279	-.145	.075	.171	-.451	210	1339	.381	.145	.971	-.041	210	1404	-.010	.132	.329	-.462
210	1280	.043	.085	.441	-.185	210	1340	.397	.144	.900	.026	210	1405	-.304	.082	.019	-.606
210	1281	-.067	.079	.257	-.351	210	1341	.027	.235	.762	-.786	210	1406	-.103	.079	.212	-.428
210	1282	-.203	.044	-.039	-.348	210	1342	.182	.166	.643	-.622	210	1407	-.432	.074	-.204	-.777
210	1283	-.284	.029	-.192	-.404	210	1343	.094	.106	.480	-.221	210	1408	-.508	.213	-.452	-1.070
210	1284	-.247	.067	-.062	-.493	210	1344	-.130	.068	.158	-.370	210	1409	-.241	.031	-.147	-.377
210	1285	-.338	.096	-.153	-.726	210	1345	.321	.114	.909	-.048	210	1410	-.225	.034	-.073	-.380
210	1286	-.153	.073	.154	-.497	210	1346	.354	.139	.883	-.015	210	1411	-.135	.042	.048	-.277
210	1287	-.001	.064	.317	-.178	210	1347	.337	.143	.983	-.117	210	1412	-.101	.052	.125	-.295
210	1288	-.217	.048	-.050	-.423	210	1348	.351	.136	.835	-.027	210	1413	-.292	.203	.164	-.942
210	1289	-.271	.031	-.155	-.421	210	1349	-.052	.265	.647	-.930	210	1414	-.370	.212	.279	-.990
210	1290	-.285	.027	-.197	-.395	210	1350	.095	.182	.536	-.863	210	1415	-.120	.097	.336	-.482
210	1301	-.268	.232	.582	-1.176	210	1351	-.025	.105	.471	-.363	210	1416	-.013	.114	.288	-.549
210	1302	-.294	.119	.048	-.703	210	1352	-.166	.065	.138	-.374	210	1417	-.023	.197	.443	-.706
210	1303	-.567	.125	-.039	-1.336	210	1353	.212	.115	.612	-.124	210	1418	-.049	.081	.251	-.302
210	1304	-.363	.075	-.017	-.666	210	1354	.185	.096	.638	-.041	210	1419	-.068	.099	.459	-.240
210	1305	.157	.122	.674	-.285	210	1355	.093	.101	.508	-.180	210	1420	.166	.118	.537	-.341
210	1306	.085	.120	.554	-.301	210	1356	.071	.092	.478	-.219	210	1421	-.273	.039	-.144	-.457
210	1307	.142	.139	.577	-.437	210	1357	-.218	.171	.348	-.951	210	1422	-.211	.045	.032	-.368
210	1308	.068	.113	.485	-.324	210	1358	-.120	.134	.200	-.664	210	1423	-.048	.066	.215	-.295
210	1309	.047	.217	.586	-.943	210	1359	-.103	.069	.207	-.585	210	1424	-.148	.192	.409	-.860
210	1310	.072	.155	.538	-.730	210	1360	-.243	.074	.003	-.580	210	1425	-.242	.251	.640	-1.409
210	1311	-.103	.078	.254	-.345	210	1361	.230	.088	.619	.024	210	1426	.094	.146	.711	-.316
210	1312	-.165	.073	.087	-.444	210	1362	.249	.092	.631	-.008	210	1427	.214	.147	.669	-.279
210	1313	.262	.151	.801	-.204	210	1363	.035	.066	.300	-.164	210	1428	.149	.211	.740	-.770
210	1314	.301	.155	.946	-.204	210	1364	-.072	.058	.330	-.157	210	1429	.287	.157	.779	-.171
210	1315	.216	.162	.769	-.675	210	1365	-.222	.104	.124	-.629	210	1430	-.363	.166	.916	-.254
210	1316	.036	.098	.431	-.255	210	1366	-.110	.076	.063	-.442	210	1431	-.302	.046	-.142	-.556
210	1317	.357	.171	.884	-.234	210	1367	-.093	.047	.068	-.333	210	1432	-.253	.049	-.078	-.455
210	1318	.322	.170	.856	-.211	210	1368	-.201	.047	-.036	-.404	210	1433	-.129	.064	.144	-.341
210	1319	.177	.243	.780	-.770	210	1369	.222	.074	.521	-.006	210	1434	-.065	.072	.189	-.398
210	1320	-.106	.073	.270	-.340	210	1370	-.044	.052	-.173	-.202	210	1435	-.379	.069	-.119	-.734
210	1321	.075	.145	.940	-.347	210	1371	-.325	.080	-.075	-.730	210	1436	-.189	.145	.333	-.784
210	1322	.093	.155	.688	-.372	210	1372	-.322	.046	-.207	-.491	210	1437	.103	.131	.509	-.391
210	1323	.166	.137	.644	-.282	210	1373	.245	.091	.565	-.046	210	1438	.121	.132	.557	-.277
210	1324	.199	.133	.673	-.213	210	1374	-.023	.053	.237	-.157	210	1439	.219	.147	.676	-.284
210	1325	.136	.211	.740	-.740	210	1375	-.182	.075	.053	-.480	210	1440	-.255	.154	.813	-.343
210	1326	.162	.165	.608	-.638	210	1376	-.118	.049	.014	-.337	210	1441	-.225	.031	-.062	-.348
210	1327	-.082	.086	.362	-.360	210	1377	-.267	.102	.720	-.044	210	1442	-.174	.038	.039	-.325
210	1328	-.164	.079	.177	-.430	210	1378	.059	.063	.319	-.132	210	1443	-.045	.059	.283	-.233
210	1329	.328	.132	.830	-.027	210	1379	-.158	.055	-.030	-.382	210	1444	.056	.067	.304	-.240
210	1330	.347	.152	.890	-.136	210	1380	-.272	.066	-.075	-.541	210	1445	.087	.077	.432	-.206
210	1331	.378	.144	.861	-.096	210	1381	-.023	.064	.302	-.227	210	1446	-.137	.172	.379	-.734
210	1332	.354	.144	.863	-.071	210	1382	.297	.119	.865	.039	210	1447	-.138	.173	.450	-.722
210	1333	.150	.241	.747	-.958	210	1383	-.074	.053	.305	-.111	210	1448	.319	.139	.754	-.061
210	1334	.223	.138	.605	-.437	210	1384	-.012	.070	.299	-.214	210	1449	.225	.158	.756	-.311
210	1335	.126	.112	.527	-.224	210	1385	-.098	.058	-.096	-.298	210	1450	.227	.161	.718	-.335
210	1336	-.085	.074	.195	-.272	210	1401	-.410	.096	-.069	-.854	210	1451	.361	.133	.877	-.081

WD	TAP	CPMEAN	CPRMS	CPMAX	CPMIN	WD	TAP	CPMEAN	CPRMS	CPMAX	CPMIN	WD	TAP	CPMEAN	CPRMS	CPMAX	CPMIN
210	1452	.402	.138	.865	-.003	210	1502	-.156	.027	-.040	-.250	210	1928	-.260	.068	.016	-.475
210	1453	-.230	.031	-.098	-.359	210	1503	.076	.049	.279	-.049	210	1929	-.532	.105	-.217	-1.065
210	1454	-.165	.039	-.006	-.335	210	1504	.124	.054	.337	-.031	210	1930	-.421	.080	-.159	-.758
210	1455	-.026	.057	.222	-.289	210	1505	.120	.103	.383	-.301	210	1931	-.309	.079	-.019	-.612
210	1456	.082	.065	.345	-.178	210	1506	.097	.120	.429	-.442	210	1932	-.328	.074	-.072	-.641
210	1457	.128	.077	.403	-.219	210	1507	.180	.070	.399	-.017	210	1933	-.279	.067	-.041	-.561
210	1458	-.038	.177	.488	-.594	210	1508	.083	.058	.339	-.104	210	1934	-.128	.092	.199	-.505
210	1459	-.085	.179	.481	-1.150	210	1509	-.094	.115	.247	-.615	210	1935	-.105	.058	.117	-.295
210	1460	.347	.137	.909	-.028	210	1510	.245	.086	.568	.036	210	2101	-.390	.088	.133	-.805
210	1461	.313	.136	.764	-.127	210	1511	.196	.075	.533	-.043	210	2102	-.385	.050	-.236	-.612
210	1462	.309	.150	.781	-.134	210	1512	.012	.050	.210	-.199	210	2103	-.363	.058	-.188	-.750
210	1463	.385	.139	.894	-.013	210	1513	.273	.091	.614	.080	210	2104	-.203	.062	-.033	-.711
210	1464	.391	.142	.877	-.054	210	1514	.235	.088	.563	.043	210	2105	-.174	.050	.031	-.451
210	1465	-.224	.034	.050	-.325	210	1515	.272	.096	.732	.050	210	2106	-.176	.056	.002	-.620
210	1466	-.161	.039	.028	-.296	210	1516	.173	.078	.512	-.058	210	2107	-.157	.046	.026	-.362
210	1467	-.007	.054	.272	-.156	210	1801	-.285	.032	-.139	-.404	210	2201	-.233	.091	.144	-.615
210	1468	.118	.066	.393	-.066	210	1802	-.214	.072	-.024	-.454	210	2202	-.128	.035	.046	-.263
210	1469	.133	.094	.403	-.110	210	1803	-.212	.067	-.006	-.464	210	2203	-.254	.034	-.133	-.400
210	1470	-.058	.191	.585	-.763	210	1804	-.298	.032	-.158	-.424	210	2204	-.302	.039	-.147	-.461
210	1471	-.033	.176	.476	-.645	210	1805	-.286	.073	-.054	-.636	210	2205	-.318	.046	-.159	-.502
210	1472	.347	.131	.894	-.090	210	1806	-.226	.082	-.013	-.633	210	2206	-.292	.036	-.089	-.427
210	1473	.307	.129	.790	-.144	210	1807	-.190	.046	-.004	-.399	210	2207	-.333	.047	-.123	-.661
210	1474	.289	.130	.807	-.105	210	1808	-.271	.026	-.171	-.367	210	2208	-.115	.072	.185	-.494
210	1475	.328	.122	.776	-.011	210	1901	-.706	.139	-.282	-1.370	210	2209	-.244	.044	.009	-.441
210	1476	.338	.133	.889	-.115	210	1902	-.423	.083	-.136	-.742	210	2210	-.192	.069	.079	-.540
210	1477	-.217	.031	-.088	-.340	210	1903	-.364	.077	-.120	-.723	210	2211	-.284	.033	-.176	-.403
210	1478	-.167	.033	-.018	-.282	210	1904	-.325	.070	-.102	-.869	210	2212	-.266	.045	-.128	-.509
210	1479	-.012	.047	.197	-.149	210	1905	-.318	.082	-.007	-.812	210	2213	-.078	.080	.214	-.432
210	1480	.103	.060	.377	-.044	210	1906	-.667	.122	-.275	-1.067	210	2214	-.215	.038	-.028	-.331
210	1481	.119	.070	.418	-.115	210	1907	-.364	.066	-.132	-.669	210	2215	-.175	.070	.071	-.604
210	1482	.046	.139	.524	-.458	210	1908	-.700	.133	-.168	-1.172	210	2301	.108	.061	.472	-.045
210	1483	.010	.161	.573	-.628	210	1909	-.589	.126	-.082	-1.131	210	2302	.202	.086	.543	-.058
210	1484	.182	.087	.560	-.093	210	1910	-1.057	.335	-.372	-2.391	210	2303	.174	.086	.741	-.026
210	1485	.124	.079	.565	-.151	210	1911	-.776	.272	-.207	-1.937	210	2304	-.271	.097	.683	-.030
210	1486	.129	.090	.527	-.105	210	1912	-.491	.121	-.141	-1.001	210	2305	-.026	.097	.443	-.454
210	1487	.090	.126	.570	-.415	210	1913	-.437	.093	-.177	-.869	210	2306	-.329	.105	-.028	-.921
210	1488	.117	.136	.655	-.420	210	1914	-.672	.115	-.293	-1.142	210	2307	-.288	.044	-.137	-.573
210	1489	-.210	.026	-.121	-.312	210	1915	-.413	.076	-.177	-.767	210	2308	-.310	.111	.804	-.063
210	1490	-.163	.027	-.059	-.279	210	1916	-.368	.066	-.118	-.723	210	2309	-.091	.077	.228	-.391
210	1491	-.034	.040	.130	-.136	210	1917	-.327	.060	-.084	-.680	210	2310	-.252	.056	-.031	-.493
210	1492	.112	.055	.372	-.018	210	1918	-.653	.122	-.291	-1.149	210	2311	-.231	.038	-.084	-.404
210	1493	.150	.059	.343	-.015	210	1919	-.688	.126	-.337	-1.167	210	2401	.070	.073	.429	-.220
210	1494	.093	.114	.404	-.439	210	1920	-.637	.138	-.293	-1.283	210	2402	.101	.067	.497	-.091
210	1495	.071	.116	.406	-.523	210	1921	-.719	.172	-.270	-1.393	210	2403	.049	.052	.267	-.079
210	1496	.249	.088	.586	-.034	210	1922	-.365	.072	-.154	-.701	210	2404	.197	.071	.504	-.022
210	1497	.172	.068	.413	.004	210	1923	-.334	.056	-.113	-.601	210	2405	.230	.081	.695	.042
210	1498	.136	.058	.394	-.026	210	1924	-.365	.061	-.172	-.655	210	2406	.194	.077	.526	-.021
210	1499	.088	.055	.309	-.181	210	1925	-.436	.115	-.066	-.922	210	2901	.243	.114	.872	-.104
210	1500	.065	.052	.279	-.118	210	1926	-.325	.068	-.063	-.678	210	2902	.188	.077	.501	-.010
210	1501	-.121	.033	.006	-.238	210	1927	-.573	.097	-.293	-.915	210	2903	.046	.042	.212	-.087

WD	TAP	CPMEAN	CPRMS	CPMAX	CPMIN	WD	TAP	CPMEAN	CPRMS	CPMAX	CPMIN	WD	TAP	CPMEAN	CPRMS	CPMAX	CPMIN
210	29004	.117	.059	.443	-.032	210	31228	-.296	.044	-.159	-.494	210	33324	-.180	.108	.606	-.162
210	29005	-.139	.092	.096	-.603	210	31229	-.284	.035	-.168	-.434	210	33325	-.076	.074	.249	-.436
210	29006	-.085	.059	.144	-.347	210	3130	-.287	.035	-.173	-.454	210	33326	-.211	.080	.176	-.616
210	29007	-.286	.076	-.075	-.762	210	3131	-.298	.035	-.169	-.435	210	33327	-.141	.079	.188	-.503
210	29008	-.021	.055	.202	-.224	210	3132	-.307	.040	-.192	-.520	210	33328	-.226	.166	.293	-.875
210	29009	-.363	.070	-.075	-.675	210	3133	-.323	.038	-.202	-.470	210	33329	-.284	.036	-.114	-.432
210	2910	-.366	.058	-.188	-.649	210	3134	-.325	.034	-.152	-.394	210	33330	-.109	.054	.099	-.361
210	2911	-.129	.057	.344	-.029	210	3135	-.307	.053	-.101	-.583	210	33331	-.187	.066	.050	-.546
210	29112	-.081	.043	.099	-.280	210	3136	-.329	.044	-.141	-.485	210	33332	-.184	.079	.184	-.520
210	29113	-.085	.051	.274	-.051	210	3201	-.282	.155	-.198	-.481	210	33333	-.056	.089	.246	-.384
210	29114	-.076	.068	.366	-.092	210	3202	-.160	.063	-.081	-.563	210	33334	-.090	.068	.265	-.331
210	29115	-.233	.091	.091	-.612	210	3203	-.256	.059	-.049	-.502	210	33335	-.088	.082	.527	-.160
210	29116	-.359	.050	-.183	-.579	210	3204	-.326	.060	-.102	-.537	210	33336	.158	.093	.617	-.118
210	29117	-.157	.029	-.024	-.258	210	3205	-.309	.064	-.071	-.560	210	33337	.172	.111	.628	-.116
210	29118	-.211	.028	-.121	-.347	210	3206	-.329	.066	-.008	-.832	210	33338	-.343	.051	-.126	-.593
210	29119	-.259	.031	-.142	-.383	210	3207	-.333	.151	-.264	-.981	210	33339	-.111	.057	.168	-.289
210	2920	-.332	.052	-.179	-.540	210	3208	-.300	.059	-.040	-.508	210	33340	-.164	.051	.077	-.357
210	2921	-.293	.070	-.046	-.586	210	3209	-.189	.121	.846	-.156	210	3341	-.224	.069	.035	-.508
210	2922	-.308	.161	.142	-1.511	210	3210	-.062	.111	.350	-.800	210	3342	-.096	.070	.140	-.345
210	2923	-.226	.118	.154	-1.022	210	3211	-.004	.093	.343	-.306	210	3343	.103	.084	.469	-.123
210	2924	-.198	.088	.033	-1.179	210	3212	-.194	.114	.279	-.721	210	3344	.182	.100	.670	-.066
210	2925	-.272	.050	-.055	-.671	210	3213	-.156	.112	.258	-.650	210	3345	.215	.115	.663	-.046
210	2926	-.215	.076	-.002	-.714	210	3214	-.044	.082	.364	-.325	210	3346	.180	.103	.658	-.071
210	3101	-.308	.089	-.073	-.959	210	3215	-.007	.064	.254	-.176	210	3347	.165	.112	.982	-.076
210	3102	-.332	.053	-.154	-.636	210	3216	-.072	.116	.394	-.368	210	3348	-.277	.041	-.136	-.508
210	3103	-.325	.049	-.159	-.603	210	3217	-.145	.136	.347	-.597	210	3349	-.277	.063	-.023	-.566
210	3104	-.309	.045	-.178	-.508	210	3218	-.222	.096	.183	-.501	210	3401	-.322	.040	-.191	-.496
210	3105	-.326	.051	-.102	-.537	210	3301	-.233	.037	-.097	-.366	210	3402	-.319	.036	-.184	-.480
210	3106	-.444	.074	-.109	-.758	210	3302	-.076	.071	-.188	-.410	210	3403	-.335	.054	-.144	-.593
210	3107	-.391	.059	-.137	-.648	210	3303	-.320	.065	-.029	-.611	210	3404	-.412	.061	-.206	-.679
210	3108	-.361	.068	-.140	-.696	210	3304	-.410	.082	.053	-.765	210	3405	-.403	.048	-.273	-.670
210	3109	-.317	.044	-.183	-.606	210	3305	-.386	.094	.410	-.639	210	3406	-.403	.048	-.264	-.699
210	3110	-.323	.037	-.207	-.555	210	3306	-.354	.151	.148	-1.064	210	3407	-.204	.061	-.062	-.450
210	3111	-.292	.036	-.168	-.454	210	3307	-.202	.100	.407	-.616	210	3408	-.393	.038	-.291	-.628
210	31112	-.314	.041	-.192	-.508	210	3308	-.194	.133	.751	-.319	210	3409	-.267	.052	-.050	-.513
210	31113	-.307	.038	-.190	-.477	210	3309	-.204	.044	.048	-.443	210	3410	-.312	.019	-.259	-.370
210	31114	-.310	.041	-.185	-.518	210	3310	-.080	.063	.148	-.366	210	3411	-.402	.059	-.257	-.739
210	31115	-.311	.047	-.175	-.615	210	3311	-.093	.097	.391	-.419	210	3412	-.392	.049	-.250	-.631
210	31116	-.305	.043	-.185	-.537	210	3312	-.167	.103	.310	-.739	210	3413	-.231	.058	-.032	-.455
210	31117	-.310	.043	-.173	-.603	210	3313	-.198	.093	.246	-.568	210	3414	-.309	.040	-.103	-.465
210	31118	-.314	.044	-.185	-.617	210	3314	-.188	.112	.681	-.258	210	3415	-.319	.044	-.118	-.493
210	31119	-.487	.103	-.012	-.922	210	3315	-.323	.110	.015	-.711	210	3416	-.409	.048	-.249	-.716
210	3120	-.396	.077	-.195	-.836	210	3316	-.239	.133	.398	-.728	210	3417	-.413	.049	-.249	-.631
210	3121	-.324	.037	-.199	-.470	210	3317	-.069	.079	.263	-.370	210	3901	-.307	.056	-.138	-.533
210	3122	-.016	.104	-.395	-.399	210	3318	-.130	.091	.160	-.527	210	3902	-.315	.059	-.018	-.604
210	3123	-.404	.056	-.259	-.679	210	3319	-.222	.040	-.032	-.368	210	3903	-.322	.039	-.145	-.501
210	3124	-.007	.111	.488	-.337	210	3320	-.127	.054	.130	-.373	210	3904	-.327	.050	-.114	-.584
210	3125	-.278	.095	-.141	-.694	210	3321	-.265	.088	.022	-.623	210	3905	-.286	.039	-.086	-.475
210	3126	-.321	.055	-.166	-.684	210	3322	-.065	.161	.746	-.707	210	3906	-.265	.047	-.057	-.518
210	3127	-.318	.061	-.147	-.841	210	3323	-.124	.089	.270	-.426	210	3907	-.310	.041	-.145	-.458

WD	TAP	CPMEAN	CFRMS	CPMAX	CPMIN	WD	TAP	CPMEAN	CFRMS	CPMAX	CPMIN	WD	TAP	CPMEAN	CFRMS	CPMAX	CPMIN
210	3908	-.278	.042	-.004	-.463	220	1117	-.306	.047	-.150	-.490	220	1205	-.321	.059	-.166	-.614
210	3909	-.410	.086	-.012	-.772	220	1118	-.294	.044	-.127	-.462	220	1206	-.334	.066	-.124	-.801
210	3910	-.290	.046	-.128	-.487	220	1119	-.288	.041	-.157	-.469	220	1207	-.465	.084	-.217	-.769
210	3911	-.350	.050	-.152	-.667	220	1120	-.286	.040	-.166	-.497	220	1208	-.310	.055	-.129	-.569
210	3912	-.352	.056	-.159	-.584	220	1121	-.289	.036	-.136	-.437	220	1209	-.403	.054	-.231	-.618
210	3913	-.361	.052	-.140	-.596	220	1122	-.287	.036	-.160	-.421	220	1210	-.408	.052	-.259	-.662
210	3914	-.320	.061	-.080	-.594	220	1123	-.276	.037	-.157	-.449	220	1211	-.406	.088	-.136	-1.043
210	3915	-.323	.101	-.016	-.836	220	1124	-.275	.036	-.153	-.423	220	1212	-.333	.079	-.068	-.737
210	3916	-.432	.056	-.225	-.724	220	1125	-.312	.037	-.173	-.449	220	1213	-.289	.059	-.078	-.556
210	3917	-.283	.065	-.076	-.596	220	1126	-.306	.042	-.201	-.525	220	1214	-.283	.050	-.105	-.488
210	3918	-.423	.063	-.244	-.791	220	1127	-.333	.046	-.213	-.556	220	1215	-.284	.053	-.096	-.546
210	3919	-.556	.102	-.292	-1.023	220	1128	-.317	.040	-.176	-.456	220	1216	-.394	.053	-.240	-.648
210	3920	-.552	.109	-.195	-1.130	220	1129	-.304	.040	-.169	-.525	220	1217	-.380	.046	-.259	-.567
210	3921	-.834	.171	-.282	-1.506	220	1130	-.300	.039	-.176	-.463	220	1218	-.338	.066	-.112	-.576
210	3922	-.029	.089	.245	-.418	220	1131	-.326	.041	-.213	-.525	220	1219	-.296	.052	-.091	-.504
210	3923	-.043	.079	.231	-.482	220	1132	-.322	.042	-.201	-.523	220	1220	-.299	.050	-.143	-.516
210	3924	-.077	.068	.176	-.347	220	1133	-.314	.037	-.187	-.465	220	1221	-.376	.048	-.240	-.579
210	3925	-.649	.110	-.268	-1.477	220	1134	-.287	.037	-.178	-.486	220	1222	-.393	.047	-.240	-.595
210	3926	-.303	.121	-.124	-.765	220	1135	-.277	.037	-.155	-.470	220	1223	-.396	.052	-.201	-.641
210	3927	-.329	.127	-.056	-1.050	220	1136	-.282	.038	-.150	-.444	220	1224	-.356	.066	-.154	-.627
210	3928	-.123	.143	.285	-.867	220	1137	-.335	.049	-.201	-.613	220	1225	-.321	.070	-.075	-.697
210	3929	-.093	.099	.245	-.632	220	1138	-.332	.049	-.169	-.590	220	1226	-.306	.059	-.124	-.532
210	3930	-.063	.065	.214	-.311	220	1139	-.281	.039	-.134	-.419	220	1227	-.305	.054	-.126	-.514
210	3931	-.142	.086	.143	-.542	220	1140	-.258	.034	-.127	-.379	220	1228	-.375	.043	-.242	-.537
210	3932	-.280	.118	.226	-.738	220	1141	-.252	.036	-.078	-.403	220	1229	-.386	.045	-.253	-.560
210	3933	-.573	.095	-.124	-.984	220	1142	-.250	.036	-.104	-.391	220	1230	-.397	.049	-.265	-.579
210	3934	-.802	.210	-.105	-1.949	220	1143	-.313	.060	-.150	-.623	220	1231	-.379	.053	-.191	-.590
210	3935	-1.035	.325	.005	-2.222	220	1144	-.300	.057	-.122	-.660	220	1232	-.304	.057	-.124	-.516
210	3936	-.113	.059	.080	-.367	220	1145	-.261	.038	-.118	-.474	220	1233	-.292	.054	-.103	-.539
210	3937	-.241	.036	-.118	-.437	220	1146	-.260	.036	-.104	-.410	220	1234	-.286	.044	-.126	-.458
210	3938	-.150	.048	.077	-.385	220	1147	-.258	.033	-.152	-.398	220	1235	-.292	.043	-.163	-.470
210	3939	-.128	.072	.118	-.442	220	1148	-.261	.034	-.143	-.400	220	1236	-.398	.047	-.240	-.569
210	3940	-.224	.052	-.083	-.563	220	1149	-.289	.052	-.141	-.507	220	1237	-.401	.048	-.275	-.576
220	1101	-.225	.061	-.017	-.485	220	1150	-.275	.040	-.104	-.484	220	1238	-.421	.046	-.300	-.593
220	1102	-.367	.088	-.113	-.754	220	1151	-.262	.034	-.134	-.391	220	1239	-.447	.073	-.210	-.785
220	1103	-.360	.081	-.076	-.719	220	1152	-.274	.049	-.074	-.539	220	1240	-.412	.086	-.066	-.792
220	1104	-.364	.089	-.111	-.839	220	1153	-.265	.032	-.164	-.432	220	1241	-.377	.074	-.143	-.846
220	1105	-.345	.060	-.131	-.634	220	1154	-.265	.032	-.148	-.361	220	1242	-.326	.045	-.159	-.560
220	1106	-.347	.070	-.090	-.661	220	1155	-.260	.022	-.166	-.317	220	1243	-.320	.040	-.189	-.565
220	1107	-.292	.051	-.123	-.495	220	1156	-.255	.030	-.137	-.365	220	1244	-.394	.051	-.231	-.583
220	1108	-.289	.044	-.132	-.539	220	1157	-.263	.033	-.128	-.390	220	1245	-.399	.048	-.224	-.572
220	1109	-.297	.057	-.127	-.516	220	1158	-.218	.038	-.077	-.374	220	1246	-.432	.052	-.282	-.630
220	1110	-.303	.060	-.129	-.580	220	1159	-.262	.032	-.160	-.377	220	1247	-.399	.056	-.246	-.613
220	1111	-.298	.047	-.134	-.634	220	1160	-.257	.033	-.128	-.420	220	1248	-.280	.054	-.043	-.460
220	1112	-.293	.041	-.150	-.490	220	1161	-.261	.031	-.176	-.427	220	1249	-.242	.048	-.011	-.413
220	1113	-.304	.046	-.141	-.560	220	1162	-.263	.034	-.107	-.443	220	1250	-.290	.041	-.106	-.464
220	1114	-.309	.050	-.176	-.516	220	1201	-.474	.087	-.147	-.846	220	1251	-.299	.037	-.097	-.469
220	1115	-.288	.047	-.148	-.499	220	1202	-.483	.097	-.245	-.876	220	1252	-.439	.060	-.264	-.695
220	1116	-.295	.046	-.143	-.546	220	1203	-.408	.082	-.173	-.966	220	1253	-.435	.061	-.269	-.692
220	1117	-.309	.047	-.164	-.474	220	1204	-.347	.063	-.138	-.846	220	1254	-.438	.061	-.243	-.795

WD	TAP	CPMEAN	CPRMS	CPMAX	CPMIN	WD	TAP	CPMEAN	CPRMS	CPMAX	CPMIN	WD	TAP	CPMEAN	CPRMS	CPMAX	CPMIN
220	1255	-.374	.074	-.062	-.625	220	1315	-.002	.231	.638	-.928	220	1365	-.340	.103	.028	-.925
220	1256	-.170	.050	-.052	-.390	220	1316	-.076	.078	.218	-.436	220	1366	-.181	.094	.107	-.624
220	1257	-.193	.047	-.004	-.376	220	1317	.347	.182	.875	-.275	220	1367	-.122	.051	.030	-.325
220	1258	-.262	.049	-.067	-.632	220	1318	.259	.176	.854	-.513	220	1368	-.219	.045	-.079	-.390
220	1259	-.284	.045	-.094	-.420	220	1319	-.288	.287	.687	-1.233	220	1369	-.235	.081	.609	-.044
220	1260	-.454	.072	-.283	-.897	220	1320	-.189	.060	.034	-.362	220	1370	-.091	.043	.120	-.261
220	1261	-.452	.073	-.278	-.841	220	1321	.101	.150	.789	-.355	220	1371	-.389	.077	-.132	-.713
220	1262	-.450	.068	-.174	-.857	220	1322	.112	.146	.733	-.385	220	1372	-.336	.036	-.226	-.479
220	1263	-.308	.096	.052	-.376	220	1323	.149	.146	.647	-.308	220	1373	-.255	.084	.545	-.060
220	1264	-.062	.085	.392	-.332	220	1324	.157	.137	.657	-.313	220	1374	-.025	.067	.196	-.279
220	1265	-.227	.051	-.048	-.415	220	1325	-.201	.246	.554	-.986	220	1375	-.239	.077	-.013	-.642
220	1266	-.266	.037	-.120	-.395	220	1326	-.119	.227	.444	-1.072	220	1376	-.153	.047	.008	-.362
220	1267	-.272	.042	-.083	-.436	220	1327	-.172	.069	.100	-.446	220	1377	-.282	.102	.675	-.063
220	1268	-.464	.069	-.297	-1.057	220	1328	-.243	.060	-.012	-.516	220	1378	-.020	.058	.239	-.192
220	1269	-.481	.135	-.027	-.920	220	1329	.331	.147	.794	-.152	220	1379	-.218	.054	-.052	-.431
220	1270	-.150	.091	-.227	-.462	220	1330	.349	.142	.848	-.033	220	1380	-.322	.053	-.165	-.539
220	1271	-.290	.049	-.127	-.476	220	1331	.284	.159	.915	-.402	220	1381	-.046	.067	.202	-.292
220	1272	-.469	.077	-.134	-.916	220	1332	.315	.151	.769	-.259	220	1382	.328	.119	.747	-.070
220	1273	-.454	.072	-.194	-.755	220	1333	-.212	.271	.593	-1.320	220	1383	-.072	.062	.295	-.137
220	1274	-.281	.085	-.011	-.704	220	1334	-.028	.174	.549	-.956	220	1384	-.068	.058	.182	-.268
220	1275	-.009	.087	-.480	-.304	220	1335	-.004	.088	.292	-.313	220	1385	-.160	.055	.021	-.364
220	1276	-.263	.040	-.111	-.420	220	1336	-.179	.056	.024	-.395	220	1401	-.369	.114	.127	-1.197
220	1277	-.255	.037	-.001	-.422	220	1337	.393	.140	.834	-.030	220	1402	-.375	.108	.164	-.876
220	1278	-.318	.053	-.181	-.555	220	1338	.393	.155	1.033	.005	220	1403	-.459	.132	.010	-.885
220	1279	-.256	.084	.033	-.662	220	1339	.366	.158	.967	-.185	220	1404	-.038	.137	.371	-.388
220	1280	-.014	.080	.357	-.201	220	1340	.355	.156	.808	-.178	220	1405	-.209	.095	.161	-.594
220	1281	-.052	.078	.252	-.271	220	1341	-.248	.227	.579	-1.024	220	1406	-.044	.088	.234	-.344
220	1282	-.195	.043	-.064	-.374	220	1342	-.092	.248	.474	-1.091	220	1407	-.396	.088	-.122	-.816
220	1283	-.254	.029	-.143	-.348	220	1343	-.041	.092	.313	-.502	220	1408	-.523	.204	.553	-1.031
220	1284	-.313	.054	-.125	-.488	220	1344	-.207	.055	.037	-.418	220	1409	-.211	.038	-.056	-.351
220	1285	-.432	.068	-.264	-.709	220	1345	.322	.118	.876	.012	220	1410	-.176	.046	.072	-.515
220	1286	-.271	.083	.001	-.618	220	1346	.368	.126	.820	-.044	220	1411	-.088	.057	.195	-.257
220	1287	-.026	.053	-.266	-.213	220	1347	.279	.153	.752	-.290	220	1412	-.050	.067	.179	-.294
220	1288	-.195	.045	-.034	-.367	220	1348	.299	.149	.935	-.262	220	1413	-.112	.182	.373	-.816
220	1289	-.238	.031	-.087	-.350	220	1349	-.377	.232	.516	-1.161	220	1414	-.108	.216	.389	-.816
220	1290	-.251	.030	-.111	-.353	220	1350	-.193	.248	.425	-.995	220	1415	-.101	.095	.250	-.405
220	1301	-.405	.214	.307	-1.296	220	1351	-.096	.104	.283	-.664	220	1416	-.066	.105	.425	-.504
220	1302	-.316	.142	-.132	-.960	220	1352	-.225	.055	.030	-.500	220	1417	-.110	.137	.722	-.629
220	1303	-.581	.110	-.236	-.997	220	1353	.220	.112	.656	-.063	220	1418	-.059	.095	.473	-.433
220	1304	-.351	.084	-.017	-.674	220	1354	.221	.094	.685	-.007	220	1419	.082	.107	.462	-.330
220	1305	.120	.127	.598	-.387	220	1355	.061	.097	.528	-.238	220	1420	-.174	.124	.581	-.164
220	1306	.048	.110	.442	-.292	220	1356	-.032	.109	.495	-.388	220	1421	-.241	.043	-.068	-.424
220	1307	.030	.174	.507	-.734	220	1357	-.368	.151	.278	-.972	220	1422	-.154	.053	.113	-.314
220	1308	.023	.107	.391	-.536	220	1358	-.219	.150	.220	-.780	220	1423	.009	.082	.352	-.216
220	1309	-.297	.279	.449	-1.160	220	1359	-.139	.073	.089	-.502	220	1424	.107	.167	.724	-.670
220	1310	-.189	.256	.372	-1.030	220	1360	-.258	.062	-.037	-.600	220	1425	.035	.230	.804	-.914
220	1311	-.187	.070	-.137	-.420	220	1361	-.236	.083	.570	.014	220	1426	.114	.132	.576	-.280
220	1312	-.244	.060	-.005	-.476	220	1362	-.269	.097	.692	-.002	220	1427	.257	.155	.747	-.150
220	1313	-.269	.158	.845	-.187	220	1363	-.005	.054	.208	-.222	220	1428	.307	.176	.914	-.380
220	1314	.258	.164	.789	-.362	220	1364	.033	.072	.264	-.273	220	1429	.280	.146	.773	-.177

WD	TAP	CPMEAN	CPRMS	CPMAX	CPMIN	WD	TAP	CPMEAN	CPRMS	CPMAX	CPMIN	WD	TAP	CPMEAN	CPRMS	CPMAX	CPMIN
220	1430	.373	.155	.880	-.182	220	1480	.138	.064	.383	-.048	220	1906	-.648	.140	-.183	-1.241
220	1431	-.259	.050	-.072	-.488	220	1481	.179	.076	.601	-.045	220	1907	-.341	.079	-.084	-1.795
220	1432	-.205	.055	-.021	-.405	220	1482	.131	.139	.576	-.321	220	1908	-.696	.131	-.238	-1.231
220	1433	-.064	.070	.225	-.282	220	1483	.120	.134	.666	-.415	220	1909	-.639	.120	-.224	-1.199
220	1434	-.007	.087	.332	-.316	220	1484	.204	.084	.555	-.026	220	1910	-.801	.232	-.320	-2.376
220	1435	-.337	.075	-.036	-.768	220	1485	.151	.093	.538	-.145	220	1911	-.924	.272	-.215	-2.016
220	1436	.026	.141	.453	-.565	220	1486	.157	.099	.552	-.137	220	1912	-.481	.113	-.112	-.931
220	1437	.188	.132	.642	-.447	220	1487	.127	.146	.617	-.500	220	1913	-.409	.110	-.089	-1.174
220	1438	.176	.133	.613	-.303	220	1488	.128	.145	.627	-.413	220	1914	-.701	.118	-.311	-1.183
220	1439	.182	.158	.859	-.337	220	1489	-.179	.026	-.072	-.299	220	1915	-.353	.067	-.148	-1.596
220	1440	-.183	.150	.734	-.296	220	1490	-.138	.028	.035	-.232	220	1916	-.332	.070	-.096	-.671
220	1441	-.174	.038	.021	-.298	220	1491	-.003	.045	.180	-.118	220	1917	-.313	.079	-.040	-.754
220	1442	-.119	.048	.108	-.278	220	1492	.148	.065	.373	-.028	220	1918	-.658	.127	-.245	-1.094
220	1443	.024	.077	.352	-.216	220	1493	.197	.070	.472	-.035	220	1919	-.696	.119	-.336	-1.167
220	1444	.120	.086	.366	-.104	220	1494	.187	.096	.461	-.289	220	1920	-.681	.126	-.307	-1.527
220	1445	.159	.086	.464	-.125	220	1495	.170	.099	.512	-.501	220	1921	-.674	.170	-.185	-1.445
220	1446	.098	.189	.841	-.709	220	1496	.264	.081	.586	.065	220	1922	-.413	.091	-.174	-1.057
220	1447	.079	.188	.713	-.588	220	1497	.177	.062	.398	-.027	220	1923	-.337	.058	-.155	-.676
220	1448	.327	.126	.734	-.045	220	1498	.147	.059	.372	-.015	220	1924	-.353	.074	-.070	-.717
220	1449	.324	.139	.743	-.270	220	1499	.088	.070	.340	-.159	220	1925	-.540	.112	-.162	-1.321
220	1450	.332	.149	.796	-.137	220	1500	-.084	.062	.407	-.131	220	1926	-.314	.063	-.066	-.655
220	1451	.382	.141	.830	-.057	220	1501	-.087	.039	.090	-.194	220	1927	-.623	.107	-.279	-1.048
220	1452	.356	.134	.794	-.033	220	1502	-.129	.031	.016	-.250	220	1928	-.385	.059	-.068	-.529
220	1453	-.191	.038	-.014	-.345	220	1503	.129	.062	.363	-.010	220	1929	-.560	.116	-.130	-1.130
220	1454	-.118	.048	-.076	-.285	220	1504	.191	.074	.512	-.004	220	1930	-.424	.081	-.199	-.793
220	1455	.033	.075	.349	-.747	220	1505	.214	.082	.493	-.229	220	1931	-.342	.081	-.009	-.823
220	1456	.161	.083	.477	-.055	220	1506	.188	.092	.465	-.320	220	1932	-.322	.072	-.050	-.626
220	1457	.215	.088	.555	-.217	220	1507	.221	.078	.475	-.010	220	1933	-.285	.064	.003	-.626
220	1458	.115	.191	.649	-.483	220	1508	.076	.063	.483	-.150	220	1934	-.093	.086	.206	-.553
220	1459	.120	.188	.656	-1.202	220	1509	-.056	.121	.263	-.581	220	1935	-.091	.059	.178	-.381
220	1460	.397	.134	.901	-.085	220	1510	.266	.086	.603	.067	220	2101	-.341	.087	-.133	-.874
220	1461	.372	.136	.871	-.183	220	1511	.217	.076	.512	-.023	220	2102	-.335	.055	-.133	-.591
220	1462	.347	.146	.898	-.234	220	1512	.014	.066	.258	-.226	220	2103	-.317	.063	-.147	-.658
220	1463	.388	.136	.888	-.055	220	1513	.265	.090	.612	.067	220	2104	-.153	.064	.065	-.423
220	1464	.340	.139	.797	-.131	220	1514	.239	.087	.577	.041	220	2105	-.146	.074	.158	-.557
220	1465	-.188	.036	-.040	-.319	220	1515	.284	.103	.761	.065	220	2106	-.129	.061	.056	-.569
220	1466	-.128	.046	.235	-.256	220	1516	.173	.086	.463	-.084	220	2107	-.136	.070	.109	-.419
220	1467	.040	.062	.334	-.125	220	1801	-.262	.032	-.137	-.388	220	2201	-.194	.101	.281	-.605
220	1468	.169	.077	.446	-.024	220	1802	-.290	.059	-.093	-.535	220	2202	-.096	.038	-.117	-.237
220	1469	.224	.089	.588	-.147	220	1803	-.290	.057	-.116	-.523	220	2203	-.220	.037	-.041	-.387
220	1470	.142	.174	.622	-.488	220	1804	-.256	.034	-.137	-.422	220	2204	-.254	.042	-.077	-.416
220	1471	.105	.171	.784	-.394	220	1805	-.320	.054	-.157	-.553	220	2205	-.273	.045	-.126	-.445
220	1472	.367	.129	1.029	.066	220	1806	-.367	.090	-.079	-.696	220	2206	-.269	.036	-.126	-.448
220	1473	.335	.119	.792	-.077	220	1807	-.191	.044	-.036	-.387	220	2207	-.330	.050	-.126	-.545
220	1474	.320	.133	.818	-.113	220	1808	-.246	.030	-.120	-.371	220	2208	-.081	.072	.245	-.380
220	1475	.318	.131	.770	-.132	220	1901	-.753	.185	-.210	-1.585	220	2209	-.173	.060	.204	-.365
220	1476	.254	.134	.731	-.108	220	1902	-.407	.093	-.091	-.798	220	2210	-.137	.078	.155	-.474
220	1477	-.189	.033	-.028	-.348	220	1903	-.349	.076	-.114	.715	220	2211	-.258	.034	-.118	-.407
220	1478	-.142	.034	.064	-.265	220	1904	-.326	.083	-.027	-1.013	220	2212	-.244	.050	-.089	-.511
220	1479	.010	.046	.197	-.115	220	1905	-.335	.099	-.024	-.873	220	2213	-.024	.080	.313	-.523



WD	TAP	CPMEAN	CPRMS	CPMAX	CPMIN	WD	TAP	CPMEAN	CPRMS	CPMAX	CPMIN	WD	TAP	CPMEAN	CPRMS	CPMAX	CPMIN
2220	2214	-.152	.048	.121	-.380	2220	3106	-.345	.051	-.137	-.637	2220	3302	-.083	.069	-.136	-.464
2220	2215	-.127	.075	.248	-.428	2220	3107	-.326	.043	-.161	-.527	2220	3303	-.266	.049	-.081	-.452
2220	2301	-.165	.076	.472	-.024	2220	3108	-.280	.046	-.130	-.588	2220	3304	-.368	.060	-.088	-.630
2220	2302	.241	.092	.641	-.036	2220	3109	-.267	.039	-.126	-.570	2220	3305	-.286	.068	-.223	-.600
2220	2303	.231	.092	.626	-.012	2220	3110	-.270	.033	-.143	-.491	2220	3306	-.388	.055	.101	-.778
2220	2304	.268	.088	.732	-.044	2220	3111	-.259	.040	-.086	-.450	2220	3307	-.385	.085	-.125	-.635
2220	2305	-.008	.098	.501	-.274	2220	3112	-.263	.042	-.123	-.450	2220	3308	-.090	.149	-.693	-.554
2220	2306	-.299	.095	-.014	-.910	2220	3113	-.262	.041	-.130	-.477	2220	3309	-.177	.042	-.037	-.351
2220	2307	-.253	.049	-.103	-.537	2220	3114	-.265	.043	-.126	-.487	2220	3310	-.108	.063	-.145	-.441
2220	2308	-.334	.107	.756	-.065	2220	3115	-.272	.051	-.107	-.532	2220	3311	-.107	.097	.323	-.478
2220	2309	-.031	.080	.352	-.310	2220	3116	-.268	.048	-.142	-.473	2220	3312	-.189	.088	.147	-.600
2220	2310	-.229	.057	-.012	-.529	2220	3117	-.269	.041	-.137	-.532	2220	3313	-.253	.079	.147	-.561
2220	2311	-.173	.048	.010	-.578	2220	3118	-.270	.040	-.090	-.447	2220	3314	-.042	.125	.486	-.406
2220	2401	.091	.072	.491	-.125	2220	3119	-.384	.090	-.061	-.776	2220	3315	-.319	.083	-.028	-.648
2220	2402	.099	.059	.405	-.082	2220	3120	-.340	.078	-.127	-.714	2220	3316	-.291	.098	.117	-.639
2220	2403	.046	.046	.316	-.082	2220	3121	-.279	.036	-.161	-.435	2220	3317	-.097	.080	.223	-.418
2220	2404	.179	.066	.424	.015	2220	3122	-.033	.095	-.335	-.342	2220	3318	-.150	.083	-.200	-.535
2220	2405	.200	.068	.479	.022	2220	3123	-.411	.048	-.191	-.506	2220	3319	-.190	.040	-.007	-.358
2220	2406	.189	.073	.675	.012	2220	3124	-.032	.097	.391	-.337	2220	3320	-.149	.048	.087	-.365
2220	2901	.288	.102	.691	.042	2220	3125	-.279	.077	.156	-.658	2220	3321	-.301	.080	.071	-.618
2220	2902	.239	.077	.545	-.054	2220	3126	-.277	.059	-.083	-.595	2220	3322	-.212	.143	.267	-.722
2220	2903	.079	.045	.255	-.051	2220	3127	-.283	.073	-.076	-.422	2220	3323	-.193	.084	.093	-.508
2220	2904	.164	.067	.446	-.010	2220	3128	-.250	.044	-.126	-.454	2220	3324	-.120	.110	.609	-.254
2220	2905	-.196	.105	.092	-.600	2220	3129	-.237	.036	-.114	-.345	2220	3325	-.113	.069	.124	-.353
2220	2906	-.050	.060	.126	-.295	2220	3130	-.232	.033	-.086	-.363	2220	3326	-.231	.065	-.037	-.547
2220	2907	-.238	.071	.146	-.644	2220	3131	-.473	.096	-.073	-.784	2220	3327	-.198	.085	.113	-.563
2220	2908	-.070	.069	.298	-.191	2220	3132	-.253	.036	-.123	-.440	2220	3328	-.336	.109	.064	-.648
2220	2909	-.334	.077	-.113	-.743	2220	3133	-.272	.034	-.168	-.372	2220	3329	-.248	.037	-.078	-.418
2220	2910	-.345	.065	-.179	-.656	2220	3134	-.236	.036	-.130	-.356	2220	3330	-.142	.052	-.053	-.397
2220	2911	-.203	.079	.623	-.003	2220	3135	-.234	.044	-.074	-.417	2220	3331	-.193	.062	.041	-.538
2220	2912	-.071	.044	.083	-.271	2220	3136	-.254	.057	-.118	-.623	2220	3332	-.199	.078	.176	-.542
2220	2913	.131	.058	.373	-.009	2220	3201	-.223	.151	.210	-1.088	2220	3333	-.109	.089	.182	-.628
2220	2914	.135	.074	.511	-.065	2220	3202	-.167	.062	.135	-.543	2220	3334	-.100	.074	.193	-.369
2220	2915	-.199	.119	.199	-.712	2220	3203	-.229	.064	.017	-.474	2220	3335	-.040	.085	.371	-.245
2220	2916	-.312	.051	-.150	-.520	2220	3204	-.270	.061	-.079	-.522	2220	3336	.109	.094	.518	-.229
2220	2917	-.123	.033	.046	-.225	2220	3205	-.265	.065	-.001	-.543	2220	3337	-.143	.111	.656	-.150
2220	2918	-.183	.031	-.034	-.424	2220	3206	-.261	.066	.025	-.495	2220	3338	-.270	.042	-.121	-.482
2220	2919	-.234	.036	-.077	-.373	2220	3207	-.192	.154	-.335	-1.006	2220	3339	-.132	.057	-.129	-.314
2220	2920	-.293	.055	-.150	-.574	2220	3208	-.262	.053	-.043	-.590	2220	3340	-.192	.052	-.014	-.432
2220	2921	-.255	.070	.044	-.637	2220	3209	-.144	.116	.651	-.222	2220	3341	-.235	.065	.006	-.534
2220	2922	-.314	.175	.134	-1.833	2220	3210	-.078	.099	.367	-.607	2220	3342	-.122	.075	.201	-.417
2220	2923	-.244	.130	.182	-1.087	2220	3211	-.015	.095	.360	-.525	2220	3343	.032	.081	.441	-.242
2220	2924	-.200	.103	-.090	-1.143	2220	3212	-.196	.095	.155	-.557	2220	3344	.032	.095	.530	-.170
2220	2925	-.256	.064	-.067	-.606	2220	3213	-.188	.095	.124	-.683	2220	3345	.151	.107	.562	-.178
2220	2926	-.211	.108	-.112	-1.114	2220	3214	-.009	.085	.480	-.297	2220	3346	.148	.106	.609	-.165
2220	3101	-.280	.084	-.050	-.768	2220	3215	-.038	.048	.136	-.178	2220	3347	-.137	.110	.552	-.118
2220	3102	-.290	.056	-.134	-.559	2220	3216	-.135	.082	.249	-.549	2220	3348	-.240	.043	-.083	-.440
2220	3103	-.283	.053	-.106	-.566	2220	3217	-.207	.097	.214	-.592	2220	3349	-.250	.054	-.054	-.460
2220	3104	-.274	.053	-.130	-.615	2220	3218	-.230	.067	-.106	-.485	2220	3401	-.276	.037	-.154	-.423
2220	3105	-.285	.051	-.069	-.539	2220	3301	-.221	.032	-.102	-.337	2220	3402	-.275	.034	-.150	-.393

WD	TAP	CPMEAN	CPRMS	CPMAX	CPMIN	WD	TAP	CPMEAN	CPRMS	CPMAX	CPMIN	WD	TAP	CPMEAN	CPRMS	CPMAX	CPMIN
220	3403	-.288	.045	-.124	-.473	220	3936	-.097	.053	-.072	-.341	230	1145	-.262	.035	-.090	-.393
220	3404	-.328	.050	-.170	-.578	220	3937	-.231	.041	-.118	-.457	230	1146	-.270	.036	-.123	-.449
220	3405	-.328	.042	-.197	-.569	220	3938	-.166	.046	-.025	-.358	230	1147	-.261	.036	-.155	-.496
220	3406	-.324	.039	-.197	-.536	220	3939	-.091	.064	-.105	-.363	230	1148	-.260	.036	-.130	-.382
220	3407	-.209	.054	-.020	-.400	220	3940	-.233	.053	-.096	-.504	230	1149	-.260	.050	-.095	-.477
220	3408	-.311	.036	-.225	-.458	220	3941	-.230	.051	-.041	-.440	230	1150	-.279	.038	-.160	-.452
220	3409	-.245	.047	-.041	-.435	230	1101	-.324	.082	-.119	-.769	230	1151	-.275	.035	-.169	-.407
220	3410	-.267	.017	-.213	-.313	230	1102	-.335	.084	-.075	-.846	230	1152	-.257	.045	-.053	-.454
220	3411	-.310	.048	-.190	-.549	230	1103	-.317	.076	-.086	-.769	230	1153	-.264	.036	-.139	-.393
220	3412	-.313	.044	-.179	-.569	230	1104	-.330	.063	-.111	-.624	230	1154	-.255	.037	-.089	-.379
220	3413	-.226	.048	-.041	-.445	230	1105	-.324	.069	-.126	-.669	230	1155	-.257	.024	-.197	-.321
220	3414	-.257	.039	-.106	-.440	230	1106	-.390	.053	-.117	-.545	230	1156	-.256	.032	-.158	-.397
220	3415	-.269	.035	-.143	-.390	230	1107	-.285	.052	-.119	-.506	230	1157	-.257	.036	-.077	-.427
220	3416	-.329	.049	-.197	-.583	230	1108	-.291	.051	-.103	-.476	230	1158	-.251	.034	-.123	-.381
220	3417	-.335	.046	-.143	-.559	230	1109	-.290	.056	-.126	-.545	230	1159	-.257	.036	-.130	-.395
220	3901	-.260	.052	.018	-.541	230	1110	-.287	.047	-.126	-.508	230	1160	-.256	.030	-.144	-.363
220	3902	-.235	.083	.153	-.615	230	1111	-.284	.045	-.121	-.452	230	1161	-.254	.032	-.091	-.367
220	3903	-.272	.036	-.137	-.404	230	1112	-.285	.044	-.138	-.429	230	1162	-.260	.037	-.063	-.379
220	3904	-.298	.051	-.081	-.543	230	1113	-.292	.046	-.152	-.490	230	1201	-.414	.083	-.162	-.833
220	3905	-.284	.065	-.027	-.570	230	1114	-.285	.050	-.124	-.527	230	1202	-.423	.087	-.204	-.761
220	3906	-.253	.045	-.056	-.550	230	1115	-.294	.050	-.117	-.604	230	1203	-.403	.086	-.160	-.761
220	3907	-.267	.040	-.111	-.463	230	1116	-.293	.046	-.159	-.513	230	1204	-.346	.074	-.122	-.819
220	3908	-.261	.046	-.057	-.475	230	1117	-.291	.046	-.142	-.556	230	1205	-.304	.065	-.078	-.681
220	3909	-.341	.056	-.174	-.719	230	1118	-.280	.042	-.089	-.422	230	1206	-.304	.064	-.108	-.635
220	3910	-.192	.136	-.332	-.786	230	1119	-.280	.041	-.124	-.503	230	1207	-.398	.073	-.164	-.716
220	3911	-.292	.038	-.170	-.444	230	1120	-.283	.043	-.161	-.487	230	1208	-.295	.055	-.087	-.509
220	3912	-.313	.048	-.104	-.503	230	1121	-.274	.036	-.166	-.427	230	1209	-.368	.052	-.206	-.577
220	3913	-.310	.045	-.069	-.529	230	1122	-.271	.035	-.154	-.401	230	1210	-.373	.056	-.197	-.611
220	3914	-.291	.056	.100	-.498	230	1123	-.264	.036	-.159	-.392	230	1211	-.360	.062	-.211	-.788
220	3915	-.255	.091	.091	-.639	230	1124	-.264	.036	-.121	-.406	230	1212	-.343	.066	-.143	-.767
220	3916	-.334	.041	-.193	-.543	230	1125	-.299	.036	-.189	-.441	230	1213	-.286	.056	-.085	-.523
220	3917	-.290	.064	-.010	-.545	230	1126	-.300	.037	-.175	-.438	230	1214	-.278	.056	-.090	-.523
220	3918	-.317	.046	-.193	-.665	230	1127	-.304	.037	-.197	-.477	230	1215	-.277	.055	-.097	-.504
220	3919	-.444	.076	-.210	-.759	230	1128	-.294	.036	-.190	-.424	230	1216	-.369	.049	-.197	-.646
220	3920	-.384	.075	-.179	-.761	230	1129	-.286	.039	-.181	-.491	230	1217	-.372	.048	-.216	-.684
220	3921	-.644	.150	-.256	-1.228	230	1130	-.282	.039	-.165	-.447	230	1218	-.366	.065	-.136	-.595
220	3922	-.069	.082	.518	-.789	230	1131	-.301	.037	-.183	-.459	230	1219	-.369	.052	-.097	-.546
220	3923	-.087	.071	.171	-.369	230	1132	-.305	.033	-.202	-.517	230	1220	-.291	.051	-.120	-.474
220	3924	-.138	.075	.180	-.381	230	1133	-.285	.034	-.190	-.426	230	1221	-.367	.048	-.218	-.532
220	3925	-.506	.081	-.247	-1.052	230	1134	-.289	.032	-.146	-.487	230	1222	-.361	.049	-.227	-.567
220	3926	-.345	.091	.011	-.730	230	1135	-.256	.034	-.148	-.391	230	1223	-.376	.049	-.239	-.621
220	3927	-.238	.109	.097	-.721	230	1136	-.260	.035	-.139	-.412	230	1224	-.354	.061	-.162	-.584
220	3928	-.146	.126	.283	-.805	230	1137	-.291	.043	-.160	-.519	230	1225	-.327	.067	-.125	-.691
220	3929	-.133	.087	.131	-.712	230	1138	-.284	.046	-.134	-.477	230	1226	-.300	.055	-.115	-.497
220	3930	-.120	.074	.196	-.519	230	1139	-.254	.032	-.116	-.391	230	1227	-.300	.054	-.108	-.532
220	3931	-.202	.072	.009	-.444	230	1140	-.252	.035	-.137	-.405	230	1228	-.352	.044	-.197	-.542
220	3932	-.344	.094	-.031	-.733	230	1141	-.250	.037	-.130	-.419	230	1229	-.358	.041	-.243	-.531
220	3933	-.478	.081	-.234	-.871	230	1142	-.238	.037	-.076	-.389	230	1230	-.376	.048	-.218	-.577
220	3934	-.535	.122	-.077	-1.007	230	1143	-.262	.058	-.081	-.498	230	1231	-.364	.045	-.211	-.553
220	3935	-.552	.215	.026	-1.378	230	1144	-.264	.052	-.085	-.517	230	1232	-.364	.047	-.132	-.500

WD	TAP	CPMEAN	CPRMS	CPMAX	CPMIN	WD	TAP	CPMEAN	CPRMS	CPMAX	CPMIN	WD	TAP	CPMEAN	CPRMS	CPMAX	CPMIN
230	12333	-.279	.044	-.118	-.430	230	1283	-.237	.033	-.123	-.413	230	1343	-.179	.125	.131	-.779
230	12334	-.273	.042	-.129	-.453	230	1284	-.332	.041	-.205	-.485	230	1344	-.260	.056	-.094	-.583
230	12335	-.277	.041	-.134	-.411	230	1285	-.398	.053	-.254	-.646	230	1345	.347	.138	.802	-.014
230	12336	-.368	.044	-.188	-.546	230	1286	-.349	.069	-.086	-.576	230	1346	.365	.133	.907	-.005
230	12337	-.363	.045	-.230	-.556	230	1287	-.124	.061	-.085	-.340	230	1347	.153	.174	.729	-.489
230	12338	-.382	.038	-.267	-.572	230	1288	-.221	.038	-.034	-.366	230	1348	.169	.198	.839	-.480
230	12339	-.405	.057	-.232	-.656	230	1289	-.236	.031	-.139	-.382	230	1349	-.532	.197	.184	-1.375
230	12340	-.370	.062	-.188	-.625	230	1290	-.245	.031	-.118	-.471	230	1350	-.424	.229	.259	-1.116
230	1241	-.313	.045	-.159	-.523	230	1301	-.552	.198	-.003	-1.583	230	1351	-.228	.127	.170	-.763
230	1242	-.292	.037	-.169	-.432	230	1302	-.395	.137	-.109	-.980	230	1352	-.283	.065	-.080	-.655
230	1243	-.292	.036	-.174	-.465	230	1303	-.542	.103	-.164	-1.026	230	1353	.217	.108	.778	-.031
230	1244	-.376	.045	-.239	-.546	230	1304	-.344	.095	.042	-.914	230	1354	.211	.098	.601	-.075
230	1245	-.380	.043	-.248	-.542	230	1305	.073	.157	.524	-.562	230	1355	-.011	.093	.432	-.339
230	1246	-.401	.049	-.267	-.630	230	1306	.035	.107	.433	-.364	230	1356	-.038	.127	.432	-.407
230	1247	-.390	.050	-.236	-.606	230	1307	-.197	.193	.408	-.786	230	1357	-.498	.151	.126	-1.174
230	1248	-.285	.044	-.123	-.487	230	1308	-.045	.121	.342	-.621	230	1358	-.329	.175	.142	-.957
230	1249	-.249	.040	-.097	-.403	230	1309	-.556	.185	.149	-1.353	230	1359	-.191	.092	.084	-.699
230	12500	-.277	.032	-.158	-.422	230	1310	-.501	.237	.214	-1.234	230	1360	-.268	.058	-.077	-.538
230	12511	-.284	.033	-.132	-.408	230	1311	-.235	.052	-.031	-.513	230	1361	.226	.081	.526	.011
230	12522	-.389	.048	-.240	-.644	230	1312	-.275	.052	-.021	-.478	230	1362	-.257	.095	.633	-.005
230	12533	-.398	.052	-.249	-.639	230	1313	.249	.165	.755	-.234	230	1363	-.053	.052	.126	-.241
230	12544	-.400	.050	-.254	-.611	230	1314	-.140	.177	.732	-.653	230	1364	-.053	.082	-.231	-.374
230	12555	-.377	.058	-.151	-.613	230	1315	-.330	.266	.391	-1.040	230	1365	-.422	.106	-.035	-.919
230	12566	-.191	.048	-.001	-.366	230	1316	-.156	.069	.151	-.611	230	1366	-.216	.089	.075	-.615
230	12577	-.214	.042	-.053	-.343	230	1317	.316	.177	.853	-.259	230	1367	-.159	.051	-.003	-.428
230	12588	-.259	.037	-.115	-.378	230	1318	.124	.172	.655	-.415	230	1368	-.236	.045	-.068	-.452
230	12599	-.268	.038	-.111	-.403	230	1319	-.545	.195	.349	-1.273	230	1369	-.243	.089	.577	-.034
230	1260	-.411	.052	-.256	-.632	230	1320	-.235	.052	-.049	-.462	230	1370	-.134	.045	.008	-.307
230	1261	-.410	.054	-.249	-.695	230	1321	.116	.141	.596	-.357	230	1371	-.432	.082	-.190	-.714
230	1262	-.424	.057	-.275	-.660	230	1322	.117	.142	.652	-.373	230	1372	-.350	.033	-.248	-.459
230	1263	-.387	.073	-.048	-.679	230	1323	.095	.148	.596	-.541	230	1373	-.252	.097	.585	-.031
230	1264	-.119	.075	-.164	-.331	230	1324	.071	.149	.570	-.386	230	1374	-.101	.066	.093	-.346
230	1265	-.234	.040	-.083	-.401	230	1325	-.548	.239	.320	-1.335	230	1375	-.294	.077	-.068	-.581
230	1266	-.247	.035	-.125	-.380	230	1326	-.408	.229	.222	-1.090	230	1376	-.182	.050	.026	-.408
230	1267	-.259	.040	-.144	-.476	230	1327	-.229	.057	-.014	-.590	230	1377	-.275	.102	.681	-.006
230	1268	-.416	.056	-.277	-.786	230	1328	-.267	.050	-.103	-.512	230	1378	-.044	.070	.159	-.339
230	1269	-.500	.089	-.153	-.905	230	1329	.342	.151	.874	-.204	230	1379	-.242	.055	-.089	-.484
230	1270	-.176	.074	-.108	-.457	230	1330	.335	.149	.907	-.180	230	1380	-.355	.047	-.222	-.551
230	1271	-.261	.042	-.142	-.457	230	1331	.202	.165	.704	-.344	230	1381	-.134	.059	.116	-.314
230	1272	-.419	.056	-.263	-.681	230	1332	-.198	.194	.755	-.482	230	1382	.301	.119	.709	.005
230	1273	-.419	.057	-.268	-.651	230	1333	-.502	.246	.334	-1.527	230	1383	.009	.085	.270	-.305
230	1274	-.341	.072	-.004	-.630	230	1334	-.221	.217	.362	-1.031	230	1384	-.119	.049	.095	-.289
230	1275	-.097	.083	-.265	-.300	230	1335	-.126	.083	.236	-.676	230	1385	-.218	.044	-.027	-.395
230	1276	-.250	.033	-.149	-.387	230	1336	-.226	.048	-.042	-.402	230	1401	-.351	.118	.248	-.884
230	1277	-.242	.035	-.118	-.413	230	1337	.387	.141	.905	-.026	230	1402	-.348	.117	.237	-.831
230	1278	-.340	.047	-.212	-.543	230	1338	.401	.150	.902	-.000	230	1403	-.471	.117	-.048	-.946
230	1279	-.342	.073	-.027	-.574	230	1339	.233	.164	.753	-.395	230	1404	-.009	.182	.422	.765
230	1280	-.103	.074	-.174	-.322	230	1340	-.243	.180	.762	-.405	230	1405	-.115	.109	.324	-.538
230	1281	-.129	.067	-.146	-.336	230	1341	-.541	.193	.202	-1.174	230	1406	-.009	.090	.332	-.270
230	1282	-.222	.039	-.048	-.371	230	1342	-.379	.236	.320	-1.293	230	1407	-.372	.087	-.110	-.872

WD	TAP	CPMEAN	CPRMS	CPMAX	CPMIN	WD	TAP	CPMEAN	CPRMS	CPMAX	CPMIN	WD	TAP	CPMEAN	CPRMS	CPMAX	CPMIN
230	1408	-.425	.209	.468	-.955	230	1458	.262	.163	.757	-.340	230	1508	.059	.063	.314	-.173
230	1409	-.174	.042	-.030	-.327	230	1459	.288	.175	.844	-.272	230	1509	.018	.113	.359	-.502
230	1410	-.125	.058	.140	-.330	230	1460	.398	.140	.971	.004	230	1510	.264	.098	.734	-.039
230	1411	-.024	.068	.211	-.261	230	1461	.390	.144	.942	-.001	230	1511	.215	.081	.508	-.014
230	1412	-.001	.078	.289	-.254	230	1462	.371	.148	.852	-.086	230	1512	-.041	.071	.191	-.366
230	1413	.030	.123	.497	-.572	230	1463	.362	.168	.920	-.367	230	1513	.278	.105	.720	.007
230	1414	.082	.160	.539	-.593	230	1464	.293	.141	.830	-.255	230	1514	.263	.099	.622	.014
230	1415	-.060	.104	.403	-.430	230	1465	-.144	.045	.099	-.326	230	1515	.303	.122	.785	.025
230	1416	.114	.109	.543	-.256	230	1466	-.076	.056	.174	-.234	230	1516	.154	.104	.561	-.131
230	1417	.162	.127	.607	-.247	230	1467	.104	.077	.410	-.110	230	1801	-.258	.037	-.105	-.407
230	1418	-.067	.118	.417	-.664	230	1468	.243	.094	.599	-.019	230	1802	-.334	.058	-.165	-.573
230	1419	.145	.116	.605	-.286	230	1469	.265	.100	.679	-.005	230	1803	-.301	.053	-.146	-.575
230	1420	.177	.119	.555	-.176	230	1470	.271	.162	.752	-.340	230	1804	-.258	.035	-.142	-.416
230	1421	-.200	.050	.012	-.421	230	1471	.272	.148	.823	-.455	230	1805	-.342	.048	-.206	-.568
230	1422	-.095	.070	.222	-.297	230	1472	.372	.129	.874	.009	230	1806	-.397	.060	-.194	-.660
230	1423	.084	.100	.401	-.288	230	1473	.325	.130	.891	.029	230	1807	-.227	.036	-.102	-.349
230	1424	.189	.156	.731	-.710	230	1474	.340	.141	.857	-.039	230	1808	-.244	.032	-.153	-.396
230	1425	.256	.213	.893	-.649	230	1475	.270	.156	.837	-.323	230	1901	-.790	.214	-.192	-1.737
230	1426	.118	.132	.587	-.320	230	1476	.230	.142	.820	-.258	230	1902	-.391	.101	-.045	-.753
230	1427	.266	.146	.774	-.169	230	1477	-.168	.037	.080	-.292	230	1903	-.318	.073	-.043	-.608
230	1428	.320	.171	.905	-.295	230	1478	-.125	.041	.201	-.360	230	1904	-.329	.083	-.077	-.956
230	1429	.304	.156	.949	-.199	230	1479	.041	.056	.310	-.224	230	1905	-.335	.101	-.054	-1.243
230	1430	.345	.155	.967	-.206	230	1480	.174	.073	.468	-.027	230	1906	-.640	.159	-.137	-1.287
230	1431	-.228	.057	.000	-.453	230	1481	.212	.082	.560	.014	230	1907	-.328	.078	-.059	-.705
230	1432	-.156	.067	.135	-.389	230	1482	.220	.108	.711	-.321	230	1908	-.685	.135	-.277	-1.367
230	1433	.001	.090	.353	-.364	230	1483	.196	.122	.631	-.309	230	1909	-.628	.122	-.271	-1.153
230	1434	.063	.099	.447	-.238	230	1484	.210	.092	.684	-.027	230	1910	-.630	.187	-.282	-1.820
230	1435	-.315	.071	-.091	-.792	230	1485	.150	.100	.512	-.238	230	1911	-.809	.267	-.190	-1.758
230	1436	.138	.147	.715	-.414	230	1486	.131	.103	.643	-.185	230	1912	-.472	.128	-.126	-.990
230	1437	.177	.140	.614	-.236	230	1487	.120	.172	.679	-.469	230	1913	-.381	.113	-.011	-.928
230	1438	.162	.142	.703	-.309	230	1488	.140	.140	.645	-.479	230	1914	-.656	.137	-.174	-1.259
230	1439	.175	.164	.774	-.435	230	1489	-.166	.029	-.042	-.285	230	1915	-.319	.065	-.119	-.625
230	1440	.148	.146	.800	-.334	230	1490	-.117	.029	.021	-.226	230	1916	-.313	.073	-.112	-.733
230	1441	-.133	.047	.080	-.332	230	1491	.047	.053	.369	-.083	230	1917	-.318	.088	-.060	-.739
230	1442	-.069	.065	.197	-.318	230	1492	.208	.073	.427	.004	230	1918	-.620	.127	-.197	-1.160
230	1443	.087	.091	.511	-.172	230	1493	.250	.084	.655	.036	230	1919	-.656	.135	-.245	-1.452
230	1444	.175	.101	.593	-.139	230	1494	.237	.105	.636	-.215	230	1920	-.611	.139	-.234	-1.123
230	1445	.256	.107	.603	-.046	230	1495	.245	.099	.575	-.224	230	1921	-.541	.150	-.179	-1.321
230	1446	.297	.158	.779	-.497	230	1496	.253	.090	.592	-.018	230	1922	-.422	.101	-.142	-.854
230	1447	.276	.168	.848	-.309	230	1497	.178	.074	.442	-.019	230	1923	-.345	.072	-.114	-.675
230	1448	.347	.130	.886	-.073	230	1498	.127	.064	.373	-.035	230	1924	-.342	.086	-.112	-.825
230	1449	.370	.144	.886	-.090	230	1499	.070	.086	.473	-.318	230	1925	-.544	.108	-.254	-.992
230	1450	.369	.145	.874	-.037	230	1500	.069	.083	.419	-.215	230	1926	-.302	.071	-.073	-.691
230	1451	.376	.143	.942	-.226	230	1501	-.060	.046	.160	-.224	230	1927	-.556	.123	-.169	-1.036
230	1452	.330	.138	.820	-.192	230	1502	-.107	.035	.062	-.215	230	1928	-.292	.076	-.019	-.716
230	1453	-.141	.045	.065	-.294	230	1503	.150	.071	.405	-.010	230	1929	-.465	.118	-.013	-.919
230	1454	.060	.055	.182	-.275	230	1504	.225	.084	.554	.039	230	1930	-.393	.072	-.165	-.684
230	1455	.108	.086	.456	-.163	230	1505	.266	.089	.606	.037	230	1931	-.363	.092	-.051	-.830
230	1456	.239	.101	.645	-.047	230	1506	.244	.100	.648	-.094	230	1932	-.313	.079	-.066	-.740
230	1457	.292	.113	.740	-.026	230	1507	.208	.076	.512	.014	230	1933	-.295	.076	-.020	-.776

WD	TAP	CPMEAN	CPRMS	CPMAX	CPMIN	WD	TAP	CPMEAN	CPRMS	CPMAX	CPMIN	WD	TAP	CPMEAN	CPRMS	CPMAX	CPMIN
230	1934	-.152	.065	.234	-.402	230	2910	-.298	.075	-.085	-.679	230	3134	-.260	.036	-.143	-.389
230	1935	-.147	.049	.111	-.335	230	2911	-.236	.086	-.554	-.046	230	3135	-.230	.040	-.034	-.366
230	2101	-.207	.109	.080	-.803	230	2912	-.076	.058	.090	-.372	230	3136	-.254	.079	-.046	-.720
230	2102	-.222	.093	.175	-.591	230	2913	.174	.078	.542	-.003	230	3201	-.193	.114	.149	-.956
230	2103	-.226	.065	-.022	-.591	230	2914	.183	.084	.664	-.022	230	3202	-.236	.070	.044	-.537
230	2104	-.233	.085	.027	-.699	230	2915	-.144	.143	.316	-.781	230	3203	-.272	.069	-.037	-.680
230	2105	-.273	.101	.099	-.659	230	2916	-.216	.079	.046	-.467	230	3204	-.288	.063	-.040	-.548
230	2106	-.196	.076	.056	-.548	230	2917	-.098	.036	.090	-.195	230	3205	-.266	.050	-.088	-.461
230	2107	-.258	.096	.112	-.638	230	2918	-.160	.034	-.012	-.351	230	3206	-.266	.051	-.021	-.491
230	2201	-.138	.124	.416	-.545	230	2919	-.210	.037	.012	-.346	230	3207	-.132	.105	.161	-.868
230	2202	-.073	.045	.163	-.207	230	2920	-.201	.085	.194	-.572	230	3208	-.255	.058	.014	-.544
230	2203	-.206	.044	.070	-.372	230	2921	-.177	.080	.090	-.526	230	3209	-.038	.116	.481	-.347
230	2204	-.229	.042	-.064	-.389	230	2922	-.331	.157	.143	-1.275	230	3210	-.102	.079	.301	-.759
230	2205	-.192	.068	-.029	-.409	230	2923	-.240	.101	.124	-.681	230	3211	-.059	.080	.301	-.288
230	2206	-.265	.042	-.068	-.399	230	2924	-.263	.095	-.104	-1.112	230	3212	-.138	.087	.271	-.498
230	2207	-.343	.062	-.090	-.621	230	2925	-.265	.079	-.051	-.929	230	3213	-.149	.075	.201	-.479
230	2208	-.057	.069	.258	-.433	230	2926	-.230	.090	-.053	-.891	230	3214	-.089	.082	.436	-.311
230	2209	-.194	.064	.078	-.540	230	3101	-.306	.075	-.095	-.759	230	3215	-.020	.063	.159	-.188
230	2210	-.221	.096	.114	-.625	230	3102	-.287	.059	-.105	-.678	230	3216	-.076	.091	.334	-.380
230	2211	-.248	.037	-.093	-.411	230	3103	-.291	.057	-.143	-.562	230	3217	-.127	.083	.233	-.373
230	2212	-.238	.059	-.015	-.509	230	3104	-.284	.047	-.147	-.640	230	3218	-.166	.071	.226	-.398
230	2213	-.040	.086	.474	-.253	230	3105	-.283	.043	-.114	-.458	230	3301	-.239	.031	-.137	-.335
230	2214	-.162	.072	.080	-.468	230	3106	-.293	.039	-.171	-.477	230	3302	-.166	.059	-.054	-.410
230	2215	-.199	.099	.136	-.633	230	3107	-.290	.035	-.190	-.416	230	3303	-.254	.044	-.105	-.442
230	2301	.214	.085	.638	-.014	230	3108	-.263	.036	-.145	-.416	230	3304	-.311	.053	-.098	-.526
230	2302	.262	.096	.635	-.010	230	3109	-.251	.034	-.150	-.366	230	3305	-.268	.056	-.028	-.501
230	2303	.245	.098	.665	-.015	230	3110	-.255	.033	-.158	-.361	230	3306	-.330	.068	-.065	-.627
230	2304	.252	.093	.640	-.034	230	3111	-.267	.040	-.138	-.413	230	3307	-.274	.064	-.083	-.630
230	2305	.073	.114	.582	-.240	230	3112	-.260	.039	-.148	-.442	230	3308	-.159	.126	.357	-.610
230	2306	-.254	.086	.189	-.706	230	3113	-.254	.035	-.122	-.451	230	3309	-.218	.038	-.081	-.398
230	2307	-.244	.052	-.085	-.473	230	3114	-.262	.037	-.145	-.435	230	3310	-.181	.057	-.019	-.356
230	2308	.319	.125	.866	-.007	230	3115	-.290	.053	-.129	-.558	230	3311	-.169	.075	.163	-.398
230	2309	-.043	.089	.434	-.279	230	3116	-.272	.041	-.138	-.458	230	3312	-.217	.068	.089	-.631
230	2310	-.186	.058	.061	-.459	230	3117	-.257	.033	-.148	-.382	230	3313	-.257	.068	.049	-.480
230	2311	-.170	.059	.061	-.403	230	3118	-.256	.031	-.162	-.385	230	3314	-.157	.088	.310	-.426
230	2401	-.096	.066	.393	-.104	230	3119	-.275	.095	-.111	-.720	230	3315	-.311	.078	.035	-.634
230	2402	.086	.056	.306	-.073	230	3120	-.319	.073	-.084	-.671	230	3316	-.267	.078	.080	-.517
230	2403	.057	.048	.284	-.092	230	3121	-.251	.030	-.159	-.392	230	3317	-.179	.068	.175	-.424
230	2404	.171	.060	.439	.019	230	3122	-.042	.085	-.229	-.385	230	3318	-.189	.074	.203	-.508
230	2405	.188	.071	.497	.014	230	3123	-.287	.039	-.176	-.510	230	3319	-.231	.042	-.074	-.368
230	2406	.172	.068	.516	.001	230	3124	-.029	.092	.405	-.309	230	3320	-.216	.047	.054	-.398
230	2901	.291	.107	.768	.009	230	3125	-.172	.089	.173	-.506	230	3321	-.281	.066	.042	-.526
230	2902	.290	.096	.652	-.046	230	3126	-.269	.056	-.041	-.534	230	3322	-.264	.099	.159	-.561
230	2903	.096	.049	.279	-.076	230	3127	-.338	.108	-.220	-.850	230	3323	-.234	.074	.038	-.512
230	2904	-.218	.084	.659	-.037	230	3128	-.254	.038	-.136	-.418	230	3324	-.081	.100	.418	-.361
230	2905	-.197	.103	.085	-.793	230	3129	-.240	.042	-.170	-.406	230	3325	-.209	.056	-.054	-.391
230	2906	-.015	.060	.206	-.261	230	3130	-.239	.032	-.126	-.373	230	3326	-.259	.052	-.065	-.473
230	2907	-.206	.077	.019	-.572	230	3131	-.249	.044	-.124	-.593	230	3327	-.258	.066	-.021	-.515
230	2908	-.150	.079	.447	-.171	230	3132	-.237	.032	-.145	-.461	230	3328	-.313	.075	-.025	-.676
230	2909	-.326	.082	-.093	-.813	230	3133	-.248	.028	-.157	-.359	230	3329	-.266	.036	-.143	-.401

WD	TAP	CPMEAN	CPRMS	CPMAX	CPMIN	WD	TAP	CPMEAN	CPRMS	CPMAX	CPMIN	WD	TAP	CPMEAN	CPRMS	CPMAX	CPMIN
230	3330	-.211	.046	-.046	-.391	230	3914	-.289	.041	-.124	-.455	240	1123	-.275	.038	-.159	-.422
230	3331	-.228	.056	-.002	-.445	230	3915	-.338	.087	-.049	-.856	240	1124	-.274	.039	-.148	-.431
230	3332	-.220	.071	.130	-.520	230	3916	-.293	.037	-.192	-.481	240	1125	-.300	.038	-.178	-.470
230	3333	-.167	.081	.112	-.412	230	3917	-.305	.049	-.074	-.522	240	1126	-.305	.039	-.197	-.584
230	3334	-.155	.064	.061	-.415	230	3918	-.294	.039	-.185	-.531	240	1127	-.292	.037	-.193	-.447
230	3335	-.096	.083	.219	-.303	230	3919	-.329	.048	-.195	-.560	240	1128	-.290	.039	-.163	-.451
230	3336	-.075	.091	.263	-.326	230	3920	-.328	.059	-.159	-.631	240	1129	-.281	.040	-.165	-.465
230	3337	-.060	.103	.430	-.303	230	3921	-.429	.089	-.190	-.889	240	1130	-.287	.041	-.154	-.437
230	3338	-.246	.035	-.149	-.426	230	3922	-.114	.076	.232	-.439	240	1131	-.303	.041	-.186	-.623
230	3339	-.198	.056	.036	-.393	230	3923	-.144	.074	.161	-.569	240	1132	-.298	.037	-.145	-.465
230	3340	-.232	.049	-.046	-.403	230	3924	-.212	.061	.021	-.394	240	1133	-.283	.035	-.154	-.423
230	3341	-.243	.062	.168	-.486	230	3925	-.370	.062	-.176	-.711	240	1134	-.276	.035	-.172	-.440
230	3342	-.172	.064	.088	-.423	230	3926	-.319	.076	-.012	-.683	240	1135	-.264	.038	-.149	-.419
230	3343	-.097	.074	.236	-.286	230	3927	-.419	.145	-.057	-1.043	240	1136	-.267	.037	-.149	-.442
230	3344	-.055	.096	.370	-.293	230	3928	-.141	.113	.234	-1.107	240	1137	-.290	.050	-.119	-.633
230	3345	-.043	.100	.473	-.316	230	3929	-.150	.066	.078	-.569	240	1138	-.283	.044	-.138	-.558
230	3346	-.039	.111	.525	-.446	230	3930	-.217	.059	.059	-.451	240	1139	-.275	.037	-.156	-.412
230	3347	-.057	.094	.395	-.298	230	3931	-.250	.055	-.060	-.474	240	1140	-.270	.038	-.133	-.435
230	3348	-.250	.043	-.144	-.463	230	3932	-.313	.073	-.048	-.728	240	1141	-.269	.040	-.147	-.454
230	3349	-.271	.050	-.051	-.478	230	3933	-.371	.067	-.210	-.752	240	1142	-.256	.036	-.131	-.451
230	3401	-.259	.032	-.115	-.384	230	3934	-.517	.117	-.218	-1.178	240	1143	-.289	.056	-.077	-.570
230	3402	-.258	.031	-.169	-.388	230	3935	-.582	.233	-.045	-1.806	240	1144	-.278	.049	-.077	-.586
230	3403	-.265	.033	-.157	-.406	230	3936	-.172	.047	.006	-.333	240	1145	-.285	.041	-.156	-.577
230	3404	-.288	.038	-.171	-.474	230	3937	-.263	.040	-.159	-.458	240	1146	-.284	.040	-.140	-.444
230	3405	-.289	.034	-.189	-.530	230	3938	-.236	.041	-.094	-.378	240	1147	-.282	.050	-.142	-.535
230	3406	-.291	.036	-.184	-.436	230	3939	-.174	.050	.006	-.386	240	1148	-.284	.045	-.142	-.465
230	3407	-.238	.044	-.061	-.418	230	3940	-.278	.045	-.126	-.486	240	1149	-.283	.055	-.079	-.521
230	3408	-.293	.038	-.194	-.467	230	3941	-.256	.045	-.119	-.431	240	1150	-.289	.040	-.182	-.468
230	3409	-.255	.044	-.089	-.398	240	1101	-.319	.082	-.115	-.895	240	1151	-.297	.059	-.161	-.723
230	3410	-.243	.016	-.194	-.295	240	1102	-.338	.085	-.022	-.775	240	1152	-.280	.044	-.028	-.440
230	3411	-.275	.037	-.164	-.463	240	1103	-.310	.072	-.083	-.793	240	1153	-.283	.040	-.172	-.444
230	3412	-.299	.036	-.198	-.472	240	1104	-.338	.061	-.115	-.597	240	1154	-.249	.035	-.096	-.363
230	3413	-.254	.046	-.119	-.443	240	1105	-.340	.072	-.101	-.696	240	1155	-.254	.024	-.193	-.324
230	3414	-.244	.031	-.126	-.368	240	1106	-.301	.057	-.136	-.600	240	1156	-.257	.037	-.154	-.400
230	3415	-.248	.027	-.156	-.361	240	1107	-.300	.058	-.104	-.691	240	1157	-.242	.052	-.025	-.384
230	3416	-.296	.039	-.191	-.471	240	1108	-.302	.052	-.125	-.515	240	1158	-.259	.032	-.161	-.391
230	3417	-.311	.039	-.171	-.448	240	1109	-.303	.054	-.136	-.561	240	1159	-.259	.038	-.129	-.444
230	3901	-.272	.049	-.134	-.531	240	1110	-.304	.053	-.078	-.714	240	1160	-.258	.035	-.117	-.444
230	3902	-.277	.058	-.074	-.561	240	1111	-.298	.052	-.122	-.528	240	1161	-.259	.036	-.138	-.395
230	3903	-.262	.033	-.176	-.391	240	1112	-.297	.044	-.173	-.556	240	1162	-.238	.056	-.140	-.448
230	3904	-.277	.038	-.157	-.441	240	1113	-.309	.053	-.132	-.517	240	1201	-.404	.081	-.156	-.710
230	3905	-.282	.047	-.133	-.505	240	1114	-.302	.054	-.129	-.561	240	1202	-.395	.074	-.193	-.659
230	3906	-.291	.061	-.022	-.569	240	1115	-.304	.054	-.155	-.593	240	1203	-.404	.081	-.177	-.789
230	3907	-.260	.036	-.152	-.408	240	1116	-.295	.046	-.148	-.487	240	1204	-.347	.083	-.156	-.920
230	3908	-.269	.041	-.116	-.472	240	1117	-.304	.049	-.159	-.526	240	1205	-.315	.063	-.149	-.669
230	3909	-.293	.039	-.176	-.493	240	1118	-.289	.042	-.138	-.463	240	1206	-.314	.064	-.128	-.754
230	3910	-.288	.066	-.090	-.730	240	1119	-.296	.047	-.162	-.663	240	1207	-.385	.069	-.172	-.895
230	3911	-.273	.036	-.178	-.460	240	1120	-.287	.042	-.150	-.524	240	1208	-.314	.060	-.137	-.602
230	3912	-.289	.037	-.152	-.432	240	1121	-.283	.040	-.164	-.445	240	1209	-.339	.054	-.167	-.629
230	3913	-.289	.035	-.166	-.451	240	1122	-.281	.039	-.166	-.422	240	1210	-.341	.056	-.170	-.657

WD	TAP	CPMEAN	CPRMS	CPMAX	CPMIN	WD	TAP	CPMEAN	CPRMS	CPMAX	CPMIN	WD	TAP	CPMEAN	CPRMS	CPMAX	CPMIN
240	1211	-.360	.059	-.174	-.606	240	1261	-.359	.039	-.248	-.538	240	1321	.120	.142	.689	-.333
240	1212	-.346	.066	-.103	-.738	240	1262	-.377	.043	-.240	-.542	240	1322	.095	.141	.540	-.392
240	1213	-.299	.057	-.080	-.745	240	1263	-.377	.045	-.230	-.543	240	1323	-.003	.138	.501	-.447
240	1214	-.283	.059	-.103	-.599	240	1264	-.327	.057	-.009	-.397	240	1324	-.021	.138	.435	-.441
240	1215	-.289	.059	-.105	-.673	240	1265	-.272	.035	-.179	-.503	240	1325	-.733	.178	-.141	-.363
240	1216	-.331	.051	-.149	-.586	240	1266	-.244	.039	-.091	-.399	240	1326	-.624	.189	-.118	-.241
240	1217	-.330	.047	-.174	-.519	240	1267	-.249	.042	-.098	-.410	240	1327	-.272	.056	-.091	-.591
240	1218	-.353	.054	-.174	-.627	240	1268	-.373	.042	-.265	-.547	240	1328	-.286	.046	-.128	-.488
240	1219	-.294	.052	-.100	-.544	240	1269	-.432	.059	-.383	-.661	240	1329	-.263	.153	.830	-.157
240	1220	-.290	.049	-.131	-.572	240	1270	-.250	.048	-.141	-.466	240	1330	-.282	.160	.754	-.238
240	1221	-.327	.047	-.186	-.595	240	1271	-.263	.045	-.238	-.454	240	1331	-.082	.149	.593	-.427
240	1222	-.333	.045	-.200	-.544	240	1272	-.369	.044	-.248	-.623	240	1332	-.008	.202	.610	-.736
240	1223	-.355	.049	-.200	-.574	240	1273	-.379	.044	-.248	-.524	240	1333	-.758	.231	.010	-.648
240	1224	-.354	.057	-.191	-.706	240	1274	-.378	.051	-.232	-.570	240	1334	-.458	.227	.107	-.198
240	1225	-.315	.055	-.144	-.609	240	1275	-.243	.053	-.022	-.387	240	1335	-.229	.106	.031	-.807
240	1226	-.299	.051	-.131	-.514	240	1276	-.244	.031	-.126	-.355	240	1336	-.257	.051	-.130	-.522
240	1227	-.295	.052	-.094	-.530	240	1277	-.237	.046	-.009	-.401	240	1337	.346	.147	.853	-.043
240	1228	-.335	.046	-.184	-.666	240	1278	-.353	.047	-.223	-.526	240	1338	.347	.155	.819	-.178
240	1229	-.331	.047	-.186	-.522	240	1279	-.360	.046	-.227	-.512	240	1339	.120	.171	.626	-.580
240	1230	-.347	.043	-.216	-.521	240	1280	-.248	.051	-.006	-.424	240	1340	-.015	.192	.557	-.628
240	1231	-.360	.043	-.216	-.551	240	1281	-.240	.047	-.052	-.438	240	1341	-.686	.160	-.126	-.329
240	1232	-.305	.044	-.193	-.495	240	1282	-.254	.029	-.167	-.369	240	1342	-.610	.169	.162	-.287
240	1233	-.285	.043	-.105	-.433	240	1283	-.248	.034	-.086	-.473	240	1343	-.346	.152	-.054	-.904
240	1234	-.277	.040	-.128	-.447	240	1284	-.371	.051	-.244	-.566	240	1344	-.297	.070	-.125	-.628
240	1235	-.281	.040	-.151	-.470	240	1285	-.364	.045	-.237	-.533	240	1345	-.295	.128	.754	-.017
240	1236	-.340	.046	-.237	-.613	240	1286	-.362	.041	-.241	-.531	240	1346	.325	.134	.773	-.084
240	1237	-.337	.045	-.214	-.530	240	1287	-.252	.049	-.016	-.376	240	1347	.028	.164	.658	-.596
240	1238	-.355	.044	-.225	-.500	240	1288	-.252	.030	-.149	-.376	240	1348	-.008	.194	.607	-.646
240	1239	-.377	.046	-.251	-.542	240	1289	-.249	.027	-.165	-.357	240	1349	-.671	.153	-.082	-.303
240	1240	-.329	.039	-.172	-.493	240	1290	-.244	.032	-.093	-.438	240	1350	-.611	.182	-.049	-.262
240	1241	-.293	.035	-.144	-.431	240	1301	-.550	.156	-.014	-1.253	240	1351	-.386	.150	-.020	-.973
240	1242	-.289	.037	-.128	-.447	240	1302	-.404	.115	-.054	-.990	240	1352	-.328	.083	-.114	-.741
240	1243	-.288	.036	-.172	-.438	240	1303	-.485	.106	-.152	-.876	240	1353	.216	.101	.754	-.086
240	1244	-.342	.045	-.214	-.627	240	1304	-.395	.095	-.019	-.887	240	1354	.212	.104	.759	-.036
240	1245	-.349	.047	-.216	-.552	240	1305	-.034	.190	-.487	-.958	240	1355	-.094	.095	.520	-.525
240	1246	-.360	.042	-.260	-.507	240	1306	-.026	.100	-.366	-.294	240	1356	-.146	.109	.398	-.500
240	1247	-.372	.044	-.200	-.538	240	1307	-.310	.150	-.157	-.873	240	1357	-.609	.148	-.173	-.577
240	1248	-.304	.036	-.172	-.434	240	1308	-.128	.147	-.336	-.715	240	1358	-.441	.145	-.111	-.002
240	1249	-.280	.033	-.163	-.413	240	1309	-.734	.177	-.218	-1.494	240	1359	-.255	.100	.033	-.651
240	1250	-.274	.034	-.160	-.404	240	1310	-.662	.170	-.019	-1.272	240	1360	-.283	.054	-.084	-.541
240	1251	-.283	.035	-.119	-.392	240	1311	-.272	.062	-.088	-.681	240	1361	-.224	.092	.555	-.038
240	1252	-.347	.043	-.228	-.505	240	1312	-.284	.053	-.113	-.541	240	1362	-.233	.097	.557	-.008
240	1253	-.351	.045	-.230	-.519	240	1313	-.210	.164	-.769	-.308	240	1363	-.106	.058	.081	-.332
240	1254	-.368	.043	-.251	-.542	240	1314	-.004	.169	-.558	-.628	240	1364	-.140	.082	.100	-.474
240	1255	-.375	.046	-.258	-.663	240	1315	-.597	.165	-.127	-1.295	240	1365	-.494	.119	-.109	-.099
240	1256	-.250	.046	-.072	-.394	240	1316	-.228	.076	-.005	-.701	240	1366	-.263	.087	-.008	-.681
240	1257	-.266	.033	-.116	-.427	240	1317	-.240	.165	-.785	-.420	240	1367	-.198	.052	-.036	-.431
240	1258	-.257	.034	-.119	-.369	240	1318	-.001	.166	-.620	-.580	240	1368	-.249	.039	-.088	-.415
240	1259	-.258	.037	-.121	-.385	240	1319	-.644	.145	-.095	-1.194	240	1369	-.205	.090	.584	-.020
240	1260	-.356	.040	-.225	-.538	240	1320	-.268	.052	-.056	-.516	240	1370	-.181	.047	-.048	-.389

WD	TAP	CPMEAN	CPRMS	CPMAX	CPMIN	WD	TAP	CPMEAN	CPRMS	CPMAX	CPMIN	WD	TAP	CPMEAN	CPRMS	CPMAX	CPMIN
240	1371	-.463	.079	-.222	-.781	240	1436	.173	.133	.787	-.174	240	1486	.128	.111	.680	-.218
240	1372	-.354	.038	-.258	-.504	240	1437	.169	.134	.712	-.310	240	1487	.013	.188	.682	-.574
240	1373	.235	.099	-.709	-.066	240	1438	.123	.144	.612	-.562	240	1488	-.094	.155	.598	-.437
240	1374	-.177	.055	-.006	-.411	240	1439	.198	.191	.921	-.619	240	1489	-.161	.032	.004	-.297
240	1375	-.346	.078	-.050	-.616	240	1440	.177	.158	.778	-.387	240	1490	-.107	.037	.103	-.230
240	1376	-.212	.049	-.023	-.402	240	1441	-.100	.059	.126	-.365	240	1491	-.064	.062	.297	-.083
240	1377	-.253	.115	-.698	-.008	240	1442	-.006	.074	.410	-.221	240	1492	.241	.092	.579	.006
240	1378	-.130	.091	-.139	-.553	240	1443	.146	.110	.576	-.149	240	1493	.268	.096	.579	.038
240	1379	-.250	.052	-.028	-.506	240	1444	.238	.119	.640	-.065	240	1494	.259	.094	.575	-.031
240	1380	-.370	.050	-.244	-.569	240	1445	.282	.115	.753	-.019	240	1495	.259	.089	.574	-.221
240	1381	-.255	.053	-.023	-.404	240	1446	.349	.150	.776	-.394	240	1496	.232	.094	.613	-.013
240	1382	-.259	.122	-.705	-.032	240	1447	.331	.153	.753	-.181	240	1497	.175	.073	.514	-.008
240	1383	-.079	.101	-.261	-.465	240	1448	.342	.149	.808	-.051	240	1498	-.111	.066	.373	-.067
240	1384	-.181	.053	-.015	-.359	240	1449	.344	.136	.829	-.064	240	1499	-.010	.101	.460	-.411
240	1385	-.248	.039	-.087	-.429	240	1450	.300	.140	.762	-.116	240	1500	-.050	.094	.441	-.285
240	1401	-.353	.118	-.110	-1.087	240	1451	.313	.176	.906	-.458	240	1501	-.026	.058	.212	-.179
240	1402	-.338	.115	-.286	-.753	240	1452	.321	.154	1.034	-.386	240	1502	-.086	.044	.153	-.195
240	1403	-.448	.118	-.021	-.924	240	1453	-.110	.052	.088	-.285	240	1503	-.091	.076	.583	-.019
240	1404	-.132	.238	.385	-.801	240	1454	-.011	.074	.391	-.258	240	1504	.279	.109	.716	.011
240	1405	-.071	.123	.455	-.662	240	1455	.166	.098	.519	-.179	240	1505	.268	.105	.693	-.006
240	1406	-.029	.104	.476	-.412	240	1456	.282	.108	.709	-.001	240	1506	.259	.103	.679	-.168
240	1407	-.373	.087	-.140	-.817	240	1457	.345	.125	.716	-.020	240	1507	.179	.079	.473	-.067
240	1408	-.371	.209	.556	-1.003	240	1458	.374	.155	.933	-.191	240	1508	.024	.057	.233	-.177
240	1409	-.139	.054	.054	-.449	240	1459	.363	.152	.870	-.198	240	1509	.035	.117	.574	-.505
240	1410	-.079	.072	.263	-.335	240	1460	.351	.148	.988	-.095	240	1510	.224	.105	.650	-.033
240	1411	.015	.079	.290	-.203	240	1461	.333	.134	.760	-.009	240	1511	-.195	.079	.535	-.010
240	1412	.040	.087	.376	-.242	240	1462	.299	.130	.880	-.032	240	1512	-.122	.078	.162	-.411
240	1413	.105	.116	.499	-.374	240	1463	.256	.198	.935	-.658	240	1513	.251	.103	.652	.004
240	1414	.152	.131	.640	-.353	240	1464	.245	.172	.857	-.516	240	1514	.211	.097	.553	.002
240	1415	-.044	.106	.381	-.530	240	1465	-.127	.051	.134	-.299	240	1515	.244	.114	.695	-.017
240	1416	.124	.112	.581	-.276	240	1466	-.042	.063	.240	-.227	240	1516	.076	.112	.450	-.170
240	1417	.141	.119	.569	-.246	240	1467	.138	.087	.490	-.160	240	1801	-.246	.050	.021	-.414
240	1418	-.116	.139	.453	-.771	240	1468	.268	.103	.735	-.014	240	1802	-.363	.063	-.191	-.708
240	1419	-.190	.147	.710	-.330	240	1469	.322	.110	.726	-.033	240	1803	-.298	.047	-.175	-.552
240	1420	-.193	.125	.635	-.251	240	1470	.324	.139	.820	-.232	240	1804	-.267	.038	-.138	-.492
240	1421	-.164	.059	.067	-.380	240	1471	.320	.144	.849	-.227	240	1805	-.336	.040	-.230	-.517
240	1422	-.038	.083	.285	-.326	240	1472	.333	.142	.817	-.066	240	1806	-.368	.044	-.253	-.565
240	1423	.130	.112	.590	-.176	240	1473	.305	.127	.757	-.018	240	1807	-.253	.029	-.135	-.345
240	1424	.244	.138	.724	-.237	240	1474	.256	.126	.738	-.078	240	1808	-.255	.040	-.115	-.454
240	1425	.329	.186	.897	-.279	240	1475	.197	.195	.793	-.538	240	1901	-.772	.217	-.251	-1.586
240	1426	.139	.150	.812	-.385	240	1476	.202	.161	.699	-.432	240	1902	-.385	.099	-.032	-.837
240	1427	.276	.137	.831	-.115	240	1477	-.172	.041	.115	-.340	240	1903	-.328	.070	-.102	-.682
240	1428	.289	.157	.837	-.135	240	1478	-.114	.052	.165	-.326	240	1904	-.344	.076	-.100	-.716
240	1429	.321	.176	1.028	-.306	240	1479	.061	.067	.411	-.270	240	1905	-.349	.098	-.028	-1.074
240	1430	.364	.160	.881	-.346	240	1480	.188	.082	.507	-.097	240	1906	-.608	.165	-.107	-1.317
240	1431	-.197	.062	.044	-.424	240	1481	.224	.085	.613	-.009	240	1907	-.346	.077	-.082	-.871
240	1432	-.100	.078	.219	-.349	240	1482	.210	.100	.692	-.095	240	1908	-.554	.149	-.208	-1.220
240	1433	-.095	.109	.592	-.235	240	1483	.219	.111	.702	-.037	240	1909	-.496	.115	-.188	-.972
240	1434	.109	.120	.510	-.281	240	1484	.184	.101	.690	-.064	240	1910	-.599	.166	-.231	-2.185
240	1435	-.328	.084	-.035	-.796	240	1485	.170	.112	.649	-.208	240	1911	-.693	.224	-.165	-1.883



WD	TAP	CPMEAN	CPRMS	CPMAX	CPMIN	WD	TAP	CPMEAN	CPRMS	CPMAX	CPMIN	WD	TAP	CPMEAN	CPRMS	CPMAX	CPMIN
240	1912	-.469	.133	-.044	-1.020	240	2305	-.169	.136	.821	-.309	240	31112	-.276	.041	-.116	-.480
240	1913	-.539	.113	-.057	-1.882	240	2306	-.157	.099	-.235	-.737	240	31113	-.263	.032	-.145	-.368
240	1914	-.535	.136	-.177	-1.164	240	2307	-.250	.069	-.018	-.712	240	31114	-.289	.040	-.176	-.475
240	1915	-.424	.072	-.091	-.731	240	2308	-.286	.123	.828	-.001	240	31115	-.289	.053	-.130	-.484
240	1916	-.434	.078	-.107	-.790	240	2309	-.109	.105	.596	-.193	240	31116	-.273	.041	-.097	-.477
240	1917	-.443	.097	-.066	-.817	240	2310	-.125	.083	.255	-.463	240	31117	-.294	.051	-.176	-.568
240	1918	-.499	.124	-.127	-1.009	240	2311	-.211	.068	.049	-.485	240	31118	-.279	.036	-.157	-.423
240	1919	-.514	.130	-.156	-1.331	240	2401	-.092	.062	.383	-.084	240	31119	-.199	.067	.174	-.664
240	1920	-.513	.131	-.152	-1.205	240	2402	-.089	.056	.347	-.062	240	31120	-.213	.067	.071	-.530
240	1921	-.497	.121	-.125	-1.056	240	2403	-.060	.045	.284	-.108	240	31121	-.277	.043	-.088	-.454
240	1922	-.422	.101	-.152	-.918	240	2404	-.152	.059	.393	.003	240	31122	-.177	.047	.128	-.416
240	1923	-.458	.076	-.125	-.801	240	2405	-.162	.062	.485	.023	240	31123	-.256	.030	-.154	-.351
240	1924	-.446	.094	-.114	-.873	240	2406	-.140	.060	.367	.006	240	31124	-.170	.047	.114	-.404
240	1925	-.465	.108	-.181	-.887	240	2901	.275	.094	.743	.027	240	31125	-.183	.065	.423	-.470
240	1926	-.431	.076	-.078	-.824	240	2902	.315	.100	.744	.067	240	31126	-.177	.071	.352	-.382
240	1927	-.469	.124	-.109	-.979	240	2903	.112	.054	.301	-.105	240	31127	-.177	.098	.366	-.622
240	1928	-.425	.084	-.055	-.727	240	2904	-.263	.088	.362	-.036	240	31128	-.224	.050	-.002	-.370
240	1929	-.390	.075	-.050	-.858	240	2905	-.179	.100	.082	-.936	240	31129	-.188	.067	.209	-.439
240	1930	-.390	.071	-.206	-.743	240	2906	-.064	.054	.235	-.222	240	31130	-.222	.033	-.095	-.349
240	1931	-.383	.094	-.016	-.840	240	2907	-.157	.072	.065	-.513	240	31131	-.311	.078	-.071	-.689
240	1932	-.334	.085	-.016	-.879	240	2908	-.227	.091	.516	-.003	240	31132	-.260	.037	-.109	-.389
240	1933	-.428	.096	-.067	-.896	240	2909	-.270	.086	-.038	-.735	240	31133	-.272	.038	-.102	-.418
240	1934	-.353	.043	-.044	-.388	240	2910	-.243	.076	-.031	-.661	240	31134	-.261	.028	-.173	-.356
240	1935	-.251	.042	-.062	-.396	240	2911	-.284	.108	.703	-.020	240	31135	-.215	.043	-.021	-.399
240	2101	-.079	.095	.192	.560	240	2912	-.097	.065	.079	-.458	240	31136	-.241	.098	.071	-.730
240	2102	-.100	.086	.227	.413	240	2913	-.199	.083	.536	-.007	240	32201	-.260	.078	.071	-.755
240	2103	-.140	.046	.041	.332	240	2914	-.210	.094	.753	-.028	240	32202	-.258	.042	-.090	-.413
240	2104	-.269	.093	.030	.712	240	2915	-.029	.162	.504	-.671	240	32203	-.257	.050	-.056	-.467
240	2105	-.321	.112	.015	.764	240	2916	-.116	.076	.170	-.399	240	32204	-.247	.051	.052	-.468
240	2106	-.315	.082	.103	.575	240	2917	-.065	.050	.196	-.205	240	32205	-.259	.051	.093	-.449
240	2107	-.292	.103	.027	.697	240	2918	-.144	.043	.012	-.365	240	32206	-.258	.057	.097	-.621
240	2201	-.065	.135	.493	.602	240	2919	-.196	.041	.015	-.353	240	32207	-.219	.076	.012	-.917
240	2202	-.038	.063	.258	.186	240	2920	-.095	.081	.168	-.387	240	32208	-.217	.045	-.059	-.408
240	2203	-.200	.049	.163	.375	240	2921	-.074	.075	.180	-.418	240	32209	-.172	.077	.212	-.373
240	2204	-.206	.045	-.009	.413	240	2922	-.256	.147	.141	-1.497	240	32210	-.191	.052	.136	-.501
240	2205	-.106	.073	.141	.365	240	2923	-.186	.077	.098	-.618	240	32211	-.186	.043	.159	-.358
240	2206	-.339	.078	.072	.468	240	2924	-.271	.083	-.002	-.669	240	32212	-.201	.061	.121	-.625
240	2207	-.438	.075	.098	.733	240	2925	-.274	.089	.131	-.693	240	32213	-.197	.054	-.011	-.495
240	2208	-.023	.080	.332	.367	240	2926	-.240	.094	-.048	-.659	240	33314	-.164	.061	-.204	-.437
240	2209	-.242	.097	.034	.757	240	31101	-.265	.048	-.036	-.532	240	33315	-.173	.032	-.002	-.266
240	2210	-.250	.106	.117	.843	240	31102	-.252	.050	-.053	-.513	240	33316	-.181	.048	.015	-.404
240	2211	-.232	.059	.079	.401	240	31103	-.300	.055	-.079	-.537	240	33317	-.178	.049	.012	-.418
240	2212	-.253	.066	-.023	.623	240	31104	-.297	.049	-.164	-.520	240	33318	-.172	.063	.262	-.390
240	2213	-.102	.105	.552	.241	240	31105	-.285	.038	-.109	-.435	240	33301	-.281	.028	-.203	-.411
240	2214	-.205	.088	.054	.635	240	31106	-.299	.037	-.107	-.470	240	33302	-.256	.041	-.058	-.387
240	2215	-.231	.098	.042	.720	240	31107	-.296	.033	-.192	-.473	240	33303	-.286	.038	-.119	-.460
240	2301	-.243	.086	.625	.020	240	31108	-.288	.042	-.152	-.477	240	33304	-.313	.046	-.107	-.504
240	2302	-.294	.113	.804	.020	240	31109	-.275	.033	-.140	-.394	240	33305	-.279	.046	-.103	-.429
240	2303	-.283	.105	.845	-.009	240	31110	-.273	.032	-.168	-.404	240	33306	-.300	.057	-.079	-.502
240	2304	-.240	.104	.668	-.004	240	31111	-.296	.044	-.168	-.499	240	33307	-.280	.054	-.016	-.499

WD	TAP	CPMEAN	CPRMS	CPMAX	CPMIN	WD	TAP	CPMEAN	CPRMS	CPMAX	CPMIN	WD	TAP	CPMEAN	CPRMS	CPMAX	CPMIN
240	3308	-.220	.077	-.152	-.586	240	3409	-.276	.032	-.147	-.402	250	1101	-.380	.106	-.139	-.934
240	3309	-.260	.030	-.147	-.373	240	3410	-.278	.026	-.205	-.370	250	1102	-.366	.085	-.113	-.746
240	3310	-.268	.038	-.124	-.401	240	3411	-.267	.031	-.177	-.422	250	1103	-.361	.100	-.108	-1.127
240	3311	-.252	.051	-.004	-.408	240	3412	-.267	.033	-.170	-.384	250	1104	-.355	.064	-.183	-.638
240	3312	-.269	.054	-.023	-.509	240	3413	-.309	.042	-.174	-.547	250	1105	-.357	.078	-.132	-.774
240	3313	-.260	.056	-.245	-.471	240	3414	-.281	.035	-.152	-.419	250	1106	-.323	.060	-.115	-.730
240	3314	-.193	.064	-.131	-.439	240	3415	-.276	.035	-.174	-.434	250	1107	-.333	.073	-.143	-.893
240	3315	-.312	.060	-.099	-.537	240	3416	-.267	.029	-.177	-.362	250	1108	-.322	.055	-.162	-.572
240	3316	-.257	.066	-.054	-.579	240	3417	-.280	.031	-.179	-.402	250	1109	-.322	.055	-.171	-.675
240	3317	-.254	.052	-.044	-.401	240	3901	-.311	.062	-.111	-.637	250	1110	-.320	.064	-.152	-.825
240	3318	-.253	.063	-.035	-.446	240	3902	-.269	.061	-.071	-.654	250	1111	-.324	.060	-.120	-.619
240	3319	-.270	.033	-.177	-.406	240	3903	-.285	.032	-.190	-.421	250	1112	-.326	.050	-.169	-.501
240	3320	-.280	.036	-.100	-.427	240	3904	-.306	.040	-.195	-.518	250	1113	-.333	.057	-.159	-.577
240	3321	-.319	.053	-.094	-.574	240	3905	-.294	.044	-.164	-.523	250	1114	-.323	.064	-.136	-.640
240	3322	-.256	.072	-.122	-.626	240	3906	-.319	.055	-.091	-.615	250	1115	-.335	.066	-.150	-.642
240	3323	-.257	.056	-.042	-.425	240	3907	-.285	.038	-.155	-.542	250	1116	-.327	.052	-.171	-.531
240	3324	-.180	.068	-.248	-.404	240	3908	-.289	.040	-.143	-.499	250	1117	-.321	.048	-.176	-.547
240	3325	-.273	.043	-.051	-.429	240	3909	-.295	.035	-.183	-.459	250	1118	-.318	.050	-.152	-.542
240	3326	-.310	.046	-.124	-.532	240	3910	-.308	.072	-.086	-.770	250	1119	-.320	.058	-.148	-.649
240	3327	-.293	.048	-.121	-.535	240	3911	-.276	.031	-.195	-.478	250	1120	-.322	.059	-.152	-.698
240	3328	-.291	.062	-.000	-.642	240	3912	-.296	.035	-.195	-.459	250	1121	-.309	.045	-.178	-.519
240	3329	-.266	.031	-.150	-.371	240	3913	-.297	.035	-.190	-.418	250	1122	-.301	.044	-.159	-.507
240	3330	-.280	.037	-.159	-.425	240	3914	-.296	.040	-.131	-.463	250	1123	-.302	.043	-.169	-.584
240	3331	-.290	.055	-.011	-.493	240	3915	-.326	.064	-.062	-.772	250	1124	-.305	.044	-.166	-.466
240	3332	-.276	.074	-.009	-.589	240	3916	-.292	.031	-.188	-.485	250	1125	-.334	.056	-.143	-.737
240	3333	-.258	.062	-.007	-.595	240	3917	-.305	.046	-.174	-.596	250	1126	-.336	.053	-.173	-.644
240	3334	-.258	.056	-.011	-.446	240	3918	-.281	.032	-.183	-.468	250	1127	-.329	.045	-.194	-.546
240	3335	-.193	.055	-.136	-.378	240	3919	-.308	.042	-.193	-.637	250	1128	-.316	.046	-.154	-.539
240	3336	-.184	.057	-.179	-.359	240	3920	-.323	.051	-.195	-.684	250	1129	-.312	.047	-.156	-.544
240	3337	-.158	.067	-.184	-.312	240	3921	-.351	.061	-.157	-.668	250	1130	-.306	.046	-.154	-.505
240	3338	-.237	.032	-.129	-.337	240	3922	-.199	.045	-.049	-.437	250	1131	-.341	.060	-.186	-.857
240	3339	-.276	.044	-.114	-.457	240	3923	-.214	.045	-.010	-.501	250	1132	-.336	.056	-.203	-.672
240	3340	-.309	.047	-.139	-.467	240	3924	-.277	.042	-.114	-.409	250	1133	-.322	.045	-.179	-.502
240	3341	-.294	.060	-.066	-.517	240	3925	-.330	.050	-.207	-.606	250	1134	-.300	.045	-.163	-.484
240	3342	-.248	.054	-.014	-.432	240	3926	-.278	.058	-.007	-.508	250	1135	-.292	.043	-.142	-.486
240	3343	-.197	.051	-.041	-.367	240	3927	-.384	.092	-.162	-1.055	250	1136	-.288	.042	-.161	-.493
240	3344	-.181	.057	-.071	-.394	240	3928	-.211	.058	-.002	-.663	250	1137	-.364	.079	-.175	-.769
240	3345	-.174	.059	-.174	-.439	240	3929	-.210	.042	-.067	-.497	250	1138	-.353	.075	-.170	-.690
240	3346	-.177	.077	-.269	-.487	240	3930	-.269	.040	-.121	-.418	250	1139	-.313	.049	-.170	-.537
240	3347	-.175	.054	-.211	-.304	240	3931	-.289	.044	-.136	-.489	250	1140	-.300	.051	-.170	-.565
240	3348	-.297	.048	-.154	-.577	240	3932	-.292	.056	-.026	-.530	250	1141	-.302	.054	-.145	-.511
240	3349	-.259	.050	-.054	-.514	240	3933	-.349	.061	-.185	-.676	250	1142	-.294	.050	-.098	-.491
240	3401	-.289	.034	-.180	-.430	240	3934	-.389	.081	-.131	-.945	250	1143	-.366	.098	-.073	-.967
240	3402	-.285	.035	-.187	-.462	240	3935	-.474	.157	-.159	-1.387	250	1144	-.353	.087	-.124	-.881
240	3403	-.283	.035	-.187	-.437	240	3936	-.260	.040	-.099	-.437	250	1145	-.318	.053	-.175	-.785
240	3404	-.273	.030	-.144	-.379	240	3937	-.277	.032	-.144	-.392	250	1146	-.316	.058	-.168	-.737
240	3405	-.269	.031	-.193	-.384	240	3938	-.279	.033	-.142	-.402	250	1147	-.320	.063	-.140	-.660
240	3406	-.268	.029	-.184	-.384	240	3939	-.268	.036	-.132	-.384	250	1148	-.319	.069	-.168	-.772
240	3407	-.275	.033	-.149	-.427	240	3940	-.289	.035	-.164	-.439	250	1149	-.362	.089	-.084	-.876
240	3408	-.265	.027	-.191	-.360	240	3941	-.315	.042	-.177	-.504	250	1150	-.336	.059	-.196	-.574

WD	TAP	CPMEAN	CPRMS	CPMAX	CPMIN	WD	TAP	CPMEAN	CPRMS	CPMAX	CPMIN	WD	TAP	CPMEAN	CPRMS	CPMAX	CPMIN
250	1151	-.376	.122	-.156	-1.050	250	1239	-.339	.040	-.207	-.489	250	1289	-.251	.029	-.160	-.361
250	1152	-.338	.077	-.098	-.806	250	1240	-.307	.044	-.136	-.459	250	1290	-.227	.045	-.044	-.412
250	1153	-.338	.056	-.169	-.553	250	1241	-.290	.042	-.112	-.464	250	1301	-.508	.185	-.059	-1.370
250	1154	-.353	.062	-.082	-.615	250	1242	-.308	.042	-.131	-.462	250	1302	-.403	.094	-.054	-.936
250	1155	-.373	.032	-.185	-.380	250	1243	-.307	.043	-.138	-.469	250	1303	-.399	.082	-.156	-.814
250	1156	-.368	.044	-.116	-.477	250	1244	-.323	.060	-.138	-.614	250	1304	-.415	.091	-.181	-.915
250	1157	-.336	.059	-.033	-.473	250	1245	-.313	.054	-.138	-.596	250	1305	-.148	.193	.477	-.841
250	1158	-.272	.039	-.038	-.348	250	1246	-.328	.044	-.223	-.513	250	1306	-.021	.117	.387	-.585
250	1159	-.272	.071	-.080	-.601	250	1247	-.330	.038	-.185	-.447	250	1307	-.309	.121	.059	-.726
250	1160	-.268	.047	-.142	-.550	250	1248	-.285	.042	-.141	-.426	250	1308	-.220	.128	.200	-.680
250	1161	-.268	.046	-.137	-.488	250	1249	-.270	.040	-.097	-.401	250	1309	-.699	.161	-.276	-1.539
250	1162	-.233	.055	-.019	-.440	250	1250	-.285	.040	-.123	-.422	250	1310	-.671	.150	-.209	-1.347
250	1201	-.373	.073	-.179	-.719	250	1251	-.299	.041	-.133	-.459	250	1311	-.328	.087	-.066	-.761
250	1202	-.386	.075	-.142	-.855	250	1252	-.305	.047	-.148	-.496	250	1312	-.320	.074	-.093	-.719
250	1203	-.382	.075	-.175	-.836	250	1253	-.308	.046	-.130	-.484	250	1313	-.110	.163	.719	-.363
250	1204	-.331	.067	-.147	-.647	250	1254	-.323	.041	-.192	-.466	250	1314	-.142	.156	.403	-.717
250	1205	-.323	.067	-.099	-.714	250	1255	-.328	.042	-.185	-.480	250	1315	-.603	.121	-.015	-1.107
250	1206	-.328	.066	-.140	-.688	250	1256	-.264	.043	-.083	-.406	250	1316	-.324	.096	-.049	-.744
250	1207	-.374	.064	-.184	-.688	250	1257	-.247	.046	-.034	-.419	250	1317	-.175	.150	.671	-.347
250	1208	-.325	.067	-.140	-.651	250	1258	-.256	.042	-.004	-.387	250	1318	-.125	.148	.410	-.581
250	1209	-.330	.066	-.110	-.637	250	1259	-.265	.046	-.074	-.466	250	1319	-.648	.131	-.255	-1.705
250	1210	-.330	.062	-.145	-.617	250	1260	-.311	.042	-.194	-.512	250	1320	-.302	.073	.059	-.636
250	1211	-.341	.055	-.154	-.626	250	1261	-.317	.040	-.197	-.491	250	1321	-.099	.134	.539	-.340
250	1212	-.328	.060	-.131	-.568	250	1262	-.322	.039	-.218	-.457	250	1322	-.040	.135	.477	-.398
250	1213	-.301	.056	-.140	-.577	250	1263	-.320	.042	-.169	-.501	250	1323	-.092	.124	.355	-.539
250	1214	-.310	.063	-.103	-.654	250	1264	-.263	.037	-.088	-.380	250	1324	-.141	.117	.239	-.661
250	1215	-.310	.063	-.092	-.596	250	1265	-.267	.045	-.102	-.533	250	1325	-.697	.141	-.268	-1.400
250	1216	-.313	.053	-.154	-.582	250	1266	-.203	.052	-.065	-.417	250	1326	-.653	.137	-.205	-1.200
250	1217	-.333	.054	-.136	-.534	250	1267	-.225	.055	-.028	-.575	250	1327	-.315	.073	-.092	-.698
250	1218	-.331	.051	-.145	-.529	250	1268	-.326	.042	-.197	-.487	250	1328	-.312	.068	-.122	-.659
250	1219	-.299	.052	-.145	-.522	250	1269	-.361	.044	-.227	-.538	250	1329	-.226	.143	.730	-.256
250	1220	-.311	.055	-.136	-.531	250	1270	-.293	.042	-.143	-.436	250	1330	-.183	.162	.802	-.295
250	1221	-.325	.060	-.108	-.584	250	1271	-.229	.064	-.068	-.498	250	1331	-.069	.143	.506	-.615
250	1222	-.319	.055	-.138	-.580	250	1272	-.324	.044	-.218	-.517	250	1332	-.180	.172	.547	-.761
250	1223	-.360	.050	-.226	-.538	250	1273	-.325	.045	-.199	-.491	250	1333	-.686	.167	-.291	-1.404
250	1224	-.342	.056	-.163	-.573	250	1274	-.319	.045	-.183	-.568	250	1334	-.558	.144	-.008	-.1.066
250	1225	-.346	.053	-.149	-.563	250	1275	-.275	.037	-.109	-.394	250	1335	-.345	.108	-.071	-.800
250	1226	-.316	.057	-.119	-.672	250	1276	-.217	.042	-.048	-.371	250	1336	-.307	.070	-.092	-.615
250	1227	-.318	.062	-.078	-.630	250	1277	-.176	.060	-.112	-.355	250	1337	-.307	.136	.811	-.073
250	1228	-.310	.055	-.147	-.550	250	1278	-.346	.049	-.201	-.496	250	1338	-.267	.152	.772	-.145
250	1229	-.320	.054	-.172	-.546	250	1279	-.310	.040	-.171	-.470	250	1339	-.038	.157	.610	-.525
250	1230	-.331	.047	-.189	-.524	250	1280	-.287	.040	-.174	-.422	250	1340	-.157	.160	.429	-.879
250	1231	-.331	.044	-.189	-.496	250	1281	-.294	.043	-.118	-.487	250	1341	-.602	.144	-.254	-1.207
250	1232	-.293	.042	-.145	-.452	250	1282	-.247	.030	-.125	-.382	250	1342	-.573	.142	-.145	-1.319
250	1233	-.287	.044	-.136	-.450	250	1283	-.234	.050	-.012	-.531	250	1343	-.432	.124	-.031	-.953
250	1234	-.277	.044	-.163	-.453	250	1284	-.342	.046	-.153	-.521	250	1344	-.345	.090	-.085	-.809
250	1235	-.306	.047	-.147	-.496	250	1285	-.312	.035	-.197	-.443	250	1345	-.275	.136	.783	-.129
250	1236	-.321	.057	-.140	-.741	250	1286	-.322	.041	-.185	-.445	250	1346	-.257	.134	.735	-.180
250	1237	-.324	.055	-.154	-.587	250	1287	-.287	.040	-.113	-.440	250	1347	-.077	.156	.485	-.580
250	1238	-.329	.044	-.193	-.529	250	1288	-.240	.030	-.132	-.341	250	1348	-.182	.158	.374	-.737

WD	TAP	CPMEAN	CPRMS	CPMAX	CPMIN	WD	TAP	CPMEAN	CPRMS	CPMAX	CPMIN	WD	TAP	CPMEAN	CPRMS	CPMAX	CPMIN
250	1349	-.581	.148	-.210	-1.358	250	1414	.146	.120	.540	-.251	250	1464	.223	.195	.888	-.668
250	1350	-.563	.140	-.168	-1.147	250	1415	-.067	.120	.413	-.544	250	1465	-.114	.056	.118	-.319
250	1351	-.427	.118	-.052	-1.008	250	1416	.135	.106	.513	-.228	250	1466	-.026	.070	.265	-.287
250	1352	-.356	.100	-.052	-.992	250	1417	-.132	.113	.540	-.258	250	1467	.179	.094	.571	-.070
250	1353	-.196	.096	.573	-.027	250	1418	-.196	.126	.311	-.680	250	1468	.324	.111	.740	.033
250	1354	.159	.084	.464	-.092	250	1419	.192	.169	.838	-.669	250	1469	.351	.120	.873	.060
250	1355	-.159	.095	.320	-.562	250	1420	.196	.143	.713	-.378	250	1470	.357	.126	.810	-.082
250	1356	-.215	.100	.401	-.622	250	1421	-.126	.075	.243	-.396	250	1471	.334	.137	.810	-.159
250	1357	-.627	.156	-.254	-1.541	250	1422	.026	.098	.349	-.264	250	1472	.268	.138	.718	-.157
250	1358	-.466	.137	-.041	-1.025	250	1423	.191	.123	.761	-.173	250	1473	.266	.121	.795	-.024
250	1359	-.318	.095	.006	-.633	250	1424	.263	.140	.704	-.155	250	1474	.216	.118	.682	-.058
250	1360	-.299	.062	-.101	-.568	250	1425	.288	.180	.885	-.190	250	1475	.059	.217	.807	-.772
250	1361	.175	.087	.536	-.115	250	1426	.103	.147	.693	-.435	250	1476	.151	.191	.810	-.644
250	1362	.175	.098	.538	-.066	250	1427	.268	.134	.824	-.162	250	1477	-.178	.048	.026	-.355
250	1363	-.160	.059	.031	-.434	250	1428	.208	.147	.852	-.237	250	1478	-.117	.060	.205	-.376
250	1364	-.217	.077	.024	-.573	250	1429	.272	.196	.866	-.550	250	1479	.083	.073	.354	-.164
250	1365	-.523	.121	-.214	-1.133	250	1430	.300	.178	.954	-.510	250	1480	.208	.096	.639	-.056
250	1366	-.292	.082	-.052	-.652	250	1431	.166	.081	.163	-.603	250	1481	.241	.089	.607	-.036
250	1367	-.222	.051	-.008	-.423	250	1432	-.048	.097	.229	-.485	250	1482	.227	.101	.740	-.012
250	1368	-.255	.039	-.136	-.434	250	1433	.118	.120	.595	-.221	250	1483	.208	.099	.754	-.032
250	1369	-.163	.093	.538	-.128	250	1434	.165	.127	.606	-.321	250	1484	.169	.108	.668	-.092
250	1370	-.228	.049	-.102	-.419	250	1435	-.343	.079	-.073	-.753	250	1485	.136	.117	.610	-.239
250	1371	-.485	.086	-.289	-.796	250	1436	.156	.130	.640	-.221	250	1486	.103	.098	.545	-.309
250	1372	-.350	.041	-.228	-.507	250	1437	.145	.134	.688	-.258	250	1487	-.046	.184	.605	-.533
250	1373	-.169	.095	.544	-.068	250	1438	.066	.128	.524	-.310	250	1488	.020	.177	.636	-.586
250	1374	-.227	.062	-.064	-.560	250	1439	.203	.199	1.025	-.535	250	1489	-.157	.038	-.000	-.282
250	1375	-.327	.080	-.002	-.639	250	1440	.196	.170	.990	-.512	250	1490	-.093	.041	.103	-.225
250	1376	-.223	.051	-.014	-.423	250	1441	-.053	.072	.331	-.278	250	1491	.109	.071	.422	-.068
250	1377	.216	.114	.635	-.089	250	1442	.046	.092	.388	-.208	250	1492	.255	.090	.619	.029
250	1378	-.219	.089	.062	-.705	250	1443	.230	.122	.645	-.114	250	1493	.293	.107	.735	.070
250	1379	-.242	.048	-.064	-.466	250	1444	.310	.121	.722	-.055	250	1494	.281	.094	.611	-.029
250	1380	-.345	.051	-.202	-.555	250	1445	.337	.129	.822	-.019	250	1495	.253	.093	.627	-.040
250	1381	-.294	.041	-.135	-.431	250	1446	.326	.149	.860	-.205	250	1496	.190	.104	.597	-.153
250	1382	-.220	.116	-.617	-.061	250	1447	.339	.144	.836	-.235	250	1497	.142	.070	.428	-.033
250	1383	-.158	.097	.153	-.510	250	1448	.261	.156	.791	-.285	250	1498	.082	.063	.315	-.130
250	1384	-.206	.050	-.020	-.426	250	1449	.325	.132	.786	-.116	250	1499	-.053	.113	.385	-.451
250	1385	-.247	.038	-.096	-.391	250	1450	.250	.126	.634	-.179	250	1500	.040	.127	.708	-.504
250	1401	-.364	.118	.237	-.957	250	1451	.229	.199	.885	-.593	250	1501	-.014	.065	.302	-.183
250	1402	-.345	.114	.281	-1.108	250	1452	.264	.184	.870	-.408	250	1502	-.058	.055	.253	-.232
250	1403	-.409	.100	.308	-.760	250	1453	-.079	.069	.226	-.347	250	1503	.242	.098	.588	.013
250	1404	-.274	.227	.338	-.817	250	1454	.032	.085	.352	-.225	250	1504	.298	.107	.761	.059
250	1405	-.093	.164	.462	-.707	250	1455	.226	.115	.653	-.099	250	1505	.280	.098	.703	.066
250	1406	.037	.121	.443	-.424	250	1456	.363	.130	.870	.031	250	1506	.301	.105	.643	-.114
250	1407	-.394	.090	-.114	-.783	250	1457	.396	.126	.909	.021	250	1507	.151	.084	.468	-.176
250	1408	-.303	.240	.615	-.976	250	1458	.387	.140	.889	.031	250	1508	-.001	.057	.232	-.230
250	1409	-.105	.064	.143	-.339	250	1459	.379	.132	.853	.005	250	1509	.036	.121	.419	-.454
250	1410	-.021	.088	.311	-.330	250	1460	.296	.163	.812	-.176	250	1510	.151	.099	.537	-.119
250	1411	.068	.095	.483	-.239	250	1461	.310	.124	.812	-.022	250	1511	-.198	.093	.551	-.047
250	1412	.064	.089	.454	-.262	250	1462	.263	.127	.783	-.109	250	1512	-.181	.080	.133	-.557
250	1413	.121	.118	.670	-.235	250	1463	.117	.207	.709	-.630	250	1513	.200	.108	.673	-.077

WD	TAP	CPMEAN	CPRMS	CPMAX	CPMIN	WD	TAP	CPMEAN	CPRMS	CPMAX	CPMIN	WD	TAP	CPMEAN	CPRMS	CPMAX	CPMIN
250	1514	.172	.100	.632	-.077	250	2105	-.344	.103	-.024	-.776	250	2916	-.125	.061	.111	-.383
250	1515	.208	.123	.669	-.103	250	2106	-.223	.079	-.051	-.576	250	2917	-.025	.062	.284	-.185
250	1516	.005	.093	.461	-.204	250	2107	-.352	.090	-.051	-.735	250	2918	-.136	.053	.068	-.648
250	1801	-.231	.058	.072	-.470	250	2201	-.009	.149	.619	-.443	250	2919	-.192	.053	.012	-.390
250	1802	-.360	.042	-.160	-.587	250	2202	-.021	.074	.333	-.243	250	2920	-.119	.071	.171	-.461
250	1803	-.277	.042	-.151	-.539	250	2203	-.196	.066	.224	-.429	250	2921	-.091	.072	.154	-.563
250	1804	-.298	.071	-.116	-.647	250	2204	-.216	.049	-.048	-.422	250	2922	-.194	.126	.152	-.961
250	1805	-.308	.037	-.190	-.461	250	2205	-.126	.061	.147	-.340	250	2923	-.162	.053	.031	-.436
250	1806	-.323	.035	-.175	-.460	250	2206	-.177	.094	.149	-.475	250	2924	-.281	.069	-.036	-.629
250	1807	-.255	.029	-.158	-.358	250	2207	-.361	.108	.027	-.181	250	2925	-.279	.098	.021	-.820
250	1808	-.293	.078	-.061	-.730	250	2208	-.002	.095	.422	-.585	250	2926	-.254	.081	.058	-.593
250	1901	-.711	.203	-.187	-1.568	250	2209	-.284	.102	.072	-.853	250	3101	-.195	.074	.159	-.396
250	1902	-.404	.100	-.066	-.874	250	2210	-.293	.110	.072	-.928	250	3102	-.205	.088	.154	-.567
250	1903	-.358	.074	-.132	-.689	250	2211	-.190	.073	.080	-.441	250	3103	-.287	.095	-.080	-.917
250	1904	-.359	.072	-.141	-.812	250	2212	-.322	.088	-.022	-.795	250	3104	-.280	.061	-.053	-.527
250	1905	-.355	.080	-.130	-.972	250	2213	-.163	.125	.694	-.224	250	3105	-.240	.075	.171	-.441
250	1906	-.623	.174	-.150	-1.450	250	2214	-.242	.087	.052	-.648	250	3106	-.287	.050	-.074	-.532
250	1907	-.360	.074	-.155	-.951	250	2215	-.278	.099	.030	-.699	250	3107	-.290	.038	-.074	-.472
250	1908	-.406	.078	-.177	-.872	250	2301	-.342	.085	.610	-.052	250	3108	-.356	.070	-.117	-.710
250	1909	-.412	.078	-.157	-.826	250	2302	-.307	.113	.748	-.032	250	3109	-.292	.040	-.127	-.474
250	1910	-.722	.238	-.232	-1.880	250	2303	-.317	.124	.902	-.016	250	3110	-.285	.038	-.167	-.455
250	1911	-.652	.200	-.171	-1.511	250	2304	-.166	.096	.530	-.056	250	3111	-.300	.055	-.131	-.589
250	1912	-.470	.134	-.014	-.1.049	250	2305	-.189	.150	.733	-.395	250	3112	-.275	.059	-.024	-.585
250	1913	-.410	.112	-.086	-.951	250	2306	-.081	.122	.356	-.510	250	3113	-.258	.042	-.062	-.446
250	1914	-.429	.091	-.202	-.928	250	2307	-.284	.082	-.047	-.670	250	3114	-.319	.060	-.088	-.536
250	1915	-.353	.075	-.144	-.744	250	2308	-.208	.122	.740	-.054	250	3115	-.252	.078	-.143	-.596
250	1916	-.349	.080	-.075	-.817	250	2309	-.174	.132	.769	-.213	250	3116	-.270	.057	-.003	-.529
250	1917	-.353	.085	-.100	-.760	250	2310	-.068	.103	.347	-.395	250	3117	-.355	.079	-.096	-1.070
250	1918	-.467	.136	-.111	-1.154	250	2311	-.242	.072	.072	-.523	250	3118	-.293	.044	-.150	-.558
250	1919	-.433	.090	-.139	-.983	250	2401	-.091	.054	.369	-.076	250	3119	-.140	.065	.270	-.363
250	1920	-.457	.113	-.107	-1.065	250	2402	-.078	.053	.412	-.085	250	3120	-.130	.079	.425	-.496
250	1921	-.455	.113	-.164	-1.058	250	2403	.061	.043	.267	-.083	250	3121	-.285	.050	.057	-.532
250	1922	-.378	.079	-.143	-.717	250	2404	.153	.054	.535	-.006	250	3122	-.158	.059	-.259	-.334
250	1923	-.370	.088	-.121	-.819	250	2405	.154	.062	.458	-.003	250	3123	-.245	.031	-.153	-.346
250	1924	-.367	.097	-.098	-.915	250	2406	.132	.056	.414	-.020	250	3124	-.157	.059	.250	-.339
250	1925	-.398	.082	-.080	-.819	250	2901	-.270	.092	.629	.053	250	3125	-.092	.093	.340	-.334
250	1926	-.340	.082	-.116	-.760	250	2902	-.339	.107	.880	-.106	250	3126	-.052	.115	.531	-.265
250	1927	-.408	.111	-.073	-.908	250	2903	-.135	.069	.398	-.366	250	3127	-.087	.133	.614	-.979
250	1928	-.340	.084	-.011	-.730	250	2904	-.264	.091	.682	-.046	250	3128	-.192	.058	.145	-.360
250	1929	-.373	.092	-.018	-.876	250	2905	-.139	.093	.092	-.740	250	3129	-.180	.105	.281	-.479
250	1930	-.389	.073	-.152	-.685	250	2906	-.035	.056	.243	-.205	250	3130	-.194	.045	-.035	-.382
250	1931	-.366	.090	-.093	-.846	250	2907	-.090	.069	.159	-.412	250	3131	-.412	.110	-.084	-.920
250	1932	-.342	.088	-.097	-.984	250	2908	-.254	.101	.655	-.019	250	3132	-.275	.045	-.088	-.463
250	1933	-.338	.100	-.035	-.805	250	2909	-.187	.070	.070	-.532	250	3133	-.283	.049	-.004	-.625
250	1934	-.271	.036	-.103	-.403	250	2910	-.178	.064	.017	-.651	250	3134	-.256	.030	-.158	-.384
250	1935	-.292	.047	-.100	-.486	250	2911	-.301	.105	.761	-.065	250	3135	-.215	.065	.037	-.478
250	2101	-.112	.091	-.176	-.641	250	2912	-.111	.078	.077	-.467	250	3136	-.212	.097	.170	-.752
250	2102	-.113	.071	.239	-.337	250	2913	-.251	.094	.574	-.024	250	3201	-.251	.062	-.036	-.667
250	2103	-.124	.047	-.043	-.410	250	2914	-.235	.109	.723	-.017	250	3202	-.242	.048	-.079	-.634
250	2104	-.285	.079	-.035	-.578	250	2915	-.031	.160	.617	-.607	250	3203	-.241	.075	-.013	-.707

WD	TAP	CPMEAN	CPRMS	CPMAX	CPMIN	WD	TAP	CPMEAN	CPRMS	CPMAX	CPMIN	WD	TAP	CPMEAN	CPRMS	CPMAX	CPMIN
2550	3204	-.199	.078	.133	-.579	2550	3336	-.227	.048	.014	-.395	250	3920	-.308	.035	-.194	-.453
2550	3205	-.195	.101	.440	-.496	2550	3337	-.209	.049	.019	-.420	250	3921	-.316	.056	-.115	-.741
2550	3206	-.185	.098	.361	-.552	2550	3338	-.232	.033	-.121	-.363	250	3922	-.233	.063	-.084	-.653
2550	3207	-.228	.054	-.017	-.650	2550	3339	-.311	.040	-.177	-.470	250	3923	-.241	.070	-.018	-.715
2550	3208	-.232	.065	-.022	-.655	2550	3340	-.321	.040	-.214	-.476	250	3924	-.305	.040	-.177	-.456
2550	3209	-.207	.069	-.183	-.405	2550	3341	-.352	.048	-.189	-.541	250	3925	-.314	.042	-.184	-.458
2550	3210	-.222	.051	-.046	-.489	2550	3342	-.321	.046	-.152	-.486	250	3926	-.311	.045	-.163	-.498
2550	3211	-.199	.041	-.066	-.365	2550	3343	-.267	.047	-.059	-.460	250	3927	-.316	.079	-.063	-.691
2550	3212	-.241	.074	-.039	-.615	2550	3344	-.232	.047	-.059	-.405	250	3928	-.222	.049	-.032	-.541
2550	3213	-.178	.075	-.156	-.594	2550	3345	-.232	.048	-.051	-.413	250	3929	-.221	.045	-.089	-.525
2550	3214	-.204	.044	-.034	-.360	2550	3346	-.232	.061	-.006	-.518	250	3930	-.291	.036	-.172	-.420
2550	3215	-.177	.029	-.018	-.283	2550	3347	-.207	.050	-.047	-.516	250	3931	-.307	.038	-.190	-.439
2550	3216	-.196	.040	-.011	-.366	2550	3348	-.303	.072	-.116	-.684	250	3932	-.317	.045	-.156	-.525
2550	3217	-.139	.073	.315	-.436	2550	3349	-.199	.059	-.079	-.418	250	3933	-.309	.048	-.165	-.514
2550	3218	-.056	.106	.411	-.406	2550	3401	-.291	.039	-.195	-.490	250	3934	-.313	.086	-.077	-.694
2550	3301	-.271	.033	-.177	-.394	2550	3402	-.293	.040	-.184	-.468	250	3935	-.370	.167	-.072	-1.624
2550	3302	-.288	.036	-.172	-.418	2550	3403	-.285	.037	-.172	-.478	250	3936	-.295	.045	-.142	-.448
2550	3303	-.306	.037	-.200	-.462	2550	3404	-.271	.030	-.169	-.403	250	3937	-.283	.037	-.184	-.433
2550	3304	-.327	.041	-.224	-.495	2550	3405	-.270	.032	-.169	-.423	250	3938	-.283	.034	-.189	-.400
2550	3305	-.330	.045	-.205	-.570	2550	3406	-.269	.032	-.184	-.393	250	3939	-.276	.040	-.137	-.430
2550	3306	-.306	.045	-.137	-.474	2550	3407	-.266	.029	-.177	-.365	250	3940	-.283	.035	-.167	-.415
2550	3307	-.291	.048	-.129	-.496	2550	3408	-.255	.028	-.174	-.361	250	3941	-.315	.037	-.184	-.483
2550	3308	-.237	.068	-.111	-.673	2550	3409	-.283	.034	-.177	-.390	260	1101	-.419	.118	-.115	-1.094
2550	3309	-.273	.035	-.165	-.432	2550	3410	-.278	.024	-.215	-.386	260	1102	-.409	.095	-.152	-.960
2550	3310	-.280	.036	-.170	-.420	2550	3411	-.260	.032	-.164	-.420	260	1103	-.417	.113	-.166	-1.037
2550	3311	-.289	.035	-.170	-.437	2550	3412	-.263	.032	-.165	-.415	260	1104	-.412	.074	-.220	-.792
2550	3312	-.314	.040	-.181	-.509	2550	3413	-.251	.039	-.197	-.463	260	1105	-.411	.082	-.159	-.817
2550	3313	-.287	.045	-.123	-.441	2550	3414	-.286	.043	-.114	-.488	260	1106	-.370	.075	-.187	-.828
2550	3314	-.223	.057	-.025	-.523	2550	3415	-.278	.037	-.167	-.513	260	1107	-.371	.095	-.066	-1.039
2550	3315	-.330	.042	-.200	-.497	2550	3416	-.255	.034	-.116	-.378	260	1108	-.357	.064	-.161	-.696
2550	3316	-.311	.049	-.107	-.467	2550	3417	-.266	.034	-.172	-.385	260	1109	-.366	.060	-.152	-.652
2550	3317	-.337	.037	-.130	-.439	2550	3901	-.322	.093	-.074	-.940	260	1110	-.372	.094	-.134	-1.099
2550	3318	-.314	.045	-.121	-.474	2550	3902	-.344	.070	-.167	-.639	260	1111	-.367	.088	-.124	-1.023
2550	3319	-.281	.040	-.149	-.437	2550	3903	-.322	.039	-.151	-.465	260	1112	-.368	.061	-.175	-.747
2550	3320	-.386	.035	-.193	-.406	2550	3904	-.348	.062	-.151	-.646	260	1113	-.375	.063	-.198	-.664
2550	3321	-.332	.047	-.193	-.535	2550	3905	-.300	.058	-.103	-.572	260	1114	-.367	.087	-.055	-.912
2550	3322	-.303	.050	-.036	-.472	2550	3906	-.298	.109	-.404	-1.198	260	1115	-.373	.084	-.096	-.821
2550	3323	-.284	.044	-.130	-.488	2550	3907	-.298	.050	-.087	-.596	260	1116	-.372	.071	-.161	-.782
2550	3324	-.209	.066	-.069	-.418	2550	3908	-.297	.061	-.058	-.603	260	1117	-.360	.055	-.180	-.585
2550	3325	-.297	.036	-.184	-.434	2550	3909	-.320	.052	-.132	-.663	260	1118	-.354	.057	-.168	-.650
2550	3326	-.318	.040	-.163	-.474	2550	3910	-.288	.139	-.375	-.910	260	1119	-.377	.093	-.094	-1.104
2550	3327	-.319	.041	-.193	-.434	2550	3911	-.275	.034	-.182	-.465	260	1120	-.362	.080	-.085	-.793
2550	3328	-.316	.049	-.149	-.533	2550	3912	-.282	.043	-.115	-.468	260	1121	-.353	.072	-.092	-.705
2550	3329	-.370	.034	-.160	-.394	2550	3913	-.308	.043	-.084	-.441	260	1122	-.343	.062	-.080	-.622
2550	3330	-.289	.035	-.158	-.451	2550	3914	-.276	.058	.075	-.451	260	1123	-.342	.052	-.161	-.671
2550	3331	-.330	.042	-.170	-.486	2550	3915	-.288	.094	-.187	-.644	260	1124	-.338	.057	-.159	-.768
2550	3332	-.353	.053	-.153	-.614	2550	3916	-.282	.035	-.056	-.432	260	1125	-.381	.084	-.166	-.962
2550	3333	-.312	.060	-.107	-.544	2550	3917	-.267	.051	-.023	-.458	260	1126	-.388	.082	-.161	-.893
2550	3334	-.334	.041	-.179	-.469	2550	3918	-.267	.032	-.160	-.372	260	1127	-.361	.063	-.168	-.678
2550	3335	-.354	.046	-.067	-.399	2550	3919	-.304	.040	-.168	-.444	260	1128	-.356	.070	-.175	-.947

WD	TAP	CPMEAN	CPRMS	CPMAX	CPMIN	WD	TAP	CPMEAN	CPRMS	CPMAX	CPMIN	WD	TAP	CPMEAN	CPRMS	CPMAX	CPMIN
260	1129	-.353	.059	-.195	-.678	260	1217	-.308	.058	-.111	-.514	260	1267	-.205	.080	.107	-.646
260	1130	-.349	.055	-.100	-.608	260	1218	-.315	.048	-.141	-.490	260	1268	-.258	.054	-.063	-.527
260	1131	-.397	.088	-.130	-.882	260	1219	-.343	.063	-.162	-.600	260	1269	-.264	.040	-.061	-.418
260	1132	-.389	.078	-.172	-.801	260	1220	-.355	.069	-.090	-.719	260	1270	-.302	.041	-.178	-.497
260	1133	-.364	.065	-.039	-.740	260	1221	-.320	.069	-.125	-.651	260	1271	-.238	.100	-.137	-.772
260	1134	-.337	.059	-.114	-.798	260	1222	-.321	.062	-.069	-.625	260	1272	-.255	.058	-.000	-.488
260	1135	-.338	.055	-.112	-.620	260	1223	-.327	.049	-.169	-.537	260	1273	-.234	.049	-.014	-.387
260	1136	-.334	.055	-.172	-.703	260	1224	-.327	.050	-.151	-.530	260	1274	-.256	.040	-.047	-.390
260	1137	-.425	.107	-.149	-1.193	260	1225	-.335	.054	-.158	-.542	260	1275	-.281	.035	-.171	-.497
260	1138	-.416	.098	-.184	-.963	260	1226	-.348	.065	-.181	-.816	260	1276	-.203	.062	-.098	-.418
260	1139	-.370	.066	-.186	-.671	260	1227	-.359	.071	-.127	-.772	260	1277	-.130	.105	-.326	-.450
260	1140	-.349	.066	-.175	-.740	260	1228	-.301	.056	-.120	-.525	260	1278	-.245	.055	-.054	-.436
260	1141	-.344	.067	-.156	-.643	260	1229	-.302	.053	-.110	-.555	260	1279	-.257	.034	-.098	-.404
260	1142	-.347	.069	-.135	-.713	260	1230	-.308	.043	-.181	-.479	260	1280	-.273	.036	-.152	-.387
260	1143	-.454	.130	-.056	-1.262	260	1231	-.310	.040	-.186	-.472	260	1281	-.280	.042	-.042	-.457
260	1144	-.427	.111	-.039	-1.195	260	1232	-.315	.043	-.148	-.497	260	1282	-.242	.032	-.131	-.380
260	1145	-.386	.083	-.179	-.866	260	1233	-.321	.044	-.181	-.483	260	1283	-.215	.073	-.081	-.469
260	1146	-.363	.077	-.117	-.713	260	1234	-.334	.052	-.155	-.539	260	1284	-.236	.055	-.014	-.429
260	1147	-.396	.091	-.133	-.826	260	1235	-.336	.054	-.181	-.574	260	1285	-.239	.041	-.033	-.369
260	1148	-.390	.097	-.163	-.893	260	1236	-.318	.062	-.113	-.595	260	1286	-.255	.034	-.138	-.366
260	1149	-.448	.125	-.012	-1.545	260	1237	-.320	.056	-.146	-.591	260	1287	-.270	.034	-.164	-.401
260	1150	-.383	.083	-.168	-1.053	260	1238	-.313	.045	-.183	-.493	260	1288	-.237	.035	-.101	-.334
260	1151	-.452	.142	-.140	-1.158	260	1239	-.315	.043	-.151	-.495	260	1289	-.255	.036	-.143	-.406
260	1152	-.400	.103	-.091	-.914	260	1240	-.323	.045	-.169	-.539	260	1290	-.219	.071	-.102	-.509
260	1153	-.360	.076	-.136	-.651	260	1241	-.333	.045	-.144	-.598	260	1301	-.462	.177	-.107	-1.360
260	1154	-.232	.101	-.077	-.678	260	1242	-.346	.052	-.181	-.523	260	1302	-.382	.086	-.082	-.854
260	1155	-.294	.043	-.170	-.477	260	1243	-.348	.059	-.158	-.623	260	1303	-.362	.069	-.154	-.776
260	1156	-.283	.062	-.092	-.523	260	1244	-.309	.060	-.123	-.593	260	1304	-.382	.084	-.193	-.868
260	1157	-.260	.066	.029	-.582	260	1245	-.301	.053	-.086	-.546	260	1305	-.270	.175	-.249	-.926
260	1158	-.212	.055	.018	-.410	260	1246	-.299	.040	-.130	-.467	260	1306	-.087	.118	-.288	-.662
260	1159	-.265	.109	-.082	-.797	260	1247	-.297	.035	-.171	-.457	260	1307	-.291	.092	-.034	-.685
260	1160	-.288	.065	-.092	-.616	260	1248	-.298	.035	-.164	-.476	260	1308	-.278	.099	-.177	-.688
260	1161	-.278	.064	-.067	-.564	260	1249	-.301	.039	-.084	-.474	260	1309	-.554	.130	-.235	-1.344
260	1162	-.257	.067	-.004	-.587	260	1250	-.317	.047	-.133	-.588	260	1310	-.540	.118	-.144	-1.217
260	1201	-.336	.065	-.148	-.637	260	1251	-.332	.050	-.168	-.576	260	1311	-.352	.085	-.075	-.831
260	1202	-.337	.062	-.160	-.623	260	1252	-.281	.055	-.103	-.497	260	1312	-.333	.084	.004	-.831
260	1203	-.341	.058	-.162	-.635	260	1253	-.276	.051	-.077	-.481	260	1313	-.017	.139	.482	-.417
260	1204	-.338	.058	-.141	-.674	260	1254	-.268	.038	-.140	-.408	260	1314	-.245	.131	-.258	-.729
260	1205	-.345	.063	-.146	-.653	260	1255	-.264	.040	-.124	-.404	260	1315	-.477	.110	-.209	-1.095
260	1206	-.351	.072	-.137	-.884	260	1256	-.244	.049	-.010	-.397	260	1316	-.349	.083	-.029	-.669
260	1207	-.342	.059	-.176	-.565	260	1257	-.249	.051	-.037	-.443	260	1317	-.100	.133	.586	-.334
260	1208	-.354	.066	-.127	-.628	260	1258	-.270	.057	-.007	-.518	260	1318	-.218	.121	-.293	-.662
260	1209	-.304	.066	-.123	-.614	260	1259	-.298	.057	-.047	-.513	260	1319	-.557	.138	-.179	-1.252
260	1210	-.305	.063	-.081	-.628	260	1260	-.251	.054	-.031	-.481	260	1320	-.332	.084	-.068	-.859
260	1211	-.320	.051	-.172	-.525	260	1261	-.250	.052	-.052	-.441	260	1321	-.055	.125	-.489	-.304
260	1212	-.316	.055	-.111	-.598	260	1262	-.248	.041	-.052	-.394	260	1322	-.020	.116	-.355	-.403
260	1213	-.332	.054	-.148	-.530	260	1263	-.256	.039	-.056	-.429	260	1323	-.201	.122	-.209	-.873
260	1214	-.344	.067	-.151	-.691	260	1264	-.263	.034	-.087	-.378	260	1324	-.215	.107	-.407	-.644
260	1215	-.343	.068	-.158	-.772	260	1265	-.301	.062	-.124	-.632	260	1325	-.526	.118	-.245	-1.119
260	1216	-.311	.059	-.113	-.525	260	1266	-.175	.088	.210	-.481	260	1326	-.497	.110	-.219	-1.040

WD	TAP	CPMEAN	CPRMS	CPMAX	CPMIN	WD	TAP	CPMEAN	CPRMS	CPMAX	CPMIN	WD	TAP	CPMEAN	CPRMS	CPMAX	CPMIN
260	1327	-.343	.082	-.090	-.762	260	1377	.130	.098	.485	-.154	260	1442	.116	.111	.531	-.247
260	1328	-.335	.078	-.108	-.708	260	1378	-.267	.089	-.005	-.708	260	1443	.326	.133	.831	-.045
260	1329	.139	.129	.552	-.282	260	1379	-.230	.049	-.069	-.402	260	1444	.371	.133	.906	-.048
260	1330	-.055	.139	.540	-.372	260	1380	-.244	.056	-.068	-.434	260	1445	.376	.133	.845	-.011
260	1331	-.151	.124	.334	-.605	260	1381	-.273	.035	-.131	-.392	260	1446	.326	.125	.765	-.011
260	1332	-.270	.124	.281	-.720	260	1382	-.144	.104	.508	-.108	260	1447	.295	.136	.801	-.103
260	1333	-.510	.134	-.217	-1.160	260	1383	-.234	.083	.045	-.607	260	1448	.147	.156	.657	-.387
260	1334	-.466	.104	-.189	-.968	260	1384	-.216	.049	-.005	-.398	260	1449	.289	.120	.866	-.071
260	1335	-.364	.086	-.094	-.725	260	1385	-.220	.040	-.046	-.402	260	1450	.205	.108	.657	-.091
260	1336	-.325	.077	-.078	-.752	260	1401	-.406	.124	.217	-.870	260	1451	.125	.209	.917	-.707
260	1337	.238	.137	.717	-.261	260	1402	-.390	.130	.373	-.873	260	1452	.222	.189	.873	-.513
260	1338	-.175	.129	.710	-.314	260	1403	-.427	.104	.323	-.830	260	1453	-.049	.077	.293	-.358
260	1339	-.155	.132	.286	-.595	260	1404	-.387	.201	.318	-.853	260	1454	.088	.102	.475	-.195
260	1340	-.256	.130	.293	-.718	260	1405	-.165	.191	.533	-.990	260	1455	.291	.132	.783	-.076
260	1341	-.448	.114	-.186	-1.079	260	1406	-.027	.141	.504	-.503	260	1456	.373	.138	.841	.040
260	1342	-.433	.107	-.159	-.940	260	1407	-.437	.089	-.213	-.830	260	1457	.407	.137	.948	.074
260	1343	-.376	.090	-.036	-.803	260	1408	-.294	.220	.730	-.881	260	1458	.347	.133	.822	-.011
260	1344	-.368	.100	-.069	-.891	260	1409	-.035	.091	.312	-.345	260	1459	.346	.143	.834	-.011
260	1345	.231	.125	.693	-.118	260	1410	.049	.108	.385	-.341	260	1460	.194	.153	.800	-.246
260	1346	-.162	.124	.617	-.189	260	1411	.079	.102	.469	-.206	260	1461	.314	.110	.805	-.110
260	1347	-.182	.131	.311	-.625	260	1412	.069	.100	.504	-.226	260	1462	-.212	.101	.557	-.103
260	1348	-.257	.133	.279	-.701	260	1413	.087	.112	.598	-.213	260	1463	-.013	.210	.766	-.668
260	1349	-.449	.126	-.164	-1.077	260	1414	.122	.119	.570	-.320	260	1464	-.133	.204	.015	-.559
260	1350	-.431	.111	-.138	-1.026	260	1415	-.116	.113	.373	-.537	260	1465	-.097	.064	.208	-.333
260	1351	-.390	.101	-.106	-.878	260	1416	-.150	.101	.547	-.199	260	1466	.004	.078	.307	-.290
260	1352	-.377	.101	-.011	-.778	260	1417	-.099	.096	.485	-.192	260	1467	.233	.107	.652	-.093
260	1353	.141	.085	.485	-.127	260	1418	-.277	.110	.211	-.762	260	1468	.342	.130	.878	.026
260	1354	-.140	.086	.492	-.162	260	1419	.166	.198	.774	-.659	260	1469	.384	.125	.985	.096
260	1355	-.219	.089	.202	-.525	260	1420	.212	.166	.728	-.499	260	1470	.336	.128	.752	-.059
260	1356	-.265	.094	.119	-.613	260	1421	-.064	.100	.312	-.343	260	1471	.323	.121	.849	-.008
260	1357	-.611	.159	-.208	-1.299	260	1422	.129	.128	.774	-.245	260	1472	.189	.129	.705	-.215
260	1358	-.448	.104	-.118	-1.102	260	1423	.210	.126	.678	-.135	260	1473	.254	.105	.674	-.071
260	1359	-.361	.089	-.041	-.880	260	1424	.244	.131	.689	-.185	260	1474	.186	.098	.621	-.098
260	1360	-.315	.073	-.060	-.560	260	1425	.210	.162	.794	-.203	260	1475	-.029	.212	.795	-.668
260	1361	.117	.084	.406	-.159	260	1426	.022	.145	.479	-.457	260	1476	-.076	.198	.756	-.586
260	1362	-.122	.103	.554	-.155	260	1427	.272	.138	.765	-.167	260	1477	-.186	.054	.074	-.404
260	1363	-.205	.060	.012	-.426	260	1428	.161	.123	.579	-.213	260	1478	-.111	.067	.176	-.397
260	1364	-.268	.077	-.041	-.653	260	1429	.154	.211	.927	-.574	260	1479	.106	.087	.448	-.338
260	1365	-.545	.123	-.099	-1.225	260	1430	.276	.193	1.012	-.531	260	1480	.246	.093	.630	-.083
260	1366	-.329	.080	-.097	-.641	260	1431	-.099	.104	.284	-.455	260	1481	.259	.099	.650	-.028
260	1367	-.253	.053	-.071	-.477	260	1432	.032	.113	.419	-.389	260	1482	.226	.099	.725	-.030
260	1368	-.239	.046	-.043	-.414	260	1433	.209	.134	.714	-.180	260	1483	.191	.095	.679	-.079
260	1369	-.101	.081	.382	-.110	260	1434	.199	.134	.668	-.194	260	1484	.111	.084	.509	-.159
260	1370	-.256	.052	-.108	-.452	260	1435	-.386	.082	-.112	-.995	260	1485	.144	.107	.494	-.236
260	1371	-.477	.094	-.247	-.986	260	1436	.129	.119	.547	-.226	260	1486	-.089	.092	.526	-.253
260	1372	-.279	.050	-.092	-.443	260	1437	.140	.131	.602	-.407	260	1487	-.120	.160	.528	-.550
260	1373	-.128	.097	-.460	-.158	260	1438	.032	.120	.467	-.540	260	1488	-.033	.159	.504	-.647
260	1374	-.281	.073	-.076	-.562	260	1439	.133	.233	.996	-.771	260	1489	-.163	.049	.023	-.350
260	1375	-.323	.080	-.012	-.612	260	1440	.185	.188	.617	-.478	260	1490	-.081	.053	.145	-.261
260	1376	-.241	.051	-.044	-.498	260	1441	.008	.096	.364	-.375	260	1491	.136	.080	.443	-.066



WD	TAP	CPMEAN	CPRMS	CPMAX	CPMIN	WD	TAP	CPMEAN	CPRMS	CPMAX	CPMIN	WD	TAP	CPMEAN	CPRMS	CPMAX	CPMIN
260	1492	.292	.099	.773	.094	260	1918	-.458	.130	-.076	-1.082	260	2311	-.236	.070	.017	-.594
260	1493	.323	.108	.730	.038	260	1919	-.405	.078	-.188	-.947	260	2401	.097	.062	.516	-.085
260	1494	.285	.091	.614	.059	260	1920	-.426	.104	.004	-.829	260	2402	.075	.054	.335	-.068
260	1495	.241	.087	.651	.017	260	1921	-.399	.101	-.124	-.870	260	2403	.061	.047	.263	-.080
260	1496	.131	.094	.510	-.135	260	1922	-.358	.070	-.131	-.726	260	2404	.138	.057	.420	-.000
260	1497	.142	.069	.410	-.054	260	1923	-.386	.091	-.124	-1.116	260	2405	.138	.059	.451	-.005
260	1498	.079	.057	.313	-.082	260	1924	-.395	.098	-.026	-.927	260	2406	.138	.061	.350	-.005
260	1499	-.136	.126	.354	-.660	260	1925	-.380	.077	-.144	-.785	260	2901	.261	.083	.598	.060
260	1500	.000	.143	.519	-.440	260	1926	-.379	.083	-.156	-.797	260	2902	.347	.109	.841	.103
260	1501	-.012	.067	.304	-.191	260	1927	-.376	.093	-.085	-.922	260	2903	.121	.082	.419	-.406
260	1502	-.057	.062	.223	-.251	260	1928	-.366	.084	-.099	-.822	260	2904	.295	.095	.627	.045
260	1503	.257	.104	.713	.050	260	1929	-.360	.088	-.067	-.730	260	2905	-.122	.088	.166	-.678
260	1504	.360	.114	.757	.110	260	1930	-.374	.081	-.126	-.965	260	2906	-.057	.057	.274	-.148
260	1505	.305	.099	.676	.041	260	1931	-.357	.080	-.121	-.932	260	2907	-.066	.074	.233	-.469
260	1506	.305	.101	.667	-.024	260	1932	-.360	.078	-.123	-.758	260	2908	-.288	.104	.793	.040
260	1507	.112	.097	.508	-.336	260	1933	-.370	.097	-.073	-.939	260	2909	-.155	.069	.127	-.488
260	1508	-.015	.052	.276	-.237	260	1934	-.272	.034	-.147	-.440	260	2910	-.152	.061	.019	-.734
260	1509	.039	.125	.468	-.408	260	1935	-.295	.048	-.169	-.534	260	2911	-.359	.109	.750	.120
260	1510	.109	.094	.561	-.161	260	2101	-.152	.077	-.098	-.553	260	2912	-.136	.084	.125	-.505
260	1511	.152	.086	.429	-.080	260	2102	-.152	.062	.127	-.413	260	2913	.282	.099	.468	.060
260	1512	-.245	.080	.082	-.533	260	2103	-.121	.056	-.033	-.565	260	2914	.281	.115	.795	.019
260	1513	.125	.100	.540	-.186	260	2104	-.283	.075	-.017	-.700	260	2915	-.104	.152	.694	.471
260	1514	.138	.096	.484	-.098	260	2105	-.356	.087	-.061	-.688	260	2916	-.146	.057	.067	-.449
260	1515	.152	.104	.582	-.098	260	2106	-.232	.073	-.009	-.527	260	2917	-.010	.068	.342	-.186
260	1516	-.050	.070	.256	-.255	260	2107	-.348	.076	-.097	-.666	260	2918	-.130	.057	.166	-.406
260	1801	-.262	.070	.016	-.539	260	2201	-.042	.154	.672	-.447	260	2919	-.204	.073	.060	-.517
260	1802	-.327	.074	-.103	-.610	260	2202	-.004	.085	.443	-.225	260	2920	-.141	.060	.086	-.534
260	1803	-.236	.041	-.058	-.420	260	2203	-.210	.068	.079	-.425	260	2921	-.111	.079	.139	-.539
260	1804	-.320	.104	-.059	-.832	260	2204	-.234	.055	-.054	-.428	260	2922	-.143	.121	.221	-.799
260	1805	-.247	.046	-.071	-.413	260	2205	-.161	.052	-.028	-.488	260	2923	-.163	.054	.040	-.375
260	1806	-.243	.035	-.121	-.343	260	2206	-.190	.110	.175	-.734	260	2924	-.275	.059	-.044	-.519
260	1807	-.255	.032	-.155	-.411	260	2207	-.393	.147	.115	-1.168	260	2925	-.258	.092	.094	-.700
260	1808	-.325	.117	-.026	-.985	260	2208	-.001	.116	.467	-1.202	260	2926	-.263	.067	.050	-.674
260	1901	-.754	.195	-.074	-1.576	260	2209	-.277	.094	.122	-.683	260	3101	-.017	.146	.600	-.562
260	1902	-.429	.092	.013	-.870	260	2210	-.317	.104	-.037	-.802	260	3102	-.039	.147	.593	-.641
260	1903	-.418	.080	-.174	-.787	260	2211	-.190	.080	.137	-.490	260	3103	-.267	.167	.313	-.994
260	1904	-.388	.069	-.174	-.719	260	2212	-.355	.108	.074	-.826	260	3104	-.279	.088	.161	-.695
260	1905	-.404	.086	-.176	-.943	260	2213	-.228	.154	.894	-.259	260	3105	-.153	.116	.459	-.442
260	1906	-.631	.173	-.115	-1.458	260	2214	-.254	.080	.118	-.647	260	3106	-.318	.087	-.040	-.773
260	1907	-.401	.073	-.149	-.787	260	2215	-.313	.111	.017	-.855	260	3107	-.302	.051	-.119	-.525
260	1908	-.368	.065	-.195	-.705	260	2301	.280	.086	.675	.046	260	3108	-.407	.098	.017	-.799
260	1909	-.384	.075	-.170	-.808	260	2302	.302	.106	.813	.012	260	3109	-.313	.054	-.071	-.542
260	1910	-.777	.289	-.206	-1.975	260	2303	.336	.122	.830	-.003	260	3110	-.308	.044	-.094	-.524
260	1911	-.587	.168	-.126	-1.401	260	2304	.128	.088	.487	-.109	260	3111	-.324	.081	-.005	-.651
260	1912	-.495	.139	-.122	-1.250	260	2305	.157	.168	.801	-.640	260	3112	-.272	.092	.192	-.837
260	1913	-.463	.127	-.097	-1.387	260	2306	-.021	.121	.439	-.546	260	3113	-.240	.049	.045	-.435
260	1914	-.384	.073	-.174	-.735	260	2307	-.283	.083	.034	-.640	260	3114	-.333	.073	-.060	-.663
260	1915	-.411	.084	-.186	-.895	260	2308	.163	.105	.543	-.099	260	3115	-.227	.123	.307	-.770
260	1916	-.395	.083	-.124	-.867	260	2309	.235	.147	.868	-.263	260	3116	-.263	.087	.188	-.687
260	1917	-.391	.090	-.099	-.851	260	2310	.006	.123	.586	-.430	260	3117	-.435	.125	.074	-1.093

WD	TAP	CPMEAN	CPRMS	CPMAX	CPMIN	WD	TAP	CPMEAN	CPRMS	CPMAX	CPMIN	WD	TAP	CPMEAN	CPRMS	CPMAX	CPMIN
260	3118	-.330	.064	.007	-.625	260	33114	-.322	.059	-.131	-.629	260	3415	-.292	.048	-.116	-.670
260	3119	-.012	.109	.518	-.291	260	33115	-.296	.047	-.143	-.487	260	3416	-.254	.034	-.096	-.379
260	3120	-.051	.136	.541	-.361	260	33116	-.304	.046	-.169	-.508	260	3417	-.267	.036	-.139	-.399
260	3121	-.306	.071	.081	-.725	260	33117	-.284	.042	-.167	-.451	260	3901	-.376	.144	-.034	-1.193
260	3122	-.019	.117	.573	-.380	260	33118	-.298	.048	-.110	-.573	260	3902	-.226	.103	-.238	-.633
260	3123	-.245	.035	-.634	-.361	260	33119	-.306	.051	-.131	-.512	260	3903	-.321	.052	-.176	-.835
260	3124	.031	.136	.585	-.321	260	33120	-.297	.045	-.157	-.545	260	3904	-.420	.095	-.128	-.880
260	3125	.105	.149	.720	-.397	260	33121	-.295	.041	-.157	-.494	260	3905	-.311	.087	-.072	-.772
260	3126	-.135	.162	.827	-.252	260	33122	-.302	.044	-.167	-.482	260	3906	-.255	.197	.558	-1.137
260	3127	-.122	.226	.696	-1.241	260	33123	-.319	.054	-.167	-.566	260	3907	-.292	.064	-.116	-.638
260	3128	-.169	.080	.140	-.407	260	33124	-.327	.064	-.096	-.699	260	3908	-.291	.086	-.062	-.712
260	3129	-.181	.146	.385	-.540	260	33125	-.295	.043	-.164	-.456	260	3909	-.368	.085	-.149	-.951
260	3130	-.153	.067	.150	-.385	260	33126	-.297	.043	-.174	-.451	260	3910	-.143	.212	.625	-1.169
260	3131	-.530	.152	.001	-1.188	260	33127	-.305	.044	-.181	-.508	260	3911	-.295	.040	-.149	-.505
260	3132	-.298	.063	.112	-.559	260	33128	-.295	.043	-.162	-.465	260	3912	-.290	.065	-.012	-.569
260	3133	-.306	.075	.126	-.765	260	33129	-.304	.045	-.185	-.567	260	3913	-.275	.056	.033	-.543
260	3134	-.263	.036	-.117	-.423	260	33130	-.286	.042	-.150	-.536	260	3914	-.224	.084	.297	-.503
260	3135	-.193	.099	.207	-.720	260	33131	-.285	.041	-.117	-.454	260	3915	-.090	.143	.612	-.510
260	3136	-.188	.093	.372	-.672	260	33132	-.292	.043	-.144	-.460	260	3916	-.297	.043	-.138	-.491
260	3137	-.288	.068	-.040	-.677	260	33133	-.302	.045	-.141	-.484	260	3917	-.207	.086	-.249	-.520
260	3138	-.245	.117	.192	-.846	260	33134	-.285	.041	-.155	-.465	260	3918	-.283	.036	-.159	-.408
260	3139	-.247	.173	.209	-.442	260	33135	-.303	.046	-.139	-.557	260	3919	-.283	.044	-.133	-.491
260	3140	-.066	.133	.497	-.613	260	33136	-.311	.052	-.154	-.512	260	3920	-.289	.044	-.159	-.486
260	3141	-.051	.139	.606	-.430	260	33137	-.285	.071	-.012	-.554	260	3921	-.285	.052	-.076	-.596
260	3142	-.057	.148	.650	-.467	260	33138	-.230	.037	-.109	-.359	260	3922	-.304	.144	.299	-.645
260	3143	-.267	.057	-.048	-.530	260	33139	-.288	.040	-.139	-.464	260	3923	-.399	.205	.349	-1.115
260	3144	-.220	.112	.207	-.868	260	33140	-.296	.043	-.171	-.462	260	3924	-.397	.039	-.190	-.444
260	3145	-.302	.052	-.017	-.568	260	33141	-.293	.046	-.136	-.467	260	3925	-.296	.047	-.140	-.501
260	3146	-.272	.060	-.055	-.592	260	33142	-.300	.045	-.106	-.477	260	3926	-.307	.045	-.180	-.463
260	3147	-.104	.102	.411	-.528	260	33143	-.295	.045	-.159	-.444	260	3927	-.171	.112	.245	-.537
260	3148	-.149	.134	.304	-.903	260	33144	-.313	.056	-.131	-.567	260	3928	-.243	.112	.230	-.745
260	3149	-.013	.131	.475	-.600	260	33145	-.329	.066	-.104	-.750	260	3929	-.219	.112	.392	-.707
260	3150	-.244	.080	.283	-.511	260	33146	-.331	.072	-.094	-.692	260	3930	-.304	.044	-.176	-.479
260	3151	-.020	.061	.195	-.197	260	33147	-.276	.066	-.024	-.509	260	3931	-.306	.042	-.177	-.482
260	3152	-.097	.096	.322	-.536	260	33148	-.334	.115	-.028	-.855	260	3932	-.299	.043	-.152	-.524
260	3153	-.059	.137	.583	-.356	260	33149	-.138	.094	-.235	-.432	260	3933	-.292	.046	-.130	-.502
260	3218	-.124	.164	.758	-.288	260	3401	-.322	.049	-.180	-.726	260	3934	-.282	.059	-.028	-.517
260	3301	-.306	.049	-.174	-.629	260	3402	-.322	.049	-.176	-.557	260	3935	-.253	.068	-.046	-.487
260	3302	-.299	.048	-.139	-.622	260	3403	-.296	.042	-.159	-.505	260	3936	-.300	.058	-.106	-.539
260	3303	-.286	.044	-.143	-.470	260	3404	-.276	.037	-.134	-.489	260	3937	-.321	.054	-.166	-.549
260	3304	-.293	.045	-.167	-.524	260	3405	-.279	.036	-.141	-.414	260	3938	-.309	.044	-.181	-.517
260	3305	-.302	.053	-.131	-.683	260	3406	-.279	.036	-.176	-.454	260	3939	-.267	.043	-.042	-.507
260	3306	-.304	.051	-.162	-.615	260	3407	-.296	.044	-.171	-.489	260	3940	-.301	.041	-.199	-.494
260	3307	-.320	.062	-.149	-.710	260	3408	-.264	.027	-.183	-.365	260	3941	-.292	.040	-.161	-.464
260	3308	-.316	.055	-.106	-.592	260	3409	-.293	.041	-.179	-.464	270	1101	-.569	.181	-.086	-1.655
260	3309	-.301	.050	-.146	-.512	260	3410	-.293	.024	-.236	-.411	270	1102	-.589	.136	-.154	-1.463
260	3310	-.299	.046	-.148	-.517	260	3411	-.269	.037	-.139	-.487	270	1103	-.580	.180	-.154	-1.578
260	3311	-.291	.045	-.162	-.458	260	3412	-.257	.033	-.110	-.387	270	1104	-.571	.102	-.245	-1.030
260	3312	-.294	.048	-.129	-.529	260	3413	-.288	.040	-.169	-.464	270	1105	-.578	.112	-.306	-1.161
260	3313	-.320	.058	-.127	-.865	260	3414	-.300	.055	-.068	-.640	270	1106	-.545	.152	-.037	-1.393

WD	TAP	CPMEAN	CPRMS	CPMAX	CPMIN	WD	TAP	CPMEAN	CPRMS	CPMAX	CPMIN	WD	TAP	CPMEAN	CPRMS	CPMAX	CPMIN
270	1107	-.443	.142	-.037	-1.327	270	1157	-.351	.084	-.062	-.766	270	1245	-.311	.067	-.060	-.753
270	1108	-.541	.124	-.264	-1.613	270	1158	-.212	.066	.114	-.389	270	1246	-.327	.053	-.169	-.652
270	1109	-.543	.129	-.243	-1.877	270	1159	-.328	.150	.184	-1.095	270	1247	-.332	.048	-.184	-.593
270	1110	-.429	.130	-.060	-1.062	270	1160	-.386	.094	-.115	-.806	270	1248	-.343	.051	-.128	-.583
270	1111	-.414	.122	-.030	-1.006	270	1161	-.388	.078	-.194	-.664	270	1249	-.365	.063	-.077	-.651
270	1112	-.544	.119	-.245	-1.350	270	1162	-.352	.083	-.106	-.748	270	1250	-.414	.088	-.180	-.856
270	1113	-.569	.122	-.257	-1.266	270	1201	-.361	.069	-.176	-.756	270	1251	-.424	.091	-.149	-.898
270	1114	-.436	.123	-.053	-1.058	270	1202	-.356	.064	-.195	-.700	270	1252	-.259	.078	-.035	-.532
270	1115	-.440	.125	-.063	-1.044	270	1203	-.368	.061	-.165	-.674	270	1253	-.247	.079	-.002	-.702
270	1116	-.545	.134	-.053	-1.268	270	1204	-.379	.067	-.183	-.744	270	1254	-.273	.061	-.054	-.595
270	1117	-.552	.132	-.259	-1.318	270	1205	-.396	.076	-.179	-.828	270	1255	-.287	.057	-.040	-.553
270	1118	-.528	.117	-.245	-1.147	270	1206	-.422	.088	-.148	-.805	270	1256	-.270	.055	-.040	-.413
270	1119	-.444	.127	-.074	-1.219	270	1207	-.353	.058	-.172	-.670	270	1257	-.304	.054	-.012	-.541
270	1120	-.440	.119	-.039	-.891	270	1208	-.432	.085	-.158	-.760	270	1258	-.322	.076	-.061	-.740
270	1121	-.523	.141	-.008	-1.362	270	1209	-.319	.070	-.095	-.681	270	1259	-.363	.087	-.042	-.835
270	1122	-.542	.139	-.037	-1.655	270	1210	-.307	.067	-.093	-.598	270	1260	-.176	.074	.128	-.588
270	1123	-.534	.125	-.236	-1.308	270	1211	-.332	.050	-.160	-.521	270	1261	-.174	.070	.082	-.733
270	1124	-.502	.122	-.231	-1.240	270	1212	-.348	.057	-.169	-.642	270	1262	-.214	.059	-.012	-.544
270	1125	-.485	.144	-.011	-1.165	270	1213	-.385	.071	-.155	-.760	270	1263	-.279	.053	-.084	-.520
270	1126	-.493	.142	-.070	-1.095	270	1214	-.397	.095	-.097	-.881	270	1264	-.287	.037	-.124	-.455
270	1127	-.507	.131	-.032	-1.225	270	1215	-.405	.096	-.095	-.819	270	1265	-.348	.073	-.124	-.686
270	1128	-.546	.140	-.069	-1.326	270	1216	-.340	.066	-.107	-.702	270	1266	-.237	.104	-.182	-.684
270	1129	-.547	.142	-.203	-1.199	270	1217	-.334	.065	-.048	-.628	270	1267	-.263	.100	.105	-.663
270	1130	-.547	.133	-.224	-1.443	270	1218	-.354	.055	-.167	-.598	270	1268	-.184	.069	.100	-.427
270	1131	-.521	.163	-.050	-1.298	270	1219	-.387	.088	-.079	-.830	270	1269	-.309	.069	-.042	-.588
270	1132	-.505	.138	-.011	-1.237	270	1220	-.409	.095	-.076	-.821	270	1270	-.309	.039	-.196	-.558
270	1133	-.501	.130	-.027	-1.009	270	1221	-.357	.081	-.118	-.670	270	1271	-.314	.119	.035	-.919
270	1134	-.494	.127	-.025	-1.263	270	1222	-.354	.076	-.116	-.719	270	1272	-.171	.076	.135	-.623
270	1135	-.496	.145	-.137	-1.847	270	1223	-.354	.053	-.188	-.595	270	1273	-.165	.059	.156	-.394
270	1136	-.481	.136	-.170	-1.661	270	1224	-.365	.056	-.186	-.649	270	1274	-.273	.047	-.033	-.499
270	1137	-.523	.151	-.053	-1.317	270	1225	-.407	.077	-.211	-.833	270	1275	-.301	.039	-.105	-.499
270	1138	-.510	.122	-.142	-1.035	270	1226	-.405	.093	-.141	-.956	270	1276	-.215	.085	.156	-.588
270	1139	-.490	.101	-.083	-.904	270	1227	-.417	.101	-.134	-.986	270	1277	-.158	.126	.364	-.597
270	1140	-.471	.084	-.205	-.773	270	1228	-.320	.061	-.083	-.628	270	1278	-.171	.062	-.084	-.415
270	1141	-.463	.085	-.156	-.777	270	1229	-.315	.053	-.129	-.525	270	1279	-.263	.040	-.075	-.418
270	1142	-.453	.087	-.069	-.787	270	1230	-.330	.045	-.186	-.509	270	1280	-.269	.035	-.170	-.406
270	1143	-.500	.173	-.032	-1.661	270	1231	-.338	.045	-.200	-.504	270	1281	-.294	.045	-.133	-.523
270	1144	-.467	.127	-.057	-1.045	270	1232	-.365	.055	-.204	-.665	270	1282	-.250	.036	-.110	-.394
270	1145	-.504	.102	-.193	-.986	270	1233	-.385	.066	-.181	-.642	270	1283	-.240	.088	.166	-.562
270	1146	-.490	.093	-.217	-.876	270	1234	-.399	.082	-.167	-.744	270	1284	-.170	.059	.051	-.385
270	1147	-.533	.120	-.245	-1.106	270	1235	-.417	.094	-.137	-.937	270	1285	-.196	.047	-.061	-.376
270	1148	-.545	.130	-.198	-1.143	270	1236	-.354	.073	-.088	-.639	270	1286	-.263	.041	-.096	-.413
270	1149	-.483	.174	-.102	-1.399	270	1237	-.364	.069	-.165	-.674	270	1287	-.265	.032	-.140	-.408
270	1150	-.501	.106	-.200	-.998	270	1238	-.349	.050	-.218	-.611	270	1288	-.249	.044	-.082	-.406
270	1151	-.602	.180	-.139	-1.410	270	1239	-.368	.051	-.214	-.623	270	1289	-.285	.045	-.121	-.450
270	1152	-.443	.131	-.107	-1.134	270	1240	-.398	.066	-.193	-.770	270	1290	-.227	.094	.198	-.579
270	1153	-.480	.097	-.240	-.871	270	1241	-.421	.079	-.165	-.865	270	1301	-.441	.169	-.098	-1.360
270	1154	-.282	.126	-.082	-.829	270	1242	-.468	.103	-.172	-.954	270	1302	-.394	.092	-.103	-.967
270	1155	-.377	.064	-.210	-.581	270	1243	-.459	.105	-.158	-1.033	270	1303	-.381	.078	-.167	-.892
270	1156	-.398	.079	-.185	-.694	270	1244	-.322	.077	-.067	-.795	270	1304	-.395	.093	-.162	-1.035

WD	TAP	CPMEAN	CPRMS	CPMAX	CPMIN	WD	TAP	CPMEAN	CPRMS	CPMAX	CPMIN	WD	TAP	CPMEAN	CPRMS	CPMAX	CPMIN
270	1305	-.361	.168	.132	-1.075	270	1355	-.257	.093	.042	-.608	270	1420	.156	.188	.785	-.535
270	1306	-.187	.132	.208	-1.023	270	1356	-.308	.100	-.004	-.799	270	1421	-.018	.140	.485	-.686
270	1307	-.339	.082	-.058	-.713	270	1357	-.581	.155	-.150	-1.337	270	1422	.218	.160	.709	-.288
270	1308	-.354	.081	-.028	-.760	270	1358	-.436	.114	-.136	-.988	270	1423	.241	.132	.744	-.189
270	1309	-.516	.114	-.228	-.983	270	1359	-.352	.093	-.022	-.731	270	1424	.218	.126	.728	-.194
270	1310	-.496	.116	-.141	-1.054	270	1360	-.300	.084	-.010	-.655	270	1425	.142	.124	.609	-.206
270	1311	-.352	.089	-.068	-.753	270	1361	-.059	.079	.370	-.190	270	1426	-.090	.126	.354	-.432
270	1312	-.345	.090	-.040	-1.026	270	1362	-.091	.090	.360	-.197	270	1427	.294	.149	.886	-.256
270	1313	-.103	.122	.344	-.562	270	1363	-.234	.060	-.058	-.535	270	1428	.092	.096	.487	-.256
270	1314	-.334	.100	.022	-.668	270	1364	-.284	.084	-.041	-.620	270	1429	-.004	.220	.742	-.666
270	1315	-.419	.092	-.145	-.788	270	1365	-.474	.151	-.107	-1.087	270	1430	-.161	.226	.858	-.572
270	1316	-.347	.079	-.105	-.767	270	1366	-.397	.083	-.039	-.697	270	1431	-.038	.150	.441	-.709
270	1317	-.003	.129	.401	-.473	270	1367	-.217	.066	.037	-.473	270	1432	.104	.159	.700	-.698
270	1318	-.297	.110	.104	-.701	270	1368	-.190	.064	.044	-.442	270	1433	.234	.145	.737	-.311
270	1319	-.515	.142	-.155	-1.376	270	1369	-.056	.079	.425	-.212	270	1434	.194	.132	.723	-.150
270	1320	-.347	.086	-.056	-.807	270	1370	-.249	.057	-.106	-.539	270	1435	-.553	.128	-.191	-1.136
270	1321	-.015	.111	.438	-.428	270	1371	-.407	.101	-.175	-.870	270	1436	.054	.105	.517	-.359
270	1322	-.108	.109	.351	-.449	270	1372	-.209	.041	-.117	-.344	270	1437	.098	.128	.558	-.356
270	1323	-.301	.115	.142	-.663	270	1373	-.063	.084	.325	-.168	270	1438	-.032	.108	.466	-.354
270	1324	-.294	.099	-.029	-.639	270	1374	-.288	.072	-.078	-.585	270	1439	-.014	.236	.833	-.973
270	1325	-.455	.097	-.169	-.957	270	1375	-.281	.076	-.031	-.673	270	1440	.106	.197	.700	-.574
270	1326	-.440	.097	-.190	-.901	270	1376	-.209	.055	-.020	-.414	270	1441	.037	.140	.510	-.590
270	1327	-.361	.087	-.095	-.842	270	1377	-.075	.092	.446	-.147	270	1442	.160	.144	.723	-.414
270	1328	-.363	.088	-.105	-.766	270	1378	-.293	.091	-.085	-.814	270	1443	.349	.148	.881	-.029
270	1329	-.073	.114	.415	-.372	270	1379	-.167	.050	.036	-.356	270	1444	.381	.147	.884	-.029
270	1330	-.059	.116	.365	-.523	270	1380	-.178	.059	.030	-.399	270	1445	.361	.136	.861	-.093
270	1331	-.277	.112	.163	-.674	270	1381	-.262	.038	-.050	-.395	270	1446	.289	.129	.737	-.052
270	1332	-.356	.112	.037	-.886	270	1382	-.083	.092	.376	-.212	270	1447	.259	.120	.803	-.070
270	1333	-.451	.105	-.162	-1.047	270	1383	-.285	.108	.045	-.852	270	1448	.013	.152	.531	-.481
270	1334	-.414	.094	-.136	-.818	270	1384	-.171	.053	.031	-.393	270	1449	.262	.114	.629	-.126
270	1335	-.364	.085	-.091	-.931	270	1385	-.163	.047	.036	-.328	270	1450	.157	.088	.485	-.112
270	1336	-.352	.085	-.110	-.764	270	1401	-.472	.165	.380	-1.101	270	1451	-.055	.220	.794	-.716
270	1337	.138	.125	.634	-.265	270	1402	-.446	.162	.506	-1.111	270	1452	.110	.203	.813	-.537
270	1338	.076	.118	.488	-.289	270	1403	-.500	.140	.345	-.957	270	1453	-.055	.123	.388	-.512
270	1339	-.260	.122	.169	-.705	270	1404	-.530	.202	.320	-1.030	270	1454	.093	.133	.629	-.260
270	1340	-.336	.125	-.096	-.884	270	1405	-.293	.188	.446	-1.390	270	1455	.318	.139	.917	-.139
270	1341	-.437	.098	-.175	-1.070	270	1406	-.090	.174	.503	-.645	270	1456	.423	.141	.942	.043
270	1342	-.403	.091	-.143	-.931	270	1407	-.545	.101	-.191	-.957	270	1457	.393	.134	.893	.077
270	1343	-.385	.095	-.124	-.780	270	1408	-.355	.202	.492	-1.058	270	1458	.292	.107	.646	.019
270	1344	-.400	.111	-.067	-.929	270	1409	-.023	.118	.400	-.567	270	1459	.279	.116	.757	-.037
270	1345	-.130	.114	.604	-.223	270	1410	-.084	.131	.576	-.393	270	1460	.055	.144	.507	-.377
270	1346	-.090	.111	.535	-.239	270	1411	.097	.107	.460	-.223	270	1461	.265	.111	.670	-.124
270	1347	-.265	.124	.202	-.775	270	1412	.050	.099	.434	-.265	270	1462	.143	.079	.461	-.255
270	1348	-.340	.118	.171	-.790	270	1413	.027	.099	.427	-.320	270	1463	-.156	.205	.512	-.755
270	1349	-.442	.113	-.140	-.955	270	1414	.049	.102	.501	-.274	270	1464	.001	.204	.725	-.642
270	1350	-.420	.102	-.110	-.834	270	1415	-.206	.110	.166	-.645	270	1465	-.160	.091	.260	-.483
270	1351	-.393	.107	.042	-1.033	270	1416	.115	.096	.517	-.242	270	1466	-.038	.104	.429	-.454
270	1352	-.409	.123	.001	-1.007	270	1417	-.042	.087	.386	-.244	270	1467	.226	.109	.769	-.073
270	1353	.092	.081	.434	-.138	270	1418	-.356	.095	.029	-.751	270	1468	.361	.123	.854	.073
270	1354	.063	.082	.360	-.239	270	1419	.020	.228	.755	-.785	270	1469	.381	.120	.939	.051

WD	TAP	CPMEAN	CPRMS	CPMAX	CPMIN	WD	TAP	CPMEAN	CPRMS	CPMAX	CPMIN	WD	TAP	CPMEAN	CPRMS	CPMAX	CPMIN
270	1470	.288	.106	.706	-.005	270	1804	-.356	.123	.073	-1.061	270	2204	-.317	.060	-.078	-.572
270	1471	.260	.110	.721	-.032	270	1805	-.177	.058	.094	-.423	270	2205	-.170	.059	.111	-.434
270	1472	.086	.127	.524	-.279	270	1806	-.228	.046	.080	-.413	270	2206	-.270	.115	.119	-.687
270	1473	.216	.101	.624	-.228	270	1807	-.290	.040	-.147	-.437	270	2207	-.511	.187	.217	-1.436
270	1474	.149	.088	.519	-.173	270	1808	-.310	.135	.136	-1.173	270	2208	-.095	.133	.367	-.918
270	1475	-.166	.196	.527	-.741	270	1901	-.849	.213	-.110	-1.959	270	2209	-.254	.083	-.014	-.704
270	1476	-.069	.185	.546	-.627	270	1902	-.543	.116	-.119	-.923	270	2210	-.301	.101	-.080	-.768
270	1477	-.259	.069	.058	-.544	270	1903	-.534	.096	-.235	-.916	270	2211	-.290	.096	.057	-.731
270	1478	-.167	.069	.148	-.500	270	1904	-.513	.099	-.286	-1.125	270	2212	-.458	.135	.114	-.997
270	1479	.087	.083	.459	-.287	270	1905	-.549	.119	-.224	-1.637	270	2213	-.197	.158	.873	-.299
270	1480	.238	.089	.612	-.044	270	1906	-.677	.199	-.126	-1.644	270	2214	-.226	.074	-.048	-.552
270	1481	.240	.094	.745	-.051	270	1907	-.550	.113	-.272	-1.287	270	2215	-.271	.087	-.000	-.605
270	1482	.196	.089	.575	-.080	270	1908	-.381	.071	-.177	-.819	270	2301	.282	.096	.663	.056
270	1483	.148	.079	.454	-.075	270	1909	-.401	.085	-.157	-.898	270	2302	.281	.114	.795	.010
270	1484	.060	.088	.444	-.238	270	1910	-.860	.308	-.196	-2.274	270	2303	.323	.128	.956	.014
270	1485	.155	.105	.592	-.207	270	1911	-.660	.191	-.159	-1.741	270	2304	.056	.082	.385	-.195
270	1486	.089	.090	.410	-.270	270	1912	-.608	.173	-.154	-1.510	270	2305	.057	.163	.805	-.659
270	1487	-.164	.144	.478	-.580	270	1913	-.658	.168	-.182	-1.565	270	2306	-.033	.112	.463	-.408
270	1488	-.055	.159	.512	-.512	270	1914	-.410	.075	-.208	-.754	270	2307	-.258	.087	-.010	-.683
270	1489	-.247	.069	.007	-.515	270	1915	-.562	.130	-.224	-1.250	270	2308	.088	.098	.507	-.169
270	1490	-.144	.059	.133	-.333	270	1916	-.555	.127	-.119	-1.148	270	2309	.180	.148	.797	-.344
270	1491	.120	.082	.497	-.114	270	1917	-.521	.134	-.022	-1.391	270	2310	.020	.114	.522	-.439
270	1492	.299	.100	.764	.063	270	1918	-.435	.114	-.124	-.993	270	2311	-.222	.067	.005	-.508
270	1493	.340	.107	.784	.087	270	1919	-.418	.084	-.198	-.831	270	2401	.075	.059	.339	-.120
270	1494	.238	.083	.565	.040	270	1920	-.431	.109	-.029	-1.155	270	2402	.052	.052	.273	-.100
270	1495	.215	.078	.492	-.012	270	1921	-.408	.094	-.119	-.817	270	2403	.038	.051	.253	-.093
270	1496	.059	.095	.478	-.204	270	1922	-.371	.065	-.159	-.689	270	2404	.112	.061	.422	-.054
270	1497	.121	.067	.403	-.080	270	1923	-.416	.092	-.152	-.914	270	2405	.110	.059	.427	-.076
270	1498	.056	.053	.297	-.129	270	1924	-.484	.118	-.094	-1.139	270	2406	.094	.055	.302	-.071
270	1499	-.175	.134	.370	-.661	270	1925	-.400	.084	-.150	-.801	270	2901	.200	.075	.551	.006
270	1500	-.056	.153	.572	-.609	270	1926	-.473	.116	-.020	-1.148	270	2902	.365	.120	.853	.074
270	1501	-.055	.076	.339	-.265	270	1927	-.384	.092	-.052	-.782	270	2903	.130	.076	.475	-.375
270	1502	-.106	.067	.215	-.303	270	1928	-.401	.112	-.045	-.856	270	2904	.288	.089	.688	-.055
270	1503	.287	.110	.652	.048	270	1929	-.369	.090	-.029	-.773	270	2905	-.125	.092	.205	-.631
270	1504	.342	.114	.805	.088	270	1930	-.387	.081	-.175	-.745	270	2906	.023	.050	.293	-.176
270	1505	.281	.096	.820	.062	270	1931	-.399	.088	-.098	-.971	270	2907	-.093	.079	.237	-.459
270	1506	.316	.102	.702	-.062	270	1932	-.404	.089	-.108	-1.103	270	2908	.317	.114	.841	.018
270	1507	.044	.102	.405	-.338	270	1933	-.378	.116	-.192	-.859	270	2909	-.177	.071	.111	-.537
270	1508	-.029	.055	.241	-.223	270	1934	-.291	.039	-.147	-.458	270	2910	-.178	.064	.015	-.466
270	1509	.008	.135	.448	-.510	270	1935	-.336	.053	-.173	-.600	270	2911	-.340	.110	.733	-.092
270	1510	.057	.083	.375	-.176	270	2101	-.129	.079	.227	-.591	270	2912	-.156	.074	.128	-.500
270	1511	.095	.080	.434	-.138	270	2102	-.143	.066	.197	-.434	270	2913	.304	.099	.679	.060
270	1512	-.250	.069	-.051	-.546	270	2103	-.130	.049	.047	-.424	270	2914	.308	.128	.860	.025
270	1513	.062	.088	.391	-.183	270	2104	-.249	.058	-.044	-.527	270	2915	.112	.152	.691	-.392
270	1514	.084	.079	.459	-.129	270	2105	-.327	.070	-.075	-.628	270	2916	-.145	.059	.050	-.380
270	1515	.069	.084	.506	-.233	270	2106	-.166	.071	-.092	-.419	270	2917	-.049	.069	.237	-.238
270	1516	.076	.067	.212	-.345	270	2107	-.303	.070	-.080	-.596	270	2918	-.189	.063	.072	-.446
270	1801	-.369	.086	-.080	-.704	270	2201	-.065	.152	.750	-.395	270	2919	-.271	.078	.099	-.633
270	1802	-.247	.065	.017	-.502	270	2202	-.039	.084	.374	-.287	270	2920	-.141	.061	.116	-.385
270	1803	-.178	.045	.005	-.338	270	2203	-.287	.082	.136	-.586	270	2921	-.135	.080	.146	-.621

WD	TAP	CPMEAN	CPRMS	CPMAX	CPMIN	WD	TAP	CPMEAN	CPRMS	CPMAX	CPMIN	WD	TAP	CPMEAN	CPRMS	CPMAX	CPMIN
270	2922	-.217	.137	.170	-1.078	270	3210	-.278	.060	-.019	-.499	270	3342	-.336	.050	-.181	-.518
270	2923	-.205	.052	-.020	-.429	270	3211	-.089	.099	.323	-.468	270	3343	-.320	.051	-.119	-.411
270	2924	-.272	.054	-.080	-.527	270	3212	-.344	.203	.245	-1.297	270	3344	-.342	.059	-.144	-.568
270	2925	-.232	.085	-.073	-.695	270	3213	-.033	.179	.573	-.820	270	3345	-.352	.071	-.119	-.714
270	2926	-.244	.058	-.044	-.540	270	3214	-.106	.114	.411	-.449	270	3346	-.365	.076	-.144	-.767
270	3101	-.011	.171	.655	-.519	270	3215	-.054	.052	.138	-.193	270	3347	-.238	.058	.047	-.485
270	3102	-.021	.159	.581	-.712	270	3216	-.034	.089	.396	-.458	270	3348	-.348	.128	.030	-1.071
270	3103	-.082	.194	.495	-.946	270	3217	-.212	.154	.764	-.320	270	3349	-.173	.098	.276	-.601
270	3104	-.222	.153	.436	-.800	270	3218	-.330	.157	1.011	-.106	270	3401	-.424	.084	-.223	-.818
270	3105	-.284	.133	.296	-.688	270	3301	-.324	.043	-.207	-.543	270	3402	-.411	.079	-.186	-.827
270	3106	-.367	.128	.315	-.779	270	3302	-.310	.046	-.186	-.919	270	3403	-.379	.078	-.207	-.837
270	3107	-.386	.074	-.100	-.685	270	3303	-.310	.046	-.179	-.644	270	3404	-.331	.049	-.189	-.521
270	3108	-.382	.200	.346	-1.125	270	3304	-.320	.047	-.167	-.562	270	3405	-.306	.042	-.164	-.470
270	3109	-.283	.117	.287	-.740	270	3305	-.316	.053	-.177	-.681	270	3406	-.312	.043	-.149	-.511
270	3110	-.301	.103	.098	-.646	270	3306	-.325	.051	-.191	-.564	270	3407	-.322	.045	-.186	-.513
270	3111	-.341	.182	.412	-1.020	270	3307	-.361	.077	-.144	-.903	270	3408	-.294	.040	-.173	-.474
270	3112	-.196	.147	.413	-.726	270	3308	-.333	.062	-.116	-.637	270	3409	-.306	.043	-.196	-.528
270	3113	-.228	.102	.323	-.705	270	3309	-.327	.044	-.186	-.543	270	3410	-.377	.051	-.274	-.596
270	3114	-.410	.127	.241	-1.046	270	3310	-.309	.048	-.142	-.637	270	3411	-.334	.061	-.176	-.714
270	3115	-.091	.148	.631	-.912	270	3311	-.295	.040	-.149	-.498	270	3412	-.278	.046	-.122	-.587
270	3116	-.194	.123	.394	-.657	270	3312	-.322	.054	-.099	-.552	270	3413	-.300	.036	-.161	-.463
270	3117	-.341	.255	.401	-1.259	270	3313	-.359	.069	-.170	-.691	270	3414	-.380	.089	-.110	-1.094
270	3118	-.281	.141	.306	-.747	270	3314	-.346	.066	-.156	-.599	270	3415	-.364	.088	-.103	-1.038
270	3119	-.122	.129	.658	-.277	270	3315	-.319	.048	-.174	-.529	270	3416	-.270	.046	-.073	-.465
270	3120	-.174	.140	.772	-.390	270	3316	-.313	.047	-.158	-.590	270	3417	-.267	.048	-.073	-.433
270	3121	-.341	.137	.356	-.810	270	3317	-.303	.044	-.182	-.503	270	3901	-.385	.159	-.208	-1.209
270	3122	-.040	.115	.447	-.303	270	3318	-.325	.049	-.170	-.550	270	3902	-.213	.119	-.430	-.687
270	3123	-.255	.052	.272	-.420	270	3319	-.326	.047	-.198	-.522	270	3903	-.430	.089	-.087	-.915
270	3124	.081	.123	.650	-.303	270	3320	-.310	.042	-.198	-.520	270	3904	-.500	.117	-.094	-.953
270	3125	.282	.155	.948	-.229	270	3321	-.312	.042	-.170	-.522	270	3905	-.312	.127	.229	-1.164
270	3126	.349	.165	1.080	-.127	270	3322	-.322	.047	-.177	-.524	270	3906	-.294	.243	.302	-1.263
270	3127	.153	.184	.760	-.764	270	3323	-.343	.059	-.151	-.651	270	3907	-.442	.105	-.084	-.855
270	3128	-.083	.100	.377	-.396	270	3324	-.351	.066	-.163	-.620	270	3908	-.455	.155	-.071	-1.132
270	3129	-.080	.171	.559	-.645	270	3325	-.302	.040	-.174	-.456	270	3909	-.450	.092	-.075	-.893
270	3130	-.049	.094	.497	-.353	270	3326	-.319	.044	-.184	-.489	270	3910	-.622	.327	.329	-2.217
270	3131	-.542	.224	.259	-1.728	270	3327	-.324	.047	-.179	-.555	270	3911	-.363	.063	-.154	-.743
270	3132	-.313	.096	.143	-.623	270	3328	-.320	.046	-.177	-.531	270	3912	-.365	.121	.345	-.748
270	3133	-.329	.144	-.466	-.953	270	3329	-.325	.047	-.189	-.507	270	3913	-.350	.076	-.027	-.681
270	3134	-.271	.044	-.055	-.411	270	3330	-.301	.040	-.167	-.447	270	3914	-.304	.122	.209	-.726
270	3135	-.142	.103	.467	-.516	270	3331	-.307	.043	-.137	-.498	270	3915	-.179	.125	.452	-.772
270	3136	-.090	.126	-.374	-.724	270	3332	-.317	.046	-.157	-.482	270	3916	-.353	.052	-.177	-.559
270	3201	-.241	.057	-.038	-.497	270	3333	-.318	.048	-.177	-.524	270	3917	-.232	.097	-.099	-.640
270	3202	-.139	.079	.196	-.447	270	3334	-.294	.038	-.137	-.451	270	3918	-.323	.045	-.180	-.495
270	3203	-.265	.107	.309	-.865	270	3335	-.320	.054	-.160	-.555	270	3919	-.309	.049	-.106	-.636
270	3204	-.099	.122	.547	-.556	270	3336	-.345	.065	-.136	-.609	270	3920	-.317	.047	-.142	-.564
270	3205	-.084	.121	.301	-.490	270	3337	-.326	.085	-.073	-.754	270	3921	-.315	.054	.035	-.557
270	3206	-.064	.126	.354	-.577	270	3338	-.236	.044	-.056	-.395	270	3922	-.391	.132	.073	-.993
270	3207	-.238	.058	.014	-.552	270	3339	-.310	.040	-.176	-.468	270	3923	-.490	.234	.464	-1.251
270	3208	-.317	.132	-.096	-1.256	270	3340	-.311	.040	-.146	-.581	270	3924	-.310	.039	-.180	-.469
270	3209	-.342	.057	-.131	-.592	270	3341	-.320	.047	-.166	-.501	270	3925	-.319	.053	-.144	-.712

WD	TAP	CPMEAN	CPRMS	CPMAX	CPMIN	WD	TAP	CPMEAN	CPRMS	CPMAX	CPMIN	WD	TAP	CPMEAN	CPRMS	CPMAX	CPMIN
270	3926	-.321	.045	-.166	-.485	280	1135	-.603	.208	-.096	-1.592	280	1223	-.350	.053	-.182	-.618
270	3927	-.147	.086	-.226	-.558	280	1136	-.625	.200	.004	-1.718	280	1224	-.372	.052	-.235	-.581
270	3928	-.256	.104	-.126	-.640	280	1137	-.406	.133	.084	-1.004	280	1225	-.412	.071	-.215	-.791
270	3929	-.311	.133	-.402	-.752	280	1138	-.381	.125	.093	-.852	280	1226	-.415	.062	-.233	-.706
270	3930	-.321	.044	-.194	-.574	280	1139	-.366	.132	.123	-.859	280	1227	-.415	.063	-.221	-.724
270	3931	-.323	.043	-.165	-.482	280	1140	-.383	.106	.030	-.768	280	1228	-.324	.059	-.157	-.629
270	3932	-.321	.047	-.194	-.500	280	1141	-.340	.104	-.024	-.831	280	1229	-.319	.050	-.155	-.561
270	3933	-.308	.049	-.100	-.510	280	1142	-.351	.098	-.049	-.796	280	1230	-.335	.046	-.166	-.516
270	3934	-.291	.058	.002	-.508	280	1143	-.270	.131	.196	-.885	280	1231	-.344	.042	-.203	-.499
270	3935	-.248	.061	.049	-.470	280	1144	-.252	.107	.109	-.890	280	1232	-.389	.055	-.240	-.590
270	3936	-.319	.050	-.166	-.561	280	1145	-.338	.113	-.035	-.873	280	1233	-.420	.065	-.242	-.703
270	3937	-.329	.047	-.191	-.531	280	1146	-.360	.107	-.059	-.901	280	1234	-.417	.058	-.224	-.627
270	3938	-.314	.040	-.189	-.478	280	1147	-.356	.114	-.049	-.838	280	1235	-.419	.057	-.235	-.646
270	3939	-.304	.046	-.134	-.561	280	1148	-.382	.132	-.035	-1.415	280	1236	-.362	.071	-.154	-.750
270	3940	-.326	.045	-.204	-.548	280	1149	-.247	.131	.198	-.985	280	1237	-.360	.066	-.140	-.703
270	3941	-.311	.041	-.146	-.493	280	1150	-.406	.136	-.031	-1.034	280	1238	-.357	.046	-.196	-.594
280	1101	-.520	.151	-.126	-1.745	280	1151	-.397	.173	-.061	-1.335	280	1239	-.402	.053	-.210	-.625
280	1102	-.632	.161	-.156	-1.973	280	1152	-.214	.092	-.186	-.668	280	1240	-.455	.069	-.263	-.710
280	1103	-.432	.166	-.084	-1.338	280	1153	-.378	.103	-.062	-.791	280	1241	-.474	.067	-.284	-.842
280	1104	-.606	.097	-.272	-1.131	280	1154	-.129	.081	.187	-.508	280	1242	-.446	.064	-.293	-1.030
280	1105	-.579	.103	-.251	-1.083	280	1155	-.215	.080	-.035	-.540	280	1243	-.457	.064	-.270	-.916
280	1106	-.313	.164	-.024	-1.195	280	1156	-.261	.090	.014	-.627	280	1244	-.350	.075	-.120	-.694
280	1107	-.251	.062	-.086	-.878	280	1157	-.250	.085	.092	-.593	280	1245	-.310	.062	-.126	-.631
280	1108	-.729	.151	-.265	-1.496	280	1158	-.203	.061	.046	-.415	280	1246	-.340	.052	-.126	-.548
280	1109	-.693	.139	-.340	-1.776	280	1159	-.131	.088	.228	-.618	280	1247	-.333	.045	-.188	-.541
280	1110	-.329	.055	-.107	-.662	280	1160	-.226	.112	.164	-.710	280	1248	-.388	.055	-.200	-.590
280	1111	-.217	.076	-.003	-.641	280	1161	-.271	.087	.051	-.685	280	1249	-.452	.067	-.232	-.825
280	1112	-.709	.147	-.293	-1.699	280	1162	-.257	.083	.058	-.584	280	1250	-.494	.090	-.279	-1.203
280	1113	-.741	.149	-.321	-1.547	280	1201	-.362	.073	-.159	-.768	280	1251	-.505	.082	-.288	-1.035
280	1114	-.353	.056	-.184	-.697	280	1202	-.364	.067	-.164	-.687	280	1252	-.293	.075	-.058	-.604
280	1115	-.299	.069	-.105	-.715	280	1203	-.357	.052	-.215	-.666	280	1253	-.269	.072	-.019	-.897
280	1116	-.366	.185	-.091	-1.298	280	1204	-.370	.056	-.191	-.685	280	1254	-.302	.053	-.118	-.532
280	1117	-.733	.154	-.261	-1.951	280	1205	-.425	.079	-.191	-.900	280	1255	-.283	.049	-.123	-.474
280	1118	-.729	.157	-.275	-1.673	280	1206	-.460	.093	-.191	-.898	280	1256	-.302	.048	-.128	-.499
280	1119	-.324	.061	-.119	-.720	280	1207	-.353	.059	-.187	-.601	280	1257	-.381	.078	-.107	-.734
280	1120	-.277	.072	-.081	-.718	280	1208	-.439	.096	-.171	-.995	280	1258	-.494	.186	-.039	-1.601
280	1121	-.253	.161	-.175	-1.149	280	1209	-.322	.067	-.078	-.657	280	1259	-.520	.178	-.016	-1.401
280	1122	-.517	.213	-.066	-1.664	280	1210	-.316	.061	-.080	-.525	280	1260	-.182	.067	-.058	-.506
280	1123	-.673	.151	-.240	-1.878	280	1211	-.341	.053	-.154	-.569	280	1261	-.177	.069	-.072	-.490
280	1124	-.677	.145	-.147	-1.804	280	1212	-.362	.054	-.201	-.606	280	1262	-.242	.050	-.035	-.581
280	1125	-.351	.083	-.100	-.878	280	1213	-.427	.111	-.187	-1.463	280	1263	-.301	.050	-.074	-.555
280	1126	-.316	.094	.014	-.749	280	1214	-.411	.068	-.221	-.715	280	1264	-.304	.044	-.149	-.458
280	1127	-.368	.189	.165	-.957	280	1215	-.410	.063	-.219	-.682	280	1265	-.352	.075	-.039	-.755
280	1128	-.552	.198	.247	-1.389	280	1216	-.340	.068	-.124	-.657	280	1266	-.286	.151	-.165	-1.399
280	1129	-.655	.141	-.231	-1.429	280	1217	-.343	.064	-.126	-.634	280	1267	-.319	.196	-.119	-1.661
280	1130	-.645	.140	-.094	-1.613	280	1218	-.363	.048	-.205	-.581	280	1268	-.197	.069	-.119	-.525
280	1131	-.402	.109	-.089	-1.060	280	1219	-.405	.061	-.240	-.740	280	1269	-.316	.061	-.111	-.634
280	1132	-.368	.130	.025	-.957	280	1220	-.403	.065	-.164	-.675	280	1270	-.346	.051	-.204	-.611
280	1133	-.351	.179	.177	-1.011	280	1221	-.356	.080	-.096	-.761	280	1271	-.328	.193	.040	-1.385
280	1134	-.496	.176	.133	-1.214	280	1222	-.350	.070	-.124	-.650	280	1272	-.163	.068	.160	-.479

WD	TAP	CPMEAN	CPRMS	CPMAX	CPMIN	WD	TAP	CPMEAN	CPRMS	CPMAX	CPMIN	WD	TAP	CPMEAN	CPRMS	CPMAX	CPMIN
280	1273	-.159	.055	-.174	-.332	280	1333	-.413	.089	-.168	-.895	280	1383	-.329	.105	-.099	-.924
280	1274	-.283	.042	-.086	-.437	280	1334	-.395	.082	-.138	-.846	280	1384	-.168	.048	.012	-.345
280	1275	-.308	.043	-.146	-.472	280	1335	-.354	.080	-.053	-.789	280	1385	-.166	.039	.005	-.294
280	1276	-.247	.100	.123	-.892	280	1336	-.363	.092	-.093	-.895	280	1401	-.411	.242	.683	-1.152
280	1277	-.208	.137	.179	-1.124	280	1337	-.019	.108	.377	-.343	280	1402	-.356	.251	.874	-1.032
280	1278	-.145	.058	.139	-.309	280	1338	-.032	.107	.334	-.456	280	1403	-.406	.181	.448	-.829
280	1279	-.278	.038	-.100	-.455	280	1339	-.380	.104	.056	-.739	280	1404	-.563	.160	.033	-1.050
280	1280	-.280	.040	-.153	-.483	280	1340	-.421	.099	-.133	-.843	280	1405	-.377	.156	.362	-.943
280	1281	-.312	.050	-.184	-.660	280	1341	-.408	.090	-.134	-.948	280	1406	-.252	.152	.284	-.772
280	1282	-.251	.046	-.081	-.437	280	1342	-.384	.086	-.076	-.794	280	1407	-.591	.112	-.150	-.973
280	1283	-.224	.135	.109	-.920	280	1343	-.381	.091	-.131	-.945	280	1408	-.446	.164	.432	-.979
280	1284	-.154	.051	.086	-.335	280	1344	-.405	.113	-.008	-1.035	280	1409	.107	.140	.564	-.533
280	1285	-.202	.039	-.023	-.390	280	1345	-.039	.102	.415	-.317	280	1410	.164	.124	.582	-.428
280	1286	-.281	.040	-.137	-.430	280	1346	-.001	.097	.436	-.381	280	1411	.119	.119	.584	-.252
280	1287	-.271	.034	-.144	-.388	280	1347	-.394	.114	.011	-1.004	280	1412	.056	.100	.441	-.282
280	1288	-.225	.050	-.023	-.430	280	1348	-.441	.105	-.027	-.940	280	1413	.010	.097	.566	-.542
280	1289	-.273	.058	.033	-.532	280	1349	-.435	.112	-.126	-.926	280	1414	.000	.093	.423	-.321
280	1290	-.233	.134	.160	-.871	280	1350	-.405	.101	-.081	-.879	280	1415	-.276	.101	.069	-.615
280	1301	-.469	.160	-.108	-1.302	280	1351	-.392	.092	-.105	-.739	280	1416	.099	.102	.509	-.234
280	1302	-.414	.093	-.125	-.864	280	1352	-.420	.115	-.034	-1.083	280	1417	.017	.077	.322	-.259
280	1303	-.429	.102	-.191	-.909	280	1353	.028	.083	.365	-.232	280	1418	-.442	.103	-.095	-.893
280	1304	-.422	.101	-.181	-.916	280	1354	-.014	.082	.283	-.428	280	1419	-.179	.226	.728	-1.014
280	1305	-.392	.149	.045	-.925	280	1355	-.339	.076	-.064	-.723	280	1420	-.001	.212	.710	-.601
280	1306	-.283	.119	.144	-.711	280	1356	-.412	.105	-.109	-.902	280	1421	-.108	.161	.619	-.592
280	1307	-.411	.088	-.162	-.725	280	1357	-.619	.149	-.175	-1.242	280	1422	.307	.177	.808	-.407
280	1308	-.416	.086	-.139	-.715	280	1358	-.486	.107	-.147	-.942	280	1423	.281	.144	.828	-.204
280	1309	-.514	.124	-.127	-1.200	280	1359	-.366	.088	-.079	-.806	280	1424	.176	.118	.635	-.286
280	1310	-.494	.127	-.151	-1.113	280	1360	-.324	.080	.004	-.680	280	1425	.071	.109	.538	-.269
280	1311	-.362	.094	-.082	-.854	280	1361	.005	.078	.332	-.253	280	1426	-.212	.101	.231	-.544
280	1312	-.365	.094	-.075	-.777	280	1362	.001	.080	.271	-.260	280	1427	.297	.173	.856	-.343
280	1313	-.196	.100	.261	-.600	280	1363	-.279	.066	-.097	-.942	280	1428	-.046	.087	.434	-.323
280	1314	-.436	.100	-.094	-.894	280	1364	-.342	.084	-.140	-.739	280	1429	-.209	.196	.591	-.725
280	1315	-.389	.082	-.146	-.845	280	1365	-.490	.153	-.062	-1.193	280	1430	-.046	.223	.708	-.772
280	1316	-.352	.078	-.120	-.878	280	1366	-.286	.077	-.010	-.636	280	1431	.101	.162	.678	-.806
280	1317	-.087	.124	.313	-.499	280	1367	-.232	.066	.025	-.546	280	1432	.217	.169	.742	-.524
280	1318	-.408	.095	-.101	-.796	280	1368	-.201	.062	.023	-.440	280	1433	.279	.146	.771	-.204
280	1319	-.470	.120	-.129	-1.050	280	1369	-.016	.067	.214	-.281	280	1434	.224	.138	.824	-.163
280	1320	-.358	.094	-.040	-.873	280	1370	-.281	.060	-.134	-.595	280	1435	-.587	.136	-.147	-1.166
280	1321	-.101	.100	.292	-.417	280	1371	-.401	.090	-.187	-.762	280	1436	-.004	.101	.448	-.307
280	1322	-.197	.095	.210	-.490	280	1372	-.216	.038	-.118	-.398	280	1437	-.076	.136	.630	-.432
280	1323	-.417	.104	-.023	-.786	280	1373	-.026	.067	-.232	-.197	280	1438	-.081	.097	.263	-.437
280	1324	-.394	.094	-.099	-.713	280	1374	-.343	.074	-.157	-.702	280	1439	-.204	.199	.735	-.720
280	1325	-.417	.083	-.182	-.978	280	1375	-.272	.064	-.060	-.574	280	1440	-.045	.196	.653	-.590
280	1326	-.408	.083	-.154	-.841	280	1376	-.223	.052	-.067	-.419	280	1441	.187	.160	.632	-.622
280	1327	-.367	.088	-.090	-.789	280	1377	-.006	.076	.292	-.257	280	1442	.335	.161	.787	-.437
280	1328	-.370	.091	-.112	-.806	280	1378	-.345	.096	-.088	-.839	280	1443	.426	.164	.920	-.131
280	1329	-.042	.093	.287	-.329	280	1379	-.170	.044	-.014	-.340	280	1444	.377	.147	.924	-.063
280	1330	-.156	.090	.214	-.475	280	1380	-.170	.048	-.015	-.346	280	1445	.375	.134	.863	-.020
280	1331	-.389	.106	-.039	-.736	280	1381	-.270	.037	-.134	-.399	280	1446	.228	.117	.648	-.095
280	1332	-.433	.093	-.171	-.770	280	1382	-.005	.077	.260	-.255	280	1447	.177	.102	.628	-.136



WD	TAP	CPMEAN	CPRMS	CPMAX	CPMIN	WD	TAP	CPMEAN	CPRMS	CPMAX	CPMIN	WD	TAP	CPMEAN	CPRMS	CPMAX	CPMIN
2880	1448	-.110	.137	.469	-.530	2880	1498	-.019	.056	.308	-.162	2880	1924	-.490	.108	-.190	-1.207
2880	1449	.237	.108	.650	-.189	2880	1499	-.262	.131	.283	-.715	2880	1925	-.422	.090	-.109	-.778
2880	1450	.084	.074	.351	-.331	2880	1500	-.099	.175	.419	-.610	2880	1926	-.338	.121	-.030	-.873
2880	1451	-.246	.175	.500	-.713	2880	1501	-.024	.104	.452	-.341	2880	1927	-.381	.094	-.095	-.778
2880	1452	-.088	.203	.670	-.740	2880	1502	-.029	.098	.393	-.247	2880	1928	-.326	.101	-.026	-.785
2880	1453	.093	.175	.660	-.588	2880	1503	-.295	.109	.829	.071	2880	1929	-.326	.095	-.036	-.756
2880	1454	.263	.182	.762	-.469	2880	1504	.356	.112	.916	.057	2880	1930	-.395	.079	-.171	-.866
2880	1455	.404	.153	.863	-.056	2880	1505	.261	.089	.659	.054	2880	1931	-.374	.065	-.130	-.783
2880	1456	.398	.130	.863	-.053	2880	1506	.289	.101	.772	-.052	2880	1932	-.392	.066	-.155	-.785
2880	1457	.388	.124	.957	-.056	2880	1507	-.038	.096	.299	-.325	2880	1933	-.134	.126	-.231	-.620
2880	1458	.276	.115	.711	-.167	2880	1508	-.053	.059	.217	-.379	2880	1934	-.288	.042	-.118	-.461
2880	1459	.208	.108	.592	-.157	2880	1509	-.048	.146	.501	-.553	2880	1935	-.369	.061	-.213	-.744
2880	1460	-.070	.112	.358	-.430	2880	1510	-.019	.076	.292	-.256	2880	2101	-.059	.092	-.294	-.548
2880	1461	.230	.115	.643	-.414	2880	1511	-.044	.080	.372	-.207	2880	2102	-.089	.074	-.238	-.347
2880	1462	.108	.078	.406	-.189	2880	1512	-.300	.076	-.026	-.579	2880	2103	-.087	.048	-.135	-.374
2880	1463	-.329	.173	.353	-.885	2880	1513	-.007	.075	-.252	-.214	2880	2104	-.182	.060	-.081	-.696
2880	1464	-.179	.178	.488	-.661	2880	1514	.019	.061	.245	-.214	2880	2105	-.241	.040	-.040	-.531
2880	1465	-.053	.145	.377	-.549	2880	1515	-.009	.062	.235	-.181	2880	2106	-.101	.073	.326	-.396
2880	1466	.057	.148	.467	-.481	2880	1516	-.118	.067	.224	-.379	2880	2107	-.221	.071	.036	-.491
2880	1467	.233	.123	.658	-.150	2880	1801	-.271	.092	.097	-.637	2880	2201	-.108	.173	.775	-.418
2880	1468	.343	.110	.025	.017	2880	1802	-.237	.058	-.055	-.459	2880	2202	-.033	.107	.616	-.246
2880	1469	.344	.114	.841	-.056	2880	1803	-.183	.043	-.016	-.408	2880	2203	-.166	.114	.262	-.501
2880	1470	.246	.111	.757	-.087	2880	1804	-.182	.092	-.201	-.856	2880	2204	-.217	.088	.120	-.595
2880	1471	.201	.109	.687	-.172	2880	1805	-.172	.047	-.046	-.332	2880	2205	-.107	.079	.191	-.484
2880	1472	-.031	.104	.348	-.329	2880	1806	-.233	.041	-.045	-.390	2880	2206	-.243	.104	.137	-.862
2880	1473	.176	.103	.486	-.264	2880	1807	-.270	.052	-.028	-.465	2880	2207	-.367	.180	.280	-.250
2880	1474	.093	.086	.513	-.252	2880	1808	-.186	.096	-.338	-.880	2880	2208	-.062	.140	.400	-.914
2880	1475	-.330	.162	.372	-.808	2880	1901	-.776	.209	-.169	-1.974	2880	2209	-.179	.067	.208	-.545
2880	1476	-.207	.172	.433	-.747	2880	1902	-.570	.104	-.118	-.931	2880	2210	-.195	.068	.093	-.654
2880	1477	-.223	.076	.114	-.534	2880	1903	-.591	.097	-.250	-1.341	2880	2211	-.213	.087	.329	-.568
2880	1478	-.158	.072	.102	-.428	2880	1904	-.697	.121	-.317	-1.226	2880	2212	-.298	.148	.211	-.987
2880	1479	.071	.089	.484	-.295	2880	1905	-.704	.131	-.303	-1.399	2880	2213	-.197	.168	.982	-.285
2880	1480	.230	.087	.590	-.002	2880	1906	-.687	.205	-.121	-1.504	2880	2214	-.155	.060	.078	-.540
2880	1481	.261	.090	.730	-.002	2880	1907	-.691	.136	-.313	-1.202	2880	2215	-.172	.065	.054	-.506
2880	1482	.170	.096	.672	-.213	2880	1908	-.433	.095	-.174	-.843	2880	2301	.295	.090	.646	-.064
2880	1483	.142	.096	.621	-.123	2880	1909	-.466	.118	-.215	-1.059	2880	2302	.295	.102	.794	.054
2880	1484	-.015	.076	.343	-.305	2880	1910	-.771	.240	-.160	-.2067	2880	2303	.331	.125	.954	-.048
2880	1485	.136	.099	.486	-.237	2880	1911	-.683	.175	-.169	-1.603	2880	2304	-.001	.071	.238	-.264
2880	1486	-.052	.086	.353	-.271	2880	1912	-.738	.203	-.185	-1.712	2880	2305	-.073	.182	.986	-.819
2880	1487	-.250	.130	.421	-.684	2880	1913	-.780	.209	-.214	-1.858	2880	2306	-.056	.121	.435	-.618
2880	1488	-.103	.153	.474	-.549	2880	1914	-.451	.087	-.206	-.834	2880	2307	-.178	.075	.093	-.540
2880	1489	-.164	.086	.122	-.497	2880	1915	-.581	.121	-.227	-1.212	2880	2308	-.004	.074	.258	-.225
2880	1490	-.038	.092	.276	-.305	2880	1916	-.600	.133	-.171	-1.124	2880	2309	.164	.155	.915	-.380
2880	1491	.164	.099	.629	-.123	2880	1917	-.508	.149	-.048	-1.228	2880	2310	-.036	.158	.726	-.487
2880	1492	.278	.089	.699	-.036	2880	1918	-.452	.111	-.041	-.934	2880	2311	-.123	.052	.069	-.332
2880	1493	.307	.092	.682	-.109	2880	1919	-.461	.100	-.088	-.871	2880	2401	.013	.068	.277	-.332
2880	1494	.224	.083	.657	-.024	2880	1920	-.435	.114	-.032	-1.003	2880	2402	-.006	.057	.229	-.346
2880	1495	.168	.076	.513	-.028	2880	1921	-.415	.092	-.141	-.941	2880	2403	-.000	.048	.241	-.184
2880	1496	-.018	.080	.259	-.329	2880	1922	-.387	.063	-.204	-.762	2880	2404	.051	.065	.316	-.208
2880	1497	.083	.075	.457	-.146	2880	1923	-.407	.068	-.199	-.876	2880	2405	.019	.059	.212	-.235

WD	TAP	CPMEAN	CPRMS	CPMAX	CPMIN	WD	TAP	CPMEAN	CPRMS	CPMAX	CPMIN	WD	TAP	CPMEAN	CPRMS	CPMAX	CPMIN
280	2406	.018	.055	.183	-.160	280	3124	.143	.135	.618	-.214	280	3320	-.300	.041	-.160	-.466
280	2901	.180	.074	.555	-.018	280	3125	.281	.149	.837	-.186	280	3321	-.318	.046	-.200	-.476
280	2902	.354	.113	.844	-.105	280	3126	.307	.144	.873	-.131	280	3322	-.325	.046	-.186	-.515
280	2903	.178	.125	.790	-.595	280	3127	.117	.181	1.030	-.657	280	3323	-.344	.059	-.184	-.781
280	2904	.310	.103	.788	-.083	280	3128	-.043	.102	.419	-.564	280	3324	-.349	.076	-.174	-.709
280	2905	-.017	.120	.378	-.705	280	3129	-.077	.143	.547	-.569	280	3325	-.312	.041	-.184	-.462
280	2906	-.011	.051	.189	-.214	280	3130	-.016	.085	.319	-.423	280	3326	-.323	.045	-.205	-.483
280	2907	-.035	.125	.510	-.462	280	3131	-.289	.246	.424	-1.139	280	3327	-.326	.046	-.207	-.522
280	2908	.338	.119	.942	.103	280	3132	-.158	.159	.483	-.609	280	3328	-.328	.045	-.174	-.485
280	2909	-.153	.074	.103	-.587	280	3133	-.224	.155	.404	-.704	280	3329	-.339	.053	-.186	-.614
280	2910	-.176	.075	.056	-.725	280	3134	-.251	.054	.021	-.409	280	3330	-.301	.038	-.188	-.478
280	2911	-.350	.107	.915	-.056	280	3135	-.145	.089	.270	-.464	280	3331	-.318	.046	-.195	-.567
280	2912	-.140	.085	.140	-.661	280	3136	-.085	.145	.343	-.790	280	3332	-.312	.045	-.191	-.484
280	2913	.309	.107	.775	.056	280	3201	-.259	.061	-.029	-.544	280	3333	-.321	.048	-.172	-.513
280	2914	.308	.118	.857	-.044	280	3202	-.161	.073	.078	-.440	280	3334	-.299	.040	-.184	-.483
280	2915	.185	.178	.915	-.366	280	3203	-.253	.095	.083	-.650	280	3335	-.342	.054	-.172	-.541
280	2916	-.104	.070	.135	-.376	280	3204	-.155	.123	.247	-.764	280	3336	-.366	.064	-.196	-.645
280	2917	-.031	.105	.432	-.209	280	3205	-.121	.126	.452	-.585	280	3337	-.355	.076	-.123	-.697
280	2918	-.093	.095	.324	-.408	280	3206	-.135	.132	-.296	-.594	280	3338	-.224	.053	-.041	-.427
280	2919	-.163	.117	.307	-.580	280	3207	-.271	.060	-.060	-.531	280	3339	-.311	.040	-.186	-.482
280	2920	-.085	.091	.309	-.626	280	3208	-.340	.142	-.093	-1.037	280	3340	-.305	.041	-.171	-.464
280	2921	-.105	.114	.179	-.752	280	3209	-.326	.055	-.181	-.569	280	3341	-.305	.043	-.164	-.514
280	2922	-.236	.166	.336	-1.402	280	3210	-.307	.067	-.033	-.616	280	3342	-.324	.048	-.169	-.562
280	2923	-.176	.060	.032	-.477	280	3211	-.108	.111	.362	-.604	280	3343	-.338	.050	-.184	-.527
280	2924	-.212	.058	-.030	-.435	280	3212	-.276	.188	.343	-1.190	280	3344	-.361	.064	-.204	-.685
280	2925	-.174	.084	.168	-.610	280	3213	-.031	.185	.532	-.801	280	3345	-.374	.074	-.186	-.733
280	2926	-.174	.053	.068	-.410	280	3214	-.151	.111	.335	-.462	280	3346	-.415	.091	-.133	-.928
280	3101	-.117	.152	.516	-.809	280	3215	-.020	.081	.248	-.174	280	3347	-.262	.058	-.036	-.484
280	3102	-.096	.169	.713	-.835	280	3216	-.044	.102	.421	-.466	280	3348	-.153	.121	.205	-1.091
280	3103	-.157	.183	.649	-.944	280	3217	-.278	.179	.904	-.368	280	3349	-.139	.105	.208	-.697
280	3104	-.173	.179	.554	-.728	280	3218	-.307	.174	1.007	-.289	280	33401	-.351	.189	.454	-1.249
280	3105	-.203	.132	.483	-.547	280	3301	-.319	.042	-.212	-.571	280	33402	-.339	.154	.240	-.823
280	3106	-.217	.179	.607	-.790	280	3302	-.298	.039	-.165	-.443	280	33403	-.520	.143	-.106	-1.421
280	3107	-.293	.143	.321	-.645	280	3303	-.296	.039	-.181	-.459	280	33404	-.371	.072	-.186	-.677
280	3108	-.175	.203	.509	-1.185	280	3304	-.312	.042	-.202	-.497	280	33405	-.313	.043	-.184	-.495
280	3109	-.116	.190	.540	-.745	280	3305	-.324	.044	-.207	-.515	280	33406	-.336	.051	-.184	-.575
280	3110	-.177	.152	.395	-.648	280	3306	-.329	.049	-.193	-.590	280	33407	-.331	.045	-.214	-.582
280	3111	-.255	.177	.626	-.902	280	3307	-.403	.094	-.201	-.993	280	33408	-.306	.043	-.168	-.471
280	3112	-.124	.140	.431	-.576	280	3308	-.363	.071	-.179	-.819	280	33409	-.331	.050	-.206	-.547
280	3113	-.140	.142	.649	-.609	280	3309	-.327	.042	-.200	-.487	280	33410	-.450	.064	-.311	-.675
280	3114	-.321	.172	.471	-.997	280	3310	-.307	.042	-.191	-.492	280	33411	-.356	.076	-.143	-.758
280	3115	-.121	.150	.514	-.709	280	3311	-.302	.039	-.163	-.452	280	33412	-.279	.052	-.083	-.516
280	3116	-.158	.133	.502	-.702	280	3312	-.322	.046	-.188	-.548	280	33413	-.297	.036	-.196	-.452
280	3117	-.165	.223	.507	-1.154	280	3313	-.384	.068	-.212	-.702	280	33414	-.267	.139	-.345	-.880
280	3118	-.134	.190	.573	-.756	280	3314	-.378	.065	-.181	-.695	280	33415	-.388	.105	-.111	-1.314
280	3119	-.117	.133	.734	-.407	280	3315	-.322	.044	-.174	-.588	280	33416	-.258	.057	-.027	-.462
280	3120	-.144	.139	.782	-.523	280	3316	-.323	.048	-.179	-.585	280	33417	-.248	.055	.037	-.422
280	3121	-.258	.165	.440	-.792	280	3317	-.301	.040	-.174	-.450	280	3901	-.195	.116	.273	-.773
280	3122	-.077	.120	.568	-.259	280	3318	-.316	.043	-.167	-.529	280	3902	-.196	.122	.316	-.736
280	3123	-.236	.064	.200	-.423	280	3319	-.334	.050	-.177	-.611	280	3903	-.379	.135	.240	-.920

WD	TAP	CPMEAN	CPRMS	CPMAX	CPMIN	WD	TAP	CPMEAN	CPRMS	CPMAX	CPMIN	WD	TAP	CPMEAN	CPRMS	CPMAX	CPMIN
280	3904	-.352	.174	.095	-1.646	290	1113	-.578	.162	-.177	-1.238	290	1201	-.352	.070	-.141	-.709
280	3905	-.358	.136	.320	-.811	290	1114	-.366	.050	-.201	-.582	290	1202	-.340	.065	-.097	-.746
280	3906	-.232	.215	.387	-1.061	290	1115	-.264	.044	-.093	-.408	290	1203	-.349	.051	-.178	-.533
280	3907	-.374	.116	.042	-.961	290	1116	-.110	.050	.152	-.631	290	1204	-.393	.051	-.245	-.600
280	3908	-.304	.144	.109	-1.039	290	1117	-.471	.252	.318	-1.266	290	1205	-.466	.087	-.222	-.837
280	3909	-.387	.125	-.015	-1.008	290	1118	-.593	.214	.316	-1.153	290	1206	-.472	.095	-.241	-1.148
280	3910	-.406	.217	.314	-1.580	290	1119	-.311	.045	-.114	-.453	290	1207	-.335	.054	-.173	-.596
280	3911	-.453	.112	-.181	-1.113	290	1120	-.237	.050	.008	-.408	290	1208	-.492	.111	-.199	-1.431
280	3912	-.239	.154	.373	-.725	290	1121	-.053	.065	.234	-.375	290	1209	-.283	.061	-.081	-.559
280	3913	-.286	.107	.173	-.695	290	1122	-.047	.122	.255	-.826	290	1210	-.285	.055	-.081	-.549
280	3914	-.214	.114	.164	-.528	290	1123	-.545	.258	.370	-1.482	290	1211	-.321	.049	-.129	-.510
280	3915	-.210	.119	.168	-1.063	290	1124	-.568	.232	.269	-1.475	290	1212	-.364	.050	-.190	-.651
280	3916	-.378	.073	-.067	-.676	290	1125	-.336	.060	-.105	-.554	290	1213	-.463	.110	-.199	-1.352
280	3917	-.225	.084	-.142	-.538	290	1126	-.250	.062	.015	-.516	290	1214	-.444	.066	-.215	-.675
280	3918	-.335	.060	-.176	-.771	290	1127	-.071	.083	.278	-.480	290	1215	-.443	.056	-.266	-.647
280	3919	-.312	.050	-.131	-.559	290	1128	-.128	.185	.287	-1.042	290	1216	-.300	.058	-.104	-.582
280	3920	-.307	.047	-.131	-.552	290	1129	-.459	.219	.377	-1.624	290	1217	-.293	.054	-.025	-.535
280	3921	-.399	.047	-.117	-.523	290	1130	-.472	.177	.353	-1.089	290	1218	-.367	.052	-.185	-.612
280	3922	-.222	.098	.050	-.851	290	1131	-.350	.076	-.035	-.656	290	1219	-.462	.060	-.299	-.672
280	3923	-.502	.197	-.221	-1.180	290	1132	-.277	.082	.019	-.619	290	1220	-.458	.060	-.296	-.663
280	3924	-.315	.043	-.198	-.464	290	1133	-.154	.095	.214	-.692	290	1221	-.305	.065	-.087	-.630
280	3925	-.316	.049	-.148	-.573	290	1134	-.218	.147	.181	-.939	290	1222	-.300	.061	-.106	-.647
280	3926	-.325	.045	-.200	-.540	290	1135	-.445	.171	.071	-1.155	290	1223	-.334	.054	-.164	-.547
280	3927	-.204	.110	.108	-.719	290	1136	-.467	.151	.059	-1.475	290	1224	-.373	.051	-.229	-.579
280	3928	-.311	.095	.028	-.685	290	1137	-.344	.100	.012	-.868	290	1225	-.477	.079	-.252	-.918
280	3929	-.319	.118	-.185	-.778	290	1138	-.283	.088	.024	-.729	290	1226	-.468	.062	-.292	-.733
280	3930	-.321	.042	-.217	-.497	290	1139	-.237	.077	-.043	-.652	290	1227	-.463	.058	-.299	-.679
280	3931	-.326	.045	-.187	-.528	290	1140	-.254	.077	-.004	-.628	290	1228	-.293	.053	-.101	-.489
280	3932	-.325	.044	-.188	-.495	290	1141	-.249	.074	-.004	-.654	290	1229	-.295	.049	-.083	-.488
280	3933	-.313	.051	-.137	-.518	290	1142	-.243	.072	-.014	-.583	290	1230	-.302	.043	-.155	-.456
280	3934	-.311	.055	-.116	-.574	290	1143	-.217	.082	.097	-.513	290	1231	-.348	.046	-.206	-.533
280	3935	-.273	.058	-.052	-.538	290	1144	-.194	.071	.054	-.635	290	1232	-.404	.053	-.236	-.707
280	3936	-.344	.053	-.184	-.750	290	1145	-.195	.064	.024	-.442	290	1233	-.472	.063	-.282	-.693
280	3937	-.349	.056	-.181	-.785	290	1146	-.230	.071	-.007	-.597	290	1234	-.462	.061	-.262	-.737
280	3938	-.323	.042	-.196	-.517	290	1147	-.236	.072	-.047	-.593	290	1235	-.473	.060	-.291	-.690
280	3939	-.313	.046	-.176	-.575	290	1148	-.222	.072	-.030	-.560	290	1236	-.328	.059	-.139	-.644
280	3940	-.335	.047	-.201	-.550	290	1149	-.230	.096	.137	-.715	290	1237	-.334	.058	-.134	-.561
280	3941	-.320	.041	-.176	-.472	290	1150	-.221	.065	.012	-.557	290	1238	-.338	.044	-.192	-.501
290	1101	-.417	.115	.086	-.890	290	1151	-.241	.094	-.047	-.767	290	1239	-.413	.063	-.194	-.735
290	1102	-.560	.176	.154	-1.565	290	1152	-.168	.061	-.057	-.445	290	1240	-.500	.090	-.229	-.916
290	1103	-.471	.128	-.293	-.612	290	1153	-.219	.063	-.050	-.502	290	1241	-.551	.078	-.336	-.942
290	1104	-.493	.090	-.090	-.880	290	1154	-.106	.064	-.131	-.323	290	1242	-.495	.060	-.324	-.751
290	1105	-.496	.104	-.133	-1.047	290	1155	-.145	.030	-.062	-.248	290	1243	-.503	.060	-.313	-.730
290	1106	-.147	.044	-.055	-.476	290	1156	-.160	.047	-.006	-.350	290	1244	-.306	.058	-.113	-.570
290	1107	-.227	.042	-.053	-.380	290	1157	-.156	.050	.036	-.355	290	1245	-.299	.050	-.136	-.582
290	1108	-.584	.239	.145	-1.336	290	1158	-.169	.063	.043	-.348	290	1246	-.292	.049	-.076	-.600
290	1109	-.664	.159	.123	-1.379	290	1159	-.106	.071	.164	-.360	290	1247	-.307	.047	-.128	-.539
290	1110	-.336	.049	-.093	-.502	290	1160	-.149	.055	.096	-.336	290	1248	-.369	.069	-.135	-.684
290	1111	-.475	.051	.135	-.450	290	1161	-.155	.046	.036	-.355	290	1249	-.518	.092	-.239	-.965
290	1112	-.505	.248	.403	-1.155	290	1162	-.157	.055	.138	-.411	290	1250	-.570	.091	-.302	-1.023

WD	TAP	CPMEAN	CPRMS	CPMAX	CPMIN	WD	TAP	CPMEAN	CPRMS	CPMAX	CPMIN	WD	TAP	CPMEAN	CPRMS	CPMAX	CPMIN
290	1251	-.567	.083	-.307	-.978	290	1311	-.314	.082	-.023	-.803	290	1361	-.080	.076	.266	-.316
290	1252	-.258	.060	-.032	-.565	290	1312	-.313	.086	-.060	-.931	290	1362	-.086	.072	.203	-.344
290	1253	-.248	.049	-.102	-.544	290	1313	-.271	.096	-.178	-.634	290	1363	-.323	.119	-.064	-1.245
290	1254	-.269	.049	-.086	-.411	290	1314	-.441	.080	-.175	-.714	290	1364	-.348	.081	-.121	-.700
290	1255	-.262	.041	-.100	-.428	290	1315	-.326	.070	-.042	-.613	290	1365	-.407	.136	-.069	-1.322
290	1256	-.279	.048	-.088	-.460	290	1316	-.306	.075	-.049	-.754	290	1366	-.263	.081	-.032	-.689
290	1257	-.366	.081	-.076	-.660	290	1317	-.195	.107	-.155	-.580	290	1367	-.207	.064	.041	-.508
290	1258	-.614	.227	-.109	-1.512	290	1318	-.434	.077	-.187	-.704	290	1368	-.195	.068	.036	-.560
290	1259	-.630	.218	-.030	-1.626	290	1319	-.374	.096	-.063	-.835	290	1369	-.085	.076	.178	-.357
290	1260	-.161	.057	.063	-.386	290	1320	-.320	.089	-.056	-.838	290	1370	-.288	.070	-.111	-.630
290	1261	-.162	.054	-.075	-.474	290	1321	-.157	.102	.237	-.447	290	1371	-.350	.084	-.150	-.890
290	1262	-.259	.050	-.041	-.363	290	1322	-.254	.089	.064	-.529	290	1372	-.204	.026	-.129	-.311
290	1263	-.275	.042	-.123	-.463	290	1323	-.421	.081	-.142	-.746	290	1373	-.084	.067	-.168	-.288
290	1264	-.293	.042	-.165	-.453	290	1324	-.436	.078	-.181	-.725	290	1374	-.323	.069	-.115	-.595
290	1265	-.333	.081	-.011	-.739	290	1325	-.361	.075	-.121	-.700	290	1375	-.252	.068	-.039	-.648
290	1266	-.309	.186	.187	-1.254	290	1326	-.346	.075	-.104	-.672	290	1376	-.210	.052	-.023	-.489
290	1267	-.331	.205	.089	-1.456	290	1327	-.316	.081	-.074	-.982	290	1377	-.081	.074	-.164	-.300
290	1268	-.175	.060	-.038	-.532	290	1328	-.322	.083	-.081	-.848	290	1378	-.281	.086	-.039	-.689
290	1269	-.279	.048	-.146	-.497	290	1329	-.138	.099	.234	-.440	290	1379	-.156	.041	-.014	-.327
290	1270	-.337	.051	-.202	-.570	290	1330	-.227	.092	.231	-.581	290	1380	-.160	.045	.003	-.355
290	1271	-.278	.176	.159	-1.454	290	1331	-.423	.079	-.195	-.681	290	1381	-.265	.036	-.120	-.388
290	1272	-.122	.072	.261	-.330	290	1332	-.439	.080	-.217	-.738	290	1382	-.080	.080	.175	-.300
290	1273	-.159	.054	.147	-.325	290	1333	-.347	.077	-.109	-.703	290	1383	-.295	.093	-.090	-.869
290	1274	-.280	.039	-.128	-.442	290	1334	-.316	.073	-.083	-.707	290	1384	-.153	.039	-.007	-.302
290	1275	-.300	.038	-.165	-.435	290	1335	-.311	.076	-.069	-.761	290	1385	-.152	.040	.032	-.267
290	1276	-.190	.091	.100	-.623	290	1336	-.316	.081	-.090	-.860	290	1401	-.342	.286	.659	-1.172
290	1277	-.167	.144	.296	-1.237	290	1337	-.096	.114	.285	-.466	290	1402	-.290	.273	.701	-.953
290	1278	-.124	.061	.170	-.297	290	1338	-.133	.102	.264	-.503	290	1403	-.374	.155	.319	-.794
290	1279	-.265	.035	-.093	-.388	290	1339	-.410	.082	-.135	-.792	290	1404	-.450	.150	.250	-.926
290	1280	-.274	.041	-.155	-.470	290	1340	-.436	.084	-.128	-.773	290	1405	-.348	.166	.498	-.876
290	1281	-.321	.057	-.142	-.628	290	1341	-.359	.081	-.055	-.692	290	1406	-.335	.113	-.113	-.673
290	1282	-.221	.042	-.058	-.390	290	1342	-.331	.078	-.097	-.682	290	1407	-.568	.119	-.120	-1.061
290	1283	-.142	.110	.184	-.598	290	1343	-.321	.075	-.076	-.740	290	1408	-.434	.129	.303	-1.073
290	1284	-.129	.055	.196	-.316	290	1344	-.337	.092	-.104	-.923	290	1409	.240	.126	.618	-.250
290	1285	-.196	.042	.024	-.360	290	1345	-.070	.100	.269	-.405	290	1410	.222	.119	.668	-.138
290	1286	-.269	.035	-.151	-.397	290	1346	-.103	.101	.250	-.520	290	1411	.145	.091	.573	-.154
290	1287	-.270	.034	-.167	-.449	290	1347	-.410	.074	-.107	-.719	290	1412	.075	.093	.472	-.234
290	1288	-.194	.044	-.025	-.383	290	1348	-.434	.083	-.163	-.790	290	1413	-.002	.088	.317	-.337
290	1289	-.241	.048	-.037	-.470	290	1349	-.392	.097	-.128	-.869	290	1414	-.045	.085	.330	-.346
290	1290	-.170	.112	-.159	-.642	290	1350	-.360	.090	-.114	-.759	290	1415	-.317	.084	-.035	-.611
290	1301	-.445	.120	-.117	-.992	290	1351	-.354	.087	-.126	-.794	290	1416	.117	.125	.534	-.412
290	1302	-.400	.096	-.128	-.924	290	1352	-.378	.101	-.020	-.931	290	1417	.006	.086	.371	-.357
290	1303	-.427	.109	-.166	-.908	290	1353	-.047	.096	.243	-.456	290	1418	-.462	.092	-.090	-.940
290	1304	-.410	.100	-.168	-.845	290	1354	-.085	.108	.210	-.618	290	1419	-.348	.153	.486	-.865
290	1305	-.345	.110	-.011	-.854	290	1355	-.347	.066	-.123	-.668	290	1420	-.168	.183	.479	-.698
290	1306	-.336	.101	-.036	-.674	290	1356	-.405	.085	-.144	-.865	290	1421	.338	.166	.986	-.088
290	1307	-.429	.080	-.187	-.744	290	1357	-.538	.129	-.158	-.987	290	1422	.427	.153	.972	-.168
290	1308	-.434	.081	-.196	-.817	290	1358	-.433	.101	-.149	-.883	290	1423	.316	.120	.755	-.106
290	1309	-.426	.117	-.103	-1.058	290	1359	-.348	.083	-.069	-.668	290	1424	.144	.118	.755	-.280
290	1310	-.404	.113	-.053	-1.042	290	1360	-.302	.075	-.076	-.745	290	1425	-.005	.103	.615	-.278

WD	TAP	CPMEAN	CPRMS	CPMAX	CPMIN	WD	TAP	CPMEAN	CPRMS	CPMAX	CPMIN	WD	TAP	CPMEAN	CPRMS	CPMAX	CPMIN
290	1426	-.291	.086	-.024	-.584	290	1476	-.258	.133	.345	-.671	290	1902	-.522	.101	-.196	-1.060
290	1427	.275	.198	1.000	-.444	290	1477	-.143	.053	.045	-.507	290	1903	-.562	.092	-.233	-.927
290	1428	.059	.111	.550	-.449	290	1478	-.083	.062	.134	-.366	290	1904	-.773	.129	-.348	-1.405
290	1429	-.324	.123	.364	-.678	290	1479	.104	.090	.393	-.265	290	1905	-.761	.137	-.133	-1.346
290	1430	-.218	.169	.620	-.666	290	1480	.243	.088	.618	-.004	290	1906	-.611	.190	-.190	-1.332
290	1431	.280	.162	.824	-.367	290	1481	.239	.086	.577	-.042	290	1907	-.681	.140	-.143	-1.256
290	1432	.336	.153	.867	-.554	290	1482	.131	.079	.473	-.166	290	1908	-.432	.087	-.166	-.917
290	1433	.336	.122	.732	-.054	290	1483	.079	.076	.507	-.163	290	1909	-.440	.115	-.152	-1.086
290	1434	.247	.123	.819	-.417	290	1484	-.090	.096	.219	-.458	290	1910	-.607	.164	-.160	-1.487
290	1435	-.319	.118	-.081	-.954	290	1485	.124	.098	.524	-.258	290	1911	-.725	.186	-.217	-1.475
290	1436	-.035	.085	.264	-.282	290	1486	.039	.080	.343	-.272	290	1912	-.775	.174	-.260	-1.641
290	1437	.087	.172	.648	-.604	290	1487	-.241	.124	.352	-.737	290	1913	-.776	.237	-.261	-2.160
290	1438	-.073	.112	.307	-.497	290	1488	-.155	.158	.468	-.669	290	1914	-.447	.096	-.168	-.821
290	1439	-.354	.135	.419	-.755	290	1489	-.042	.059	.197	-.288	290	1915	-.447	.123	-.104	-.904
290	1440	-.213	.152	.408	-.616	290	1490	.013	.064	.333	-.178	290	1916	-.326	.120	-.048	-.991
290	1441	.343	.163	.835	-.437	290	1491	.191	.094	.575	-.091	290	1917	-.537	.158	-.081	-.961
290	1442	.420	.158	.881	-.287	290	1492	.321	.100	.650	-.072	290	1918	-.400	.104	-.097	-.890
290	1443	.464	.131	.881	.070	290	1493	.324	.095	.664	-.072	290	1919	-.420	.099	-.101	-.899
290	1444	.396	.128	.938	.022	290	1494	.183	.066	.455	-.014	290	1920	-.384	.116	-.035	-.970
290	1445	.351	.127	.865	-.047	290	1495	.126	.059	.392	-.046	290	1921	-.377	.073	-.097	-.691
290	1446	.158	.097	.563	-.122	290	1496	-.102	.084	.181	-.430	290	1922	-.371	.054	-.180	-.606
290	1447	.106	.094	.463	-.195	290	1497	-.051	.079	.427	-.189	290	1923	-.404	.052	-.235	-.604
290	1448	-.224	.107	.171	-.553	290	1498	-.000	.068	.363	-.234	290	1924	-.473	.094	-.217	-.898
290	1449	.211	.134	.684	-.395	290	1499	-.258	.135	.490	-.672	290	1925	-.384	.082	-.044	-.696
290	1450	-.074	.089	.430	-.323	290	1500	-.123	.176	.600	-.721	290	1926	-.200	.037	-.055	-.438
290	1451	-.367	.112	.188	-.693	290	1501	.115	.099	.565	-.154	290	1927	-.323	.085	-.005	-.800
290	1452	-.240	.153	.442	-.623	290	1502	.082	.096	.445	-.229	290	1928	-.331	.066	-.030	-.539
290	1453	.210	.145	.720	-.742	290	1503	.338	.125	.968	.047	290	1929	-.316	.085	.060	-.708
290	1454	.328	.143	1.013	-.151	290	1504	.368	.108	.776	.111	290	1930	-.363	.070	-.173	-.721
290	1455	.415	.125	.814	.076	290	1505	.250	.089	.598	.015	290	1931	-.366	.051	-.193	-.711
290	1456	.415	.115	.911	-.125	290	1506	.284	.097	.717	.019	290	1932	-.357	.068	-.137	-.670
290	1457	.371	.110	.846	-.016	290	1507	-.117	.094	.223	-.456	290	1933	-.187	.123	-.176	-.552
290	1458	.193	.105	.650	-.139	290	1508	-.075	.075	.281	-.362	290	1934	-.293	.043	-.141	-.467
290	1459	.108	.104	.493	-.158	290	1509	-.052	.145	.541	-.562	290	1935	-.387	.060	-.222	-.672
290	1460	-.168	.102	.326	-.577	290	1510	-.087	.071	.183	-.290	290	2101	-.069	.108	.271	-.608
290	1461	.193	.145	.652	-.500	290	1511	-.031	.078	.281	-.285	290	2102	-.077	.082	.264	-.315
290	1462	-.071	.100	.531	-.427	290	1512	-.250	.074	.064	-.566	290	2103	-.067	.069	.205	-.425
290	1463	-.400	.114	.105	-.785	290	1513	-.071	.066	.174	-.264	290	2104	-.206	.057	-.000	-.533
290	1464	-.283	.142	.310	-.769	290	1514	-.039	.060	.202	-.236	290	2105	-.242	.062	-.088	-.559
290	1465	-.022	.109	.381	-.480	290	1515	-.037	.060	.169	-.283	290	2106	-.104	.078	.302	-.410
290	1466	.065	.113	.485	-.381	290	1516	-.156	.058	.185	-.374	290	2107	-.225	.065	-.030	-.518
290	1467	.238	.110	.660	-.139	290	1801	-.161	.054	.138	-.392	290	2201	-.164	.162	.708	-.342
290	1468	.333	.104	.691	.043	290	1802	-.196	.052	-.057	-.427	290	2202	-.078	.098	.627	-.213
290	1469	.307	.099	.730	.040	290	1803	-.172	.040	-.043	-.343	290	2203	-.029	.084	.298	-.310
290	1470	.164	.112	.628	-.132	290	1804	-.164	.061	.082	-.509	290	2204	-.113	.051	.073	-.315
290	1471	.108	.108	.572	-.199	290	1805	-.157	.050	.089	-.309	290	2205	-.098	.084	.193	-.425
290	1472	-.127	.107	.255	-.529	290	1806	-.244	.043	.052	-.413	290	2206	-.152	.077	.090	-.532
290	1473	.126	.138	.616	-.415	290	1807	-.251	.044	-.068	-.408	290	2207	-.178	.106	.158	-.767
290	1474	.057	.101	.374	-.342	290	1808	-.139	.084	.245	-.481	290	2208	-.031	.105	.507	-.723
290	1475	-.378	.110	.156	-.795	290	1901	-.585	.160	-.083	-1.853	290	2209	-.211	.073	.161	-.662

WD	TAP	CPMEAN	CPRMS	CPMAX	CPMIN	WD	TAP	CPMEAN	CPRMS	CPMAX	CPMIN	WD	TAP	CPMEAN	CPRMS	CPMAX	CPMIN
290	2210	-.212	.063	.073	-.564	290	3102	.101	.163	.659	-.586	290	3316	-.006	.092	.359	-.304
290	2211	-.141	.056	.222	-.525	290	3103	-.072	.184	.580	-.848	290	3317	.199	.163	.854	-.295
290	2212	-.143	.088	.161	-.503	290	3104	-.226	.116	.501	-.718	290	3318	-.331	.154	.991	-.082
290	2213	-.149	.137	.783	-.174	290	3105	-.295	.106	.221	-.605	290	3301	-.310	.044	-.203	-.504
290	2214	-.194	.063	.003	-.601	290	3106	-.329	.101	.209	-.646	290	3302	-.298	.039	-.188	-.462
290	2215	-.199	.058	.020	-.516	290	3107	-.343	.088	.281	-.689	290	3303	-.301	.039	-.177	-.592
290	2301	.325	.115	.822	-.035	290	3108	-.366	.169	.209	-1.061	290	3304	-.321	.048	-.205	-.516
290	2302	.331	.122	.822	-.012	290	3109	-.190	.126	.399	-.922	290	3305	-.332	.053	-.177	-.568
290	2303	.341	.128	.881	-.095	290	3110	-.159	.131	.385	-.639	290	3306	-.337	.051	-.188	-.575
290	2304	-.072	.076	.159	-.362	290	3111	-.367	.127	.202	-.833	290	3307	-.380	.074	-.195	-.886
290	2305	-.100	.155	.719	-.462	290	3112	-.154	.138	.582	-.627	290	3308	-.367	.060	-.191	-.658
290	2306	-.044	.101	.497	-.457	290	3113	-.194	.065	.120	-.533	290	3309	-.325	.043	-.210	-.516
290	2307	-.168	.059	.130	-.445	290	3114	-.392	.122	.110	-.855	290	3310	-.299	.040	-.198	-.467
290	2308	-.075	.071	.179	-.269	290	3115	-.058	.140	.545	-.843	290	3311	-.303	.039	-.184	-.434
290	2309	.118	.133	.788	-.261	290	3116	-.146	.104	.358	-.478	290	3312	-.329	.045	-.195	-.552
290	2310	.017	.109	.499	-.337	290	3117	-.341	.209	.218	-1.044	290	3313	-.384	.072	-.181	-.825
290	2311	-.156	.054	.057	-.477	290	3118	-.217	.129	.274	-.953	290	3314	-.368	.061	-.217	-.589
290	2401	-.094	.074	.164	-.481	290	3119	-.165	.122	.640	-.289	290	3315	-.318	.045	-.186	-.512
290	2402	-.106	.056	.135	-.305	290	3120	-.222	.133	.755	-.315	290	3316	-.326	.043	-.205	-.538
290	2403	-.094	.053	.074	-.305	290	3121	-.290	.122	.252	-.727	290	3317	-.299	.038	-.181	-.429
290	2404	-.072	.052	.113	-.325	290	3122	-.063	.118	.610	-.242	290	3318	-.337	.046	-.184	-.523
290	2405	-.083	.042	.164	-.271	290	3123	-.202	.058	.005	-.370	290	3319	-.337	.050	-.214	-.582
290	2406	-.081	.047	.072	-.228	290	3124	-.107	.127	.581	-.235	290	3320	-.309	.040	-.191	-.443
290	2901	.132	.055	.361	-.064	290	3125	.290	.150	.802	-.226	290	3321	-.321	.042	-.188	-.495
290	2902	.371	.113	.881	-.083	290	3126	.329	.158	.977	-.079	290	3322	-.334	.045	-.200	-.533
290	2903	.277	.141	.830	-.200	290	3127	.150	.172	.761	-.610	290	3323	-.363	.065	-.212	-.674
290	2904	.347	.122	.915	-.063	290	3128	-.083	.069	.209	-.283	290	3324	-.379	.067	-.191	-.615
290	2905	.028	.111	.507	-.567	290	3129	-.082	.147	.526	-.478	290	3325	-.302	.037	-.195	-.462
290	2906	-.072	.036	.063	-.279	290	3130	-.026	.051	.238	-.235	290	3326	-.328	.043	-.205	-.519
290	2907	.134	.128	.588	-.325	290	3131	-.471	.240	.259	-1.388	290	3327	-.336	.044	-.214	-.538
290	2908	.405	.141	.940	-.073	290	3132	-.233	.128	.271	-.562	290	3328	-.331	.041	-.205	-.486
290	2909	-.044	.071	.249	-.418	290	3133	-.284	.129	.317	-.706	290	3329	-.334	.050	-.217	-.615
290	2910	-.089	.070	.175	-.474	290	3134	-.223	.054	.041	-.382	290	3330	-.300	.036	-.195	-.422
290	2911	-.350	.097	.708	-.119	290	3135	-.121	.082	.238	-.390	290	3331	-.315	.042	-.195	-.497
290	2912	-.122	.069	.129	-.474	290	3136	-.220	.182	.240	-.843	290	3332	-.315	.043	-.193	-.533
290	2913	.343	.114	.825	-.053	290	3201	-.240	.050	-.077	-.454	290	3333	-.334	.051	-.172	-.545
290	2914	.344	.138	1.030	-.058	290	3202	-.124	.074	.137	-.466	290	3334	-.307	.040	-.181	-.443
290	2915	.300	.168	.932	-.362	290	3203	-.246	.101	.065	-.722	290	3335	-.342	.054	-.198	-.538
290	2916	-.093	.078	.212	-.340	290	3204	-.059	.120	.401	-.571	290	3336	-.375	.060	-.218	-.630
290	2917	.107	.091	.490	-.200	290	3205	-.054	.114	.420	-.463	290	3337	-.324	.069	-.109	-.590
290	2918	-.024	.087	.346	-.247	290	3206	-.025	.130	.395	-.439	290	3338	-.192	.049	-.033	-.390
290	2919	-.017	.084	.317	-.366	290	3207	-.238	.045	-.053	-.420	290	3339	-.314	.038	-.200	-.496
290	2920	-.069	.089	.237	-.406	290	3208	-.293	.118	.096	-.951	290	3340	-.312	.041	-.198	-.511
290	2921	-.080	.105	.202	-.628	290	3209	-.360	.057	-.194	-.557	290	3341	-.314	.046	-.149	-.496
290	2922	-.306	.156	.114	-1.214	290	3210	-.287	.057	.017	-.528	290	3342	-.339	.053	-.157	-.544
290	2923	-.170	.060	.019	-.432	290	3211	-.062	.102	.442	-.387	290	3343	-.351	.051	-.205	-.537
290	2924	-.209	.056	-.008	-.508	290	3212	-.256	.188	.317	-1.114	290	3344	-.369	.060	-.195	-.638
290	2925	-.214	.069	-.010	-.628	290	3213	-.033	.151	.552	-.696	290	3345	-.394	.072	-.205	-.734
290	2926	-.191	.054	-.008	-.562	290	3214	-.088	.109	.439	-.365	290	3346	-.404	.076	-.187	-.881
290	3101	.108	.187	.772	-.468	290	3215	-.028	.056	.180	-.195	290	3347	-.241	.049	-.056	-.466

WD	TAP	CPMEAN	CPRMS	CPMAX	CPMIN	WD	TAP	CPMEAN	CPRMS	CPMAX	CPMIN	WD	TAP	CPMEAN	CPRMS	CPMAX	CPMIN
290	3348	-.23	.129	.197	-.795	290	3932	-.330	.041	-.212	-.500	300	1141	-.161	.098	.488	-.491
290	3349	-.15	.059	.106	-.501	290	3933	-.324	.049	-.172	-.538	300	1142	-.171	.085	.371	-.554
290	3401	-.33	.162	.257	-1.111	290	3934	-.331	.051	-.145	-.531	300	1143	-.167	.075	.127	-.507
290	3402	-.35	.141	.162	-.853	290	3935	-.275	.053	-.101	-.478	300	1144	-.116	.066	.228	-.478
290	3403	-.47	.129	-.121	-1.306	290	3936	-.338	.055	-.182	-.668	300	1145	-.108	.049	.139	-.526
290	3404	-.34	.062	-.182	-.658	290	3937	-.331	.050	-.203	-.638	300	1146	-.118	.044	.174	-.529
290	3405	-.33	.043	-.181	-.631	290	3938	-.317	.039	-.208	-.484	300	1147	-.153	.063	.197	-.493
290	3406	-.33	.045	-.195	-.499	290	3939	-.314	.045	-.192	-.501	300	1148	-.158	.060	.120	-.507
290	3407	-.33	.048	-.210	-.534	290	3940	-.346	.052	-.162	-.570	300	1149	-.181	.090	.195	-.571
290	3408	-.32	.038	-.179	-.453	290	3941	-.317	.037	-.215	-.476	300	1150	-.144	.052	.080	-.463
290	3409	-.33	.042	-.185	-.570	300	1101	-.204	.120	.191	-.667	300	1151	-.133	.049	.035	-.333
290	3410	-.33	.044	-.277	-.539	300	1102	-.268	.234	.571	-1.120	300	1152	-.106	.061	.190	-.310
290	3411	-.33	.071	-.127	-.648	300	1103	-.082	.097	.295	-.442	300	1153	-.138	.047	.034	-.312
290	3412	-.32	.047	-.072	-.470	300	1104	-.251	.137	.537	-.664	300	1154	-.086	.065	.205	-.238
290	3413	-.31	.037	-.200	-.479	300	1105	-.260	.163	.815	-.834	300	1155	-.102	.032	.024	-.201
290	3414	-.32	.108	-.152	-.833	300	1106	-.078	.053	.163	-.294	300	1156	-.104	.039	.071	-.228
290	3415	-.32	.081	-.152	-1.043	300	1107	-.142	.052	.048	-.304	300	1157	-.105	.039	.050	-.293
290	3416	-.32	.054	.030	-.451	300	1108	-.078	.206	.334	-1.137	300	1158	-.178	.067	.115	-.347
290	3417	-.32	.059	.040	-.398	300	1109	-.188	.263	.475	-.970	300	1159	-.075	.062	.222	-.317
290	3901	-.23	.114	.018	-.792	300	1110	-.249	.052	.013	-.442	300	1160	-.065	.054	.291	-.233
290	3902	-.23	.091	.127	-.714	300	1111	-.070	.066	.184	-.273	300	1161	-.073	.052	.256	-.212
290	3903	-.37	.114	.033	-.989	300	1112	-.061	.209	.539	-.778	300	1162	-.094	.044	.173	-.284
290	3904	-.48	.146	.064	-1.066	300	1113	-.097	.275	.686	-1.019	300	1201	-.310	.056	-.144	-.542
290	3905	-.34	.096	.124	-.744	300	1114	-.296	.047	-.104	-.515	300	1202	-.307	.053	-.157	-.556
290	3906	-.35	.208	-.299	-1.260	300	1115	-.167	.058	.095	-.444	300	1203	-.327	.050	-.176	-.556
290	3907	-.41	.099	-.068	-.773	300	1116	-.007	.070	.271	-.210	300	1204	-.381	.057	-.238	-.768
290	3908	-.44	.125	-.017	-.891	300	1117	.065	.207	.616	-1.045	300	1205	-.428	.069	-.241	-.750
290	3909	-.43	.111	-.027	-.915	300	1118	.016	.241	.646	-.789	300	1206	-.422	.066	-.229	-.778
290	3910	-.70	.318	-.165	-2.151	300	1119	-.230	.052	-.001	-.421	300	1207	-.307	.049	-.148	-.528
290	3911	-.33	.091	-.140	-.992	300	1120	-.136	.056	.083	-.308	300	1208	-.427	.068	-.225	-.755
290	3912	-.33	.092	-.158	-.728	300	1121	-.072	.086	.388	-.264	300	1209	-.265	.051	-.086	-.546
290	3913	-.33	.079	-.119	-.584	300	1122	.119	.094	.517	-.285	300	1210	-.259	.050	-.102	-.468
290	3914	-.33	.098	.213	-.788	300	1123	.094	.241	.698	-.832	300	1211	-.282	.047	-.095	-.475
290	3915	-.33	.126	-.184	-.888	300	1124	-.037	.254	.682	-.914	300	1212	-.316	.052	-.134	-.606
290	3916	-.33	.062	-.094	-.651	300	1125	-.250	.061	-.057	-.461	300	1213	-.429	.079	-.227	-.868
290	3917	-.33	.074	-.033	-.581	300	1126	-.153	.061	.086	-.353	300	1214	-.405	.058	-.243	-.632
290	3918	-.33	.053	-.188	-.970	300	1127	-.055	.088	.399	-.209	300	1215	-.412	.054	-.269	-.606
290	3919	-.33	.041	-.147	-.543	300	1128	.119	.110	.507	-.362	300	1216	-.271	.049	-.097	-.514
290	3920	-.33	.043	-.157	-.488	300	1129	.074	.219	.714	-.707	300	1217	-.264	.045	-.090	-.468
290	3921	-.33	.049	-.082	-.519	300	1130	-.005	.248	.749	-.953	300	1218	-.322	.046	-.134	-.498
290	3922	-.33	.120	.019	-.980	300	1131	-.256	.070	.002	-.498	300	1219	-.420	.053	-.245	-.620
290	3923	-.33	.210	-.285	-1.347	300	1132	-.159	.071	.084	-.394	300	1220	-.423	.054	-.278	-.606
290	3924	-.33	.037	-.195	-.461	300	1133	-.002	.101	.455	-.303	300	1221	-.272	.053	-.118	-.465
290	3925	-.33	.049	-.149	-.526	300	1134	.011	.108	.486	-.493	300	1222	-.272	.048	-.097	-.493
290	3926	-.33	.046	-.195	-.504	300	1135	-.043	.158	.676	-.702	300	1223	-.297	.044	-.181	-.537
290	3927	-.33	.108	-.189	-.672	300	1136	-.096	.169	.681	-.829	300	1224	-.326	.050	-.176	-.512
290	3928	-.33	.095	.071	-.572	300	1137	-.245	.110	.136	-.737	300	1225	-.446	.065	-.269	-.748
290	3929	-.33	.110	-.235	-.653	300	1138	-.182	.100	.254	-.554	300	1226	-.432	.059	-.234	-.618
290	3930	-.33	.041	-.200	-.552	300	1139	-.145	.107	.472	-.613	300	1227	-.447	.057	-.282	-.650
290	3931	-.33	.041	-.200	-.468	300	1140	-.167	.098	.345	-.448	300	1228	-.271	.045	-.118	-.451

WD	TAP	CPMEAN	CPRMS	CPMAX	CPMIN	WD	TAP	CPMEAN	CPRMS	CPMAX	CPMIN	WD	TAP	CPMEAN	CPRMS	CPMAX	CPMIN
300	1229	-.273	.041	-.101	-.419	300	1279	-.250	.031	-.158	-.395	300	1339	-.390	.066	-.172	-.744
300	1230	-.274	.038	-.146	-.424	300	1280	-.269	.036	-.163	-.504	300	1340	-.402	.071	-.198	-.714
300	1231	-.304	.043	-.153	-.500	300	1281	-.303	.050	-.195	-.529	300	1341	-.308	.075	-.059	-.671
300	1232	-.385	.050	-.250	-.590	300	1282	-.202	.040	-.044	-.334	300	1342	-.300	.077	-.085	-.649
300	1233	-.451	.059	-.259	-.724	300	1283	-.175	.113	.169	-.513	300	1343	-.297	.074	-.094	-.722
300	1234	-.436	.057	-.289	-.650	300	1284	-.181	.050	.128	-.374	300	1344	-.312	.084	-.106	-.829
300	1235	-.440	.055	-.275	-.666	300	1285	-.193	.040	.056	-.334	300	1345	-.176	.087	.134	-.452
300	1236	-.294	.049	-.146	-.528	300	1286	-.254	.031	-.121	-.397	300	1346	-.173	.083	.157	-.488
300	1237	-.291	.048	-.141	-.512	300	1287	-.267	.030	-.183	-.399	300	1347	-.363	.066	-.127	-.711
300	1238	-.304	.043	-.100	-.500	300	1288	-.183	.046	-.002	-.369	300	1348	-.398	.073	-.170	-.706
300	1239	-.365	.059	-.204	-.657	300	1289	-.212	.047	-.035	-.376	300	1349	-.325	.089	-.059	-.779
300	1240	-.464	.083	-.134	-.810	300	1290	-.180	.114	.176	-.557	300	1350	-.307	.087	-.092	-.754
300	1241	-.495	.077	-.308	-.933	300	1301	-.386	.082	-.159	-.852	300	1351	-.295	.081	-.090	-.704
300	1242	-.458	.064	-.227	-.704	300	1302	-.395	.093	-.145	-.758	300	1352	-.313	.094	-.104	-1.028
300	1243	-.463	.062	-.285	-.687	300	1303	-.365	.080	-.152	-.990	300	1353	-.136	.081	.106	-.426
300	1244	-.275	.047	-.114	-.500	300	1304	-.385	.093	-.154	-.843	300	1354	-.170	.101	.150	-.546
300	1245	-.268	.046	-.076	-.565	300	1305	-.285	.071	-.003	-.619	300	1355	-.312	.060	-.134	-.737
300	1246	-.269	.049	-.097	-.558	300	1306	-.301	.075	-.023	-.603	300	1356	-.356	.070	-.137	-.699
300	1247	-.269	.041	-.130	-.446	300	1307	-.400	.068	-.201	-.680	300	1357	-.386	.102	-.134	-1.027
300	1248	-.362	.072	-.144	-.745	300	1308	-.408	.075	-.185	-.756	300	1358	-.356	.092	-.118	-.808
300	1249	-.513	.093	-.234	-.912	300	1309	-.351	.091	-.091	-.767	300	1359	-.313	.075	-.094	-.688
300	1250	-.517	.084	-.258	-.877	300	1310	-.334	.087	-.082	-.763	300	1360	-.296	.073	-.092	-.723
300	1251	-.513	.079	-.316	-.923	300	1311	-.274	.065	-.098	-.598	300	1361	-.122	.058	.122	-.325
300	1252	-.237	.052	-.058	-.518	300	1312	-.284	.070	-.077	-.626	300	1362	-.131	.059	.127	-.403
300	1253	-.232	.049	-.046	-.506	300	1313	-.287	.064	-.051	-.493	300	1363	-.308	.098	-.090	-1.038
300	1254	-.252	.046	-.116	-.504	300	1314	-.407	.069	-.230	-.725	300	1364	-.332	.076	-.097	-.709
300	1255	-.233	.036	-.084	-.418	300	1315	-.289	.066	-.077	-.605	300	1365	-.405	.123	-.113	-1.097
300	1256	-.274	.040	-.132	-.450	300	1316	-.273	.062	-.072	-.575	300	1366	-.291	.073	-.059	-.619
300	1257	-.374	.075	-.058	-.731	300	1317	-.270	.079	-.008	-.525	300	1367	-.250	.060	-.066	-.516
300	1258	-.614	.174	-.123	-1.504	300	1318	-.406	.066	-.187	-.692	300	1368	-.228	.054	-.021	-.459
300	1259	-.619	.163	-.132	-1.873	300	1319	-.314	.075	-.070	-.821	300	1369	-.134	.057	.087	-.314
300	1260	-.213	.055	.074	-.411	300	1320	-.284	.069	-.053	-.669	300	1370	-.304	.074	-.139	-.682
300	1261	-.206	.061	.028	-.402	300	1321	-.253	.077	-.026	-.523	300	1371	-.382	.076	-.196	-.682
300	1262	-.222	.042	-.044	-.402	300	1322	-.290	.065	-.053	-.540	300	1372	-.240	.036	-.150	-.370
300	1263	-.245	.038	-.130	-.471	300	1323	-.394	.063	-.201	-.716	300	1373	-.140	.054	-.072	-.319
300	1264	-.276	.036	-.123	-.411	300	1324	-.387	.062	-.180	-.660	300	1374	-.319	.064	-.143	-.592
300	1265	-.323	.067	-.058	-.636	300	1325	-.321	.073	-.097	-.714	300	1375	-.272	.060	-.083	-.578
300	1266	-.336	.152	.053	-1.327	300	1326	-.303	.067	-.085	-.636	300	1376	-.237	.052	-.023	-.476
300	1267	-.424	.202	.042	-1.615	300	1327	-.283	.065	-.069	-.577	300	1377	-.136	.054	.090	-.314
300	1268	-.229	.054	.014	-.460	300	1328	-.289	.064	-.116	-.739	300	1378	-.249	.070	-.051	-.539
300	1269	-.262	.048	-.125	-.578	300	1329	-.237	.074	-.044	-.520	300	1379	-.186	.033	-.053	-.321
300	1270	-.327	.047	-.181	-.529	300	1330	-.263	.066	-.031	-.506	300	1380	-.204	.045	-.005	-.354
300	1271	-.313	.127	.051	-1.249	300	1331	-.399	.063	-.208	-.627	300	1381	-.271	.034	-.110	-.393
300	1272	-.202	.065	.118	-.392	300	1332	-.400	.063	-.177	-.666	300	1382	-.140	.053	.058	-.321
300	1273	-.172	.059	.128	-.320	300	1333	-.303	.071	-.078	-.650	300	1383	-.304	.086	-.032	-.893
300	1274	-.253	.035	-.137	-.427	300	1334	-.285	.068	-.085	-.643	300	1384	-.179	.033	-.058	-.307
300	1275	-.285	.036	-.176	-.418	300	1335	-.275	.061	-.111	-.577	300	1385	-.175	.039	-.028	-.291
300	1276	-.222	.091	.139	-.627	300	1336	-.282	.065	-.101	-.652	300	1401	-.145	.301	.740	-1.420
300	1277	-.212	.101	.276	-.708	300	1337	-.235	.088	-.092	-.530	300	1402	-.118	.255	.664	-.938
300	1278	-.177	.055	.118	-.339	300	1338	-.230	.084	.068	-.561	300	1403	-.203	.153	.303	-.642



WD	TAP	CPMEAN	CPRMS	CPMAX	CPMIN	WD	TAP	CPMEAN	CPRMS	CPMAX	CPMIN	WD	TAP	CPMEAN	CPRMS	CPMAX	CPMIN
300	1404	-.265	.126	.187	-.645	300	1454	.279	.164	.815	-.266	300	1504	.276	.124	.874	-.046
300	1405	-.246	.153	.451	-.776	300	1455	.279	.138	.759	-.124	300	1505	.180	.084	.635	-.030
300	1406	-.270	.094	.125	-.581	300	1456	.264	.124	.774	-.073	300	1506	.206	.099	.637	-.053
300	1407	-.450	.155	.164	-1.021	300	1457	.265	.114	.740	-.037	300	1507	-.175	.075	.151	-.471
300	1408	-.348	.091	-.009	-.775	300	1458	-.064	.079	.426	-.199	300	1508	-.111	.070	.266	-.359
300	1409	.304	.134	.725	-.321	300	1459	-.014	.074	.405	-.223	300	1509	-.058	.156	.663	-.648
300	1410	.229	.129	.697	-.203	300	1460	-.250	.084	.180	-.657	300	1510	-.139	.060	.146	-.356
300	1411	.127	.087	.485	-.162	300	1461	-.032	.160	.545	-.570	300	1511	-.076	.060	.329	-.284
300	1412	-.079	.085	.431	-.235	300	1462	-.014	.127	.361	-.508	300	1512	-.221	.067	.024	-.544
300	1413	-.023	.070	.312	-.235	300	1463	-.368	.082	.132	-.717	300	1513	-.115	.046	.066	-.286
300	1414	-.069	.064	.173	-.296	300	1464	-.286	.097	.268	-.607	300	1514	-.090	.053	.139	-.279
300	1415	-.302	.066	-.082	-.620	300	1465	-.037	.116	.489	-.865	300	1515	-.086	.058	.109	-.319
300	1416	-.054	.155	.563	-.442	300	1466	-.020	.105	.409	-.758	300	1516	-.169	.048	.005	-.338
300	1417	-.007	.117	.360	-.449	300	1467	-.055	.092	.508	-.216	300	1801	-.107	.043	.110	-.270
300	1418	-.426	.091	-.052	-.873	300	1468	.155	.102	.602	-.095	300	1802	-.220	.045	-.080	-.400
300	1419	-.344	.111	.180	-.788	300	1469	.177	.097	.581	-.051	300	1803	-.205	.039	-.066	-.340
300	1420	-.254	.123	.299	-.627	300	1470	-.032	.074	.380	-.223	300	1804	-.119	.066	.124	-.402
300	1421	.401	.163	.875	-.467	300	1471	-.009	.076	.320	-.240	300	1805	-.203	.047	-.004	-.391
300	1422	.401	.151	.870	-.059	300	1472	-.209	.095	.137	-.604	300	1806	-.231	.032	-.087	-.449
300	1423	.250	.113	.656	-.080	300	1473	-.010	.143	.438	-.520	300	1807	-.231	.039	-.077	-.390
300	1424	.087	.091	.458	-.244	300	1474	-.044	.120	.335	-.474	300	1808	-.123	.090	.162	-.463
300	1425	-.077	.070	.335	-.322	300	1475	-.335	.098	.209	-.635	300	1901	-.388	.105	-.011	-1.163
300	1426	-.292	.062	-.093	-.501	300	1476	-.248	.116	.458	-.652	300	1902	-.385	.100	-.069	-.814
300	1427	.069	.206	.663	-.510	300	1477	-.124	.051	.064	-.380	300	1903	-.407	.098	-.111	-.879
300	1428	-.020	.129	.488	-.474	300	1478	-.109	.054	.091	-.428	300	1904	-.753	.146	-.314	-1.639
300	1429	-.348	.080	.002	-.631	300	1479	-.006	.079	.325	-.331	300	1905	-.744	.230	-.137	-1.961
300	1430	-.278	.106	.273	-.633	300	1480	.150	.092	.595	-.131	300	1906	-.412	.133	.035	-.960
300	1431	.385	.168	.948	-.380	300	1481	.169	.092	.520	-.153	300	1907	-.382	.173	.005	-1.013
300	1432	.368	.153	.884	-.360	300	1482	.048	.064	.356	-.182	300	1908	-.382	.090	-.092	-.837
300	1433	.251	.124	.659	-.114	300	1483	.000	.061	.262	-.211	300	1909	-.371	.085	.026	-.918
300	1434	-.232	.110	.615	-.134	300	1484	-.146	.080	.154	-.498	300	1910	-.496	.112	-.161	-.981
300	1435	-.159	.045	.025	-.519	300	1485	-.066	.098	.540	-.290	300	1911	-.679	.172	-.236	-1.563
300	1436	-.080	.067	.246	-.282	300	1486	-.011	.080	.284	-.370	300	1912	-.744	.166	-.264	-1.378
300	1437	-.039	.188	.720	-.551	300	1487	-.231	.113	.248	-.708	300	1913	-.546	.182	-.139	-1.494
300	1438	-.073	.132	.346	-.574	300	1488	-.156	.134	.359	-.590	300	1914	-.403	.092	-.085	-.897
300	1439	-.350	.093	.160	-.750	300	1489	-.075	.041	.127	-.251	300	1915	-.024	.158	.449	-.557
300	1440	-.280	.096	.255	-.711	300	1490	-.037	.049	.190	-.302	300	1916	-.154	.044	.065	-.398
300	1441	.417	.160	.998	-.408	300	1491	-.076	.081	.388	-.124	300	1917	-.685	.147	-.157	-1.239
300	1442	.420	.161	1.153	-.184	300	1492	.199	.107	.607	-.076	300	1918	-.326	.089	-.060	-.634
300	1443	.350	.147	.870	-.090	300	1493	.216	.090	.564	-.010	300	1919	-.370	.085	-.081	-.761
300	1444	.296	.126	.750	-.114	300	1494	.106	.070	.390	-.157	300	1920	-.311	.096	-.016	-.666
300	1445	.299	.115	.684	-.059	300	1495	.047	.054	.259	-.093	300	1921	-.342	.063	-.139	-.610
300	1446	.073	.080	.390	-.166	300	1496	-.146	.067	.127	-.380	300	1922	-.337	.047	-.178	-.532
300	1447	-.010	.070	.292	-.221	300	1497	-.000	.077	.339	-.255	300	1923	-.368	.045	-.240	-.594
300	1448	-.262	.067	.004	-.505	300	1498	-.038	.068	.329	-.277	300	1924	-.500	.114	-.182	-1.319
300	1449	-.083	.181	.747	-.512	300	1499	-.258	.122	.346	-.680	300	1925	-.335	.068	-.109	-.627
300	1450	-.017	.124	.455	-.450	300	1500	-.157	.170	.506	-.659	300	1926	-.173	.061	-.019	-.634
300	1451	-.368	.088	.255	-.681	300	1501	.024	.070	.374	-.291	300	1927	-.271	.065	-.004	-.325
300	1452	-.293	.088	.245	-.573	300	1502	.009	.065	.367	-.154	300	1928	-.347	.047	-.146	-.529
300	1453	.227	.172	.793	-.561	300	1503	.214	.118	.576	-.025	300	1929	-.275	.064	.010	-.554

WD	TAP	CPMEAN	CPRMS	CPMAX	CPMIN	WD	TAP	CPMEAN	CPRMS	CPMAX	CPMIN	WD	TAP	CPMEAN	CPRMS	CPMAX	CPMIN
300	1930	-.331	.062	-.139	-.650	300	2906	-.073	.027	.019	-.163	300	3130	-.088	.098	.698	-.138
300	1931	-.354	.059	-.151	-.603	300	2907	-.089	.094	.610	-.153	300	3131	-.205	.197	.517	-.984
300	1932	-.327	.063	-.153	-.539	300	2908	-.300	.132	.838	-.067	300	3132	-.186	.104	.281	-.479
300	1933	-.283	.069	-.074	-.534	300	2909	-.036	.043	.144	-.172	300	3133	-.240	.125	.267	-.753
300	1934	-.275	.038	-.163	-.426	300	2910	-.076	.043	.068	-.265	300	3134	-.204	.048	.031	-.372
300	1935	-.370	.057	-.212	-.637	300	2911	-.252	.111	.752	-.050	300	3135	.130	.107	.579	-.156
300	2101	.012	.097	-.318	-.425	300	2912	-.092	.048	.137	-.315	300	3136	.085	.150	.682	-.545
300	2102	-.075	.065	.318	-.344	300	2913	.207	.107	.617	-.052	300	3201	-.230	.047	-.034	-.450
300	2103	-.072	.043	.075	-.258	300	2914	.174	.125	.671	-.121	300	3202	-.212	.064	-.040	-.515
300	2104	-.111	.066	.130	-.466	300	2915	-.150	.150	.804	-.393	300	3203	-.365	.094	-.056	-1.053
300	2105	-.122	.051	.004	-.391	300	2916	-.092	.060	.100	-.442	300	3204	-.243	.105	.345	-.972
300	2106	-.003	.064	.281	-.207	300	2917	-.021	.077	.426	-.160	300	3205	-.112	.109	.274	-.505
300	2107	-.112	.054	.068	-.506	300	2918	-.057	.070	.294	-.310	300	3206	-.091	.106	.324	-.432
300	2201	-.006	.119	.539	-.447	300	2919	-.070	.065	.235	-.307	300	3207	-.229	.044	-.043	-.398
300	2202	-.012	.073	.335	-.212	300	2920	-.065	.074	.129	-.709	300	3208	-.432	.103	-.155	-1.079
300	2203	-.089	.052	.176	-.312	300	2921	-.057	.087	.230	-.484	300	3209	-.301	.042	-.186	-.453
300	2204	-.120	.046	.039	-.312	300	2922	-.154	.102	.056	-.712	300	3210	-.275	.045	-.119	-.505
300	2205	-.057	.063	.144	-.469	300	2923	-.095	.073	.083	-.496	300	3211	-.197	.080	.202	-.481
300	2206	-.106	.053	.068	-.388	300	2924	-.085	.055	.078	-.359	300	3212	-.524	.178	-.105	-1.153
300	2207	-.121	.050	.115	-.418	300	2925	-.134	.064	.049	-.525	300	3213	-.280	.183	.303	-.1057
300	2208	-.080	.063	.173	-.420	300	2926	-.106	.065	.117	-.565	300	3214	-.187	.071	.159	-.396
300	2209	-.148	.066	.014	-.817	300	3101	-.054	.198	.556	-.660	300	3215	-.188	.033	-.064	-.300
300	2210	-.161	.087	.024	-.670	300	3102	.091	.134	.604	-.400	300	3216	-.118	.063	.114	-.335
300	2211	-.094	.037	.063	-.226	300	3103	.139	.134	.666	-.479	300	3217	-.066	.168	.615	-.597
300	2212	-.085	.042	.070	-.295	300	3104	-.002	.145	.580	-.622	300	3218	.165	.144	.715	-.366
300	2213	-.040	.066	.615	-.219	300	3105	-.303	.113	.274	-.650	300	3301	-.284	.030	-.202	-.401
300	2214	-.130	.077	.093	-.612	300	3106	-.352	.157	.390	-.910	300	3302	-.269	.033	-.169	-.401
300	2215	-.158	.095	.113	-.661	300	3107	-.389	.073	.074	-.734	300	3303	-.276	.033	-.157	-.396
300	2301	.233	.121	.816	-.053	300	3108	-.137	.183	.726	-.724	300	3304	-.288	.034	-.192	-.457
300	2302	.249	.129	.767	-.063	300	3109	-.119	.108	.417	-.488	300	3305	-.288	.039	-.181	-.667
300	2303	.143	.117	.658	-.178	300	3110	-.099	.103	.395	-.572	300	3306	-.292	.040	-.164	-.522
300	2304	-.131	.061	.099	-.388	300	3111	-.094	.188	.512	-.819	300	3307	-.327	.057	-.184	-.886
300	2305	-.043	.068	.362	-.263	300	3112	-.056	.126	.602	-.477	300	3308	-.304	.043	-.169	-.499
300	2306	-.081	.058	.167	-.329	300	3113	-.044	.131	.528	-.350	300	3309	-.303	.039	-.202	-.462
300	2307	-.120	.053	.081	-.363	300	3114	-.216	.168	.402	-.855	300	3310	-.270	.031	-.162	-.394
300	2308	-.129	.052	.103	-.322	300	3115	-.135	.121	.762	-.329	300	3311	-.272	.032	-.169	-.415
300	2309	-.047	.052	.308	-.204	300	3116	-.147	.148	.709	-.419	300	3312	-.298	.039	-.185	-.459
300	2310	-.064	.058	.262	-.234	300	3117	-.058	.199	.469	-.991	300	3313	-.310	.049	-.188	-.534
300	2311	-.111	.050	.074	-.349	300	3118	-.083	.117	.448	-.500	300	3314	-.303	.042	-.171	-.473
300	2401	-.122	.043	.042	-.334	300	3119	-.102	.144	.644	-.467	300	3315	-.282	.032	-.183	-.417
300	2402	-.122	.038	-.004	-.305	300	3120	-.132	.119	.568	-.379	300	3316	-.294	.035	-.188	-.443
300	2403	-.115	.034	-.024	-.268	300	3121	-.238	.133	.393	-.746	300	3317	-.271	.032	-.164	-.387
300	2404	-.088	.032	-.045	-.251	300	3122	-.106	.097	.240	-.365	300	3318	-.289	.035	-.185	-.419
300	2405	-.119	.035	-.024	-.263	300	3123	-.185	.056	.033	-.369	300	3319	-.309	.041	-.199	-.473
300	2406	-.103	.028	-.014	-.206	300	3124	-.064	.102	.386	-.303	300	3320	-.278	.034	-.181	-.410
300	2901	.070	.058	.291	-.086	300	3125	.133	.162	.726	-.343	300	3321	-.283	.034	-.181	-.459
300	2902	.267	.112	.706	-.025	300	3126	.203	.136	.702	-.234	300	3322	-.295	.038	-.192	-.445
300	2903	.203	.143	.840	-.202	300	3127	.233	.126	.750	-.110	300	3323	-.304	.044	-.197	-.525
300	2904	.240	.115	.725	-.008	300	3128	.112	.099	.600	-.134	300	3324	-.299	.040	-.171	-.455
300	2905	.004	.109	.406	-.660	300	3129	.086	.112	.533	-.234	300	3325	-.277	.032	-.185	-.396

WD	TAP	CPMEAN	CPRMS	CPMAX	CPMIN	WD	TAP	CPMEAN	CPRMS	CPMAX	CPMIN	WD	TAP	CPMEAN	CPRMS	CPMAX	CPMIN
300	3326	-.292	.035	-.197	-.490	300	3910	-.694	.228	-.061	-1.959	310	1119	-.143	.053	.074	-.334
300	3327	-.299	.037	-.197	-.476	300	3911	-.433	.089	-.177	-1.017	310	1120	-.039	.063	.199	-.229
300	3328	-.290	.033	-.199	-.433	300	3912	-.380	.119	-.218	-.817	310	1121	.193	.100	.561	-.083
300	3329	-.313	.044	-.184	-.517	300	3913	-.389	.074	-.058	-.812	310	1122	.276	.114	.619	-.073
300	3330	-.279	.032	-.183	-.412	300	3914	-.318	.093	-.106	-.619	310	1123	.381	.129	.754	-.425
300	3331	-.277	.032	-.162	-.415	300	3915	-.301	.098	-.008	-.798	310	1124	.406	.161	.968	-.425
300	3332	-.292	.035	-.181	-.416	300	3916	-.341	.054	-.158	-.567	310	1125	-.165	.052	.043	-.420
300	3333	-.291	.038	-.183	-.441	300	3917	-.229	.058	-.020	-.591	310	1126	-.056	.061	.176	-.378
300	3334	-.278	.031	-.171	-.426	300	3918	-.312	.045	-.186	-.788	310	1127	.210	.097	.584	-.056
300	3335	-.295	.040	-.183	-.466	300	3919	-.284	.040	-.143	-.455	310	1128	.299	.108	.747	-.063
300	3336	-.304	.043	-.179	-.502	300	3920	-.281	.038	-.165	-.443	310	1129	.409	.148	.910	-.485
300	3337	-.340	.061	-.159	-.603	300	3921	-.285	.040	-.167	-.453	310	1130	.416	.146	.941	-.128
300	3338	-.165	.048	-.080	-.352	300	3922	-.428	.130	-.063	-1.026	310	1131	-.172	.053	.096	-.350
300	3339	-.286	.031	-.199	-.412	300	3923	-.509	.127	-.101	-1.057	310	1132	-.054	.059	.238	-.273
300	3340	-.288	.034	-.179	-.492	300	3924	-.279	.032	-.182	-.408	310	1133	.213	.089	.586	-.039
300	3341	-.297	.037	-.171	-.445	300	3925	-.294	.042	-.182	-.517	310	1134	.298	.109	.728	-.047
300	3342	-.305	.037	-.211	-.470	300	3926	-.289	.035	-.189	-.439	310	1135	.383	.146	.847	-.200
300	3343	-.294	.038	-.179	-.485	300	3927	-.187	.064	-.018	-.638	310	1136	.329	.156	.829	-.350
300	3344	-.305	.045	-.184	-.525	300	3928	-.265	.077	.056	-.624	310	1137	-.146	.063	.110	-.457
300	3345	-.313	.044	-.166	-.522	300	3929	-.345	.087	.109	-.674	310	1138	-.045	.065	.255	-.308
300	3346	-.309	.045	-.169	-.495	300	3930	-.295	.035	-.198	-.486	310	1139	.156	.092	.483	-.357
300	3347	-.261	.047	-.053	-.435	300	3931	-.295	.033	-.183	-.443	310	1140	.199	.130	.486	-.448
300	3348	-.202	.122	-.165	-.844	300	3932	-.295	.034	-.177	-.434	310	1141	.202	.166	.726	-.371
300	3349	-.001	.081	.270	-.244	300	3933	-.295	.039	-.150	-.441	310	1142	.210	.163	.777	-.403
300	3401	-.413	.135	.176	-1.243	300	3934	-.267	.036	-.151	-.422	310	1143	-.099	.072	.224	-.427
300	3402	-.371	.121	-.047	-.791	300	3935	-.241	.037	-.115	-.405	310	1144	-.006	.065	.306	-.364
300	3403	-.510	.121	-.186	-1.128	300	3936	-.335	.048	-.209	-.588	310	1145	.126	.066	.467	-.112
300	3404	-.342	.062	-.136	-.675	300	3937	-.298	.038	-.201	-.545	310	1146	.136	.084	.486	-.126
300	3405	-.287	.035	-.190	-.465	300	3938	-.288	.034	-.191	-.450	310	1147	.144	.100	.621	-.200
300	3406	-.302	.046	-.171	-.525	300	3939	-.313	.044	-.199	-.525	310	1148	.144	.118	.824	-.261
300	3407	-.304	.039	-.196	-.490	300	3940	-.312	.045	-.196	-.553	310	1149	-.207	.097	.255	-.560
300	3408	-.281	.037	-.171	-.433	300	3941	-.285	.031	-.199	-.437	310	1150	-.004	.069	.266	-.366
300	3409	-.302	.037	-.199	-.480	310	1101	-.163	.065	.183	-.446	310	1151	.068	.102	.588	-.224
300	3410	-.416	.045	-.295	-.561	310	1102	-.284	.244	.894	-.905	310	1152	.044	.061	.292	-.317
300	3411	-.326	.073	-.149	-.630	310	1103	-.182	.063	.160	-.416	310	1153	.086	.073	.394	-.201
300	3412	-.246	.045	-.065	-.391	310	1104	-.405	.239	.963	-.436	310	1154	-.059	.048	.094	-.235
300	3413	-.276	.029	-.191	-.384	310	1105	-.390	.261	1.080	-.556	310	1155	.020	.033	.117	-.085
300	3414	-.276	.107	-.157	-.859	310	1106	-.022	.074	.223	-.264	310	1156	.090	.053	.285	-.090
300	3415	-.346	.073	-.151	-.854	310	1107	-.074	.061	.169	-.271	310	1157	.105	.061	.359	-.097
300	3416	-.205	.049	-.011	-.397	310	1108	.088	.110	.449	-.239	310	1158	-.266	.055	-.021	-.473
300	3417	-.204	.055	.097	-.402	310	1109	.151	.148	.645	-.810	310	1159	.059	.066	.338	-.145
300	3901	-.174	.121	.192	-.793	310	1110	-.187	.058	.027	-.425	310	1160	.195	.101	.682	-.046
300	3902	-.025	.111	.328	-.563	310	1111	.009	.084	.414	-.241	310	1161	.208	.099	.670	-.122
300	3903	-.430	.115	-.206	-.891	310	1112	.308	.126	.796	-.096	310	1162	.141	.092	.502	-.106
300	3904	-.507	.168	-.036	-1.243	310	1113	.395	.191	.917	-.444	310	1201	-.340	.059	-.178	-.645
300	3905	-.310	.115	.204	-1.140	310	1114	-.275	.061	-.055	-.556	310	1202	-.352	.064	-.130	-.831
300	3906	-.174	.137	-.232	-.986	310	1115	-.125	.079	.165	-.427	310	1203	-.395	.074	-.174	-.757
300	3907	-.480	.104	-.155	-1.045	310	1116	.078	.091	.407	-.183	310	1204	-.461	.069	-.274	-.724
300	3908	-.512	.137	-.002	-1.145	310	1117	.269	.139	.752	-.227	310	1205	-.587	.103	-.241	-.989
300	3909	-.462	.082	-.063	-.860	310	1118	.283	.154	.745	-.476	310	1206	-.589	.109	-.306	-1.108

WD	TAP	CPMEAN	CPRMS	CPMAX	CPMIN	WD	TAP	CPMEAN	CPRMS	CPMAX	CPMIN	WD	TAP	CPMEAN	CPRMS	CPMAX	CPMIN
310	1207	-.334	.0534	-.183	-.652	310	1257	-.506	.096	-.193	-.957	310	1317	-.366	.064	-.130	-.600
310	1208	-.575	.0934	-.278	-.952	310	1258	-.564	.096	-.310	-.936	310	1318	-.388	.068	-.170	-.640
310	1209	-.275	.0555	-.102	-.597	310	1259	-.559	.093	-.279	-1.067	310	1319	-.312	.074	-.097	-.600
310	1210	-.269	.051	-.118	-.543	310	1260	-.271	.047	-.133	-.468	310	1320	-.289	.065	-.104	-.775
310	1211	-.290	.058	-.083	-.611	310	1261	-.265	.048	-.061	-.508	310	1321	-.365	.060	-.137	-.562
310	1212	-.360	.093	-.058	-.971	310	1262	-.251	.042	-.072	-.415	310	1322	-.347	.062	-.177	-.552
310	1213	-.442	.071	-.227	-1.029	310	1263	-.271	.053	-.047	-.633	310	1323	-.386	.062	-.205	-.607
310	1214	-.416	.054	-.241	-.629	310	1264	-.305	.058	-.142	-.568	310	1324	-.377	.062	-.217	-.632
310	1215	-.412	.0527	-.204	-.611	310	1265	-.392	.091	-.088	-.785	310	1325	-.319	.077	-.086	-.689
310	1216	-.385	.052	-.111	-.569	310	1266	-.618	.183	-.033	-1.782	310	1326	-.305	.072	-.079	-.597
310	1217	-.370	.046	-.079	-.427	310	1267	-.640	.192	-.184	-1.721	310	1327	-.287	.060	-.135	-.621
310	1218	-.333	.080	-.016	-.852	310	1268	-.275	.048	-.093	-.510	310	1328	-.295	.062	-.031	-.644
310	1219	-.422	.052	-.236	-.601	310	1269	-.282	.049	-.100	-.543	310	1329	-.350	.063	-.133	-.595
310	1220	-.416	.056	-.236	-.669	310	1270	-.331	.055	-.182	-.573	310	1330	-.357	.063	-.154	-.595
310	1221	-.284	.0555	-.104	-.559	310	1271	-.636	.163	-.033	-1.369	310	1331	-.367	.060	-.185	-.620
310	1222	-.277	.055	-.097	-.578	310	1272	-.267	.039	-.130	-.433	310	1332	-.382	.071	-.169	-.678
310	1223	-.301	.0559	-.018	-.796	310	1273	-.249	.052	-.030	-.419	310	1333	-.303	.072	-.076	-.618
310	1224	-.354	.082	-.037	-.903	310	1274	-.275	.049	-.126	-.512	310	1334	-.292	.069	-.069	-.680
310	1225	-.468	.063	-.262	-.776	310	1275	-.259	.050	-.068	-.456	310	1335	-.284	.058	-.086	-.611
310	1226	-.427	.053	-.267	-.629	310	1276	-.377	.150	.061	-1.020	310	1336	-.287	.063	-.112	-.625
310	1227	-.428	.057	-.260	-.652	310	1277	-.450	.239	.154	-1.213	310	1337	-.355	.070	-.079	-.588
310	1228	-.274	.048	-.090	-.483	310	1278	-.251	.049	-.030	-.426	310	1338	-.354	.071	-.079	-.607
310	1229	-.267	.044	-.079	-.468	310	1279	-.271	.033	-.165	-.391	310	1339	-.367	.069	-.171	-.734
310	1230	-.284	.048	-.083	-.520	310	1280	-.297	.046	-.158	-.564	310	1340	-.369	.072	-.145	-.711
310	1231	-.312	.062	-.076	-.629	310	1281	-.292	.043	-.161	-.519	310	1341	-.306	.079	-.058	-.671
310	1232	-.421	.062	-.248	-.713	310	1282	-.250	.052	-.068	-.489	310	1342	-.291	.074	-.041	-.711
310	1233	-.454	.053	-.290	-.657	310	1283	-.385	.081	-.009	-.752	310	1343	-.298	.072	-.107	-.718
310	1234	-.428	.052	-.267	-.648	310	1284	-.246	.048	-.056	-.389	310	1344	-.304	.073	-.064	-.718
310	1235	-.421	.054	-.243	-.664	310	1285	-.238	.045	-.033	-.384	310	1345	-.305	.065	-.009	-.569
310	1236	-.289	.053	-.069	-.562	310	1286	-.271	.031	-.168	-.431	310	1346	-.315	.071	-.071	-.611
310	1237	-.293	.051	-.125	-.522	310	1287	-.302	.048	-.186	-.580	310	1347	-.362	.076	-.150	-.720
310	1238	-.304	.050	-.109	-.541	310	1288	-.241	.067	-.051	-.624	310	1348	-.362	.078	-.131	-.850
310	1239	-.375	.071	-.102	-.755	310	1289	-.331	.090	-.044	-.852	310	1349	-.315	.089	-.064	-.857
310	1240	-.487	.085	-.257	-.917	310	1290	-.389	.078	-.009	-.701	310	1350	-.300	.082	-.074	-.758
310	1241	-.485	.064	-.257	-.766	310	1301	-.374	.062	-.196	-.895	310	1351	-.296	.069	-.083	-.652
310	1242	-.448	.056	-.239	-.659	310	1302	-.381	.075	-.172	-.739	310	1352	-.306	.081	-.101	-.833
310	1243	-.443	.058	-.292	-.676	310	1303	-.369	.060	-.193	-.626	310	1353	-.270	.065	-.008	-.493
310	1244	-.276	.049	-.102	-.492	310	1304	-.383	.073	-.146	-.713	310	1354	-.321	.078	-.017	-.654
310	1245	-.272	.048	-.139	-.487	310	1305	-.351	.063	-.172	-.607	310	1355	-.336	.066	-.131	-.640
310	1246	-.274	.055	-.023	-.494	310	1306	-.356	.061	-.167	-.638	310	1356	-.357	.072	-.180	-.741
310	1247	-.280	.051	-.047	-.491	310	1307	-.393	.067	-.212	-.659	310	1357	-.382	.107	-.142	-.879
310	1248	-.425	.075	-.179	-.692	310	1308	-.410	.075	-.172	-.848	310	1358	-.330	.081	-.119	-.874
310	1249	-.519	.083	-.340	-1.109	310	1309	-.333	.082	-.052	-.715	310	1359	-.313	.074	-.083	-.810
310	1250	-.494	.070	-.310	-.769	310	1310	-.315	.078	-.059	-.843	310	1360	-.302	.071	-.119	-.678
310	1251	-.497	.067	-.334	-.783	310	1311	-.295	.067	-.113	-.647	310	1361	-.263	.063	-.071	-.495
310	1252	-.263	.047	-.028	-.494	310	1312	-.290	.064	-.111	-.597	310	1362	-.252	.055	-.045	-.479
310	1253	-.259	.043	-.102	-.452	310	1313	-.356	.059	-.163	-.602	310	1363	-.386	.150	-.105	-1.286
310	1254	-.261	.042	-.126	-.424	310	1314	-.387	.067	-.179	-.711	310	1364	-.322	.072	-.119	-.630
310	1255	-.267	.048	-.109	-.477	310	1315	-.297	.071	-.073	-.708	310	1365	-.421	.132	-.124	-1.175
310	1256	-.334	.071	-.114	-.587	310	1316	-.286	.057	-.056	-.616	310	1366	-.318	.075	-.093	-.630

WD	TAP	CPMEAN	CPRMS	CPMAX	CPMIN	WD	TAP	CPMEAN	CPRMS	CPMAX	CPMIN	WD	TAP	CPMEAN	CPRMS	CPMAX	CPMIN
310	1367	-.294	.057	-.150	-.616	310	1432	.267	.140	.711	-.327	310	1482	-.091	.061	.159	-.302
310	1368	-.267	.048	-.090	-.512	310	1433	.139	.101	.517	-.160	310	1483	-.139	.063	.142	-.406
310	1369	-.245	.060	-.005	-.433	310	1434	.104	.095	.549	-.206	310	1484	-.299	.080	-.011	-.612
310	1370	-.299	.070	-.159	-.796	310	1435	-.126	.103	.121	-1.008	310	1485	-.000	.105	.418	-.326
310	1371	-.399	.081	-.154	-.833	310	1436	-.193	.054	.014	-.389	310	1486	-.038	.084	.282	-.297
310	1372	-.301	.036	-.205	-.468	310	1437	-.184	.162	.428	-.647	310	1487	-.282	.089	.166	-.765
310	1373	-.277	.056	-.105	-.482	310	1438	-.199	.131	.229	-.622	310	1488	-.210	.115	.483	-.605
310	1374	-.285	.051	-.133	-.514	310	1439	-.357	.090	.092	-.766	310	1489	-.084	.126	.295	-.775
310	1375	-.302	.070	-.110	-.577	310	1440	-.316	.083	.085	-.706	310	1490	-.019	.089	.236	-.595
310	1376	-.274	.050	-.117	-.489	310	1441	.329	.195	.869	-.469	310	1491	.036	.059	.297	-.224
310	1377	-.243	.056	-.068	-.472	310	1442	.323	.166	.862	-.377	310	1492	.098	.080	.471	-.118
310	1378	-.239	.039	-.063	-.503	310	1443	.277	.111	.634	-.000	310	1493	.135	.092	.464	-.132
310	1379	-.223	.032	-.114	-.356	310	1444	.183	.104	.570	-.107	310	1494	-.008	.072	.274	-.210
310	1380	-.262	.050	-.037	-.487	310	1445	.165	.095	.506	-.107	310	1495	-.056	.061	.213	-.290
310	1381	-.306	.043	-.175	-.502	310	1446	-.066	.068	.208	-.322	310	1496	-.270	.063	-.092	-.493
310	1382	-.251	.047	-.054	-.438	310	1447	-.136	.057	.076	-.340	310	1497	-.102	.112	.310	-.505
310	1383	-.256	.056	-.088	-.647	310	1448	-.333	.059	-.127	-.607	310	1498	-.100	.093	.241	-.401
310	1384	-.214	.035	-.096	-.349	310	1449	-.195	.158	.452	-.639	310	1499	-.219	.136	.442	-.682
310	1385	-.211	.039	-.040	-.356	310	1450	-.178	.139	.258	-.532	310	1500	-.133	.158	.492	-.656
310	1401	.127	.212	.650	-1.179	310	1451	-.358	.075	-.030	-.743	310	1501	-.013	.106	.303	-.555
310	1402	.029	.200	.522	-.845	310	1452	-.322	.082	.049	-.707	310	1502	.035	.067	.371	-.295
310	1403	-.275	.135	.293	-.661	310	1453	.201	.205	.784	-.488	310	1503	.110	.089	.742	-.120
310	1404	-.238	.102	.192	-.590	310	1454	.217	.180	.752	-.462	310	1504	.164	.124	.693	-.082
310	1405	-.235	.113	.219	-.657	310	1455	.210	.094	.626	-.047	310	1505	.063	.090	.504	-.163
310	1406	-.260	.065	.057	-.510	310	1456	.119	.081	.440	-.098	310	1506	.085	.093	.501	-.153
310	1407	-.410	.210	.323	-1.180	310	1457	.126	.091	.515	-.154	310	1507	-.260	.058	-.028	-.519
310	1408	-.341	.054	.003	-.608	310	1458	-.083	.077	.238	-.324	310	1508	-.180	.076	.206	-.467
310	1409	.125	.177	.673	-.686	310	1459	-.158	.069	.149	-.355	310	1509	-.148	.123	.418	-.479
310	1410	.014	.126	.387	-.754	310	1460	-.348	.067	-.069	-.639	310	1510	-.241	.048	-.071	-.444
310	1411	-.059	.081	.442	-.180	310	1461	-.239	.151	.423	-.743	310	1511	-.191	.057	-.052	-.385
310	1412	-.002	.069	.298	-.244	310	1462	-.222	.131	.265	-.607	310	1512	-.239	.050	-.033	-.484
310	1413	-.101	.061	.167	-.366	310	1463	-.369	.089	-.018	-.726	310	1513	-.219	.052	-.054	-.463
310	1414	-.155	.057	.094	-.361	310	1464	-.322	.094	.176	-.694	310	1514	-.186	.055	.012	-.404
310	1415	-.362	.064	-.153	-.713	310	1465	-.158	.213	.507	-1.063	310	1515	-.196	.063	.040	-.430
310	1416	-.185	.155	.430	-.594	310	1466	-.041	.206	.493	-.837	310	1516	-.222	.047	-.052	-.399
310	1417	-.189	.131	.240	-.587	310	1467	.071	.060	.343	-.183	310	1801	-.127	.075	.456	-.166
310	1418	-.405	.086	-.089	-.784	310	1468	.072	.061	.369	-.106	310	1802	-.251	.042	-.092	-.454
310	1419	-.334	.096	.133	-.773	310	1469	.055	.070	.374	-.176	310	1803	-.246	.036	-.122	-.426
310	1420	-.286	.098	.169	-.649	310	1470	-.117	.067	.159	-.326	310	1804	-.156	.052	.129	-.387
310	1421	.289	.207	.872	-.674	310	1471	-.175	.070	.168	-.418	310	1805	-.251	.033	-.067	-.378
310	1422	.302	.141	.750	-.244	310	1472	-.336	.074	-.057	-.665	310	1806	-.259	.033	-.134	-.404
310	1423	.134	.093	.444	-.158	310	1473	-.218	.138	.345	-.665	310	1807	-.298	.063	-.113	-.576
310	1424	-.037	.081	.403	-.308	310	1474	-.221	.131	.299	-.675	310	1808	-.299	.096	.065	-.641
310	1425	-.196	.064	.062	-.396	310	1475	-.335	.086	.069	-.835	310	1901	-.324	.069	-.107	-.651
310	1426	-.357	.060	-.169	-.613	310	1476	-.297	.097	.253	-.726	310	1902	-.388	.079	-.149	-.712
310	1427	-.205	.162	.508	-.624	310	1477	-.149	.115	.163	-.711	310	1903	-.352	.080	-.061	-.644
310	1428	-.155	.136	.318	-.585	310	1478	-.132	.107	.241	-.675	310	1904	-1.333	.388	-.300	-2.531
310	1429	-.343	.077	-.040	-.662	310	1479	-.017	.073	.258	-.542	310	1905	-1.387	.324	-.284	-2.410
310	1430	-.312	.091	.117	-.642	310	1480	.074	.068	.357	-.200	310	1906	-.340	.081	-.031	-.693
310	1431	.290	.174	.846	-.501	310	1481	.086	.073	.406	-.266	310	1907	-.134	.060	.079	-.679

WD	TAP	CPMEAN	CPRMS	CPMAX	CPMIN	WD	TAP	CPMEAN	CPRMS	CPMAX	CPMIN	WD	TAP	CPMEAN	CPRMS	CPMAX	CPMIN
310	1908	-.375	.087	-.077	-.823	310	2301	.112	.099	.591	-.113	310	3108	-.088	.127	.384	-.570
310	1909	-.358	.045	-.035	-.642	310	2302	.091	.088	.586	-.120	310	3109	.019	.145	.570	-.601
310	1910	-.461	.093	-.187	-.852	310	2303	.058	.077	.448	-.149	310	3110	.096	.181	.773	-.380
310	1911	-.724	.161	-.277	-1.484	310	2304	-.248	.057	-.003	-.462	310	3111	-.180	.169	.417	-.830
310	1912	-.671	.176	-.300	-1.407	310	2305	.060	.053	.278	-.210	310	3112	-.000	.098	.360	-.441
310	1913	-.453	.107	-.157	-1.162	310	2306	.032	.044	.164	-.219	310	3113	-.050	.135	.487	-.391
310	1914	-.391	.084	-.142	-.826	310	2307	.021	.047	.208	-.307	310	3114	-.344	.170	.253	-1.006
310	1915	-.163	.094	.495	-.268	310	2308	-.220	.044	-.052	-.367	310	3115	.070	.098	.405	-.286
310	1916	-.125	.108	-.111	-.937	310	2309	.069	.054	.261	-.163	310	3116	.068	.112	.456	-.444
310	1917	-.704	.120	-.372	-1.181	310	2310	.072	.049	.295	-.052	310	3117	-.011	.129	.374	-.568
310	1918	-.345	.087	-.038	-.721	310	2311	.031	.051	.225	-.295	310	3118	.025	.135	.537	-.453
310	1919	-.361	.069	-.112	-.721	310	2401	-.120	.041	-.003	-.447	310	3119	.066	.146	.530	-.486
310	1920	-.314	.082	-.024	-.689	310	2402	-.129	.036	-.018	-.304	310	3120	.108	.115	.702	-.228
310	1921	-.366	.056	-.191	-.596	310	2403	-.119	.034	-.013	-.282	310	3121	-.030	.142	.549	-.723
310	1922	-.395	.059	-.212	-.633	310	2404	-.114	.034	-.032	-.270	310	3122	-.143	.100	.305	-.413
310	1923	-.432	.055	-.263	-.656	310	2405	-.113	.030	-.018	-.222	310	3123	-.110	.117	.465	-.489
310	1924	-.681	.103	-.283	-1.121	310	2406	-.128	.032	-.007	-.256	310	3124	-.098	.099	.327	-.382
310	1925	-.361	.067	-.145	-.663	310	2901	-.062	.060	.184	-.240	310	3125	.103	.172	.720	-.343
310	1926	-.438	.186	-.021	-1.040	310	2902	.056	.118	.539	-.457	310	3126	.141	.158	.692	-.298
310	1927	-.289	.061	-.026	-.517	310	2903	.193	.113	.711	-.213	310	3127	.150	.136	.611	-.253
310	1928	-.395	.051	-.238	-.628	310	2904	.105	.095	.655	-.094	310	3128	.080	.080	.405	-.317
310	1929	-.288	.063	-.003	-.582	310	2905	-.057	.106	.470	-.602	310	3129	.096	.080	.479	-.188
310	1930	-.376	.069	-.170	-.668	310	2906	-.078	.051	.122	-.259	310	3130	.108	.079	.663	-.126
310	1931	-.431	.094	-.021	-.840	310	2907	-.115	.077	.255	-.390	310	3131	.006	.143	.436	-.539
310	1932	-.432	.079	-.147	-.736	310	2908	-.199	.129	.780	-.082	310	3132	.060	.127	.463	-.308
310	1933	-.312	.057	-.113	-.552	310	2909	-.146	.060	.019	-.479	310	3133	.044	.140	.549	-.420
310	1934	-.304	.043	-.136	-.477	310	2910	-.182	.066	-.033	-.560	310	3134	-.181	.079	.229	-.463
310	1935	-.390	.073	-.207	-.904	310	2911	-.148	.112	.603	-.114	310	3135	.122	.061	.392	-.161
310	2101	.106	.068	.418	-.319	310	2912	-.120	.064	.068	-.565	310	3136	-.063	.090	.611	-.368
310	2102	.060	.174	.684	-.491	310	2913	.105	.085	.482	-.082	310	3201	-.256	.051	-.079	-.475
310	2103	-.137	.074	.238	-.491	310	2914	.071	.082	.576	-.124	310	3202	-.250	.059	.014	-.472
310	2104	.009	.058	.261	-.261	310	2915	.049	.098	.559	-.395	310	3203	-.414	.091	-.198	-1.105
310	2105	-.004	.044	.145	-.208	310	2916	-.371	.161	-.003	-1.294	310	3204	-.311	.099	.079	-.901
310	2106	.058	.047	.403	-.124	310	2917	-.043	.072	.384	-.343	310	3205	-.136	.106	.250	-.496
310	2107	.006	.044	.152	-.163	310	2918	-.040	.082	.204	-.651	310	3206	-.147	.098	.169	-.527
310	2201	.047	.081	.438	-.314	310	2919	-.047	.060	.142	-.348	310	3207	-.256	.043	-.083	-.429
310	2202	.039	.061	.418	-.186	310	2920	-.158	.117	.159	-.799	310	3208	-.305	.106	-.234	-1.095
310	2203	-.025	.062	.209	-.287	310	2921	-.015	.062	.159	-.282	310	3209	-.335	.042	-.227	-.568
310	2204	-.062	.063	.145	-.437	310	2922	.026	.058	.273	-.585	310	3210	-.306	.043	-.126	-.484
310	2205	-.031	.063	.135	-.471	310	2923	.037	.043	.228	-.240	310	3211	-.243	.073	-.052	-.539
310	2206	-.117	.072	.421	-.193	310	2924	.014	.041	.191	-.195	310	3212	-.561	.178	-.089	-1.166
310	2207	-.057	.062	.125	-.410	310	2925	.011	.050	.166	-.278	310	3213	-.310	.168	.469	-1.178
310	2208	.050	.049	.265	-.146	310	2926	.017	.045	.169	-.225	310	3214	-.229	.071	.177	-.413
310	2209	.007	.051	.152	-.358	310	3101	-.069	.209	.773	-.340	310	3215	-.228	.035	-.078	-.331
310	2210	.011	.051	.140	-.356	310	3102	.035	.117	.451	-.385	310	3216	-.162	.069	.157	-.427
310	2211	.148	.077	.455	-.082	310	3103	.061	.104	.502	-.311	310	3217	-.117	.159	.417	-.574
310	2212	.009	.046	.159	-.156	310	3104	-.060	.130	.468	-.442	310	3218	-.091	.166	.672	-.558
310	2213	.087	.049	.300	-.060	310	3105	-.333	.100	.179	-.754	310	3301	-.307	.039	-.202	-.467
310	2214	.008	.049	.145	-.401	310	3106	-.350	.166	.444	-.742	310	3302	-.294	.036	-.169	-.422
310	2215	.010	.062	.157	-.498	310	3107	-.379	.122	.227	-.773	310	3303	-.299	.034	-.192	-.429

WD	TAP	CPMEAN	CPRMS	CPMAX	CPMIN	WD	TAP	CPMEAN	CPRMS	CPMAX	CPMIN	WD	TAP	CPMEAN	CPRMS	CPMAX	CPMIN
310	3304	-.312	.039	-.176	-.467	310	3405	-.326	.052	-.200	-.549	310	3938	-.312	.037	-.207	-.468
310	3305	-.318	.039	-.209	-.509	310	3406	-.326	.051	-.179	-.531	310	3939	-.319	.052	-.176	-.574
310	3306	-.318	.038	-.185	-.467	310	3407	-.336	.048	-.212	-.576	310	3940	-.340	.052	-.197	-.649
310	3307	-.350	.055	-.207	-.637	310	3408	-.296	.041	-.183	-.491	310	3941	-.307	.034	-.189	-.536
310	3308	-.318	.048	-.146	-.518	310	3409	-.334	.060	-.189	-.639	320	1101	-.145	.096	.371	-.715
310	3309	-.321	.046	-.204	-.600	310	3410	-.658	.116	-.421	-.975	320	1102	-.396	.133	.839	-.055
310	3310	-.298	.040	-.188	-.474	310	3411	-.334	.079	-.151	-.732	320	1103	-.250	.073	.038	-.591
310	3311	-.289	.034	-.171	-.422	310	3412	-.274	.056	-.125	-.544	320	1104	.494	.154	.994	-.024
310	3312	-.318	.038	-.216	-.495	310	3413	-.312	.040	-.199	-.503	320	1105	.495	.170	1.058	-.114
310	3313	-.326	.046	-.197	-.546	310	3414	-.018	.186	-.724	-.672	320	1106	-.003	.085	.327	-.277
310	3314	-.326	.045	-.214	-.530	310	3415	-.557	.184	-.126	-1.557	320	1107	-.035	.077	.285	-.270
310	3315	-.304	.041	-.185	-.474	310	3416	-.211	.050	-.056	-.458	320	1108	.130	.122	.550	-.246
310	3316	-.312	.043	-.197	-.471	310	3417	-.207	.055	.078	-.438	320	1109	-.165	.139	.693	-.251
310	3317	-.294	.039	-.188	-.464	310	3901	-.016	.082	.276	-.518	320	1110	-.152	.070	.119	-.379
310	3318	-.323	.044	-.190	-.516	310	3902	-.021	.079	.276	-.352	320	1111	.061	.102	.506	-.286
310	3319	-.322	.053	-.206	-.593	310	3903	-.415	.109	-.037	-.993	320	1112	.340	.142	.814	-.100
310	3320	-.293	.038	-.174	-.471	310	3904	-.412	.154	-.018	-1.222	320	1113	-.413	.161	1.084	-.149
310	3321	-.304	.039	-.199	-.446	310	3905	-.360	.115	-.080	-.983	320	1114	-.271	.080	.061	-.622
310	3322	-.308	.038	-.199	-.474	310	3906	-.241	.124	-.154	-.817	320	1115	-.096	.104	.287	-.486
310	3323	-.322	.045	-.209	-.521	310	3907	-.526	.089	-.199	-1.007	320	1116	.130	.111	.485	-.202
310	3324	-.299	.046	-.209	-.506	310	3908	-.508	.144	-.044	-1.107	320	1117	.273	.160	.781	-.263
310	3325	-.299	.035	-.188	-.431	310	3909	-.520	.095	-.209	-.993	320	1118	-.239	.167	.849	-.403
310	3326	-.318	.040	-.190	-.502	310	3910	-.633	.208	-.011	-1.687	320	1119	-.099	.065	.166	-.312
310	3327	-.313	.036	-.206	-.448	310	3911	-.561	.142	-.144	-1.360	320	1120	.018	.085	.324	-.232
310	3328	-.310	.039	-.195	-.474	310	3912	-.414	.115	-.218	-.767	320	1121	.255	.106	.627	-.032
310	3329	-.368	.066	-.194	-.693	310	3913	-.400	.079	-.054	-.683	320	1122	.326	.121	.742	-.023
310	3330	-.299	.038	-.199	-.464	310	3914	-.359	.088	-.004	-.674	320	1123	.426	.144	.933	-.024
310	3331	-.307	.039	-.188	-.453	310	3915	-.374	.105	-.075	-.931	320	1124	-.413	.156	.914	-.008
310	3332	-.317	.039	-.208	-.469	310	3916	-.403	.071	-.133	-.695	320	1125	-.133	.066	.143	-.372
310	3333	-.320	.039	-.223	-.464	310	3917	-.288	.060	-.075	-.516	320	1126	.004	.078	.294	-.328
310	3334	-.300	.037	-.197	-.490	310	3918	-.387	.076	-.183	-.716	320	1127	.286	.107	.672	-.009
310	3335	-.324	.042	-.206	-.492	310	3919	-.306	.047	-.163	-.526	320	1128	.350	.116	.742	-.054
310	3336	-.328	.044	-.209	-.539	310	3920	-.308	.044	-.183	-.545	320	1129	.432	.138	.859	-.030
310	3337	-.369	.062	-.194	-.667	310	3921	-.320	.046	-.175	-.545	320	1130	-.402	.158	.977	-.023
310	3338	-.206	.051	-.033	-.428	310	3922	-.467	.126	-.121	-1.229	320	1131	-.143	.066	.173	-.362
310	3339	-.313	.037	-.214	-.476	310	3923	-.528	.132	-.051	-1.093	320	1132	-.003	.073	.385	-.224
310	3340	-.320	.036	-.197	-.448	310	3924	-.300	.038	-.194	-.447	320	1133	.251	.101	.632	-.019
310	3341	-.328	.036	-.224	-.476	310	3925	-.311	.042	-.178	-.547	320	1134	.352	.118	.747	-.058
310	3342	-.334	.039	-.229	-.483	310	3926	-.313	.040	-.192	-.523	320	1135	.370	.135	.772	-.014
310	3343	-.324	.038	-.217	-.506	310	3927	-.237	.066	-.003	-.604	320	1136	.332	.137	.819	-.047
310	3344	-.321	.039	-.217	-.471	310	3928	-.313	.074	-.061	-.564	320	1137	-.109	.081	.238	-.376
310	3345	-.327	.046	-.171	-.486	310	3929	-.412	.076	-.130	-.721	320	1138	-.009	.083	.383	-.320
310	3346	-.337	.050	-.204	-.564	310	3930	-.313	.037	-.206	-.471	320	1139	.168	.100	.572	-.175
310	3347	-.291	.044	-.119	-.453	310	3931	-.315	.035	-.213	-.447	320	1140	.188	.115	.670	-.170
310	3348	.027	.072	.291	-.471	310	3932	-.315	.037	-.211	-.461	320	1141	.216	.159	.742	-.378
310	3349	.014	.060	.274	-.234	310	3933	-.311	.040	-.188	-.450	320	1142	.207	.149	.756	-.453
310	3401	-.164	.188	.457	-1.111	310	3934	-.302	.041	-.185	-.502	320	1143	-.084	.079	.245	-.378
310	3402	-.164	.158	.354	-.629	310	3935	-.283	.041	-.147	-.457	320	1144	.031	.068	.364	-.201
310	3403	-.771	.213	-.265	-1.764	310	3936	-.336	.060	-.179	-.725	320	1145	.151	.074	.439	-.077
310	3404	-.432	.078	-.229	-.803	310	3937	-.329	.057	-.186	-.679	320	1146	.154	.071	.485	-.019

WD	TAP	CPMEAN	CPRMS	CPMAX	CPMIN	WD	TAP	CPMEAN	CPRMS	CPMAX	CPMIN	WD	TAP	CPMEAN	CPRMS	CPMAX	CPMIN
320	1147	.186	.083	.499	-.051	320	1235	-.469	.059	-.267	-.698	320	1285	-.290	.034	-.175	-.407
320	1148	.143	.102	.737	-.077	320	1236	-.280	.058	-.081	-.581	320	1286	-.299	.032	-.198	-.437
320	1149	-.165	.122	.301	-.609	320	1237	-.271	.056	-.067	-.484	320	1287	-.313	.040	-.172	-.537
320	1150	.028	.054	.310	-.170	320	1238	-.282	.067	-.012	-.590	320	1288	-.240	.063	-.000	-.509
320	1151	.077	.093	.483	-.189	320	1239	-.360	.096	-.044	-.731	320	1289	-.318	.098	-.096	-.741
320	1152	.071	.066	.406	-.142	320	1240	-.528	.108	-.217	-.947	320	1290	-.389	.080	-.112	-.825
320	1153	.125	.059	.443	-.062	320	1241	-.542	.076	-.266	-.831	320	1301	-.383	.055	-.215	-.646
320	1154	-.035	.062	.217	-.263	320	1242	-.497	.060	-.310	-.699	320	1302	-.397	.069	-.171	-.786
320	1155	.044	.027	.127	-.034	320	1243	-.495	.062	-.291	-.752	320	1303	-.372	.055	-.215	-.607
320	1156	.129	.052	.307	-.018	320	1244	-.265	.052	-.067	-.528	320	1304	-.398	.069	-.224	-.742
320	1157	.146	.057	.397	-.002	320	1245	-.266	.050	-.083	-.460	320	1305	-.373	.052	-.229	-.614
320	1158	-.277	.047	-.087	-.489	320	1246	-.245	.058	.091	-.544	320	1306	-.379	.053	-.248	-.614
320	1159	.070	.071	.427	-.090	320	1247	-.274	.059	.014	-.555	320	1307	-.359	.063	-.175	-.709
320	1160	.224	.105	.685	.000	320	1248	-.455	.098	-.116	-.890	320	1308	-.353	.064	-.175	-.702
320	1161	.211	.092	.708	.005	320	1249	-.376	.091	-.370	-1.022	320	1309	-.309	.067	-.071	-.674
320	1162	.173	.077	.524	-.004	320	1250	-.544	.084	-.351	-.978	320	1310	-.302	.066	-.068	-.700
320	1201	-.377	.072	-.208	-.875	320	1251	-.561	.079	-.347	-.940	320	1311	-.305	.078	-.101	-.821
320	1202	-.366	.071	-.208	-.812	320	1252	-.267	.049	-.084	-.555	320	1312	-.297	.077	-.106	-.810
320	1203	-.387	.074	-.187	-.736	320	1253	-.272	.044	-.086	-.472	320	1313	-.394	.049	-.236	-.595
320	1204	-.518	.089	-.264	-.893	320	1254	-.275	.044	-.121	-.474	320	1314	-.338	.060	-.124	-.660
320	1205	-.766	.143	-.396	-1.310	320	1255	-.276	.044	-.093	-.486	320	1315	-.287	.057	-.089	-.556
320	1206	-.782	.140	-.446	-1.268	320	1256	-.308	.069	-.114	-.618	320	1316	-.287	.057	-.117	-.670
320	1207	-.372	.066	-.187	-.861	320	1257	-.518	.107	-.195	-.939	320	1317	-.390	.054	-.203	-.660
320	1208	-.775	.136	-.264	-1.206	320	1258	-.644	.108	-.335	-1.154	320	1318	-.352	.063	-.180	-.644
320	1209	-.267	.062	-.071	-.622	320	1259	-.630	.104	-.358	-1.266	320	1319	-.300	.069	-.087	-.602
320	1210	-.268	.062	-.095	-.609	320	1260	-.291	.050	-.126	-.490	320	1320	-.289	.069	-.092	-.691
320	1211	-.307	.085	-.041	-.747	320	1261	-.282	.045	-.140	-.488	320	1321	-.377	.053	-.224	-.672
320	1212	-.421	.165	-.023	-1.486	320	1262	-.290	.038	-.165	-.442	320	1322	-.396	.052	-.236	-.607
320	1213	-.498	.088	-.250	-1.032	320	1263	-.287	.052	-.119	-.590	320	1323	-.354	.065	-.129	-.695
320	1214	-.463	.064	-.254	-.708	320	1264	-.306	.057	-.130	-.599	320	1324	-.350	.060	-.101	-.622
320	1215	-.458	.060	-.257	-.701	320	1265	-.404	.092	-.089	-.778	320	1325	-.301	.073	-.063	-.675
320	1216	-.279	.057	-.127	-.606	320	1266	-.711	.231	-.002	-1.923	320	1326	-.309	.070	-.098	-.722
320	1217	-.267	.060	-.053	-.620	320	1267	-.790	.229	-.135	-2.130	320	1327	-.299	.068	-.093	-.687
320	1218	-.363	.136	-.044	-1.370	320	1268	-.286	.043	-.135	-.483	320	1328	-.294	.067	-.110	-.619
320	1219	-.466	.059	-.287	-.685	320	1269	-.307	.045	-.163	-.613	320	1329	-.389	.055	-.194	-.575
320	1220	-.459	.060	-.275	-.685	320	1270	-.330	.053	-.144	-.567	320	1330	-.380	.050	-.196	-.647
320	1221	-.283	.061	-.081	-.565	320	1271	-.668	.213	-.044	-1.777	320	1331	-.336	.060	-.161	-.634
320	1222	-.275	.059	-.095	-.666	320	1272	-.284	.042	-.154	-.451	320	1332	-.333	.063	-.107	-.563
320	1223	-.313	.101	.016	-.854	320	1273	-.293	.036	-.156	-.425	320	1333	-.299	.072	-.058	-.640
320	1224	-.389	.131	.023	-1.148	320	1274	-.292	.044	-.151	-.586	320	1334	-.285	.061	-.077	-.610
320	1225	-.530	.081	-.301	-.984	320	1275	-.259	.051	-.026	-.456	320	1335	-.287	.052	-.133	-.587
320	1226	-.464	.058	-.310	-.724	320	1276	-.335	.154	.018	-.976	320	1336	-.290	.069	-.107	-.687
320	1227	-.468	.062	-.273	-.710	320	1277	-.370	.254	.102	-1.289	320	1337	-.376	.056	-.189	-.661
320	1228	-.248	.053	-.067	-.539	320	1278	-.309	.043	-.130	-.476	320	1338	-.374	.051	-.194	-.566
320	1229	-.269	.055	-.115	-.583	320	1279	-.283	.032	-.179	-.497	320	1339	-.337	.073	-.093	-.710
320	1230	-.275	.073	.044	-.620	320	1280	-.312	.036	-.214	-.514	320	1340	-.337	.079	-.051	-.715
320	1231	-.298	.093	.065	-.745	320	1281	-.300	.041	-.154	-.497	320	1341	-.307	.073	-.076	-.618
320	1232	-.449	.078	-.245	-.847	320	1282	-.247	.055	-.028	-.502	320	1342	-.291	.068	-.077	-.783
320	1233	-.486	.063	-.315	-.791	320	1283	-.383	.073	-.061	-.799	320	1343	-.291	.060	-.117	-.626
320	1234	-.473	.057	-.294	-.687	320	1284	-.306	.041	-.191	-.511	320	1344	-.297	.073	-.089	-.746



WD	TAP	CPMEAN	CPRMS	CPMAX	CPMIN	WD	TAP	CPMEAN	CPRMS	CPMAX	CPMIN	WD	TAP	CPMEAN	CPRMS	CPMAX	CPMIN
320	1345	-.354	.051	-.171	-.584	320	1410	-.266	.228	.185	-1.196	320	1460	-.377	.056	-.163	-.607
320	1346	-.367	.056	-.196	-.624	320	1411	-.052	.059	.194	-.205	320	1461	-.357	.100	-.154	-.713
320	1347	-.344	.075	-.103	-.736	320	1412	-.093	.052	.167	-.250	320	1462	-.341	.090	-.202	-.629
320	1348	-.336	.083	-.070	-.731	320	1413	-.171	.046	-.057	-.312	320	1463	-.338	.097	-.033	-.752
320	1349	-.310	.075	-.093	-.694	320	1414	-.230	.044	-.077	-.385	320	1464	-.334	.105	-.074	-.879
320	1350	-.302	.071	-.075	-.687	320	1415	-.286	.057	-.202	-.385	320	1465	-.334	.158	-.286	-.1206
320	1351	-.293	.063	-.131	-.701	320	1416	-.321	.084	.158	-.595	320	1466	-.251	.194	-.412	-.157
320	1352	-.308	.080	-.074	-.876	320	1417	-.300	.082	.064	-.595	320	1467	-.002	.100	-.265	-.571
320	1353	-.346	.056	-.196	-.596	320	1418	-.356	.070	-.157	-.690	320	1468	-.023	.050	-.243	-.172
320	1354	-.351	.056	-.171	-.603	320	1419	-.342	.083	.019	-.868	320	1469	-.028	.050	-.178	-.170
320	1355	-.322	.060	-.128	-.617	320	1420	-.326	.084	.041	-.722	320	1470	-.215	.053	-.098	-.407
320	1356	-.355	.076	-.156	-.839	320	1421	-.218	.333	.632	-1.406	320	1471	-.255	.051	-.052	-.457
320	1357	-.387	.096	-.110	-.881	320	1422	-.038	.231	.652	-.866	320	1472	-.365	.055	-.180	-.626
320	1358	-.332	.078	-.140	-.680	320	1423	-.002	.067	.253	-.179	320	1473	-.333	.092	-.166	-.798
320	1359	-.300	.082	-.135	-.781	320	1424	-.139	.061	.126	-.342	320	1474	-.333	.095	-.091	-.810
320	1360	-.272	.051	-.114	-.533	320	1425	-.285	.050	-.046	-.484	320	1475	-.326	.087	-.011	-.771
320	1361	-.327	.055	-.161	-.544	320	1426	-.384	.052	-.212	-.569	320	1476	-.331	.101	-.219	-.950
320	1362	-.319	.053	-.077	-.502	320	1427	-.317	.080	.165	-.579	320	1477	-.254	.119	-.154	-.947
320	1363	-.315	.106	-.133	-.947	320	1428	-.290	.078	.139	-.727	320	1478	-.220	.129	-.187	-.723
320	1364	-.283	.051	-.133	-.619	320	1429	-.331	.072	-.105	-.625	320	1479	-.064	.083	-.132	-.455
320	1365	-.352	.114	-.047	-1.143	320	1430	-.329	.088	.044	-.706	320	1480	-.030	.048	-.219	-.257
320	1366	-.274	.053	-.117	-.563	320	1431	-.049	.251	.620	-.889	320	1481	-.027	.046	-.214	-.211
320	1367	-.264	.046	-.135	-.549	320	1432	-.041	.221	.529	-.889	320	1482	-.199	.044	-.020	-.346
320	1368	-.268	.040	-.135	-.451	320	1433	-.017	.072	.281	-.209	320	1483	-.241	.049	-.009	-.445
320	1369	-.331	.052	-.187	-.523	320	1434	-.022	.074	.297	-.239	320	1484	-.353	.059	-.172	-.592
320	1370	-.248	.028	-.153	-.405	320	1435	-.459	.255	.085	-1.290	320	1485	-.099	.109	-.376	-.419
320	1371	-.295	.065	-.079	-.596	320	1436	-.279	.042	-.120	-.430	320	1486	-.115	.090	-.265	-.409
320	1372	-.317	.030	-.222	-.433	320	1437	-.319	.094	.199	-.667	320	1487	-.260	.090	-.134	-.605
320	1373	-.350	.046	-.210	-.509	320	1438	-.310	.089	.167	-.672	320	1488	-.198	.105	-.320	-.732
320	1374	-.252	.033	-.127	-.458	320	1439	-.336	.082	-.048	-.713	320	1489	-.171	.169	-.299	-.998
320	1375	-.252	.057	-.045	-.573	320	1440	-.326	.080	-.043	-.693	320	1490	-.098	.145	-.289	-.761
320	1376	-.245	.042	-.098	-.419	320	1441	-.071	.252	.702	-1.340	320	1491	-.018	.061	-.226	-.293
320	1377	-.295	.041	-.169	-.458	320	1442	-.057	.281	.664	-1.007	320	1492	-.011	.054	-.325	-.122
320	1378	-.224	.039	-.015	-.366	320	1443	-.117	.092	.440	-.339	320	1493	-.004	.051	-.296	-.163
320	1379	-.226	.031	-.114	-.330	320	1444	-.037	.077	.377	-.166	320	1494	-.107	.041	-.102	-.287
320	1380	-.294	.040	-.159	-.449	320	1445	-.027	.072	.424	-.173	320	1495	-.154	.037	-.041	-.280
320	1381	-.331	.037	-.210	-.461	320	1446	-.169	.050	-.032	-.342	320	1496	-.341	.054	-.171	-.586
320	1382	-.276	.039	-.139	-.438	320	1447	-.234	.047	-.038	-.410	320	1497	-.194	.082	-.146	-.488
320	1383	-.255	.040	-.033	-.454	320	1448	-.378	.049	-.180	-.539	320	1498	-.171	.069	-.170	-.420
320	1384	-.214	.032	-.105	-.318	320	1449	-.330	.086	.248	-.595	320	1499	-.233	.091	-.368	-.514
320	1385	-.190	.042	-.003	-.323	320	1450	-.309	.088	.158	-.580	320	1500	-.177	.100	-.309	-.504
320	1401	-.014	.195	.589	-.853	320	1451	-.339	.083	.180	-.670	320	1501	-.066	.127	-.419	-.707
320	1402	-.001	.086	.378	-.502	320	1452	-.323	.090	.086	-.754	320	1502	-.002	.086	-.291	-.509
320	1403	-.217	.120	.048	-.802	320	1453	-.133	.210	.644	-.841	320	1503	-.008	.055	-.246	-.129
320	1404	-.337	.092	-.044	-.633	320	1454	-.116	.224	.588	-.870	320	1504	-.017	.057	-.267	-.155
320	1405	-.269	.082	-.120	-.528	320	1455	-.092	.097	.453	-.522	320	1505	-.049	.053	-.291	-.210
320	1406	-.296	.048	-.054	-.483	320	1456	-.007	.054	.265	-.129	320	1506	-.030	.061	-.307	-.210
320	1407	-.249	.148	-.210	-.930	320	1457	-.008	.063	.284	-.197	320	1507	-.302	.064	-.124	-.576
320	1408	-.355	.045	-.221	-.949	320	1458	-.185	.055	.079	-.370	320	1508	-.225	.049	-.065	-.427
320	1409	-.397	.303	.315	-1.333	320	1459	-.249	.048	.011	-.397	320	1509	-.214	.065	-.135	-.434

WD	TAP	CPMEAN	CPRMS	CPMAX	CPMIN	WD	TAP	CPMEAN	CPRMS	CPMAX	CPMIN	WD	TAP	CPMEAN	CPRMS	CPMAX	CPMIN
320	1510	-.291	.049	-.134	-.455	320	2101	.090	.078	.436	-.396	320	2912	-.094	.053	.044	-.457
320	1511	-.218	.053	-.005	-.420	320	2102	-.149	.140	.713	-.204	320	2913	-.013	.055	.263	-.143
320	1512	-.250	.039	-.101	-.395	320	2103	-.075	.087	.302	-.401	320	2914	-.025	.052	.222	-.187
320	1513	-.285	.046	-.138	-.441	320	2104	.067	.060	.326	-.144	320	2915	-.025	.051	.244	-.218
320	1514	-.264	.043	-.096	-.462	320	2105	.028	.040	.178	-.123	320	2916	-.357	.157	.006	-1.264
320	1515	-.292	.051	-.145	-.490	320	2106	.066	.049	.280	-.177	320	2917	-.025	.117	.465	-.508
320	1516	-.250	.040	-.113	-.416	320	2107	.037	.042	.215	-.126	320	2918	-.029	.077	.159	-.408
320	1801	-.155	.063	-.431	-.030	320	2201	-.021	.052	.193	-.201	320	2919	-.015	.050	.190	-.226
320	1802	-.252	.035	-.136	-.396	320	2202	.001	.058	.251	-.177	320	2920	-.078	.115	.207	-.963
320	1803	-.254	.029	-.152	-.369	320	2203	.017	.052	.241	-.247	320	2921	.039	.067	.300	-.486
320	1804	-.148	.061	-.164	-.320	320	2204	-.018	.046	.224	-.184	320	2922	.060	.051	.271	-.204
320	1805	-.268	.033	-.143	-.401	320	2205	.006	.062	.237	-.157	320	2923	.052	.044	.232	-.087
320	1806	-.291	.033	-.178	-.413	320	2206	.131	.083	.429	-.257	320	2924	.029	.046	.178	-.140
320	1807	-.287	.066	-.081	-.607	320	2207	-.021	.053	.156	-.318	320	2925	.050	.042	.220	-.145
320	1808	-.300	.101	-.030	-.641	320	2208	.078	.051	.331	-.092	320	2926	.021	.051	.176	-.264
320	1901	-.290	.059	-.091	-.532	320	2209	.078	.039	.173	-.167	320	3101	-.033	.202	.609	-.575
320	1902	-.353	.073	-.121	-.725	320	2210	.026	.039	.178	-.138	320	3102	.065	.116	.477	-.336
320	1903	-.410	.074	-.132	-.660	320	2211	.172	.070	.465	-.002	320	3103	.095	.106	.595	-.319
320	1904	-1.260	.392	-.022	-2.724	320	2212	.050	.046	.212	-.126	320	3104	-.051	.118	.717	-.482
320	1905	-1.554	.305	-.659	-2.608	320	2213	.126	.056	.368	-.016	320	3105	-.425	.080	.078	-.732
320	1906	-.261	.097	-.127	-.674	320	2214	.045	.042	.202	-.159	320	3106	-.470	.108	.168	-.848
320	1907	-.189	.126	-.059	-.986	320	2215	.027	.043	.149	-.219	320	3107	-.443	.100	.100	-.770
320	1908	-.375	.066	-.095	-.628	320	2301	.004	.057	.384	-.268	320	3108	-.093	.119	.381	-.498
320	1909	-.382	.065	-.171	-.722	320	2302	-.014	.049	.239	-.302	320	3109	.040	.132	.551	-.390
320	1910	-.443	.080	-.205	-.807	320	2303	-.031	.047	.169	-.176	320	3110	.051	.145	.743	-.382
320	1911	-.590	.156	-.254	-1.143	320	2304	-.313	.054	-.171	-.586	320	3111	-.163	.167	.419	-.806
320	1912	-.522	.115	-.224	-1.172	320	2305	.086	.048	.307	-.042	320	3112	-.006	.109	.388	-.297
320	1913	-.584	.114	-.193	-1.390	320	2306	.060	.045	.278	-.118	320	3113	-.013	.130	.518	-.541
320	1914	-.378	.072	-.098	-.773	320	2307	.049	.041	.188	-.113	320	3114	-.303	.200	.386	-.974
320	1915	-.129	.106	.559	-.268	320	2308	-.263	.035	-.142	-.409	320	3115	.121	.120	.617	-.331
320	1916	-.480	.265	-.107	-1.404	320	2309	.117	.055	.360	-.023	320	3116	.113	.126	.558	-.503
320	1917	-.714	.113	-.339	-1.117	320	2310	.107	.053	.367	-.052	320	3117	.048	.138	.582	-.543
320	1918	-.334	.067	-.047	-.635	320	2311	.058	.039	.239	-.074	320	3118	.063	.133	.546	-.397
320	1919	-.353	.059	-.132	-.660	320	2401	-.177	.043	-.042	-.462	320	3119	.071	.159	.528	-.588
320	1920	-.314	.069	-.056	-.635	320	2402	-.176	.042	-.079	-.384	320	3120	.083	.136	.661	-.260
320	1921	-.364	.055	-.215	-.624	320	2403	-.179	.039	-.055	-.331	320	3121	-.009	.130	.679	-.484
320	1922	-.365	.056	-.192	-.607	320	2404	-.163	.036	-.067	-.299	320	3122	-.199	.088	.164	-.482
320	1923	-.428	.061	-.254	-.653	320	2405	-.172	.038	-.059	-.362	320	3123	-.107	.104	.395	-.397
320	1924	-.825	.131	-.360	-1.244	320	2406	-.185	.040	-.082	-.357	320	3124	-.159	.085	.284	-.418
320	1925	-.371	.079	-.176	-.748	320	2901	-.154	.033	.008	-.299	320	3125	.030	.164	.752	-.364
320	1926	-.733	.133	-.183	-1.212	320	2902	-.113	.061	.261	-.408	320	3126	.087	.152	.691	-.312
320	1927	-.273	.062	-.006	-.603	320	2903	.150	.105	.743	-.308	320	3127	.090	.128	.549	-.229
320	1928	-.447	.066	-.215	-.697	320	2904	.004	.057	.302	-.157	320	3128	.055	.093	.412	-.413
320	1929	-.281	.073	-.021	-.637	320	2905	.026	.055	.302	-.337	320	3129	.081	.067	.464	-.167
320	1930	-.390	.084	-.127	-.745	320	2906	-.064	.064	.134	-.391	320	3130	.104	.064	.487	-.101
320	1931	-.307	.127	-.030	-.787	320	2907	-.198	.051	-.038	-.500	320	3131	.045	.091	.457	-.442
320	1932	-.404	.097	-.108	-.828	320	2908	.055	.079	.426	-.316	320	3132	.079	.122	.610	-.399
320	1933	-.397	.059	-.173	-.644	320	2909	-.174	.054	-.043	-.440	320	3133	.055	.146	.712	-.392
320	1934	-.312	.039	-.175	-.479	320	2910	-.221	.088	-.014	-.909	320	3134	-.176	.076	.216	-.413
320	1935	-.401	.067	-.215	-.697	320	2911	-.025	.055	.251	-.167	320	3135	.124	.061	.453	-.053

WD	TAP	CPMEAN	CPRMS	CPMAX	CPMIN	WD	TAP	CPMEAN	CPRMS	CPMAX	CPMIN	WD	TAP	CPMEAN	CPRMS	CPMAX	CPMIN
320	3136	.090	.075	.363	-.274	320	3332	-.302	.038	-.191	-.450	320	3916	-.418	.070	-.168	-.858
320	3201	-.256	.048	-.054	-.437	320	3333	-.316	.036	-.192	-.468	320	3917	-.336	.062	-.128	-.596
320	3202	-.292	.057	-.099	-.569	320	3334	-.306	.033	-.171	-.424	320	3918	-.376	.066	-.147	-.686
320	3203	-.498	.094	-.225	-.908	320	3335	-.309	.037	-.192	-.445	320	3919	-.310	.044	-.135	-.537
320	3204	-.344	.075	-.033	-.742	320	3336	-.323	.039	-.209	-.483	320	3920	-.314	.043	-.166	-.523
320	3205	-.209	.118	.185	-.595	320	3337	-.372	.060	-.192	-.720	320	3921	-.313	.041	-.175	-.518
320	3206	-.222	.111	.132	-.590	320	3338	-.202	.048	.005	-.394	320	3922	-.468	.126	-.130	-.993
320	3207	-.270	.041	-.113	-.446	320	3339	-.312	.030	-.229	-.419	320	3923	-.506	.120	-.100	-1.132
320	3208	-.559	.112	-.267	-1.080	320	3340	-.314	.031	-.219	-.444	320	3924	-.300	.033	-.199	-.442
320	3209	-.327	.044	-.196	-.484	320	3341	-.310	.035	-.204	-.478	320	3925	-.307	.039	-.159	-.475
320	3210	-.311	.043	-.165	-.477	320	3342	-.327	.039	-.222	-.481	320	3926	-.305	.036	-.199	-.440
320	3211	-.280	.069	-.059	-.529	320	3343	-.320	.036	-.185	-.483	320	3927	-.283	.078	-.036	-.858
320	3212	-.171	.185	-.171	-1.440	320	3344	-.325	.038	-.224	-.474	320	3928	-.313	.065	-.126	-.704
320	3213	-.321	.141	.219	-.913	320	3345	-.327	.039	-.190	-.533	320	3929	-.408	.071	-.130	-.697
320	3214	-.235	.058	.078	-.539	320	3346	-.327	.043	-.177	-.506	320	3930	-.301	.031	-.190	-.430
320	3215	-.278	.024	-.199	-.354	320	3347	-.303	.045	-.137	-.506	320	3931	-.309	.030	-.190	-.445
320	3216	-.199	.059	.028	-.503	320	3348	.028	.064	.239	-.277	320	3932	-.310	.034	-.208	-.480
320	3217	-.156	.148	.395	-.654	320	3349	.009	.056	.239	-.152	320	3933	-.316	.041	-.173	-.497
320	3218	-.059	.142	-.569	-.320	320	3401	-.260	.172	.481	-.900	320	3934	-.310	.038	-.168	-.482
320	3301	-.306	.033	-.204	-.475	320	3402	-.234	.152	.329	-.710	320	3935	-.292	.043	-.140	-.473
320	3302	-.295	.032	-.199	-.410	320	3403	-.782	.205	-.299	-1.748	320	3936	-.362	.050	-.212	-.643
320	3303	-.291	.035	-.150	-.429	320	3404	-.435	.078	-.222	-.850	320	3937	-.323	.037	-.209	-.498
320	3304	-.299	.037	-.192	-.510	320	3405	-.309	.041	-.195	-.477	320	3938	-.305	.030	-.222	-.429
320	3305	-.305	.035	-.192	-.443	320	3406	-.315	.041	-.202	-.508	320	3939	-.332	.040	-.195	-.498
320	3306	-.308	.038	-.183	-.498	320	3407	-.311	.036	-.190	-.466	320	3940	-.317	.036	-.197	-.471
320	3307	-.337	.053	-.214	-.591	320	3408	-.289	.034	-.200	-.424	320	3941	-.306	.031	-.217	-.431
320	3308	-.318	.043	-.185	-.494	320	3409	-.319	.038	-.222	-.516	330	1101	-.219	.207	-.309	-1.036
320	3309	-.308	.037	-.187	-.447	320	3410	-.679	.122	-.450	-1.047	330	1102	-.439	.179	1.044	-.735
320	3310	-.299	.034	-.183	-.417	320	3411	-.330	.077	-.150	-.680	330	1103	-.363	.106	-.082	-.819
320	3311	-.292	.031	-.192	-.417	320	3412	-.269	.046	-.111	-.488	330	1104	.420	.228	.918	-.839
320	3312	-.310	.035	-.206	-.436	320	3413	-.307	.029	-.217	-.414	330	1105	.396	.224	.976	-1.071
320	3313	-.321	.039	-.208	-.480	320	3414	-.008	.177	-.670	-.665	330	1106	.016	.099	.452	-.322
320	3314	-.321	.040	-.204	-.482	320	3415	-.563	.178	-.070	-1.599	330	1107	.016	.089	.377	-.306
320	3315	-.292	.030	-.199	-.415	320	3416	-.213	.055	-.053	-.469	330	1108	.141	.128	.542	-.273
320	3316	-.304	.034	-.194	-.433	320	3417	-.203	.053	.060	-.384	330	1109	.119	.132	.547	-.318
320	3317	-.295	.032	-.201	-.415	320	3901	.000	.063	.271	-.304	330	1110	-.087	.086	.197	-.374
320	3318	-.303	.035	-.180	-.431	320	3902	-.019	.063	.239	-.359	330	1111	.117	.113	.570	-.266
320	3319	-.318	.037	-.199	-.494	320	3903	-.452	.110	-.161	-.846	330	1112	.292	.140	.803	-.145
320	3320	-.295	.032	-.148	-.417	320	3904	-.457	.140	-.109	-1.099	330	1113	-.306	.177	.824	-.159
320	3321	-.302	.036	-.183	-.477	320	3905	-.405	.105	-.086	-1.229	330	1114	-.234	.096	.146	-.560
320	3322	-.307	.034	-.201	-.419	320	3906	-.332	.117	.049	-.804	330	1115	-.050	.114	.340	-.430
320	3323	-.324	.043	-.192	-.515	320	3907	-.546	.085	-.267	-.915	330	1116	.176	.136	.708	-.196
320	3324	-.322	.040	-.199	-.452	320	3908	-.553	.109	-.057	-1.078	330	1117	.183	.168	.703	-.325
320	3325	-.293	.030	-.201	-.410	320	3909	-.569	.095	-.234	-1.087	330	1118	.122	.176	.715	-.581
320	3326	-.300	.031	-.199	-.426	320	3910	-.722	.183	-.100	-1.498	330	1119	-.045	.081	.300	-.299
320	3327	-.304	.032	-.194	-.454	320	3911	-.640	.132	-.256	-1.217	330	1120	.085	.101	.468	-.259
320	3328	-.306	.035	-.208	-.445	320	3912	-.494	.085	-.062	-.794	330	1121	.317	.125	.752	-.036
320	3329	-.356	.044	-.232	-.558	320	3913	-.454	.075	-.076	-.766	330	1122	.376	.135	.822	-.009
320	3330	-.300	.031	-.190	-.447	320	3914	-.429	.072	-.130	-.700	330	1123	.368	.153	.827	-.036
320	3331	-.300	.035	-.201	-.445	320	3915	-.463	.114	-.182	-1.073	330	1124	.334	.155	.815	-.134

WD	TAP	CPMEAN	CPRMS	CPMAX	CPMIN	WD	TAP	CPMEAN	CPRMS	CPMAX	CPMIN	WD	TAP	CPMEAN	CPRMS	CPMAX	CPMIN
330	1125	-.074	.078	.228	-.460	330	1213	-.549	.114	-.231	-1.270	330	1263	-.306	.044	-.158	-.490
330	1126	.064	.089	.440	-.271	330	1214	-.487	.082	-.284	-.923	330	1264	-.302	.048	-.139	-.502
330	1127	.354	.128	.803	-.037	330	1215	-.481	.077	-.268	-.972	330	1265	-.411	.086	-.058	-.827
330	1128	.419	.136	.861	-.054	330	1216	-.275	.062	-.109	-.567	330	1266	-.755	.274	-.058	-1.895
330	1129	.402	.154	.931	-.019	330	1217	-.257	.071	-.039	-.615	330	1267	-.913	.277	-.121	-2.424
330	1130	.306	.143	.794	-.156	330	1218	-.375	.143	-.095	-1.009	330	1268	-.290	.045	-.165	-.437
330	1131	-.086	.072	.212	-.334	330	1219	-.492	.067	-.305	-.865	330	1269	-.312	.040	-.177	-.534
330	1132	.059	.086	.392	-.191	330	1220	-.481	.064	-.296	-.722	330	1270	-.343	.052	-.165	-.587
330	1133	.295	.108	.672	.016	330	1221	-.279	.071	-.069	-.965	330	1271	-.718	.249	-.028	-1.700
330	1134	.364	.124	.847	.040	330	1222	-.264	.074	-.058	-.780	330	1272	-.279	.040	-.153	-.453
330	1135	.324	.139	.803	-.044	330	1223	-.273	.115	-.097	-.865	330	1273	-.309	.037	-.200	-.457
330	1136	.249	.134	.700	-.114	330	1224	-.401	.138	-.014	-1.175	330	1274	-.314	.042	-.146	-.522
330	1137	-.081	.085	.224	-.453	330	1225	-.566	.095	-.273	-.958	330	1275	-.292	.049	-.125	-.444
330	1138	.045	.094	.416	-.415	330	1226	-.494	.068	-.287	-.918	330	1276	-.279	.103	-.023	-.708
330	1139	.183	.115	.693	-.215	330	1227	-.507	.069	-.298	-.817	330	1277	-.249	.171	-.160	-1.193
330	1140	.186	.127	.724	-.233	330	1228	-.284	.062	-.051	-.747	330	1278	-.327	.041	-.200	-.525
330	1141	.182	.163	.738	-.394	330	1229	-.258	.063	-.091	-.573	330	1279	-.305	.032	-.188	-.420
330	1142	.114	.140	.640	-.446	330	1230	-.238	.084	.037	-.613	330	1280	-.310	.037	-.190	-.492
330	1143	-.049	.079	.240	-.343	330	1231	-.284	.094	.056	-.703	330	1281	-.324	.046	-.160	-.555
330	1144	.091	.075	.467	-.152	330	1232	-.453	.088	-.088	-.817	330	1282	-.233	.047	-.021	-.462
330	1145	.163	.078	.511	-.021	330	1233	-.537	.075	-.289	-.902	330	1283	-.420	.091	-.002	-.852
330	1146	.171	.078	.523	-.049	330	1234	-.482	.067	-.301	-.708	330	1284	-.329	.042	-.200	-.504
330	1147	.117	.084	.551	-.119	330	1235	-.485	.065	-.291	-.718	330	1285	-.302	.032	-.207	-.423
330	1148	.049	.092	.460	-.173	330	1236	-.289	.050	-.132	-.520	330	1286	-.301	.031	-.204	-.402
330	1149	-.106	.118	.280	-.532	330	1237	-.259	.054	-.102	-.585	330	1287	-.318	.037	-.202	-.448
330	1150	.049	.062	.329	-.184	330	1238	-.243	.080	.046	-.571	330	1288	-.215	.056	-.035	-.541
330	1151	-.001	.088	.420	-.275	330	1239	-.320	.106	.056	-.898	330	1289	-.269	.068	-.025	-.639
330	1152	.112	.067	.397	-.079	330	1240	-.526	.116	-.146	-1.048	330	1290	-.421	.085	-.137	-.787
330	1153	.125	.062	.349	-.040	330	1241	-.563	.087	-.294	-.916	330	1301	-.380	.052	-.232	-.589
330	1154	.021	.055	.271	-.206	330	1242	-.532	.074	-.312	-.819	330	1302	-.402	.063	-.207	-.654
330	1155	.063	.034	.176	-.027	330	1243	-.521	.071	-.305	-.812	330	1303	-.376	.059	-.214	-.685
330	1156	.135	.060	.368	-.013	330	1244	-.275	.046	-.111	-.518	330	1304	-.400	.064	-.188	-.671
330	1157	.158	.065	.469	-.017	330	1245	-.266	.044	-.092	-.479	330	1305	-.338	.038	-.214	-.548
330	1158	-.245	.058	.075	-.432	330	1246	-.229	.060	.012	-.465	330	1306	-.328	.038	-.204	-.513
330	1159	.100	.077	.467	-.077	330	1247	-.265	.064	-.002	-.555	330	1307	-.316	.048	-.172	-.596
330	1160	.242	.107	.684	-.013	330	1248	-.475	.120	-.088	-1.126	330	1308	-.314	.050	-.149	-.589
330	1161	.209	.086	.568	-.017	330	1249	-.622	.098	-.269	-1.003	330	1309	-.289	.050	-.130	-.492
330	1162	.173	.068	.474	-.020	330	1250	-.599	.089	-.344	-1.103	330	1310	-.287	.048	-.139	-.534
330	1201	-.364	.057	-.171	-.754	330	1251	-.613	.092	-.346	-1.010	330	1311	-.285	.066	-.111	-.610
330	1202	-.351	.055	-.120	-.657	330	1252	-.247	.050	-.116	-.536	330	1312	-.292	.072	-.093	-.687
330	1203	-.375	.061	-.192	-.643	330	1253	-.247	.042	-.102	-.462	330	1313	-.349	.038	-.244	-.522
330	1204	-.490	.089	-.231	-.900	330	1254	-.271	.042	-.109	-.444	330	1314	-.302	.045	-.116	-.520
330	1205	-.810	.179	-.217	-1.501	330	1255	-.282	.042	-.118	-.432	330	1315	-.279	.045	-.121	-.494
330	1206	-.824	.177	-.201	-1.557	330	1256	-.292	.054	-.100	-.550	330	1316	-.282	.059	-.111	-.571
330	1207	-.350	.061	-.136	-.627	330	1257	-.509	.117	-.144	-.922	330	1317	-.343	.039	-.239	-.499
330	1208	-.800	.175	-.289	-1.374	330	1258	-.705	.123	-.381	-1.344	330	1318	-.309	.047	-.123	-.513
330	1209	-.267	.069	-.081	-.634	330	1259	-.702	.116	-.390	-1.354	330	1319	-.288	.047	-.144	-.548
330	1210	-.274	.069	-.088	-.631	330	1260	-.284	.052	-.137	-.525	330	1320	-.289	.067	-.088	-.753
330	1211	-.293	.111	-.079	-.999	330	1261	-.286	.050	-.144	-.527	330	1321	-.334	.035	-.225	-.453
330	1212	-.424	.170	.056	-1.282	330	1262	-.298	.036	-.177	-.481	330	1322	-.346	.037	-.241	-.520

WD	TAP	CPMEAN	CPRMS	CPMAX	CPMIN	WD	TAP	CPMEAN	CPRMS	CPMAX	CPMIN	WD	TAP	CPMEAN	CPRMS	CPMAX	CPMIN
330	1323	-.313	.049	-.167	-.592	330	1373	-.331	.044	-.204	-.487	330	1438	-.332	.056	-.116	-.585
330	1324	-.309	.046	-.153	-.518	330	1374	-.255	.031	-.121	-.370	330	1439	-.309	.058	-.129	-.606
330	1325	-.290	.049	-.128	-.579	330	1375	-.216	.037	-.066	-.366	330	1440	-.315	.062	-.093	-.649
330	1326	-.298	.044	-.139	-.563	330	1376	-.218	.032	-.064	-.322	330	1441	-.505	.205	.415	-1.574
330	1327	-.298	.068	-.137	-.635	330	1377	-.284	.033	-.176	-.407	330	1442	-.510	.218	.333	-1.303
330	1328	-.294	.066	-.086	-.654	330	1378	-.240	.031	-.064	-.338	330	1443	-.084	.152	.224	-.870
330	1329	-.334	.036	-.218	-.463	330	1379	-.231	.029	-.128	-.350	330	1444	-.083	.050	.126	-.314
330	1330	-.334	.038	-.216	-.498	330	1380	-.292	.036	-.182	-.436	330	1445	-.073	.051	.144	-.232
330	1331	-.306	.047	-.128	-.550	330	1381	-.332	.036	-.220	-.534	330	1446	-.221	.033	-.070	-.360
330	1332	-.299	.047	-.142	-.540	330	1382	-.273	.033	-.160	-.398	330	1447	-.258	.031	-.129	-.373
330	1333	-.288	.047	-.132	-.482	330	1383	-.268	.033	-.162	-.423	330	1448	-.342	.039	-.217	-.499
330	1334	-.280	.039	-.135	-.456	330	1384	-.222	.029	-.103	-.306	330	1449	-.350	.049	-.159	-.584
330	1335	-.284	.050	-.135	-.549	330	1385	-.198	.035	-.060	-.311	330	1450	-.343	.055	-.130	-.656
330	1336	-.288	.062	-.104	-.612	330	1401	-.179	.195	-.392	-.873	330	1451	-.301	.054	-.072	-.581
330	1337	-.338	.036	-.235	-.465	330	1402	-.054	.060	-.200	-.399	330	1452	-.311	.044	.025	-.779
330	1338	-.334	.037	-.209	-.498	330	1403	-.179	.055	-.018	-.542	330	1453	-.446	.162	.211	-1.187
330	1339	-.305	.048	-.142	-.530	330	1404	-.293	.090	-.036	-.619	330	1454	-.433	.169	.302	-1.064
330	1340	-.304	.049	-.063	-.654	330	1405	-.310	.073	-.017	-.585	330	1455	-.180	.206	.191	-.943
330	1341	-.289	.045	-.142	-.536	330	1406	-.329	.045	-.191	-.496	330	1456	-.086	.051	.165	-.403
330	1342	-.288	.045	-.153	-.482	330	1407	-.141	.202	-.495	-.838	330	1457	-.086	.046	.112	-.311
330	1343	-.305	.055	-.165	-.607	330	1408	-.343	.037	-.214	-.483	330	1458	-.236	.035	-.081	-.371
330	1344	-.297	.058	-.100	-.582	330	1409	-.794	.204	-.034	-1.399	330	1459	-.266	.033	-.123	-.376
330	1345	-.323	.037	-.216	-.458	330	1410	-.758	.290	-.032	-1.784	330	1460	-.329	.037	-.178	-.497
330	1346	-.327	.042	-.198	-.549	330	1411	-.132	.042	-.048	-.316	330	1461	-.335	.052	.066	-.591
330	1347	-.303	.047	-.160	-.558	330	1412	-.150	.038	-.000	-.282	330	1462	-.346	.062	.056	-.596
330	1348	-.310	.048	-.125	-.549	330	1413	-.207	.034	-.018	-.323	330	1463	-.313	.057	-.038	-.634
330	1349	-.301	.052	-.149	-.549	330	1414	-.246	.032	-.102	-.376	330	1464	-.310	.060	-.076	-.744
330	1350	-.297	.050	-.144	-.544	330	1415	-.333	.039	-.232	-.542	330	1465	-.448	.128	.165	-1.247
330	1351	-.294	.044	-.139	-.468	330	1416	-.323	.053	-.079	-.571	330	1466	-.457	.139	.158	-1.218
330	1352	-.305	.069	-.140	-.666	330	1417	-.320	.056	-.063	-.565	330	1467	-.226	.172	.124	-.946
330	1353	-.323	.044	-.205	-.535	330	1418	-.314	.050	-.155	-.503	330	1468	-.109	.051	.092	-.458
330	1354	-.329	.043	-.209	-.533	330	1419	-.316	.059	-.111	-.610	330	1469	-.111	.040	.066	-.306
330	1355	-.304	.046	-.177	-.514	330	1420	-.314	.063	-.066	-.656	330	1470	-.240	.033	-.091	-.398
330	1356	-.352	.071	-.174	-.742	330	1421	-.688	.241	-.178	-1.886	330	1471	-.269	.033	-.132	-.390
330	1357	-.371	.075	-.198	-.707	330	1422	-.446	.288	-.381	-1.235	330	1472	-.335	.038	-.217	-.550
330	1358	-.310	.066	-.158	-.679	330	1423	-.096	.050	-.105	-.364	330	1473	-.325	.048	-.132	-.526
330	1359	-.258	.041	-.118	-.496	330	1424	-.198	.040	-.034	-.344	330	1474	-.331	.050	.042	-.552
330	1360	-.236	.040	-.114	-.426	330	1425	-.293	.034	-.145	-.417	330	1475	-.315	.052	-.125	-.579
330	1361	-.333	.051	-.200	-.544	330	1426	-.341	.037	-.223	-.480	330	1476	-.315	.051	-.137	-.644
330	1362	-.315	.049	-.151	-.482	330	1427	-.335	.049	-.032	-.524	330	1477	-.396	.136	-.040	-1.177
330	1363	-.261	.047	-.107	-.747	330	1428	-.320	.052	-.062	-.576	330	1478	-.396	.143	.095	-1.202
330	1364	-.270	.042	-.137	-.551	330	1429	-.309	.051	-.113	-.545	330	1479	-.223	.131	.184	-.755
330	1365	-.255	.071	-.035	-.679	330	1430	-.316	.065	-.009	-.706	330	1480	-.115	.050	.107	-.359
330	1366	-.237	.039	-.086	-.437	330	1431	-.504	.211	-.283	-1.499	330	1481	-.108	.040	.049	-.369
330	1367	-.237	.031	-.132	-.363	330	1432	-.485	.253	-.281	-1.196	330	1482	-.233	.035	-.043	-.376
330	1368	-.252	.033	-.144	-.370	330	1433	-.122	.053	-.089	-.376	330	1483	-.264	.035	-.139	-.393
330	1369	-.344	.048	-.213	-.555	330	1434	-.120	.054	-.119	-.312	330	1484	-.340	.047	-.221	-.511
330	1370	-.254	.027	-.165	-.370	330	1435	-.871	.193	-.132	-1.576	330	1485	-.218	.081	.259	-.470
330	1371	-.234	.041	-.096	-.405	330	1436	-.282	.035	-.127	-.414	330	1486	-.223	.064	.051	-.451
330	1372	-.310	.030	-.222	-.430	330	1437	-.335	.056	-.098	-.558	330	1487	-.204	.077	.104	-.502

WD	TAP	CPMEAN	CPRMS	CPMAX	CPMIN	WD	TAP	CPMEAN	CPRMS	CPMAX	CPMIN	WD	TAP	CPMEAN	CPRMS	CPMAX	CPMIN
330	1488	-.185	.076	.153	-.497	330	1914	-.338	.055	-.135	-.658	330	2307	.053	.042	.228	-.138
330	1489	-.477	.233	.167	-1.760	330	1915	-.022	.173	-.530	-.795	330	2308	-.260	.032	-.174	-.392
330	1490	-.356	.193	.278	-1.445	330	1916	-.838	.183	-.092	-1.552	330	2309	.158	.062	.403	-.001
330	1491	-.154	.103	.119	-.738	330	1917	-.748	.135	-.293	-1.296	330	2310	.103	.057	.367	-.191
330	1492	-.088	.043	.114	-.221	330	1918	-.276	.065	-.004	-.576	330	2311	.055	.042	.236	-.130
330	1493	-.078	.043	.160	-.221	330	1919	-.322	.063	-.078	-.641	330	2401	-.245	.049	-.106	-.458
330	1494	-.157	.033	.039	-.279	330	1920	-.261	.078	-.073	-.576	330	2402	-.262	.052	-.106	-.501
330	1495	-.194	.030	-.088	-.327	330	1921	-.356	.049	-.208	-.535	330	2403	-.258	.054	-.118	-.489
330	1496	-.326	.042	-.204	-.483	330	1922	-.335	.049	-.201	-.521	330	2404	-.245	.046	-.099	-.446
330	1497	-.201	.065	.032	-.423	330	1923	-.403	.062	-.156	-.617	330	2405	-.252	.052	-.113	-.465
330	1498	-.194	.053	.042	-.381	330	1924	-.732	.228	-.097	-1.424	330	2406	-.259	.052	-.076	-.553
330	1499	-.235	.054	.046	-.420	330	1925	-.348	.066	-.140	-.651	330	2901	-.197	.030	-.041	-.319
330	1500	-.209	.057	.151	-.408	330	1926	-.776	.145	-.375	-1.435	330	2902	-.196	.049	-.016	-.549
330	1501	-.260	.167	.230	-1.019	330	1927	-.236	.087	-.126	-.560	330	2903	-.093	.105	.555	-.154
330	1502	-.099	.110	.190	-.708	330	1928	-.458	.080	-.194	-.832	330	2904	-.096	.060	.172	-.396
330	1503	-.091	.049	.083	-.341	330	1929	-.245	.082	-.043	-.542	330	2905	-.069	.054	.134	-.380
330	1504	-.109	.040	.067	-.272	330	1930	-.305	.091	-.032	-.672	330	2906	-.060	.043	.148	-.348
330	1505	-.115	.040	.063	-.246	330	1931	-.228	.086	-.044	-.707	330	2907	-.264	.062	-.113	-.728
330	1506	-.094	.046	.130	-.258	330	1932	-.373	.119	-.046	-.887	330	2908	-.062	.068	.172	-.399
330	1507	-.307	.056	-.144	-.575	330	1933	-.439	.073	-.223	-.773	330	2909	-.210	.049	-.089	-.469
330	1508	-.228	.039	-.070	-.376	330	1934	-.305	.037	-.183	-.455	330	2910	-.242	.098	.044	-.766
330	1509	-.234	.044	-.033	-.397	330	1935	-.409	.065	-.247	-.644	330	2911	-.118	.038	.039	-.275
330	1510	-.282	.042	-.153	-.446	330	2101	.094	.074	.438	.319	330	2912	-.120	.036	.044	-.249
330	1511	-.217	.045	-.035	-.395	330	2102	-.102	.119	.722	.246	330	2913	-.084	.048	.119	-.244
330	1512	-.251	.033	-.109	-.418	330	2103	-.027	.087	.405	-.377	330	2914	-.131	.049	.078	-.309
330	1513	-.283	.040	-.172	-.455	330	2104	.091	.061	.391	-.104	330	2915	-.126	.055	.063	-.374
330	1514	-.266	.038	-.153	-.436	330	2105	.052	.043	.242	-.224	330	2916	-.252	.128	.037	-.982
330	1515	-.285	.041	-.158	-.457	330	2106	.075	.046	.380	-.120	330	2917	-.220	.151	.276	-.832
330	1516	-.251	.034	-.149	-.388	330	2107	.064	.045	.327	-.072	330	2918	-.106	.103	.126	-.633
330	1801	-.171	.069	.451	-.006	330	2201	-.124	.058	.080	-.401	330	2919	-.027	.056	.192	-.486
330	1802	-.248	.033	-.144	-.379	330	2202	-.098	.077	.172	-.367	330	2920	-.025	.081	.238	-.578
330	1803	-.260	.028	-.160	-.370	330	2203	.024	.064	.267	-.203	330	2921	.064	.070	.274	-.256
330	1804	-.123	.062	-.137	-.331	330	2204	-.015	.058	.252	-.224	330	2922	.087	.055	.286	-.113
330	1805	-.273	.032	-.176	-.389	330	2205	.042	.068	.332	-.222	330	2923	.062	.046	.257	-.135
330	1806	-.302	.033	-.176	-.480	330	2206	.012	.120	.431	-.486	330	2924	.023	.051	.192	-.338
330	1807	-.266	.055	-.104	-.528	330	2207	-.003	.056	.182	-.379	330	2925	.055	.041	.219	-.110
330	1808	-.263	.107	-.175	-.635	330	2208	.091	.057	.361	-.099	330	2926	-.002	.060	.175	-.360
330	1901	-.229	.054	-.048	-.507	330	2209	.037	.039	.170	-.154	330	3101	-.030	.216	.622	-.636
330	1902	-.299	.056	-.133	-.693	330	2210	.012	.041	.136	-.208	330	3102	.042	.122	.510	-.377
330	1903	-.387	.081	-.110	-.770	330	2211	.175	.066	.429	-.021	330	3103	.089	.116	.536	-.424
330	1904	-1.095	.298	-.155	-2.205	330	2212	.074	.048	.252	-.077	330	3104	-.044	.112	.427	-.407
330	1905	-1.228	.308	-.528	-2.436	330	2213	.140	.058	.434	-.010	330	3105	-.469	.075	-.110	-.747
330	1906	-.154	.098	.187	-.583	330	2214	.053	.040	.197	-.099	330	3106	-.510	.091	-.121	-.821
330	1907	-.560	.274	-.219	-1.504	330	2215	.021	.044	.165	-.269	330	3107	-.485	.082	-.024	-.821
330	1908	-.334	.055	-.112	-.539	330	2301	-.100	.061	.105	-.465	330	3108	-.057	.116	.459	-.414
330	1909	-.393	.060	-.213	-.663	330	2302	-.104	.048	.105	-.327	330	3109	.080	.121	.634	-.295
330	1910	-.411	.068	-.214	-.715	330	2303	-.134	.048	.037	-.286	330	3110	.064	.113	.673	-.328
330	1911	-.412	.092	-.156	-1.001	330	2304	-.342	.054	-.184	-.586	330	3111	-.147	.169	.342	-.811
330	1912	-.530	.095	-.201	-.914	330	2305	.103	.055	.345	-.077	330	3112	-.013	.111	.454	-.400
330	1913	-.620	.216	-.043	-1.597	330	2306	.083	.050	.282	-.094	330	3113	-.004	.115	.423	-.350

WD	TAP	CPMEAN	CPRMS	CPMAX	CPMIN	WD	TAP	CPMEAN	CPRMS	CPMAX	CPMIN	WD	TAP	CPMEAN	CPRMS	CPMAX	CPMIN
330	3114	-.233	.191	.309	-.930	330	3310	-.300	.034	-.187	-.477	330	3411	-.344	.081	-.140	-.689
330	3115	.119	.131	.684	-.305	330	3311	-.303	.030	-.197	-.423	330	3412	-.278	.051	-.095	-.489
330	3116	.128	.130	.582	-.329	330	3312	-.297	.035	-.134	-.454	330	3413	-.309	.033	-.215	-.471
330	3117	.074	.114	.489	-.488	330	3313	-.316	.037	-.199	-.458	330	3414	-.065	.143	-.481	-.553
330	3118	-.115	.117	.644	-.269	330	3314	-.320	.042	-.169	-.461	330	3415	-.521	.162	-.155	-1.295
330	3119	-.028	.200	.584	-.636	330	3315	-.296	.034	-.178	-.423	330	3416	-.231	.057	-.062	-.493
330	3120	-.006	.142	.567	-.336	330	3316	-.301	.034	-.192	-.442	330	3417	-.214	.055	.015	-.441
330	3121	-.031	.114	.475	-.424	330	3317	-.299	.033	-.197	-.419	330	3901	-.008	.055	.191	-.273
330	3122	-.261	.079	.171	-.571	330	3318	-.292	.034	-.162	-.472	330	3902	-.055	.066	.158	-.340
330	3123	-.146	.101	.428	-.405	330	3319	-.321	.037	-.211	-.508	330	3903	-.489	.104	-.196	-.923
330	3124	-.226	.078	.166	-.490	330	3320	-.304	.032	-.173	-.437	330	3904	-.475	.123	-.096	-1.197
330	3125	-.065	.147	.485	-.450	330	3321	-.308	.034	-.187	-.456	330	3905	-.486	.143	-.174	-1.311
330	3126	.005	.129	.573	-.331	330	3322	-.304	.034	-.201	-.426	330	3906	-.403	.100	-.046	-.755
330	3127	.033	.092	.499	-.250	330	3323	-.314	.042	-.187	-.479	330	3907	-.582	.092	-.284	-.940
330	3128	.054	.098	.468	-.390	330	3324	-.319	.042	-.192	-.458	330	3908	-.557	.092	-.220	-.985
330	3129	.090	.065	.482	-.222	330	3325	-.302	.033	-.206	-.433	330	3909	-.570	.086	-.270	-.992
330	3130	.099	.059	.366	-.072	330	3326	-.310	.031	-.201	-.421	330	3910	-.726	.174	-.224	-1.687
330	3131	.061	.073	.352	-.481	330	3327	-.312	.034	-.192	-.424	330	3911	-.662	.136	-.232	-1.194
330	3132	.034	.093	.404	-.250	330	3328	-.305	.033	-.185	-.433	330	3912	-.516	.080	-.016	-.805
330	3133	-.047	.147	.499	-.367	330	3329	-.373	.047	-.234	-.555	330	3913	-.490	.064	-.262	-.736
330	3134	-.194	.075	.171	-.407	330	3330	-.313	.032	-.215	-.416	330	3914	-.459	.068	-.201	-.714
330	3135	.135	.064	.399	-.042	330	3331	-.311	.034	-.192	-.454	330	3915	-.499	.112	-.215	-1.004
330	3136	.134	.060	.376	-.143	330	3332	-.304	.035	-.174	-.426	330	3916	-.440	.070	-.208	-.778
330	3201	-.270	.052	.021	-.521	330	3333	-.312	.034	-.206	-.435	330	3917	-.368	.068	-.136	-.693
330	3202	-.350	.067	-.145	-.669	330	3334	-.310	.036	-.192	-.433	330	3918	-.371	.065	-.170	-.657
330	3203	-.552	.114	-.205	-1.115	330	3335	-.312	.037	-.199	-.428	330	3919	-.324	.047	-.170	-.545
330	3204	-.403	.084	-.136	-.787	330	3336	-.327	.041	-.193	-.468	330	3920	-.327	.045	-.155	-.503
330	3205	-.286	.133	.180	-.647	330	3337	-.362	.061	-.193	-.661	330	3921	-.313	.044	-.155	-.531
330	3206	-.309	.117	.149	-.702	330	3338	-.201	.049	-.012	-.421	330	3922	-.428	.116	-.163	-.942
330	3207	-.289	.041	-.145	-.462	330	3339	-.317	.032	-.215	-.446	330	3923	-.463	.103	-.182	-.983
330	3208	-.617	.123	-.267	-1.092	330	3340	-.316	.033	-.218	-.431	330	3924	-.313	.033	-.193	-.462
330	3209	-.319	.039	-.183	-.481	330	3341	-.314	.034	-.180	-.438	330	3925	-.315	.042	-.174	-.550
330	3210	-.318	.042	-.157	-.488	330	3342	-.318	.036	-.208	-.466	330	3926	-.304	.034	-.196	-.434
330	3211	-.320	.060	-.088	-.526	330	3343	-.316	.032	-.220	-.431	330	3927	-.302	.066	-.060	-.676
330	3212	-.583	.186	-.199	-1.407	330	3344	-.320	.036	-.223	-.491	330	3928	-.323	.058	-.151	-.579
330	3213	-.369	.135	-.054	-1.060	330	3345	-.327	.039	-.193	-.481	330	3929	-.413	.079	-.134	-.733
330	3214	-.264	.049	-.065	-.438	330	3346	-.322	.044	-.175	-.541	330	3930	-.314	.033	-.193	-.431
330	3215	-.318	.025	-.241	-.402	330	3347	-.314	.044	-.150	-.516	330	3931	-.311	.032	-.204	-.435
330	3216	-.270	.056	.002	-.491	330	3348	-.003	.062	-.178	-.463	330	3932	-.313	.032	-.217	-.424
330	3217	-.264	.145	.322	-.746	330	3349	-.022	.060	-.223	-.208	330	3933	-.323	.043	-.177	-.504
330	3218	-.021	.120	.615	-.405	330	3401	-.330	.134	-.125	-.855	330	3934	-.318	.042	-.184	-.495
330	3301	-.312	.036	-.199	-.428	330	3402	-.297	.141	-.186	-.799	330	3935	-.300	.043	-.139	-.479
330	3302	-.304	.037	-.173	-.444	330	3403	-.733	.152	-.318	-1.590	330	3936	-.383	.048	-.235	-.604
330	3303	-.311	.038	-.173	-.442	330	3404	-.410	.077	-.203	-.947	330	3937	-.337	.042	-.200	-.516
330	3304	-.305	.036	-.180	-.454	330	3405	-.312	.039	-.159	-.461	330	3938	-.313	.033	-.225	-.433
330	3305	-.304	.033	-.190	-.444	330	3406	-.322	.038	-.165	-.483	330	3939	-.356	.040	-.228	-.498
330	3306	-.304	.036	-.192	-.468	330	3407	-.320	.036	-.205	-.453	330	3940	-.337	.039	-.190	-.528
330	3307	-.321	.047	-.175	-.619	330	3408	-.295	.038	-.178	-.456	330	3941	-.318	.034	-.213	-.441
330	3308	-.318	.044	-.173	-.498	330	3409	-.331	.037	-.210	-.478	340	1101	-.573	.201	.410	-1.255
330	3309	-.313	.038	-.201	-.472	330	3410	-.654	.078	-.477	-.933	340	1102	-.147	.426	.968	-1.262

WD	TAP	CPMEAN	CPRMS	CPMAX	CPMIN	WD	TAP	CPMEAN	CPRMS	CPMAX	CPMIN	WD	TAP	CPMEAN	CPRMS	CPMAX	CPMIN
340	1103	-.542	.138	-.058	-1.187	340	1153	.134	.067	.435	-.110	340	1241	-.593	.098	-.294	-1.025
340	1104	-.305	.346	.658	-1.045	340	1154	.072	.056	.318	-.126	340	1242	-.547	.076	-.346	-.858
340	1105	-.347	.377	.864	-1.317	340	1155	.090	.047	.257	-.019	340	1243	-.550	.078	-.311	-.900
340	1106	.054	.113	.540	-.316	340	1156	.170	.063	.423	.023	340	1244	-.633	.036	-.109	-.397
340	1107	.039	.096	.372	-.307	340	1157	.170	.064	.407	-.009	340	1245	-.627	.038	-.086	-.397
340	1108	.129	.125	.609	-.378	340	1158	-.217	.050	.030	-.377	340	1246	-.619	.053	.037	-.431
340	1109	.071	.133	.545	-.392	340	1159	.137	.084	.674	-.068	340	1247	-.618	.058	-.071	-.452
340	1110	-.046	.104	.367	-.470	340	1160	.280	.107	.737	.047	340	1248	-.602	.128	-.094	-.926
340	1111	.177	.131	.552	-.241	340	1161	.238	.096	.657	-.000	340	1249	-.635	.108	-.326	-1.024
340	1112	.269	.156	.864	-.205	340	1162	.177	.074	.435	-.010	340	1250	-.638	.108	-.329	-1.207
340	1113	.134	.168	.821	-.470	340	1201	-.315	.053	-.125	-.552	340	1251	-.632	.100	-.367	-1.133
340	1114	-.211	.109	.150	-.652	340	1202	-.300	.057	-.079	-.559	340	1252	-.617	.044	-.103	-.445
340	1115	-.022	.137	.509	-.409	340	1203	-.333	.082	-.032	-.712	340	1253	-.618	.038	-.108	-.412
340	1116	.203	.146	.710	-.309	340	1204	-.459	.124	-.037	-1.155	340	1254	-.620	.044	-.045	-.466
340	1117	.143	.165	.753	-.427	340	1205	-.617	.155	-.123	-1.299	340	1255	-.621	.043	-.103	-.415
340	1118	-.002	.159	.559	-.662	340	1206	-.608	.140	-.162	-1.248	340	1256	-.624	.049	-.052	-.503
340	1119	.014	.097	.358	-.304	340	1207	-.276	.054	-.083	-.550	340	1257	-.628	.135	-.001	-.908
340	1120	.155	.120	.533	-.205	340	1208	-.594	.131	-.123	-1.329	340	1258	-.740	.159	-.368	-1.686
340	1121	.357	.144	.819	-.063	340	1209	-.219	.061	-.053	-.626	340	1259	-.783	.159	-.438	-1.445
340	1122	.369	.138	.843	-.075	340	1210	-.225	.068	-.058	-.649	340	1260	-.757	.045	-.124	-.431
340	1123	.322	.144	.843	-.125	340	1211	-.236	.099	-.042	-.763	340	1261	-.754	.044	-.133	-.470
340	1124	.235	.141	.838	-.281	340	1212	-.351	.139	-.005	-1.122	340	1262	-.782	.041	-.145	-.468
340	1125	-.014	.098	.358	-.371	340	1213	-.576	.133	-.012	-1.292	340	1263	-.782	.044	-.136	-.445
340	1126	.136	.114	.566	-.302	340	1214	-.514	.079	-.306	-.930	340	1264	-.770	.041	-.098	-.419
340	1127	.393	.139	.857	-.049	340	1215	-.500	.080	-.262	-.839	340	1265	-.773	.080	-.075	-.659
340	1128	.414	.140	.869	-.017	340	1216	-.225	.054	-.083	-.510	340	1266	-.740	.297	-.005	-1.831
340	1129	.317	.140	.772	-.106	340	1217	-.204	.062	-.019	-.635	340	1267	-.923	.272	-.175	-2.139
340	1130	.195	.139	.763	-.262	340	1218	-.327	.117	-.160	-1.083	340	1268	-.858	.040	-.119	-.398
340	1131	-.036	.090	.436	-.317	340	1219	-.512	.076	-.278	-.832	340	1269	-.899	.043	-.164	-.477
340	1132	.118	.106	.538	-.234	340	1220	-.506	.083	-.264	-.948	340	1270	-.819	.048	-.159	-.512
340	1133	.345	.126	.860	.036	340	1221	-.222	.055	-.065	-.605	340	1271	-.729	.246	-.184	-1.868
340	1134	.393	.131	.852	-.062	340	1222	-.212	.061	-.016	-.723	340	1272	-.756	.038	-.147	-.443
340	1135	.272	.137	.751	-.085	340	1223	-.229	.085	.039	-.979	340	1273	-.782	.037	-.177	-.426
340	1136	.149	.141	.616	-.267	340	1224	-.368	.120	.019	-1.048	340	1274	-.789	.043	-.129	-.524
340	1137	-.028	.095	.310	-.508	340	1225	-.571	.114	-.206	-1.125	340	1275	-.768	.045	-.022	-.426
340	1138	.080	.100	.526	-.333	340	1226	-.508	.077	-.297	-.858	340	1276	-.740	.083	.039	-.731
340	1139	.241	.122	.748	-.158	340	1227	-.521	.077	-.306	-.879	340	1277	-.751	.161	-.132	-1.163
340	1140	.231	.135	.841	-.179	340	1228	-.213	.051	-.067	-.570	340	1278	-.728	.044	-.164	-.454
340	1141	.150	.146	.796	-.527	340	1229	-.206	.051	-.005	-.545	340	1279	-.783	.032	-.187	-.405
340	1142	.041	.146	.708	-.506	340	1230	-.185	.069	.030	-.612	340	1280	-.792	.032	-.177	-.391
340	1143	-.007	.087	.381	-.305	340	1231	-.247	.081	-.044	-.661	340	1281	-.800	.047	-.161	-.482
340	1144	.128	.076	.450	-.127	340	1232	-.451	.098	-.019	-.830	340	1282	-.809	.042	-.068	-.384
340	1145	.203	.081	.592	-.021	340	1233	-.556	.095	-.241	-1.062	340	1283	-.894	.079	-.061	-.731
340	1146	.195	.087	.632	-.002	340	1234	-.518	.073	-.311	-.821	340	1284	-.803	.041	-.150	-.445
340	1147	.071	.072	.422	-.099	340	1235	-.508	.073	-.291	-.772	340	1285	-.779	.032	-.175	-.391
340	1148	-.036	.087	.419	-.291	340	1236	-.234	.041	-.074	-.424	340	1286	-.779	.031	-.161	-.380
340	1149	-.060	.109	.310	-.546	340	1237	-.221	.042	-.056	-.415	340	1287	-.793	.036	-.175	-.419
340	1150	.079	.072	.353	-.194	340	1238	-.198	.077	.146	-.543	340	1288	-.790	.048	-.005	-.403
340	1151	-.128	.082	.235	-.430	340	1239	-.246	.115	.072	-.888	340	1289	-.831	.053	-.059	-.536
340	1152	.154	.069	.531	-.085	340	1240	-.504	.142	-.058	-1.241	340	1290	-.888	.086	-.131	-.866



WD	TAP	CPMEAN	CPRMS	CPMAX	CPMIN	WD	TAP	CPMEAN	CPRMS	CPMAX	CPMIN	WD	TAP	CPMEAN	CPRMS	CPMAX	CPMIN
340	1301	-.321	.049	-.172	-.524	340	1351	-.238	.032	-.141	-.374	340	1416	-.290	.049	-.082	-.486
340	1302	-.356	.052	-.179	-.556	340	1352	-.240	.042	-.106	-.521	340	1417	-.276	.047	-.089	-.527
340	1303	-.313	.053	-.153	-.526	340	1353	-.294	.039	-.188	-.564	340	1418	-.264	.048	-.077	-.536
340	1304	-.354	.055	-.195	-.644	340	1354	-.290	.039	-.169	-.415	340	1419	-.268	.056	-.021	-.515
340	1305	-.389	.035	-.151	-.438	340	1355	-.278	.047	-.148	-.529	340	1420	-.266	.056	-.084	-.504
340	1306	-.383	.056	-.174	-.496	340	1356	-.284	.058	-.136	-.522	340	1421	-.259	.145	-.319	-1.426
340	1307	-.270	.044	-.104	-.433	340	1357	-.244	.052	-.106	-.543	340	1422	-.718	.158	-.011	-1.451
340	1308	-.257	.044	-.128	-.515	340	1358	-.218	.033	-.118	-.376	340	1423	-.164	.051	-.151	-.467
340	1309	-.243	.046	-.074	-.491	340	1359	-.210	.028	-.113	-.353	340	1424	-.212	.036	-.052	-.447
340	1310	-.237	.043	-.086	-.433	340	1360	-.205	.030	-.111	-.348	340	1425	-.272	.037	-.077	-.417
340	1311	-.226	.049	-.058	-.480	340	1361	-.302	.039	-.197	-.443	340	1426	-.303	.038	-.187	-.438
340	1312	-.231	.052	-.060	-.464	340	1362	-.279	.040	-.162	-.462	340	1427	-.295	.043	-.061	-.495
340	1313	-.296	.037	-.188	-.426	340	1363	-.219	.029	-.129	-.322	340	1428	-.283	.047	-.095	-.495
340	1314	-.348	.038	-.130	-.426	340	1364	-.209	.032	-.085	-.313	340	1429	-.253	.046	-.083	-.452
340	1315	-.242	.037	-.111	-.403	340	1365	-.178	.037	-.032	-.327	340	1430	-.262	.050	-.100	-.472
340	1316	-.229	.045	-.102	-.468	340	1366	-.183	.028	-.067	-.295	340	1431	-.686	.146	-.235	-1.567
340	1317	-.292	.036	-.153	-.417	340	1367	-.203	.027	-.106	-.313	340	1432	-.701	.152	-.125	-1.350
340	1318	-.256	.040	-.123	-.424	340	1368	-.218	.029	-.122	-.329	340	1433	-.220	.107	-.165	-1.111
340	1319	-.249	.039	-.116	-.440	340	1369	-.312	.044	-.178	-.508	340	1434	-.175	.053	-.004	-.641
340	1320	-.238	.053	-.093	-.503	340	1370	-.238	.029	-.140	-.384	340	1435	-.734	.147	-.340	-1.622
340	1321	-.296	.039	-.169	-.440	340	1371	-.184	.030	-.085	-.301	340	1436	-.268	.032	-.166	-.410
340	1322	-.295	.041	-.195	-.461	340	1372	-.266	.027	-.185	-.354	340	1437	-.295	.046	-.082	-.554
340	1323	-.267	.043	-.132	-.438	340	1373	-.267	.038	-.171	-.409	340	1438	-.289	.051	-.077	-.638
340	1324	-.263	.040	-.131	-.426	340	1374	-.213	.027	-.126	-.320	340	1439	-.255	.042	-.095	-.444
340	1325	-.250	.042	-.102	-.441	340	1375	-.179	.031	-.055	-.288	340	1440	-.263	.044	-.070	-.467
340	1326	-.248	.039	-.083	-.404	340	1376	-.190	.025	-.094	-.276	340	1441	-.677	.144	-.221	-1.282
340	1327	-.235	.053	-.095	-.529	340	1377	-.252	.034	-.155	-.374	340	1442	-.691	.157	-.130	-1.597
340	1328	-.235	.055	-.109	-.757	340	1378	-.218	.029	-.110	-.317	340	1443	-.474	.224	-.060	-1.154
340	1329	-.284	.036	-.188	-.443	340	1379	-.206	.028	-.087	-.290	340	1444	-.158	.062	-.067	-.698
340	1330	-.279	.035	-.174	-.401	340	1380	-.261	.036	-.144	-.412	340	1445	-.141	.045	-.023	-.376
340	1331	-.263	.040	-.115	-.494	340	1381	-.303	.036	-.199	-.442	340	1446	-.225	.030	-.107	-.385
340	1332	-.252	.037	-.125	-.399	340	1382	-.240	.032	-.158	-.372	340	1447	-.251	.029	-.152	-.351
340	1333	-.248	.035	-.122	-.385	340	1383	-.250	.032	-.153	-.386	340	1448	-.288	.036	-.184	-.423
340	1334	-.236	.035	-.127	-.387	340	1384	-.199	.026	-.094	-.301	340	1449	-.289	.045	-.088	-.496
340	1335	-.230	.040	-.090	-.436	340	1385	-.189	.029	-.073	-.288	340	1450	-.295	.050	-.093	-.564
340	1336	-.232	.047	-.099	-.469	340	1401	-.185	.199	-.360	-.877	340	1451	-.261	.039	-.136	-.467
340	1337	-.289	.034	-.195	-.401	340	1402	-.156	.159	-.225	-.873	340	1452	-.262	.044	-.112	-.508
340	1338	-.287	.037	-.188	-.457	340	1403	-.177	.042	-.053	-.419	340	1453	-.628	.170	-.153	-1.713
340	1339	-.269	.040	-.157	-.485	340	1404	-.205	.055	-.093	-.549	340	1454	-.603	.126	-.259	-1.204
340	1340	-.263	.040	-.143	-.480	340	1405	-.250	.057	-.059	-.503	340	1455	-.540	.198	-.033	-1.221
340	1341	-.267	.035	-.122	-.419	340	1406	-.282	.041	-.178	-.472	340	1456	-.195	.092	-.127	-.737
340	1342	-.260	.038	-.146	-.422	340	1407	-.054	.225	-.553	-.730	340	1457	-.160	.056	-.019	-.573
340	1343	-.262	.046	-.143	-.583	340	1408	-.288	.035	-.168	-.419	340	1458	-.234	.037	-.083	-.493
340	1344	-.251	.045	-.129	-.485	340	1409	-.748	.134	-.424	-1.419	340	1459	-.252	.033	-.109	-.394
340	1345	-.287	.037	-.162	-.420	340	1410	-.784	.148	-.267	-1.435	340	1460	-.293	.037	-.194	-.438
340	1346	-.292	.036	-.190	-.446	340	1411	-.206	.079	-.004	-.766	340	1461	-.294	.044	-.112	-.506
340	1347	-.271	.040	-.148	-.427	340	1412	-.185	.039	-.005	-.556	340	1462	-.291	.052	-.068	-.518
340	1348	-.268	.038	-.167	-.436	340	1413	-.206	.031	-.105	-.378	340	1463	-.268	.037	-.150	-.428
340	1349	-.258	.039	-.148	-.485	340	1414	-.236	.031	-.127	-.422	340	1464	-.261	.039	-.156	-.527
340	1350	-.248	.037	-.141	-.411	340	1415	-.297	.041	-.166	-.467	340	1465	-.560	.139	-.262	-1.332

WD	TAP	CPMEAN	CPRMS	CPMAX	CPMIN	WD	TAP	CPMEAN	CPRMS	CPMAX	CPMIN	WD	TAP	CPMEAN	CPRMS	CPMAX	CPMIN
340	1466	-.566	.135	-.141	-1.262	340	1516	-.247	.031	-.160	-.357	340	2107	.091	.044	.295	-.058
340	1467	-.510	.178	.011	-1.172	340	1801	-.179	.070	-.491	-.002	340	2201	-.253	.073	-.007	-.561
340	1468	-.222	.098	.267	-.716	340	1802	-.225	.027	-.143	-.328	340	2202	-.228	.089	.036	-.611
340	1469	-.174	.053	.004	-.489	340	1803	-.231	.027	-.133	-.321	340	2203	.032	.097	.442	-.276
340	1470	-.241	.039	-.015	-.402	340	1804	-.082	.067	-.243	-.377	340	2204	-.033	.065	.203	-.336
340	1471	-.284	.036	-.136	-.426	340	1805	-.243	.031	-.148	-.356	340	2205	-.074	.066	.348	-.189
340	1472	-.295	.034	-.189	-.409	340	1806	-.281	.035	-.162	-.422	340	2206	-.197	.155	.367	-.706
340	1473	-.285	.044	-.100	-.464	340	1807	-.224	.046	-.044	-.437	340	2207	.017	.056	.297	-.230
340	1474	-.285	.045	-.090	-.522	340	1808	-.238	.090	-.106	-.555	340	2208	.110	.056	.353	-.051
340	1475	-.273	.042	-.155	-.539	340	1901	-.187	.047	-.007	-.470	340	2209	.044	.039	.184	-.164
340	1476	-.274	.043	-.134	-.556	340	1902	-.254	.049	-.028	-.525	340	2210	-.003	.049	.157	-.220
340	1477	-.548	.153	-.141	-1.991	340	1903	-.393	.124	-.051	-.933	340	2211	.203	.075	.536	-.024
340	1478	-.575	.165	-.006	-1.634	340	1904	-.817	.183	-.374	-1.659	340	2212	.102	.053	.350	-.073
340	1479	-.461	.170	.007	-1.189	340	1905	-.804	.180	-.371	-1.655	340	2213	.183	.065	.442	-.022
340	1480	-.212	.065	.031	-.489	340	1906	-.103	.086	-.191	-.468	340	2214	.052	.040	.227	-.083
340	1481	-.174	.046	-.043	-.341	340	1907	-.795	.153	-.165	-1.439	340	2215	.016	.050	.178	-.282
340	1482	-.247	.031	-.124	-.375	340	1908	-.265	.061	-.000	-.513	340	2301	-.216	.092	.038	-.811
340	1483	-.265	.034	-.165	-.416	340	1909	-.336	.061	-.144	-.602	340	2302	-.223	.055	-.024	-.494
340	1484	-.301	.038	-.196	-.464	340	1910	-.334	.056	-.149	-.594	340	2303	-.243	.058	.068	-.489
340	1485	-.210	.055	-.002	-.421	340	1911	-.345	.080	-.069	-.623	340	2304	-.320	.052	-.184	-.560
340	1486	-.217	.046	-.044	-.416	340	1912	-.451	.116	-.060	-.688	340	2305	.134	.065	.424	-.041
340	1487	-.193	.059	.103	-.414	340	1913	-.420	.167	-.023	-1.427	340	2306	.095	.054	.318	-.090
340	1488	-.173	.060	.115	-.380	340	1914	-.276	.052	-.007	-.507	340	2307	.049	.049	.220	-.140
340	1489	-.734	.273	.043	-2.024	340	1915	-.410	.200	.444	-.935	340	2308	-.244	.031	-.154	-.334
340	1490	-.651	.232	.120	-1.894	340	1916	-.743	.145	-.295	-1.287	340	2309	.181	.064	.416	-.028
340	1491	-.339	.133	-.018	-.836	340	1917	-.628	.115	-.263	-1.150	340	2310	.091	.058	.313	-.122
340	1492	-.173	.048	.033	-.394	340	1918	-.198	.063	.139	-.482	340	2311	.047	.047	.242	-.130
340	1493	-.141	.042	-.038	-.264	340	1919	-.250	.060	-.010	-.502	340	2401	.321	.055	.189	-.570
340	1494	-.185	.034	-.051	-.290	340	1920	-.179	.078	-.239	-.500	340	2402	-.339	.059	-.162	-.666
340	1495	-.212	.030	-.097	-.318	340	1921	-.305	.044	-.142	-.493	340	2403	-.342	.055	-.184	-.563
340	1496	-.292	.042	-.160	-.443	340	1922	-.286	.057	-.067	-.491	340	2404	-.329	.050	-.184	-.622
340	1497	-.197	.044	-.016	-.348	340	1923	-.369	.080	-.067	-.655	340	2405	-.341	.049	-.206	-.599
340	1498	-.193	.040	-.030	-.313	340	1924	-.544	.142	-.029	-1.120	340	2406	-.327	.050	-.169	-.502
340	1499	-.218	.034	-.060	-.378	340	1925	-.284	.076	-.002	-.696	340	2901	-.210	.031	-.087	-.317
340	1500	-.213	.037	-.067	-.364	340	1926	-.641	.119	-.331	-1.157	340	2902	-.266	.048	-.118	-.515
340	1501	-.533	.238	.199	-1.675	340	1927	-.116	.089	-.228	-.434	340	2903	-.072	.117	.517	-.205
340	1502	-.249	.166	.132	-1.126	340	1928	-.514	.088	-.249	-.874	340	2904	-.231	.070	-.022	-.573
340	1503	-.184	.050	.005	-.382	340	1929	-.137	.073	.143	-.445	340	2905	-.167	.052	.041	-.367
340	1504	-.169	.043	.095	-.306	340	1930	-.203	.071	.041	-.575	340	2906	-.089	.043	.094	-.263
340	1505	-.150	.039	.023	-.329	340	1931	-.248	.106	.175	-.867	340	2907	-.316	.053	-.169	-.609
340	1506	-.134	.044	.111	-.274	340	1932	-.536	.121	-.068	-1.126	340	2908	-.161	.087	.147	-.766
340	1507	-.272	.046	-.139	-.447	340	1933	-.527	.091	-.277	-.887	340	2909	-.256	.048	-.116	-.466
340	1508	-.229	.035	-.100	-.376	340	1934	-.285	.037	-.138	-.449	340	2910	-.286	.099	-.027	-.906
340	1509	-.234	.036	-.123	-.396	340	1935	-.400	.064	-.221	-.690	340	2911	-.181	.036	-.017	-.319
340	1510	-.261	.040	-.160	-.403	340	2101	.109	.072	.483	-.138	340	2912	-.172	.037	-.046	-.343
340	1511	-.242	.039	-.097	-.389	340	2102	.091	.098	.681	-.225	340	2913	-.175	.050	-.024	-.471
340	1512	-.218	.031	-.118	-.331	340	2103	.002	.086	.500	-.271	340	2914	-.228	.053	.034	-.418
340	1513	-.245	.036	-.135	-.403	340	2104	.116	.065	.529	-.049	340	2915	-.257	.068	-.022	-.529
340	1514	-.243	.032	-.135	-.350	340	2105	.078	.049	.358	-.075	340	2916	-.253	.110	.014	-.819
340	1515	-.248	.037	-.135	-.394	340	2106	.093	.039	.338	-.034	340	2917	-.499	.202	.113	-1.235

WD	TAP	CPMEAN	CPRMS	CPMAX	CPMIN	WD	TAP	CPMEAN	CPRMS	CPMAX	CPMIN	WD	TAP	CPMEAN	CPRMS	CPMAX	CPMIN
340	32918	-.227	.125	.138	-.860	340	32206	-.311	.099	-.091	-.698	340	33338	-.163	.045	-.004	-.338
340	32919	-.061	.074	.133	-.549	340	32207	-.262	.046	-.040	-.443	340	33339	-.280	.033	-.166	-.416
340	32920	-.001	.081	.208	-.570	340	32208	-.494	.115	-.175	-1.084	340	33340	-.273	.031	-.166	-.391
340	32921	.093	.061	.336	-.172	340	32209	-.275	.034	-.156	-.393	340	33341	-.267	.032	-.161	-.383
340	32922	.098	.056	.316	-.070	340	32210	-.280	.045	-.151	-.450	340	33342	-.267	.032	-.164	-.391
340	32923	.091	.045	.246	-.065	340	32211	-.295	.055	-.113	-.556	340	33343	-.276	.033	-.174	-.408
340	32924	.027	.062	.222	-.244	340	32212	-.322	.171	-.163	-1.319	340	33344	-.279	.035	-.174	-.413
340	32925	.059	.043	.227	-.107	340	32213	-.366	.131	-.012	-1.020	340	33345	-.280	.041	-.154	-.443
340	32926	-.010	.060	.181	-.353	340	32214	-.238	.044	-.057	-.424	340	33346	-.288	.039	-.159	-.436
340	33101	-.021	.206	.606	-.704	340	32215	-.301	.024	-.232	-.397	340	33347	-.299	.044	-.124	-.456
340	33102	.043	.128	.480	-.360	340	32216	-.269	.055	-.109	-.614	340	33348	-.009	.055	-.226	-.171
340	33103	.086	.127	.691	-.294	340	32217	-.281	.128	-.175	-.702	340	33349	-.059	.060	-.166	-.281
340	33104	-.057	.105	-.445	-.384	340	32218	-.056	.094	.396	-.374	340	33401	-.268	.111	-.123	-.633
340	33105	-.409	.064	-.156	-.680	340	33301	-.273	.032	-.179	-.397	340	33402	-.244	.131	-.183	-.683
340	33106	-.442	.075	-.024	-.670	340	33302	-.260	.035	-.141	-.393	340	33403	-.611	.125	-.308	-1.405
340	33107	-.421	.072	-.012	-.698	340	33303	-.263	.035	-.132	-.386	340	33404	-.358	.070	-.146	-.710
340	33108	-.041	.107	.514	-.398	340	33304	-.258	.033	-.114	-.404	340	33405	-.264	.037	-.155	-.446
340	33109	.103	.118	.599	-.369	340	33305	-.264	.033	-.127	-.449	340	33406	-.264	.038	-.134	-.428
340	33110	.089	.104	.629	-.241	340	33306	-.271	.033	-.151	-.393	340	33407	-.270	.032	-.169	-.428
340	33111	-.129	.164	.391	-.646	340	33307	-.275	.039	-.159	-.473	340	33408	-.244	.034	-.148	-.376
340	33112	.012	.104	.502	-.312	340	33308	-.279	.048	-.130	-.467	340	33409	-.283	.035	-.186	-.421
340	33113	.052	.113	.495	-.348	340	33309	-.268	.036	-.160	-.425	340	33410	-.567	.065	-.411	-.779
340	33114	-.180	.181	.360	-.871	340	33310	-.264	.033	-.153	-.400	340	33411	-.398	.076	-.106	-.640
340	33115	.124	.125	.623	-.298	340	33311	-.261	.033	-.125	-.381	340	33412	-.333	.049	-.085	-.445
340	33116	.098	.130	.669	-.530	340	33312	-.257	.034	-.153	-.381	340	33413	-.272	.031	-.159	-.386
340	33117	.102	.108	.526	-.298	340	33313	-.264	.034	-.151	-.432	340	33414	-.014	.112	-.480	-.478
340	33118	.145	.120	.633	-.225	340	33314	-.273	.036	-.165	-.407	340	33415	-.442	.133	-.109	-1.137
340	33119	-.097	.210	.622	-.875	340	33315	-.257	.033	-.148	-.386	340	33416	-.195	.053	.004	-.401
340	33120	-.036	.141	.516	-.417	340	33316	-.257	.032	-.148	-.393	340	33417	-.180	.051	.043	-.338
340	33121	-.007	.095	.391	-.412	340	33317	-.257	.032	-.160	-.390	340	33901	-.009	.058	.173	-.243
340	33122	.268	.065	.059	-.507	340	33318	-.256	.034	-.151	-.388	340	33902	-.082	.063	.121	-.408
340	33123	-.120	.090	.457	-.350	340	33319	-.279	.038	-.167	-.428	340	33903	-.434	.085	-.145	-.777
340	33124	-.245	.066	.045	-.495	340	33320	-.270	.031	-.144	-.388	340	33904	-.412	.095	-.152	-1.042
340	33125	-.114	.122	.495	-.471	340	33321	-.269	.032	-.130	-.397	340	33905	-.447	.145	-.119	-1.220
340	33126	-.043	.118	.640	-.386	340	33322	-.261	.030	-.158	-.379	340	33906	-.391	.087	-.007	-.708
340	33127	-.010	.070	.372	-.305	340	33323	-.276	.036	-.165	-.423	340	33907	-.487	.096	-.161	-.983
340	33128	-.004	.088	.434	-.433	340	33324	-.282	.039	-.132	-.453	340	33908	-.463	.086	-.230	-.824
340	33129	.102	.063	.403	-.208	340	33325	-.258	.031	-.160	-.374	340	33909	-.482	.096	-.223	-1.073
340	33130	.108	.063	.386	-.175	340	33326	-.268	.033	-.146	-.397	340	33910	-.645	.150	-.249	-1.340
340	33131	.087	.067	.462	-.144	340	33327	-.271	.033	-.132	-.402	340	33911	-.565	.132	-.168	-1.094
340	33132	-.055	.073	.438	-.175	340	33328	-.260	.034	-.146	-.386	340	33912	-.451	.072	-.100	-.786
340	33133	-.027	.115	.476	-.310	340	33329	-.319	.041	-.190	-.524	340	33913	-.436	.072	-.202	-.720
340	33134	-.165	.069	.209	-.388	340	33330	-.268	.033	-.167	-.372	340	33914	-.412	.059	-.211	-.644
340	33135	.128	.059	.393	-.044	340	33331	-.260	.033	-.141	-.388	340	33915	-.454	.110	-.154	-1.016
340	33136	.141	.059	.398	-.271	340	33332	-.264	.032	-.116	-.367	340	33916	-.394	.078	-.150	-.651
340	33201	-.253	.057	.029	-.481	340	33333	-.273	.037	-.148	-.395	340	33917	-.331	.064	-.071	-.602
340	33202	-.332	.070	-.078	-.696	340	33334	-.266	.031	-.162	-.374	340	33918	-.333	.072	-.107	-.720
340	33203	-.485	.110	-.175	-.060	340	33335	-.267	.032	-.158	-.402	340	33919	-.296	.052	-.123	-.543
340	33204	-.397	.089	-.118	-.781	340	33336	-.278	.034	-.174	-.423	340	33920	-.296	.050	-.131	-.535
340	3205	-.274	.123	.173	-.680	340	33337	-.305	.053	-.121	-.560	340	33921	-.288	.047	-.081	-.500

WD	TAP	CPMEAN	CPRMS	CPMAX	CPMIN	WD	TAP	CPMEAN	CPRMS	CPMAX	CPMIN	WD	TAP	CPMEAN	CPRMS	CPMAX	CPMIN
340	3922	-.355	.097	-.055	-.853	350	1131	.009	.100	.426	-.295	350	1219	-.531	.091	-.292	-.915
340	3923	-.393	.095	-.100	-.933	350	1132	.186	.111	.576	-.211	350	1220	-.552	.101	-.278	-1.209
340	3924	-.273	.031	-.159	-.391	350	1133	.356	.130	.862	-.070	350	1221	-.190	.045	-.029	-.663
340	3925	-.284	.048	-.100	-.561	350	1134	.366	.135	.838	-.023	350	1222	-.185	.049	-.020	-.479
340	3926	-.266	.032	-.166	-.382	350	1135	.214	.129	.759	-.166	350	1223	-.207	.077	.057	-.672
340	3927	-.300	.067	-.031	-.675	350	1136	.073	.117	.531	-.339	350	1224	-.300	.109	.062	-.836
340	3928	-.292	.050	-.121	-.495	350	1137	.032	.108	.440	-.445	350	1225	-.548	.143	-.017	-1.283
340	3929	-.359	.078	-.100	-.701	350	1138	.133	.112	.592	-.304	350	1226	-.562	.094	-.297	-1.022
340	3930	-.274	.033	-.135	-.405	350	1139	.245	.117	.712	-.155	350	1227	-.537	.086	-.241	-.913
340	3931	-.267	.031	-.175	-.372	350	1140	.236	.116	.684	-.159	350	1228	-.177	.039	-.052	-.439
340	3932	-.269	.033	-.142	-.384	350	1141	.109	.134	.639	-.555	350	1229	-.171	.041	-.004	-.527
340	3933	-.288	.046	-.036	-.527	350	1142	-.031	.119	.499	-.634	350	1230	-.146	.066	.088	-.488
340	3934	-.274	.044	-.064	-.424	350	1143	.044	.087	.426	-.323	350	1231	-.192	.079	.137	-.600
340	3935	-.273	.045	-.128	-.481	350	1144	.156	.079	.464	-.192	350	1232	-.373	.108	.109	-.852
340	3936	-.347	.043	-.236	-.535	350	1145	.241	.081	.627	.028	350	1233	-.556	.114	-.125	-1.188
340	3937	-.307	.040	-.186	-.473	350	1146	.208	.084	.672	.002	350	1234	-.539	.090	-.285	-1.106
340	3938	-.270	.030	-.171	-.371	350	1147	.048	.070	.384	-.147	350	1235	-.527	.082	-.277	-.917
340	3939	-.317	.042	-.156	-.488	350	1148	.106	.066	.199	-.318	350	1236	-.194	.034	-.062	-.355
340	3940	-.297	.038	-.131	-.451	350	1149	-.012	.117	.508	-.445	350	1237	-.188	.035	-.066	-.351
340	3941	-.274	.033	-.171	-.391	350	1150	.117	.080	.457	-.133	350	1238	-.159	.063	.081	-.537
350	1101	-.628	.158	.355	-1.272	350	1151	-.188	.088	.155	-.529	350	1239	-.210	.104	.132	-.721
350	1102	-.581	.187	.708	-1.445	350	1152	.174	.077	.529	-.082	350	1240	-.458	.183	-.001	-1.321
350	1103	-.610	.122	-.176	-1.295	350	1153	.149	.072	.392	-.043	350	1241	-.597	.124	-.139	-1.211
350	1104	-.591	.130	.231	-1.082	350	1154	.094	.064	.339	-.087	350	1242	-.576	.097	-.257	-1.057
350	1105	-.619	.135	.177	-1.134	350	1155	.136	.056	.346	.003	350	1243	-.565	.094	-.243	-.976
350	1106	.083	.104	.439	-.265	350	1156	.189	.072	.570	.022	350	1244	-.195	.033	-.062	-.332
350	1107	.073	.106	.462	-.300	350	1157	.199	.071	.554	-.038	350	1245	-.196	.034	-.071	-.355
350	1108	.083	.123	.514	-.307	350	1158	-.184	.046	.008	-.356	350	1246	-.163	.047	.120	-.325
350	1109	.004	.118	.425	-.367	350	1159	.141	.084	.591	-.052	350	1247	-.177	.050	.042	-.377
350	1110	.009	.127	.439	-.447	350	1160	.273	.107	.746	.038	350	1248	-.284	.125	.023	-.889
350	1111	.236	.149	.717	-.353	350	1161	.243	.093	.630	.029	350	1249	-.616	.158	-.049	-1.378
350	1112	.240	.148	.712	-.363	350	1162	.205	.079	.672	-.045	350	1250	-.667	.125	-.241	-1.600
350	1113	.020	.137	.535	-.395	350	1201	-.245	.060	-.045	-.598	350	1251	-.655	.116	-.355	-1.246
350	1114	-.167	.129	.378	-.580	350	1202	-.233	.066	.008	-.836	350	1252	-.194	.045	-.066	-.440
350	1115	.004	.144	.488	-.547	350	1203	-.250	.094	.090	-.633	350	1253	-.194	.042	-.045	-.412
350	1116	.184	.145	.684	-.272	350	1204	-.360	.136	.088	-.966	350	1254	-.208	.045	-.012	-.445
350	1117	.090	.160	.607	-.489	350	1205	-.548	.152	.064	-1.183	350	1255	-.219	.043	-.054	-.375
350	1118	-.082	.149	.523	-.695	350	1206	-.559	.140	-.148	-1.104	350	1256	-.194	.047	.037	-.393
350	1119	.086	.109	.497	-.246	350	1207	-.221	.046	-.036	-.453	350	1257	-.287	.117	.133	-.756
350	1120	.193	.121	.633	-.171	350	1208	-.562	.114	-.129	-1.041	350	1258	-.776	.189	-.269	-1.890
350	1121	.376	.148	.801	-.075	350	1209	-.176	.044	-.031	-.411	350	1259	-.790	.177	-.281	-1.748
350	1122	.371	.152	.852	-.071	350	1210	-.179	.048	-.017	-.500	350	1260	-.222	.048	-.103	-.400
350	1123	.274	.139	.748	-.148	350	1211	-.189	.068	.048	-.591	350	1261	-.222	.045	-.073	-.414
350	1124	.138	.124	.603	-.225	350	1212	-.275	.110	.276	-.885	350	1262	-.234	.050	-.047	-.470
350	1125	.061	.112	.455	-.300	350	1213	-.538	.150	.048	-1.188	350	1263	-.239	.046	-.068	-.477
350	1126	.198	.129	.705	-.180	350	1214	-.532	.089	-.297	-.945	350	1264	-.227	.041	-.052	-.375
350	1127	.398	.152	.911	-.023	350	1215	-.543	.092	-.288	-1.120	350	1265	-.313	.074	-.052	-.688
350	1128	.410	.144	.983	-.030	350	1216	-.186	.040	-.045	-.484	350	1266	-.693	.332	-.000	-2.087
350	1129	.242	.130	.688	-.143	350	1217	-.174	.046	-.022	-.635	350	1267	-.871	.293	-.078	-2.341
350	1130	.117	.129	.609	-.262	350	1218	-.269	.105	.169	-.735	350	1268	-.224	.044	-.096	-.363

WD	TAP	CPMEAN	CPRMS	CPMAX	CPMIN	WD	TAP	CPMEAN	CPRMS	CPMAX	CPMIN	WD	TAP	CPMEAN	CPRMS	CPMAX	CPMIN
350	1269	-.254	.051	-.110	-.506	350	1329	-.236	.040	-.101	-.459	350	1379	-.167	.022	-.075	-.245
350	1270	-.270	.043	-.134	-.452	350	1330	-.234	.036	-.092	-.409	350	1380	-.203	.035	-.107	-.340
350	1271	-.443	.258	-.042	-1.656	350	1331	-.209	.038	-.099	-.362	350	1381	-.265	.038	-.131	-.423
350	1272	-.221	.040	-.103	-.398	350	1332	-.196	.035	-.064	-.347	350	1382	-.202	.029	-.123	-.303
350	1273	-.228	.041	-.103	-.442	350	1333	-.198	.032	-.098	-.308	350	1383	-.206	.027	-.123	-.308
350	1274	-.246	.045	-.098	-.466	350	1334	-.191	.031	-.094	-.324	350	1384	-.171	.022	-.075	-.238
350	1275	-.223	.044	-.028	-.403	350	1335	-.190	.032	-.089	-.328	350	1385	-.173	.022	-.094	-.238
350	1276	-.188	.082	-.098	-.615	350	1336	-.192	.037	-.073	-.354	350	1401	-.510	.163	.355	-1.224
350	1277	-.210	.145	-.140	-.976	350	1337	-.237	.042	-.110	-.429	350	1402	-.470	.169	.117	-1.109
350	1278	-.252	.047	-.122	-.424	350	1338	-.239	.043	-.108	-.427	350	1403	-.246	.101	.041	-.825
350	1279	-.237	.035	-.131	-.412	350	1339	-.215	.043	-.082	-.432	350	1404	-.176	.050	-.011	-.505
350	1280	-.250	.035	-.141	-.403	350	1340	-.208	.036	-.073	-.388	350	1405	-.192	.049	-.025	-.439
350	1281	-.247	.042	-.124	-.438	350	1341	-.215	.031	-.082	-.388	350	1406	-.214	.031	-.119	-.385
350	1282	-.161	.041	-.061	-.316	350	1342	-.207	.027	-.119	-.312	350	1407	-.476	.152	-.404	-.903
350	1283	-.338	.071	-.026	-.630	350	1343	-.204	.029	-.108	-.349	350	1408	-.225	.035	-.078	-.361
350	1284	-.251	.048	-.117	-.407	350	1344	-.202	.031	-.094	-.337	350	1409	-.666	.108	-.386	-1.220
350	1285	-.235	.035	-.101	-.356	350	1345	-.233	.040	-.117	-.411	350	1410	-.674	.113	-.250	-1.137
350	1286	-.241	.035	-.087	-.379	350	1346	-.230	.039	-.108	-.441	350	1411	-.424	.164	-.014	-1.139
350	1287	-.250	.037	-.113	-.424	350	1347	-.211	.038	-.078	-.537	350	1412	-.235	.110	.055	-1.013
350	1288	-.138	.048	-.098	-.276	350	1348	-.202	.032	-.096	-.528	350	1413	-.206	.055	-.009	-.624
350	1289	-.181	.047	-.007	-.393	350	1349	-.200	.026	-.121	-.289	350	1414	-.218	.051	-.060	-.593
350	1290	-.322	.076	-.091	-.653	350	1350	-.198	.024	-.131	-.301	350	1415	-.250	.051	-.101	-.473
350	1301	-.245	.046	-.102	-.480	350	1351	-.200	.031	-.103	-.379	350	1416	-.226	.056	-.005	-.512
350	1302	-.255	.052	-.127	-.535	350	1352	-.203	.034	-.105	-.418	350	1417	-.220	.054	-.000	-.492
350	1303	-.241	.046	-.104	-.491	350	1353	-.232	.035	-.140	-.411	350	1418	-.207	.049	-.037	-.455
350	1304	-.283	.051	-.111	-.493	350	1354	-.226	.031	-.117	-.356	350	1419	-.205	.055	-.021	-.450
350	1305	-.233	.044	-.081	-.470	350	1355	-.194	.034	-.092	-.337	350	1420	-.212	.054	-.032	-.459
350	1306	-.234	.044	-.072	-.459	350	1356	-.182	.030	-.098	-.360	350	1421	-.663	.111	-.342	-1.148
350	1307	-.210	.045	-.060	-.473	350	1357	-.177	.025	-.094	-.303	350	1422	-.658	.111	-.326	-1.148
350	1308	-.202	.043	-.030	-.454	350	1358	-.175	.025	-.092	-.328	350	1423	-.261	.125	-.156	-.880
350	1309	-.200	.041	-.067	-.425	350	1359	-.180	.026	-.078	-.280	350	1424	-.220	.055	-.021	-.788
350	1310	-.195	.040	-.053	-.441	350	1360	-.180	.031	-.064	-.358	350	1425	-.227	.046	-.000	-.588
350	1311	-.191	.039	-.069	-.376	350	1361	-.228	.031	-.147	-.351	350	1426	-.255	.046	-.080	-.450
350	1312	-.192	.041	-.065	-.397	350	1362	-.228	.034	-.124	-.363	350	1427	-.232	.053	-.000	-.526
350	1313	-.249	.046	-.108	-.450	350	1363	-.181	.025	-.096	-.275	350	1428	-.221	.048	-.037	-.570
350	1314	-.200	.038	-.053	-.365	350	1364	-.171	.025	-.029	-.257	350	1429	-.195	.042	-.035	-.354
350	1315	-.199	.034	-.092	-.347	350	1365	-.157	.028	-.050	-.275	350	1430	-.304	.042	-.053	-.340
350	1316	-.194	.039	-.056	-.349	350	1366	-.160	.024	-.073	-.243	350	1431	-.653	.120	-.319	-1.325
350	1317	-.240	.044	-.104	-.690	350	1367	-.164	.023	-.066	-.246	350	1432	-.676	.121	-.225	-1.284
350	1318	-.208	.042	-.063	-.422	350	1368	-.174	.027	-.078	-.271	350	1433	-.460	.181	-.034	-.1089
350	1319	-.205	.038	-.074	-.354	350	1369	-.230	.034	-.138	-.358	350	1434	-.238	.102	-.108	-.756
350	1320	-.194	.040	-.040	-.386	350	1370	-.199	.028	-.107	-.321	350	1435	-.629	.094	-.377	-.976
350	1321	-.239	.042	-.083	-.477	350	1371	-.159	.025	-.062	-.227	350	1436	-.237	.043	-.085	-.443
350	1322	-.239	.042	-.129	-.425	350	1372	-.193	.021	-.132	-.278	350	1437	-.231	.052	-.016	-.459
350	1323	-.210	.042	-.072	-.388	350	1373	-.217	.030	-.121	-.362	350	1438	-.223	.051	-.030	-.459
350	1324	-.212	.039	-.092	-.362	350	1374	-.174	.023	-.069	-.247	350	1439	-.203	.041	-.067	-.377
350	1325	-.203	.037	-.085	-.383	350	1375	-.158	.022	-.064	-.233	350	1440	-.204	.039	-.046	-.416
350	1326	-.199	.037	-.078	-.400	350	1376	-.164	.021	-.080	-.238	350	1441	-.657	.116	-.324	-1.151
350	1327	-.197	.041	-.082	-.358	350	1377	-.204	.025	-.130	-.292	350	1442	-.648	.117	-.310	-1.102
350	1328	-.196	.038	-.075	-.505	350	1378	-.171	.023	-.055	-.245	350	1443	-.628	.142	-.124	-1.109

WD	TAP	CPMEAN	CPRMS	CPMAX	CPMIN	WD	TAP	CPMEAN	CPRMS	CPMAX	CPMIN	WD	TAP	CPMEAN	CPRMS	CPMAX	CPMIN
350	1444	-.321	.156	.188	-1.139	350	1494	-.174	.034	-.021	-.358	350	1920	-.131	.069	.134	-.430
350	1445	-.201	.093	.133	-.705	350	1495	-.189	.030	-.056	-.292	350	1921	-.243	.048	-.066	-.522
350	1446	-.210	.047	.023	-.521	350	1496	-.222	.031	-.134	-.379	350	1922	-.235	.067	-.017	-.662
350	1447	-.222	.041	-.037	-.436	350	1497	-.179	.039	-.019	-.315	350	1923	-.343	.100	-.035	-.840
350	1448	-.242	.044	-.100	-.470	350	1498	-.184	.035	-.047	-.310	350	1924	-.561	.142	.029	-1.158
350	1449	-.222	.049	-.017	-.433	350	1499	-.182	.025	-.104	-.319	350	1925	-.194	.082	-.060	-.479
350	1450	-.221	.050	-.042	-.431	350	1500	-.186	.025	-.099	-.328	350	1926	-.612	.099	-.342	-1.131
350	1451	-.201	.036	-.078	-.356	350	1501	-.749	.259	.134	-1.898	350	1927	-.116	.068	-.150	-.315
350	1452	-.200	.037	-.086	-.429	350	1502	-.373	.199	-.228	-1.199	350	1928	-.556	.091	-.240	-1.005
350	1453	-.631	.140	-.280	-1.331	350	1503	-.243	.056	-.049	-.519	350	1929	-.138	.059	-.083	-.408
350	1454	-.609	.107	-.334	-1.095	350	1504	-.183	.052	.112	-.383	350	1930	-.191	.065	.040	-.558
350	1455	-.636	.142	-.146	-1.270	350	1505	-.149	.039	.045	-.312	350	1931	-.257	.103	.140	-.766
350	1456	-.349	.140	-.143	-1.071	350	1506	-.135	.045	-.047	-.271	350	1932	-.528	.128	-.045	-1.112
350	1457	-.238	.099	-.187	-.720	350	1507	-.225	.035	-.118	-.370	350	1933	-.577	.091	-.303	-.988
350	1458	-.217	.054	-.010	-.475	350	1508	-.203	.031	-.083	-.333	350	1934	-.243	.038	-.117	-.379
350	1459	-.219	.047	-.039	-.419	350	1509	-.188	.027	-.104	-.308	350	1935	-.344	.065	-.169	-.634
350	1460	-.247	.046	-.103	-.492	350	1510	-.214	.030	-.124	-.351	350	2101	.149	.077	.500	-.195
350	1461	-.230	.055	.012	-.504	350	1511	-.198	.029	-.085	-.319	350	2102	.081	.074	.543	-.162
350	1462	-.231	.057	.004	-.587	350	1512	-.177	.023	-.102	-.276	350	2103	.069	.092	.464	-.265
350	1463	-.212	.038	-.100	-.429	350	1513	-.204	.028	-.136	-.342	350	2104	.132	.072	.540	-.030
350	1464	-.206	.034	-.112	-.342	350	1514	-.206	.027	-.115	-.324	350	2105	.088	.058	.390	-.088
350	1465	-.607	.131	-.190	-1.421	350	1515	-.214	.030	-.138	-.349	350	2106	.095	.043	.359	-.023
350	1466	-.605	.137	-.309	-1.448	350	1516	-.207	.028	-.111	-.342	350	2207	.111	.054	.550	-.026
350	1467	-.619	.144	-.117	-1.255	350	1801	.199	.077	.515	-.024	350	2201	-.339	.079	-.155	-.721
350	1468	-.370	.136	.029	-.927	350	1802	-.184	.021	-.122	-.254	350	2202	-.340	.103	.039	-.749
350	1469	-.243	.083	.077	-.560	350	1803	-.200	.026	-.110	-.316	350	2203	-.072	.126	.579	-.348
350	1470	-.222	.049	-.052	-.538	350	1804	-.069	.061	.244	-.312	350	2204	-.045	.072	.371	-.372
350	1471	-.231	.046	-.017	-.475	350	1805	-.206	.028	-.119	-.330	350	2205	-.093	.068	.521	-.109
350	1472	-.239	.037	-.112	-.404	350	1806	-.241	.039	-.111	-.386	350	2206	-.324	.164	.837	-.914
350	1473	-.234	.049	-.026	-.482	350	1807	-.183	.042	-.025	-.474	350	2207	.033	.064	.337	-.222
350	1474	-.219	.051	-.015	-.555	350	1808	-.188	.095	.152	-.471	350	2208	.123	.058	.345	-.035
350	1475	-.212	.033	-.115	-.353	350	1901	-.168	.064	.118	-.493	350	2209	.064	.041	.275	-.071
350	1476	-.212	.033	-.098	-.348	350	1902	-.218	.081	.044	-.610	350	2210	-.006	.053	.216	-.348
350	1477	-.688	.166	-.234	-1.681	350	1903	-.500	.140	.008	-1.126	350	2211	.219	.078	.614	-.017
350	1478	-.667	.166	-.224	-1.555	350	1904	-.620	.103	-.315	-1.147	350	2212	.128	.055	.371	-.047
350	1479	-.606	.159	-.103	-1.416	350	1905	-.613	.105	-.356	-1.096	350	2213	.191	.068	.447	-.032
350	1480	-.288	.090	.014	-.674	350	1906	-.117	.084	-.164	-.416	350	2214	.061	.037	.208	-.111
350	1481	-.214	.058	.007	-.497	350	1907	-.653	.109	-.321	-1.266	350	2215	-.016	.051	.240	-.269
350	1482	-.223	.033	-.083	-.351	350	1908	-.203	.063	.114	-.497	350	2301	-.341	.117	-.016	-1.034
350	1483	-.227	.034	-.120	-.373	350	1909	-.246	.057	-.078	-.538	350	2302	-.317	.074	-.091	-.630
350	1484	-.238	.035	-.134	-.377	350	1910	-.240	.052	-.068	-.535	350	2303	-.317	.066	-.125	-.627
350	1485	-.190	.044	-.002	-.368	350	1911	-.254	.094	.012	-.735	350	2304	-.214	.037	-.116	-.405
350	1486	-.190	.040	-.035	-.368	350	1912	-.343	.126	-.010	-1.135	350	2305	.140	.055	.384	-.047
350	1487	-.186	.035	-.022	-.319	350	1913	-.576	.145	-.044	-1.157	350	2306	.100	.051	.320	-.045
350	1488	-.181	.035	-.003	-.380	350	1914	-.210	.055	-.064	-.452	350	2307	.051	.042	.230	-.077
350	1489	-.913	.288	-.241	-2.490	350	1915	-.557	.108	-.098	-1.002	350	2308	-.197	.026	-.108	-.303
350	1490	-.804	.247	-.107	-1.995	350	1916	-.624	.105	-.290	-1.171	350	2309	-.198	.066	.527	-.021
350	1491	-.519	.139	-.139	-1.199	350	1917	-.573	.081	-.296	-.919	350	2310	.094	.058	.301	-.128
350	1492	-.238	.064	-.020	-.562	350	1918	-.155	.057	.114	-.432	350	2311	-.054	.044	-.228	-.091
350	1493	-.172	.044	.031	-.336	350	1919	-.188	.059	.130	-.574	350	2401	-.347	.053	-.184	-.525

WD	TAP	CPMEAN	CFRMS	CPMAX	CPMIN	WD	TAP	CPMEAN	CFRMS	CPMAX	CPMIN	WD	TAP	CPMEAN	CFRMS	CPMAX	CPMIN
350	2402	-.406	.071	-.157	-.742	350	3120	-.087	.122	.441	-.455	350	3316	-.218	.033	-.115	-.349
350	2403	-.380	.053	-.181	-.605	350	3121	-.029	.091	.430	-.315	350	3317	-.214	.032	-.105	-.328
350	2404	-.367	.047	-.225	-.554	350	3122	-.247	.068	.129	-.592	350	3318	-.213	.033	-.112	-.340
350	2405	-.374	.047	-.228	-.583	350	3123	-.075	.098	.341	-.318	350	3319	-.232	.037	-.103	-.382
350	2406	-.357	.048	-.193	-.592	350	3124	-.231	.072	.114	-.492	350	3320	-.226	.033	-.119	-.342
350	2901	-.179	.030	-.061	-.336	350	3125	-.145	.113	.451	-.473	350	3321	-.216	.033	-.112	-.333
350	2902	-.308	.049	-.176	-.530	350	3126	-.086	.090	.334	-.456	350	3322	-.220	.032	-.124	-.344
350	2903	-.081	.119	-.643	-.276	350	3127	-.033	.069	.384	-.325	350	3323	-.230	.035	-.112	-.403
350	2904	-.342	.103	-.069	-.833	350	3128	-.042	.089	.358	-.447	350	3324	-.232	.038	-.105	-.377
350	2905	-.246	.056	-.042	-.451	350	3129	-.099	.057	.327	-.086	350	3325	-.231	.034	-.112	-.337
350	2906	-.091	.045	-.101	-.250	350	3130	.100	.066	.418	-.158	350	3326	-.222	.033	-.115	-.358
350	2907	-.337	.044	-.207	-.525	350	3131	.093	.062	.442	-.148	350	3327	-.222	.034	-.108	-.337
350	2908	-.239	.112	-.065	-.816	350	3132	.077	.067	.465	-.117	350	3328	-.220	.032	-.089	-.316
350	2909	-.263	.043	-.140	-.458	350	3133	.037	.115	.573	-.268	350	3329	-.270	.042	-.134	-.470
350	2910	-.291	.107	-.046	-.938	350	3134	-.122	.068	.219	-.310	350	3330	-.225	.033	-.093	-.368
350	2911	-.201	.040	-.011	-.379	350	3135	.133	.065	.446	-.047	350	3331	-.220	.035	-.112	-.335
350	2912	-.197	.042	-.045	-.401	350	3136	.132	.062	.431	-.235	350	3332	-.220	.033	-.114	-.339
350	2913	-.246	.062	-.038	-.597	350	3201	-.229	.059	.009	-.521	350	3333	-.226	.033	-.101	-.358
350	2914	-.306	.067	-.114	-.737	350	3202	-.303	.074	-.074	-.575	350	3334	-.224	.031	-.122	-.335
350	2915	-.360	.080	-.121	-.711	350	3203	-.435	.117	-.108	-.937	350	3335	-.225	.033	-.119	-.323
350	2916	-.220	.093	-.034	-.690	350	3204	-.350	.091	-.069	-.910	350	3336	-.227	.034	-.099	-.346
350	2917	-.743	.201	-.124	-1.726	350	3205	-.280	.109	.067	-.728	350	3337	-.249	.051	-.062	-.464
350	2918	-.284	.127	-.101	-1.115	350	3206	-.316	.090	.075	-.902	350	3338	-.133	.044	-.046	-.311
350	2919	-.073	.078	.185	-.472	350	3207	-.231	.049	.081	-.475	350	3339	-.234	.031	-.130	-.346
350	2920	.012	.075	.225	-.351	350	3208	-.428	.118	-.093	-.977	350	3340	-.229	.032	-.127	-.346
350	2921	.091	.061	.368	-.238	350	3209	-.232	.035	-.122	-.370	350	3341	-.225	.032	-.127	-.336
350	2922	.107	.049	.287	-.042	350	3210	-.234	.043	-.077	-.413	350	3342	-.231	.033	-.122	-.333
350	2923	.101	.043	.290	-.040	350	3211	-.255	.060	-.055	-.532	350	3343	-.229	.033	-.109	-.341
350	2924	.029	.063	.251	-.233	350	3212	-.408	.135	-.101	-1.344	350	3344	-.228	.035	-.109	-.391
350	2925	.062	.043	.258	-.070	350	3213	-.331	.120	-.060	-.902	350	3345	-.232	.037	-.120	-.363
350	2926	-.014	.063	.213	-.439	350	3214	-.210	.042	-.065	-.389	350	3346	-.229	.039	-.102	-.373
350	3101	-.027	.192	.651	-.541	350	3215	-.257	.027	-.176	-.377	350	3347	-.223	.041	-.067	-.406
350	3102	.044	.132	.508	-.382	350	3216	-.250	.061	-.056	-.499	350	3348	-.018	.049	-.202	-.147
350	3103	.079	.124	.620	-.310	350	3217	-.268	.106	-.326	-.691	350	3349	-.090	.068	-.255	-.632
350	3104	-.040	.107	.367	-.463	350	3218	-.093	.079	-.172	-.459	350	3401	-.214	.112	-.245	-.587
350	3105	-.334	.064	-.117	-.573	350	3301	-.231	.035	-.119	-.398	350	3402	-.199	.114	-.182	-.605
350	3106	-.358	.075	.002	-.609	350	3302	-.222	.036	-.091	-.382	350	3403	-.493	.107	-.228	-1.026
350	3107	-.348	.074	.002	-.638	350	3303	-.228	.038	-.086	-.358	350	3404	-.298	.064	-.094	-.605
350	3108	-.013	.105	.451	-.342	350	3304	-.227	.038	-.082	-.356	350	3405	-.217	.039	-.082	-.351
350	3109	.104	.105	.597	-.265	350	3305	-.224	.037	-.091	-.363	350	3406	-.217	.037	-.102	-.341
350	3110	.095	.096	.425	-.201	350	3306	-.227	.038	-.084	-.377	350	3407	-.234	.036	-.094	-.351
350	3111	-.099	.146	.489	-.595	350	3307	-.230	.038	-.097	-.386	350	3408	-.194	.034	-.087	-.362
350	3112	.034	.106	.492	-.256	350	3308	-.234	.046	-.077	-.450	350	3409	-.240	.036	-.117	-.351
350	3113	.058	.114	.453	-.260	350	3309	-.224	.037	-.077	-.408	350	3410	-.473	.060	-.306	-.755
350	3114	-.143	.181	.458	-.790	350	3310	-.220	.034	-.091	-.342	350	3411	-.225	.062	-.069	-.499
350	3115	.105	.135	.597	-.282	350	3311	-.210	.034	-.093	-.344	350	3412	-.190	.045	-.028	-.359
350	3116	.102	.137	.628	-.583	350	3312	-.218	.035	-.075	-.344	350	3413	-.231	.032	-.127	-.381
350	3117	.115	.110	.563	-.225	350	3313	-.224	.035	-.105	-.347	350	3414	-.025	.106	-.423	-.341
350	3118	.143	.111	.580	-.174	350	3314	-.236	.039	-.119	-.394	350	3415	-.371	.118	-.022	-1.070
350	3119	-.126	.177	.454	-.715	350	3315	-.215	.034	-.096	-.344	350	3416	-.144	.050	.011	-.316

WD	TAP	CPMEAN	CPRMS	CPMAX	CPMIN	WD	TAP	CPMEAN	CPRMS	CPMAX	CPMIN	WD	TAP	CPMEAN	CPRMS	CPMAX	CPMIN
350	3417	-.130	.054	.114	-.288	350	3914	-.435	.062	-.088	-.596	350	3928	-.264	.058	-.072	-.527
350	3901	-.005	.058	.182	-.263	350	3915	-.494	.105	-.081	-.944	350	3929	-.290	.072	-.076	-.570
350	3902	-.116	.048	.114	-.469	350	3916	-.429	.075	-.036	-.634	350	3930	-.224	.034	-.105	-.334
350	3903	-.352	.088	-.079	-.694	350	3917	-.284	.066	-.038	-.587	350	3931	-.225	.032	-.116	-.331
350	3904	-.339	.084	-.124	-.827	350	3918	-.280	.074	-.052	-.620	350	3932	-.224	.032	-.100	-.360
350	3905	-.417	.139	-.126	-1.099	350	3919	-.266	.060	-.076	-.513	350	3933	-.232	.050	-.078	-.489
350	3906	-.352	.083	-.072	-.787	350	3920	-.261	.053	-.048	-.525	350	3934	-.233	.048	-.069	-.468
350	3907	-.402	.097	-.174	-.813	350	3921	-.256	.053	-.060	-.529	350	3935	-.232	.047	-.062	-.455
350	3908	-.380	.086	-.069	-.808	350	3922	-.282	.074	-.093	-.777	350	3936	-.300	.042	-.167	-.456
350	3909	-.384	.090	-.167	-.839	350	3923	-.314	.082	-.064	-.849	350	3937	-.257	.039	-.140	-.426
350	3910	-.519	.135	-.196	-1.128	350	3924	-.221	.033	-.114	-.320	350	3938	-.233	.034	-.125	-.351
350	3911	-.441	.112	-.088	-.982	350	3925	-.256	.056	-.057	-.556	350	3939	-.268	.039	-.125	-.464
350	3912	-.361	.071	-.069	-.606	350	3926	-.221	.034	-.114	-.541	350	3940	-.268	.037	-.122	-.459
350	3913	-.345	.067	-.103	-.598	350	3927	-.258	.064	-.043	-.601	350	3941	-.232	.032	-.127	-.348