

TA 7

CG

CER 83-84/24

copy 2

Engineering Sciences
JAN 28 1984
Library

WIND-TUNNEL STUDY OF
UNITED BANK CENTER WINTER GARDEN, DENVER

by

J. A. Peterka* and J. E. Cermak**



**FLUID MECHANICS AND
WIND ENGINEERING PROGRAM**

COLLEGE OF ENGINEERING

COLORADO STATE UNIVERSITY
FORT COLLINS, COLORADO

Engineering Sciences
JAN 28 1984
Library

CER 83-84 JAP-JEC 24

WIND-TUNNEL STUDY OF
UNITED BANK CENTER WINTER GARDEN, DENVER

by

J. A. Peterka* and J. E. Cermak**

for

United Bank of Denver

through

Gerald D. Hines Interests
5051 Westheimer, Suite 2100
Houston, TX 77056

Fluid Mechanics and Wind Engineering Program
Fluid Dynamics and Diffusion Laboratory
Department of Civil Engineering
Colorado State University
Fort Collins, Colorado 80523

CSU Project 2-95600

December 1983

*Professor

**Professor-in-Charge, Fluid Mechanics and
Wind Engineering Program

CER83-84JAP-JEC24

TABLE OF CONTENTS

<u>Chapter</u>	<u>Page</u>
LIST OF FIGURES	ii
LIST OF TABLES	iii
LIST OF SYMBOLS	iv
1 INTRODUCTION	1
1.1 General	1
1.2 The Wind-Tunnel Test	2
2 EXPERIMENTAL CONFIGURATION	5
2.1 Wind Tunnel	5
2.2 Model	5
3 INSTRUMENTATION AND DATA ACQUISITION	8
3.1 Flow Visualization	8
3.2 Pressures	8
3.3 Velocity	10
4 RESULTS	12
4.1 Flow Visualization	12
4.2 Velocity	12
4.3 Pressures	15
4.4 Forces and Moments	19
5 DISCUSSION	21
5.1 Flow Visualization	21
5.2 Pedestrian Winds	21
5.3 Pressures	22
REFERENCES	24
FIGURES	25
TABLES	58
APPENDIX A	112

LIST OF FIGURES

<u>Figure</u>		<u>Page</u>
1	Fluid Dynamics and Diffusion Laboratory	26
2	Wind-Tunnel Configuration	27
3	Pressure Tap Locations	28
4	Building Location and Pedestrian Wind Velocity Measuring Positions	34
5	Completed Model in Wind Tunnel	35
6	Data Sampling Time Verification	38
7	Mean Velocity and Turbulence Profiles approaching the Model	39
8	Mean Velocities and Turbulence Intensities at Pedestrian Locations	40
9	Wind-Velocity Probabilities for Pedestrian Locations	45
10	Peak-Pressure Contours on the Building for Cladding Loads	47
11	Load, Shear, and Moment Diagrams for Selected Wind Directions	56

LIST OF TABLES

<u>Table</u>		<u>Page</u>
1	Motion Picture Scene Guide	59
2	Pedestrian Wind Velocities and Turbulence Intensities	60
3	Annual Percentage Frequencies of Wind Direction and Speed	64
4	Summary of Wind Effects on People	65
5	Calculation of Reference Pressure	66
6	Maximum Pressure Coefficients and Loads in PSF . . .	68
7	Loads, Shears, and Moments for each Wind Direction .	74

LIST OF SYMBOLS

<u>Symbol</u>	<u>Definition</u>
U	Local mean velocity
D	Characteristic dimension (building height, width, etc.)
ν, ρ	Kinematic viscosity and density of approach flow
$\frac{UD}{\nu}$	Reynolds number
E	Mean voltage
A, B, n	Constants
U_{rms}	Root-mean-square of fluctuating velocity
E_{rms}	Root-mean-square of fluctuating voltage
U_{∞}	Reference mean velocity outside the boundary layer
X, Y	Horizontal coordinates
Z	Height above surface
δ	Height of boundary layer
T_u	Turbulence intensity $\frac{U_{rms}}{U_{\infty}}$ or $\frac{U_{rms}}{U}$
$C_{p_{mean}}$	Mean pressure coefficient, $\frac{(p-p_{\infty})_{mean}}{0.5 \rho U_{\infty}^2}$
$C_{p_{rms}}$	Root-mean-square pressure coefficient, $\frac{((p-p_{\infty}) - (p-p_{\infty})_{mean})_{rms}}{0.5 \rho U_{\infty}^2}$
$C_{p_{max}}$	Peak maximum pressure coefficient, $\frac{(p-p_{\infty})_{max}}{0.5 \rho U_{\infty}^2}$
$C_{p_{min}}$	Peak minimum pressure coefficient, $\frac{(p-p_{\infty})_{min}}{0.5 \rho U_{\infty}^2}$
$()_{min}$	Minimum value during data record
$()_{max}$	Maximum value during data record

SymbolDefinition

p Fluctuating pressure at a pressure tap on the structure

p_{∞} Static pressure in the wind tunnel above the model

F_x, F_y Forces in X, Y direction

A_R Reference Area

CF_x Force coefficient, X direction, $\frac{F_x}{A_R 0.5\rho U_{\infty}^2}$

CF_y Force coefficient, Y direction, $\frac{F_y}{A_R 0.5\rho U_{\infty}^2}$

1. INTRODUCTION

1.1 General

A significant characteristic of modern building design is lighter cladding and more flexible frames. These features produce an increased vulnerability of glass and cladding to wind damage and result in larger deflections of the building frame. In addition, increased use of pedestrian plazas at the base of the buildings has brought about a need to consider the effects of wind and gustiness in the design of these areas.

The building geometry itself may increase or decrease wind loading on the structure. Wind forces may be modified by nearby structures which can produce beneficial shielding or adverse increases in loading. Overestimating loads results in uneconomical design; underestimating may result in cladding or window failures. Tall structures have historically produced unpleasant wind and turbulence conditions at their bases. The intensity and frequency of objectionable winds in pedestrian areas is influenced both by the structure shape and by the shape and position of adjacent structures.

Techniques have been developed for wind tunnel modeling of proposed structures which allow the prediction of wind pressures on cladding and windows, overall structural loading, and also wind velocities and gusts in pedestrian areas adjacent to the building. Information on sidewalk-level gustiness allows plaza areas to be protected by design changes before the structure is constructed. Accurate knowledge of the intensity and distribution of the pressures on the structure permits adequate but economical selection of cladding strength to meet selected maximum design winds and overall wind loads for the design of the frame for flexural control.

Modeling of the aerodynamic loading on a structure requires special consideration of flow conditions in order to guarantee similitude between model and prototype. A detailed discussion of the similarity requirements and their wind-tunnel implementation can be found in references (1), (2), and (3). In general, the requirements are that the model and prototype be geometrically similar, that the approach mean velocity at the building site have a vertical profile shape similar to the full-scale flow, that the turbulence characteristics of the flows be similar, and that the Reynolds number for the model and prototype be equal.

These criteria are satisfied by constructing a scale model of the structure and its surroundings and performing the wind tests in a wind tunnel specifically designed to model atmospheric boundary-layer flows. Reynolds number similarity requires that the quantity UD/ν be similar for model and prototype. Since ν , the kinematic viscosity of air, is identical for both, Reynolds numbers cannot be made precisely equal with reasonable wind velocities. To accomplish this the air velocity in the wind tunnel would have to be as large as the model scale factor times the prototype wind velocity, a velocity which would introduce unacceptable compressibility effects. However, for sufficiently high Reynolds numbers ($>2 \times 10^4$) the pressure coefficient at any location on the structure will be essentially constant for a large range of Reynolds numbers. Typical values encountered are 10^7 - 10^8 for the full-scale and 10^5 - 10^6 for the wind-tunnel model. In this range acceptable flow similarity is achieved without precise Reynolds number equality.

1.2 The Wind-Tunnel Test

The wind-engineering study is performed on a building or building group modeled at scales ranging from 1:150 to 1:400. The building model

is constructed of clear plastic fastened together with screws. The structure is modeled in detail to provide accurate flow patterns in the wind passing over the building surfaces. The building under test is often located in a surrounding where nearby buildings or terrain may provide beneficial shielding or adverse wind loading. To achieve similarity in wind effects the area surrounding the test building is also modeled. A flow visualization study is first made (smoke is used to make the air currents visible) to define overall flow patterns and identify regions where local flow features might cause difficulties in building curtain-wall design or produce pedestrian discomfort.

The test model, equipped with pressure taps (200 to 600 or more), is exposed to an appropriately modeled atmospheric wind in the wind tunnel and the fluctuating pressure at each tap measured electronically. The model, and the modeled area, are rotated 10 or 15 degrees and another set of data recorded for each pressure tap. Normally, 24 or 36 sets of data (360 degrees of turning) are taken; however, when flow visualization or recorded data indicate high pressure regions of small azimuthal extent, data is obtained in smaller azimuthal steps.

Data are recorded, analyzed and processed by an on-line computerized data-acquisition system. Pressure coefficients of several types are calculated by the computer for each reading on each piezometer tap and are printed in tabular form as computer readout. Using wind data applicable to the building site, representative wind velocities are selected for combination with measured pressures on the building model. Integration of test data with wind data results in prediction of peak local wind pressures for design of glass or cladding and may include overall forces and moments on the structure (by floor if desired) for design of

the structural frame. Pressure contours are drawn on the developed building surfaces showing the intensity and distribution of peak wind loads on the building. These results may be used to divide the building into zones where lighter or heavier cladding or glass may be desirable.

Based on the visualization (smoke) tests and on a knowledge of heavy pedestrian use areas, a dozen or more locations may be chosen at the base of the building where wind velocities can be measured to determine the relative comfort or discomfort of pedestrians in plaza areas, near building entrances, near building corners, or on sidewalks.

Usually a reference pedestrian position is also tested to determine whether the wind environment in the building area is better or worse than the environment a block or so away in an undisturbed area.

The following pages discuss in greater detail the procedures followed and the equipment and data collecting and processing methods used. In addition, the data presentation format is explained and the implications of the data are discussed.

2. EXPERIMENTAL CONFIGURATION

2.1 Wind Tunnel

Wind-engineering studies are performed in the Fluid Dynamics and Diffusion Laboratory at Colorado State University (Figure 1). Three large wind tunnels are available for wind loading studies depending on the detailed requirements of the study. The wind tunnel used for this investigation is shown in Figure 2. All tunnels have a flexible roof adjustable in height to maintain a zero pressure gradient along the test section. The mean velocity can be adjusted continuously in each tunnel to the maximum velocity available.

2.2 Model

In order to obtain an accurate assessment of local pressures using piezometer taps, models are constructed to the largest scale that does not produce significant blockage in the wind-tunnel test section. The models are constructed of 1/2 in. thick Lucite plastic and fastened together with metal screws. Significant variations in the building surface, such as mullions, are machined into the plastic surface. Piezometer taps (1/16 in. diameter) are drilled normal to the exterior vertical surfaces in rows at several or more elevations between the bottom and top of the building. Similarly, taps are placed in the roof and on any sloping, protruding, or otherwise distinctive features of the building that might need investigation.

Pressure tap locations are chosen so that the entire surface of the building can be investigated for pressure loading and at the same time permit critical examination of areas where experience has shown that maximum wind effects may be expected to occur. Locations of the pressure taps for this study are shown in Figure 3. Dimensions are

given both for full-scale building (in ft) and for model (in in.). The pressure tap numbers are shown adjacent to the taps.

The pressure tests are sometimes made in two stages. In the first stage measurements are made on the initial distribution of pressure taps. If it becomes apparent from the data that the loading on the building is being influenced by some unsuspected geometry of the building or adjacent structures, additional pressure taps are installed in the critical areas. The locations of the taps are selected so that the maximum loading can be detected and the area over which this loading is acting can be defined. Any added taps are also shown in Figure 3.

A circular area 750 to 2000 ft in radius depending on model scale and characteristics of the surrounding buildings and terrain is modeled in detail. Structures within the modeled region are made from styrofoam and cut to the individual building geometries. They are mounted on the turntable in their proper locations. Significant terrain features are included as needed. The model is mounted on a turntable (Figure 2) near the downwind end of the test section. Any buildings or terrain features which do not fit on the turntable are placed on removable pieces which are placed upwind of the turntable for appropriate wind directions. A plan view of the building and its surroundings is shown in Figure 4. The turntable is calibrated to indicate azimuthal orientation to 0.1 degree.

The region upstream from the modeled area is covered with a randomized roughness constructed using various sized cubes placed on the floor of the wind tunnel. Different roughness sizes may be used for different wind directions. Spires are installed at the test-section entrance to provide a thicker boundary layer than would otherwise be

available. The thicker boundary layer permits a somewhat larger scale model than would otherwise be possible. The spires are approximately triangularly shaped pieces of 1/2 in. thick plywood 6 in. wide at the base and 1 in. wide at the top, extending from the floor to the top of the test section. They are placed so that the broad side intercepts the flow. A barrier approximately 8 in. high is placed on the test-section floor downstream of the spires to aid in development of the boundary-layer flow.

The distribution of the roughness cubes and the spires in the roughened area was designed to provide a boundary-layer thickness of approximately 4 ft, a velocity profile power-law exponent similar to that expected to occur in the region approaching the modeled area for each wind direction (a number of wind directions may have the same approach roughness). A photograph of the completed model in the wind tunnel is shown in Figure 5. The wind-tunnel ceiling is adjusted after placement of the model to obtain a zero pressure gradient along the test section.

3. INSTRUMENTATION AND DATA ACQUISITION

3.1 Flow Visualization

Making the air flow visible in the vicinity of the model is helpful (a) in understanding and interpreting mean and fluctuating pressures, (b) in defining zones of separated flow and reattachment and zones of vortex formation where pressure coefficients may be expected to be high and (c) in indicating areas where pedestrian discomfort may be a problem. Titanium tetrachloride smoke is released from sources on and near the model to make the flow lines visible to the eye and to make it possible to obtain motion picture records of the tests. Conclusions obtained from these smoke studies are discussed in Sections 4.1 and 5.1.

3.2 Pressures

Mean and fluctuating pressures are measured at each of the pressure taps on the model structure. Data are obtained for 24 or 36 wind directions, rotating the entire model assembly in a complete circle. Seventy-six pieces of 1/16 in. I.D. plastic tubing are used to connect 76 pressure ports at a time to an 80 tap pressure switch mounted inside the model. The switch was designed and fabricated in the Fluid Dynamics and Diffusion Laboratory to minimize the attenuation of pressure fluctuations across the switch. Each of the 76 measurement ports is directed in turn by the switch to one of four pressure transducers mounted close to the switch. The four pressure input taps not used for transmitting building surface pressures are connected to a common tube leading outside the wind tunnel. This arrangement provides both a means of performing in-place calibration of the transducers and, by connecting this tube to a pitot tube mounted inside the wind tunnel, a means of automatically monitoring the tunnel speed. The switch is operated by means of a shaft projecting through

the floor of the wind tunnel. A computer-controlled stepping motor steps the switch into each of the 20 required positions. The computer keeps track of switch position but a digital readout of position is provided at the wind tunnel.

The pressure transducers used are setra differential transducers (Model 237) with a 0.10 psid range. Reference pressures are obtained by connecting the reference sides of the four transducers, using plastic tubing, to the static side of a pitot-static tube mounted in the wind tunnel free stream above the model building. In this way the transducer measures the instantaneous difference between the local pressures on the surface of the building and the static pressure in the free stream above the model.

Output from the pressure transducers is fed to an on-line data acquisition system consisting of a Hewlett-Packard 21 MX computer, disk unit, card reader, printer, Digi-Data digital tape drive and a Preston Scientific analog-to-digital converter. The data are processed immediately into pressure coefficient form as described in Section 4.3 and stored for printout or further analysis.

All four transducers are recorded simultaneously for 16 seconds at a 250 sample per second rate. The results of an experiment to determine the length of record required to obtain stable mean and rms (root-mean-square) pressures and to determine the overall accuracy of the pressure data acquisition system is shown in Figure 6. A typical pressure port record was integrated for a number of different time periods to obtain the data shown. Examination of a large number of pressure taps showed that the overall accuracy for a 16 second period is, in pressure coefficient form, 0.03 for mean pressures, 0.1 for peak pressures, and 0.01 for rms pressures. Pressure coefficients are defined in Section 4.3.

3.3 Velocity

Mean velocity and turbulence intensity profiles are measured upstream of the model to determine that an approach boundary-layer flow appropriate to the site has been established. Tests are made at one wind velocity in the tunnel. This velocity is well above that required to produce Reynolds number similarity between the model and the prototype as discussed in Section 1.1.

In addition, mean velocity and turbulence intensity measurements are made 5 to 7 ft (prototype) above the surface at a dozen or more locations on and near the building for 16 wind directions. The measurement locations are shown on Figure 4. The surface measurements are indicative of the wind environment to which a pedestrian at the measurement location would be subjected. The locations are chosen to determine the degree of pedestrian comfort or discomfort at the building corners where relatively severe conditions frequently are found, near building entrances and on adjacent sidewalks where pedestrian traffic is heavy, and in open plaza areas. In most studies a reference pedestrian position, located about a block away, is also tested. These data are helpful in evaluating the degree of pedestrian comfort or discomfort in the proposed plaza area in terms of the undisturbed environment in the immediate vicinity.

Measurements are made with a single hot-wire anemometer mounted with its axis vertical. The instrumentation used is a Thermo Systems constant temperature anemometer (Model 1050) with a 0.001 in. diameter platinum film sensing element 0.020 in. long. Output is directed to the on-line data acquisition system for analysis.

Calibration of the hot-wire anemometer is performed by comparing output with the pitot-static tube in the wind tunnel. The calibration

data are fit to a variable exponent King's Law relationship of the form

$$E^2 = A + BU^n$$

where E is the hot-wire output voltage, U the velocity and A , B , and n are coefficients selected to fit the data. The above relationship was used to determine the mean velocity at measurement points using the measured mean voltage. The fluctuating velocity in the form U_{rms} (root-mean-square velocity) was obtained from

$$U_{rms} = \frac{2 E E_{rms}}{B n U^{n-1}}$$

where E_{rms} is the root-mean-square voltage output from the anemometer. For interpretation all turbulence measurements for pedestrian winds were divided by the mean velocity outside the boundary-layer U_{∞} . Turbulence intensity in velocity profile measurements used the local mean velocity.

4. RESULTS

4.1 Flow Visualization

A film is included as part of this report showing the characteristics of flow about the structure using smoke to make the flow visible. A listing of the contents of the film is shown in Table 1. Several features can be noted from the visualization. As with all large structures, wind approaching the building is deflected down to the plaza level, up over the structure and around the sides. A description of the smoke test results emphasizing flow patterns of concern relative to possible high-wind load areas and pedestrian comfort is given in Section 5.1.

4.2 Velocity

Velocity and turbulence profiles are shown in Figure 7. Profiles were taken upstream from the model which are characteristic of the boundary layer approaching the model and sometimes at the building site with building removed. The boundary-layer thickness, δ , is shown in Figure 7. The corresponding prototype value of δ for this study is also shown in the figure. This value was established as a reasonable height for this study. The mean velocity profile approaching the modeled area has the form

$$\frac{U}{U_{\infty}} = \left(\frac{z}{\delta}\right)^n .$$

The exponent n for the approach flow established for this study is shown in Figure 7.

Profiles of longitudinal turbulence intensity in the flow approaching the modeled area are shown in Figure 7. The turbulence intensities are appropriate for the approach mean velocity profile selected. For the velocity profiles, turbulence intensity is defined

as the root-mean-square about the mean of the longitudinal velocity fluctuations divided by the local mean velocity U ,

$$Tu = \frac{U_{rms}}{U} .$$

Velocity data obtained at each of the pedestrian measurement locations shown in Figure 4 are listed in Table 2 as mean velocity U/U_{∞} , turbulence intensity U_{rms}/U_{∞} , and largest effective gust

$$U_{pk} = \frac{U + 3U_{rms}}{U_{\infty}} .$$

These data are plotted in polar form in Figure 8. Measurements were taken 5 to 7 ft above the ground surface. A site map is superimposed on the polar plots to aid in visualization of the effects of the nearby structures on the velocity and turbulence magnitudes. An analysis of these wind data is given in Section 5.2.

To enable a quantitative assessment of the wind environment, the wind-tunnel data were combined with wind frequency and direction information obtained at the local airport. Table 3 shows wind frequency by direction and magnitude obtained from summaries published by the National Weather Service. These data, usually obtained at an elevation of about 30-40 ft, were converted to velocities at the reference velocity height for the wind-tunnel measurements and combined with the wind-tunnel data to obtain cumulative probability distributions (percent time a given velocity is exceeded) for wind velocity at each measuring location. The percentage times were summed by wind direction to obtain a percent time exceeded at each measuring position independent of wind direction (but accounting for the fact that the wind blows from different directions with varying frequency). These results are plotted in Figure 9.

Interpretation of Figure 9 is aided by a description of the effects of wind of various magnitudes on people. The earliest quantitative description of wind effects was established by Sir Francis Beaufort in 1806 for use at sea and is still in use today. Several recent investigators have added to the knowledge of wind effects on pedestrians. These investigations along with suggested criteria for acceptance have been summarized by Penwarden and Wise (4) and Melbourne (5). The Beaufort scale (from ref. 4), based on mean velocity only, is reproduced as Table 4 including qualitative descriptions of wind effects. Table 4 suggests that mean wind speeds below 12 mph are of minor concern and that mean speeds above 24 mph are definitely inconvenient. Quantitative criteria for acceptance from reference 5 are superimposed as dashed lines on Figure 9. The peak gust curves shown in Figure 9 are the percent of time during which a short gust of the stated magnitude could occur (say about one of these gusts per hour). Implications of the data plotted in Figure 9 are presented in Section 5.2.

Because some pedestrian wind measuring positions are purposely chosen at sites where the smoke tests showed large velocities of small spacial extent, the general wind environment about the structure may be less severe than one might infer from a strict analysis of Table 2 and Figure 9.

4.3 Pressures

For each of the pressure taps examined at each wind direction, the data record is analyzed to obtain four separate pressure coefficients. The first is the mean pressure coefficient

$$C_{p_{\text{mean}}} = \frac{(p-p_{\infty})_{\text{mean}}}{0.5 \rho U_{\infty}^2}$$

where the symbols are as defined in the List of Symbols. It represents the mean of the instantaneous pressure difference between the building pressure tap and the static pressure in the wind tunnel above the building model, nondimensionalized by the dynamic pressure

$$0.5 \rho U_{\infty}^2$$

at the reference velocity position. This relationship produces a dimensionless coefficient which indicates that the mean pressure difference between building and ambient wind at a given point on the structure is some fraction less or some fraction greater than the undisturbed wind dynamic pressure near the upper edge of the boundary layer. Using the measured coefficient, prototype mean pressure values for any wind velocity may be calculated.

The magnitude of the fluctuating pressure is obtained by the rms pressure coefficient

$$C_{p_{\text{rms}}} = \frac{\left((p-p_{\infty}) - (p-p_{\infty})_{\text{mean}} \right)_{\text{rms}}}{0.5 \rho U_{\infty}^2}$$

in which the numerator is the root-mean-square of the instantaneous pressure difference about the mean.

If the pressure fluctuations followed a Gaussian probability distribution, no additional data would be required to predict the

frequency with which any given pressure level would be observed. However, the pressure fluctuations do not, in general, follow a Gaussian probability distribution so that additional information is required to show the extreme values of pressure expected. The peak maximum and peak minimum pressure coefficients are used to determine these values:

$$C_{p_{\max}} = \frac{(p-p_{\infty})_{\max}}{0.5 \rho U_{\infty}^2}$$

$$C_{p_{\min}} = \frac{(p-p_{\infty})_{\min}}{0.5 \rho U_{\infty}^2}$$

The values of $p-p_{\infty}$ which were digitized at 250 samples per second for 16 seconds, representing about one hour of time in the full-scale, are examined individually by the computer to obtain the most positive and most negative values during the 16-second period. These are converted to $C_{p_{\max}}$ and $C_{p_{\min}}$ by nondimensionalizing with the free stream dynamic pressure.

The four pressure coefficients are calculated by the on-line data acquisition system computer and tabulated along with the approach wind azimuth in degrees from true north. The list of coefficients is included as Appendix A. The pressure tap code numbers used in the appendix are explained in Figure 3.

To determine the largest peak loads acting at any point on the structure for cladding design purposes, the pressure coefficients for all wind directions were searched to obtain, at each pressure tap, the largest peak positive and peak negative pressure coefficients. Table 6 lists the larger values and associated wind directions. Included in Section 5.3 is an analysis of the coefficients of Table 6 including the maximum values obtained and where they occurred on the building.

The pressure coefficients of Table 6 can be converted to full-scale loads by multiplication by a suitable reference pressure selected for the field site. This reference pressure is represented in the equations for pressure coefficients by the $0.5 \rho U_{\infty}^2$ denominator. This value is the dynamic pressure associated with an hourly mean wind at the reference velocity measurement position at the edge of the boundary layer. In general, the method of arriving at a design reference pressure for a particular site involves selection of a design wind velocity, translation of the velocity to an hourly mean wind at the reference velocity location and conversion to a reference pressure. Selection of the design velocity can be made from statistical analysis of extreme wind data or selected from wind maps contained in the proposed wind loading code ANSI A58.1 of the American National Standards Institute (6). The calculation of reference pressure for this study is shown in Table 5. The factor used in Table 5 to reduce gust winds to hourly mean winds is given in reference (7).

The reference pressure associated with the design hourly mean velocity at the reference velocity location can be used directly with the peak-pressure coefficients to obtain peak local design wind loads for cladding design. Local, instantaneous peak loads on the full-scale building suitable for cladding design were computed by multiplying the reference pressure of Table 5 by the peak coefficients of Table 6 and are listed as peak pressures in that table. The maximum psf loads given at each tap location are the largest peak positive and peak negative values found in the tests. For ease in visualizing the loads on the structure, contours of equal peak pressures for cladding load shown in Table 6 have been plotted on developed elevation views of the structure,

Figure 10. If a data point which is taken in the basic model configuration is retaken in a resolution configuration, the data are averaged in preparing Figure 10. For control of water infiltration from outside to inside, the largest positive (inward-acting) pressure at each tap location is tabulated in Table 6.

For glass design pressures, a glass load factor is used to account for the different duration between measured peak pressures and the one minute loading commonly used in glass design charts. The design pressure used for glass is normally less than the peak pressures used for cladding design because of the static fatigue property of glass which can withstand higher pressures for short duration loads than for long duration loads. Recent research (8) indicates that the period of application of the peak pressures reported herein is about 5-10 seconds or less. If a glass design is based on these peak-pressure values, then a glass strength associated with this duration load should be used. Because glass design charts are normally based on some alternate load duration -- usually one minute -- then some reduction in peak loads should be made. An estimate of a load reduction factor can be obtained from an empirical relation of glass strength as a function of load duration. Current glass selection charts showing glass strength as a function of load duration (9) and older references (10) indicate the following load reduction factors:

	ref 9	ref 10
annealed float	0.80	0.81
heat strengthened	0.94	
tempered	0.97	0.98

Loadings appropriate for glass design can be computed by multiplying the peak-pressure loads of Table 6 by these load factors.

4.4 Forces and Moments

Force coefficients in the horizontal X and Y directions and moment coefficients about the X, Y, and Z axes with the origin at ground level at the base of the building with Z axis vertical may be computed for all wind directions tested by integration of mean pressures on the building. Overall forces and moments acting on the full-scale building due to wind loading which are useful in designing the structural framing of the proposed building may be obtained from use of these coefficients.

Force coefficients were computed for each floor for each wind direction using the equations shown below.

$$CF_X = \frac{F_X}{A_R 0.5 \rho U_\infty^2} \quad CF_Y = \frac{F_Y}{A_R 0.5 \rho U_\infty^2}$$

Terms and symbols used in the equations are defined in the List of Symbols and the axes are defined for the building in Figure 3. Force coefficients CF_X and CF_Y were computed for the horizontal forces acting along the X and Y axes using the mean pressure coefficient at each pressure tap. A_R represents a constant reference area for nondimensionalization of the forces and moments.

The total forces acting on the full-scale building for each floor and wind direction were computed by multiplying the above coefficients by the appropriate full-scale reference area, by the reference pressure of Table 5, and by a gust load factor selected for an appropriate wind gust duration. The gust load factor, shown in Table 5, was selected to increase the loads from an hourly mean load to that of a gust whose duration would be sufficient for its effect to be fully felt by the structure. A table of gust load factors for various gust durations is

incorporated in Table 5 so that force and moment data of Table 7 may be adjusted to a different load duration if desired.

The forces obtained at each floor were used to obtain load, shear, and moment diagrams for the building for each wind direction. The shear diagram, in kips, was obtained by algebraic sum of all forces in each coordinate direction acting above the floor of interest. The load diagram, in psf, was obtained by dividing the shear values by their contributing areas (listed in Table 7). The moment diagram, in 1000 ft-kips, was obtained by integration of the shear values so that the moment due to forces acting above the floor level of interest was calculated. The sign of the moment was established by the right-hand rule about an X' , Y' axis through the floor of interest. Moments about the Z axis were calculated by considering the displacement of forces in the X and Y directions from the Z axis shown in Figure 3. Eccentricities were computed such that the product of the Y force and X eccentricity minus the product of the X force and Y eccentricity equaled the Z moment. Load, shear, and moment diagrams are shown in Figure 11 for several wind directions.

5. DISCUSSION

5.1 Flow Visualization

Flow patterns identified with smoke showed that the largest pressures would probably be found near corners of the building where wind flow separated from the surface. Flow separation is a mechanism which is known to produce elevated local suction on the cladding. Photographs of wind flow near locations where increased pressures were measured (Figure 5) show the flow separation phenomena.

Wind speeds in pedestrian areas appeared to be strongest near the United Bank Tower and in areas nearby where surface winds produced by the tower remained strong. Lincoln Street just north of 17th Street appeared to have higher winds than either 17th Street between Broadway and Lincoln or on Broadway north of 17th Street.

5.2 Pedestrian Winds

Figure 4 shows the 10 locations selected for investigation of pedestrian wind comfort. Location 1 was selected as a reference position where relatively high winds might be expected to occur due to the presence of the United Bank Center (UBC) Tower and where the wind speeds would be only slightly influenced by the presence of the UBC Winter Garden structure under study. Location 10 was positioned under a bridge across Lincoln Street; location 4 was positioned under a building overhang.

Table 2 and Figure 8 show that the largest mean velocities were measured at location 10 with values from 50 to 61 percent of U_{∞} , the mean velocity at the edge of the boundary layer at 1250 ft elevation. These values are not particularly high for a city environment. For comparison purposes, reference location 1 had a maximum mean velocity of 50 percent of U_{∞} ; an open-country environment might expect 40 to 45 percent of U_{∞} .

The largest values of fluctuating velocity, U_{rms} , were measured at reference location 1 for a number of wind directions with values ranging from 20 to 30 percent of U_{∞} . In an open-country environment, a value of 10 to 12 percent might be expected.

The largest peak gusts, represented by the mean plus 3 rms as discussed in Section 4.2, were measured at location 1 with values ranging from 107 to 138 percent of U_{∞} . Values at other locations ranged only up to 103 percent of U_{∞} . In an open country environment, the largest peak gust might be 75 to 85 percent of U_{∞} .

Velocity data of Table 2 integrated with local wind data listed in Table 3 are shown in Figure 9. Based on the data of this figure, the windiest location of those measured was location 10 which is predicted to be uncomfortable for walking about 20 percent or more of the time. The wind speeds at location 10 are concentrated by the bridge structure so that the winds there are a local phenomena. Winds at entrance areas near locations 4 and 6 should experience rather low winds most of the time.

On the whole, wind speeds in pedestrian areas about the UBC Winter Garden are comparable to those in other downtown Denver locations. It is not anticipated that remedial measures will be needed.

5.3 Pressures

Table 6 shows the largest peak pressure coefficients and corresponding loads measured on the building for each pressure tap location. Data identified as Configuration A in Table 6 and Appendix A represent data obtained at all pressure tap locations for 36 wind directions. Configuration B represents data obtained at selected taps at 2-degree azimuthal increments near azimuths where large pressure peaks

were observed in Configuration A to ensure that the largest peaks were obtained.

Peak pressure coefficients were combined with the 100-year wind in Denver, shown in Table 5, to obtain peak pressures for design of cladding. The largest peak pressure, listed in Table 6, was -79 psf at tap 918 at the top of the curved structure where flow visualization had indicated possible high pressure zones. Figure 10 shows that most pressures are in the -20 to -40 psf range. Peak positive pressures ranged up to 35 psf.

The wind speed indicated in Table 5 is the same one specified for the United Bank Tower for consistency. Our current analysis of wind speeds for Denver would indicate a 70 mph fastest mile at 30 ft instead of 80 mph used herein. Thus, the pressures in Figure 10 and Table 6 could be reduced by the factor $(70/80)^2 = 0.77$. However, use of loads specified herein would provide a small measure in safety factor which is recommended for a glass-roofed atrium.

Figure 11 shows load, shear and moment distributions plotted from Table 7 for the largest base shears in the X and Y coordinate directions (see Figure 3 for the coordinate system). Torsional loads were calculated and were listed in Table 7 but probably have little significance for the frame design.

REFERENCES

1. Cermak, J. E., "Laboratory Simulation of the Atmospheric Boundary Layer," AIAA Jl., Vol. 9, September 1971.
2. Cermak, J. E., "Applications of Fluid Mechanics to Wind Engineering," A Freeman Scholar Lecture, ASME Jl. of Fluids Engineering, Vol. 97, No. 1, March 1975.
3. Cermak, J. E., "Aerodynamics of Buildings," Annual Review of Fluid Mechanics, Vol. 8, 1976, pp. 75-106.
4. Penwarden, A. D., and Wise, A. F. E., "Wind Environment Around Buildings," Building Research Establishment Report, HMSO, 1975.
5. Melbourne, W. H., "Criteria for Environmental Wind Conditions," Jl. Industrial Aerodynamics, Vol. 3, pp. 241-247, 1978.
6. American National Standards Institute, "American National Standard Building Code Requirements for Minimum Design Loads in Buildings and Other Structures," ANSI Standard A58.1, 1972, or the revised ANSI Standard A58.1 to be published.
7. Hollister, S. C., "The Engineering Interpretation of Weather Bureau Records for Wind Loading on Structures," Building Science Series 30--Wind Loads on Buildings and Structures, National Bureau of Standards, pp. 151-164, 1970.
8. Peterka, J. A., and Cermak, J. E., "Peak-Pressure Duration in Separated Regions on a Structure," U.S.-Japan Research Seminar on Wind Effects on Structures, Kyoto, Japan, 9-13 September 1974; Report CEP74-75JAP-JEC8, Fluid Mechanics Program, Colorado State University, September 1974.
9. PPG Glass Thickness Recommendations to Meet Architects' Specified 1-Minute Wind Load, Pittsburgh Plate Glass Industries, April 1979.
10. Shand, E. B., "Glass Engineering Handbook," Second Edition, McGraw-Hill, New York, p. 51, 1958.

FIGURES

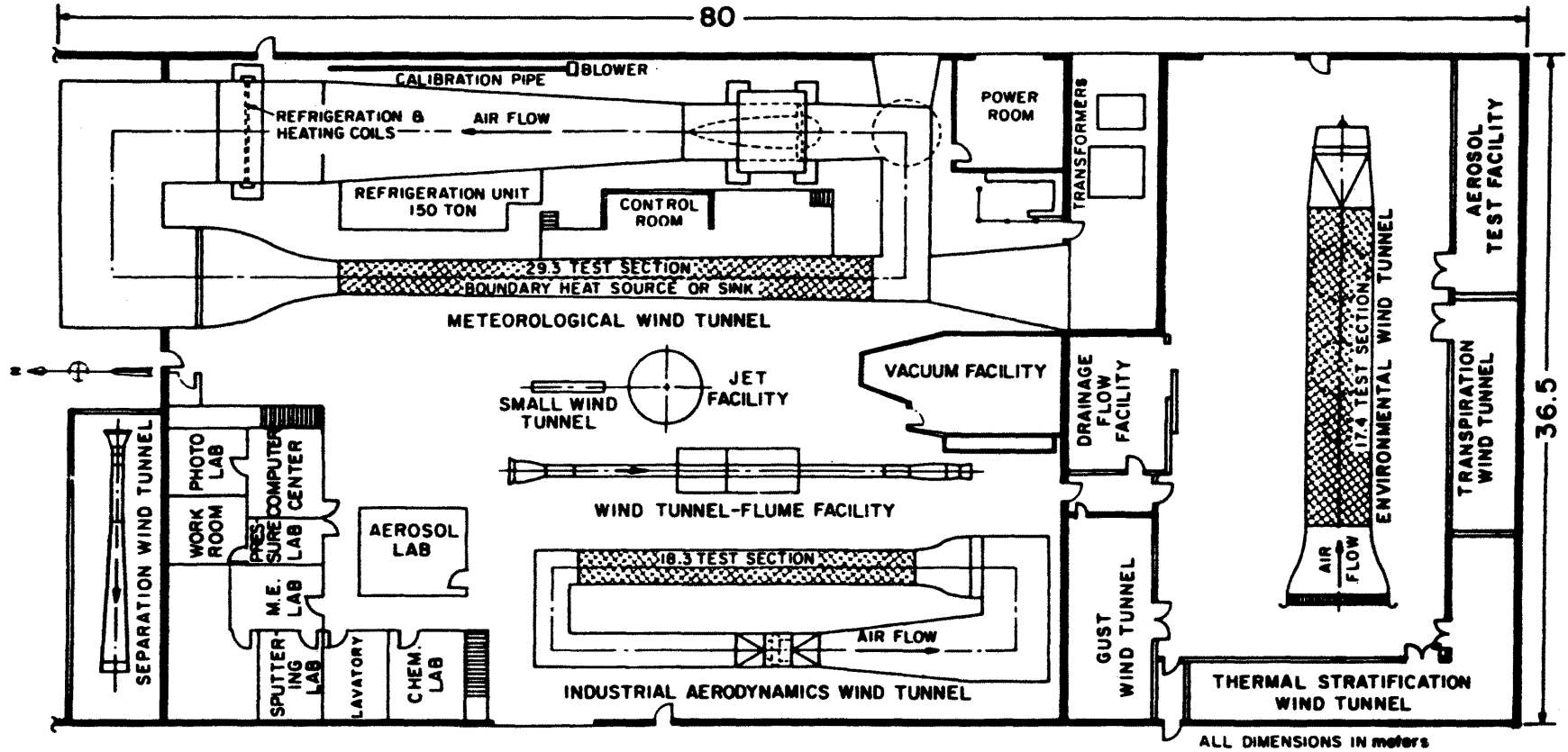
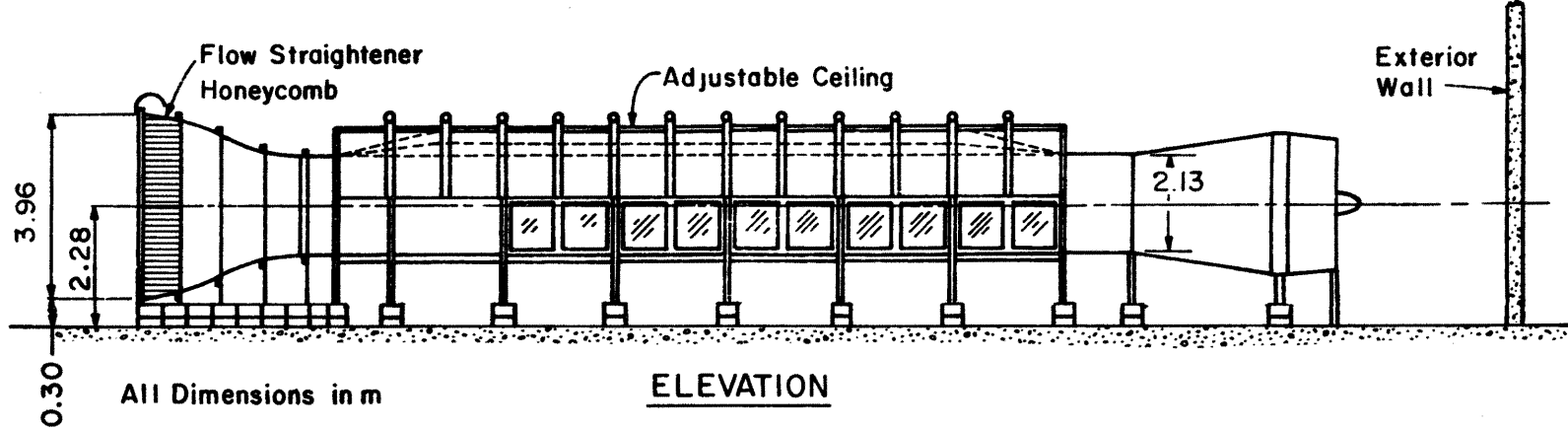
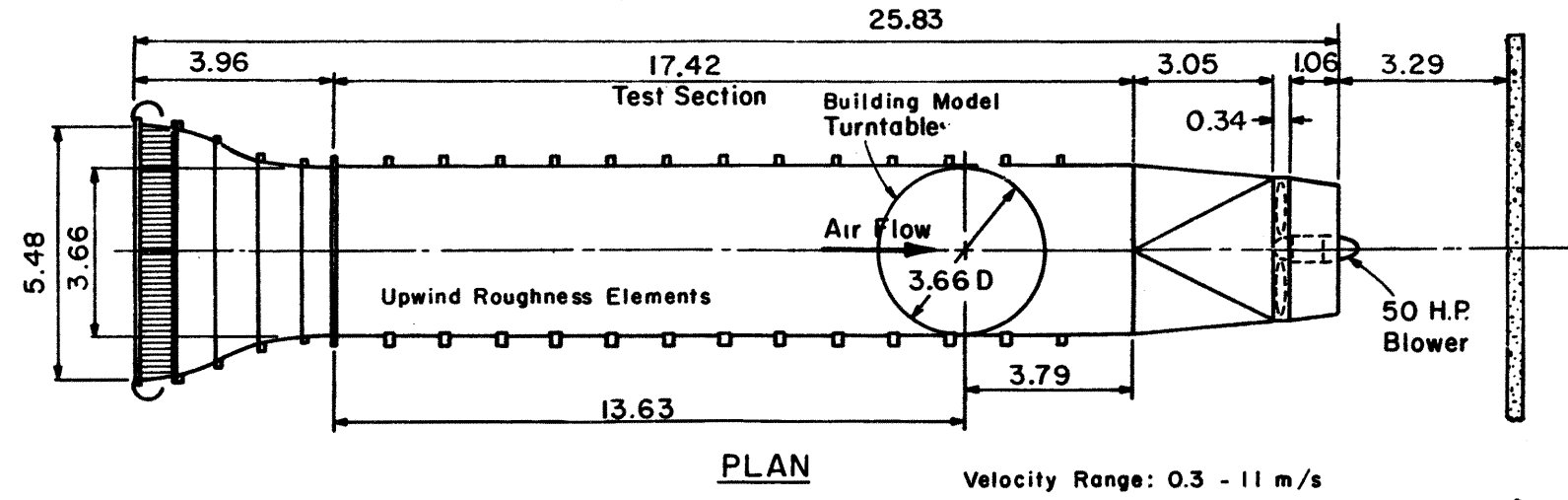


Figure 1. FLUID DYNAMICS AND DIFFUSION LABORATORY
 COLORADO STATE UNIVERSITY



ENVIRONMENTAL WIND TUNNEL
 Figure 2. Wind-Tunnel Configuration

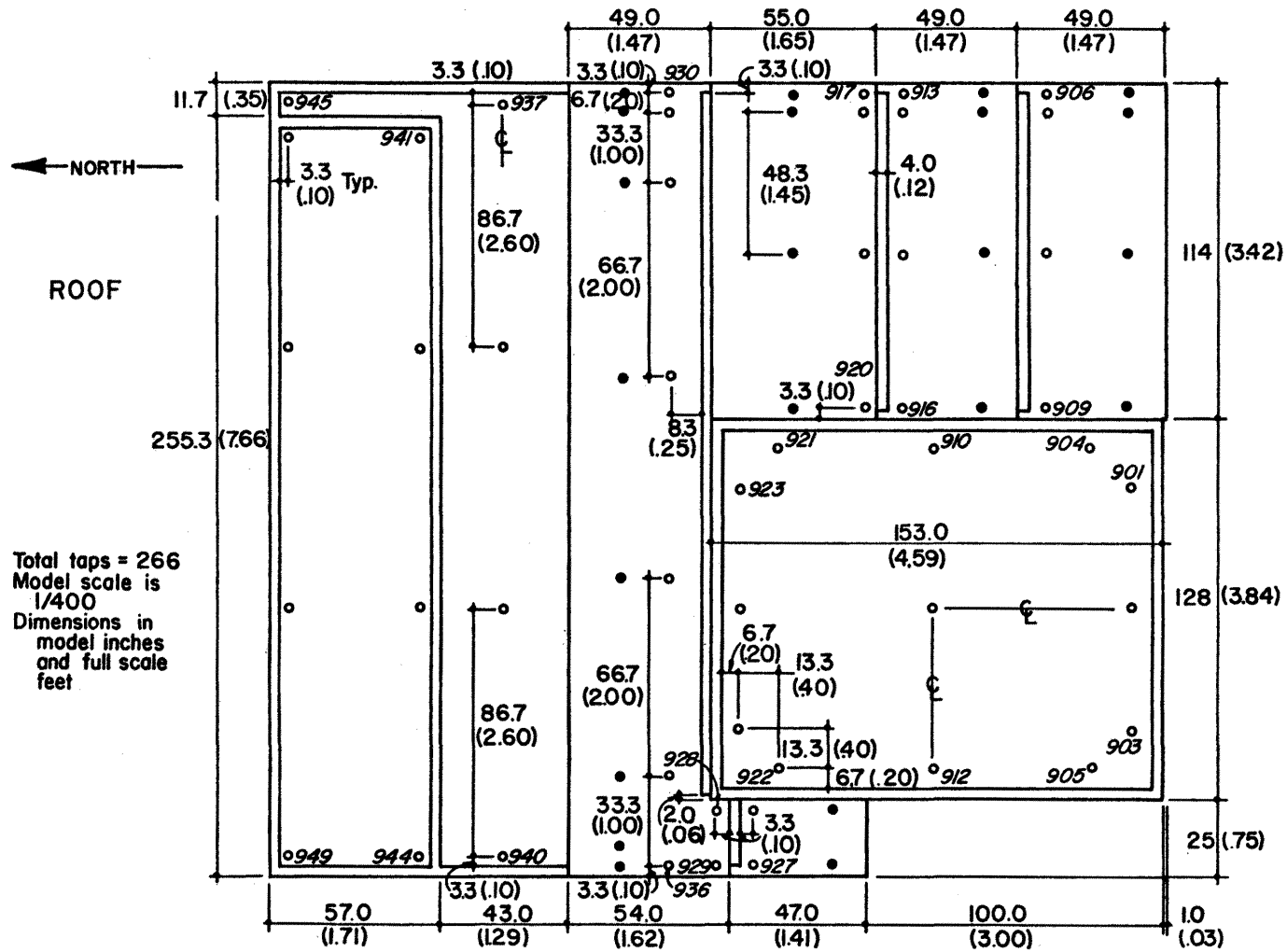


Figure 3a. Pressure Tap Locations

NOTE:
 -TAPS ON CURVED SURFACE LOCATED
 BY AN ANGLE MEASURED UP FROM
 HORIZONTAL.
 -EOR= EDGE OF ROUND AT TANGENT POINT

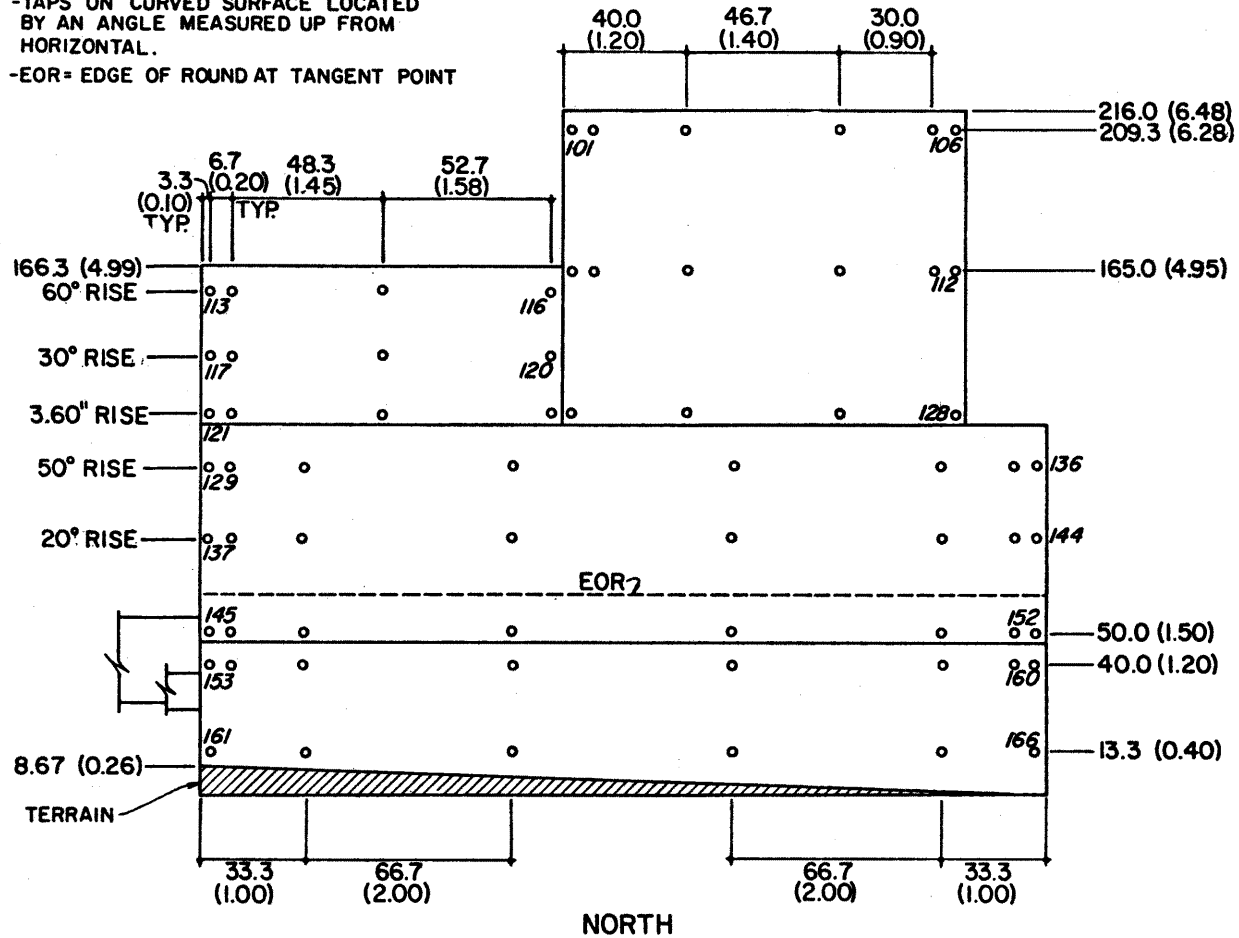
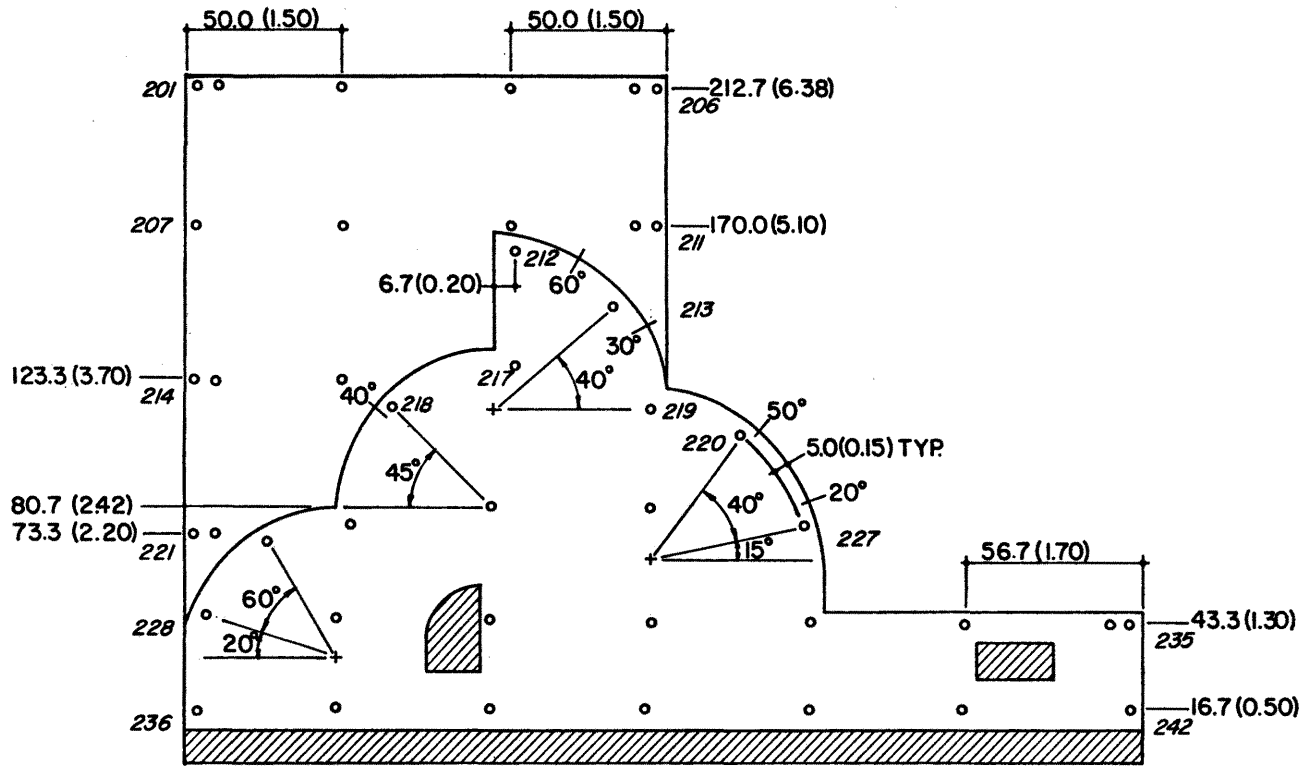


Figure 3b. Pressure Tap Locations



EAST

Figure 3c. Pressure Tap Locations

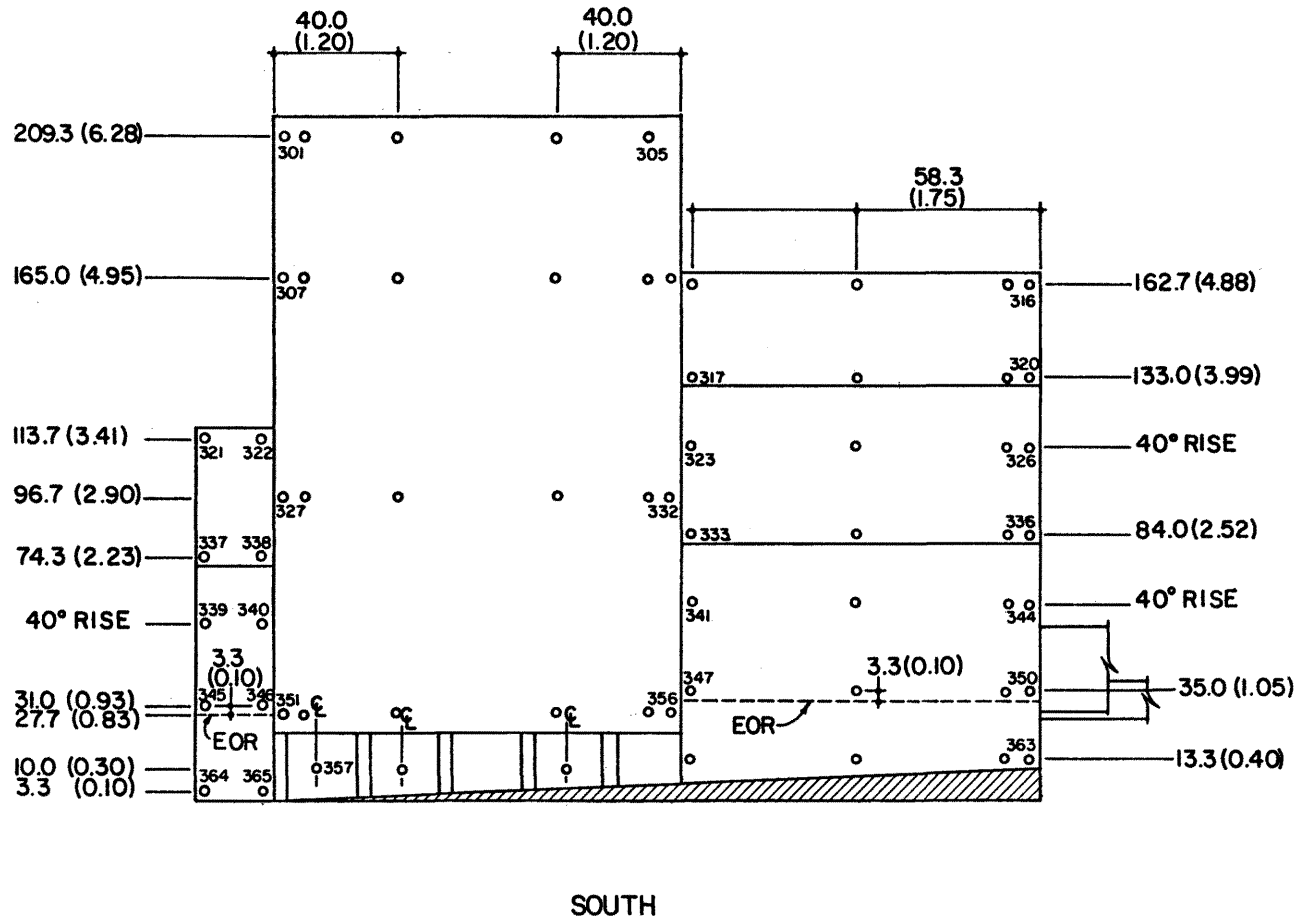
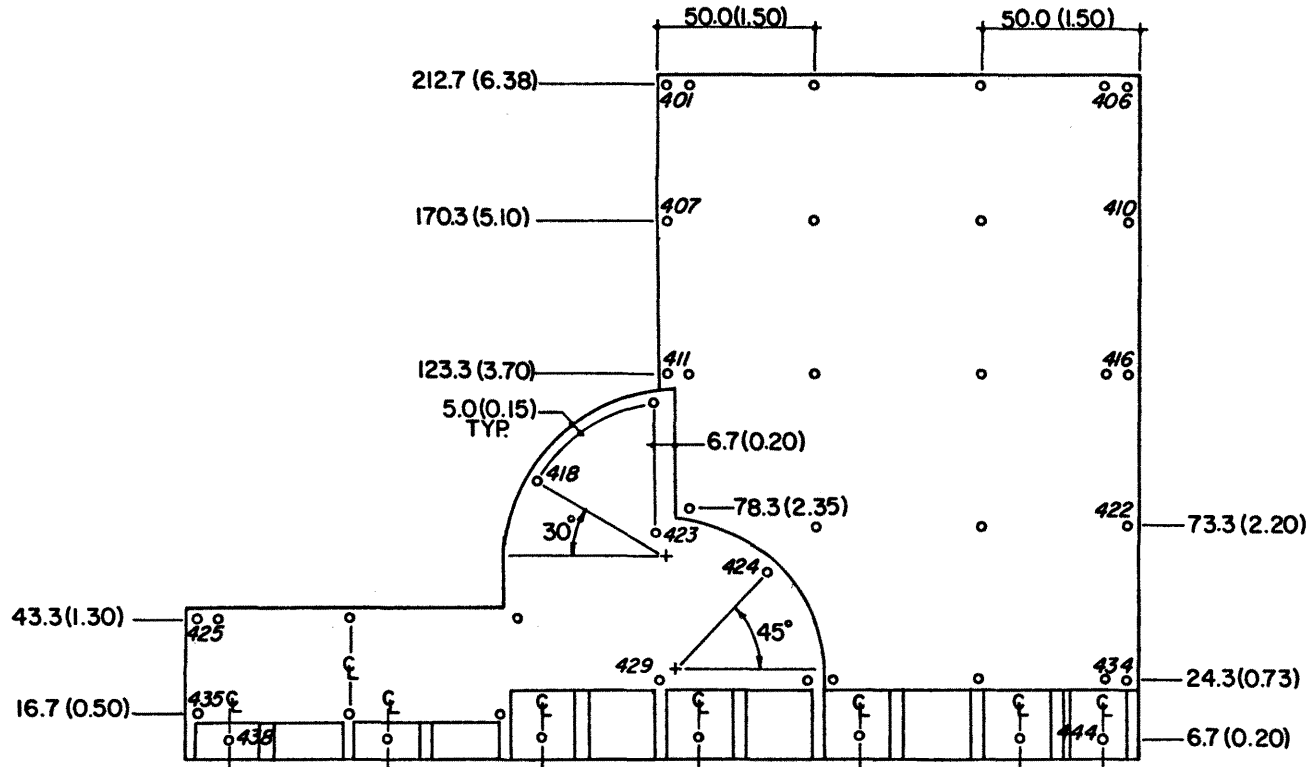


Figure 3d. Pressure Tap Locations



WEST

Figure 3e. Pressure Tap Locations

Coordinate System
Z=0 at "1st Floor"

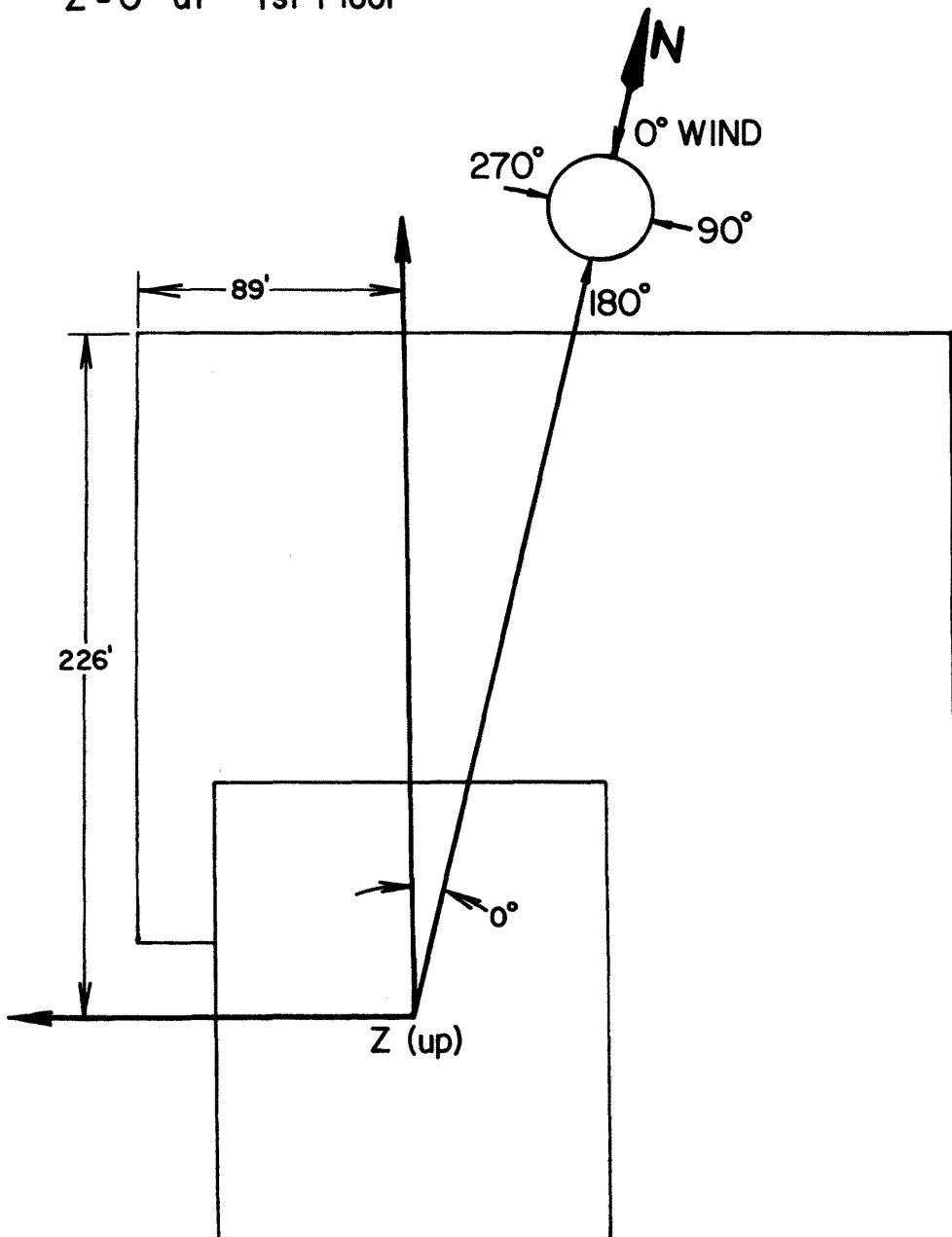


Figure 3f. Pressure Tap Locations

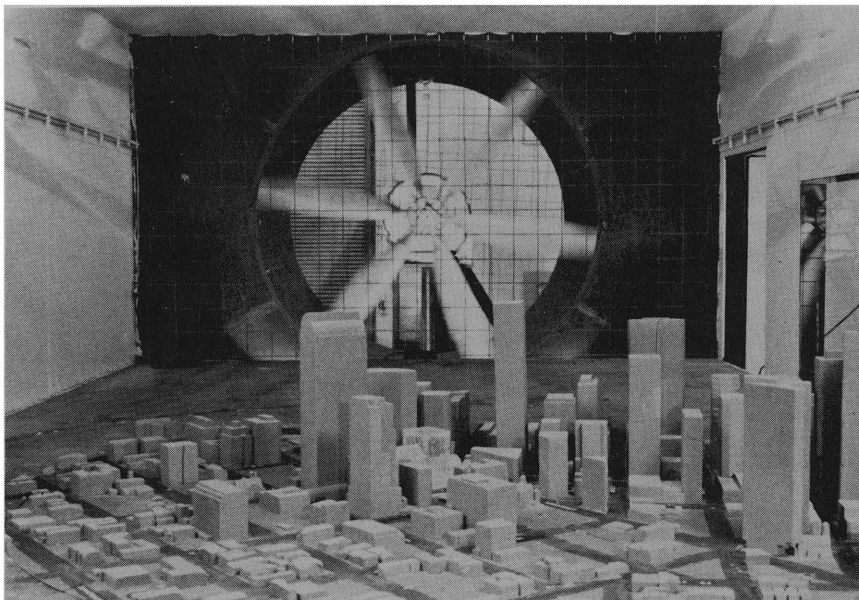
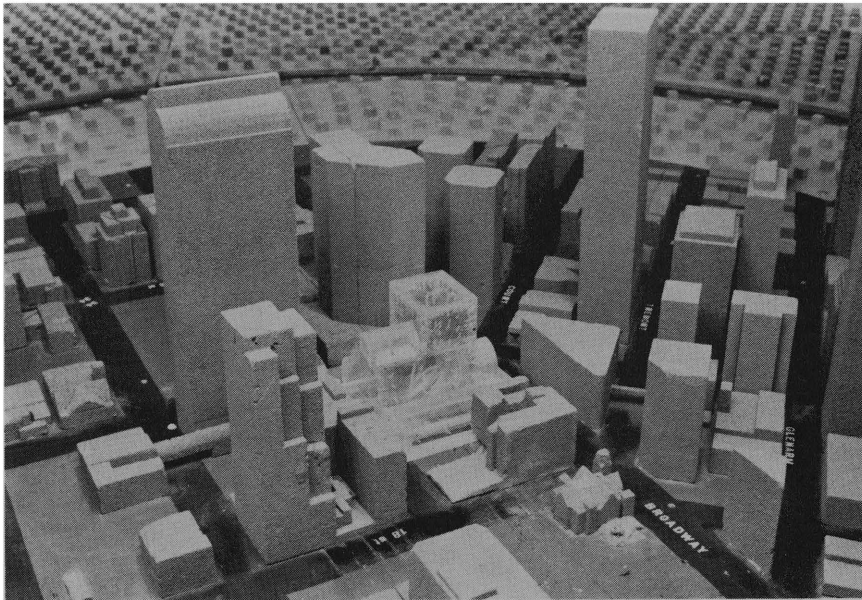


Figure 5. Completed Model in Wind Tunnel

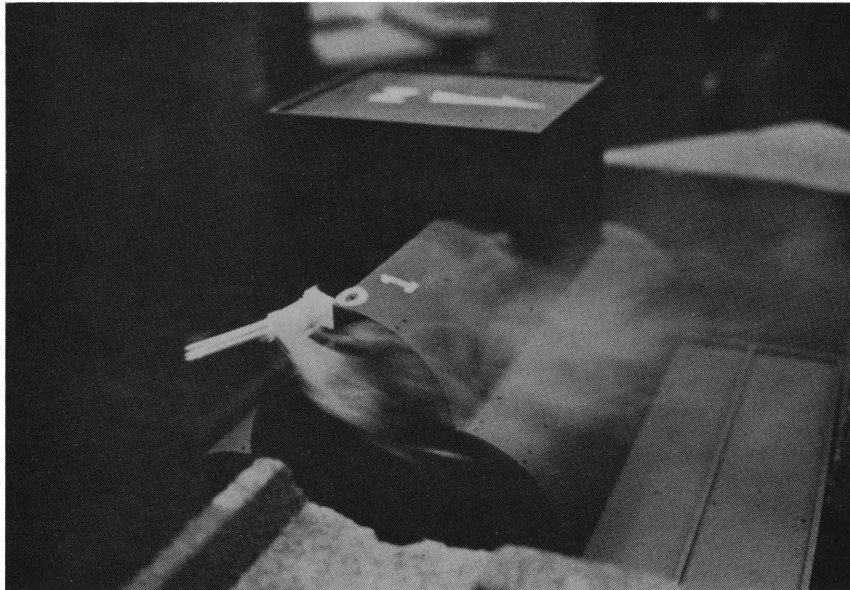
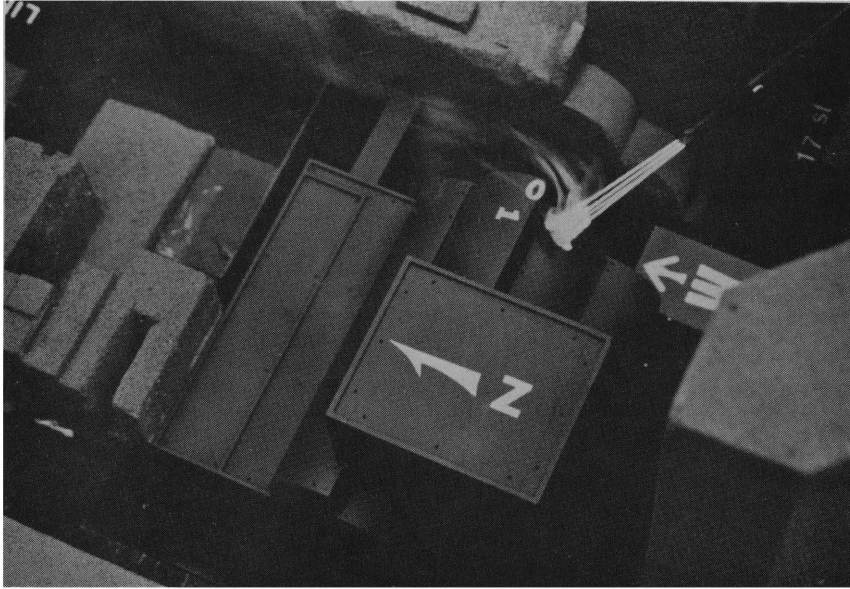


Figure 5. Completed Model in Wind Tunnel

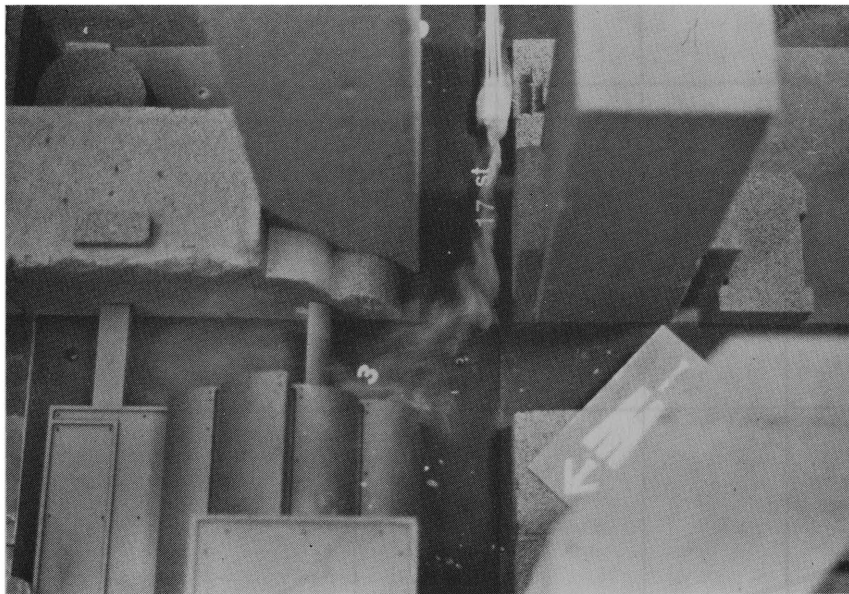
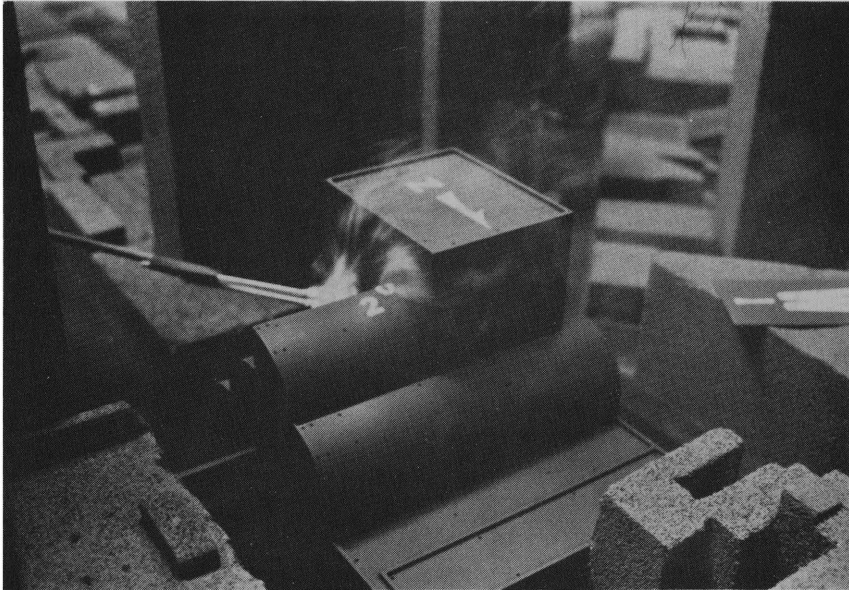


Figure 5. Completed Model in Wind Tunnel

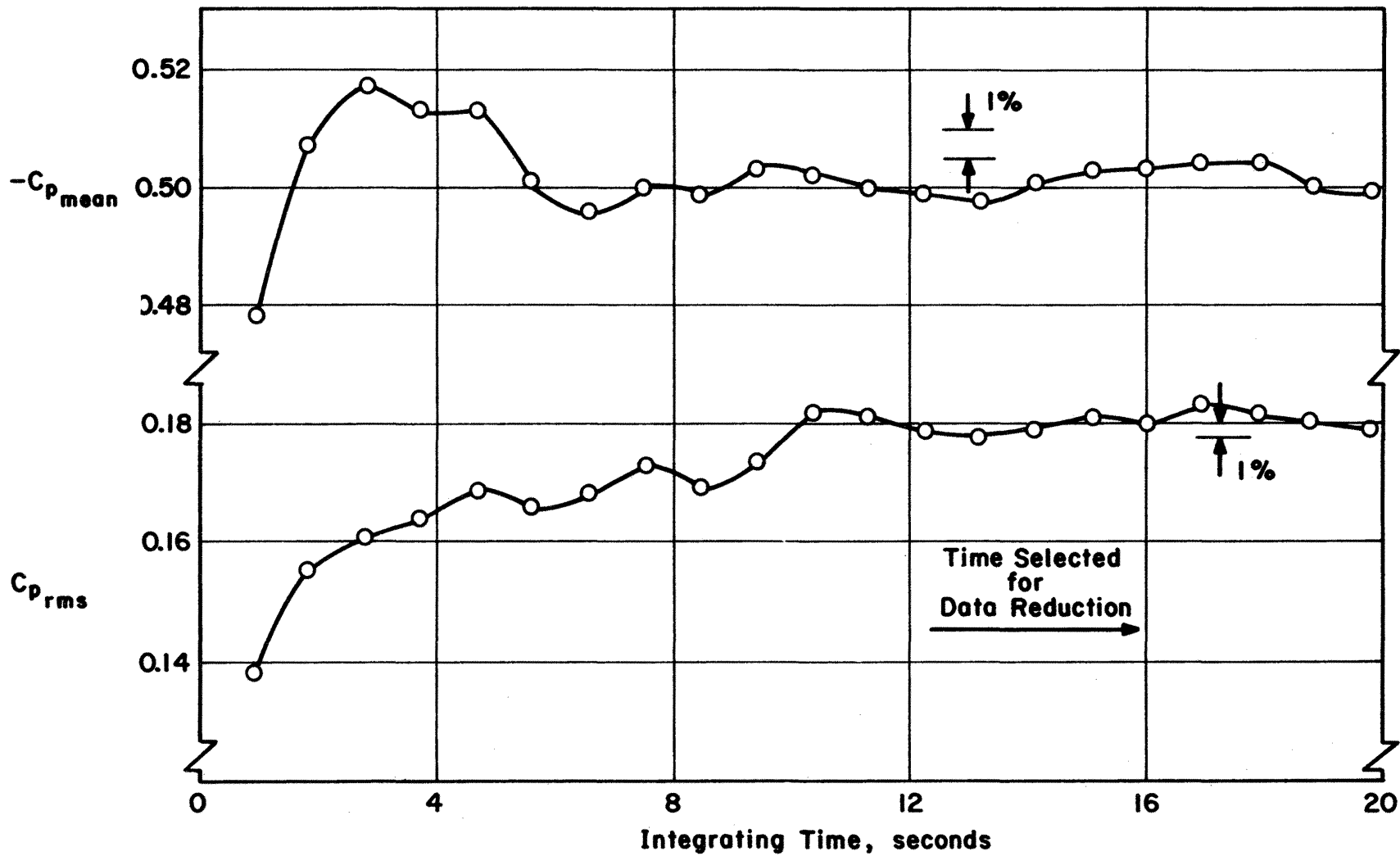


Figure 6. Data Sampling Time Verification

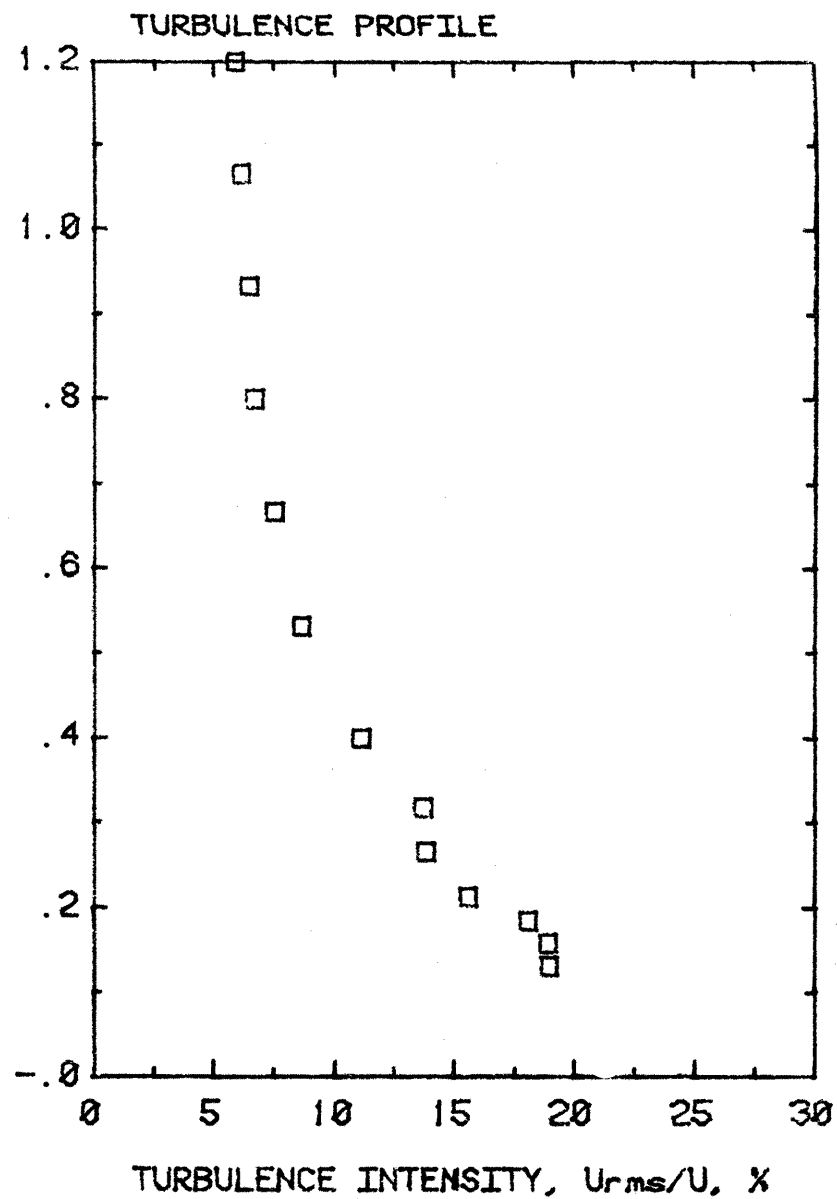
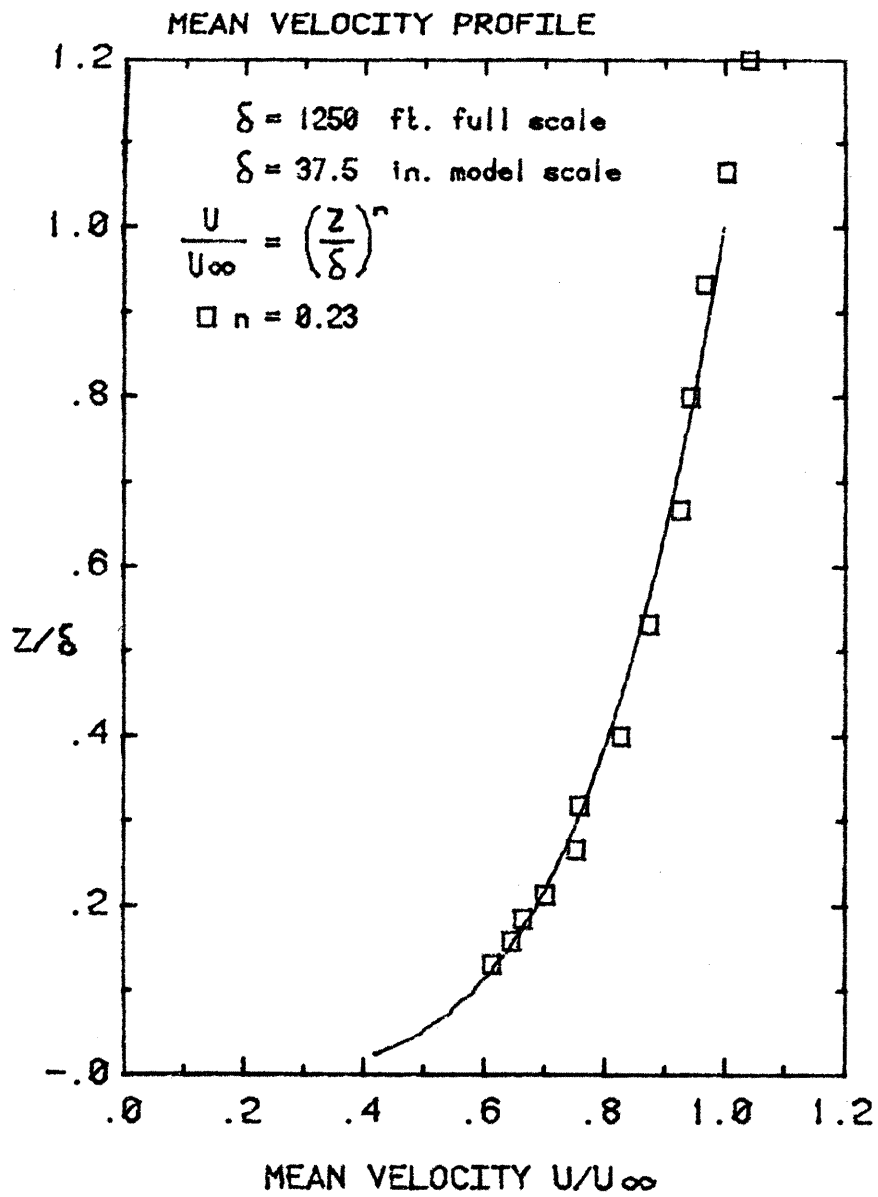


Figure 7. Mean Velocity and Turbulence Profiles Approaching the Model

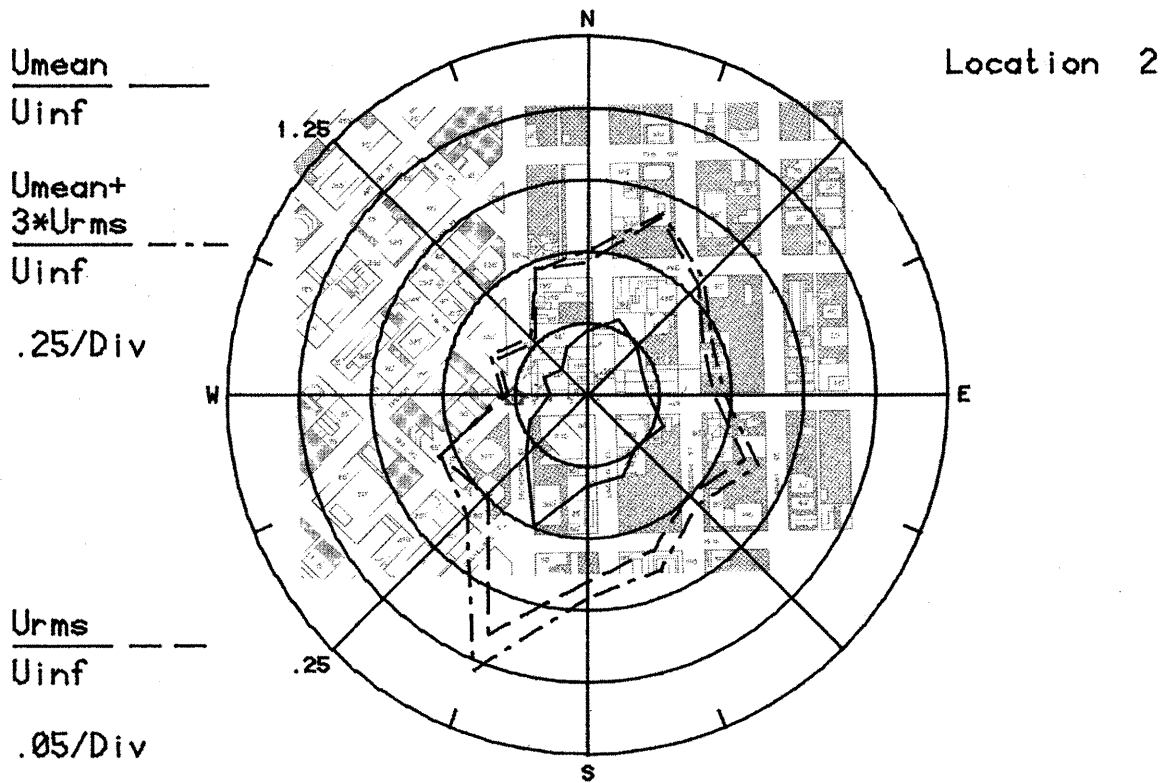
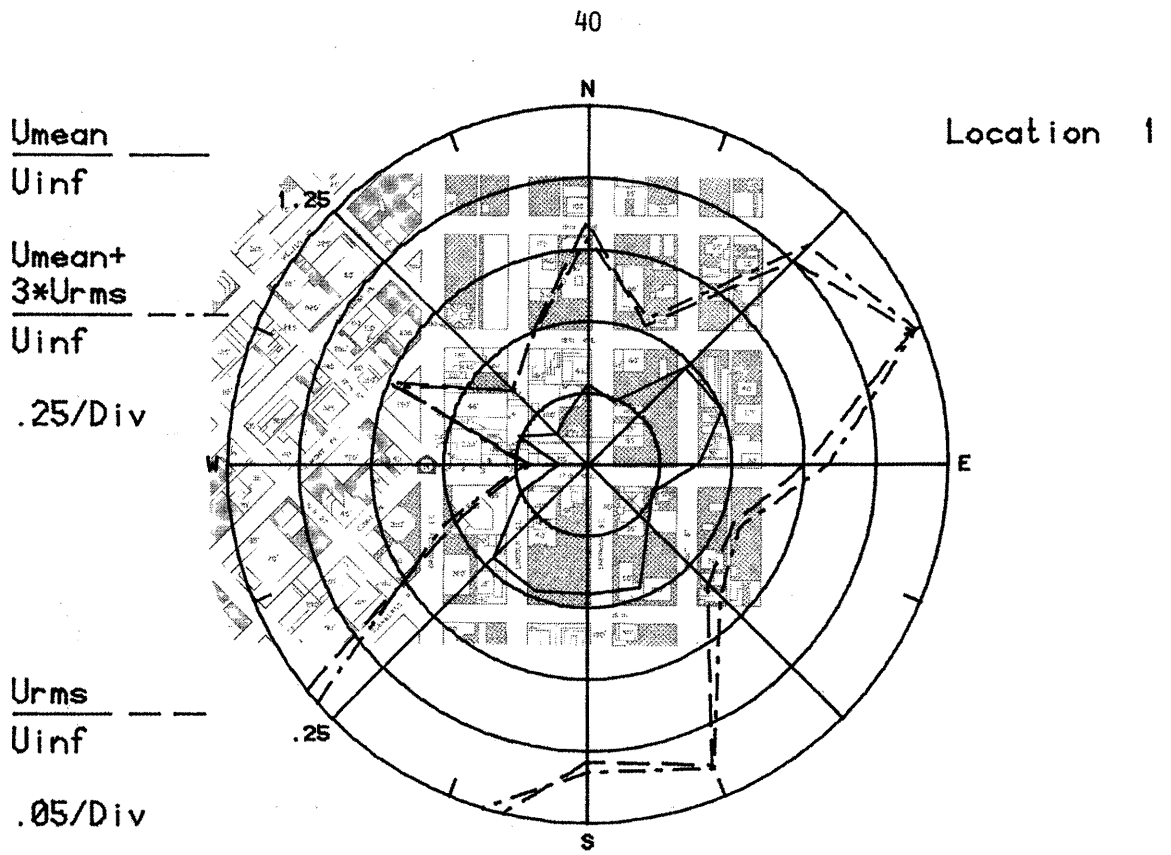
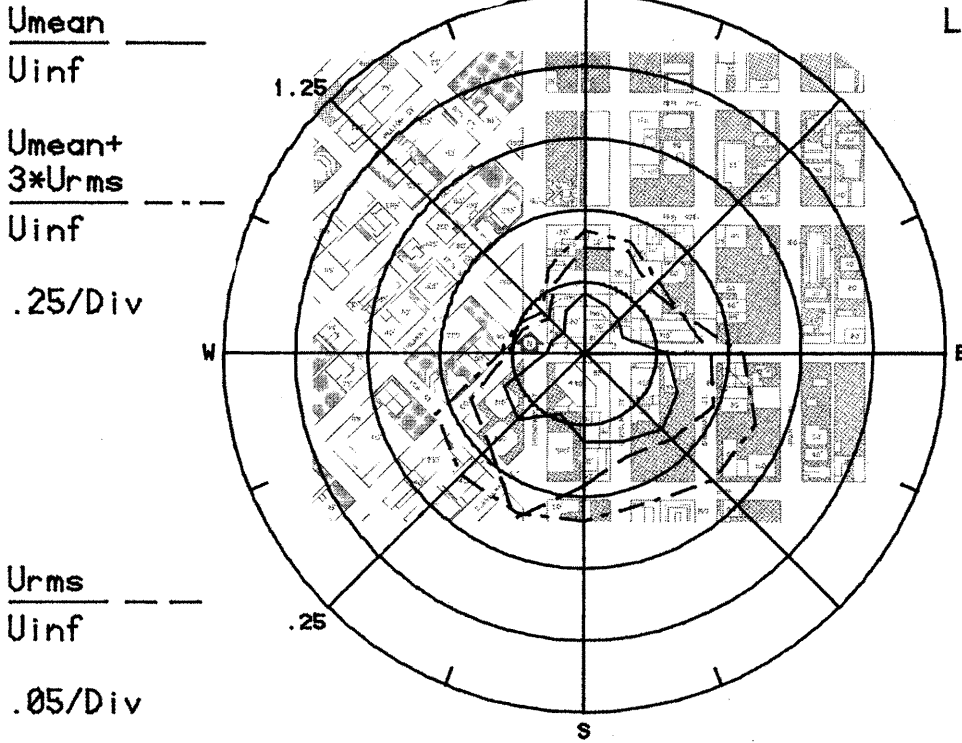


Figure 8a. Mean Velocities and Turbulence Intensities at Pedestrian Locations 1 and 2

Location 3



Location 4

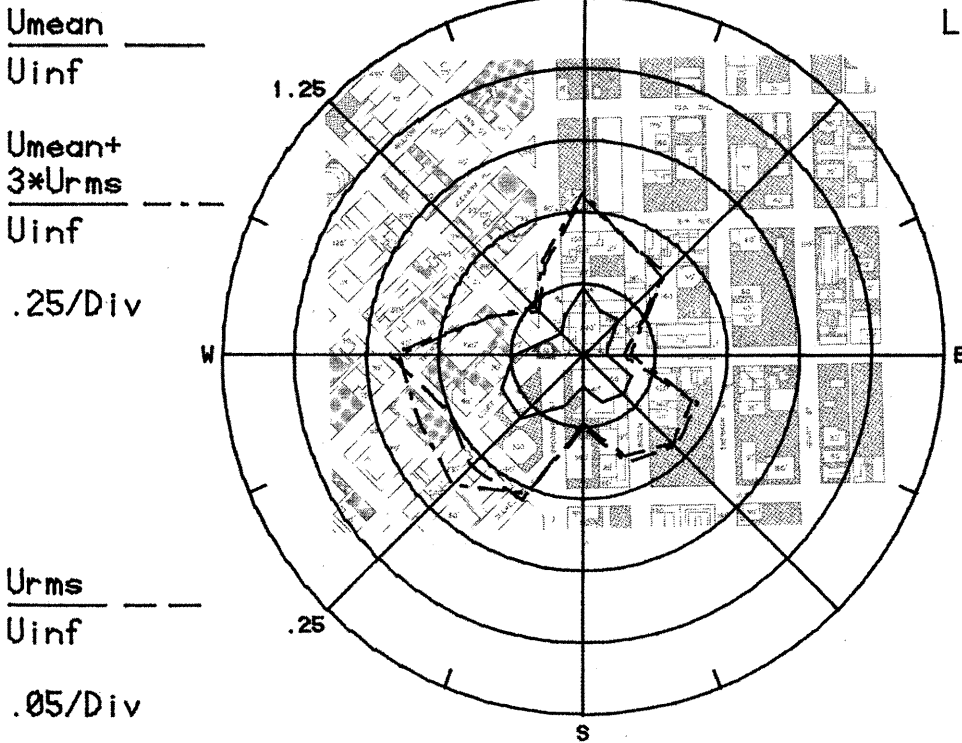


Figure 8b. Mean Velocities and Turbulence Intensities at Pedestrian Locations 3 and 4

$\frac{U_{mean}}{U_{inf}}$ ———

U_{inf}

$\frac{U_{mean} + 3 \times U_{rms}}{U_{inf}}$ - - - -

U_{inf}

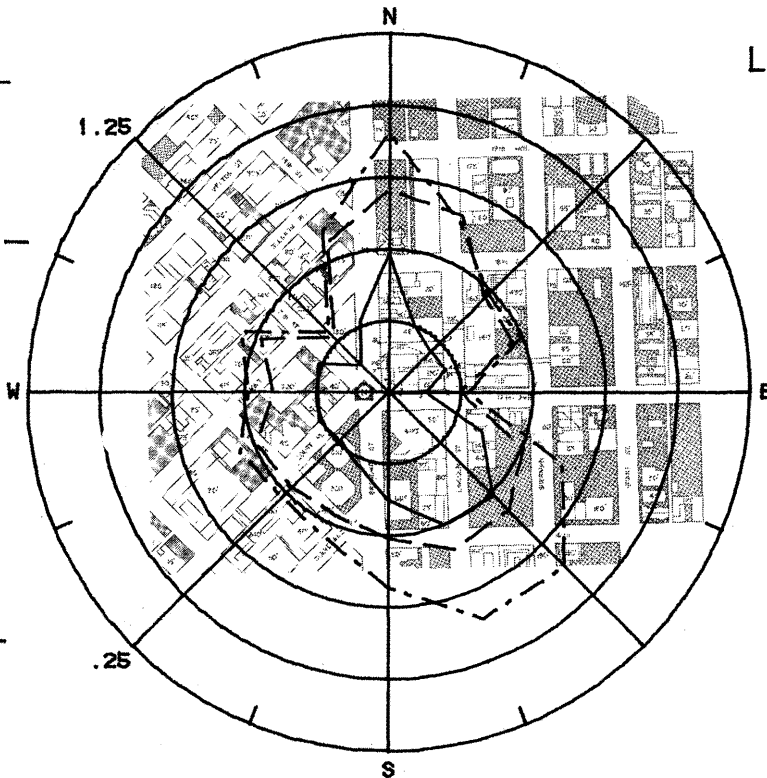
.25/Div

$\frac{U_{rms}}{U_{inf}}$ - - - -

U_{inf}

.05/Div

Location 5



$\frac{U_{mean}}{U_{inf}}$ ———

U_{inf}

$\frac{U_{mean} + 3 \times U_{rms}}{U_{inf}}$ - - - -

U_{inf}

.25/Div

$\frac{U_{rms}}{U_{inf}}$ - - - -

U_{inf}

.05/Div

Location 6

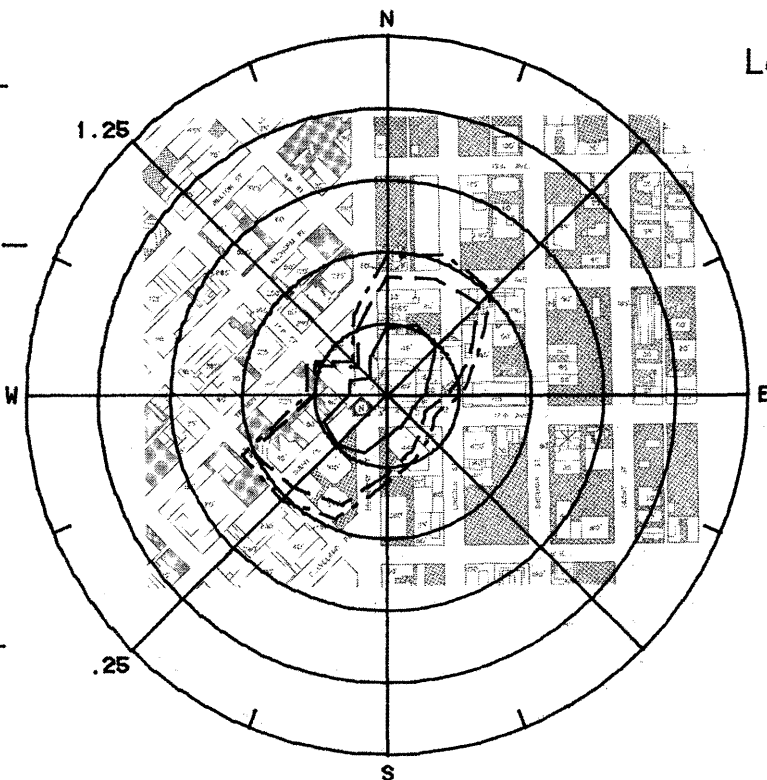
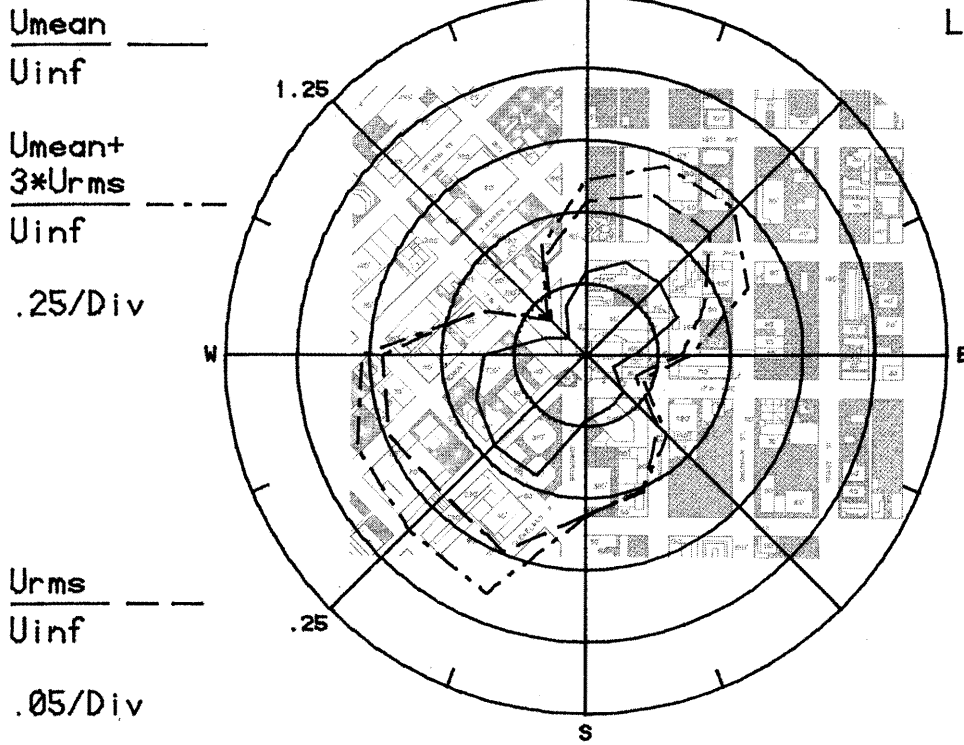


Figure 8c. Mean Velocities and Turbulence Intensities at Pedestrian Locations 5 and 6

43

Location 7



Location 8

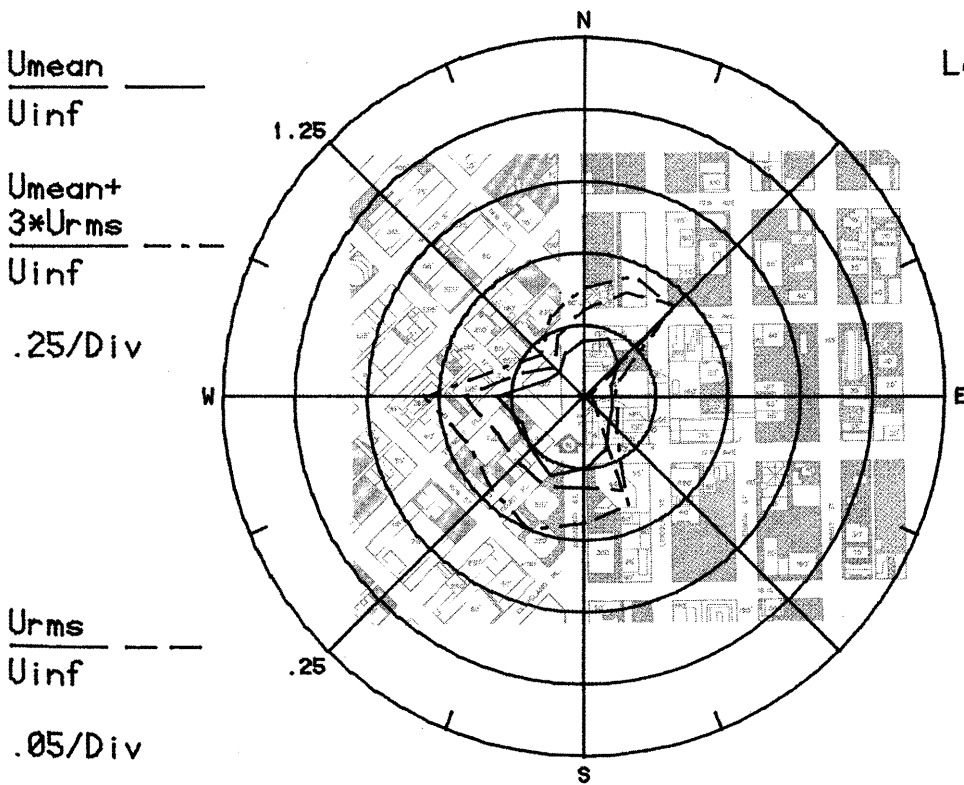


Figure 8d. Mean Velocities and Turbulence Intensities at Pedestrian Locations 7 and 8

$\frac{U_{mean}}{U_{inf}}$ ———

U_{inf}

$\frac{U_{mean} + 3 * U_{rms}}{U_{inf}}$ - - - -

U_{inf}

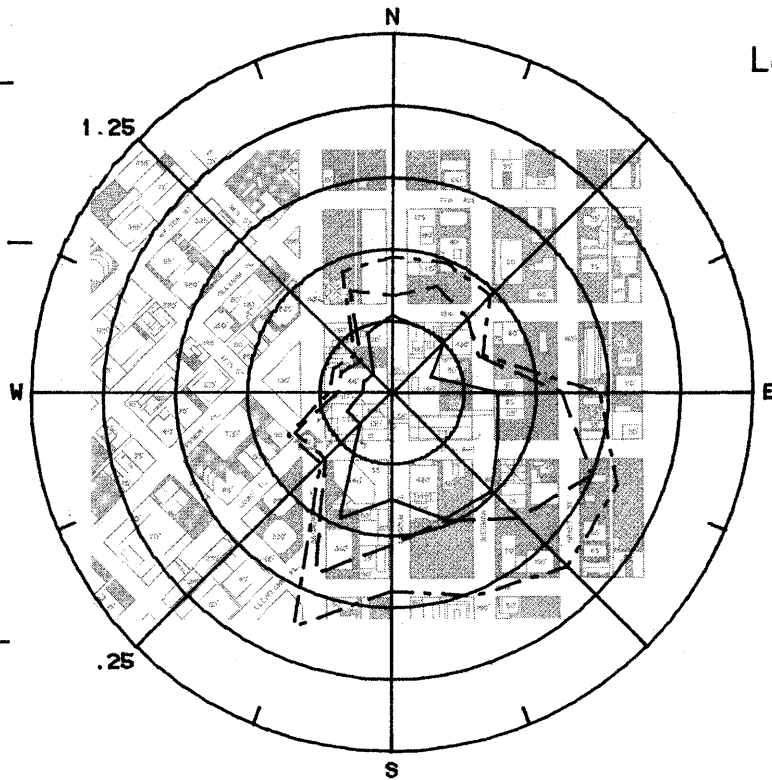
.25/Div

$\frac{U_{rms}}{U_{inf}}$ - - - -

U_{inf}

.05/Div

Location 9



$\frac{U_{mean}}{U_{inf}}$ ———

U_{inf}

$\frac{U_{mean} + 3 * U_{rms}}{U_{inf}}$ - - - -

U_{inf}

.25/Div

$\frac{U_{rms}}{U_{inf}}$ - - - -

U_{inf}

.05/Div

Location 10

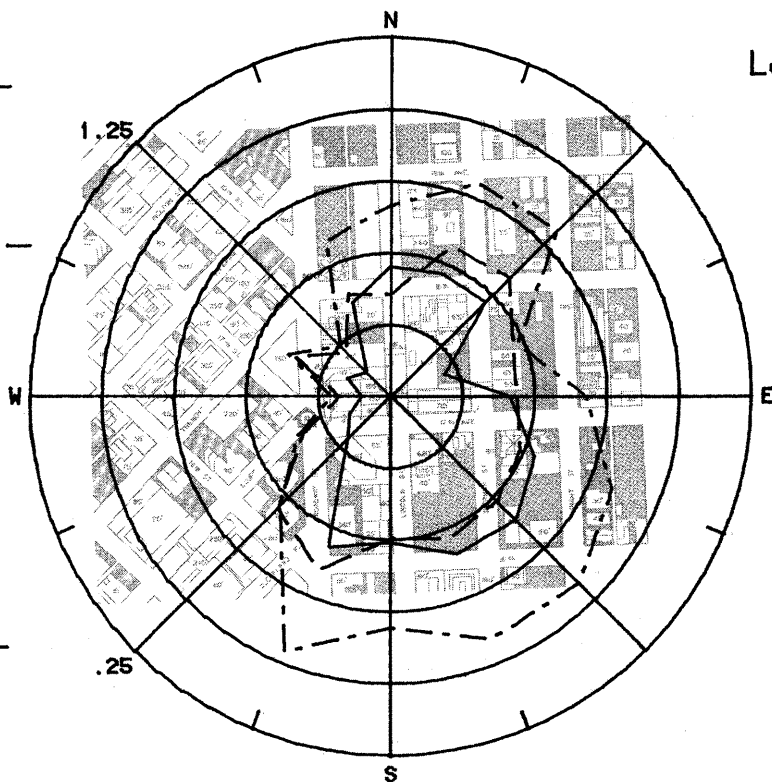


Figure 8e. Mean Velocities and Turbulence Intensities at Pedestrian Locations 9 and 10

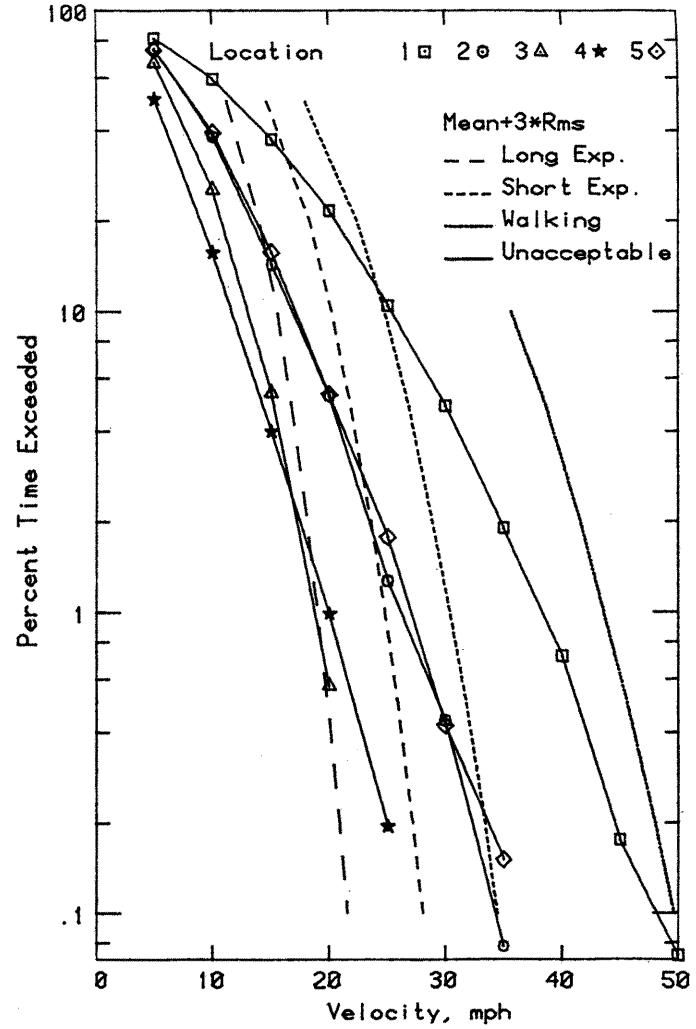
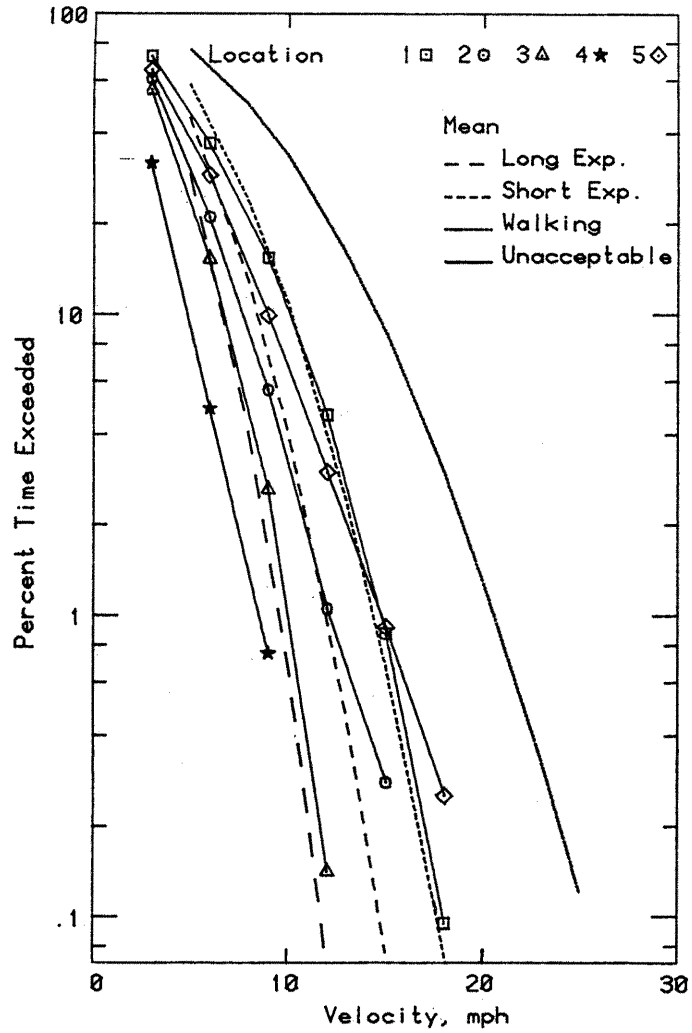


Figure 9a. Wind Velocity Probabilities for Pedestrian Locations

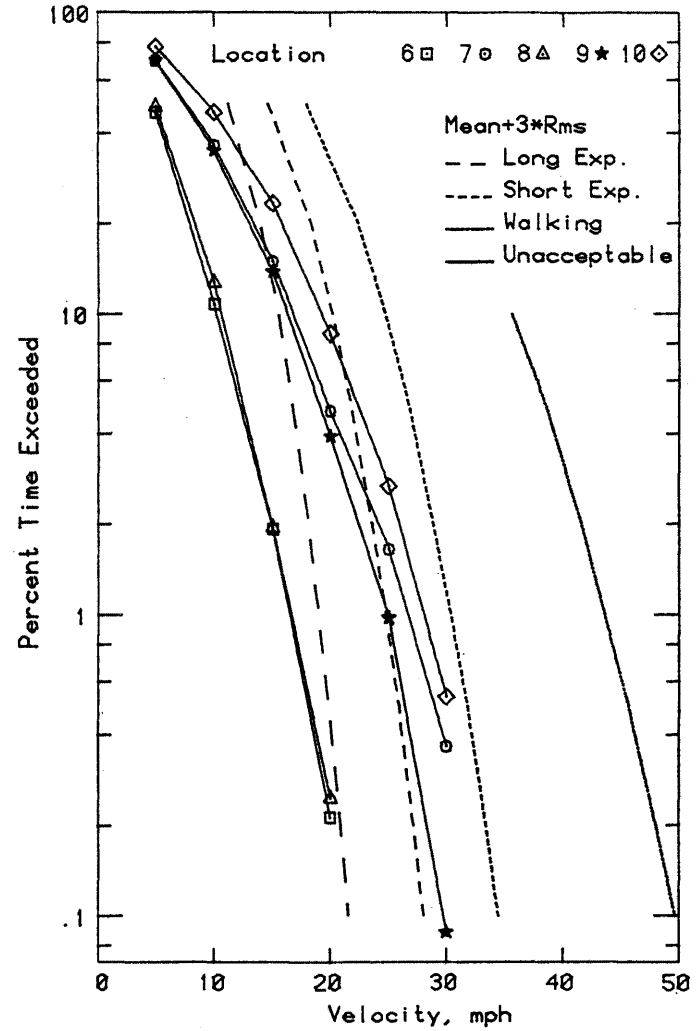
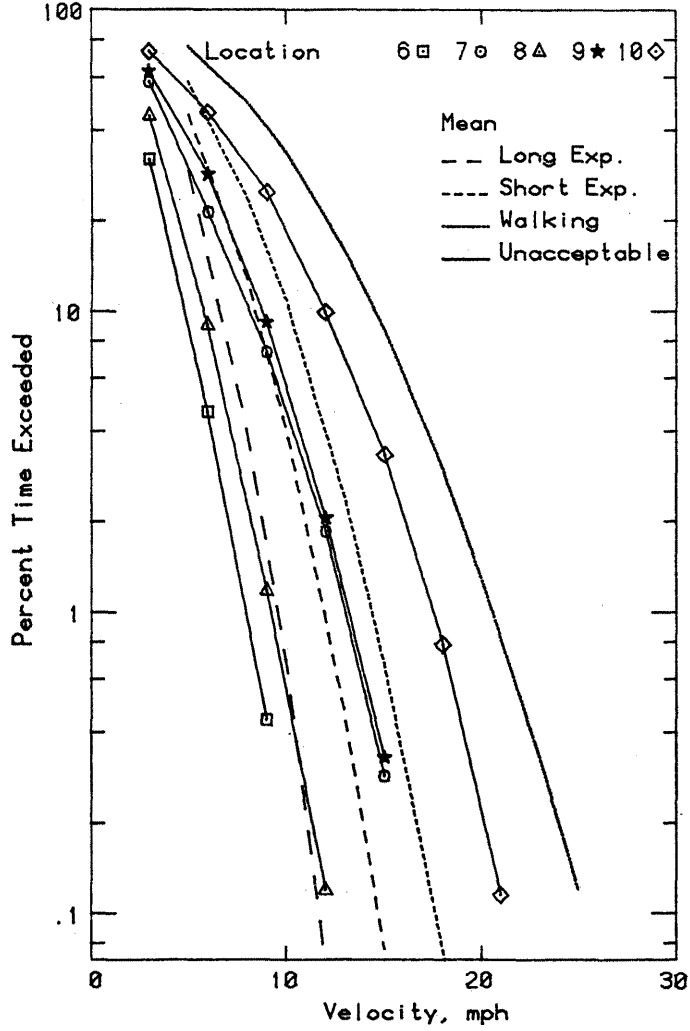


Figure 9b. Wind Velocity Probabilities for Pedestrian Locations

NORTH ELEVATION
NEGATIVE PEAK CLADDING LOADS (PSF)
FOR 100-YEAR RECURRENCE WIND
REFERENCE PRESSURE = 28 PSF

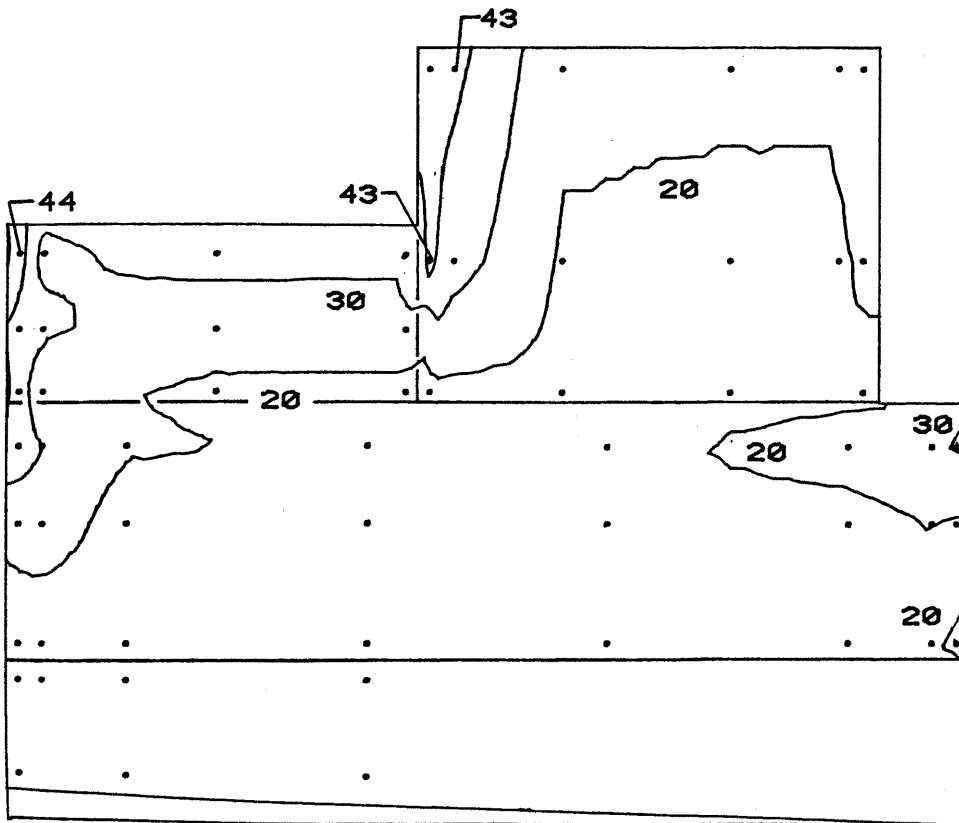


Figure 10a. Peak Pressure Contours on the Building
for Cladding Loads

WEST ELEVATION
NEGATIVE PEAK CLADDING LOADS (PSF)
FOR 100-YEAR RECURRENCE WIND
REFERENCE PRESSURE = 28 PSF

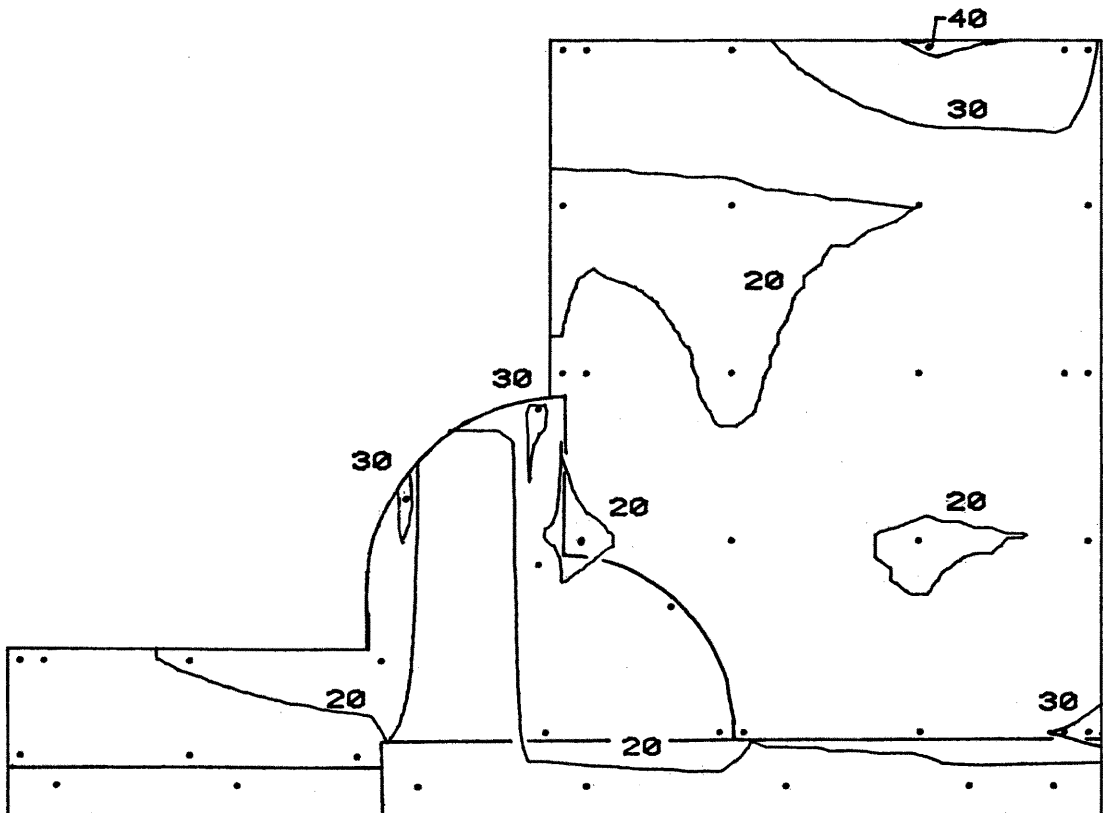


Figure 10b. Peak Pressure Contours on the Building for Cladding Loads

SOUTH ELEVATION
NEGATIVE PEAK CLADDING LOADS (PSF)
FOR 100-YEAR RECURRENCE WIND
REFERENCE PRESSURE = 28 PSF

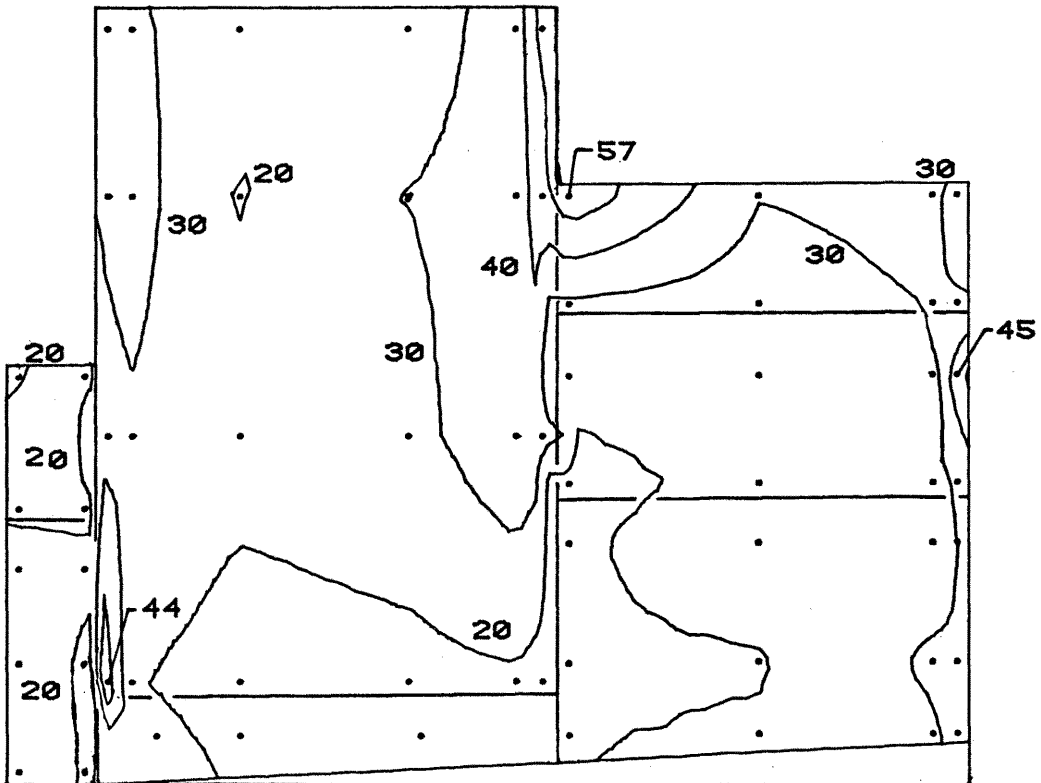


Figure 10c. Peak Pressure Contours on the Building
for Cladding Loads

EAST ELEVATION
NEGATIVE PEAK CLADDING LOADS (PSF)
FOR 100-YEAR RECURRENCE WIND
REFERENCE PRESSURE = 28 PSF

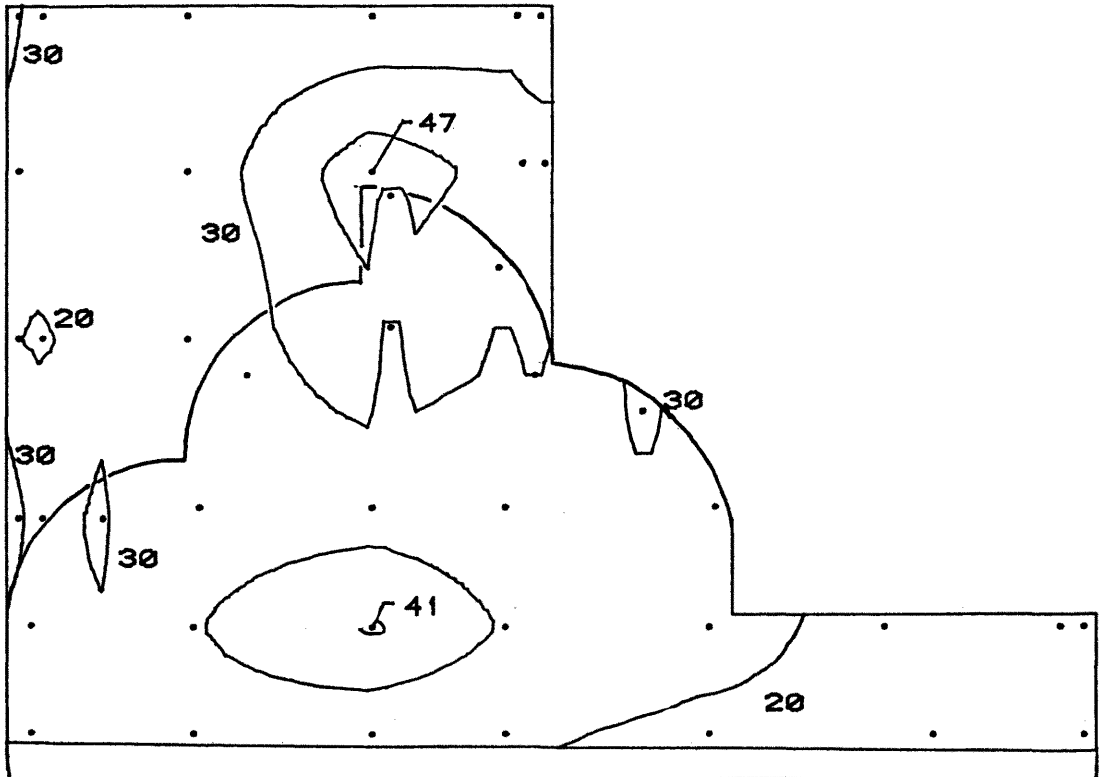


Figure 10d. Peak Pressure Contours on the Building
for Cladding Loads

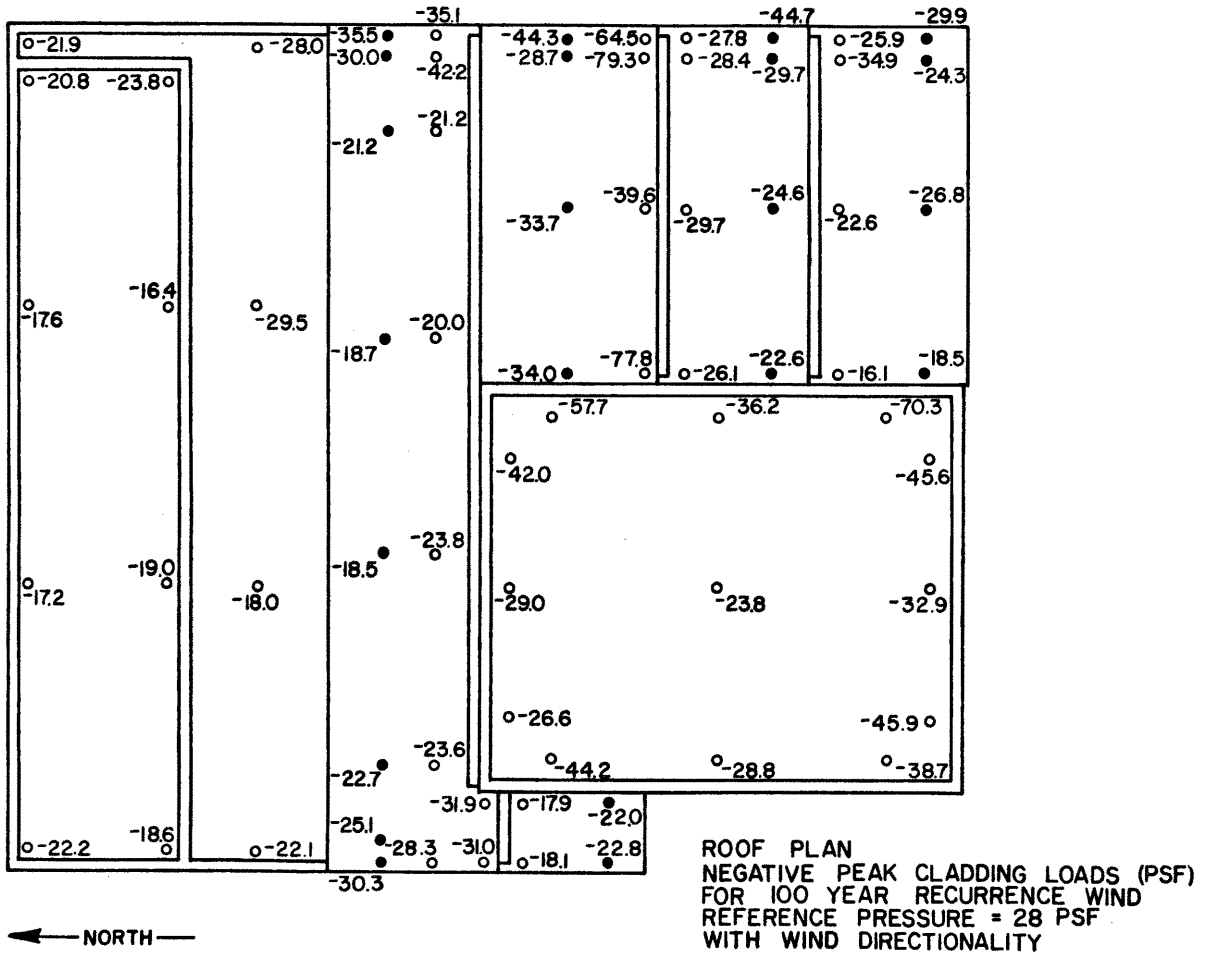


Figure 10e. Peak Pressure Contours on the Building for Cladding Loads

NORTH ELEVATION
POSITIVE PEAK CLADDING LOADS (PSF)
FOR 100-YEAR RECURRENCE WIND
REFERENCE PRESSURE = 28 PSF

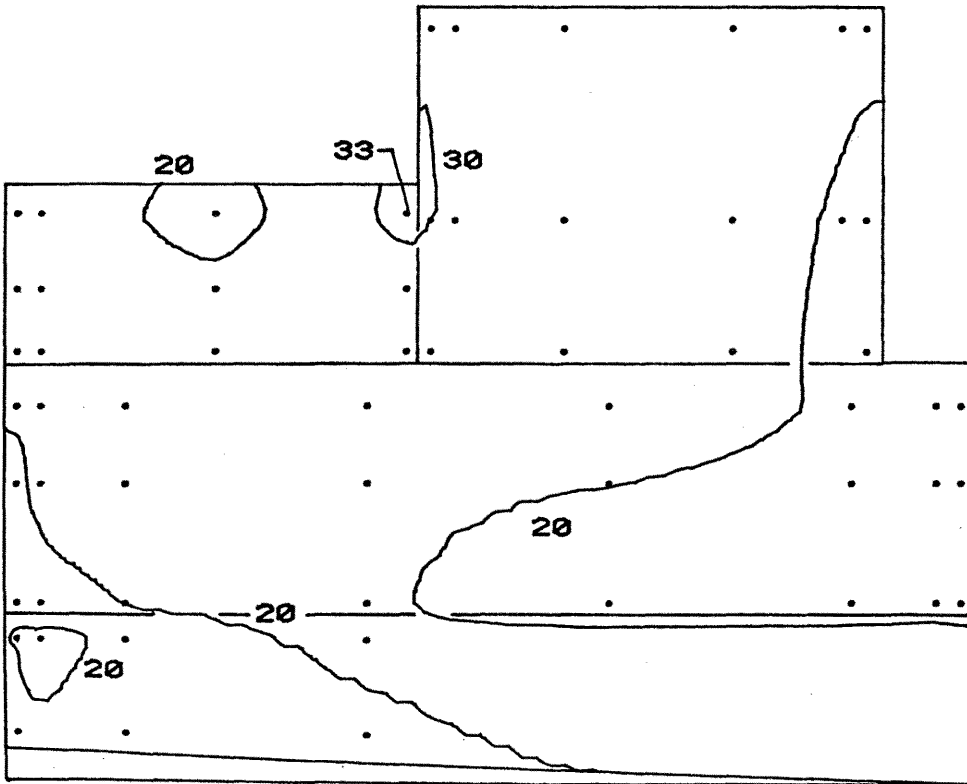


Figure 10f. Peak Pressure Contours on the Building
for Cladding Loads

WEST ELEVATION
POSITIVE PEAK CLADDING LOADS (PSF)
FOR 100-YEAR RECURRENCE WIND
REFERENCE PRESSURE = 28 PSF

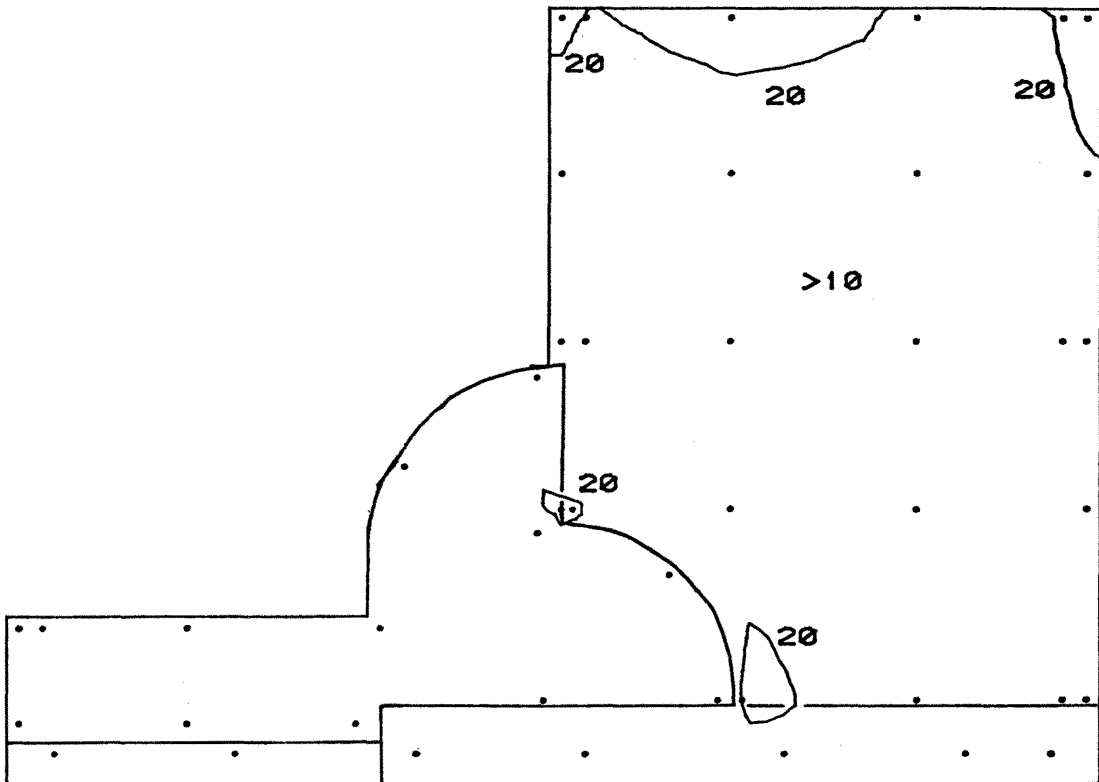


Figure 10g. Peak Pressure Contours on the Building
for Cladding Loads

SOUTH ELEVATION
POSITIVE PEAK CLADDING LOADS (PSF)
FOR 100-YEAR RECURRENCE WIND
REFERENCE PRESSURE = 28 PSF

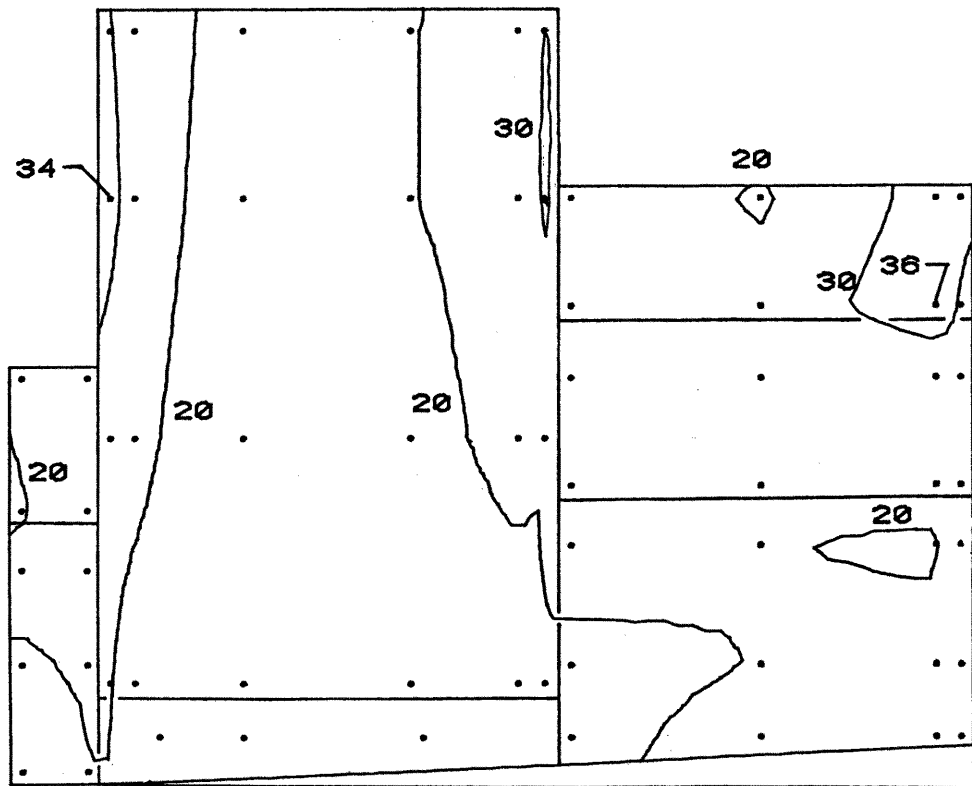


Figure 10h. Peak Pressure Contours on the Building for Cladding Loads

EAST ELEVATION
POSITIVE PEAK CLADDING LOADS (PSF)
FOR 100-YEAR RECURRENCE WIND
REFERENCE PRESSURE = 28 PSF

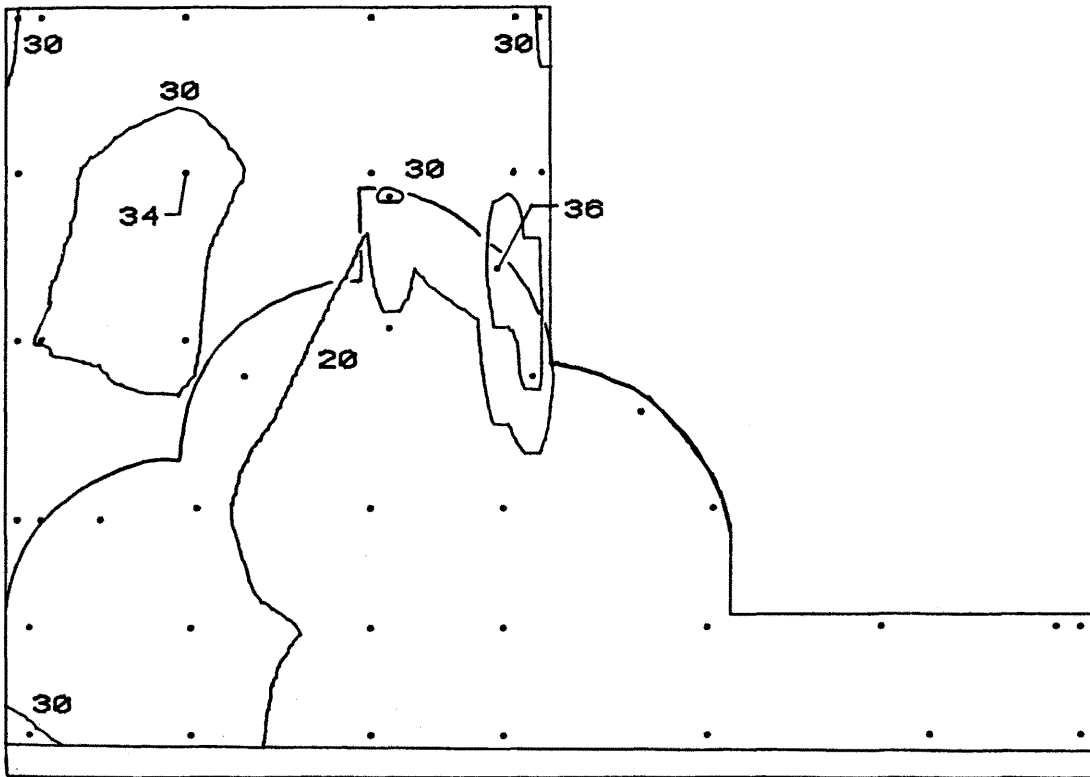


Figure 10i. Peak Pressure Contours on the Building
for Cladding Loads

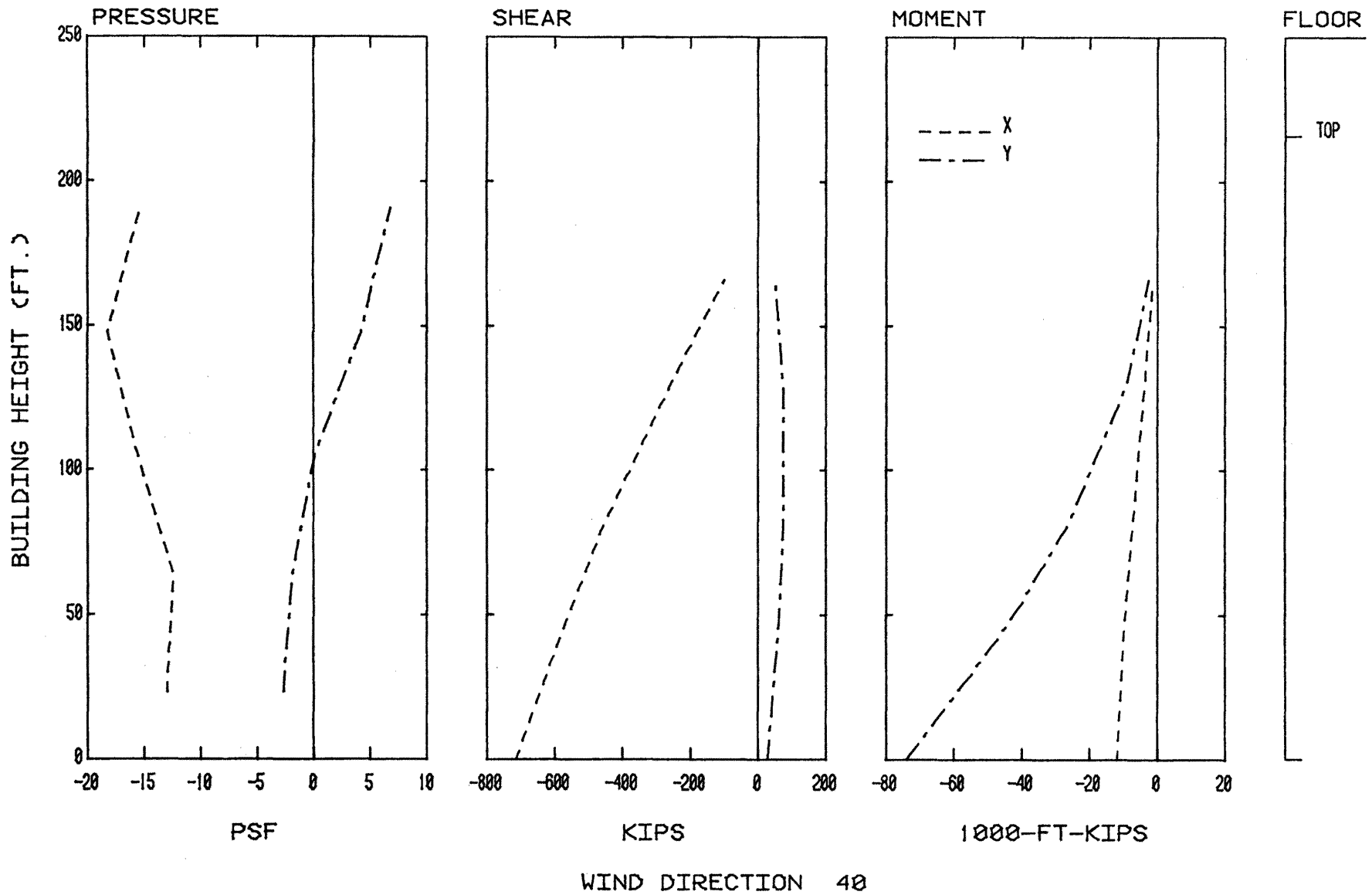


Figure 11. Load, Shear, and Moment Diagrams for Selected Wind Directions

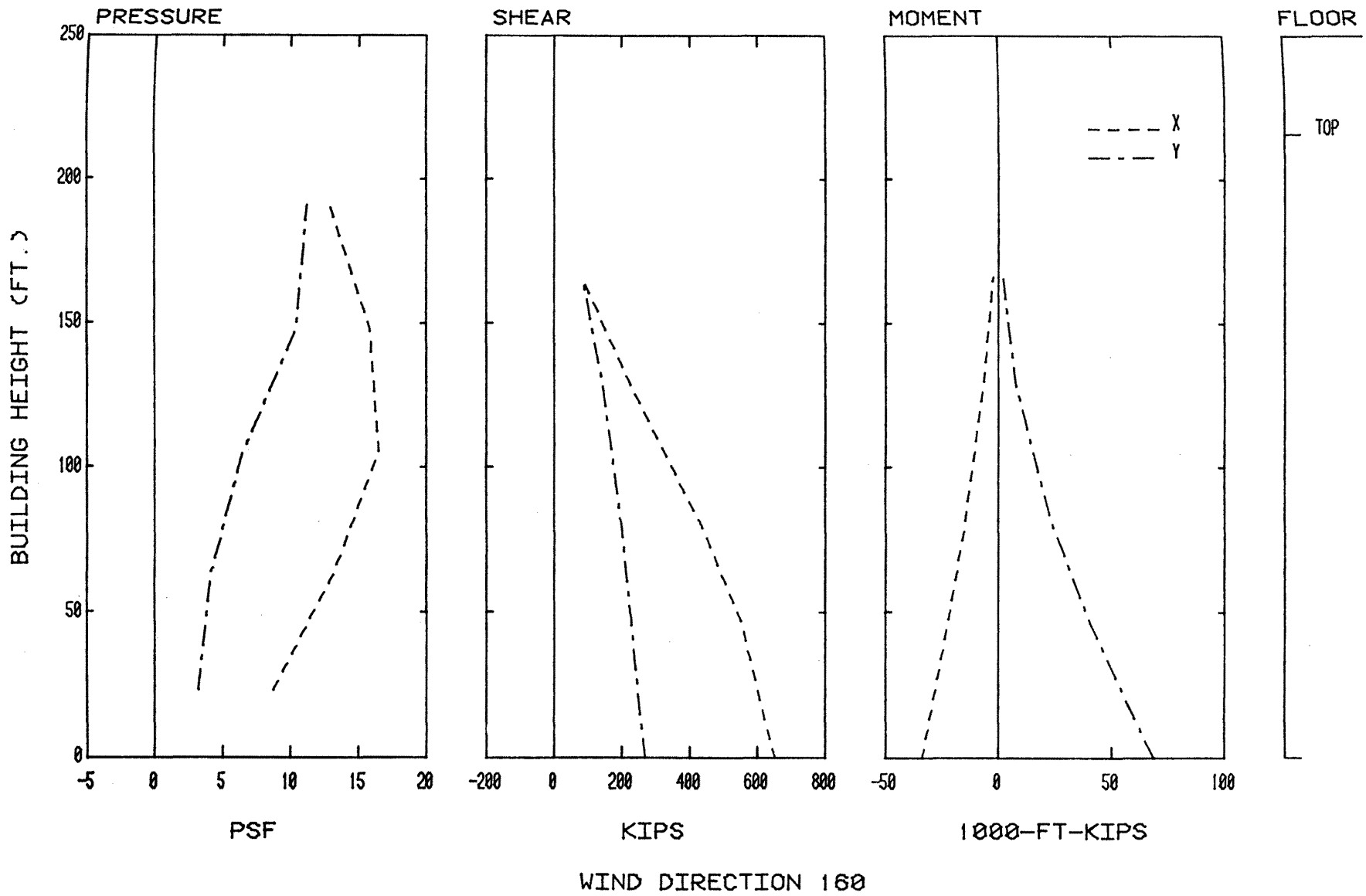


Figure 11. Load, Shear, and Moment Diagrams for Selected Wind Directions

TABLES

TABLE 1

MOTION PICTURE SCENE GUIDE

1. Introduction
2. Purposes for model testing
3. Procedures for conducting tests
4. Specific flow visualization scenes for

UNITED BANK CENTER WINTER GARDEN, DENVERHIGH PRESSURE AREAS

<u>Run No.</u>	<u>Tap No.</u>	<u>Wind Direction</u>
1	918	180°
2	920	120°

PEDESTRIAN AREA HIGH WIND VELOCITIES

<u>Run No.</u>	<u>Ped. Loc. No.</u>	<u>Wind Direction</u>
3	10	135°
4	5	157°

TABLE 2--PEDESTRIAN WIND VELOCITIES AND TURBULENCE INTENSITIES
UNITED BANK CENTRE WINTER GARDEN, DENVER

LOCATION 1

WIND AZIMUTH	UMEAN/UINF (PERCENT)	URMS/UINF (PERCENT)	UMEAN+3*URMS/UINF (PERCENT)
0.00	27.7	16.9	78.6
22.50	23.7	10.5	55.1
45.00	47.6	22.0	107.6
67.50	50.3	24.3	123.1
90.00	38.0	15.1	83.4
112.50	24.3	10.9	57.0
135.00	29.6	11.8	64.9
157.50	46.6	22.7	114.6
180.00	45.1	20.8	107.4
202.50	47.7	20.8	130.9
225.00	46.9	30.6	138.0
247.50	24.4	9.4	53.1
270.00	26.9	4.0	22.0
292.50	15.2	14.9	37.1
315.00	13.2	7.2	26.9
337.50	19.0	10.0	49.0

LOCATION 2

WIND AZIMUTH	UMEAN/UINF (PERCENT)	URMS/UINF (PERCENT)	UMEAN+3*URMS/UINF (PERCENT)
0.00	22.4	9.2	50.0
22.50	28.3	13.3	68.3
45.00	24.3	10.9	57.0
67.50	20.7	8.7	46.9
90.00	21.2	8.8	47.7
112.50	28.8	11.8	64.3
135.00	24.4	9.9	54.1
157.50	30.7	11.8	66.0
180.00	31.7	13.0	70.7
202.50	49.2	18.0	103.3
225.00	30.1	9.7	59.3
247.50	21.4	11.2	55.0
270.00	13.0	5.5	29.6
292.50	16.5	6.7	36.5
315.00	12.0	5.5	27.9
337.50	18.3	9.3	46.7

LOCATION 3

WIND AZIMUTH	UMEAN/UINF (PERCENT)	URMS/UINF (PERCENT)	UMEAN+3*URMS/UINF (PERCENT)
0.00	20.8	7.3	42.8
22.50	18.4	7.8	41.7
45.00	16.8	6.4	33.9
67.50	14.6	7.2	36.3
90.00	28.8	8.8	53.2
112.50	33.5	9.7	64.1
135.00	33.5	10.5	62.9
157.50	33.2	9.8	66.6
180.00	30.9	9.8	66.6
202.50	22.7	12.2	50.0
225.00	32.6	9.2	66.6
247.50	30.2	8.3	53.5
270.00	13.1	5.3	29.1
292.50	12.0	4.5	23.6
315.00	10.0	3.4	20.5
337.50	16.3	6.3	32.4

LOCATION 4

WIND AZIMUTH	UMEAN/UINF (PERCENT)	URMS/UINF (PERCENT)	UMEAN+3*URMS/UINF (PERCENT)
0.00	23.4	10.9	56.2
22.50	16.3	8.3	41.9
45.00	17.4	7.7	40.5
67.50	9.1	4.0	21.1
90.00	8.3	2.7	16.5
112.50	18.5	8.2	43.1
135.00	19.0	8.7	45.1
157.50	17.3	7.6	40.0
180.00	11.2	4.8	25.5
202.50	19.9	10.9	52.1
225.00	30.8	11.0	63.7
247.50	30.9	10.1	61.3
270.00	24.0	13.3	64.0
292.50	13.3	7.0	34.3
315.00	10.7	4.3	23.7
337.50	15.7	6.8	36.2

TABLE 2--PEDESTRIAN WIND VELOCITIES AND TURBULENCE INTENSITIES
UNITED BANK CENTRE WINTER GARDEN, DENVER

LOCATION 5

WIND AZIMUTH	UMEAN/UINF (PERCENT)	URMS/UINF (PERCENT)	UMEAN+3*URMS/UINF (PERCENT)
0.00	48.2	14.1	90.3
22.50	24.4	13.3	64.4
45.00	20.2	9.4	48.3
67.50	21.3	9.3	49.2
90.00	12.6	4.9	27.3
112.50	34.9	10.1	65.1
135.00	51.1	11.7	86.2
157.50	49.9	11.9	85.5
180.00	37.7	10.2	68.5
202.50	27.5	9.4	50.6
225.00	23.9	9.4	45.1
247.50	26.1	9.4	48.7
270.00	24.7	8.0	43.7
292.50	26.2	9.6	48.9
315.00	13.4	5.4	25.5
337.50	26.8	11.2	60.6

LOCATION 6

WIND AZIMUTH	UMEAN/UINF (PERCENT)	URMS/UINF (PERCENT)	UMEAN+3*URMS/UINF (PERCENT)
0.00	23.7	8.2	48.2
22.50	26.6	8.7	52.8
45.00	24.2	9.0	51.3
67.50	15.5	6.2	34.0
90.00	12.9	4.2	25.5
112.50	9.6	2.8	18.1
135.00	10.6	3.5	20.9
157.50	11.8	4.2	24.6
180.00	14.0	5.5	30.5
202.50	21.7	8.2	46.4
225.00	24.2	9.1	51.6
247.50	24.0	10.2	54.5
270.00	13.0	4.4	29.8
292.50	13.7	5.4	29.8
315.00	8.4	2.8	16.7
337.50	14.7	5.2	30.3

LOCATION 7

WIND AZIMUTH	UMEAN/UINF (PERCENT)	URMS/UINF (PERCENT)	UMEAN+3*URMS/UINF (PERCENT)
0.00	28.9	10.6	60.8
22.50	34.9	12.0	71.0
45.00	35.9	12.1	72.3
67.50	34.0	8.8	55.5
90.00	16.6	6.6	36.6
112.50	10.2	3.7	21.1
135.00	18.5	7.1	39.8
157.50	20.0	10.4	51.1
180.00	22.8	11.2	56.4
202.50	45.3	14.8	96.9
225.00	44.9	13.9	96.5
247.50	41.3	14.7	85.4
270.00	35.1	14.1	77.4
292.50	15.4	8.0	39.4
315.00	8.6	3.4	18.9
337.50	18.5	7.4	40.7

LOCATION 8

WIND AZIMUTH	UMEAN/UINF (PERCENT)	URMS/UINF (PERCENT)	UMEAN+3*URMS/UINF (PERCENT)
0.00	19.5	6.0	37.6
22.50	21.9	7.8	45.2
45.00	17.1	9.0	44.1
67.50	10.3	.7	12.3
90.00	9.8	.4	11.1
112.50	10.6	.8	12.9
135.00	12.3	1.3	16.1
157.50	19.9	7.0	41.0
180.00	25.1	6.4	44.2
202.50	29.6	6.8	49.9
225.00	25.9	6.5	45.3
247.50	23.4	6.6	43.1
270.00	30.3	8.3	55.2
292.50	14.6	4.4	27.8
315.00	12.0	2.8	20.5
337.50	16.5	4.6	30.3

TABLE 2--PEDESTRIAN WIND VELOCITIES AND TURBULENCE INTENSITIES
 UNITED BANK CENTRE WINTER GARDEN, DENVER

LOCATION 9				LOCATION 10			
WIND AZIMUTH	UMEAN/UINF (PERCENT)	URMS/UINF (PERCENT)	UMEAN+3*URMS/UINF (PERCENT)	WIND AZIMUTH	UMEAN/UINF (PERCENT)	URMS/UINF (PERCENT)	UMEAN+3*URMS/UINF (PERCENT)
0.00	26.9	6.8	47.2	0.00	45.0	7.1	66.4
22.50	24.8	8.0	48.8	22.50	46.4	11.2	80.1
45.00	23.9	7.4	48.0	45.00	46.7	11.6	81.6
67.50	14.4	6.5	34.0	67.50	20.0	9.2	47.7
90.00	36.8	11.8	72.1	90.00	41.5	8.8	67.9
112.50	39.6	15.0	84.6	112.50	53.9	9.7	83.1
135.00	48.8	12.4	85.8	135.00	61.0	10.4	92.1
157.50	47.7	19.7	76.6	157.50	59.2	10.7	91.3
180.00	37.3	10.8	69.2	180.00	50.7	9.9	80.6
202.50	47.3	13.3	88.3	202.50	56.8	13.0	95.9
225.00	15.4	6.6	34.9	225.00	20.9	11.1	54.2
247.50	17.1	7.7	33.7	247.50	15.0	6.5	34.6
270.00	10.2	3.7	21.4	270.00	9.8	3.5	20.4
292.50	10.5	3.3	21.9	292.50	16.7	7.2	38.3
315.00	9.2	3.1	18.3	315.00	11.7	4.3	24.6
337.50	22.7	7.7	45.8	337.50	35.2	7.7	58.2

TABLE 2--PEDESTRIAN WIND VELOCITIES AND TURBULENCE INTENSITIES
 UNITED BANK CENTRE WINTER GARDEN, DENVER

* * GREATEST VALUES * *

U _{MEAN} /U _{INF} (PERCENT)					U _{RMS} /U _{INF} (PERCENT)					U _{MEAN+3*RMS} /U _{INF} (PERCENT)				
LOC	AZ	MEAN	RMS	M+3RMS	LOC	AZ	MEAN	RMS	M+3RMS	LOC	AZ	MEAN	RMS	M+3RMS
10	135.0	61.0	10.4	92.1	1	225.0	46.1	30.6	138.0	1	225.0	46.1	30.6	138.0
10	157.5	59.2	10.7	91.3	1	202.5	47.5	27.0	130.9	1	202.5	47.5	27.0	130.9
10	202.5	56.8	13.0	95.9	1	67.5	50.3	24.3	123.1	1	67.5	50.3	24.3	123.1
10	112.5	53.9	9.7	83.1	1	157.5	46.6	22.7	114.6	1	157.5	46.6	22.7	114.6
5	135.0	51.1	11.7	86.2	1	180.0	45.1	20.8	107.4	1	45.0	47.6	20.0	107.6
10	180.0	50.7	9.9	80.6	1	45.0	47.6	20.0	107.6	1	180.0	45.1	20.8	107.4
1	67.5	50.3	24.3	123.1	2	202.5	49.2	18.0	103.3	2	202.5	49.2	18.0	103.3
5	157.5	49.9	11.9	85.5	1	0.0	27.7	16.9	78.6	10	202.5	56.8	13.0	95.9
2	202.5	49.2	18.0	103.3	1	90.0	38.0	15.1	83.4	10	135.0	61.0	10.4	92.1
9	135.0	48.8	12.4	85.8	9	112.5	39.6	15.0	84.6	10	157.5	59.2	10.7	91.3

TABLE 3

PERCENTAGE FREQUENCY OF WIND DIRECTION AND SPEED

STAPLETON INTERNATIONAL AIRPORT, DENVER

(1965-1974)

SEASON : ANNUAL NO. OF OBS. = 29215

HT. OF MEAS. = 20. FT.

VELOCITY LEVELS IN MPH

DIRECTION	0- 3	4- 7	8-12	13-18	19-24	25-31	32 +	TOTAL
N	.60	2.90	3.20	1.60	.30	.10	0.00	8.90
NNE	.40	1.50	1.60	.80	.20	0.00	0.00	4.50
NE	.40	1.60	1.60	.60	.10	0.00	0.00	4.30
ENE	.40	1.50	1.30	.50	0.00	0.00	0.00	3.80
E	.70	2.60	1.90	.50	0.00	0.00	0.00	5.70
ESE	.50	1.90	1.40	.30	0.00	0.00	0.00	4.20
SSE	.50	1.80	1.30	.40	0.00	0.00	0.00	4.10
SSE	.50	1.90	1.40	.50	.10	0.00	0.00	4.40
S	1.20	7.20	8.90	2.50	.30	0.00	0.00	20.10
SSW	.70	4.60	4.40	1.00	.10	0.00	0.00	10.80
SW	.70	2.40	1.60	.40	.10	0.00	0.00	5.20
WSW	.40	1.30	.70	.20	.10	0.00	0.00	2.70
W	.20	.80	.90	.80	.30	.10	0.00	3.10
WNW	.20	.70	.90	.90	.40	.10	0.00	3.50
NW	.30	1.40	1.30	.90	.30	.10	0.00	4.20
NNW	.30	1.50	1.40	.70	.10	0.00	0.00	4.00
CALM	6.50	0.00	0.00	0.00	0.00	0.00	0.00	6.50
TOT	14.60	35.80	33.70	12.60	2.60	.60	.10	100.00

TABLE 4
SUMMARY OF WIND EFFECTS ON PEOPLE

	<u>Beaufort number</u>	<u>Speed (mph)</u>	<u>Effects</u>
Calm, light air	0, 1	0- 3	Calm, no noticeable wind
Light breeze	2	4- 7	Wind felt on face
Gentle breeze	3	8-12	Wind extends light flag Hair is disturbed Clothing flaps
Moderate breeze	4	13-18	Raises dust, dry soil and loose paper Hair disarranged
Fresh breeze	5	19-24	Force of wind felt on body Drifting snow becomes airborne Limit of agreeable wind on land
Strong breeze	6	25-31	Umbrellas used with difficulty Hair blown straight Difficult to walk steadily Wind noise on ears unpleasant Windborne snow above head height (blizzard)
Near gale	7	32-38	Inconvenience felt when walking
Gale	8	39-46	Generally impedes progress Great difficulty with balance in gusts
Strong gale	9	47-54	People blown over by gusts

Note: Table from Reference 4, p. 40.

TABLE 5

CALCULATION OF REFERENCE PRESSURE

1. Basic wind speed from ANSI A58.1 (Ref. 5):

50-yr fastest mile at 30 ft = 80 mph

Mean hourly wind speed, 30 ft = $\frac{80}{1.27} = 63.0$ mph.

Mean hourly gradient wind speed = $63.0 \left(\frac{1000}{30}\right)^{.17} = 114.4$ mph.

Mean hourly wind at reference location = U_{∞} = gradient wind =
114.4 mph.

Reference pressure at 5000 ft = $0.83 (0.00256) (114.4)^2 =$
27.8 psf.

Use reference pressure = 28 psf *.

2. Calculation of cladding peak pressures for 1 minute equivalent for glass: multiply by glass load factor = 0.73 (Ref. 8)
3. Loads for 100-yr recurrence wind:

100-yr fastest mile at 30 ft = 90 mph

Multiply 50-yr loads by $\left(\frac{90}{80}\right)^2 = 1.27$

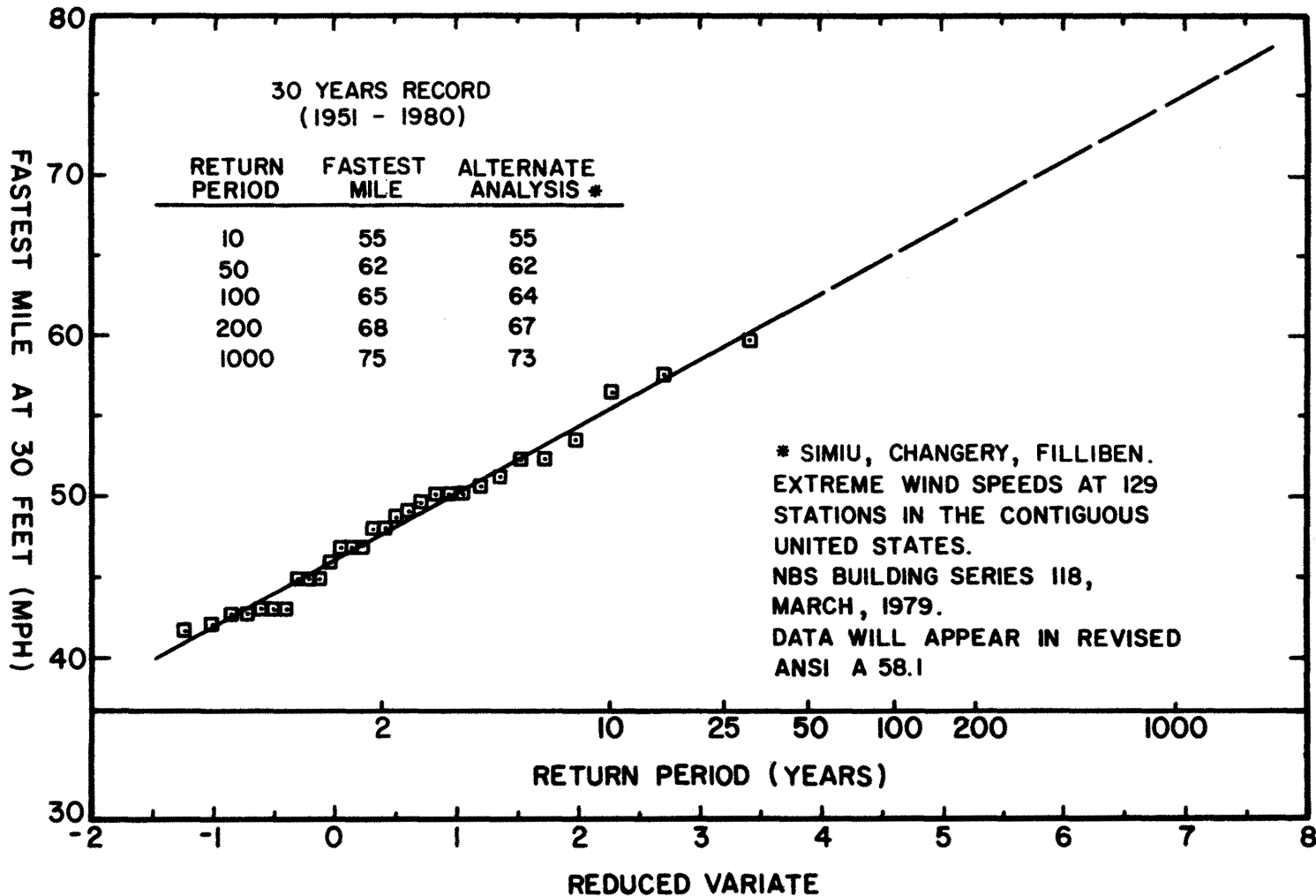
4. Gust load factors to convert hourly mean integrated load to mean load for various gust durations (see Section 4.4):

<u>Duration, Sec</u>	<u>Gust Load Factor</u>
10-15	$(1.4)^2 = 1.96$
30	$(1.32)^2 = 1.74$ **
45	$(1.26)^2 = 1.59$

* Based on our analysis of Denver wind data, 64 mph fastest mile at 30 ft represents a 100-yr recurrence wind (see data pg. 77a). We would recommend a 70 mph fastest mile wind be used to be consistent with the minimum wind speed which is to appear in the revised ANSI A58.1.

** Used for calculations of Table 7.

EXTREME VALUE TYPE I ANALYSIS



DENVER, COLORADO — STAPLETON INTERNATIONAL AIRPORT

TABLE 5 - CONTINUED

TABLE 6A. PEAK LOADS FOR CONFIGURATION A :
LARGEST VALUES OF CLADDING LOAD

UNITED BANK CENTRE WINTER GARDEN, DENVER
REFERENCE PRESSURE = 28.0 PSF

TAP	AZI-MUTH	PRESS COEFF	NEGATIVE PEAK PSF	POSITIVE PEAK PSF	TAP	AZI-MUTH	PRESS COEFF	NEGATIVE PEAK PSF	POSITIVE PEAK PSF	TAP	AZI-MUTH	PRESS COEFF	NEGATIVE PEAK PSF	POSITIVE PEAK PSF
101	60	-1.47	-4.3	26.9	144	30	.52	-13.3	14.7	238	190	-	-22.5	13.3
102	60	-1.52	-4.3	26.9	149	150	-	-19.0	12.5	239	120	-	-22.5	12.7
103	20	-1.84	-4.3	23.4	150	140	-	-19.1	13.8	240	130	-	-17.2	12.8
104	0	-1.95	-4.3	23.4	151	160	-	-17.4	11.1	241	60	-	-15.5	13.0
105	0	-1.95	-4.3	23.4	153	300	-	-15.7	20.0	242	160	-	-13.4	15.0
106	10	-1.96	-4.3	22.4	153	340	-	-16.4	22.0	301	270	-	-13.4	30.0
107	290	-1.96	-4.3	22.4	154	350	-	-17.1	18.0	302	270	-	-13.4	25.5
108	60	-1.23	-4.3	27.6	156	40	.75	-15.4	20.0	303	40	-	-22.2	16.0
109	50	-1.23	-4.3	27.6	156	110	.70	-17.3	19.0	304	30	-	-22.2	19.7
110	20	-1.93	-4.3	23.3	162	40	.64	-15.2	18.0	305	110	-	-13.5	24.3
111	0	-1.93	-4.3	23.3	162	40	.64	-17.3	18.0	306	180	-	-13.5	29.3
112	340	-1.67	-4.3	26.7	163	40	.70	-17.3	19.0	307	200	-	-13.5	34.1
113	290	-1.76	-4.3	25.5	200	130	-1.10	-20.9	30.0	308	280	-	-13.5	24.4
114	220	-1.58	-4.3	25.5	200	40	.99	-22.2	22.0	309	50	-	-13.5	15.5
115	220	-1.21	-4.3	22.2	200	60	.98	-22.1	22.0	310	120	-	-13.5	19.9
116	100	-1.22	-4.3	22.2	200	60	.98	-22.6	22.0	311	110	-	-13.5	24.4
117	220	-1.31	-4.3	23.1	200	60	.98	-23.3	22.0	312	130	-	-13.5	31.1
118	220	-1.14	-4.3	27.0	207	90	.99	-23.5	27.0	313	50	-	-13.5	27.7
119	180	-1.84	-4.3	23.3	208	180	-1.1	-23.3	24.4	314	20	-	-13.5	18.9
120	40	-1.94	-4.3	26.6	209	110	-1.1	-23.6	22.0	315	190	-	-13.5	33.3
121	10	-1.26	-4.3	24.4	210	0	-1.1	-23.5	22.0	316	140	-	-13.5	33.3
122	10	-1.83	-4.3	23.3	211	0	-1.1	-33.7	22.0	317	180	-	-13.5	33.3
123	20	-1.84	-4.3	23.3	212	180	-1.1	-33.8	22.0	318	40	-	-13.5	33.3
124	40	-1.90	-4.3	25.5	213	40	-1.1	-33.9	22.0	319	180	-	-13.5	33.3
125	10	-1.90	-4.3	25.5	214	160	-1.1	-33.2	22.0	320	40	-	-13.5	29.9
126	10	-1.98	-4.3	27.7	215	110	-1.1	-29.9	32.0	321	260	-	-13.5	22.7
127	10	-1.98	-4.3	27.7	216	110	-1.1	-29.9	32.0	322	260	-	-13.5	22.7
128	180	-1.27	-4.3	23.3	217	170	-1.1	-29.9	18.0	323	110	-	-13.5	22.7
129	180	-1.27	-4.3	23.3	218	20	-1.1	-25.5	20.0	324	50	-	-13.5	20.8
130	20	-1.24	-4.3	25.5	219	20	-1.1	-33.4	20.0	325	50	-	-13.5	23.3
131	20	-1.16	-4.3	23.3	220	40	-1.1	-33.4	24.4	326	40	-	-13.5	11.1
132	20	-1.86	-4.3	23.3	221	20	-1.1	-33.2	24.4	327	280	-	-13.5	22.3
133	0	-1.91	-4.3	23.3	222	20	-1.1	-33.5	24.4	328	270	-	-13.5	22.3
134	0	-1.91	-4.3	23.3	223	300	-	-25.5	22.0	329	280	-	-13.5	12.2
135	160	-1.81	-4.3	18.9	224	170	-1.1	-25.5	22.0	330	110	-	-13.5	16.3
136	160	-1.81	-4.3	18.9	225	170	-1.1	-25.5	22.0	331	120	-	-13.5	23.3
137	160	-1.08	-4.3	13.3	226	330	-	-24.4	11.1	332	110	-	-13.5	22.2
138	180	-1.83	-4.3	23.3	227	330	-	-24.4	11.1	333	110	-	-13.5	22.2
139	180	-1.83	-4.3	23.3	228	40	-	-24.4	11.1	334	100	-	-13.5	22.7
140	0	-1.02	-4.3	23.3	229	30	-	-27.7	22.0	335	50	-	-13.5	22.2
141	350	-1.77	-4.3	23.3	230	30	-	-27.7	22.0	336	50	-	-13.5	22.2
142	60	-1.72	-4.3	20.0	231	110	-	-41.1	19.0	337	10	-	-13.5	26.6
143	180	-1.73	-4.3	15.5	232	130	-	-25.5	22.0	338	270	-	-13.5	23.3
144	160	-1.68	-4.3	12.1	233	40	-	-15.1	12.2	339	150	-	-13.5	22.2
145	50	-1.54	-4.3	14.3	234	40	-	-16.3	13.3	340	60	-	-13.5	21.5
146	0	-1.72	-4.3	15.5	235	300	-	-16.3	17.7	341	110	-	-13.5	28.8
147	0	-1.56	-4.3	20.0	236	300	-	-23.3	30.0	342	50	-	-13.5	20.0
148	350	-1.76	-4.3	4.3	237	300	-	-26.5	25.1	343	50	-	-13.5	18.3

TABLE 6A. PEAK LOADS FOR CONFIGURATION A :
LARGEST VALUES OF CLADDING LOAD

UNITED BANK CENTRE WINTER GARDEN, DENVER
REFERENCE PRESSURE = 28.0 PSF

TAP	AZI-MUTH	PRESS COEFF	NEGATIVE PEAK		POSITIVE PEAK		TAP	AZI-MUTH	PRESS COEFF	NEGATIVE PEAK		POSITIVE PEAK		TAP	AZI-MUTH	PRESS COEFF	NEGATIVE PEAK		POSITIVE PEAK	
			PSF	PSF	PSF	PSF				PSF	PSF									
344	80	-1.07	-29.9	27.5	418	30	-1.15	-32.3	10.7	912	280	-1.03	-28.8	18.2						
345	160	-.94	-26.3	19.4	419	270	-.75	-19.3	20.9	913	30	-.99	-27.8	26.4						
346	260	-.75	-18.8	20.9	420	60	-.78	-21.9	17.3	914	50	-1.02	-28.4	25.7						
347	60	-.66	-18.6	14.8	421	260	-.70	-19.5	19.6	915	50	-1.06	-29.7	23.9						
348	120	-.74	-19.2	20.6	422	230	-.73	-20.4	18.1	916	20	-.99	-26.1	27.7						
349	200	-1.14	-32.0	24.8	423	270	-1.00	-28.1	11.4	917	190	-1.92	-53.9	15.5						
350	190	-1.12	-31.2	21.9	424	200	-.89	-24.8	11.5	918	180	-2.83	-79.3	15.8						
351	270	-1.37	-44.0	20.5	425	290	-.55	-15.3	13.4	919	180	-1.41	-39.6	13.0						
352	270	-.74	-20.9	17.3	426	330	-.58	-16.2	12.9	920	120	-2.39	-66.9	28.7						
353	0	-.56	-15.8	13.4	427	30	-.76	-21.2	12.8	921	60	-1.74	-48.8	14.0						
354	190	-.62	-17.4	15.8	428	60	-.98	-27.5	10.5	922	260	-1.58	-44.2	14.2						
355	30	-.67	-18.8	14.7	429	60	-.83	-23.3	12.8	923	30	-1.50	-42.0	13.5						
356	240	-.88	-16.2	14.2	430	280	-.91	-25.3	12.8	924	0	-1.04	-29.0	13.1						
357	170	-.81	-22.6	18.7	431	270	-.79	-20.6	22.2	925	20	-.95	-26.6	13.6						
358	0	-.69	-17.2	19.4	432	170	-.77	-21.6	15.7	926	260	-.86	-17.9	24.2						
359	20	-.64	-13.1	17.8	433	10	-1.08	-30.2	18.8	927	140	-.64	-18.1	15.3						
360	40	-.70	-19.6	15.5	434	170	-1.11	-31.2	19.0	928	280	-1.14	-31.9	15.9						
361	120	-.93	-21.3	26.1	435	50	-.49	-13.6	13.7	929	280	-1.11	-31.0	16.8						
362	200	-1.03	-28.9	23.4	436	100	-.51	-14.0	14.4	930	180	-1.55	-35.2	27.5						
363	200	-1.17	-32.8	22.8	437	50	-.53	-14.9	11.8	931	190	-1.51	-42.1	24.9						
364	160	-.87	-24.3	17.3	438	40	-.52	-12.9	14.4	932	0	-.88	-21.2	24.7						
365	130	-.70	-19.6	19.4	439	130	-.52	-14.5	12.8	933	40	-.85	-20.0	23.8						
401	140	-.93	-26.1	22.5	440	170	-.58	-16.3	12.8	934	20	-.92	-23.8	25.7						
402	140	-.93	-26.1	19.4	441	170	-.64	-17.9	12.8	935	280	-.84	-23.6	19.0						
403	310	-.95	-26.7	23.7	442	160	-.66	-18.6	18.6	936	160	-1.01	-28.8	14.0						
404	160	-1.43	-40.1	19.4	443	50	-.63	-17.8	16.4	937	180	-1.00	-28.8	17.8						
405	150	-1.38	-38.5	20.2	444	50	-.63	-17.7	17.7	938	160	-.73	-20.5	20.2						
406	190	-1.16	-32.4	24.1	901	210	-.63	-14.5	16.9	939	190	-.64	-18.0	16.0						
407	130	-.66	-18.4	13.0	902	170	-1.63	-45.6	13.8	940	230	-.79	-22.1	14.9						
408	150	-.67	-18.9	14.1	903	150	-1.18	-32.9	15.8	941	180	-.85	-23.3	17.8						
409	170	-.71	-20.0	17.6	904	230	-1.64	-45.9	15.1	942	50	-.66	-16.4	18.5						
410	160	-.84	-23.5	19.4	905	170	-1.31	-36.7	14.1	943	190	-.68	-19.0	16.3						
411	10	-.74	-20.8	10.8	906	250	-1.38	-38.7	14.5	944	160	-.66	-18.6	14.8						
412	10	-.83	-23.0	13.3	907	40	-.92	-25.5	23.3	945	190	-.78	-21.9	16.8						
413	40	-.68	-19.1	14.0	908	40	-1.25	-34.9	20.6	946	190	-.74	-20.8	14.4						
414	160	-.87	-24.4	18.4	909	100	-.81	-22.6	28.8	947	170	-.63	-17.7	16.0						
415	170	-.91	-25.3	17.7	910	160	-1.02	-16.1	15.5	948	60	-.62	-17.7	12.7						
416	30	-1.00	-28.1	18.6	911	70	-.85	-23.8	13.1	949	160	-.79	-22.2	14.6						
417	270	-1.14	-32.0	13.8																

TABLE 6A. PEAK LOADS FOR CONFIGURATION A :
LARGEST VALUES OF CLADDING LOAD

UNITED BANK CENTRE WINTER GARDEN, DENVER
REFERENCE PRESSURE = 28.0 PSF

* * 15 GREATEST PRESSURE MAGNITUDES * *

TAP	AZI- MUTH	PRESS COEFF	NEGATIVE PEAK ----- PSF	POSITIVE PEAK -----
918	180	-2.83	-79.3	15.8
920	120	-2.39	-66.9	28.7
904	170	-2.31	-64.7	15.1
313	50	-2.04	-57.2	27.9
917	190	-1.92	-53.9	15.5
306	180	-1.79	-50.0	29.9
921	60	-1.74	-48.8	14.0
209	110	-1.67	-46.8	21.9
312	130	-1.65	-46.2	31.5
903	230	-1.64	-45.9	15.6
901	170	-1.63	-45.6	16.9
326	40	-1.60	-44.7	27.1
113	20	-1.58	-44.3	25.5
922	260	-1.58	-44.2	14.2
351	270	-1.57	-44.0	20.5

TABLE 6A. PEAK LOADS FOR CONFIGURATION B :
LARGEST VALUES OF CLADDING LOAD

UNITED BANK CENTRE WINTER GARDEN, DENVER
REFERENCE PRESSURE = 28.0 PSF

TAP	AZI- MUTH	PRESS COEFF	NEGATIVE PEAK ----- PSF	POSITIVE PEAK -----	TAP	AZI- MUTH	PRESS COEFF	NEGATIVE PEAK ----- PSF	POSITIVE PEAK -----	TAP	AZI- MUTH	PRESS COEFF	NEGATIVE PEAK ----- PSF	POSITIVE PEAK -----
306	126	-1.52	-42.5	33.3	917	186	-2.30	-64.5	16.2	920	168	-2.78	-77.8	27.5
313	58	-2.29	-64.1	12.1	918	190	-2.33	-65.4	9.8	921	64	-2.06	-57.7	15.4
904	176	-2.51	-70.3	19.6										

TABLE 6A. PEAK LOADS FOR CONFIGURATION B :
LARGEST VALUES OF CLADDING LOAD

UNITED BANK CENTRE WINTER GARDEN, DENVER
REFERENCE PRESSURE = 28.0 PSF

* * 7 GREATEST PRESSURE MAGNITUDES * *

TAP	AZI- MUTH	PRESS COEFF	NEGATIVE PEAK ----- PSF	POSITIVE PEAK -----
920	168	-2.78	-77.8	27.5
904	176	-2.51	-70.3	19.6
918	190	-2.33	-65.4	9.8
917	186	-2.30	-64.5	16.2
313	58	-2.29	-64.1	12.1
921	64	-2.06	-57.7	15.4
306	126	-1.52	-42.5	33.3

TABLE 6B. COMPARISON OF CONFIGURATIONS A AND B : UNITED BANK CENTRE WINTER GARDEN, DENVER
TAPS WHERE NEGATIVE PEAK LOAD FOR CONFIG. B EXCEEDED THAT FOR CONFIG. A BY 5 PSF
REF. PRESSURE = 28.0 PSF

TAP	AZIMUTH	A CONFIG. PSF LOAD	AZIMUTH	B CONFIG. PSF LOAD
313	50	-57.2	58	-64.1
904	170	-64.7	176	-70.3
917	190	-53.9	186	-64.5
920	120	-66.9	168	-77.8
921	60	-48.8	64	-57.7

TABLE 7. BASE SHEAR AND MOMENT SUMMARY : UNITED BANK CENTRE WINTER GARDEN, DENVER
 CONFIGURATION A REFERENCE PRESSURE 28.0 GUST FACTOR 1.32

AZIMUTH	SHEAR (KIPS)		MOMENT (1000-FT-KIPS)			ECCEN (FT)	
	X	Y	X	Y	Z	X	Y
0	-491.1	107.7	-12.1	-54.9	-15.6	-7	-30
10	-525.4	119.8	-13.5	-58.0	-18.2	-7	-33
20	-575.2	142.1	-16.9	-60.4	-20.5	-8	-34
30	-638.5	114.7	-17.3	-67.7	-27.8	-8	-42
40	-714.0	28.6	-11.7	-73.8	-37.8	-2	-53
50	-683.3	74.0	-20.3	-66.7	-40.7	-6	-59
60	-575.3	232.6	-35.9	-50.2	-23.4	-14	-35
70	-299.2	165.1	-24.1	-22.6	-7.5	-11	-19
80	-111.1	72.5	-13.0	-6.3	-3.6	-15	-23
90	2.2	58.4	-11.5	2.1	-3.7	-4	-33
100	136.6	68.2	-12.9	11.6	7.7	-17	-33
110	251.2	88.7	-13.3	20.9	14.3	-17	-35
120	344.7	104.2	-16.0	28.7	17.9	-14	-48
130	442.7	192.4	-24.6	41.8	25.0	-19	-64
140	522.7	224.7	-27.1	53.3	33.4	-17	-74
150	578.2	257.8	-31.2	60.4	44.4	-16	-81
160	652.0	269.1	-33.6	68.7	57.7	-14	-84
170	625.0	218.8	-26.8	66.0	64.4	-12	-85
180	597.5	179.1	-20.3	63.4	73.5	-11	-88
190	489.2	132.9	-13.1	52.6	85.6	-10	-91
200	395.5	-53.5	5.5	40.0	100.4	-3	-111
210	246.0	-239.4	22.0	24.7	114.4	-4	-144
220	195.4	-188.6	18.8	19.6	122.7	-1	-160
230	150.0	-188.7	16.7	15.5	133.3	2	-166
240	105.3	-170.7	15.4	10.0	147.7	3	-180
250	91.1	-140.3	13.0	5.3	155.3	3	-199
260	73.3	-157.6	14.7	4.8	163.7	1	-199
270	44.6	-181.9	16.8	4.8	171.8	-4	-111
280	33.5	-143.1	15.2	1.1	183.0	-2	-111
290	-79.2	-18.1	3.3	-7.9	196.6	-1	-144
300	-358.0	34.2	-2.5	-1.1	211.1	-1	-177
310	-433.0	43.3	-4.4	-1.1	226.6	-1	-199
320	-477.3	11.5	-1.1	-1.1	244.4	-1	-222
330	-225.9	13.5	-1.1	-1.1	266.6	-1	-222
340	-350.0	55.4	-6.0	-1.1	297.7	-1	-222
350	-475.0	68.7	-7.2	-1.1	333.3	-1	-222

TABLE 7. SHEAR AND MOMENT DIAGRAMS 1															
WIND DIRECTION 0		CONFIGURATION A						UNITED BANK CENTRE WINTER GARDEN, DENVER			REFERENCE PRESSURE 28.0 PSF		GUST FACTOR 1.32		
FLOOR	HEIGHT	FORCE (KIPS)		AREA (SQ FT)		PRESSURE (PSF)		ECCEN (FT)		SHEAR (KIPS)		MOMENT (1000-FT-KIPS)			
		X	Y	X	Y	X	Y	X	Y	X	Y	X	Y	Z	
1ST	0.00	-63.0	22.6	11221	12620	-5.6	1.8	4	10	-491.1	107.7	-12.1	-54.9	-15.6	
2ND	46.67	-89.6	17.7	9067	6857	-9.9	2.6	-9	-48	-428.1	85.0	-7.6	-33.5	-16.3	
3RD	80.67	-150.0	20.0	12750	8682	-11.8	2.3	-7	-53	-338.5	67.4	-5.0	-20.4	-11.8	
4TH	129.67	-94.1	16.8	8833	5536	-10.6	3.0	-7	-38	-188.4	47.4	-2.2	-7.5	-3.8	
5TH	166.17	-94.4	30.6	6436	7558	-14.7	4.0	-0	-0	-94.4	30.6	-1.8	-2.4	-1.1	
TOP	216.00									0.0	0.0	0.0	0.0	0.0	

TABLE 7. SHEAR AND MOMENT DIAGRAMS 1														
WIND DIRECTION 10		CONFIGURATION A				UNITED BANK CENTRE WINTER GARDEN, DENVER				GUST FACTOR 1.32				
FLOOR	HEIGHT	FORCE (KIPS)		AREA (SQ FT)		PRESSURE (PSF)		ECCEN (FT)		SHEAR (KIPS)		MOMENT (1000-FT-KIPS)		
		X	Y	X	Y	X	Y	X	Y	X	Y	X	Y	Z
1ST	0.00	-72.1	24.0	11221	12620	-6.4	1.9	-1	-4	-525.4	119.8	-13.5	-58.0	-18.2
2ND	46.67	-97.1	19.4	9067	6857	-10.7	2.8	-10	-50	-453.3	95.9	-8.4	-35.2	-17.9
3RD	80.67	-158.3	24.2	12750	8682	-12.4	2.8	-8	-55	-356.2	76.5	-5.5	-21.4	-12.8
4TH	129.67	-100.4	19.8	8833	5536	-11.4	3.6	-7	-36	-197.9	52.3	-2.4	-7.8	-3.9
5TH	166.17	-97.5	32.5	6436	7558	-15.1	4.3	-0	-1	-97.5	32.5	-1.8	-2.4	-1.1
TOP	216.00									0.0	0.0	0.0	0.0	0.0

TABLE 7. SHEAR AND MOMENT DIAGRAMS ; UNITED BANK CENTRE WINTER GARDEN, DENVER														
WIND DIRECTION 20		CONFIGURATION A				REFERENCE PRESSURE 28.0 PSF				GUST FACTOR 1.32				
FLOOR	HEIGHT	FORCE (KIPS)		AREA (SQ FT)		PRESSURE (PSF)		ECCEN (FT)		SHEAR (KIPS)		MOMENT (1000-FT-KIPS)		
		X	Y	X	Y	X	Y	X	Y	X	Y	X	Y	Z
1ST	0.00	-99.7	22.4	11221	12620	-8.9	1.0	-3	-12	-575.2	142.1	-16.9	-60.4	-20.5
2ND	46.67	-105.3	19.5	9067	6857	-11.6	2.8	-10	-52	-475.5	119.7	-10.8	-35.9	-19.3
3RD	80.67	-173.5	32.4	12750	8682	-13.6	3.7	-10	-54	-370.2	100.2	-7.1	-21.5	-13.6
4TH	129.67	-103.8	28.2	8833	5536	-11.7	5.1	-9	-35	-196.7	67.8	-2.9	-7.6	-3.9
5TH	166.17	-93.0	39.6	6436	7558	-14.4	5.2	0	0	-93.0	39.6	-1.0	-2.3	.0
TOP	216.00									0.0	0.0	0.0	0.0	0.0

TABLE 7. SHEAR AND MOMENT DIAGRAMS :		UNITED BANK CENTRE WINTER GARDEN, DENVER						GUST FACTOR 1.32						
WIND DIRECTION 30		CONFIGURATION A						REFERENCE PRESSURE 28.0 PSF						
FLOOR	HEIGHT	FORCE (KIPS)		AREA (SQ FT)		PRESSURE (PSF)		ECCEN (FT)		SHEAR (KIPS)		MOMENT (1000-FT-KIPS)		
		X	Y	X	Y	X	Y	X	Y	X	Y	X	Y	Z
1ST	0.00									-638.5	114.7	-17.3	-67.7	-27.8
2ND	46.67	-118.9	1.0	11221	12620	-10.6	.1	-0	-22	-519.7	113.7	-11.9	-40.7	-25.2
3RD	80.67	-102.7	9.6	9067	6857	-11.3	1.4	-5	-57	-416.9	104.1	-8.2	-24.7	-19.3
4TH	129.67	-180.7	23.2	12750	8682	-14.2	2.7	-8	-63	-236.2	80.9	-3.7	-8.7	-7.8
5TH	166.17	-133.7	29.5	8833	5536	-15.1	5.3	-12	-55	-102.6	51.4	-1.3	-2.6	-.1
TOP	216.00	-102.6	51.4	6436	7558	-15.9	6.8	-0	-1	0.0	0.0	0.0	0.0	0.0

TABLE 7. SHEAR AND MOMENT DIAGRAMS :														
WIND DIRECTION 40		CONFIGURATION A				UNITED BANK CENTRE WINTER GARDEN, DENVER				GUST FACTOR 1.32				
FLOOR	HEIGHT	FORCE (KIPS)		AREA (SQ FT)		PRESSURE (PSF)		ECCEN (FT)		SHEAR (KIPS)		MOMENT (1000-FT-KIPS)		
		X	Y	X	Y	X	Y	X	Y	X	Y	Z		
1ST	0.00													
2ND	46.67	-145.6	-34.0	11221	12620	-13.0	-2.7	11	-45	-714.0	28.6	-11.7	-73.8	-37.8
3RD	80.67	-112.0	-12.9	9067	6857	-12.3	-1.9	7	-62	-568.4	62.6	-9.6	-43.9	-30.8
4TH	129.67	-197.6	.9	12750	8682	-13.5	.1	-0	-68	-456.4	75.5	-7.3	-26.5	-23.8
5TH	166.17	-160.5	23.2	8833	5536	-18.2	4.2	-9	-64	-258.8	74.6	-3.6	-9.0	-10.4
TOP	216.00	-98.4	51.4	6436	7558	-15.3	6.8	0	1	-98.4	51.4	-1.3	-2.5	.1
										0.0	0.0	0.0	0.0	0.0

TABLE 7. SHEAR AND MOMENT DIAGRAMS :														
WIND DIRECTION 50		UNITED BANK CENTRE WINTER GARDEN, DENVER								GUST FACTOR 1.32				
		CONFIGURATION A								REFERENCE PRESSURE 28.0 PSF				
FLOOR	HEIGHT	FORCE (KIPS)		AREA (SQ FT)		PRESSURE (PSF)		ECCEN (FT)		SHEAR (KIPS)		MOMENT (1000-FT-KIPS)		
		X	Y	X	Y	X	Y	X	Y	X	Y	X	Y	Z
1ST	0.00	-162.6	-42.1	11221	12620	-14.5	-3.3	13	-49	-683.3	74.0	-20.3	-66.7	-40.7
2ND	46.67	-115.7	-15.4	9067	6857	-12.8	-2.2	9	-68	-520.7	116.1	-15.9	-38.6	-32.1
3RD	80.67	-175.4	11.9	12750	8682	-13.8	1.4	-5	-75	-405.0	131.5	-11.7	-22.9	-24.1
4TH	129.67	-156.6	41.8	8833	5536	-17.7	7.5	-19	-70	-229.6	119.6	-5.5	-7.3	-10.9
5TH	166.17	-72.9	77.8	6436	7558	-11.3	10.3	5	5	-72.9	77.8	-1.9	-1.8	.8
TOP	216.00									0.0	0.0	0.0	0.0	0.0

TABLE 7. SHEAR AND MOMENT DIAGRAMS 1														
WIND DIRECTION 60		CONFIGURATION A						UNITED BANK CENTRE WINTER GARDEN, DENVER			GUST FACTOR 1.32			
		FORCE (KIPS)		AREA (SQ FT)		PRESSURE (PSF)		ECCEN (FT)		SHEAR (KIPS)		MOMENT (1000-FT-KIPS)		
FLOOR	HEIGHT	X	Y	X	Y	X	Y	X	Y	X	Y	X	Y	Z
1ST	0.00	-178.6	.4	11221	12620	-15.9	.0	-0	-31	-575.4	232.6	-35.9	-50.2	-23.4
2ND	46.67	-111.8	14.6	9067	6857	-12.3	2.1	-6	-48	-396.9	232.2	-25.1	-27.5	-18.0
3RD	80.67	-127.5	45.7	12750	8682	-10.0	5.3	-16	-46	-285.1	217.6	-17.4	-15.9	-12.5
4TH	129.67	-106.6	61.9	8833	5536	-12.1	11.2	-29	-50	-157.6	171.9	-7.9	-5.1	-5.9
5TH	166.17	-50.9	110.1	6436	7558	-7.9	14.6	8	4	-50.9	110.1	-2.7	-1.3	1.1
TOP	216.00									0.0	0.0	0.0	0.0	0.0

TABLE 7. SHEAR AND MOMENT DIAGRAMS 1															
WIND DIRECTION 70		CONFIGURATION A				UNITED BANK CENTRE WINTER GARDEN, DENVER				REFERENCE PRESSURE 28.0 PSF			GUST FACTOR 1.32		
FLOOR	HEIGHT	FORCE (KIPS)		AREA (SQ FT)		PRESSURE (PSF)		ECCEN (FT)		SHEAR (KIPS)		MOMENT (1000-FT-KIPS)			
		X	Y	X	Y	X	Y	X	Y	X	Y	X	Y	Z	
1ST	0.00	-124.1	- .8	11221	12620	-11.1	- .1	0	-28	-299.2	165.1	-24.1	-22.6	-7.5	
2ND	46.67	-56.9	18.7	9067	6837	-6.3	2.7	-10	-32	-175.1	165.9	-16.4	-11.5	-4.0	
3RD	80.67	-56.6	38.9	12750	8682	-4.4	4.5	-10	-14	-118.3	147.2	-11.1	-6.6	-2.0	
4TH	129.67	-38.0	42.1	8833	5536	-4.3	7.6	-19	-17	-61.7	108.2	-4.8	-2.1	- .9	
5TH	166.17	-23.7	66.1	6436	7558	-3.7	8.7	8	3	-23.7	66.1	-1.6	- .6	.6	
TOP	216.00									0.0	0.0	0.0	0.0	0.0	

TABLE 7. SHEAR AND MOMENT DIAGRAMS :														
WIND DIRECTION 80		UNITED BANK CENTRE WINTER GARDEN, DENVER										GUST FACTOR 1.32		
		CONFIGURATION A				REFERENCE PRESSURE 28.0 PSF								
FLOOR	HEIGHT	FORCE (KIPS)		AREA (SQ FT)		PRESSURE (PSF)		ECCEN (FT)		SHEAR (KIPS)		MOMENT (1000-FT-KIPS)		
		X	Y	X	Y	X	Y	X	Y	X	Y	X	Y	Z
1ST	0.00	-65.7	-14.0	11221	12620	-5.9	-1.1	9	-42	-111.3	72.5	-13.0	-6.3	-3.6
2ND	46.67	-22.5	3.8	9067	6857	-2.5	.6	-8	-47	-45.6	86.5	-9.3	-2.6	-.7
3RD	80.67	-9.9	18.6	12750	8682	-.8	2.1	8	4	-23.1	82.7	-6.4	-1.4	.4
4TH	129.67	-6.5	26.0	8833	5536	-.7	4.7	-3	-1	-13.2	64.1	-2.8	-.5	.2
5TH	166.17	-6.7	38.1	6436	7558	-1.0	5.0	6	1	-6.7	38.1	-.9	-.2	.2
TOP	216.00									0.0	0.0	0.0	0.0	0.0

TABLE 7. SHEAR AND MOMENT DIAGRAM 1		UNITED BANK CENTRE WINTER GARDEN, DENVER								GUST FACTOR 1.32				
WIND DIRECTION 90		CONFIGURATION A								REFERENCE PRESSURE 28.0 PSF				
FLOOR	HEIGHT	FORCE (KIPS)		AREA (SQ FT)		PRESSURE (PSF)		ECCEN (FT)		SHEAR (KIPS)		MOMENT (1000-FT-KIPS)		
		X	Y	X	Y	X	Y	X	Y	X	Y	X	Y	Z
1ST	0.00									2.7	58.4	-11.5	2.1	-2.3
2ND	46.67	-25.0	-14.7	11221	12620	-2.2	-1.2	43	-73	27.7	73.1	-8.4	1.4	.2
3RD	80.67	4.0	-2.8	9067	6857	.4	-.4	65	94	23.7	75.9	-5.9	.6	.7
4TH	129.67	18.4	15.4	12750	8682	1.4	1.8	25	-30	5.3	60.4	-2.5	-.2	-.2
5TH	166.17	11.0	27.1	8833	5536	1.3	4.9	20	-8	-5.8	33.3	-.8	-.1	-.9
TOP	216.00	-5.8	33.3	6436	7558	-.9	4.4	-25	-4	0.0	0.0	0.0	0.0	0.0

TABLE 7. SHEAR AND MOMENT DIAGRAM 1		UNITED BANK CENTRE WINTER GARDEN, DENVER						GUST FACTOR 1.32						
WIND DIRECTION 100		CONFIGURATION A				REFERENCE PRESSURE 28.0 PSF								
FLOOR	HEIGHT	FORCE (KIPS)		AREA (SQ FT)		PRESSURE (PSF)		ECCEN (FT)		SHEAR (KIPS)		MOMENT (1000-FT-KIPS)		
		X	Y	X	Y	X	Y	X	Y	X	Y	Z		
1ST	0.00									136.2	68.2	-12.9	11.6	5.7
2ND	46.67	25.7	-13.7	11221	12620	2.3	-1.1	8	15	110.6	81.9	-9.4	5.8	6.2
3RD	80.67	29.5	-1.9	9067	6857	3.3	-.3	-2	-36	81.1	83.8	-6.6	2.5	5.1
4TH	129.67	56.7	16.4	12750	8682	4.4	1.9	19	-65	24.4	67.4	-2.9	-.0	1.1
5TH	166.17	35.8	28.1	8833	5536	4.1	5.1	41	-52	-11.4	39.3	-1.0	-.3	-1.9
TOP	216.00	-11.4	39.3	6436	7558	-1.8	5.2	-45	-13	0.0	0.0	0.0	0.0	0.0

TABLE 7. SHEAR AND MOMENT DIAGRAMS ;
WIND DIRECTION 110

UNITED BANK CENTRE WINTER GARDEN, DENVER
CONFIGURATION A
REFERENCE PRESSURE 28.0 PSF

GUST FACTOR 1.32

FLOOR	HEIGHT	FORCE (KIPS)		AREA (SQ FT)		PRESSURE (PSF)		ECCEN (FT)		SHEAR (KIPS)		MOMENT (1000-FT-KIPS)		
		X	Y	X	Y	X	Y	X	Y	X	Y	X	Y	Z
1ST	0.00	68.0	-5.6	11221	12620	6.1	- .4	-4	-45	251.2	80.7	-13.3	20.9	14.3
2ND	46.67	49.0	2.0	9067	6857	5.4	.3	2	-58	183.2	86.3	-9.4	10.8	11.2
3RD	80.67	81.0	19.8	12750	8682	6.4	2.3	16	-67	134.2	84.2	-6.5	5.4	8.4
4TH	129.67	57.8	26.1	8833	5536	6.5	4.7	31	-68	53.2	64.4	-2.8	.8	2.7
5TH	166.17	-4.6	38.2	6436	7558	- .7	5.1	-54	-6	-4.6	38.2	-1.0	- .1	-2.1
TOP	216.00									0.0	0.0	0.0	0.0	0.0

TABLE 7. SHEAR AND MOMENT DIAGRAMS
WIND DIRECTION 120

UNITED BANK CENTRE WINTER GARDEN, DENVER
CONFIGURATION A
REFERENCE PRESSURE 28.0 PSF

GUST FACTOR 1.32

FLOOR	HEIGHT	FORCE (KIPS)		AREA (SQ FT)		PRESSURE (PSF)		ECCEN (FT)		SHEAR (KIPS)		MOMENT (1000-FT-KIPS)		
		X	Y	X	Y	X	Y	X	Y	X	Y	X	Y	Z
1ST	0.00									344.7	104.2	-16.0	28.7	17.9
2ND	46.67	100.5	-2.8	11221	12620	9.0	-.2	-1	-40	244.2	106.9	-11.1	14.9	13.9
3RD	80.67	66.3	6.5	9067	6857	7.3	1.0	6	-59	177.9	100.4	-7.6	7.7	9.9
4TH	129.67	102.8	25.6	12750	8682	8.1	2.9	15	-60	75.2	74.8	-3.3	1.5	3.3
5TH	166.17	71.3	30.9	8833	5536	8.1	5.6	28	-64	3.8	44.0	-1.1	.1	-2.1
TOP	216.00	3.8	44.0	6436	7558	.6	5.8	-46	4	0.0	0.0	0.0	0.0	0.0

TABLE 7. SHEAR AND MOMENT DIAGRAMS 1
 WIND DIRECTION 130
 UNITED BANK CENTRE WINTER GARDEN, DENVER
 CONFIGURATION A REFERENCE PRESSURE 28.0 PSF

GUST FACTOR 1.32

FLOOR	HEIGHT	FORCE (KIPS)		AREA (SQ FT)		PRESSURE (PSF)		ECCEN (FT)		SHEAR (KIPS)		MOMENT (1000-FT-KIPS)		
		X	Y	X	Y	X	Y	X	Y	X	Y	Z		
1ST	0.00									442.7	192.4	-24.6	41.8	23.0
2ND	46.67	93.2	19.2	11221	12620	8.3	1.5	10	-49	349.5	173.3	-16.1	23.3	18.2
3RD	80.67	87.5	22.7	9067	6857	9.6	3.3	14	-54	262.0	150.6	-10.6	12.9	13.2
4TH	129.67	138.8	47.5	12750	8682	10.9	5.5	18	-52	123.2	103.1	-4.4	3.5	5.1
5TH	166.17	94.7	45.3	8833	5536	10.7	8.2	27	-55	28.6	57.7	-1.4	.7	-1.3
TOP	216.00	28.6	57.7	6436	7558	4.4	7.6	-19	9	0.0	0.0	0.0	0.0	0.0

TABLE 7. SHEAR AND MOMENT DIAGRAMS :		UNITED BANK CENTRE WINTER GARDEN, DENVER							GUST FACTOR 1.32					
WIND DIRECTION 140		CONFIGURATION A							REFERENCE PRESSURE 28.0 PSF					
FLOOR	HEIGHT	FORCE (KIPS)		AREA (SQ FT)		PRESSURE (PSF)		ECCEN (FT)		SHEAR (KIPS)		MOMENT (1000-FT-KIPS)		
		X	Y	X	Y	X	Y	X	Y	X	Y	Z		
1ST	0.00									522.4	224.7	-27.1	53.1	24.3
2ND	46.67	90.2	29.8	11221	12620	8.0	2.4	16	-50	432.2	195.0	-17.3	30.8	19.3
3RD	80.67	100.5	30.0	9067	6857	11.1	4.4	15	-50	331.6	165.0	-11.2	17.8	13.9
4TH	129.67	162.2	56.6	12750	8682	12.7	6.5	16	-45	169.5	108.4	-4.5	5.5	5.7
5TH	166.17	112.9	50.3	8833	5536	12.8	9.1	21	-48	56.5	58.1	-1.4	1.4	- .8
TOP	216.00	56.5	58.1	6436	7558	8.8	7.7	-7	7	0.0	0.0	0.0	0.0	0.0

TABLE 7. SHEAR AND MOMENT DIAGRAMS :
WIND DIRECTION 150

UNITED BANK CENTRE WINTER GARDEN, DENVER
CONFIGURATION A
REFERENCE PRESSURE 28.0 PSF

GUST FACTOR 1.32

FLOOR	HEIGHT	FORCE (KIPS)		AREA (SQ FT)		PRESSURE (PSF)		ECCEN (FT)		SHEAR (KIPS)		MOMENT (1000-FT-KIPS)		
		X	Y	X	Y	X	Y	X	Y	X	Y	X	Y	Z
1ST	0.00	90.5	39.0	11221	12620	8.1	3.1	23	-54	578.2	257.8	-31.2	60.4	25.2
2ND	46.67	109.4	32.5	9067	6857	12.1	4.7	14	-48	487.8	218.7	-20.1	35.5	19.4
3RD	80.67	182.4	57.4	12750	8682	14.3	6.6	13	-42	378.3	186.2	-13.2	20.8	13.7
4TH	129.67	123.5	55.4	8833	5536	14.0	10.0	19	-42	195.9	128.9	-5.5	6.7	5.4
5TH	166.17	72.4	73.5	6436	7558	11.3	9.7	-6	6	72.4	73.5	-1.8	1.8	-8
TOP	216.00									0.0	0.0	0.0	0.0	0.0

TABLE 7. SHEAR AND MOMENT DIAGRAMS I
WIND DIRECTION 160

UNITED BANK CENTRE WINTER GARDEN, DENVER
REFERENCE PRESSURE 28.0 PSF

GUST FACTOR 1.32

FLOOR	HEIGHT	FORCE (KIPS)		AREA (SQ FT)		PRESSURE (PSF)		ECCEN (FT)		SHEAR (KIPS)		MOMENT (1000-FT-KIPS)		
		X	Y	X	Y	X	Y	X	Y	X	Y	Z		
1ST	0.00	98.2	40.8	11221	12620	8.8	3.2	21	-50	652.0	269.1	-33.6	68.7	25.7
2ND	46.67	119.8	28.7	9067	6857	13.2	4.2	10	-43	553.8	228.4	-22.0	40.6	20.0
3RD	80.67	210.6	56.6	12750	8682	16.5	6.5	11	-42	433.9	199.6	-14.7	23.8	14.6
4TH	129.67	140.0	57.9	8833	5536	15.9	10.5	16	-40	223.3	143.0	-6.3	7.7	5.2
5TH	166.17	83.3	85.1	6436	7558	12.9	11.3	-8	8	83.3	85.1	-2.1	2.1	-1.4
TOP	216.00									0.0	0.0	0.0	0.0	0.0

TABLE 7. SHEAR AND MOMENT DIAGRAM : UNITED BANK CENTRE WINTER GARDEN, DENVER															
WIND DIRECTION 170		CONFIGURATION A								REFERENCE PRESSURE 28.0 PSF				GUST FACTOR 1.32	
FLOOR	HEIGHT	FORCE (KIPS)		AREA (SQ FT)		PRESSURE (PSF)		ECCEN (FT)		SHEAR (KIPS)		MOMENT (1000-FT-KIPS)			
		X	Y	X	Y	X	Y	X	Y	X	Y	X	Y	Z	
1ST	0.00	89.4	38.5	11221	12620	8.0	3.1	23	-52	625.0	218.8	-26.8	66.0	24.3	
2ND	46.67	117.2	21.0	9067	6857	12.9	3.1	7	-39	535.7	180.2	-17.5	38.9	18.8	
3RD	80.67	204.8	43.7	12750	8682	16.1	5.0	9	-43	418.4	159.2	-11.7	22.7	14.1	
4TH	129.67	136.5	48.5	8833	5536	15.5	8.8	15	-41	213.6	115.6	-5.0	7.2	4.9	
5TH	166.17	77.1	67.1	6436	7558	12.0	8.9	-9	11	77.1	67.1	-1.7	1.9	-1.5	
TOP	216.00									0.0	0.0	0.0	0.0	0.0	

TABLE 7. SHEAR AND MOMENT DIAGRAMS :		UNITED BANK CENTRE WINTER GARDEN, DENVER								GUST FACTOR 1.32				
WIND DIRECTION 180		CONFIGURATION A				REFERENCE PRESSURE 28.0 PSF								
FLOOR	HEIGHT	FORCE (KIPS)		AREA (SQ FT)		PRESSURE (PSF)		ECCEN (FT)		SHEAR (KIPS)		MOMENT (1000-FT-KIPS)		
		X	Y	X	Y	X	Y	X	Y	X	Y	Z		
1ST	0.00	82.5	35.8	11221	12620	7.4	2.8	23	-52	597.5	179.1	-20.3	63.4	24.5
2ND	46.67	109.7	23.2	9067	6857	12.1	3.4	8	-40	515.0	143.4	-12.8	37.5	19.4
3RD	80.67	197.9	39.1	12750	8682	15.5	4.5	9	-46	405.3	120.2	-8.3	21.8	14.8
4TH	129.67	136.9	37.2	8833	5536	15.5	6.7	13	-48	207.4	81.1	-3.4	6.8	5.3
5TH	166.17	70.6	43.8	6436	7558	11.0	5.8	-11	18	70.6	43.8	-1.1	1.8	-1.7
TOP	216.00									0.0	0.0	0.0	0.0	0.0

TABLE 7. SHEAR AND MOMENT DIAGRAMS ;
WIND DIRECTION 190

UNITED BANK CENTRE WINTER GARDEN, DENVER
CONFIGURATION A
REFERENCE PRESSURE 28.0 PSF

GUST FACTOR 1.32

FLOOR	HEIGHT	FORCE (KIPS)		AREA (SQ FT)		PRESSURE (PSF)		ECCEN (FT)		SHEAR (KIPS)		MOMENT (1000-FT-KIPS)		
		X	Y	X	Y	X	Y	X	Y	X	Y	X	Y	Z
1ST	0.00	59.3	37.7	11221	12620	5.3	3.0	16	-24	489.2	132.9	-13.1	52.6	18.6
2ND	46.67	89.1	19.6	9067	6857	9.8	2.9	7	-32	429.9	95.2	-7.7	31.2	16.6
3RD	90.67	169.5	29.1	12750	8682	13.3	3.3	8	-49	340.8	75.5	-4.8	18.1	13.6
4TH	129.67	115.1	23.4	8833	5536	13.0	4.2	11	-53	171.3	46.5	-1.8	5.6	5.1
5TH	166.17	56.2	23.1	6436	7558	8.7	3.1	-8	19	56.2	23.1	-0.6	1.4	-1.3
TOP	216.00									0.0	0.0	0.0	0.0	0.0

TABLE 7. SHEAR AND MOMENT DIAGRAM :		UNITED BANK CENTRE WINTER GARDEN, DENVER								GUST FACTOR 1.32				
WIND DIRECTION 200		CONFIGURATION A				REFERENCE PRESSURE 28.0 PSF								
FLOOR	HEIGHT	FORCE (KIPS)		AREA (SQ FT)		PRESSURE (PSF)		ECCEN (FT)		SHEAR (KIPS)		MOMENT (1000-FT-KIPS)		
		X	Y	X	Y	X	Y	X	Y	X	Y	Z		
1ST	0.00									395.5	-53.5	5.0	40.0	8.4
2ND	46.67	67.0	-3.6	11221	12620	6.0	-1.3	-0	-2	328.5	-50.0	2.6	23.1	8.3
3RD	80.67	78.2	-16.9	9067	6857	8.6	-2.5	-3	-16	250.2	-33.1	1.2	13.3	7.0
4TH	129.67	126.6	-23.9	12750	8682	9.9	-2.8	-6	-30	123.6	-9.2	.2	4.1	3.0
5TH,	166.17	80.3	-9.5	8833	5536	9.1	-1.7	-5	-45	43.3	.3	-0	1.1	-1.6
TOP	216.00	43.3	.3	6436	7558	6.7	.0	-0	15	0.0	0.0	0.0	0.0	0.0

TABLE 7. SHEAR AND MOMENT DIAGRAMS :														
MIND DIRECTION 210		CONFIGURATION A				UNITED BANK CENTRE WINTER GARDEN, DENVER				GUST FACTOR 1.32				
FLOOR	HEIGHT	FORCE (KIPS)		AREA (SQ FT)		PRESSURE (PSF)		ECCEN (FT)		SHEAR (KIPS)		MOMENT (1000-FT-KIPS)		
		X	Y	X	Y	X	Y	X	Y	X	Y	X	Y	Z
1ST	0.00	53.4	-57.9	11221	12620	4.8	-4.6	6	6	246.0	-239.4	22.0	24.7	-2.1
2ND	46.67	44.5	-52.2	9067	6857	4.9	-7.6	9	7	192.6	-181.5	12.1	14.5	-1.5
3RD	80.67	67.0	-69.8	12750	8682	5.3	-8.0	6	5	148.1	-129.3	6.8	8.7	-.7
4TH	129.67	44.3	-33.2	8833	5536	5.0	-6.0	-8	-10	81.1	-59.5	2.2	3.1	.1
5TH	166.17	36.8	-26.3	6436	7558	5.7	-3.5	8	12	36.8	-26.3	.7	.9	-.6
TOP	216.00									0.0	0.0	0.0	0.0	0.0

TABLE 7. SHEAR AND MOMENT DIAGRAMS :
WIND DIRECTION 220

UNITED BANK CENTRE WINTER GARDEN, DENVER
CONFIGURATION A
REFERENCE PRESSURE 28.0 PSF

GUST FACTOR 1.32

FLOOR	HEIGHT	FORCE (KIPS)		AREA (SQ FT)		PRESSURE (PSF)		ECCEN (FT)		SHEAR (KIPS)		MOMENT (1000-FT-KIPS)		
		X	Y	X	Y	X	Y	X	Y	X	Y	Z		
1ST	0.00									195.4	-206.4	18.8	19.6	-4.3
2ND	46.67	46.5	-49.0	11221	12620	4.1	-3.9	13	12	148.9	-157.4	10.3	11.6	-3.2
3RD	80.67	32.6	-46.1	9067	6857	3.6	-6.7	18	13	116.3	-111.3	5.8	7.1	-1.9
4TH	129.67	48.4	-61.8	12750	8682	3.8	-7.1	16	13	68.0	-49.5	1.8	2.6	-1.3
5TH	166.17	37.5	-27.9	8833	5536	4.2	-5.0	-7	-9	30.4	-21.6	.5	.8	-.8
TOP	216.00	30.4	-21.6	6436	7558	4.7	-2.9	13	18	0.0	0.0	0.0	0.0	0.0

TABLE 7. SHEAR AND MOMENT DIAGRAMS 1
WIND DIRECTION 230

UNITED BANK CENTRE WINTER GARDEN, DENVER
CONFIGURATION A
REFERENCE PRESSURE 28.0 PSF

GUST FACTOR 1.32

FLOOR	HEIGHT	FORCE (KIPS)		AREA (SQ FT)		PRESSURE (PSF)		ECCEN (FT)		SHEAR (KIPS)		MOMENT (1000-FT-KIPS)		
		X	Y	X	Y	X	Y	X	Y	X	Y	X	Y	Z
1ST	0.00									150.0	-188.6	16.7	15.5	-6.3
2ND	46.67	32.5	-46.8	11221	12620	2.9	-3.7	22	15	117.5	-141.9	9.0	9.3	-4.8
3RD	80.67	24.3	-42.0	9067	6857	2.7	-6.1	31	18	93.1	-99.8	4.9	5.7	-3.0
4TH	129.67	38.1	-58.4	12750	8682	3.0	-6.7	27	18	55.0	-41.5	1.4	2.0	-1.7
5TH	166.17	31.0	-26.2	8833	5536	3.5	-4.7	-3	-3	24.0	-15.3	.4	.6	-.9
TOP	216.00	24.0	-15.3	6436	7558	3.7	-2.0	17	27	0.0	0.0	0.0	0.0	0.0

TABLE 7. SHEAR AND MOMENT DIAGRAMS :														
WIND DIRECTION 240		UNITED BANK CENTRE WINTER GARDEN, DENVER								GUST FACTOR 1.32				
		CONFIGURATION A				REFERENCE PRESSURE 28.0 PSF								
FLOOR	HEIGHT	FORCE (KIPS)		AREA (SQ FT)		PRESSURE (PSF)		ECCEN (FT)		SHEAR (KIPS)		MOMENT (1000-FT-KIPS)		
		X	Y	X	Y	X	Y	X	Y	X	Y	Z		
1ST	0.00	29.5	-40.0	11221	12620	2.6	-3.2	27	20	105.3	-170.7	15.4	10.0	-7.0
2ND	46.67	17.3	-37.7	9067	6857	1.9	-5.5	38	18	75.8	-130.7	8.3	5.8	-5.3
3RD	80.67	25.4	-54.2	12750	8682	2.0	-6.2	36	17	58.5	-93.0	4.5	3.5	-3.6
4TH	129.67	17.6	-25.3	8833	5536	2.0	-4.6	12	8	33.1	-38.8	1.3	1.3	-1.2
5TH	166.17	15.5	-13.5	6436	7558	2.4	-1.8	25	29	15.5	-13.5	.3	.4	-.8
TOP	216.00									0.0	0.0	0.0	0.0	0.0

TABLE 7. SHEAR AND MOMENT DIAGRAMS :
WIND DIRECTION 250

CONFIGURATION A

UNITED BANK CENTRE WINTER GARDEN, DENVER
REFERENCE PRESSURE 28.0 PSF

GUST FACTOR 1.32

FLOOR	HEIGHT	FORCE (KIPS)		AREA (SQ FT)		PRESSURE (PSF)		ECCEN (FT)		SHEAR (KIPS)		MOMENT (1000-FT-KIPS)		
		X	Y	X	Y	X	Y	X	Y	X	Y	Z		
1ST	0.00									91.5	-140.3	13.0	7.3	-5.8
2ND	46.67	34.2	-30.9	11221	12620	3.0	-2.4	23	26	57.4	-109.4	7.2	3.8	-4.2
3RD	80.67	19.2	-29.8	9067	6857	2.1	-4.3	28	18	38.2	-79.6	4.0	2.2	-3.0
4TH	129.67	19.2	-44.5	12750	8682	1.5	-5.1	37	16	18.9	-35.1	1.2	.8	-1.0
5TH	166.17	8.9	-22.7	8833	5536	1.0	-4.1	20	8	10.0	-12.4	.3	.2	-.5
TOP	216.00	10.0	-12.4	6436	7558	1.6	-1.6	24	20	0.0	0.0	0.0	0.0	0.0

TABLE 7. SHEAR AND MOMENT DIAGRAMS 1														
WIND DIRECTION 260		CONFIGURATION A				UNITED BANK CENTRE WINTER GARDEN, DENVER				GUST FACTOR 1.32				
FLOOR	HEIGHT	FORCE (KIPS)		AREA (SQ FT)		PRESSURE (PSF)		ECCEN (FT)		SHEAR (KIPS)		MOMENT (1000-FT-KIPS)		
		X	Y	X	Y	X	Y	X	Y	X	Y	Z		
1ST	0.00									73.3	-157.6	14.7	5.9	-3.7
2ND	46.67	22.3	-38.3	11221	12620	2.0	-3.0	30	17	50.9	-119.3	8.2	3.0	-2.2
3RD	80.67	17.1	-31.7	9067	6857	1.9	-4.6	24	13	33.8	-87.7	4.7	1.6	-1.2
4TH	129.67	21.1	-45.1	12750	8682	1.7	-5.2	22	10	12.7	-42.6	1.5	.5	-0
5TH	166.17	7.5	-26.2	8833	5536	.9	-4.7	-1	-0	5.2	-16.4	.4	.1	-0
TOP	216.00	5.2	-16.4	6436	7558	.8	-2.2	2	1	0.0	0.0	0.0	0.0	0.0

TABLE 7. SHEAR AND MOMENT DIAGRAMS :														
WIND DIRECTION 270		CONFIGURATION A				UNITED BANK CENTRE WINTER GARDEN, DENVER				REFERENCE PRESSURE 28.0 PSF		GUST FACTOR 1.32		
FLOOR	HEIGHT	FORCE (KIPS)		AREA (SQ FT)		PRESSURE (PSF)		ECCEN (FT)		SHEAR (KIPS)		MOMENT (1000-FT-KIPS)		
		X	Y	X	Y	X	Y	X	Y	X	Y	X	Y	Z
1ST	0.00	5.8	-45.1	11221	12620	.5	-3.6	22	3	46.6	-181.9	16.8	4.8	-1.8
2ND	46.67	9.7	-37.3	9067	6857	1.1	-5.4	18	5	40.7	-136.8	9.4	2.8	.2
3RD	80.67	17.9	-51.0	12750	8682	1.4	-5.9	5	2	31.0	-99.5	5.4	1.6	.9
4TH	129.67	6.9	-28.5	8833	5536	.8	-5.1	-22	-5	13.2	-48.5	1.8	.5	1.2
5TH	166.17	6.2	-20.0	6436	7558	1.0	-2.7	-23	-7	6.2	-20.0	.5	.2	.5
TOP	216.00									0.0	0.0	0.0	0.0	0.0

TABLE 7. SHEAR AND MOMENT DIAGRAM 1														
WIND DIRECTION 280		UNITED BANK CENTRE WINTER GARDEN, DENVER								GUST FACTOR 1.32				
		CONFIGURATION A				REFERENCE PRESSURE 28.0 PSF								
FLOOR	HEIGHT	FORCE (KIPS)		AREA (SQ FT)		PRESSURE (PSF)		ECCEN (FT)		SHEAR (KIPS)		MOMENT (1000-FT-KIPS)		
		X	Y	X	Y	X	Y	X	Y	X	Y	Z		
1ST	0.00	- .3	-25.9	11221	12620	- .0	-2.1	-31	0	-5.5	-143.1	15.2	-1.2	3.0
2ND	46.67	-1.6	-25.2	9067	6857	- .2	-3.7	8	-0	-5.2	-117.2	9.1	- .9	2.2
3RD	80.67	6.2	-40.2	12750	8682	.5	-4.6	-5	-1	-3.6	-92.0	5.5	- .8	2.4
4TH	129.67	-3.9	-27.0	8833	5536	- .4	-4.9	-36	5	-9.8	-51.8	2.0	- .4	2.2
5TH	166.17	-5.9	-24.8	6436	7558	- .9	-3.3	-45	11	-5.9	-24.8	.6	- .1	1.2
TOP	216.00									0.0	0.0	0.0	0.0	0.0

TABLE 7. SHEAR AND MOMENT DIAGRAM 1
WIND DIRECTION 290

UNITED BANK CENTRE WINTER GARDEN, DENVER
CONFIGURATION A
REFERENCE PRESSURE 28.0 PSF

GUST FACTOR 1.32

FLOOR	HEIGHT	FORCE (KIPS)		AREA (SQ FT)		PRESSURE (PSF)		ECCEN (FT)		SHEAR (KIPS)		MOMENT (1000-FT-KIPS)		
		X	Y	X	Y	X	Y	X	Y	X	Y	Z		
1ST	0.00	-16.2	13.9	11221	12620	-1.4	1.1	83	96	-79.2	-18.1	3.8	-7.9	1.6
2ND	46.67	-17.6	-3.2	9067	6857	-1.9	-0.5	3	-19	-63.0	-32.0	2.7	-4.6	-1.1
3RD	80.67	-20.1	-13.6	12750	8682	-1.6	-1.6	20	-29	-45.5	-28.9	1.6	-2.7	-0.8
4TH	129.67	-13.4	-8.7	8833	5536	-1.5	-1.6	7	-11	-25.4	-15.2	.6	-1.0	.1
5TH	166.17	-12.0	-6.5	6436	7558	-1.9	-0.9	-11	20	-12.0	-6.5	.2	-.3	.3
TOP	216.00									0.0	0.0	0.0	0.0	0.0

TABLE 7. SHEAR AND MOMENT DIAGRAMS :															
WIND DIRECTION 300		CONFIGURATION A				UNITED BANK CENTRE WINTER GARDEN, DENVER				REFERENCE PRESSURE 28.0 PSF				GUST FACTOR 1.32	
FLOOR	HEIGHT	FORCE (KIPS)		AREA (SQ FT)		PRESSURE (PSF)		ECCEN (FT)		SHEAR (KIPS)		MOMENT (1000-FT-KIPS)			
		X	Y	X	Y	X	Y	X	Y	X	Y	X	Y	Z	
1ST	0.00														
		-14.4	20.2	11221	12620	-1.3	1.6	104	74	-58.1	34.2	-2.3	-6.0	2.3	
2ND	46.67														
		-8.0	4.9	9067	6857	-.9	.7	4	6	-43.7	14.0	-1.2	-3.6	-.8	
3RD	80.67														
		-14.3	1.2	12750	8682	-1.1	.1	-4	-46	-35.7	9.1	-.8	-2.3	-.9	
4TH	129.67														
		-10.0	2.6	8833	5536	-1.1	.5	-12	-44	-21.4	7.9	-.4	-.9	-.3	
5TH	166.17														
		-11.4	5.3	6436	7558	-1.8	.7	7	16	-11.4	5.3	-.1	-.3	.2	
TOP	216.00														
										0.0	0.0	0.0	0.0	0.0	

TABLE 7. SHEAR AND MOMENT DIAGRAMS 1														
WIND DIRECTION 310		CONFIGURATION A						UNITED BANK CENTRE WINTER GARDEN, DENVER			GUST FACTOR 1.32			
												REFERENCE PRESSURE 28.0 PSF		
FLOOR	HEIGHT	FORCE (KIPS)		AREA (SQ FT)		PRESSURE (PSF)		ECCEN (FT)		SHEAR (KIPS)		MOMENT (1000-FT-KIPS)		
		X	Y	X	Y	X	Y	X	Y	X	Y	X	Y	Z
1ST	0.00													
		-4.4	14.7	11221	12620	-1.4	1.2	109	32	-43.8	43.6	-4.5	-5.5	.6
2ND	46.67													
		-4.3	4.7	9067	6857	-1.5	.7	-7	-7	-39.5	28.9	-2.8	-3.5	-1.2
3RD	80.67													
		-14.1	5.7	12750	8682	-1.1	.7	-20	-50	-35.2	24.2	-1.9	-2.3	-1.1
4TH	129.67													
		-9.6	7.3	8833	5536	-1.1	1.3	-23	-31	-21.1	18.6	-1.8	-1.9	-.3
5TH	166.17													
		-11.5	11.3	6436	7558	-1.8	1.5	9	9	-11.5	11.3	-1.3	-1.3	.2
TOP	216.00									0.0	0.0	0.0	0.0	0.0

TABLE 7. SHEAR AND MOMENT DIAGRAMS :		UNITED BANK CENTRE WINTER GARDEN, DENVER								GUST FACTOR 1.32				
WIND DIRECTION 320		CONFIGURATION A				REFERENCE PRESSURE 28.0 PSF								
FLOOR	HEIGHT	FORCE (KIPS)		AREA (SQ FT)		PRESSURE (PSF)		ECCEN (FT)		SHEAR (KIPS)		MOMENT (1000-FT-KIPS)		
		X	Y	X	Y	X	Y	X	Y	X	Y	Z		
1ST	0.00									-47.3	11.5	-1.5	-5.4	-3.1
2ND	46.67	-1.7	3.9	11221	12620	-.2	.3	-27	-12	-45.6	7.6	-1.0	-3.2	-3.0
3RD	80.67	-10.8	.5	9067	6857	-1.2	.1	-4	-94	-34.7	7.1	-.8	-1.9	-2.0
4TH	129.67	-17.6	-.7	12750	8682	-1.4	-.1	4	-83	-17.1	7.9	-.4	-.6	-.5
5TH	166.17	-10.3	2.2	8833	5536	-1.2	.4	-13	-62	-6.8	5.7	-.1	-.2	.1
TOP	216.00	-6.8	5.7	6436	7558	-1.1	.8	9	11	0.0	0.0	0.0	0.0	0.0

TABLE 7. SHEAR AND MOMENT DIAGRAMS :
WIND DIRECTION 330

UNITED BANK CENTRE WINTER GARDEN, DENVER
CONFIGURATION A
REFERENCE PRESSURE 28.0 PSF

GUST FACTOR 1.32

FLOOR	HEIGHT	FORCE (KIPS)		AREA (SQ FT)		PRESSURE (PSF)		ECCEN (FT)		SHEAR (KIPS)		MOMENT (1000-FT-KIPS)		
		X	Y	X	Y	X	Y	X	Y	X	Y	Z		
1ST	0.00	-41.9	13.8	11221	12620	-3.7	1.1	3	9	-225.9	13.5	-1.2	-22.6	-9.5
2ND	46.67	-45.6	-3.0	9067	6857	-5.0	-.4	5	-69	-184.1	-.3	-.9	-13.0	-9.9
3RD	80.67	-70.4	-6.1	12750	8682	-5.5	-.7	6	-68	-138.5	2.7	-.8	-7.5	-6.8
4TH	129.67	-39.5	.3	8833	5536	-4.5	.1	-0	-46	-68.1	8.9	-.5	-2.5	-1.9
5TH	166.17	-28.6	8.6	6436	7558	-4.4	1.1	-1	-3	-28.6	8.6	-.2	-.7	-.1
TOP	216.00									0.0	0.0	0.0	0.0	0.0

TABLE 7. SHEAR AND MOMENT DIAGRAMS :
WIND DIRECTION 340

UNITED BANK CENTRE WINTER GARDEN, DENVER
CONFIGURATION A
REFERENCE PRESSURE 28.0 PSF

GUST FACTOR 1.32

FLOOR	HEIGHT	FORCE (KIPS)		AREA (SQ FT)		PRESSURE (PSF)		ECCEN (FT)		SHEAR (KIPS)		MOMENT (1000-FT-KIPS)		
		X	Y	X	Y	X	Y	X	Y	X	Y	X	Y	Z
1ST	0.00									-350.0	55.4	-6.0	-37.7	-11.6
2ND	46.67	-53.6	18.7	11221	12620	-4.8	1.5	-1	-2	-296.4	36.7	-3.8	-22.6	-11.5
3RD	80.67	-67.6	6.6	9067	6857	-7.5	1.0	-5	-56	-228.7	30.1	-2.7	-13.7	-7.7
4TH	129.67	-104.1	3.9	12750	8682	-8.2	.4	-2	-54	-124.6	26.2	-1.3	-5.0	-2.0
5TH	166.17	-60.4	7.2	8833	5536	-6.8	1.3	-4	-33	-64.2	18.9	-.5	-1.6	.0
TOP	216.00	-64.2	18.9	6436	7558	-10.0	2.5	0	0	0.0	0.0	0.0	0.0	0.0

TABLE 7. SHEAR AND MOMENT DIAGRAMS :
WIND DIRECTION 350

UNITED BANK CENTRE WINTER GARDEN, DENVER
CONFIGURATION A
REFERENCE PRESSURE 28.0 PSF

GUST FACTOR 1.32

FLOOR	HEIGHT	FORCE (KIPS)		AREA (SQ FT)		PRESSURE (PSF)		ECCEH (FT)		SHEAR (KIPS)		MOMENT (1000-FT-KIPS)		
		X	Y	X	Y	X	Y	X	Y	X	Y	X	Y	Z
1ST	0.00									-475.0	68.7	-7.2	-51.3	-15.8
2ND	46.67	-68.9	21.7	11221	12620	-6.1	1.7	3	11	-406.1	47.0	-4.5	-30.7	-16.6
3RD	80.67	-90.0	10.4	9067	6857	-9.9	1.5	-6	-54	-316.2	36.6	-3.0	-18.4	-11.8
4TH	129.67	-147.9	7.4	12750	8682	-11.6	.9	-3	-55	-168.2	29.2	-1.4	-6.6	-3.6
5TH	166.17	-86.9	8.3	8833	5536	-9.8	1.5	-4	-39	-81.3	20.9	-.5	-2.0	-.2
TOP	216.00	-81.3	20.9	6436	7558	-12.6	2.8	-1	-2	0.0	0.0	0.0	0.0	0.0

TABLE 7. UNITED BANK CENTRE WINTER GARDEN, DENVER
 PROJECT 5555 CONFIGURATION A
 SCALE = 400 REF. PRESSURE = 28.0
 GUST FACTOR = 1.32 STANDARD FLOOR HEIGHT = 0.00
 NUMBER OF SIDES = 4 NO. OF FLOORS = 5

SIDE	ANGLE	Z-AXIS
1	0.0	5.340
2	90.0	6.780
3	180.0	2.660
4	270.0	2.270

FLOOR #	LABEL	HEIGHT-FT
1	1ST	46.67
2	2ND	34.00
3	3RD	49.00
4	4TH	36.50
5	5TH	49.83

APPENDIX A
PRESSURE DATA

Note: Pressure coefficients are defined in Section 4.3.
Pressure tap designation is explained in Figure 3.

WD	TAP	CPMEAN	CPRMS	CPMAX	CPMIN	WD	TAP	CPMEAN	CPRMS	CPMAX	CPMIN	WD	TAP	CPMEAN	CPRMS	CPMAX	CPMIN
0	101	.210	.158	.873	200	0	151	.016	.113	.355	297	0	242	.011	.115	.510	349
0	102	.213	.181	.907	200	0	152	.091	.110	.325	487	0	01	.149	.125	.204	609
0	103	.201	.167	.818	200	0	153	.106	.132	.365	389	0	02	.142	.122	.286	525
0	104	.183	.190	.952	200	0	154	.117	.133	.345	441	0	03	.144	.128	.356	507
0	105	.149	.171	.887	200	0	155	.097	.125	.353	358	0	04	.120	.116	.355	553
0	106	.111	.153	.671	200	0	156	.091	.118	.339	334	0	05	.120	.112	.376	576
0	107	.219	.162	.821	200	0	161	.017	.115	.384	453	0	06	.123	.108	.338	609
0	108	.219	.166	.876	200	0	162	.048	.114	.465	334	0	07	.148	.135	.264	570
0	109	.193	.153	.818	200	0	163	.070	.113	.398	464	0	08	.145	.112	.271	589
0	110	.153	.153	.927	200	0	201	.074	.107	.327	456	0	09	.131	.115	.262	517
0	111	.057	.142	.658	200	0	202	.042	.120	.330	508	0	10	.132	.128	.229	609
0	112	.006	.125	.433	200	0	203	.023	.120	.337	556	0	11	.132	.118	.242	613
0	113	.065	.131	.401	200	0	204	.000	.107	.405	379	0	12	.143	.123	.610	610
0	114	.052	.124	.397	200	0	205	.157	.158	.377	400	0	13	.102	.107	.666	441
0	115	.060	.123	.349	200	0	206	.078	.154	.447	447	0	14	.108	.101	.318	429
0	116	.040	.144	.469	200	0	207	.107	.110	.262	457	0	15	.084	.100	.318	457
0	117	.147	.144	.629	200	0	208	.000	.109	.323	470	0	16	.082	.105	.343	460
0	118	.147	.148	.745	200	0	209	.000	.118	.305	511	0	17	.066	.103	.388	465
0	119	.145	.149	.622	200	0	210	.000	.124	.333	333	0	18	.099	.103	.222	461
0	120	.167	.135	.637	200	0	211	.150	.271	.391	15	0	19	.100	.112	.446	466
0	121	.076	.132	.562	200	0	212	.118	.135	.233	14	0	20	.100	.120	.597	465
0	122	.185	.144	.779	200	0	213	.198	.137	.245	45	0	21	.142	.110	.541	461
0	123	.190	.155	.823	200	0	214	.129	.107	.236	60	0	22	.137	.115	.599	465
0	124	.194	.155	.800	200	0	215	.134	.114	.197	11	0	23	.104	.108	.546	466
0	125	.200	.153	.860	200	0	216	.111	.104	.209	11	0	24	.100	.113	.666	465
0	126	.188	.153	.881	200	0	217	.111	.110	.206	60	0	25	.116	.114	.338	536
0	127	.160	.153	.730	200	0	218	.102	.111	.220	60	0	26	.111	.111	.331	480
0	128	.017	.127	.454	200	0	219	.224	.156	.310	10	0	27	.111	.119	.602	460
0	129	.088	.135	.776	200	0	220	.165	.143	.317	10	0	28	.121	.114	.636	465
0	130	.141	.126	.682	200	0	221	.159	.108	.172	11	0	29	.126	.125	.379	579
0	131	.159	.140	.762	200	0	222	.133	.098	.158	11	0	30	.126	.111	.552	552
0	132	.160	.131	.661	200	0	223	.126	.117	.223	33	0	31	.131	.104	.337	553
0	133	.144	.144	.043	200	0	224	.122	.112	.353	08	0	32	.141	.105	.203	464
0	134	.036	.122	.565	200	0	225	.064	.110	.415	08	0	33	.129	.104	.213	463
0	135	.003	.131	.481	200	0	226	.017	.114	.415	14	0	34	.125	.103	.206	449
0	136	.049	.127	.461	200	0	227	.142	.146	.388	33	0	35	.124	.107	.265	475
0	137	.105	.130	.575	200	0	228	.060	.123	.333	37	0	36	.121	.108	.266	506
0	138	.135	.130	.623	200	0	229	.197	.133	.283	37	0	37	.124	.119	.187	577
0	139	.163	.144	.018	200	0	230	.072	.125	.452	38	0	38	.162	.124	.260	580
0	140	.133	.135	.590	200	0	231	.050	.113	.453	37	0	39	.158	.108	.118	601
0	141	.063	.122	.568	200	0	232	.050	.127	.434	46	0	40	.196	.114	.146	642
0	142	.001	.103	.562	200	0	233	.017	.121	.434	44	0	41	.155	.113	.221	513
0	143	.063	.108	.401	200	0	234	.033	.122	.474	44	0	42	.155	.108	.333	553
0	144	.114	.109	.289	200	0	235	.000	.117	.333	56	0	43	.115	.119	.212	630
0	145	.072	.106	.405	200	0	236	.034	.112	.333	49	0	44	.112	.126	.293	609
0	146	.111	.111	.553	200	0	237	.134	.122	.327	13	0	45	.131	.115	.213	567
0	147	.116	.111	.531	200	0	238	.040	.105	.296	47	0	46	.093	.116	.333	514
0	148	.127	.132	.608	200	0	239	.000	.117	.400	08	0	47	.095	.119	.333	433
0	149	.088	.139	.389	200	0	240	.011	.115	.400	08	0	48	.025	.112	.354	348
0	150	.038	.119	.344	200	0	241	.011	.112	.367	07	0	49	.055	.110	.244	420

WD	TAP	CPMEAN	CPRMS	CPMAX	CPHIN	WD	TAP	CPMEAN	CPRMS	CPMAX	CPHIN	WD	TAP	CPMEAN	CPRMS	CPMAX	CPHIN
0	3350	063	108	294	399	0	435	004	102	417	307	0	941	086	117	455	412
0	3351	103	114	292	502	0	436	008	102	332	311	0	942	058	117	452	330
0	3352	099	114	241	656	0	437	035	110	392	414	0	943	004	118	343	388
0	3353	043	123	459	563	0	438	003	116	409	422	0	944	015	113	409	357
0	3354	016	117	382	473	0	439	006	096	300	314	0	945	029	109	382	362
0	3355	025	122	395	408	0	440	032	103	391	441	0	946	029	113	417	368
0	3356	029	123	417	413	0	441	027	110	319	425	0	947	053	109	543	248
0	3357	021	106	393	386	0	442	032	112	448	397	0	948	024	113	452	390
0	3358	142	132	694	288	0	443	034	125	379	468	0	949	042	104	429	288
0	3359	139	137	630	584	0	444	151	124	603	251	10	101	217	156	871	306
0	3360	038	141	424	616	0	901	059	125	489	316	10	102	210	158	775	367
0	3361	031	106	316	416	0	902	083	129	566	83	10	103	189	155	753	307
0	3362	040	113	315	453	0	903	038	124	493	361	10	104	173	172	880	385
0	3363	045	111	395	399	0	904	019	110	402	326	10	105	119	153	821	353
0	3364	071	109	321	505	0	905	021	120	504	388	10	106	083	154	628	384
0	3365	078	104	266	689	0	906	138	128	284	687	10	107	197	143	685	410
0	401	165	123	228	698	0	907	132	129	250	743	10	108	235	150	840	202
0	402	166	115	257	680	0	908	111	107	242	465	10	109	206	148	717	246
0	403	147	136	342	741	0	909	124	106	247	72	10	110	178	154	846	287
0	404	100	127	339	613	0	910	057	133	302	607	10	111	045	139	528	339
0	405	102	114	279	720	0	911	023	127	407	546	10	112	002	133	506	343
0	406	111	118	299	542	0	912	039	119	368	455	10	113	090	158	489	068
0	407	153	119	248	620	0	913	096	114	265	659	10	114	080	135	529	771
0	408	158	107	202	550	0	914	111	119	316	663	10	115	078	122	457	568
0	409	109	093	163	442	0	915	099	101	256	438	10	116	039	144	640	498
0	410	123	100	204	543	0	916	109	107	247	427	10	117	093	169	760	068
0	411	183	109	191	565	0	917	099	116	265	461	10	118	138	161	707	335
0	412	173	115	174	607	0	918	090	118	319	516	10	119	149	136	714	323
0	413	174	106	162	496	0	919	094	114	322	499	10	120	207	149	750	330
0	414	133	100	323	523	0	920	113	117	221	558	10	121	085	144	581	262
0	415	121	100	202	436	0	921	189	163	329	854	10	122	180	158	832	567
0	416	127	110	222	489	0	922	176	150	323	858	10	123	210	134	660	277
0	417	125	124	353	657	0	923	280	144	181	899	10	124	216	137	758	194
0	418	254	117	115	862	0	924	197	133	198	037	10	125	224	149	897	242
0	419	172	103	152	592	0	925	184	134	239	778	10	126	220	150	977	216
0	420	191	113	187	644	0	926	166	130	236	573	10	127	122	147	961	283
0	421	080	105	322	400	0	927	150	106	258	479	10	128	007	113	427	484
0	422	098	109	222	473	0	928	136	124	296	575	10	129	095	137	581	313
0	423	181	108	164	545	0	929	071	130	393	314	10	130	147	142	692	355
0	424	181	114	159	681	0	930	077	125	693	311	10	131	190	130	561	287
0	425	010	108	293	538	0	931	123	134	663	306	10	132	172	128	647	269
0	426	010	103	382	389	0	932	171	144	883	393	10	133	116	130	630	291
0	427	029	108	300	352	0	933	196	143	765	222	10	134	031	123	503	337
0	428	148	123	328	559	0	934	203	133	795	440	10	135	021	132	481	378
0	429	095	117	249	567	0	935	090	133	607	476	10	136	074	121	357	455
0	430	088	106	315	501	0	936	039	117	487	428	10	137	131	129	626	269
0	431	141	116	231	558	0	937	096	112	472	355	10	138	170	136	697	471
0	432	016	124	432	508	0	938	124	129	584	301	10	139	208	143	843	306
0	433	193	143	309	013	0	939	092	124	499	445	10	140	138	122	667	238
0	434	172	129	266	679	0	940	079	118	508	260	10	141	085	117	495	269

WD	TAP	CPMEAN	CPRMS	CPMAX	CPHIN	WD	TAP	CPMEAN	CPRMS	CPMAX	CPHIN	WD	TAP	CPMEAN	CPRMS	CPMAX	CPHIN
10	142	.008	.108	.542	.414	10	233	.015	.111	.417	.384	10	341	.161	.113	.191	.358
10	143	.069	.116	.304	.448	10	234	.034	.118	.419	.403	10	342	.152	.114	.189	.544
10	144	.147	.113	.308	.353	10	235	.049	.119	.410	.438	10	343	.124	.128	.276	.727
10	145	.070	.116	.475	.385	10	236	.049	.111	.372	.462	10	344	.134	.132	.371	.843
10	146	.158	.102	.489	.333	10	237	.121	.124	.288	.611	10	345	.142	.113	.203	.334
10	147	.172	.111	.620	.163	10	238	.034	.118	.311	.456	10	346	.112	.117	.329	.583
10	148	.145	.113	.528	.227	10	239	.018	.105	.334	.359	10	347	.042	.128	.369	.432
10	149	.091	.093	.440	.195	10	240	.012	.105	.442	.316	10	348	.043	.117	.353	.469
10	150	.035	.111	.439	.333	10	241	.002	.107	.349	.458	10	349	.061	.108	.335	.406
10	151	.006	.102	.407	.377	10	242	.006	.113	.363	.309	10	350	.062	.105	.310	.397
10	152	.119	.121	.236	.642	10	301	.144	.122	.367	.578	10	351	.112	.121	.301	.656
10	153	.119	.117	.585	.244	10	302	.140	.120	.223	.786	10	352	.105	.121	.288	.568
10	154	.127	.115	.499	.267	10	303	.139	.129	.283	.743	10	353	.053	.122	.367	.512
10	155	.121	.116	.531	.270	10	304	.147	.119	.249	.530	10	354	.024	.119	.423	.397
10	156	.102	.113	.528	.239	10	305	.140	.111	.209	.684	10	355	.023	.116	.355	.451
10	161	.034	.104	.411	.230	10	306	.138	.113	.213	.529	10	356	.041	.128	.412	.486
10	162	.071	.117	.486	.331	10	307	.156	.116	.228	.624	10	357	.007	.112	.399	.403
10	163	.083	.112	.492	.296	10	308	.149	.115	.213	.503	10	358	.112	.129	.649	.336
10	201	.082	.104	.295	.422	10	309	.158	.111	.228	.563	10	359	.102	.125	.600	.292
10	202	.043	.112	.304	.438	10	310	.151	.115	.239	.554	10	360	.061	.139	.401	.366
10	203	.035	.107	.352	.416	10	311	.154	.119	.268	.715	10	361	.048	.113	.315	.438
10	204	.001	.111	.429	.777	10	312	.158	.118	.239	1.042	10	362	.052	.110	.302	.472
10	205	.146	.164	.406	.754	10	313	.103	.106	.248	.447	10	363	.049	.111	.308	.461
10	206	.103	.163	.420	.811	10	314	.098	.101	.248	.438	10	364	.067	.120	.312	.636
10	207	.122	.112	.305	.324	10	315	.107	.107	.240	.478	10	365	.064	.116	.320	.614
10	208	.007	.103	.338	.423	10	316	.101	.113	.345	.329	10	401	.169	.125	.187	.739
10	209	.087	.111	.225	.448	10	317	.100	.109	.207	.324	10	402	.176	.127	.200	.725
10	210	.016	.215	.584	.941	10	318	.108	.118	.378	.492	10	403	.154	.134	.284	.657
10	211	.076	.270	.691	.172	10	319	.115	.108	.221	.540	10	404	.109	.128	.254	.741
10	212	.113	.129	.404	.676	10	320	.108	.112	.253	.564	10	405	.103	.124	.273	.554
10	213	.128	.208	1.108	.933	10	321	.157	.109	.264	.620	10	406	.095	.121	.305	.716
10	214	.141	.101	.350	.330	10	322	.159	.108	.209	.597	10	407	.154	.106	.188	.612
10	215	.140	.118	.387	.327	10	323	.112	.103	.283	.492	10	408	.158	.097	.243	.462
10	216	.118	.106	.241	.499	10	324	.134	.122	.423	.556	10	409	.126	.091	.140	.456
10	217	.059	.138	.499	.502	10	325	.136	.116	.268	.562	10	410	.133	.099	.240	.466
10	218	.111	.112	.269	.451	10	326	.136	.134	.270	.809	10	411	.188	.113	.195	.743
10	219	.180	.174	.627	.897	10	327	.116	.119	.348	.617	10	412	.170	.107	.216	.828
10	220	.152	.147	.463	.685	10	328	.123	.115	.235	.549	10	413	.163	.108	.182	.530
10	221	.164	.112	.174	.328	10	329	.124	.120	.250	.666	10	414	.146	.107	.177	.486
10	222	.151	.105	.193	.613	10	330	.130	.111	.211	.484	10	415	.142	.101	.211	.495
10	223	.137	.130	.246	.761	10	331	.142	.110	.208	.579	10	416	.129	.096	.169	.498
10	224	.138	.115	.234	.594	10	332	.134	.114	.182	.547	10	417	.121	.103	.201	.557
10	225	.053	.122	.304	.334	10	333	.121	.104	.218	.523	10	418	.125	.131	.095	.934
10	226	.015	.121	.398	.334	10	334	.115	.108	.285	.499	10	419	.167	.111	.224	.543
10	227	.143	.138	.314	.668	10	335	.144	.119	.237	.605	10	420	.208	.115	.153	.617
10	228	.084	.114	.285	.627	10	336	.148	.123	.222	.122	10	421	.093	.114	.256	.472
10	229	.165	.123	.309	.775	10	337	.169	.100	.188	.519	10	422	.087	.108	.233	.586
10	230	.059	.122	.540	.438	10	338	.180	.103	.183	.319	10	423	.205	.117	.163	.586
10	231	.001	.110	.353	.346	10	339	.217	.119	.309	.629	10	424	.182	.112	.159	.525
10	232	.073	.136	.332	.386	10	340	.208	.123	.246	.646	10	425	.013	.104	.378	.361

WD	TAP	CPMEAN	CPRMS	CPMAX	CPMIN	WD	TAP	CPMEAN	CPRMS	CPMAX	CPMIN	WD	TAP	CPMEAN	CPRMS	CPMAX	CPMIN
10	426	.007	.119	.380	-.495	10	932	.188	.143	.745	-.399	20	133	.138	.138	.641	-.311
10	427	.021	.114	.306	-.425	10	933	.207	.141	.785	-.191	20	134	.033	.128	.448	-.439
10	428	.179	.124	.235	-.643	10	934	.192	.145	.695	-.261	20	135	-.027	.125	.460	-.422
10	429	.094	.111	.298	-.581	10	935	.072	.132	.625	-.311	20	136	.084	.116	.281	-.463
10	430	.110	.116	.219	-.692	10	936	.065	.108	.294	-.483	20	137	.097	.144	.610	-.726
10	431	.170	.114	.227	-.615	10	937	.113	.110	.494	-.225	20	138	.153	.156	.842	-.381
10	432	.002	.129	.535	-.453	10	938	.124	.125	.662	-.298	20	139	.201	.145	.676	-.308
10	433	.183	.158	.410	-1.077	10	939	.080	.121	.517	-.315	20	140	.207	.145	.768	-.245
10	434	.148	.141	.298	-.655	10	940	.077	.107	.451	-.236	20	141	.093	.119	.486	-.366
10	435	.005	.102	.373	-.323	10	941	.105	.119	.501	-.442	20	142	.011	.114	.438	-.321
10	436	.006	.111	.301	-.360	10	942	.072	.127	.615	-.426	20	143	.071	.117	.323	-.452
10	437	.032	.104	.323	-.480	10	943	.006	.111	.401	-.386	20	144	.169	.119	.198	-.575
10	438	.000	.100	.350	-.333	10	944	.023	.103	.372	-.317	20	145	.073	.118	.444	-.389
10	439	.001	.106	.412	-.322	10	945	.044	.115	.410	-.355	20	146	.169	.110	.527	-.220
10	440	.032	.110	.375	-.400	10	946	.057	.119	.475	-.408	20	147	.225	.121	.724	-.167
10	441	.031	.115	.421	-.563	10	947	.056	.109	.481	-.298	20	148	.195	.127	.606	-.242
10	442	.031	.110	.308	-.431	10	948	.023	.110	.378	-.424	20	149	.114	.091	.429	-.185
10	443	.025	.128	.493	-.428	10	949	.046	.104	.400	-.283	20	150	.046	.106	.445	-.328
10	444	.111	.126	.531	-.258	20	101	.221	.190	.914	-.690	20	151	.009	.114	.433	-.442
10	901	.052	.132	.465	-.565	20	102	.219	.186	.983	-.381	20	152	.155	.111	.219	-.559
10	902	.082	.119	.472	-.337	20	103	.177	.157	.836	-.422	20	153	.160	.127	.558	-.231
10	903	.056	.122	.429	-.380	20	104	.142	.159	.768	-.482	20	154	.171	.126	.457	-.288
10	904	.011	.104	.297	-.489	20	105	.096	.163	.769	-.687	20	155	.184	.128	.596	-.276
10	905	.026	.111	.375	-.434	20	106	.052	.152	.764	-.448	20	156	.139	.124	.603	-.245
10	906	.142	.122	.397	-.666	20	107	.255	.194	.952	-.847	20	161	.055	.117	.493	-.304
10	907	.150	.136	.535	-1.212	20	108	.288	.173	.986	-.547	20	162	.115	.125	.563	-.312
10	908	.124	.107	.215	-.522	20	109	.228	.149	.939	-.317	20	163	.148	.108	.524	-.248
10	909	.119	.113	.212	-.558	20	110	.140	.147	.733	-.312	20	201	.086	.125	.365	-.540
10	910	.080	.124	.339	-.530	20	111	.045	.142	.589	-.380	20	202	.039	.128	.362	-.555
10	911	.028	.130	.372	-.514	20	112	.022	.134	.471	-.442	20	203	.058	.128	.535	-.532
10	912	.039	.120	.345	-.473	20	113	.147	.264	.909	-1.583	20	204	.003	.116	.430	-.407
10	913	.119	.118	.263	-.566	20	114	.106	.194	.745	-1.025	20	205	.105	.192	.523	-.853
10	914	.118	.119	.247	-.597	20	115	.101	.148	.412	-.805	20	206	.042	.198	.597	-.732
10	915	.111	.117	.260	-.491	20	116	.031	.171	.653	-.605	20	207	.125	.125	.526	-.611
10	916	.105	.097	.196	-.433	20	117	.012	.253	.807	-1.312	20	208	.011	.115	.399	-.582
10	917	.126	.119	.294	-.755	20	118	.112	.188	.795	-1.136	20	209	.079	.130	.661	-.604
10	918	.117	.113	.216	-.628	20	119	.153	.163	.820	-.363	20	210	.100	.236	.870	-1.185
10	919	.106	.112	.263	-.503	20	120	.224	.168	.826	-.538	20	211	.029	.298	.798	-1.179
10	920	.111	.115	.362	-.527	20	121	.083	.209	.878	-1.136	20	212	.057	.195	.818	-1.155
10	921	.200	.172	.418	-.881	20	122	.165	.166	.725	-.570	20	213	.042	.263	.1.038	-.820
10	922	.179	.149	.302	-.770	20	123	.190	.147	.840	-.334	20	214	.121	.137	.350	-.634
10	923	.336	.167	.172	-.864	20	124	.236	.144	.742	-.226	20	215	.131	.123	.388	-.543
10	924	.233	.127	.189	-.740	20	125	.253	.147	.893	-.170	20	216	.130	.112	.268	-.580
10	925	.205	.147	.256	-.814	20	126	.201	.140	.731	-.181	20	217	.002	.171	.663	-.582
10	926	.189	.116	.271	-.582	20	127	.158	.149	.824	-.282	20	218	.108	.141	.374	-.637
10	927	.168	.113	.240	-.534	20	128	.022	.111	.404	-.355	20	219	.005	.278	.1.151	-.711
10	928	.167	.112	.401	-.658	20	129	.076	.162	.625	-.700	20	220	.116	.196	.676	-1.023
10	929	.099	.118	.352	-.498	20	130	.131	.149	.731	-.374	20	221	.160	.144	.383	-1.164
10	930	.114	.148	.714	-.593	20	131	.184	.159	.813	-.757	20	222	.130	.127	.377	-.527
10	931	.158	.143	.772	-.746	20	132	.217	.148	.800	-.286	20	223	.182	.157	.301	-1.066

WD	TAP	CPMEAN	CPRMS	CPMAX	CPMIN	WD	TAP	CPMEAN	CPRMS	CPMAX	CPMIN	WD	TAP	CPMEAN	CPRMS	CPMAX	CPMIN
20	332	182	135	254	674	20	332	123	122	273	535	20	417	139	108	264	610
20	333	079	142	375	617	20	333	107	116	289	471	20	418	315	131	186	831
20	334	049	144	384	613	20	334	125	120	248	622	20	419	194	103	140	550
20	335	127	139	335	845	20	335	161	136	275	822	20	420	238	121	227	638
20	336	105	137	336	785	20	336	169	144	314	061	20	421	116	110	345	477
20	337	150	133	337	750	20	337	181	104	144	567	20	422	094	119	281	713
20	338	045	133	338	455	20	338	190	107	145	612	20	423	221	123	194	697
20	339	018	133	339	596	20	339	220	113	263	644	20	424	217	113	121	578
20	340	091	130	408	727	20	340	233	111	153	654	20	425	002	105	373	402
20	341	004	126	446	482	20	341	146	121	271	580	20	426	008	111	325	536
20	342	012	123	444	476	20	342	137	124	286	540	20	427	049	127	314	513
20	343	030	135	444	538	20	343	141	144	325	818	20	428	228	130	169	680
20	344	042	135	444	538	20	344	153	151	341	824	20	429	101	117	315	631
20	345	098	145	444	573	20	345	155	115	229	543	20	430	113	115	261	581
20	346	024	127	473	410	20	346	159	115	209	524	20	431	203	123	222	633
20	347	017	119	432	394	20	347	025	117	410	449	20	432	011	134	485	494
20	348	001	113	445	363	20	348	054	116	315	442	20	433	060	139	416	818
20	349	018	118	444	477	20	349	064	113	363	647	20	434	074	145	331	693
20	350	001	119	444	417	20	350	063	117	316	553	20	435	014	104	346	367
20	351	135	124	444	670	20	351	070	123	350	544	20	436	005	108	326	439
20	352	129	127	444	654	20	352	059	133	446	522	20	437	036	104	291	479
20	353	139	121	444	633	20	353	034	118	347	451	20	438	009	104	385	370
20	354	138	133	444	599	20	354	007	123	408	409	20	439	000	105	401	447
20	355	148	138	444	873	20	355	010	122	456	495	20	440	036	104	352	430
20	356	148	134	444	736	20	356	022	120	355	440	20	441	032	115	405	404
20	357	147	127	444	564	20	357	000	110	401	338	20	442	048	105	394	410
20	358	143	119	444	730	20	358	073	112	485	270	20	443	028	132	359	553
20	359	145	120	444	596	20	359	071	121	635	265	20	444	072	126	513	402
20	360	138	129	444	596	20	360	037	125	378	415	20	445	000	127	433	431
20	361	160	128	444	552	20	361	038	111	313	436	20	901	080	134	560	312
20	362	172	131	444	743	20	362	049	123	387	720	20	902	051	124	478	405
20	363	117	117	444	731	20	363	044	121	402	589	20	903	040	117	394	445
20	364	117	125	444	089	20	364	081	110	294	470	20	904	039	129	480	364
20	365	141	120	444	685	20	365	086	105	270	452	20	905	155	151	493	815
20	366	135	126	444	750	20	366	179	122	196	579	20	906	176	171	867	972
20	367	123	124	444	610	20	367	183	126	256	654	20	907	133	128	416	611
20	368	151	130	444	588	20	368	180	139	270	778	20	908	116	116	248	477
20	369	147	142	444	975	20	369	118	118	332	787	20	909	134	136	318	643
20	370	152	143	444	736	20	370	096	114	249	535	20	910	024	132	466	491
20	371	178	105	444	625	20	371	103	121	310	513	20	911	047	132	415	535
20	372	178	119	444	568	20	372	164	101	169	503	20	912	138	143	427	833
20	373	119	135	444	557	20	373	168	094	147	489	20	913	156	141	290	977
20	374	173	137	444	725	20	374	137	088	126	416	20	914	146	128	311	679
20	375	207	158	444	816	20	375	138	103	183	582	20	915	122	128	990	588
20	376	223	214	444	490	20	376	197	102	096	558	20	916	182	180	555	136
20	377	118	133	444	637	20	377	193	114	210	572	20	917	164	153	419	718
20	378	123	134	444	653	20	378	189	111	154	655	20	918	131	132	314	598
20	379	126	120	444	634	20	379	152	100	149	469	20	919	115	128	326	618
20	380	127	120	444	593	20	380	144	106	200	516	20	920	251	193	406	049
20	381	127	127	444	740	20	381	136	100	203	531	20	921	189	138	291	800
20	382	127	127	444	740	20	382	136	100	203	531	20	922	189	138	291	800

WD	TAP	CPMEAN	CPRMS	CPMAX	CPMIN	WD	TAP	CPMEAN	CPRMS	CPMAX	CPMIN	WD	TAP	CPMEAN	CPRMS	CPMAX	CPMIN
220	923	.433	.170	.057	-1.066	30	124	.248	.143	.862	-.097	30	215	-.123	.144	.416	-.618
220	924	.285	.150	.207	-.853	30	125	.256	.142	.817	-.218	30	216	-.147	.147	.342	-1.039
220	925	.227	.157	.276	-.949	30	126	.231	.136	.837	-.116	30	217	-.098	.147	.586	-.520
220	926	.177	.129	.252	-.640	30	127	.138	.123	.541	-.231	30	218	-.209	.134	.251	-.694
220	927	.184	.113	.246	-.586	30	128	.012	.108	.305	-.378	30	219	-.153	.199	.794	-1.004
220	928	.173	.118	.322	-.555	30	129	.076	.145	.639	-.426	30	220	-.176	.188	.483	-.962
220	929	.133	.120	.322	-.491	30	130	.148	.137	.639	-.257	30	221	-.114	.150	.324	-.846
220	930	.121	.167	.806	-.650	30	131	.178	.137	.639	-.260	30	222	-.089	.132	.344	-.586
220	931	.151	.150	.702	-.462	30	132	.226	.135	.603	-.212	30	223	-.214	.173	.262	-1.207
220	932	.195	.155	.809	-.346	30	133	.166	.126	.599	-.214	30	224	-.193	.119	.287	-.689
220	933	.228	.137	.791	-.206	30	134	.044	.128	.646	-.390	30	225	-.136	.143	.376	-.897
220	934	.213	.164	.917	-.277	30	135	.019	.119	.506	-.442	30	226	-.095	.132	.319	-.660
220	935	.033	.129	.602	-.412	30	136	.077	.113	.389	-.570	30	227	-.145	.129	.293	-.717
220	936	.073	.120	.448	-.448	30	137	.069	.123	.539	-.557	30	228	-.134	.136	.308	-.953
220	937	.150	.140	.620	-.232	30	138	.125	.130	.688	-.375	30	229	-.165	.143	.295	-1.053
220	938	.177	.127	.629	-.332	30	139	.189	.129	.681	-.234	30	230	-.013	.120	.416	-.408
220	939	.096	.117	.539	-.319	30	140	.196	.131	.731	-.218	30	231	-.045	.121	.344	-.469
220	940	.093	.117	.492	-.299	30	141	.123	.115	.492	-.317	30	232	-.126	.133	.253	-.728
220	941	.151	.138	.612	-.349	30	142	.030	.105	.431	-.302	30	233	-.048	.116	.296	-.372
220	942	.119	.137	.553	-.287	30	143	.048	.113	.377	-.407	30	234	-.043	.132	.375	-.573
220	943	.016	.115	.456	-.400	30	144	.134	.103	.212	-.535	30	235	-.064	.119	.359	-.507
220	944	.033	.111	.399	-.389	30	145	.028	.113	.400	-.376	30	236	-.056	.113	.308	-.511
220	945	.076	.124	.527	-.334	30	146	.144	.095	.493	-.153	30	237	-.121	.123	.359	-.947
220	946	.085	.119	.489	-.342	30	147	.194	.108	.634	-.119	30	238	-.071	.115	.340	-.480
220	947	.072	.116	.398	-.314	30	148	.211	.101	.592	-.146	30	239	-.015	.124	.416	-.406
220	948	.058	.124	.445	-.381	30	149	.135	.097	.427	-.247	30	240	-.029	.110	.372	-.463
220	949	.065	.111	.382	-.335	30	150	.052	.101	.388	-.261	30	241	-.045	.117	.293	-.591
330	101	.229	.192	.836	-.768	30	151	.011	.103	.333	-.368	30	242	-.020	.115	.364	-.423
330	102	.223	.162	.768	-.512	30	152	.151	.118	.227	-.507	30	301	-.170	.133	.238	-.714
330	103	.166	.159	.740	-.491	30	153	.101	.119	.608	-.265	30	302	-.163	.129	.204	-.664
330	104	.120	.149	.748	-.381	30	154	.147	.122	.556	-.383	30	303	-.183	.128	.251	-.750
330	105	.081	.133	.767	-.325	30	155	.171	.110	.627	-.158	30	304	-.215	.148	.196	-.885
330	106	.030	.132	.515	-.417	30	156	.169	.107	.544	-.125	30	305	-.182	.138	.328	-.681
330	107	.234	.182	.648	-.418	30	161	.023	.108	.412	-.438	30	306	-.167	.134	.261	-.806
330	108	.297	.172	.846	-.738	30	162	.132	.117	.542	-.208	30	307	-.197	.121	.304	-.592
330	109	.220	.139	.742	-.212	30	163	.178	.125	.635	-.251	30	308	-.191	.133	.219	-.824
330	110	.137	.122	.734	-.263	30	201	.072	.140	.800	-.496	30	309	-.165	.128	.288	-.603
330	111	.033	.120	.525	-.358	30	202	.011	.141	.663	-.686	30	310	-.159	.138	.391	-.810
330	112	.034	.117	.346	-.405	30	203	.002	.163	.877	-.645	30	311	-.181	.130	.268	-.812
330	113	.001	.235	.790	-.088	30	204	.025	.150	.807	-.424	30	312	-.178	.136	.176	-.038
330	114	.008	.188	.954	-.693	30	205	.029	.171	.693	-.696	30	313	-.209	.176	.270	-.364
330	115	.033	.151	.537	-.743	30	206	.015	.222	.744	-.717	30	314	-.191	.146	.309	-.780
330	116	.047	.202	.794	-.621	30	207	.107	.123	.334	-.538	30	315	-.250	.161	.173	-.835
330	117	.113	.175	.615	-.621	30	208	.065	.150	.548	-.457	30	316	-.221	.142	.229	-.706
330	118	.147	.150	.678	-.610	30	209	.095	.144	.802	-.678	30	317	-.160	.153	.428	-.993
330	119	.171	.142	.674	-.288	30	210	.171	.224	.837	-.026	30	318	-.238	.147	.351	-.802
330	120	.260	.160	.856	-.279	30	211	.050	.264	.848	-.946	30	319	-.238	.176	.218	-.833
330	121	.094	.167	.869	-.370	30	212	-.058	.267	.100	-.147	30	320	-.240	.178	.253	-.002
330	122	.178	.150	.796	-.293	30	213	.069	.303	.969	-.124	30	321	-.185	.115	.171	-.553
330	123	.222	.134	.733	-.257	30	214	.107	.137	.444	-.711	30	322	-.175	.112	.253	-.567

WD	TAP	CPMEAN	CPRMS	CPMAX	CPMIN	WD	TAP	CPMEAN	CPRMS	CPMAX	CPMIN	WD	TAP	CPMEAN	CPRMS	CPMAX	CPMIN
30	323	.122	.163	.528	-.806	30	408	-.180	.100	.121	-.495	30	914	-.262	.174	.307	-.959
30	324	.210	.159	.333	-.861	30	409	-.151	.096	.147	-.452	30	915	-.245	.152	.234	-.811
30	325	.241	.160	.412	-.874	30	410	-.188	.106	.115	-.676	30	916	-.176	.151	.343	-.733
30	326	.269	.206	.319	-.228	30	411	-.200	.108	.150	-.591	30	917	-.138	.190	.505	-1.234
30	327	.087	.122	.384	-.473	30	412	-.197	.105	.126	-.724	30	918	-.134	.149	.373	-.743
30	328	.083	.126	.309	-.757	30	413	-.199	.109	.187	-.582	30	919	-.175	.137	.320	-.670
30	329	.074	.124	.265	-.527	30	414	-.155	.102	.209	-.589	30	920	-.132	.158	.830	-.674
30	330	.103	.126	.296	-.585	30	415	-.165	.124	.304	-.754	30	921	-.260	.244	.332	-1.591
30	331	.129	.133	.292	-.816	30	416	-.199	.139	.198	-1.004	30	922	-.175	.130	.226	-.655
30	332	.129	.133	.333	-.690	30	417	-.137	.113	.229	-.624	30	923	-.479	.207	.160	-1.499
30	333	.089	.137	.514	-.618	30	418	-.323	.132	.175	-1.154	30	924	-.297	.137	.114	-.852
30	334	.145	.130	.336	-.591	30	419	-.191	.102	.203	-.552	30	925	-.217	.141	.172	-.774
30	335	.180	.133	.343	-.895	30	420	-.253	.116	.084	-.642	30	926	-.194	.117	.204	-.575
30	336	.183	.140	.441	-1.001	30	421	-.113	.113	.299	-.500	30	927	-.173	.115	.173	-.554
30	337	.199	.107	.178	-.599	30	422	-.067	.119	.341	-.585	30	928	-.169	.107	.297	-.515
30	338	.190	.113	.187	-.632	30	423	-.227	.106	.104	-.588	30	929	-.121	.111	.174	-.548
30	339	.225	.115	.158	-.612	30	424	-.221	.118	.203	-.634	30	930	-.123	.158	.835	-.477
30	340	.223	.112	.223	-.721	30	425	-.008	.110	.401	-.481	30	931	-.167	.148	.716	-.468
30	341	.125	.128	.308	-.532	30	426	-.061	.121	.350	-.501	30	932	-.195	.140	.781	-.246
30	342	.153	.136	.315	-.563	30	427	-.050	.114	.316	-.758	30	933	-.244	.136	.743	-.196
30	343	.156	.136	.267	-.703	30	428	-.246	.132	.136	-.879	30	934	-.191	.139	.704	-.294
30	344	.158	.136	.283	-.683	30	429	-.104	.123	.346	-.572	30	935	-.050	.123	.490	-.335
30	345	.152	.116	.326	-.545	30	430	-.114	.122	.302	-.610	30	936	-.076	.112	.312	-.443
30	346	.156	.126	.295	-.595	30	431	-.206	.116	.174	-.590	30	937	-.129	.120	.637	-.214
30	347	.024	.122	.483	-.459	30	432	-.011	.146	.487	-.495	30	938	-.176	.130	.711	-.218
30	348	.074	.119	.351	-.525	30	433	-.013	.136	.459	-.529	30	939	-.095	.105	.545	-.377
30	349	.093	.116	.293	-.516	30	434	-.019	.132	.410	-.506	30	940	-.093	.108	.498	-.262
30	350	.083	.119	.321	-.544	30	435	-.015	.100	.375	-.408	30	941	-.142	.112	.542	-.267
30	351	.009	.128	.465	-.492	30	436	-.009	.116	.363	-.458	30	942	-.151	.122	.538	-.228
30	352	.015	.116	.451	-.375	30	437	-.047	.110	.341	-.514	30	943	-.034	.111	.381	-.410
30	353	.000	.121	.392	-.405	30	438	-.022	.113	.423	-.398	30	944	-.051	.110	.423	-.390
30	354	.002	.133	.564	-.572	30	439	-.005	.111	.413	-.383	30	945	-.065	.109	.421	-.275
30	355	.021	.134	.400	-.672	30	440	-.028	.105	.459	-.370	30	946	-.100	.115	.516	-.325
30	356	.025	.117	.385	-.454	30	441	-.018	.111	.450	-.432	30	947	-.080	.104	.491	-.328
30	357	.008	.115	.400	-.353	30	442	-.047	.113	.338	-.472	30	948	-.015	.118	.366	-.381
30	358	.066	.108	.440	-.261	30	443	-.021	.127	.523	-.494	30	949	-.067	.100	.458	-.210
30	359	.078	.119	.509	-.329	30	444	-.069	.109	.476	-.328	40	101	-.202	.183	.961	-.559
30	360	.009	.147	.480	-.590	30	901	-.023	.130	.392	-.469	40	102	-.173	.170	.762	-.612
30	361	.009	.123	.533	-.448	30	902	-.046	.132	.464	-.407	40	103	-.148	.156	.787	-.410
30	362	.044	.113	.346	-.805	30	903	-.047	.113	.464	-.294	40	104	-.120	.133	.653	-.534
30	363	.046	.124	.352	-.467	30	904	-.071	.134	.436	-.596	40	105	-.074	.134	.721	-.394
30	364	.064	.109	.287	-.384	30	905	-.042	.099	.351	-.373	40	106	-.026	.131	.406	-.489
30	365	.072	.106	.300	-.688	30	906	-.183	.156	.603	-.781	40	107	-.219	.176	.877	-.639
30	400	.173	.113	.229	-.629	30	907	-.177	.150	.885	-.925	40	108	-.232	.168	.912	-.997
30	401	.166	.112	.229	-.700	30	908	-.131	.128	.401	-.599	40	109	-.254	.145	.827	-.162
30	403	.164	.133	.340	-.667	30	909	-.066	.152	.597	-.574	40	110	-.165	.128	.654	-.227
30	404	.106	.123	.577	-.577	30	910	-.195	.144	.340	-.847	40	111	-.045	.126	.597	-.441
30	405	.093	.120	.237	-.495	30	911	-.015	.122	.388	-.633	40	112	-.024	.111	.365	-.362
30	406	.108	.115	.315	-.546	30	912	-.024	.124	.397	-.427	40	113	-.067	.200	.854	-1.064
30	407	.159	.105	.187	-.495	30	913	-.230	.165	.332	-.993	40	114	-.075	.159	.736	-.535

WD	TAP	CPMEAN	CPRMS	CPMAX	CPMIN	WD	TAP	CPMEAN	CPRMS	CPMAX	CPMIN	WD	TAP	CPMEAN	CPRMS	CPMAX	CPMIN
40	115	.020	.144	.544	-.549	40	206	.033	.215	1.034	-.845	40	314	-.315	.149	.221	-1.001
40	116	.019	.200	.330	-.641	40	207	-.119	.127	.365	-.605	40	315	-.329	.183	.193	-1.178
40	117	.150	.174	.776	-.777	40	208	-.029	.162	.606	-.836	40	316	-.280	.170	.181	-.858
40	118	.170	.150	.691	-.463	40	209	-.108	.153	.709	-.570	40	317	-.221	.173	1.002	-.850
40	119	.163	.137	.827	-.281	40	210	-.128	.210	.831	-.715	40	318	-.350	.154	.211	-.921
40	120	.231	.149	.943	-.226	40	211	.043	.231	.778	-.825	40	319	-.366	.171	.177	-1.092
40	121	.114	.175	.723	-.434	40	212	.040	.224	.939	-.690	40	320	-.350	.176	.197	-1.105
40	122	.188	.140	.744	-.318	40	213	.055	.335	1.291	-1.070	40	321	-.175	.119	.191	-.593
40	123	.217	.125	.786	-.134	40	214	-.120	.133	.416	-.723	40	322	-.201	.108	.224	-.609
40	124	.240	.136	.900	-.172	40	215	.122	.142	.550	-.619	40	323	-.130	.166	.431	-.672
40	125	.233	.152	.879	-.171	40	216	-.158	.166	.469	-.795	40	324	-.265	.146	.213	-.813
40	126	.231	.146	.769	-.241	40	217	-.142	.147	.405	-.684	40	325	-.329	.196	.256	-1.039
40	127	.153	.122	.586	-.295	40	218	-.321	.145	.176	-.776	40	326	-.491	.270	.237	-1.596
40	128	.003	.107	.371	-.371	40	219	-.189	.196	.504	-1.079	40	327	-.091	.131	.275	-.529
40	129	.051	.146	.610	-.670	40	220	-.266	.202	.310	-1.240	40	328	-.078	.121	.381	-.496
40	130	.106	.137	.559	-.351	40	221	-.115	.151	.306	-.883	40	329	-.081	.125	.430	-.519
40	131	.153	.131	.647	-.280	40	222	-.085	.125	.313	-.493	40	330	-.116	.133	.265	-.560
40	132	.204	.127	.819	-.224	40	223	.293	.169	.248	-1.023	40	331	-.124	.133	.277	-.787
40	133	.171	.124	.687	-.200	40	224	.306	.149	.228	-.832	40	332	-.142	.141	.344	-.806
40	134	.066	.121	.458	-.313	40	225	-.199	.148	.377	-.759	40	333	-.076	.148	.410	-.468
40	135	.070	.117	.356	-.438	40	226	-.182	.154	.257	-.861	40	334	-.179	.132	.366	-.653
40	136	.088	.120	.318	-.499	40	227	-.199	.132	.177	-.812	40	335	-.211	.149	.254	-.723
40	137	.086	.131	.436	-.502	40	228	-.203	.156	.194	-.987	40	336	-.237	.141	.289	-.851
40	138	.056	.128	.569	-.449	40	229	-.238	.146	.224	-.825	40	337	-.198	.117	.131	-.611
40	139	.189	.127	.804	-.366	40	230	-.025	.130	.400	-.575	40	338	-.192	.108	.230	-.550
40	140	.136	.134	.722	-.163	40	231	.106	.133	.382	-.578	40	339	-.235	.121	.131	-.642
40	141	.133	.129	.611	-.206	40	232	-.213	.146	.297	-.904	40	340	-.243	.111	.162	-.618
40	142	.061	.108	.517	-.306	40	233	-.104	.119	.298	-.538	40	341	-.112	.145	.401	-.613
40	143	.033	.115	.385	-.424	40	234	-.105	.128	.333	-.567	40	342	-.204	.139	.250	-.733
40	144	.133	.114	.214	-.629	40	235	-.114	.119	.256	-.525	40	343	-.208	.143	.354	-.792
40	145	.033	.110	.347	-.484	40	236	-.081	.115	.354	-.481	40	344	-.217	.144	.296	-.830
40	146	.109	.091	.382	-.201	40	237	.162	.127	.220	-.625	40	345	-.152	.112	.214	-.573
40	147	.159	.108	.703	-.164	40	238	.110	.112	.252	-.480	40	346	-.164	.134	.345	-.565
40	148	.211	.116	.611	-.138	40	239	.061	.125	.433	-.516	40	347	-.046	.124	.368	-.530
40	149	.153	.094	.485	-.190	40	240	.099	.127	.353	-.520	40	348	-.118	.124	.272	-.502
40	150	.064	.101	.389	-.280	40	241	.097	.113	.297	-.569	40	349	-.143	.129	.293	-.675
40	151	.054	.110	.474	-.332	40	242	.068	.130	.288	-.503	40	350	-.127	.110	.300	-.522
40	152	.151	.121	.258	-.576	40	243	.168	.139	.328	-.757	40	351	.014	.117	.423	-.396
40	153	.033	.119	.469	-.303	40	244	.152	.140	.310	-.968	40	352	.010	.121	.405	-.435
40	154	.129	.120	.394	-.240	40	245	.176	.129	.238	-.902	40	353	.024	.125	.440	-.369
40	155	.199	.116	.596	-.190	40	246	.173	.131	.219	-.752	40	354	-.005	.130	.509	-.464
40	156	.199	.123	.746	-.181	40	247	.158	.125	.431	-.612	40	355	.034	.131	.496	-.580
40	161	.000	.107	.336	-.401	40	248	.151	.128	.443	-.767	40	356	-.042	.132	.447	-.492
40	162	.169	.139	.642	-.201	40	249	.181	.131	.441	-.603	40	357	.003	.121	.408	-.502
40	163	.220	.114	.696	-.183	40	250	.177	.123	.222	-.651	40	358	.069	.121	.403	-.350
40	201	.051	.146	.520	-.658	40	251	.175	.129	.283	-.689	40	359	.066	.116	.486	-.300
40	202	.019	.167	.696	-.543	40	252	.176	.136	.272	-.608	40	360	.032	.147	.426	-.698
40	203	.031	.177	.886	-.554	40	253	.183	.129	.250	-.738	40	361	-.068	.124	.375	-.529
40	204	.061	.155	.810	-.376	40	254	.176	.128	.262	-.801	40	362	-.068	.129	.453	-.467
40	205	.007	.174	.650	-.688	40	255	.299	.184	.288	-1.282	40	363	-.068	.120	.343	-.654

WD	TAP	CPMEAN	CPRMS	CPMAX	CPMIN	WD	TAP	CPMEAN	CPRMS	CPMAX	CPMIN	WD	TAP	CPMEAN	CPRMS	CPMAX	CPMIN
40	364	.066	.120	.309	.480	40	905	.037	.117	.473	.372	50	106	.018	.120	.400	.427
40	365	.071	.117	.296	.455	40	906	.252	.151	.294	.925	50	107	.087	.204	.741	.280
40	401	.154	.130	.301	.648	40	907	.214	.144	.311	-1.247	50	108	.108	.203	.810	.234
40	402	.170	.124	.226	.641	40	908	.177	.134	.462	.806	50	109	.163	.123	.636	.338
40	403	.160	.121	.303	.826	40	909	.063	.159	.621	.476	50	110	.117	.136	.719	.280
40	404	.103	.124	.317	.714	40	910	.127	.151	.542	-1.038	50	111	.023	.123	.450	.403
40	405	.073	.119	.338	.502	40	911	.004	.121	.424	.527	50	112	.045	.113	.362	.447
40	406	.090	.122	.299	.492	40	912	.004	.128	.453	.503	50	113	.056	.187	.654	.334
40	407	.168	.114	.287	.584	40	913	.322	.164	.214	.867	50	114	.069	.149	.553	.545
40	408	.176	.099	.133	.510	40	914	.341	.187	.238	-1.013	50	115	.037	.155	.491	.549
40	409	.141	.093	.168	.393	40	915	.347	.171	.148	.973	50	116	.163	.242	.097	.629
40	410	.172	.106	.156	.533	40	916	.277	.164	.481	.806	50	117	.108	.185	.742	.941
40	411	.192	.111	.112	.562	40	917	.231	.194	.418	-1.277	50	118	.140	.153	.655	.478
40	412	.190	.110	.182	.538	40	918	.188	.138	.337	.863	50	119	.143	.124	.720	.539
40	413	.202	.115	.238	.684	40	919	.215	.155	.353	.724	50	120	.187	.139	.668	.327
40	414	.145	.113	.200	.608	40	920	.162	.169	.834	.813	50	121	.079	.167	.701	.458
40	415	.163	.115	.180	.575	40	921	.197	.211	.442	-1.100	50	122	.170	.159	.710	.500
40	416	.174	.130	.146	.830	40	922	.156	.132	.361	.738	50	123	.172	.159	.587	.301
40	417	.131	.108	.289	.524	40	923	.418	.199	.276	-1.391	50	124	.178	.126	.738	.395
40	418	.348	.138	.173	.984	40	924	.275	.141	.190	.747	50	125	.173	.134	.604	.252
40	419	.205	.106	.167	.639	40	925	.182	.138	.233	.871	50	126	.182	.131	.764	.208
40	420	.249	.127	.205	.655	40	926	.202	.117	.233	.623	50	127	.122	.119	.569	.247
40	421	.105	.119	.333	.617	40	927	.184	.112	.160	.562	50	128	.033	.110	.355	.419
40	422	.060	.133	.338	.572	40	928	.178	.116	.187	.601	50	129	.005	.149	.538	.793
40	423	.246	.124	.150	.759	40	929	.128	.124	.310	.522	50	130	.060	.137	.646	.461
40	424	.218	.109	.155	.602	40	930	.162	.181	.982	.376	50	131	.133	.126	.534	.352
40	425	.032	.111	.407	.346	40	931	.180	.165	.889	.391	50	132	.165	.119	.548	.223
40	426	.023	.117	.461	.489	40	932	.190	.127	.720	.291	50	133	.138	.119	.615	.352
40	427	.025	.121	.296	.464	40	933	.228	.136	.850	.201	50	134	.042	.132	.443	.462
40	428	.262	.146	.320	.564	40	934	.207	.135	.675	.221	50	135	.031	.114	.439	.496
40	429	.114	.124	.320	.548	40	935	.044	.113	.476	.294	50	136	.083	.123	.393	.472
40	430	.104	.119	.284	.575	40	936	.094	.104	.273	.460	50	137	.039	.126	.346	.465
40	431	.210	.124	.167	.654	40	937	.127	.119	.489	.294	50	138	.038	.111	.555	.441
40	432	.014	.154	.360	.589	40	938	.210	.119	.604	.194	50	139	.125	.121	.531	.292
40	433	.014	.135	.399	.586	40	939	.127	.112	.496	.313	50	140	.187	.129	.742	.259
40	434	.024	.131	.488	.502	40	940	.106	.117	.473	.333	50	141	.140	.121	.581	.229
40	435	.044	.116	.337	.342	40	941	.140	.120	.637	.294	50	142	.059	.116	.483	.306
40	436	.002	.112	.333	.455	40	942	.166	.124	.597	.302	50	143	.026	.114	.349	.445
40	437	.042	.118	.305	.471	40	943	.050	.115	.446	.359	50	144	.122	.112	.433	.502
40	438	.026	.112	.316	.318	40	944	.062	.121	.446	.326	50	145	.078	.110	.325	.358
40	439	.011	.116	.430	.327	40	945	.042	.121	.598	.352	50	146	.068	.094	.178	.275
40	440	.034	.112	.401	.410	40	946	.074	.119	.439	.282	50	147	.147	.122	.573	.272
40	441	.013	.131	.451	.435	40	947	.074	.124	.467	.460	50	148	.202	.111	.722	.173
40	442	.038	.114	.388	.466	40	948	.014	.121	.417	.417	50	149	.147	.099	.525	.102
40	443	.001	.134	.500	.407	40	949	.071	.102	.458	.291	50	150	.070	.113	.392	.316
40	444	.056	.120	.419	.427	50	101	.006	.235	.720	.083	50	151	.021	.105	.445	.348
40	901	.001	.141	.604	.457	50	102	.043	.181	.551	-1.004	50	152	.156	.109	.224	.581
40	902	.039	.123	.490	.332	50	103	.055	.140	.622	.596	50	153	.015	.111	.465	.553
40	903	.041	.112	.365	.347	50	104	.062	.148	.665	.455	50	154	.069	.116	.448	.296
40	904	.030	.139	.339	.596	50	105	.032	.131	.573	.554	50	155	.154	.114	.544	.273

WD	TAP	CPMEAN	CPRMS	CPMAX	CPMIN	WD	TAP	CPMEAN	CPRMS	CPMAX	CPMIN	WD	TAP	CPMEAN	CPRMS	CPMAX	CPMIN
50	156	.190	.133	.646	-.246	50	305	-.148	.124	.285	-.582	50	355	-.064	.128	.387	-.600
50	161	-.024	.107	.354	-.364	50	306	-.149	.122	.282	-.513	50	356	-.037	.123	.471	-.484
50	162	-.130	.115	.596	-.236	50	307	-.157	.108	.154	-.498	50	357	-.054	.126	.393	-.532
50	163	-.196	.118	.576	-.210	50	308	-.170	.124	.227	-.588	50	358	-.010	.129	.374	-.478
50	201	-.028	.128	.408	-.415	50	309	-.165	.129	.248	-.714	50	359	-.007	.115	.345	-.463
50	202	.027	.137	.505	-.376	50	310	-.173	.111	.225	-.573	50	360	-.051	.120	.383	-.438
50	203	.069	.162	.731	-.464	50	311	-.160	.115	.173	-.617	50	361	-.104	.133	.326	-.642
50	204	.114	.171	.784	-.370	50	312	-.159	.123	.240	-.776	50	362	-.120	.115	.200	-.513
50	205	.079	.187	.804	-.669	50	313	-.395	.181	.116	-.204	50	363	-.092	.111	.273	-.456
50	206	.173	.206	.866	-.675	50	314	-.388	.148	.146	-.945	50	364	-.092	.118	.273	-.540
50	207	.070	.112	.637	-.541	50	315	-.392	.140	.075	-.859	50	365	-.100	.114	.246	-.530
50	208	.044	.163	.637	-.541	50	316	-.407	.151	.102	-.921	50	401	-.168	.122	.217	-.619
50	209	.009	.192	.680	-.619	50	317	-.209	.232	.860	-.025	50	402	-.161	.113	.241	-.619
50	210	.225	.225	1.022	-.791	50	318	-.209	.232	.860	-.025	50	403	-.175	.119	.283	-.565
50	211	.174	.222	.969	-.900	50	319	-.432	.150	.098	-.868	50	404	-.108	.120	.314	-.563
50	212	.130	.196	.859	-.693	50	320	-.426	.136	.098	-.903	50	405	-.078	.112	.320	-.433
50	213	.154	.333	1.054	-.927	50	321	-.191	.116	.248	-.580	50	406	-.101	.127	.352	-.525
50	214	.080	.333	.554	-.554	50	322	-.185	.116	.155	-.599	50	407	-.175	.112	.209	-.564
50	215	.068	.333	.432	-.432	50	323	-.046	.169	.514	-.754	50	408	-.185	.114	.190	-.562
50	216	.089	.182	.457	-.906	50	324	-.290	.150	.181	-.879	50	409	-.150	.088	.184	-.451
50	217	.136	.338	.240	-.707	50	325	-.442	.160	.025	-.060	50	410	-.171	.119	.195	-.572
50	218	.331	.404	.137	-.873	50	326	-.563	.238	.051	-.536	50	411	-.189	.110	.212	-.566
50	219	.214	.171	.570	-.532	50	327	-.057	.117	.334	-.421	50	412	-.191	.113	.192	-.559
50	220	.245	.180	.268	-.088	50	328	-.054	.121	.511	-.451	50	413	-.209	.114	.171	-.604
50	221	.074	.118	.385	-.474	50	329	-.052	.119	.388	-.486	50	414	-.147	.120	.279	-.582
50	222	.074	.116	.297	-.479	50	330	-.098	.116	.280	-.521	50	415	-.149	.124	.368	-.648
50	223	.268	.151	.211	-.895	50	331	-.105	.130	.312	-.835	50	416	-.142	.132	.252	-.605
50	224	.284	.138	.169	-.787	50	332	-.111	.141	.274	-.937	50	417	-.152	.111	.200	-.524
50	225	.190	.161	.324	-.808	50	333	-.016	.156	.549	-.569	50	418	-.334	.132	.036	-.817
50	226	.184	.145	.321	-.866	50	334	-.230	.134	.211	-.818	50	419	-.215	.114	.183	-.636
50	227	.235	.142	.239	-.870	50	335	-.271	.143	.197	-.928	50	420	-.234	.109	.080	-.616
50	228	.184	.182	.298	-.612	50	336	-.271	.141	.234	-.834	50	421	-.086	.111	.339	-.448
50	229	.233	.133	.178	-.745	50	337	-.190	.120	.190	-.620	50	422	-.038	.118	.325	-.457
50	230	.053	.133	.480	-.597	50	338	-.197	.110	.130	-.593	50	423	-.230	.118	.168	-.723
50	231	.129	.133	.432	-.597	50	339	-.221	.115	.137	-.629	50	424	-.218	.118	.168	-.642
50	232	.239	.133	.202	-.887	50	340	-.232	.121	.163	-.646	50	425	-.049	.115	.431	-.403
50	233	.144	.113	.336	-.496	50	341	-.108	.123	.273	-.586	50	426	-.036	.108	.448	-.498
50	234	.162	.117	.257	-.505	50	342	-.307	.156	.153	-.958	50	427	-.036	.124	.457	-.596
50	235	.140	.164	.181	-.507	50	343	-.279	.144	.164	-.868	50	428	-.263	.139	.191	-.835
50	236	.089	.115	.271	-.456	50	344	-.268	.134	.261	-.735	50	429	-.103	.131	.368	-.694
50	237	.164	.118	.339	-.542	50	345	-.169	.120	.240	-.613	50	430	-.115	.116	.264	-.581
50	238	.117	.106	.351	-.478	50	346	-.183	.124	.204	-.599	50	431	-.217	.129	.172	-.695
50	239	.083	.110	.304	-.478	50	347	-.059	.119	.327	-.660	50	432	-.027	.153	.485	-.585
50	240	.129	.113	.292	-.527	50	348	-.173	.135	.241	-.686	50	433	-.024	.119	.481	-.452
50	241	.124	.114	.251	-.555	50	349	-.175	.125	.251	-.730	50	434	-.005	.123	.399	-.410
50	242	.114	.107	.209	-.494	50	350	-.154	.124	.266	-.566	50	435	-.046	.117	.488	-.355
50	301	.155	.127	.381	-.682	50	351	-.022	.113	.333	-.424	50	436	-.011	.123	.450	-.456
50	302	.162	.117	.275	-.636	50	352	-.034	.130	.436	-.472	50	437	-.040	.121	.333	-.532
50	303	.167	.113	.221	-.636	50	353	-.011	.120	.477	-.488	50	438	-.043	.110	.345	-.382
50	304	.156	.130	.323	-.619	50	354	-.021	.120	.417	-.431	50	439	-.020	.109	.363	-.307

WD	TAP	CPMEAN	CPRMS	CPMAX	CPMIN	WD	TAP	CPMEAN	CPRMS	CPMAX	CPMIN	WD	TAP	CPMEAN	CPRMS	CPMAX	CPMIN		
500	440	-.040	.116	.395	-.410	50	946	.050	.123	.505	-.399	60	147	.088	.110	.418	-.275		
500	441	-.023	.119	.458	-.453	50	947	.055	.126	.570	-.539	60	148	.180	.116	.565	-.198		
500	442	-.077	.107	.271	-.444	50	948	-.002	.116	.380	-.434	60	149	.132	.087	.469	-.137		
500	443	-.012	.142	.522	-.635	50	949	-.072	.106	.432	-.295	60	150	.052	.108	.395	-.280		
500	444	-.007	.112	.395	-.434	60	101	-.139	.256	.497	-1.474	60	151	.001	.119	.384	-.421		
500	901	-.082	.149	.411	-.661	60	102	-.066	.245	.433	-1.522	60	152	-.193	.106	.165	-.559		
500	902	-.014	.127	.401	-.470	60	103	-.002	.122	.398	-.605	60	153	-.017	.108	.379	-.368		
500	903	-.018	.120	.429	-.396	60	104	-.007	.132	.455	-.391	60	154	-.032	.119	.472	-.399		
500	904	-.121	.160	.423	-.957	60	105	-.039	.133	.412	-.664	60	155	.102	.122	.542	-.276		
500	905	-.021	.118	.485	-.340	60	106	.095	.118	.645	-.489	60	156	-.158	.131	.735	-.296		
500	906	-.286	.134	.192	-.793	60	107	.011	.217	.324	-1.549	60	161	-.063	.115	.297	-.448		
500	907	-.264	.150	.265	-1.216	60	108	.063	.195	.616	-.992	60	162	-.088	.122	.542	-.269		
500	908	-.171	.132	.267	-.132	60	109	.097	.128	.537	-.366	60	163	-.167	.120	.565	-.206		
500	909	-.047	.186	.927	-.404	60	110	.062	.131	.609	-.362	60	201	-.062	.131	.518	-.616		
500	910	-.208	.158	.414	-.849	60	111	-.026	.132	.419	-.413	60	202	-.003	.133	.494	-.450		
500	911	-.030	.113	.382	-.520	60	112	-.083	.124	.334	-.566	60	203	.097	.167	.708	-.488		
500	912	-.003	.110	.406	-.394	60	113	-.066	.222	.592	-.978	60	204	.176	.181	.907	-.421		
500	913	-.349	.149	.150	-.822	60	114	.019	.137	.422	-.562	60	205	.160	.212	.976	-.513		
500	914	-.440	.154	.111	-1.015	60	115	.025	.144	.444	-.555	60	206	-.264	.217	1	.995	-.744	
500	915	-.437	.151	.023	-1.061	60	116	.214	.228	1	.185	-.518	60	207	-.036	.121	1	.360	-.474
500	916	-.296	.170	.445	-.931	60	117	.004	.179	.623	-1.010	60	208	.112	.159	.637	-.506		
500	917	-.289	.178	.271	-.941	60	118	.050	.157	.552	-.539	60	209	.056	.179	.762	-.842		
500	918	-.210	.133	.237	-.899	60	119	.081	.127	.542	-.453	60	210	.219	.204	1	.044	-.694	
500	919	-.205	.132	.248	-.715	60	120	.112	.134	.530	-.367	60	211	.150	.220	1	.039	-.723	
500	920	-.069	.194	.685	-.763	60	121	.003	.155	.547	-.664	60	212	.129	.199	.776	-.689		
500	921	-.415	.263	.239	-1.737	60	122	.066	.145	.606	-.453	60	213	-.084	.276	.907	-1.150		
500	922	-.324	.243	.374	-.640	60	123	.104	.131	.523	-.371	60	214	-.074	.127	.407	-.457		
500	923	-.250	.146	.405	-1.156	60	124	.126	.118	.540	-.282	60	215	-.062	.129	.540	-.678		
500	924	-.171	.130	.268	-.929	60	125	.116	.130	.647	-.443	60	216	-.043	.144	.377	-.568		
500	925	-.187	.106	.324	-.651	60	126	.127	.121	.337	-.312	60	217	.122	.139	.402	-.744		
500	926	-.181	.118	.143	-.525	60	127	.074	.118	.517	-.296	60	218	-.219	.146	.288	-.692		
500	927	-.175	.118	.188	-.546	60	128	-.071	.114	.281	-.496	60	219	-.159	.158	.356	-.865		
500	928	-.138	.107	.213	-.585	60	129	-.068	.127	.472	-.516	60	220	-.173	.149	.221	-.921		
500	929	-.120	.201	.192	-.474	60	130	.016	.136	.448	-.616	60	221	-.098	.116	.301	-.467		
500	930	-.138	.156	.899	-.422	60	131	.052	.133	.556	-.527	60	222	-.104	.124	.293	-.547		
500	931	-.174	.137	.694	-.422	60	132	.106	.124	.549	-.253	60	223	-.155	.129	.284	-.569		
500	932	-.177	.117	.726	-.284	60	133	.089	.112	.540	-.249	60	224	-.173	.137	.330	-.696		
500	933	-.165	.130	.539	-.281	60	134	.001	.124	.419	-.414	60	225	-.138	.134	.307	-.744		
500	934	-.020	.116	.571	-.361	60	135	.066	.119	.388	-.488	60	226	-.145	.131	.291	-.801		
500	935	-.100	.114	.418	-.414	60	136	.120	.126	.323	-.553	60	227	-.177	.126	.216	-.609		
500	936	-.087	.133	.240	-.524	60	137	-.072	.120	.372	-.564	60	228	-.148	.138	.304	-.575		
500	937	-.190	.117	.525	-.371	60	138	-.012	.113	.336	-.424	60	229	-.141	.112	.238	-.588		
500	938	-.113	.122	.722	-.170	60	139	.067	.133	.517	-.413	60	230	-.057	.119	.344	-.450		
500	940	-.088	.109	.568	-.274	60	140	.142	.128	.687	-.339	60	231	-.107	.127	.291	-.502		
500	941	-.157	.123	.450	-.320	60	141	.130	.124	.724	-.234	60	232	-.212	.118	.215	-.628		
500	942	-.051	.113	.585	-.288	60	142	.046	.123	.470	-.393	60	233	-.140	.113	.205	-.495		
500	943	-.063	.113	.662	-.216	60	143	.035	.108	.499	-.413	60	234	-.137	.120	.228	-.671		
500	944	-.007	.124	.583	-.295	60	144	.122	.124	.297	-.577	60	235	-.140	.119	.220	-.575		
500	945	-.007	.124	.497	-.289	60	145	.076	.100	.228	-.412	60	236	-.082	.120	.367	-.468		
500	946	-.007	.124	.380	-.436	60	146	.026	.093	.307	-.289	60	237	-.106	.113	.277	-.457		

WD	TAP	CPMEAN	CPRMS	CPMAX	CPMIN	WD	TAP	CPMEAN	CPRMS	CPMAX	CPMIN	WD	TAP	CPMEAN	CPRMS	CPMAX	CPMIN
60	238	.064	.114	.299	-.443	60	346	-.234	.116	.144	-.604	60	431	-.264	.124	.154	-.735
60	239	.112	.112	.321	-.476	60	447	-.104	.119	.294	-.663	60	432	-.100	.141	.416	-.574
60	240	.104	.104	.282	-.445	60	448	-.164	.125	.245	-.553	60	433	-.038	.111	.362	-.443
60	241	.120	.120	.323	-.540	60	449	-.148	.125	.256	-.599	60	434	-.049	.118	.469	-.508
60	242	.112	.112	.353	-.540	60	450	-.145	.120	.229	-.620	60	435	.019	.103	.372	-.346
60	301	.118	.118	.243	-.764	60	451	-.116	.113	.265	-.474	60	436	.007	.106	.318	-.379
60	302	.114	.114	.197	-.539	60	452	-.124	.117	.244	-.516	60	437	-.071	.115	.345	-.446
60	303	.121	.121	.260	-.584	60	453	-.119	.112	.331	-.485	60	438	-.023	.103	.375	-.339
60	304	.118	.118	.235	-.622	60	454	-.101	.108	.263	-.505	60	439	-.000	.104	.324	-.310
60	305	.123	.123	.231	-.604	60	455	-.085	.122	.419	-.563	60	440	-.061	.113	.267	-.435
60	306	.120	.120	.209	-.607	60	456	-.094	.105	.263	-.478	60	441	-.080	.111	.371	-.462
60	307	.118	.118	.229	-.602	60	457	-.120	.110	.292	-.528	60	442	-.161	.111	.174	-.521
60	308	.121	.121	.266	-.565	60	458	-.096	.116	.272	-.436	60	443	-.041	.138	.499	-.468
60	309	.117	.117	.273	-.501	60	459	-.085	.104	.248	-.457	60	444	-.092	.104	.215	-.443
60	310	.118	.118	.223	-.578	60	460	-.081	.112	.296	-.450	60	901	-.156	.143	.312	-.767
60	311	.120	.120	.238	-.551	60	461	-.105	.121	.229	-.762	60	902	-.084	.137	.451	-.699
60	312	.124	.124	.223	-.590	60	462	.111	.115	.300	-.539	60	903	-.012	.118	.403	-.532
60	313	.124	.124	.237	-.463	60	463	.109	.116	.234	-.549	60	904	-.243	.160	.232	-.912
60	314	.163	.163	.284	-.839	60	464	.153	.113	.268	-.516	60	905	.000	.120	.402	-.441
60	315	.162	.162	.284	-.839	60	465	.162	.109	.234	-.539	60	906	-.190	.120	.162	-.539
60	316	.164	.164	.234	-.927	60	466	.215	.120	.167	-.619	60	907	-.194	.138	.259	-.750
60	317	.204	.204	.234	-.882	60	467	.219	.112	.174	-.630	60	908	-.124	.141	.315	-.582
60	318	.151	.151	.216	-.741	60	468	.221	.120	.238	-.647	60	909	-.041	.161	.739	-.498
60	319	.165	.165	.277	-.884	60	469	.156	.119	.253	-.552	60	910	-.319	.171	.265	-.559
60	320	.173	.173	.277	-.884	60	470	.126	.113	.266	-.461	60	911	-.066	.128	.406	-.621
60	321	.112	.112	.224	-.655	60	471	.133	.113	.309	-.532	60	912	-.004	.122	.479	-.338
60	322	.107	.107	.244	-.655	60	472	.221	.115	.125	-.598	60	913	-.229	.158	.270	-.846
60	323	.144	.144	.228	-.601	60	473	.247	.109	.143	-.624	60	914	-.291	.167	.169	-.908
60	324	.183	.183	.457	-.601	60	474	.201	.093	.080	-.487	60	915	-.241	.173	.235	-.757
60	325	.152	.152	.324	-.732	60	475	.182	.112	.202	-.624	60	916	-.155	.191	.898	-.746
60	326	.229	.229	.354	-.929	60	476	.201	.112	.202	-.624	60	917	-.278	.176	.302	-.606
60	327	.242	.242	.336	-.929	60	477	.244	.108	.201	-.598	60	918	-.169	.141	.261	-.683
60	328	.110	.110	.281	-.344	60	478	.247	.106	.069	-.624	60	919	-.118	.131	.337	-.556
60	329	.125	.125	.324	-.574	60	479	.231	.123	.271	-.615	60	920	-.043	.131	.023	-.676
60	330	.119	.119	.294	-.555	60	480	.182	.107	.208	-.558	60	921	-.524	.280	.185	-.744
60	331	.112	.112	.338	-.486	60	481	.125	.105	.176	-.465	60	922	-.091	.147	.460	-.575
60	332	.137	.137	.324	-.983	60	482	.124	.109	.234	-.490	60	923	-.189	.209	.385	-.313
60	333	.121	.121	.269	-.945	60	483	.203	.111	.125	-.659	60	924	-.232	.172	.263	-.952
60	334	.146	.146	.366	-.483	60	484	.372	.143	.056	-.912	60	925	-.168	.135	.274	-.557
60	335	.139	.139	.411	-.593	60	485	.248	.120	.109	-.689	60	926	-.233	.118	.137	-.629
60	336	.134	.134	.188	-.718	60	486	.280	.123	.263	-.782	60	927	-.228	.123	.177	-.627
60	337	.129	.129	.260	-.842	60	487	.117	.117	.128	-.555	60	928	-.233	.113	.161	-.635
60	338	.120	.120	.143	-.686	60	488	.090	.113	.309	-.495	60	929	-.188	.117	.209	-.590
60	339	.114	.114	.121	-.671	60	489	.257	.122	.158	-.674	60	930	-.045	.171	.892	-.450
60	340	.117	.117	.100	-.715	60	490	.244	.115	.115	-.649	60	931	-.056	.158	.690	-.463
60	341	.129	.129	.136	-.787	60	491	.034	.109	.413	-.339	60	932	-.069	.135	.521	-.494
60	342	.128	.128	.247	-.657	60	492	.025	.109	.427	-.279	60	933	-.131	.118	.503	-.390
60	343	.172	.172	.225	-.915	60	493	.063	.125	.390	-.631	60	934	-.118	.124	.739	-.307
60	344	.129	.129	.176	-.712	60	494	.311	.143	.132	-.983	60	935	-.015	.123	.414	-.390
60	345	.130	.130	.172	-.778	60	495	.129	.123	.294	-.833	60	936	-.154	.104	.277	-.462
60	218	.112	.112	.125	-.686	60	496	.169	.116	.250	-.607						

WD	TAP	CPMEAN	CPRMS	CPMAX	CPMIN	WD	TAP	CPMEAN	CPRMS	CPMAX	CPMIN	WD	TAP	CPMEAN	CPRMS	CPMAX	CPMIN
60	937	.048	.119	.538	.303	70	138	-.032	.116	.410	-.466	70	229	-.033	.116	.440	-.474
60	938	.139	.116	.540	.296	70	139	-.003	.116	.368	-.413	70	230	-.057	.103	.299	-.432
60	939	.096	.127	.522	.340	70	140	-.092	.109	.494	-.286	70	231	-.082	.113	.349	-.457
60	940	.068	.117	.479	.363	70	141	-.109	.117	.620	-.279	70	232	-.069	.111	.339	-.494
60	941	.065	.113	.447	.304	70	142	-.041	.105	.384	-.361	70	233	-.059	.113	.286	-.447
60	942	.138	.129	.530	.266	70	143	-.002	.115	.458	-.344	70	234	-.081	.106	.271	-.434
60	943	.034	.119	.430	.497	70	144	-.049	.112	.337	-.422	70	235	-.062	.117	.283	-.463
60	944	.047	.117	.529	.304	70	145	-.028	.097	.358	-.386	70	236	-.035	.144	.616	-.375
60	945	.042	.131	.457	.518	70	146	.014	.087	.333	-.264	70	237	-.046	.113	.389	-.447
60	946	.010	.115	.486	.396	70	147	.048	.113	.384	-.315	70	238	-.060	.114	.365	-.528
60	947	.019	.144	.474	.460	70	148	.115	.111	.600	-.252	70	239	-.068	.112	.331	-.423
60	948	.025	.115	.539	.616	70	149	.117	.087	.476	-.190	70	240	-.061	.099	.236	-.414
60	949	.047	.108	.377	.616	70	150	.048	.098	.368	-.322	70	241	-.061	.107	.310	-.361
70	101	-.083	.217	.550	.177	70	151	-.013	.111	.494	-.349	70	242	-.068	.105	.257	-.489
70	102	-.064	.178	.401	.994	70	152	-.092	.116	.250	-.544	70	301	-.064	.104	.272	-.484
70	103	-.012	.124	.402	.492	70	153	-.016	.110	.306	-.360	70	302	-.065	.128	.295	-.498
70	104	.019	.117	.444	.454	70	154	.000	.103	.340	-.359	70	303	-.065	.120	.286	-.562
70	105	.042	.122	.433	.396	70	155	.054	.114	.376	-.354	70	304	-.094	.120	.253	-.592
70	106	.059	.118	.332	.444	70	156	.129	.132	.657	-.269	70	305	.113	.125	.298	-.676
70	107	.008	.160	.488	.314	70	157	.054	.107	.290	-.455	70	306	.125	.112	.343	-.500
70	108	.028	.157	.499	.992	70	162	.035	.109	.419	-.350	70	307	.079	.121	.313	-.478
70	109	.062	.122	.418	.605	70	163	.124	.115	.549	-.282	70	308	-.059	.107	.306	-.482
70	110	.044	.121	.451	.373	70	201	-.060	.127	.427	-.482	70	309	-.050	.112	.298	-.415
70	111	.010	.120	.444	.606	70	202	.039	.122	.395	-.459	70	310	-.094	.119	.356	-.584
70	112	.040	.123	.444	.506	70	203	.023	.166	.597	-.558	70	311	-.128	.126	.274	-.929
70	113	.045	.175	.533	.283	70	204	.044	.170	.760	-.369	70	312	-.138	.147	.350	-.746
70	114	.031	.141	.444	.572	70	205	.070	.193	.770	-.522	70	313	-.044	.178	.671	-.614
70	115	.016	.147	.487	.512	70	206	.178	.212	.978	-.473	70	314	-.065	.152	.406	-.958
70	116	.101	.196	.480	.512	70	207	.035	.114	.426	-.441	70	315	-.096	.134	.403	-.689
70	117	.023	.146	.505	.833	70	208	.101	.140	.687	-.421	70	316	-.075	.128	.322	-.544
70	118	.006	.151	.555	.625	70	209	.077	.155	.760	-.349	70	317	-.027	.132	.324	-.478
70	119	.002	.132	.555	.434	70	210	.101	.189	.899	-.699	70	318	-.067	.132	.350	-.576
70	120	.022	.129	.433	.594	70	211	.011	.170	.657	-.609	70	319	-.078	.117	.348	-.481
70	121	.028	.124	.394	.476	70	212	.045	.192	.888	-.512	70	320	-.088	.114	.303	-.537
70	122	.009	.113	.628	.505	70	213	.013	.196	.858	-.843	70	321	-.148	.130	.249	-.552
70	123	.020	.132	.498	.420	70	214	.004	.125	.473	-.412	70	322	-.123	.116	.263	-.498
70	124	.056	.108	.488	.369	70	215	.016	.138	.515	-.502	70	323	-.005	.122	.419	-.408
70	125	.062	.119	.440	.476	70	216	.008	.128	.460	-.603	70	324	-.074	.134	.335	-.653
70	126	.085	.123	.530	.359	70	217	.080	.149	.829	-.625	70	325	-.104	.116	.282	-.614
70	127	.067	.110	.555	.359	70	218	.103	.149	.858	-.534	70	326	-.106	.138	.331	-.880
70	128	.031	.114	.369	.410	70	219	.075	.129	.756	-.686	70	327	-.038	.121	.353	-.397
70	129	.042	.101	.288	.358	70	220	.073	.116	.260	-.742	70	328	-.025	.111	.319	-.393
70	130	.040	.125	.350	.464	70	221	.019	.139	.661	-.391	70	329	-.051	.111	.304	-.532
70	131	.024	.112	.422	.405	70	222	-.006	.138	.480	-.429	70	330	-.055	.108	.318	-.497
70	132	.028	.118	.400	.421	70	223	.060	.126	.433	-.503	70	331	-.133	.139	.267	-.839
70	133	.055	.121	.400	.351	70	224	.070	.129	.529	-.650	70	332	-.170	.153	.295	-.886
70	134	.018	.113	.366	.354	70	225	.076	.113	.354	-.611	70	333	-.045	.131	.505	-.400
70	135	.039	.118	.399	.580	70	226	.069	.110	.357	-.505	70	334	-.028	.128	.437	-.451
70	136	.067	.115	.342	.489	70	227	-.068	.123	.319	-.479	70	335	-.083	.125	.347	-.590
70	137	.038	.114	.342	.403	70	228	.094	.166	.708	-.434	70	336	-.069	.127	.408	-.550

WD	TAP	CPMEAN	CPRMS	CPMAX	CPMIN	WD	TAP	CPMEAN	CPRMS	CPMAX	CPMIN	WD	TAP	CPMEAN	CPRMS	CPMAX	CPMIN
70	337	.151	.112	.242	-.546	70	422	-.029	.115	.428	-.493	70	928	-.119	.114	.261	-.473
70	338	.154	.118	.243	-.588	70	423	-.163	.119	.196	-.624	70	929	-.117	.111	.319	-.479
70	339	.162	.120	.230	-.536	70	424	-.158	.107	.310	-.497	70	930	-.042	.122	.459	-.543
70	340	.168	.118	.199	-.648	70	425	-.024	.104	.348	-.364	70	931	-.022	.126	.445	-.515
70	341	.003	.145	.422	-.526	70	426	-.031	.112	.388	-.364	70	932	.006	.115	.542	-.366
70	342	.043	.120	.297	-.448	70	427	-.004	.109	.309	-.416	70	933	.064	.128	.587	-.382
70	343	.133	.140	.402	-.690	70	428	-.170	.132	.204	-.671	70	934	.082	.118	.505	-.373
70	344	.211	.175	.294	-.890	70	429	-.045	.121	.393	-.520	70	935	-.003	.103	.284	-.362
70	345	.127	.110	.215	-.459	70	430	-.097	.117	.355	-.470	70	936	-.088	.113	.261	-.444
70	346	.131	.120	.272	-.672	70	431	-.136	.121	.252	-.592	70	937	.023	.107	.384	-.358
70	347	.070	.120	.335	-.453	70	432	-.053	.137	.422	-.493	70	938	.078	.113	.469	-.458
70	348	.070	.116	.277	-.522	70	433	-.060	.116	.361	-.404	70	939	.058	.108	.449	-.346
70	349	.083	.131	.422	-.696	70	434	-.004	.117	.441	-.416	70	940	.061	.113	.500	-.297
70	350	.083	.172	.322	-.936	70	435	.012	.113	.393	-.386	70	941	.014	.114	.445	-.324
70	351	.020	.120	.421	-.410	70	436	-.033	.106	.427	-.404	70	942	.076	.116	.457	-.317
70	352	.020	.119	.420	-.420	70	437	-.013	.108	.379	-.435	70	943	.015	.108	.376	-.322
70	353	.033	.129	.466	-.455	70	438	.029	.114	.351	-.346	70	944	.037	.106	.472	-.305
70	354	.033	.118	.333	-.464	70	439	.037	.119	.410	-.349	70	945	-.059	.113	.331	-.483
70	355	.033	.114	.443	-.468	70	440	.021	.102	.366	-.395	70	946	.025	.119	.396	-.587
70	356	.033	.115	.363	-.467	70	441	-.024	.104	.317	-.421	70	947	-.018	.124	.424	-.499
70	357	.044	.115	.439	-.506	70	442	-.072	.112	.273	-.456	70	948	-.014	.110	.406	-.409
70	358	.019	.108	.333	-.433	70	443	.036	.112	.378	-.390	70	949	.038	.103	.390	-.291
70	359	.030	.115	.440	-.427	70	444	.029	.112	.302	-.362	80	101	-.033	.145	.498	-.111
70	360	.027	.119	.333	-.379	70	901	.125	.145	.284	-.815	80	102	-.036	.140	.445	-.753
70	361	.059	.125	.399	-.366	70	902	.076	.125	.466	-.571	80	103	-.022	.126	.379	-.614
70	362	.059	.154	.399	-.837	70	903	.029	.116	.365	-.421	80	104	-.015	.123	.372	-.457
70	363	.067	.116	.366	-.946	70	904	.171	.176	.288	-.000	80	105	-.008	.116	.370	-.458
70	364	.120	.116	.366	-.946	70	905	.024	.115	.356	-.628	80	106	.032	.105	.302	-.368
70	365	.072	.113	.223	-.430	70	906	.091	.123	.299	-.628	80	107	.007	.140	.437	-.880
70	401	.152	.120	.233	-.611	70	907	.085	.116	.321	-.561	80	108	.004	.134	.394	-.769
70	402	.154	.119	.222	-.538	70	908	.043	.125	.388	-.493	80	109	.034	.113	.448	-.318
70	403	.149	.110	.260	-.518	70	909	.034	.123	.557	-.380	80	110	.018	.109	.451	-.313
70	404	.088	.121	.272	-.570	70	910	.207	.162	.275	-.863	80	111	-.005	.123	.445	-.426
70	405	.059	.121	.340	-.468	70	911	.100	.129	.275	-.851	80	112	-.023	.109	.452	-.372
70	406	.089	.114	.294	-.448	70	912	.001	.130	.383	-.450	80	113	-.020	.147	.496	-.660
70	407	.138	.110	.382	-.517	70	913	.094	.125	.332	-.464	80	114	.032	.134	.581	-.536
70	408	.137	.117	.333	-.537	70	914	.098	.124	.315	-.735	80	115	.009	.133	.434	-.618
70	409	.139	.102	.466	-.406	70	915	.064	.130	.323	-.605	80	116	.047	.175	.507	-.393
70	410	.092	.107	.266	-.442	70	916	.005	.138	.659	-.477	80	117	-.027	.127	.507	-.599
70	411	.165	.124	.216	-.567	70	917	.123	.150	.340	-.671	80	118	.012	.126	.464	-.468
70	412	.156	.115	.250	-.572	70	918	.084	.131	.300	-.759	80	119	-.013	.126	.457	-.507
70	413	.153	.116	.259	-.535	70	919	.042	.124	.421	-.485	80	120	.009	.121	.438	-.432
70	414	.104	.113	.353	-.484	70	920	.067	.162	.772	-.630	80	121	-.018	.122	.445	-.494
70	415	.050	.106	.333	-.442	70	921	.336	.268	.260	-.452	80	122	-.014	.120	.428	-.431
70	416	.053	.104	.330	-.419	70	922	.062	.138	.432	-.586	80	123	.003	.120	.427	-.376
70	417	.150	.116	.330	-.551	70	923	.170	.183	.313	-.914	80	124	.015	.121	.433	-.461
70	418	.242	.134	.116	-.688	70	924	.163	.150	.240	-.929	80	125	.028	.117	.432	-.365
70	419	.182	.112	.194	-.564	70	925	.121	.134	.428	-.624	80	126	.056	.118	.412	-.326
70	420	.178	.118	.194	-.629	70	926	.157	.127	.256	-.594	80	127	.039	.109	.454	-.386
70	421	.051	.110	.336	-.409	70	927	.123	.109	.253	-.485	80	128	.010	.102	.337	-.340

MD	TAP	CPMEAN	CPRMS	CPMAX	CPMIN	MD	TAP	CPMEAN	CPRMS	CPMAX	CPMIN	MD	TAP	CPMEAN	CPRMS	CPMAX	CPMIN
80	129	.037	.107	.296	.455	80	220	.062	.118	.356	.537	80	328	.015	.106	.315	.437
80	130	.029	.108	.347	.404	80	221	.056	.139	.620	.437	80	329	.001	.115	.429	.370
80	131	.040	.110	.337	.490	80	222	.061	.120	.569	.275	80	330	.015	.114	.500	.368
80	132	.000	.124	.351	.490	80	223	.030	.109	.711	.382	80	331	.087	.137	.305	.856
80	133	.018	.108	.449	.358	80	224	.045	.119	.343	.510	80	332	.120	.132	.268	.766
80	134	.013	.113	.401	.350	80	225	.062	.108	.277	.587	80	333	.110	.130	.649	.312
80	135	.017	.107	.316	.422	80	226	.064	.115	.322	.497	80	334	.034	.125	.436	.382
80	136	.027	.113	.430	.373	80	227	.057	.113	.366	.590	80	335	.026	.122	.420	.419
80	137	.037	.106	.262	.405	80	228	.138	.135	.836	.443	80	336	.011	.131	.482	.503
80	138	.028	.102	.284	.359	80	229	.006	.116	.324	.369	80	337	.084	.114	.322	.439
80	139	.007	.109	.312	.478	80	230	.060	.112	.360	.422	80	338	.079	.110	.284	.444
80	140	.050	.122	.455	.478	80	231	.060	.114	.327	.458	80	339	.083	.113	.347	.500
80	141	.034	.121	.466	.299	80	232	.056	.099	.332	.410	80	340	.083	.114	.261	.432
80	142	.030	.103	.383	.274	80	233	.033	.112	.289	.477	80	341	.042	.138	.465	.612
80	143	.013	.103	.454	.401	80	234	.033	.108	.282	.411	80	342	.012	.106	.374	.423
80	144	.017	.107	.310	.434	80	235	.026	.102	.326	.353	80	343	.078	.133	.332	.635
80	145	.026	.093	.281	.344	80	236	.094	.125	.582	.317	80	344	.136	.154	.346	.666
80	146	.004	.092	.274	.349	80	237	.001	.125	.422	.383	80	345	.045	.120	.331	.468
80	147	.003	.101	.425	.355	80	238	.058	.104	.353	.436	80	346	.063	.107	.326	.397
80	148	.077	.111	.423	.475	80	239	.043	.113	.212	.504	80	347	.002	.115	.328	.441
80	149	.053	.091	.402	.299	80	240	.053	.109	.224	.407	80	348	.017	.123	.449	.398
80	150	.022	.110	.394	.332	80	241	.022	.114	.408	.456	80	349	.038	.123	.437	.714
80	151	.036	.111	.376	.293	80	242	.022	.114	.408	.381	80	350	.086	.158	.414	.716
80	152	.024	.099	.309	.334	80	243	.022	.111	.365	.417	80	351	.021	.117	.371	.358
80	153	.018	.108	.326	.416	80	244	.012	.111	.406	.370	80	352	.008	.115	.391	.372
80	154	.004	.107	.346	.365	80	245	.021	.115	.447	.400	80	353	.011	.113	.407	.372
80	155	.035	.108	.397	.381	80	246	.026	.108	.424	.394	80	354	.007	.113	.400	.387
80	156	.081	.118	.395	.289	80	247	.059	.129	.402	.559	80	355	.002	.118	.368	.352
80	161	.026	.115	.373	.288	80	248	.086	.127	.408	.675	80	356	.001	.107	.309	.467
80	162	.007	.117	.430	.355	80	249	.023	.115	.363	.378	80	357	.005	.122	.384	.386
80	163	.074	.116	.330	.348	80	250	.023	.114	.394	.422	80	358	.015	.112	.390	.308
80	201	.001	.139	.397	.463	80	251	.013	.111	.327	.399	80	359	.014	.111	.413	.355
80	202	.010	.123	.328	.423	80	252	.020	.120	.360	.473	80	360	.004	.111	.429	.384
80	203	.007	.134	.303	.423	80	253	.069	.133	.406	.623	80	361	.014	.114	.321	.390
80	204	.071	.143	.706	.413	80	254	.102	.142	.343	.791	80	362	.001	.130	.458	.508
80	205	.049	.173	.774	.493	80	255	.048	.131	.613	.577	80	363	.031	.143	.429	.836
80	206	.162	.174	.932	.311	80	256	.010	.138	.353	.055	80	364	.022	.120	.388	.494
80	207	.036	.138	.615	.449	80	257	.033	.121	.381	.499	80	365	.023	.117	.373	.489
80	208	.127	.113	.702	.213	80	258	.036	.131	.397	.523	80	401	.060	.115	.393	.551
80	209	.054	.154	.784	.539	80	259	.081	.124	.322	.355	80	402	.068	.120	.333	.577
80	210	.078	.140	.765	.315	80	260	.015	.119	.453	.411	80	403	.061	.122	.333	.477
80	211	.004	.140	.687	.442	80	261	.039	.115	.380	.448	80	404	.026	.107	.368	.412
80	212	.018	.148	.661	.553	80	262	.038	.119	.458	.534	80	405	.014	.117	.352	.523
80	213	.030	.133	.610	.388	80	263	.066	.119	.380	.499	80	406	.027	.121	.379	.429
80	214	.038	.139	.633	.353	80	264	.069	.103	.257	.430	80	407	.071	.105	.382	.405
80	215	.100	.132	.651	.373	80	265	.088	.136	.693	.357	80	408	.054	.163	.279	.414
80	216	.080	.121	.577	.315	80	266	.006	.117	.393	.441	80	409	.039	.100	.263	.384
80	217	.070	.112	.401	.564	80	267	.062	.113	.323	.429	80	410	.028	.109	.309	.438
80	218	.022	.109	.299	.601	80	268	.072	.122	.458	.520	80	411	.076	.116	.351	.463
80	219	.043	.113	.293	.629	80	269	.011	.102	.376	.340	80	412	.070	.111	.322	.510

WD	TAP	CPMEAN	CPRMS	CPMAX	CPMIN	WD	TAP	CPMEAN	CPRMS	CPMAX	CPMIN	WD	TAP	CPMEAN	CPRMS	CPMAX	CPMIN
80	413	.071	.114	.254	.470	80	919	.008	.131	.464	.462	90	120	.015	.124	.409	.394
80	414	.033	.107	.312	.476	80	920	.033	.155	.697	.640	90	121	.026	.119	.366	.384
80	415	.001	.116	.363	.417	80	921	.143	.166	.357	.859	90	122	.030	.109	.344	.380
80	416	.002	.109	.378	.312	80	922	.012	.125	.414	.445	90	123	.022	.124	.402	.453
80	417	.072	.108	.289	.416	80	923	.096	.152	.382	.637	90	124	.003	.111	.387	.349
80	418	.126	.121	.325	.632	80	924	.066	.134	.402	.588	90	125	.001	.123	.417	.412
80	419	.073	.111	.254	.417	80	925	.036	.118	.344	.590	90	126	.008	.112	.390	.489
80	420	.083	.119	.316	.559	80	926	.073	.119	.338	.433	90	127	.012	.111	.312	.411
80	421	.003	.101	.370	.357	80	927	.071	.119	.369	.491	90	128	.016	.110	.350	.354
80	422	.016	.109	.451	.398	80	928	.061	.112	.290	.494	90	129	.039	.114	.356	.457
80	423	.066	.114	.341	.438	80	929	.051	.111	.317	.469	90	130	.039	.115	.329	.434
80	424	.088	.115	.300	.490	80	930	.034	.125	.610	.495	90	131	.040	.111	.303	.403
80	425	.022	.101	.351	.327	80	931	.016	.109	.421	.399	90	132	.025	.117	.339	.433
80	426	.028	.110	.351	.337	80	932	.013	.117	.421	.350	90	133	.014	.105	.356	.356
80	427	.025	.115	.401	.381	80	933	.025	.114	.503	.383	90	134	.014	.109	.454	.310
80	428	.062	.114	.376	.457	80	934	.041	.109	.382	.357	90	135	.023	.117	.319	.319
80	429	.008	.111	.400	.377	80	935	.010	.113	.495	.462	90	136	.028	.114	.483	.374
80	430	.022	.115	.343	.662	80	936	.051	.102	.258	.408	90	137	.034	.114	.316	.404
80	431	.064	.111	.328	.434	80	937	.006	.110	.378	.331	90	138	.029	.107	.397	.454
80	432	.011	.123	.381	.470	80	938	.050	.105	.409	.302	90	139	.022	.107	.383	.370
80	433	.033	.112	.404	.384	80	939	.032	.112	.459	.336	90	140	.006	.119	.349	.339
80	434	.027	.119	.413	.407	80	940	.036	.105	.403	.333	90	141	.009	.109	.349	.339
80	435	.026	.112	.431	.403	80	941	.016	.100	.321	.322	90	142	.015	.108	.324	.326
80	436	.046	.120	.379	.336	80	942	.044	.110	.399	.425	90	143	.011	.105	.316	.266
80	437	.025	.111	.407	.330	80	943	.005	.117	.453	.387	90	144	.015	.105	.355	.394
80	438	.034	.114	.419	.446	80	944	.018	.114	.486	.356	90	145	.050	.104	.259	.398
80	439	.044	.109	.385	.447	80	945	.043	.104	.287	.362	90	146	.030	.086	.289	.292
80	440	.019	.110	.347	.328	80	946	.047	.104	.258	.500	90	147	.025	.112	.293	.343
80	441	.007	.118	.374	.444	80	947	.056	.123	.342	.313	90	148	.014	.107	.452	.323
80	442	.014	.098	.362	.355	80	948	.008	.104	.315	.416	90	149	.011	.088	.264	.279
80	443	.012	.116	.467	.459	80	949	.020	.110	.374	.426	90	150	.015	.107	.351	.416
80	444	.014	.110	.398	.443	80	101	.071	.147	.557	.720	90	151	.003	.103	.365	.388
80	901	.089	.137	.322	.638	90	102	.059	.141	.550	.829	90	152	.010	.101	.323	.338
80	902	.047	.115	.345	.481	90	103	.047	.124	.354	.556	90	153	.040	.106	.383	.392
80	903	.020	.116	.414	.343	90	104	.032	.117	.450	.461	90	154	.031	.108	.357	.430
80	904	.102	.133	.333	.910	90	105	.017	.108	.370	.436	90	155	.012	.106	.380	.336
80	905	.008	.112	.356	.498	90	106	.022	.107	.387	.374	90	156	.019	.123	.559	.405
80	906	.051	.125	.357	.499	90	107	.024	.129	.421	.695	90	161	.024	.112	.304	.405
80	907	.042	.126	.367	.556	90	108	.008	.121	.433	.777	90	162	.025	.107	.311	.395
80	908	.033	.119	.446	.448	90	109	.004	.118	.419	.504	90	163	.021	.105	.364	.326
80	909	.096	.124	.551	.283	90	110	.008	.119	.373	.504	90	201	.091	.185	.971	.511
80	910	.114	.141	.295	.784	90	111	.015	.107	.319	.422	90	202	.078	.157	.697	.466
80	911	.046	.122	.334	.571	90	112	.015	.114	.369	.404	90	203	.016	.136	.541	.453
80	912	.008	.114	.487	.358	90	113	.060	.123	.459	.543	90	204	.032	.122	.588	.644
80	913	.049	.111	.403	.423	90	114	.046	.123	.437	.557	90	205	.001	.162	.657	.998
80	914	.040	.127	.437	.333	90	115	.023	.126	.384	.884	90	206	.110	.152	.737	.429
80	915	.006	.114	.417	.666	90	116	.006	.146	.911	.514	90	207	.178	.158	.989	.380
80	916	.069	.122	.507	.404	90	117	.028	.117	.534	.509	90	208	.212	.125	.641	.165
80	917	.042	.129	.426	.536	90	118	.032	.116	.326	.586	90	209	.008	.147	.454	.853
80	918	.036	.134	.400	.893	90	119	.023	.123	.407	.432	90	210	.041	.140	.731	.404

WD	TAP	CPMEAN	CPRMS	CPMAX	CPMIN	WD	TAP	CPMEAN	CPRMS	CPMAX	CPMIN	WD	TAP	CPMEAN	CPRMS	CPMAX	CPMIN
90	211	.016	.132	.507	.647	90	319	.006	.126	.465	.492	90	404	.016	.110	.286	.402
90	212	.096	.140	.436	.739	90	320	.051	.125	.387	.437	90	405	.011	.107	.316	.401
90	213	.062	.117	.386	.594	90	321	.022	.112	.286	.393	90	406	.003	.111	.374	.321
90	214	.191	.155	.769	.326	90	322	.028	.099	.312	.266	90	407	.032	.107	.369	.349
90	215	.238	.161	.930	.239	90	323	.029	.145	.703	.253	90	408	.027	.107	.307	.355
90	216	.185	.134	.747	.241	90	324	.054	.131	.520	.497	90	409	.015	.110	.277	.416
90	217	.081	.122	.357	.458	90	325	.065	.126	.317	.549	90	410	.010	.099	.323	.308
90	218	.077	.118	.358	.531	90	326	.057	.136	.405	.550	90	411	.033	.109	.276	.405
90	219	.053	.108	.312	.559	90	327	.014	.106	.415	.433	90	412	.038	.110	.299	.357
90	220	.057	.118	.305	.492	90	328	.010	.106	.379	.444	90	413	.033	.109	.382	.386
90	221	.047	.143	.640	.463	90	329	.012	.115	.351	.622	90	414	.005	.105	.321	.383
90	222	.076	.128	.666	.352	90	330	.028	.114	.343	.513	90	415	.002	.102	.334	.400
90	223	.122	.117	.557	.413	90	331	.173	.183	.357	.788	90	416	.006	.113	.337	.397
90	224	.005	.125	.394	.419	90	332	.207	.165	.253	.808	90	417	.031	.117	.367	.446
90	225	.093	.119	.324	.495	90	333	.201	.137	.790	.200	90	418	.048	.111	.381	.396
90	226	.094	.119	.383	.496	90	334	.097	.129	.527	.509	90	419	.043	.108	.302	.405
90	227	.069	.124	.294	.479	90	335	.038	.120	.469	.455	90	420	.037	.108	.360	.391
90	228	.198	.160	.792	.308	90	336	.068	.131	.523	.444	90	421	.011	.112	.399	.363
90	229	.078	.119	.596	.270	90	337	.117	.117	.315	.444	90	422	.018	.107	.359	.297
90	230	.099	.114	.260	.521	90	338	.036	.118	.386	.363	90	423	.029	.118	.406	.405
90	231	.093	.108	.322	.461	90	339	.042	.111	.373	.378	90	424	.030	.106	.312	.391
90	232	.069	.105	.273	.460	90	340	.048	.110	.299	.409	90	425	.016	.105	.282	.388
90	233	.051	.111	.393	.442	90	341	.049	.140	.732	.448	90	426	.013	.102	.323	.364
90	234	.049	.107	.334	.349	90	342	.065	.117	.537	.268	90	427	.002	.108	.385	.355
90	235	.045	.103	.333	.349	90	343	.019	.128	.349	.766	90	428	.005	.112	.306	.348
90	236	.156	.140	.768	.391	90	344	.115	.156	.359	.709	90	429	.009	.116	.389	.334
90	237	.062	.113	.492	.412	90	345	.016	.108	.328	.378	90	430	.009	.124	.402	.477
90	238	.076	.117	.245	.476	90	346	.022	.105	.277	.390	90	431	.025	.104	.329	.357
90	239	.094	.110	.276	.496	90	347	.019	.107	.286	.403	90	432	.007	.114	.327	.385
90	240	.068	.105	.269	.412	90	348	.021	.113	.468	.320	90	433	.022	.113	.393	.319
90	241	.041	.112	.291	.429	90	349	.010	.134	.430	.507	90	434	.021	.112	.440	.354
90	242	.024	.106	.315	.395	90	350	.079	.166	.431	.710	90	435	.017	.110	.364	.416
90	301	.004	.100	.337	.352	90	351	.013	.123	.397	.428	90	436	.024	.108	.415	.378
90	302	.011	.107	.331	.402	90	352	.065	.107	.404	.332	90	437	.021	.114	.331	.374
90	303	.023	.118	.312	.407	90	353	.008	.114	.318	.410	90	438	.003	.123	.433	.426
90	304	.040	.117	.364	.451	90	354	.009	.117	.367	.372	90	439	.020	.112	.456	.364
90	305	.100	.153	.509	.683	90	355	.009	.116	.419	.462	90	440	.010	.108	.350	.348
90	306	.202	.182	.324	.910	90	356	.006	.109	.356	.380	90	441	.014	.109	.373	.347
90	307	.007	.121	.440	.408	90	357	.002	.107	.327	.390	90	442	.002	.111	.374	.394
90	308	.013	.107	.345	.341	90	358	.008	.115	.347	.363	90	443	.005	.111	.392	.295
90	309	.009	.117	.377	.375	90	359	.000	.120	.425	.444	90	444	.011	.121	.416	.384
90	310	.031	.120	.422	.517	90	360	.002	.112	.395	.387	90	901	.133	.151	.375	.718
90	311	.162	.182	.354	.221	90	361	.000	.117	.383	.392	90	902	.088	.138	.319	.702
90	312	.235	.191	.372	.092	90	362	.031	.132	.597	.471	90	903	.038	.122	.367	.698
90	313	.143	.135	.682	.330	90	363	.015	.155	.523	.574	90	904	.175	.171	.364	.868
90	314	.043	.123	.501	.436	90	364	.002	.112	.437	.357	90	905	.008	.119	.448	.444
90	315	.014	.139	.396	.465	90	365	.003	.109	.423	.336	90	906	.011	.133	.509	.459
90	316	.033	.125	.433	.455	90	401	.041	.112	.313	.444	90	907	.028	.131	.468	.522
90	317	.184	.132	.715	.278	90	402	.041	.124	.422	.447	90	908	.058	.122	.455	.589
90	318	.093	.129	.541	.380	90	403	.030	.111	.310	.396	90	909	.205	.141	.815	.276

WD	TAP	CPMEAN	CPRMS	CPMAX	CPMIN	WD	TAP	CPMEAN	CPRMS	CPMAX	CPMIN	WD	TAP	CPMEAN	CPRMS	CPMAX	CPMIN
90	910	.126	.127	.288	-.682	100	111	-.046	.116	.385	-.440	100	202	.162	.182	.825	-.445
90	911	-.062	.118	.355	-.490	100	112	-.048	.121	.342	-.539	100	203	.035	.146	.582	-.414
90	912	-.012	.111	.443	-.380	100	113	-.125	.137	.424	-.692	100	204	.007	.119	.443	-.383
90	913	-.053	.122	.375	-.484	100	114	-.097	.132	.428	-.734	100	205	-.058	.135	.518	-.659
90	914	-.024	.120	.386	-.476	100	115	-.077	.142	.356	-.684	100	206	-.042	.133	.700	-.632
90	915	-.087	.128	.523	-.354	100	116	-.077	.148	.683	-.216	100	207	.208	.173	.843	-.376
90	916	-.189	.129	.644	-.276	100	117	-.077	.127	.480	-.585	100	208	.285	.142	.746	-.183
90	917	-.056	.130	.443	-.975	100	118	-.077	.125	.342	-.529	100	209	.061	.155	.554	-.716
90	918	-.039	.129	.368	-.598	100	119	-.065	.126	.348	-.536	100	210	-.030	.143	.498	-.698
90	919	-.017	.135	.329	-.907	100	120	-.073	.118	.371	-.483	100	211	-.081	.149	.398	-.374
90	920	.001	.154	.615	-1.119	100	121	-.058	.119	.331	-.538	100	212	-.165	.154	.489	-.716
90	921	.128	.149	.329	-1.189	100	122	-.071	.120	.304	-.569	100	213	-.126	.114	.339	-.829
90	922	.018	.121	.337	-.401	100	123	-.049	.117	.351	-.518	100	214	.171	.148	.712	-.294
90	923	-.093	.135	.311	-.738	100	124	-.046	.115	.309	-.474	100	215	.224	.149	.794	-.178
90	924	-.056	.130	.469	-.505	100	125	-.047	.115	.321	-.422	100	216	.226	.167	.830	-.224
90	925	-.029	.116	.394	-.488	100	126	-.045	.113	.295	-.504	100	217	-.163	.130	.277	-.614
90	926	-.038	.122	.457	-.434	100	127	-.042	.109	.312	-.389	100	218	-.023	.139	.469	-.504
90	927	-.040	.106	.321	-.350	100	128	-.047	.113	.320	-.450	100	219	-.083	.100	.270	-.460
90	928	-.030	.116	.360	-.353	100	129	-.067	.102	.292	-.565	100	220	-.066	.110	.290	-.679
90	929	-.025	.109	.344	-.477	100	130	-.069	.115	.294	-.414	100	221	-.057	.134	.758	-.414
90	930	-.026	.113	.373	-.466	100	131	-.072	.111	.264	-.429	100	222	.096	.138	.647	-.296
90	931	-.031	.118	.476	-.530	100	132	-.054	.118	.371	-.440	100	223	.160	.128	.627	-.279
90	932	-.031	.119	.332	-.476	100	133	-.061	.096	.270	-.344	100	224	.060	.127	.481	-.419
90	933	-.009	.122	.393	-.372	100	134	-.047	.106	.444	-.393	100	225	-.140	.112	.230	-.551
90	934	-.004	.112	.336	-.375	100	135	-.040	.114	.328	-.371	100	226	-.139	.135	.234	-.663
90	935	-.014	.113	.346	-.339	100	136	-.051	.108	.324	-.371	100	227	-.071	.117	.302	-.452
90	936	-.026	.099	.301	-.339	100	137	-.059	.114	.259	-.407	100	228	-.185	.185	.794	-.400
90	937	-.028	.107	.390	-.335	100	138	-.057	.113	.435	-.439	100	229	.114	.129	.637	-.304
90	938	-.015	.116	.362	-.426	100	139	-.058	.100	.288	-.463	100	230	-.168	.122	.216	-.681
90	939	-.020	.115	.508	-.415	100	140	-.042	.113	.385	-.432	100	231	-.159	.117	.205	-.634
90	940	-.009	.117	.373	-.404	100	141	-.044	.109	.384	-.363	100	232	-.096	.108	.396	-.467
90	941	-.042	.106	.368	-.488	100	142	-.054	.107	.287	-.385	100	233	-.072	.111	.361	-.457
90	942	-.025	.107	.319	-.377	100	143	-.045	.103	.310	-.426	100	234	-.089	.111	.276	-.431
90	943	-.038	.113	.289	-.384	100	144	-.036	.105	.315	-.475	100	235	-.074	.112	.357	-.521
90	944	-.022	.105	.304	-.451	100	145	-.073	.098	.221	-.423	100	236	.117	.142	.722	-.367
90	945	-.058	.111	.304	-.444	100	146	-.055	.101	.234	-.367	100	237	-.062	.123	.481	-.318
90	946	-.059	.105	.275	-.602	100	147	-.056	.105	.290	-.411	100	238	-.154	.123	.242	-.610
90	947	-.080	.119	.302	-.456	100	148	-.046	.106	.302	-.436	100	239	-.159	.126	.280	-.561
90	948	-.027	.113	.309	-.413	100	149	-.049	.087	.210	-.338	100	240	-.089	.114	.286	-.479
90	949	-.023	.104	.367	-.372	100	150	-.045	.113	.302	-.529	100	241	-.068	.112	.295	-.415
100	101	-.087	.137	.348	-.084	100	151	-.052	.105	.288	-.468	100	242	-.057	.097	.292	-.399
100	102	-.092	.138	.339	-.928	100	152	-.049	.102	.364	-.371	100	301	-.035	.120	.340	-.461
100	103	-.083	.126	.277	-.578	100	153	-.067	.106	.308	-.414	100	302	-.043	.120	.346	-.435
100	104	-.058	.130	.324	-.646	100	154	-.082	.108	.288	-.406	100	303	-.061	.117	.287	-.493
100	105	-.058	.114	.325	-.761	100	155	-.054	.113	.359	-.485	100	304	-.093	.118	.303	-.604
100	106	-.057	.112	.351	-.557	100	156	-.045	.110	.349	-.360	100	305	-.215	.202	.362	-.075
100	107	-.068	.125	.321	-.827	100	161	-.058	.111	.319	-.391	100	306	-.361	.224	.378	-.147
100	108	-.062	.120	.319	-.428	100	162	-.067	.096	.256	-.411	100	307	-.027	.113	.346	-.415
100	109	-.042	.119	.385	-.515	100	163	-.045	.116	.306	-.419	100	308	-.033	.107	.303	-.430
100	110	-.045	.108	.284	-.369	100	201	-.158	.191	.843	-.550	100	309	-.051	.113	.342	-.400

WD	TAP	CPMEAN	CPRMS	CPMAX	CPMIN	WD	TAP	CPMEAN	CPRMS	CPMAX	CPMIN	WD	TAP	CPMEAN	CPRMS	CPMAX	CPMIN
100	310	.071	.139	.347	-.716	100	360	.026	.115	.461	-.453	100	901	-.230	.165	.308	-1.057
100	311	.261	.198	.305	-.094	100	361	.059	.124	.473	-.476	100	902	-.139	.141	.244	-.735
100	312	.295	.206	.299	-.256	100	362	.087	.121	.513	-.467	100	903	-.064	.138	.321	-1.007
100	313	.175	.148	.737	-.322	100	363	.075	.145	.558	-.692	100	904	-.279	.189	.244	-1.003
100	314	.097	.135	.541	-.440	100	364	.030	.106	.349	-.389	100	905	-.027	.126	.417	-.453
100	315	.064	.135	.495	-.571	100	365	.031	.103	.343	-.380	100	906	.079	.136	.633	-.599
100	316	.025	.134	.543	-.603	100	401	.059	.107	.277	-.434	100	907	.112	.140	.602	-.491
100	317	.245	.157	.801	-.348	100	402	.040	.114	.410	-.552	100	908	.137	.118	.559	-.501
100	318	.170	.139	.363	-.363	100	403	.040	.119	.337	-.497	100	909	.253	.163	1.019	-.238
100	319	.079	.140	.422	-.422	100	404	.035	.120	.380	-.425	100	910	-.210	.158	.282	-.781
100	320	.001	.136	.350	-.415	100	405	.033	.115	.370	-.437	100	911	-.124	.137	.351	-.572
100	321	.045	.109	.330	-.442	100	406	.033	.113	.410	-.399	100	912	-.017	.123	.569	-.513
100	322	.050	.095	.269	-.334	100	407	.047	.104	.284	-.405	100	913	-.016	.130	.333	-.534
100	323	.258	.166	.836	-.209	100	408	.035	.099	.337	-.425	100	914	-.040	.132	.836	-.410
100	324	.138	.134	.560	-.288	100	409	.032	.087	.248	-.352	100	915	.169	.138	.560	-.297
100	325	.033	.120	.433	-.445	100	410	.026	.101	.295	-.463	100	916	-.253	.162	.785	-.174
100	326	.017	.157	.466	-.666	100	411	.050	.106	.342	-.428	100	917	-.106	.141	.526	-.742
100	327	.018	.100	.444	-.441	100	412	.046	.110	.317	-.439	100	918	-.090	.145	.421	-.702
100	328	.023	.110	.420	-.358	100	413	.033	.101	.321	-.341	100	919	-.076	.141	.331	-.849
100	329	.023	.110	.444	-.403	100	414	.027	.107	.331	-.357	100	920	-.090	.182	.483	-.291
100	330	.165	.222	.559	-.250	100	415	.023	.114	.462	-.361	100	921	-.171	.159	.388	-.243
100	331	.191	.195	.496	-.968	100	416	.022	.100	.281	-.411	100	922	-.035	.119	.359	-.474
100	332	.238	.151	.996	-.356	100	417	.043	.109	.928	-.389	100	923	-.140	.142	.307	-.805
100	333	.152	.126	.996	-.296	100	418	.041	.107	.357	-.453	100	924	-.090	.132	.360	-.516
100	334	.137	.131	.607	-.317	100	419	.034	.109	.323	-.457	100	925	-.047	.119	.421	-.490
100	335	.155	.151	.605	-.336	100	420	.032	.104	.356	-.397	100	926	-.034	.112	.329	-.429
100	336	.035	.104	.669	-.433	100	421	.019	.102	.298	-.363	100	927	-.034	.106	.289	-.377
100	337	.036	.111	.899	-.390	100	422	.027	.109	.409	-.485	100	928	-.045	.111	.333	-.394
100	338	.037	.108	.343	-.456	100	423	.036	.110	.323	-.463	100	929	-.043	.109	.289	-.462
100	339	.034	.111	.336	-.453	100	424	.044	.114	.405	-.410	100	930	-.071	.113	.276	-.486
100	340	.061	.140	.560	-.398	100	425	.042	.109	.335	-.452	100	931	-.064	.116	.332	-.632
100	341	.113	.115	.543	-.257	100	426	.032	.107	.389	-.446	100	932	-.063	.107	.301	-.490
100	342	.059	.121	.430	-.432	100	427	.027	.110	.306	-.390	100	933	-.052	.119	.421	-.417
100	343	.022	.150	.469	-.749	100	428	.024	.109	.306	-.454	100	934	-.044	.115	.290	-.426
100	344	.031	.112	.331	-.465	100	429	.026	.103	.350	-.401	100	935	-.037	.113	.380	-.390
100	345	.033	.116	.331	-.400	100	430	.027	.107	.325	-.486	100	936	-.056	.094	.255	-.351
100	346	.001	.116	.486	-.385	100	431	.028	.111	.360	-.427	100	937	-.060	.107	.418	-.399
100	347	.070	.119	.462	-.327	100	432	.024	.114	.369	-.469	100	938	-.045	.114	.329	-.385
100	348	.065	.125	.520	-.520	100	433	.018	.105	.363	-.381	100	939	-.048	.109	.341	-.389
100	349	.019	.164	.603	-.603	100	434	.039	.113	.367	-.385	100	940	-.056	.110	.304	-.440
100	350	.019	.104	.390	-.390	100	435	.017	.119	.512	-.391	100	941	-.071	.113	.437	-.486
100	351	.012	.107	.444	-.459	100	436	.012	.105	.280	-.401	100	942	-.061	.101	.308	-.440
100	352	.019	.109	.431	-.431	100	437	.029	.113	.400	-.384	100	943	-.052	.108	.285	-.426
100	353	.012	.116	.434	-.434	100	438	.015	.110	.400	-.441	100	944	-.052	.109	.390	-.382
100	354	.003	.112	.425	-.425	100	439	.012	.111	.350	-.450	100	945	-.077	.104	.290	-.493
100	355	.009	.116	.317	-.317	100	440	.019	.105	.376	-.397	100	946	-.083	.113	.305	-.510
100	356	.026	.119	.488	-.382	100	441	.030	.103	.289	-.397	100	947	-.057	.107	.302	-.411
100	357	.001	.106	.377	-.377	100	442	.030	.103	.320	-.380	100	948	-.056	.117	.320	-.474
100	358	.015	.118	.393	-.393	100	443	.003	.114	.420	-.481	100	949	-.109	.132	.300	-.690

WD	TAP	CPMEAN	CPRMS	CPMAX	CPMIN	WD	TAP	CPMEAN	CPRMS	CPMAX	CPMIN	WD	TAP	CPMEAN	CPRMS	CPMAX	CPMIN
110	102	123	133	365	984	110	152	064	110	302	406	110	301	053	106	311	443
110	103	108	139	287	791	110	153	089	105	243	410	110	302	067	108	275	421
110	104	106	118	254	772	110	154	066	095	272	446	110	303	086	114	289	491
110	105	097	119	266	596	110	155	087	096	244	375	110	304	107	136	388	783
110	106	113	123	276	638	110	156	093	114	284	534	110	305	260	229	456	255
110	107	106	131	316	833	110	161	087	100	299	393	110	306	333	222	492	462
110	108	089	112	316	390	110	162	087	105	305	439	110	307	053	124	366	431
110	109	082	105	287	439	110	163	081	103	230	522	110	308	066	115	320	520
110	110	085	123	309	622	110	201	121	194	809	572	110	309	072	111	275	456
110	111	095	110	225	455	110	202	106	180	721	565	110	310	078	148	395	714
110	112	091	115	372	325	110	203	039	163	587	548	110	311	241	209	527	148
110	113	146	133	432	614	110	204	020	127	485	458	110	312	284	204	466	085
110	114	147	139	305	333	110	205	098	129	578	568	110	313	188	174	861	276
110	115	138	151	362	037	110	206	008	128	558	667	110	314	091	144	633	406
110	116	140	159	421	622	110	207	176	171	649	341	110	315	116	152	801	401
110	117	105	121	268	596	110	208	274	159	876	162	110	316	076	156	621	425
110	118	106	124	284	629	110	209	132	189	459	672	110	317	253	139	859	246
110	119	107	124	262	515	110	210	101	150	597	981	110	318	187	149	847	271
110	120	128	138	314	784	110	211	127	156	481	011	110	319	136	156	678	416
110	121	094	128	303	534	110	212	265	177	397	120	110	320	037	136	612	452
110	122	094	116	324	465	110	213	154	127	350	747	110	321	067	117	308	500
110	123	082	123	313	499	110	214	132	155	832	327	110	322	062	106	297	382
110	124	085	118	340	493	110	215	193	154	091	238	110	323	222	174	061	319
110	125	091	108	302	495	110	216	204	155	771	240	110	324	156	133	693	287
110	126	083	118	241	471	110	217	224	140	288	886	110	325	081	123	469	385
110	127	078	109	268	482	110	218	007	146	441	660	110	326	082	139	560	397
110	128	083	115	299	467	110	219	120	110	319	535	110	327	041	111	343	372
110	129	090	116	250	597	110	220	096	107	251	424	110	328	038	111	374	455
110	130	098	109	234	334	110	221	117	144	689	429	110	329	032	113	350	408
110	131	093	117	290	567	110	222	142	139	636	332	110	330	009	133	547	947
110	132	096	109	246	465	110	223	126	155	704	460	110	331	086	222	608	227
110	133	079	110	324	486	110	224	045	143	615	463	110	332	135	225	643	210
110	134	083	105	385	437	110	225	147	115	264	533	110	333	214	135	875	188
110	135	077	103	290	409	110	226	163	131	293	719	110	334	161	133	716	238
110	136	078	121	342	474	110	227	082	116	308	479	110	335	154	122	577	362
110	137	081	105	291	488	110	228	094	210	808	479	110	336	176	168	752	357
110	138	076	113	273	465	110	229	115	147	702	332	110	337	068	117	275	422
110	139	088	109	332	458	110	230	236	122	202	470	110	338	064	103	387	409
110	140	086	107	264	486	110	231	193	129	234	716	110	339	059	099	336	484
110	141	078	115	272	500	110	232	102	114	272	424	110	340	064	117	336	416
110	142	063	105	253	477	110	233	079	111	305	405	110	341	113	164	020	435
110	143	059	103	290	350	110	234	086	099	269	461	110	342	126	121	550	216
110	144	061	103	258	400	110	235	086	097	272	385	110	343	103	126	514	330
110	145	067	097	247	395	110	236	034	191	779	712	110	344	062	144	453	411
110	146	075	098	287	366	110	237	076	126	545	612	110	345	063	116	353	440
110	147	078	104	257	393	110	238	188	119	181	335	110	346	063	115	283	465
110	148	085	103	245	478	110	239	163	117	212	561	110	347	050	124	482	483
110	149	089	094	192	368	110	240	096	109	273	500	110	348	137	138	651	368
110	150	063	100	253	469	110	241	080	104	338	417	110	349	134	134	626	448
110	151	052	107	298	450	110	242	078	106	296	441	110	350	105	145	568	675

WD	TAP	CPMEAN	CPRMS	CPMAX	CPMIN	WD	TAP	CPMEAN	CPRMS	CPMAX	CPMIN	WD	TAP	CPMEAN	CPRMS	CPMAX	CPMIN
110	351	039	112	350	42	110	436	041	113	364	498	110	942	086	108	321	486
110	352	036	113	427	405	110	437	046	118	308	424	110	943	079	104	253	443
110	353	016	119	348	509	110	438	050	105	263	404	110	944	080	117	301	506
110	354	014	117	462	70	110	439	038	099	315	441	110	945	082	109	252	502
110	355	027	121	521	367	110	440	047	115	355	422	110	946	078	103	245	382
110	356	043	108	441	380	110	441	058	111	286	434	110	947	082	101	247	455
110	357	058	113	342	480	110	442	060	109	350	449	110	948	069	108	327	414
110	358	003	118	360	398	110	443	054	110	335	458	110	949	090	116	310	476
110	359	052	113	460	323	110	444	063	113	319	418	120	101	138	124	310	783
110	360	071	109	534	347	110	901	302	184	268	148	120	102	125	127	295	908
110	361	146	134	714	299	110	902	189	154	245	941	120	103	132	130	257	723
110	362	149	153	714	379	110	903	114	132	380	847	120	104	118	113	272	583
110	363	129	159	653	441	110	904	393	208	154	1	120	105	131	121	265	612
110	364	064	110	310	682	110	905	070	126	323	568	120	106	121	114	292	601
110	365	065	107	304	431	110	906	107	143	664	482	120	107	131	123	314	615
110	401	077	114	303	525	110	907	137	137	606	320	120	108	114	113	318	490
110	402	077	117	290	337	110	908	155	128	718	272	120	109	110	112	303	454
110	403	089	120	334	553	110	909	217	155	822	194	120	110	104	124	358	495
110	404	070	119	310	498	110	910	263	160	248	1	120	111	112	121	355	502
110	405	089	111	284	553	110	911	147	130	309	572	120	112	119	121	255	616
110	406	072	118	312	454	110	912	034	111	313	66	120	113	203	156	269	666
110	407	088	103	313	374	110	913	096	146	583	619	120	114	192	146	366	863
110	408	064	102	299	385	110	914	064	137	742	427	120	115	174	156	401	655
110	409	059	094	279	566	110	915	186	144	709	272	120	116	166	161	459	968
110	410	081	106	359	495	110	916	216	157	787	256	120	117	156	138	237	793
110	411	089	114	284	489	110	917	158	158	308	122	120	118	144	122	261	818
110	412	067	106	298	429	110	918	137	151	334	605	120	119	131	118	288	552
110	413	065	110	366	379	110	919	120	149	405	641	120	120	167	137	272	616
110	414	061	097	288	462	110	920	160	220	446	860	120	121	117	113	300	604
110	415	055	109	327	559	110	921	217	166	443	266	120	122	117	120	264	495
110	416	058	114	281	416	110	922	058	117	308	490	120	123	127	118	335	555
110	417	067	102	322	444	110	923	186	152	482	792	120	124	121	111	239	622
110	418	056	098	328	299	110	924	127	142	328	877	120	125	117	117	286	516
110	419	071	114	304	423	110	925	067	124	369	555	120	126	111	114	247	482
110	420	071	109	285	464	110	926	064	120	320	443	120	127	105	120	261	560
110	421	058	108	336	429	110	927	058	111	301	477	120	128	109	108	223	510
110	422	044	107	327	366	110	928	087	104	228	421	120	129	128	111	247	619
110	423	060	109	350	506	110	929	082	112	224	502	120	130	110	109	286	482
110	424	066	113	334	444	110	930	104	116	277	555	120	131	125	119	304	517
110	425	066	113	250	551	110	931	098	124	259	589	120	132	122	120	355	503
110	426	066	106	253	411	110	932	092	118	269	494	120	133	122	110	299	449
110	427	067	111	313	440	110	933	092	114	414	532	120	134	104	115	310	433
110	428	053	107	367	389	110	934	074	115	279	624	120	135	117	115	360	438
110	429	053	112	325	444	110	935	082	108	336	439	120	136	110	117	257	455
110	430	053	110	322	433	110	936	077	108	299	437	120	137	107	112	201	521
110	431	053	113	398	414	110	937	074	106	306	438	120	138	099	112	248	465
110	432	053	118	390	517	110	938	078	104	271	400	120	139	109	108	209	464
110	433	046	114	343	421	110	939	070	118	471	416	120	140	111	105	230	459
110	434	056	116	408	515	110	940	081	107	285	526	120	141	107	108	276	485
110	435	058	100	282	384	110	941	075	110	328	417	120	142	101	113	254	485

WD	TAP	CPMEAN	CPRMS	CPMAX	CPMIN	WD	TAP	CPMEAN	CPRMS	CPMAX	CPMIN	WD	TAP	CPMEAN	CPRMS	CPMAX	CPMIN
120	143	.094	.119	.356	.483	120	234	.110	.105	.258	.476	120	342	.142	.130	.548	.557
120	144	.092	.112	.336	.555	120	235	.113	.104	.254	.461	120	343	.113	.134	.554	.340
120	145	.097	.099	.184	.443	120	236	.048	.195	.665	.834	120	344	.100	.131	.587	.397
120	146	.090	.098	.205	.446	120	237	.080	.123	.636	.300	120	345	.092	.121	.348	.462
120	147	.108	.101	.264	.486	120	238	.229	.129	.218	.792	120	346	.097	.111	.271	.484
1200	148	.101	.102	.241	.410	120	239	.209	.133	.218	.802	120	347	.085	.123	.514	.304
1200	149	.092	.087	.190	.365	120	240	.123	.112	.295	.572	120	348	.168	.143	.737	.369
1200	150	.081	.102	.254	.423	120	241	.109	.115	.310	.478	120	349	.216	.145	.849	.364
1200	151	.102	.108	.248	.554	120	242	.088	.105	.233	.406	120	350	.181	.143	.783	.580
1200	152	.084	.104	.309	.507	120	301	.095	.121	.311	.483	120	351	.074	.119	.274	.514
1200	153	.115	.100	.232	.462	120	302	.078	.119	.358	.435	120	352	.050	.112	.307	.482
1200	154	.110	.102	.237	.465	120	303	.076	.122	.456	.505	120	353	.016	.122	.411	.387
1200	155	.112	.102	.237	.468	120	304	.106	.152	.585	.759	120	354	.029	.112	.375	.339
12000	156	.112	.120	.340	.519	120	305	.238	.244	.790	.177	120	355	.044	.118	.428	.319
12000	157	.115	.111	.261	.433	120	306	.325	.255	.503	.774	120	356	.061	.111	.489	.311
12000	158	.097	.104	.224	.423	120	307	.088	.119	.317	.489	120	357	.096	.117	.285	.334
12000	159	.122	.112	.232	.486	120	308	.074	.109	.267	.471	120	358	.063	.104	.352	.321
12000	160	.068	.180	.799	.595	120	309	.060	.122	.361	.460	120	359	.074	.113	.486	.296
12000	202	.058	.186	.760	.619	120	310	.060	.136	.443	.084	120	360	.082	.123	.444	.298
12000	203	.016	.168	.628	.512	120	311	.206	.241	.573	.211	120	361	.180	.133	.933	.551
12000	204	.032	.127	.399	.493	120	312	.239	.233	.595	.194	120	362	.227	.141	.769	.503
12000	205	.109	.136	.356	.781	120	313	.156	.184	.908	.416	120	363	.220	.150	.738	.400
12000	206	.012	.125	.463	.411	120	314	.085	.140	.534	.537	120	364	.104	.125	.369	.563
12000	207	.205	.180	.843	.493	120	315	.128	.168	.681	.469	120	365	.099	.121	.363	.555
12000	208	.275	.161	.883	.224	120	316	.102	.164	.801	.536	120	401	.122	.130	.314	.699
12000	209	.184	.196	.501	.398	120	317	.223	.165	.968	.200	120	402	.101	.113	.303	.585
12000	210	.109	.142	.580	.894	120	318	.168	.138	.721	.468	120	403	.096	.123	.376	.566
12000	211	.163	.151	.338	.945	120	319	.143	.165	.761	.478	120	404	.103	.117	.282	.523
12000	212	.296	.187	.314	.260	120	320	.056	.123	.776	.619	120	405	.103	.120	.386	.596
12000	213	.204	.137	.277	.718	120	321	.105	.123	.228	.452	120	406	.099	.123	.347	.517
12000	214	.128	.184	.741	.593	120	322	.120	.113	.273	.669	120	407	.103	.115	.299	.444
12000	215	.184	.163	.910	.439	120	323	.213	.177	.875	.315	120	408	.097	.093	.200	.367
12000	216	.198	.158	.986	.301	120	324	.151	.151	.740	.339	120	409	.109	.105	.187	.480
12000	217	.021	.139	.211	.772	120	325	.088	.128	.560	.511	120	410	.092	.106	.214	.536
12000	218	.025	.152	.500	.656	120	326	.091	.152	.603	.420	120	411	.102	.118	.199	.454
12000	219	.144	.113	.203	.574	120	327	.054	.110	.388	.420	120	412	.089	.106	.242	.423
12000	220	.118	.106	.219	.579	120	328	.046	.112	.305	.428	120	413	.102	.105	.232	.423
12000	221	.163	.160	.870	.403	120	329	.017	.122	.383	.464	120	414	.099	.106	.307	.412
12000	222	.177	.144	.625	.256	120	330	.012	.146	.584	.644	120	415	.088	.113	.275	.494
12000	223	.112	.147	.693	.253	120	331	.036	.241	.634	.363	120	416	.087	.103	.248	.454
12000	224	.041	.154	.640	.486	120	332	.067	.233	.725	.143	120	417	.081	.105	.286	.456
12000	225	.193	.121	.640	.704	120	333	.218	.233	.779	.195	120	418	.083	.112	.259	.423
12000	226	.178	.131	.251	.732	120	334	.158	.128	.635	.220	120	419	.104	.108	.307	.489
12000	227	.109	.114	.307	.604	120	335	.154	.133	.624	.423	120	420	.104	.105	.268	.474
12000	228	.057	.176	.727	.548	120	336	.163	.167	.906	.339	120	421	.087	.110	.260	.442
12000	229	.135	.136	.589	.329	120	337	.106	.106	.226	.462	120	422	.082	.124	.336	.439
12000	230	.260	.121	.149	.700	120	338	.091	.109	.282	.490	120	423	.077	.103	.253	.444
12000	231	.239	.136	.934	.434	120	339	.113	.115	.259	.449	120	424	.089	.117	.320	.454
12000	232	.114	.107	.234	.469	120	340	.103	.111	.314	.488	120	425	.071	.109	.313	.471
12000	233	.100	.107	.241	.464	120	341	.170	.157	.742	.385	120	426	.071	.110	.302	.436

WD	TAP	CPMEAN	CPRMS	CPMAX	CPMIN	WD	TAP	CPMEAN	CPRMS	CPMAX	CPMIN	WD	TAP	CPMEAN	CPRMS	CPMAX	CPMIN
120	427	.066	.117	.330	.469	120	933	.109	.109	.276	.470	130	134	.155	.116	.305	.546
120	428	.063	.119	.368	.470	120	934	.109	.121	.288	.526	130	135	.174	.131	.248	.660
120	429	.074	.102	.288	.407	120	935	.106	.118	.286	.478	130	136	.175	.132	.245	.621
120	430	.102	.120	.247	.552	120	936	.123	.111	.277	.587	130	137	.123	.125	.302	.535
120	431	.102	.115	.224	.537	120	937	.089	.118	.316	.512	130	138	.124	.112	.245	.602
120	432	.090	.126	.256	.465	120	938	.113	.115	.271	.497	130	139	.140	.124	.239	.538
120	433	.082	.113	.257	.444	120	939	.098	.114	.234	.460	130	140	.146	.108	.211	.489
120	434	.096	.111	.246	.472	120	940	.115	.113	.227	.563	130	141	.139	.119	.321	.490
120	435	.063	.109	.293	.423	120	941	.100	.110	.254	.436	130	142	.155	.109	.248	.487
120	436	.044	.113	.326	.413	120	942	.111	.108	.203	.467	130	143	.162	.122	.196	.675
120	437	.051	.106	.342	.422	120	943	.097	.102	.248	.443	130	144	.173	.128	.199	.599
120	438	.051	.108	.329	.449	120	944	.116	.112	.246	.489	130	145	.103	.105	.237	.430
120	439	.048	.111	.315	.402	120	945	.111	.114	.271	.512	130	146	.099	.094	.249	.426
120	440	.060	.111	.344	.462	120	946	.109	.114	.273	.558	130	147	.109	.104	.252	.402
120	441	.081	.107	.275	.469	120	947	.112	.112	.383	.422	130	148	.132	.107	.297	.487
120	442	.093	.111	.254	.447	120	948	.095	.110	.354	.516	130	149	.130	.080	.125	.378
120	443	.100	.126	.311	.479	120	949	.117	.119	.338	.558	130	150	.133	.114	.230	.573
120	444	.012	.115	.444	.389	130	101	.175	.123	.282	.566	130	151	.146	.116	.319	.606
120	901	.346	.202	.271	-1.202	130	102	.183	.126	.352	.923	130	152	.142	.124	.272	.580
120	902	.259	.159	.294	-.986	130	103	.173	.117	.232	.675	130	153	.125	.107	.208	.491
120	903	.167	.148	.306	-.839	130	104	.171	.122	.234	.696	130	154	.137	.116	.271	.586
120	904	.457	.214	.139	-1.586	130	105	.171	.121	.278	.580	130	155	.133	.105	.188	.516
120	905	.103	.132	.316	-.572	130	106	.177	.129	.304	.649	130	156	.121	.117	.212	.449
120	906	.123	.144	.338	-.516	130	107	.153	.119	.205	.618	130	161	.132	.110	.246	.619
120	907	.133	.131	.336	-.323	130	108	.155	.127	.339	.656	130	162	.132	.109	.204	.484
120	908	.170	.130	.666	-.198	130	109	.143	.113	.201	.583	130	163	.136	.102	.210	.481
120	909	.240	.150	.875	-.275	130	110	.142	.121	.214	.528	130	201	.032	.197	1.002	.852
120	910	.307	.155	.252	-.953	130	111	.156	.126	.245	.570	130	202	.033	.190	.910	.695
120	911	.169	.134	.273	-.731	130	112	.161	.119	.221	.660	130	203	.069	.178	.615	.663
120	912	.053	.119	.341	-.475	130	113	.217	.154	.333	.830	130	204	.065	.137	.431	.699
120	913	.025	.157	.701	-.501	130	114	.206	.150	.269	.764	130	205	.145	.131	.374	.654
120	914	.090	.150	.713	-.403	130	115	.193	.146	.271	.885	130	206	.043	.127	.455	.568
120	915	.169	.140	.689	-.327	130	116	.193	.147	.208	.953	130	207	.144	.178	.788	.648
120	916	.209	.146	.813	-.279	130	117	.176	.122	.197	.651	130	208	.232	.171	1.028	.381
120	917	.204	.161	.381	-1.031	130	118	.165	.120	.260	.563	130	209	.189	.182	.436	-1.211
120	918	.179	.156	.325	.900	130	119	.168	.122	.222	.599	130	210	.133	.138	.282	.985
120	919	.145	.154	.384	-1.113	130	120	.169	.131	.255	.739	130	211	.190	.142	.295	-1.058
120	920	.233	.255	.494	-.391	130	121	.145	.115	.228	.531	130	212	.314	.182	.243	-1.051
120	921	.239	.169	.298	-.654	130	122	.140	.108	.201	.574	130	213	.207	.133	.191	.826
120	922	.067	.111	.326	-.582	130	123	.151	.119	.233	.601	130	214	.163	.172	.877	.612
120	923	.199	.154	.308	-.907	130	124	.148	.115	.198	.567	130	215	.183	.157	.888	.362
120	924	.143	.122	.234	-.687	130	125	.148	.114	.236	.489	130	216	.198	.157	1.020	.281
120	925	.076	.127	.392	-.504	130	126	.148	.118	.302	.524	130	217	.282	.150	.146	-1.001
120	926	.109	.118	.295	-.538	130	127	.147	.106	.231	.460	130	218	.027	.167	.447	.584
120	927	.103	.103	.242	-.512	130	128	.156	.123	.221	.642	130	219	.164	.123	.183	.562
120	928	.103	.113	.250	-.523	130	129	.170	.129	.387	.618	130	220	.146	.112	.217	.545
120	929	.113	.112	.250	-.484	130	130	.159	.121	.262	.608	130	221	.210	.151	.736	.372
120	930	.122	.125	.276	-.538	130	131	.161	.119	.204	.566	130	222	.230	.145	.729	.170
120	931	.111	.111	.279	-.531	130	132	.161	.119	.252	.580	130	223	.142	.147	.761	.365
120	932	.132	.113	.243	-.639	130	133	.153	.109	.198	.528	130	224	.006	.172	.707	.775

MD	TAP	CPMEAN	CPRMS	CPMAX	CPMIN	MD	TAP	CPMEAN	CPRMS	CPMAX	CPMIN	MD	TAP	CPMEAN	CPRMS	CPMAX	CPMIN
130	225	.201	.122	.230	-.637	130	333	.234	.146	.769	-.198	130	418	-.108	.113	.306	-.528
130	226	-.186	.129	.293	-.633	130	334	.191	.132	.684	-.238	130	419	-.137	.116	.319	-.476
130	227	-.113	.119	.299	-.537	130	335	.179	.141	.699	-.305	130	420	-.159	.108	.250	-.499
130	228	-.117	.193	.801	-.716	130	336	.163	.152	.882	-.303	130	421	-.163	.117	.275	-.549
130	229	.115	.126	.633	-.301	130	337	-.141	.114	.271	-.580	130	422	-.146	.121	.262	-.580
130	230	.300	.138	.161	-.874	130	338	-.132	.117	.280	-.514	130	423	-.148	.112	.206	-.472
130	231	-.247	.140	.264	-.052	130	339	-.175	.113	.184	-.581	130	424	-.162	.110	.221	-.509
130	232	-.116	.129	.325	-.626	130	340	-.163	.118	.301	-.523	130	425	-.049	.122	.357	-.466
130	233	-.093	.116	.289	-.352	130	341	-.212	.150	.826	-.202	130	426	-.053	.118	.307	-.461
130	234	-.137	.121	.281	-.644	130	342	-.189	.131	.719	-.321	130	427	-.072	.115	.309	-.526
130	235	-.126	.106	.220	-.343	130	343	-.136	.132	.546	-.373	130	428	-.082	.117	.263	-.546
130	236	-.104	.189	.827	-.627	130	344	-.123	.147	.654	-.415	130	429	-.122	.119	.280	-.587
130	237	.096	.130	.518	-.333	130	345	-.163	.114	.243	-.339	130	430	-.122	.121	.275	-.574
130	238	.246	.127	.186	-.339	130	346	-.164	.129	.268	-.364	130	431	-.166	.113	.187	-.574
130	239	-.205	.129	.230	-.672	130	347	-.072	.117	.451	-.339	130	432	-.155	.115	.262	-.533
130	240	-.116	.116	.205	-.661	130	348	-.164	.126	.625	-.325	130	433	-.157	.126	.330	-.516
130	241	-.114	.115	.249	-.622	130	349	-.209	.137	.740	-.342	130	434	-.157	.117	.344	-.533
130	242	-.117	.111	.256	-.622	130	350	-.210	.152	.715	-.379	130	435	-.040	.116	.322	-.403
130	301	-.124	.120	.361	-.599	130	351	-.103	.119	.288	-.166	130	436	-.088	.112	.306	-.499
130	302	-.089	.123	.401	-.534	130	352	-.073	.110	.258	-.277	130	437	-.060	.110	.283	-.442
130	303	-.075	.140	.435	-.638	130	353	-.020	.107	.314	-.377	130	438	-.033	.113	.334	-.426
130	304	-.075	.176	.564	-.699	130	354	-.024	.125	.466	-.346	130	439	-.033	.111	.358	-.319
130	305	-.130	.247	.587	-.069	130	355	-.053	.117	.514	-.363	130	440	-.079	.114	.377	-.406
130	306	-.242	.268	.1	-.154	130	356	-.072	.122	.449	-.370	130	441	-.121	.109	.270	-.439
130	307	-.122	.117	.220	-.339	130	357	-.154	.114	.221	-.572	130	442	-.151	.118	.290	-.549
130	308	-.093	.115	.281	-.333	130	358	-.010	.110	.408	-.382	130	443	-.147	.124	.262	-.639
130	309	-.044	.126	.371	-.449	130	359	-.078	.120	.481	-.284	130	444	-.006	.113	.359	-.369
130	310	-.010	.171	.558	-.814	130	360	-.090	.124	.507	-.374	130	901	-.444	.230	.330	-.523
130	311	-.027	.242	.730	-.115	130	361	-.170	.127	.664	-.270	130	902	-.342	.170	.151	-.100
130	312	-.090	.280	.712	-.665	130	362	-.211	.139	.837	-.359	130	903	-.229	.158	.308	-.554
130	313	-.100	.163	.995	-.442	130	363	-.224	.155	.814	-.397	130	904	-.154	.234	.122	-.1
130	314	-.084	.150	.667	-.530	130	364	-.163	.120	.217	-.724	130	905	-.154	.146	.517	-.705
130	315	-.130	.182	.810	-.333	130	365	-.160	.115	.216	-.701	130	906	-.125	.135	.680	-.735
130	316	-.153	.194	.913	-.444	130	401	-.179	.131	.230	-.797	130	907	-.158	.144	.844	-.524
130	317	-.215	.160	.936	-.227	130	402	-.184	.124	.213	-.625	130	908	-.180	.125	.611	-.222
130	318	-.165	.143	.663	-.222	130	403	-.182	.122	.214	-.625	130	909	-.222	.155	.877	-.177
130	319	-.194	.196	.827	-.603	130	404	-.192	.141	.278	-.666	130	910	-.332	.154	.178	-.666
130	320	-.081	.196	.980	-.476	130	405	-.193	.131	.218	-.601	130	911	-.211	.147	.276	-.524
130	321	-.152	.113	.239	-.720	130	406	-.196	.131	.279	-.746	130	912	-.093	.122	.313	-.524
130	322	-.148	.116	.220	-.333	130	407	-.167	.118	.165	-.676	130	913	-.049	.161	.715	-.406
130	323	-.158	.158	.859	-.333	130	408	-.178	.112	.147	-.633	130	914	-.106	.164	.700	-.722
130	324	-.137	.149	.664	-.333	130	409	-.101	.107	.147	-.646	130	915	-.160	.139	.771	-.722
130	325	-.106	.139	.638	-.333	130	410	-.105	.107	.133	-.646	130	916	-.160	.150	.802	-.666
130	326	-.107	.169	.846	-.450	130	411	-.134	.107	.292	-.640	130	917	-.222	.167	.819	-.666
130	327	-.092	.111	.264	-.450	130	412	-.131	.119	.304	-.643	130	918	-.199	.149	.249	-.611
130	328	-.069	.125	.380	-.484	130	413	-.166	.110	.301	-.632	130	919	-.172	.142	.248	-.611
130	329	-.001	.119	.457	-.444	130	414	-.180	.115	.204	-.641	130	920	-.231	.218	.295	-.634
130	330	-.061	.137	.547	-.444	130	415	-.172	.110	.188	-.637	130	921	-.240	.146	.237	-.634
130	331	-.087	.207	.734	-.918	130	416	-.160	.112	.192	-.647	130	922	-.208	.122	.334	-.599
130	332	-.051	.259	.797	-.198	130	417	-.088	.115	.287	-.672	130	923	-.227	.147	.181	-.599

WD	TAP	CPMEAN	CPRMS	CPMAX	CPMIN	WD	TAP	CPMEAN	CPRMS	CPMAX	CPMIN	WD	TAP	CPMEAN	CPRMS	CPMAX	CPMIN
130	924	168	123	319	614	140	125	164	120	260	617	140	216	194	134	789	199
130	923	110	123	339	531	140	126	152	125	229	580	140	217	277	148	211	879
130	926	138	120	246	539	140	127	166	111	256	513	140	218	081	183	453	648
130	927	143	117	227	563	140	128	171	114	168	634	140	219	166	189	254	595
130	928	153	117	185	539	140	129	179	124	262	726	140	220	162	111	194	311
130	929	161	123	227	621	140	130	176	125	198	722	140	221	236	157	821	246
130	930	150	117	223	602	140	131	176	112	254	561	140	222	242	153	743	250
130	931	153	117	261	643	140	132	174	119	219	582	140	223	086	146	766	401
130	932	160	124	416	649	140	133	167	100	187	513	140	224	006	178	689	378
130	933	152	113	218	587	140	134	185	119	197	659	140	225	181	119	187	552
130	934	150	121	332	649	140	135	191	127	189	619	140	226	168	122	294	573
130	935	156	122	241	600	140	136	201	124	238	598	140	227	111	116	271	608
130	936	164	118	227	597	140	137	123	123	346	595	140	228	142	167	805	496
130	937	105	115	306	468	140	138	138	118	225	627	140	229	113	139	642	302
130	938	138	121	291	532	140	139	145	110	192	550	140	230	270	126	169	754
130	939	133	121	246	574	140	140	158	107	183	469	140	231	207	141	292	857
130	940	138	124	231	522	140	141	168	116	204	605	140	232	098	113	271	415
130	941	093	109	278	432	140	142	170	123	258	549	140	233	078	114	295	433
130	942	131	121	223	516	140	143	191	120	183	666	140	234	137	110	219	508
130	943	124	108	215	481	140	144	183	127	217	679	140	235	131	116	250	580
130	944	127	126	366	566	140	145	100	105	223	491	140	236	129	156	677	496
130	945	122	115	324	494	140	146	097	098	210	368	140	237	111	137	638	340
130	946	106	112	256	559	140	147	108	103	181	528	140	238	216	121	175	749
130	947	134	124	276	570	140	148	133	104	214	482	140	239	175	128	237	481
130	948	122	112	284	519	140	149	133	094	175	419	140	240	097	104	236	288
130	949	113	138	389	628	140	150	151	116	271	542	140	241	107	111	313	464
140	101	189	124	168	671	140	151	164	130	304	681	140	242	113	107	204	458
140	102	189	125	215	686	140	152	174	123	283	595	140	301	097	121	332	508
140	103	173	125	287	673	140	153	137	107	207	482	140	302	064	119	318	503
140	104	178	125	234	644	140	154	145	105	227	521	140	303	020	139	370	540
140	105	181	123	307	554	140	155	140	111	227	593	140	304	003	169	704	336
140	106	188	121	225	644	140	156	130	107	191	501	140	305	012	222	804	446
140	107	174	114	201	528	140	161	134	109	260	492	140	306	005	287	977	288
140	108	172	115	203	525	140	162	134	101	201	462	140	307	112	122	313	333
140	109	163	115	203	634	140	163	127	103	263	523	140	308	072	123	351	327
140	110	166	112	194	553	140	201	067	194	627	521	140	309	061	128	407	443
140	111	173	112	238	608	140	202	094	168	601	758	140	310	076	156	712	548
140	112	182	123	256	641	140	203	137	163	544	611	140	311	143	210	815	891
140	113	210	136	284	024	140	204	100	133	408	549	140	312	138	251	984	105
140	114	195	136	298	86	140	205	161	133	348	529	140	313	080	139	760	395
140	115	192	140	287	881	140	206	046	133	345	541	140	314	079	144	532	454
140	116	189	140	309	930	140	207	130	133	714	839	140	315	137	198	891	411
140	117	165	114	317	684	140	208	177	133	857	260	140	316	154	200	600	455
140	118	175	114	254	600	140	209	181	140	415	382	140	317	202	133	680	235
140	119	173	113	190	553	140	210	139	131	258	799	140	318	168	136	719	259
140	120	181	114	197	551	140	211	199	124	287	718	140	319	169	199	926	343
140	121	158	114	238	525	140	212	228	199	301	189	140	320	090	222	026	645
140	122	158	111	225	583	140	213	211	152	238	338	140	321	122	122	366	489
140	123	159	111	225	583	140	214	199	150	861	388	140	322	122	104	229	486
140	124	164	116	178	608	140	215	210	140	751	398	140	323	169	143	818	261

WD	TAP	CPMEAN	CPRMS	CPMAX	CPMIN	WD	TAP	CPMEAN	CPRMS	CPMAX	CPMIN	WD	TAP	CPMEAN	CPRMS	CPMAX	CPMIN
140	324	.135	.133	.741	-.318	140	409	-.228	.102	.091	-.571	140	915	.157	.144	.666	-.441
140	325	.104	.125	.508	-.294	140	410	-.225	.117	.156	-.683	140	916	.170	.124	.623	-.290
140	326	.100	.162	.823	-.443	140	411	-.129	.107	.242	-.565	140	917	-.233	.160	.223	-1.144
140	327	-.093	.112	.287	-.443	140	412	-.121	.111	.214	-.538	140	918	-.220	.165	.311	-1.653
140	328	-.046	.112	.307	-.487	140	413	-.176	.111	.196	-.509	140	919	-.178	.128	.279	-.735
140	329	.024	.108	.443	-.360	140	414	-.235	.119	.198	-.628	140	920	-.178	.148	.366	-1.132
140	330	.097	.122	.531	-.343	140	415	-.208	.108	.132	-.644	140	921	-.240	.129	.251	-.912
140	331	.150	.182	.810	-.619	140	416	-.195	.125	.205	-.639	140	922	-.085	.114	.320	-.491
140	332	.149	.209	.778	-.726	140	417	-.109	.116	.271	-.475	140	923	-.215	.129	.184	-.793
140	333	.250	.136	.906	-.215	140	418	-.120	.116	.298	-.524	140	924	-.124	.134	.338	-.603
140	334	.215	.138	.765	-.176	140	419	-.100	.118	.399	-.508	140	925	-.070	.133	.471	-.542
140	335	.160	.138	.665	-.287	140	420	-.172	.108	.186	-.532	140	926	-.106	.122	.324	-.522
140	336	.129	.153	.955	-.278	140	421	-.201	.114	.184	-.651	140	927	-.117	.126	.274	-.645
140	337	-.115	.135	.436	-.645	140	422	-.173	.109	.210	-.572	140	928	-.171	.134	.286	-.766
140	338	.115	.119	.293	-.498	140	423	-.093	.118	.236	-.514	140	929	-.157	.143	.221	-.688
140	339	.198	.131	.266	-.671	140	424	-.170	.117	.251	-.680	140	930	-.174	.124	.235	-.627
140	340	-.182	.118	.201	-.591	140	425	-.034	.125	.464	-.448	140	931	-.164	.119	.190	-.674
140	341	.239	.153	.779	-.214	140	426	-.050	.110	.374	-.402	140	932	-.164	.113	.219	-.542
140	342	.201	.138	.747	-.318	140	427	-.074	.121	.393	-.472	140	933	-.165	.116	.223	-.531
140	343	.146	.125	.539	-.302	140	428	-.072	.120	.344	-.502	140	934	-.170	.111	.284	-.547
140	344	.119	.143	.639	-.337	140	429	-.108	.120	.261	-.493	140	935	-.180	.127	.216	-.666
140	345	.188	.117	.176	-.770	140	430	-.166	.118	.240	-.613	140	936	-.188	.122	.158	-.668
140	346	.181	.136	.300	-.617	140	431	-.178	.123	.222	-.567	140	937	-.105	.121	.283	-.609
140	347	.077	.111	.529	-.261	140	432	-.164	.111	.171	-.578	140	938	-.130	.112	.239	-.531
140	348	.155	.127	.647	-.275	140	433	-.169	.117	.204	-.561	140	939	-.140	.110	.233	-.481
140	349	.184	.132	.674	-.389	140	434	-.172	.119	.276	-.553	140	940	-.146	.123	.284	-.552
140	350	.175	.166	.724	-.419	140	435	-.040	.118	.314	-.428	140	941	-.093	.115	.274	-.485
140	351	.099	.114	.322	-.483	140	436	-.049	.116	.348	-.402	140	942	-.134	.108	.236	-.555
140	352	.054	.116	.313	-.456	140	437	-.061	.124	.355	-.486	140	943	-.129	.113	.421	-.654
140	353	.000	.106	.336	-.333	140	438	-.036	.108	.359	-.371	140	944	-.141	.128	.298	-.611
140	354	.042	.106	.429	-.347	140	439	-.050	.117	.333	-.480	140	945	-.124	.130	.295	-.558
140	355	.065	.115	.464	-.312	140	440	-.072	.114	.273	-.479	140	946	-.104	.111	.241	-.465
140	356	.074	.118	.455	-.277	140	441	-.110	.111	.232	-.495	140	947	-.133	.127	.300	-.549
140	357	.171	.113	.243	-.576	140	442	-.167	.114	.207	-.587	140	948	-.113	.116	.296	-.485
140	358	.002	.123	.362	-.408	140	443	-.165	.114	.199	-.608	140	949	-.070	.146	.517	-.681
140	359	.083	.114	.471	-.250	140	444	-.027	.114	.428	-.349	150	101	-.201	.121	.170	-.649
140	360	.091	.118	.525	-.342	140	901	-.458	.238	-.1	-.456	150	102	-.195	.121	.181	-.643
140	361	.149	.123	.630	-.322	140	902	-.324	.181	.429	-.1	103	-.186	.121	.197	-.679	
140	362	.190	.145	.737	-.466	140	903	-.221	.168	.428	-.964	150	104	-.200	.119	.192	-.755
140	363	.181	.163	.695	-.376	140	904	-.509	.283	.294	-.100	150	105	-.196	.115	.177	-.614
140	364	.173	.127	.255	-.734	140	905	-.130	.157	.405	-.625	150	106	-.203	.118	.196	-.712
140	365	.169	.118	.241	-.583	140	906	-.111	.145	.640	-.522	150	107	-.192	.111	.303	-.672
140	401	.196	.124	.249	-.933	140	907	-.148	.131	.723	-.260	150	108	-.191	.116	.206	-.651
140	402	.185	.124	.205	-.931	140	908	-.204	.130	.601	-.272	150	109	-.184	.112	.257	-.600
140	403	.215	.127	.172	-.914	140	909	-.233	.141	.796	-.172	150	110	-.196	.123	.268	-.561
140	404	.239	.146	.223	-.748	140	910	-.384	.154	.212	-.993	150	111	-.195	.119	.189	-.631
140	405	.243	.124	.188	-.810	140	911	-.174	.135	.264	-.696	150	112	-.190	.115	.189	-.672
140	406	.241	.137	.208	-.808	140	912	-.082	.124	.320	-.637	150	113	-.206	.146	.277	-.840
140	407	.180	.120	.226	-.625	140	913	-.021	.167	.605	-.619	150	114	-.194	.142	.283	-.842
140	408	.202	.115	.132	-.635	140	914	-.110	.167	.770	-.405	150	115	-.180	.126	.260	-.683

WD	TAP	CPMEAN	CPRMS	CPMAX	CPMIN	WD	TAP	CPMEAN	CPRMS	CPMAX	CPMIN	WD	TAP	CPMEAN	CPRMS	CPMAX	CPMIN
150	116	.192	.137	.391	.72	150	207	.161	.184	.807	.840	150	315	.133	.181	.774	.522
150	117	.170	.130	.209	.906	150	208	.180	.111	.663	.256	150	316	.159	.208	1.077	.516
150	118	.176	.124	.230	.620	150	209	.180	.136	.315	.983	150	317	.217	.149	.837	.263
150	119	.177	.115	.179	.634	150	210	.134	.125	.237	.765	150	318	.173	.131	.666	.377
150	120	.189	.115	.170	.339	150	211	.189	.126	.282	.707	150	319	.134	.164	.730	.313
150	121	.170	.116	.208	.22	150	212	.298	.175	.284	1.184	150	320	.037	.190	.989	.611
150	122	.170	.116	.228	.55	150	213	.194	.111	.180	.623	150	321	.083	.128	.431	.512
150	123	.170	.114	.199	.449	150	214	.225	.147	.709	.522	150	322	.081	.115	.453	.447
150	124	.173	.105	.226	.554	150	215	.224	.140	.724	.437	150	323	.204	.140	.732	.225
150	125	.177	.108	.212	.556	150	216	.210	.135	.700	.262	150	324	.144	.136	.731	.322
150	126	.188	.111	.173	.62	150	217	.300	.146	.189	.972	150	325	.099	.121	.556	.311
150	127	.193	.106	.173	.153	150	218	.150	.168	.483	.715	150	326	.076	.156	.711	.443
150	128	.199	.112	.245	.59	150	219	.161	.106	.189	.512	150	327	.073	.118	.383	.420
150	129	.210	.135	.251	.840	150	220	.177	.108	.216	.662	150	328	.026	.112	.418	.384
150	130	.202	.130	.231	.765	150	221	.230	.140	.673	.263	150	329	.037	.105	.408	.364
150	131	.192	.116	.277	.646	150	222	.250	.139	.725	.174	150	330	.114	.119	.532	.309
150	132	.188	.113	.171	.666	150	223	.054	.138	.674	.418	150	331	.183	.145	.712	.365
150	133	.190	.097	.194	.613	150	224	.058	.171	.656	.739	150	332	.161	.184	.723	.696
150	134	.200	.117	.183	.605	150	225	.172	.106	.170	.633	150	333	.266	.141	.832	.207
150	135	.233	.131	.197	.800	150	226	.143	.123	.248	.615	150	334	.214	.139	.786	.270
150	136	.244	.141	.197	.784	150	227	.100	.117	.317	.458	150	335	.159	.132	.618	.296
150	137	.148	.123	.375	.594	150	228	.070	.144	.631	.668	150	336	.087	.135	.668	.394
150	138	.146	.125	.294	.676	150	229	.093	.126	.584	.276	150	337	.080	.135	.379	.526
150	139	.157	.106	.193	.512	150	230	.246	.126	.154	.848	150	338	.071	.126	.333	.529
150	140	.181	.104	.193	.482	150	231	.174	.123	.248	.691	150	339	.191	.148	.242	.814
150	141	.188	.121	.245	.624	150	232	.091	.111	.337	.498	150	340	.171	.137	.340	.583
150	142	.199	.112	.179	.584	150	233	.083	.112	.333	.447	150	341	.220	.132	.678	.235
150	143	.220	.129	.131	.669	150	234	.137	.114	.333	.599	150	342	.205	.129	.736	.245
150	144	.207	.113	.128	.563	150	235	.128	.109	.333	.502	150	343	.155	.124	.650	.331
150	145	.088	.091	.230	.335	150	236	.150	.167	.333	.584	150	344	.145	.134	.567	.309
150	146	.095	.095	.180	.400	150	237	.110	.116	.533	.287	150	345	.204	.129	.212	.836
150	147	.099	.105	.230	.440	150	238	.102	.111	.178	.622	150	346	.192	.128	.219	.641
150	148	.134	.106	.238	.462	150	239	.155	.111	.220	.557	150	347	.073	.109	.450	.291
150	149	.144	.093	.067	.437	150	240	.082	.114	.337	.423	150	348	.153	.124	.582	.231
150	150	.174	.113	.206	.680	150	241	.090	.110	.333	.400	150	349	.189	.142	.885	.271
150	151	.189	.113	.165	.598	150	242	.109	.112	.333	.513	150	350	.180	.145	.709	.303
150	152	.199	.116	.240	.727	150	243	.106	.129	.333	.739	150	351	.087	.115	.316	.461
150	153	.139	.108	.310	.493	150	244	.058	.126	.505	.595	150	352	.041	.104	.336	.400
150	154	.138	.110	.292	.543	150	245	.069	.128	.505	.489	150	353	.013	.106	.408	.326
150	155	.133	.107	.202	.482	150	246	.037	.145	.849	.411	150	354	.050	.109	.448	.347
150	156	.133	.113	.250	.495	150	247	.095	.206	.643	.782	150	355	.073	.116	.526	.326
150	161	.111	.106	.220	.476	150	248	.130	.241	.033	1.036	150	356	.082	.119	.506	.275
150	162	.132	.111	.333	.515	150	249	.117	.125	.322	.501	150	357	.193	.127	.204	.607
150	163	.122	.110	.333	.527	150	250	.055	.115	.443	.400	150	358	.003	.119	.388	.356
150	201	.020	.110	.530	.939	150	251	.026	.114	.888	.372	150	359	.089	.119	.431	.316
150	202	.132	.173	.532	.937	150	252	.111	.133	.448	.399	150	360	.099	.123	.553	.268
150	203	.130	.153	.530	.591	150	253	.195	.186	.886	1.116	150	361	.149	.133	.577	.245
150	204	.130	.129	.450	.533	150	254	.237	.189	.986	.427	150	362	.165	.137	.598	.408
150	205	.125	.125	.322	.514	150	255	.093	.140	.661	.335	150	363	.167	.146	.758	.531
150	206	.120	.120	.373	.595	150	256	.071	.138	.609	.452	150	364	.195	.138	.201	.858

WD	TAP	CPMEAN	CPRMS	CPMAX	CPMIN	WD	TAP	CPMEAN	CPRMS	CPMAX	CPMIN	WD	TAP	CPMEAN	CPRMS	CPMAX	CPMIN
1500	363	119	123	181	663	1500	906	101	128	641	278	160	107	239	120	187	784
1500	401	213	125	144	715	1500	907	134	126	597	307	160	108	224	110	154	594
1500	402	213	133	253	639	1500	908	184	128	679	202	160	109	227	117	198	683
1500	403	254	134	203	841	1500	909	234	145	843	227	160	110	238	122	211	645
1500	404	288	161	213	957	1500	910	414	165	434	256	160	111	238	114	129	612
1500	405	288	147	228	375	1500	911	119	128	282	632	160	112	231	116	101	597
1500	406	299	150	227	922	1500	912	052	120	475	483	160	113	231	157	261	008
1500	407	299	116	185	619	1500	913	020	176	853	515	160	114	214	148	334	803
1500	408	299	135	202	673	1500	914	033	157	701	466	160	115	212	138	335	922
1500	409	264	108	091	588	1500	915	151	131	605	339	160	116	208	144	216	011
1500	410	264	112	251	723	1500	916	196	122	703	143	160	117	193	133	354	707
1500	411	139	106	258	200	1500	917	244	171	200	218	160	118	204	131	207	751
1500	412	139	110	288	463	1500	918	213	164	330	301	160	119	200	120	213	690
1500	413	150	118	288	555	1500	919	187	138	436	833	160	120	218	122	162	678
1500	414	150	119	142	663	1500	920	176	139	455	528	160	121	198	128	309	675
1500	415	214	122	198	555	1500	921	240	136	455	729	160	122	178	127	272	755
1500	416	214	131	313	535	1500	922	068	121	333	495	160	123	199	107	232	648
1500	417	110	129	313	535	1500	923	191	134	233	811	160	124	211	115	121	574
1500	418	144	118	328	487	1500	924	085	130	343	591	160	125	212	113	168	633
1500	419	086	131	328	505	1500	925	041	146	436	485	160	126	235	116	181	662
1500	420	177	126	328	505	1500	926	079	123	368	462	160	127	225	114	171	588
1500	421	226	120	195	697	1500	927	000	116	330	537	160	128	233	111	157	671
1500	422	197	115	120	334	1500	928	180	121	320	679	160	129	226	157	180	008
1500	423	162	126	309	484	1500	929	175	146	305	792	160	130	244	137	284	838
1500	424	162	124	322	667	1500	930	192	134	224	929	160	131	222	114	144	669
1500	425	044	121	433	493	1500	931	181	114	211	688	160	132	233	113	160	621
1500	426	044	115	433	606	1500	932	180	114	233	600	160	133	242	113	121	660
1500	427	098	121	433	606	1500	933	178	115	169	554	160	134	247	119	156	812
1500	428	098	115	433	606	1500	934	180	113	220	592	160	135	287	138	116	897
1500	429	172	124	551	46	1500	935	190	118	208	700	160	136	282	133	168	082
1500	430	172	119	551	46	1500	936	219	129	282	794	160	137	133	126	354	000
1500	431	188	117	551	46	1500	937	094	127	319	646	160	138	133	123	205	64
1500	432	188	118	551	46	1500	938	145	118	267	495	160	139	162	100	202	541
1500	433	188	125	551	46	1500	939	165	117	209	503	160	140	222	105	120	553
1500	434	173	132	653	055	1500	940	178	120	222	567	160	141	223	112	079	690
1500	435	073	116	322	055	1500	941	084	119	222	449	160	142	251	110	116	635
1500	436	073	119	422	055	1500	942	140	102	222	519	160	143	255	114	103	727
1500	437	073	126	356	44	1500	943	148	105	222	481	160	144	253	111	115	48
1500	438	073	120	06	452	1500	944	140	131	352	624	160	145	081	109	233	436
1500	439	073	117	17	452	1500	945	121	111	331	518	160	146	085	086	229	370
1500	440	073	121	44	499	1500	946	116	126	275	592	160	147	105	104	252	458
1500	441	160	123	33	532	1500	947	110	110	522	521	160	148	160	108	183	484
1500	442	173	123	577	33	1500	948	111	100	222	478	160	149	190	088	069	460
1500	443	173	118	158	588	1500	949	059	147	500	713	160	150	217	112	175	599
1500	444	050	115	420	309	160	101	265	127	147	830	160	151	223	111	181	569
1500	901	444	251	593	11	160	102	265	125	107	662	160	152	233	116	126	728
1500	902	290	170	06	11	160	103	231	118	169	790	160	153	153	107	254	509
1500	903	181	165	440	74	160	104	239	117	199	695	160	154	157	104	202	506
1500	904	382	274	339	563	160	105	232	112	097	642	160	155	157	111	195	612
1500	905	094	144	80	54	160	106	241	125	153	808	160	156	145	113	263	552

WD	TAP	CPNEAN	CPRMS	CPMAX	CPMIN	WD	TAP	CPMEAN	CPRMS	CPMAX	CPMIN	WD	TAP	CPNEAN	CPRMS	CPMAX	CPMIN
160	161	152	108	200	484	160	306	189	214	041	870	160	356	069	112	480	334
160	162	163	114	235	544	160	307	116	122	458	527	160	357	173	127	258	786
160	163	146	111	207	619	160	308	066	124	313	458	160	358	007	105	419	348
160	201	093	203	736	104	160	309	022	121	459	384	160	359	074	120	466	299
160	202	034	156	632	525	160	310	099	130	883	342	160	360	083	111	445	329
160	203	093	148	737	661	160	311	211	154	127	513	160	361	139	115	494	317
160	204	094	131	448	631	160	312	257	193	127	529	160	362	157	144	738	352
160	205	167	135	552	637	160	313	115	133	662	447	160	363	158	158	698	457
160	206	078	127	327	559	160	314	085	142	674	397	160	364	164	154	331	866
160	207	237	167	859	795	160	315	110	161	756	433	160	365	169	132	285	612
160	208	244	122	750	188	160	316	088	184	934	744	160	401	220	126	222	693
160	209	188	144	391	401	160	317	261	153	816	298	160	402	223	125	210	758
160	210	133	125	320	708	160	318	213	142	842	355	160	403	248	146	233	809
160	211	197	120	143	831	160	319	122	146	713	433	160	404	326	182	204	431
160	212	228	176	285	103	160	320	005	168	904	481	160	405	314	179	183	168
160	213	221	129	265	744	160	321	073	137	487	530	160	406	311	167	138	125
160	214	294	149	965	416	160	322	093	128	407	520	160	407	185	112	177	335
160	215	296	142	788	313	160	323	268	148	408	224	160	408	160	133	217	620
160	216	359	134	769	251	160	324	188	143	953	260	160	409	250	123	106	675
160	217	320	157	320	980	160	325	111	117	508	283	160	410	289	131	144	841
160	218	196	144	383	646	160	326	062	136	731	335	160	411	158	116	254	603
160	219	162	102	268	544	160	327	072	113	308	487	160	412	110	120	291	521
160	220	185	112	139	610	160	328	017	108	433	449	160	413	129	116	213	512
160	221	189	147	766	218	160	329	050	106	422	290	160	414	243	147	244	873
160	222	218	139	859	223	160	330	098	121	522	335	160	415	223	123	172	726
160	223	040	126	453	460	160	331	134	138	838	628	160	416	232	117	169	625
160	224	167	124	419	732	160	332	126	172	667	579	160	417	148	133	252	766
160	225	167	124	195	625	160	333	275	150	906	158	160	418	177	109	211	559
160	226	144	114	237	558	160	334	212	129	883	132	160	419	049	118	376	425
160	227	096	115	282	474	160	335	149	130	433	267	160	420	146	130	310	603
160	228	083	135	462	623	160	336	071	129	611	368	160	421	230	133	232	685
160	229	039	115	581	334	160	337	073	126	430	588	160	422	203	123	286	681
160	230	249	120	141	651	160	338	061	134	374	498	160	423	127	114	241	512
160	231	184	123	258	764	160	339	150	150	319	793	160	424	135	133	250	613
160	232	089	109	289	537	160	340	146	140	336	671	160	425	036	114	352	440
160	233	084	116	343	480	160	341	185	148	753	343	160	426	052	124	392	544
160	234	153	109	232	495	160	342	196	125	444	240	160	427	093	112	106	443
160	235	156	115	204	581	160	343	150	127	664	229	160	428	112	112	106	432
160	236	186	136	640	331	160	344	135	123	644	326	160	429	111	121	309	578
160	237	134	121	705	277	160	345	176	157	497	339	160	430	162	135	361	643
160	238	164	109	167	734	160	346	175	133	288	654	160	431	179	132	461	636
160	239	158	118	228	631	160	347	065	125	475	387	160	432	195	128	183	767
160	240	087	111	355	445	160	348	147	108	572	214	160	433	208	146	195	860
160	241	111	110	290	469	160	349	177	116	688	244	160	434	209	130	138	863
160	242	139	115	234	563	160	350	170	140	688	513	160	435	045	118	232	475
160	301	135	148	348	784	160	351	074	121	304	328	160	436	054	109	286	412
160	302	083	137	479	640	160	352	028	110	332	386	160	437	092	110	296	487
160	303	052	135	378	586	160	353	023	107	370	390	160	438	046	119	300	404
160	304	012	142	683	506	160	354	056	115	448	318	160	439	068	108	363	470
160	305	147	187	869	741	160	355	068	106	464	287	160	440	091	109	342	474

WD	TAP	CPMEAN	CPRMS	CPMAX	CPMIN	WD	TAP	CPMEAN	CPRMS	CPMAX	CPMIN	WD	TAP	CPMEAN	CPRMS	CPMAX	CPMIN
160	441	- .114	.118	.241	- .491	160	947	- .160	.106	.199	- .615	170	148	- .155	.100	.259	- .551
160	442	- .173	.131	.287	- .664	160	948	- .129	.119	.202	- .549	170	149	- .198	.087	.164	- .422
160	443	- .179	.128	.352	- .587	160	949	- .045	.161	.515	- .794	170	150	- .228	.104	.198	- .596
160	444	- .036	.106	.429	- .305	170	101	- .281	.118	.133	- .769	170	151	- .237	.111	.136	- .666
160	901	- .378	.249	.460	-1.373	170	102	- .269	.117	.114	-1.025	170	152	- .216	.104	.170	- .667
160	902	- .266	.181	.492	-1.043	170	103	- .233	.111	.183	- .643	170	153	- .157	.097	.164	- .533
160	903	- .172	.150	.323	- .909	170	104	- .227	.105	.214	- .688	170	154	- .159	.103	.218	- .508
160	904	- .367	.289	.444	-1.733	170	105	- .233	.118	.142	- .714	170	155	- .138	.097	.154	- .478
160	905	- .091	.153	.489	- .634	170	106	- .214	.114	.142	- .648	170	156	- .128	.094	.164	- .435
160	906	- .082	.114	.504	- .343	170	107	- .251	.118	.133	-1.249	170	161	- .139	.091	.185	- .483
160	907	- .161	.123	.689	- .228	170	108	- .233	.114	.174	- .895	170	162	- .159	.104	.200	- .500
160	908	- .209	.127	.619	- .259	170	109	- .223	.099	.119	- .567	170	163	- .139	.106	.207	- .478
160	909	- .308	.145	.946	- .155	170	110	- .226	.104	.125	- .551	170	201	- .098	.167	.786	- .787
160	910	- .440	.180	.292	-1.291	170	111	- .234	.107	.088	- .656	170	202	- .022	.147	.705	- .551
160	911	- .089	.115	.439	- .633	170	112	- .219	.100	.056	- .643	170	203	- .077	.137	.614	- .864
160	912	- .031	.119	.423	- .433	170	113	- .214	.148	.264	-1.032	170	204	- .097	.120	.464	- .537
160	913	- .009	.147	.514	- .574	170	114	- .194	.139	.026	- .843	170	205	- .182	.120	.331	- .639
160	914	- .086	.135	.636	- .396	170	115	- .200	.131	.200	- .901	170	206	- .086	.117	.407	- .521
160	915	- .192	.133	.733	- .329	170	116	- .187	.131	.207	- .842	170	207	- .281	.139	.820	- .325
160	916	- .239	.140	.739	- .203	170	117	- .188	.134	.201	- .719	170	208	- .231	.112	.965	- .122
160	917	- .267	.182	.273	-1.449	170	118	- .192	.132	.302	- .794	170	209	- .177	.135	.257	-1.144
160	918	- .246	.174	.258	-1.430	170	119	- .189	.115	.235	- .659	170	210	- .134	.117	.268	- .642
160	919	- .207	.144	.204	- .969	170	120	- .193	.111	.156	- .597	170	211	- .202	.106	.145	- .692
160	920	- .204	.155	.285	-1.092	170	121	- .191	.126	.229	- .781	170	212	- .327	.165	.241	-1.009
160	921	- .284	.147	.178	-1.116	170	122	- .179	.121	.203	- .708	170	213	- .218	.129	.192	- .762
160	922	- .042	.122	.393	- .475	170	123	- .183	.106	.263	- .569	170	214	- .249	.132	.792	- .168
160	923	- .183	.148	.372	- .675	170	124	- .211	.103	.124	- .615	170	215	- .255	.129	.775	- .268
160	924	- .048	.146	.419	- .618	170	125	- .220	.103	.140	- .587	170	216	- .250	.141	.727	- .133
160	925	- .032	.124	.473	- .470	170	126	- .224	.105	.094	- .627	170	217	- .331	.160	.209	-1.066
160	926	- .072	.117	.479	- .487	170	127	- .228	.101	.124	- .577	170	218	- .213	.137	.249	- .695
160	927	- .099	.130	.336	- .500	170	128	- .233	.097	.097	- .598	170	219	- .156	.112	.237	- .565
160	928	- .243	.137	.233	- .853	170	129	- .231	.141	.212	- .898	170	220	- .180	.104	.221	- .673
160	929	- .241	.169	.320	- .904	170	130	- .218	.131	.192	- .798	170	221	- .125	.138	.628	- .372
160	930	- .216	.139	.193	-1.048	170	131	- .214	.100	.159	- .565	170	222	- .163	.139	.674	- .263
160	931	- .226	.133	.193	- .855	170	132	- .230	.105	.140	- .605	170	223	- .031	.111	.420	- .458
160	932	- .211	.121	.204	- .571	170	133	- .238	.105	.112	- .569	170	224	- .109	.152	.391	- .913
160	933	- .220	.117	.168	- .617	170	134	- .241	.104	.098	- .622	170	225	- .157	.109	.240	- .583
160	934	- .227	.108	.152	- .684	170	135	- .253	.111	.097	- .597	170	226	- .129	.108	.173	- .537
160	935	- .242	.120	.156	- .741	170	136	- .263	.125	.150	- .760	170	227	- .098	.108	.240	- .444
160	936	- .269	.142	.142	-1.012	170	137	- .224	.124	.295	- .673	170	228	- .082	.125	.466	- .450
160	937	- .093	.111	.272	- .485	170	138	- .128	.120	.261	- .797	170	229	- .035	.118	.451	- .403
160	938	- .166	.122	.212	- .733	170	139	- .147	.112	.236	- .517	170	230	- .214	.113	.230	- .647
160	939	- .207	.109	.166	- .538	170	140	- .212	.098	.177	- .521	170	231	- .161	.123	.252	- .713
160	940	- .219	.128	.175	- .725	170	141	- .238	.108	.146	- .625	170	232	- .081	.100	.233	- .427
160	941	- .096	.108	.244	- .500	170	142	- .245	.114	.087	- .631	170	233	- .101	.105	.211	- .429
160	942	- .152	.097	.198	- .481	170	143	- .237	.107	.125	- .605	170	234	- .154	.107	.278	- .515
160	943	- .177	.109	.197	- .561	170	144	- .232	.113	.136	- .666	170	235	- .147	.100	.162	- .475
160	944	- .184	.121	.181	- .665	170	145	- .089	.093	.221	- .384	170	236	- .162	.130	.734	- .273
160	945	- .157	.109	.216	- .541	170	146	- .088	.087	.225	- .361	170	237	- .099	.120	.526	- .351
160	946	- .140	.106	.182	- .523	170	147	- .111	.092	.250	- .447	170	238	- .146	.101	.158	- .574

MD	TAP	CPMEAN	CPRMS	CPMAX	CPHIN	MD	TAP	CPMEAN	CPRMS	CPMAX	CPHIN	MD	TAP	CPMEAN	CPRMS	CPMAX	CPHIN
170	239	145	113	223	551	170	347	050	114	406	321	170	432	159	111	159	771
170	240	079	093	207	407	170	348	115	113	532	240	170	433	204	125	194	696
170	241	104	135	221	469	170	349	150	128	541	492	170	434	216	151	157	114
170	242	126	165	227	469	170	350	148	147	685	331	170	435	050	110	387	377
170	301	078	105	221	539	170	351	054	115	365	458	170	436	081	111	335	457
170	302	053	122	371	338	170	352	014	103	362	331	170	437	104	104	240	473
170	303	068	109	423	491	170	353	028	097	331	378	170	438	050	121	329	444
170	304	044	119	439	544	170	354	054	105	417	252	170	439	084	104	234	799
170	305	087	153	667	593	170	355	056	107	402	274	170	440	104	109	369	581
170	306	133	190	558	655	170	356	050	107	448	256	170	441	105	106	236	639
170	307	056	129	336	444	170	357	149	126	243	807	170	442	109	126	356	554
170	308	006	119	367	376	170	358	011	103	367	997	170	443	133	129	270	612
170	309	028	108	371	345	170	359	061	120	459	903	170	444	033	119	390	404
170	310	077	112	439	446	170	360	059	106	384	43	170	901	033	249	440	630
170	311	181	129	812	518	170	361	095	113	512	313	170	902	285	155	316	21
170	312	198	164	785	664	170	362	132	129	630	29	170	903	172	122	252	86
170	313	124	139	881	337	170	363	097	165	737	60	170	904	568	355	356	111
170	314	106	139	671	337	170	364	129	143	342	849	170	905	118	130	365	353
170	315	134	167	820	564	170	365	135	129	277	649	170	906	091	124	545	46
170	316	085	140	851	664	170	401	205	129	277	649	170	907	155	125	588	23
170	317	237	142	752	240	170	402	186	143	258	33	170	908	100	136	724	194
170	318	215	138	748	174	170	403	194	150	207	331	170	909	240	138	776	130
170	319	125	133	756	270	170	404	245	180	263	16	170	910	477	170	077	148
170	320	003	111	627	420	170	405	260	167	268	062	170	911	068	115	386	499
170	321	050	111	442	559	170	406	249	182	377	24	170	912	012	104	345	21
170	322	095	111	442	556	170	407	179	167	216	549	170	913	001	130	523	521
170	323	261	131	793	144	170	408	129	111	251	08	170	914	089	129	666	54
170	324	200	130	743	255	170	409	186	113	182	15	170	915	190	134	759	90
170	325	120	142	634	284	170	410	239	122	151	40	170	916	228	142	746	20
170	326	086	143	755	427	170	411	183	102	152	590	170	917	252	170	416	48
170	327	033	120	352	460	170	412	127	103	206	470	170	918	244	183	285	320
170	328	024	113	444	332	170	413	098	113	249	485	170	919	199	145	216	193
170	329	059	109	364	332	170	414	184	135	331	679	170	920	193	159	302	404
170	330	074	106	398	571	170	415	212	126	206	905	170	921	283	133	168	051
170	331	071	131	606	331	170	416	195	124	224	591	170	922	027	105	421	86
170	332	016	156	785	944	170	417	209	140	351	735	170	923	216	142	314	746
170	333	247	150	875	177	170	418	190	106	126	570	170	924	031	129	452	520
170	334	212	131	645	172	170	419	021	121	469	462	170	925	021	116	411	20
170	335	162	134	648	247	170	420	073	123	297	586	170	926	041	121	328	73
170	336	065	133	611	454	170	421	159	134	290	554	170	927	066	115	313	68
170	337	026	131	413	527	170	422	203	132	232	705	170	928	294	134	116	754
170	338	022	131	413	420	170	423	159	128	285	634	170	929	280	138	244	770
170	339	049	133	398	598	170	424	133	116	300	448	170	930	220	147	186	82
170	340	061	136	398	688	170	425	039	99	301	419	170	931	217	119	312	92
170	341	124	122	596	273	170	426	057	113	330	433	170	932	195	113	274	58
170	342	157	126	674	446	170	427	113	112	287	576	170	933	214	106	153	69
170	343	156	126	541	275	170	428	139	102	228	462	170	934	230	093	123	33
170	344	134	127	654	333	170	429	117	104	215	482	170	935	235	108	163	33
170	345	120	161	561	629	170	430	152	121	305	553	170	936	271	126	123	86
170	346	110	125	312	693	170	431	126	123	342	477	170	937	096	105	279	44

MD	TAP	CPHEAN	CPRMS	CPMAX	CPMIN	MD	TAP	CPHEAN	CPRMS	CPMAX	CPMIN	MD	TAP	CPHEAN	CPRMS	CPMAX	CPMIN
170	938	160	100	164	476	180	139	160	109	168	530	180	230	195	115	138	662
170	939	212	116	131	621	180	140	211	101	127	544	180	231	122	121	278	601
170	940	233	116	205	694	180	141	228	107	173	550	180	232	066	099	274	408
170	941	102	111	212	510	180	142	234	112	157	635	180	233	080	117	407	468
170	942	143	109	212	507	180	143	226	111	198	587	180	234	142	109	214	539
170	943	184	102	227	591	180	144	225	112	257	585	180	235	145	101	224	495
170	944	220	117	145	632	180	145	083	094	244	397	180	236	147	123	653	273
170	945	165	118	156	601	180	146	083	089	214	336	180	237	092	118	616	328
170	946	150	104	238	616	180	147	099	097	221	397	180	238	142	104	237	528
170	947	168	114	200	629	180	148	139	095	175	479	180	239	168	108	242	488
170	948	150	100	250	475	180	149	185	082	124	434	180	240	066	103	322	383
170	949	047	146	397	639	180	150	219	108	151	579	180	241	093	099	210	463
180	101	257	119	093	711	180	151	219	107	142	552	180	242	121	100	250	503
180	102	261	110	108	716	180	152	207	095	121	513	180	301	034	129	637	562
180	103	243	104	127	939	180	153	146	107	217	561	180	302	013	131	520	408
180	104	228	109	145	959	180	154	149	101	190	471	180	303	052	101	304	441
180	105	228	111	124	822	180	155	143	098	172	438	180	304	092	112	444	483
180	106	219	105	103	746	180	156	137	089	205	600	180	305	011	144	533	666
180	107	245	125	145	957	180	161	138	100	193	501	180	306	022	199	620	789
180	108	332	111	120	995	180	162	149	101	206	477	180	307	010	113	519	389
180	109	332	101	090	620	180	163	125	091	200	546	180	308	018	111	518	389
180	110	332	096	093	578	180	201	062	154	082	624	180	309	032	111	448	331
180	111	332	101	140	655	180	202	062	148	058	719	180	310	041	102	401	363
180	112	230	100	168	777	180	203	084	119	493	549	180	311	095	154	582	777
180	113	250	172	271	808	180	204	095	120	608	788	180	312	058	215	764	182
180	114	226	159	335	007	180	205	171	126	439	679	180	313	088	133	696	405
180	115	201	159	345	205	180	206	072	111	391	434	180	314	100	149	658	471
180	116	263	131	318	223	180	207	258	157	936	243	180	315	156	190	848	851
180	117	199	141	259	776	180	208	234	139	227	345	180	316	162	201	069	494
180	118	208	149	423	776	180	209	185	157	370	588	180	317	217	144	054	204
180	119	201	119	278	842	180	210	143	117	418	676	180	318	213	146	853	330
180	120	208	113	230	657	180	211	209	125	179	749	180	319	175	184	302	423
180	121	207	139	420	812	180	212	311	185	309	938	180	320	065	167	973	513
180	122	193	136	228	787	180	213	203	121	630	713	180	321	071	140	529	444
180	123	189	104	252	543	180	214	216	137	290	245	180	322	013	117	437	415
180	124	220	102	151	669	180	215	218	136	732	245	180	323	239	135	669	397
180	125	222	114	237	612	180	216	240	145	846	222	180	324	171	135	712	212
180	126	223	104	097	548	180	217	282	170	323	919	180	325	147	128	829	227
180	127	234	109	111	617	180	218	159	160	569	918	180	326	124	152	835	453
180	128	239	115	094	518	180	219	140	107	308	491	180	327	018	115	438	405
180	129	239	157	279	668	180	220	173	112	245	689	180	328	022	102	386	299
180	130	241	148	259	070	180	221	095	124	563	319	180	329	050	095	352	277
180	131	238	125	171	996	180	222	137	120	587	260	180	330	033	105	376	366
180	132	231	108	140	607	180	223	054	123	511	521	180	331	013	151	384	702
180	133	244	098	083	559	180	224	039	170	641	799	180	332	050	165	535	020
180	134	244	106	116	699	180	225	118	111	356	535	180	333	245	142	971	199
180	135	244	107	113	608	180	226	110	105	239	461	180	334	164	138	757	248
180	136	230	124	180	743	180	227	086	111	348	469	180	335	189	133	852	367
180	137	136	132	279	335	180	228	095	127	514	535	180	336	112	153	847	342
180	138	137	135	258	337	180	229	071	123	715	333	180	337	009	129	547	485

WD	TAP	CPMEAN	CPRMS	CPMAX	CPMIN	WD	TAP	CPMEAN	CPRMS	CPMAX	CPMIN	WD	TAP	CPMEAN	CPRMS	CPMAX	CPMIN
180	338	015	119	389	489	180	423	179	120	180	590	180	929	286	129	123	821
180	339	041	146	449	571	180	424	161	123	196	652	180	930	244	158	358	253
180	340	026	119	390	401	180	425	041	109	304	413	180	931	236	157	232	396
180	341	109	139	655	609	180	426	058	115	278	439	180	932	202	128	224	757
180	342	137	134	674	628	180	427	122	105	203	582	180	933	221	108	166	713
180	343	145	131	633	448	180	428	142	105	217	502	180	934	234	115	153	848
180	344	162	142	983	291	180	429	111	096	294	455	180	935	227	109	113	633
180	345	098	141	516	340	180	430	142	135	330	680	180	936	265	110	105	700
180	346	073	128	361	559	180	431	078	122	406	566	180	937	094	116	290	999
180	347	029	116	413	340	180	432	104	119	272	527	180	938	149	100	216	550
180	348	073	112	502	362	180	433	171	139	383	829	180	939	199	112	220	576
180	349	113	142	571	511	180	434	162	140	265	872	180	940	214	121	227	653
180	350	118	157	561	608	180	435	047	101	333	351	180	941	084	115	319	850
180	351	023	129	447	308	180	436	073	108	449	418	180	942	139	099	146	455
180	352	094	105	447	349	180	437	099	107	332	444	180	943	166	102	138	500
180	353	036	105	322	363	180	438	049	102	308	444	180	944	218	107	193	548
180	354	041	104	438	319	180	439	077	118	387	474	180	945	149	116	300	680
180	355	027	107	425	333	180	440	099	103	292	455	180	946	136	115	408	525
180	356	027	100	354	255	180	441	091	115	113	599	180	947	146	111	261	564
180	357	017	129	378	325	180	442	099	122	295	599	180	948	140	100	184	527
180	358	017	105	366	308	180	443	090	126	370	494	180	949	066	155	495	701
180	359	043	101	404	444	180	444	034	107	371	311	190	101	232	110	118	587
180	360	047	121	422	333	180	901	444	240	159	402	190	102	247	112	091	834
180	361	067	109	530	358	180	902	268	142	159	898	190	103	214	105	132	618
180	362	102	150	542	409	180	903	184	128	191	023	190	104	222	104	091	698
180	363	102	162	654	465	180	904	567	303	224	229	190	105	211	100	121	628
180	364	077	125	331	384	180	905	144	123	297	623	190	106	207	105	171	576
180	365	073	117	311	414	180	906	120	136	819	296	190	107	220	109	156	883
180	401	181	117	197	385	180	907	145	135	792	316	190	108	217	098	111	617
180	402	160	122	284	611	180	908	188	129	674	158	190	109	216	098	101	538
180	403	136	142	287	841	180	909	223	128	730	137	190	110	213	100	199	349
180	404	126	156	372	772	180	910	396	177	131	100	190	111	216	107	076	571
180	405	207	159	262	059	180	911	095	118	300	666	190	112	221	103	123	599
180	406	236	172	272	055	180	912	031	104	282	482	190	113	234	158	180	337
180	407	186	102	157	476	180	913	039	159	943	458	190	114	211	139	393	869
180	408	079	090	192	126	180	914	126	154	790	429	190	115	201	123	209	966
180	409	113	123	249	338	180	915	188	139	802	245	190	116	193	114	225	669
180	410	199	124	251	522	180	916	214	137	759	244	190	117	186	124	234	618
180	411	185	108	179	995	180	917	306	224	393	513	190	118	189	120	262	671
180	412	127	102	291	497	180	918	327	302	563	834	190	119	182	107	139	770
180	413	063	107	300	223	180	919	225	179	220	413	190	120	195	115	164	571
180	414	123	124	239	106	180	920	201	162	261	157	190	121	192	117	194	625
180	415	180	130	281	788	180	921	253	134	376	815	190	122	181	124	231	622
180	416	179	125	194	989	180	922	044	099	343	468	190	123	186	121	294	520
180	417	251	124	120	535	180	923	222	133	196	703	190	124	211	096	107	526
180	418	193	117	224	322	180	924	063	132	336	574	190	125	209	105	129	546
180	419	094	116	462	370	180	925	031	116	394	415	190	126	221	102	073	586
180	420	043	127	378	604	180	926	026	108	355	390	190	127	227	101	124	589
180	421	147	131	256	902	180	927	060	109	372	552	190	128	222	113	137	580
180	422	176	125	266	602	180	928	296	134	137	790	190	129	215	135	197	836

WD	TAP	CPMEAN	CPRMS	CPMAX	CPMIN	WD	TAP	CPMEAN	CPRMS	CPMAX	CPMIN	WD	TAP	CPMEAN	CPRMS	CPMAX	CPMIN
190	130	.213	.128	.256	-.999	190	221	.089	.138	.628	-.293	190	329	.015	.113	.340	-.479
190	131	.212	.114	.230	-.599	190	222	.112	.133	.720	-.299	190	330	.012	.123	.360	-.537
190	132	.219	.109	.244	-.587	190	223	.142	.167	.820	-.531	190	331	.103	.153	.365	-.784
190	133	.230	.097	.105	-.592	190	224	.070	.164	.803	-.532	190	332	.100	.142	.448	-.742
190	134	.222	.108	.099	-.601	190	225	.131	.124	.237	-.337	190	333	.201	.151	.798	-.237
190	135	.225	.104	.089	-.646	190	226	.125	.118	.265	-.337	190	334	.150	.134	.706	-.275
190	136	.224	.122	.156	-.709	190	227	.115	.108	.244	-.351	190	335	.188	.184	.903	-.333
190	137	.144	.111	.212	-.611	190	228	.154	.176	.906	-.360	190	336	.205	.195	.915	-.582
190	138	.153	.118	.215	-.570	190	229	.166	.166	.784	-.259	190	337	.001	.135	.511	-.401
190	139	.168	.109	.153	-.538	190	230	.297	.149	.121	-1.405	190	338	.004	.134	.452	-.546
190	140	.191	.117	.183	-.691	190	231	.121	.136	.367	-.919	190	339	.031	.119	.492	-.419
190	141	.211	.113	.133	-.628	190	232	.069	.106	.282	-.468	190	340	.022	.124	.388	-.405
190	142	.223	.102	.094	-.628	190	233	.112	.112	.365	-.323	190	341	.079	.127	.534	-.387
190	143	.212	.102	.142	-.570	190	234	.155	.106	.211	-.561	190	342	.064	.128	.510	-.447
190	144	.210	.101	.136	-.531	190	235	.147	.100	.208	-.549	190	343	.097	.162	.655	-.481
190	145	.114	.099	.190	-.489	190	236	.193	.166	.864	-.361	190	344	.086	.204	.837	-.762
190	146	.105	.094	.148	-.411	190	237	.219	.168	.896	-.230	190	345	.024	.154	.545	-.527
190	147	.117	.099	.170	-.471	190	238	.199	.135	.208	-.865	190	346	.032	.150	.526	-.527
190	148	.145	.093	.173	-.431	190	239	.105	.120	.322	-.690	190	347	.014	.112	.317	-.474
190	149	.179	.088	.099	-.436	190	240	.067	.102	.246	-.427	190	348	.002	.132	.430	-.439
190	150	.216	.104	.125	-.668	190	241	.103	.106	.250	-.441	190	349	.029	.198	.537	-.108
190	151	.203	.097	.161	-.504	190	242	.126	.101	.215	-.462	190	350	.100	.232	.562	-.115
190	152	.195	.102	.162	-.554	190	301	.052	.163	1.097	-.570	190	351	.014	.132	.529	-.408
190	153	.148	.102	.200	-.514	190	302	.035	.146	.617	-.417	190	352	.008	.115	.360	-.387
190	154	.153	.098	.174	-.489	190	303	.088	.126	.302	-.631	190	353	.008	.112	.317	-.401
190	155	.138	.095	.174	-.413	190	304	.106	.118	.331	-.487	190	354	.007	.113	.355	-.623
190	156	.132	.093	.283	-.457	190	305	.083	.123	.378	-.598	190	355	.013	.117	.377	-.542
190	161	.135	.102	.184	-.483	190	306	.078	.133	.435	-.815	190	356	.005	.115	.435	-.451
190	162	.150	.100	.182	-.483	190	307	.046	.170	.701	-.629	190	357	.074	.129	.392	-.534
190	163	.127	.102	.210	-.480	190	308	.035	.132	.709	-.544	190	358	.006	.117	.435	-.755
190	201	.043	.126	.400	-.419	190	309	.002	.109	.348	-.399	190	359	.008	.114	.454	-.470
190	202	.048	.118	.389	-.409	190	310	.011	.115	.433	-.433	190	360	.012	.110	.413	-.362
190	203	.099	.129	.403	-.567	190	311	.029	.155	.587	-.848	190	361	.028	.122	.401	-.382
190	204	.050	.103	.302	-.357	190	312	.050	.186	.628	-.125	190	362	.069	.190	.519	-.995
190	205	.137	.111	.271	-.535	190	313	.068	.138	.605	-.329	190	363	.117	.198	.640	-.129
190	206	.049	.106	.318	-.409	190	314	.052	.128	.534	-.462	190	364	.040	.136	.430	-.544
190	207	.106	.149	.820	-.319	190	315	.146	.190	1.202	-.486	190	365	.043	.133	.350	-.223
190	208	.173	.124	.838	-.181	190	316	.143	.215	1.126	-.466	190	401	.157	.114	.189	-.599
190	209	.171	.114	.406	-.693	190	317	.188	.133	.657	-.327	190	402	.132	.104	.186	-.503
190	210	.132	.109	.292	-.803	190	318	.150	.145	.824	-.323	190	403	.082	.118	.420	-.544
190	211	.200	.111	.171	-.748	190	319	.204	.203	.091	-.341	190	404	.087	.123	.300	-.531
190	212	.276	.188	.294	-.136	190	320	.137	.207	.046	-.434	190	405	.131	.147	.289	-.108
190	213	.192	.115	.162	-.635	190	321	.005	.143	.464	-.514	190	406	.170	.181	.687	-.158
190	214	.089	.136	.605	-.299	190	322	.049	.127	.684	-.478	190	407	.139	.107	.186	-.497
190	215	.135	.139	.794	-.281	190	323	.176	.153	.784	-.299	190	408	.071	.094	.224	-.446
190	216	.215	.154	1.151	-.210	190	324	.120	.139	.625	-.259	190	409	.068	.115	.272	-.482
190	217	.234	.175	.348	-.164	190	325	.126	.163	.844	-.375	190	410	.149	.137	.343	-.680
190	218	.022	.198	.783	-.894	190	326	.144	.189	.966	-.548	190	411	.185	.112	.199	-.622
190	219	.173	.113	.230	-.512	190	327	.005	.133	.595	-.402	190	412	.123	.102	.218	-.463
190	220	.189	.124	.173	-.059	190	328	.011	.116	.448	-.438	190	413	.053	.109	.363	-.382

WD	TAP	CPMEAN	CPRMS	CPMAX	CPMIN	WD	TAP	CPMEAN	CPRMS	CPMAX	CPMIN	WD	TAP	CPMEAN	CPRMS	CPMAX	CPMIN
190	414	.081	.130	.350	.568	190	920	.193	.128	.298	-.671	200	121	.167	.099	.187	-.505
190	415	.147	.134	.324	.705	190	921	.150	.119	.206	-.526	200	122	.163	.110	.248	-.517
190	416	.145	.144	.333	.744	190	922	.105	.116	.302	-.583	200	123	.166	.099	.193	-.667
190	417	.302	.137	.197	.850	190	923	.145	.123	.215	-.620	200	124	.181	.103	.150	-.588
190	418	.198	.109	.267	.575	190	924	.092	.112	.330	-.445	200	125	.174	.096	.115	-.486
190	419	.001	.122	.343	.383	190	925	.069	.117	.377	-.486	200	126	.200	.098	.109	-.507
190	420	.029	.116	.252	.421	190	926	.013	.137	.483	-.394	200	127	.200	.099	.148	-.509
190	421	.077	.124	.325	.539	190	927	.074	.105	.251	-.405	200	128	.208	.098	.087	-.635
190	422	.131	.129	.293	.584	190	928	.297	.130	.075	-.840	200	129	.183	.101	.160	-.621
190	423	.229	.126	.112	.715	190	929	.293	.130	.074	-.885	200	130	.184	.109	.217	-.549
190	424	.185	.136	.221	.649	190	930	.210	.146	.208	-.764	200	131	.193	.094	.123	-.509
190	425	.061	.110	.280	.434	190	931	.211	.138	.197	-.509	200	132	.191	.091	.192	-.450
190	426	.079	.107	.262	.442	190	932	.194	.108	.145	-.682	200	133	.205	.095	.116	-.548
190	427	.128	.124	.466	.540	190	933	.206	.106	.207	-.620	200	134	.209	.095	.063	-.510
190	428	.144	.110	.253	.508	190	934	.218	.108	.147	-.552	200	135	.209	.095	.111	-.679
190	429	.122	.103	.200	.455	190	935	.218	.109	.230	-.610	200	136	.210	.101	.219	-.646
190	430	.177	.142	.229	.688	190	936	.255	.106	.139	-.642	200	137	.155	.106	.171	-.507
190	431	.039	.138	.448	.432	190	937	.125	.114	.241	-.530	200	138	.152	.096	.186	-.464
190	432	.086	.134	.333	.538	190	938	.150	.100	.193	-.520	200	139	.160	.103	.193	-.552
190	433	.128	.130	.341	.538	190	939	.193	.118	.186	-.644	200	140	.164	.098	.242	-.453
190	434	.124	.153	.377	.738	190	940	.207	.100	.127	-.532	200	141	.205	.100	.180	-.555
190	435	.059	.111	.333	.419	190	941	.127	.119	.295	-.642	200	142	.209	.092	.122	-.332
190	436	.087	.109	.272	.442	190	942	.146	.107	.167	-.490	200	143	.197	.101	.133	-.538
190	437	.121	.113	.252	.479	190	943	.190	.114	.216	-.678	200	144	.193	.091	.099	-.450
190	438	.059	.113	.412	.460	190	944	.218	.117	.164	-.647	200	145	.122	.092	.153	-.415
190	439	.093	.108	.355	.459	190	945	.151	.123	.409	-.783	200	146	.121	.084	.152	-.376
190	440	.114	.109	.223	.428	190	946	.143	.115	.282	-.742	200	147	.123	.089	.200	-.435
190	441	.110	.107	.267	.494	190	947	.161	.101	.184	-.488	200	148	.139	.089	.185	-.429
190	442	.038	.127	.449	.486	190	948	.164	.107	.297	-.598	200	149	.189	.079	.016	-.432
190	443	.058	.130	.400	.446	190	949	.092	.150	.399	-.713	200	150	.198	.093	.123	-.514
190	444	.001	.102	.353	.555	200	101	.222	.107	.130	-.580	200	151	.188	.099	.123	-.524
190	901	.273	.170	.165	-.317	200	102	.221	.101	.101	-.684	200	152	.186	.101	.128	-.512
190	902	.261	.132	.189	-.865	200	103	.187	.099	.140	-.539	200	153	.138	.098	.169	-.485
190	903	.298	.179	.176	-.143	200	104	.190	.097	.148	-.509	200	154	.142	.102	.209	-.453
190	904	.289	.180	.176	-.230	200	105	.184	.101	.097	-.499	200	155	.133	.101	.203	-.508
190	905	.194	.165	.312	.922	200	106	.182	.106	.141	-.516	200	156	.130	.093	.254	-.408
190	906	.141	.184	.842	.625	200	107	.187	.105	.168	-.548	200	161	.135	.096	.161	-.491
190	907	.179	.177	.983	.438	200	108	.191	.105	.162	-.518	200	162	.145	.092	.152	-.461
190	908	.139	.129	.853	.240	200	109	.196	.104	.160	-.562	200	163	.130	.096	.156	-.531
190	909	.198	.148	.853	.293	200	110	.204	.099	.155	-.495	200	201	.120	.107	.262	-.502
190	910	.242	.165	.233	.860	200	111	.188	.100	.126	-.518	200	202	.109	.107	.378	-.428
190	911	.126	.114	.235	.560	200	112	.189	.096	.171	-.530	200	203	.094	.104	.315	-.579
190	912	.126	.128	.267	.652	200	113	.187	.110	.200	-.548	200	204	.009	.103	.289	-.453
190	913	.066	.169	.921	.388	200	114	.172	.111	.260	-.556	200	205	.117	.100	.204	-.505
190	914	.142	.176	.917	.351	200	115	.174	.103	.144	-.525	200	206	.045	.095	.280	-.348
190	915	.142	.144	.642	.283	200	116	.169	.096	.146	-.502	200	207	.069	.123	.367	-.517
190	916	.183	.138	.890	.208	200	117	.169	.107	.279	-.602	200	208	.049	.102	.437	-.551
190	917	.183	.138	.281	.924	200	118	.176	.110	.229	-.614	200	209	.158	.095	.195	-.537
190	918	.269	.199	.281	.924	200	119	.170	.094	.180	-.456	200	210	.110	.102	.236	-.438
190	919	.193	.115	.179	.952	200	120	.176	.102	.176	-.570	200	211	.175	.095	.150	-.480

MD	TAP	CPMEAN	CPRMS	CPMAX	CPMIN	MD	TAP	CPMEAN	CPRMS	CPMAX	CPMIN	MD	TAP	CPMEAN	CPRMS	CPMAX	CPMIN
200	212	.239	.123	.190	.718	200	320	.001	.130	.755	.407	200	405	.059	.121	.332	.519
200	213	.184	.105	.175	.534	200	321	.070	.146	.691	.350	200	406	.100	.143	.375	.995
200	214	.022	.129	.436	.333	200	322	.011	.130	.649	.398	200	407	.147	.100	.204	.505
200	215	.003	.128	.394	.333	200	323	.050	.136	.755	.340	200	408	.039	.095	.293	.342
200	216	.062	.145	.591	.333	200	324	.014	.114	.418	.433	200	409	.015	.097	.325	.333
200	217	.218	.127	.147	.888	200	325	.020	.122	.549	.482	200	410	.053	.143	.462	.617
200	218	.118	.119	.302	.888	200	326	.014	.145	.671	.453	200	411	.165	.109	.217	.525
200	219	.172	.105	.223	.777	200	327	.095	.142	.708	.338	200	412	.085	.097	.273	.494
200	220	.171	.100	.191	.333	200	328	.099	.151	.763	.330	200	413	.008	.110	.341	.448
200	221	.053	.152	.539	.333	200	329	.011	.108	.222	.509	200	414	.006	.100	.303	.336
200	222	.060	.121	.510	.777	200	330	.034	.114	.310	.450	200	415	.012	.143	.441	.525
200	223	.073	.156	.858	.555	200	331	.034	.118	.390	.688	200	416	.067	.151	.373	.587
200	224	.032	.122	.663	.414	200	332	.064	.121	.339	.544	200	417	.302	.128	.106	.817
200	225	.188	.115	.173	.333	200	333	.084	.129	.669	.319	200	418	.189	.105	.275	.617
200	226	.187	.112	.220	.888	200	334	.047	.124	.420	.374	200	419	.068	.117	.572	.291
200	227	.130	.099	.200	.333	200	335	.075	.147	.810	.681	200	420	.033	.121	.408	.387
200	228	.102	.160	.739	.433	200	336	.100	.166	.225	.413	200	421	.006	.118	.381	.419
200	229	.068	.139	.674	.333	200	337	.028	.127	.543	.485	200	422	.034	.149	.463	.483
200	230	.270	.118	.120	.333	200	338	.050	.123	.419	.339	200	423	.284	.156	.129	.856
200	231	.188	.125	.232	.333	200	339	.000	.118	.391	.418	200	424	.213	.152	.254	.885
200	232	.126	.108	.231	.333	200	340	.048	.118	.326	.339	200	425	.043	.105	.313	.407
200	233	.135	.106	.224	.777	200	341	.029	.138	.559	.555	200	426	.063	.103	.318	.383
200	234	.150	.107	.222	.333	200	342	.001	.110	.366	.332	200	427	.124	.096	.167	.425
200	235	.144	.103	.207	.655	200	343	.008	.133	.222	.446	200	428	.145	.106	.211	.528
200	236	.278	.173	.103	.222	200	344	.014	.170	.672	.907	200	429	.095	.103	.257	.511
200	237	.159	.149	.803	.222	200	345	.049	.138	.349	.483	200	430	.219	.146	.219	.796
200	238	.199	.111	.171	.666	200	346	.054	.146	.384	.408	200	431	.043	.142	.493	.386
200	239	.168	.110	.224	.444	200	347	.002	.113	.395	.426	200	432	.040	.139	.501	.360
200	240	.107	.106	.275	.444	200	348	.029	.106	.306	.370	200	433	.016	.139	.344	.534
200	241	.120	.102	.188	.888	200	349	.039	.166	.457	.143	200	434	.025	.157	.485	.692
200	242	.129	.093	.184	.333	200	350	.100	.216	.641	.979	200	435	.054	.097	.242	.418
200	301	.177	.178	.798	.333	200	351	.053	.150	.609	.345	200	436	.082	.107	.339	.412
200	302	.123	.168	.755	.333	200	352	.043	.129	.486	.441	200	437	.118	.102	.230	.519
200	303	.131	.121	.268	.666	200	353	.008	.116	.341	.412	200	438	.057	.101	.284	.419
200	304	.149	.116	.246	.333	200	354	.001	.107	.328	.410	200	439	.100	.104	.314	.448
200	305	.123	.110	.254	.333	200	355	.003	.118	.395	.442	200	440	.099	.100	.225	.476
200	306	.118	.114	.222	.333	200	356	.004	.103	.360	.384	200	441	.106	.110	.237	.444
200	307	.178	.167	.218	.333	200	357	.045	.144	.493	.382	200	442	.050	.129	.463	.359
200	308	.143	.164	.757	.333	200	358	.011	.109	.369	.398	200	443	.044	.141	.472	.360
200	309	.023	.109	.552	.333	200	359	.016	.109	.366	.374	200	444	.031	.112	.411	.332
200	310	.087	.131	.292	.444	200	360	.003	.113	.452	.321	200	901	.207	.122	.127	.794
200	311	.088	.123	.322	.333	200	361	.007	.107	.325	.345	200	902	.249	.122	.111	.729
200	312	.091	.122	.405	.333	200	362	.097	.190	.501	.034	200	903	.381	.204	.250	1.257
200	313	.014	.111	.381	.333	200	363	.196	.236	.510	.172	200	904	.194	.114	.161	.656
200	314	.012	.112	.355	.333	200	364	.029	.124	.540	.422	200	905	.214	.180	.361	.964
200	315	.027	.133	.601	.333	200	365	.046	.130	.594	.408	200	906	.030	.138	.808	.716
200	316	.015	.135	.632	.333	200	401	.144	.114	.771	.485	200	907	.046	.146	.693	.391
200	317	.069	.130	.621	.333	200	402	.119	.107	.335	.527	200	908	.031	.119	.471	.365
200	318	.019	.123	.484	.333	200	403	.100	.114	.283	.506	200	909	.073	.129	.492	.483
200	319	.049	.136	.656	.333	200	404	.076	.115	.311	.483	200	910	.105	.125	.322	.526

WD	TAP	CPMEAN	CPRMS	CPMAX	CPHIN	WD	TAP	CPMEAN	CPRMS	CPMAX	CPHIN	WD	TAP	CPMEAN	CPRMS	CPMAX	CPHIN
200	911	.123	.113	.353	.542	210	112	.141	.102	.253	.463	210	203	.138	.099	.294	.544
200	912	.234	.136	.254	.806	210	113	.141	.102	.232	.482	210	204	.061	.107	.271	.543
200	913	.039	.116	.429	.440	210	114	.133	.104	.213	.513	210	205	.130	.100	.218	.500
200	914	.015	.122	.444	.459	210	115	.133	.096	.179	.471	210	206	.049	.100	.318	.433
200	915	.030	.114	.506	.449	210	116	.126	.096	.226	.498	210	207	.146	.105	.201	.609
200	916	.051	.125	.503	.373	210	117	.121	.094	.191	.422	210	208	.045	.097	.282	.402
200	917	.182	.112	.242	.645	210	118	.131	.103	.269	.482	210	209	.124	.107	.192	.544
200	918	.173	.107	.155	.537	210	119	.129	.099	.170	.443	210	210	.076	.100	.241	.423
200	919	.161	.096	.167	.537	210	120	.140	.093	.160	.493	210	211	.144	.092	.131	.483
200	920	.166	.106	.182	.827	210	121	.132	.100	.201	.493	210	212	.157	.104	.134	.680
200	921	.072	.109	.364	.515	210	122	.126	.106	.269	.489	210	213	.145	.092	.174	.446
200	922	.163	.110	.207	.614	210	123	.136	.089	.189	.434	210	214	.139	.097	.214	.473
200	923	.073	.112	.330	.473	210	124	.138	.099	.175	.508	210	215	.143	.105	.194	.687
200	924	.056	.102	.307	.340	210	125	.139	.092	.198	.412	210	216	.114	.105	.337	.512
200	925	.098	.134	.391	.515	210	126	.138	.100	.215	.485	210	217	.153	.097	.208	.523
200	926	.041	.120	.566	.513	210	127	.151	.092	.183	.530	210	218	.133	.096	.112	.483
200	927	.049	.115	.311	.453	210	128	.153	.097	.164	.511	210	219	.139	.092	.141	.523
200	928	.325	.137	.055	.818	210	129	.146	.103	.197	.504	210	220	.127	.090	.168	.436
200	929	.298	.129	.082	.888	210	130	.139	.105	.176	.444	210	221	.133	.117	.221	.910
200	930	.172	.102	.151	.328	210	131	.142	.091	.139	.420	210	222	.164	.100	.231	.776
200	931	.180	.102	.159	.328	210	132	.146	.096	.135	.467	210	223	.140	.103	.199	.544
200	932	.172	.096	.171	.339	210	133	.146	.093	.148	.502	210	224	.131	.103	.148	.549
200	933	.180	.106	.199	.300	210	134	.153	.093	.170	.482	210	225	.137	.098	.177	.440
200	934	.200	.095	.124	.322	210	135	.156	.102	.164	.573	210	226	.134	.109	.233	.527
200	935	.193	.091	.200	.463	210	136	.159	.103	.194	.513	210	227	.110	.093	.202	.443
200	936	.253	.109	.076	.684	210	137	.122	.097	.197	.511	210	228	.168	.123	.283	.596
200	937	.131	.097	.156	.515	210	138	.124	.098	.167	.465	210	229	.106	.113	.290	.582
200	938	.147	.093	.151	.333	210	139	.130	.096	.174	.497	210	230	.185	.102	.160	.862
200	939	.201	.100	.246	.536	210	140	.129	.094	.204	.482	210	231	.139	.098	.178	.487
200	940	.193	.104	.126	.490	210	141	.133	.096	.171	.473	210	232	.110	.101	.224	.422
200	941	.138	.098	.182	.390	210	142	.149	.089	.172	.433	210	233	.104	.106	.273	.459
200	942	.143	.104	.206	.585	210	143	.160	.093	.172	.467	210	234	.124	.100	.182	.468
200	943	.182	.100	.169	.336	210	144	.143	.092	.108	.544	210	235	.117	.096	.205	.397
200	944	.211	.104	.153	.603	210	145	.097	.083	.134	.355	210	236	.160	.148	.357	.713
200	945	.153	.100	.192	.687	210	146	.110	.088	.174	.410	210	237	.086	.104	.277	.472
200	946	.144	.102	.169	.637	210	147	.105	.085	.188	.412	210	238	.136	.103	.268	.456
200	947	.159	.096	.204	.463	210	148	.116	.091	.181	.486	210	239	.131	.099	.249	.478
200	948	.172	.104	.190	.549	210	149	.152	.075	.068	.369	210	240	.097	.100	.226	.440
200	949	.058	.146	.514	.684	210	150	.143	.086	.152	.405	210	241	.104	.090	.188	.424
210	101	.171	.101	.185	.360	210	151	.145	.093	.174	.472	210	242	.104	.091	.172	.487
210	102	.169	.103	.171	.390	210	152	.146	.096	.205	.450	210	301	.304	.162	.895	.170
210	103	.155	.099	.134	.490	210	153	.105	.101	.255	.436	210	302	.236	.151	.735	.239
210	104	.141	.091	.176	.417	210	154	.117	.097	.179	.472	210	303	.092	.124	.323	.556
210	105	.142	.094	.204	.334	210	155	.113	.095	.217	.400	210	304	.162	.117	.231	.583
210	106	.144	.101	.198	.467	210	156	.104	.102	.204	.443	210	305	.123	.114	.291	.491
210	107	.183	.115	.245	.621	210	161	.109	.087	.177	.440	210	306	.133	.110	.286	.499
210	108	.182	.108	.161	.538	210	162	.112	.090	.147	.482	210	307	.293	.165	.941	.286
210	109	.152	.099	.163	.449	210	163	.104	.089	.168	.393	210	308	.253	.144	.853	.239
210	110	.146	.105	.211	.501	210	201	.172	.117	.238	.810	210	309	.013	.103	.411	.333
210	111	.148	.100	.198	.491	210	202	.151	.107	.219	.722	210	310	.110	.128	.303	.636

WD	TAP	CPMEAN	CPRMS	CPMAX	CPMIN	WD	TAP	CPMEAN	CPRMS	CPMAX	CPMIN	WD	TAP	CPMEAN	CPRMS	CPMAX	CPMIN
210	311	.099	.118	.335	.481	210	361	.075	.116	.310	.459	210	902	.237	.113	.132	.679
210	312	.111	.117	.316	.453	210	362	.032	.114	.331	.385	210	903	.405	.212	.408	1.110
210	313	.087	.110	.289	.445	210	363	.032	.125	.368	.433	210	904	.149	.104	.206	.678
210	314	.090	.121	.304	.539	210	364	.089	.112	.433	.320	210	905	.075	.146	.311	.761
210	315	.064	.123	.442	.414	210	365	.147	.109	.523	.264	210	906	.122	.102	.167	.455
210	316	.074	.116	.408	.449	210	401	.106	.106	.228	.228	210	907	.090	.094	.212	.424
210	317	.081	.107	.325	.486	210	402	.083	.106	.360	.420	210	908	.105	.112	.289	.716
210	318	.083	.114	.348	.423	210	403	.065	.111	.423	.418	210	909	.129	.108	.205	.481
210	319	.078	.105	.278	.386	210	404	.038	.105	.400	.417	210	910	.092	.116	.339	.640
210	320	.094	.102	.236	.328	210	405	.012	.113	.383	.391	210	911	.116	.113	.265	.558
210	321	.120	.131	.615	.322	210	406	.090	.150	.363	.718	210	912	.190	.145	.336	.678
210	322	.076	.119	.522	.357	210	407	.099	.098	.179	.448	210	913	.101	.113	.314	.450
210	323	.129	.101	.223	.497	210	408	.066	.102	.287	.366	210	914	.094	.107	.257	.424
210	324	.116	.115	.294	.320	210	409	.034	.090	.353	.276	210	915	.088	.112	.380	.405
210	325	.108	.096	.228	.409	210	410	.018	.146	.448	.776	210	916	.077	.104	.316	.420
210	326	.122	.103	.265	.486	210	411	.118	.097	.222	.521	210	917	.162	.110	.161	.814
210	327	.225	.135	.761	.273	210	412	.034	.108	.338	.389	210	918	.163	.108	.176	.598
210	328	.213	.132	.798	.193	210	413	.050	.102	.364	.300	210	919	.150	.105	.213	.598
210	329	.011	.099	.409	.322	210	414	.054	.115	.446	.321	210	920	.122	.102	.168	.631
210	330	.089	.113	.307	.444	210	415	.088	.106	.501	.332	210	921	.064	.107	.315	.733
210	331	.099	.110	.298	.499	210	416	.029	.152	.539	.744	210	922	.109	.113	.329	.471
210	332	.117	.105	.278	.493	210	417	.276	.130	.170	.899	210	923	.059	.108	.343	.465
210	333	.126	.113	.281	.489	210	418	.162	.109	.194	.307	210	924	.012	.108	.359	.362
210	334	.087	.120	.424	.320	210	419	.129	.114	.502	.443	210	925	.020	.132	.412	.562
210	335	.071	.120	.263	.478	210	420	.100	.109	.462	.240	210	926	.111	.109	.539	.317
210	336	.107	.108	.276	.553	210	421	.084	.105	.518	.283	210	927	.007	.105	.392	.371
210	337	.123	.124	.553	.270	210	422	.080	.129	.463	.465	210	928	.280	.131	.139	.855
210	338	.125	.124	.521	.289	210	423	.295	.135	.234	.819	210	929	.250	.127	.151	.697
210	339	.070	.113	.422	.263	210	424	.253	.136	.198	.705	210	930	.132	.104	.222	.508
210	340	.119	.117	.486	.280	210	425	.018	.098	.386	.410	210	931	.133	.097	.179	.516
210	341	.139	.114	.241	.559	210	426	.041	.102	.289	.403	210	932	.134	.103	.201	.504
210	342	.085	.112	.275	.478	210	427	.091	.101	.209	.448	210	933	.138	.103	.173	.448
210	343	.098	.109	.246	.445	210	428	.101	.102	.202	.478	210	934	.147	.092	.123	.451
210	344	.112	.113	.308	.481	210	429	.064	.112	.294	.439	210	935	.145	.095	.119	.458
210	345	.127	.120	.584	.335	210	430	.263	.141	.295	.879	210	936	.222	.114	.126	.733
210	346	.164	.108	.523	.209	210	431	.151	.118	.677	.225	210	937	.109	.094	.229	.460
210	347	.092	.109	.326	.476	210	432	.107	.106	.467	.387	210	938	.121	.099	.196	.550
210	348	.073	.111	.303	.533	210	433	.097	.113	.448	.257	210	939	.142	.100	.202	.458
210	349	.058	.115	.338	.423	210	434	.101	.111	.440	.270	210	940	.139	.100	.163	.492
210	350	.061	.133	.383	.353	210	435	.032	.115	.327	.465	210	941	.113	.097	.172	.444
210	351	.162	.120	.633	.211	210	436	.059	.102	.296	.420	210	942	.118	.094	.188	.462
210	352	.138	.124	.617	.229	210	437	.087	.103	.252	.400	210	943	.133	.094	.171	.517
210	353	.021	.102	.394	.437	210	438	.030	.109	.271	.628	210	944	.119	.103	.156	.489
210	354	.044	.109	.316	.371	210	439	.063	.105	.287	.626	210	945	.123	.093	.197	.395
210	355	.052	.106	.260	.435	210	440	.059	.104	.276	.400	210	946	.129	.093	.168	.434
210	356	.061	.120	.287	.471	210	441	.105	.115	.259	.506	210	947	.125	.095	.153	.450
210	357	.145	.107	.531	.399	210	442	.151	.112	.569	.258	210	948	.126	.095	.159	.454
210	358	.071	.114	.508	.373	210	443	.142	.112	.509	.325	210	949	.018	.128	.461	.516
210	359	.024	.112	.359	.370	210	444	.092	.110	.631	.431	220	101	.182	.112	.260	.658
210	360	.113	.118	.288	.513	210	901	.185	.113	.158	.822	220	102	.182	.109	.215	.611

WD	TAP	CPMEAN	CPRMS	CPMAX	CPMIN	WD	TAP	CPMEAN	CPRMS	CPMAX	CPMIN	WD	TAP	CPMEAN	CPRMS	CPMAX	CPMIN
220	103	.134	.104	.185	.067	220	153	.109	.088	.148	.414	220	302	.257	.157	.910	.333
220	104	.142	.100	.181	.479	220	154	.113	.093	.247	.430	220	303	.126	.136	.344	.710
220	105	.146	.099	.178	.522	220	155	.112	.096	.192	.396	220	304	.195	.133	.273	.807
220	106	.132	.102	.170	.474	220	156	.111	.096	.255	.471	220	305	.170	.112	.239	.544
220	107	.196	.108	.142	.397	220	161	.102	.104	.281	.427	220	306	.163	.114	.218	.508
220	108	.171	.102	.235	.320	220	162	.103	.096	.221	.426	220	307	.310	.165	.939	.303
220	109	.148	.100	.211	.472	220	163	.112	.091	.223	.386	220	308	.270	.147	.871	.170
220	110	.148	.101	.239	.511	220	201	.176	.099	.176	.569	220	309	.036	.111	.333	.418
220	111	.147	.108	.222	.350	220	202	.161	.108	.184	.601	220	310	.141	.135	.385	.668
220	112	.139	.100	.213	.504	220	203	.153	.102	.338	.510	220	311	.141	.128	.367	.619
220	113	.165	.119	.207	.763	220	204	.058	.102	.310	.396	220	312	.136	.116	.272	.533
220	114	.150	.108	.185	.623	220	205	.132	.104	.245	.610	220	313	.092	.115	.303	.512
220	115	.141	.111	.265	.478	220	206	.023	.099	.280	.416	220	314	.106	.106	.308	.503
220	116	.120	.103	.213	.511	220	207	.143	.108	.236	.534	220	315	.077	.124	.496	.494
220	117	.142	.098	.296	.478	220	208	.043	.101	.303	.420	220	316	.066	.131	.417	.584
220	118	.141	.105	.196	.484	220	209	.116	.108	.247	.484	220	317	.093	.108	.279	.444
220	119	.131	.103	.193	.492	220	210	.071	.102	.297	.426	220	318	.097	.112	.321	.466
220	120	.131	.097	.171	.479	220	211	.137	.101	.195	.485	220	319	.071	.121	.406	.548
220	121	.130	.093	.177	.508	220	212	.138	.107	.219	.540	220	320	.085	.120	.413	.672
220	122	.126	.106	.234	.526	220	213	.125	.095	.208	.481	220	321	.124	.142	.604	.369
220	123	.132	.090	.253	.443	220	214	.133	.094	.225	.448	220	322	.081	.122	.611	.332
220	124	.142	.096	.197	.489	220	215	.148	.101	.182	.490	220	323	.144	.101	.185	.535
220	125	.143	.095	.206	.507	220	216	.114	.112	.366	.468	220	324	.136	.117	.280	.666
220	126	.137	.096	.157	.495	220	217	.124	.100	.223	.498	220	325	.123	.104	.231	.463
220	127	.146	.104	.200	.514	220	218	.139	.108	.263	.469	220	326	.128	.115	.276	.545
220	128	.146	.101	.192	.538	220	219	.113	.091	.206	.436	220	327	.231	.147	.822	.241
220	129	.138	.104	.171	.478	220	220	.117	.089	.182	.446	220	328	.193	.132	.732	.293
220	130	.136	.107	.202	.503	220	221	.138	.100	.179	.574	220	329	.018	.101	.401	.336
220	131	.138	.101	.220	.488	220	222	.139	.098	.161	.500	220	330	.132	.121	.259	.599
220	132	.143	.096	.148	.475	220	223	.144	.094	.192	.517	220	331	.128	.114	.306	.520
220	133	.152	.092	.160	.470	220	224	.137	.103	.173	.564	220	332	.124	.100	.211	.488
220	134	.146	.090	.210	.457	220	225	.109	.104	.235	.470	220	333	.140	.121	.358	.531
220	135	.157	.104	.246	.549	220	226	.106	.100	.240	.414	220	334	.127	.121	.368	.529
220	136	.158	.102	.218	.495	220	227	.112	.103	.332	.446	220	335	.104	.115	.247	.481
220	137	.121	.098	.274	.463	220	228	.155	.110	.190	.607	220	336	.124	.116	.268	.505
220	138	.118	.109	.256	.468	220	229	.129	.104	.225	.539	220	337	.103	.126	.608	.271
220	139	.117	.094	.231	.466	220	230	.161	.105	.170	.599	220	338	.111	.116	.487	.771
220	140	.130	.092	.164	.438	220	231	.118	.103	.198	.441	220	339	.064	.119	.631	.297
220	141	.152	.096	.119	.402	220	232	.090	.099	.189	.419	220	340	.112	.107	.581	.581
220	142	.148	.092	.174	.423	220	233	.101	.092	.205	.382	220	341	.151	.114	.254	.581
220	143	.143	.093	.185	.514	220	234	.107	.096	.260	.433	220	342	.130	.126	.270	.611
220	144	.144	.095	.157	.497	220	235	.103	.097	.210	.382	220	343	.101	.119	.271	.515
220	145	.102	.090	.212	.426	220	236	.170	.121	.222	.517	220	344	.121	.114	.267	.545
220	146	.104	.080	.192	.345	220	237	.114	.110	.260	.443	220	345	.111	.118	.574	.277
220	147	.117	.095	.268	.422	220	238	.114	.098	.211	.515	220	346	.134	.119	.609	.212
220	148	.130	.093	.179	.323	220	239	.107	.098	.243	.409	220	347	.109	.112	.492	.470
220	149	.141	.080	.109	.355	220	240	.093	.096	.190	.467	220	348	.108	.113	.315	.525
220	150	.139	.096	.183	.461	220	241	.090	.105	.282	.409	220	349	.108	.111	.280	.666
220	151	.144	.098	.219	.471	220	242	.094	.097	.230	.427	220	350	.106	.106	.246	.525
220	152	.132	.098	.169	.472	220	301	.360	.190	1.005	.429	220	351	.138	.138	.731	.370

WD	TAP	CPMEAN	CPRMS	CPMAX	CPMIN	WD	TAP	CPMEAN	CPRMS	CPMAX	CPMIN	WD	TAP	CPMEAN	CPRMS	CPMAX	CPMIN
2220	332	.103	.112	.327	---	220	437	-.086	.105	-.273	-.477	220	943	-.138	.097	-.184	-.489
2220	333	.006	.113	.396	---	220	438	-.037	.105	-.309	-.398	220	944	-.157	.104	-.148	-.648
2220	334	.071	.116	.422	---	220	439	---	.104	-.377	-.394	220	945	-.115	.095	-.221	-.447
2220	335	.079	.110	.268	---	220	440	-.062	.097	-.383	-.412	220	946	-.107	.094	-.267	-.487
2220	336	.103	.111	.301	---	220	441	-.092	.117	-.413	-.422	220	947	-.120	.102	-.175	-.538
2220	337	.132	.116	.521	---	220	442	-.130	.116	-.482	-.455	220	948	-.129	.102	-.193	-.526
2220	338	.036	.116	.441	---	220	443	-.116	.118	-.484	-.461	220	949	-.010	.125	-.441	-.461
2220	339	.000	.105	.337	---	220	444	-.064	.115	-.467	-.388	230	101	-.183	.109	-.133	-.604
2220	340	.000	.118	.413	---	220	901	-.218	.109	-.159	-.641	230	102	-.175	.097	-.133	-.513
2220	341	.000	.109	.256	---	220	902	-.373	.150	-.150	-.860	230	103	-.149	.102	-.194	-.537
2220	342	.000	.112	.299	---	220	903	-.325	.257	-.451	-.320	230	104	-.146	.095	-.300	-.463
2220	343	.000	.120	.396	---	220	904	-.190	.115	-.338	-.649	230	105	-.144	.101	-.146	-.513
2220	344	.080	.110	.450	---	220	905	-.064	.151	-.353	-.212	230	106	-.139	.106	-.222	-.513
2220	345	.128	.109	.482	---	220	906	-.129	.108	-.321	-.658	230	107	-.193	.105	-.107	-.538
2220	401	.114	.116	.245	---	220	907	-.129	.110	-.309	-.458	230	108	-.164	.096	-.178	-.538
2220	402	.099	.112	.283	---	220	908	-.157	.113	-.200	-.595	230	109	-.158	.099	-.161	-.531
2220	403	.073	.112	.359	---	220	909	-.125	.108	-.208	-.479	230	110	-.144	.103	-.233	-.482
2220	404	.040	.119	.331	---	220	910	-.116	.106	-.211	-.528	230	111	-.144	.097	-.173	-.446
2220	405	.020	.122	.387	---	220	911	-.133	.117	-.227	-.595	230	112	-.141	.100	-.226	-.425
2220	406	.093	.153	.519	---	220	912	-.193	.156	-.318	-.673	230	113	-.165	.113	-.284	-.656
2220	407	.104	.102	.260	---	220	913	-.101	.123	-.344	-.616	230	114	-.169	.111	-.182	-.547
2220	408	.019	.092	.307	---	220	914	-.093	.119	-.344	-.501	230	115	-.133	.095	-.147	-.491
2220	409	.018	.086	.248	---	220	915	-.108	.111	-.311	-.469	230	116	-.123	.096	-.226	-.402
2220	410	.053	.154	.366	---	220	916	-.077	.107	-.286	-.450	230	117	-.141	.104	-.226	-.575
2220	411	.033	.111	.250	---	220	917	-.193	.128	-.223	-.725	230	118	-.142	.102	-.266	-.531
2220	412	.033	.113	.465	---	220	918	-.206	.144	-.258	-.000	230	119	-.141	.101	-.218	-.487
2220	413	.038	.104	.376	---	220	919	-.130	.111	-.228	-.622	230	120	-.134	.102	-.189	-.497
2220	414	.050	.105	.384	---	220	920	-.123	.105	-.263	-.584	230	121	-.148	.101	-.173	-.542
2220	415	.073	.105	.415	---	220	921	-.073	.108	-.238	-.447	230	122	-.139	.108	-.211	-.489
2220	416	.000	.151	.510	---	220	922	-.113	.120	-.266	-.521	230	123	-.130	.101	-.207	-.531
2220	417	.000	.134	.184	---	220	923	-.066	.115	-.383	-.461	230	124	-.138	.088	-.159	-.442
2220	418	.137	.106	.339	---	220	924	-.008	.103	-.383	-.315	230	125	-.145	.093	-.161	-.454
2220	419	.117	.106	.525	---	220	925	-.017	.136	-.487	-.542	230	126	-.148	.102	-.191	-.481
2220	420	.093	.106	.421	---	220	926	-.106	.107	-.470	-.232	230	127	-.151	.096	-.187	-.441
2220	421	.073	.108	.390	---	220	927	-.068	.107	-.379	-.496	230	128	-.151	.100	-.178	-.573
2220	422	.063	.137	.429	---	220	928	-.291	.135	-.379	-.875	230	129	-.133	.104	-.243	-.561
2220	423	.027	.146	.236	---	220	929	-.142	.130	-.127	-.775	230	130	-.136	.094	-.213	-.557
2220	424	.000	.133	.228	---	220	930	-.144	.111	-.300	-.632	230	131	-.143	.093	-.265	-.447
2220	425	.000	.106	.480	---	220	931	-.133	.110	-.260	-.685	230	132	-.149	.099	-.261	-.457
2220	426	.033	.108	.327	---	220	932	-.113	.106	-.205	-.533	230	133	-.150	.091	-.207	-.458
2220	427	.033	.104	.327	---	220	933	-.113	.103	-.240	-.490	230	134	-.153	.098	-.123	-.461
2220	428	.099	.106	.228	---	220	934	-.144	.100	-.404	-.490	230	135	-.164	.096	-.155	-.511
2220	429	.072	.101	.231	---	220	935	-.211	.096	-.144	-.500	230	136	-.164	.100	-.155	-.538
2220	430	.126	.142	.269	---	220	936	-.187	.107	-.187	-.596	230	137	-.164	.099	-.155	-.450
2220	431	.127	.108	.479	---	220	937	-.101	.095	-.444	-.440	230	138	-.114	.106	-.299	-.459
2220	432	.098	.112	.490	---	220	938	-.120	.100	-.250	-.509	230	139	-.123	.104	-.237	-.490
2220	433	.079	.114	.600	---	220	939	-.141	.098	-.166	-.490	230	140	-.141	.093	-.197	-.414
2220	434	.074	.111	.454	---	220	940	-.140	.100	-.278	-.622	230	141	-.149	.100	-.174	-.454
2220	435	.031	.106	.326	---	220	941	-.109	.109	-.270	-.458	230	142	-.151	.094	-.182	-.458
2220	436	.039	.105	.302	---	220	942	-.113	.093	-.220	-.459	230	143	-.150	.097	-.171	-.455

WD	TAP	CPNEAN	CPRMS	CPMAX	CPMIN	WD	TAP	CPNEAN	CPRMS	CPMAX	CPMIN	WD	TAP	CPNEAN	CPRMS	CPMAX	CPMIN
2330	144	.141	.096	.138	.494	2330	2335	.107	.094	.192	.419	2330	343	.138	.124	.292	.549
2330	145	.096	.090	.227	.376	2330	2336	.150	.122	.234	.618	2330	344	.145	.122	.267	.586
2330	146	.109	.084	.157	.361	2330	2337	.120	.101	.173	.468	2330	345	.089	.120	.603	.269
2330	147	.107	.092	.157	.426	2330	2338	.113	.100	.212	.408	2330	346	.137	.113	.531	.309
2330	148	.123	.088	.152	.400	2330	2339	.100	.096	.321	.433	2330	347	.151	.119	.283	.543
2330	149	.138	.079	.138	.369	2330	2340	.096	.093	.198	.392	2330	348	.127	.110	.249	.569
2330	150	.145	.091	.265	.410	2330	2341	.090	.089	.194	.432	2330	349	.103	.105	.270	.439
2330	151	.142	.099	.139	.483	2330	2342	.098	.092	.262	.396	2330	350	.109	.108	.259	.490
2330	152	.141	.101	.143	.489	2330	2343	.098	.092	.019	.391	2330	351	.125	.133	.665	.338
2330	153	.116	.094	.162	.414	2330	2344	.230	.176	.860	.557	2330	352	.091	.121	.590	.288
2330	154	.112	.087	.169	.401	2330	2345	.138	.139	.353	.801	2330	353	.007	.111	.339	.370
2330	155	.119	.093	.172	.429	2330	2346	.212	.127	.192	.634	2330	354	.080	.107	.294	.419
2330	156	.112	.098	.266	.428	2330	2347	.196	.109	.198	.571	2330	355	.108	.107	.232	.490
2330	157	.103	.089	.173	.439	2330	2348	.182	.104	.170	.723	2330	356	.133	.115	.269	.540
2330	161	.106	.091	.240	.411	2330	2349	.312	.174	.043	.355	2330	357	.119	.128	.667	.273
2330	162	.104	.094	.214	.433	2330	2350	.274	.150	.794	.329	2330	358	.032	.111	.444	.320
2330	201	.175	.099	.180	.501	2330	2351	.049	.111	.290	.486	2330	359	.009	.101	.308	.336
2330	202	.164	.099	.155	.650	2330	2352	.175	.136	.293	.635	2330	360	.199	.125	.165	.655
2330	203	.155	.106	.151	.581	2330	2353	.174	.110	.245	.567	2330	361	.133	.116	.286	.572
2330	204	.054	.094	.223	.364	2330	2354	.150	.113	.256	.681	2330	362	.072	.115	.358	.436
2330	205	.124	.098	.163	.478	2330	2355	.103	.111	.317	.438	2330	363	.087	.111	.343	.474
2330	206	.030	.103	.330	.432	2330	2356	.131	.107	.194	.510	2330	364	.074	.122	.526	.295
2330	207	.144	.096	.173	.468	2330	2357	.084	.120	.363	.492	2330	365	.125	.120	.474	.253
2330	208	.053	.102	.336	.450	2330	2358	.075	.139	.568	.602	2330	401	.113	.118	.300	.551
2330	209	.109	.103	.297	.460	2330	2359	.096	.104	.259	.423	2330	402	.105	.118	.336	.534
2330	210	.069	.090	.205	.410	2330	2360	.120	.097	.272	.450	2330	403	.101	.117	.303	.572
2330	211	.137	.091	.205	.490	2330	2361	.104	.130	.359	.727	2330	404	.090	.132	.365	.744
2330	212	.107	.108	.333	.483	2330	2362	.095	.140	.517	.653	2330	405	.051	.139	.397	.667
2330	213	.118	.093	.252	.419	2330	2363	.135	.146	.615	.376	2330	406	.121	.154	.401	.836
2330	214	.142	.100	.170	.476	2330	2364	.079	.129	.612	.318	2330	407	.106	.100	.281	.414
2330	215	.155	.095	.161	.464	2330	2365	.159	.106	.179	.537	2330	408	.024	.102	.344	.390
2330	216	.144	.111	.201	.480	2330	2366	.185	.110	.281	.571	2330	409	.019	.089	.316	.236
2330	217	.093	.099	.233	.476	2330	2367	.150	.107	.274	.538	2330	410	.075	.151	.365	.640
2330	218	.120	.105	.222	.457	2330	2368	.147	.128	.265	.729	2330	411	.116	.109	.240	.489
2330	219	.107	.102	.222	.436	2330	2369	.213	.144	.691	.391	2330	412	.034	.105	.285	.390
2330	220	.122	.091	.240	.398	2330	2370	.174	.138	.670	.292	2330	413	.037	.103	.410	.308
2330	221	.147	.099	.223	.471	2330	2371	.034	.100	.318	.371	2330	414	.041	.112	.470	.431
2330	222	.151	.099	.170	.525	2330	2372	.146	.121	.253	.525	2330	415	.066	.115	.457	.338
2330	223	.156	.098	.119	.479	2330	2373	.151	.111	.207	.628	2330	416	.005	.153	.593	.593
2330	224	.129	.103	.200	.577	2330	2374	.146	.104	.197	.510	2330	417	.271	.133	.189	.572
2330	225	.094	.102	.226	.433	2330	2375	.151	.108	.194	.531	2330	418	.151	.118	.230	.572
2330	226	.100	.103	.226	.506	2330	2376	.175	.116	.214	.565	2330	419	.109	.123	.563	.258
2330	227	.098	.100	.226	.532	2330	2377	.134	.122	.266	.582	2330	420	.090	.120	.553	.415
2330	228	.146	.097	.144	.533	2330	2378	.146	.127	.271	.617	2330	421	.061	.103	.450	.264
2330	229	.123	.105	.333	.496	2330	2379	.090	.130	.899	.388	2330	422	.060	.130	.488	.497
2330	230	.136	.099	.333	.494	2330	2380	.113	.118	.978	.254	2330	423	.291	.141	.151	.759
2330	231	.106	.103	.234	.454	2330	2381	.062	.124	.457	.473	2330	424	.017	.103	.354	.346
2330	232	.095	.104	.208	.479	2330	2382	.100	.122	.569	.417	2330	425	.017	.103	.354	.346
2330	233	.099	.098	.203	.417	2330	2383	.152	.119	.235	.606	2330	426	.030	.111	.365	.453
2330	234	.104	.091	.188	.398	2330	2384	.174	.116	.174	.695	2330	427	.082	.105	.261	.441

WD	TAP	CPHEAN	CPRMS	CPMAX	CPMIN	WD	TAP	CPHEAN	CPRMS	CPMAX	CPMIN	WD	TAP	CPHEAN	CPRMS	CPMAX	CPMIN
2230	428	.099	.102	.254	.420	230	934	.147	.091	.240	.445	240	135	.142	.111	.260	.531
2230	429	.069	.108	.271	.446	230	935	.147	.100	.254	.480	240	136	.142	.107	.207	.521
2230	430	.222	.143	.317	.678	230	936	.208	.105	.208	.589	240	137	.111	.105	.323	.564
2230	431	.113	.114	.461	.255	230	937	.107	.098	.230	.427	240	138	.114	.111	.273	.518
2230	432	.090	.110	.422	.314	230	938	.129	.092	.143	.474	240	139	.111	.106	.289	.450
2230	433	.076	.105	.411	.332	230	939	.145	.097	.155	.458	240	140	.121	.099	.269	.442
2230	434	.077	.108	.437	.451	230	940	.138	.101	.186	.791	240	141	.136	.105	.236	.487
2230	435	.036	.108	.298	.459	230	941	.106	.105	.265	.445	240	142	.120	.093	.217	.379
2230	436	.059	.111	.301	.440	230	942	.119	.100	.235	.454	240	143	.130	.094	.185	.459
2230	437	.086	.106	.347	.458	230	943	.142	.097	.172	.493	240	144	.135	.110	.245	.579
2230	438	.034	.102	.364	.371	230	944	.149	.109	.232	.521	240	145	.101	.092	.178	.414
2230	439	.061	.113	.317	.454	230	945	.115	.097	.223	.450	240	146	.105	.085	.137	.445
2230	440	.068	.107	.290	.515	230	946	.114	.099	.204	.432	240	147	.098	.097	.256	.407
2230	441	.088	.119	.351	.451	230	947	.117	.099	.198	.490	240	148	.119	.104	.276	.498
2230	442	.119	.109	.359	.244	230	948	.119	.101	.227	.478	240	149	.136	.084	.104	.475
2230	443	.121	.121	.538	.309	230	949	.017	.125	.500	.494	240	150	.129	.105	.183	.522
2240	444	.074	.119	.584	.336	2240	101	.153	.106	.242	.573	240	151	.129	.103	.204	.486
2240	901	.222	.125	.165	.636	2240	102	.158	.113	.245	.596	240	152	.123	.096	.246	.452
2240	902	.300	.140	.184	.924	2240	103	.140	.107	.189	.596	240	153	.110	.099	.213	.468
2240	903	.317	.265	.488	.640	2240	104	.131	.108	.185	.531	240	154	.111	.103	.228	.481
2240	904	.187	.106	.139	.583	2240	105	.128	.105	.182	.479	240	155	.107	.100	.231	.429
2240	905	.058	.141	.427	.931	2240	106	.122	.102	.235	.491	240	156	.166	.102	.210	.445
2240	906	.140	.111	.258	.579	2240	107	.155	.108	.214	.522	240	161	.103	.102	.262	.490
2240	907	.144	.113	.467	.536	2240	108	.143	.109	.244	.531	240	162	.104	.096	.173	.401
2240	908	.175	.113	.191	.551	2240	109	.132	.103	.227	.447	240	163	.107	.112	.239	.452
2240	909	.141	.110	.182	.502	2240	110	.130	.106	.214	.484	240	201	.157	.108	.199	.485
2240	910	.124	.114	.250	.498	2240	111	.135	.104	.240	.539	240	202	.148	.093	.141	.438
2240	911	.143	.109	.206	.542	2240	112	.132	.109	.333	.449	240	203	.154	.100	.154	.508
2240	912	.195	.148	.255	.684	2240	113	.150	.118	.266	.543	240	204	.070	.107	.335	.436
2240	913	.121	.132	.346	.623	2240	114	.145	.108	.181	.496	240	205	.125	.101	.186	.514
2240	914	.128	.122	.223	.615	2240	115	.139	.107	.229	.542	240	206	.118	.107	.321	.348
2240	915	.130	.107	.239	.452	2240	116	.116	.101	.161	.453	240	207	.131	.106	.175	.472
2240	916	.091	.098	.298	.425	2240	117	.141	.119	.241	.542	240	208	.048	.107	.316	.393
2240	917	.212	.133	.196	.773	2240	118	.140	.108	.194	.520	240	209	.117	.092	.210	.386
2240	918	.192	.122	.182	.525	2240	119	.129	.108	.302	.492	240	210	.061	.110	.260	.457
2240	919	.155	.104	.219	.525	2240	120	.112	.112	.350	.544	240	211	.129	.113	.297	.559
2240	920	.115	.106	.215	.723	2240	121	.114	.115	.257	.544	240	212	.099	.109	.525	.524
2240	921	.081	.106	.324	.420	2240	122	.146	.114	.265	.553	240	213	.109	.103	.323	.415
2240	922	.142	.113	.239	.544	2240	123	.122	.096	.171	.458	240	214	.146	.095	.133	.492
2240	923	.073	.119	.382	.502	2240	124	.130	.107	.228	.467	240	215	.148	.107	.202	.566
2240	924	.046	.110	.414	.436	2240	125	.128	.099	.192	.497	240	216	.145	.103	.185	.492
2240	925	.032	.133	.425	.494	2240	126	.124	.112	.242	.462	240	217	.089	.105	.340	.475
2240	926	.098	.117	.564	.299	2240	127	.122	.106	.181	.505	240	218	.136	.106	.268	.444
2240	927	.004	.103	.445	.341	2240	128	.143	.113	.248	.498	240	219	.087	.105	.298	.426
2240	928	.292	.138	.190	.973	2240	129	.145	.099	.207	.499	240	220	.105	.099	.258	.452
2240	929	.280	.148	.172	.880	2240	130	.134	.119	.253	.509	240	221	.133	.103	.253	.468
2240	930	.150	.110	.203	.570	2240	131	.131	.116	.273	.538	240	222	.123	.092	.193	.384
2240	931	.153	.114	.218	.735	2240	132	.133	.102	.250	.604	240	223	.144	.092	.158	.511
2240	932	.134	.104	.241	.499	2240	133	.135	.103	.258	.497	240	224	.140	.115	.240	.557
2240	933	.138	.091	.181	.496	2240	134	.135	.093	.192	.462	240	225	.091	.104	.279	.483

WD	TAP	CPMEAN	CPRMS	CPMAX	CPMIN	WD	TAP	CPMEAN	CPRMS	CPMAX	CPMIN	WD	TAP	CPMEAN	CPRMS	CPMAX	CPMIN
240	22	.097	.107	.324	.562	240	334	.173	.103	.215	.325	240	419	.092	.118	.611	.309
240	22	.093	.105	.282	.488	240	335	.140	.127	.268	.599	240	420	.073	.113	.495	.281
240	22	.140	.115	.331	.575	240	336	.154	.122	.274	.687	240	421	.036	.113	.471	.398
240	22	.134	.109	.268	.547	240	337	.084	.132	.598	.373	240	422	.031	.122	.403	.453
240	22	.115	.109	.205	.495	240	338	.095	.137	.545	.661	240	423	.037	.133	.193	.719
240	22	.097	.107	.259	.461	240	339	.050	.126	.530	.471	240	424	.034	.155	.363	.739
240	22	.088	.098	.277	.436	240	340	.083	.116	.515	.409	240	425	.027	.106	.278	.423
240	22	.096	.106	.281	.471	240	341	.156	.106	.254	.499	240	426	.037	.099	.367	.555
240	22	.103	.107	.234	.489	240	342	.161	.118	.241	.607	240	427	.027	.092	.466	.999
240	22	.098	.102	.263	.444	240	343	.146	.107	.173	.478	240	428	.088	.107	.286	.446
240	22	.132	.115	.211	.587	240	344	.132	.100	.173	.339	240	429	.075	.113	.367	.468
240	22	.128	.107	.222	.471	240	345	.077	.125	.519	.622	240	430	.218	.145	.326	.783
240	22	.106	.103	.288	.430	240	346	.164	.121	.558	.392	240	431	.100	.113	.482	.700
240	22	.089	.108	.300	.456	240	347	.107	.121	.194	.334	240	432	.071	.109	.493	.710
240	22	.087	.102	.232	.383	240	348	.125	.103	.274	.447	240	433	.033	.103	.355	.422
240	22	.097	.103	.274	.500	240	349	.099	.107	.246	.377	240	434	.033	.111	.403	.444
240	22	.095	.098	.178	.401	240	350	.114	.109	.278	.448	240	435	.032	.114	.404	.404
240	22	.174	.121	.930	.644	240	351	.104	.145	.664	.605	240	436	.059	.106	.347	.424
240	22	.104	.166	.711	.339	240	352	.087	.121	.581	.274	240	437	.083	.102	.260	.422
240	22	.111	.134	.437	.671	240	353	.025	.106	.324	.448	240	438	.037	.106	.266	.492
240	22	.197	.131	.203	.705	240	354	.096	.105	.246	.432	240	439	.057	.104	.319	.442
240	22	.176	.115	.220	.513	240	355	.123	.104	.245	.491	240	440	.062	.099	.282	.438
240	22	.169	.098	.150	.470	240	356	.135	.118	.245	.378	240	441	.114	.113	.306	.370
240	22	.214	.193	.948	.427	240	357	.114	.114	.524	.289	240	442	.107	.118	.538	.787
240	22	.175	.183	.848	.441	240	358	.030	.12	.476	.507	240	443	.095	.108	.463	.460
240	22	.058	.115	.337	.741	240	359	.018	.106	.325	.445	240	444	.061	.117	.518	.663
240	22	.164	.131	.298	.438	240	360	.203	.11	.171	.577	240	901	.206	.112	.133	.751
240	22	.154	.120	.203	.567	240	361	.126	.105	.215	.567	240	902	.249	.131	.187	.555
240	22	.109	.118	.266	.505	240	362	.092	.108	.334	.460	240	903	.279	.219	.558	.12
240	22	.140	.114	.247	.526	240	363	.093	.111	.258	.504	240	904	.166	.107	.208	.634
240	22	.122	.108	.239	.514	240	364	.063	.114	.526	.318	240	905	.171	.201	.335	.444
240	22	.127	.118	.233	.625	240	365	.105	.111	.520	.255	240	906	.156	.111	.178	.556
240	22	.116	.124	.228	.636	240	401	.107	.107	.232	.455	240	907	.153	.116	.203	.344
240	22	.116	.094	.221	.387	240	402	.084	.111	.395	.451	240	908	.166	.110	.208	.673
240	22	.126	.114	.267	.508	240	403	.107	.125	.377	.658	240	909	.140	.104	.256	.491
240	22	.150	.136	.336	.653	240	404	.114	.132	.483	.611	240	910	.111	.110	.254	.338
240	22	.152	.121	.310	.727	240	405	.088	.132	.407	.917	240	911	.143	.117	.250	.488
240	22	.105	.150	.693	.386	240	406	.132	.105	.447	.877	240	912	.251	.143	.232	.694
240	22	.070	.145	.693	.338	240	407	.084	.153	.265	.505	240	913	.169	.131	.195	.494
240	22	.151	.100	.699	.542	240	408	.021	.108	.483	.405	240	914	.163	.122	.325	.599
240	22	.174	.114	.179	.624	240	409	.068	.101	.444	.340	240	915	.148	.107	.232	.472
240	22	.158	.109	.189	.587	240	410	.063	.135	.546	.618	240	916	.111	.107	.297	.441
240	22	.166	.115	.190	.678	240	411	.103	.105	.260	.425	240	917	.165	.114	.175	.602
240	22	.154	.162	.692	.755	240	412	.038	.103	.320	.446	240	918	.164	.116	.229	.575
240	22	.150	.150	.662	.526	240	413	.029	.111	.436	.385	240	919	.142	.103	.167	.608
240	22	.043	.109	.373	.459	240	414	.036	.121	.657	.357	240	920	.119	.116	.241	.109
240	22	.151	.118	.255	.519	240	415	.051	.112	.451	.388	240	921	.086	.109	.302	.411
240	22	.129	.103	.219	.427	240	416	.002	.138	.366	.444	240	922	.163	.117	.273	.577
240	22	.138	.096	.207	.546	240	417	.233	.144	.283	.578	240	923	.081	.110	.338	.441
240	22	.152	.106	.169	.491	240	418	.128	.109	.218	.36	240	924	.064	.113	.343	.434

WD	TAP	CPMEAN	CPRMS	CPMAX	CPMIN	WD	TAP	CPMEAN	CPRMS	CPMAX	CPMIN	WD	TAP	CPMEAN	CPRMS	CPMAX	CPMIN
240	925	.106	.122	.268	.600	250	126	.131	.096	.213	.454	250	217	.082	.095	.215	.381
240	926	.084	.123	.363	.403	250	127	.122	.091	.171	.441	250	218	.112	.092	.238	.429
240	927	.131	.131	.547	.388	250	128	.122	.099	.195	.473	250	219	.084	.099	.301	.402
240	928	.143	.118	.902	.902	250	129	.117	.106	.237	.528	250	220	.106	.096	.260	.442
240	929	.148	.208	.789	.789	250	130	.117	.103	.223	.579	250	221	.130	.091	.201	.466
240	930	.106	.319	.448	.884	250	131	.112	.093	.228	.417	250	222	.135	.094	.143	.429
240	931	.123	.319	.413	.884	250	132	.124	.094	.173	.517	250	223	.118	.095	.167	.402
240	932	.097	.214	.413	.884	250	133	.132	.094	.210	.433	250	224	.088	.103	.285	.465
240	933	.116	.238	.554	.440	250	134	.128	.094	.185	.517	250	225	.066	.104	.288	.440
240	934	.115	.283	.554	.440	250	135	.128	.098	.161	.452	250	226	.083	.098	.290	.454
240	935	.104	.289	.468	.884	250	136	.142	.098	.188	.563	250	227	.101	.093	.290	.395
240	936	.117	.266	.468	.884	250	137	.104	.094	.202	.467	250	228	.094	.106	.315	.547
240	937	.097	.256	.468	.884	250	138	.107	.091	.241	.465	250	229	.081	.108	.255	.454
240	938	.108	.245	.468	.884	250	139	.105	.099	.236	.450	250	230	.091	.097	.237	.526
240	939	.106	.190	.333	.444	250	140	.129	.101	.244	.470	250	231	.086	.092	.245	.450
240	940	.106	.259	.444	.444	250	141	.143	.092	.186	.471	250	232	.095	.088	.245	.374
240	941	.110	.296	.444	.440	250	142	.138	.098	.154	.481	250	233	.102	.092	.217	.432
240	942	.104	.277	.444	.440	250	143	.140	.099	.173	.446	250	234	.113	.089	.266	.401
240	943	.104	.263	.444	.440	250	144	.127	.097	.180	.472	250	235	.108	.097	.164	.449
240	944	.115	.259	.444	.440	250	145	.097	.086	.164	.380	250	236	.083	.102	.223	.489
240	945	.098	.284	.444	.440	250	146	.097	.080	.151	.339	250	237	.072	.100	.224	.374
240	946	.093	.215	.444	.440	250	147	.097	.084	.241	.361	250	238	.080	.101	.241	.429
240	947	.114	.266	.444	.440	250	148	.117	.099	.191	.479	250	239	.073	.100	.277	.443
240	948	.103	.241	.444	.440	250	149	.132	.086	.109	.381	250	240	.084	.103	.277	.490
240	949	.128	.523	.444	.440	250	150	.130	.091	.210	.492	250	241	.103	.093	.195	.416
240	101	.099	.242	.444	.440	250	151	.127	.092	.197	.462	250	242	.104	.099	.232	.450
240	102	.107	.242	.444	.440	250	152	.125	.088	.227	.381	250	243	.043	.176	.915	.722
240	103	.104	.175	.444	.440	250	153	.110	.088	.244	.420	250	244	.027	.149	.721	.545
240	104	.093	.225	.444	.440	250	154	.115	.086	.249	.385	250	245	.098	.118	.204	.550
240	105	.091	.175	.444	.440	250	155	.114	.096	.162	.440	250	246	.169	.111	.204	.550
240	106	.092	.228	.444	.440	250	156	.114	.093	.276	.425	250	247	.158	.102	.153	.564
240	107	.093	.186	.444	.440	250	161	.114	.093	.217	.428	250	248	.149	.092	.174	.507
240	108	.088	.155	.444	.440	250	162	.109	.098	.221	.461	250	249	.096	.175	.660	.760
240	109	.099	.171	.444	.440	250	163	.111	.098	.111	.446	250	250	.081	.158	.697	.463
240	110	.097	.192	.444	.440	250	164	.109	.095	.156	.442	250	251	.078	.108	.294	.392
240	111	.091	.225	.444	.440	250	165	.125	.085	.156	.407	250	252	.159	.107	.279	.547
240	112	.103	.233	.444	.440	250	166	.134	.102	.180	.470	250	253	.140	.094	.166	.485
240	113	.102	.228	.444	.440	250	167	.072	.094	.229	.421	250	254	.125	.103	.228	.468
240	114	.109	.245	.444	.440	250	168	.129	.094	.227	.404	250	255	.120	.106	.333	.467
240	115	.094	.183	.444	.440	250	169	.024	.092	.338	.398	250	256	.136	.101	.175	.500
240	116	.102	.232	.444	.440	250	171	.118	.088	.182	.435	250	257	.146	.105	.157	.498
240	117	.106	.177	.444	.440	250	172	.093	.096	.249	.359	250	258	.146	.106	.170	.551
240	118	.101	.202	.444	.440	250	173	.118	.098	.200	.517	250	259	.113	.099	.204	.530
240	119	.101	.234	.444	.440	250	174	.066	.095	.229	.361	250	260	.134	.097	.250	.435
240	120	.098	.203	.444	.440	250	175	.115	.092	.229	.417	250	261	.153	.101	.255	.537
240	121	.100	.207	.444	.440	250	176	.104	.099	.222	.521	250	262	.155	.103	.158	.682
240	122	.106	.161	.444	.440	250	177	.104	.095	.222	.389	250	263	.067	.138	.778	.336
240	123	.101	.229	.444	.440	250	178	.124	.094	.111	.496	250	264	.048	.132	.815	.323
240	124	.096	.227	.444	.440	250	179	.127	.090	.115	.418	250	265	.124	.098	.214	.497
240	125	.095	.224	.444	.440	250	180	.128	.109	.146	.492	250	266	.145	.095	.143	.450

WD	TAP	CPMEAN	CPRMS	CPMAX	CPMIN	WD	TAP	CPMEAN	CPRMS	CPMAX	CPMIN	WD	TAP	CPMEAN	CPRMS	CPMAX	CPMIN
250	325	.170	.092	.124	.088	250	410	.021	.134	.494	.587	250	916	.116	.095	.248	.472
250	326	.172	.104	.250	.199	250	411	.106	.097	.290	.455	250	917	.152	.110	.248	.561
250	327	.109	.147	.694	.449	250	412	.038	.111	.318	.373	250	918	.146	.100	.187	.601
250	328	.094	.141	.638	.638	250	413	.024	.109	.459	.310	250	919	.130	.101	.233	.466
250	329	.086	.103	.319	.416	250	414	.029	.109	.487	.291	250	920	.127	.102	.167	.464
250	330	.149	.099	.170	.512	250	415	.037	.100	.391	.357	250	921	.096	.100	.211	.478
250	331	.141	.103	.179	.488	250	416	.009	.139	.224	.734	250	922	.158	.112	.209	.745
250	332	.132	.100	.189	.441	250	417	.215	.137	.299	.895	250	923	.091	.111	.294	.425
250	333	.133	.108	.193	.441	250	418	.123	.103	.200	.415	250	924	.091	.103	.289	.496
250	334	.136	.100	.187	.500	250	419	.081	.121	.325	.298	250	925	.127	.102	.284	.448
250	335	.137	.110	.330	.626	250	420	.056	.115	.450	.303	250	926	.064	.130	.614	.336
250	336	.146	.107	.274	.782	250	421	.047	.099	.380	.270	250	927	.014	.113	.405	.376
250	337	.051	.131	.614	.411	250	422	.034	.119	.480	.730	250	928	.229	.130	.288	.775
250	338	.088	.126	.570	.455	250	423	.206	.147	.287	.747	250	929	.221	.128	.150	.792
250	339	.022	.127	.867	.664	250	424	.175	.151	.280	.677	250	930	.146	.106	.243	.590
250	340	.060	.119	.867	.111	250	425	.027	.112	.334	.393	250	931	.141	.106	.200	.669
250	341	.133	.111	.287	.550	250	426	.033	.108	.314	.386	250	932	.117	.105	.206	.538
250	342	.115	.103	.188	.444	250	427	.074	.103	.330	.533	250	933	.121	.097	.267	.437
250	343	.113	.101	.259	.489	250	428	.096	.104	.212	.455	250	934	.122	.095	.223	.434
250	344	.106	.116	.267	.686	250	429	.082	.106	.222	.451	250	935	.119	.095	.169	.575
250	345	.087	.118	.561	.353	250	430	.197	.149	.330	.692	250	936	.171	.108	.184	.556
250	346	.088	.122	.572	.241	250	431	.088	.104	.433	.281	250	937	.091	.094	.229	.453
250	347	.116	.109	.200	.477	250	432	.055	.104	.389	.343	250	938	.110	.094	.179	.393
250	348	.143	.107	.274	.336	250	433	.050	.108	.400	.286	250	939	.141	.096	.192	.477
250	349	.088	.103	.359	.444	250	434	.047	.108	.430	.347	250	940	.133	.098	.191	.533
250	350	.090	.106	.280	.464	250	435	.032	.102	.417	.380	250	941	.093	.092	.270	.383
250	351	.082	.135	.530	.719	250	436	.058	.096	.288	.441	250	942	.110	.100	.230	.460
250	352	.121	.121	.479	.355	250	437	.075	.110	.246	.410	250	943	.132	.102	.228	.552
250	353	.037	.104	.319	.387	250	438	.039	.106	.337	.372	250	944	.131	.099	.197	.541
250	354	.093	.108	.955	.433	250	439	.058	.106	.236	.380	250	945	.111	.098	.196	.430
250	355	.100	.102	.959	.720	250	440	.057	.101	.209	.403	250	946	.108	.098	.183	.430
250	356	.131	.107	.264	.717	250	441	.089	.120	.403	.511	250	947	.108	.102	.254	.456
250	357	.090	.102	.460	.292	250	442	.102	.102	.446	.206	250	948	.113	.099	.204	.475
250	358	.022	.122	.434	.772	250	443	.095	.106	.301	.256	250	949	.018	.118	.487	.410
250	359	.020	.107	.320	.400	250	444	.050	.123	.430	.446	250	101	.149	.111	.261	.609
250	360	.175	.118	.246	.116	250	901	.176	.116	.245	.589	260	102	.131	.112	.224	.837
250	361	.109	.104	.222	.446	250	902	.213	.127	.458	.668	260	103	.125	.107	.189	.510
250	362	.070	.110	.931	.444	250	903	.249	.178	.421	.926	260	104	.127	.106	.252	.522
250	363	.063	.103	.448	.744	250	904	.148	.098	.231	.528	260	105	.118	.099	.200	.554
250	364	.066	.116	.454	.959	250	905	.234	.195	.288	.382	260	106	.114	.104	.255	.429
250	365	.102	.112	.472	.266	250	906	.136	.110	.265	.509	260	107	.131	.107	.255	.510
250	401	.086	.106	.364	.149	250	907	.149	.098	.160	.566	260	108	.119	.104	.224	.516
250	402	.081	.121	.313	.144	250	908	.099	.099	.177	.505	260	109	.119	.101	.203	.500
250	403	.102	.121	.318	.124	250	909	.124	.092	.225	.444	260	110	.108	.097	.181	.409
250	404	.119	.127	.585	.106	250	910	.106	.100	.224	.453	260	111	.111	.099	.241	.417
250	405	.093	.123	.411	.138	250	911	.138	.098	.235	.491	260	112	.109	.103	.257	.433
250	406	.112	.141	.393	.251	250	912	.251	.124	.188	.715	260	113	.117	.101	.293	.557
250	407	.084	.101	.304	.162	250	913	.162	.104	.174	.523	260	114	.117	.101	.195	.458
250	408	.012	.107	.458	.164	250	914	.164	.097	.164	.490	260	115	.113	.102	.261	.457
250	409	.004	.095	.343	.132	250	915	.132	.100	.177	.499	260	116	.100	.096	.191	.394

WD	TAP	CPMEAN	CPRMS	CPMAX	CPMIN	WD	TAP	CPMEAN	CPRMS	CPMAX	CPMIN	WD	TAP	CPMEAN	CPRMS	CPMAX	CPMIN
2660	117	.116	.104	.188	.489	2660	208	.012	.092	.286	.318	2660	316	.119	.103	.194	.466
2660	118	.112	.102	.237	.440	2660	209	.101	.099	.394	.412	2660	317	.097	.099	.308	.392
2660	119	.106	.094	.181	.421	2660	210	.042	.097	.332	.380	2660	318	.166	.100	.247	.450
2660	120	.101	.098	.203	.421	2660	211	.104	.097	.203	.450	2660	319	.125	.100	.201	.473
2660	121	.106	.098	.244	.499	2660	212	.094	.101	.256	.407	2660	320	.122	.101	.205	.461
2660	122	.100	.102	.244	.479	2660	213	.088	.094	.195	.418	2660	321	.071	.157	.791	.364
2660	123	.101	.092	.244	.463	2660	214	.101	.096	.422	.482	2660	322	.072	.161	.976	.326
2660	124	.104	.093	.229	.430	2660	215	.100	.100	.366	.418	2660	323	.116	.099	.235	.489
2660	125	.115	.091	.149	.410	2660	216	.098	.106	.363	.511	2660	324	.116	.105	.259	.445
2660	126	.120	.108	.188	.614	2660	217	.073	.098	.314	.446	2660	325	.127	.093	.157	.387
2660	127	.123	.097	.201	.486	2660	218	.084	.100	.238	.447	2660	326	.137	.101	.159	.526
2660	128	.123	.100	.192	.553	2660	219	.077	.099	.304	.477	2660	327	.005	.203	.732	.857
2660	129	.109	.101	.268	.444	2660	220	.086	.096	.276	.429	2660	328	.027	.161	.654	.872
2660	130	.109	.101	.268	.444	2660	221	.101	.092	.173	.408	2660	329	.067	.110	.392	.424
2660	131	.109	.099	.208	.417	2660	222	.101	.094	.001	.400	2660	330	.127	.100	.176	.590
2660	132	.122	.102	.195	.468	2660	223	.080	.104	.022	.400	2660	331	.113	.099	.173	.422
2660	133	.127	.100	.193	.424	2660	224	.074	.094	.120	.349	2660	332	.105	.105	.347	.431
2660	134	.126	.101	.209	.506	2660	225	.069	.099	.237	.422	2660	333	.104	.105	.294	.440
2660	135	.124	.105	.264	.481	2660	226	.083	.095	.228	.367	2660	334	.113	.102	.214	.532
2660	136	.133	.106	.351	.743	2660	227	.089	.097	.244	.415	2660	335	.110	.110	.246	.560
2660	137	.130	.101	.229	.444	2660	228	.073	.101	.273	.397	2660	336	.115	.107	.243	.499
2660	138	.088	.103	.243	.553	2660	229	.066	.105	.355	.454	2660	337	.073	.136	.643	.386
2660	139	.099	.098	.245	.468	2660	230	.095	.099	.333	.494	2660	338	.069	.134	.592	.336
2660	140	.111	.101	.221	.456	2660	231	.081	.093	.212	.417	2660	339	.044	.137	.799	.382
2660	141	.133	.103	.177	.431	2660	232	.087	.097	.322	.387	2660	340	.065	.139	.720	.320
2660	142	.133	.096	.169	.488	2660	233	.091	.100	.247	.449	2660	341	.108	.107	.256	.489
2660	143	.122	.111	.313	.488	2660	234	.094	.102	.222	.509	2660	342	.112	.109	.248	.501
2660	144	.088	.093	.196	.553	2660	235	.093	.095	.335	.417	2660	343	.093	.106	.215	.505
2660	145	.088	.088	.202	.444	2660	236	.067	.091	.231	.316	2660	344	.086	.102	.215	.511
2660	146	.081	.079	.151	.431	2660	237	.085	.097	.314	.379	2660	345	.084	.124	.550	.281
2660	147	.083	.090	.238	.431	2660	238	.076	.102	.363	.433	2660	346	.115	.127	.748	.345
2660	148	.099	.098	.238	.539	2660	239	.074	.094	.308	.476	2660	347	.120	.105	.310	.431
2660	149	.119	.083	.111	.419	2660	240	.082	.093	.209	.395	2660	348	.094	.097	.222	.415
2660	150	.123	.101	.194	.491	2660	241	.093	.101	.279	.418	2660	349	.078	.108	.295	.477
2660	151	.125	.099	.212	.507	2660	242	.094	.093	.209	.410	2660	350	.070	.101	.190	.493
2660	152	.120	.098	.194	.433	2660	243	.057	.192	.612	.995	2660	351	.015	.183	.520	.042
2660	153	.100	.097	.251	.440	2660	244	.066	.158	.708	.958	2660	352	.043	.138	.465	.555
2660	154	.099	.099	.215	.550	2660	245	.112	.110	.846	.468	2660	353	.056	.109	.296	.420
2660	155	.099	.095	.217	.500	2660	246	.149	.106	.939	.448	2660	354	.091	.105	.297	.446
2660	156	.090	.093	.212	.364	2660	247	.132	.100	.277	.505	2660	355	.096	.100	.297	.505
2660	161	.103	.100	.270	.431	2660	248	.126	.102	.203	.441	2660	356	.106	.112	.260	.505
2660	162	.109	.093	.191	.411	2660	249	.006	.206	.770	.862	2660	357	.111	.132	.634	.303
2660	163	.099	.094	.167	.479	2660	250	.004	.166	.586	.793	2660	358	.033	.142	.456	.615
2660	201	.111	.094	.232	.488	2660	251	.079	.099	.212	.402	2660	359	.040	.107	.230	.390
2660	202	.107	.099	.202	.406	2660	252	.131	.113	.201	.728	2660	360	.139	.113	.210	.589
2660	203	.110	.093	.241	.433	2660	253	.120	.098	.205	.517	2660	361	.098	.113	.235	.505
2660	204	.046	.090	.272	.347	2660	254	.107	.099	.219	.427	2660	362	.076	.109	.305	.440
2660	205	.108	.092	.170	.509	2660	255	.101	.104	.158	.425	2660	363	.071	.106	.276	.467
2660	206	.095	.106	.291	.468	2660	256	.103	.101	.170	.475	2660	364	.076	.119	.486	.315
2660	207	.094	.094	.206	.440	2660	257	.112	.105	.223	.501	2660	365	.114	.116	.531	.264

WD	TAP	CPMEAN	CPRMS	CPMAX	CPMIN	WD	TAP	CPMEAN	CPRMS	CPMAX	CPMIN	WD	TAP	CPMEAN	CPRMS	CPMAX	CPMIN
260	401	.085	.116	.321	.492	260	907	.119	.103	.234	.457	270	108	.122	.105	.186	.708
260	402	.066	.114	.335	.553	260	908	.113	.096	.178	.481	270	109	.123	.096	.170	.443
260	403	.070	.130	.431	.485	260	909	.101	.099	.245	.424	270	110	.114	.097	.208	.432
260	404	.098	.136	.470	.540	260	910	.102	.107	.221	.411	270	111	.108	.101	.256	.457
260	405	.085	.132	.456	.500	260	911	.139	.110	.194	.623	270	112	.103	.103	.220	.399
260	406	.082	.138	.537	.594	260	912	.233	.127	.210	.706	270	113	.094	.097	.215	.483
260	407	.062	.106	.331	.390	260	913	.117	.097	.194	.410	270	114	.098	.099	.270	.416
260	408	.029	.123	.505	.394	260	914	.128	.100	.231	.459	270	115	.097	.099	.197	.413
260	409	.047	.113	.521	.292	260	915	.113	.101	.244	.428	270	116	.086	.096	.227	.423
260	410	.039	.124	.476	.533	260	916	.100	.091	.266	.491	270	117	.087	.097	.261	.397
260	411	.088	.106	.226	.525	260	917	.119	.100	.174	.464	270	118	.091	.105	.259	.382
260	412	.088	.116	.474	.525	260	918	.122	.103	.244	.455	270	119	.092	.092	.248	.401
260	413	.043	.120	.448	.318	260	919	.111	.093	.182	.378	270	120	.091	.099	.254	.452
260	414	.048	.125	.542	.326	260	920	.103	.097	.217	.477	270	121	.077	.092	.262	.373
260	415	.055	.120	.620	.457	260	921	.101	.107	.231	.441	270	122	.084	.104	.256	.434
260	416	.049	.123	.516	.111	260	922	.169	.120	.200	.577	270	123	.082	.084	.199	.354
260	417	.197	.135	.379	.800	260	923	.093	.105	.257	.434	270	124	.101	.097	.165	.406
260	418	.110	.109	.715	.480	260	924	.116	.106	.310	.595	270	125	.099	.099	.196	.416
260	419	.089	.141	.509	.305	260	925	.153	.128	.233	.711	270	126	.113	.098	.213	.452
260	420	.058	.127	.618	.307	260	926	.069	.153	.228	.383	270	127	.110	.102	.253	.420
260	421	.111	.122	.699	.334	260	927	.018	.119	.228	.387	270	128	.112	.099	.285	.387
260	422	.057	.124	.639	.558	260	928	.210	.136	.208	.847	270	129	.077	.106	.311	.392
260	423	.178	.144	.407	.882	260	929	.210	.145	.185	.986	270	130	.078	.093	.261	.356
260	424	.099	.161	.749	.827	260	930	.102	.097	.253	.473	270	131	.082	.094	.194	.428
260	425	.026	.109	.331	.111	260	931	.105	.100	.203	.476	270	132	.105	.092	.262	.428
260	426	.031	.103	.326	.364	260	932	.103	.105	.302	.471	270	133	.118	.098	.225	.413
260	427	.067	.097	.314	.421	260	933	.107	.100	.274	.457	270	134	.119	.100	.206	.466
260	428	.081	.106	.320	.390	260	934	.121	.103	.214	.515	270	135	.124	.097	.186	.507
260	429	.043	.110	.327	.521	260	935	.117	.103	.252	.462	270	136	.128	.079	.203	.395
260	430	.133	.157	.455	.822	260	936	.160	.112	.204	.535	270	137	.059	.079	.315	.315
260	431	.121	.123	.523	.282	260	937	.083	.098	.244	.513	270	138	.066	.101	.323	.406
260	432	.085	.117	.561	.325	260	938	.101	.101	.236	.415	270	139	.069	.087	.201	.373
260	433	.065	.117	.534	.327	260	939	.128	.103	.219	.475	270	140	.103	.099	.261	.416
260	434	.066	.117	.333	.379	260	940	.120	.105	.196	.544	270	141	.118	.096	.184	.461
260	435	.024	.112	.336	.400	260	941	.077	.103	.279	.480	270	142	.124	.089	.182	.460
260	436	.049	.105	.276	.449	260	942	.098	.100	.222	.498	270	143	.126	.097	.180	.461
260	437	.066	.101	.285	.493	260	943	.118	.106	.223	.508	270	144	.119	.101	.196	.457
260	438	.033	.107	.300	.388	260	944	.118	.107	.218	.557	270	145	.067	.087	.201	.361
260	439	.044	.106	.343	.410	260	945	.101	.099	.234	.473	270	146	.060	.086	.211	.329
260	440	.054	.111	.377	.392	260	946	.093	.109	.324	.440	270	147	.066	.093	.280	.340
260	441	.053	.121	.367	.479	260	947	.097	.098	.261	.445	270	148	.085	.095	.208	.387
260	442	.111	.119	.34	.279	260	948	.093	.102	.241	.429	270	149	.106	.088	.129	.390
260	443	.105	.116	.371	.384	260	949	.002	.123	.483	.441	270	150	.122	.103	.227	.467
260	444	.020	.111	.380	.398	270	101	.151	.114	.283	.611	270	151	.118	.106	.277	.548
260	901	.149	.114	.238	.783	270	102	.142	.115	.210	.669	270	152	.123	.107	.246	.464
260	902	.198	.133	.343	.848	270	103	.134	.109	.249	.488	270	153	.084	.104	.279	.542
260	903	.286	.172	.396	.268	270	104	.129	.108	.268	.602	270	154	.079	.093	.268	.417
260	904	.128	.104	.441	.446	270	105	.118	.102	.165	.453	270	155	.090	.091	.220	.395
260	905	.325	.186	.217	.350	270	106	.121	.108	.255	.488	270	156	.077	.092	.243	.358
260	906	.107	.105	.218	.466	270	107	.139	.112	.256	.547	270	161	.086	.098	.236	.407

WD	TAP	CPMEAN	CPRMS	CPMAX	CPMIN	WD	TAP	CPMEAN	CPRMS	CPMAX	CPMIN	WD	TAP	CPMEAN	CPRMS	CPMAX	CPMIN
270	162	.085	.094	.217	.433	270	307	.151	.184	.330	-1.010	270	357	.133	.132	.640	.237
270	163	.080	.091	.234	.362	270	308	.136	.173	.303	-1.039	270	358	.127	.118	.225	.585
270	201	.079	.089	.239	.376	270	309	.078	.097	.328	.465	270	359	.064	.099	.332	.404
270	202	.062	.090	.336	.340	270	310	.093	.092	.19	.442	270	360	.105	.107	.266	.515
270	203	.080	.081	.193	.368	270	311	.072	.098	.22	.384	270	361	.080	.103	.229	.445
270	204	.031	.093	.223	.324	270	312	.077	.091	.25	.361	270	362	.072	.103	.285	.414
270	205	.083	.088	.201	.408	270	313	.088	.108	.27	.433	270	363	.062	.105	.276	.421
270	206	.003	.093	.290	.352	270	314	.084	.111	.29	.466	270	364	.111	.119	.515	.235
270	207	.061	.096	.299	.300	270	315	.093	.103	.31	.446	270	365	.146	.122	.577	.210
270	208	.011	.084	.218	.374	270	316	.091	.104	.32	.486	270	401	.084	.122	.409	.472
270	209	.074	.104	.336	.408	270	317	.072	.105	.33	.408	270	402	.052	.114	.350	.444
270	210	.031	.090	.274	.301	270	318	.080	.090	.34	.367	270	403	.029	.130	.490	.432
270	211	.082	.083	.164	.333	270	319	.085	.082	.33	.378	270	404	.039	.143	.525	.485
270	212	.068	.086	.261	.383	270	320	.087	.087	.22	.413	270	405	.048	.149	.548	.505
270	213	.068	.089	.280	.303	270	321	.104	.164	.77	.353	270	406	.038	.169	.861	.581
270	214	.078	.091	.232	.403	270	322	.097	.144	6.4	.357	270	407	.059	.115	.383	.450
270	215	.078	.086	.193	.406	270	323	.073	.093	.22	.401	270	408	.065	.122	.481	.279
270	216	.076	.103	.236	.363	270	324	.083	.088	.40	.396	270	409	.099	.128	.552	.235
270	217	.077	.077	.211	.316	270	325	.085	.085	.11	.453	270	410	.045	.134	.628	.351
270	218	.065	.095	.317	.390	270	326	.086	.081	.22	.357	270	411	.080	.110	.310	.428
270	219	.062	.084	.205	.373	270	327	.168	.158	.33	.856	270	412	.004	.103	.351	.330
270	220	.075	.095	.249	.417	270	328	.128	.156	.22	.032	270	413	.073	.121	.501	.291
270	221	.081	.083	.179	.383	270	329	.082	.102	.22	.450	270	414	.098	.137	.617	.320
270	222	.082	.082	.186	.306	270	330	.082	.087	.18	.422	270	415	.074	.138	.586	.283
270	223	.089	.083	.229	.350	270	331	.081	.085	.21	.357	270	416	.036	.128	.616	.403
270	224	.059	.097	.277	.355	270	332	.080	.087	.22	.362	270	417	.192	.154	.493	.144
270	225	.066	.095	.233	.400	270	333	.092	.094	.11	.479	270	418	.098	.105	.215	.490
270	226	.067	.097	.248	.359	270	334	.086	.103	.19	.429	270	419	.129	.143	.743	.323
270	227	.074	.097	.235	.371	270	335	.076	.105	.22	.414	270	420	.105	.130	.554	.282
270	228	.068	.094	.259	.427	270	336	.080	.108	.22	.387	270	421	.112	.123	.555	.274
270	229	.059	.098	.254	.412	270	337	.080	.126	.22	.294	270	422	.048	.134	.574	.322
270	230	.069	.097	.280	.346	270	338	.130	.136	.22	.233	270	423	.177	.165	.257	.003
270	231	.067	.096	.347	.354	270	339	.068	.132	.67	.332	270	424	.125	.175	.409	.824
270	232	.077	.100	.313	.420	270	340	.112	.146	.22	.342	270	425	.020	.103	.335	.395
270	233	.073	.105	.317	.497	270	341	.099	.101	.22	.455	270	426	.026	.103	.339	.442
270	234	.076	.096	.285	.403	270	342	.087	.103	.22	.466	270	427	.045	.113	.314	.438
270	235	.081	.094	.236	.367	270	343	.082	.104	.33	.437	270	428	.077	.116	.314	.461
270	236	.057	.092	.235	.348	270	344	.074	.098	.19	.420	270	429	.031	.117	.457	.425
270	237	.062	.096	.274	.429	270	345	.132	.133	.69	.294	270	430	.097	.154	.421	.828
270	238	.064	.097	.265	.370	270	346	.141	.127	.72	.251	270	431	.153	.138	.795	.274
270	239	.070	.093	.233	.450	270	347	.095	.103	.22	.386	270	432	.125	.132	.547	.244
270	240	.074	.093	.258	.358	270	348	.068	.113	.33	.438	270	433	.087	.125	.673	.302
270	241	.072	.095	.278	.404	270	349	.074	.109	.22	.457	270	434	.087	.131	.679	.341
270	242	.076	.098	.227	.426	270	350	.063	.113	.33	.435	270	435	.014	.107	.318	.334
270	301	.187	.212	.338	.229	270	351	.205	.209	.22	.573	270	436	.032	.110	.346	.323
270	302	.123	.165	.334	.11	270	352	.102	.136	.33	.745	270	437	.060	.100	.308	.463
270	303	.112	.098	.440	.123	270	353	.096	.112	.22	.451	270	438	.016	.096	.330	.349
270	304	.091	.101	.242	.440	270	354	.094	.096	.22	.502	270	439	.038	.101	.305	.349
270	305	.091	.091	.242	.440	270	355	.080	.106	.22	.449	270	440	.050	.103	.276	.463
270	306	.084	.093	.323	.389	270	356	.083	.107	.22	.400	270	441	.022	.115	.356	.430

WD	TAP	CPHEAN	CPRMS	CPMAX	CPHIN	WD	TAP	CPHEAN	CPRMS	CPMAX	CPHIN	WD	TAP	CPHEAN	CPRMS	CPMAX	CPHIN
270	948	.076	.103	.297	.443	280	149	.072	.079	.145	.315	280	149	.072	.079	.145	.315
270	949	.025	.123	.462	.580	280	150	.085	.105	.309	.439	280	150	.085	.105	.309	.439
280	101	.098	.098	.475	.563	280	151	.099	.104	.260	.443	280	151	.099	.104	.260	.443
280	102	.094	.095	.200	.483	280	152	.092	.098	.239	.444	280	152	.092	.098	.239	.444
280	103	.105	.106	.223	.644	280	153	.060	.089	.234	.422	280	153	.060	.089	.234	.422
280	104	.109	.114	.278	.470	280	154	.061	.099	.251	.433	280	154	.061	.099	.251	.433
280	105	.122	.109	.333	.553	280	155	.064	.091	.253	.462	280	155	.064	.091	.253	.462
280	106	.118	.111	.262	.846	280	156	.062	.092	.231	.438	280	156	.062	.092	.231	.438
280	107	.084	.097	.239	.442	280	161	.067	.098	.236	.435	280	161	.067	.098	.236	.435
280	108	.083	.102	.239	.445	280	162	.068	.102	.238	.438	280	162	.068	.102	.238	.438
280	109	.091	.098	.239	.393	280	163	.061	.103	.218	.435	280	163	.061	.103	.218	.435
280	110	.112	.101	.223	.537	280	201	.078	.090	.280	.415	280	201	.078	.090	.280	.415
280	111	.101	.105	.217	.470	280	202	.060	.101	.218	.435	280	202	.060	.101	.218	.435
280	112	.107	.107	.254	.480	280	203	.081	.105	.325	.419	280	203	.081	.105	.325	.419
280	113	.075	.110	.294	.440	280	204	.021	.100	.360	.255	280	204	.021	.100	.360	.255
280	114	.074	.104	.258	.438	280	205	.088	.098	.251	.433	280	205	.088	.098	.251	.433
280	115	.082	.102	.362	.453	280	206	.020	.100	.448	.443	280	206	.020	.100	.448	.443
280	116	.084	.104	.212	.440	280	207	.060	.100	.247	.439	280	207	.060	.100	.247	.439
280	117	.066	.106	.287	.573	280	208	.025	.089	.377	.416	280	208	.025	.089	.377	.416
280	118	.060	.110	.303	.445	280	209	.080	.096	.247	.427	280	209	.080	.096	.247	.427
280	119	.072	.106	.288	.408	280	210	.030	.097	.287	.468	280	210	.030	.097	.287	.468
280	120	.078	.101	.270	.389	280	211	.087	.100	.295	.400	280	211	.087	.100	.295	.400
280	121	.058	.091	.304	.379	280	212	.058	.101	.271	.438	280	212	.058	.101	.271	.438
280	122	.045	.100	.318	.424	280	213	.055	.093	.225	.433	280	213	.055	.093	.225	.433
280	123	.069	.107	.365	.399	280	214	.071	.098	.254	.439	280	214	.071	.098	.254	.439
280	124	.078	.103	.320	.395	280	215	.071	.095	.304	.438	280	215	.071	.095	.304	.438
280	125	.083	.100	.233	.493	280	216	.062	.101	.255	.415	280	216	.062	.101	.255	.415
280	126	.096	.105	.346	.422	280	217	.060	.101	.280	.416	280	217	.060	.101	.280	.416
280	127	.110	.114	.331	.531	280	218	.065	.090	.259	.416	280	218	.065	.090	.259	.416
280	128	.118	.107	.217	.518	280	219	.059	.098	.253	.422	280	219	.059	.098	.253	.422
280	129	.069	.096	.270	.405	280	220	.062	.098	.343	.427	280	220	.062	.098	.343	.427
280	130	.068	.101	.213	.422	280	221	.071	.100	.378	.427	280	221	.071	.100	.378	.427
280	131	.069	.101	.302	.384	280	222	.074	.093	.260	.433	280	222	.074	.093	.260	.433
280	132	.084	.103	.259	.429	280	223	.049	.096	.327	.436	280	223	.049	.096	.327	.436
280	133	.120	.103	.244	.476	280	224	.033	.098	.332	.438	280	224	.033	.098	.332	.438
280	134	.130	.116	.297	.750	280	225	.033	.086	.314	.494	280	225	.033	.086	.314	.494
280	135	.122	.110	.300	.515	280	226	.049	.095	.278	.466	280	226	.049	.095	.278	.466
280	136	.125	.117	.280	.657	280	227	.051	.085	.243	.452	280	227	.051	.085	.243	.452
280	137	.061	.104	.286	.447	280	228	.035	.088	.242	.452	280	228	.035	.088	.242	.452
280	138	.061	.100	.254	.473	280	229	.047	.098	.256	.433	280	229	.047	.098	.256	.433
280	139	.058	.100	.273	.363	280	230	.031	.097	.329	.434	280	230	.031	.097	.329	.434
280	140	.073	.103	.394	.419	280	231	.039	.099	.318	.434	280	231	.039	.099	.318	.434
280	141	.111	.113	.293	.499	280	232	.047	.094	.251	.427	280	232	.047	.094	.251	.427
280	142	.121	.108	.254	.530	280	233	.040	.093	.261	.412	280	233	.040	.093	.261	.412
280	143	.121	.111	.315	.537	280	234	.038	.103	.285	.439	280	234	.038	.103	.285	.439
280	144	.096	.104	.247	.431	280	235	.048	.092	.302	.433	280	235	.048	.092	.302	.433
280	145	.034	.078	.284	.291	280	236	.039	.094	.250	.433	280	236	.039	.094	.250	.433
280	146	.038	.083	.233	.269	280	237	.030	.094	.268	.433	280	237	.030	.094	.268	.433
280	147	.035	.081	.227	.345	280	238	.038	.097	.250	.433	280	238	.038	.097	.250	.433
280	148	.043	.083	.256	.327	280	239	.040	.107	.339	.433	280	239	.040	.107	.339	.433

WD	TAP	CPMEAN	CPRMS	CPMAX	CPMIN	WD	TAP	CPMEAN	CPRMS	CPMAX	CPMIN	WD	TAP	CPMEAN	CPRMS	CPMAX	CPMIN
280	2	.040	.101	.309	-.346	280	348	-.052	.112	.328	-.362	280	433	.101	.124	.553	-.311
280	3	.042	.097	.331	-.366	280	349	-.047	.103	.231	-.378	280	434	-.067	.133	.533	-.421
280	4	.048	.106	.273	-.383	280	350	-.039	.102	.302	-.339	280	435	-.028	.104	.266	-.415
280	5	.289	.213	.432	-.1097	280	351	-.270	.196	.403	-.1	280	436	-.041	.109	.283	-.434
280	6	.184	.185	.448	-.1018	280	352	-.140	.130	.244	-.624	280	437	-.052	.112	.293	-.377
280	7	.113	.120	.281	-.597	280	353	-.100	.112	.260	-.535	280	438	-.023	.103	.317	-.377
280	8	.101	.104	.275	-.479	280	354	-.076	.108	.412	-.427	280	439	-.040	.117	.408	-.453
280	9	.086	.093	.275	-.429	280	355	-.072	.113	.284	-.444	280	440	-.048	.113	.351	-.416
280	10	.078	.105	.260	-.517	280	356	-.078	.103	.232	-.462	280	441	-.027	.108	.316	-.494
280	11	.300	.202	.413	-.1144	280	357	-.114	.111	.463	-.529	280	442	-.123	.114	.535	-.259
280	12	.240	.199	.306	-.1210	280	358	-.113	.127	.326	-.546	280	443	-.126	.125	.585	-.306
280	13	.108	.115	.263	-.664	280	359	-.060	.168	.272	-.533	280	444	-.038	.117	.344	-.448
280	14	.087	.107	.375	-.408	280	360	-.092	.124	.353	-.534	280	901	-.110	.110	.396	-.470
280	15	.070	.105	.271	-.553	280	361	-.061	.112	.296	-.437	280	902	-.105	.108	.250	-.554
280	16	.067	.099	.360	-.379	280	362	-.046	.101	.337	-.461	280	903	-.164	.157	.321	-.844
280	17	.065	.103	.218	-.424	280	363	-.050	.104	.264	-.391	280	904	-.063	.093	.236	-.392
280	18	.068	.100	.274	-.383	280	364	-.092	.122	.619	-.521	280	905	-.076	.158	.221	-.989
280	19	.065	.098	.272	-.347	280	365	-.130	.128	.694	-.799	280	906	-.066	.096	.229	-.426
280	20	.072	.100	.314	-.430	280	401	-.073	.123	.433	-.447	280	907	-.064	.097	.333	-.392
280	21	.069	.095	.240	-.403	280	402	-.058	.125	.451	-.476	280	908	-.052	.097	.262	-.377
280	22	.074	.095	.231	-.391	280	403	-.043	.118	.465	-.518	280	909	-.066	.095	.235	-.415
280	23	.080	.099	.292	-.384	280	404	-.004	.133	.463	-.474	280	910	-.052	.102	.319	-.347
280	24	.073	.103	.242	-.397	280	405	-.048	.172	.721	-.530	280	911	-.110	.115	.273	-.504
280	25	.062	.116	.339	-.277	280	406	-.041	.181	.736	-.484	280	912	-.191	.130	.190	-.1028
280	26	.067	.133	.857	-.320	280	407	-.058	.102	.298	-.411	280	913	-.076	.094	.312	-.446
280	27	.068	.101	.267	-.393	280	408	-.018	.103	.427	-.321	280	914	-.066	.095	.236	-.412
280	28	.078	.099	.292	-.390	280	409	-.122	.116	.628	-.247	280	915	-.074	.097	.267	-.432
280	29	.079	.098	.261	-.380	280	410	-.118	.132	.693	-.303	280	916	-.068	.104	.332	-.416
280	30	.089	.104	.256	-.446	280	411	-.082	.102	.250	-.448	280	917	-.074	.102	.249	-.416
280	31	.235	.151	.292	-.965	280	412	-.016	.106	.437	-.355	280	918	-.074	.101	.345	-.408
280	32	.199	.162	.278	-.954	280	413	-.042	.119	.399	-.360	280	919	-.082	.103	.218	-.415
280	33	.114	.118	.386	-.840	280	414	-.096	.123	.564	-.372	280	920	-.080	.105	.217	-.572
280	34	.081	.104	.386	-.447	280	415	-.112	.147	.631	-.470	280	921	-.058	.116	.347	-.415
280	35	.068	.099	.290	-.378	280	416	-.095	.153	.665	-.354	280	922	-.164	.133	.214	-.899
280	36	.066	.099	.299	-.376	280	417	-.131	.141	.363	-.336	280	923	-.063	.119	.318	-.337
280	37	.066	.105	.376	-.395	280	418	-.083	.122	.316	-.305	280	924	-.101	.109	.267	-.329
280	38	.074	.114	.278	-.444	280	419	-.082	.124	.570	-.303	280	925	-.134	.135	.377	-.512
280	39	.062	.102	.236	-.435	280	420	-.067	.109	.476	-.297	280	926	-.074	.131	.522	-.357
280	40	.063	.108	.273	-.424	280	421	-.090	.114	.506	-.354	280	927	-.010	.113	.407	-.484
280	41	.064	.123	.586	-.316	280	422	-.050	.138	.646	-.405	280	928	-.197	.152	.257	-.138
280	42	.088	.119	.511	-.242	280	423	-.130	.142	.354	-.754	280	929	-.181	.158	.601	-.108
280	43	.035	.132	.593	-.452	280	424	-.079	.139	.359	-.612	280	930	-.050	.112	.298	-.339
280	44	.075	.129	.573	-.330	280	425	-.029	.106	.294	-.383	280	931	-.058	.098	.290	-.345
280	45	.075	.102	.518	-.494	280	426	-.041	.111	.369	-.427	280	932	-.067	.100	.288	-.419
280	46	.075	.104	.256	-.424	280	427	-.053	.114	.293	-.427	280	933	-.079	.102	.226	-.406
280	47	.050	.108	.363	-.363	280	428	-.062	.103	.257	-.445	280	934	-.100	.108	.301	-.422
280	48	.046	.106	.288	-.381	280	429	-.037	.107	.316	-.393	280	935	-.115	.113	.239	-.844
280	49	.107	.121	.499	-.347	280	430	-.080	.143	.393	-.905	280	936	-.121	.121	.250	-.384
280	50	.142	.126	.553	-.266	280	431	-.127	.124	.583	-.381	280	937	-.036	.104	.283	-.339
280	51	.080	.120	.326	-.433	280	432	-.115	.110	.513	-.222	280	938	-.052	.099	.349	-.399

WD	TAP	CPMEAN	CPRMS	CPMAX	CPMIN	WD	TAP	CPMEAN	CPRMS	CPMAX	CPMIN	WD	TAP	CPMEAN	CPRMS	CPMAX	CPMIN
2280	933	.079	.115	.239	.437	2290	140	.032	.118	.406	.396	2290	231	.007	.099	.353	.355
2280	940	.101	.121	.321	.575	2290	141	.040	.114	.326	.400	2290	232	.023	.110	.379	.460
2280	941	.039	.100	.340	.415	2290	142	.059	.105	.363	.349	2290	233	.016	.112	.390	.429
2280	942	.049	.100	.270	.398	2290	143	.062	.108	.315	.410	2290	234	.009	.113	.387	.411
2280	943	.066	.107	.366	.421	2290	144	.054	.097	.285	.396	2290	235	.022	.108	.323	.394
2280	944	.089	.120	.333	.563	2290	145	.014	.087	.245	.287	2290	236	.005	.111	.352	.386
2280	945	.052	.100	.333	.383	2290	146	.014	.087	.278	.267	2290	237	.001	.115	.400	.427
2280	946	.036	.105	.401	.328	2290	147	.011	.095	.305	.315	2290	238	.010	.106	.330	.373
2280	947	.042	.100	.326	.379	2290	148	.022	.094	.270	.333	2290	239	.011	.104	.370	.430
2280	948	.038	.091	.317	.371	2290	149	.017	.093	.276	.317	2290	240	.005	.112	.409	.355
2290	949	.009	.108	.335	.366	2290	150	.030	.100	.282	.393	2290	241	.003	.106	.360	.299
2290	101	.062	.109	.370	.500	2290	151	.039	.099	.296	.358	2290	242	.007	.118	.406	.329
2290	102	.060	.115	.316	.615	2290	152	.051	.107	.343	.382	2290	301	.177	.168	.380	-1.009
2290	103	.053	.126	.333	.540	2290	153	.043	.113	.337	.477	2290	302	.126	.142	.329	.870
2290	104	.066	.127	.333	.551	2290	154	.030	.111	.319	.378	2290	303	.109	.118	.274	.698
2290	105	.077	.125	.356	.638	2290	155	.039	.107	.272	.422	2290	304	.084	.110	.285	.531
2290	106	.093	.148	.418	.956	2290	156	.029	.109	.294	.391	2290	305	.074	.110	.341	.743
2290	107	.067	.117	.336	.501	2290	161	.038	.106	.343	.364	2290	306	.063	.102	.215	.433
2290	108	.044	.114	.338	.424	2290	162	.031	.115	.357	.387	2290	307	.169	.158	.324	-1.131
2290	109	.042	.115	.332	.427	2290	163	.029	.109	.309	.342	2290	308	.137	.150	.349	.722
2290	110	.047	.122	.322	.453	2290	201	.067	.106	.315	.545	2290	309	.100	.118	.278	.612
2290	111	.049	.131	.444	.595	2290	202	.044	.098	.235	.419	2290	310	.074	.109	.277	.446
2290	112	.066	.134	.333	.762	2290	203	.060	.116	.266	.416	2290	311	.061	.118	.329	.502
2290	113	.032	.112	.333	.460	2290	204	.000	.108	.373	.492	2290	312	.062	.102	.315	.483
2290	114	.029	.122	.395	.436	2290	205	.081	.119	.313	.324	2290	313	.049	.104	.306	.381
2290	115	.044	.118	.346	.400	2290	206	.036	.105	.360	.352	2290	314	.052	.100	.263	.361
2290	116	.079	.122	.339	.670	2290	207	.047	.115	.354	.472	2290	315	.062	.112	.313	.475
2290	117	.033	.117	.363	.411	2290	208	.038	.094	.377	.333	2290	316	.063	.109	.312	.469
2290	118	.024	.111	.353	.424	2290	209	.058	.101	.266	.403	2290	317	.049	.098	.277	.389
2290	119	.027	.111	.355	.361	2290	210	.038	.124	.267	.629	2290	318	.056	.110	.278	.444
2290	120	.066	.115	.272	.600	2290	211	.106	.128	.239	.561	2290	319	.067	.116	.344	.440
2290	121	.033	.109	.322	.483	2290	212	.040	.116	.406	.477	2290	320	.061	.121	.393	.621
2290	122	.019	.110	.296	.410	2290	213	.052	.111	.380	.640	2290	321	.009	.129	.397	.532
2290	123	.020	.125	.379	.421	2290	214	.066	.106	.279	.385	2290	322	.010	.137	.486	.563
2290	124	.022	.115	.343	.486	2290	215	.070	.106	.407	.445	2290	323	.061	.108	.312	.377
2290	125	.031	.115	.351	.401	2290	216	.052	.103	.281	.443	2290	324	.070	.109	.432	.456
2290	126	.030	.115	.422	.447	2290	217	.048	.106	.296	.399	2290	325	.056	.103	.264	.399
2290	127	.034	.130	.380	.501	2290	218	.054	.107	.282	.500	2290	326	.064	.114	.334	.498
2290	128	.052	.125	.352	.581	2290	219	.037	.109	.322	.415	2290	327	.166	.141	.259	.814
2290	129	.027	.101	.311	.494	2290	220	.030	.115	.336	.387	2290	328	.141	.131	.309	.616
2290	130	.028	.112	.298	.374	2290	221	.056	.109	.315	.361	2290	329	.098	.129	.323	.590
2290	131	.031	.117	.465	.386	2290	222	.062	.104	.324	.364	2290	330	.069	.112	.322	.396
2290	132	.032	.119	.375	.399	2290	223	.035	.104	.272	.402	2290	331	.062	.109	.344	.390
2290	133	.046	.114	.434	.460	2290	224	.024	.100	.294	.400	2290	332	.058	.108	.263	.420
2290	134	.064	.117	.422	.470	2290	225	.018	.103	.333	.338	2290	333	.057	.096	.264	.411
2290	135	.063	.122	.422	.484	2290	226	.022	.105	.326	.363	2290	334	.049	.102	.369	.388
2290	136	.054	.115	.493	.511	2290	227	.033	.100	.275	.362	2290	335	.048	.106	.320	.488
2290	137	.039	.115	.443	.527	2290	228	.029	.099	.270	.419	2290	336	.054	.101	.363	.437
2290	138	.031	.113	.315	.467	2290	229	.025	.114	.408	.353	2290	337	.005	.111	.452	.332
2290	139	.028	.111	.329	.410	2290	230	.013	.110	.385	.394	2290	338	.011	.117	.400	.413

WD	TAP	CPMEAN	CPRMS	CPMAX	CPMIN	WD	TAP	CPMEAN	CPRMS	CPMAX	CPMIN	WD	TAP	CPMEAN	CPRMS	CPMAX	CPMIN
290	339	.025	.117	.339	.430	290	424	.074	.108	.265	.544	290	930	.036	.107	.340	.475
290	340	.001	.115	.436	.367	290	425	.056	.103	.310	.547	290	931	.017	.105	.311	.436
290	341	.068	.108	.284	.501	290	426	.057	.108	.311	.484	290	932	.007	.107	.349	.443
290	342	.057	.097	.273	.442	290	427	.068	.103	.258	.425	290	933	.022	.116	.340	.419
290	343	.045	.103	.284	.465	290	428	.053	.107	.293	.456	290	934	.031	.121	.384	.381
290	344	.045	.107	.284	.419	290	429	.041	.103	.277	.382	290	935	.041	.139	.484	.794
290	345	.003	.112	.383	.312	290	430	.059	.122	.439	.538	290	936	.042	.125	.500	.418
290	346	.029	.121	.473	.393	290	431	.017	.112	.467	.408	290	937	.013	.115	.460	.363
290	347	.055	.110	.257	.443	290	432	.023	.130	.434	.396	290	938	.023	.112	.430	.405
290	348	.044	.106	.333	.450	290	433	.039	.129	.570	.360	290	939	.017	.109	.385	.400
290	349	.022	.106	.333	.397	290	434	.024	.126	.513	.436	290	940	.036	.118	.365	.436
290	350	.022	.102	.333	.387	290	435	.045	.104	.315	.436	290	941	.015	.115	.330	.422
290	351	.022	.171	.333	.976	290	436	.050	.101	.269	.407	290	942	.023	.110	.311	.405
290	352	.129	.131	.222	.705	290	437	.055	.107	.383	.402	290	943	.026	.117	.330	.392
290	353	.086	.123	.222	.486	290	438	.048	.102	.365	.370	290	944	.039	.111	.334	.378
290	354	.077	.100	.222	.423	290	439	.046	.110	.318	.487	290	945	.025	.109	.336	.396
290	355	.057	.103	.222	.385	290	440	.035	.105	.370	.373	290	946	.014	.109	.312	.363
290	356	.057	.106	.333	.470	290	441	.035	.106	.338	.396	290	947	.023	.099	.305	.411
290	357	.034	.115	.440	.470	290	442	.031	.113	.471	.392	290	948	.016	.101	.328	.342
290	358	.089	.112	.269	.429	290	443	.031	.124	.458	.435	290	949	.031	.104	.358	.379
290	359	.057	.107	.333	.408	290	444	.056	.111	.330	.470	290	101	.029	.113	.367	.410
290	360	.053	.114	.333	.469	290	901	.057	.114	.349	.422	290	102	.022	.121	.365	.468
290	361	.034	.109	.430	.401	290	902	.087	.122	.315	.681	290	103	.015	.122	.401	.439
290	362	.026	.109	.333	.419	290	903	.123	.129	.354	.657	290	104	.021	.120	.443	.469
290	363	.024	.099	.333	.428	290	904	.048	.106	.365	.444	290	105	.037	.127	.433	.544
290	364	.019	.110	.333	.362	290	905	.161	.144	.380	.779	290	106	.041	.126	.394	.643
290	365	.035	.110	.693	.328	290	906	.060	.113	.318	.382	290	107	.026	.113	.326	.364
290	366	.020	.147	.693	.559	290	907	.063	.105	.254	.465	290	108	.016	.114	.426	.370
290	367	.030	.143	.693	.482	290	908	.058	.098	.289	.407	290	109	.040	.123	.367	.465
290	368	.049	.136	.693	.581	290	909	.061	.107	.329	.444	290	110	.023	.123	.433	.458
290	369	.032	.135	.693	.647	290	910	.038	.122	.439	.417	290	111	.043	.137	.437	.509
290	370	.008	.147	.521	.521	290	911	.072	.134	.435	.707	290	112	.031	.108	.341	.418
290	371	.012	.158	.521	.541	290	912	.148	.159	.495	.860	290	113	.012	.126	.568	.512
290	372	.019	.116	.463	.410	290	913	.059	.118	.326	.639	290	114	.007	.122	.368	.455
290	373	.002	.102	.346	.320	290	914	.058	.122	.311	.722	290	115	.014	.133	.445	.454
290	374	.008	.110	.444	.375	290	915	.056	.110	.278	.461	290	116	.041	.123	.415	.482
290	375	.011	.137	.555	.444	290	916	.050	.099	.243	.440	290	117	.001	.108	.415	.371
290	376	.020	.119	.388	.464	290	917	.043	.115	.323	.475	290	118	.009	.108	.341	.434
290	377	.008	.106	.414	.373	290	918	.045	.113	.348	.411	290	119	.014	.109	.367	.421
290	378	.000	.106	.333	.359	290	919	.060	.117	.345	.493	290	120	.022	.120	.381	.468
290	379	.005	.114	.363	.421	290	920	.066	.113	.267	.410	290	121	.016	.112	.367	.383
290	380	.010	.129	.523	.554	290	921	.026	.126	.500	.522	290	122	.014	.110	.401	.445
290	381	.015	.125	.523	.527	290	922	.110	.161	.467	.870	290	123	.011	.109	.365	.353
290	382	.058	.126	.488	.549	290	923	.043	.134	.407	.664	290	124	.002	.115	.381	.376
290	383	.053	.116	.488	.484	290	924	.063	.139	.463	.777	290	125	.011	.120	.496	.424
290	384	.005	.116	.446	.361	290	925	.069	.156	.445	.840	290	126	.015	.116	.348	.482
290	385	.013	.110	.346	.425	290	926	.014	.131	.515	.393	290	127	.025	.115	.406	.407
290	386	.005	.113	.421	.407	290	927	.010	.117	.430	.422	290	128	.027	.112	.331	.360
290	387	.019	.127	.489	.439	290	928	.039	.144	.568	.546	290	129	.008	.132	.374	.486
290	388	.075	.109	.294	.495	290	929	.045	.136	.569	.469	290	130	.008	.128	.462	.442

WD	TAP	CPMEAN	CPRMS	CPMAX	CPHIN	WD	TAP	CPMEAN	CPRMS	CPMAX	CPHIN	WD	TAP	CPMEAN	CPRMS	CPMAX	CPHIN
33000	1331	.005	.130	.433	.438	33000	2222	.049	.103	.350	.402	33000	330	.038	.120	.384	.467
33000	1332	.014	.106	.333	.427	33000	2223	.023	.114	.368	.442	33000	331	.040	.107	.353	.427
33000	1333	.024	.111	.333	.421	33000	2224	.014	.109	.411	.353	33000	332	.037	.116	.367	.442
33000	1334	.034	.112	.333	.434	33000	2225	.010	.103	.314	.355	33000	333	.028	.102	.297	.397
33000	1335	.053	.114	.333	.394	33000	2226	.000	.104	.391	.359	33000	334	.033	.107	.329	.463
33000	1336	.050	.100	.333	.429	33000	2227	.006	.108	.301	.357	33000	335	.032	.108	.275	.354
33000	1337	.014	.117	.333	.397	33000	2228	.010	.114	.367	.414	33000	336	.029	.101	.293	.396
33000	1338	.015	.110	.333	.366	33000	2229	.004	.114	.412	.437	33000	337	.016	.109	.384	.480
33000	140	.007	.115	.333	.370	33000	230	.024	.105	.385	.290	33000	338	.025	.109	.350	.333
33000	141	.021	.115	.333	.411	33000	231	.005	.121	.348	.393	33000	339	.040	.116	.363	.406
33000	1414	.034	.123	.333	.449	33000	232	.002	.110	.389	.342	33000	340	.026	.112	.300	.396
33000	14144	.047	.102	.333	.418	33000	233	.005	.108	.342	.341	33000	341	.041	.113	.316	.464
33000	141444	.045	.117	.333	.391	33000	2334	.014	.113	.370	.428	33000	342	.036	.105	.318	.410
33000	143	.037	.103	.333	.404	33000	2335	.037	.114	.339	.463	33000	343	.026	.111	.372	.394
33000	1434	.007	.092	.333	.300	33000	2336	.001	.120	.386	.439	33000	344	.022	.118	.344	.422
33000	14344	.006	.090	.333	.311	33000	2337	.005	.129	.393	.467	33000	345	.022	.111	.360	.402
33000	143444	.001	.098	.333	.336	33000	2338	.016	.103	.343	.352	33000	346	.005	.110	.423	.396
33000	1434444	.009	.110	.333	.416	33000	2339	.016	.118	.405	.307	33000	347	.028	.113	.297	.431
33000	14344444	.019	.091	.333	.346	33000	240	.013	.113	.340	.355	33000	348	.033	.107	.276	.444
33000	143444444	.028	.095	.333	.351	33000	241	.005	.121	.445	.394	33000	349	.024	.111	.347	.421
33000	1434444444	.035	.112	.333	.433	33000	242	.009	.120	.397	.394	33000	350	.026	.100	.316	.336
33000	14344444444	.045	.104	.333	.352	33000	243	.086	.131	.401	.663	33000	351	.089	.139	.283	.405
33000	143444444444	.030	.103	.333	.352	33000	301	.082	.121	.272	.786	33000	352	.064	.122	.320	.466
33000	1434444444444	.029	.110	.333	.327	33000	303	.080	.118	.267	.602	33000	353	.037	.115	.369	.433
33000	14344444444444	.047	.115	.333	.457	33000	304	.061	.116	.319	.477	33000	354	.021	.101	.282	.494
33000	143444444444444	.015	.117	.333	.430	33000	305	.053	.112	.289	.437	33000	355	.025	.107	.350	.424
33000	161	.028	.121	.333	.447	33000	306	.042	.108	.347	.379	33000	356	.018	.107	.297	.436
33000	162	.022	.118	.333	.404	33000	307	.084	.124	.352	.562	33000	357	.013	.103	.427	.403
33000	1624	.012	.101	.333	.343	33000	308	.061	.122	.351	.439	33000	358	.025	.108	.402	.403
33000	16244	.049	.109	.333	.402	33000	309	.053	.121	.418	.428	33000	359	.023	.110	.364	.388
33000	201	.027	.105	.333	.359	33000	310	.051	.116	.388	.503	33000	360	.028	.116	.455	.433
33000	2014	.049	.109	.333	.398	33000	311	.050	.115	.293	.448	33000	361	.028	.116	.341	.432
33000	20144	.023	.115	.333	.351	33000	312	.035	.113	.376	.361	33000	362	.018	.115	.369	.423
33000	201444	.060	.118	.333	.460	33000	313	.031	.105	.309	.369	33000	363	.021	.112	.356	.485
33000	2014444	.046	.112	.333	.386	33000	314	.034	.099	.306	.409	33000	364	.021	.110	.404	.406
33000	20144444	.044	.110	.333	.479	33000	315	.037	.111	.322	.401	33000	365	.004	.110	.403	.377
33000	207	.054	.105	.333	.243	33000	316	.038	.117	.322	.431	33000	401	.041	.139	.805	.991
33000	2074	.034	.129	.333	.549	33000	317	.040	.113	.336	.545	33000	402	.044	.145	.516	.990
33000	20744	.009	.136	.333	.614	33000	318	.044	.126	.370	.440	33000	403	.036	.141	.845	.799
33000	207444	.072	.138	.333	.779	33000	319	.042	.132	.400	.632	33000	404	.026	.137	.590	.999
33000	211	.029	.103	.333	.489	33000	320	.049	.111	.405	.561	33000	405	.023	.134	.565	.499
33000	2114	.030	.108	.333	.466	33000	321	.021	.110	.390	.581	33000	406	.020	.137	.615	.740
33000	21144	.040	.108	.333	.401	33000	322	.024	.115	.310	.405	33000	407	.040	.110	.357	.439
33000	211444	.053	.112	.333	.376	33000	323	.036	.110	.365	.413	33000	408	.033	.100	.250	.300
33000	2114444	.033	.102	.333	.353	33000	324	.052	.115	.295	.404	33000	409	.015	.098	.298	.333
33000	21144444	.026	.111	.333	.411	33000	325	.047	.097	.282	.395	33000	410	.008	.120	.593	.499
33000	211444444	.031	.104	.333	.420	33000	326	.042	.118	.325	.503	33000	411	.034	.105	.356	.416
33000	2114444444	.018	.114	.333	.421	33000	327	.081	.125	.268	.827	33000	412	.027	.099	.284	.551
33000	219	.041	.113	.333	.404	33000	328	.069	.125	.369	.823	33000	413	.038	.106	.326	.743
33000	220	.041	.120	.333	.512	33000	329	.050	.116	.283	.70	33000	414	.016	.108	.374	.433

WD	TAP	CPNEAN	CPRMS	CPMAX	CPMIN	WD	TAP	CPNEAN	CPRMS	CPMAX	CPMIN	WD	TAP	CPNEAN	CPRMS	CPMAX	CPMIN
300	415	.005	.099	.345	.325	300	921	.023	.116	.396	.427	310	122	.012	.104	.339	.343
300	416	.012	.109	.374	.384	300	922	.068	.123	.480	.548	310	123	.004	.105	.322	.331
300	417	.064	.108	.363	.385	300	923	.030	.134	.411	.549	310	124	.004	.102	.344	.437
300	418	.051	.112	.363	.474	300	924	.055	.128	.391	.646	310	125	.001	.109	.358	.407
300	419	.023	.109	.322	.392	300	925	.048	.128	.455	.530	310	126	.003	.112	.415	.358
300	420	.025	.111	.313	.412	300	926	.042	.110	.395	.389	310	127	.014	.101	.289	.302
300	421	.001	.107	.440	.367	300	927	.024	.113	.354	.403	310	128	.024	.101	.306	.403
300	422	.001	.103	.472	.350	300	928	.043	.119	.436	.434	310	129	.005	.105	.314	.338
300	423	.058	.113	.330	.479	300	929	.044	.114	.340	.522	310	130	.007	.109	.405	.409
300	424	.054	.112	.309	.438	300	930	.001	.113	.379	.385	310	131	.002	.133	.490	.488
300	425	.046	.100	.304	.388	300	931	.008	.115	.424	.334	310	132	.008	.107	.275	.400
300	426	.050	.112	.241	.446	300	932	.009	.137	.391	.482	310	133	.011	.104	.317	.357
300	427	.049	.103	.296	.394	300	933	.001	.127	.438	.467	310	134	.024	.107	.364	.460
300	428	.044	.101	.299	.372	300	934	.004	.135	.446	.427	310	135	.034	.099	.415	.353
300	429	.049	.101	.299	.376	300	935	.015	.109	.413	.398	310	136	.040	.106	.347	.376
300	430	.058	.111	.339	.440	300	936	.036	.108	.280	.418	310	137	.014	.114	.326	.375
300	431	.004	.114	.438	.420	300	937	.003	.110	.421	.375	310	138	.008	.109	.335	.440
300	432	.012	.122	.442	.370	300	938	.010	.115	.315	.337	310	139	.002	.107	.329	.496
300	433	.041	.121	.460	.293	300	939	.020	.103	.320	.398	310	140	.009	.107	.331	.392
300	434	.019	.122	.496	.357	300	940	.023	.113	.363	.430	310	141	.020	.106	.343	.401
300	435	.047	.104	.314	.486	300	941	.012	.110	.302	.361	310	142	.037	.102	.354	.335
300	436	.041	.095	.248	.367	300	942	.011	.112	.379	.415	310	143	.040	.113	.339	.408
300	437	.045	.104	.322	.418	300	943	.028	.114	.298	.397	310	144	.039	.090	.281	.355
300	438	.055	.108	.323	.398	300	944	.031	.120	.392	.437	310	145	.006	.097	.302	.266
300	439	.046	.112	.360	.463	300	945	.012	.105	.387	.387	310	146	.000	.095	.309	.304
300	440	.048	.110	.270	.419	300	946	.007	.116	.368	.322	310	147	.016	.096	.370	.321
300	441	.045	.111	.308	.473	300	947	.013	.106	.399	.330	310	148	.015	.099	.344	.374
300	442	.009	.108	.330	.346	300	948	.029	.104	.326	.367	310	149	.017	.082	.219	.298
300	443	.019	.109	.457	.328	300	949	.027	.097	.311	.361	310	150	.019	.102	.332	.340
300	444	.015	.112	.368	.466	300	101	.028	.109	.416	.396	310	151	.025	.098	.325	.355
300	901	.017	.115	.447	.439	310	102	.016	.108	.319	.394	310	152	.040	.109	.356	.459
300	902	.032	.118	.405	.471	310	103	.006	.109	.332	.394	310	153	.027	.112	.351	.341
300	903	.038	.126	.418	.441	310	104	.005	.113	.450	.392	310	154	.024	.109	.371	.368
300	904	.013	.116	.440	.459	310	105	.008	.110	.421	.416	310	155	.019	.108	.317	.400
300	905	.051	.131	.348	.669	310	106	.025	.122	.456	.492	310	156	.020	.104	.295	.396
300	906	.029	.114	.261	.474	310	107	.018	.115	.354	.339	310	161	.035	.101	.291	.337
300	907	.034	.106	.399	.477	310	108	.009	.109	.321	.360	310	162	.025	.100	.279	.420
300	908	.035	.118	.314	.398	310	109	.009	.110	.317	.385	310	163	.011	.100	.338	.338
300	909	.038	.108	.388	.368	310	110	.017	.109	.342	.403	310	201	.040	.114	.307	.378
300	910	.009	.127	.473	.479	310	111	.021	.105	.379	.418	310	202	.018	.096	.338	.333
300	911	.032	.127	.370	.444	310	112	.037	.111	.347	.374	310	203	.031	.104	.297	.344
300	912	.090	.144	.649	.779	310	113	.022	.111	.375	.403	310	204	.019	.099	.356	.354
300	913	.045	.126	.383	.489	310	114	.006	.106	.357	.449	310	205	.045	.109	.318	.422
300	914	.054	.135	.351	.619	310	115	.024	.109	.358	.387	310	206	.064	.111	.404	.406
300	915	.037	.101	.284	.411	310	116	.031	.106	.288	.451	310	207	.032	.099	.291	.306
300	916	.031	.117	.370	.368	310	117	.013	.105	.328	.387	310	208	.057	.096	.417	.399
300	917	.021	.118	.322	.436	310	118	.004	.110	.325	.382	310	209	.021	.105	.291	.337
300	918	.025	.127	.455	.466	310	119	.007	.112	.405	.378	310	210	.015	.108	.363	.361
300	919	.034	.122	.396	.437	310	120	.010	.100	.366	.378	310	211	.040	.107	.453	.338
300	920	.030	.108	.401	.363	310	121	.013	.115	.364	.365	310	212	.026	.107	.263	.446

WD	TAP	CPMEAN	CPRMS	CPMAX	CPMIN	WD	TAP	CPMEAN	CPRMS	CPMAX	CPMIN	WD	TAP	CPMEAN	CPRMS	CPMAX	CPMIN
310	321	.042	.100	.301	.349	310	321	.042	.100	.301	.349	310	406	.023	.135	.545	.600
310	322	.030	.103	.285	.407	310	322	.030	.103	.285	.407	310	407	.038	.106	.279	.451
310	323	.031	.106	.382	.503	310	323	.031	.106	.382	.503	310	408	.034	.093	.276	.451
310	324	.038	.102	.405	.358	310	324	.038	.102	.405	.358	310	409	.032	.101	.332	.382
310	325	.045	.098	.278	.372	310	325	.045	.098	.278	.372	310	410	.024	.103	.361	.417
310	326	.044	.113	.310	.424	310	326	.044	.113	.310	.424	310	411	.046	.096	.290	.419
310	327	.041	.108	.290	.547	310	327	.041	.108	.290	.547	310	412	.033	.095	.247	.322
310	328	.035	.109	.303	.482	310	328	.035	.109	.303	.482	310	413	.039	.095	.289	.322
310	329	.035	.110	.298	.434	310	329	.035	.110	.298	.434	310	414	.031	.104	.297	.396
310	330	.029	.103	.298	.426	310	330	.029	.103	.298	.426	310	415	.025	.102	.355	.467
310	331	.036	.106	.319	.388	310	331	.036	.106	.319	.388	310	416	.026	.100	.368	.467
310	332	.033	.113	.294	.376	310	332	.033	.113	.294	.376	310	417	.046	.111	.323	.407
310	333	.024	.099	.319	.353	310	333	.024	.099	.319	.353	310	418	.039	.110	.341	.396
310	334	.028	.098	.301	.442	310	334	.028	.098	.301	.442	310	419	.033	.100	.272	.351
310	335	.027	.105	.290	.382	310	335	.027	.105	.290	.382	310	420	.029	.105	.287	.351
310	336	.025	.106	.324	.363	310	336	.025	.106	.324	.363	310	421	.021	.106	.300	.369
310	337	.028	.102	.378	.387	310	337	.028	.102	.378	.387	310	422	.027	.102	.332	.333
310	338	.030	.113	.336	.387	310	338	.030	.113	.336	.387	310	423	.047	.095	.271	.333
310	339	.030	.112	.355	.376	310	339	.030	.112	.355	.376	310	424	.048	.099	.250	.371
310	340	.033	.109	.279	.409	310	340	.033	.109	.279	.409	310	425	.045	.099	.365	.463
310	341	.034	.109	.293	.380	310	341	.034	.109	.293	.380	310	426	.041	.099	.233	.381
310	342	.022	.110	.319	.371	310	342	.022	.110	.319	.371	310	427	.040	.109	.290	.355
310	343	.025	.105	.293	.385	310	343	.025	.105	.293	.385	310	428	.033	.105	.292	.382
310	344	.030	.101	.303	.422	310	344	.030	.101	.303	.422	310	429	.049	.099	.309	.382
310	345	.035	.101	.258	.385	310	345	.035	.101	.258	.385	310	430	.049	.112	.388	.469
310	346	.023	.102	.395	.396	310	346	.023	.102	.395	.396	310	431	.021	.107	.357	.399
310	347	.008	.109	.305	.380	310	347	.008	.109	.305	.380	310	432	.030	.103	.314	.366
310	348	.019	.111	.339	.453	310	348	.019	.111	.339	.453	310	433	.019	.102	.380	.388
310	349	.024	.112	.323	.442	310	349	.024	.112	.323	.442	310	434	.026	.099	.305	.369
310	350	.018	.103	.293	.404	310	350	.018	.103	.293	.404	310	435	.045	.104	.298	.333
310	351	.034	.115	.411	.471	310	351	.034	.115	.411	.471	310	436	.033	.104	.316	.383
310	352	.026	.109	.363	.410	310	352	.026	.109	.363	.410	310	437	.035	.103	.362	.399
310	353	.028	.102	.313	.330	310	353	.028	.102	.313	.330	310	438	.042	.113	.352	.399
310	354	.009	.099	.339	.344	310	354	.009	.099	.339	.344	310	439	.035	.111	.352	.422
310	355	.013	.100	.329	.318	310	355	.013	.100	.329	.318	310	440	.042	.101	.287	.322
310	356	.010	.103	.333	.359	310	356	.010	.103	.333	.359	310	441	.039	.106	.278	.322
310	357	.020	.109	.318	.350	310	357	.020	.109	.318	.350	310	442	.017	.109	.318	.399
310	358	.007	.102	.410	.354	310	358	.007	.102	.410	.354	310	443	.017	.105	.376	.399
310	359	.006	.115	.370	.414	310	359	.006	.115	.370	.414	310	444	.066	.101	.312	.399
310	360	.004	.105	.379	.336	310	360	.004	.105	.379	.336	310	901	.007	.113	.453	.399
310	361	.018	.107	.337	.446	310	361	.018	.107	.337	.446	310	902	.010	.115	.551	.399
310	362	.023	.111	.430	.430	310	362	.023	.111	.430	.430	310	903	.010	.120	.405	.399
310	363	.018	.114	.445	.339	310	363	.018	.114	.445	.339	310	904	.018	.109	.343	.399
310	364	.030	.111	.405	.400	310	364	.030	.111	.405	.400	310	905	.033	.119	.401	.399
310	365	.020	.109	.420	.390	310	365	.020	.109	.420	.390	310	906	.033	.107	.332	.399
310	401	.036	.122	.427	.350	310	401	.036	.122	.427	.350	310	907	.033	.108	.331	.399
310	402	.049	.122	.479	.312	310	402	.049	.122	.479	.312	310	908	.023	.104	.336	.399
310	403	.041	.132	.439	.353	310	403	.041	.132	.439	.353	310	909	.038	.113	.351	.399
310	404	.030	.123	.611	.358	310	404	.030	.123	.611	.358	310	910	.011	.122	.448	.399
310	405	.016	.132	.645	.330	310	405	.016	.132	.645	.330	310	911	.017	.112	.343	.399

MD	TAP	CPMEAN	CPRMS	CPMAX	CPMIN	MD	TAP	CPMEAN	CPRMS	CPMAX	CPMIN	MD	TAP	CPMEAN	CPRMS	CPMAX	CPMIN
310	912	.030	.117	.392	.404	320	113	.035	.101	.282	.362	320	204	.030	.098	.374	.288
310	913	.046	.108	.307	.492	320	114	.029	.103	.394	.380	320	205	.019	.104	.309	.374
310	914	.042	.103	.344	.428	320	115	.045	.107	.320	.384	320	206	.082	.098	.374	.249
310	915	.049	.106	.315	.416	320	116	.021	.116	.381	.349	320	207	.033	.098	.291	.424
310	916	.041	.106	.280	.397	320	117	.008	.102	.317	.322	320	208	.044	.106	.431	.336
310	917	.023	.104	.301	.441	320	118	.007	.102	.380	.343	320	209	.038	.100	.305	.371
310	918	.031	.107	.344	.352	320	119	.003	.099	.342	.320	320	210	.041	.103	.427	.306
310	919	.030	.104	.384	.436	320	120	.019	.102	.372	.333	320	211	.012	.114	.339	.369
310	920	.034	.104	.331	.373	320	121	.019	.110	.381	.330	320	212	.037	.110	.289	.408
310	921	.012	.112	.345	.364	320	122	.000	.114	.394	.346	320	213	.062	.114	.390	.425
310	922	.036	.111	.372	.451	320	123	.010	.101	.371	.333	320	214	.042	.103	.325	.391
310	923	.011	.117	.407	.430	320	124	.014	.101	.390	.328	320	215	.048	.096	.274	.432
310	924	.033	.124	.344	.389	320	125	.014	.106	.345	.300	320	216	.033	.103	.288	.401
310	925	.035	.114	.344	.456	320	126	.005	.101	.337	.344	320	217	.035	.114	.323	.373
310	926	.037	.105	.297	.443	320	127	.013	.098	.298	.355	320	218	.049	.097	.352	.400
310	927	.042	.101	.284	.423	320	128	.027	.111	.376	.458	320	219	.044	.103	.355	.378
310	928	.035	.109	.313	.412	320	129	.002	.101	.334	.343	320	220	.048	.105	.318	.390
310	929	.034	.114	.337	.464	320	130	.001	.105	.399	.331	320	221	.045	.108	.322	.363
310	930	.004	.113	.379	.403	320	131	.001	.113	.399	.322	320	222	.046	.111	.349	.413
310	931	.006	.102	.384	.396	320	132	.006	.110	.319	.322	320	223	.054	.102	.249	.428
310	932	.010	.110	.424	.327	320	133	.015	.114	.421	.308	320	224	.047	.111	.354	.398
310	933	.002	.111	.396	.381	320	134	.022	.103	.315	.316	320	225	.023	.104	.337	.339
310	934	.010	.134	.467	.303	320	135	.032	.097	.305	.471	320	226	.007	.112	.381	.373
310	935	.011	.104	.381	.407	320	136	.031	.117	.350	.438	320	227	.054	.114	.294	.496
310	936	.024	.104	.284	.351	320	137	.052	.123	.450	.350	320	228	.032	.108	.384	.509
310	937	.000	.106	.411	.469	320	138	.056	.111	.354	.330	320	229	.080	.104	.225	.484
310	938	.006	.099	.433	.294	320	139	.039	.111	.472	.323	320	230	.033	.114	.405	.425
310	939	.015	.107	.372	.347	320	140	.000	.104	.364	.422	320	231	.006	.102	.357	.353
310	940	.024	.110	.336	.397	320	141	.012	.116	.383	.410	320	232	.026	.115	.436	.416
310	941	.016	.106	.316	.445	320	142	.024	.110	.392	.417	320	233	.022	.114	.317	.410
310	942	.002	.107	.341	.469	320	143	.023	.106	.313	.376	320	234	.036	.112	.419	.489
310	943	.019	.107	.315	.388	320	144	.04	.104	.345	.308	320	235	.085	.115	.287	.430
310	944	.024	.103	.329	.411	320	145	.001	.101	.359	.377	320	236	.021	.107	.325	.387
310	945	.027	.110	.380	.368	320	146	.035	.103	.350	.350	320	237	.068	.111	.333	.466
310	946	.018	.114	.359	.322	320	147	.034	.101	.313	.320	320	238	.012	.097	.374	.312
310	947	.017	.109	.317	.353	320	148	.003	.101	.357	.440	320	239	.002	.097	.295	.333
310	948	.013	.106	.333	.339	320	149	.019	.076	.188	.355	320	240	.002	.096	.370	.351
310	949	.021	.106	.336	.377	320	150	.023	.105	.275	.333	320	241	.033	.103	.316	.466
310	950	.004	.106	.347	.429	320	151	.023	.098	.303	.477	320	242	.054	.121	.334	.464
310	101	.011	.107	.383	.402	320	152	.040	.108	.391	.373	320	301	.040	.103	.303	.451
310	102	.019	.098	.308	.406	320	153	.088	.122	.602	.311	320	302	.040	.106	.319	.431
310	103	.013	.111	.315	.452	320	154	.087	.123	.533	.377	320	303	.039	.103	.303	.353
310	104	.015	.102	.317	.446	320	155	.047	.110	.400	.377	320	304	.036	.102	.304	.329
310	105	.029	.111	.448	.404	320	156	.001	.107	.369	.344	320	305	.033	.108	.312	.308
310	106	.016	.109	.436	.383	320	161	.043	.113	.499	.388	320	306	.032	.122	.327	.326
310	107	.009	.106	.384	.366	320	162	.013	.119	.373	.351	320	307	.040	.106	.329	.420
310	108	.002	.106	.337	.110	320	163	.010	.100	.352	.333	320	308	.033	.105	.317	.398
310	109	.010	.109	.335	.350	320	201	.035	.103	.301	.344	320	309	.023	.108	.306	.377
310	110	.025	.109	.364	.361	320	202	.018	.118	.332	.408	320	310	.028	.106	.312	.440
310	111	.028	.097	.350	.328	320	203	.036	.100	.333	.388	320	311	.034	.102	.287	.445

MD	TAP	CPMEAN	CPRMS	CPMAX	CPMIN	MD	TAP	CPMEAN	CPRMS	CPMAX	CPMIN	MD	TAP	CPMEAN	CPRMS	CPMAX	CPMIN
320	312	035	115	409	455	320	362	016	106	373	354	320	903	010	118	402	383
320	313	030	103	323	384	320	363	015	101	296	382	320	904	007	107	304	391
320	314	030	104	349	377	320	364	019	098	344	370	320	905	018	111	405	439
320	315	036	109	323	351	320	365	018	095	330	362	320	906	042	097	263	435
320	316	032	107	398	470	320	401	023	126	638	672	320	907	041	113	316	476
320	317	040	100	311	387	320	402	009	126	465	653	320	908	034	099	299	367
320	318	044	103	353	379	320	403	012	131	465	546	320	909	042	112	389	450
320	319	045	113	272	404	320	404	014	126	537	625	320	910	008	110	340	365
320	320	044	113	278	399	320	405	022	123	439	425	320	911	011	104	356	367
320	321	033	104	272	431	320	406	023	128	402	561	320	912	017	111	358	345
320	322	034	113	430	421	320	407	024	103	366	503	320	913	047	110	316	408
320	323	042	106	316	408	320	408	019	100	306	331	320	914	057	107	331	363
320	324	050	099	276	455	320	409	015	096	331	309	320	915	050	100	304	365
320	325	045	109	346	469	320	410	022	103	402	421	320	916	049	094	273	342
320	326	039	118	337	429	320	411	034	098	244	373	320	917	036	100	364	357
320	327	031	103	333	444	320	412	027	100	351	417	320	918	045	104	287	390
320	328	036	104	333	444	320	413	024	098	272	342	320	919	036	115	364	353
320	329	030	106	349	434	320	414	025	108	348	422	320	920	049	100	295	361
320	330	026	111	364	473	320	415	028	104	305	402	320	921	025	103	386	399
320	331	030	115	387	438	320	416	029	095	319	381	320	922	021	102	295	363
320	332	033	105	327	468	320	417	029	098	273	358	320	923	016	108	321	372
320	333	031	100	341	426	320	418	035	106	327	383	320	924	032	108	333	378
320	334	023	102	310	461	320	419	023	102	324	320	320	925	030	122	365	564
320	335	026	108	349	406	320	420	031	105	285	366	320	926	036	100	314	353
320	336	027	097	314	442	320	421	029	096	262	320	320	927	032	102	319	353
320	337	026	108	343	406	320	422	040	104	297	332	320	928	023	106	318	391
320	338	019	100	294	415	320	423	034	096	229	345	320	929	024	102	318	350
320	339	018	108	370	407	320	424	040	113	326	399	320	930	008	110	331	415
320	340	020	105	341	433	320	425	040	101	287	373	320	931	007	113	428	439
320	341	039	104	346	407	320	426	038	103	323	416	320	932	016	103	384	313
320	342	029	101	378	466	320	427	039	109	355	444	320	933	010	106	406	305
320	343	028	105	379	434	320	428	031	102	320	444	320	934	002	116	332	354
320	344	014	101	321	435	320	429	028	106	226	385	320	935	018	110	310	378
320	345	023	116	349	479	320	430	029	108	334	391	320	936	031	112	406	410
320	346	023	103	300	431	320	431	017	104	408	409	320	937	009	106	344	333
320	347	019	108	308	439	320	432	017	102	275	396	320	938	007	098	357	408
320	348	011	111	343	469	320	433	018	100	333	409	320	939	013	117	435	425
320	349	014	103	359	432	320	434	019	104	351	373	320	940	008	116	358	384
320	350	013	105	358	439	320	435	033	107	324	441	320	941	028	106	381	406
320	351	028	108	347	459	320	436	034	107	394	457	320	942	031	104	288	358
320	352	022	106	355	420	320	437	033	096	345	331	320	943	028	105	327	371
320	353	015	101	266	420	320	438	029	100	309	359	320	944	021	113	365	396
320	354	013	102	261	420	320	439	022	106	263	408	320	945	051	121	418	486
320	355	009	102	209	440	320	440	034	103	440	557	320	946	045	108	283	378
320	356	016	108	373	441	320	441	030	105	389	353	320	947	032	111	347	404
320	357	017	107	313	441	320	442	016	096	214	344	320	948	029	101	331	346
320	358	011	097	354	443	320	443	019	107	14	394	320	949	020	110	360	368
320	359	001	104	336	444	320	444	000	103	65	43	330	101	042	118	344	338
320	360	001	110	438	901	320	901	000	099	49	390	330	102	042	128	485	388
320	361	011	109	454	902	320	902	013	104	20	337	330	103	021	117	489	433

WD	TAP	CPMEAN	CPRMS	CPMAX	CPMIN	WD	TAP	CPMEAN	CPRMS	CPMAX	CPMIN	WD	TAP	CPMEAN	CPRMS	CPMAX	CPMIN
3330	104	.015	.117	.377	.323	3330	154	.150	.129	.546	.262	3330	303	.064	.108	.332	.459
3330	105	.003	.116	.444	.411	3330	155	.135	.119	.597	.338	3330	304	.071	.111	.289	.491
3330	106	.015	.109	.332	.419	3330	156	.070	.103	.451	.258	3330	305	.064	.119	.359	.457
3330	107	.103	.115	.622	.204	3330	161	.022	.113	.402	.269	3330	306	.051	.121	.365	.396
3330	108	.099	.114	.570	.285	3330	162	.057	.110	.423	.228	3330	307	.039	.113	.296	.392
3330	109	.077	.110	.381	.376	3330	163	.066	.102	.454	.228	3330	308	.069	.109	.346	.428
3330	110	.036	.104	.375	.436	3330	201	.050	.116	.370	.433	3330	309	.066	.110	.335	.428
3330	111	.001	.111	.360	.439	3330	202	.011	.114	.399	.314	3330	310	.070	.106	.286	.469
3330	112	.018	.113	.362	.412	3330	203	.023	.106	.349	.448	3330	311	.068	.103	.332	.411
3330	113	.051	.119	.323	.559	3330	204	.014	.106	.443	.358	3330	312	.065	.105	.312	.422
3330	114	.050	.111	.288	.608	3330	205	.054	.117	.427	.449	3330	313	.048	.113	.400	.475
3330	115	.073	.117	.342	.435	3330	206	.031	.111	.414	.388	3330	314	.049	.105	.305	.438
3330	116	.063	.115	.297	.444	3330	207	.057	.099	.308	.384	3330	315	.042	.100	.285	.438
3330	117	.053	.122	.445	.313	3330	208	.027	.099	.352	.359	3330	316	.042	.105	.321	.438
3330	118	.084	.110	.576	.261	3330	209	.061	.106	.301	.360	3330	317	.066	.106	.304	.509
3330	119	.063	.109	.425	.401	3330	210	.048	.113	.411	.391	3330	318	.076	.108	.256	.400
3330	120	.096	.124	.489	.400	3330	211	.012	.132	.375	.665	3330	319	.054	.103	.307	.377
3330	121	.049	.133	.523	.360	3330	212	.073	.116	.240	.637	3330	320	.054	.116	.235	.454
3330	122	.076	.120	.557	.280	3330	213	.127	.110	.239	.637	3330	321	.039	.100	.275	.515
3330	123	.103	.121	.535	.282	3330	214	.092	.105	.270	.417	3330	322	.059	.101	.275	.533
3330	124	.093	.109	.524	.232	3330	215	.076	.095	.230	.381	3330	323	.081	.107	.278	.444
3330	125	.093	.115	.464	.267	3330	216	.064	.105	.292	.410	3330	324	.071	.099	.243	.391
3330	126	.071	.110	.436	.327	3330	217	.062	.106	.304	.412	3330	325	.070	.100	.299	.360
3330	127	.034	.105	.395	.323	3330	218	.063	.114	.334	.437	3330	326	.070	.107	.326	.435
3330	128	.016	.104	.320	.333	3330	219	.104	.132	.327	.387	3330	327	.050	.118	.369	.444
3330	129	.053	.111	.449	.463	3330	220	.070	.128	.389	.325	3330	328	.053	.108	.348	.454
3330	130	.066	.110	.486	.255	3330	221	.107	.112	.216	.490	3330	329	.044	.116	.430	.411
3330	131	.087	.109	.462	.251	3330	222	.090	.107	.300	.485	3330	330	.066	.110	.243	.414
3330	132	.062	.116	.429	.314	3330	223	.078	.107	.273	.468	3330	331	.064	.111	.338	.451
3330	133	.045	.101	.332	.351	3330	224	.084	.113	.290	.463	3330	332	.069	.107	.299	.455
3330	134	.009	.108	.373	.348	3330	225	.025	.111	.446	.373	3330	333	.056	.116	.351	.498
3330	135	.014	.098	.301	.336	3330	226	.019	.099	.322	.583	3330	334	.048	.102	.241	.412
3330	136	.039	.110	.358	.400	3330	227	.099	.135	.393	.587	3330	335	.044	.121	.352	.457
3330	137	.122	.121	.599	.261	3330	228	.048	.122	.341	.604	3330	336	.031	.113	.452	.527
3330	138	.150	.120	.599	.276	3330	229	.171	.131	.210	.674	3330	337	.031	.106	.339	.412
3330	139	.147	.120	.616	.266	3330	230	.091	.130	.485	.336	3330	338	.032	.110	.355	.398
3330	140	.096	.115	.581	.199	3330	231	.033	.111	.390	.329	3330	339	.033	.113	.335	.398
3330	141	.035	.115	.586	.606	3330	232	.063	.122	.402	.491	3330	340	.045	.107	.294	.414
3330	142	.004	.106	.398	.404	3330	233	.030	.107	.398	.491	3330	341	.045	.111	.317	.408
3330	143	.032	.103	.297	.406	3330	234	.016	.117	.382	.366	3330	342	.046	.112	.356	.409
3330	144	.047	.103	.253	.364	3330	235	.025	.115	.339	.354	3330	343	.034	.115	.339	.444
3330	145	.090	.114	.447	.266	3330	236	.030	.101	.324	.374	3330	344	.044	.111	.355	.444
3330	146	.125	.088	.421	.194	3330	237	.133	.118	.286	.347	3330	345	.026	.106	.333	.313
3330	147	.138	.117	.573	.194	3330	238	.006	.113	.350	.385	3330	346	.031	.105	.333	.388
3330	148	.086	.117	.438	.222	3330	239	.036	.111	.361	.404	3330	347	.018	.128	.427	.574
3330	149	.033	.086	.341	.241	3330	240	.039	.103	.369	.399	3330	348	.028	.114	.375	.446
3330	150	.010	.106	.311	.318	3330	241	.026	.112	.394	.362	3330	349	.019	.114	.433	.455
3330	151	.007	.106	.321	.330	3330	242	.005	.116	.407	.470	3330	350	.019	.108	.400	.455
3330	152	.044	.099	.226	.409	3330	301	.058	.105	.341	.364	3330	351	.029	.100	.335	.399
3330	153	.150	.123	.720	.304	3330	302	.048	.098	.308	.339	3330	352	.022	.107	.340	.443

WD	TAP	CPMEAN	CPRMS	CPMAX	CPMIN	WD	TAP	CPMEAN	CPRMS	CPMAX	CPMIN	WD	TAP	CPMEAN	CPRMS	CPMAX	CPMIN
330	333	.017	.101	.346	.496	330	438	.031	.108	.352	.436	330	944	.011	.113	.331	.385
330	334	.009	.115	.396	.439	330	439	.019	.112	.365	.364	330	945	.022	.123	.454	.333
330	335	.019	.100	.355	.446	330	440	.030	.106	.314	.388	330	946	.016	.110	.365	.333
330	336	.020	.119	.387	441	330	441	.022	.110	.332	.381	330	947	.004	.113	.341	.315
330	337	.020	.113	.436	442	330	442	.008	.110	.369	.402	330	948	.015	.115	.341	.404
330	338	.005	.105	.355	443	330	443	.012	.113	.351	.384	330	949	.004	.091	.317	.442
330	339	.002	.112	.334	444	330	444	.001	.104	.346	.385	330	101	.093	.135	.587	.444
330	340	.016	.114	.376	901	330	901	.014	.114	.382	.437	340	102	.120	.137	.631	.382
330	341	.027	.108	.382	902	330	902	.002	.113	.403	.382	340	103	.125	.148	.676	.333
330	342	.016	.115	.380	903	330	903	.009	.096	.300	.400	340	104	.124	.138	.666	.212
330	343	.009	.114	.419	904	330	904	.027	.110	.381	.411	340	105	.104	.149	.800	.211
330	344	.020	.108	.419	905	330	905	.016	.117	.352	.392	340	106	.085	.152	.799	.668
330	345	.021	.106	.451	906	330	906	.059	.109	.280	.500	340	107	.129	.121	.533	.227
330	401	.047	.116	.435	907	330	907	.053	.111	.267	.415	340	108	.149	.121	.611	.277
330	402	.045	.103	.429	908	330	908	.065	.109	.287	.401	340	109	.104	.124	.643	.177
330	403	.038	.110	.436	909	330	909	.077	.105	.234	.477	340	110	.104	.115	.522	.333
330	404	.039	.110	.598	910	330	910	.045	.107	.337	.448	340	111	.065	.132	.664	.388
330	405	.030	.129	.568	911	330	911	.022	.109	.344	.410	340	112	.021	.132	.594	.211
330	406	.038	.118	.443	912	330	912	.024	.103	.271	.438	340	113	.038	.121	.360	.497
330	407	.033	.106	.414	913	330	913	.060	.099	.277	.429	340	114	.045	.110	.394	.266
330	408	.037	.096	.358	914	330	914	.066	.109	.311	.459	340	115	.061	.115	.307	.448
330	409	.036	.084	.340	915	330	915	.066	.111	.294	.451	340	116	.068	.126	.456	.368
330	410	.036	.099	.327	916	330	916	.068	.108	.249	.525	340	117	.057	.118	.493	.274
330	411	.043	.096	.516	917	330	917	.055	.104	.267	.583	340	118	.092	.127	.535	.222
330	412	.041	.109	.401	918	330	918	.052	.109	.331	.433	340	119	.084	.119	.477	.344
330	413	.042	.095	.374	919	330	919	.065	.107	.295	.378	340	120	.103	.130	.678	.388
330	414	.035	.116	.388	920	330	920	.073	.104	.357	.392	340	121	.052	.130	.756	.333
330	415	.037	.110	.464	921	330	921	.080	.116	.254	.488	340	122	.058	.127	.576	.448
330	416	.033	.103	.390	922	330	922	.064	.109	.321	.488	340	123	.145	.118	.579	.333
330	417	.035	.107	.418	923	330	923	.071	.135	.367	.595	340	124	.143	.113	.579	.365
330	418	.040	.112	.456	924	330	924	.087	.126	.404	.447	340	125	.152	.118	.533	.361
330	419	.046	.104	.380	925	330	925	.069	.127	.362	.460	340	126	.138	.108	.605	.388
330	420	.035	.108	.370	926	330	926	.064	.112	.303	.388	340	127	.116	.122	.672	.211
330	421	.019	.108	.401	927	330	927	.069	.111	.348	.414	340	128	.027	.117	.492	.399
330	422	.024	.110	.393	928	330	928	.056	.109	.325	.419	340	129	.054	.115	.448	.222
330	423	.040	.099	.414	929	330	929	.049	.105	.346	.501	340	130	.091	.116	.477	.333
330	424	.033	.104	.423	930	330	930	.038	.117	.406	.355	340	131	.116	.115	.554	.222
330	425	.045	.101	.386	931	330	931	.086	.109	.453	.252	340	132	.125	.113	.542	.155
330	426	.038	.123	.579	932	330	932	.108	.120	.548	.421	340	133	.094	.103	.444	.266
330	427	.038	.110	.423	933	330	933	.088	.112	.490	.268	340	134	.047	.110	.496	.222
330	428	.031	.111	.486	934	330	934	.066	.109	.436	.294	340	135	.010	.129	.605	.388
330	429	.030	.104	.399	935	330	935	.010	.114	.340	.385	340	136	.101	.121	.381	.277
330	430	.032	.100	.391	936	330	936	.037	.101	.371	.392	340	137	.143	.123	.631	.361
330	431	.026	.107	.372	937	330	937	.062	.111	.499	.344	340	138	.157	.120	.602	.277
330	432	.018	.102	.495	938	330	938	.073	.104	.396	.261	340	139	.164	.130	.578	.211
330	433	.018	.113	.423	939	330	939	.019	.108	.402	.330	340	140	.134	.120	.476	.388
330	434	.022	.101	.374	940	330	940	.022	.107	.373	.338	340	141	.082	.111	.480	.369
330	435	.034	.118	.374	941	330	941	.049	.124	.454	.307	340	142	.021	.099	.320	.277
330	436	.026	.114	.434	942	330	942	.013	.122	.469	.471	340	143	.022	.103	.426	.344
330	437	.026	.106	.395	943	330	943	.023	.121	.448	.400	340	144	.050	.111	.335	.411

WD	TAP	CPMEAN	CPRMS	CPMAX	CPMIN	WD	TAP	CPMEAN	CPRMS	CPMAX	CPMIN	WD	TAP	CPMEAN	CPRMS	CPMAX	CPMIN
340	145	.085	.104	.418	-.275	340	236	-.024	.101	.293	-.378	340	344	-.062	.130	.365	-.567
340	146	.128	.100	.439	-.145	340	237	-.104	.120	.335	-.563	340	345	-.054	.111	.285	-.423
340	147	.137	.111	.499	-.257	340	238	-.005	.111	.385	-.356	340	346	-.056	.117	.308	-.447
340	148	.129	.103	.481	-.217	340	239	-.041	.113	.454	-.375	340	347	-.007	.115	.370	-.333
340	149	.087	.093	.441	-.216	340	240	-.034	.105	.419	-.301	340	348	-.014	.112	.425	-.467
340	150	.049	.093	.334	-.336	340	241	-.024	.097	.349	-.314	340	349	-.026	.108	.363	-.351
340	151	.024	.108	.448	-.324	340	242	-.006	.116	.391	-.457	340	350	-.018	.113	.458	-.402
340	152	-.051	.106	.501	-.509	340	301	-.107	.106	.199	-.424	340	351	-.047	.118	.352	-.469
340	153	.159	.114	.552	-.247	340	302	-.101	.117	.288	-.557	340	352	-.041	.112	.363	-.482
340	154	.185	.124	.798	-.292	340	303	-.099	.110	.269	-.433	340	353	-.011	.105	.336	-.398
340	155	.163	.120	.559	-.234	340	304	-.094	.114	.273	-.430	340	354	-.010	.115	.458	-.365
340	156	.106	.102	.441	-.322	340	305	-.096	.115	.311	-.618	340	355	-.011	.122	.444	-.387
340	161	.050	.104	.418	-.340	340	306	-.085	.108	.243	-.475	340	356	-.005	.118	.404	-.365
340	162	.097	.115	.482	-.326	340	307	-.102	.109	.315	-.509	340	357	-.018	.118	.436	-.378
340	163	.100	.099	.414	-.227	340	308	-.097	.108	.230	-.505	340	358	-.054	.112	.448	-.222
340	201	-.059	.109	.447	-.447	340	309	-.078	.106	.280	-.403	340	359	-.073	.127	.468	-.282
340	202	.020	.102	.333	-.379	340	310	-.092	.099	.310	-.587	340	360	-.003	.134	.465	-.459
340	203	.020	.104	.333	-.397	340	311	-.087	.107	.227	-.447	340	361	-.004	.106	.385	-.355
340	204	.043	.099	.333	-.364	340	312	-.091	.105	.249	-.448	340	362	-.007	.117	.391	-.426
340	205	.090	.123	.610	-.610	340	313	-.065	.107	.321	-.391	340	363	-.013	.119	.407	-.367
340	206	.021	.112	.483	-.483	340	314	-.056	.109	.417	-.399	340	364	-.032	.109	.351	-.418
340	207	.060	.103	.414	-.414	340	315	-.047	.116	.409	-.387	340	365	-.032	.105	.327	-.397
340	208	.036	.097	.333	-.333	340	316	-.048	.111	.336	-.446	340	401	-.118	.135	.315	-.837
340	209	.053	.109	.476	-.476	340	317	-.067	.108	.241	-.451	340	402	-.105	.141	.289	-.675
340	210	.005	.158	.710	-.710	340	318	-.060	.107	.330	-.420	340	403	-.068	.129	.330	-.556
340	211	.094	.175	.983	-.983	340	319	-.055	.105	.325	-.402	340	404	-.062	.131	.428	-.571
340	212	.063	.106	.477	-.477	340	320	-.068	.105	.282	-.401	340	405	-.066	.117	.340	-.481
340	213	.127	.105	.423	-.423	340	321	-.062	.102	.288	-.424	340	406	-.074	.119	.332	-.443
340	214	.080	.096	.384	-.384	340	322	-.086	.097	.222	-.421	340	407	-.093	.114	.304	-.473
340	215	.082	.111	.450	-.450	340	323	-.067	.098	.268	-.382	340	408	-.071	.104	.315	-.389
340	216	.071	.115	.429	-.429	340	324	-.078	.114	.259	-.468	340	409	-.053	.101	.272	-.316
340	217	.056	.104	.441	-.441	340	325	-.063	.104	.292	-.406	340	410	-.064	.103	.296	-.455
340	218	.059	.097	.357	-.357	340	326	-.064	.104	.335	-.484	340	411	-.090	.103	.262	-.521
340	219	.059	.097	.357	-.357	340	327	-.072	.104	.284	-.412	340	412	-.076	.110	.354	-.427
340	220	.126	.130	.670	-.670	340	328	-.075	.108	.288	-.424	340	413	-.063	.114	.309	-.393
340	221	.097	.100	.487	-.487	340	329	-.076	.113	.223	-.499	340	414	-.060	.108	.251	-.420
340	222	.084	.098	.456	-.456	340	330	-.063	.105	.319	-.447	340	415	-.058	.111	.377	-.423
340	223	.071	.105	.398	-.398	340	331	-.079	.103	.256	-.438	340	416	-.053	.106	.282	-.403
340	224	.084	.118	.467	-.467	340	332	-.084	.100	.357	-.426	340	417	-.056	.118	.309	-.432
340	225	.025	.105	.346	-.346	340	333	-.069	.111	.350	-.450	340	418	-.107	.123	.279	-.631
340	226	.018	.110	.349	-.349	340	334	-.055	.117	.358	-.399	340	419	-.074	.102	.295	-.466
340	227	.106	.132	.650	-.650	340	335	-.064	.112	.300	-.406	340	420	-.078	.111	.284	-.406
340	228	.032	.116	.471	-.471	340	336	-.065	.120	.392	-.451	340	421	-.036	.113	.365	-.380
340	229	.149	.138	.647	-.647	340	337	-.070	.109	.264	-.448	340	422	-.044	.101	.327	-.447
340	230	.095	.112	.389	-.389	340	338	-.071	.117	.295	-.444	340	423	-.080	.115	.304	-.424
340	231	.042	.112	.360	-.360	340	339	-.084	.118	.307	-.484	340	424	-.071	.111	.276	-.439
340	232	.006	.120	.474	-.474	340	340	-.084	.106	.295	-.467	340	425	-.020	.114	.318	-.396
340	233	.034	-.102	.304	-.304	340	440	-.086	.117	.307	-.455	340	426	-.027	.115	.305	-.409
340	234	.037	.113	.380	-.380	340	441	-.084	.117	.358	-.443	340	427	-.020	.111	.339	-.437
340	235	.010	.120	.466	-.466	340	442	-.065	.110	.292	-.535	340	428	-.061	.108	.265	-.406

WD	TAP	CPMEAN	CPRMS	CPMAX	CPMIN	WD	TAP	CPMEAN	CPRMS	CPMAX	CPMIN	WD	TAP	CPMEAN	CPRMS	CPMAX	CPMIN
440	429	.042	.112	.410	.406	340	935	.059	.120	.678	.286	350	136	.038	.131	.438	.420
440	430	.048	.119	.381	.330	340	936	.029	.096	.284	.286	350	137	.123	.139	.624	.374
440	431	.066	.109	.280	.316	340	937	.094	.103	.480	.323	350	138	.165	.146	.705	.399
440	432	.004	.108	.324	.423	340	938	.101	.120	.519	.323	350	139	.209	.142	.714	.212
440	433	.059	.116	.361	.431	340	939	.083	.119	.502	.227	350	140	.144	.141	.773	.319
440	434	.047	.119	.344	.431	340	940	.068	.105	.407	.227	350	141	.093	.115	.563	.293
440	435	.017	.111	.294	.404	340	941	.081	.103	.411	.227	350	142	.014	.109	.370	.348
440	436	.020	.122	.460	.434	340	942	.063	.113	.471	.227	350	143	.040	.115	.349	.438
440	437	.014	.109	.332	.418	340	943	.013	.114	.373	.227	350	144	.091	.120	.333	.534
440	438	.010	.113	.346	.434	340	944	.024	.103	.407	.227	350	145	.069	.119	.511	.283
440	439	.004	.117	.398	.401	340	945	.023	.112	.403	.227	350	146	.111	.115	.497	.213
440	440	.015	.102	.388	.405	340	946	.041	.110	.479	.227	350	147	.153	.124	.641	.256
440	441	.011	.114	.324	.337	340	947	.046	.115	.466	.227	350	148	.140	.123	.763	.226
440	442	.021	.114	.361	.369	340	948	.023	.110	.369	.227	350	149	.091	.092	.429	.177
440	443	.028	.106	.313	.369	340	949	.044	.102	.345	.227	350	150	.032	.113	.380	.347
440	444	.075	.120	.464	.359	340	101	.167	.157	.828	.227	350	151	.011	.115	.373	.380
440	901	.023	.118	.458	.359	340	102	.165	.155	.000	.227	350	152	.088	.118	.356	.490
440	902	.037	.133	.399	.441	340	103	.148	.142	.827	.227	350	153	.120	.146	.356	.322
440	903	.023	.111	.425	.328	340	104	.128	.153	.700	.227	350	154	.140	.131	.654	.341
440	904	.000	.114	.372	.361	340	105	.101	.151	.820	.227	350	155	.115	.130	.666	.367
440	905	.009	.111	.399	.611	340	106	.063	.158	.723	.227	350	156	.107	.120	.548	.285
440	906	.068	.113	.288	.446	340	107	.204	.164	.808	.227	350	161	.044	.114	.698	.315
440	907	.069	.104	.266	.438	340	108	.213	.150	.804	.227	350	162	.066	.128	.510	.316
440	908	.063	.112	.367	.446	340	109	.181	.141	.810	.227	350	163	.088	.121	.478	.269
440	909	.071	.110	.270	.477	340	110	.138	.132	.671	.227	350	201	.068	.109	.333	.447
440	910	.027	.113	.277	.464	340	111	.059	.133	.590	.227	350	202	.041	.113	.315	.383
440	911	.013	.110	.337	.350	340	112	.003	.123	.395	.227	350	203	.044	.104	.278	.431
440	912	.011	.111	.372	.322	340	113	.066	.120	.439	.227	350	204	.000	.119	.354	.610
440	913	.069	.102	.339	.486	340	114	.067	.122	.376	.227	350	205	.144	.143	.328	.952
440	914	.060	.111	.389	.445	340	115	.092	.129	.307	.227	350	206	.073	.149	.357	.696
440	915	.065	.111	.327	.445	340	116	.093	.129	.417	.227	350	207	.096	.105	.288	.486
440	916	.060	.109	.327	.454	340	117	.083	.140	.672	.227	350	208	.091	.095	.329	.515
440	917	.060	.106	.359	.490	340	118	.083	.143	.630	.227	350	209	.093	.115	.361	.447
440	918	.054	.108	.239	.425	340	119	.123	.136	.710	.227	350	210	.000	.177	.422	.837
440	919	.065	.111	.291	.494	340	120	.183	.146	.763	.227	350	211	.114	.224	.662	.974
440	920	.075	.102	.247	.426	340	121	.065	.137	.705	.227	350	212	.111	.136	.366	.591
440	921	.105	.144	.448	.466	340	122	.148	.142	.664	.227	350	213	.208	.136	.218	.829
440	922	.097	.133	.349	.463	340	123	.177	.144	.809	.227	350	214	.133	.107	.233	.511
440	923	.139	.143	.448	.450	340	124	.141	.141	.826	.227	350	215	.111	.110	.192	.515
440	924	.141	.123	.324	.690	340	125	.148	.148	.708	.227	350	216	.133	.107	.233	.513
440	925	.147	.136	.286	.688	340	126	.167	.139	.828	.227	350	217	.116	.125	.364	.561
440	926	.098	.110	.304	.494	340	127	.144	.130	.635	.227	350	218	.109	.116	.213	.554
440	927	.086	.105	.273	.482	340	128	.065	.108	.369	.227	350	219	.222	.171	.213	.837
440	928	.076	.113	.293	.314	340	129	.088	.129	.522	.227	350	220	.144	.127	.344	.653
440	929	.058	.101	.306	.501	340	130	.130	.126	.619	.227	350	221	.169	.116	.235	.597
440	930	.050	.114	.421	.423	340	131	.160	.150	.762	.227	350	222	.147	.105	.163	.498
440	931	.093	.110	.443	.531	340	132	.160	.149	.685	.227	350	223	.129	.122	.269	.672
440	932	.121	.120	.638	.239	340	133	.133	.133	.592	.227	350	224	.053	.123	.343	.641
440	933	.141	.119	.682	.217	340	134	.043	.121	.494	.227	350	225	.022	.119	.327	.466
440	934	.134	.121	.572	.221	340	135	.002	.121	.464	.227	350	226	.000	.117	.332	.471

MD	TAP	CPMEAN	CPRMS	CPMAX	CPMIN	MD	TAP	CPMEAN	CPRMS	CPMAX	CPMIN	MD	TAP	CPMEAN	CPRMS	CPMAX	CPMIN
350	227	.115	.142	.408	.744	350	335	.107	.108	.298	.536	350	420	.153	.117	.276	.637
350	228	.060	.118	.483	.483	350	336	.103	.101	.328	.440	350	421	.060	.104	.301	.414
350	229	.200	.144	.963	.963	350	337	.129	.106	.185	.493	350	422	.080	.097	.216	.478
350	230	.068	.130	.383	.383	350	338	.122	.109	.244	.336	350	423	.130	.113	.279	.474
350	231	.020	.121	.379	.379	350	339	.155	.111	.212	.567	350	424	.146	.120	.202	.549
350	232	.037	.128	.488	.488	350	340	.140	.117	.216	.535	350	425	.018	.106	.321	.431
350	233	.034	.120	.475	.475	350	341	.159	.120	.237	.661	350	426	.025	.117	.365	.562
350	234	.036	.123	.384	.384	350	342	.135	.109	.259	.506	350	427	.039	.113	.348	.397
350	235	.000	.120	.369	.369	350	343	.111	.111	.248	.539	350	428	.127	.122	.285	.561
350	236	.044	.115	.468	.468	350	344	.100	.131	.468	.654	350	429	.085	.116	.350	.498
350	237	.153	.130	.674	.674	350	345	.107	.117	.241	.506	350	430	.085	.133	.424	.613
350	238	.033	.117	.454	.454	350	346	.085	.113	.336	.491	350	431	.121	.108	.241	.492
350	239	.023	.108	.336	.336	350	347	.034	.127	.411	.472	350	432	.009	.123	.348	.459
350	240	.023	.114	.336	.336	350	348	.044	.124	.377	.390	350	433	.134	.139	.441	.714
350	241	.020	.106	.417	.417	350	349	.046	.113	.291	.475	350	434	.105	.125	.294	.622
350	242	.010	.114	.343	.343	350	350	.078	.112	.357	.414	350	435	.021	.105	.371	.361
350	243	.137	.120	.719	.719	350	351	.077	.108	.410	.524	350	436	.013	.102	.405	.355
350	244	.131	.123	.681	.681	350	352	.029	.117	.275	.495	350	437	.031	.108	.294	.412
350	245	.133	.124	.702	.702	350	353	.005	.128	.470	.445	350	438	.013	.112	.357	.391
350	246	.119	.117	.555	.555	350	354	.017	.123	.470	.452	350	439	.018	.101	.319	.368
350	247	.121	.114	.534	.534	350	355	.030	.120	.479	.452	350	440	.023	.109	.307	.432
350	248	.111	.119	.446	.446	350	356	.009	.102	.422	.498	350	441	.027	.117	.362	.478
350	249	.146	.114	.599	.599	350	357	.085	.102	.367	.439	350	442	.021	.106	.392	.352
350	250	.140	.125	.757	.757	350	358	.109	.119	.509	.284	350	443	.027	.114	.362	.535
350	251	.139	.120	.555	.555	350	359	.034	.133	.336	.311	350	444	.101	.114	.506	.309
350	252	.110	.124	.557	.557	350	360	.024	.114	.332	.482	350	901	.019	.117	.388	.428
350	253	.116	.109	.435	.435	350	361	.041	.119	.332	.491	350	902	.046	.122	.402	.425
350	254	.139	.106	.507	.507	350	362	.031	.109	.382	.518	350	903	.019	.117	.431	.377
350	255	.099	.112	.523	.523	350	363	.061	.111	.374	.420	350	904	.000	.118	.351	.413
350	256	.079	.107	.458	.458	350	364	.063	.108	.367	.487	350	905	.009	.113	.451	.408
350	257	.085	.127	.458	.458	350	365	.138	.126	.358	.501	350	906	.111	.114	.243	.671
350	258	.083	.104	.436	.436	350	366	.138	.133	.226	.826	350	907	.121	.119	.301	.569
350	259	.103	.115	.540	.540	350	367	.138	.133	.431	.752	350	908	.107	.114	.247	.458
350	260	.099	.103	.430	.430	350	368	.124	.140	.452	.722	350	909	.115	.116	.220	.556
350	261	.098	.124	.545	.545	350	369	.092	.132	.400	.662	350	910	.060	.141	.312	.662
350	262	.098	.126	.489	.489	350	370	.090	.126	.329	.668	350	911	.018	.125	.390	.491
350	263	.096	.114	.450	.450	350	371	.107	.130	.301	.573	350	912	.040	.116	.384	.414
350	264	.111	.115	.523	.523	350	372	.119	.111	.195	.573	350	913	.103	.119	.308	.582
350	265	.109	.109	.532	.532	350	373	.123	.106	.239	.449	350	914	.100	.115	.247	.496
350	266	.117	.113	.518	.518	350	374	.092	.112	.315	.463	350	915	.101	.115	.296	.499
350	267	.110	.124	.561	.561	350	375	.107	.095	.178	.460	350	916	.102	.104	.255	.500
350	268	.107	.127	.499	.499	350	376	.144	.111	.202	.484	350	917	.098	.116	.221	.500
350	269	.107	.120	.543	.543	350	377	.137	.116	.239	.535	350	918	.093	.109	.233	.492
350	270	.118	.121	.636	.636	350	378	.124	.111	.213	.510	350	919	.098	.113	.289	.532
350	271	.117	.117	.546	.546	350	379	.107	.102	.260	.439	350	920	.110	.116	.273	.489
350	272	.113	.113	.495	.495	350	380	.097	.094	.301	.429	350	921	.187	.177	.293	.606
350	273	.128	.111	.479	.479	350	381	.103	.100	.185	.431	350	922	.145	.144	.507	.703
350	274	.133	.113	.530	.530	350	382	.088	.108	.280	.458	350	923	.233	.133	.289	.837
350	275	.115	.115	.487	.487	350	383	.186	.118	.189	.588	350	924	.184	.133	.260	.907
350	276	.114	.114	.503	.503	350	384	.118	.109	.229	.487	350	925	.186	.148	.252	.797

WD	TAP	CPNEAN	CPRMS	CPMAX	CPMIN	WD	TAP	CPMEAN	CPRMS	CPMAX	CPMIN	WD	TAP	CPNEAN	CPRMS	CPMAX	CPMIN
350	926	-.146	.111	.166	-.599	350	934	.185	.147	.902	-.311	350	942	.083	.126	.479	-.445
350	927	-.134	.120	.275	-.513	350	935	.071	.130	.521	-.310	350	943	.003	.116	.352	-.425
350	928	-.120	.119	.264	-.519	350	936	-.043	.116	.356	-.402	350	944	.014	.106	.490	-.347
350	929	-.082	.127	.360	-.508	350	937	.102	.123	.560	-.397	350	945	.030	.118	.449	-.448
350	930	.073	.138	.578	-.306	350	938	.126	.128	.564	-.307	350	946	.043	.128	.438	-.382
350	931	.130	.123	.569	-.321	350	939	.088	.128	.573	-.298	350	947	.050	.124	.451	-.414
350	932	.175	.145	.636	-.322	350	940	.074	.119	.533	-.345	350	948	.027	.119	.392	-.395
350	933	.185	.137	.641	-.250	350	941	.080	.122	.471	-.432	350	949	.035	.108	.392	-.334

WD	TAP	CPMEAN	CPRMS	CPMAX	CPMIN	WD	TAP	CPMEAN	CPRMS	CPMAX	CPMIN	WD	TAP	CPMEAN	CPRMS	CPMAX	CPMIN
40	306	148	130	329	703	54	313	359	188	170	-1.981	68	921	400	270	261	-1.637
40	313	300	175	191	-2.240	54	904	176	154	273	-877	70	306	118	120	302	-624
40	904	151	151	358	733	54	917	277	176	189	-980	70	904	183	164	316	-1.082
40	917	177	177	333	933	54	918	211	111	115	-596	70	917	109	140	407	-779
40	918	129	129	259	323	54	920	011	194	866	-729	70	918	085	121	337	-521
40	920	152	152	455	766	54	921	446	252	307	-1.762	70	920	081	185	975	-504
40	921	196	196	383	999	56	306	157	130	293	-681	70	921	358	253	297	-1.578
42	306	163	130	319	663	56	313	352	195	187	-2.152	110	306	346	226	454	-1.343
42	313	176	176	188	988	56	904	203	165	306	-815	110	904	365	189	133	-1.640
42	904	161	161	530	743	56	917	271	181	289	-1.008	110	917	144	147	408	-805
42	917	184	184	356	957	56	918	210	127	171	-631	110	918	144	144	289	-932
42	918	127	127	822	999	56	920	003	210	910	-720	110	920	193	232	451	-1.789
42	920	175	175	822	999	56	921	480	273	332	-1.712	110	921	218	158	227	-1.066
42	921	219	219	409	722	58	306	164	131	325	-582	112	306	337	242	614	-1.323
44	306	115	115	287	552	58	313	297	206	325	-2.290	112	904	386	207	246	-1.336
44	313	340	194	250	266	58	904	231	156	239	-856	112	917	150	160	285	-875
44	904	146	146	330	715	58	917	286	176	295	-972	112	918	150	150	276	-793
44	917	154	154	662	834	58	918	200	117	192	-604	112	920	200	237	439	-2.168
44	918	117	117	184	334	58	920	033	193	928	-668	112	921	217	172	205	-1.382
44	920	170	170	388	999	58	921	533	279	322	-1.841	114	306	289	231	792	-1.352
44	921	212	212	325	999	60	306	169	130	282	-669	114	904	410	200	146	-1.451
46	306	141	121	219	266	60	313	266	209	432	-1.388	114	917	138	147	388	-922
46	313	377	182	169	439	60	904	239	168	291	-1.116	114	918	156	147	274	-802
46	904	160	160	461	049	60	917	274	192	311	-989	114	920	215	233	378	-2.542
46	917	169	169	294	928	60	918	185	132	240	-610	114	921	232	159	258	-945
46	918	130	130	532	955	60	920	057	194	983	-555	116	306	334	240	723	-1.398
46	920	183	183	693	999	60	921	535	281	222	-1.669	116	904	417	220	150	-1.491
46	921	240	240	549	999	62	306	115	115	267	-620	116	917	174	150	328	-1.127
48	306	140	140	307	599	62	904	233	168	367	-1.131	116	918	152	131	248	-703
48	313	197	197	190	947	62	917	227	178	299	-864	116	920	208	214	399	-2.334
48	904	160	160	408	929	62	918	166	136	351	-696	116	921	218	158	255	-1.179
48	917	191	191	362	113	62	920	073	192	833	-625	118	306	279	235	556	-1.266
48	918	129	129	171	799	62	921	534	294	331	-1.578	118	904	421	220	214	-1.797
48	920	193	193	104	444	64	306	149	135	333	-617	118	917	169	151	419	-971
48	921	242	242	314	922	64	904	233	167	339	-968	118	918	157	141	291	-1.104
50	306	120	120	274	626	64	917	180	189	339	-898	118	920	217	229	478	-1.435
50	313	185	185	112	303	64	918	130	129	282	-632	118	921	220	158	292	-856
50	904	169	169	452	900	64	919	095	182	899	-415	120	306	285	257	622	-1.291
50	917	170	170	378	914	64	920	148	126	111	-2.061	120	904	391	212	164	-1.335
50	918	128	128	132	914	64	921	166	126	222	-593	120	917	169	144	290	-1.036
50	920	196	196	822	999	66	904	236	175	361	-1.179	120	918	169	152	227	-1.138
50	921	247	247	307	999	66	917	165	165	344	-686	120	920	220	239	316	-1.718
52	306	125	125	157	999	66	918	195	138	499	-619	120	921	214	160	225	-952
52	313	178	178	189	999	66	920	111	138	688	-630	122	306	312	262	155	-1.410
52	904	164	164	452	822	66	921	094	301	180	-1.937	122	904	436	191	147	-1.308
52	917	175	175	203	334	68	922	111	117	220	-538	122	917	170	138	256	-1.033
52	918	123	123	166	799	68	904	194	169	333	-1.341	122	918	176	139	256	-1.283
52	920	203	203	818	955	68	917	138	158	72	-736	122	920	246	241	349	-1.971
52	921	260	260	471	955	68	918	093	127	290	-589	122	921	236	156	276	-946
52	306	126	126	282	627	68	920	079	181	96	-485	124	306	271	267	693	-1.506

